

Compact Disc Harrow  
Qualidisc & Qualidisc Farmer



# Optimum Soil and Residue Incorporation



## Kverneland Qualidisc Farmer: 15% lighter and easier to lift.



Qualidisc Farmer rigid mounted



Qualidisc Farmer mounted foldable

### Ideal for reducing soil compaction

The Qualidisc Farmer is a lighter execution of the Qualidisc for more shallow use from 3 m to 6 m mounted. This machine is for farmers who want to use the compact disc harrow up to 10 cm deep. Consequently, the machine is 15% lighter, easier to lift, ideal for reducing soil compaction and more economic for farmers. The frames have been designed to carry the heaviest roller like the Actipack.

A new disc arm is used that has the heat treated disc of 520 x 5 mm – (hardness 200 kg/mm<sup>2</sup>). The arm cover avoids any lateral movement during work for a constant cutting quality. This disc hub is maintenance-free and has a long life time

under large pressure at high working speed. The working depth is very easy to adjust by pivoting spacers according to the required depth. If the full roller weight is required, only one action on the hydraulic is necessary. Simple, friendly and efficient! For a nice leveling on the edge, the soil flow is controlled by lateral deflectors. A finger harrow can be fitted in between to increase the residues incorporation. The Qualidisc Farmer range can be combined with a-drill 200 or 500 for establishing cover crops or grass in one pass during the stubbling action. A wide range of packer rollers is available.

## Features and Benefits



### A strong disc arm performed by FEM

The Qualidisc Farmer disc arm gets a special profile which has been performed by FEM (Finite Element Method) calculation. It allows high stress (lateral or radial) at high speed.

### Perfect cutting angle

The Qualidisc Farmer gets the same working angle than his big brother the Qualidisc. The disc arm doesn't allow any lateral movement that could damage the cutting quality : The bottom profile is then regular without ridges.

### A rubber shock system dimensioned for the disc arm

Each single disc is protected by 4 rubbers shock system : it means that when one disc releases, the others still work at the correct depth.



### Maintenance-free bearings

The Qualidisc Farmer is equipped with maintenance free bearings. The strong 35mm shaft carries 2 rows of ball bearings specially adjusted to face against the high axial and radial loads. The seals have been specially designed to prevent any pollution and this is the reason why Kverneland covers 2 years of warranty on the machine.



### Heat treated disc 200 kg/mm<sup>2</sup>

Kverneland extends the lifetime standards of the discs by 25% : the hardness has been raised from 160kg/mm<sup>2</sup> to 200kg/mm<sup>2</sup>. It means that you make more hectares and save maintenance costs. The 520mm disc has a conical shape to ensure a constant cutting angle independently of the disc diameter.



### Easy to adjust

Kverneland proposes 2 types of friendly adjustment by spacers: mechanically or hydraulically. This always allows an accurate and constant depth especially on fold machines. On both case, the roller weight can be used to improve the penetration.

# Kverneland Qualidisc: A Complete Range from 3 to 7 Metres!



Qualidisc rigid mounted



Qualidisc F mounted foldable



Qualidisc T semi-mounted

## Working quality, multifunctional and high output

Stubble cultivation is of major importance within conservation tillage: It incorporates weed and volunteer cereal seeds into the soil with intensive mixing and promotes their germination for a more efficient subsequent treatment.

The even incorporation of the straw presents a key factor for seed germination. Therefore, Kverneland has designed the

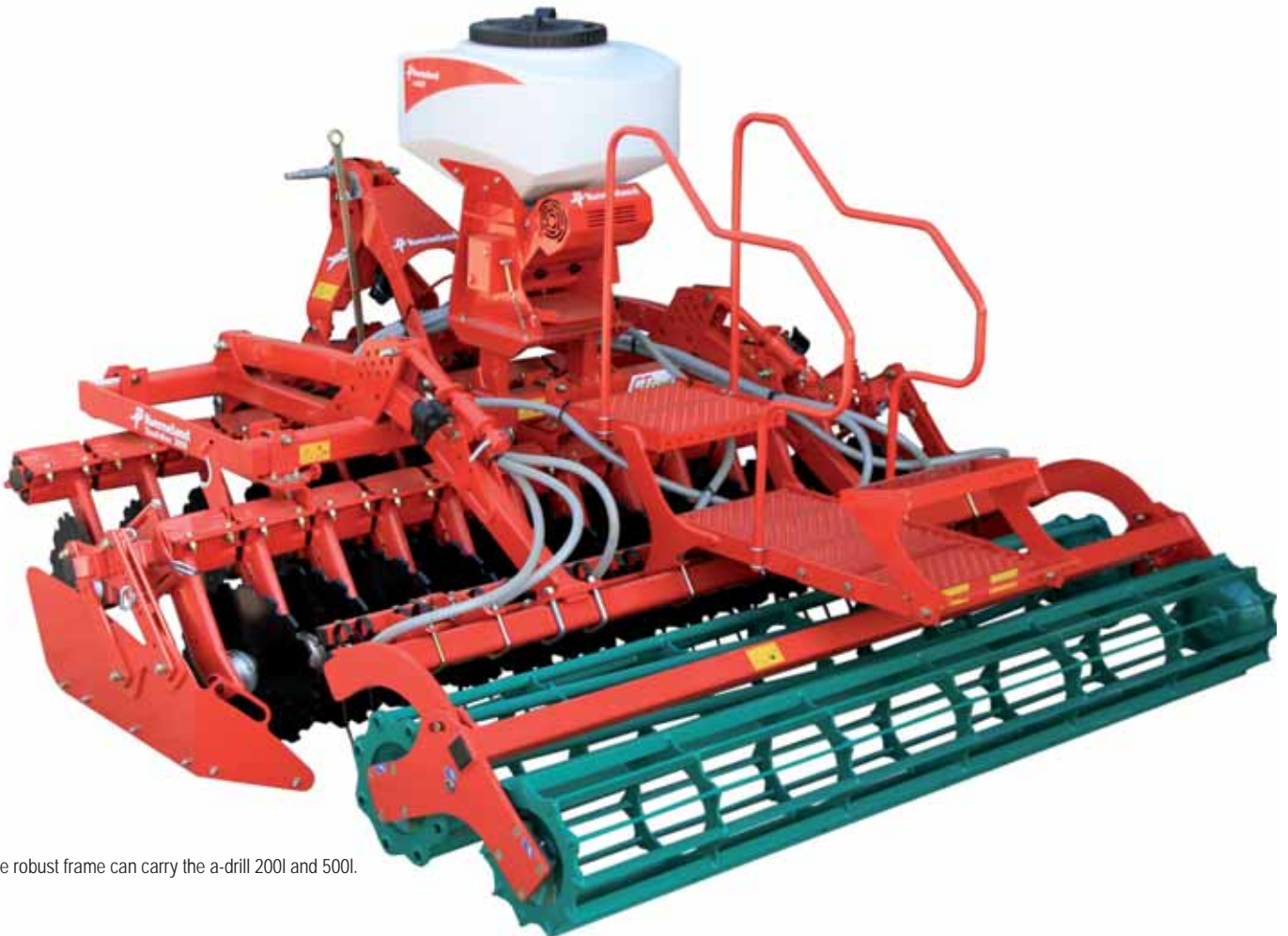
Qualidisc to comply with these requirements, but also offers the farmer a versatile machine which is ready for shallow as well as for deeper cultivation and not to forget, the mixing of the straw, performance with large amounts of residue (straw, intermediate green crops, etc ...) good penetration and cutting quality, output, simple adjustment and minimum maintenance costs.

## Mounted Qualidisc: Compact and Robust!

The Qualidisc is extremely sturdy as it is fitted with a frame that is well proven with the Kverneland cultivator range. With a reinforced headstock and a frame size of 100x100x8mm, it can be equipped with the heaviest roller.

The brackets of the roller are fixed at the front bar of the frame for a better weight transfer during road transport and also at higher driving speeds.

Even with a distance of 900 mm between the disc sections, the Qualidisc only requires a lower lifting capacity (2.74m of length).



The robust frame can carry the a-drill 200I and 500I.

# Robust Disc Arms, Maintenance-free, High Capacity Bearings and Large Conical Discs.



## **A light and strong arm**

The unique design feature allows for a reduction in weight and an increase in strength. The hollow design also ensures the arm can withstand high front and lateral loads and the special profile provides good soil flow even with larger volumes of plant residues.

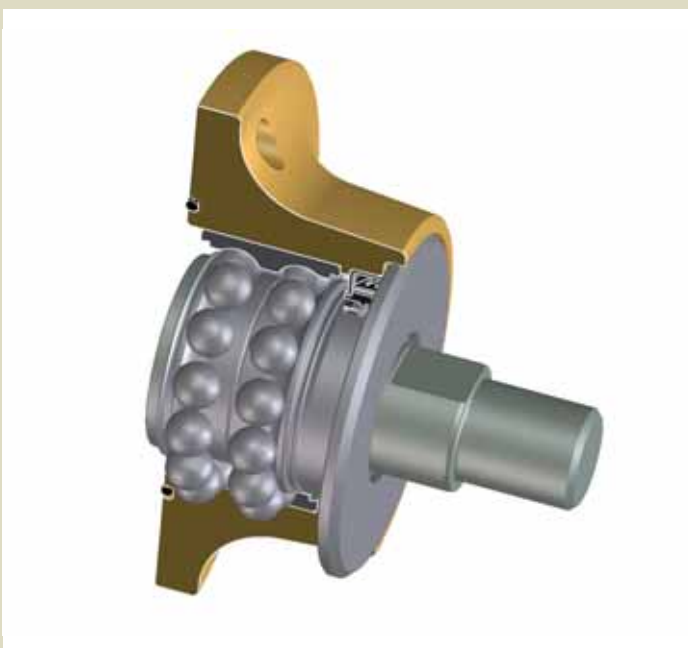
## **Perfect cutting angle**

The upper part of the arm is fitted with special brackets to avoid any lateral movement: the cutting angle is fixed to ensure an optimum cutting quality even under the driest of conditions. The rear disc section operates offset to the front unit to provide optimum performance and trash incorporation.

## **A rubber shock system adjusted to the size of the disc and working speed**

The rubber buffers absorb any shock loads from contact with unforeseen obstacles.

If the forces become too high, the disc arms will rotate to overcome the obstacle thus protecting the implement.



## **Maintenance-free bearings**

Each angled arm is fitted with a large maintenance-free double ball bearing and 35 mm axle. This high-quality bearing is able to carry heavy radial and axial loads.

Special protection on the side of the arm is achieved by a special seal of 5 sealing lips and by the joint protecting the bearing. On the other side the disc is protected against dust by an O-ring. The quality of the bearing and the material used allows a warranty period on the machine for two years.

The disc hub is fixed onto the arm by a bolt and special washers that prevent any loosening. The bolt is protected against soil by its position inside the arm.

# Impeccable Cutting Quality!



## A disc of large diameter

In order to achieve a perfect cutting quality even at a shallow working depth, the Qualidisc is fitted with a disc of large diameter (573mm). This increase in diameter allows ease of operation in the highest volumes of vegetable residues, as for example: intermediate crops which have to be destroyed before the seeding of the following crop. The notched discs improve its penetration and rotation irrespective of any plant residues. Another disc of 520 x 5 mm is also available.

## A constant cutting angle

Irrespective of the diameter of the disc, the cutting angle is always constant due to its conical design.

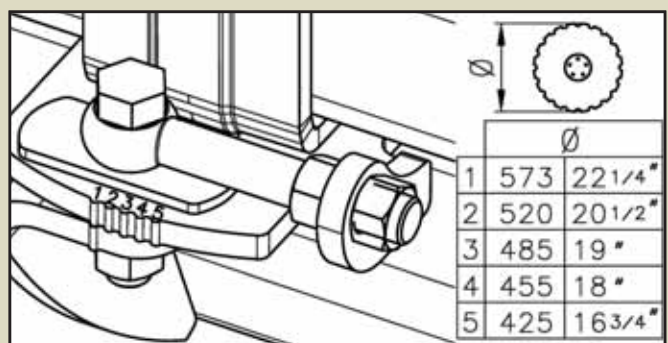
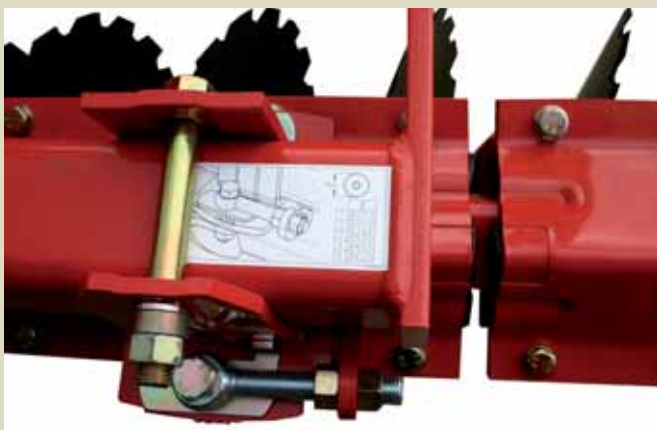
## Long lasting discs

The discs of 6mm thickness (5mm for the 520mm diameter) are given a special heat treatment for a long durability and strength. Thus the machine longevity has been increased and the maintenance costs reduced. Ask for the quality of Kverneland!

## A lateral adjustment for perfect cutting quality

In order to maintain the optimum cutting quality, the Qualidisc is fitted with a lateral adjustment which allows the gangs to be positioned correctly as the disc diameter reduces.

A decal on the frame shows the adjustment of the disc sections according to the diameter – simple and efficient!



# Simple Adjustments!



The working depth can be easily adjusted by pivoting spacers, even if it is manually or hydraulically adjusted.

At any time during operation the weight of the roller can be used to improve penetration with both systems. With the cylinders locked via a special lock valve, the depth will be constant.

With the mechanical adjustment, the roller weight is transferred to the machine thanks to a locking bush.

## Common equipments for Qualidisc and Qualidisc Farmer



The adjustable lateral side deflectors on the right and left hand side control the soil flow to provide a perfect level finish. All discs are working at the same depth: none of them are used to control the levelling on the lateral side.



The lateral deflectors are parallelogram-mounted which allows them to follow the ground contours and control the soil flow at the same time. They are equipped with an abutment to limit the working depth especially at the end of the field (whilst reversing).



The following harrow, positioned just in front of the roller, is designed to cut the flow of the soil and to level the soil depending on the aggressiveness selected.

The finger harrow bent at the root allows a progressive soil flow without too much power requirement.



# A Large Choice of Rollers!

According to the soil specifications, the consolidation required, the mixing of the soil and straw, the surface of the soil requested and the lifting capacity available, Kverneland offers a choice of rear rollers:

- **Cage roller ø 550mm - 90kg/m**
- **Double cage roller ø 400mm - 160kg/m** (not available on Qualidisc T)
- **Flexline roller ø 585mm - 220 kg/m:** grooving and heavy, for the recompaction on light to medium soil.
- **Actiring roller ø 540mm - 160 kg/m:** active with the adjustable knives, ensuring a good mixture of soil and straw and consolidation.
- **Actipack roller ø 560mm - 220 kg/m:** heavier, for clod crushing and very firm recompaction of the soil. Adapted also for heavy and sticky soil conditions.
- **Actiflex roller: ø 580mm - 160kg/m:** Its intensive mixing effect combined with a good recompaction makes this roller the ideal tool for the best volunteer's regrowth. Its large diameter of 580mm ensures a good driving effect even in light soils. This roller is definitely a good compromise between the weight (160 kg/m) and mixing performances.



Actipack roller ø 560mm



Actiring roller ø 540mm



Double cage roller ø 400mm (not Qualidisc T)



Cage roller ø 550mm



Actiflex roller ø 580mm



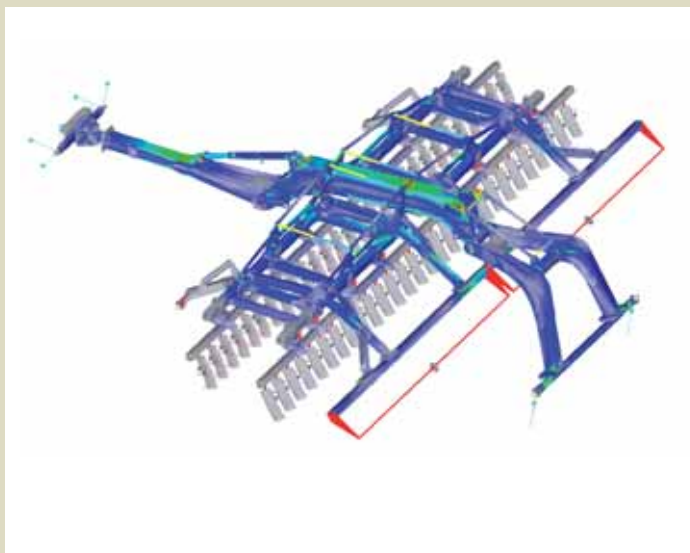
Flexline roller ø 585mm

All rollers get a new generation of maintenance free bearing protected against aggression by a steel cover.

## Load tests

Before the Qualidisc was launched into the market, it had to pass a whole series of tests to ensure the impeccable quality of the product. It is our major aim to give complete satisfaction to our users:

- The machines are designed by highly qualified engineers with expert knowledge in agricultural engineering.
- Sophisticated technologies are used for each development such as static load test, finite elements method (FEM) and shake-lifetime tests.
- Finally the machines are tested in the field under different conditions to confirm that the requirements as to functions and strength are met.



Qualidisc T :  
High Performance and Safe Road Transport





Available in working widths of 4m to 7m, the semi-mounted Qualidisc is ready for high performance.

Linked to the lifting arms, the Qualidisc T can be driven by medium-sized tractors even when equipped with the heaviest rollers like the Actipack.

The individual adjustments are easily done: most of them by hydraulic from the tractor cab (hydraulic depth adjustment, folding/unfolding, lifting of the carriage or mechanically by spacers).

With a mechanical lock device to prevent any unforeseen unfolding, the strong carriage and a transport width of 2.75m ensure a safe road transport. For additional stability on the road, the Qualidisc T is equipped with a hydraulic suspension as standard equipment.

The Qualidisc T can be fitted with several tyre sizes depending on the requirements: 400/60x15.5, 480/45x17 or 520/50x17.

## Excellent Penetration Capacity



Due to the aggressive discs and the considerable weight (up to 150 kg/disc), the Qualidisc T ensures an excellent working quality even under dry conditions. The ground is completely cut, the stubble abolished and correctly mixed on the surface for a good emergence of weeds and volunteer cereal seeds.





#### Stable working position

For a large stability of the machine during operation, land wheels of 340/55x16 (option) ensure the depth control in front of the discs. Due to this close distance between the land wheels and the roller, the discs in front and at the rear work at a constant depth and prevent any lateral movement during operation.

The working depth can be easily adjusted by spacers at the depth cylinders as with the rollers.

# Always the Correct Linkage!



### Cross shaft Cat. III

The crossshaft allows an angle of steering lock of up to 180° for an excellent manoeuvrability.

### Fix pulling eye ø 50mm

It is used to link the Qualidiscs to a fixed hitch.



### Pivoting pulling eye ø 50mm

It is used on fixed hitch and allow to work in hilly conditions up to +/- 14°.



### Ball coupling ø80 mm

The ball coupling ensures a linkage without any gap and allows to work in hilly conditions up to +/- 30°.

Please note:

- For tractors equipped with twin wheels or wide wheels, the Qualidisc can have a drawbar extension of 85 cm to ensure short turns in headlands
- Machines equipped with a fix eye must have the parallel lifting

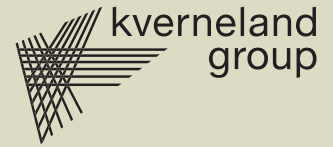


# Technical Specifications

| Specifications                   | Qualidisc Farmer  |      |      |  |       |       |
|----------------------------------|---|------|------|--|-------|-------|
| Model type                       | 3000  | 3500 | 4000 | 4000F  | 5000F | 6000F |
| Frame type                       | Rigid   |      |      | Fold   |       |       |
| Working width (m)                | 3,00  | 3,50 | 4,00 | 4,00   | 5,00  | 6,00  |
| Transport width (m)              | 3,00  | 3,50 | 4,00 | 2,45   | 2,45  | 2,45  |
| Disc diameter (mm)               | 520 x 5 mm  |      |      |  |       |       |
| Number of discs                  | 24  | 28   | 32   | 32   | 40    | 48    |
| Inter row distance (mm)          | 900   |      |      |  |       |       |
| Frame box section (mm)           | 100 x 100 x 8   |      |      | 100 x 100 x 8 and 200 x 200 x 10 (central frame) |       |       |
| Depth control                    | Mechanical or hydraulic by spacers  |      |      |  |       |       |
| Number of double acting valve    | 1 or 0  |      |      | 2 or 1   |       |       |
| Linkage                          | Cat II and Cat III  |      |      | Cat III  |       |       |
| Disc spacing (mm)                | 245   |      |      | 250  |       |       |
| Roller equipment                 | Cage roller ø550mm, double cage roller ø400mm, Flexline roller ø585mm, Actiring roller ø540mm, Actipack roller ø560mm, Actiflex roller ø580mm |      |      |  |       |       |
| Weight with Actipack roller (kg) | 1930  | 2204 | 2490 | 2960   | 3535  | 4120  |
| Weight with Actiring roller (kg) | 1750  | 1990 | 2244 | 2729   | 3233  | 3752  |
| Weight with Actiflex roller (kg) | 1753  | 2004 | 2281 | 2714   | 3241  | 3784  |

| Specifications                      | Qualidisc & Qualidisc T   |       |       |   |       |       |  |       |       |       |
|-------------------------------------|---|-------|-------|---|-------|-------|--|-------|-------|-------|
| Model type                          | 3000  | 3500  | 4000  | 4000F   | 5000F | 6000F | 4000T  | 5000T | 6000T | 7000T |
| Frame                               | Mounted rigid   |       |       | Mounted folding   |       |       | Semi-mounted folding   |       |       |       |
| Working width (m)                   | 3,00  | 3,50  | 4,00  | 4,00  | 5,00  | 6,00  | 4,00   | 5,00  | 6,00  | 7,00  |
| Transport width (m)                 | 3,00  | 3,50  | 4,00  | 2,55  | 2,55  | 2,55  | 2,75   | 2,75  | 2,75  | 2,75  |
| Disc diameter (mm)                  | 520x5mm or 573x6mm  |       |       | 520x5mm or 573x6mm  |       |       | 520x5mm or 573x6mm   |       |       |       |
| Number of discs                     | 24  | 28    | 32    | 32  | 40    | 48    | 32   | 40    | 48    | 56    |
| Frame box section (mm)              | 100x100x8   |       |       | 100x100x8 (wing frame sections) and 200x200x10 (central frame)  |       |       | 100x100x8 (wing frame sections) and 300x200x10 (central frame)   |       |       |       |
| Depth control                       | Hydraulic or mechanic by spacer   |       |       | Hydraulic or mechanic by spacer   |       |       | Hydraulic or mechanic by spacer  |       |       |       |
| Number of double acting valves      | 1 or 0  |       |       | 2 or 1  |       |       | 3 or 2   |       |       |       |
| Linkage                             | Cat II & III  |       |       | Cat III   |       |       | Cat III (linked to the lifting arms)   |       |       |       |
| Underbeam clearance (mm)            | 794   |       |       | 794   |       |       | 794  |       |       |       |
| Distance between discs (mm)         | 245   |       |       | 250   |       |       | 250  |       |       |       |
| Roller available                    | <ul style="list-style-type: none"> <li>• Cage ø550 mm</li> <li>• Double cage ø400 mm</li> <li>• Flexline ø585 mm</li> <li>• Actiring ø540 mm</li> <li>• Actipack ø560 mm</li> <li>• Actiflex ø580 mm</li> </ul> |       |       | <ul style="list-style-type: none"> <li>• Cage ø550 mm</li> <li>• Double cage ø400 mm</li> <li>• Flexline ø585 mm</li> <li>• Actiring ø540 mm</li> <li>• Actipack ø560 mm</li> <li>• Actiflex ø580 mm</li> </ul> |       |       | <ul style="list-style-type: none"> <li>• Cage ø550 mm</li> <li>• Flexline ø585 mm</li> <li>• Actiring ø540 mm</li> <li>• Actipack ø560 mm</li> <li>• Actiflex ø580 mm</li> </ul> |       |       |       |
| Weight with cage roller (kg)        | 1.720   | 1.928 | 2.190 | 2.787   | 3.232 | 3.720 | 4.335  | 4.756 | 5.180 | 5.626 |
| Weight with Actiring /Actiflex (kg) | 1.929   | 2.168 | 2.462 | 3.081   | 3.589 | 4.139 | 4.630  | 5.113 | 5.599 | 6.106 |
| Weight with Actipack (kg)           | 2.096   | 2.367 | 2.760 | 3.221   | 3.862 | 4.472 | 4.847  | 5.398 | 5.946 | 6.520 |
| Weight with Flexline (kg)           | 2.097   | 2.358 | 2.682 | 3.264   | 3.879 | 4.474 | 4.882  | 5.391 | 5.935 | 6.486 |
| HP min. (HP)                        | 90  | 110   | 130   | 150   | 170   | 190   | 180  | 200   | 220   | 240   |
| HP max. (HP)                        | 200   | 220   | 240   | 250   | 300   | 350   | 250  | 300   | 350   | 400   |

Information provided in this brochure is made for general information purposes only and for worldwide circulation. Inaccuracies, errors or omissions may occur and the information may thus not constitute basis for any legal claim against Kverneland Group. Availability of models, specifications and optional equipment may differ from country to country. Please consult your local dealer. Kverneland Group reserves the right at any time to make changes to the design or specifications shown or described, to add or remove features, without any notice or obligations. Safety devices may have been removed from the machines for illustration purposes only, in order to better present functions of the machines. To avoid risk of injury, safety devices must never be removed. If removal of safety devices is necessary, e.g. for maintenance purposes, please contact proper assistance or supervision of a technical assistant.



## Kverneland Group

Kverneland Group is a leading international company developing, producing and distributing agricultural machinery and services.

Strong focus on innovation allows us to provide a unique and broad product range with high quality. Kverneland Group offers an extensive package aimed at the professional farming community, covering the areas of soil preparation, seeding, forage and bale equipment, spreading, spraying and electronic solutions for agricultural tractors and machinery.



## Original Spare Parts

Kverneland Group spare parts are designed to give reliable, safe and optimal machinery performance - whilst ensuring a low cost life-cycle. High quality standards are achieved by using innovative production methods and patented processes in all our production sites.

Kverneland Group has a very professional network of partners to support you with service, technical knowledge and genuine parts. To assist our partners, we provide high quality spare parts and an efficient spare parts distribution worldwide.



Watch us on YouTube  
[www.youtube.com/kvernelandgrp](http://www.youtube.com/kvernelandgrp)



Like us on facebook  
[www.facebook.com/KvernelandGroup](http://www.facebook.com/KvernelandGroup)  
[www.facebook.com/iMFarming](http://www.facebook.com/iMFarming)



Follow us on Twitter  
[#KvernelandGroup](https://twitter.com/KvernelandGroup)  
[#iM\\_Farming](https://twitter.com/iM_Farming)

Kverneland Group UK Ltd.  
Walkers Lane, Lea Green, St. Helens  
Merseyside, WA9 4AF  
Phone + 44 1744 8532 00

[uk.kverneland.com](http://uk.kverneland.com)

