

RT 40B

Rototilt designed for excavators and backhoe loaders with machine weight 10-16 tonnes (22,000 - 33,000 lb)



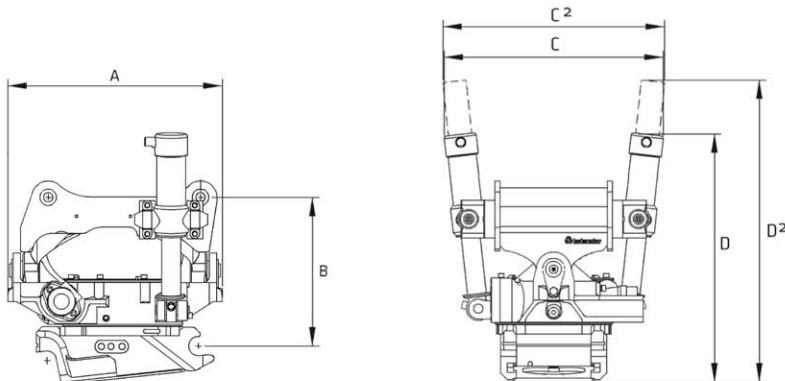
TECHNICAL DATA RT 40	METRIC	IMPERIAL
Min/Max machine weight	10-15 tonnes	22.000-33.000 lb
Maximum standard bucket volume	0.7 m ³	0.92 yd ³
Maximum bucket digging force	105 kN	23,605 lb
Weight	from 315 kg*	695 lb
Tilting angle	2 x 40°	2 x 40°
Rotation	unlimited	unlimited
Rate of rotation (@50 l/min)	1 turn/7 seconds	1 turn/7 seconds
Min/Max connection pressure	20/25 MPa	2900/4350 psi**
Working pressure	25 MPa	3626 psi
Max return pressure (@50 l/min)	2 MPa	290 psi
Min/Max connected flow	40/80 l/min	10.6/21.1 gpm
Number of lubrication points	8	8

* The weight depends on the type of adapter, quick coupler and control system.

** Separate connection for hydraulic motor max 25 MPa (3626 psi).

DIMENSIONS RT 40	MM	INCH
Applies for RT 40 S60/S60		
A	675 mm	26.57 in
B	465 mm	18.31 in
C	695 mm	27.36 in
C ²	705 mm	27.76 in
D	790 mm	31.10 in
D ²	960 mm	37.79 in

² With double acting cylinders



RT 40 S60/S60 with single acting cylinders



RT 40 Multi/S60 with double acting cylinders

The pictures above only show two of several possible configurations for the RT 40.