

TRACTOR PULL MIXERS

SD Series

MAJOR COMPONENTS



Aggressive Knife



Curved Knife



Triangle Knife



Hiway Commercial Low Pro Super Singles



Hiway Commercial Dual Tires



SD Walking Axle
(Optional)



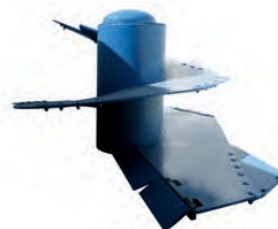
SD Frame Component



Bolt on Double Entry Safe Viewing Platform
(Optional)

All Tornado Augers are equipped with 3 different styles of deep serrated, heat treated, tungsten carbide knives. 3 different style of knives depending on your nutrition needs can process any kind of fiber (hay, haylage, silage, straw, byproducts, corn and soybean stalks).

SD 2 Speed Gearbox



SD Tornado Auger
Auger Thickness 1/2"
(Option 3/4")



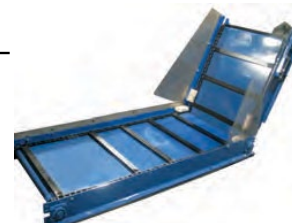
SD Planetary Gearbox
3-5 yr warranty



SD Dual Conveyor



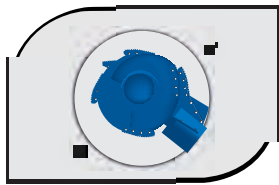
SD Flip-up Conveyor



TRACTOR PULL MIXERS

SD Series

Model 5020 S.D. Low Pro Trailer Base Machine

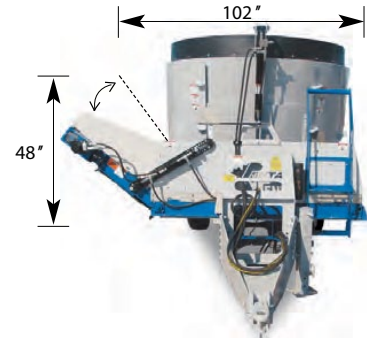


Standard Equipment:
Corner Door

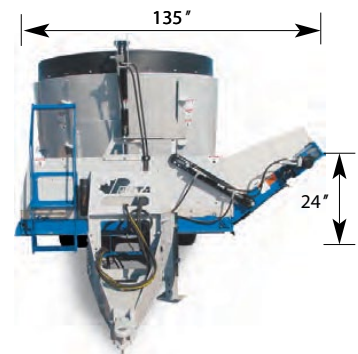


	5020
Single Auger	Y
Capacity (Top of Metal) cu/ft	500
cu/metre	14
Capacity (with Extension) cu/ft	570
cu/metre	16
Trailer Model	Y
Truck Mount	Y
Stationary Model	Y
540 RPM	Std.
1000 RPM	Opt.
No 2 - Speed Gearbox (HP)	100
1:3 Regular 2 - Speed Gearbox (4020 SD - 60 HP / 5020 SD - 80 HP)	Opt.
1:5 Low 2 - Speed Gearbox (4020 SD - 60 HP / 5020 SD - 75 HP)	Opt.
1:8 Super Low 2 - Speed Gearbox (4020 SD - 50 HP / 5020 SD - 70 HP)	Opt.
Corner Door-Right Front	Opt.
Left Rear	Opt.
Dual Conveyor	Opt.
Sliding Dual Conveyor	Opt.
Dog Leg Conveyor (Right or Left Side)	Opt.
Flip-up Conveyor (Right or Left Side)	Opt.
Rear Commodity Door	Opt.
Extra Side Door(s)	Opt.
Weight-Pounds	8 304
Kilograms	3 767
Single Axle	Std.
26 X 12 on 6 Bolt	Opt.
12.5L X 15 on 8 Bolt Rims	N/A
19/45X17 Flotation on 8 Bolt Rims	Std.
245/70/17.5 Duals on 8 Bolt	Opt.
245/70RX19.5 Duals on 10 Bolt Rims	N/A
435/50R/19.5 Super Singles	Opt.
500/45X20 Luggers on 10 Bolt Rims	N/A
Brakes	Opt.
Lights	Opt.
Thickness Wall - 1/4", Floor - 1/2"	

Options:
Flip-up Conveyor (Right Side)



Options:
Flip-up Conveyor (Left Side)



Options:
Dual Conveyor

