

# **BUSH HOG®**

## **LAND MAINTENANCE**

### **REPAIR PARTS MANUAL**

**MODEL: SM60**  
**SECTION: 26**



## **BUSH HOG®**

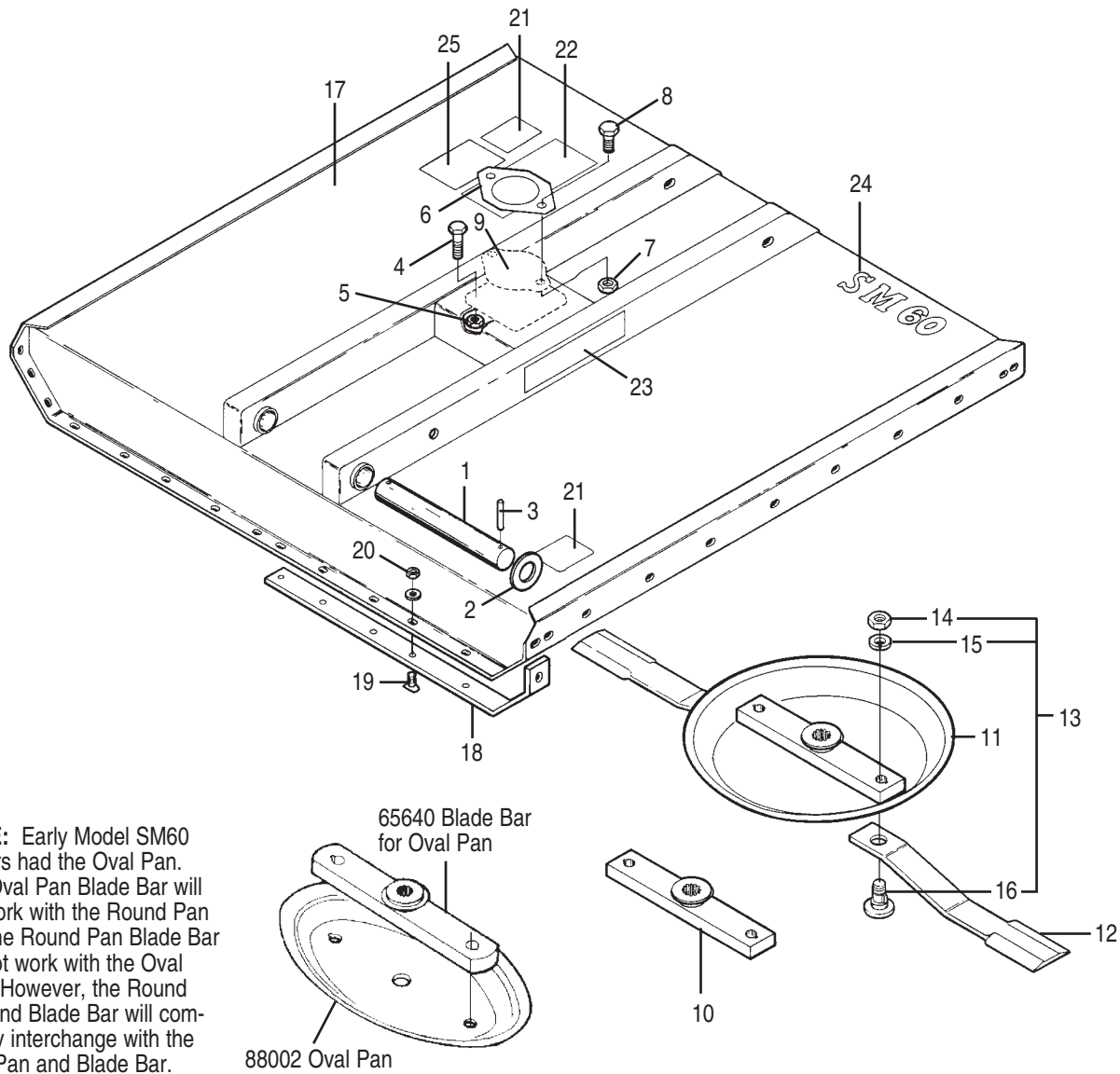
2501 Griffin Ave. • Selma, AL 36703  
(334) 872-6261 • (334) 874-2700  
Parts Ordering 1-800-304-2836  
Fax 1-800-572-1784  
[www.bushhog.com](http://www.bushhog.com)

**A® MEMBER OF THE  
ALAMO GROUP**  
**ALWAYS ON THE CUTTING EDGE®**

# SM60R SIDE MOUNT SM160R SIDE MOUNT

## ALPHABETICAL INDEX

| <b>CONTENTS</b>  | <b>PAGE</b>    |
|--|----------------|
| Blade, Cutter .....  | 26-1-1         |
| Blade Holder.....  | 26-1-1         |
| Bolt, Blade Kit.....   | 26-1-1         |
| Cable, Wire Rope Adjusting (Serial Numbers 12-02099 and Below) .....       | 26-1-2         |
| Cable, Wire Rope Adjusting (Serial Numbers 12-02100 and Above).....        | 26-1-3         |
| Chain, Safety Highway .....  | 26-6-3, 26-6-4 |
| Cylinder, Slide (Victor Fluid Power) Obsolete.....                         | 26-4-4         |
| Cylinder, Slide (Monarch) Current.....                                     | 26-4-5         |
| Cylinder, Fluid (Victor Fluid Power) Obsolete.....                         | 26-4-4         |
| Cylinder, Fold (Monarch) Current.....                                      | 26-4-6         |
| Deck, Cutter Head.....   | 26-1-1         |
| Decals, Cutter Head.....   | 26-1-1         |
| Decals, Mount Frame .....  | 26-1-2, 26-1-3 |
| Deflector Kit.....   | 26-6-3         |
| Driveshaft Assemblies.....   | 26-5-1         |
| Fittings, Hydraulic (Serial Numbers 12-02099 and Below) .....              | 26-3-1         |
| Fittings, Hydraulic (Serial Numbers 12-02100 and Above).....               | 26-3-2         |
| Fittings, Valve Kit.....   | 26-4-1, 26-4-2 |
| Frame Mount Assembly (Serial Numbers 12-02099 and Below).....              | 26-1-2         |
| Frame Mount Assembly (Serial Numbers 12-02100 and Above) .....             | 26-1-3         |
| Gearbox, Step Up, 540 & 1000 RPM (Serial Numbers 12-02099 and Below) ..... | 26-2-4         |
| Motor, Hydraulic, Aluminum (Serial Numbers 12-02099 and Below) .....       | 26-2-2         |
| Motor, Hydraulic, Cast Iron (Serial Numbers 12-02099 and Below).....       | 26-2-3         |
| Motor, Hydraulic (Serial Numbers 12-02100 and Above) .....                 | 26-2-6         |
| Pump, Hydraulic, Aluminum (Serial Numbers 12-02099 and Below) .....        | 26-2-2         |
| Pump, Hydraulic, Cast Iron (Serial Numbers 12-02099 and Below).....        | 26-2-3         |
| Pump, Hydraulic (Serial Numbers 12-02100 and Above) .....                  | 26-2-5, 26-2-7 |
| Reservoir, Oil Tank .....  | 26-2-1         |
| Sidewheel Assembly .....   | 26-6-1         |
| Spindle, Blade Drive.....  | 26-2-1         |
| Tailwheel Assembly.....  | 26-6-2         |
| Valve, Hydraulic Control.....  | 26-4-3         |

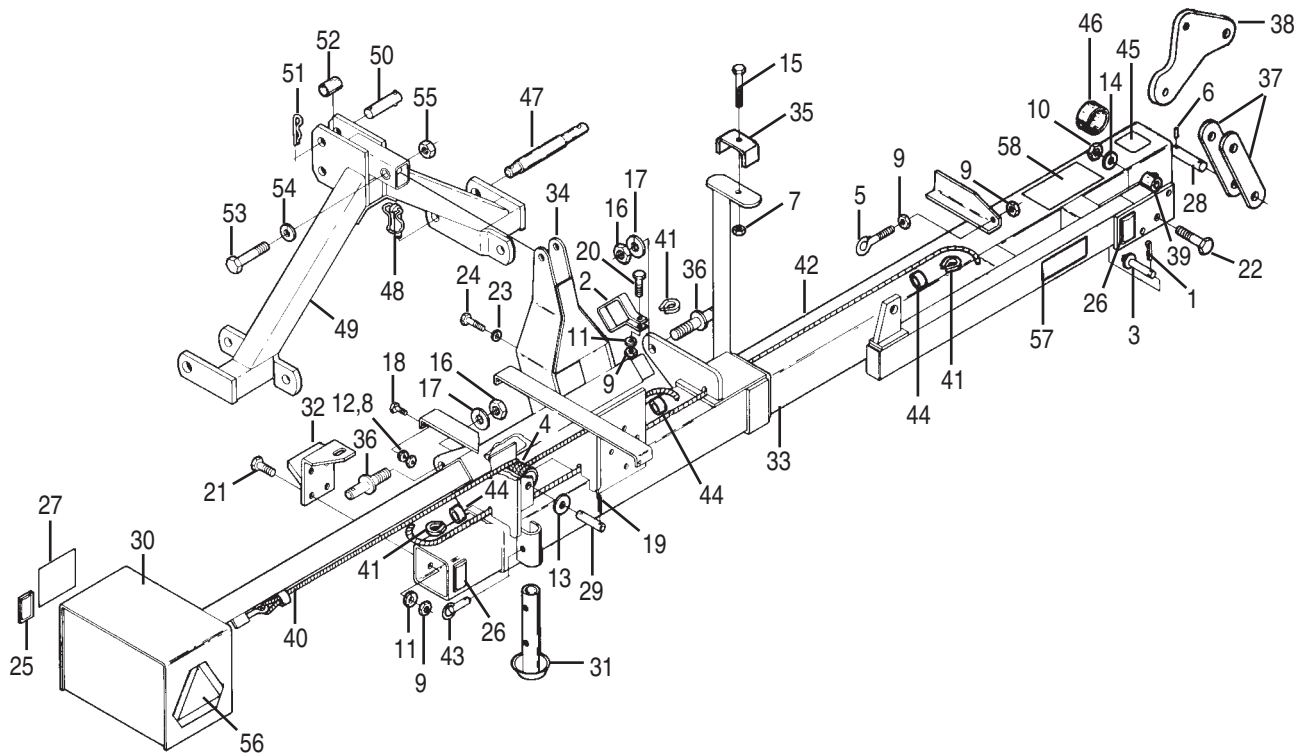


**NOTE:** Early Model SM60 Cutters had the Oval Pan. The Oval Pan Blade Bar will not work with the Round Pan and the Round Pan Blade Bar will not work with the Oval Pan. However, the Round Pan and Blade Bar will completely interchange with the Oval Pan and Blade Bar.

**CUTTER HEAD AND RELATED PARTS**  
All Models SM60 & SM160

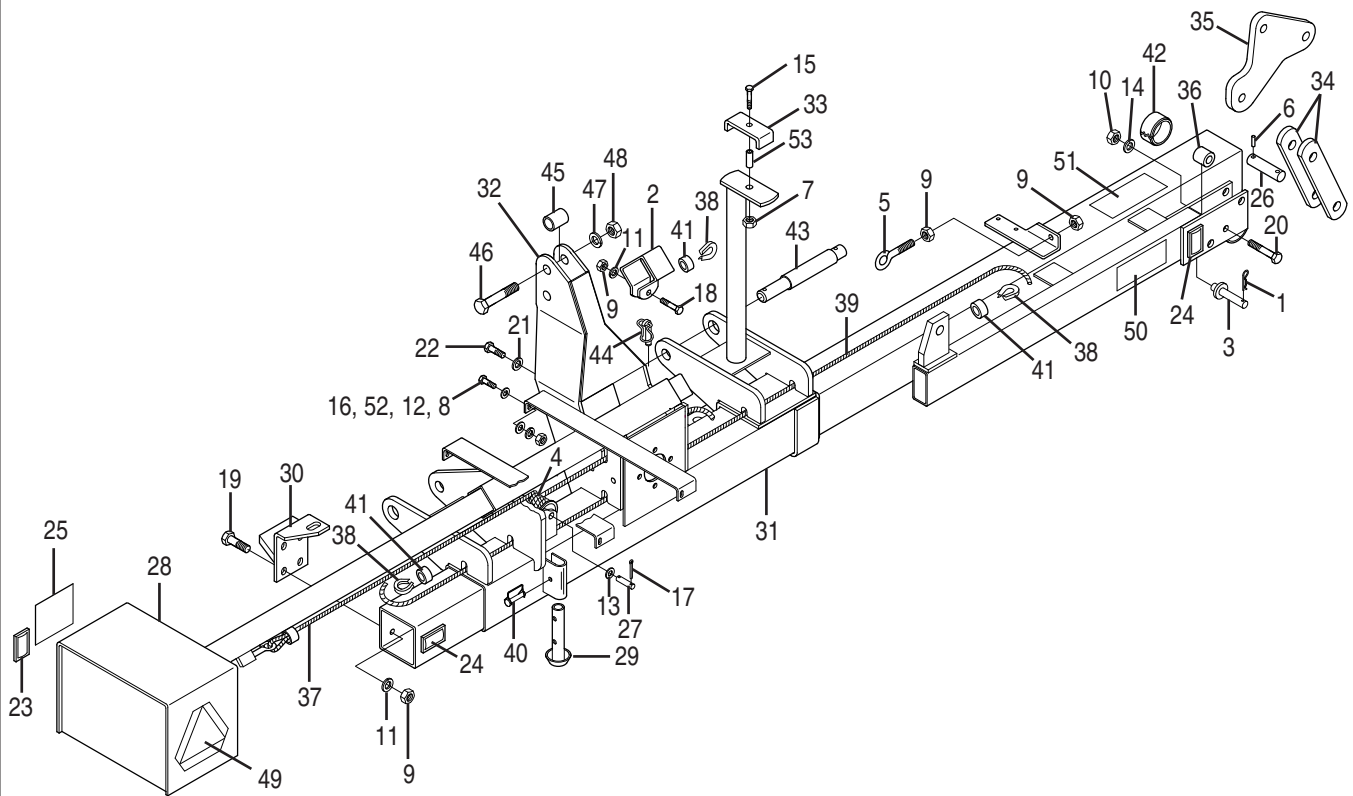
| REF. NO. | PART NO. | QTY. | DESCRIPTION                 |
|----------|----------|------|-----------------------------|
| 1        | 83981    | 1    | Hinge Pin                   |
| 2        | 65359    | 2    | Hinge Washer                |
| 3        | 19530    | 2    | Spirol Pin 5/16" x 3"       |
| 4        | —        | 4    | Capscrew 5/8" x 1-3/4" Gr.5 |
| 5        | 20414    | 4    | Locknut 5/8" Flanged        |
| 6        | 65575    | 1    | Gasket                      |
| 7        | 19518    | 2    | Locknut 1/2" Flanged        |
| 8        | —        | 2    | Capscrew 1/2" x 2"          |
| 9        | 70017    | 1    | Spindle Assembly            |
| 10       | 68277    | 1    | Blade Bar Weld.             |
| 11       | 50031073 | 1    | Formed Pan Weldment         |
| 12       | 6739     | 2    | Double Edge Blade           |
| 13       | 63607    | 1    | Blade Bolt Kit              |
| 14       | 252      | 2    | Jamnut 1-1/8"               |

| REF. NO. | PART NO. | QTY. | DESCRIPTION             |
|----------|----------|------|-------------------------|
| 15       | 20322    | 2    | Lockwasher 1-1/8" L.H.  |
| 16       | 7919     | 2    | Blade Bolt              |
| 17       | 86799    | 1    | Deck Assembly           |
| 18       | 50040395 | 4    | Skid Shoe               |
| 19       | 44928    | 24   | Plow Bolt 3/8" x 1-1/2" |
| 20       | 09131200 | 24   | Locknut                 |
|          | 66907    | 1    | Decal Kit               |
| 21       | 50029419 | 1    | Sheet Decal             |
| 22       | 82683    | 1    | Warning Decal           |
| 23       | 12119    | 2    | Bush Hog Decal          |
| 24       | 65614    | 1    | Model Decal             |
| 25       | 83373    | 1    | Warning Decal           |
| 26       | 82617    | 1    | Warning Decal           |



**MOUNT FRAME & RELATED PARTS**  
 For Models SM60R & SM160R with Serial Numbers 12-02099 and Below

| REF. NO. | PART NO. | QTY. | DESCRIPTION                 | REF. NO. | PART NO. | QTY. | DESCRIPTION               |
|----------|----------|------|-----------------------------|----------|----------|------|---------------------------|
| 1        | 1273     | 1    | Presto Pin                  | 31       | 64220    | 1    | Stand Weldment            |
| 2        | 1579     | 1    | Clamp                       | 32       | 64228    | 1    | Bracket Weldment          |
| 3        | 14-6-219 | 1    | Tongue Brace Adj. Pin       | 33       | 83584    | 1    | Slide Weldment            |
| 4        | 25B42463 | 2    | Cable Sheaves               | 34       | 64237    | 1    | Frame Weldment            |
| 5        | 25B42513 | 2    | Eye Bolts                   | 35       | 87598    | 1    | Hose Clamp                |
| 6        | 15466    | 4    | Roll Pins                   | 36       | 64797    | 2    | Lift Pin                  |
| 7        | 20363    | 1    | Locknut 3/8"                | 37       | 65165    | 2    | Lift Bar                  |
| 8        | —        | 4    | Hex Nut 5/16" - 18 UNC      | 38       | 65167    | 1    | Lift Linkage Weldment     |
| 9        | —        | 5    | Hex Nut 1/2"                | 39       | 65194    | 1    | Bushing                   |
| 10       | —        | 1    | Hex Nut 5/8"                | 40       | 65358    | 1    | Wire Rope                 |
| 11       | —        | 5    | Lockwasher 1/2"             | 41       | 65550    | 4    | Thimble                   |
| 12       | —        | 4    | Lockwasher 5/16"            | 42       | 65590    | 1    | Wire Rope                 |
| 13       | —        | 2    | Flatwasher 5/8"             | 43       | 65600    | 1    | Stand Pin                 |
| 14       | —        | 1    | Lockwasher 5/8"             | 44       | 51600    | 4    | Cable Sleeves             |
| 15       | —        | 1    | Capscrew 3/8" x 2-1/2" Gr.5 | 45       | 64635    | 1    | Warning Decal             |
| 16       | 20399    | 2    | Hex Nut 1-1/8" - 12 UNF     | 46       | 83976    | 2    | Pivot Bushing             |
| 17       | 20322    | 2    | Lockwasher 1-1/8"           |          | 67536    | 1    | Quick Hitch Assy.         |
| 18       | —        | 4    | Capscrew 5/16" x 1" Gr.5    | 47       | 25G12545 | 2    | Hitch Pin                 |
| 19       | —        | 2    | Cotter Pin 1/8" x 1"        | 48       | 20558    | 2    | Lynch Pin                 |
| 20       | —        | 1    | Capscrew 1/2" x 3" Gr.5     | 49       | 67368    | 1    | Mast Weldment             |
| 21       | —        | 4    | Capscrew 1/2" x 1-1/4" Gr.5 | 50       | 17-1-55  | 1    | Mast Pin                  |
| 22       | —        | 1    | Capscrew 5/8" x 3-1/2" Gr.5 | 51       | 1273     | 1    | Presto Pin                |
| 23       | 44200    | 4    | Lockwasher M12              | 52       | 17-1-56  | 1    | Bushing                   |
| 24       | 44204    | 4    | Capscrew M12 x 1.75 x 25    | 53       | 20547    | 1    | Capscrew 1" x 4-1/2" Gr.5 |
| 25       | 50031214 | 1    | Amber Reflector             | 54       | 20764    | 1    | Lockwasher 1"             |
| 26       | 50031212 | 2    | Red Reflector               | 55       | 19502    | 1    | Nut 1" - 8 UNC            |
| 27       | 60322    | 1    | Bush Hog Decal              | 56       | 84130    | 1    | SMV Decal                 |
| 28       | 64074    | 2    | Pin                         | 57       | 83374    | 1    | Warning Decal             |
| 29       | 64077    | 1    | Pin                         | 58       | 83375    | 1    | Warning Decal             |
| 30       | 64199    | 1    | Weight Box                  |          |          |      |                           |

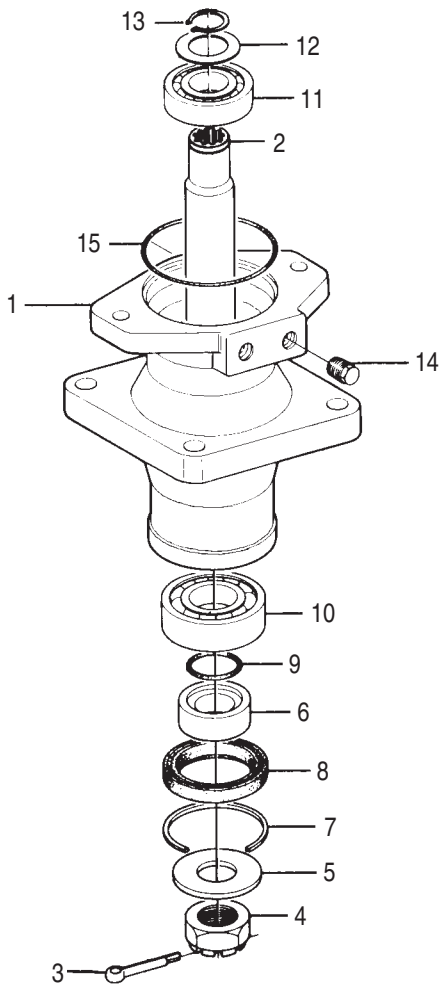


**MOUNT FRAME & RELATED PARTS**  
 For Models SM60R-3 & SM160R03  
 with Serial Numbers 12-02100 and Above

| REF. NO. | PART NO. | QTY. | DESCRIPTION                  |
|----------|----------|------|------------------------------|
| 1        | 1273     | 1    | Presto Pin                   |
| 2        | 97956    | 1    | Clamp                        |
| 3        | 14-6-219 | 1    | Tongue Brace Adj. Pin        |
| 4        | 25B42463 | 2    | Cable Sheaves                |
| 5        | 25B42513 | 2    | Eye Bolts                    |
| 6        | 15466    | 4    | Roll Pins                    |
| 7        | 20363    | 1    | Locknut 3/8"                 |
| 8        | —        | 4    | Hex Nut 5/16" – 18 UNC       |
| 9        | —        | 5    | Hex Nut 1/2"                 |
| 10       | —        | 1    | Hex Nut 5/8"                 |
| 11       | —        | 5    | Lockwasher 1/2"              |
| 12       | —        | 4    | Lockwasher 5/16"             |
| 13       | —        | 2    | Flatwasher 5/8"              |
| 14       | —        | 1    | Lockwasher 5/8"              |
| 15       | —        | 1    | Capscrew 3/8" x 3" Gr.5      |
| 16       | —        | 4    | Capscrew 5/16" x 1-1/4" Gr.5 |
| 17       | —        | 2    | Cotter Pin 1/8" x 1"         |
| 18       | —        | 1    | Capscrew 1/2" x 3" Gr.5      |
| 19       | —        | 4    | Capscrew 1/2" x 1-1/4" Gr.5  |
| 20       | —        | 1    | Capscrew 5/8" x 3-1/2" Gr.5  |
| 21       | —        | 4    | Lockwasher 7/16"             |
| 22       | —        | 4    | Capscrew 7/16" x 1-1/2"      |
| 23       | 50031212 | 1    | Amber Reflector              |
| 24       | 50031214 | 2    | Red Reflector                |
| 25       | 60322    | 1    | Bush Hog Decal               |
| 26       | 64074    | 2    | Pin                          |

| REF. NO. | PART NO. | QTY. | DESCRIPTION           |
|----------|----------|------|-----------------------|
| 27       | 64077    | 1    | Pin                   |
| 28       | 64199    | 1    | Weight Box            |
| 29       | 64220    | 1    | Stand Weldment        |
| 30       | 64228    | 1    | Bracket Weldment      |
| 31       | 95582    | 1    | Slide Weldment        |
| 32       | 95570    | 1    | Frame Weldment        |
| 33       | 87598    | 1    | Hose Clamp            |
| 34       | 65165    | 2    | Lift Bar              |
| 35       | 65167    | 1    | Lift Linkage Weldment |
| 36       | 65194    | 1    | Bushing               |
| 37       | 98043    | 1    | Wire Rope             |
| 38       | 65550    | 4    | Thimble               |
| 39       | 65590    | 1    | Wire Rope             |
| 40       | 65600    | 1    | Stand Pin             |
| 41       | 51600    | 4    | Cable Sleeves         |
| 42       | 83976    | 2    | Pivot Bushing         |
| 43       | 25G12545 | 2    | Lift Pin              |
| 44       | 20558    | 2    | Lynch Pin             |
| 45       | 98326    | 1    | Bushing               |
| 46       | 19087    | 1    | Capscrew 1" x 4" Gr.5 |
| 47       | 15821    | 1    | Lockwasher 1"         |
| 48       | 19502    | 1    | Nut 1" – 8 UNC        |
| 49       | 84130    | 1    | SMV Decal             |
| 50       | 83374    | 1    | Warning Decal         |
| 51       | 83375    | 1    | Warning Decal         |
| 52       | —        | 8    | Flatwasher 5/16"      |
| 53       | 87599    | 1    | Bushing               |



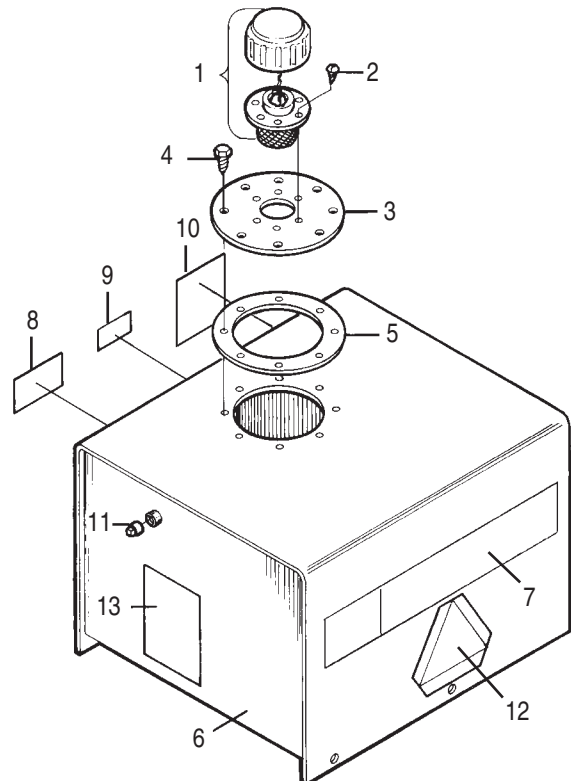


**70017 SPINDLE HOUSING ASSEMBLY**  
For All Models SM60R & SM160R

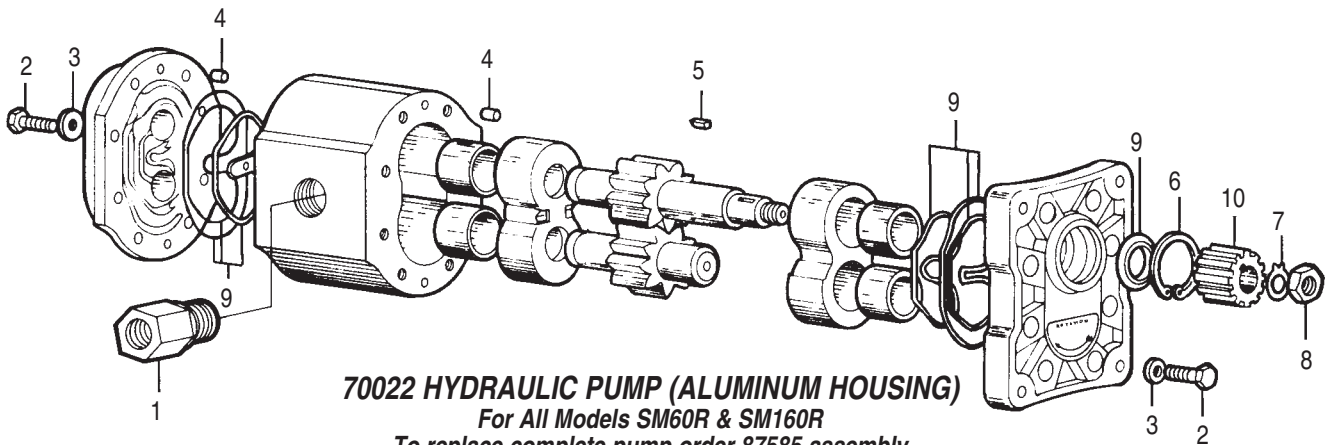
| REF. NO. | PART NO. | QTY. | DESCRIPTION              |
|----------|----------|------|--------------------------|
| 1        | 70073    | 1    | Housing                  |
| 2        | 70074    | 1    | Shaft                    |
| 3        | 15473    | 1    | Cotter Pin 1/4" x 2-1/2" |
| 4        | 70076    | 1    | Nut M30 x 2 UNI          |
| 5        | 70077    | 1    | Washer                   |
| 6        | 70078    | 1    | Collar                   |
| 7        | 70079    | 1    | Lockring                 |
| 8        | 70080    | 1    | Seal                     |
| 9        | 70081    | 1    | O-Ring                   |
| 10       | 70082    | 1    | Bearing                  |
| 11       | 70256    | 1    | Bearing                  |
| 12       | 70293    | 1    | Washer                   |
| 13       | 70235    | 1    | Lockring                 |
| 14       | 70292    | 2    | Oil Plug                 |
| 15       | 70153    | 1    | O-Ring                   |

**OIL TANK RESERVOIR**  
For All Models SM60R & SM160R

| REF. NO. | PART NO. | QTY. | DESCRIPTION                     |
|----------|----------|------|---------------------------------|
| 1        | 65433    | 1    | Filler Breather Assembly        |
| 2        | 44199    | 6    | Self Tap Screw 10 - 32 x 1/2"   |
| 3        | 64051    | 1    | Tank Lid                        |
| 4        | 44374    | 8    | Self Tap Screw 1/4" - 20 x 3/4" |
| 5        | 64052    | 1    | Gasket Tank Lid                 |
| 6        | 66913    | 1    | Oil Tank for 540 RPM w/ Decals  |
|          | 66916    | 1    | Oil Tank for 1000 RPM w/ Decals |
| 7        | 50061049 | 1    | Bush Hog Decal                  |
| 8        | 65638    | 1    | Decal, Important                |
| 9        | 50042281 | 1    | Decal, 540 RPM, SM60R           |
|          | 50042424 | 1    | Decal, 1000 RPM, SM160R         |
| 10       | 83377    | 1    | Decal, Warning                  |
| 11       | 50005656 | 1    | Oil Level Plug                  |
| 12       | 83380    | 1    | SMV Decal                       |
| 13       | 84007    | 1    | Notice Decal                    |



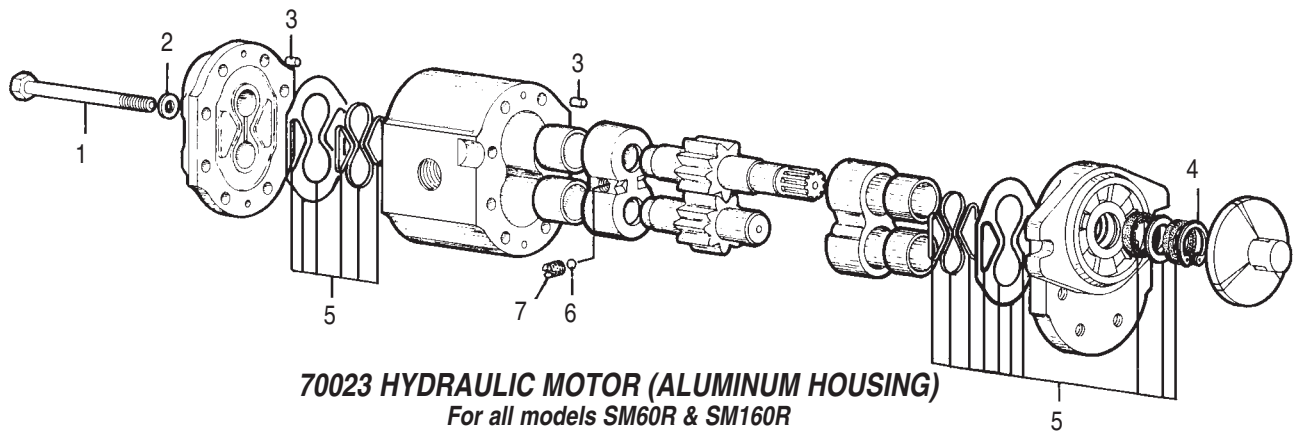




**70022 HYDRAULIC PUMP (ALUMINUM HOUSING)**  
 For All Models SM60R & SM160R  
 To replace complete pump order 87585 assembly

| REF. NO. | PART NO. | QTY. | DESCRIPTION          |
|----------|----------|------|----------------------|
| 1        | 78520    | 1    | Hydraulic Fitting    |
| 2        | 70024    | 16   | Screw M10 x 35       |
| 3        | 70025    | 16   | Washer (Shake Proof) |
| 4        | 70028    | 4    | Dowel 8 x 8          |
| 5        | 70029    | 1    | Key                  |
| 6        | 70032    | 1    | Circlip              |
| 7        | 70033    | 1    | Washer Lockring      |
| 8        | 70034    | 1    | Nut M14 x 1.5        |
| 9        | —        | 1    | Pump Seal Kit        |
| 10       | 70072    | 1    | Hub                  |

*Note: 70072 Hub is not shipped with the 70022 Pump Assembly.*



**70023 HYDRAULIC MOTOR (ALUMINUM HOUSING)**  
 For all models SM60R & SM160R  
 To replace complete motor order 87584 assembly

| REF. NO. | PART NO. | QTY. | DESCRIPTION             |
|----------|----------|------|-------------------------|
| 1        | 70042    | 8    | Screw                   |
| 2        | 70035    | 8    | Shake Proof Washer      |
| 3        | 70028    | 4    | Dowel                   |
| 4        | 70039    | 1    | Circlip                 |
| 5        | 70216    | 1    | Motor Seal Kit          |
|          | 70027    | 6    | Anti-Extrusion Ring     |
|          | 70026    | 2    | O-Ring                  |
|          | 70043    | 4    | O-Ring                  |
|          | 70036    | 2    | O-Ring                  |
|          | 70038    | 1    | Shaft Seal 27 x 42 x 7  |
|          | 84414    | 1    | Steel Back-up Washer    |
|          | 84413    | 1    | Shaft Seal 27 x 42 x 10 |
| 6        | 86954    | 2    | Ball                    |
| 7        | 86953    | 1    | Check Valve Body        |

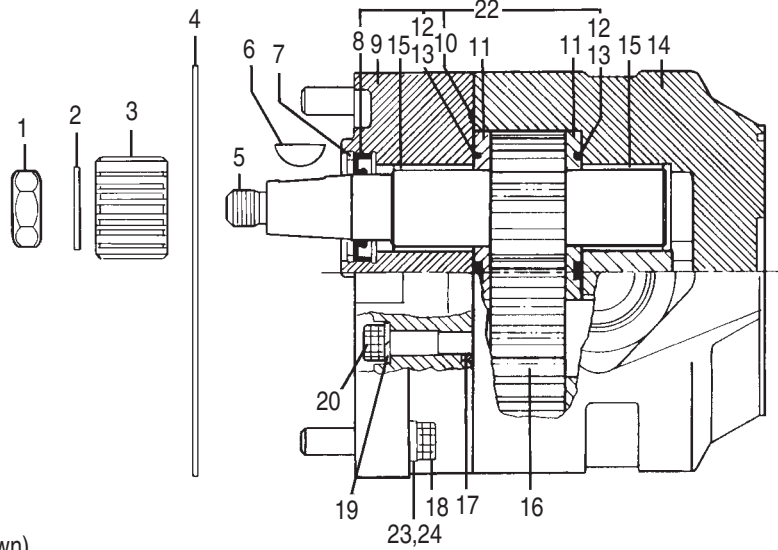


### 87585 HYDRAULIC PUMP ASSEMBLY (CAST IRON HOUSING)

Replaces 70022 Pump Assembly (Aluminum Housing)

For SM60R & SM160R Models with Serial Numbers 12-02099 and Below

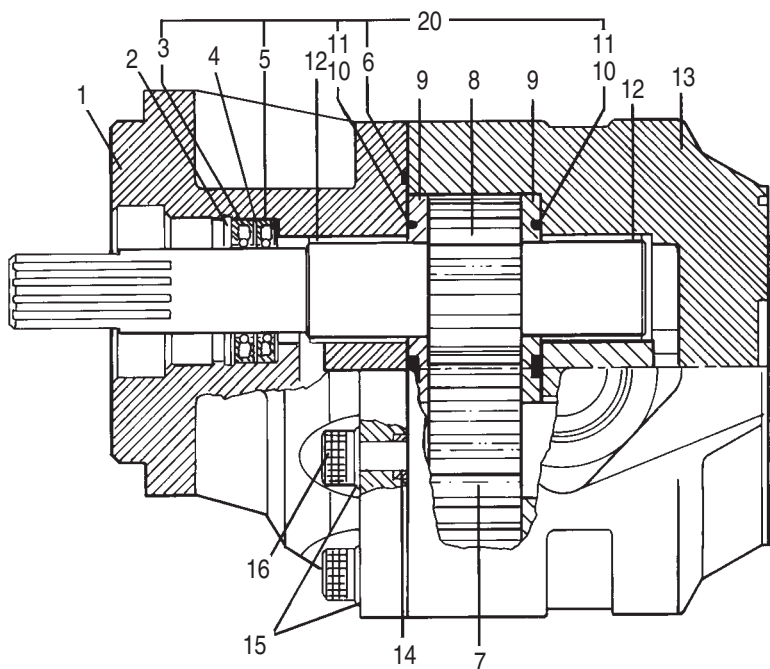
| REF. NO. | PART NO. | QTY. | DESCRIPTION              |
|----------|----------|------|--------------------------|
| 1        | 70034    | 1    | Hex Nut                  |
| 2        | 70033    | 1    | Washer                   |
| 3        | 87837    | 1    | Hub                      |
| 4        | 87838    | 1    | Gasket                   |
| 5        | 87839    | 1    | Drive Gear               |
| 6        | 70029    | 1    | Key 4 x 25               |
| 7        | 70032    | 1    | Circlip                  |
| 8        | 70031    | 1    | Shaft Seal               |
| 9        | 87841    | 1    | Mount Cover              |
| 10       | 87842    | 1    | "O" Ring Seal            |
| 11       | 87843    | 2    | Thrust Plate             |
| 12       | 87844    | 2    | "O" Ring Seal            |
| 13       | 87845    | 2    | Back-up Ring             |
| 14       | 87846    | 1    | Body                     |
| 15       | 87847    | 4    | Bearing                  |
| 16       | 87848    | 1    | Driven Gear              |
| 17       | 87849    | 4    | Bushing                  |
| 18       | 44196    | 4    | Screw M10 x 45 G8.8      |
| 19       | 87851    | 8    | Washer                   |
| 20       | 87852    | 8    | Screw 10 x 55            |
| 21       | 87853    | 1    | Plug 1/8 NPT (Not Shown) |
| 22       | 87854    | 1    | Seal Kit                 |
| 23       | —        | 4    | Flatwasher 3/8"          |
| 24       | 44198    | 4    | Lockwasher M10           |



### 87584 HYDRAULIC MOTOR ASSEMBLY (CAST IRON HOUSING)

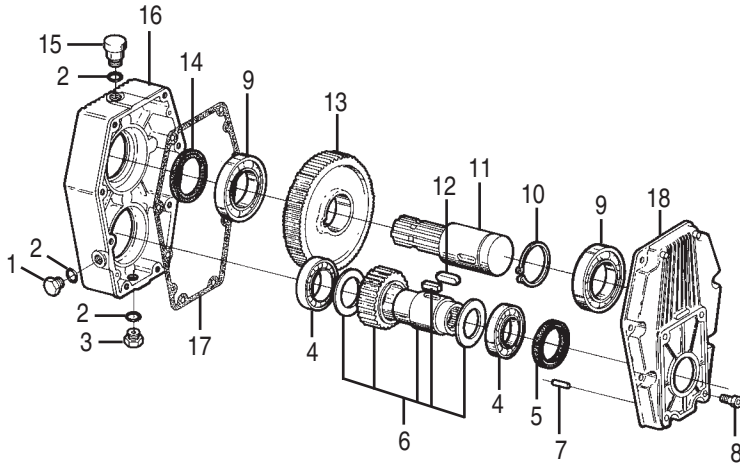
Replaces 70023 Pump Assembly (Aluminum Housing)

For SM60R & SM160R Models with Serial Numbers 12-02099 and Below



| REF. NO. | PART NO. | QTY. | DESCRIPTION                     |
|----------|----------|------|---------------------------------|
| 1        | 87855    | 1    | Front Mounting Cover            |
| 2        | 70039    | 1    | Internal Circlip                |
| 3        | 87857    | 1    | Shaft Seal, Outer 25 x 42 x 6.5 |
| 4        | 87858    | 1    | Support Ring                    |
| 5        | 87859    | 1    | Shaft Seal, Inner 25 x 42 x 6   |
| 6        | 87842    | 1    | "O" Ring Seal                   |
| 7        | 87861    | 1    | Driven Gear                     |
| 8        | 87862    | 1    | Input Drive Gear                |
| 9        | 87863    | 2    | Thrust Plate                    |
| 10       | 87864    | 2    | "O" Ring Seal                   |
| 11       | 87865    | 2    | Back-up ring                    |
| 12       | 87847    | 4    | Bearing                         |
| 13       | 87866    | 1    | Body                            |
| 14       | 87849    | 4    | Bushing                         |
| 15       | 87851    | 8    | Washer                          |
| 16       | 87850    | 8    | Screw M10 x 40                  |
| 17       | 87868    | 2    | Plug 1/8" NPT (Not Shown)       |
| 18       | 86954    | 2    | Ball 1/4" (Not Shown)           |
| 19       | 87870    | 1    | Plug (Not Shown)                |
| 20       | 87871    | 1    | Seal Kit                        |

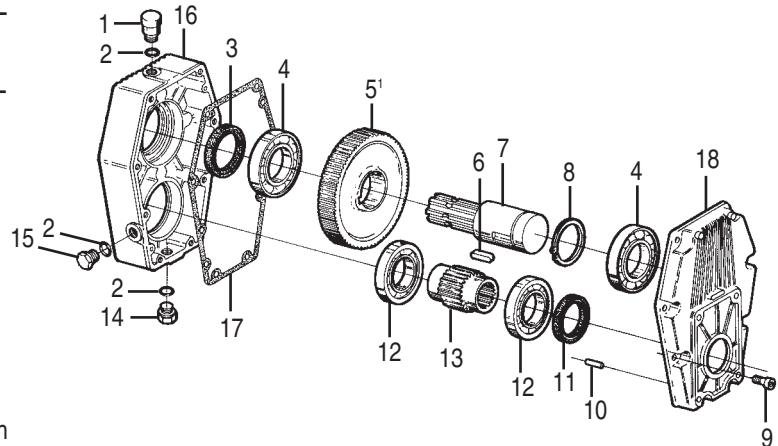
**79925 STEP-UP GEARBOX**  
**1:52:1 Ratio**  
**For SM160R 1000 RPM Models**  
**Serial Numbers 12-02099 and Below**



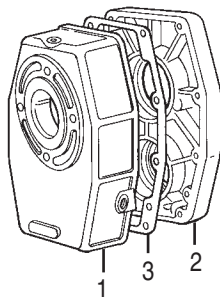
| REF. NO. | PART NO. | QTY. | DESCRIPTION         |
|----------|----------|------|---------------------|
| 1        | 70064    | 1    | Level Plug          |
| 2        | 79216    | 3    | Rubber Seal         |
| 3        | 70065    | 1    | Drain Plug          |
| 4        | 70054    | 2    | Bearing             |
| 5        | 70057    | 1    | Seal                |
| 6        | 70044    | 1    | Driving Shaft Kit   |
| 7        | 70056    | 2    | Roller              |
| 8        | 44370    | 8    | Screw M8 x 20       |
| 9        | 70055    | 2    | Bearing             |
| 10       | 70060    | 1    | Circlip             |
| 11       | 70050    | 1    | Male Spline Shaft   |
| 12       | 70059    | 2    | Key 12 x 8 x 30     |
| 13       | 70046    | 1    | Splined Plate Wheel |
| 14       | 70058    | 1    | Shaft Seal          |
| 15       | 70063    | 1    | Filler-Breather     |
| 16       | 78834    | 1    | Housing             |
| 17       | 79215    | 1    | Gasket              |
| 18       | 78835    | 1    | Housing Cover       |

**79926 STEP-UP GEARBOX**  
**3:1 Ratio**  
**For SM60R 540 RPM Models**  
**Serial Numbers 12-02099 and Below**

| REF. NO. | PART NO. | QTY. | DESCRIPTION                      |
|----------|----------|------|----------------------------------|
| 1        | 70063    | 1    | Filler-Breather                  |
| 2        | 79216    | 3    | Rubber Seal                      |
| 3        | 70058    | 1    | Shaft Seal                       |
| 4        | 70055    | 2    | Bearing                          |
| 5        | —        | 1    | Splined Plate Wheel <sup>1</sup> |
| 6        | 70059    | 1    | Key 12 x 8 x 30                  |
| 7        | 70050    | 1    | Male Splined Shaft               |
| 8        | 70060    | 1    | Circlip                          |
| 9        | 44370    | 8    | Screw M8 x 20                    |
| 10       | 70056    | 2    | Roller                           |
| 11       | 70057    | 1    | Shaft Seal                       |
| 12       | 70054    | 2    | Bearing                          |
| 13       | 70045    | 1    | Cylindrical Spur Pinion          |
| 14       | 70065    | 1    | Drain Plug                       |
| 15       | 70064    | 1    | Level Plug                       |
| 16       | 78834    | 1    | Housing                          |
| 17       | 79215    | 1    | Gasket                           |
| 18       | 78835    | 1    | Housing Cover                    |



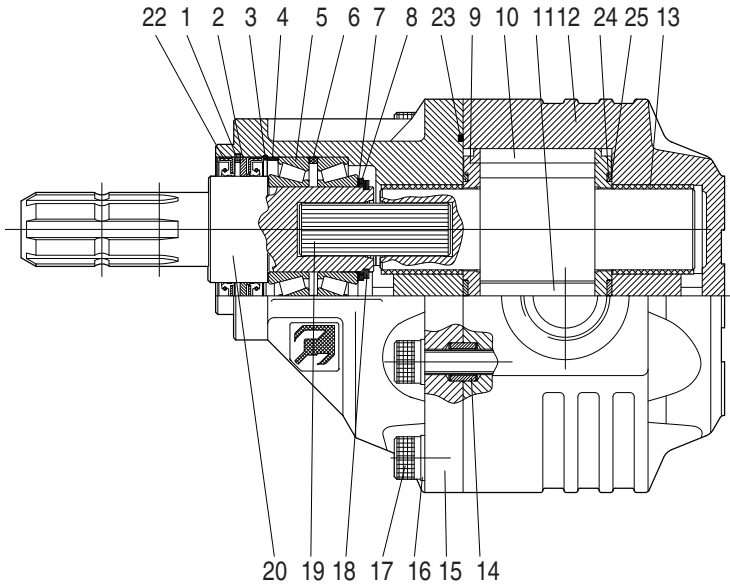
<sup>1</sup>For replacement of splined plate wheel order 79926 complete gearbox assembly.



**79998 COVER REPAIR KIT**  
**For 70020 & 70021 Gearbox**

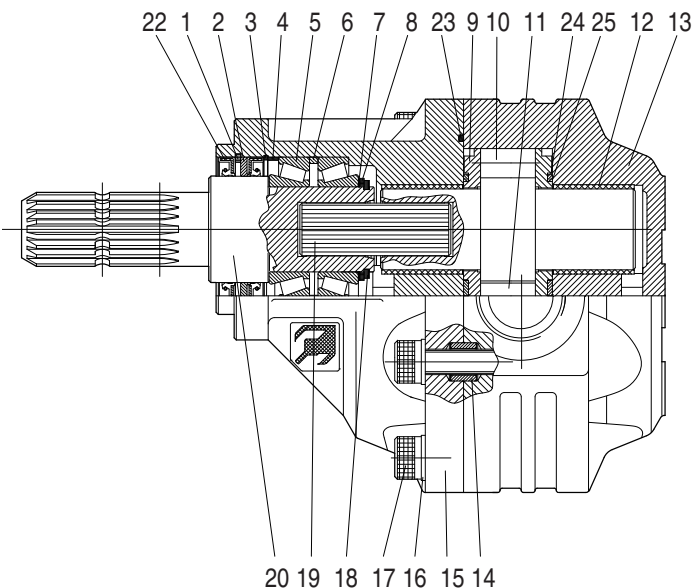
| REF. NO. | PART NO. | QTY. | DESCRIPTION   |
|----------|----------|------|---------------|
| 1        | 70048    | 1    | Housing       |
| 2        | 70049    | 1    | Housing Cover |
| 3        | 70052    | 1    | Gasket        |

**97697 HYDRAULIC PUMP ASSEMBLY 540 RPM**  
**For Models SM60R-03**  
**Serial Numbers 12-02100 and Above**  
**Replaced by 50040668 Pump Assembly**



| REF. NO. | PART NO.     | QTY.     | DESCRIPTION              |
|----------|--------------|----------|--------------------------|
| 1        | 98128        | 1        | Circlip                  |
| 2        | 98127        | 1        | Support Ring 50 x 68 x 8 |
| 3        | 98126        | 1        | Lock Ring                |
| 4        | 98125        | 1        | Spacer, Front Cover      |
| 5        | 98124        | 2        | Outboard Bearing         |
| 6        | 98123        | 1        | Spacer Ring              |
| 7        | 98122        | 1        | Washer 40 x50 x 0        |
| 8        | 98121        | 1        | Support Ring             |
| 9        | 98120        | 2        | Thrust Plate             |
| 10       | 98119        | 1        | Drive Shaft              |
| 11       | 98118        | 1        | Drive shaft              |
| 12       | —            | 1        | Gear Housing             |
| 13       | 98115        | 4        | Sleeve Bearing           |
| 14       | 98112        | 4        | Steel Bushing            |
| 15       | 98111        | 1        | Front Mounting Cover     |
| 16       | 70035        | 8        | Washer                   |
| 17       | 98110        | 8        | Screw M12 x 45           |
| 18       | 98109        | 2        | Circlip                  |
| 19       | 98108        | 1        | Connecting Shaft         |
| 20       | 98107        | 1        | Support Shaft            |
| 21       | 87853        | 1        | Plug 1/8" (not shown)    |
|          | <b>98105</b> | <b>1</b> | <b>Seal Kit</b>          |
| 22       | —            | 2        | Shaft Seal 50 x 68 x 8   |
| 23       | —            | 1        | O-Ring Seal              |
| 24       | —            | 2        | O-Ring Seal              |
| 25       | —            | 2        | Back-up Ring             |

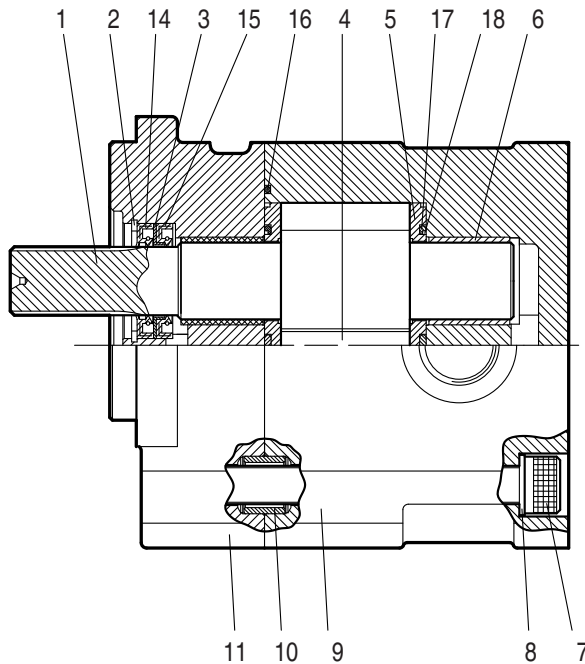
**97698 HYDRAULIC PUMP ASSEMBLY 1000 RPM**  
**For Models SM160R-03**  
**Serial Numbers 12-02100 and Above**  
**Replaced by 50042653 Pump Assembly**



| REF. NO. | PART NO.     | QTY.     | DESCRIPTION              |
|----------|--------------|----------|--------------------------|
| 1        | 98128        | 1        | Circlip                  |
| 2        | 98127        | 1        | Support Ring 50 x 68 x 8 |
| 3        | 98126        | 1        | Lock Ring                |
| 4        | 98125        | 1        | Spacer, Front Cover      |
| 5        | 98124        | 2        | Outboard Bearing         |
| 6        | 98123        | 1        | Spacer Ring              |
| 7        | 98122        | 1        | Washer 40 x50 x 0        |
| 8        | 98121        | 1        | Support Ring             |
| 9        | 98120        | 2        | Thrust Plate             |
| 10       | 98117        | 1        | Drive Shaft              |
| 11       | 98116        | 1        | Drive shaft              |
| 12       | 98115        | 4        | Sleeve Bearing           |
| 13       | 98113        | 1        | Gear Housing             |
| 14       | 98112        | 4        | Steel Bushing            |
| 15       | 98111        | 1        | Front Mounting Cover     |
| 16       | 70035        | 8        | Washer                   |
| 17       | 98110        | 8        | Screw M12 x 45           |
| 18       | 98109        | 2        | Circlip                  |
| 19       | 98108        | 1        | Connecting Shaft         |
| 20       | 98106        | 1        | Support Shaft            |
| 21       | 87853        | 1        | Plug 1/8" (not shown)    |
|          | <b>98105</b> | <b>1</b> | <b>Seal Kit</b>          |
| 22       | —            | 2        | Shaft Seal 50 x 68 x 8   |
| 23       | —            | 1        | O-Ring Seal              |
| 24       | —            | 2        | O-Ring Seal              |
| 25       | —            | 2        | Back-up Ring             |

### 97696 HYDRAULIC MOTOR ASSEMBLY 540 RPM

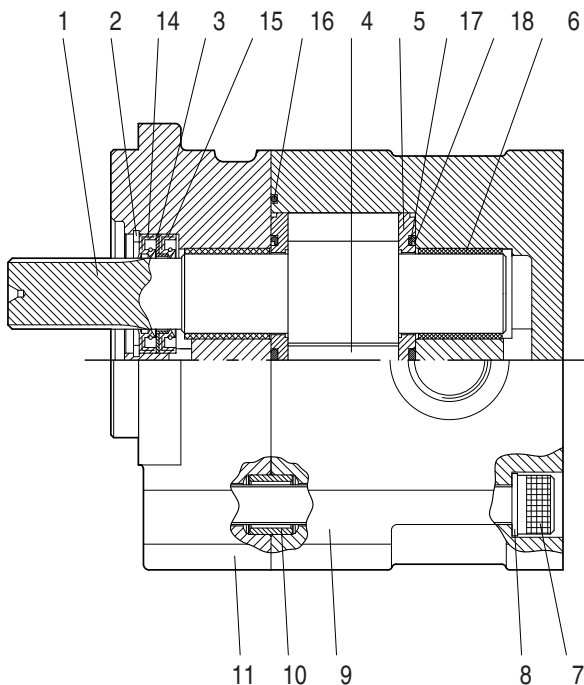
For Models SM60R03  
Serial Numbers 12-02100 and Above



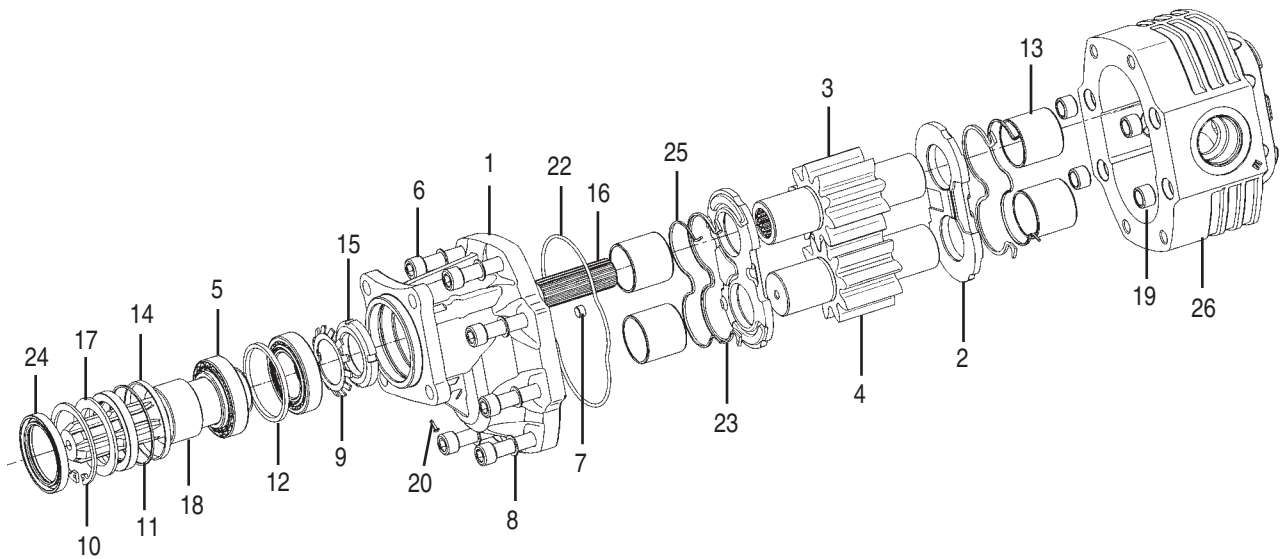
| REF. NO. | PART NO.     | QTY.     | DESCRIPTION               |
|----------|--------------|----------|---------------------------|
| 1        | 98104        | 1        | Drive Shaft               |
| 2        | 70039        | 1        | Circlip                   |
| 3        | 87858        | 1        | Support Ring              |
| 4        | 98103        | 1        | Drive Shaft               |
| 5        | 87863        | 2        | Thrust Plate              |
| 6        | 87847        | 4        | Sleeve Bearing            |
| 7        | 98102        | 4        | Screw M14 x 130           |
| 8        | 98095        | 4        | Washer                    |
| 9        | 98149        | 1        | Gear Housing              |
| 10       | 98093        | 4        | Steel Bushing             |
| 11       | 98092        | 1        | Front Mounting Cover      |
| 12       | 87868        | 2        | Plug 1/8" NPT (Not Shown) |
| 13       | 86954        | 2        | Ball 1/4" (Not Shown)     |
|          | <b>98090</b> | <b>1</b> | <b>Seal Kit</b>           |
| 14       | —            | 1        | Shaft Seal                |
| 15       | —            | 1        | Shaft Seal                |
| 16       | —            | 1        | O-Ring Seal               |
| 17       | —            | 2        | O-Ring Seal               |
| 18       | —            | 2        | Back-Up Ring              |

### 97700 HYDRAULIC MOTOR ASSEMBLY 1000 RPM

For Models SM160R03  
Serial Numbers 12-02100 and Above



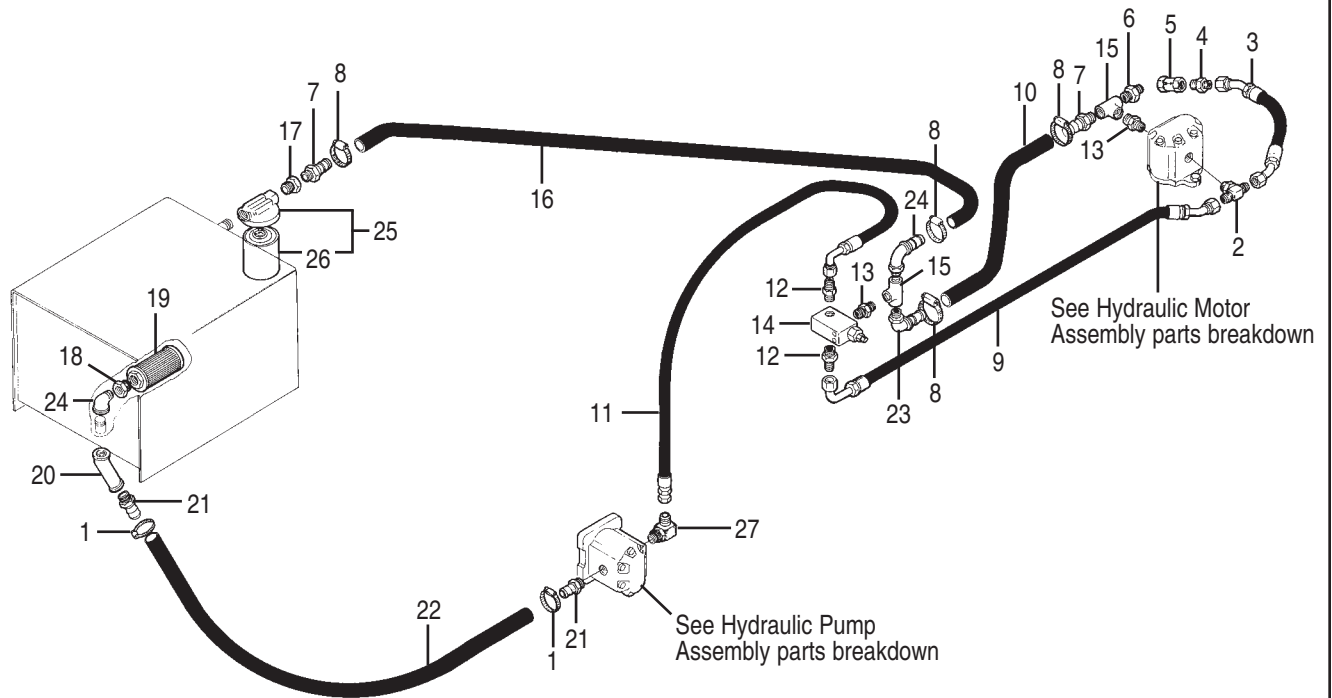
| REF. NO. | PART NO.     | QTY.     | DESCRIPTION               |
|----------|--------------|----------|---------------------------|
| 1        | 98099        | 1        | Drive Shaft               |
| 2        | 70039        | 1        | Circlip                   |
| 3        | 87858        | 1        | Support Ring              |
| 4        | 98098        | 1        | Drive Shaft               |
| 5        | 87863        | 2        | Thrust Plate              |
| 6        | 87847        | 4        | Sleeve Bearing            |
| 7        | 98096        | 4        | Screw M14 x 120           |
| 8        | 98095        | 4        | Washer M14                |
| 9        | 98094        | 1        | Gear Housing              |
| 10       | 98093        | 4        | Steel Bushing             |
| 11       | 98092        | 1        | Front Mounting Cover      |
| 12       | 87868        | 2        | Plug 1/8" NPT (Not Shown) |
| 13       | 86954        | 2        | Ball 1/4" (Not Shown)     |
|          | <b>98090</b> | <b>2</b> | <b>Seal Kit</b>           |
| 14       | —            | 1        | Shaft Seal                |
| 15       | —            | 1        | Shaft Seal                |
| 16       | —            | 1        | O-Ring Seal               |
| 17       | —            | 2        | O-Ring Seal               |
| 18       | —            | 2        | Back-Up Ring              |



**50040668 PUMP ASSEMBLY 540 RPM**  
 For Model SM60R-03 Serial Numbers 12-02100 & Above  
**50042653 PUMP ASSEMBLY 1000 RPM**  
 For Model SM60R-03 Serial Numbers 12-02100 & Above

| REF. NO. | PART NO. | QTY. | DESCRIPTION                |
|----------|----------|------|----------------------------|
| 1        | 50042648 | 1    | Front Cover                |
| 2        | 98120    | 2    | Thrust Plate               |
| 3        | 98119    | 1    | Drive Gear (540 RPM)       |
|          | 98117    | 1    | Drive Gear (1000 RPM)      |
| 4        | 98118    | 1    | Driven Gear (540 RPM)      |
|          | 98116    | 1    | Driven Gear (1000 RPM)     |
| 5        | 98124    | 2    | Roller Bearing             |
| 6        | 98110    | 8    | Screw M12 x 45             |
| 7        | 87853    | 1    | Grub Screw 1/8" NPT        |
| 8        | 70035    | 8    | Knurled Washer             |
| 9        | 50042649 | 1    | Lockwasher                 |
| 10       | 98128    | 1    | Ring                       |
| 11       | 98126    | 1    | Lock Ring                  |
| 12       | 98123    | 1    | Spacer Ring                |
| 13       | 98115    | 4    | Sleeve Bearing             |
| 14       | 98125    | 1    | Spacer, Cover              |
| 15       | 50042650 | 1    | Threaded Locking Ring      |
| 16       | 98108    | 1    | Hub                        |
| 17       | 98127    | 1    | Back-up Washer 50 x 68 x 8 |
| 18       | 50042651 | 1    | Support Shaft (540 RPM)    |
|          | 50042654 | 1    | Support Shaft (1000 RPM)   |
| 19       | 98112    | 4    | Steel Bushing              |
| 20       | 50042652 | 1    | Protection Plug, Flange    |
| 21       | 98105    | 1    | Seal Kit (22-25)           |
| 22       | —        | 1    | O-Ring                     |
| 23       | —        | 2    | Seal                       |
| 24       | —        | 2    | Shaft Seal 50 x 68 x 8     |
| 25       | —        | 2    | Back-up Ring               |
| 26       | 98113    | 1    | Body (540 RPM)             |
|          | —        | 1    | Body (1000 RPM)            |

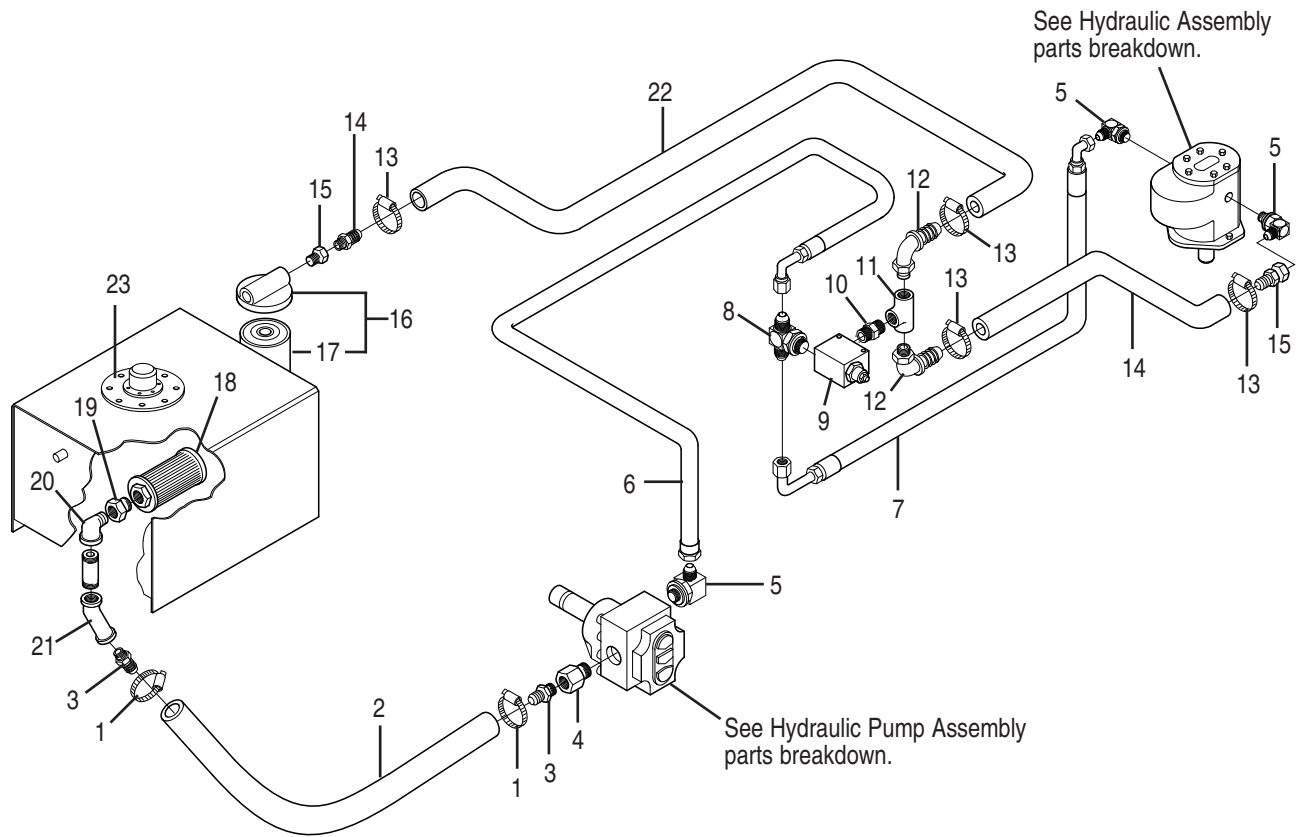




**BASIC HYDRAULICS**  
**For Models SM60 & SM160R**  
**with Serial Numbers 12-02099 and Below**

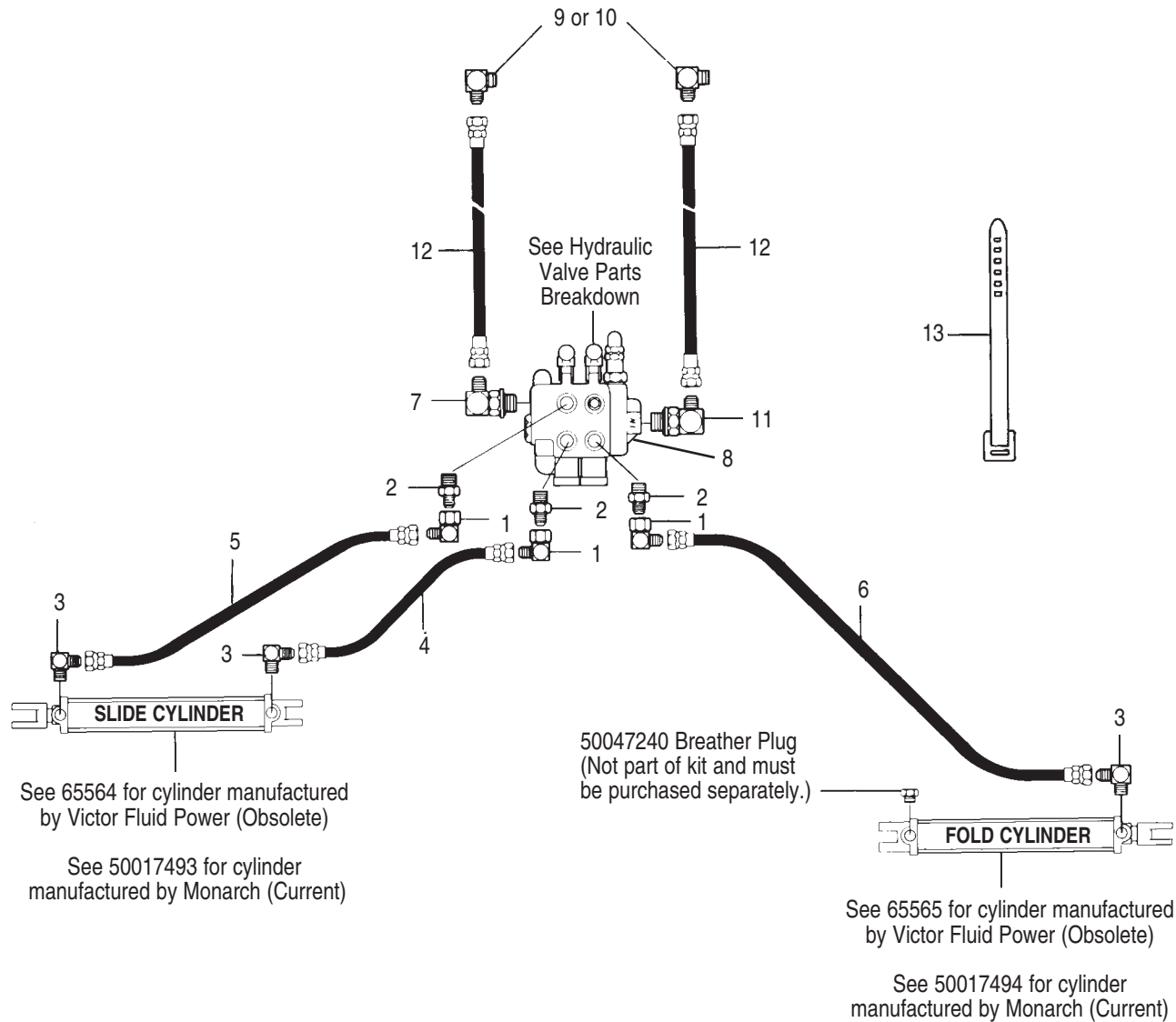
| REF. NO. | PART NO. | QTY. | DESCRIPTION  |
|----------|----------|------|--|
| 1        | 65629    | 2    | Hose Clamp   |
| 2        | 65448    | 1    | Tee 1-1/16" - 12 SAE                               |
| 3        | 65447    | 1    | Hydraulic Hose 31", 1-1/16" - 12 JIC               |
| 4        | 65446    | 1    | Adaptor, Straight 1-1/16" - 12 JIC to 3/4" NPT     |
| 5        | 65445    | 1    | Check Valve 3/4" NPT                               |
| 6        | 65443    | 1    | Pipe Nipple 1" NPT to 3/4" NPT                     |
| 7        | 65436    | 1    | Hose Fitting 1"- 11-1/2" NPT                       |
| 8        | 65630    | 4    | Hose Clamp   |
| 9        | 65442    | 1    | Hyd. Hose 59", 1-1/16" JIC Female Ends             |
| 10       | 65441    | 1    | Hyd. Hose 54" (Return)                             |
| 11       | 65422    | 1    | Hyd. Hose 105", 1-1/16" JIC Female Ends            |
| 12       | 65423    | 2    | Straight Connector 1-1/16" JIC to 1-1/16" NPT      |
| 13       | 65438    | 2    | Straight Connector 1-1/16" ORB to 1-1/16" NPT      |
| 14       | —        | 1    | Relief Valve                                       |
| 15       | 65437    | 2    | Pipe Tee 1" NPT Female                             |
| 16       | 65450    | 1    | Hyd. Hose 84" (Return)                             |
| 17       | 65435    | 1    | Reducer 1-1/4" NPT External to 1" NPT Internal     |
| 18       | 65593    | 1    | Reducer 1-1/2" NPT External to 1-1/4" NPT Internal |
| 19       | 65432    | 1    | Sump Strainer                                      |
| 20       | 91447    | 1    | 45° Elbow  |
| 21       | 65428    | 2    | Hose Fitting 1-1/4" - 11-1/2" NPT                  |
| 22       | 65427    | 1    | Hyd. Hose 24" (Return)                             |
| 23       | 65420    | 2    | Elbow 90° 1"-11-1/2" NPT to 1" Hose                |
| 24       | 65431    | 1    | Elbow 90° 1-1/4" NPT Internal/External             |
| 25       | 90989    | 1    | Return Line Filter Assembly                        |
| 26       | 65680    | 1    | Replacement Element                                |
| 27       | 65594    | 1    | 90° Elbow 1-1/16" JIC to 1-1/16" ORB               |





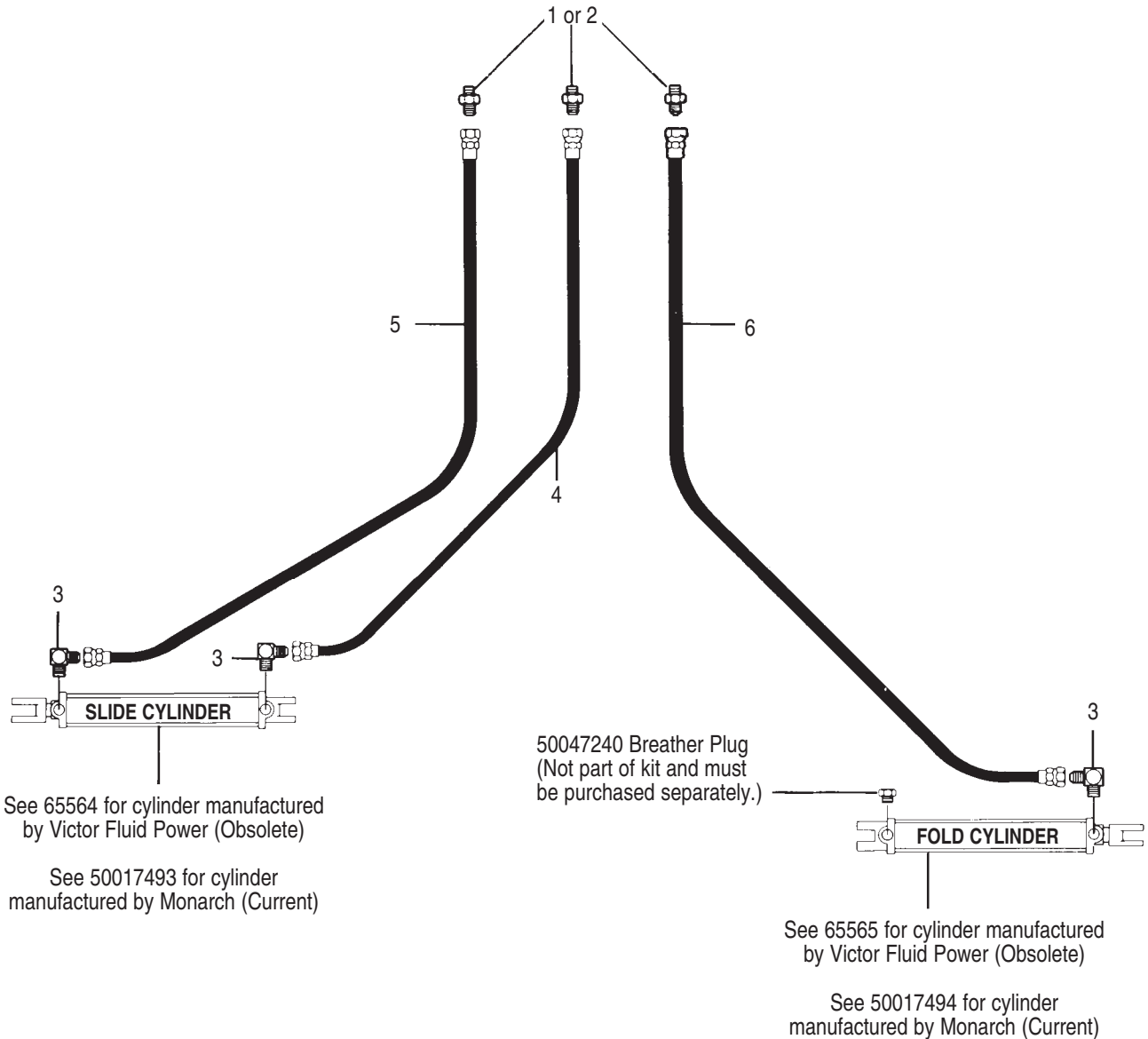
**BASIC HYDRAULICS**  
**For Models SM60R-3 & SM160R03**  
**with Serial Numbers 12-02100 and Above**

| REF. NO. | PART NO. | QTY. | DESCRIPTION  |
|----------|----------|------|--|
| 1        | 65629    | 2    | Hose Clamp   |
| 2        | 65427    | 1    | Hyd. Hose 24" (Return)                             |
| 3        | 65428    | 2    | Hose Fitting 1-1/4" - 11-1/2" NPT                  |
| 4        | 78520    | 1    | Hyd. Fitting                                       |
| 5        | 65594    | 3    | 90° Elbow 1-1/16" JIC to 1-1/16" ORB               |
| 6        | 65422    | 1    | Hyd. Hose 105", 1-1/16" JIC Female Ends            |
| 7        | 65442    | 1    | Hyd. Hose 59" 1-1/16" JIC Female Ends              |
| 8        | 65448    | 1    | Tee 1-1/16" - 12 SAE                               |
| 9        | 99479    | 1    | Relief Valve                                       |
| 10       | 65438    | 1    | Straight Connector 1-1/16" ORB to 1-1/16" NPT      |
| 11       | 65437    | 1    | Pipe Tee   |
| 12       | 65420    | 2    | Elbow 90° 1" - 11-1/2" NPT to 1" Hose              |
| 13       | 65630    | 4    | Hose Clamp   |
| 14       | 65441    | 1    | Hyd. Hose 54" (Return)                             |
| 15       | 97665    | 1    | Hose Fitting                                       |
| 16       | 90989    | 1    | Return Line Filter Assy.                           |
| 17       | 65680    | 1    | Replacement Element                                |
| 18       | 65432    | 1    | Sump Strainer                                      |
| 19       | 65593    | 1    | Reducer 1-1/2" NPT External to 1-1/4" NPT Internal |
| 20       | 65431    | 1    | 90° Elbow 1-1/4" NPT Internal/ External            |
| 21       | 91447    | 1    | 45° Elbow  |
| 22       | 65450    | 1    | Hyd. Hose 84" (Return)                             |
| 23       | 64052    | 1    | Gasket, Tank Lid                                   |



**HYDRAULIC VALVE KIT**  
For all Models SM60R & SM160R

| REF. NO. | PART NO. | QTY. | DESCRIPTION                            |
|----------|----------|------|--|
| 1        | 63453    | 3    | Elbow 90° 9/16" JIC Male & Female      |
| 2        | 62428    | 3    | Straight Adaptor 7/8" ORB to 9/16" JIC |
| 3        | 14-40-98 | 3    | Elbow 90° 9/16" jic to 3/4" ORB        |
| 4        | 62431    | 1    | Hydraulic Hose 126" - 9/16" JIC Ends   |
| 5        | 14-40-97 | 1    | Hydraulic Hose 108" - 9/16" JIC Ends   |
| 6        | 79041    | 1    | Hydraulic Hose 158" - 9/16" JIC Ends   |
| 7        | 25H40475 | 1    | Elbow 90° 3/4" JIC to 7/8" ORB         |
| 8        | 65545    | 1    | Hydraulic Control Valve                |
| 9        | 53337    | 2    | Straight Adaptor 3/4" JIC to 3/4" ORB  |
| 10       | 6450010  | 2    | Elbow 90° 1/2" NPT to 3/4" JIC         |
| 11       | 61471    | 1    | Elbow 90° 1-1/16" ORB to 3/4" JIC      |
| 12       | 25H50266 | 2    | Hydraulic Hose 120" - 3/4" JIC Ends    |
| 13       | 52161    | 2    | Tie, Plastic                           |

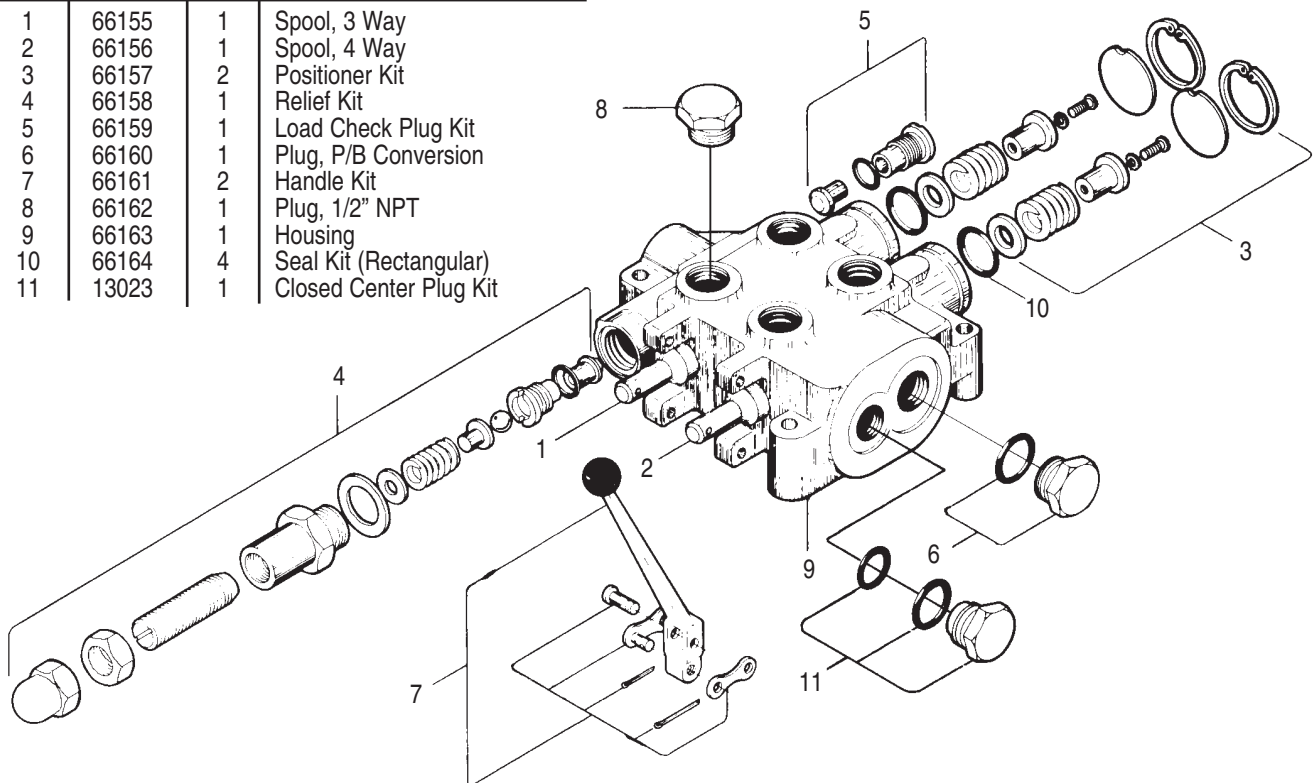


**HYDRAULIC KIT FOR TRACTOR HYDRAULICS**  
*For all models SM60R & SM160R*

| REF. NO. | PART NO. | QTY. | DESCRIPTION                            |
|----------|----------|------|--|
| 1        | 24-6-434 | 3    | Straight Adaptor 1/2" NPT to 9/16" JIC |
| 2        | 53340    | 3    | Straight Adaptor 3/4" ORB to 9/16" JIC |
| 3        | 14-40-98 | 3    | Elbow 90° 3/4" ORB to 9/16" JIC        |
| 4        | 53329    | 1    | Hydraulic Hose 72"                     |
| 5        | 1440100  | 1    | Hydraulic Hose 60"                     |
| 6        | 62431    | 1    | Hydraulic Hose 116"                    |

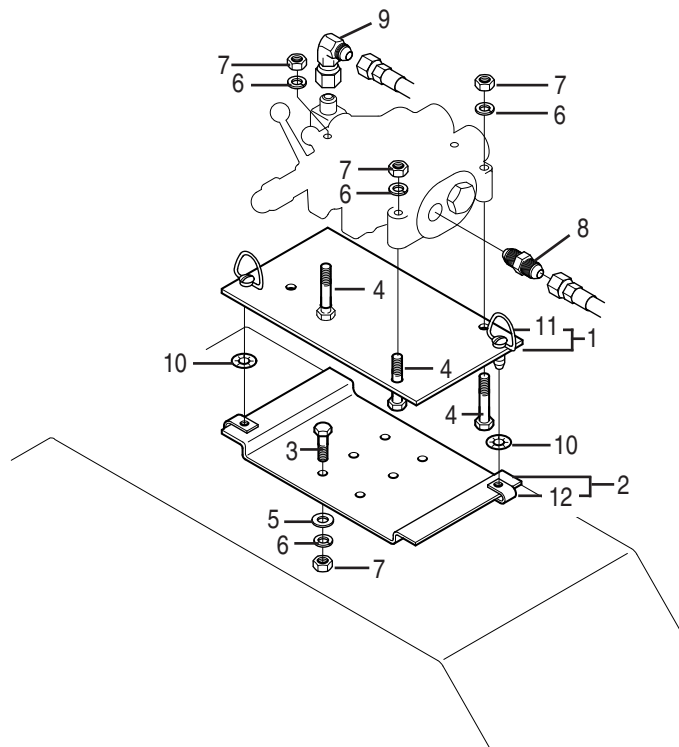
### 65643 HYDRAULIC VALVE Used on SM60 & SM160R Models

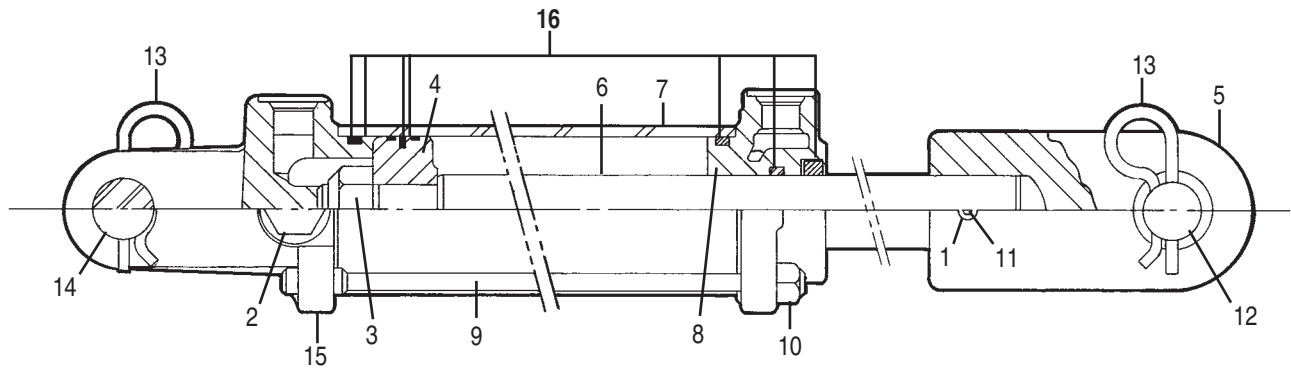
| REF. NO. | PART NO. | QTY. | DESCRIPTION            |
|----------|----------|------|------------------------|
| 1        | 66155    | 1    | Spool, 3 Way           |
| 2        | 66156    | 1    | Spool, 4 Way           |
| 3        | 66157    | 2    | Positioner Kit         |
| 4        | 66158    | 1    | Relief Kit             |
| 5        | 66159    | 1    | Load Check Plug Kit    |
| 6        | 66160    | 1    | Plug, P/B Conversion   |
| 7        | 66161    | 2    | Handle Kit             |
| 8        | 66162    | 1    | Plug, 1/2" NPT         |
| 9        | 66163    | 1    | Housing                |
| 10       | 66164    | 4    | Seal Kit (Rectangular) |
| 11       | 13023    | 1    | Closed Center Plug Kit |



### 67717 BRACKET KIT, VALVE

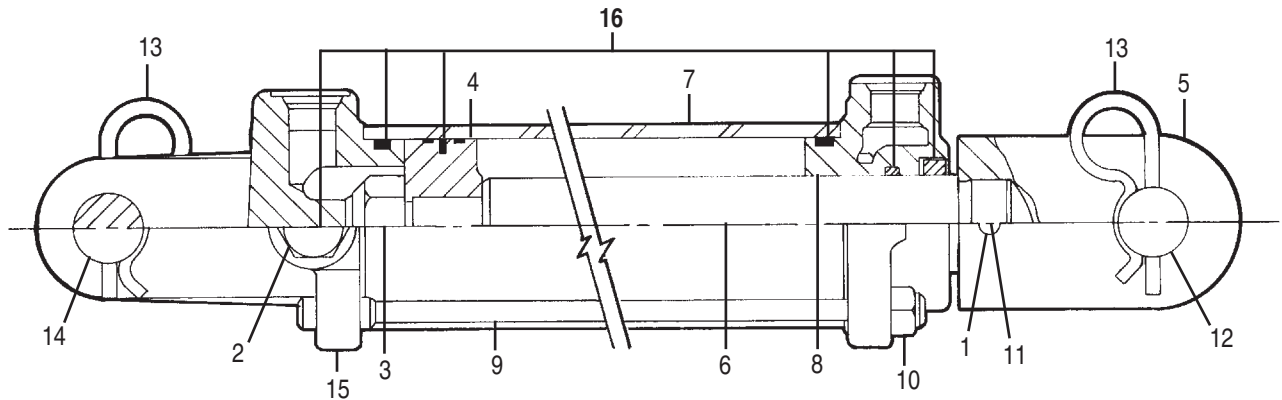
| REF. NO. | PART NO. | QTY. | DESCRIPTION                     |
|----------|----------|------|---------------------------------|
| 1        | 67718    | 1    | Valve Plate Assembly            |
| 2        | 67719    | 1    | Base Plate Assembly             |
| 3        | —        | 4    | Capscrew 3/8" - 16 UNC x 1-1/2" |
| 4        | —        | 3    | Capscrew 3/8" - 16 UNC x 2-1/2" |
| 5        | —        | 4    | Flatwasher 3/8"                 |
| 6        | —        | 7    | Lockwasher 3/8"                 |
| 7        | —        | 7    | Hex Nut 3/8" - 16 UNC           |
| 8        | 25H43832 | 1    | Hydraulic Fitting, Adaptor      |
| 9        | 25H40576 | 1    | Hydraulic Fitting, 90° Elbow    |
| 10       | 80536    | 2    | Push-on Retainer                |
| 11       | 67534    | 2    | Quarter Turn Fastener           |
| 12       | 67533    | 2    | Clip-on Receptacle              |





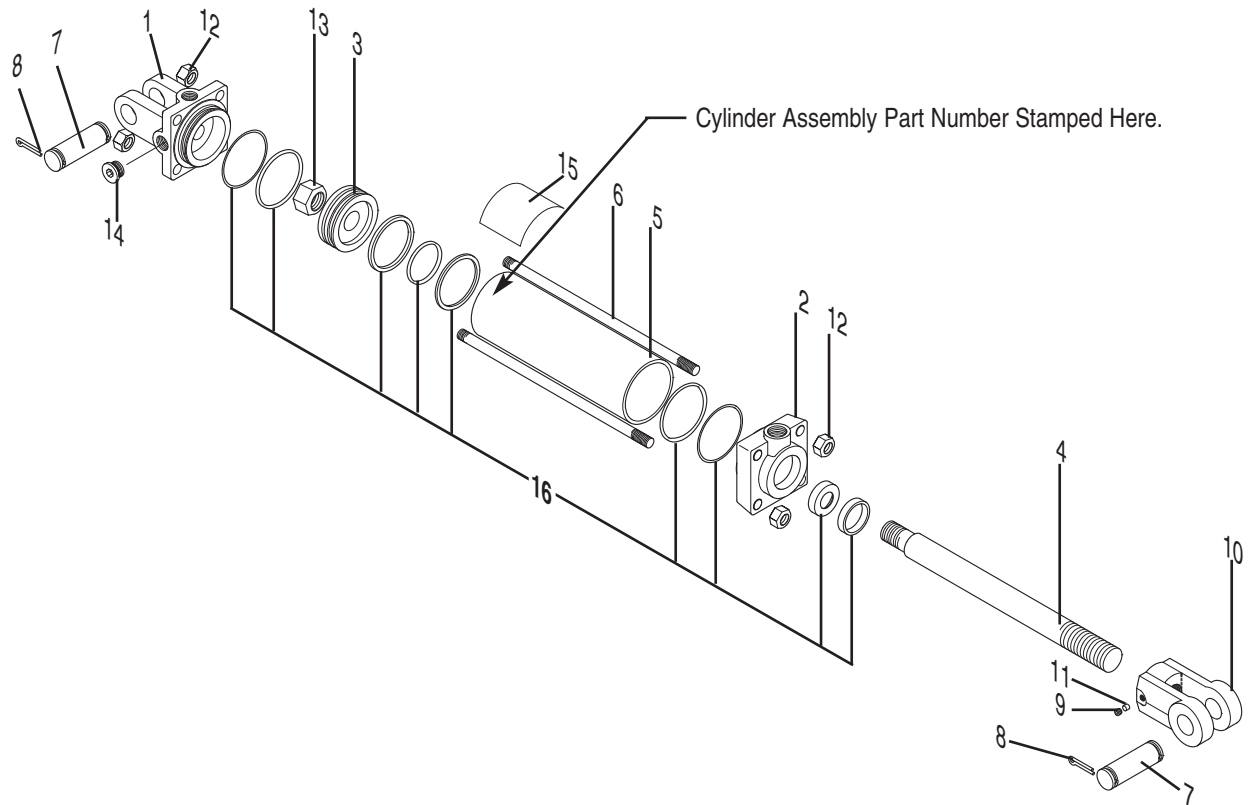
**(OBSOLETE) 65565 HYDRAULIC CYLINDER (VICTOR FLUID POWER)**  
**REPLACED BY 50017494**  
**2-1/2" Bore x 16" Stroke Fold Cylinder for SM60R & SM160R**

| REF. NO. | PART NO. | QTY. | DESCRIPTION     | REF. NO. | PART NO.     | QTY. | DESCRIPTION     |
|----------|----------|------|-----------------|----------|--------------|------|-----------------|
| 1        | SP117    | 1    | Setscrew        | 12       | 65651        | 1    | Clevis Pin      |
| 2        | SP122    | 1    | Plug Assembly   | 13       | 65652        | 4    | Cotter Pin      |
| 3        | 65334    | 1    | Locknut         | 14       | 65653        | 1    | Clevis Pin      |
| 4        | 86275    | 1    | Piston          | 15       | 65670        | 1    | Bottom Machine  |
| 5        | 65644    | 1    | Clevis Assembly | 16       | <b>86219</b> |      | <b>Seal Kit</b> |
| 6        | 65645    | 1    | Shaft           | —        | —            | 2    | Back-Up         |
| 7        | 65646    | 1    | Case            | —        | —            | 2    | O-Ring          |
| 8        | 65647    | 1    | Head Machine    | —        | —            | 1    | Piston Seal     |
| 9        | 65648    | 4    | Tie Rods        | —        | —            | 1    | O-Ring          |
| 10       | 65649    | 4    | Nuts            | —        | —            | 1    | U-Cup           |
| 11       | 65650    | 1    | Nylon Plug      | —        | —            | 1    | Wiper           |



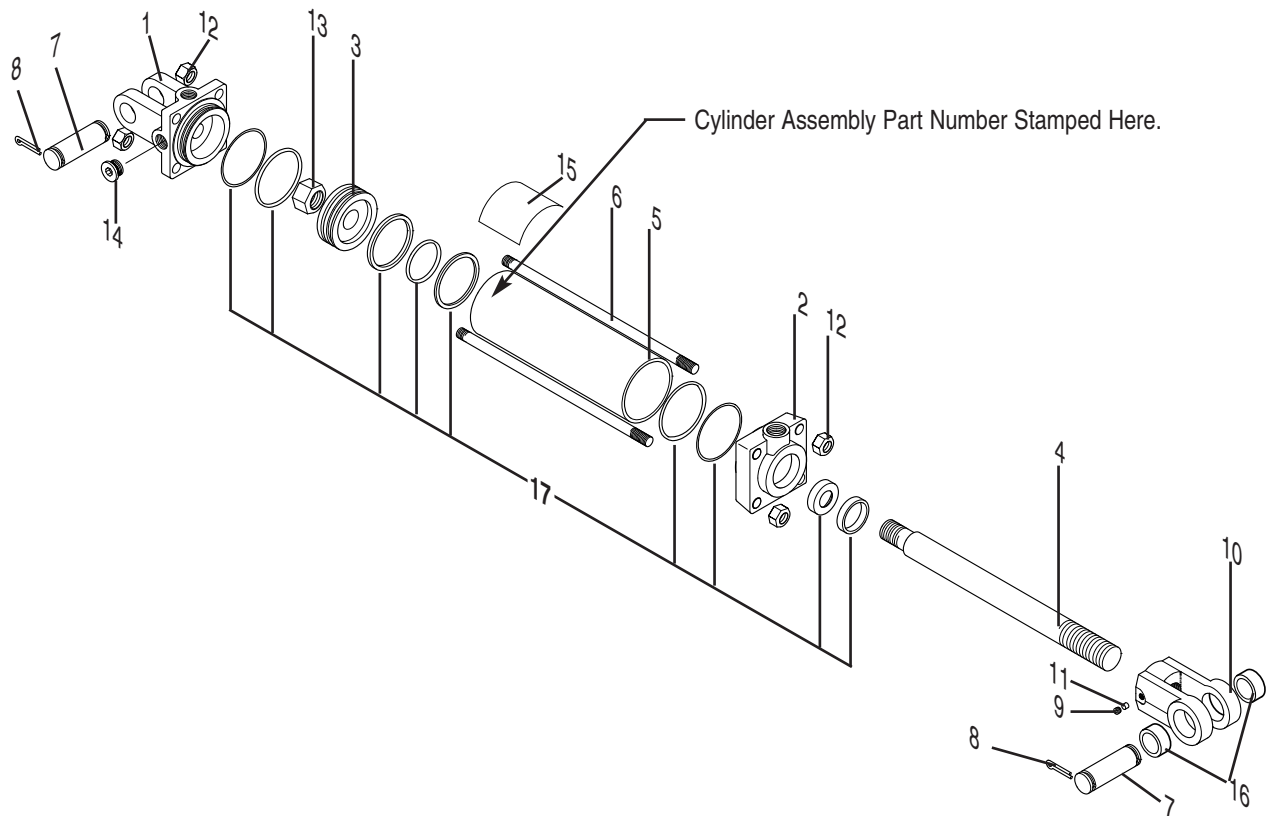
**(OBSOLETE) 65564 HYDRAULIC CYLINDER (VICTOR FLUID POWER)**  
**REPLACED BY 50017493**  
**2-1/2" Bore x 31-1/4" Stroke Slide Cylinder for SM60R & SM160R**

| REF. NO. | PART NO. | QTY. | DESCRIPTION     | REF. NO. | PART NO.     | QTY. | DESCRIPTION     |
|----------|----------|------|-----------------|----------|--------------|------|-----------------|
| 1        | SP117    | 1    | Setscrew        | 12       | 65660        | 1    | Clevis Pin      |
| 2        | SP122    | 1    | Plug Assembly   | 13       | 65652        | 4    | Cotter Pin      |
| 3        | 65334    | 1    | Locknut         | 14       | 65659        | 1    | Clevis Pin      |
| 4        | 86275    | 1    | Piston          | 15       | 65670        | 1    | Bottom Machine  |
| 5        | 65655    | 1    | Clevis Assembly | 16       | <b>86176</b> |      | <b>Seal Kit</b> |
| 6        | —        | 1    | Shaft           | —        | —            | 2    | Back-Up         |
| 7        | 65657    | 1    | Case            | —        | —            | 2    | O-Ring          |
| 8        | 65658    | 1    | Head Machine    | —        | —            | 1    | Piston Seal     |
| 9        | 65662    | 4    | Tie Rods        | —        | —            | 1    | O-Ring          |
| 10       | 65649    | 4    | Nuts            | —        | —            | 1    | U-Cup           |
| 11       | 65650    | 1    | Nylon Plug      | —        | —            | 1    | Wiper           |



**50017493 HYDRAULIC CYLINDER**  
 (Was Part No. 95399)  
 Manufactured by Monarch  
 2.5" Bore x 31.25" Stroke 1.25" Rod Dia.  
 3/4" – 16 ORB Ports  
 Replaced by 50058262 Hydraulic Cylinder

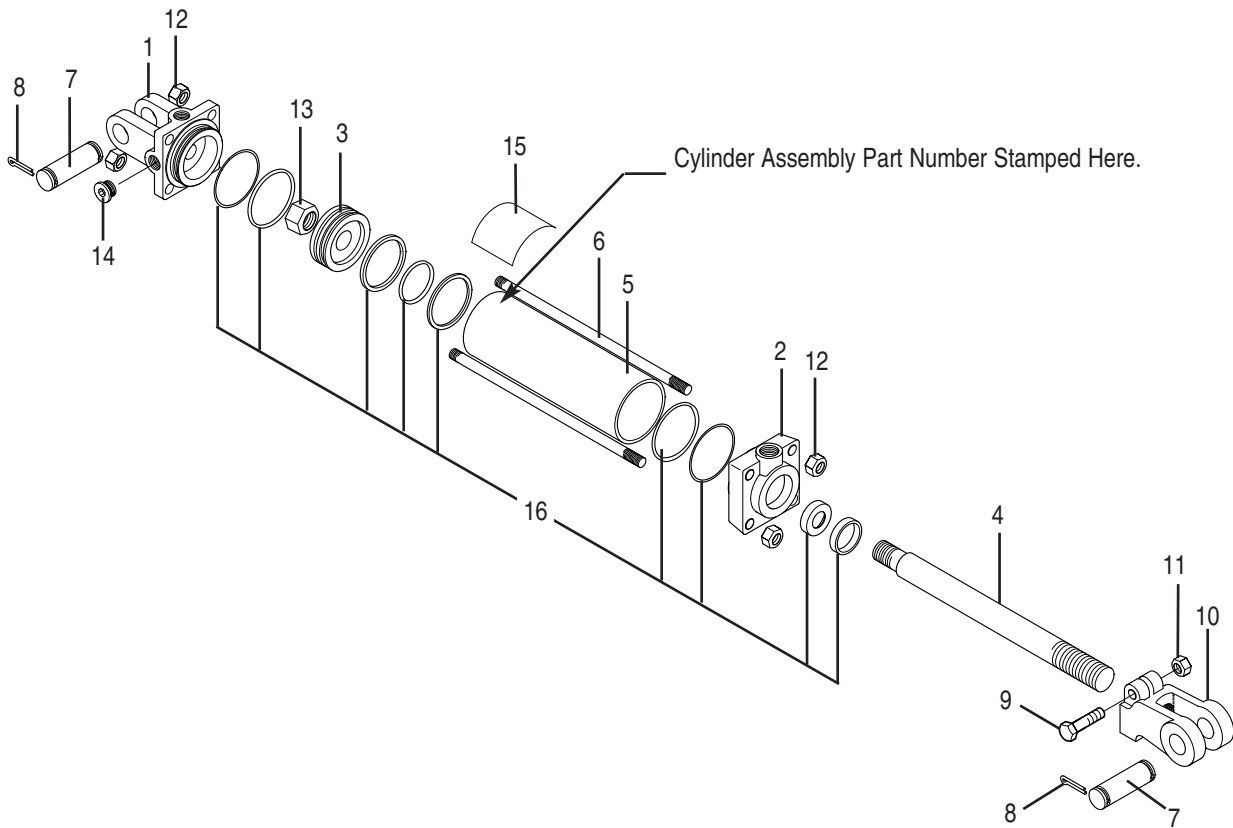
| REF. NO. | PART NO. | QTY. | DESCRIPTION                  |
|----------|----------|------|------------------------------|
| 1        | 95477    | 1    | Clevis Cap                   |
| 2        | 92478    | 1    | Rod Cap                      |
| 3        | 95480    | 1    | Piston                       |
| 4        | 95501    | 1    | Rod 1.25" Dia.               |
| 5        | 95499    | 1    | Cylinder Tube                |
| 6        | 95500    | 4    | Tie Rod                      |
| 7        | 95425    | 2    | Pin 1" Dia.                  |
| 8        | 21020614 | 4    | Cotter Pin 3/16" x 1 1/2"    |
| 9        | 95433    | 1    | Thread Lock                  |
| 10       | 95428    | 1    | Rod Clevis 1.25" x 1"        |
| 11       | 95422    | 1    | Set Screw 3/8" x 1/2 Knurled |
| 12       | 8151200  | 8    | Hex Nut 3/8"                 |
| 13       | 95452    | 1    | Hex Nut 3/4" UNF             |
| 14       | 95435    | 1    | Plug 3/4"                    |
| 15       | 95423    | 1    | Caution Decal                |
| 16       | 50017621 | 1    | Seal Kit                     |



**50017494 HYDRAULIC CYLINDER**  
 (Was Part No. 95400)  
 Manufactured by Monarch  
 2.5" Bore X 16" Stroke 1.25" Rod Dia.  
 3/4" -16 ORB Ports  
 Replaced by 50058261 Hydraulic Cylinder

| REF. NO. | PART NO. | QTY. | DESCRIPTION                  |
|----------|----------|------|------------------------------|
| 1        | 95477    | 1    | Clevis Cap                   |
| 2        | 92478    | 1    | Rod Cap                      |
| 3        | 95480    | 1    | Piston                       |
| 4        | 95494    | 1    | Rod 1.25" Dia.               |
| 5        | 95491    | 1    | Cylinder Tube                |
| 6        | 95492    | 4    | Tie Rod                      |
| 7        | 95425    | 2    | Pin 1" Dia.                  |
| 8        | 21020614 | 4    | Cotter Pin 3/16" x 1 1/2"    |
| 9        | 95433    | 1    | Thread Lock                  |
| 10       | 95493    | 1    | Rod Clevis 1.25" x 1"        |
| 11       | 95422    | 1    | Set Screw 3/8" x 1/2 Knurled |
| 12       | 8151200  | 8    | Hex Nut 3/8"                 |
| 13       | 95452    | 1    | Hex Nut 3/4" UNF             |
| 14       | 95435    | 1    | Plug 3/4"                    |
| 15       | 95423    | 1    | Caution Decal                |
| 16       | 95490    | 2    | Bushing 1 1/4" OD x 3/4" L   |
| 17       | 50017621 | 1    | Seal Kit                     |



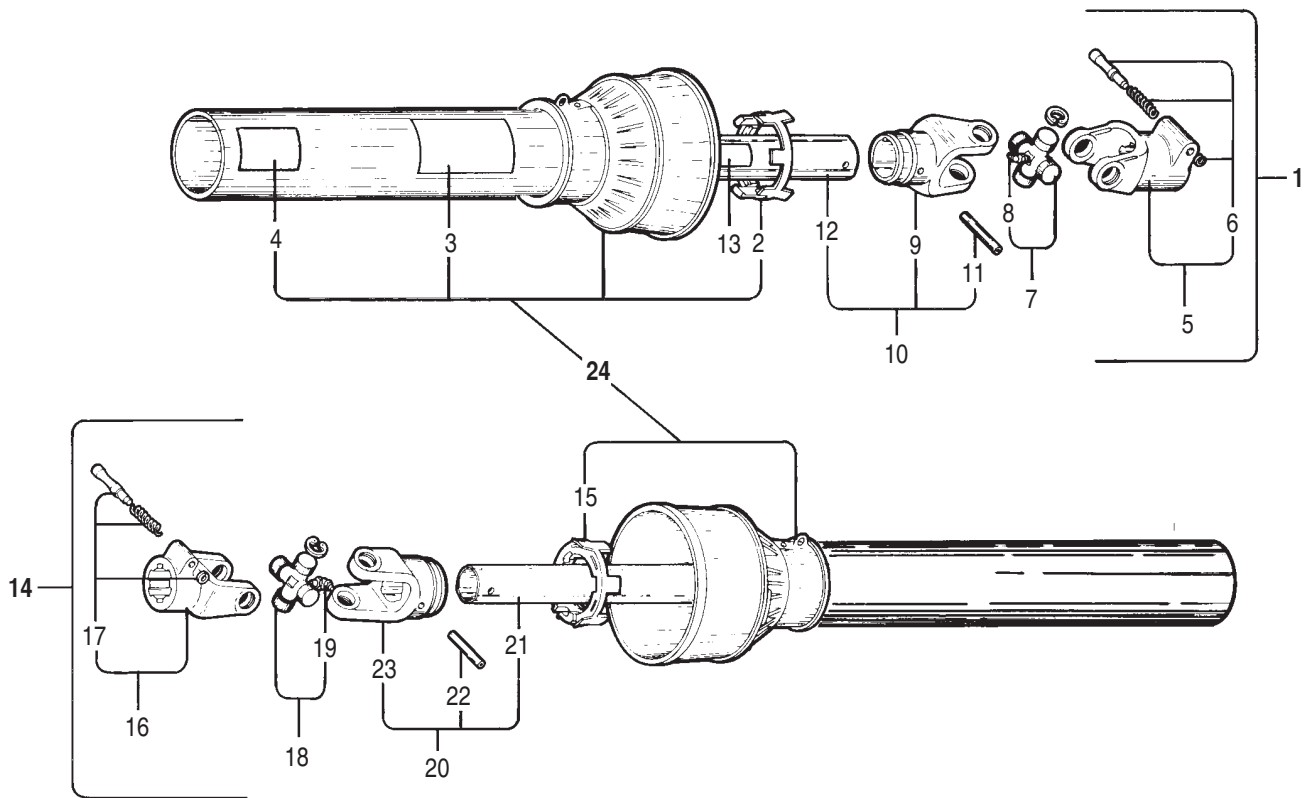


**50058261 HYDRAULIC CYLINDER**  
 Mfd. by Bailey  
 2.50" Bore x 16" Stroke, 1.25" Rod Dia.

**50058262 HYDRAULIC CYLINDER**  
 Mfd. by Bailey  
 2.50" Bore x 31.25" Stroke, 1.25" Rod Dia.

| REF. NO. | PART NO.        | QTY. | DESCRIPTION                    |
|----------|-----------------|------|--------------------------------|
| 1        | —               | 1    | End Clevis                     |
| 2        | —               | 1    | Gland                          |
| 3        | —               | 1    | Piston                         |
| 4        | —               | 1    | Piston Rod                     |
| 5        | —               | 1    | Cylinder Tube                  |
| 6        | —               | 4    | Tie Rod                        |
| 7        | —               | 2    | Clevis Pin                     |
| 8        | —               | 4    | Cotter Pin                     |
| 9        | —               | 1    | Rod Clevis Bolt M10 x 1.5 x 65 |
| 10       | —               | 1    | Rod Clevis                     |
| 11       | —               | 1    | Rod Clevis Nut                 |
| 12       | —               | 4    | Tie Rod Nut M10 x 1.5          |
| 13       | —               | 1    | Piston Nut M20 x 2.5           |
| 14       | —               | 3    | Steel Plug w/ O-Ring           |
| 15       | —               | 1    | Warning Decal                  |
| 16       | <b>50058323</b> | 1    | <b>Seal Kit</b>                |





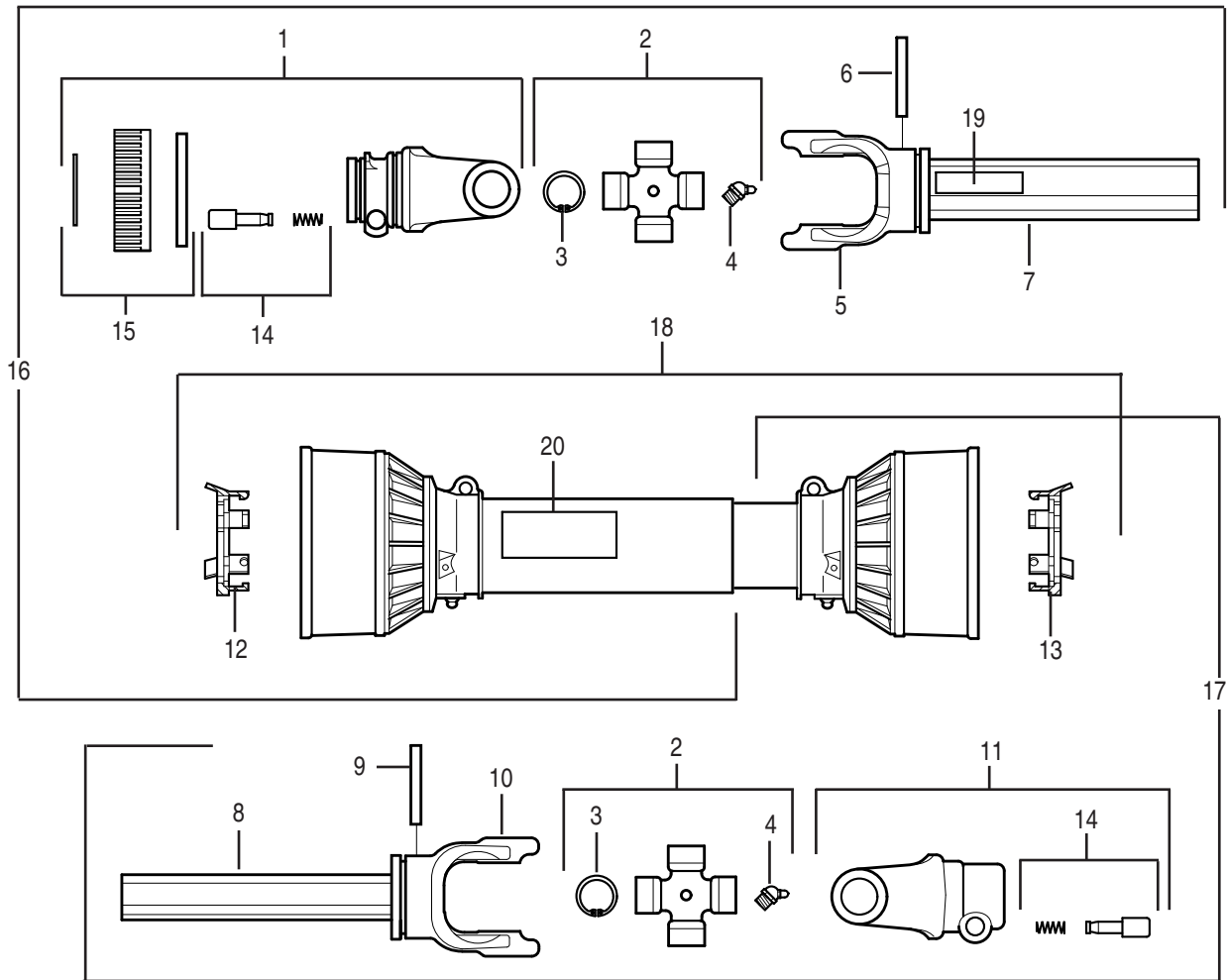
**65566 540 RPM DRIVESHAFT FOR SM60R STANDARD HITCH**  
 Replaced by 71525 Driveshaft

**67537 540 RPM DRIVESHAFT FOR SM60R QUICK HITCH**  
 (Obsolete. For replacement parts only.)

**67538 1000 RPM DRIVESHAFT FOR SM160R QUICK HITCH**  
 (Obsolete. For replacement parts only.)

**65584 1000 RPM DRIVESHAFT FOR SM160OR STANDARD HITCH**

| REF. NO. | PART NO. | QTY. | DESCRIPTION                                  | REF. NO. | PART NO. | QTY. | DESCRIPTION                         |
|----------|----------|------|--|----------|----------|------|-------------------------------------|
| 1        | 76905    | 1    | Shielded Outer Half, 540 RPM Std. Hitch      | 12       | 87972    | 1    | Outer Tube, Std. Hitch              |
|          | 66956    | 1    | Shielded Outer Half, 1000 RPM Std. Hitch     |          | 68132    | 1    | Outer Tube, Quick Hitch             |
|          | 68146    | 1    | Shielded Outer Half, 540 RPM Quick Hitch     | 13       | 78786    | 1    | Danger Decal                        |
|          | 68139    | 1    | Shielded Outer Half, 1000 RPM Quick Hitch    | 14       | 50049550 | 1    | Shielded Inner Half, Std. Hitch     |
| 2        | 66943    | 1    | Outer Guard Collar, Std. Hitch               |          | 68140    | 1    | Shielded Inner Half, Quick Hitch    |
|          | 65704    | 1    | Outer Guard Collar, Quick Hitch              | 15       | 66944    | 1    | Inner Guard Collar, Std. Hitch      |
| 3        | 64571    | 1    | Danger Decal                                 |          | 67500    | 1    | Inner Guard Collar, Quick Hitch     |
| 4        | 69427    | 1    | Caution Decal                                | 16       | 50049549 | 1    | Q.D. Yoke Assy.                     |
| 5        | 50049549 | 1    | Q.D. Yoke Assy., 540 RPM 1-3/8" - 6 Spline   | 17       | 63945    | 1    | Q.D. Pin Kit                        |
|          | 66957    | 1    | Q.D. Yoke Assy., 1000 RPM 1-3/8" - 21 Spline | 18       | 64610    | 1    | Cross Bearing Kit                   |
|          | 86400    | 1    | Q.D. Yoke Assy., 1000 RPM 1-3/4" - 20 Spline | 19       | 63956    | 1    | Grease Fitting                      |
| 6        | 63945    | 1    | Q.D. Pin Kit                                 | 20       | 66951    | 1    | Inner Yoke & Tube Assy., Std. Hitch |
|          | 68169    | 1    | Push Pin 1-3/4" Yoke                         |          | 68142    | 1    | Inner Yoke & Tube Assy. Quick Hitch |
| 7        | 64610    | 1    | Cross Bearing Kit                            | 21       | 87973    | 1    | Inner Tube, Std. Hitch              |
| 8        | 63956    | 1    | Grease Fitting                               |          | 68133    | 1    | Inner Tube, Quick Hitch             |
| 9        | 66112    | 1    | Outer Yoke                                   | 22       | 66110    | 1    | Roll Pin                            |
| 10       | 66950    | 1    | Inner Yoke & Tube Assy. (Std. Hitch)         | 23       | 66109    | 1    | Inner Yoke                          |
|          | 68141    | 1    | Inner Yoke & Tube Assy. (Quick Hitch)        | 24       | 66947    | 1    | Safety Guard, Std. Hitch            |
| 11       | 66113    | 11   | Roll Pin                                     |          | 68137    | 1    | Safety Guard, Quick Hitch           |



**99317 DRIVESHAFT ASSEMBLY**

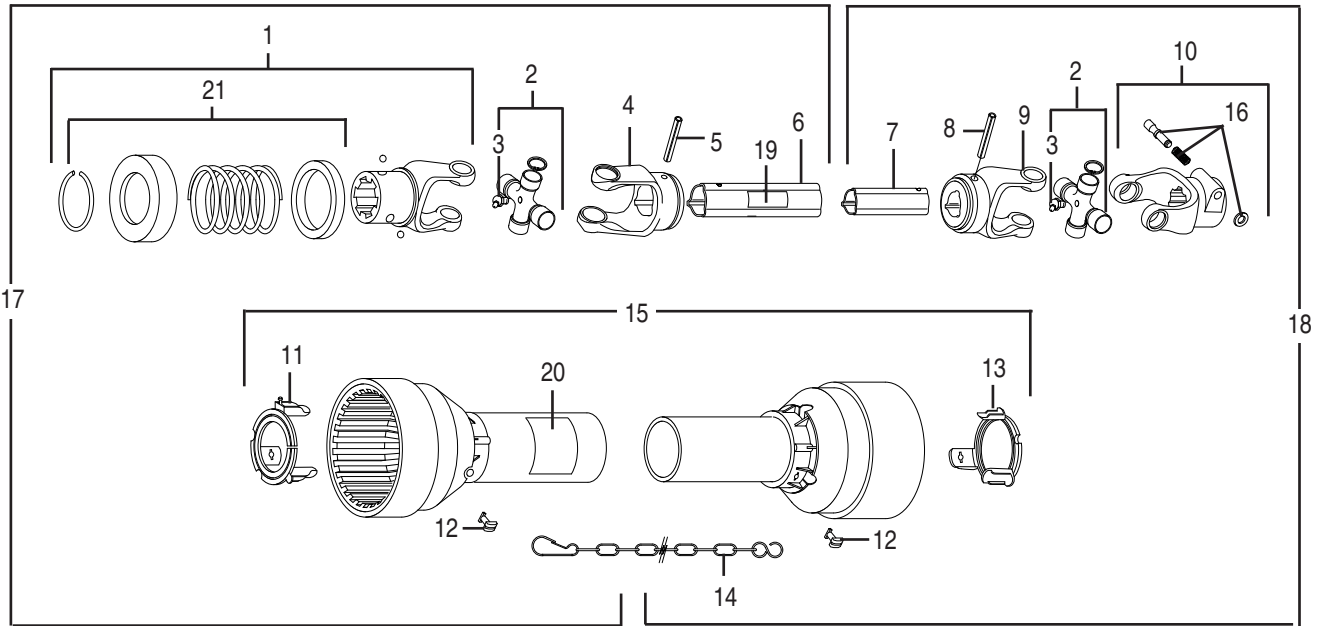
1-3/8 - 21 Spline - 1000 RPM

Manufactured by Bondioli

Used on SM160 Models

Replaced by 71526 Driveshaft

| REF. NO. | PART NO. | QTY. | DESCRIPTION            |
|----------|----------|------|------------------------|
| 1        | 76910    | 1    | Yoke                   |
| 2        | 64610    | 2    | Cross Bearing Assembly |
| 3        | —        | 8    | Circlip                |
| 4        | 63956    | 2    | Grease Nipple          |
| 5        | 66112    | 1    | Outer Tube Yoke        |
| 6        | 66113    | 1    | Flexible Pin           |
| 7        | 66937    | 1    | Cardan Tube, Outer     |
| 8        | 66938    | 1    | Cardan Tube, Inner     |
| 9        | 66110    | 1    | Flexible Pin           |
| 10       | 66109    | 1    | Inner Tube Yoke        |
| 11       | 66957    | 1    | Yoke Assembly          |
| 12       | 65704    | 1    | Shield Support, Outer  |
| 13       | 65700    | 1    | Shield Support, Inner  |
| 14       | 63945    | 2    | Complete Push Button   |
| 15       | 50042366 | 1    | Sleeve                 |
| 16       | 76909    | 1    | Half Shaft, Tractor    |
| 17       | 50049548 | 1    | Half Shaft, Implement  |
| 18       | 66947    | 1    | Safety Shield          |
| 19       | 78786    | 1    | Danger Decal           |
| 20       | 78608    | 1    | Safety Decal           |



**71525 DRIVESHAFT ASSEMBLY (MFD. BY COMER)**

540 RPM, 1-3/8" – 6 Spline

Model: SM60R

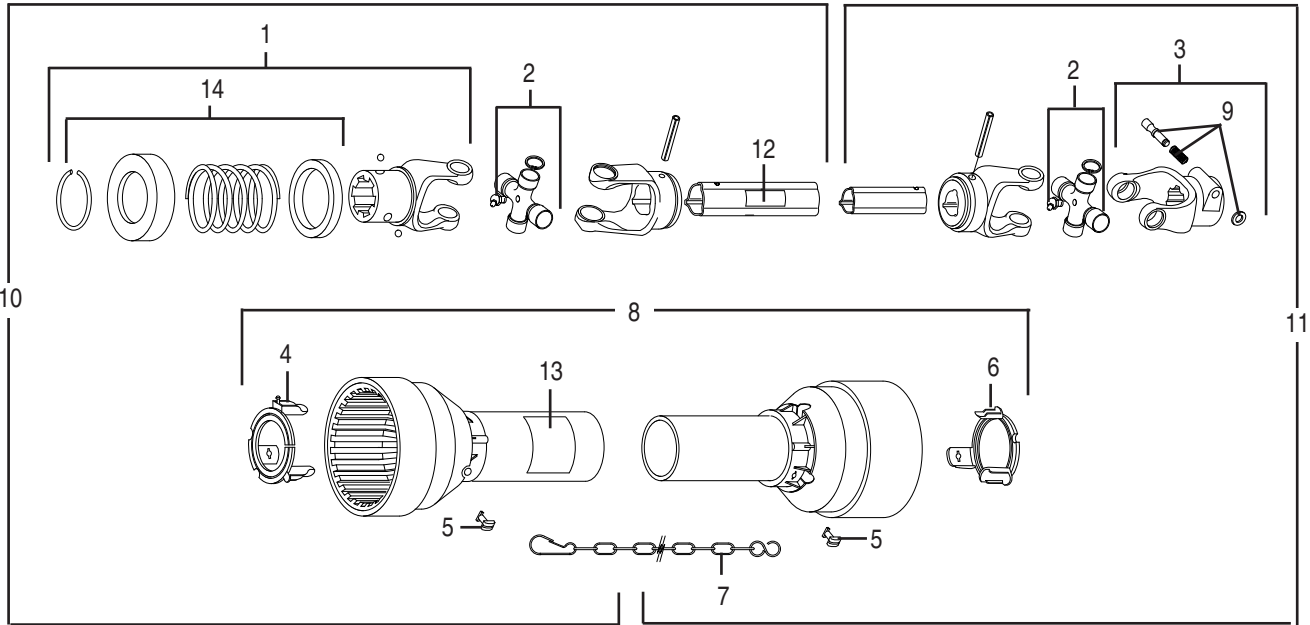
Replaced by 50053129 Driveshaft Assembly

**71526 DRIVESHAFT ASSEMBLY (MFD. BY COMER)**

1000 RPM, 1-3/8" – 21 Spline

Model: SM160R

| REF. NO. | PART NO. | QTY. | DESCRIPTION                              |
|----------|----------|------|--|
| 1        | 76801    | 1    | Complete Collar Yoke (540 RPM)           |
|          | 76910    | 1    | Complete Collar Yoke (1000 RPM)          |
| 2        | 64610    | 2    | Cross Journal Set                        |
| 3        | 63956    | 2    | Grease Nipple                            |
| 4        | 66112    | 1    | Outer Yoke                               |
| 5        | 66869    | 1    | Roll Pin, Outer Tube                     |
| 6        | 87972    | 1    | Complete Outer Tube                      |
| 7        | 87973    | 1    | Inner Tube                               |
| 8        | 66110    | 1    | Roll Pin, Inner Tube                     |
| 9        | 66109    | 1    | Inner Yoke                               |
| 10       | 50049549 | 1    | Push Pin Yoke                            |
| 11       | 87995    | 1    | Guard Retaining Collar, Outer Tube       |
| 12       | 87992    | 6    | Bolt                                     |
| 13       | 87993    | 1    | Guard Retaining Collar, Inner Tube       |
| 14       | 64814    | 2    | Safety Chain                             |
| 15       | 50049547 | 1    | Complete Guard w/ Instruction Manual     |
| 16       | 76062    | 1    | Push Pin Set 1-3/8"                      |
| 17       | 76905    | 1    | Half Female Shaft w/ Guarding (540 RPM)  |
|          | 76909    | 1    | Half Female Shaft w/ Guarding (1000 RPM) |
| 18       | 50049550 | 1    | Half Male Shaft w/ Guarding (540 RPM)    |
|          | 50049548 | 1    | Half Male Shaft w/ Guarding (1000 RM)    |
| 19       | 78786    | 1    | Danger Decal, Outer Tube                 |
| 20       | 78608    | 1    | Danger Decal, Outer Shield               |
| 21       | 50017480 | 1    | Collar Kit 3/8"                          |

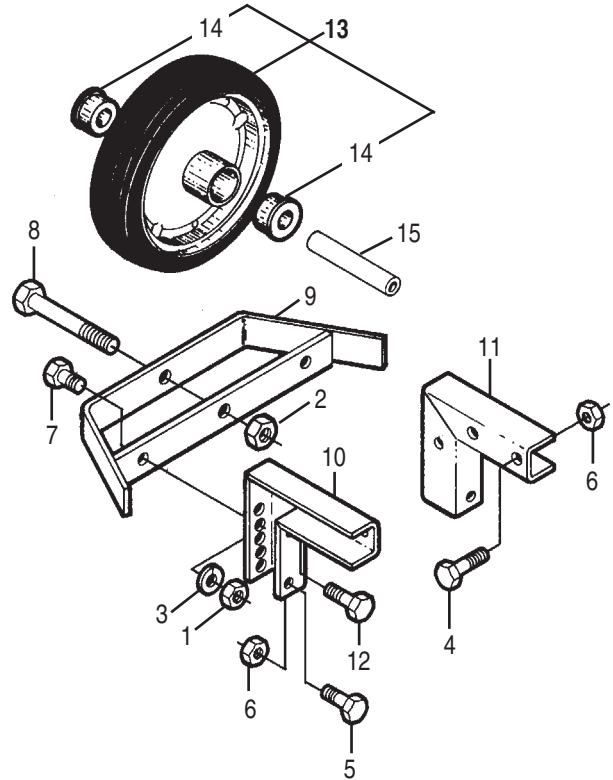


**50053129 DRIVESHAFT ASSEMBLY**  
 540 RPM, 1-3/8" – 6 Spline  
 Mfd. by Comer  
 Replaces 71525 Driveshaft  
 Model: SM60R

| REF. NO. | PART NO. | QTY. | DESCRIPTION                          |
|----------|----------|------|--------------------------------------|
| 1        | 76801    | 1    | Complete Collar Yoke                 |
| 2        | 64610    | 2    | Cross Journal Set                    |
| 3        | 50049549 | 1    | Push Pin Yoke                        |
| 4        | 50053169 | 1    | Guard Retaining Collar, Outer Tube   |
| 5        | 50050289 | 6    | Bolt                                 |
| 6        | 50053240 | 1    | Guard Retaining Collar, Inner Tube   |
| 7        | 64814    | 2    | Safety Chain                         |
| 8        | 50053241 | 1    | Complete Guard w/ Instruction Manual |
| 9        | 76062    | 1    | Push Pin Set 1-3/8"                  |
| 10       | 50053242 | 1    | Half Female Shaft w/ Guarding        |
| 11       | 50053243 | 1    | Half Male Shaft w/ Guarding          |
| 12       | 78786    | 1    | Danger Decal, Outer Tube             |
| 13       | 78608    | 1    | Danger Decal, Outer Shield           |
| 14       | 50017480 | 1    | Collar Kit 3/8"                      |

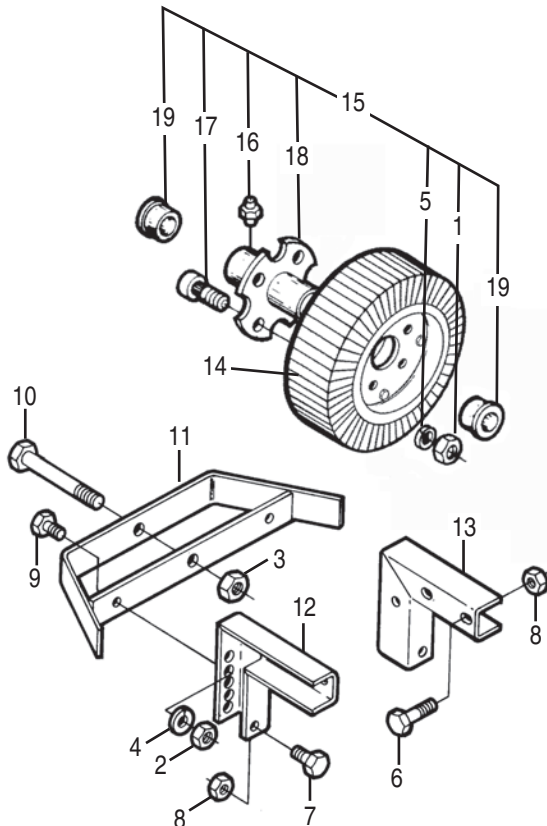
**(OLD STYLE)  
SIDEWHEEL ASSEMBLY  
WITH SOLID RUBBER TIRE**

| REF. NO. | PART NO.        | QTY.     | DESCRIPTION                          |
|----------|-----------------|----------|--------------------------------------|
| 1        | —               | 2        | Hex Nut 5/8" - 11 UNC                |
| 2        | 20638           | 1        | Locknut 3/4" - 10 UNC                |
| 3        | —               | 2        | Lockwasher 5/8"                      |
| 4        | —               | 4        | Capscrew 3/8" - 16 UNC x 3" Gr.5     |
| 5        | —               | 4        | Capscrew 3/8" - 16 UNC x 1" Gr.5     |
| 6        | 20363           | 8        | Locknut 3/8" - 16 UNC                |
| 7        | —               | 2        | Capscrew 5/8" - 11 UNC x 1-1/2" Gr.5 |
| 8        | 20946           | 1        | Capscrew 3/4" - 10 UNC x 8" Gr.5     |
| 9        | 78507           | 1        | Side Wheel Frame Weldment            |
| 10       | 81495           | 1        | Adjusting Brace Weldment, R.H.       |
| 11       | 81496           | 1        | Adjusting Brace Weldment, L.H.       |
| 12       | —               | 1        | Capscrew 3/8" - 16 UNC x 1-1/4" Gr.5 |
| 13       | <b>50058327</b> | <b>1</b> | <b>Wheel Assembly</b>                |
| 14       | 50058328        | 2        | Bushing                              |
| 15       | 12263           | 1        | Spacer Tube                          |



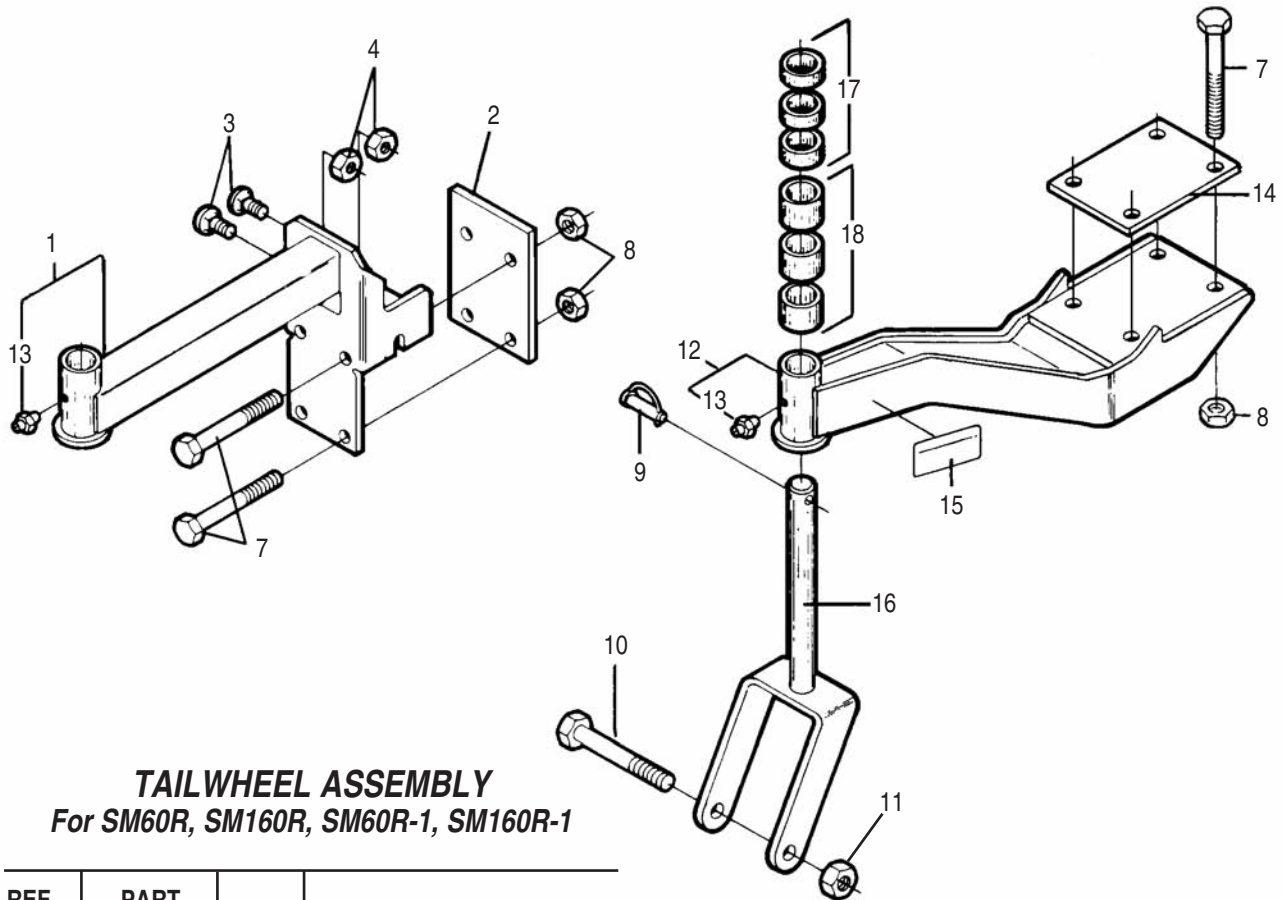
**NOTE:** If your tailwheel does not use sleeve Ref. No. 15 and the bushing has a 3/4" hole instead of 1", order 66383 wheel bushings.

**79038 SIDEWHEEL ASSEMBLY  
WITH LAMINATED TIRE**



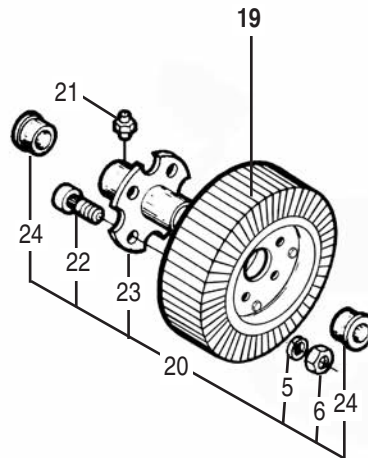
| REF. NO. | PART NO. | QTY. | DESCRIPTION                          |
|----------|----------|------|--------------------------------------|
| 1        | 15507    | 4    | Hex Nut 1/2" - 20 UNF                |
| 2        | —        | 2    | Hex Nut 5/8" - 11 UNC                |
| 3        | 20638    | 1    | Locknut 3/4" - 10 UNC                |
| 4        | —        | 2    | Lockwasher 5/8"                      |
| 5        | —        | 4    | Lockwasher 1/2"                      |
| 6        | —        | 2    | Capscrew 3/8" - 16 UNC x 3" Gr.5     |
| 7        | —        | 4    | Capscrew 3/8" - 16 UNC x 1-1/4" Gr.5 |
| 8        | 20363    | 6    | Locknut 3/8" - 16 UNC                |
| 9        | —        | 2    | Capscrew 5/8" - 11 UNC x 1-1/2" Gr.5 |
| 10       | 20946    | 1    | Capscrew 3/4" - 10 UNC x 8" Gr.5     |
| 11       | 78507    | 1    | Sidewheel Frame Weldment             |
| 12       | 81495    | 1    | Adjusting Brace Weld., R.H.          |
| 13       | 81496    | 1    | Adjusting Brace Weld., L.H.          |
| 14       | 500      | 1    | Wheel Assembly                       |
| 15       | 63813    | 1    | Hub Assembly                         |
| 16       | 449      | 1    | Grease Fitting                       |
| 17       | 20987    | 4    | Wheel Bolt 1/2" - 20 UNF x 2"        |
| 18       | 60990    | 1    | Wheel Hub Weldment                   |
| 19       | 63811    | 2    | Bushing                              |





**TAILWHEEL ASSEMBLY**  
For SM60R, SM160R, SM60R-1, SM160R-1

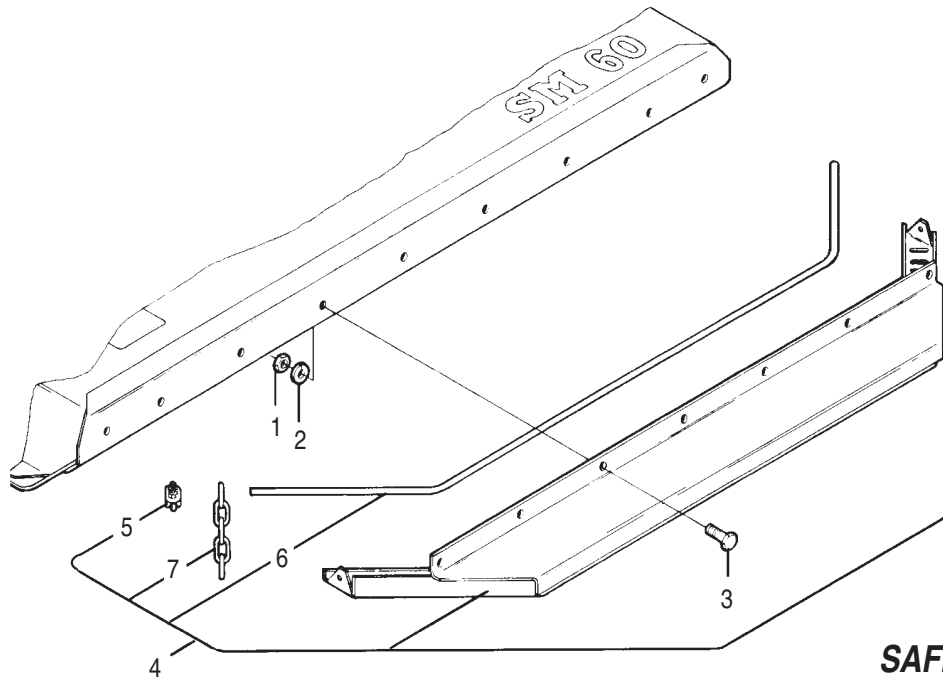
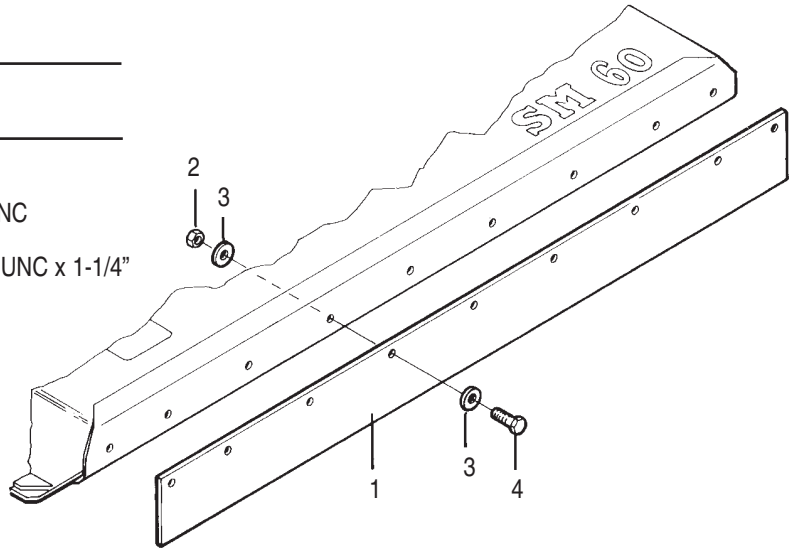
| REF. NO. | PART NO.     | QTY.     | DESCRIPTION                          |
|----------|--------------|----------|--------------------------------------|
| 1        | 78668        | 1        | Tailwheel Beam Weld. (SM60R, SM160R) |
| 2        | 78669        | 1        | Plate, Back (SM60, SM160)            |
| 3        | 05161614     | 2        | Carriage Bolt 1/2" x 1-1/2" Gr.5     |
| 4        | 15554        | 2        | Locknut 1/2"                         |
| 5        | <b>86805</b> | <b>1</b> | <b>Tailwheel Assy. (New Style)</b>   |
| 6        | 15507        | 4        | Hex Nut 1/2" - 20 UNF                |
| 7        | —            | 4        | Lockwasher 1/2"                      |
| 8        | 44164        | 4        | Capscrew 5/8" x 7-1/2" Gr.5          |
| 9        | 20414        | 4        | Locknut 5/8"                         |
| 10       | 79094        | 1        | Pin, Snap                            |
| 11       | 20946        | 1        | Capscrew 3/4" x 8" Gr.5              |
| 12       | 20638        | 1        | Locknut 3/4"                         |
| 13       | 86803        | 1        | Tailwheel Beam Weld.                 |
| 14       | 449          | 1        | Grease Fitting                       |
| 15       | 86804        | 1        | Clamp Plate                          |
| 16       | 83376        | 1        | Warning Decal                        |
| 17       | 78660        | 1        | Caster Fork Weld.                    |
| 18       | 78716        | 3        | Spacer 1"                            |
| 19       | 78717        | 3        | Spacer 2"                            |
| 20       | <b>500</b>   | <b>1</b> | <b>Wheel Assy.</b>                   |
| 21       | <b>63813</b> | <b>1</b> | <b>Hub Assy.</b>                     |
| 22       | 449          | 1        | Grease Fitting                       |
| 23       | 20987        | 4        | Wheel Bolt 1/2" - 20 UNF x 2"        |
| 24       | 60990        | 1        | Wheel Hub                            |
| 25       | 63811        | 2        | Bushing                              |



**Note:** New style tailwheel assembly 86805 will fit old & new SM60 designs. When complete tailwheel assembly is to be replaced, order 86805.

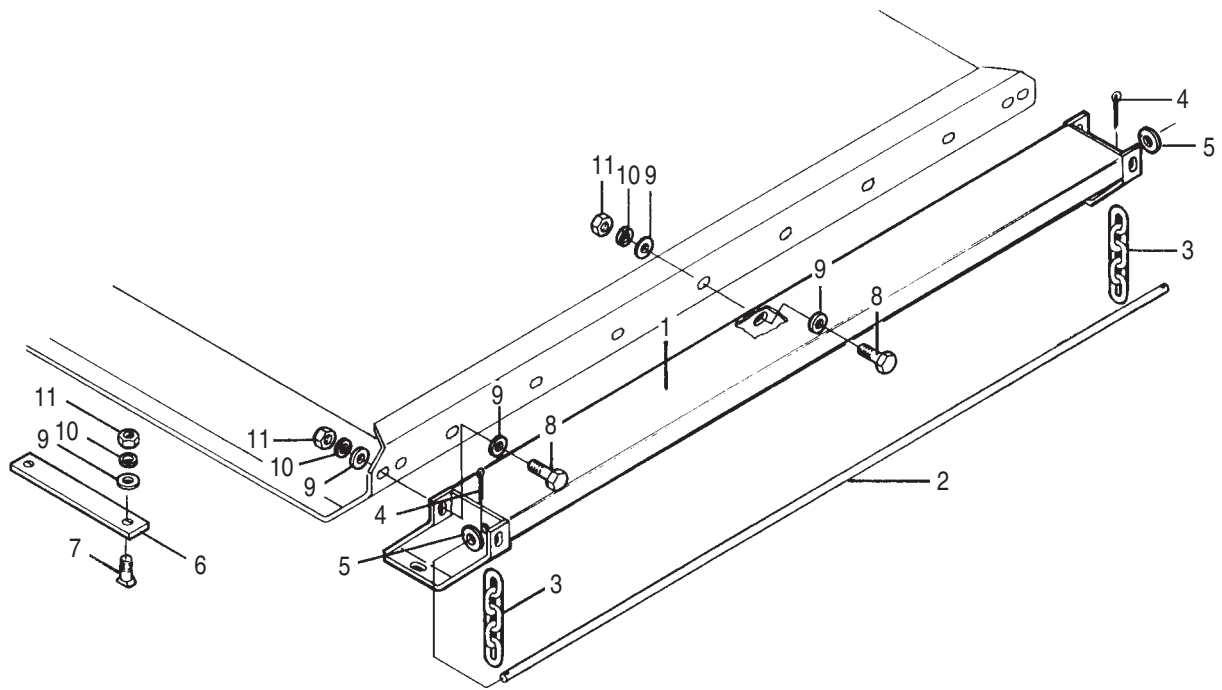
**82528 DEFLECTOR KIT**  
For All Models SM60R

| REF. NO. | PART NO.     | QTY.     | DESCRIPTION                     |
|----------|--------------|----------|---------------------------------|
|          | <b>82529</b> | <b>2</b> | <b>Front &amp; Rear Kit</b>     |
| 1        | 81775        | 1        | Belting                         |
| 2        | 20363        | 9        | Locknut 3/8" - 16 UNC           |
| 3        | —            | 18       | Flatwasher 3/8"                 |
| 4        | —            | 9        | Capscrew 3/8" - 16 UNC x 1-1/4" |



**SAFETY CHAIN**  
For All Models SM60R & SM160R  
Note: Will not fit SM60R-01 & SM160R-1  
For All Models SM60R

| REF. NO. | PART NO. | QTY.     | DESCRIPTION                  |
|----------|----------|----------|------------------------------|
|          |          | <b>2</b> | <b>Safety Chain Assembly</b> |
| 1        | —        | 9        | Hex Nut 3/8" - 16 UNC        |
| 2        | —        | 9        | Lockwasher 3/8"              |
| 3        | —        | 9        | Capscrew 3/8" - 16 x 1"      |
| 4        | 65551    | 1        | Chain Assy., w/out Fasteners |
| 5        | 51600    | 2        | Cable Clamp                  |
| 6        | 65552    | 1        | Wire Rope                    |
| 7        | 50020259 | 55       | 5 Link Chain                 |



**86826 SAFETY CHAIN KITS**  
 For Models SM60R-1 & SM160R-1,  
 SM60R-3 & SM160R03

| REF. NO. | PART NO. | QTY. | DESCRIPTION                 |
|----------|----------|------|-----------------------------|
| 1        | 86789    | 1    | Chain Guard                 |
| 2        | 86798    | 1    | Chain Rod                   |
| 3        | 50020259 | 48   | Chain, 5 Links              |
| 4        | 21020614 | 2    | Cotter Pin 3/16" x 1-1/2"   |
| 5        | 15916    | 2    | Flatwasher 1/2"             |
| 6        | 86812    | 1    | Skid Filler (See Note)      |
| 7        | 44166    | 2    | Clipped Share Bolt          |
| 8        | —        | 13   | Capscrew 3/8" x 1-1/4" Gr.5 |
| 9        | —        | 28   | Flatwasher 3/8"             |
| 10       | —        | 15   | Lockwasher 3/8"             |
| 11       | —        | 15   | Hex Nut 3/8"                |

**Note:** Skid Filler is only used when safety chain kits are used on front & rear to bridge the gap between skid shoes when moved out.





**BUSH HOG<sup>®</sup>**

2501 Griffin Ave. • Selma, AL 36703  
(334) 872-6261 • (334) 874-2700  
Parts Ordering 1-800-304-2836  
Fax 1-800-572-1784  
[www.bushhog.com](http://www.bushhog.com)