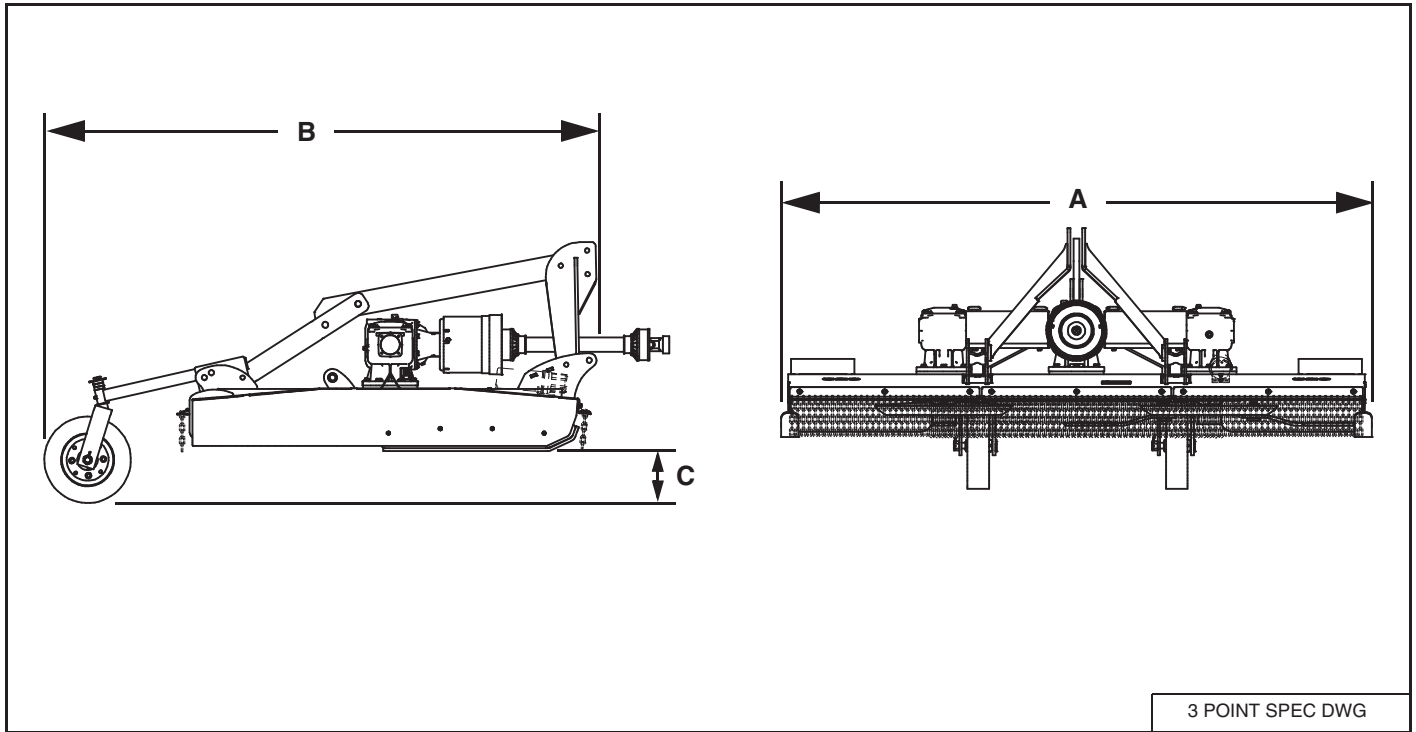


SPECIFICATIONS

3-Point Model Dimensions



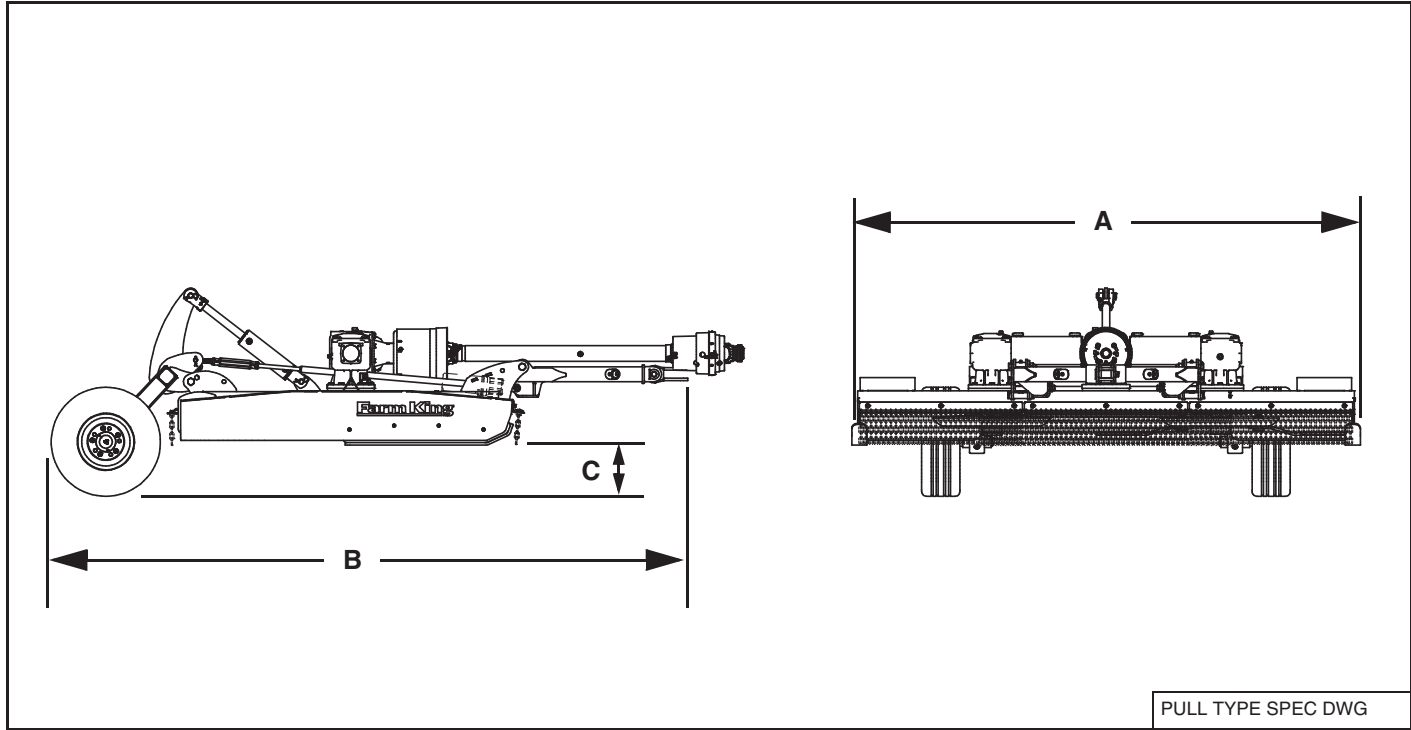
3 POINT SPEC DWG

DESCRIPTION	820
Overall Width (A)	102.5 in (3060.7 mm)
Overall Length (B)	95.75 in (2432. mm)
Transport Deck Height (C)	9 in (228.6 mm)

Performance

DESCRIPTION	820
Cutting Height	2 - 11 in. (51 - 279 mm)
Weight	1550 lb (704 kg)
Tractor HP Requirement (Minimum)	40 hp
Blade Tip Speed	16,126 ft/min (8192 m/sec)
Blade Overlap	4 in (177 mm)
Blade	0.5 x 4, Reversible
Stump Jumper	Symmetric die pressed (7 Ga.)
Side Skid	Replaceable
Hitch	Cat I / II 3-Point
Tires	15 in. Solid Rubber Caster Wheels

Pull Type Model Dimensions



DESCRIPTION	820
Overall Width (A)	102.5 in (3060.7 mm)
Overall Length (B)	128.25 in (3258 mm)
Transport Deck Height (C)	10 in (254 mm)

Performance

DESCRIPTION	820
Cutting Height	2 - 12 in. (51 - 305 mm)
Weight	1640 lb (745 kg)
Tongue Weight	735 lb (334 kg)
Tractor HP Requirement (Minimum)	40 hp
Blade Tip Speed	16,126 ft/min (8192 m/sec)
Blade Overlap	4 in (177 mm)
Blade	0.5 x 4, Reversible
Stump Jumper	Symmetric die pressed (7 Ga.)
Side Skid	Replaceable
Hitch	Swivel Clevis
Tires	24 x 7.7 x 10 Aircraft Tires (Air Filled)
	21 in Laminated Wheels (Solid Rubber)