

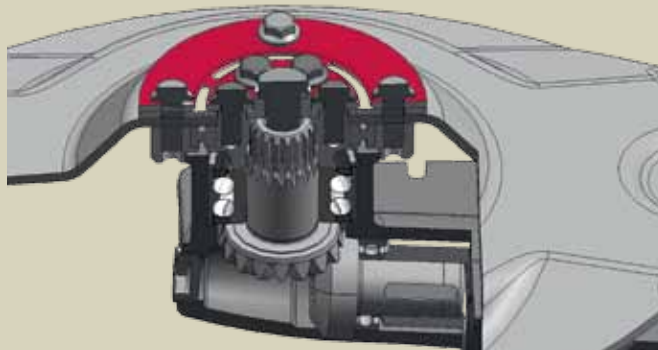


A more P R E C I S E cut –
of your crop, your time, even your costs.

Three new mowers with technology you'll find only from Massey Ferguson®

Every hay farmer wants the perfect cut. But today, you also need more “perfect days” – where you can work faster to achieve the highest capacity, with safeguards that reduce downtime, maintenance and manpower. You'll find them in three new mowers from Massey Ferguson. And this is just for starters. To learn more, visit your dealer or masseyferguson.us.

Model	DMI358	DMI358 with Tine Conditioner	DMI358 with Roller Conditioner	DMI361	DMI361 with Tine Conditioner	DMI362
Working width: ft. (m)	8' 4" (2.55)	8' 4" (2.55)	8' 4" (2.55)	9' 10" (3)	9' 10" (3)	11' 6" (3.5)
Swath width	5' 11"	2' 11" to 4' 7"	3' 5" to 4' 7"	5' 11"	4' 5" to 6' 3"	7' 6"
Transport height	9' 8"	9' 8"	9' 8"	11' 3"	11' 3"	12' 10"
Cutterbar type	Compact modular angular gear	Compact modular angular gear	Compact modular angular gear	Compact modular angular gear	Compact modular angular gear	Compact modular angular gear
Disc	5	5	5	6	6	7
Blades per disc	2	2	2	2	2	2
Disc speed	3,000 rpm	3,000 rpm	3,000 rpm	3,000 rpm	3,000 rpm	3,000 rpm
Tip speed: mph	179	179	179	179	179	179
Cutterbar protection	Drive guard & rupture joint	Drive guard & rupture joint	Drive guard & rupture joint	Drive guard & rupture joint	Drive guard & rupture joint	Drive guard & rupture joint
Power requirement	54 HP	75 HP	75 HP	61 HP	86 HP	68 HP
Hydraulic requirement	1 SAV	1 SAV	1 SAV	2 SAV	2 SAV	3 SAV
PTO speed	540 rpm	540 rpm	540 rpm	540 rpm	540 rpm	540 rpm
Overrunning clutch	Standard	Standard	Standard	Standard	Standard	Standard
Weight: lbs.	1,455	1,947	2,161	1,596	2,229	1,760
Coil tine conditioner	Optional	Standard	Optional	Optional	Standard	NA
Roller conditioner	Optional	Optional	Standard	NA	NA	NA



driveGUARD cutterbar protection system

Our exclusive new driveGUARD cutterbar protection system prevents damage to the internal cutterbar components. If the mower encounters a rock or foreign object, the shear disc will break, leaving the mowing disc in place, preventing it from “flying off” when securing system is released. Shear disc replacement is easy and can be done in the field within minutes.



Removable tine conditioner

The removable tine conditioner is unlike any other. Our unique coil design gently conditions and aerates the crop for accelerated drying times. And it takes mere moments to attach or remove. (Optional on DMI358 and DMI361.)



Compact modular angle cutterbar

The low-profile, lightweight and shaft-driven compact modular angle cutterbar boasts a double-bevel gear design. This allows the mower to run at a shallower angle, improving cut quality, optimizing efficiency and extending the life of the cutterbar.