



# 1160 Hoftrac

## Technical Data

### ■ Standard engine data

Engine manufacturer	Perkins
Motor type	403 J-11
Cylinder	3
Drive output	18.4 kW
Drive output	25 PS
at max. rpm	2,800 U/min
Cylinder capacity	1,131 cm <sup>3</sup>
Type of coolant	Water
Exhaust standard level	V
Exhaust aftertreatment	-

### ■ Electrical system

Operating voltage	12 V
Battery	77 Ah
Alternator	40 A

### ■ Weights

Operating weight	1,850 - 2,250 kg
Thrust force (max.)	1,778 - 1,824 daN
Lift capacity (max.)	1,777 - 1,811 daN
Tipping load with bucket – machine straight, loading frame horizontal	1,070 - 1,450 kg
Tipping load with bucket – machine pivoted, loading frame horizontal	810 - 1,220 kg
Tipping load with bucket - machine straight, loading frame in lowest position	1,920 - 2,570 kg
Tipping load with bucket - machine pivoted, loading frame in lowest position	1,500 - 2,140 kg
Tipping load with pallet fork – machine straight, loading frame horizontal	820 - 970 kg
Tipping load with pallet fork – machine pivoted, loading frame horizontal	620 - 870 kg
Tipping load with pallet fork - machine straight, transport position	1,140 - 1,430 kg
Tipping load with pallet fork - machine pivoted, transport position	890 - 1,170 kg

### ■ Driver's cab

Driver's cab	FSD (eps, cabin)
--------------	------------------

### ■ Filling levels

Tank capacity for fuel	20 l
Tank capacity for hydraulic oil	20 l

### ■ Drive system

Type of drive	Hydrostatic
drive unit	universal joint shaft
Speed levels	2
Axle	T80 (T94)
Travel speed Standard	0-20 km/h
Operating brake	Hydrostatic drive system acting on all 4 wheels (wear-free)
Parking brake	Service and parking brake in the drive train
Differential lock	100% VA + HA (option)

### ■ Hydraulic system

Drive hydraulics working pressure (max.)	330 bar
Work hydraulics discharge volume (max.)	30,8 l/min
Work hydraulics working pressure (max.)	225 bar

### ■ Kinematics

Kinematics type	P
Lifting cylinder	2
Tipping cylinder	1
Quick change system	Mechanical (hydraulically activated)

### ■ Steering

Steering type	hydraulically activated articulated pendulum steering
Steering cylinder	1
Oscillating angle	± 12 degree

### ■ Noise characteristic values

Average sound power level LwA (operator's canopy)	99.0 dB(A)
Guaranteed sound power level LwA (operator's canopy)	101 dB(A)

The illustrations, equipment and data shown may deviate from the current delivery program of your country. Optional equipment subject to additional charge may be shown. Subject to changes.

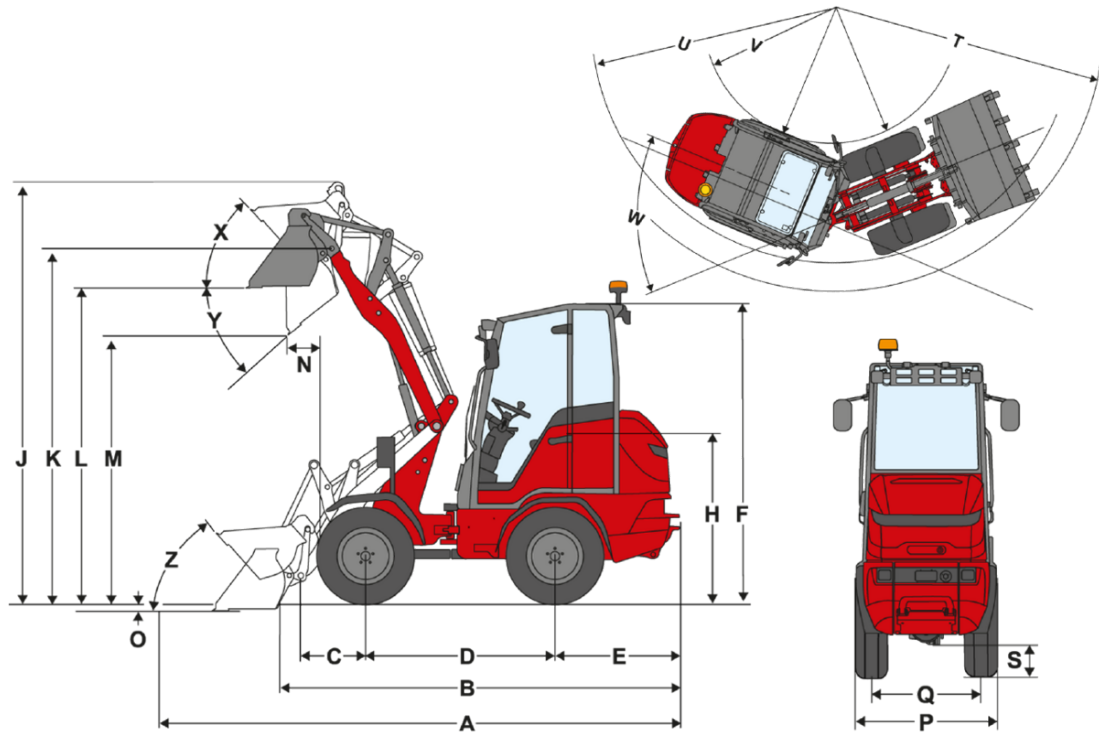
Specified sound pressure level LpA  
(operator's canopy) 84 dB(A)

DPF = diesel particulate filter  
DOC = diesel oxidation catalyst  
Tipping load calculation pursuant to ISO 14397

■ **Other information**

FSD = operator's canopy  
eps = Easy Protection System (fold-down operator's canopy)

## Dimensions



		<b>P-kinematics (Standard)</b>	<b>P-kinematics (long)</b>
	Standard components	10.0/75-15.3 AS ET10	10.0/75-15.3 AS ET10
<b>A</b>	Total length	3,983 mm	4,182 mm
<b>B</b>	Total length without bucket	3,005 mm	3,206 mm
<b>C</b>	Bucket pivot point (to center of axle)	508 mm	707 mm
<b>D</b>	Wheel base	1,468 mm	1,468 mm
<b>E</b>	Rear overhang	917 mm	917 mm
<b>F</b>	Height with operator's canopy fixed	2,237 mm	2,237 mm
	Height with fold-down operator's canopy (eps)	2,341 mm	2,341 mm
	Height with fold-down operator's canopy, folded down (eps)	1,928 mm	1,928 mm
	Height with cab	2,302 mm	2,302 mm
<b>H</b>	Seat height	1,273 mm	1,273 mm
<b>J</b>	Total working height	3,423 mm	3,634 mm
<b>K</b>	Bucket pivot point (max. lift height)	2,740 mm	2,948 mm
<b>L</b>	Load-over height	2,421 mm	2,629 mm
<b>M</b>	Dumping height	1,799 mm	1,998 mm
<b>N</b>	Reach (at M)	498 mm	498 mm
<b>O</b>	Digging depth	97 mm	124 mm
<b>P</b>	Total width	1,044 mm	1,044 mm
<b>Q</b>	Track width	780 mm	780 mm
<b>S</b>	Ground clearance		
<b>T</b>	Maximum radius	2,592 mm	2,706 mm
<b>U</b>	Radius on the outer edge	2,138 mm	2,138 mm
<b>V</b>	Inner radius	1,017 mm	1,017 mm
<b>W</b>	Articulation angle	50 °	50 °
<b>X</b>	Rollback angle at max. lift height	50 °	47 °
<b>Y</b>	Dumping angle	40 °	40 °
<b>Z</b>	Rollback angle on ground	49 °	49 °

## Standard components

### Engine

- Perkins 403 J-11, 18.4 kW / 25 hp, stage V

### Tires

- 10.0/75-15.3 AS ET10

### Steering system

- Hydraulic articulated pendulum steering, pendulum angle  $\pm 12^\circ$
- Steering cylinder: 1

### Drive system

- Oil motors at the axles, driving direction selectable via gas pedal
- Service brake: Transmission drum brake acting on rear axle
- Central service and parking brake in drive train acting on all 4 wheels

### Hydraulics

- 3rd Control circuit, front DN10
- Hydraulic oil cooler
- Float position for lift and tilt cylinders
- Locking device for control valve

### Operator's cab

- Overhead guard with restraint system ROPS / FOPS tested
- Comfort seat with seat belt full suspension, weight, back and longitudinal adjustment, 60 mm suspension range
- Worklights 2 front and 2 rear
- Operating hours meter
- Fuel gauge

# Options

## Operator's cab

- Operator's canopy with ROPS/FOPS-tested fold-down eps (work lights: 1x front on load arm and 1x rear)
- Front and rear window
- Front and rear window with windshield wiper in front
- Adjustable steering column (inclination)
- Radio DAB+-ready (aerial, speaker)
- Radio DAB+ complete

## Operator's seat

- Leatherette seat (MSG20)
- Seat; leatherette; heated seats (MSG20)
- Seat; leatherette; air suspension (MSG75)
- Seat; leatherette; air suspension; heated seats (MSG75)
- Seat; fabric (MSG20)
- Seat; fabric; heated seats (MSG20)
- Seat; fabric; air suspension (MSG75)
- Seat; fabric; air suspension; heated seats (MSG75)

## Lighting

- Lighting according to StVZO
- One additional working light on the loading swing arm
- Additional LED working light on the loading swing arm
- Rotating beacon (yellow), The national regulations must be observed!
- Rotating beacon (yellow) with magnetic base

## StVZO – equipment

- Individual operating permit < 25 km/h
- License plate holder

## Engine

- Engine preheating (cooling water) 230 V

## Drive system & Axles

- T80 axle, hydraulic medium pressure all-wheel drive, 20 km/h
- T94 axle, hydrostatic high-pressure all-wheel drive, 20 km/h

## Tires

Tires and options for: Axle T80

- 27x10.0-15.3 AS504 ET0, profile AS, width 1050mm
- 26.0x12.00-12 AS ET0, profile AS, width 1010 mm
- 31x15.50-15 AS ET-50, profile AS, width 1280 mm
- 31x15.50-15 AS ET-50 Starco, profile AS, width 1280 mm
- 27x 8.50-15 EM ET30, profile EM, width 960 mm, width turned 1090 mm
- 27x10.50-15 EM ET-5, profile EM, width 1080 mm
- 26.0x12.00-12 RP ET0, profile RP, width 1110 mm
- Wheel spacer (2x 15 mm)
- Turned

Tires and options for: Axle T94

- 31x15.50-15 AS ET0, profile AS, width 1320 mm
- 31x15.50-15 AS ET0 Starco, profile AS, 1294 mm
- Twin tires 10.0/75-15.3 AS front
- 27x 8.50-15 EM ET80, profile EM, width 1000 mm, width turned 1340 mm
- 27x10.50-15 EM ET60, profile EM, width 1100 mm, width turned 1340 mm
- 10-16.5 EM ET40, profile EM, width 1114 mm, width turned 1300 mm
- Twin tires 27x8.50-15 EM front, profile EM, width 16550 mm
- 10.0/75-15.3 ET40 Mitas M159, profile RP, width 1124 mm
- 31x15.50-15 RP ET0, profile RP, width 1313 mm
- Turned

## Loading system

- High lift height (2948 mm)
- Lowering brake valve (pipe breakage protection lifting and tipping cylinder)

### Quick change plates

- Weidemann hydraulic
- Weidemann HV/HT - C - ECS
- Euro hydraulic
- Skid Steer hydraulic
- SMS hydraulic

### Hydraulics in front

- Pressureless return in front
- 3rd Control circuit, front DN12
- 3rd Control circuit, incl. single detent on lever for 3rd control circuit (additional operation via two buttons on joystick)
- 3rd Control circuit comfort, incl. single detent on lever for 3rd Control circuit (operation: Via button on joystick + tilt in and tilt out)
- 4th Control circuit comfort, incl. single detent for 3rd Control circuit (operation: Via button on joystick + tilt in and tilt out), (3rd Control circuit, front, can not be operated simultaneously)
- 4th Control circuit additionally via 4-way valve, incl. double detent (operation: Via separate lever)
- Additional hydraulic oil cooler
- Quick coupling Faster 4-fold - machine side
- Quick coupling Faster 4-fold - attachment side
- Single detent for control lever
- Double detent for control lever
- Lowering brake valve (pipe breakage protection lifting and tipping cylinder)

### Hydraulics in rear

- Additional single-acting rear hydraulic connection (operation: Via lever for 3rd control circuit)
- One additional double-acting hydraulic connection at the rear (operation: Via lever for 3rd control circuit)

### Bio-hydraulic oil

- Shell PANOLIN S4 HLP Synth 46 (bio hydraulic oil)

### Electrical connections in front

- Socket at front 3-pin for simple function (Operation: Via switch (0 - 1) in the steering column)
- Front socket 3-pin for double function (operation: Via switch (1 - 0 - 2) in the steering column)
- Front socket 3-pin for double function (operation: Via 2 buttons on the joystick; 1st Function push-button, 2nd Function latching)
- Front socket 7-pin for lighting front attachments

### Electrical connections in rear

- Rear 7-pin socket for lighting rear attachments

### Additional weight

- Ballast weight base plate (97 kg)
- Cast rear weight (110 kg)

### Safety options

- Reversing warning device (acoustic)
- Lockable fuel tank cap

### Other

- Electric control unit
- Hand lever grease press
- Combination box (for combination envelope)
- Combination bag (warning triangle / first aid kit)
- Bucket level indicator
- Tool box
- Set of tools
- Fully automatic central lubrication unit

### Warranty extension\*

- Economy 24 months (2500 h)
- Economy 36 months (3000 h)
- Economy 48 months (3500 h)
- Economy 60 months (4000 h)
- Premium 24 months (3000 h)
- Premium 36 months (4000 h)
- Premium 48 months (5000 h)
- Premium 60 months (6000 h)

\*The offers regarding the warranty extension in Germany are currently being revised - more information will follow as quickly as possible.

**Custom-made paint finish**

- Special painting RAL single color - instead of Weidemann red
- Special painting RAL multicolored

**Trailer and recovery equipment**

- Bolts for self-mounting device (Not approved for trailer operation!)
- Self-recovery coupling (Not approved for trailer operation!)

**EquipCare (telematics)**

- EquipCare 36 months (incl. App & Manager)