



1280 Hoftrac

Technical Data

■ Standard engine data

Engine manufacturer	Perkins
Motor type	403 J-17 T
Cylinder	3
Drive output	18.4 kW
Drive output	25 PS
at max. rpm	2,800 U/min
Cylinder capacity	1,663 cm ³
Type of coolant	Water
Exhaust standard level	V
Exhaust aftertreatment	-

■ Electrical system

Operating voltage	12 V
Battery	77 Ah
Alternator	65 A

■ Weights

Operating weight	2,380 - 2,550 kg
Thrust force (max.)	1,939 - 2,058 daN
Lift capacity (max.)	1,965 - 2,063 daN
Tipping load with bucket – machine straight, loading frame horizontal	1,380 - 1,780 kg
Tipping load with bucket – machine pivoted, loading frame horizontal	1,150 - 1,480 kg
Tipping load with bucket - machine straight, loading frame in lowest position	2,400 - 3,050 kg
Tipping load with bucket - machine pivoted, loading frame in lowest position	2,010 - 2,570 kg
Tipping load with pallet fork – machine straight, loading frame horizontal	1,080 - 1,410 kg
Tipping load with pallet fork – machine pivoted, loading frame horizontal	980 - 1,160 kg
Tipping load with pallet fork - machine straight, transport position	1,540 - 1,980 kg
Tipping load with pallet fork - machine pivoted, transport position	1,280 - 1,650 kg

■ Driver's cab

Driver's cab	FSD (eps, cabin)
--------------	------------------

■ Filling levels

Tank capacity for fuel	45 l
Tank capacity for hydraulic oil	27 l

■ Drive system

Type of drive	Hydrostatic
drive unit	universal joint shaft
Speed levels	2
Axle	T94
Travel speed Standard	0-20 km/h
Operating brake	Hydrostatic drive system acting on all 4 wheels (wear-free)
Parking brake	Service and parking brake in the drive train
Differential lock	100% VA + HA (option)

■ Hydraulic system

Drive hydraulics working pressure (max.)	370 bar
Work hydraulics discharge volume (max.)	44,8 l/min
Work hydraulics working pressure (max.)	185 bar

■ Kinematics

Kinematics type	P
Lifting cylinder	2
Tipping cylinder	1
Quick change system	Mechanical (hydraulically activated)

■ Steering

Steering type	hydraulically activated articulated pendulum steering
Steering cylinder	1
Oscillating angle	± 12 degree

■ Noise characteristic values

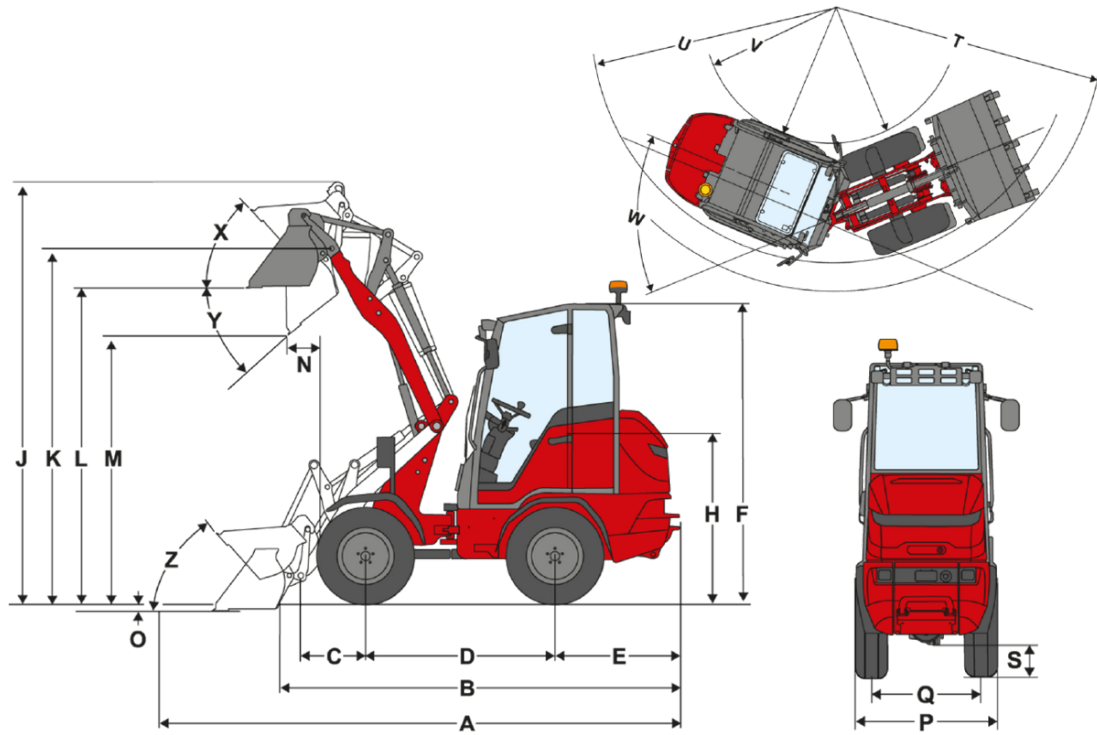
Average sound power level LwA (operator's canopy)	99.9 dB(A)
Guaranteed sound power level LwA (operator's canopy)	101 dB(A)

Specified sound pressure level LpA (operator's canopy)	84 dB(A)
Average sound power level LwA (cabin)	99.9 dB(A)
Guaranteed sound power level LwA (cabin)	101 dB(A)
Specified sound pressure level LpA (cabin)	79 dB(A)

■ **Other information**

FSD = operator's canopy
eps = Easy Protection System (fold-down operator's canopy)
DPF = diesel particulate filter
DOC = diesel oxidation catalyst
Tipping load calculation pursuant to ISO 14397

Dimensions



		P-kinematics (Standard)	P-kinematics (long)
	Standard components	10.0/75 - 15.3 AS ET80	10.0/75 - 15.3 AS ET80
A	Total length	4,053 mm	4,276 mm
B	Total length without bucket	3,321 mm	3,545 mm
C	Bucket pivot point (to center of axle)	534 mm	758 mm
D	Wheel base	1,623 mm	1,623 mm
E	Rear overhang	1,054 mm	1,054 mm
F	Height with operator's canopy fixed	2,255 mm	2,255 mm
	Height with fold-down operator's canopy (eps)	2,373 mm	2,373 mm
	Height with fold-down operator's canopy, folded down (eps)	1,856 mm	1,856 mm
	Height with cab	2,280 mm	2,280 mm
H	Seat height	1,320 mm	1,320 mm
J	Total working height	3,461 mm	3,710 mm
K	Bucket pivot point (max. lift height)	2,872 mm	3,120 mm
L	Load-over height	2,544 mm	2,820 mm
M	Dumping height	2,067 mm	2,380 mm
N	Reach (at M)	265 mm	330 mm
O	Digging depth	37 mm	110 mm
P	Total width	1,044 mm	1,044 mm
Q	Track width	780 mm	780 mm
S	Ground clearance		
T	Maximum radius	2,846 mm	2,951 mm
U	Radius on the outer edge	2,546 mm	2,546 mm
V	Inner radius	1,423 mm	1,423 mm
W	Articulation angle	45 °	45 °
X	Rollback angle at max. lift height	47 °	52 °
Y	Dumping angle	44 °	36 °
Z	Rollback angle on ground	48 °	47 °

Standard components

Engine

- Perkins 403 J-17 T, 18.4 kW / 25 hp, stage V

Tires

- 10,0/75 - 15.3 AS ET80 (incl. reversible rims)

Steering system

- Hydraulic articulated pendulum steering, pendulum angle: $\pm 12^\circ$
- Steering cylinder: 1

Drive system

- Hydrostatic all-wheel drive
- Driving direction selectable via joystick
- Service brake: Hydrostatic drive acting on all 4 wheels (wear-free)
- Central service and parking brake in drive train acting on all 4 wheels

Hydraulics

- 3rd Control circuit front DN10, hydraulic oil cooler
- Float position for lift and tilt cylinders
- Locking device for control valve

Operator's cab

- Overhead guard with restraint system ROPS / FOPS tested, driver's platform can be tilted sideways
- Comfort seat with seat belt full suspension, weight, back and longitudinal adjustment, 60 mm suspension range
- Worklights: 2 front and 2 rear
- Operating hours meter
- Fuel gauge
- Adjustable steering column

Options

Operator's cab

- Operator's canopy with ROPS/FOPS-tested fold-down eps (work lights: 1x front on load arm and 1x rear)
- 2-door cabin, incl. heater and fan (work lights: 2x front and 2x rear)
- Right armrest
- Radio DAB+-ready (aerial, speaker)
- Radio DAB+ complete
- Cabin outlet 230 V (connection power max. 2000 W), (Only works with connected engine pre-heating on the 230 V grid)

Operator's seat

- Leatherette seat (standard with overhead guard), (MSG 20)
- Leatherette seat; heated seats (MSG 20)
- Leatherette seat; air suspension (MSG 75)
- Leatherette seat; air suspension; heated seats (MSG 75)
- Fabric seat (standard for cab), (MSG 20)
- Fabric seat; heated seats (MSG 20)
- Fabric seat; Air suspension (MSG 75)
- Fabric seat; air suspension; heated seats (MSG 75)

Lighting

- Lighting according to StVZO
- One additional working light on the loading swing arm
- LED working lights, 2 front 2 rear
- Rotating beacon (yellow), The national regulations must be observed!
- Rotating beacon (yellow) with magnetic base

StVZO – equipment

- Individual operating permit > 25 km/h
- Registration plate mounting

Engine

- Engine preheating (cooling water) + hydraulic oil preheating 230 V

Drive system & Axles

- Axle T94: hydrostatic medium pressure all-wheel drive, 20 km/h (PTO gear, driveshaft, differential lock 100%)
- Chassis raise (+30 mm)
- Manual inching (slow speed device)

Tires

- 10.0/75-15.3 AS ET40, tread AS, width 1124 mm, width turned 1300 mm
- 10.0/75-15.3 AS ET-5, tread AS, width 1214 mm
- 31x15.50-15 AS ET0, tread AS, width 1320 mm
- 31x15.50-15 AS ET-37, tread AS, width 1394 mm
- 31x15.50-15 AS ET0, Starco, tread AS, width 1294 mm
- 31x15.50-15 AS ET-37, tread AS, width 1368 mm
- Dual tires 10.0/75-15.3 AS front, tread AS, width 1650 mm
- 27x8.50-15 EM ET80, tread EM, width 1000 mm, width turned 1340 mm
- 27x10.50-15 EM ET18, tread EM, width 1160 mm
- 27x10.50-15 EM ET60, tread EM, width 1080 mm / 1330 mm
- 10-16.5 EM ET0, tread EM, width 1200 mm
- 10-16.5 EM ET40, tread EM, width 1114 mm / 1300 mm
- 31x15.50-15 EM ET0, tread EM, width 1340 mm
- 31x15.50-15 EM ET-37, tread EM, width 1414 mm
- Dual tires 27x8.50-15 EM front, tread EM, width 1650 mm
- 10.0/75-15.3 ET40 Mitas M159, tread RP, width 1124 mm
- 31x15.50-15 RP ET0, tread RP, width 1313 mm
- 10-16.5 Sure Trax ET0 BKT, tread Sure Trax, width 1200 mm
- 10-16.5 Sure Trax ET40 BKT, tread Sure Trax, width 1128 mm / 1300 mm
- Turned

Loading system

- High lift height (3120 mm)
- Load swing damping
- Lowering brake valve (pipe breakage protection lifting and tipping cylinder)

- Bucket level indicator

Quick change plates

- Weidemann hydraulic
- Weidemann HV/HT - C - ECS
- Euro hydraulic
- Skid Steer hydraulic
- SMS hydraulic

Hydraulics in front

- Pressureless return in front
- 3rd Control circuit, front DN12
- 3rd Control circuit comfort, incl. single detent on lever for 3rd Control circuit (operation: Via button on joystick + tilt in and tilt out)
- 4th Control circuit comfort, incl. single detent on lever for 3rd Control circuit (operation: Via button on joystick + tilt in and tilt out), (3rd Control circuit, front, can not be operated simultaneously)
- 4th Additional control circuit via 4-way valve, incl. single detent on lever for 3rd Control circuit (operation: Via separate lever)
- Quick coupling Faster 4-fold - machine side
- Quick coupling Faster 4-fold - attachment side
- Single detent for control lever
- Double detent for control lever

Hydraulics in rear

- Pressureless return in rear
- Additional single-acting rear hydraulic connection (operation: Via lever for 3rd Control circuit), (loading swing arm or 3rd Control circuit in front can not be operated at the same time)

Bio-hydraulic oil

- Shell PANOLIN S4 HLP Synth 46 (bio hydraulic oil)

Electrical connections in front

- Socket at front 3-pin for simple function (Operation: Via switch (0 - 1) in the steering column)
- Front socket 3-pin for double function (operation: Via switch (1 - 0 - 2) in the steering column)
- Front socket 3-pin for double function (operation: Via 2 buttons on the joystick; 1st Function push-button, 2nd Function latching)

Electrical connections in rear

- Rear socket 7-pole for lighting of rear attachments

Additional weight

- Ballast weight base plate (97 kg)
- Cast rear weight (93 kg) Machine length +55 mm

Safety options

- Reversing alarm (acoustic)

Other

- Hand lever grease press
- Combination bag (warning triangle / first aid kit)
- Combination box (for combination bag) (not necessary with the cabin)
- Crane lugs
- Tool box
- Set of tools
- Fully automatic central lubrication unit

Warranty extension*

- Economy 24 months (2500 h)
- Economy 36 months (3000 h)
- Economy 48 months (3500 h)
- Economy 60 months (4000 h)
- Premium 24 months (3000 h)
- Premium 36 months (4000 h)
- Premium 48 months (5000 h)
- Premium 60 months (6000 h)

*The offers regarding the warranty extension in Germany are currently being revised - more information will follow as quickly as possible.

Custom-made paint finish

- Special painting RAL single color - instead of Weidemann red

- Special painting RAL multicolored

Trailer and recovery equipment

- Bolts for self-mounting device (Not approved for trailer operation!)
- Self-recovery coupling (Not approved for trailer operation!)

EquipCare (telematics)

- EquipCare 36 months (incl. App & Manager)