



3080T

Telescopic wheel loaders

Technical Data

■ Standard engine data

Engine manufacturer	Deutz
Motor type	TCD 2.9 L4 S5
Cylinder	4
Drive output	55.4 kW
Drive output	75 PS
at max. rpm	2,300 U/min
Cylinder capacity	2,900 cm ³
Type of coolant	Water/charge air
Exhaust standard level	V
Exhaust aftertreatment	DOC/DPF

■ Electrical system

Operating voltage	12 V
Battery	100 Ah
Alternator	85 A

■ Weights

Operating weight	5,400 kg
Tipping load with bucket – machine straight, loading frame horizontal	2,815 kg
Tipping load with bucket – machine pivoted, loading frame horizontal	2,411 kg
Tipping load with bucket – machine straight (extended)	1,554 kg
Tipping load with bucket – machine pivoted (extended)	1,300 kg
Tipping load with pallet fork – machine straight, loading frame horizontal	2,570 kg
Tipping load with pallet fork – machine pivoted, loading frame horizontal	2,207 kg
Tipping load with pallet fork – machine straight (extended)	1,509 kg
Tipping load with pallet fork – machine pivoted (extended)	1,262 kg

■ Driver's cab

Driver's cab	Cab
--------------	-----

■ Filling levels

Tank capacity for fuel	82 l
------------------------	------

Tank capacity for hydraulic oil	66 l
---------------------------------	------

■ Drive system

Type of drive	Hydrostatic
drive unit	universal joint shaft
Speed levels	2
Axle	PA 1400 (PA 1422)
Travel speed Standard	0-20 km/h
Travel speed Option 1	0-30 km/h
Operating brake	Hydrostatic drive system acting on all 4 wheels (wear-free)
Parking brake	Service and parking brake in the drive train acts on all 4 wheels
Differential lock	100 % front axle + rear axle

■ Hydraulic system

Drive hydraulics working pressure (max.)	450 bar
Work hydraulics discharge volume (max.)	74 (83-103) l/min
Work hydraulics working pressure (max.)	235 bar

■ Kinematics

Lifting cylinder	1
Tipping cylinder	1
Quick change system	hydraulic

■ Steering

Steering type	Hydraulically activated articulated pendulum steering
Steering cylinder	1
Oscillating angle	±12 degree

■ Noise characteristic values

Average sound power level LwA (cabin)	99.9 dB(A)
Guaranteed sound power level LwA (cabin)	101 dB(A)
Specified sound pressure level LpA (cabin)	74 dB(A)

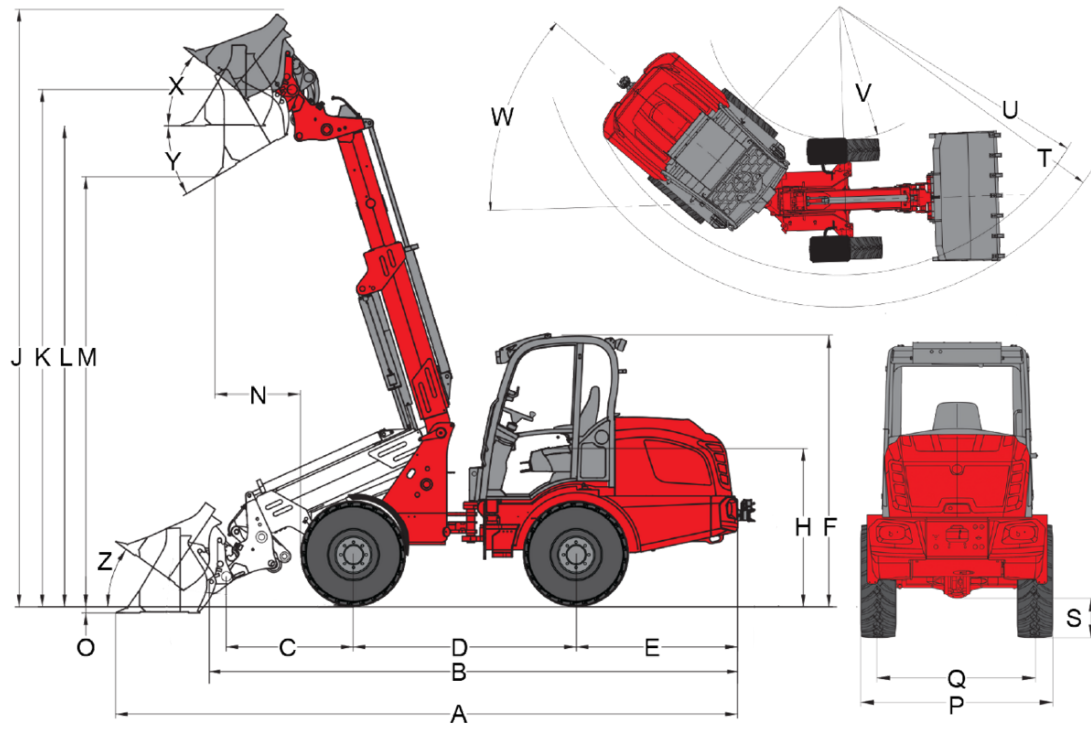
■ Other information

FSD = operator's canopy
DPF = diesel particulate filter
DOC = diesel oxidation catalyst

SCR = selective catalytic reduction

Tipping load calculation according to ISO 14397

Dimensions



	Telescopic arm (Z-kinematics) / axle PA1400	Telescopic arm (Z-kinematics) / axle PA1422
	Standard components	12.5/80 - 18 AS ET75
		12.5-20 MPT ET0
A	Total length	5,978 mm
B	Total length without bucket	5,172 mm
C	Bucket pivot point (to center of axle)	1,247 mm
D	Wheel base	2,189 mm
E	Rear overhang	1,531 mm
F	Height with lowered operator's canopy	
	Height with operator's canopy raised	
	Height with cab lowered	2,458 mm
	Height with cab raised	2,630 mm
	Height with cab	
H	Seat height	1,545 mm
J	Total working height	5,839 mm
K	Bucket pivot point (max. lift height)	5,019 mm
L1	Load-over height telescopic arm retracted	
L	Load-over height telescopic arm extended	4,694 mm
	Load-over height	
M1	Dumping height telescopic arm retracted	
M	Dumping height	
	Dumping height telescopic arm extended	4,171 mm
		4,198 mm
N	Reach (at M)	705 mm
		678 mm
O	Digging depth	83 mm
		110 mm
P	Total width	1,558 mm
		1,747 mm
Q	Track width	1,250 mm
		1,422 mm
S	Ground clearance	330 mm
		364 mm
T	Maximum radius	4,321 mm
		4,321 mm
U	Radius on the outer edge	3,839 mm
		3,839 mm
V	Inner radius	2,052 mm
		1,957 mm
W	Articulation angle	42 °
		42 °
X	Rollback angle at max. lift height	40 °
		40 °
Y	Dumping angle	36 °
		36 °
Z	Rollback angle on ground	36 °
		36 °

The illustrations, equipment and data shown may deviate from the current delivery program of your country. Optional equipment subject to additional charge may be shown. Subject to changes.

Standard components

Engine

- Deutz TCD 2.9 L4 S5, 55.4 kW / 75 hp, stage V

Tires

Axle PA1400, 6-hole:

- 12.5/80-18 AS ET75, profile AS, width 1580 mm

Axle PA1422, 8-hole:

- 12.5-20 MPT ET0, profile MPT, width 1750 mm

Steering system

- Hydraulic articulated pendulum steering, pendulum angle $\pm 12^\circ$
- Steering cylinder: 1

Drive system & Axles

- Axle PA1400
- 20 km/h
- Hydrostatic all-wheel drive, driving direction selectable via joystick
- Service brake: Hydrostatic drive acting on all 4 wheels (wear-free)
- Central service and parking brake in drive train acting on all 4 wheels
- Differential lock 100 %, electric-hydraulic switchable on front and rear axle

Hydraulics

- 3rd Front control circuit proportional via joystick, incl. double detent
- Hydraulic oil cooler
- Pressureless return in front
- Float position for lifting cylinder
- Discharge dampening in telescopic cylinder (both sides)

Operator's cab

- Comfort cab with heating and ventilation, laterally tiltable, ROPS / FOPS tested
- Comfort seat with seat belt full suspension, weight, back and longitudinal adjustment
- Hydraulically pilot-controlled joystick with direction switch and integrated pushbutton for differential lock and proportional telescopic function
- Worklights 2 front and 2 rear
- Operating hours meter
- Fuel gauge
- Adjustable steering wheel

Other

- Lighting system according to StVZO
- Front socket 3-pin for double function (1st Function push-button, 2nd Function latching)

Loading system

- Lowering brake valve (pipe breakage protection lifting and tipping cylinder)

Quick change plates

- Weidemann hydraulic

EquipCare (telematics)

- EquipCare 36 months (incl. App & Manager)

Trailer and recovery equipment

- Self-recovery coupling (Not approved for trailer operation!)

Options

Operator's cab

- 2-door, comfort cabin, high
- Storage box with bottle holder (left next to the operator's seat)
- Radio DAB+-ready (aerial, speaker)
- Radio DAB+ complete
- Air-conditioning system
- Front window protective grating
- Cabin outlet 230 V (connection power max. 2000 W), (Only works with connected engine pre-heating on the 230 V grid)

Operator's seat

- Fabric seat; heated seats (MSG 85)
- Fabric seat; air suspension (MSG 95AL/722)
- Fabric seat; air suspension; heated seats (MSG 95AL/732)

Lighting

- LED work lights, 2 in front, 2 in rear
- Rotating beacon (yellow) (National regulations must be observed!)

StVZO - equipment

- Individual operating permit > 25 km/h
- Individual operating permit > 25 km/h
- Registration plate mounting

Engine

- Manual throttle
- Engine pre-heating (coolant) + hydraulic oil pre-heating 230 V

Drive system & Axles

- Axle PA1422, hydrostatic high-pressure all-wheel drive, 20 km/h (30 km/h), PTO gear, driveshaft, differential lock 100%
- 30 km/h (speed increase)
- Manual inching (slow speed device)
- Front mudflap (mounted on the fender)

Tires

Axle PA1400, 6-hole:

- 425/55 R 17 AS ET45, tread AS, width 1740 mm
- 400/70-20 AS ET0 AS504, tread AS, width 1820 mm
- 500/45-20 AS ET0, tread AS, width 1900 mm
- 15.5/55 R 18 EM ET60, tread EM, width 1690 mm
- 405/70 R 18 EM Alliance 608 ET0, tread EM, width 1820 mm
- 405/70 R 20 EM Alliance 608 ET0, tread EM, width 1807 mm
- 12.5-18 MPT ET0, tread MPT, width 1730 mm
- 400/70 R 18 ET-15 Michelin Bibload, tread Bibload, width 1852 mm

Axle PA1422, 8-hole:

- 400/70-20 AS ET0 AS504, tread AS, width 1840 mm
- 400/70-20 AS ET-50 AS504, tread AS, width 1930 mm
- 500/45-20 AS ET0, tread AS, width 1920 mm
- 550/45-22.5 AS ET0, tread AS, width 1990 mm
- 550/45-22.5 AS ET-50, tread AS, width 2080 mm
- 15.5/55 R 18 EM ET0, tread EM, width 1780 mm
- 405/70 R 18 EM Alliance 608 ET0, tread EM, width 1820 mm
- 405/70 R 20 EM Alliance 608 ET0, tread EM, width 1829 mm
- Dual tires 12.5-18 MPT front, tread MPT
- 340/80 R 18 ET0 Alliance Multiuse 550, tread Multiuse, width 1770 mm
- 400/70 R 20 ET0 Alliance Multiuse 550, tread Multiuse, width 1800 mm
- 400/70 R 20 ET-60 Alliance Multiuse 550, tread Multiuse, width 1930 mm

Water filling

- Water filling valves without filling (front wheels)
- Water filling valves without filling (rear wheels)
- Water filling valves without filling (front and rear wheels)
- Water filling valves with filling (front wheels)
- Water filling valves with filling (rear wheels)

- Water filling valves with filling (front and rear wheels)

Loading system

- Load swing damping

Quick change plates

- Euro hydraulic
- Kramer hydraulic
- Volvo TPV hydraulic
- SMS hydraulic

Hydraulics in front

- Working hydraulics (83 l/min) Large pump
- Working hydraulics (103 l/min) Large pump
- Changeover valve at the front of the 3rd Control circuit (3rd Control circuit with 4 connections), (operation: Selection via switch (0 - 1))
- Quick coupling Faster 4-fold - machine side
- Quick coupling Faster 4-fold - attachment side
- Additional hydraulic oil cooler

Hydraulics in rear

- Pressureless return in rear
- One hydraulic connection rear double-acting via changeover valve (l/min like 3rd Control circuit front), (3rd Control circuit front or rear), (Operation: Via switch (0 - 1) in joystick console + 3rd control circuit)
- One rear hydraulic connection (51 l/min) double-acting (two couplings) incl. separate control valve, (operation: Via switch (1 - 0 - 2) in joystick console) Via switch (1 - 0 - 2) in joystick console)
- Two rear hydraulic connections (51 l/min) double-acting (four couplings) incl. separate control valve, (Operation: 1 DW connection via switch (1 - 0 - 2), 1 DW connection via push button (1 - 0 - 2)), (connections can be operated simultaneously)

Bio-hydraulic oil

- Shell PANOLIN S4 HLP Synth 46 (Bio-hydraulic oil)

Electrical connections in front

- Front socket 3-pin for double function (operation: Via 2 buttons on the joystick; 1st Function latching, 2nd Function push-button)
- Front socket 3-pin for double function (operation: Via 2 buttons on the joystick; 1st Function push-button, 2nd Function push-button)
- Front socket 3-pin for double function (operation: Via 2 buttons on the joystick; 1st Function latching, 2nd Function latching)

Electrical connections in rear

- Rear 7-pin socket for lighting rear attachments
- Rear 3-pin socket (operation: Via switch (1 - 0 - 2) in joystick console)

Safety options

- Reversing warning device (acoustic)
- Immobilizer (operation via coded ignition key)

Other

- Battery disconnect switch 2 circuits (disconnection of the on-board power supply and the generator via 2 switching paths from the battery)
- Hand lever grease press
- Combination bag (warning triangle / first aid kit)
- Set of tools
- Tool box
- Fully automatic central lubrication unit

Warranty extension*

- Economy 24 months (2500 h)
- Economy 36 months (3000 h)
- Economy 48 months (3500 h)
- Economy 60 months (4000 h)
- Premium 24 months (3000 h)
- Premium 36 months (4000 h)
- Premium 48 months (5000 h)
- Premium 60 months (6000 h)

*The offers regarding the warranty extension in Germany are currently being revised - more information will follow as quickly as possible.

Custom-made paint finish

- Special painting RAL single color - instead of Weidemann red
- Special painting RAL multicolored

Trailer and recovery equipment

- Trailer hitch automatic

Self-propelled work machines with ball hitch

- Trailer hitch automatic