



## 9080 Wheel loaders

### Technical Data

#### ■ Standard engine data

Engine manufacturer	Deutz
Motor type	TCD 3.6 S5
Cylinder	4
Drive output	100 kW
Drive output	136 PS
at max. rpm	2,300 U/min
Cylinder capacity	3,621 cm <sup>3</sup>
Type of coolant	Water/charge air
Exhaust standard level	V
Exhaust aftertreatment	DOC/DPF/SCR

#### ■ Engine data Option 1

Engine manufacturer	Deutz
Motor type	TCD 4.1 S5
Cylinder	4
Drive output	115 kW
Drive output	156 PS
at max. rpm	2,300 U/min
Cylinder capacity	4,038 cm <sup>3</sup>
Type of coolant	Water/charge air
Exhaust standard level	V
Exhaust aftertreatment	DOC/DPF/SCR

#### ■ Electrical system

Operating voltage	12 V
Battery	185 Ah
Alternator	120 A

#### ■ Weights

Operating weight	10,720 kg
Tipping load with bucket – machine straight, loading frame horizontal	5,290 kg
Tipping load with bucket – machine pivoted, loading frame horizontal	4,657 kg

Tipping load with pallet fork – machine straight, loading frame horizontal	4,624 kg
--	----------

Tipping load with pallet fork – machine pivoted, loading frame horizontal	4,071 kg
---	----------

#### ■ Driver's cab

Driver's cab	Cab
--------------	-----

#### ■ Filling levels

Tank capacity for fuel	140 l
Tank capacity for hydraulic oil	125 l
Tank capacity for urea solution	12 l

#### ■ Drive system

Type of drive	Hydrostatic
drive unit	universal joint shaft
Speed levels	3
Axle	PA 1900
Travel speed Standard	0-20 km/h
Travel speed Option 1	0-30 km/h
Travel speed Option 2	0-40 km/h
Operating brake	Multi-disc brake on front axle acting on rear axle via universal joint shaft
Parking brake	Electro-hydraulic multi-disc brakes with spring suspension in the front axle acting on rear axle via articulated universal joint shaft
Differential lock	100 % front axle + rear axle

#### ■ Hydraulic system

Drive hydraulics working pressure (max.)	480 bar
Work hydraulics discharge volume (max.)	150 (180) l/min
Work hydraulics working pressure (max.)	250 bar

#### ■ Kinematics

Kinematics type	P
Lifting cylinder	2
Tipping cylinder	2
Quick change system	hydraulic

## ■ Steering

Steering type	Hydraulic articulated steering with oscillating axle
Steering cylinder	2
Oscillating angle of the rear axle	± 12 degree

## ■ Noise characteristic values

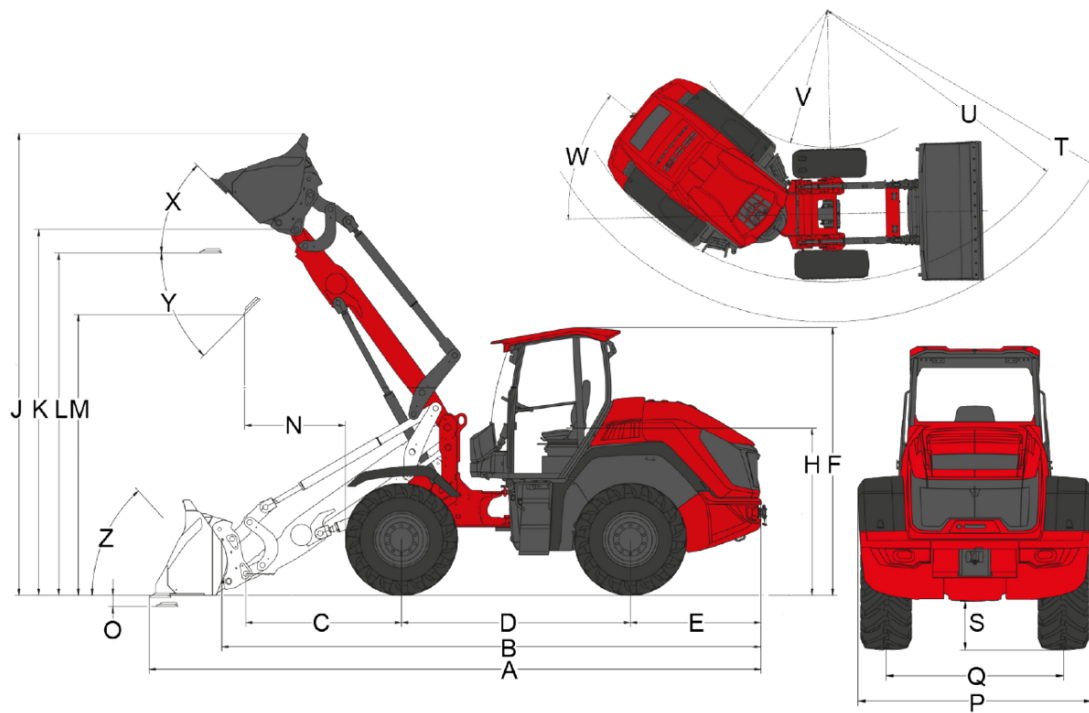
Average sound power level LwA (cabin)	100.7 dB(A)
---------------------------------------	-------------

Guaranteed sound power level LwA (cabin)	102 dB(A)
Specified sound pressure level LpA (cabin)	70 dB(A)

## ■ Other information

FSD = operator's canopy  
DPF = diesel particulate filter  
DOC = diesel oxidation catalyst  
SCR = selective catalytic reduction  
Tipping load calculation pursuant to ISO 14397

## Dimensions



	Standard components	Double P-kinematics (standard)
		500 / 70 R24 Michelin XMCL ET 40
<b>A</b>	Total length	7,060 mm
<b>B</b>	Total length without bucket	6,270 mm
<b>C</b>	Bucket pivot point (to center of axle)	1,810 mm
<b>D</b>	Wheel base	2,660 mm
<b>E</b>	Rear overhang	1,520 mm
<b>F</b>	Height with operator's canopy (fixed)	
	Height with fold-down operator's canopy (EPS)	
	Height with fold-down operator's canopy (EPS), folded down	
	Height with lowerable operator's canopy (EPS Plus), lowered	
	Height with lowerable operator's canopy (EPS Plus)	
	Height with lowered operator's canopy	
	Height with operator's canopy raised	
	Height with cab lowered	
	Height with cab raised	
	Height with cab	3,110 mm
<b>H</b>	Seat height	1,940 mm
<b>J</b>	Total working height	5,250 mm
<b>K</b>	Bucket pivot point (max. lift height)	4,260 mm
<b>L</b>	Load-over height	3,980 mm
<b>M</b>	Dumping height	3,300 mm
<b>N</b>	Reach (at M)	1,140 mm
<b>O</b>	Digging depth	136 mm
<b>P</b>	Total width	2,390 mm
<b>Q</b>	Track width	1,820 mm
<b>S</b>	Ground clearance	502 mm
<b>T</b>	Maximum radius	5,630 mm
<b>U</b>	Radius on the outer edge	4,900 mm
<b>V</b>	Inner radius	2,450 mm
<b>W</b>	Articulation angle	40 °
<b>X</b>	Rollback angle at max. lift height	45 °
<b>Y</b>	Dumping angle	45 °
<b>Z</b>	Rollback angle on ground	48 °

The illustrations, equipment and data shown may deviate from the current delivery program of your country. Optional equipment subject to additional charge may be shown. Subject to changes.

# Standard components

## Engine

- Deutz TCD 3.6 S5, 100 kW / 136 hp, stage V

## Tires

- 500 / 70 R24 Michelin XMCL ET 40, profile XMCL, width 2390 mm, height 3110 mm

## Steering system

- Hydraulic articulated steering with pendulum axle
- Articulation angle: 40°
- Pendulum angle (axle):  $\pm 12^\circ$
- Steering cylinder: 2

## Operator's cab

- Comfort 2-door cab, ROPS/FOPS Level 2
- Air conditioning with automatic climate control
- Sliding windows in both doors
- Roof window with wiper
- Radio DAB+;
- 7" color display for all important machine information
- Rear view camera
- Heated rear window
- Socket cabin 3 pin 12V

## Operator's seat

- Fully damped comfort seat with safety belt, weight, back and height adjustment

## Lighting

- Lighting according to StVZO
- LED working lights, 4 in front, 2 in rear on cab roof

## Drive system & Axles

- Axle: Planetary axle PA1900
- Drive: hydrostatic via PTO gear and driveshaft
- Differential lock: 100% front and rear axle
- Speed: 20 km/h
- Driving stages: 3 | 7 km/h / 15 km/h / 20 km/h (Optional 30 / 40)
- Service brake: Multi-disc brake in the front axle acting on the rear axle via driveshaft
- Parking brake: Electro-hydraulic multi-disc brake with spring accumulator in the front axle, acting on the rear axle via driveshaft

## Loading system

- Loading swing arm lifting height 4260 mm
- Quick coupler according to ISO 23727 (Volvo TPV system) hydraulic
- Kinematics: P
- Lifting cylinder: 2
- Tilting cylinder: 2
- Automatic bucket return

## Hydraulics

- Electrically pre-controlled joystick with direction switch and integrated button for differential lock
- 3rd Front control circuit electrically pilot-controlled via joystick proportional
- Oil quantity adjustment via jog dial
- Pressure relief of hydraulic connections on loading swing arm

## Other

- Reversible fan
- Tool box
- Tool kit

## StVZO – equipment

- Data confirmation (ABE) for self-propelled working machine

**EquipCare (telematics)**

- EquipCare 36 months (incl. App & Manager)

# Options

## Operator's cab

- Outside mirrors heatable and electrically adjustable
- Parking heater incl. engine preheating, programmable
- Document box
- Control panel holder on B-pillar
- Holder for cell phone
- Driving signal socket 7-pin for salt spreader

## Operator's seat

- Fabric seat; air cushioned
- Fabric seat; air cushioned; heated seat

## Lighting

- Worklights on cab roof, 4 front, 2 rear, 2 rear lateral
- Working lights LED cab roof, 4 front, 2 rear, 2 rear lateral
- Rotating beacon (yellow), national regulations must be observed!
- Rotating beacon LED (yellow), the national regulations must be observed!

## StVZO - equipment

- License plate light incl. front license plate holder

## Engine

- Turbo diesel engine Deutz
- Preheating engine, fuel, hydraulic oil (230V)

## Drive system & Axles

- 30 km/h Power Drive 370 Thrust increase
- 40 km/h Power Drive 370
- Dual-line, pressure air-brake system
- Manual inching (slow speed device) and manual throttle
- Gas pedal mode (M-Drive)
- Winding protection for driveshaft

## Tires

- 600 / 55 - 26.5 Alliance 331 ET0, profile AS, width 2487 mm, height 3126 mm
- 700 / 50 - 26.5 Alliance 331 ET -50, profile AS, width 2696 mm, height 3126 mm
- 500 / 70 R24 Firestone Duraforce ET40, profile EM, width 2399 mm, height 3125 mm
- Puncture protection

## Loading system

- Load swing damping
- Vibrating function Tilting cylinder
- Lowering brake valve (pipe breakage protection lifting and tipping cylinder)

## Hydraulics in front

- Front pressureless return (incl. leakage oil line)
- 3rd Control circuit Load Sensing 180 l/min, working hydraulics
- 4th Control circuit electrical proportional
- High flow - power hydraulics double-acting 180 l/min

## Hydraulics in rear

- Pressure-free reverse travel in rear (including overflow oil line)
- Auxiliary control circuit rear tipper (40 l/min) single acting (one coupling)
- One hydraulic connection rear (40 l/min) double-acting (two couplings) incl. tipper connection
- Two rear hydraulic connections (40 l/min) double-acting (four couplings)

## Bio-hydraulic oil

- Shell PANOLIN S4 HLP Synth 46 (Bio-hydraulic oil)

## Electrical connections in front

- Front 13-pin socket (2x electric functions E1/ E2 and lighting), operation: Via 2 buttons on the joystick; 1st Function push-button, 2nd Function latching
- Front 13-pin socket (2x electrical functions E1/ E2 and lighting), operation: Via 2 buttons on the joystick; 1st Function latching, 2nd Function push-button

- Front 13-pin socket (2x electrical functions E1/ E2 and lighting), operation: Via 2 buttons on the joystick; 1st Function push-button, 2nd Function push-button
- Front 13-pin socket (2x electrical functions E1/ E2 and lighting), operation: Via 2 buttons on the joystick; 1st Function latching, 2nd Function latching

#### **Electrical connections in rear**

- Rear 7-pin socket for lighting rear attachments
- Rear 3-pin socket

#### **Safety options**

- Reversing warning device (acoustic)
- Warning stripes red / white (according to DIN 30710)
- Protection package industry
- Immobilizer (operation via coded ignition key)
- Triangular marking panel

#### **Other**

- Combination bag (warning triangle / first aid kit)
- Fully automatic central lubrication unit
- Fully automatic central lubrication unit (aggressive media)
- (Screw fittings and connection made from stainless steel)
- Protective measures for use in aggressive materials (salt and fertilizer use)
- Overseas transportation protection

Warranty extension (not discountable)\*

- Demo / Site
- Economy 24 months (2500 h)
- Economy 36 months (3000 h)
- Economy 48 months (3500 h)
- Economy 60 months (4000 h)
- Premium 24 months (3000 h)
- Premium 36 months (4000 h)
- Premium 48 months (5000 h)
- Premium 60 months (6000 h)

\*The offers regarding the warranty extension in Germany are currently being revised - more information will follow as quickly as possible.

#### **Custom-made paint finish**

- Special painting RAL single color - instead of Weidemann red

#### **Trailer and recovery equipment**

- Trailer coupling, automatic
- Bearing block for trailer coupling
- Trailer hitch, automatic, height adjustable for bearing block
- Trailer hitch ball head K50, height adjustable for bearing block
- Trailer hitch Piton-Fix, height adjustable for bearing block
- Trailer hitch CUNA D3, height adjustable for bearing block
- Hydraulic trailer brake valve
- Front ballast (620 kg)

#### **Approval as tractor**

- EC tractor approval (for Germany)
- EC tractor approval