



9580T

Telescopic wheel loaders

Technical Data

■ Standard engine data

Engine manufacturer	Deutz
Motor type	TCD 3.6 S5
Cylinder	4
Drive output	100 kW
Drive output	136 PS
at max. rpm	2,300 U/min
Cylinder capacity	3,621 cm ³
Type of coolant	Water/charge air
Exhaust standard level	V
Exhaust aftertreatment	DOC/DPF/SCR

■ Engine data Option 1

Engine manufacturer	Deutz
Motor type	TCD 4.1 S5
Cylinder	4
Drive output	156 PS
at max. rpm	2,300 U/min
Cylinder capacity	4,038 cm ³
Type of coolant	Water/charge air
Exhaust standard level	V
Exhaust aftertreatment	DOC/DPF/SCR

■ Electrical system

Operating voltage	12 V
Battery	185 Ah
Alternator	120 A

■ Weights

Operating weight	11,210 kg
Tipping load with bucket – machine straight, loading frame horizontal	6,594 kg
Tipping load with bucket – machine pivoted, loading frame horizontal	5,871 kg
Tipping load with bucket – machine straight (extended)	3,495 kg

Tipping load with bucket – machine pivoted (extended)	3,112 kg
Tipping load with pallet fork – machine straight, loading frame horizontal	5,775 kg
Tipping load with pallet fork – machine pivoted, loading frame horizontal	5,142 kg
Tipping load with pallet fork – machine straight (extended)	3,265 kg
Tipping load with pallet fork – machine pivoted (extended)	2,907 kg

■ Driver's cab

Driver's cab	Cab
--------------	-----

■ Filling levels

Tank capacity for fuel	140 l
Tank capacity for hydraulic oil	125 l
Tank capacity for urea solution	12 l

■ Drive system

Type of drive	Hydrostatic
drive unit	universal joint shaft
Speed levels	3
Axle	PA 1900
Travel speed Standard	0-20 km/h
Travel speed Option 1	0-30 km/h
Travel speed Option 2	0-40 km/h
Operating brake	Multi-disc brake on front axle acting on rear axle via universal joint shaft
Parking brake	Electro-hydraulic multi-disc brake with spring suspension on the front axle, acting on rear axle via universal joint shaft
Differential lock	100 % front axle + rear axle

■ Hydraulic system

Drive hydraulics working pressure (max.)	480 bar
Work hydraulics discharge volume (max.)	150 (180) l/min
Work hydraulics working pressure (max.)	250 bar

■ Kinematics

Lifting cylinder	1
------------------	---

Tipping cylinder	1
Quick change system	hydraulic
■ Steering	
Steering type	Hydraulic articulated joint with oscillating axle
Steering cylinder	2
Oscillating angle of the rear axle	± 12 degree

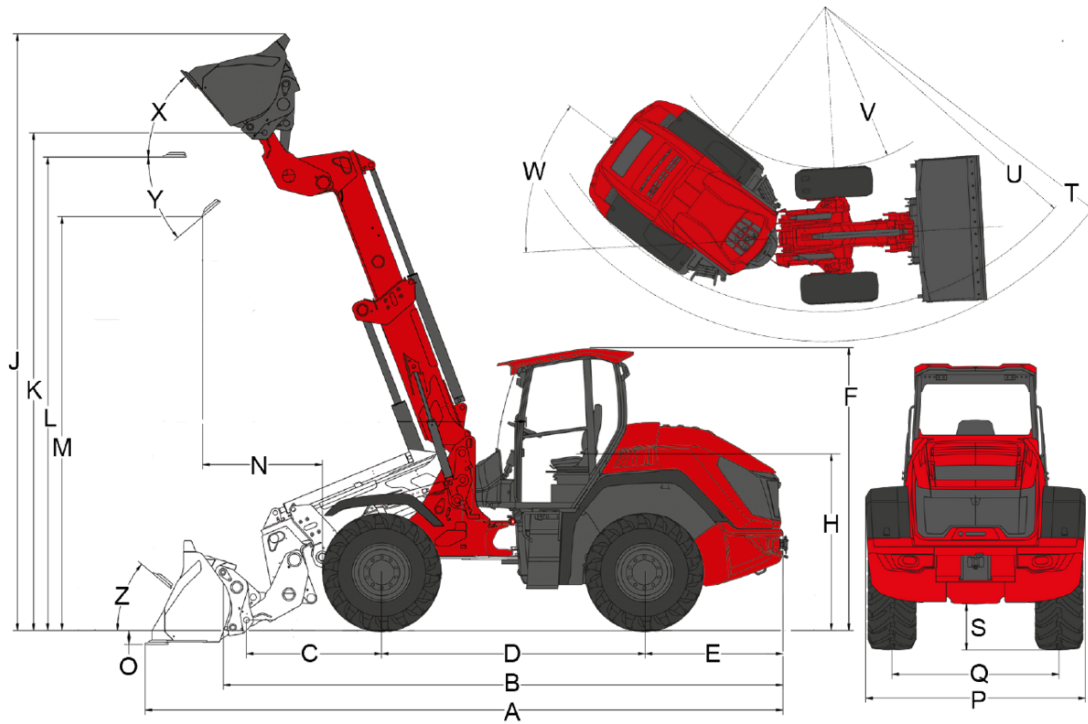
■ Noise characteristic values

Average sound power level LwA (cabin)	100.7 dB(A)
Guaranteed sound power level LwA (cabin)	102 dB(A)
Specified sound pressure level LpA (cabin)	70 dB(A)

■ Other information

FSD = operator's canopy
 DPF = diesel particulate filter
 DOC = diesel oxidation catalyst
 SCR = selective catalytic reduction
 Tipping load calculation according to ISO 14397

Dimensions



Telescopic arm (Z-kinematics)

	Standard components	500 / 70 R24 Michelin XMCL ET 40
A	Total length	6,960 mm
B	Total length without bucket	6,090 mm
C	Bucket pivot point (to center of axle)	1,440 mm
D	Wheel base	2,900 mm
E	Rear overhang	1,520 mm
F	Height with lowered operator's canopy	
	Height with operator's canopy raised	
	Height with cab lowered	
	Height with cab raised	
	Height with cab	3,110 mm
H	Seat height	1,940 mm
J	Total working height	6,500 mm
K	Bucket pivot point (max. lift height)	5,480 mm
L1	Load-over height telescopic arm retracted	4,070 mm
L	Load-over height telescopic arm extended	5,210 mm
	Load-over height	
M1	Dumping height telescopic arm retracted	3,440 mm
M	Dumping height	
	Dumping height telescopic arm extended	4,580 mm
N	Reach (at M)	1,300 mm
O	Digging depth	130 mm
P	Total width	2,390 mm
Q	Track width	1,820 mm
S	Ground clearance	502 mm
T	Maximum radius	5,770 mm
U	Radius on the outer edge	4,900 mm
V	Inner radius	2,450 mm
W	Articulation angle	40 °
X	Rollback angle at max. lift height	50 °
Y	Dumping angle	40 °
Z	Rollback angle on ground	40 °

The illustrations, equipment and data shown may deviate from the current delivery program of your country. Optional equipment subject to additional charge may be shown. Subject to changes.

Standard components

Engine

- Deutz TCD 3.6 S5, 100 kW / 136 hp, stage V

Steering system

- Hydraulic articulated steering with pendulum axle, pendulum angle (axle) $\pm 12^\circ$
- Steering cylinder: 2

Tires

- 500 / 70 R24 Michelin XMCL ET 40, profile XMCL, width 2390 mm, height 3110 mm

Operator's cab

- Comfort 2-door cab, ROPS/FOPS Level 2
- Air conditioning with automatic climate control
- Sliding windows in both doors
- Roof window with wiper
- Radio DAB+
- 7" color display for all important machine information
- Rear view camera
- Heated rear window

Operator's seat

- Fully damped comfort seat with safety belt, weight, back and height adjustment

Lighting

- Lighting according to StVZO
- LED working lights, 4in front, 2 in rear on cab roof

Drive system & Axles

- Axle: Planetary axle PA1900
- Drive: hydrostatic via PTO gear and driveshaft
- Differential lock: 100 % front and rear axle
- Speed: 20 km/h
- Driving speeds: 3 | 7 km/h / 15 km/h / 20 km/h (optional 30 / 40)
- Service brake: Multi-disc brake in the front axle via driveshaft acting on the rear axle.
- Parking brake: Electro-hydraulic multi-disc brake with spring brake in the front axle, acting on the rear axle via driveshaft.

Loading system

- Telescopic arm lifting height 5480 mm
- Quick-change device according to ISO 23727 (Volvo TPV system) hydraulic
- Kinematics: Z
- Lifting cylinder: 1
- Tilting cylinder: 1
- Automatic bucket return:

Hydraulics

- Electrically pre-controlled joystick with direction switch and integrated button for differential lock
- 3rd Front control circuit electrically pilot-controlled via joystick proportional
- Oil quantity adjustment via jog dial
- Pressure relief of hydraulic connections on loading swing arm

Other

- Reversible fan
- Front socket 13-pin (2x electric functions E1/ E2 and lighting), (Operation:
- Tool box
- Tool kit

StVZO – equipment

- Data confirmation (ABE) for self-propelled working machine

EquipCare (telematics)

- EquipCare 36 months (incl. App & Manager)

Options

Operator's cab

- Outside mirrors heatable and electrically adjustable
- Parking heater incl. engine preheating, programmable
- Document box
- Control panel holder on B-pillar
- Holder for cell phone
- Driving signal socket 7-pin for salt spreader

Operator's seat

- Fabric seat; air suspension (MSG95AL/722)
- Fabric seat; air suspension; heated seats (MSG95AL/722)

Lighting

- Worklights on cab roof, 4 front, 2 rear, 2 rear lateral
- Worklights LED cab roof, 4 front, 2 rear, 2 rear lateral
- Working light LED telescopic arm, 2 front
- Rotating beacon (yellow), (National regulations must be observed!)
- Rotating beacon LED (yellow), (The national regulations must be observed!)

StVZO - equipment

- License plate illumination, including license plate bracket in front

Engine

- Deutz TCD 4.1 S5, 115 kW / 156 hp, stage V
- Preheating engine, fuel, hydraulic oil (230V)

Drive system & Axles

- 30 km/h Power Drive 370
- 30 km/h Power Drive 370 thrust increase
- 40 km/h Power Drive 370
- Dual-line, pressure air-brake system
- Manual inching (slow speed device) and manual throttle
- Gas pedal mode (M-Drive)
- Winding protection for PTO shaft

Tires

- 500/70R24 Michelin XMCL ET40, width 2390 mm, height 3110 mm
- 500 / 70 R 24 164 A8 Duaforce UT, width 2399 mm, height 3125 mm
- 500 / 70 R 24 Trelleborg TH500 ET40, width 2320 mm, height 2910 mm
- 500/70R24 Michelin BIBL. ET40, width 2320 mm, height 2910 mm
- 540/70R24 Michelin BIBL. ET0, width 2463 mm, height 3130 mm
- 540/70R24 Michelin XMCL. ET0, width 2458 mm, height 3137 mm
- 600 / 55 - 26.5 Alliance 331 ET0, width 2487 mm, height 3126 mm
- 17.5 R 25 Michelin X-Mine ET50, width 2280 mm, height 2950 mm
- Tire blow-out protection

Loading system

- Load swing damping
- Vibrating function Tilting cylinder
- Lowering brake valve (pipe breakage protection lifting and tipping cylinder)

Hydraulics in front

- Front pressureless return (incl. leakage oil line)
- 3rd Control circuit Load Sensing 180 l/min, working hydraulic
- 4th Control circuit electrically proportional
- High flow - power hydraulics double-acting 150 l/min
- High flow - power hydraulics single-acting (180 l/min)

Hydraulics in rear

- Pressure-free reverse travel in rear (including overflow oil line)
- Auxiliary control circuit rear tipper (40 l/min) single acting (one coupling)
- One hydraulic connection rear (40 l/min) double-acting (two couplings) incl. tipper connection
- Two rear hydraulic connections (40 l/min) double-acting (four couplings)

Bio-hydraulic oil

- Shell PANOLIN S4 HLP Synth 46 (bio hydraulic oil)

Electrical connections in front

- Socket front 13-pin (2x electric functions E1/ E2 and lighting), (Operation: Via 2 buttons on the joystick; 1st Function push-button, 2nd Function latching)
- Socket front 13-pin (2x electric functions E1/ E2 and lighting), (Operation: Via 2 buttons on the joystick; 1st Function latching, 2nd Function push-button)
- Socket front 13-pin (2x electric functions E1/ E2 and lighting), (Operation: Via 2 buttons on the joystick; 1st Function push-button, 2nd Function push-button)
- Socket front 13-pin (2x electric functions E1/ E2 and lighting), (Operation: Via 2 buttons on the joystick; 1st Function latching, 2nd Function latching)

Electrical connections in rear

- Rear 7-pin socket for lighting rear attachments
- Rear 3-pin socket

Safety options

- Reversing warning device (acoustic)
- Warning stripes red / white (according to DIN 30710)
- Protection package industry
- Immobilizer (operation via coded ignition key)
- Identification plate triangular

Other

- Combination bag (warning triangle / first aid kit)
- Fully automatic central lubrication unit
- Central lubrication system, fully-automatic (aggressive media), (screw fittings and connections made from stainless steel)
- Protective measures for use in aggressive materials (salt and fertilizer use)
- Overseas transportation protection

Warranty extension*

- Economy 24 months (2500 h)
- Economy 36 months (3000 h)
- Economy 48 months (3500 h)
- Economy 60 months (4000 h)
- Premium 24 months (3000 h)
- Premium 36 months (4000 h)
- Premium 48 months (5000 h)
- Premium 60 months (6000 h)

*The offers regarding the warranty extension in Germany are currently being revised - more information will follow as quickly as possible.

Custom-made paint finish

- Special painting RAL single color - instead of Weidemann red

Trailer and recovery equipment

- Automatic attachment coupling
- Bearing block for attachment coupling
- Automatic attachment coupling, height-adjustable for bearing block
- Ball hitch attachment coupling K50, height-adjustable for bearing block
- Piton-Fix attachment coupling, height-adjustable for bearing block
- Attachment coupling CUNA D3, height-adjustable for bearing block
- Front ballast (620 kg)

Approval as tractor

- EC tractor approval (for Germany)
- EC tractor approval