



DT12 Track Dumper

Works efficiently everywhere

The hydraulically activated and pilot-operated machine provides for overall simple operation, and the hydrostatic drive system make it a comfortable and durable machine for a variety of job site applications. Rubber tracks provide excellent weight distribution and low ground pressure even with a high payload. The extensive selection of skips, a low center of gravity and the suspension-mounted rollers make it an ideal material handler on all types of terrain.

Highlights

- Hydrostatic drive
- Small dimensions
- Plastic skip

Technical Data

■ Mechanical - Output Details

Gradeability	62.0 %
Travel speed	4.2 km/h
Travel speed (Option)	9.0 km/h

■ Mechanical Details

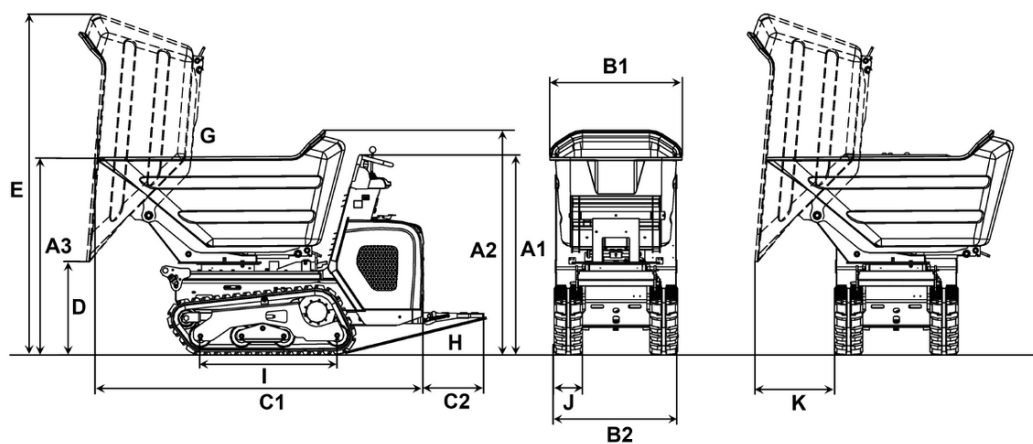
Length	2,072.0 mm
Width	790.0 mm
Height	1,303.0 mm
Weight	750.00 kg

Payload max.	1,200.0 kg
Skip	Swivel skip
Skip capacity levelled	418.0 l
Skip capacity heaped	505.0 l

■ Engine

Engine type	Gasoline engine
Effective power	17.2 KW
Nominal Engine speed	3,600.0 1/min

Dimensions



A1	Height above operator's stand	1,280 mm
B1	Width of skip	830 mm
B2	Width of undercarriage	790 mm
C1	Total length without footboard	1,823 mm
C2	Length footboard	393 mm
C3	Length with self-loading equipment, without footboard	2,277 mm
D	Dumping height max.	460 mm
E	Skip height tilted	1,950 mm
G	Dumping angle	70 °
H	Rollback angle footboard	14 °
I	Length chain stand	875 mm