



## ST45

### Compact Track Loader

Lift Higher, Load More

The ST45 is a large versatile machine. The vertical lift arm makes it perfect for unloading pallets of pavers or stone from trucks and distributing them around the jobsite. The 74hp regeneration-free engine provides easy maintenance and no interruptions to the workday, meaning more up time and greater productivity.

## Highlights

- Controls for Every Operator
- Maintenance and Filter Free After-treatment
- Expansive Maintenance Access

## Technical Data

### Hydraulic

flow rate	83.0 l/min
flow rate max.	120.0 l/min
Auxiliary relief pressure	241.0 bar

### Mechanical - Output Details

Break Out Force Bucket	30,875.0 N
Break Out Force Lift Arm	36,475.0 N
Tractive Effort max.	49,280.0 N
travel speed stage 1	10.3 km/h
travel speed stage 2	15.5 km/h

### Mechanical Details

Length without Bucket	2,985.0 mm
Length with Bucket	3,694.0 mm
Overall width without bucket	1,982.0 mm
Height to top of ROPS	2,113.0 mm
Bucket Hinge Pin Height	3,425.0 mm
Angle of departure	27.0 °
Bucket height at height max.	2,739.0 mm
Buck. dump angle at height max	44.0 °

Operating weight	4,657.0 kg
Ground clearance	227.0 mm
Dump reach at max. height	969.0 mm

### Engine

Cooling	Water-cooling
Engine type	Diesel engine
Cylinder	4.0
Cylinder capacity	3,359.0 cm <sup>3</sup>
Operating power	55.0 KW
Operating Engine speed	2,500.0 1/min
Battery capacity (nom. value)	950.0 Ah
Engine Manufacturer	Kohler

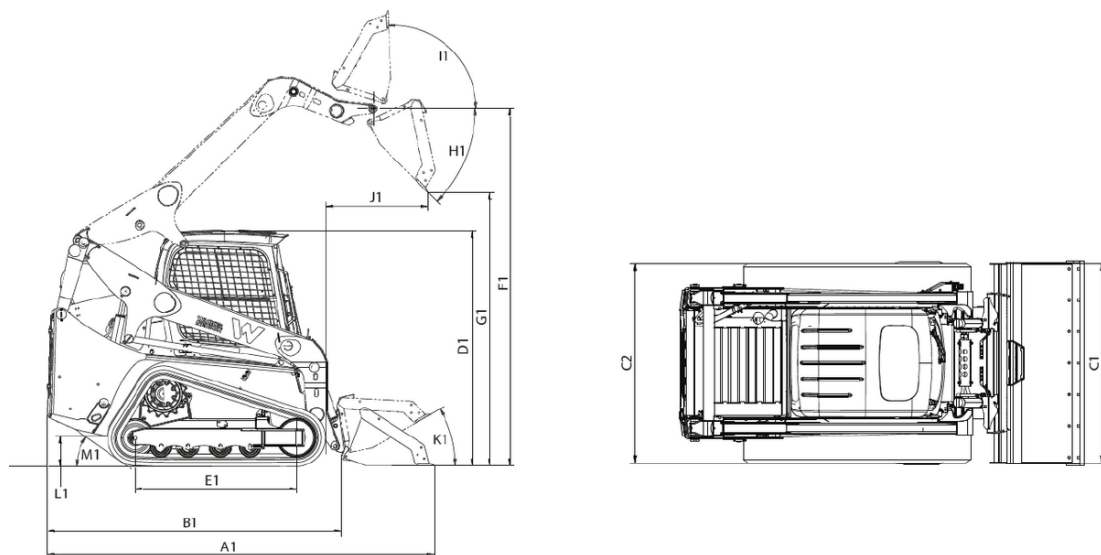
### Operating Fluids

Fuel Tank capacity	151.0 l
--------------------	---------

### Chassis

Tip Load	4,082.0 kg
Rated Operating Capacity at 50% Tip Load	2,041.0 kg
Rated Operating Capacity at 35% Tip Load	1,429.0 kg

## Dimensions



A1	Overall length with bucket	3,660 mm
B1	Overall length without bucket	2,940 mm
C1	Overall width with bucket	2,030 mm
C2	Overall width without bucket	1,982 mm
D1	Overall height	2,108 mm
E1	Wheelbase	1,600 mm
F1	Hinge pin height	3,440 mm
G1	Dump height max.	2,720 mm
H1	Dump angle	40 °
I1	Bucket rollback at max. stroke height	100 °
J1	Dump reach	900 mm
K1	Bucket rollback at ground level	30 °
L1	Ground clearance	250 mm
M1	Angle of departure	30 °