



## SW20

### Skid Steer Loader

Reach Higher, Lift More

The Wacker Neuson SW20 provides exceptional value by pairing an efficient 42 kW T4F engine with optimized vertical path lift arm design. Operators have the performance they need, with up to 3,15 m of lift height, excellent reach at full and smooth controls, the SW20 is the ideal machine for loading anything from a tri-axle dump truck to a feed mixer.

## Highlights

- Controls for Every Operator
- Maintenance and Filter Free After-treatment
- Expansive Maintenance Access

## Technical Data

### Hydraulic

flow rate	76.0 l/min
flow rate max.	38.0 l/min
Auxiliary relief pressure	241.0 bar

### Mechanical - Output Details

Break Out Force Bucket	23,576.0 N
Break Out Force Lift Arm	22,241.0 N
Tractive Effort max.	33,970.0 N
Bucket Roll Back	1.6 s
Bucket Roll Out	2.1 s
Lift Arm Raise	3.7 s
Lift arm lower	2.5 s
travel speed stage 1	13.5 km/h
travel speed stage 2	22.3 km/h

### Mechanical Details

Length without Bucket	2,708.0 mm
Length with Bucket	3,425.0 mm
Overall width without bucket	1,675.0 mm
Height to top of ROPS	2,070.0 mm
Height to ROPS (large tires)	2,108.0 mm
Bucket Hinge Pin Height	3,149.0 mm
B.-HingePin Hght.(Large Tires)	3,187.0 mm
Bucket roll back at ground	30.0 °

Bucket roll back at height max	30.0 °
Angle of departure	24.0 °
Bucket height at height max.	2,451.0 mm
Bucket-height max. (la.tires)	2,468.0 mm
Buck. dump angle at height max	42.0 °
Operating weight	2,919.0 kg
Ground Clearance (Large Tire)	230.0 mm
Ground clearance	192.0 mm
Dump reach at max. height	962.0 mm
Wheelbase	1,104.0 mm

### Engine

Cooling	Water-cooling
Cylinder	3.0
Cylinder capacity	1,861.0 cm <sup>3</sup>
Operating power	42.0 KW
Operating Engine speed	2,750.0 1/min
Engine Manufacturer	Kohler

### Operating Fluids

Fuel Tank capacity	124.0 l
--------------------	---------

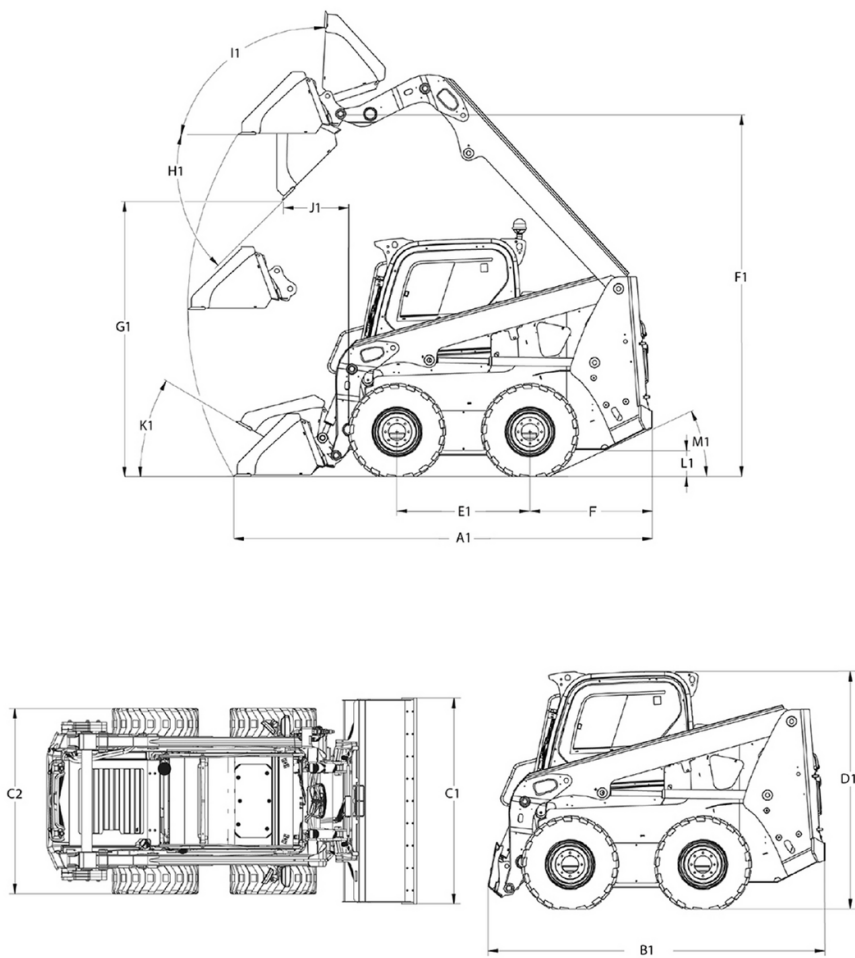
### Chassis

Tires	10 x 16,5
Tip Load	1,814.0 kg
Rated Operating Capacity at 50% Tip Load	907.0 kg

Rated Operating Capacity at 35% Tip 635.0 kg

Load

## Dimensions



A1	Overall length with bucket	3,425 mm
B1	Overall length without bucket	2,708 mm
C2	Overall width without bucket	1,675 mm
D1	Overall height	2,070 mm
E1	Wheelbase	1,104 mm
F1	Hinge pin height	3,150 mm
G1	Dump height max.	2,450 mm
H1	Dump angle	42 °
I1	Bucket rollback at max. stroke height	30 °
J1	Dump reach	963 mm
K1	Bucket rollback at ground level	30 °
M1	Angle of departure	24 °