



SW21 Skid Steer Loader

Power and Performance

The Wacker Neuson SW21 has the power and performance to take on the toughest jobs. Powered by 55 kW regeneration-free T4F engine, and available with High Flow hydraulics, the SW21 maximizes the performance of your hydraulic attachments.

Highlights

- Controls for Every Operator
- Maintenance and Filter Free After-treatment
- Expansive Maintenance Access

Technical Data

Hydraulic

| | |
|---------------------------|------------|
| flow rate | 76.0 l/min |
| flow rate max. | 38.0 l/min |
| Auxiliary relief pressure | 241.0 bar |

Mechanical - Output Details

| | |
|--------------------------|------------|
| Break Out Force Bucket | 23,576.0 N |
| Break Out Force Lift Arm | 22,241.0 N |
| Tractive Effort max. | 33,970.0 N |
| Bucket Roll Back | 1.6 s |
| Bucket Roll Out | 2.1 s |
| Lift Arm Raise | 3.7 s |
| Lift arm lower | 2.5 s |
| travel speed stage 1 | 13.5 km/h |
| travel speed stage 2 | 22.3 km/h |

Mechanical Details

| | |
|--------------------------------|------------|
| Length without Bucket | 2,708.0 mm |
| Length with Bucket | 3,425.0 mm |
| Overall width without bucket | 1,675.0 mm |
| Height to top of ROPS | 2,070.0 mm |
| Height to ROPS (large tires) | 2,108.0 mm |
| Bucket Hinge Pin Height | 3,149.0 mm |
| B.-HingePin Hght.(Large Tires) | 3,187.0 mm |
| Bucket roll back at ground | 30.0 ° |

| | |
|--------------------------------|------------|
| Bucket roll back at height max | 30.0 ° |
| Angle of departure | 24.0 ° |
| Bucket height at height max. | 2,451.0 mm |
| Bucket-height max. (la.tires) | 2,468.0 mm |
| Buck. dump angle at height max | 42.0 ° |
| Operating weight | 2,953.0 kg |
| Ground Clearance (Large Tire) | 230.0 mm |
| Ground clearance | 192.0 mm |
| Dump reach at max. height | 962.0 mm |
| Wheelbase | 1,104.0 mm |

Engine

| | |
|------------------------|-------------------------|
| Cooling | Water-cooling |
| Cylinder | 4.0 |
| Cylinder capacity | 2,482.0 cm ³ |
| Operating power | 55.0 KW |
| Operating Engine speed | 2,750.0 1/min |
| Engine Manufacturer | Kohler |

Operating Fluids

| | |
|--------------------|---------|
| Fuel Tank capacity | 124.0 l |
|--------------------|---------|

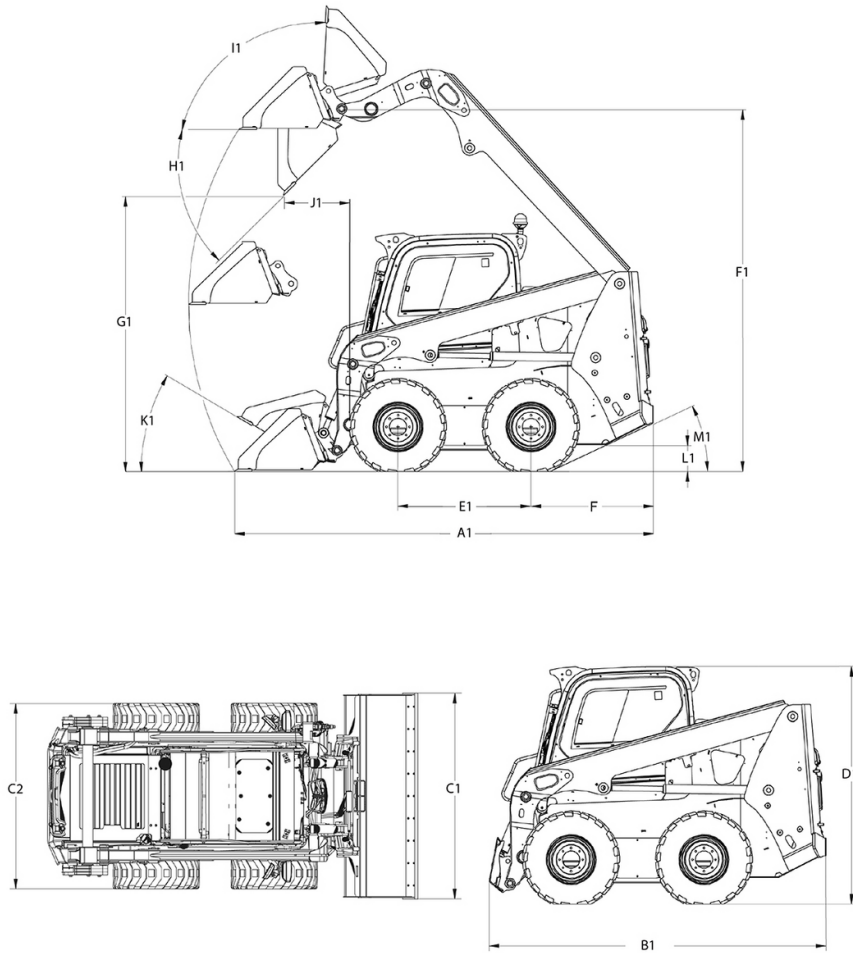
Chassis

| | |
|--|------------|
| Tires | 10 x 16,5 |
| Tip Load | 1,905.0 kg |
| Rated Operating Capacity at 50% Tip Load | 952.0 kg |

Rated Operating Capacity at 35% Tip 666.0 kg

Load

Dimensions



| | | |
|----|---------------------------------------|----------|
| A1 | Overall length with bucket | 3,425 mm |
| B1 | Overall length without bucket | 2,708 mm |
| C2 | Overall width without bucket | 1,675 mm |
| D1 | Overall height | 2,070 mm |
| E1 | Wheelbase | 1,104 mm |
| F1 | Hinge pin height | 3,150 mm |
| G1 | Dump height max. | 2,450 mm |
| H1 | Dump angle | 42 ° |
| I1 | Bucket rollback at max. stroke height | 30 ° |
| J1 | Dump reach | 963 mm |
| K1 | Bucket rollback at ground level | 30 ° |
| M1 | Angle of departure | 24 ° |