



SW32

Skid Steer Loader

Productivity Personified

The SW32 is the most powerful and largest Skid Steer Loader in the Wacker Neuson product line. Versatile and comfortable, the SW32, has the speed and control to maximize efficiency. Equipped standard with 2-speed and a color 5.7" multi-function display, allowing in-cab control customizations, the SW32 will enhance productivity on any jobsite.

Highlights

- Controls for Every Operator
- Filter Free After-treatment
- Expansive Maintenance Access

Technical Data

Hydraulic

flow rate	95.0 l/min
flow rate max.	141.0 l/min
Auxiliary relief pressure	241.0 bar

Mechanical - Output Details

Break Out Force Bucket	35,285.0 N
Break Out Force Lift Arm	41,686.0 N
Tractive Effort max.	43,200.0 N
travel speed stage 1	11.8 km/h
travel speed stage 2	19.7 km/h

Mechanical Details

Length without Bucket	2,985.0 mm
Length with Bucket	3,694.0 mm
Overall width without bucket	1,826.0 mm
Height to top of ROPS	2,113.0 mm
Bucket Hinge Pin Height	3,425.0 mm
Angle of departure	23.0 °
Bucket height at height max.	2,739.0 mm

Buck. dump angle at height max	44.0 °
Operating weight	3,914.0 kg
Ground clearance	227.0 mm
Wheelbase	1,267.0 mm

Engine

Cooling	Water-cooling
Engine type	Diesel engine
Cylinder	4.0
Cylinder capacity	3,359.0 cm ³
Operating power	75.0 KW
Operating Engine speed	2,500.0 1/min
Battery capacity (nom. value)	950.0 Ah
Engine Manufacturer	Kohler

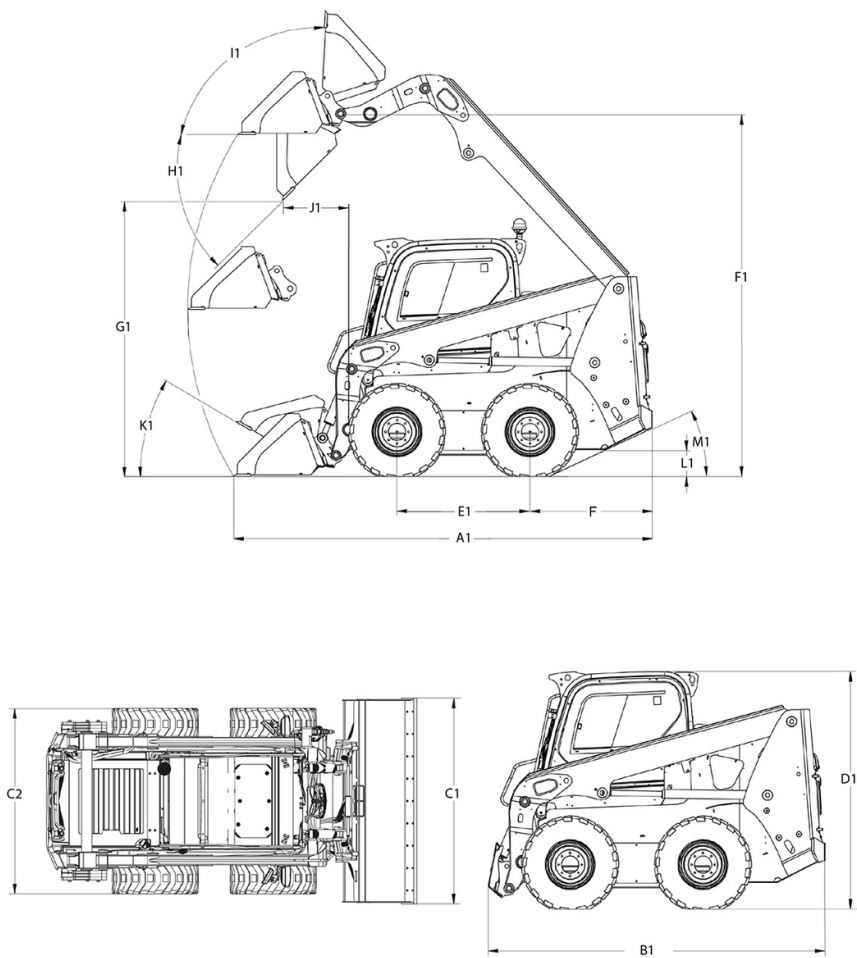
Operating Fluids

Fuel Tank capacity	151.0 l
--------------------	---------

Chassis

Tip Load	2,903.0 kg
Rated Operating Capacity at 50% Tip Load	1,451.0 kg

Dimensions



A1	Overall length with bucket	3,693.8 mm
B1	Overall length without bucket	2,984.8 mm
E1	Wheelbase	1,267.1 mm
F1	Hinge pin height	3,425 mm
G1	Dump height max.	2,739 mm
L1	Ground clearance	227.7 mm
M1	Angle of departure	23 °