



T4512 Telehandlers

Technical Data

■ Standard engine data

| | |
|--|-----------------------|
| Engine manufacturer | Yanmar |
| Motor type | 3TNV80FT |
| Cylinder | 3 |
| Drive output | 18.4 kW |
| Drive output | 25 PS |
| at max. rpm | 2,600 U/min |
| Cylinder capacity | 1,226 cm ³ |
| Type of coolant | Water |
| Exhaust standard level | V |
| Exhaust aftertreatment | - |
| Average sound power level LwA (cabin) | 99.5 dB(A) |
| Guaranteed sound power level LwA (cabin) | 101 dB(A) |
| Specified sound pressure level LpA (cabin) | 84 dB(A) |

■ Engine data Option 1

| | |
|--|-----------------------|
| Engine manufacturer | Yanmar |
| Motor type | 3TNV86CHT |
| Cylinder | 3 |
| Drive output | 33.3 kW |
| Drive output | 45.3 PS |
| at max. rpm | 2,600 U/min |
| Cylinder capacity | 1,568 cm ³ |
| Type of coolant | Water |
| Exhaust standard level | V |
| Exhaust aftertreatment | DOC/DPF |
| Average sound power level LwA (cabin) | 101.2 dB(A) |
| Guaranteed sound power level LwA (cabin) | 103 dB(A) |
| Specified sound pressure level LpA (cabin) | 84 dB(A) |

■ Electrical system

| | |
|-------------------|------|
| Operating voltage | 12 V |
|-------------------|------|

| | |
|------------|-------|
| Battery | 77 Ah |
| Alternator | 80 A |

■ Weights

| | |
|------------------|------------------|
| Payload (max.) | 1,250 kg |
| Operating weight | 2,750 - 2,900 kg |

■ Driver's cab

| | |
|--------------|-----|
| Driver's cab | Cab |
|--------------|-----|

■ Filling levels

| | |
|---------------------------------|------|
| Tank capacity for fuel | 33 l |
| Tank capacity for hydraulic oil | 36 l |

■ Drive system

| | |
|-----------------------|---|
| Type of drive | ecDrive (Electronic Controlled Drive) |
| drive unit | hydrostatic via transfer case and cardan shaft |
| Speed levels | 2 |
| Axle | PAL 1155 |
| Travel speed Standard | 0-20 km/h |
| Travel speed Option 1 | 0-30 km/h |
| Operating brake | Hydraulically actuated disc brake on front axle acting on rear axle via cardan shaft |
| Parking brake | Electro-hydraulic spring-loaded brake on front axle, acting on rear axle via cardan shaft |
| Differential lock | 100% front axle rear axle |

■ Hydraulic system

| | |
|--|----------------------|
| Drive hydraulics working pressure (max.) | 380 bar |
| Work hydraulics discharge volume (max.) | 36,4 (41,6-70) l/min |
| Work hydraulics working pressure (max.) | 220 bar |

■ Kinematics

| | |
|---------------------|------------------------|
| Lifting cylinder | 1 |
| Tipping cylinder | 1 |
| Quick change system | mechanical (hydraulic) |

■ Steering

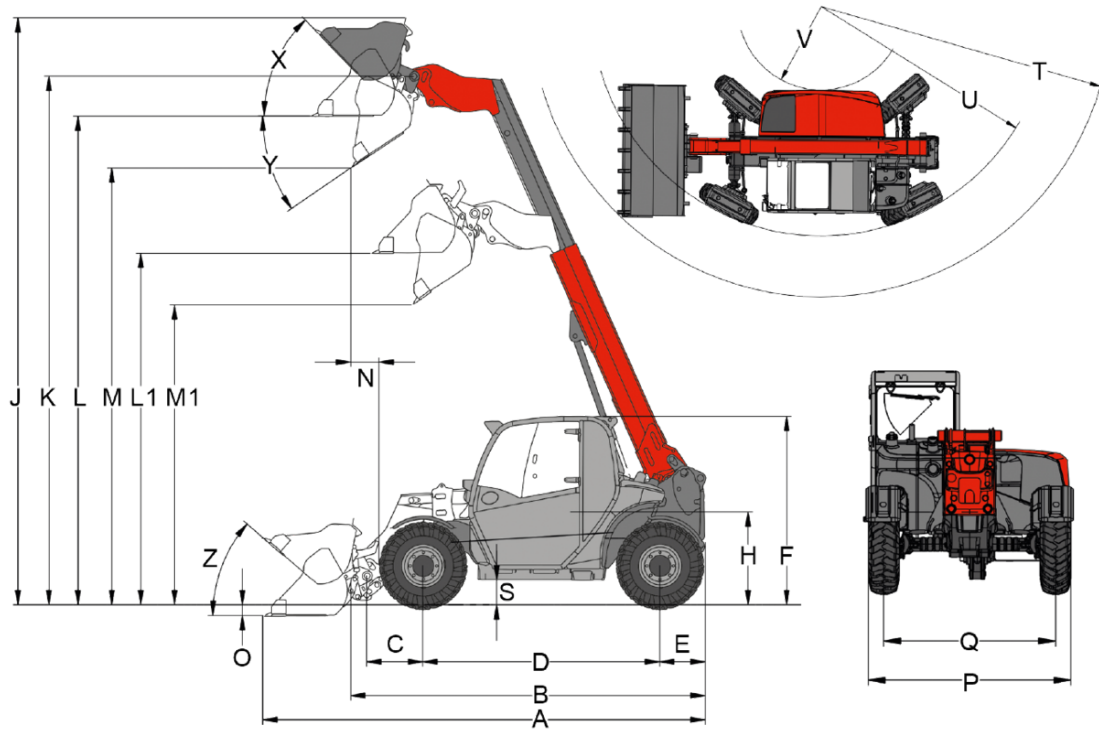
| | |
|---------------------|--|
| Steering type | Hydraulic all-wheel steering with end position synchronization |
| Steering cylinder | 2 |
| Steering angle max. | 2x38 degree |

Oscillating angle of the rear axle ± 7 degree

■ Other information

DPF = Diesel Particulate Filter
DOC = Diesel oxidation catalyst
SCR = Selective Catalytic Reduction

Dimensions



| | | |
|-----------|---|------------------------------|
| | Standard components | 10.0/75-15.3 AS ET-40 Starco |
| A | Total length | 3,944 mm |
| B | Total length without bucket | 2,991 mm |
| C | Bucket pivot point (to center of axle) | 450 mm |
| D | Wheel base | 1,922 mm |
| E | Rear overhang | 427 mm |
| F | Height with cab lowered | |
| | Height with cab | 1,995 mm |
| | Height with cab raised | |
| H | Seat height | 978 mm |
| J | Total working height | 5,280 mm |
| K | Bucket pivot point (max. lift height) | 4,537 mm |
| L1 | Load-over height telescopic arm retracted | 2,949 mm |
| L | Load-over height telescopic arm extended | 4,163 mm |
| M1 | Dumping height telescopic arm retracted | 2,415 mm |
| M | Dumping height telescopic arm extended | 3,630 mm |
| N | Reach (at M) | 557 mm |
| O | Digging depth | 91 mm |
| P | Total width | 1,564 mm |
| Q | Track width | 1,245 mm |
| S | Ground clearance | 294 mm |
| T | Maximum radius | 3,506 mm |
| U | Radius on the outer edge | 2,695 mm |
| V | Inner radius | 951 mm |
| X | Rollback angle at max. lift height | 52 ° |
| Y | Dumping angle | 31 ° |
| Z | Rollback angle on ground | 44 ° |

Standard components

Engine

- Yanmar 3 TNV 80 FT, 18,4 kW / 25 hp, stage V

Tires

- 10.0/75-15.3 (255/75-15.3) AS ET-40 Starco, width 1560 mm, height 1995 mm

Steering system

- Hydraulic all-wheel steering with end position synchronization
- Steering angle max. 2x38°
- Pendulum angle rear axle $\pm 7^\circ$
- Steering cylinder: 2

Operator's cab

- Cab with heating and ventilation ROPS / FOPS tested with VSG safety window on the right side
- Front, roof, and rear wipers
- Heated rear window
- Tilt display
- Armrest with storage compartment
- Sun shade
- Bottle holder
- Storage net

Operator's seat

- Comfort seat with safety belt

Lighting

- LED working lights: 1 front, 1 rear on the overhead guard

Drive system

- Axle: PAL1165 planetary steering axle
- Drive: hydrostatic via transfer case and universal joint shaft, electronically controlled
- Driving modes: Auto mode; ECO mode (reduction of engine speed when set speed is reached)
- Speed: 20 km/h
- Travel speeds: 2 | 7 km/h / 20 km/h (Optional 30)
- Operating brake: Hydraulically actuated disc brake on front axle acting on rear axle via universal joint shaft
- Parking brake: Electro-hydraulic spring-loaded brake on front axle, acting on rear axle via universal joint shaft incl. Auto-hold function

Loading system

- Telescopic arm lifting height (4537 mm)
- Quick-change device (Weidemann MV/TH - C) mechanical
- Lifting cylinder: 1
- Tilting cylinder: 1

Hydraulics

- Mechanically pilot-controlled joystick with direction switch and telescopic function
- 3rd front control circuit via lever; connections Flatface size 2
- vls (Vertical Lift System)
- Hydraulic oil cooler

Other

- Reversing alarm (acoustic)

EquipCare (Telematics)

- EquipCare 36 months (incl. App & Manager)

Options

Operator's cab & Cabine

- Protective grating for windshield, removable
- Artificial leather seat; air cushioned
- Fabric seat; air cushioned
- Fabric seat; air cushioned; heated seat
- Air-conditioning system
- Radio DAB+-ready (aerial, speaker)
- Radio DAB+ complete
- Power socket 2x USB
- Adjustable steering column (inclination and height)

Lighting

- Lighting according to StVZO
- LED Lighting according to StVZO
- Worklights LED (1000 lm) on the cab roof, 2 front, 1 rear
- Worklight LED Performance (2000 lm) on cab roof, 2 front, 1 rear
- Worklight LED (1000 lm) on telescopic arm, 1 front
- Worklight LED Performance (2000 lm) on telescopic arm, 1 front
- Rotating beacon LED (yellow), national regulations must be observed!

Approval & Road traffic

- Individual operating permit < 25 km/h
- Individual operating permit > 25 km/h
- License plate holder front and rear
- Warning markings, The national regulations must be observed!

Drive system & Axles

- Diesel engine Yanmar 3TNV86 33.3 kW / 45 hp (use from -15°C - +45°C!) stage V
- Hand throttle
- Engine preheating (cooling water) + hydraulic oil preheating 230 V
- Reversing fan

Axles

- Axle PA1165, hydrostatic medium pressure all-wheel drive

Driving mode

- Driving mode Auto / Eco / Attachments
- Driving mode Auto / Eco / M-Drive

Driving speed

- Speed limiter proportional (slow speed increase)
- 30 km/h (speed increase)
- Steering mode adjustment

Tires

- 31x15.50-15 AS ET0 BKT TR-313, tread AS, width 1560 mm, height 1992 mm
- 31x15.50-15 (400/50-15) AS ET0 Starco, tread AS, width 1560 mm, height 1997 mm
- 270/65-16.5 EM Kenda PowerGr ET-40, tread EM, width 1560mm, height 2000 mm
- 400/50-15 RP Starco Turf Tech ET0, tread turf-tread, width 1560 mm, height 1995 mm
- 270/65-16.5 EM Kenda RockGr ET-40, tread SureTrax, width 1560 mm, height 2000 mm
- 315/55 R16 ET-30 Continental MPT81, tread MPT81, width 1560 mm, height 1990 mm

Loading system

- Weidemann HV/TH - C (hydraulic)
- Weidemann HV/TH - C - ECS (hydraulic - easy coupler system)
- Euro (hydraulic - ISO23206 EURO HV) (incl. two couplers SVK size 3)
- SkidSteer (hydraulic - SAEJ2513 SSL HV)
- SMS (hydraulic)
- Kramer HV/TH - C (hydraulic)

Hydraulics

- Shell PANOLIN S4 HLP Synth 46 (bio hydraulic oil)

Hydraulics in front

- 3rd Control circuit via lever (two couplings Flatface size 2) incl. detent for single control lever
- 3rd Control circuit proportional incl. continuous function via switch incl. telescopic function proportional. Operation: Via control wheel at the front of the joystick

- High flow - power hydraulics single acting (70 l/min), (two couplings 1 x Flatface size 4A, plug / 1x Flatface size 4A, socket), Operation: Via switch (0 - 1) + lever for 3rd control circuit
- Front pressureless return (1 x Flatface size 3, plug) incl. leakage oil line (1 x Flatface size 2, plug)
- Quick coupling Faster 2-fold - machine side
- Quick coupling Faster 2-fold - machine side + attachment side
- Quick coupling Faster 2x 2-fold - machine side
- Quick coupling Faster 2x 2-fold - machine side + attachment side
- Changeover valve at the front of the 3rd control circuit (3rd Control circuit with 4 couplings Flatface size 2)
- Pressure release, 3rd Front control circuit on telescopic arm

Hydraulics in rear

- Hydraulic connection rear double-acting via changeover valve (two couplings SVK size 3), (3rd Control circuit front or rear), Operation: Via switch (0 - 1) + 3rd control circuit
- Hydraulic connection rear double-acting (two couplings SVK size 3) incl. separate control valve operation: Via switch (1 - 0 - 2)

Electrical connections in front

- Front 13-pin socket (2x electric functions E1/ E2 and lighting)
- Front 13-pin socket (2x electric functions E1/ E2 and lighting)
- Front 13-pin socket (2x electric functions E1/ E2 and lighting)
- Front 13-pin socket (2x electric functions E1/ E2 and lighting)

Electrical connections in rear

- Rear 3-pin socket (2x electric functions E3/ E4, switchable to front socket)
- Rear 7-pin socket for lighting rear attachments
- Battery disconnect switch 2 circuits (disconnection of the on-board power supply and the generator from the battery via 2 switching paths)

Safety options

- Immobilizer KAT

Custom-made paint finish

- Special painting RAL single color - instead of Weidemann red
- Special painting RAL multicolored

Other

- Toolbox, including tool set and hand lever grease press
- Combination bag (warning triangle / first aid kit)
- Fully automatic central lubrication unit

Warranty extension (not discountable)*

- Demo / Site
- Economy 24 months (2500 h)
- Economy 36 months (3000 h)
- Economy 48 months (3500 h)
- Economy 60 months (4000 h)
- Premium 24 months (3000 h)
- Premium 36 months (4000 h)
- Premium 48 months (5000 h)
- Premium 60 months (6000 h)

*The offers regarding the warranty extension in Germany are currently being revised - more information will follow as quickly as possible.

Trailer and recovery equipment

- Self-recovery device (Not approved for trailer operation!)
- Maneuvering hitch (Not approved for trailer operation!)
- Trailer hitch ball head K50
- Trailer hitch automatic
- Maneuvering hitch + hitch ball head K50
- Trailer hitch automatic + trailer hitch ball head K50

Self-propelled work machines with ball hitch

- Trailer hitch automatic