



## T7042 Telehandlers

### Technical Data

#### ■ Standard engine data

Engine manufacturer	Perkins
Motor type	904J-E36TA
Cylinder	4
Drive output	90 kW
Drive output	122.4 PS
at max. rpm	2,200 U/min
Cylinder capacity	3,621 cm <sup>3</sup>
Type of coolant	Water
Exhaust standard level	V
Exhaust aftertreatment	DOC/DPF/SCR
Average sound power level LwA (cabin)	105 dB(A)
Guaranteed sound power level LwA (cabin)	106 dB(A)
Specified sound pressure level LpA (cabin)	76 dB(A)

#### ■ Engine data Option 1

Engine manufacturer	Perkins
Motor type	904J-E36TA
Cylinder	4
Drive output	100 kW
Drive output	136 PS
at max. rpm	2,200 U/min
Cylinder capacity	3,621 cm <sup>3</sup>
Type of coolant	Water
Exhaust standard level	V
Exhaust aftertreatment	DOC/DPF/SCR
Average sound power level LwA (cabin)	105 dB(A)
Guaranteed sound power level LwA (cabin)	106 dB(A)
Specified sound pressure level LpA (cabin)	76 dB(A)

#### ■ Electrical system

Operating voltage	12 V
-------------------	------

Battery	185 Ah
Alternator	150 A

#### ■ Weights

Payload (max.)	4,200 kg
Operating weight	7,650 kg

#### ■ Driver's cab

Driver's cab	Cab
--------------	-----

#### ■ Filling levels

Tank capacity for fuel	142 l
Tank capacity for hydraulic oil	90 l
Tank capacity for urea solution	19 l

#### ■ Drive system

Type of drive	Hydrostatic (electronically regulated)
drive unit	universal joint shaft
Speed levels	3
Axle	PAL 1930
Travel speed Standard	0-20 km/h
Travel speed Option 1	0-30 km/h
Travel speed Option 2	0-40 km/h
Operating brake	Multi-disc brake on front axle acting on rear axle via universal joint shaft
Parking brake	Electro-hydraulic multi-disc brake with spring suspension on the front axle, acting on rear axle via universal joint shaft
Differential lock	100 % front axle (option)

#### ■ Hydraulic system

Drive hydraulics working pressure (max.)	500 bar
Work hydraulics discharge volume (max.)	138,6 (187) l/min
Work hydraulics working pressure (max.)	261 bar

#### ■ Kinematics

Lifting cylinder	1
------------------	---

Tipping cylinder	1
Quick change system	Mechanical (hydraulically activated)

### ■ Steering

Steering type	Hydrostatic all-wheel steering with fully automatic synchronization
Steering cylinder	2

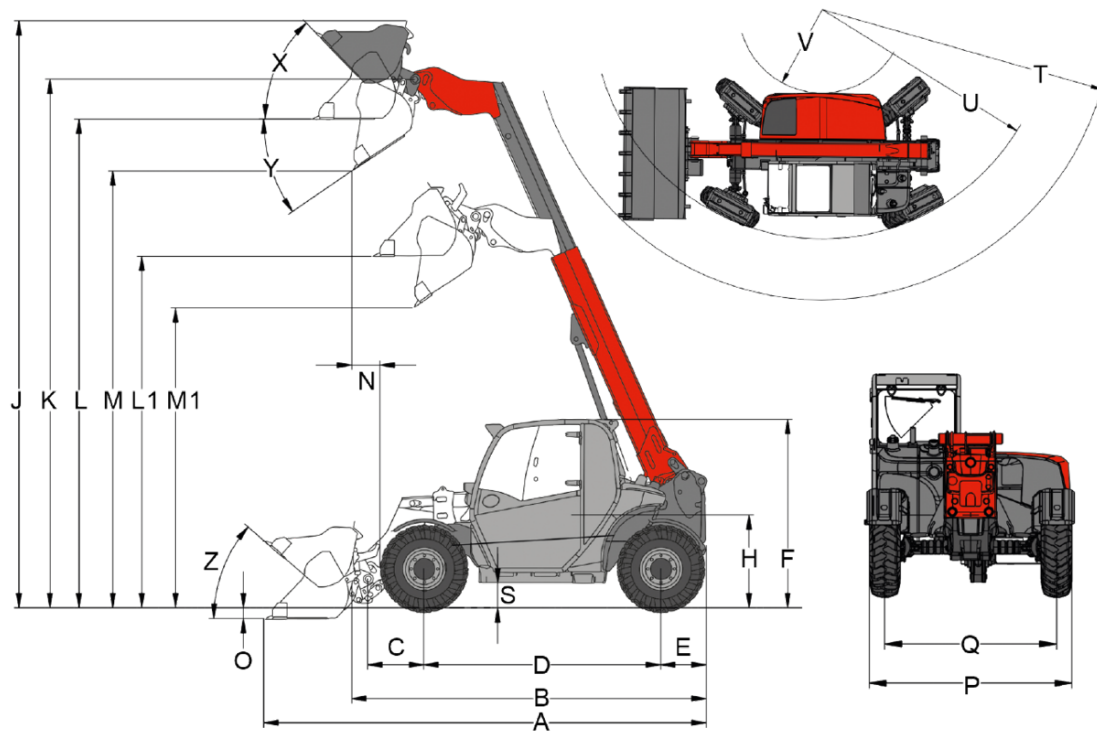
Steering angle max.	2x45 degree
---------------------	-------------

Oscillating angle of the rear axle	± 10 degree
------------------------------------	-------------

### ■ Other information

DPF = diesel particulate filter
DOC = diesel oxidation catalyst
SCR = selective catalytic reduction

## Dimensions



Standard components		Mitas 405/70 R24 MPT-01
<b>A</b>	Total length	6,035 mm
<b>B</b>	Total length without bucket	4,950 mm
<b>C</b>	Bucket pivot point (to center of axle)	871 mm
<b>D</b>	Wheel base	2,950 mm
<b>E</b>	Rear overhang	700 mm
<b>F</b>	Height with cab lowered	
	Height with cab	2,425 mm
	Height with cab raised	
<b>H</b>	Seat height	1,370 mm
<b>J</b>	Total working height	7,895 mm
<b>K</b>	Bucket pivot point (max. lift height)	7,305 mm
<b>L1</b>	Load-over height telescopic arm retracted	4,470 mm
<b>L</b>	Load-over height telescopic arm extended	6,770 mm
<b>M1</b>	Dumping height telescopic arm retracted	3,930 mm
<b>M</b>	Dumping height telescopic arm extended	6,230 mm
<b>N</b>	Reach (at M)	
<b>O</b>	Digging depth	185 mm
<b>P</b>	Total width	2,450 mm
<b>Q</b>	Track width	1,930 mm
<b>S</b>	Ground clearance	370 mm
<b>T</b>	Maximum radius	5,155 mm
<b>U</b>	Radius on the outer edge	3,700 mm
<b>V</b>	Inner radius	1,640 mm
<b>X</b>	Rollback angle at max. lift height	45 °
<b>Y</b>	Dumping angle	44 °
<b>Z</b>	Rollback angle on ground	46 °

# Standard components

## Engine

- Perkins 904J-E36T, 90 kW / 122 hp, stage V

## Tires

- Mitas 405/70 24 MPT-01

## Steering system

- Hydraulic all-wheel steering with end position synchronization
- Steering angle max. 2 x 45°
- Rear axle pendulum angle  $\pm 10$
- Steering cylinder: 2

## Operator's cab

- Cab with heating and ventilation ROPS / FOPS tested with VSG safety window on the right side
- Front, roof and rear wipers
- Adjustable steering column
- Spring-loaded armrest with joystick mounted on the seat
- 7" color display for all important machine information
- Cup holder
- Storage compartments

## Operator's seat

- Comfort seat with safety belt

## Lighting

- Lighting according to StVZO
- LED working lights, 1 front, 1 rear on cab roof

## Drive system

- Drive: hydrostatic via PTO gear and driveshaft, electronically controlled.
- Speed: 20 km/h
- Driving stages: 2 | 7 km/h / 20 km/h (Optional 30 / 40)
- Service brake: Multi-disc brake on front axle acting on rear axle via driveshaft
- Parking brake: Electro-hydraulic multi-disc brake with spring brake in the front axle, acting on the rear axle via driveshaft.
- Steering modes: 3 steering modes, electrically adjustable

## Loading system

- Telescopic arm lifting height (7305 mm)
- Quick change device (Manitou system) mechanical
- Lifting cylinder: 1
- Tilting cylinder: 1

## Hydraulics

- Electrically pilot-controlled joystick with travel direction switch and telescopic function
- 3rd Control circuit; connections Flatface size 2
- vls (Vertical Lift System)

## Other

- Reversing alarm (acoustic)

## EquipCare (Telematics)

- EquipCare 36 months (incl. App & Manager)

# Options

## Operator's cab

- Windscreen wiper right side
- Windshield heating right and rear
- Protective grille front windshield, removable
- Electrical mirror adjustment for right side
- Air conditioning system
- Automatic air conditioning
- Radio preparation DAB+ (antenna, loudspeaker)
- DAB+ Radio, Bluetooth / USB / AUX-IN
- 2 sockets: 12V / USB
- 3 sockets: 12V / USB / 3-pin
- 3 sockets: 12V / 12 V / 3-pin 40.0
- Cell phone holder

## Operator's seat

- Fabric seat; air suspension
- Fabric seat; air suspension; heated seat

## Lighting

Basic LED worklights (1000 lm)

- 2 basic additional front LED worklights
- 2 basic additional rear LED worklights
- 2 basic LED worklights on telescopic arm

Premium LED worklights (2000 lm)

- 2 premium additional front LED worklights
- 2 premium additional rear LED worklights
- 2 premium LED worklights on telescopic arm
- Rotating beacon LED (yellow), (The national regulations must be observed!)

## Approval & Road traffic

- EC Tractor Approval (CoC) (International)
- EC Tractor Approval (CoC) + Data Confirmation for Germany
- License plate holder front and rear

## Drive system & Axles

Drive

- Diesel engine Perkins 100 kW / 136 hp torque 550 Nm
- Reversing fan
- Engine preheating (cooling water) 230 V
- Engine preheating (cooling water) + hydraulic oil preheating 230 V
- Maintenance access radiator

Axles

- Differential lock 100% in front axle

Driving mode

- Driving mode Auto / Eco mode

Driving speed

- Speed limiter proportional (slow speed device) incl. hand throttle
- 30 km/h (speed increase)
- 40 km/h Power Drive 255 (speed increase)

## Tires

- Firestone 460/70 R24 Duraforce, tread MPT, width 2450 mm, height 2440 mm
- Michelin 460/70 R24 XMCL, tread AS, width 2450 mm, height 2440 mm
- Michelin 460/70 R24 Bibload, tread Bibload, width 2450 mm, height 2440 mm
- 460/70R24 Trelleborg TH500, tread MPT, width 2450 mm, height 2440 mm

## Loading system

Quick change plates

- Manitou hydraulic
- Kramer mechanical
- Kramer hydraulic
- JCB (Q-Fit) hydraulic
- Matbro hydraulic
- Dirt scraper telescopic arm

- Loading swing arm damping & tipping cylinder lock
- Loading swing arm damping, floating position & tipping cylinder lock

#### **Bio-hydraulic oil**

- Shell PANOLIN S4 HLP Synth 46 (bio hydraulic oil)

#### **Hydraulics in front**

- Large pump (187 l/min)
- Switching valve at the front of the 3rd Control circuit (3rd Control circuit with 4 couplings)
- Pressure release, 3rd Control circuit on telescopic arm
- One hydraulic connection at the rear double-acting (two couplings) + tipper connection at the rear single-acting (one coupling)

#### **Electrical connections in front**

- Socket front 13-pin (2x electric functions E1/ E2 and lighting), (Operation: Via 2 buttons on the joystick; 1st Function push-button, 2nd Function latching)
- Socket front 13-pin (2x electric functions E1/ E2 and lighting), (Operation: Via 2 buttons on the joystick; 1st Function latching, 2nd Function push-button)
- Socket front 13-pin (2x electric functions E1/ E2 and lighting), (Operation: Via 2 buttons on the joystick; 1st Function push-button, 2nd Function push-button)
- Socket front 13-pin (2x electric functions E1/ E2 and lighting), (Operation: Via 2 buttons on the joystick; 1st Function latching, 2nd Function latching, 2nd

#### **Electrical connections in rear**

- Rear socket 7-pole for lighting of rear attachments

#### **Safety options**

- Immobilizer KAT, operation: Via coded ignition key
- Panoramic mirror inside
- Rear view camera
- Front camera incl. additional display

#### **Other**

- Tool box
- Fully automatic central lubrication unit
- Service valve engine-oil change
- Center tunnel cover

Warranty extension (not discountable)\*

- Demo / Site
- Economy 24 months (2500 h)
- Economy 36 months (3000 h)
- Economy 48 months (3500 h)
- Economy 60 months (4000 h)
- Premium 24 months (3000 h)
- Premium 36 months (4000 h)
- Premium 48 months (5000 h)
- Premium 60 months (6000 h)

\*The offers regarding the warranty extension in Germany are currently being revised - more information will follow as quickly as possible.

#### **Trailer and recovery equipment**

- Mirror for trailer hitch
- Railway coupling (not approved for trailer operation!)
- Auto hitch
- Bearing block for attachment coupling
- Automatic attachment coupling, height-adjustable for bearing block
- Ball hitch attachment coupling K80, height-adjustable for bearing block
- Ball hitch attachment coupling K50, height-adjustable for bearing block
- Ball hitch attachment coupling K50 long, height-adjustable for bearing block
- Piton-Fix attachment coupling, height-adjustable for bearing block
- Mechanical 32mm attachment coupling
- Attachment coupling 32mm mechanical, height-adjustable for bearing block
- Hydraulic attachment brake
- Dual-line, pressure air-brake system