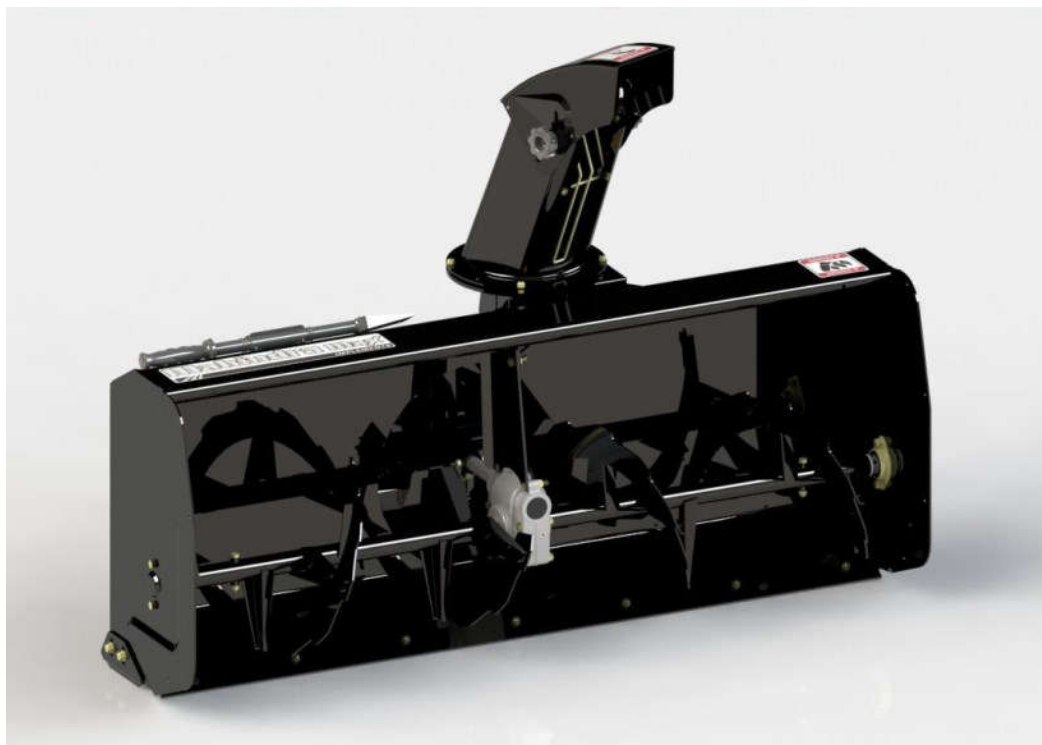




OWNER'S MANUAL

Model Number

700724 56" Snowblower
700742 56" Snowblower "R" Type
700938 48" Snowblower



BERCO

P.T.O. 48 & 56" Snowblower

For

COMPACT TRACTORS

- * ASSEMBLY
- * OPERATION
- * REPAIR PARTS
- * MAINTENANCE

CAUTION:

**READ & FOLLOW ALL SAFETY RULES & INSTRUCTIONS BEFORE
OPERATING YOUR EQUIPMENT**



LIMITED WARRANTY

Conditions and Products Covered:

BERCOMAC guarantees any part of the product or accessory manufactured by BERCOMAC and found in the reasonable judgment of BERCOMAC to be defective in material and or workmanship will be repaired or replaced by an authorized dealer without charge up to our maximum labor rates and pre-established times. For replacement parts only standard ground freight services are covered. This warranty extends to the original retail purchaser only and is not transferable to any subsequent purchasers. This warranty applies to the products bought and used in North America.

Warranty Period

(from date of the original retail purchase)

- Residential or semi-commercial use: 1 year
- Commercial, industrial or rental use: 90 days

Exceptions Noted Below; the following items are guaranteed by the original manufacturer and have their own warranty, conditions and limited time:

- Tire Chains:
 - 90 days residential or semi-commercial use
 - No warranty on other application
- Engines: Will vary as per the manufacturer
Please refer to the engine manufacturer's warranty statement included with the unit. BERCOMAC is not authorized to handle warranty adjustments on engines.

Items and Conditions NOT Covered:

This warranty does not cover the following:

- Pick-up or delivery charges or in-home services fees.
- Any damage or deterioration of the unit, parts and or finish of these due to normal use, wear and tear, or exposure.
- Cost of regular use or maintenance service or parts, such as gas, oil, lubricants, tune-up parts, and adjustments.
- Any part or accessory which has been altered, modified, misused, neglected, accidentally damaged or not properly installed, maintained, stored or repaired not in accordance with the instructions in the owner's manual.
- Repair due to normal wear and or any wear items such as shear pins, bolts, belts, winch cable, cutting edge, skid shoes, etc.
- Expedited freight fee services for replacement parts.
- Shear bolts and shear pins are to be considered as a preventive measure not as an assured protection, any damages resulting from the lack of shear bolts breakage are not covered.
- Damages due to product being installed on vehicle other than stipulated in the owner's manual.

NOTE: All warranty work must be performed by an authorized dealer using original (manufacturer) replacement parts.

NOTE: Bercomac reserves the right to change or improve the design of any part or accessory without assuming any obligation to modify any product previously manufactured.

Instructions for Obtaining Warranty Services:

Contact dealer where equipment was purchased or any other BERCO service dealer to arrange service at their dealership. To locate a dealer convenient to you, access our website at www.bercomac.com. Don't forget to bring your proof of purchase (sales receipt) to the BERCO dealer.

Owner's Responsibilities:

BERCOMAC's defective equipment or part must be returned to an authorized dealer within the warranty period for repairs. In the event that defective merchandise must be returned to manufacturer for repairs, freight fees are prepaid and a written authorization from BERCOMAC must be obtained by dealer prior to the shipment. This warranty extends only to equipment operated under normal conditions. To validate a warranty claim, it is the user's responsibility to maintain and service the unit as specified in the owner's manual or to have the unit serviced at their dealer at their expense.

General Conditions:

The sole liability of BERCOMAC with respect to this warranty shall be strictly and exclusively repair and replacement as mentioned herein. BERCOMAC shall not have any liability for any other costs, loss or damage, including but not limited to, any incidental or consequential loss or damage. Taking advantage of the warranty does not in any way extend the length or renewal of the warranty.

In particular, without being limited to, BERCOMAC shall have no liability or responsibility for:

- Travel time, overtime, after hours time or other extraordinary repair charges or relating to repairs and or replacements outside of normal business hours.
- Rental of like or similar replacement equipment during the period of any, repair or replacement work.
- Any communicating or travel charges.
- Loss or damage to person or property other than that covered by the terms of this warranty.
- Any claims for lost revenue, lost profit or any similar costs as a result of damage or repair.
- Attorney's fees.

BERCOMAC's responsibility in respect to claims is limited to making the required repairs or replacement without charge up to our maximum labor rates and pre-established times and no claim of breach of warranty shall be cause for cancellation or rescission of the contract of sale of any product or accessory. In no event shall recovery of any kind be greater than the amount of the purchase price of the product sold.

This warranty gives you specific legal rights. You may also have other rights, which vary from state to state.

TABLE OF CONTENTS

	PAGE
INTRODUCTION	1
SAFETY PRECAUTIONS	2
SAFETY DECALS (700724 & 700742)	4
SAFETY DECALS (700938)	5
ASSEMBLY	
Step 1: Vehicle Preparation	6
Step 2: Snowblower Preparation	7
Step 3: Snowblower Installation	8
Step 4: Hydraulic Hose Installation	9
OPERATION	
Security	10
Snowblower Operation	11
Controls	11
Snow Removal	11
MAINTENANCE	
Adjustments	12
Shear Bolt Replacement	12
Lubrication	13
Belt Replacement	14
Pulley Replacement	14
DISMOUNTING & STORAGE	15
TROUBLESHOOTING	16
PARTS BREAKDOWN AND PARTS LIST	
Snowblower (700724)	17
Assembled Snowblower (501001)	18
Assembled Augers (501003)	21
Assembled Chute (501004)	22
Snowblower "R" Type (700742)	23
Assembled Snowblower "R" Type (501010)	24
Assembled Augers "R" Type (501011)	27
Snowblower (700938)	28
Assembled Snowblower (501447)	30
Assembled Augers (501212)	33
Assembled chute (501448)	34
Repair kit for (105769 & 105770)	35
TORQUE SPECIFICATION TABLE	39
OPTIONS	40

INTRODUCTION

TO THE PURCHASER

This new accessory was carefully designed to give years of dependable service. This manual has been provided to assist in the safe operation and servicing of your attachment.

NOTE: All photographs and illustrations in the manual may not necessarily depict the actual models or attachment, but are intended for reference only and are based on the latest product information available at the time of publication.

Familiarize yourself fully with the safety recommendations and operating procedures before putting the machine to use. Carefully read, understand and follow these recommendations and insist that they be followed by those who will use this attachment.



THIS SAFETY ALERT SYMBOL IDENTIFIES AN IMPORTANT SAFETY MESSAGE IN THIS MANUAL THAT HELPS YOU AND OTHERS AVOID PERSONAL INJURY OR EVEN DEATH. DANGER, WARNING, AND CAUTION ARE SIGNAL WORDS USED TO IDENTIFY THE LEVEL OF HAZARD. HOWEVER, REGARDLESS OF THE HAZARD, BE EXTREMELY CAREFUL.

DANGER: Signals an extreme hazard that will cause serious injury or death if recommended precautions are not followed.

WARNING: Signals a hazard that may cause serious injury or death if the recommended precautions are not followed.

CAUTION: Signals a hazard that may cause minor or moderate injury if the recommended precautions are not followed.

Record your attachment serial number and purchase date in the section reserved below (there is no serial number on the subframe). Your dealer requires this information to give you prompt, efficient service when ordering replacement parts. Use only genuine parts when replacements are required.

If warranty repairs are required please present this registration booklet and original sales invoice to your selling dealer for warranty service.

This manual should be kept for future reference.

Please check if you have received all the parts for your kit with the list of the bag and the list of the box.

SERIAL NUMBER : _____
(IF APPLICABLE)

MODEL NUMBER: _____

PURCHASE DATE : _____



SAFETY PRECAUTIONS



Careful operation is your best insurance against an accident. Read this section carefully before operating the vehicle and accessory. This accessory is capable of amputating hands and feet and throwing objects. Failure to observe the following safety instructions could result in serious injury. All operators, no matter how experienced they may be, should read this and other manuals related to the vehicle and accessory before operating. It is the owner's legal obligation to instruct all operators in safe operation of the accessory.

GLOSSARY:

In this manual, right and left sides are determined by sitting on the seat of the vehicle facing forward.

In this manual, "accessories" means attachments (snowblower, rotary broom, blade etc.) that you install on the vehicle (lawn tractors, A.T.V. s etc).

TRAINING:



This symbol, "Safety Alert Symbol", is used throughout this manual and on the accessory's safety labels to warn of the possibility of serious injury. Please take special care in reading and understanding the safety precautions before operating the vehicle and accessory.

1. Read this owner's manual carefully. Be thoroughly familiar with the controls and proper use of the vehicle and accessory. Know how to stop the unit and disengage the controls quickly.
2. Never allow children to operate the vehicle nor the accessory. Never allow adults to operate the vehicle nor the accessory without proper instructions.
3. No one should operate the vehicle nor the accessory while intoxicated or while taking medication that impairs the senses or reactions.
4. Keep the area of operation clear of all people, particularly small children and pets.
5. Never start or operate the accessories except from the operator's station on the power unit except if this is impossible.

PREPARATION:

1. Thoroughly inspect the area where the accessory is to be used and remove door mats, all foreign objects and the like.
2. For motorized accessories, disengage all clutches and shift into neutral before starting engine.
3. Do not operate the accessory without wearing adequate winter outer garments. Avoid loose fitting clothing that can get caught in moving parts. Wear footwear that will improve footing on slippery surfaces.

4. Handle fuel with care, it is highly flammable.
 - a) Use approved fuel container.
 - b) Never add fuel to a running engine or hot engine.
 - c) Fill fuel tank outdoors with extreme care. Never fill fuel tank indoors.
 - d) Never fill containers inside a vehicle, or on a truck or a trailer bed with a plastic liner. Always place containers on the ground, away from your vehicle, before filling.
 - e) When practical, remove gas-powered equipment from the truck or trailer and refuel it on the ground. If this is not possible, then refuel such equipment on a trailer with a portable container, rather than from a gasoline dispenser nozzle.
 - f) Keep the nozzle in contact with the rim of the fuel tank or container opening at all times, until refueling is complete. Do not use a nozzle lock-open device.
 - g) Replace fuel cap securely and wipe up spilled fuel.
 - h) If fuel is spilled on clothing, change clothing immediately.
5. Never attempt to make any adjustments while the engine (motor) is running (except when specifically recommended by manufacturer).
6. Let the vehicle and accessory adjust to outdoor temperatures before using.
7. Never use an accessory without proper guards, plates, or other safety protective devices in place
8. Always make sure to wear the appropriate safety equipment required (glasses, muffs, mask...) for each type of product. See operation section.
9. Always make sure of having safe traction on the vehicle by using the recommended accessories (chains, A.T.V. tracks, counterweights...). See operation section.
10. Always make sure all components are correctly installed. (driveline securely attached and locked at both ends, belts properly installed...)
11. If applicable, always handle the winch cable with thick leather gloves.
12. **Never modify the accessory or any part without the written consent from the manufacturer.**



SAFETY PRECAUTIONS



OPERATION:

1. Do not put hands or feet near, under or inside rotating parts.
2. Exercise extreme caution when operating on or crossing gravel drives, walks or roads. Stay alert for hidden hazards or traffic. Do not carry passengers.
3. After striking a foreign object, stop the engine (motor), disconnect the wire from the spark plug(s) and keep wire away to prevent accidental starting. Thoroughly inspect the accessory for any damage and repair damage before restarting and using the accessory.
4. If the unit should start to vibrate abnormally, stop the engine (motor) and check immediately for the cause. Vibration is generally a warning of trouble.
5. Take all possible precautions when leaving the vehicle unattended. Disengage the power take-off, lower the attachment, place the transmission into neutral, set the parking brake, stop the engine and remove the ignition key.
6. Do not run the engine indoors, except when starting the engine and for transporting in or out of the building. Do not operate or let motor run in a storage area without ventilation because gas contains carbon monoxide which is odorless, colorless and can cause death.
7. Never use the accessories across the face of slopes, go from top to bottom. Exercise extreme caution when using equipment on slopes. Do not attempt to clear a steep slope.
8. Never tolerate bystanders in the working zone. Never use an accessory in the direction of bystanders, it might throw gravel or debris that can hurt people or damage property.
9. Never operate the accessory at high transport speeds on slippery surfaces. Use care when backing up.
10. Do not carry passengers.
11. Disengage power to the accessory when it is transported or not in use.
12. Never operate the accessory without good visibility or light.
13. Keep the accessory away from heat sources or flames.
14. If applicable, never handle the winch cable or hook while in tension.

MAINTENANCE AND STORAGE

1. When cleaning, repairing or inspecting the vehicle and accessory: stop the engine, set brake, remove ignition key, and wait that all moving parts have stopped. For gasoline engine, disconnect wire from the spark plug(s) and keep wire away to prevent accidental starting.
2. Check all the bolts and components at frequent intervals to make sure that they are properly tightened.
3. Never store a motorized accessory with fuel in the fuel tank inside a building where ignition sources are present such as hot water and space heaters, clothes dryers, and the like. Allow the engine to cool before storing in any enclosure.
4. Always refer to the owner's manual when you store the accessory and vehicle for a prolonged or an unspecified length of time.
5. Maintain or replace safety and instruction labels, as necessary.
6. For winter accessories, (if applicable), let the engine run for a few minutes after clearing snow in order to prevent the rotary parts from freezing.
7. Inspect the vehicle's and accessory's air filter (if applicable) every day. Clean it or replace it as necessary. Change the oil more often when working in dusty conditions. See the vehicle's and accessory's owner's manual.

TRANSPORT





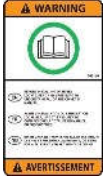

1. Review Transport Safety instructions in vehicle manual before moving.
2. Check with local authorities regarding transport on public roads. Obey all applicable laws and regulations.
3. Make sure all lights and reflectors that are required by the local highway and transport authorities (example : SMV (Slow Moving Vehicle)) are in place, are clean, and can be seen clearly by all overtaking and oncoming traffic.
4. Never have the equipment in operation during transport.
5. Always travel at a safe speed.



SAFETY DECALS



REPLACE IF DECALS ARE DAMAGED
SEE PARTS BREAKDOWN FOR DECAL LOCATION





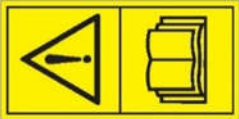


Symbol	Description
Decal #105126 	To avoid serious injury: Keep hands, feet & clothing away from rotating auger while the vehicle's engine is running.
Decal #105127 	To avoid serious injury: Keep hands out of this discharge chute while the vehicle's engine is running.
Decal #105128 	To avoid serious injury: Keep hands, feet & clothing away. Do not attempt to install or remove drive belt without reading owner's manual. Always use the snowblower with all the guards in place.
Decal #105852 	To avoid serious injury: Keep people and clothing away. Do not operate without all driveline, tractor and equipment shields in place, nor without the drivelines securely attached at both ends.
Decal #105130 	Before installing or using: Locate, read and make sure to understand all of the owner's manual.
Decal #105131 	Refer to owner's manual about wearing safety glasses, ear muffs and mask. Refer to owner's manual for use of counter weights, cat tracks and tire chains.



SAFETY DECALS



REPLACE IF DECALS ARE DAMAGED
SEE PARTS BREAKDOWN FOR DECAL LOCATION

Symbol	Description
<p>Decal #108550</p> 	<p>To avoid serious injury or death: Keep hands, feet & clothing away from rotating auger while the vehicle's engine is running. Shut off engine and remain clear of the machine until all moving parts come to a complete stop.</p>
<p>Decal #108553</p> 	<p>To avoid serious injury: Keep hands out of this discharge chute while the vehicle's engine is running. Shut off engine and remain clear of the machine until all moving parts come to a complete stop.</p>
<p>Decal #108557</p> 	<p>To avoid serious injury or death from thrown objects: Keep people away from the discharge area during operation and keep others away.</p>
<p>Decal #108552</p> 	<p>To avoid serious injury: Keep hands, feet & clothing away. Do not attempt to install or remove drive belt without reading owner's manual. Always use the snowblower with all the guards in place.</p>
<p>Decal #108551</p> 	<p>Before installing or using: Locate, read and make sure to understand all of the owner's manual.</p>
<p>Decal #108556</p> 	<p>Before doing any maintenance: Remove key from ignition, locate, read and make sure to understand all of the owner's manual.</p>
<p>Decal #108554</p> 	<p>To avoid serious injury: Keep people and clothing away. Do not operate without all driveline, tractor and equipment shields in place, or without the drivelines securely attached at both ends.</p>

ASSEMBLY

ASSEMBLY INSTRUCTIONS

IMPORTANT: UNLESS OTHERWISE SPECIFIED TORQUE ALL BOLTS ACCORDING TO TORQUE SPECIFICATION TABLE (SEE TABLE OF CONTENTS) WHEN STATED: TIGHTEN FIRMLY. REFER TO PARTS BREAKDOWN SECTION FOR PART IDENTIFICATION.

NOTE: In this manual, the right and left side is determined by sitting on the seat of the vehicle facing forward.

NOTE. In this manual, the illustrations represent a snowblower #700724 with the discharge chute on the left side of snowblower as shown below. For a snowblower #700742 with the discharge chute on the right side of snowblower, the instructions are the same except you have to reverse the direction when it comes time to install the rotation rings.

Remove the snowblower from the shipping crate.
Remove the other components from the crate.



WARNING



When installing and operating the accessory, the front loader must be removed from the vehicle.

STEP 1

VEHICLE PREPARATION:

Follow the instructions included with the bracket kit that corresponds with your tractor.



WARNING

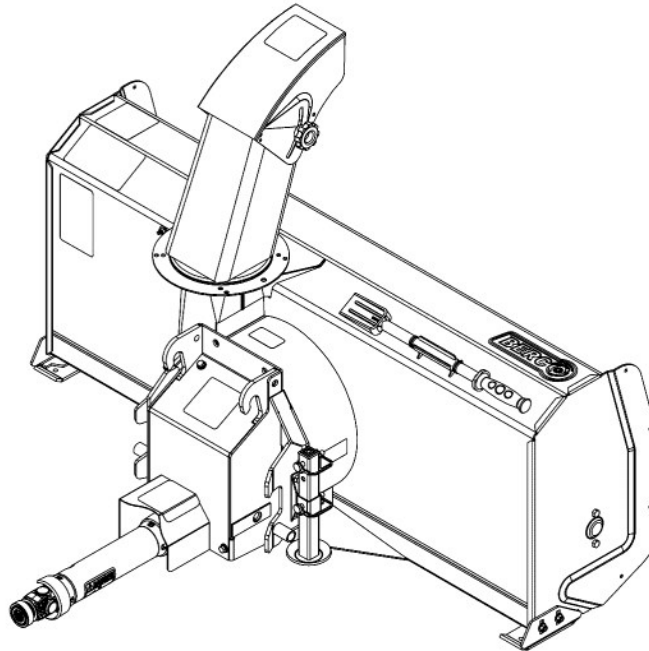


THIS ACCESSORY IS HEAVY!

To avoid risk of strain injury, **NEVER** lift the accessory by hand alone when handling the components or assembly. Use proper lifting device or seek assistance.

When accessory is off the ground, **NEVER** be underneath the accessory. Serious injury including possibility of death could occur if accessory were to drop suddenly.

Always wear protective shoes and appropriate gloves when manipulating or using this equipment.



Overall view

TOOLS REQUIRED

Ratchet
Sockets: 7/16", 1/2"
Wrench: 7/16", 1/2"
Allen key 1/8, 3/16"

Before starting the installation:

- **Read and understand the instructions**
- **Please sort and identify all the hardware with the packing lists.**

ASSEMBLY

STEP 2

SNOWBLOWER PREPARATION:

Refer to parts breakdown section for parts identification.

Chute Installation:

Take the rotation kit (item 1) according to the chosen option.

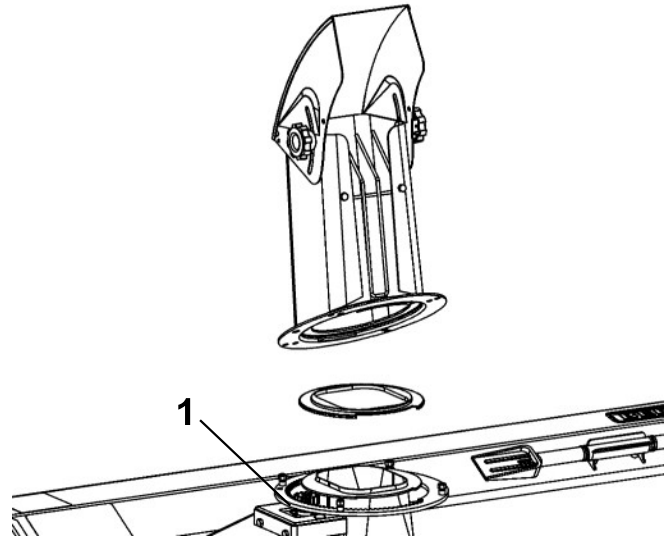
Electric Rotation Kit # 700518

OR

Hydraulic Rotation Kit

- Use kit #700728 if chute discharge is on the **left side** of the snowblower (**Snowblower #700724**).
- Use kit #700661-1 if chute discharge is on the **right side** of the snowblower (**Snowblower #700742 - 700938**).

Install the rotation kit and chute following the instructions included with the rotation kit.



Install the rotation kit and the chute

Make sure the rotation ring (see figure A) is positioned for:

- A) Chute discharge on the **left side** of the snowblower (**Snowblower #700724**).
- OR
- B) Chute discharge on the **right side** of the snowblower (**Snowblower #700742 - 700938**).

If the chute turns toward the back (towards the tractor), the rotation ring must be installed in the other direction.

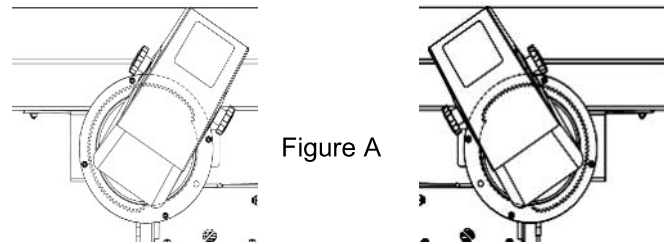


Figure A

Chute discharge on the **left side** of the snowblower (**700724**)

Chute discharge on the **right side** of the snowblower (**700742 - 700938**)

Check orientation of the chute

Turn the snowblower face down on the ground.

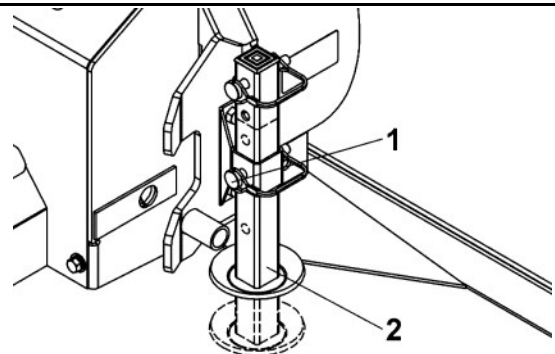
Lower the parking stand:

(This will help with the installation of the accessory on the tractor).

Remove the pin (item 1, lower the parking stand (item 2) and reinstall the pin.

IMPORTANT: (to avoid damages)

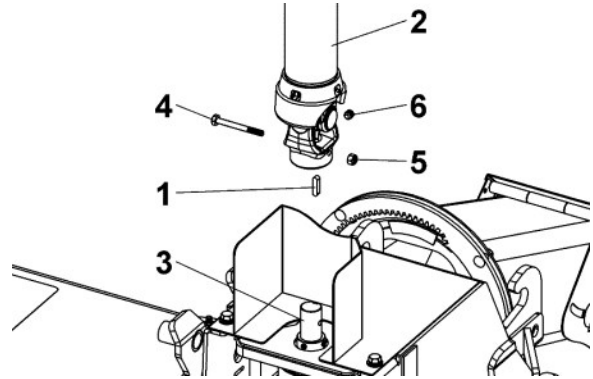
You must **RAISE** the parking stand (highest position) **AFTER** installing the accessory on the tractor.



Lower the parking stand

ASSEMBLY

Insert the key (item 1) in the half drive line (item 2) as shown.
 Insert the half drive line on the input shaft (item 3) and align the holes together as shown.
 Insert the hex bolt 1/4" x 2" (item 4) as shown and secure with a 1/4" nylon insert lock nut (item 5).
 Tighten the set screw (item 6) to hold the key in place.
 Turn the snowblower back on the parking stand.



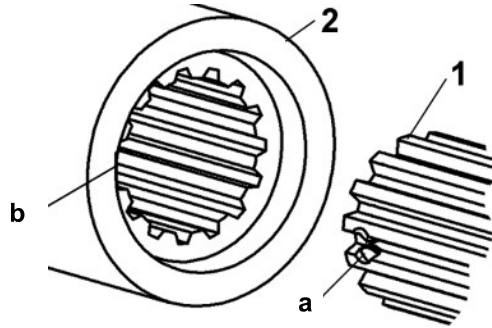
Install half drive line

	CAUTION	
Make sure the driveline is not under the accessory during this operation.		

Assemble the two half driveline (items 1 & 2)

Only one position allows the sections to be inserted one into the other.

Take care to align the stamped marks (item a) (located between the splines at the end of the shaft) with the large groove (item b) in the hollow tube.



Install the P.T.O. drive mechanism

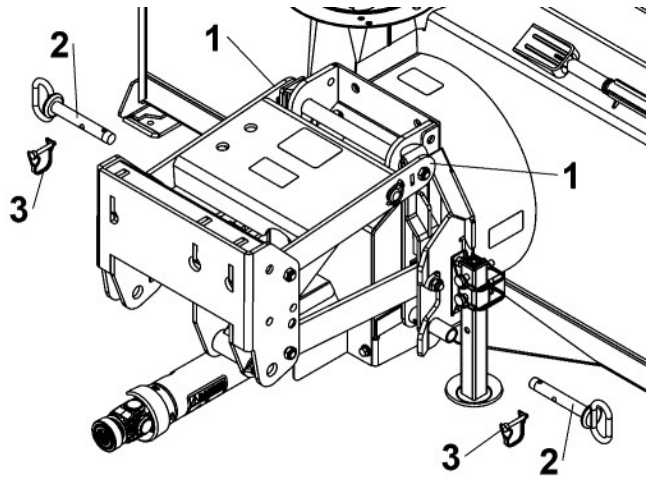
STEP 3 SNOWBLOWER INSTALLATION:

Drive the vehicle forward towards the accessory and unite them by raising the lift arms (item 1).
 Leave the accessory in high position (off the ground).

	WARNING	
<p>Stop the engine. Place a block of wood under the subframe when installing the pins to limit any movement of the subframe during installation. If you do not put a block of wood, you could be cornered if the hydraulic malfunctions.</p>		

Secure the accessory to the subframe with two pins (item 2) and two lock pins (item 3)
NOTE: These items are included with the subframe #700725.

IMPORTANT: (to avoid damages)
 Do not forget to **RAISE** the parking stand (highest position) as mentioned previously.



Install snowblower on the vehicle with subframe.

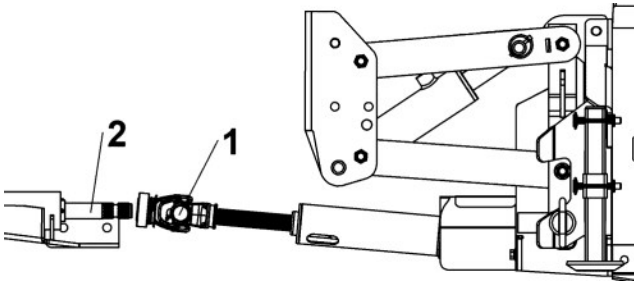
	CAUTION	
Take care to avoid being pinched by the parking stand.		

Raise the parking stand

ASSEMBLY

Unite the half driveline (item 1) to the shaft (item 2) pre-installed on the PTO drive mechanism.

Make sure the driveline quick connector is securely attached to the tractor's PTO.



Unite half driveline to the shaft



DANGER



**ANY CONTACT WITH THE ROTATING DRIVELINE MAY CAUSE DEATH
NEVER ACCESS WITHOUT:**

- Vehicle well parked on a flat surface.
- Parking brake well applied.
- Engine stopped and ignition key removed.
- All moving parts are stopped.

KEEP AWAY AND NEVER OPERATE WITHOUT:

- All extension guards for the tractor and the driveline in place.
- The driveline securely attached at both ends.

STEP 4

HYDRAULIC HOSE INSTALLATION:

NOTE: Refer to the tractor's owner's manual for the appropriate position of the hoses.

Route the hoses taking care to pass them in an appropriate place on the side of the tractor.

Connect the hoses to the tractor's hydraulic valve connectors.

Secure the hydraulic hoses on the vehicle and on the subframe to limit their movements

Use the hook-it cables ties included with the subframe or with the hydraulic rotation kit.

IMPORTANT: Check to make sure the hoses are well connected.

A) Pull the tractor's hydraulic lift arm towards you:

—>The accessory must lift off the ground.

If this is not the case, reverse the hoses.

If you have the #700728 Hydraulic Rotation Kit:

Use the holes (item 1) on the subframe to secure the hoses.

B) Move the tractor's hydraulic arm towards the left or the right:

The chute should turn in the same direction.

If this is not the case, reverse the hoses.

IMPORTANT to avoid damage:

Make sure the hydraulic hoses which are secured on the vehicle are long enough to follow the movements of the subframe:

Snowblower higher and lower than ground level.

It is the user's / or the person handling the installation's responsibility to install the hoses in such a manner that they do not come into contact with any mobile elements of the vehicle (the wheels or the subframe) if not, this could lead to damages.

TIP: Use other elements of the vehicle such as the front bumper, loader's frame, or any other available attaching places on the side of the vehicle.



WARNING



TO AVOID INJURIES:

If you suspect any leaks in the hoses NEVER use your hand to locate them. Use a piece of cardboard or a piece of wood.

Route, Connect and Secure hydraulic hoses

AJDUSTMENTS

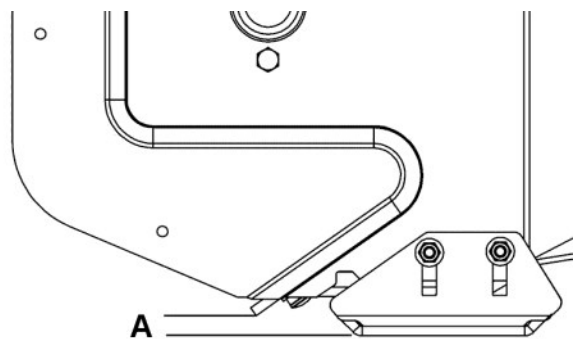
Skid shoe adjustment:

LEVEL PAVED SURFACE: Adjust skid shoes to allow 3/16" to 1/4" or 5mm to 7mm clearance (A) between cutting edge and surface.

UNEVEN OR GRAVEL SURFACE: Adjust skid shoes to allow 1/2" to 5/8" or 13mm to 16mm clearance (A) between cutting edge and surface.

VERIFY TIRE PRESSURE:

Refer to the vehicle's owner manual for tire pressure. Tire pressure must be even on both sides of vehicle.



Adjust the skid shoes

OPERATION

Before operating:

In order to avoid serious injuries or even death, make sure to understand and to follow the instructions and safety precaution rules that are essential.



WARNING



Read the tractor Owner's Manual carefully. Be thoroughly familiar with the controls & proper use of the attachment. Know how to stop the attachment & disengage the controls quickly.



WARNING



TO PREVENT INJURIES:

Lower the snowblower when the vehicle is parked.

Temperature changes could change the hydraulic pressure, causing the snowblower to drop unexpectedly, or damaging the hydraulic components. Failure to do this could result in serious personal injury.



WARNING



TO PREVENT INJURIES:

If you suspect an oil leak in the hoses NEVER use your hand to locate it. Use a piece of cardboard or a piece of wood.



WARNING



To prevent accidents :

-Always use the snowblower in well lighted areas.

-It is essential to install and use a light on the front of the snowblower for night use or in shaded conditions.



WARNING



TO PREVENT INJURIES:

Never leave the driver seat without disengaging the snowblower, stopping the engine, applying the parking brakes and removing the ignition key. Never operate on slopes of more than 10°.



DANGER



Hand or feet contact with the rotating impeller inside the discharge chute is the most common cause of injury associated with snowblowers. Never use your hand or your feet to clean out the discharge chute.

-Do not attempt to clear plugged chute, auger or fan of snow while the snowblower's engine is running.

-Disengage snowblower.

-Lower snowblower to the ground and set parking brake.

-SHUT THE ENGINE OFF & REMOVE KEY!

-Wait 10 seconds to be sure that all moving parts such as the impeller blades have stopped moving.

-Always use the clean-out tool (chute shovel) supplied with this snowblower, NOT YOUR HANDS



DANGER



CONTACT WITH ROTATING DRIVELINE CAN CAUSE SEVERE INJURY OR DEATH.

Operate only when all driveline, tractor and equipment guards are in place.

Be sure driveline is securely attached and locked at both ends before operating.

OPERATION

NOTE: To increase the life span of the components, always disengage the snowblower when it is raised.

SNOWBLOWER OPERATION

Use the control lever for the front loader to lift or lower the snowblower.

IMPORTANT:

Always inspect the hydraulic components and hoses before using. Replace any damaged or worn parts immediately.

- a) Make sure the snowblower is clear of snow before engaging the snowblower.
- b) Make sure that the auger and impeller operate freely.
- c) Start the tractor engine.
- d) Before engaging the snowblower drive, always have the engine running at medium R.P.M.
- e) Operate the snowblower at maximum engine R.P.M when removing wet or sticky snow. A low R.P.M. will tend to plug the chute.
- f) Always use the accessory in the float mode. To do this, push the tractor's hydraulic joystick to the Float position.
- g) Always make sure that the hydraulic hoses **never** come into contact with the mobile elements on the vehicle.
- f) Always make sure that the electric wires **never** come into contact with the mobile elements on the vehicle.
- g) Never operate or drive the snowblower on a steep slope which could damage the drive mechanism as shown in Figure A.

SNOW REMOVAL

When removing snow, do not use the snowblower as a dozer blade to push snow. Allow snowblower to ingest snow at its own speed. If the speed of your tractor is too fast, the snowblower may become overloaded and plug. For best results, raise the snowblower and remove a top layer of snow. A second pass with the snowblower will remove the remaining snow.

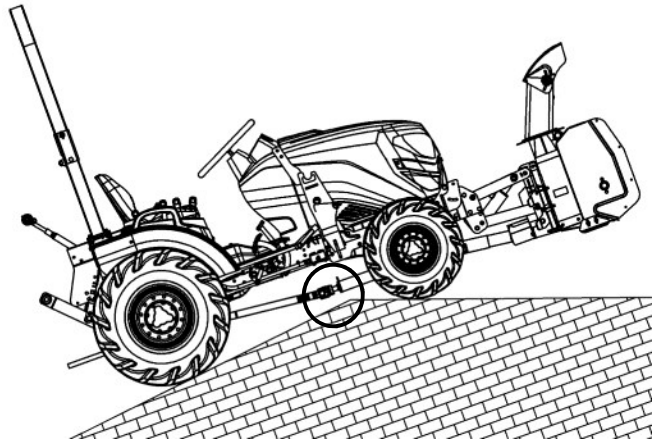


Figure A :Be careful of the drive mechanism!
Do not operate or drive on a slope that is more than 10°.

CONTROLS (with Hydraulic chute rotation kit)

CHUTE ROTATION

Use the tractor's hydraulic joystick to turn the chute from one side to the other.

If the chute does not turn in the desired direction, switch the hydraulic hoses on the tractor.

NOTE: If the chute turns towards the back (towards the tractor) the rotation ring must be installed in the other direction.

CHUTE DEFLECTOR

Set the angle of the deflector according to the distance the snow must be thrown and to prevent property damage. To change the deflector angle, loosen the two deflector knobs & adjust the deflector to the appropriate angle and retighten the two knobs securely or use the electric deflector kit sold as an option.

Controls (with Electric chute rotation & deflector kit)

Use the 4 position joystick to rotate the chute and to change the angle of the discharge.

MAINTENANCE



WARNING



TO PREVENT INJURIES:
Stop the snowblower motor.
Apply parking brake.
Remove the ignition key.

IMPORTANT to avoid damage:

Make sure the hydraulic hoses which are secured on the vehicle are long enough to follow the movements of the subframe:
Snowblower higher and lower than ground level.

It is the user's / or the person handling the installation's responsibility to install the hoses in such a manner that they do not come into contact with any mobile elements of the vehicle (the wheels or the subframe) if not, this could lead to damages.

TIP: Use other elements of the vehicle such as the front bumper, loader's frame, or any other available attaching places on the side of the vehicle.

MAINTENANCE

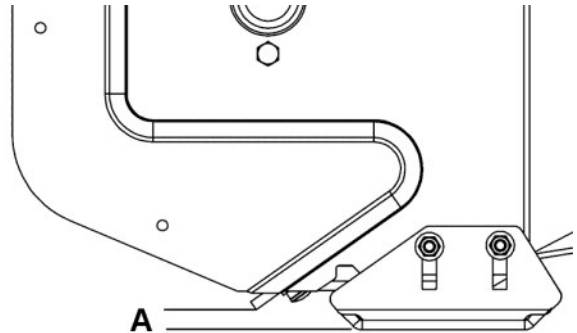
- Check mounting bolts at frequent intervals for proper tightness in order to prevent costly repairs. Make sure your equipment is in safe working condition.
- Provide adequate blocking before working under the snowblower when in raised position.

ADJUSTMENTS

Skid shoe adjustment:

LEVEL PAVED SURFACE: Adjust skid shoes to allow 3/16" to 1/4" or 5mm to 7mm clearance between cutting edge and surface.

UNEVEN OR GRAVEL SURFACE: Adjust skid shoes to allow 1/2" to 5/8" or 13mm to 16mm clearance between cutting edge and surface.



CUTTING EDGE MAINTENANCE

Verify from time to time the wearing on the cutting edge to make sure you do not wear out the base of the snowblower's chassis. This cutting edge is reversible.

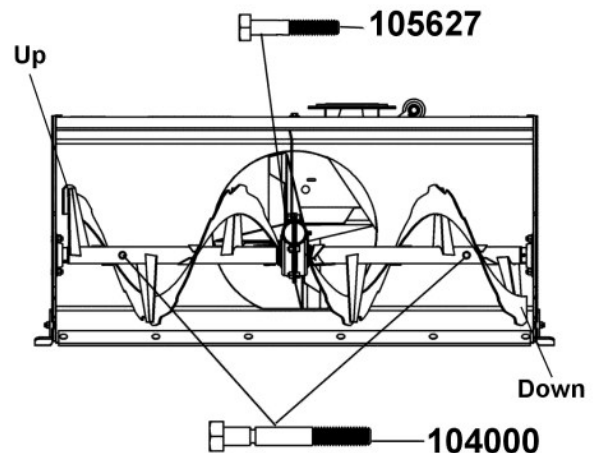
AUGERS AND FAN SHEAR BOLT REPLACEMENT

Shear bolts are to be considered a preventive measure and not an assured protection. Operator vigilance is required. Thoroughly inspect the areas where the snowblower is to be used and remove all foreign objects.

To avoid damage to the snowblower:

Use only the original shear bolts (grooved bolts).
#104000 in bags of 10 for the augers.
#105627 in bags of 10 for the fan.
The use of any other shear bolt will not ensure any protection and may void the warranty.

IMPORTANT: IT IS VERY IMPORTANT TO REPLACE THE AUGERS IN THE SAME POSITION AS SHOWN IN THE DRAWING BEFORE INSTALLING THE SHEAR BOLTS.



MAINTENANCE

LUBRICATION



DANGER



ANY CONTACT WITH THE ROTATING DRIVELINE MAY CAUSE DEATH NEVER ACCESS WITHOUT:

- Vehicle well parked on a flat surface.
- Parking brake well applied.
- Engine stopped and ignition key removed.
- All moving parts are stopped.

KEEP AWAY AND NEVER OPERATE WITHOUT:

- All extension guards for the tractor and the driveline in place.
- The driveline securely attached at both ends.

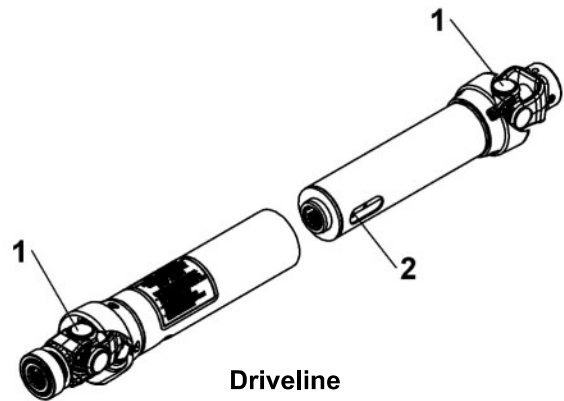
SEE THE MANUAL OF EACH ACCESSORY FOR IT'S MAINTENANCE.

Apply oil at all pivot points.

Driveline (see picture):

Lubricate the crosses (item 1) at every **250 hours** of operation.

Lubricate the driveline shaft (item 2) at every **16 hours** of operation.



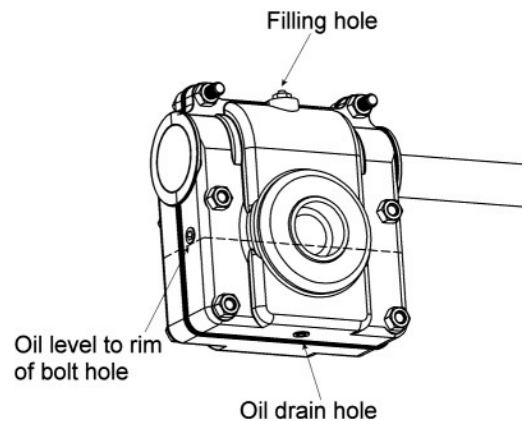
Chute Rotation System:

Oil the base of the chute every **16 hours** of operation.

Gear box: (see picture)

Check the oil **annually**. If necessary, add AGMA 5 EP or SAE 90 oil.

The gear box should have a total of 275 ml of oil or filled to the rim of the bolt hole when installed on the snowblower. (see figure).

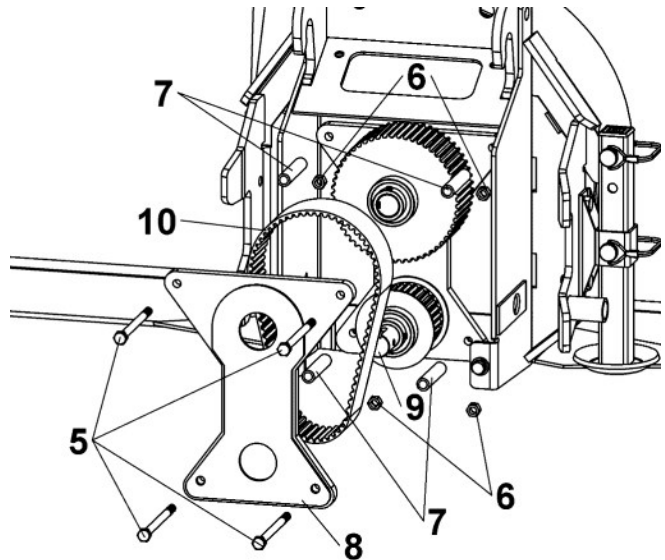
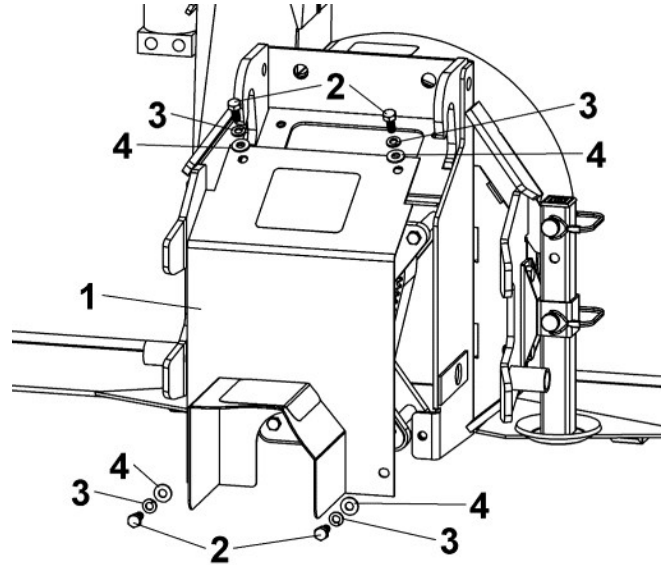


Gear Box

MAINTENANCE

BELT REPLACEMENT:

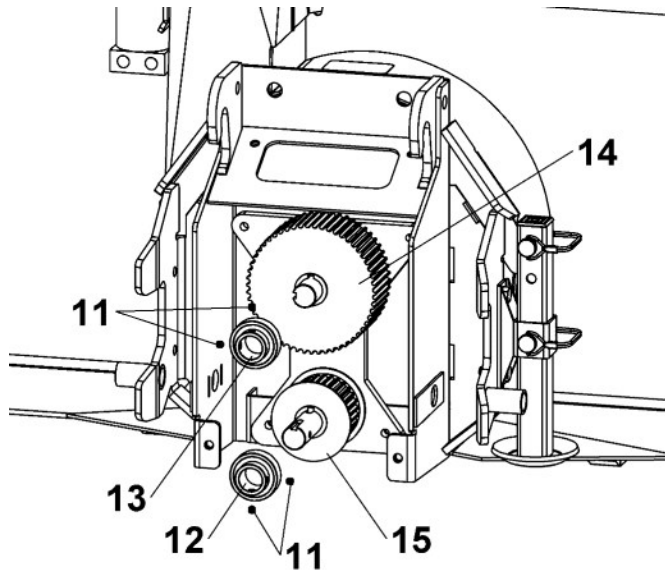
- 1) Turn snowblower face down.
- 2) Remove the half driveline (See snowblower assembly section).
- 3) Remove the driveline guard (item 1) by removing the four 5/16" x 3/4" hex bolts (item 2), four lock washers (item 3) and four flat washers (item 4).
- 4) Loosen the four 5/16" x 4 1/2" bolts (item 5), four 5/16" nuts (item 6) and four sleeves (item 7) (see location of the parts in the parts breakdown for snowblower).
- 5) Remove rear support plate (item 8).
- 6) Remove input shaft (item 9).
- 7) Change the belt (item 10).
- 8) Reinstall the parts by reversing the steps. Tighten all the bolts firmly.



SNOWBLOWER PULLEY REPLACEMENT

- 1) Repeat steps 1 to 6 in the Belt Replacement section.
- 2) Loosen the set screws (item 11) on the bearings.
- 3) Remove the bearings (item 12 or 13) from the appropriate pulley.
- 4) Remove damaged pulley (item 14 or 15) and reinstall new one.
- 5) Reinstall the parts by reversing the steps

NOTE: Tighten the set screws at 94 lbf
Tighten firmly all the bolts.



DISMOUNTING & STORAGE

SNOWBLOWER DISMOUNTING



WARNING



TO PREVENT INJURIES:

Park the vehicle on a flat surface in a well ventilated area.

Disengage the P.T. O.

Apply parking brake.

Lift the accessory.

Stop engine and remove the ignition key.

Wait until all moving parts have stopped before leaving the driver's seat.

Use wheel chocks.

END OF SEASON STORAGE

- a) Clean thoroughly and repaint all parts from which paint has worn.
- b) List the replacement parts that will be needed for the next season.
- c) Store the components in a dry place.
- d) Follow the instructions in the lubrication section.

Dismount the snowblower by reversing installation steps in the assembly section and following the same safety precautions that are essential.

ATTENTION: Always install the protective covers on the ends of the hydraulic hoses when they are disconnected. This is to prevent any pollutants from entering the vehicle's accessory's hydraulic system.

ATTENTION: Clean up all oil spills to prevent accidents.

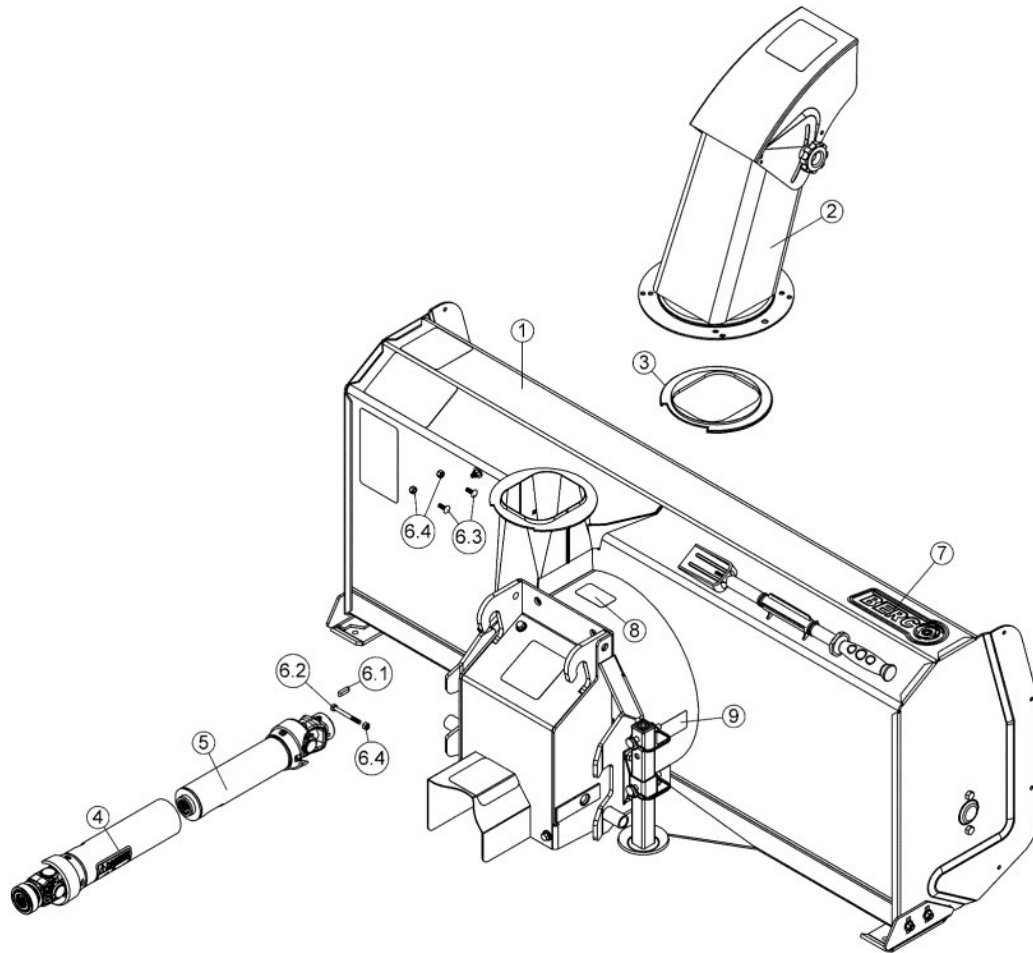
TROUBLESHOOTING

* Please refer to parts breakdown section for parts identification.

PROBLEM	POSSIBLE CAUSES	CORRECTIVE ACTION
Snowblower vibrates or is abnormally noisy.	Damaged pulley.	Replace pulley.
	Damaged drive shaft.	Replace drive shaft.
	Damaged bearing.	Replace bearing.
	Damaged fan.	Dismount & repair or replace fan.
	Driveline is not well installed.	Reinstall the driveline according to the instructions in Step 3.
	One or both sections of the auger is bent.	Replace one or both sections of auger.
One or both sections of the auger have stopped turning.	Shear bolt is probably broken.	Replace shear bolt (for identification, see Parts List "Snowblower"). Also see "Maintenance" section.
Snowblower stopped turning.	The belt is damaged or snapped.	Check & replace damaged belt (see instructions in section: Belt replacement & adjustments.
	Damaged drive shaft.	Replace drive shaft.
Belt is worn at a specific point.	Snowblower was engaged when already plugged.	Make sure auger & fan are not plugged or frozen before engaging snowblower.
Chute rotation is difficult.	Dirt or ice may be underneath chute.	Clean the base of chute & the rotation ring.
	The base of the chute or the rotation ring may be damaged or bent.	Replace defective parts.
The chute plugs easily.	Engine of the vehicle is turning too slowly.	Always have engine at full R.P.M. when using the snowblower.
	Advancing too quickly with vehicle.	Reduce speed. Allow snowblower to ingest snow at its own speed.
Snowblower digs into ground.	Ground is not frozen or too soft.	Adjust skid shoes lower so they may better support the snowblower.
The bolt in the shear plate shears often.	The RPM of the PTO is at its maximum when engaged.	Reduce the RPM of the motor before engaging the PTO.
Snowblower does not raise evenly.	Uneven tire pressure from one side to another.	Refer to the vehicle's owner manual for tire pressure. Check and adjust tractor tire pressure. Tire pressure must be even on both sides of vehicle.
Accessories do not raise fast enough or lowers too slowly.	Dirt in the oil.	Change the hydraulic oil.
	Damaged bushing	Replace the bushing.

PARTS BREAKDOWN & PART LIST

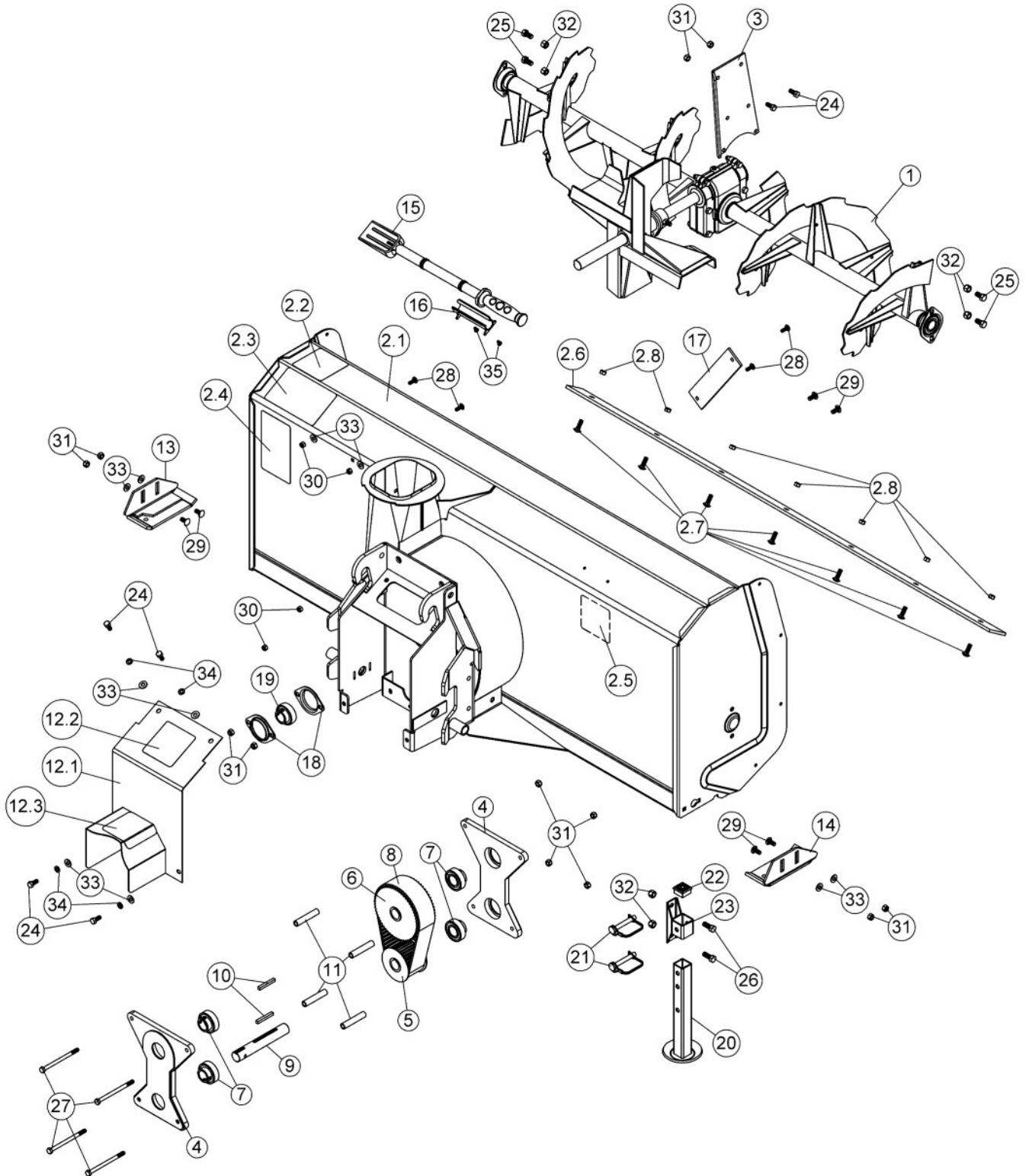
56" SNOWBLOWER #700724



REF.	ENGLISH DESCRIPTION	DESCRIPTION FRANÇAISE	QTY.	PART#
1	Snowblower assembly	Souffleuse assemblée	1	501001
2	Chute assembly	Goulotte assemblée	1	501004
3	Rotation ring	Anneau de rotation	1	103943
4	Half Driveline	Demi-arbre à cardan	1	105769
5	Half Telescopic Driveline with Set Screw	Demi Arbre à Cardan avec Vis à Pression	1	105770
6	Hardware bag	Sac de quincaillerie	1	107419
6.1	Key 1/4" x 1/4" x 1.000"	Clé 1/4" x 1/4" x 1.000"	1	102017
6.2	Hex. bolt 1/4" n.c. x 2 1/2" GR5	Boulon hex. 1/4" n.c. x 2 1/2" GR5	1	O/L (300NC.5P_1-4x2-1-2)
6.3	Carriage bolt 1/4" n.c. x 3/4" GR5	Boulon à carrosserie 1/4" n.c. x 3/4" GR5	2	O/L (320NC.5P_1-4x3-4)
6.4	Nylon Insert lock Nut 1/4" n.c.	Écrou à garniture de nylon 1/4" n.c.	3	O/L (335NC.P_1-4)
7	Berco decal	Décalque Berco	1	102471
8	Made in Canada decal	Décalque Fabriqué au Canada	1	REF.
9	Serial number	Numéro de série	1	REF.

O/L = Obtain Locally

PARTS BREAKDOWN ASSEMBLED SNOWBLOWER #501001



PARTS LIST

ASSEMBLED SNOWBLOWER #501001

REF.	ENGLISH DESCRIPTION	DESCRIPTION FRANÇAISE	QTY.	PART#
1	Auger assembly	Vis assemblées	1	501003
2	Frame 56" #107393 with safety decals	Châssis 56" #107393 a/ déc. de sécurité	1	107421
2.1	Frame 56"	Châssis 56"	1	107393
2.2	Decal danger auger	Decalque danger vis	1	105126
2.3	Decal warning safety	Decalque avertissement sécurité	1	105131
2.4	Decal read instructions	Decalque lire instructions	1	105130
2.5	Decal auger positioning	Décalque positionnement vis	1	107024
2.6	Cutting edge 56"	Racloir 56"	1	106486
2.7	Carriage bolt 5/16" n.c. x 1 " GR5	Boulon à carrosserie 5/16" n.c. x 1 " GR5	7	O/L (320NC.5N_5-16x1)
2.8	Stover lock nut 5/16" n.c.	Écrou de blocage 5/16" n.c.	7	O/L (338NC.N_5-16)
3	Gear box support	Support de boîte d'engrenage	1	105787
4	Rear support plate	Plaque de support arrière	2	106487
5	Sprocket	Pignon	1	106313
6	Sprocket	Pignon	1	106488
7	Bearing with set screw	Roulement à billes avec vis à pression	4	103242
8	Timing belt 640-8MT-50	Courroie synchronisée 640-8MT-50	1	105765
9	Input shaft	Arbre d'entrée	1	105771
10	Key 1/4" x 1/4" x 2"	Clé 1/4" x 1/4" x 2"	2	102922
11	Sleeve	Douille	4	106370
12	Driveline guard #107396 with decals	Garde de l'arbre à cardan #107396 a/ déc.	1	107397
12.1	Driveline guard	Garde de l'arbre à cardan	1	107396
12.2	Decal danger belts	Decalque danger courroies	1	105128
12.3	Decal PTO	Décalque PTO	1	105852
13	Left skid shoe	Patin gauche	1	105795
14	Right skid shoe	Patin droit	1	105796
15	Chute shovel	Pelle à goulotte	1	105700
16	Chute shovel support	Support de pelle à goulotte	1	105701

O/L = Obtain Locally

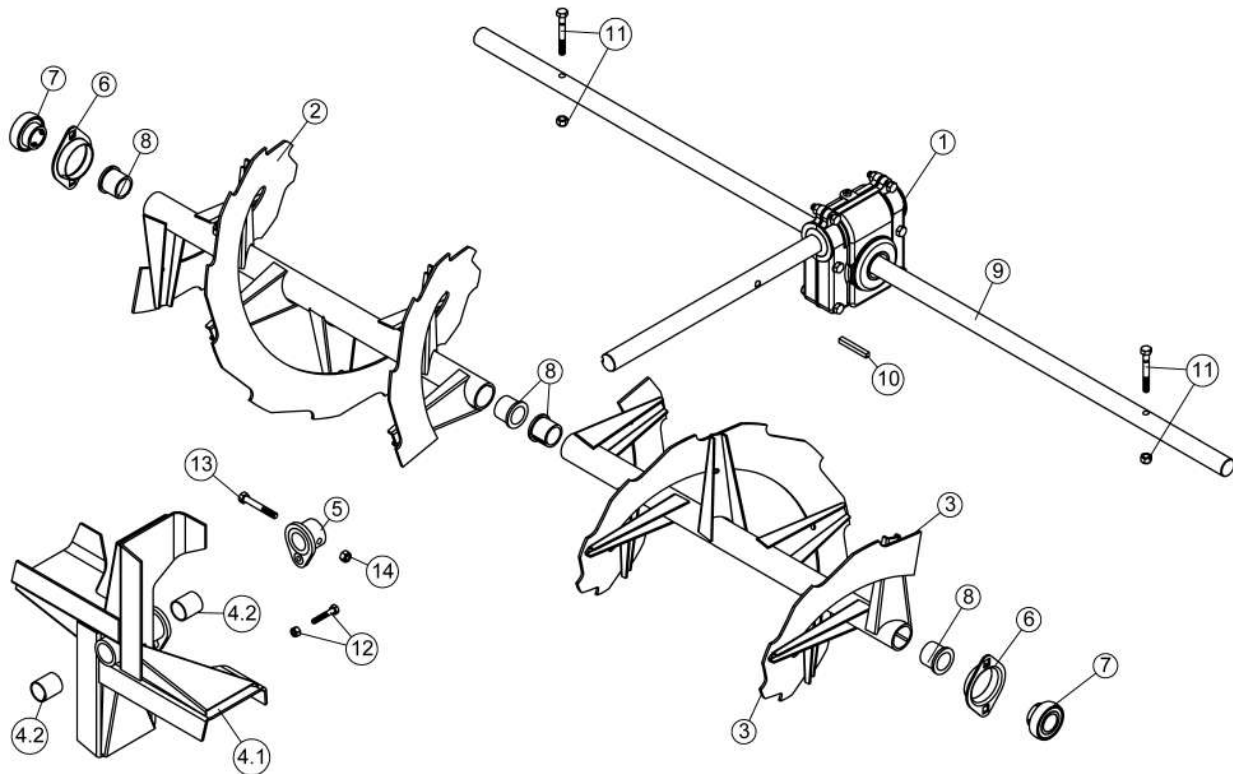
PARTS LIST

ASSEMBLED SNOWBLOWER #501001

REF.	ENGLISH DESCRIPTION	DESCRIPTION FRANÇAISE	QTY.	PART#
17	Reinforcement	Renfort	1	105484
18	Flangette	Flangette	2	102213
19	Bearing with set screw	Roulement à billes avec vis à pression	1	102755
20	Parking stand	Pied de stationnement	1	107394
21	Lock pin	Tige de verrouillage	2	103563
22	Square Tube Plug	Bouchon Pour Tube Carré	1	106775
23	Stand holder	Support de pied	1	107420
24	Hex. bolt 5/16" n.c. x 3/4" GR5	Boulon hex. 5/16" n.c. x 3/4" GR5	6	O/L (300NC.5P_5-16x3-4)
25	Hex. bolt 3/8" n.c. x 3/4" GR5	Boulon hex. 3/8" n.c. x 3/4" GR5	4	O/L (300NC.5P_3-8x3-4)
26	Hex. bolt 3/8" n.c. x 1" GR5	Boulon hex. 3/8" n.c. x 1" GR5	2	O/L (300NC.5P_3-8x1)
27	Hex. bolt 5/16" n.c. x 4 1/2" GR5	Boulon hex. 5/16" n.c. x 4 1/2" GR5	4	O/L (300NC.5P_5-16x4-1-2)
28	Carriage bolt 1/4" n.c. x 3/4 " GR5	Boulon à carrosserie 1/4" n.c. x 3/4" GR5	4	O/L (320NC.5P_1-4x3-4)
29	Carriage bolt 5/16" n.c. x 3/4 " GR5	Boulon à carrosserie 5/16" n.c. x 3/4 " GR5	6	O/L (320NC.5P_5-16x3-4)
30	Nylon Insert lock Nut 1/4" n.c.	Écrou à garniture de nylon 1/4" n.c.	4	O/L (335NC.P_1-4)
31	Nylon Insert lock Nut 5/16" n.c. GR5	Écrou à garniture de nylon 5/16" n.c. GR5	12	O/L (335NC.P_5-16)
32	Nylon Insert lock Nut 3/8" n.c.	Écrou à garniture de nylon 3/8" n.c.	6	O/L (335NC.P_3-8)
33	Flat washer 5/16" hole	Rondelle plate 5/16" trou	10	O/L (360.P_5-16T)
34	Lock washer 5/16"	Rondelle de blocage 5/16"	4	O/L (362.P_5-16)
35	Socket Head Cap Screw M5 x 0.80 x 10	Vis six PC tête ronde M5 x 0.80 x 10	2	O/L (412.Z_M5x0.80x10)

O/L = Obtain Locally

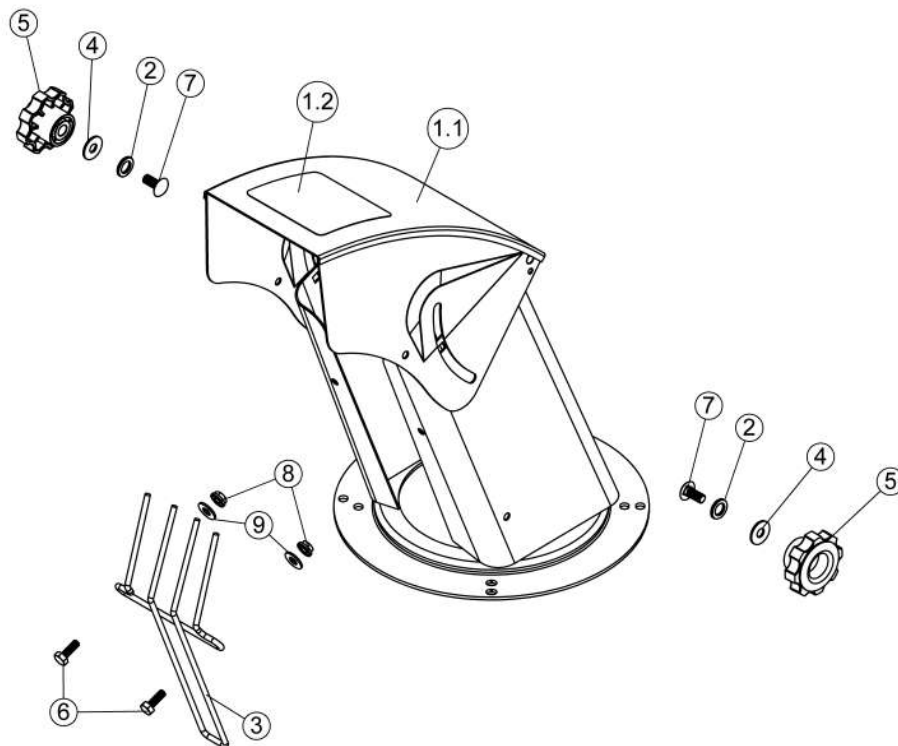
PARTS BREAKDOWN & PART LIST ASSEMBLED AUGERS #501003



REF.	ENGLISH DESCRIPTION	DESCRIPTION FRANÇAISE	QTY.	PART#
1	Gear box left rotation	Boîte d'engrenage rotation gauche	1	106483
2	Auger 56" left	Vis 56" gauche	1	106518
3	Auger 56" right	Vis 56" droite	1	106519
4	Fan with bushings	Éventail avec coussinets	1	105926
4.1	Fan	Éventail	1	105789
4.2	Oil lite bushing	Coussinet imprégné d'huile	2	102784
5	Shear plate	Plaque de cisaillement	1	103933
6	Flangette	Flangette	2	102680
7	Bearing with set screw	Roulement à billes avec vis à pression	2	102755
8	Rotation bushing	Coussinet de rotation	4	103946
9	Shaft 56"	Arbre 56"	1	106485
10	Key 1/4" x 1/4" x 2"	Clé 1/4" x 1/4" x 2"	1	102922
11	Shear bolt / N.I.L.N. (auger) pkg-10	Boulon de séc. / É.G.N. (vis) pqt-10	2	104000
12	Shear bolt / N.I.L.N. (fan) pkg-10	Boulon de séc./ É.G.N. (éven.) pqt-10	1	105627
13	Hex. bolt 5/16" n.c. x 2 1/4" GR8	Boulon hex. 5/16" n.c. x 2 1/4" GR8	1	O/L (300NC.8P_5-16x2-1-4)
14	Nylon Insert lock Nut 5/16" n.c. GR5	Écrou à garniture de nylon 5/16" n.c. GR5	1	O/L (335NC.P_5-16)

O/L = Obtain Locally

PARTS BREAKDOWN & PART LIST ASSEMBLED CHUTE #501004

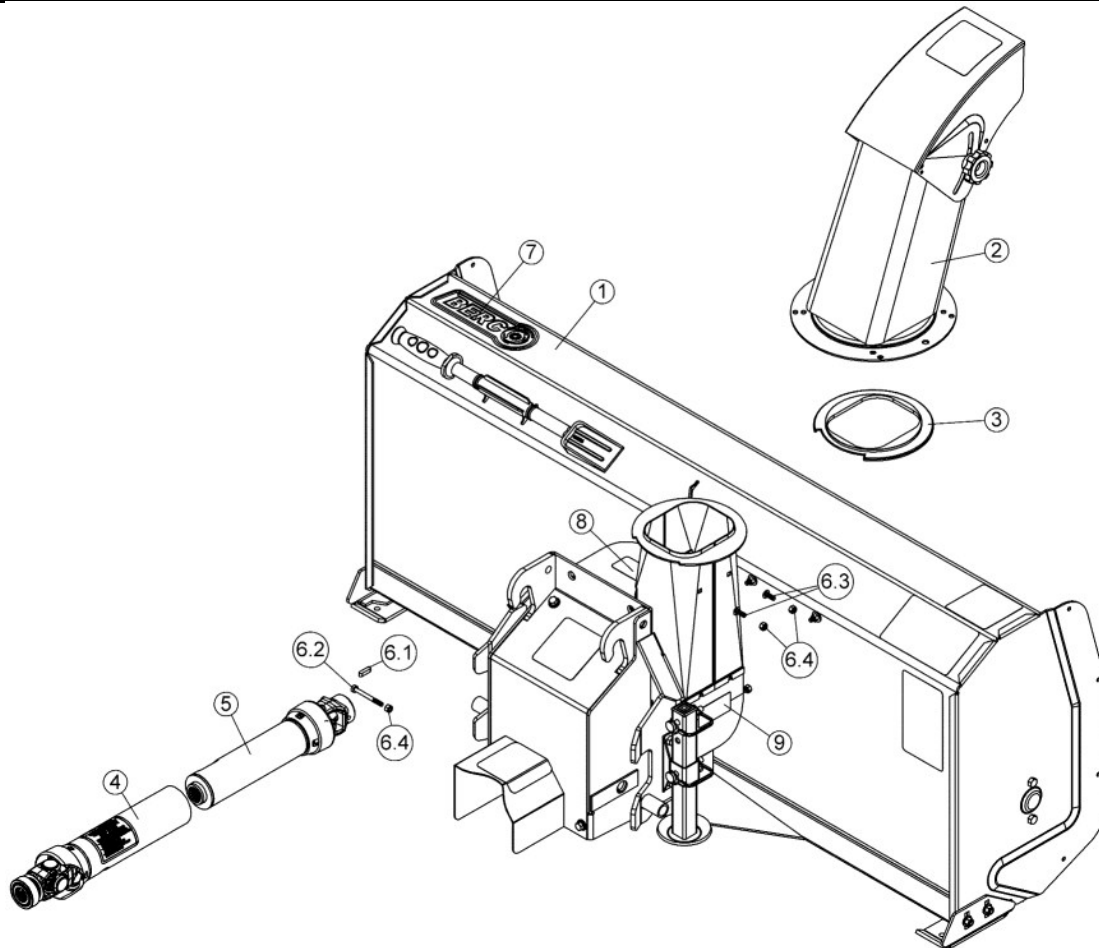


REF.	ENGLISH DESCRIPTION	DESCRIPTION FRANÇAISE	QTY.	PART#
1	Chute #105890 with safety decal	Goulotte #105890 a/ déc. de sécurité	1	106784
1.1	Chute	Goulotte	1	105890
1.2	Danger decal chute	Décalque danger goulotte	1	105127
2	Nylon flat washer 7/16"	Rondelle plate de nylon 7/16"	2	102011
3	Hand guard	Fourche protectrice	1	102012
4	Nylon flat washer 11/32"	Rondelle plate de nylon 11/32"	2	102009
5	Knob	Bouton	2	102020
6	Hex. bolt 1/4" n.c. x 3/4" GR5	Boulon hex. 1/4" n.c. x 3/4" GR5	2	O/L (300NC.5P_1-4x3-4)
7	Carriage bolt 5/16" n.c. x 3/4" GR5	Boulon à carrosserie 5/16" n.c. x 3/4" GR5	2	O/L (320NC.5P_5-16x3-4)
8	Flange nut 1/4" n.c.	Écrou à bride 1/4" n.c.	2	O/L (334NC.P_1-4)
9	Flat washer 5/16" hole	Rondelle plate 5/16" trou	2	O/L (360.P_5-16T)

O/L = Obtain Locally

PARTS BREAKDOWN & PART LIST

56" SNOWBLOWER TYPE "R" #700742

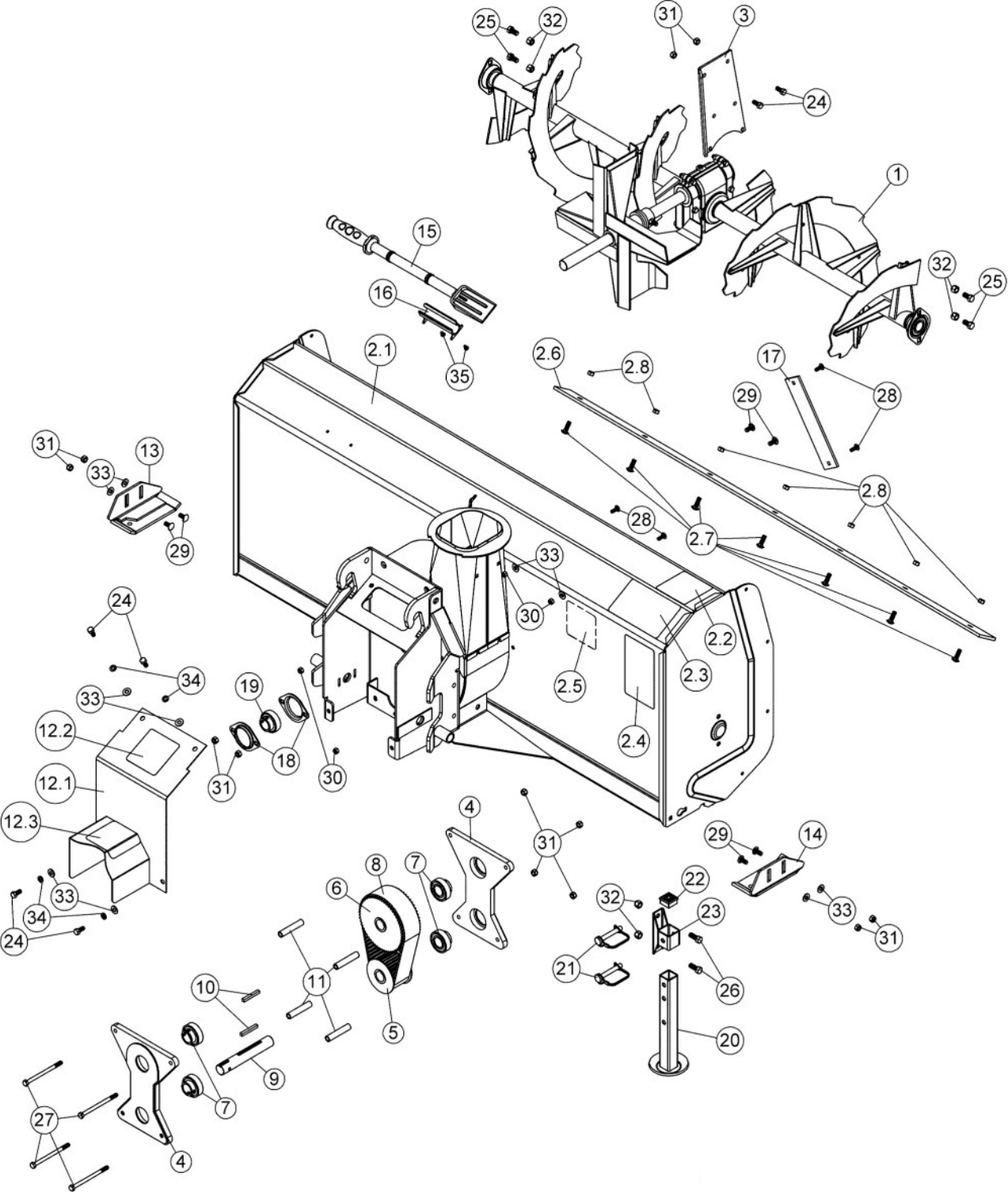


REF.	ENGLISH DESCRIPTION	DESCRIPTION FRANÇAISE	QTY.	PART#
1	Snowblower assembly	Souffleuse assemblée	1	501010
2	Chute assembly	Goulotte assemblée	1	501004
3	Rotation ring	Anneau de rotation	1	103943
4	Half Driveline	Demi-arbre à cardan	1	105769
5	Half Telescopic Driveline with Set Screw	Demi Arbre à Cardan avec Vis à Pression	1	105770
6	Hardware bag	Sac de quincaillerie	1	107419
6.1	Key 1/4" x 1/4" x 1.000"	Clé 1/4" x 1/4" x 1.000"	1	102017
6.2	Hex. bolt 1/4" n.c. x 2 1/2" GR5	Boulon hex. 1/4" n.c. x 2 1/2" GR5	1	O/L (300NC.5P_1-4x2-1-2)
6.3	Carriage bolt 1/4" n.c. x 3/4" GR5	Boulon à carrosserie 1/4" n.c. x 3/4" GR5	2	O/L (320NC.5P_1-4x3-4)
6.4	Nylon Insert lock Nut 1/4" n.c.	Écrou à garniture de nylon 1/4" n.c.	3	O/L (335NC.P_1-4)
7	Berco decal	Décalque Berco	1	102471
8	Made in Canada decal	Décalque Fabriqué au Canada	1	REF.
9	Serial number	Numéro de série	1	REF.

O/L = Obtain Locally

PARTS BREAKDOWN

ASSEMBLED SNOWBLOWER TYPE "R" #501010



PARTS LIST

ASSEMBLED SNOWBLOWER TYPE "R" #501010

REF.	ENGLISH DESCRIPTION	DESCRIPTION FRANÇAISE	QTY.	PART#
1	Auger assembly	Vis assemblées	1	501011
2	Frame 56" #107476 with safety decals	Châssis 56" #107476 a/ déc. de sécurité	1	107475
2.1	Frame 56"	Châssis 56"	1	107476
2.2	Decal danger auger	Decalque danger vis	1	105126
2.3	Decal warning safety	Decalque avertissement sécurité	1	105131
2.4	Decal read instructions	Decalque lire instructions	1	105130
2.5	Decal auger positioning	Décalque positionnement vis	1	107024
2.6	Cutting edge 56"	Racloir 56"	1	106486
2.7	Carriage bolt 5/16" n.c. x 1 " GR5	Boulon à carrosserie 5/16" n.c. x 1 " GR5	7	O/L (320NC.5N_5-16x1)
2.8	Stover lock nut 5/16" n.c.	Écrou de blocage 5/16" n.c.	7	O/L (338NC.N_5-16)
3	Gear box support	Support de boîte d'engrenage	1	105787
4	Rear support plate	Plaque de support arrière	2	106487
5	Sprocket	Pignon	1	106313
6	Sprocket	Pignon	1	106488
7	Bearing with set screw	Roulement à billes avec vis à pression	4	103242
8	Timing belt 640-8MT-50	Courroie synchronisée 640-8MT-50	1	105765
9	Input shaft	Arbre d'entrée	1	105771
10	Key 1/4" x 1/4" x 2"	Clé 1/4" x 1/4" x 2"	2	102922
11	Sleeve	Douille	4	106370
12	Driveline guard #107396 with decals	Garde de l'arbre à cardan #107396 a/ déc.	1	107397
12.1	Driveline guard	Garde de l'arbre à cardan	1	107396
12.2	Decal danger belts	Decalque danger courroies	1	105128
12.3	Decal PTO	Décalque PTO	1	105852
13	Left skid shoe	Patin gauche	1	105795
14	Right skid shoe	Patin droit	1	105796
15	Chute shovel	Pelle à goulotte	1	105700
16	Chute shovel support	Support de pelle à goulotte	1	105701

O/L = Obtain Locally

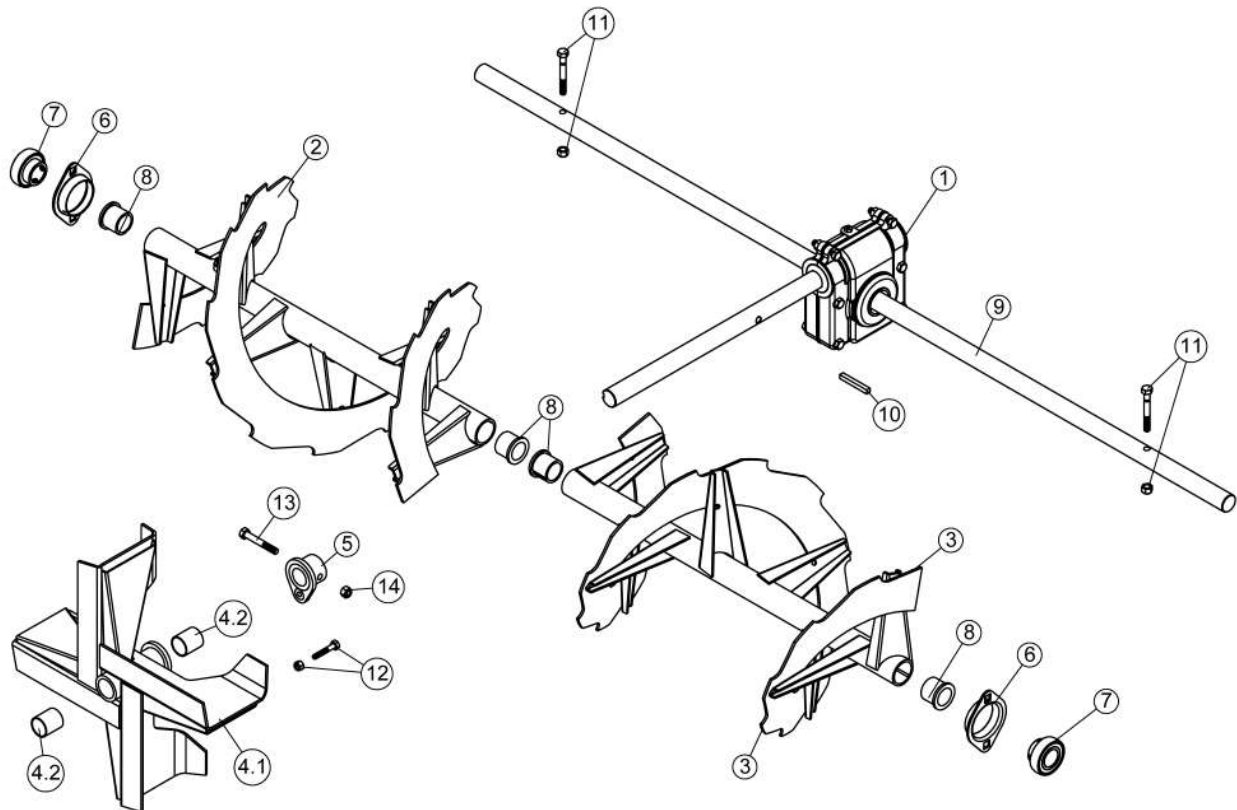
PARTS LIST

ASSEMBLED SNOWBLOWER TYPE "R" #501010

REF.	ENGLISH DESCRIPTION	DESCRIPTION FRANÇAISE	QTY.	PART#
17	Reinforcement	Renfort	1	105484
18	Flangette	Flangette	2	102213
19	Bearing with set screw	Roulement à billes avec vis à pression	1	102755
20	Parking stand	Pied de stationnement	1	107394
21	Lock pin	Tige de verrouillage	2	103563
22	Square Tube Plug	Bouchon Pour Tube Carré	1	106775
23	Stand holder	Support de pied	1	107420
24	Hex. bolt 5/16" n.c. x 3/4" GR5	Boulon hex. 5/16" n.c. x 3/4" GR5	6	O/L (300NC.5P_5-16x3-4)
25	Hex. bolt 3/8" n.c. x 3/4" GR5	Boulon hex. 3/8" n.c. x 3/4" GR5	4	O/L (300NC.5P_3-8x3-4)
26	Hex. bolt 3/8" n.c. x 1" GR5	Boulon hex. 3/8" n.c. x 1" GR5	2	O/L (300NC.5P_3-8x1)
27	Hex. bolt 5/16" n.c. x 4 1/2" GR5	Boulon hex. 5/16" n.c. x 4 1/2" GR5	4	O/L (300NC.5P_5-16x4-1-2)
28	Carriage bolt 1/4" n.c. x 3/4 " GR5	Boulon à carrosserie 1/4" n.c. x 3/4" GR5	4	O/L (320NC.5P_1-4x3-4)
29	Carriage bolt 5/16" n.c. x 3/4 " GR5	Boulon à carrosserie 5/16" n.c. x 3/4 " GR5	6	O/L (320NC.5P_5-16x3-4)
30	Nylon Insert lock Nut 1/4" n.c.	Écrou à garniture de nylon 1/4" n.c.	4	O/L (335NC.P_1-4)
31	Nylon Insert lock Nut 5/16" n.c. GR5	Écrou à garniture de nylon 5/16" n.c. GR5	12	O/L (335NC.P_5-16)
32	Nylon Insert lock Nut 3/8" n.c.	Écrou à garniture de nylon 3/8" n.c.	6	O/L (335NC.P_3-8)
33	Flat washer 5/16" hole	Rondelle plate 5/16" trou	10	O/L (360.P_5-16T)
34	Lock washer 5/16"	Rondelle de blocage 5/16"	4	O/L (362.P_5-16)
35	Socket Head Cap Screw M5 x 0.80 x 10	Vis six PC tête ronde M5 x 0.80 x 10	2	O/L (412.Z_M5x0.80x10)

O/L = Obtain Locally

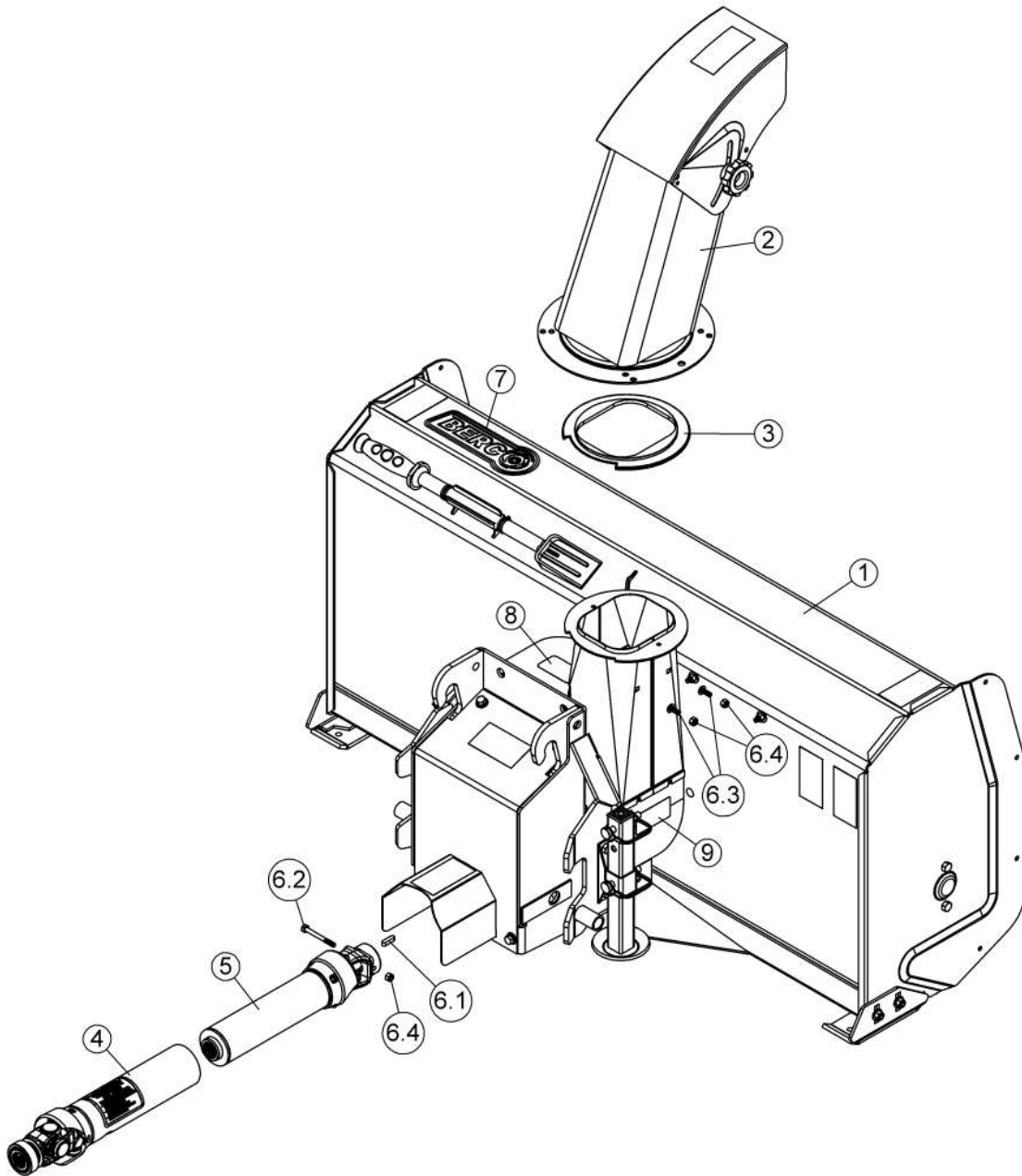
PARTS BREAKDOWN & PART LIST ASSEMBLED AUGERS TYPE "R" #501011



REF.	ENGLISH DESCRIPTION	DESCRIPTION FRANÇAISE	QTY.	PART#
1	Gear Box Right Rotation	Boîte d'Engrenage Rotation Droite	1	106714
2	Auger 56" left	Vis 56" gauche	1	106518
3	Auger 56" right	Vis 56" droite	1	106519
4	Fan with bushings	Éventail avec coussinets	1	107478
4.1	Fan	Éventail	1	106727
4.2	Oil lite bushing	Coussinet imprégné d'huile	2	102784
5	Shear plate	Plaque de cisaillement	1	103933
6	Flangette	Flangette	2	102680
7	Bearing with set screw	Roulement à billes avec vis à pression	2	102755
8	Rotation bushing	Coussinet de rotation	4	103946
9	Shaft 56"	Arbre 56"	1	106485
10	Key 1/4" x 1/4" x 2"	Clé 1/4" x 1/4" x 2"	1	102922
11	Shear bolt / N.I.L.N. (auger) pkg-10	Boulon de séc. / É.G.N. (vis) pqt-10	2	104000
12	Shear bolt / N.I.L.N. (fan) pkg-10	Boulon de séc./ É.G.N. (éven.) pqt-10	1	105627
13	Hex. bolt 5/16" n.c. x 2 1/4" GR8	Boulon hex. 5/16" n.c. x 2 1/4" GR8	1	O/L (300NC.8P_5-16x2-1-4)
14	Nylon Insert lock Nut 5/16" n.c. GR5	Écrou à garniture de nylon 5/16" n.c. GR5	1	O/L (335NC.P_5-16)

O/L = Obtain Locally

NOMENCLATURE ET LISTE DES PIÈCES / PARTS BREAKDOWN & PART LIST
Souffleuse 48" à PDF #700938
48" PTO Snowblower #700938

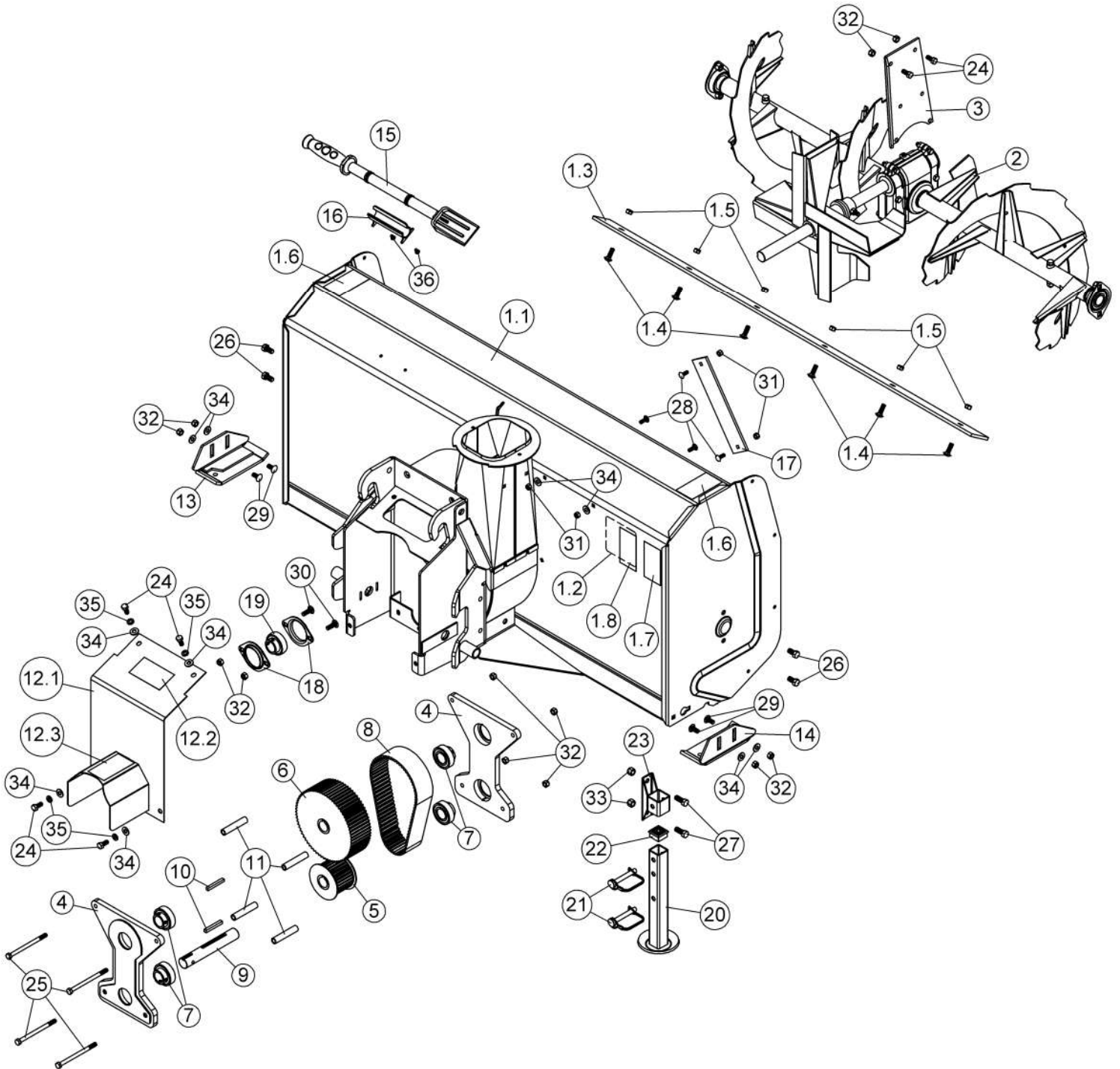


NOMENCLATURE ET LISTE DES PIÈCES / PARTS BREAKDOWN & PART LIST
Souffleuse 48" à PDF #700938
48" PTO Snowblower #700938

REF.	ENGLISH DESCRIPTION	DESCRIPTION FRANÇAISE	QTY.	PART#
1	48" Snowblower assembly	Souffleuse assemblée 48"	1	501447
2	Chute assembly	Goulotte assemblée	1	501448
3	Rotation ring	Anneau de rotation	1	103943
4	Half Driveline	Demi-arbre à cardan	1	105769
5	Half Telescopic Driveline with Set Screw	Demi Arbre à Cardan avec Vis à Pression	1	105770
6	Hardware bag	Sac de quincaillerie	1	107419
6.1	Key 1/4" x 1/4" x 1.000"	Clé 1/4" x 1/4" x 1.000"	1	102017
6.2	Hex. bolt 1/4" n.c. x 2 1/2" GR5	Boulon hex. 1/4" n.c. x 2 1/2" GR5	1	O/L (300NC.5P_1-4x2-1-2)
6.3	Carriage bolt 1/4" n.c. x 3/4 " GR5	Boulon à carrosserie 1/4" n.c. x 3/4" GR5	2	O/L (320NC.5P_1-4x3-4)
6.4	Nylon Insert lock Nut 1/4" n.c.	Écrou à garniture de nylon 1/4" n.c.	3	O/L (335NC.P_1-4)
7	Berco decal	Décalque Berco	1	102471
8	Made in Canada decal	Décalque Fabriqué au Canada	1	REF.
9	Serial number	Numéro de série	1	REF.

O/L = Obtenir Localement / Obtain Locally

NOMENCLATURE ET LISTE DES PIÈCES / PARTS BREAKDOWN & PART LIST
Souffleuse assemblée 48" #501447
48" Snowblower assembly #501447



NOMENCLATURE ET LISTE DES PIÈCES / PARTS BREAKDOWN & PART LIST

Souffleuse assemblée 48" #501447

48" Snowblower assembly #501447

REF.	ENGLISH DESCRIPTION	DESCRIPTION FRANÇAISE	QTY.	PART#
1	Frame 48" #109318 with safety decals	Châssis 48" #109318 a/ déc. de sécurité	1	109319
1.1	Frame 48"	Châssis 48"	1	109318
1.2	Decal auger positioning	Décalque positionnement vis	1	107024
1.3	Cutting edge 48"	Racloir 48"	1	105825
1.4	Carriage bolt 5/16" n.c. x 1 " GR5	Boulon à carrosserie 5/16" n.c. x 1 " GR5	6	O/L (320NC.5P_5-16x1)
1.5	Stover lock nut 5/16" n.c.	Écrou de blocage 5/16" n.c.	6	O/L (338NC.P_5-16)
1.6	Decal Danger Auger	Décalque Danger Vis	2	108550
1.7	Decal Read Instructions	Décalque lire Instructions	1	108551
1.8	Decal Maintenance	Décalque Maintenance	1	108556
2	Auger assembly	Vis assemblée	1	501212
3	Gear box support	Support de boîte d'engrenage	1	105787
4	Rear support plate	Plaque de support arrière	2	109133
5	Sprocket	Pignon	1	106313
6	Sprocket	Pignon	1	109132
7	Bearing with set screw	Roulement à billes avec vis à pression	4	103242
8	Timing belt 720-8MT-50	Courroie synchronisée 720-8MT-50	1	106348
9	Input shaft	Arbre d'entrée	1	105771
10	Key 1/4" x 1/4" x 2"	Clé 1/4" x 1/4" x 2"	2	102922
11	Sleeve	Douille	4	106370
12	Driveline guard #109321 with safety decals	Garde de l'arbre à cardan #109321 a/ déc.	1	109322
12.1	Driveline guard	Garde de l'arbre à cardan	1	109321
12.2	Decal Danger Belts	Décalque Danger Courroies	1	108552
12.3	Decal PTO	Décalque PDF	1	108554
13	Left skid shoe	Patin gauche	1	105795
14	Right skid shoe	Patin droit	1	105796
15	Chute shovel	Pelle à goulotte	1	105700
16	Chute shovel support	Support de pelle à goulotte	1	105701
17	Reinforcement	Renfort	1	105484
18	Flangette	Flangette	2	102213
19	Bearing with set screw	Roulement à billes avec vis à pression	1	102755
20	Parking stand	Pied de stationnement	1	107394

O/L = Obtenir Localement / Obtain Locally

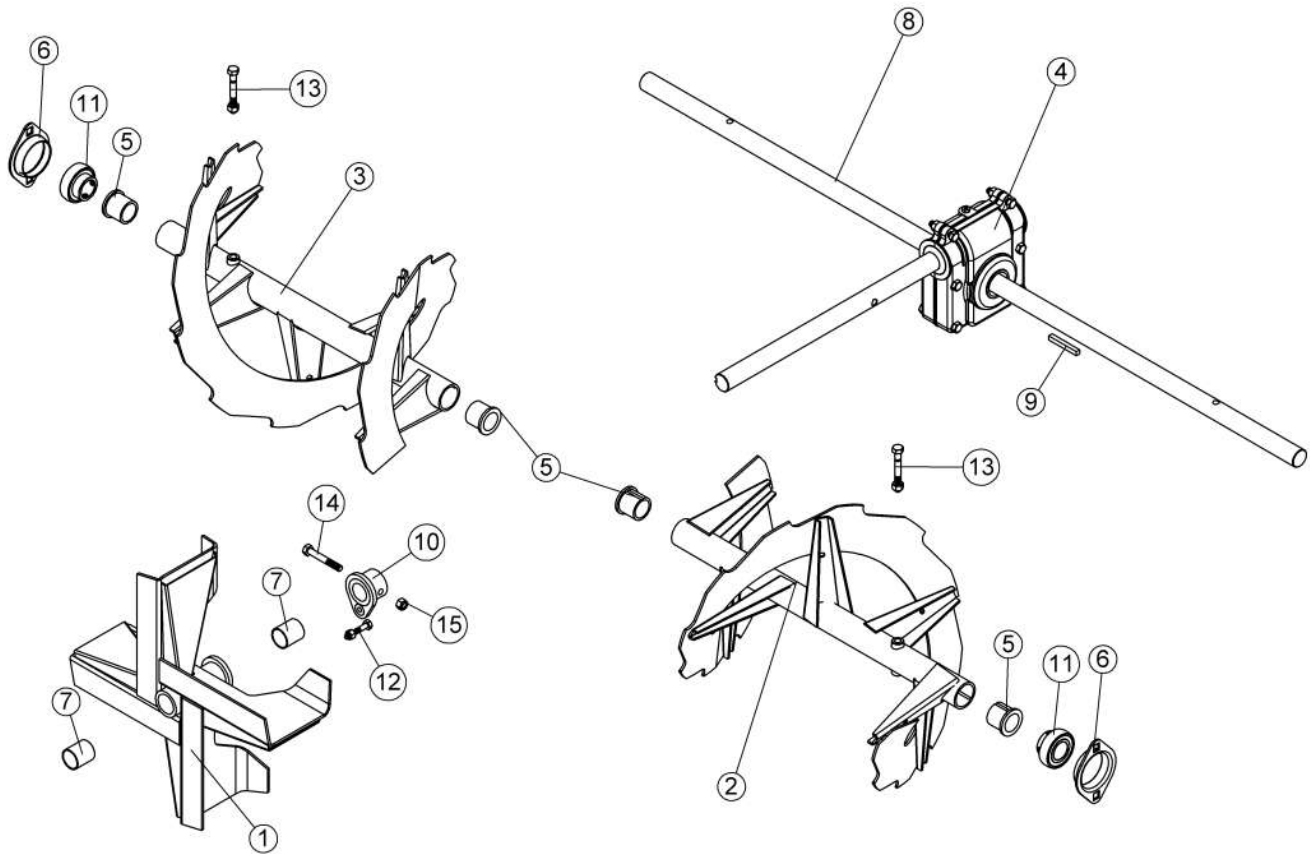
NOMENCLATURE ET LISTE DES PIÈCES / PARTS BREAKDOWN & PART LIST
Souffleuse assemblée 48" #501447
48" Snowblower assembly #501447

REF.	ENGLISH DESCRIPTION	DESCRIPTION FRANÇAISE	QTY.	PART#
21	Lock pin	Tige de verrouillage	2	103563
22	Square Tube Plug	Bouchon Pour Tube Carré	1	106775
23	Stand holder	Support de pied	1	107420
24	Hex. bolt 5/16" n.c. x 3/4" GR5	Boulon hex. 5/16" n.c. x 3/4" GR5	6	O/L (300NC.5P_5-16x3-4)
25	Hex. bolt 5/16" n.c. x 4 1/2" GR5	Boulon hex. 5/16" n.c. x 4 1/2" GR5	4	O/L (300NC.5P_5-16x4-1-2)
26	Hex. bolt 3/8" n.c. x 3/4" GR5	Boulon hex. 3/8" n.c. x 3/4" GR5	4	O/L (300NC.5P_3-8x3-4)
27	Hex. bolt 3/8" n.c. x 1" GR5	Boulon hex. 3/8" n.c. x 1" GR5	2	O/L (300NC.5P_3-8x1)
28	Carriage bolt 1/4" n.c. x 3/4 " GR5	Boulon à carrosserie 1/4" n.c. x 3/4" GR5	4	O/L (320NC.5P_1-4x3-4)
29	Carriage bolt 5/16" n.c. x 3/4 " GR5	Boulon à carrosserie 5/16" n.c. x 3/4 " GR5	4	O/L (320NC.5P_5-16x3-4)
30	Carriage bolt 5/16" n.c. x 1 " GR5	Boulon à carrosserie 5/16" n.c. x 1 " GR5	2	O/L (320NC.5P_5-16x1)
31	Nylon Insert lock Nut 1/4" n.c.	Écrou à garniture de nylon 1/4" n.c.	4	O/L (335NC.P_1-4)
32	Nylon Insert lock Nut 5/16" n.c. GR5	Écrou à garniture de nylon 5/16" n.c. GR5	12	O/L (335NC.P_5-16)
33	Nylon Insert Lock Nut 3/8" n.c.	Écrou à garniture de nylon 3/8" n.c.	6	O/L (335NC.P_3-8)
34	Flat washer 5/16" hole	Rondelle plate 5/16" trou	10	O/L (360.P_5-16T)
35	Lock washer 5/16"	Rondelle de blocage 5/16"	4	O/L (362.P_5-16)
36	Socket Head Cap Screw M5 x 0.80 x 10	Vis six PC tête ronde M5 x 0.80 x 10	2	O/L (412.Z_M5x0.80x10)

O/L = Obtenir Localement / Obtain Locally

NOMENCLATURE ET LISTE DES PIÈCES / PARTS BREAKDOWN & PART LIST

Vis assemblée #501212
Auger assembly #501212

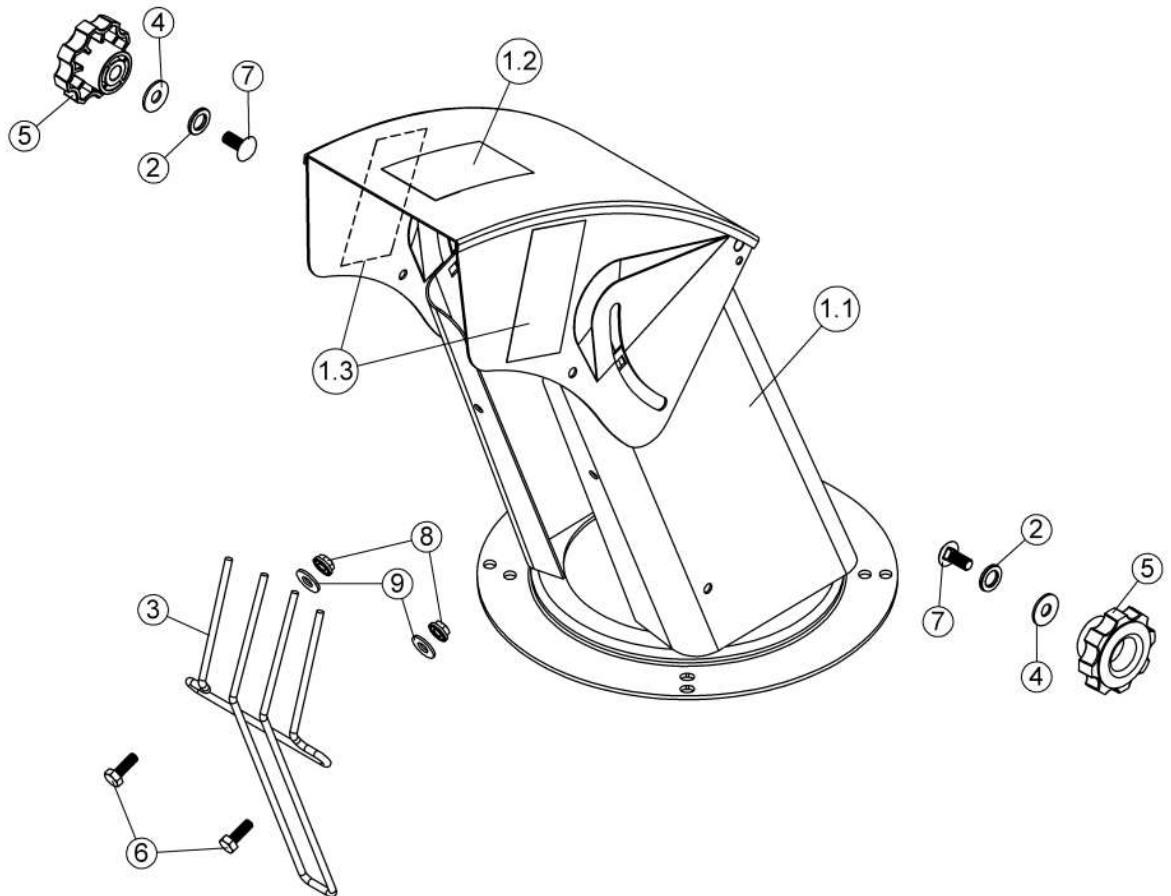


REF.	ENGLISH DESCRIPTION	DESCRIPTION FRANÇAISE	QTY.	PART#
1	Fan	Éventail	1	106727
2	Auger 48" right	Vis 48" droite	1	105794
3	Auger 48" left	Vis 48" gauche	1	105793
4	Gear Box Right Rotation	Boîte d'Engrenage Rotation Droite	1	106714
5	Rotation bushing	Coussinet de rotation	4	103946
6	Flangette	Flangette	2	102680
7	Oil lite bushing	Coussinet imprégné d'huile	2	102784
8	Shaft 48"	Arbre 48"	1	104721
9	Key 1/4" x 1/4" x 2"	Clé 1/4" x 1/4" x 2"	1	102922
10	Shear plate	Plaque de cisaillement	1	103933
11	Bearing with set screw	Roulement à billes avec vis à pression	2	102755
12	Shear bolt / N.I.L.N. (fan) pkg-10	Boulon de séc. / É.G.N. (éven.) pqt-10	1	105627
13	Shear bolt / N.I.L.N. (auger) pkg-10	Boulon de séc. / É.G.N. (vis) pqt-10	2	104000
14	Hex. bolt 5/16" n.c. x 2 1/4" GR5	Boulon hex. 5/16" n.c. x 2 1/4" GR5	1	O/L (300NC.5P_5-16x2-1-4)
15	Nylon Insert lock Nut 5/16" n.c. GR5	Écrou à garniture de nylon 5/16" n.c. GR5	1	O/L (335NC.P_5-16)

O/L = Obtenir Localement / Obtain Locally

NOMENCLATURE ET LISTE DES PIÈCES / PARTS BREAKDOWN & PART LIST
Goulotte assemblée #501448
Chute assembly #501448

REF.	ENGLISH DESCRIPTION	DESCRIPTION FRANÇAISE	QTY.	PART#
1	Chute #105890 with safety decal	Goulotte #105890 a/ déc. de sécurité	1	109177
1.1	Chute	Goulotte	1	105890
1.2	Decal Danger Chute	Décalque Danger Goulotte	1	108553
1.3	Decal Caution Projections	Décalque Attention Projections	2	108557
2	Nylon flat washer 7/16"	Rondelle plate de nylon 7/16"	2	102011
3	Hand guard	Fourche protectrice	1	102012
4	Nylon flat washer 11/32"	Rondelle plate de nylon 11/32"	2	102009
5	Knob	Bouton	2	102020
6	Hex. bolt 1/4" n.c. x 3/4" GR5	Boulon hex. 1/4" n.c. x 3/4" GR5	2	O/L (300NC.5P_1-4x3-4)
7	Carriage bolt 5/16" n.c. x 3/4" GR5	Boulon à carrosserie 5/16" n.c. x 3/4" GR5	2	O/L (320NC.5P_5-16x3-4)
8	Flange nut 1/4" n.c.	Écrou à bride 1/4" n.c.	2	O/L (334NC.P_1-4)
9	Flat washer 5/16" hole	Rondelle plate 5/16" trou	2	O/L (360.P_5-16T)

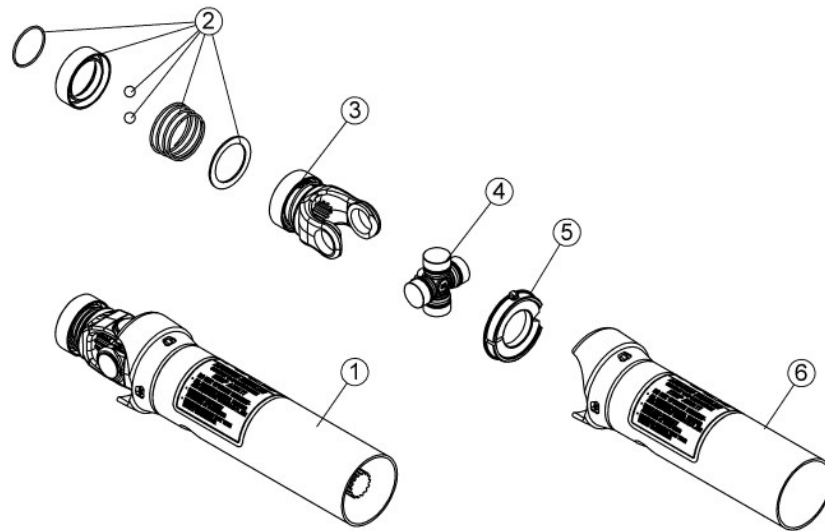


O/L = Obtenir Localement / Obtain Locally

PARTS BREAKDOWN & PART LIST

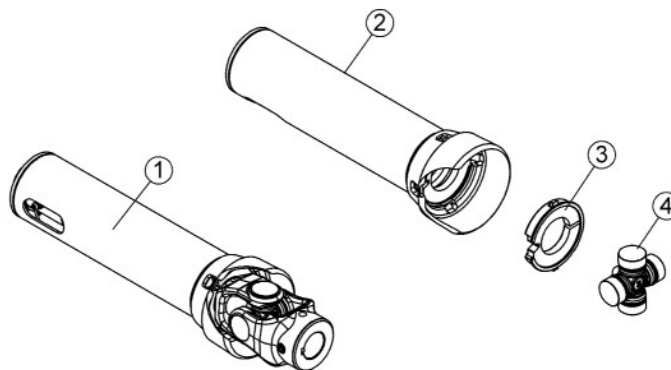
Nécessaire de réparation pour #105769 Repair kit for #105769

REF.	ENGLISH DESCRIPTION	DESCRIPTION FRANÇAISE	QTY.	PART#
1	Half Driveline	Demi-arbre à cardan	1	105769
2	Spring lock repair kit for PTO	Nécessaire de réparation pour PDF	1	102159
3	Quick disconnect yoke ass.	Fourche à désengagement rapide	1	102158
4	Universal Joint Kit	Croix de Joint Universel	1	107445
5	Guard repair kit	Ensemble de réparation de garde	1	107388
6	Outer guard	Garde extérieur	1	107389



Nécessaire de réparation pour #105770 Repair kit for #105770

REF.	ENGLISH DESCRIPTION	DESCRIPTION FRANÇAISE	QTY.	PART#
1	Half Telescopic Driveline with Set Screw	Demi Arbre à Cardan avec Vis à Pression	1	105770
2	Inner guard	Garde intérieur	1	107390
3	Guard repair kit	Ensemble de réparation de garde	1	107388
4	Universal Joint Kit	Croix de Joint Universel	1	107445



TORQUE SPECIFICATION TABLE

GENERAL TORQUE SPECIFICATION TABLE USE THE FOLLOWING TORQUES WHEN SPECIAL TORQUES ARE NOT GIVEN

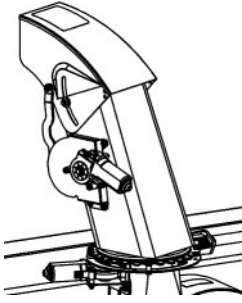
NOTE: These values apply to fasteners as received from supplier, dry or when lubricated with normal oil. They do not apply if special graphited or moly disulphide greases or other extreme pressure lubricants are used. This applies to both UNF and UNC threads.

* Thick nuts must be used with grade 8 bolts

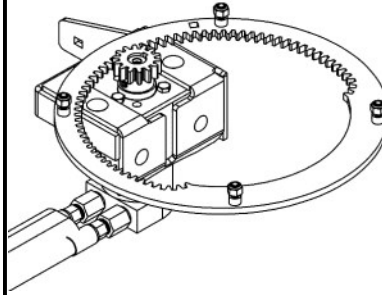
SEE Grade No.		2				5				8 *			
BOLT HEAD IDENTIFICATION MARKS AS PER GRADE NOTE MANUFACTURING MARKS WILL VARY		TORQUE				TORQUE				TORQUE			
BOLT SIZE		FOOT POUNDS		NEW TON-METERS		FOOT POUNDS		NEW TON-METERS		FOOT POUNDS		NEW TON-METERS	
Inches	Millimetre	Min.	Max.	Min.	Max.	Min.	Max.	Min.	Max.	Min.	Max.	Min.	Max.
1/4"	6.35	5	6	6.8	8.13	9	11	12.2	14.9	12	15	16.3	30.3
5/16"	7.94	10	12	13.6	16.3	17	20.5	23.1	27.8	24	29	32.5	39.3
3/8"	9.53	20	23	27.1	31.2	35	42	47.5	57	45	54	61	73.2
7/16"	11.11	30	35	40.7	47.4	54	64	73.2	86.8	70	84	94.9	113.9
1/2"	12.7	45	52	61	70.5	80	96	108.5	130.2	110	132	149.2	179
9/16"	14.29	65	75	88.1	101.6	110	132	149.2	179	160	192	217	260.4
5/8"	15.88	95	105	128.7	142.3	150	180	203.4	244.1	220	264	298.3	358
3/4"	19.05	150	185	203.3	250.7	270	324	366.1	439.3	380	456	515.3	618.3
7/8"	22.23	160	200	216.8	271	400	480	542.4	650.9	600	720	813.6	976.3
1"	25.4	250	300	338.8	406.5	580	696	786.5	943.8	900	1080	1220.4	1464.5

METRIC BOLT TORQUE SPECIFICATIONS							
		COARSE THREAD			FINE THREAD		
Size Screw	Grade No.	Pitch (mm)	Foot Pounds	Newton-Meters	Pitch (mm)	Foot Pounds	Newton-Meters
M6	4T	1.00	3.6 - 5.8	4.9 - 7.9	-	-	-
	7T		5.8 - 9.4	7.9 - 12.7		-	-
	8T		7.2 - 10	9.8 - 13.6		-	-
M8	4T	1.25	7.2 - 14	9.8 - 19	1.00	12 - 17	16.3 - 23
	7T		17 - 22	23 - 29.8		19 - 27	25.7 - 36.6
	8T		20 - 26	27.1 - 35.2		22 - 31	29.8 - 42
M10	4T	1.50	20 - 25	27.1 - 33.9	1.25	20 - 29	27.1 - 39.3
	7T		34 - 40	46.1 - 54.2		35 - 47	47.4 - 63.7
	8T		38 - 46	51.5 - 62.3		40 - 52	54.2 - 70.5
M12	4T	1.75	28 - 34	37.9 - 46.1	1.25	31 - 41	42 - 55.6
	7T		51 - 59	69.1 - 79.9		56 - 68	75.9 - 92.1
	8T		57 - 66	77.2 - 89.4		62 - 75	84 - 101.6
M14	4T	2.00	49 - 56	66.4 - 75.9	1.50	52 - 64	70.5 - 86.7
	7T		81 - 93	109.8 - 126		90 - 106	122 - 143.6
	8T		96 - 109	130.1 - 147.7		107 - 124	145 - 168
M16	4T	2.00	67 - 77	90.8 - 104.3	1.50	69 - 83	93.5 - 112.5
	7T		116 - 130	157.2 - 176.2		120 - 138	162.6 - 187
	8T		129 - 145	174.8 - 196.5		140 - 158	189.7 - 214.1
M18	4T	2.00	88 - 100	119.2 - 136	1.50	100 - 117	136 - 158.5
	7T		150 - 168	203.3 - 227.6		177 - 199	239.8 - 269.6
	8T		175 - 194	237.1 - 262.9		202 - 231	273.7 - 313
M20	4T	2.50	108 - 130	146.3 - 176.2	1.50	132 - 150	178.9 - 203.3
	7T		186 - 205	252 - 277.8		206 - 242	279.1 - 327.9
	8T		213 - 249	288.6 - 337.4		246 - 289	333.3 - 391.6

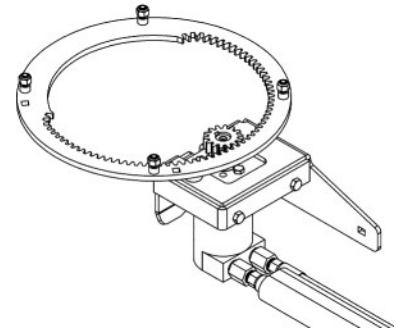
OPTIONS



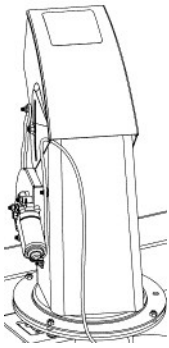
ELECTRIC DEFLECTOR AND CHUTE ROTATION KIT #700518
Allows to adjust the deflector or turn the chute from the driver's seat.



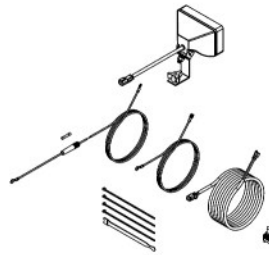
HYDRAULIC ROTATION KIT #700728
Allows to turn the chute with the vehicle's hydraulic outlets.
(for snowblower #700724)



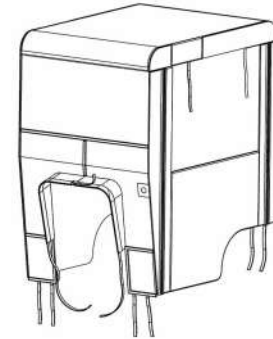
HYDRAULIC ROTATION KIT TYPE "R" #700661-1
Allows to turn the chute with the vehicle's hydraulic outlets.
(for snowblower #700742 / 700938)



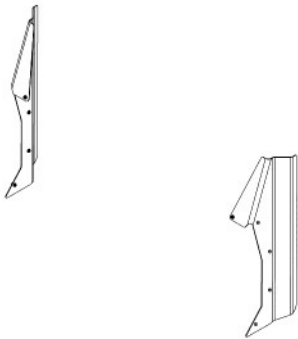
ELECTRIC DEFLECTOR ADJUSTMENT KIT #700559
Allows to adjust the deflector from the driver's seat.



LIGHT KIT #700456 & UNIVERSAL LIGHT ADAPTOR KIT #700668
Install on snowblower & provides a better visibility for night time use.



WINTER CAB 40" #700694
Adaptable on most compact diesel tractors.
(Bracket kit #700729 is required)



PAIR OF EXTENDED WINGS W/ SNOW DRIFT CUTTERS #700563
Allows to widen the snowblower 4 in. & to cut through snow drifts



SNOW DRIFT CUTTERS #700260
Allows to cut through snow drifts
Pkg of 2



***WHEN PERFORMANCE
& DEPENDABILITY
ARE NON NEGOTIABLE!***

**Bercomac Limitée
92, Fortin North, Adstock, Quebec, Canada, G0N 1S0**

WWW.BERCOMAC.COM

PRINTED IN CANADA

(ORIGINAL NOTICE)