

# GroundEffect

## SOIL FINISHER



### Superior Functionality

- Depth Control Rollers
- Lateral Flex Side to Side
- RubberTorsion Pivot Points
- Folding FlexLink Design

**1 Year Warranty**



**Model 76**

76" Working Width

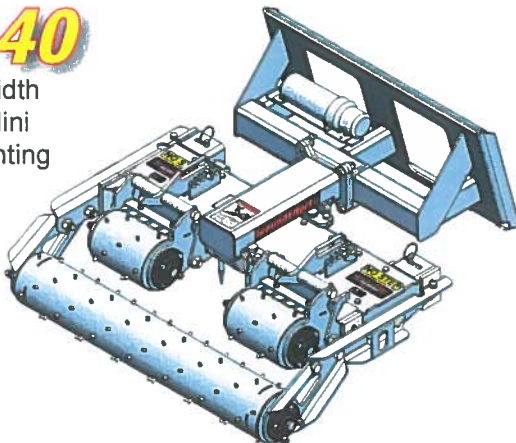


**21° Flex**

- Low maintenance
- 21° flex in each direction
- Mechanical; Non-Hydraulic
- Fully floating spike tube and roller
- Optimal visibility from vehicle seat
- Simple to operate, low operator fatigue
- Soil Finisher cannot gouge, reducing power requirements
- Maintains consistent, precise depth over any contour forward and backward

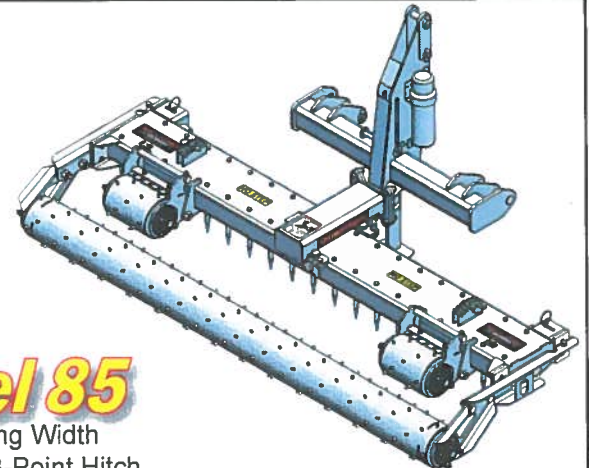
**Model 40**

40" Working Width  
Shown With Mini  
Skid Steer Mounting



**Model 85**

85" Working Width  
Shown With 3-Point Hitch

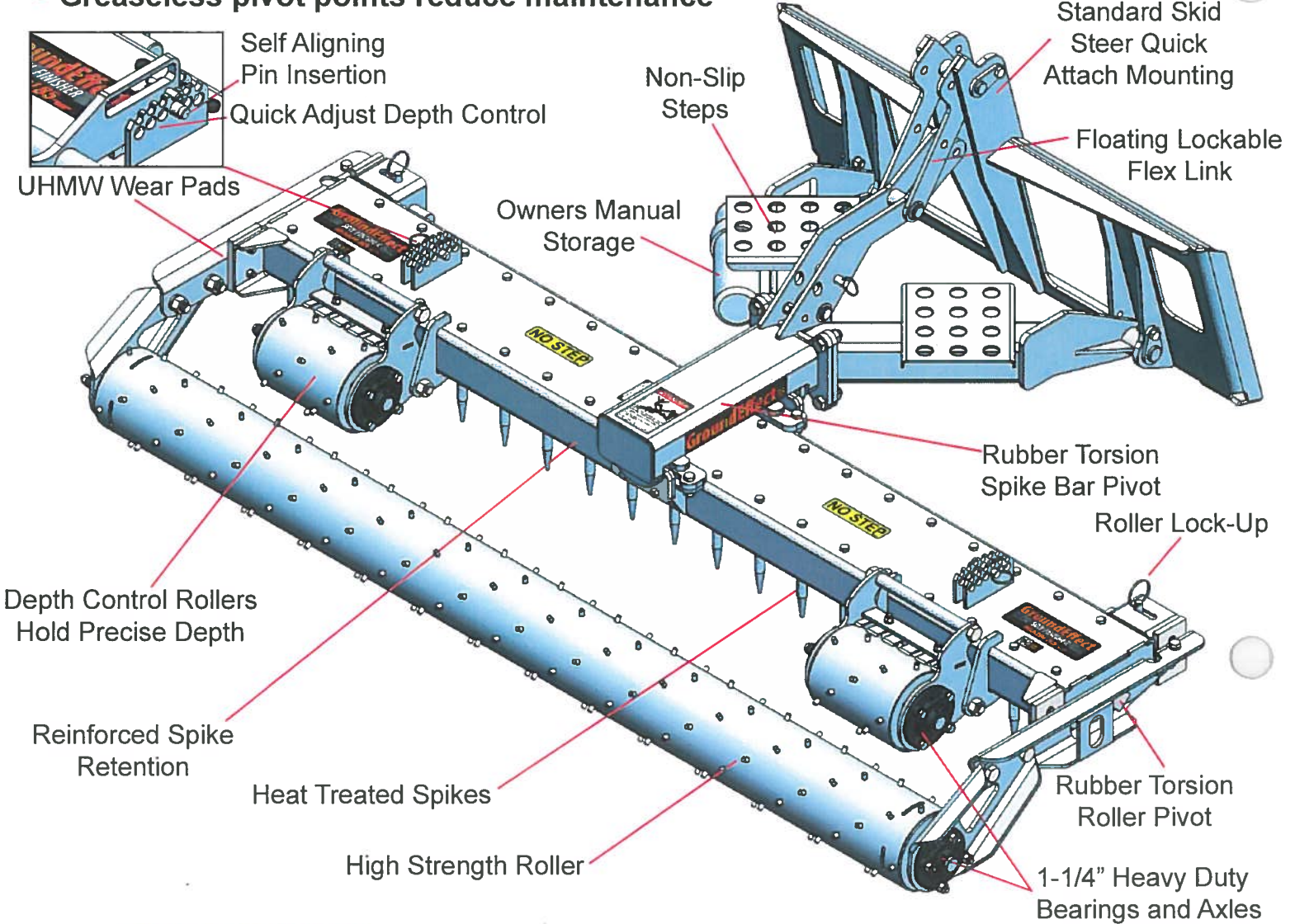


[www.buyGroundEffect.com](http://www.buyGroundEffect.com) • 712.262.4191



# Customer Focused Design for Long Term Durability

- Heat treated spikes are mechanically locked into position and are easily replaced
- Skid Steer and 3-point mountings bolt to the spike tube for easy conversion
- Greaseless pivot points reduce maintenance

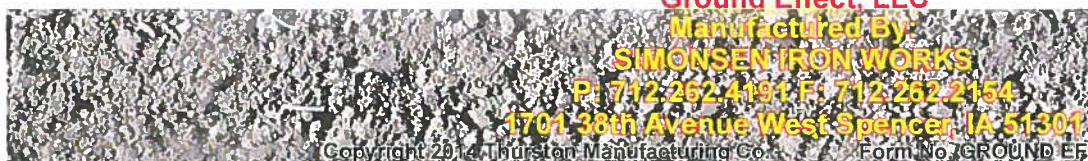
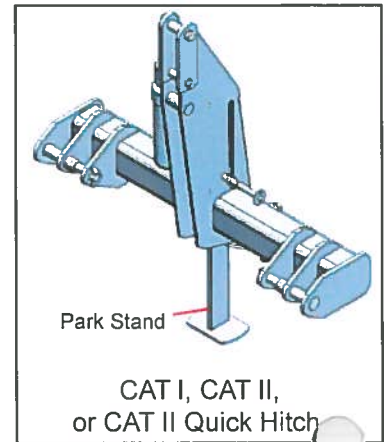


## Model 85

85" Working Width  
Shown With  
Skid Steer Mounting

### Patents Pending

Model	40"	76"	85"
W/Skid Steer Mounting	506 lbs.	720 lbs.	750 lbs.
W/3 Pt Mounting	597 lbs.	716 lbs.	745 lbs.
Spikes	17 qty	33 qty	37 qty



Ground Effect, LLC

Manufactured By  
**SIMONSEN IRON WORKS**

P: 712-262-4191 F: 712-262-2154

1701 38th Avenue West Spencer, IA 51301

Copyright 2014 Thurston Manufacturing Co.

Form No. GROUND EFF

## HARCO AG EQUIPMENT

5808 HWY 9 HARRISTON, ON NOG 1Z0

PH: 519-338-2923

FAX: 519-338-2756

[sales@harcoag.ca](mailto:sales@harcoag.ca) [www.harcoag.ca](http://www.harcoag.ca)