



# GRADING SCRAPERS

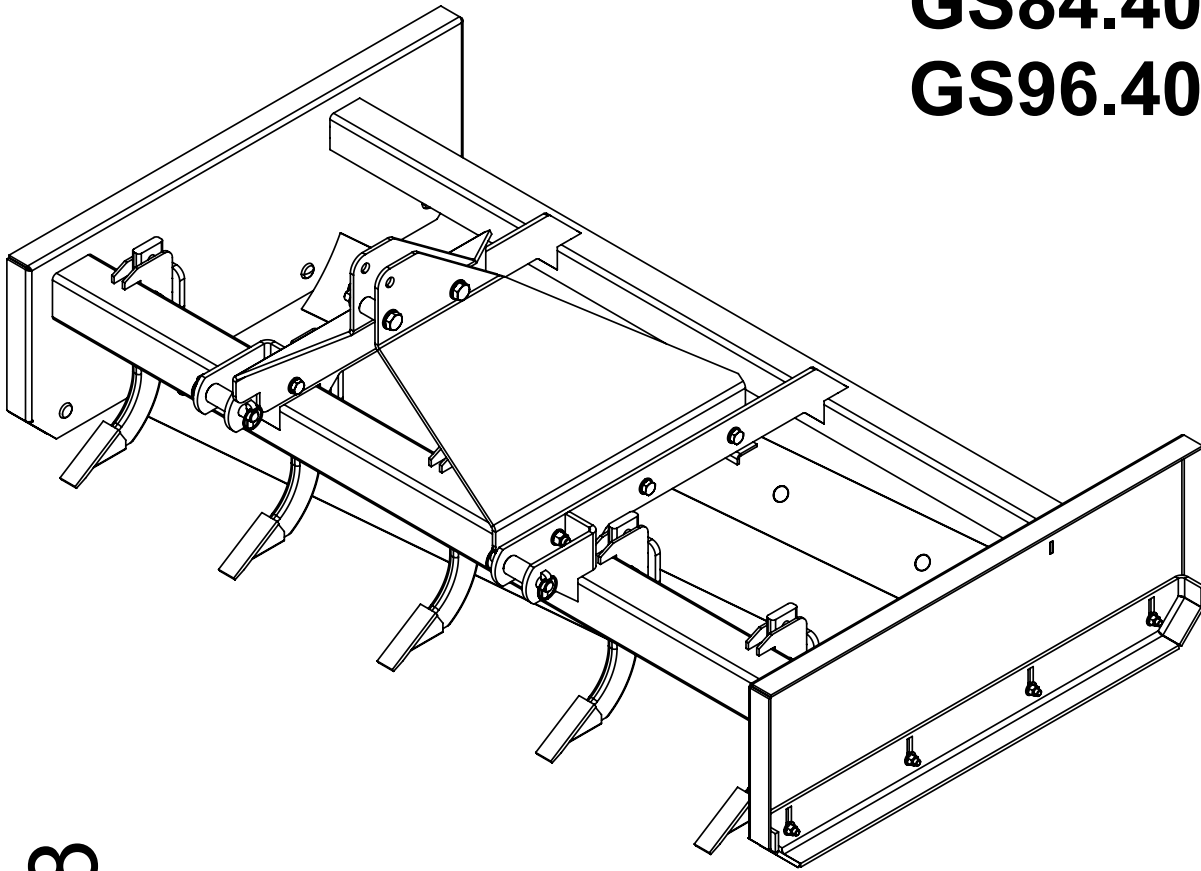
**GS54.30**

**GS60.30**

**GS72.30**

**GS84.40**

**GS96.40**



**MAN1378**  
(Rev 04/12/2024)

**OPERATOR'S MANUAL**

## TO THE DEALER:

Assembly and proper installation of this product is the responsibility of the Woods® dealer. Read manual instructions and safety rules. Make sure all items on the Dealer's Pre-Delivery and Delivery Checklists in the Operator's Manual are completed before releasing equipment to the owner.

The dealer must complete the Product Registration included with the Operator's Manual. The customer must sign the registration which certifies that all Dealer Checklist items have been completed. The dealer is to return the prepaid postage portion to Woods, give one copy to the customer, and retain one copy.

**Failure to register the product does not diminish customer's warranty rights.**

## TO THE OWNER:

Read this manual before operating your Woods equipment. The information presented will prepare you to do a better and safer job. Keep this manual handy for ready reference. Require all operators to read this manual carefully and become acquainted with all adjustment and operating procedures before attempting to operate. Replacement manuals can be obtained from your dealer. To obtain complete warranty details, visit [WoodsEquipment.com/warranty](http://WoodsEquipment.com/warranty). You may also request a hard copy by calling 1-800-319-6637 or mail your request to: Woods Equipment Company, Attn: Warranty Dept. 2606 South Illinois Route 2, Oregon, IL 61061. To locate your nearest dealer, check the Dealer Locator at [www.WoodsEquipment.com](http://www.WoodsEquipment.com), or in the United States and Canada call 1-800-319-6637.

The equipment you have purchased has been carefully engineered and manufactured to provide dependable and satisfactory use. Like all mechanical products, it will require cleaning and upkeep. Lubricate the unit as specified. Observe all safety information in this manual and safety decals on the equipment.

For service, your authorized Woods dealer has trained mechanics, genuine Woods service parts, and the necessary tools and equipment to handle all your needs.

Use only genuine Woods service parts. Substitute parts will void the warranty and may not meet standards required for safe and satisfactory operation. Record the model number and serial number of your equipment in the spaces provided:

**Model:** \_\_\_\_\_ **Date of Purchase:** \_\_\_\_\_

**Serial Number:** (see Safety Decal section for location) \_\_\_\_\_

Provide this information to your dealer to obtain correct repair parts.

Throughout this manual, the term **NOTICE** is used to indicate that failure to observe can cause damage to equipment. The terms **CAUTION**, **WARNING**, and **DANGER** are used in conjunction with the Safety-Alert Symbol (a triangle with an exclamation mark) to indicate the degree of hazard for items of personal safety.



This is the safety alert symbol. It is used to alert you to potential physical injury hazards. Obey all safety messages that follow this symbol to avoid possible injury or death.



Indicates a hazardous situation that, if not avoided, will result in death or serious injury.



Indicates a hazardous situation that, if not avoided, could result in death or serious injury.



Indicates a hazardous situation that, if not avoided, could result in minor or moderate injury.

**IMPORTANT  
or NOTICE**

Is used to address practices not related to physical injury.

**NOTE**

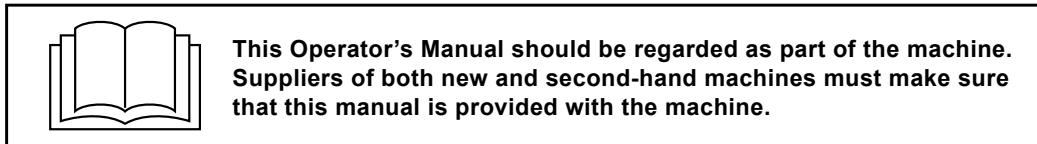
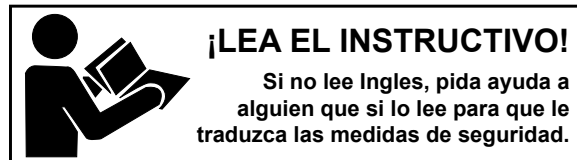
Indicates helpful information.

## 2 Introduction

MAN1378  
(04/12/2024)

# TABLE OF CONTENTS

<b>INTRODUCTION</b> . . . . .	<b>2</b>
WARRANTY INFORMATION . . . . .	2
SPECIFICATIONS . . . . .	4
GENERAL INFORMATION . . . . .	4
<b>SAFETY RULES</b> . . . . .	<b>5</b>
TRAINING . . . . .	5
PREPARATION . . . . .	5
OPERATION . . . . .	5
TRANSPORTATION . . . . .	6
MAINTENANCE . . . . .	6
STORAGE . . . . .	7
SAFETY DECALS . . . . .	8
<b>OPERATION</b> . . . . .	<b>10</b>
PRE-OPERATION CHECKLIST . . . . .	10
CONNECTING GRADING SCRAPER TO TRACTOR . . . . .	10
ADJUSTING TOP LINK . . . . .	12
SCARIFYING . . . . .	12
SCRAPING . . . . .	12
BACKFILLING . . . . .	12
LEVELING . . . . .	12
<b>OWNER SERVICE</b> . . . . .	<b>13</b>
BLOCKING UP GRADING SCRAPER . . . . .	13
REMOVING SCARIFIER SHANKS . . . . .	13
REPLACING CUTTING EDGE . . . . .	14
CLEANING . . . . .	14
STORAGE . . . . .	14
<b>ASSEMBLY</b> . . . . .	<b>15</b>
DEALER SET-UP INSTRUCTIONS . . . . .	15
ASSEMBLE GRADING SCRAPER . . . . .	15
<b>DEALER CHECKLISTS</b> . . . . .	<b>17</b>
<b>PARTS</b> . . . . .	<b>19</b>
<b>APPENDIX</b> . . . . .	<b>24</b>
BOLT TORQUE CHART . . . . .	24
BOLT SIZE CHART & ABBREVIATIONS . . . . .	25



# SPECIFICATIONS

Model	GS54.30	GS60.30	GS72.30	GS84.40	GS96.40
Tractor HP	30 max	45 max		65 max	
Tractor Hitch Category	Limited Cat 1 / Cat 1			Cat 1 / Cat 2	
Working Width (in)	54	60	72	84	96
Overall Length (in)	42.2	46.1			
Box Height (in)	14.0	16.0			
Skid Shoe Adjustment (in)	0 - 1.5				
Approximate Weight (lbs)	466	562	628	785	840
Number of Scarifiers	4	4	5	6	6
Scarifier Depth (in)	0, 1.5", 3.0"				
Scarifier Mounted	Heavy Duty Saddle				
Cutting Edges	2 - 1/2" x 6" (Reversible)				

## GENERAL INFORMATION

The purpose of this manual is to assist you in operating and maintaining your Grading Scraper. Read it carefully. It furnishes information and instructions that will help you achieve years of dependable performance. These instructions have been compiled from extensive field experience and engineering data. Some information may be general in nature, due to unknown and varying operating conditions. However, through experience and these instructions, you should be able to develop procedures suitable to your particular situation.

The illustrations and data used in this manual were current at the time of printing. However, due to possible inline production changes, your machine may vary slightly in detail. We reserve the right to redesign and change the machines as may be necessary without notification.

Throughout this manual, references are made to right and left directions. These are determined by standing behind the tractor facing the direction of forward travel.

## 4 Introduction

MAN1378  
(04/12/2024)

# SAFETY RULES



**ATTENTION! BECOME ALERT! YOUR SAFETY IS INVOLVED!**



Safety is a primary concern in the design and manufacture of our products. Unfortunately, our efforts to provide safe equipment can be wiped out by an operator's single careless act.

In addition to the design and configuration of equipment, hazard control and accident prevention are dependent upon the awareness, concern, judgement, and proper training of personnel involved in the operation, transport, maintenance and storage of equipment.

It has been said "The best safety device is an informed, careful operator." We ask you to be that kind of operator.

## TRAINING

- Safety instructions are important! Read all attachment and power unit manuals; follow all safety rules and safety decal information. (Replacement manuals and safety decals are available from your dealer. To locate your nearest dealer, check the Dealer Locator at [www.WoodsEquipment.com](http://www.WoodsEquipment.com), or in the United States and Canada call 1-800-319-6637.) Failure to follow instructions or safety rules can result in serious injury or death.
- If you do not understand any part of this manual and need assistance, see your dealer.
- Know your controls and how to stop engine and attachment quickly in an emergency.
- Operators must be responsible, trained, familiar with the instructions and be physically capable of the safe operation of the equipment, its attachments, and all controls. Do not allow anyone to operate this equipment without proper instructions.
- Never allow children or untrained persons to operate equipment.

## PREPARATION

- Check that all hardware is properly installed. Always tighten to torque chart specifications unless instructed otherwise in this manual.
- Always wear relatively tight and belted clothing to avoid entanglement in moving parts. Wear sturdy, rough-soled work shoes and protective equipment for eyes, hair, hands, hearing, and head.
- Make sure attachment is properly secured, adjusted, and in good operating condition.

- Power unit must be equipped with ROPS or ROPS cab and seat belt. Keep seat belt securely fastened. Falling off power unit can result in death from being run over or crushed. Keep foldable ROPS systems in "locked up" position at all times.
- Remove accumulated debris from this equipment, power unit, and engine to avoid fire hazard.
- Due to the mass of the (mounted) machine itself and loaded materials, the tractor machine combination can influence maneuverability and stability. A minimum 20% of tractor and equipment weight must be on the tractor front wheels when attachments are in transport position. Without this weight, front tractor wheels could raise up resulting in loss of steering. Without this weight, tractor could tip over, causing personal injury or death. The weight may be attained with front wheel weights, ballast in tires, front tractor weights or front loader. Weigh the tractor and equipment. DO NOT ESTIMATE.
- Make sure shields and guards are properly installed and in good condition. Replace if damaged.
- Make sure all safety decals are installed. Replace if damaged. (See Safety Decals section for location.)
- Inspect and clear area of stones, branches, or other hard objects that might be thrown, causing injury or damage.

## OPERATION

- Do not operate or transport equipment while under the influence of alcohol or drugs.
- Always comply with all state and local lighting and marking requirements.
- Operate only in daylight or good artificial light.
- Keep hands, feet, hair, and clothing away from equipment while engine is running. Stay clear of all moving parts.
- Power unit must be equipped with ROPS or ROPS cab and seat belt. Keep seat belt securely fastened. Falling off power unit can result in death from being run over or crushed. Keep foldable ROPS system in "locked up" position at all times.
- Never allow riders on power unit or attachment.
- Always sit in power unit seat when operating controls or starting engine. Securely fasten seat belt, place transmission in neutral, engage brake, and ensure all other controls are disengaged before starting power unit engine.

# SAFETY RULES



**ATTENTION! BECOME ALERT! YOUR SAFETY IS INVOLVED!**



- Look down and to the rear and make sure area is clear before operating in reverse.
- Use extreme care when working close to fences, ditches, other obstructions, or on hillsides.
- Do not operate or transport on steep slopes.
- Do not stop, start, or change directions suddenly on slopes.
- Use extreme care and reduce ground speed on slopes and rough terrain.
- Watch for hidden hazards on the terrain during operation.
- Stop power unit and equipment immediately upon striking an obstruction. Turn off engine, remove key, inspect, and repair any damage before resuming operation.
- Do not allow bystanders, children or animals within 25 feet of the area when operating, attaching, removing, assembling, or servicing equipment.
- Do not operate grading scraper at speeds above 5 mph.
- Before dismounting power unit or performing any service or maintenance, follow these steps: disengage power to equipment, lower the 3-point hitch and all raised components to the ground; operate valve levers to release any hydraulic pressure, set parking brake, stop engine, remove key, and unfasten seat belt.
- Never go underneath equipment (lowered to the ground or raised) unless it is properly blocked and secured. Never place any part of the body underneath equipment or between moveable parts even when the engine has been turned off. Hydraulic system leak down, hydraulic system failures, mechanical failures, or movement of control levers can cause equipment to drop or rotate unexpectedly and cause severe injury or death. Follow Operator's Manual instructions for working underneath and blocking requirements or have work done by a qualified dealer.

## TRANSPORTATION

- Always comply with all state and local lighting and marking requirements.
- Never allow riders on power unit or attachment.
- Do not operate or transport on steep slopes.
- Do not operate or transport equipment while under the influence of alcohol or drugs.

## MAINTENANCE

- Service and maintenance work not covered in OWNER SERVICE must be done by a qualified dealership. Special skills, tools, and safety procedures may be required. Failure to follow these instructions can result in serious injury or death.
- Before dismounting power unit or performing any service or maintenance, follow these steps: disengage power to equipment, lower the 3-point hitch and all raised components to the ground, operate valve levers to release any hydraulic pressure, set parking brake, stop engine, remove key, and unfasten seat belt.
- NEVER GO UNDERNEATH EQUIPMENT (LOWERED OR RAISED) UNLESS IT IS PROPERLY BLOCKED AND SECURED. Never place any part of the body underneath equipment or between moveable parts even when the engine has been turned off. Hydraulic system leak-down, hydraulic system failures, mechanical failures, or movement of control levers can cause equipment to drop or rotate unexpectedly and cause severe injury or death.
  - Service work does not require going underneath.
  - Read Operator's Manual for service instructions or have service performed by a qualified dealer.
- Always wear relatively tight and belted clothing to avoid getting caught in moving parts. Wear sturdy, rough-soled work shoes and protective equipment for eyes, hair, hands, hearing, and head; and respirator or filter mask where appropriate.
- Make sure attachment is properly secured, adjusted, and in good operating condition.
- Do not modify or alter or permit anyone else to modify or alter the equipment or any of its components in any way.

# SAFETY RULES



**ATTENTION! BECOME ALERT! YOUR SAFETY IS INVOLVED!**



- Never perform service or maintenance with engine running.
- Keep all persons and animals away from operator control area while performing adjustments, service, or maintenance.
- Eye protection must be used when removing or installing scarifier shank clips.
- Do not allow bystanders, children or animals in the area when operating, attaching, removing, assembling, or servicing equipment.
- Tighten all bolts, nuts, and screws to torque chart specifications. Check that all cotter pins are installed securely to ensure equipment is in a safe condition before putting unit into service.
- Make sure all safety decals are installed. Replace if damaged. (See Safety Decals section for location.)
- Use a suitable lifting device of sufficient capacity. Use adequate personnel to handle heavy components.

## STORAGE

- Follow manual instructions for blocking equipment and storage.
- Keep children, bystanders, and animals away from the equipment and the storage area.

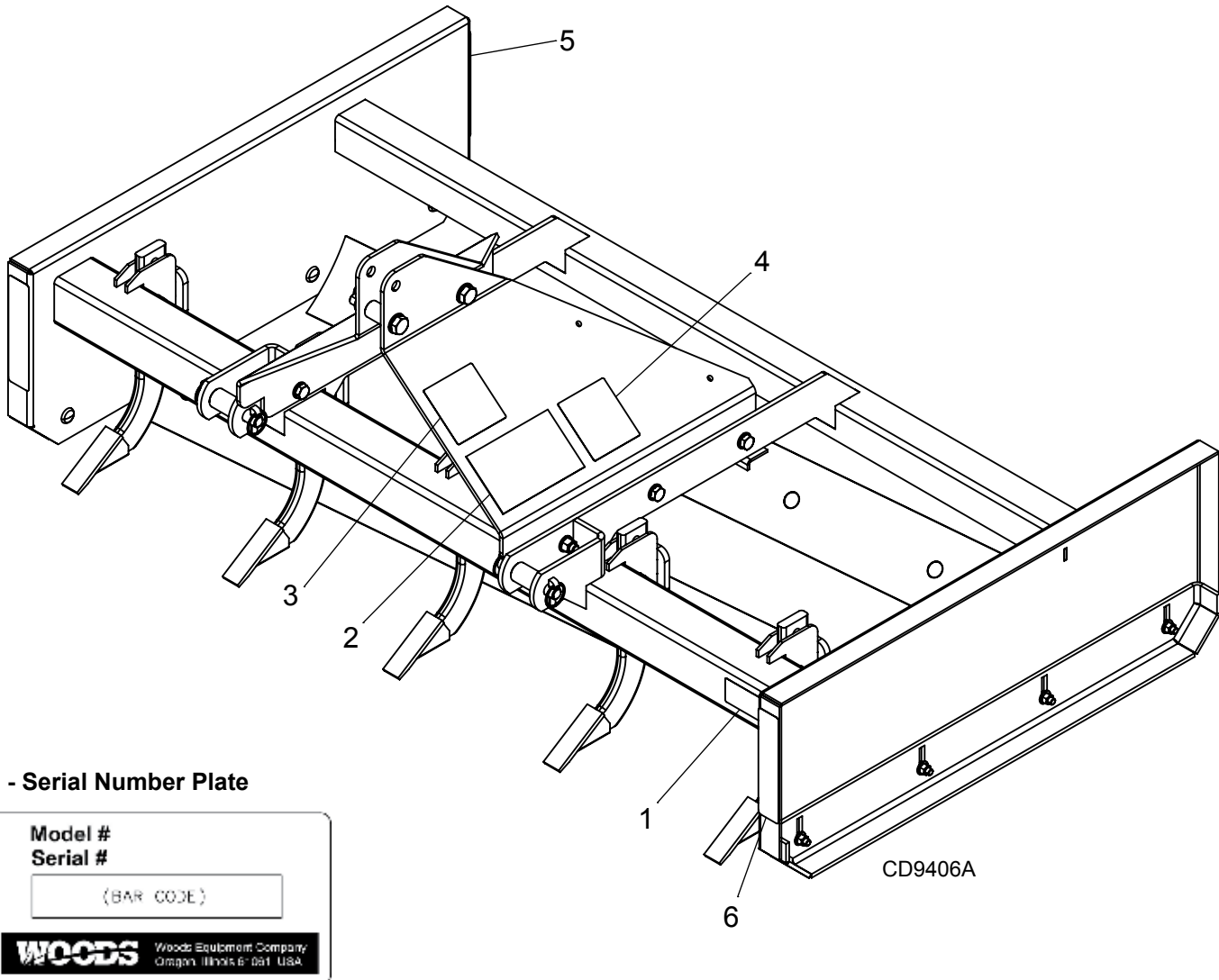
# SAFETY & INSTRUCTIONAL DECALS



**ATTENTION! BECOME ALERT! YOUR SAFETY IS INVOLVED!**



**Replace Immediately If Damaged!**



## 1 - Serial Number Plate



## BE CAREFUL!

Keep safety decals clean and visible.

Use a clean, damp cloth to clean safety decals.

Avoid spraying too close to decals when using a pressure washer; high-pressure water can enter through very small scratches or under edges of decals causing them to peel or come off.

Replace safety decals if they are missing or illegible.

Replacement safety decals can be ordered free from your Woods dealer. To locate your nearest dealer, check the Dealer Locator at [www.WoodsEquipment.com](http://www.WoodsEquipment.com), or in the United States and Canada call 1-800-319-6637.



# SAFETY & INSTRUCTIONAL DECALS



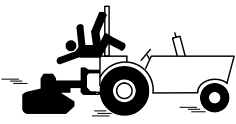
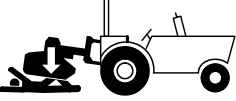
**ATTENTION! BECOME ALERT! YOUR SAFETY IS INVOLVED!**



**Replace Immediately If Damaged!**

2 - PN 55121

**⚠ DANGER**

	<p><b>FALLING OFF WILL RESULT IN BEING RUN OVER.</b></p> <ul style="list-style-type: none"> <li>■ Tractor must be equipped with ROPS (or ROPS CAB) and seat belt. Keep foldable ROPS systems in "locked up" position at all times.</li> <li>■ Buckle Up! Keep seat belt securely fastened.</li> <li>■ Allow no riders.</li> </ul>
	<p><b>RAISED IMPLEMENT CAN DROP AND CRUSH.</b></p> <ul style="list-style-type: none"> <li>■ Never go underneath raised implement which can drop from equipment or tractor 3-point hitch hydraulic leak down, hydraulic system failures, movement of control levers or mechanical linkage failures.</li> <li>■ Service work does not require going underneath implement. Read manual instructions.</li> </ul>

**FALLING OFF OR GOING UNDERNEATH IMPLEMENT WILL RESULT IN SERIOUS INJURY OR DEATH.**

55121 AE

3 - PN 55122

**⚠ WARNING**

**TO AVOID SERIOUS INJURY OR DEATH:**

- Read Operator's Manual before operating, servicing or repairing equipment. Follow all safety rules and instructions. (Manuals are available from dealer or call 1-800-319-6637.)
- Operate from tractor seat only.
- Lower equipment to ground, stop engine, remove key and set brake before dismounting tractor.
- Never allow children or untrained persons to operate equipment.
- Never allow riders.
- Keep bystanders away from equipment during operation.
- Keep all shields in place and in good condition.
- Do not transport towed or semi-mounted units over 20 mph (30 km/h).

**FAILURE TO FOLLOW THESE INSTRUCTIONS CAN RESULT IN INJURY OR DEATH.**

55122 AE

4 - PN 1003751

**⚠ WARNING**






**CRUSHING AND PINCHING HAZARD**

- Be extremely careful handling various parts of the machine. They are heavy and hands, fingers, feet, and other body parts could be crushed or pinched between tractor and implement.
- Operate tractor controls from tractor seat only.
- Do not stand between tractor and implement when tractor is in gear.
- Make sure parking brake is engaged before going between tractor and implement.
- Stand clear of machine while in operation or when it is being raised or lowered.

**FAILURE TO FOLLOW THESE INSTRUCTIONS COULD RESULT IN SERIOUS INJURY OR DEATH.**

1003751 AD

For GS96.40 model only:

5 - PN 57123

**REAR RED REFLECTOR**  
(2 places)

6 - PN 1002940

**FRONT AMBER REFLECTOR**  
(2 places)

# OPERATION

The operator is responsible for the safe operation of this equipment. The operator must be properly trained. Operators should be familiar with the equipment, the tractor, and all safety practices before starting operation. Read the safety rules and safety decals on page 5 through page 9.

The grading scrapers are designed for a wide range of applications: scarifying, scraping, leveling, and grading.

## PRE-OPERATION CHECKLIST

### (OWNER'S RESPONSIBILITY)

- \_\_\_\_\_ Review and follow all safety rules and safety decal instructions on pages 5 through 9.
- \_\_\_\_\_ Check that equipment is properly and securely attached to tractor.
- \_\_\_\_\_ Check that all safety decals are installed and in good condition. Replace if damaged
- \_\_\_\_\_ Check that all hardware and cotter pins are properly installed and secured.
- \_\_\_\_\_ Check that all lubrication points are greased.
- \_\_\_\_\_ Check that blade cutting edge is in good condition.
- \_\_\_\_\_ Check that all hydraulic hoses and fittings are in good condition and not leaking before starting tractor. Check that hoses are not twisted, bent sharply, kinked, frayed or pulled tight. Replace any damaged hoses immediately.

## WARNING

- Due to the mass of the (mounted) machine itself and loaded materials, the tractor machine combination can influence maneuverability and stability. A minimum 20% of tractor and equipment weight must be on the tractor front wheels when attachments are in transport position. Without this weight, front tractor wheels could raise up resulting in loss of steering. Without this weight, tractor could tip over, causing personal injury or death. The weight may be attained with front wheel weights, ballast in tires, front tractor weights or front loader. Weigh the tractor and equipment. **DO NOT ESTIMATE.**

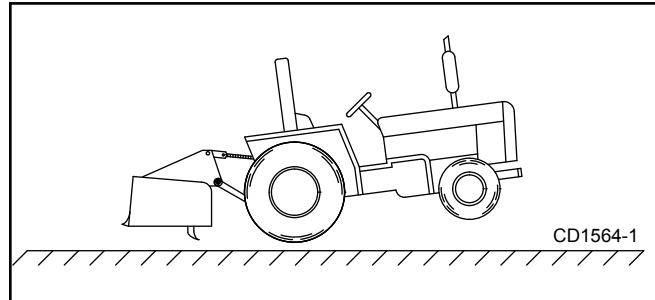


Figure 1. Tractor Stability

## CONNECTING GRADING SCRAPER TO TRACTOR

The GSXX.30 models are compatible with Category 1, 3-point tractors equipped with side swing-type lower lift arms. GSXX.40 models are compatible with Category 1 and 2 3-point hitches.

To avoid interference with the grading scraper, adjust tractor drawbar to the shortest and highest position.

### GSXX.30 Models

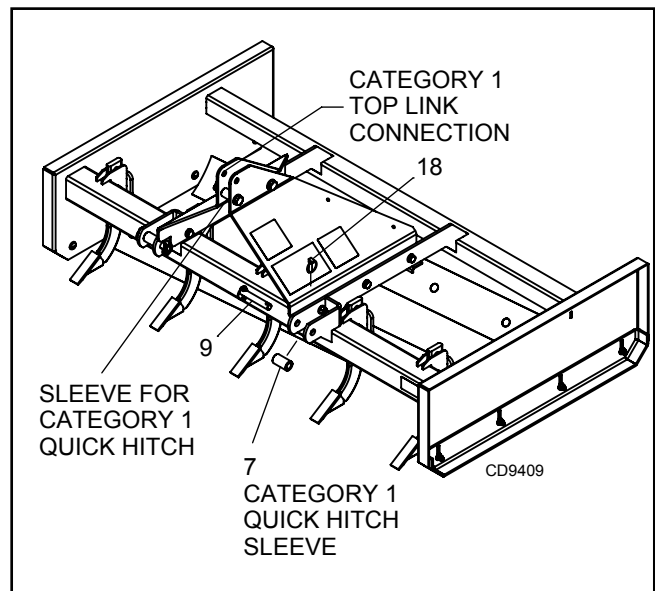


Figure 2. GSXX.30 Models

1. Attach tractor's lower 3-point arms to scraper lower hitch pin (9) and secure in place with klik pin (18).
2. Attach tractor top link to upper hole in mast plates using tractor heavy-duty top link pin. Secure with retaining pin supplied with tractor top link.
3. When using a Quick Hitch, install sleeve (7) on lower pins and secure with klik pin.
4. Quick Hitch attaches to lower hitch pin sleeves and sleeve between mast plates.

## GSXX.40 Models

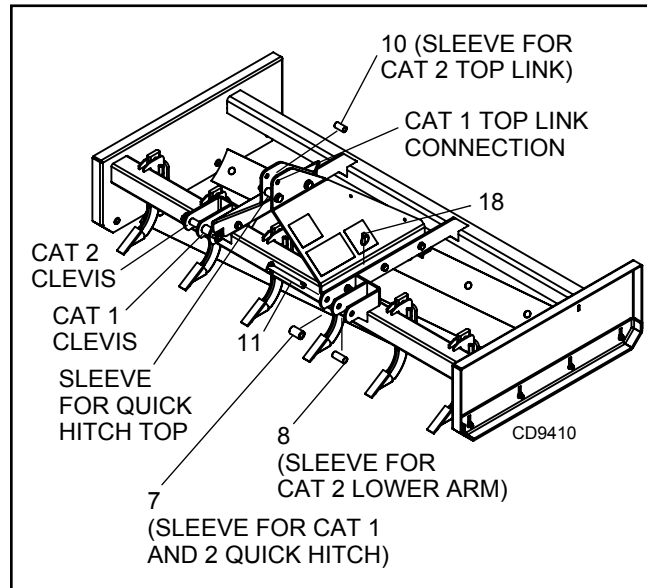


Figure 4. GSXX.40 Models

### Category 1 Three Point Hitch

1. Attach tractor's lower 3-point arms to scraper lower hitch pin (11) in the inner clevis of hitch bracket. Secure in place with klik pin (18).
2. Attach tractor top link to upper hole in mast plates using tractor heavy-duty top link pin. Secure with retaining pin supplied with tractor top link.
3. When using a Category 1 Quick Hitch, install sleeve (7) on inner clevis of lower hitch bracket and secure with klik pin.
4. Quick Hitch attaches to lower hitch pin sleeves and sleeve between mast plates.

### Category 2 Three Point Hitch

1. Attach tractor's lower 3-point arms to sleeve (8) and scraper lower hitch pin (11) in the outer clevis of hitch bracket. Secure in place with klik pin (18).
2. Attach tractor top link to sleeve (10) and upper hole in mast plates using tractor heavy-duty top link pin. Secure with retaining pin supplied with tractor top link.
3. When using a Category 2 Quick Hitch, install sleeve (7) on outer clevis of lower hitch bracket and secure with klik pin.
4. Quick Hitch attaches to lower hitch pin sleeves and sleeve between mast plates.

## Quick Hitch Connection

### NOTICE

- The 20 mm bolt and sleeve in the lower hole provide the attachment point for a Category 1 or 2 quick coupler. Do not remove this bolt and sleeve when operating the scraper.

For Category 1 quick hitch application, place hitch sleeves over mounting pin.

Align quick hitch with 3-point mount pins and top spacer sleeve between the right and left mast plates.

For Category 2 quick hitch, make sure sleeves are in outer clevis position on lower 3-point pins.

The top quick hitch hook will seat into spacer sleeve. This sleeve does not interfere when unit is used with a standard 3-point hitch.

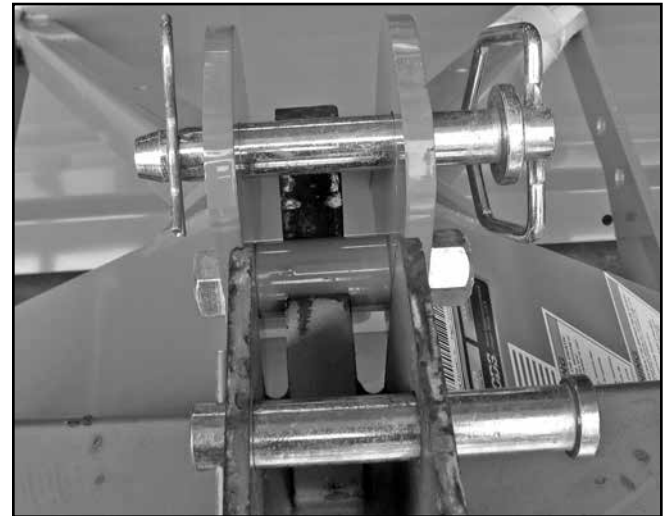


Figure 5. Top Quick Hitch Hook Connection

### ADJUSTING TOP LINK

The grading scraper is leveled by adjusting the length of the tractor's top link.

- Shortening the top link will deepen the scarifier tooth penetration.
- Lengthening the top link will provide better scraping and leveling action.

Experience will allow the operator to determine the best setting for the application being done.

### NOTICE

This unit is intended to move materials such as dirt, sand, gravel, etc. Unintended use may damage the grading scraper.

## **SCARIFYING**

1. Place the scarifier shanks in position with the points facing toward the tractor.
2. Lock into position with the lock pins provided. The lower shank position provides the greatest ground penetration.
3. Lower the grading scraper and drive the tractor ahead to begin the scarifying operation.
4. Adjust the depth of the scarifier by tilting the unit with the tractor top link. Shortening the top link will provide deeper and more aggressive operation.

## **SCRAPING**

1. Raise and remove scarifier shanks, if equipped. Adjust the depth of the scraper by tilting the unit with the tractor top link.
2. Adjust cutting edges by raising or lowering skid shoes to expose desired depth of cutting edge. The lower the cutting edge is below the skid shoes, the more aggressive the cut it will make.
3. Lower scraper and drive forward to cut and distribute material.

**NOTE:** The grading scraper does not scrape if tractor is moving in reverse

4. To change levelness of scraper, one skid shoe can be adjusted lower than the other. The tilt link on the lower lift arm of the tractor can also be adjusted to provide the correct slope.

**NOTE:** The five degree angle of the cutting edges produce a more aggressive and level cut than edges placed perpendicular to the direction of travel. The five degree angle also pulls the material slightly to the left hand side of the scraper (as you sit in the tractor's seat).

## **SPREADING AND LEVELING**

1. Raise or remove scarifier shanks.
2. To spread material, back into loose material and set scraper on ground. Drive forward, pulling material with you. Material will flow over cutting edges and spread along direction of travel. When material is gone, back up and make another pass. Repeat this process until material is spread as desired.
3. To crown a roadway, drive down right hand side of roadway and scraper will loosen material and pull it slightly left, toward center of roadway. The lower lift arm of the tractor can be adjusted to tilt scraper for a more aggressive crowning action.

# OWNER SERVICE

The information in this section is written for operators who possess basic mechanical skills. If you need help, your dealer has trained service technicians available. For your protection, read and follow the safety information in this manual.

## ⚠ WARNING

- **NEVER GO UNDERNEATH EQUIPMENT.** Never place any part of the body underneath equipment or between moveable parts even when the engine has been turned off. Hydraulic system leak-down, hydraulic system failures, mechanical failures, or movement of control levers can cause equipment to drop or rotate unexpectedly and cause severe injury or death.
  - Service work does not require going underneath implement.
  - Read Operator's Manual for service instructions or have service performed by a qualified dealer.
- Keep all persons and animals away from operator control area while performing adjustments, service, or maintenance.
- Before performing any service or maintenance, lower equipment to ground or block securely, turn off engine, remove key, and disconnect driveline from tractor PTO.

## ⚠ CAUTION

- Always wear relatively tight and belted clothing to avoid getting caught in moving parts. Wear sturdy, rough-soled work shoes and protective equipment for eyes, hair, hands, hearing, and head; and respirator or filter mask where appropriate.

### BLOCKING UP GRADING SCRAPER

**NOTE:** To service the grading scraper when attached to the tractor, it must be blocked up off the ground.

1. Place two 6" x 6" (15 x 15 cm) blocks under each side frame of the grading scraper as shown in Figure 6.
2. Lower the grading scraper to rest securely on the blocks.

**NOTE:** Do not block the machine any higher than needed for removing the shanks or cutting edge.

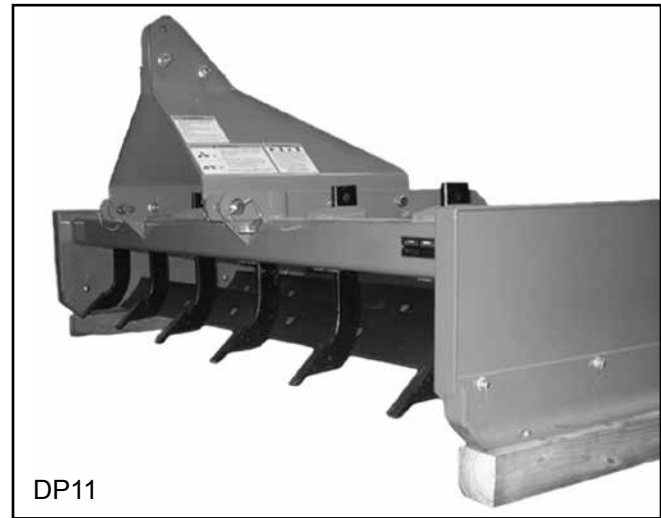


Figure 6. Grading Scraper Blocked Up

### REMOVING SCARIFIER SHANKS

Scarifier shanks have three operating positions in the scraper. They may be removed if scarifying action is not needed.

1. Block up machine by placing two 6" x 6" (15 x 15 cm) blocks under each side-frame of the grading scraper (see Figure 6).
2. Lower the grading scraper to rest securely on the blocks.

**NOTE:** Do not block the machine any higher than necessary to remove the shanks or cutting edge.
3. Remove safety pin and bent pin. Adjust scarifier to desired position, Figure 7.
4. Replace safety and lock pins.

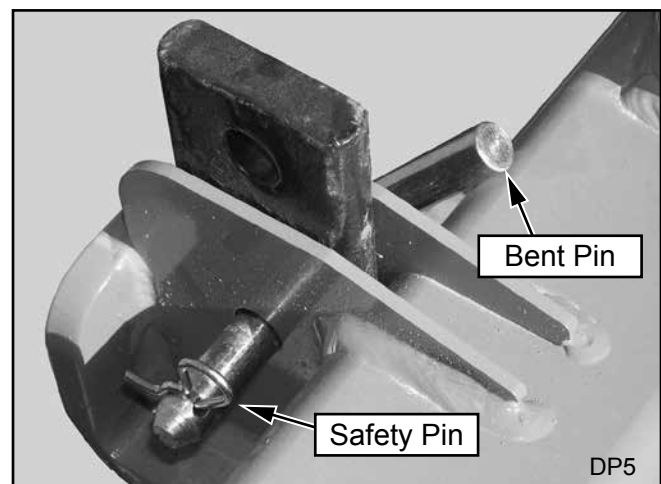


Figure 7. Scarifier Shank Adjustment

## **REPLACING CUTTING EDGE**

All grading scraper models use two 1/2" x 6" (12.7 x 152 mm) cutting edges. They are interchangeable and reversible.

To service the grading scraper when attached to the tractor, it must be blocked up off the ground.

1. Place two 6" x 6" (15 x 15 cm) blocks under each side-frame of the grading scraper (see Figure 6).
2. Lower the grading scraper to rest securely on the blocks.

**NOTE:** Do not block the machine any higher than necessary to remove the shanks or cutting edge.

3. Refer to parts drawing for your model, pages 20 - 25. Remove the lock nuts and plow bolts from grading scraper. Turn cutting edge over and use new edge, or replace it if both edges have been used.
4. Attach cutting edge to grading scraper and secure with plow bolts and hex nuts previously removed.

Torque plow bolts to specifications given in Bolt Torque Chart, page 24.

## **CLEANING**

### **After Each Use**

- Remove large debris such as clumps of dirt, grass, crop residue, etc. from machine.
- Inspect machine and replace worn or damaged parts.
- Replace any safety decals that are missing or not readable.

## **Periodically or Before Extended Storage**

- Clean large debris such as clumps of dirt, grass, crop residue, etc. from machine.
  - Remove the remainder using a low-pressure water spray.
1. Be careful when spraying near scratched or torn safety decals or near edges of decals as water spray can peel decal off surface.
  2. Be careful when spraying near chipped or scratched paint as water spray can lift paint.
  3. If a pressure washer is used, follow the advice of the pressure washer manufacturer.
- Inspect machine and replace worn or damaged parts.
  - Sand down scratches and the edges of areas of missing paint and coat with Woods spray paint of matching color (purchase from your Woods dealer).
  - Replace any safety decals that are missing or not readable (supplied free by your Woods dealer). See Safety Decals section for location drawing.

## **STORAGE**

- Block equipment securely for storage.
- Keep children, bystanders, and animals away from the equipment and the storage area.
- To help prevent injury caused by a falling implement, always detach on a hard level surface.
- Do not climb or lean on stored equipment.

# ASSEMBLY

## DEALER SET-UP INSTRUCTIONS

Assembly of this Grading Scraper is the responsibility of the WOODS dealer. It should be delivered to the owner completely assembled and adjusted for normal conditions.

Complete the Checklists on page 17 before delivering the attachment to the customer.

The Grading Scraper is shipped partially assembled. Assembly will be easier if components are aligned and loosely assembled before tightening hardware. Recommended torque values for hardware are located on page 24.

### **WARNING**

- **Before performing any service or maintenance, lower attachment to ground, turn off engine, set parking brake, and remove key.**
- **NEVER GO UNDERNEATH EQUIPMENT. Never place any part of the body underneath equipment or between moveable parts even when the engine has been turned off. Hydraulic system leak-down, hydraulic system failures, mechanical failures, or movement of control levers can cause equipment to drop or rotate unexpectedly and cause severe injury or death.**
  - **Service work does not require going underneath implement.**
  - **Read Operator's Manual for service instructions or have service performed by a qualified dealer.**
- **Keep all persons and animals away from operator control area while performing adjustments, service, or maintenance.**

### **CAUTION**

- **Always wear relatively tight and belted clothing to avoid getting caught in moving parts. Wear sturdy, rough-soled work shoes and protective equipment for eyes, hair, hands, hearing, and head; and respirator or filter mask where appropriate.**

## ASSEMBLE GRADING SCRAPER

### **GSXX.30, GSXX.40 Models**

1. Remove frame, loose parts and hardware from shipping crate.
2. Attach left mast plate (3) to scraper frame (1) using cap screws (23), washers (24) and nuts (25). See Figure 8.
3. Repeat step 2 for the right mast plate (2).
4. Locate sleeves (10) between mast plates lower holes. Secure with cap screws (26), washers (27) and nuts (28).
5. Torque hardware to recommended values shown on page 24.

### **All Models**

Early production models do not have scarifiers installed for shipment. Locate scarifiers in shipping crate.

1. Block up scraper by placing two 6" x 6" (15.24 cm x 15.24 cm) blocks under each side frame (see Figure 6).
2. Lower scraper to rest securely on the blocks.  
**NOTE:** Do not block the scraper any higher than necessary to install the scarifiers.
3. Remove safety pin and bent pin from scarifier mount. (Figure 7)
4. Install scarifier in the desired hole. Retain with bent pin and safety pin.
5. Repeat for remaining scarifiers.

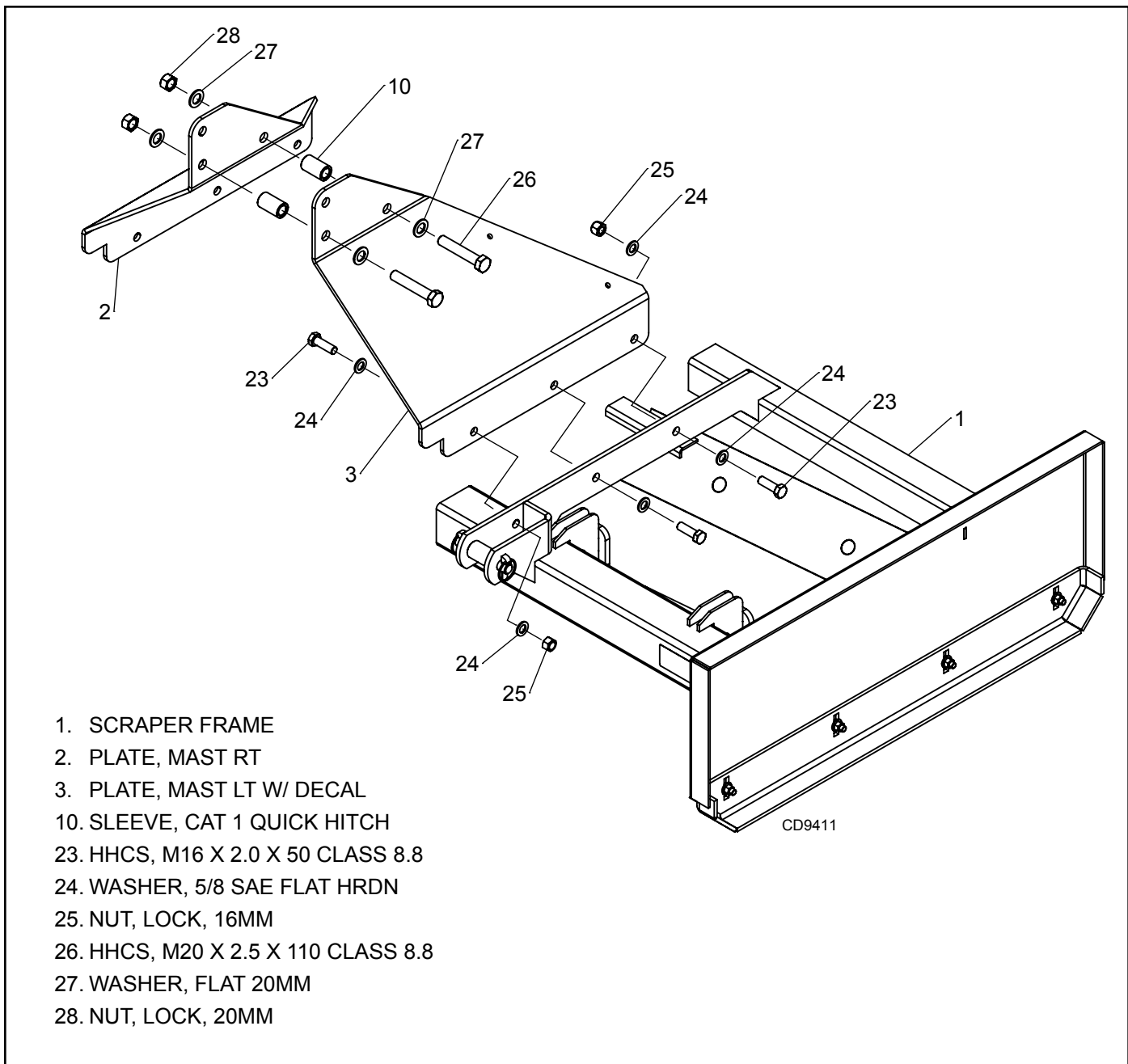


Figure 8. GSXX.30, GSXX.40 Models



# DEALER CHECKLISTS

## DEALER PRE-DELIVERY CHECKLIST (DEALER'S RESPONSIBILITY)

Inspect the equipment thoroughly after assembly to be certain it is set up properly before delivering it to the customer. The following checklist is a reminder of points to inspect. Check off each item if it is found satisfactory or after proper adjustment is made.

- \_\_\_\_\_ Check that all safety decals are installed and in good condition. Replace if damaged.
- \_\_\_\_\_ Check all bolts to be sure they are properly torqued.
- \_\_\_\_\_ Check that all cotter pins and safety pins are properly installed. Replace if damaged.

## DEALER DELIVERY CHECKLIST (DEALER'S RESPONSIBILITY)

- \_\_\_\_\_ Show customer the safe, proper procedures to be used when mounting, dismounting, and storing equipment.
- \_\_\_\_\_ For mounted units, add wheel weights, ballast in front tires, and/or front tractor weight to enhance front end stability. A minimum 20% of tractor and equipment gross weight must be on front tractor wheels. When adding weight to attain 20% of tractor and equipment weight on front tractor wheels, you must not exceed the ROPS weight certification. Weigh the tractor and equipment. Do not estimate!
- \_\_\_\_\_ Show customer how to make adjustments.
- \_\_\_\_\_ Present Operator's Manual and request that customer and all operators read it before operating equipment. Point out the manual safety rules, explain their meanings and emphasize the increased safety hazards that exist when safety rules are not followed.
- \_\_\_\_\_ Point out the safety decals. Explain their meaning and the need to keep them in place and in good condition. Emphasize the increased safety hazards when instructions are not followed.
- \_\_\_\_\_ Explain to customer the potential crushing hazards of going underneath raised equipment. Instruct customer that service work does not require going underneath unit and never to do so.

# NOTES

**18** *Notes*

MAN1378  
(04/12/2024)

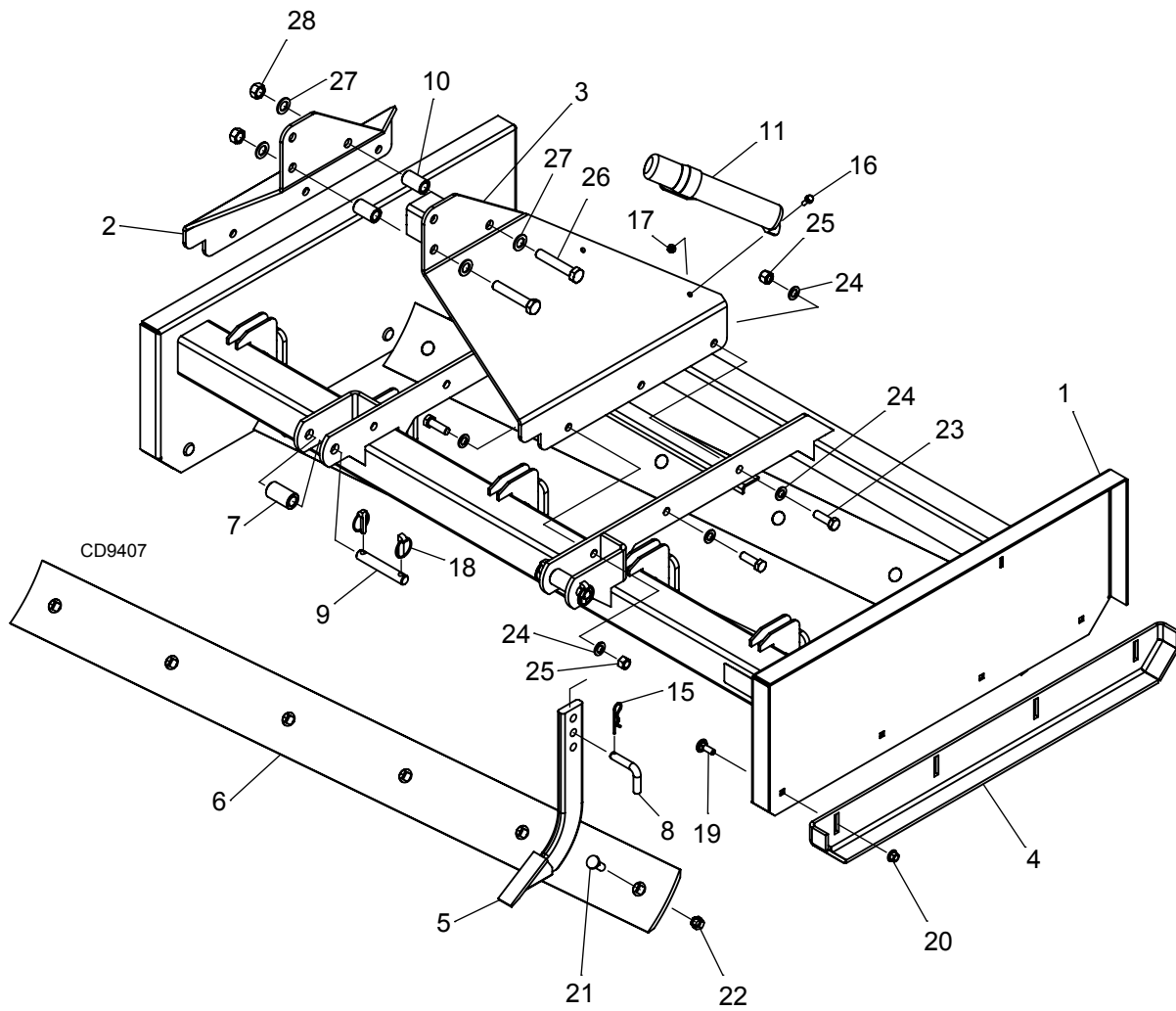


# Grading Scrapers

**GS54.30, GS60.30, GS72.30,  
GS84.40, GS96.40**

GS54.30, GS60.30, GS72.30 . . . . .	20 - 21
GS84.40, GS96.40 . . . . .	22 - 23

# GS54.30, GS60.30, GS72.30



**20 Parts**

MAN1378  
(04/12/2024)

## GS54.30, GS60.30, GS72.30 PARTS LIST

REF	GS54.30	GS60.30	GS72.30	QTY	DESCRIPTION
1	NSS	NSS	NSS	1	SCRAPER FRAME
2	645144	645130	645130	1	PLATE, MAST RT GSXX.30
3	645145	645131	645131	1	PLATE, MAST LT GSXX.30 W/ DECAL
4	645140	645128	645128	2	SKID, SHOE GSXX.30 W/ HDW (INCLUDES 19 AND 20)
5	1035770	1035770	1035770	A/R	SCARIFIER, SHANK AND TIP
6	645156	645157	645158	2	CUTTING EDGE W/ HARDWARE (INCLUDES 21 AND 22)
7	1002013	1002013	1002013	2	SLEEVE, .89 x 1.44 x 2.19
8	1005338	1005338	1005338	A/R	BENT PIN .62 X 3.0 (INCLUDES SAFETY PIN ITEM 15)
9	SU105	SU105	SU105	2	HITCH PIN (FOR REPAIR USE CAT 1 DRAWBAR PIN W/ LYNCH PIN ITEM 18)
10	1002018	1002018	1002018	2	SLEEVE, CAT 1 QUICK HITCH
11	1026530	1026530	1026530	1	MANUAL TUBE (OPTIONAL)
15	2688	2688	2688	*	SAFETY PIN, 5/32
16	71632	71632	71632	*	BOLT, WHIZ HEX.312-18 X 1 (OPTIONAL)
17	14139	14139	14139	*	NUT, HFN 5/16 NC, LOCK, GR G (OPTIONAL)
18	27542	27542	27542	*	PIN, KLIK HT 7/16 X 11/32
19	----	----	----	*	BOLT, CRG M12 X 1.75 X 35
20	1028338	1028338	1028338	*	NUT, FLANGE LOCK M12 X 1.75
21	26920	26920	26920	*	BOLT PLOW 5/8 NC X 1-3/4
22	6239	6239	6239	*	NUT, LOCK, 5/8 NC
23	37863	37863	37863	*	HHCS, M16 X 2.0 X 50 CLASS 8.8
24	57817	57817	57817	*	WASHER, 5/8 SAE FLAT HRDN
25	1008146	1008146	1008146	*	NUT, LOCK, 16MM
26	----	----	----	*	HHCS, M20 X 2.5 X 110 CLASS 8.8
27	----	----	----	*	WASHER, FLAT 20MM
28	----	----	----	*	NUT, LOCK, 20MM
NS	642655	642656	642658	2	DECAL, MODEL GSXX.30
NS	642840	642841	642842	2	DECAL, MODEL GSXX.30 FOR MASSEY FERGUSON

\* STANDARD HARDWARE, OBTAIN LOCALLY

A/R AS REQUIRED

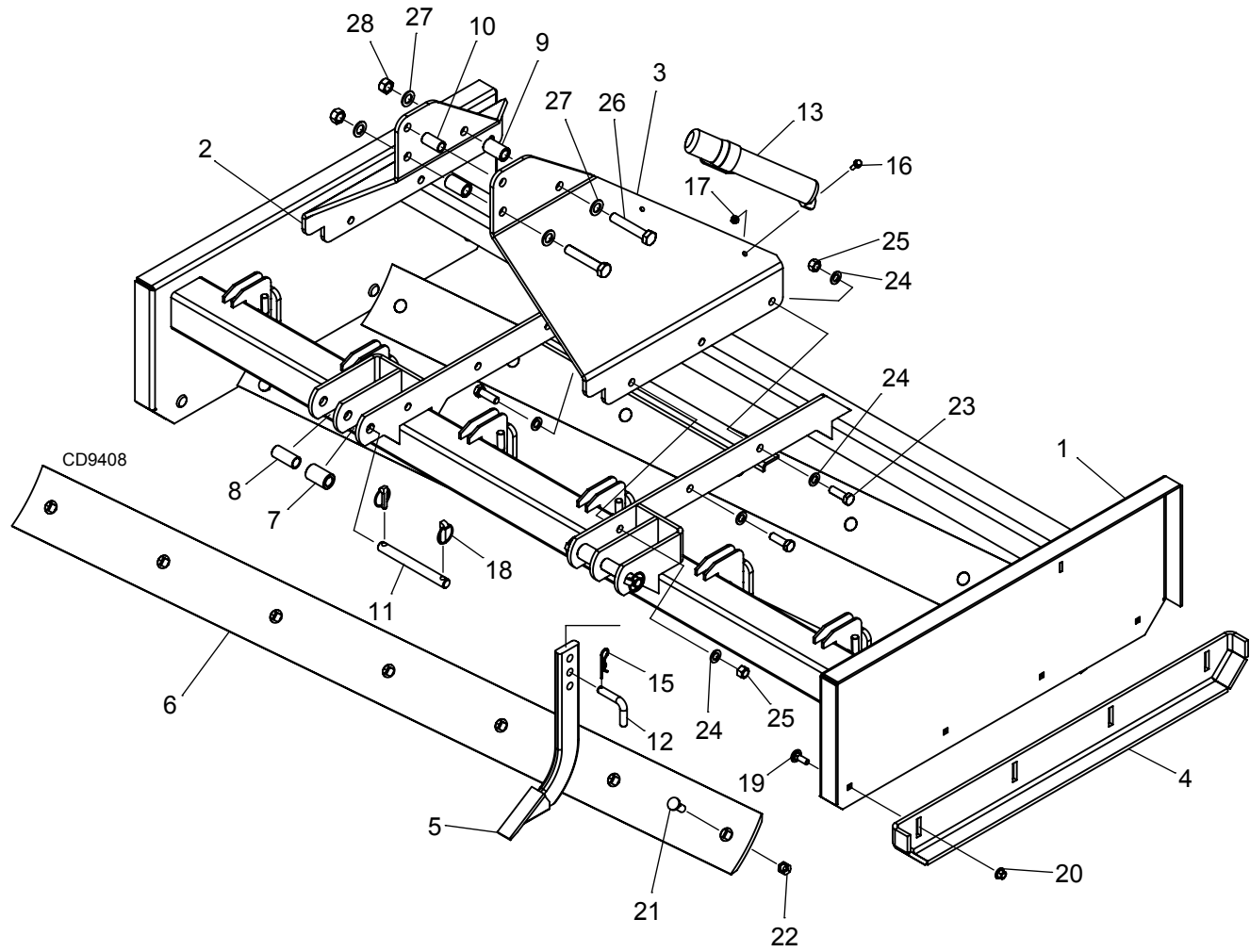
NS NOT SHOWN

NSS NOT SOLD SEPERATLY

HHCS HEX HEAD CAP SCREW

**NOTE:** For safety decals, see pages 8 and 9.  
Order decals separately.

# GS84.40, GS96.40



**22 Parts** MAN1378 (04/12/2024)

## GS84.40, GS96.40 PARTS LIST

REF	GS84.40	GS96.40	QTY	DESCRIPTION
1	NSS	NSS	1	SCRAPER FRAME
2	645126	645126	1	PLATE, MAST RT GSXX.40
3	645127	645127	1	PLATE, MAST LT GSXX.40 W/ DECAL
4	645123	645123	2	SKID, SHOE GSXX.40 W/ HDW (INCLUDES 19 AND 20)
5	1035770	1035770	A/R	SCARIFIER, SHANK AND TIP
6	645159	645160	2	CUTTING EDGE W/ HARDWARE (INCLUDES 21 AND 22)
7	1002013	1002013	2	SLEEVE, .89 x 1.44 x 2.19
8	56598	56598	2	SLEEVE, CAT 2 (.89 X 1.12 X 2.62)
9	1002018	1002018	2	SLEEVE, QUICK HITCH (.81 X 1.25 X 2.12)
10	30067	30067	1	SLEEVE, CAT 2 (.77 X 1.00 X 1.69)
11	HBL233	HBL233	2	HITCH PIN .88 X 6.94
12	1005338	1005338	A/R	BENT PIN .62 X 3.0 (INCLUDES SAFETY PIN ITEM 15)
13	1026530	1026530	1	MANUAL TUBE (OPTIONAL)
15	2688	2688	*	SAFETY PIN, 5/32
16	71632	71632	*	BOLT, WHIZ HEX .312-18 X 1 (OPTIONAL)
17	14139	14139	*	NUT, HFN 5/16 NC, LOCK, GR G (OPTIONAL)
18	27542	27542	*	PIN, KLIK HT 7/16 X 11/32
19	----	----	*	BOLT, CRG M12 X 1.75 X 35
20	1028338	1028338	*	NUT, FLANGE LOCK M12 X 1.75
21	26920	26920	*	BOLT PLOW 5/8 NC X 1-3/4
22	6239	6239	*	NUT, LOCK, 5/8 NC
23	37863	37863	*	HHCS, M16 X 2.0 X 50 CLASS 8.8
24	57817	57817	*	WASHER, 5/8 SAE FLAT HRDN
25	1008146	1008146	*	NUT, LOCK, 16MM
26	----	----	*	HHCS, M20 X 2.5 X 110 CLASS 8.8
27	----	----	*	WASHER, FLAT 20MM
28	----	----	*	NUT, LOCK, 20MM
NS	642659	642660	2	DECAL, MODEL GSXX.40
NS	642844	642845	2	DECAL, MODEL GSXX.40 FOR MASSEY FERGUSON

\* STANDARD HARDWARE, OBTAIN LOCALLY

A/R AS REQUIRED

NS NOT SHOWN

NSS NOT SOLD SEPERATLY

HHCS HEX HEAD CAP SCREW

**NOTE:** For safety decals, see pages 8 and 9.  
Order decals separately.

# BOLT TORQUE CHART

Always tighten hardware to these values unless a different torque value or tightening procedure is listed for a specific application.

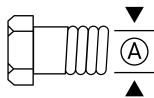
Fasteners must always be replaced with the same grade as specified in the manual parts list.

Always use the proper tool for tightening hardware: SAE for SAE hardware and Metric for metric hardware. Make sure fastener threads are clean and you start thread engagement properly.

All torque values are given to specifications used on hardware defined by SAE J1701 MAR 99 & J1701M JUL 96.

## SAE SERIES TORQUE CHART

SAE Bolt Head Identification



SAE Grade 2  
(No Dashes)



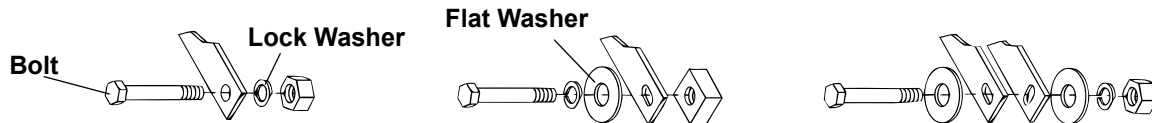
SAE Grade 5  
(3 Radial Dashes)



SAE Grade 8  
(6 Radial Dashes)

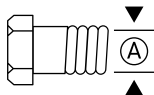
Ⓐ	Diameter (Inches)	Wrench Size	Marking on Head					
			SAE 2		SAE 5		SAE 8	
			lbs-ft	N-m	lbs-ft	N-m	lbs-ft	N-m
1/4"	7/16"	6	8	10	13	14	18	
5/16"	1/2"	12	17	19	26	27	37	
3/8"	9/16"	23	31	35	47	49	67	
7/16"	5/8"	36	48	55	75	78	106	
1/2"	3/4"	55	75	85	115	120	163	
9/16"	13/16"	78	106	121	164	171	232	
5/8"	15/16"	110	149	170	230	240	325	
3/4"	1-1/8"	192	261	297	403	420	569	
7/8"	1-5/16"	306	416	474	642	669	907	
1"	1-1/2"	467	634	722	979	1020	1383	

## TYPICAL WASHER INSTALLATIONS



## METRIC SERIES TORQUE CHART

Metric Bolt Head Identification



Metric  
Grade 8.8



Metric  
Grade 10.9

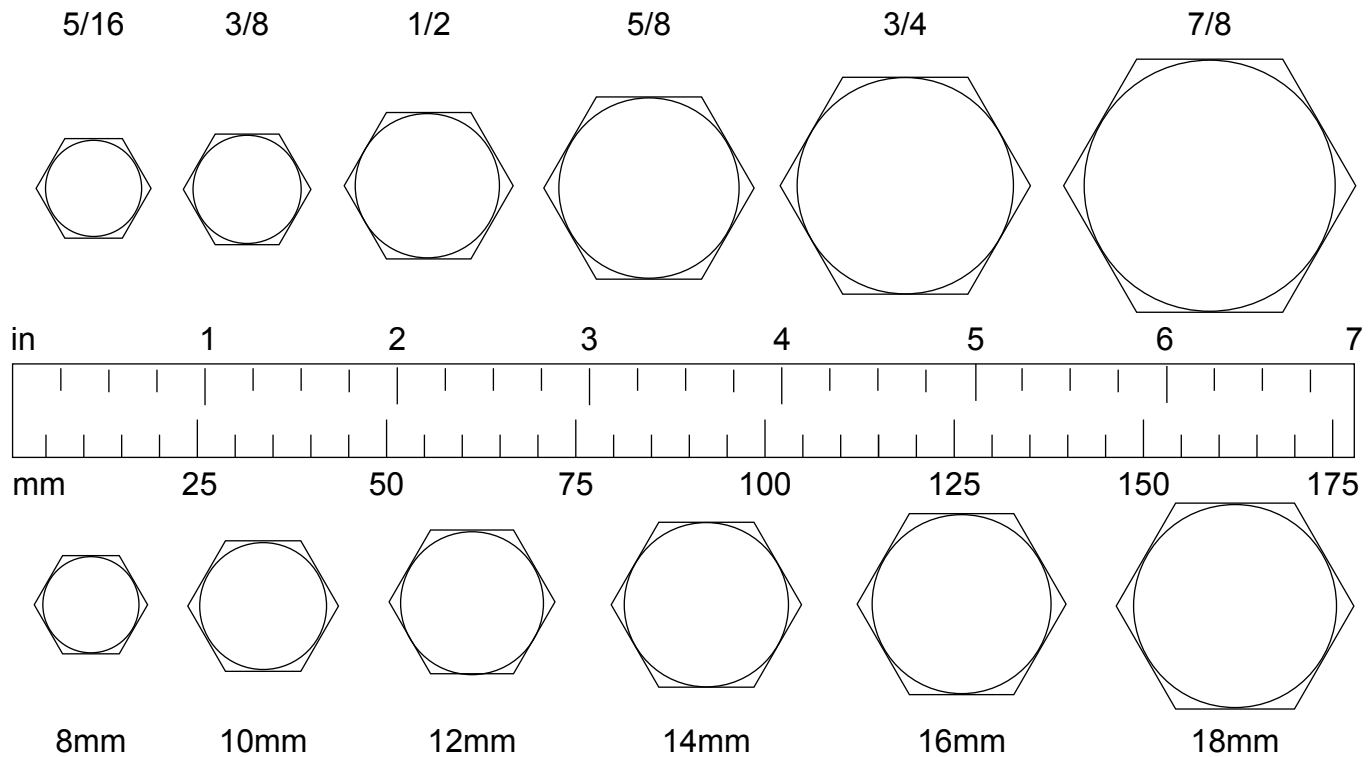
Ⓐ	Diameter & Thread Pitch (Millimeters)	Wrench Size	Marking on Head								Ⓐ	Diameter & Thread Pitch (Millimeters)
			Coarse Thread				Fine Thread					
			Metric 8.8		Metric 10.9		Metric 8.8		Metric 10.9			
N-m	lbs-ft	N-m	lbs-ft	N-m	lbs-ft	N-m	lbs-ft	N-m	lbs-ft			
6 x 1.0	10 mm	8	6	11	8	8	6	11	8	6 x 1.0		
8 x 1.25	13 mm	20	15	27	20	21	16	29	22	8 x 1.0		
10 x 1.5	16 mm	39	29	54	40	41	30	57	42	10 x 1.25		
12 x 1.75	18 mm	68	50	94	70	75	55	103	76	12 x 1.25		
14 x 2.0	21 mm	109	80	151	111	118	87	163	120	14 x 1.5		
16 x 2.0	24 mm	169	125	234	173	181	133	250	184	16 x 1.5		
18 x 2.5	27 mm	234	172	323	239	263	194	363	268	18 x 1.5		
20 x 2.5	30 mm	330	244	457	337	367	270	507	374	20 x 1.5		
22 x 2.5	34 mm	451	332	623	460	495	365	684	505	22 x 1.5		
24 x 3.0	36 mm	571	421	790	583	623	459	861	635	24 x 2.0		
30 x 3.0	46 mm	1175	867	1626	1199	1258	928	1740	1283	30 x 2.0		



# BOLT SIZE CHART

**NOTICE:** Chart shows bolt thread sizes and corresponding head (wrench) sizes for standard SAE and metric bolts.

## SAE BOLT THREAD SIZES



## METRIC BOLT THREAD SIZES

## ABBREVIATIONS

AG . . . . . Agriculture	HT . . . . . Heat-Treated	ORBM . . . . . O-Ring Boss - Male
ASABE . . . . . American Society of Agricultural & Biological Engineers (formerly ASAE)	JIC . . . . . Joint Industry Council 37° Degree Flare	P . . . . . Pitch
ASAE . . . . . American Society of Agricultural Engineers	LH . . . . . Left Hand	PBY . . . . . Power-Beyond
ATF . . . . . Automatic Transmission Fluid	LT . . . . . Left	psi . . . . . Pounds per Square Inch
BSPP . . . . . British Standard Pipe Parallel	m . . . . . Meter	PTO . . . . . Power Take Off
BSPTM . . . . . British Standard Pipe Tapered Male	mm . . . . . Millimeter	QD . . . . . Quick Disconnect
CV . . . . . Constant Velocity	M . . . . . Male	RH . . . . . Right Hand
CCW . . . . . Counter-Clockwise	MPa . . . . . Mega Pascal	ROPS . . . . . Roll-Over Protective Structure
CW . . . . . Clockwise	N . . . . . Newton	RPM . . . . . Revolutions Per Minute
F . . . . . Female	NC . . . . . National Coarse	RT . . . . . Right
FT . . . . . Full Thread	NF . . . . . National Fine	SAE . . . . . Society of Automotive Engineers
GA . . . . . Gauge	NPSM . . . . . National Pipe Straight Mechanical	UNC . . . . . Unified Coarse
GR (5, etc.) . . . . . Grade (5, etc.)	NPT . . . . . National Pipe Tapered	UNF . . . . . Unified Fine
HHCS . . . . . Hex Head Cap Screw	NPT SWF . . . . . National Pipe Tapered Swivel Female	UNS . . . . . Unified Special

**PART NO.**  
**MAN1378**

**WOODS®**

2606 South Illinois Route 2  
Post Office Box 1000  
Oregon, Illinois 61061 USA

800-319-6637 tel  
800-399-6637 fax  
woodsequipment.com



© 2024 Woods Equipment Company. All rights reserved. Woods® and the Woods logo are trademarks of Woods Equipment Company. All other trademarks, trade names, or service marks not owned by Woods Equipment Company that appear in this manual are the property of their respective companies or mark holders. Specifications subject to change without notice.