



MASSEY FERGUSON

HESSTON



LB2200 SERIES

LARGE SQUARE BALER

**BIG BALES.
BIGGER PROFIT.**



LB2200 SERIES

**OVER 45 YEARS OF
BIG BALER INNOVATION.**

AT HESSTON®, WE HELP HAY PROFESSIONALS PRODUCE THE HIGHEST-QUALITY, HIGHEST-NUTRIENT, HIGHEST-VALUE HAY POSSIBLE. FOR OVER 75 YEARS, WE'VE DELIVERED ON THAT PROMISE. THE LB2200 SERIES LARGE SQUARE BALER IS OUR MOST RELIABLE, MOST PRODUCTIVE BALER EVER.



4 GET MORE DONE



6 BIG BALER. BIGGER GAINS.



8 MORE TIME IN THE FIELD



10 ACCUMULATORS

Get More Done..... 4

Big Baler. Bigger Gains..... 6

More Time in the Field 8

Accumulators 10

Technical Specifications..... 11

» Parts & Service

GET MORE DONE.

THE REIGNING HEAVYWEIGHT IN EXTRA DENSITY

The Hesston by Massey Ferguson® LB2234XD 3x4 Extra Density large square baler delivers more bale density than standard density models, with a longer bale chamber to boot. Major features include:

» LARGER FLYWHEEL AND SHEAR BOLT

The flywheel on the LB2234XD is more than 90% heavier than other balers. Its width and diameter create a heavier bale while operating smoothly at a normal load in most conditions.

» HIGH-CAPACITY GEARBOX AND MOUNTINGS

Designed to handle heavy loads, the gearbox features large input and output shafts, large gears, heavy castings, beefy crank arms, double clamp bolts, and strong connecting rods that are similar to our 4x4 baler, including the same size bearings.

» LARGER HYDRAULIC TENSION CYLINDERS

At 4.5 inches, these cylinders allow for higher bale weight and density at lower operating pressures, resulting in heavier bales and fewer bales in the field. They're also fitted with heavy pivots to improve tension capacity.

» OPTIFORM EXTENDED BALE CHAMBER

Our bale chamber design assures better, denser square-shouldered bales.





- » **The LB2200 Series** actively pulls crop from the pickup and positively feeds it into the pre-compression chamber, maximizing capacity.
- » **The ProCut™ rotary cutter** forces crop material through stationary knives (optional). Plus, packer tines behind the rotor help guarantee even feeding into the pre-compression chamber for consistent bale shape.
- » **To help deliver rock-solid, well-formed bales and uniform density**, the LB2234XD and LB2244 feature the OptiForm™ bale chamber that is 16 inches in length, longer than the standard chamber.
- » **Tandem axles** are offered on all LB2200 Series models for improved flotation and increased field speed. The rear axle automatically steers to reduce field scalping and can be locked while loading. A single bogie suspension system offers more ground clearance and fewer parts for increased reliability.
- » **Optional larger width tires** provide greater flotation and reduced ground pressure.
- » **Optional automatic lubrication system** keeps the key drive chains oiled. The timing and duration of this system can be conveniently controlled through the Datatronic™ 5 monitor.

BIG BALER. BIGGER GAINS.

Every aspect of the LB2200 Series was designed to ensure productivity and reliability. The entire design starts and ends with the goal of maximizing your ROI.

HYDRAULICS

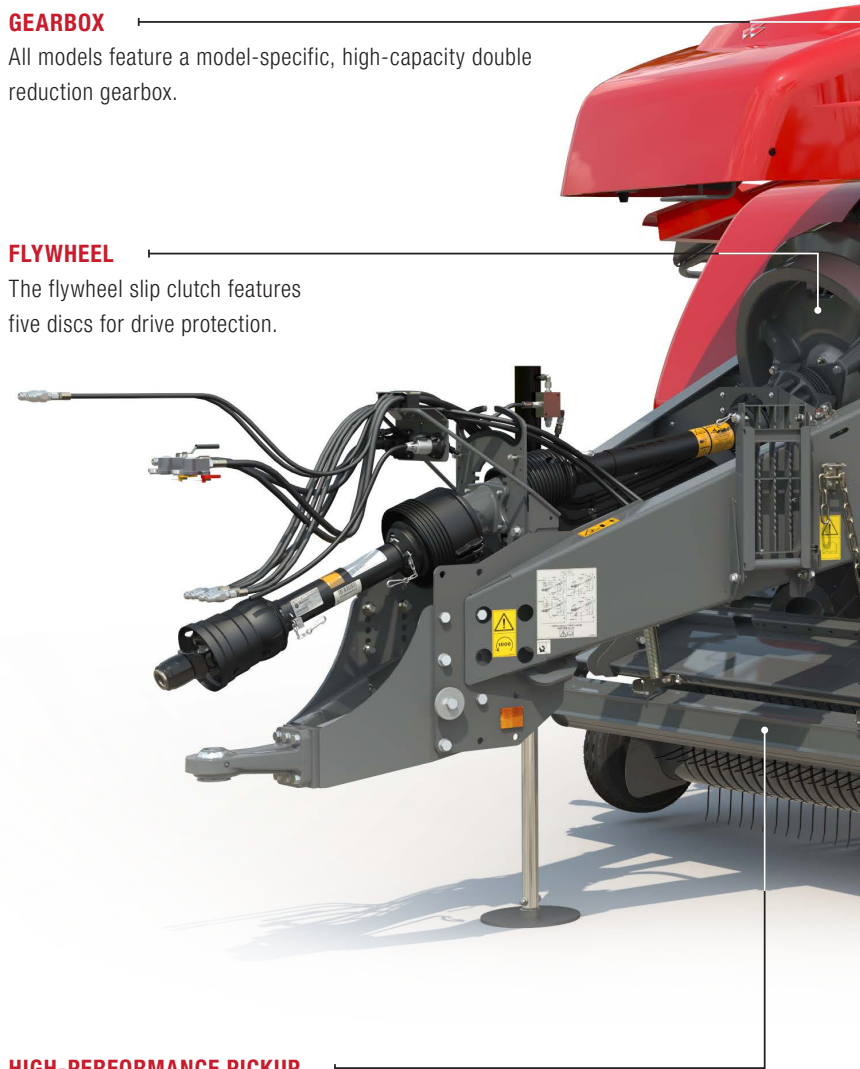
All Hesston® LB2200 Series models feature on-board hydraulics for easier hookup and elimination of variables introduced by tractor hydraulic systems that can affect baler performance.

GEARBOX

All models feature a model-specific, high-capacity double reduction gearbox.

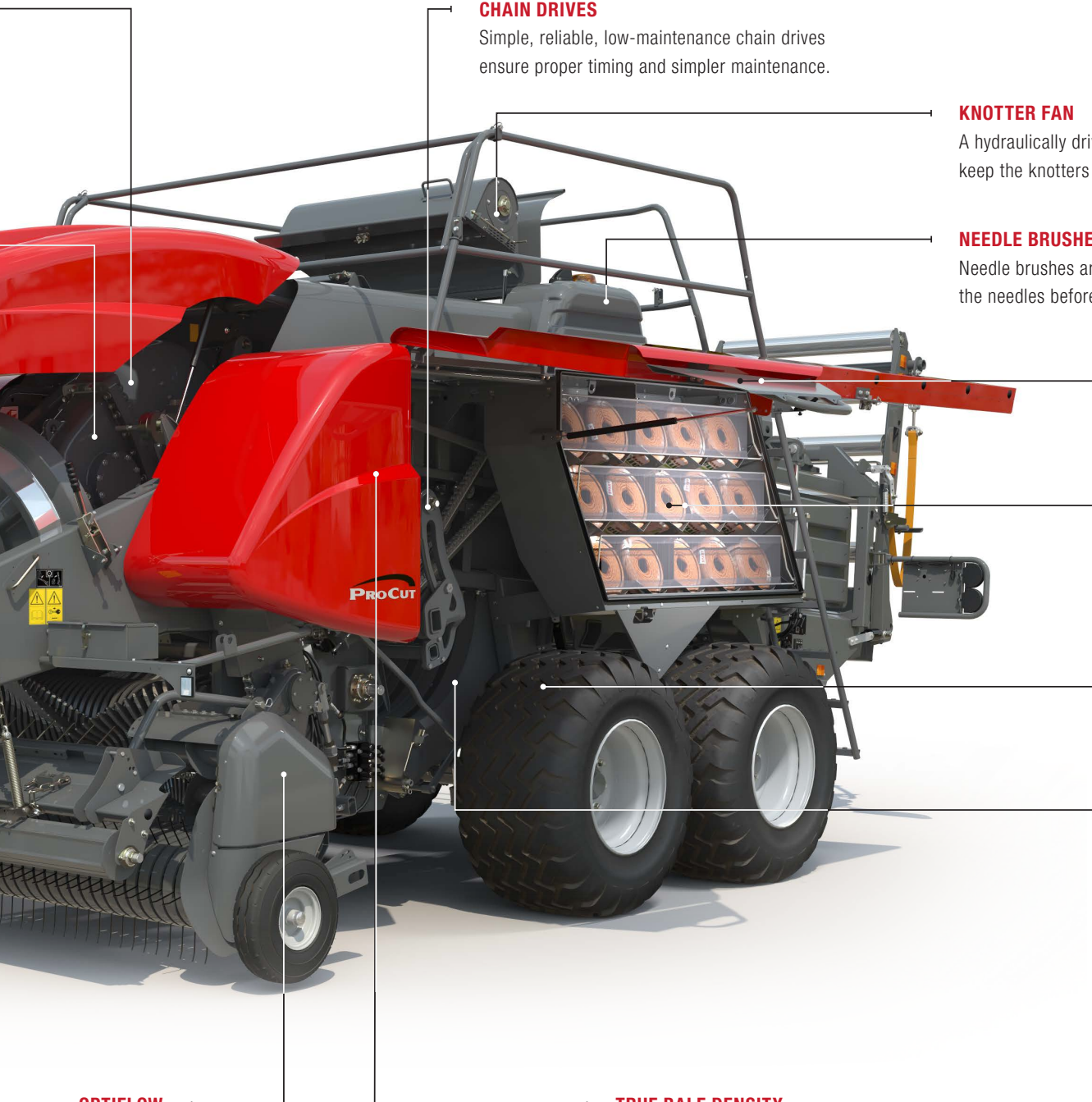
FLYWHEEL

The flywheel slip clutch features five discs for drive protection.



HIGH-PERFORMANCE PICKUP

A five-tine bar pickup reel and light weight poly wrappers enable faster ground speeds and smoother operation.



CHAIN DRIVES

Simple, reliable, low-maintenance chain drives ensure proper timing and simpler maintenance.

KNOTTER FAN

A hydraulically driven, transverse-impeller knotter fan helps keep the knotters free of debris, even in high residue crops.

NEEDLE BRUSHES

Needle brushes are standard on all models to clean the needles before they enter the knotter area.

SIDE PANELS

Side panels seal against twine boxes to reduce trash buildup while a mesh screen over the twine box prevents twine from unspooling.

TWINE BOXES

Twine boxes on all models hold 30 balls of twine at a 30-degree angle for easier loading and increased capacity. Exclusive "Giant Spool" option delivers 30% more capacity than standard twine balls.

SMOOTH HANDLING

Enhanced suspension and taller tire offerings improve ride and handling. Hydraulic or pneumatic brakes available as options.

PRE-COMPRESSION CHAMBER

Creates full-shaped rectangular bales with equal density throughout.

OPTIFLOW

Compression spring OptiFlow™ pickup suspension provides smooth floatation over all types of terrain.

TRUE BALE DENSITY

True bale density is measured through load cells on the plunger connecting rods rather than gearbox deflection, providing operators with right and left driving arrows.



MORE TIME IN THE FIELD.

When it's time to bale, lost time means lost money. That's why LB2200 Series balers were designed for minimal servicing and quick and easy maintenance. Sealed bearings mean fewer service points and an eight-hour service interval. An increased number of tapered roller bearings contributes to longer wear life. Even if something does go wrong or a shear bolt breaks, Hesston LB2200 Series balers will not need to have their timing adjusted.

MORE BALES **PER HOUR.**

No matter the baler or the bale size, it's capacity and productivity that gets the job done. Hesston LB2200 Series large square balers have greater capacity than all competitive balers on the market. Consider a few of the other advantages that the Hesston LB2200 Series balers have over the competition:

- **Flywheel weight on the LB2234XD model** delivers high plunger inertia and capacity.
- **High gearbox speeds** on all models translate into higher capacity and better performance.
- **A low-profile, five-bar pickup** retains more nutrient-rich leaves.
- **Standard roller windguard** allows for great pickup contact in residue and silage crops.
- **The solid windguard** provides crop control in all wind conditions and helps to compress the crop mat before it enters the pre-compression chamber.
- **Upper and lower centering augers** feed crop material to the pre-compression chamber for fast baling without sacrificing the Hesston reputation for solid, square-shouldered bales.

AUTOMATIC KNOTTER LUBRICATION The knotters are constantly lubricated by an oil-based autolube system that can be filled from ground level to reduce maintenance time. The lubrication cycle is fully automatic with frequency controlled by the Datatronic 5 terminal.

QUICK AND EASY SERVICE ACCESS One-piece side shields, supported by gas struts, allow for easy access to the twine box and drive systems. The shields seal when closed to reduce crop buildup. Tall and narrow twine box design helps with access to important baler components.

MULTIPLE SERVICE LIGHTS Six LED service lamps plus three switch-controlled work lamps give the operator light when working at night by illuminating access ladders, twine boxes, service areas and knotter assemblies. There's even a work light under the baler, should it be needed.

HAYBOSS PRESERVATIVE SYSTEM The bale chamber frame is already equipped with mounting points for the AGCO® HayBoss® 700 Hay Preservative System, which includes a 110-gallon tank, in-cab monitor and automatic applicator.

BALE WEIGHT KIT With our bale scale mounted on the roller chute, you'll get accurate bale weights in the field. And bale weight can be recorded on the bale ID tag, using our HayBoss 700 tagging system.

MFCONNECT® Knowledge is power. Remotely monitor baler functions for enhanced visibility into efficiency and track results for future analysis and improved productivity.

SELECTABLE BALE EJECTOR The bale ejector allows the operator to clear the bale chamber at the end of the field or the end of the day. The selectable bale ejector is particularly valuable when baling high-moisture crops or ejecting part of the bale if the bale chute needs to be folded up.

HYDRAULIC TONGUE JACK Save yourself the effort of manually hooking and unhooking the baler. Simply use the tractor hydraulics instead.

PROCUT Cut your crop into finer pieces with ProCut, the Hesston-built rotor cutter option available on LB2233, LB2234 and LB2234XD models. With ProCut, the packer is behind a large, aggressive rotor for better crop feeding. With a serrated knife design, you get true precision cutting with a hydraulic drop-down and slide-out knife bed to simplify service and maintenance.



LARGE BALE ACCUMULATORS.

Choose from five horizontal accumulators or two vertical stacking models to meet your bale stacking needs. With automatic dumping that can be GPS triggered, options for different bale sizes, five automatic unload programs, a “hold on” mode to optimize dump location and more, a Hesston by Massey Ferguson accumulator will step up your bale stacking.

- 5 horizontal and 2 vertical models
- GPS-triggered dumping controlled via app
- “Hold on” mode to enable you to dump bales at a chosen location
- 5 automatic unload programs
- Hydraulically actuated dump mechanism for positive dumping action no matter the terrain



TECHNICAL SPECIFICATIONS

BALERS		LB2233	LB2234	LB2234XD	LB2244
Dimensions and Weight					
Bale size – height	in. (mm)	31.5 (800)	34.4 (875)		50.2 (1,275)
Bale size – width	in. (mm)	34.4 (875)	47.2 (1,200)		
Plunger speed	strokes/min	47		33	
Pickup working width	in. (mm)	89 (2,260)			
Suggested PTO HP (no cutter)		150	170	180	
Ideal for		Dairy Operations	Dairy & Commercial Operations	Commercial & Biomass Operations	Dairy & Commercial Operations
HORIZONTAL ACCUMULATORS					
		HS38B	HS48/HS48S	HS53	HS55
Dimensions and Weight					
Accumulator weight	lbs.	2,500	2,800	3,600	4,300
Bale Dimensions					
Bale size – width	in. (mm)	36 (914)	48 (1219)	36 (914) 48 (1219)	48 (1219)
Max bale weight	lbs.	2,800		3,000	1,650 in 5 bale mode. 3,000 in 3 bale mode
Pressure		12 GPM continuous flow at 2,200 PSI			
Dump patterns		Manual or automatic			
Automatic bale dump done by GPS		Optional			
Load sense		Optional			
ISO		ISOBUS connected			
VERTICAL ACCUMULATORS					
		VS16			VS28
Bale size – width	in. (mm)	48 (1219)			
Max bale weight	lbs.	5,000	4,950		
Extendable tongue		No	Yes		
Pressure		14 GPM required at 2,400 PSI			
Dump patterns		Manual or automatic			
ISO		ISOBUS connected			
Power beyond		Optional			

*Specifications are manufacturer's estimates at time of publication and are subject to change without prior notification.



PARTS & SERVICE

IT'S ALL ABOUT A LIFETIME OF SUPPORT.

Buying, owning and maintaining equipment can be complex. That's why ensuring you have support and peace of mind is always an important consideration. With Massey Ferguson and Hesston by Massey Ferguson, you can count on personalized, responsive support from our network of dealers. Plus, there's no cutoff time for parts and service, meaning we're available to you throughout the lifetime of your machine.



BUY PARTS ONLINE TODAY AT
parts.agcocorp.com

GENUINE CARE
Genuine Parts. Expert Care.

Ask your dealer about AGCO Protection, an extended warranty program that prolongs your coverage and safeguards against the cost of sudden breakdowns.

AGCO replacement parts are made to the same high standards as those used on the assembly line, so your AGCO equipment will stay running like new. Talk to your dealer or shop at parts.agcocorp.com to find the genuine AGCO parts you need.

Focus on your operation, not on scheduling maintenance. With AGCO GenuineCare plans, your service intervals are predetermined. You'll avoid downtime and be able to better plan your costs thanks to transparent pricing, bundles and discounts.



**AGCO
FINANCE**

**APPLY
ONLINE**
FOR FINANCING



APPLY NOW FOR PRE-APPROVAL*
www.masseyferguson.us



or scan the QR code to get started.

