

SINGLE LANDROLLER (WITHOUT TRANSPORT)

COMMON APPLICATIONS FOR USING A LANDROLLER

- Increased Soil-to-Seed Contact for more consistent germination
- Reduce repairs on your equipment by simply pushing rocks into the ground
- Increase crop yields – studies show an increase of approximately 3 bu/acre when rolling soybeans in the V1/V2 stage
- Alfalfa Fields / Pasture Land / Horse Paddocks / Acreages – smooth out ruts and rocks and level mole hills
- Crush corn stalks for faster decomposition
- Rural Airports – help keep grass runways smooth

SIZES AVAILABLE (SINGLE)

4' | 6' | 8' | 10' | 12' | 15' | 20'

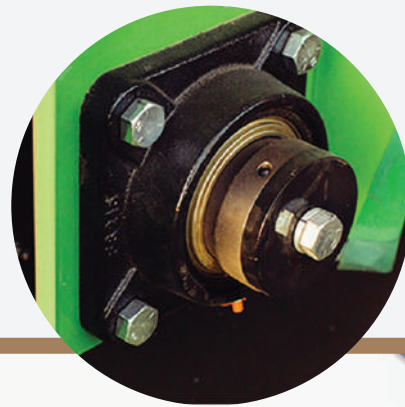
Clevis Hitch Insert



Mechanical Acre Counter



3" Drum Shaft/Bearing



MINI LANDROLLER (WITH TRANSPORT)



Hyd Hose Holder (Mini Only)



LED Light Kit (Mini Only)



Dual Wheel (Mini Only)

Features

- 8" x 4" x 3/8" Frame Tubing
- 6" x 4" x 3/8" Hitch Tubing
- 3" Drum Shaft & HD Bearing
- 42" x 5/8" Diameter Drum (0.625")
- 10-Ply Tires (ST235/80R16E - Mini Only)
- LED Lights (Mini Only)
- Ability to add water for increased weight
- Replaceable 2" Wheel Shaft w/ 6-Bolt Hub
- Hydra-Grip Handles (Mini Only)
- 1/2" HD Washer with 1" Bolt to keep the drum from moving in the bearing

Options

- Clevis Hitch Insert
- Mechanical Acre Counter
- 42" x 3/4" HD Drum Option
- 36" x 1/2" Roller Drum Option
- Mud Scraper Kit (Mini Only)
- Dual Wheel (Mini Only)
- Available in Mandako Green or Black

SIZES AVAILABLE (MINI)

6' | 8' | 10' | 12' | 15' | 20'



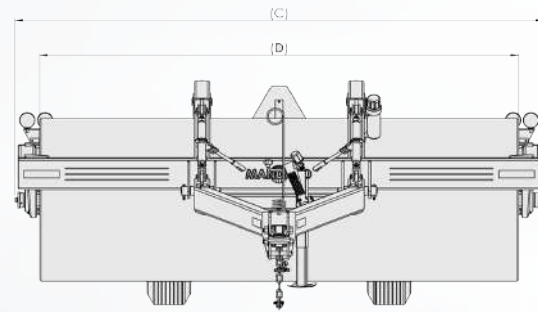
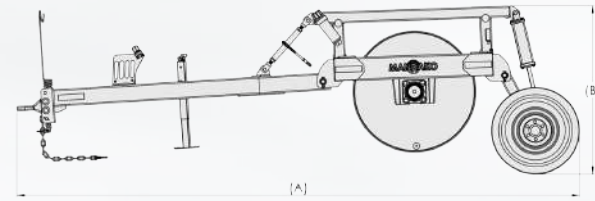


MINI/SINGLE LANDROLLER SPECIFICATIONS



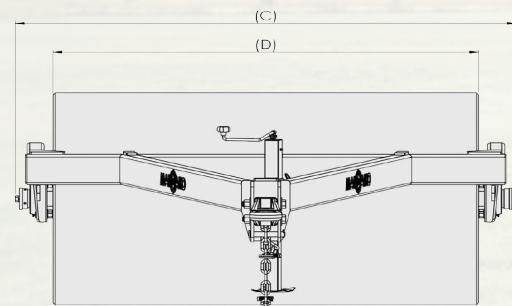
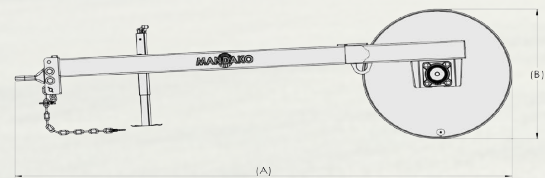
Mini Landroller

MINI LAND ROLLER SPECIFICATIONS



Unit Size	6'	8'	10'	12'	15'	20'
Transport Length (A)	15' 11"	15' 11"	15' 11"	15' 11"	15' 11"	15' 11"
Overall Height (B)	5'	5'	5'	5'	5'	5'
Overall Width (C)	7' 2"	9' 2"	11' 1"	13' 1"	16' 1"	21' 1"
Working Width (D)	6' 1"	8' 1"	10' 1"	12' 1"	15' 1"	20' 1"
Approx. Weight (lbs/ft)(42" x 3/4" Drum)	725	640	585	550	515	480
Hyd. Req. (@2800PSI)	5GPM (19 LPM)	5GPM (19 LPM)	5GPM (19 LPM)	5GPM (19 LPM)	5GPM (19 LPM)	5GPM (19 LPM)
Hyd. Req. (Ports)	1	1	1	1	1	1
Horsepower Req.	24+	32+	40+	48+	60+	80+
Drum Size	36" x 1/2" W • 42" x 5/8" W • 42" x 3/4" W					
Tire Size	ST235 / 80R 16E 10 Ply					

SINGLE LAND ROLLER SPECIFICATIONS



Unit Size	4'	6'	8'	10'	12'	15'	20'
Transport Length (A)	11' 8"	11' 8"	11' 8"	11' 8"	11' 8"	11' 8"	11' 8"
Overall Height (B)	3' 6"	3' 6"	3' 6"	3' 6"	3' 6"	3' 6"	3' 6"
Overall Width (C)	5' 2"	7' 2"	9' 2"	11' 1"	13' 1"	16' 1"	21' 1"
Working Width (D)	4' 1"	6' 1"	8' 1"	10' 1"	12' 1"	15' 1"	20' 1"
Approx. Weight (lbs/ft)(42" x 3/4" Drum)	540	490	455	445	430	410	395
Horsepower Req.	24+	24+	32+	40+	48+	60+	80+
Drum Size	36" x 1/2" W • 42" x 5/8" W • 42" x 3/4" W						



Mandako Agri Marketing (2010) Ltd.
 12159B Hwy 306
 Box 379
 Plum Coulee, MB R0G 1R0

(888) 525-5892
 www.mandako.com



Printed in Canada