

SPECIFICATIONS

HL940

Tier 4 Final Engine



*Photo may include optional equipment.

Net Power

156 HP (116 kW) / 2,100 rpm

Operating Weight

13,300 kg (29,321 lb)

Standard Bucket

2.3 m³ / 3.0 yd³

 **HYUNDAI**
CONSTRUCTION EQUIPMENT

SPECIFICATIONS HL940

ENGINE		
Make/model	CUMMINS / QSB6.7	
Type	Water-cooled, 4-cycle, turbocharged air-cooled, direct-injection, electronically controlled diesel engine	
HL940	Gross power	158 HP (118 kW) / 2,100 rpm
	Net power	156 HP (116 kW) / 2,100 rpm
Maximum torque	86 kg·m (622 lb·ft) / 1,500 rpm	
No. of cylinders	6	
Bore x Stroke	107 mm (4.21") x 124 mm (4.88")	
Displacement	6.7 l (409 in ³)	
Compression ratio	17.3 : 1	
Air cleaner	Dry, 2-stage dual elements	
Alternator	24 V - 95 Amp	
Battery	2 x 12 V - 120 Ah, 850 CCA	
Starting motor	24 V - 7.8 kW	

TRANSMISSION	
Torque converter type	3-element, single-stage, single-phase

* Fully automatic power shift, countershaft type with soft-shift in range and direction. Properly matched torque converter to engine and transmission for excellent working ability

Travel speed, km/h (mph)		HL940
Forward	1st	6.9 (4.3)
	2nd	12.7 (7.9)
	3rd	24.9 (15.5)
	4th	40 (24.9)
Reverse	1st	7.3 (4.5)
	2nd	13.4 (8.3)
	3rd	26.1 (16.2)

AXLES	
Drive system	Four-wheel drive system
Mount	Rigid front axle and oscillating rear axle
Rear axle oscillation	±12° (total 24°)
Hub reduction	Planetary reduction at wheel end
Differential	Hydraulic lock (front) / conventional (rear)
Reduction ratio	21.53

OVERVIEW				
Description	UNIT	HL940	HL940XT	
Operating weight	kg (lb)	13,300 (29,321)	13,490 (29,740)	
Bucket capacity	Heaped	m ³ (yd ³)	2.3 (3.0)	2.3 (3.0)
	Struck	m ³ (yd ³)	2.0 (2.6)	2.0 (2.6)
Breakout force—bucket	kg (lb)	11,250 (24,800)	10,920 (24,075)	
Tipping load	Straight	kg (lb)	10,460 (23,060)	8,200 (18,080)
	Full turn	kg (lb)	9,000 (19,842)	7,080 (15,610)

TIRES		
Type	Tubeless, loader design tires	
Standard	20.5 R25, L3	
Options include	20.5-25, 16PR, L3	17.5-25, 12PR, L3
	20.5-25, 16PR, L2	17.5-25, 12PR, L2
	20.5 R25, XHA2, L3	17.5 R25, XHA1, L3

HYDRAULIC SYSTEM	
Type	Load-sensing hydraulic system
Pump	Variable-displacement piston pump 149 l/min (39.4 gpm)
Control valve	2 spool (bucket, boom) 3 spool (bucket, boom, aux) (opt.) Pilot pressure controlled type
System pressure	280 kgf/cm ² (3,982 psi)
Lift circuit	The valve has four functions: raise, hold, lower and float. Can adjust automatic kick-out from horizontal to full lift
Tilt circuit	The valve has three functions: tilt back, hold and dump Can adjust automatic bucket positioner to desired load angle
Cylinder	HL940/ HL940XT Type: Double acting No. of cylinders-bore x stroke Lift: Lift 2-110 mm x 738 mm (4.3" x 29.1") Tilt: Tilt 1-125 mm x 505 mm (4.9" x 19.9")
Cycle times	HL940 / HL940XT Raise: 5.5 sec Dump: 1.1 sec Lower: 3.0 sec Total: 9.6 sec

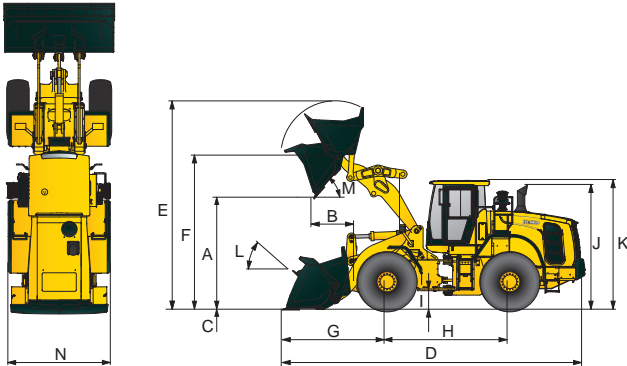
BRAKES	
Service brakes	Hydraulically actuated, wet-disc brakes actuate all 4 wheels Independent axle-by-axle system Self-adjusting and wheel speed brake
Parking brake	Spring-applied, hydraulically released brake
Emergency brake	When brake oil pressure drops, indicator light alerts operator, and parking brake automatically applies

STEERING SYSTEM	
Type	Load-sensing hydrostatic articulated steering
Pump	Variable-displacement piston pump 149 l/min (39 gpm)
Relief valve setting	210 kgf/cm ² (2,987 psi)
Cylinder	Double acting 65 mm (2.56") x 429 mm (16.9")
Steering angle	40° both right and left angle, respectively
Additional Features	Center-point frame articulation Tilt and telescopic steering column

SERVICE REFILL CAPACITIES	
Fuel tank	220 l (58 gal)
DEF tank	19 l (5.0 gal)
Cooling system	34 l (9.0 gal)
Crankcase	18 l (4.8 gal)
Transmission	27 l (7.1 gal)
Front axle	24 l (6.3 gal)
Rear axle	24 l (6.4 gal)
Hydraulic tank	90 l (23.8 gal)
Hydraulic system (including tank)	130 l (34.0 gal)

DIMENSIONS

All dimensions are approximate.



Description	UNIT	HL940	HL940XT
E. Overall height (fully raised)	mm (ft-in)	5,255 (17' 2.9")	5,860 (19' 2.7")
F. Bucket pivot max. height	mm (ft-in)	3,820 (12' 6.3")	4,425 (14' 6.2")
G. Front overhang	mm (ft-in)	2,480 (8' 1.6")	3,075 (10' 1.1")
H. Wheelbase	mm (ft-in)	2,950 (9' 8")	2,950 (9' 8")
I. Ground clearance	mm (ft-in)	417 (1' 4.4")	417 (1' 4.4")
J. Height over exhaust	mm (ft-in)	3,245 (10' 7.8")	3,245 (10' 7.8")
K. Height over cab	deg	3,300 (10' 9.9")	3,300 (10' 9.9")
L. Rollback angle (deg)	on ground	deg	42
	at carry	deg	47
M. Dump angle (deg)	mm (ft-in)	48	47
Clearance circle, over bucket (carry position)	mm (ft-in)	11,990 (39' 4")	12,130 (41' 2.1")
	mm (ft-in)	10,674 (35')	10,674 (35')
Clearance circle, outside of tires	mm (ft-in)	5,814 (19' 1")	5,814 (19' 1")
	mm (ft-in)	2,600 (8' 6.3")	2,600 (8' 6.3")
N. Overall width with bucket	mm (ft-in)	2,600 (8' 6.3")	2,600 (8' 6.3")

Description	UNIT	HL940	HL940XT
Bucket type	General purpose bolt-on cutting edge		
A. Dumping clearance at max. height and 45° dump angle.	mm (ft-in)	2,785 (9' 1.7")	3,390 (11' 1.5")
B. Reach	Full lift	mm (ft-in)	1,025 (3' 4.3")
	2,134 mm height (7 feet)	mm (ft-in)	1,530 (5')
C. Digging depth	mm (ft-in)	90 (3.5")	130 (5.1")
D. Overall length	on ground	mm (ft-in)	7,430 (24' 4.5")
	at carry	mm (ft-in)	7,360 (24' 1.7")

HL940 / DENSITY OF OPERATING MATERIALS

Loose material	Material Density
Earth/clay	1.5~1.7 tons / m ³ (2,528~2,865 lb / yd ³)
Sand and gravel	1.5~1.7 tons / m ³ (2,528~2,865 lb / yd ³)
Aggregate	25~76 mm (1" to 3")
	19 mm (3/4") and larger

HL940 / DENSITY OF OPERATING MATERIALS

Lift arm	Bucket	Type	m ³ (yd ³)	Material Density [t/m ³] (lb / yd ³)															
				1.0 (1,686)	1.1 (1,854)	1.2 (2,023)	1.3 (2,191)	1.4 (2,360)	1.5 (2,528)	1.6 (2,697)	1.7 (2,865)	1.8 (3,034)	1.9 (3,203)	2.0 (3,371)	2.1 (3,540)	2.2 (3,708)	2.3 (3,877)	2.4 (4,045)	
Standard lift arm	General Purpose	Cutting edge	2.3 (3.0)	2.6 m ³ (3.4 yd ³)												2.2 m ³ (2.9 yd ³)			
		Cutting edge	2.1 (2.7)	2.4 m ³ (3.1 yd ³)												2.0 m ³ (2.6 yd ³)			
		1-piece bolt-on tooth	2.2 (2.9)	2.5 m ³ (3.3 yd ³)												2.1 m ³ (2.7 yd ³)			
		1-piece bolt-on tooth	2.0 (2.6)	2.3 m ³ (3.0 yd ³)												1.9 m ³ (2.5 yd ³)			
		2-piece bolt-on tooth	2.2 (2.9)	2.5 m ³ (3.3 yd ³)												2.1 m ³ (2.7 yd ³)			
High-lift arm (XT)	General Purpose	Cutting edge	2.3 (3.0)	2.6 m ³ (3.4 yd ³)												2.2 m ³ (2.9 yd ³)			
		Cutting edge	2.1 (2.7)	2.4 m ³ (3.1 yd ³)												2.0 m ³ (2.6 yd ³)			
		1-piece bolt-on tooth	2.2 (2.9)	2.5 m ³ (3.3 yd ³)												2.1 m ³ (2.7 yd ³)			
		1-piece bolt-on tooth	2.0 (2.6)	2.3 m ³ (3.0 yd ³)												1.9 m ³ (2.5 yd ³)			
		2-piece bolt-on tooth	2.2 (2.9)	2.5 m ³ (3.3 yd ³)												2.1 m ³ (2.7 yd ³)			

115% 100% 95%

CAB & INTERIOR	STD	OPT
Alternator, 95 Amp	•	
Alarms, audible and visual		
Air filter clogging	•	
Transmission error	•	
Battery voltage	•	
Brake oil pressure	•	
Engine oil pressure	•	
Parking brake	•	
Water in fuel	•	
Fuel level	•	
Coolant level	•	
Hydraulic oil temperature	•	
Coolant temperature	•	
Transmission oil temperature	•	
Alarm, back-up	•	
Batteries, CMF		
850 CCA, 12V, (2)	•	
Gauges		
Engine coolant temperature	•	
Fuel level	•	
Speedometer	•	
Transmission oil temperature	•	
Indicator lights		
Pilot cut off	•	
High beam	•	
Turn signal	•	
LCD Display		
Clock and fault code	•	
Operating hour counter	•	
Engine rpm	•	
Transmission gear range indicator	•	
Job time and distance	•	
Temperature (coolant, hydraulic oil, t/m oil)	•	
Lighting system		
1 LED dome light	•	
2 stop and taillights	•	
4 turn signals	•	
Brake lights (counterweight)	•	
2 head lights on front tower	•	
2 working lights on front roof	•	
4 working lights on front roof, 2 working lights on rear roof	•	
4 working lights (2 xenon) on front roof, 2 working lights on rear roof	•	•
4 working lights (LED) on front roof, 2 working lights (LED) on rear roof	•	•
2 working lights on grille	•	
Switches		
Hazard	•	
Ignition	•	
Parking	•	
Battery master switch	•	
FNR	•	
SCR cleaning / inhibit	•	
Secondary steering test	•	•
Pilot cutoff	•	
Integrated monitor switches		
Main light switch	•	
Work light switch	•	
Quick coupler switch	•	
Ride control switch	•	
Work load switch	•	
Becon lamp switch	•	
Rear wiper switch	•	
Mirror heat switch	•	
Auto position switch	•	

CAB & INTERIOR	STD	OPT
Cab ROPS (ISO3471) / FOPS (ISO3449) (sound suppressed and pressurized) with		
Cigar lighter and ashtray	•	
Coat hook	•	
Automatic climate control		
Air conditioner and heater	•	
Defroster	•	
Intermittent wiper and washer, front and rear	•	
Seat		
3" retractable seat belt and adjustable air suspension (heated)	•	
Personal storage space		
Console box	•	
Holder, can and cup	•	
Rearview mirrors (1 inside)	•	
Rearview mirrors (2 outside)	•	
Rearview mirrors (2 outside, heated)	•	
Steering column, tilt and telescopic	•	
Steering wheel with knob	•	
Roller type sunshade (front window)	•	
Roller type sunshade (rear window)	•	•
Tinted safety glass	•	
One door cab	•	
Magazine pocket	•	
Pedals		
One accelerator pedal	•	
One brake pedal	•	
Dual-brake pedal	•	•
Radio/USB player	•	
Rubber floor mat	•	
Armrest	•	
ENGINE	STD	OPT
Engine, Cummins QSB6.7		
Tier 4 Final / Stage 4	•	
Engine enclosure, lockable	•	
Engine fuel priming pump	•	
Fan guard	•	
Fuel/water separator	•	
Antifreeze	•	
Clean emission module		
DOC and SCR	•	
3-stage air precleaner	•	
Radiator	•	
Starting aid (air intake heater)	•	
Fuel heater	•	
Fuel heater (dual)	•	•
Coolant-level sight gauge	•	
Engine oil-level dipstick gauge	•	
Air cleaner with auto dust eject	•	
POWER TRAIN	STD	OPT
Brakes: service, enclosed wet-disc	•	
Parking brake	•	
Torque converter	•	
Transmission F4 / R3 speed transmission, computer-controlled, electronic soft-shift, auto-shift and kick-down features included	•	
Transmission oil sight level	•	
Limited-slip differential (front, rear)	•	•
Transmission oil cooler	•	
Hydraulic lock differential (front)	•	
Conventional differential (rear)	•	
Hydraulic lock differential (front)	•	
Limited-slip differential (rear)	•	•

POWER TRAIN	STD	OPT
Tires		
20.5R25, L3	•	
20.5 - 25, 16PR, L3		•
20.5 - 25, 16PR, L2		•
20.5R25, XHA2, L3		•
17.5 - 25, 12PR, L3		•
17.5 - 25, 12PR, L2		•
17.5R25, XHA1, L3		•
HYDRAULIC SYSTEM	STD	OPT
Boom kick-out, automatic	•	
Bucket positioner, automatic	•	
Diagnostic pressure taps	•	
Hydraulic oil cooler	•	
Hydraulic control, 3 spool	•	
Joystick control lever with F&R		•
Joystick control (EH Control)	•	
Lever control		•
Fingertip control (EH Control)		•
Ride control system	•	
Secondary steering system		•
Extra piping for auxiliary function		•
Quick coupler piping		•
OTHER	STD	OPT
Articulation locking bar	•	
Counterweight	•	
Door and cab locks, one key	•	
Doors, service access (locking)	•	
Drawbar with pin	•	
Ergonomically located and slip resistant, left and right	•	
Handrails	•	
Ladders	•	
Platforms	•	
Steps	•	
Hydraulic oil-level sight gauge	•	
Lift and tie-down hooks	•	
Loader linkage, sealed	•	
Z-bar design	•	
Vandalism protection caplocks	•	
Toolkit		•
Tooth, 1 piece, bolt-on type		•
Tooth, 2 pieces, bolt-on type		•
Cutting edge, bolt-on type		•
Pallet forks		•
Log grapple		•
Guards		
Crankcase		•
Transmission		•
Half fenders front and rear	•	
Full rear fenders		•
Wheel chock		•
License plate and lamp		•
Hi-Mate remote management system		
Mobile	•	
Satellite		•
SAFETY	STD	OPT
Beacon light, rotating		•
Fire extinguisher		•
Rearview camera	•	

* Standard and optional equipment may vary. Contact your Hyundai dealer for more information. The machine may vary according to International standards.
 * The photos may include attachments and optional equipment that are not available in your area.
 * Materials and specifications are subject to change without advance notice.
 * All imperial measurements rounded off to the nearest pound or inch.

PLEASE CONTACT