

ATHENS

EFFECTIVE JANUARY, 2024

Please Note: Commencing January 2025 a surcharge of 10% applies to this current 2024 price list due to discount structure.



WHOLEGOODS PRICE LIST



ATHENS PLOW COMPANY, INC.
P.O. BOX 609
ATHENS, TENNESSEE 37371-0609
TELEPHONE 423-744-PLOW (7569)
WATS 1-800-535-3852
FAX 1-423-744-7218

WWW.ATHENSPLOW.COM

TERMS AND DISCOUNTS FOR WHOLEGOODS ATHENS PLOW COMPANY, INC.

Eligible Items:

Items eligible for Wholegoods Discounts are serial-numbered units and extra equipment accessories ordered with or for that unit.

Trade Discount for Eligible Wholegoods Items:

- Regular Open Account – 25%
- Preseason (90 days) – 25%

Cash Discounts:

- A. Regular Open Account - 5% if paid 30 days from date of invoice. Net 31.
- B. Regular Preseason - 10% if paid 30 days from date of invoice. Net 31.
- C. Volume Discount:
 - a) 5% extra cash discount for orders more than \$100,000 (open account) @ list, if paid 30 days from date of invoice.
 - b) 5% extra cash discount for additional wholegoods for the remainder of the calendar year.
- D. No discount will be allowed on current invoices if any invoices are past due.
- E. Government Agency Discount applies to all units. Government Agency Discount is an additional 5% (Maximum discount of 5% Cash and Government). Government discount applies if paid 30 days from date of invoice. A copy of the Government Purchase Order must accompany the dealer remittance to earn the special discount. Eligible agencies include any department of Federal, State, County or City Government, Soil Conservation, Fish and/or Wildlife, Drainage and Water Districts.

GENERAL STATEMENTS AS TO TERMS AND DISCOUNTS

No cash discount is allowed on warranty pending items.

Payment is due immediately for retailed units: units that have been removed from dealer's main place of business, items that have been used or not adequately protected against devaluation, or due date of invoice, whichever is earlier.

Past due invoices are subject to a 1.5% per month interest charge or the maximum allowable per law, whichever is less.

It is the dealer's responsibility to see that discounted payments reach our office on or before the due dates specified to receive discounts.

All prices are F.O.B. Athens Plow Company.

RETURNED GOODS

WHOLEGOODS

Returns must be approved by Athens Plow Co., Inc. When approved for return, the dealer must prepay shipping costs. Credit will be issued at original invoice amount less applicable cash discount. There will be a restocking charge of 20%.

MERCHANDISE RECEIPT

Any variation between items ordered and shipped and actual items received must be reported to Athens Plow as soon as the variation is recognized and no later than 30 days after receipt of shipment.

All shipments are made F.O.B. our Shipping Dock. All claims regarding the errors, shortages, and/or damages in shipment are the responsibility of the consignee and should be filed with the delivering carrier.

WARRANTY POLICY GUIDE ATHENS PLOW COMPANY, INC.

A. The Purpose of Warranty

Warranty assures the purchaser that should a defect in material or workmanship occur during the warranty period, Athens Plow Company, Inc. will assume specific repair responsibilities, as listed in the warranty statement. The warranty statement is to be provided to each purchaser of each piece of new equipment. Warranty begins on the date the product is delivered to the original purchaser of the product. Once the warranty period has begun, it cannot be stopped or interrupted.

B. Dealer Responsibilities

The following responsibilities are to be performed when the dealer delivers a product to the purchaser or otherwise places it into warranty service:

1. Complete the Warranty Registration Form and forward to Athens Plow Company, Inc. within 30 days of the sale of the product. Warranty reimbursement is contingent upon product registration.
2. Review warranty statement, operator's manual, and complete delivery report with purchaser to assure understanding of purchaser's responsibilities as related to warranty, service, and the proper and safe operation of the product. The purchaser should be advised to have failed parts repaired or replaced immediately upon failure and that continued use will result in additional damage and excessive wear.
3. Contact manufacturer prior to beginning repair or replacement of failed parts to make certain that the cost of repairs are consistent with the value of the product when sold. Warranty requests for units in dealer's inventory may be submitted to Athens Plow Company, Inc. when defects are noted in the product prior to the retail sale of that unit.
4. Provide warranty and service repairs as directed by Athens Plow Company, Inc. instructions.
5. All warranty work must be completed within 30 days of failure. Notify Athens Plow Company, Inc. if repairs will require more than 30 days after failure for an extension. No claim will be accepted for warranties that exceed this 30 day period.
6. No warranty will be allowed on units delivered to the retail customer prior to the full payment of that unit to the manufacturer by the dealer.
7. If diagnostic time is required, contact Athens Plow Company, Inc. prior to beginning the warranty repair for approval. Travel time reimbursement must be approved by Athens Plow Company, Inc. prior to beginning the warranty repair.

C. Athens Plow Company's Responsibilities

1. Reimbursement for parts used in warranty repair will be credited only when the parts are purchased from Athens Plow Company, Inc. Parts will be credited at dealer's net cost. No warranty will be allowed on parts that are past due.
2. Dealer should use parts from their parts inventory first. In the event that parts must be shipped from Athens Plow Company, Inc., freight will be paid by Athens Plow Company, Inc. and will be shipped by the most economical means to arrive in the shortest possible time. Air, Next Day Air, Priority, and other special shipment methods requested by the dealer will be at the customer's expense.
3. Warranty Labor Reimbursement for labor expense to the dealer is made by payment of \$50.00 per shop hour, or as regulated by state statutes. Repair times will be reviewed by Athens Plow Company, Inc. and may be adjusted to average repair time required by other dealers to make similar repairs.
4. Reimbursements for repairs made by outside sources (not dealer personal) will be made for those services deemed necessary for the resolution of the warranty by Athens Plow Company, Inc. Outside repair invoices must have approval from Athens Plow Company, Inc. and must be attached to the warranty claim after approval.

D. Other Warranty Provisions

The following guidelines are to be followed when performing warranty repairs:

1. In all cases, the most economical repair should be performed unless otherwise directed. Credit will not be allowed for assemblies if it is practical to make the repair with individual parts. In some cases, the assembly price may be less than the total of the parts and labor required to complete the repair. In those cases, an assembly may be used.
2. Only those parts provided by Athens Plow Company, Inc. are covered under warranty. The use of parts from other sources will not be eligible for warranty consideration.
3. All parts removed during warranty repair should be held for a period of 60 days after the warranty claim has been submitted to Athens Plow Company, Inc. These parts can be discarded if the return request has not been made during this period. Parts that are returned upon request to Athens Plow Company, Inc. for which credit has not been issued can be returned upon dealer request within 30 days of claim disposition. These parts will be discarded after the 30-day period.
4. Athens Plow Company, Inc. reserves the right to deny or reverse any and all warranty claims for parts, labor, or miscellaneous charges when errors are found, warranty provisions are abused, or fraudulent claims are submitted.

5. Warranty reimbursement is not possible:
 - a. If parts returned are not cleaned and properly identified, or if they are damaged in return shipment due to poor packaging.
 - b. When failure falls under the "limitations" as identified in the Warranty Statement.
 - c. When Athens Plow Company, Inc. has requested the return of certain parts, assemblies or information and has not received material within 30 days of date posted on return request.
 - d. On claims due to damage or shortage that are obviously the responsibility of the dealer or the delivering carrier.
 - e. On the entire claim when the warranty policy and provisions are not followed.

All dealers will warranty their technician's work to the purchaser and will indemnify Athens Plow Company Inc. from all such claims.

E. Use of Photos

Pictures should be attached to the dealer's claim when their inclusion will help identify the condition of the part being repaired or replaced, and thus assisting in the approval of the claim. In some cases, the use of photos may eliminate the need to return parts for evaluation. Photos will not be returned unless specifically requested.

F. Delayed Warranty Repairs

Warranty repairs should be scheduled and performed as soon as possible after notification to dealer and Athens Plow Company, Inc. There may be circumstances that require the use of the product for a short period of time by the retail customer or the availability of repair parts necessary to complete the repairs will require the work to extend past the 30-day period. In those cases, the dealer must notify Athens Plow Company, Inc. of the extenuating circumstance and advise that the continued use of the product will not enlarge the warranty claim. These claims will then be processed as if the product is still within the warranty period.

G. Denied Claims

Dealers will be notified of a denied claim that will state the reason for the denial. The dealer has the right to appeal this claim and must do so within 30 days of notification of denial. If there has been no appeal within the 30-day period the Claim will be considered closed.

LIMITED WARRANTY STATEMENT

Athens Plow Company, Inc. warrants each new Athens Plow Company, Inc. product to be free from defects in material and Workmanship. This warranty is applicable only for the normal service life expectancy of the product or components, not to exceed twelve consecutive months from the date of delivery of the new Athens Plow Company, Inc. product to the original purchaser. Athens Plow Company, Inc. reserves the right to make improvements in design or changes in specifications at any time, without incurring any obligation to owners of units previously sold.

Our obligation under this warranty shall be limited to repairing or replacing, free of charge to the original purchaser, any part that, in our judgment, shall show evidence of such defect, provided further that such part shall be returned within thirty (30) days from date of failure to Athens Plow Company, Inc., routed through the dealer from whom the purchase was made, transportation charges prepaid.

This warranty shall not be interpreted to render Athens Plow Company, Inc. liable for injury or damages of any kind or nature to person or property. This warranty does not extend to the loss of crops, loss because of delay in harvesting, or any expense or loss incurred for labor, substitute machinery, rental or for any other reason. Except as set forth above, Athens Plow Company, Inc. shall have no obligation or liability of any kind on account of any of its equipment and shall not be liable for special or consequential damages. Athens Plow Company, Inc. makes no other warranty, expressed or implied, and, specifically, Athens Plow Company, Inc. disclaims any implied warranty or merchantability or fitness for a particular purpose. Some states or provinces do not permit limitations or exclusions of implied warranties or incidental or consequential damages, so the limitations or exclusions in this warranty may not apply.

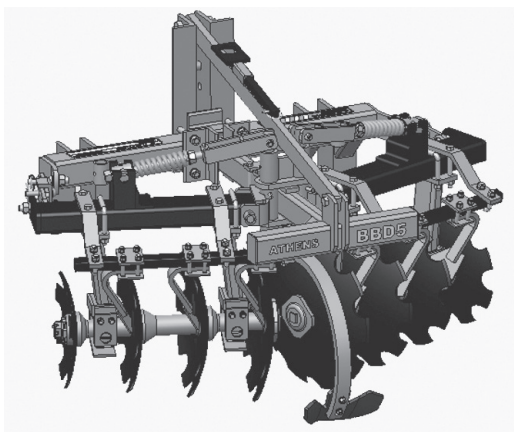
This warranty is subject to any existing conditions of supply which may directly affect our ability to obtain materials or manufacture replacement parts.

No one is authorized to alter, modify, or enlarge this warranty nor the exclusion, limitations, and reservations.

TABLE OF CONTENTS

MODEL NUMBER	PAGE
LIFT TYPE DISK HARROWS	
MODEL BBD5	1
MODEL 37	2
MODEL 47	3
MODEL 52	5
MODEL 55	7
MODEL 65	10
MODEL 66	12
PULL TYPE DISK HARROWS	
Tandem	
MODEL 62	15
MODEL 93	26
MODEL 153	29
Double Offsets	
MODEL 76	19
MODEL 77	23
MODEL 116	30
MODEL 119	33
Offsets	
MODEL 97	35
MODEL 107	37
MODEL 127	38
MODEL 167	41
MODEL 137	44
MODEL 187	46
MODEL 287	48
CHISEL PLOW	
MODEL 156	49
LEVEE PLOW	
MODEL 220	52

ATHENS BBD5/BBD6 LIFT-TYPE DISK HARROW

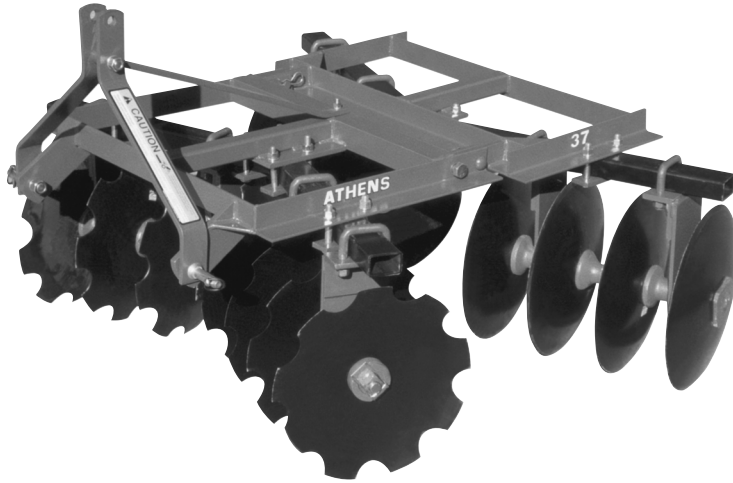


SPECIFICATIONS:

Cutting Width – 5' 0" & 6' 6"
 Disc Spacing – 9"
 Disc Diameter – 22" C/O Tapered
 Cat. II Free Link or Quick Coupler
 Relube Ball Bearings
 Rigid or Spring Bearing Hangers
 1 ¼" Cold Rolled Square Gang Axle
 with Gang Wrench
 Adjustable Angle of Cut 15° and 18°
 Heavy Duty Scrapers
 Balk Buster

<u>MODEL NUMBER</u>	<u>DISC DIAM</u>	<u>TYPE OF DISC</u>	<u>DISC THICK</u>	<u># OF DISC</u>	<u>DISC SPACING</u>	<u># OF BRGS</u>	<u>APX WT</u>	<u>SUGST PRICE</u>
<u>5' 0" WIDE</u>								
BBD5-0827-65T	22" Tap	C/O	.197	8	9"	4	985	\$5,467
<u>6' 6" WIDE</u>								
BBD6-1027-65T	22" Tap	C/O	.197	10	9"	4	1017	\$5,821

ATHENS 37 LIFT TYPE DISK HARROW



SPECIFICATIONS:

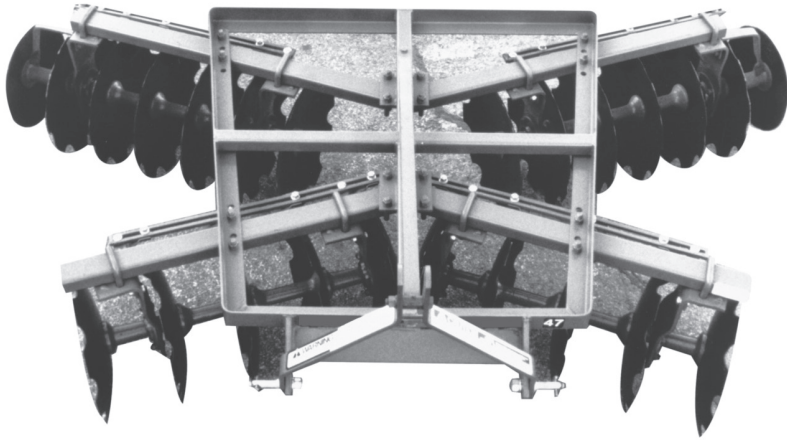
Cutting Width – 5' 2" to 6' 5"
 Disc Spacing – 7", 9", or 9"F & 7"R
 Discs – 18" Diameter, C/O or SM

STANDARD EQUIPMENT:

Category I Hitch
 Adjustable Angle of Cut
 1" High Carbon Steel Square Axles
 Factory Assembled Gangs
 Triple-Lip Sealed Ball Bearings

<u>MODEL NUMBER</u>	<u>DISC DIAM</u>	<u>TYPE OF DISC</u>		<u>DISC THCK</u>	<u># OF DISC</u>	<u>DISC SPACING</u>		<u># OF BRGS</u>	<u>APX WT</u>	<u>SUGST PRICE</u>
		<u>FRNT</u>	<u>REAR</u>			<u>FRNT</u>	<u>REAR</u>			
<u>5' 2" WIDE</u>										
037-1611-010	18"	C.O.	C.O.	.118	16	7"	7"	8	624	\$2,330
037-1611-110	18"	SM.	SM.	.118	16	7"	7"	8	640	\$2,323
037-1611-410	18"	C.O.	SM.	.118	16	7"	7"	8	632	\$2,313
<u>6' 3" WIDE</u>										
037-1621-010	18"	C.O.	C.O.	.118	16	9"	9"	8	654	\$2,376
037-1621-110	18"	SM.	SM.	.118	16	9"	9"	8	670	\$2,330
037-1621-410	18"	C.O.	SM.	.118	16	9"	9"	8	662	\$2,354
<u>6' 5" WIDE</u>										
037-1831-010	18"	C.O.	C.O.	.118	18	9"	7"	8	680	\$2,477
037-1831-110	18"	SM.	SM.	.118	18	9"	7"	8	698	\$2,436
037-1831-410	18"	C.O.	SM.	.118	18	9"	7"	8	690	\$2,457
037-2011-010	18"	C.O.	C.O.	.118	20	7"	7"	8	702	\$2,581
037-2011-110	18"	SM.	SM.	.118	20	7"	7"	8	722	\$2,542
037-2011-410	18"	C.O.	SM.	.118	20	7"	7"	8	712	\$2,558

ATHENS 47 LIFT TYPE DISK HARROW



SPECIFICATIONS:

Cutting Width – 6' 3" to 7' 9"
 Disc Spacing – 7", 9", or 9"F & 7"R
 Discs - 18" or 20" – C/O or SM

STANDARD EQUIPMENT:

Category I Hitch
 Adjustable Angle of Cut
 1" High Carbon Square Axles
 Factory Assembled Gangs
 Triple Lip Sealed Ball Bearings

<u>MODEL NUMBER</u>	<u>DISC DIAM</u>	<u>TYPE OF DISC</u>		<u>DISC THCK</u>	<u># OF DISC</u>	<u>DISC SPACING</u>		<u># OF BRGS</u>	<u>APX WT</u>	<u>SUGST PRICE</u>
		<u>FRNT</u>	<u>REAR</u>			<u>FRNT</u>	<u>REAR</u>			
<u>6' 3" WIDE</u>										
047-1621-010	18"	C.O.	C.O.	.118	16	9"	9"	8	664	\$2,483
047-1621-020	20"	C.O.	C.O.	.138	16	9"	9"	8	712	\$2,682
047-1621-110	18"	SM.	SM.	.118	16	9"	9"	8	680	\$2,399
047-1621-120	20"	SM.	SM.	.118	16	9"	9"	8	712	\$2,609
047-1621-410	18"	C.O.	SM.	.118	16	9"	9"	8	672	\$2,436
047-1621-420	20"	C.O.	SM.	.138	16	9"	9"	8	712	\$2,646
<u>6' 5" WIDE</u>										
047-1831-010	18"	C.O.	C.O.	.118	18	9"	7"	8	690	\$2,600
047-1831-020	20"	C.O.	C.O.	.138	18	9"	7"	8	744	\$2,842
047-1831-110	18"	SM.	SM.	.118	18	9"	7"	8	708	\$2,453
047-1831-120	20"	SM.	SM.	.118	18	9"	7"	8	744	\$2,612
047-1831-410	18"	C.O.	SM.	.118	18	9"	7"	8	700	\$2,527
047-1831-420	20"	C.O.	SM.	.138	18	9"	7"	8	744	\$2,737
047-2011-010	18"	C.O.	C.O.	.118	20	7"	7"	8	712	\$2,678
047-2011-020	20"	C.O.	C.O.	.138	20	7"	7"	8	772	\$2,987
047-2011-110	18"	SM.	SM.	.118	20	7"	7"	8	732	\$2,565
047-2011-120	20"	SM.	SM.	.118	20	7"	7"	8	772	\$2,735
047-2011-410	18"	C.O.	SM.	.118	20	7"	7"	8	722	\$2,621
047-2011-420	20"	C.O.	SM.	.138	20	7"	7"	8	772	\$2,864

<u>MODEL NUMBER</u>	<u>DISC DIAM</u>	<u>TYPE OF DISC</u>		<u>DISC THCK</u>	<u># OF DISC</u>	<u>DISC SPACING</u>		<u># OF BRGS</u>	<u>APX WT</u>	<u>SUGST PRICE</u>
		FRNT	REAR			FRNT	REAR			
<u>7' 6" WIDE</u>										
047-2231-010	18"	C.O.	C.O.	.118	22	9"	7"	8	762	\$2,885
047-2231-020	20"	C.O.	C.O.	.138	22	9"	7"	8	828	\$3,172
047-2231-110	18"	SM.	SM.	.118	22	9"	7"	8	784	\$2,711
047-2231-120	20"	SM.	SM.	.118	22	9"	7"	8	828	\$2,896
047-2231-410	18"	C.O.	SM.	.118	22	9"	7"	8	773	\$2,787
047-2231-420	20"	C.O.	SM.	.138	22	9"	7"	8	828	\$2,925
047-2411-010	18"	C.O.	C.O.	.118	24	7"	7"	8	782	\$2,984
047-2411-020	20"	C.O.	C.O.	.138	24	7"	7"	8	854	\$3,296
047-2411-110	18"	SM.	SM.	.118	24	7"	7"	8	806	\$2,790
047-2411-120	20"	SM.	SM.	.118	24	7"	7"	8	854	\$2,990
047-2411-410	18"	C.O.	SM.	.118	24	7"	7"	8	794	\$2,886
047-2411-420	20"	C.O.	SM.	.138	24	7"	7"	8	854	\$3,143
<u>7' 9" WIDE</u>										
047-2021-010	18"	C.O.	C.O.	.118	20	9"	9"	8	737	\$2,678
047-2021-020	20"	C.O.	C.O.	.138	20	9"	9"	8	797	\$2,943
047-2021-110	18"	SM.	SM.	.118	20	9"	9"	8	757	\$2,523
047-2021-120	20"	SM.	SM.	.118	20	9"	9"	8	797	\$2,690
047-2021-410	18"	C.O.	SM.	.118	20	9"	9"	8	747	\$2,599
047-2021-420	20"	C.O.	SM.	.138	20	9"	9"	8	797	\$2,820

ATHENS 52 LIFT-TYPE TANDEM DISK HARROW



SPECIFICATIONS:

Cutting Width 6' 6", 7' 0", 7' 11", and 8' 2"

Disc Spacing 7 ½", 9", or 9" F & 7 ½" R

Disc Diameter 18" or 20" C/O or SM

Cat. I Free Link

Relube Ball Bearings

Flangette Bearing Hangers

1 ⅛" Cold Rolled Square Gang Axle
with Gang Wrench

Adjustable Angle of Cut 15° and 18°

Heavy Duty Scrapers (Extra Equipment)

Cover Discs (Extra Equipment)

<u>MODEL NUMBER</u>	<u>DISC DIA</u>	<u>TYPE OF DISC</u>		<u>DISC THICK</u>	<u># OF DISC</u>	<u>DISC SPACING</u>		<u># OF BRGS</u>	<u>APX WT</u>	<u>SUGST PRICE</u>
		FRT	REAR			FRT	REAR			
<u>6' 6" WIDE</u>										
052-1622-211	18"	C/O	C/O	.138	16	9"	9"	8	823	\$3,665
052-1622-311	18"	SM	SM	.138	16	9"	9"	8	855	\$3,588
052-1622-511	18"	C/O	SM	.138	16	9"	9"	8	839	\$3,618
052-1622-221	20"	C/O	C/O	.148	16	9"	9"	8	868	\$3,922
052-1622-321	20"	SM	SM	.148	16	9"	9"	8	904	\$3,852
052-1622-521	20"	C/O	SM	.148	16	9"	9"	8	886	\$3,873
<u>7' 0" WIDE</u>										
052-1832-211	18"	C/O	C/O	.138	18	9"	7-1/2"	8	872	\$3,831
052-1832-311	18"	SM	SM	.138	18	9"	7-1/2"	8	908	\$3,730
052-1832-511	18"	C/O	SM	.138	18	9"	7-1/2"	8	892	\$3,790
052-1832-221	20"	C/O	C/O	.148	18	9"	7-1/2"	8	922	\$4,128
052-1832-321	20"	SM	SM	.148	18	9"	7-1/2"	8	962	\$3,992
052-1832-521	20"	C/O	SM	.148	18	9"	7-1/2"	8	944	\$4,059
052-2012-211	18"	C/O	C/O	.138	20	7-1/2"	7-1/2"	8	898	\$4,004
052-2012-311	18"	SM	SM	.138	20	7-1/2"	7-1/2"	8	938	\$3,883
052-2012-511	18"	C/O	SM	.138	20	7-1/2"	7-1/2"	8	918	\$3,956
052-2012-221	20"	C/O	C/O	.148	20	7-1/2"	7-1/2"	8	954	\$4,329
052-2012-321	20"	SM	SM	.148	20	7-1/2"	7-1/2"	8	998	\$4,177
052-2012-521	20"	C/O	SM	.148	20	7-1/2"	7-1/2"	8	976	\$4,248

MODEL NUMBER	DISC DIAM	TYPE OF DISC		DISC THICK	# OF DISC	DISC SPACING		# OF BRGS	APX WT	SUGST PRICE
		FRT	REAR			FRT	REAR			
<u>7' 11" WIDE</u>										
052-2022-211	18"	C/O	C/O	.138	20	9"	9"	8	926	\$4,284
052-2022-311	18"	SM	SM	.138	20	9"	9"	8	966	\$4,011
052-2022-511	18"	C/O	SM	.138	20	9"	9"	8	946	\$4,095
052-2022-221	20"	C/O	C/O	.148	20	9"	9"	8	982	\$4,460
052-2022-321	20"	SM	SM	.148	20	9"	9"	8	1026	\$4,310
052-2022-521	20"	C/O	SM	.148	20	9"	9"	8	1004	\$4,394
<u>8' 2" WIDE</u>										
052-2232-211	18"	C/O	C/O	.138	22	9"	7-1/2"	8	946	\$4,282
052-2232-311	18"	SM	SM	.138	22	9"	7-1/2"	8	990	\$4,177
052-2232-511	18"	C/O	SM	.138	22	9"	7-1/2"	8	970	\$4,242
052-2232-221	20"	C/O	C/O	.148	22	9"	7-1/2"	8	1008	\$4,661
052-2232-321	20"	SM	SM	.148	22	9"	7-1/2"	8	1057	\$4,498
052-2232-521	20"	C/O	SM	.148	22	9"	7-1/2"	8	1035	\$4,580
052-2412-211	18"	C/O	C/O	.138	24	7-1/2"	7-1/2"	8	966	\$4,475
052-2412-311	18"	SM	SM	.138	24	7-1/2"	7-1/2"	8	1014	\$4,332
052-2412-511	18"	C/O	SM	.138	24	7-1/2"	7-1/2"	8	990	\$4,398
052-2412-221	20"	C/O	C/O	.148	24	7-1/2"	7-1/2"	8	1033	\$4,863
052-2412-321	20"	SM	SM	.148	24	7-1/2"	7-1/2"	8	1086	\$4,628
052-2412-521	20"	C/O	SM	.148	24	7-1/2"	7-1/2"	8	1060	\$4,784

EXTRA EQUIPMENT

SCRAPERS	WIDTH	SPACING	APPROX. WEIGHT	SUGST PRICE
9-052-916220	6' 6"	9"	122#	\$447
9-052-918320	7' 0"	9" F 7 1/2" R	131#	\$501
9-052-920120	7' 0"	7 1/2"	140#	\$525
9-052-920220	7' 11"	9"	147#	\$579
9-052-922320	8' 2"	9" F 7 1/2" R	157#	\$615
9-052-924120	8' 2"	7 1/2"	166#	\$655

COVER DISCS	DESCRIPTION	APPROX. WEIGHT	SUGST PRICE
9-052-700016	Cover Discs w/o Scraper w/ 16" Disc	34#	\$220
9-052-709016	Cover Discs w/ Scraper w/ 16" Disc	43#	\$256

OPTIONAL EQUIPMENT

TO SPECIFY CAT. II IN LIEU OF CAT I, CHANGE THE 10TH DIGIT FROM 1 TO 2. NO CHARGE

ATHENS 55 LIFT TYPE DISK HARROW

SPECIFICATIONS:

Cutting Width 6' 6" to 9' 4"
 Disc spacing 7 ½", 9" or
 9" Front & 7 ½" Rear
 20" or 22" Discs – Cutout or Smooth
 Heavy Duty Scrapers (Extra Equip.)
 Category I or II Hitch
 Relube Ball Bearings

STANDARD EQUIPMENT:

Category II Hitch
 1 ⅛" Cold Rolled Square Axles
 w/ Gang Wrench
 Tapered Outside Rear DisC Gangs
 Factory Assembled Gangs
 Adjustable Angle of Cut
 Flangette Bearing Hangers
 Relube Ball Bearings



<u>MODEL NUMBER</u>	<u>DISC DIAM</u>	<u>TYPE OF DISC</u> FRNT REAR	<u>DISC THCK</u>	<u># OF DISC</u>	<u>DISC SPACING</u> FRNT REAR	<u># OF BRGS</u>	<u>APX WT</u>	<u>SUGST PRICE</u>
<u>6' 6" WIDE</u>								
055-1622-222	20"	C.O. C.O.	.138	16	9" 9"	8	1006	\$4,542
055-1622-642	22"	C.O. C.O.	.177	16	9" 9"	8	1054	\$4,815
055-1622-322	20"	SM. SM.	.138	16	9" 9"	8	1024	\$4,455
055-1622-742	22"	SM. SM.	.177	16	9" 9"	8	1072	\$4,742
055-1622-522	20"	C.O. SM.	.138	16	9" 9"	8	1014	\$4,489
055-1622-842	22"	C.O. SM.	.177	16	9" 9"	8	1063	\$4,762
<u>7' 0" WIDE</u>								
055-1832-222	20"	C.O. C.O.	.138	18	9" 7-1/2"	8	1039	\$4,719
055-1832-642	22"	C.O. C.O.	.177	18	9" 7-1/2"	8	1096	\$5,035
055-1832-322	20"	SM. SM.	.138	18	9" 7-1/2"	8	1058	\$4,609
055-1832-742	22"	SM. SM.	.177	18	9" 7-1/2"	8	1117	\$4,891
055-1832-522	20"	C.O. SM.	.138	18	9" 7-1/2"	8	1049	\$4,675
055-1832-842	22"	C.O. SM.	.177	18	9" 7-1/2"	8	1108	\$4,962
055-2012-222	20"	C.O. C.O.	.138	20	7-1/2" 7-1/2"	8	1072	\$4,902
055-2012-642	22"	C.O. C.O.	.177	20	7-1/2" 7-1/2"	8	1138	\$5,251
055-2012-322	20"	SM. SM.	.138	20	7-1/2" 7-1/2"	8	1092	\$4,776
055-2012-742	22"	SM. SM.	.177	20	7-1/2" 7-1/2"	8	1161	\$5,088
055-2012-522	20"	C.O. SM.	.138	20	7-1/2" 7-1/2"	8	1081	\$4,853
055-2012-842	22"	C.O. SM.	.177	20	7-1/2" 7-1/2"	8	1149	\$5,165

MODEL NUMBER	DISC DIAM	TYPE OF DISC		DISC THCK	# OF DISC	DISC SPACING		# OF BRGS	APX WT	SUGST PRICE
		FRNT	REAR			FRNT	REAR			
<u>7' 11" WIDE</u>										
055-2022-222	20"	C.O.	C.O.	.138	20	9"	9"	8	1125	\$5,200
055-2022-642	22"	C.O.	C.O.	.177	20	9"	9"	8	1192	\$5,390
055-2022-322	20"	SM.	SM.	.138	20	9"	9"	8	1146	\$4,910
055-2022-742	22"	SM.	SM.	.177	20	9"	9"	8	1215	\$5,231
055-2022-522	20"	C.O.	SM.	.138	20	9"	9"	8	1135	\$5,000
055-2022-842	22"	C.O.	SM.	.177	20	9"	9"	8	1203	\$5,321
<u>8' 2" WIDE</u>										
055-2232-222	20"	C.O.	C.O.	.138	22	9"	7-1/2"	8	1155	\$5,200
055-2232-642	22"	C.O.	C.O.	.177	22	9"	7-1/2"	8	1232	\$5,607
055-2232-322	20"	SM.	SM.	.138	22	9"	7-1/2"	8	1179	\$5,088
055-2232-742	22"	SM.	SM.	.177	22	9"	7-1/2"	8	1257	\$5,430
055-2232-522	20"	C.O.	SM.	.138	22	9"	7-1/2"	8	1168	\$5,158
055-2232-842	22"	C.O.	SM.	.177	22	9"	7-1/2"	8	1245	\$5,519
055-2412-222	20"	C.O.	C.O.	.138	24	7-1/2"	7-1/2"	8	1185	\$5,405
055-2412-642	22"	C.O.	C.O.	.177	24	7-1/2"	7-1/2"	8	1271	\$5,823
055-2412-322	20"	SM.	SM.	.138	24	7-1/2"	7-1/2"	8	1211	\$5,256
055-2412-742	22"	SM.	SM.	.177	24	7-1/2"	7-1/2"	8	1299	\$5,569
055-2412-522	20"	C.O.	SM.	.138	24	7-1/2"	7-1/2"	8	1198	\$5,326
055-2412-842	22"	C.O.	SM.	.177	24	7-1/2"	7-1/2"	8	1285	\$5,736
<u>9' 4" WIDE</u>										
055-2422-222	20"	C.O.	C.O.	.138	24	9"	9"	8	1249	\$5,374
055-2422-642	22"	C.O.	C.O.	.177	24	9"	9"	8	1335	\$5,802
055-2422-322	20"	SM.	SM.	.138	24	9"	9"	8	1275	\$5,226
055-2422-742	22"	SM.	SM.	.177	24	9"	9"	8	1363	\$5,603
055-2422-522	20"	C.O.	SM.	.138	24	9"	9"	8	1262	\$5,314
055-2422-842	22"	C.O.	SM.	.177	24	9"	9"	8	1349	\$5,703
055-2632-222	20"	C.O.	C.O.	.138	26	9"	7-1/2"	8	1289	\$5,569
055-2632-642	22"	C.O.	C.O.	.177	26	9"	7-1/2"	8	1385	\$6,019
055-2632-322	20"	SM.	SM.	.138	26	9"	7-1/2"	8	1317	\$5,395
055-2632-742	22"	SM.	SM.	.177	26	9"	7-1/2"	8	1415	\$5,805
055-2632-522	20"	C.O.	SM.	.138	26	9"	7-1/2"	8	1304	\$5,480
055-2632-842	22"	C.O.	SM.	.177	26	9"	7-1/2"	8	1401	\$5,911
055-2812-222	20"	C.O.	C.O.	.138	28	7-1/2"	7-1/2"	8	1301	\$5,741
055-2812-642	22"	C.O.	C.O.	.177	28	7-1/2"	7-1/2"	8	1406	\$6,239
055-2812-322	20"	SM.	SM.	.138	28	7-1/2"	7-1/2"	8	1331	\$5,569
055-2812-742	22"	SM.	SM.	.177	28	7-1/2"	7-1/2"	8	1439	\$6,011
055-2812-522	20"	C.O.	SM.	.138	28	7-1/2"	7-1/2"	8	1316	\$5,665
055-2812-842	22"	C.O.	SM.	.177	28	7-1/2"	7-1/2"	8	1422	\$6,133

<u>EXTRA EQUIPMENT</u>	<u>WIDTH</u>	<u>SPACING</u>	<u>APX WT</u>	<u>SUGST PRICE</u>
9-055-916220 SCRAPERS	6' 6"	9"	122#	\$481
9-055-918320 SCRAPERS	7' 0"	9"F 7-1/2"R	131#	\$537
9-055-920120 SCRAPERS	7' 0"	7-1/2"	140#	\$562
9-055-920220 SCRAPERS	7' 11"	9"	147#	\$620
9-055-922320 SCRAPERS	8' 2"	9"F 7-1/2"R	157#	\$655
9-055-924120 SCRAPERS	8' 2"	7-1/2"	166#	\$702
9-055-924220 SCRAPERS	9' 4"	9"	175#	\$702
9-055-926320 SCRAPERS	9' 4"	9"F 7-1/2"R	184#	\$731
9-055-928120 SCRAPERS	9' 4"	7-1/2"	193#	\$775

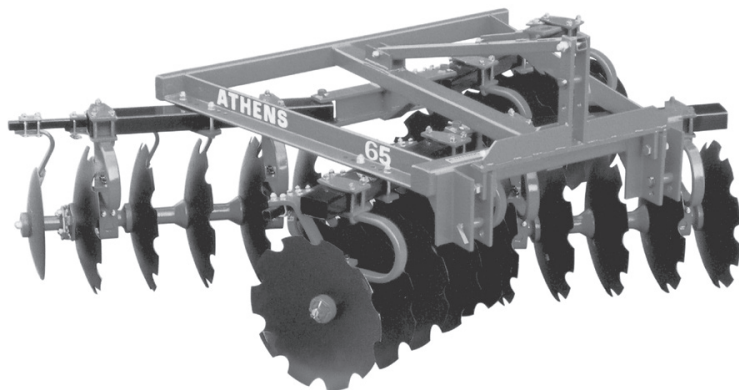
<u>EXTRA EQUIPMENT</u>	<u>APX WT</u>	<u>SUGST PRICE</u>
9-055-700016 COVER DISC W/O SCRAPER W/ 16" DISC	34#	\$234
9-055-709016 COVER DISC W/ SCRAPERS W/ 16" DISC	43#	\$273
9-055-800000 BALK BUSTER	38#	\$234

OPTIONAL EQUIPMENT:

TO SPECIFY CAT. #1 IN LIEU OF CAT.#II, CHANGE
10TH DIGIT FROM 2 TO 1

NO CHARGE

ATHENS 65 LIFT-TYPE TANDEM DISK HARROW



SPECIFICATIONS:

Cutting Width 8', 8' 4", & 9' 6"
 Spacing 9", or 9" Frt & 7 1/2" Rear
 Disc Diameter - 22" or 24" C/O or SM
 Rigid or Spring Bearing Hangers
 Cat. II Free Link/Quick Coupler
 Relube Ball Bearings
 1 1/4" Cold Rolled Square Axle
 with Gang Wrench

<u>MODEL NUMBER</u>	<u>DISC DIAM</u>	<u>TYPE OF DISC</u>		<u>DISC THCK</u>	<u># OF DISC</u>	<u>DISC SPACING</u>		<u># OF BRGS</u>	<u>APX WT</u>	<u>SUGST PRICE</u>
		FRNT	REAR			FRNT	REAR			
<u>8' 0" WIDE</u>										
065-2027-650	22"	C.O.	C.O.	.197	20	9"	9"	8	1710	\$7,410
065-2027-660	24"	C.O.	C.O.	.197	20	9"	9"	8	1770	\$7,829
065-2027-750	22"	SM.	SM.	.197	20	9"	9"	8	1730	\$7,371
065-2027-760	24"	SM.	SM.	.197	20	9"	9"	8	1790	\$7,735
065-2027-850	22"	C.O.	SM.	.197	20	9"	9"	8	1720	\$7,391
065-2027-860	24"	C.O.	SM.	.197	20	9"	9"	8	1780	\$7,781
<u>8' 4" WIDE</u>										
065-2237-650	22"	C.O.	C.O.	.197	22	9"	7-1/2"	8	1762	\$7,794
065-2237-750	22"	SM.	SM.	.197	22	9"	7-1/2"	8	1784	\$7,745
065-2237-850	22"	C.O.	SM.	.197	22	9"	7-1/2"	8	1774	\$7,764
<u>9' 6" WIDE</u>										
065-2427-650	22"	C.O.	C.O.	.197	24	9"	9"	8	1872	\$8,113
065-2427-660	24"	C.O.	C.O.	.197	24	9"	9"	8	1944	\$8,606
065-2427-750	22"	SM.	SM.	.197	24	9"	9"	8	1896	\$8,060
065-2427-760	24"	SM.	SM.	.197	24	9"	9"	8	1968	\$8,499
065-2427-850	22"	C.O.	SM.	.197	24	9"	9"	8	1884	\$8,085
065-2427-860	24"	C.O.	SM.	.197	24	9"	9"	8	1956	\$8,553
065-2637-650	22"	C.O.	C.O.	.197	26	9"	7-1/2"	8	1914	\$8,472
065-2637-750	22"	SM.	SM.	.197	26	9"	7-1/2"	8	1940	\$8,415
065-2637-850	22"	C.O.	SM.	.197	26	9"	7-1/2"	8	1954	\$8,442

OPTIONAL EQUIPMENT

For Spring Bearing Hangers:
 Change the 7th Digit from 7 to 6 and Add 15#
 and \$42.00 per Bearing Weights and Prices.

(CONT'D)

EXTRA EQUIPMENT

SCRAPERS

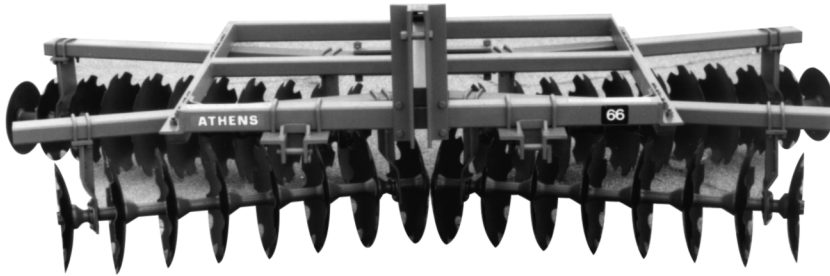
		<u>SPACING</u>	<u>APX WT</u>	<u>SUGST PRICE</u>
9-065-920270	Scrapers for 8' 0" Units	9"	226	\$811
*9-065-920260		9"	244	\$871
9-065-922370	Scrapers for 8' 4" Units	9"F 7-1/2"R	241	\$863
*9-065-922360		9"F 7-1/2"R	259	\$928
9-065-924270	Scrapers for 9' 6" Units	9"	265	\$952
*9-065-924260		9"	283	\$1,014
9-065-926370	Scrapers for 9' 6" Units	9"F 7-1/2"R	280	\$1,004
*9-065-926360		9"F 7-1/2"R	298	\$1,067

*For Units with Spring Bearing Hangers

COVER DISC

9-065-700018	Cover Disc Assembly with 18" Disc w/o Scraper		40	\$289
9-065-709018	Cover Disc Assembly with 18" Disc w/ Scraper		56	\$334
9-065-800000	Balk Buster		23	\$215

ATHENS 66 LIFT TYPE DISK HARROW



SPECIFICATIONS:

Cutting Width 10' 6" to 15' 3"
 Disc Spacing 7 ½", 9" or
 9" Front & 7 ½" Rear
 Disc Diameter – 20" or 22" C/O or SM
 Heavy Duty Scrapers (Extra
 Equipment)
 Category II or III Free Link
 or Quick Coupler Hitch

STANDARD EQUIPMENT:

1 ⅛" Cold Rolled Square Axle
 Relube Ball Bearings
 Flangette Bearing Hangers
 Adjustable Angle of Cut 16° to 21°
 Tapered Outside Rear Disk Gangs

<u>MODEL NUMBER</u>	<u>DISC DIAM</u>	<u>TYPE OF DISC</u> FRNT REAR	<u>DISC THCK</u>	<u># OF DISC</u>	<u>DISC SPACING</u> FRNT REAR		<u># OF BRGS</u>	<u>APX WT</u>	<u>SUGST PRICE</u>
<u>10' 6" WIDE</u>									
066-3032-222	20"	C.O. C.O.	.138	30	9"	7-1/2"	8	1924	\$8,125
066-3032-642	22"	C.O. C.O.	.177	30	9"	7-1/2"	8	2039	\$8,613
066-3032-322	20"	SM. SM.	.138	30	9"	7-1/2"	8	1957	\$8,268
066-3032-742	22"	SM. SM.	.177	30	9"	7-1/2"	8	2074	\$8,343
066-3032-522	20"	C.O. SM.	.138	30	9"	7-1/2"	8	1941	\$8,200
066-3032-842	22"	C.O. SM.	.177	30	9"	7-1/2"	8	2057	\$8,688
066-3212-222	20"	C.O. C.O.	.138	32	7-1/2"	7-1/2"	8	1947	\$8,224
066-3212-642	22"	C.O. C.O.	.177	32	7-1/2"	7-1/2"	8	2071	\$8,748
066-3212-322	20"	SM. SM.	.138	32	7-1/2"	7-1/2"	8	1982	\$8,375
066-3212-742	22"	SM. SM.	.177	32	7-1/2"	7-1/2"	8	2109	\$8,909
066-3212-522	20"	C.O. SM.	.138	32	7-1/2"	7-1/2"	8	1964	\$8,294
066-3212-842	22"	C.O. SM.	.177	32	7-1/2"	7-1/2"	8	2090	\$8,824
<u>10' 9" WIDE</u>									
066-2822-222	20"	C.O. C.O.	.138	28	9"	9"	8	1901	\$8,029
066-2822-642	22"	C.O. C.O.	.177	28	9"	9"	8	2006	\$8,473
066-2822-322	20"	SM. SM.	.138	28	9"	9"	8	1933	\$8,167
066-2822-742	22"	SM. SM.	.177	28	9"	9"	8	2039	\$8,613
066-2822-522	20"	C.O. SM.	.138	28	9"	9"	8	1916	\$8,095
066-2822-842	22"	C.O. SM.	.177	28	9"	9"	8	2022	\$8,538

MODEL NUMBER	DISC DIAM	TYPE OF DISC		DISC THCK	# OF DISC	DISC SPACING		# OF BRGS	APX WT	SUGST PRICE
		FRNT	REAR			FRNT	REAR			
<u>12' 2" WIDE</u>										
066-3222-221	20"	C.O.	C.O.	.138	32	9"	9"	12	2044	\$8,442
066-3222-641	22"	C.O.	C.O.	.177	32	9"	9"	12	2180	\$9,162
066-3222-321	20"	SM.	SM.	.138	32	9"	9"	12	2064	\$8,194
066-3222-741	22"	SM.	SM.	.177	32	9"	9"	12	2216	\$8,847
066-3222-521	20"	C.O.	SM.	.138	32	9"	9"	12	2058	\$8,314
066-3222-841	22"	C.O.	SM.	.177	32	9"	9"	12	2197	\$9,000
<u>12' 11" WIDE</u>										
066-3632-221	20"	C.O.	C.O.	.138	36	9"	7-1/2"	12	2103	\$8,635
066-3632-641	22"	C.O.	C.O.	.177	36	9"	7-1/2"	12	2257	\$9,279
066-3632-321	20"	SM.	SM.	.138	36	9"	7-1/2"	12	2234	\$8,379
066-3632-741	22"	SM.	SM.	.177	36	9"	7-1/2"	12	2298	\$9,022
066-3632-521	20"	C.O.	SM.	.138	36	9"	7-1/2"	12	2219	\$8,429
066-3632-841	22"	C.O.	SM.	.177	36	9"	7-1/2"	12	2279	\$9,196
066-4012-221	20"	C.O.	C.O.	.138	40	7-1/2"	7-1/2"	12	2161	\$8,817
066-4012-641	22"	C.O.	C.O.	.177	40	7-1/2"	7-1/2"	12	2334	\$9,586
066-4012-321	20"	SM.	SM.	.138	40	7-1/2"	7-1/2"	12	2195	\$8,527
066-4012-741	22"	SM.	SM.	.177	40	7-1/2"	7-1/2"	12	2406	\$9,203
066-4012-521	20"	C.O.	SM.	.138	40	7-1/2"	7-1/2"	12	2177	\$8,710
066-4012-841	22"	C.O.	SM.	.177	40	7-1/2"	7-1/2"	12	2356	\$9,419
<u>13' 6" WIDE</u>										
066-3622-221	20"	C.O.	C.O.	.138	36	9"	9"	12	2194	\$9,224
066-3622-641	22"	C.O.	C.O.	.177	36	9"	9"	12	2298	\$9,957
066-3622-321	20"	SM.	SM.	.138	36	9"	9"	12	2207	\$8,980
066-3622-741	22"	SM.	SM.	.177	36	9"	9"	12	2328	\$9,632
066-3622-521	20"	C.O.	SM.	.138	36	9"	9"	12	2200	\$9,107
066-3622-841	22"	C.O.	SM.	.177	36	9"	9"	12	2313	\$9,799
<u>14' 1" WIDE</u>										
066-4032-221	20"	C.O.	C.O.	.138	40	9"	7-1/2"	12	2269	\$9,419
066-4032-641	22"	C.O.	C.O.	.177	40	9"	7-1/2"	12	2387	\$10,204
066-4032-321	20"	SM.	SM.	.138	40	9"	7-1/2"	12	2283	\$9,130
066-4032-741	22"	SM.	SM.	.177	40	9"	7-1/2"	12	2421	\$9,841
066-4032-521	20"	C.O.	SM.	.138	40	9"	7-1/2"	12	2276	\$9,282
066-4032-841	22"	C.O.	SM.	.177	40	9"	7-1/2"	12	2405	\$10,024
066-4412-221	20"	C.O.	C.O.	.138	44	7-1/2"	7-1/2"	12	2342	\$9,547
066-4412-641	22"	C.O.	C.O.	.177	44	7-1/2"	7-1/2"	12	2476	\$10,390
066-4412-321	20"	SM.	SM.	.138	44	7-1/2"	7-1/2"	12	2358	\$9,242
066-4412-741	22"	SM.	SM.	.177	44	7-1/2"	7-1/2"	12	2513	\$10,468
066-4412-521	20"	C.O.	SM.	.138	44	7-1/2"	7-1/2"	12	2349	\$9,394
066-4412-841	22"	C.O.	SM.	.177	44	7-1/2"	7-1/2"	12	2495	\$10,222

<u>MODEL NUMBER</u>	<u>DISC DIAM</u>	<u>TYPE OF DISC</u>		<u>DISC THCK</u>	<u># OF DISC</u>	<u>DISC SPACING</u>		<u># OF BRGS</u>	<u>APX WT</u>	<u>SUGST PRICE</u>
		FRNT	REAR			FRNT	REAR			
<u>15' 0" WIDE</u>										
066-4022-221	20"	C.O.	C.O.	.138	40	9"	9"	16	2326	\$9,703
066-4022-641	22"	C.O.	C.O.	.177	40	9"	9"	16	2444	\$10,582
066-4022-321	20"	SM.	SM.	.138	40	9"	9"	16	2340	\$9,585
066-4022-741	22"	SM.	SM.	.177	40	9"	9"	16	2478	\$10,140
066-4022-521	20"	C.O.	SM.	.138	40	9"	9"	16	2282	\$9,646
066-4022-841	22"	C.O.	SM.	.177	40	9"	9"	16	2462	\$10,358

15' 3" WIDE

066-4432-221	20"	C.O.	C.O.	.138	44	9"	7-1/2"	16	2388	\$10,057
066-4432-641	22"	C.O.	C.O.	.177	44	9"	7-1/2"	16	2522	\$11,063
066-4432-321	20"	SM.	SM.	.138	44	9"	7-1/2"	16	2404	\$9,937
066-4432-741	22"	SM.	SM.	.177	44	9"	7-1/2"	16	2559	\$10,565
066-4432-521	20"	C.O.	SM.	.138	44	9"	7-1/2"	16	2397	\$10,001
066-4432-841	22"	C.O.	SM.	.177	44	9"	7-1/2"	16	2542	\$10,817
066-4812-221	20"	C.O.	C.O.	.138	48	7-1/2"	7-1/2"	16	2448	\$10,420
066-4812-641	22"	C.O.	C.O.	.177	48	7-1/2"	7-1/2"	16	2598	\$11,541
066-4812-321	20"	SM.	SM.	.138	48	7-1/2"	7-1/2"	16	2466	\$10,297
066-4812-741	22"	SM.	SM.	.177	48	7-1/2"	7-1/2"	16	2638	\$10,989
066-4812-521	20"	C.O.	SM.	.138	48	7-1/2"	7-1/2"	16	2457	\$10,358
066-4812-841	22"	C.O.	SM.	.177	48	7-1/2"	7-1/2"	16	2618	\$11,267

<u>EXTRA EQUIPMENT</u>	<u>WIDTH</u>	<u>SPACING</u>	<u>APX WT</u>	<u>SUGST PRICE</u>	
9-066-928220	SCRAPERS	10' 9"	9"	336	\$855
9-066-930320	SCRAPERS	10' 6"	9"F 7-1/2"R	360	\$917
9-066-932120	SCRAPERS	10' 6"	7-1/2"	384	\$979
9-066-932220	SCRAPERS	12' 2"	9"	390	\$1,017
9-066-936320	SCRAPERS	12' 11"	9"F 7-1/2"R	422	\$1,138
9-066-940120	SCRAPERS	12' 11"	7-1/2"	453	\$1,268
9-066-936220	SCRAPERS	13' 6"	9"	428	\$1,152
9-066-940320	SCRAPERS	14' 1"	9"F 7-1/2"R	459	\$1,274
9-066-944120	SCRAPERS	14' 1"	7-1/2"	493	\$1,407
9-066-940220	SCRAPERS	15' 0"	9"	463	\$1,316
9-066-944320	SCRAPERS	15' 3"	9"F 7-1/2"R	489	\$1,434
9-066-948120	SCRAPERS	15' 3"	7-1/2"	531	\$1,559
9-066-700016	COVER DISC W/O SCRAPERS			34	\$182
9-066-709016	COVER DISC W/ SCRAPERS			43	\$246
9-066-800000	BALK BUSTER			23	\$208

ATHENS 62 WHEEL TANDEM DISK HARROW

SPECIFICATIONS:

Cutting Width – 7' 11" to 12' 11"

Spacing – 7 ½", 9" or

9" Front & 7 ½" Rear

Disc Diameter – 20" or 22" C/O or SM

Heavy Duty Scrapers (Extra Equip)

STANDARD EQUIPMENT

Heavy – Duty Tongue with Jack

15", 5 Lug Wheels w/ Hubs

Tapered Outside Rear Disc Gangs

1 ½" Cold Rolled Square Axles

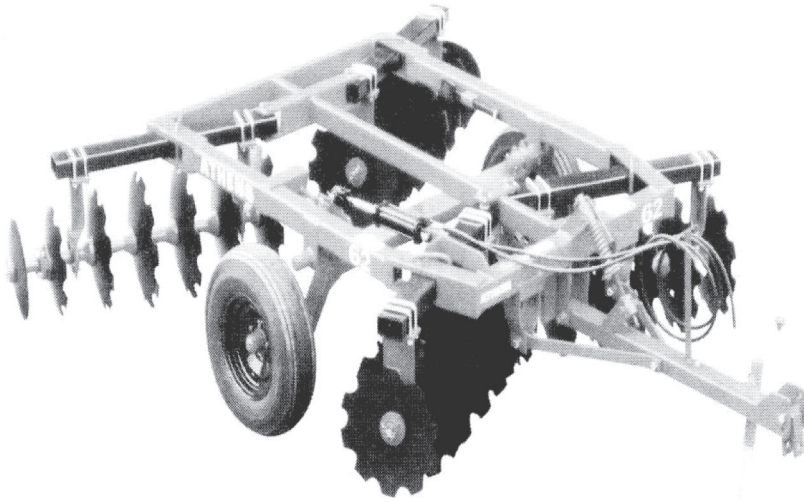
w/ Gang Wrench

Adjustable Angle of Cut

Flangette Bearing Hangers

Relube Ball Bearings

Lifting Hydraulics



<u>MODEL NUMBER</u>	<u>DISC DIAM</u>	<u>TYPE OF DISC</u>		<u>DISC THCK</u>	<u># OF DISC</u>	<u>DISC SPACING</u>		<u># OF BRGS</u>	<u>APX WT</u>	<u>SUGST PRICE</u>
		<u>FRNT</u>	<u>REAR</u>			<u>FRNT</u>	<u>REAR</u>			
<u>7' 11" WIDE</u>										
062-2022-221	20"	C.O.	C.O.	.138	20	9"	9"	8	1584	\$8,311
062-2022-641	22"	C.O.	C.O.	.177	20	9"	9"	8	1643	\$8,749
062-2022-321	20"	SM.	SM.	.138	20	9"	9"	8	1591	\$8,155
062-2022-741	22"	SM.	SM.	.177	20	9"	9"	8	1646	\$8,545
062-2022-521	20"	C.O.	SM.	.138	20	9"	9"	8	1588	\$8,250
062-2022-841	22"	C.O.	SM.	.177	20	9"	9"	8	1645	\$8,649
<u>8' 2" WIDE</u>										
062-2232-221	20"	C.O.	C.O.	.138	22	9"	7-1/2"	8	1613	\$8,528
062-2232-641	22"	C.O.	C.O.	.177	22	9"	7-1/2"	8	1680	\$9,005
062-2232-321	20"	SM.	SM.	.138	22	9"	7-1/2"	8	1620	\$8,362
062-2232-741	22"	SM.	SM.	.177	22	9"	7-1/2"	8	1682	\$8,785
062-2232-521	20"	C.O.	SM.	.138	22	9"	7-1/2"	8	1617	\$8,459
062-2232-841	22"	C.O.	SM.	.177	22	9"	7-1/2"	8	1682	\$8,889
062-2412-221	20"	C.O.	C.O.	.138	24	7-1/2"	7-1/2"	8	1647	\$8,749
062-2412-641	22"	C.O.	C.O.	.177	24	7-1/2"	7-1/2"	8	1741	\$9,269
062-2412-321	20"	SM.	SM.	.138	24	7-1/2"	7-1/2"	8	1666	\$8,557
062-2412-741	22"	SM.	SM.	.177	24	7-1/2"	7-1/2"	8	1768	\$9,016
062-2412-521	20"	C.O.	SM.	.138	24	7-1/2"	7-1/2"	8	1655	\$8,743
062-2412-841	22"	C.O.	SM.	.177	24	7-1/2"	7-1/2"	8	1754	\$9,309

MODEL NUMBER	DISC DIAM	TYPE OF DISC		DISC THICK	# OF DISC	DISC SPACING		# OF BRGS	APX WT	SUGST PRICE
		FRNT	REAR			FRNT	REAR			
<u>9' 4" WIDE</u>										
062-2422-221	20"	C.O.	C.O.	.138	24	9"	9"	8	1695	\$8,715
062-2422-641	22"	C.O.	C.O.	.177	24	9"	9"	8	1789	\$9,209
062-2422-321	20"	SM.	SM.	.138	24	9"	9"	8	1714	\$8,528
062-2422-741	22"	SM.	SM.	.177	24	9"	9"	8	1816	\$8,999
062-2422-521	20"	C.O.	SM.	.138	24	9"	9"	8	1703	\$8,605
062-2422-841	22"	C.O.	SM.	.177	24	9"	9"	8	1802	\$9,123
062-2632-221	20"	C.O.	C.O.	.138	26	9"	7-1/2"	8	1710	\$8,936
062-2632-641	22"	C.O.	C.O.	.177	26	9"	7-1/2"	8	1824	\$9,507
062-2632-321	20"	SM.	SM.	.138	26	9"	7-1/2"	8	1741	\$8,727
062-2632-741	22"	SM.	SM.	.177	26	9"	7-1/2"	8	1853	\$9,242
062-2632-521	20"	C.O.	SM.	.138	26	9"	7-1/2"	8	1730	\$8,837
062-2632-841	22"	C.O.	SM.	.177	26	9"	7-1/2"	8	1839	\$9,364
062-2812-221	20"	C.O.	C.O.	.138	28	7-1/2"	7-1/2"	8	1744	\$9,152
062-2812-641	22"	C.O.	C.O.	.177	28	7-1/2"	7-1/2"	8	1858	\$9,767
062-2812-321	20"	SM.	SM.	.138	28	7-1/2"	7-1/2"	8	1768	\$8,925
062-2812-741	22"	SM.	SM.	.177	28	7-1/2"	7-1/2"	8	1800	\$9,473
062-2812-521	20"	C.O.	SM.	.138	28	7-1/2"	7-1/2"	8	1755	\$9,056
062-2812-841	22"	C.O.	SM.	.177	28	7-1/2"	7-1/2"	8	1874	\$9,627
<u>10' 6" WIDE</u>										
062-3032-221	20"	C.O.	C.O.	.138	30	9"	7-1/2"	8	1899	\$9,825
062-3032-641	22"	C.O.	C.O.	.177	30	9"	7-1/2"	8	2023	\$10,487
062-3032-321	20"	SM.	SM.	.138	30	9"	7-1/2"	8	1924	\$9,578
062-3032-741	22"	SM.	SM.	.177	30	9"	7-1/2"	8	2057	\$10,240
062-3032-521	20"	C.O.	SM.	.138	30	9"	7-1/2"	8	1911	\$9,705
062-3032-841	22"	C.O.	SM.	.177	30	9"	7-1/2"	8	2041	\$10,323
062-3212-221	20"	C.O.	C.O.	.138	32	7-1/2"	7-1/2"	8	1917	\$10,023
062-3212-641	22"	C.O.	C.O.	.177	32	7-1/2"	7-1/2"	8	2051	\$10,981
062-3212-321	20"	SM.	SM.	.138	32	7-1/2"	7-1/2"	8	1945	\$9,916
062-3212-741	22"	SM.	SM.	.177	32	7-1/2"	7-1/2"	8	2088	\$10,399
062-3212-521	20"	C.O.	SM.	.138	32	7-1/2"	7-1/2"	8	1930	\$9,910
062-3212-841	22"	C.O.	SM.	.177	32	7-1/2"	7-1/2"	8	2069	\$10,574
<u>10' 9" WIDE</u>										
062-2822-221	20"	C.O.	C.O.	.138	28	9"	9"	8	1880	\$9,607
062-2822-641	22"	C.O.	C.O.	.177	28	9"	9"	8	1995	\$10,279
062-2822-321	20"	SM.	SM.	.138	28	9"	9"	8	1905	\$9,390
062-2822-741	22"	SM.	SM.	.177	28	9"	9"	8	2026	\$9,932
062-2822-521	20"	C.O.	SM.	.138	28	9"	9"	8	1891	\$9,507
062-2822-841	22"	C.O.	SM.	.177	28	9"	9"	8	2010	\$10,088

MODEL NUMBER	DISC DIAM	TYPE OF DISC		DISC THCK	# OF DISC	DISC SPACING		# OF BRGS	APX WT	SUGST PRICE
		FRNT	REAR			FRNT	REAR			
<u>12' 2" WIDE</u>										
062-3222-221	20"	C.O.	C.O.	.138	32	9"	9"	12	2166	\$11,038
062-3222-641	22"	C.O.	C.O.	.177	32	9"	9"	12	2300	\$11,759
062-3222-321	20"	SM.	SM.	.138	32	9"	9"	12	2184	\$10,799
062-3222-741	22"	SM.	SM.	.177	32	9"	9"	12	2336	\$11,427
062-3222-521	20"	C.O.	SM.	.138	32	9"	9"	12	2178	\$10,929
062-3222-841	22"	C.O.	SM.	.177	32	9"	9"	12	2317	\$11,600

12' 11" WIDE

062-3632-221	20"	C.O.	C.O.	.138	36	9"	7-1/2"	12	2223	\$11,457
062-3632-641	22"	C.O.	C.O.	.177	36	9"	7-1/2"	12	2377	\$12,251
062-3632-321	20"	SM.	SM.	.138	36	9"	7-1/2"	12	2354	\$11,168
062-3632-741	22"	SM.	SM.	.177	36	9"	7-1/2"	12	2418	\$11,881
062-3632-521	20"	C.O.	SM.	.138	36	9"	7-1/2"	12	2339	\$11,309
062-3632-841	22"	C.O.	SM.	.177	36	9"	7-1/2"	12	2399	\$12,063
062-4012-221	20"	C.O.	C.O.	.138	40	7-1/2"	7-1/2"	12	2281	\$11,881
062-4012-641	22"	C.O.	C.O.	.177	40	7-1/2"	7-1/2"	12	2454	\$12,760
062-4012-321	20"	SM.	SM.	.138	40	7-1/2"	7-1/2"	12	2315	\$11,547
062-4012-741	22"	SM.	SM.	.177	40	7-1/2"	7-1/2"	12	2526	\$12,347
062-4012-521	20"	C.O.	SM.	.138	40	7-1/2"	7-1/2"	12	2297	\$11,733
062-4012-841	22"	C.O.	SM.	.177	40	7-1/2"	7-1/2"	12	2476	\$12,558

<u>EXTRA EQUIPMENT</u>		<u>WIDTH</u>	<u>SPACING</u>	<u>APX WT</u>	<u>SUGST PRICE</u>
9-062-920220	SCRAPERS	7' 11"	9"	177#	\$624
9-062-922320	SCRAPERS	8' 2"	9" F 7-1/2"R	196#	\$662
9-062-924120	SCRAPERS	8' 2"	7-1/2"	208#	\$710
9-062-924220	SCRAPERS	9' 4"	9"	214#	\$710
9-062-926320	SCRAPERS	9' 4"	9" F 7-1/2"R	231#	\$733
9-062-928120	SCRAPERS	9' 4"	7-1/2"	250#	\$785
9-062-932120	SCRAPERS	10' 6"	7-1/2"	296#	\$861
9-062-928220	SCRAPERS	10' 9"	9"	263#	\$780
9-062-930320	SCRAPERS	10' 6"	9" F 7-1/2"R	278#	\$831
9-062-932220	SCRAPERS	12' 2"	9"	305#	\$910
9-062-936320	SCRAPERS	12' 11"	9" F 7-1/2"R	337#	\$991
9-062-940120	SCRAPERS	12' 11"	7-1/2"	367#	\$1,071

EXTRA EQUIPMENT (CONT'D)

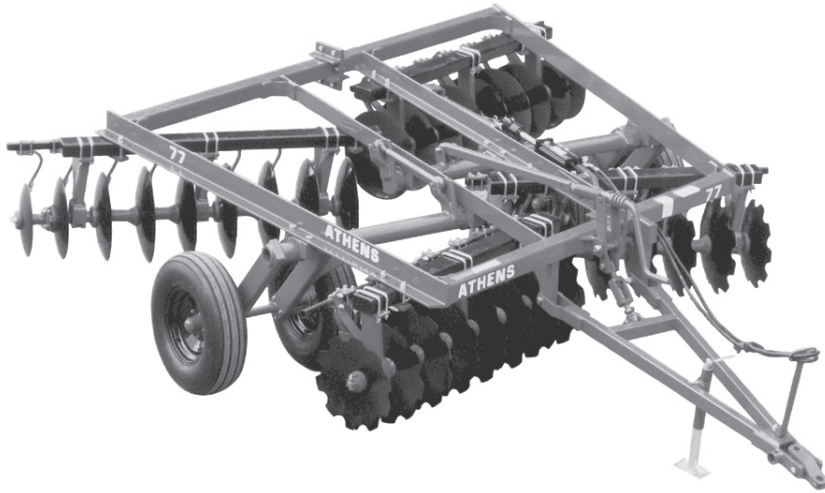
		APX	SUGST
		<u>WT</u>	<u>PRICE</u>
9-062-800000	BALK BUSTER	38#	\$255
9-062-700016	COVER DISC W/O SCRAPERS W/ 16" DISC	34#	\$230
9-062-709016	COVER DISC W/ SCRAPERS W/ 16" DISC	43#	\$272

RECOMMENDED TIRE SIZE: 9.5L x 15

CAUTION: TIRES ARE RATED AT 20 MPH MAXIMUM

***PRICE DOES NOT INCLUDE TIRES**

ATHENS 76R RIGID DOUBLE OFFSET HARROW



SPECIFICATIONS:

Cutting Width – 8' 10" to 15' 1"
22" or 24" Discs, Cutout or Smooth
Spacing 9", 7 ½", or 9"F & 7 ½"R
Trunnion Mounted Housing with
Relube Quadriseal Ball Bearings
Spring or Rigid Bearing Hangers
1 ¼" Sq. Cold Rolled Gang Axles

STANDARD EQUIPMENT:

Self-Leveling Frame
"A" Frame Tongue w/Jack
Heavy-Duty, Tubular Mtd Scrapers
Cover Discs w/ Scrapers
Split Wheel Carriages
Lifting Hydraulics w/ Mech. Transport
Adjustable Angle of Cut
15" x 6" – 5 Lug Wheels w/ Hubs
Tapered Front & Rear Disc Gangs

<u>MODEL NUMBER</u>	<u>DISC DIAM</u>	<u>TYPE OF DISC</u>		<u>DISC THCK</u>	<u># OF DISC</u>	<u>DISC SPACING</u>		<u># OF BRGS</u>	<u>APX WT</u>	<u>SUGST PRICE</u>
		<u>FRNT</u>	<u>REAR</u>			<u>FRNT</u>	<u>REAR</u>			
<u>8' 10" WIDE</u>										
<u>W/ RIGID BEARING HANGERS</u>										
76R-2427-637	22"	C.O.	C.O.	.197	24	9"	9"	8	2694	\$13,870
76R-2427-667	24"	C.O.	C.O.	.197	24	9"	9"	8	2840	\$14,071
76R-2427-737	22"	SM.	SM.	.197	24	9"	9"	8	2714	\$13,464
76R-2427-767	24"	SM.	SM.	.197	24	9"	9"	8	2870	\$13,780
76R-2427-837	22"	C.O.	SM.	.197	24	9"	9"	8	2704	\$14,428
76R-2427-867	24"	C.O.	SM.	.197	24	9"	9"	8	2853	\$13,930
76R-2637-637	22"	C.O.	C.O.	.197	26	9"	7-1/2"	8	2752	\$14,646
76R-2637-737	22"	SM.	SM.	.197	26	9"	7-1/2"	8	2783	\$14,266
76R-2637-837	22"	C.O.	SM.	.197	26	9"	7-1/2"	8	2767	\$14,452
76R-2817-637	22"	C.O.	C.O.	.197	28	7-1/2"	7-1/2"	8	2809	\$14,999
76R-2817-737	22"	SM.	SM.	.197	28	7-1/2"	7-1/2"	8	2843	\$14,588
76R-2817-837	22"	C.O.	SM.	.197	28	7-1/2"	7-1/2"	8	2825	\$14,790
<u>W/ SPRING BEARING HANGERS</u>										
76R-2426-657	22"	C.O.	C.O.	.197	24	9"	9"	8	2902	\$13,913
76R-2426-757	22"	SM.	SM.	.197	24	9"	9"	8	3048	\$13,711
76R-2426-857	22"	C.O.	SM.	.197	24	9"	9"	8	2922	\$13,796
76R-2636-657	22"	C.O.	C.O.	.197	26	9"	7-1/2"	8	2968	\$14,216
76R-2636-757	22"	SM.	SM.	.197	26	9"	7-1/2"	8	2999	\$14,067
76R-2636-857	22"	C.O.	SM.	.197	26	9"	7-1/2"	8	2983	\$14,140

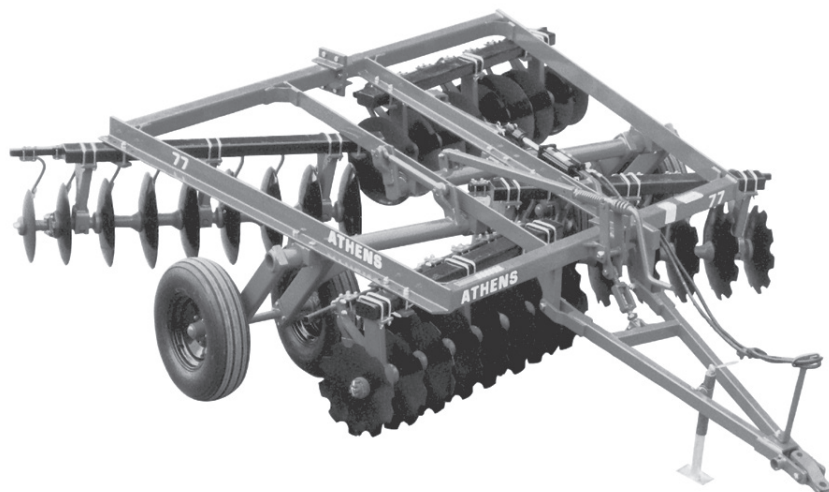
<u>MODEL NUMBER</u>	<u>DISC DIAM</u>	<u>TYPE OF DISC</u>		<u>DISC THCK</u>	<u># OF DISC</u>	<u>DISC SPACING</u>		<u># OF BRGS</u>	<u>APX WT</u>	<u>SUGST PRICE</u>
		<u>FRNT</u>	<u>REAR</u>			<u>FRNT</u>	<u>REAR</u>			
<u>10' 3" WIDE</u>		<u>W/ RIGID BEARING HANGERS</u>								
76R-2827-637	22"	C.O.	C.O.	.197	28	9"	9"	8	2885	\$15,037
76R-2827-667	24"	C.O.	C.O.	.197	28	9"	9"	8	3056	\$15,270
76R-2827-737	22"	SM.	SM.	.197	28	9"	9"	8	2911	\$14,623
76R-2827-767	24"	SM.	SM.	.197	28	9"	9"	8	3092	\$14,960
76R-2827-837	22"	C.O.	SM.	.197	28	9"	9"	8	2898	\$14,830
76R-2827-867	24"	C.O.	SM.	.197	28	9"	9"	8	3073	\$15,119
76R-3037-637	22"	C.O.	C.O.	.197	30	9"	7-1/2"	8	2943	\$15,391
76R-3037-737	22"	SM.	SM.	.197	30	9"	7-1/2"	8	2979	\$14,953
76R-3037-837	22"	C.O.	SM.	.197	30	9"	7-1/2"	8	2961	\$15,159
76R-3217-637	22"	C.O.	C.O.	.197	32	7-1/2"	7-1/2"	8	3012	\$15,403
76R-3217-737	22"	SM.	SM.	.197	32	7-1/2"	7-1/2"	8	3051	\$14,953
76R-3217-837	22"	C.O.	SM.	.197	32	7-1/2"	7-1/2"	8	3031	\$15,180
		<u>W/ SPRING BEARING HANGERS</u>								
76R-2826-657	22"	C.O.	C.O.	.197	28	9"	9"	8	3105	\$14,976
76R-2826-757	22"	SM.	SM.	.197	28	9"	9"	8	3131	\$14,802
76R-2826-857	22"	C.O.	SM.	.197	28	9"	9"	8	3118	\$14,892
76R-3036-657	22"	C.O.	C.O.	.197	30	9"	7-1/2"	8	3175	\$15,270
76R-3036-757	22"	SM.	SM.	.197	30	9"	7-1/2"	8	3211	\$14,824
76R-3036-857	22"	C.O.	SM.	.197	30	9"	7-1/2"	8	3352	\$15,053
76R-3216-657	22"	C.O.	C.O.	.197	32	7-1/2"	7-1/2"	8	3252	\$15,568
76R-3216-757	22"	SM.	SM.	.197	32	7-1/2"	7-1/2"	8	3291	\$15,123
76R-3216-857	22"	C.O.	SM.	.197	32	7-1/2"	7-1/2"	8	3352	\$15,343
<u>11' 1" WIDE</u>		<u>W/ RIGID BEARING HANGERS</u>								
76R-3437-637	22"	C.O.	C.O.	.197	34	9"	7-1/2"	12	3205	\$17,278
76R-3437-737	22"	SM.	SM.	.197	34	9"	7-1/2"	12	3247	\$16,768
76R-3437-837	22"	C.O.	SM.	.197	34	9"	7-1/2"	12	3227	\$17,017
76R-3617-637	22"	C.O.	C.O.	.197	36	7-1/2"	7-1/2"	12	3251	\$17,686
76R-3617-737	22"	SM.	SM.	.197	36	7-1/2"	7-1/2"	12	3295	\$17,146
76R-3617-837	22"	C.O.	SM.	.197	36	7-1/2"	7-1/2"	12	3273	\$17,425
		<u>W/ SPRING BEARING HANGERS</u>								
76R-3436-657	22"	C.O.	C.O.	.197	34	9"	7-1/2"	12	3521	\$17,402
76R-3436-757	22"	SM.	SM.	.197	34	9"	7-1/2"	12	3563	\$17,196
76R-3436-857	22"	C.O.	SM.	.197	34	9"	7-1/2"	12	3543	\$17,294
76R-3616-657	22"	C.O.	C.O.	.197	36	7-1/2"	7-1/2"	12	3575	\$17,793
76R-3616-757	22"	SM.	SM.	.197	36	7-1/2"	7-1/2"	12	3619	\$17,558
76R-3616-857	22"	C.O.	SM.	.197	36	7-1/2"	7-1/2"	12	3597	\$17,680

<u>MODEL NUMBER</u>	<u>DISC DIAM</u>	<u>TYPE OF DISC</u>		<u>DISC THCK</u>	<u># OF DISC</u>	<u>DISC SPACING</u>		<u># OF BRGS</u>	<u>APX WT</u>	<u>SUGST PRICE</u>
		<u>FRNT</u>	<u>REAR</u>			<u>FRNT</u>	<u>REAR</u>			
<u>11' 8" WIDE W/ RIGID BEARING HANGERS</u>										
76R-3227-637	22"	C.O.	C.O.	.197	32	9"	9"	12	3191	\$17,003
76R-3227-667	24"	C.O.	C.O.	.197	32	9"	9"	12	3388	\$17,159
76R-3227-737	22"	SM.	SM.	.197	32	9"	9"	12	3231	\$16,542
76R-3227-767	24"	SM.	SM.	.197	32	9"	9"	12	3430	\$16,708
76R-3227-837	22"	C.O.	SM.	.197	32	9"	9"	12	3210	\$16,787
76R-3227-867	24"	C.O.	SM.	.197	32	9"	9"	12	3409	\$16,944
<u>W/ SPRING BEARING HANGERS</u>										
76R-3226-657	22"	C.O.	C.O.	.197	32	9"	9"	12	3499	\$17,141
76R-3226-757	22"	SM.	SM.	.197	32	9"	9"	12	3528	\$16,960
76R-3226-857	22"	C.O.	SM.	.197	32	9"	9"	12	3513	\$17,056
<u>13' 1" WIDE W/ RIGID BEARING HANGERS</u>										
76R-3627-637	22"	C.O.	C.O.	.197	36	9"	9"	12	3387	\$17,764
76R-3627-667	24"	C.O.	C.O.	.197	36	9"	9"	12	3611	\$18,064
76R-3627-737	22"	SM.	SM.	.197	36	9"	9"	12	3420	\$17,224
76R-3627-767	24"	SM.	SM.	.197	36	9"	9"	12	3659	\$17,653
76R-3627-837	22"	C.O.	SM.	.197	36	9"	9"	12	3388	\$17,469
76R-3627-867	24"	C.O.	SM.	.197	36	9"	9"	12	3634	\$17,861
<u>W/ SPRING BEARING HANGERS</u>										
76R-3626-657	22"	C.O.	C.O.	.197	36	9"	9"	12	3707	\$17,934
76R-3626-757	22"	SM.	SM.	.197	36	9"	9"	12	3740	\$17,638
76R-3626-857	22"	C.O.	SM.	.197	36	9"	9"	12	3708	\$17,793
<u>13' 5" WIDE W/ RIGID BEARING HANGERS</u>										
76R-4037-637	22"	C.O.	C.O.	.197	40	9"	7-1/2"	12	3531	\$18,521
76R-4037-737	22"	SM.	SM.	.197	40	9"	7-1/2"	12	3569	\$17,949
76R-4037-837	22"	C.O.	SM.	.197	40	9"	7-1/2"	12	3546	\$18,210
76R-4417-637	22"	C.O.	C.O.	.197	44	7-1/2"	7-1/2"	12	3739	\$19,276
76R-4417-737	22"	SM.	SM.	.197	44	7-1/2"	7-1/2"	12	3792	\$18,647
76R-4417-837	22"	C.O.	SM.	.197	44	7-1/2"	7-1/2"	12	3765	\$18,959
<u>W/ SPRING BEARING HANGERS</u>										
76R-4036-657	22"	C.O.	C.O.	.197	40	9"	7-1/2"	12	3871	\$18,652
76R-4036-757	22"	SM.	SM.	.197	40	9"	7-1/2"	12	3909	\$18,418
76R-4036-857	22"	C.O.	SM.	.197	40	9"	7-1/2"	12	3886	\$18,528
76R-4416-657	22"	C.O.	C.O.	.197	44	7-1/2"	7-1/2"	12	4009	\$19,374
76R-4416-757	22"	SM.	SM.	.197	44	7-1/2"	7-1/2"	12	4062	\$19,123
76R-4416-857	22"	C.O.	SM.	.197	44	7-1/2"	7-1/2"	12	4035	\$19,247

<u>MODEL NUMBER</u>	<u>DISC DIAM</u>	<u>TYPE OF DISC</u>		<u>DISC THCK</u>	<u># OF DISC</u>	<u>DISC SPACING</u>		<u># OF BRGS</u>	<u>APX WT</u>	<u>SUGST PRICE</u>
		FRNT	REAR			FRNT	REAR			
<u>14' 6" WIDE W/ RIGID BEARING HANGERS</u>										
76R-4027-637	22"	C.O.	C.O.	.197	40	9"	9"	12	3657	\$18,653
76R-4027-667	24"	C.O.	C.O.	.197	40	9"	9"	12	3910	\$18,915
76R-4027-737	22"	SM.	SM.	.197	40	9"	9"	12	3694	\$17,977
76R-4027-767	24"	SM.	SM.	.197	40	9"	9"	12	3962	\$18,291
76R-4027-837	22"	C.O.	SM.	.197	40	9"	9"	12	3676	\$18,344
76R-4027-867	24"	C.O.	SM.	.197	40	9"	9"	12	3935	\$18,532
<u>W/ SPRING BEARING HANGERS</u>										
76R-4026-657	22"	C.O.	C.O.	.197	40	9"	9"	12	3993	\$18,786
76R-4026-757	22"	SM.	SM.	.197	40	9"	9"	12	4030	\$18,457
76R-4026-857	22"	C.O.	SM.	.197	40	9"	9"	12	4012	\$18,642
<u>15' 1" WIDE W/ RIGID BEARING HANGERS</u>										
76R-4437-637	22"	C.O.	C.O.	.197	44	9"	7-1/2"	12	3788	\$19,369
76R-4437-737	22"	SM.	SM.	.197	44	9"	7-1/2"	12	3841	\$18,736
76R-4437-837	22"	C.O.	SM.	.197	44	9"	7-1/2"	12	3816	\$19,033
76R-4817-637	22"	C.O.	C.O.	.197	48	7-1/2"	7-1/2"	12	3908	\$20,000
76R-4817-737	22"	SM.	SM.	.197	48	7-1/2"	7-1/2"	12	3966	\$19,310
76R-4817-837	22"	C.O.	SM.	.197	48	7-1/2"	7-1/2"	12	3937	\$19,662
<u>W/ SPRING BEARING HANGERS</u>										
76R-4436-657	22"	C.O.	C.O.	.197	44	9"	7-1/2"	16	4144	\$19,465
76R-4436-757	22"	SM.	SM.	.197	44	9"	7-1/2"	16	4197	\$19,211
76R-4436-857	22"	C.O.	SM.	.197	44	9"	7-1/2"	16	4172	\$19,328
76R-4816-657	22"	C.O.	C.O.	.197	48	7-1/2"	7-1/2"	12	4280	\$20,050
76R-4816-757	22"	SM.	SM.	.197	48	7-1/2"	7-1/2"	12	4338	\$19,785
76R-4816-857	22"	C.O.	SM.	.197	48	7-1/2"	7-1/2"	12	4309	\$19,929
<u>EXTRA EQUIPMENT</u>									<u>APX WT</u>	<u>SUGST PRICE</u>
9-076-605156	DUAL WHEELS FOR 8' 10" TO 13' 5" UNITS (DUAL WHEELS ARE STANDARD ON 14' 6" & 15' 1" UNITS)								90	\$787
106165	AG LIGHT KIT								17	\$476

RECOMMENDED TIRE SIZE: 9.5L x 15
CAUTION: TIRES ARE RATED AT 20 MPH MAXIMUM.
*PRICE DOES NOT INCLUDE TIRES.

ATHENS 77R RIGID DOUBLE OFFSET DISK HARROW



SPECIFICATIONS:

Width – 11' 8" to 15' 9"
 22" or 24" Discs, Cutout or Smooth
 Spacing – 9", 7 ½", or 9"Frnt & 7 ½"R
 Trunnion Mounted Housing with
 QUADRASEAL Ball Bearings
 Spring or Rigid Bearing Hangers
 1 ¼" Sq. Cold Rolled Gang Axles

STANDARD EQUIPMENT:

Self-Leveling Frame
 "A" Frame Tongue w/ Jack
 Heavy-duty Tubular Mounted Scrapers
 Cover Discs w/Scrapers
 Split Wheel Carriages
 Lifting Hyd. w/ Mechanical Transport
 Adjustable Angle of Cut
 15" x 6" – 5 Lug Dual Wheels w/ Hubs
 Tapered Front & Rear Gangs

<u>MODEL NUMBER</u>	<u>DISC DIAM</u>	<u>TYPE OF DISC</u>		<u>DISC THCK</u>	<u># OF DISC</u>	<u>DISC SPACING</u>		<u># OF BRGS</u>	<u>APX WT</u>	<u>SUGST PRICE</u>
		FRNT	REAR			FRNT	REAR			
<u>11' 1" WIDE W/ RIGID BEARING HANGERS</u>										
77R-3437-631	22"	C.O.	C.O.	.197	34	9"	7-1/2"	12	3700	\$20,350
77R-3437-731	22"	SM.	SM.	.197	34	9"	7-1/2"	12	3742	\$19,834
77R-3437-831	22"	C.O.	SM.	.197	34	9"	7-1/2"	12	3721	\$20,072
77R-3617-631	22"	C.O.	C.O.	.197	36	7-1/2"	7-1/2"	12	3746	\$20,785
77R-3617-731	22"	SM.	SM.	.197	36	7-1/2"	7-1/2"	12	3789	\$20,230
77R-3617-831	22"	C.O.	SM.	.197	36	7-1/2"	7-1/2"	12	3767	\$20,511
<u>W/ SPRING BEARING HANGERS</u>										
77R-3436-651	22"	C.O.	C.O.	.197	34	9"	7-1/2"	12	4016	\$20,547
77R-3436-751	22"	SM.	SM.	.197	34	9"	7-1/2"	12	4058	\$20,319
77R-3436-851	22"	C.O.	SM.	.197	34	9"	7-1/2"	12	4037	\$20,436
77R-3616-651	22"	C.O.	C.O.	.197	36	7-1/2"	7-1/2"	12	4070	\$20,963
77R-3616-751	22"	SM.	SM.	.197	36	7-1/2"	7-1/2"	12	4113	\$20,725
77R-3616-851	22"	C.O.	SM.	.197	36	7-1/2"	7-1/2"	12	4091	\$20,855
<u>11' 8" WIDE W/ RIGID BEARING HANGERS</u>										
77R-3227-631	22"	C.O.	C.O.	.197	32	9"	9"	12	3701	\$20,045
77R-3227-661	24"	C.O.	C.O.	.197	32	9"	9"	12	3868	\$20,272
77R-3227-731	22"	SM.	SM.	.197	32	9"	9"	12	3740	\$19,577

MODEL NUMBER	DISC DIAM	TYPE OF DISC		DISC THCK	# OF DISC	DISC SPACING		# OF BRGS	APX WT	SUGST PRICE
		FRNT	REAR			FRNT	REAR			
<u>11' 8" WIDE</u>		<u>W/ RIGID BEARING HANGERS (CONT'D)</u>								
77R-3227-761	24"	SM.	SM.	.197	32	9"	9"	12	3907	\$19,786
77R-3227-831	22"	C.O.	SM.	.197	32	9"	9"	12	3720	\$19,821
77R-3227-861	24"	C.O.	SM.	.197	32	9"	9"	12	3886	\$20,042
		<u>W/ SPRING BEARING HANGERS</u>								
77R-3226-651	22"	C.O.	C.O.	.197	32	9"	9"	12	4009	\$19,926
77R-3226-751	22"	SM.	SM.	.197	32	9"	9"	12	4048	\$19,725
77R-3226-851	22"	C.O.	SM.	.197	32	9"	9"	12	4028	\$19,832
<u>13' 1" WIDE</u>		<u>W/ RIGID BEARING HANGERS</u>								
77R-3627-631	22"	C.O.	C.O.	.197	36	9"	9"	12	3913	\$20,866
77R-3627-661	24"	C.O.	C.O.	.197	36	9"	9"	12	4093	\$21,260
77R-3627-731	22"	SM.	SM.	.197	36	9"	9"	12	3950	\$20,232
77R-3627-761	24"	SM.	SM.	.197	36	9"	9"	12	4146	\$20,809
77R-3627-831	22"	C.O.	SM.	.197	36	9"	9"	12	3934	\$20,556
77R-3627-861	24"	C.O.	SM.	.197	36	9"	9"	12	4123	\$21,041
		<u>W/ SPRING BEARING HANGERS</u>								
77R-3626-651	22"	C.O.	C.O.	.197	36	9"	9"	12	4219	\$21,051
77R-3626-751	22"	SM.	SM.	.197	36	9"	9"	12	4260	\$20,730
77R-3626-851	22"	C.O.	SM.	.197	36	9"	9"	12	4240	\$20,894
<u>13' 6" WIDE</u>		<u>W/ RIGID BEARING HANGERS</u>								
77R-4037-631	22"	C.O.	C.O.	.197	40	9"	7-1/2"	12	4011	\$21,674
77R-4037-731	22"	SM.	SM.	.197	40	9"	7-1/2"	12	4059	\$21,080
77R-4037-831	22"	C.O.	SM.	.197	40	9"	7-1/2"	12	4037	\$21,352
77R-4417-631	22"	C.O.	C.O.	.197	44	7-1/2"	7-1/2"	12	4147	\$22,487
77R-4417-731	22"	SM.	SM.	.197	44	7-1/2"	7-1/2"	12	4200	\$21,839
77R-4417-831	22"	C.O.	SM.	.197	44	7-1/2"	7-1/2"	12	4174	\$22,163
		<u>W/ SPRING BEARING HANGERS</u>								
77R-4036-651	22"	C.O.	C.O.	.197	40	9"	7-1/2"	12	4351	\$21,824
77R-4036-751	22"	SM.	SM.	.197	40	9"	7-1/2"	12	4399	\$21,572
77R-4036-851	22"	C.O.	SM.	.197	40	9"	7-1/2"	12	4379	\$21,697
77R-4416-651	22"	C.O.	C.O.	.197	44	7-1/2"	7-1/2"	12	4503	\$22,619
77R-4416-751	22"	SM.	SM.	.197	44	7-1/2"	7-1/2"	12	4556	\$22,338
77R-4416-851	22"	C.O.	SM.	.197	44	7-1/2"	7-1/2"	12	4530	\$22,478
<u>14' 6" WIDE</u>		<u>W/ RIGID BEARING HANGERS</u>								
77R-4027-631	22"	C.O.	C.O.	.197	40	9"	9"	12	4080	\$21,814
77R-4027-661	24"	C.O.	C.O.	.197	40	9"	9"	12	4290	\$22,331
77R-4027-731	22"	SM.	SM.	.197	40	9"	9"	12	4129	\$21,242

<u>MODEL NUMBER</u>	<u>DISC DIAM</u>	<u>TYPE OF DISC</u>		<u>DISC THCK</u>	<u># OF DISC</u>	<u>DISC SPACING</u>		<u># OF BRGS</u>	<u>APX WT</u>	<u>SUGST PRICE</u>
		<u>FRNT</u>	<u>REAR</u>			<u>FRNT</u>	<u>REAR</u>			
<u>14' 6" WIDE W/ RIGID BEARING HANGERS (CONT'D)</u>										
77R-4027-761	24"	SM.	SM.	.197	40	9"	9"	12	4342	\$21,499
77R-4027-831	22"	C.O.	SM.	.197	40	9"	9"	12	4108	\$21,532
77R-4027-861	24"	C.O.	SM.	.197	40	9"	9"	12	4316	\$21,824
<u>W/ SPRING BEARING HANGER</u>										
77R-4026-651	22"	C.O.	C.O.	.197	40	9"	9"	12	4420	\$21,970
77R-4026-751	22"	SM.	SM.	.197	40	9"	9"	12	4469	\$21,824
77R-4026-851	22"	C.O.	SM.	.197	40	9"	9"	12	4448	\$21,852
<u>15' 1" WIDE W/ RIGID BEARING HANGERS</u>										
77R-4437-631	22"	C.O.	C.O.	.197	44	9"	7-1/2"	12	4217	\$22,917
77R-4437-731	22"	SM.	SM.	.197	44	9"	7-1/2"	12	4240	\$22,065
77R-4437-831	22"	C.O.	SM.	.197	44	9"	7-1/2"	12	4216	\$22,385
77R-4817-631	22"	C.O.	C.O.	.197	48	7-1/2"	7-1/2"	12	4327	\$23,393
77R-4817-731	22"	SM.	SM.	.197	48	7-1/2"	7-1/2"	12	4485	\$22,668
77R-4817-831	22"	C.O.	SM.	.197	48	7-1/2"	7-1/2"	12	4356	\$23,039
<u>W/ SPRING BEARING HANGERS</u>										
77R-4436-651	22"	C.O.	C.O.	.197	44	9"	7-1/2"	12	4573	\$22,711
77R-4436-751	22"	SM.	SM.	.197	44	9"	7-1/2"	12	4596	\$22,432
77R-4436-851	22"	C.O.	SM.	.197	44	9"	7-1/2"	12	4572	\$22,575
77R-4816-651	22"	C.O.	C.O.	.197	48	7-1/2"	7-1/2"	12	4699	\$23,485
77R-4816-751	22"	SM.	SM.	.197	48	7-1/2"	7-1/2"	12	4857	\$23,170
77R-4816-851	22"	C.O.	SM.	.197	48	7-1/2"	7-1/2"	12	4728	\$23,339
<u>15' 9" WIDE W/ RIGID BEARING HANGERS</u>										
77R-4427-631	22"	C.O.	C.O.	.197	44	9"	9"	12	4247	\$22,767
77R-4427-661	24"	C.O.	C.O.	.197	44	9"	9"	12	4487	\$23,244
77R-4427-731	22"	SM.	SM.	.197	44	9"	9"	12	4308	\$22,138
77R-4427-761	24"	SM.	SM.	.197	44	9"	9"	12	4538	\$22,380
77R-4427-831	22"	C.O.	SM.	.197	44	9"	9"	12	4282	\$22,462
77R-4427-861	24"	C.O.	SM.	.197	44	9"	9"	12	4509	\$22,715
<u>EXTRA EQUIPMENT</u>									<u>APX WT</u>	<u>SUGST PRICE</u>
106165	AG LIGHT KIT								17#	\$476

RECOMMENDED TIRE SIZE: 9.5L x 15 (4 REQUIRED)
CAUTION: TIRES ARE RATED AT 20 MPH MAXIMUM.
*PRICE DOES NOT INCLUDE TIRES.

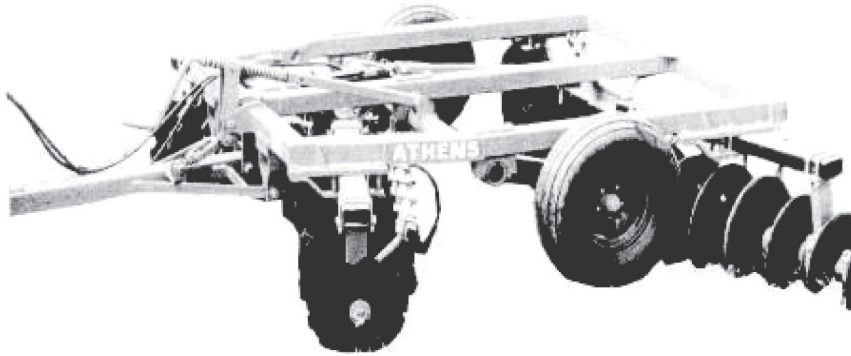
ATHENS 93 WHEEL TANDEM DISK HARROW

SPECIFICATIONS:

Cutting Width – 9' 4" to 15' 3"
Disc Spacing – 7-1/2", 9" or
9" Frt, 7-1/2" Rear
22" or 24" Discs- Cutout or Smooth

STANDARD EQUIPMENT:

Reversible Clevis Hitch
Heavy – Duty Tongue w/ Jack
1 1/4" Cold Rolled Sq. Axles
w/ Gang Wrench
Tapered Outside Rear and
Front Gangs
Heavy – Duty Scrapers
Cover Discs w/ Scrapers
15", 5 Lug Wheels w/ QUADRASEAL
Wheel Hubs
Mechanical Transport
Adjustable Angle of Cut
Relube QUADRASEAL Ball Bearings
Lifting Hydraulics



MODEL NUMBER	DISC DIAM	TYPE OF DISC		DISC THCK	# OF DISC	DISC SPACING		# OF BRGS	APX WT	SUGST PRICE
		FRNT	REAR			FRNT	REAR			
<u>9' 4" WIDE</u>										
093-2427-651	22"	C.O.	C.O.	.197	24	9"	9"	8	2805	\$14,312
093-2427-661	24"	C.O.	C.O.	.197	24	9"	9"	8	2867	\$15,412
093-2427-751	22"	SM.	SM.	.197	24	9"	9"	8	2835	\$14,625
093-2427-761	24"	SM.	SM.	.197	24	9"	9"	8	2898	\$15,258
093-2427-851	22"	C.O.	SM.	.197	24	9"	9"	8	2820	\$14,164
093-2427-861	24"	C.O.	SM.	.197	24	9"	9"	8	2883	\$15,310
093-2637-651	22"	C.O.	C.O.	.197	26	9"	7-1/2"	8	2867	\$14,721
093-2637-751	22"	SM.	SM.	.197	26	9"	7-1/2"	8	2898	\$14,123
093-2637-851	22"	C.O.	SM.	.197	26	9"	7-1/2"	8	2883	\$14,300
093-2817-651	22"	C.O.	C.O.	.197	28	7-1/2"	7-1/2"	8	2932	\$15,748
093-2817-751	22"	SM.	SM.	.197	28	7-1/2"	7-1/2"	8	2966	\$15,370
093-2817-851	22"	C.O.	SM.	.197	28	7-1/2"	7-1/2"	8	2949	\$15,565
<u>10' 6" WIDE</u>										
093-3037-651	22"	C.O.	C.O.	.197	30	9"	7-1/2"	8	3073	\$15,704
093-3037-751	22"	SM.	SM.	.197	30	9"	7-1/2"	8	3109	\$15,308
093-3037-851	22"	C.O.	SM.	.197	30	9"	7-1/2"	8	3092	\$15,499
093-3217-651	22"	C.O.	C.O.	.197	32	7-1/2"	7-1/2"	8	3136	\$16,037
093-3217-751	22"	SM.	SM.	.197	32	7-1/2"	7-1/2"	8	3174	\$15,681
093-3217-851	22"	C.O.	SM.	.197	32	7-1/2"	7-1/2"	8	3155	\$15,898

MODEL NUMBER	DISC DIAM	TYPE OF DISC		DISC THCK	# OF DISC	DISC SPACING		# OF BRGS	APX WT	SUGST PRICE
		FRNT	REAR			FRNT	REAR			
<u>10' 6" WIDE (CONT'D)</u>										
093-2827-651	22"	C.O.	C.O.	.197	28	9"	9"	8	3011	\$15,311
093-2827-661	24"	C.O.	C.O.	.197	28	9"	9"	8	3087	\$16,553
093-2827-751	22"	SM.	SM.	.197	28	9"	9"	8	3045	\$14,945
093-2827-761	24"	SM.	SM.	.197	28	9"	9"	8	3123	\$15,893
093-2827-851	22"	C.O.	SM.	.197	28	9"	9"	8	3028	\$15,129
093-2827-861	24"	C.O.	SM.	.197	28	9"	9"	8	3105	\$16,429
<u>12' 2" WIDE</u>										
093-3227-651	22"	C.O.	C.O.	.197	32	9"	9"	12	3363	\$17,511
093-3227-661	24"	C.O.	C.O.	.197	32	9"	9"	12	3452	\$18,955
093-3227-751	22"	SM.	SM.	.197	32	9"	9"	12	3401	\$16,909
093-3227-761	24"	SM.	SM.	.197	32	9"	9"	12	3493	\$18,693
093-3227-851	22"	C.O.	SM.	.197	32	9"	9"	12	3382	\$17,312
093-3227-861	24"	C.O.	SM.	.197	32	9"	9"	12	3473	\$18,797
<u>12' 11" WIDE</u>										
093-3637-651	22"	C.O.	C.O.	.197	36	9"	7-1/2"	12	3453	\$18,339
093-3637-751	22"	SM.	SM.	.197	36	9"	7-1/2"	12	3496	\$17,854
093-3637-851	22"	C.O.	SM.	.197	36	9"	7-1/2"	12	3477	\$18,078
093-4017-651	22"	C.O.	C.O.	.197	40	7-1/2"	7-1/2"	12	3641	\$19,154
093-4017-751	22"	SM.	SM.	.197	40	7-1/2"	7-1/2"	12	3689	\$18,613
093-4017-851	22"	C.O.	SM.	.197	40	7-1/2"	7-1/2"	12	3665	\$18,893
<u>13' 6" WIDE</u>										
093-3627-651	22"	C.O.	C.O.	.197	36	9"	9"	12	3656	\$19,325
093-3627-661	24"	C.O.	C.O.	.197	36	9"	9"	12	3759	\$20,909
093-3627-751	22"	SM.	SM.	.197	36	9"	9"	12	3699	\$18,844
093-3627-761	24"	SM.	SM.	.197	36	9"	9"	12	3805	\$20,591
093-3627-851	22"	C.O.	SM.	.197	36	9"	9"	12	3677	\$19,092
093-3627-861	24"	C.O.	SM.	.197	36	9"	9"	12	3783	\$20,727
<u>14' 1" WIDE</u>										
093-4037-651	22"	C.O.	C.O.	.197	40	9"	7-1/2"	12	3792	\$20,141
093-4037-751	22"	SM.	SM.	.197	40	9"	7-1/2"	12	3840	\$19,608
093-4037-851	22"	C.O.	SM.	.197	40	9"	7-1/2"	12	3818	\$19,847
093-4417-651	22"	C.O.	C.O.	.197	44	7-1/2"	7-1/2"	12	3930	\$20,965
093-4417-751	22"	SM.	SM.	.197	44	7-1/2"	7-1/2"	12	3984	\$20,366
093-4417-851	22"	C.O.	SM.	.197	44	7-1/2"	7-1/2"	12	3958	\$20,670

MODEL NUMBER	DISC DIAM	TYPE OF DISC		DISC THCK	# OF DISC	DISC SPACING		# OF BRGS	APX WT	SUGST PRICE
		FRNT	REAR			FRNT	REAR			
<u>15' 0" WIDE</u>										
093-4027-651	22"	C.O.	C.O.	.197	40	9"	9"	16	4582	\$21,483
093-4027-661	24"	C.O.	C.O.	.197	40	9"	9"	16	4700	\$23,291
093-4027-751	22"	SM.	SM.	.197	40	9"	9"	16	4630	\$20,935
093-4027-761	24"	SM.	SM.	.197	40	9"	9"	16	4751	\$22,919
093-4027-851	22"	C.O.	SM.	.197	40	9"	9"	16	4606	\$21,216
093-4027-861	24"	C.O.	SM.	.197	40	9"	9"	16	4727	\$23,085
<u>15' 3" WIDE</u>										
093-4437-651	22"	C.O.	C.O.	.197	44	9"	7-1/2"	16	4721	\$22,289
093-4437-751	22"	SM.	SM.	.197	44	9"	7-1/2"	16	4341	\$21,697
093-4437-851	22"	C.O.	SM.	.197	44	9"	7-1/2"	16	4750	\$21,974
093-4817-651	22"	C.O.	C.O.	.197	48	7-1/2"	7-1/2"	16	4853	\$23,096
093-4817-751	22"	SM.	SM.	.197	48	7-1/2"	7-1/2"	16	4911	\$22,438
093-4817-851	22"	C.O.	SM.	.197	48	7-1/2"	7-1/2"	16	4882	\$22,775

EXTRA EQUIPMENT

9-093-605156	DUAL WHEELS COMPLETE (DUAL WHEELS STANDARD ON 13' 6" TO 15' 3" MODELS)	98	\$837
9-093-800000	BALK BUSTER (CENTER TOOTH)	34	\$283

SPECIAL ORDERING INTRUCTIONS:

FOR SPRING BEARING HANGERS:

***NOTE: Spring Bearing Hangers Require 9" Spacing**

Change 7th digit to 8 and 10th digit to S

With 22" Blades: Add 48# and \$124.00 per bearing.

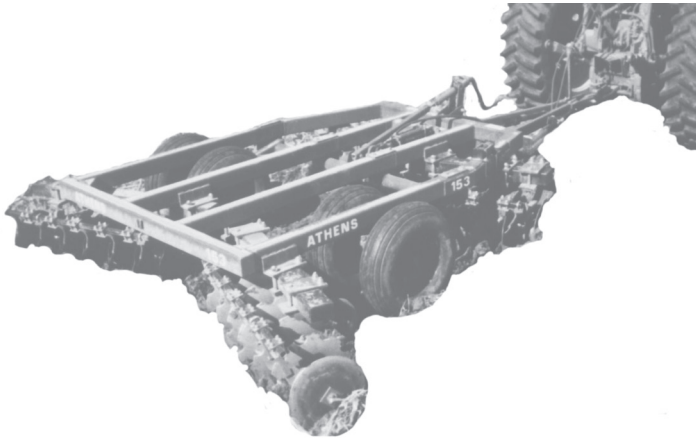
With 24" Blades: Add 48# and \$124.00 per bearing.

RECOMMENDED TIRE SIZE: 9.5L X 15

CAUTION: TIRES ARE RATED AT 20 MPH MAXIMUM.

***NOTE: PRICE DOES NOT INCLUDE TIRES.**

ATHENS 153 TANDEM DISK HARROW



SPECIFICATIONS:

Cutting Width 9' 6", 11', and 12' 6"
24" C/O or SM Discs on 9 1/2" Spacing
Rigid or Spring Bearing Hangers
1 1/2" Cold Rolled Square Axles

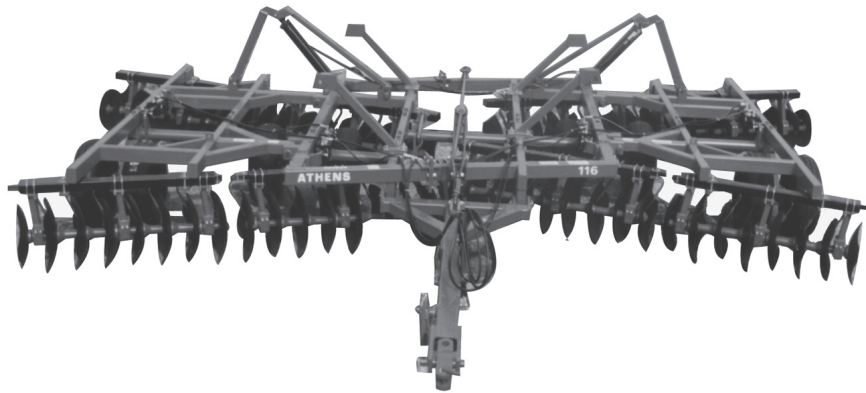
STANDARD EQUIPMENT:

Tapered Double Roller Bearings
Dual Wheels
Hydraulic Lifting
Heavy Duty Scrapers (Tubular Mount)
Cover Discs with Scrapers
Tapered Discs on Front & Rear Gangs
Self-Leveling
Reversible Balanced Clevis

MODEL NUMBER	DISC DIAM	TYPE OF DISC		DISC THCK	# OF DISC	DISC SPACING		# OF BRGS	APX WT	SUGT PRICE
		FRNT	REAR			FRNT	REAR			
<u>9' 6" WIDE</u>										
<u>RIGID BEARING HANGERS</u>										
153-2445-651	24"	C.O.	C.O.	.256	24	9-1/2"		8	4133	\$20,168
153-2445-751	24"	SM.	SM.	.256	24	9-1/2"		8	4174	\$20,012
153-2445-851	24"	C.O.	SM.	.256	24	9-1/2"		8	4153	\$20,092
<u>SPRING BEARING HANGERS</u>										
153-2444-651	24"	C.O.	C.O.	.256	24	9-1/2"		8	4417	\$20,794
153-2444-751	24"	SM.	SM.	.256	24	9-1/2"		8	4458	\$20,636
153-2444-851	24"	C.O.	SM.	.256	24	9-1/2"		8	4437	\$20,714
<u>11' 0" WIDE</u>										
<u>RIGID BEARING HANGERS</u>										
153-2845-651	24"	C.O.	C.O.	.256	28	9-1/2"		10	4604	\$21,847
153-2845-751	24"	SM.	SM.	.256	28	9-1/2"		10	4651	\$21,650
153-2845-851	24"	C.O.	SM.	.256	28	9-1/2"		10	4628	\$21,749
<u>SPRING BEARING HANGERS</u>										
153-2844-651	24"	C.O.	C.O.	.256	28	9-1/2"		10	4861	\$23,542
153-2844-751	24"	SM.	SM.	.256	28	9-1/2"		10	4908	\$23,339
153-2844-851	24"	C.O.	SM.	.256	28	9-1/2"		10	4885	\$23,438
<u>12' 6" WIDE</u>										
<u>RIGID BEARING HANGERS</u>										
153-3245-651	24"	C.O.	C.O.	.256	32	9-1/2"		12	5050	\$23,751
153-3245-751	24"	SM.	SM.	.256	32	9-1/2"		12	5104	\$23,460
153-3245-851	24"	C.O.	SM.	.256	32	9-1/2"		12	5078	\$23,607
<u>SPRING BEARING HANGERS</u>										
153-3244-651	24"	C.O.	C.O.	.256	32	9-1/2"		12	5476	\$25,865
153-3244-751	24"	SM.	SM.	.256	32	9-1/2"		12	5530	\$25,558
153-3244-851	24"	C.O.	SM.	.256	32	9-1/2"		12	5504	\$25,711

RECOMMENDED TIRE SIZE : 9.5L X 15 (4 REQUIRED)
CAUTION: TIRES ARE RATED AT 20 MPH MAXIMUM.
***NOTE: PRICE DOES NOT INCLUDE TIRES.**

**ATHENS 116 FLEX WING
DOUBLE OFFSET DISK HARROW**



SPECIFICATIONS:

16' 8" to 28' 8" Widths
 Flex Wing, Double Offset
 Truss-Braced, Tubular Frames
 Self – Leveling Frame
 Two Pairs Slave Lifting Cylinders
 Six or Eight Lifting Wheels
 Angle Adjustable (15° – 19°)
 Transport Height Maximum 168"
 Transport Width Maximum 136" or 156"
 22" or 24" Discs, 1.25" Sq. Axle
 Disc Spacing – 9", 7-1/2" or
 9" Front, 7-1/2" Rear

STANDARD EQUIPMENT:

Trunnion Mounted, Rigid Bearing
 Hangers w/QUADRASEAL Ball
 Bearings
 Lifting and Folding Hydraulics
 "A" Frame Tongue w/ Jack
 Reversible Tongue Clevis
 Cover Discs with Discs & Scrapers
 Heavy Duty Disc Scrapers
 Double Tapered Discs on Rear
 Single Tapered Discs on Front
 15" x 8" 6-Lug Wheels w/ Hubs
 Dual Wheels on Center Section

<u>MODEL NUMBER</u>	<u>DISC DIAM</u>	<u>TYPE OF DISC</u>		<u>DISC THCK</u>	<u># OF DISC</u>	<u>DISC SPACING</u>		<u># OF BRGS</u>	<u>APX WT</u>	<u>SUGT PRICE</u>
		<u>FRNT</u>	<u>REAR</u>			<u>FRNT</u>	<u>REAR</u>			
<u>16' 8" WIDE</u>										
116-4427-651	22"	C.O.	C.O.	.197	44	9"	9"	16	7233	\$35,347
116-4427-661	24"	C.O.	C.O.	.197	44	9"	9"	16	7319	\$36,018
116-4427-751	22"	SM.	SM.	.197	44	9"	9"	16	7277	\$34,867
116-4427-761	24"	SM.	SM.	.197	44	9"	9"	16	7374	\$35,364
116-4427-851	22"	C.O.	SM.	.197	44	9"	9"	16	7255	\$35,113
116-4427-861	24"	C.O.	SM.	.197	44	9"	9"	16	7347	\$35,702
116-4837-651	22"	C.O.	C.O.	.197	48	9"	7-1/2"	16	7350	\$36,032
116-4837-751	22"	SM.	SM.	.197	48	9"	7-1/2"	16	7398	\$35,508
116-4837-851	22"	C.O.	SM.	.197	48	9"	7-1/2"	16	7376	\$35,755
116-5217-651	22"	C.O.	C.O.	.197	52	7-1/2"	7-1/2"	16	7496	\$36,735
116-5217-751	22"	SM.	SM.	.197	52	7-1/2"	7-1/2"	16	7548	\$36,160
116-5217-851	22"	C.O.	SM.	.197	52	7-1/2"	7-1/2"	16	7522	\$36,460

MODEL NUMBER	DISC DIAM	TYPE OF DISC		DISC THCK	# OF DISC	DISC SPACING		# OF BRGS	APX WT	SUGST PRICE
		FRNT	REAR			FRNT	REAR			
<u>19' 6" WIDE</u>										
116-5227-651	22"	C.O.	C.O.	.197	52	9"	9"	16	7635	\$36,985
116-5227-661	24"	C.O.	C.O.	.197	52	9"	9"	16	7735	\$37,777
116-5227-751	22"	SM.	SM.	.197	52	9"	9"	16	7687	\$36,433
116-5227-761	24"	SM.	SM.	.197	52	9"	9"	16	7800	\$37,080
116-5227-851	22"	C.O.	SM.	.197	52	9"	9"	16	7661	\$36,738
116-5227-861	24"	C.O.	SM.	.197	52	9"	9"	16	7768	\$37,397
116-5637-651	22"	C.O.	C.O.	.197	56	9"	7-1/2"	16	7734	\$37,746
116-5637-751	22"	SM.	SM.	.197	56	9"	7-1/2"	16	7790	\$37,101
116-5637-851	22"	C.O.	SM.	.197	56	9"	7-1/2"	16	7764	\$37,397
116-6017-651	22"	C.O.	C.O.	.197	60	7-1/2"	7-1/2"	16	7885	\$38,402
116-6017-751	22"	SM.	SM.	.197	60	7-1/2"	7-1/2"	16	7945	\$37,738
116-6017-851	22"	C.O.	SM.	.197	60	7-1/2"	7-1/2"	16	7915	\$38,089
<u>22' 0" WIDE</u>										
116-5627-651	22"	C.O.	C.O.	.197	56	9"	9"	16	7756	\$37,713
116-5627-661	24"	C.O.	C.O.	.197	56	9"	9"	16	8002	\$38,554
116-5627-751	22"	SM.	SM.	.197	56	9"	9"	16	7872	\$37,371
116-5627-761	24"	SM.	SM.	.197	56	9"	9"	16	8059	\$38,045
116-5627-851	22"	C.O.	SM.	.197	56	9"	9"	16	7830	\$37,548
116-5627-861	24"	C.O.	SM.	.197	56	9"	9"	16	8031	\$38,567
116-6237-651	22"	C.O.	C.O.	.197	62	9"	7-1/2"	16	7890	\$38,289
116-6237-751	22"	SM.	SM.	.197	62	9"	7-1/2"	16	7982	\$38,002
116-6237-851	22"	C.O.	SM.	.197	62	9"	7-1/2"	16	7940	\$38,074
116-6817-651	22"	C.O.	C.O.	.197	68	7-1/2"	7-1/2"	18	8237	\$41,132
116-6817-751	22"	SM.	SM.	.197	68	7-1/2"	7-1/2"	18	8338	\$40,491
116-6817-851	22"	C.O.	SM.	.197	68	7-1/2"	7-1/2"	18	8284	\$40,915
<u>23' 4" WIDE</u>										
116-6027-652	22"	C.O.	C.O.	.197	60	9"	9"	20	8567	\$40,723
116-6027-662	24"	C.O.	C.O.	.197	60	9"	9"	20	8451	\$41,620
116-6027-752	22"	SM.	SM.	.197	60	9"	9"	20	8627	\$40,054
116-6027-762	24"	SM.	SM.	.197	60	9"	9"	20	8526	\$40,708
116-6027-852	22"	C.O.	SM.	.197	60	9"	9"	20	8597	\$40,400
116-6027-862	24"	C.O.	SM.	.197	60	9"	9"	20	8477	\$41,178
116-6637-652	22"	C.O.	C.O.	.197	66	9"	7-1/2"	20	8723	\$41,769
116-6637-752	22"	SM.	SM.	.197	66	9"	7-1/2"	20	8822	\$41,027
116-6637-852	22"	C.O.	SM.	.197	66	9"	7-1/2"	20	8789	\$41,375
116-7217-652	22"	C.O.	C.O.	.197	72	7-1/2"	7-1/2"	20	8898	\$42,869
116-7217-752	22"	SM.	SM.	.197	72	7-1/2"	7-1/2"	20	8970	\$42,055
116-7217-852	22"	C.O.	SM.	.197	72	7-1/2"	7-1/2"	20	8934	\$42,475

<u>MODEL NUMBER</u>	<u>DISC DIAM</u>	<u>TYPE OF DISC</u>		<u>DISC THCK</u>	<u># OF DISC</u>	<u>DISC SPACING</u>		<u># OF BRGS</u>	<u>APX WT</u>	<u>SUGST PRICE</u>
		FRNT	REAR			FRNT	REAR			
<u>26' 0" WIDE</u>										
116-7027-653	22"	C.O.	C.O.	.197	68	9"	9"	24	9699	\$45,946
116-7027-663	24"	C.O.	C.O.	.197	68	9"	9"	24	9826	\$46,896
116-7027-753	22"	SM.	SM.	.197	68	9"	9"	24	9767	\$45,174
116-7027-763	24"	SM.	SM.	.197	68	9"	9"	24	9912	\$45,889
116-7027-853	22"	C.O.	SM.	.197	68	9"	9"	24	9733	\$45,556
116-7027-863	24"	C.O.	SM.	.197	68	9"	9"	24	9870	\$46,405
<u>28' 8" WIDE</u>										
116-7827-653	22"	C.O.	C.O.	.197	76	9"	9"	24	10135	\$48,731
116-7827-663	24"	C.O.	C.O.	.197	76	9"	9"	24	10305	\$49,449
116-7827-753	22"	SM.	SM.	.197	76	9"	9"	24	10250	\$48,255
116-7827-763	24"	SM.	SM.	.197	76	9"	9"	24	10420	\$48,975
116-7827-853	22"	C.O.	SM.	.197	76	9"	9"	24	10200	\$48,494
116-7827-863	24"	C.O.	SM.	.197	76	9"	9"	24	10310	\$49,209

<u>EXTRA EQUIPMENT</u>		<u>APX WT</u>	<u>SUGST PRICE</u>
9-116-606158	Dual Wheels for Narrow Wing Units (16' 8" & 19' 6") w/ Two 15 x 6, Six Lug Wheels Dual Wheels Standard on 22' 0" and up	112#	\$1,010
106122	AG LIGHT KIT	18#	\$476

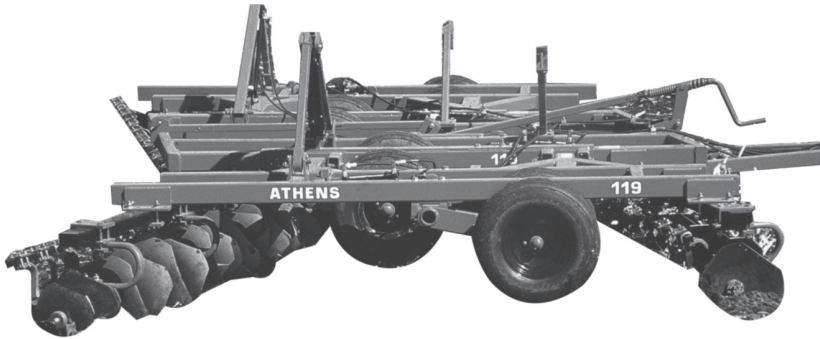
Tapered Double Roller Bearings available at \$98.00 per bearing

RECOMMENDED TIRE SIZE: 11L x 15

CAUTION: TIRES ARE RATED AT 20 MPH MAXIMUM.

***PRICE DOES NOT INCLUDE TIRES.**

ATHENS 119 FLEX WING DOUBLE OFFSET DISK HARROW



SPECIFICATIONS:

Cutting Width – 19' 6" to 29' 0"
 Flex Wing, Double Offset
 Truss-Braced, Tubular Frames
 Two Pairs Slave Lifting Cylinders
 Six or Eight Wheels
 Angle Adjustable (15° & 19°)
 Transport Height Maximum, 168"
 Transport Width Maximum, 136" or 156"
 22" Discs on 1 ¼" Square Axle
 Disc Spacing – 9"
 "A" Frame Braced Tongue

STANDARD EQUIPMENT:

QUADRASEAL Tapered
 Double Roller Bearings
 Spring Bearing Hangers
 Lifting and Folding Hydraulics
 Tongue with Heavy-Duty Jack
 Reversible, Balanced Clevis
 Cover-Discs w/ Scrapers
 Heavy-Duty Disc Scrapers
 Double Tapered Discs on Rear
 Single Tapered Discs on Front
 15" x 8" 6-Lug Wheels w/ Hubs
 Dual Wheels on Center Section

<u>MODEL NUMBER</u>	<u>DISC DIAM</u>	<u>TYPE OF DISC</u>		<u>DISC THCK</u>	<u># OF DISC</u>	<u>DISC SPACING</u>	<u># OF BRGS</u>	<u>APX WT</u>	<u>SUGST PRICE</u>
		FRNT	REAR						
<u>19' 6" WIDE</u>									
119-5424-651	22"	C.O.	C.O.	.197	52	9"	18	8070	\$42,770
119-5424-751	22"	SM.	SM.	.197	52	9"	18	8122	\$42,143
119-5424-851	22"	C.O.	SM.	.197	52	9"	18	8096	\$42,471
<u>22' 0" WIDE</u>									
119-5824-651	22"	C.O.	C.O.	.197	56	9"	18	8451	\$43,503
119-5824-751	22"	SM.	SM.	.197	56	9"	18	8272	\$43,124
119-5824-851	22"	C.O.	SM.	.197	56	9"	18	8230	\$43,313
<u>23' 4" WIDE</u>									
119-6224-652	22"	C.O.	C.O.	.197	60	9"	22	9182	\$48,357
119-6224-752	22"	SM.	SM.	.197	60	9"	22	9242	\$47,615
119-6224-852	22"	C.O.	SM.	.197	60	9"	22	9212	\$48,004

<u>MODEL NUMBER</u>	<u>DISC DIAM</u>	<u>TYPE OF DISC</u>		<u>DISC THCK</u>	<u># OF DISC</u>	<u>DISC SPACING</u>	<u># OF BRGS</u>	<u>APX WT</u>	<u>SUGST PRICE</u>
		FRNT	REAR						
<u>26' 0" WIDE</u>									
119-7024-652	22"	C.O.	C.O.	.197	68	9"	24	9690	\$52,061
119-7024-752	22"	SM.	SM.	.197	68	9"	24	9758	\$51,219
119-7024-852	22"	C.O.	SM.	.197	68	9"	24	9724	\$51,659

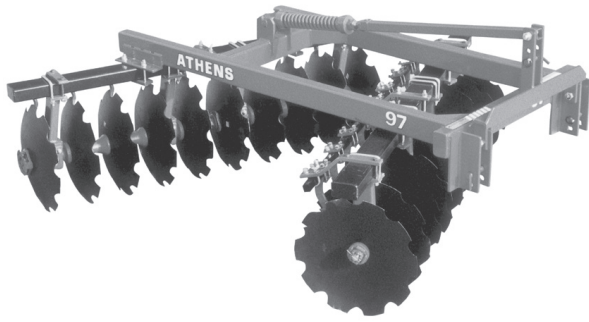
29' 0" WIDE

119-7824-652	22"	C.O.	C.O.	.197	76	9"	24	10203	\$56,501
119-7824-752	22"	SM.	SM.	.197	76	9"	24	10271	\$55,606
119-7824-852	22"	C.O.	SM.	.197	76	9"	24	10237	\$56,053

<u>EXTRA EQUIPMENT</u>								<u>APX WT</u>	<u>SUGST PRICE</u>
9-119-606158	DUAL WHEELS FOR NARROW WING UNITS FOR 19' 6" W/ TWO 15 X 6, SIX LUG WHEELS (DUAL WHEELS STANDARD ON WIDE WINGS 22' 0" & UP)							86#	\$980
106122	AG LIGHT KIT							18#	\$476

RECOMMENDED TIRE SIZE: 11L X 15
CAUTION: TIRES ARE RATED AT 20 MPH MAXIMUM.
***PRICE DOES NOT INCLUDE TIRES.**

ATHENS 97 LIFT TYPE OFFSET DISK HARROW



SPECIFICATIONS:

Cutting Width 6' 2" to 9' 0"
 22" or 24" Diameter C/O Discs
 Spacing – 9"
 Category II Hitch
 Relube Ball Bearings
 1 ¼" Cold Rolled Square Axle
 with Gang Wrench
 Rigid or Spring Bearing Hangers

<u>MODEL NUMBER</u>	<u>DISC DIAM</u>	<u>TYPE OF DISC</u>		<u>DISC THCK</u>	<u># OF DISC</u>	<u>DISC SPACING</u>	<u># OF BRGS</u>	<u>APX WT</u>	<u>SUGST PRICE</u>
		FRNT	REAR						
<u>6' 2" WIDE</u>									
097-1627-650	22"	C.O.	C.O.	.197	16	9"	6	1337	\$5,820
097-1627-660	24"	C.O.	C.O.	.197	16	9"	6	1385	\$6,102
<u>6' 10" WIDE</u>									
097-1827-650	22"	C.O.	C.O.	.197	18	9"	8	1511	\$6,750
097-1827-660	24"	C.O.	C.O.	.197	18	9"	8	1565	\$7,073
<u>7' 6" WIDE</u>									
097-2027-650	22"	C.O.	C.O.	.197	20	9"	8	1612	\$6,859
097-2027-660	24"	C.O.	C.O.	.197	20	9"	8	1672	\$7,214
<u>WIDE FRAME</u>									
<u>8' 4" WIDE</u>									
097-2227-650	22"	C.O.	C.O.	.197	22	9"	8	1732	\$7,365
097-2227-660	24"	C.O.	C.O.	.197	22	9"	8	1798	\$7,756
<u>9' 0" WIDE</u>									
097-2427-650	22"	C.O.	C.O.	.197	24	9"	8	1826	\$8,064
097-2427-660	24"	C.O.	C.O.	.197	24	9"	8	1898	\$8,493

OPTIONAL EQUIPMENT

For Spring Bearing Hangers:
 Change the 7th Digit from 7 to 6 and add 15#
 and \$42.00 per Bearing to Weights and Prices.

(CONT'D)

EXTRA EQUIPMENT

SCRAPERS

9-097-916270	For 6' 2" Units	190	\$659
*9-097-916260		200	\$689
9-097-918270	For 6' 10" Units	222	\$813
*9-097-918260		241	\$839
9-097-920270	For 7' 6" Units	242	\$848
*9-097-920260		259	\$892
9-097-922270	For 8' 4" Units	261	\$898
*9-097-922260		278	\$956
9-097-924270	For 9' 0" Units	280	\$963
*9-097-924260		298	\$1,024

*For Units with Spring Bearing Hangers

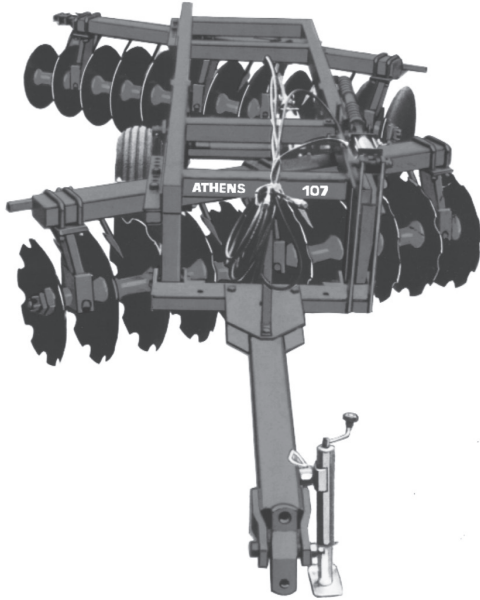
COVER DISC

9-097-700018	Cover Disc Assembly with 18" Blade w/o Scraper	20	\$125
9-097-709018	Cover Disc Assembly with 18" Blade w/ Scraper	28	\$146

QUICK HITCH BUSHINGS

101733	Cat. II & III Quick Coupler Adapter for 8' 4" and 9' 0" Units	7	\$117
--------	---	---	-------

**ATHENS 107 WHEEL TYPE
OFFSET DISK HARROW**



SPECIFICATIONS:

Cutting Width – 6' 2" to 8' 2"
22" or 24" Diameter Discs w /9" Spacing
Relube QUAD Ball Bearings
Gang Axle: 1 ¼" Square
Gang Frames: 3 x 5 x ¼" Tube

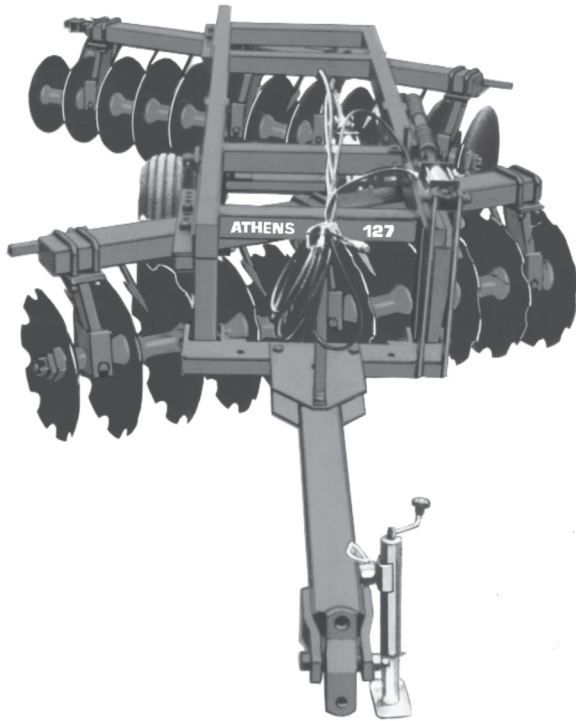
STANDARD EQUIPMENT:

Extra Disc on Right Rear
Cover Disc w/ Scraper
Balanced, Reversible Clevis
Heavy Duty Tongue w/ Jack
1 ¼" Cold Rolled Square Axles
w/ Gang Wrench
Heavy Duty Scrapers (Tubular Mtd.)
Wheel Hubs w/ 15" Wheels
Tapered Discs on Rt Rear and Rt Front
Hydraulic Lifting w/ Mechanical Transport

<u>MODEL NUMBER</u>	<u>DISC DIAM</u>	<u>TYPE OF DISC</u>		<u>DISC THCK</u>	<u># OF DISC</u>	<u>DISC SPACING</u>	<u># OF BRGS</u>	<u>APX WT</u>	<u>SUGST PRICE</u>
		<u>FRNT</u>	<u>REAR</u>						
<u>6' 2" WIDE</u>									
107-1727-650	22"	C.O.	C.O.	.197	17	9"	6	2259	\$10,313
107-1727-850	22"	C.O.	SM.	.197	17	9"	6	2268	\$10,148
107-1727-660	24"	C.O.	C.O.	.197	17	9"	6	2334	\$10,552
107-1727-760	24"	SM.	SM.	.197	17	9"	6	2360	\$10,477
107-1727-860	24"	C.O.	SM.	.197	17	9"	6	2347	\$10,511
<u>6' 10" WIDE</u>									
107-1927-650	22"	C.O.	C.O.	.197	19	9"	6	2400	\$10,831
107-1927-850	22"	C.O.	SM.	.197	19	9"	6	2410	\$10,784
107-1927-660	24"	C.O.	C.O.	.197	19	9"	6	2476	\$10,985
107-1927-760	24"	SM.	SM.	.197	19	9"	6	2502	\$10,877
107-1927-860	24"	C.O.	SM.	.197	19	9"	6	2489	\$10,929
<u>7' 6" WIDE</u>									
107-2127-650	22"	C.O.	C.O.	.197	21	9"	6	2514	\$11,468
107-2127-850	22"	C.O.	SM.	.197	21	9"	6	2526	\$11,319
107-2127-660	24"	C.O.	C.O.	.197	21	9"	6	2592	\$11,720
107-2127-760	24"	SM.	SM.	.197	21	9"	6	2618	\$11,616
107-2127-860	24"	C.O.	SM.	.197	21	9"	6	2605	\$11,664
<u>8' 2" WIDE</u>									
107-2327-650	22"	C.O.	C.O.	.197	23	9"	8	2629	\$12,285
107-2327-850	22"	C.O.	SM.	.197	23	9"	8	2642	\$12,120
107-2327-660	24"	C.O.	C.O.	.197	23	9"	8	2708	\$12,502
107-2327-760	24"	SM.	SM.	.197	23	9"	8	2734	\$12,449
107-2327-860	24"	C.O.	SM.	.197	23	9"	8	2720	\$12,474

RECOMMENDED TIRE SIZE: 9.5L x 15
CAUTION: TIRES ARE RATED AT 20 MPH MAXIMUM.
**PRICE DOES NOT INCLUDE TIRES

ATHENS 127 WHEEL TYPE OFFSET DISK HARROW



SPECIFICATIONS:

Cutting Width – 6' 6" to 12' 6"
 24" Diameter Discs C/O or SM
 Spacing – 9 ½"
 Relube QUAD Ball Bearings or
 QUAD Tapered Double Roller Bearings
 w/ Rigid or Spring Bearing Hangers
 Single or Dual Wheels

STANDARD EQUIPMENT:

Extra Disc on Right Rear
 Cover Disc w/ Scraper
 Balanced, Reversible Clevis
 Heavy-Duty Tongue w/Jack
 1 ½" Cold Rolled Square Axles
 w/ Gang Wrench
 Heavy-Duty Scrapers (Tubular Mtd)
 Wheel Hubs w/ 15" Wheels
 Tapered Discs on Rt Rear & Rt Frt
 Mechanical Transport
 Hydraulic Leveling Complete
 Hydraulic Lifting Complete

<u>MODEL NUMBER</u>	<u>DISC DIAM</u>	<u>TYPE OF DISC</u>		<u>DISC THCK</u>	<u># OF DISC</u>	<u>DISC SPACING</u>	<u># OF BRGS</u>	<u>APX WT</u>	<u>SUGST PRICE</u>
		<u>FRNT</u>	<u>REAR</u>						

127 OFFSET DISK W/ 3 x 5 TUBULAR FRAME & 5 LUG HUBS

6' 6" WIDE

W/ QUAD BALL BEARINGS

127-1747-657	24"	C.O.	C.O.	.256	17	9-1/2"	6	2711	\$13,390
127-1747-757	24"	SM.	SM.	.256	17	9-1/2"	6	2714	\$13,111
127-1747-857	24"	C.O.	SM.	.256	17	9-1/2"	6	2722	\$13,254

W/ QUAD TAPERED DOUBLE ROLLER BEARINGS

127-1745-657	24"	C.O.	C.O.	.256	17	9-1/2"	6	2686	\$14,580
127-1745-757	24"	SM.	SM.	.256	17	9-1/2"	6	2689	\$14,305
127-1745-857	24"	C.O.	SM.	.256	17	9-1/2"	6	2697	\$14,451

7' 3" WIDE

W/ QUAD BALL BEARINGS

127-1947-657	24"	C.O.	C.O.	.256	19	9-1/2"	6	2854	\$14,229
127-1947-757	24"	SM.	SM.	.256	19	9-1/2"	6	2728	\$14,000
127-1947-857	24"	C.O.	SM.	.256	19	9-1/2"	6	2867	\$14,073

W/ QUAD TAPERED DOUBLE ROLLER BEARINGS

127-1945-657	24"	C.O.	C.O.	.256	19	9-1/2"	6	2829	\$15,434
127-1945-757	24"	SM.	SM.	.256	19	9-1/2"	6	2703	\$15,119
127-1945-857	24"	C.O.	SM.	.256	19	9-1/2"	6	2842	\$15,285

<u>MODEL NUMBER</u>	<u>DISC DIAM</u>	<u>TYPE OF DISC</u>		<u>DISC THCK</u>	<u># OF DISC</u>	<u>DISC SPACING</u>	<u># OF BRGS</u>	<u>APX WT</u>	<u>SUGST PRICE</u>
		FRNT	REAR						
<u>8' 0" WIDE</u>									
<u>W/ QUAD BALL BEARINGS</u>									
127-2147-657	24"	C.O.	C.O.	.256	21	9-1/2"	7	3046	\$15,274
127-2147-757	24"	SM.	SM.	.256	21	9-1/2"	7	3055	\$14,920
127-2147-857	24"	C.O.	SM.	.256	21	9-1/2"	7	3060	\$15,070
<u>W/ QUAD TAPERED DOUBLE ROLLER BEARINGS</u>									
127-2145-657	24"	C.O.	C.O.	.256	21	9-1/2"	7	3016	\$16,667
127-2145-757	24"	SM.	SM.	.256	21	9-1/2"	7	3025	\$16,303
127-2145-857	24"	C.O.	SM.	.256	21	9-1/2"	7	3030	\$16,489
<u>8' 9" WIDE</u>									
<u>W/ QUAD BALL BEARINGS</u>									
127-2347-657	24"	C.O.	C.O.	.256	23	9-1/2"	8	3272	\$16,320
127-2347-757	24"	SM.	SM.	.256	23	9-1/2"	8	3296	\$15,934
127-2347-857	24"	C.O.	SM.	.256	23	9-1/2"	8	3287	\$16,120
<u>W/ QUAD TAPERED DOUBLE ROLLER BEARINGS</u>									
127-2345-657	24"	C.O.	C.O.	.256	23	9-1/2"	8	3238	\$17,884
127-2345-757	24"	SM.	SM.	.256	23	9-1/2"	8	3262	\$17,334
127-2345-857	24"	C.O.	SM.	.256	23	9-1/2"	8	3253	\$17,524
<u>127 OFFSET DISK W/ 4 x 6 TUBULAR FRAME & 6 LUG HUBS</u>									
<u>9' 6" WIDE</u>									
<u>W/ QUAD BALL BEARINGS</u>									
127-2547-657	24"	C.O.	C.O.	.256	25	9-1/2"	8	3949	\$19,889
127-2547-757	24"	SM.	SM.	.256	25	9-1/2"	8	3975	\$19,455
127-2547-857	24"	C.O.	SM.	.256	25	9-1/2"	8	3965	\$19,910
<u>W/ QUAD TAPERED DOUBLE ROLLER BEARINGS</u>									
127-2545-657	24"	C.O.	C.O.	.256	25	9-1/2"	8	3916	\$21,505
127-2545-757	24"	SM.	SM.	.256	25	9-1/2"	8	3941	\$21,067
127-2545-857	24"	C.O.	SM.	.256	25	9-1/2"	8	3931	\$21,293
<u>11' 0" WIDE</u>									
<u>W/ QUAD BALL BEARINGS</u>									
127-2947-658	24"	C.O.	C.O.	.256	29	9-1/2"	9	4467	\$21,358
127-2947-758	24"	SM.	SM.	.256	29	9-1/2"	9	4504	\$20,878
127-2947-858	24"	C.O.	SM.	.256	29	9-1/2"	9	4485	\$21,122
<u>W/ QUAD TAPERED DOUBLE ROLLER BEARINGS</u>									
127-2945-658	24"	C.O.	C.O.	.256	29	9-1/2"	9	4379	\$22,939
127-2945-758	24"	SM.	SM.	.256	29	9-1/2"	9	4466	\$22,157
127-2945-858	24"	C.O.	SM.	.256	29	9-1/2"	9	4447	\$22,706
<u>12' 6" WIDE</u>									
<u>W/ QUAD BALL BEARINGS</u>									
127-3347-658	24"	C.O.	C.O.	.256	33	9-1/2"	12	4985	\$23,472
127-3347-758	24"	SM.	SM.	.256	33	9-1/2"	12	5027	\$22,926
127-3347-858	24"	C.O.	SM.	.256	33	9-1/2"	12	5005	\$23,205

<u>MODEL NUMBER</u>	<u>DISC DIAM</u>	<u>TYPE OF DISC</u>		<u>DISC THCK</u>	<u># OF DISC</u>	<u>DISC SPACING</u>	<u># OF BRGS</u>	<u>APX WT</u>	<u>SUGST PRICE</u>
		FRNT	REAR						
<u>12' 6" WIDE W/ QUAD TAPERED DOUBLE ROLLER BEARINGS</u>									
127-3345-658	24"	C.O.	C.O.	.256	33	9-1/2"	12	4935	\$25,103
127-3345-758	24"	SM.	SM.	.256	33	9-1/2"	12	4987	\$24,543
127-3345-858	24"	C.O.	SM.	.256	33	9-1/2"	12	4957	\$24,825

SPECIAL ORDERING INFORMATION:

SPRING BEARING HANGERS W/ TAPERED DOUBLE ROLLER BEARINGS

To order Spring Bearing Hangers, change the 7th digit from a 5 to 4, and add 31# and \$124.00 per bearing to weights and prices for units with QUAD Tapered Double Roller Bearings.

MANUAL LEVELING

To order a turnbuckle for Manual Leveling in place of a cylinder and hoses as listed in the price list, change the 10th digit for 16-23 disc units from "7" to "0" or for 24-33 disc units from "8" to "1" and deduct 13# and \$198.00.

UNITS WITHOUT AN EXTRA DISC ON RIGHT REAR

Units shown in the price list have an extra disc on the right rear and are strongly recommended by ATHENS to improve performance, reduce the need for adjustments, and to allow disking back and forth without an open furrow. To order units with the same number of discs on the front and rear, change 4th and 5th digits to one number lower (as 17 to 16), and reduce the weight by 70# and reduce the price by \$85.00.

EXTRA EQUIPMENT

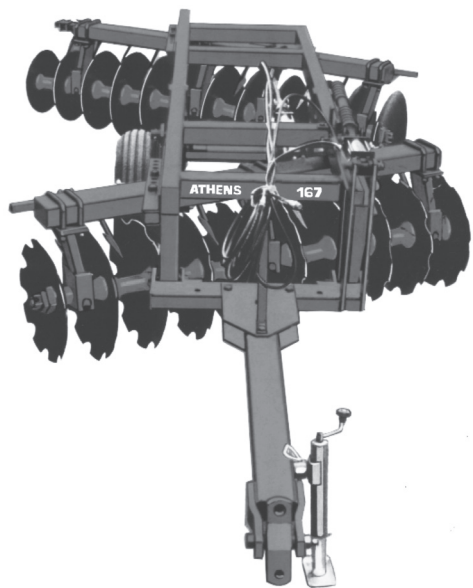
	<u>APX WT</u>	<u>SUGST PRICE</u>
9-127-605156 DUAL WHEELS FOR 16-23 DISC UNITS (DUAL WHEELS STANDARD ON 9' 6" AND UP)	82#	\$816

RECOMMENDED TIRE SIZE: NARROW FRAME W/ 5 LUG HUBS, 9.5L X 15
WIDE FRAME W/ 6 LUG HUBS, 11L X 15

CAUTION: TIRES ARE RATED AT 20 MPH MAXIMUM.

* **PRICE DOES NOT INCLUDE TIRES.**

ATHENS 167 WHEEL TYPE OFFSET DISK HARROW



SPECIFICATIONS:

Cutting Width – 7' 1" to 12' 1"
 26" Diameter Discs C/O or SM
 Spacing – 10 ½"
 QUADRASEAL Ball Bearings or
 Tapered Double Roller Bearings w/
 Rigid or Spring Bearing Hangers

STANDARD EQUIPMENT:

Cover Disc w/ Scraper
 Extra Disc on Right Rear
 Heavy-Duty Tongue w/Jack
 Balanced, Reversible Clevis
 1 ½" Cold Rolled Sq. Axle
 Wheel Hubs w/ 15" x 8" Wheels
 Heavy-Duty Scrapers (Tubular Mtd.)
 Tapered Discs on Rt Rear & Rt Frt
 Adjustable Angle of Cut
 Hydraulic Lifting w/ Mech. Transport
 Hydraulic Leveling Complete

<u>MODEL NUMBER</u>	<u>DISC DIAM</u>	<u>TYPE OF DISC</u>		<u>DISC THCK</u>	<u># OF DISC</u>	<u>DISC SPACING</u>	<u># OF BRGS</u>	<u>APX WT</u>	<u>SUGST PRICE</u>
		<u>FRNT</u>	<u>REAR</u>						

167 OFFSET DISK W/ 3 x 5 FRAME & 5 LUG HUBS

7' 1" WIDE

W/ QUAD BALL BEARINGS

167-1757-667	26"	C.O.	C.O.	.256	17	10-1/2"	8	3077	\$15,127
167-1757-767	26"	SM.	SM.	.256	17	10-1/2"	8	3115	\$14,772
167-1757-867	26"	C.O.	SM.	.256	17	10-1/2"	8	3096	\$14,950

W/ QUAD TAPERED DOUBLE ROLLER BEARINGS

167-1755-667	26"	C.O.	C.O.	.256	17	10-1/2"	8	3121	\$16,676
167-1755-767	26"	SM.	SM.	.256	17	10-1/2"	8	3159	\$16,325
167-1755-867	26"	C.O.	SM.	.256	17	10-1/2"	8	3140	\$16,487

8' 0" WIDE

W/ QUAD BALL BEARINGS

167-1957-667	26"	C.O.	C.O.	.256	19	10-1/2"	8	3246	\$16,145
167-1957-767	26"	SM.	SM.	.256	19	10-1/2"	8	3297	\$15,760
167-1957-867	26"	C.O.	SM.	.256	19	10-1/2"	8	3277	\$15,960

W/ QUAD TAPERED DOUBLE ROLLER BEARINGS

167-1955-667	26"	C.O.	C.O.	.256	19	10-1/2"	8	3290	\$17,727
167-1955-767	26"	SM.	SM.	.256	19	10-1/2"	8	3341	\$17,325
167-1955-867	26"	C.O.	SM.	.256	19	10-1/2"	8	3321	\$17,527

8' 9" WIDE

W/ QUAD BALL BEARINGS

167-2157-667	26"	C.O.	C.O.	.256	21	10-1/2"	8	3437	\$17,141
167-2157-767	26"	SM.	SM.	.256	21	10-1/2"	8	3485	\$17,008
167-2157-867	26"	C.O.	SM.	.256	21	10-1/2"	8	3461	\$17,226

<u>MODEL NUMBER</u>	<u>DISC DIAM</u>	<u>TYPE OF DISC</u>		<u>DISC THCK</u>	<u># OF DISC</u>	<u>DISC SPACING</u>	<u># OF BRGS</u>	<u>APX WT</u>	<u>SUGST PRICE</u>
		<u>FRNT</u>	<u>REAR</u>						

167 OFFSET DISK W/ 3 x 5 FRAME & 5 LUG HUBS (CONT'D)

8' 9" WIDE W/ QUAD TAPERED DOUBLE ROLLER BEARINGS

167-2155-667	26"	C.O.	C.O.	.256	21	10-1/2"	8	3481	\$19,377
167-2155-767	26"	SM.	SM.	.256	21	10-1/2"	8	3529	\$18,937
167-2155-867	26"	C.O.	SM.	.256	21	10-1/2"	8	3505	\$19,159

167 OFFSET DISK W/ 4 x 6 FRAME & 6 LUG HUBS

9' 7" WIDE W/ QUAD BALL BEARINGS

167-2357-668	26"	C.O.	C.O.	.256	23	10-1/2"	8	4289	\$20,180
167-2357-768	26"	SM.	SM.	.256	23	10-1/2"	8	4342	\$19,737
167-2357-868	26"	C.O.	SM.	.256	23	10-1/2"	8	4316	\$19,946

W/ QUAD TAPERED DOUBLE ROLLER BEARINGS

167-2355-668	26"	C.O.	C.O.	.256	23	10-1/2"	8	4333	\$21,749
167-2355-768	26"	SM.	SM.	.256	23	10-1/2"	8	4386	\$21,286
167-2355-868	26"	C.O.	SM.	.256	23	10-1/2"	8	4360	\$21,516

10' 5" WIDE W/ QUAD BALL BEARINGS

167-2557-668	26"	C.O.	C.O.	.256	25	10-1/2"	8	4488	\$21,029
167-2557-768	26"	SM.	SM.	.256	25	10-1/2"	8	4495	\$20,537
167-2557-868	26"	C.O.	SM.	.256	25	10-1/2"	8	4507	\$20,782

W/ QUAD TAPERED DOUBLE ROLLER BEARINGS

167-2555-668	26"	C.O.	C.O.	.256	25	10-1/2"	8	4532	\$22,601
167-2555-768	26"	SM.	SM.	.256	25	10-1/2"	8	4572	\$22,112
167-2555-868	26"	C.O.	SM.	.256	25	10-1/2"	8	4553	\$22,356

12' 1" WIDE W/QUAD BALL BEARINGS

167-2957-668	26"	C.O.	C.O.	.256	29	10-1/2"	9	4933	\$23,338
167-2957-768	26"	SM.	SM.	.256	29	10-1/2"	9	5000	\$22,777
167-2957-868	26"	C.O.	SM.	.256	29	10-1/2"	9	4967	\$23,061

W/QUAD TAPERED DOUBLE ROLLER BEARINGS

167-2955-668	26"	C.O.	C.O.	.256	29	10-1/2"	9	4977	\$25,276
167-2955-768	26"	SM.	SM.	.256	29	10-1/2"	9	5044	\$24,688
167-2955-868	26"	C.O.	SM.	.256	29	10-1/2"	9	5011	\$24,553

SPECIAL ORDER INFORMATION:

SPRING BEARING HANGERS WITH QUAD TAPERED DOUBLE ROLLER BEARINGS

To order Spring Bearing Hangers, change the 7th digit from a "5" to "4", and add 25# and \$124.00 per bearing to weights and prices for units with QUAD Tapered Double Roller Bearings.

SPECIAL ORDER INFORMATION CONT'D

MANUAL LEVELING

To order a turnbuckle for Manual Leveling in place of a cylinder and hoses as listed in the price list, change the 10th digit for 16-21 disc units from a "7" to "0", or for 22-29 disc units from an "8" to "1" and deduct 12# and \$198.00.

UNITS WITHOUT AN EXTRA DISC ON RIGHT REAR

Units shown in the price list have an extra disc on the right rear and are strongly recommended by ATHENS to improve performance, reduce the need for adjustments, and to allow disking back and forth without an open furrow. To order units with the same number of discs on the front and rear, change 4th and 5th digits to one number lower (as 17 to 16), reduce weight by 100# and reduce the price by \$117.00.

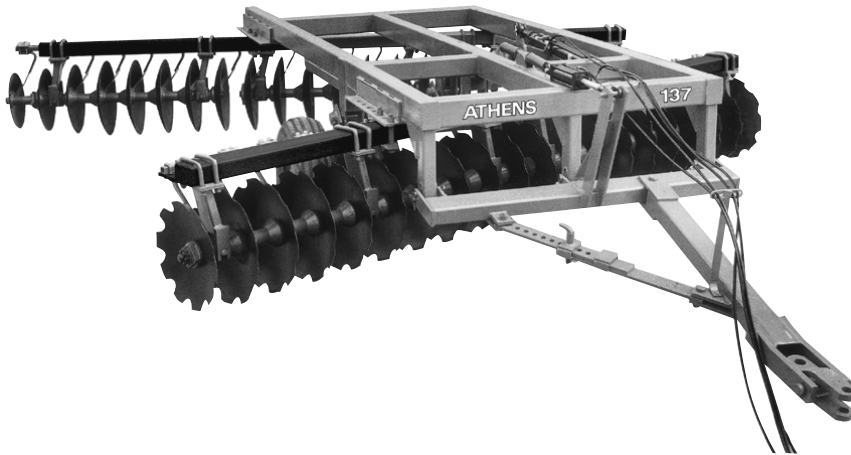
<u>EXTRA EQUIPMENT</u>	<u>APX</u> <u>WT</u>	<u>SUGST</u> <u>PRICE</u>
9-167-605156 DUAL WHEELS FOR 16-21 DISC UNITS (DUAL WHEELS STANDARD ON 9' 7" AND UP)	82#	\$816

RECOMMENDED TIRE SIZE: NARROW FRAME W/ 5 LUG HUBS, 9.5L X 15
WIDE FRAME W/ 6 LUG HUBS, 11L X 15

CAUTION: TIRES ARE RATED AT 20MPH MAXIMUM.

***PRICE DOES NOT INCLUDE TIRES.**

ATHENS 137 WHEEL TYPE OFFSET DISK HARROW



SPECIFICATIONS:

Cutting Width – 12' 6" to 18' 6"
 24" Diameter Disc C/O or SM
 Spacing – 9 1/2"
 Relube QUADRASEAL Ball or
 Tapered Double Roller Bearings
 Rigid or Spring Bearing Hangers

STANDARD EQUIPMENT:

Extra Disc on Right Rear
 Cover Disc w/ Scraper
 Balanced, Reversible Clevis
 1-1/2" Cold Rolled Sq. Axles
 w/ Gang Wrench
 Dual 15" x 8" 6-Lug Wheels w/ Hubs
 Heavy Duty Scrapers (Tubular Mtd.)
 Hydraulic Lifting w/Mech Transport
 Tapered Discs on Rt Rear and Rt Frt
 Adjustable Angle of Cut
 Hydraulic Leveling Complete

<u>MODEL NUMBER</u>	<u>DISC DIAM</u>	<u>TYPE OF DISC</u>		<u>DISC THCK</u>	<u># OF DISC</u>	<u>DISC SPACING</u>	<u># OF BRGS</u>	<u>APX WT</u>	<u>SUGST PRICE</u>
		FRNT	REAR						
<u>12' 6" WIDE</u>									
<u>W/ QUAD BALL BEARINGS</u>									
137-3347-659	24"	C.O.	C.O.	.256	33	9-1/2"	8	5444	\$25,009
137-3347-759	24"	SM.	SM.	.256	33	9-1/2"	8	5473	\$24,475
137-3347-859	24"	C.O.	SM.	.256	33	9-1/2"	8	5449	\$24,755
<u>W/ RELUBE QUAD TAPERED DOUBLE ROLLER BEARINGS</u>									
137-3345-659	24"	C.O.	C.O.	.256	33	9-1/2"	8	5410	\$26,709
137-3345-759	24"	SM.	SM.	.256	33	9-1/2"	8	5439	\$26,159
137-3345-859	24"	C.O.	SM.	.256	33	9-1/2"	8	5415	\$26,441
<u>14' 0" WIDE</u>									
<u>W/ QUAD BALL BEARINGS</u>									
137-3747-659	24"	C.O.	C.O.	.256	37	9-1/2"	9	5831	\$26,996
137-3747-759	24"	SM.	SM.	.256	37	9-1/2"	9	5881	\$26,374
137-3747-859	24"	C.O.	SM.	.256	37	9-1/2"	9	5854	\$26,706
<u>W/ RELUBE QUAD TAPERED DOUBLE ROLLER BEARINGS</u>									
137-3745-659	24"	C.O.	C.O.	.256	37	9-1/2"	9	5797	\$28,873
137-3745-759	24"	SM.	SM.	.256	37	9-1/2"	9	5847	\$28,249
137-3745-859	24"	C.O.	SM.	.256	37	9-1/2"	9	5820	\$28,583

<u>MODEL NUMBER</u>	<u>DISC DIAM</u>	<u>TYPE OF DISC</u>		<u>DISC THCK</u>	<u># OF DISC</u>	<u>DISC SPACING</u>	<u># OF BRGS</u>	<u>APX WT</u>	<u>SUGST PRICE</u>
		FRNT	REAR						
<u>15' 6" WIDE</u>									
<u>W/ QUAD BALL BEARINGS</u>									
137-4147-659	24"	C.O.	C.O.	.256	41	9-1/2"	12	6562	\$29,596
137-4147-759	24"	SM.	SM.	.256	41	9-1/2"	12	6618	\$28,904
137-4147-859	24"	C.O.	SM.	.256	41	9-1/2"	12	6588	\$29,267
<u>W/ RELUBE QUAD TAPERED DOUBLE ROLLER BEARINGS</u>									
137-4145-659	24"	C.O.	C.O.	.256	41	9-1/2"	12	6512	\$31,993
137-4145-759	24"	SM.	SM.	.256	41	9-1/2"	12	6568	\$31,300
137-4145-859	24"	C.O.	SM.	.256	41	9-1/2"	12	6538	\$30,945
<u>17' 0" WIDE</u>									
<u>W/ QUAD BALL BEARINGS</u>									
137-4547-659	24"	C.O.	C.O.	.256	45	9-1/2"	12	6877	\$30,895
137-4547-759	24"	SM.	SM.	.256	45	9-1/2"	12	6939	\$30,131
137-4547-859	24"	C.O.	SM.	.256	45	9-1/2"	12	6906	\$30,533
<u>W/ RELUBE QUAD TAPERED DOUBLE ROLLER BEARINGS</u>									
137-4545-659	24"	C.O.	C.O.	.256	45	9-1/2"	12	6827	\$33,133
137-4545-759	24"	SM.	SM.	.256	45	9-1/2"	12	6889	\$32,332
137-4545-859	24"	C.O.	SM.	.256	45	9-1/2"	12	6856	\$32,739
<u>18' 6" WIDE</u>									
<u>W/ QUAD BALL BEARINGS</u>									
137-4947-659	24"	C.O.	C.O.	.256	49	9-1/2"	12	7246	\$32,192
137-4947-759	24"	SM.	SM.	.256	49	9-1/2"	12	7314	\$31,356
137-4947-859	24"	C.O.	SM.	.256	49	9-1/2"	12	7278	\$31,797
<u>W/ RELUBE QUAD TAPERED DOUBLE ROLLER BEARINGS</u>									
137-4945-659	24"	C.O.	C.O.	.256	49	9-1/2"	12	7196	\$34,624
137-4945-759	24"	SM.	SM.	.256	49	9-1/2"	12	7264	\$33,777
137-4945-859	24"	C.O.	SM.	.256	49	9-1/2"	12	7228	\$34,221

SPECIAL ORDERING INFORMATION:

SPRING BEARING HANGERS WITH QUAD TAPERED DOUBLE ROLLER BEARINGS

To order Spring Bearing Hangers, change the 7th digit from a "5" to "4" and add 31# and \$124.00 per bearing to weights and prices for units with QUAD Tapered Double Roller Bearings.

MANUAL LEVELING

To replace the cylinder and hoses w/ a turnbuckle, change the 10th digit from a "9" to "0" and deduct 13# and \$198.00.

UNITS WITHOUT AN EXTRA DISC ON RIGHT REAR

Units shown in the price list have an extra disc on the right rear and are strongly recommended by ATHENS to improve performance, reduce the need for adjustments, and to allow disking back and forth without an open furrow. To order units with the same number of discs on the front and rear, change 4th and 5th digits to one number lower (as 33 to 32), reduce the weight by 70# and reduce the price by \$85.00.

106166 AG LIGHT KIT 19# \$476.00

RECOMMENDED TIRE SIZE: 11L x 15 (4 REQUIRED)
CAUTION: TIRES ARE RATED AT 20 MPH MAXIMUM.

***PRICE DOES NOT INCLUDE TIRES.**

ATHENS 187 WHEEL TYPE OFFSET DISK HARROW

SPECIFICATIONS:

Cutting Width – 12' 1" to 17' 1"

26" Diameter Disc C/O or SM

Spacing – 10 1/2"

Relube QUADRASEAL Ball Bearings or

Tapered Double Roller Bearings w/

Rigid or Spring Bearing Hangers

STANDARD EQUIPMENT:

Cover Disc w/ Scraper

Extra Disc on Right Rear

Heavy Duty Tongue w/ Jack

Balanced, Reversible Clevis

1 1/2" Cold Rolled Sq. Axle

w/ Gang Wrench

Dual 15" x 8" 6 Lug Wheels w/ Hub

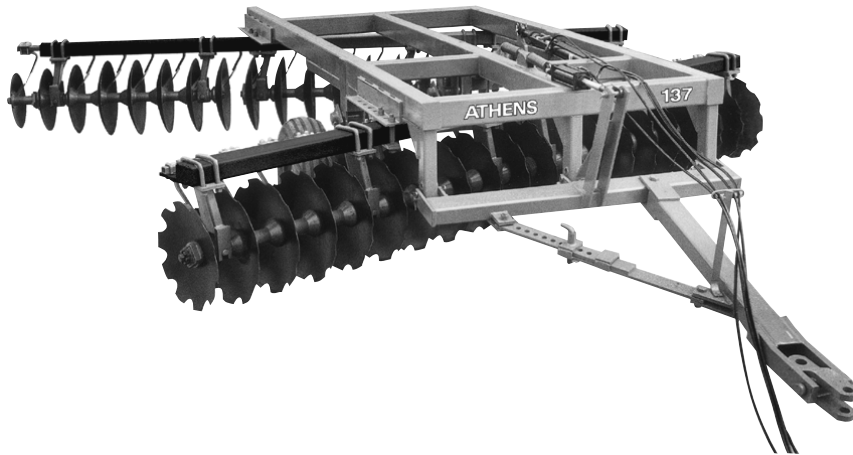
Heavy Duty Scrapers (Tubular Mtd.)

Tapered Discs on Right Rear & Rt Frt

Adjustable Angle of Cut

Hydraulic Leveling Complete

Hydraulic Lifting w/ Mech. Transport



<u>MODEL NUMBER</u>	<u>DISC DIAM</u>	<u>TYPE OF DISC</u>		<u>DISC THCK</u>	<u># OF DISC</u>	<u>DISC SPACING</u>	<u># OF BRGS</u>	<u>APX WT</u>	<u>SUGST PRICE</u>
		<u>FRNT</u>	<u>REAR</u>						
<u>12' 1" WIDE</u>									
<u>W/ RELUBE QUAD BALL BEARINGS</u>									
187-2957-669	26"	C.O.	C.O.	.256	29	10-1/2"	10	5517	\$26,413
187-2957-769	26"	SM.	SM.	.256	29	10-1/2"	10	5585	\$25,918
187-2957-869	26"	C.O.	SM.	.256	29	10-1/2"	10	5552	\$26,174
<u>W/ RELUBE QUAD TAPERED DOUBLE ROLLER BEARINGS</u>									
187-2955-669	26"	C.O.	C.O.	.256	29	10-1/2"	10	5561	\$28,310
187-2955-769	26"	SM.	SM.	.256	29	10-1/2"	10	5629	\$27,871
187-2955-869	26"	C.O.	SM.	.256	29	10-1/2"	10	5596	\$28,136
<u>13' 9" WIDE</u>									
<u>W/ RELUBE QUAD BALL BEARINGS</u>									
187-3357-669	26"	C.O.	C.O.	.256	33	10-1/2"	12	6147	\$29,218
187-3357-769	26"	SM.	SM.	.256	33	10-1/2"	12	6225	\$28,647
187-3357-869	26"	C.O.	SM.	.256	33	10-1/2"	12	6187	\$28,942
<u>W/ RELUBE QUAD TAPERED DOUBLE ROLLER BEARINGS</u>									
187-3355-669	26"	C.O.	C.O.	.256	33	10-1/2"	12	6213	\$31,522
187-3355-769	26"	SM.	SM.	.256	33	10-1/2"	12	6309	\$30,958
187-3355-869	26"	C.O.	SM.	.256	33	10-1/2"	12	6253	\$31,248
<u>15' 5" WIDE</u>									
<u>W/ RELUBE QUAD BALL BEARINGS</u>									
187-3757-669	26"	C.O.	C.O.	.256	37	10-1/2"	12	6581	\$31,170
187-3757-769	26"	SM.	SM.	.256	37	10-1/2"	12	6669	\$30,531
187-3757-869	26"	C.O.	SM.	.256	37	10-1/2"	12	6636	\$30,876

<u>MODEL NUMBER</u>	<u>DISC DIAM</u>	<u>TYPE OF DISC</u>		<u>DISC THCK</u>	<u># OF DISC</u>	<u>DISC SPACING</u>	<u># OF BRGS</u>	<u>APX WT</u>	<u>SUGST PRICE</u>
		FRNT	REAR						
<u>15' 5" WIDE W/ RELUBE QUAD TAPERED DOUBLE ROLLER BEARINGS</u>									
187-3755-669	26"	C.O.	C.O.	.256	37	10-1/2"	12	6647	\$33,527
187-3755-769	26"	SM.	SM.	.256	37	10-1/2"	12	6735	\$32,871
187-3755-869	26"	C.O.	SM.	.256	37	10-1/2"	12	6702	\$33,214
<u>17' 1" WIDE W/ RELUBE QUAD BALL BEARINGS</u>									
187-4157-669	26"	C.O.	C.O.	.256	41	10-1/2"	12	7085	\$33,085
187-4157-769	26"	SM.	SM.	.256	41	10-1/2"	12	7182	\$32,477
187-4157-869	26"	C.O.	SM.	.256	41	10-1/2"	12	7134	\$32,747
<u>W/ RELUBE QUAD TAPERED DOUBLE ROLLER BEARINGS</u>									
187-4155-669	26"	C.O.	C.O.	.256	41	10-1/2"	14	7151	\$35,472
187-4155-769	26"	SM.	SM.	.256	41	10-1/2"	14	7248	\$34,732
187-4155-869	26"	C.O.	SM.	.256	41	10-1/2"	14	7200	\$35,116

SPECIAL ORDER INSTRUCTIONS:

SPRING BEARING HANGERS W/QUAD TAPERED DOUBLE ROLLER BEARINGS

To order Spring Bearing Hangers, Change the 7th digit from "5" to "4", and add 25# and \$124.00 per bearing to weights and prices for units with QUAD Tapered Double Roller Bearings.

UNITS WITHOUT AND EXTRA DISC ON RIGHT REAR

Units shown in the price list have an extra disc on the right rear and are strongly recommended by ATHENS to improve performance, reduce the need for adjustments, and to allow disking back and forth without an open furrow. To order units with the same number of discs on front and rear, change 4th and 5th digits to one number lower (as 33 to 32), reduce weight by 107# and reduce price by \$117.00.

MANUAL LEVELING

To replace the cylinder and hoses w/ a turnbuckle, change the 10th digit from a "9" to "0" and deduct 13# and \$198.00.

106166 AG LIGHT KIT 19# \$476.00

RECOMMENDED TIRE SIZE: 11L X 15 (4 REQUIRED)

CAUTION: TIRES ARE RATED AT 20 MPH MAXIMUM.

***PRICE DOES NOT INCLUDE TIRES.**

ATHENS 287 OFFSET DISK HARROW

SPECIFICATIONS:

Cutting Width – 8' to 16'
 Disc Spacing – 12"
 Disc Blades – 28" or 32" C/O
 Relube 2" Ball Bearings

STANDARD EQUIPMENT

Cover Disc w/ Scraper
 Hydraulic Leveling Complete
 Hydraulic Lifting Complete
 Balanced, Reversible Clevis
 Heavy Duty Tube Mounted Scrapers
 Tapered Rear Gang
 15" x 8" Six Lug Wheels w/
 Dual Wheel Hubs
 2" Cold Rolled Square Gang Axles



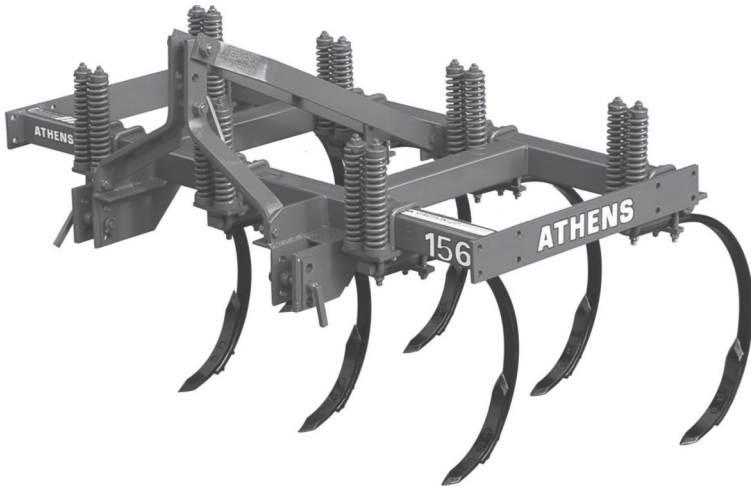
<u>MODEL NUMBER</u>	<u>DISC DIAM</u>	<u>TYPE OF DISC</u>	<u>DISC THCK</u>	<u># OF DISC</u>	<u>DISC SPACING</u>	<u># OF BRGS</u>	<u>APX WT</u>	<u>SUGST PRICE</u>
<u>8' 0" WIDE</u>		<u>W/ RELUBE BALL BEARINGS</u>						
287-1722-688	28"	C.O.	.31	17	12"	8	5221	\$27,096
287-1722-628	32"	C.O.	.39	17	12"	8	5750	\$30,419
<u>9' 0" WIDE</u>		<u>W/ RELUBE BALL BEARINGS</u>						
287-1922-688	28"	C.O.	.31	19	12"	8	5490	\$27,975
287-1922-628	32"	C.O.	.39	19	12"	8	6165	\$31,894
<u>10' 0" WIDE</u>		<u>W/ RELUBE BALL BEARINGS</u>						
287-2122-688	28"	C.O.	.31	21	12"	8	5812	\$29,484
287-2122-628	32"	C.O.	.39	21	12"	8	6505	\$33,405
<u>12' 0" WIDE</u>		<u>W/ RELUBE BALL BEARINGS</u>						
287-2522-688	28"	C.O.	.31	25	12"	8	7867	\$37,005
287-2522-628	32"	C.O.	.39	25	12"	8	8710	\$40,910
<u>14' 0" WIDE</u>		<u>W/ RELUBE BALL BEARINGS</u>						
287-2922-688	28"	C.O.	.31	29	12"	12	8650	\$40,452
287-2922-628	32"	C.O.	.39	29	12"	12	9473	\$44,587
<u>16' 0" WIDE</u>		<u>W/ RELUBE BALL BEARINGS</u>						
287-3322-688	28"	C.O.	.31	33	12"	12	9250	\$43,367
287-3322-628	32"	C.O.	.39	33	12"	12	10005	\$46,908

****To Order a Model 288 Change the 3rd Digit to an 8 and add \$1,196.00 Per Bearing.**

RECOMMENDED TIRE SIZE: 11L x 15 (4 REQUIRED)
 CAUTION: TIRES ARE RATED AT 20 MPH MAXIMUM.

***PRICE DOES NOT INCLUDE TIRES.**

ATHENS 156 MOUNTED CHISEL PLOW



SPECIFICATIONS:

Lift Type – 5', 7', 10', 11' Bases
 2 Bar Lift Type – 5' to 15'
 3 Bar Lift Type – 7' to 16'
 1 x 2 x 26", 1 x 2 x 32" &
 1 ¼ x 2 x 32" Alloy Steel Tines
 5/8" Chisel Points or
 3/8" Twisted Shovels

STANDARD EQUIPMENT

Cushion Spring Clamps
 4 x 4" Tubular Frame
 12" Tine Spacing

MODEL NUMBER	TINE ATTACHMENT	TINE SIZE			SIZE (CAT) HITCH	APX WT	SUGST PRICE
		1 x 26"	1 x 32"	1.25 x 32"			
<u>5' 0" WIDE</u>		<u>W/ RIGID TINE ATTACHMENT, 26" TINES & 5/8" POINTS</u>					
156-0521-221	RGD	X			I	580	\$2,300
156-0521-222	RGD	X			II	580	\$2,300
<u>7' 0" WIDE</u>		<u>W/ RIGID TINE ATTACHMENT, 26" TINES & 5/8" POINTS</u>					
156-0721-223	RGD	X			II	732	\$3,085
		<u>2 – BAR LIFT TYPE W/ SPRING TINE ATTACHMENT & 5/8" POINTS</u>					
<u>5' 0" WIDE</u>		<u>W/ CATEGORY I OR II HITCH PINS</u>					
156-0522-221	SPG	X			I	736	\$3,515
156-0522-321	SPG		X		I	766	\$3,627
156-0522-421	SPG			X	I	822	\$3,955
156-0522-222	SPG	X			II	737	\$3,515
156-0522-322	SPG		X		II	767	\$3,627
156-0522-422	SPG			X	II	822	\$3,955
<u>7' 0" WIDE</u>		<u>W/ CATEGORY II HITCH PINS</u>					
156-0722-223	SPG	X			II	952	\$4,293
156-0722-323	SPG		X		II	994	\$4,450
156-0722-423	SPG			X	II	1001	\$4,909
<u>11' 0" WIDE</u>		<u>W/ CATEGORY II HITCH PINS</u>					
156-1122-223	SPG	X			II	1243	\$6,202
156-1122-323	SPG		X		II	1452	\$6,457
156-1122-423	SPG			X	II	1573	\$7,175

<u>MODEL NUMBER</u>	<u>TINE ATTCH MENT</u>	<u>TINE SIZE</u>			<u>SIZE (CAT) HITCH</u>	<u>APX WT</u>	<u>SUGST PRICE</u>
		<u>1 x 26"</u>	<u>1 x 32"</u>	<u>1.25 x 32"</u>			
		*** SINGLE EXTENSION FOR TWO-BAR UNITS***			(SINGLE EXTENIONS ARE COMPLETE)		
		<u>W/ 5/8" CHISEL POINTS</u>					
<u>2' 0"</u>							
9-156-022122	RGD	X			N/A	198	\$621
9-156-022222	SPG	X			N/A	198	\$1,022
9-156-022232	SPG		X		N/A	210	\$1,079
9-156-022242	SPG			X	N/A	232	\$1,200
		DOUBLE EXTENSION FOR TWO-BAR UNITS			(USED ONLY WITH SINGLE EXTENSIONS)		
		<u>W/ 5/8" CHISEL POINTS</u>					
<u>2' 0"</u>							
9-156-042122	RGD	X			N/A	253	\$771
9-156-042222	SPG	X			N/A	253	\$1,277
9-156-042232	SPG		X		N/A	265	\$1,303
9-156-042242	SPG			X	N/A	287	\$1,453
<u>3-BAR W/ SPRING TINE ATTACHMENT & 5/8" POINTS</u>							
<u>7' 0" WIDE</u>		<u>W/ CATEGORY II HITCH</u>					
156-0732-223	SPG	X			II	1089	\$4,971
156-0732-323	SPG		X		II	1131	\$5,135
156-0732-423	SPG			X	II	1208	\$5,587
<u>10' 0" WIDE</u>		<u>W/ CATEGORY II-III HITCH</u>					
156-1032-223	SPG	X			II & III	1458	\$6,475
156-1032-323	SPG		X		II & III	1518	\$6,698
156-1032-423	SPG			X	II & III	1628	\$7,365
		SINGLE EXTENSION FOR THREE BAR UNITS			(SINGLE EXTENSIONS ARE COMPLETE)		
		<u>W/ 5/8" CHISEL POINTS</u>					
<u>2' 0"</u>							
9-156-023222	SPG	X			N/A	199	\$1,034
9-156-023232	SPG		X		N/A	211	\$1,084
9-156-023242	SPG			X	N/A	233	\$1,213
		DOUBLE EXTENSION FOR THREE-BAR UNITS			(USED ONLY WITH SINGLE EXTENSIONS)		
		<u>W/ 5/8" CHISEL POINTS</u>					
<u>2' 0"</u>							
9-156-043222	SPG	X			N/A	268	\$1,260
9-156-043232	SPG		X		N/A	280	\$1,304
9-156-043242	SPG			X	N/A	302	\$1,392

MODEL NUMBER	TINE ATTCH MENT	TINE SIZE			SIZE (CAT) HITCH	APX WT	SUGST PRICE
		1 x 26"	1 x 32"	1.25 x 32"			
TRIPLE EXTENSION FOR THREE-BAR UNITS <u>W/ 5/8" CHISEL POINTS</u>					(TRIPLE EXTENSIONS ARE COMPLETE)		
<u>6' 0"</u>							
9-156-063222	SPG	X			N/A	770	\$3,765
9-156-063232	SPG		X		N/A	806	\$3,910
9-156-063242	SPG			X	N/A	872	\$4,293

EXTRA EQUIPMENT

						APX WT	SUGST PRICE
9-156-520516	GAUGE WHEELS (2 BAR UNITS ONLY) 2-15 WHEELS LESS TIRES					167#	\$1,067
9-156-530516	GAUGE WHEELS (3 BAR UNITS ONLY) 2-15 WHEELS LESS TIRES					169#	\$1,083
101733	CAT II & III QUICK COUPLER ADAPTER FOR 10' UNITS					7#	\$118
101746	CAT II QUICK COUPLER ADAPTER FOR 7' UNITS AND 11' UNITS					1#	\$51

***WHEN ORDERING EXTENSIONS: SINGLE EXTENSIONS ARE COMPLETE AND CAN BE USED ALONE.
DOUBLE EXTENSIONS ARE NOT COMPLETE AND MUST BE USED ONLY WITH SINGLE EXTENSIONS
TRIPLE EXTENSIONS ARE COMPLETE AND CAN BE USED ALONE.

OPTIONAL EQUIPMENT:

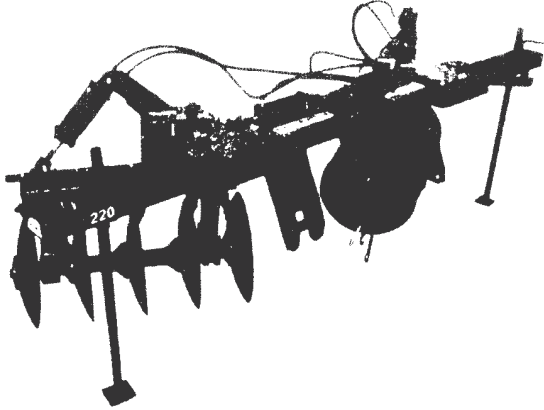
For 3/8" Twisted Shovels, change the 9th digit from 2 to 3, add 1# each and \$8.00 each to weights and prices for units with 5/8" Chisel Points shown in the price list.

RECOMMENDED TIRE SIZE FOR GAUGE WHEELS: 9.5L X 15 (2 REQUIRED)

CAUTION: TIRES ARE RATED AT 20 MPH MAXIMUM.

***PRICE DOES NOT INCLUDE TIRES**

**ATHENS 220 HEAVY DUTY
LEVEE PLOW**



SPECIFICATIONS:

Eight or Ten Disc Models
Tapered Twelve Disc Models
24" or 26" Disks, Cutout or Smooth
.256" Disk Thickness

STANDARD EQUIPMENT:

10 1/2" Disk Blade Spacing
Cat II-III Heavy Duty Hitch
QUADRASEAL Tapered Double
Roller Bearings
1 1/2" Cold Rolled Square Axle
Disk Gang Assembly Wrench
1/2 x 4 x 7 x 136" Tool Bar
Two Parking Stands
Heavy Duty Scrapers

<u>MODEL NUMBER</u>	<u>DISC DIAM</u>	<u>TYPE OF DISC</u>	<u>DISC THCK</u>	<u># OF DISC</u>	<u>DISC SPACING</u>	<u>APX WT</u>	<u>SUGST PRICE</u>
<u>W/ MANUAL ADJUSTMENT & SHALLOW CONCAVITY BLADES</u>							
220-0855-191	24"	SM.	.256	8	10-1/2"	2181	\$9,560
220-1055-191	24"	SM.	.256	10	10-1/2"	2317	\$10,245
<u>W/ HYDRAULIC ADJUSTMENT & SHALLOW CONCAVITY BLADES</u>							
220-0855-194	24"	SM	.256	8	10-1/2"	2221	\$11,652
220-1055-194	24"	SM	.256	10	10-1/2"	2357	\$12,334

SPECIAL ORDER INSTRUCTIONS:

24" x .256 Cutout Blades. To order 24" cutout blades, change 8th & 9th digits to 04 and deduct 2# per blade and add \$17.00 per blade.

26" x .256 Smooth Blades. To order 26" smooth blades, change 8th & 9th digits to 16 and add 6# per blade and add \$24.00 per blade.

26" x .256 Cutout Blades. To order 26" cutout blades, change 8th & 9th digits to 06 and add 3# per blade and add \$80.00 per blade.

TAPERED BLADES WITH MANUAL ADJUSTMENT

220-1255-TAP		SM		12	10-1/2"	2356	\$10,247
--------------	--	----	--	----	---------	------	----------

TAPERED BLADES WITH HYDRAULIC ADJUSTMENT

220-1255-TAPH		SM		12	10-1/2"	2396	\$12,334
---------------	--	----	--	----	---------	------	----------

NOTE: 221 is the same as 220 except that 221 is equipped with Cover Discs and Cover Disc Scrapers. To order a Model 221, change 220 to 221 and add 66# and \$292.00 to the prices shown in the price list.

NO SCRAPERS

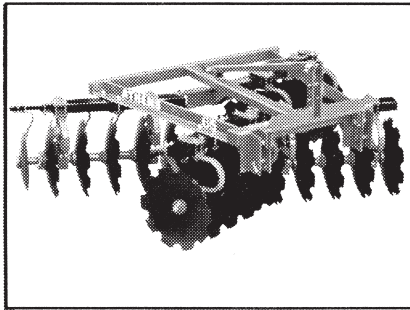
On Manual Units Change 10th Digit to 0 and deduct \$130.00

On Hydraulic Units change 10th digit to 5 and deduct \$140.00

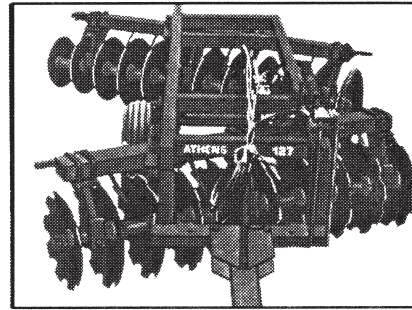
**INSIDE BACK COVER
BLANK**

ATHENS performance

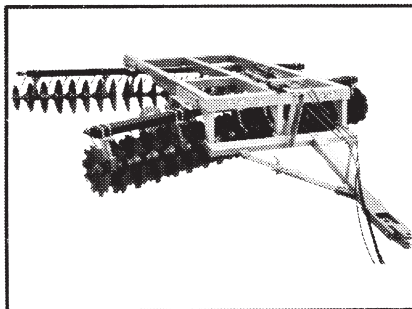
Since 1921 Athens Tillage Products have been known for their rugged quality and superior performance. We have a complete line of Lift Type Harrows, Tandem Disks, Offset and Double Offset Disk Plows, Chisel Plows, and Levee Plows.



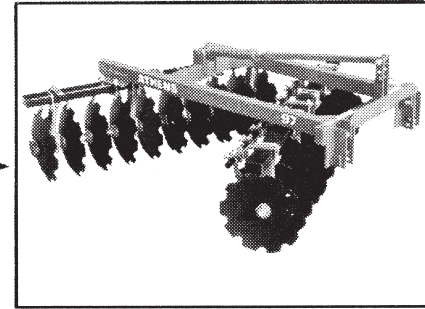
MODEL - 065 LIFT TYPE HARROW
WIDTH - 8'0" to 9'6"
WEIGHT - 1710# to 1968#



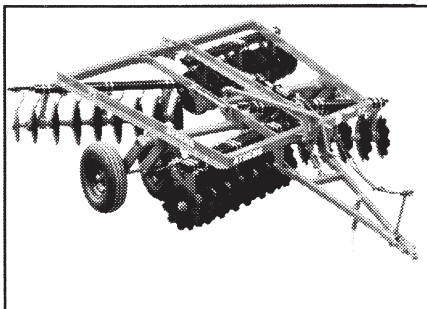
MODEL - 127/167 - OFFSET HARROW
WIDTH - 6'6" to 12'6"
WEIGHT - 2752# to 4870#



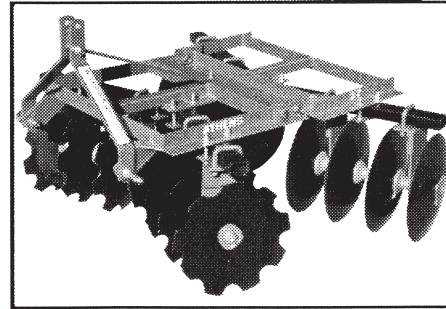
MODEL - 137/187 OFFSET HARROW
WIDTH - 12'6" to 18'6"
WEIGHT - 5367# to 7076#



MODEL - 097 LIFT TYPE OFFSET
WIDTH - 6'2" to 7'6"
WEIGHT - 1385# to 1672#



MODEL - 76/77 DOUBLE OFFSET
WIDTH - 8'10" to 15'9"
WEIGHT - 2900# to 4528#

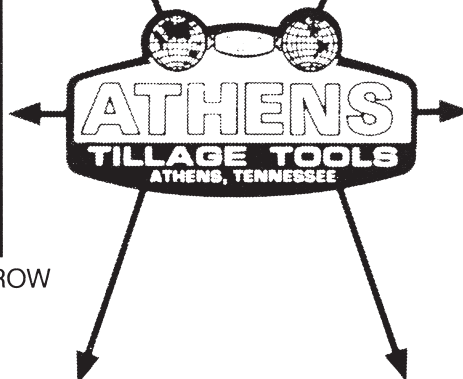


MODEL - 37 LIFT TYPE HARROW
WIDTH - 5'2" to 6'5"
WEIGHT - 640# to 722#

DEPENDABILITY

RELIABILITY

QUALITY



VALUE

SERVICE

PERFORMANCE