

# HARCO Ag PERSONNEL LIST

**EQUIPMENT**

<i>*File at Front of Catalogue</i>	<b>Ext</b>	<b>Business</b>	<b>Cellular</b>
<b>SALES MANAGER</b> Jake (John) Harkness – <a href="mailto:jakeh@harcoag.ca">jakeh@harcoag.ca</a>	226	519-338-2923	519-323-6119
<b>GENERAL MANAGER</b> Jorja Harkness – <a href="mailto:jorjah@harcoag.ca">jorjah@harcoag.ca</a>	234	519-338-2923	519-417-9777
<b>TRANSPORT MANAGER &amp; SALES</b> Wes Hope – <a href="mailto:wesh@harcoag.ca">wesh@harcoag.ca</a>	237	519-338-2923	519-323-1416
<b>TERRITORY SALES MANAGER</b> Shannon Little – <a href="mailto:shannonl@harcoag.ca">shannonl@harcoag.ca</a>	225	519-338-2923	519-323-7614
<b>PARTS</b> Aaron Schaefer - <a href="mailto:parts@harcoag.ca">parts@harcoag.ca</a>	238	519-338-2923	519-321-1173
<b>ADMINISTRATION</b> Kate Ferguson – <a href="mailto:accounts@harcoag.ca">accounts@harcoag.ca</a>	239	519-338-2923	—
<b>CONTROLLER</b> Tim Radstake – <a href="mailto:timr@harknessequipment.ca">timr@harknessequipment.ca</a>	245	519-338-2923	—
<b>PRESIDENT</b> Jim Harkness – <a href="mailto:jimh@harknessequipment.ca">jimh@harknessequipment.ca</a>	229	519-338-2923	519-323-7065

## **HARCO AG CONTACT INFORMATION**

5808 Highway 9, R.R. #4, Harriston, Ontario, N0G 1Z0  
 Office: 519-338-2923 • Fax: 519-338-2756  
 Watts: 1-800-461-0547 • Watts Fax: 1-800-650-1567  
[sales@harcoag.ca](mailto:sales@harcoag.ca) • [www.harcoag.ca](http://www.harcoag.ca)



**BIG JIM  
TAB**





# WHEEL PACKERS

Manufactured in-house at Harco Ag Equipment, Big Jim Packers are designed to give you greater durability and feature adjustable frames up to 15' models to permit exact matching of packer width to customer requirements. Our "DUCTILE WHEELS" are a top quality, thicker, heavier wheel which is a major improvement in reducing wheel breakage. For wider models, please inquire.

## Standard Equipment:

**High Quality Ductile Wheels, centre bearing 9 feet and up, adjustable frame 9-15 feet, 3-year limited warranty on ductile packer wheels.**

## Single Gang Specifications (9-15 feet):

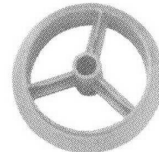
Tubular frame construction 3/16" wall tongue and centre tube, 1/4" wall extension tubes, nine-foot tongue length, 1/2" x 6" bearing hangers, bearing mounted in hanger for rock protection, the bearing has a wide inner ring for more shaft contact, eccentric locking collar and duplex seal consisting of an oil-proof synthetic rubber seal and a steel slinger, greaseable flange, heavy duty ductile iron wheel retaining collar designed by HARCO, Grade 5 hardware, rear draw hitch.

BIG JIM's exclusive telescopic frame allows dealers to tailor packer width in-house.

**Colour Options: Red, Green & Blue, Orange**

## 16 Foot Single Gang Packer Specifications:

4" x 4" x 1/4" wall tubular construction, 11-foot tongue length, 1/2" x 6" bearing hangers, flat bar reinforced, bearings mount inside for rock protection, 2 centre bearing hangers, rear draw hitch.



**15" – 33 lbs / Set**

**18" – 50 lbs / Set**

### Single Gang Packer with 15" Ductile Iron Smooth/Sprocket Wheel Combination

Model	Coverage	Description	Weight (lbs)	Price
BJ303	3'	Sprocket Packer Pup	543	\$2,333.00
BJ304	4'	Sprocket Packer Pup	675	\$2,700.00
BJ305	5'	Sprocket Packer Pup	794	\$3,064.00
BJ306	6'	Sprocket Packer Pup	920	\$3,431.00
BJ309C	9'	Sprocket Packer – Extendable Frame	1,316	\$5,565.00
BJ3010C	10'	Sprocket Packer – Extendable Frame	1,477	\$6,003.00
BJ3011C	11'	Sprocket Packer – Extendable Frame	1,560	\$6,470.00
BJ3012C	12'	Sprocket Packer – Extendable Frame	1,720	\$6,920.00
BJ3013C	13'	Sprocket Packer – Extendable Frame	1,799	\$7,372.00
BJ3014C	14'	Sprocket Packer – Extendable Frame	1,878	\$7,821.00
BJ3015C	15'	Sprocket Packer – Extendable Frame	2,003	\$8,278.00
BJ3016	16'	Sprocket Packer – Solid Frame	2,120	\$9,243.00

### Single Gang Packer with 18" Ductile Iron Smooth/Sprocket Wheel Combination

Model	Coverage	Description	Weight (lbs)	Price
BJ318	3'	Sprocket Packer Pup	778	\$2,860.00
BJ418	4'	Sprocket Packer Pup	969	\$3,284.00
BJ518	5'	Sprocket Packer Pup	1,163	\$3,712.00
BJ618	6'	Sprocket Packer Pup	1,328	\$4,130.00
BJ918C	9'	Sprocket Packer – Extendable Frame	1,872	\$6,428.00
BJ1018C	10'	Sprocket Packer – Extendable Frame	2,214	\$6,925.00
BJ1118C	11'	Sprocket Packer – Extendable Frame	2,371	\$7,425.00
BJ1218C	12'	Sprocket Packer – Extendable Frame	2,604	\$7,923.00
BJ1318C	13'	Sprocket Packer – Extendable Frame	2,757	\$8,424.00
BJ1418C	14'	Sprocket Packer – Extendable Frame	2,910	\$8,922.00
BJ1518C	15'	Sprocket Packer – Extendable Frame	3,108	\$9,425.00
BJ1618C	16'	Sprocket Packer – Solid Frame	3,250	\$10,502.00

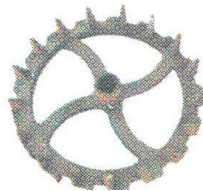


**40 lbs. Each**

### Single Gang Packer with 19" Ductile Notched Wheels

Scrapers Per Foot - \$87.00

Model	Coverage	Description	Weight (lbs)	Price
BJ319	3'	Notched Wheel Packer Pup	719	\$2,483.00
BJ419	4'	Notched Wheel Packer Pup	909	\$3,084.00
BJ519	5'	Notched Wheel Packer Pup	1,088	\$4,081.00
BJ619	6'	Notched Wheel Packer Pup	1,238	\$4,185.00
BJ919C	9'	Notched Wheel Packer – Extendable Frame	1,845	\$6,292.00
BJ1019C	10'	Notched Wheel Packer – Extendable Frame	2,064	\$6,743.00
BJ1119C	11'	Notched Wheel Packer – Extendable Frame	2,206	\$7,193.00
BJ1219C	12'	Notched Wheel Packer – Extendable Frame	2,424	\$7,647.00
BJ1319C	13'	Notched Wheel Packer – Extendable Frame	2,562	\$8,098.00
BJ1419C	14'	Notched Wheel Packer – Extendable Frame	2,700	\$8,547.00
BJ1519C	15'	Notched Wheel Packer – Extendable Frame	2,883	\$8,997.00
BJ1619C	16'	Notched Wheel Packer – Solid Frame	3,010	\$10,160.00



**45 lbs. Each**

### Single Gang Packer with 20" Ductile Crowfoot Wheels

Model	Coverage	Description	Weight (lbs)	Price
BJ320	3'	Crowfoot Packer Pup	529	\$2,141.00
BJ420	4'	Crowfoot Packer Pup	639	\$2,759.00
BJ520	5'	Crowfoot Packer Pup	749	\$3,378.00
BJ620	6'	Crowfoot Packer Pup	859	\$4,004.00
BJ920C	9'	Crowfoot Packer – Extendable Frame	1,235	\$5,418.00
BJ1020C	10'	Crowfoot Packer – Extendable Frame	1,288	\$5,770.00
BJ1120C	11'	Crowfoot Packer – Extendable Frame	1,461	\$6,119.00
BJ1220C	12'	Crowfoot Packer – Extendable Frame	1,612	\$6,470.00
BJ1320C	13'	Crowfoot Packer – Extendable Frame	1,682	\$6,820.00
BJ1420C	14'	Crowfoot Packer – Extendable Frame	1,752	\$7,167.00
BJ1520C	15'	Crowfoot Packer – Extendable Frame	1,868	\$7,515.00
BJ1620C	16'	Crowfoot Packer – Solid Frame	2,012	\$8,315.00

**FOB HARRISTON – DESIGN & PRICE ARE SUBJECT TO CHANGE WITHOUT NOTICE**







# FOLDING WHEEL PACKERS

**BIG JIM VERTICAL packers available in sizes 16 to 20 feet and VERTICAL FLEX WING packers available in 21 to 50 feet, feature the same high quality ductile wheels as our single gang packers.**

- Floating gangs to contour ground better
- Transport wheels ahead of centre gang for reduced tongue weight
- Heavy tubular frame construction
- Improved centre gang flotation for reduced stress on centre packer wheels
- Packer guaranteed to meet footage noted
- **Colour Options: Red, Green, Blue & Orange**

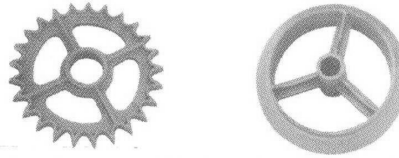
**Standard Equipment:**

- 3000 PSI cylinders, hoses & couplers
- 7000 lb drop leg tongue jack
- Highway lights & reflective tape
- 3 year limited warranty on ductile wheels
- Greasable wheel gang bearings
- Perfect hitch – forged, adjustable pintle/clevis
- DOT tagged safety chains
- 9.5L – 15 8-Ply Tires (16-20 foot models)
- 11L – 15 8-Ply Tires (21-40 foot models)

**Note:** See below for standard hydraulic set up and optional hydraulic configurations available for each model of packer.

**Big Jim Optional Hydraulic Folding Packages**

<b>Package</b>	<b>List</b>
<b><u>Mini V Packer – 16 – 20 feet #BJHPMV1</u></b> Standard hydraulics includes 1 set of hoses, controls, wings & wheel legs Hydraulic option #1 includes 2 sets of hoses – 1 for wings & 1 for wheel legs	\$515.00
<b><u>3 Section Vertical Fold Packer – 21 – 32 feet #BJHPVF1</u></b> Standard hydraulics includes 1 set of hoses, controls, wings & wheel legs Hydraulic option #1 includes 2 sets of hoses – 1 for wings & 1 for wheel legs	\$617.00
<b><u>5 Section Vertical Fold Packer – 32 – 40 feet #BJHPDVF1</u></b> Standard hydraulics includes 2 sets of hoses – 1 set for inner wing & wheel legs, 1 set for outer wings Hydraulic option #1 includes 3 sets of hoses – 1 set for inner wings, 1 set for outer wings & 1 set for wheel legs	\$1,133.00



**18" – 50 lbs. / Set**

**Helpful Tip:**

Model Number Abbreviations:

MV = Mini Vertical Fold

VF = Vertical Fold

DVF = Double Wing Vertical Fold

**Mini Vertical Fold with 18" Ductile Smooth/Sprocket Wheel Combination**

Model	Coverage	Description	Weight (lbs)	Transport Width	Transport Height	Price
BJ1816MV	16'	Vertical Fold Packer	3,945	11' 6"		\$23,083.00
BJ1817MV	17'	Vertical Fold Packer	4,084	11' 6"		\$23,628.00
BJ1818MV	18'	Vertical Fold Packer	4,223	11' 6"		\$24,159.00
BJ1819MV	19'	Vertical Fold Packer	4,362	11' 6"		\$24,791.00
BJ1820MV	20'	Vertical Fold Packer	4,501	11' 6"		\$25,894.00

**3 Section Super Flex Packer with 18" Ductile Smooth/Sprocket Wheel Combination**

Model	Coverage	Description	Weight (lbs)	Transport Width	Transport Height	Price
BJ1821VF	21'	3 Section Super Flex Packer	6,624	12' 8"	10'	\$30,409.00
BJ1822VF	22'	3 Section Super Flex Packer	6,772	12' 8"	10' 6"	\$31,675.00
BJ1823VF	23'	3 Section Super Flex Packer	7,020	12' 8"	11'	\$32,942.00
BJ1824VF	24'	3 Section Super Flex Packer	7,168	12' 8"	11' 6"	\$34,191.00
BJ1825VF	25'	3 Section Super Flex Packer	7,416	12' 8"	12'	\$35,443.00
BJ1826VF	26'	3 Section Super Flex Packer	7,776	12' 8"	12' 6"	\$37,162.00
BJ1827VF	27'	3 Section Super Flex Packer	8,024	12' 8"	13'	\$38,413.00
BJ1828VF	28'	3 Section Super Flex Packer	8,172	14' 8"	12' 6"	\$39,667.00
BJ1829VF	29'	3 Section Super Flex Packer	8,420	14' 8"	13'	\$40,916.00
BJ1830VF	30'	3 Section Super Flex Packer	8,648	16' 8"	12' 6"	\$42,165.00
BJ1831VF	31'	3 Section Super Flex Packer	8,896	16' 8"	13'	\$43,416.00
BJ1832VF	32'	3 Section Super Flex Packer	9,044	16' 8"	13' 6"	\$44,592.00

**5 Section Super Flex Packer with 18" Ductile Smooth/Sprocket Wheel Combination**

Model	Coverage	Description	Weight (lbs)	Transport Width	Transport Height	Price
BJ1833DVF	33'	5 Section Super Flex Packer	9,544	14' 8"	10' 9"	\$50,088.00
BJ1834DVF	34'	5 Section Super Flex Packer	9,692	14' 8"	10' 9"	\$51,015.00
BJ1835DVF	35'	5 Section Super Flex Packer	9,940	14' 8"	11' 3"	\$51,939.00
BJ1836DVF	36'	5 Section Super Flex Packer	10,188	14' 8"	11' 3"	\$52,866.00
BJ1837DVF	37'	5 Section Super Flex Packer	10,336	14' 8"	11' 9"	\$53,791.00
BJ1838DVF	38'	5 Section Super Flex Packer	10,584	14' 8"	11' 9"	\$54,718.00
BJ1839DVF	39'	5 Section Super Flex Packer	10,732	14' 8"	12' 3"	\$55,639.00
BJ1840DVF	40'	5 Section Super Flex Packer	10,980	14' 8"	12' 3"	\$56,570.00
BJ1842DVF	42'	5 Section Super Flex Packer	11,270	14' 8"	12' 9"	\$57,711.00
BJ1845DVF	45'	5 Section Super Flex Packer	11,810	16' 8"	13'	\$60,366.00

**FOB HARRISTON – DESIGN & PRICE ARE SUBJECT TO CHANGE WITHOUT NOTICE**



**40 lbs. Each; 3 Per Foot**

**Helpful Tip:**

Model Number Abbreviations:

MV = Mini Vertical Fold

VF = Vertical Fold

DVF = Double Wing Vertical Fold

Scrapers \$87.00 per foot

**Mini Vertical Fold with 19" Notched Ductile Wheels**

Model	Coverage	Description	Weight (lbs)	Transport Width	Transport Height	Price
BJ1916MV	16'	Vertical Fold Packer	3,945	11' 6"		\$22,320.00
BJ1917MV	17'	Vertical Fold Packer	4,084	11' 6"		\$22,899.00
BJ1918MV	18'	Vertical Fold Packer	4,223	11' 6"		\$23,239.00
BJ1919MV	19'	Vertical Fold Packer	4,362	11' 6"		\$23,750.00
BJ1920MV	20'	Vertical Fold Packer	4,501	11' 6"		\$24,769.00

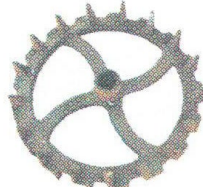
**3-Section Super Flex Packer with 19" Notched Ductile Wheels**

Model	Coverage	Description	Weight (lbs)	Transport Width	Transport Height	Price
BJ1921VF	21'	3 Section Super Flex Packer	5,994	12' 8"	10'	\$27,207.00
BJ1922VF	22'	3 Section Super Flex Packer	6,202	12' 8"	10' 6"	\$28,446.00
BJ1923VF	23'	3 Section Super Flex Packer	6,330	12' 8"	11'	\$29,847.00
BJ1924VF	24'	3 Section Super Flex Packer	6,538	12' 8"	11' 6"	\$31,130.00
BJ1925VF	25'	3 Section Super Flex Packer	6,666	12' 8"	12'	\$32,404.00
BJ1926VF	26'	3 Section Super Flex Packer	6,874	12' 8"	12' 6"	\$34,151.00
BJ1927VF	27'	3 Section Super Flex Packer	7,002	12' 8"	13'	\$35,430.00
BJ1928VF	28'	3 Section Super Flex Packer	7,210	14' 8"	12' 6"	\$36,708.00
BJ1929VF	29'	3 Section Super Flex Packer	7,338	14' 8"	13'	\$37,987.00
BJ1930VF	30'	3 Section Super Flex Packer	7,626	16' 8"	12' 6"	\$39,459.00
BJ1931VF	31'	3 Section Super Flex Packer	7,754	16' 8"	13'	\$40,738.00
BJ1932VF	32'	3 Section Super Flex Packer	7,962	16' 8"	13' 6"	\$42,016.00

**5-Section Super Flex Packer with 19" Notched Ductile Wheels**

Model	Coverage	Description	Weight (lbs)	Transport Width	Transport Height	Price
BJ1933DVF	33'	5 Section Super Flex Packer	8,564	14' 8"	10' 9"	\$46,045.00
BJ1934DVF	34'	5 Section Super Flex Packer	8,772	14' 8"	10' 9"	\$47,319.00
BJ1935DVF	35'	5 Section Super Flex Packer	8,900	14' 8"	11' 3"	\$48,607.00
BJ1936DVF	36'	5 Section Super Flex Packer	9,108	14' 8"	11' 3"	\$49,879.00
BJ1937DVF	37'	5 Section Super Flex Packer	9,236	14' 8"	11' 9"	\$51,154.00
BJ1938DVF	38'	5 Section Super Flex Packer	9,444	14' 8"	11' 9"	\$52,438.00
BJ1939DVF	39'	5 Section Super Flex Packer	9,572	14' 8"	12' 3"	\$53,716.00
BJ1940DVF	40'	5 Section Super Flex Packer	9,780	14' 8"	12' 3"	\$54,997.00
BJ1942DVF	42'	5 Section Super Flex Packer	10,040	14' 8"	12' 9"	\$56,347.00
BJ1945DVF	45'	5 Section Super Flex Packer	10,508	16' 8"	13'	\$58,982.00

**FOB HARRISTON – DESIGN & PRICE ARE SUBJECT TO CHANGE WITHOUT NOTICE**



**45 lbs. Each; 2 Per Foot**

**Helpful Tip:**

Model Number Abbreviations:

MV = Mini Vertical Fold

VF = Vertical Fold

DVF = Double Wing Vertical Fold

**Mini Vertical Fold with 20" Ductile Crowfoot Wheels**

Model	Coverage	Description	Weight (lbs)	Transport Width	Transport Height	Price
BJ2020MV	16'	Vertical Fold Packer	3,300	11' 6"		\$19,814.00
BJ2017MV	17'	Vertical Fold Packer	3,471	11' 6"		\$20,192.00
BJ2018MV	18'	Vertical Fold Packer	3,602	11' 6"		\$20,587.00
BJ2019MV	19'	Vertical Fold Packer	3,730	11' 6"		\$20,951.00
BJ2020MV	20'	Vertical Fold Packer	3,866	11' 6"		\$21,300.00

**3-Section Super Flex Packer with 20" Ductile Crowfoot Wheels**

Model	Coverage	Description	Weight (lbs)	Transport Width	Transport Height	Price
BJ2021VF	21'	3 Section Super Flex Packer	5,150	12' 8"	10'	\$24,477.00
BJ2022VF	22'	3 Section Super Flex Packer	5,289	12' 8"	10' 6"	\$25,572.00
BJ2023VF	23'	3 Section Super Flex Packer	5,427	12' 8"	11'	\$26,940.00
BJ2024VF	24'	3 Section Super Flex Packer	5,565	12' 8"	11' 6"	\$28,034.00
BJ2025VF	25'	3 Section Super Flex Packer	5,703	12' 8"	12'	\$29,126.00
BJ2026VF	26'	3 Section Super Flex Packer	6,043	12' 8"	12' 6"	\$30,451.00
BJ2027VF	27'	3 Section Super Flex Packer	6,181	12' 8"	13'	\$31,546.00
BJ2028VF	28'	3 Section Super Flex Packer	6,319	14' 8"	12' 6"	\$32,640.00
BJ2029VF	29'	3 Section Super Flex Packer	6,457	14' 8"	13'	\$33,737.00
BJ2030VF	30'	3 Section Super Flex Packer	6,675	16' 8"	12' 6"	\$36,081.00
BJ2031VF	31'	3 Section Super Flex Packer	6,813	16' 8"	13'	\$38,427.00
BJ2032VF	32'	3 Section Super Flex Packer	6,951	16' 8"	13' 6"	\$40,772.00

**5-Section Super Flex Packer with 20" Ductile Crowfoot Wheels**

Model	Coverage	Description	Weight (lbs)	Transport Width	Transport Height	Price
BJ2033DVF	33'	5 Section Super Flex Packer	7,614	14' 8"	10' 9"	\$41,532.00
BJ2034DVF	34'	5 Section Super Flex Packer	7,752	14' 8"	10' 9"	\$42,673.00
BJ2035DVF	35'	5 Section Super Flex Packer	7,890	14' 8"	11' 3"	\$43,821.00
BJ2036DVF	36'	5 Section Super Flex Packer	8,028	14' 8"	11' 3"	\$44,960.00
BJ2037DVF	37'	5 Section Super Flex Packer	8,166	14' 8"	11' 9"	\$46,106.00
BJ2038DVF	38'	5 Section Super Flex Packer	8,304	14' 8"	11' 9"	\$47,244.00
BJ2039DVF	39'	5 Section Super Flex Packer	8,442	14' 8"	12' 3"	\$48,385.00
BJ2040DVF	40'	5 Section Super Flex Packer	8,580	14' 8"	12' 3"	\$49,526.00
BJ2042DVF	42'	5 Section Super Flex Packer	8,740	14' 8"	12' 9"	\$50,822.00
BJ2045DVF	45'	5 Section Super Flex Packer	9,020	16' 8"	13' 3"	\$54,547.00
BJ2048DVF	48'	5 Section Super Flex Packer	9,470	16' 8"	13' 9"	\$57,966.00
BJ2050DVF	50'	5 Section Super Flex Packer	9,770	16' 8"	14' 3"	\$59,063.00.00



# SUPERFLEX MAGNUM PACKERS

<b>5 Section Superflex Magnum with 18" Ductile Smooth/Sprocket Wheel Combination</b>					
<b>Model</b>	<b>Coverage</b>	<b>Description</b>	<b>Approximate Weight (lbs)</b>	<b>Transport Width</b>	<b>Price</b>
BJ1845VFM	45'	5 Section Superflex Magnum Packer	16,234	16' 8"	\$81,593.00
BJ1848VFM	48'	5 Section Superflex Magnum Packer	16,945	16' 8"	\$84,094.00
BJ1850VFM	50'	5 Section Superflex Magnum Packer	17,452	16' 8"	\$85,752.00

Scrapers Per Foot - \$87.00

<b>5 Section Superflex Magnum with 19" Ductile Notched Wheels</b>					
<b>Model</b>	<b>Coverage</b>	<b>Description</b>	<b>Approximate Weight (lbs)</b>	<b>Transport Width</b>	<b>Price</b>
BJ1945	45'	5 Section Superflex Magnum Packer	14,873	16' 8"	\$78,815.00
BJ1948	48'	5 Section Superflex Magnum Packer	15,499	16' 8"	\$81,109.00
BJ1950	50'	5 Section Superflex Magnum Packer	15,934	16' 8"	\$82,630.00





# DRUM ROLLERS

Big Jim Drum Rollers are made in-house at Harriston, Ontario. All rollers from 4 feet to 34 feet use a 30" diameter x 3/8" wall tube for the drum.

## Heavy Duty Lawn Rollers

The Heavy Duty Lawn Rollers feature 3/8" drum material, 1" centre shaft, and bearings with pressed steel flanges, 10 gauge end plates, 1 1/4" fill plug and 3/4" vent plug, formed side plates, 2" x 2" tongue and front tube.

Model	Description	Dry Weight (lbs)	Price
BJLR4-HD	4' Heavy Duty Lawn Roller	606	\$1,752.00
BJLR5-HD	5' Heavy Duty Lawn Roller	733	\$2,026.00
BJLR6-HD	6' Heavy Duty Lawn Roller	864	\$2,316.00

**Colour Options are available during Early Order Program ONLY**

**Colour Options: Red, Green, Blue & Orange**

## Extra Heavy Duty Lawn Rollers

The Extra Heavy Duty Lawn Rollers feature 3/8" drum material, 1 3/4" centre shaft and greaseable pillow block bearings, 1/4" end plates, 1 1/4" fill plug and 3/4" vent plug, 2" x 2" tubular tongue and frame.

Model	Description	Dry Weight (lbs)	Price
BJLR4-EHD	4' Extra Heavy Duty Lawn Roller	720	\$2,346.00
BJLR5-EHD	5' Extra Heavy Duty Lawn Roller	857	\$2,634.00
BJLR6-EHD	6' Extra Heavy Duty Lawn Roller	998	\$2,929.00
BJLR7-EHD	7' Extra Heavy Duty Lawn Roller	1,135	\$3,208.00
BJLR8-EHD	8' Extra Heavy Duty Lawn Roller	1,272	\$3,502.00

**Colour Options: Red, Green, Blue & Orange**

**Note:** Drum holds 4.666 cubic feet per foot. Water at 62.5 lbs. per cubic foot adds 291.61 lbs. per foot.



# SINGLE GANG ROLLERS

Single Gang Rollers feature standard scrapers, 1 3/4" bearing shaft, double end plates (outer 3/8" thick and inner 1/4" thick), SMV sign mount bracket, welded clevis hitch, 4" x 4" x 1/4" tubular frame, 1 3/4" flanged bearings and reflective tape.

**Colour Options: Red, Green, Blue & Orange**

Model	Coverage	Description	Weight (lbs.)	Price
BJDR09	9' 6"	Single Gang Roller	2,213	\$6,372.00
BJDR10	10' 6"	Single Gang Roller	2,362	\$6,816.00
BJDR11	11' 6"	Single Gang Roller	2,511	\$7,255.00
BJDR12	12' 6"	Single Gang Roller	2,660	\$7,695.00
BJDR13	13' 6"	Single Gang Roller	2,809	\$8,135.00
BJDR14	14' 6"	Single Gang Roller	2,958	\$8,573.00
BJDR15	15' 6"	Single Gang Roller	3,107	\$9,015.00
BJDR16	16' 6"	Single Gang Roller	3,256	\$9,454.00

**Transport Kits** – 3000 PSI cylinders, hoses & couplers, 15" wheels w/9.5L-15 8-ply and tube, DOT safety chain, SMV sign, mount & bracket, 5000 lb. top wind jack

Model	Description	Weight (lbs.)	Price
BJDR332	Transport Kit	390	\$3,610.00
BJDR332-D	Transport Kit – Dual Wheel	470	\$4,863.00
BJLK	LED Light Kit		\$635.00

*Dealer: Allow 1.5 hours for final assembly*





# FOLDING ROLLERS

Big Jim Folding Rollers feature standard scrapers, 6" x 6" x 1/4" wall tubular main frame, 6" x 4" x 1/4" wall wing frames, 2-7/16" bearing shafts, 2-7/16" greaseable ductile pillow block bearings, 3000 PSI cylinders, hoses and couples, 6" x 4" x 3/8" wall tongue (26' – 34' models), 6" x 4" x 1/4" wall tongue (20' – 25' models), 11L – 15, 8-Ply Tires x 4, "PERFECT HITCH" – Forged adjustable clevis, safety chains, transport lights, SMV mount bracket and reflective tape all standard.



Colour Options: **Red, Green, Blue & Orange**

Model	Coverage	Description	Weight (lbs.)	Transport Width	Transport Height	Price
BJDR20	20' 6"	Folding	6,602	12'	9'6"	\$33,354.00
BJDR21	21' 6"	Folding	6,756	12'	10'	\$33,788.00
BJDR22	22' 6"	Folding	6,910	12'	10' 6"	\$34,220.00
BJDR23	23' 6"	Folding	7,064	12'	11'	\$34,650.00
BJDR24	24' 6"	Folding	7,218	12'	11' 6"	\$35,085.00
BJDR25	25' 6"	Folding	7,672	12'	12'	\$35,512.00
BJDR26	26' 6"	Folding	7,826	14'	11' 6"	\$35,947.00
BJDR27	27' 6"	Folding	7,980	14'	12'	\$36,373.00
BJDR28	28' 6"	Folding	8,134	14'	12' 6"	\$36,809.00
BJDR29	29' 6"	Folding	8,288	14'	13'	\$37,240.00
BJDR30	30' 6"	Folding	8,442	14'	13' 6"	\$37,670.00
BJDR31	31' 6"	Folding	8,596	16'	13'	\$38,104.00
BJDR32	32' 6"	Folding	8,750	16'	13' 6"	\$38,390.00
BJDR33	33' 6"	Folding	8,904	16'	14'	\$38,739.00
BJDR34	34' 6"	Folding	9,058	16'	14' 6"	\$40,647.00





# MUNICIPAL PARK ROLLER

Model	Description	Weight (lbs.)	Price
BJDR7	7 Foot Roller	1,637	\$5,419.00
BJDR8	8 Foot Roller	1,780	\$5,815.00

Trans kits include complete hydraulic system, DOT safety chain, SMV sign, mount bracket, 9.5L-15 tires with wheels.

OPTIONS		
Model	Description	Price
BJ333	Single Wheel Transport Kit	\$4,216.00
BJ333-D	Dual Wheel Transport Kit	\$4,800.00
BJLK	LED Light Kit	\$635.00
BJSH	Swivel Hitch	\$232.00
TC0336	9.5L – 15, Highway Service	\$212.00 each
TC0338	31 x 10.5 R15LT, Truck Tire	\$192.00 each

Dealer: Allow 1.5 hours for final assembly  
 Colour Options: **Red**, **Green**, **Blue** & **Orange**







# 740 SERIES POST DRIVER



**Big Jim 740-3PH, 3 Point Hitch / Skid Steer Mount Post Driver**

**Approx. Weight**  
1,697 lbs.

**List**  
\$13,134.00

**Standard Equipment & Features**

- 4-Way Mast Tilt
- 740 lb. Hammer Assembly
- 2 Position Bolt on Hammer
- Maximum Post Diameter 10 Inches
- Hydraulic Post Hugger
- 4 Handle Control Valve (4 independent)
- Minimum 10 gpm Required

**\*\*Add one attachment option from below to complete the machine\*\***

BJ3PH	3-Point Hitch Attachment Kit	30 lbs.	\$307.00
BJQT	Universal Skid Steer Attachment Kit	150 lbs.	\$962.00
BJSSQT	Side Shift (8") Universal Skid Steer Attachment Kit	420 lbs.	\$3,245.00



<b><u>Big Jim 740-T, Gas Powered Trailer Type Post Driver</u></b>	<b><u>Approx. Weight</u></b> <b>3,748 lbs.</b>	<b><u>List</u></b> <b>\$23,193.00</b>
---	---	--

**Standard Equipment & Features**

- |  |  |
|--|--|
| <ul style="list-style-type: none"> <li>▪ 16" Tongue Travel</li> <li>▪ 16" In/Out Mast Travel</li> <li>▪ 4-Way Mast Tilt</li> <li>▪ 740 lb. Hammer Assembly</li> <li>▪ 2 Position Bolt On Hammer</li> <li>▪ Hydraulic Post Hugger</li> <li>▪ 4-Handle Control Valve (2 Joystick – 2 Independent)</li> </ul> | <ul style="list-style-type: none"> <li>▪ 978 lb. Counter Weight</li> <li>▪ 15 Gallon Oil Reservoir</li> <li>▪ Post Carrier Rack</li> <li>▪ 9.5L-15 Highway Rated Tires</li> <li>▪ 13 HP Honda GX Engine</li> </ul> |
|--|--|

<b><u>Big Jim 740-T Plus, Gas Powered Trailer Type Post Driver</u></b>	<b><u>Approx. Weight</u></b> <b>4,440 lbs.</b>	<b><u>List</u></b> <b>\$26,677.00</b>
--	---	--

*Adjusts 'on the go' for 8 or 10 foot posts. Using the 10' mode will start and drive 8 foot posts 50% faster!*

**Standard Equipment & Features**

- |   |   |
|---|---|
| <ul style="list-style-type: none"> <li>▪ 24" Tongue Travel</li> <li>▪ 16" In/Out Mast Travel</li> <li>▪ 4-Way Mast Tilt</li> <li>▪ 24" Hydraulic Life Mast</li> <li>▪ 740 lb. Hammer Assembly</li> <li>▪ 2 Position Bolt On Hammer</li> <li>▪ Hydraulic Post Hugger</li> <li>▪ 6-Handle Control Valve (2 Joystick – 4 Independent)</li> </ul> | <ul style="list-style-type: none"> <li>▪ 1,306 lb. Counter Weight</li> <li>▪ 15 Gallon Oil Reservoir</li> <li>▪ Post Carrier Rack</li> <li>▪ Storage/Toolbox</li> <li>▪ 9.5L-15 Highway Rated Tires</li> <li>▪ 13 HP Honda GX Engine</li> <li>▪ Hydraulic Stabilizer Arm</li> </ul> |
|---|---|

**Options**

BJSRPH	Square / Round Combination Post Hugger (in lieu of round)	35 lbs.	\$253.00
--------	--	---------	----------



## FORESTRY WINCHES



Twenty years in the forestry winch business has given Harco a tremendous insight into the needs of customers in Eastern Canada and U.S.A. We have designed our Big Jim series winch with that in mind and came up with a winch that is stronger in several areas & is more ergonomically appealing to the customer. Our brochure lists many significant improvements in winch design and we are sure you will find much lower cost of service and repair as the Big Jim Winch uses North American bearings, drive chains & sprockets.

### FW8800

Winch complete with 166 feet of cable and hook, PTO shaft, D handle pull control and free swinging upper pulley assembly, protective screen.

Weight (lbs.)	List
764	\$5,863.00

### Options

	Weight (lbs.)	List
BJCC10	Choker Chains – 10'	\$110.00
BJCC7	Choker Chains – 7'	\$87.00
BJCC7A	Choker Cable – 7' x 7/16"	\$53.00
BJCCSA	Choker Cable – 5' x 7/16"	\$47.00
BJCCV	Sliding Hook	\$33.00
BJCA7166	7/16" x 166' Replacement Cable	\$402.00







# LIQUID FERTILIZER APPLICATOR



## Features:

- ▶ Tubular Steel Frame Construction
- ▶ Convertible Hitch Clevis
- ▶ Transverse Mounted Tank
- ▶ LED Implement Lights
- ▶ Tire-to-Tire Pump Drive
- ▶ 2" Bottom Fill Plumbing
- ▶ Rockshaft Lift System
- ▶ Safety Chain
- ▶ 12.4 x 24 Tires
- ▶ Blu-Jet® Coulters
- ▶ John Blue Piston Pump
- ▶ 300 or 500 Gallon Tank Capacity
- ▶ Knife or Stream Injection
- ▶ Fixed 60" or 90" Axles
- ▶ Adjustable Axle of 60"-90"



Continued...



***\*Select One Item from Each Section\****

<b>Section 1</b>		
<b>Model</b>	<b>Description</b>	<b>Price</b>
BJLA00100	Base Unit	\$7,484.00

<b>Section 2</b>		
<b>Model</b>	<b>Description</b>	<b>Price</b>
BJLA00105	300 Gallon Tank	\$3,146.00
BJLA00106	500 Gallon Tank	\$3,861.00

<b>Section 3</b>		
<b>Model</b>	<b>Description</b>	<b>Price</b>
BJLA00102	60" Fixed Axle	\$5,695.00
BJLA00104	80" Fixed Axle	\$5,776.00
BJLA00111	90" Fixed Axle	\$5,864.00
BJLA00103	60"-90" Adjustable Axle	\$7,259.00

<b>Section 4</b>		
<b>Model</b>	<b>Description</b>	<b>Price</b>
BJLA00107	5R30 Fixed Tool Bar	\$5,407.00
BJLA00110	7R30 Fixed Tool Bar	\$6,934.00
BJLA00108	5R30 Folding Tool Bar	\$9,181.00
BJLA00109	7R30 Folding Tool Bar	\$10,703.00

***\*For Different Row Spacing Configurations contact Harco Ag\****

<b>Section 5</b>		
<b>Model</b>	<b>Description</b>	<b>Price</b>
LA0134	Coulter/Stream Injection	\$253.00
LA0133	Coulter/Knife Injection	\$320.00

Price  
Per Row

<b>Section 6</b>		
<b>Model</b>	<b>Description</b>	<b>Price</b>
BJLA00101	Single Piston Pump, Drive, Plumbing	\$7,626.00
BJLA00112	Double Piston Pump, Drive, Plumbing	\$8,982.00



# PULL TYPE CULTIVATOR

**Features:**

- ▶ 2 1/2" x 1/4" Wall Tubular Frame
- ▶ Adjustable Clevis Style Hitch
- ▶ DOT Approved Safety Chain
- ▶ Complete Hydraulic Package
- ▶ Heavy Duty 45 x 12 x 660 mm 'S' tines
- ▶ 7.60 – 15 Implement Tires with Tubes
- ▶ Tongue Jack



Model	Description	Approx. Weight (lbs.)	Set Up (Net)	Price
BJSTC7-4	<ul style="list-style-type: none"> <li>- 7' Base Unit</li> <li>- 4" Tine Centres</li> <li>- 21 Tines</li> <li>- 2 3/4" Sweeps</li> </ul>	1,055	\$428.00	\$7,305.00
BJSTC7-6	<ul style="list-style-type: none"> <li>- 7' Base Unit</li> <li>- 6" Tine Centres</li> <li>- 15 Tines</li> <li>- 2 3/4" Sweeps</li> </ul>	973	\$402.00	\$6,716.00
BJEXT2-4	<ul style="list-style-type: none"> <li>- 2' Extension Kit for 9' Coverage</li> <li>- 4" Tine Centres</li> <li>- 6 Tines</li> <li>- 2 3/4" Sweeps</li> </ul>	140	\$33.00	\$911.00
BJEXT2-6	<ul style="list-style-type: none"> <li>- 2' Extension Kit for 9' Coverage</li> <li>- 6" Tine Centres</li> <li>- 4 Tines</li> <li>- 2 3/4" Sweeps</li> </ul>	95	\$43.00	\$731.00
BJEXT4-4	<ul style="list-style-type: none"> <li>- 4' Extension Kit for 11' Coverage</li> <li>- 4" Tine Centres</li> <li>- 12 Tines</li> <li>- 2 3/4" Sweeps</li> </ul>	336	\$55.00	\$1,782.00
BJEXT4-6	<ul style="list-style-type: none"> <li>- 4' Extension Kit for 11' Coverage</li> <li>- 6" Tine Centres</li> <li>- 8 Tines</li> <li>- 2 3/4" Sweeps</li> </ul>	275	\$65.00	\$1,525.00
	Salford Single Basket Harrows			\$360.00/Foot



5808 Hwy #9, Harriston, Ontario, N0G 1Z0  
 Phone: 519-338-2923, Fax: 519-338-2756  
 Email: [sales@harcoag.ca](mailto:sales@harcoag.ca)  
[www.harcoag.ca](http://www.harcoag.ca)



## MULTI-PURPOSE GRAPPLE

The Big Jim Multi-Purpose Grapple is available with Frey, Alo, Skid Steer quick attach brackets and universal pin brackets (1" diameter pin). The grapple consists of 1" thick x 5" deep outside teeth and 3/4" x 5" deep inner teeth. Teeth are tied together with 1 3/4" and 1" diameter round bars and reinforced with 4" x 2" x 1/4" wall tubing on back side of grapple. Teeth are spaced on 12" centres to allow dirt to pass through, but still pick up branches, roots and many other objects. Several different upper claw options are available to suit the customer's specific requirements.

Basic unit includes 3000 PSI Canadian made hydraulic cylinders and hoses to reach centre of grapple. For complete specifications and dimensions please refer to literature.

### Uses:

- ▶ Brush raking or piling
- ▶ Log lifting, piling or loading
- ▶ Orchard pruning, etc.
- ▶ Round and square bale grabbing
- ▶ Moving loose hay and straw
- ▶ Moving scrap metal and tires
- ▶ Bind and dirt free trimming and blocking of tree tops

\*Recommended horsepower – 40HP to 120HP

Section 1 – Choose a Grapple				
Model	Description		Approx. Weight (lbs.)	Price
BJMPG05	5 Foot Basic	Units include cylinder & hoses to centre of grapple	527	\$2,902.00
BJMPG06	6 Foot Basic		611	\$3,092.00
BJMPG07	7 Foot Basic		695	\$3,282.00

Section 2 – Choose a Claw Option			
Model	Description	Approx. Weight (lbs.)	Price
BJMPGSC	Single Claw (2 Required)	35 each	\$282.00 each
BJMPGDC	Double Claw (2 Required)	78 each	\$408.00 each
BJMPG3CS-05	3 Claw Solid Assembly – for 5' Base Unit	237	\$1,101.00
BJMPG3CS-06	3 Claw Solid Assembly – for 6' Base Unit	247	\$1,145.00
BJMPG4CS-07	3 Claw Solid Assembly – for 7' Base Unit	597	\$1,371.00

Section 3 – Choose a Mounting Option		
Model	Description	Price
BJMPG-FREY	Bolt on quick attach brackets for Frey Loaders	\$329.00
BJMPG-ALO	Bolt on quick attach brackets for ALO Loaders	\$329.00
BJMPG-SS	Bolt on quick attach brackets for Skid Steer Loaders	\$329.00
BJMPG-BB	Bolt on pin brackets – 1" diameter pins	\$220.00

**Larger, Higher Horsepower and Custom Made Models Available On Request!**





## FORGED BALE SPEAR



Model	Description	Weight (lbs.)	Price
BJSF1565	Big Jim Forged Bale Spear – 49” Tine Bucket Mount	87 lbs.	\$ 576.00
BJSF1566	Big Jim Forged Bale Spear – 39” Tine Bucket Mount		\$ 515.00
BJSF1525	Big Jim 3 Point Forged Bale Spear – 49” Tine		\$ 633.00
BJSF1626	Big Jim 3 Point Forged Bale Spear – 39” Tine		\$ 515.00
ALO 235	Alo Loader Quick Attach Spear – Single		\$ 859.00
ALO 255	Alo Loader Quick Attach Spear – Double		\$1,101.00
Frey 205	Frey Loader Quick Attach Spear – Single		\$ 515.00
Frey 225	Frey Loader Quick Attach Spear – Double		\$1,020.00







## Top Soil Screener



### Dimensions:

- Depth 5 feet (6' 4" with loading forks.)
- Height to top of screen approximately 6' (varies with spring adjustments.)
- Width 9' inside, approximately 9' 7" outside.
- The mound height of the screened material is approximately 4'.
- The back wall of the screener is 39"
- Option: 16" flat belt skirt on screener discharge



5808 Hwy #9, Harriston, Ontario, N0G 1Z0  
Phone: 519-338-2923, Fax: 519-338-2756  
Email: [sales@harcoag.ca](mailto:sales@harcoag.ca)  
[www.harcoag.ca](http://www.harcoag.ca)

## Advantages:

5 years' experience using competitor's models and our earlier prototypes (approximately 200 MT processed prior to arriving at our own design.)



Fast, convenient moving, insert loader bucket into twin forks on discharge side.  
Also twin loops for chain lifting at approximate balance point.

**Oli vibrator 110V standard**, purchaser to complete electrical wiring for their requirements and local codes. It can be operated with 110V extension cord, generator or inverter.



**Vibrator frame and tension springs mounted in rubber blocks.**

Screen hinge pins mounted in rubber blocks (use of isolating rubber mounts reduces vibration loss through main frame keeping as much vibration on the screen area as possible)



Tension springs have six adjustments to set angle of screen and tension on the screen assembly.

**The screen with 3/4" openings** has two center flat bar hold-downs and two angle iron hold-downs on each side to prevent run-off.



Screenings drop into an ample holding area approximately 9 feet wide x 4 feet high for easy access with buckets up to 8 feet wide.

**Priced in Cdn funds - \$6,995.00 + tax**

**FOB HARRISTON-DESIGN & PRICE ARE SUBJECT TO CHANGE WITHOUT NOTICE**

**BLU-JET  
TAB**





File Section: Section 2  
Effective Date: 2023

5808 Hwy #9, Harriston, Ontario, N0G 1Z0  
Phone: 519-338-2923, Fax: 519-338-2756  
Email: [sales@harcoag.ca](mailto:sales@harcoag.ca)  
[www.harcoag.ca](http://www.harcoag.ca)



**Please call our office for up to date pricing on all**



**Products**

**Thank You**



**IDEAL**

**TAB**







### Rotary Cutters

Model	Description	Colour	Price – CDN
RC4LDIDSC	Rotary Cutter 4' Light Duty w/ Slip Clutch PTO	Gray	\$ 2,865.00
RC4LDIDSP	Rotary Cutter 4' Light Duty w/ Shear Pin PTO	Gray	\$ 2,612.00
RC5SDIDSC	Rotary Cutter 5' Standard Duty w/ Slip Clutch PTO	Gray	\$ 3,161.00
RC5SDIDSP	Rotary Cutter 5' Standard Duty w/ Shear Pin PTO	Gray	\$ 2,907.00
RC6MDID	Rotary Cutter 6' Medium Duty	Gray	\$ 4,478.00
RC6SDIDSC	Rotary Cutter 6' Standard Duty w/ Slip Clutch PTO	Gray	\$ 3,580.00
RC6SDIDSP	Rotary Cutter 6' Standard Duty w/ Shear Pin PTO	Gray	\$ 3,339.00
RC7MDID	Rotary Cutter 7' Medium Duty	Gray	\$ 7,303.00

### Rotary Cutter Guards

Model	Description	Colour	Price – CDN
9000148	4' Front Rubber Guard w/ Hardware	Black	\$ 88.00
9000149	5' Front Rubber Guard w/ Hardware	Black	\$ 101.00
9000150	6' Front Rubber Guard w/ Hardware	Black	\$ 124.00
9000151	4' Rear Metal Guard w/ Hardware	Black	\$ 51.00
9000152	5' Rear Metal Guard w/ Hardware	Black	\$ 64.00
9000153	6' Rear Metal Guard w/ Hardware	Black	\$ 69.00
9000589	4' Front Chain Guard w/ Hardware	Black	\$ 179.00
9000590	4' Rear Chain Guard w/ Hardware	Black	\$ 155.00
9000591	5' Front Chain Guard w/ Hardware	Black	\$ 214.00
9000592	5' Rear Chain Guard w/ Hardware	Black	\$ 181.00
9000593	6' Front Chain Guard w/ Hardware	Black	\$ 255.00
9000594	6' Rear Chain Guard w/ Hardware	Black	\$ 195.00

### Box Blades

Model	Description	Colour	Price – CDN
BB4LDID	Box Blade 4' Light Duty	Gray	\$ 1,408.00
BB5SDID	Box Blade 5' Standard Duty	Gray	\$ 1,727.00
BB6MDID	Box Blade 6' Medium Duty	Gray	\$ 2,189.00
BB6SDID	Box Blade 6' Standard Duty	Gray	\$ 1,842.00
BB7MDID	Box Blade 7' Medium Duty	Gray	\$ 2,390.00
BB8MDID	Box Blade 8' Medium Duty	Gray	\$ 2,668.00

**PRICED IN CANADIAN DOLLARS**

**PRICES ARE FOB HARRISTON, ONT – SUBJECT TO CHANGE WITHOUT NOTICE**



### Disc Harrows

Model	Description	Colour	Price – CDN
DH5LDID	Disc Harrow 5' Light Duty	Gray	\$ 2,532.00
DH6SDID	Disc Harrow 6' Standard Duty	Gray	\$ 2,585.00
DH7MDID	Disc Harrow 7' Medium Duty	Gray	\$ 3,963.00

### Disc Mowers

Model	Description	Colour	Price – CDN
DM7MDID	Disc Mower 7' Medium Duty	Gray	\$20,674.00
DM8MDID	Disc Mower 8' Medium Duty	Gray	\$22,170.00
DM9MDID	Disc Mower 9' Medium Duty	Gray	\$23,310.00

### Finishing Mowers

Model	Description	Colour	Price – CDN
FM5SDID	Finish Mower 5' Standard Duty	Yellow	\$ 4,216.00
FM6SDID	Finish Mower 6' Standard Duty	Yellow	\$ 4,794.00

### 3-Point Fertilizer Spreaders

Model	Description	Colour	Price – CDN
FSID	Fertilizer Spreader	Red	\$ 1,139.00
PFSID	Poly Fertilizer Spreader	Black/Red	\$ 1,344.00

### Grader Blades

Model	Description	Colour	Price – CDN
GB4LDID	Rear Grader Blade 4' Light Duty	Gray	\$ 784.00
GB5SDID	Rear Grader Blade 5' Standard Duty	Gray	\$ 904.00
GB6MDID	Rear Grader Blade 6' Medium Duty	Gray	\$ 1,531.00
GB6SDID	Rear Grader Blade 6' Standard Duty	Gray	\$ 975.00
GB7MDID	Rear Grader Blade 7' Medium Duty	Gray	\$ 1,615.00
GB8MDID	Rear Grader Blade 8' Medium Duty	Gray	\$ 2,006.00
LG6SDID	Land Grader 6' Standard Duty	Gray	\$ 2,633.00
LG8MDID	Land Grader 8' Medium Duty	Gray	\$ 3,506.00

**PRICED IN CANADIAN DOLLARS**

**PRICES ARE FOB HARRISTON, ONT – SUBJECT TO CHANGE WITHOUT NOTICE**



### Landscape Rakes

Model	Description	Colour	Price – CDN
LR4LDID	Landscape Rake 4' Light Duty	Gray	\$ 1,124.00
LR5SDID	Landscape Rake 5' Standard Duty	Gray	\$ 1,180.00
LR6MDID	Landscape Rake 6' Medium Duty	Gray	\$ 1,724.00
LR6SDID	Landscape Rake 6' Standard Duty	Gray	\$ 1,222.00
LR7MDID	Landscape Rake 7' Medium Duty	Gray	\$ 1,921.00
LR7SDID	Landscape Rake 7' Standard Duty	Gray	\$ 1,323.00
LR8MDID	Landscape Rake 8' Medium Duty	Gray	\$ 2,348.00
LRWKID	Landscape Rake Wheel Kit	Black	\$ 561.00

### Snow Pushers

Model	Description	Colour	Price – CDN
SP6BDK	Snow Pusher Back Drag Kit, 6'	Yellow	\$ 753.00
SP6SDID	Snow Pusher 6' Standard Duty	Yellow	\$ 2,427.00
SP7BDK	Snow Pusher Back Drag Kit, 7'	Yellow	\$ 1,170.00
SP7SDID	Snow Pusher 7' Standard Duty	Yellow	\$ 2,820.00
SP8BDK	Snow Pusher Back Drag Kit, 8'	Yellow	\$ 1,265.00
SP8SDID	Snow Pusher 8' Standard Duty	Yellow	\$ 2,907.00

### ATV/UTV Equipment

Model	Description	Colour	Price – CDN
UDC5ID	UTV Disc/Cultipacker Combo 5'	Gray	\$ 4,993.00
UDH5ID	UTV Disc Harrow 5'	Gray	\$ 2,874.00
UFD5ID	UTV Flip Disc 5'	Gray	\$ 1,718.00
UFSID	UTV Fertilizer Spreader	Black	\$ 1,967.00
UMS10ID	UTV Manure Spreader 10 Bushel	Yellow	\$ 2,123.00
UWU2ID	UTV Wire Unroller 2" Receiver	Gray	\$ 182.00
UWUID	UTV Wire Unroller	Gray	\$ 241.00

### Rotary Tillers

Model	Description	Colour	Price – CDN
RT4LDID	Rotary Tiller 4' Light Duty	Gray	\$ 4,165.00
RT5SDID	Rotary Tiller 5' Standard Duty	Gray	\$ 4,692.00
RT6SDID	Rotary Tiller 6' Standard Duty	Gray	\$ 5,253.00
RT7SDID	Rotary Tiller 7' Standard Duty	Gray	\$ 6,646.00

**PRICED IN CANADIAN DOLLARS**

**PRICES ARE FOB HARRISTON, ONT – SUBJECT TO CHANGE WITHOUT NOTICE**



### Miscellaneous Equipment

Model	Description	Colour	Price – CDN
MBSDID	Middle Buster Standard Duty	Gray	\$ 402.00
MP1SDID	Moldboard Plow One Bottom Standard Duty	Gray	\$ 1,503.00
MP2SDID	Moldboard Plow Two Bottom Standard Duty	Gray	\$ 2,394.00
PFW1242ID	Pallet Fork 1,200 lb 42"	Black	\$ 1,366.00
PFW342ID	Pallet Fork 3,000 lb 42"	Black	\$ 1,658.00
SSLDID	Subsoiler Light Duty	Gray	\$ 344.00
SSSDID	Subsoiler Standard Duty	Gray	\$ 441.00
TMSDID	Trailer Mover Standard Duty	Gray	\$ 357.00
WSSDID	Wire Stretcher Standard Duty	Gray	\$ 922.00
BPMID	Boom Pole Medium Duty	Gray	\$ 697.00
BPSDID	Boom Pole Standard Duty	Gray	\$ 293.00
BR52SDID	Bucket Rake 52" Standard Duty	Black	\$ 708.00
BR68SDID	Bucket Rake 68" Standard Duty	Black	\$ 768.00
CASDID	Carry All Standard Duty	Gray	\$ 305.00
FC1SDID	Field Cultivator One-Row Standard Duty	Gray	\$ 684.00
FC3SDID	Field Cultivator Three-Bar Standard Duty	Gray	\$ 1,711.00
HF1MDID	Hay Fork Single Spear Medium Duty	Gray	\$ 659.00
HF1SDID	Hay Fork Single Spear Standard Duty	Gray	\$ 412.00
HFB1ID	Hay Fork Bucket Single Spear	Black	\$ 555.00
HFF1ID	Hay Fork Front Single Spear	Black	\$ 1,082.00
TGQA254ID	Tine Grapple – Dual Cylinder	Black	\$ 4,065.00
NTD205BL	No Till Seed Drill, 9 openers, 81" width	Black	Call for price
NTD307BL	No Till Seed Drill, 11 openers, 96"	Black	Call for price
DT015BL	Hydraulic Dump Trailer, 100" x 55" x 34"	Black	\$ 5,445.00
BSQA-2BL	Double (Dual) Bale Spear	Black	\$ 1,224.00
QH1ID	Quick Hitch		\$ 363.00

**PRICED IN CANADIAN DOLLARS**

**PRICES ARE FOB HARRISTON, ONT – SUBJECT TO CHANGE WITHOUT NOTICE**



### Post Pounders

Model	Description	Colour	Price – CDN
ID100	Vibrating Head Driver	Gray	\$ 11,562.00
ID110	Vibrating Head Driver	Gray	\$ 13,276.00
TAVID	Ideal Tilt Attachment w/ Valve		\$ 7,127.00
ID205	Trailer Model w/ Electric Start	Black	\$ 28,650.00
ID210	Trailer Model w/ Hitch	Black	\$ 27,322.00
ID120K	Pilot Auger Kit		\$ 7,451.00
2000282	Auger/Bit 4.5" (Sold Separately)		\$ 1,139.00
2000281	Auger/Bit 6" (Sold Separately)		\$ 1,568.00
	Pilot Auger Factory Install		\$ 1,210.00

**PRICED IN CANADIAN DOLLARS**

**PRICES ARE FOB HARRISTON, ONT – SUBJECT TO CHANGE WITHOUT NOTICE**



**PRO-DIG**







## FEEDING RANGE

### ProDig Attachments

Product Code #	Description	Size	List Price [CDN]
<b>SHEAR GENIUS</b>			
GS 1500	<b>Shear Genius</b>	1.5m	\$13,293.00
GS 1800	Shear Genius	1.8m	14,624.00
GS 2200	Shear Genius	2.2m	15,288.00
GS 2500	Shear Genius	2.5m	16,174.00
TBB 100	Tractor bolt on brackets		499.00
IDBB 100	Industrial bolt on brackets <i>(Price does not include brackets)</i>		687.00
<b>MEGA BITE</b>			
MB 1500	<b>Mega Bite</b>	1.5m	\$13,293.00
MB 1800	Mega Bite	1.8m	14,180.00
MB 2200	Mega Bit	2.2m	15,066.00
MB PO	Twin Cylinder Push Off		1,662.00
MP3-1500-F-MESH	1.5m Maize Infill Panel (not compatible w/Push Off.)		166.00
MP3-1800-F-MESH	1.8m Maize Infill Panel (not compatible w/Push Off.)		219.00
MP3-2200-F-MESH	2.2m Maize Infill Panel (not compatible w/Push Off.)		285.00
TBB 100	Tractor bolt on brackets		499.00
IDBB 100	Industrial bolt on brackets		687.00
MBNG	Removal of plastic/net gripper unit		554.00
HX TIP	Replacement weld on hardox wear tips for tines <i>(Price does not include brackets)</i>	Each	39.00
<b>PRO SLICE</b>			
BS-B0S	<b>Pro Slice</b> -complete with plastic/net dripper		\$8,418.00
<b>Optional Extras</b>			
TBB100	Tractor Bolt on Brackets		499.00
IDBB100	Industrial Bolt on Brackets		687.00
980SFT	Extra Tines (pair) for carrying 2 bales		266.00
<b>GRAPPLE BUCKETS - TRACTOR</b>			
GPTG 1500	<b>Grapple Buckets – Tractor</b>	1.5m	\$6,202.00
GPTG 1800	Grapple Buckets – Tractor	1.8m	6,645.00
GPTG 2100	Grapple Buckets – Tractor	2.1m	6,978.00
GPTGS	Removable Bucket Sides		454.00
BOCE 200x25	Bolt on cutting edge (per metre) <i>(Price include brackets)</i>	200x25mm	554.00
<b>GRAPPLE BUCKET - TELEHANDLER</b>			
GPG 0.8	<b>Grapple Bucket – Tele-Handler</b>	1.8m	\$8,196.00
GPG 1.1	Grapple Bucket – Tele-Handler	2.3m	8,196.00
GPG 1.5	Grapple Bucket – Tele-Handler	2.5m	8,861.00
GPG 1.7	Grapple Bucket – Tele-Handler	2.5m	9,526.00
GPTGS	Removable Bucket Sides		532.00
BOCE 200x25	Bolt on cutting edge (per metre) <i>(Price includes weld on brackets, bolt on also available)</i>	200x25mm	554.00

**PRICED IN CANADIAN DOLLARS**

**PRICES ARE FOB HARRISTON, ON – DESIGN & PRICE ARE SUBJECT TO CHANGE WITHOUT NOTICE**

5808 Hwy #9, Harriston, Ontario, N0G 1Z0  
Phone: 519-338-2923, Fax: 519-338-2756  
Email: [sales@harcoag.ca](mailto:sales@harcoag.ca)  
[www.harcoag.ca](http://www.harcoag.ca)



## FEEDING RANGE ProDig Attachments

Product Code #	Description	Size	List Price [CDN]
<b>PRO SHEAR GRABS</b>			
SG 1300	<b>Shear Grab</b>	1.3m	\$8,196.00
SG 1500	Shear Grab	1.5m	8,640.00
SG 1800	Shear Grab	1.8m	9,748.00
SG 2200	Shear Grab	2.2m	11,077.00
SG-PO-01	Single Cylinder Push Off		1,551.00
SG-1300-F-MESH	1.3m Maize Infill Panel		244.00
SG-1300-PO-MESH	1.3m Maize Infill Panel (no centre for Push Off)		111.00
SG-1500-F-MESH	1.5m Maize Infill Panel		299.00
SG-1500-PO-MESH	1.5m Maize Infill Panel (no centre for Push Off)		166.00
SG-1800-F-MESH	1.8m Maize Infill Panel		344.00
SG-1800-PO-MESH	1.8m Maize Infill Panel (no centre for Push Off)		211.00
SG-2200-F-MESH	2.2m Maize Infill Panel		454.00
SG-2200-PO-MESH	2.2m Maize Infill Panel (no centre for Push Off)		321.00
TBB 100	Tractor bolt on brackets		499.00
IDBB 100	Industrial bolt on brackets		687.00
HX TIP	Replacement weld on hardox wear tips for tines <i>(Price does not include brackets)</i>	Each	39.00

Shear Grab	SG1300 HX	SG 1500 HX	SG 1800 HX	SG 2200 HX
Height (mm)	(1034) – 41"	(1034) – 41"	(1034) – 41"	(1034) – 41"
Width (mm)	(1320) – 52"	(1520) – 60"	(1820) – 72"	(2220) – 87"
Depth (mm)	(1100) – 43"	(1100) – 43"	(1100) – 43"	(1100) – 43"
Capacity (m3)	.92	1.06	1.28	1.56
Weight (kg) – lbs	(561) – 1246 lbs.	(603) – 1329 lbs.	(687) – 1514 lbs.	(793) – 1748 lbs.
Number of Tines	9 Hardox	10 Hardox	12 Hardox	15 Hardox
Tine spacing (mm)	(116) – 4.5"	(122) – 5"	(121) – 5"	(116) – 4.5"
Tine length (mm)	(885) – 35"	(885) – 35"	(885) – 35"	(885) – 35"
Rams	2x90mm Bore	20x90mm Bore	2x100mm Bore	2x100mm Bore
Opening Hgt (mm)	(800) – 31.5"	(800) – 31.5"	(800) – 31.5"	(800) – 31.5"
Pressure Relief Valve	Optional	Optional	Optional	Optional

All measurements are approximate – Weight excludes brackets as these vary.



**PRICED IN CANADIAN DOLLARS**

**PRICES ARE FOB HARRISTON, ON – DESIGN & PRICE ARE SUBJECT TO CHANGE WITHOUT NOTICE**



## FEEDING RANGE ProDig Attachments

Product Code #	Description	Size	List Price (CDN)
<b>TRACTOR TINE GRAB</b>			
TTG 1300	<b>Tine Grab – Tractor</b>	1.3m	\$6,202.00
TTG 1500	Tine Grab – Tractor	1.5m	6,424.00
TTG 1800	Tine Grab – Tractor	1.8m	6,645.00
TBB 100	Tractor bolt on brackets		499.00
IDBB 100	Industrial bolt on brackets		687.00
HX TIP	Replacement weld on hardox wear tips for tines <i>(Price does not include brackets)</i>	each	39.00
<b>TELEHANDLER TINE GRAB</b>			
TG 1500	<b>Tine Grab – Tele-Handler</b>	1.5m	\$6,867.00
TG 1800	Tine Grab – Tele-Handler	1.8m	7,310.00
TG 2200	Tine Grab – Tele-Handler	2.2m	9,526.00
TG 2500	Tine Grab – Tele-Handler	2.5m	10,191.00
TBB 100	Tractor bolt on brackets		499.00
IDBB 100	Industrial bolt on brackets		687.00
HX TIP	Replacement weld on hardox wear tips for tines <i>(Price does not include brackets)</i>	each	39.00



**PRICED IN CANADIAN DOLLARS**

**PRICES ARE FOB HARRISTON, ON – DESIGN & PRICE ARE SUBJECT TO CHANGE WITHOUT NOTICE**



## FEEDING RANGE ProDig Attachments

Product Code #	Description	Size	List Price (CDN)
<b>CHOP 'N' FEED BUCKET</b>			
CNF2000	<b>Chop 'n Feed Bucket</b>	2.0m	\$11,299.00
CNF2300	Chop 'n Feed Bucket	2.3m	11,742.00
CNF2500	Chop 'n Feed Bucket	2.5m	12,407.00
TBB100-3PL-C2-CNF	3-Point linkage w/hyd top link		1,662.00
CNF-300-EXT-01	Long Spout Extension	300mm	399.00
TBB 100	Tractor bolt on brackets		499.00
IDBB 100	Industrial bolt on brackets <i>(Price does not include brackets)</i>		687.00



**PRICED IN CANADIAN DOLLARS**

**PRICES ARE FOB HARRISTON, ON – DESIGN & PRICE ARE SUBJECT TO CHANGE WITHOUT NOTICE**



## GRASS HANDLING RANGE

ProDig Attachments

Product Code #	Description	Size	List Price (CDN)
<b>BALE HANDLER</b>			
BH 500	<b>Hydraulic Bale Handler</b> (Includes std rollers)		\$3,100.00
BH 500 EQ	Hydraulic Bale Handler-Weld on euro hitch (Inc std rollers)		3,210.00
BH 500 QRR	Quick Release Rollers	per pair	288.00
TBB 100	Tractor bolt on brackets		499.00
IDBB 100	Industrial bolt on brackets <i>(Price does not include brackets-except BH 500 EQ)</i>		687.00



Product Code #	Description	Size	List Price [CDN]
<b>HYDRAULIC BALE GRAB</b>			
BG 500	<b>Hydraulic Bale Grab</b> (excludes check valve)		\$3,321.00
BG 500 EQ	Hydraulic Bale Grab-Weld on euro hitch (excludes check valve)		3,432.00
BG 500-CV	Optional check valve		222.00
TBB 100	Tractor bolt on brackets		499.00
IDBB 100	Industrial bolt on brackets <i>(Price does not include brackets-except BG 500EQ)</i>		687.00



Product Code #	Description	Size	List Price [CDN]
<b>BALE STACKERS</b>			
C320	Bale Stacker (3 square, 2 round)		\$9,969.00
C430	Bale Stacker (4 square, 3 round)		11,077.00
TBB 100	Tractor bolt on brackets		499.00
IDBB 100	Industrial bolt on brackets		687.00
C320-C430-FUS-01	C320-C430 Bottom bar hydraulic fold up system <i>(Price does not include brackets)</i>		1,363.00



**PRICED IN CANADIAN DOLLARS**

**PRICES ARE FOB HARRISTON, ON – DESIGN & PRICE ARE SUBJECT TO CHANGE WITHOUT NOTICE**



## GRASS HANDLING RANGE

ProDig Attachments

Product Code #	Description	Size	List Price (CDN)
<b>PUSH OFF GRASS FORKS</b>			
POGF 2500 HX	<b>Push Off Grass Fork – Hardox Tines</b>	2.5m	\$17,504.00
POGF 2750 HX	Push Off Grass Fork – Hardox Tines	2.75m	18,390.00
POGF 3000 HX	Push Off Grass Fork – Hardox Tines	3.0m	18,833.00
POGF 3300 HX	Push Off Grass Fork – Hardox Tines	3.3m	19,498.00
POGF 3600 HX	Push Off Grass Fork – Hardox Tines	3.6m	20,163.00
POGF 4000 HX	Push Off Grass Fork – Hardox Tines	4.0m	21,271.00
<b>PUSH OFF GRASS FORKS – FORGED TINES</b>			
POGF 2500 RT	<b>Push Off Grass Fork – Forged Tines</b>	2.5m	\$17,282.00
POGF 2750 RT	Push Off Grass Fork – Forged Tines	2.75m	18,168.00
POGF 3000 RT	Push Off Grass Fork – Forged Tines	3.0m	18,390.00
POGF 3300 RT	Push Off Grass Fork – Forged Tines	3.3m	18,833.00
POGF 3600 RT	Push Off Grass Fork – Forged Tines	3.6m	19,498.00
POGF 4000 HX	Push Off Grass Fork – Forged Tines	4.0m	20,163.00
POGF BB	Bolt on Hitch (3 pt linkage or industrial loader bracket)		\$1,030.00
POGF KILESKIFT	Extra for Kileskift Hitch (custom hitches priced accordingly)		2,360.00
POGF LK	Lighting Kit (work & road transport lights)		1,208.00
POGF-GATE-LOCK-01	Bolt on Gate Locking Latch – per pair		576.00
COLOUR	Colour options (any off standard colour)		288.00
HX TIP XL	Replacement weld on Hardox wear tips for tines		55.00



### **PUSH THAT LOAD WITH EASE**

#### **PUSH OFF GRASS FORK**

- Available in 2.5m to 4.0m
- Twice as effective over using a blade
- Less horsepower required
- Less fuel used
- Can also be used on Wheel Loaders
- 40mm Hardox tines 1400mm long
- Only 1 hydraulic service required
- 40mm greasable pins with bushings



**PRICED IN CANADIAN DOLLARS**

**PRICES ARE FOB HARRISTON, ON – DESIGN & PRICE ARE SUBJECT TO CHANGE WITHOUT NOTICE**



5808 Hwy #9, Harriston, Ontario, N0G 1Z0  
Phone: 519-338-2923, Fax: 519-338-2756  
Email: [sales@harcoag.ca](mailto:sales@harcoag.ca)  
[www.harcoag.ca](http://www.harcoag.ca)



## GRASS HANDLING RANGE

ProDig Attachments

Product Code #	Description	Size	List Price [CDN]
<b>FOLDING GRASS FORKS – MAMMOTH</b>			
MAMMOTH-36-S	<b>Grass Forks – Folding 1525 mm tines</b>	3600mm 12'	\$21,492.00
MAMMOTH-36	Grass Forks - Folding 1829 mm tines	3600mm 12'	22,157.00
MAMMOTH-36-XL	Grass Forks - Folding 2090 mm tines	3600mm 12'	23,044.00
MAMMOTH-42	Grass Forks – Folding 1829 mm tines	4200mm 14'	23,708.00
MAMMOTH-42-XL	Grass Forks – Folding 2090 mm tines	4200mm 14'	24,816.00
MAMMOTH-49	Grass Forks – Folding 1829 mm tines	4900mm 16'	25,481.00
MAMMOTH-49-XL	Grass Forks – Folding 2090 mm tines	4900mm 16'	26,589.00
MAMMOTH-55	Grass Forks – Folding 1829 mm tines	5500mm 18'	27,697.00
MAMMOTH-55-XL	Grass Forks – Folding 2090 mm tines	5500mm 18'	28,805.00
<b>CONTINENTAL FOLDING GRASS FORKS - TAURUS</b>			
TAURUS-36-S	<b>Grass Forks – Folding – 1524 mm tines</b>	3600mm 12'	\$21,049.00
TAURUS-36	Grass Forks – Folding – 1829 mm tines	3600mm 12'	21,714.00
TAURUS-36-XL	Grass Forks – Folding – 2090 mm tines	3600mm 12'	22,379.00
TAURUS-42	Grass Forks – Folding – 1829 mm tines	4200mm 14'	23,265.00
TAURUS-42-XL	Grass Forks – Folding – 2090 mm tines	4200mm 14'	23,930.00
TAURUS-49	Grass Forks – Folding – 1829 mm tines	4900mm 16'	25,260.00
TAURUS-49-XL	Grass Forks – Folding – 2090 mm tines	4900mm 16'	25,924.00
TAURUS-55	Grass Forks – Folding – 1829 mm tines	5500mm 18'	27,254.00
TAURUS-55-XL	Grass Forks – Folding – 2090 mm tines	5500mm 18'	28,140.00

Product Code	Description	List Price [CDN]
FGF-MB-36	Maize Blade complete to suit Taurus-36	\$2,216.00
FGF-MB-42	Maize Blade complete to suit Taurus-42	2,493.00
FGF-MB-49	Maize Blade complete to suit Taurus-49	2,770.00
FGF-MB-55	Maize Blade complete to suit Taurus-55	3,047.00
FGF-FBMB-36	Full Bottom Maize Blade to suit Taurus-36	4,388.00
FGF-FBMB-42	Full Bottom Maize Blade to suit Taurus-42	4,953.00
FGF-FBMB-49	Full Bottom Maize Blade to suit Taurus-49	5,485.00
FGF-FBMB-55	Full Bottom Maize Blade to suit Taurus-55	6,050.00
FGF KILESIFT	Extra for Kileskift Hitch (custom hitches priced accordingly)	1,939.00
FGF FLK	Work lighting kit (2 LED work lights)	1,086.00
FGF TG	Transport Tine Guard	1,374.00
FGF FDV	Flow Divider Valve (for even oil flow to each side of fork)	310.00
COLOUR	Colour options (any off standard colour)	288.00
HX TIP XL	Replacement Hardox wear tips for tines (each)	55.00

*Price includes Euro 50 brackets, double side tines & hydraulic check valve*

**PRICED IN CANADIAN DOLLARS**

**PRICES ARE FOB HARRISTON, ON – DESIGN & PRICE ARE SUBJECT TO CHANGE WITHOUT NOTICE**

5808 Hwy #9, Harriston, Ontario, N0G 1Z0  
Phone: 519-338-2923, Fax: 519-338-2756  
Email: [sales@harcoag.ca](mailto:sales@harcoag.ca)  
[www.harcoag.ca](http://www.harcoag.ca)



## GRASS HANDLING RANGE

Product Code #	Description	Size	List Price [CDN]
<b>PUSH OFF FOLDING GRASS FORKS</b>			
POFGF 4200	<b>Push Off Folding Grass Fork</b>	4.2m	\$38,777.00
POFGF 4900	Push Off Folding Grass Fork	4.9m	44,317.00
POFGF TG	Transport Tine Guard		1,374.00
POGF BB	Bolt on hitch (3pt linkage or industrial loader bracket)		1,030.00
POGF KILESKIFT	Extra for Kileskift Hitch (custom hitches priced accordingly)		2,360.00
COLOUR	Colour options (any off standard colour)		288.00
HX TIP XL	Replacement hardox wear tips for tines (each)		55.00

Product Code #	Description	Size	List Price [CDN]
<b>GRASS FORKS – TELEHANDLER</b>			
GF 2200	<b>Grass Forks – Tele-Handler</b>	2.2m	\$5,537.00
GF 2500	Grass Forks – Tele-Handler	2.5m	5,980.00
GF 2700	Grass Forks – Tele-Handler	2.7m	6,424.00
GF 3000	Grass Forks – Tele-Handler	3.0m	6,867.00
TBB 100	Tractor bolts on brackets		499.00
IDBB 100	Industrial bolt on brackets		687.00
HX TIP	Replacement weld on hardox wear tips for tines		39.00

<b>GRASS FORKS - CONTRACTOR</b>			
CF 2500	<b>Grass Forks – Contractor</b>	2.5m	\$9,748.00
CF 2750	Grass Forks - Contractor	2.75m	10,412.00
CF 3000	Grass Forks - Contractor	3.0m	11,299.00
CF 3300	Grass Forks - Contractor	3.3m	11,964.00
CF 3600	Grass Forks - Contractor	3.6m	12,628.00
FGF DST	Double side tines		632.00
FGF ZUC	Bolt in centre section for Z-linkage		233.00
FGF TG	Transport tine guard		1,252.00
COLOUR	Colour options (any off standard colour)		299.00
HX TIP XL	Replacement weld on hardox wear tips for tines (Price includes weld on brackets, bolt on also available.)		55.00



Product Code #	Description	Size	List Price [CDN]
<b>SILAGE COMPACTOR</b>			
SC-2500	<b>Silage Compactor Sliding</b>	2.5m	\$26,589.00
SC-3000	Silage Compactor Sliding	3.0m	31,021.00
SC-F-2500	Silage Compactor Fixed	2.5m	22,157.00
SC-F-3000	Silage Compactor Fixed	3.0m	23,708.00
SC-ARM	Silage Compactor Bolt on Arm		11,077.00



**PRICED IN CANADIAN DOLLARS**

**PRICES ARE FOB HARRISTON, ON – DESIGN & PRICE ARE SUBJECT TO CHANGE WITHOUT NOTICE**



5808 Hwy #9, Harriston, Ontario, N0G 1Z0  
Phone: 519-338-2923, Fax: 519-338-2756  
Email: [sales@harcoag.ca](mailto:sales@harcoag.ca)  
[www.harcoag.ca](http://www.harcoag.ca)



## GRAIN INDUSTRIAL HANDLING RANGE

### ProDig Attachments

Product Code #	Description	Size	List Price [CDN]
<b>HI-TIP BUCKET</b>			
HTB 2.2*	Hi Tip Bucket	2.5m	\$15,509.00
HTB 3.2*	Hi Tip Bucket	2.75m	16,108.00
HTB 3.5*	Hi Tip Bucket	3.0m	16,329.00
HTB 3.25*	Hi Tip Bucket	2.5m	16,218.00
HTB 3.65*	Hi Tip Bucket	2.75m	16,462.00
HTB 4.0*	Hi Tip Bucket	3.0m	16,617.00
HTB 4.3*	Hi Tip Bucket	3.2m	16,839.00
HTB 4.15	Hi Tip Bucket	2.5m	16,839.00
HTB 4.6	Hi Tip Bucket	2.75m	17,504.00
HTB 5.0	Hi Tip Bucket	3.0m	17,725.00
HTB 5.4	Hi Tip Bucket	3.2m	18,168.00
HTB 5.1	Hi Tip Bucket	2.5m	17,903.00
HTB 5.5	<b>Hi Tip Bucket</b>	2.75m	18,346.00
HTB 6.0	Hi Tip Bucket	3.0m	18,745.00
HTB 6.45	Hi Tip Bucket	3.2m	18,944.00
HTB 6.15	<b>Hi Tip Bucket</b>	2.5m	19,055.00
HTB 6.8	Hi Tip Bucket	2.75m	20,207.00
HTB 7.4	Hi Tip Bucket	3.0m	20,384.00
HTB 8.0	Hi Tip Bucket	3.2m	20,607.00

\*Requires bolt on bracket



Product Code #	Description	Size	List Price [CDN]
HTBB 100*	Industrial bolt on bracket *		1,042.00
BOCE 3P 200x25	Bolt on cutting edge (per metre)	200x25mm	554.00
BOCE 3P 250x30	Bolt on cutting edge (per metre)	250x30mm	809.00
WOCE 200x25	Weld on edge, welded to main cutting edge (per metre)	200x25mm	465.00
HTB ZUCF	Z linkage cut out (bolt in flat plate section)		554.00
HTB ZUCW	Z linkage cut out (bolt in z-linkage well)		864.00
HTB-SF-300	HTB 300mm spill frame (3 part for flat plate section)		1,263.00
HTB-SF-300-U	HTB 300mm spill frame (3 part for Z-linkage well)		1,562.00
COLOUR	Colour options (any off standard colour)		321.00
KILESKIFT	Extra over for Kileskift hitch		1,130.00
<i>(Price includes weld on brackets)</i>			



**PRICED IN CANADIAN DOLLARS**

**PRICES ARE FOB HARRISTON, ON – DESIGN & PRICE ARE SUBJECT TO CHANGE WITHOUT NOTICE**



## GRAIN INDUSTRIAL HANDLING RANGE

ProDig Attachments

MINI HI-TIP BUCKET			
HTBSS 1500	<b>Mini Hi Tip Bucket</b>	1.5m	\$8,573.00
HTBSS 1800	Mini Hi Tip Bucket	1.8m	8,861.00
HTBSS 2000	Mini Hi Tip Bucket	2.0m	8,994.00
HTBSS 1500-H	Mini High Capacity Hi Tip Bucket	1.5m	8,861.00
HTBSS 1800-H	Mini High Capacity Hi Tip Bucket	1.8m	8,861.00
HTBSS 2000-H	Mini High Capacity Hi Tip Bucket <i>(Price does not include brackets)</i>	2.0m	9,260.00



Product Code #	Description	Size	List Price [CDN]
GRAIN BUCKET			
GB 1.9	<b>Grain Bucket</b>	2.28m	\$5,936.00
GB 2.1	Grain Bucket	2.5m	6,424.00
GB 2.3	Grain Bucket	2.75m	6,756.00
GB 2.5	Grain Bucket	3.0m	7,199.00
GB 2.7	Grain Bucket	2.28m	7,532.00
GB 3.0	Grain Bucket	2.5m	7,953.00
GB 3.3	Grain Bucket	2.75m	8,861.00
GB 3.6	Grain Bucket	3.0m	9,304.00
GB 4.0	Grain Bucket	2.5m	10,102.00
GB 4.5	Grain Bucket	2.75m	10,634.00
GB 4.9	Grain Bucket	3.0m	11,299.00
BOCE 200x25	Bolt on cutting edge (per metre) <i>(Price includes weld on brackets)</i>	200x25mm	554.00
BOCE 250x30	Bolt on cutting edge (per metre) <i>(Price includes weld on brackets)</i>	250x30mm	809.00



**PRICED IN CANADIAN DOLLARS**

**PRICES ARE FOB HARRISTON, ON – DESIGN & PRICE ARE SUBJECT TO CHANGE WITHOUT NOTICE**



## GRAIN INDUSTRIAL HANDLING RANGE

ProDig Attachments

TRACTOR LOADER BUCKET			
GPT 1500	<b>Loader Bucket – Tractor</b>	1.5m	\$2,213.00
GPT 1800	Loader Bucket – Tractor	1.8m	2,324.00
GPT 2100	Loader Bucket – Tractor	2.1m	2,612.00
GPT 2500	Loader Bucket – Tractor	2.5m	2,967.00
BOCE 200x25	Bolt on cutting edge (per metre) <i>(Price includes weld on brackets)</i>	200x25mm	554.00



TELEHANDLER LOADER BUCKET			
GP0.8	<b>Loader Bucket – Telehandler</b>	1.8m	\$3,321.00
GP1.1	Loader Bucket – Telehandler	2.3m	3,543.00
GP1.5	Loader Bucket – Telehandler	2.5m	4,341.00
GP1.7	Loader Bucket – Telehandler	2.5m	4,540.00
GP-HD	Extra over for high volume sides		1,363.00
BOCE 200x25	Bolt on cutting edge (per metre) <i>(Price includes weld on brackets)</i>	200x25mm	554.00
BOCE 250x30	Bolt on cutting edge (per metre)	250x30mm	809.00



**PRICED IN CANADIAN DOLLARS**

**PRICES ARE FOB HARRISTON, ON – DESIGN & PRICE ARE SUBJECT TO CHANGE WITHOUT NOTICE**

5808 Hwy #9, Harriston, Ontario, N0G 1Z0  
Phone: 519-338-2923, Fax: 519-338-2756  
Email: [sales@harcoag.ca](mailto:sales@harcoag.ca)  
[www.harcoag.ca](http://www.harcoag.ca)



## GRAIN INDUSTRIAL HANDLING RANGE

ProDig Attachments

### COMMODITY BAG FILLERS (Grain, Fertilizer, Sand, Stone, Plastic Pellets)

Product Code #	Description	Size	List Price [CDN]
<b>BAG FILLER BUCKETS</b>			
BF3 600	<b>Bag Filler Bucket w/swinging door system</b>	0.6m3	\$7,751.00
BF3 1000	Bag Filler Bucket w/swinging door system	1.0m3	8,349.00
BF3 1400	Bag Filler Bucket w/swinging door system	1.4m3	9,080.00
BF3 2000	Bag Filler Bucket w/swinging door system	2.0m3	10,366.00
IDBB 100	Industrial bolt on brackets		687.00
FBF WD	Weigh Load System w/Digital Display		3,656.00
BOCE 200x25	Bolt on cutting edge (per metre) <i>(Price does not include brackets)</i>	200x25mm	554.00



### COMMODITY BAG FILLERS (Grain, Fertilizer, Sand, Stone, Plastic Pellets)

<b>FORK LIFT BAG FILLER BUCKETS</b>			
FBF 600	<b>Fork Lift Bag Filler Bucket</b>		\$15,509.00
FBF 1000	Fork Lift Bag Filler Bucket		15,952.00
FBF 1400	Fork Lift Bag Filler Bucket		16,174.00
FBF WD	Weigh load system with digital display		3,656.00




**PRICED IN CANADIAN DOLLARS**


**PRICES ARE FOB HARRISTON, ON – DESIGN & PRICE ARE SUBJECT TO CHANGE WITHOUT NOTICE**



## GRAIN INDUSTRIAL HANDLING RANGE

ProDig Attachments

Product Code #	Description	Size	List Price [CDN]
<b>STONE FORKS</b>			
SF 1800	<b>Stone Fork</b>	1.8m	\$5,759.00
SF 2200	Stone Fork	2.2m	6,645.00
SF 2500	Stone Fork	2.5m	7,532.00
TBB 100	Tractor bolt on brackets		499.00
IDBB 100	Industrial bolt on brackets		687.00
TBB100-3PL-C2	3-point linkage/Euro 50 or Euro quicke combo <i>(price does not include brackets)</i>		1,718.00

<b>MANURE FORKS</b>			
MF 1800	<b>Manure Fork</b>	1.8m	\$4,429.00
MF 2200	Manure Fork	2.2m	5,094.00
MF 2500	Manure Fork	2.5m	5,759.00
TBB 100	Tractor bolt on brackets		499.00
IBDD 100	Industrial bolt on brackets		687.00
HX TIP	Replacement weld on hardox wear tips for tines <i>(Price does not include brackets)</i>		Each

<b>PALLET FORKS</b>			
PF 2000	<b>Pallet Forks</b>	2.5 tonne	\$1,992.00
PF 3000	Pallet Forks	3 tonne	2,346.00
PF 4900	Pallet Forks	5 tonne	3,764.00
PF 7000	Pallet Forks	7 tonne	6,645.00
PF 10000	Pallet Forks	10 tonne	10,634.00
PFSF 2-4.9	Bolt on spill frame (PF 2000 to PF4900)		765.00
PFSF 7-10	Bolt on spill frame (PF 7000 to PF10000) <i>(Price includes weld on brackets)</i>		920.00
PF-LG	Bolt on log grab (class 2&3)		2,759.00
PF-BS	Bolt on bale spike (class 2&3)		687.00
Price includes weld on brackets & forks			

**PRICED IN CANADIAN DOLLARS**

**PRICES ARE FOB HARRISTON, ON – DESIGN & PRICE ARE SUBJECT TO CHANGE WITHOUT NOTICE**



## GRAIN INDUSTRIAL HANDLING RANGE

### ProDig Attachments

Product Code #	Description	Size	List Price [CDN]
<b>PRO SWEEP</b>			
PS 2000	<b>Pro Sweep</b>	2.0m	\$2,878.00
PS 2500	Pro Sweep	2.5m	3,100.00
PFS 1250	Pro Sweep Pallet Fork Sleeves	1250mm	543.00
PFS 800	Pro Sweep Pallet Fork Sleeves	800mm	476.00
PS COM	Pro Sweep Combination Hitch/3-pt Linkage & Pallet Forks		1,108.00
PS DH	Pro Sweep Tractor/Industrial Loader Direct Hitch		609.00
PS SWIVEL	Pro Sweep Swivel Head-price does not include brackets		842.00
<b>Pressure Relief Valve Kits</b>			
3/8 PRV KIT	3/8" Pressure Relief Valve Kit	3/8"	\$299.00
1/2" PRV KIT	1/2" Pressure Relief Valve Kit	1/2"	355.00
TBB 100	Tractor bolt on brackets		499.00
IDBB 100	Industrial bolt on brackets		687.00
IDBB Custom	Custom/non-std bolt on brackets, 3-pt linkage, Terex 860, Skid Steer, JCB 3CX etc.		1,030.00
TB 100	Tractor weld-on brackets		321.00
IDB 100	Industrial weld-on brackets		521.00
HTBB 100	Industrial weld-on brackets for hi-tip bucket		1,042.00
BE 150x16	Cutting Edge – per metre	150 x 16	211.00
BE 150x20	Cutting Edge – per metre	150 x 20	233.00
BE 200x25	Cutting Edge – per metre	200 x 25	366.00
BE 200x30	Cutting Edge – per metre	250 x 30	543.00
<b>Welded Cutting Edges</b>			
BOCE 200x25	Bolt on cutting edge – per metre	200 x 25	\$554.00
BOCE 250x30	Bolt on cutting edge – per metre	250 x 30	809.00
WOCE 200x25	Weld on cutting edge, welded to main edge - per metre	200 x 25	465.00
WOCE 250x30	Weld on cutting edge, welded to main edge - per metre	250 x 30	643.00



**PRICED IN CANADIAN DOLLARS**

**PRICES ARE FOB HARRISTON, ON – DESIGN & PRICE ARE SUBJECT TO CHANGE WITHOUT NOTICE**

**TAB 1**





5808 Hwy #9, Harriston, Ontario, N0G 1Z0  
Phone: 519-338-2923, Fax: 519-338-2756  
Email: [sales@harcoag.ca](mailto:sales@harcoag.ca)  
[www.harcoag.ca](http://www.harcoag.ca)



**HARCO Ag** has been committed to saving time & money  
while still offering quality products.

As the McFarlane price pages are lengthy we are saving a tree or two  
by offering the current pages on our website under the dealer login.

[www.harcoag.ca](http://www.harcoag.ca)

Select 'DEALER LOGIN' tab  
Dealer Login  
Enter password: harcoag

Select 'PRICE LIST BY SUPPLIER' tab

Select 'McFarlane'

Price pages are in PDF format, easily downloadable and printer friendly.



For dealers that prefer paper, we are always willing to accommodate and supply  
catalogue ready copies by request. For details, please enquire with your Territory  
Manager, email or call our office at 519-338-2923  
Thank you





5808 Hwy #9, Harriston, Ontario, N0G 1Z0  
Phone: 519-338-2923, Fax: 519-338-2756  
Email: [sales@harcoag.ca](mailto:sales@harcoag.ca)  
[www.harcoag.ca](http://www.harcoag.ca)

## Land Rollers

### Single Section Rollers – Quarter Turn

#### Features Include:

- 42" diameter roller
- 5/8" nominal roller thickness for additional weight and for maximum durability
- Rugged construction weighs up to 450 lbs per foot without water for ballast
- 850 lb hitch weight

#### Standard Equipment:

- 2.5" removable roller shafts
- Highway speed rated 235x75R17.5 tires
- Transports under 9 feet
- 213 series bearings in ductile iron housings
- Clearance lights
- Acre metre

#### Optional Equipment:

- Levelling blade to smooth over animal mounds, irrigation tracks
- Water fill kit to add water ballast of additional 575 lbs per foot
- Valmar 4056 airseeding attachment – factory installed with step
- Tecknik Plus 12 volt air seeder attachment with rate controller

Model #	Description	Price [CDN]
800011	Single Section Quarter Turn <b>Land Roller</b> , 14 foot	\$32,600.00
803335	Ground <b>Levelling Blade</b> , 14 foot with hydraulic height	\$8,800.00
803310	Scraper Kit, 14 foot – Bolt on	\$1,050.00
<b>Options</b>		
803000	Water Fill Kit – 3" & 2" Banjo Quick Couplers	\$1,600.00
803022	Universal Seeder Mount Kit, Quarter Turn-No Seeder Quarter Turn Factory Set-Up	\$8,800.00 \$1,700.00

**Disassembling Charge for Single Sections Rollers - \$450.00**



**PRICED IN CANADIAN DOLLARS**

**PRICES ARE FOB BENITO, MB – DESIGN & PRICE ARE SUBJECT TO CHANGE WITHOUT NOTICE**



5808 Hwy #9, Harriston, Ontario, N0G 1Z0  
Phone: 519-338-2923, Fax: 519-338-2756  
Email: [sales@harcoag.ca](mailto:sales@harcoag.ca)  
[www.harcoag.ca](http://www.harcoag.ca)

## Land Rollers Continued...

### Single Section Rollers – Straight Hitch

#### Features Include:

- 42" diameter roller
- 5/8" nominal roller thickness for additional weight and for maximum durability
- Rugged construction weighs up to 450 lbs per foot without water for ballast

#### Standard Equipment:

- 2.5" removable roller shafts
- Highway speed rated 235x70R16 tires
- Transports 1 foot wider than working width
- 213 series bearings in ductile iron housings
- Clearance lights
- Acre metre

#### Optional Equipment:

- Levelling blade to smooth over animal mounds, irrigation tracks
- Water fill kit to add water ballast of additional 575 lbs per foot
- Valmar 4056 airseeding attachment – factory installed with step
- Technik Plus 12 volt air seeder attachment with rate controller

Model #	Description	Price [CDN]
800004	Single Section <b>Land Roller</b> , 11.5 foot	\$20,400.00
805015	Ground <b>Levelling Blade</b> , 11.5 foot with hydraulic height	\$7,500.00
800007	Scraper Kit, 11.5 foot – Bolt on	\$950.00
<hr/>		
800003	Single Section <b>Land Roller</b> , 14 foot	\$23,500.00
803335	Ground <b>Levelling Blade</b> , 14 foot with hydraulic height	\$8,800.00
804640	Scraper Kit, 14 foot – Bolt on	\$1,050.00
<hr/>		
800005	Single Section <b>Land Roller</b> , 17 foot	\$24,500.00
805001	Ground <b>Levelling Blade</b> , 17 foot with hydraulic height	\$9,500.00
804286	Scraper Kit, 17 foot – Bolt on	\$1,150.00
<hr/>		
800002	Single Section <b>Land Roller</b> , 20 foot	\$27,600.00
805356	Ground <b>Levelling Blade</b> , 20 foot with hydraulic height	\$10,600.00
804647	Scraper Kit, 20 foot – Bolt on	\$1,250.00
<hr/>		
Options		
803000	Water Fill Kit – 3" & 2" Banjo Quick Couplers	\$1,600.00
	Single Section Factory Set-Up	\$1,400.00

**Disassembling Charge for Single Sections Rollers - \$450.00**



**PRICED IN CANADIAN DOLLARS**

**PRICES ARE FOB BENITO, MB – DESIGN & PRICE ARE SUBJECT TO CHANGE WITHOUT NOTICE**



5808 Hwy #9, Harriston, Ontario, N0G 1Z0  
Phone: 519-338-2923, Fax: 519-338-2756  
Email: [sales@harcoag.ca](mailto:sales@harcoag.ca)  
[www.harcoag.ca](http://www.harcoag.ca)

## Land Rollers Continued...

### Three Section Rollers

#### Features Include:

- 42" diameter roller
- 5/8" nominal roller thickness for additional weight and for maximum durability
- Rugged construction weighs up to 450 lbs per foot without water for ballast

#### Standard Equipment:

- 2.5" removable roller shafts
- Highway speed rated 235x70R16 tires
- Patented diagonal brace arm
- Hydraulic floating hitch
- 213 series bearings in ductile iron housings
- Clearance lights
- Acre metre
- Hydraulic folding rear wheels

#### Optional Equipment:

- Levelling blade to smooth over animal mounds, irrigation tracks
- Water fill kit to add water ballast of additional 575 lbs per foot
- Valmar 4056 or 6056 airseeding attachment – factory installed with step

Model #	Description	Price [CDN]
800020	3 Section <b>Land Roller</b> , 31 foot	\$63,050.00
805007	Ground <b>Levelling Blade</b> , 31 foot with hydraulic height	\$21,800.00
802446	Scraper Kit, 31 foot – Bolt on	\$2,500.00
800009	3 Section <b>Land Roller</b> , 36 foot	\$66,500.00
805010	Ground <b>Levelling Blade</b> , 36 foot with hydraulic height	\$23,000.00
802447	Scraper Kit, 36 foot – Bolt on	\$2,800.00
800010	3 Section <b>Land Roller</b> , 42 foot	\$68,800.00
805011	Ground <b>Levelling Blade</b> , 42 foot with hydraulic height	\$24,900.00
802448	Scraper Kit, 42 foot – Bolt on	\$3,100.00
800018	3 Section <b>Land Roller</b> , 46 foot	\$73,200.00
805006	Ground <b>Levelling Blade</b> , 46 foot with hydraulic height	\$26,150.00
802449	Scraper Kit, 46 foot – Bolt on	\$3,450.00
800017	3 Section <b>Land Roller</b> , 52 foot	\$81,800.00
805012	Ground <b>Levelling Blade</b> , 52 foot with hydraulic height	\$27,600.00
802450	Scraper Kit, 52 foot – Bolt on	\$3,760.00
<b>Options</b>		
803040	Water Fill Kit – 3" & 2" Banjo Quick Couplers	\$5,400.00
803024	Universal Seeder Mount Kit, 3 Section – No Seeder	\$10,150.00
	3-Section Factory Set-Up	\$2,300.00

**Disassembling Charge for Single Sections Rollers - \$450.00**



**PRICED IN CANADIAN DOLLARS**

**PRICES ARE FOB BENITO, MB – DESIGN & PRICE ARE SUBJECT TO CHANGE WITHOUT NOTICE**



5808 Hwy #9, Harriston, Ontario, N0G 1Z0  
Phone: 519-338-2923, Fax: 519-338-2756  
Email: [sales@harcoag.ca](mailto:sales@harcoag.ca)  
[www.harcoag.ca](http://www.harcoag.ca)

## Land Rollers Continued...

### Three Section Rollers – Extreme Duty

#### Features Include:

- 42" diameter roller
- 21mm (almost 7/8") nominal roller thickness for additional weight and for maximum durability
- Rugged construction weighs up to 570 lbs per foot without water for ballast

#### Standard Equipment:

- 2 15/16" removable roller shafts
- Highway speed rated 235x70R16 tires
- Patented diagonal brace arm
- Hydraulic floating hitch
- Double Row Spherical Bearings
- Clearance lights
- Acre metre
- Hydraulic folding rear wheels

#### Optional Equipment:

- Water fill kit to add water ballast of additional 575 lbs per foot

Model #	Description	Price [CDN]
875046	3 Section <b>Land Roller</b> , 46 foot	\$83,400.00
875052	3 Section <b>Land Roller</b> , 52 foot	\$91,800.00
	3 Section Factory Setup	\$2,650.00
Please contact for current freight quote		



**Disassembling Charge for Single Sections Rollers - \$450.00**

**PRICED IN CANADIAN DOLLARS**

**PRICES ARE FOB BENITO, MB – DESIGN & PRICE ARE SUBJECT TO CHANGE WITHOUT NOTICE**



## Land Rollers Continued...

### Five Section Rollers

#### Features Include:

- 42" diameter roller
- 5/8" nominal roller thickness for additional weight and for maximum durability
- Rugged construction weighs up to 450 lbs per foot without water for ballast

#### Standard Equipment:

- 2.5" removable roller shafts
- Highway speed rated 235x70R16 tires
- Patented diagonal brace arm
- Hydraulic floating hitch
- 213 series bearings in ductile iron housings
- Clearance lights
- Acre metre
- Hydraulic folding wheels

Model #	Description	Price [CDN]
800056	12-56-5, 5 Section Land Roller, 56 foot	\$105,900.00
800062	12-62-5, 5 Section Land Roller, 62 foot	\$109,900.00
800066	12-66-5, 5 Section Land Roller, 66 foot	\$114,900.00
800070	12-70-5, 5 Section Land Roller, 70 foot	\$120,900.00
	5 Section Factory Set Up	\$4,000.00



**Disassembling Charge for Single Sections Rollers - \$450.00**

**PRICED IN CANADIAN DOLLARS**

**PRICES ARE FOB BENITO, MB – DESIGN & PRICE ARE SUBJECT TO CHANGE WITHOUT NOTICE**





5808 Hwy #9, Harriston, Ontario, N0G 1Z0  
Phone: 519-338-2923, Fax: 519-338-2756  
Email: [sales@harcoag.ca](mailto:sales@harcoag.ca)  
[www.harcoag.ca](http://www.harcoag.ca)



New vertical tillage concept by HCC Inc. features patented self sharpening tines in a three tine configuration followed by adjustable rolling harrows.

Unit can be purchased less the rolling harrows. Machines with harrows can be operated with harrows lifted or with varying rates of penetration and different angles allowing for varying finish results.

Extremely heavy frame and tongue provide excellent downward pressure. At the same time the rolling aerator tines are protected from impact by 'C' shanks.

Dual wheels are standard on all machines.

<b>SMART-TILL</b>				
<b>Model</b>	<b>Width</b>	<b>Weight (lbs)</b>	<b>Set Up</b>	<b>MSRP [USD]</b>
SMT 101	10 Feet Less Rolling Harrows	3,350	\$200.00	\$30,920.00
SMT 101	10 Feet With Rolling Harrows	5,250	\$350.00	\$38,930.00
SMT 151	15 Feet Less Rolling Harrows	5,000	\$350.00	\$43,540.00
SMT 151	15 Feet With Rolling Harrows	7,850	\$400.00	\$56,210.00
SMT 203	20 Feet Less Rolling Harrows	7,550		\$60,690.00
SMT 203	20 Feet With Rolling Harrows	11,500		\$83,790.00
SMT 303	30 Feet Less Rolling Harrows	10,500		\$95,515.00
SMT 303	30 Feet With Rolling Harrows	16,500		\$117,985.00

**PRICED IN UNITED STATES DOLLARS**

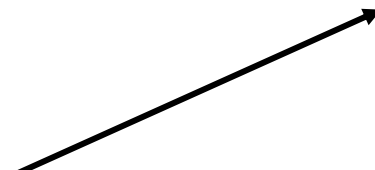
**FOB FACTORY – PRICES SUBJECT TO CHANGE WITHOUT NOTICE**

5808 Hwy #9, Harriston, Ontario, N0G 1Z0  
Phone: 519-338-2923, Fax: 519-338-2756  
Email: [sales@harcoag.ca](mailto:sales@harcoag.ca)  
[www.harcoag.ca](http://www.harcoag.ca)



**Rotary Harrows Modules**

Part #	Description	MSRP [USD]
853044	Harrow Module – 3'	\$2,385.00
853066	Harrow Module – 5' 7"	\$2,925.00
853033	Harrow Module – 6'	\$3,055.00
853109	Harrow Module – 9'	\$4,000.00



**Harrow Hangers**

Part #	Description	MSRP [USD]
853129*	3' Harrow Hanger	\$545.00
853103*	5' 7", 6', 9' Harrow Hanger	\$645.00

Harrows smooth, level & loosen soil – Ideal for seed bed preparation. Harrows can be varied up to 30° at either standard or aggressive angles. Tine material is wear resistant 4140 steel.

\*Includes hanger, bushing & decal.

**PRICED IN UNITED STATES DOLLARS**

**FOB FACTORY – PRICES SUBJECT TO CHANGE WITHOUT NOTICE**

5808 Hwy #9, Harriston, Ontario, N0G 1Z0  
Phone: 519-338-2923, Fax: 519-338-2756  
Email: [sales@harcoag.ca](mailto:sales@harcoag.ca)  
[www.harcoag.ca](http://www.harcoag.ca)



**SCHMEISER®**

**HARCO Ag** has been committed to saving time & money  
while still offering quality products.

As the T G Schmeiser price pages are lengthy (18 pages) we are saving a tree or two  
by offering the current pages on our website.

[www.harcoag.ca](http://www.harcoag.ca)

Select 'DEALER LOGIN' tab

Enter password: harcoag

Select 'PRICE LIST BY SUPPLIER' tab

Select 'T G Schmeiser'

Price pages are in PDF format, easily downloadable and printer friendly.



For dealers that prefer paper, we are always willing to accommodate and supply  
catalogue ready copies by request. For details, please enquire with your Territory  
Manager, email or call our office at 519-338-2923

Thank you




5808 Hwy #9, Harriston, Ontario, N0G 1Z0  
Phone: 519-338-2923, Fax: 519-338-2756  
Email: [sales@harcoag.ca](mailto:sales@harcoag.ca)  
[www.harcoag.ca](http://www.harcoag.ca)




## DEL MORINO ROTARY TILLERS, LAWN ROLLERS



TANGO	Standard Features
	<ul style="list-style-type: none"> <li>▪ Cat 1 three point hitch</li> <li>▪ Aluminum gearbox 540 rpm</li> <li>▪ 4 tines per row</li> <li>▪ Shear bolt PTO shaft cat 2</li> </ul>

Model #	Working Width	Engine HP	Wt	Price (Cdn)
Tango 105	42"	12 – 30	290	\$1,977.00
Tango 125	50"	12 – 30	308	\$2,061.00

FLASH	Standard Features
	<ul style="list-style-type: none"> <li>▪ Cat 1 three point</li> <li>▪ 2 corner gearboxes, shear bolt protection</li> <li>▪ 4 tines per flange</li> <li>▪ Adjustable skid shoes</li> <li>▪ Cat 1 PTO shaft</li> </ul>

Model #	Working Width	Engine HP	Wt	Price (Cdn)
Flash 85	34"	12 – 25	260	\$2,260.00
Flash 96	38"	12 – 25	282	\$2,337.00
Flash 105	42"	12 – 25	287	\$2,369.00
Flash 125	50"	12 – 25	309	\$2,446.00


**PRICED IN CANADIAN DOLLARS**

**PRICES ARE FOB HARRISTON, ONTARIO – DESIGN & PRICE ARE SUBJECT TO CHANGE WITHOUT NOTICE**


5808 Hwy #9, Harriston, Ontario, N0G 1Z0  
Phone: 519-338-2923, Fax: 519-338-2756  
Email: [sales@harcoag.ca](mailto:sales@harcoag.ca)  
[www.harcoag.ca](http://www.harcoag.ca)



## DEL MORINO ROTARY TILLERS, LAWN ROLLERS

<b>EAGLE</b>	<b>Standard Features</b>
	<ul style="list-style-type: none"> <li>▪ Cat 1 three point</li> <li>▪ Cast iron gearbox</li> <li>▪ 6 tines per row</li> <li>▪ Cat 4 PTO with slip clutch</li> </ul>

Model #	Working Width	Engine HP	Wt	Price (Cdn)
Eagle 125-ZF	50"	12 – 50	414	\$3,323.00
Eagle 165-ZF	62"	12 – 50	492	\$3,691.00

<b>URT – HF</b>	<b>Standard Features</b>
	<ul style="list-style-type: none"> <li>▪ Cat 2 three point</li> <li>▪ Cast iron gearbox</li> <li>▪ 100 series drive chain – oil bath</li> <li>▪ 6 tines per flange</li> <li>▪ Adjustable skid shoes</li> <li>▪ Series 4 PTO with slip clutch</li> </ul>

Model #	Working Width	Engine HP	Wt	Price (Cdn)
URT-HF 150	59"	30 – 70	640	\$4,948.00
URT-HF 168	67"	30 – 70	705	\$5,110.00
URT-HF 186	71"	30 – 70	728	\$5,344.00
URT-HF 204	81"	30 – 70	798	\$5,988.00
URT-HF 222	87"	30 – 70	840	\$6,212.00

***'Other models available, call for pricing'***

**PRICED IN CANADIAN DOLLARS**

**PRICES ARE FOB HARRISTON, ONTARIO – DESIGN & PRICE ARE SUBJECT TO CHANGE WITHOUT NOTICE**

5808 Hwy #9, Harriston, Ontario, N0G 1Z0  
Phone: 519-338-2923, Fax: 519-338-2756  
Email: [sales@harcoag.ca](mailto:sales@harcoag.ca)  
[www.harcoag.ca](http://www.harcoag.ca)



## DEL MORINO ROTARY TILLERS, LAWN ROLLERS



HRA	Standard Features
	<ul style="list-style-type: none"> <li>▪ Cat 2 three point hitch</li> <li>▪ Cast Iron gearbox 540 rpm</li> <li>▪ 6 tines per row</li> <li>▪ Universal PTO shaft cat 5 w/slip clutch</li> <li>▪ Reinforced 3 PTO frame</li> </ul>

Model #	Working Width	Engine HP	Wt	Price (Cdn)
HRA 225	90"	50 – 95	1415	\$10,449.00
HRA 250	100"	50 – 95	1521	\$11,175.00

## DEL MORINO LAWN ROLLERS

LAWN ROLLERS	Standard Features
	<ul style="list-style-type: none"> <li>▪ Cat 1 &amp; 2, 3 Point</li> <li>▪ Scraper</li> <li>▪ Water tight for filling</li> <li>▪ 15.75" diameter (400mm)</li> </ul>

Model #	Working Width	Engine HP	Wt	Price (Cdn)
RUL-120	47"	20 – 50	216	\$1,437.00
RUL-150	60"	20 – 50	243	\$1,610.00
RUL-170	68"	20 – 50	276	\$1,772.00

**PRICED IN CANADIAN DOLLARS**

**PRICES ARE FOB HARRISTON, ONTARIO – DESIGN & PRICE ARE SUBJECT TO CHANGE WITHOUT NOTICE**

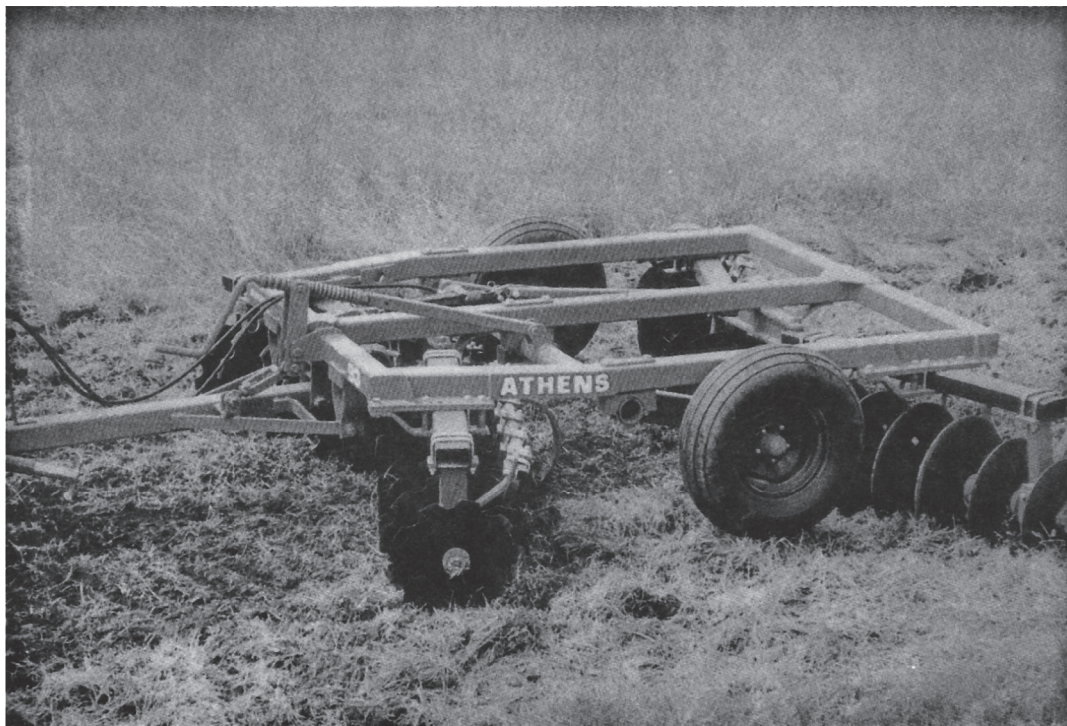




# ATHENS

## EFFECTIVE JANUARY, 2020

---



# WHOLEGOODS PRICE LIST

---



ATHENS PLOW COMPANY, INC.  
P.O. BOX 609  
ATHENS, TENNESSEE 37371-0609  
TELEPHONE 423-744-PLOW (7569)  
WATS 1-800-535-3852  
FAX 1-423-744-7218

[WWW.ATHENSPLOWCOMPANY.COM](http://WWW.ATHENSPLOWCOMPANY.COM)

## TERMS AND DISCOUNTS FOR WHOLEGOODS ATHENS PLOW COMPANY, INC.

### Eligible Items:

Items eligible for Wholegoods Discounts are serial-numbered units and extra equipment accessories ordered with or for that unit.

### Trade Discount for Eligible Wholegoods Items:

Regular Open Account	– 25%
Preseason (90 days)	– 25%
Floor Plan	– 20%

### Cash Discounts:

- A. Regular Open Account - 5% if paid 30 days from date of invoice. Net 31.
- B. Regular Preseason - 10% if paid 30 days from date of invoice. Net 31.
- C. Floor Plan - 8% if paid within 30 days.  
8% if paid within 60 days.  
8% if paid within 90 days.  
8% if paid within 120 days.  
6% if paid within 150 days.  
4% if paid within 180 days.  
2% if paid within 210 days.  
**NET 240 days.**
- D. Volume Discount:
  - a) 5% extra cash discount for orders in excess of \$70,000 (open account) @ list, if paid 30 days from date of invoice.
  - b) 5% extra cash discount for additional wholegoods for the remainder of the calendar year.
- E. No discount will be allowed on current invoices if any invoices are past due.
- F. Government Agency Discount applies to all units. Government Agency Discount is an additional 5% (Maximum discount of 5% Cash and Government). Government discount applies if paid 30 days from date of invoice. A copy of the Government Purchase Order must accompany the dealer remittance to earn the special discount. Eligible agencies include any department of Federal, State, County or City Government, Soil Conservation, Drainage and Water Districts.

### GENERAL STATEMENTS AS TO TERMS AND DISCOUNTS

No cash discount is allowed on warranty pending items.

Payment is due immediately for retailed units: units that have been removed from dealer's main place of business, items that have been used or not adequately protected against devaluation, or due date of invoice, whichever is earlier.

Past due invoices are subject to a 1 – 1 ½% per month interest charge or the maximum allowable per law, whichever is less.

It is the dealer's responsibility to see that discounted payments reach our office on or before the due dates specified to receive discounts.

All prices are F.O.B. Athens Plow Company.

### RETURNED GOODS

#### WHOLEGOODS

Returns must be approved by Athens Plow Co., Inc. When approved for return, dealer must prepay shipping costs. Credit will be issued at original invoice amount less applicable cash discount. There will be a restocking charge of 10%.

#### MERCHANDISE RECEIPT

Any variation between items ordered and shipped and actual items received must be reported to Athens Plow as soon as the variation is recognized and no later than 30 days after receipt of shipment.

All shipments are made F.O.B. our Shipping Dock. All claims regarding the errors, shortages, and/or damages in shipment are the responsibility of the consignee and should be filed with the delivering carrier.

# WARRANTY POLICY GUIDE

## ATHENS PLOW COMPANY, INC.

### A. The Purpose of Warranty

Warranty assures the purchaser that should a defect in material or workmanship occur during the warranty period, Athens Plow Company, Inc. will assume specific repair responsibilities, as listed in the warranty statement. The warranty statement is to be provided to each purchaser of each piece of new equipment. Warranty begins on the date the product is delivered to the original purchaser of the product. Once the warranty period has begun, it cannot be stopped or interrupted.

### B. Dealer Responsibilities

The following responsibilities are to be performed when the dealer delivers a product to the purchaser or otherwise places it into warranty service:

1. Complete the Warranty Registration Form and forward to Athens Plow Company, Inc. within 30 days of the sale of the product. Warranty reimbursement is contingent upon product registration.
2. Review warranty statement, operator's manual and complete delivery report with purchaser to assure understanding of purchaser's responsibilities as related to warranty, service and the proper and safe operation of the product. Purchaser should be advised to have failed parts repaired or replaced immediately upon failure and that continued use will result in additional damage and excessive wear.
3. Contact manufacturer prior to beginning repair or replacement of failed parts to make certain that the cost of repairs are consistent with the value of the product when sold. Warranty requests for units in dealer's inventory may be submitted to Athens Plow Company, Inc. when defects are noted in the product prior to the retail sale of that unit.
4. Provide warranty and service repairs as directed by Athens Plow Company, Inc. instructions.
5. All warranty work must be completed within 30 days of failure. Notify Athens Plow Company, Inc. if repairs will require more than 30 days after failure for an extension. No claim will be accepted for warranties that exceed this 30 day period.
6. No warranty will be allowed on units delivered to the retail customer prior to the full payment of that unit to the manufacturer by the dealer.
7. If diagnostic time is required, contact Athens Plow Company, Inc. prior to beginning the warranty repair for approval. Travel time reimbursement must be approved by Athens Plow Company, Inc. prior to beginning the warranty repair.

### C. Athens Plow Company's Responsibilities

1. Reimbursement for parts used in warranty repair will be credited only when the parts are purchased from Athens Plow Company, Inc. Parts will be credited at dealer's net cost. No warranty will be allowed on parts that are past Due.
2. Dealer should use parts from their parts inventory first. In the event that parts must be shipped from Athens Plow Company, Inc., freight will be paid by Athens Plow Company, Inc. and will be shipped by the most economical means to arrive in the shortest possible time. Air, Next Day Air, Priority and other special shipment methods requested by the dealer will be at customer's expense.
3. Warranty Labor Reimbursement for labor expense to the dealer is made by payment of \$35.00 per shop hour, or as regulated by state statutes. Repair times will be reviewed by Athens Plow Company, Inc. and may be adjusted to average repair time required by other dealers to make similar repairs.
4. Reimbursements for repairs made by outside sources (not dealer personal) will be made for those services deemed necessary for the resolution of the warranty by Athens Plow Company, Inc. Outside repair invoices must have approval from Athens Plow Company, Inc. and must be attached to the warranty claim after approval.

### D. Other Warranty Provisions

The following guidelines are to be followed when performing warranty repairs:

1. In all cases, the most economical repair should be performed unless otherwise directed. Credit will not be allowed for assemblies if it is practical to make the repair with individual parts. In some cases, the assembly price may be less than the total of the parts and labor required to complete the repair. In those cases, an assembly may be used.
2. Only those parts provided by Athens Plow Company, Inc. are covered under warranty. The use of parts from other sources will not be eligible for warranty consideration.
3. All parts removed during warranty repair should be held for a period of 60 days after the warranty claim has been submitted to Athens Plow Company, Inc. These parts can be discarded if disposition or return request has not been made during this period. Parts that are returned upon request to Athens Plow Company, Inc. for which credit has not been issued can be returned upon dealer request within 30 days of claim disposition. These parts will be discarded after the 30 day period.
4. Athens Plow Company, Inc. reserves the right to deny or reverse any and all warranty claims for parts, labor, or miscellaneous charges when errors are found or warranty provisions are abused or fraudulent claims are submitted.

5. Warranty reimbursement is not possible:
  - a. If parts returned are not cleaned and properly identified, or if they are damaged in return shipment due to poor packaging.
  - b. When failure falls under the "limitations" as identified in the Warranty Statement.
  - c. When Athens Plow Company, Inc. has requested the return of certain parts, assemblies or information and has not received material within 30 days of date posted on return request.
  - d. On claims due to damage or shortage that are obviously the responsibility of the dealer or the delivering carrier.
  - e. On the entire claim when the warranty policy and provisions are not followed.  
All dealers will warranty their technician's work to the purchaser and will indemnify Athens Plow Company, Inc. from such claims.

#### **E. Use of Photos**

Pictures should be attached to the dealer's claim when their inclusion will help identify the condition of the part being repaired or replaced, and thus assisting in the approval of the claim. In some cases, the use of photos may eliminate the need to return parts for evaluation. Photos will not be returned unless specifically requested.

#### **F. Delayed Warranty Repairs**

Warranty repairs should be scheduled and performed as soon as possible after notification of dealer and Athens Plow Company, Inc. There may be circumstances that require the use of the product for a short period of time by the retail customer or the availability of repair parts necessary to complete the repairs will require the work to extend past the 30 day period. In those cases, the dealer must notify Athens Plow Company, Inc. in writing of the extenuating circumstance and advise that the continued use of the product will not enlarge the warranty claim. These claims will then be processed as if the product is still within the warranty period.

#### **G. Denied Claims**

Dealers will be notified of a denied claim in writing that will state the reason for the denial. The dealer has the right to appeal this claim and must do so within 30 days of notification of denial. If there has been no appeal within the 30 day period the Claim will be considered closed.

### **LIMITED WARRANTY STATEMENT**

Athens Plow Company, Inc. warrants each new Athens Plow Company, Inc. product to be free from defects in material and Workmanship. This warranty is applicable only for the normal service life expectancy of the product or components, not to exceed twelve consecutive months from the date of delivery of the new Athens Plow Company, Inc. product to the original purchaser. Athens Plow Company, Inc. reserves the right to make improvements in design or changes in specifications at any time, without incurring any obligation to owners of units previously sold.

Our obligation under this warranty shall be limited to repairing or replacing, free of charge to the original purchaser, any part that, in our judgment, shall show evidence of such defect, provided further that such part shall be returned within thirty (30) days from date of failure to Athens Plow Company, Inc., routed through the dealer from whom the purchase was made, transportation charges prepaid.

This warranty shall not be interpreted to render Athens Plow Company, Inc. liable for injury or damages of any kind or nature to person or property. This warranty does not extend to the loss of crops, loss because of delay in harvesting, or any expense or loss incurred for labor, substitute machinery, rental or for any other reason. Except as set forth above, Athens Plow Company, Inc. shall have no obligation or liability of any kind on account of any of its equipment and shall not be liable for special or consequential damages. Athens Plow Company, Inc. makes no other warranty, expressed or implied, and, specifically, Athens Plow Company, Inc. disclaims any implied warranty or merchantability or fitness for a particular purpose. Some states or provinces do not permit limitations or exclusions of implied warranties or incidental or consequential damages, so the limitations or exclusions in this warranty may not apply.

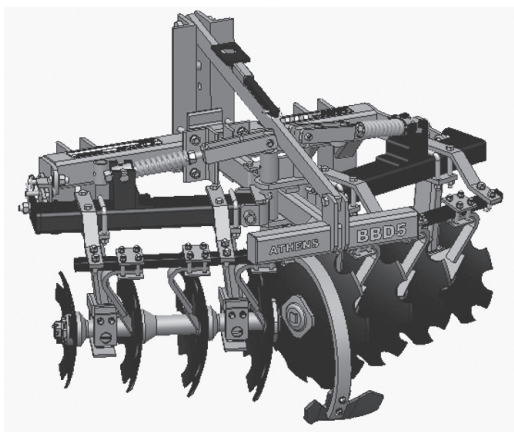
This warranty is subject to any existing conditions of supply which may directly affect our ability to obtain materials or manufacture replacement parts.

No one is authorized to alter, modify or enlarge this warranty nor the exclusion, limitations and reservations.

# INDEX

	<b>PAGE</b>
<b>LIFT TYPE DISK HARROWS</b>	
MODEL BBD5	1
MODEL 37	2
MODEL 47	3
MODEL 52	5
MODEL 55	7
MODEL 65	10
MODEL 66	12
<b>PULL TYPE DISK HARROWS</b>	
<b>Tandem</b>	
MODEL 62	15
MODEL 93	26
MODEL 153	30
<b>Double Offsets</b>	
MODEL 76	19
MODEL 77	23
MODEL 116	31
MODEL 119	34
<b>Offsets</b>	
MODEL 97	36
MODEL 107	38
MODEL 127	39
MODEL 167	42
MODEL 137	45
MODEL 187	47
MODEL 287	49
<b>CHISEL PLOWS</b>	
MODEL 156	50
<b>LEVEE PLOWS</b>	
MODEL 220	53

## ATHENS BBD5/BBD6 LIFT-TYPE DISK HARROW

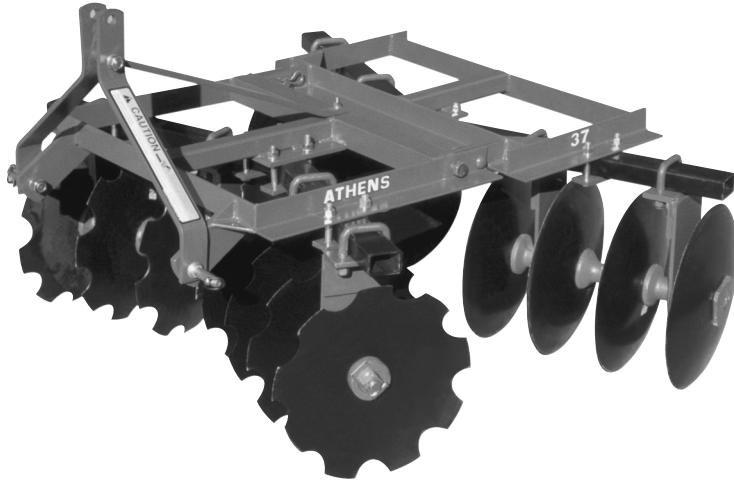


### SPECIFICATIONS:

Cutting Width 5' 0" & 6' 6"  
 Disc Spacing 9"  
 Disc Diameter 22" C/O Tapered  
 Cat. II Free Link or Quick Coupler  
 Relube Ball Bearings  
 Rigid or Spring Bearing Hangers  
 1 1/4" Cold Rolled Square Gang Axle  
 with Gang Wrench  
 Adjustable Angle of Cut 15° and 18°  
 Heavy Duty Scrapers  
 Balk Buster

MODEL NUMBER	DISC DIAM	TYPE OF DISC	DISC THICK	# OF DISC	DISC SPACING	# OF BRGS	APX WT (LBS)	SUGST PRICE
<u>5' 0" WIDE</u>								
BBD5-0827-65T	22" Tap	C/O	.197	8	9"	4	985	\$4,205
<u>6' 6" WIDE</u>								
BBD6-1027-65T	22" Tap	C/O	.197	10	9"	4	1017	\$4,478

## ATHENS 37 LIFT TYPE DISK HARROW



### **SPECIFICATIONS:**

Cutting Width – 5'2" to 6'5"

Disc Spacing – 7", 9", or 9"F/7"R

Discs – 18" Diameter – CO / SM

### **STANDARD EQUIPMENT:**

Category I Hitch

Adjustable Angle of Cut

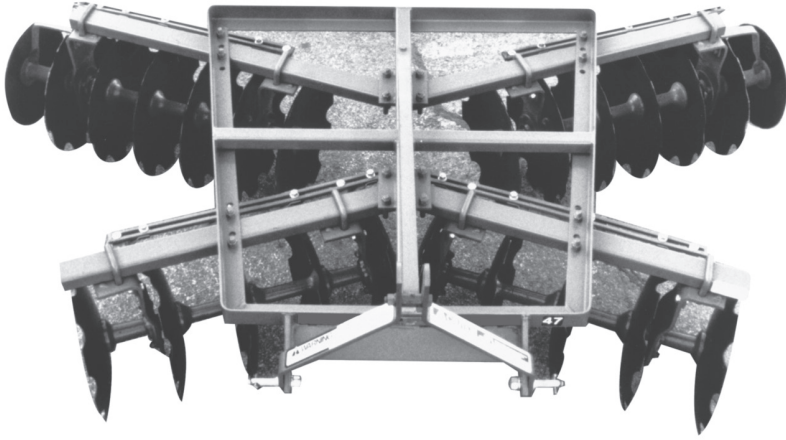
1" High Carbon Steel Square Axles

Factory Assembled Gangs

Triple-Lip Sealed Ball Bearings

<u>MODEL NUMBER</u>	<u>DISK DIAM</u>	<u>TYPE OF DISK</u>		<u>DISK THCK</u>	<u># OF DISK</u>	<u>DISK SPACING</u>		<u># OF BRGS</u>	<u>APX WT</u>	<u>SUGST PRICE</u>
		<u>FRNT</u>	<u>REAR</u>			<u>FRNT</u>	<u>REAR</u>			
<b><u>5'2" WIDE</u></b>										
037-1611-010	18	C.O.	C.O.	.118	16	7"	7"	8	624	\$1,792
037-1611-110	18	SM.	SM.	.118	16	7"	7"	8	640	\$1,787
037-1611-410	18	C.O.	SM.	.118	16	7"	7"	8	632	\$1,779
<b><u>6'3" WIDE</u></b>										
037-1621-010	18	C.O.	C.O.	.118	16	9"	9"	8	654	\$1,828
037-1621-110	18	SM.	SM.	.118	16	9"	9"	8	670	\$1,792
037-1621-410	18	C.O.	SM.	.118	16	9"	9"	8	662	\$1,811
<b><u>6'5" WIDE</u></b>										
037-1831-010	18	C.O.	C.O.	.118	18	9"	7"	8	680	\$1,905
037-1831-110	18	SM.	SM.	.118	18	9"	7"	8	698	\$1,874
037-1831-410	18	C.O.	SM.	.118	18	9"	7"	8	690	\$1,890
037-2011-010	18	C.O.	C.O.	.118	20	7"	7"	8	702	\$1,985
037-2011-110	18	SM.	SM.	.118	20	7"	7"	8	722	\$1,955
037-2011-410	18	C.O.	SM.	.118	20	7"	7"	8	712	\$1,968

## ATHENS 47 LIFT TYPE DISK HARROW



### **SPECIFICATIONS:**

Cutting Width – 6'3" to 7'9"  
 Disk Spacing – 7", 9", or 9"F/7"R  
 18" or 20" Disks – CO/SM

### **STANDARD EQUIPMENT:**

Category I Hitch  
 Adjustable Angle of Cut  
 1" High Carbon Square Axles  
 Factory Assembled Gangs  
 Triple Lip Sealed Ball Bearings

MODEL NUMBER	DISK DIAM	TYPE OF DISK		DISK THCK	# OF DISK	DISK SPACING		# OF BRGS	APX WT	SUGST PRICE
		FRNT	REAR			FRNT	REAR			
<b><u>6'3" WIDE</u></b>										
047-1621-010	18"	C.O.	C.O.	.118	16	9"	9"	8	664	\$1,910
047-1621-020	20"	C.O.	C.O.	.138	16	9"	9"	8	712	\$2,063
047-1621-110	18"	SM.	SM.	.118	16	9"	9"	8	680	\$1,845
047-1621-120	20"	SM.	SM.	.118	16	9"	9"	8	712	\$2,007
047-1621-410	18"	C.O.	SM.	.118	16	9"	9"	8	672	\$1,874
047-1621-420	20"	C.O.	SM.	.138	16	9"	9"	8	712	\$2,035
<b><u>6'5" WIDE</u></b>										
047-1831-010	18"	C.O.	C.O.	.118	18	9"	7"	8	690	\$2,000
047-1831-020	20"	C.O.	C.O.	.138	18	9"	7"	8	744	\$2,186
047-1831-110	18"	SM.	SM.	.118	18	9"	7"	8	708	\$1,887
047-1831-120	20"	SM.	SM.	.118	18	9"	7"	8	744	\$2,009
047-1831-410	18"	C.O.	SM.	.118	18	9"	7"	8	700	\$1,944
047-1831-420	20"	C.O.	SM.	.138	18	9"	7"	8	744	\$2,105
047-2011-010	18"	C.O.	C.O.	.118	20	7"	7"	8	712	\$2,060
047-2011-020	20"	C.O.	C.O.	.138	20	7"	7"	8	772	\$2,298
047-2011-110	18"	SM.	SM.	.118	20	7"	7"	8	732	\$1,973
047-2011-120	20"	SM.	SM.	.118	20	7"	7"	8	772	\$2,104
047-2011-410	18"	C.O.	SM.	.118	20	7"	7"	8	722	\$2,016
047-2011-420	20"	C.O.	SM.	.138	20	7"	7"	8	772	\$2,203



<u>MODEL NUMBER</u>	<u>DISK DIAM</u>	<u>TYPE OF DISK</u>		<u>DISK THCK</u>	<u># OF DISK</u>	<u>DISK SPACING</u>		<u># OF BRGS</u>	<u>APX WT</u>	<u>SUGST PRICE</u>
		FRNT	REAR			FRNT	REAR			
<u>7'6" WIDE</u>										
047-2231-010	18"	C.O.	C.O.	.118	22	9"	7"	8	762	\$2,219
047-2231-020	20"	C.O.	C.O.	.138	22	9"	7"	8	828	\$2,440
047-2231-110	18"	SM.	SM.	.118	22	9"	7"	8	784	\$2,085
047-2231-120	20"	SM.	SM.	.118	22	9"	7"	8	828	\$2,228
047-2231-410	18"	C.O.	SM.	.118	22	9"	7"	8	773	\$2,144
047-2231-420	20"	C.O.	SM.	.138	22	9"	7"	8	828	\$2,250
047-2411-010	18"	C.O.	C.O.	.118	24	7"	7"	8	782	\$2,295
047-2411-020	20"	C.O.	C.O.	.138	24	7"	7"	8	854	\$2,535
047-2411-110	18"	SM.	SM.	.118	24	7"	7"	8	806	\$2,146
047-2411-120	20"	SM.	SM.	.118	24	7"	7"	8	854	\$2,300
047-2411-410	18"	C.O.	SM.	.118	24	7"	7"	8	794	\$2,220
047-2411-420	20"	C.O.	SM.	.138	24	7"	7"	8	854	\$2,418

7'9" WIDE

047-2021-010	18"	C.O.	C.O.	.118	20	9"	9"	8	737	\$2,060
047-2021-020	20"	C.O.	C.O.	.138	20	9"	9"	8	797	\$2,264
047-2021-110	18"	SM.	SM.	.118	20	9"	9"	8	757	\$1,941
047-2021-120	20"	SM.	SM.	.118	20	9"	9"	8	797	\$2,069
047-2021-410	18"	C.O.	SM.	.118	20	9"	9"	8	747	\$1,999
047-2021-420	20"	C.O.	SM.	.138	20	9"	9"	8	797	\$2,169

<u>EXTRA EQUIPMENT</u>		<u>WIDTH</u>	<u>SPACING</u>	<u>APX WT</u>	<u>SUGST PRICE</u>
9-047-916210	SCRAPERS	6'3"	9"	48#	\$160
9-047-918310	SCRAPERS	6'5"	9"F,7"R	50#	\$163
9-047-920110	SCRAPERS	6'5"	7"	53#	\$177
9-047-920210	SCRAPERS	7'9"	9"	57#	\$185
9-047-922310	SCRAPERS	7'6"	9"F,7"R	61#	\$188
9-047-924110	SCRAPERS	7'6"	7"	63#	\$198

## ATHENS 52 LIFT-TYPE TANDEM DISK HARROW



### SPECIFICATIONS:

Cutting Width 6' 6", 7' 0", 7' 11", and 8' 2"

Disc Spacing 7 ½", 9", or 9" F and 7 ½" R

Disc Diameter 18" or 20" C/O or SM

Cat. I Free Link

Relube Ball Bearings

Flangette Bearing Hangers

1 ⅛" Cold Rolled Square Gang Axle  
with Gang Wrench

Adjustable Angle of Cut 15° and 18°

Heavy Duty Scrapers (Extra Equipment)

Cover Discs (Extra Equipment)

MODEL NUMBER	DISC DIA	TYPE OF DISC FRT REAR	DISC THICK	# OF DISC	DISC SPACING FRT REAR	# OF BRGS	APX WT (LBS)	SUGST PRICE
<u>6' 6" WIDE</u>								
052-1622-211	18"	C/O C/O	.138	16	9" 9"	8	823	\$2,819
052-1622-311	18"	SM SM	.138	16	9" 9"	8	855	\$2,760
052-1622-511	18"	C/O SM	.138	16	9" 9"	8	839	\$2,783
052-1622-221	20"	C/O C/O	.148	16	9" 9"	8	868	\$3,017
052-1622-321	20"	SM SM	.148	16	9" 9"	8	904	\$2,963
052-1622-521	20"	C/O SM	.148	16	9" 9"	8	886	\$2,979
<u>7' 0" WIDE</u>								
052-1832-211	18"	C/O C/O	.138	18	9" 7 ½"	8	872	\$2,947
052-1832-311	18"	SM SM	.138	18	9" 7 ½"	8	908	\$2,869
052-1832-511	18"	C/O SM	.138	18	9" 7 ½"	8	892	\$2,915
052-1832-221	20"	C/O C/O	.148	18	9" 7 ½"	8	922	\$3,175
052-1832-321	20"	SM SM	.148	18	9" 7 ½"	8	962	\$3,071
052-1832-521	20"	C/O SM	.148	18	9" 7 ½"	8	944	\$3,122
052-2012-211	18"	C/O C/O	.138	20	7 ½" 7 ½"	8	898	\$3,080
052-2012-311	18"	SM SM	.138	20	7 ½" 7 ½"	8	938	\$2,987
052-2012-511	18"	C/O SM	.138	20	7 ½" 7 ½"	8	918	\$3,043
052-2012-221	20"	C/O C/O	.148	20	7 ½" 7 ½"	8	954	\$3,330
052-2012-321	20"	SM SM	.148	20	7 ½" 7 ½"	8	998	\$3,213
052-2012-521	20"	C/O SM	.148	20	7 ½" 7 ½"	8	976	\$3,268

MODEL NUMBER	DISC DIAM	TYPE OF DISC		DISC THICK	# OF DISC	DISC SPACING		# OF BRGS	APX WT	SUGST PRICE
		FRT	REAR			FRT	REAR			
<u>7' 11" WIDE</u>										
052-2022-211	18"	C/O	C/O	.138	20	9"	9"	8	926	\$3,295
052-2022-311	18"	SM	SM	.138	20	9"	9"	8	966	\$3,085
052-2022-511	18"	C/O	SM	.138	20	9"	9"	8	946	\$3,150
052-2022-221	20"	C/O	C/O	.148	20	9"	9"	8	982	\$3,431
052-2022-321	20"	SM	SM	.148	20	9"	9"	8	1026	\$3,315
052-2022-521	20"	C/O	SM	.148	20	9"	9"	8	1004	\$3,380
<u>8' 2" WIDE</u>										
052-2232-211	18"	C/O	C/O	.138	22	9"	7 ½"	8	946	\$3,294
052-2232-311	18"	SM	SM	.138	22	9"	7 ½"	8	990	\$3,213
052-2232-511	18"	C/O	SM	.138	22	9"	7 ½"	8	970	\$3,263
052-2232-221	20"	C/O	C/O	.148	22	9"	7 ½"	8	1008	\$3,585
052-2232-321	20"	SM	SM	.148	22	9"	7 ½"	8	1057	\$3,460
052-2232-521	20"	C/O	SM	.148	22	9"	7 ½"	8	1035	\$3,523
052-2412-211	18"	C/O	C/O	.138	24	7 ½"	7 ½"	8	966	\$3,442
052-2412-311	18"	SM	SM	.138	24	7 ½"	7 ½"	8	1014	\$3,332
052-2412-511	18"	C/O	SM	.138	24	7 ½"	7 ½"	8	990	\$3,383
052-2412-221	20"	C/O	C/O	.148	24	7 ½"	7 ½"	8	1033	\$3,741
052-2412-321	20"	SM	SM	.148	24	7 ½"	7 ½"	8	1086	\$3,560
052-2412-521	20"	C/O	SM	.148	24	7 ½"	7 ½"	8	1060	\$3,680

### EXTRA EQUIPMENT

SCRAPERS	WIDTH	SPACING	APPROX. WEIGHT	SUGST PRICE
9-052-916220	6' 6"	9"	122#	\$344
9-052-918320	7' 0"	9" F / 7 ½" R	131#	\$385
9-052-920120	7' 0"	7 ½"	140#	\$404
9-052-920220	7' 11"	9"	147#	\$445
9-052-922320	8' 2"	9" F / 7 ½" R	157#	\$473
9-052-924120	8' 2"	7 ½"	166#	\$504

COVER DISCS	DESCRIPTION	APX. WEIGHT	SUGST PRICE
9-052-700016	Cover Discs w/o Scraper w/ 16" Disc	34#	\$169
9-052-709016	Cover Discs w/ Scraper w/ 16" Disc	43#	\$197

### OPTIONAL EQUIPMENT

TO SPECIFY CAT. II IN LIEU OF CAT I, CHANGE THE 10<sup>TH</sup> DIGIT FROM 1 TO 2.

NO CHARGE

## ATHENS 55 LIFT TYPE DISK HARROW

### SPECIFICATIONS:

Cutting Width 6'6" to 10'9"  
 Disk spacing 7-1/2", 9" or  
 9" Front, 7-1/2" Rear  
 20" or 22" Disks – Cutout or Smooth  
 Heavy Duty Scrapers (Extra Equip.)  
 Category I or II Hitch  
 Relube Ball Bearings

### STANDARD EQUIPMENT:

Category II Hitch  
 1-1/8" Cold Rolled Square Axles  
 W/Wrench  
 Tapered Outside Rear Disk Gangs  
 Factory Assembled Gangs  
 Adjustable Angle of Cut  
 Flangette Bearing Hangers  
 Relube Ball Bearings



<u>MODEL NUMBER</u>	<u>DISK DIAM</u>	<u>TYPE OF DISK</u>		<u>DISK THCK</u>	<u># OF DISK</u>	<u>DISK SPACING</u>		<u># OF BRGS</u>	<u>APX WT</u>	<u>SUGST PRICE</u>
		FRNT	REAR			FRNT	REAR			
<u>6'6" WIDE</u>										
055-1622-222	20"	C.O.	C.O.	.138	16	9"	9"	8	1006	\$3,494
055-1622-642	22"	C.O.	C.O.	.177	16	9"	9"	8	1054	\$3,704
055-1622-322	20"	SM.	SM.	.138	16	9"	9"	8	1024	\$3,427
055-1622-742	22"	SM.	SM.	.177	16	9"	9"	8	1072	\$3,648
055-1622-522	20"	C.O.	SM.	.138	16	9"	9"	8	1014	\$3,453
055-1622-842	22"	C.O.	SM.	.177	16	9"	9"	8	1063	\$3,663
<u>7'0" WIDE</u>										
055-1832-222	20"	C.O.	C.O.	.138	18	9"	7-1/2"	8	1039	\$3,630
055-1832-642	22"	C.O.	C.O.	.177	18	9"	7-1/2"	8	1096	\$3,873
055-1832-322	20"	SM.	SM.	.138	18	9"	7-1/2"	8	1058	\$3,545
055-1832-742	22"	SM.	SM.	.177	18	9"	7-1/2"	8	1117	\$3,762
055-1832-522	20"	C.O.	SM.	.138	18	9"	7-1/2"	8	1049	\$3,596
055-1832-842	22"	C.O.	SM.	.177	18	9"	7-1/2"	8	1108	\$3,817
055-2012-222	20"	C.O.	C.O.	.138	20	7-1/2"	7-1/2"	8	1072	\$3,771
055-2012-642	22"	C.O.	C.O.	.177	20	7-1/2"	7-1/2"	8	1138	\$4,039
055-2012-322	20"	SM.	SM.	.138	20	7-1/2"	7-1/2"	8	1092	\$3,674
055-2012-742	22"	SM.	SM.	.177	20	7-1/2"	7-1/2"	8	1161	\$3,914
055-2012-522	20"	C.O.	SM.	.138	20	7-1/2"	7-1/2"	8	1081	\$3,733
055-2012-842	22"	C.O.	SM.	.177	20	7-1/2"	7-1/2"	8	1149	\$3,973

MODEL NUMBER	DISK DIAM	TYPE OF DISK		DISK THCK	# OF DISK	DISK SPACING		# OF BRGS	APX WT	SUGST PRICE
		FRNT	REAR			FRNT	REAR			
<u>7'11" WIDE</u>										
055-2022-222	20"	C.O.	C.O.	.138	20	9"	9"	8	1125	\$4,000
055-2022-642	22"	C.O.	C.O.	.177	20	9"	9"	8	1192	\$4,146
055-2022-322	20"	SM.	SM.	.138	20	9"	9"	8	1146	\$3,777
055-2022-742	22"	SM.	SM.	.177	20	9"	9"	8	1215	\$4,024
055-2022-522	20"	C.O.	SM.	.138	20	9"	9"	8	1135	\$3,846
055-2022-842	22"	C.O.	SM.	.177	20	9"	9"	8	1203	\$4,093
<u>8'2" WIDE</u>										
055-2232-222	20"	C.O.	C.O.	.138	22	9"	7-1/2"	8	1155	\$4,000
055-2232-642	22"	C.O.	C.O.	.177	22	9"	7-1/2"	8	1232	\$4,313
055-2232-322	20"	SM.	SM.	.138	22	9"	7-1/2"	8	1179	\$3,914
055-2232-742	22"	SM.	SM.	.177	22	9"	7-1/2"	8	1257	\$4,177
055-2232-522	20"	C.O.	SM.	.138	22	9"	7-1/2"	8	1168	\$3,968
055-2232-842	22"	C.O.	SM.	.177	22	9"	7-1/2"	8	1245	\$4,245
055-2412-222	20"	C.O.	C.O.	.138	24	7-1/2"	7-1/2"	8	1185	\$4,158
055-2412-642	22"	C.O.	C.O.	.177	24	7-1/2"	7-1/2"	8	1271	\$4,479
055-2412-322	20"	SM.	SM.	.138	24	7-1/2"	7-1/2"	8	1211	\$4,043
055-2412-742	22"	SM.	SM.	.177	24	7-1/2"	7-1/2"	8	1299	\$4,284
055-2412-522	20"	C.O.	SM.	.138	24	7-1/2"	7-1/2"	8	1198	\$4,097
055-2412-842	22"	C.O.	SM.	.177	24	7-1/2"	7-1/2"	8	1285	\$4,412
<u>9'4" WIDE</u>										
055-2422-222	20"	C.O.	C.O.	.138	24	9"	9"	8	1249	\$4,134
055-2422-642	22"	C.O.	C.O.	.177	24	9"	9"	8	1335	\$4,463
055-2422-322	20"	SM.	SM.	.138	24	9"	9"	8	1275	\$4,020
055-2422-742	22"	SM.	SM.	.177	24	9"	9"	8	1363	\$4,310
055-2422-522	20"	C.O.	SM.	.138	24	9"	9"	8	1262	\$4,088
055-2422-842	22"	C.O.	SM.	.177	24	9"	9"	8	1349	\$4,387
055-2632-222	20"	C.O.	C.O.	.138	26	9"	7-1/2"	8	1289	\$4,284
055-2632-642	22"	C.O.	C.O.	.177	26	9"	7-1/2"	8	1385	\$4,630
055-2632-322	20"	SM.	SM.	.138	26	9"	7-1/2"	8	1317	\$4,150
055-2632-742	22"	SM.	SM.	.177	26	9"	7-1/2"	8	1415	\$4,465
055-2632-522	20"	C.O.	SM.	.138	26	9"	7-1/2"	8	1304	\$4,215
055-2632-842	22"	C.O.	SM.	.177	26	9"	7-1/2"	8	1401	\$4,547
055-2812-222	20"	C.O.	C.O.	.138	28	7-1/2"	7-1/2"	8	1301	\$4,416
055-2812-642	22"	C.O.	C.O.	.177	28	7-1/2"	7-1/2"	8	1406	\$4,799
055-2812-322	20"	SM.	SM.	.138	28	7-1/2"	7-1/2"	8	1331	\$4,284
055-2812-742	22"	SM.	SM.	.177	28	7-1/2"	7-1/2"	8	1439	\$4,624
055-2812-522	20"	C.O.	SM.	.138	28	7-1/2"	7-1/2"	8	1316	\$4,358
055-2812-842	22"	C.O.	SM.	.177	28	7-1/2"	7-1/2"	8	1422	\$4,718

<u>EXTRA EQUIPMENT</u>	<u>WIDTH</u>	<u>SPACING</u>	<u>APX WT</u>	<u>SUGST PRICE</u>
9-055-916220 SCRAPERS	6'6"	9"	122#	\$370
9-055-918320 SCRAPERS	7'0"	9"F7-1/2"R	131#	\$413
9-055-920120 SCRAPERS	7'0"	7-1/2"	140#	\$432
9-055-920220 SCRAPERS	7'11"	9"	147#	\$477
9-055-922320 SCRAPERS	8'2"	9"F7-1/2"R	157#	\$504
9-055-924120 SCRAPERS	8'2"	7-1/2"	166#	\$540
9-055-924220 SCRAPERS	9'4"	9"	175#	\$540
9-055-926320 SCRAPERS	9'4"	9"F7-1/2"R	184#	\$562
9-055-928120 SCRAPERS	9'4"	7-1/2"	193#	\$596

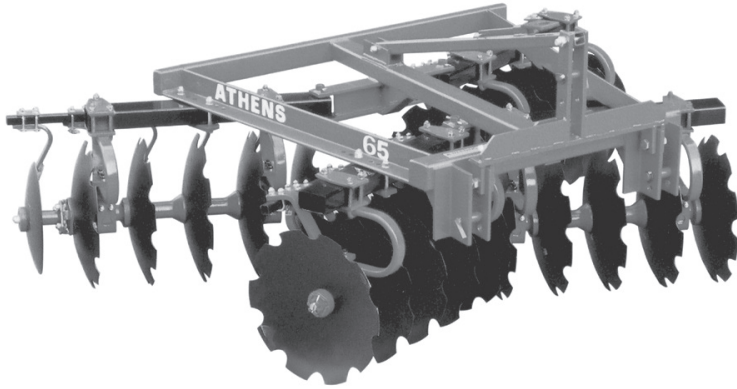
<u>EXTRA EQUIPMENT</u>	<u>APX WT</u>	<u>SUGST PRICE</u>
9-055-700016 COVER DISK W/O SCRAPER W/16" DISK	34#	\$180
9-055-709016 COVER DISK W/ SCRAPERS W/16" DISK	43#	\$210
9-055-800000 BALK BUSTER	38#	\$180

OPTIONAL EQUIPMENT:

TO SPECIFY CAT. #1 IN LIEU OF CAT.#II, CHANGE  
10<sup>TH</sup> DIGIT FROM 2 TO 1

NO CHARGE

# ATHENS 65 LIFT-TYPE TANDEM DISK HARROW



## **SPECIFICATIONS:**

Cutting Width 8'0", 8'4", and 9'6"  
 Disc Spacing 9", or 9" Front – 7 1/2" Rear  
 Disc Diameter 22" or 24"  
 Rigid or Spring Bearing Hangers  
 Cat. II Free Link/Quick Coupler  
 Relube Ball Bearings  
 1 1/4" Cold Rolled Square Gang Axle  
 with Gang Wrench

<u>MODEL NUMBER</u>	<u>DISK DIAM</u>	<u>TYPE OF DISK</u>		<u>DISK THCK</u>	<u># OF DISK</u>	<u>DISK SPACING</u>		<u># OF BRGS</u>	<u>APX WT</u>	<u>SUGST PRICE</u>
		FRNT	REAR			FRNT	REAR			
<u>8'0" WIDE</u>										
065-2027-650	22"	C.O.	C.O.	.197	20	9"	9"	8	1710	\$5,700
065-2027-660	24"	C.O.	C.O.	.197	20	9"	9"	8	1770	\$6,022
065-2027-750	22"	SM.	SM.	.197	20	9"	9"	8	1730	\$5,670
065-2027-760	24"	SM.	SM.	.197	20	9"	9"	8	1790	\$5,950
065-2027-850	22"	C.O.	SM.	.197	20	9"	9"	8	1720	\$5,685
065-2027-860	24"	C.O.	SM.	.197	20	9"	9"	8	1780	\$5,985
<u>8'4" WIDE</u>										
065-2237-650	22"	C.O.	C.O.	.197	22	9"	7-1/2"	8	1762	\$5,995
065-2237-750	22"	SM.	SM.	.197	22	9"	7-1/2"	8	1784	\$5,958
065-2237-850	22"	C.O.	SM.	.197	22	9"	7-1/2"	8	1774	\$5,972
<u>9'6" WIDE</u>										
065-2427-650	22"	C.O.	C.O.	.197	24	9"	9"	8	1872	\$6,241
065-2427-660	24"	C.O.	C.O.	.197	24	9"	9"	8	1944	\$6,620
065-2427-750	22"	SM.	SM.	.197	24	9"	9"	8	1896	\$6,200
065-2427-760	24"	SM.	SM.	.197	24	9"	9"	8	1968	\$6,538
065-2427-850	22"	C.O.	SM.	.197	24	9"	9"	8	1884	\$6,219
065-2427-860	24"	C.O.	SM.	.197	24	9"	9"	8	1956	\$6,579
065-2637-650	22"	C.O.	C.O.	.197	26	9"	7-1/2"	8	1914	\$6,517
065-2637-750	22"	SM.	SM.	.197	26	9"	7-1/2"	8	1940	\$6,473
065-2637-850	22"	C.O.	SM.	.197	26	9"	7-1/2"	8	1954	\$6,494

## OPTIONAL EQUIPMENT

For Spring Bearing Hangers:  
 Change the 7<sup>th</sup> Digit from 7 to 6 and Add 15#  
 And \$32.00 per Bearing Weights and Prices.

(CONT'D)

<u>EXTRA EQUIPMENT</u>		<u>SPACING</u>	<u>APX WT</u>	<u>SUGST PRICE</u>
<u>SCRAPERS</u>				
9-065-920270	Scrapers for 8'0" Units	9"	226	\$624
*9-065-920260		9"	244	\$670
9-065-922370	Scrapers for 8'4" Units	9"F 7-1/2"R	241	\$664
*9-065-922360		9"F 7-1/2"R	259	\$714
9-065-924270	Scrapers for 9'6" Units	9"	265	\$732
*9-065-924260		9"	283	\$780
9-065-926370	Scrapers for 9'6" Units	9"F7-1/2"R	280	\$772
*9-065-926360		9"F7-1/2"R	298	\$821

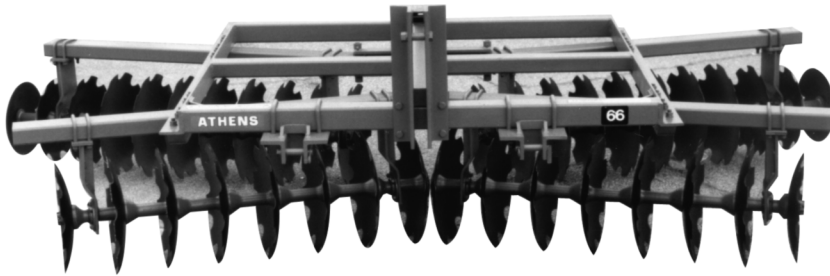
\*For Units with Spring Bearing Hangers

COVER DISC

9-065-700018	Cover Disc Assembly with 18" Blade w/o Scraper		40	\$222
9-065-709018	Cover Disc Assembly with 18" blade w/Scraper		56	\$257
9-065-800000	Balk Buster		23	\$165



## ATHENS 66 LIFT TYPE DISK HARROW



### **SPECIFICATIONS:**

Cutting Width 10'6" to 15'3"  
 Disk Spacing 7-1/2", 9" or 9"  
 Front and 7-1/2" Rear  
 Disk Blades – 20" or 22" Cutout  
 Or Smooth  
 Heavy Duty Scrapers (Extra  
 Equipment)  
 Category II or III Free Link  
 Or Quick Coupler Hitch

### **STANDARD EQUIPMENT:**

1-1/8" Cold Rolled Square Axle  
 Relube Ball Bearings  
 Flangette Bearing Hangers  
 Adjustable Angle of Cut 16 Degrees  
 To 21 Degrees  
 Tapered Outside Rear Disk Gangs

<u>MODEL NUMBER</u>	<u>DISK DIAM</u>	<u>TYPE OF DISK</u>		<u>DISK THCK</u>	<u># OF DISK</u>	<u>DISK SPACING</u>		<u># OF BRGS</u>	<u>APX WT</u>	<u>SUGST PRICE</u>
		FRNT	REAR			FRNT	REAR			
<b><u>10'6" WIDE</u></b>										
066-3032-222	20"	C.O.	C.O.	.138	30	9"	7-1/2"	8	1924	\$6,250
066-3032-642	22"	C.O.	C.O.	.177	30	9"	7-1/2"	8	2039	\$6,625
066-3032-322	20"	SM.	SM.	.138	30	9"	7-1/2"	8	1957	\$6,360
066-3032-742	22"	SM.	SM.	.177	30	9"	7-1/2"	8	2074	\$6,418
066-3032-522	20"	C.O.	SM.	.138	30	9"	7-1/2"	8	1941	\$6,308
066-3032-842	22"	C.O.	SM.	.177	30	9"	7-1/2"	8	2057	\$6,683
066-3212-222	20"	C.O.	C.O.	.138	32	7-1/2"	7-1/2"	8	1947	\$6,326
066-3212-642	22"	C.O.	C.O.	.177	32	7-1/2"	7-1/2"	8	2071	\$6,729
066-3212-322	20"	SM.	SM.	.138	32	7-1/2"	7-1/2"	8	1982	\$6,442
066-3212-742	22"	SM.	SM.	.177	32	7-1/2"	7-1/2"	8	2109	\$6,853
066-3212-522	20"	C.O.	SM.	.138	32	7-1/2"	7-1/2"	8	1964	\$6,380
066-3212-842	22"	C.O.	SM.	.177	32	7-1/2"	7-1/2"	8	2090	\$6,788
<b><u>10'9" WIDE</u></b>										
066-2822-222	20"	C.O.	C.O.	.138	28	9"	9"	8	1901	\$6,176
066-2822-642	22"	C.O.	C.O.	.177	28	9"	9"	8	2006	\$6,518
066-2822-322	20"	SM.	SM.	.138	28	9"	9"	8	1933	\$6,282
066-2822-742	22"	SM.	SM.	.177	28	9"	9"	8	2039	\$6,625
066-2822-522	20"	C.O.	SM.	.138	28	9"	9"	8	1916	\$6,227
066-2822-842	22"	C.O.	SM.	.177	28	9"	9"	8	2022	\$6,568

<u>MODEL NUMBER</u>	<u>DISK DIAM</u>	<u>TYPE OF DISK</u>		<u>DISK THCK</u>	<u># OF DISK</u>	<u>DISK SPACING</u>		<u># OF BRGS</u>	<u>APX WT</u>	<u>SUGST PRICE</u>
		FRNT	REAR			FRNT	REAR			
<u>12'2" WIDE</u>										
066-3222-221	20"	C.O.	C.O.	.138	32	9"	9"	12	2044	\$6,494
066-3222-641	22"	C.O.	C.O.	.177	32	9"	9"	12	2180	\$7,048
066-3222-321	20"	SM.	SM.	.138	32	9"	9"	12	2064	\$6,303
066-3222-741	22"	SM.	SM.	.177	32	9"	9"	12	2216	\$6,805
066-3222-521	20"	C.O.	SM.	.138	32	9"	9"	12	2058	\$6,395
066-3222-841	22"	C.O.	SM.	.177	32	9"	9"	12	2197	\$6,923
<u>12'11" WIDE</u>										
066-3632-221	20"	C.O.	C.O.	.138	36	9"	7-1/2"	12	2103	\$6,642
066-3632-641	22"	C.O.	C.O.	.177	36	9"	7-1/2"	12	2257	\$7,138
066-3632-321	20"	SM.	SM.	.138	36	9"	7-1/2"	12	2234	\$6,445
066-3632-741	22"	SM.	SM.	.177	36	9"	7-1/2"	12	2298	\$6,940
066-3632-521	20"	C.O.	SM.	.138	36	9"	7-1/2"	12	2219	\$6,484
066-3632-841	22"	C.O.	SM.	.177	36	9"	7-1/2"	12	2279	\$7,074
066-4012-221	20"	C.O.	C.O.	.138	40	7-1/2"	7-1/2"	12	2161	\$6,782
066-4012-641	22"	C.O.	C.O.	.177	40	7-1/2"	7-1/2"	12	2334	\$7,374
066-4012-321	20"	SM.	SM.	.138	40	7-1/2"	7-1/2"	12	2195	\$6,559
066-4012-741	22"	SM.	SM.	.177	40	7-1/2"	7-1/2"	12	2406	\$7,079
066-4012-521	20"	C.O.	SM.	.138	40	7-1/2"	7-1/2"	12	2177	\$6,700
066-4012-841	22"	C.O.	SM.	.177	40	7-1/2"	7-1/2"	12	2356	\$7,245
<u>13'6" WIDE</u>										
066-3622-221	20"	C.O.	C.O.	.138	36	9"	9"	12	2194	\$7,095
066-3622-641	22"	C.O.	C.O.	.177	36	9"	9"	12	2298	\$7,659
066-3622-321	20"	SM.	SM.	.138	36	9"	9"	12	2207	\$6,908
066-3622-741	22"	SM.	SM.	.177	36	9"	9"	12	2328	\$7,409
066-3622-521	20"	C.O.	SM.	.138	36	9"	9"	12	2200	\$7,005
066-3622-841	22"	C.O.	SM.	.177	36	9"	9"	12	2313	\$7,538
<u>14'1" WIDE</u>										
066-4032-221	20"	C.O.	C.O.	.138	40	9"	7-1/2"	12	2269	\$7,245
066-4032-641	22"	C.O.	C.O.	.177	40	9"	7-1/2"	12	2387	\$7,849
066-4032-321	20"	SM.	SM.	.138	40	9"	7-1/2"	12	2283	\$7,023
066-4032-741	22"	SM.	SM.	.177	40	9"	7-1/2"	12	2421	\$7,570
066-4032-521	20"	C.O.	C.O.	.138	40	9"	7-1/2"	12	2276	\$7,140
066-4032-841	22"	C.O.	SM.	.177	40	9"	7-1/2"	12	2405	\$7,711
066-4412-221	20"	C.O.	C.O.	.138	44	7-1/2"	7-1/2"	12	2342	\$7,344
066-4412-641	22"	C.O.	C.O.	.177	44	7-1/2"	7-1/2"	12	2476	\$7,992
066-4412-321	20"	SM.	SM.	.138	44	7-1/2"	7-1/2"	12	2358	\$7,109
066-4412-741	22"	SM.	SM.	.177	44	7-1/2"	7-1/2"	12	2513	\$8,052
066-4412-521	20"	C.O.	SM.	.138	44	7-1/2"	7-1/2"	12	2349	\$7,226
066-4412-841	22"	C.O.	SM.	.177	44	7-1/2"	7-1/2"	12	2495	\$7,863

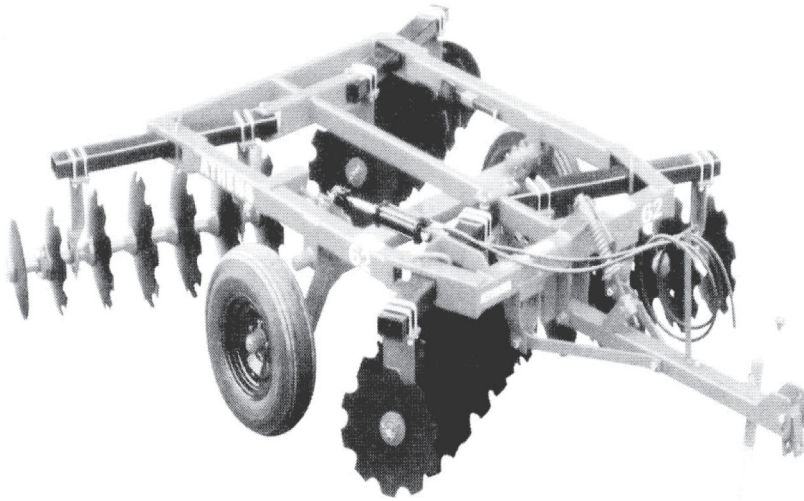
<u>MODEL NUMBER</u>	<u>DISK DIAM</u>	<u>TYPE OF DISK</u>		<u>DISK THCK</u>	<u># OF DISK</u>	<u>DISK SPACING</u>		<u># OF BRGS</u>	<u>APX WT</u>	<u>SUGST PRICE</u>
		FRNT	REAR			FRNT	REAR			
<u>15'0"WIDE</u>										
066-4022-221	20"	C.O.	C.O.	.138	40	9"	9"	16	2326	\$7,464
066-4022-641	22"	C.O.	C.O.	.177	40	9"	9"	16	2444	\$8,140
066-4022-321	20"	SM.	SM.	.138	40	9"	9"	16	2340	\$7,373
066-4022-741	22"	SM.	SM.	.177	40	9"	9"	16	2478	\$7,800
066-4022-521	20"	C.O.	SM.	.138	40	9"	9"	16	2282	\$7,420
066-4022-841	22"	C.O.	SM.	.177	40	9"	9"	16	2462	\$7,968

15'3" WIDE

066-4432-221	20"	C.O.	C.O.	.138	44	9"	7-1/2"	16	2388	\$7,736
066-4432-641	22"	C.O.	C.O.	.177	44	9"	7-1/2"	16	2522	\$8,510
066-4432-321	20"	SM.	SM.	.138	44	9"	7-1/2"	16	2404	\$7,644
066-4432-741	22"	SM.	SM.	.177	44	9"	7-1/2"	16	2559	\$8,127
066-4432-521	20"	C.O.	SM.	.138	44	9"	7-1/2"	16	2397	\$7,693
066-4432-841	22"	C.O.	SM.	.177	44	9"	7-1/2"	16	2542	\$8,321
066-4812-221	20"	C.O.	C.O.	.138	48	7-1/2"	7-1/2"	16	2448	\$8,015
066-4812-641	22"	C.O.	C.O.	.177	48	7-1/2"	7-1/2"	16	2598	\$8,878
066-4812-321	20"	SM.	SM.	.138	48	7-1/2"	7-1/2"	16	2466	\$7,921
066-4812-741	22"	SM.	SM.	.177	48	7-1/2"	7-1/2"	16	2638	\$8,453
066-4812-521	20"	C.O.	SM.	.138	48	7-1/2"	7-1/2"	16	2457	\$7,968
066-4812-841	22"	C.O.	SM.	.177	48	7-1/2"	7-1/2"	16	2618	\$8,667

<u>EXTRA EQUIPMENT</u>	<u>WIDTH</u>	<u>SPACING</u>	<u>APX WT</u>	<u>SUGST PRICE</u>
9-066-928220	SCRAPERS	10'9"	9"	336 \$ 658
9-066-930320	SCRAPERS	10'6"	9"F7-1/2"R	360 \$ 705
9-066-932120	SCRAPERS	10'6"	7-1/2"	384 \$ 753
9-066-932220	SCRAPERS	12'2"	9"	390 \$ 782
9-066-936320	SCRAPERS	12'11"	9"F7-1/2"R	422 \$ 875
9-066-940120	SCRAPERS	12'11"	7-1/2"	453 \$ 975
9-066-936220	SCRAPERS	13'6"	9"	428 \$ 886
9-066-940320	SCRAPERS	14'1"	9"F7-1/2"R	459 \$ 980
9-066-944120	SCRAPERS	14'1"	7-1/2"	493 \$ 1,082
9-066-940220	SCRAPERS	15'0"	9"	463 \$ 1,012
9-066-944320	SCRAPERS	15'3"	9"F7-1/2"R	489 \$ 1,103
9-066-948120	SCRAPERS	15'3"	7-1/2"	531 \$ 1,199
9-066-700016	COVER DISK W/O SCRAPERS			34 \$ 140
9-066-709016	COVER DISK WITH SCRAPERS			43 \$ 189
9-066-800000	BALK BUSTER			23 \$ 160

## ATHENS 62 WHEEL TANDEM DISK HARROW



### SPECIFICATIONS:

Cutting Width – 7’11” to 12’11”  
 Spacing – 7 1/2”, 9” or  
 9” Front, 7 1/2” Rear  
 20” or 22” Disks – Cutout or Smooth  
 Heavy Duty Scrapers ( Extra Equip.)

### STANDARD EQUIPMENT

Heavy – Duty Tongue with Jack  
 15”, 5 Lug Whls w/ Hubs  
 Tapered Outside Rear Disk Gangs  
 1 1/8” Cold Rolled Square Axles  
 W/ Wrench  
 Adjustable Angle of Cut  
 Flangette Bearing Hangers  
 Relube Ball Bearings  
 Lifting Hydraulics

<u>MODEL NUMBER</u>	<u>DISK DIAM</u>	<u>TYPE OF DISK</u>		<u>DISK THCK</u>	<u># OF DISK</u>	<u>DISK SPACING</u>		<u># OF BRGS</u>	<u>APX WT</u>	<u>SUGST PRICE</u>
		<u>FRNT</u>	<u>REAR</u>			<u>FRNT</u>	<u>REAR</u>			
<u>7’11” WIDE</u>										
062-2022-221	20”	C.O.	C.O.	.138	20	9”	9”	8	1584	\$6,393
062-2022-641	22”	C.O.	C.O.	.177	20	9”	9”	8	1643	\$6,730
062-2022-321	20”	SM.	SM.	.138	20	9”	9”	8	1591	\$6,273
062-2022-741	22”	SM.	SM.	.177	20	9”	9”	8	1646	\$6,573
062-2022-521	20”	C.O.	SM.	.138	20	9”	9”	8	1588	\$6,346
062-2022-841	22”	C.O.	SM.	.177	20	9”	9”	8	1645	\$6,653
<u>8’2” WIDE</u>										
062-2232-221	20”	C.O.	C.O.	.138	22	9”	7-1/2”	8	1613	\$6,560
062-2232-641	22”	C.O.	C.O.	.177	22	9”	7-1/2”	8	1680	\$6,927
062-2232-321	20”	SM.	SM.	.138	22	9”	7-1/2”	8	1620	\$6,432
062-2232-741	22”	SM.	SM.	.177	22	9”	7-1/2”	8	1682	\$6,758
062-2232-521	20”	C.O.	SM.	.138	22	9”	7-1/2”	8	1617	\$6,507
062-2232-841	22”	C.O.	SM.	.177	22	9”	7-1/2”	8	1682	\$6,838
062-2412-221	20”	C.O.	C.O.	.138	24	7-1/2”	7-1/2”	8	1647	\$6,730
062-2412-641	22”	C.O.	C.O.	.177	24	7-1/2”	7-1/2”	8	1741	\$7,130
062-2412-321	20”	SM.	SM.	.138	24	7-1/2”	7-1/2”	8	1666	\$6,582
062-2412-741	22”	SM.	SM.	.177	24	7-1/2”	7-1/2”	8	1768	\$6,935
062-2412-521	20”	C.O.	SM.	.138	24	7-1/2”	7-1/2”	8	1655	\$6,725
062-2412-841	22”	C.O.	SM.	.177	24	7-1/2”	7-1/2”	8	1754	\$7,161

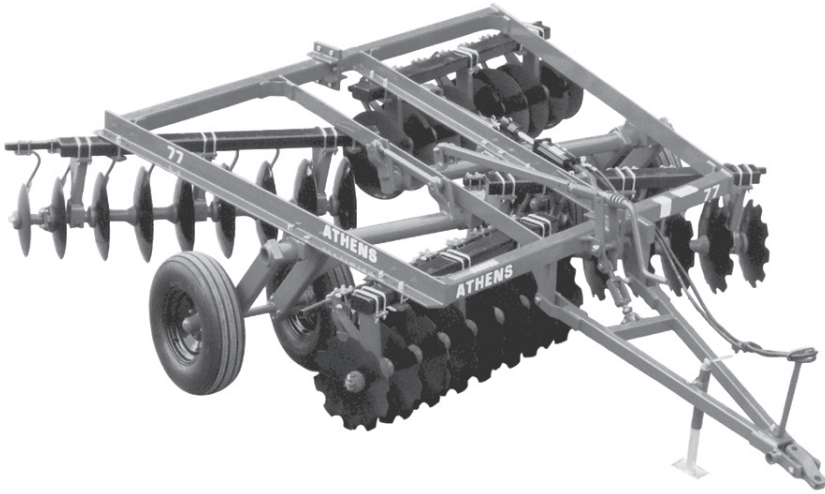
MODEL NUMBER	DISK DIAM	TYPE OF DISK		DISK THCK	# OF DISK	DISK SPACING		# OF BRGS	APX WT	SUGST PRICE
		FRNT	REAR			FRNT	REAR			
<u>9'4" WIDE</u>										
062-2422-221	20"	C.O.	C.O.	.138	24	9"	9"	8	1695	\$6,704
062-2422-641	22"	C.O.	C.O.	.177	24	9"	9"	8	1789	\$7,084
062-2422-321	20"	SM.	SM.	.138	24	9"	9"	8	1714	\$6,560
062-2422-741	22"	SM.	SM.	.177	24	9"	9"	8	1816	\$6,922
062-2422-521	20"	C.O.	SM.	.138	24	9"	9"	8	1703	\$6,619
062-2422-841	22"	C.O.	SM.	.177	24	9"	9"	8	1802	\$7,018
062-2632-221	20"	C.O.	C.O.	.138	26	9"	7-1/2"	8	1710	\$6,874
062-2632-641	22"	C.O.	C.O.	.177	26	9"	7-1/2"	8	1824	\$7,313
062-2632-321	20"	SM.	SM.	.138	26	9"	7-1/2"	8	1741	\$6,713
062-2632-741	22"	SM.	SM.	.177	26	9"	7-1/2"	8	1853	\$7,109
062-2632-521	20"	C.O.	SM.	.138	26	9"	7-1/2"	8	1730	\$6,798
062-2632-841	22"	C.O.	SM.	.177	26	9"	7-1/2"	8	1839	\$7,203
062-2812-221	20"	C.O.	C.O.	.138	28	7-1/2"	7-1/2"	8	1744	\$7,040
062-2812-641	22"	C.O.	C.O.	.177	28	7-1/2"	7-1/2"	8	1858	\$7,513
062-2812-321	20"	SM.	SM.	.138	28	7-1/2"	7-1/2"	8	1768	\$6,865
062-2812-741	22"	SM.	SM.	.177	28	7-1/2"	7-1/2"	8	1800	\$7,287
062-2812-521	20"	C.O.	SM.	.138	28	7-1/2"	7-1/2"	8	1755	\$6,966
062-2812-841	22"	C.O.	SM.	.177	28	7-1/2"	7-1/2"	8	1874	\$7,405
<u>10'6" WIDE</u>										
062-3032-221	20"	C.O.	C.O.	.138	30	9"	7-1/2"	8	1899	\$7,558
062-3032-641	22"	C.O.	C.O.	.177	30	9"	7-1/2"	8	2023	\$8,067
062-3032-321	20"	SM.	SM.	.138	30	9"	7-1/2"	8	1924	\$7,368
062-3032-741	22"	SM.	SM.	.177	30	9"	7-1/2"	8	2057	\$7,877
062-3032-521	20"	C.O.	SM.	.138	30	9"	7-1/2"	8	1911	\$7,465
062-3032-841	22"	C.O.	SM.	.177	30	9"	7-1/2"	8	2041	\$7,941
062-3212-221	20"	C.O.	C.O.	.138	32	7-1/2"	7-1/2"	8	1917	\$7,710
062-3212-641	22"	C.O.	C.O.	.177	32	7-1/2"	7-1/2"	8	2051	\$8,447
062-3212-321	20"	SM.	SM.	.138	32	7-1/2"	7-1/2"	8	1945	\$7,628
062-3212-741	22"	SM.	SM.	.177	32	7-1/2"	7-1/2"	8	2088	\$7,999
062-3212-521	20"	C.O.	SM.	.138	32	7-1/2"	7-1/2"	8	1930	\$7,623
062-3212-841	22"	C.O.	SM.	.177	32	7-1/2"	7-1/2"	8	2069	\$8,134
<u>10'9" WIDE</u>										
062-2822-221	20"	C.O.	C.O.	.138	28	9"	9"	8	1880	\$7,390
062-2822-641	22"	C.O.	C.O.	.177	28	9"	9"	8	1995	\$7,907
062-2822-321	20"	SM.	SM.	.138	28	9"	9"	8	1905	\$7,223

MODEL NUMBER	DISK DIAM	TYPE OF DISK		DISK THCK	# OF DISK	DISK SPACING		# OF BRGS	APX WT	SUGST PRICE
		FRNT	REAR			FRNT	REAR			
<u>10'9"WIDE(cont)</u>										
062-2822-741	22"	SM.	SM.	.177	28	9"	9"	8	2026	\$7,640
062-2822-521	20"	C.O.	SM.	.138	28	9"	9"	8	1891	\$7,313
062-2822-841	22"	C.O.	SM.	.177	28	9"	9"	8	2010	\$7,760
<u>12'2" WIDE</u>										
062-3222-221	20"	C.O.	C.O.	.138	32	9"	9"	12	2166	\$8,491
062-3222-641	22"	C.O.	C.O.	.177	32	9"	9"	12	2300	\$9,045
062-3222-321	20"	SM.	SM.	.138	32	9"	9"	12	2184	\$8,307
062-3222-741	22"	SM.	SM.	.177	32	9"	9"	12	2336	\$8,790
062-3222-521	20"	C.O.	SM.	.138	32	9"	9"	12	2178	\$8,407
062-3222-841	22"	C.O.	SM.	.177	32	9"	9"	12	2317	\$8,923
<u>12'11" WIDE</u>										
062-3632-221	20"	C.O.	C.O.	.138	36	9"	7-1/2"	12	2223	\$8,813
062-3632-641	22"	C.O.	C.O.	.177	36	9"	7-1/2"	12	2377	\$9,424
062-3632-321	20"	SM.	SM.	.138	36	9"	7-1/2"	12	2354	\$8,591
062-3632-741	22"	SM.	SM.	.177	36	9"	7-1/2"	12	2418	\$9,139
062-3632-521	20"	C.O.	SM.	.138	36	9"	7-1/2"	12	2339	\$8,699
062-3632-841	22"	C.O.	SM.	.177	36	9"	7-1/2"	12	2399	\$9,279
062-4012-221	20"	C.O.	C.O.	.138	40	7-1/2"	7-1/2"	12	2281	\$9,139
062-4012-641	22"	C.O.	C.O.	.177	40	7-1/2"	7-1/2"	12	2454	\$9,815
062-4012-321	20"	SM.	SM.	.138	40	7-1/2"	7-1/2"	12	2315	\$8,882
062-4012-741	22"	SM.	SM.	.177	40	7-1/2"	7-1/2"	12	2526	\$9,498
062-4012-521	20"	C.O.	SM.	.138	40	7-1/2"	7-1/2"	12	2297	\$9,025
062-4012-841	22"	C.O.	SM.	.177	40	7-1/2"	7-1/2"	12	2476	\$9,660
<u>EXTRA EQUIPMENT</u>										
					<u>WIDTH</u>	<u>SPACING</u>		<u>APX WT</u>	<u>SUGST PRICE</u>	
9-062-920220	SCRAPERS				7'11"	9"		177#	\$480	
9-062-922320	SCRAPERS				8'2"	9"F7-1/2"R		196#	\$509	
9-062-924120	SCRAPERS				8'2"	7-1/2"		208#	\$546	
9-062-924220	SCRAPERS				9'4"	9"		214#	\$546	
9-062-926320	SCRAPERS				9'4"	9"F7-1/2"R		231#	\$564	
9-062-928120	SCRAPERS				9'4"	7-1/2"		250#	\$604	
9-062-932120	SCRAPERS				10'6"	7-1/2"		296#	\$662	
9-062-928220	SCRAPERS				10'9"	9"		263#	\$600	
9-062-930320	SCRAPERS				10'6"	9"F7-1/2"R		278#	\$639	
9-062-932220	SCRAPERS				12'2"	9"		305#	\$700	
9-062-936320	SCRAPERS				12'11"	9"F7-1/2"R		337#	\$762	
9-062-940120	SCRAPERS				12'11"	7-1/2"		367#	\$824	

<u>EXTRA EQUIPMENT</u>		<u>APX</u>	<u>SUGST</u>
		<u>WT</u>	<u>PRICE</u>
9-062-800000	BALK BUSTER	38#	\$196
9-062-700016	COVER DISK W/O SCRAPERS W/16" DISK	34#	\$177
9-062-709016	COVER DISK W/SCRAPERS W/16" DISK	43#	\$209

**PRICE DOES NOT INCLUDE TIRES**

## ATHENS 76R RIGID DOUBLE OFFSET HARROW



### SPECIFICATIONS:

Width – 8’10” to 15’1”  
 22”/24” Disks Cutout or Smooth  
 Spacing 9”, 7-1/2”, or 9”F/7-1/2”R  
 Trunnion Mounted Housing with  
 Relube Quadriseal Ball Bearings  
 Spring or Rigid Bearing Hangers  
 1.25 Sq. Cold Rolled Gang Axles

### STANDARD EQUIPMENT:

Self Leveling Frame  
 “A” Frame Tongue w/Jack  
 Heavy-Duty, Tubular Mtd Scrapers  
 Cover Disk w/Scrapers  
 Split Wheel Carriages  
 Lifting Hydraulics w/ Mech. Trnsprt  
 Adjustable Angle of Cut  
 15 x 6 – 5 Lug Wheels w/ Hubs  
 Tapered Front & Rear Gangs

<u>MODEL NUMBER</u>	<u>DISK DIAM</u>	<u>TYPE OF DISK</u>		<u>DISK THCK</u>	<u># OF DISK</u>	<u>DISK SPACING</u>		<u># OF BRGS</u>	<u>APX WT</u>	<u>SUGST PRICE</u>
		FRNT	REAR			FRNT	REAR			
<u>8’10” WIDE</u>										
<u>W/RIGID BEARING HANGERS</u>										
76R-2427-637	22”	C.O.	C.O.	.157	24	9”	9”	8	2694	\$10,211
76R-2427-667	24”	C.O.	C.O.	.197	24	9”	9”	8	2840	\$10,824
76R-2427-737	22”	SM.	SM.	.157	24	9”	9”	8	2714	\$10,058
76R-2427-767	24”	SM.	SM.	.197	24	9”	9”	8	2870	\$10,600
76R-2427-837	22”	C.O.	SM.	.157	24	9”	9”	8	2704	\$10,138
76R-2427-867	24”	C.O.	SM.	.197	24	9”	9”	8	2853	\$10,715
76R-2637-637	22”	C.O.	C.O.	.157	26	9”	7-1/2”	8	2752	\$10,770
76R-2637-737	22”	SM.	SM.	.157	26	9”	7-1/2”	8	2783	\$10,649
76R-2637-837	22”	C.O.	SM.	.157	26	9”	7-1/2”	8	2767	\$10,713
76R-2817-637	22”	C.O.	C.O.	.157	28	7-1/2”	7-1/2”	8	2809	\$11,004
76R-2817-737	22”	SM.	SM.	.157	28	7-1/2”	7-1/2”	8	2843	\$10,872
76R-2817-837	22”	C.O.	SM.	.157	28	7-1/2”	7-1/2”	8	2825	\$10,935
<u>W/SPRING BEARING HANGERS</u>										
76R-2426-657	22”	C.O.	C.O.	.197	24	9”	9”	8	2902	\$10,702
76R-2426-757	22”	SM.	SM.	.197	24	9”	9”	8	3048	\$10,547
76R-2426-857	22”	C.O.	SM.	.197	24	9”	9”	8	2922	\$10,612
76R-2636-657	22”	C.O.	C.O.	.197	26	9”	7-1/2”	8	2968	\$10,935
76R-2636-757	22”	SM.	SM.	.197	26	9”	7-1/2”	8	2999	\$10,821
76R-2636-857	22”	C.O.	SM.	.197	26	9”	7-1/2”	8	2983	\$10,877



MODEL NUMBER	DISK DIAM	TYPE OF DISK		DISK THCK	# OF DISK	DISK SPACING		# OF BRGS	APX WT	SUGST PRICE
		FRNT	REAR			FRNT	REAR			
<u>10'3" WIDE</u>										
<u>W/RIGID BEARING HANGERS</u>										
76R-2827-637	22"	C.O.	C.O.	.157	28	9"	9"	8	2885	\$ 11,033
76R-2827-667	24"	C.O.	C.O.	.197	28	9"	9"	8	3056	\$ 11,746
76R-2827-737	22"	SM.	SM.	.157	28	9"	9"	8	2911	\$ 10,899
76R-2827-767	24"	SM.	SM.	.197	28	9"	9"	8	3092	\$11,508
76R-2827-837	22"	C.O.	SM.	.157	28	9"	9"	8	2898	\$10,966
76R-2827-867	24"	C.O.	SM.	.197	28	9"	9"	8	3073	\$11,630
76R-3037-637	22"	C.O.	C.O.	.157	30	9"	7-1/2"	8	2943	\$11,267
76R-3037-737	22"	SM.	SM.	.157	30	9"	7-1/2"	8	2979	\$11,128
76R-3037-837	22"	C.O.	SM.	.157	30	9"	7-1/2"	8	2961	\$11,194
76R-3217-637	22"	C.O.	C.O.	.157	32	7-1/2"	7-1/2"	8	3012	\$11,238
76R-3217-737	22"	SM.	SM.	.157	32	7-1/2"	7-1/2"	8	3051	\$11,103
76R-3217-837	22"	C.O.	SM.	.157	32	7-1/2"	7-1/2"	8	3031	\$11,172
<u>W/SPRING BEARING HANGERS</u>										
76R-2826-657	22"	C.O.	C.O.	.197	28	9"	9"	8	3105	\$11,520
76R-2826-757	22"	SM.	SM.	.197	28	9"	9"	8	3131	\$11,386
76R-2826-857	22"	C.O.	SM.	.197	28	9"	9"	8	3118	\$11,455
76R-3036-657	22"	C.O.	C.O.	.197	30	9"	7-1/2"	8	3175	\$11,746
76R-3036-757	22"	SM.	SM.	.197	30	9"	7-1/2"	8	3211	\$11,403
76R-3036-857	22"	C.O.	SM.	.197	30	9"	7-1/2"	8	3352	\$11,579
76R-3216-657	22"	C.O.	C.O.	.197	32	7-1/2"	7-1/2"	8	3252	\$11,975
76R-3216-757	22"	SM.	SM.	.197	32	7-1/2"	7-1/2"	8	3291	\$11,633
76R-3216-857	22"	C.O.	SM.	.197	32	7-1/2"	7-1/2"	8	3352	\$11,802
<u>11'1" WIDE</u>										
<u>W/RIGID BEARING HANGERS</u>										
76R-3437-637	22"	C.O.	C.O.	.157	34	9"	7-1/2"	12	3205	\$12,642
76R-3437-737	22"	SM.	SM.	.157	34	9"	7-1/2"	12	3247	\$12,474
76R-3437-837	22"	C.O.	SM.	.157	34	9"	7-1/2"	12	3227	\$12,560
76R-3617-637	22"	C.O.	C.O.	.157	36	7-1/2"	7-1/2"	12	3251	\$12,918
76R-3617-737	22"	SM.	SM.	.157	36	7-1/2"	7-1/2"	12	3295	\$12,740
76R-3617-837	22"	C.O.	SM.	.157	36	7-1/2"	7-1/2"	12	3273	\$12,836
<u>W/SPRING BEARING HANGERS</u>										
76R-3436-657	22"	C.O.	C.O.	.197	34	9"	7-1/2"	12	3521	\$13,386
76R-3436-757	22"	SM.	SM.	.197	34	9"	7-1/2"	12	3563	\$13,228
76R-3436-857	22"	C.O.	SM.	.197	34	9"	7-1/2"	12	3543	\$13,303
76R-3616-657	22"	C.O.	C.O.	.197	36	7-1/2"	7-1/2"	12	3575	\$13,687
76R-3616-757	22"	SM.	SM.	.197	36	7-1/2"	7-1/2"	12	3619	\$13,506
76R-3616-857	22"	C.O.	SM.	.197	36	7-1/2"	7-1/2"	12	3597	\$13,600

MODEL NUMBER	DISK DIAM	TYPE OF DISK		DISK THCK	# OF DISK	DISK SPACING		# OF BRGS	APX WT	SUGST PRICE
		FRNT	REAR			FRNT	REAR			
<u>11'8" WIDE</u> <u>W/RIGID BEARING HANGERS</u>										
76R-3227-637	22"	C.O.	C.O.	.157	32	9"	9"	12	3191	\$12,469
76R-3227-667	24"	C.O.	C.O.	.197	32	9"	9"	12	3388	\$13,199
76R-3227-737	22"	SM.	SM.	.157	32	9"	9"	12	3231	\$12,325
76R-3227-767	24"	SM.	SM.	.197	32	9"	9"	12	3430	\$12,852
76R-3227-837	22"	C.O.	SM.	.157	32	9"	9"	12	3210	\$12,408
76R-3227-867	24"	C.O.	SM.	.197	32	9"	9"	12	3409	\$13,034
<u>W/SPRING BEARING HANGERS</u>										
76R-3226-657	22"	C.O.	C.O.	.197	32	9"	9"	12	3499	\$13,185
76R-3226-757	22"	SM.	SM.	.197	32	9"	9"	12	3528	\$13,046
76R-3226-857	22"	C.O.	SM.	.197	32	9"	9"	12	3513	\$13,120
<u>13'1" WIDE</u> <u>W/RIGID BEARING HANGERS</u>										
76R-3627-637	22"	C.O.	C.O.	.157	36	9"	9"	12	3387	\$12,978
76R-3627-667	24"	C.O.	C.O.	.197	36	9"	9"	12	3611	\$13,895
76R-3627-737	22"	SM.	SM.	.157	36	9"	9"	12	3420	\$12,800
76R-3627-767	24"	SM.	SM.	.197	36	9"	9"	12	3659	\$13,579
76R-3627-837	22"	C.O.	SM.	.157	36	9"	9"	12	3388	\$12,870
76R-3627-867	24"	C.O.	SM.	.197	36	9"	9"	12	3634	\$13,739
<u>W/SPRING BEARING HANGERS</u>										
76R-3626-657	22"	C.O.	C.O.	.197	36	9"	9"	12	3707	\$13,795
76R-3626-757	22"	SM.	SM.	.197	36	9"	9"	12	3740	\$13,568
76R-3626-857	22"	C.O.	SM.	.197	36	9"	9"	12	3708	\$13,687
<u>13'5" WIDE</u> <u>W/RIGID BEARING HANGERS</u>										
76R-4037-637	22"	C.O.	C.O.	.157	40	9"	7-1/2"	12	3531	\$13,484
76R-4037-737	22"	SM.	SM.	.157	40	9"	7-1/2"	12	3569	\$13,308
76R-4037-837	22"	C.O.	SM.	.157	40	9"	7-1/2"	12	3546	\$13,390
76R-4417-637	22"	C.O.	C.O.	.157	44	7-1/2"	7-1/2"	12	3739	\$13,988
76R-4417-737	22"	SM.	SM.	.157	44	7-1/2"	7-1/2"	12	3792	\$13,795
76R-4417-837	22"	C.O.	SM.	.157	44	7-1/2"	7-1/2"	12	3765	\$13,890
<u>W/SPRING BEARING HANGERS</u>										
76R-4036-657	22"	C.O.	C.O.	.197	40	9"	7-1/2"	12	3871	\$14,348
76R-4036-757	22"	SM.	SM.	.197	40	9"	7-1/2"	12	3909	\$14,168
76R-4036-857	22"	C.O.	SM.	.197	40	9"	7-1/2"	12	3886	\$14,252
76R-4416-657	22"	C.O.	C.O.	.197	44	7-1/2"	7-1/2"	12	4009	\$14,903
76R-4416-757	22"	SM.	SM.	.197	44	7-1/2"	7-1/2"	12	4062	\$14,710
76R-4416-857	22"	C.O.	SM.	.197	44	7-1/2"	7-1/2"	12	4035	\$14,805

<u>MODEL NUMBER</u>	<u>DISK DIAM</u>	<u>TYPE OF DISK</u>		<u>DISK THCK</u>	<u># OF DISK</u>	<u>DISK SPACING</u>		<u># OF BRGS</u>	<u>APX WT</u>	<u>SUGST PRICE</u>
		FRNT	REAR			FRNT	REAR			
<u>14'6" WIDE</u> <u>W/RIGID BEARING HANGERS</u>										
76R-4027-637	22"	C.O.	C.O.	.157	40	9"	9"	12	3657	\$13,585
76R-4027-667	24"	C.O.	C.O.	.197	40	9"	9"	12	3910	\$14,550
76R-4027-737	22"	SM.	SM.	.157	40	9"	9"	12	3694	\$13,329
76R-4027-767	24"	SM.	SM.	.197	40	9"	9"	12	3962	\$14,070
76R-4027-837	22"	C.O.	SM.	.157	40	9"	9"	12	3676	\$13,480
76R-4027-867	24"	C.O.	SM.	.197	40	9"	9"	12	3935	\$14,255

W/SPRING BEARING HANGERS

76R-4026-657	22"	C.O.	C.O.	.197	40	9"	9"	12	3993	\$14,451
76R-4026-757	22"	SM.	SM.	.197	40	9"	9"	12	4030	\$14,198
76R-4026-857	22"	C.O.	SM.	.197	40	9"	9"	12	4012	\$14,340

15'1" WIDE      W/RIGID BEARING HANGERS

76R-4437-637	22"	C.O.	C.O.	.157	44	9"	7-1/2"	12	3788	\$14,060
76R-4437-737	22"	SM.	SM.	.157	44	9"	7-1/2"	12	3841	\$13,863
76R-4437-837	22"	C.O.	SM.	.157	44	9"	7-1/2"	12	3816	\$13,960
76R-4817-637	22"	C.O.	C.O.	.157	48	7-1/2"	7-1/2"	12	3908	\$14,469
76R-4817-737	22"	SM.	SM.	.157	48	7-1/2"	7-1/2"	12	3966	\$14,255
76R-4817-837	22"	C.O.	SM.	.157	48	7-1/2"	7-1/2"	12	3937	\$14,367

W/SPRING BEARING HANGERS

76R-4436-657	22"	C.O.	C.O.	.197	44	9"	7-1/2"	16	4144	\$14,973
76R-4436-757	22"	SM.	SM.	.197	44	9"	7-1/2"	16	4197	\$14,778
76R-4436-857	22"	C.O.	SM.	.197	44	9"	7-1/2"	16	4172	\$14,868
76R-4816-657	22"	C.O.	C.O.	.197	48	7-1/2"	7-1/2"	12	4280	\$15,423
76R-4816-757	22"	SM.	SM.	.197	48	7-1/2"	7-1/2"	12	4338	\$15,219
76R-4816-857	22"	C.O.	SM.	.197	48	7-1/2"	7-1/2"	12	4309	\$15,330

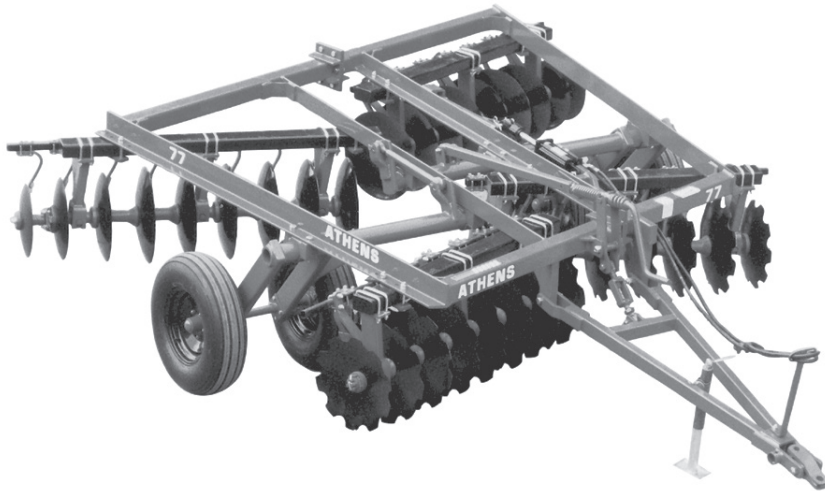
EXTRA EQUIPMENT

APX      SUGST  
WT      PRICE  
90#      \$605

9-076-605156      DUAL WHEELS FOR 8'10" TO 13'5" UNITS  
(DUAL WHEELS ARE STANDARD ON  
14'6" TO 15'1" UNITS)

**PRICE DOES NOT INCLUDE TIRES**

## ATHENS 77R RIGID DOUBLE OFFSET DISK HARROW



### SPECIFICATIONS:

Width – 11’8” to 15’9”  
 22”/24” Disks, Cutout or Smooth  
 Spacing – 9”, 7-1/2”, 9”Frnt/7-1/2”R  
 Trunnion Mounted Housing with  
 QUADRASEAL Ball Bearings  
 Spring or Rigid Bearing Hangers  
 1.25 Sq. Cold Rolled Gang Axles

### STANDARD EQUIPMENT:

Self Leveling Frame  
 “A” Frame Tongue w/ Jack  
 Heavy-duty Tubular Mounted Scrprs  
 Cover Disk w/Scrapers  
 Split Wheel Carriages  
 Lifting Hyd. W/Mechanical Transport  
 Adjustable Angle of Cut  
 15 x 6 – Dual Wheels w/ Hubs  
 Tapered Front & Rear Gangs

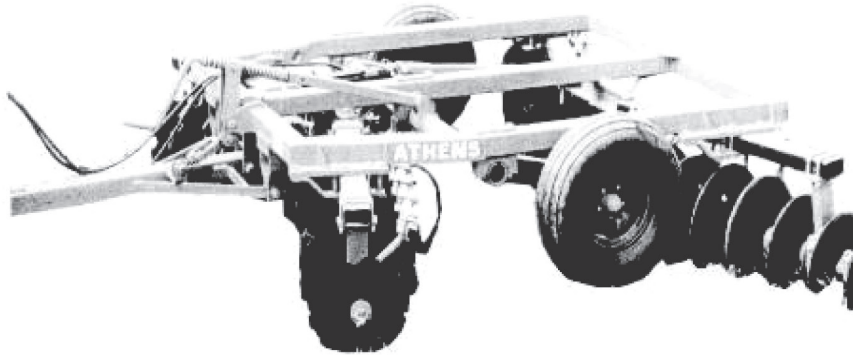
<u>MODEL NUMBER</u>	<u>DISK DIAM</u>	<u>TYPE OF DISK</u>		<u>DISK THCK</u>	<u># OF DISK</u>	<u>DISK SPACING</u>		<u># OF BRGS</u>	<u>APX WT</u>	<u>SUGST PRICE</u>
		<u>FRNT</u>	<u>REAR</u>			<u>FRNT</u>	<u>REAR</u>			
<u>11’1” WIDE W/RIGID BEARING HANGERS</u>										
77R-3437-631	22”	C.O.	C.O.	.157	34	9”	7-1/2”	12	3700	\$15,005
77R-3437-731	22”	SM.	SM.	.157	34	9”	7-1/2”	12	3742	\$14,833
77R-3437-831	22”	C.O.	SM.	.157	34	9”	7-1/2”	12	3721	\$14,910
77R-3617-631	22”	C.O.	C.O.	.157	36	7-1/2”	7-1/2”	12	3746	\$15,302
77R-3617-731	22”	SM.	SM.	.157	36	7-1/2”	7-1/2”	12	3789	\$15,112
77R-3617-831	22”	C.O.	SM.	.157	36	7-1/2”	7-1/2”	12	3767	\$15,210
<u>W/SPRING BEARING HANGERS</u>										
77R-3436-651	22”	C.O.	C.O.	.197	34	9”	7-1/2”	12	4016	\$15,805
77R-3436-751	22”	SM.	SM.	.197	34	9”	7-1/2”	12	4058	\$15,630
77R-3436-851	22”	C.O.	SM.	.197	34	9”	7-1/2”	12	4037	\$15,720
77R-3616-651	22”	C.O.	C.O.	.197	36	7-1/2”	7-1/2”	12	4070	\$16,125
77R-3616-751	22”	SM.	SM.	.197	36	7-1/2”	7-1/2”	12	4113	\$15,942
77R-3616-851	22”	C.O.	SM.	.197	36	7-1/2”	7-1/2”	12	4091	\$16,042
<u>11’8” WIDE W/RIGID BEARING HANGERS</u>										
77R-3227-631	22”	C.O.	C.O.	.157	32	9”	9”	12	3701	\$14,809
77R-3227-661	24”	C.O.	C.O.	.197	32	9”	9”	12	3868	\$15,594
77R-3227-731	22”	SM.	SM.	.157	32	9”	9”	12	3740	\$14,660

<u>MODEL NUMBER</u>	<u>DISK DIAM</u>	<u>TYPE OF DISK</u>		<u>DISK THCK</u>	<u># OF DISK</u>	<u>DISK SPACING</u>		<u># OF BRGS</u>	<u>APX WT</u>	<u>SUGST PRICE</u>
		<u>FRNT</u>	<u>REAR</u>			<u>FRNT</u>	<u>REAR</u>			
<u>11'8" WIDE</u>		<u>W/RIGID BEARING HANGERS(CONT'D)</u>								
77R-3227-761	24"	SM.	SM.	.197	32	9"	9"	12	3907	\$15,220
77R-3227-831	22"	C.O.	SM.	.157	32	9"	9"	12	3720	\$14,742
77R-3227-861	24"	C.O.	SM.	.197	32	9"	9"	12	3886	\$15,417
		<u>W/SPRING BEARING HANGERS</u>								
77R-3226-651	22"	C.O.	C.O.	.197	32	9"	9"	12	4009	\$15,328
77R-3226-751	22"	SM.	SM.	.197	32	9"	9"	12	4048	\$15,173
77R-3226-851	22"	C.O.	SM.	.197	32	9"	9"	12	4028	\$15,255
<u>13'1" WIDE</u>		<u>W/RIGID BEARING HANGERS</u>								
77R-3627-631	22"	C.O.	C.O.	.157	36	9"	9"	12	3913	\$15,364
77R-3627-661	24"	C.O.	C.O.	.197	36	9"	9"	12	4093	\$16,354
77R-3627-731	22"	SM.	SM.	.157	36	9"	9"	12	3950	\$15,114
77R-3627-761	24"	SM.	SM.	.197	36	9"	9"	12	4146	\$16,007
77R-3627-831	22"	C.O.	SM.	.157	36	9"	9"	12	3934	\$15,244
77R-3627-861	24"	C.O.	SM.	.197	36	9"	9"	12	4123	\$16,185
		<u>W/SPRING BEARING HANGERS</u>								
77R-3626-651	22"	C.O.	C.O.	.197	36	9"	9"	12	4219	\$16,193
77R-3626-751	22"	SM.	SM.	.197	36	9"	9"	12	4260	\$15,946
77R-3626-851	22"	C.O.	SM.	.197	36	9"	9"	12	4240	\$16,072
<u>13'6" WIDE</u>		<u>W/RIGID BEARING HANGERS</u>								
77R-4037-631	22"	C.O.	C.O.	.157	40	9"	7-1/2"	12	4011	\$15,909
77R-4037-731	22"	SM.	SM.	.157	40	9"	7-1/2"	12	4059	\$15,716
77R-4037-831	22"	C.O.	SM.	.157	40	9"	7-1/2"	12	4037	\$15,807
77R-4417-631	22"	C.O.	C.O.	.157	44	7-1/2"	7-1/2"	12	4147	\$16,458
77R-4417-731	22"	SM.	SM.	.157	44	7-1/2"	7-1/2"	12	4200	\$16,250
77R-4417-831	22"	C.O.	SM.	.157	44	7-1/2"	7-1/2"	12	4174	\$16,354
		<u>W/SPRING BEARING HANGERS</u>								
77R-4036-651	22"	C.O.	C.O.	.197	40	9"	7-1/2"	12	4351	\$16,788
77R-4036-751	22"	SM.	SM.	.197	40	9"	7-1/2"	12	4399	\$16,594
77R-4036-851	22"	C.O.	SM.	.197	40	9"	7-1/2"	12	4379	\$16,690
77R-4416-651	22"	C.O.	C.O.	.197	44	7-1/2"	7-1/2"	12	4503	\$17,399
77R-4416-751	22"	SM.	SM.	.197	44	7-1/2"	7-1/2"	12	4556	\$17,183
77R-4416-851	22"	C.O.	SM.	.197	44	7-1/2"	7-1/2"	12	4530	\$17,291
<u>14'6" WIDE</u>		<u>W/RIGID BEARING HANGERS</u>								
77R-4027-631	22"	C.O.	C.O.	.157	40	9"	9"	12	4080	\$16,017
77R-4027-661	24"	C.O.	C.O.	.197	40	9"	9"	12	4290	\$17,178
77R-4027-731	22"	SM.	SM.	.157	40	9"	9"	12	4129	\$15,841

<u>MODEL NUMBER</u>	<u>DISK DIAM</u>	<u>TYPE OF DISK</u>		<u>DISK THCK</u>	<u># OF DISK</u>	<u>DISK SPACING</u>		<u># OF BRGS</u>	<u>APX WT</u>	<u>SUGST PRICE</u>
		<u>FRNT</u>	<u>REAR</u>			<u>FRNT</u>	<u>REAR</u>			
<u>14'6" WIDE</u>										
<u>W/RIGID BEARING HANGERS(CONT'D)</u>										
77R-4027-761	24"	SM.	SM.	.197	40	9"	9"	12	4342	\$16,538
77R-4027-831	22"	C.O.	SM.	.157	40	9"	9"	12	4108	\$15,932
77R-4027-861	24"	C.O.	SM.	.197	40	9"	9"	12	4316	\$16,788
<u>W/SPRING BEARING HANGER</u>										
77R-4026-651	22"	C.O.	C.O.	.197	40	9"	9"	12	4420	\$16,900
77R-4026-751	22"	SM.	SM.	.197	40	9"	9"	12	4469	\$16,788
77R-4026-851	22"	C.O.	SM.	.197	40	9"	9"	12	4448	\$16,809
<u>15'1" WIDE</u>										
<u>W/RIGID BEARING HANGERS</u>										
77R-4437-631	22"	C.O.	C.O.	.157	44	9"	7-1/2"	12	4217	\$16,538
77R-4437-731	22"	SM.	SM.	.157	44	9"	7-1/2"	12	4240	\$16,789
77R-4437-831	22"	C.O.	SM.	.157	44	9"	7-1/2"	12	4216	\$16,424
77R-4817-631	22"	C.O.	C.O.	.157	48	7-1/2"	7-1/2"	12	4327	\$17,079
77R-4817-731	22"	SM.	SM.	.157	48	7-1/2"	7-1/2"	12	4485	\$16,838
77R-4817-831	22"	C.O.	SM.	.157	48	7-1/2"	7-1/2"	12	4356	\$16,965
<u>W/SPRING BEARING HANGERS</u>										
77R-4436-651	22"	C.O.	C.O.	.197	44	9"	7-1/2"	12	4573	\$17,470
77R-4436-751	22"	SM.	SM.	.197	44	9"	7-1/2"	12	4596	\$17,255
77R-4436-851	22"	C.O.	SM.	.197	44	9"	7-1/2"	12	4572	\$17,365
77R-4816-651	22"	C.O.	C.O.	.197	48	7-1/2"	7-1/2"	12	4699	\$18,065
77R-4816-751	22"	SM.	SM.	.197	48	7-1/2"	7-1/2"	12	4857	\$17,823
77R-4816-851	22"	C.O.	SM.	.197	48	7-1/2"	7-1/2"	12	4728	\$17,953
<u>15'9" WIDE</u>										
<u>W/RIGID BEARING HANGERS</u>										
77R-4427-631	22"	C.O.	C.O.	.157	44	9"	9"	12	4247	\$16,674
77R-4427-661	24"	C.O.	C.O.	.197	44	9"	9"	12	4487	\$17,880
77R-4427-731	22"	SM.	SM.	.157	44	9"	9"	12	4308	\$16,480
77R-4427-761	24"	SM.	SM.	.197	44	9"	9"	12	4538	\$17,215
77R-4427-831	22"	C.O.	SM.	.157	44	9"	9"	12	4282	\$16,584
77R-4427-861	24"	C.O.	SM.	.197	44	9"	9"	12	4509	\$17,473

**\*PRICE DOES NOT INCLUDE TIRES**

## ATHENS 93 WHEEL TANDEM DISK HARROW



### SPECIFICATIONS:

Cutting Width – 9’4” to 15’3”  
 Disk Spacing – 7-1/2”, 9” or  
 9” Frt, 7-1/2” Rear  
 22” or 24” Disks- Cutout or Smooth

### STANDARD EQUIPMENT:

Reversible Clevis Hitch  
 Heavy – Duty Tongue w/ Jack  
 1 ¼” Cold Rolled Sq. Axles  
 W/Wrench  
 Tapered Outside Rear and  
 Front Gangs  
 Heavy – Duty Scrapers  
 Cover Disk w/ Scraper  
 15”, 5 Lug Wheels w/QUADRASEAL  
 Wheel Hubs  
 Mechanical Transport  
 Adjustable Angle of Cut  
 Relube QUADRASEAL Ball Bearings  
 Lifting Hydraulics

<u>MODEL NUMBER</u>	<u>DISK DIAM</u>	<u>TYPE OF DISK</u>		<u>DISK THCK</u>	<u># OF DISK</u>	<u>DISK SPACING</u>		<u># OF BRGS</u>	<u>APX WT</u>	<u>SUGST PRICE</u>
		<u>FRNT</u>	<u>REAR</u>			<u>FRNT</u>	<u>REAR</u>			
<u>9’4” WIDE</u>										
093-2427-631	22”	C.O.	C.O.	.157	24	9”	9”	8	2733	\$ 10,736
093-2427-651	22”	C.O.	C.O.	.197	24	9”	9”	8	2805	\$ 11,009
093-2427-661	24”	C.O.	C.O.	.197	24	9”	9”	8	2867	\$11,855
093-2427-731	22”	SM.	SM.	.157	24	9”	9”	8	2763	\$10,493
093-2427-751	22”	SM.	SM.	.197	24	9”	9”	8	2835	\$11,250
093-2427-761	24”	SM.	SM.	.197	24	9”	9”	8	2898	\$11,737
093-2427-831	22”	C.O.	SM.	.157	24	9”	9”	8	2748	\$10,624
093-2427-851	22”	C.O.	SM.	.197	24	9”	9”	8	2820	\$10,895
093-2427-861	24”	C.O.	SM.	.197	24	9”	9”	8	2883	\$11,777
093-2637-631	22”	C.O.	C.O.	.157	26	9”	7-1/2”	8	2789	\$11,031
093-2637-651	22”	C.O.	C.O.	.197	26	9”	7-1/2”	8	2867	\$11,324
093-2637-731	22”	SM.	SM.	.157	26	9”	7-1/2”	8	2820	\$10,785
093-2637-751	22”	SM.	SM.	.197	26	9”	7-1/2”	8	2898	\$10,864
093-2637-831	22”	C.O.	SM.	.157	26	9”	7-1/2”	8	2805	\$10,920
093-2637-851	22”	C.O.	SM.	.197	26	9”	7-1/2”	8	2883	\$11,000
093-2817-631	22”	C.O.	C.O.	.157	28	7-1/2”	7-1/2”	8	2848	\$11,800
093-2817-651	22”	C.O.	C.O.	.197	28	7-1/2”	7-1/2”	8	2932	\$12,114
093-2817-731	22”	SM.	SM.	.157	28	7-1/2”	7-1/2”	8	2882	\$11,508
093-2817-751	22”	SM.	SM.	.197	28	7-1/2”	7-1/2”	8	2966	\$11,823
093-2817-831	22”	C.O.	SM.	.157	28	7-1/2”	7-1/2”	8	2865	\$11,661
093-2817-851	22”	C.O.	SM.	.197	28	7-1/2”	7-1/2”	8	2949	\$11,973

<u>MODEL NUMBER</u>	<u>DISK DIAM</u>	<u>TYPE OF DISK</u>		<u>DISK THCK</u>	<u># OF DISK</u>	<u>DISK SPACING</u>		<u># OF BRGS</u>	<u>APX WT</u>	<u>SUGST PRICE</u>
		FRNT	REAR			FRNT	REAR			
<u>10'6" WIDE</u>										
093-3037-631	22"	C.O.	C.O.	.157	30	9"	7-1/2"	8	2983	\$11,746
093-3037-651	22"	C.O.	C.O.	.197	30	9"	7-1/2"	8	3073	\$12,080
093-3037-731	22"	SM.	SM.	.157	30	9"	7-1/2"	8	3019	\$11,438
093-3037-751	22"	SM.	SM.	.197	30	9"	7-1/2"	8	3109	\$11,775
093-3037-831	22"	C.O.	SM.	.157	30	9"	7-1/2"	8	3002	\$11,585
093-3037-851	22"	C.O.	SM.	.197	30	9"	7-1/2"	8	3092	\$11,922
093-3217-631	22"	C.O.	C.O.	.157	32	7-1/2"	7-1/2"	8	3040	\$12,027
093-3217-651	22"	C.O.	C.O.	.197	32	7-1/2"	7-1/2"	8	3136	\$11,813
093-3217-731	22"	SM.	SM.	.157	32	7-1/2"	7-1/2"	8	3078	\$11,704
093-3217-751	22"	SM.	SM.	.197	32	7-1/2"	7-1/2"	8	3174	\$12,062
093-3217-831	22"	C.O.	SM.	.157	32	7-1/2"	7-1/2"	8	3059	\$11,872
093-3217-851	22"	C.O.	SM.	.197	32	7-1/2"	7-1/2"	8	3155	\$12,229
093-2827-631	22"	C.O.	C.O.	.157	28	9"	9"	8	2927	\$ 11,465
093-2827-651	22"	C.O.	C.O.	.197	28	9"	9"	8	3011	\$ 11,778
093-2827-661	24"	C.O.	C.O.	.197	28	9"	9"	8	3087	\$ 12,733
093-2827-731	22"	SM.	SM.	.157	28	9"	9"	8	2961	\$11,181
093-2827-751	22"	SM.	SM.	.197	28	9"	9"	8	3045	\$11,496
093-2827-761	24"	SM.	SM.	.197	28	9"	9"	8	3123	\$12,225
093-2827-831	22"	C.O.	SM.	.157	28	9"	9"	8	2944	\$ 11,326
093-2827-851	22"	C.O.	SM.	.197	28	9"	9"	8	3028	\$ 11,638
093-2827-861	24"	C.O.	SM.	.197	28	9"	9"	8	3105	\$ 12,638
<u>12'2" WIDE</u>										
093-3227-631	22"	C.O.	C.O.	.157	32	9"	9"	12	3267	\$ 13,111
093-3227-651	22"	C.O.	C.O.	.197	32	9"	9"	12	3363	\$ 13,470
093-3227-661	24"	C.O.	C.O.	.197	32	9"	9"	12	3452	\$ 14,581
093-3227-731	22"	SM.	SM.	.157	32	9"	9"	12	3305	\$12,647
093-3227-751	22"	SM.	SM.	.197	32	9"	9"	12	3401	\$13,007
093-3227-761	24"	SM.	SM.	.197	32	9"	9"	12	3493	\$14,379
093-3227-831	22"	C.O.	SM.	.157	32	9"	9"	12	3286	\$12,959
093-3227-851	22"	C.O.	SM.	.197	32	9"	9"	12	3382	\$13,317
093-3227-861	24"	C.O.	SM.	.197	32	9"	9"	12	3473	\$14,459



<u>MODEL NUMBER</u>	<u>DISK DIAM</u>	<u>TYPE OF DISK</u>		<u>DISK THCK</u>	<u># OF DISK</u>	<u>DISK SPACING</u>		<u># OF BRGS</u>	<u>APX WT</u>	<u>SUGST PRICE</u>
		FRNT	REAR			FRNT	REAR			
<u>12'11" WIDE</u>										
093-3637-631	22"	C.O.	C.O.	.157	36	9"	7-1/2"	12	3345	\$13,705
093-3637-651	22"	C.O.	C.O.	.197	36	9"	7-1/2"	12	3453	\$14,107
093-3637-731	22"	SM.	SM.	.157	36	9"	7-1/2"	12	3388	\$13,330
093-3637-751	22"	SM.	SM.	.197	36	9"	7-1/2"	12	3496	\$13,734
093-3637-831	22"	C.O.	SM.	.157	36	9"	7-1/2"	12	3369	\$13,503
093-3637-851	22"	C.O.	SM.	.197	36	9"	7-1/2"	12	3477	\$13,906
093-4017-631	22"	C.O.	C.O.	.157	40	7-1/2"	7-1/2"	12	3521	\$14,285
093-4017-651	22"	C.O.	C.O.	.197	40	7-1/2"	7-1/2"	12	3641	\$14,734
093-4017-731	22"	SM.	SM.	.157	40	7-1/2"	7-1/2"	12	3569	\$13,867
093-4017-751	22"	SM.	SM.	.197	40	7-1/2"	7-1/2"	12	3689	\$14,318
093-4017-831	22"	C.O.	SM.	.157	40	7-1/2"	7-1/2"	12	3545	\$14,087
093-4017-851	22"	C.O.	SM.	.197	40	7-1/2"	7-1/2"	12	3665	\$14,533
<u>13'6" WIDE</u>										
093-3627-631	22"	C.O.	C.O.	.157	36	9"	9"	12	3548	\$14,459
093-3627-651	22"	C.O.	C.O.	.197	36	9"	9"	12	3656	\$14,865
093-3627-661	24"	C.O.	C.O.	.197	36	9"	9"	12	3759	\$16,084
093-3627-731	22"	SM.	SM.	.157	36	9"	9"	12	3591	\$14,090
093-3627-751	22"	SM.	SM.	.197	36	9"	9"	12	3699	\$14,495
093-3627-761	24"	SM.	SM.	.197	36	9"	9"	12	3805	\$15,839
093-3627-831	22"	C.O.	SM.	.157	36	9"	9"	12	3569	\$14,285
093-3627-851	22"	C.O.	SM.	.197	36	9"	9"	12	3677	\$14,686
093-3627-861	24"	C.O.	SM.	.197	36	9"	9"	12	3783	\$15,944
<u>14'1" WIDE</u>										
093-4037-631	22"	C.O.	C.O.	.157	40	9"	7-1/2"	12	3672	\$15,045
093-4037-651	22"	C.O.	C.O.	.197	40	9"	7-1/2"	12	3792	\$15,493
093-4037-731	22"	SM.	SM.	.157	40	9"	7-1/2"	12	3720	\$14,630
093-4037-751	22"	SM.	SM.	.197	40	9"	7-1/2"	12	3840	\$15,083
093-4037-831	22"	C.O.	SM.	.157	40	9"	7-1/2"	12	3698	\$14,820
093-4037-851	22"	C.O.	SM.	.197	40	9"	7-1/2"	12	3818	\$15,267
093-4417-631	22"	C.O.	C.O.	.157	44	7-1/2"	7-1/2"	12	3798	\$15,635
093-4417-651	22"	C.O.	C.O.	.197	44	7-1/2"	7-1/2"	12	3930	\$16,127
093-4417-731	22"	SM.	SM.	.157	44	7-1/2"	7-1/2"	12	3852	\$15,171
093-4417-751	22"	SM.	SM.	.197	44	7-1/2"	7-1/2"	12	3984	\$15,666
093-4417-831	22"	C.O.	SM.	.157	44	7-1/2"	7-1/2"	12	3826	\$15,408
093-4417-851	22"	C.O.	SM.	.197	44	7-1/2"	7-1/2"	12	3958	\$15,900

<u>MODEL NUMBER</u>	<u>DISK DIAM</u>	<u>TYPE OF DISK</u>		<u>DISK THCK</u>	<u># OF DISK</u>	<u>DISK SPACING</u>		<u># OF BRGS</u>	<u>APX WT</u>	<u>SUGST PRICE</u>
		FRNT	REAR			FRNT	REAR			
<u>15'0" WIDE</u>										
093-4027-631	22"	C.O.	C.O.	.157	40	9"	9"	16	4462	\$16,077
093-4027-651	22"	C.O.	C.O.	.197	40	9"	9"	16	4582	\$16,525
093-4027-661	24"	C.O.	C.O.	.197	40	9"	9"	16	4700	\$17,916
093-4027-731	22"	SM.	SM.	.157	40	9"	9"	16	4510	\$15,657
093-4027-751	22"	SM.	SM.	.197	40	9"	9"	16	4630	\$16,104
093-4027-761	24"	SM.	SM.	.197	40	9"	9"	16	4751	\$17,630
093-4027-831	22"	C.O.	SM.	.157	40	9"	9"	16	4486	\$15,870
093-4027-851	22"	C.O.	SM.	.197	40	9"	9"	16	4606	\$16,320
093-4027-861	24"	C.O.	SM.	.197	40	9"	9"	16	4727	\$17,758
<u>15'3" WIDE</u>										
093-4437-631	22"	C.O.	C.O.	.157	44	9"	7-1/2"	16	4589	\$16,650
093-4437-651	22"	C.O.	C.O.	.197	44	9"	7-1/2"	16	4721	\$17,145
093-4437-731	22"	SM.	SM.	.157	44	9"	7-1/2"	16	4209	\$16,193
093-4437-751	22"	SM.	SM.	.197	44	9"	7-1/2"	16	4341	\$16,690
093-4437-831	22"	C.O.	SM.	.157	44	9"	7-1/2"	16	4618	\$16,408
093-4437-851	22"	C.O.	SM.	.197	44	9"	7-1/2"	16	4750	\$16,903
093-4817-631	22"	C.O.	C.O.	.157	48	7-1/2"	7-1/2"	16	4709	\$17,230
093-4817-651	22"	C.O.	C.O.	.197	48	7-1/2"	7-1/2"	16	4853	\$17,766
093-4817-731	22"	SM.	SM.	.157	48	7-1/2"	7-1/2"	16	4767	\$16,720
093-4817-751	22"	SM.	SM.	.197	48	7-1/2"	7-1/2"	16	4911	\$17,260
093-4817-831	22"	C.O.	SM.	.157	48	7-1/2"	7-1/2"	16	4738	\$16,980
093-4817-851	22"	C.O.	SM.	.197	48	7-1/2"	7-1/2"	16	4882	\$17,519

<u>EXTRA EQUIPMENT</u>	<u>APX WT</u>	<u>SUGST PRICE</u>
------------------------	---------------	--------------------

9-093-605156	DUAL WHEELS COMPLETE W/ HUBS, 15 X6, 5 LUG WHEELS, & HARDWARE (DUAL WHEELS STANDARD ON 13'6" TO 15'3" MODELS)	98#	\$644
--------------	--	-----	-------

9-093-800000	BALK BUSTER (CENTER TOOTH)	34#	\$218
--------------	----------------------------	-----	-------

RECOMMENDED TIRE SIZE: 9.5L X 15, 4 PLY ( 2 OR 4 REQUIRED).

CAUTION: TIRES ARE RATED AT 20 MPH MAXIMUM.

**SPECIAL ORDERING INTRUCTIONS:**

**FOR SPRING BEARING HANGERS:**

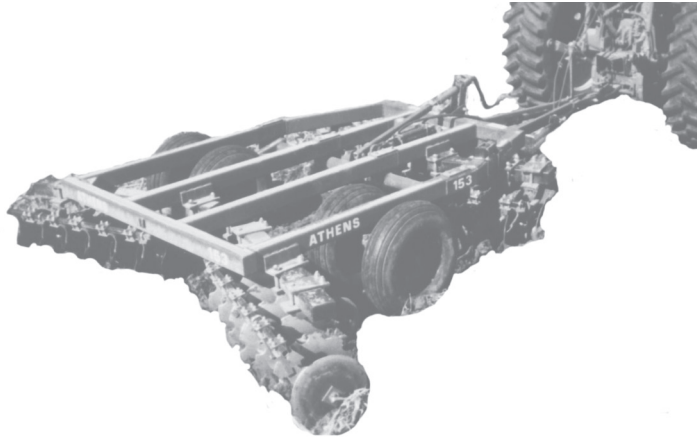
Change 7<sup>th</sup> digit to 8 and 10<sup>th</sup> digit to S

With 22" 6 gauge (.197) blades add 48# and \$95.00 per bearing.

With 24" Blades: Add 48# and \$95.00 per bearing

**\*PRICE DOES NOT INCLUDE TIRES**

## ATHENS 153 TANDEM DISK HARROW



### **SPECIFICATIONS:**

Cutting Width 9'6", 11', and 12'6"  
 Disc Spacing – 9 ½"  
 Disc Diameter – 24" Cutout or Smooth  
 Rigid or Spring Bearing Hangers  
 1 ½" Cold Rolled Square Axles

### **STANDARD EQUIPMENT:**

Double Tapered Roller Bearings  
 Dual Wheels  
 Hydraulic Lifting  
 Heavy Duty Scrapers (Tubular Mount)  
 Cover Disc with Scraper  
 Tapered Discs on Front & Rear Gangs  
 Self-Leveling  
 Reversible Balanced Clevis

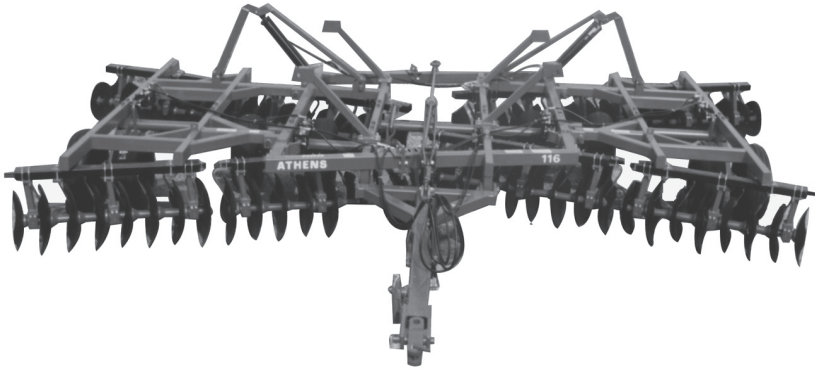
<u>MODEL NUMBER</u>	<u>DISK DIAM</u>	<u>TYPE OF DISK</u>		<u>DISK THCK</u>	<u># OF DISK</u>	<u>DISK SPACING</u>		<u># OF BRGS</u>	<u>APX WT</u>	<u>SUGST PRICE</u>
		<u>FRNT</u>	<u>REAR</u>			<u>FRNT</u>	<u>REAR</u>			
<u>9'6" WIDE</u>										
<u>RIGID BEARING HANGERS</u>										
153-2445-651	24"	C.O.	C.O.	.256	24	9 ½"	9 ½"	8	4133	\$15,514
153-2445-751	24"	SM.	SM.	.256	24	9 ½"	9 ½"	8	4174	\$15,394
153-2445-851	24"	C.O.	SM.	.256	24	9 ½"	9 ½"	8	4153	\$15,455
<u>SPRING BEARING HANGERS</u>										
153-2444-651	24"	C.O.	C.O.	.256	24	9 ½"	9 ½"	8	4417	\$15,995
153-2444-751	24"	SM.	SM.	.256	24	9 ½"	9 ½"	8	4458	\$15,874
153-2444-851	24"	C.O.	SM.	.256	24	9 ½"	9 ½"	8	4437	\$15,934
<u>11'0" WIDE</u>										
<u>RIGID BEARING HANGERS</u>										
153-2845-651	24"	C.O.	C.O.	.256	28	9 ½"	9 ½"	10	4604	\$16,805
153-2845-751	24"	SM.	SM.	.256	28	9 ½"	9 ½"	10	4651	\$16,654
153-2845-851	24"	C.O.	SM.	.256	28	9 ½"	9 ½"	10	4628	\$16,730
<u>SPRING BEARING HANGERS</u>										
153-2844-651	24"	C.O.	C.O.	.256	28	9 ½"	9 ½"	10	4861	\$18,109
153-2844-751	24"	SM.	SM.	.256	28	9 ½"	9 ½"	10	4908	\$17,953
153-2844-851	24"	C.O.	SM.	.256	28	9 ½"	9 ½"	10	4885	\$18,029
<u>12'6" WIDE</u>										
<u>RIGID BEARING HANGERS</u>										
153-3245-651	24"	C.O.	C.O.	.256	32	9 ½"	9 ½"	12	5050	\$18,270
153-3245-751	24"	SM.	SM.	.256	32	9 ½"	9 ½"	12	5104	\$18,046
153-3245-851	24"	C.O.	SM.	.256	32	9 ½"	9 ½"	12	5078	\$18,159
<u>SPRING BEARING HANGERS</u>										
153-3244-651	24"	C.O.	C.O.	.256	32	9 ½"	9 ½"	12	5476	\$19,896
153-3244-751	24"	SM.	SM.	.256	32	9 ½"	9 ½"	12	5530	\$19,660
153-3244-851	24"	C.O.	SM.	.256	32	9 ½"	9 ½"	12	5504	\$19,778

RECOMMENDED TIRE SIZE : 9.5L X 15 ( 4 REQUIRED)

**CAUTION: TIRES ARE RATED AT 20 MPH MAXIMUM.**

**NOTE: PRICE DOES NOT INCLUDE TIRES**

**ATHENS 116 FLEX WING  
DOUBLE OFFSET DISK HARROW**



**SPECIFICATIONS:**

16'8" to 28'8" Widths  
Flex Wing, Double Offset  
Truss-Braced, Tubular Frames  
Self – Leveling Frame  
Two Pairs Slave Lftg Cylinders  
Six or Eight Lifting Wheels  
Angle Adjustable ( 15 – 19)  
Transport Height Maximum 168"  
Transport Width Maximum 136"  
22" or 24" Disks, 1.25" Sq. Axle  
Disk Spacing – 9", 7-1/2" or  
9" Frt, 7-1/2" R

**STANDARD EQUIPMENT:**

Trunnion Mounted, Rigid Bearing  
Hangers w/QUADRASEAL Ball  
Bearings  
Lifting and Folding Hydraulics  
"A" Frame Tongue w/ Jack  
Reversible Tongue Clevis  
Cover Disks with Disks & Scrapers  
Heavy Duty Disk Scrapers  
Double Tapered Disks on Rear  
Single Tapered Disks on Front  
Dual Wheels on Center Section

<u>MODEL NUMBER</u>	<u>DISK DIAM</u>	<u>TYPE OF DISK</u>		<u>DISK THCK</u>	<u># OF DISK</u>	<u>DISK SPACING</u>		<u># OF BRGS</u>	<u>APX WT</u>	<u>SUGST PRICE</u>
		<u>FRNT</u>	<u>REAR</u>			<u>FRNT</u>	<u>REAR</u>			
<u>16'8" WIDE</u>										
116-4427-651	22"	C.O.	C.O.	.197	44	9"	9"	16	7233	\$27,190
116-4427-661	24"	C.O.	C.O.	.197	44	9"	9"	16	7319	\$27,706
116-4427-751	22"	SM.	SM.	.197	44	9"	9"	16	7277	\$26,821
116-4427-761	24"	SM.	SM.	.197	44	9"	9"	16	7374	\$27,203
116-4427-851	22"	C.O.	SM.	.197	44	9"	9"	16	7255	\$27,010
116-4427-861	24"	C.O.	SM.	.197	44	9"	9"	16	7347	\$27,463
116-4837-651	22"	C.O.	C.O.	.197	48	9"	7-1/2"	16	7350	\$27,717
116-4837-751	22"	SM.	SM.	.197	48	9"	7-1/2"	16	7398	\$27,314
116-4837-851	22"	C.O.	SM.	.197	48	9"	7-1/2"	16	7376	\$27,504
116-5217-651	22"	C.O.	C.O.	.197	52	7-1/2"	7-1/2"	16	7496	\$28,258
116-5217-751	22"	SM.	SM.	.197	52	7-1/2"	7-1/2"	16	7548	\$27,815
116-5217-851	22"	C.O.	SM.	.197	52	7-1/2"	7-1/2"	16	7522	\$28,046

<u>MODEL NUMBER</u>	<u>DISK DIAM</u>	<u>TYPE OF DISK</u>		<u>DISK THCK</u>	<u># OF DISK</u>	<u>DISK SPACING</u>		<u># OF BRGS</u>	<u>APX WT</u>	<u>SUGST PRICE</u>
		<u>FRNT</u>	<u>REAR</u>			<u>FRNT</u>	<u>REAR</u>			
<u>19'6" WIDE</u>										
116-5227-651	22"	C.O.	C.O.	.197	52	9"	9"	16	7635	\$28,450
116-5227-661	24"	C.O.	C.O.	.197	52	9"	9"	16	7735	\$29,059
116-5227-751	22"	SM.	SM.	.197	52	9"	9"	16	7687	\$28,025
116-5227-761	24"	SM.	SM.	.197	52	9"	9"	16	7800	\$28,523
116-5227-851	22"	C.O.	SM.	.197	52	9"	9"	16	7661	\$28,260
116-5227-861	24"	C.O.	SM.	.197	52	9"	9"	16	7768	\$28,767
116-5637-651	22"	C.O.	C.O.	.197	56	9"	7-1/2"	16	7734	\$29,035
116-5637-751	22"	SM.	SM.	.197	56	9"	7-1/2"	16	7790	\$28,539
116-5637-851	22"	C.O.	SM.	.197	56	9"	7-1/2"	16	7764	\$28,767
116-6017-651	22"	C.O.	C.O.	.197	60	7-1/2"	7-1/2"	16	7885	\$29,540
116-6017-751	22"	SM.	SM.	.197	60	7-1/2"	7-1/2"	16	7945	\$29,029
116-6017-851	22"	C.O.	SM.	.197	60	7-1/2"	7-1/2"	16	7915	\$29,299
<u>22'0" WIDE</u>										
116-5627-651	22"	C.O.	C.O.	.197	56	9"	9"	16	7756	\$29,010
116-5627-661	24"	C.O.	C.O.	.197	56	9"	9"	16	8002	\$29,657
116-5627-751	22"	SM.	SM.	.197	56	9"	9"	16	7872	\$28,747
116-5627-761	24"	SM.	SM.	.197	56	9"	9"	16	8059	\$29,265
116-5627-851	22"	C.O.	SM.	.197	56	9"	9"	16	7830	\$28,883
116-5627-861	24"	C.O.	SM.	.197	56	9"	9"	16	8031	\$29,667
116-6237-651	22"	C.O.	C.O.	.197	62	9"	7-1/2"	16	7890	\$29,453
116-6237-751	22"	SM.	SM.	.197	62	9"	7-1/2"	16	7982	\$29,232
116-6237-851	22"	C.O.	SM.	.197	62	9"	7-1/2"	16	7940	\$29,288
116-6817-651	22"	C.O.	C.O.	.197	68	7-1/2"	7-1/2"	18	8237	\$31,640
116-6817-751	22"	SM.	SM.	.197	68	7-1/2"	7-1/2"	18	8338	\$31,147
116-6817-851	22"	C.O.	SM.	.197	68	7-1/2"	7-1/2"	18	8284	\$31,473
<u>23'4" WIDE</u>										
116-6027-652	22"	C.O.	C.O.	.197	60	9"	9"	20	8567	\$31,325
116-6027-662	24"	C.O.	C.O.	.197	60	9"	9"	20	8451	\$32,015
116-6027-752	22"	SM.	SM.	.197	60	9"	9"	20	8627	\$30,811
116-6027-762	24"	SM.	SM.	.197	60	9"	9"	20	8526	\$31,314
116-6027-852	22"	C.O.	SM.	.197	60	9"	9"	20	8597	\$31,077
116-6027-862	24"	C.O.	SM.	.197	60	9"	9"	20	8477	\$31,675
116-6637-652	22"	C.O.	C.O.	.197	66	9"	7-1/2"	20	8723	\$32,130
116-6637-752	22"	SM.	SM.	.197	66	9"	7-1/2"	20	8822	\$31,559
116-6637-852	22"	C.O.	SM.	.197	66	9"	7-1/2"	20	8789	\$31,827
116-7217-652	22"	C.O.	C.O.	.197	72	7-1/2"	7-1/2"	20	8898	\$32,976
116-7217-752	22"	SM.	SM.	.197	72	7-1/2"	7-1/2"	20	8970	\$32,350
116-7217-852	22"	C.O.	SM.	.197	72	7-1/2"	7-1/2"	20	8934	\$32,673

<u>MODEL NUMBER</u>	<u>DISK DIAM</u>	<u>TYPE OF DISK</u>		<u>DISK THCK</u>	<u># OF DISK</u>	<u>DISK SPACING</u>		<u># OF BRGS</u>	<u>APX WT</u>	<u>SUGST PRICE</u>
		FRNT	REAR			FRNT	REAR			
<u>26'0" WIDE</u>										
116-7027-653	22"	C.O.	C.O.	.197	70	9"	9"	24	9699	\$35,343
116-7027-663	24"	C.O.	C.O.	.197	70	9"	9"	24	9826	\$36,074
116-7027-753	22"	SM.	SM.	.197	70	9"	9"	24	9767	\$34,749
116-7027-763	24"	SM.	SM.	.197	70	9"	9"	24	9912	\$35,299
116-7027-853	22"	C.O.	SM.	.197	70	9"	9"	24	9733	\$35,043
116-7027-863	24"	C.O.	SM.	.197	70	9"	9"	24	9870	\$35,696
<u>28'8" WIDE</u>										
116-7827-653	22"	C.O.	C.O.	.197	76	9"	9"	24	10135	\$37,485
116-7827-663	24"	C.O.	C.O.	.197	76	9"	9"	24	10305	\$38,038
116-7827-753	22"	SM.	SM.	.197	76	9"	9"	24	10250	\$37,119
116-7827-763	24"	SM.	SM.	.197	76	9"	9"	24	10420	\$37,673
116-7827-853	22"	C.O.	SM.	.197	76	9"	9"	24	10200	\$37,303
116-7827-863	24"	C.O.	SM.	.197	76	9"	9"	24	10310	\$37,853

EXTRA EQUIPMENT

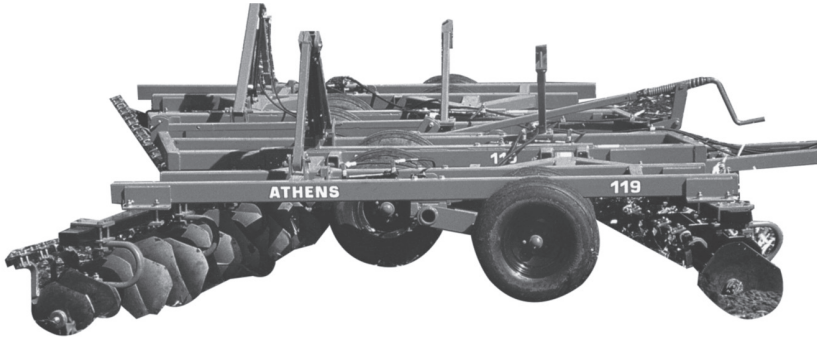
9-116-606158	Dual Wheels for Narrow Wing Units (16'8" and 19'6") W/ Two 15 x 6, Six Lug Wheels Dual Wheels Standard on 22'0" and up	112#	\$777
106122	Safety Light Kit	18#	\$230

Timken Roller Bearings available at \$75.00 per bearing

RECOMMENDED TIRE SIZE: SIX OR EIGHT 9.5L OR 11L 15 FOUR PLY TIRES  
CAUTION: TIRES ARE RATED AT 20 MPH MAXIMUM.

**\*PRICE DOES NOT INCLUDE TIRES**

**ATHENS 119 FLEX WING  
DOUBLE OFFSET DISK HARROW**



**SPECIFICATIONS:**

19'6" To 28'8" Widths  
Flex Wing, Double Offset  
Truss-Braced, Tubular Frames  
Two Pairs Slave Lftg Cylinders  
Six or Eight Wheels  
Angle Adjustable ( 15-19)  
Transport Height Maximum, 168"  
Transport Width Maximum, 136" or 156"  
22" Disks on 1.25" Sq. Axle  
Disk Spacing – 9"  
"A" Frame Braced Tongue

**STANDARD EQUIPMENT:**

Double-Row Tapered  
QUADRASEAL Bearings  
Spring Bearing Hangers  
Lifting and Folding Hydraulics  
Tongue with Heavy-Duty Jack  
Reversible Tongue Clevis  
Cover-Disks w/Disks and Scrapers  
Heavy-Duty Disk Scrapers  
Double Tapered Disks on Rear  
Single Tapered Disks on Front  
Dual Wheels on Center Section

<u>MODEL NUMBER</u>	<u>DISK DIAM</u>	<u>TYPE OF DISK</u>		<u>DISK THCK</u>	<u># OF DISK</u>	<u>DISK SPACING</u>		<u># OF BRGS</u>	<u>APX WT</u>	<u>SUGST PRICE</u>
		<u>FRNT</u>	<u>REAR</u>			<u>FRNT</u>	<u>REAR</u>			
<u>19'6" WIDE</u>										
119-5424-651	22"	C.O.	C.O.	.197	52	9"	9"	18	8070	\$32,900
119-5424-751	22"	SM.	SM.	.197	52	9"	9"	18	8122	\$32,418
119-5424-851	22"	C.O.	SM.	.197	52	9"	9"	18	8096	\$32,670
<u>22'0" WIDE</u>										
119-5824-651	22"	C.O.	C.O.	.197	56	9"	9"	18	8451	\$33,464
119-5824-751	22"	SM.	SM.	.197	56	9"	9"	18	8272	\$33,172
119-5824-851	22"	C.O.	SM.	.197	56	9"	9"	18	8230	\$33,318
<u>23'4" WIDE</u>										
119-6224-652	22"	C.O.	C.O.	.197	60	9"	9"	22	9182	\$37,198
119-6224-752	22"	SM.	SM.	.197	60	9"	9"	22	9242	\$36,627
119-6224-852	22"	C.O.	SM.	.197	60	9"	9"	22	9212	\$36,926

<u>MODEL NUMBER</u>	<u>DISK DIAM</u>	<u>TYPE OF DISK</u>		<u>DISK THCK</u>	<u># OF DISK</u>	<u>DISK SPACING</u>		<u># OF BRGS</u>	<u>APX WT</u>	<u>SUGST PRICE</u>
		<u>FRNT</u>	<u>REAR</u>			<u>FRNT</u>	<u>REAR</u>			
<u>26'0" WIDE</u>										
119-7024-652	22"	C.O.	C.O.	.197	68	9"	9"	24	9690	\$40,047
119-7024-752	22"	SM.	SM.	.197	68	9"	9"	24	9758	\$39,399
119-7024-852	22"	C.O.	SM.	.197	68	9"	9"	24	9724	\$39,738
<u>28'8" WIDE</u>										
119-7824-652	22"	C.O.	C.O.	.197	78	9"	9"	24	10203	\$43,462
119-7824-752	22"	SM.	SM.	.197	78	9"	9"	24	10271	\$42,774
119-7824-852	22"	C.O.	SM.	.197	78	9"	9"	24	10237	\$43,118

<u>EXTRA EQUIPMENT</u>									<u>APX WT</u>	<u>SUGST PRICE</u>
9-119-606158	DUAL WHEELS FOR NARROW WING UNITS FOR 19'6" W/TWO 15 X 6, SIX LUG WHEELS								86#	\$754
	(DUAL WHEELS STANDARD ON WIDE WINGS 22'0" AND UP)									
106122	SAFETY LIGHT KIT								18#	\$230

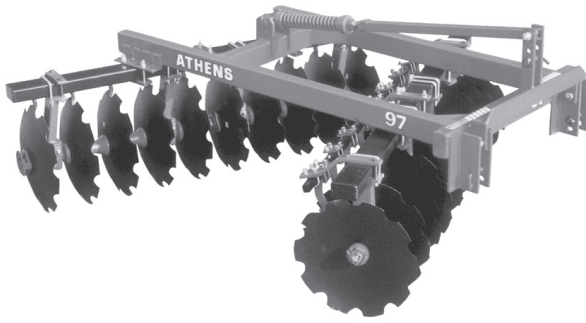
RECOMMENDED TIRE SIZE: SIX OR EIGHT 9.5L OR 11L X 15 FOUR PLY TIRES

CAUTION: TIRES ARE RATED AT 20 MPH MAXIMUM.

**PRICE DOES NOT INCLUDE TIRES.**



## ATHENS 97 LIFT TYPE OFFSET DISK HARROW



### SPECIFICATIONS:

Cutting Width 6'2" to 9'0"  
 Disk Spacing 9"  
 Disk Diameter 22" or 24"  
 Category II Hitch  
 Relube Ball Bearings  
 1 1/4" Cold Rolled Square Gang Axle  
 with Gang Wrench

<u>MODEL NUMBER</u>	<u>DISK DIAM</u>	<u>TYPE OF DISK</u>		<u>DISK THCK</u>	<u># OF DISK</u>	<u>DISK SPACING</u>		<u># OF BRGS</u>	<u>APX WT</u>	<u>SUGST PRICE</u>
		FRNT	REAR			FRNT	REAR			
<u>6'2" WIDE</u>										
097-1627-650	22"	C.O.	C.O.	.197	16	9"	9"	6	1337	\$4,477
097-1627-660	24"	C.O.	C.O.	.197	16	9"	9"	6	1385	\$4,694
<u>6'10" WIDE</u>										
097-1827-650	22"	C.O.	C.O.	.197	18	9"	9"	8	1511	\$5,192
097-1827-660	24"	C.O.	C.O.	.197	18	9"	9"	8	1565	\$5,441
<u>7'6" WIDE</u>										
097-2027-650	22"	C.O.	C.O.	.197	20	9"	9"	8	1612	\$5,276
097-2027-660	24"	C.O.	C.O.	.197	20	9"	9"	8	1672	\$5,549
<u>WIDE FRAME</u>										
<u>8'4" WIDE</u>										
097-2227-650	22"	C.O.	C.O.	.197	22	9"	9"	8	1732	\$5,665
097-2227-660	24"	C.O.	C.O.	.197	22	9"	9"	8	1798	\$5,966
<u>9'0" WIDE</u>										
097-2427-650	22"	C.O.	C.O.	.197	24	9"	9"	8	1826	\$6,203
097-2427-660	24"	C.O.	C.O.	.197	24	9"	9"	8	1898	\$6,533

### OPTIONAL EQUIPMENT

For Spring Bearing Hangers:  
 Change the 7<sup>th</sup> Digit from 7 to 6 and add 15 lbs  
 And \$32.00 per Bearing to Weights and Prices.

(CONT'D)

EXTRA EQUIPMENT

SCRAPERS

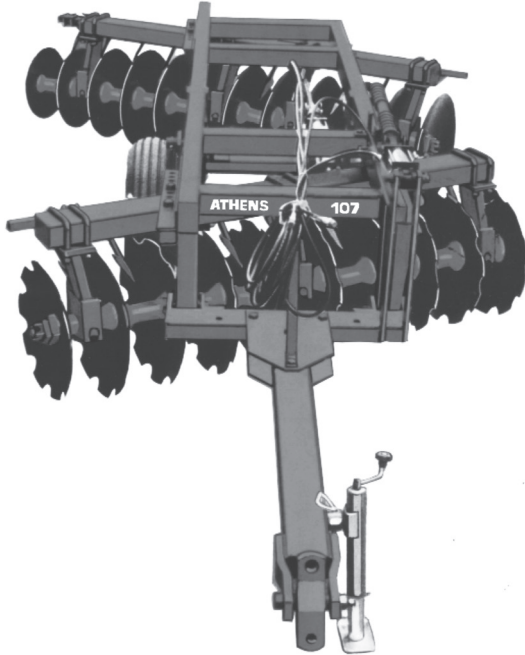
9-097-916270	For 6'2" Units	190	\$507
*9-097-916260		200	\$530
9-097-918270	For 6'10"Units	222	\$645
*9-097-918260		241	\$625
9-097-920270	For 7'6" Units	242	\$652
*9-097-920260		259	\$686
9-097-922270	For 8'4" Units	261	\$691
*9-097-922260		278	\$735
9-097-924270	For 9'0" Units	280	\$741
*9-097-924260		298	\$788

\*For Units with Spring Bearing Hangers

COVER DISC

9-097-700018	Cover Disc Assembly with 18" Blade w/o Scraper	20	\$ 96
9-097-709018	Cover Disc Assembly with 18" Blade w/Scraper	28	\$ 112
101733	Cat. II & III Quick Coupler Adapter for 8'4" and 9'0" Units	7	\$ 90

## ATHENS 107 WHEEL TYPE OFFSET DISK HARROW



### SPECIFICATIONS:

Cutting Width – 6'2" to 8'2"  
 Spacing – 9"  
 Disks: 22" or 24", Cutout or Smooth  
 Bearings: Relube QUAD Ball  
 Gang Axle: 1 1/4" Square  
 Gang Bars: 3 X 5 X 1/4" Tube

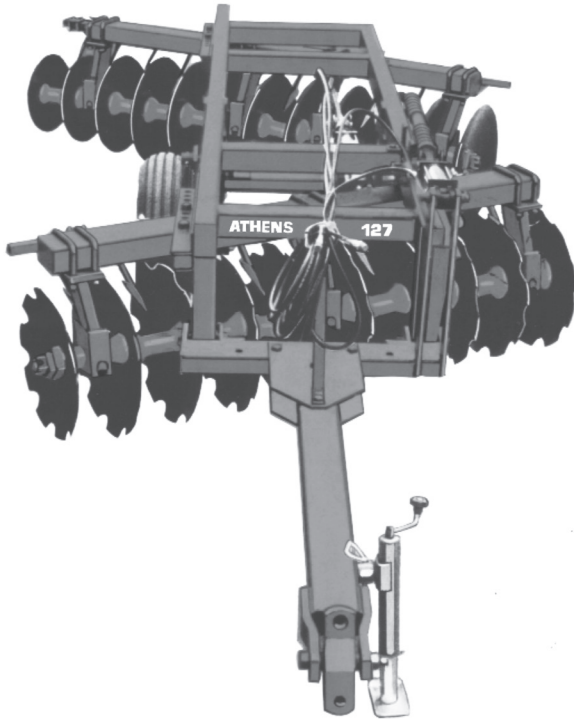
### STANDARD EQUIPMENT:

Extra Disk on Right Rear  
 Cover Disk w/ Scraper  
 Balanced, Reversible Clevis  
 Heavy Duty Tongue w/ Jack  
 1 1/4" Cold Rolled Square Axles  
 W/Wrench  
 Heavy Duty Scrapers (Tubular Mtd)  
 Wheel Hubs w/15" Wheels  
 Tapered Disks on Rt Rear and Front  
 Mechanical Transport  
 Hydraulic Lifting Complete

<u>MODEL NUMBER</u>	<u>DISK DIAM</u>	<u>TYPE OF DISK</u>		<u>DISK THCK</u>	<u># OF DISK</u>	<u>DISK SPACING</u>		<u># OF BRGS</u>	<u>APX WT</u>	<u>SUGST PRICE</u>
		<u>FRNT</u>	<u>REAR</u>			<u>FRNT</u>	<u>REAR</u>			
<u>6'2" WIDE</u>										
107-1727-850	22"	C.O.	SM.	.197	17	9"	9"	6	2268	\$7,806
107-1727-660	24"	C.O.	C.O.	.197	17	9"	9"	6	2334	\$8,117
107-1727-760	24"	SM.	SM.	.197	17	9"	9"	6	2360	\$8,059
107-1727-860	24"	C.O.	SM.	.197	17	9"	9"	6	2347	\$8,085
<u>6'10" WIDE</u>										
107-1927-850	22"	C.O.	SM.	.197	19	9"	9"	6	2410	\$8,295
107-1927-660	24"	C.O.	C.O.	.197	19	9"	9"	6	2476	\$8,450
107-1927-760	24"	SM.	SM.	.197	19	9"	9"	6	2502	\$8,367
107-1927-860	24"	C.O.	SM.	.197	19	9"	9"	6	2489	\$8,407
<u>7'6" WIDE</u>										
107-2127-850	22"	C.O.	SM.	.197	21	9"	9"	6	2526	\$8,707
107-2127-660	24"	C.O.	C.O.	.197	21	9"	9"	6	2592	\$9,015
107-2127-760	24"	SM.	SM.	.197	21	9"	9"	6	2618	\$8,935
107-2127-860	24"	C.O.	SM.	.197	21	9"	9"	6	2605	\$8,972
<u>8'2" WIDE</u>										
107-2327-850	22"	C.O.	SM.	.197	23	9"	9"	8	2642	\$9,323
107-2327-660	24"	C.O.	C.O.	.197	23	9"	9"	8	2708	\$9,617
107-2327-760	24"	SM.	SM.	.197	23	9"	9"	8	2734	\$9,595
107-2327-860	24"	C.O.	SM.	.197	23	9"	9"	8	2720	\$9,576

**\*\*PRICE DOES NOT INCLUDE TIRES**

# ATHENS 127 WHEEL TYPE OFFSET DISK HARROW



## SPECIFICATIONS:

Cutting Width – 6’6” to 12’6”  
 Spacing 9-1/2”  
 24” Disks – Cutout or Smooth  
 Relube QUAD Ball Bearings or  
 QUAD Tapered Roller Bearings  
 W/ Rigid or Spring Bearing Hangers  
 Single or Dual Wheels

## STANDARD EQUIPMENT:

Extra Disk on Right Rear  
 Cover Disk w/Scraper  
 Balanced, Reversible Clevis  
 Heavy-Duty Tongue w/Jack  
 1-1/2” Cold Rolled Square Axles  
 w/Wrench  
 Heavy-Duty Scrapers ( Tubular Mtd)  
 Wheel Hubs w/15” Wheels  
 Tapered Disks on Rt Rear & Rt Frt  
 Mechanical Transport  
 Hydraulic Leveling Complete  
 Hydraulic Lifting Complete

<u>MODEL NUMBER</u>	<u>DISK DIAM</u>	<u>TYPE OF DISK</u>		<u>DISK THCK</u>	<u># OF DISK</u>	<u>DISK SPACING</u>		<u># OF BRGS</u>	<u>APX WT</u>	<u>SUGST PRICE</u>
		FRNT	REAR			FRNT	REAR			

### 127 OFFSET DISK W/3 X 5 TUBULAR FRAME & 5 LUG WHEELS

#### 6’6” WIDE

#### W/QUAD BALL BEARINGS

127-1747-657	24”	C.O.	C.O.	.256	17	9-1/2”	9-1/2”	6	2711	\$10,300
127-1747-757	24”	SM.	SM.	.256	17	9-1/2”	9-1/2”	6	2714	\$10,085
127-1747-857	24”	C.O.	SM.	.256	17	9-1/2”	9-1/2”	6	2722	\$10,195

#### W/QUAD DOUBLE TAPERED ROLLER BEARINGS

127-1745-657	24”	C.O.	C.O.	.256	17	9-1/2”	9-1/2”	6	2686	\$11,215
127-1745-757	24”	SM.	SM.	.256	17	9-1/2”	9-1/2”	6	2689	\$11,004
127-1745-857	24”	C.O.	SM.	.256	17	9-1/2”	9-1/2”	6	2697	\$11,116

#### 7’3” WIDE

#### W/QUAD BALL BEARINGS

127-1947-657	24”	C.O.	C.O.	.256	19	9-1/2”	9-1/2”	6	2854	\$10,945
127-1947-757	24”	SM.	SM.	.256	19	9-1/2”	9-1/2”	6	2728	\$10,769
127-1947-857	24”	C.O.	SM.	.256	19	9-1/2”	9-1/2”	6	2867	\$10,825

#### W/QUAD TAPERED ROLLER BEARINGS

127-1945-657	24”	C.O.	C.O.	.256	19	9-1/2”	9-1/2”	6	2829	\$11,872
127-1945-757	24”	SM.	SM.	.256	19	9-1/2”	9-1/2”	6	2703	\$11,630
127-1945-857	24”	C.O.	SM.	.256	19	9-1/2”	9-1/2”	6	2842	\$11,758

MODEL NUMBER	DISK DIAM	TYPE OF DISK		DISK THCK	# OF DISK	DISK SPACING		# OF BRGS	APX WT	SUGST PRICE
		FRNT	REAR			FRNT	REAR			
<u>8'0" WIDE</u>		<u>W/QUAD BALL BEARINGS</u>								
127-2147-657	24"	C.O.	C.O.	.256	21	9-1/2"	9-1/2"	7	3046	\$11,749
127-2147-757	24"	SM.	SM.	.256	21	9-1/2"	9-1/2"	7	3055	\$11,477
127-2147-857	24"	C.O.	SM.	.256	21	9-1/2"	9-1/2"	7	3060	\$11,592
		<u>W/QUAD TAPERED ROLLER BEARINGS</u>								
127-2145-657	24"	C.O.	C.O.	.256	21	9-1/2"	9-1/2"	7	3016	\$12,820
127-2145-757	24"	SM.	SM.	.256	21	9-1/2"	9-1/2"	7	3025	\$12,541
127-2145-857	24"	C.O.	SM.	.256	21	9-1/2"	9-1/2"	7	3030	\$12,684
<u>8'9" WIDE</u>		<u>W/QUAD BALL BEARINGS</u>								
127-2347-657	24"	C.O.	C.O.	.256	23	9-1/2"	9-1/2"	8	3272	\$12,554
127-2347-757	24"	SM.	SM.	.256	23	9-1/2"	9-1/2"	8	3296	\$12,257
127-2347-857	24"	C.O.	SM.	.256	23	9-1/2"	9-1/2"	8	3287	\$12,400
		<u>W/QUAD TAPERED ROLLER BEARINGS</u>								
127-2345-657	24"	C.O.	C.O.	.256	23	9-1/2"	9-1/2"	8	3238	\$13,757
127-2345-757	24"	SM.	SM.	.256	23	9-1/2"	9-1/2"	8	3262	\$13,334
127-2345-857	24"	C.O.	SM.	.256	23	9-1/2"	9-1/2"	8	3253	\$13,480
<u>127 OFFSET DISK W/4X6 TUBULAR FRAME &amp; 6 LUG WHEELS</u>										
<u>9'6" WIDE</u>		<u>W/QUAD BALL BEARINGS</u>								
127-2547-657	24"	C.O.	C.O.	.256	25	9-1/2"	9-1/2"	8	3949	\$15,299
127-2547-757	24"	SM.	SM.	.256	25	9-1/2"	9-1/2"	8	3975	\$14,965
127-2547-857	24"	C.O.	SM.	.256	25	9-1/2"	9-1/2"	8	3965	\$15,315
		<u>W/QUAD TAPERED ROLLER BEARINGS</u>								
127-2545-657	24"	C.O.	C.O.	.256	25	9-1/2"	9-1/2"	8	3916	\$16,542
127-2545-757	24"	SM.	SM.	.256	25	9-1/2"	9-1/2"	8	3941	\$16,205
127-2545-857	24"	C.O.	SM.	.256	25	9-1/2"	9-1/2"	8	3931	\$16,379
<u>11'0" WIDE</u>		<u>W/QUAD BALL BEARINGS</u>								
127-2947-658	24"	C.O.	C.O.	.256	29	9-1/2"	9-1/2"	9	4467	\$16,429
127-2947-758	24"	SM.	SM.	.256	29	9-1/2"	9-1/2"	9	4504	\$16,060
127-2947-858	24"	C.O.	SM.	.256	29	9-1/2"	9-1/2"	9	4485	\$16,248
		<u>W/QUAD TAPERED ROLLER BEARINGS</u>								
127-2945-658	24"	C.O.	C.O.	.256	29	9-1/2"	9-1/2"	9	4379	\$17,645
127-2945-758	24"	SM.	SM.	.256	29	9-1/2"	9-1/2"	9	4466	\$17,044
127-2945-858	24"	C.O.	SM.	.256	29	9-1/2"	9-1/2"	9	4447	\$17,466
<u>12'6" WIDE</u>		<u>W/QUAD BALL BEARINGS</u>								
127-3347-658	24"	C.O.	C.O.	.256	33	9-1/2"	9-1/2"	12	4985	\$18,055
127-3347-758	24"	SM.	SM.	.256	33	9-1/2"	9-1/2"	12	5027	\$17,635
127-3347-858	24"	C.O.	SM.	.256	33	9-1/2"	9-1/2"	12	5005	\$17,850

<u>MODEL NUMBER</u>	<u>DISK DIAM</u>	<u>TYPE OF DISK</u>		<u>DISK THCK</u>	<u># OF DISK</u>	<u>DISK SPACING</u>		<u># OF BRGS</u>	<u>APX WT</u>	<u>SUGST PRICE</u>
		FRNT	REAR			FRNT	REAR			
<u>12'6" WIDE W/QUAD TAPERED ROLLER BEARINGS</u>										
127-3345-658	24"	C.O.	C.O.	.256	33	9-1/2"	9-1/2"	12	4935	\$19,310
127-3345-758	24"	SM.	SM.	.256	33	9-1/2"	9-1/2"	12	4987	\$18,879
127-3345-858	24"	C.O.	SM.	.256	33	9-1/2"	9-1/2"	12	4957	\$19,096

**SPECIAL ORDERING INFORMATION:**

**SPRING BEARING HANGERS W/DOUBLE ROW TAPERED ROLLER BEARINGS**

To order Spring Bearing Hangers, Change 7<sup>th</sup> digit from 5 to 4, and add 31# and \$95.00, per bearing to weights and prices for units with QUAD Tapered Roller Bearings.

**MANUAL LEVELING**

To order a turnbuckle for Manual Leveling in place of cylinder and hoses as listed in this price list, change the 10<sup>th</sup> digit for 16-25 disk units from "7" to "0" or for 28 – 33 disk units from "8" to "1" and deduct 13# and \$152.00.

**UNITS WITHOUT AN EXTRA DISK ON RIGHT REAR**

Units shown in price list have an extra disk on right rear and are strongly recommended by ATHENS to improve performance, reduce need for adjustments, and to allow disking back and forth without an open furrow. To order units with the same number of disks on front and rear, change 4<sup>th</sup> and 5<sup>th</sup> digits to one number lower (as 17 to 16), reduce weight by 70# and reduce price by \$65.00.

**EXTRA EQUIPMENT**

9-127-605156 DUAL WHEELS FOR 16-23 DISK UNITS  
(DUAL WHEELS STANDARD ON 9'6" AND UP)

APX SUGST  
WT PRICE

82# \$628

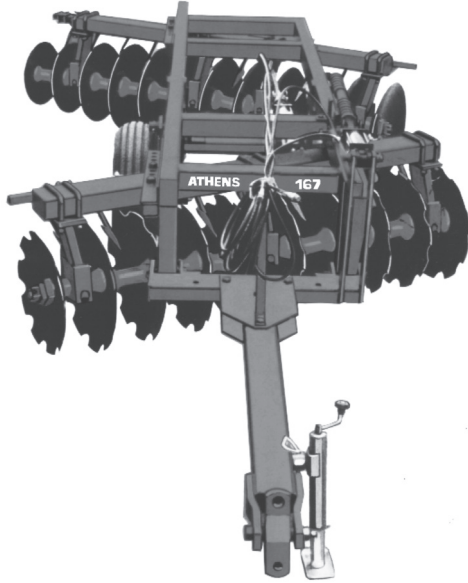
**RECOMMENDED TIRE SIZE:FOR 16-23 DISK UNITS, 9.5L X 15.**

**FOR 25-33 DISK UNITS, 9.5L X 15, 4-PLY OR 11L X 15, 4 PLY**

**CAUTION: TIRES ARE RATED AT 20 MPH MAXIMUM.**

**\* PRICE DOES NOT INCLUDE TIRES**

## ATHENS 167 WHEEL TYPE OFFSET DISK HARROW



### SPECIFICATIONS:

Cutting Width – 7'1" to 12'1"  
 Disk Spacing – 10-1/2"  
 26" Disks – Cutout/Smooth, .256 Thick  
 QUADRASEAL Relube Ball Bearings  
 QUADRASEAL Roller Bearings with  
 Rigid or Spring Bearing Hangers

### STANDARD EQUIPMENT:

Extra Disk on Right Rear  
 Cover Disk With Scraper  
 Hydraulics Complete for Lifting  
 Balanced, Reversible Clevis  
 Heavy-Duty Tongue w/Jack  
 Wheel Hubs w/15" Wheels  
 Heavy-Duty Scrapers (Tubular Mtd)  
 Tapered Disks on Rt Rear & Rt Frt  
 Adjustable Angle of Cut  
 1-1/2" Cold Rolled Sq. Axle w/Wrench  
 Hydraulic Leveling(Standard)

<u>MODEL NUMBER</u>	<u>DISK DIAM</u>	<u>TYPE OF DISK</u>		<u>DISK THCK</u>	<u># OF DISK</u>	<u>DISK SPACING</u>		<u># OF BRGS</u>	<u>APX WT</u>	<u>SUGST PRICE</u>
		<u>FRNT</u>	<u>REAR</u>			<u>FRNT</u>	<u>REAR</u>			

#### 167 OFFSET DISK W/3 X 5 FRAME & 5 LUG WHEELS

##### 7'1" WIDE

##### W/QUAD BALL BEARINGS

167-1757-667	26"	C.O.	C.O.	.256	17	10-1/2"	10-1/2"	8	3077	\$11,636
167-1757-767	26"	SM.	SM.	.256	17	10-1/2"	10-1/2"	8	3115	\$11,363
167-1757-867	26"	C.O.	SM.	.256	17	10-1/2"	10-1/2"	8	3096	\$11,500

##### W/QUAD TAPERED ROLLER BEARINGS

167-1755-667	26"	C.O.	C.O.	.256	17	10-1/2"	10-1/2"	8	3121	\$12,828
167-1755-767	26"	SM.	SM.	.256	17	10-1/2"	10-1/2"	8	3159	\$12,558
167-1755-867	26"	C.O.	SM.	.256	17	10-1/2"	10-1/2"	8	3140	\$12,682

##### 8'0" WIDE

##### W/QUAD BALL BEARINGS

167-1957-667	26"	C.O.	C.O.	.256	19	10-1/2"	10-1/2"	8	3246	\$12,419
167-1957-767	26"	SM.	SM.	.256	19	10-1/2"	10-1/2"	8	3297	\$12,123
167-1957-867	26"	C.O.	SM.	.256	19	10-1/2"	10-1/2"	8	3277	\$12,277

##### W/QUAD TAPERED ROLLER BEARINGS

167-1955-667	26"	C.O.	C.O.	.256	19	10-1/2"	10-1/2"	8	3290	\$13,636
167-1955-767	26"	SM.	SM.	.256	19	10-1/2"	10-1/2"	8	3341	\$13,327
167-1955-867	26"	C.O.	SM.	.256	19	10-1/2"	10-1/2"	8	3321	\$13,482

##### 8'9" WIDE

##### W/QUAD BALL BEARINGS

167-2157-667	26"	C.O.	C.O.	.256	21	10-1/2"	10-1/2"	8	3437	\$13,185
167-2157-767	26"	SM.	SM.	.256	21	10-1/2"	10-1/2"	8	3485	\$13,083
167-2157-867	26"	C.O.	SM.	.256	21	10-1/2"	10-1/2"	8	3461	\$13,251

MODEL NUMBER	DISK DIAM	TYPE OF DISK		DISK THCK	# OF DISK	DISK SPACING		# OF BRGS	APX WT	SUGST PRICE
		FRNT	REAR			FRNT	REAR			

167 OFFSET DISK W/ 3 X 5 FRAME & 5 LUG WHEELS (CONT'D)

8'9" WIDE W/QUAD TAPERED ROLLER BEARINGS

167-2155-667	26"	C.O.	C.O.	.256	21	10-1/2"	10-1/2"	8	3481	\$14,905
167-2155-767	26"	SM.	SM.	.256	21	10-1/2"	10-1/2"	8	3529	\$14,567
167-2155-867	26"	C.O.	SM.	.256	21	10-1/2"	10-1/2"	8	3505	\$14,738

167 OFFSET DISK W/4 X 6 FRAME & 6 LUG WHEELS

9'7" WIDE W/QUAD BALL BEARINGS

167-2357-668	26"	C.O.	C.O.	.256	23	10-1/2"	10-1/2"	8	4289	\$15,523
167-2357-768	26"	SM.	SM.	.256	23	10-1/2"	10-1/2"	8	4342	\$15,182
167-2357-868	26"	C.O.	SM.	.256	23	10-1/2"	10-1/2"	8	4316	\$15,343

W/QUAD TAPERED ROLLER BEARINGS

167-2355-668	26"	C.O.	C.O.	.256	23	10-1/2"	10-1/2"	8	4333	\$16,730
167-2355-768	26"	SM.	SM.	.256	23	10-1/2"	10-1/2"	8	4386	\$16,374
167-2355-868	26"	C.O.	SM.	.256	23	10-1/2"	10-1/2"	8	4360	\$16,551

10'5" WIDE W/QUAD BALL BEARINGS

167-2557-668	26"	C.O.	C.O.	.256	25	10-1/2"	10-1/2"	8	4488	\$16,176
167-2557-768	26"	SM.	SM.	.256	25	10-1/2"	10-1/2"	8	4495	\$15,798
167-2557-868	26"	C.O.	SM.	.256	25	10-1/2"	10-1/2"	8	4507	\$15,986

W/QUAD TAPERED ROLLER BEARINGS

167-2555-668	26"	C.O.	C.O.	.256	25	10-1/2"	10-1/2"	8	4532	\$17,385
167-2555-768	26"	SM.	SM.	.256	25	10-1/2"	10-1/2"	8	4572	\$17,009
167-2555-868	26"	C.O.	SM.	.256	25	10-1/2"	10-1/2"	8	4553	\$17,197

12'1" WIDE W/QUAD BALL BEARINGS

167-2957-668	26"	C.O.	C.O.	.256	29	10-1/2"	10-1/2"	9	4933	\$17,952
167-2957-768	26"	SM.	SM.	.256	29	10-1/2"	10-1/2"	9	5000	\$17,521
167-2957-868	26"	C.O.	SM.	.256	29	10-1/2"	10-1/2"	9	4967	\$17,739

W/QUAD TAPERED ROLLER BEARINGS

167-2955-668	26"	C.O.	C.O.	.256	29	10-1/2"	10-1/2"	9	4977	\$19,443
167-2955-768	26"	SM.	SM.	.256	29	10-1/2"	10-1/2"	9	5044	\$18,991
167-2955-868	26"	C.O.	SM.	.256	29	10-1/2"	10-1/2"	9	5011	\$18,887

SPECIAL ORDER INFORMATION:

SPRING BEARING HANGER WITH TRUNNION MOUNTED QUAD TAPERED BEARINGS

To order Spring Bearing Hangers, change 7<sup>th</sup> digit from "5" to "4", and add 25# and \$95.00 per Bearing to weights and prices for units with QUAD Tapered Roller Bearings.



SPECIAL ORDER INFORMATION (CONT'D)

MANUAL LEVELING

To order a turnbuckle for Manual Leveling in place of cylinder and hoses as listed in this price list, change the 10<sup>th</sup> digit for 16-21 disk units from "7" to "0", or for 22-29 disk units from "8" to "1" and deduct 12# and \$153.00.

UNITS WITHOUT AN EXTRA DISK ON RIGHT REAR

Units shown in price list have an extra disk on right rear and are strongly recommended by ATHENS to improve performance, reduce need for adjustments, and to allow disking back and forth without an open furrow. To order units with the same number of disk on front and rear, change 4<sup>th</sup> and 5<sup>th</sup> digits to one number lower ( as 17 to 16), reduce weight by 100# and reduce price by \$90.00.

<u>EXTRA EQUIPMENT</u>	<u>APX WT</u>	<u>SUGST PRICE</u>
9-167-605156      DUAL WHEELS FOR 16-21 DISK UNITS (DUAL WHEELS STANDARD ON 9'7" AND UP)	82#	\$614

RECOMMENDED TIRE SIZE: FOR 16-21 DISK UNITS, 9.5L X 15. FOR 22-29 DISK UNITS 9.5L OR 11L X 15.

CAUTION: TIRES ARE RATED AT 20MPH MAXIMUM.

**\*PRICE DOES NOT INCLUDE TIRES.**

## ATHENS 137 WHEEL TYPE OFFSET DISK HARROW



### SPECIFICATIONS:

Cutting Width – 12’6” to 18’6”  
 Disk Spacing – 9-1/2”  
 24” Disks- Cutout or Smooth,  
 .256” thickness  
 Trunnion Mounted Relube  
 QUADRASEAL Ball or Tapered  
 Roller Bearings  
 Rigid or Spring Bearing Hangers

### STANDARD EQUIPMENT:

Extra Disk on Right Rear  
 Cover Disk w/Scraper  
 Reversible, Balanced Clevis  
 1-1/2” Cold Rolled Sq. Axles  
 w/Wrench  
 Dual 15”, 6-Lug Wheels w/Hub  
 Heavy Duty Scrapers (Tubular Mtd)  
 Cmplt Hydraulics w/Mech Transport  
 Tapered Disks on Rt Rear and Rt Frt  
 Adjustable Angle of Cut  
 Hydraulic Leveling Standard

<u>MODEL NUMBER</u>	<u>DISK DIAM</u>	<u>TYPE OF DISK</u>		<u>DISK THCK</u>	<u># OF DISK</u>	<u>DISK SPACING</u>		<u># OF BRGS</u>	<u>APX WT</u>	<u>SUGST PRICE</u>
		FRNT	REAR			FRNT	REAR			
<u>12’6” WIDE</u>										
<u>W/QUAD BALL BEARINGS</u>										
137-3347-659	24”	C.O.	C.O.	.256	33	9-1/2”	9-1/2”	8	5444	\$19,238
137-3347-759	24”	SM.	SM.	.256	33	9-1/2”	9-1/2”	8	5473	\$18,827
137-3347-859	24”	C.O.	SM.	.256	33	9-1/2”	9-1/2”	8	5449	\$19,042
<u>W/TRUNNION MOUNTED, RELUBE QUAD TAPERED ROLLER BEARINGS</u>										
137-3345-659	24”	C.O.	C.O.	.256	33	9-1/2”	9-1/2”	8	5410	\$20,545
137-3345-759	24”	SM.	SM.	.256	33	9-1/2”	9-1/2”	8	5439	\$20,122
137-3345-859	24”	C.O.	SM.	.256	33	9-1/2”	9-1/2”	8	5415	\$20,339
<u>14’0” WIDE</u>										
<u>W/QUAD BALL BEARINGS</u>										
137-3747-659	24”	C.O.	C.O.	.256	37	9-1/2”	9-1/2”	9	5831	\$20,766
137-3747-759	24”	SM.	SM.	.256	37	9-1/2”	9-1/2”	9	5881	\$20,288
137-3747-859	24”	C.O.	SM.	.256	37	9-1/2”	9-1/2”	9	5854	\$20,543
<u>W/TRUNNION MOUNTED, RELUBE QUAD TAPERED ROLLER BEARINGS</u>										
137-3745-659	24”	C.O.	C.O.	.256	37	9-1/2”	9-1/2”	9	5797	\$22,210
137-3745-759	24”	SM.	SM.	.256	37	9-1/2”	9-1/2”	9	5847	\$21,730
137-3745-859	24”	C.O.	SM.	.256	37	9-1/2”	9-1/2”	9	5820	\$21,987

MODEL NUMBER	DISK DIAM	TYPE OF DISK		DISK THCK	# OF DISK	DISK SPACING		# OF BRGS	APX WT	SUGST PRICE
		FRNT	REAR			FRNT	REAR			
<u>15'6" WIDE</u>										
<u>W/QUAD BALL BEARINGS</u>										
137-4147-659	24"	C.O.	C.O.	.256	41	9-1/2"	9-1/2"	12	6562	\$22,766
137-4147-759	24"	SM.	SM.	.256	41	9-1/2"	9-1/2"	12	6618	\$22,234
137-4147-859	24"	C.O.	SM.	.256	41	9-1/2"	9-1/2"	12	6588	\$22,513

W/TRUNNION MOUNTED, RELUBE QUAD TAPERED ROLLER BEARINGS

137-4145-659	24"	C.O.	C.O.	.256	41	9-1/2"	9-1/2"	12	6512	\$24,610
137-4145-759	24"	SM.	SM.	.256	41	9-1/2"	9-1/2"	12	6568	\$24,077
137-4145-859	24"	C.O.	SM.	.256	41	9-1/2"	9-1/2"	12	6538	\$23,804

17'0" WIDE

W/QUAD BALL BEARINGS

137-4547-659	24"	C.O.	C.O.	.256	45	9-1/2"	9-1/2"	12	6877	\$23,765
137-4547-759	24"	SM.	SM.	.256	45	9-1/2"	9-1/2"	12	6939	\$23,178
137-4547-859	24"	C.O.	SM.	.256	45	9-1/2"	9-1/2"	12	6906	\$23,487

W/TRUNNION MOUNTED, RELUBE QUAD TAPERED ROLLER BEARINGS

137-4545-659	24"	C.O.	C.O.	.256	45	9-1/2"	9-1/2"	12	6827	\$25,487
137-4545-759	24"	SM.	SM.	.256	45	9-1/2"	9-1/2"	12	6889	\$24,871
137-4545-859	24"	C.O.	SM.	.256	45	9-1/2"	9-1/2"	12	6856	\$25,184

18'6" WIDE

W/QUAD BALL BEARINGS

137-4947-659	24"	C.O.	C.O.	.256	49	9-1/2"	9-1/2"	12	7246	\$24,763
137-4947-759	24"	SM.	SM.	.256	49	9-1/2"	9-1/2"	12	7314	\$24,120
137-4947-859	24"	C.O.	SM.	.256	49	9-1/2"	9-1/2"	12	7278	\$24,459

W/TRUNNION MOUNTED, RELUBE QUAD TAPERED ROLLER BEARINGS

137-4945-659	24"	C.O.	C.O.	.256	49	9-1/2"	9-1/2"	12	7196	\$26,634
137-4945-759	24"	SM.	SM.	.256	49	9-1/2"	9-1/2"	12	7264	\$25,982
137-4945-859	24"	C.O.	SM.	.256	49	9-1/2"	9-1/2"	12	7228	\$26,324

SPECIAL ORDERING INFORMATION:

SPRING BEARING HANGERS WITH QUAD TAPERED ROLLER BEARINGS

To order Spring Bearing Hangers, Change 7<sup>th</sup> digit from "5" to "4" and add 31# and \$95.00 per bearing to weights and prices for units with QUAD Tapered Roller Bearings.

MANUAL LEVELING

To order a turnbuckle for Manual Leveling in place of cylinder and hoses as listed in this price list, change the 10<sup>th</sup> digit from "9" to "0" and deduct 13# and \$ 153.00.

UNITS WITHOUT AN EXTRA DISK ON RIGHT REAR

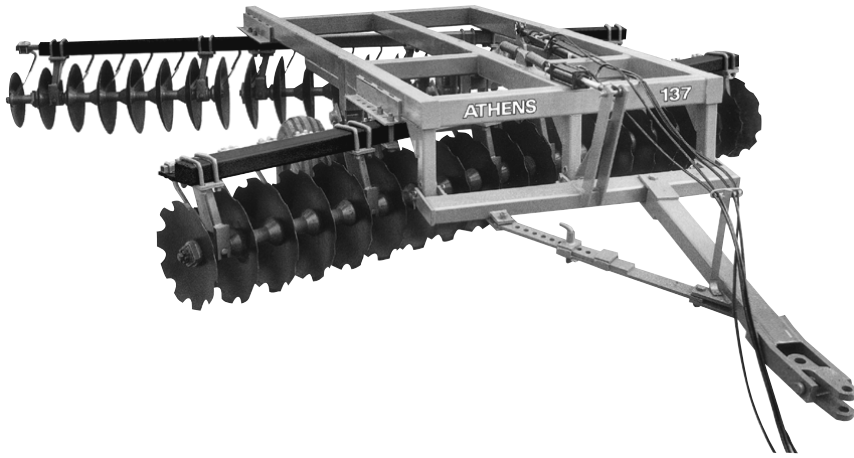
Units shown in price list have an extra disk on right rear and are strongly recommended by ATHENS to improve performance, reduce need for adjustments, and to allow disking back and forth without an open furrow. To order units with the same number of disks on the front and rear, change 4<sup>th</sup> and 5<sup>th</sup> digits to one number lower ( as 49 to 48), reduce weight by 70# and reduce price by \$65.00.

RECOMMENDED TIRE SIZE: 9.5L 15, 6 PLY OR 11L X 15, 4 PLY (4 REQUIRED).

CAUTION: TIRES ARE RATED AT 20 MPH MAXIMUM

**\*PRICE DOES NOT INCLUDE TIRES 106166 LIGHT KIT \$314.00**

## ATHENS 187 WHEEL TYPE OFFSET DISK HARROW



### SPECIFICATIONS:

Cutting Width – 12'1" to 17'1"  
 Disk Spacing – 10 1/2"  
 26" Disks- Cutout/Smooth,.250 Thick  
 QUADRASEAL Ball Bearings or  
 QUADRASEAL Roller Bearings with  
 Spring or Rigid Bearing Hangers

### STANDARD EQUIPMENT:

Cover Disk w/Scraper  
 Extra Disk on Rt Rear  
 Heavy Duty Tongue w/Jack  
 Reversible, Balanced Clevis  
 1 1/2" Cold Rolled Sq. Axle  
 w/Wrench  
 Dual 15", 6 lug Wheels w/Hub  
 Heavy Duty Scrapers ( Tubular Mtd.)  
 Tapered Disks on Right Rear  
 Adjustable Angle of Cut  
 Hydraulic Leveling Standard  
 Complt Hydraulics w/Mech. Trnsprt

<u>MODEL NUMBER</u>	<u>DISK DIAM</u>	<u>TYPE OF DISK</u>		<u>DISK THCK</u>	<u># OF DISK</u>	<u>DISK SPACING</u>		<u># OF BRGS</u>	<u>APX WT</u>	<u>SUGST PRICE</u>
		<u>FRNT</u>	<u>REAR</u>			<u>FRNT</u>	<u>REAR</u>			
<u>12'1" WIDE</u>										
<u>W/RELUBE QUAD BALL BEARINGS</u>										
187-2957-669	26"	C.O.	C.O.	.256	29	10-1/2"	10-1/2"	10	5517	\$20,318
187-2957-769	26"	SM.	SM.	.256	29	10-1/2"	10-1/2"	10	5585	\$19,937
187-2957-869	26"	C.O.	SM.	.256	29	10-1/2"	10-1/2"	10	5552	\$20,134
<u>W/RELUBE QUAD TAPERED ROLLER BEARINGS</u>										
187-2955-669	26"	C.O.	C.O.	.256	29	10-1/2"	10-1/2"	10	5561	\$21,777
187-2955-769	26"	SM.	SM.	.256	29	10-1/2"	10-1/2"	10	5629	\$21,439
187-2955-869	26"	C.O.	SM.	.256	29	10-1/2"	10-1/2"	10	5596	\$21,643
<u>13'9" WIDE</u>										
<u>W/RELUBE QUAD BALL BEARINGS</u>										
187-3357-669	26"	C.O.	C.O.	.256	33	10-1/2"	10-1/2"	12	6147	\$22,475
187-3357-769	26"	SM.	SM.	.256	33	10-1/2"	10-1/2"	12	6225	\$22,036
187-3357-869	26"	C.O.	SM.	.256	33	10-1/2"	10-1/2"	12	6187	\$22,263
<u>W/RELUBE QUAD TAPERED ROLLER BEARINGS</u>										
187-3355-669	26"	C.O.	C.O.	.256	33	10-1/2"	10-1/2"	12	6213	\$24,248
187-3355-769	26"	SM.	SM.	.256	33	10-1/2"	10-1/2"	12	6309	\$23,814
187-3355-869	26"	C.O.	SM.	.256	33	10-1/2"	10-1/2"	12	6253	\$24,037
<u>15'5" WIDE</u>										
<u>W/RELUBE QUAD BALL BEARINGS</u>										
187-3757-669	26"	C.O.	C.O.	.256	37	10-1/2"	10-1/2"	12	6581	\$23,977
187-3757-769	26"	SM.	SM.	.256	37	10-1/2"	10-1/2"	12	6669	\$23,485
187-3757-869	26"	C.O.	SM.	.256	37	10-1/2"	10-1/2"	12	6636	\$23,751

<u>MODEL NUMBER</u>	<u>DISK DIAM</u>	<u>TYPE OF DISK</u>		<u>DISK THCK</u>	<u># OF DISK</u>	<u>DISK SPACING</u>		<u># OF BRGS</u>	<u>APX WT</u>	<u>SUGST PRICE</u>
		FRNT	REAR			FRNT	REAR			
<u>15'5" WIDE W/RELUBE QUAD TAPERED ROLLER BEARINGS</u>										
187-3755-669	26"	C.O.	C.O.	.256	37	10-1/2"	10-1/2"	12	6647	\$25,790
187-3755-769	26"	SM.	SM.	.256	37	10-1/2"	10-1/2"	12	6735	\$25,285
187-3755-869	26"	C.O.	SM.	.256	37	10-1/2"	10-1/2"	12	6702	\$25,549

<u>17'1" WIDE W/RELUBE QUAD BALL BEARINGS</u>										
187-4157-669	26"	C.O.	C.O.	.256	41	10-1/2"	10-1/2"	12	7085	\$25,450
187-4157-769	26"	SM.	SM.	.256	41	10-1/2"	10-1/2"	12	7182	\$24,982
187-4157-869	26"	C.O.	SM.	.256	41	10-1/2"	10-1/2"	12	7134	\$25,190

<u>W/RELUBE QUAD TAPERED ROLLER BEARINGS</u>										
187-4155-669	26"	C.O.	C.O.	.256	41	10-1/2"	10-1/2"	14	7151	\$27,286
187-4155-769	26"	SM.	SM.	.256	41	10-1/2"	10-1/2"	14	7248	\$26,717
187-4155-869	26"	C.O.	SM.	.256	41	10-1/2"	10-1/2"	14	7200	\$27,012

SPECIAL ORDER INSTRUCTIONS:

SPRING BEARING HANGERS W/QUAD TAPERED ROLLER BEARINGS

To order Spring Bearing Hangers, Change 7<sup>th</sup> digit from "5" to "4", and add 25# and \$95.00 per bearing to weights and prices for units with QUAD Tapered Roller Bearings.

UNITS WITHOUT AND EXTRA DISK ON RIGHT REAR

Units shown in price list have an extra disk on right rear and are strongly recommended by ATHENS to improve performance, reduce need for adjustments, and to allow disking back and forth without an open furrow. To order units with the same number of disks on front and rear, change 4<sup>th</sup> and 5<sup>th</sup> digits to one number lower ( as 33 to 32), reduce weight by 107# and reduce price by \$90.00.

RECOMMENDED TIRE SIZE: 9.5 L X 15, 6 PLY OR 11L X 15, 4 PLY (4 REQUIRED).

CAUTION: TIRES ARE RATED AT 20 MPH MAXIMUM.

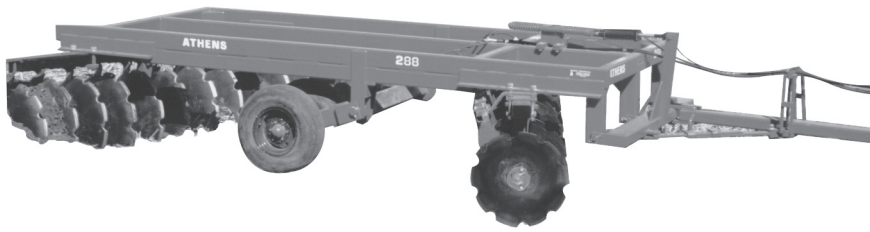
MANUAL LEVELING

To order a turnbuckle for Manual Leveling in place of cylinder and hoses as listed in this price list, change the 10<sup>th</sup> digit from "9" to "0" and deduct 13# and \$153.00.

**\*PRICE DOES NOT INCLUDE TIRES**

106166 LIGHT KIT \$314.00

# ATHENS 287 OFFSET DISK HARROW



## SPECIFICATIONS:

Cutting Width – 8’ to 16’  
 Disk Spacing – 12”  
 Disk Blades – 28” x .31 or 32” x .375 C/O  
 Relube 2” Ball Bearings

## STANDARD EQUIPMENT

Cover Disk W/Scraper  
 Complete Leveling Hydraulics  
 Complete Lifting Hydraulics  
 Reversible Clevis  
 Heavy Duty Tube Mounted Scrapers  
 Tapered Rear Gang  
 15” x 8” Six Lug Wheels  
 Dual Wheel Hubs  
 2” Cold Rolled Square Gang Axles

<u>MODEL NUMBER</u>	<u>DISK DIAM</u>	<u>TYPE OF DISK</u>		<u>DISK THCK</u>	<u># OF DISK</u>	<u>DISK SPACING</u>		<u># OF BRGS</u>	<u>APX WT</u>	<u>SUGST PRICE</u>
		FRNT	REAR			FRNT	REAR			
<u>8’0” WIDE</u>		<u>W/RELUBE BALL BEARINGS</u>								
287-1722-688	28”	C.O.	C.O.	.31	17	12”	12”	8	5221	\$20,843
287-1722-628	32”	C.O.	C.O.	.38	17	12”	12”	8	5750	\$23,399
<u>9’0” WIDE</u>		<u>W/RELUBE BALL BEARINGS</u>								
287-1922-688	28”	C.O.	C.O.	.31	19	12”	12”	8	5490	\$21,519
287-1922-628	32”	C.O.	C.O.	.38	19	12”	12”	8	6165	\$24,534
<u>10’0” WIDE</u>		<u>W/RELUBE BALL BEARINGS</u>								
287-2122-688	28”	C.O.	C.O.	.31	21	12”	12”	8	5812	\$22,680
287-2122-628	32”	C.O.	C.O.	.38	21	12”	12”	8	6505	\$25,696
<u>12’0” WIDE</u>		<u>W/RELUBE BALL BEARINGS</u>								
287-2522-688	28”	C.O.	C.O.	.31	25	12”	12”	8	7867	\$28,465
287-2522-628	32”	C.O.	C.O.	.38	25	12”	12”	8	8710	\$31,469
<u>14’0” WIDE</u>		<u>W/RELUBE BALL BEARINGS</u>								
287-2922-688	28”	C.O.	C.O.	.31	29	12”	12”	12	8650	\$31,117
287-2922-628	32”	C.O.	C.O.	.38	29	12”	12”	12	9473	\$34,298
<u>16’0” WIDE</u>		<u>W/RELUBE BALL BEARINGS</u>								
287-3322-688	28”	C.O.	C.O.	.31	33	12”	12”	12	9250	\$33,359
287-3322-628	32”	C.O.	C.O.	.38	33	12”	12”	12	10005	\$36,083

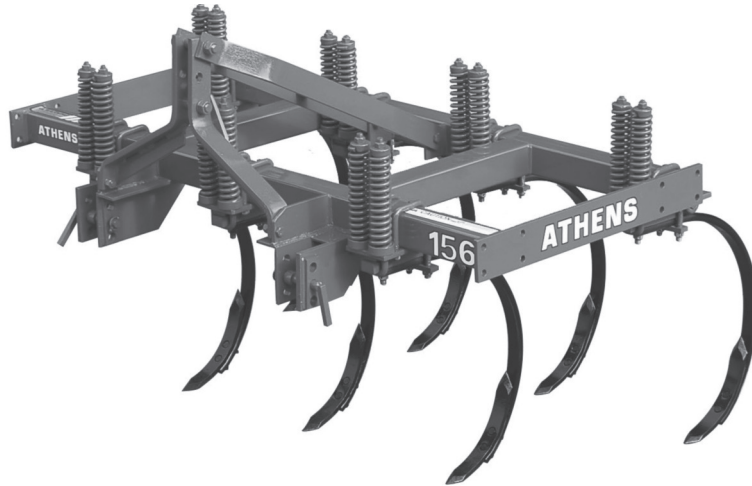
**\*\*To Order Model 288 Change 3<sup>rd</sup> Digit to 8 and add \$920.00 Per Bearing.**

RECOMMENDED TIRE SIZE: 11L X 15 ( 4 REQUIRED).

CAUTION: TIRES ARE RATED AT 20 MPH MAXIMUM.

**\*PRICE DOES NOT INCLUDE TIRES.**

## ATHENS 156 MOUNTED CHISEL PLOW



### SPECIFICATIONS:

Lift Type – 5', 7', 10', 11' Bases  
 2 Bar Lift Type – 5' to 15'  
 3 Bar Lift Type – 7' to 16'  
 1" x 2" x 26", 1" x 2" x 32" &  
 1-1/4" x 2" x 32" Alloy Steel Tines  
 5/8" Chisel Points or  
 3/8" Twisted Shovels

### STANDARD EQUIPMENT

Cushion Spring Clamps  
 4 x 4 Tubular Frame  
 12" Tine Spacing

MODEL NUMBER	TINE ATTCH-MENT	SIZE TINE			SIZE (CAT) HITCH	APX WT	SUGST PRICE
		1 X 26	1 X 32	1.25 X 32			
<u>5'0" WIDE</u> <u>W/RIGID TINE ATTACHMENT, 26" TINES &amp; 5/8" POINTS</u>							
156-0521-221	RGD	X			I	580	\$1,769
156-0521-222	RGD	X			II	580	\$1,769
<u>7'0" WIDE</u> <u>W/RIGID TINE ATTACHMENT, 26" TINES &amp; 5/8" POINTS</u>							
156-0721-223	RGD	X			II	732	\$2,373
<u>2 – BAR LIFT TYPE W/SPRING TINE ATTACHMENT &amp; 5/8" POINTS</u>							
<u>5'0" WIDE</u> <u>W/CATEGORY I OR II HITCH PINS</u>							
156-0522-221	SPG	X			I	736	\$2,704
156-0522-321	SPG		X		I	766	\$2,790
156-0522-421	SPG			X	I	822	\$3,042
156-0522-222	SPG	X			II	737	\$2,704
156-0522-322	SPG		X		II	767	\$2,790
156-0522-422	SPG			X	II	822	\$3,042
<u>7'0" WIDE</u> <u>W/CATEGORY II HITCH PINS</u>							
156-0722-223	SPG	X			II	952	\$3,302
156-0722-323	SPG		X		II	994	\$3,423
156-0722-423	SPG			X	II	1001	\$3,776
<u>11'0" WIDE</u> <u>W/CATEGORY II HITCH PINS</u>							
156-1122-223	SPG	X			II	1243	\$4,771
156-1122-323	SPG		X		II	1452	\$4,967
156-1122-423	SPG			X	II	1573	\$5,519

MODEL NUMBER	TINE ATTCH MENT	TINE SIZE			SIZE (CAT) HITCH	APX WT	SUGST PRICE
		1 X 26	1 X 32	1.25 X 32			
*** SINGLE EXTENSION FOR TWO-BAR UNITS*** <u>W/ 5/8" CHISEL POINTS</u>					(SINGLE EXTENIONS ARE COMPLETE)		
<u>2'0"</u>							
9-156-022122	RGD	X			N/A	198	\$478
9-156-022222	SPG	X			N/A	198	\$786
9-156-022232	SPG		X		N/A	210	\$830
9-156-022242	SPG			X	N/A	232	\$923
***DOUBLE EXTENSION FOR TWO-BAR UNITS*** <u>W/ 5/8" CHISEL POINTS</u>					(USED ONLY WITH SINGLE EXTENSIONS)		
<u>2'0"</u>							
9-156-042122	RGD	X			N/A	253	\$ 593
9-156-042222	SPG	X			N/A	253	\$ 982
9-156-042232	SPG		X		N/A	265	\$1,002
9-156-042242	SPG			X	N/A	287	\$1,118
<u>3-BAR W/SPRING TINE ATTACHMENT &amp; 5/8" POINTS</u>							
<u>7'0" WIDE</u>		<u>W/CATEGORY II HITCH</u>					
156-0732-223	SPG	X			II	1089	\$3,824
156-0732-323	SPG		X		II	1131	\$3,950
156-0732-423	SPG			X	II	1208	\$4,298
<u>10'0" WIDE</u>		<u>W/CATEGORY II-III HITCH</u>					
156-1032-223	SPG	X			II & III	1458	\$4,981
156-1032-323	SPG		X		II & III	1518	\$5,152
156-1032-423	SPG			X	II & III	1628	\$5,665
***SINGLE EXTENSION FOR THREE BAR UNITS*** <u>W/ 5/8 CHISEL POINTS</u>					(SINGLE EXTENSIONS ARE COMPLETE)		
<u>2'0"</u>							
9-156-023222	SPG	X			N/A	199	\$795
9-156-023232	SPG		X		N/A	211	\$834
9-156-023242	SPG			X	N/A	233	\$933
***DOUBLE EXTENSION FOR THREE-BAR UNITS*** <u>W/ 5/8" CHISEL POINTS</u>					(USED ONLY WITH SINGLE EXTENSIONS)		
<u>2'0"</u>							
9-156-043222	SPG	X			N/A	268	\$ 969
9-156-043232	SPG		X		N/A	280	\$1,003
9-156-043242	SPG			X	N/A	302	\$1,071



MODEL NUMBER	TINE ATTCH MENT	TINE SIZE			SIZE (CAT) HITCH	APX WT	SUGST PRICE
		1 X 26	1 X 32	1.25 X 32			
***TRIPLE EXTENSION FOR THREE-BAR UNITS*** W/ 5/8" CHISEL POINTS					(TRIPLE EXTENSIONS ARE COMPLETE)		
<u>6'0"</u>							
9-156-063222	SPG	X			N/A	770	\$2,896
9-156-063232	SPG		X		N/A	806	\$3,008
9-156-063242	SPG			X	N/A	872	\$3,302

EXTRA EQUIPMENT

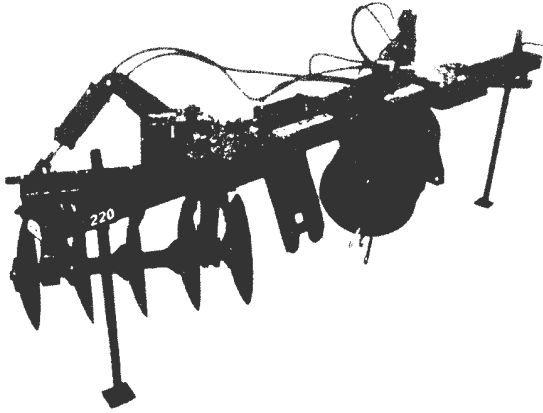
					APX WT	SUGST PRICE
9-156-520516	GAUGE WHEELS (2 BAR UNITS ONLY) 2-15 WHEELS LESS TIRES				167#	\$821
9-156-530516	GAUGE WHEELS (3 BAR UNITS ONLY) 2-15 WHEELS LESS TIRES				169#	\$833
101733	CAT II & III QUICK COUPLER ADAPTER FOR 10' UNITS				7#	\$ 91
101746	CAT II QUICK COUPLER ADAPTER FOR 7' UNITS AND 11' UNITS				1#	\$ 39

\*\*\*WHEN ORDERING EXTENSIONS: SINGLE EXTENSIONS ARE COMPLETE AND CAN BE USED ALONE.  
DOUBLE EXTENSIONS ARE NOT COMPLETE AND MUST BE USED ONLY WITH SINGLE EXTENSIONS  
TRIPLE EXTENSIONS ARE COMPLETE AND CAN BE USED ALONE.

OPTIONAL EQUIPMENT:

For 3/8 Twisted Shovels, Change the 9<sup>th</sup> digit from 2 to 3, add 1# each and \$6.00 each to weights and prices for units with 5/8" Chisel Points shown on price list.

**ATHENS 220 HEAVY DUTY  
LEVEE PLOW**



**SPECIFICATIONS:**

Eight or Ten Disk Models  
24" or 26" Disks- Cutout or Smooth  
.256" Disk Thickness

**STANDARD EQUIPMENT:**

10 1/2" Disk Blade Spacing  
Cat II-III Heavy Duty Hitch  
QUADRASEAL Gang Bearings  
1 1/2" Cold Rolled Square Axle  
Disk Gang Assembly Wrench  
1/2 x 4 x 7 x 136" Tool Bar  
Two Tubular Parking Stands  
Heavy Duty Scrapers (Tubular Mtd)

Athens "220" Heavy Duty Levee Plow With Relube QUADRASEAL Double Row, Tapered Roller Bearings Complete Hydraulics for Balk and Tilt Adjustment.

<u>MODEL NUMBER</u>	<u>DISK DIAM</u>	<u>TYPE OF DISK</u>	<u>DISK THCK</u>	<u># OF DISK</u>	<u>DISK SPACING</u>	<u>APX WT</u>	<u>SUGST PRICE</u>
<u>W/MANUAL ADJUSTMENT &amp; SHALLOW CONCAVITY BLADES</u>							
220-0855-191	24"	SM.	.256	8	10-1/2"	2181	\$7,354
220-1055-191	24"	SM.	.256	10	10-1/2"	2317	\$7,881
<u>W/HYDRAULIC ADJUSTMENT &amp; SHALLOW CONCAVITY BLADES</u>							
220-0855-194	24"	SM.	.256	8	10-1/2"	2221	\$8,963
220-1055-194	24"	SM.	.256	10	10-1/2"	2357	\$9,488

**SPECIAL ORDER INSTRUCTIONS:**

24" X .256 Cutout Blades. To order 24" cutout blades, Change 8<sup>th</sup> & 9<sup>th</sup> digits to 04 and deduct 2# per blade and add \$13.00 per blade.

26" x .256 Smooth Blades. To order 26" smooth blades, change 8<sup>th</sup> & 9<sup>th</sup> digits to 16 and add 6# per blade and add \$22.00 per blade.

26" x .256 Cutout Blades. To order 26" cutout blades, change 8<sup>th</sup> & 9<sup>th</sup> digits to 06 and add 3# per blade and add \$30.00 per blade.

**SPECIAL ORDERING INFORMATION:**

NOTE: 221 is the same as 220 except that 221 is equipped with Cover Disks and Cover Disk Scrapers.

To order Model 221 with Cover Disk Scrapers, change 220 to 221 and add 66# and \$126 to prices shown in price list.

**NO SCRAPERS**

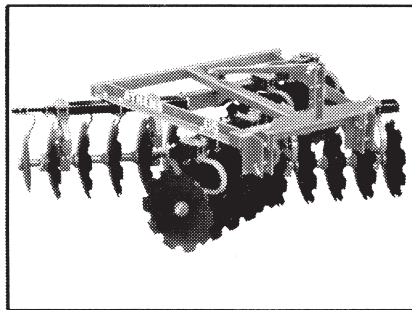
On Manual Units Change 10<sup>th</sup> Digit to 0 and deduct \$130.00  
On Hydraulic units change 10<sup>th</sup> digit to 5 and deduct \$140.00

220-1255-TAP		SM.		12	10-1/2"	2356	\$7,882
--------------	--	-----	--	----	---------	------	---------

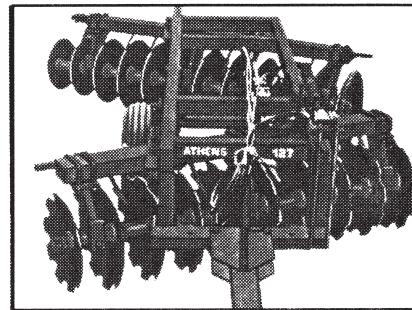


# ATHENS performance

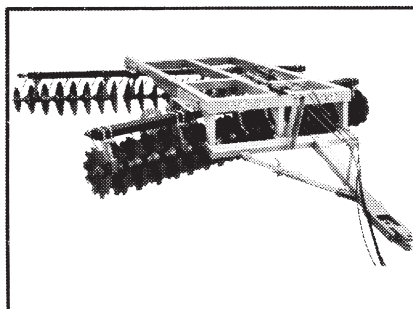
Since 1921 Athens Tillage Products have been known for their rugged quality and superior performance. We have a complete line of Lift Type Harrows, Tandem Disks, Offset and Double Offset Disk Plows, Chisel Plows, and Levee Plows.



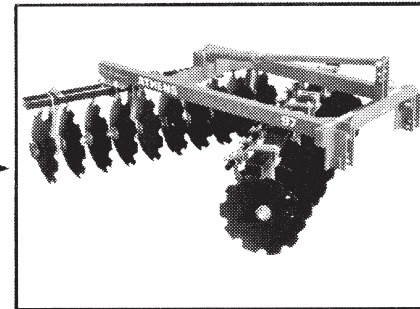
**MODEL - 065 LIFT TYPE HARROW**  
**WIDTH - 8'0" to 9'6"**  
**WEIGHT - 1710# to 1968#**



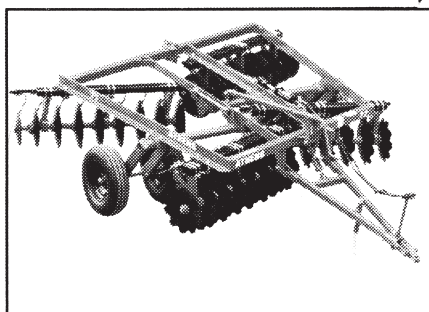
**MODEL - 127/167 - OFFSET HARROW**  
**WIDTH - 6'6" to 12'6"**  
**WEIGHT - 2752# to 4870#**



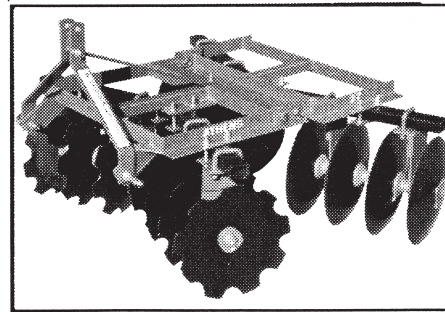
**MODEL - 137/187 OFFSET HARROW**  
**WIDTH - 12'6" to 18'6"**  
**WEIGHT - 5367# to 7076#**



**MODEL - 097 LIFT TYPE OFFSET**  
**WIDTH - 6'2" to 7'6"**  
**WEIGHT - 1385# to 1672#**



**MODEL - 76/77 DOUBLE OFFSET**  
**WIDTH - 8'10" to 15'9"**  
**WEIGHT - 2900# to 4528#**

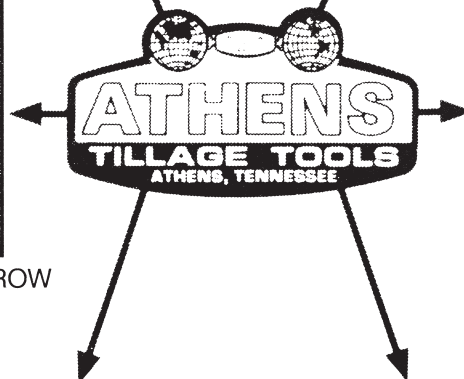


**MODEL - 37 LIFT TYPE HARROW**  
**WIDTH - 5'2" to 6'5"**  
**WEIGHT - 640# to 722#**

**DEPENDABILITY**

**RELIABILITY**

**QUALITY**



**VALUE**

**SERVICE**

**PERFORMANCE**



TAB 2





## Fertilizer Spreaders *Spreads Seed or Fertilizer*

The FS Series spreader features easily controlled seed gates, adjustable spreading vanes and a left/right spread control. Options include salt-sand deflector kit.

Model	Code	Features	Weight (lbs)	Set-Up	Price
FS-150	804-003	150 Litre or 317 lbs Cap Steel Hopper Complete with Agitator and PTO Shaft		\$30.00	\$1,034.00
FS-300	804-004	250 Litre or 694 lbs Cap Steel Hopper Complete with Agitator and PTO Shaft	105	\$30.00	\$1,066.00
FS-500	804-001	338 Litre or 992 lbs Cap Steel Hopper Complete with Agitator and PTO Shaft	115	\$30.00	\$1,115.00
Options					
400.091		Salt-Sand Kit – FS Series			\$399.00
400.200		Agitator for powder fertilizer			\$105.00
400.168		Lateral conveyor kit			\$1,117.00
804.019		FSP100 STD			\$1,980.00
804.020		FSP150 STD			\$2,011.00



**PRICED IN CANADIAN DOLLARS**

**PRICES ARE FOB HARRISTON, ON- DESIGN & PRICE ARE SUBJECT TO CHANGE WITHOUT NOTICE**





**TAB 3**





## Edge Zero Turn

Code	Model	Price [CDN]
EE60FR730V32	60" Kawasaki FR730V/3200	\$12,050.00



## 'Pull Behind' Tracer

Code	Model	Price [CDN]
ET60CT656SD	60" B&S CT656 Side Discharge Pull Behind	\$7,069.00
ET72CT724RD	72" B&S CT724 Rear Discharge Pull Behind	\$9,588.00

**PRICED IN CANADIAN DOLLARS**

PRICES ARE FOB HARRISTON, ON- DESIGN & PRICE ARE SUBJECT TO CHANGE WITHOUT NOTICE



**SILAGE PACKER**

**Standard Features**

- Available with 30” steel wheels.
- 3” wide stainless steel rims.
- 5” axle gives up to 12” packing depth.
- When silage is properly packed there will be very little wheel penetration
- Bolt on 3-point hitch bracket in 3N, 3, 4N or 4 are included in price, customer to specify.



Model #	Description	Lbs.	HP	Price (Cdn)
2907	7-wheel w/weight boxes/w sand*, 93” wide	7000	190	\$18,354.00
2909	9-wheel w/weight boxes/w sand*, 123” wide	9000	230	23,184.00
2911	11-wheel w/weight boxes/w sand*, 153” wide	11000	280+	28,497.00
	<i>*customer supplied sand</i>			



**PRICED IN CANADIAN DOLLARS**

**PRICES ARE FOB HARRISTON, ONTARIO – DESIGN & PRICE ARE SUBJECT TO CHANGE WITHOUT NOTICE**





**The Bale Buddy 2000 was designed to allow hay to be baled while there is up to 60% moisture in the hay. When the weather is uncooperative, this will save time waiting for the hay to dry and product with less hay spoilage.**



## Bale Buddy 2000 Specs

SPECS	VALUE
LENGTH	72" (183cm)
WIDTH	40" (102cm) BASE 104" (264cm) TOP
HEIGHT	90" (229cm)
WEIGHT	853 lbs. (382 kg)
BALE SIZE	4x5 or 5x6
CONNECTIONS	14 Pin
WRAP	Standard Film Wrap
HYDRAULICS	Auxillary Hydraulics

**BALE BUDDY 2000 - CDN PRICE - \$7,092.00**

PRICES ARE FOB HARRISTON, ONTARIO – DESIGN & PRICE ARE SUBJECT TO CHANGE WITHOUT NOTICE  
 August 2024



Made in Northern Minnesota







## ReCon

<b>Features Include:</b>	
<ul style="list-style-type: none"> <li>▪ Adjustable top deflector</li> <li>▪ Inline quick adjuster for roller spacing</li> </ul>	
<b>Standard Equipment:</b>	<b>Optional Equipment:</b>
<ul style="list-style-type: none"> <li>▪ 115 horse power slip clutch</li> <li>▪ Highway speed rated 275/60R15 tires</li> <li>▪ Hydraulic adjustable side deflectors</li> <li>▪ Clearance lights</li> </ul>	<ul style="list-style-type: none"> <li>▪ Hydraulic drive Spin Spreader</li> <li>▪ Side deflector expansions</li> <li>▪ 3PT quick hitch</li> </ul>

Model #	Description	MSRP [CDN]
300705	Recon 300- Pulltype, 7 ft rolls with 540 RPM PTO	\$33,400.00
300701	Recon 300- Pulltype, 7 ft rolls with 1000 RPM PTO	\$33,400.00
300901	Recon 300- Pulltype, 9 ft rolls with 1000 RPM PTO	\$38,850.00

## Options

Part #	Description	MSRP [CDN]
321645	<b>Spin Spreader Kit</b> , 7 foot kit	\$4,600.00
321250	<b>Spin Spreader Kit</b> , 9 foot kit	\$5,500.00
321585	Tandem Wheel Option	\$2,200.00
	Factory Set-Up – Tow Configuration	\$900.00

*No Freight Charges on Options Ordered With Machine. Contact HARCO for Shipping Charges on Options Ordered Later.*



**PRICED IN CANADIAN DOLLARS**

**PRICES ARE FOB BENITO, MB – DESIGN & PRICE ARE SUBJECT TO CHANGE WITHOUT NOTICE**



5808 Hwy #9, Harriston, Ontario, N0G 1Z0  
Phone: 519-338-2923, Fax: 519-338-2756  
Email: [sales@harcoag.ca](mailto:sales@harcoag.ca)  
[www.harcoag.ca](http://www.harcoag.ca)

## Cross Augers for Draper Headers

<b>Standard Features Include:</b>	<ul style="list-style-type: none"> <li>▪ Variable speed motor control</li> <li>▪ FlexEnd Technology for flex drapers</li> </ul>
<ul style="list-style-type: none"> <li>▪ Patented Angled Stripper deflector bar</li> <li>▪ Swept Back Unloader Paddle</li> </ul>	

Part #	Description	MSRP [CDN]
<b>For Rigid Framed Draper Headers</b>		
Various	Under 24' Cross Auger kit	\$6,100.00
Various	25' Cross Auger kit	\$6,600.00
Various	30' Cross Auger kit	\$7,250.00
Various	35'-36' Cross Auger kit	\$7,500.00
Various	40' Cross Auger kit	\$7,800.00
Various	45' Cross Auger kit	\$8,100.00
Various	50' Cross Auger kit	\$8,500.00
<b>For Hinged Flex Draper Headers</b>		
Various	30' Cross Auger kit for Macdon FD	\$7,350.00
Various	35/36' Cross Auger kit for Macdon FD, Deere HDT/F	\$7,800.00
Various	40' Cross Auger kit for Macdon FD, Deere HDR/F, Gerringhoff	\$8,000.00
Various	45' Cross Auger kit for Macdon FD, Deere HDR/F, Gerringhoff	\$8,400.00
Various	50' Cross Auger kit for Macdon FD, Deere HDR/F, Gerringhoff	\$8,800.00
	Stripper Bar Kit	\$1,800.00
	<b>ONLY APPLICABLE IN WESTERN CANADA.</b> Auger exchange kits available for worn out Macdon Augers, up to \$1,500.00 core credit available per straight auger (\$3,000.00 kit)	
Freight charges vary dependant on quantity ordered		

**PRICED IN CANADIAN DOLLARS**

**PRICES ARE FOB BENITO, MB – DESIGN & PRICE ARE SUBJECT TO CHANGE WITHOUT NOTICE**

5808 Hwy #9, Harriston, Ontario, N0G 1Z0  
Phone: 519-338-2923, Fax: 519-338-2756  
Email: [sales@harcoag.ca](mailto:sales@harcoag.ca)  
[www.harcoag.ca](http://www.harcoag.ca)



## Cross Augers for Draper Headers – Part Number Reference Table

Header	Width	Part #	Header	Width	Part #
<b>AGCO / MF</b>			<b>John Deere</b>		
9345 AGCO	45ft	<b>4159345</b>	HD35R / HD35F	35ft	<b>413035</b>
9340 AGCO	40ft	<b>4159340</b>	HD40R / HD40F	40ft	<b>413040</b>
9335 AGCO	35ft	<b>4159335</b>	HD45R / HD45F	45ft	<b>413045</b>
9330 AGCO	30ft	<b>4159330</b>	HD50R / HD50F	50ft	<b>413050</b>
9250 / 9255 Dynaflex	45ft	<b>406504</b>	645FD / 745FD / RD45F	45ft	<b>405853</b>
9250 / 9255 Dynaflex	40ft	<b>406503</b>	640FD / 740FD / RD40F	40ft	<b>405852</b>
9250 / 9255 Dynaflex	35ft	<b>406502</b>	635FD / 735FD / RD35F	35ft	<b>405851</b>
9250 / 9255 Dynaflex	30ft	<b>406501</b>	630FD / 730FD / RD30F	30ft	<b>405850</b>
9250 / 9255 Dynaflex	25ft	<b>406500</b>	640D/740D	40ft	<b>405848</b>
5300 / 5400 AGCO	40ft	<b>405863</b>	635D/735D	35ft	<b>405847</b>
5300 / 5400 AGCO	35ft	<b>405862</b>	630D/730D	30ft	<b>405846</b>
5300 / 5400 AGCO	30ft	<b>405861</b>	625D/725D	25ft	<b>405845</b>
5300 / 5400 AGCO	25ft	<b>405860</b>	936D	36ft	<b>405844</b>
5000 - 5200 AGCO	36ft	<b>405797</b>	930D	30ft	<b>405843</b>
5000 - 5200 AGCO	30ft	<b>405796</b>	925D	25ft	<b>405842</b>
5000 - 5200 AGCO	25ft	<b>405795</b>	440 Swather (D65)	40ft	<b>405867</b>
600 AGCO	36ft	<b>405828</b>	2360 Swather	18ft	<b>405840</b>
600 AGCO	30ft	<b>405827</b>	<b>MacDon</b>		
<b>Honey Bee</b>			960 Finger Forward	25ft	<b>405870</b>
Honey Bee AirFlex	30ft	<b>412230</b>	960 Finger Forward	30ft	<b>405871</b>
Honey Bee AirFlex	36ft	<b>412236</b>	960 Dual Drive	36ft	<b>405885</b>
Honey Bee AirFlex	40ft	<b>412240</b>	962 (CNH 1042)	25ft	<b>405880</b>
Honey Bee AirFlex	45ft	<b>412245</b>	962 / 963 (CNH 1042 / 2042)	30ft	<b>405824</b>
Honey Bee AirFlex	50ft	<b>412250</b>	962 / 963 (CNH 1042 / 2042)	36ft	<b>405826</b>
Honey Bee	42ft	<b>405812</b>	972 / 973 (CNH 1052 / 2052)	15ft	<b>405874</b>
Honey Bee NH94C	40ft	<b>405810</b>	972 / 973 (CNH 1052 / 2052)	18ft	<b>405930</b>
Honey Bee	39ft	<b>405811</b>	972 / 973 (CNH 1052 / 2052)	21ft	<b>405875</b>
Honey Bee (Ctr) NH94C	36ft	<b>405803</b>	972 / 973 (CNH 1052 / 2052)	25ft	<b>405876</b>
Honey Bee (Offset)	36ft	<b>405806</b>	972 / 973 (CNH 1052 / 2052)	30ft	<b>405877</b>
Honey Bee, NH94C	30ft	<b>405802</b>	972 / 973 (CNH 1052 / 2052)	36ft	<b>405878</b>
Honey Bee	25ft	<b>405800</b>	974 (CNH 2062, NH84C)	30ft	<b>410029</b>
<b>CNH</b>			974 (CNH 2062, NH84C)	36ft	<b>410036</b>
NH 840CD, 880CF, CNH 3142, 3152, 3162	45ft	<b>406499</b>	D60 / D65 / D145 (CNH 2142, 2152)	45ft	<b>405873</b>
NH 840CD, 880CF, CNH 3142, 3152, 3162	40ft	<b>406498</b>	D60 / D65 / D140 (CNH 2142, 2152)	40ft	<b>405867</b>
NH 840CD, 880CF, CNH 3142, 3152, 3162	35ft	<b>406497</b>	D60 / D65 / D135 (CNH 2142, 2152)	35ft	<b>405866</b>
NH 840CD, 880CF, CNH 3142, 3152, 3162	30ft	<b>406496</b>	D60 / D65 / D130 (CNH 2142, 2152)	30ft	<b>405865</b>
NH 840CD, 880CF, CNH 3142, 3152, 3162	25ft	<b>406495</b>	D60 / D65 / D125 (CNH 2142, 2152)	25ft	<b>405864</b>
<b>Midwest</b>			FD70 / FD75 / FD145 (CNH 2162)	45ft	<b>410045</b>
Midwest	45ft	<b>405836</b>	FD70 / FD75 / FD140 (CNH 2162)	40ft	<b>410040</b>
Midwest	42ft	<b>405835</b>	FD70 / FD75 / FD135 (CNH 2162)	35ft	<b>410035</b>
Midwest	40ft	<b>405834</b>	FD70 / FD75 / FD130 (CNH 2162)	30ft	<b>410030</b>
Midwest	36ft	<b>405833</b>	FD250	50ft	<b>420050</b>
<b>CLAAS</b>			FD245	45ft	<b>420045</b>
MaxFlo 1050	35ft	<b>411050</b>	FD240, Triple Reel	40ft	<b>420040</b>
MaxFlo 1200	40ft	<b>411200</b>	FD241, Dual Reel	40ft	<b>420041</b>
Convio 1080	35ft	<b>411080</b>	FD235	35ft	<b>420035</b>
Convio 1230	40ft	<b>411230</b>			
Convio 1380	45ft	<b>411380</b>			

**PRICED IN CANADIAN DOLLARS**

**PRICES ARE FOB BENITO, MB – DESIGN & PRICE ARE SUBJECT TO CHANGE WITHOUT NOTICE**





## Sprayers

### ATV & Side by Side

#### Features Include:

- Ideal for drift reduction and reducing off target drift & subsequent damage in adjacent property.
- Useful for livestock operation in fence lines & patch treatment in pastures.
- Municipalities can control unwanted vegetation in ditches, boulevards & ditches.

#### Standard Equipment:

- Follows the ground with wheels that are included to ensure best wind protection.
- Includes a 15-60 US gallon V bottom tank, a high capacity 12V pump with relief valve.
- Shutoff valves for each boom section.

#### Optional Equipment:

- 5, 10 & 15' standard units available, ask about special orders.
- Hand wand with hose reel.
- Fresh water or second chemical tank.
- Chemical Inductor.

Model #	Description	MSRP [CDN]
235400	Complete 10' Shielded Sprayer, 12 gal tank, ATV receiver mounts	\$3,920.00
235481	Complete 15' Shielded Sprayer, 50 gal tank, UTV box mount	\$6,020.00
235399	Complete 15' Shielded Sprayer, 50 gal tank, 3 PT hitch mount	\$5,670.00
235645	Shielded Boom section, 5' centre, 3 way rollover nozzles	\$965.00
235640	Shielded Boom section, 5' left, 3 way rollover nozzles	\$965.00
235635	Shielded Boom section, 5' right, 3 way rollover nozzles	\$965.00
231790	Premium hand want, 50' hose on manual reel with ball valve	\$1,150.00
237751	Chemical Inductor	\$125.00
235482	Electric remote control for boom shut-offs	\$700.00
231709	LH or RH end nozzle kit (not shielded)	\$454.00
235840	Eye and hand wash fresh water kit, 12 gallon	\$460.00
115340	Trimble GFX350 with Nav 500	\$3,499.00
	Factory set up or installation	\$400.00



**PRICED IN CANADIAN DOLLARS**

**PRICES ARE FOB BENITO, MB – DESIGN & PRICE ARE SUBJECT TO CHANGE WITHOUT NOTICE**



## Sprayers

### Truck Mounted Road Side

**Features Include:**

- Ideal for drift reduction and reducing off target drift & subsequent damage in adjacent property.
- Municipalities can control unwanted vegetation in ditches, boulevards & ditches.

**Standard Equipment:**

- Shielded sprayer with gauge wheels follow the ground to insure best drift protection.
- High capacity Honda pump.
- Shutoff valves for each boom section.
- Auto reset boom breakaway.

**Optional Equipment:**

- 7, 12 & 17' standard units available, ask about special orders
- Hand wand with hose reel, 425-510 US gallon V bottom fill tank
- Fresh water, second or third chemical tank
- Upper or lower end nozzles. Eye & hand wash kit. Firefighter nozzle, Microtrak autorate controller

Model #	Description		MSRP [CDN]
231815	<b>Base</b>	Road Side Sprayer, w Honda pump & microtrak autorate controller	\$8,665.00
231816	<b>Base</b>	Road Side Sprayer, w Honda pump & manual pressure control	\$6,050.00
231850	<b>Booms</b>	S18 Shielded Sprayer Boom, 7' 4 nozzle centre w/Varitarget	\$6,100.00
231853	<b>Booms</b>	S18 Shielded Sprayer Boom, 5' 3 nozzle left w/Varitarget	\$4,300.00
231858	<b>Booms</b>	S18 Shielded Sprayer Boom, 5' 3 nozzle right w/Varitarget	\$4,300.00
231810	<b>Booms</b>	Shielded Sprayer Boom, 7' 4 nozzle right w/Varitarget	\$5,070.00
231701	<b>Tanks</b>	425 gallon tank for 5 ½' truck bed	\$5,075.00
231700	<b>Tanks</b>	510 gallon tank for 6 ½" truck bed	\$5,375.00
231702	<b>Tanks</b>	Dual 510 gallon tanks for trucks with deck	\$7,170.00
231695	<b>Tanks</b>	Dual 60 gallon optional tanks for 8' truck bed	\$2,050.00
	<b>OPTIONS</b>		
231709		Lower end nozzle kit, not shielded	\$445.00
231708		Upper end nozzle kit, not shielded	\$445.00
116222		Firehose nozzle kit, 12' hose with manual shut off	\$500.00
231790		Hand wand kit, 100' hose on manual rewind reel	\$1,750.00
231686		Premium hand wand kit, 100' hose on 12VDC electric rewind reel	\$2,950.00
231681		LED Beacon light kit, 360 degree view	\$350.00
		Colour monitor and camera for RH boom view	\$900.00
235840		Eye & hand wash fresh water kit, 12 gallon	\$460.00
		Factory set up or installation	\$900.00



**PRICED IN CANADIAN DOLLARS**

**PRICES ARE FOB BENITO, MB – DESIGN & PRICE ARE SUBJECT TO CHANGE WITHOUT NOTICE**



5808 Hwy #9, Harriston, Ontario, N0G 1Z0  
Phone: 519-338-2923, Fax: 519-338-2756  
Email: [sales@harcoag.ca](mailto:sales@harcoag.ca)  
[www.harcoag.ca](http://www.harcoag.ca)

## Sprayers

### Cat II 3 Point Hitch Road Side

**Features Include:**

- Ideal for drift reduction and reducing off target drift & subsequent damage in adjacent property.
- Municipalities can control unwanted vegetation in ditches, boulevards & ditches.

**Standard Equipment:**

- Shielded sprayer with gauge wheels follow the ground to insure best drift protection.
- 60 US gallon V bottom fill tank with high capacity hydraulic pump.
- Shutoff valves for each boom section.
- Auto reset boom breakaway.

**Optional Equipment:**

- 7, 12 & 17' standard units available, ask about special orders
- Hand wand with hose reel
- Fresh water, second or third chemical tank
- Upper or lower end nozzles. Eye & hand wash kit. Firefighter nozzle, Microtrak autorate controller

Model #	Description		MSRP [CDN]
235975	<b>Plumbing</b>	Road Side Sprayer, w Hydraulic pump & microtrak autorate controller	\$8,665.00
235976	<b>Plumbing</b>	Road Side Sprayer, w Hydraulic pump & manual pressure control	\$6,050.00
231850	<b>Booms</b>	S18 Shielded Sprayer Boom, 7' 4 nozzle centre w/Varitarget	\$6,100.00
231853	<b>Booms</b>	S18 Shielded Sprayer Boom, 5' 3 nozzle left w/Varitarget	\$4,300.00
231858	<b>Booms</b>	S18 Shielded Sprayer Boom, 5' 3 nozzle right w/Varitarget	\$4,300.00
231810	<b>Booms</b>	Shielded Sprayer Boom, 7' 4 nozzle right w/Varitarget	\$5,070.00
235960	<b>Base</b>	60 gallon tank for 3 point hitch	\$5,250.00
235961	<b>Base</b>	Dual 60 gallon tanks for 3 point hitch	\$6,300.00
		<b>OPTIONS</b>	
231709		Lower end nozzle kit, not shielded	\$445.00
231708		Upper end nozzle kit, not shielded	\$445.00
116222		Firehose nozzle kit, 12' hose with manual shut off	\$500.00
231790		Hand wand kit, 100' hose on manual rewind reel	\$1,750.00
231686		Premium hand wand kit, 100' hose on 12VDC electric rewind reel	\$2,950.00
231681		LED Beacon light kit, 360 degree view	\$350.00
		Colour monitor and camera for RH boom view	\$900.00
235840		Eye & hand wash fresh water kit, 12 gallon	\$460.00
		Factory set up or installation	\$900.00



**PRICED IN CANADIAN DOLLARS**

**PRICES ARE FOB BENITO, MB – DESIGN & PRICE ARE SUBJECT TO CHANGE WITHOUT NOTICE**





5808 Hwy #9, Harriston, Ontario, N0G 1Z0  
Phone: 519-338-2923, Fax: 519-338-2756  
Email: [sales@harcoag.ca](mailto:sales@harcoag.ca)  
[www.harcoag.ca](http://www.harcoag.ca)

## Multi Trailer

### Hay Hauling System – Sold Factory Direct

**Features Include:**

- Manual electric brake interlock for loading
- Conversion from flat deck to bale mode in under a minute with one person

**Standard Equipment:**

- 8000 lb axles, trailer ramps
- 14 ply – load range ‘G’ tires, LED lights

**Optional Equipment:**

- 2 5/16” Ezee guide ball hitch
- King Pin Hitch

Model #	Description	MSRP [CDN]
450660	Multi-Trailer – 31’, Tri-Axle Hay Hauling System	\$38,900.00
<b>Replacement Parts</b>		
450398	Kingpin Hitch	\$314.00
450476	2 5/16” Ball Ezee Guide Hitch	\$369.00
113984	14 Ply Spare Tire w/Rim	\$354.00
450890	Rear Flashing Amber Light	\$278.00
	Please contact Harco for current freight quote	



**PRICED IN CANADIAN DOLLARS**

**PRICES ARE FOB BENITO, MB – DESIGN & PRICE ARE SUBJECT TO CHANGE WITHOUT NOTICE**



## Sitrex Mowers

Disc Mower – Series DM					
Code	Model	Weight		Net Set Up	Price [CDN]
		Lb	Kg		
801.281	<b>DM/4</b> 4 Disc Mower – 66” Cutting Width	700	320	\$100.00	\$15,124.00
801.282	<b>DM/5</b> 5 Disc Mower – 81” Cutting Width	810	370	\$100.00	\$16,550.00
801.311	<b>DM/6</b> 6 Disc Mower – 95” Cutting Width	910	420	\$120.00	\$21,528.00
801.310	<b>DM/7</b> 7 Disc Mower – 110” Cutting Width	1,080	490	\$120.00	\$22,780.00
801.322	<b>DM/8</b> 8 Disc Mower – 127” Cutting Width	1,400	635	\$120.00	\$28,814.00



**PRICED IN CANADIAN DOLLARS**

PRICES ARE FOB HARRISTON, ON- DESIGN & PRICE ARE SUBJECT TO CHANGE WITHOUT NOTICE



5808 Hwy #9, Harriston, Ontario, N0G 1Z0  
Phone: 519-338-2923 Fax: 519-338-2756  
Email: [sales@harcoag.ca](mailto:sales@harcoag.ca) / [www.harcoag.ca](http://www.harcoag.ca)

## Sitrex Hay Rakes & Tedders

Code	Model	Weight		Net Set Up	Price [CDN]
		Lb	Kg		
<b>3-Point Type – RP Series</b>					
802.036	RP/2 RH	145	66	\$60.00	\$1,405
802.037	RP/3			\$90.00	\$2,006
802.010	RP/4 RH	396	180	\$120.00	\$2,652
802.012	RP/5 RH Wheel on end	440	200	\$150.00	\$3,189
802.017	RP/6 RH	551	250	\$180.00	\$4,107
<b>QR Series V-Rake with Suspension</b>					
802.352	QR-8, 8 Wheel, 10' Working Width	1500		\$250.00	\$13,186
802.353	QR-10, 10 Wheel, 22' Working Width	1630		\$315.00	\$14,840
802.354	QR-12, 12 Wheel, 25' 7" Working Width	1830		\$380.00	\$16,897
230.371/c	QR Centre Kicker Wheel				\$1,542
230.735	QR HYDR. ADJ. KIT QR8-10				\$2,145
230.735	QR HYDR. ADJ. KIT QR8-10				\$2,186
230.908	CONVERSION KIT FOR QR/8 IN QR/10				\$2,145
<b>QRX Series V-Rake</b>					
802.930	QRX-12, 12 Wheel, 55" x 7mm Tines	2670	1210	\$420.00	\$23,007
802.931	QRX-14, 14 wheel, 55" x 7mm Tines	2955	1340	\$480.00	\$24,898
802.934	QRX-16, 16 wheel, 55" x 7mm Tines				\$30,110
<i>QRX Series Rakes – 60" x 7.5mm Wheel Option</i>					\$62
					(per wheel)
260.698	Dual Kicker Wheel Kit				\$2,372
<b>Basket Rakes</b>					
802.895	BR2030/6				\$92,421
802.891	BR2030/7				\$93,705
<b>HEAVY DUTY RAKES</b>					
802.740	PRO/17 RAKE (17 wheels)				\$68,272

**PRICED IN CANADIAN DOLLARS**

PRICES ARE FOB HARRISTON, ON - DESIGN + PRICE ARE SUBJECT TO CHANGE WITHOUT NOTICE

5808 Hwy #9, Harriston, Ontario, N0G 1Z0  
Phone: 519-338-2923 Fax: 519-338-2756  
Email: [sales@harcoag.ca](mailto:sales@harcoag.ca) / [www.harcoag.ca](http://www.harcoag.ca)

Code	Model	Weight		Net Set Up	Price [CDN]
		Lb	Kg		
<b>MX Explorer Rakes – Pull Type</b>					
802.030	MX/8 Less Ratchet Jack	2685	1220	\$320.00	\$22,993
802.016	MX/10 Less Ratchet Jack	3015	1370	\$400.00	\$24,549
802.158	MX/12 With Ratchet Jack	3350	1520	\$480.00	\$26,458
<b>Optional</b>					
220.264	Ratchet Jack Kit				\$919
220.379	Hydraulic Kicker Wheel Kit				\$2,778
220.434	Single Side Opening Kit				\$1,823
220.441	Conversion Kit – MX8-10				\$1,823
<b>Tedders</b>					
802.829	RT/2500 Pull Type				\$5,334
802.739	RT/3000 Pull Type	385	175		\$5,569
802.747	RT/5200 17' Spring Lift Pull Type				\$11,319
802.746	RT/5200 H 17' Hydraulic Lift Pull Type	830	377		\$12,140
802.788	RT/5800 19' Hydraulic Lift – Pull Type				\$13,583
802.013	ST/780H Six Rotors, Hydraulic 26' Pull	2470	1120		\$35,672
<b>Tedders – Rakes</b>					
802.129	Hay Maker 300	726	330		\$9,305
802.091	Hay Maker 400	924	420		\$13,938
<i>Including PTO Shaft</i>					
<b>MKE Professional Rakes – Pull Type, New Style</b>					
802.918	MKE/10, 10 Wheel, 55" x 7mm Tines	3920	1780	\$400.00	\$31,206
802.919	MKE/12, 12 Wheel, 55" x 7mm Tines	4275	1940	\$480.00	\$32,779
802.920	MKE/14, 14 Wheel, 55" x 7mm Tines	5615	2550	\$560.00	\$43,250
802.921	MKE/16, 16 Wheel, 55" x 7mm Tines	6060	2750	\$640.00	\$44,837
802.922	MKE/18, 18 Wheel, 55" x 7mm Tines	7465	3385	\$720.00	\$52,663
802.923	MKE/20, 20 Wheel, 55" x 7mm Tines	7760	3520	\$800.00	\$54,248
<i>MKE Series Rakes – 60" x 7.5mm Wheel Option</i>					

**PRICED IN CANADIAN DOLLARS**

PRICES ARE FOB HARRISTON, ON - DESIGN + PRICE ARE SUBJECT TO CHANGE WITHOUT NOTICE

5808 Hwy #9, Harriston, Ontario, N0G 1Z0  
Phone: 519-338-2923 Fax: 519-338-2756  
Email: [sales@harcoag.ca](mailto:sales@harcoag.ca) / [www.harcoag.ca](http://www.harcoag.ca)

Code	Model	Weight		Net Set Up	Price [CDN]
		Lb	Kg		
<b>MKE Professional Rakes Continued</b>					
<b>Optional</b>					
250.462/b	Hydraulic Kicker Wheel Kit				\$3,523
250.441	Tandem Tire/Wheel Kit				\$2,624
250.443	Rear Hydraulic Opening Kit – MKE10-12				\$3,175
250.444	Rear Hydraulic Opening Kit – MKE14-16				\$3,229
250.492	Rear Hydraulic Opening Kit – MKE18-20				\$3,322
250.436	Conversion Kit – MKE10-12, 55" Wheels				\$1,585
250.437	Conversion Kit – MKE14-16, 55" Wheels				\$2,193
250.437	Conversion Kit – MKE18-20, 55" Wheels				\$2,193
250.438	Conversion Kit, MKE10-12, 60" Wheels				\$1,686
250.439	Conversion Kit, MKE14-16, 60" Wheels				\$2,291
250.439	Conversion Kit, MKE18-20, 60" Wheels				\$2,291
250.445	Single Side Opening Kit				\$1,842
<b>Rotary Rakes</b>					
802.081	SR320/8, 3-Point, 8 Arms				\$10,846
802.599	SR350/9, 3-Point, 9 Arms	991	450	\$150.00	\$13,610
802.150	SR420/11, 3-Point, 11 Arms	1233	560	\$200.00	\$17,160
802.063	SR420/11H Pull-Type	1352	614	\$200.00	\$22,021
802.321	SR500/13, 3-Point, 13 Arm	1907	865	\$300.00	\$21,158
802.729	SR500/13, Pull-Type w/ Tandem, 13 Arms	1907	865	\$300.00	\$23,780
802.380	TW7800 Twin Rotary Rake	4140	1880		\$55,383

**PRICED IN CANADIAN DOLLARS**

PRICES ARE FOB HARRISTON, ON - DESIGN + PRICE ARE SUBJECT TO CHANGE WITHOUT NOTICE







## Sitrex Balers

### Round Baler Action 120

#### Round Baler ACTION 120

- Chamber dimension 120x120 cm
- Pick-up 1,70 mt with 1 wheel
- Hydraulic control pick-up
- Alternative comb feeder
- Tires 10/75-15 (11/80-15 serial with wide pick-up)
- Mechanic counter bales
- PTO camshaft with safety bolt
- Low power absorption (40 CV)
- Standard high-density cross-bars
- Acoustic signal full chamber (standard)
- Chain bars n. 34
- Pick-up 2,00 mt with 2 wheel, with side augers
- Mechanic control binding
- Mechanic control bale density
- Lights installation
- Adjustable draw bar in 2 points
- Ladder
- Acoustic luminous signal full chamber
- High bale density thanks to mechanic hooks on the rear door
- Adjustable telescopic carriageway of 6.2"



Model	Code	Description	Price - CDN
ACTION 120	802.897	Round baler with standard pick-up-only twine binding	\$41,345.00
ACTION 120 L	802.898	Round baler with pick-up 2 mt only twine binding	\$46,122.00
ACTION 120 R	802.899	Round baler with standard pick-up-only net binding	\$45,324.00
ACTION 120 RL	802.900	Round baler with pick up 2 mt only net binding	\$50,084.00
ACTION 120 SR	802.901	Round baler with standard pick-up twine and net binding	\$46,705.00
ACTION 120 LSR	802.902	Round baler with pick up 2 mt twine and net binding	\$51,534.00

#### DIMENSIONS & WEIGHTS

	Model	Width (inch)	Length (inch)	Height (inch)	Weight (lbs)
In working	120	86.6 "	141.7"	78.7"	4607 lbs
In working	120 L	90.5"	141.7"	78.7"	4784 lbs
For transport	120	81.5"	94.4"	69.2"	4607 lbs
For transport	120 L	81.5"	94.4"	69.2"	4784 lbs

**PRICED IN CANADIAN DOLLARS**

**PRICES ARE FOB HARRISTON, ON- DESIGN & PRICE ARE SUBJECT TO CHANGE WITHOUT NOTICE**



## FITTINGS

	Code	Description	Price CDN
	240.140	Addition for electric twine binding M 100	\$1,092.00
	240.141	Addition for electric net binding M 100	\$1,292.00
	240.142	Addition for electric twine-net binding M 100	\$1,549.00
	240.143	Addition for automatic twine binding M 200	\$2,765.00
	240.144	Addition for automatic net binding M 200	\$2,482.00
	240.145	Addition for automatic twine + net binding M 200	\$4,279.00
Recommended	240.146	Bale ejector	\$833.00
Recommended	240.147	Second wheel for pick-up (standard on wide pick-up)	\$459.00
	241.455	Addition for a couple of iron wheels on standard pick-up	\$675.00
	241.456	Addition of one iron wheel on pick-up	\$292.00
	240.150	Addition for a couple of iron wheels on a wide pick-up	\$426.00
Recommended	240.151	Addition for wheels 11/80-15 (standard on wide pick-up)	\$426.00
	240.152	Addition for wheels 15.0/55-17 on 120	\$1,292.00
	240.153	Addition for wheels 15.0/55-17 on 120 L	\$975.00
	240.477	Addition for wheels 19.0/45-17	\$3,315.00
	240.171	Addition for a couple wheels 19.0/45-17 of ACTION 120 L	\$2,465.00
	241.453	Addition for a couple of adjustable wheels pick-up 170 cm	\$592.00
	241.454	Addition for a couple of adjustable wheels pick-up 200 cm	\$376.00
	241.457	Addition for P.T.O. shaft 8 teeth	\$259.00
Recommended	240.154	Addition for big angle P.T.O. shaft	\$1,066.00
	241.458	Addition for big angle P.T.O. shaft 8 teeth	\$1,066.00
Recommended	240.155	Automatic lubrication	\$1,892.00
	240.156	Addition for hydraulic brakes	\$2,156.00
	240.157	Automatic lubrication main chain (only with code 240.155)	\$775.00
	241.436	Safety kit "ACTION"	\$675.00
	241.752	Addition for a three-pole power cable	\$145.00
	241.767	Tank support	\$342.00
	241.778	Sprayer kit for distribution of preservatives (requires cod. 241.767)	\$5,012.00
	241.779	Humidity meter kit	\$1,842.00

## FITTINGS REQUESTED AFTER DELIVERY OF THE MACHINE

	Code	Description	Price CDN
	241.252	Manual twine binding (after the delivery of the machine)	\$2,075.00
	240.139	Manual net binding (after the delivery of the machine)	\$5,471.00
	241.460	Kit electric twine binding M100	\$1,282.00
	241.461	Kit electric net binding M100	\$1,449.00
	241.462	Kit electric twine + net binding M100	\$1,865.00
	241.463	Kit automatic twine binding M200	\$3,339.00
	241.464	Kit automatic net binding M200	\$3,672.00
	241.465	Kit automatic twine + net binding M200	\$4,255.00
	241.467	Kit hydraulic brakes	\$3,089.00
	241.468	Kit German towing eye DIN 74054	\$409.00
	241.469	Kit couple of wheels 11.5/80-15	\$1,292.00
	241.470	Kit couple of wheels 15.0/55-17	\$2,456.00
	241.483	Kit couple of wheels 19.0/45-17	\$4,555.00
	241.471	Kit couple of pick-up adjustable wheels	\$816.00
	240.148	Kit couple pick-up iron wheels	\$775.00
	241.472	Kit couple of pick-up adjustable wheels	\$416.00
	241.473	Kit P.T.O. shaft 8 teeth	\$1,025.00
	241.474	Kit homokinetic P.T.O. shaft	\$1,732.00
	241.475	Kit homokinetic P.T.O. shaft 8 teeth	\$1,732.00
	241.753	Kit three-pole power cable	\$183.00

**PRICED IN CANADIAN DOLLARS**

**PRICES ARE FOB HARRISTON, ON- DESIGN & PRICE ARE SUBJECT TO CHANGE WITHOUT NOTICE**

5808 Hwy #9, Harriston, Ontario, N0G 1Z0  
Phone: 519-338-2923,  
Fax: 519-338-2756  
Email: [sales@harcoag.ca](mailto:sales@harcoag.ca)  
[www.harcoag.ca](http://www.harcoag.ca)



## Round Baler Action 150

### Round Baler ACTION 150

- Chamber dimension 120x150 cm
- Pick-up 1,70 mt with 1 wheel
- Hydraulic control pick-up
- Alternative comb feeder
- Tires 11/80-15
- Mechanic counter bales
- PTO camshaft with safety bolt
- Low power absorption (50 CV)
- Standard high-density cross-bars
- Electric signal full chamber (Standard)
- Chain bars n. 41
- Pick-up 2,00 mt with 2 wheel, with side augers
- Mechanic control binding
- Mechanic control bale density
- Lights installation
- Adjustable draw bar in 2 points
- Acoustic luminous signal full chamber
- High bale density thanks to mechanic hooks on the rear door
- Adjustable telescopic carriageway of 6.2"



Model	Code	Description	Price - CDN
ACTION 150	802.285	Round baler with standard pick-up-only twine binding	\$45,341.00
ACTION 150 L	802.286	Round baler with pick-up 2 mt only twine binding	\$50,101.00
ACTION 150 R	802.522	Round baler with standard pick-up-only net binding	\$49,304.00
ACTION 150 LR	802.523	Round baler with pick up 2 mt only net binding	\$54,016.00
ACTION 150 SR	802.524	Round baler with standard pick-up twine and net binding	\$50,701.00
ACTION 150 LSR	802.525	Round baler with pick up 2 mt twine and net binding	\$55,446.00

### DIMENSIONS & WEIGHTS

	Model	Width (inch)	Length (inch)	Height (inch)	Weight (lbs)
In working	150	86.6 "	153.5"	90.5"	5401 lbs
In working	150 L	90.5"	153.5"	78.7"	5511 lbs
For transport	150	81.5"	106.3"	81.1"	5401 lbs
For transport	150 L	81.5"	106.3"	81.1"	5511 lbs

**PRICED IN CANADIAN DOLLARS**

**PRICES ARE FOB HARRISTON, ON- DESIGN & PRICE ARE SUBJECT TO CHANGE WITHOUT NOTICE**

5808 Hwy #9, Harriston, Ontario, N0G 1Z0  
Phone: 519-338-2923,  
Fax: 519-338-2756  
Email: [sales@harcoag.ca](mailto:sales@harcoag.ca)  
[www.harcoag.ca](http://www.harcoag.ca)



## FITTINGS

	Code	Description	Price CDN
	241.446	Addition for electric twine binding M 100	\$1,092.00
	241.447	Addition for electric net binding M 100	\$1,292.00
	241.448	Addition for electric twine + net binding M 100	\$1,549.00
	241.449	Addition for automatic twine binding M 200	\$2,765.00
	241.450	Addition for automatic net binding M 200	\$2,482.00
	241.451	Addition for automatic twine + net binding M 200	\$4,279.00
Recommended	240.146	Bale ejector	\$833.00
Recommended	240.147	Second wheel for pick-up (standard on wide pick-up)	\$459.00
	241.455	Addition for a couple of iron wheels on standard pick-up	\$675.00
	241.456	Addition of one iron wheel on pick-up	\$292.00
	240.150	Addition for a couple of iron wheels on a wide pick-up	\$426.00
	241.453	Addition for a couple of adjustable wheels pick-up 170 cm	\$592.00
	241.454	Addition for a couple of adjustable wheels pick-up 200 cm	\$376.00
	240.153	Addition for wheels 15.0/55-17	\$975.00
	240.171	Addition for couple of wheels 19.0/45-17	\$2,465.00
	241.457	Addition for P.T.O. shaft 8 teeth	\$259.00
Recommended	240.154	Addition for big angle P.T.O. shaft	\$1,066.00
	241.458	Addition for big angle P.T.O. shaft 8 teeth	\$1,066.00
Recommended	240.165	Automatic lubrication	\$464.00
	240.156	Addition for hydraulic brakes	\$2,156.00
	240.166	Automatic lubrication main chain (only with code 240.165)	\$775.00
	241.436	Safety kit "ACTION"	\$675.00
	241.752	Addition for a three-pole power cable	\$145.00
	241.767	Tank support	\$342.00
	241.778	Sprayer kit for distribution of preservatives (requires cod. 241.767)	\$5,012.00
	241.780	Humidity meter kit	\$1,842.00

## FITTINGS REQUESTED AFTER DELIVERY OF THE MACHINE

	Code	Description	Price CDN
	241.459	Manual twine binding (after the delivery of the machine)	\$2,075.00
	240.164	Manual net binding (after the delivery of the machine)	\$5,471.00
	241.460	Kit electric twine binding M100	\$1,282.00
	241.461	Kit electric net binding M100	\$1,449.00
	241.462	Kit electric twine + net binding M100	\$1,865.00
	241.463	Kit automatic twine binding M200	\$3,339.00
	241.464	Kit automatic net binding M200	\$3,672.00
	241.465	Kit automatic twine + net binding M200	\$4,255.00
	241.467	Kit hydraulic brakes	\$3,089.00
	241.468	Kit German towing eye DIN 74054	\$409.00
	241.469	Kit couple of wheels 11.5/80-15	\$1,292.00
	241.470	Kit couple of wheels 15.0/55-17	\$2,456.00
	241.483	Kit wheels 19.0/45-17	\$4,555.00
	241.471	Kit couple of pick-up adjustable wheels	\$816.00
	240.148	Kit couple pick-up iron wheels	\$775.00
	241.472	Kit pick-up iron wheels	\$416.00
	241.473	Kit P.T.O. shaft 8 teeth	\$1,025.00
	241.474	Kit homokinetic P.T.O. shaft	\$1,732.00
	241.475	Kit homokinetic P.T.O. shaft 8 teeth	\$1,732.00
	241.753	Kit three-pole power cable	\$183.00

**PRICED IN CANADIAN DOLLARS**

**PRICES ARE FOB HARRISTON, ON- DESIGN & PRICE ARE SUBJECT TO CHANGE WITHOUT NOTICE**

5808 Hwy #9, Harriston, Ontario, N0G 1Z0  
Phone: 519-338-2923,  
Fax: 519-338-2756  
Email: [sales@harcoag.ca](mailto:sales@harcoag.ca)  
[www.harcoag.ca](http://www.harcoag.ca)



## Mini Round Baler M50

### Mini Round Baler M50

- |   |  |
|---|--|
| <ul style="list-style-type: none"> <li>• Chamber dimension 50x70 cm</li> <li>• Changeable wheel-track</li> <li>• Automatic monotwine binding device with signal horn or net binding device with signal horn</li> <li>• Central drawbar + longer drawbar or three-point linkage</li> <li>• Adjustable pick-up wheels</li> <li>• Can be used in combination with small tractors with limited power</li> <li>• Produces bales that can be carried by hand</li> <li>• Can collect and bale green crops</li> </ul> | <ul style="list-style-type: none"> <li>• Tailgate with hydraulic control and mechanic lock</li> <li>• Bale chute</li> <li>• Bale counter</li> <li>• Double pick-up balancing</li> <li>• Cardan shaft</li> <li>• Pick-up side star wheels not provided with three-point linkages</li> <li>• Can be used in restricted areas/ or on steep slopes and areas with narrow access</li> <li>• The adjustable pick-up wheel enables the pickup to be kept at the correct distance from the ground</li> </ul> |
|---|--|



Model	Code	Description	Price - CDN
M50 MINIROTO	808.009	Mini round baler with 85cm / 33.4" pick-up width	\$29,879.00

### DIMENSIONS & WEIGHTS

	Model	Width (inch)	Length (inch)	Height (inch)	Weight (lbs)
In working	M50 MR	55.1"	88.2"	60.6"	844 lbs
For transport	M50 MR	55.1"	48.8"	51.2"	844 lbs

### OPTIONAL ACCESSORIES

Code	Description	Price CDN
280.022	Three-point linkage or central drawbar (after sale)	\$1,570.00
280.023	Power pack	\$4,369.00
280.024	Lateral drawbar	\$5,692.00
280.025	Pick-up hydraulic control	\$1,042.00
280.026	Electric control for net binding device	\$1,968.00

**PRICED IN CANADIAN DOLLARS**

**PRICES ARE FOB HARRISTON, ON- DESIGN & PRICE ARE SUBJECT TO CHANGE WITHOUT NOTICE**

5808 Hwy #9, Harriston, Ontario, N0G 1Z0  
Phone: 519-338-2923,  
Fax: 519-338-2756  
Email: [sales@harcoag.ca](mailto:sales@harcoag.ca)  
[www.harcoag.ca](http://www.harcoag.ca)



## Square Baler M60

### Square Baler M60

- Chamber dimension 34x44 cm
- Pick-up jack
- Cardan shaft
- Can be used in combination with low-power tractors
- Suitable for use in mountain areas and areas with difficult access
- Twine knotter
- Bale counter
- Third-wheel support
- Suitable for hay bales
- Mini/s with minimum operating power of 20-25 CV



Model	Code	Description	Price - CDN
M60 MINI	808.011	Square baler with 105cm / 41" pick-up width	\$32,532.22
M60 SUPER	808.012	Square baler with 140cm / 54" pick-up width	\$33,600.84

### DIMENSIONS & WEIGHTS

	Model	Width (inch)	Length (inch)	Height (inch)	Weight (lbs)
In working	M60 M	63"	156.3"	59.8"	2000 lbs
In working	M60 S	74.8"	156.3"	59.8"	2205 lbs
For transport	M60M	63"	126.4"	59.8"	2000 lbs
For transport	M60 S	74.8"	126.4"	59.8"	2205 lbs

### OPTIONAL ACCESSORIES

Code	Description	Price CDN
280.027	Third wheel for "SUPER"- "EXPORT"- "MAGNUM"	\$725.00
280.028	Hydraulic pick-up lift	\$1,404.00
280.029	Hydraulic drawbar adjustment for "M60 Mini/S"	\$1,568.00
280.030	Hydraulic drawbar adjustment for "M60 Mini"	\$1,568.00
280.031	Hydraulic drawbar adjustment for "M60 Super"	\$1,568.00
280.032	Long chute and rear trailer hitch	\$3,251.00
280.033	Wide-angle cardan shaft	\$1,620.00
280.034	Pick-up wheel	\$718.00
280.035	Third wheel with holder for "MINI"	\$1,549.00
280.036	Third wheel with holder for "SUPER"	\$1,549.00
280.037	*Hand brake for "MINI"- "SUPER"	\$1,658.00

\*These Options can be supplied, together with the machines only net ex-works prices.

**PRICED IN CANADIAN DOLLARS**

**PRICES ARE FOB HARRISTON, ON- DESIGN & PRICE ARE SUBJECT TO CHANGE WITHOUT NOTICE**



**Mini Wrapper MF 70**

**Mini Wrapper MF 70**

- Bale size 50x50 : 50x70
- Mechanic transmission with cardan shaft
- Lap winding number selection with automatic stop of the platform
- The machine stops automatically when it has finished
- Completely Automatic wrapping
- Selection of superimposable film layers (2,4,6)
- Rotating platform with two drive rolls with belts
- Stretcher for film-roll 250 mm. high



Model	Code	Description	Price - CDN
MF 70/M	808.015	Three-point mounted mini wrapper	\$15,984.00

**DIMENSIONS & WEIGHTS**

	Model	Width (inch)	Length (inch)	Height (inch)	Weight (lbs)
In working	MF 70/M	47"	63"	37"	205 lbs
For transport	MF 70/M	47"	63"	37"	205 lbs

**PRICED IN CANADIAN DOLLARS**

**PRICES ARE FOB HARRISTON, ON- DESIGN & PRICE ARE SUBJECT TO CHANGE WITHOUT NOTICE**



## Bale Wrapper WR1600

### **Bale Wrapper WR1600**

- Three-point mounted with 2 driven rolls
- Film Stretcher 75-50cm
- Hydraulic cutting
- 3 pinions for the variation film layer
- Manually adjust speed
- Safety system with mechanic release
- Very compact and nimble, simple to handle, also in reduced spaces
- Working speeds are adjustable through the setting of the oil delivery valve
- Replacing a transmission's opinion, you can set the overlapping (for the film of 750mm or 500mm)
- Three-point linkage 2<sup>nd</sup> and 3<sup>rd</sup> cat
- Aluminum film stretcher rolls
- Possibility for overlapping film layers 2+2
- Satellite stretching film
- Proportional speed and advancing
- It works down on the soil therefore It can be linked to a small tractor
- Depend on the rotation speed
- Tours counter



Model	Code	Description	Price - CDN
WR 1600 B	802.309	Three-point mounted satellite bale wrapper with brake	\$31,037.00
WR 1600 BA	802.543	Automatic satellite-mounted bale wrapper with brake	\$26,266.00

### DIMENSIONS & WEIGHTS

	Model	Width (inch)	Length (inch)	Height (inch)	Weight (lbs)
For transport	WR 1600/1600B	62.2"	97.6"	93.7"	1785 lbs

### ACCESSORIES REQUIRED AT MACHINE ORDER

Code	Description	Price CDN
240.816	Support kit 1 reel	\$276.00
241.158	Addition for Auto-Stop	\$1,192.00
241.288	Transport kit 1600 without rollers	\$359.00
240.185	Kit load sensing	\$276.00
241.752	Addition for a three-pole power cable	\$145.00

### ACCESSORIES REQUIRED AFTER SALE

Code	Description	Price CDN
241.148	Automatic wrapping control set (delivered after machine dispatch)	\$6,004.00
241.159	Kit Auto-Stop	\$2,206.00
241.753	Kit three-pole power cable	\$183.00

**PRICED IN CANADIAN DOLLARS**

**PRICES ARE FOB HARRISTON, ON- DESIGN & PRICE ARE SUBJECT TO CHANGE WITHOUT NOTICE**





## Bale Wrapper WR1800

### Bale Wrapper WR1800

- Electronic counter tours
- Film stretcher 75-50 cm
- Aluminum film stretcher roll
- Cradle support with the fifth wheel
- Predisposition for trailed version
- Compact and strong machine
- Big loading capacity
- 3 rapports of stretching film
- New automatism for pliers' rearmament
- Automatic rearmament of cutting pliers
- Three-point mounted with 2 rolls and 3 belts
- Film overlapping 2+2 or 2+2+2
- Fast system of height adjustment film stretcher
- Bale discharging by hydraulic control
- Cradle installed on the fifth wheel and not on bearings
- New film stretcher with locking system of reel
- Self-centering for the position of cradles overturning

Model	Code	Description	Price - CDN
WR 1800	802.296	Three-point mounted bale wrapper	\$20,979.00
WR 1800 A	802.544	Automatic bale wrapper	\$28,624.00

### DIMENSIONS & WEIGHTS

	Model	Width (inch)	Length (inch)	Height (inch)	Weight (lbs)
For transport	WR 1800	70.8"	98.8"	74.8"	1728 lbs

### ACCESSORIES REQUIRED AT MACHINE ORDER

Code	Description	Price CDN
240.179	Support kit 1 reel	\$276.00
240.180	Support kit 2 reels	\$309.00
240.183	Remote wrapping control (only with 240.182)	\$2,015.00
240.184	Kit for 4th additional belt	\$426.00
240.185	Load sensing kit	\$276.00
240.186	Addition for cables kit 3,5 mt (no. 2)	\$176.00
240.194	Adjustment kit for cradle tours	\$892.00
241.276	Overlapping of 2 bale wrappers	\$802.00
241.277	Overlapping of 3 bale wrappers	\$987.00
241.160	Addition for Auto-Stop	\$1,192.00
241.752	Addition for a three-pole power cable	\$145.00
241.758	Independent hydraulic system	\$3,089.00

### ACCESSORIES REQUIRED AFTER SALE

Code	Description	Price CDN
241.161	Auto-Stop Set	\$2,206.00
241.182	Automatic wrapping control kit (supplied after the delivery)	\$7,994.00
240.178	Transformation kit from 1800 to 2100	\$5,438.00
241.753	Kit three-pole power cable	\$183.00

**PRICED IN CANADIAN DOLLARS**

**PRICES ARE FOB HARRISTON, ON- DESIGN & PRICE ARE SUBJECT TO CHANGE WITHOUT NOTICE**

5808 Hwy #9, Harriston, Ontario, N0G 1Z0  
Phone: 519-338-2923,  
Fax: 519-338-2756  
Email: [sales@harcoag.ca](mailto:sales@harcoag.ca)  
[www.harcoag.ca](http://www.harcoag.ca)



## Bale Wrapper WR2100

### Bale Wrapper WR2100

- Model with 2 rolls and 3 belts
- Central loading fork
- Electronic counter tours
- 3 raptors of stretching film
- Cradle support by fifth wheel
- Self-centering cradle
- Adjustable drawbar (model 2100 T)
- 3-Point linkage (model 2100 P0)
- New automatism for pliers' rearmament
- Self-centering for position of cradle overturning
- Film stretcher 75-50cm
- Aluminum film stretcher rolls
- Automatic rearmament of cutting pliers
- Film overlapping 2+2 or 2+2+2
- Compact and strong machine
- Cradle Installed on the fifth wheel and not on bearings
- Big loading capacity
- New film stretcher with locking system of reel
- Fast system of height adjustment film stretcher

Model	Code	Description	Price - CDN
WR 2100 T	802.297	Trailed bale wrapper	\$25,026.00
WR 2100 P	802.298	Three Point mounted bale wrapper *	\$26,590.00

\*This version can handle more, but requires a bigger tractor\*

### DIMENSIONS & WEIGHTS

	Model	Width (inch)	Length (inch)	Height (inch)	Weight (lbs)
For transport	WR 2100 T	70.8"	94.8"	80.3"	1860 lbs
For transport	WR 2100 P	70.8"	98.4"	74.8"	1984 lbs
2 Overlapped bale wrappers*	WR 2100	68.8"	93.7"	78.7"	1860 x2 lbs
3 overlapped bale wrappers *	WR 2100	68.8"	93.7"	110.2"	1860 x3 lbs

\*The bale wrappers are overlapped with wheels, forks, film stretcher, and drawbar disassembled

### ACCESSORIES REQUIRED AT MACHINE ORDER

Code	Description	Price CDN
240.191	High draw bar kit	\$276.00
240.179	Support kit for 1 reel	\$276.00
240.180	Support kit for 2 reels	\$309.00
240.184	Kit for 4th additional belt	\$426.00
240.185	Load sensing kit	\$276.00
240.194	Adjustment kit for cradle's tours 1800-2100	\$892.00
240.195	Addition for cables kit 3,5 mt (no. 3)	\$199.00
240.196	Lights kit	\$559.00
241.276	Overlapping of 2 bale wrappers	\$802.00
241.277	Overlapping of 3 bale wrappers	\$987.00
241.160	Add for Auto-Stop	\$1,192.00
241.162	Addition for wheels 26x12-0012	\$833.00
241.527	Addition for german towing link DIN 74054	\$276.00
241.752	Addition for three-pole power cable	\$145.00

### ACCESSORIES REQUIRED AFTER SALE

Code	Description	Price CDN
240.189	Three point linkage (for model 2100 trailed)	\$1,582.00
241.754	Transformation kit 3rd point -> pull type	\$466.00
240.258	Set german towing link DIN 74054	\$433.00
241.161	Auto-Stop Set	\$2,206.00
241.573	Kit three-pole power cable	\$183.00

**PRICED IN CANADIAN DOLLARS**

**PRICES ARE FOB HARRISTON, ON- DESIGN & PRICE ARE SUBJECT TO CHANGE WITHOUT NOTICE**

5808 Hwy #9, Harriston, Ontario, N0G 1Z0  
Phone: 519-338-2923,  
Fax: 519-338-2756  
Email: [sales@harcoag.ca](mailto:sales@harcoag.ca)  
[www.harcoag.ca](http://www.harcoag.ca)



## Bale Wrapper WR3100

### Bale Wrapper WR3100

- Trailed model with 2 rolls and 3 belts
- Electronic counter tours
- Adjustable loading fork
- 2 reel supports
- 3 supports of stretching film
- Tyres 10.0/80.12
- New automatism for pliers' rearmament
- Self-centering for position of cradles overturning
- Frame with mobile wheel 2 position
  - Transport and working
- Film stretcher 75-50cm
- Automatic rearmament of cutting pliers
- Film overlapping 2+2 or 2+2+2
- Support cradle by fifth wheel
- Self-centering cradle
- Simple machine, high performances
- Cradle installed on fifth wheel, and not bearings
- New film stretcher with locking system of reel
- Fast system of height adjustment film stretcher
- Aluminum film stretcher rolls

Model	Code	Description	Price - CDN
WR 3100	802.299	Trailed bale wrapper	\$28,241.00
WR 3100 A	802.545	Automatic trailed bale wrapper	\$34,083.00

### DIMENSIONS & WEIGHTS

	Model	Width (inch)	Length (inch)	Height (inch)	Weight (lbs)
For transport	WR 3100	95.2"	137.0"	90.5"	1962 lbs
2 Overlapped bale wrappers*	WR 3100	94.4"	122.8"	63.7"	1962 x2 lbs
3 Overlapped bale wrappers*	WR 3100	94.4"	122.8"	94.4"	1962 x3 lbs

\*The bale wrappers are overlapped with wheels, forks, film stretcher, and drawbar disassembled

**PRICED IN CANADIAN DOLLARS**

**PRICES ARE FOB HARRISTON, ON- DESIGN & PRICE ARE SUBJECT TO CHANGE WITHOUT NOTICE**

5808 Hwy #9, Harriston, Ontario, N0G 1Z0  
Phone: 519-338-2923,  
Fax: 519-338-2756  
Email: [sales@harcoag.ca](mailto:sales@harcoag.ca)  
[www.harcoag.ca](http://www.harcoag.ca)



**ACCESSORIES REQUIRED AT MACHINE ORDER**

Code	Description	Price CDN
240.197	Overturning vertical bale kit	\$2,472.00
240.198	Protection conveyor bale kit	\$1,159.00
240.179	Support kit for 1 reel (*)	\$276.00
240.180	Support kit for 2 reels (*)	\$309.00
240.199	Addition wheels 11.0/65-12	\$816.00
240.191	High drawbar hitch kit	\$276.00
240.184	Kit for 4th additional belt	\$426.00
240.185	Load sensing kit	\$276.00
240.808	Adjustment kit for cradle's tours	\$892.00
240.809	Counterweight (45 kg)	\$559.00
241.755	Lights kit	\$559.00
240.195	Addition for cables kit 3,5 mt (no.3)	\$199.00
241.164	Addition for Auto-Stop	\$1,192.00
241.257	Addition for german towing link DIN 74054	\$276.00
241.770	Addition for german towing link DIN 74054 for EU homologation	\$145.00
241.434	Headlight bar attachment kit on rocker	\$138.00
241.278	Kit brackets wrapp.3100 for container	\$561.00
241.279	Kit overlapping of 2 wrapp. 3100 for container	\$1,056.00
241.280	Kit overlapping of 3 wrapp. 3100 for container	\$1,430.00
241.281	Kit overlapping of 2 wrapp. 3100 for truck	\$868.00
241.282	Kit overlapping of 3 wrapp. 3100 for truck	\$1,175.00
241.752	Addition for three-pole power cable	\$145.00

**ACCESSORIES REQUIRED AFTER SALE**

Code	Description	Price CDN
240.805	Couple of wheels 11.0/65-12	\$1,909.00
240.193	Automatic binding kit supplied after the delivery	\$7,994.00
240.163	Auto-Stop Set	\$2,206.00
241.258	Set german towing link DIN 74054	\$433.00
241.753	Kit three-pole power cable	\$183.00

**PRICED IN CANADIAN DOLLARS**

**PRICES ARE FOB HARRISTON, ON- DESIGN & PRICE ARE SUBJECT TO CHANGE WITHOUT NOTICE**

5808 Hwy #9, Harriston, Ontario, N0G 1Z0  
Phone: 519-338-2923,  
Fax: 519-338-2756  
Email: [sales@harcoag.ca](mailto:sales@harcoag.ca)  
[www.harcoag.ca](http://www.harcoag.ca)



## Bale Wrapper WR5100

### Bale Wrapper WR5100

- Trailed model with 2 rolls and 3 belts
- Electronic counter tours
- Adjustable loading fork
- Adjustable draw-bar
- Support form two film reels
- 3 rapport of film stretching
- Tyres 13-55/16
- Simple machine with high performances
- Cardle installed on fifth wheel and not on bearings
- Rear platform for discharging bale on the side
- Film stretcher 75-50cm
- Aluminum film stretcher rolls
- Automatic rearmament of cutting pliers
- Film overlapping 2+2 or 2+2+2
- Support cradle by fifth wheel
- Self-centering cradle
- Vertical tipping unloading bale
- New film stretcher with locking system of reel
- Fast system of height adjustment film stretcher
- Fast adjustment telescopic fork

Model	Code	Description	Price - CDN
WR 5100	802.301	Trailed bale wrapper	\$36,650.00
WR 5100 A	802.546	Automatic trailed bale wrapper	\$44,292.00

### DIMENSIONS & WEIGHTS

	Model	Width (inch)	Length (inch)	Height (inch)	Weight (lbs)
For transport	WR 5100	97.63"	133.7"	90.5"	3703 lbs
2 Overlapped bale wrappers*	WR 5100	94.4"	122.8"	63.7"	3703 x2 lbs

\*The bale wrappers are overlapped with wheels, forks, film stretcher, and drawbar disassembled

### ACCESSORIES REQUIRED AT MACHINE ORDER

Code	Description	Price CDN
240.179	Support kit 1 reel	\$276.00
240.180	Support kit 2 reels	\$309.00
240.184	Kit for 4th additional belt	\$426.00
240.812	Lights kit	\$559.00
240.185	Load sensing kit	\$276.00
240.815	Adjustment kit for cradle's tours	\$892.00
241.437	Pack 2 overlapping wrappers for container	\$1,361.00
241.756	Pack 2 overlapping wrappers for truck	\$802.00
241.160	Addition for Auto-Stop	\$1,192.00
240.159	Addition for U.S.A. towing link	\$128.00
241.251	Addition for german towing link DIN 74054	\$183.00
241.769	Addition for german towing link DIN 74054 for EU homologation	\$128.00
241.752	Addition for three-pole power cable	\$145.00

### ACCESSORIES REQUIRED AFTER SALE

Code	Description	Price CDN
240.813	Automatic wrapping control set (delivered after machine dispatch)	\$7,994.00
241.161	Auto-Stop Set	\$2,206.00
241.753	Kit three-pole power cable	\$183.00

**PRICED IN CANADIAN DOLLARS**

**PRICES ARE FOB HARRISTON, ON- DESIGN & PRICE ARE SUBJECT TO CHANGE WITHOUT NOTICE**



## DARF Rakes

7-Bar Hydraulic Basket Rake				
Model	Description	Weight (lbs)	Assembly	Price [USD]
6707CG	Fully Hydraulic, 31'	6250		\$CALL

Super Duty 17-Wheel Overhead Rakes				
1017LAC	Manual, 24'	5450	\$800.00	\$42,995.00
1017LWAC	Manual, Wide, 29'	5705	\$800.00	\$44,795.00
1017LFMAC	Hydraulic, 24'	5450	\$950.00	\$46,395.00
1017LFMWAC	Hydraulic, Wide, 29'	5750	\$950.00	\$48,995.00
1017LFMWGC	Hydraulic, Wide, GSNCK, 29'	5905	\$950.00	\$49,995.00

3-Point Mount 15 Wheel Rake				
915BRP	Manual, 22'	2740	\$600.00	\$27,895.00

3 & 4 Wheel Front Mounted Turning Rakes				
903BRHP	Manual, 65"	975	\$125.00	\$4,995.00
904BRHP	Manual, 81"	1075	\$125.00	\$6,195.00

3 & 4 Wheel Rear Mounted Turning Rakes				
943BRP	Manual, 65"	560	\$175.00	\$6,295.00
944BRP	Manual, 81"	670	\$175.00	\$7,495.00

5 & 8 Wheel Tow Behind Turning Rakes				
905TGBRP	Manual, 8'	1425	\$200.00	\$14,095.00
908TGBRP	Manual, 12'	1875	\$225.00	\$19,995.00

10-Wheel 3-Point Mount Brush Rake				
510	Manual, 20'	1700	\$350.00	\$13,095.00

<b>TIRES ARE ADDITIONAL – LIST PRICES</b>				
Part Number	Description	Price [USD]		
FC715KIT	7.62-15SL-8 Tires	PER KIT \$1,405.00		
SG11LX15-M	11L-15SL-8 Tires	PER KIT \$1,800.00		

**PRICED IN UNITED STATES DOLLARS**

**PRICES ARE FOB SHAFTER, CA IN U.S.D. – SUBJECT TO CHANGE WITHOUT NOTICE**

## DARF Rakes – Model Descriptions

Model	Descriptions
6707CG	7-BAR HYDRAULIC RAKE with super duty walking beam axle with 2" spindles, 6" wheels, rubber mounted universal tines. An eight function electric/hydraulic manifold and control box including adjustable basket speed. 33 1/2" drive & idler wheels made from 3/8" steel with gauge wheels' front and rear. Requires two hydraulic circuits on prime mover. Specify 2-5/16" ball hitch or clevis hitch.
1017LAC	17-WHEEL OVERHEAD RAKE with super duty walking beam axle with 2" spindles, 8" wheels, heavy duty hubs, taper bearings in rake wheel cranks, rubber mounted double tines & dur-adjust. Requires two hydraulic circuits on prime mover. Specify 2-5/16" ball hitch or clevis hitch.
1017LWAC	17-WHEEL OVERHEAD RAKE with heavy duty overhead, 5' rephrasing cylinders, super duty walking beam axles mounted with 2" spindles, 8" wheels heavy duty hubs, taper bearings in rake wheel cranks, rubber mounted double tines & dur-adjust. Requires 2 hydraulic circuits on prime mover. Specify 2-5/16" ball hitch or clevis hitch.
1017LFMAC	17-WHEEL OVERHEAD RAKE with Fasse 7-function electro/hydraulic control valve (operate all functions from the Operator Platform). Equipped with super duty walking beam axle mounted with 2" spindles, 8" wheels, heavy duty hub, taper bearings in rake wheel cranks, rubber mounted double tines & dur-adjust. Requires one hydraulic circuit & 12 volt access for control panel. Specify 2-5/16" ball hitch or clevis hitch.
1017LFMWAC	17-WHEEL OVERHEAD RAKE with heavy duty overhead, 5' rephrasing cylinders, super duty walking beam axles mounted with 2" spindles, heavy duty hubs, 8" wheels, rubber mounted double tines, dur-adjust and Fasse 7-function electro/hydraulic control valve (operate all functions from Operator Platform). Requires one hydraulic circuit and 12 volt access for control panel. Specify 2-5/16" ball hitch or clevis hitch.
1017LFMWGC	17-WHEEL OVERHEAD RAKE (same as above) EXCEPT WITH A GOOSENECK DRAW BAR.
915BRP	15-WHEEL, 3-POINT MOUNTED RAKE equipped with taper bearings in rake wheel cranks, and rubber mounted double tines.
903BRHP 904BRHP	3 OR 4 WHEEL WINDROW TURNER; FRONT MOUNTED, equipped with taper bearings in rake wheel cranks and rubber mounted double tines.
943BRHP 944BRHP	3 OR 4 WHEEL WINDROW TURNER; REAR MOUNTED, equipped with taper bearings in rake wheel cranks and rubber mounted double tines.
905TGBRP 908TGBRP	5 OR 8 WHEEL WINDROW TURNER; TOW BEHIND, equipped with taper bearings in rake wheel cranks and rubber mounted double tines. Requires one hydraulic circuit & 12 volt access for control panel. Specify Right or Left Models and 2-5/16" ball hitch or clevis hitch.
510	10-WHEEL OVERHEAD RAKE, 3-POINT MOUNTED RAKE equipped with taper bearings in rake wheel cranks, heavy duty double rake wheel frames, double row of rubber mounted double tines and solid steel wheel covers. Requires two hydraulic circuits & 12 volt access for control panel.

**PRICED IN UNITED STATES DOLLARS**

**PRICES ARE FOB SHAFTER, CA IN U.S.D. – SUBJECT TO CHANGE WITHOUT NOTICE**



### Accessories & Conversions

Part #	Description	Price [USD]
KSC917FS	Cable Track Conversion Kit – 917F Standard	\$1,195.00
KSC917FW	Cable Track Conversion Kit – 917F Wide	\$1,295.00
KSC917S	Cable Track Conversion Kit –917 Standard	\$705.00
KSC917W	Cable Track Conversion Kit – 917 Wide	\$855.00
SRKIT2-17	Dur-Adjust Kit for 17 Wheel Overhead Rake	\$3,775.00
H7000806	Fasse Conversion Kit for 917 Standard Includes: Hoses, Fittings, Control Panel, Valve Body, Swing Cylinders, Cable Track & Mounting Brackets	\$8,205.00
H7000806A	Fasse Conversion Kit for 917 Wide Includes: Hoses, Fittings, Control Panel, Valve Body, Swing Cylinders, Cable Track & Mounting Brackets	\$8,505.00
101793FLAC / 101793FRAC	Add a Wheel – Front – Kit with Crank, Spring & Rod with a Complete Rake Wheel (Left or Right)	\$1,905.00
101792RLAC / 101793RRAC	Add a Wheel – Rear – Kit with Crank, Spring & Chain with a Complete Rake Wheel (Left or Right)	\$1,125.00
9080301	Retrofit with 4910# Hub – Complete Heavy Duty Walking Beam – Includes: Heavy Duty Hubs, Spindles, without Wheels One Rake to Convert from Standard Walking Beam or Fixed Axle. Both Sides	\$3,055.00
1180301	Retrofit with Complete Super Duty Walking Beam – Includes: Super Duty Hubs, Spindles, without Wheels, Convert from Any Beam or Fixed Axle. Both Sides.	\$3,545.00
162000	Gooseneck Assembly for 1017 Rake, Field Install	\$7,275.00
GNK003	Kicker Assembly, for Gooseneck Tongue, 3 Rake Wheels Complete with Spring & Rod	\$4,575.00
102114	Heavy Duty Rake Wheel Frame	\$285.00
10211400P	Heavy Duty Rake Wheel Assembled with Poly Shield & Teeth (Included, but Not Attached)	\$655.00
HDRW17-KIT	Heavy Duty Rake wheel Kit, Sold with Wholegoods	\$1,745.00

**Net Charge for Complete Factory Assembly (No Discounts)**

**Unit is ready for delivery to your customer:**

2 thru 4 Wheel Standard Units	\$600.00 NET
5 thru 6 Wheel Standard Units	\$675.00 NET
8 Wheel Standard Units	\$800.00 NET
13 thru 17 Wheel Standard Units	\$1,400.00 NET
All Fully Hydraulic Control Units	\$1,750.00 NET
<b>***Partial Assembly 17 Wheel Units</b>	<b>\$650.00 NET</b>

**PRICED IN UNITED STATES DOLLARS**

**PRICES ARE FOB SHAFTER, CA IN U.S.D. – SUBJECT TO CHANGE WITHOUT NOTICE**





Ferri is a leading international manufacturing company of boom mowers for grounds maintenance, slopes, river banks, and hedges. Flail Mowers and shredders for large and small excavators are available as well.

In addition to wholegoods and parts stocked by HARCO, the company supports North American after sale service, warranty and spare parts with a company warehouse in Massachusetts.

Due to the extensive line of models and options available the following price list gives base product prices only in USD (United States Dollars). For complete catalogue information (39 pages) contact your Harco Territory Manager, our sales desk at Harriston, or [www.ferri-america.com](http://www.ferri-america.com).

Model	Width of Cut	Slope or Fixed	Max. Capacity	Weight (lbs)	Base Price (USD)
<b>3-Point Mowers</b>					
MT140	4' 7"	Fixed	1 3/4" Hammer	705	\$8,467.00
MT160	5' 3"	Fixed	1 3/4" Hammer	794	\$9,176.00
MT180	5' 11"	Fixed	1 3/4" Hammer	926	\$10,322.00
MT200	6' 7"	Fixed	1 3/4" Hammer	1,014	\$10,608.00
MKD2300	7' 6"	Fixed / Offset	2" Hammer	1,929	\$16,635.00
MKD2500	8' 2"	Fixed / Offset	2" Hammer	2,216	\$18,034.00
MKD2800	8' 11"	Fixed / Offset	2" Hammer	2,304	\$19,292.00
ZME125	4' 1"	Slope	1" Y-Blade	511	\$11,410.00
ZME155	5' 1"	Slope	1" Y-Blade	575	\$12,105.00
ZMGE1400	4' 8"	Slope	1 3/4" Hammer	1046	\$13,345.00
ZMGE1600	5' 4"	Slope	1 3/4" Hammer	1080	\$13,644.00
ZMTE PRO 1600	5' 5"	Slope	1 3/4" Hammer	1,034	\$16,957.00
ZMTE PRO 1800	6' 0"	Slope	1 3/4" Hammer	1,239	\$17,258.00
ZMTE PRO 2000	6' 9"	Slope	1 3/4" Hammer	1,290	\$17,442.00
<b>*ZLE DYNAMIC 2000</b>	<b>6' 7"</b>	<b>Slope</b>	<b>1 3/4" Hammer</b>	<b>1,598</b>	<b>\$20,984.00</b>
ZLE PRO 1800	6' 0"	Slope	1 3/4" Hammer	1,830	\$24,280.00
ZLE PRO 2000	6' 8"	Slope	1 3/4" Hammer	1,896	\$24,623.00
ZLE PRO 2300	7' 6"	Slope	1 3/4" Hammer	2,000	\$25,450.00
ZHE DYNAMIC 2500	8' 2"	Slope	1 1/2"	2,992	\$27,860.00
<b>*Being phased out – we have stock though!</b>					

**PRICED IN UNITED STATES DOLLARS**

**FOB HARRISTON, ON– DESIGN & PRICE ARE SUBJECT TO CHANGE WITHOUT NOTICE**



Model	Width of Cut	Max. Horizontal Reach	Max. Capacity	Weight (lbs)	Base Price (USD)
<b>Skid Steer Flail Mowers</b>					
TSKID1800	71"	Fixed	1 ½ - 2" Hammers	1,650	\$19,423.00
TSKID2000	79"	Fixed	1 ½ - 2" Hammers	1,720	\$20,050.00
<b>Boom Mowers</b>					
<i>Boom Mowers will require completing packages depending on tractor model. These are <b>BASE</b> prices <b>ONLY</b>.</i>					
T250A Classic	24"	8' 3"	¾" Y-Blades	749	\$17,837.00
T250A ElectraFull	24"	8' 3"	¾" Y-Blades	749	\$27,822.00
T320A Classic	31"	10' 7"	¾" Y-Blades	816	\$18,576.00
T320A Electra Full	31'	10' 7"	¾" Y-Blades	816	\$28,525.00
<i>Above Models Available with Electric Joystick – Please Call</i>					
Mower with hedge cutter bar – light green maintenance					
T350S Smart-Classical	59"	11' 10"	½"	507	\$11,767.00
T350SI SP TRONIC	59"	11' 10"	½"	705	\$21,321.00
T380D Smart-Classical	39"	12' 7"	1 ¼" Y-Blades	1,080	\$19,456.00
T430D Smart-Classical	39"	14' 2"	1 ¼" Y-Blades	1,091	\$20,256.00
T460 Classic	41"	15' 1"	1 ¾" Y-Blades	1,279	\$20,680.00
TM46 Farm	44"	15' 1"	1 ¼" Y-Blades	1,543	\$25,202.00
TM46 Farm Electra	44"	15' 1"	1 ¼" Y-Blades	1,543	\$35,231.00
TM46 Farm	44"	15' 3"	1 ¾" T-Hammer	1,713	\$25,914.00
TM46 Farm Electra	44"	15' 3"	1 ¾" T-Hammer	1,713	\$35,917.00
<i>Above Models Available with Electric Joystick – Please Call</i>					
TP490 Classic	47"	15' 9"	1 ¾" T-Hammer	1,984	\$36,649.00
TP490 Electra	47"	15' 9"	1 ¾" T-Hammer	1,984	\$47,205.00
TP600 Classic	47"	19' 6"	1 ¾" T-Hammer	2,094	\$37,898.00
TP600 Electra	47"	19' 6"	1 ¾" T-Hammer	2,094	\$48,551.00
*TP610	47"	19' 5"	1 ¾" T-Hammer	2,017	\$36,889.00
TXV50	47"	17' 2"	2" Hammer	2,755	CALL FOR PRICE
TXV60	47"	20' 6"	2" Hammer	2,855	CALL FOR PRICE
<i>TXV Models Available with Electric Joystick – Please Call</i>					

\*Being phased out – we have stock though!

**PRICED IN UNITED STATES DOLLARS**


**FOB HARRISTON, ON– DESIGN & PRICE ARE SUBJECT TO CHANGE WITHOUT NOTICE**

5808 Hwy #9, Harriston, Ontario, N0G 1Z0  
 Phone: 519-338-2923, Fax: 519-338-2756  
 Email: [sales@harcoag.ca](mailto:sales@harcoag.ca)  
[www.harcoag.ca](http://www.harcoag.ca)




## DEL MORINO FLAIL MOWERS

### ENGINE DRIVEN

CENTURION ATV	Standard Features
 <p><i>Designed to be towed by a Quad, Rider or ATV. It can cut &amp; mulch grass, weeds &amp; shrubs, clear uncultivated fields.</i></p>	<p><b>NEW</b></p> <ul style="list-style-type: none"> <li>▪ 2" Ball Type Coupling</li> <li>▪ Honda GX390 Engine/Loncin 420</li> <li>▪ 2 belt drive transmission w/screw adjustable tensioner</li> <li>▪ Rotor w/blades or hammers</li> <li>▪ Adjustable rear roller</li> <li>▪ Mechanic side shift 56 cm</li> <li>▪ Centrifugal clutch/fuel tank 6L.</li> <li>▪ Wheel position adjustable</li> <li>▪ Pull Start</li> </ul>

Model #	Working Width	Engine HP	Wt	Price (Cdn)
ATV132 – Honda	52"	13	650	\$5,885.00

CENTURION ATV PRO	Standard Features
 <p><i>Designed to be towed by a Quad, Rider or ATV. It can cut &amp; mulch grass, weeds &amp; shrubs, clear uncultivated fields.</i></p>	<p><b>NEW</b></p> <ul style="list-style-type: none"> <li>▪ 2" Ball Type Coupling</li> <li>▪ Honda IGX800 Engine</li> <li>▪ 2 belt drive transmission w/screw adjustable tensioner</li> <li>▪ Rotor w/blades or hammers</li> <li>▪ Adjustable rear roller</li> <li>▪ Mechanic side shift 56 cm</li> <li>▪ Centrifugal clutch/fuel tank 11L.</li> <li>▪ Wheel position adjustable</li> <li>▪ Electric Start//Battery Included</li> </ul>


Model #	Working Width	Engine HP	Wt	Price (Cdn)
ATV158 PRO Honda	62"	25	794	\$9,493.00

**PRICED IN CANADIAN DOLLARS**


**PRICES ARE FOB HARRISTON, ONTARIO – DESIGN & PRICE ARE SUBJECT TO CHANGE WITHOUT NOTICE**



## DEL MORINO FLAIL MOWERS

<b>GINGER</b>	<b>Standard Features</b>
	<ul style="list-style-type: none"> <li>▪ Cat 1 three point hitch</li> <li>▪ Aluminum gearbox 540 rpm</li> <li>▪ Rotary with 'Y' blades or hammers</li> <li>▪ Universal PTO shaft cat 1</li> </ul>

<b>Model #</b>	<b>Working Width</b>	<b>Engine HP</b>	<b>Wt</b>	<b>Price (Cdn)</b>
Ginger 96	38"	12 – 25	286	\$2,061.00
Ginger 106	42"	12 – 35	308	\$2,107.00
Ginger 125	50"	12 – 40	330	\$2,350.00

<b>FUNNY TOP</b>	<b>Standard Features</b>
	<ul style="list-style-type: none"> <li>▪ Cat 1, three point hitch</li> <li>▪ Aluminum 540 gearbox</li> <li>▪ 2 belt drive</li> <li>▪ Y blades or hammers</li> <li>▪ Adjustable rear roller</li> <li>▪ Series 2 PTO shaft</li> <li>▪ Manual offset</li> </ul>

<b>Model #</b>	<b>Working Width</b>	<b>Engine HP</b>	<b>Wt</b>	<b>Price (Cdn)</b>
Funny Top 80	32"	12 – 30	313	\$2,879.00
Funny Top 93	36"	12 – 30	328	\$3,006.00
Funny Top 106	42"	12 – 30	344	\$3,170.00
Funny Top 132	52"	12 – 30	375	\$3,315.00
Funny Top 158	62"	12 – 30	432	\$3,557.00

**PRICED IN CANADIAN DOLLARS**


**PRICES ARE FOB HARRISTON, ONTARIO – DESIGN & PRICE ARE SUBJECT TO CHANGE WITHOUT NOTICE**

5808 Hwy #9, Harriston, Ontario, N0G 1Z0  
Phone: 519-338-2923, Fax: 519-338-2756  
Email: [sales@harcoag.ca](mailto:sales@harcoag.ca)  
[www.harcoag.ca](http://www.harcoag.ca)


DelMorino



## DEL MORINO FLAIL MOWERS

CENTURION	Standard Features
	<ul style="list-style-type: none"> <li>▪ Cat 1 three point hitch</li> <li>▪ Cast iron 540 gearbox</li> <li>▪ 2 drive belts</li> <li>▪ Y blades or hammers</li> <li>▪ Series 4 PTO shaft</li> <li>▪ Hydraulic side shift, 106=8", 158=11"</li> </ul>

Model #	Working Width	Engine HP	Wt	Price (Cdn)
Centurion 106	42"	15 – 50	481	\$3,730.00
Centurion 132	52"	15 – 50	567	\$3,947.00
Centurion 158	62"	15 – 50	628	\$4,200.00
Centurion 186	73"	15 – 50	769	\$4,711.00

FLIPPER	Standard Features
	<ul style="list-style-type: none"> <li>▪ Cat 1&amp;2 three point hitch</li> <li>▪ Cast iron gearbox</li> <li>▪ Standard 3 belt drive</li> <li>▪ Y blades or hammers</li> <li>▪ Adjustable roller &amp; skid shoes</li> <li>▪ Series 4 PTO shaft</li> <li>▪ Hydraulic side shift</li> <li>▪ Can be mounted front or rear reversible</li> </ul>

Model #	Working Width	Engine HP	Wt	Price (Cdn)
Flipper 80	32"	15 – 70	388	\$4,270.00
Flipper 106	42"	15 – 70	441	\$4,497.00
Flipper 132	50"	15 – 70	562	\$5,027.00
Flipper 158	62"	15 – 70	635	\$5,314.00
Flipper 186	72"	15 – 70	714	\$5,671.00
Flipper 214	85"	15 – 70	966	\$6,038.00

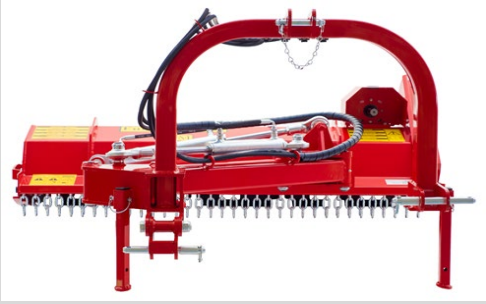
**PRICED IN CANADIAN DOLLARS**

**PRICES ARE FOB HARRISTON, ONTARIO – DESIGN & PRICE ARE SUBJECT TO CHANGE WITHOUT NOTICE**




5808 Hwy #9, Harriston, Ontario, N0G 1Z0  
Phone: 519-338-2923, Fax: 519-338-2756  
Email: [sales@harcoag.ca](mailto:sales@harcoag.ca)  
[www.harcoag.ca](http://www.harcoag.ca)

## DEL MORINO FLAIL MOWERS

FUNNY SUPER	Standard Features
	<ul style="list-style-type: none"> <li>▪ Cat 1&amp;2 three point hitch</li> <li>▪ Aluminum 540 gearbox</li> <li>▪ 2 drive belts</li> <li>▪ Y blades or hammers</li> <li>▪ Adjustable rear roller</li> <li>▪ Series 4 PTO shaft</li> <li>▪ 50° down, 90° up cutting head</li> </ul>

Model #	Working Width	Engine HP	Wt	Price (Cdn)
Funny Super 106	42"	15 – 35	540	\$6,323.00
Funny Super 132	52"	15 – 35	573	\$6,558.00

CENTURION SUPER	Standard Features
	<ul style="list-style-type: none"> <li>▪ Cat 1&amp;2 three point hitch</li> <li>▪ Cast iron 540 gearbox</li> <li>▪ 3 drive belts</li> <li>▪ Y blades or hammers</li> <li>▪ Adjustable rear roller</li> <li>▪ Series 4 PTO shaft</li> <li>▪ 50° down, 90° up cutting head</li> </ul>

Model #	Working Width	Engine HP	Wt	Price (Cdn)
Cent Super 106	42"	15 – 60	639	\$6,944.00
Cent Super 132	52"	15 - 60	772	\$7,300.00
Cent Super 158	62"	15 – 60	820	\$7,530.00


**PRICED IN CANADIAN DOLLARS**

**PRICES ARE FOB HARRISTON, ONTARIO – DESIGN & PRICE ARE SUBJECT TO CHANGE WITHOUT NOTICE**




5808 Hwy #9, Harriston, Ontario, N0G 1Z0  
Phone: 519-338-2923, Fax: 519-338-2756  
Email: [sales@harcoag.ca](mailto:sales@harcoag.ca)  
[www.harcoag.ca](http://www.harcoag.ca)

## DEL MORINO FLAIL MOWERS

FLIPPER SUPER	Standard Features
	<ul style="list-style-type: none"> <li>▪ Cat 1&amp;2 three point hitch w/hydraulic side shift</li> <li>▪ Counter blade Device</li> <li>▪ High thickness side, 10 mm</li> <li>▪ Adjustable rear roller</li> <li>▪ Wide discharge area</li> <li>▪ Universal PTO shaft cat 6 – 1800 mm</li> <li>▪ Y blades or hammers</li> </ul>

Model #	Working Width	Engine HP	Wt	Price (Cdn)
Flipper Super 132	52"	50 – 80	1036	\$8,730.00
Flipper Super 158	62"	50 – 80	1085	\$9,240.00
Flipper Super 186	72"	50 – 80	1135	\$10,001.00

LEVANTE SUPER	Standard Features
	<ul style="list-style-type: none"> <li>▪ Transmission by 4 HD belts</li> <li>▪ Counter blade Device</li> <li>▪ High thickness side, 10 mm</li> <li>▪ Wide discharge area</li> <li>▪ Universal PTO shaft cat 6 – 1800 mm</li> <li>▪ Y blades or hammers</li> </ul>

Model #	Working Width	Engine HP	Wt	Price (Cdn)
Levante Super 160	63"	80 – 120	1588	\$12,168.00
Levante Super 190	75"	80 – 120	1669	\$12,999.00
Levante Super 220	87"	80 – 120	1753	\$13,902.00

**PRICED IN CANADIAN DOLLARS**

**PRICES ARE FOB HARRISTON, ONTARIO – DESIGN & PRICE ARE SUBJECT TO CHANGE WITHOUT NOTICE**

5808 Hwy #9, Harriston, Ontario, N0G 1Z0  
Phone: 519-338-2923, Fax: 519-338-2756  
Email: [sales@harcoag.ca](mailto:sales@harcoag.ca)  
[www.harcoag.ca](http://www.harcoag.ca)



## DEL MORINO

Model	Cutting diameter
Ginger	3 cm for blades 4 cm for hammers
Funny	Up to 3-4 cm
Centurion	Up to 4-5cm
Flipper	Up to 5-6 cm
Levante	Up to 6-7 cm

### Warranty:

Residential: 2 year parts & labour

Commercial: 1 year parts & labour

**PRICED IN CANADIAN DOLLARS**

**PRICES ARE FOB HARRISTON, ONTARIO – DESIGN & PRICE ARE SUBJECT TO CHANGE WITHOUT NOTICE**

**TAB 4**





**Roller Mills**  
**Electric Roller Mills**

<b>Low Profile Mills</b>			
Model	Description	Weight (lbs)	Price [USD]
LPM200	Roller Mill	350	Call for pricing
LPE500	Roller Mill	550	Call for pricing
LPE700	Roller Mill	550	Call for pricing

<b>Big Capacity Mills</b>			
Model	Description	Weight (lbs)	Price [USD]
ABC900	Roller Mill	1,094	Call for pricing
ABC1800	Roller Mill	1,452	Call for pricing
ABC3600	Roller Mill	2,260	Call for pricing
ABC5000	Roller Mill	4,500	Call for pricing

<b>Commercial Stacked Mills</b>			
CSU1000	Two-High Stacked Unit		Call for pricing

<b>Electric Roller Mill Options</b>			
Model	Description	Weight (lbs)	Price [USD]
LX200	Auger Base Kit, LPM200	130	Call for pricing
LX500	Auger Base Kit, LPE500	150	Call for pricing
LX700	Auger Base Kit, LPE700		Call for pricing
LX900	Auger Base Kit, ABC900		Call for pricing
LX1800	Auger Base Kit, ABC1800		Call for pricing
LX3600	Auger Base Kit, ABC3600		Call for pricing
LX5000	Auger Base Kit, ABC5000		Call for pricing

<b>Rotary Mill a la Carte</b>			
Model	Description	ARM1665 16" x 6 x 5	ARM16129 16" x 12 x 9
	Base Unit	\$8,500.00	Call for pricing
72-0255	PTO Kit	4,100.00	Call for pricing
72-0252	Trailer Kit	2,500.00	Call for pricing
72-0254	30 hp Motor Kit	4,300.00	Call for pricing
			Call for pricing
72-0262	**No Drive Shield Kit	450.00	Call for pricing
72-0275	Cyclone	2,400.00	Call for pricing

\*\*Required when no drive kit is ordered.

**PRICED IN UNITED STATES DOLLARS**

**PRICES ARE FOB PENDER, NEBRASKA IN U.S.D. – SUBJECT TO CHANGE WITHOUT NOTICE**



**Trailer Roller Mills**

*(Auger or Blower Discharge Unit, Includes Intake Auger)*

**PTO Big Capacity Mills**

Model	Description	Weight (lbs)	Price [USD]
ATG900A	Auger Discharge Unit		Call for pricing
ATG1820A	Auger Discharge Unit	2,500	Call for pricing
ATG1820B	Blower Discharge Unit	2,450	Call for pricing
ATG3620A	Auger Discharge Unit	3,500	Call for pricing
ATG3620A-SUI	Swing Under Intake	3,900	Call for pricing
ATG3620B	Blower Discharge Unit	2,900	Call for pricing
ATG6000A	Auger Discharge Unit	5,500	Call for pricing
ATG6020	Auger Discharge Unit		Call for pricing
ATG6020-SUI	Swing Under Intake		Call for pricing
ATG10000C	Conveyor Discharge Unit		Call for pricing
ATG15000	Conveyor Discharge Unit		Call for pricing

**Trailer Mills a la Carte**

Model	Description	Weight (lbs)	Price [USD]
ATG1820	Base Unit		Call for pricing
72-0265	Loading Auger Kit		Call for pricing
72-0266	Discharge Auger Kit		Call for pricing
72-0272	Discharge Blower Kit		Call for pricing
ATG3620	Base Unit		Call for pricing
72-0250	Loading Auger Kit		Call for pricing
72-0251	Discharge Auger Kit		Call for pricing
72-0272	Discharge Blower Kit		Call for pricing
	Swing Under Intake Auger		Call for pricing
ATG6000	Base Unit		Call for pricing
72-0332	Loading Auger Kit		Call for pricing
72-0276	Discharge Auger Kit		Call for pricing
72-0339	Swing Under Intake Auger		Call for pricing

**Trailer Hammer Mills**

Model	Description	Weight (lbs)	Price [USD]
ATH2000A	Auger Discharge Unit		Call for pricing
ATH2000B	Blower Discharge Unit		Call for pricing

**PRICED IN UNITED STATES DOLLARS**

**PRICES ARE FOB PENDER, NEBRASKA IN U.S.D. – SUBJECT TO CHANGE WITHOUT NOTICE**

5808 Hwy #9, Harriston, Ontario, N0G 1Z0  
Phone: 519-338-2923, Fax: 519-338-2756  
Email: [sales@harcoag.ca](mailto:sales@harcoag.ca)  
[www.harcoag.ca](http://www.harcoag.ca)



Standard Model 760



Roto Grind Tub Grinder Models



Low Profile Model 760

## Roto Grind Tub and Grain Grinders

Burrows Enterprises, LLC. 2024 East 8th Street, Greeley, Colorado 80631

Phone: (970) 353-3769\*\*\*Fax: (970) 353-0839

Website: [www.rotogrind.com](http://www.rotogrind.com)

## ROTO GRIND PRICE LIST

Suggested Retail - U.S. Funds

**Roto Grind Tub Grinders are complete with the following standard equipment:**

Tub Control Governor, Tub Speed Control, Hydraulic Hoses, Adjustable Riser,  
Standard Curved Spout, Tires Mounted, Shear Bolt, P.T.O., Swivel for Spout,  
Hardened Hammer Pins, Hard Surfaced Lead Hammers and Standard Hammers.

**Model # 760** - High Profile Tub Grinder w/52" Deep Tub (Overall Height 8'6")  
With 7" mill housing and standard equipment listed above **\$31,600.00**

**Model # 760** - Low Profile Tub Grinder w/36" Deep Tub (Overall Height 7'6")  
With 7" mill housing and standard equipment listed above **\$31,400.00**

**Model # 1090** - High Profile Tub Grinder w/52" Deep Tub (Overall Height 8'8")  
With 10" mill housing and standard equipment listed above **\$34,775.00**

**Model # GG7** - Grain Grinder w / 3-point attachment 7" mill housing & Water kit\_ **\$14,950.00**  
With wheels & 12'x 10" hyd. Auger **\$22,500.00**

**Model # GG10** Grain Grinder w/ 3-point attachment 10" mill housing & Water kit **\$16,725.00**  
With wheels & 12'x 10" hyd. Auger **\$25,110.00**

Conversion Kit to add Hydraulic Auger option to 3PT Grain Grinders **\$5,055.00**

**Call for pricing on Custom orders or machines with electric motor.**  
**Assembled prices, suggested retail F.O.B. Manufacturing Plant.**  
**Prices are subject to change without notice.**







Revised Page 37&38-Sept 2024


**ONTARIO ONLY**

## Tomahawk 505M

### Tomahawk 505 Mill

- 3 Pt. Cat 2, + Q/A Couple F/M
- 540 or 1000 RPM \*recommended
- Slip & Overrun Clutch
- S/A Hydraulic Drum Drive
- PTO req. Min. 70HP
- Weight – 1620 lbs
- Bale size max. 5' dia.
- Std. Drum Length 60"
- Dry Material Only
- Distance Blown max. 16' @ 540
- Distance Blown 23' @ 1000
- Supplied with one screen



Item	Part #	Description	Price
Base Machine	T505M	T505M Knife Rotor (Std. Production Build) 72" Drum length in lieu of standard	\$27,920.00
	T505XLM	118" Drum Length Machine	\$31,882.00
Hyd. Flow Control	SC1332	Drum Speed when no Flow/Control on Tractor	\$800.00
Top Hyd. Link	CYL1052	Required for Ultimate Performance	\$1,219.00
PTO & Options	PTO8125	6 Spline Tractor End	Std.
	PTO8130	6 Spline Tractor End WAJ at Machine End	\$1,261.00
	PTO8127	21 Spline Tractor End in Lieu of 6 Spline	\$0
Lower Chute	SC1867	Left Hand Lower Discharge Chute	Std.
Options Lower Chute	SC1873*	Hose Adaptor for SC1867 (7" Dia.)	\$541.00
	SC1871*	Rearward Deflector 135 Deg. *Requires SC1867 for on/off control	\$1,120.00
L/H Giraffe Chutes	SC1227	Chute for Dry Material Only	\$1,322.00
	SC1964	Mechanical Swivel Chute Dry Material	\$1,958.00
Options L/H Giraffe Chutes	SC1966	Hyd. Rotation Kit for SC1964	\$1,322.00
	SC1442	Hyd. Control Discharge Flap on SC1964	\$1,280.00
	SC1337	Hyd. Control Discharge Flap on SC1227	\$1,280.00
R/H Chute		Side Discharge Chute	Std.
Options R/H Chute	SC1725	Hydraulic Control RH Chute Flap	\$1,261.00
 <b>HARDOX SCREENS</b> Screen Sizes Please stipulate which size is to be supplied at time of machine order	SC1775	5/16" (8mm) Screen Hole Dia.	\$1,443.00
	SC1674	3/8" (10mm) Screen Hole Dia.	\$1,443.00
	SC1673	1/2" (13mm) Screen Hole Dia.	\$1,443.00
	SC1676	19/32" (15mm) Screen Hole Dia.	\$1,443.00
	SC1695	23/32" (18mm) Screen Hole Dia.	\$1,443.00
	SC1660	13/16" (21mm) Screen Hole Dia.	\$1,443.00
	SC1776	1" (25mm) Screen Hole Dia.	\$1,443.00
	SC1677	1 1/8" (28mm) Screen Hole Dia.	\$1,443.00
	SC1661	1 7/16" (36mm) Screen Hole Dia.	\$1,443.00
	SC1771	2" Screen Hole Dia.	\$1,443.00
	SC1662	5" Slotted Screen Hole Dia.	\$1,443.00
	Tailgate Mesh Kit	SC2230	Fine Mesh for Tailgate
Dust Seal Kit	SC2254+SC1996	Drum/Backplate seal kit, including brush seal	\$678.00
Liquid Spray Kit	SC2350+EC1033	Tank, power lead enclosure, hose & nozzles	\$3,402.00

**PRICED IN CANADIAN DOLLARS**

**PRICES ARE FOB HARRISTON, ONT. IN CDN DOLLARS – DESIGN & PRICE ARE SUBJECT TO CHANGE WITHOUT NOTICE**

Our right of continuous improvement has been implemented without prior notification. It does not constitute that these improvements and changes were applied to end user, retailing dealer or distributor inventory. Product improvements will apply only as production schedules permit. All dimensions are approximate.



5808 Hwy #9, Harriston, Ontario, N0G 1Z0  
Phone: 519-338-2923, Fax: 519-338-2756  
Email: [sales@harcoag.ca](mailto:sales@harcoag.ca)  
[www.harcoag.ca](http://www.harcoag.ca)

## Tomahawk 500B

### Tomahawk 500

- Process material outside, distribute inside for increased bio security. The booster fan w/on-board hydraulic system (PTO driven) can transfer straw up to 320 feet!
- 5' Diameter Round Bales
- 4' x 4' x 8' Rectangular Bales
- Dry Material Only
- Includes radio remote drum control

- Specifications
- 3 pt. Cat 2 w/female quick hitch
  - 1000 RPM
  - Slip & Overrun Clutch WAJ PTO
  - Single acting hydraulic drum drive
  - PTO req. min 100 hp.
  - Weight 3065 lbs.
  - Weight 3840 lbs (XLM)



Item	Part #	Description	Price
Base Machine	T500B	Tomahawk 500B incl. one screen, 6' drum length in lieu of standard 5'	\$54,634.00
<b>Chute Options</b>			
Non-supply of RH Chute		For improved straw containment	Less (\$560.00)
<b>PTO options</b>			
6 Spline WAJPTO – in lieu	PTO8130	6 Spline tractor end WAJ at machine end	Std.
<b>Misc Options</b>			
Hyd. Flow Control	SC1332	Drum speed when no flow/control on tractor	Std.
<b>Booster Fan Options</b>			
127mm host kit x 20m	SC2307	Complete with male coupler and clips	\$1,904.00
Straw diverter valve type 1	SC2336	Asymmetric diverter valve L/H	\$1,802.00
Straw diverter valve	SC2341	Asymmetric diverter valve R/H	\$1,802.00
Straw diverter valve type 2	SC2337	Symmetric diverter 'Y' valve	\$2,061.00
Rearward deflector kit	SC2335	Deflector for Bauer connector	\$1,181.00
<b>Dust Suppression</b>			
Tailgate mesh	SC2230	Fine mesh for tailgate	Std.
Dust seal kit	SC2254	Drum/backplate seal kit, including brush	Std.
Liquid spray kit	SC2350	Tank, power lead enclosure, hose & nozzles for booster fan	\$3,402.00



Dust Suppression Spray Kit



Asymmetric Diverter Valve

**PRICED IN CANADIAN DOLLARS**

**PRICES ARE FOB HARRISTON, ONT. IN CDN DOLLARS – DESIGN & PRICE ARE SUBJECT TO CHANGE WITHOUT NOTICE**

Our right of continuous improvement has been implemented without prior notification. It does not constitute that these improvements and changes were applied to end user, retailing dealer or distributor inventory. Product improvements will apply only as production schedules permit. All dimensions are approximate.



## Tomahawk 500FS (Feed Slide)

See T505M/T5050 w/the following benefits:	
<ul style="list-style-type: none"> <li>Non-stop processing for high output up to 4 tons/hr</li> <li>Straightforward loading &amp; removal of bale net/twine</li> <li>For round bales up to 1.6m or rectangular bales up to 1.2m x 1.2m x 2.4m</li> <li><b>Feed slide cannot be retrofitted &amp; is not available for T404M/T4040.</b></li> </ul>	<ul style="list-style-type: none"> <li>Specifications</li> <li>Wide angle PTO std.</li> <li>Dust seal kit std.</li> <li>Hydraulic control of feed slide angle.</li> <li>Tractor 140hp/105kw (mounted)</li> <li>Tractor 80hp/60kw (trailed option)</li> <li>3 hydraulic service required</li> <li>Weight: T505FSM 2778lbs / T505FS 2980lbs.</li> </ul>



Available information is available on the Teagle website

Item	Part #	Description	Price
Base Machine	T505FSM	Tomahawk 505M w/1.85m drum & feed slide.	\$38,096.00
Rotor/Screen/Chute Options-See T505M – Please specify screen size & Hammer/Blade rotor at time of ordering			
Base Machine T5050	T5050FS	Tomahawk 5050 with 1.85m drum & feed slide.	\$36,848.00
Chute Options-See T5050			
<b>PTO Options</b>			
21 Spline WAJPTO – In lieu	PTO8127	21 Spline Tractor End in Lieu of 6 Spline	POA
6 Spline WAJPTO	PTO8130	6 Spline Tractor End WAJ at machine end	Std
8 Spline WAJPTO – In lieu	PTO8131	8 Spline Tractor End WAJ at machine end	0.00
Chute Options-See T505M/T5050			
Non-supply of RH Chute		For improved straw containment	\$560.00
<b>Miscellaneous Options</b>			
Hyd. Flow Control	SC1332	Fine control of Drum Speed	Std
Hydraulic Top Link	t.b.c.	Heavy Duty Top Link	Std
<b>Dust Suppression</b>			
Dust seal kit	SC1996 + SC2254	Drum/Backplate seal kit including brush	Std
Liquid Spray Kit	SC2350 (+EC1033)	Tank, power lead enclosure, hose & nozzles (power lead & junction box depending on serial number)	\$3,402.00

**PRICED IN CANADIAN DOLLARS**

**PRICES ARE FOB HARRISTON, ONT. IN CDN DOLLARS – DESIGN & PRICE ARE SUBJECT TO CHANGE WITHOUT NOTICE**

Our right of continuous improvement has been implemented without prior notification. It does not constitute that these improvements and changes were applied to end user, retailing dealer or distributor inventory. Product improvements will apply only as production schedules permit. All dimensions are approximate.



## Tomahawk 5050

### Tomahawk 5050 Silage Feeder & Straw Spreader

- 3 Pt. Cat 2, + Q/A Couple F/M
- 540 or 1000 RPM
- Slip & Overrun Clutch
- S/A Hydraulic Drum Drive
- PTO req. Min. 60HP
- Weight – 1595 lbs
- Bale size max. 5' dia.
- Std. Drum Length 60"
- Silage & Dry Material
- Distance Blown max. 25' @ 540
- Distance Blown 30'+ @ 1000
- Round or Square Bales



Item	Part #	Description	Price
Base Machine	T5050	Tomahawk 5050, 72" Drum length in lieu of standard	\$26,781.00
	T5050XLM	9' Drum Length Machine (Only for dry material)	\$30,739.00
Hyd. Flow Control	SC1332	Drum Speed when no Flow/Control on Tractor	800.00
Hyd. Center Link	CYL1052	Required for Ultimate Performance	\$1,219.00
PTO & Options	PTO8125	6 Spline Tractor End	Std.
	PTO8127	21 Spline Tractor End in Lieu of 6 Spline	\$0
Lower Chute	SC1867	Left Hand Lower Discharge Chute	\$560.00
Options Lower Chute	SC1873*	Hose Adaptor for SC1867 (7" Dia.)	\$541.00
	SC1876*	Strawberry Chute Kit L/H & R/H *Requires SC1867 for on/off control	\$1,581.00
L/H Giraffe Chutes	SC1305	Chute for Silage, Hay & Straw	\$1,702.00
	SC1964	Mechanical Swivel Chute Dry Material	\$1,958.00
Options L/H Giraffe Chutes	SC1966	Hyd. Rotation Kit for SC1964	\$1,322.00
	SC1442	Hyd. Control Discharge Flap for SC1964	\$1,280.00
R/H Chute		Side Discharge Chute	Std.
Options R/H Chute	SC1339	Hydraulic Control RH Chute Flap	\$1,280.00
Tailgate Mesh	SC2230	Fine Mesh for Tailgate	\$861.00

### PRICED IN CANADIAN DOLLARS

**PRICES ARE FOB HARRISTON, ONT. IN CDN DOLLARS – DESIGN & PRICE ARE SUBJECT TO CHANGE WITHOUT NOTICE**

Our right of continuous improvement has been implemented without prior notification. It does not constitute that these improvements and changes were applied to end user, retailing dealer or distributor inventory. Product improvements will apply only as production schedules permit. All dimensions are approximate.



5808 Hwy #9, Harriston, Ontario, N0G 1Z0  
Phone: 519-338-2923, Fax: 519-338-2756  
Email: [sales@harcoag.ca](mailto:sales@harcoag.ca)  
[www.harcoag.ca](http://www.harcoag.ca)

## Trailer Chassis

Trailer Chassis Only – 404, 4040, 505, 5050

- Pivoting Axle for Machine Inclination
- Hyd. Check Valves in Pivot Cylinders
- Clevis Hitch Drawbar & Support Jack
- 10.5x15 6-stud Wheels & Tires
- Maximum Road Speed of 25 mph
- Tractor Req. 2x Double Acting Hyd. Services
- Powder Painted
- Must be ordered at same time as Drum Tomahawk.



Item	Part #	Description	Price
Base Machine	RDC	Trailer Chassis for use with Drum Machines* *Drum Machines manufactured prior to 2013 may need small modifications to machine chassis	\$9,846.00
PTO-6 Spline WAJPTO-retrofit	PTO8130	Upgrade the standard PTO to WAJ (at machine end)	\$2,819.00

**PRICED IN CANADIAN DOLLARS**

**PRICES ARE FOB HARRISTON, ONT. IN CDN DOLLARS – DESIGN & PRICE ARE SUBJECT TO CHANGE WITHOUT NOTICE**

Our right of continuous improvement has been implemented without prior notification. It does not constitute that these improvements and changes were applied to end user, retailing dealer or distributor inventory. Product improvements will apply only as production schedules permit. All dimensions are approximate.



5808 Hwy #9, Harriston, Ontario, N0G 1Z0  
Phone: 519-338-2923, Fax: 519-338-2756  
Email: [sales@harcoag.ca](mailto:sales@harcoag.ca)  
[www.harcoag.ca](http://www.harcoag.ca)

## Telehawk & Telehawk T2

### Telehawk Straw Spreader

- |   |   |
|---|---|
| <ul style="list-style-type: none"> <li>• Bluetooth Electronic Controls</li> <li>• Hydraulic Drive from Telehandler</li> <li>• Hyd. Load Sensing Crossbeater</li> <li>• Weight – 5733 lbs</li> <li>• Priority Oil Flow to Fan</li> <li>• Self Loading</li> </ul> | <ul style="list-style-type: none"> <li>• Dry Material Only</li> <li>• Bale Size – Round Max. 4'x5'</li> <li>• Bale Size – Square Max. 4'x4'x8'</li> <li>• Hyd. Oil Filter (Pressure)</li> <li>• Distance Blown up to 44'</li> <li>• Swivel Chute 280 deg. Rotation</li> </ul> |
|---|---|



Item	Part #	Description	Price
Base Machine	TELE	Telehawk – Hydraulic drive straw spreader	\$48,675.00
Base Machine	TELE – T2	Telehawk – Hydraulic drive straw spreader with hydraulic folding front lift gate	\$48,675.00
<b>*MUST ADD one of the following Bracket Kits Includes Container Transport Frame</b>			
<b>U-Bolts Included in Bracket Kits</b>			
	SC6001	JCB Q Fit	\$1,322.00
	SC6005	Merlo ZM2 P26/27/30	\$1,322.00
	SC6010	JCB Pin and Cone	\$1,322.00
	SC6015	Manitou	\$1,322.00
	SC6020	New Holland	\$1,322.00
	SC6025	Claas (Dark Green)	\$1,322.00
	SC6030	Caterpillar	\$1,322.00
	SC6035	Claas (Light Green)	\$1,322.00
	SC6040	JCB Tool Carrier	\$1,322.00
	SC6050	Dieci	\$1,322.00
	SC6055	Kramer	\$1,322.00
	SC6060	Volvo	\$1,322.00
	SC6065	Bobcat	\$1,322.00
	SC6070	Euro 8	\$1,322.00
	SC6080	Schaffer	\$1,322.00
	SC6085	Dieci	\$1,322.00
	SC6090	Merio ZM3	\$1,322.00
	SC6095	Terex	\$1,322.00
	SC6200	Wideman	\$1,322.00
		Please verify with Teagle before ordering. Engineered drawing available to verify correct Telehandler Quick Hitch/Bracket set dimensions. Other bracket kits available. Check with Teagle.	
Hyd. Oil Filter	SC6153	In Line Pressure Oil Filter Kit	Std.
Hyd. Flow Divider	SC6146	Req. for Hyd. Oil Flows Over 31 U.S. Gal. Per Min.	\$1,322.00
Hydraulic Return		A 3/4" free flow return pipe from Telehawk to the Telehandler must utilize 3/4 flat faced couplings	Dealer Supply
Electrics		Bluetooth Controls	Std.
Power Cable		20' Power Cable Telehandler to Machine	Std.

**Please verify all orders with Teagle: Ensure Correct Mounting Brackets & Telehandler Requirements are understood prior to order**

**PRICED IN CANADIAN DOLLARS**

**PRICES ARE FOB HARRISTON, ONT. IN CDN DOLLARS – DESIGN & PRICE ARE SUBJECT TO CHANGE WITHOUT NOTICE**

Our right of continuous improvement has been implemented without prior notification. It does not constitute that these improvements and changes were applied to end user, retailing dealer or distributor inventory. Product improvements will apply only as production schedules permit. All dimensions are approximate.



5808 Hwy #9, Harriston, Ontario, N0G 1Z0  
Phone: 519-338-2923, Fax: 519-338-2756  
Email: [sales@harcoag.ca](mailto:sales@harcoag.ca)  
[www.harcoag.ca](http://www.harcoag.ca)

## Tomahawk 8200

Tomahawk 8200 Straw Spreader & Silage Feeder (Replacing 7100/8100)

- 6f. 6inch Diameter Round Bales
- 4ft x 4ft x 8ft Rectangular Bales
- Suitable for Straw, Hay and Silage
- Max. Spreading distance > 65ft
- Mounted or Trailed
- Slip & Overrun Clutch PTO
- Rear Tailgate Switch
- Bluetooth Electric Controls
- 2 speed Gearbox – 540 PTO
- PTO req. min. 60hp/45kw
- Standard wheels 10.0/75-15



Unladen Weight	LBS
8200SCM	4457
8200SCT	4879

Item	Part #	Description	Price
Base Machine	T8200SCM	Base Unit Tomahawk 8200 Swivel Chute – 3 point mounted <b>Hydraulic Bale Restraint</b>	\$48,123.00
	T8200SCT	Base Unit Tomahawk 8200 Swivel Chute – Trailed (unbraked) <b>Hydraulic Bale Restraint</b>	\$54,666.00
	<b>T8200E-SC</b>	Base Unit Tomahawk 8200 Swivel Chute – Trailed (unbraked) <b>Fixed Bale Restraint</b>	<b>\$52,598.00</b>
<b>PTO Options</b>			
6 Spline WAJ PTO – in lieu	PTO8085	6 Spline Tractor End, WAJ at Machine end	\$1188.00
<b>Highway / Trailed Options</b>			
Road Lights	SC7120	Optional for Mounted LED Road Light Kit with EC1101 Standard Equipment with Trailed Machine with EC1101	\$1040.00 Std.
Jack	SC7147	Drawbar Jack	Std.
<b>Crossbeater Options</b>			
Extra Blade Kit	SC3768	For Standard Straw/ Silage Crossbeater (Additional 48 blades)	\$460.00
Hook Ripper Kit	SC7138	Increased Feed Rate Less chopping Standard Straw/ Silage Crossbeater only	\$297.00
<b>Miscellaneous Options</b>			
Hyd. Oil Filter	SC7145	In Line Hydraulic Pressure Filter	Std.
Automatic Chain Oiler	SC7410	Automatically lubricates crossbeater drive chain	\$1292
Ski Jump Chute Kit	SC7205	For SC models to deliver straw into calf hutches and pig arcs or under trees. Includes extended yellow beak.	\$1129.00
Dust Suppression Kit	S7150	High Pressure water spray to reduce dust	\$3267.00

Our latest development!  
Adjust processing speed with adjustable bale restraint  
Start/Stop operation  
Linked bed speed / bale restraint position




**PRICED IN CANADIAN DOLLARS**

**PRICES ARE FOB HARRISTON, ONT. IN CDN DOLLARS – DESIGN & PRICE ARE SUBJECT TO CHANGE WITHOUT NOTICE**

Our right of continuous improvement has been implemented without prior notification. It does not constitute that these improvements and changes were applied to end user, retailing dealer or distributor inventory. Product improvements will apply only as production schedules permit. All dimensions are approximate.



## Tomahawk 8250

Tomahawk 8250 Dual Chop Short Chop or Spreader (Replacing 7150/8150)							
<ul style="list-style-type: none"> <li>6f. 6inch Diameter Round Bales</li> <li>4ft x 4ft x 8ft Rectangular Bales</li> <li>Suitable for Straw, Hay and Silage</li> <li>Max. Spreading distance &gt; 65ft</li> </ul>	<ul style="list-style-type: none"> <li>Mounted or Trailed</li> <li>Slip &amp; Overrun Clutch PTO</li> <li>Rear Tailgate Switch</li> <li>Bluetooth Electric Controls</li> <li>2 speed Gearbox – 540 PTO</li> <li>PTO req. min. 60hp/45kw</li> <li>Standard wheels 10.0/75-15</li> </ul>						
<table border="1"> <thead> <tr> <th>Unladen Weight</th> <th>LBS</th> </tr> </thead> <tbody> <tr> <td>8250SCM</td> <td>4775</td> </tr> <tr> <td>8250SCT</td> <td>5196</td> </tr> </tbody> </table>	Unladen Weight	LBS	8250SCM	4775	8250SCT	5196	
Unladen Weight	LBS						
8250SCM	4775						
8250SCT	5196						

Item	Part #	Description	Price
Base Machine	T8250SCM	Base Unit Tomahawk 8250 Swivel Chute – 3 point mounted <b>Hydraulic Bale Restraint</b>	\$56,395.00
	T8250SCT	Base Unit Tomahawk 8250 Swivel Chute – Trailed (unbraked) <b>Hydraulic Bale Restraint</b>	\$66,278.00
<b>PTO Options</b>			
6 Spline WAJ PTO – in lieu	PTO8085	6 Spline Tractor End, WAJ at Machine end	\$1188.00
<b>Highway / Trailed Options</b>			
Road Lights	SC7120	Optional for Mounted LED Road Light Kit with EC1101 Standard Equipment with Trailed Machine with EC1101	\$1040.00 Std.
Jack	SC7147	Drawbar Jack	Std.
<b>Miscellaneous Options</b>			
Hyd. Oil Filter	SC7145	In Line Hydraulic Pressure Filter	Std.
Automatic Chain Oiler	SC7410	Automatically lubricates crossbeater drive chain	Std.
Ski Jump Chute Kit	SC7205	For SC models to deliver straw into calf hutches and pig arcs or under trees. Includes extended yellow beak.	\$1129.00
Dust Suppression Kit	S7150	High Pressure water spray to reduce dust	\$3267.00

Our latest development!  
 Adjust processing speed with adjustable bale restraint  
 Start/Stop operation  
 Linked bed speed / bale restraint position



**PRICED IN CANADIAN DOLLARS**

**PRICES ARE FOB HARRISTON, ONT. IN CDN DOLLARS – DESIGN & PRICE ARE SUBJECT TO CHANGE WITHOUT NOTICE**

Our right of continuous improvement has been implemented without prior notification. It does not constitute that these improvements and changes were applied to end user, retailing dealer or distributor inventory. Product improvements will apply only as production schedules permit. All dimensions are approximate.





## Tomahawk 8500 Chief

### Tomahawk 8500 Straw Spreader & Silage Feeder

- Trailed Machine
- Slip & Overrun Clutch @ 540 RPM
- Bluetooth Electronic Controls
- Rear Tailgate Switch
- Weight – 4970 lbs, 4586 lbs
- Wear Resistant Steel Used in Housing
- Min. PTO – 60HP
- 12.5x15 Tires & Rims
- 2 Speed Gearbox
- Bale Size – Round max. 5'x6'
- Bale Size – Square max. 4'x4'x8'
- Distance Blown up to 80'
- Clevis Hitch & Jack
- Silage & Dry Material
- Oil Filter
- Fenders



Item	Part #	Description	Price
Base Machine	T8500	Trailed Tomahawk 8500 Std. Side Chute Right Hand Discharge	\$56,995.00
	T8500SC	Trailed Tomahawk 8500SC Hydraulic Swivel Chute	\$57,997.00
Drawbar	SC5051	Clevis Drawbar & Jack Assembly	Std.
Electric Controls	SC3598	Power Fly Lead (6') with Female Socket	Std.
Hydraulic Oil Filter	SC4309	In Line Hydraulic Pressure Filter	Std.
Tires	WE1121	Tires and Rims – 12.5x15	Std.
PTO Shaft	PTO8085	Wide Angle PTO for Trailed Units in Lieu of Std.	\$2,187.00
Road Lights	SC4250	LED Road Light Kit + EC1123	Std.
Rear Tailgate Switch	SC5241	Tailgate + Bed Control at Ground Level	Std.
Extra Blade Kit	SC3768	For Standard Straw / Silage Crossbeater (Additional 48 Blades)	\$442.00
Hook Ripper Kit	SC4218	Increased Feed Rate Less Chopping Standard Straw / Silage Crossbeater Only. Distributor Fitment	\$278.00
Hardox Tips	SC4702	Crossbeater Wear Tips for 8500WB Only	\$400.00
Tailgate Extension	SC4710	Extension for Increased Length +2'	\$1,158.00
Loading Arm in Lieu of	SC4736 Optional	In Lieu of Tailgate Controlled via Bluetooth	\$7,245.00
Dust Suppression Kit	SC5410	5 nozzle water spray kit, 13 USG capacity	\$3,210.00
Chain Oiling Kit	SC5340	Lubrication of Crossbeater drive chain and bed motor drive chain	\$1,302.00
Swivel Chute, Ski Jump Chute	SC5064	Material delivery into hutches Inc Yellow Beak	\$1,133.00

**PRICED IN CANADIAN DOLLARS**

**PRICES ARE FOB HARRISTON, ONT. IN CDN DOLLARS – DESIGN & PRICE ARE SUBJECT TO CHANGE WITHOUT NOTICE**

Our right of continuous improvement has been implemented without prior notification. It does not constitute that these improvements and changes were applied to end user, retailing dealer or distributor inventory. Product improvements will apply only as production schedules permit. All dimensions are approximate.



5808 Hwy #9, Harriston, Ontario, N0G 1Z0  
Phone: 519-338-2923, Fax: 519-338-2756  
Email: [sales@harcoag.ca](mailto:sales@harcoag.ca)  
[www.harcoag.ca](http://www.harcoag.ca)

## Tomahawk 8555 Chief

Tomahawk 8555 Dual Chop, Short Chop or Spreader and Silage Feeder

- |  |   |
|--|---|
| <ul style="list-style-type: none"> <li>• Trailed Machine</li> <li>• Slip &amp; Overrun Clutch @ 540 RPM</li> <li>• Bluetooth Electronic Controls</li> <li>• Rear Tailgate Switch</li> <li>• Min. PTO – 60HP (100HP D/Chop)</li> <li>• Weight – 5324 lbs</li> <li>• Wear Resistant Steel Used in Housing</li> <li>• Hyd. Controlled Knives</li> <li>• 12.5x15 Tires &amp; Rims</li> </ul> | <ul style="list-style-type: none"> <li>• 2 Speed Gearbox</li> <li>• Bale Size – Round max. 5'x6'</li> <li>• Bale Size – Square max. 4'x4'x8'</li> <li>• Distance Blown up to 80'</li> <li>• Clevis Hitch &amp; Jack</li> <li>• Oil Filter</li> <li>• Replaceable Tips</li> <li>• Silage &amp; Dry Material. Blanking screen frame required for silage</li> <li>• Fenders</li> </ul> |
|--|---|



Item	Part #	Description	Price
Base Machine	T8555 CHIEF	Trailed Tomahawk 8555 Hydraulic Swivel Chute Dual Chop Dry Crop Cutting System Crossbeater with Replaceable Tips	\$70,547.00
Drawbar	SC5051	Clevis Drawbar & Jack Assembly	Std.
Screen Sizes <i>*Please stipulate screen size to be supplied</i>			
	SC5312	40mm Replaceable Screen*	\$739.00
	SC5310	50mm Replaceable Screen*	Std.
	SC5314	Blanking Screen Frame (if above not used)	\$502.00
Screen Storage	SC5359	Storage Rack for One Additional Screen	\$502.00
Electric Controls	SC3598	Power Fly Lead (6') with Female Socket	Std.
Hydraulic Oil Filter	SC4309	In Line Hydraulic Pressure Filter	Std.
Tires	WE11121	Tires and Rims 12.5x15 in lieu of Std.	Std.
	SC4261	Fenders for 12.5x15 Tire Size	Std.
PTO Shaft	PTO8085	Wide Angle PTO for Trailed Units in Lieu of Std.	\$1,200.00
Road Lights	SC4269	LED Road Light Kit + EC1123	Std.
Rear Tailgate Switch	SC5241	Tailgate + Bed Control at Ground Level	Std.
Side Extension	SC4594	Increase Bale Chamber Capacity	Std.
Tailgate Extension	SC4710	Extension for Increased Length +2'	\$1,158.00
Dust Suppression Kit	SC5410	5 Nozzle Water Spray Kit, 13 USG Capacity	\$3,210.00
Chain Oiling Kit	SC5340	Lubrication of Crossbeater drive chain and bed motor drive chain	Std.
Swivel Chute, Ski Jump Chute	SC5064	Material delivery into hutches Inc Yellow Beak	\$1,133.00
Loading Arm	SC4736 Optional	In Lieu of tailgate controlled via Bluetooth	\$7,245.00

**PRICED IN CANADIAN DOLLARS**

**PRICES ARE FOB HARRISTON, ONT. IN CDN DOLLARS – DESIGN & PRICE ARE SUBJECT TO CHANGE WITHOUT NOTICE**

Our right of continuous improvement has been implemented without prior notification. It does not constitute that these improvements and changes were applied to end user, retailing dealer or distributor inventory. Product improvements will apply only as production schedules permit. All dimensions are approximate.



5808 Hwy #9, Harriston, Ontario, N0G 1Z0  
Phone: 519-338-2923, Fax: 519-338-2756  
Email: [sales@harcoag.ca](mailto:sales@harcoag.ca)  
[www.harcoag.ca](http://www.harcoag.ca)

## Tomahawk 9500

### Tomahawk 9500 Straw Shredder & Silage Feeder

- Trailed Machine
- Slip & Overrun Clutch @ 540 RPM
- Bluetooth Electronic Controls
- Rear Tailgate Switch
- Dual Crossbeaters
- Weight – 6650 lbs
- Wear Resistant Steel Used in Housing
- 2 Speed Gearbox
- Bale Size – Round max. 5'x6'  
– Quantity 2
- Bale Size – Square max. 4'x4'x8'  
– Quantity 1
- Silage & Dry Material
- Distance Blown up to 80'
- In Line Oil Filter (Pressure)
- Min PTO – 80HP



Item	Part #	Description	Price
Base Machine	T9500	Trailed Tomahawk 9500 Standard Right Hand Discharge Chute Crossbeaters with Replaceable Tips Electric Controls Included	\$70,445.00
	T9500SC	Trailed Tomahawk 9500 Hydraulic Swivel Chute Crossbeaters with Replaceable Tips Electric Controls Included	\$71,446.00
<b>PTO Option</b>			
6 Spline WAJPTO-In lieu	PTO8085	6 Spline Tractor End, WAJ at machine end	\$1,200.00
<b>Highway/Trailed Options</b>			
Road Lights	SC5219	LED Road Light Kit + EC1123	Std.
Jack	SC4069	Drawbar Jack	Std.
Clevis Hitch	SC5051	Clevis Hitch and Jack in lieu of standard ring hitch	Std.
<b>Crossbeater Options</b>			
Hardox Tips	SC4702 x 2	Crossbeater wear tips-triangular between knife rings	\$800.00
<b>Miscellaneous Options</b>			
Dust Suppression Kit	SC5410	5 Nozzle Water Spray Kit, 13 USG Capacity	\$3,210.00
Hydraulic Oil Filter	SC4309	In line hydraulic pressure filter	Std.
Automatic Chain Oiler	SC5365	Automatically lubricates crossbeater drive chains	\$1,722.00
Swivel Chute Ext.	SC4921	Swivel Chute lift extension + 12" supplied loose	\$842.00
Side Extensions	SC5261	For extended capacity	\$1,002.00
Tailgate Extension	SC4710	Extension for increased length + 24"	\$1,158.00
Power Fly Lead	SC3598	Power fly lead with female socket	Std.
Rear Tailgate Switch	SC5241	Tailgate bed control at ground level	Std.
Loading Arm	SC4736 Optional	In lieu of tailgate controlled via Bluetooth	\$7,245.00
Swivel Chute, Ski Jump Chute	SC5064	Material delivery into hutches Inc Yellow Beak	\$1,133.00

**PRICED IN CANADIAN DOLLARS**

**PRICES ARE FOB HARRISTON, ONT. IN CDN DOLLARS – DESIGN & PRICE ARE SUBJECT TO CHANGE WITHOUT NOTICE**

Our right of continuous improvement has been implemented without prior notification. It does not constitute that these improvements and changes were applied to end user, retailing dealer or distributor inventory. Product improvements will apply only as production schedules permit. All dimensions are approximate.

5808 Hwy #9, Harriston, Ontario, N0G 1Z0  
Phone: 519-338-2923, Fax: 519-338-2756  
Email: [sales@harcoag.ca](mailto:sales@harcoag.ca)  
[www.harcoag.ca](http://www.harcoag.ca)



## Tomahawk 1010

### Tomahawk 1010 Straw Shredder & Silage Feeder

- Trailed Machine
- Slip & Overrun Clutch @ 540 RPM
- Bluetooth Electronic Controls
- Dual Crossbeaters
- Min. PTO – 90HP
- Rear Tailgate Switch
- Wear Resistant Steel Used In Housing
- 2 Speed Gearbox
- Bale Size – Round max. 5'x6'
- Bale Size – Square max. 4'x4'x8'
- Silage & Dry Material
- Distance Blown up to 80'
- Brakes & Fenders
- Weight – 7826 lbs, 7915 lbs



Item	Part #	Description	Price
Base Machine	T1010	Trailed Tomahawk 1010 Standard Right Hand Discharge Chute Crossbeaters with Replaceable Tips Electric Controls Included	\$84,176.00
	T1010SC	Trailed Tomahawk 1010 Hydraulic Swivel Chute Crossbeaters with Replaceable Tips Electric Controls Included	\$85,175.00
Drawbar	SC5051	Clevis Drawbar & Jack Assembly	Std.
Electric Controls	SC3598	Power Fly Lead (6') with Female Socket	Std.
Hydraulic Oil Filter	SC3785	In Line Hydraulic Pressure Filter	Std.
Swivel Chute Ext.	SC4921	Swivel Chute Lift Extension +12" * *Supplied Loose Due to Container Height	\$842.00
Tires		Tire and Rims 385/55R22.5 10 Ply	Std.
PTO Shaft	PTO8085	Wide Angle PTO for Trailed Units in Lieu of Std.	\$1,200.00
Side Extension	SC4728	For extended capacity	\$1,104.00
Hyd. Oil Filter	SC3785	In Line Hydraulic Pressure Filter	Std.
Road Lights	SC5270	LED Road Light Kit + EC1123	Std.
Fenders		Steel Fenders for Wheel Equipment	Std.
Rear Tailgate Switch	SC5241	Tailgate + Bed Control at Ground Level	Std.
Bale Lift Hydraulics	SC4902	Hyd. Cylinders & Mounting Less Bale Lift Plates	\$4,762.00
Bale Lift Plates	SC4860	Bale Lift Assist Plates	\$1,235.00
Dust Suppression Kit	SC5410	5 Nozzle Water Spray Kit, 13 USG Capacity	\$3,210.00
Hardox Tips	SC4702	Crossbeaters Wear Tips	\$800.00
Loading Arm in Lieu of	SC4736 Optional	In Lieu of Tailgate Controlled via Bluetooth	\$7,245.00
Chain Oiling Kit	SC5365	Lubrication of Crossbeater drive chain and bed motor drive chain	\$1,722.00
Swivel Chute, Ski Jump Chute	SC5064	Material delivery into hutches Inc Yellow Beak	\$960.00

**PRICED IN CANADIAN DOLLARS**

**PRICES ARE FOB HARRISTON, ONT. IN CDN DOLLARS – DESIGN & PRICE ARE SUBJECT TO CHANGE WITHOUT NOTICE**

Our right of continuous improvement has been implemented without prior notification. It does not constitute that these improvements and changes were applied to end user, retailing dealer or distributor inventory. Product improvements will apply only as production schedules permit. All dimensions are approximate.




5808 Hwy #9, Harriston, Ontario, N0G 1Z0  
Phone: 519-338-2923, Fax: 519-338-2756  
Email: [sales@harcoag.ca](mailto:sales@harcoag.ca)  
[www.harcoag.ca](http://www.harcoag.ca)

## Calibrator C12

### High Capacity Bale Processor

- High cap. Bale processor for precision milling of dry materials (20% moisture) such as straw for livestock feeding & bedding
- 6.5 ft diameter round bales
- 4 ft x 4 ft x 8 ft rectangular bales
- Auto greasing system
- Weight 9800 lbs.
- Min PTO 180 hp
- Trailed machine w/air/hyd brakes
- Slip & overrun clutch PTO 1000 rpm
- Clevis hitch drawbar
- Road lights
- Bluetooth electric controls
- Homologated to 25 mph



Item	Part #	Description	Price
Base Machine <i>*Must Nominate Screen Sizes at time of Order</i> Six QUICK Change Screens*	C12	Tomahawk C12, High Capacity Bale Processor Bluetooth Controls with Rate Governor 285/55 R22 Wheels with Fenders 40 Gallon Oil Tank & Oil Included	\$180,822.00
<b>Rotor Options</b>			
	CM2366	4-15/16" Screen	\$902.00
	CM2072	3-15/16" Screen	\$902.00
	CM2073	2-15/16" Screen	\$902.00
	CM2074	2-3/8" Screen	\$902.00
	CM2079	2" Screen	\$1,280.00
	CM2075	1-9/16" Screen	\$1,280.00
	CM2076	1-3/16" Screen	\$1,280.00
	CM2077	13/16 Screen	\$1,280.00
	CM2361	1/2" Screen	\$1,482.00
	CM2373	3/8" Screen	\$1,482.00
	CM2078	5/16" Screen	\$1,482.00
	CM2376	1/4" Screen – for grain milling hopper	\$1,642.00
	CM2374	3/16" Screen – for grain milling hopper	\$1,642.00
	CM2080	5/32" Screen – for grain milling hopper	\$1,642.00
CM2375	1/8" Screen – for grain milling hopper	\$1,642.00	
<b>PTO OPTIONS</b>			
21 Spline PTO – in lieu	PTO8142	21 Spline tractor end in lieu of 6 spline	\$419.00
<b>Highway/Trailed Options</b>			
Road Lights	SC4259	LED Road light Kit	Std.
Jack	CM2545	Manual hydraulic drawbar Jack	Std.
Brake system Air & Hyd	CM2340	Combined optl brake system, air & hyd in lieu of air only	Std.
C-type air brake coupling	TB1155	Standard c-type coupling	Std.
Palm type air brake coupling	TB1156	Palm type in-lieu of c-type	Std.
K80 Hitch	SC5018	K80 ball hitch in lieu of standard ring hitch	\$278.00
Clevis Hitch	SC5051	Clevis hitch in lieu of ring hitch (not homologated)	Std.
<b>Miscellaneous Options</b>			
Conveyor deflector	CM2143	Deflector to control discharge of material from conveyor	\$1,242.00
Oil heater	EC2017+EC2018	Hydraulic tank oil heater	\$1,078.00
Low temperature conveyor	SC2377	Extend min. operating temperature	\$3,264.00
<b>Grain Milling Hopper</b>			
Hopper-not including screens	GMH	Capacity 1350 lbs (Barley) Does not include screens, select 2 from list above	\$14,931.00
Hopper extensions	CM3040	Increase capacity to 2400 lbs. Bucket opening width from 96" to 106"	\$1,402.00

**PRICED IN CANADIAN DOLLARS**

**PRICES ARE FOB HARRISTON, ONT. IN CDN DOLLARS – DESIGN & PRICE ARE SUBJECT TO CHANGE WITHOUT NOTICE**

Our right of continuous improvement has been implemented without prior notification. It does not constitute that these improvements and changes were applied to end user, retailing dealer or distributor inventory. Product improvements will apply only as production schedules permit. All dimensions are approximate.



## Titan 6 / 8 / 9

### Titan Manure Spreader

- Trailed Machine
- Overrun Clutch @ 540 RPM
- Hydraulic Driven Bed Chain
- Dual Vertical Beaters
- Min. PTO – 80 / 90 / 100HP
- Weight – 7576 / 8198 / 8691 lbs
- Titan 6 – 173 Bushel Capacity
- Titan 8 – 225 Bushel Capacity
- Titan 9 – 258 Bushel Capacity
- Single 3.25" x 3.25" Axle Beam
- Hydraulic Braked Axle
- Slurry Gate



**Additional information is available on the Teagle website**

Item	Part #	Description	Price
Base Machine	Titan 6	Trailed Titan 6 Dual Vertical Beaters Ring Rigid Drawbar and Skid	\$70,400.00
	Titan 8	Trailed Titan 8 Dual Vertical Beaters Ring Rigid Drawbar and Skid	\$72,640.00
	Titan 9	Trailed Titan 9 Dual Vertical Beaters Ring Rigid Drawbar and Skid	\$73,760.00
<b>Wheel Options</b>			
TN6	WE1302	18.4-34 (1645 x 467)	Std
TN8	WE1302	18.4-34 (1645 x 467)	Std
TN9	WE1302	18.4-34 (1645 x 467)	Std
Oversize Wheels		Various oversize wheel options available	POA
<b>Extension Sides</b>			
TN6	RS4210	Increase Capacity Titan 6 to 212 Bushels	\$1,430.00
TN8	RS4310	Increase Capacity Titan 8 to 278 Bushels	\$1,568.00
TN9	RS4510	Increase Capacity Titan 9 to 311 Bushels	\$1,677.00
<b>Miscellaneous Options</b>			
Beater Tips	RS3079	Compost / Poultry Beater Tips In Lieu of Standard, Dealer Fitted	\$1,254.00
Electric bed speed control	RS4590	In cab, bed chain speed controller	\$2,102.00
Hydraulic Jack	RS4270	Drawbar Jack	\$2,480.00
Flashing Beacon (Strobe)	RS4631	Strobe for highway use	\$381.00

**PRICED IN CANADIAN DOLLARS**

**PRICES ARE FOB HARRISTON, ONT. IN CDN DOLLARS – DESIGN & PRICE ARE SUBJECT TO CHANGE WITHOUT NOTICE**

Our right of continuous improvement has been implemented without prior notification. It does not constitute that these improvements and changes were applied to end user, retailing dealer or distributor inventory. Product improvements will apply only as production schedules permit. All dimensions are approximate.



5808 Hwy #9, Harriston, Ontario, N0G 1Z0  
Phone: 519-338-2923, Fax: 519-338-2756  
Email: [sales@harcoag.ca](mailto:sales@harcoag.ca)  
[www.harcoag.ca](http://www.harcoag.ca)

## Titan 10 / 12

### Titan Manure Spreader

- Trailed Machine
- Overrun Clutch @ 540 RPM
- Hydraulic Driven Bed Chain
- Dual Vertical Beaters
- Min. PTO – 140HP
- Weight – 10450 / 11022 lbs
- Titan 10 – 280 Bushel Capacity
- Titan 12 – 333 Bushel Capacity
- Rigid Drawbar
- Single 4" x 4" Axle Beam
- Hyd. Braked Axle
- Slurry Gate



### POA – Price On Application

Item	Part #	Description	Price
Base Machine	Titan 10	Tailed Titan 10 Dual Vertical Beaters Ring Rigid Drawbar and Skid	\$85,811.00
	Titan 12	Trailed Titan 12 Dual Vertical Beaters Ring Rigid Drawbar and Skid	\$87,904.00
<b>Drawbar Options</b>			
Rigid Ring Drawbar	RS4699	Rigid Ring Drawbar	Std.
Sprung Ring Drawbar	RS4512	Sprung Ring Drawbar	\$1,834.00
Rigid Clevis Drawbar		Rigid Clevis Drawbar	0.00
Sprung Clevis Drawbar		Sprung Clevis Drawbar	\$1,834.00
<b>Wheel Options</b>			
TN10/TN12	WE1309	580/70R38 (1852 x 580)	Std
Oversize Wheels		Various oversize wheel options available	POA
<b>Braking Options</b>			
Commercial Axle w air & hydraulic		Air & Hydraulic braked axle with 4.8" x 15.8" drums	\$5,072.00
<b>Extension Sides</b>			
TN10	RS4510	Additional Capacity Titan 10 +61 Bushels	\$1,699.00
TN12	RS4610	Additional Capacity Titan 12 +74 Bushels	\$2,054.00
<b>Miscellaneous Options</b>			
Weighting Load Cell Kit	RS4697	Basic weighting system (3 point)	\$9,990.00
Electric bed speed control	RS4590	In Cab, Electric Bed Chain Speed Controller	\$2,102.00
Flashing Beacon (Strobe)	RS4631	Strobe for highway use	\$381.00
Hydraulic Jack	RS4270	Drawbar Jack	\$2,480.00

**PRICED IN CANADIAN DOLLARS**

**PRICES ARE FOB HARRISTON, ONT. IN CDN DOLLARS – DESIGN & PRICE ARE SUBJECT TO CHANGE WITHOUT NOTICE**

Our right of continuous improvement has been implemented without prior notification. It does not constitute that these improvements and changes were applied to end user, retailing dealer or distributor inventory. Product improvements will apply only as production schedules permit. All dimensions are approximate.

5808 Hwy #9, Harriston, Ontario, N0G 1Z0  
Phone: 519-338-2923, Fax: 519-338-2756  
Email: [sales@harcoag.ca](mailto:sales@harcoag.ca)  
[www.harcoag.ca](http://www.harcoag.ca)



## Titan 15 / 17

<b>Titan Manure Spreader</b>	
<ul style="list-style-type: none"> <li>Trailed Machine</li> <li>Overrun Clutch @ 540 RPM</li> <li>Hydraulic Driven Bed Chain</li> <li>Dual Vertical Beaters</li> <li>LED Lights &amp; Beacon</li> <li>Weight – 13845 / 14462 lbs</li> </ul>	<ul style="list-style-type: none"> <li>Titan 15 – 437 Bushel Capacity</li> <li>Titan 17 – 488 Bushel Capacity</li> <li>Sprung Drawbar</li> <li>Slurry Gate</li> <li>Air/Hyd. Braked Axle</li> </ul>



### **POA – Price On Application**

Item	Part #	Description	Price
Base Machine	Titan15	Tailed Titan 15 Dual Vertical Beaters Ring Hitch, Sprung Drawbar & Skid	\$111,872.00
	Titan 17	Trailed Titan 17 Dual Vertical Beaters Ring Hitch, Sprung Drawbar and Skid	\$116,522.00
<b>Drawbar Options</b>			
Sprung Clevis Drawbar		Sprung Clevis Drawbar	POA
<b>Wheel Options</b>			
TN15/TN17	WE1309	580/70R38	Std
Oversize Wheels		Various oversize wheel options available	POA
<b>Braking Options</b>			
Commercial axle with air & hyd		Air & hydraulic braked axle with 4.8" x 15.8" drums	Std
<b>Extension Sides</b>			
TN15		Additional Capacity Titan 15 +71 Bushels	\$2,102.00
TN17		Additional Capacity Titan 17 +82 Bushels	\$2,323.00
<b>Miscellaneous Options</b>			
Weighing Load Cell Kit	RS4697	Basic weighing system (3 point)	\$9,990.00
Electric bed speed control	RS4590	In Cab, Electric Bed Chain Speed Controller	\$2,102.00
Flashing Beacon (Strobe)	RS4631	Strobe for highway use	\$381.00
Hydraulic Jack	RS4270	Drawbar Jack	\$2,480.00

**PRICED IN CANADIAN DOLLARS**

**PRICES ARE FOB HARRISTON, ONT. IN CDN DOLLARS – DESIGN & PRICE ARE SUBJECT TO CHANGE WITHOUT NOTICE**

Our right of continuous improvement has been implemented without prior notification. It does not constitute that these improvements and changes were applied to end user, retailing dealer or distributor inventory. Product improvements will apply only as production schedules permit. All dimensions are approximate.





## Spiromix Mixers

Spiromix Hydraulic Driven Mixers	
<ul style="list-style-type: none"> <li>3 Point Hitch</li> <li>Category 1/2 Hitch</li> <li>Steel Drum with Auger Flight</li> <li>Hydraulic Drum Rotation</li> <li>Drum Rotation Controlled from Tractor</li> </ul>	<ul style="list-style-type: none"> <li>Low Level Fill Height</li> <li>Large Diameter Drum</li> <li>Parking Stands</li> <li>Maintenance Free Drive</li> </ul>



Item	Part #	Description	Price
Base Machine	SPIRO200H	200H Spiromix Drum Volume – 20 Cubic Feet Approx. Mix Volume – 10 Cubic Feet Loading Height to Drum Lip – 22” Weight Empty – 420 lbs Approx. Laden Weight – 1790 lbs Drum Diameter – 32” Drum Length – 43” Cat 2 Mounting Min. Tractor Size – 50HP 110 lbs of Cement 6:1 Mix	\$4,976.00
Skid Steer Options	TM0450	Skid Steer Bracket	\$794.00
	TM0451	Flow Divider Valve	\$2,154.00

**PRICED IN CANADIAN DOLLARS**

**PRICES ARE FOB HARRISTON, ONT. IN CDN DOLLARS – DESIGN & PRICE ARE SUBJECT TO CHANGE WITHOUT NOTICE**

Our right of continuous improvement has been implemented without prior notification. It does not constitute that these improvements and changes were applied to end user, retailing dealer or distributor inventory. Product improvements will apply only as production schedules permit. All dimensions are approximate.



## Single Disc Spreader

XT20 Single Disc Spreader	
<ul style="list-style-type: none"> <li>3 Point Hitch</li> <li>Category 1/2 Hitch</li> <li>Loading Height – 46”</li> <li>40’ Bout Width</li> <li>PTO Driven</li> <li>Weight – 265 lbs</li> </ul>	<ul style="list-style-type: none"> <li>Stainless Steel Rotor Vanes</li> <li>Adjustable for Balanced Spread</li> <li>PTO Shaft</li> <li>Steel Chassis/Plastic Hopper</li> <li>Stainless Steel Shutter</li> <li>Powder Paint Finish</li> </ul>



Item	Part #	Description	Price
Base Machine	XT20	XT20 Single Disc Spreader Plastic Hopper Stainless Steel Spreading Vanes Stainless Steel Shutter Plate PTO Shaft	\$4,640.00
Options	MB2923	Hydraulic Remote Shutter Control	\$800.00
	MB2924	Hopper Cover	\$560.00

**PRICED IN CANADIAN DOLLARS**

**PRICES ARE FOB HARRISTON, ONT. IN CDN DOLLARS – DESIGN & PRICE ARE SUBJECT TO CHANGE WITHOUT NOTICE**

Our right of continuous improvement has been implemented without prior notification. It does not constitute that these improvements and changes were applied to end user, retailing dealer or distributor inventory. Product improvements will apply only as production schedules permit. All dimensions are approximate.



## XT Twin Disc Spreader

XT24/48 Twin Disc Spreader	
<ul style="list-style-type: none"> <li>• 3 Point Hitch</li> <li>• Category 1/2 Hitch</li> <li>• Loading Height – 46”</li> <li>• 40’ Bout Width</li> <li>• Boundary Spreading</li> <li>• Weight – 408/597 lbs</li> </ul>	<ul style="list-style-type: none"> <li>• Stainless Steel Rotor Vanes</li> <li>• Overlapping Spread Patterns</li> <li>• PTO Shaft</li> <li>• Steel Chassis/Plastic Hopper</li> <li>• Stainless Steel Shutter</li> <li>• Powder Paint Finish</li> </ul>



Item	Part #	Description	Price
Base Machine	XT24	XT24 Twin Disc Spreader 1485 lbs Capacity Plastic Hopper Stainless Steel Spreading Vanes Stainless Steel Shutter Plate Manual Shutter Control PTO Shaft	\$7,203.00
	XT24B	As Above, With Band Spreading Kit Fitted	\$7,203.00
Options	MB3019	Hydraulic Shutter Kit	\$621.00
	MB3014	Hopper Extension (+330 lbs)	\$922.00
	MB3016	Canvas Hopper Cover	\$522.00
	MB2264	Enables user to switch from std to band spreading	\$339.00

Item	Part #	Description	Price
Base Machine	XT48	XT48 Twin Disc Spreader 2970 lbs Capacity Plastic Hopper Stainless Steel Spreading Vanes Stainless Steel Shutter Plate Hydraulic Remote Shutter Control High Lift Brackets PTO Shaft	\$9,606.00
	XT48B	As Above, With Band Spreading Kit Fitted	\$9,606.00
Options	MB3124	Hydraulic Tilt Kit	\$800.00
	MB3122	Hopper Extension (+440 lbs)	\$1,120.00
	MB3125	Canvas Hopper Cover	\$643.00
	MB2264	Enables user to switch from std to band spreading	\$339.00

**PRICED IN CANADIAN DOLLARS**

**PRICES ARE FOB HARRISTON, ONT. IN CDN DOLLARS – DESIGN & PRICE ARE SUBJECT TO CHANGE WITHOUT NOTICE**

Our right of continuous improvement has been implemented without prior notification. It does not constitute that these improvements and changes were applied to end user, retailing dealer or distributor inventory. Product improvements will apply only as production schedules permit. All dimensions are approximate.



## Superted

### Super-Ted 221 High Speed Swath Conditioners

- |   |   |
|---|---|
| <ul style="list-style-type: none"> <li>• 3 Point Hitch</li> <li>• Category 1/2 Hitch</li> <li>• Tires – 170/60-8</li> <li>• 540 PTO</li> <li>• Min. Tractor Required – 45/60HP</li> <li>• Weight – 1133/1540 lbs</li> </ul> | <ul style="list-style-type: none"> <li>• Suitable for Hay, Straw, Silage</li> <li>• Belt Drive Rotor</li> </ul> |
|---|---|



Item	Part #	Description	Price
Base Machine	TED221	Super-Ted 221, 7'3" Pickup Width 9'6" Overall Width Castor Wheels with 6.00-9x10 Tires "Through the Coil" Tine Breakage Retainers Door Extensions	\$17,613.00

**PRICED IN CANADIAN DOLLARS**

**PRICES ARE FOB HARRISTON, ONT. IN CDN DOLLARS – DESIGN & PRICE ARE SUBJECT TO CHANGE WITHOUT NOTICE**

Our right of continuous improvement has been implemented without prior notification. It does not constitute that these improvements and changes were applied to end user, retailing dealer or distributor inventory. Product improvements will apply only as production schedules permit. All dimensions are approximate.



## Harco Ag Set-Up Charges

### Teagle Set-Up Charges

**Harco Ag “Set-Up” includes basic assembly only; machines are not considered field ready.  
 Final preparation for use is the dealer’s responsibility.**

Model	Estimated Time (Hours)	Price
Teagle 505M	0.5	\$50
Teagle 505B	1	\$100
Teagle 505XLM	3.5	\$350
Teagle 500FS	3.5	\$350
Teagle 5050	0.5	\$50
Teagle Tele & Tele 2	2	\$200
Teagle 8200	2	\$200
Teagle 8250	2	\$200
Teagle 8500	2	\$200
Teagle 8555	2	\$200
Teagle 9500	3	\$300
Teagle 1010	6	\$600
Teagle C12	6	\$600
<b>Options</b>		
Chute	0.5	\$50
Tailgate Mesh Kit	0.5	\$50
Dust Seal Kit	1.5	\$150
Liquid Spray Kit	3.75	\$375
New Screen	.75	\$75
Bale Lifts	0.5	\$50

Set-Up charges on any models/options not listed please contact for price.

**PRICED IN CANADIAN DOLLARS**

**PRICES ARE FOB HARRISTON, ONT. IN CDN DOLLARS – DESIGN & PRICE ARE SUBJECT TO CHANGE WITHOUT NOTICE**

Our right of continuous improvement has been implemented without prior notification. It does not constitute that these improvements and changes were applied to end user, retailing dealer or distributor inventory. Product improvements will apply only as production schedules permit. All dimensions are approximate.



5808 Hwy #9, Harriston, Ontario, N0G 1Z0  
Phone: 519-338-2923, Fax: 519-338-2756  
Email: [sales@harcoag.ca](mailto:sales@harcoag.ca)  
[www.harcoag.ca](http://www.harcoag.ca)

### BEDDING CHOPPERS



<b>Bedding Choppers for Straw, Hay or Cornstalks</b>			
<b>Model #</b>	<b>Description</b>	<b>Lbs.</b>	<b>Price (Cdn)</b>
KB1155	Model KB 1000 side discharge chassis w/9 hp Honda engine & single swivel wheel	460	\$6,552.00

<b>Bedding Choppers for Straw, Hay or Newspaper</b>			
<b>Model #</b>	<b>Description</b>	<b>Lbs.</b>	<b>Price (Cdn)</b>
KB1250	Model KB 1000 side discharge chassis w/16 hp Briggs & Stratton Vanguard Engine & double swivel wheel	488	\$8,424.00
KB1255	Model KB 1000 side discharge chassis w/13 hp Honda engine & double swivel wheel	480	\$7,098.00
KB1280	Model KB1000 side discharge chassis w/5 hp electric motor & double swivel wheel	460	\$6,084.00

<b>Bedding Choppers for use with TMR systems</b>			
<b>Model #</b>	<b>Description</b>	<b>Lbs.</b>	<b>Price (Cdn)</b>
KB1360	Model KB 1300 Blower chassis w/56 knives, 5 hp electric motor & 6" x 5' PVC spout w/elbow	650	\$7,800.00
KB1550	Model KB 1500 Bottom discharge chassis w/18 'Bale Buster' plates, adjustable stand & 3 hp electric motor	485	\$5,304.00
KB1560	Model KB 1500 Bottom discharge chassis with 76 knives, adjustable stand & 3 hp electric motor	485	\$5,460.00

**PRICED IN CANADIAN DOLLARS**

**PRICES ARE FOB HARRISTON, ONTARIO – DESIGN & PRICE ARE SUBJECT TO CHANGE WITHOUT NOTICE**

5808 Hwy #9, Harriston, Ontario, N0G 1Z0  
Phone: 519-338-2923, Fax: 519-338-2756  
Email: [sales@harcoag.ca](mailto:sales@harcoag.ca)  
[www.harcoag.ca](http://www.harcoag.ca)

## BEDDING CHOPPERS



<b>Mulching Choppers for Landscaping</b>			
<b>Model #</b>	<b>Description</b>	<b>Lbs.</b>	<b>Price (Cdn)</b>
KB1350	Model KB 1300 Blower chassis w/56 knives, 16 hp Briggs & Stratton Vanguard engine & stationary gooseneck for 6" hose.	650	\$10,296.00
KB1355	Model KB 1300 Blower chassis w/56 knives, 13 hp Honda engine & stationary gooseneck for 6" hose.	680	\$9,048.00
KB1370	Model KB 1300 Blower chassis w/56 knives, stationary gooseneck for 6" hose. Less gas engine.	570	\$6,552.00
KB1390	Model KB 1300 Blower chassis w/56 knives, PTO drive, 3 point hitch.	600	\$9,048.00

<b>Mulch Bagger</b>			
<b>Model #</b>	<b>Description</b>	<b>Lbs.</b>	<b>Price (Cdn)</b>
	Mulch Bagger		\$9,296.00

<b>Options &amp; Accessories for Landscaping</b>			
<b>Model #</b>	<b>Description</b>	<b>Lbs.</b>	<b>Price (Cdn)</b>
KB1410	Stationary Gooseneck for 6" hose	18	\$608.00
KB1420	Short Rotating Gooseneck for 6" hose	20	\$889.00
KB1425	Tall Rotating Gooseneck for 6" hose	30	\$967.00
KB1415	30 feet of 6" blower hose	50	\$975.00
KB1416	40 feet of 6" blower hose	67	\$1,248.00
KB1417	Hose handle kit	5	\$164.00
KB1405	6" Blower hose per foot	2	\$33.00

**PRICED IN CANADIAN DOLLARS**

**PRICES ARE FOB HARRISTON, ONTARIO – DESIGN & PRICE ARE SUBJECT TO CHANGE WITHOUT NOTICE**



## SILAGE CARTS



### **37 Bushel Cart – c/w 24V Charger (deduct \$936.00 if not required)**

Model #	Description	Lbs.	Price (Cdn)
537	537 Stainless Cart w/ 4 SS Augers & SS Conveyor		\$15,288.00
537DL	537 Stainless Cart w/ 4 SS Augers & 62 Detachable Chain		\$15,288.00

### **31 Bushel Cart – c/w 24V Charger (deduct \$936.00 if not required)**

Model #	Description	Lbs.	Price (Cdn)
531SS4	531 Stainless Cart w/4 SS Augers & SS Conveyor		\$14,352.00
531SS2	531 Stainless Cart w/2 SS Augers & SS Conveyor		\$14,196.00
531DL	531 Stainless Cart w/4 SS Augers & 62 Detachable Chain		\$14,352.00

### **25 Bushel Cart – c/w 24V Charger (deduct \$936.00 if not required)**

Model #	Description	Lbs.	Price (Cdn)
525SS4	525 Stainless Cart w/4 SS Augers & SS Conveyor		\$13,962.00
525SS2	525 Stainless Cart w/2 SS Augers & SS Conveyor		\$13,806.00
525DL	525 Stainless Cart w/4 SS Augers & 62 Detachable Chain		\$13,962.00

### **21 Bushel Cart– c/w 24V Charger (deduct \$936.00 if not required)**

Model #	Description	Lbs.	Price (Cdn)
521SS4	521 Stainless Cart w/4 SS Augers & SS Conveyor		\$14,352.00
521SS2	521 Stainless Cart w/2 SS Augers & SS Conveyor		\$14,196.00
521DL	521 Stainless Cart w/4 SS Augers & 62 Detachable Chain		\$14,352.00

### **Options**

Description	Price (Cdn)
24V Charger	\$936.00
High box (13" to 30" discharge)	\$1,131.00
Front & Side Unloading	\$1,041.00
Extra Heavy Duty Caster ( Included on Model 527)	\$148.00
Air Tires (Outside) adds 6 1/2" to the width	\$468.00
Hay Special Cart – Use 4SS Auger Cart Price and add	\$741.00

Carts w/2 SS Augers have the lower 2 augers Stainless and the top 2 augers hot roll.

**PRICED IN CANADIAN DOLLARS**

**PRICES ARE FOB HARRISTON, ONTARIO – DESIGN & PRICE ARE SUBJECT TO CHANGE WITHOUT NOTICE**



**TAB 5**





5808 Hwy #9, Harriston, Ontario, N0G 1Z0  
Phone: 519-338-2923, Fax: 519-338-2756  
Email: [sales@harcoag.ca](mailto:sales@harcoag.ca)  
[www.harcoag.ca](http://www.harcoag.ca)

## TerraFormer (Earth Mover)

<b>Features Include:</b> <ul style="list-style-type: none"> <li>▪ Infinite blade adjustments from 12 to 28 feet.</li> <li>▪ Under 12 foot transport width.</li> <li>▪ Auto grade &amp; auto slope ready.</li> <li>▪ Hydraulic cylinder protection circuits.</li> </ul>	<b>Standard Equipment:</b> <ul style="list-style-type: none"> <li>▪ Hardened, industry standard cutting edges.</li> <li>▪ Height &amp; tilt indicator.</li> <li>▪ Industrial cylinders.</li> <li>▪ LED warning strobe package.</li> </ul>
<b>Optional Equipment:</b> <ul style="list-style-type: none"> <li>▪ SD Drain autograde &amp; slope control.</li> <li>▪ Scraper style hitch.</li> <li>▪ Electric over hydraulic multipliers or valves.</li> <li>▪ Complete RTK systems.</li> </ul>	

Model #	Description	Weight	In Freight	MSRP [CDN]
886500	8650 – 11K# Ag Hitch, Six Hydraulic Functions			\$183,600.00
887001	Scraper Hitch Kit – Case/NH Pattern			\$5,347.00
887004	5 <sup>th</sup> Wheel Transport Hitch			\$3,087.00
887005	Hydraulic Valve Multiplier for 5 Valve Tractors			\$1,654.00
887006	Hydraulic Valve Multiplier for 4 Valve Tractors			\$3,308.00
887007	6 Electric Proportional Hydraulic Valve for Tractors w/Manual Valves			\$19,845.00
887100	SD Drain Wireless Machine Control Package (Grade Only)			\$18,191.00
887101	SD Drain Extreme Duty Wired Machine Control Package (Grade Only)			\$18,853.00
887105	DAC2x2 Slope Control Kit & Unlock for SD Drain			\$2,977.00
887200	ADMS Watershed Software w/1 year license & support			\$3,445.00
	Factory Set-up – Tow Configuration			\$4,725.00



**PRICED IN CANADIAN DOLLARS**

**PRICES ARE FOB BENITO, MB – DESIGN & PRICE ARE SUBJECT TO CHANGE WITHOUT NOTICE**



5808 Hwy #9, Harriston, Ontario, N0G 1Z0

Phone: 519-338-2923, Fax: 519-338-2756

Email: [sales@harcoag.ca](mailto:sales@harcoag.ca)

[www.harcoag.ca](http://www.harcoag.ca)



**Easy Installation \* Fully Adjustable \* UV Stable ABS \* Universal Bracket**

Available in Black, Gray, Green, Orange and Red.

Eclipse Canopies will fit most utility vehicles, mowers and tractors equipped with ROPS bars with listed frame sizes.

Includes canopy & mounting hardware.

Hardware Options	ROPS	PITCH
Standard	2" x 2" & 3" x 2"	0 to 25 Degree
Oversized	4" x 2" & 4" x 3"	0 to 25 Degree
Extreme Pitched	2' x 2' & 3" x 2"	45 Degree

**Universal TRACTOR Canopy – 4550 Series**

Item #	Description	Fits ROPS Sizes	MSRP [CDN]
4550B	45" x 50" BLACK Canopy	2" x 2", 3" x 1½", 3" x 1¾" & 3" x 2" ROPS	\$993.00
4550Ba	BLACK Canopy	For angled ROPS	\$893.00
4550Y	45" x 50" GRAY Canopy	2" x 2", 3" x 1½", 3" x 1¾" & 3" x 2" ROPS	\$1114.00
4550Ya	GRAY Canopy	For angled ROPS	\$970.00
4550R	45" x 50" RED Canopy	2" x 2", 3" x 1½", 3" x 1¾" & 3" x 2" ROPS	\$1114.00
4550Ra	RED Canopy	For angled ROPS	\$970.00
4550G	45" x 50" GREEN Canopy	2" x 2", 3" x 1½", 3" x 1¾" & 3" x 2" ROPS	\$1114.00
4550Ga	GREEN Canopy	For angled ROPS	\$970.00
4550O	45" x 50" ORANGE Canopy	2" x 2", 3" x 1½", 3" x 1¾" & 3" x 2" ROPS	\$1114.00
<b>*Being phased out – we have stock though!</b>			

**Universal MOWER Canopy – 3641 Series**

Item #	Description	Fits ROPS Sizes	MSRP [CDN]
3641SB	36" x 41" BLACK Canopy	2" x 2", 3" x 1½", 3" x 1¾" & 3" x 2" ROPS	\$855.00
3641RB	36" x 41" BLACK Canopy	Fits 2½" Round ROPS	\$855.00
3641SY	36" x 41" GRAY Canopy	2" x 2", 3" x 1½", 3" x 1¾" & 3" x 2" ROPS	\$727.00
3641SG	36" x 41" GREEN Canopy	2" x 2", 3" x 1½", 3" x 1¾" & 3" x 2" ROPS	\$933.00
3641SO	36" x 41" ORANGE Canopy	2" x 2", 3" x 1½", 3" x 1¾" & 3" x 2" ROPS	\$933.00
3641SR	36" x 41" RED Canopy	2" x 2", 3" x 1½", 3" x 1¾" & 3" x 2" ROPS	\$993.00



**Top Fan Powered**

Item #	Description	MSRP [CDN]
C3641B	36" x 41" BLACK Canopy	\$1,679.00
C4351B	43 ¾" X 50 ½" BLACK Canopy	\$1,713.00
C4351G	43 ¾" X 50 ½" GREEN Canopy	\$1,935.00
C4351O	43 ¾" X 50 ½" ORANGE Canopy	\$1,935.00
C4351R	43 ¾" X 50 ½" RED Canopy	\$1,935.00
	Adapter Bar Kits	\$143.00

**PRICED IN CANADIAN DOLLARS**

PRICES ARE FOB HARRISTON, ONT – DESIGN & PRICE ARE SUBJECT TO CHANGE WITHOUT NOTICE

5808 Hwy #9, Harriston, Ontario, N0G 1Z0  
Phone: 519-338-2923, Fax: 519-338-2756  
Email: [sales@harcoag.ca](mailto:sales@harcoag.ca)  
[www.harcoag.ca](http://www.harcoag.ca)



Kubota RTV Canopy

### Kubota RTV Canopy

Model #	Part #	Description	MSRP [CDN]
RTV-X900	K4860B1	Black Canopy	\$765.00
RTV-X1120D Diesel	K4860O1	Orange Canopy	\$765.00
RTV-XG850 Sidekick	K4860O1	Orange Canopy	\$765.00

### Gator UV Canopy

Model #	Part #	Description	MSRP [CDN]
<b>TOPS</b>			
TS, TX, TE 4x2	JG21G	Top, frame & hardware kit	\$1,180.00
TH 6x4 Diesel	JG04G	Top, frame & hardware kit	\$1,180.00
TH 6x4 Gas	JG04G	Top, frame & hardware kit	\$1,180.00
2000 to 2003	JG03G	Top, frame & hardware kit	\$1,180.00
<b>FRONT WINDSHIELD</b>			
All T Gator Models	JG411A	Front windshield fits all units	\$407.00



John Deere Gator Canopy

All above includes canopy & mounting hardware

**PRICED IN CANADIAN DOLLARS**

**PRICES ARE FOB HARRISTON, ONT – DESIGN & PRICE ARE SUBJECT TO CHANGE WITHOUT NOTICE**





5808 Hwy #9, Harriston, Ontario, N0G 1Z0  
 Phone: 519-338-2923, Fax: 519-338-2756  
 Email: [sales@harcoag.ca](mailto:sales@harcoag.ca)  
[www.harcoag.ca](http://www.harcoag.ca)



## PRICELIST

Model	Description	Price [CDN]
HWP-100	Processor w/2 way wedge	\$14,639.00
HWP-100	Processor w/4 way wedge	\$15,035.00
HWP-100	Processor w/2 way & 4 way wedge	\$15,321.00
HWP-120	Processor/Adjusts 4 way	\$18,634.00
HWP-120	Processor/Adjusts 6 way	\$18,981.00
HWP-140B	Processor/Adjusts 4 way	\$27,704.00
HWP-140B	Processor/Adjusts 6 way	\$28,051.00
HWP-150	Processor/Adjusts hydraulically 4 way	\$35,913.00
HWP-150	Processor/Adjusts hydraulically 6 way	\$36,267.00
HWP-125GS	Grapple Saw	\$15,699.00
HWP-200GS	Grapple Saw	\$16,134.00
HWP-WHS10	100/120 Main Cab Harness Kit	\$1,017.00
HWP-WHS8	140B//150 Main Cab Harness Kit	\$1,017.00
HWP-WHGHK	Grapple Saw Cab Harness Kit	\$624.00
No # available	120 Joystick Harness Kit	\$1,673.00
No # available	140B Joystick Harness Kit	\$1,673.00
No # available	150 Joystick Harness Kit	\$1,673.00
HWP-2111	120/140B 6-way Wedge	\$1,080.00
HWP-2112	150 6-way Wedge	\$1,192.00
No # available	Inverted Splitter	\$7,062.00

### LEFT HAND PROCESSORS

Model	Description	Price [CDN]
HWP-140B	LH Processor w/4 way wedge	\$28,730.00
HWP-140B	LH Processor w/6 way wedge	\$29,077.00
HWP-140B	LH Processor w/4 way & 6 way wedge	\$29,812.00
HWP-150	LH Processor w/4 way wedge	\$36,938.00
HWP-150	LH Processor w/6 way wedge	\$37,296.00
HWP-150	LH Processor w/4 way or 6 way wedge	\$38,129.00

**PRICED IN CANADIAN DOLLARS**

PRICES ARE FOB HARRISTON, ONTARIO – DESIGN & PRICE ARE SUBJECT TO CHANGE WITHOUT NOTICE



## EXTENDED PROCESSORS

Model	Description	Price [CDN]
HWP-150	<b>Extended</b> Processor w/4 way wedge	\$37,967.00
HWP-150	<b>Extended</b> Processor w/6 way wedge	\$38,322.00
HWP-150	<b>Extended</b> Processor w/4 way or 6 way wedge	\$39,154.00

## TRAILER MODELS

Model	Description	Price [CDN]
100-3PT	<b>Trailered</b> Processor w/2 way	\$13,563.00
100-3PT	<b>Trailered</b> Processor w/4 way	\$13,957.00
PUMP	Optional Hydraulic Pump Kit for 3PT	\$4,255.00
ADJ.WEDGE	Hydraulic 4-WAY wedge for 100-3PT	\$837.00
100TR-D	<b>Trailered</b> Processor w/2 way *no adj. wedge*	\$16,840.00
100TR-D	<b>Trailered</b> Processor w/4 way *no adj. wedge*	\$17,224.00
ELECTRIC START	Electric Start for 100TR-D	\$837.00
100TR-H	<b>Trailered</b> Processor w/2 way (Honda Engine)	\$24,625.00
100TR-H	<b>Trailered</b> Processor w/4 way (Honda Engine)	\$25,019.00
ADJ.WEDGE	Adjustable hydraulic 4 way wedge for 100TR-H	\$837.00

## PTO DRIVEN HYDRAULIC POWER UNIT

PLEASE NOTE: This unit comes dry, oil is extra (requires 25 U.S. gallons) not included in below prices

Model	Description	Price [CDN]
HWP-HPU	With Cooler Assembly	\$6,215.00

**PRICED IN CANADIAN DOLLARS**

PRICES ARE FOB HARRISTON, ONTARIO – DESIGN & PRICE ARE SUBJECT TO CHANGE WITHOUT NOTICE

5808 Hwy #9, Harriston, Ontario, N0G 1Z0  
 Phone: 519-338-2923, Fax: 519-338-2756  
 Email: [sales@harcoag.ca](mailto:sales@harcoag.ca)  
[www.harcoag.ca](http://www.harcoag.ca)



Compare us to the competition and you'll see why wood cutting & splitting is experiencing a *REVOLUTION!*

	HWP-100	HWP-120	HWP-125G5	HWP-140B	HWP-150	HWP-150 EXTENDED
LENGTH	Travel= 80" (203 cm) Working= 100" (254 cm)	Travel= 99" (203251 cm) Working= 121" (307cm)	33" (84 cm)	Travel= 102" (259 cm) Working= 126" (320 cm)	Travel= 107" (272 cm) Working= 129" (328 cm)	Travel= 121" (307 cm) Working= 143" (363 cm)
WIDTH	41" (104 cm)	55" (140 cm)	46" (142 cm)	55" (140 cm)	58" (147 cm)	58" (147 cm)
HEIGHT	41" (104 cm)	51" (130 cm)	41" (104 cm)	51" (130 cm)	57" (145 cm)	57" (145 cm)
WEIGHT	706 lbs (320 kg)	1280 lbs (581 kg)	770 lbs (349 kg)	1450 lbs (658 kg)	1638 lbs (743 kg)	1905 lbs (864 kg)
MATERIAL	3/16" Steel	1/4" Steel	3/8" & 5/8" Steel	3/8" Steel	3/8" Steel	3/8" Steel
MINIMUM PRESSURE	2800 (193 bar)	2850 (196 bar)	2850 (196 bar)	2850 (196 bar)	2850 (196 bar)	2850 (196 bar)
FLOW	10-15 gpm (39 - 57 l/min)	14-20 gpm (53 - 76 l/min)	15-20 gpm (57 - 76 l/min)	15-20 gpm (57 - 76 l/min)	15-20 gpm (57 - 76 l/min)	15-20 gpm (57 - 76 l/min)
CONNECTIONS	1-Pressure, 1-Return	1-Pressure, 1-Return 1-Case Drain	1-Pressure, 1-Return 1-Case Drain	1-Pressure, 1-Return 1-Case Drain	1-Pressure, 1-Return 1-Case Drain	1-Pressure, 1-Return 1-Case Drain
MAX LOG DIAMETER	14" (37 cm)	15" (38 cm)	27" (69 cm)	18" (46 cm)	22" (56 cm)	22" (56 cm)
MAX LOG LENGTH	10' (3.05 m)	12' (3.66 m)	NA	12' (3.66 m)	12' (3.66 m)	12' (3.66 m)
MIN LOG LENGTH	4' (1.22 m)	6' (1.82 m)	NA	6' (1.82 m)	6' (1.82 m)	6' (1.82 m)
FIREWOOD CUT LENGTH	Up to 16" (33cm - 38 cm)	Up to 22" (56 cm)	NA	Up to 22" (56 cm)	Up to 22" (56 cm)	Up to 33" (84 cm)
SAW BAR	18" (64 cm) Versacut	25" (64cm) Harvester	31" (80cm) Harvester	25" (64cm) Harvester	31" (80cm) Harvester	31" (80cm) Harvester
SAW CHAIN	68 DL 3/8 pitch 0.58	78 DL .404 pitch/18HX	93 DL .404 pitch/18HX	78 DL .404 pitch/18HX	93 DL .404 pitch/18HX	93 DL .404 pitch/18HX
SAW MOTOR	Gear	Bent Axis Piston	Bent Axis Piston(Industrial)	Bent Axis Piston(Industrial)	Bent Axis Piston(Industrial)	Bent Axis Piston(Industrial)
SAW OILER	Automatic 2 Qt (1.89 l)	Automatic 2 Qt (1.89 l)	Automatic 2 Qt (1.89 l)	Automatic 2 Qt (1.89 l)	Automatic 2 Qt (1.89 l)	Automatic 2 Qt (1.89 l)
MAX SAW CUT	14" (37 cm)	15" (38 cm)	27" (69cm)	18" (46 cm)	22" (56 cm)	22" (56 cm)
SPLITTER CYLINDER	Custom 3" x 18" Stroke	Standard 3.5" x 24" Stroke	NA	Custom 3.5" x 24" Stroke	Custom 4" x 24" Stroke	Custom 4" x 36" Stroke
SPLITTER FORCE	21,195 @ 3000 psi	28,850 @ 3000 psi	NA	28,850 @ 3000 psi	36,138 @ 3000 psi	36,138 @ 3000 psi
SPLITTING WEDGE	2-way or 4-way	4-way or 6-way Manually Adjustable	NA	4-way or 6-way Manually Adjustable	4-way or 6-way Hydraulically Adjustable	4-way or 6-way Hydraulically Adjustable
IN-FEED	Sliding Trough Carries Log to Wedge	Sliding Trough Carries Log to Wedge	Grapple	Sliding Trough Carries Log to Wedge	Sliding Trough Carries Log to Wedge	Sliding Trough Carries Log to Wedge
MOUNTING	Universal Quick Attach SAE Spec J2513	Universal Quick Attach SAE Spec J2513	Universal Quick Attach SAE Spec J2513	Universal Quick Attach SAE Spec J2513	Universal Quick Attach SAE Spec J2513	Universal Quick Attach SAE Spec J2513
MEASURING	NA	NA	NA	Manual Moveable Device	Manual Moveable Device	Manual Moveable Device

	HWP-100TR-D	HWP-100TR-H	HWP-100-3P	Hydraulic Pump Kit For 3 Point	
LENGTH	Travel= 126" (320 cm) Working= 96" (244 cm)	Travel= 126" (320cm) Working= 96" (244 cm)	81" (205 cm) W/ Hyd. Wedge- 86" (218 cm)	Fluid Capacity	15 US Gallon
WIDTH	68" (172 cm)	68" (172 cm)	64" (162.5 cm)	Pump Flow Rate	21.2 GPM
HEIGHT	64" (162.5 cm)	64" (162.5 cm)	62" (157.5 cm)	Pump Max	2,500 PSI
WEIGHT	1260 lbs (572 kg)	1405 lbs (637 kg)	1027 lbs (466 kg)	Pump PTO Speed	540 RPM
CONNECTIONS	NA	NA	1-Pressure, 1-Return	Hydraulic Cooler	50 GPM
MATERIAL	3/16" Steel	3/16" Steel	3/16" Steel	Pressure Relief Valve	2,400 PSI
MAX LOG DIAMETER	14" (37 cm)	14" (37 cm)	14" (37 cm)	Hydraulic Fan & Wiring	12 Volt
MAX LOG LENGTH	8' (2.44 m)	8' (2.44 m)	8' (2.44 m)	Thermostat	Max 185°F (85°C)
MIN LOG LENGTH	4' (1.22 m)	4' (1.22 m)	4' (1.22 m)	Filter Assembly & Filter	25 Micron
FIREWOOD CUT LENGTH	Up to 16" (33cm - 38 cm)	Up to 16" (33cm - 38 cm)	Up to 16" (33cm - 38 cm)	Adjustable Legs	
SAW BAR	18" (64 cm) Versacut	18" (64 cm) Versacut	18" (64 cm) Versacut		
SAW CHAIN	68 DL 3/8 pitch 0.58	68 DL 3/8 pitch 0.58	68 DL 3/8 pitch 0.58		
SAW MOTOR	Gear	Gear	Gear		
SAW OILER	Automatic 2 Qt (1.89 l)	Automatic 2 Qt (1.89 l)	Automatic 2 Qt (1.89 l)		
MAX SAW CUT	14" (37 cm)	14" (37 cm)	14" (37 cm)		
SPLITTER CYLINDER	Custom 3.5" x 18" Stroke	Custom 3.5" x 18" Stroke	Custom 3" x 18" Stroke		
SPLITTER FORCE	21,195 @ 2600 psi	21,195 @ 2600 psi	21,195 @ 2400 psi		
SPLITTING WEDGE	2-way or 4-way	2-way or 4-way	2-way or 4-way		
IN-FEED	Sliding Trough Carries Log to Wedge	Sliding Trough Carries Log to Wedge	Sliding Trough Carries Log to Wedge		
TIRE SIZE	4.8-12	4.8-12			
MOUNTING	2" Ball	2" Ball			
MOTOR	DuroMax 420CC	GX630 Honda 20.8 hp 1" Keyed Shaft			
FUEL CAPACITY (GAS)	1.75 Gal	1.5 Gal			
OIL CAPACITY	37.2 FL OZ	15 Gal			
RPM	3600	3600			
PUMP	High Low	Honor Gear Pump 5/8 Keyed Shaft			
GPM	16	16			
HYDRAULIC FILTER		Spin On			

**PRICED IN CANADIAN DOLLARS**

**PRICES ARE FOB HARRISTON, ONTARIO – DESIGN & PRICE ARE SUBJECT TO CHANGE WITHOUT NOTICE**



SHIPPING SPECIFICATIONS			
ITEM	WEIGHT	DIMENSIONS (LxWxH)	NMFC/ Class
HWP 100 Processor w/ 2 Way Wedge	770 lbs	82x36x48	133300-09/ 100
HWP 100 Processor w/ 4 Way Wedge	779 lbs	82x36x48	133300-09/ 100
HWP 100 Processor w/ both Wedges	800 lbs	82x36x48	133300-09/ 100
HWP 120 Processor- FIXED	1380 lbs	96x36x48	133300-09/ 100
HWP 120 Processor w/ 4 Way Wedge	1380 lbs	96x36x48	133300-09/ 100
HWP 120 Processor w/ 6 Way Wedge	1393 lbs	96x36x48	133300-09/ 100
HWP 120 Processor w/ both Wedges	1447 lbs	96x36x48	133300-09/ 100
HWP 140B Processor w/ 4 Way Wedge	1550 lbs	102x36x56	133300-08/ 175
HWP 140B Processor w/ 6 Way Wedge	1563 lbs	102x36x56	133300-08/ 175
HWP 140B Processor w/ both Wedges	1617 lbs	102x36x56	133300-08/ 175
HWP 150 Processor w/ 4 Way Wedge	1738 lbs	107x44x64	133300-08/175
HWP 150 Processor w/ 6 Way Wedge	1749 lbs	107x44x64	133300-08/175
HWP 150 Processor w/ both Wedges	1816 lbs	107x44x64	133300-08/175
HWP 150 Extended w/ 4 Way Wedge	2005 lbs	121x44x64	133300-08/175
HWP 150 Extended w/ 6 Way Wedge	2016 lbs	121x44x64	133300-08/175
HWP 150 Extended w/ Both Wedges	2083 lbs	121x44x64	133300-08/175
125GS HD Grapple Saw	845 lbs	48x48x42	114225-01/ 100
Grapple	735 lbs	48x48x42	114225-01/ 100

Function

Requirements

Hot pin, ground pin, 6 function

Hot pin, ground pin, 5 function

Hot pin, ground pin, 5 function

## BALE BUDDY 2000

Model	Description	Price [CDN]
Bale Buddy 2000	Bale Wrapper – See Section 3, Page 20 for details	\$7,388.00



[www.halversonwoodproducts.com](http://www.halversonwoodproducts.com)

**PRICED IN CANADIAN DOLLARS**

**PRICES ARE FOB HARRISTON, ONTARIO – DESIGN & PRICE ARE SUBJECT TO CHANGE WITHOUT NOTICE**

5808 Hwy #9, Harriston, Ontario, N0G 1Z0  
Phone: 519-338-2923, Fax: 519-338-2756  
Email: [sales@harcoag.ca](mailto:sales@harcoag.ca)  
[www.harcoag.ca](http://www.harcoag.ca)



# SMV SIGNS

Harco SMV signs are high quality, locally made signs from dedicated craftsmen. Our regular signs are priced competitively with those of mass merchants and meet current requirements. High Visibility signs have more resolution for better visibility. Keep your customers, families and employees safe by always using signs that are current and in good condition.

Model	Description	Price (Each)
*AP101	Flat Plastic Back SMV Sign – <b>12 pack</b>	\$8.95
AP102	Decal Only For Sign – <b>12 pack</b>	\$6.80
*AP103	Metal Back SMV Sign (Galvanized) – <b>12 pack</b>	\$10.95
AP105	Plastic Back SMV Sign (Heavy Plastic) – <b>10 pack</b>	\$9.85
*AP101NS	Flat Plastic Back SMV Sign High Vis. – <b>12 pack</b>	\$12.75
AP102NS	Decal Only for SMV Sign High Vis. – <b>12 pack</b>	\$10.95
AP103NS	Metal Back SMV Sign High Vis. – <b>12 pack</b>	\$15.80
AP105NS	Plastic Back SMV Sign High Vis. – <b>10 pack</b>	\$13.95
*SMV50	Spade for SMV Sign (come in any quantity)	\$3.80
*SMV25	Socket for SMV Sign Holder (come in any quantity)	\$3.25

*\* Inventory stocked at Harriston*

Expedite your orders by emailing your P/O with complete shipping instructions to [parts@harcoag.ca](mailto:parts@harcoag.ca)





## PolyTech Plastic Wear Products

Keeping your equipment operating at peak efficiency is vital in today's agricultural market. Poly Tech manufactures a full line of products including corn head liners, grain tank liners, grain and auger bed trough liners and much more to ensure you always get top performance.

Every one of our products is rigorously tested in real-world conditions and designed to fit perfectly on a wide variety of equipment brands.

We offer a complete line of polymer wear products for plows, combine headers and many other applications. Featured within these pages are some of our most common selling items. If you would like to see a full catalogue please contact your Territory Manager.

Please note, catalogue prices are in U.S. Dollars, so it is best to contact our Parts Department for pricing either through our website or email to [parts@harcoag.ca](mailto:parts@harcoag.ca).



# QUICK REFERENCE INDEX



**Auger  
Tube Liner**



**Deere 200  
900/900F**



**200/900  
900F Green**



**John Deere  
600 Series**



**CIH 1020  
Skids**



**Case Auger  
Bed Liner**



**JD Auger  
Bed Liner**



**Case 1020  
Feed Plate**



**Grain  
Grabber 2**



**Tru Tube  
Tool**



**Poly Clean  
Out Door**



**Clean Grain  
Elevator Auger  
Cover**



**Stubble  
Stoppers**



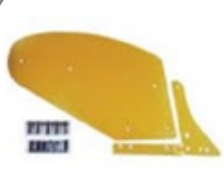
**Stalk Stomper  
Replacement Shoes**



**Case Corn  
Head Liners**



**Strip-Till  
Accessories**



**Poly Moldboard  
Cover**



**Drill Drain**



**Sprayer  
Nozzles**



**RFM  
Coil Wheels**



**COMBINE**

**CORN HEAD**

**TILLAGE**

**SPRING**

**PEANUT**

**COTTON**

**HAY**

**HARDWARE**

**MATERIAL**

**TOOLS/SAFETY**



**CIH Stabilizer Cover**



**New Holland Skids**



**Mac Don Skids**



**AGCO Skids**



**Feeder House Kit**



**Poly Auger Fingers**



**Grain Tank Liners**



**AGCO Grain Tank Liner**



**Auger Trough Liners**



**Poly Auger Wear Shoes**



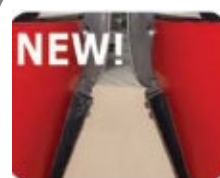
**JD Corn Head Liners**



**AGCO Corn Head Liner**



**Hood Patch Kits**



**Corn Stalk Guides**



**Ripper Shins & Covers**



**Peanut Combine Parts**



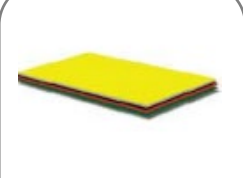
**Cotton Picker Parts**



**Poly Pick-Up Bands**



**Hardware**



**Poly Last™ Sheets**