

HARCO Ag PERSONNEL LIST

EQUIPMENT

| <i>*File at Front of Catalogue</i> | Ext | Business | Cellular |
|---|------------|-----------------|-----------------|
| SALES MANAGER Jake (John) Harkness – jakeh@harcoag.ca | 226 | 519-338-2923 | 519-323-6119 |
| GENERAL MANAGER Jorja Harkness – jorjah@harcoag.ca | 234 | 519-338-2923 | 519-417-9777 |
| TRANSPORT MANAGER & SALES Wes Hope – wesh@harcoag.ca | 237 | 519-338-2923 | 519-323-1416 |
| TERRITORY SALES MANAGER Shannon Little – shannonl@harcoag.ca | 225 | 519-338-2923 | 519-323-7614 |
| PARTS Aaron Schaefer - parts@harcoag.ca | 238 | 519-338-2923 | 519-321-1173 |
| ADMINISTRATION Kate Ferguson – accounts@harcoag.ca | 239 | 519-338-2923 | — |
| CONTROLLER Tim Radstake – timr@harknessequipment.ca | 245 | 519-338-2923 | — |
| PRESIDENT Jim Harkness – jimh@harknessequipment.ca | 229 | 519-338-2923 | 519-323-7065 |

HARCO AG CONTACT INFORMATION

5808 Highway 9, R.R. #4, Harriston, Ontario, N0G 1Z0
 Office: 519-338-2923 • Fax: 519-338-2756
 Watts: 1-800-461-0547 • Watts Fax: 1-800-650-1567
sales@harcoag.ca • www.harcoag.ca

**BIG JIM
TAB**



WHEEL PACKERS

Manufactured in-house at Harco Ag Equipment, Big Jim Packers are designed to give you greater durability and feature adjustable frames up to 15' models to permit exact matching of packer width to customer requirements. Our "DUCTILE WHEELS" are a top quality, thicker, heavier wheel which is a major improvement in reducing wheel breakage. For wider models, please inquire.

Standard Equipment:

High Quality Ductile Wheels, centre bearing 9 feet and up, adjustable frame 9-15 feet, 3-year limited warranty on ductile packer wheels.

Single Gang Specifications (9-15 feet):

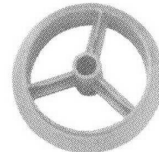
Tubular frame construction 3/16" wall tongue and centre tube, 1/4" wall extension tubes, nine-foot tongue length, 1/2" x 6" bearing hangers, bearing mounted in hanger for rock protection, the bearing has a wide inner ring for more shaft contact, eccentric locking collar and duplex seal consisting of an oil-proof synthetic rubber seal and a steel slinger, greaseable flange, heavy duty ductile iron wheel retaining collar designed by HARCO, Grade 5 hardware, rear draw hitch.

BIG JIM's exclusive telescopic frame allows dealers to tailor packer width in-house.

Colour Options: Red, Green & Blue, Orange

16 Foot Single Gang Packer Specifications:

4" x 4" x 1/4" wall tubular construction, 11-foot tongue length, 1/2" x 6" bearing hangers, flat bar reinforced, bearings mount inside for rock protection, 2 centre bearing hangers, rear draw hitch.



15" – 33 lbs / Set

18" – 50 lbs / Set

Single Gang Packer with 15" Ductile Iron Smooth/Sprocket Wheel Combination

| Model | Coverage | Description | Weight (lbs) | Price |
|---------|----------|------------------------------------|--------------|------------|
| BJ303 | 3' | Sprocket Packer Pup | 543 | \$2,333.00 |
| BJ304 | 4' | Sprocket Packer Pup | 675 | \$2,700.00 |
| BJ305 | 5' | Sprocket Packer Pup | 794 | \$3,064.00 |
| BJ306 | 6' | Sprocket Packer Pup | 920 | \$3,431.00 |
| BJ309C | 9' | Sprocket Packer – Extendable Frame | 1,316 | \$5,565.00 |
| BJ3010C | 10' | Sprocket Packer – Extendable Frame | 1,477 | \$6,003.00 |
| BJ3011C | 11' | Sprocket Packer – Extendable Frame | 1,560 | \$6,470.00 |
| BJ3012C | 12' | Sprocket Packer – Extendable Frame | 1,720 | \$6,920.00 |
| BJ3013C | 13' | Sprocket Packer – Extendable Frame | 1,799 | \$7,372.00 |
| BJ3014C | 14' | Sprocket Packer – Extendable Frame | 1,878 | \$7,821.00 |
| BJ3015C | 15' | Sprocket Packer – Extendable Frame | 2,003 | \$8,278.00 |
| BJ3016 | 16' | Sprocket Packer – Solid Frame | 2,120 | \$9,243.00 |

Single Gang Packer with 18" Ductile Iron Smooth/Sprocket Wheel Combination

| Model | Coverage | Description | Weight (lbs) | Price |
|---------|----------|------------------------------------|--------------|-------------|
| BJ318 | 3' | Sprocket Packer Pup | 778 | \$2,860.00 |
| BJ418 | 4' | Sprocket Packer Pup | 969 | \$3,284.00 |
| BJ518 | 5' | Sprocket Packer Pup | 1,163 | \$3,712.00 |
| BJ618 | 6' | Sprocket Packer Pup | 1,328 | \$4,130.00 |
| BJ918C | 9' | Sprocket Packer – Extendable Frame | 1,872 | \$6,428.00 |
| BJ1018C | 10' | Sprocket Packer – Extendable Frame | 2,214 | \$6,925.00 |
| BJ1118C | 11' | Sprocket Packer – Extendable Frame | 2,371 | \$7,425.00 |
| BJ1218C | 12' | Sprocket Packer – Extendable Frame | 2,604 | \$7,923.00 |
| BJ1318C | 13' | Sprocket Packer – Extendable Frame | 2,757 | \$8,424.00 |
| BJ1418C | 14' | Sprocket Packer – Extendable Frame | 2,910 | \$8,922.00 |
| BJ1518C | 15' | Sprocket Packer – Extendable Frame | 3,108 | \$9,425.00 |
| BJ1618C | 16' | Sprocket Packer – Solid Frame | 3,250 | \$10,502.00 |

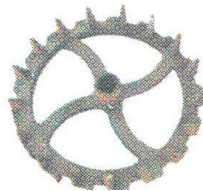


40 lbs. Each

Single Gang Packer with 19" Ductile Notched Wheels

Scrapers Per Foot - \$87.00

| Model | Coverage | Description | Weight (lbs) | Price |
|---------|----------|---|--------------|-------------|
| BJ319 | 3' | Notched Wheel Packer Pup | 719 | \$2,483.00 |
| BJ419 | 4' | Notched Wheel Packer Pup | 909 | \$3,084.00 |
| BJ519 | 5' | Notched Wheel Packer Pup | 1,088 | \$4,081.00 |
| BJ619 | 6' | Notched Wheel Packer Pup | 1,238 | \$4,185.00 |
| BJ919C | 9' | Notched Wheel Packer – Extendable Frame | 1,845 | \$6,292.00 |
| BJ1019C | 10' | Notched Wheel Packer – Extendable Frame | 2,064 | \$6,743.00 |
| BJ1119C | 11' | Notched Wheel Packer – Extendable Frame | 2,206 | \$7,193.00 |
| BJ1219C | 12' | Notched Wheel Packer – Extendable Frame | 2,424 | \$7,647.00 |
| BJ1319C | 13' | Notched Wheel Packer – Extendable Frame | 2,562 | \$8,098.00 |
| BJ1419C | 14' | Notched Wheel Packer – Extendable Frame | 2,700 | \$8,547.00 |
| BJ1519C | 15' | Notched Wheel Packer – Extendable Frame | 2,883 | \$8,997.00 |
| BJ1619C | 16' | Notched Wheel Packer – Solid Frame | 3,010 | \$10,160.00 |



45 lbs. Each

Single Gang Packer with 20" Ductile Crowfoot Wheels

| Model | Coverage | Description | Weight (lbs) | Price |
|---------|----------|------------------------------------|--------------|------------|
| BJ320 | 3' | Crowfoot Packer Pup | 529 | \$2,141.00 |
| BJ420 | 4' | Crowfoot Packer Pup | 639 | \$2,759.00 |
| BJ520 | 5' | Crowfoot Packer Pup | 749 | \$3,378.00 |
| BJ620 | 6' | Crowfoot Packer Pup | 859 | \$4,004.00 |
| BJ920C | 9' | Crowfoot Packer – Extendable Frame | 1,235 | \$5,418.00 |
| BJ1020C | 10' | Crowfoot Packer – Extendable Frame | 1,288 | \$5,770.00 |
| BJ1120C | 11' | Crowfoot Packer – Extendable Frame | 1,461 | \$6,119.00 |
| BJ1220C | 12' | Crowfoot Packer – Extendable Frame | 1,612 | \$6,470.00 |
| BJ1320C | 13' | Crowfoot Packer – Extendable Frame | 1,682 | \$6,820.00 |
| BJ1420C | 14' | Crowfoot Packer – Extendable Frame | 1,752 | \$7,167.00 |
| BJ1520C | 15' | Crowfoot Packer – Extendable Frame | 1,868 | \$7,515.00 |
| BJ1620C | 16' | Crowfoot Packer – Solid Frame | 2,012 | \$8,315.00 |

FOB HARRISTON – DESIGN & PRICE ARE SUBJECT TO CHANGE WITHOUT NOTICE



FOLDING WHEEL PACKERS

BIG JIM VERTICAL packers available in sizes 16 to 20 feet and VERTICAL FLEX WING packers available in 21 to 50 feet, feature the same high quality ductile wheels as our single gang packers.

- Floating gangs to contour ground better
- Transport wheels ahead of centre gang for reduced tongue weight
- Heavy tubular frame construction
- Improved centre gang flotation for reduced stress on centre packer wheels
- Packer guaranteed to meet footage noted
- **Colour Options: Red, Green, Blue & Orange**

Standard Equipment:

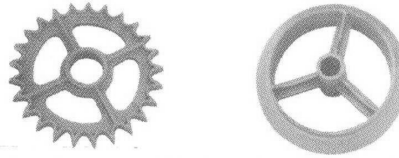
- 3000 PSI cylinders, hoses & couplers
- 7000 lb drop leg tongue jack
- Highway lights & reflective tape
- 3 year limited warranty on ductile wheels
- Greasable wheel gang bearings
- Perfect hitch – forged, adjustable pintle/clevis
- DOT tagged safety chains
- 9.5L – 15 8-Ply Tires (16-20 foot models)
- 11L – 15 8-Ply Tires (21-40 foot models)

Note: See below for standard hydraulic set up and optional hydraulic configurations available for each model of packer.

Big Jim Optional Hydraulic Folding Packages

| Package | List |
|--|-------------|
| <u>Mini V Packer – 16 – 20 feet #BJHPMV1</u> Standard hydraulics includes 1 set of hoses, controls, wings & wheel legs Hydraulic option #1 includes 2 sets of hoses – 1 for wings & 1 for wheel legs | \$515.00 |
| <u>3 Section Vertical Fold Packer – 21 – 32 feet #BJHPVF1</u> Standard hydraulics includes 1 set of hoses, controls, wings & wheel legs Hydraulic option #1 includes 2 sets of hoses – 1 for wings & 1 for wheel legs | \$617.00 |
| <u>5 Section Vertical Fold Packer – 32 – 40 feet #BJHPDVF1</u> Standard hydraulics includes 2 sets of hoses – 1 set for inner wing & wheel legs, 1 set for outer wings Hydraulic option #1 includes 3 sets of hoses – 1 set for inner wings, 1 set for outer wings & 1 set for wheel legs | \$1,133.00 |

FOB HARRISTON – DESIGN & PRICE ARE SUBJECT TO CHANGE WITHOUT NOTICE



18" – 50 lbs. / Set

Helpful Tip:

Model Number Abbreviations:

MV = Mini Vertical Fold

VF = Vertical Fold

DVF = Double Wing Vertical Fold

Mini Vertical Fold with 18" Ductile Smooth/Sprocket Wheel Combination

| Model | Coverage | Description | Weight (lbs) | Transport Width | Transport Height | Price |
|----------|----------|----------------------|--------------|-----------------|------------------|-------------|
| BJ1816MV | 16' | Vertical Fold Packer | 3,945 | 11' 6" | | \$23,083.00 |
| BJ1817MV | 17' | Vertical Fold Packer | 4,084 | 11' 6" | | \$23,628.00 |
| BJ1818MV | 18' | Vertical Fold Packer | 4,223 | 11' 6" | | \$24,159.00 |
| BJ1819MV | 19' | Vertical Fold Packer | 4,362 | 11' 6" | | \$24,791.00 |
| BJ1820MV | 20' | Vertical Fold Packer | 4,501 | 11' 6" | | \$25,894.00 |

3 Section Super Flex Packer with 18" Ductile Smooth/Sprocket Wheel Combination

| Model | Coverage | Description | Weight (lbs) | Transport Width | Transport Height | Price |
|----------|----------|-----------------------------|--------------|-----------------|------------------|-------------|
| BJ1821VF | 21' | 3 Section Super Flex Packer | 6,624 | 12' 8" | 10' | \$30,409.00 |
| BJ1822VF | 22' | 3 Section Super Flex Packer | 6,772 | 12' 8" | 10' 6" | \$31,675.00 |
| BJ1823VF | 23' | 3 Section Super Flex Packer | 7,020 | 12' 8" | 11' | \$32,942.00 |
| BJ1824VF | 24' | 3 Section Super Flex Packer | 7,168 | 12' 8" | 11' 6" | \$34,191.00 |
| BJ1825VF | 25' | 3 Section Super Flex Packer | 7,416 | 12' 8" | 12' | \$35,443.00 |
| BJ1826VF | 26' | 3 Section Super Flex Packer | 7,776 | 12' 8" | 12' 6" | \$37,162.00 |
| BJ1827VF | 27' | 3 Section Super Flex Packer | 8,024 | 12' 8" | 13' | \$38,413.00 |
| BJ1828VF | 28' | 3 Section Super Flex Packer | 8,172 | 14' 8" | 12' 6" | \$39,667.00 |
| BJ1829VF | 29' | 3 Section Super Flex Packer | 8,420 | 14' 8" | 13' | \$40,916.00 |
| BJ1830VF | 30' | 3 Section Super Flex Packer | 8,648 | 16' 8" | 12' 6" | \$42,165.00 |
| BJ1831VF | 31' | 3 Section Super Flex Packer | 8,896 | 16' 8" | 13' | \$43,416.00 |
| BJ1832VF | 32' | 3 Section Super Flex Packer | 9,044 | 16' 8" | 13' 6" | \$44,592.00 |

5 Section Super Flex Packer with 18" Ductile Smooth/Sprocket Wheel Combination

| Model | Coverage | Description | Weight (lbs) | Transport Width | Transport Height | Price |
|-----------|----------|-----------------------------|--------------|-----------------|------------------|-------------|
| BJ1833DVF | 33' | 5 Section Super Flex Packer | 9,544 | 14' 8" | 10' 9" | \$50,088.00 |
| BJ1834DVF | 34' | 5 Section Super Flex Packer | 9,692 | 14' 8" | 10' 9" | \$51,015.00 |
| BJ1835DVF | 35' | 5 Section Super Flex Packer | 9,940 | 14' 8" | 11' 3" | \$51,939.00 |
| BJ1836DVF | 36' | 5 Section Super Flex Packer | 10,188 | 14' 8" | 11' 3" | \$52,866.00 |
| BJ1837DVF | 37' | 5 Section Super Flex Packer | 10,336 | 14' 8" | 11' 9" | \$53,791.00 |
| BJ1838DVF | 38' | 5 Section Super Flex Packer | 10,584 | 14' 8" | 11' 9" | \$54,718.00 |
| BJ1839DVF | 39' | 5 Section Super Flex Packer | 10,732 | 14' 8" | 12' 3" | \$55,639.00 |
| BJ1840DVF | 40' | 5 Section Super Flex Packer | 10,980 | 14' 8" | 12' 3" | \$56,570.00 |
| BJ1842DVF | 42' | 5 Section Super Flex Packer | 11,270 | 14' 8" | 12' 9" | \$57,711.00 |
| BJ1845DVF | 45' | 5 Section Super Flex Packer | 11,810 | 16' 8" | 13' | \$60,366.00 |

FOB HARRISTON – DESIGN & PRICE ARE SUBJECT TO CHANGE WITHOUT NOTICE

5808 Hwy #9, Harriston, Ontario, N0G 1Z0
Phone: 519-338-2923, Fax: 519-338-2756
Email: sales@harcoaq.ca
www.harcoaq.ca



40 lbs. Each; 3 Per Foot

Helpful Tip:

Model Number Abbreviations:

MV = Mini Vertical Fold

VF = Vertical Fold

DVF = Double Wing Vertical Fold

Scrapers \$87.00 per foot

Mini Vertical Fold with 19" Notched Ductile Wheels

| Model | Coverage | Description | Weight (lbs) | Transport Width | Transport Height | Price |
|----------|----------|----------------------|--------------|-----------------|------------------|-------------|
| BJ1916MV | 16' | Vertical Fold Packer | 3,945 | 11' 6" | | \$22,320.00 |
| BJ1917MV | 17' | Vertical Fold Packer | 4,084 | 11' 6" | | \$22,899.00 |
| BJ1918MV | 18' | Vertical Fold Packer | 4,223 | 11' 6" | | \$23,239.00 |
| BJ1919MV | 19' | Vertical Fold Packer | 4,362 | 11' 6" | | \$23,750.00 |
| BJ1920MV | 20' | Vertical Fold Packer | 4,501 | 11' 6" | | \$24,769.00 |

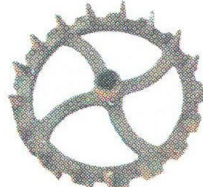
3-Section Super Flex Packer with 19" Notched Ductile Wheels

| Model | Coverage | Description | Weight (lbs) | Transport Width | Transport Height | Price |
|----------|----------|-----------------------------|--------------|-----------------|------------------|-------------|
| BJ1921VF | 21' | 3 Section Super Flex Packer | 5,994 | 12' 8" | 10' | \$27,207.00 |
| BJ1922VF | 22' | 3 Section Super Flex Packer | 6,202 | 12' 8" | 10' 6" | \$28,446.00 |
| BJ1923VF | 23' | 3 Section Super Flex Packer | 6,330 | 12' 8" | 11' | \$29,847.00 |
| BJ1924VF | 24' | 3 Section Super Flex Packer | 6,538 | 12' 8" | 11' 6" | \$31,130.00 |
| BJ1925VF | 25' | 3 Section Super Flex Packer | 6,666 | 12' 8" | 12' | \$32,404.00 |
| BJ1926VF | 26' | 3 Section Super Flex Packer | 6,874 | 12' 8" | 12' 6" | \$34,151.00 |
| BJ1927VF | 27' | 3 Section Super Flex Packer | 7,002 | 12' 8" | 13' | \$35,430.00 |
| BJ1928VF | 28' | 3 Section Super Flex Packer | 7,210 | 14' 8" | 12' 6" | \$36,708.00 |
| BJ1929VF | 29' | 3 Section Super Flex Packer | 7,338 | 14' 8" | 13' | \$37,987.00 |
| BJ1930VF | 30' | 3 Section Super Flex Packer | 7,626 | 16' 8" | 12' 6" | \$39,459.00 |
| BJ1931VF | 31' | 3 Section Super Flex Packer | 7,754 | 16' 8" | 13' | \$40,738.00 |
| BJ1932VF | 32' | 3 Section Super Flex Packer | 7,962 | 16' 8" | 13' 6" | \$42,016.00 |

5-Section Super Flex Packer with 19" Notched Ductile Wheels

| Model | Coverage | Description | Weight (lbs) | Transport Width | Transport Height | Price |
|-----------|----------|-----------------------------|--------------|-----------------|------------------|--------------|
| BJ1933DVF | 33' | 5 Section Super Flex Packer | 8,564 | 14' 8" | 10' 9" | \$46,0450.00 |
| BJ1934DVF | 34' | 5 Section Super Flex Packer | 8,772 | 14' 8" | 10' 9" | \$47,319.00 |
| BJ1935DVF | 35' | 5 Section Super Flex Packer | 8,900 | 14' 8" | 11' 3" | \$48,607.00 |
| BJ1936DVF | 36' | 5 Section Super Flex Packer | 9,108 | 14' 8" | 11' 3" | \$49,879.00 |
| BJ1937DVF | 37' | 5 Section Super Flex Packer | 9,236 | 14' 8" | 11' 9" | \$51,154.00 |
| BJ1938DVF | 38' | 5 Section Super Flex Packer | 9,444 | 14' 8" | 11' 9" | \$52,438.00 |
| BJ1939DVF | 39' | 5 Section Super Flex Packer | 9,572 | 14' 8" | 12' 3" | \$53,716.00 |
| BJ1940DVF | 40' | 5 Section Super Flex Packer | 9,780 | 14' 8" | 12' 3" | \$54,997.00 |
| BJ1942DVF | 42' | 5 Section Super Flex Packer | 10,040 | 14' 8" | 12' 9" | \$56,347.00 |
| BJ1945DVF | 45' | 5 Section Super Flex Packer | 10,508 | 16' 8" | 13' | \$58,982.00 |

FOB HARRISTON – DESIGN & PRICE ARE SUBJECT TO CHANGE WITHOUT NOTICE



45 lbs. Each; 2 Per Foot

Helpful Tip:

Model Number Abbreviations:

MV = Mini Vertical Fold

VF = Vertical Fold

DVF = Double Wing Vertical Fold

Mini Vertical Fold with 20" Ductile Crowfoot Wheels

| Model | Coverage | Description | Weight (lbs) | Transport Width | Transport Height | Price |
|----------|----------|----------------------|--------------|-----------------|------------------|-------------|
| BJ2020MV | 16' | Vertical Fold Packer | 3,300 | 11' 6" | | \$19,814.00 |
| BJ2017MV | 17' | Vertical Fold Packer | 3,471 | 11' 6" | | \$20,192.00 |
| BJ2018MV | 18' | Vertical Fold Packer | 3,602 | 11' 6" | | \$20,587.00 |
| BJ2019MV | 19' | Vertical Fold Packer | 3,730 | 11' 6" | | \$20,951.00 |
| BJ2020MV | 20' | Vertical Fold Packer | 3,866 | 11' 6" | | \$21,300.00 |

3-Section Super Flex Packer with 20" Ductile Crowfoot Wheels

| Model | Coverage | Description | Weight (lbs) | Transport Width | Transport Height | Price |
|----------|----------|-----------------------------|--------------|-----------------|------------------|-------------|
| BJ2021VF | 21' | 3 Section Super Flex Packer | 5,150 | 12' 8" | 10' | \$24,477.00 |
| BJ2022VF | 22' | 3 Section Super Flex Packer | 5,289 | 12' 8" | 10' 6" | \$25,572.00 |
| BJ2023VF | 23' | 3 Section Super Flex Packer | 5,427 | 12' 8" | 11' | \$26,940.00 |
| BJ2024VF | 24' | 3 Section Super Flex Packer | 5,565 | 12' 8" | 11' 6" | \$28,034.00 |
| BJ2025VF | 25' | 3 Section Super Flex Packer | 5,703 | 12' 8" | 12' | \$29,126.00 |
| BJ2026VF | 26' | 3 Section Super Flex Packer | 6,043 | 12' 8" | 12' 6" | \$30,451.00 |
| BJ2027VF | 27' | 3 Section Super Flex Packer | 6,181 | 12' 8" | 13' | \$31,546.00 |
| BJ2028VF | 28' | 3 Section Super Flex Packer | 6,319 | 14' 8" | 12' 6" | \$32,640.00 |
| BJ2029VF | 29' | 3 Section Super Flex Packer | 6,457 | 14' 8" | 13' | \$33,737.00 |
| BJ2030VF | 30' | 3 Section Super Flex Packer | 6,675 | 16' 8" | 12' 6" | \$36,081.00 |
| BJ2031VF | 31' | 3 Section Super Flex Packer | 6,813 | 16' 8" | 13' | \$38,427.00 |
| BJ2032VF | 32' | 3 Section Super Flex Packer | 6,951 | 16' 8" | 13' 6" | \$40,772.00 |

5-Section Super Flex Packer with 20" Ductile Crowfoot Wheels

| Model | Coverage | Description | Weight (lbs) | Transport Width | Transport Height | Price |
|-----------|----------|-----------------------------|--------------|-----------------|------------------|----------------|
| BJ2033DVF | 33' | 5 Section Super Flex Packer | 7,614 | 14' 8" | 10' 9" | \$41,532.00 |
| BJ2034DVF | 34' | 5 Section Super Flex Packer | 7,752 | 14' 8" | 10' 9" | \$42,673.00 |
| BJ2035DVF | 35' | 5 Section Super Flex Packer | 7,890 | 14' 8" | 11' 3" | \$43,821.00 |
| BJ2036DVF | 36' | 5 Section Super Flex Packer | 8,028 | 14' 8" | 11' 3" | \$44,960.00 |
| BJ2037DVF | 37' | 5 Section Super Flex Packer | 8,166 | 14' 8" | 11' 9" | \$46,106.00 |
| BJ2038DVF | 38' | 5 Section Super Flex Packer | 8,304 | 14' 8" | 11' 9" | \$47,244.00 |
| BJ2039DVF | 39' | 5 Section Super Flex Packer | 8,442 | 14' 8" | 12' 3" | \$48,385.00 |
| BJ2040DVF | 40' | 5 Section Super Flex Packer | 8,580 | 14' 8" | 12' 3" | \$49,526.00 |
| BJ2042DVF | 42' | 5 Section Super Flex Packer | 8,740 | 14' 8" | 12' 9" | \$50,822.00 |
| BJ2045DVF | 45' | 5 Section Super Flex Packer | 9,020 | 16' 8" | 13' 3" | \$54,547.00 |
| BJ2048DVF | 48' | 5 Section Super Flex Packer | 9,470 | 16' 8" | 13' 9" | \$57,966.00 |
| BJ2050DVF | 50' | 5 Section Super Flex Packer | 9,770 | 16' 8" | 14' 3" | \$59,063.00.00 |



SUPERFLEX MAGNUM PACKERS

| 5 Section Superflex Magnum with 18" Ductile Smooth/Sprocket Wheel Combination | | | | | |
|--|-----------------|-----------------------------------|---------------------------------|------------------------|--------------|
| Model | Coverage | Description | Approximate Weight (lbs) | Transport Width | Price |
| BJ1845VFM | 45' | 5 Section Superflex Magnum Packer | 16,234 | 16' 8" | \$81,593.00 |
| BJ1848VFM | 48' | 5 Section Superflex Magnum Packer | 16,945 | 16' 8" | \$84,094.00 |
| BJ1850VFM | 50' | 5 Section Superflex Magnum Packer | 17,452 | 16' 8" | \$85,752.00 |

Scrapers Per Foot - \$87.00

| 5 Section Superflex Magnum with 19" Ductile Notched Wheels | | | | | |
|---|-----------------|-----------------------------------|---------------------------------|------------------------|--------------|
| Model | Coverage | Description | Approximate Weight (lbs) | Transport Width | Price |
| BJ1945 | 45' | 5 Section Superflex Magnum Packer | 14,873 | 16' 8" | \$78,815.00 |
| BJ1948 | 48' | 5 Section Superflex Magnum Packer | 15,499 | 16' 8" | \$81,109.00 |
| BJ1950 | 50' | 5 Section Superflex Magnum Packer | 15,934 | 16' 8" | \$82,630.00 |



DRUM ROLLERS

Big Jim Drum Rollers are made in-house at Harriston, Ontario. All rollers from 4 feet to 34 feet use a 30" diameter x 3/8" wall tube for the drum.

Heavy Duty Lawn Rollers

The Heavy Duty Lawn Rollers feature 3/8" drum material, 1" centre shaft, and bearings with pressed steel flanges, 10 gauge end plates, 1 1/4" fill plug and 3/4" vent plug, formed side plates, 2" x 2" tongue and front tube.

| Model | Description | Dry Weight (lbs) | Price |
|----------|---------------------------|------------------|------------|
| BJLR4-HD | 4' Heavy Duty Lawn Roller | 606 | \$1,752.00 |
| BJLR5-HD | 5' Heavy Duty Lawn Roller | 733 | \$2,026.00 |
| BJLR6-HD | 6' Heavy Duty Lawn Roller | 864 | \$2,316.00 |

Colour Options are available during Early Order Program ONLY

Colour Options: Red, Green, Blue & Orange

Extra Heavy Duty Lawn Rollers

The Extra Heavy Duty Lawn Rollers feature 3/8" drum material, 1 3/4" centre shaft and greaseable pillow block bearings, 1/4" end plates, 1 1/4" fill plug and 3/4" vent plug, 2" x 2" tubular tongue and frame.

| Model | Description | Dry Weight (lbs) | Price |
|-----------|---------------------------------|------------------|------------|
| BJLR4-EHD | 4' Extra Heavy Duty Lawn Roller | 720 | \$2,346.00 |
| BJLR5-EHD | 5' Extra Heavy Duty Lawn Roller | 857 | \$2,634.00 |
| BJLR6-EHD | 6' Extra Heavy Duty Lawn Roller | 998 | \$2,929.00 |
| BJLR7-EHD | 7' Extra Heavy Duty Lawn Roller | 1,135 | \$3,208.00 |
| BJLR8-EHD | 8' Extra Heavy Duty Lawn Roller | 1,272 | \$3,502.00 |

Colour Options: Red, Green, Blue & Orange

Note: Drum holds 4.666 cubic feet per foot. Water at 62.5 lbs. per cubic foot adds 291.61 lbs. per foot.



SINGLE GANG ROLLERS

Single Gang Rollers feature standard scrapers, 1 3/4" bearing shaft, double end plates (outer 3/8" thick and inner 1/4" thick), SMV sign mount bracket, welded clevis hitch, 4" x 4" x 1/4" tubular frame, 1 3/4" flanged bearings and reflective tape.

Colour Options: Red, Green, Blue & Orange

| Model | Coverage | Description | Weight (lbs.) | Price |
|--------|----------|--------------------|---------------|------------|
| BJDR09 | 9' 6" | Single Gang Roller | 2,213 | \$6,372.00 |
| BJDR10 | 10' 6" | Single Gang Roller | 2,362 | \$6,816.00 |
| BJDR11 | 11' 6" | Single Gang Roller | 2,511 | \$7,255.00 |
| BJDR12 | 12' 6" | Single Gang Roller | 2,660 | \$7,695.00 |
| BJDR13 | 13' 6" | Single Gang Roller | 2,809 | \$8,135.00 |
| BJDR14 | 14' 6" | Single Gang Roller | 2,958 | \$8,573.00 |
| BJDR15 | 15' 6" | Single Gang Roller | 3,107 | \$9,015.00 |
| BJDR16 | 16' 6" | Single Gang Roller | 3,256 | \$9,454.00 |

Transport Kits – 3000 PSI cylinders, hoses & couplers, 15" wheels w/9.5L-15 8-ply and tube, DOT safety chain, SMV sign, mount & bracket, 5000 lb. top wind jack

| Model | Description | Weight (lbs.) | Price |
|-----------|----------------------------|---------------|------------|
| BJDR332 | Transport Kit | 390 | \$3,610.00 |
| BJDR332-D | Transport Kit – Dual Wheel | 470 | \$4,863.00 |
| BJLK | LED Light Kit | | \$635.00 |

Dealer: Allow 1.5 hours for final assembly



FOLDING ROLLERS

Big Jim Folding Rollers feature standard scrapers, 6" x 6" x 1/4" wall tubular main frame, 6" x 4" x 1/4" wall wing frames, 2-7/16" bearing shafts, 2-7/16" greaseable ductile pillow block bearings, 3000 PSI cylinders, hoses and couples, 6" x 4" x 3/8" wall tongue (26' – 34' models), 6" x 4" x 1/4" wall tongue (20' – 25' models), 11L – 15, 8-Ply Tires x 4, "PERFECT HITCH" – Forged adjustable clevis, safety chains, transport lights, SMV mount bracket and reflective tape all standard.



Colour Options: **Red, Green, Blue & Orange**

| Model | Coverage | Description | Weight (lbs.) | Transport Width | Transport Height | Price |
|--------|----------|-------------|---------------|-----------------|------------------|-------------|
| BJDR20 | 20' 6" | Folding | 6,602 | 12' | 9'6" | \$33,354.00 |
| BJDR21 | 21' 6" | Folding | 6,756 | 12' | 10' | \$33,788.00 |
| BJDR22 | 22' 6" | Folding | 6,910 | 12' | 10' 6" | \$34,220.00 |
| BJDR23 | 23' 6" | Folding | 7,064 | 12' | 11' | \$34,650.00 |
| BJDR24 | 24' 6" | Folding | 7,218 | 12' | 11' 6" | \$35,085.00 |
| BJDR25 | 25' 6" | Folding | 7,672 | 12' | 12' | \$35,512.00 |
| BJDR26 | 26' 6" | Folding | 7,826 | 14' | 11' 6" | \$35,947.00 |
| BJDR27 | 27' 6" | Folding | 7,980 | 14' | 12' | \$36,373.00 |
| BJDR28 | 28' 6" | Folding | 8,134 | 14' | 12' 6" | \$36,809.00 |
| BJDR29 | 29' 6" | Folding | 8,288 | 14' | 13' | \$37,240.00 |
| BJDR30 | 30' 6" | Folding | 8,442 | 14' | 13' 6" | \$37,670.00 |
| BJDR31 | 31' 6" | Folding | 8,596 | 16' | 13' | \$38,104.00 |
| BJDR32 | 32' 6" | Folding | 8,750 | 16' | 13' 6" | \$38,390.00 |
| BJDR33 | 33' 6" | Folding | 8,904 | 16' | 14' | \$38,739.00 |
| BJDR34 | 34' 6" | Folding | 9,058 | 16' | 14' 6" | \$40,647.00 |



MUNICIPAL PARK ROLLER

| Model | Description | Weight (lbs.) | Price |
|-------|---------------|---------------|------------|
| BJDR7 | 7 Foot Roller | 1,637 | \$5,419.00 |
| BJDR8 | 8 Foot Roller | 1,780 | \$5,815.00 |

Trans kits include complete hydraulic system, DOT safety chain, SMV sign, mount bracket, 9.5L-15 tires with wheels.

| OPTIONS | | |
|---------|-----------------------------|---------------|
| Model | Description | Price |
| BJ333 | Single Wheel Transport Kit | \$4,216.00 |
| BJ333-D | Dual Wheel Transport Kit | \$4,800.00 |
| BJLK | LED Light Kit | \$635.00 |
| BJSH | Swivel Hitch | \$232.00 |
| TC0336 | 9.5L – 15, Highway Service | \$212.00 each |
| TC0338 | 31 x 10.5 R15LT, Truck Tire | \$192.00 each |

Dealer: Allow 1.5 hours for final assembly
 Colour Options: **Red**, **Green**, **Blue** & **Orange**





740 SERIES POST DRIVER



Big Jim 740-3PH, 3 Point Hitch / Skid Steer Mount Post Driver

Approx. Weight
1,697 lbs.

List
\$13,134.00

Standard Equipment & Features

- 4-Way Mast Tilt
- 740 lb. Hammer Assembly
- 2 Position Bolt on Hammer
- Maximum Post Diameter 10 Inches
- Hydraulic Post Hugger
- 4 Handle Control Valve (4 independent)
- Minimum 10 gpm Required

****Add one attachment option from below to complete the machine****

| | | | |
|--------|---|----------|------------|
| BJ3PH | 3-Point Hitch Attachment Kit | 30 lbs. | \$307.00 |
| BJQT | Universal Skid Steer Attachment Kit | 150 lbs. | \$962.00 |
| BJSSQT | Side Shift (8") Universal Skid Steer Attachment Kit | 420 lbs. | \$3,245.00 |



| | | |
|---|---|--|
| <u>Big Jim 740-T, Gas Powered Trailer Type Post Driver</u> | <u>Approx. Weight</u> 3,748 lbs. | <u>List</u> \$23,193.00 |
|---|---|--|

Standard Equipment & Features

- | | |
|--|--|
| <ul style="list-style-type: none"> ▪ 16" Tongue Travel ▪ 16" In/Out Mast Travel ▪ 4-Way Mast Tilt ▪ 740 lb. Hammer Assembly ▪ 2 Position Bolt On Hammer ▪ Hydraulic Post Hugger ▪ 4-Handle Control Valve (2 Joystick – 2 Independent) | <ul style="list-style-type: none"> ▪ 978 lb. Counter Weight ▪ 15 Gallon Oil Reservoir ▪ Post Carrier Rack ▪ 9.5L-15 Highway Rated Tires ▪ 13 HP Honda GX Engine |
|--|--|

| | | |
|--|---|--|
| <u>Big Jim 740-T Plus, Gas Powered Trailer Type Post Driver</u> | <u>Approx. Weight</u> 4,440 lbs. | <u>List</u> \$26,677.00 |
|--|---|--|

Adjusts 'on the go' for 8 or 10 foot posts. Using the 10' mode will start and drive 8 foot posts 50% faster!

Standard Equipment & Features

- | | |
|---|---|
| <ul style="list-style-type: none"> ▪ 24" Tongue Travel ▪ 16" In/Out Mast Travel ▪ 4-Way Mast Tilt ▪ 24" Hydraulic Life Mast ▪ 740 lb. Hammer Assembly ▪ 2 Position Bolt On Hammer ▪ Hydraulic Post Hugger ▪ 6-Handle Control Valve (2 Joystick – 4 Independent) | <ul style="list-style-type: none"> ▪ 1,306 lb. Counter Weight ▪ 15 Gallon Oil Reservoir ▪ Post Carrier Rack ▪ Storage/Toolbox ▪ 9.5L-15 Highway Rated Tires ▪ 13 HP Honda GX Engine ▪ Hydraulic Stabilizer Arm |
|---|---|

Options

| | | | |
|--------|--|---------|----------|
| BJSRPH | Square / Round Combination Post Hugger (in lieu of round) | 35 lbs. | \$253.00 |
|--------|--|---------|----------|



FORESTRY WINCHES



Twenty years in the forestry winch business has given Harco a tremendous insight into the needs of customers in Eastern Canada and U.S.A. We have designed our Big Jim series winch with that in mind and came up with a winch that is stronger in several areas & is more ergonomically appealing to the customer. Our brochure lists many significant improvements in winch design and we are sure you will find much lower cost of service and repair as the Big Jim Winch uses North American bearings, drive chains & sprockets.

FW8800

Winch complete with 166 feet of cable and hook, PTO shaft, D handle pull control and free swinging upper pulley assembly, protective screen.

| Weight (lbs.) | List |
|---------------|------------|
| 764 | \$5,863.00 |

Options

| | Weight (lbs.) | List |
|----------|--------------------------------|----------|
| BJCC10 | Choker Chains – 10' | \$110.00 |
| BJCC7 | Choker Chains – 7' | \$87.00 |
| BJCC7A | Choker Cable – 7' x 7/16" | \$53.00 |
| BJCCSA | Choker Cable – 5' x 7/16" | \$47.00 |
| BJCCV | Sliding Hook | \$33.00 |
| BJCA7166 | 7/16" x 166' Replacement Cable | \$402.00 |



LIQUID FERTILIZER APPLICATOR



Features:

- ▶ Tubular Steel Frame Construction
- ▶ Convertible Hitch Clevis
- ▶ Transverse Mounted Tank
- ▶ LED Implement Lights
- ▶ Tire-to-Tire Pump Drive
- ▶ 2" Bottom Fill Plumbing
- ▶ Rockshaft Lift System
- ▶ Safety Chain
- ▶ 12.4 x 24 Tires
- ▶ Blu-Jet® Coulters
- ▶ John Blue Piston Pump
- ▶ 300 or 500 Gallon Tank Capacity
- ▶ Knife or Stream Injection
- ▶ Fixed 60" or 90" Axles
- ▶ Adjustable Axle of 60"-90"

Continued...



****Select One Item from Each Section****

| Section 1 | | |
|------------------|--------------------|--------------|
| Model | Description | Price |
| BJLA00100 | Base Unit | \$7,484.00 |

| Section 2 | | |
|------------------|--------------------|--------------|
| Model | Description | Price |
| BJLA00105 | 300 Gallon Tank | \$3,146.00 |
| BJLA00106 | 500 Gallon Tank | \$3,861.00 |

| Section 3 | | |
|------------------|-------------------------|--------------|
| Model | Description | Price |
| BJLA00102 | 60" Fixed Axle | \$5,695.00 |
| BJLA00104 | 80" Fixed Axle | \$5,776.00 |
| BJLA00111 | 90" Fixed Axle | \$5,864.00 |
| BJLA00103 | 60"-90" Adjustable Axle | \$7,259.00 |

| Section 4 | | |
|------------------|-----------------------|--------------|
| Model | Description | Price |
| BJLA00107 | 5R30 Fixed Tool Bar | \$5,407.00 |
| BJLA00110 | 7R30 Fixed Tool Bar | \$6,934.00 |
| BJLA00108 | 5R30 Folding Tool Bar | \$9,181.00 |
| BJLA00109 | 7R30 Folding Tool Bar | \$10,703.00 |

****For Different Row Spacing Configurations contact Harco Ag****

| Section 5 | | |
|------------------|--------------------------|--------------|
| Model | Description | Price |
| LA0134 | Coulter/Stream Injection | \$253.00 |
| LA0133 | Coulter/Knife Injection | \$320.00 |

Price
Per Row

| Section 6 | | |
|------------------|-------------------------------------|--------------|
| Model | Description | Price |
| BJLA00101 | Single Piston Pump, Drive, Plumbing | \$7,626.00 |
| BJLA00112 | Double Piston Pump, Drive, Plumbing | \$8,982.00 |



PULL TYPE CULTIVATOR

Features:

- ▶ 2 1/2" x 1/4" Wall Tubular Frame
- ▶ Adjustable Clevis Style Hitch
- ▶ DOT Approved Safety Chain
- ▶ Complete Hydraulic Package
- ▶ Heavy Duty 45 x 12 x 660 mm 'S' tines
- ▶ 7.60 – 15 Implement Tires with Tubes
- ▶ Tongue Jack



| Model | Description | Approx. Weight (lbs.) | Set Up (Net) | Price |
|----------|---|-----------------------|--------------|---------------|
| BJSTC7-4 | <ul style="list-style-type: none"> - 7' Base Unit - 4" Tine Centres - 21 Tines - 2 3/4" Sweeps | 1,055 | \$428.00 | \$7,305.00 |
| BJSTC7-6 | <ul style="list-style-type: none"> - 7' Base Unit - 6" Tine Centres - 15 Tines - 2 3/4" Sweeps | 973 | \$402.00 | \$6,716.00 |
| BJEXT2-4 | <ul style="list-style-type: none"> - 2' Extension Kit for 9' Coverage - 4" Tine Centres - 6 Tines - 2 3/4" Sweeps | 140 | \$33.00 | \$911.00 |
| BJEXT2-6 | <ul style="list-style-type: none"> - 2' Extension Kit for 9' Coverage - 6" Tine Centres - 4 Tines - 2 3/4" Sweeps | 95 | \$43.00 | \$731.00 |
| BJEXT4-4 | <ul style="list-style-type: none"> - 4' Extension Kit for 11' Coverage - 4" Tine Centres - 12 Tines - 2 3/4" Sweeps | 336 | \$55.00 | \$1,782.00 |
| BJEXT4-6 | <ul style="list-style-type: none"> - 4' Extension Kit for 11' Coverage - 6" Tine Centres - 8 Tines - 2 3/4" Sweeps | 275 | \$65.00 | \$1,525.00 |
| | Salford Single Basket Harrows | | | \$360.00/Foot |

5808 Hwy #9, Harriston, Ontario, N0G 1Z0
 Phone: 519-338-2923, Fax: 519-338-2756
 Email: sales@harcoag.ca
www.harcoag.ca



MULTI-PURPOSE GRAPPLE

The Big Jim Multi-Purpose Grapple is available with Frey, Alo, Skid Steer quick attach brackets and universal pin brackets (1" diameter pin). The grapple consists of 1" thick x 5" deep outside teeth and 3/4" x 5" deep inner teeth. Teeth are tied together with 1 3/4" and 1" diameter round bars and reinforced with 4" x 2" x 1/4" wall tubing on back side of grapple. Teeth are spaced on 12" centres to allow dirt to pass through, but still pick up branches, roots and many other objects. Several different upper claw options are available to suit the customer's specific requirements.

Basic unit includes 3000 PSI Canadian made hydraulic cylinders and hoses to reach centre of grapple. For complete specifications and dimensions please refer to literature.

Uses:

- ▶ Brush raking or piling
- ▶ Log lifting, piling or loading
- ▶ Orchard pruning, etc.
- ▶ Round and square bale grabbing
- ▶ Moving loose hay and straw
- ▶ Moving scrap metal and tires
- ▶ Bind and dirt free trimming and blocking of tree tops

*Recommended horsepower – 40HP to 120HP

| Section 1 – Choose a Grapple | | | | |
|------------------------------|--------------|---|-----------------------|------------|
| Model | Description | | Approx. Weight (lbs.) | Price |
| BJMPG05 | 5 Foot Basic | Units include cylinder & hoses to centre of grapple | 527 | \$2,902.00 |
| BJMPG06 | 6 Foot Basic | | 611 | \$3,092.00 |
| BJMPG07 | 7 Foot Basic | | 695 | \$3,282.00 |

| Section 2 – Choose a Claw Option | | | |
|----------------------------------|--|-----------------------|---------------|
| Model | Description | Approx. Weight (lbs.) | Price |
| BJMPGSC | Single Claw (2 Required) | 35 each | \$282.00 each |
| BJMPGDC | Double Claw (2 Required) | 78 each | \$408.00 each |
| BJMPG3CS-05 | 3 Claw Solid Assembly – for 5' Base Unit | 237 | \$1,101.00 |
| BJMPG3CS-06 | 3 Claw Solid Assembly – for 6' Base Unit | 247 | \$1,145.00 |
| BJMPG4CS-07 | 3 Claw Solid Assembly – for 7' Base Unit | 597 | \$1,371.00 |

| Section 3 – Choose a Mounting Option | | |
|--------------------------------------|--|----------|
| Model | Description | Price |
| BJMPG-FREY | Bolt on quick attach brackets for Frey Loaders | \$329.00 |
| BJMPG-ALO | Bolt on quick attach brackets for ALO Loaders | \$329.00 |
| BJMPG-SS | Bolt on quick attach brackets for Skid Steer Loaders | \$329.00 |
| BJMPG-BB | Bolt on pin brackets – 1" diameter pins | \$220.00 |

Larger, Higher Horsepower and Custom Made Models Available On Request!



FORGED BALE SPEAR



| Model | Description | Weight (lbs.) | Price |
|----------|---|---------------|------------|
| BJSF1565 | Big Jim Forged Bale Spear – 49” Tine Bucket Mount | 87 lbs. | \$ 576.00 |
| BJSF1566 | Big Jim Forged Bale Spear – 39” Tine Bucket Mount | | \$ 515.00 |
| BJSF1525 | Big Jim 3 Point Forged Bale Spear – 49” Tine | | \$ 633.00 |
| BJSF1626 | Big Jim 3 Point Forged Bale Spear – 39” Tine | | \$ 515.00 |
| ALO 235 | Alo Loader Quick Attach Spear – Single | | \$ 859.00 |
| ALO 255 | Alo Loader Quick Attach Spear – Double | | \$1,101.00 |
| Frey 205 | Frey Loader Quick Attach Spear – Single | | \$ 515.00 |
| Frey 225 | Frey Loader Quick Attach Spear – Double | | \$1,020.00 |



Top Soil Screener



Dimensions:

- Depth 5 feet (6' 4" with loading forks.)
- Height to top of screen approximately 6' (varies with spring adjustments.)
- Width 9' inside, approximately 9' 7" outside.
- The mound height of the screened material is approximately 4'.
- The back wall of the screener is 39"
- Option: 16" flat belt skirt on screener discharge



5808 Hwy #9, Harriston, Ontario, N0G 1Z0
Phone: 519-338-2923, Fax: 519-338-2756
Email: sales@harcoag.ca
www.harcoag.ca

Advantages:

5 years' experience using competitor's models and our earlier prototypes (approximately 200 MT processed prior to arriving at our own design.)



Fast, convenient moving, insert loader bucket into twin forks on discharge side.
Also twin loops for chain lifting at approximate balance point.

Oli vibrator 110V standard, purchaser to complete electrical wiring for their requirements and local codes. It can be operated with 110V extension cord, generator or inverter.



Vibrator frame and tension springs mounted in rubber blocks.

Screen hinge pins mounted in rubber blocks (use of isolating rubber mounts reduces vibration loss through main frame keeping as much vibration on the screen area as possible)



Tension springs have six adjustments to set angle of screen and tension on the screen assembly.

The screen with 3/4" openings has two center flat bar hold-downs and two angle iron hold-downs on each side to prevent run-off.



Screenings drop into an ample holding area approximately 9 feet wide x 4 feet high for easy access with buckets up to 8 feet wide.

Priced in Cdn funds - \$6,995.00 + tax

FOB HARRISTON-DESIGN & PRICE ARE SUBJECT TO CHANGE WITHOUT NOTICE

CONVEY-ALL

TAB

CONVEY-ALL™

MARITIMES & QUEBEC ONLY

June 2023

Call Harco Ag Equipment
for pricing & availability.

519-338-2923

sales@harcoag.ca

www.harcoag.ca

12" Top End Drive Conveyors (TED)

| ITEM # | Model# | Description |
|-----------|----------|--|
| 650507751 | 1235 TED | Conveyor 12"X35' Straight Hopper Top Drive |
| 650507753 | 1240 TED | Conveyor 12"X40' Straight Hopper Top Drive |

STANDARD FEATURES

10" x 14 Gauge Tubes
"A" Frame Undercarriage
Adjustable Discharge Hood
12" Belt

| DRIVE OPTIONS | | Description |
|---------------|--|---|
| 503238 | | Electric Direct Drive kit 700 FPM |
| 503602 | | Electric Drive with Speed Reduction kit |
| 501199 | | Hydraulic Drive (c/w motor) |

| MOTORS | | Description |
|------------|--|-----------------------------------|
| 1910000016 | | 5 HP Single Phase Motor |
| 1910000017 | | 5 HP 3 Phase Motor (230/460 volt) |
| 1910000020 | | 5 HP 3 Phase Motor (575 volt) |

| OPTIONS | | |
|------------|--|--------------------------------------|
| 504395 | | Wind guard for 1235 |
| 504337 | | Wind guard for 1240 |
| 504396 | | Wind Guard and Drip Pan Package 1235 |
| 504338 | | Wind Guard and Drip Pan Package 1240 |
| TC10005743 | | Brush Kit at drive roller |
| TC1000RLH | | Rubber Lined Hood |
| 504357 | | Yard Wheel Caster |
| 402246 | | 2 5/16 " Ball Receiver Hitch |

CONVEY-ALL™

12" Transfer Conveyors (TC)

| Item # | Model# | Description |
|------------|----------|---|
| 650507780 | 1214 | Transfer Conveyor 12"X14' FL Hopper |
| 650507780S | 1214SS | Transfer Conveyor S/S 12"X14' FL Hopper |
| 650507782 | 1214RC | Transfer Conveyor 12"X14' Rail Car Hopper |
| 650507782S | 1214RCSS | Transfer Conveyor 12"X14' Rail Car Hopper |

| STANDARD FEATURES |
|-------------------|
|-------------------|

10" x 14 Gauge Tubes
12" Wide Rubber Belt
Winch Down Collapsible Hopper (FL Hopper)
Field Loader Hopper (FL)
Rail Car Hopper (RC)

| DRIVE OPTIONS | Description |
|---------------|--|
| 503530 | Side PTO Drive |
| 504303 | Elec. Drive (c/w Pulleys, belts & guards) No Motor |
| 650505011 | Gas Drive (c/w Pulleys, belts & guards) No Motor |

| MOTORS | Description |
|------------|--|
| 1920000002 | 5.5 HP Honda Motor (GX160HX 6:1 Reduction) |
| 1920000006 | 11 HP Honda W/ 6.1 Reduction |
| 1910000017 | 5 HP 3 Phase Motor (230/460 volt) |
| 1910000020 | 5 HP 3 Phase Motor (575 volt) |
| 1910000016 | 5 HP Single Phase Motor |

| OPTIONS | Description |
|-----------|---|
| 503608 | Hopper Casters |
| 503533 | Swivel Discharge (For swiveling on a leg intake hopper) |
| 402246 | 2 5/16 " Ball Receiver Hitch |
| 504357 | Yard Wheel Caster |
| 650505009 | Tow Package (c/w Hwy wheels & tow hitch) |
| 650505013 | Tow Hitch Only |

CONVEY-ALL™

16" Truck Loader Conveyors (TL)

Motor NOT included

| ITEM # | Model# | Description |
|------------|------------|---|
| 650507760 | 1640TL | Conveyor 16"X40' FL Hopper Self Propelled Gas Drive |
| 650507760S | 1640TLSS | Conveyor S/S 16"X40' FL Hopper Self Propelled Gas Drive |
| 650506927 | 1650TL | Conveyor 16"X50' FL Hopper Self Propelled Gas Drive |
| 650506927S | 1650TLSS | Conveyor S/S 16"X50' FL Hopper Self Propelled Gas Drive |
| 650507383 | 1650TLRC | Conveyor 16"x50' Rail Car Hopper Self Propelled Gas Drive |
| 650507383S | 1650TLRCSS | Conveyor S/S 16"x50' Rail Car Hopper Self Propelled Gas Drive |
| 650507031 | 1658TL | Conveyor 16"X58' FL Hopper Self Propelled Gas Drive |
| 650507031S | 1658TLSS | Conveyor S/S 16"X58' FL Hopper Self Propelled Gas Drive |

Motor NOT included

| STANDARD FEATURES | | |
|---------------------------|--|--|
| 10" x 14 Gauge Tubes | | |
| "A" Frame Undercarriage | | |
| Field Loader Hopper | | |
| Adjustable Discharge Hood | | |
| 16" Wide Chevron Belt | | |

10" x 14 Gauge Tubes
 "A" Frame Undercarriage
 Field Loader Hopper
 Adjustable Discharge Hood
 16" Wide Chevron Belt

| MOTORS | | Description |
|-----------|--|--|
| 650508087 | | 35HP Kohler Motor includes muffler NET Price |
| 650508088 | | 38HP Kohler EFI Motor includes muffler NET price |
| 650508089 | | 35HP Vanguard Motor includes muffler NET price |
| 650508090 | | 37HP Vanguard EFI Motor includes muffler NET price |

| OPTIONS | | Description |
|-------------|--|--|
| 650507319 | | Light Kit 1650TL |
| 650507342 | | Light Kit 1658TL |
| 650507320 | | Electric actuator for discharge hood |
| 13000042071 | | Cold Weather Pkge 35 Kohler Gas Motor |
| 13000042069 | | Cold Weather Pkge 35 Vanguard Gas Motor |
| 650508887 | | stainless steel Ends (in lieu of mild steel) |
| 1865000002 | | Oil Tank Heater |
| 1865000001 | | 125 Watt Heater for 35 HP Kohler |
| 402246 | | 2 5/16 " Ball Receiver Hitch |
| 503418 | | RC Hopper w/ Hold down wheels, 1/4" material |
| 504386 | | Fender & Light Pkg |
| 503326 | | Quad Adjust Hood Pkge |

CONVEY-ALL™

16" Oilseed Truck Loader Conveyors (TL)

Motor NOT included

| ITEM # | Model# | Description |
|-----------|---------------|--|
| 650508439 | 1650TL-Canola | Conveyor 16"X50' FL Canola Hopper SP Gas Drive |
| 650508440 | 1658TL-Canola | Conveyor 16"X58' FL Canola Hopper SP Gas Drive |

Motor NOT included

| STANDARD FEATURES | | |
|-------------------|--|--|
|-------------------|--|--|

10" x 14 Gauge Tubes
"A" Frame Undercarriage
Field Loader Hopper
Adjustable Discharge Hood
Belt Scrapers
16" Wide Chevron Belt

| MOTORS | | Description |
|-----------|--|--|
| 650508087 | | 35HP Kohler Motor includes muffler NET Price |
| 650508088 | | 38HP Kohler EFI Motor includes muffler NET price |
| 650508089 | | 35HP Vanguard Motor includes muffler NET price |
| 650508090 | | 37HP Vanguard EFI Motor includes muffler NET price |

| OPTIONS | | Description |
|-------------|--|---------------------------------------|
| 650507319 | | Light Kit 1650TL |
| 650507342 | | Light Kit 1658TL |
| 650507320 | | Electric actuator for discharge hood |
| 13000042071 | | Cold Weather Pkge 35 Kohler Gas Motor |
| 1865000002 | | Oil Tank Heater |
| 1865000001 | | 125 Watt Heater for 35 HP Kohler |
| 402246 | | 2 5/16 " Ball Receiver Hitch |
| 504386 | | Fender & Light Pkg |

CONVEY-ALL™

16" Field Loader Conveyors (FL)

| ITEM # | Model# | Description |
|-----------|---------|--|
| 650507754 | 1635FLS | Conveyor 16"X35' FL Hopper side PTO Drive |
| 650507755 | 1635FLT | Conveyor 16"X35' FL Hopper Top Drive Elec. motor not incl. |
| 650507756 | 1635FLH | Conveyor 16"X35' FL Hopper Hydraulic Drive Includes Motor |
| 650507757 | 1635FLE | Conveyor 16"X35' FL Hopper S-Drive Elec. Motor not Incl. |
| 650507758 | 1635FLG | Conveyor 16"X35' FL Hopper S-Drive Gas Motor not Incl. |
| 650507759 | 1645FLT | Conveyor 16"X45' FL Hopper Top Drive Elec. Motor not Incl. |

| STANDARD FEATURES |
|-------------------|
|-------------------|

10" x 14 Gauge Tubes
"A" Frame Undercarriage
Field Loader Hopper
Adjustable Discharge Hood
16" Chevron Belt
Hand Winch Lift

| MOTORS | Description |
|------------|---|
| 1920000067 | 23.5 HP Kohler Motor |
| 1910000034 | 15 HP 3 Phase Motor 1800 RPM (230/460 volt) |
| 1910000036 | 15 HP 3 Phase Motor 1800 RPM (575 volt) |
| 1910000030 | 10 HP 1 Phase Motor 1800 RPM |

| OPTIONS | Description |
|-------------|--|
| 650508887 | stainless steel Ends (in lieu of mild steel) |
| 504357 | Yard Wheel Caster |
| 13000042055 | Electric Clutch, Gas Dr. 1 1/8 " 3 Groove |
| 402246 | 2 5/16 " Ball Receiver Hitch |
| 650507319 | Light Kit 1650TL |

CONVEY-ALL™

16" Belt Conveyors Truck Load Standard Hopper

| ITEM # | Model# | Description |
|-----------|---------|--|
| 650507778 | 1635TED | Conveyor 16"X35' Straight Hopper Top Drive Motor not Incl. |
| 650507777 | 1635 | Conveyor 16"X35' Straight Hopper S-Drive Motor Not Incl. |
| 650507779 | 1645 | Conveyor 16"X45' Straight Hopper S-Drive Motor Not Incl. |

| STANDARD FEATURES |
|-------------------|
|-------------------|

10" x 14 Gauge Tubes
 "A" Frame Undercarriage
 16" Wide Rubber Belt
 Adjustable Discharge Hood

| DRIVE OPTIONS | Description |
|---------------|---|
| 503519 | Gas Drive (c/w Pulleys, belts & guards) No Motor, 35' |
| 503527 | Gas Drive (c/w Pulleys, belts & guards) No Motor, 45' |
| 503332 | Electric Drive (c/w Pulleys, belts & guards) No Motor |
| 503530 | Side PTO Drive |
| 504191 | Hydraulic Drive (c/w motor) |

| MOTORS | length | Description |
|------------|-------------|-------------------------------|
| 1920000067 | 1635 - 1645 | 23.5 HP Kohler Motor |
| 1910000051 | 1635 | 7.5 HP 3PH Motor 230/460 volt |
| 1910000027 | 1635 | 7.5 HP 3PH Motor 575 volt |
| 1910000023 | 1635 | 7.5 HP 1PH Motor |
| 1910000029 | 1645 | 10 HP 3PH Motor 230/460 volt |
| 1910000033 | 1645 | 10 HP 3PH Motor 575 volt |

| OPTIONS | Description |
|-----------|--|
| 504357 | Yard Wheel Caster |
| 402246 | 2 5/16 " Ball Receiver Hitch |
| 650507319 | Light Kit 1650TL |
| 650507320 | Electric actuator for discharge hood |
| 650507651 | Brush Kit |
| 650508887 | stainless steel Ends (in lieu of mild steel) |

CONVEY-ALL™

16" Bin Fill Conveyors (55-100)

| ITEM # | Model# | Description |
|-----------|--------|---|
| 650507748 | 1655 | Conveyor 16"X55' Scissor Lift Positive Pinch Drive |
| 650507749 | 1665 | Conveyor 16"X65' Scissor Lift Positive Pinch Drive |
| 650507750 | 1670 | Conveyor 16"X70' Scissor Lift Positive Pinch Drive |
| 650507752 | 1675 | Conveyor 16"X75' Scissor Lift Positive Pinch Drive |
| 650507763 | 1685 | Conveyor 16"X85' Scissor Lift Positive Pinch Drive |
| 650507764 | 1690 | Conveyor 16"X90' Scissor Lift Positive Pinch Drive |
| 650507765 | 16100 | Conveyor 16"X100' Scissor Lift Positive Pinch Drive No SP |

STANDARD FEATURES

10" 12 & 14 Gauge Tubes
 Hydraulic Scissor Lift
 16" Wide Rubber Belt
 Adjustable Discharge Hood
 Standard Hopper

| DRIVE OPTIONS | Description |
|---------------|---|
| 503080 | Electric Drive (c/w Pulleys, belts & guards) No Motor, 55' - 100' |
| 504298 | End PTO Drive (shear pin protection), All Models |
| 650508014 | Diesel Drive w/ Mover no swing |
| 503508 | Side PTO Drive (shear pin protection), All Models |

| MOTORS | Length | Description |
|------------|--------------|--|
| 1910000034 | 1655 - 1665 | 15 HP 3 Phase Motor 1800 RPM (230/460 volt) |
| 1910000036 | 1655 - 1655 | 15 HP 3 Phase Motor 1800 RPM (575 volt) |
| 1910000043 | 1670 - 16100 | 20 HP, 3 Phase Motor 1800 RPM (230/460 Volt), 70' - 100' |
| 1910000042 | 1670 - 16100 | 20 HP, 3 Phase Motor 1800 RPM (575 Volt), 70' - 100' |

| OPTIONS | Description |
|-----------|--|
| 650507203 | Swing out W/ Elec Mover kit, 85'- 100' End PTO incl. |
| 650505047 | Swing Out W/ Hyd. Mover Kit, 85' - 100' End PTO Incl. |
| 650505048 | Swing Out, 10", 85' - 100' Includes End PTO |
| 650508031 | SP Pkg W/ 50 HP Kubota Tier 4 & hyd Swing Out |
| 504441 | SP Pkg W/ 50 HP Kubota Tier 4 & Elec Swing Out |
| 503529 | Hyd. Winch for Swing Out /Non SP Units |
| 504354 | Wet Kit (Includes Electric Motor) |
| 503816 | Hydraulic 90 Degree Hopper Axle |
| 650508267 | Electric Drive Swingout Conveyor with Electric hopper mover NO PTO |
| 650508887 | stainless steel Ends (in lieu of mild steel) |

CONVEY-ALL™

16" Transfer Conveyors (TC)

| ITEM # | Model# | Description |
|------------|----------|---|
| 650507781 | 1615 | Transfer Conveyor 16"X15' FL Hopper |
| 650507781S | 1615SS | Transfer Conveyor S/S 16"X15' FL Hopper |
| 650507783 | 1616RC | Transfer Conveyor 16"X16' Rail Car Hopper |
| 650507783S | 1616RCSS | Transfer Conveyor S/S 16"X16' Rail Car Hopper |

| STANDARD FEATURES |
|-------------------|
|-------------------|

10" x 14 Gauge Tubes

16" Wide Chevron Rubber Belt

Winch Down Collapsible Hopper (FL)

Winch UP Hopper Flaps (RC)

| DRIVE OPTIONS | Description |
|---------------|--|
| 503243 | Countershaft Gas Drive (reqd for 13 HP - motor not included) |
| 501258 | Gas Drive (c/w Pulleys, belts & guards) No Motor |
| 501253 | Elec. Drive (c/w Pulleys, belts & guards) No Motor |
| 503670 | Hydraulic Drive (c/w motor) No Hyd. Hoses |

| MOTORS | Description |
|------------|-------------------------------|
| 1920000006 | 11 HP Honda W/ 6.1 Reduction |
| 1920000010 | 13 HP Honda Electric Start |
| 1910000051 | 7.5 HP 3PH Motor 230/460 volt |
| 1910000027 | 7.5 HP 3PH Motor 575 volt |
| 1910000023 | 7.5 HP 1PH Motor |

| OPTIONS | Description |
|------------|---|
| 504314 | Wind guard, Drip Pan Pkg |
| 503608 | Hopper Casters |
| 504357 | Yard Wheel Caster |
| 402246 | 2 5/16" Ball Receiver Hitch |
| 650506854 | Swivel Discharge (For swiveling on a leg intake hopper) |
| 1920000065 | Cent. Clutch For 13 HP Honda |

CONVEY-ALL™

22" Bin Fill Conveyors (35-75)

| ITEM # | Model# | Description |
|-----------|--------|--|
| 2235 | 2235 | Conveyor 22"X35' A-Frame Positive Pinch Drive |
| 650507790 | 2245 | Conveyor 22"X45' A-Frame Positive Pinch Drive |
| 650507791 | 2265 | Conveyor 22"X65' Scissor Lift Positive Pinch Drive |
| 650507792 | 2275 | Conveyor 22"X75' Scissor Lift Positive Pinch Drive |

| STANDARD FEATURES |
|-------------------|
|-------------------|

14" x 12 Gauge Tubes. (304 on SS)

22" Wide Rubber Belt

Spring Tension Standard "S" Drive Box (35-45)

Positive Non-Slip Drive (65-75)

| DRIVE OPTIONS | Length | Description |
|---------------|-------------|---|
| 503039 | 2235 - 2245 | Electric Drive (c/w Pulleys, belts & guards) No Motor 45' & Lower |
| 503054 | 2265 - 2275 | Electric Drive kit, 65+ |
| 503731 | | Hydraulic Drive (c/w motor) 45' & Lower |
| 503463 | | Gas Drive Pkg Requires 35 HP Kohler, 45' & Lower |
| 504212 | 2265 - 2275 | End PTO Drive (c/w shear bolt protection), 65+ |
| 650508244 | | Side Pto Drive Kit |

| MOTORS | Length | Description |
|------------|-------------|---|
| 1910000034 | 2235 - 2255 | 15 HP 3 Phase Motor 1800 RPM (230/460 volt) |
| 1910000036 | 2235 - 2255 | 15 HP 3 Phase Motor 1800 RPM (575 volt) |
| 1910000060 | 2265 | 25 HP 1200 RPM (575 volt), 65' |
| 1910000059 | 2265 | 25 HP 1200 RPM (230/460 volt), 65' |
| 1910000046 | 2270 - 2275 | 30 HP, 1200 RPM (575 Volt), 70' - 75' |
| 1910000061 | 2270 - 2275 | 30 HP, 1200 RPM (230/460 Volt), 70' - 75' |

| OPTIONS | Description |
|-----------|--|
| 504357 | Yard Wheel Caster |
| 503638 | Winch Kit for Collapsible Hopper (Main Conveyor) |
| 503132 | Hyd. Clevis Hitch |
| 650505114 | Wet Kit (Includes Motor) 55' - 110' |
| 650508887 | stainless steel Ends (in lieu of mild steel) |

CONVEY-ALL™

22" Bin Fill Conveyors (85-120)

| ITEM # | Model# | Description |
|-----------|--------|---|
| 650507793 | 2285 | Conveyor 22"X85' Scissor Lift Positive Pinch Drive |
| 650507794 | 2290 | Conveyor 22"X90' Scissor Lift Positive Pinch Drive |
| 650507795 | 22100 | Conveyor 22"X100' Scissor Lift Positive Pinch Drive |
| 650507796 | 22110 | Conveyor 22"X110' Scissor Lift Positive Pinch Drive |
| 650507797 | 22120 | Conveyor 22"X120' Scissor Lift Positive Pinch Drive |

| STANDARD FEATURES |
|-------------------|
|-------------------|

14" x 12 Gauge Tubes (304 on SS)
 Hydraulic Scissor Lift
 Spring Tension Standard "S" Drive Box
 Extendable Axles 13'6" to 17'6"
 Positive Non-Slip Drive

| DRIVE OPTIONS | | Description |
|---------------|--------------|--|
| 503054 | 2285 - 22120 | Electric Drive kit, 65+ |
| 504116 | | Electric Drive kit (c/w belts, pulleys, guards) |
| 650508244 | | Side Pto Drive Kit |
| 650508483 | | Diesel Drive w/ Mover no swing 80HP Cummins Diesel |
| 504212 | | End PTO Drive (c/w shear bolt protection), 65+ |
| 650505004 | | 120' End PTO Drive (c/w Shear Bolt Mechanism) |

| MOTORS | | Description |
|------------|--------------|--------------------------------------|
| 1910000047 | 2285 - 22110 | 40 HP 1200 RPM (575 volt) |
| 1910000048 | 2285 - 22110 | 40HP 1200 RPM (230/460 volt) |
| 1910000064 | 22120 | 50 HP 1200 RPM (575 volt) All Models |

| OPTIONS | | Description |
|-----------|--|--|
| 650507439 | | Swing Out W / 12 Volt Mover & Winch |
| 503638 | | Winch Kit for Collapsible Hopper (Main Conveyor) |
| 503451 | | Hyd. Pintle Hitch 120' |
| 503132 | | Hyd. Clevis Hitch |
| 503529 | | Hyd. Winch for Swing Out /Non SP Units |
| 503491 | | HD Rail Rim 2 Req'd |
| 650505114 | | Wet Kit (Includes Motor) 55' - 110' |
| 503816 | | Hydraulic 90 Degree Hopper Axle |
| 650508887 | | stainless steel Ends (in lieu of mild steel) |

CONVEY-ALL™

22" Truck Loader Conveyors (TL)

| ITEM # | Model# | Description |
|------------|----------|--|
| 650507761 | 2250TL | Conveyor 22"X50' FL Hopper Self Propelled Diesel Drive |
| 650507761S | 2250TLSS | Conveyor S/S 22"X50' FL Hopper Self Propelled Diesel Drive |
| 650507766 | 2258TL | Conveyor 22"X58' FL Hopper Self Propelled Diesel Drive |
| 650507766S | 2258TLSS | Conveyor S/S 22"X58' FL Hopper Self Propelled Diesel Drive |

| STANDARD FEATURES |
|-------------------|
|-------------------|

14" x 12 Gauge Tubes
50HP Kubota Tier 4 Diesel Motor
Hydraulic Belt Drive w/ 4000 Series Motor
Hydraulic Driven Mover W/ 180° Steering VIA Hyd. Cylinder
27 x 10.50 x 15 - 6 Ply Steering Tire
1/4" Hopper Construction

| OPTIONS | Description |
|------------|--|
| 650507342 | Light Kit 1658TL |
| 650507320 | Electric actuator for discharge hood |
| 1865000006 | 500 Watt Oil Tank Heater |
| 650508887 | stainless steel Ends (in lieu of mild steel) |

CONVEY-ALL™

22" Transfer Conveyors (TC)

| ITEM # | Model# | Description |
|------------|----------|---|
| 650507785 | 2218 | Transfer Conveyor 22"X18' FL Hopper |
| 650507787 | 2218RC | Transfer Conveyor 22"X18' Rail Car Hopper |
| 650507787S | 2218RCSS | Transfer Conveyor S/S 22"X18' Rail Car Hopper |

| STANDARD FEATURES |
|-------------------|
|-------------------|

Field Loader Hopper

14" x 12 Gauge Tubes

Only 5" of Clearance Required for Hopper

Winch UP Containment Flaps

Field Loader Hopper (FL)

Rail Car Hopper (RC)

| DRIVE OPTIONS | Description |
|---------------|--|
| 503239 | Countershaft Gas Drive (reqd for 13 HP - motor not included) |
| 503671 | Gas Drive (c/w Pulleys, belts & guards) No Motor |
| 650505021 | Gas Drive (Less Motor) |

| MOTORS | Description |
|------------|------------------------------|
| 1920000006 | 11 HP Honda W/ 6.1 Reduction |
| 1920000010 | 13 HP Honda Electric Start |
| 1910000029 | 10 HP 3PH Motor 230/460 volt |
| 1910000033 | 10 HP 3PH Motor 575 volt |
| 1910000030 | 10 HP 1 Phase Motor 1800 RPM |

| OPTIONS | Description |
|------------|-----------------------------------|
| 503608 | 2218 Hopper Casters |
| 402246 | 2218 2 5/16" Ball Receiver Hitch |
| 504357 | 2218 Yard Wheel Caster |
| 650505020 | 2218 Swivel Discharge for leg |
| 1920000065 | 2218 Cent. Clutch For 13 HP Honda |

CONVEY-ALL™

22" Drive Over Conveyors (DO)

| ITEM # | Model# | Description |
|-----------|--------|--|
| 650507676 | 2228 | Drive over Conveyor 22"X28' 5 1/4" Deck Height |
| 2228SS | 2228SS | Drive over Conveyor S/S 22"X28' 5 1/4" Deck Height |

| STANDARD FEATURES |
|-------------------|
|-------------------|

Hydraulic Cylinder Lift on Undercarriage

Standard Discharge Height 35"

Approx. 3980 LBS

5 1/4" Drive Over Clearance

| DRIVE OPTIONS | Description |
|---------------|--|
| 503672 | Hydraulic Drive (c/w Motor, Manual Hydraulic Valve) |
| 650505007 | Elec. Drive (c/w Motor mount, jack shaft, mounts, guards belts, pulleys) |
| 650505021 | Gas Drive (Less Motor) |

| MOTORS | Description |
|------------|--|
| 650508087 | 35HP Kohler Motor includes muffler NET Price |
| 650508088 | 38HP Kohler EFI Motor includes muffler NET price |
| 650508089 | 35HP Vanguard Motor includes muffler NET price |
| 650508090 | 37HP Vanguard EFI Motor includes muffler NET price |
| 1910000034 | 15 HP 3 Phase Motor 1800 RPM (230/460 volt) |
| 1910000036 | 15 HP 3 Phase Motor 1800 RPM (575 volt) |

| OPTIONS | Description |
|------------|---|
| 650507745 | Mover Kit Motor NOT Included |
| 1830000109 | Wet Kit (c/w hyd pump, valve, mounts, hoses, fittings, (110 VOLT) |
| 1830000110 | Wet Kit (c/w hyd pump, valve, mounts, hoses, fittings, (220 VOLT) |

CONVEY-ALL™

16" Paddle Belt Conveyors (TCP)

| ITEM # | Model# | Description |
|-----------|-----------|--|
| 650507767 | TCP 1620 | Conveyor 16"X20' Paddle Belt Top Drive 5HP motor not incl. |
| 650507798 | TCP 1620S | Conveyor 16"X20' Stand Paddle Belt Top Drive 5HP motor not incl. |
| 650507768 | TCP 1625 | Conveyor 16"X25' Paddle Belt Top Drive 5HP motor not incl. |
| 650507827 | TCP 1625S | Conveyor 16"X25' Stand Paddle Belt Top Drive 5HP motor not incl. |
| 650507769 | TCP 1630 | Conveyor 16"X30' Paddle Belt Top Drive 7.5HP motor not incl. |
| 650507893 | TCP 1630S | Conveyor 16"X30' Stand Paddle Belt Top Drive 7.5HP motor not incl. |
| 650507770 | TCP 1635 | Conveyor 16"X35' Paddle Belt Top Drive 7.5HP motor not incl. |
| 650507799 | TCP 1635S | Conveyor 16"X35' Stand Paddle Belt Top Drive 7.5HP motor not incl. |
| 650507814 | TCP 1640 | Conveyor 16"X40' Paddle Belt Top Drive 10HP motor not incl. |
| 650507800 | TCP 1640S | Conveyor 16"X40' Stand Paddle Belt Top Drive 10HP motor not incl. |
| 650507816 | TCP 1645 | Conveyor 16"X45' Paddle Belt Top Drive 10HP motor not incl. |

MOTOR NOT INCLUDED

STANDARD FEATURES

10" x 14 Gauge Tubes

16" Paddle Belt

Top End Drive Electric w/ Countershaft

Steel Hopper W/ Clean Out

| MOTORS | Conveyor | Description |
|------------|-------------|-----------------------------------|
| 1910000016 | 1620 - 1625 | 5 HP Single Phase Motor |
| 1910000017 | 1620 - 1625 | 5 HP 3 Phase Motor (230/460 volt) |
| 1910000020 | 1620 - 1625 | 5 HP 3 Phase Motor (575 volt) |
| 1910000023 | 1630 - 1635 | 7.5 HP 1PH Motor |
| 1910000051 | 1630 - 1635 | 7.5 HP 3PH Motor 230/460 volt |
| 1910000027 | 1630 - 1635 | 7.5 HP 3PH Motor 575 volt |
| 1910000030 | 1640 - 1645 | 10 HP 1 Phase Motor 1800 RPM |
| 1910000029 | 1640 - 1645 | 10 HP 3PH Motor 230/460 volt |
| 1910000033 | 1640 - 1645 | 10 HP 3PH Motor 575 volt |

| OPTIONS | Description |
|----------|---|
| 504356 | Steel Hopper Cover |
| 504157 | Collapsible Hopper Option in Lieu of Steel hopper |
| TCP1600C | 10' Base Unit |
| TCP160CF | Price Per Linear Foot |
| 501346 | 90" A Frame Stand < 15' |
| 501347 | 126" A Frame Stand < 20' |
| 501348 | 162" A Frame Stand <25' |
| 503026 | 198" A Frame Stand <30' |
| 503027 | 234" A Frame Stand <35' |

CONVEY-ALL™

18" OPEN BED LOW PROFILE CONVEYORS (OBL)

| BED SECTIONS | | Description |
|--------------|----------|--|
| 504366 | | 18" Open bed low profile bed kit - 2' |
| 504365 | | 18" Open bed low profile bed kit - 4' |
| 504364 | | 18" Open bed low profile bed kit - 6' |
| 504363 | | 18" Open bed low profile bed kit - 8' |
| 504362 | | 18" Open bed low profile bed kit - 10' |
| 504377 | | 18" Open Bed Low profile Tail Section 10' |
| 1003050014 | Per foot | Crescent Rubber Belting 18" Ultimate I 2-PLY 150 WGT |

| DISCHARGE SPOUT OPTIONS | | Description |
|-------------------------|--|---|
| 504408 | | Low profile discharge spout - 10" |
| 504409 | | Low profile discharge spout |
| 504410 | | 60 Degree Low profile discharge spout w/ 10" flange |

| DRIVE OPTIONS | | Description |
|---------------|--|--|
| 504401 | | Electric drive up to 40' |
| 504405 | | In-line reversible drive up to 40' |
| 650505066 | | Electric drive with gearbox up to 40' |
| 504361 | | Electric drive 40' - 90' |
| 504293 | | In-line reversible drive 40' - 90' |
| 650505063 | | Electric drive with gearbox 40' - 90' |
| 504359 | | Electric drive 90' and up |
| 504391 | | In-line reversible drive 90' and up |
| 650505070 | | Electric drive with gearbox 90' and up |

| OPTIONS | | Description |
|---------|--|--------------------------------|
| 504389 | | OBL-18 Meridian bin transition |
| 503145 | | Discharge stand |

- ~ 18" Wide Belt
- ~ 2,900 Bushel per hour at 400 FPM
- ~ Open ben with rollers mild steel
- ~ Stainless Steel available

CONVEY-ALL™

24" OPEN BED LOW PROFILE CONVEYORS (OBL)

| BED SECTIONS | | Description |
|--------------|----------|--|
| 504371 | | 24" Open bed low profile bed kit - 2' |
| 504370 | | 24" Open bed low profile bed kit - 4' |
| 504369 | | 24" Open bed low profile bed kit - 6' |
| 504368 | | 24" Open bed low profile bed kit - 8' |
| 504367 | | 24" Open bed low profile bed kit - 10' |
| 504379 | | 24" Open Bed Low profile Tail Section 10' |
| 1003050013 | Per Foot | Crescent Rubber Belting 24" 2 ply x Bare MOR |

| DISCHARGE SPOUT OPTIONS | | Description |
|-------------------------|--|---|
| 504424 | | Low profile horizontal discharge spout |
| 504423 | | Low profile 14" flanged discharge spout |
| 650406008 | | Low profile 14" discharge spout |

| DRIVE OPTIONS | | Description |
|---------------|--|--|
| 504415 | | Electric drive up to 40' |
| 504417 | | Electric drive 40' - 90' |
| 504418 | | Electric drive 90' and up |
| 504422 | | In-Line Reversible Drive 90' and up |
| 650505069 | | Electric drive with gearbox 90' and up |

| OPTIONS | | Description |
|---------|--|---|
| 504389 | | OBL-18 Meridian bin transition |
| 503333 | | Discharge stand |
| 37511 | | Standard Airgate Transition For standard 18" Meridian |
| 40057 | | High Capacity Airgate Transition For standard 18" Meridian Gate |

~ 24" Wide Belt

~ 4,500 Bushel per hour at 400 FPM

~ Open ben with rollers mild steel

~ Stainless Steel available

CONVEY-ALL™

RECOMMENDED HP RATING FOR UNDERBIN CONVEYORS

| MOTOR | Length | Description |
|------------|---------------|---|
| 1910000016 | Up to 40' | 5 HP Single Phase Motor |
| 1910000017 | Up to 40' | 5 HP 3 Phase Motor (230/460 volt) |
| 1910000020 | Up to 40' | 5 HP 3 Phase Motor (575 volt) |
| | | |
| 1910000023 | 40 - 65 Feet | 7.5 HP 1PH Motor |
| 1910000051 | 40 - 65 Feet | 7.5 HP 3PH Motor 230/460 volt |
| 1910000027 | 40 - 65 Feet | 7.5 HP 3PH Motor 575 volt |
| | | |
| 1910000030 | 65 - 90 Feet | 10 HP 1 Phase Motor 1800 RPM |
| 1910000029 | 65 - 90 Feet | 10 HP 3PH Motor 230/460 volt |
| 1910000033 | 65 - 90 Feet | 10 HP 3PH Motor 575 volt |
| | | |
| 1910000034 | 90 - 130 Feet | 15 HP 3 Phase Motor 1800 RPM (230/460 volt) |
| 1910000036 | 90 - 130 Feet | 15 HP 3 Phase Motor 1800 RPM (575 volt) |
| | | |
| 1910000043 | 130 + Feet | 20 HP, 3 Phase Motor 1800 RPM (230/460 Volt), |
| 1910000042 | 130 + Feet | 20 HP, 3 Phase Motor 1800 RPM (575 Volt), 70' - |

IDEAL

TAB



Rotary Cutters

| Model | Description | Colour | Price – CDN |
|-----------|---|--------|-------------|
| RC4LDIDSC | Rotary Cutter 4' Light Duty w/ Slip Clutch PTO | Gray | \$ 2,865.00 |
| RC4LDIDSP | Rotary Cutter 4' Light Duty w/ Shear Pin PTO | Gray | \$ 2,612.00 |
| RC5SDIDSC | Rotary Cutter 5' Standard Duty w/ Slip Clutch PTO | Gray | \$ 3,161.00 |
| RC5SDIDSP | Rotary Cutter 5' Standard Duty w/ Shear Pin PTO | Gray | \$ 2,907.00 |
| RC6MDID | Rotary Cutter 6' Medium Duty | Gray | \$ 4,478.00 |
| RC6SDIDSC | Rotary Cutter 6' Standard Duty w/ Slip Clutch PTO | Gray | \$ 3,580.00 |
| RC6SDIDSP | Rotary Cutter 6' Standard Duty w/ Shear Pin PTO | Gray | \$ 3,339.00 |
| RC7MDID | Rotary Cutter 7' Medium Duty | Gray | \$ 7,303.00 |

Rotary Cutter Guards

| Model | Description | Colour | Price – CDN |
|---------|-----------------------------------|--------|-------------|
| 9000148 | 4' Front Rubber Guard w/ Hardware | Black | \$ 88.00 |
| 9000149 | 5' Front Rubber Guard w/ Hardware | Black | \$ 101.00 |
| 9000150 | 6' Front Rubber Guard w/ Hardware | Black | \$ 124.00 |
| 9000151 | 4' Rear Metal Guard w/ Hardware | Black | \$ 51.00 |
| 9000152 | 5' Rear Metal Guard w/ Hardware | Black | \$ 64.00 |
| 9000153 | 6' Rear Metal Guard w/ Hardware | Black | \$ 69.00 |
| 9000589 | 4' Front Chain Guard w/ Hardware | Black | \$ 179.00 |
| 9000590 | 4' Rear Chain Guard w/ Hardware | Black | \$ 155.00 |
| 9000591 | 5' Front Chain Guard w/ Hardware | Black | \$ 214.00 |
| 9000592 | 5' Rear Chain Guard w/ Hardware | Black | \$ 181.00 |
| 9000593 | 6' Front Chain Guard w/ Hardware | Black | \$ 255.00 |
| 9000594 | 6' Rear Chain Guard w/ Hardware | Black | \$ 195.00 |

Box Blades

| Model | Description | Colour | Price – CDN |
|---------|----------------------------|--------|-------------|
| BB4LDID | Box Blade 4' Light Duty | Gray | \$ 1,408.00 |
| BB5SDID | Box Blade 5' Standard Duty | Gray | \$ 1,727.00 |
| BB6MDID | Box Blade 6' Medium Duty | Gray | \$ 2,189.00 |
| BB6SDID | Box Blade 6' Standard Duty | Gray | \$ 1,842.00 |
| BB7MDID | Box Blade 7' Medium Duty | Gray | \$ 2,390.00 |
| BB8MDID | Box Blade 8' Medium Duty | Gray | \$ 2,668.00 |

PRICED IN CANADIAN DOLLARS

PRICES ARE FOB HARRISTON, ONT – SUBJECT TO CHANGE WITHOUT NOTICE



Disc Harrows

| Model | Description | Colour | Price – CDN |
|---------|------------------------------|--------|-------------|
| DH5LDID | Disc Harrow 5' Light Duty | Gray | \$ 2,532.00 |
| DH6SDID | Disc Harrow 6' Standard Duty | Gray | \$ 2,585.00 |
| DH7MDID | Disc Harrow 7' Medium Duty | Gray | \$ 3,963.00 |

Disc Mowers

| Model | Description | Colour | Price – CDN |
|---------|---------------------------|--------|-------------|
| DM7MDID | Disc Mower 7' Medium Duty | Gray | \$20,674.00 |
| DM8MDID | Disc Mower 8' Medium Duty | Gray | \$22,170.00 |
| DM9MDID | Disc Mower 9' Medium Duty | Gray | \$23,310.00 |

Finishing Mowers

| Model | Description | Colour | Price – CDN |
|---------|-------------------------------|--------|-------------|
| FM5SDID | Finish Mower 5' Standard Duty | Yellow | \$ 4,216.00 |
| FM6SDID | Finish Mower 6' Standard Duty | Yellow | \$ 4,794.00 |

3-Point Fertilizer Spreaders

| Model | Description | Colour | Price – CDN |
|-------|--------------------------|-----------|-------------|
| FSID | Fertilizer Spreader | Red | \$ 1,139.00 |
| PFSID | Poly Fertilizer Spreader | Black/Red | \$ 1,344.00 |

Grader Blades

| Model | Description | Colour | Price – CDN |
|---------|------------------------------------|--------|-------------|
| GB4LDID | Rear Grader Blade 4' Light Duty | Gray | \$ 784.00 |
| GB5SDID | Rear Grader Blade 5' Standard Duty | Gray | \$ 904.00 |
| GB6MDID | Rear Grader Blade 6' Medium Duty | Gray | \$ 1,531.00 |
| GB6SDID | Rear Grader Blade 6' Standard Duty | Gray | \$ 975.00 |
| GB7MDID | Rear Grader Blade 7' Medium Duty | Gray | \$ 1,615.00 |
| GB8MDID | Rear Grader Blade 8' Medium Duty | Gray | \$ 2,006.00 |
| LG6SDID | Land Grader 6' Standard Duty | Gray | \$ 2,633.00 |
| LG8MDID | Land Grader 8' Medium Duty | Gray | \$ 3,506.00 |

PRICED IN CANADIAN DOLLARS

PRICES ARE FOB HARRISTON, ONT – SUBJECT TO CHANGE WITHOUT NOTICE



Landscape Rakes

| Model | Description | Colour | Price – CDN |
|---------|---------------------------------|--------|-------------|
| LR4LDID | Landscape Rake 4' Light Duty | Gray | \$ 1,124.00 |
| LR5SDID | Landscape Rake 5' Standard Duty | Gray | \$ 1,180.00 |
| LR6MDID | Landscape Rake 6' Medium Duty | Gray | \$ 1,724.00 |
| LR6SDID | Landscape Rake 6' Standard Duty | Gray | \$ 1,222.00 |
| LR7MDID | Landscape Rake 7' Medium Duty | Gray | \$ 1,921.00 |
| LR7SDID | Landscape Rake 7' Standard Duty | Gray | \$ 1,323.00 |
| LR8MDID | Landscape Rake 8' Medium Duty | Gray | \$ 2,348.00 |
| LRWKID | Landscape Rake Wheel Kit | Black | \$ 561.00 |

Snow Pushers

| Model | Description | Colour | Price – CDN |
|---------|-------------------------------|--------|-------------|
| SP6BDK | Snow Pusher Back Drag Kit, 6' | Yellow | \$ 753.00 |
| SP6SDID | Snow Pusher 6' Standard Duty | Yellow | \$ 2,427.00 |
| SP7BDK | Snow Pusher Back Drag Kit, 7' | Yellow | \$ 1,170.00 |
| SP7SDID | Snow Pusher 7' Standard Duty | Yellow | \$ 2,820.00 |
| SP8BDK | Snow Pusher Back Drag Kit, 8' | Yellow | \$ 1,265.00 |
| SP8SDID | Snow Pusher 8' Standard Duty | Yellow | \$ 2,907.00 |

ATV/UTV Equipment

| Model | Description | Colour | Price – CDN |
|---------|-------------------------------|--------|-------------|
| UDC5ID | UTV Disc/Cultipacker Combo 5' | Gray | \$ 4,993.00 |
| UDH5ID | UTV Disc Harrow 5' | Gray | \$ 2,874.00 |
| UFD5ID | UTV Flip Disc 5' | Gray | \$ 1,718.00 |
| UFSID | UTV Fertilizer Spreader | Black | \$ 1,967.00 |
| UMS10ID | UTV Manure Spreader 10 Bushel | Yellow | \$ 2,123.00 |
| UWU2ID | UTV Wire Unroller 2" Receiver | Gray | \$ 182.00 |
| UWUID | UTV Wire Unroller | Gray | \$ 241.00 |

Rotary Tillers

| Model | Description | Colour | Price – CDN |
|---------|--------------------------------|--------|-------------|
| RT4LDID | Rotary Tiller 4' Light Duty | Gray | \$ 4,165.00 |
| RT5SDID | Rotary Tiller 5' Standard Duty | Gray | \$ 4,692.00 |
| RT6SDID | Rotary Tiller 6' Standard Duty | Gray | \$ 5,253.00 |
| RT7SDID | Rotary Tiller 7' Standard Duty | Gray | \$ 6,646.00 |

PRICED IN CANADIAN DOLLARS

PRICES ARE FOB HARRISTON, ONT – SUBJECT TO CHANGE WITHOUT NOTICE



Miscellaneous Equipment

| Model | Description | Colour | Price – CDN |
|-----------|--|--------|----------------|
| MBSDID | Middle Buster Standard Duty | Gray | \$ 402.00 |
| MP1SDID | Moldboard Plow One Bottom Standard Duty | Gray | \$ 1,503.00 |
| MP2SDID | Moldboard Plow Two Bottom Standard Duty | Gray | \$ 2,394.00 |
| PFW1242ID | Pallet Fork 1,200 lb 42" | Black | \$ 1,366.00 |
| PFW342ID | Pallet Fork 3,000 lb 42" | Black | \$ 1,658.00 |
| SSLDID | Subsoiler Light Duty | Gray | \$ 344.00 |
| SSSDID | Subsoiler Standard Duty | Gray | \$ 441.00 |
| TMSDID | Trailer Mover Standard Duty | Gray | \$ 357.00 |
| WSSDID | Wire Stretcher Standard Duty | Gray | \$ 922.00 |
| BPMID | Boom Pole Medium Duty | Gray | \$ 697.00 |
| BPSDID | Boom Pole Standard Duty | Gray | \$ 293.00 |
| BR52SDID | Bucket Rake 52" Standard Duty | Black | \$ 708.00 |
| BR68SDID | Bucket Rake 68" Standard Duty | Black | \$ 768.00 |
| CASDID | Carry All Standard Duty | Gray | \$ 305.00 |
| FC1SDID | Field Cultivator One-Row Standard Duty | Gray | \$ 684.00 |
| FC3SDID | Field Cultivator Three-Bar Standard Duty | Gray | \$ 1,711.00 |
| HF1MDID | Hay Fork Single Spear Medium Duty | Gray | \$ 659.00 |
| HF1SDID | Hay Fork Single Spear Standard Duty | Gray | \$ 412.00 |
| HFB1ID | Hay Fork Bucket Single Spear | Black | \$ 555.00 |
| HFF1ID | Hay Fork Front Single Spear | Black | \$ 1,082.00 |
| TGQA254ID | Tine Grapple – Dual Cylinder | Black | \$ 4,065.00 |
| NTD205BL | No Till Seed Drill, 9 openers, 81" width | Black | Call for price |
| NTD307BL | No Till Seed Drill, 11 openers, 96" | Black | Call for price |
| DT015BL | Hydraulic Dump Trailer, 100" x 55" x 34" | Black | \$ 5,445.00 |
| BSQA-2BL | Double (Dual) Bale Spear | Black | \$ 1,224.00 |
| QH1ID | Quick Hitch | | \$ 363.00 |
| | | | |
| | | | |
| | | | |
| | | | |

PRICED IN CANADIAN DOLLARS

PRICES ARE FOB HARRISTON, ONT – SUBJECT TO CHANGE WITHOUT NOTICE



Post Pounders

| Model | Description | Colour | Price – CDN |
|---------|----------------------------------|--------|--------------|
| ID100 | Vibrating Head Driver | Gray | \$ 11,562.00 |
| ID110 | Vibrating Head Driver | Gray | \$ 13,276.00 |
| TAVID | Ideal Tilt Attachment w/ Valve | | \$ 7,127.00 |
| ID205 | Trailer Model w/ Electric Start | Black | \$ 28,650.00 |
| ID210 | Trailer Model w/ Hitch | Black | \$ 27,322.00 |
| ID120K | Pilot Auger Kit | | \$ 7,451.00 |
| 2000282 | Auger/Bit 4.5" (Sold Separately) | | \$ 1,139.00 |
| 2000281 | Auger/Bit 6" (Sold Separately) | | \$ 1,568.00 |
| | Pilot Auger Factory Install | | \$ 1,210.00 |

PRICED IN CANADIAN DOLLARS

PRICES ARE FOB HARRISTON, ONT – SUBJECT TO CHANGE WITHOUT NOTICE

PRO-DIG



REVISED 06/23-BAG FILLER BUCKET PG 23

FEEDING RANGE

ProDig Attachments

| Product Code # | Description | Size | List Price [CDN] |
|-------------------------------------|--|----------|------------------|
| SHEAR GENIUS | | | |
| GS 1500 | Shear Genius | 1.5m | \$15,655.00 |
| GS 1800 | Shear Genius | 1.8m | 17,270.00 |
| GS 2200 | Shear Genius | 2.2m | 17,999.00 |
| GS 2500 | Shear Genius | 2.5m | 18,885.00 |
| TBB 100 | Tractor bolt on brackets | | 570.00 |
| IDBB 100 | Industrial bolt on brackets <i>(Price does not include brackets)</i> | | 797.00 |
| MEGA BITE | | | |
| MB 1500 | Mega Bite | 1.5m | \$15,494.00 |
| MB 1800 | Mega Bite | 1.8m | 16,539.00 |
| MB 2200 | Mega Bit | 2.2m | 17,754.00 |
| TBB 100 | Tractor bolt on brackets | | 570.00 |
| IDBB 100 | Industrial bolt on brackets | | 798.00 |
| MBNG | Removal of plastic/net gripper unit | | 620.00 |
| HX TIP | Replacement weld on hardox wear tips for tines <i>(Price does not include brackets)</i> | Each | 22.00 |
| PRO SLICE | | | |
| BS-B0S | Pro Slice -complete with plastic/net dripper | | \$9,846.00 |
| Optional Extras | | | |
| TBB100 | Tractor Bolt on Brackets | | 570.00 |
| IDBB100 | Industrial Bolt on Brackets | | 797.00 |
| 980SFT | Extra Tines (pair) for carrying 2 bales | | 310.00 |
| GRAPPLE BUCKETS - TRACTOR | | | |
| GPTG 1500 | Grapple Buckets – Tractor | 1.5m | \$7,263.00 |
| GPTG 1800 | Grapple Buckets – Tractor | 1.8m | 7,747.00 |
| GPTG 2100 | Grapple Buckets – Tractor | 2.1m | 8,150.00 |
| GPTGS | Removable Bucket Sides | | 533.00 |
| BOCE 200x25 | Bolt on cutting edge (per metre) <i>(Price include brackets)</i> | 200x25mm | 642.00 |
| GRAPPLE BUCKET - TELEHANDLER | | | |
| GPG 0.8 | Grapple Bucket – Tele-Handler | 1.8m | \$9,604.00 |
| GPG 1.1 | Grapple Bucket – Tele-Handler | 2.3m | 9,604.00 |
| GPG 1.5 | Grapple Bucket – Tele-Handler | 2.5m | 10,571.00 |
| GPG 1.7 | Grapple Bucket – Tele-Handler | 2.5m | 11,138.00 |
| GPTGS | Removable Bucket Sides | | 614.00 |
| BOCE 200x25 | Bolt on cutting edge (per metre) <i>(Price includes weld on brackets, bolt on also available)</i> | 200x25mm | 642.00 |

PRICED IN CANADIAN DOLLARS

PRICES ARE FOB HARRISTON, ON – DESIGN & PRICE ARE SUBJECT TO CHANGE WITHOUT NOTICE

5808 Hwy #9, Harriston, Ontario, N0G 1Z0
Phone: 519-338-2923, Fax: 519-338-2756
Email: sales@harcoag.ca
www.harcoag.ca



FEEDING RANGE ProDig Attachments

| Product Code # | Description | Size | List Price [CDN] |
|------------------------|--|------|------------------|
| PRO SHEAR GRABS | | | |
| SG 1300 | Shear Grab | 1.3m | \$9,607.00 |
| SG 1500 | Shear Grab | 1.5m | 10,249.00 |
| SG 1800 | Shear Grab | 1.8m | 11,544.00 |
| SG 2200 | Shear Grab | 2.2m | 14,961.00 |
| TBB 100 | Tractor bolt on brackets | | 570.00 |
| IDBB 100 | Industrial bolt on brackets | | 797.00 |
| HX TIP | Replacement weld on hardox wear tips for tines <i>(Price does not include brackets)</i> | Each | 22.00 |

| <u>Shear Grab</u> | <u>SG1300 HX</u> | <u>SG 1500 HX</u> | <u>SG 1800 HX</u> | <u>SG 2200 HX</u> |
|-----------------------|-------------------|-------------------|-------------------|-------------------|
| Height (mm) | (1034) – 41" | (1034) – 41" | (1034) – 41" | (1034) – 41" |
| Width (mm) | (1320) – 52" | (1520) – 60" | (1820) – 72" | (2220) – 87" |
| Depth (mm) | (1100) – 43" | (1100) – 43" | (1100) – 43" | (1100) – 43" |
| Capacity (m3) | .92 | 1.06 | 1.28 | 1.56 |
| Weight (kg) – lbs | (561) – 1246 lbs. | (603) – 1329 lbs. | (687) – 1514 lbs. | (793) – 1748 lbs. |
| Number of Tines | 9 Hardox | 10 Hardox | 12 Hardox | 15 Hardox |
| Tine spacing (mm) | (116) – 4.5" | (122) – 5" | (121) – 5" | (116) – 4.5" |
| Tine length (mm) | (885) – 35" | (885) – 35" | (885) – 35" | (885) – 35" |
| Rams | 2x90mm Bore | 20x90mm Bore | 2x100mm Bore | 2x100mm Bore |
| Opening Hgt (mm) | (800) – 31.5" | (800) – 31.5" | (800) – 31.5" | (800) – 31.5" |
| Pressure Relief Valve | Optional | Optional | Optional | Optional |

All measurements are approximate – Weight excludes brackets as these vary.



PRICED IN CANADIAN DOLLARS

PRICES ARE FOB HARRISTON, ON – DESIGN & PRICE ARE SUBJECT TO CHANGE WITHOUT NOTICE

5808 Hwy #9, Harriston, Ontario, N0G 1Z0
Phone: 519-338-2923, Fax: 519-338-2756
Email: sales@harcoag.ca
www.harcoag.ca



FEEDING RANGE ProDig Attachments

| Product Code # | Description | Size | List Price (CDN) |
|---|--|-------------------|-------------------|
| HEAVY DUTY SHEAR GRAB | | | |
| HD-SG 2200 | Heavy Duty Shear Grab | 2.2m | \$20,944.00 |
| HD-SG 2500 | Heavy Duty Shear Grab | 2.5m | 22,447.00 |
| HD-SG 2750 | Heavy Duty Shear Grab | 2.75m | 23,944.00 |
| IDBB-HD 100 | Heavy Duty Industrial bolt on brackets | | 1,209.00 |
| HX TIP XL | Replacement weld on hardox wear tips for tines <i>(Price does not include brackets)</i> | each | 47.00 |
| | | | |
| | | | |
| Heavy Duty Shear Grab | HD-SG 2200 | HD-SG 2500 | HD-SG 2750 |
| Height (mm) | (1050) – 41” | (1050) – 41” | (1050) – 41” |
| Width (mm) | (2200) – 87” | (2500) – 98” | (2750) – 108” |
| Depth (mm) | (1150) – 45” | (1150) – 45” | (1150) – 45” |
| Capacity (m3) Grab | 2 | 2.2 | 2.5 |
| Weight (kg) | (1095) – 2414 lbs | (1160) – 2557 lbs | (1240) – 2733 lbs |
| Rams | 2x125mm Bore | 2x125mm Bore | 2x125mm Bore |
| Opening Height (mm) | (1015) – 40” | (1015) – 40” | (1015) – 40” |
| All measurements are approximate – Weight excludes brackets as these vary | | | |



PRICED IN CANADIAN DOLLARS

PRICES ARE FOB HARRISTON, ON – DESIGN & PRICE ARE SUBJECT TO CHANGE WITHOUT NOTICE



FEEDING RANGE ProDig Attachments

| Product Code # | Description | Size | List Price (CDN) |
|------------------------------|--|------|------------------|
| TRACTOR TINE GRAB | | | |
| TTG 1300 | Tine Grab – Tractor | 1.3m | \$7,263.00 |
| TTG 1500 | Tine Grab – Tractor | 1.5m | 7,666.00 |
| TTG 1800 | Tine Grab – Tractor | 1.8m | 8,069.00 |
| TBB 100 | Tractor bolt on brackets | | 570.00 |
| IDBB 100 | Industrial bolt on brackets | | 797.00 |
| HX TIP | Replacement weld on hardox wear tips for tines <i>(Price does not include brackets)</i> | each | 22.00 |
| TELEHANDLER TINE GRAB | | | |
| TG 1500 | Tine Grab – Tele-Handler | 1.5m | \$8,079.00 |
| TG 1800 | Tine Grab – Tele-Handler | 1.8m | 8,637.00 |
| TG 2200 | Tine Grab – Tele-Handler | 2.2m | 11,296.00 |
| TG 2500 | Tine Grab – Tele-Handler | 2.5m | 11,944.00 |
| TBB 100 | Tractor bolt on brackets | | 570.00 |
| IDBB 100 | Industrial bolt on brackets | | 797.00 |
| HX TIP | Replacement weld on hardox wear tips for tines <i>(Price does not include brackets)</i> | each | 22.00 |



PRICED IN CANADIAN DOLLARS

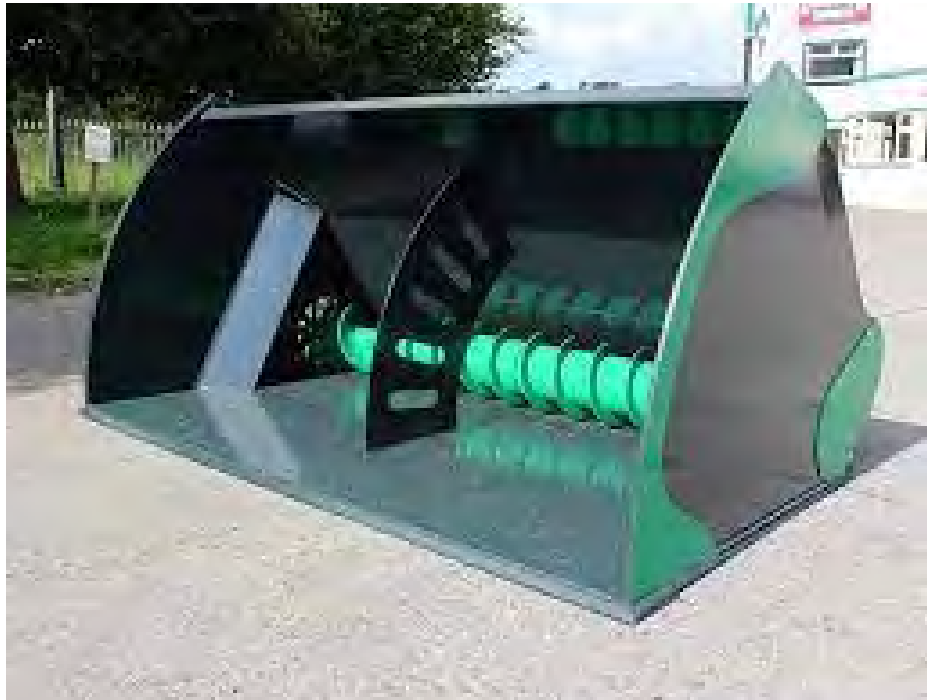
PRICES ARE FOB HARRISTON, ON – DESIGN & PRICE ARE SUBJECT TO CHANGE WITHOUT NOTICE



FEEDING RANGE

ProDig Attachments

| Product Code # | Description | Size | List Price (CDN) |
|-----------------------------|---|-------|------------------|
| CHOP 'N' FEED BUCKET | | | |
| CNF2000 | Chop 'n Feed Bucket | 2.0m | \$13,234.00 |
| CNF2300 | Chop 'n Feed Bucket | 2.3m | 13,879.00 |
| CNF2500 | Chop 'n Feed Bucket | 2.5m | 14,527.00 |
| TBB100-3PL-C2-CNF | 3-Point linkage w/hyd top link | | 1,938.00 |
| CNF-300-EXT-01 | Long Spout Extension | 300mm | 468.00 |
| TBB 100 | Tractor bolt on brackets | | 570.00 |
| IDBB 100 | Industrial bolt on brackets <i>(Price does not include brackets)</i> | | 797.00 |



PRICED IN CANADIAN DOLLARS

PRICES ARE FOB HARRISTON, ON – DESIGN & PRICE ARE SUBJECT TO CHANGE WITHOUT NOTICE



5808 Hwy #9, Harriston, Ontario, N0G 1Z0
Phone: 519-338-2923, Fax: 519-338-2756
Email: sales@harcoag.ca
www.harcoag.ca

PRICED IN CANADIAN DOLLARS

**PRICES ARE FOB HARRISTON, ON – DESIGN & PRICE ARE SUBJECT TO CHANGE WITHOUT
NOTICE**



GRASS HANDLING RANGE

ProDig Attachments

| Product Code # | Description | Size | List Price (CDN) |
|---------------------|---|----------|------------------|
| BALE HANDLER | | | |
| BH 500 | Hydraulic Bale Handler (Includes std rollers) | | \$3,717.00 |
| BH 500 EQ | Hydraulic Bale Handler-Weld on euro hitch (Inc std rollers) | | 3,922.00 |
| BH 500 QRR | Quick Release Rollers | per pair | 329.00 |
| TBB 100 | Tractor bolt on brackets | | 570.00 |
| IDBB 100 | Industrial bolt on brackets (Price does not include brackets-except BH 500 EQ) | | 797.00 |



| Product Code # | Description | Size | List Price [CDN] |
|----------------------------|--|------|------------------|
| HYDRAULIC BALE GRAB | | | |
| BG 500 | Hydraulic Bale Grab (excludes check valve) | | \$4,002.00 |
| BG 500 EQ | Hydraulic Bale Grab-Weld on euro hitch (excludes check valve) | | 4,132.00 |
| BG 500-CV | Optional check valve | | 248.00 |
| TBB 100 | Tractor bolt on brackets | | 570.00 |
| IDBB 100 | Industrial bolt on brackets (Price does not include brackets) | | 797.00 |



| Product Code # | Description | Size | List Price [CDN] |
|----------------------|--|------|------------------|
| BALE STACKERS | | | |
| C320 | Bale Stacker (3 square, 2 round) | | \$11,129.00 |
| C430 | Bale Stacker (4 square, 3 round) | | 13,656.00 |
| TBB 100 | Tractor bolt on brackets | | 570.00 |
| IDBB 100 | Industrial bolt on brackets (Price does not include brackets) | | 798.00 |



PRICED IN CANADIAN DOLLARS

PRICES ARE FOB HARRISTON, ON – DESIGN & PRICE ARE SUBJECT TO CHANGE WITHOUT NOTICE



GRASS HANDLING RANGE

ProDig Attachments

| Product Code # | Description | Size | List Price (CDN) |
|--|---|-------|------------------|
| PUSH OFF GRASS FORKS | | | |
| POGF 2500 HX | Push Off Grass Fork – Hardox Tines | 2.5m | \$20,497.00 |
| POGF 2750 HX | Push Off Grass Fork – Hardox Tines | 2.75m | 21,468.00 |
| POGF 3000 HX | Push Off Grass Fork – Hardox Tines | 3.0m | 21,951.00 |
| POGF 3300 HX | Push Off Grass Fork – Hardox Tines | 3.3m | 22,918.00 |
| POGF 3600 HX | Push Off Grass Fork – Hardox Tines | 3.6m | 23,727.00 |
| POGF 4000 HX | Push Off Grass Fork – Hardox Tines | 4.0m | 25,017.00 |
| PUSH OFF GRASS FORKS – FORGED TINES | | | |
| POGF 2500 RT | Push Off Grass Fork – Forged Tines | 2.5m | \$20,175.00 |
| POGF 2750 RT | Push Off Grass Fork – Forged Tines | 2.75m | 20,658.00 |
| POGF 3000 RT | Push Off Grass Fork – Forged Tines | 3.0m | 21,303.00 |
| POGF 3300 RT | Push Off Grass Fork – Forged Tines | 3.3m | 21,951.00 |
| POGF 3600 RT | Push Off Grass Fork – Forged Tines | 3.6m | 22,918.00 |
| POGF 4000 HX | Push Off Grass Fork – Forged Tines | 4.0m | 24,050.00 |
| POGF BB | Bolt on Hitch (3 pt linkage or industrial loader bracket) | | \$1,197.00 |
| POGF KILESKIFT | Extra for Kileskift Hitch (custom hitches priced accordingly) | | 2,744.00 |
| POGF LK | Lighting Kit (work & road transport lights) | | 1,404.00 |
| POGF-GATE-LOCK-01 | Botl on Gate Locking Latch – per pair | | 679.00 |
| COLOUR | Colour options (any off standard colour) | | 341.00 |
| HX TIP XL | Replacement weld on Hardox wear tips for tines | | 47.00 |



PUSH THAT LOAD WITH EASE

**PUSH OFF GRASS
FORK**

- Available in 2.5m to 4.0m
- Twice as effective over using a blade
- Less horsepower required
- Less fuel used
- Can also be used on Wheel Loaders
- 40mm Hardox tines 1400mm long
- Only 1 hydraulic service required
- 40mm greasable pins with bushings



PRICED IN CANADIAN DOLLARS

PRICES ARE FOB HARRISTON, ON – DESIGN & PRICE ARE SUBJECT TO CHANGE WITHOUT NOTICE



GRASS HANDLING RANGE

ProDig Attachments

| Product Code # | Description | Size | List Price [CDN] |
|--|--|------|------------------|
| FOLDING GRASS FORKS | | | |
| FGF 3600 | Grass Forks – Folding | 3.6m | \$28,145.00 |
| FGF 4200 | Grass Forks - Folding | 4.2m | 30,101.00 |
| FGF 4900 | Grass Forks - Folding | 4.9m | 33,843.00 |
| CONTINENTAL FOLDING GRASS FORKS | | | |
| FGFC 3600 | Grass Forks – Continental - Folding | 3.6m | \$26,390.00 |
| FGFC 4200 | Grass Forks – Continental - Folding | 4.2m | 28,343.00 |
| FGFC 4900 | Grass Forks – Continental - Folding | 4.9m | 32,076.00 |



| Product Code # | Description | Size | List Price [CDN] |
|----------------------------------|--|------|------------------|
| GRASS FORKS – TELEHANDLER | | | |
| GF 2200 | Grass Forks – Tele-Handler | 2.2m | \$6,718.00 |
| GF 2500 | Grass Forks – Tele-Handler | 2.5m | 7,313.00 |
| GF 2700 | Grass Forks – Tele-Handler | 2.7m | 7,893.00 |
| GF 3000 | Grass Forks – Tele-Handler | 3.0m | 8,265.00 |
| TBB 100 | Tractor bolts on brackets | | 570.00 |
| IDBB 100 | Industrial bolt on brackets | | 797.00 |
| HX TIP | Replacement weld on hardox wear tips for tines | | 22.00 |

| GRASS FORKS - CONTRACTOR | | | |
|---------------------------------|--|-------|-------------|
| CF 2500 | Grass Forks – Contractor | 2.5m | \$13,163.00 |
| CF 2750 | Grass Forks - Contractor | 2.75m | 14,338.00 |
| CF 3000 | Grass Forks - Contractor | 3.0m | 15,426.00 |
| CF 3300 | Grass Forks - Contractor | 3.3m | 16,563.00 |
| CF 3600 | Grass Forks - Contractor | 3.6m | 17,686.00 |
| FGF DST | Double side tines | | 732.00 |
| FGF ZUC | Bolt in centre section for Z-linkage | | 273.00 |
| FGF TG | Transport tine guard | | 1,464.00 |
| COLOUR | Colour options (any off standard colour) | | 341.00 |
| HX TIP XL | Replacement weld on hardox wear tips for tines (Price includes weld on brackets, bolt on also available.) | | 47.00 |



PRICED IN CANADIAN DOLLARS

PRICES ARE FOB HARRISTON, ON – DESIGN & PRICE ARE SUBJECT TO CHANGE WITHOUT NOTICE



5808 Hwy #9, Harriston, Ontario, N0G 1Z0
Phone: 519-338-2923, Fax: 519-338-2756
Email: sales@harcoag.ca
www.harcoag.ca

PRICED IN CANADIAN DOLLARS

**PRICES ARE FOB HARRISTON, ON – DESIGN & PRICE ARE SUBJECT TO CHANGE WITHOUT
NOTICE**



GRAIN INDUSTRIAL HANDLING RANGE

ProDig Attachments

| Product Code # | Description | Size | List Price [CDN] |
|----------------------|----------------------|-------|------------------|
| HI-TIP BUCKET | | | |
| HTB1.6* | Hi Tip Bucket | 1.8m | \$18,904.00 |
| HTB2.0* | Hi Tip Bucket | 2.28m | 17,754.00 |
| HTB2.2* | Hi Tip Bucket | 2.5m | 18,076.00 |
| HTB2.4* | Hi Tip Bucket | 2.75m | 18,399.00 |
| HI-TIP BUCKET | | | |
| HTB 2.55 | Hi Tip Bucket | 2.28m | 18,318.00 |
| HTB 2.8 | Hi Tip Bucket | 2.5m | 18,399.00 |
| HTB 3.0 | Hi Tip Bucket | 2.7m | 18,563.00 |
| HTB 3.3 | Hi Tip Bucket | 2.75m | 18,721.00 |
| HI-TIP BUCKET | | | |
| HTB 3.35 | Hi Tip Bucket | 2.5m | \$18,885.00 |
| HTB 3.5 | Hi Tip Bucket | 2.7m | 19,043.00 |
| HTB 3.65 | Hi Tip Bucket | 2.75m | 19,208.00 |
| HTB 4.0 | Hi Tip Bucket | 3.0m | 19,369.00 |
| HI-TIP BUCKET | | | |
| HTB 4.15 | Hi Tip Bucket | 2.5m | \$20,255.00 |
| HTB 4.6 | Hi Tip Bucket | 2.75m | 20,417.00 |
| HTB 5.0 | Hi Tip Bucket | 3.0m | 20,658.00 |
| HI-TIP BUCKET | | | |
| HTB 5.0 | Hi Tip Bucket | 2.5m | \$20,658.00 |
| HTB 5.5 | Hi Tip Bucket | 2.75m | 21,145.00 |
| HTB 6.0 | Hi Tip Bucket | 3.0m | 21,790.00 |



PRICED IN CANADIAN DOLLARS

PRICES ARE FOB HARRISTON, ON – DESIGN & PRICE ARE SUBJECT TO CHANGE WITHOUT NOTICE



GRAIN INDUSTRIAL HANDLING RANGE

ProDig Attachments

| Product Code # | Description | Size | List Price [CDN] |
|--|---|--------------------|------------------|
| HEAVY DUTY HI-TIP BUCKET | | | |
| HD-HTB 4.15 | Heavy Duty Hi Tip Bucket | 4.15m ³ | \$36,313.00 |
| HD-HTB 4.6 | Heavy Duty Hi Tip Bucket | 4.6m ³ | 37,929.00 |
| HD-HTB 5.0 | Heavy Duty Hi Tip Bucket | 5.0m ³ | 38,735.00 |
| HEAVY DUTY HI-TIP BUCKET | | | |
| HD-HTB 5.1 | Heavy Duty Hi Tip Bucket | 5.1m ³ | \$38,896.00 |
| HD-HTB 5.5 | Heavy Duty Hi Tip Bucket | 5.5m ³ | 39,544.00 |
| HD-HTB 6.0 | Heavy Duty Hi Tip Bucket | 6.03m ³ | 40,350.00 |
| HEAVY DUTY HI-TIP BUCKET | | | |
| HD-HTB 6.65 | Heavy Duty Hi Tip Bucket | 6.65m ³ | \$41,962.00 |
| HD-HTB 7.35 | Heavy Duty Hi Tip Bucket | 7.35m ³ | 43,577.00 |
| HD-HTB 8.0 | Heavy Duty Hi Tip Bucket | 8.0m ³ | 45,192.00 |
| HTBB 100* | Industrial bolt on bracket * | | 1,209.00 |
| BOCE 3P 200x25 | Bolt on cutting edge (per metre) | 200x25mm | 642.00 |
| BOCE 3P 250x30 | Bolt on cutting edge (per metre) | 250x30mm | 946.00 |
| WOCE 200x25 | Weld on edge, welded to main cutting edge (per metre) | 200x25mm | 536.00 |
| HTB ZUCF | Z linkage cut out (bolt in flat plate section) | | 636.00 |
| HTB ZUCW | Z linkage cut out (bolt in z-linkage well) | | 1,011.00 |
| COLOUR | Colour options (any off standard colour) | | 375.00 |
| KILESKIFT | Extra over for Kileskift hitch | | 1,308.00 |
| <i>(Price includes weld on brackets)</i> | | | |



| MINI HI-TIP BUCKET | | | |
|--|----------------------------------|------|-------------|
| HTBSS 1500 | Mini Hi Tip Bucket | 1.5m | \$10,007.00 |
| HTBSS 1800 | Mini Hi Tip Bucket | 1.8m | 10,329.00 |
| HTBSS 2000 | Mini Hi Tip Bucket | 2.0m | 10,490.00 |
| HTBSS 1500-H | Mini High Capacity Hi Tip Bucket | 1.5m | 10,329.00 |
| HTBSS 1800-H | Mini High Capacity Hi Tip Bucket | 1.8m | 10,490.00 |
| HTBSS 2000-H | Mini High Capacity Hi Tip Bucket | 2.0m | 10,816.00 |
| <i>(Price does not include brackets)</i> | | | |



PRICED IN CANADIAN DOLLARS

PRICES ARE FOB HARRISTON, ON – DESIGN & PRICE ARE SUBJECT TO CHANGE WITHOUT NOTICE



GRAIN INDUSTRIAL HANDLING RANGE

ProDig Attachments

| Product Code # | Description | Size | List Price [CDN] |
|---------------------|--|----------|------------------|
| GRAIN BUCKET | | | |
| GB 1.9 | Grain Bucket | 2.28m | \$6,941.00 |
| GB 2.1 | Grain Bucket | 2.5m | 7,490.00 |
| GB 2.3 | Grain Bucket | 2.75m | 7,908.00 |
| GB 2.5 | Grain Bucket | 3.0m | 8,392.00 |
| GB 2.7 | Grain Bucket | 2.28m | 8,795.00 |
| GB 3.0 | Grain Bucket | 2.5m | 9,281.00 |
| GB 3.3 | Grain Bucket | 2.75m | 10,363.00 |
| GB 3.6 | Grain Bucket | 3.0m | 10,847.00 |
| GB 4.0 | Grain Bucket | 2.5m | 11,783.00 |
| GB 4.5 | Grain Bucket | 2.75m | 12,394.00 |
| GB 4.9 | Grain Bucket | 3.0m | 13,203.00 |
| BOCE 200x25 | Bolt on cutting edge (per metre) <i>(Price includes weld on brackets)</i> | 200x25mm | 642.00 |
| BOCE 250x30 | Bolt on cutting edge (per metre) <i>(Price includes weld on brackets)</i> | 250x30mm | 946.00 |



| TRACTOR LOADER BUCKET | | | |
|------------------------------|--|----------|------------|
| GPT 1500 | Loader Bucket – Tractor | 1.5m | \$2,477.00 |
| GPT 1800 | Loader Bucket – Tractor | 1.8m | 2,744.00 |
| GPT 2100 | Loader Bucket – Tractor | 2.1m | 3,069.00 |
| GPT 2500 | Loader Bucket – Tractor | 2.5m | 3,472.00 |
| | | | |
| BOCE 200x25 | Bolt on cutting edge (per metre) <i>(Price includes weld on brackets)</i> | 200x25mm | 642.00 |
| | | | |



| TELEHANDLER LOADER BUCKET | | | |
|----------------------------------|--|----------|------------|
| GP0.8 | Loader Bucket – Telehandler | 1.8m | \$3,810.00 |
| GP1.1 | Loader Bucket – Telehandler | 2.3m | 4,198.00 |
| GP1.5 | Loader Bucket – Telehandler | 2.5m | 4,042.00 |
| GP1.7 | Loader Bucket – Telehandler | 2.5m | 4,272.00 |
| GP-HD | Extra over for high volume sides | | 1,274.00 |
| BOCE 200x25 | Bolt on cutting edge (per metre) <i>(Price includes weld on brackets)</i> | 200x25mm | 642.00 |
| BOCE 250x30 | Bolt on cutting edge (per metre) | 250x30mm | 946.00 |
| | | | |



PRICED IN CANADIAN DOLLARS

PRICES ARE FOB HARRISTON, ON – DESIGN & PRICE ARE SUBJECT TO CHANGE WITHOUT NOTICE



GRAIN INDUSTRIAL HANDLING RANGE

ProDig Attachments

COMMODITY BAG FILLERS (Grain, Fertilizer, Sand, Stone, Plastic Pellets)

| Product Code # | Description | Size | List Price [CDN] |
|---------------------------|--|----------|------------------|
| BAG FILLER BUCKETS | | | |
| BF3 600 | Bag Filler Bucket w/swinging door system | 0.6m3 | \$9,179.00 |
| BF3 1000 | Bag Filler Bucket w/swinging door system | 1.0m3 | 9,864.00 |
| BF3 1400 | Bag Filler Bucket w/swinging door system | 1.4m3 | 10,847.00 |
| BF3 2000 | Bag Filler Bucket w/swinging door system | 2.0m3 | 12,214.00 |
| IDBB 100 | Industrial bolt on brackets | | 797.00 |
| FBF WD | Weigh Load System w/Digital Display | | 4,569.00 |
| BOCE 200x25 | Bolt on cutting edge (per metre) <i>(Price does not include brackets)</i> | 200x25mm | 642.00 |



COMMODITY BAG FILLERS (Grain, Fertilizer, Sand, Stone, Plastic Pellets)

| | | | |
|-------------------------------------|---|--|-------------|
| FORK LIFT BAG FILLER BUCKETS | | | |
| FBF 600 | Fork Lift Bag Filler Bucket | | \$18,284.00 |
| FBF 1000 | Fork Lift Bag Filler Bucket | | 18,640.00 |
| FBF 1400 | Fork Lift Bag Filler Bucket | | 19,012.00 |
| FBF WD | Weigh load system with digital display | | 4,569.00 |
| FBF HD | Remote control diverter hyd valve w/battery <i>(Price includes pallet fork carriage frame)</i> | | 1,550.00 |




PRICED IN CANADIAN DOLLARS


PRICES ARE FOB HARRISTON, ON – DESIGN & PRICE ARE SUBJECT TO CHANGE WITHOUT NOTICE



GRAIN INDUSTRIAL HANDLING RANGE

ProDig Attachments

| Product Code # | Description | Size | List Price [CDN] |
|--------------------|--|--|------------------|
| STONE FORKS | | | |
| SF 1800 | Stone Fork | 1.8m | \$6,941.00 |
| SF 2200 | Stone Fork | 2.2m | 7,824.00 |
| SF 2500 | Stone Fork | 2.5m | 8,962.00 |
| TBB 100 | Tractor bolt on brackets |  | 570.00 |
| IDBB 100 | Industrial bolt on brackets | | 797.00 |
| SF COMBO | 3-point linkage/Euro 50 or Euro quicke combo <i>(price does not include brackets)</i> | | 930.00 |

| | | | |
|---------------------|--|---|------------|
| MANURE FORKS | | | |
| MF 1800 | Manure Fork | 1.8m | \$5,326.00 |
| MF 2200 | Manure Fork | 2.2m | 6,166.00 |
| MF 2500 | Manure Fork | 2.5m | 6,780.00 |
| TBB 100 | Tractor bolt on brackets |  | 570.00 |
| IBDD 100 | Industrial bolt on brackets | | 797.00 |
| HX TIP | Replacement weld on hardox wear tips for tines <i>(Price does not include brackets)</i> | | Each |

| | | | |
|---------------------|--|-----------|------------|
| PALLET FORKS | | | |
| PF 2000 | Pallet Forks | 2.5 tonne | \$2,099.00 |
| PF 3000 | Pallet Forks | 3 tonne | 3,069.00 |
| PF 4900 | Pallet Forks | 5 tonne | 4,876.00 |
| PF 7000 | Pallet Forks | 7 tonne | 7,654.00 |
| PF 10000 | Pallet Forks | 10 tonne | 12,245.00 |
| PFSF 2-4.9 | Bolt on spill frame (PF 2000 to PF4900) | | 787.00 |
| PFSF 7-10 | Bolt on spill frame (PF 7000 to PF10000) <i>(Price includes weld on brackets)</i> | | 1,073.00 |

PRICED IN CANADIAN DOLLARS

PRICES ARE FOB HARRISTON, ON – DESIGN & PRICE ARE SUBJECT TO CHANGE WITHOUT NOTICE



GRAIN INDUSTRIAL HANDLING RANGE

ProDig Attachments

| Product Code # | Description | Size | List Price [CDN] |
|---------------------|--|----------|------------------|
| PRO SWEEP | | | |
| PS 2000 | Pro Sweep | 2.0m | \$3,550.00 |
| PS 2250 | Pro Sweep | 2.5m | 3,875.00 |
| PFS 1250 | Pro Sweep Pallet Fork Sleeves | 1250mm | 629.00 |
| PFS 800 | Pro Sweep Pallet Fork Sleeves | 800mm | 549.00 |
| PS COM | Pro Sweep Combination Hitch/3-pt Linkage & Pallet Forks | | 1,293.00 |
| PS DH | Pro Sweep Tractor/Industrial Loader Direct Hitch | | 710.00 |
| PS SWIVEL | Pro Sweep Swivel Head-price does not include brackets | | 983.00 |
| 3/8" PRV KIT | | | |
| 3/8 PRV KIT | 3/8" Pressure Relief Valve Kit | 3/8" | \$341.00 |
| 1/2" PRV KIT | | | |
| 1/2" PRV KIT | 1/2" Pressure Relief Valve Kit | 1/2" | 409.00 |
| TBB 100 | Tractor bolt on brackets | | 570.00 |
| IDBB 100 | Industrial bolt on brackets | | 797.00 |
| IDBB Custom | Custom/non-std bolt on brackets, 3-pt linkage, Terex 860, Skid Steer, JCB 3CX etc. | | 1,209.00 |
| TB 100 | Tractor weld-on brackets | | 375.00 |
| IDB 100 | Industrial weld-on brackets | | 598.00 |
| HTBB 100 | Industrial weld-on brackets for hi-tip bucket | | 1,209.00 |
| BE 150x16 | Cutting Edge – per metre | 150 x 16 | 245.00 |
| BE 150x20 | Cutting Edge – per metre | 150 x 20 | 264.00 |
| BE 200x25 | Cutting Edge – per metre | 200 x 25 | 428.00 |
| BE 200x30 | Cutting Edge – per metre | 250 x 30 | 626.00 |
| BOCE 200x25 | | | |
| BOCE 200x25 | Bolt on cutting edge – per metre | 200 x 25 | \$642.00 |
| BOCE 250x30 | | | |
| BOCE 250x30 | Bolt on cutting edge – per metre | 250 x 30 | 946.00 |
| WOCE 200x25 | | | |
| WOCE 200x25 | Weld on cutting edge, welded to main edge - per metre | 200 x 25 | 536.00 |
| WOCE 250x30 | | | |
| WOCE 250x30 | Weld on cutting edge, welded to main edge - per metre | 250 x 30 | 750.00 |



PRICED IN CANADIAN DOLLARS

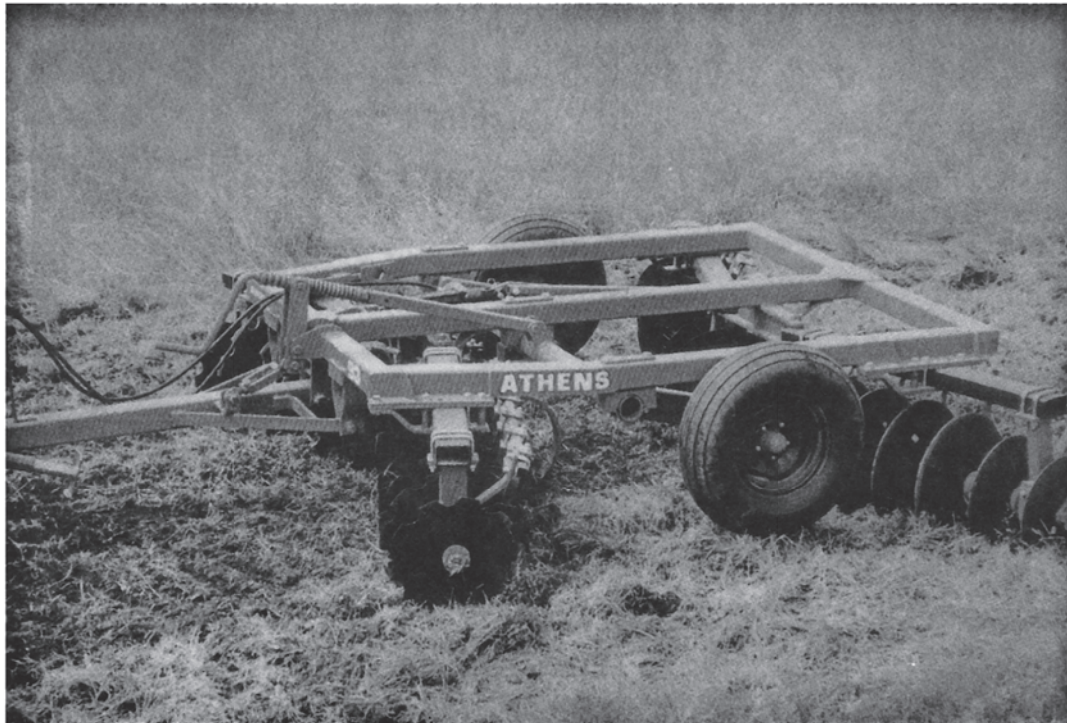
PRICES ARE FOB HARRISTON, ON – DESIGN & PRICE ARE SUBJECT TO CHANGE WITHOUT NOTICE

TAB 1

ATHENS

EFFECTIVE JANUARY, 2020

JAN 2024 - PLEASE ADD 30% TO ALL PRICES.
PLEASE CALL TO CONFIRM PRICING



WHOLEGOODS PRICE LIST



ATHENS PLOW COMPANY, INC.
P.O. BOX 609
ATHENS, TENNESSEE 37371-0609
TELEPHONE 423-744-PLOW (7569)
WATS 1-800-535-3852
FAX 1-423-744-7218

WWW.ATHENSPLOWCOMPANY.COM

TERMS AND DISCOUNTS FOR WHOLEGOODS ATHENS PLOW COMPANY, INC.

Eligible Items:

Items eligible for Wholegoods Discounts are serial-numbered units and extra equipment accessories ordered with or for that unit.

Trade Discount for Eligible Wholegoods Items:

| | |
|----------------------|-------|
| Regular Open Account | – 25% |
| Preseason (90 days) | – 25% |
| Floor Plan | – 20% |

Cash Discounts:

- A. Regular Open Account - 5% if paid 30 days from date of invoice. Net 31.
- B. Regular Preseason - 10% if paid 30 days from date of invoice. Net 31.
- C. Floor Plan - 8% if paid within 30 days.
8% if paid within 60 days.
8% if paid within 90 days.
8% if paid within 120 days.
6% if paid within 150 days.
4% if paid within 180 days.
2% if paid within 210 days.
NET 240 days.
- D. Volume Discount:
 - a) 5% extra cash discount for orders in excess of \$70,000 (open account) @ list, if paid 30 days from date of invoice.
 - b) 5% extra cash discount for additional wholegoods for the remainder of the calendar year.
- E. No discount will be allowed on current invoices if any invoices are past due.
- F. Government Agency Discount applies to all units. Government Agency Discount is an additional 5% (Maximum discount of 5% Cash and Government). Government discount applies if paid 30 days from date of invoice. A copy of the Government Purchase Order must accompany the dealer remittance to earn the special discount. Eligible agencies include any department of Federal, State, County or City Government, Soil Conservation, Drainage and Water Districts.

GENERAL STATEMENTS AS TO TERMS AND DISCOUNTS

No cash discount is allowed on warranty pending items.

Payment is due immediately for retailed units: units that have been removed from dealer's main place of business, items that have been used or not adequately protected against devaluation, or due date of invoice, whichever is earlier.

Past due invoices are subject to a 1 – 1 ½% per month interest charge or the maximum allowable per law, whichever is less.

It is the dealer's responsibility to see that discounted payments reach our office on or before the due dates specified to receive discounts.

All prices are F.O.B. Athens Plow Company.

RETURNED GOODS

WHOLEGOODS

Returns must be approved by Athens Plow Co., Inc. When approved for return, dealer must prepay shipping costs. Credit will be issued at original invoice amount less applicable cash discount. There will be a restocking charge of 10%.

MERCHANDISE RECEIPT

Any variation between items ordered and shipped and actual items received must be reported to Athens Plow as soon as the variation is recognized and no later than 30 days after receipt of shipment.

All shipments are made F.O.B. our Shipping Dock. All claims regarding the errors, shortages, and/or damages in shipment are the responsibility of the consignee and should be filed with the delivering carrier.

WARRANTY POLICY GUIDE

ATHENS PLOW COMPANY, INC.

A. The Purpose of Warranty

Warranty assures the purchaser that should a defect in material or workmanship occur during the warranty period, Athens Plow Company, Inc. will assume specific repair responsibilities, as listed in the warranty statement. The warranty statement is to be provided to each purchaser of each piece of new equipment. Warranty begins on the date the product is delivered to the original purchaser of the product. Once the warranty period has begun, it cannot be stopped or interrupted.

B. Dealer Responsibilities

The following responsibilities are to be performed when the dealer delivers a product to the purchaser or otherwise places it into warranty service:

1. Complete the Warranty Registration Form and forward to Athens Plow Company, Inc. within 30 days of the sale of the product. Warranty reimbursement is contingent upon product registration.
2. Review warranty statement, operator's manual and complete delivery report with purchaser to assure understanding of purchaser's responsibilities as related to warranty, service and the proper and safe operation of the product. Purchaser should be advised to have failed parts repaired or replaced immediately upon failure and that continued use will result in additional damage and excessive wear.
3. Contact manufacturer prior to beginning repair or replacement of failed parts to make certain that the cost of repairs are consistent with the value of the product when sold. Warranty requests for units in dealer's inventory may be submitted to Athens Plow Company, Inc. when defects are noted in the product prior to the retail sale of that unit.
4. Provide warranty and service repairs as directed by Athens Plow Company, Inc. instructions.
5. All warranty work must be completed within 30 days of failure. Notify Athens Plow Company, Inc. if repairs will require more than 30 days after failure for an extension. No claim will be accepted for warranties that exceed this 30 day period.
6. No warranty will be allowed on units delivered to the retail customer prior to the full payment of that unit to the manufacturer by the dealer.
7. If diagnostic time is required, contact Athens Plow Company, Inc. prior to beginning the warranty repair for approval. Travel time reimbursement must be approved by Athens Plow Company, Inc. prior to beginning the warranty repair.

C. Athens Plow Company's Responsibilities

1. Reimbursement for parts used in warranty repair will be credited only when the parts are purchased from Athens Plow Company, Inc. Parts will be credited at dealer's net cost. No warranty will be allowed on parts that are past Due.
2. Dealer should use parts from their parts inventory first. In the event that parts must be shipped from Athens Plow Company, Inc., freight will be paid by Athens Plow Company, Inc. and will be shipped by the most economical means to arrive in the shortest possible time. Air, Next Day Air, Priority and other special shipment methods requested by the dealer will be at customer's expense.
3. Warranty Labor Reimbursement for labor expense to the dealer is made by payment of \$35.00 per shop hour, or as regulated by state statutes. Repair times will be reviewed by Athens Plow Company, Inc. and may be adjusted to average repair time required by other dealers to make similar repairs.
4. Reimbursements for repairs made by outside sources (not dealer personal) will be made for those services deemed necessary for the resolution of the warranty by Athens Plow Company, Inc. Outside repair invoices must have approval from Athens Plow Company, Inc. and must be attached to the warranty claim after approval.

D. Other Warranty Provisions

The following guidelines are to be followed when performing warranty repairs:

1. In all cases, the most economical repair should be performed unless otherwise directed. Credit will not be allowed for assemblies if it is practical to make the repair with individual parts. In some cases, the assembly price may be less than the total of the parts and labor required to complete the repair. In those cases, an assembly may be used.
2. Only those parts provided by Athens Plow Company, Inc. are covered under warranty. The use of parts from other sources will not be eligible for warranty consideration.
3. All parts removed during warranty repair should be held for a period of 60 days after the warranty claim has been submitted to Athens Plow Company, Inc. These parts can be discarded if disposition or return request has not been made during this period. Parts that are returned upon request to Athens Plow Company, Inc. for which credit has not been issued can be returned upon dealer request within 30 days of claim disposition. These parts will be discarded after the 30 day period.
4. Athens Plow Company, Inc. reserves the right to deny or reverse any and all warranty claims for parts, labor, or miscellaneous charges when errors are found or warranty provisions are abused or fraudulent claims are submitted.

5. Warranty reimbursement is not possible:
 - a. If parts returned are not cleaned and properly identified, or if they are damaged in return shipment due to poor packaging.
 - b. When failure falls under the "limitations" as identified in the Warranty Statement.
 - c. When Athens Plow Company, Inc. has requested the return of certain parts, assemblies or information and has not received material within 30 days of date posted on return request.
 - d. On claims due to damage or shortage that are obviously the responsibility of the dealer or the delivering carrier.
 - e. On the entire claim when the warranty policy and provisions are not followed.
All dealers will warranty their technician's work to the purchaser and will indemnify Athens Plow Company, Inc. from such claims.

E. Use of Photos

Pictures should be attached to the dealer's claim when their inclusion will help identify the condition of the part being repaired or replaced, and thus assisting in the approval of the claim. In some cases, the use of photos may eliminate the need to return parts for evaluation. Photos will not be returned unless specifically requested.

F. Delayed Warranty Repairs

Warranty repairs should be scheduled and performed as soon as possible after notification of dealer and Athens Plow Company, Inc. There may be circumstances that require the use of the product for a short period of time by the retail customer or the availability of repair parts necessary to complete the repairs will require the work to extend past the 30 day period. In those cases, the dealer must notify Athens Plow Company, Inc. in writing of the extenuating circumstance and advise that the continued use of the product will not enlarge the warranty claim. These claims will then be processed as if the product is still within the warranty period.

G. Denied Claims

Dealers will be notified of a denied claim in writing that will state the reason for the denial. The dealer has the right to appeal this claim and must do so within 30 days of notification of denial. If there has been no appeal within the 30 day period the Claim will be considered closed.

LIMITED WARRANTY STATEMENT

Athens Plow Company, Inc. warrants each new Athens Plow Company, Inc. product to be free from defects in material and Workmanship. This warranty is applicable only for the normal service life expectancy of the product or components, not to exceed twelve consecutive months from the date of delivery of the new Athens Plow Company, Inc. product to the original purchaser. Athens Plow Company, Inc. reserves the right to make improvements in design or changes in specifications at any time, without incurring any obligation to owners of units previously sold.

Our obligation under this warranty shall be limited to repairing or replacing, free of charge to the original purchaser, any part that, in our judgment, shall show evidence of such defect, provided further that such part shall be returned within thirty (30) days from date of failure to Athens Plow Company, Inc., routed through the dealer from whom the purchase was made, transportation charges prepaid.

This warranty shall not be interpreted to render Athens Plow Company, Inc. liable for injury or damages of any kind or nature to person or property. This warranty does not extend to the loss of crops, loss because of delay in harvesting, or any expense or loss incurred for labor, substitute machinery, rental or for any other reason. Except as set forth above, Athens Plow Company, Inc. shall have no obligation or liability of any kind on account of any of its equipment and shall not be liable for special or consequential damages. Athens Plow Company, Inc. makes no other warranty, expressed or implied, and, specifically, Athens Plow Company, Inc. disclaims any implied warranty or merchantability or fitness for a particular purpose. Some states or provinces do not permit limitations or exclusions of implied warranties or incidental or consequential damages, so the limitations or exclusions in this warranty may not apply.

This warranty is subject to any existing conditions of supply which may directly affect our ability to obtain materials or manufacture replacement parts.

No one is authorized to alter, modify or enlarge this warranty nor the exclusion, limitations and reservations.

INDEX

PAGE

LIFT TYPE DISK HARROWS

| | |
|------------|----|
| MODEL BBD5 | 1 |
| MODEL 37 | 2 |
| MODEL 47 | 3 |
| MODEL 52 | 5 |
| MODEL 55 | 7 |
| MODEL 65 | 10 |
| MODEL 66 | 12 |

PULL TYPE DISK HARROWS

Tandem

| | |
|-----------|----|
| MODEL 62 | 15 |
| MODEL 93 | 26 |
| MODEL 153 | 30 |

Double Offsets

| | |
|-----------|----|
| MODEL 76 | 19 |
| MODEL 77 | 23 |
| MODEL 116 | 31 |
| MODEL 119 | 34 |

Offsets

| | |
|-----------|----|
| MODEL 97 | 36 |
| MODEL 107 | 38 |
| MODEL 127 | 39 |
| MODEL 167 | 42 |
| MODEL 137 | 45 |
| MODEL 187 | 47 |
| MODEL 287 | 49 |

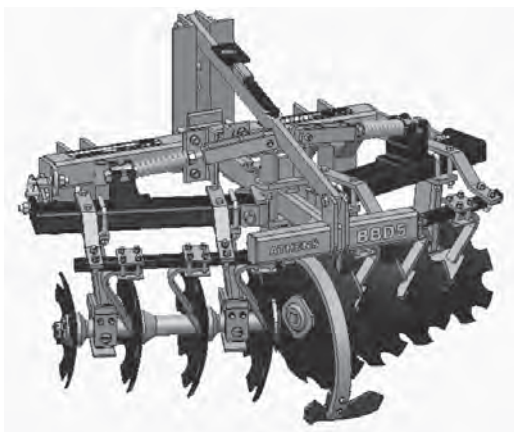
CHISEL PLOWS

| | |
|-----------|----|
| MODEL 156 | 50 |
|-----------|----|

LEVEE PLOWS

| | |
|-----------|----|
| MODEL 220 | 53 |
|-----------|----|

ATHENS BBD5/BBD6 LIFT-TYPE DISK HARROW

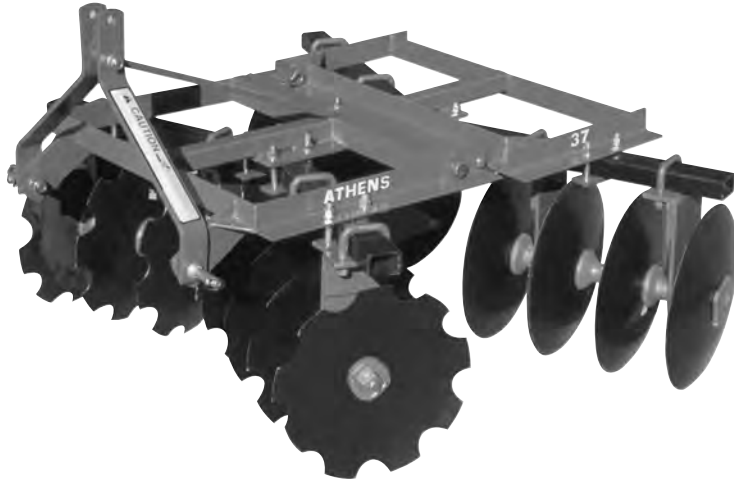


SPECIFICATIONS:

Cutting Width 5' 0" & 6' 6"
 Disc Spacing 9"
 Disc Diameter 22" C/O Tapered
 Cat. II Free Link or Quick Coupler
 Relube Ball Bearings
 Rigid or Spring Bearing Hangers
 1 1/4" Cold Rolled Square Gang Axle
 with Gang Wrench
 Adjustable Angle of Cut 15° and 18°
 Heavy Duty Scrapers
 Balk Buster

| MODEL NUMBER | DISC DIAM | TYPE OF DISC | DISC THICK | # OF DISC | DISC SPACING | # OF BRGS | APX WT (LBS) | SUGST PRICE |
|-------------------|-----------|--------------|------------|-----------|--------------|-----------|--------------|-------------|
| <u>5' 0" WIDE</u> | | | | | | | | |
| BBD5-0827-65T | 22" Tap | C/O | .197 | 8 | 9" | 4 | 985 | \$4,205 |
| <u>6' 6" WIDE</u> | | | | | | | | |
| BBD6-1027-65T | 22" Tap | C/O | .197 | 10 | 9" | 4 | 1017 | \$4,478 |

ATHENS 37 LIFT TYPE DISK HARROW



SPECIFICATIONS:

Cutting Width – 5'2" to 6'5"

Disc Spacing – 7", 9", or 9"F/7"R

Discs – 18" Diameter – CO / SM

STANDARD EQUIPMENT:

Category I Hitch

Adjustable Angle of Cut

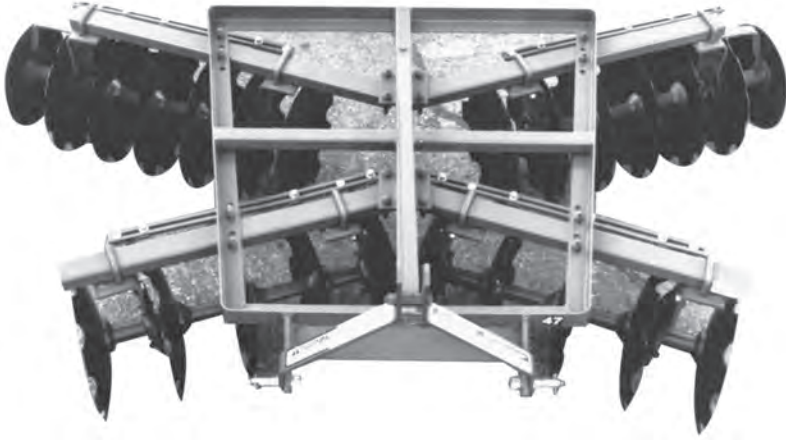
1" High Carbon Steel Square Axles

Factory Assembled Gangs

Triple-Lip Sealed Ball Bearings

| <u>MODEL NUMBER</u> | <u>DISK DIAM</u> | <u>TYPE OF DISK</u> | | <u>DISK THCK</u> | <u># OF DISK</u> | <u>DISK SPACING</u> | | <u># OF BRGS</u> | <u>APX WT</u> | <u>SUGST PRICE</u> |
|---------------------|------------------|---------------------|-------------|------------------|------------------|---------------------|-------------|------------------|---------------|--------------------|
| | | <u>FRNT</u> | <u>REAR</u> | | | <u>FRNT</u> | <u>REAR</u> | | | |
| <u>5'2" WIDE</u> | | | | | | | | | | |
| 037-1611-010 | 18 | C.O. | C.O. | .118 | 16 | 7" | 7" | 8 | 624 | \$1,792 |
| 037-1611-110 | 18 | SM. | SM. | .118 | 16 | 7" | 7" | 8 | 640 | \$1,787 |
| 037-1611-410 | 18 | C.O. | SM. | .118 | 16 | 7" | 7" | 8 | 632 | \$1,779 |
| <u>6'3" WIDE</u> | | | | | | | | | | |
| 037-1621-010 | 18 | C.O. | C.O. | .118 | 16 | 9" | 9" | 8 | 654 | \$1,828 |
| 037-1621-110 | 18 | SM. | SM. | .118 | 16 | 9" | 9" | 8 | 670 | \$1,792 |
| 037-1621-410 | 18 | C.O. | SM. | .118 | 16 | 9" | 9" | 8 | 662 | \$1,811 |
| <u>6'5" WIDE</u> | | | | | | | | | | |
| 037-1831-010 | 18 | C.O. | C.O. | .118 | 18 | 9" | 7" | 8 | 680 | \$1,905 |
| 037-1831-110 | 18 | SM. | SM. | .118 | 18 | 9" | 7" | 8 | 698 | \$1,874 |
| 037-1831-410 | 18 | C.O. | SM. | .118 | 18 | 9" | 7" | 8 | 690 | \$1,890 |
| 037-2011-010 | 18 | C.O. | C.O. | .118 | 20 | 7" | 7" | 8 | 702 | \$1,985 |
| 037-2011-110 | 18 | SM. | SM. | .118 | 20 | 7" | 7" | 8 | 722 | \$1,955 |
| 037-2011-410 | 18 | C.O. | SM. | .118 | 20 | 7" | 7" | 8 | 712 | \$1,968 |

ATHENS 47 LIFT TYPE DISK HARROW



SPECIFICATIONS:

Cutting Width – 6'3" to 7'9"
 Disk Spacing – 7", 9", or 9"F/7"R
 18" or 20" Disks – CO/SM

STANDARD EQUIPMENT:

Category I Hitch
 Adjustable Angle of Cut
 1" High Carbon Square Axles
 Factory Assembled Gangs
 Triple Lip Sealed Ball Bearings

| MODEL NUMBER | DISK DIAM | TYPE OF DISK | | DISK THCK | # OF DISK | DISK SPACING | | # OF BRGS | APX WT | SUGST PRICE |
|-------------------------|--------------|--------------|------|--------------|--------------|--------------|------|--------------|-----------|----------------|
| | | FRNT | REAR | | | FRNT | REAR | | | |
| <u>6'3" WIDE</u> | | | | | | | | | | |
| 047-1621-010 | 18" | C.O. | C.O. | .118 | 16 | 9" | 9" | 8 | 664 | \$1,910 |
| 047-1621-020 | 20" | C.O. | C.O. | .138 | 16 | 9" | 9" | 8 | 712 | \$2,063 |
| 047-1621-110 | 18" | SM. | SM. | .118 | 16 | 9" | 9" | 8 | 680 | \$1,845 |
| 047-1621-120 | 20" | SM. | SM. | .118 | 16 | 9" | 9" | 8 | 712 | \$2,007 |
| 047-1621-410 | 18" | C.O. | SM. | .118 | 16 | 9" | 9" | 8 | 672 | \$1,874 |
| 047-1621-420 | 20" | C.O. | SM. | .138 | 16 | 9" | 9" | 8 | 712 | \$2,035 |
| <u>6'5" WIDE</u> | | | | | | | | | | |
| 047-1831-010 | 18" | C.O. | C.O. | .118 | 18 | 9" | 7" | 8 | 690 | \$2,000 |
| 047-1831-020 | 20" | C.O. | C.O. | .138 | 18 | 9" | 7" | 8 | 744 | \$2,186 |
| 047-1831-110 | 18" | SM. | SM. | .118 | 18 | 9" | 7" | 8 | 708 | \$1,887 |
| 047-1831-120 | 20" | SM. | SM. | .118 | 18 | 9" | 7" | 8 | 744 | \$2,009 |
| 047-1831-410 | 18" | C.O. | SM. | .118 | 18 | 9" | 7" | 8 | 700 | \$1,944 |
| 047-1831-420 | 20" | C.O. | SM. | .138 | 18 | 9" | 7" | 8 | 744 | \$2,105 |
| 047-2011-010 | 18" | C.O. | C.O. | .118 | 20 | 7" | 7" | 8 | 712 | \$2,060 |
| 047-2011-020 | 20" | C.O. | C.O. | .138 | 20 | 7" | 7" | 8 | 772 | \$2,298 |
| 047-2011-110 | 18" | SM. | SM. | .118 | 20 | 7" | 7" | 8 | 732 | \$1,973 |
| 047-2011-120 | 20" | SM. | SM. | .118 | 20 | 7" | 7" | 8 | 772 | \$2,104 |
| 047-2011-410 | 18" | C.O. | SM. | .118 | 20 | 7" | 7" | 8 | 722 | \$2,016 |
| 047-2011-420 | 20" | C.O. | SM. | .138 | 20 | 7" | 7" | 8 | 772 | \$2,203 |

| <u>MODEL NUMBER</u> | <u>DISK DIAM</u> | <u>TYPE OF DISK</u> | | <u>DISK THCK</u> | <u># OF DISK</u> | <u>DISK SPACING</u> | | <u># OF BRGS</u> | <u>APX WT</u> | <u>SUGST PRICE</u> |
|---------------------|------------------|---------------------|-------------|------------------|------------------|---------------------|-------------|------------------|---------------|--------------------|
| | | <u>FRNT</u> | <u>REAR</u> | | | <u>FRNT</u> | <u>REAR</u> | | | |
| <u>7'6" WIDE</u> | | | | | | | | | | |
| 047-2231-010 | 18" | C.O. | C.O. | .118 | 22 | 9" | 7" | 8 | 762 | \$2,219 |
| 047-2231-020 | 20" | C.O. | C.O. | .138 | 22 | 9" | 7" | 8 | 828 | \$2,440 |
| 047-2231-110 | 18" | SM. | SM. | .118 | 22 | 9" | 7" | 8 | 784 | \$2,085 |
| 047-2231-120 | 20" | SM. | SM. | .118 | 22 | 9" | 7" | 8 | 828 | \$2,228 |
| 047-2231-410 | 18" | C.O. | SM. | .118 | 22 | 9" | 7" | 8 | 773 | \$2,144 |
| 047-2231-420 | 20" | C.O. | SM. | .138 | 22 | 9" | 7" | 8 | 828 | \$2,250 |
| 047-2411-010 | 18" | C.O. | C.O. | .118 | 24 | 7" | 7" | 8 | 782 | \$2,295 |
| 047-2411-020 | 20" | C.O. | C.O. | .138 | 24 | 7" | 7" | 8 | 854 | \$2,535 |
| 047-2411-110 | 18" | SM. | SM. | .118 | 24 | 7" | 7" | 8 | 806 | \$2,146 |
| 047-2411-120 | 20" | SM. | SM. | .118 | 24 | 7" | 7" | 8 | 854 | \$2,300 |
| 047-2411-410 | 18" | C.O. | SM. | .118 | 24 | 7" | 7" | 8 | 794 | \$2,220 |
| 047-2411-420 | 20" | C.O. | SM. | .138 | 24 | 7" | 7" | 8 | 854 | \$2,418 |

7'9" WIDE

| | | | | | | | | | | |
|--------------|-----|------|------|------|----|----|----|---|-----|---------|
| 047-2021-010 | 18" | C.O. | C.O. | .118 | 20 | 9" | 9" | 8 | 737 | \$2,060 |
| 047-2021-020 | 20" | C.O. | C.O. | .138 | 20 | 9" | 9" | 8 | 797 | \$2,264 |
| 047-2021-110 | 18" | SM. | SM. | .118 | 20 | 9" | 9" | 8 | 757 | \$1,941 |
| 047-2021-120 | 20" | SM. | SM. | .118 | 20 | 9" | 9" | 8 | 797 | \$2,069 |
| 047-2021-410 | 18" | C.O. | SM. | .118 | 20 | 9" | 9" | 8 | 747 | \$1,999 |
| 047-2021-420 | 20" | C.O. | SM. | .138 | 20 | 9" | 9" | 8 | 797 | \$2,169 |

| <u>EXTRA EQUIPMENT</u> | <u>WIDTH</u> | <u>SPACING</u> | <u>APX WT</u> | <u>SUGST PRICE</u> | |
|------------------------|--------------|----------------|---------------|--------------------|-------|
| 9-047-916210 | SCRAPERS | 6'3" | 9" | 48# | \$160 |
| 9-047-918310 | SCRAPERS | 6'5" | 9"F,7"R | 50# | \$163 |
| 9-047-920110 | SCRAPERS | 6'5" | 7" | 53# | \$177 |
| 9-047-920210 | SCRAPERS | 7'9" | 9" | 57# | \$185 |
| 9-047-922310 | SCRAPERS | 7'6" | 9"F,7"R | 61# | \$188 |
| 9-047-924110 | SCRAPERS | 7'6" | 7" | 63# | \$198 |

ATHENS 52 LIFT-TYPE TANDEM DISK HARROW



SPECIFICATIONS:

Cutting Width 6' 6", 7' 0", 7' 11", and 8' 2"

Disc Spacing 7 ½", 9", or 9" F and 7 ½" R

Disc Diameter 18" or 20" C/O or SM

Cat. I Free Link

Relube Ball Bearings

Flangette Bearing Hangers

1 ⅛" Cold Rolled Square Gang Axle
with Gang Wrench

Adjustable Angle of Cut 15° and 18°

Heavy Duty Scrapers (Extra Equipment)

Cover Discs (Extra Equipment)

| MODEL NUMBER | DISC DIA | TYPE OF DISC FRT REAR | DISC THICK | # OF DISC | DISC SPACING FRT REAR | # OF BRGS | APX WT (LBS) | SUGST PRICE |
|-------------------|----------|--------------------------|------------|-----------|--------------------------|-----------|--------------|-------------|
| <u>6' 6" WIDE</u> | | | | | | | | |
| 052-1622-211 | 18" | C/O C/O | .138 | 16 | 9" 9" | 8 | 823 | \$2,819 |
| 052-1622-311 | 18" | SM SM | .138 | 16 | 9" 9" | 8 | 855 | \$2,760 |
| 052-1622-511 | 18" | C/O SM | .138 | 16 | 9" 9" | 8 | 839 | \$2,783 |
| 052-1622-221 | 20" | C/O C/O | .148 | 16 | 9" 9" | 8 | 868 | \$3,017 |
| 052-1622-321 | 20" | SM SM | .148 | 16 | 9" 9" | 8 | 904 | \$2,963 |
| 052-1622-521 | 20" | C/O SM | .148 | 16 | 9" 9" | 8 | 886 | \$2,979 |
| <u>7' 0" WIDE</u> | | | | | | | | |
| 052-1832-211 | 18" | C/O C/O | .138 | 18 | 9" 7 ½" | 8 | 872 | \$2,947 |
| 052-1832-311 | 18" | SM SM | .138 | 18 | 9" 7 ½" | 8 | 908 | \$2,869 |
| 052-1832-511 | 18" | C/O SM | .138 | 18 | 9" 7 ½" | 8 | 892 | \$2,915 |
| 052-1832-221 | 20" | C/O C/O | .148 | 18 | 9" 7 ½" | 8 | 922 | \$3,175 |
| 052-1832-321 | 20" | SM SM | .148 | 18 | 9" 7 ½" | 8 | 962 | \$3,071 |
| 052-1832-521 | 20" | C/O SM | .148 | 18 | 9" 7 ½" | 8 | 944 | \$3,122 |
| 052-2012-211 | 18" | C/O C/O | .138 | 20 | 7 ½" 7 ½" | 8 | 898 | \$3,080 |
| 052-2012-311 | 18" | SM SM | .138 | 20 | 7 ½" 7 ½" | 8 | 938 | \$2,987 |
| 052-2012-511 | 18" | C/O SM | .138 | 20 | 7 ½" 7 ½" | 8 | 918 | \$3,043 |
| 052-2012-221 | 20" | C/O C/O | .148 | 20 | 7 ½" 7 ½" | 8 | 954 | \$3,330 |
| 052-2012-321 | 20" | SM SM | .148 | 20 | 7 ½" 7 ½" | 8 | 998 | \$3,213 |
| 052-2012-521 | 20" | C/O SM | .148 | 20 | 7 ½" 7 ½" | 8 | 976 | \$3,268 |

| MODEL NUMBER | DISC DIAM | TYPE OF DISC | | DISC THICK | # OF DISC | DISC SPACING | | # OF BRGS | APX WT | SUGST PRICE |
|--------------------|-----------|--------------|------|------------|-----------|--------------|------|-----------|--------|-------------|
| | | FRT | REAR | | | FRT | REAR | | | |
| <u>7' 11" WIDE</u> | | | | | | | | | | |
| 052-2022-211 | 18" | C/O | C/O | .138 | 20 | 9" | 9" | 8 | 926 | \$3,295 |
| 052-2022-311 | 18" | SM | SM | .138 | 20 | 9" | 9" | 8 | 966 | \$3,085 |
| 052-2022-511 | 18" | C/O | SM | .138 | 20 | 9" | 9" | 8 | 946 | \$3,150 |
| 052-2022-221 | 20" | C/O | C/O | .148 | 20 | 9" | 9" | 8 | 982 | \$3,431 |
| 052-2022-321 | 20" | SM | SM | .148 | 20 | 9" | 9" | 8 | 1026 | \$3,315 |
| 052-2022-521 | 20" | C/O | SM | .148 | 20 | 9" | 9" | 8 | 1004 | \$3,380 |
| <u>8' 2" WIDE</u> | | | | | | | | | | |
| 052-2232-211 | 18" | C/O | C/O | .138 | 22 | 9" | 7 ½" | 8 | 946 | \$3,294 |
| 052-2232-311 | 18" | SM | SM | .138 | 22 | 9" | 7 ½" | 8 | 990 | \$3,213 |
| 052-2232-511 | 18" | C/O | SM | .138 | 22 | 9" | 7 ½" | 8 | 970 | \$3,263 |
| 052-2232-221 | 20" | C/O | C/O | .148 | 22 | 9" | 7 ½" | 8 | 1008 | \$3,585 |
| 052-2232-321 | 20" | SM | SM | .148 | 22 | 9" | 7 ½" | 8 | 1057 | \$3,460 |
| 052-2232-521 | 20" | C/O | SM | .148 | 22 | 9" | 7 ½" | 8 | 1035 | \$3,523 |
| 052-2412-211 | 18" | C/O | C/O | .138 | 24 | 7 ½" | 7 ½" | 8 | 966 | \$3,442 |
| 052-2412-311 | 18" | SM | SM | .138 | 24 | 7 ½" | 7 ½" | 8 | 1014 | \$3,332 |
| 052-2412-511 | 18" | C/O | SM | .138 | 24 | 7 ½" | 7 ½" | 8 | 990 | \$3,383 |
| 052-2412-221 | 20" | C/O | C/O | .148 | 24 | 7 ½" | 7 ½" | 8 | 1033 | \$3,741 |
| 052-2412-321 | 20" | SM | SM | .148 | 24 | 7 ½" | 7 ½" | 8 | 1086 | \$3,560 |
| 052-2412-521 | 20" | C/O | SM | .148 | 24 | 7 ½" | 7 ½" | 8 | 1060 | \$3,680 |

EXTRA EQUIPMENT

| SCRAPERS | WIDTH | SPACING | APPROX. WEIGHT | SUGST PRICE |
|--------------|--------|---------------|----------------|-------------|
| 9-052-916220 | 6' 6" | 9" | 122# | \$344 |
| 9-052-918320 | 7' 0" | 9" F / 7 ½" R | 131# | \$385 |
| 9-052-920120 | 7' 0" | 7 ½" | 140# | \$404 |
| 9-052-920220 | 7' 11" | 9" | 147# | \$445 |
| 9-052-922320 | 8' 2" | 9" F / 7 ½" R | 157# | \$473 |
| 9-052-924120 | 8' 2" | 7 ½" | 166# | \$504 |

| COVER DISCS | DESCRIPTION | APX. WEIGHT | SUGST PRICE |
|--------------|-------------------------------------|-------------|-------------|
| 9-052-700016 | Cover Discs w/o Scraper w/ 16" Disc | 34# | \$169 |
| 9-052-709016 | Cover Discs w/ Scraper w/ 16" Disc | 43# | \$197 |

OPTIONAL EQUIPMENT

TO SPECIFY CAT. II IN LIEU OF CAT I, CHANGE THE 10TH DIGIT FROM 1 TO 2.

NO CHARGE

ATHENS 55 LIFT TYPE DISK HARROW

SPECIFICATIONS:

Cutting Width 6'6" to 10'9"
 Disk spacing 7-1/2", 9" or
 9" Front, 7-1/2" Rear
 20" or 22" Disks – Cutout or Smooth
 Heavy Duty Scrapers (Extra Equip.)
 Category I or II Hitch
 Relube Ball Bearings

STANDARD EQUIPMENT:

Category II Hitch
 1-1/8" Cold Rolled Square Axles
 W/Wrench
 Tapered Outside Rear Disk Gangs
 Factory Assembled Gangs
 Adjustable Angle of Cut
 Flangette Bearing Hangers
 Relube Ball Bearings



| <u>MODEL NUMBER</u> | <u>DISK DIAM</u> | <u>TYPE OF DISK</u> | | <u>DISK THCK</u> | <u># OF DISK</u> | <u>DISK SPACING</u> | | <u># OF BRGS</u> | <u>APX WT</u> | <u>SUGST PRICE</u> |
|---------------------|------------------|---------------------|------|------------------|------------------|---------------------|--------|------------------|---------------|--------------------|
| | | FRNT | REAR | | | FRNT | REAR | | | |
| <u>6'6" WIDE</u> | | | | | | | | | | |
| 055-1622-222 | 20" | C.O. | C.O. | .138 | 16 | 9" | 9" | 8 | 1006 | \$3,494 |
| 055-1622-642 | 22" | C.O. | C.O. | .177 | 16 | 9" | 9" | 8 | 1054 | \$3,704 |
| 055-1622-322 | 20" | SM. | SM. | .138 | 16 | 9" | 9" | 8 | 1024 | \$3,427 |
| 055-1622-742 | 22" | SM. | SM. | .177 | 16 | 9" | 9" | 8 | 1072 | \$3,648 |
| 055-1622-522 | 20" | C.O. | SM. | .138 | 16 | 9" | 9" | 8 | 1014 | \$3,453 |
| 055-1622-842 | 22" | C.O. | SM. | .177 | 16 | 9" | 9" | 8 | 1063 | \$3,663 |
| <u>7'0" WIDE</u> | | | | | | | | | | |
| 055-1832-222 | 20" | C.O. | C.O. | .138 | 18 | 9" | 7-1/2" | 8 | 1039 | \$3,630 |
| 055-1832-642 | 22" | C.O. | C.O. | .177 | 18 | 9" | 7-1/2" | 8 | 1096 | \$3,873 |
| 055-1832-322 | 20" | SM. | SM. | .138 | 18 | 9" | 7-1/2" | 8 | 1058 | \$3,545 |
| 055-1832-742 | 22" | SM. | SM. | .177 | 18 | 9" | 7-1/2" | 8 | 1117 | \$3,762 |
| 055-1832-522 | 20" | C.O. | SM. | .138 | 18 | 9" | 7-1/2" | 8 | 1049 | \$3,596 |
| 055-1832-842 | 22" | C.O. | SM. | .177 | 18 | 9" | 7-1/2" | 8 | 1108 | \$3,817 |
| 055-2012-222 | 20" | C.O. | C.O. | .138 | 20 | 7-1/2" | 7-1/2" | 8 | 1072 | \$3,771 |
| 055-2012-642 | 22" | C.O. | C.O. | .177 | 20 | 7-1/2" | 7-1/2" | 8 | 1138 | \$4,039 |
| 055-2012-322 | 20" | SM. | SM. | .138 | 20 | 7-1/2" | 7-1/2" | 8 | 1092 | \$3,674 |
| 055-2012-742 | 22" | SM. | SM. | .177 | 20 | 7-1/2" | 7-1/2" | 8 | 1161 | \$3,914 |
| 055-2012-522 | 20" | C.O. | SM. | .138 | 20 | 7-1/2" | 7-1/2" | 8 | 1081 | \$3,733 |
| 055-2012-842 | 22" | C.O. | SM. | .177 | 20 | 7-1/2" | 7-1/2" | 8 | 1149 | \$3,973 |

| MODEL NUMBER | DISK DIAM | TYPE OF DISK | | DISK THCK | # OF DISK | DISK SPACING | | # OF BRGS | APX WT | SUGST PRICE |
|-------------------|-----------|--------------|------|-----------|-----------|--------------|--------|-----------|--------|-------------|
| | | FRNT | REAR | | | FRNT | REAR | | | |
| <u>7'11" WIDE</u> | | | | | | | | | | |
| 055-2022-222 | 20" | C.O. | C.O. | .138 | 20 | 9" | 9" | 8 | 1125 | \$4,000 |
| 055-2022-642 | 22" | C.O. | C.O. | .177 | 20 | 9" | 9" | 8 | 1192 | \$4,146 |
| 055-2022-322 | 20" | SM. | SM. | .138 | 20 | 9" | 9" | 8 | 1146 | \$3,777 |
| 055-2022-742 | 22" | SM. | SM. | .177 | 20 | 9" | 9" | 8 | 1215 | \$4,024 |
| 055-2022-522 | 20" | C.O. | SM. | .138 | 20 | 9" | 9" | 8 | 1135 | \$3,846 |
| 055-2022-842 | 22" | C.O. | SM. | .177 | 20 | 9" | 9" | 8 | 1203 | \$4,093 |
| <u>8'2" WIDE</u> | | | | | | | | | | |
| 055-2232-222 | 20" | C.O. | C.O. | .138 | 22 | 9" | 7-1/2" | 8 | 1155 | \$4,000 |
| 055-2232-642 | 22" | C.O. | C.O. | .177 | 22 | 9" | 7-1/2" | 8 | 1232 | \$4,313 |
| 055-2232-322 | 20" | SM. | SM. | .138 | 22 | 9" | 7-1/2" | 8 | 1179 | \$3,914 |
| 055-2232-742 | 22" | SM. | SM. | .177 | 22 | 9" | 7-1/2" | 8 | 1257 | \$4,177 |
| 055-2232-522 | 20" | C.O. | SM. | .138 | 22 | 9" | 7-1/2" | 8 | 1168 | \$3,968 |
| 055-2232-842 | 22" | C.O. | SM. | .177 | 22 | 9" | 7-1/2" | 8 | 1245 | \$4,245 |
| 055-2412-222 | 20" | C.O. | C.O. | .138 | 24 | 7-1/2" | 7-1/2" | 8 | 1185 | \$4,158 |
| 055-2412-642 | 22" | C.O. | C.O. | .177 | 24 | 7-1/2" | 7-1/2" | 8 | 1271 | \$4,479 |
| 055-2412-322 | 20" | SM. | SM. | .138 | 24 | 7-1/2" | 7-1/2" | 8 | 1211 | \$4,043 |
| 055-2412-742 | 22" | SM. | SM. | .177 | 24 | 7-1/2" | 7-1/2" | 8 | 1299 | \$4,284 |
| 055-2412-522 | 20" | C.O. | SM. | .138 | 24 | 7-1/2" | 7-1/2" | 8 | 1198 | \$4,097 |
| 055-2412-842 | 22" | C.O. | SM. | .177 | 24 | 7-1/2" | 7-1/2" | 8 | 1285 | \$4,412 |
| <u>9'4" WIDE</u> | | | | | | | | | | |
| 055-2422-222 | 20" | C.O. | C.O. | .138 | 24 | 9" | 9" | 8 | 1249 | \$4,134 |
| 055-2422-642 | 22" | C.O. | C.O. | .177 | 24 | 9" | 9" | 8 | 1335 | \$4,463 |
| 055-2422-322 | 20" | SM. | SM. | .138 | 24 | 9" | 9" | 8 | 1275 | \$4,020 |
| 055-2422-742 | 22" | SM. | SM. | .177 | 24 | 9" | 9" | 8 | 1363 | \$4,310 |
| 055-2422-522 | 20" | C.O. | SM. | .138 | 24 | 9" | 9" | 8 | 1262 | \$4,088 |
| 055-2422-842 | 22" | C.O. | SM. | .177 | 24 | 9" | 9" | 8 | 1349 | \$4,387 |
| 055-2632-222 | 20" | C.O. | C.O. | .138 | 26 | 9" | 7-1/2" | 8 | 1289 | \$4,284 |
| 055-2632-642 | 22" | C.O. | C.O. | .177 | 26 | 9" | 7-1/2" | 8 | 1385 | \$4,630 |
| 055-2632-322 | 20" | SM. | SM. | .138 | 26 | 9" | 7-1/2" | 8 | 1317 | \$4,150 |
| 055-2632-742 | 22" | SM. | SM. | .177 | 26 | 9" | 7-1/2" | 8 | 1415 | \$4,465 |
| 055-2632-522 | 20" | C.O. | SM. | .138 | 26 | 9" | 7-1/2" | 8 | 1304 | \$4,215 |
| 055-2632-842 | 22" | C.O. | SM. | .177 | 26 | 9" | 7-1/2" | 8 | 1401 | \$4,547 |
| 055-2812-222 | 20" | C.O. | C.O. | .138 | 28 | 7-1/2" | 7-1/2" | 8 | 1301 | \$4,416 |
| 055-2812-642 | 22" | C.O. | C.O. | .177 | 28 | 7-1/2" | 7-1/2" | 8 | 1406 | \$4,799 |
| 055-2812-322 | 20" | SM. | SM. | .138 | 28 | 7-1/2" | 7-1/2" | 8 | 1331 | \$4,284 |
| 055-2812-742 | 22" | SM. | SM. | .177 | 28 | 7-1/2" | 7-1/2" | 8 | 1439 | \$4,624 |
| 055-2812-522 | 20" | C.O. | SM. | .138 | 28 | 7-1/2" | 7-1/2" | 8 | 1316 | \$4,358 |
| 055-2812-842 | 22" | C.O. | SM. | .177 | 28 | 7-1/2" | 7-1/2" | 8 | 1422 | \$4,718 |

| <u>EXTRA EQUIPMENT</u> | <u>WIDTH</u> | <u>SPACING</u> | <u>APX WT</u> | <u>SUGST PRICE</u> |
|------------------------|--------------|----------------|-------------------|------------------------|
| 9-055-916220 SCRAPERS | 6'6" | 9" | 122# | \$370 |
| 9-055-918320 SCRAPERS | 7'0" | 9"F7-1/2"R | 131# | \$413 |
| 9-055-920120 SCRAPERS | 7'0" | 7-1/2" | 140# | \$432 |
| 9-055-920220 SCRAPERS | 7'11" | 9" | 147# | \$477 |
| 9-055-922320 SCRAPERS | 8'2" | 9"F7-1/2"R | 157# | \$504 |
| 9-055-924120 SCRAPERS | 8'2" | 7-1/2" | 166# | \$540 |
| 9-055-924220 SCRAPERS | 9'4" | 9" | 175# | \$540 |
| 9-055-926320 SCRAPERS | 9'4" | 9"F7-1/2"R | 184# | \$562 |
| 9-055-928120 SCRAPERS | 9'4" | 7-1/2" | 193# | \$596 |

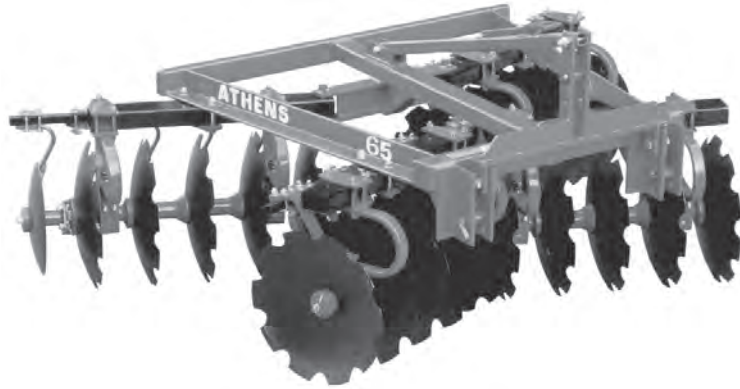
| <u>EXTRA EQUIPMENT</u> | <u>APX WT</u> | <u>SUGST PRICE</u> |
|--|-------------------|------------------------|
| 9-055-700016 COVER DISK W/O SCRAPER W/16" DISK | 34# | \$180 |
| 9-055-709016 COVER DISK W/ SCRAPERS W/16" DISK | 43# | \$210 |
| 9-055-800000 BALK BUSTER | 38# | \$180 |

OPTIONAL EQUIPMENT:

TO SPECIFY CAT. #1 IN LIEU OF CAT.#II, CHANGE
10TH DIGIT FROM 2 TO 1

NO CHARGE

ATHENS 65 LIFT-TYPE TANDEM DISK HARROW



SPECIFICATIONS:

Cutting Width 8'0", 8'4", and 9'6"
 Disc Spacing 9", or 9" Front – 7 1/2" Rear
 Disc Diameter 22" or 24"
 Rigid or Spring Bearing Hangers
 Cat. II Free Link/Quick Coupler
 Relube Ball Bearings
 1 1/4" Cold Rolled Square Gang Axle
 with Gang Wrench

| <u>MODEL NUMBER</u> | <u>DISK DIAM</u> | <u>TYPE OF DISK</u> | | <u>DISK THCK</u> | <u># OF DISK</u> | <u>DISK SPACING</u> | | <u># OF BRGS</u> | <u>APX WT</u> | <u>SUGST PRICE</u> |
|---------------------|------------------|---------------------|-------------|------------------|------------------|---------------------|-------------|------------------|---------------|--------------------|
| | | <u>FRNT</u> | <u>REAR</u> | | | <u>FRNT</u> | <u>REAR</u> | | | |
| <u>8'0" WIDE</u> | | | | | | | | | | |
| 065-2027-650 | 22" | C.O. | C.O. | .197 | 20 | 9" | 9" | 8 | 1710 | \$5,700 |
| 065-2027-660 | 24" | C.O. | C.O. | .197 | 20 | 9" | 9" | 8 | 1770 | \$6,022 |
| 065-2027-750 | 22" | SM. | SM. | .197 | 20 | 9" | 9" | 8 | 1730 | \$5,670 |
| 065-2027-760 | 24" | SM. | SM. | .197 | 20 | 9" | 9" | 8 | 1790 | \$5,950 |
| 065-2027-850 | 22" | C.O. | SM. | .197 | 20 | 9" | 9" | 8 | 1720 | \$5,685 |
| 065-2027-860 | 24" | C.O. | SM. | .197 | 20 | 9" | 9" | 8 | 1780 | \$5,985 |
| <u>8'4" WIDE</u> | | | | | | | | | | |
| 065-2237-650 | 22" | C.O. | C.O. | .197 | 22 | 9" | 7-1/2" | 8 | 1762 | \$5,995 |
| 065-2237-750 | 22" | SM. | SM. | .197 | 22 | 9" | 7-1/2" | 8 | 1784 | \$5,958 |
| 065-2237-850 | 22" | C.O. | SM. | .197 | 22 | 9" | 7-1/2" | 8 | 1774 | \$5,972 |
| <u>9'6" WIDE</u> | | | | | | | | | | |
| 065-2427-650 | 22" | C.O. | C.O. | .197 | 24 | 9" | 9" | 8 | 1872 | \$6,241 |
| 065-2427-660 | 24" | C.O. | C.O. | .197 | 24 | 9" | 9" | 8 | 1944 | \$6,620 |
| 065-2427-750 | 22" | SM. | SM. | .197 | 24 | 9" | 9" | 8 | 1896 | \$6,200 |
| 065-2427-760 | 24" | SM. | SM. | .197 | 24 | 9" | 9" | 8 | 1968 | \$6,538 |
| 065-2427-850 | 22" | C.O. | SM. | .197 | 24 | 9" | 9" | 8 | 1884 | \$6,219 |
| 065-2427-860 | 24" | C.O. | SM. | .197 | 24 | 9" | 9" | 8 | 1956 | \$6,579 |
| 065-2637-650 | 22" | C.O. | C.O. | .197 | 26 | 9" | 7-1/2" | 8 | 1914 | \$6,517 |
| 065-2637-750 | 22" | SM. | SM. | .197 | 26 | 9" | 7-1/2" | 8 | 1940 | \$6,473 |
| 065-2637-850 | 22" | C.O. | SM. | .197 | 26 | 9" | 7-1/2" | 8 | 1954 | \$6,494 |

OPTIONAL EQUIPMENT

For Spring Bearing Hangers:
 Change the 7th Digit from 7 to 6 and Add 15#
 And \$32.00 per Bearing Weights and Prices.

(CONT'D)

| <u>EXTRA EQUIPMENT</u> | | <u>SPACING</u> | <u>APX WT</u> | <u>SUGST PRICE</u> |
|------------------------|-------------------------|----------------|-------------------|------------------------|
| <u>SCRAPERS</u> | | | | |
| 9-065-920270 | Scrapers for 8'0" Units | 9" | 226 | \$624 |
| *9-065-920260 | | 9" | 244 | \$670 |
| 9-065-922370 | Scrapers for 8'4" Units | 9"F 7-1/2"R | 241 | \$664 |
| *9-065-922360 | | 9"F 7-1/2"R | 259 | \$714 |
| 9-065-924270 | Scrapers for 9'6" Units | 9" | 265 | \$732 |
| *9-065-924260 | | 9" | 283 | \$780 |
| 9-065-926370 | Scrapers for 9'6" Units | 9"F7-1/2"R | 280 | \$772 |
| *9-065-926360 | | 9"F7-1/2"R | 298 | \$821 |

*For Units with Spring Bearing Hangers

COVER DISC

| | | | | |
|--------------|--|--|----|-------|
| 9-065-700018 | Cover Disc Assembly with 18" Blade w/o Scraper | | 40 | \$222 |
| 9-065-709018 | Cover Disc Assembly with 18" blade w/Scraper | | 56 | \$257 |
| 9-065-800000 | Balk Buster | | 23 | \$165 |

ATHENS 66 LIFT TYPE DISK HARROW



SPECIFICATIONS:

Cutting Width 10'6" to 15'3"
 Disk Spacing 7-1/2", 9" or 9"
 Front and 7-1/2" Rear
 Disk Blades – 20" or 22" Cutout
 Or Smooth
 Heavy Duty Scrapers (Extra
 Equipment)
 Category II or III Free Link
 Or Quick Coupler Hitch

STANDARD EQUIPMENT:

1-1/8" Cold Rolled Square Axle
 Relube Ball Bearings
 Flangette Bearing Hangers
 Adjustable Angle of Cut 16 Degrees
 To 21 Degrees
 Tapered Outside Rear Disk Gangs

| <u>MODEL NUMBER</u> | <u>DISK DIAM</u> | <u>TYPE OF DISK</u> | | <u>DISK THCK</u> | <u># OF DISK</u> | <u>DISK SPACING</u> | | <u># OF BRGS</u> | <u>APX WT</u> | <u>SUGST PRICE</u> |
|--------------------------|------------------|---------------------|------|------------------|------------------|---------------------|--------|------------------|---------------|--------------------|
| | | FRNT | REAR | | | FRNT | REAR | | | |
| <u>10'6" WIDE</u> | | | | | | | | | | |
| 066-3032-222 | 20" | C.O. | C.O. | .138 | 30 | 9" | 7-1/2" | 8 | 1924 | \$6,250 |
| 066-3032-642 | 22" | C.O. | C.O. | .177 | 30 | 9" | 7-1/2" | 8 | 2039 | \$6,625 |
| 066-3032-322 | 20" | SM. | SM. | .138 | 30 | 9" | 7-1/2" | 8 | 1957 | \$6,360 |
| 066-3032-742 | 22" | SM. | SM. | .177 | 30 | 9" | 7-1/2" | 8 | 2074 | \$6,418 |
| 066-3032-522 | 20" | C.O. | SM. | .138 | 30 | 9" | 7-1/2" | 8 | 1941 | \$6,308 |
| 066-3032-842 | 22" | C.O. | SM. | .177 | 30 | 9" | 7-1/2" | 8 | 2057 | \$6,683 |
| 066-3212-222 | 20" | C.O. | C.O. | .138 | 32 | 7-1/2" | 7-1/2" | 8 | 1947 | \$6,326 |
| 066-3212-642 | 22" | C.O. | C.O. | .177 | 32 | 7-1/2" | 7-1/2" | 8 | 2071 | \$6,729 |
| 066-3212-322 | 20" | SM. | SM. | .138 | 32 | 7-1/2" | 7-1/2" | 8 | 1982 | \$6,442 |
| 066-3212-742 | 22" | SM. | SM. | .177 | 32 | 7-1/2" | 7-1/2" | 8 | 2109 | \$6,853 |
| 066-3212-522 | 20" | C.O. | SM. | .138 | 32 | 7-1/2" | 7-1/2" | 8 | 1964 | \$6,380 |
| 066-3212-842 | 22" | C.O. | SM. | .177 | 32 | 7-1/2" | 7-1/2" | 8 | 2090 | \$6,788 |
| <u>10'9" WIDE</u> | | | | | | | | | | |
| 066-2822-222 | 20" | C.O. | C.O. | .138 | 28 | 9" | 9" | 8 | 1901 | \$6,176 |
| 066-2822-642 | 22" | C.O. | C.O. | .177 | 28 | 9" | 9" | 8 | 2006 | \$6,518 |
| 066-2822-322 | 20" | SM. | SM. | .138 | 28 | 9" | 9" | 8 | 1933 | \$6,282 |
| 066-2822-742 | 22" | SM. | SM. | .177 | 28 | 9" | 9" | 8 | 2039 | \$6,625 |
| 066-2822-522 | 20" | C.O. | SM. | .138 | 28 | 9" | 9" | 8 | 1916 | \$6,227 |
| 066-2822-842 | 22" | C.O. | SM. | .177 | 28 | 9" | 9" | 8 | 2022 | \$6,568 |

| <u>MODEL NUMBER</u> | <u>DISK DIAM</u> | <u>TYPE OF DISK</u> | | <u>DISK THCK</u> | <u># OF DISK</u> | <u>DISK SPACING</u> | | <u># OF BRGS</u> | <u>APX WT</u> | <u>SUGST PRICE</u> |
|---------------------|------------------|---------------------|------|------------------|------------------|---------------------|--------|------------------|---------------|--------------------|
| | | FRNT | REAR | | | FRNT | REAR | | | |
| <u>12'2" WIDE</u> | | | | | | | | | | |
| 066-3222-221 | 20" | C.O. | C.O. | .138 | 32 | 9" | 9" | 12 | 2044 | \$6,494 |
| 066-3222-641 | 22" | C.O. | C.O. | .177 | 32 | 9" | 9" | 12 | 2180 | \$7,048 |
| 066-3222-321 | 20" | SM. | SM. | .138 | 32 | 9" | 9" | 12 | 2064 | \$6,303 |
| 066-3222-741 | 22" | SM. | SM. | .177 | 32 | 9" | 9" | 12 | 2216 | \$6,805 |
| 066-3222-521 | 20" | C.O. | SM. | .138 | 32 | 9" | 9" | 12 | 2058 | \$6,395 |
| 066-3222-841 | 22" | C.O. | SM. | .177 | 32 | 9" | 9" | 12 | 2197 | \$6,923 |
| <u>12'11" WIDE</u> | | | | | | | | | | |
| 066-3632-221 | 20" | C.O. | C.O. | .138 | 36 | 9" | 7-1/2" | 12 | 2103 | \$6,642 |
| 066-3632-641 | 22" | C.O. | C.O. | .177 | 36 | 9" | 7-1/2" | 12 | 2257 | \$7,138 |
| 066-3632-321 | 20" | SM. | SM. | .138 | 36 | 9" | 7-1/2" | 12 | 2234 | \$6,445 |
| 066-3632-741 | 22" | SM. | SM. | .177 | 36 | 9" | 7-1/2" | 12 | 2298 | \$6,940 |
| 066-3632-521 | 20" | C.O. | SM. | .138 | 36 | 9" | 7-1/2" | 12 | 2219 | \$6,484 |
| 066-3632-841 | 22" | C.O. | SM. | .177 | 36 | 9" | 7-1/2" | 12 | 2279 | \$7,074 |
| 066-4012-221 | 20" | C.O. | C.O. | .138 | 40 | 7-1/2" | 7-1/2" | 12 | 2161 | \$6,782 |
| 066-4012-641 | 22" | C.O. | C.O. | .177 | 40 | 7-1/2" | 7-1/2" | 12 | 2334 | \$7,374 |
| 066-4012-321 | 20" | SM. | SM. | .138 | 40 | 7-1/2" | 7-1/2" | 12 | 2195 | \$6,559 |
| 066-4012-741 | 22" | SM. | SM. | .177 | 40 | 7-1/2" | 7-1/2" | 12 | 2406 | \$7,079 |
| 066-4012-521 | 20" | C.O. | SM. | .138 | 40 | 7-1/2" | 7-1/2" | 12 | 2177 | \$6,700 |
| 066-4012-841 | 22" | C.O. | SM. | .177 | 40 | 7-1/2" | 7-1/2" | 12 | 2356 | \$7,245 |
| <u>13'6" WIDE</u> | | | | | | | | | | |
| 066-3622-221 | 20" | C.O. | C.O. | .138 | 36 | 9" | 9" | 12 | 2194 | \$7,095 |
| 066-3622-641 | 22" | C.O. | C.O. | .177 | 36 | 9" | 9" | 12 | 2298 | \$7,659 |
| 066-3622-321 | 20" | SM. | SM. | .138 | 36 | 9" | 9" | 12 | 2207 | \$6,908 |
| 066-3622-741 | 22" | SM. | SM. | .177 | 36 | 9" | 9" | 12 | 2328 | \$7,409 |
| 066-3622-521 | 20" | C.O. | SM. | .138 | 36 | 9" | 9" | 12 | 2200 | \$7,005 |
| 066-3622-841 | 22" | C.O. | SM. | .177 | 36 | 9" | 9" | 12 | 2313 | \$7,538 |
| <u>14'1" WIDE</u> | | | | | | | | | | |
| 066-4032-221 | 20" | C.O. | C.O. | .138 | 40 | 9" | 7-1/2" | 12 | 2269 | \$7,245 |
| 066-4032-641 | 22" | C.O. | C.O. | .177 | 40 | 9" | 7-1/2" | 12 | 2387 | \$7,849 |
| 066-4032-321 | 20" | SM. | SM. | .138 | 40 | 9" | 7-1/2" | 12 | 2283 | \$7,023 |
| 066-4032-741 | 22" | SM. | SM. | .177 | 40 | 9" | 7-1/2" | 12 | 2421 | \$7,570 |
| 066-4032-521 | 20" | C.O. | C.O. | .138 | 40 | 9" | 7-1/2" | 12 | 2276 | \$7,140 |
| 066-4032-841 | 22" | C.O. | SM. | .177 | 40 | 9" | 7-1/2" | 12 | 2405 | \$7,711 |
| 066-4412-221 | 20" | C.O. | C.O. | .138 | 44 | 7-1/2" | 7-1/2" | 12 | 2342 | \$7,344 |
| 066-4412-641 | 22" | C.O. | C.O. | .177 | 44 | 7-1/2" | 7-1/2" | 12 | 2476 | \$7,992 |
| 066-4412-321 | 20" | SM. | SM. | .138 | 44 | 7-1/2" | 7-1/2" | 12 | 2358 | \$7,109 |
| 066-4412-741 | 22" | SM. | SM. | .177 | 44 | 7-1/2" | 7-1/2" | 12 | 2513 | \$8,052 |
| 066-4412-521 | 20" | C.O. | SM. | .138 | 44 | 7-1/2" | 7-1/2" | 12 | 2349 | \$7,226 |
| 066-4412-841 | 22" | C.O. | SM. | .177 | 44 | 7-1/2" | 7-1/2" | 12 | 2495 | \$7,863 |

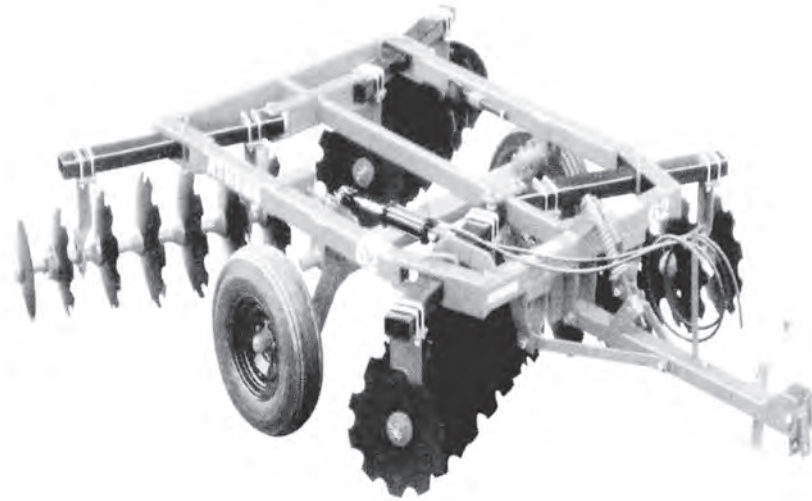
| <u>MODEL NUMBER</u> | <u>DISK DIAM</u> | <u>TYPE OF DISK</u> | | <u>DISK THCK</u> | <u># OF DISK</u> | <u>DISK SPACING</u> | | <u># OF BRGS</u> | <u>APX WT</u> | <u>SUGST PRICE</u> |
|---------------------|------------------|---------------------|------|------------------|------------------|---------------------|------|------------------|---------------|--------------------|
| | | FRNT | REAR | | | FRNT | REAR | | | |
| <u>15'0"WIDE</u> | | | | | | | | | | |
| 066-4022-221 | 20" | C.O. | C.O. | .138 | 40 | 9" | 9" | 16 | 2326 | \$7,464 |
| 066-4022-641 | 22" | C.O. | C.O. | .177 | 40 | 9" | 9" | 16 | 2444 | \$8,140 |
| 066-4022-321 | 20" | SM. | SM. | .138 | 40 | 9" | 9" | 16 | 2340 | \$7,373 |
| 066-4022-741 | 22" | SM. | SM. | .177 | 40 | 9" | 9" | 16 | 2478 | \$7,800 |
| 066-4022-521 | 20" | C.O. | SM. | .138 | 40 | 9" | 9" | 16 | 2282 | \$7,420 |
| 066-4022-841 | 22" | C.O. | SM. | .177 | 40 | 9" | 9" | 16 | 2462 | \$7,968 |

15'3" WIDE

| | | | | | | | | | | |
|--------------|-----|------|------|------|----|--------|--------|----|------|---------|
| 066-4432-221 | 20" | C.O. | C.O. | .138 | 44 | 9" | 7-1/2" | 16 | 2388 | \$7,736 |
| 066-4432-641 | 22" | C.O. | C.O. | .177 | 44 | 9" | 7-1/2" | 16 | 2522 | \$8,510 |
| 066-4432-321 | 20" | SM. | SM. | .138 | 44 | 9" | 7-1/2" | 16 | 2404 | \$7,644 |
| 066-4432-741 | 22" | SM. | SM. | .177 | 44 | 9" | 7-1/2" | 16 | 2559 | \$8,127 |
| 066-4432-521 | 20" | C.O. | SM. | .138 | 44 | 9" | 7-1/2" | 16 | 2397 | \$7,693 |
| 066-4432-841 | 22" | C.O. | SM. | .177 | 44 | 9" | 7-1/2" | 16 | 2542 | \$8,321 |
| 066-4812-221 | 20" | C.O. | C.O. | .138 | 48 | 7-1/2" | 7-1/2" | 16 | 2448 | \$8,015 |
| 066-4812-641 | 22" | C.O. | C.O. | .177 | 48 | 7-1/2" | 7-1/2" | 16 | 2598 | \$8,878 |
| 066-4812-321 | 20" | SM. | SM. | .138 | 48 | 7-1/2" | 7-1/2" | 16 | 2466 | \$7,921 |
| 066-4812-741 | 22" | SM. | SM. | .177 | 48 | 7-1/2" | 7-1/2" | 16 | 2638 | \$8,453 |
| 066-4812-521 | 20" | C.O. | SM. | .138 | 48 | 7-1/2" | 7-1/2" | 16 | 2457 | \$7,968 |
| 066-4812-841 | 22" | C.O. | SM. | .177 | 48 | 7-1/2" | 7-1/2" | 16 | 2618 | \$8,667 |

| <u>EXTRA EQUIPMENT</u> | <u>WIDTH</u> | <u>SPACING</u> | <u>APX WT</u> | <u>SUGST PRICE</u> |
|------------------------|--------------------------|----------------|---------------|--------------------|
| 9-066-928220 | SCRAPERS | 10'9" | 9" | 336 \$ 658 |
| 9-066-930320 | SCRAPERS | 10'6" | 9"F7-1/2"R | 360 \$ 705 |
| 9-066-932120 | SCRAPERS | 10'6" | 7-1/2" | 384 \$ 753 |
| 9-066-932220 | SCRAPERS | 12'2" | 9" | 390 \$ 782 |
| 9-066-936320 | SCRAPERS | 12'11" | 9"F7-1/2"R | 422 \$ 875 |
| 9-066-940120 | SCRAPERS | 12'11" | 7-1/2" | 453 \$ 975 |
| 9-066-936220 | SCRAPERS | 13'6" | 9" | 428 \$ 886 |
| 9-066-940320 | SCRAPERS | 14'1" | 9"F7-1/2"R | 459 \$ 980 |
| 9-066-944120 | SCRAPERS | 14'1" | 7-1/2" | 493 \$ 1,082 |
| 9-066-940220 | SCRAPERS | 15'0" | 9" | 463 \$ 1,012 |
| 9-066-944320 | SCRAPERS | 15'3" | 9"F7-1/2"R | 489 \$ 1,103 |
| 9-066-948120 | SCRAPERS | 15'3" | 7-1/2" | 531 \$ 1,199 |
| 9-066-700016 | COVER DISK W/O SCRAPERS | | | 34 \$ 140 |
| 9-066-709016 | COVER DISK WITH SCRAPERS | | | 43 \$ 189 |
| 9-066-800000 | BALK BUSTER | | | 23 \$ 160 |

ATHENS 62 WHEEL TANDEM DISK HARROW



SPECIFICATIONS:

Cutting Width – 7’11” to 12’11”
 Spacing – 7 1/2”, 9” or
 9” Front, 7 1/2” Rear
 20” or 22” Disks – Cutout or Smooth
 Heavy Duty Scrapers (Extra Equip.)

STANDARD EQUIPMENT

Heavy – Duty Tongue with Jack
 15”, 5 Lug Whls w/ Hubs
 Tapered Outside Rear Disk Gangs
 1 1/8” Cold Rolled Square Axles
 W/ Wrench
 Adjustable Angle of Cut
 Flangette Bearing Hangers
 Relube Ball Bearings
 Lifting Hydraulics

| <u>MODEL NUMBER</u> | <u>DISK DIAM</u> | <u>TYPE OF DISK</u> | | <u>DISK THCK</u> | <u># OF DISK</u> | <u>DISK SPACING</u> | | <u># OF BRGS</u> | <u>APX WT</u> | <u>SUGST PRICE</u> |
|-------------------------|----------------------|---------------------|-------------|----------------------|----------------------|---------------------|-------------|----------------------|-------------------|------------------------|
| | | <u>FRNT</u> | <u>REAR</u> | | | <u>FRNT</u> | <u>REAR</u> | | | |
| <u>7’11” WIDE</u> | | | | | | | | | | |
| 062-2022-221 | 20” | C.O. | C.O. | .138 | 20 | 9” | 9” | 8 | 1584 | \$6,393 |
| 062-2022-641 | 22” | C.O. | C.O. | .177 | 20 | 9” | 9” | 8 | 1643 | \$6,730 |
| 062-2022-321 | 20” | SM. | SM. | .138 | 20 | 9” | 9” | 8 | 1591 | \$6,273 |
| 062-2022-741 | 22” | SM. | SM. | .177 | 20 | 9” | 9” | 8 | 1646 | \$6,573 |
| 062-2022-521 | 20” | C.O. | SM. | .138 | 20 | 9” | 9” | 8 | 1588 | \$6,346 |
| 062-2022-841 | 22” | C.O. | SM. | .177 | 20 | 9” | 9” | 8 | 1645 | \$6,653 |
| <u>8’2” WIDE</u> | | | | | | | | | | |
| 062-2232-221 | 20” | C.O. | C.O. | .138 | 22 | 9” | 7-1/2” | 8 | 1613 | \$6,560 |
| 062-2232-641 | 22” | C.O. | C.O. | .177 | 22 | 9” | 7-1/2” | 8 | 1680 | \$6,927 |
| 062-2232-321 | 20” | SM. | SM. | .138 | 22 | 9” | 7-1/2” | 8 | 1620 | \$6,432 |
| 062-2232-741 | 22” | SM. | SM. | .177 | 22 | 9” | 7-1/2” | 8 | 1682 | \$6,758 |
| 062-2232-521 | 20” | C.O. | SM. | .138 | 22 | 9” | 7-1/2” | 8 | 1617 | \$6,507 |
| 062-2232-841 | 22” | C.O. | SM. | .177 | 22 | 9” | 7-1/2” | 8 | 1682 | \$6,838 |
| 062-2412-221 | 20” | C.O. | C.O. | .138 | 24 | 7-1/2” | 7-1/2” | 8 | 1647 | \$6,730 |
| 062-2412-641 | 22” | C.O. | C.O. | .177 | 24 | 7-1/2” | 7-1/2” | 8 | 1741 | \$7,130 |
| 062-2412-321 | 20” | SM. | SM. | .138 | 24 | 7-1/2” | 7-1/2” | 8 | 1666 | \$6,582 |
| 062-2412-741 | 22” | SM. | SM. | .177 | 24 | 7-1/2” | 7-1/2” | 8 | 1768 | \$6,935 |
| 062-2412-521 | 20” | C.O. | SM. | .138 | 24 | 7-1/2” | 7-1/2” | 8 | 1655 | \$6,725 |
| 062-2412-841 | 22” | C.O. | SM. | .177 | 24 | 7-1/2” | 7-1/2” | 8 | 1754 | \$7,161 |

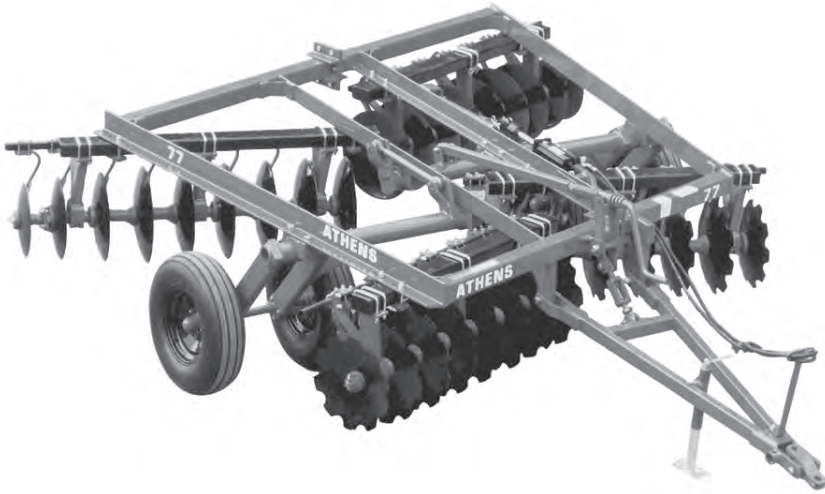
| MODEL NUMBER | DISK DIAM | TYPE OF DISK | | DISK THCK | # OF DISK | DISK SPACING | | # OF BRGS | APX WT | SUGST PRICE |
|-------------------|--------------|--------------|------|--------------|--------------|--------------|--------|--------------|-----------|----------------|
| | | FRNT | REAR | | | FRNT | REAR | | | |
| <u>9'4" WIDE</u> | | | | | | | | | | |
| 062-2422-221 | 20" | C.O. | C.O. | .138 | 24 | 9" | 9" | 8 | 1695 | \$6,704 |
| 062-2422-641 | 22" | C.O. | C.O. | .177 | 24 | 9" | 9" | 8 | 1789 | \$7,084 |
| 062-2422-321 | 20" | SM. | SM. | .138 | 24 | 9" | 9" | 8 | 1714 | \$6,560 |
| 062-2422-741 | 22" | SM. | SM. | .177 | 24 | 9" | 9" | 8 | 1816 | \$6,922 |
| 062-2422-521 | 20" | C.O. | SM. | .138 | 24 | 9" | 9" | 8 | 1703 | \$6,619 |
| 062-2422-841 | 22" | C.O. | SM. | .177 | 24 | 9" | 9" | 8 | 1802 | \$7,018 |
| 062-2632-221 | 20" | C.O. | C.O. | .138 | 26 | 9" | 7-1/2" | 8 | 1710 | \$6,874 |
| 062-2632-641 | 22" | C.O. | C.O. | .177 | 26 | 9" | 7-1/2" | 8 | 1824 | \$7,313 |
| 062-2632-321 | 20" | SM. | SM. | .138 | 26 | 9" | 7-1/2" | 8 | 1741 | \$6,713 |
| 062-2632-741 | 22" | SM. | SM. | .177 | 26 | 9" | 7-1/2" | 8 | 1853 | \$7,109 |
| 062-2632-521 | 20" | C.O. | SM. | .138 | 26 | 9" | 7-1/2" | 8 | 1730 | \$6,798 |
| 062-2632-841 | 22" | C.O. | SM. | .177 | 26 | 9" | 7-1/2" | 8 | 1839 | \$7,203 |
| 062-2812-221 | 20" | C.O. | C.O. | .138 | 28 | 7-1/2" | 7-1/2" | 8 | 1744 | \$7,040 |
| 062-2812-641 | 22" | C.O. | C.O. | .177 | 28 | 7-1/2" | 7-1/2" | 8 | 1858 | \$7,513 |
| 062-2812-321 | 20" | SM. | SM. | .138 | 28 | 7-1/2" | 7-1/2" | 8 | 1768 | \$6,865 |
| 062-2812-741 | 22" | SM. | SM. | .177 | 28 | 7-1/2" | 7-1/2" | 8 | 1800 | \$7,287 |
| 062-2812-521 | 20" | C.O. | SM. | .138 | 28 | 7-1/2" | 7-1/2" | 8 | 1755 | \$6,966 |
| 062-2812-841 | 22" | C.O. | SM. | .177 | 28 | 7-1/2" | 7-1/2" | 8 | 1874 | \$7,405 |
| <u>10'6" WIDE</u> | | | | | | | | | | |
| 062-3032-221 | 20" | C.O. | C.O. | .138 | 30 | 9" | 7-1/2" | 8 | 1899 | \$7,558 |
| 062-3032-641 | 22" | C.O. | C.O. | .177 | 30 | 9" | 7-1/2" | 8 | 2023 | \$8,067 |
| 062-3032-321 | 20" | SM. | SM. | .138 | 30 | 9" | 7-1/2" | 8 | 1924 | \$7,368 |
| 062-3032-741 | 22" | SM. | SM. | .177 | 30 | 9" | 7-1/2" | 8 | 2057 | \$7,877 |
| 062-3032-521 | 20" | C.O. | SM. | .138 | 30 | 9" | 7-1/2" | 8 | 1911 | \$7,465 |
| 062-3032-841 | 22" | C.O. | SM. | .177 | 30 | 9" | 7-1/2" | 8 | 2041 | \$7,941 |
| 062-3212-221 | 20" | C.O. | C.O. | .138 | 32 | 7-1/2" | 7-1/2" | 8 | 1917 | \$7,710 |
| 062-3212-641 | 22" | C.O. | C.O. | .177 | 32 | 7-1/2" | 7-1/2" | 8 | 2051 | \$8,447 |
| 062-3212-321 | 20" | SM. | SM. | .138 | 32 | 7-1/2" | 7-1/2" | 8 | 1945 | \$7,628 |
| 062-3212-741 | 22" | SM. | SM. | .177 | 32 | 7-1/2" | 7-1/2" | 8 | 2088 | \$7,999 |
| 062-3212-521 | 20" | C.O. | SM. | .138 | 32 | 7-1/2" | 7-1/2" | 8 | 1930 | \$7,623 |
| 062-3212-841 | 22" | C.O. | SM. | .177 | 32 | 7-1/2" | 7-1/2" | 8 | 2069 | \$8,134 |
| <u>10'9" WIDE</u> | | | | | | | | | | |
| 062-2822-221 | 20" | C.O. | C.O. | .138 | 28 | 9" | 9" | 8 | 1880 | \$7,390 |
| 062-2822-641 | 22" | C.O. | C.O. | .177 | 28 | 9" | 9" | 8 | 1995 | \$7,907 |
| 062-2822-321 | 20" | SM. | SM. | .138 | 28 | 9" | 9" | 8 | 1905 | \$7,223 |

| MODEL NUMBER | DISK DIAM | TYPE OF DISK | | DISK THCK | # OF DISK | DISK SPACING | | # OF BRGS | APX WT | SUGST PRICE |
|------------------------|--------------|--------------|------|--------------|--------------|----------------|--------|-------------------|------------------------|----------------|
| | | FRNT | REAR | | | FRNT | REAR | | | |
| <u>10'9"WIDE(cont)</u> | | | | | | | | | | |
| 062-2822-741 | 22" | SM. | SM. | .177 | 28 | 9" | 9" | 8 | 2026 | \$7,640 |
| 062-2822-521 | 20" | C.O. | SM. | .138 | 28 | 9" | 9" | 8 | 1891 | \$7,313 |
| 062-2822-841 | 22" | C.O. | SM. | .177 | 28 | 9" | 9" | 8 | 2010 | \$7,760 |
| <u>12'2" WIDE</u> | | | | | | | | | | |
| 062-3222-221 | 20" | C.O. | C.O. | .138 | 32 | 9" | 9" | 12 | 2166 | \$8,491 |
| 062-3222-641 | 22" | C.O. | C.O. | .177 | 32 | 9" | 9" | 12 | 2300 | \$9,045 |
| 062-3222-321 | 20" | SM. | SM. | .138 | 32 | 9" | 9" | 12 | 2184 | \$8,307 |
| 062-3222-741 | 22" | SM. | SM. | .177 | 32 | 9" | 9" | 12 | 2336 | \$8,790 |
| 062-3222-521 | 20" | C.O. | SM. | .138 | 32 | 9" | 9" | 12 | 2178 | \$8,407 |
| 062-3222-841 | 22" | C.O. | SM. | .177 | 32 | 9" | 9" | 12 | 2317 | \$8,923 |
| <u>12'11" WIDE</u> | | | | | | | | | | |
| 062-3632-221 | 20" | C.O. | C.O. | .138 | 36 | 9" | 7-1/2" | 12 | 2223 | \$8,813 |
| 062-3632-641 | 22" | C.O. | C.O. | .177 | 36 | 9" | 7-1/2" | 12 | 2377 | \$9,424 |
| 062-3632-321 | 20" | SM. | SM. | .138 | 36 | 9" | 7-1/2" | 12 | 2354 | \$8,591 |
| 062-3632-741 | 22" | SM. | SM. | .177 | 36 | 9" | 7-1/2" | 12 | 2418 | \$9,139 |
| 062-3632-521 | 20" | C.O. | SM. | .138 | 36 | 9" | 7-1/2" | 12 | 2339 | \$8,699 |
| 062-3632-841 | 22" | C.O. | SM. | .177 | 36 | 9" | 7-1/2" | 12 | 2399 | \$9,279 |
| 062-4012-221 | 20" | C.O. | C.O. | .138 | 40 | 7-1/2" | 7-1/2" | 12 | 2281 | \$9,139 |
| 062-4012-641 | 22" | C.O. | C.O. | .177 | 40 | 7-1/2" | 7-1/2" | 12 | 2454 | \$9,815 |
| 062-4012-321 | 20" | SM. | SM. | .138 | 40 | 7-1/2" | 7-1/2" | 12 | 2315 | \$8,882 |
| 062-4012-741 | 22" | SM. | SM. | .177 | 40 | 7-1/2" | 7-1/2" | 12 | 2526 | \$9,498 |
| 062-4012-521 | 20" | C.O. | SM. | .138 | 40 | 7-1/2" | 7-1/2" | 12 | 2297 | \$9,025 |
| 062-4012-841 | 22" | C.O. | SM. | .177 | 40 | 7-1/2" | 7-1/2" | 12 | 2476 | \$9,660 |
| <u>EXTRA EQUIPMENT</u> | | | | | | | | | | |
| | | | | | <u>WIDTH</u> | <u>SPACING</u> | | <u>APX WT</u> | <u>SUGST PRICE</u> | |
| 9-062-920220 | SCRAPERS | | | | 7'11" | 9" | | 177# | \$480 | |
| 9-062-922320 | SCRAPERS | | | | 8'2" | 9"F7-1/2"R | | 196# | \$509 | |
| 9-062-924120 | SCRAPERS | | | | 8'2" | 7-1/2" | | 208# | \$546 | |
| 9-062-924220 | SCRAPERS | | | | 9'4" | 9" | | 214# | \$546 | |
| 9-062-926320 | SCRAPERS | | | | 9'4" | 9"F7-1/2"R | | 231# | \$564 | |
| 9-062-928120 | SCRAPERS | | | | 9'4" | 7-1/2" | | 250# | \$604 | |
| 9-062-932120 | SCRAPERS | | | | 10'6" | 7-1/2" | | 296# | \$662 | |
| 9-062-928220 | SCRAPERS | | | | 10'9" | 9" | | 263# | \$600 | |
| 9-062-930320 | SCRAPERS | | | | 10'6" | 9"F7-1/2"R | | 278# | \$639 | |
| 9-062-932220 | SCRAPERS | | | | 12'2" | 9" | | 305# | \$700 | |
| 9-062-936320 | SCRAPERS | | | | 12'11" | 9"F7-1/2"R | | 337# | \$762 | |
| 9-062-940120 | SCRAPERS | | | | 12'11" | 7-1/2" | | 367# | \$824 | |

| <u>EXTRA EQUIPMENT</u> | | <u>APX</u> | <u>SUGST</u> |
|------------------------|------------------------------------|------------|--------------|
| | | <u>WT</u> | <u>PRICE</u> |
| 9-062-800000 | BALK BUSTER | 38# | \$196 |
| 9-062-700016 | COVER DISK W/O SCRAPERS W/16" DISK | 34# | \$177 |
| 9-062-709016 | COVER DISK W/SCRAPERS W/16" DISK | 43# | \$209 |

PRICE DOES NOT INCLUDE TIRES

ATHENS 76R RIGID DOUBLE OFFSET HARROW



SPECIFICATIONS:

Width – 8’10” to 15’1”
 22”/24” Disks Cutout or Smooth
 Spacing 9”, 7-1/2”, or 9”F/7-1/2”R
 Trunnion Mounted Housing with
 Relube Quadriseal Ball Bearings
 Spring or Rigid Bearing Hangers
 1.25 Sq. Cold Rolled Gang Axles

STANDARD EQUIPMENT:

Self Leveling Frame
 “A” Frame Tongue w/Jack
 Heavy-Duty, Tubular Mtd Scrapers
 Cover Disk w/Scrapers
 Split Wheel Carriages
 Lifting Hydraulics w/ Mech. Trnsprt
 Adjustable Angle of Cut
 15 x 6 – 5 Lug Wheels w/ Hubs
 Tapered Front & Rear Gangs

| <u>MODEL NUMBER</u> | <u>DISK DIAM</u> | <u>TYPE OF DISK</u> | | <u>DISK THCK</u> | <u># OF DISK</u> | <u>DISK SPACING</u> | | <u># OF BRGS</u> | <u>APX WT</u> | <u>SUGST PRICE</u> |
|---------------------------------|------------------|---------------------|------|------------------|------------------|---------------------|--------|------------------|---------------|--------------------|
| | | FRNT | REAR | | | FRNT | REAR | | | |
| <u>8’10” WIDE</u> | | | | | | | | | | |
| <u>W/RIGID BEARING HANGERS</u> | | | | | | | | | | |
| 76R-2427-637 | 22” | C.O. | C.O. | .157 | 24 | 9” | 9” | 8 | 2694 | \$10,211 |
| 76R-2427-667 | 24” | C.O. | C.O. | .197 | 24 | 9” | 9” | 8 | 2840 | \$10,824 |
| 76R-2427-737 | 22” | SM. | SM. | .157 | 24 | 9” | 9” | 8 | 2714 | \$10,058 |
| 76R-2427-767 | 24” | SM. | SM. | .197 | 24 | 9” | 9” | 8 | 2870 | \$10,600 |
| 76R-2427-837 | 22” | C.O. | SM. | .157 | 24 | 9” | 9” | 8 | 2704 | \$10,138 |
| 76R-2427-867 | 24” | C.O. | SM. | .197 | 24 | 9” | 9” | 8 | 2853 | \$10,715 |
| 76R-2637-637 | 22” | C.O. | C.O. | .157 | 26 | 9” | 7-1/2” | 8 | 2752 | \$10,770 |
| 76R-2637-737 | 22” | SM. | SM. | .157 | 26 | 9” | 7-1/2” | 8 | 2783 | \$10,649 |
| 76R-2637-837 | 22” | C.O. | SM. | .157 | 26 | 9” | 7-1/2” | 8 | 2767 | \$10,713 |
| 76R-2817-637 | 22” | C.O. | C.O. | .157 | 28 | 7-1/2” | 7-1/2” | 8 | 2809 | \$11,004 |
| 76R-2817-737 | 22” | SM. | SM. | .157 | 28 | 7-1/2” | 7-1/2” | 8 | 2843 | \$10,872 |
| 76R-2817-837 | 22” | C.O. | SM. | .157 | 28 | 7-1/2” | 7-1/2” | 8 | 2825 | \$10,935 |
| <u>W/SPRING BEARING HANGERS</u> | | | | | | | | | | |
| 76R-2426-657 | 22” | C.O. | C.O. | .197 | 24 | 9” | 9” | 8 | 2902 | \$10,702 |
| 76R-2426-757 | 22” | SM. | SM. | .197 | 24 | 9” | 9” | 8 | 3048 | \$10,547 |
| 76R-2426-857 | 22” | C.O. | SM. | .197 | 24 | 9” | 9” | 8 | 2922 | \$10,612 |
| 76R-2636-657 | 22” | C.O. | C.O. | .197 | 26 | 9” | 7-1/2” | 8 | 2968 | \$10,935 |
| 76R-2636-757 | 22” | SM. | SM. | .197 | 26 | 9” | 7-1/2” | 8 | 2999 | \$10,821 |
| 76R-2636-857 | 22” | C.O. | SM. | .197 | 26 | 9” | 7-1/2” | 8 | 2983 | \$10,877 |

| MODEL NUMBER | DISK DIAM | TYPE OF DISK | | DISK THCK | # OF DISK | DISK SPACING | | # OF BRGS | APX WT | SUGST PRICE |
|---------------------------------|--------------|--------------|------|--------------|--------------|--------------|--------|--------------|-----------|----------------|
| | | FRNT | REAR | | | FRNT | REAR | | | |
| <u>10'3" WIDE</u> | | | | | | | | | | |
| <u>W/RIGID BEARING HANGERS</u> | | | | | | | | | | |
| 76R-2827-637 | 22" | C.O. | C.O. | .157 | 28 | 9" | 9" | 8 | 2885 | \$ 11,033 |
| 76R-2827-667 | 24" | C.O. | C.O. | .197 | 28 | 9" | 9" | 8 | 3056 | \$ 11,746 |
| 76R-2827-737 | 22" | SM. | SM. | .157 | 28 | 9" | 9" | 8 | 2911 | \$ 10,899 |
| 76R-2827-767 | 24" | SM. | SM. | .197 | 28 | 9" | 9" | 8 | 3092 | \$11,508 |
| 76R-2827-837 | 22" | C.O. | SM. | .157 | 28 | 9" | 9" | 8 | 2898 | \$10,966 |
| 76R-2827-867 | 24" | C.O. | SM. | .197 | 28 | 9" | 9" | 8 | 3073 | \$11,630 |
| 76R-3037-637 | 22" | C.O. | C.O. | .157 | 30 | 9" | 7-1/2" | 8 | 2943 | \$11,267 |
| 76R-3037-737 | 22" | SM. | SM. | .157 | 30 | 9" | 7-1/2" | 8 | 2979 | \$11,128 |
| 76R-3037-837 | 22" | C.O. | SM. | .157 | 30 | 9" | 7-1/2" | 8 | 2961 | \$11,194 |
| 76R-3217-637 | 22" | C.O. | C.O. | .157 | 32 | 7-1/2" | 7-1/2" | 8 | 3012 | \$11,238 |
| 76R-3217-737 | 22" | SM. | SM. | .157 | 32 | 7-1/2" | 7-1/2" | 8 | 3051 | \$11,103 |
| 76R-3217-837 | 22" | C.O. | SM. | .157 | 32 | 7-1/2" | 7-1/2" | 8 | 3031 | \$11,172 |
| <u>W/SPRING BEARING HANGERS</u> | | | | | | | | | | |
| 76R-2826-657 | 22" | C.O. | C.O. | .197 | 28 | 9" | 9" | 8 | 3105 | \$11,520 |
| 76R-2826-757 | 22" | SM. | SM. | .197 | 28 | 9" | 9" | 8 | 3131 | \$11,386 |
| 76R-2826-857 | 22" | C.O. | SM. | .197 | 28 | 9" | 9" | 8 | 3118 | \$11,455 |
| 76R-3036-657 | 22" | C.O. | C.O. | .197 | 30 | 9" | 7-1/2" | 8 | 3175 | \$11,746 |
| 76R-3036-757 | 22" | SM. | SM. | .197 | 30 | 9" | 7-1/2" | 8 | 3211 | \$11,403 |
| 76R-3036-857 | 22" | C.O. | SM. | .197 | 30 | 9" | 7-1/2" | 8 | 3352 | \$11,579 |
| 76R-3216-657 | 22" | C.O. | C.O. | .197 | 32 | 7-1/2" | 7-1/2" | 8 | 3252 | \$11,975 |
| 76R-3216-757 | 22" | SM. | SM. | .197 | 32 | 7-1/2" | 7-1/2" | 8 | 3291 | \$11,633 |
| 76R-3216-857 | 22" | C.O. | SM. | .197 | 32 | 7-1/2" | 7-1/2" | 8 | 3352 | \$11,802 |
| <u>11'1" WIDE</u> | | | | | | | | | | |
| <u>W/RIGID BEARING HANGERS</u> | | | | | | | | | | |
| 76R-3437-637 | 22" | C.O. | C.O. | .157 | 34 | 9" | 7-1/2" | 12 | 3205 | \$12,642 |
| 76R-3437-737 | 22" | SM. | SM. | .157 | 34 | 9" | 7-1/2" | 12 | 3247 | \$12,474 |
| 76R-3437-837 | 22" | C.O. | SM. | .157 | 34 | 9" | 7-1/2" | 12 | 3227 | \$12,560 |
| 76R-3617-637 | 22" | C.O. | C.O. | .157 | 36 | 7-1/2" | 7-1/2" | 12 | 3251 | \$12,918 |
| 76R-3617-737 | 22" | SM. | SM. | .157 | 36 | 7-1/2" | 7-1/2" | 12 | 3295 | \$12,740 |
| 76R-3617-837 | 22" | C.O. | SM. | .157 | 36 | 7-1/2" | 7-1/2" | 12 | 3273 | \$12,836 |
| <u>W/SPRING BEARING HANGERS</u> | | | | | | | | | | |
| 76R-3436-657 | 22" | C.O. | C.O. | .197 | 34 | 9" | 7-1/2" | 12 | 3521 | \$13,386 |
| 76R-3436-757 | 22" | SM. | SM. | .197 | 34 | 9" | 7-1/2" | 12 | 3563 | \$13,228 |
| 76R-3436-857 | 22" | C.O. | SM. | .197 | 34 | 9" | 7-1/2" | 12 | 3543 | \$13,303 |
| 76R-3616-657 | 22" | C.O. | C.O. | .197 | 36 | 7-1/2" | 7-1/2" | 12 | 3575 | \$13,687 |
| 76R-3616-757 | 22" | SM. | SM. | .197 | 36 | 7-1/2" | 7-1/2" | 12 | 3619 | \$13,506 |
| 76R-3616-857 | 22" | C.O. | SM. | .197 | 36 | 7-1/2" | 7-1/2" | 12 | 3597 | \$13,600 |

| MODEL NUMBER | DISK DIAM | TYPE OF DISK | | DISK THCK | # OF DISK | DISK SPACING | | # OF BRGS | APX WT | SUGST PRICE |
|--|--------------|--------------|------|--------------|--------------|--------------|--------|--------------|-----------|----------------|
| | | FRNT | REAR | | | FRNT | REAR | | | |
| <u>11'8" WIDE</u> <u>W/RIGID BEARING HANGERS</u> | | | | | | | | | | |
| 76R-3227-637 | 22" | C.O. | C.O. | .157 | 32 | 9" | 9" | 12 | 3191 | \$12,469 |
| 76R-3227-667 | 24" | C.O. | C.O. | .197 | 32 | 9" | 9" | 12 | 3388 | \$13,199 |
| 76R-3227-737 | 22" | SM. | SM. | .157 | 32 | 9" | 9" | 12 | 3231 | \$12,325 |
| 76R-3227-767 | 24" | SM. | SM. | .197 | 32 | 9" | 9" | 12 | 3430 | \$12,852 |
| 76R-3227-837 | 22" | C.O. | SM. | .157 | 32 | 9" | 9" | 12 | 3210 | \$12,408 |
| 76R-3227-867 | 24" | C.O. | SM. | .197 | 32 | 9" | 9" | 12 | 3409 | \$13,034 |
| <u>W/SPRING BEARING HANGERS</u> | | | | | | | | | | |
| 76R-3226-657 | 22" | C.O. | C.O. | .197 | 32 | 9" | 9" | 12 | 3499 | \$13,185 |
| 76R-3226-757 | 22" | SM. | SM. | .197 | 32 | 9" | 9" | 12 | 3528 | \$13,046 |
| 76R-3226-857 | 22" | C.O. | SM. | .197 | 32 | 9" | 9" | 12 | 3513 | \$13,120 |
| <u>13'1" WIDE</u> <u>W/RIGID BEARING HANGERS</u> | | | | | | | | | | |
| 76R-3627-637 | 22" | C.O. | C.O. | .157 | 36 | 9" | 9" | 12 | 3387 | \$12,978 |
| 76R-3627-667 | 24" | C.O. | C.O. | .197 | 36 | 9" | 9" | 12 | 3611 | \$13,895 |
| 76R-3627-737 | 22" | SM. | SM. | .157 | 36 | 9" | 9" | 12 | 3420 | \$12,800 |
| 76R-3627-767 | 24" | SM. | SM. | .197 | 36 | 9" | 9" | 12 | 3659 | \$13,579 |
| 76R-3627-837 | 22" | C.O. | SM. | .157 | 36 | 9" | 9" | 12 | 3388 | \$12,870 |
| 76R-3627-867 | 24" | C.O. | SM. | .197 | 36 | 9" | 9" | 12 | 3634 | \$13,739 |
| <u>W/SPRING BEARING HANGERS</u> | | | | | | | | | | |
| 76R-3626-657 | 22" | C.O. | C.O. | .197 | 36 | 9" | 9" | 12 | 3707 | \$13,795 |
| 76R-3626-757 | 22" | SM. | SM. | .197 | 36 | 9" | 9" | 12 | 3740 | \$13,568 |
| 76R-3626-857 | 22" | C.O. | SM. | .197 | 36 | 9" | 9" | 12 | 3708 | \$13,687 |
| <u>13'5" WIDE</u> <u>W/RIGID BEARING HANGERS</u> | | | | | | | | | | |
| 76R-4037-637 | 22" | C.O. | C.O. | .157 | 40 | 9" | 7-1/2" | 12 | 3531 | \$13,484 |
| 76R-4037-737 | 22" | SM. | SM. | .157 | 40 | 9" | 7-1/2" | 12 | 3569 | \$13,308 |
| 76R-4037-837 | 22" | C.O. | SM. | .157 | 40 | 9" | 7-1/2" | 12 | 3546 | \$13,390 |
| 76R-4417-637 | 22" | C.O. | C.O. | .157 | 44 | 7-1/2" | 7-1/2" | 12 | 3739 | \$13,988 |
| 76R-4417-737 | 22" | SM. | SM. | .157 | 44 | 7-1/2" | 7-1/2" | 12 | 3792 | \$13,795 |
| 76R-4417-837 | 22" | C.O. | SM. | .157 | 44 | 7-1/2" | 7-1/2" | 12 | 3765 | \$13,890 |
| <u>W/SPRING BEARING HANGERS</u> | | | | | | | | | | |
| 76R-4036-657 | 22" | C.O. | C.O. | .197 | 40 | 9" | 7-1/2" | 12 | 3871 | \$14,348 |
| 76R-4036-757 | 22" | SM. | SM. | .197 | 40 | 9" | 7-1/2" | 12 | 3909 | \$14,168 |
| 76R-4036-857 | 22" | C.O. | SM. | .197 | 40 | 9" | 7-1/2" | 12 | 3886 | \$14,252 |
| 76R-4416-657 | 22" | C.O. | C.O. | .197 | 44 | 7-1/2" | 7-1/2" | 12 | 4009 | \$14,903 |
| 76R-4416-757 | 22" | SM. | SM. | .197 | 44 | 7-1/2" | 7-1/2" | 12 | 4062 | \$14,710 |
| 76R-4416-857 | 22" | C.O. | SM. | .197 | 44 | 7-1/2" | 7-1/2" | 12 | 4035 | \$14,805 |

| <u>MODEL NUMBER</u> | <u>DISK DIAM</u> | <u>TYPE OF DISK</u> | | <u>DISK THCK</u> | <u># OF DISK</u> | <u>DISK SPACING</u> | | <u># OF BRGS</u> | <u>APX WT</u> | <u>SUGST PRICE</u> |
|---|------------------|---------------------|------|------------------|------------------|---------------------|------|------------------|---------------|--------------------|
| | | FRNT | REAR | | | FRNT | REAR | | | |
| <u>14'6" WIDE W/RIGID BEARING HANGERS</u> | | | | | | | | | | |
| 76R-4027-637 | 22" | C.O. | C.O. | .157 | 40 | 9" | 9" | 12 | 3657 | \$13,585 |
| 76R-4027-667 | 24" | C.O. | C.O. | .197 | 40 | 9" | 9" | 12 | 3910 | \$14,550 |
| 76R-4027-737 | 22" | SM. | SM. | .157 | 40 | 9" | 9" | 12 | 3694 | \$13,329 |
| 76R-4027-767 | 24" | SM. | SM. | .197 | 40 | 9" | 9" | 12 | 3962 | \$14,070 |
| 76R-4027-837 | 22" | C.O. | SM. | .157 | 40 | 9" | 9" | 12 | 3676 | \$13,480 |
| 76R-4027-867 | 24" | C.O. | SM. | .197 | 40 | 9" | 9" | 12 | 3935 | \$14,255 |

W/SPRING BEARING HANGERS

| | | | | | | | | | | |
|--------------|-----|------|------|------|----|----|----|----|------|----------|
| 76R-4026-657 | 22" | C.O. | C.O. | .197 | 40 | 9" | 9" | 12 | 3993 | \$14,451 |
| 76R-4026-757 | 22" | SM. | SM. | .197 | 40 | 9" | 9" | 12 | 4030 | \$14,198 |
| 76R-4026-857 | 22" | C.O. | SM. | .197 | 40 | 9" | 9" | 12 | 4012 | \$14,340 |

15'1" WIDE W/RIGID BEARING HANGERS

| | | | | | | | | | | |
|--------------|-----|------|------|------|----|--------|--------|----|------|----------|
| 76R-4437-637 | 22" | C.O. | C.O. | .157 | 44 | 9" | 7-1/2" | 12 | 3788 | \$14,060 |
| 76R-4437-737 | 22" | SM. | SM. | .157 | 44 | 9" | 7-1/2" | 12 | 3841 | \$13,863 |
| 76R-4437-837 | 22" | C.O. | SM. | .157 | 44 | 9" | 7-1/2" | 12 | 3816 | \$13,960 |
| 76R-4817-637 | 22" | C.O. | C.O. | .157 | 48 | 7-1/2" | 7-1/2" | 12 | 3908 | \$14,469 |
| 76R-4817-737 | 22" | SM. | SM. | .157 | 48 | 7-1/2" | 7-1/2" | 12 | 3966 | \$14,255 |
| 76R-4817-837 | 22" | C.O. | SM. | .157 | 48 | 7-1/2" | 7-1/2" | 12 | 3937 | \$14,367 |

W/SPRING BEARING HANGERS

| | | | | | | | | | | |
|--------------|-----|------|------|------|----|--------|--------|----|------|----------|
| 76R-4436-657 | 22" | C.O. | C.O. | .197 | 44 | 9" | 7-1/2" | 16 | 4144 | \$14,973 |
| 76R-4436-757 | 22" | SM. | SM. | .197 | 44 | 9" | 7-1/2" | 16 | 4197 | \$14,778 |
| 76R-4436-857 | 22" | C.O. | SM. | .197 | 44 | 9" | 7-1/2" | 16 | 4172 | \$14,868 |
| 76R-4816-657 | 22" | C.O. | C.O. | .197 | 48 | 7-1/2" | 7-1/2" | 12 | 4280 | \$15,423 |
| 76R-4816-757 | 22" | SM. | SM. | .197 | 48 | 7-1/2" | 7-1/2" | 12 | 4338 | \$15,219 |
| 76R-4816-857 | 22" | C.O. | SM. | .197 | 48 | 7-1/2" | 7-1/2" | 12 | 4309 | \$15,330 |

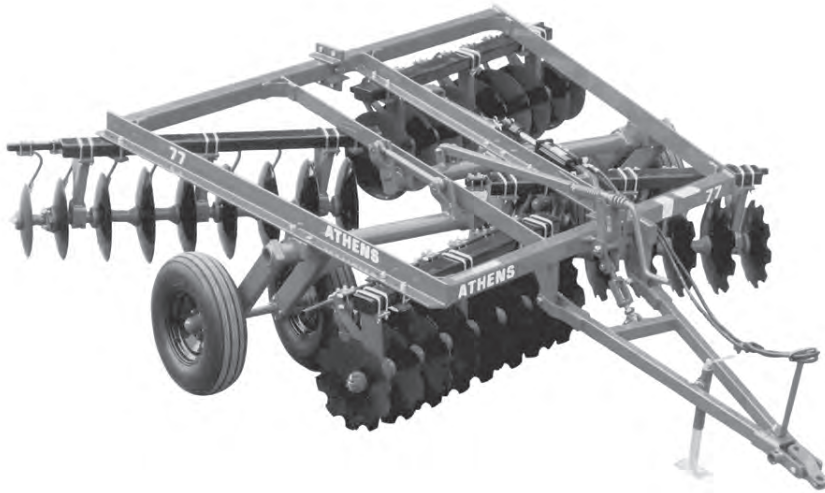
EXTRA EQUIPMENT

APX WT SUGST PRICE
90# \$605

9-076-605156 DUAL WHEELS FOR 8'10" TO 13'5" UNITS
(DUAL WHEELS ARE STANDARD ON
14'6" TO 15'1" UNITS)

PRICE DOES NOT INCLUDE TIRES

ATHENS 77R RIGID DOUBLE OFFSET DISK HARROW



SPECIFICATIONS:

Width – 11’8” to 15’9”
 22”/24” Disks, Cutout or Smooth
 Spacing – 9”, 7-1/2”, 9”Frnt/7-1/2”R
 Trunnion Mounted Housing with
 QUADRASEAL Ball Bearings
 Spring or Rigid Bearing Hangers
 1.25 Sq. Cold Rolled Gang Axles

STANDARD EQUIPMENT:

Self Leveling Frame
 “A” Frame Tongue w/ Jack
 Heavy-duty Tubular Mounted Scrprs
 Cover Disk w/Scrapers
 Split Wheel Carriages
 Lifting Hyd. W/Mechanical Transport
 Adjustable Angle of Cut
 15 x 6 – Dual Wheels w/ Hubs
 Tapered Front & Rear Gangs

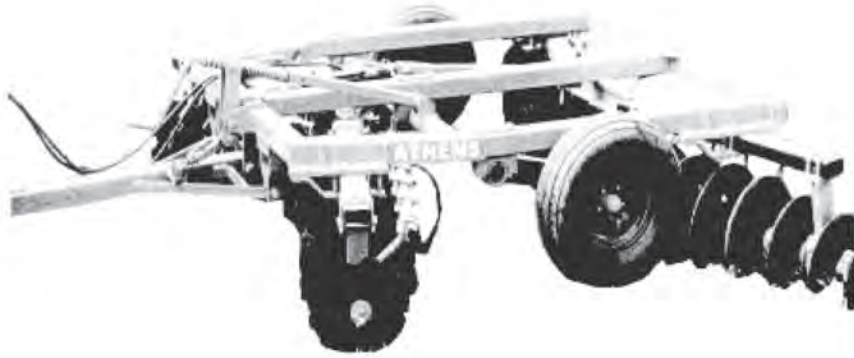
| <u>MODEL NUMBER</u> | <u>DISK DIAM</u> | <u>TYPE OF DISK</u> | | <u>DISK THCK</u> | <u># OF DISK</u> | <u>DISK SPACING</u> | | <u># OF BRGS</u> | <u>APX WT</u> | <u>SUGST PRICE</u> |
|---|------------------|---------------------|-------------|------------------|------------------|---------------------|-------------|------------------|---------------|--------------------|
| | | <u>FRNT</u> | <u>REAR</u> | | | <u>FRNT</u> | <u>REAR</u> | | | |
| <u>11’1” WIDE W/RIGID BEARING HANGERS</u> | | | | | | | | | | |
| 77R-3437-631 | 22” | C.O. | C.O. | .157 | 34 | 9” | 7-1/2” | 12 | 3700 | \$15,005 |
| 77R-3437-731 | 22” | SM. | SM. | .157 | 34 | 9” | 7-1/2” | 12 | 3742 | \$14,833 |
| 77R-3437-831 | 22” | C.O. | SM. | .157 | 34 | 9” | 7-1/2” | 12 | 3721 | \$14,910 |
| 77R-3617-631 | 22” | C.O. | C.O. | .157 | 36 | 7-1/2” | 7-1/2” | 12 | 3746 | \$15,302 |
| 77R-3617-731 | 22” | SM. | SM. | .157 | 36 | 7-1/2” | 7-1/2” | 12 | 3789 | \$15,112 |
| 77R-3617-831 | 22” | C.O. | SM. | .157 | 36 | 7-1/2” | 7-1/2” | 12 | 3767 | \$15,210 |
| <u>W/SPRING BEARING HANGERS</u> | | | | | | | | | | |
| 77R-3436-651 | 22” | C.O. | C.O. | .197 | 34 | 9” | 7-1/2” | 12 | 4016 | \$15,805 |
| 77R-3436-751 | 22” | SM. | SM. | .197 | 34 | 9” | 7-1/2” | 12 | 4058 | \$15,630 |
| 77R-3436-851 | 22” | C.O. | SM. | .197 | 34 | 9” | 7-1/2” | 12 | 4037 | \$15,720 |
| 77R-3616-651 | 22” | C.O. | C.O. | .197 | 36 | 7-1/2” | 7-1/2” | 12 | 4070 | \$16,125 |
| 77R-3616-751 | 22” | SM. | SM. | .197 | 36 | 7-1/2” | 7-1/2” | 12 | 4113 | \$15,942 |
| 77R-3616-851 | 22” | C.O. | SM. | .197 | 36 | 7-1/2” | 7-1/2” | 12 | 4091 | \$16,042 |
| <u>11’8” WIDE W/RIGID BEARING HANGERS</u> | | | | | | | | | | |
| 77R-3227-631 | 22” | C.O. | C.O. | .157 | 32 | 9” | 9” | 12 | 3701 | \$14,809 |
| 77R-3227-661 | 24” | C.O. | C.O. | .197 | 32 | 9” | 9” | 12 | 3868 | \$15,594 |
| 77R-3227-731 | 22” | SM. | SM. | .157 | 32 | 9” | 9” | 12 | 3740 | \$14,660 |

| <u>MODEL NUMBER</u> | <u>DISK DIAM</u> | <u>TYPE OF DISK</u> | | <u>DISK THCK</u> | <u># OF DISK</u> | <u>DISK SPACING</u> | | <u># OF BRGS</u> | <u>APX WT</u> | <u>SUGST PRICE</u> |
|---------------------|------------------|--|-------------|------------------|------------------|---------------------|-------------|------------------|---------------|--------------------|
| | | <u>FRNT</u> | <u>REAR</u> | | | <u>FRNT</u> | <u>REAR</u> | | | |
| <u>11'8" WIDE</u> | | <u>W/RIGID BEARING HANGERS(CONT'D)</u> | | | | | | | | |
| 77R-3227-761 | 24" | SM. | SM. | .197 | 32 | 9" | 9" | 12 | 3907 | \$15,220 |
| 77R-3227-831 | 22" | C.O. | SM. | .157 | 32 | 9" | 9" | 12 | 3720 | \$14,742 |
| 77R-3227-861 | 24" | C.O. | SM. | .197 | 32 | 9" | 9" | 12 | 3886 | \$15,417 |
| | | <u>W/SPRING BEARING HANGERS</u> | | | | | | | | |
| 77R-3226-651 | 22" | C.O. | C.O. | .197 | 32 | 9" | 9" | 12 | 4009 | \$15,328 |
| 77R-3226-751 | 22" | SM. | SM. | .197 | 32 | 9" | 9" | 12 | 4048 | \$15,173 |
| 77R-3226-851 | 22" | C.O. | SM. | .197 | 32 | 9" | 9" | 12 | 4028 | \$15,255 |
| <u>13'1" WIDE</u> | | <u>W/RIGID BEARING HANGERS</u> | | | | | | | | |
| 77R-3627-631 | 22" | C.O. | C.O. | .157 | 36 | 9" | 9" | 12 | 3913 | \$15,364 |
| 77R-3627-661 | 24" | C.O. | C.O. | .197 | 36 | 9" | 9" | 12 | 4093 | \$16,354 |
| 77R-3627-731 | 22" | SM. | SM. | .157 | 36 | 9" | 9" | 12 | 3950 | \$15,114 |
| 77R-3627-761 | 24" | SM. | SM. | .197 | 36 | 9" | 9" | 12 | 4146 | \$16,007 |
| 77R-3627-831 | 22" | C.O. | SM. | .157 | 36 | 9" | 9" | 12 | 3934 | \$15,244 |
| 77R-3627-861 | 24" | C.O. | SM. | .197 | 36 | 9" | 9" | 12 | 4123 | \$16,185 |
| | | <u>W/SPRING BEARING HANGERS</u> | | | | | | | | |
| 77R-3626-651 | 22" | C.O. | C.O. | .197 | 36 | 9" | 9" | 12 | 4219 | \$16,193 |
| 77R-3626-751 | 22" | SM. | SM. | .197 | 36 | 9" | 9" | 12 | 4260 | \$15,946 |
| 77R-3626-851 | 22" | C.O. | SM. | .197 | 36 | 9" | 9" | 12 | 4240 | \$16,072 |
| <u>13'6" WIDE</u> | | <u>W/RIGID BEARING HANGERS</u> | | | | | | | | |
| 77R-4037-631 | 22" | C.O. | C.O. | .157 | 40 | 9" | 7-1/2" | 12 | 4011 | \$15,909 |
| 77R-4037-731 | 22" | SM. | SM. | .157 | 40 | 9" | 7-1/2" | 12 | 4059 | \$15,716 |
| 77R-4037-831 | 22" | C.O. | SM. | .157 | 40 | 9" | 7-1/2" | 12 | 4037 | \$15,807 |
| 77R-4417-631 | 22" | C.O. | C.O. | .157 | 44 | 7-1/2" | 7-1/2" | 12 | 4147 | \$16,458 |
| 77R-4417-731 | 22" | SM. | SM. | .157 | 44 | 7-1/2" | 7-1/2" | 12 | 4200 | \$16,250 |
| 77R-4417-831 | 22" | C.O. | SM. | .157 | 44 | 7-1/2" | 7-1/2" | 12 | 4174 | \$16,354 |
| | | <u>W/SPRING BEARING HANGERS</u> | | | | | | | | |
| 77R-4036-651 | 22" | C.O. | C.O. | .197 | 40 | 9" | 7-1/2" | 12 | 4351 | \$16,788 |
| 77R-4036-751 | 22" | SM. | SM. | .197 | 40 | 9" | 7-1/2" | 12 | 4399 | \$16,594 |
| 77R-4036-851 | 22" | C.O. | SM. | .197 | 40 | 9" | 7-1/2" | 12 | 4379 | \$16,690 |
| 77R-4416-651 | 22" | C.O. | C.O. | .197 | 44 | 7-1/2" | 7-1/2" | 12 | 4503 | \$17,399 |
| 77R-4416-751 | 22" | SM. | SM. | .197 | 44 | 7-1/2" | 7-1/2" | 12 | 4556 | \$17,183 |
| 77R-4416-851 | 22" | C.O. | SM. | .197 | 44 | 7-1/2" | 7-1/2" | 12 | 4530 | \$17,291 |
| <u>14'6" WIDE</u> | | <u>W/RIGID BEARING HANGERS</u> | | | | | | | | |
| 77R-4027-631 | 22" | C.O. | C.O. | .157 | 40 | 9" | 9" | 12 | 4080 | \$16,017 |
| 77R-4027-661 | 24" | C.O. | C.O. | .197 | 40 | 9" | 9" | 12 | 4290 | \$17,178 |
| 77R-4027-731 | 22" | SM. | SM. | .157 | 40 | 9" | 9" | 12 | 4129 | \$15,841 |

| <u>MODEL NUMBER</u> | <u>DISK DIAM</u> | <u>TYPE OF DISK</u> | | <u>DISK THCK</u> | <u># OF DISK</u> | <u>DISK SPACING</u> | | <u># OF BRGS</u> | <u>APX WT</u> | <u>SUGST PRICE</u> |
|--|----------------------|---------------------|-------------|----------------------|----------------------|---------------------|-------------|----------------------|-------------------|------------------------|
| | | <u>FRNT</u> | <u>REAR</u> | | | <u>FRNT</u> | <u>REAR</u> | | | |
| <u>14'6" WIDE</u> | | | | | | | | | | |
| <u>W/RIGID BEARING HANGERS(CONT'D)</u> | | | | | | | | | | |
| 77R-4027-761 | 24" | SM. | SM. | .197 | 40 | 9" | 9" | 12 | 4342 | \$16,538 |
| 77R-4027-831 | 22" | C.O. | SM. | .157 | 40 | 9" | 9" | 12 | 4108 | \$15,932 |
| 77R-4027-861 | 24" | C.O. | SM. | .197 | 40 | 9" | 9" | 12 | 4316 | \$16,788 |
| <u>W/SPRING BEARING HANGER</u> | | | | | | | | | | |
| 77R-4026-651 | 22" | C.O. | C.O. | .197 | 40 | 9" | 9" | 12 | 4420 | \$16,900 |
| 77R-4026-751 | 22" | SM. | SM. | .197 | 40 | 9" | 9" | 12 | 4469 | \$16,788 |
| 77R-4026-851 | 22" | C.O. | SM. | .197 | 40 | 9" | 9" | 12 | 4448 | \$16,809 |
| <u>15'1" WIDE</u> | | | | | | | | | | |
| <u>W/RIGID BEARING HANGERS</u> | | | | | | | | | | |
| 77R-4437-631 | 22" | C.O. | C.O. | .157 | 44 | 9" | 7-1/2" | 12 | 4217 | \$16,538 |
| 77R-4437-731 | 22" | SM. | SM. | .157 | 44 | 9" | 7-1/2" | 12 | 4240 | \$16,789 |
| 77R-4437-831 | 22" | C.O. | SM. | .157 | 44 | 9" | 7-1/2" | 12 | 4216 | \$16,424 |
| 77R-4817-631 | 22" | C.O. | C.O. | .157 | 48 | 7-1/2" | 7-1/2" | 12 | 4327 | \$17,079 |
| 77R-4817-731 | 22" | SM. | SM. | .157 | 48 | 7-1/2" | 7-1/2" | 12 | 4485 | \$16,838 |
| 77R-4817-831 | 22" | C.O. | SM. | .157 | 48 | 7-1/2" | 7-1/2" | 12 | 4356 | \$16,965 |
| <u>W/SPRING BEARING HANGERS</u> | | | | | | | | | | |
| 77R-4436-651 | 22" | C.O. | C.O. | .197 | 44 | 9" | 7-1/2" | 12 | 4573 | \$17,470 |
| 77R-4436-751 | 22" | SM. | SM. | .197 | 44 | 9" | 7-1/2" | 12 | 4596 | \$17,255 |
| 77R-4436-851 | 22" | C.O. | SM. | .197 | 44 | 9" | 7-1/2" | 12 | 4572 | \$17,365 |
| 77R-4816-651 | 22" | C.O. | C.O. | .197 | 48 | 7-1/2" | 7-1/2" | 12 | 4699 | \$18,065 |
| 77R-4816-751 | 22" | SM. | SM. | .197 | 48 | 7-1/2" | 7-1/2" | 12 | 4857 | \$17,823 |
| 77R-4816-851 | 22" | C.O. | SM. | .197 | 48 | 7-1/2" | 7-1/2" | 12 | 4728 | \$17,953 |
| <u>15'9" WIDE</u> | | | | | | | | | | |
| <u>W/RIGID BEARING HANGERS</u> | | | | | | | | | | |
| 77R-4427-631 | 22" | C.O. | C.O. | .157 | 44 | 9" | 9" | 12 | 4247 | \$16,674 |
| 77R-4427-661 | 24" | C.O. | C.O. | .197 | 44 | 9" | 9" | 12 | 4487 | \$17,880 |
| 77R-4427-731 | 22" | SM. | SM. | .157 | 44 | 9" | 9" | 12 | 4308 | \$16,480 |
| 77R-4427-761 | 24" | SM. | SM. | .197 | 44 | 9" | 9" | 12 | 4538 | \$17,215 |
| 77R-4427-831 | 22" | C.O. | SM. | .157 | 44 | 9" | 9" | 12 | 4282 | \$16,584 |
| 77R-4427-861 | 24" | C.O. | SM. | .197 | 44 | 9" | 9" | 12 | 4509 | \$17,473 |

***PRICE DOES NOT INCLUDE TIRES**

ATHENS 93 WHEEL TANDEM DISK HARROW



SPECIFICATIONS:

Cutting Width – 9'4" to 15'3"
 Disk Spacing – 7-1/2", 9" or
 9" Frt, 7-1/2" Rear
 22" or 24" Disks- Cutout or Smooth

STANDARD EQUIPMENT:

Reversible Clevis Hitch
 Heavy – Duty Tongue w/ Jack
 1 1/4" Cold Rolled Sq. Axles
 W/Wrench
 Tapered Outside Rear and
 Front Gangs
 Heavy – Duty Scrapers
 Cover Disk w/ Scraper
 15", 5 Lug Wheels w/QUADRASEAL
 Wheel Hubs
 Mechanical Transport
 Adjustable Angle of Cut
 Relube QUADRASEAL Ball Bearings
 Lifting Hydraulics

| MODEL NUMBER | DISK DIAM | TYPE OF DISK | | DISK THCK | # OF DISK | DISK SPACING | | # OF BRGS | APX WT | SUGST PRICE |
|------------------|--------------|--------------|------|--------------|--------------|--------------|--------|--------------|-----------|----------------|
| | | FRNT | REAR | | | FRNT | REAR | | | |
| <u>9'4" WIDE</u> | | | | | | | | | | |
| 093-2427-631 | 22" | C.O. | C.O. | .157 | 24 | 9" | 9" | 8 | 2733 | \$ 10,736 |
| 093-2427-651 | 22" | C.O. | C.O. | .197 | 24 | 9" | 9" | 8 | 2805 | \$ 11,009 |
| 093-2427-661 | 24" | C.O. | C.O. | .197 | 24 | 9" | 9" | 8 | 2867 | \$11,855 |
| 093-2427-731 | 22" | SM. | SM. | .157 | 24 | 9" | 9" | 8 | 2763 | \$10,493 |
| 093-2427-751 | 22" | SM. | SM. | .197 | 24 | 9" | 9" | 8 | 2835 | \$11,250 |
| 093-2427-761 | 24" | SM. | SM. | .197 | 24 | 9" | 9" | 8 | 2898 | \$11,737 |
| 093-2427-831 | 22" | C.O. | SM. | .157 | 24 | 9" | 9" | 8 | 2748 | \$10,624 |
| 093-2427-851 | 22" | C.O. | SM. | .197 | 24 | 9" | 9" | 8 | 2820 | \$10,895 |
| 093-2427-861 | 24" | C.O. | SM. | .197 | 24 | 9" | 9" | 8 | 2883 | \$11,777 |
| 093-2637-631 | 22" | C.O. | C.O. | .157 | 26 | 9" | 7-1/2" | 8 | 2789 | \$11,031 |
| 093-2637-651 | 22" | C.O. | C.O. | .197 | 26 | 9" | 7-1/2" | 8 | 2867 | \$11,324 |
| 093-2637-731 | 22" | SM. | SM. | .157 | 26 | 9" | 7-1/2" | 8 | 2820 | \$10,785 |
| 093-2637-751 | 22" | SM. | SM. | .197 | 26 | 9" | 7-1/2" | 8 | 2898 | \$10,864 |
| 093-2637-831 | 22" | C.O. | SM. | .157 | 26 | 9" | 7-1/2" | 8 | 2805 | \$10,920 |
| 093-2637-851 | 22" | C.O. | SM. | .197 | 26 | 9" | 7-1/2" | 8 | 2883 | \$11,000 |
| 093-2817-631 | 22" | C.O. | C.O. | .157 | 28 | 7-1/2" | 7-1/2" | 8 | 2848 | \$11,800 |
| 093-2817-651 | 22" | C.O. | C.O. | .197 | 28 | 7-1/2" | 7-1/2" | 8 | 2932 | \$12,114 |
| 093-2817-731 | 22" | SM. | SM. | .157 | 28 | 7-1/2" | 7-1/2" | 8 | 2882 | \$11,508 |
| 093-2817-751 | 22" | SM. | SM. | .197 | 28 | 7-1/2" | 7-1/2" | 8 | 2966 | \$11,823 |
| 093-2817-831 | 22" | C.O. | SM. | .157 | 28 | 7-1/2" | 7-1/2" | 8 | 2865 | \$11,661 |
| 093-2817-851 | 22" | C.O. | SM. | .197 | 28 | 7-1/2" | 7-1/2" | 8 | 2949 | \$11,973 |

| <u>MODEL NUMBER</u> | <u>DISK DIAM</u> | <u>TYPE OF DISK</u> | | <u>DISK THCK</u> | <u># OF DISK</u> | <u>DISK SPACING</u> | | <u># OF BRGS</u> | <u>APX WT</u> | <u>SUGST PRICE</u> |
|---------------------|------------------|---------------------|------|------------------|------------------|---------------------|--------|------------------|---------------|--------------------|
| | | FRNT | REAR | | | FRNT | REAR | | | |
| <u>10'6" WIDE</u> | | | | | | | | | | |
| 093-3037-631 | 22" | C.O. | C.O. | .157 | 30 | 9" | 7-1/2" | 8 | 2983 | \$11,746 |
| 093-3037-651 | 22" | C.O. | C.O. | .197 | 30 | 9" | 7-1/2" | 8 | 3073 | \$12,080 |
| 093-3037-731 | 22" | SM. | SM. | .157 | 30 | 9" | 7-1/2" | 8 | 3019 | \$11,438 |
| 093-3037-751 | 22" | SM. | SM. | .197 | 30 | 9" | 7-1/2" | 8 | 3109 | \$11,775 |
| 093-3037-831 | 22" | C.O. | SM. | .157 | 30 | 9" | 7-1/2" | 8 | 3002 | \$11,585 |
| 093-3037-851 | 22" | C.O. | SM. | .197 | 30 | 9" | 7-1/2" | 8 | 3092 | \$11,922 |
| 093-3217-631 | 22" | C.O. | C.O. | .157 | 32 | 7-1/2" | 7-1/2" | 8 | 3040 | \$12,027 |
| 093-3217-651 | 22" | C.O. | C.O. | .197 | 32 | 7-1/2" | 7-1/2" | 8 | 3136 | \$11,813 |
| 093-3217-731 | 22" | SM. | SM. | .157 | 32 | 7-1/2" | 7-1/2" | 8 | 3078 | \$11,704 |
| 093-3217-751 | 22" | SM. | SM. | .197 | 32 | 7-1/2" | 7-1/2" | 8 | 3174 | \$12,062 |
| 093-3217-831 | 22" | C.O. | SM. | .157 | 32 | 7-1/2" | 7-1/2" | 8 | 3059 | \$11,872 |
| 093-3217-851 | 22" | C.O. | SM. | .197 | 32 | 7-1/2" | 7-1/2" | 8 | 3155 | \$12,229 |
| 093-2827-631 | 22" | C.O. | C.O. | .157 | 28 | 9" | 9" | 8 | 2927 | \$ 11,465 |
| 093-2827-651 | 22" | C.O. | C.O. | .197 | 28 | 9" | 9" | 8 | 3011 | \$ 11,778 |
| 093-2827-661 | 24" | C.O. | C.O. | .197 | 28 | 9" | 9" | 8 | 3087 | \$ 12,733 |
| 093-2827-731 | 22" | SM. | SM. | .157 | 28 | 9" | 9" | 8 | 2961 | \$11,181 |
| 093-2827-751 | 22" | SM. | SM. | .197 | 28 | 9" | 9" | 8 | 3045 | \$11,496 |
| 093-2827-761 | 24" | SM. | SM. | .197 | 28 | 9" | 9" | 8 | 3123 | \$12,225 |
| 093-2827-831 | 22" | C.O. | SM. | .157 | 28 | 9" | 9" | 8 | 2944 | \$ 11,326 |
| 093-2827-851 | 22" | C.O. | SM. | .197 | 28 | 9" | 9" | 8 | 3028 | \$ 11,638 |
| 093-2827-861 | 24" | C.O. | SM. | .197 | 28 | 9" | 9" | 8 | 3105 | \$ 12,638 |
| <u>12'2" WIDE</u> | | | | | | | | | | |
| 093-3227-631 | 22" | C.O. | C.O. | .157 | 32 | 9" | 9" | 12 | 3267 | \$ 13,111 |
| 093-3227-651 | 22" | C.O. | C.O. | .197 | 32 | 9" | 9" | 12 | 3363 | \$ 13,470 |
| 093-3227-661 | 24" | C.O. | C.O. | .197 | 32 | 9" | 9" | 12 | 3452 | \$ 14,581 |
| 093-3227-731 | 22" | SM. | SM. | .157 | 32 | 9" | 9" | 12 | 3305 | \$12,647 |
| 093-3227-751 | 22" | SM. | SM. | .197 | 32 | 9" | 9" | 12 | 3401 | \$13,007 |
| 093-3227-761 | 24" | SM. | SM. | .197 | 32 | 9" | 9" | 12 | 3493 | \$14,379 |
| 093-3227-831 | 22" | C.O. | SM. | .157 | 32 | 9" | 9" | 12 | 3286 | \$12,959 |
| 093-3227-851 | 22" | C.O. | SM. | .197 | 32 | 9" | 9" | 12 | 3382 | \$13,317 |
| 093-3227-861 | 24" | C.O. | SM. | .197 | 32 | 9" | 9" | 12 | 3473 | \$14,459 |

| <u>MODEL NUMBER</u> | <u>DISK DIAM</u> | <u>TYPE OF DISK</u> | | <u>DISK THCK</u> | <u># OF DISK</u> | <u>DISK SPACING</u> | | <u># OF BRGS</u> | <u>APX WT</u> | <u>SUGST PRICE</u> |
|---------------------|------------------|---------------------|------|------------------|------------------|---------------------|--------|------------------|---------------|--------------------|
| | | FRNT | REAR | | | FRNT | REAR | | | |
| <u>12'11" WIDE</u> | | | | | | | | | | |
| 093-3637-631 | 22" | C.O. | C.O. | .157 | 36 | 9" | 7-1/2" | 12 | 3345 | \$13,705 |
| 093-3637-651 | 22" | C.O. | C.O. | .197 | 36 | 9" | 7-1/2" | 12 | 3453 | \$14,107 |
| 093-3637-731 | 22" | SM. | SM. | .157 | 36 | 9" | 7-1/2" | 12 | 3388 | \$13,330 |
| 093-3637-751 | 22" | SM. | SM. | .197 | 36 | 9" | 7-1/2" | 12 | 3496 | \$13,734 |
| 093-3637-831 | 22" | C.O. | SM. | .157 | 36 | 9" | 7-1/2" | 12 | 3369 | \$13,503 |
| 093-3637-851 | 22" | C.O. | SM. | .197 | 36 | 9" | 7-1/2" | 12 | 3477 | \$13,906 |
| 093-4017-631 | 22" | C.O. | C.O. | .157 | 40 | 7-1/2" | 7-1/2" | 12 | 3521 | \$14,285 |
| 093-4017-651 | 22" | C.O. | C.O. | .197 | 40 | 7-1/2" | 7-1/2" | 12 | 3641 | \$14,734 |
| 093-4017-731 | 22" | SM. | SM. | .157 | 40 | 7-1/2" | 7-1/2" | 12 | 3569 | \$13,867 |
| 093-4017-751 | 22" | SM. | SM. | .197 | 40 | 7-1/2" | 7-1/2" | 12 | 3689 | \$14,318 |
| 093-4017-831 | 22" | C.O. | SM. | .157 | 40 | 7-1/2" | 7-1/2" | 12 | 3545 | \$14,087 |
| 093-4017-851 | 22" | C.O. | SM. | .197 | 40 | 7-1/2" | 7-1/2" | 12 | 3665 | \$14,533 |
| <u>13'6" WIDE</u> | | | | | | | | | | |
| 093-3627-631 | 22" | C.O. | C.O. | .157 | 36 | 9" | 9" | 12 | 3548 | \$14,459 |
| 093-3627-651 | 22" | C.O. | C.O. | .197 | 36 | 9" | 9" | 12 | 3656 | \$14,865 |
| 093-3627-661 | 24" | C.O. | C.O. | .197 | 36 | 9" | 9" | 12 | 3759 | \$16,084 |
| 093-3627-731 | 22" | SM. | SM. | .157 | 36 | 9" | 9" | 12 | 3591 | \$14,090 |
| 093-3627-751 | 22" | SM. | SM. | .197 | 36 | 9" | 9" | 12 | 3699 | \$14,495 |
| 093-3627-761 | 24" | SM. | SM. | .197 | 36 | 9" | 9" | 12 | 3805 | \$15,839 |
| 093-3627-831 | 22" | C.O. | SM. | .157 | 36 | 9" | 9" | 12 | 3569 | \$14,285 |
| 093-3627-851 | 22" | C.O. | SM. | .197 | 36 | 9" | 9" | 12 | 3677 | \$14,686 |
| 093-3627-861 | 24" | C.O. | SM. | .197 | 36 | 9" | 9" | 12 | 3783 | \$15,944 |
| <u>14'1" WIDE</u> | | | | | | | | | | |
| 093-4037-631 | 22" | C.O. | C.O. | .157 | 40 | 9" | 7-1/2" | 12 | 3672 | \$15,045 |
| 093-4037-651 | 22" | C.O. | C.O. | .197 | 40 | 9" | 7-1/2" | 12 | 3792 | \$15,493 |
| 093-4037-731 | 22" | SM. | SM. | .157 | 40 | 9" | 7-1/2" | 12 | 3720 | \$14,630 |
| 093-4037-751 | 22" | SM. | SM. | .197 | 40 | 9" | 7-1/2" | 12 | 3840 | \$15,083 |
| 093-4037-831 | 22" | C.O. | SM. | .157 | 40 | 9" | 7-1/2" | 12 | 3698 | \$14,820 |
| 093-4037-851 | 22" | C.O. | SM. | .197 | 40 | 9" | 7-1/2" | 12 | 3818 | \$15,267 |
| 093-4417-631 | 22" | C.O. | C.O. | .157 | 44 | 7-1/2" | 7-1/2" | 12 | 3798 | \$15,635 |
| 093-4417-651 | 22" | C.O. | C.O. | .197 | 44 | 7-1/2" | 7-1/2" | 12 | 3930 | \$16,127 |
| 093-4417-731 | 22" | SM. | SM. | .157 | 44 | 7-1/2" | 7-1/2" | 12 | 3852 | \$15,171 |
| 093-4417-751 | 22" | SM. | SM. | .197 | 44 | 7-1/2" | 7-1/2" | 12 | 3984 | \$15,666 |
| 093-4417-831 | 22" | C.O. | SM. | .157 | 44 | 7-1/2" | 7-1/2" | 12 | 3826 | \$15,408 |
| 093-4417-851 | 22" | C.O. | SM. | .197 | 44 | 7-1/2" | 7-1/2" | 12 | 3958 | \$15,900 |

| <u>MODEL NUMBER</u> | <u>DISK DIAM</u> | <u>TYPE OF DISK</u> | | <u>DISK THCK</u> | <u># OF DISK</u> | <u>DISK SPACING</u> | | <u># OF BRGS</u> | <u>APX WT</u> | <u>SUGST PRICE</u> |
|---------------------|------------------|---------------------|------|------------------|------------------|---------------------|--------|------------------|---------------|--------------------|
| | | FRNT | REAR | | | FRNT | REAR | | | |
| <u>15'0" WIDE</u> | | | | | | | | | | |
| 093-4027-631 | 22" | C.O. | C.O. | .157 | 40 | 9" | 9" | 16 | 4462 | \$16,077 |
| 093-4027-651 | 22" | C.O. | C.O. | .197 | 40 | 9" | 9" | 16 | 4582 | \$16,525 |
| 093-4027-661 | 24" | C.O. | C.O. | .197 | 40 | 9" | 9" | 16 | 4700 | \$17,916 |
| 093-4027-731 | 22" | SM. | SM. | .157 | 40 | 9" | 9" | 16 | 4510 | \$15,657 |
| 093-4027-751 | 22" | SM. | SM. | .197 | 40 | 9" | 9" | 16 | 4630 | \$16,104 |
| 093-4027-761 | 24" | SM. | SM. | .197 | 40 | 9" | 9" | 16 | 4751 | \$17,630 |
| 093-4027-831 | 22" | C.O. | SM. | .157 | 40 | 9" | 9" | 16 | 4486 | \$15,870 |
| 093-4027-851 | 22" | C.O. | SM. | .197 | 40 | 9" | 9" | 16 | 4606 | \$16,320 |
| 093-4027-861 | 24" | C.O. | SM. | .197 | 40 | 9" | 9" | 16 | 4727 | \$17,758 |
| <u>15'3" WIDE</u> | | | | | | | | | | |
| 093-4437-631 | 22" | C.O. | C.O. | .157 | 44 | 9" | 7-1/2" | 16 | 4589 | \$16,650 |
| 093-4437-651 | 22" | C.O. | C.O. | .197 | 44 | 9" | 7-1/2" | 16 | 4721 | \$17,145 |
| 093-4437-731 | 22" | SM. | SM. | .157 | 44 | 9" | 7-1/2" | 16 | 4209 | \$16,193 |
| 093-4437-751 | 22" | SM. | SM. | .197 | 44 | 9" | 7-1/2" | 16 | 4341 | \$16,690 |
| 093-4437-831 | 22" | C.O. | SM. | .157 | 44 | 9" | 7-1/2" | 16 | 4618 | \$16,408 |
| 093-4437-851 | 22" | C.O. | SM. | .197 | 44 | 9" | 7-1/2" | 16 | 4750 | \$16,903 |
| 093-4817-631 | 22" | C.O. | C.O. | .157 | 48 | 7-1/2" | 7-1/2" | 16 | 4709 | \$17,230 |
| 093-4817-651 | 22" | C.O. | C.O. | .197 | 48 | 7-1/2" | 7-1/2" | 16 | 4853 | \$17,766 |
| 093-4817-731 | 22" | SM. | SM. | .157 | 48 | 7-1/2" | 7-1/2" | 16 | 4767 | \$16,720 |
| 093-4817-751 | 22" | SM. | SM. | .197 | 48 | 7-1/2" | 7-1/2" | 16 | 4911 | \$17,260 |
| 093-4817-831 | 22" | C.O. | SM. | .157 | 48 | 7-1/2" | 7-1/2" | 16 | 4738 | \$16,980 |
| 093-4817-851 | 22" | C.O. | SM. | .197 | 48 | 7-1/2" | 7-1/2" | 16 | 4882 | \$17,519 |

| <u>EXTRA EQUIPMENT</u> | <u>APX WT</u> | <u>SUGST PRICE</u> |
|------------------------|---------------|--------------------|
|------------------------|---------------|--------------------|

| | | | |
|--------------|--|-----|-------|
| 9-093-605156 | DUAL WHEELS COMPLETE W/ HUBS, 15 X6, 5 LUG WHEELS, & HARDWARE (DUAL WHEELS STANDARD ON 13'6" TO 15'3" MODELS) | 98# | \$644 |
|--------------|--|-----|-------|

| | | | |
|--------------|----------------------------|-----|-------|
| 9-093-800000 | BALK BUSTER (CENTER TOOTH) | 34# | \$218 |
|--------------|----------------------------|-----|-------|

RECOMMENDED TIRE SIZE: 9.5L X 15, 4 PLY (2 OR 4 REQUIRED).

CAUTION: TIRES ARE RATED AT 20 MPH MAXIMUM.

SPECIAL ORDERING INTRUCTIONS:

FOR SPRING BEARING HANGERS:

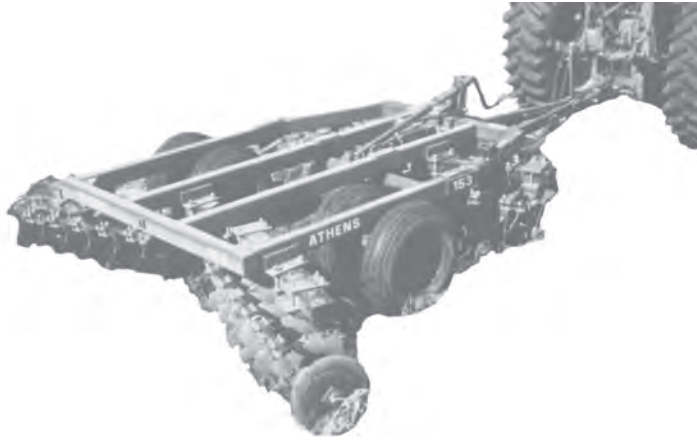
Change 7th digit to 8 and 10th digit to S

With 22" 6 gauge (.197) blades add 48# and \$95.00 per bearing.

With 24" Blades: Add 48# and \$95.00 per bearing

***PRICE DOES NOT INCLUDE TIRES**

ATHENS 153 TANDEM DISK HARROW



SPECIFICATIONS:

Cutting Width 9'6", 11', and 12'6"
 Disc Spacing – 9 ½"
 Disc Diameter – 24" Cutout or Smooth
 Rigid or Spring Bearing Hangers
 1 ½" Cold Rolled Square Axles

STANDARD EQUIPMENT:

Double Tapered Roller Bearings
 Dual Wheels
 Hydraulic Lifting
 Heavy Duty Scrapers (Tubular Mount)
 Cover Disc with Scraper
 Tapered Discs on Front & Rear Gangs
 Self-Leveling
 Reversible Balanced Clevis

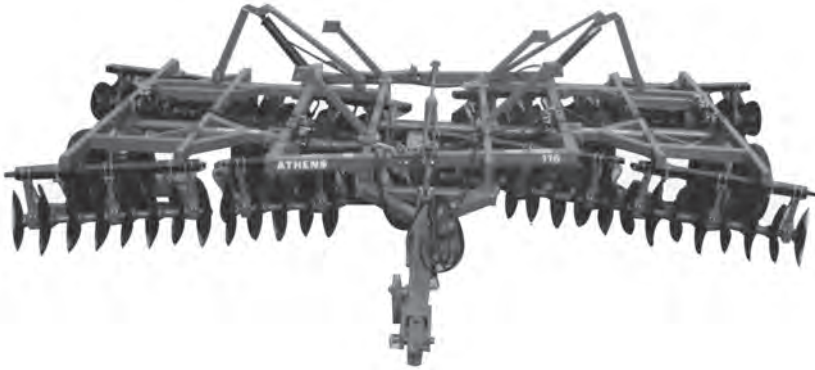
| <u>MODEL NUMBER</u> | <u>DISK DIAM</u> | <u>TYPE OF DISK</u> | | <u>DISK THCK</u> | <u># OF DISK</u> | <u>DISK SPACING</u> | | <u># OF BRGS</u> | <u>APX WT</u> | <u>SUGST PRICE</u> |
|-------------------------------|------------------|---------------------|-------------|------------------|------------------|---------------------|-------------|------------------|---------------|--------------------|
| | | <u>FRNT</u> | <u>REAR</u> | | | <u>FRNT</u> | <u>REAR</u> | | | |
| <u>9'6" WIDE</u> | | | | | | | | | | |
| <u>RIGID BEARING HANGERS</u> | | | | | | | | | | |
| 153-2445-651 | 24" | C.O. | C.O. | .256 | 24 | 9 ½" | 9 ½" | 8 | 4133 | \$15,514 |
| 153-2445-751 | 24" | SM. | SM. | .256 | 24 | 9 ½" | 9 ½" | 8 | 4174 | \$15,394 |
| 153-2445-851 | 24" | C.O. | SM. | .256 | 24 | 9 ½" | 9 ½" | 8 | 4153 | \$15,455 |
| <u>SPRING BEARING HANGERS</u> | | | | | | | | | | |
| 153-2444-651 | 24" | C.O. | C.O. | .256 | 24 | 9 ½" | 9 ½" | 8 | 4417 | \$15,995 |
| 153-2444-751 | 24" | SM. | SM. | .256 | 24 | 9 ½" | 9 ½" | 8 | 4458 | \$15,874 |
| 153-2444-851 | 24" | C.O. | SM. | .256 | 24 | 9 ½" | 9 ½" | 8 | 4437 | \$15,934 |
| <u>11'0" WIDE</u> | | | | | | | | | | |
| <u>RIGID BEARING HANGERS</u> | | | | | | | | | | |
| 153-2845-651 | 24" | C.O. | C.O. | .256 | 28 | 9 ½" | 9 ½" | 10 | 4604 | \$16,805 |
| 153-2845-751 | 24" | SM. | SM. | .256 | 28 | 9 ½" | 9 ½" | 10 | 4651 | \$16,654 |
| 153-2845-851 | 24" | C.O. | SM. | .256 | 28 | 9 ½" | 9 ½" | 10 | 4628 | \$16,730 |
| <u>SPRING BEARING HANGERS</u> | | | | | | | | | | |
| 153-2844-651 | 24" | C.O. | C.O. | .256 | 28 | 9 ½" | 9 ½" | 10 | 4861 | \$18,109 |
| 153-2844-751 | 24" | SM. | SM. | .256 | 28 | 9 ½" | 9 ½" | 10 | 4908 | \$17,953 |
| 153-2844-851 | 24" | C.O. | SM. | .256 | 28 | 9 ½" | 9 ½" | 10 | 4885 | \$18,029 |
| <u>12'6" WIDE</u> | | | | | | | | | | |
| <u>RIGID BEARING HANGERS</u> | | | | | | | | | | |
| 153-3245-651 | 24" | C.O. | C.O. | .256 | 32 | 9 ½" | 9 ½" | 12 | 5050 | \$18,270 |
| 153-3245-751 | 24" | SM. | SM. | .256 | 32 | 9 ½" | 9 ½" | 12 | 5104 | \$18,046 |
| 153-3245-851 | 24" | C.O. | SM. | .256 | 32 | 9 ½" | 9 ½" | 12 | 5078 | \$18,159 |
| <u>SPRING BEARING HANGERS</u> | | | | | | | | | | |
| 153-3244-651 | 24" | C.O. | C.O. | .256 | 32 | 9 ½" | 9 ½" | 12 | 5476 | \$19,896 |
| 153-3244-751 | 24" | SM. | SM. | .256 | 32 | 9 ½" | 9 ½" | 12 | 5530 | \$19,660 |
| 153-3244-851 | 24" | C.O. | SM. | .256 | 32 | 9 ½" | 9 ½" | 12 | 5504 | \$19,778 |

RECOMMENDED TIRE SIZE : 9.5L X 15 (4 REQUIRED)

CAUTION: TIRES ARE RATED AT 20 MPH MAXIMUM.

NOTE: PRICE DOES NOT INCLUDE TIRES

**ATHENS 116 FLEX WING
DOUBLE OFFSET DISK HARROW**



SPECIFICATIONS:

16'8" to 28'8" Widths
Flex Wing, Double Offset
Truss-Braced, Tubular Frames
Self – Leveling Frame
Two Pairs Slave Lftg Cylinders
Six or Eight Lifting Wheels
Angle Adjustable (15 – 19)
Transport Height Maximum 168"
Transport Width Maximum 136"
22" or 24" Disks, 1.25" Sq. Axle
Disk Spacing – 9", 7-1/2" or
9" Frt, 7-1/2" R

STANDARD EQUIPMENT:

Trunnion Mounted, Rigid Bearing
Hangers w/QUADRASEAL Ball
Bearings
Lifting and Folding Hydraulics
"A" Frame Tongue w/ Jack
Reversible Tongue Clevis
Cover Disks with Disks & Scrapers
Heavy Duty Disk Scrapers
Double Tapered Disks on Rear
Single Tapered Disks on Front
Dual Wheels on Center Section

| <u>MODEL NUMBER</u> | <u>DISK DIAM</u> | <u>TYPE OF DISK</u> | | <u>DISK THCK</u> | <u># OF DISK</u> | <u>DISK SPACING</u> | | <u># OF BRGS</u> | <u>APX WT</u> | <u>SUGST PRICE</u> |
|-------------------------|----------------------|---------------------|-------------|----------------------|----------------------|---------------------|-------------|----------------------|-------------------|------------------------|
| | | <u>FRNT</u> | <u>REAR</u> | | | <u>FRNT</u> | <u>REAR</u> | | | |
| <u>16'8" WIDE</u> | | | | | | | | | | |
| 116-4427-651 | 22" | C.O. | C.O. | .197 | 44 | 9" | 9" | 16 | 7233 | \$27,190 |
| 116-4427-661 | 24" | C.O. | C.O. | .197 | 44 | 9" | 9" | 16 | 7319 | \$27,706 |
| 116-4427-751 | 22" | SM. | SM. | .197 | 44 | 9" | 9" | 16 | 7277 | \$26,821 |
| 116-4427-761 | 24" | SM. | SM. | .197 | 44 | 9" | 9" | 16 | 7374 | \$27,203 |
| 116-4427-851 | 22" | C.O. | SM. | .197 | 44 | 9" | 9" | 16 | 7255 | \$27,010 |
| 116-4427-861 | 24" | C.O. | SM. | .197 | 44 | 9" | 9" | 16 | 7347 | \$27,463 |
| 116-4837-651 | 22" | C.O. | C.O. | .197 | 48 | 9" | 7-1/2" | 16 | 7350 | \$27,717 |
| 116-4837-751 | 22" | SM. | SM. | .197 | 48 | 9" | 7-1/2" | 16 | 7398 | \$27,314 |
| 116-4837-851 | 22" | C.O. | SM. | .197 | 48 | 9" | 7-1/2" | 16 | 7376 | \$27,504 |
| 116-5217-651 | 22" | C.O. | C.O. | .197 | 52 | 7-1/2" | 7-1/2" | 16 | 7496 | \$28,258 |
| 116-5217-751 | 22" | SM. | SM. | .197 | 52 | 7-1/2" | 7-1/2" | 16 | 7548 | \$27,815 |
| 116-5217-851 | 22" | C.O. | SM. | .197 | 52 | 7-1/2" | 7-1/2" | 16 | 7522 | \$28,046 |

| <u>MODEL NUMBER</u> | <u>DISK DIAM</u> | <u>TYPE OF DISK</u> | | <u>DISK THCK</u> | <u># OF DISK</u> | <u>DISK SPACING</u> | | <u># OF BRGS</u> | <u>APX WT</u> | <u>SUGST PRICE</u> |
|---------------------|------------------|---------------------|-------------|------------------|------------------|---------------------|-------------|------------------|---------------|--------------------|
| | | <u>FRNT</u> | <u>REAR</u> | | | <u>FRNT</u> | <u>REAR</u> | | | |
| <u>19'6" WIDE</u> | | | | | | | | | | |
| 116-5227-651 | 22" | C.O. | C.O. | .197 | 52 | 9" | 9" | 16 | 7635 | \$28,450 |
| 116-5227-661 | 24" | C.O. | C.O. | .197 | 52 | 9" | 9" | 16 | 7735 | \$29,059 |
| 116-5227-751 | 22" | SM. | SM. | .197 | 52 | 9" | 9" | 16 | 7687 | \$28,025 |
| 116-5227-761 | 24" | SM. | SM. | .197 | 52 | 9" | 9" | 16 | 7800 | \$28,523 |
| 116-5227-851 | 22" | C.O. | SM. | .197 | 52 | 9" | 9" | 16 | 7661 | \$28,260 |
| 116-5227-861 | 24" | C.O. | SM. | .197 | 52 | 9" | 9" | 16 | 7768 | \$28,767 |
| 116-5637-651 | 22" | C.O. | C.O. | .197 | 56 | 9" | 7-1/2" | 16 | 7734 | \$29,035 |
| 116-5637-751 | 22" | SM. | SM. | .197 | 56 | 9" | 7-1/2" | 16 | 7790 | \$28,539 |
| 116-5637-851 | 22" | C.O. | SM. | .197 | 56 | 9" | 7-1/2" | 16 | 7764 | \$28,767 |
| 116-6017-651 | 22" | C.O. | C.O. | .197 | 60 | 7-1/2" | 7-1/2" | 16 | 7885 | \$29,540 |
| 116-6017-751 | 22" | SM. | SM. | .197 | 60 | 7-1/2" | 7-1/2" | 16 | 7945 | \$29,029 |
| 116-6017-851 | 22" | C.O. | SM. | .197 | 60 | 7-1/2" | 7-1/2" | 16 | 7915 | \$29,299 |
| <u>22'0" WIDE</u> | | | | | | | | | | |
| 116-5627-651 | 22" | C.O. | C.O. | .197 | 56 | 9" | 9" | 16 | 7756 | \$29,010 |
| 116-5627-661 | 24" | C.O. | C.O. | .197 | 56 | 9" | 9" | 16 | 8002 | \$29,657 |
| 116-5627-751 | 22" | SM. | SM. | .197 | 56 | 9" | 9" | 16 | 7872 | \$28,747 |
| 116-5627-761 | 24" | SM. | SM. | .197 | 56 | 9" | 9" | 16 | 8059 | \$29,265 |
| 116-5627-851 | 22" | C.O. | SM. | .197 | 56 | 9" | 9" | 16 | 7830 | \$28,883 |
| 116-5627-861 | 24" | C.O. | SM. | .197 | 56 | 9" | 9" | 16 | 8031 | \$29,667 |
| 116-6237-651 | 22" | C.O. | C.O. | .197 | 62 | 9" | 7-1/2" | 16 | 7890 | \$29,453 |
| 116-6237-751 | 22" | SM. | SM. | .197 | 62 | 9" | 7-1/2" | 16 | 7982 | \$29,232 |
| 116-6237-851 | 22" | C.O. | SM. | .197 | 62 | 9" | 7-1/2" | 16 | 7940 | \$29,288 |
| 116-6817-651 | 22" | C.O. | C.O. | .197 | 68 | 7-1/2" | 7-1/2" | 18 | 8237 | \$31,640 |
| 116-6817-751 | 22" | SM. | SM. | .197 | 68 | 7-1/2" | 7-1/2" | 18 | 8338 | \$31,147 |
| 116-6817-851 | 22" | C.O. | SM. | .197 | 68 | 7-1/2" | 7-1/2" | 18 | 8284 | \$31,473 |
| <u>23'4" WIDE</u> | | | | | | | | | | |
| 116-6027-652 | 22" | C.O. | C.O. | .197 | 60 | 9" | 9" | 20 | 8567 | \$31,325 |
| 116-6027-662 | 24" | C.O. | C.O. | .197 | 60 | 9" | 9" | 20 | 8451 | \$32,015 |
| 116-6027-752 | 22" | SM. | SM. | .197 | 60 | 9" | 9" | 20 | 8627 | \$30,811 |
| 116-6027-762 | 24" | SM. | SM. | .197 | 60 | 9" | 9" | 20 | 8526 | \$31,314 |
| 116-6027-852 | 22" | C.O. | SM. | .197 | 60 | 9" | 9" | 20 | 8597 | \$31,077 |
| 116-6027-862 | 24" | C.O. | SM. | .197 | 60 | 9" | 9" | 20 | 8477 | \$31,675 |
| 116-6637-652 | 22" | C.O. | C.O. | .197 | 66 | 9" | 7-1/2" | 20 | 8723 | \$32,130 |
| 116-6637-752 | 22" | SM. | SM. | .197 | 66 | 9" | 7-1/2" | 20 | 8822 | \$31,559 |
| 116-6637-852 | 22" | C.O. | SM. | .197 | 66 | 9" | 7-1/2" | 20 | 8789 | \$31,827 |
| 116-7217-652 | 22" | C.O. | C.O. | .197 | 72 | 7-1/2" | 7-1/2" | 20 | 8898 | \$32,976 |
| 116-7217-752 | 22" | SM. | SM. | .197 | 72 | 7-1/2" | 7-1/2" | 20 | 8970 | \$32,350 |
| 116-7217-852 | 22" | C.O. | SM. | .197 | 72 | 7-1/2" | 7-1/2" | 20 | 8934 | \$32,673 |

| <u>MODEL NUMBER</u> | <u>DISK DIAM</u> | <u>TYPE OF DISK</u> | | <u>DISK THCK</u> | <u># OF DISK</u> | <u>DISK SPACING</u> | | <u># OF BRGS</u> | <u>APX WT</u> | <u>SUGST PRICE</u> |
|---------------------|------------------|---------------------|------|------------------|------------------|---------------------|------|------------------|---------------|--------------------|
| | | FRNT | REAR | | | FRNT | REAR | | | |
| <u>26'0" WIDE</u> | | | | | | | | | | |
| 116-7027-653 | 22" | C.O. | C.O. | .197 | 70 | 9" | 9" | 24 | 9699 | \$35,343 |
| 116-7027-663 | 24" | C.O. | C.O. | .197 | 70 | 9" | 9" | 24 | 9826 | \$36,074 |
| 116-7027-753 | 22" | SM. | SM. | .197 | 70 | 9" | 9" | 24 | 9767 | \$34,749 |
| 116-7027-763 | 24" | SM. | SM. | .197 | 70 | 9" | 9" | 24 | 9912 | \$35,299 |
| 116-7027-853 | 22" | C.O. | SM. | .197 | 70 | 9" | 9" | 24 | 9733 | \$35,043 |
| 116-7027-863 | 24" | C.O. | SM. | .197 | 70 | 9" | 9" | 24 | 9870 | \$35,696 |
| <u>28'8" WIDE</u> | | | | | | | | | | |
| 116-7827-653 | 22" | C.O. | C.O. | .197 | 76 | 9" | 9" | 24 | 10135 | \$37,485 |
| 116-7827-663 | 24" | C.O. | C.O. | .197 | 76 | 9" | 9" | 24 | 10305 | \$38,038 |
| 116-7827-753 | 22" | SM. | SM. | .197 | 76 | 9" | 9" | 24 | 10250 | \$37,119 |
| 116-7827-763 | 24" | SM. | SM. | .197 | 76 | 9" | 9" | 24 | 10420 | \$37,673 |
| 116-7827-853 | 22" | C.O. | SM. | .197 | 76 | 9" | 9" | 24 | 10200 | \$37,303 |
| 116-7827-863 | 24" | C.O. | SM. | .197 | 76 | 9" | 9" | 24 | 10310 | \$37,853 |

EXTRA EQUIPMENT

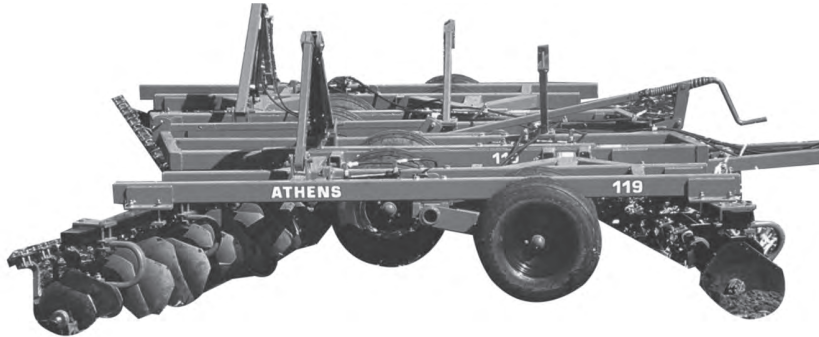
| | | | | | | | | | | |
|--------------|--|--|--|--|--|--|--|--|------|-------|
| 9-116-606158 | Dual Wheels for Narrow Wing Units (16'8" and 19'6") W/ Two 15 x 6, Six Lug Wheels Dual Wheels Standard on 22'0" and up | | | | | | | | 112# | \$777 |
| 106122 | Safety Light Kit | | | | | | | | 18# | \$230 |

Timken Roller Bearings available at \$75.00 per bearing

RECOMMENDED TIRE SIZE: SIX OR EIGHT 9.5L OR 11L 15 FOUR PLY TIRES
CAUTION: TIRES ARE RATED AT 20 MPH MAXIMUM.

***PRICE DOES NOT INCLUDE TIRES**

**ATHENS 119 FLEX WING
DOUBLE OFFSET DISK HARROW**



SPECIFICATIONS:

19'6" To 28'8" Widths
Flex Wing, Double Offset
Truss-Braced, Tubular Frames
Two Pairs Slave Lftg Cylinders
Six or Eight Wheels
Angle Adjustable (15-19)
Transport Height Maximum, 168"
Transport Width Maximum, 136" or 156"
22" Disks on 1.25" Sq. Axle
Disk Spacing – 9"
"A" Frame Braced Tongue

STANDARD EQUIPMENT:

Double-Row Tapered
QUADRASEAL Bearings
Spring Bearing Hangers
Lifting and Folding Hydraulics
Tongue with Heavy-Duty Jack
Reversible Tongue Clevis
Cover-Disks w/Disks and Scrapers
Heavy-Duty Disk Scrapers
Double Tapered Disks on Rear
Single Tapered Disks on Front
Dual Wheels on Center Section

| <u>MODEL NUMBER</u> | <u>DISK DIAM</u> | <u>TYPE OF DISK</u> | | <u>DISK THCK</u> | <u># OF DISK</u> | <u>DISK SPACING</u> | | <u># OF BRGS</u> | <u>APX WT</u> | <u>SUGST PRICE</u> |
|---------------------|------------------|---------------------|------|------------------|------------------|---------------------|------|------------------|---------------|--------------------|
| | | FRNT | REAR | | | FRNT | REAR | | | |
| <u>19'6" WIDE</u> | | | | | | | | | | |
| 119-5424-651 | 22" | C.O. | C.O. | .197 | 52 | 9" | 9" | 18 | 8070 | \$32,900 |
| 119-5424-751 | 22" | SM. | SM. | .197 | 52 | 9" | 9" | 18 | 8122 | \$32,418 |
| 119-5424-851 | 22" | C.O. | SM. | .197 | 52 | 9" | 9" | 18 | 8096 | \$32,670 |
| <u>22'0" WIDE</u> | | | | | | | | | | |
| 119-5824-651 | 22" | C.O. | C.O. | .197 | 56 | 9" | 9" | 18 | 8451 | \$33,464 |
| 119-5824-751 | 22" | SM. | SM. | .197 | 56 | 9" | 9" | 18 | 8272 | \$33,172 |
| 119-5824-851 | 22" | C.O. | SM. | .197 | 56 | 9" | 9" | 18 | 8230 | \$33,318 |
| <u>23'4" WIDE</u> | | | | | | | | | | |
| 119-6224-652 | 22" | C.O. | C.O. | .197 | 60 | 9" | 9" | 22 | 9182 | \$37,198 |
| 119-6224-752 | 22" | SM. | SM. | .197 | 60 | 9" | 9" | 22 | 9242 | \$36,627 |
| 119-6224-852 | 22" | C.O. | SM. | .197 | 60 | 9" | 9" | 22 | 9212 | \$36,926 |

| <u>MODEL NUMBER</u> | <u>DISK DIAM</u> | <u>TYPE OF DISK</u> | | <u>DISK THCK</u> | <u># OF DISK</u> | <u>DISK SPACING</u> | | <u># OF BRGS</u> | <u>APX WT</u> | <u>SUGST PRICE</u> |
|---------------------|------------------|---------------------|-------------|------------------|------------------|---------------------|-------------|------------------|---------------|--------------------|
| | | <u>FRNT</u> | <u>REAR</u> | | | <u>FRNT</u> | <u>REAR</u> | | | |
| <u>26'0" WIDE</u> | | | | | | | | | | |
| 119-7024-652 | 22" | C.O. | C.O. | .197 | 68 | 9" | 9" | 24 | 9690 | \$40,047 |
| 119-7024-752 | 22" | SM. | SM. | .197 | 68 | 9" | 9" | 24 | 9758 | \$39,399 |
| 119-7024-852 | 22" | C.O. | SM. | .197 | 68 | 9" | 9" | 24 | 9724 | \$39,738 |
| <u>28'8" WIDE</u> | | | | | | | | | | |
| 119-7824-652 | 22" | C.O. | C.O. | .197 | 78 | 9" | 9" | 24 | 10203 | \$43,462 |
| 119-7824-752 | 22" | SM. | SM. | .197 | 78 | 9" | 9" | 24 | 10271 | \$42,774 |
| 119-7824-852 | 22" | C.O. | SM. | .197 | 78 | 9" | 9" | 24 | 10237 | \$43,118 |

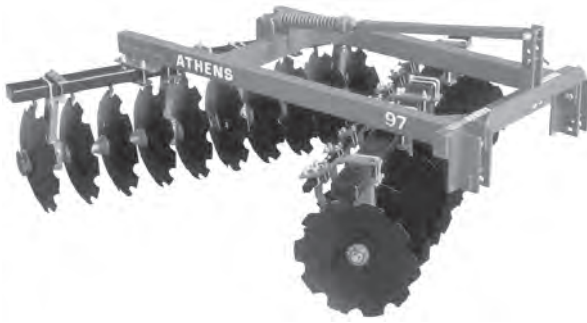
| <u>EXTRA EQUIPMENT</u> | | | | | | | | | <u>APX WT</u> | <u>SUGST PRICE</u> |
|------------------------|--|--|--|--|--|--|--|--|---------------|--------------------|
| 9-119-606158 | DUAL WHEELS FOR NARROW WING UNITS FOR 19'6" W/TWO 15 X 6, SIX LUG WHEELS | | | | | | | | 86# | \$754 |
| | (DUAL WHEELS STANDARD ON WIDE WINGS 22'0" AND UP) | | | | | | | | | |
| 106122 | SAFETY LIGHT KIT | | | | | | | | 18# | \$230 |

RECOMMENDED TIRE SIZE: SIX OR EIGHT 9.5L OR 11L X 15 FOUR PLY TIRES

CAUTION: TIRES ARE RATED AT 20 MPH MAXIMUM.

PRICE DOES NOT INCLUDE TIRES.

ATHENS 97 LIFT TYPE OFFSET DISK HARROW



SPECIFICATIONS:

Cutting Width 6'2" to 9'0"
 Disk Spacing 9"
 Disk Diameter 22" or 24"
 Category II Hitch
 Relube Ball Bearings
 1 1/4" Cold Rolled Square Gang Axle
 with Gang Wrench

| <u>MODEL NUMBER</u> | <u>DISK DIAM</u> | <u>TYPE OF DISK</u> | | <u>DISK THCK</u> | <u># OF DISK</u> | <u>DISK SPACING</u> | | <u># OF BRGS</u> | <u>APX WT</u> | <u>SUGST PRICE</u> |
|---------------------|------------------|---------------------|-------------|------------------|------------------|---------------------|-------------|------------------|---------------|--------------------|
| | | <u>FRNT</u> | <u>REAR</u> | | | <u>FRNT</u> | <u>REAR</u> | | | |
| <u>6'2" WIDE</u> | | | | | | | | | | |
| 097-1627-650 | 22" | C.O. | C.O. | .197 | 16 | 9" | 9" | 6 | 1337 | \$4,477 |
| 097-1627-660 | 24" | C.O. | C.O. | .197 | 16 | 9" | 9" | 6 | 1385 | \$4,694 |
| <u>6'10" WIDE</u> | | | | | | | | | | |
| 097-1827-650 | 22" | C.O. | C.O. | .197 | 18 | 9" | 9" | 8 | 1511 | \$5,192 |
| 097-1827-660 | 24" | C.O. | C.O. | .197 | 18 | 9" | 9" | 8 | 1565 | \$5,441 |
| <u>7'6" WIDE</u> | | | | | | | | | | |
| 097-2027-650 | 22" | C.O. | C.O. | .197 | 20 | 9" | 9" | 8 | 1612 | \$5,276 |
| 097-2027-660 | 24" | C.O. | C.O. | .197 | 20 | 9" | 9" | 8 | 1672 | \$5,549 |
| <u>WIDE FRAME</u> | | | | | | | | | | |
| <u>8'4" WIDE</u> | | | | | | | | | | |
| 097-2227-650 | 22" | C.O. | C.O. | .197 | 22 | 9" | 9" | 8 | 1732 | \$5,665 |
| 097-2227-660 | 24" | C.O. | C.O. | .197 | 22 | 9" | 9" | 8 | 1798 | \$5,966 |
| <u>9'0" WIDE</u> | | | | | | | | | | |
| 097-2427-650 | 22" | C.O. | C.O. | .197 | 24 | 9" | 9" | 8 | 1826 | \$6,203 |
| 097-2427-660 | 24" | C.O. | C.O. | .197 | 24 | 9" | 9" | 8 | 1898 | \$6,533 |

OPTIONAL EQUIPMENT

For Spring Bearing Hangers:
 Change the 7th Digit from 7 to 6 and add 15 lbs
 And \$32.00 per Bearing to Weights and Prices.

(CONT'D)

EXTRA EQUIPMENT

SCRAPERS

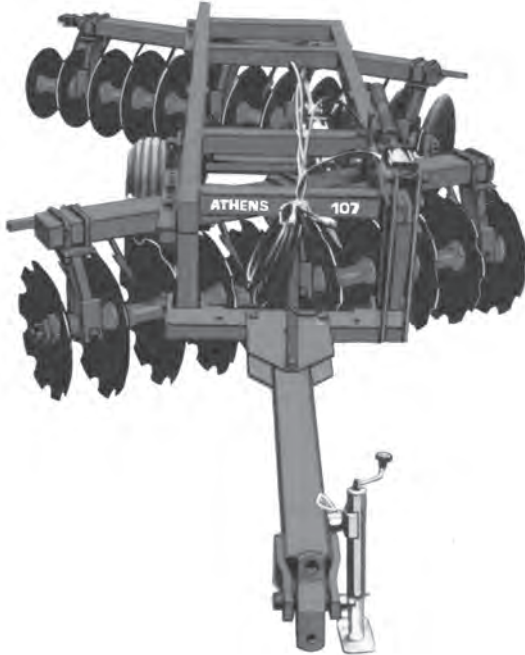
| | | | |
|---------------|----------------|-----|-------|
| 9-097-916270 | For 6'2" Units | 190 | \$507 |
| *9-097-916260 | | 200 | \$530 |
| 9-097-918270 | For 6'10"Units | 222 | \$645 |
| *9-097-918260 | | 241 | \$625 |
| 9-097-920270 | For 7'6" Units | 242 | \$652 |
| *9-097-920260 | | 259 | \$686 |
| 9-097-922270 | For 8'4" Units | 261 | \$691 |
| *9-097-922260 | | 278 | \$735 |
| 9-097-924270 | For 9'0" Units | 280 | \$741 |
| *9-097-924260 | | 298 | \$788 |

*For Units with Spring Bearing Hangers

COVER DISC

| | | | |
|--------------|---|----|--------|
| 9-097-700018 | Cover Disc Assembly with 18" Blade w/o Scraper | 20 | \$ 96 |
| 9-097-709018 | Cover Disc Assembly with 18" Blade w/Scraper | 28 | \$ 112 |
| 101733 | Cat. II & III Quick Coupler Adapter for 8'4" and 9'0" Units | 7 | \$ 90 |

ATHENS 107 WHEEL TYPE OFFSET DISK HARROW



SPECIFICATIONS:

Cutting Width – 6’2” to 8’2”
 Spacing – 9”
 Disks: 22” or 24”, Cutout or Smooth
 Bearings: Relube QUAD Ball
 Gang Axle: 1 ¼” Square
 Gang Bars: 3 X 5 X ¼” Tube

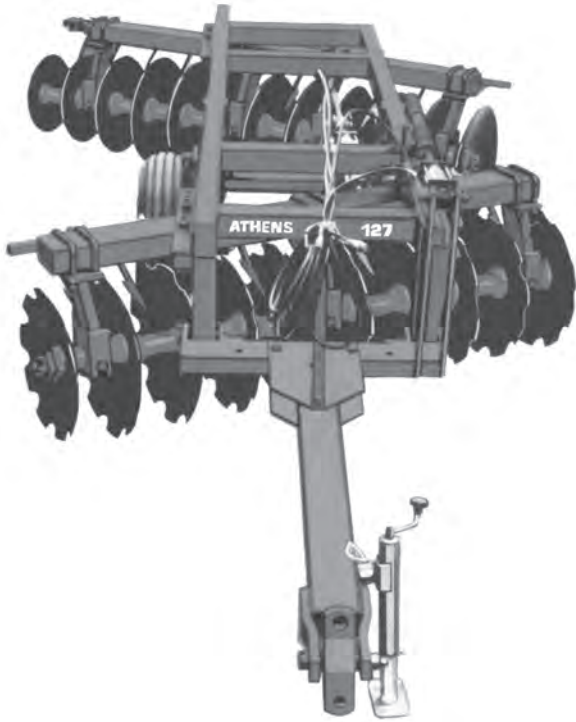
STANDARD EQUIPMENT:

Extra Disk on Right Rear
 Cover Disk w/ Scraper
 Balanced, Reversible Clevis
 Heavy Duty Tongue w/ Jack
 1 ¼” Cold Rolled Square Axles
 W/Wrench
 Heavy Duty Scrapers (Tubular Mtd)
 Wheel Hubs w/15” Wheels
 Tapered Disks on Rt Rear and Front
 Mechanical Transport
 Hydraulic Lifting Complete

| <u>MODEL NUMBER</u> | <u>DISK DIAM</u> | <u>TYPE OF DISK</u> | | <u>DISK THCK</u> | <u># OF DISK</u> | <u>DISK SPACING</u> | | <u># OF BRGS</u> | <u>APX WT</u> | <u>SUGST PRICE</u> |
|---------------------|------------------|---------------------|-------------|------------------|------------------|---------------------|-------------|------------------|---------------|--------------------|
| | | <u>FRNT</u> | <u>REAR</u> | | | <u>FRNT</u> | <u>REAR</u> | | | |
| <u>6’2” WIDE</u> | | | | | | | | | | |
| 107-1727-850 | 22” | C.O. | SM. | .197 | 17 | 9” | 9” | 6 | 2268 | \$7,806 |
| 107-1727-660 | 24” | C.O. | C.O. | .197 | 17 | 9” | 9” | 6 | 2334 | \$8,117 |
| 107-1727-760 | 24” | SM. | SM. | .197 | 17 | 9” | 9” | 6 | 2360 | \$8,059 |
| 107-1727-860 | 24” | C.O. | SM. | .197 | 17 | 9” | 9” | 6 | 2347 | \$8,085 |
| <u>6’10” WIDE</u> | | | | | | | | | | |
| 107-1927-850 | 22” | C.O. | SM. | .197 | 19 | 9” | 9” | 6 | 2410 | \$8,295 |
| 107-1927-660 | 24” | C.O. | C.O. | .197 | 19 | 9” | 9” | 6 | 2476 | \$8,450 |
| 107-1927-760 | 24” | SM. | SM. | .197 | 19 | 9” | 9” | 6 | 2502 | \$8,367 |
| 107-1927-860 | 24” | C.O. | SM. | .197 | 19 | 9” | 9” | 6 | 2489 | \$8,407 |
| <u>7’6” WIDE</u> | | | | | | | | | | |
| 107-2127-850 | 22” | C.O. | SM. | .197 | 21 | 9” | 9” | 6 | 2526 | \$8,707 |
| 107-2127-660 | 24” | C.O. | C.O. | .197 | 21 | 9” | 9” | 6 | 2592 | \$9,015 |
| 107-2127-760 | 24” | SM. | SM. | .197 | 21 | 9” | 9” | 6 | 2618 | \$8,935 |
| 107-2127-860 | 24” | C.O. | SM. | .197 | 21 | 9” | 9” | 6 | 2605 | \$8,972 |
| <u>8’2” WIDE</u> | | | | | | | | | | |
| 107-2327-850 | 22” | C.O. | SM. | .197 | 23 | 9” | 9” | 8 | 2642 | \$9,323 |
| 107-2327-660 | 24” | C.O. | C.O. | .197 | 23 | 9” | 9” | 8 | 2708 | \$9,617 |
| 107-2327-760 | 24” | SM. | SM. | .197 | 23 | 9” | 9” | 8 | 2734 | \$9,595 |
| 107-2327-860 | 24” | C.O. | SM. | .197 | 23 | 9” | 9” | 8 | 2720 | \$9,576 |

****PRICE DOES NOT INCLUDE TIRES**

ATHENS 127 WHEEL TYPE OFFSET DISK HARROW



SPECIFICATIONS:

Cutting Width – 6’6” to 12’6”
 Spacing 9-1/2”
 24” Disks – Cutout or Smooth
 Relube QUAD Ball Bearings or
 QUAD Tapered Roller Bearings
 W/ Rigid or Spring Bearing Hangers
 Single or Dual Wheels

STANDARD EQUIPMENT:

Extra Disk on Right Rear
 Cover Disk w/Scraper
 Balanced, Reversible Clevis
 Heavy-Duty Tongue w/Jack
 1-1/2” Cold Rolled Square Axles
 w/Wrench
 Heavy-Duty Scrapers (Tubular Mtd)
 Wheel Hubs w/15” Wheels
 Tapered Disks on Rt Rear & Rt Frt
 Mechanical Transport
 Hydraulic Leveling Complete
 Hydraulic Lifting Complete

| <u>MODEL NUMBER</u> | <u>DISK DIAM</u> | <u>TYPE OF DISK</u> | | <u>DISK THCK</u> | <u># OF DISK</u> | <u>DISK SPACING</u> | | <u># OF BRGS</u> | <u>APX WT</u> | <u>SUGST PRICE</u> |
|---------------------|------------------|---------------------|------|------------------|------------------|---------------------|------|------------------|---------------|--------------------|
| | | FRNT | REAR | | | FRNT | REAR | | | |

127 OFFSET DISK W/3 X 5 TUBULAR FRAME & 5 LUG WHEELS

6’6” WIDE

W/QUAD BALL BEARINGS

| | | | | | | | | | | |
|--------------|-----|------|------|------|----|--------|--------|---|------|----------|
| 127-1747-657 | 24” | C.O. | C.O. | .256 | 17 | 9-1/2” | 9-1/2” | 6 | 2711 | \$10,300 |
| 127-1747-757 | 24” | SM. | SM. | .256 | 17 | 9-1/2” | 9-1/2” | 6 | 2714 | \$10,085 |
| 127-1747-857 | 24” | C.O. | SM. | .256 | 17 | 9-1/2” | 9-1/2” | 6 | 2722 | \$10,195 |

W/QUAD DOUBLE TAPERED ROLLER BEARINGS

| | | | | | | | | | | |
|--------------|-----|------|------|------|----|--------|--------|---|------|----------|
| 127-1745-657 | 24” | C.O. | C.O. | .256 | 17 | 9-1/2” | 9-1/2” | 6 | 2686 | \$11,215 |
| 127-1745-757 | 24” | SM. | SM. | .256 | 17 | 9-1/2” | 9-1/2” | 6 | 2689 | \$11,004 |
| 127-1745-857 | 24” | C.O. | SM. | .256 | 17 | 9-1/2” | 9-1/2” | 6 | 2697 | \$11,116 |

7’3” WIDE

W/QUAD BALL BEARINGS

| | | | | | | | | | | |
|--------------|-----|------|------|------|----|--------|--------|---|------|----------|
| 127-1947-657 | 24” | C.O. | C.O. | .256 | 19 | 9-1/2” | 9-1/2” | 6 | 2854 | \$10,945 |
| 127-1947-757 | 24” | SM. | SM. | .256 | 19 | 9-1/2” | 9-1/2” | 6 | 2728 | \$10,769 |
| 127-1947-857 | 24” | C.O. | SM. | .256 | 19 | 9-1/2” | 9-1/2” | 6 | 2867 | \$10,825 |

W/QUAD TAPERED ROLLER BEARINGS

| | | | | | | | | | | |
|--------------|-----|------|------|------|----|--------|--------|---|------|----------|
| 127-1945-657 | 24” | C.O. | C.O. | .256 | 19 | 9-1/2” | 9-1/2” | 6 | 2829 | \$11,872 |
| 127-1945-757 | 24” | SM. | SM. | .256 | 19 | 9-1/2” | 9-1/2” | 6 | 2703 | \$11,630 |
| 127-1945-857 | 24” | C.O. | SM. | .256 | 19 | 9-1/2” | 9-1/2” | 6 | 2842 | \$11,758 |

| MODEL NUMBER | DISK DIAM | TYPE OF DISK | | DISK THCK | # OF DISK | DISK SPACING | | # OF BRGS | APX WT | SUGST PRICE |
|---|--------------|--------------|------|--------------|--------------|--------------|--------|--------------|-----------|----------------|
| | | FRNT | REAR | | | FRNT | REAR | | | |
| <u>8'0" WIDE</u> | | | | | | | | | | |
| <u>W/QUAD BALL BEARINGS</u> | | | | | | | | | | |
| 127-2147-657 | 24" | C.O. | C.O. | .256 | 21 | 9-1/2" | 9-1/2" | 7 | 3046 | \$11,749 |
| 127-2147-757 | 24" | SM. | SM. | .256 | 21 | 9-1/2" | 9-1/2" | 7 | 3055 | \$11,477 |
| 127-2147-857 | 24" | C.O. | SM. | .256 | 21 | 9-1/2" | 9-1/2" | 7 | 3060 | \$11,592 |
| <u>W/QUAD TAPERED ROLLER BEARINGS</u> | | | | | | | | | | |
| 127-2145-657 | 24" | C.O. | C.O. | .256 | 21 | 9-1/2" | 9-1/2" | 7 | 3016 | \$12,820 |
| 127-2145-757 | 24" | SM. | SM. | .256 | 21 | 9-1/2" | 9-1/2" | 7 | 3025 | \$12,541 |
| 127-2145-857 | 24" | C.O. | SM. | .256 | 21 | 9-1/2" | 9-1/2" | 7 | 3030 | \$12,684 |
| <u>8'9" WIDE</u> | | | | | | | | | | |
| <u>W/QUAD BALL BEARINGS</u> | | | | | | | | | | |
| 127-2347-657 | 24" | C.O. | C.O. | .256 | 23 | 9-1/2" | 9-1/2" | 8 | 3272 | \$12,554 |
| 127-2347-757 | 24" | SM. | SM. | .256 | 23 | 9-1/2" | 9-1/2" | 8 | 3296 | \$12,257 |
| 127-2347-857 | 24" | C.O. | SM. | .256 | 23 | 9-1/2" | 9-1/2" | 8 | 3287 | \$12,400 |
| <u>W/QUAD TAPERED ROLLER BEARINGS</u> | | | | | | | | | | |
| 127-2345-657 | 24" | C.O. | C.O. | .256 | 23 | 9-1/2" | 9-1/2" | 8 | 3238 | \$13,757 |
| 127-2345-757 | 24" | SM. | SM. | .256 | 23 | 9-1/2" | 9-1/2" | 8 | 3262 | \$13,334 |
| 127-2345-857 | 24" | C.O. | SM. | .256 | 23 | 9-1/2" | 9-1/2" | 8 | 3253 | \$13,480 |
| <u>127 OFFSET DISK W/4X6 TUBULAR FRAME & 6 LUG WHEELS</u> | | | | | | | | | | |
| <u>9'6" WIDE</u> | | | | | | | | | | |
| <u>W/QUAD BALL BEARINGS</u> | | | | | | | | | | |
| 127-2547-657 | 24" | C.O. | C.O. | .256 | 25 | 9-1/2" | 9-1/2" | 8 | 3949 | \$15,299 |
| 127-2547-757 | 24" | SM. | SM. | .256 | 25 | 9-1/2" | 9-1/2" | 8 | 3975 | \$14,965 |
| 127-2547-857 | 24" | C.O. | SM. | .256 | 25 | 9-1/2" | 9-1/2" | 8 | 3965 | \$15,315 |
| <u>W/QUAD TAPERED ROLLER BEARINGS</u> | | | | | | | | | | |
| 127-2545-657 | 24" | C.O. | C.O. | .256 | 25 | 9-1/2" | 9-1/2" | 8 | 3916 | \$16,542 |
| 127-2545-757 | 24" | SM. | SM. | .256 | 25 | 9-1/2" | 9-1/2" | 8 | 3941 | \$16,205 |
| 127-2545-857 | 24" | C.O. | SM. | .256 | 25 | 9-1/2" | 9-1/2" | 8 | 3931 | \$16,379 |
| <u>11'0" WIDE</u> | | | | | | | | | | |
| <u>W/QUAD BALL BEARINGS</u> | | | | | | | | | | |
| 127-2947-658 | 24" | C.O. | C.O. | .256 | 29 | 9-1/2" | 9-1/2" | 9 | 4467 | \$16,429 |
| 127-2947-758 | 24" | SM. | SM. | .256 | 29 | 9-1/2" | 9-1/2" | 9 | 4504 | \$16,060 |
| 127-2947-858 | 24" | C.O. | SM. | .256 | 29 | 9-1/2" | 9-1/2" | 9 | 4485 | \$16,248 |
| <u>W/QUAD TAPERED ROLLER BEARINGS</u> | | | | | | | | | | |
| 127-2945-658 | 24" | C.O. | C.O. | .256 | 29 | 9-1/2" | 9-1/2" | 9 | 4379 | \$17,645 |
| 127-2945-758 | 24" | SM. | SM. | .256 | 29 | 9-1/2" | 9-1/2" | 9 | 4466 | \$17,044 |
| 127-2945-858 | 24" | C.O. | SM. | .256 | 29 | 9-1/2" | 9-1/2" | 9 | 4447 | \$17,466 |
| <u>12'6" WIDE</u> | | | | | | | | | | |
| <u>W/QUAD BALL BEARINGS</u> | | | | | | | | | | |
| 127-3347-658 | 24" | C.O. | C.O. | .256 | 33 | 9-1/2" | 9-1/2" | 12 | 4985 | \$18,055 |
| 127-3347-758 | 24" | SM. | SM. | .256 | 33 | 9-1/2" | 9-1/2" | 12 | 5027 | \$17,635 |
| 127-3347-858 | 24" | C.O. | SM. | .256 | 33 | 9-1/2" | 9-1/2" | 12 | 5005 | \$17,850 |

| <u>MODEL NUMBER</u> | <u>DISK DIAM</u> | <u>TYPE OF DISK</u> | | <u>DISK THCK</u> | <u># OF DISK</u> | <u>DISK SPACING</u> | | <u># OF BRGS</u> | <u>APX WT</u> | <u>SUGST PRICE</u> |
|--|------------------|---------------------|------|------------------|------------------|---------------------|--------|------------------|---------------|--------------------|
| | | FRNT | REAR | | | FRNT | REAR | | | |
| <u>12'6" WIDE W/QUAD TAPERED ROLLER BEARINGS</u> | | | | | | | | | | |
| 127-3345-658 | 24" | C.O. | C.O. | .256 | 33 | 9-1/2" | 9-1/2" | 12 | 4935 | \$19,310 |
| 127-3345-758 | 24" | SM. | SM. | .256 | 33 | 9-1/2" | 9-1/2" | 12 | 4987 | \$18,879 |
| 127-3345-858 | 24" | C.O. | SM. | .256 | 33 | 9-1/2" | 9-1/2" | 12 | 4957 | \$19,096 |

SPECIAL ORDERING INFORMATION:

SPRING BEARING HANGERS W/DOUBLE ROW TAPERED ROLLER BEARINGS

To order Spring Bearing Hangers, Change 7th digit from 5 to 4, and add 31# and \$95.00, per bearing to weights and prices for units with QUAD Tapered Roller Bearings.

MANUAL LEVELING

To order a turnbuckle for Manual Leveling in place of cylinder and hoses as listed in this price list, change the 10th digit for 16-25 disk units from "7" to "0" or for 28 – 33 disk units from "8" to "1" and deduct 13# and \$152.00.

UNITS WITHOUT AN EXTRA DISK ON RIGHT REAR

Units shown in price list have an extra disk on right rear and are strongly recommended by ATHENS to improve performance, reduce need for adjustments, and to allow disking back and forth without an open furrow. To order units with the same number of disks on front and rear, change 4th and 5th digits to one number lower (as 17 to 16), reduce weight by 70# and reduce price by \$65.00.

EXTRA EQUIPMENT

9-127-605156 DUAL WHEELS FOR 16-23 DISK UNITS
(DUAL WHEELS STANDARD ON 9'6" AND UP)

APX SUGST
WT PRICE

82# \$628

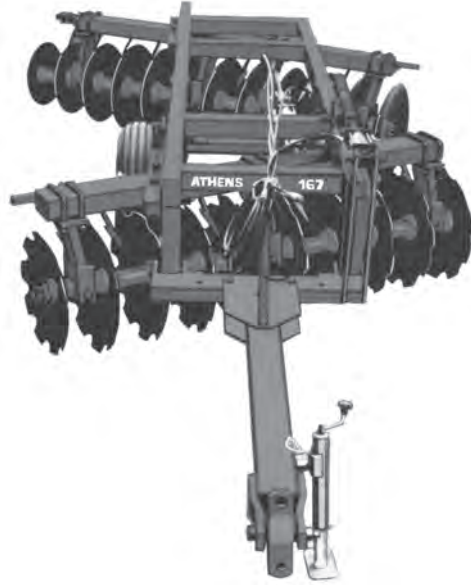
RECOMMENDED TIRE SIZE:FOR 16-23 DISK UNITS, 9.5L X 15.

FOR 25-33 DISK UNITS, 9.5L X 15, 4-PLY OR 11L X 15, 4 PLY

CAUTION: TIRES ARE RATED AT 20 MPH MAXIMUM.

*** PRICE DOES NOT INCLUDE TIRES**

ATHENS 167 WHEEL TYPE OFFSET DISK HARROW



SPECIFICATIONS:

Cutting Width – 7’1” to 12’1”
 Disk Spacing – 10-1/2”
 26” Disks – Cutout/Smooth,.256 Thick
 QUADRASEAL Relube Ball Bearings
 QUADRASEAL Roller Bearings with
 Rigid or Spring Bearing Hangers

STANDARD EQUIPMENT:

Extra Disk on Right Rear
 Cover Disk With Scraper
 Hydraulics Complete for Lifting
 Balanced, Reversible Clevis
 Heavy-Duty Tongue w/Jack
 Wheel Hubs w/15” Wheels
 Heavy-Duty Scrapers (Tubular Mtd)
 Tapered Disks on Rt Rear & Rt Frt
 Adjustable Angle of Cut
 1-1/2” Cold Rolled Sq. Axle w/Wrench
 Hydraulic Leveling(Standard)

| <u>MODEL NUMBER</u> | <u>DISK DIAM</u> | <u>TYPE OF DISK</u> FRNT REAR | <u>DISK THCK</u> | <u># OF DISK</u> | <u>DISK SPACING</u> FRNT REAR | <u># OF BRGS</u> | <u>APX WT</u> | <u>SUGST PRICE</u> |
|---------------------|------------------|----------------------------------|------------------|------------------|----------------------------------|------------------|---------------|--------------------|
|---------------------|------------------|----------------------------------|------------------|------------------|----------------------------------|------------------|---------------|--------------------|

167 OFFSET DISK W/3 X 5 FRAME & 5 LUG WHEELS

7’1” WIDE

W/QUAD BALL BEARINGS

| | | | | | | | | |
|--------------|-----|-----------|------|----|-----------------|---|------|----------|
| 167-1757-667 | 26” | C.O. C.O. | .256 | 17 | 10-1/2” 10-1/2” | 8 | 3077 | \$11,636 |
| 167-1757-767 | 26” | SM. SM. | .256 | 17 | 10-1/2” 10-1/2” | 8 | 3115 | \$11,363 |
| 167-1757-867 | 26” | C.O. SM. | .256 | 17 | 10-1/2” 10-1/2” | 8 | 3096 | \$11,500 |

W/QUAD TAPERED ROLLER BEARINGS

| | | | | | | | | |
|--------------|-----|-----------|------|----|-----------------|---|------|----------|
| 167-1755-667 | 26” | C.O. C.O. | .256 | 17 | 10-1/2” 10-1/2” | 8 | 3121 | \$12,828 |
| 167-1755-767 | 26” | SM. SM. | .256 | 17 | 10-1/2” 10-1/2” | 8 | 3159 | \$12,558 |
| 167-1755-867 | 26” | C.O. SM. | .256 | 17 | 10-1/2” 10-1/2” | 8 | 3140 | \$12,682 |

8’0” WIDE

W/QUAD BALL BEARINGS

| | | | | | | | | |
|--------------|-----|-----------|------|----|-----------------|---|------|----------|
| 167-1957-667 | 26” | C.O. C.O. | .256 | 19 | 10-1/2” 10-1/2” | 8 | 3246 | \$12,419 |
| 167-1957-767 | 26” | SM. SM. | .256 | 19 | 10-1/2” 10-1/2” | 8 | 3297 | \$12,123 |
| 167-1957-867 | 26” | C.O. SM. | .256 | 19 | 10-1/2” 10-1/2” | 8 | 3277 | \$12,277 |

W/QUAD TAPERED ROLLER BEARINGS

| | | | | | | | | |
|--------------|-----|-----------|------|----|-----------------|---|------|----------|
| 167-1955-667 | 26” | C.O. C.O. | .256 | 19 | 10-1/2” 10-1/2” | 8 | 3290 | \$13,636 |
| 167-1955-767 | 26” | SM. SM. | .256 | 19 | 10-1/2” 10-1/2” | 8 | 3341 | \$13,327 |
| 167-1955-867 | 26” | C.O. SM. | .256 | 19 | 10-1/2” 10-1/2” | 8 | 3321 | \$13,482 |

8’9” WIDE

W/QUAD BALL BEARINGS

| | | | | | | | | |
|--------------|-----|-----------|------|----|-----------------|---|------|----------|
| 167-2157-667 | 26” | C.O. C.O. | .256 | 21 | 10-1/2” 10-1/2” | 8 | 3437 | \$13,185 |
| 167-2157-767 | 26” | SM. SM. | .256 | 21 | 10-1/2” 10-1/2” | 8 | 3485 | \$13,083 |
| 167-2157-867 | 26” | C.O. SM. | .256 | 21 | 10-1/2” 10-1/2” | 8 | 3461 | \$13,251 |

| MODEL NUMBER | DISK DIAM | TYPE OF DISK | | DISK THCK | # OF DISK | DISK SPACING | | # OF BRGS | APX WT | SUGST PRICE |
|-----------------|--------------|--------------|------|--------------|--------------|--------------|------|--------------|-----------|----------------|
| | | FRNT | REAR | | | FRNT | REAR | | | |

167 OFFSET DISK W/ 3 X 5 FRAME & 5 LUG WHEELS (CONT'D)

8'9" WIDE W/QUAD TAPERED ROLLER BEARINGS

| | | | | | | | | | | |
|--------------|-----|------|------|------|----|---------|---------|---|------|----------|
| 167-2155-667 | 26" | C.O. | C.O. | .256 | 21 | 10-1/2" | 10-1/2" | 8 | 3481 | \$14,905 |
| 167-2155-767 | 26" | SM. | SM. | .256 | 21 | 10-1/2" | 10-1/2" | 8 | 3529 | \$14,567 |
| 167-2155-867 | 26" | C.O. | SM. | .256 | 21 | 10-1/2" | 10-1/2" | 8 | 3505 | \$14,738 |

167 OFFSET DISK W/4 X 6 FRAME & 6 LUG WHEELS

9'7" WIDE W/QUAD BALL BEARINGS

| | | | | | | | | | | |
|--------------|-----|------|------|------|----|---------|---------|---|------|----------|
| 167-2357-668 | 26" | C.O. | C.O. | .256 | 23 | 10-1/2" | 10-1/2" | 8 | 4289 | \$15,523 |
| 167-2357-768 | 26" | SM. | SM. | .256 | 23 | 10-1/2" | 10-1/2" | 8 | 4342 | \$15,182 |
| 167-2357-868 | 26" | C.O. | SM. | .256 | 23 | 10-1/2" | 10-1/2" | 8 | 4316 | \$15,343 |

W/QUAD TAPERED ROLLER BEARINGS

| | | | | | | | | | | |
|--------------|-----|------|------|------|----|---------|---------|---|------|----------|
| 167-2355-668 | 26" | C.O. | C.O. | .256 | 23 | 10-1/2" | 10-1/2" | 8 | 4333 | \$16,730 |
| 167-2355-768 | 26" | SM. | SM. | .256 | 23 | 10-1/2" | 10-1/2" | 8 | 4386 | \$16,374 |
| 167-2355-868 | 26" | C.O. | SM. | .256 | 23 | 10-1/2" | 10-1/2" | 8 | 4360 | \$16,551 |

10'5" WIDE W/QUAD BALL BEARINGS

| | | | | | | | | | | |
|--------------|-----|------|------|------|----|---------|---------|---|------|----------|
| 167-2557-668 | 26" | C.O. | C.O. | .256 | 25 | 10-1/2" | 10-1/2" | 8 | 4488 | \$16,176 |
| 167-2557-768 | 26" | SM. | SM. | .256 | 25 | 10-1/2" | 10-1/2" | 8 | 4495 | \$15,798 |
| 167-2557-868 | 26" | C.O. | SM. | .256 | 25 | 10-1/2" | 10-1/2" | 8 | 4507 | \$15,986 |

W/QUAD TAPERED ROLLER BEARINGS

| | | | | | | | | | | |
|--------------|-----|------|------|------|----|---------|---------|---|------|----------|
| 167-2555-668 | 26" | C.O. | C.O. | .256 | 25 | 10-1/2" | 10-1/2" | 8 | 4532 | \$17,385 |
| 167-2555-768 | 26" | SM. | SM. | .256 | 25 | 10-1/2" | 10-1/2" | 8 | 4572 | \$17,009 |
| 167-2555-868 | 26" | C.O. | SM. | .256 | 25 | 10-1/2" | 10-1/2" | 8 | 4553 | \$17,197 |

12'1" WIDE W/QUAD BALL BEARINGS

| | | | | | | | | | | |
|--------------|-----|------|------|------|----|---------|---------|---|------|----------|
| 167-2957-668 | 26" | C.O. | C.O. | .256 | 29 | 10-1/2" | 10-1/2" | 9 | 4933 | \$17,952 |
| 167-2957-768 | 26" | SM. | SM. | .256 | 29 | 10-1/2" | 10-1/2" | 9 | 5000 | \$17,521 |
| 167-2957-868 | 26" | C.O. | SM. | .256 | 29 | 10-1/2" | 10-1/2" | 9 | 4967 | \$17,739 |

W/QUAD TAPERED ROLLER BEARINGS

| | | | | | | | | | | |
|--------------|-----|------|------|------|----|---------|---------|---|------|----------|
| 167-2955-668 | 26" | C.O. | C.O. | .256 | 29 | 10-1/2" | 10-1/2" | 9 | 4977 | \$19,443 |
| 167-2955-768 | 26" | SM. | SM. | .256 | 29 | 10-1/2" | 10-1/2" | 9 | 5044 | \$18,991 |
| 167-2955-868 | 26" | C.O. | SM. | .256 | 29 | 10-1/2" | 10-1/2" | 9 | 5011 | \$18,887 |

SPECIAL ORDER INFORMATION:

SPRING BEARING HANGER WITH TRUNNION MOUNTED QUAD TAPERED BEARINGS

To order Spring Bearing Hangers, change 7th digit from "5" to "4", and add 25# and \$95.00 per Bearing to weights and prices for units with QUAD Tapered Roller Bearings.

SPECIAL ORDER INFORMATION (CONT'D)

MANUAL LEVELING

To order a turnbuckle for Manual Leveling in place of cylinder and hoses as listed in this price list, change the 10th digit for 16-21 disk units from "7" to "0", or for 22-29 disk units from "8" to "1" and deduct 12# and \$153.00.

UNITS WITHOUT AN EXTRA DISK ON RIGHT REAR

Units shown in price list have an extra disk on right rear and are strongly recommended by ATHENS to improve performance, reduce need for adjustments, and to allow disking back and forth without an open furrow. To order units with the same number of disk on front and rear, change 4th and 5th digits to one number lower (as 17 to 16), reduce weight by 100# and reduce price by \$90.00.

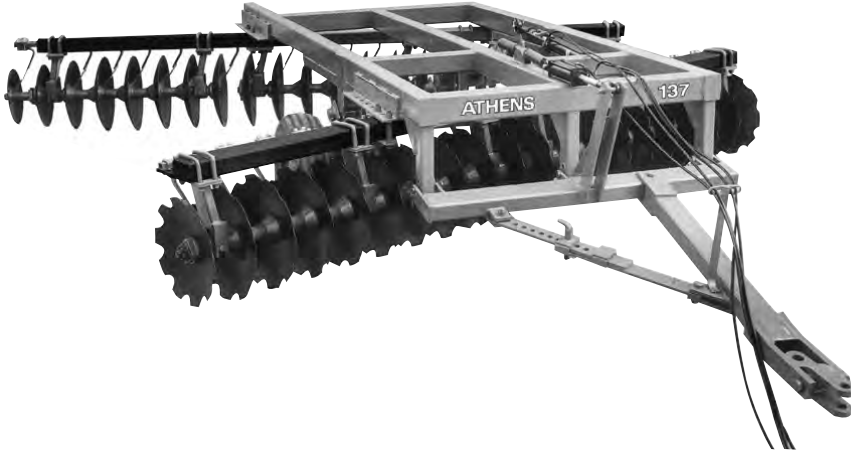
| <u>EXTRA EQUIPMENT</u> | <u>APX WT</u> | <u>SUGST PRICE</u> |
|---|-------------------|------------------------|
| 9-167-605156 DUAL WHEELS FOR 16-21 DISK UNITS (DUAL WHEELS STANDARD ON 9'7" AND UP) | 82# | \$614 |

RECOMMENDED TIRE SIZE: FOR 16-21 DISK UNITS, 9.5L X 15. FOR 22-29 DISK UNITS 9.5L OR 11L X 15.

CAUTION: TIRES ARE RATED AT 20MPH MAXIMUM.

***PRICE DOES NOT INCLUDE TIRES.**

ATHENS 137 WHEEL TYPE OFFSET DISK HARROW



SPECIFICATIONS:

Cutting Width – 12’6” to 18’6”
 Disk Spacing – 9-1/2”
 24” Disks- Cutout or Smooth,
 .256” thickness
 Trunnion Mounted Relube
 QUADRASEAL Ball or Tapered
 Roller Bearings
 Rigid or Spring Bearing Hangers

STANDARD EQUIPMENT:

Extra Disk on Right Rear
 Cover Disk w/Scraper
 Reversible, Balanced Clevis
 1-1/2” Cold Rolled Sq. Axles
 w/Wrench
 Dual 15”, 6-Lug Wheels w/Hub
 Heavy Duty Scrapers (Tubular Mtd)
 Cmplt Hydraulics w/Mech Transport
 Tapered Disks on Rt Rear and Rt Frt
 Adjustable Angle of Cut
 Hydraulic Leveling Standard

| <u>MODEL NUMBER</u> | <u>DISK DIAM</u> | <u>TYPE OF DISK</u> | | <u>DISK THCK</u> | <u># OF DISK</u> | <u>DISK SPACING</u> | | <u># OF BRGS</u> | <u>APX WT</u> | <u>SUGST PRICE</u> |
|--|------------------|---------------------|------|------------------|------------------|---------------------|--------|------------------|---------------|--------------------|
| | | FRNT | REAR | | | FRNT | REAR | | | |
| <u>12’6” WIDE</u> | | | | | | | | | | |
| <u>W/QUAD BALL BEARINGS</u> | | | | | | | | | | |
| 137-3347-659 | 24” | C.O. | C.O. | .256 | 33 | 9-1/2” | 9-1/2” | 8 | 5444 | \$19,238 |
| 137-3347-759 | 24” | SM. | SM. | .256 | 33 | 9-1/2” | 9-1/2” | 8 | 5473 | \$18,827 |
| 137-3347-859 | 24” | C.O. | SM. | .256 | 33 | 9-1/2” | 9-1/2” | 8 | 5449 | \$19,042 |
| <u>W/TRUNNION MOUNTED, RELUBE QUAD TAPERED ROLLER BEARINGS</u> | | | | | | | | | | |
| 137-3345-659 | 24” | C.O. | C.O. | .256 | 33 | 9-1/2” | 9-1/2” | 8 | 5410 | \$20,545 |
| 137-3345-759 | 24” | SM. | SM. | .256 | 33 | 9-1/2” | 9-1/2” | 8 | 5439 | \$20,122 |
| 137-3345-859 | 24” | C.O. | SM. | .256 | 33 | 9-1/2” | 9-1/2” | 8 | 5415 | \$20,339 |
| <u>14’0” WIDE</u> | | | | | | | | | | |
| <u>W/QUAD BALL BEARINGS</u> | | | | | | | | | | |
| 137-3747-659 | 24” | C.O. | C.O. | .256 | 37 | 9-1/2” | 9-1/2” | 9 | 5831 | \$20,766 |
| 137-3747-759 | 24” | SM. | SM. | .256 | 37 | 9-1/2” | 9-1/2” | 9 | 5881 | \$20,288 |
| 137-3747-859 | 24” | C.O. | SM. | .256 | 37 | 9-1/2” | 9-1/2” | 9 | 5854 | \$20,543 |
| <u>W/TRUNNION MOUNTED, RELUBE QUAD TAPERED ROLLER BEARINGS</u> | | | | | | | | | | |
| 137-3745-659 | 24” | C.O. | C.O. | .256 | 37 | 9-1/2” | 9-1/2” | 9 | 5797 | \$22,210 |
| 137-3745-759 | 24” | SM. | SM. | .256 | 37 | 9-1/2” | 9-1/2” | 9 | 5847 | \$21,730 |
| 137-3745-859 | 24” | C.O. | SM. | .256 | 37 | 9-1/2” | 9-1/2” | 9 | 5820 | \$21,987 |

| MODEL NUMBER | DISK DIAM | TYPE OF DISK | | DISK THCK | # OF DISK | DISK SPACING | | # OF BRGS | APX WT | SUGST PRICE |
|-----------------------------|-----------|--------------|------|-----------|-----------|--------------|--------|-----------|--------|-------------|
| | | FRNT | REAR | | | FRNT | REAR | | | |
| <u>15'6" WIDE</u> | | | | | | | | | | |
| <u>W/QUAD BALL BEARINGS</u> | | | | | | | | | | |
| 137-4147-659 | 24" | C.O. | C.O. | .256 | 41 | 9-1/2" | 9-1/2" | 12 | 6562 | \$22,766 |
| 137-4147-759 | 24" | SM. | SM. | .256 | 41 | 9-1/2" | 9-1/2" | 12 | 6618 | \$22,234 |
| 137-4147-859 | 24" | C.O. | SM. | .256 | 41 | 9-1/2" | 9-1/2" | 12 | 6588 | \$22,513 |

W/TRUNNION MOUNTED, RELUBE QUAD TAPERED ROLLER BEARINGS

| | | | | | | | | | | |
|--------------|-----|------|------|------|----|--------|--------|----|------|----------|
| 137-4145-659 | 24" | C.O. | C.O. | .256 | 41 | 9-1/2" | 9-1/2" | 12 | 6512 | \$24,610 |
| 137-4145-759 | 24" | SM. | SM. | .256 | 41 | 9-1/2" | 9-1/2" | 12 | 6568 | \$24,077 |
| 137-4145-859 | 24" | C.O. | SM. | .256 | 41 | 9-1/2" | 9-1/2" | 12 | 6538 | \$23,804 |

17'0" WIDE

W/QUAD BALL BEARINGS

| | | | | | | | | | | |
|--------------|-----|------|------|------|----|--------|--------|----|------|----------|
| 137-4547-659 | 24" | C.O. | C.O. | .256 | 45 | 9-1/2" | 9-1/2" | 12 | 6877 | \$23,765 |
| 137-4547-759 | 24" | SM. | SM. | .256 | 45 | 9-1/2" | 9-1/2" | 12 | 6939 | \$23,178 |
| 137-4547-859 | 24" | C.O. | SM. | .256 | 45 | 9-1/2" | 9-1/2" | 12 | 6906 | \$23,487 |

W/TRUNNION MOUNTED, RELUBE QUAD TAPERED ROLLER BEARINGS

| | | | | | | | | | | |
|--------------|-----|------|------|------|----|--------|--------|----|------|----------|
| 137-4545-659 | 24" | C.O. | C.O. | .256 | 45 | 9-1/2" | 9-1/2" | 12 | 6827 | \$25,487 |
| 137-4545-759 | 24" | SM. | SM. | .256 | 45 | 9-1/2" | 9-1/2" | 12 | 6889 | \$24,871 |
| 137-4545-859 | 24" | C.O. | SM. | .256 | 45 | 9-1/2" | 9-1/2" | 12 | 6856 | \$25,184 |

18'6" WIDE

W/QUAD BALL BEARINGS

| | | | | | | | | | | |
|--------------|-----|------|------|------|----|--------|--------|----|------|----------|
| 137-4947-659 | 24" | C.O. | C.O. | .256 | 49 | 9-1/2" | 9-1/2" | 12 | 7246 | \$24,763 |
| 137-4947-759 | 24" | SM. | SM. | .256 | 49 | 9-1/2" | 9-1/2" | 12 | 7314 | \$24,120 |
| 137-4947-859 | 24" | C.O. | SM. | .256 | 49 | 9-1/2" | 9-1/2" | 12 | 7278 | \$24,459 |

W/TRUNNION MOUNTED, RELUBE QUAD TAPERED ROLLER BEARINGS

| | | | | | | | | | | |
|--------------|-----|------|------|------|----|--------|--------|----|------|----------|
| 137-4945-659 | 24" | C.O. | C.O. | .256 | 49 | 9-1/2" | 9-1/2" | 12 | 7196 | \$26,634 |
| 137-4945-759 | 24" | SM. | SM. | .256 | 49 | 9-1/2" | 9-1/2" | 12 | 7264 | \$25,982 |
| 137-4945-859 | 24" | C.O. | SM. | .256 | 49 | 9-1/2" | 9-1/2" | 12 | 7228 | \$26,324 |

SPECIAL ORDERING INFORMATION:

SPRING BEARING HANGERS WITH QUAD TAPERED ROLLER BEARINGS

To order Spring Bearing Hangers, Change 7th digit from "5" to "4" and add 31# and \$95.00 per bearing to weights and prices for units with QUAD Tapered Roller Bearings.

MANUAL LEVELING

To order a turnbuckle for Manual Leveling in place of cylinder and hoses as listed in this price list, change the 10th digit from "9" to "0" and deduct 13# and \$ 153.00.

UNITS WITHOUT AN EXTRA DISK ON RIGHT REAR

Units shown in price list have an extra disk on right rear and are strongly recommended by ATHENS to improve performance, reduce need for adjustments, and to allow disking back and forth without an open furrow. To order units with the same number of disks on the front and rear, change 4th and 5th digits to one number lower (as 49 to 48), reduce weight by 70# and reduce price by \$65.00.

RECOMMENDED TIRE SIZE: 9.5L 15, 6 PLY OR 11L X 15, 4 PLY (4 REQUIRED).

CAUTION: TIRES ARE RATED AT 20 MPH MAXIMUM

***PRICE DOES NOT INCLUDE TIRES 106166 LIGHT KIT \$314.00**

ATHENS 187 WHEEL TYPE OFFSET DISK HARROW



SPECIFICATIONS:

Cutting Width – 12'1" to 17'1"
 Disk Spacing – 10 1/2"
 26" Disks- Cutout/Smooth,.250 Thick
 QUADRASEAL Ball Bearings or
 QUADRASEAL Roller Bearings with
 Spring or Rigid Bearing Hangers

STANDARD EQUIPMENT:

Cover Disk w/Scraper
 Extra Disk on Rt Rear
 Heavy Duty Tongue w/Jack
 Reversible, Balanced Clevis
 1 1/2" Cold Rolled Sq. Axle
 w/Wrench
 Dual 15", 6 lug Wheels w/Hub
 Heavy Duty Scrapers (Tubular Mtd.)
 Tapered Disks on Right Rear
 Adjustable Angle of Cut
 Hydraulic Leveling Standard
 Complt Hydraulics w/Mech. Trnsprt

| <u>MODEL NUMBER</u> | <u>DISK DIAM</u> | <u>TYPE OF DISK</u> FRNT REAR | <u>DISK THCK</u> | <u># OF DISK</u> | <u>DISK SPACING</u> FRNT REAR | <u># OF BRGS</u> | <u>APX WT</u> | <u>SUGST PRICE</u> |
|--|------------------|----------------------------------|------------------|------------------|----------------------------------|------------------|---------------|--------------------|
| <u>12'1" WIDE</u> | | | | | | | | |
| <u>W/RELUBE QUAD BALL BEARINGS</u> | | | | | | | | |
| 187-2957-669 | 26" | C.O. C.O. | .256 | 29 | 10-1/2" | 10 | 5517 | \$20,318 |
| 187-2957-769 | 26" | SM. SM. | .256 | 29 | 10-1/2" | 10 | 5585 | \$19,937 |
| 187-2957-869 | 26" | C.O. SM. | .256 | 29 | 10-1/2" | 10 | 5552 | \$20,134 |
| <u>W/RELUBE QUAD TAPERED ROLLER BEARINGS</u> | | | | | | | | |
| 187-2955-669 | 26" | C.O. C.O. | .256 | 29 | 10-1/2" | 10 | 5561 | \$21,777 |
| 187-2955-769 | 26" | SM. SM. | .256 | 29 | 10-1/2" | 10 | 5629 | \$21,439 |
| 187-2955-869 | 26" | C.O. SM. | .256 | 29 | 10-1/2" | 10 | 5596 | \$21,643 |
| <u>13'9" WIDE</u> | | | | | | | | |
| <u>W/RELUBE QUAD BALL BEARINGS</u> | | | | | | | | |
| 187-3357-669 | 26" | C.O. C.O. | .256 | 33 | 10-1/2" | 12 | 6147 | \$22,475 |
| 187-3357-769 | 26" | SM. SM. | .256 | 33 | 10-1/2" | 12 | 6225 | \$22,036 |
| 187-3357-869 | 26" | C.O. SM. | .256 | 33 | 10-1/2" | 12 | 6187 | \$22,263 |
| <u>W/RELUBE QUAD TAPERED ROLLER BEARINGS</u> | | | | | | | | |
| 187-3355-669 | 26" | C.O. C.O. | .256 | 33 | 10-1/2" | 12 | 6213 | \$24,248 |
| 187-3355-769 | 26" | SM. SM. | .256 | 33 | 10-1/2" | 12 | 6309 | \$23,814 |
| 187-3355-869 | 26" | C.O. SM. | .256 | 33 | 10-1/2" | 12 | 6253 | \$24,037 |
| <u>15'5" WIDE</u> | | | | | | | | |
| <u>W/RELUBE QUAD BALL BEARINGS</u> | | | | | | | | |
| 187-3757-669 | 26" | C.O. C.O. | .256 | 37 | 10-1/2" | 12 | 6581 | \$23,977 |
| 187-3757-769 | 26" | SM. SM. | .256 | 37 | 10-1/2" | 12 | 6669 | \$23,485 |
| 187-3757-869 | 26" | C.O. SM. | .256 | 37 | 10-1/2" | 12 | 6636 | \$23,751 |

| <u>MODEL NUMBER</u> | <u>DISK DIAM</u> | <u>TYPE OF DISK</u> | | <u>DISK THCK</u> | <u># OF DISK</u> | <u>DISK SPACING</u> | | <u># OF BRGS</u> | <u>APX WT</u> | <u>SUGST PRICE</u> |
|---------------------|------------------|--|------|------------------|------------------|---------------------|---------|------------------|---------------|--------------------|
| | | FRNT | REAR | | | FRNT | REAR | | | |
| <u>15'5" WIDE</u> | | <u>W/RELUBE QUAD TAPERED ROLLER BEARINGS</u> | | | | | | | | |
| 187-3755-669 | 26" | C.O. | C.O. | .256 | 37 | 10-1/2" | 10-1/2" | 12 | 6647 | \$25,790 |
| 187-3755-769 | 26" | SM. | SM. | .256 | 37 | 10-1/2" | 10-1/2" | 12 | 6735 | \$25,285 |
| 187-3755-869 | 26" | C.O. | SM. | .256 | 37 | 10-1/2" | 10-1/2" | 12 | 6702 | \$25,549 |

| | | | | | | | | | | |
|-------------------|-----|------------------------------------|------|------|----|---------|---------|----|------|----------|
| <u>17'1" WIDE</u> | | <u>W/RELUBE QUAD BALL BEARINGS</u> | | | | | | | | |
| 187-4157-669 | 26" | C.O. | C.O. | .256 | 41 | 10-1/2" | 10-1/2" | 12 | 7085 | \$25,450 |
| 187-4157-769 | 26" | SM. | SM. | .256 | 41 | 10-1/2" | 10-1/2" | 12 | 7182 | \$24,982 |
| 187-4157-869 | 26" | C.O. | SM. | .256 | 41 | 10-1/2" | 10-1/2" | 12 | 7134 | \$25,190 |

| | | | | | | | | | | |
|--------------|-----|--|------|------|----|---------|---------|----|------|----------|
| | | <u>W/RELUBE QUAD TAPERED ROLLER BEARINGS</u> | | | | | | | | |
| 187-4155-669 | 26" | C.O. | C.O. | .256 | 41 | 10-1/2" | 10-1/2" | 14 | 7151 | \$27,286 |
| 187-4155-769 | 26" | SM. | SM. | .256 | 41 | 10-1/2" | 10-1/2" | 14 | 7248 | \$26,717 |
| 187-4155-869 | 26" | C.O. | SM. | .256 | 41 | 10-1/2" | 10-1/2" | 14 | 7200 | \$27,012 |

SPECIAL ORDER INSTRUCTIONS:

SPRING BEARING HANGERS W/QUAD TAPERED ROLLER BEARINGS

To order Spring Bearing Hangers, Change 7th digit from "5" to "4", and add 25# and \$95.00 per bearing to weights and prices for units with QUAD Tapered Roller Bearings.

UNITS WITHOUT AND EXTRA DISK ON RIGHT REAR

Units shown in price list have an extra disk on right rear and are strongly recommended by ATHENS to improve performance, reduce need for adjustments, and to allow disking back and forth without an open furrow. To order units with the same number of disks on front and rear, change 4th and 5th digits to one number lower (as 33 to 32), reduce weight by 107# and reduce price by \$90.00.

RECOMMENDED TIRE SIZE: 9.5 L X 15, 6 PLY OR 11L X 15, 4 PLY (4 REQUIRED).

CAUTION: TIRES ARE RATED AT 20 MPH MAXIMUM.

MANUAL LEVELING

To order a turnbuckle for Manual Leveling in place of cylinder and hoses as listed in this price list, change the 10th digit from "9" to "0" and deduct 13# and \$153.00.

***PRICE DOES NOT INCLUDE TIRES**

106166 LIGHT KIT \$314.00

ATHENS 287 OFFSET DISK HARROW



SPECIFICATIONS:

Cutting Width – 8’ to 16’
 Disk Spacing – 12”
 Disk Blades – 28” x .31 or 32” x .375 C/O
 Relube 2” Ball Bearings

STANDARD EQUIPMENT

Cover Disk W/Scraper
 Complete Leveling Hydraulics
 Complete Lifting Hydraulics
 Reversible Clevis
 Heavy Duty Tube Mounted Scrapers
 Tapered Rear Gang
 15” x 8” Six Lug Wheels
 Dual Wheel Hubs
 2” Cold Rolled Square Gang Axles

| <u>MODEL NUMBER</u> | <u>DISK DIAM</u> | <u>TYPE OF DISK</u> | | <u>DISK THCK</u> | <u># OF DISK</u> | <u>DISK SPACING</u> | | <u># OF BRGS</u> | <u>APX WT</u> | <u>SUGST PRICE</u> |
|---------------------|------------------|-------------------------------|------|------------------|------------------|---------------------|------|------------------|---------------|--------------------|
| | | FRNT | REAR | | | FRNT | REAR | | | |
| <u>8’0” WIDE</u> | | <u>W/RELUBE BALL BEARINGS</u> | | | | | | | | |
| 287-1722-688 | 28” | C.O. | C.O. | .31 | 17 | 12” | 12” | 8 | 5221 | \$20,843 |
| 287-1722-628 | 32” | C.O. | C.O. | .38 | 17 | 12” | 12” | 8 | 5750 | \$23,399 |
| <u>9’0” WIDE</u> | | <u>W/RELUBE BALL BEARINGS</u> | | | | | | | | |
| 287-1922-688 | 28” | C.O. | C.O. | .31 | 19 | 12” | 12” | 8 | 5490 | \$21,519 |
| 287-1922-628 | 32” | C.O. | C.O. | .38 | 19 | 12” | 12” | 8 | 6165 | \$24,534 |
| <u>10’0” WIDE</u> | | <u>W/RELUBE BALL BEARINGS</u> | | | | | | | | |
| 287-2122-688 | 28” | C.O. | C.O. | .31 | 21 | 12” | 12” | 8 | 5812 | \$22,680 |
| 287-2122-628 | 32” | C.O. | C.O. | .38 | 21 | 12” | 12” | 8 | 6505 | \$25,696 |
| <u>12’0” WIDE</u> | | <u>W/RELUBE BALL BEARINGS</u> | | | | | | | | |
| 287-2522-688 | 28” | C.O. | C.O. | .31 | 25 | 12” | 12” | 8 | 7867 | \$28,465 |
| 287-2522-628 | 32” | C.O. | C.O. | .38 | 25 | 12” | 12” | 8 | 8710 | \$31,469 |
| <u>14’0” WIDE</u> | | <u>W/RELUBE BALL BEARINGS</u> | | | | | | | | |
| 287-2922-688 | 28” | C.O. | C.O. | .31 | 29 | 12” | 12” | 12 | 8650 | \$31,117 |
| 287-2922-628 | 32” | C.O. | C.O. | .38 | 29 | 12” | 12” | 12 | 9473 | \$34,298 |
| <u>16’0” WIDE</u> | | <u>W/RELUBE BALL BEARINGS</u> | | | | | | | | |
| 287-3322-688 | 28” | C.O. | C.O. | .31 | 33 | 12” | 12” | 12 | 9250 | \$33,359 |
| 287-3322-628 | 32” | C.O. | C.O. | .38 | 33 | 12” | 12” | 12 | 10005 | \$36,083 |

****To Order Model 288 Change 3rd Digit to 8 and add \$920.00 Per Bearing.**

RECOMMENDED TIRE SIZE: 11L X 15 (4 REQUIRED).

CAUTION: TIRES ARE RATED AT 20 MPH MAXIMUM.

***PRICE DOES NOT INCLUDE TIRES.**

ATHENS 156 MOUNTED CHISEL PLOW



SPECIFICATIONS:

Lift Type – 5', 7', 10', 11' Bases
 2 Bar Lift Type – 5' to 15'
 3 Bar Lift Type – 7' to 16'
 1" x 2" x 26", 1" x 2" x 32" &
 1-1/4" x 2" x 32" Alloy Steel Tines
 5/8" Chisel Points or
 3/8" Twisted Shovels

STANDARD EQUIPMENT

Cushion Spring Clamps
 4 x 4 Tubular Frame
 12" Tine Spacing

| MODEL NUMBER | TINE ATTCH-MENT | SIZE TINE | | | SIZE (CAT) HITCH | APX WT | SUGST PRICE |
|---|-----------------|-----------|--------|-----------|------------------|--------|-------------|
| | | 1 X 26 | 1 X 32 | 1.25 X 32 | | | |
| <u>5'0" WIDE</u> | | | | | | | |
| <u>W/RIGID TINE ATTACHMENT, 26" TINES & 5/8" POINTS</u> | | | | | | | |
| 156-0521-221 | RGD | X | | | I | 580 | \$1,769 |
| 156-0521-222 | RGD | X | | | II | 580 | \$1,769 |
| <u>7'0" WIDE</u> | | | | | | | |
| <u>W/RIGID TINE ATTACHMENT, 26" TINES & 5/8" POINTS</u> | | | | | | | |
| 156-0721-223 | RGD | X | | | II | 732 | \$2,373 |
| <u>2 – BAR LIFT TYPE W/SPRING TINE ATTACHMENT & 5/8" POINTS</u> | | | | | | | |
| <u>5'0" WIDE</u> | | | | | | | |
| <u>W/CATEGORY I OR II HITCH PINS</u> | | | | | | | |
| 156-0522-221 | SPG | X | | | I | 736 | \$2,704 |
| 156-0522-321 | SPG | | X | | I | 766 | \$2,790 |
| 156-0522-421 | SPG | | | X | I | 822 | \$3,042 |
| 156-0522-222 | SPG | X | | | II | 737 | \$2,704 |
| 156-0522-322 | SPG | | X | | II | 767 | \$2,790 |
| 156-0522-422 | SPG | | | X | II | 822 | \$3,042 |
| <u>7'0" WIDE</u> | | | | | | | |
| <u>W/CATEGORY II HITCH PINS</u> | | | | | | | |
| 156-0722-223 | SPG | X | | | II | 952 | \$3,302 |
| 156-0722-323 | SPG | | X | | II | 994 | \$3,423 |
| 156-0722-423 | SPG | | | X | II | 1001 | \$3,776 |
| <u>11'0" WIDE</u> | | | | | | | |
| <u>W/CATEGORY II HITCH PINS</u> | | | | | | | |
| 156-1122-223 | SPG | X | | | II | 1243 | \$4,771 |
| 156-1122-323 | SPG | | X | | II | 1452 | \$4,967 |
| 156-1122-423 | SPG | | | X | II | 1573 | \$5,519 |

| MODEL NUMBER | TINE ATTCH MENT | TINE SIZE | | | SIZE (CAT) HITCH | APX WT | SUGST PRICE |
|--|-----------------|--------------------------------|--------|-----------|------------------------------------|--------|-------------|
| | | 1 X 26 | 1 X 32 | 1.25 X 32 | | | |
| *** SINGLE EXTENSION FOR TWO-BAR UNITS*** <u>W/ 5/8" CHISEL POINTS</u> | | | | | (SINGLE EXTENIONS ARE COMPLETE) | | |
| <u>2'0"</u> | | | | | | | |
| 9-156-022122 | RGD | X | | | N/A | 198 | \$478 |
| 9-156-022222 | SPG | X | | | N/A | 198 | \$786 |
| 9-156-022232 | SPG | | X | | N/A | 210 | \$830 |
| 9-156-022242 | SPG | | | X | N/A | 232 | \$923 |
| ***DOUBLE EXTENSION FOR TWO-BAR UNITS*** <u>W/ 5/8" CHISEL POINTS</u> | | | | | (USED ONLY WITH SINGLE EXTENSIONS) | | |
| <u>2'0"</u> | | | | | | | |
| 9-156-042122 | RGD | X | | | N/A | 253 | \$ 593 |
| 9-156-042222 | SPG | X | | | N/A | 253 | \$ 982 |
| 9-156-042232 | SPG | | X | | N/A | 265 | \$1,002 |
| 9-156-042242 | SPG | | | X | N/A | 287 | \$1,118 |
| <u>3-BAR W/SPRING TINE ATTACHMENT & 5/8" POINTS</u> | | | | | | | |
| <u>7'0" WIDE</u> | | <u>W/CATEGORY II HITCH</u> | | | | | |
| 156-0732-223 | SPG | X | | | II | 1089 | \$3,824 |
| 156-0732-323 | SPG | | X | | II | 1131 | \$3,950 |
| 156-0732-423 | SPG | | | X | II | 1208 | \$4,298 |
| <u>10'0" WIDE</u> | | <u>W/CATEGORY II-III HITCH</u> | | | | | |
| 156-1032-223 | SPG | X | | | II & III | 1458 | \$4,981 |
| 156-1032-323 | SPG | | X | | II & III | 1518 | \$5,152 |
| 156-1032-423 | SPG | | | X | II & III | 1628 | \$5,665 |
| ***SINGLE EXTENSION FOR THREE BAR UNITS*** <u>W/ 5/8 CHISEL POINTS</u> | | | | | (SINGLE EXTENSIONS ARE COMPLETE) | | |
| <u>2'0"</u> | | | | | | | |
| 9-156-023222 | SPG | X | | | N/A | 199 | \$795 |
| 9-156-023232 | SPG | | X | | N/A | 211 | \$834 |
| 9-156-023242 | SPG | | | X | N/A | 233 | \$933 |
| ***DOUBLE EXTENSION FOR THREE-BAR UNITS*** <u>W/ 5/8" CHISEL POINTS</u> | | | | | (USED ONLY WITH SINGLE EXTENSIONS) | | |
| <u>2'0"</u> | | | | | | | |
| 9-156-043222 | SPG | X | | | N/A | 268 | \$ 969 |
| 9-156-043232 | SPG | | X | | N/A | 280 | \$1,003 |
| 9-156-043242 | SPG | | | X | N/A | 302 | \$1,071 |

| <u>MODEL NUMBER</u> | <u>TINE ATTCH MENT</u> | <u>TINE SIZE</u> | | | <u>SIZE (CAT) HITCH</u> | <u>APX WT</u> | <u>SUGST PRICE</u> |
|--|------------------------|------------------|---------------|------------------|----------------------------------|---------------|--------------------|
| | | <u>1 X 26</u> | <u>1 X 32</u> | <u>1.25 X 32</u> | | | |
| ***TRIPLE EXTENSION FOR THREE-BAR UNITS*** <u>W/ 5/8" CHISEL POINTS</u> | | | | | (TRIPLE EXTENSIONS ARE COMPLETE) | | |
| <u>6'0"</u> | | | | | | | |
| 9-156-063222 | SPG | X | | | N/A | 770 | \$2,896 |
| 9-156-063232 | SPG | | X | | N/A | 806 | \$3,008 |
| 9-156-063242 | SPG | | | X | N/A | 872 | \$3,302 |

EXTRA EQUIPMENT

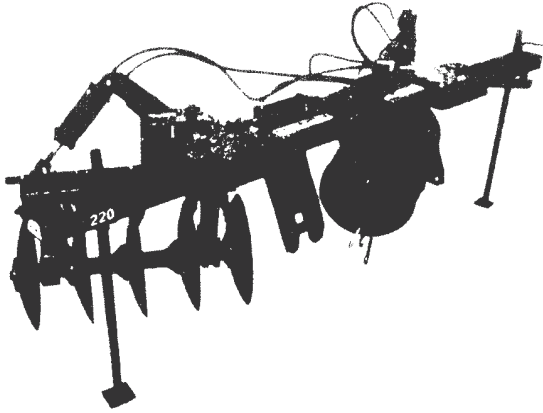
| | | | | | <u>APX WT</u> | <u>SUGST PRICE</u> |
|--------------|--|--|--|--|---------------|--------------------|
| 9-156-520516 | GAUGE WHEELS (2 BAR UNITS ONLY) 2-15 WHEELS LESS TIRES | | | | 167# | \$821 |
| 9-156-530516 | GAUGE WHEELS (3 BAR UNITS ONLY) 2-15 WHEELS LESS TIRES | | | | 169# | \$833 |
| 101733 | CAT II & III QUICK COUPLER ADAPTER FOR 10' UNITS | | | | 7# | \$ 91 |
| 101746 | CAT II QUICK COUPLER ADAPTER FOR 7' UNITS AND 11' UNITS | | | | 1# | \$ 39 |

***WHEN ORDERING EXTENSIONS: SINGLE EXTENSIONS ARE COMPLETE AND CAN BE USED ALONE.
DOUBLE EXTENSIONS ARE NOT COMPLETE AND MUST BE USED ONLY WITH SINGLE EXTENSIONS
TRIPLE EXTENSIONS ARE COMPLETE AND CAN BE USED ALONE.

OPTIONAL EQUIPMENT:

For 3/8 Twisted Shovels, Change the 9th digit from 2 to 3, add 1# each and \$6.00 each to weights and prices for units with 5/8" Chisel Points shown on price list.

**ATHENS 220 HEAVY DUTY
LEVEE PLOW**



SPECIFICATIONS:

Eight or Ten Disk Models
24" or 26" Disks- Cutout or Smooth
.256" Disk Thickness

STANDARD EQUIPMENT:

10 1/2" Disk Blade Spacing
Cat II-III Heavy Duty Hitch
QUADRASEAL Gang Bearings
1 1/2" Cold Rolled Square Axle
Disk Gang Assembly Wrench
1/2 x 4 x 7 x 136" Tool Bar
Two Tubular Parking Stands
Heavy Duty Scrapers (Tubular Mtd)

Athens "220" Heavy Duty Levee Plow With Relube QUADRASEAL Double Row, Tapered Roller Bearings Complete Hydraulics for Balk and Tilt Adjustment.

| <u>MODEL NUMBER</u> | <u>DISK DIAM</u> | <u>TYPE OF DISK</u> | <u>DISK THCK</u> | <u># OF DISK</u> | <u>DISK SPACING</u> | <u>APX WT</u> | <u>SUGST PRICE</u> |
|--|------------------|---------------------|------------------|------------------|---------------------|---------------|--------------------|
| <u>W/MANUAL ADJUSTMENT & SHALLOW CONCAVITY BLADES</u> | | | | | | | |
| 220-0855-191 | 24" | SM. | .256 | 8 | 10-1/2" | 2181 | \$7,354 |
| 220-1055-191 | 24" | SM. | .256 | 10 | 10-1/2" | 2317 | \$7,881 |
| <u>W/HYDRAULIC ADJUSTMENT & SHALLOW CONCAVITY BLADES</u> | | | | | | | |
| 220-0855-194 | 24" | SM. | .256 | 8 | 10-1/2" | 2221 | \$8,963 |
| 220-1055-194 | 24" | SM. | .256 | 10 | 10-1/2" | 2357 | \$9,488 |

SPECIAL ORDER INSTRUCTIONS:

24" X .256 Cutout Blades. To order 24" cutout blades, Change 8th & 9th digits to 04 and deduct 2# per blade and add \$13.00 per blade.

26" x .256 Smooth Blades. To order 26" smooth blades, change 8th & 9th digits to 16 and add 6# per blade and add \$22.00 per blade.

26" x .256 Cutout Blades. To order 26" cutout blades, change 8th & 9th digits to 06 and add 3# per blade and add \$30.00 per blade.

SPECIAL ORDERING INFORMATION:

NOTE: 221 is the same as 220 except that 221 is equipped with Cover Disks and Cover Disk Scrapers.

To order Model 221 with Cover Disk Scrapers, change 220 to 221 and add 66# and \$126 to prices shown in price list.

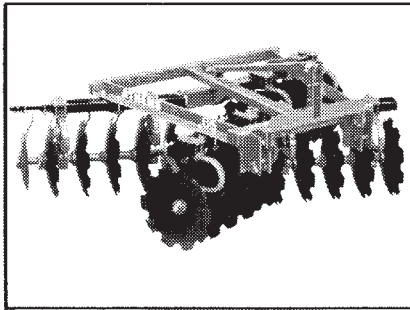
NO SCRAPERS

On Manual Units Change 10th Digit to 0 and deduct \$130.00
On Hydraulic units change 10th digit to 5 and deduct \$140.00

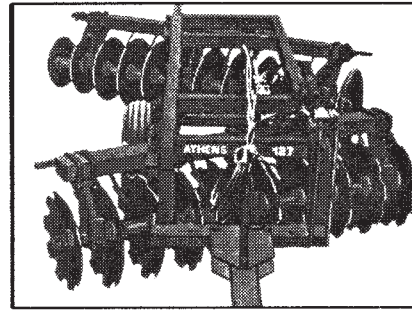
| | | | | | | | |
|--------------|--|-----|--|----|---------|------|---------|
| 220-1255-TAP | | SM. | | 12 | 10-1/2" | 2356 | \$7,882 |
|--------------|--|-----|--|----|---------|------|---------|

ATHENS performance

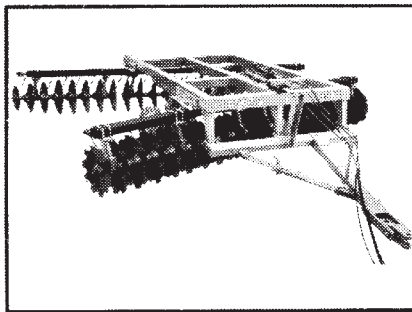
Since 1921 Athens Tillage Products have been known for their rugged quality and superior performance. We have a complete line of Lift Type Harrows, Tandem Disks, Offset and Double Offset Disk Plows, Chisel Plows, and Levee Plows.



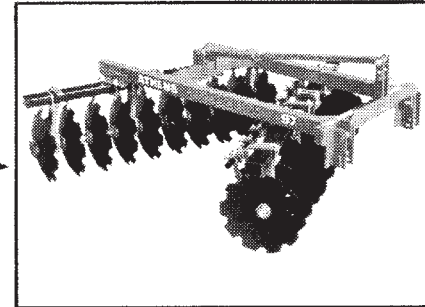
MODEL - 065 LIFT TYPE HARROW
WIDTH - 8'0" to 9'6"
WEIGHT - 1710# to 1968#



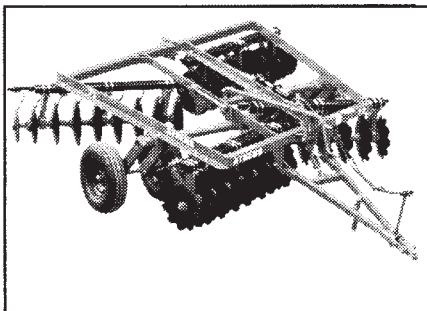
MODEL - 127/167 - OFFSET HARROW
WIDTH - 6'6" to 12'6"
WEIGHT - 2752# to 4870#



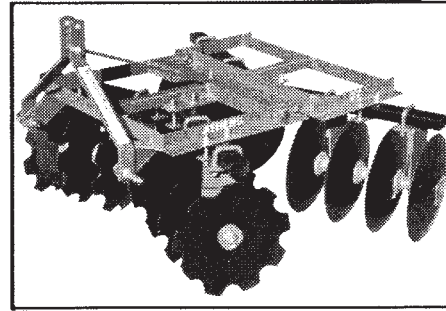
MODEL - 137/187 OFFSET HARROW
WIDTH - 12'6" to 18'6"
WEIGHT - 5367# to 7076#



MODEL - 097 LIFT TYPE OFFSET
WIDTH - 6'2" to 7'6"
WEIGHT - 1385# to 1672#



MODEL - 76/77 DOUBLE OFFSET
WIDTH - 8'10" to 15'9"
WEIGHT - 2900# to 4528#

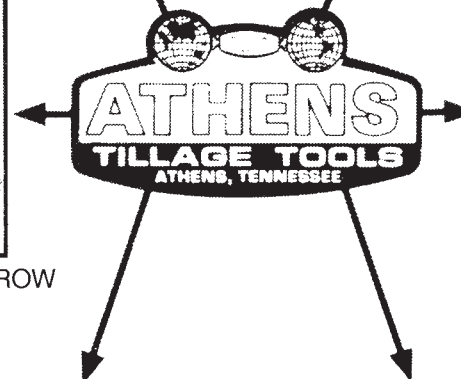


MODEL - 37 LIFT TYPE HARROW
WIDTH - 5'2" to 6'5"
WEIGHT - 640# to 722#

DEPENDABILITY

RELIABILITY

QUALITY



VALUE

SERVICE

PERFORMANCE



5808 Hwy #9, Harriston, Ontario, N0G 1Z0
Phone: 519-338-2923, Fax: 519-338-2756
Email: sales@harcoag.ca
www.harcoag.ca

Land Rollers

Single Section Rollers – Quarter Turn

Features Include:

- 42" diameter roller
- 5/8" nominal roller thickness for additional weight and for maximum durability
- Rugged construction weighs up to 450 lbs per foot without water for ballast
- 850 lb hitch weight

Standard Equipment:

- 2.5" removable roller shafts
- Highway speed rated 235x75R17.5 tires
- Transports under 9 feet
- 213 series bearings in ductile iron housings
- Clearance lights
- Acre metre

Optional Equipment:

- Levelling blade to smooth over animal mounds, irrigation tracks
- Water fill kit to add water ballast of additional 575 lbs per foot
- Valmar 4056 airseeding attachment – factory installed with step
- Tecknik Plus 12 volt air seeder attachment with rate controller

| Model # | Description | Price [CDN] |
|----------------|---|--------------------------|
| 800011 | Single Section Quarter Turn Land Roller , 14 foot | \$32,600.00 |
| 803335 | Ground Levelling Blade , 14 foot with hydraulic height | \$8,800.00 |
| 803310 | Scraper Kit, 14 foot – Bolt on | \$1,050.00 |
| Options | | |
| 803000 | Water Fill Kit – 3" & 2" Banjo Quick Couplers | \$1,600.00 |
| 803022 | Universal Seeder Mount Kit, Quarter Turn-No Seeder Quarter Turn Factory Set-Up | \$8,800.00 \$1,700.00 |

Disassembling Charge for Single Sections Rollers - \$450.00



PRICED IN CANADIAN DOLLARS

PRICES ARE FOB BENITO, MB – DESIGN & PRICE ARE SUBJECT TO CHANGE WITHOUT NOTICE



5808 Hwy #9, Harriston, Ontario, N0G 1Z0
Phone: 519-338-2923, Fax: 519-338-2756
Email: sales@harcoag.ca
www.harcoag.ca

Land Rollers Continued...

Single Section Rollers – Straight Hitch

Features Include:

- 42" diameter roller
- 5/8" nominal roller thickness for additional weight and for maximum durability
- Rugged construction weighs up to 450 lbs per foot without water for ballast

Standard Equipment:

- 2.5" removable roller shafts
- Highway speed rated 235x70R16 tires
- Transports 1 foot wider than working width
- 213 series bearings in ductile iron housings
- Clearance lights
- Acre metre

Optional Equipment:

- Levelling blade to smooth over animal mounds, irrigation tracks
- Water fill kit to add water ballast of additional 575 lbs per foot
- Valmar 4056 airseeding attachment – factory installed with step
- Technik Plus 12 volt air seeder attachment with rate controller

| Model # | Description | Price [CDN] |
|---------|---|-------------|
| 800004 | Single Section Land Roller , 11.5 foot | \$20,400.00 |
| 805015 | Ground Levelling Blade , 11.5 foot with hydraulic height | \$7,500.00 |
| 800007 | Scraper Kit, 11.5 foot – Bolt on | \$950.00 |
| <hr/> | | |
| 800003 | Single Section Land Roller , 14 foot | \$23,500.00 |
| 803335 | Ground Levelling Blade , 14 foot with hydraulic height | \$8,800.00 |
| 804640 | Scraper Kit, 14 foot – Bolt on | \$1,050.00 |
| <hr/> | | |
| 800005 | Single Section Land Roller , 17 foot | \$24,500.00 |
| 805001 | Ground Levelling Blade , 17 foot with hydraulic height | \$9,500.00 |
| 804286 | Scraper Kit, 17 foot – Bolt on | \$1,150.00 |
| <hr/> | | |
| 800002 | Single Section Land Roller , 20 foot | \$27,600.00 |
| 805356 | Ground Levelling Blade , 20 foot with hydraulic height | \$10,600.00 |
| 804647 | Scraper Kit, 20 foot – Bolt on | \$1,250.00 |
| <hr/> | | |
| Options | | |
| 803000 | Water Fill Kit – 3" & 2" Banjo Quick Couplers | \$1,600.00 |
| <hr/> | | |
| | Single Section Factory Set-Up | \$1,400.00 |

Disassembling Charge for Single Sections Rollers - \$450.00



PRICED IN CANADIAN DOLLARS

PRICES ARE FOB BENITO, MB – DESIGN & PRICE ARE SUBJECT TO CHANGE WITHOUT NOTICE



5808 Hwy #9, Harriston, Ontario, N0G 1Z0
Phone: 519-338-2923, Fax: 519-338-2756
Email: sales@harcoag.ca
www.harcoag.ca

Land Rollers Continued...

Three Section Rollers

Features Include:

- 42" diameter roller
- 5/8" nominal roller thickness for additional weight and for maximum durability
- Rugged construction weighs up to 450 lbs per foot without water for ballast

Standard Equipment:

- 2.5" removable roller shafts
- Highway speed rated 235x70R16 tires
- Patented diagonal brace arm
- Hydraulic floating hitch
- 213 series bearings in ductile iron housings
- Clearance lights
- Acre metre
- Hydraulic folding rear wheels

Optional Equipment:

- Levelling blade to smooth over animal mounds, irrigation tracks
- Water fill kit to add water ballast of additional 575 lbs per foot
- Valmar 4056 or 6056 airseeding attachment – factory installed with step

| Model # | Description | Price [CDN] |
|---------|---|-------------|
| 800020 | 3 Section Land Roller , 31 foot | \$63,050.00 |
| 805007 | Ground Levelling Blade , 31 foot with hydraulic height | \$21,800.00 |
| 802446 | Scraper Kit, 31 foot – Bolt on | \$2,500.00 |
| | | |
| 800009 | 3 Section Land Roller , 36 foot | \$66,500.00 |
| 805010 | Ground Levelling Blade , 36 foot with hydraulic height | \$23,000.00 |
| 802447 | Scraper Kit, 36 foot – Bolt on | \$2,800.00 |
| | | |
| 800010 | 3 Section Land Roller , 42 foot | \$68,800.00 |
| 805011 | Ground Levelling Blade , 42 foot with hydraulic height | \$24,900.00 |
| 802448 | Scraper Kit, 42 foot – Bolt on | \$3,100.00 |
| | | |
| 800018 | 3 Section Land Roller , 46 foot | \$73,200.00 |
| 805006 | Ground Levelling Blade , 46 foot with hydraulic height | \$26,150.00 |
| 802449 | Scraper Kit, 46 foot – Bolt on | \$3,450.00 |
| | | |
| 800017 | 3 Section Land Roller , 52 foot | \$81,800.00 |
| 805012 | Ground Levelling Blade , 52 foot with hydraulic height | \$27,600.00 |
| 802450 | Scraper Kit, 52 foot – Bolt on | \$3,760.00 |
| | | |
| Options | | |
| 803040 | Water Fill Kit – 3" & 2" Banjo Quick Couplers | \$5,400.00 |
| 803024 | Universal Seeder Mount Kit, 3 Section – No Seeder | \$10,150.00 |
| | | |
| | 3-Section Factory Set-Up | \$2,300.00 |

Disassembling Charge for Single Sections Rollers - \$450.00



PRICED IN CANADIAN DOLLARS

PRICES ARE FOB BENITO, MB – DESIGN & PRICE ARE SUBJECT TO CHANGE WITHOUT NOTICE



5808 Hwy #9, Harriston, Ontario, N0G 1Z0
Phone: 519-338-2923, Fax: 519-338-2756
Email: sales@harcoag.ca
www.harcoag.ca

Land Rollers Continued...

Three Section Rollers – Extreme Duty

Features Include:

- 42" diameter roller
- 21mm (almost 7/8") nominal roller thickness for additional weight and for maximum durability
- Rugged construction weighs up to 570 lbs per foot without water for ballast

Standard Equipment:

- 2 15/16" removable roller shafts
- Highway speed rated 235x70R16 tires
- Patented diagonal brace arm
- Hydraulic floating hitch
- Double Row Spherical Bearings
- Clearance lights
- Acre metre
- Hydraulic folding rear wheels

Optional Equipment:

- Water fill kit to add water ballast of additional 575 lbs per foot

| Model # | Description | Price [CDN] |
|--|--|-------------|
| 875046 | 3 Section Land Roller , 46 foot | \$83,400.00 |
| 875052 | 3 Section Land Roller , 52 foot | \$91,800.00 |
| | | |
| | 3 Section Factory Setup | \$2,650.00 |
| | | |
| Please contact for current freight quote | | |
| | | |



Disassembling Charge for Single Sections Rollers - \$450.00

PRICED IN CANADIAN DOLLARS

PRICES ARE FOB BENITO, MB – DESIGN & PRICE ARE SUBJECT TO CHANGE WITHOUT NOTICE



Land Rollers Continued...

Five Section Rollers

Features Include:

- 42" diameter roller
- 5/8" nominal roller thickness for additional weight and for maximum durability
- Rugged construction weighs up to 450 lbs per foot without water for ballast

Standard Equipment:

- 2.5" removable roller shafts
- Highway speed rated 235x70R16 tires
- Patented diagonal brace arm
- Hydraulic floating hitch
- 213 series bearings in ductile iron housings
- Clearance lights
- Acre metre
- Hydraulic folding wheels

| Model # | Description | Price [CDN] |
|---------|---|--------------|
| 800056 | 12-56-5, 5 Section Land Roller, 56 foot | \$105,900.00 |
| 800062 | 12-62-5, 5 Section Land Roller, 62 foot | \$109,900.00 |
| 800066 | 12-66-5, 5 Section Land Roller, 66 foot | \$114,900.00 |
| 800070 | 12-70-5, 5 Section Land Roller, 70 foot | \$120,900.00 |
| | 5 Section Factory Set Up | \$4,000.00 |



Disassembling Charge for Single Sections Rollers - \$450.00

PRICED IN CANADIAN DOLLARS

PRICES ARE FOB BENITO, MB – DESIGN & PRICE ARE SUBJECT TO CHANGE WITHOUT NOTICE



New vertical tillage concept by HCC Inc. features patented self sharpening tines in a three tine configuration followed by adjustable rolling harrows.

Unit can be purchased less the rolling harrows. Machines with harrows can be operated with harrows lifted or with varying rates of penetration and different angles allowing for varying finish results.

Extremely heavy frame and tongue provide excellent downward pressure. At the same time the rolling aerator tines are protected from impact by 'C' shanks.

Dual wheels are standard on all machines.

| SMART-TILL | | | | |
|-------------------|------------------------------|---------------------|---------------|-------------------|
| Model | Width | Weight (lbs) | Set Up | MSRP [USD] |
| SMT 101 | 10 Feet Less Rolling Harrows | 3,350 | \$200.00 | \$30,920.00 |
| SMT 101 | 10 Feet With Rolling Harrows | 5,250 | \$350.00 | \$38,930.00 |
| SMT 151 | 15 Feet Less Rolling Harrows | 5,000 | \$350.00 | \$43,540.00 |
| SMT 151 | 15 Feet With Rolling Harrows | 7,850 | \$400.00 | \$56,210.00 |
| SMT 203 | 20 Feet Less Rolling Harrows | 7,550 | | \$60,690.00 |
| SMT 203 | 20 Feet With Rolling Harrows | 11,500 | | \$83,790.00 |
| SMT 303 | 30 Feet Less Rolling Harrows | 10,500 | | \$95,515.00 |
| SMT 303 | 30 Feet With Rolling Harrows | 16,500 | | \$117,985.00 |

PRICED IN UNITED STATES DOLLARS

FOB FACTORY – PRICES SUBJECT TO CHANGE WITHOUT NOTICE

5808 Hwy #9, Harriston, Ontario, N0G 1Z0
Phone: 519-338-2923, Fax: 519-338-2756
Email: sales@harcoag.ca
www.harcoag.ca



Rotary Harrows Modules

| Part # | Description | MSRP [USD] |
|--------|-----------------------|------------|
| 853044 | Harrow Module – 3' | \$2,385.00 |
| 853066 | Harrow Module – 5' 7" | \$2,925.00 |
| 853033 | Harrow Module – 6' | \$3,055.00 |
| 853109 | Harrow Module – 9' | \$4,000.00 |



Harrow Hangers

| Part # | Description | MSRP [USD] |
|---------|-----------------------------|------------|
| 853129* | 3' Harrow Hanger | \$545.00 |
| 853103* | 5' 7", 6', 9' Harrow Hanger | \$645.00 |

Harrows smooth, level & loosen soil – Ideal for seed bed preparation. Harrows can be varied up to 30° at either standard or aggressive angles. Tine material is wear resistant 4140 steel.

*Includes hanger, bushing & decal.

PRICED IN UNITED STATES DOLLARS

FOB FACTORY – PRICES SUBJECT TO CHANGE WITHOUT NOTICE

SCHMEISER®

WHOLEGOODS PRICE CATALOG



SELMA, CA



1-800 288-8128 Order Desk

559-268-3279 Fax
orders@tgschmeiser.com

www.tgschmeiser.com

NOVEMBER 2023

Version 16.0

SWGPC231101

T. G. SCHMEISER CO., INC.**TERMS & CONDITIONS OF SALE**

Minimum Order: \$50.00 Net

Freight: F.O.B. Factory

Prices: Subject to change without notice. All shipments will be at prevailing prices on the date of order.

Ordering Policy:

- 1 **Wholegoods** - All wholegood orders will be confirmed back to customer by order acknowledgement via fax or email. All orders will be built according to the written order acknowledgement. If the order acknowledgement is incorrect, call immediately to correct the order. If, after ordering, you have not received an acknowledgement, your order may not have been booked. Please call our office to confirm your order.
- 2 **Parts** - Most parts ship out the same day if orders are placed by 2:00 p.m. All parts will be shipped out via UPS (prepaid and add) or truckline (freight collect) unless otherwise noted. No order acknowledgement will be sent unless requested. If account is not current, then the order will be shipped C.O.D.

Order Changes: Wholegood orders changed or modified after production has begun may incur a change charge.

Knocked Down or Assembled: Our products are shipped "knocked down". This simply means that our wholegood products are disassembled enough to safely fit on a truck (flatbed). The pricelist will indicate assembly charges for each product line. If you wish to have your order completely assembled, a net charge will apply.

Return Policy: No product or part may be returned for credit unless written authorization by T.G. Schmeiser Co., Inc. has been given in advance. All returned items must have an RMA (Return Material Authorization) number clearly written on the packing list and on the exterior of package. If an item does not have an RMA number, shipment will not be accepted and credit will not be given. All returned items must be shipped prepaid.

- 1 **Wholegoods** - Wholegood items that are standard built may be returned for credit with advanced written authorization. Items shall be new and in unused condition.
Many wholegoods are custom built or special order items.
These are either non-returnable or subject to a re-stocking charge, depending on how specialized the order.
- 2 **Parts** - All parts that have been ordered within the last 12 months (and are listed in the current parts price list) may be returned for credit. Parts shall be new and in unused condition. Items that are obsolete or superseded may be returned, only if listed on current parts pricelist.

Past Due Accounts: Accounts past due will be placed on C.O.D. or hold until brought current or satisfactory arrangements are made for payment. Interest of 1-1/2% per month (annual rate 18%), or such other rate allowed by state law, can be charged on past due accounts.

Damages or Shortages in Shipping: We make every effort to see that equipment and/or parts are loaded on the carrier's vehicle properly, however the ultimate responsibility of securing load and transportation is that of the carrier. T.G. Schmeiser Co. is not liable for damage or loss of merchandise once it has left our yard. Dealer is solely responsible for filing claims against the carrier for any loss or damage. Schmeiser will help you in securing an adjustment for the loss or damage, providing you have filed a claim with the carrier. Claims for shortages in shipments or concealed damage must be made within 10 days of receipt of goods.

Warranty: All Wholegood items are subject to the Schmeiser 12 month **Limited Written Warranty**. Warranty cards must be submitted within 30 days of sale to retail customer to be eligible. All warranty work must be pre-approved. Schmeiser/Dealer warranty policy is available by calling the factory.

T.G. Schmeiser reserves the right to make improvements in the design and changes in specifications at any time without incurring any obligation to install them on units previously sold.

SCHMEISER® PRICE LIST

CONTENTS

| | | | |
|---|-------------------------------------|--------------|----------------|
| TERMS AND CONDITIONS | | Page | 2 |
| TILL AN' PAK™ | Till an' Pak | Pages | 4 - 8 |
| | Smooth an' Roll | | |
| | Float | | |
| | Squadron Arms | | |
| | 3pt. Hitches | | |
| | TPP 3510 Wheel Kit | | |
| | TPP 3520 Wheel Kit | | |
| | TPP 3530 Wheel Kit | | |
| | TPP 3540 Wheel Kit | | |
| | TPP 3550 Wheel Kit | | |
| | Folding Till an' Paks | | |
| AERATION & SOIL MGT. | Smart-Till® | Pages | 9 - 10 |
| | Smart-Till® ORCHARD MAX | | |
| TILL AN' BEDDER™ | 4 Bar Till an' Bedder | Pages | 11 - 12 |
| | 4 Bar Folding Till an Bedder | | |
| LEVELERS | Drag Scraper | | 13 - 20 |
| | Speed Leveler | | |
| | V-Blade | | |
| | Bantam Leveler | | |
| | Model 77 Leveler | | |
| | Varitrak 3pt. Land Leveler | | |
| | Grader Blade | | |
| | Tri-Plane Land Leveler | | |
| | Folding Tri-Plane Land Leveler | | |
| | Precision Finishing Scraper | | |
| RIPPERS | Finishing Ripper Chisel | Pages | 21 - 28 |
| | S-Series | | |
| | C-Series | | |
| | P-Series | | |
| | Crumbler | | |
| | Down Pressure Roller | | |
| | V-Series | | |
| | Mid-Row Ripper | | |
| 3PT. CULTI-PLOW™ (Chisel Plow) | 2 Bar | Page | 29 |
| | 3 Bar | | |
| DISC - TANDEM | ORCHARD DISC | Pages | 30 - 35 |
| | TSN - 3pt. | | |
| | RTM - 3pt. | | |
| | RTH - 3pt. | | |
| | PTM - Pull Type | | |
| | PTH - Pull Type | | |
| DRILLS - COVER CROP | Double Disc Model | Page | 36 |
| | No-Till Drill | | |
| HARVEST BIN TRAILERS | | Page | 37 |
| CONTACT INFORMATION | | Page | 40 |

MODEL 77 TILL AN' PAK™ PRICE LIST



TILL AN' PAK™

Assembly charge - n/c Assembled - except tongue

| | | | ← 3 X 52" ← | | | | | ← 3 X 72" ← | | | | ← 3 X 84" ← | | | |
|------|-------|-------|-------------|----------|----------|----------|----------|-------------|----------|----------|----------|-------------|----------|--|--|
| TUBE | RING | WT/FT | 2 FT | 3 FT | 4 FT | 5 FT | 6 FT | 7 FT | 8 FT | 9 FT | 10 FT | 11 FT | 12 FT | | |
| 8 | 10/14 | 114 | \$ 2,570 | \$ 2,890 | \$ 3,205 | \$ 3,535 | \$ 3,975 | \$ 4,305 | \$ 4,625 | \$ 4,915 | \$ 5,530 | \$ 5,860 | \$ 6,180 | | |
| 8 | 12/16 | 137 | 2,970 | 3,310 | 3,625 | 3,935 | 4,420 | 4,735 | 5,065 | 5,370 | 5,990 | 6,335 | 6,625 | | |
| 8 | 13/17 | 150 | 2,945 | 3,255 | 3,575 | 3,890 | 4,345 | 4,670 | 4,985 | 5,295 | 5,905 | 6,215 | 6,530 | | |
| 8 | 14/20 | 212 | 3,150 | 3,275 | 4,095 | 4,570 | 5,165 | 5,650 | 6,125 | 6,600 | 7,300 | 7,850 | 8,250 | | |
| 8 | 16/22 | 221 | 3,315 | 3,875 | 4,460 | 5,025 | 5,725 | 6,295 | 6,880 | 7,440 | 8,330 | 8,905 | 9,470 | | |
| 10 | 12/16 | 143 | 3,035 | 3,370 | 3,710 | 4,050 | 4,515 | 4,855 | 5,190 | 5,530 | 6,150 | 6,635 | 6,825 | | |
| 10 | 13/17 | 157 | 3,000 | 3,325 | 3,650 | 3,985 | 4,460 | 4,775 | 5,115 | 5,445 | 6,060 | 6,390 | 6,715 | | |
| 10 | 14/20 | 219 | 3,175 | 3,675 | 4,165 | 4,655 | 5,275 | 5,760 | 6,250 | 6,745 | 7,525 | 8,020 | 8,490 | | |
| 10 | 16/22 | 228 | 3,365 | 3,930 | 4,540 | 5,065 | 5,805 | 6,370 | 6,940 | 7,540 | 8,390 | 9,050 | 9,575 | | |
| 12 | 14/20 | 224 | 3,210 | 3,720 | 4,225 | 4,715 | 5,355 | 5,855 | 6,360 | 6,845 | 7,710 | 8,160 | 8,675 | | |
| 12 | 16/22 | 233 | 3,400 | 3,995 | 4,595 | 5,130 | 5,920 | 6,485 | 7,090 | 7,685 | 8,540 | 9,210 | 9,725 | | |
| 14 | 16/22 | 236 | 3,485 | 4,100 | 4,710 | 5,245 | 6,045 | 6,635 | 7,245 | 7,855 | 8,705 | 9,385 | 9,885 | | |



SMOOTH AN' ROLL™

Assembly charge - n/c Assembled - except tongue

| | | | | | | | | | | | | | |
|-------------|-----|-----|------------------|----------|----------|----------|----------|----------|----------|----------|----------|----------|----------|
| | 20" | 114 | \$ 2,260 | \$ 2,435 | \$ 2,610 | \$ 2,910 | \$ 3,215 | \$ 3,395 | \$ 3,640 | \$ 3,765 | \$ 4,055 | \$ 4,330 | \$ 4,505 |
| | 24" | 135 | 2,485 | 2,710 | 2,910 | 3,285 | 3,625 | 3,845 | 4,075 | 4,350 | 4,725 | 4,950 | 5,175 |
| | 30" | 166 | 2,945 | 3,360 | 3,750 | 4,350 | 4,890 | 5,300 | 5,705 | 6,130 | 6,740 | 7,155 | 7,580 |
| | 36" | 182 | CALL FOR PRICING | | | | | | | | | | |
| Mud Scraper | 5 | 110 | 125 | 130 | 140 | 160 | 165 | 175 | 210 | 215 | 225 | 240 | |

(Call For Availability)



FLOAT

Assembly charge - n/c Minimal assembly required

| | | | | | | | | | | | | |
|--|----|-------|-------|-------|-------|-------|-------|-------|-------|-------|-------|-------|
| | 24 | 1,130 | 1,190 | 1,250 | 1,305 | 1,380 | 1,435 | 1,480 | 1,590 | 1,630 | 1,680 | 1,790 |
|--|----|-------|-------|-------|-------|-------|-------|-------|-------|-------|-------|-------|



SQUADRON ARMS (PAIR)

Assembly charge - n/c Minimal assembly required

| Size | 12" | 18" | 24" | 30" | 36" | 42" | 48" | 54" | 60" | 66" | 72" |
|----------------------|-------|-------|-------|-------|-------|-------|-------|-------|-------|-------|-------|
| T-P Trail Unit Width | 2 FT | 3 FT | 4 FT | 5 FT | 6 FT | 7 FT | 8 FT | 9 FT | 10 FT | 11 FT | 12 FT |
| Price | 1,355 | 1,385 | 1,515 | 1,545 | 1,580 | 1,600 | 1,720 | 1,745 | 1,780 | 1,850 | 1,890 |
| Weight | 103 | 109 | 115 | 121 | 151 | 160 | 169 | 178 | 187 | 196 | 205 |

MODEL 77 TILL AN' PAK™ PRICE LIST



TILL AN' PAK™

Assembly charge - n/c Assembled - except tongue

| | | | ← 3-1/2 X 84" → | | | | | ← 3-1/2 X 100" → | | | | | | |
|------|-------|-------|-----------------|----------|----------|----------|----------|------------------|----------|----------|-----------|-----------|-----------|-----------|
| TUBE | RING | WT/FT | 13 FT | 14 FT | 15 FT | 16 FT | 17 FT | 18 FT | 19 FT | 20 FT | 21 FT | 22 FT | 23 FT | 24 FT |
| 8 | 10/14 | 114 | \$ 6,305 | \$ 7,015 | \$ 7,425 | \$ 7,885 | \$ 8,210 | \$ 8,290 | \$ 9,200 | \$ 9,695 | \$ 10,400 | \$ 10,600 | \$ 11,120 | \$ 11,450 |
| 8 | 12/16 | 137 | 6,330 | 7,055 | 7,440 | 8,020 | 8,330 | 8,370 | 9,300 | 9,805 | 10,490 | 10,770 | 11,150 | 11,495 |
| 8 | 13/17 | 150 | 6,545 | 7,305 | 7,705 | 8,250 | 8,500 | 8,555 | 9,520 | 10,005 | 10,785 | 11,100 | 11,480 | 11,805 |
| 8 | 14/20 | 212 | 8,545 | 9,430 | 9,990 | 10,640 | 11,170 | 11,570 | 12,410 | 13,090 | 14,000 | 14,480 | 15,010 | 15,485 |
| 8 | 16/22 | 221 | 9,770 | 10,745 | 11,385 | 12,105 | 12,695 | 13,245 | 14,180 | 14,970 | 15,955 | 16,530 | 17,150 | 17,725 |
| 10 | 12/16 | 143 | 7,015 | 7,155 | 7,545 | 8,025 | 8,330 | 8,635 | 9,335 | 9,815 | 10,575 | 10,875 | 11,250 | 11,570 |
| 10 | 13/17 | 157 | 7,365 | 7,505 | 7,920 | 8,325 | 8,495 | 9,070 | 9,800 | 10,290 | 11,085 | 11,415 | 11,655 | 12,145 |
| 10 | 14/20 | 219 | 8,740 | 9,640 | 9,945 | 10,860 | 11,010 | 11,830 | 12,690 | 13,375 | 13,905 | 14,775 | 15,340 | 15,825 |
| 10 | 16/22 | 228 | 9,955 | 10,940 | 11,590 | 12,340 | 12,535 | 13,495 | 14,855 | 15,235 | 16,240 | 16,820 | 17,465 | 18,045 |
| 12 | 14/20 | 224 | 8,905 | 9,820 | 10,400 | 11,070 | 11,225 | 12,055 | 12,930 | 13,625 | 14,555 | 15,065 | 15,630 | 16,130 |
| 12 | 16/22 | 233 | 10,135 | 11,140 | 11,810 | 12,560 | 12,770 | 13,750 | 14,705 | 15,515 | 16,530 | 16,960 | 17,780 | 18,370 |
| 14 | 16/22 | 236 | 10,345 | 11,360 | 11,905 | 13,185 | 13,015 | 14,010 | 14,980 | 15,795 | 16,825 | 17,355 | 18,100 | 18,710 |

| | |
|---|-------|
| ** 2-3/16" Pillow Block Bearing Upgrade | \$385 |
| TPP3700 - Bolt on Jack Stand | \$190 |



SMOOTH AN' ROLL™

Assembly charge - n/c Assembled - except tongue

| | | | | | | | | | | | | | | |
|-------------|-----|-----|------------------|----------|----------|----------|----------|----------|----------|----------|----------|----------|----------|----------|
| | 20" | 114 | \$ 4,505 | \$ 5,060 | \$ 5,320 | \$ 5,645 | \$ 5,820 | \$ 5,855 | \$ 6,515 | \$ 6,820 | \$ 7,390 | \$ 7,570 | \$ 7,800 | \$ 8,000 |
| | 24" | 135 | 5,190 | 5,795 | 6,085 | 6,395 | 6,560 | 6,840 | 7,405 | 7,750 | 8,350 | 8,580 | 8,870 | 8,950 |
| | 30" | 166 | 7,680 | 8,455 | 8,860 | 9,490 | 9,890 | 10,295 | 11,035 | 11,560 | 12,345 | 12,750 | 13,225 | 13,630 |
| | 36" | 182 | CALL FOR PRICING | | | | | | | | | | | |
| Mud Scraper | 5 | 270 | 280 | 290 | 305 | 315 | 340 | 345 | 355 | 370 | 380 | 390 | 395 | |

(Call For Availability)



FLOAT

Assembly charge - n/c Minimal assembly required

| | | | | | | | | | | | | | | |
|--|----|-------|-------|-------|-------|-----|-----|-----|-----|-----|-----|-----|-----|-----|
| | 24 | 1,865 | 1,925 | 1,980 | 2,040 | n/a | n/a | n/a | n/a | n/a | n/a | n/a | n/a | n/a |
|--|----|-------|-------|-------|-------|-----|-----|-----|-----|-----|-----|-----|-----|-----|

FOLDING TILL AN' PAK - See Page #8



1 800 288-8128 Order Desk

TILL AN' PAK WHEEL KIT PRICE LIST

TPP 3510, TPP 3520 and TPP 3530



TPP 3520 (end mount)



TPP 3510 (vineyard model)

**Jack Stand and Safety Chain standard
Light kit included on units 12' and
wider**



TPP 3530 Model

HYDRAULIC WHEEL KITS & MISC. ATTACHMENTS

Assembly Charge: n/c

| PART NO. | DESCRIPTION | WT. | PRICE |
|--------------|---|---------|-------------|
| TPP 3501 | 3 Pt. Hitch Cat 1 & 2 (2 - 13 ft.) | 80 lbs. | \$ 1,100.00 |
| TPP 3502 | 3 Pt. Hitch Cat 2 & 3 (14 - 20 ft.) (Specify Width) | 105 | 1,500.00 |
| TPP 3503 | Implement Trail Hitch | 81 | 900.00 |
| TPP 3510 | *1Hydraulic Transport Kit up to 10 ft. (Less Tires & Lead Hoses) | 350 | 3,955.00 |
| TPP 3520 | ¹ Hydraulic Transport Kit (End Mount) up to 14 ft. (Less Tires & Lead Hoses) | 282 | 3,895.00 |
| TPP 3530-2 | Hydraulic Transport Kit (8 - 16 ft.) - 2 Wheels (Less Tires & Lead Hoses) | 875 | 6,005.00 |
| TPP 3530-4 | Hydraulic Transport Kit (14 - 24 ft.) - 4 Wheels (Less Tires & Lead Hoses) | 950 | 7,145.00 |
| 7.60x15 TIRE | 7.60 x 15 Rib Implement Tires (Mounted) - Each | 25 | 215.00 |

*Can not use 10" tube with 14/20 ring combination. ¹Up to 12" tube and 14/20 ring.

LEAD HOSES (with pioneer tips)

| PART NO. | DESCRIPTION | LENGTH | TPP 3510 | TPP 3520 | TPP 3530 | FOLDING T-F | WT. | PRICE |
|----------|-------------------|--------|----------|-----------|-----------|-------------|---------|-----------|
| LH-100 | Lead Hoses - pair | 100" | | 2' - 5' | | | 15 lbs. | \$ 170.00 |
| LH-112 | Lead Hoses - pair | 112" | 2' - 5' | 6' - 9' | | | 16 | 175.00 |
| LH-120 | Lead Hoses - pair | 120" | | 10' - 14' | | | 17 | 185.00 |
| LH-132 | Lead Hoses - pair | 132" | 6' - 9' | | 8' - 9' | | 18 | 200.00 |
| LH-144 | Lead Hoses - pair | 144" | 10' | | 10' - 18' | | 19 | 205.00 |
| LH-168 | Lead Hoses - pair | 168" | | | 19' - 24' | | 20 | 240.00 |
| LH-204 | Lead Hoses - pair | 204" | | | | | 25 | 285.00 |

TILL AN' PAK WHEEL KIT PRICE LIST

TPP 3540 and TPP 3550

Jack Stand and Safety Chain standard
Light kit included on units 12' and wider



TPP 3540 WHEEL KIT (ADJUSTABLE)

Assembly charge - n/c assembled except pull frame

| PART NO. | DESCRIPTION | WT. | PRICE |
|-----------------|---|------------|-------------|
| TPP 3540-2 | Adjustable Wheel Kit (8 - 16 ft.) - 2 Wheels (Less Tires & Lead Hoses) | 1,200 lbs. | \$ 6,385.00 |
| TPP 3540-4 | Adjustable Wheel Kit (14 - 20 ft.) - 4 Wheels (Less Tires & Lead Hoses) | 1,500 | 7,835.00 |
| TPP 3540-4HD | Adjustable Wheel Kit (18 - 24 ft.) - 4 Wheels Heavy Duty- For Lrg Rings | 1,800 | 8,885.00 |
| 7.60X15TIRE | 7.60 x 15 Rib Implement Tires (Mounted) - Each | 25 | 215.00 |
| TPP 3540-GN | 3540 Gooseneck Hitch - (1) Cylinder | | 2,430.00 |
| TPP 3540-GNHD | 3540 Gooseneck Hitch - Heavy Duty - (2) Cylinder | | 2,710.00 |
| TPP 3540-GNHDXL | 3540 Gooseneck Hitch - Heavy Duty - 2 Cylinder - X-Large | 2,680 | 3,695.00 |

TPP 3540 Adjustable Wheel Kit sold only with Till An' Pak.
 Add price of Wheel Kit to price of Till An' Pak for total unit price. See page #5 for Till an' Pak prices.



TPP 3550 WHEEL KIT (STRADDLE AXLE)

Assembly charge - n/c

Transport width - 5'-7"

| | 18 FT | 19 FT | 20 FT | 21 FT | 22 FT | 23 FT | 24 FT | 25 FT | 26 FT | 27 FT | 28 FT | 29 FT |
|--------------|----------|--------|--------|--------|--------|--------|--------|--------|--------|--------|--------|--------|
| Kit Price | \$11,720 | 11,790 | 11,845 | 11,915 | 11,970 | 12,050 | 12,105 | 12,170 | 12,235 | 12,305 | 12,360 | 12,440 |
| add'l weight | 1,650 | 1,685 | 1,720 | 1,755 | 1,790 | 1,825 | 1,860 | 1,895 | 1,930 | 1,965 | 2,000 | 2,035 |

Includes (2) tires & cylinder. Lead hoses not included.
 TPP 3550 Adjustable Wheel Kit sold only with Till An' Pak. All sizes use 2-3/16" flange bearings.
 Add price of Wheel Kit to price of Till An' Pak for total unit price. See page #5 for Till an' Pak prices.

LEAD HOSES (with pioneer tips)

| PART NO. | DESCRIPTION | LENGTH | TPP 3540 | TPP 3550 | FOLDING T-P | WT. | PRICE |
|----------|-------------------|--------|-----------|-----------|-------------|---------|-----------|
| LH-112 | Lead Hoses - pair | 112" | 8' - 9' | | | 16 lbs. | \$ 175.00 |
| LH-120 | Lead Hoses - pair | 120" | 10' - 18' | | | 17 | 185.00 |
| LH-132 | Lead Hoses - pair | 132" | 19' - 24' | | | 18 | 200.00 |
| LH-204 | Lead Hoses - pair | 204" | | | | 25 | 285.00 |
| LH-216 | Lead Hoses - pair | 216" | | 18' - 21' | ALL SIZES | 27 | 295.00 |
| LH-240 | Lead Hoses - pair | 240" | | 22' - 25' | | 30 | 320.00 |
| LH-260 | Lead Hoses - pair | 260" | | 26' - 28' | | 35 | 335.00 |
| LH-275 | Lead Hoses - pair | 275" | | 29' - 30' | | 40 | 420.00 |

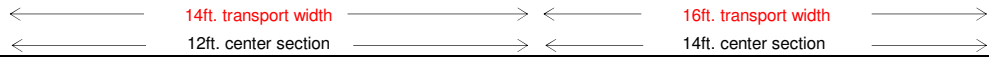
MODEL 77 TILL AN' PAK PRICELIST

FOLDING MODEL

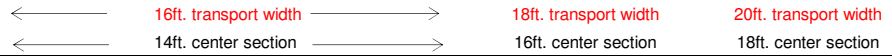


- 2-3/16" bearings & 6" overlap standard
- Call factory for narrower transport widths and Folding Smooth an' Roll

Assembly charge - \$ 250 net



| TUBE | RING | WT/FT | 20 FT | 21 FT | 22 FT | 23 FT | 24 FT | 25 FT | 26 FT | 27 FT | 28 FT |
|------|-------|-------|--------|--------|--------|--------|--------|--------|--------|--------|--------|
| 12 | 14/20 | 360 | 39,415 | 40,045 | 40,470 | 41,195 | 41,800 | 42,235 | 42,810 | 43,420 | 43,995 |
| 14 | 16/22 | 380 | 43,010 | 43,565 | 44,140 | 44,850 | 45,270 | 45,985 | 46,835 | 47,410 | 48,155 |



| TUBE | RING | WT/FT | - | 29 FT | 30 FT | 31 FT | 32 FT | 33 FT | 34 FT | 35 FT | 36 FT |
|------|-------|-------|---|--------|--------|--------|--------|--------|--------|--------|--------|
| 12 | 14/20 | 360 | - | 45,350 | 46,065 | 46,370 | 47,155 | 47,875 | 48,305 | 48,880 | 49,255 |
| 14 | 16/22 | 380 | - | 49,540 | 50,330 | 51,045 | 51,615 | 52,315 | 53,040 | 53,600 | 54,210 |

Includes transport & folding hydraulics; (4) tires, cylinders, valves and connecting hoses.
2-3/16" Bearings and 6" Overlap are now standard - Lead hoses not included.

Folding Till an' Pak Options

| PART NO. | DESCRIPTION | PRICE |
|------------|--|-------------|
| FTP-GN | FTP Gooseneck Hitch - (1) Cylinder | \$ 2,300.00 |
| FTP-GNHD | FTP Gooseneck Hitch - Heavy Duty - (2) Cylinders | 2,600.00 |
| FTP-GNHDXL | FTP Gooseneck Hitch - Heavy Duty - (2) Cylinders - X-Large | 3,340.00 |
| FTP-TWB | Tandem Walking Beams - Heavy Duty | 1,950.00 |
| LH-216 | Lead Hoses & Tips (pair) | 295.00 |
| LH-275 | Gooseneck Lead Hoses & Tips (pair) | 420.00 |

3 PT. FOLDING SMOOTH AN' ROLL



- Unit features 2-3/16" bearings & 6" overlap between wing and main frame rollers
- CAT 3 (QH) / CAT 4N (QH) / CAT 4 Compatible
- Flow divider for uniform wing movement
- Mud-Scrapers included

| MODEL | WIDTH | TUBE DIAMETER | WEIGHT | PRICE |
|-----------|--------|---------------|------------|-------------|
| SRF3P4024 | 40 FT. | 24" | 8,200 LBS. | \$31,095.00 |

AERATION & SOIL MANAGEMENT

SCHMEISER SMART-TILL®



SMART-TILL

Visit www.smart-till.com for more information

| MODEL NO. | TILLED WIDTH | RIGID -FOLDING | TRANSPORT WIDTH | APPROX. HP | WEIGHT | PRICE W/ HARROWS | PRICE W/O HARROWS |
|-----------|--------------|----------------|-----------------|-------------------------------|---|------------------|-------------------|
| SMT101 | 10 ft. | RIGID | 12' | 85-130 PTO | 3,350 lbs. w/o harrows 5,250 lbs. w/ harrows | \$ 38,930.00 | \$ 30,920.00 |
| SMT151 | 15 ft. | RIGID | 17' | 130-200 PTO | 5,000 lbs. w/o harrows 7,850 lbs. w/ harrows | 56,210.00 | 43,540.00 |
| SMT203 | 20 ft. | FOLDING | 17' | 170-255 PTO | 7,550 lbs. w/o harrows 11,400 lbs. w/ harrows | 83,790.00 | 60,690.00 |
| SMT303 | 30 ft. | FOLDING | 17' | 300-450 ENGINE 255-380 PTO | 10,500 lbs. w/o harrows 16,000 lbs. w/ harrows | 117,985.00 | 95,515.00 |

- 2.7" TILL XTREME trunnion bearings standard on tine gangs Transport width is **with** rear harrows.
 - Tires & lead hoses are included.



SMART-TILL ROTARY HARROW MODULES

| PART NO. | DESCRIPTION | Field Width (tine to tine) | | PRICE |
|----------|----------------------------|----------------------------|-----------|-------------|
| | | 0° Angle | 30° Angle | |
| 853044 | Harrow Module 3' | 38" | 33" | \$ 2,385.00 |
| 853066 | Harrow Module 5'7" | 68" | 59" | 2,925.00 |
| 853033 | Harrow Module 6' | | 63.5" | 3,055.00 |
| 853109 | Harrow Module 9' | 115" | 100" | 4,000.00 |
| 853129* | 3' Harrow Hanger | | | 545.00 |
| 853103* | 5'7", 6', 9' Harrow Hanger | | | 645.00 |

- Harrows smooth, level and loosen soil - Ideal for seed bed preparation. Harrows can be varied up to 30° at either standard or aggressive angles. Tine material is wear resistant 4140 steel. *includes: hanger, bushing, and decal

1 800 288-8128 Order Desk

AERATOR PRICE LIST

SMART-TILL ORCHARD MAX



STO-14 - 14' Wide Unit

SMART-TILL ORCHARD MAX

Assembly charge - N/A

| MODEL NO. | SIZE | Working Width | Overall Width | WEIGHT | PRICE |
|-----------|--------|---------------|---------------|--------|--------------|
| STO-08 | 8 ft. | 4' - 8' | 9' | 1,600 | \$ 11,255.00 |
| STO-09 | 9 ft. | 5' - 9' | 10' | 1,650 | 11,325.00 |
| STO-10 | 10 ft. | 6' - 10' | 11' | 1,700 | 11,395.00 |
| STO-11 | 11 ft. | 7' - 11' | 12' | 1,750 | 11,465.00 |
| STO-12 | 12 ft. | 8' - 12' | 13' | 1,800 | 11,530.00 |
| STO-13 | 13 ft. | 9' - 13' | 14' | 1,850 | 11,600.00 |
| STO-14 | 14 ft. | 10' - 14' | 15' | 1,900 | 11,660.00 |
| STO-15 | 15 ft. | 11' - 15' | 16' | 1,950 | 11,670.00 |

Standard Accessories: Patented Smart-Till Chrome Tines, 2.7" Sealed Till XTreme Bearings, Light kit on units 12' and wider, Adjustable gangs from 0-10 degrees, Bearing guards & weight brackets

OPTIONS / PARTS

| PART NO. | DESCRIPTION | PRICE |
|------------|--|-----------|
| GMB-WEIGHT | 100 LB. Suitcase Weight (Up to 20 per machine) | \$ 145.00 |
| 231262 | Chrome Replacement Tine - Left Hand | 42.50 |
| 231263 | Chrome Replacement Tine - Right Hand | 42.50 |
| 202925 | 5/8 x 3-1/2 NF GR. 8 Bolt | 2.80 |
| 212500 | 5/8 NF Flange Lock Nut | 1.22 |

ORDERS@TGSCHMEISER.COM

TILL AN' BEDDER™ PRICE LIST

NEXT GEN RIGID TILL AN' BEDDER



FOUR BAR MODEL
 Assembly charge - \$ 300 net

| Width | Tube-Ring Size | Model Number | WT. | Transport Width | Approx. HP | PRICE |
|--------|----------------|---------------|--------|-----------------|------------|-----------|
| 12 ft. | 12 - 14/20 | TBX412121420D | 9,475 | 13' - 8" | 120 - 180 | 47,370.00 |
| 12 ft. | 14 - 16/22 | TBX412141622D | 9,775 | 13' - 8" | 120 - 180 | 48,020.00 |
| 14 ft. | 12 - 14/20 | TBX414121420D | 11,100 | 15' - 8" | 140 - 210 | 51,200.00 |
| 14 ft. | 14 - 16/22 | TBX414141622D | 11,435 | 15' - 8" | 140 - 210 | 52,065.00 |
| 16 ft. | 12 - 14/20 | TBX416121420D | 12,580 | 17' - 8" | 160 - 240 | 57,095.00 |
| 16 ft. | 14 - 16/22 | TBX416141622D | 12,980 | 17' - 8" | 160 - 240 | 58,080.00 |
| 18 ft. | 12 - 14/20 | TBX418121420D | 14,490 | 19' - 8" | 180 - 270 | 63,320.00 |
| 18 ft. | 14 - 16/22 | TBX418141622D | 14,940 | 19' - 8" | 180 - 270 | 64,120.00 |
| 20 ft. | 12 - 14/20 | TBX420121420D | 16,100 | 21' - 8" | 200 - 300 | 68,355.00 |
| 20 ft. | 14 - 16/22 | TBX420141622D | 16,600 | 21' - 8" | 200 - 300 | 69,585.00 |

Next Gen Model includes 2-11/16" Till Xtreme Bearings. Hydraulic S-Tines Standard. Depth gauge for S-Tines & Leveling bar standard.
 1 Foot wider rear roller standard. Ductile Rings standard. All lead hoses and wheels and tires included. Easy to adjust front-to-rear level.
 On board hose storage. Light Kit Included. Unit ships 11'11" wide & 85% assembled.



OPTIONAL REAR TRAIL HITCH

TILL AN' BEDDER OPTIONS

| PART NO. | DESCRIPTION | WT. | PRICE |
|-----------|---|-----|---------|
| TBX4-Q | Heavy Duty Rear Trail Hitch | | 1760.00 |
| HKFTB4-TH | Hose kit for Heavy Duty Rear Trail Hitch hydraulic circuit (1 pair) | | 565.00 |
| SBM-SRO | Front Split Roller Option (for 12ft. to 20ft. units) | | 2010.00 |

Light kit included on all units

ORDERS@TGSCHMEISER.COM

TILL AN' BEDDER™ PRICE LIST
NEXT GEN FOLDING TILL AN' BEDDER
(4 BAR MODEL)



FOLDING 4 BAR TILL AN' BEDDER
 Assembly charge - \$ 600 net - ready to tow

| Width | Tube-Ring Size | Model Number | Transport Width | Approx. HP | PRICE |
|--------|----------------|-----------------|-----------------|------------|------------|
| 24 FT. | 14-16/22 | TBFX424141622D | 17' 6" | 240 - 360 | 115,745.00 |
| 26 FT. | 14-16/22 | TBFX426141622D | | 260 - 390 | 120,245.00 |
| 28 FT. | 14-16/22 | TBFX428141622D | | 280 - 420 | 125,520.00 |
| 30 FT. | 12-14/20 | TBFX430121420D | | 300 - 450 | 125,940.00 |
| 30 FT. | 14-16/22 | TBFX430141622D | | | 130,365.00 |
| 30 FT. | 14/24S 14/20D | TBFX430121420DS | | | 126,575.00 |
| 30 FT. | 14/24S 16/22D | TBFX430141622DS | | | 130,365.00 |

Hydraulic S-Tine Kit Standard. Depth indicator for S-Tines and Leveling Bar Standard. Front to rear level standard. Front hydraulic hose storage bank. Includes tires and all hydraulic cylinders and connecting hoses. Call factory for pricing on other sized units.

Units ship partially assembled 11' 11" wide. Estimated assembly time at dealership is (2) personnel @ 8 hours each.

TILL AN' BEDDER OPTIONS

| PART NO. | DESCRIPTION | WT. | PRICE |
|------------------|--|-----|----------|
| FTB4-RTH | Next GEN heavy duty trail hitch (comes with CAT 3 perfect hitch) | | 2,320.00 |
| FTB4-SCR-30 | Scrapers for 30' unit equipped with steel rings (call for other sizes) | | 1,025.00 |
| HKFTB4-TH | Hose kit for Heavy Duty Rear Trail Hitch hydraulic circuit (1 pair) | | 565.00 |
| Specify on order | Optional double lip clevis for rear hitch | | 250.00 |

ORDERS@TGSCHMEISER.COM

LEVELER PRICE LIST

DRAG SCRAPER & SPEED LEVELER



*SDS-10 model shown w/ optional side blades



SDSM-10 shown w/ optional side blades

DRAG SCRAPER

Assembly charge - N/A

| MODEL NO. | SIZE | HP RANGE | CAPACITY | Weight | PRICE |
|-----------------|--------|----------|-----------------|--------|-------------|
| SDS08 | 8 ft. | 65-85 | 2 Cubic Yards | 1,580 | \$ 9,290.00 |
| SDSM08 (Medium) | 8 ft. | 65-85 | 2 Cubic Yards | 1,300 | 8,200.00 |
| SDS10 | 10 ft. | 75-100 | 2.5 Cubic Yards | 1,690 | 9,590.00 |
| SDSM10 (Medium) | 10 ft. | 75-100 | 2.5 Cubic Yards | 1,400 | 8,430.00 |
| SDS12 | 12 ft. | 90-110 | 3 Cubic Yard | 1,860 | 10,545.00 |
| SDSM12 (Medium) | 12 ft. | 90-110 | 3 Cubic Yard | 1,560 | 9,275.00 |
| SDS14 | 14 ft. | 100-130 | 3.5 Cubic Yards | 2,000 | 11,025.00 |
| SDSM14 (Medium) | 14 ft. | 100-130 | 3.5 Cubic Yards | 1,680 | 9,710.00 |

Standard Accessories: Lead hoses, transport safety chain, replaceable long-life UHMW wheel axle bushings, reversible/replaceable wheel axle spindles. Jack Stand. SDS units are 3 pt. Cat II / Cat II Quick Hitch compatible.

Light kit included on all units

OPTIONS

| PART NO. | DESCRIPTION | PRICE |
|--------------|--|----------|
| Call Factory | Hydraulic Tilt-Leg Option | 1,385.00 |
| Call Factory | Turnbuckle Tilt-Leg Option | 605.00 |
| SLP-BKS | Replaceable / Reversible Side Blades (Pair with fasteners) | 295.00 |
| SDS-GPS | GPS & Laser Stand | 285.00 |
| GMB-HITCHVBK | Perfect Hitch V-Block Kit, Cat 2-3 | 85.00 |

SPEED LEVELER

Assembly charge - N/A

| MODEL NO. | SIZE | PRICE |
|-----------|--------|------------|
| SSL10 | 10 ft. | \$5,850.00 |



10 ft. wide main unit with turnbuckle adjustable gauge wheels, replaceable spindles, center buster and standard V-blade replacement blades (10 ft. rears). 14 ft. drag pipe for a smooth finish. Quick & easy post harvest clean up

ORDERS@TGSCHEMEISER.COM

LEVELER PRICE LIST

V-BLADE LEVELER™



VBL model
w/ rear smoothing plate



VBL-R model
w/ 8" rear roller

V-BLADE LEVELER

Assembly charge - n/c - fully assembled

***** VBL model *****

***** VBL-R roller model *****

| SIZE | APPROX. HP | MODEL | WT. | PRICE | MODEL | WT. | PRICE |
|------|------------|--------|------------|-------------|---------|-----------|-------------|
| 8 ft | 40 - 55 | VBL-08 | 1,765 lbs. | \$ 6,950.00 | VBL-08R | 1795 lbs. | \$ 7,105.00 |
| 9 | 45 - 60 | VBL-09 | 1,882 | 7,130.00 | VBL-09R | 1,910 | 7,310.00 |
| 10 | 50 - 65 | VBL-10 | 1,992 | 7,310.00 | VBL-10R | 2,018 | 7,540.00 |
| 11 | 55 - 70 | VBL-11 | 2,101 | 7,615.00 | VBL-11R | 2,124 | 7,805.00 |
| 12 | 60 - 75 | VBL-12 | 2,187 | 7,860.00 | VBL-12R | 2,209 | 8,025.00 |
| 13 | 65 - 80 | VBL-13 | 2,322 | 8,090.00 | VBL-13R | 2,343 | 8,280.00 |
| 14 | 75 - 90 | VBL-14 | 2,430 | 8,405.00 | VBL-14R | 2,450 | 8,540.00 |
| 15 | 75 - 95 | VBL-15 | 2,562 | 8,665.00 | VBL-15R | 2,580 | 8,745.00 |
| 16 | 80 - 100 | VBL-16 | 2,650 | 9,055.00 | VBL-16R | 2,667 | 9,250.00 |
| 17 | 85 - 105 | VBL-17 | 2,798 | 9,400.00 | VBL-17R | 2,813 | 9,525.00 |
| 18 | 90 - 110 | VBL-18 | 2,926 | 9,845.00 | VBL-18R | 2,939 | 9,925.00 |

Light kit included on units 12' and up

V-BLADE OPTIONS

| PART NO. | DESCRIPTION | WT. | PRICE |
|----------|--|---------|-------------|
| 3VB-D | Berm Scraper Assembly (pair) | 65 lbs. | \$ 1,125.00 |
| 3VB-DR | Berm Scraper Assembly-Roller Model (pair) | 65 | 1,290.00 |
| 3VB-L | Overflow Shield Kit | 27 | 325.00 |
| 3VB-F | Shipping Stands for Vertical Shipping (can be returned for credit) | | 75.00 |

Visit our website @ www.tgschmeiser.com

LEVELER PRICE LIST

BANTAM LEVELER™



BANTAM LEVELER

Assembly charge - \$ 275 net - ready to tow

| MODEL # | SIZE (width x length) | APPROX. HP | DRY WT. | WT. W/ FLUID | PRICE |
|---------|-----------------------|------------|------------|--------------|--------------|
| BOL 080 | 8 x 18 Complete | 40 - 50 | 2,414 lbs. | 3,414 lbs. | \$ 15,050.00 |
| BOL 090 | 9 x 18 Complete | 45 - 55 | 2,523 | 3,648 | 15,285.00 |
| BOL 100 | 10 x 18 Complete | 50 - 60 | 2,632 | 3,882 | 15,560.00 |
| BOL 110 | 11 x 18 Complete | 55 - 65 | 2,741 | 4,116 | 15,865.00 |
| BOL 120 | 12 x 18 Complete | 60 - 70 | 2,850 | 4,350 | 16,300.00 |
| BOL 130 | 13 x 18 Complete | 65 - 75 | 2,959 | 4,584 | 16,735.00 |
| BOL 140 | 14 x 18 Complete | 70 - 80 | 3,068 | 4,818 | 17,035.00 |
| BOL 150 | 15 x 18 Complete | 75 - 85 | 3,177 | 5,052 | 17,460.00 |
| BOL 160 | 16 x 18 Complete | 80 - 95 | 3,286 | 5,286 | 18,240.00 |
| BOL 170 | 17 x 18 Complete | 85 - 100 | 3,795 | 5,920 | 18,485.00 |
| BOL 180 | 18 x 18 Complete | 90 - 105 | 3,904 | 6,154 | 18,920.00 |

All units include: jack stand, adjustable off-set hitch, mud scraper, heavy duty bucket cranks, 1-11/16" bearings.
 (2) 7.60 x 15 8 ply tires, (2) wheels, 4 x 16 cyl., wheel axle, all hoses and transport lockout.

Light kit included on all units

1 800 288-8128 Order Desk

LEVELER PRICE LIST
MODEL 77 ORCHARD LEVELER™



MODEL 77 ORCHARD LEVELER

Assembly charge - \$ 425 net - ready to tow

Shipping Stack (fits in 16' of deck space) - \$475

| MODEL NO. | WIDTH | TILL AN' PAK | | APPROX. H.P. | TURNING RADIUS | WT. | PRICE | DOUBLE FLAT ROLLER |
|---------------|--------|--------------|-----------|--------------|----------------|-----------|--------------|--------------------|
| | | TUBE | RING SIZE | | | | | |
| LL-77-10 x 20 | 10 ft. | 10 | 12/16 | 55 - 65 | 16 ft. | 5,240 lbs | \$ 27,975.00 | \$ 27,710.00 |
| LL-77-10 x 20 | 10 ft. | 12 | 14/20 | 55 - 65 | 16 ft. | 6,050 | 30,255.00 | |
| LL-77-11 x 20 | 11 ft. | 10 | 12/16 | 60 - 70 | 17 ft. | 5,520 | 28,640.00 | 28,120.00 |
| LL-77-11 x 20 | 11 ft. | 12 | 14/20 | 60 - 70 | 17 ft. | 6,411 | 31,155.00 | |
| LL-77-12 x 20 | 12 ft. | 10 | 12/16 | 65 - 75 | 18 ft. | 5,800 | 29,250.00 | 29,540.00 |
| LL-77-12 x 20 | 12 ft. | 12 | 14/20 | 65 - 75 | 18 ft. | 6,772 | 32,230.00 | |
| LL-77-14 x 20 | 14 ft. | 10 | 12/16 | 75 - 90 | 20 ft. | 6,320 | 30,640.00 | 31,610.00 |
| LL-77-14 x 20 | 14 ft. | 12 | 14/20 | 75 - 90 | 20 ft. | 7,454 | 34,590.00 | |
| LL-77-15 x 20 | 15 ft. | 10 | 12/16 | 85 - 100 | 22 ft. | 6,800 | 31,790.00 | 32,740.00 |
| LL-77-15 x 20 | 15 ft. | 12 | 14/20 | 85 - 100 | 22 ft. | 8,100 | 35,800.00 | |

Includes hydraulic cylinders, 15" wheels, lead hoses, connecting hoses, (4) 7.60 x 15 tires, & tongue jack.
 Rear roller mud scrapers are now standard.

Light kit included on all units

ORDERS@TGSCHMEISER.COM

LEVELER PRICE LIST

VARITRAK™ AND SCHMEISER GRADER BLADE™

Shown w/ laser receiver mounting stand



VARITRAK LEVELER

Knocked Down - must ship unassembled

** Lead Hoses Included

| MODEL NO. | BUCKET WIDTH | REAR WHEELS | RIGID - FOLDING | TRANSPORT WIDTH | PRICE |
|-----------|--------------|-------------------|-----------------|-----------------|--------------|
| SVT - 16S | 16 ft. | Steel (18" x 30") | RIGID | 16' 6" x 24' | \$ 26,995.00 |
| SVT - 16R | 16 ft. | Dual Rubber | RIGID | 16' 6" x 24' | 25,990.00 |
| SVT - 20S | 20 ft. | Steel (18" x 30") | FOLDING | 13' 6" x 24' | 37,825.00 |
| SVT - 20R | 20 ft. | Dual Rubber | FOLDING | 13' 6" x 24' | 37,050.00 |
| SVT - 24S | 24 ft. | Steel (18" x 30") | FOLDING | 13' 6" x 24' | 39,160.00 |
| SVT - 24R | 24 ft. | Dual Rubber | FOLDING | 13' 6" x 24' | 37,970.00 |
| SVT - 30R | 30 ft. | Dual Rubber | FOLDING | 15' 6" x 24' | 44,940.00 |

- Includes self leveling compensation hitch, extra HD bushings in all high wear pivot points including hitch and rear stabilizer arms. Pivot assembly on rear wheels are comprised of 3" shaft, thrust brgs, and bushings.
- Folding models include (2) 4" x 12" wing cylinders, (1) 3" x 36" rear frame cylinder and connecting hoses.

VARITRAK OPTIONS

| MODEL NO. | DESCRIPTION | PRICE |
|-----------|--------------------------------|-------------|
| SVT-LHU | Laser Hitch Upgrade | \$ 1,085.00 |
| SVT-L-16 | S-Tine Option for 16 ft. Units | 5,465.00 |
| SVT-L-20 | S-Tine Option for 20 ft. Units | 7,390.00 |
| SVT-L-24 | S-Tine Option for 24 ft. Units | 7,795.00 |
| SVT-L-30 | S-Tine Option for 30 ft. Units | 8,475.00 |

Note: Laser hitch upgrade includes (1) 4" x 12" cylinder, cylinder anchor mount, and laser receiver mounting stand (laser not included).

Light kit included on all units



GRADER BLADE

Assembly charge - n/c

**Transport width - 7'-6"

| MODEL NO. | BUCKET WIDTH | WEIGHT | TRANSPORT WIDTH | PRICE |
|-----------|--------------|------------|-----------------|--------------|
| SGB-20 | 20 ft. | 3,300 lbs. | 8' 0" | \$ 27,515.00 |
| SGB-30 | 30 ft. | 4,200 | 8' 0" | 33,240.00 |
| SGB-40 | 40 ft. | 4,900 | 8' 0" | 34,650.00 |

- Hydraulic depth control standard on all units - Lead hoses & rear transport lights included
- Includes (4) 205-75-D15 transport tires and wheels and (4) 205-75-D15 reversible gauge wheels.

Light kit included on all units

1 800 288-8128 Order Desk

LEVELER PRICE LIST

TRI-PLANE LAND LEVELER



TRI-PLANE LEVELER

Assembly charge - \$ 500 net - ready to tow

Partial assembly - \$ 250 net (11' 5" transport width partially assembled)

Est. 10-12 hrs @ dealership to complete assembly

| MODEL NO. | WIDTH x LENGTH | FRONT WHEELS | APPROX H.P. | WEIGHT | PRICE |
|------------|-----------------|--------------|-------------|------------|--------------|
| SLP 12DS30 | 12 ft. x 30 ft. | Dual Steel | 115 - 140 | 7,040 lbs. | \$ 44,700.00 |
| SLP 12QR30 | 12 ft. x 30 ft. | Quad Rubber | 115 - 140 | 6,640 | 44,255.00 |
| SLP 14DS30 | 14 ft. x 30 ft. | Dual Steel | 130 - 155 | 7,190 | 45,275.00 |
| SLP 14QR30 | 14 ft. X 30 ft. | Quad Rubber | 130 - 155 | 6,790 | 44,840.00 |
| SLP 14DS | 14 ft. x 40 ft. | Dual Steel | 130 - 155 | 7,490 | 46,340.00 |
| SLP 14QR | 14 ft. x 40 ft. | Quad Rubber | 130 - 155 | 7,090 | 45,875.00 |
| SLP 16DS30 | 16 ft. x 30 ft. | Dual Steel | 150 - 175 | 7,330 | 46,170.00 |
| SLP 16QR30 | 16 ft. x 30 ft. | Quad Rubber | 150 - 175 | 6,930 | 45,735.00 |
| SLP 16DS | 16 ft. x 40 ft. | Dual Steel | 150 - 175 | 7,630 | 47,065.00 |
| SLP 16QR | 16 ft. x 40 ft. | Quad Rubber | 150 - 175 | 7,230 | 46,630.00 |
| SLP 18DS30 | 18 ft. x 30 ft. | Dual Steel | 170 - 190 | 7,430 | 46,630.00 |
| SLP 18QR30 | 18 ft. x 30 ft. | Quad Rubber | 170 - 190 | 7,030 | 46,255.00 |
| SLP 18DS | 18 ft. x 40 ft. | Dual Steel | 170 - 190 | 7,730 | 47,700.00 |
| SLP 18QR | 18 ft. x 40 ft. | Quad Rubber | 170 - 190 | 7,330 | 47,420.00 |

- Includes hydraulic transport assembly (with two 12.5 x 16 tires and two 3-1/2 x 8" welded cylinders).
- Lead hoses included.
- Dual steel units include (4) 30" dia. X 18" wide steel wheels with 1-11/16 flange bearings.
- 1/2 x 6 Blade standard
- Quad rubber tire units include (4) 9.5L x 15 rib implement tires on front end of machine in lieu of 2 steel wheels

LAND LEVELER OPTIONS

| MODEL NO. | DESCRIPTION | WEIGHT | PRICE |
|-------------|---|----------|-------------|
| SLPA10HBO | Hydraulic Bucket Option - Lead hoses included | 220 lbs. | \$ 1,975.00 |
| SLP-SHIPBAR | Bar to ship unit partially assembled (can be returned for credit) | | 300.00 |

Light kit included on all units

Visit our website @ www.tgshmeiser.com

LEVELER PRICE LIST

FOLDING TRI-PLANE LAND LEVELER



SLP24DSF in transport mode



SLP24DSF model in field mode

FOLDING TRI-PLANE LEVELER

Assembly Included

| MODEL NO. | WIDTH x LENGTH | FRONT WHEELS | APPROX H.P. | WEIGHT | PRICE |
|-----------|-----------------|--------------|-------------|------------|--------------|
| SLP 20DSF | 20 ft. x 40 ft. | Dual Steel | 200-260 | 9,250 lbs. | \$ 60,135.00 |
| SLP 20QRF | 20 ft. x 40 ft. | Quad Rubber | 200-260 | 8,850 | 59,525.00 |
| SLP 22DSF | 22 ft. x 40 ft. | Dual Steel | 220-280 | 9,360 | 60,745.00 |
| SLP 22QRF | 22 ft. x 40 ft. | Quad Rubber | 220-280 | 8,960 | 60,160.00 |
| SLP 24DSF | 24 ft. x 40 ft. | Dual Steel | 240-300 | 9,470 | 61,530.00 |
| SLP 24QRF | 24 ft. x 40 ft. | Quad Rubber | 240-300 | 9,070 | 60,925.00 |

- Folded Transport width is 11'0" (Manual Fold Only)
- Includes hydraulic transport assembly (with two 12.5 x 16 tires and two 3-1/2 x 8" welded cylinders).
- Lead hoses included.
- Dual steel units include (4) 30" dia. X 18" wide steel wheels with 1-11/16 flange bearings.
- 1/2 x 6 Blade standard
- Quad rubber tire units include (4) 9.5L x 15 rib implement tires on front end of machine in lieu of 2 steel wheels

Light kit included on all units

1 800 288-8128 Order Desk

LEVELER PRICE LIST

PRECISION FINISHING SCRAPER



PFS16 model shown with optional Laser Tower

PRECISION FINISHING SCRAPER

| MODEL NO. | WIDTH x LENGTH | APPROX H.P. | CU/YD | WEIGHT | PRICE |
|---|-----------------|-------------|-------|------------|--------------|
| PFS 12 | 12 ft. x 22 ft. | 145-200 | 8.6 | 6,800 lbs. | \$ 35,220.00 |
| PFS 14 | 14 ft. x 22 ft. | 170-230 | 9.5 | 7,000 | 36,510.00 |
| PFS 16 | 16 ft. x 22 ft. | 190-265 | 10.9 | 7,200 | 38,210.00 |
| PFS 18 | 18 ft. x 22 ft. | 215-300 | 12.2 | 7,400 | 40,935.00 |
| PFS 20 | 20 ft. x 22 ft. | 240-330 | 13.6 | 8,500 | 44,285.00 |
| PFS 22 | 22 ft. x 22 ft. | 265-365 | 15 | 8,720 | 46,950.00 |
| PFS 24 | 24 ft. x 22 ft. | 300-400 | 16.3 | 8,980 | 50,075.00 |
| - 12, 14, and 16 ft. units include (4) 31x13.5 Tires, Lead Hoses & Tips - Laser Tower not included - 18 ft., 20 ft., 22 ft., and 24 ft. units include (4) 16.5x16 Tires, Lead Hoses & Tips | | | | | |

PRECISION FINISHING SCRAPER OPTIONS

| MODEL NO. | DESCRIPTION | WEIGHT | PRICE |
|---------------------------------|---|----------|-------------|
| PFS-LTO | Laser Tower - each | 144 lbs. | \$ 1,215.00 |
| PFS-TO* | End Tow Transport ~ Available on 20', 22' & 24' units | 1600 | 11,115.00 |
| PFS-RWO | Rear Wheel Option | - | 6,380.00 |
| PFS-GPS | GPS Stand - each | 24 | 225.00 |
| PFS-SWH | Swivel Hitch | 67 | 1,305.00 |
| PFS-HKJF | Hydraulic Hose Kit - For End Tow Models | - | 425.00 |
| PFS-HKJR | Hydraulic Hose Kit - Rigid units | - | 395.00 |
| * End Tow transport width 12'7" | | | |

If ordering (1) Laser Tower or GPS Stand, you do **NOT** need to add a hose kit. Only add a hose kit if ordering (2) GPS Stands or (2) Laser towers. (1) Hose kit is included in the base model number

Visit our website @ www.tgschmeiser.com

RIPPER PRICE LIST

FINISHING RIPPER CHISEL



3 Bar model
(shown w/ gauge wheels)

2 BAR FINISHING CHISEL Assembled - n/c

| MODEL NO. | Width | # of Shanks | Spacing | Description | Approx. Wt. | PRICE |
|-----------|--------|-------------|---------|-------------------------------------|-------------|--------------|
| SFC-213 | 13 ft. | 13 | 12" | 1-1/4" x 30" shank w/ alfalfa spike | 3,000 lbs. | \$ 14,990.00 |
| SFC-215 | 15 ft. | 15 | 12" | 1-1/4" x 30" shank w/ alfalfa spike | 3,300 | 16,390.00 |
| SFC-217 | 17 ft. | 17 | 12" | 1-1/4" x 30" shank w/ alfalfa spike | 3,600 | 17,785.00 |
| SFC-219 | 19 ft. | 19 | 12" | 1-1/4" x 30" shank w/ alfalfa spike | 3,900 | 18,440.00 |
| SFC-221 | 21 ft. | 21 | 12" | 1-1/4" x 30" shank w/ alfalfa spike | 4,200 | 20,675.00 |
| SFC-223 | 23 ft. | 23 | 12" | 1-1/4" x 30" shank w/ alfalfa spike | 4,500 | 21,895.00 |
| SFC-225 | 25 ft. | 25 | 12" | 1-1/4" x 30" shank w/ alfalfa spike | 4,800 | 23,225.00 |

Complete with Cat III & IV 3pt. Hitch. Gauge wheels are available, see options section below.

3 BAR FINISHING CHISEL Assembled - n/c minimal assembly required

| MODEL NO. | Width | # of Shanks | Spacing | Description | Approx. Wt. | PRICE |
|-----------|--------|-------------|---------|-------------------------------------|-------------|--------------|
| SFC-313 | 13 ft. | 13 | 12" | 1-1/4" x 30" shank w/ alfalfa spike | 3,200 lbs. | \$ 16,535.00 |
| SFC-315 | 15 ft. | 15 | 12" | 1-1/4" x 30" shank w/ alfalfa spike | 3,600 | 17,935.00 |
| SFC-317 | 17 ft. | 17 | 12" | 1-1/4" x 30" shank w/ alfalfa spike | 4,300 | 19,480.00 |
| SFC-319 | 19 ft. | 19 | 12" | 1-1/4" x 30" shank w/ alfalfa spike | 4,600 | 20,760.00 |
| SFC-321 | 21 ft. | 21 | 12" | 1-1/4" x 30" shank w/ alfalfa spike | 4,900 | 22,580.00 |
| SFC-323 | 23 ft. | 23 | 12" | 1-1/4" x 30" shank w/ alfalfa spike | 5,250 | 23,475.00 |
| SFC-325 | 25 ft. | 25 | 12" | 1-1/4" x 30" shank w/ alfalfa spike | 5,600 | 25,400.00 |

Complete with Cat III & IV 3pt. Hitch. Gauge wheels are available, see options section below.

OPTIONS

| PART NO. | DESCRIPTION | PRICE |
|----------|--|-------------|
| SFC-GWS | Standard Duty Gauge Wheels with (2) 9.5 x 15" Rib Imp Tires | \$ 3,295.00 |
| SFC-GWHD | Heavy Duty Gauge Wheels with (2) 12.5 x 16" Rib Imp Tires | 4,070.00 |
| SFC-D | Heavy Duty Gauge Wheel Cranks - Upgrade (Flat acme thread - EZ adjust) | 470.00 |
| SFC-GWDS | Heavy Duty Gauge Wheels with Dual Steel Wheels (4 wheels total) | 5,475.00 |
| SFC-RH3B | Rear Trail Hitch (for 3-bar models) | 545.00 |
| SFC-RH2B | Rear Trail Hitch (for 2 bar models) | 470.00 |

RIPPER PRICE LIST

S-SERIES



S-SERIES - 3 POINT

Assembled - n/c

| MODEL NO. | # of Shanks | Spacing | Shank Size | | Weight | PRICE |
|-----------|-------------|---------|--------------|-----------------------------|------------|--------------|
| S53430 | 5 | 30" | 1-1/4" x 34" | S-Series - "L" Shank design | 5,145 lbs. | \$ 25,005.00 |
| S73420 | 7 | 20" | 1-1/4" x 34" | S-Series - "L" Shank design | 5,905 | 27,065.00 |
| S73422 | 7 | 22" | 1-1/4" x 34" | S-Series - "L" Shank design | 5,984 | 27,100.00 |
| S73424 | 7 | 24" | 1-1/4" x 34" | S-Series - "L" Shank design | 6,100 | 27,505.00 |
| S73430 | 7 | 30" | 1-1/4" x 34" | S-Series - "L" Shank design | 6,512 | 28,250.00 |
| S53630 | 5 | 30" | 1-1/2" x 36" | S-Series - "L" Shank design | 6,124 | 28,335.00 |
| S73620 | 7 | 20" | 1-1/2" x 36" | S-Series - "L" Shank design | 6,908 | 31,125.00 |
| S73622 | 7 | 22" | 1-1/2" x 36" | S-Series - "L" Shank design | 7,054 | 31,415.00 |
| S73624 | 7 | 24" | 1-1/2" x 36" | S-Series - "L" Shank design | 7,255 | 31,695.00 |
| S73630 | 7 | 30" | 1-1/2" x 36" | S-Series - "L" Shank design | 7,788 | 33,025.00 |

Complete with Cat III & IV 3pt. hitch, dual gauge wheels w/ (4) 7" x 30" steel wheels, chrome points and replaceable shins.

Crumbler attachment available. See page #26 for Crumbler prices. **Wear guards now included on all units. Cat III and CAT IV Narrow QH

Light kit included on all units

RIPPER OPTIONS

| PART NO. | DESCRIPTION | | PRICE |
|----------|--|-----|--------|
| EP | Extra Pockets - per pocket | 80 | 335.00 |
| RH | Rear Hitch for S-Series and P-Series | 100 | 530.00 |
| *P | 36" Parabolic Shank Option (in lieu of "L" Shank design) per shank | - | n/c |
| S*38**P | 38" Parabolic Shank Upgrade (each shank) From 36" shank | 20 | 135.00 |
| S*42**P | 42" Parabolic Shank Upgrade (each shank) | 60 | 265.00 |

Note: Approximately 35 to 60 H.P. required per "L" shank. Results may vary depending on ground conditions.

Note: See page #25 for Crumbler attachments

ORDERS@TGSCHMEISER.COM

RIPPER PRICE LIST

C-SERIES RIPPER



C-SERIES - 3 POINT

Assembled - n/c minimal assembly required

| MODEL NO. | Shanks | Spacing | Shank Size | | Weight | PRICE |
|-----------|--------|---------|--------------|-----------------------------|------------|--------------|
| C53624 | 5 | 24" | 1-1/2" x 36" | C-Series - "L" Shank design | 4,600 lbs. | \$ 18,820.00 |
| C53630 | 5 | 30" | 1-1/2" x 36" | C-Series - "L" Shank design | 4,867 | 19,350.00 |
| C73620 | 7 | 20" | 1-1/2" x 36" | C-Series - "L" Shank design | 5,798 | 22,800.00 |
| C73622 | 7 | 22" | 1-1/2" x 36" | C-Series - "L" Shank design | 5,972 | 23,100.00 |
| C73624 | 7 | 24" | 1-1/2" x 36" | C-Series - "L" Shank design | 6,076 | 23,235.00 |
| C73630 | 7 | 30" | 1-1/2" x 36" | C-Series - "L" Shank design | 6,585 | 24,135.00 |

Complete with Cat. III & IV hitch, 3" x 12" Chrome points and replaceable shins. Gauge wheels not available on this unit.
 Designed for use with Down Pressure Roller. See page #27 for options and DPR prices.**Wear guards now included

Light kit included on all units

RIPPER OPTIONS

| PART NO. | DESCRIPTION | Weight | PRICE |
|----------|--|--------|--------|
| EP | Extra Pockets - per pocket | 80 | 335.00 |
| *P | 36" Parabolic Shank Option (in lieu of "L" Shank design) per shank | - | n/c |
| C*38**P | 38" Parabolic Shank Upgrade (each shank) | 20 | 135.00 |

Note: Approximately 35 to 60 H.P. required per "L" shank. Results may vary depending on ground conditions.

See page #26 for Down Pressure Roller attachments

1 800 288-8128 Order Desk

RIPPER PRICE LIST

P-SERIES RIPPER



Shown w/ CWD counterweight

P-SERIES - PULL TYPE

Assembled - n/c some additional assembly required

| MODEL NO. | # of Shanks | Spacing | Shank Size | | WEIGHT | PRICE |
|-----------|-------------|---------|--------------|-----------------------|------------|--------------|
| P53630 | 5 | 30" | 1-1/2" x 36" | P-Series | 9,218 lbs. | \$ 48,370.00 |
| P53630D | 5 | 30" | 1-1/2" x 36" | P-Series - Detachable | 9,432 | 48,635.00 |
| P73622 | 7 | 22" | 1-1/2" x 36" | P-Series | 9,218 | 51,780.00 |
| P73622D | 7 | 22" | 1-1/2" x 36" | P-Series - Detachable | 9,406 | 52,360.00 |
| P73624 | 7 | 24" | 1-1/2" x 36" | P-Series | 9,218 | 52,075.00 |
| P73624D | 7 | 24" | 1-1/2" x 36" | P-Series - Detachable | 9,396 | 52,635.00 |
| P73630D | 7 | 30" | 1-1/2" x 36" | P-Series - Detachable | 9,500 | 53,365.00 |

Complete with geared flow divider, auto rephase gauge wheels, single point depth control gauging, & chrome points and shins.
Lead hoses included. Available with Down Pressure Roller or Crumbler. Be sure to order appropriate counterweight.

Light kit included on all units

RIPPER OPTIONS

| PART NO. | DESCRIPTION | | PRICE |
|----------|--|------|----------|
| EP | Extra Pockets - per pocket | 80 | 335.00 |
| RH | Rear Hitch for S-Series and P-Series | 100 | 530.00 |
| *P | 36" Parabolic Shank Option (in lieu of "L" Shank design) per shank | - | n/c |
| P*38**P | 38" Parabolic Shank Upgrade (each shank) | 20 | 135.00 |
| CWD | Counterweight for Pull-Type Ripper with Down Pressure Roller | 1800 | 4,100.00 |
| CWC | Counterweight for Pull-Type Ripper with Crumbler Roller | 900 | 2,050.00 |

Note: Approximately 35 to 60 H.P. required per "L" shank. Results may vary depending on ground conditions.

See pages 25 & 26 for Crumbler and DPR attachments

RIPPER PRICE LIST

CRUMBLER



CRUMBLER - SPIRAL PADDLE

Assembled - n/c

Assembled to Ripper - \$50 net

| MODEL NO. | WIDTH | # of Paddles | Rear Bar (height x width) | WEIGHT | PRICE |
|-----------|--------|--------------|---------------------------|-----------|--------------|
| CS5-144 | 12 ft. | 5 | 7" x 7" or 7" x 5" | 2467 lbs. | \$ 11,785.00 |
| CS5-156 | 13 ft. | 5 | 7" x 7" or 7" x 5" | 2540 | 11,920.00 |
| CS5-168 | 14 ft. | 5 | 7" x 7" or 7" x 5" | 2613 | 12,165.00 |
| CS5-180 | 15 ft. | 5 | 7" x 7" or 7" x 5" | 2748 | 12,620.00 |
| CS5-192 | 16 ft. | 5 | 7" x 7" or 7" x 5" | 2951 | 13,150.00 |
| CS5-204 | 17 ft. | 5 | 7" x 7" or 7" x 5" | 3123 | 13,695.00 |

For use on S-Series and P-Series Rippers. P-Series Rippers must use counterweight option #CWC.



CRUMBLER - STRAIGHT PADDLE

Assembled - n/c

Assembled to Ripper - \$50 net

| MODEL NO. | WIDTH | # of Paddles | Rear Bar (height x width) | WEIGHT | PRICE |
|-----------|--------|--------------|---------------------------|-----------|-------------|
| CS7-144 | 12 ft. | 7 | 7" x 7" or 7" x 5" | 2466 lbs. | \$ 9,270.00 |
| CS7-156 | 13 ft. | 7 | 7" x 7" or 7" x 5" | 2539 | 9,705.00 |
| CS7-168 | 14 ft. | 7 | 7" x 7" or 7" x 5" | 2612 | 10,015.00 |
| CS7-180 | 15 ft. | 7 | 7" x 7" or 7" x 5" | 2755 | 10,460.00 |
| CS7-192 | 16 ft. | 7 | 7" x 7" or 7" x 5" | 2965 | 10,910.00 |
| CS7-204 | 17 ft. | 7 | 7" x 7" or 7" x 5" | 3181 | 11,350.00 |

For use on S-Series and P-Series Rippers. P-Series Rippers must use counterweight option #CWC.

See Page #24 & 26 for Ripper Prices

RIPPER PRICE LIST
DOWN PRESSURE ROLLER



DOWN PRESSURE ROLLER

Assembled - n/c

Assembled to Ripper - \$50 net

| MODEL NO. | Width | Rear Bar (height x width) | Weight | PRICE |
|-----------|--|---------------------------|------------|--------------|
| DPR-108 | 9 ft. | 7" x 7" | 4,381 lbs. | \$ 24,250.00 |
| DPR-120 | 10 ft. | 7" x 7" | 4,648 | 24,950.00 |
| DPR-144 | 12 ft. | 7" x 7" | 4,915 | 26,200.00 |
| DPR-156 | 13 ft. | 7" x 7" | 5,242 | 27,460.00 |
| DPR-168 | 14 ft. | 7" x 7" | 5,513 | 28,855.00 |
| DPR-180 | 15 ft. | 7" x 7" | 5,783 | 30,250.00 |
| DPR-192 | 16 ft. | 7" x 7" | 5,783 | 31,630.00 |
| DPR-204 | 17 ft. | 7" x 7" | 6,234 | 33,435.00 |
| CWD | Counterweight for Pull-Type Ripper with Down Pressure Roller | | | 4,100.00 |

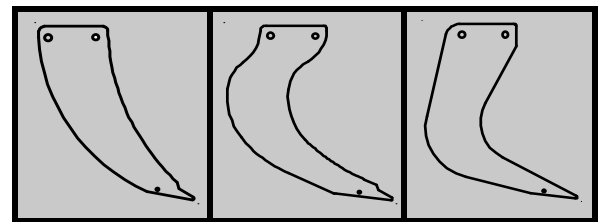
For use on C-Series and P-Series Rippers only. P-Series Rippers must use counterweight option #CWD.

See Page #23 & 24 for Ripper Prices

Visit our website @ www.tgschmeiser.com

RIPPER PRICE LIST

V-SERIES RIPPER



Standard Parabolic "L" Shank

V-Series Ripper - Vineyard Model

Assembled - n/c

| MODEL NO. | # of Shanks | Spacing | Shank Size | | WEIGHT | PRICE | |
|------------|--|---------|--------------|-----------------------------|------------|-------------|--------|
| VR327S | 3 | 30" | 1-1/4" x 27" | V-Series - Standard Shank | 1,050 lbs. | \$ 5,905.00 | |
| VR327P | 3 | 30" | 1-1/4" x 27" | V-Series - Parabolic Shank | 1,075 | 5,905.00 | |
| VR327L | 3 | 30" | 1-1/4" x 27" | V-Series - "L" Shank design | 1,104 | 5,905.00 | |
| VR331S | 3 | 30" | 1-1/4" x 31" | V-Series - Standard Shank | 1,102 | 6,265.00 | |
| VR331P | 3 | 30" | 1-1/4" x 31" | V-Series - Parabolic Shank | 1,127 | 6,265.00 | |
| VR331L | 3 | 30" | 1-1/4" x 31" | V-Series - "L" Shank design | 1,154 | 6,265.00 | |
| VR334S | 3 | 30" | 1-1/4" x 34" | V-Series - Standard Shank | 1,150 | 6,890.00 | |
| VR334P | 3 | 30" | 1-1/4" x 34" | V-Series - Parabolic Shank | 1,175 | 6,890.00 | |
| VR334L | 3 | 30" | 1-1/4" x 34" | V-Series - "L" Shank design | 1,202 | 6,890.00 | |
| VSR-00A100 | Rear Trail Hitch - Factory Install Only | | | | | | 540.00 |

Category II or Cat II quick hitch. 6 x 6 main frame construction. 2-1/4" x 7-1/2" Chrome shin guard & point standard.

Overall Frame width: 64-3/4"

Note: Approximately 25 to 35 H.P. required per shank. Results may vary depending on ground conditions.

Caution: Tractors with smaller tires may have ground clearance issues with 34" shanks.

RIPPER PRICE LIST

MID ROW RIPPER



DPR024 Rear Roller



HD & MINI SERIES

Assembled - n/c minimal assembly required

| MODEL NO. | Shanks | Adj. Shank Depth | Width | Shank Spacing | Weight | PRICE |
|-----------|--------|------------------|--------------------|-----------------|-----------|--------------|
| ASW32036 | 2 | 24" | 3', Mini | 33-3/4" | 690 lbs. | \$ 11,470.00 |
| ASW32048 | 2 | 24" | 4', Mini | 44-3/4" | 730 lbs. | 11,670.00 |
| ASW32060 | 2 | 24" | 5', Mini | 55-3/4" | 775 lbs. | 11,870.00 |
| ASW52060 | 2 | 24", 28", & 32" | 5', HD | 4'-6" | 1265 lbs. | 13,020.00 |
| ASW52072 | 2 | 24", 28", & 32" | 6', HD Adjustable | 4'-6" to 5'-4" | 1300 lbs. | 13,295.00 |
| ASW52084 | 2 | 24", 28", & 32" | 7', HD Adjustable | 4'-6" to 6'-4" | 1350 lbs. | 13,430.00 |
| ASW52096 | 2 | 24", 28", & 32" | 8', HD Adjustable | 4'-6" to 7'-4" | 1400 lbs. | 13,580.00 |
| ASW52120 | 2 | 24", 28", & 32" | 10', HD Adjustable | 4'-6" to 9'-4" | 1500 lbs. | 13,865.00 |
| ASW52132 | 2 | 24", 28", & 32" | 11', HD Adjustable | 5'-6" to 10'-4" | 1590 lbs. | 14,150.00 |
| ASW52144 | 2 | 24", 28", & 32" | 12', HD Adjustable | 5'-6" to 11'-4" | 1640 lbs. | 14,265.00 |

OPTIONS

| PART NO. | DESCRIPTION | Weight | PRICE |
|-----------------|--|--------|----------|
| TP02101216D-RR | 2 Ft. Till an' Pak Pup - For HD Ripper only 10" tube, 12/16 ring (each) | 450 | 2,305.00 |
| TP02101216D-6RR | 2 Ft. 6" Till an' Pak Pup - For HD Ripper only 10" tube, 12/16 ring (each) | 515 | 2,430.00 |
| TP02121420D-RR | 2 Ft. Till an' Pak Pup - For HD Ripper only 12" tube, 14/20 ring (each) | 615 | 2,720.00 |
| TP02121420D-6RR | 2 Ft. 6" Till an' Pak Pup - For HD Ripper only 12" tube, 14/20 ring (each) | 725 | 2,940.00 |
| DPR024 | 2 Ft. Down Pressure Roller - 12/20 Steel Star Ring w/ Mud Scrapers (ea) | 435 | 2,875.00 |
| DPR030 | 2 Ft. 6" Down Pressure Roller - 12/20 Steel Star Ring w/ Mud Scrapers (ea) | 535 | 3,350.00 |
| SWKS-0050 | Dirt Crowdors for HD MRR | | 1,750.00 |
| *SWKS-0060 | Hydraulic Oil Cooling System (Heat exchanger, hoses, fittings, brackets) | | 845.00 |
| SWKS-0048K | 18" Extension Kit for HD MRR - Includes extensions and fasteners | | 910.00 |

HD Rippers will come standard with adjustable depth gauging when ordered with Till an' Pak Pups

*Some tractors are equipped with smaller hydraulic reservoir systems and may need additional cooling.

Note: Approximately 35 to 55 H.P. required per shank. Results may vary depending on ground conditions.

Note: For Till an' Pak rollers for Mini Mid Row Ripper - use standard Till an' Pak pricing on Page #4 of Price List.

3-POINT CULTI-PLOW PRICE LIST

2 BAR & 3 BAR MODELS

2 BAR - VINEYARD MODEL

Assembly charge - n/c



| MODEL NO. | DESCRIPTION | | WT. | PRICE |
|-----------|---|--------------|---------|-------------|
| 4CP-1 | 4 Ft. Culti-Plow (single 1" x 2" shank) | 5 shanks | 413 lbs | \$ 3,155.00 |
| 5CP-1 | 5 Ft. Culti-Plow (single 1" x 2" shank) | 5 shanks | 438 | 3,215.00 |
| 6CP-1 | 6 Ft. Culti-Plow (single 1" x 2" shank) | 5 shanks | 463 | 3,285.00 |
| 7CP-1 | 7 Ft. Culti-Plow (single 1" x 2" shank) | 7 shanks | 520 | 3,840.00 |
| 8CP-1 | 8 Ft. Culti-Plow (single 1" x 2" shank) | 7 shanks | 545 | 3,945.00 |
| 4CP-3 | 4 Ft. Culti-Plow (double shank combo 3/4" x 2" & 1" x 2") | 5 shank sets | 508 | 3,500.00 |
| 5CP-3 | 5 Ft. Culti-Plow (double shank combo 3/4" x 2" & 1" x 2") | 5 shank sets | 533 | 3,585.00 |
| 6CP-3 | 6 Ft. Culti-Plow (double shank combo 3/4" x 2" & 1" x 2") | 5 shank sets | 558 | 3,675.00 |
| 7CP-3 | 7 Ft. Culti-Plow (double shank combo 3/4" x 2" & 1" x 2") | 7 shank sets | 647 | 4,465.00 |
| 8CP-3 | 8 Ft. Culti-Plow (double shank combo 3/4" x 2" & 1" x 2") | 7 shank sets | 672 | 4,525.00 |

Unit equipped with 3/4" x 2" x 16" reversible chisel points - Safety stand is standard

2 BAR OPTIONS

| PART NO. | DESCRIPTION | | WT. | PRICE |
|----------|---|----------|----------|-----------|
| CP-1 EX | 1 Ft. Extensions (single 1" x 2" shank) | (1 pair) | 178 lbs. | \$ 865.00 |
| CP-3 EX | 1 Ft. Extensions (double shank combo 3/4" x 2" & 1" x 2") | (1 pair) | 216 | 1,085.00 |
| CP-THTP | Rear Trail Hitch - to pull Till an' Pak behind Culti-Plow | | 35 | 265.00 |
| 3CP-RH | Rear Trail Hitch - Heavy Duty | | 65 | 415.00 |

3 BAR MODEL - HEAVY DUTY - Cat 2 & 3

Assembly charge - \$ 100 net - ready for field



| MODEL NO. | DESCRIPTION | # OF SHANKS | WT. | PRICE |
|-----------|--|---------------|-----------|--------------|
| HCP310 | 10 Ft. Culti-Plow (Triple shank combo 3/4", 3/4" and 1" thick) | 9 shank sets | 1575 lbs. | \$ 10,750.00 |
| HCP312 | 12 Ft. Culti-Plow (Triple shank combo 3/4", 3/4" and 1" thick) | 11 shank sets | 1811 | 11,940.00 |
| HCP314 | 14 Ft. Culti-Plow (Triple shank combo 3/4", 3/4" and 1" thick) | 13 shank sets | 2047 | 13,120.00 |
| HCP316 | 16 Ft. Culti-Plow (Triple shank combo 3/4", 3/4" and 1" thick) | 15 shank sets | 2283 | 14,460.00 |
| HCP318 | 18 Ft. Culti-Plow (Triple shank combo 3/4", 3/4" and 1" thick) | 17 shank sets | 2519 | 16,000.00 |
| HCP320 | 20 Ft. Culti-Plow (Triple shank combo 3/4", 3/4" and 1" thick) | 19 shank sets | 2755 | 17,255.00 |

All units are complete with 3 bars (4 x 4 x .375wall tubing), Cat.II, III, quick hitch II, III, IIIN.
Gauge wheels are optional.

Light kit included on all 3 Bar units

3 BAR OPTIONS

| MODEL NO. | DESCRIPTION | | WT. | PRICE |
|-----------|--|--|----------|-------------|
| HCPGW | Gauge Wheels - includes (2) 9.50 x 15 tires (1 pair) | | 375 lbs. | \$ 2,525.00 |
| H CPRH | Rear Trail Hitch | | 125 | 475.00 |

Note: Approximately 12 to 16 hp per shank assembly at 15" deep. Results may vary depending on ground conditions.

Visit our website @ www.tgschmeiser.com

ORCHARD DISC PRICE LIST

TANDEM DISC - HEAVY



DTH MODEL

| MODEL NO. | # of Blades | Width | Blade Size | Spacing | Base Wt. | PRICE |
|---|-------------|--------|------------|---------|----------|--------------|
| DTH24-24NS | 24 | 10'-0" | 24" x 6mm | 9" | 4,900 | \$ 25,535.00 |
| DTH28-24 | 28 | 11'-0" | 24" x 6mm | 9" | 5,171 | 26,330.00 |
| DTH28-24NS | 28 | 11'-0" | 24" x 6mm | 9" | 5,135 | 26,370.00 |
| DTH32-24 | 32 | 12'-6" | 24" x 6mm | 9" | 5,418 | 27,215.00 |
| DTH32-24NS | 32 | 12'-6" | 24" x 6mm | 9" | 5,376 | 27,245.00 |
| DTH36-24 | 36 | 14'-0" | 24" x 6mm | 9" | 6,001 | 29,990.00 |
| DTH36-24NS | 36 | 14'-0" | 24" x 6mm | 9" | 5,954 | 30,035.00 |
| DTH40-24 | 40 | 15'-6" | 24" x 6mm | 9" | 6,239 | 30,720.00 |
| DTH40-24NS | 40 | 15'-6" | 24" x 6mm | 9" | 6,187 | 30,760.00 |
| DTH44-24 | 44 | 17'-0" | 24" x 6mm | 9" | 6,486 | 31,605.00 |
| DTH44-24NS | 44 | 17'-0" | 24" x 6mm | 9" | 6,745 | 31,630.00 |
| | | | | | | |
| DTH28-26 | 28 | 11'-0" | 26" x 6mm | 9" | 5,348 | \$ 27,070.00 |
| DTH28-26NS | 28 | 11'-0" | 26" x 6mm | 9" | 5,297 | 27,135.00 |
| DTH32-26 | 32 | 12'-6" | 26" x 6mm | 9" | 5,619 | 27,930.00 |
| DTH32-26NS | 32 | 12'-6" | 26" x 6mm | 9" | 5,561 | 28,025.00 |
| DTH36-26 | 36 | 14'-0" | 26" x 6mm | 9" | 6,228 | 30,870.00 |
| DTH36-26NS | 36 | 14'-0" | 26" x 6mm | 9" | 6,162 | 30,940.00 |
| DTH40-26 | 40 | 15'-6" | 26" x 6mm | 9" | 6,491 | 31,595.00 |
| DTH40-26NS | 40 | 15'-6" | 26" x 6mm | 9" | 6,418 | 31,675.00 |
| DTH44-26 | 44 | 17'-0" | 26" x 6mm | 9" | 6,763 | 32,625.00 |
| DTH44-26NS | 44 | 17'-0" | 26" x 6mm | 9" | 6,682 | 32,695.00 |
| HD 1-3/4" Gang Bolts, 1-3/4" Trunnion Bearings, ACME Thread Front Turnbuckle, Middle buster (Less Sweep), 9" blade spacing, Single point hydraulic depth control, Cat-3 Perfect Hitch, 12-28" Front Gang Adj., 10-26" Rear Gang Adj., Jack Stand, Lead hoses included. Transport Light Kit Standard | | | | | | |

OPTIONS - DTH ORCHARD DISC

| PART NO. | DESCRIPTION | PRICE |
|-------------|---------------------------------------|----------|
| DTS-24 | Mud scraper blade set - 24 blade unit | 1,820.00 |
| DTS-28 | Mud scraper blade set - 28 blade unit | 2,205.00 |
| DTS-32 | Mud scraper blade set - 32 blade unit | 2,455.00 |
| DTS-36 | Mud scraper blade set - 36 blade unit | 2,915.00 |
| DTS-40 | Mud scraper blade set - 40 blade unit | 3,200.00 |
| DTS-44 | Mud scraper blade set - 44 blade unit | 3,410.00 |
| SDO-T | REAR TRAIL HITCH | 435.00 |
| DRT-L012 | DIRT DIVERTERS | 475.00 |
| GMB-HITCVBK | Perfect Hitch V-Block Kit Cat 2-3 | 85.00 |

1 800 288-8128 Order Desk

VINEYARD DISC PRICE LIST

3 POINT - TANDEM SUPER NARROW



Shown w/ notched blades and mud scrapers

TSN MODEL

Assembled - n/c

| MODEL NO. | # of Blades | Width of Cut | Frame Width | Blade Size | Blade Type | Base Wt. | PRICE |
|-----------|-------------|--------------|-------------|------------|-------------------|------------|-------------|
| TSN8N | 8 | 29" to 42" | 45" | 22" x 5mm | smooth / smooth | 1,006 lbs. | \$ 7,770.00 |
| TSN8N-NS | 8 | 29" to 42" | 45" | 22" x 5mm | notched / smooth | 1,002 | 7,825.00 |
| TSN8N-NN | 8 | 29" to 42" | 45" | 22" x 5mm | notched / notched | 998 | 7,850.00 |
| TSN8 | 8 | 29" to 53" | 55" | 22" x 5mm | smooth / smooth | 1,026 | 7,980.00 |
| TSN8-NS | 8 | 29" to 53" | 55" | 22" x 5mm | notched / smooth | 1,022 | 8,020.00 |
| TSN8-NN | 8 | 29" to 53" | 55" | 22" x 5mm | notched / notched | 1,018 | 8,055.00 |
| TSN10 | 10 | 46" to 66" | 55" | 22" x 5mm | smooth / smooth | 1,181 | 8,765.00 |
| TSN10-NS | 10 | 46" to 66" | 55" | 22" x 5mm | notched / smooth | 1,177 | 8,825.00 |
| TSN10-NN | 10 | 46" to 66" | 55" | 22" x 5mm | notched / notched | 1,171 | 8,895.00 |
| TSN12 | 12 | 46" to 66" | 55" | 22" x 5mm | smooth / smooth | 1,336 | 9,700.00 |
| TSN12-NS | 12 | 46" to 66" | 55" | 22" x 5mm | notched / smooth | 1,330 | 9,765.00 |
| TSN12-NN | 12 | 46" to 66" | 55" | 22" x 5mm | notched / notched | 1,324 | 9,840.00 |

| PART NO. | DESCRIPTION | | |
|----------|---|--|-----------|
| DBEOR225 | Blade Extensions, rear outside w/ 22" x 5mm blade (pr.) | | \$ 540.00 |
| DBEOF225 | Blade Extensions, front outside w/ 22" x 5mm blade (pr.) | | 540.00 |
| DTS-8 | Mud scraper blade set - 8 blade unit | | 250.00 |
| DTS-10 | Mud scraper blade set - 10 blade unit | | 630.00 |
| DTS-12 | Mud scraper blade set - 12 blade unit | | 985.00 |
| DTS-SEK | Scraper arm & blade ass'y w/ scraper extension (one pair) | | 205.00 |
| SDO-R | Rear Trail Hitch for 8 to 16 blade units | | 220.00 |
| DRT-L012 | Dirt Diverters (pair) for 8 blade and 10 blade models | | 475.00 |
| DRT-L312 | Dirt Diverters (pair) for 12 blade models | | 490.00 |
| SDO-V | Dirt Diverter Extensions (pair) | | 160.00 |
| DRT-M | Cane Deflectors (pair) | | 205.00 |

ORDERS@TGSCHMEISER.COM

VINEYARD DISC PRICE LIST

3PT. REVERSIBLE TANDEM - MEDIUM DUTY



Shown w/ dirt diverters, cane deflectors, and mud scrapers

RTM MODEL
Assembly charge - n/c

| MODEL NO. | # of Blades | Width of Cut | Frame Width | Blade Size | Blade (front/rear) | Base Wt. | PRICE |
|-----------|-------------|--------------|-------------|------------|--------------------|------------|--------------|
| RTM12N | 12 | 46" to 53" | 48" | 24" x 5mm | smooth / smooth | 1,715 lbs. | \$ 10,710.00 |
| RTM12N-NS | 12 | 46" to 53" | 48" | 24" x 5mm | notched / smooth | 1,709 | 10,775.00 |
| RTM12N-NN | 12 | 46" to 53" | 48" | 24" x 5mm | notched / notched | 1,703 | 10,805.00 |
| RTM12 | 12 | 53" to 66" | 60" | 24" x 5mm | smooth / smooth | 1,754 | 10,855.00 |
| RTM12-NS | 12 | 53" to 66" | 60" | 24" x 5mm | notched / smooth | 1,748 | 10,805.00 |
| RTM12-NN | 12 | 53" to 66" | 60" | 24" x 5mm | notched / notched | 1,742 | 10,935.00 |
| RTM14 | 14 | 63" to 84" | 66" | 24" x 5mm | smooth / smooth | 1,895 | 11,740.00 |
| RTM14-NS | 14 | 63" to 84" | 66" | 24" x 5mm | notched / smooth | 1,889 | 11,775.00 |
| RTM14-NN | 14 | 63" to 84" | 66" | 24" x 5mm | notched / notched | 1,881 | 11,800.00 |
| RTM16N | 16 | 63" to 84" | 66" | 24" x 5mm | smooth / smooth | 1,987 | 12,095.00 |
| RTM16N-NS | 16 | 63" to 84" | 66" | 24" x 5mm | notched / smooth | 1,981 | 12,165.00 |
| RTM16N-NN | 16 | 63" to 84" | 66" | 24" x 5mm | notched / notched | 1,971 | 12,210.00 |
| RTM16W | 16 | 63" to 101" | 86" | 24" x 5mm | smooth / smooth | 2,063 | 12,310.00 |
| RTM16W-NS | 16 | 63" to 101" | 86" | 24" x 5mm | notched / smooth | 2,055 | 12,345.00 |
| RTM16W-NN | 16 | 63" to 101" | 86" | 24" x 5mm | notched / notched | 2,047 | 12,390.00 |
| RTM18 | 18 | 81" to 119" | 86" | 24" x 5mm | smooth / smooth | 2,215 | 12,810.00 |
| RTM18-NS | 18 | 81" to 119" | 86" | 24" x 5mm | notched / smooth | 2,207 | 12,850.00 |
| RTM18-NN | 18 | 81" to 119" | 86" | 24" x 5mm | notched / notched | 2,197 | 12,900.00 |

Reversible, 1-3/4" round axles, trunnion bearings w/ wear plates, 9" blade spacing,
Cat I & II, Cat II quick hitch, middle buster, 0-30 degree gangs & tapered frame design.

OPTIONS - RTM 3PT. DISC.

| PART NO. | DESCRIPTION | | For Model # | PRICE |
|----------|---|-----|-------------|-----------|
| DBEOR245 | Blade Extensions, rear outside w/ 24" x 5mm blade (pr.) | | RTM | \$ 605.00 |
| DBEOF245 | Blade Extensions, front outside w/ 24" x 5mm blade (pr.) | | RTM | 605.00 |
| DTS-12 | Mud scraper blade set - 12 blade unit | TSN | RTM RTH | 985.00 |
| DTS-14 | Mud scraper blade set - 14 blade unit | | RTM RTH | 1,095.00 |
| DTS-16 | Mud scraper blade set - 16 blade unit | | RTM RTH | 1,230.00 |
| DTS-18 | Mud scraper blade set - 18 blade unit | | RTM RTH | 1,405.00 |
| DTS-SEK | Scraper arm & blade ass'y w/ scraper extension (one pair) | TSN | RTM RTH | 205.00 |
| SDO-R | Rear Trail Hitch for 12 to 16 blade units | TSN | RTM RTH | 225.00 |
| SDO-N | Rear Trail Hitch for 18 to 20 blade units | | RTM RTH | 265.00 |
| SDO-Q | RTM Toolbar Attachment | | RTM | 510.00 |
| DRT-L012 | Dirt Diverters (pair) for 16 & 18 blade models | | RTM RTH | 475.00 |
| DRT-L312 | Dirt Diverters (pair) for 12 & 14 blade models | | RTM RTH | 490.00 |
| SDO-V | Dirt Diverter Extensions (pair) | TSN | RTM RTH | 160.00 |
| DRT-M | Cane Deflectors (pair) | TSN | RTM RTH | 205.00 |
| RTM-L | High Lift 3pt. hitch in lieu of standard (for RTM disc) | | RTM | 150.00 |

VINEYARD DISC PRICE LIST

3PT. REVERSIBLE TANDEM - SUPER HEAVY DUTY



Shown with dirt diverters, and cane deflectors

RTH MODEL

Assembly charge - n/c

| MODEL NO. | # of Blades | Width of Cut | Frame Width | Blade Size | Blade (front/rear) | Base Wt. | PRICE |
|-----------|-------------|--------------|-------------|------------|--------------------|------------|--------------|
| RTH12 | 12 | 53" to 66" | 60" | 24" x 6mm | smooth / smooth | 2,075 lbs. | \$ 11,470.00 |
| RTH12-NS | 12 | 53" to 66" | 60" | 24" x 6mm | notched / smooth | 2,069 | 11,520.00 |
| RTH12-NN | 12 | 53" to 66" | 60" | 24" x 6mm | notched / notched | 2,063 | 11,565.00 |
| RTH14 | 14 | 63" to 84" | 66" | 24" x 6mm | smooth / smooth | 2,235 | 12,325.00 |
| RTH14-NS | 14 | 63" to 84" | 66" | 24" x 6mm | notched / smooth | 2,229 | 12,360.00 |
| RTH14-NN | 14 | 63" to 84" | 66" | 24" x 6mm | notched / notched | 2,221 | 12,395.00 |
| RTH16N | 16 | 63" to 84" | 66" | 24" x 6mm | smooth / smooth | 2,343 | 12,985.00 |
| RTH16N-NS | 16 | 63" to 84" | 66" | 24" x 6mm | notched / smooth | 2,336 | 13,035.00 |
| RTH16N-NN | 16 | 63" to 84" | 66" | 24" x 6mm | notched / notched | 2,327 | 13,085.00 |
| RTH16W | 16 | 63" to 101" | 86" | 24" x 6mm | smooth / smooth | 2,431 | 13,135.00 |
| RTH16W-NS | 16 | 63" to 101" | 86" | 24" x 6mm | notched / smooth | 2,423 | 13,195.00 |
| RTH16W-NN | 16 | 63" to 101" | 86" | 24" x 6mm | notched / notched | 2,415 | 13,245.00 |
| RTH18 | 18 | 81" to 119" | 86" | 24" x 6mm | smooth / smooth | 2,500 | 13,815.00 |
| RTH18-NS | 18 | 81" to 119" | 86" | 24" x 6mm | notched / smooth | 2,492 | 13,850.00 |
| RTH18-NN | 18 | 81" to 119" | 86" | 24" x 6mm | notched / notched | 2,482 | 13,900.00 |
| RTH20 | 20 | 81" to 119" | 86" | 24" x 6mm | smooth / smooth | 2,570 | 14,350.00 |
| RTH20-NS | 20 | 81" to 119" | 86" | 24" x 6mm | notched / smooth | 2,560 | 14,395.00 |
| RTH20-NN | 20 | 81" to 119" | 86" | 24" x 6mm | notched / notched | 2,550 | 14,460.00 |

Reversible, 1-3/4" round axles, trunnion bearings w/ wear plates, 9" blade spacing, Cat II, Cat II quick hitch, middle buster, 0-30 degree gangs & tapered frame design.

OPTIONS - RTH 3PT. DISC

| PART NO. | DESCRIPTION | For Model # | | | PRICE |
|----------|---|-------------|-----|-----|-----------|
| DBEOR246 | Blade Extensions, rear outside w/ 24" x 6mm blade (pr.) | | | RTH | \$ 640.00 |
| DBEOF246 | Blade Extensions, front outside w/ 24" x 6mm blade (pr.) | | | RTH | 640.00 |
| DTS-12 | Mud scraper blade set - 12 blade unit | TSN | RTM | RTH | 985.00 |
| DTS-14 | Mud scraper blade set - 14 blade unit | | RTM | RTH | 1,095.00 |
| DTS-16 | Mud scraper blade set - 16 blade unit | | RTM | RTH | 1,230.00 |
| DTS-18 | Mud scraper blade set - 18 blade unit | | RTM | RTH | 1,405.00 |
| DTS-20 | Mud scraper blade set - 20 blade unit | | | RTH | 1,550.00 |
| DTS-SEK | Scraper arm & blade ass'y w/ scraper extension (one pair) | TSN | RTM | RTH | 205.00 |
| SDO-R | Rear Trail Hitch for 12 to 16 blade units | TSN | RTM | RTH | 225.00 |
| SDO-N | Rear Trail Hitch for 18 to 20 blade units | | RTM | RTH | 265.00 |
| SDO-P | RTH Toolbar Attachment | | | RTH | 500.00 |
| DRT-L012 | Dirt Diverters (pair) for 16, 18 & 20 blade models | TSN | RTM | RTH | 475.00 |
| DRT-L312 | Dirt Diverters (pair) for 12 & 14 blade models | TSN | RTM | RTH | 490.00 |
| SDO-V | Dirt Diverter Extensions (pair) | TSN | RTM | RTH | 160.00 |
| DRT-M | Cane Deflectors (pair) | TSN | RTM | RTH | 205.00 |
| RTH-L | High Lift 3pt. hitch in lieu of standard (for RTH disc) | | | RTH | 150.00 |

VINEYARD DISC PRICE LIST

PULL TYPE TANDEM DISC - MEDIUM



Shown w/
notched blades

PTM MODEL

Assembly charge - n/c

| MODEL NO. | # of Blades | Width of Cut | Frame Width | Blade Size | Blade Type | Base Wt. | PRICE |
|--|-------------|--------------|-------------|------------|-------------------|------------|--------------|
| PTM12 | 12 | 4'2" - 5'6" | 60" | 24" x 5mm | smooth / smooth | 2,378 lbs. | \$ 16,685.00 |
| PTM12-NS | 12 | 4'2" - 5'6" | 60" | 24" x 5mm | notched / smooth | 2,372 | 16,720.00 |
| PTM12-NN | 12 | 4'2" - 5'6" | 60" | 24" x 5mm | notched / notched | 2,366 | 16,765.00 |
| PTM14 | 14 | 5'3" - 7'0" | 66" | 24" x 5mm | smooth / smooth | 2,508 | 17,625.00 |
| PTM14-NS | 14 | 5'3" - 7'0" | 66" | 24" x 5mm | notched / smooth | 2,502 | 17,670.00 |
| PTM14-NN | 14 | 5'3" - 7'0" | 66" | 24" x 5mm | notched / notched | 2,494 | 17,725.00 |
| PTM16N | 16 | 5'3" - 7'0" | 66" | 24" x 5mm | smooth / smooth | 2,600 | 18,395.00 |
| PTM16N-NS | 16 | 5'3" - 7'0" | 66" | 24" x 5mm | notched / smooth | 2,593 | 18,470.00 |
| PTM16N-NN | 16 | 5'3" - 7'0" | 66" | 24" x 5mm | notched / notched | 2,584 | 18,505.00 |
| PTM16W | 16 | 5'3" - 8'5" | 86" | 24" x 5mm | smooth / smooth | 2,664 | 18,820.00 |
| PTM16W-NS | 16 | 5'3" - 8'5" | 86" | 24" x 5mm | notched / smooth | 2,656 | 18,870.00 |
| PTM16W-NN | 16 | 5'3" - 8'5" | 86" | 24" x 5mm | notched / notched | 2,648 | 18,935.00 |
| PTM18 | 18 | 6'9" - 9'11" | 86" | 24" x 5mm | smooth / smooth | 2,783 | 19,325.00 |
| PTM18-NS | 18 | 6'9" - 9'11" | 86" | 24" x 5mm | notched / smooth | 2,773 | 19,375.00 |
| PTM18-NN | 18 | 6'9" - 9'11" | 86" | 24" x 5mm | notched / notched | 2,765 | 19,435.00 |
| 1-3/4" round axles, trunnion bearings w/ wear plates, middle buster, 0-30 degree gangs, 9" blade spacing, hydraulic depth control & tapered frame design. Lead hoses included. | | | | | | | |

OPTIONS - PTM PULL TYPE DISC

| PART NO. | DESCRIPTION | | | PRICE |
|----------|---|-----|-----|-----------|
| DBEOR245 | Blade Extensions, rear outside w/ 24" x 5mm blade (pr.) | PTM | | \$ 605.00 |
| DBEOF245 | Blade Extensions, front outside w/ 24" x 5mm blade (pr.) | PTM | | 605.00 |
| DTS-12 | Mud scraper blade set - 12 blade unit | PTM | PTH | 985.00 |
| DTS-14 | Mud scraper blade set - 14 blade unit | PTM | PTH | 1,095.00 |
| DTS-16 | Mud scraper blade set - 16 blade unit | PTM | PTH | 1,230.00 |
| DTS-18 | Mud scraper blade set - 18 blade unit | PTM | PTH | 1,405.00 |
| DTS-SEK | Scraper arm & blade ass'y w/ scraper extension (one pair) | TSN | RTM | 205.00 |
| SDO-R | Rear Trail Hitch for 12 to 16 blade units | PTM | | 225.00 |
| SDO-N | Rear Trail Hitch for 18 to 20 blade units | PTM | | 265.00 |
| SDO-P | RTH, PTM, PTH Toolbar Attachment | PTM | PTH | 500.00 |
| DRT-L012 | Dirt Diverters (pair) for 16 & 18 blade models | PTM | PTH | 475.00 |
| DRT-L312 | Dirt Diverters (pair) for 12 & 14 blade models | PTM | PTH | 490.00 |
| SDO-V | Dirt Diverter Extensions (pair) | PTM | PTH | 160.00 |
| DRT-M | Cane Deflectors (pair) | PTM | PTH | 205.00 |

1 800 288-8128 Order Desk

VINEYARD DISC PRICE LIST

PULL TYPE TANDEM DISC - HEAVY



Shown with notched blades

PTH MODEL

Assembly charge - n/c

| MODEL NO. | # of Blades | Width of Cut | Frame Width | Blade Size | Spacing | Base Wt. | PRICE |
|--|-------------|--------------|-------------|------------|---------|------------|--------------|
| PTH-12-24 | 12 | 4'2" - 5'6" | 60" | 24" x 6mm | 9" | 3,378 lbs. | \$ 18,065.00 |
| PTH-14 -24 | 14 | 5'3" - 7'0" | 66" | 24" x 6mm | 9" | 3,508 | 18,970.00 |
| PTH-16N-24 | 16 | 5'3" - 7'0" | 66" | 24" x 6mm | 9" | 3,600 | 19,655.00 |
| PTH-16W-24 | 16 | 5'3" - 8'5" | 86" | 24" x 6mm | 9" | 3,664 | 20,395.00 |
| PTH-18-24 | 18 | 6'9" - 9'11" | 86" | 24" x 6mm | 9" | 3,783 | 20,610.00 |
| PTH-20-24 | 20 | 6'9" - 9'11" | 86" | 24" x 6mm | 9" | 3,900 | 20,970.00 |
| | | | | | | | |
| PTH-12-26 | 12 | 4'2" - 5'6" | 60" | 26" x 6mm | 9" | 3,498 | 17,920.00 |
| PTH-14 -26 | 14 | 5'3" - 7'0" | 66" | 26" x 6mm | 9" | 3,648 | 18,865.00 |
| PTH-16N-26 | 16 | 5'3" - 7'0" | 66" | 26" x 6mm | 9" | 3,760 | 19,755.00 |
| PTH-16W-26 | 16 | 5'3" - 8'5" | 86" | 26" x 6mm | 9" | 3,824 | 20,360.00 |
| PTH-18-26 | 18 | 6'9" - 9'11" | 86" | 26" x 6mm | 9" | 4,143 | 20,635.00 |
| PTH-20-26 | 20 | 6'9" - 9'11" | 86" | 26" x 6mm | 9" | 4,100 | 20,895.00 |
| 1-3/4" round axles, trunnion bearings w/ wear plates, middle buster, 0-30 degree gangs, 9" blade spacing, smooth blades, hydraulic depth control & tapered frame design. Lead hoses included. Notched blades are available | | | | | | | |

OPTIONS - PTH PULL TYPE DISC

| PART NO. | DESCRIPTION | | | PRICE |
|----------|--|-----|-----|----------|
| NB246 | 24" x 6mm notched blades in lieu of smooth - each | | PTH | \$ 10.00 |
| NB266 | 26" x 6mm notched blades in lieu of smooth - each | | PTH | 15.00 |
| DBEOR246 | Blade Extensions, rear outside w/ 24" x 6mm blade (pr.) | | PTH | 640.00 |
| DBEOF246 | Blade Extensions, front outside w/ 24" x 6mm blade (pr.) | | PTH | 640.00 |
| DBEOR266 | Blade Extensions, rear outside w/ 26" x 6mm blade (pr.) | | PTH | 715.00 |
| DBEOF266 | Blade Extensions, front outside w/ 26" x 6mm blade (pr.) | | PTH | 715.00 |
| DTS-12 | Mud scraper blade set - 12 blade unit | PTM | PTH | 985.00 |
| DTS-14 | Mud scraper blade set - 14 blade unit | PTM | PTH | 1,095.00 |
| DTS-16 | Mud scraper blade set - 16 blade unit | PTM | PTH | 1,230.00 |
| DTS-18 | Mud scraper blade set - 18 blade unit | PTM | PTH | 1,405.00 |
| DTS-20 | Mud scraper blade set - 20 blade unit | | PTH | 1,550.00 |
| DTS-SEK | Scraper arm & blade ass'y w/ scraper extension (one pair) | PTM | PTH | 205.00 |
| SDO-S | Rear Trail Hitch for PTH Models | PTM | PTH | 250.00 |
| SDO-P | RTH, PTM, PTH Toolbar Attachment | PTM | PTH | 500.00 |
| DRT-L012 | Dirt Diverters (pair) for 16, 18 & 20 blade models - 24" dia. blades | PTM | PTH | 475.00 |
| DRT-L312 | Dirt Diverters (pair) for 12 & 14 blade models - 24" dia. blades | PTM | PTH | 490.00 |
| DRT-L014 | Dirt Diverters (pair) for 16, 18 & 20 blade models - 26" dia. blades | | PTH | 490.00 |
| DRT-L314 | Dirt Diverters (pair) for 12 & 14 blade models - 26" dia. Blades | | PTH | 490.00 |
| SDO-V | Dirt Diverter Extensions (pair) | PTM | PTH | 160.00 |
| DRT-M | Cane Deflectors (pair) | PTM | PTH | 205.00 |

VINEYARD DRILL PRICE LIST

DRILLS & SEEDERS



VINEYARD DRILL (Double Disc Opener model)

| MODEL NO. | Width | Drilling Range | # of Cups | Opener Spacing | Bushel Cap. | Base Wt. | PRICE |
|-----------|-------|----------------|-----------|----------------|-------------|------------|--------------|
| VD-36PW | 40.5" | 29" - 32" | 5 | 7-1/4" | 6 | 1,715 lbs. | \$ 11,150.00 |
| VD-48PW | 48" | 36" - 42" | 6 | 7-1/4" | 8 | 1,754 | 12,420.00 |
| VD-60PW | 62" | 51" - 58" | 8 | 7-1/4" | 10 | 1,895 | 14,770.00 |
| VD-72PW | 76" | 65" - 72" | 10 | 7-1/4" | 12 | 1,987 | 16,940.00 |
| VD-96PW | 101" | 91" | 13 | 7-1/2" | 16 | 2,900 | 24,740.00 |

Units include double disc openers, 2 x 13" presswheels, and walkboard.

NO-TILL DRILL

| MODEL NO. | Width | Drilling Range | # of Cups | Opener Spacing | Bushel Cap. | Base Wt. | PRICE |
|-----------|-------|----------------|-----------|----------------|-------------|------------|--------------|
| VDNT-36PW | 40.5" | 29" | 5 | 7-1/4" | 6 | 2,165 lbs. | \$ 16,240.00 |
| VDNT-48PW | 48" | 36" | 6 | 7-1/4" | 8 | 2,254 | 18,360.00 |
| VDNT-60PW | 62" | 51" | 8 | 7-1/4" | 10 | 2,495 | 22,360.00 |
| VDNT-72PW | 76" | 65" | 10 | 7-1/4" | 12 | 2,687 | 26,175.00 |

OPTIONS

| PART NO. | DESCRIPTION | PRICE |
|------------|--|-------------|
| SS-36 | Small Seed Attachment - for 36" unit | \$ 6,035.00 |
| SS-48 | Small Seed Attachment - for 48" unit | 6,185.00 |
| SS-60 | Small Seed Attachment - for 60" unit | 6,390.00 |
| SS-72 | Small Seed Attachment - for 72" unit | 6,590.00 |
| NG-36 | Native Grass Attachment - for 36" unit | 7,440.00 |
| NG-48 | Native Grass Attachment - for 48" unit | 7,655.00 |
| NG-60 | Native Grass Attachment - for 60" unit | 7,850.00 |
| NG-72 | Native Grass Attachment - for 72" unit | 8,000.00 |
| NT-36ATT10 | No-Till Attachment - 36" - bolts on existing base unit | 6,180.00 |
| NT-48ATT10 | No-Till Attachment - 48" - bolts on existing base unit | 7,025.00 |
| NT-60ATT10 | No-Till Attachment - 60" - bolts on existing base unit | 8,725.00 |
| NT-72ATT10 | No-Till Attachment - 72" - bolts on existing base unit | 10,624.00 |
| VD-TDH | Tandem Drill Hitch (must specify drill combination) | 3,850.00 |

Visit our website @ www.tgschmeiser.com

HARVEST EQUIPMENT PRICE LIST

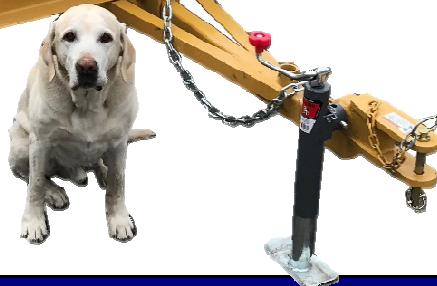
BIN TRAILERS



HBT3N - 3 BIN NARROW

HBT4S - 4 BIN STANDARD

- * Made annually with an 8/1 delivery
- * Minimum order quantity of 10 if ordered out of season. Call factory for details



BIN TRAILERS
 Assembly charge - N/A

| MODEL NO. | DESCRIPTION | WEIGHT | PRICE |
|-----------|---|--------|-------------|
| HBT2N | 2 Bin Narrow Trailer - Tires Mounted Inside of Frame | 690 | \$ 4,625.00 |
| HBT2NR | 2 Bin Narrow Trailer with Ramps | 725 | 5,055.00 |
| HBT2S | 2 Bin Standard Trailer - Tires Mounted Outside of Frame | 775 | 4,775.00 |
| HBT3S | 3 Bin Standard Trailer - Tires Mounted Outside of Frame | 1,160 | 5,335.00 |
| HBT3N | 3 Bin Narrow Trailer - Tires Mounted Inside of Frame | 1,000 | 5,200.00 |
| HBT3SPF | 3 Bin Standard w/ Platform & Fender Kit | 1,300 | 6,310.00 |
| HBT4S | 4 Bin Standard Trailer - Tires Mounted Outside of Frame | 1,230 | 5,900.00 |
| HBT4SPF | 4 Bin Standard Trailer w/ Platform & Fender Kit | 1,400 | 7,080.00 |

Standard Accessories: Jack Stand. Operator controlled, spring-loaded quick release with Auto-Relatch.
 Adjustable and spring-loaded rear bin stops. Removable spindles. Greasable and replaceable trailer pivot pins

ORDERS@TGSCHMEISER.COM

5808 Hwy #9, Harriston, Ontario, N0G 1Z0
Phone: 519-338-2923, Fax: 519-338-2756
Email: sales@harcoag.ca
www.harcoag.ca



MAY-BRIDGE HERSE A CHAINES/PACAGE [May-Bridge Chain Harrows]

Bridge Harrows

Measurement from Draw Bar to back is 86"

| Model # | # of Hooks | Working Width | Harrow with Bar | | Harrow without Bar | | Draw Bar | Colour Code |
|---------|------------|---------------|-----------------|-------------------|--------------------|-------------------|------------------|--------------|
| | | | Weight (lbs) | Price \$151.00/ft | Weight (lbs) | Price \$116.00/ft | Price \$35.00/ft | |
| B5 | 3 | 4' 4" | 145 | 757.00 | 130 | \$582.00 | \$175.00 | |
| B7 | 5 | 6' 6" | 220 | \$1,060.00 | 195 | \$815.00 | \$245.00 | Grey |
| B9 | 7 | 8' 8" | 290 | \$1,363.00 | 255 | \$1,048.00 | \$315.00 | Yellow |
| B11 | 9 | 10' 10" | 370 | \$1,666.00 | 320 | \$1,280.00 | \$385.00 | Black |
| B13 | 11 | 13' | 450 | \$1,968.00 | 380 | \$1,513.00 | \$455.00 | Blue |
| B15 | 13 | 15' 2" | 525 | \$2,271.00 | 445 | \$1,746.00 | \$525.00 | Green |
| B17 | 15 | 17' 4" | 610 | \$2,574.00 | 510 | \$1,979.00 | \$596.00 | White |
| B19 | 17 | 19' 6" | 695 | \$2,877.00 | 570 | \$2,211.00 | \$666.00 | Purple |
| B22 | 19 | 21' 8" | 825 | \$3,331.00 | 700 | \$2,561.00 | \$771.00 | Yellow-White |
| B24 | 21 | 23' 10" | 920 | \$3,634.00 | 760 | \$2,793.00 | \$841.00 | Blue-White |
| B26 | 23 | 26' | 1050 | \$4,444.00 | 900 | \$3,026.00 | \$1,418.00 | Green-White |

*Note: B26 consists of two B13 Harrows with Bar (\$3,937.00) plus a lead bar (\$507.00) for a total of \$4,444.00

Bridge Long Harrows

Measurement from Draw Bar to back is 114"

| Model # | # of Hooks | Working Width | Harrow with Bar | | Harrow without Bar | | Draw Bar | Colour Code |
|---------|------------|---------------|-----------------|-------------------|--------------------|-------------------|------------------|-------------|
| | | | Weight (lbs) | Price \$214.00/ft | Weight (lbs) | Price \$179.00/ft | Price \$35.00/ft | |
| B9 L | 7 | 8' 8" | 398 | \$1,922.00 | 363 | \$1,607.00 | \$315.00 | Yellow |
| B11 L | 9 | 10' 10" | 502 | \$2,349.00 | 452 | \$1,964.00 | \$385.00 | Black |
| B13 L | 11 | 13' | 606 | \$2,776.00 | 536 | \$2,321.00 | \$455.00 | Blue |
| B15 L | 13 | 15' 2" | 705 | \$3,204.00 | 625 | \$2,678.00 | \$525.00 | Green |
| B17 L | 15 | 17' 4" | 852 | \$3,631.00 | 777 | \$3,035.00 | \$596.00 | White |
| B19 L | 17 | 19' 6" | 966 | \$4,058.00 | 881 | \$3,392.00 | \$666.00 | Purple |

To confirm harrow size, refer to number of hooks on harrow (all are odd numbers) and number of loops on draw bar.

Note: HST applies to Model B5 and B7. All other models are zero rated.

PRICED IN CANADIAN DOLLARS

FOB BELWOOD – DESIGN & PRICE ARE SUBJECT TO CHANGE WITHOUT NOTICE



MAY-BRIDGE HERSE A CHAINES/PACAGE
[May-Bridge Chain Harrows]

| Model # | Working Width | Transport Width | Approx. Weight (lbs) | Complete Caddy | Caddy with Harrow |
|---------|---------------|-----------------|----------------------|----------------|-------------------|
| 2M15 | 15' 2" | 8' 6" | 730 | \$10,784.00 | \$12,534.00 |
| 2M17 | 17' 4" | 8' 6" | 770 | \$10,912.00 | \$12,891.00 |
| 2M19 | 19' 6" | 8' 6" | 830 | \$11,106.00 | \$13,317.00 |
| 2M22 | 21' 8" | 8' 6" | 930 | \$11,265.00 | \$13,826.00 |
| 2M24 | 21' 10" | 8' 6" | 990 | \$11,499.00 | \$14,292.00 |
| 2M26 | 26' | 8' 6" | 1,050 | \$11,758.00 | \$14,784.00 |

FOR LARGER CARRIERS PLEASE CALL FOR PRICING

3-Point Hitch Lift Frame

(makes use of the regular harrow draw bar & also requires top link)

| Model # | Working Width | Transport Width | Complete Lift Frame | Lift Frame w/ Harrow & Draw Bar |
|---------|---------------|-----------------|---------------------|---------------------------------|
| M7 | 6' 6" | 5' | \$1,257.00 | \$2,317.00 |
| M9 | 8' 8" | 7' | \$1,257.00 | \$2,619.00 |
| M11 | 10' 10" | 9' | \$1,396.00 | \$3,061.00 |
| M13 | 13' | 11' 6" | \$1,396.00 | \$3,364.00 |

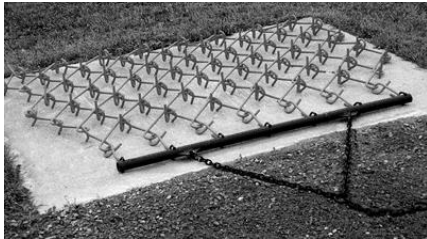
Note: HST applies to Model M7. All other models are zero rated.

PRICED IN CANADIAN DOLLARS

FOB BELWOOD – DESIGN & PRICE ARE SUBJECT TO CHANGE WITHOUT NOTICE



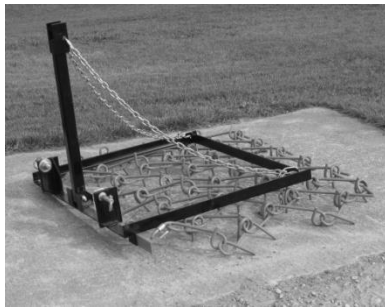
MAY-BRIDGE HERSE A CHAINES/PACAGE
[May-Bridge Chain Harrows]



Bridge Estate Harrows

- Includes draw bar \$473.00
- 5 foot working width + tax
- From drawbar to back is 50"
- 1/2" 1045 Hard Steel
- Shipping weight: 95 lbs
- Shipping dimensions: 60" L x 16" W x 6" H

- Includes draw bar \$698.00
- 6' 6" working width + tax
- From drawbar to back is 50"
- 1/2" 1045 hard steel
- Shipping weight: 125 lbs.
- Shipping dimensions: 78" L x 16" W x 6" H



3-Point Hitch Lift Frame

- For 5' Estate Harrow Without Harrow 440.00
- Shipping weight: 70 lbs + tax
- Shipping dimensions: 41" L x 10" W x 6" H

- For 6' 6" Estate Harrow Without Harrow \$576.00
- Shipping weight: 120 lbs. + tax
- Shipping dimensions: 52" x 10" x 6"



Wheeled Carrier

- Without harrow \$1,107.00
- Shipping weight: 98 lbs + tax
- Shipping dimensions: 41" L x 16" W x 16" H

www.maybridgeharrows.com
info@maybridgeharrows.com

PRICED IN CANADIAN DOLLARS


FOB BELWOOD – DESIGN & PRICE ARE SUBJECT TO CHANGE WITHOUT NOTICE

5808 Hwy #9, Harriston, Ontario, N0G 1Z0
Phone: 519-338-2923, Fax: 519-338-2756
Email: sales@harcoag.ca
www.harcoag.ca




DEL MORINO ROTARY TILLERS, LAWN ROLLERS



| TANGO | Standard Features |
|---|--|
|  | <ul style="list-style-type: none"> ▪ Cat 1 three point hitch ▪ Aluminum gearbox 540 rpm ▪ 4 tines per row ▪ Shear bolt PTO shaft cat 2 |

| Model # | Working Width | Engine HP | Wt | Price (Cdn) |
|-----------|---------------|-----------|-----|-------------|
| Tango 105 | 42" | 12 – 30 | 290 | \$1,977.00 |
| Tango 125 | 50" | 12 – 30 | 308 | \$2,061.00 |

| FLASH | Standard Features |
|---|--|
|  | <ul style="list-style-type: none"> ▪ Cat 1 three point ▪ 2 corner gearboxes, shear bolt protection ▪ 4 tines per flange ▪ Adjustable skid shoes ▪ Cat 1 PTO shaft |

| Model # | Working Width | Engine HP | Wt | Price (Cdn) |
|-----------|---------------|-----------|-----|-------------|
| Flash 85 | 34" | 12 – 25 | 260 | \$2,260.00 |
| Flash 96 | 38" | 12 – 25 | 282 | \$2,337.00 |
| Flash 105 | 42" | 12 – 25 | 287 | \$2,369.00 |
| Flash 125 | 50" | 12 – 25 | 309 | \$2,446.00 |


PRICED IN CANADIAN DOLLARS

PRICES ARE FOB HARRISTON, ONTARIO – DESIGN & PRICE ARE SUBJECT TO CHANGE WITHOUT NOTICE


5808 Hwy #9, Harriston, Ontario, N0G 1Z0
Phone: 519-338-2923, Fax: 519-338-2756
Email: sales@harcoag.ca
www.harcoag.ca



DEL MORINO ROTARY TILLERS, LAWN ROLLERS

| EAGLE | Standard Features |
|---|---|
|  | <ul style="list-style-type: none"> ▪ Cat 1 three point ▪ Cast iron gearbox ▪ 6 tines per row ▪ Cat 4 PTO with slip clutch |

| Model # | Working Width | Engine HP | Wt | Price (Cdn) |
|--------------|---------------|-----------|-----|-------------|
| Eagle 125-ZF | 50" | 12 – 50 | 414 | \$3,323.00 |
| Eagle 165-ZF | 62" | 12 – 50 | 492 | \$3,691.00 |

| URT – HF | Standard Features |
|---|---|
|  | <ul style="list-style-type: none"> ▪ Cat 2 three point ▪ Cast iron gearbox ▪ 100 series drive chain – oil bath ▪ 6 tines per flange ▪ Adjustable skid shoes ▪ Series 4 PTO with slip clutch |

| Model # | Working Width | Engine HP | Wt | Price (Cdn) |
|------------|---------------|-----------|-----|-------------|
| URT-HF 150 | 59" | 30 – 70 | 640 | \$4,948.00 |
| URT-HF 168 | 67" | 30 – 70 | 705 | \$5,110.00 |
| URT-HF 186 | 71" | 30 – 70 | 728 | \$5,344.00 |
| URT-HF 204 | 81" | 30 – 70 | 798 | \$5,988.00 |
| URT-HF 222 | 87" | 30 – 70 | 840 | \$6,212.00 |

'Other models available, call for pricing'

PRICED IN CANADIAN DOLLARS


PRICES ARE FOB HARRISTON, ONTARIO – DESIGN & PRICE ARE SUBJECT TO CHANGE WITHOUT NOTICE

5808 Hwy #9, Harriston, Ontario, N0G 1Z0
Phone: 519-338-2923, Fax: 519-338-2756
Email: sales@harcoag.ca
www.harcoag.ca



DEL MORINO ROTARY TILLERS, LAWN ROLLERS



| HRA | Standard Features |
|---|--|
|  | <ul style="list-style-type: none"> ▪ Cat 2 three point hitch ▪ Cast Iron gearbox 540 rpm ▪ 6 tines per row ▪ Universal PTO shaft cat 5 w/slip clutch ▪ Reinforced 3 PTO frame |

| Model # | Working Width | Engine HP | Wt | Price (Cdn) |
|---------|---------------|-----------|------|-------------|
| HRA 225 | 90" | 50 – 95 | 1415 | \$10,449.00 |
| HRA 250 | 100" | 50 – 95 | 1521 | \$11,175.00 |

DEL MORINO LAWN ROLLERS

| LAWN ROLLERS | Standard Features |
|---|---|
|  | <ul style="list-style-type: none"> ▪ Cat 1 & 2, 3 Point ▪ Scraper ▪ Water tight for filling ▪ 15.75" diameter (400mm) |

| Model # | Working Width | Engine HP | Wt | Price (Cdn) |
|---------|---------------|-----------|-----|-------------|
| RUL-120 | 47" | 20 – 50 | 216 | \$1,437.00 |
| RUL-150 | 60" | 20 – 50 | 243 | \$1,610.00 |
| RUL-170 | 68" | 20 – 50 | 276 | \$1,772.00 |

PRICED IN CANADIAN DOLLARS

PRICES ARE FOB HARRISTON, ONTARIO – DESIGN & PRICE ARE SUBJECT TO CHANGE WITHOUT NOTICE

TAB 2



Fertilizer Spreaders *Spreads Seed or Fertilizer*

The FS Series spreader features easily controlled seed gates, adjustable spreading vanes and a left/right spread control. Options include salt-sand deflector kit.

| Model | Code | Features | Weight (lbs) | Set-Up | Price |
|---------|---------|--|--------------|---------|------------|
| FS-150 | 804-003 | 150 Litre or 317 lbs Cap Steel Hopper Complete with Agitator and PTO Shaft | | \$30.00 | \$1,034.00 |
| FS-300 | 804-004 | 250 Litre or 694 lbs Cap Steel Hopper Complete with Agitator and PTO Shaft | 105 | \$30.00 | \$1,066.00 |
| FS-500 | 804-001 | 338 Litre or 992 lbs Cap Steel Hopper Complete with Agitator and PTO Shaft | 115 | \$30.00 | \$1,115.00 |
| Options | | | | | |
| 400.091 | | Salt-Sand Kit – FS Series | | | \$399.00 |
| 400.200 | | Agitator for powder fertilizer | | | \$105.00 |
| 400.168 | | Lateral conveyor kit | | | \$1,117.00 |
| 804.019 | | FSP100 STD | | | \$1,980.00 |
| 804.020 | | FSP150 STD | | | \$2,011.00 |



PRICED IN CANADIAN DOLLARS

PRICES ARE FOB HARRISTON, ON- DESIGN & PRICE ARE SUBJECT TO CHANGE WITHOUT NOTICE

TAB 3



Edge Zero Turn

| Code | Model | Price [CDN] |
|--------------|--------------------------|-------------|
| EE60FR730V32 | 60" Kawasaki FR730V/3200 | \$12,050.00 |



'Pull Behind' Tracer

| Code | Model | Price [CDN] |
|-------------|--|-------------|
| ET60CT656SD | 60" B&S CT656 Side Discharge Pull Behind | \$7,069.00 |
| ET72CT724RD | 72" B&S CT724 Rear Discharge Pull Behind | \$9,588.00 |

PRICED IN CANADIAN DOLLARS

PRICES ARE FOB HARRISTON, ON- DESIGN & PRICE ARE SUBJECT TO CHANGE WITHOUT NOTICE

SILAGE PACKER

Standard Features

- Available with 30” steel wheels.
- 3” wide stainless steel rims.
- 5” axle gives up to 12” packing depth.
- When silage is properly packed there will be very little wheel penetration
- Bolt on 3-point hitch bracket in 3N, 3, 4N or 4 are included in price, customer to specify.



| Model # | Description | Lbs. | HP | Price (Cdn) |
|---------|--|-------|------|-------------|
| 2907 | 7-wheel w/weight boxes/w sand*, 93” wide | 7000 | 190 | \$18,354.00 |
| 2909 | 9-wheel w/weight boxes/w sand*, 123” wide | 9000 | 230 | 23,184.00 |
| 2911 | 11-wheel w/weight boxes/w sand*, 153” wide | 11000 | 280+ | 28,497.00 |
| | <i>*customer supplied sand</i> | | | |



PRICED IN CANADIAN DOLLARS

PRICES ARE FOB HARRISTON, ONTARIO – DESIGN & PRICE ARE SUBJECT TO CHANGE WITHOUT NOTICE



The Bale Buddy 2000 was designed to allow hay to be baled while there is up to 60% moisture in the hay. When the weather is uncooperative, this will save time waiting for the hay to dry and product with less hay spoilage.



Bale Buddy 2000 Specs

| SPECS | VALUE |
|-------------|--------------------------------------|
| LENGTH | 72" (183cm) |
| WIDTH | 40" (102cm) BASE 104" (264cm) TOP |
| HEIGHT | 90" (229cm) |
| WEIGHT | 853 lbs. (382 kg) |
| BALE SIZE | 4x5 or 5x6 |
| CONNECTIONS | 14 Pin |
| WRAP | Standard Film Wrap |
| HYDRAULICS | Auxillary Hydraulics |

BALE BUDDY 2000 - CDN PRICE - \$7,092.00

PRICES ARE FOB HARRISTON, ONTARIO – DESIGN & PRICE ARE SUBJECT TO CHANGE WITHOUT NOTICE
 August 2024



Made in Northern Minnesota



ReCon

| | |
|--|---|
| Features Include: | |
| <ul style="list-style-type: none"> ▪ Adjustable top deflector ▪ Inline quick adjuster for roller spacing | |
| Standard Equipment: | Optional Equipment: |
| <ul style="list-style-type: none"> ▪ 115 horse power slip clutch ▪ Highway speed rated 275/60R15 tires ▪ Hydraulic adjustable side deflectors ▪ Clearance lights | <ul style="list-style-type: none"> ▪ Hydraulic drive Spin Spreader ▪ Side deflector expansions ▪ 3PT quick hitch |

| Model # | Description | MSRP [CDN] |
|---------|---|-------------|
| 300705 | Recon 300- Pulltype, 7 ft rolls with 540 RPM PTO | \$33,400.00 |
| 300701 | Recon 300- Pulltype, 7 ft rolls with 1000 RPM PTO | \$33,400.00 |
| 300901 | Recon 300- Pulltype, 9 ft rolls with 1000 RPM PTO | \$38,850.00 |

Options

| Part # | Description | MSRP [CDN] |
|--------|---------------------------------------|------------|
| 321645 | Spin Spreader Kit , 7 foot kit | \$4,600.00 |
| 321250 | Spin Spreader Kit , 9 foot kit | \$5,500.00 |
| 321585 | Tandem Wheel Option | \$2,200.00 |
| | Factory Set-Up – Tow Configuration | \$900.00 |

No Freight Charges on Options Ordered With Machine. Contact HARCO for Shipping Charges on Options Ordered Later.



PRICED IN CANADIAN DOLLARS

PRICES ARE FOB BENITO, MB – DESIGN & PRICE ARE SUBJECT TO CHANGE WITHOUT NOTICE



5808 Hwy #9, Harriston, Ontario, N0G 1Z0
Phone: 519-338-2923, Fax: 519-338-2756
Email: sales@harcoag.ca
www.harcoag.ca

Cross Augers for Draper Headers

| | |
|--|---|
| Standard Features Include: <ul style="list-style-type: none"> ▪ Patented Angled Stripper deflector bar ▪ Swept Back Unloader Paddle | <ul style="list-style-type: none"> ▪ Variable speed motor control ▪ FlexEnd Technology for flex drapers |
|--|---|

| Part # | Description | MSRP [CDN] |
|--|--|------------|
| For Rigid Framed Draper Headers | | |
| Various | Under 24' Cross Auger kit | \$6,100.00 |
| Various | 25' Cross Auger kit | \$6,600.00 |
| Various | 30' Cross Auger kit | \$7,250.00 |
| Various | 35'-36' Cross Auger kit | \$7,500.00 |
| Various | 40' Cross Auger kit | \$7,800.00 |
| Various | 45' Cross Auger kit | \$8,100.00 |
| Various | 50' Cross Auger kit | \$8,500.00 |
| For Hinged Flex Draper Headers | | |
| Various | 30' Cross Auger kit for Macdon FD | \$7,350.00 |
| Various | 35/36' Cross Auger kit for Macdon FD, Deere HDT/F | \$7,800.00 |
| Various | 40' Cross Auger kit for Macdon FD, Deere HDR/F, Gerringhoff | \$8,000.00 |
| Various | 45' Cross Auger kit for Macdon FD, Deere HDR/F, Gerringhoff | \$8,400.00 |
| Various | 50' Cross Auger kit for Macdon FD, Deere HDR/F, Gerringhoff | \$8,800.00 |
| | Stripper Bar Kit | \$1,800.00 |
| | ONLY APPLICABLE IN WESTERN CANADA. Auger exchange kits available for worn out Macdon Augers, up to \$1,500.00 core credit available per straight auger (\$3,000.00 kit) | |
| Freight charges vary dependant on quantity ordered | | |

PRICED IN CANADIAN DOLLARS

PRICES ARE FOB BENITO, MB – DESIGN & PRICE ARE SUBJECT TO CHANGE WITHOUT NOTICE

5808 Hwy #9, Harriston, Ontario, N0G 1Z0
Phone: 519-338-2923, Fax: 519-338-2756
Email: sales@harcoag.ca
www.harcoag.ca



Cross Augers for Draper Headers – Part Number Reference Table

| Header | Width | Part # | Header | Width | Part # |
|---------------------------------------|-------|----------------|-----------------------------------|-------|---------------|
| AGCO / MF | | | John Deere | | |
| 9345 AGCO | 45ft | 4159345 | HD35R / HD35F | 35ft | 413035 |
| 9340 AGCO | 40ft | 4159340 | HD40R / HD40F | 40ft | 413040 |
| 9335 AGCO | 35ft | 4159335 | HD45R / HD45F | 45ft | 413045 |
| 9330 AGCO | 30ft | 4159330 | HD50R / HD50F | 50ft | 413050 |
| 9250 / 9255 Dynaflex | 45ft | 406504 | 645FD / 745FD / RD45F | 45ft | 405853 |
| 9250 / 9255 Dynaflex | 40ft | 406503 | 640FD / 740FD / RD40F | 40ft | 405852 |
| 9250 / 9255 Dynaflex | 35ft | 406502 | 635FD / 735FD / RD35F | 35ft | 405851 |
| 9250 / 9255 Dynaflex | 30ft | 406501 | 630FD / 730FD / RD30F | 30ft | 405850 |
| 9250 / 9255 Dynaflex | 25ft | 406500 | 640D/740D | 40ft | 405848 |
| 5300 / 5400 AGCO | 40ft | 405863 | 635D/735D | 35ft | 405847 |
| 5300 / 5400 AGCO | 35ft | 405862 | 630D/730D | 30ft | 405846 |
| 5300 / 5400 AGCO | 30ft | 405861 | 625D/725D | 25ft | 405845 |
| 5300 / 5400 AGCO | 25ft | 405860 | 936D | 36ft | 405844 |
| 5000 - 5200 AGCO | 36ft | 405797 | 930D | 30ft | 405843 |
| 5000 - 5200 AGCO | 30ft | 405796 | 925D | 25ft | 405842 |
| 5000 - 5200 AGCO | 25ft | 405795 | 440 Swather (D65) | 40ft | 405867 |
| 600 AGCO | 36ft | 405828 | 2360 Swather | 18ft | 405840 |
| 600 AGCO | 30ft | 405827 | MacDon | | |
| Honey Bee | | | 960 Finger Forward | 25ft | 405870 |
| Honey Bee AirFlex | 30ft | 412230 | 960 Finger Forward | 30ft | 405871 |
| Honey Bee AirFlex | 36ft | 412236 | 960 Dual Drive | 36ft | 405885 |
| Honey Bee AirFlex | 40ft | 412240 | 962 (CNH 1042) | 25ft | 405880 |
| Honey Bee AirFlex | 45ft | 412245 | 962 / 963 (CNH 1042 / 2042) | 30ft | 405824 |
| Honey Bee AirFlex | 50ft | 412250 | 962 / 963 (CNH 1042 / 2042) | 36ft | 405826 |
| Honey Bee | 42ft | 405812 | 972 / 973 (CNH 1052 / 2052) | 15ft | 405874 |
| Honey Bee NH94C | 40ft | 405810 | 972 / 973 (CNH 1052 / 2052) | 18ft | 405930 |
| Honey Bee | 39ft | 405811 | 972 / 973 (CNH 1052 / 2052) | 21ft | 405875 |
| Honey Bee (Ctr) NH94C | 36ft | 405803 | 972 / 973 (CNH 1052 / 2052) | 25ft | 405876 |
| Honey Bee (Offset) | 36ft | 405806 | 972 / 973 (CNH 1052 / 2052) | 30ft | 405877 |
| Honey Bee, NH94C | 30ft | 405802 | 972 / 973 (CNH 1052 / 2052) | 36ft | 405878 |
| Honey Bee | 25ft | 405800 | 974 (CNH 2062, NH84C) | 30ft | 410029 |
| CNH | | | 974 (CNH 2062, NH84C) | 36ft | 410036 |
| NH 840CD, 880CF, CNH 3142, 3152, 3162 | 45ft | 406499 | D60 / D65 / D145 (CNH 2142, 2152) | 45ft | 405873 |
| NH 840CD, 880CF, CNH 3142, 3152, 3162 | 40ft | 406498 | D60 / D65 / D140 (CNH 2142, 2152) | 40ft | 405867 |
| NH 840CD, 880CF, CNH 3142, 3152, 3162 | 35ft | 406497 | D60 / D65 / D135 (CNH 2142, 2152) | 35ft | 405866 |
| NH 840CD, 880CF, CNH 3142, 3152, 3162 | 30ft | 406496 | D60 / D65 / D130 (CNH 2142, 2152) | 30ft | 405865 |
| NH 840CD, 880CF, CNH 3142, 3152, 3162 | 25ft | 406495 | D60 / D65 / D125 (CNH 2142, 2152) | 25ft | 405864 |
| Midwest | | | FD70 / FD75 / FD145 (CNH 2162) | 45ft | 410045 |
| Midwest | 45ft | 405836 | FD70 / FD75 / FD140 (CNH 2162) | 40ft | 410040 |
| Midwest | 42ft | 405835 | FD70 / FD75 / FD135 (CNH 2162) | 35ft | 410035 |
| Midwest | 40ft | 405834 | FD70 / FD75 / FD130 (CNH 2162) | 30ft | 410030 |
| Midwest | 36ft | 405833 | FD250 | 50ft | 420050 |
| CLAAS | | | FD245 | 45ft | 420045 |
| MaxFlo 1050 | 35ft | 411050 | FD240, Triple Reel | 40ft | 420040 |
| MaxFlo 1200 | 40ft | 411200 | FD241, Dual Reel | 40ft | 420041 |
| Convio 1080 | 35ft | 411080 | FD235 | 35ft | 420035 |
| Convio 1230 | 40ft | 411230 | | | |
| Convio 1380 | 45ft | 411380 | | | |

PRICED IN CANADIAN DOLLARS

PRICES ARE FOB BENITO, MB – DESIGN & PRICE ARE SUBJECT TO CHANGE WITHOUT NOTICE



Sprayers ATV & Side by Side

Features Include:

- Ideal for drift reduction and reducing off target drift & subsequent damage in adjacent property.
- Useful for livestock operation in fence lines & patch treatment in pastures.
- Municipalities can control unwanted vegetation in ditches, boulevards & ditches.

Standard Equipment:

- Follows the ground with wheels that are included to ensure best wind protection.
- Includes a 15-60 US gallon V bottom tank, a high capacity 12V pump with relief valve.
- Shutoff valves for each boom section.

Optional Equipment:

- 5, 10 & 15' standard units available, ask about special orders.
- Hand wand with hose reel.
- Fresh water or second chemical tank.
- Chemical Inductor.

| Model # | Description | MSRP [CDN] |
|---------|---|------------|
| 235400 | Complete 10' Shielded Sprayer, 12 gal tank, ATV receiver mounts | \$3,920.00 |
| 235481 | Complete 15' Shielded Sprayer, 50 gal tank, UTV box mount | \$6,020.00 |
| 235399 | Complete 15' Shielded Sprayer, 50 gal tank, 3 PT hitch mount | \$5,670.00 |
| 235645 | Shielded Boom section, 5' centre, 3 way rollover nozzles | \$965.00 |
| 235640 | Shielded Boom section, 5' left, 3 way rollover nozzles | \$965.00 |
| 235635 | Shielded Boom section, 5' right, 3 way rollover nozzles | \$965.00 |
| 231790 | Premium hand want, 50' hose on manual reel with ball valve | \$1,150.00 |
| 237751 | Chemical Inductor | \$125.00 |
| 235482 | Electric remote control for boom shut-offs | \$700.00 |
| 231709 | LH or RH end nozzle kit (not shielded) | \$454.00 |
| 235840 | Eye and hand wash fresh water kit, 12 gallon | \$460.00 |
| 115340 | Trimble GFX350 with Nav 500 | \$3,499.00 |
| | Factory set up or installation | \$400.00 |



PRICED IN CANADIAN DOLLARS

PRICES ARE FOB BENITO, MB – DESIGN & PRICE ARE SUBJECT TO CHANGE WITHOUT NOTICE



Sprayers

Truck Mounted Road Side

Features Include:

- Ideal for drift reduction and reducing off target drift & subsequent damage in adjacent property.
- Municipalities can control unwanted vegetation in ditches, boulevards & ditches.

Standard Equipment:

- Shielded sprayer with gauge wheels follow the ground to insure best drift protection.
- High capacity Honda pump.
- Shutoff valves for each boom section.
- Auto reset boom breakaway.

Optional Equipment:

- 7, 12 & 17' standard units available, ask about special orders
- Hand wand with hose reel, 425-510 US gallon V bottom fill tank
- Fresh water, second or third chemical tank
- Upper or lower end nozzles. Eye & hand wash kit. Firefighter nozzle, Microtrak autorate controller

| Model # | Description | | MSRP [CDN] |
|---------|--------------|---|------------|
| 231815 | Base | Road Side Sprayer, w Honda pump & microtrak autorate controller | \$8,665.00 |
| 231816 | Base | Road Side Sprayer, w Honda pump & manual pressure control | \$6,050.00 |
| 231850 | Booms | S18 Shielded Sprayer Boom, 7' 4 nozzle centre w/Varitarget | \$6,100.00 |
| 231853 | Booms | S18 Shielded Sprayer Boom, 5' 3 nozzle left w/Varitarget | \$4,300.00 |
| 231858 | Booms | S18 Shielded Sprayer Boom, 5' 3 nozzle right w/Varitarget | \$4,300.00 |
| 231810 | Booms | Shielded Sprayer Boom, 7' 4 nozzle right w/Varitarget | \$5,070.00 |
| 231701 | Tanks | 425 gallon tank for 5 ½' truck bed | \$5,075.00 |
| 231700 | Tanks | 510 gallon tank for 6 ½" truck bed | \$5,375.00 |
| 231702 | Tanks | Dual 510 gallon tanks for trucks with deck | \$7,170.00 |
| 231695 | Tanks | Dual 60 gallon optional tanks for 8' truck bed | \$2,050.00 |
| | | OPTIONS | |
| 231709 | | Lower end nozzle kit, not shielded | \$445.00 |
| 231708 | | Upper end nozzle kit, not shielded | \$445.00 |
| 116222 | | Firehose nozzle kit, 12' hose with manual shut off | \$500.00 |
| 231790 | | Hand wand kit, 100' hose on manual rewind reel | \$1,750.00 |
| 231686 | | Premium hand wand kit, 100' hose on 12VDC electric rewind reel | \$2,950.00 |
| 231681 | | LED Beacon light kit, 360 degree view | \$350.00 |
| | | Colour monitor and camera for RH boom view | \$900.00 |
| 235840 | | Eye & hand wash fresh water kit, 12 gallon | \$460.00 |
| | | Factory set up or installation | \$900.00 |



PRICED IN CANADIAN DOLLARS

PRICES ARE FOB BENITO, MB – DESIGN & PRICE ARE SUBJECT TO CHANGE WITHOUT NOTICE



5808 Hwy #9, Harriston, Ontario, N0G 1Z0
Phone: 519-338-2923, Fax: 519-338-2756
Email: sales@harcoag.ca
www.harcoag.ca

Sprayers

Cat II 3 Point Hitch Road Side

Features Include:

- Ideal for drift reduction and reducing off target drift & subsequent damage in adjacent property.
- Municipalities can control unwanted vegetation in ditches, boulevards & ditches.

Standard Equipment:

- Shielded sprayer with gauge wheels follow the ground to insure best drift protection.
- 60 US gallon V bottom fill tank with high capacity hydraulic pump.
- Shutoff valves for each boom section.
- Auto reset boom breakaway.

Optional Equipment:

- 7, 12 & 17' standard units available, ask about special orders
- Hand wand with hose reel
- Fresh water, second or third chemical tank
- Upper or lower end nozzles. Eye & hand wash kit. Firefighter nozzle, Microtrak autorate controller

| Model # | Description | | MSRP [CDN] |
|---------|-----------------|---|------------|
| 235975 | Plumbing | Road Side Sprayer, w Hydraulic pump & microtrak autorate controller | \$8,665.00 |
| 235976 | Plumbing | Road Side Sprayer, w Hydraulic pump & manual pressure control | \$6,050.00 |
| 231850 | Booms | S18 Shielded Sprayer Boom, 7' 4 nozzle centre w/Varitarget | \$6,100.00 |
| 231853 | Booms | S18 Shielded Sprayer Boom, 5' 3 nozzle left w/Varitarget | \$4,300.00 |
| 231858 | Booms | S18 Shielded Sprayer Boom, 5' 3 nozzle right w/Varitarget | \$4,300.00 |
| 231810 | Booms | Shielded Sprayer Boom, 7' 4 nozzle right w/Varitarget | \$5,070.00 |
| 235960 | Base | 60 gallon tank for 3 point hitch | \$5,250.00 |
| 235961 | Base | Dual 60 gallon tanks for 3 point hitch | \$6,300.00 |
| | | OPTIONS | |
| 231709 | | Lower end nozzle kit, not shielded | \$445.00 |
| 231708 | | Upper end nozzle kit, not shielded | \$445.00 |
| 116222 | | Firehose nozzle kit, 12' hose with manual shut off | \$500.00 |
| 231790 | | Hand wand kit, 100' hose on manual rewind reel | \$1,750.00 |
| 231686 | | Premium hand wand kit, 100' hose on 12VDC electric rewind reel | \$2,950.00 |
| 231681 | | LED Beacon light kit, 360 degree view | \$350.00 |
| | | Colour monitor and camera for RH boom view | \$900.00 |
| 235840 | | Eye & hand wash fresh water kit, 12 gallon | \$460.00 |
| | | Factory set up or installation | \$900.00 |



PRICED IN CANADIAN DOLLARS

PRICES ARE FOB BENITO, MB – DESIGN & PRICE ARE SUBJECT TO CHANGE WITHOUT NOTICE



5808 Hwy #9, Harriston, Ontario, N0G 1Z0
Phone: 519-338-2923, Fax: 519-338-2756
Email: sales@harcoag.ca
www.harcoag.ca

Multi Trailer

Hay Hauling System – Sold Factory Direct

Features Include:

- Manual electric brake interlock for loading
- Conversion from flat deck to bale mode in under a minute with one person

Standard Equipment:

- 8000 lb axles, trailer ramps
- 14 ply – load range ‘G’ tires, LED lights

Optional Equipment:

- 2 5/16” Ezee guide ball hitch
- King Pin Hitch

| Model # | Description | MSRP [CDN] |
|--------------------------|--|-------------|
| 450660 | Multi-Trailer – 31’, Tri-Axle Hay Hauling System | \$38,900.00 |
| Replacement Parts | | |
| 450398 | Kingpin Hitch | \$314.00 |
| 450476 | 2 5/16” Ball Ezee Guide Hitch | \$369.00 |
| 113984 | 14 Ply Spare Tire w/Rim | \$354.00 |
| 450890 | Rear Flashing Amber Light | \$278.00 |
| | Please contact Harco for current freight quote | |



PRICED IN CANADIAN DOLLARS

PRICES ARE FOB BENITO, MB – DESIGN & PRICE ARE SUBJECT TO CHANGE WITHOUT NOTICE



Sitrex Mowers

| Disc Mower – Series DM | | | | | |
|------------------------|--|--------|-----|------------|-------------|
| Code | Model | Weight | | Net Set Up | Price [CDN] |
| | | Lb | Kg | | |
| 801.281 | DM/4 4 Disc Mower – 66” Cutting Width | 700 | 320 | \$100.00 | \$15,124.00 |
| 801.282 | DM/5 5 Disc Mower – 81” Cutting Width | 810 | 370 | \$100.00 | \$16,550.00 |
| 801.311 | DM/6 6 Disc Mower – 95” Cutting Width | 910 | 420 | \$120.00 | \$21,528.00 |
| 801.310 | DM/7 7 Disc Mower – 110” Cutting Width | 1,080 | 490 | \$120.00 | \$22,780.00 |
| 801.322 | DM/8 8 Disc Mower – 127” Cutting Width | 1,400 | 635 | \$120.00 | \$28,814.00 |



PRICED IN CANADIAN DOLLARS

PRICES ARE FOB HARRISTON, ON- DESIGN & PRICE ARE SUBJECT TO CHANGE WITHOUT NOTICE

5808 Hwy #9, Harriston, Ontario, N0G 1Z0
Phone: 519-338-2923 Fax: 519-338-2756
Email: sales@harcoag.ca / www.harcoag.ca

Sitrex Hay Rakes & Tedders

| Code | Model | Weight | | Net Set Up | Price [CDN] |
|--|---------------------------------------|--------|------|------------|-------------|
| | | Lb | Kg | | |
| 3-Point Type – RP Series | | | | | |
| 802.036 | RP/2 RH | 145 | 66 | \$60.00 | \$1,405 |
| 802.037 | RP/3 | | | \$90.00 | \$2,006 |
| 802.010 | RP/4 RH | 396 | 180 | \$120.00 | \$2,652 |
| 802.012 | RP/5 RH Wheel on end | 440 | 200 | \$150.00 | \$3,189 |
| 802.017 | RP/6 RH | 551 | 250 | \$180.00 | \$4,107 |
| QR Series V-Rake with Suspension | | | | | |
| 802.352 | QR-8, 8 Wheel, 10' Working Width | 1500 | | \$250.00 | \$13,186 |
| 802.353 | QR-10, 10 Wheel, 22' Working Width | 1630 | | \$315.00 | \$14,840 |
| 802.354 | QR-12, 12 Wheel, 25' 7" Working Width | 1830 | | \$380.00 | \$16,897 |
| 230.371/c | QR Centre Kicker Wheel | | | | \$1,542 |
| 230.735 | QR HYDR. ADJ. KIT QR8-10 | | | | \$2,145 |
| 230.735 | QR HYDR. ADJ. KIT QR8-10 | | | | \$2,186 |
| 230.908 | CONVERSION KIT FOR QR/8 IN QR/10 | | | | \$2,145 |
| QRX Series V-Rake | | | | | |
| 802.930 | QRX-12, 12 Wheel, 55" x 7mm Tines | 2670 | 1210 | \$420.00 | \$23,007 |
| 802.931 | QRX-14, 14 wheel, 55" x 7mm Tines | 2955 | 1340 | \$480.00 | \$24,898 |
| 802.934 | QRX-16, 16 wheel, 55" x 7mm Tines | | | | \$30,110 |
| <i>QRX Series Rakes – 60" x 7.5mm Wheel Option</i> | | | | | \$62 |
| | | | | | (per wheel) |
| 260.698 | Dual Kicker Wheel Kit | | | | \$2,372 |
| Basket Rakes | | | | | |
| 802.895 | BR2030/6 | | | | \$92,421 |
| 802.891 | BR2030/7 | | | | \$93,705 |
| HEAVY DUTY RAKES | | | | | |
| 802.740 | PRO/17 RAKE (17 wheels) | | | | \$68,272 |

PRICED IN CANADIAN DOLLARS

PRICES ARE FOB HARRISTON, ON - DESIGN + PRICE ARE SUBJECT TO CHANGE WITHOUT NOTICE

5808 Hwy #9, Harriston, Ontario, N0G 1Z0
Phone: 519-338-2923 Fax: 519-338-2756
Email: sales@harcoag.ca / www.harcoag.ca

| Code | Model | Weight | | Net Set Up | Price [CDN] |
|--|--|--------|------|------------|-------------|
| | | Lb | Kg | | |
| MX Explorer Rakes – Pull Type | | | | | |
| 802.030 | MX/8 Less Ratchet Jack | 2685 | 1220 | \$320.00 | \$22,993 |
| 802.016 | MX/10 Less Ratchet Jack | 3015 | 1370 | \$400.00 | \$24,549 |
| 802.158 | MX/12 With Ratchet Jack | 3350 | 1520 | \$480.00 | \$26,458 |
| Optional | | | | | |
| 220.264 | Ratchet Jack Kit | | | | \$919 |
| 220.379 | Hydraulic Kicker Wheel Kit | | | | \$2,778 |
| 220.434 | Single Side Opening Kit | | | | \$1,823 |
| 220.441 | Conversion Kit – MX8-10 | | | | \$1,823 |
| Tedders | | | | | |
| 802.829 | RT/2500 Pull Type | | | | \$5,334 |
| 802.739 | RT/3000 Pull Type | 385 | 175 | | \$5,569 |
| 802.747 | RT/5200 17' Spring Lift Pull Type | | | | \$11,319 |
| 802.746 | RT/5200 H 17' Hydraulic Lift Pull Type | 830 | 377 | | \$12,140 |
| 802.788 | RT/5800 19' Hydraulic Lift – Pull Type | | | | \$13,583 |
| 802.013 | ST/780H Six Rotors, Hydraulic 26' Pull | 2470 | 1120 | | \$35,672 |
| Tedders – Rakes | | | | | |
| 802.129 | Hay Maker 300 | 726 | 330 | | \$9,305 |
| 802.091 | Hay Maker 400 | 924 | 420 | | \$13,938 |
| <i>Including PTO Shaft</i> | | | | | |
| MKE Professional Rakes – Pull Type, New Style | | | | | |
| 802.918 | MKE/10, 10 Wheel, 55" x 7mm Tines | 3920 | 1780 | \$400.00 | \$31,206 |
| 802.919 | MKE/12, 12 Wheel, 55" x 7mm Tines | 4275 | 1940 | \$480.00 | \$32,779 |
| 802.920 | MKE/14, 14 Wheel, 55" x 7mm Tines | 5615 | 2550 | \$560.00 | \$43,250 |
| 802.921 | MKE/16, 16 Wheel, 55" x 7mm Tines | 6060 | 2750 | \$640.00 | \$44,837 |
| 802.922 | MKE/18, 18 Wheel, 55" x 7mm Tines | 7465 | 3385 | \$720.00 | \$52,663 |
| 802.923 | MKE/20, 20 Wheel, 55" x 7mm Tines | 7760 | 3520 | \$800.00 | \$54,248 |
| <i>MKE Series Rakes – 60" x 7.5mm Wheel Option</i> | | | | | |

PRICED IN CANADIAN DOLLARS

PRICES ARE FOB HARRISTON, ON - DESIGN + PRICE ARE SUBJECT TO CHANGE WITHOUT NOTICE

5808 Hwy #9, Harriston, Ontario, N0G 1Z0
Phone: 519-338-2923 Fax: 519-338-2756
Email: sales@harcoag.ca / www.harcoag.ca

| Code | Model | Weight | | Net Set Up | Price [CDN] |
|---|--|--------|------|------------|-------------|
| | | Lb | Kg | | |
| MKE Professional Rakes Continued | | | | | |
| Optional | | | | | |
| 250.462/b | Hydraulic Kicker Wheel Kit | | | | \$3,523 |
| 250.441 | Tandem Tire/Wheel Kit | | | | \$2,624 |
| 250.443 | Rear Hydraulic Opening Kit – MKE10-12 | | | | \$3,175 |
| 250.444 | Rear Hydraulic Opening Kit – MKE14-16 | | | | \$3,229 |
| 250.492 | Rear Hydraulic Opening Kit – MKE18-20 | | | | \$3,322 |
| 250.436 | Conversion Kit – MKE10-12, 55" Wheels | | | | \$1,585 |
| 250.437 | Conversion Kit – MKE14-16, 55" Wheels | | | | \$2,193 |
| 250.437 | Conversion Kit – MKE18-20, 55" Wheels | | | | \$2,193 |
| 250.438 | Conversion Kit, MKE10-12, 60" Wheels | | | | \$1,686 |
| 250.439 | Conversion Kit, MKE14-16, 60" Wheels | | | | \$2,291 |
| 250.439 | Conversion Kit, MKE18-20, 60" Wheels | | | | \$2,291 |
| 250.445 | Single Side Opening Kit | | | | \$1,842 |
| Rotary Rakes | | | | | |
| 802.081 | SR320/8, 3-Point, 8 Arms | | | | \$10,846 |
| 802.599 | SR350/9, 3-Point, 9 Arms | 991 | 450 | \$150.00 | \$13,610 |
| 802.150 | SR420/11, 3-Point, 11 Arms | 1233 | 560 | \$200.00 | \$17,160 |
| 802.063 | SR420/11H Pull-Type | 1352 | 614 | \$200.00 | \$22,021 |
| 802.321 | SR500/13, 3-Point, 13 Arm | 1907 | 865 | \$300.00 | \$21,158 |
| 802.729 | SR500/13, Pull-Type w/ Tandem, 13 Arms | 1907 | 865 | \$300.00 | \$23,780 |
| 802.380 | TW7800 Twin Rotary Rake | 4140 | 1880 | | \$55,383 |

PRICED IN CANADIAN DOLLARS

PRICES ARE FOB HARRISTON, ON - DESIGN + PRICE ARE SUBJECT TO CHANGE WITHOUT NOTICE

5808 Hwy #9, Harriston, Ontario, N0G 1Z0
Phone: 519-338-2923,
Fax: 519-338-2756
Email: sales@harcoag.ca
www.harcoag.ca



Sitrex Balers

Round Baler Action 120

Round Baler ACTION 120

- Chamber dimension 120x120 cm
- Pick-up 1,70 mt with 1 wheel
- Hydraulic control pick-up
- Alternative comb feeder
- Tires 10/75-15 (11/80-15 serial with wide pick-up)
- Mechanic counter bales
- PTO camshaft with safety bolt
- Low power absorption (40 CV)
- Standard high-density cross-bars
- Acoustic signal full chamber (standard)
- Chain bars n. 34
- Pick-up 2,00 mt with 2 wheel, with side augers
- Mechanic control binding
- Mechanic control bale density
- Lights installation
- Adjustable draw bar in 2 points
- Ladder
- Acoustic luminous signal full chamber
- High bale density thanks to mechanic hooks on the rear door
- Adjustable telescopic carriageway of 6.2"



| Model | Code | Description | Price - CDN |
|----------------|---------|---|-------------|
| ACTION 120 | 802.897 | Round baler with standard pick-up-only twine binding | \$41,345.00 |
| ACTION 120 L | 802.898 | Round baler with pick-up 2 mt only twine binding | \$46,122.00 |
| ACTION 120 R | 802.899 | Round baler with standard pick-up-only net binding | \$45,324.00 |
| ACTION 120 RL | 802.900 | Round baler with pick up 2 mt only net binding | \$50,084.00 |
| ACTION 120 SR | 802.901 | Round baler with standard pick-up twine and net binding | \$46,705.00 |
| ACTION 120 LSR | 802.902 | Round baler with pick up 2 mt twine and net binding | \$51,534.00 |

DIMENSIONS & WEIGHTS

| | Model | Width (inch) | Length (inch) | Height (inch) | Weight (lbs) |
|---------------|-------|--------------|---------------|---------------|--------------|
| In working | 120 | 86.6 " | 141.7" | 78.7" | 4607 lbs |
| In working | 120 L | 90.5" | 141.7" | 78.7" | 4784 lbs |
| For transport | 120 | 81.5" | 94.4" | 69.2" | 4607 lbs |
| For transport | 120 L | 81.5" | 94.4" | 69.2" | 4784 lbs |

PRICED IN CANADIAN DOLLARS

PRICES ARE FOB HARRISTON, ON- DESIGN & PRICE ARE SUBJECT TO CHANGE WITHOUT NOTICE



FITTINGS

| | Code | Description | Price CDN |
|-------------|---------|---|------------|
| | 240.140 | Addition for electric twine binding M 100 | \$1,092.00 |
| | 240.141 | Addition for electric net binding M 100 | \$1,292.00 |
| | 240.142 | Addition for electric twine-net binding M 100 | \$1,549.00 |
| | 240.143 | Addition for automatic twine binding M 200 | \$2,765.00 |
| | 240.144 | Addition for automatic net binding M 200 | \$2,482.00 |
| | 240.145 | Addition for automatic twine + net binding M 200 | \$4,279.00 |
| Recommended | 240.146 | Bale ejector | \$833.00 |
| Recommended | 240.147 | Second wheel for pick-up (standard on wide pick-up) | \$459.00 |
| | 241.455 | Addition for a couple of iron wheels on standard pick-up | \$675.00 |
| | 241.456 | Addition of one iron wheel on pick-up | \$292.00 |
| | 240.150 | Addition for a couple of iron wheels on a wide pick-up | \$426.00 |
| Recommended | 240.151 | Addition for wheels 11/80-15 (standard on wide pick-up) | \$426.00 |
| | 240.152 | Addition for wheels 15.0/55-17 on 120 | \$1,292.00 |
| | 240.153 | Addition for wheels 15.0/55-17 on 120 L | \$975.00 |
| | 240.477 | Addition for wheels 19.0/45-17 | \$3,315.00 |
| | 240.171 | Addition for a couple wheels 19.0/45-17 of ACTION 120 L | \$2,465.00 |
| | 241.453 | Addition for a couple of adjustable wheels pick-up 170 cm | \$592.00 |
| | 241.454 | Addition for a couple of adjustable wheels pick-up 200 cm | \$376.00 |
| | 241.457 | Addition for P.T.O. shaft 8 teeth | \$259.00 |
| Recommended | 240.154 | Addition for big angle P.T.O. shaft | \$1,066.00 |
| | 241.458 | Addition for big angle P.T.O. shaft 8 teeth | \$1,066.00 |
| Recommended | 240.155 | Automatic lubrication | \$1,892.00 |
| | 240.156 | Addition for hydraulic brakes | \$2,156.00 |
| | 240.157 | Automatic lubrication main chain (only with code 240.155) | \$775.00 |
| | 241.436 | Safety kit "ACTION" | \$675.00 |
| | 241.752 | Addition for a three-pole power cable | \$145.00 |
| | 241.767 | Tank support | \$342.00 |
| | 241.778 | Sprayer kit for distribution of preservatives (requires cod. 241.767) | \$5,012.00 |
| | 241.779 | Humidity meter kit | \$1,842.00 |

FITTINGS REQUESTED AFTER DELIVERY OF THE MACHINE

| | Code | Description | Price CDN |
|--|---------|--|------------|
| | 241.252 | Manual twine binding (after the delivery of the machine) | \$2,075.00 |
| | 240.139 | Manual net binding (after the delivery of the machine) | \$5,471.00 |
| | 241.460 | Kit electric twine binding M100 | \$1,282.00 |
| | 241.461 | Kit electric net binding M100 | \$1,449.00 |
| | 241.462 | Kit electric twine + net binding M100 | \$1,865.00 |
| | 241.463 | Kit automatic twine binding M200 | \$3,339.00 |
| | 241.464 | Kit automatic net binding M200 | \$3,672.00 |
| | 241.465 | Kit automatic twine + net binding M200 | \$4,255.00 |
| | 241.467 | Kit hydraulic brakes | \$3,089.00 |
| | 241.468 | Kit German towing eye DIN 74054 | \$409.00 |
| | 241.469 | Kit couple of wheels 11.5/80-15 | \$1,292.00 |
| | 241.470 | Kit couple of wheels 15.0/55-17 | \$2,456.00 |
| | 241.483 | Kit couple of wheels 19.0/45-17 | \$4,555.00 |
| | 241.471 | Kit couple of pick-up adjustable wheels | \$816.00 |
| | 240.148 | Kit couple pick-up iron wheels | \$775.00 |
| | 241.472 | Kit couple of pick-up adjustable wheels | \$416.00 |
| | 241.473 | Kit P.T.O. shaft 8 teeth | \$1,025.00 |
| | 241.474 | Kit homokinetic P.T.O. shaft | \$1,732.00 |
| | 241.475 | Kit homokinetic P.T.O. shaft 8 teeth | \$1,732.00 |
| | 241.753 | Kit three-pole power cable | \$183.00 |

PRICED IN CANADIAN DOLLARS

PRICES ARE FOB HARRISTON, ON- DESIGN & PRICE ARE SUBJECT TO CHANGE WITHOUT NOTICE

5808 Hwy #9, Harriston, Ontario, N0G 1Z0
Phone: 519-338-2923,
Fax: 519-338-2756
Email: sales@harcoag.ca
www.harcoag.ca



Round Baler Action 150

Round Baler ACTION 150

- Chamber dimension 120x150 cm
- Pick-up 1,70 mt with 1 wheel
- Hydraulic control pick-up
- Alternative comb feeder
- Tires 11/80-15
- Mechanic counter bales
- PTO camshaft with safety bolt
- Low power absorption (50 CV)
- Standard high-density cross-bars
- Electric signal full chamber (Standard)
- Chain bars n. 41
- Pick-up 2,00 mt with 2 wheel, with side augers
- Mechanic control binding
- Mechanic control bale density
- Lights installation
- Adjustable draw bar in 2 points
- Acoustic luminous signal full chamber
- High bale density thanks to mechanic hooks on the rear door
- Adjustable telescopic carriageway of 6.2"



| Model | Code | Description | Price - CDN |
|----------------|---------|---|-------------|
| ACTION 150 | 802.285 | Round baler with standard pick-up-only twine binding | \$45,341.00 |
| ACTION 150 L | 802.286 | Round baler with pick-up 2 mt only twine binding | \$50,101.00 |
| ACTION 150 R | 802.522 | Round baler with standard pick-up-only net binding | \$49,304.00 |
| ACTION 150 LR | 802.523 | Round baler with pick up 2 mt only net binding | \$54,016.00 |
| ACTION 150 SR | 802.524 | Round baler with standard pick-up twine and net binding | \$50,701.00 |
| ACTION 150 LSR | 802.525 | Round baler with pick up 2 mt twine and net binding | \$55,446.00 |

DIMENSIONS & WEIGHTS

| | Model | Width (inch) | Length (inch) | Height (inch) | Weight (lbs) |
|---------------|-------|--------------|---------------|---------------|--------------|
| In working | 150 | 86.6 " | 153.5" | 90.5" | 5401 lbs |
| In working | 150 L | 90.5" | 153.5" | 78.7" | 5511 lbs |
| For transport | 150 | 81.5" | 106.3" | 81.1" | 5401 lbs |
| For transport | 150 L | 81.5" | 106.3" | 81.1" | 5511 lbs |

PRICED IN CANADIAN DOLLARS

PRICES ARE FOB HARRISTON, ON- DESIGN & PRICE ARE SUBJECT TO CHANGE WITHOUT NOTICE

5808 Hwy #9, Harriston, Ontario, N0G 1Z0
Phone: 519-338-2923,
Fax: 519-338-2756
Email: sales@harcoag.ca
www.harcoag.ca



FITTINGS

| | Code | Description | Price CDN |
|-------------|---------|---|------------|
| | 241.446 | Addition for electric twine binding M 100 | \$1,092.00 |
| | 241.447 | Addition for electric net binding M 100 | \$1,292.00 |
| | 241.448 | Addition for electric twine + net binding M 100 | \$1,549.00 |
| | 241.449 | Addition for automatic twine binding M 200 | \$2,765.00 |
| | 241.450 | Addition for automatic net binding M 200 | \$2,482.00 |
| | 241.451 | Addition for automatic twine + net binding M 200 | \$4,279.00 |
| Recommended | 240.146 | Bale ejector | \$833.00 |
| Recommended | 240.147 | Second wheel for pick-up (standard on wide pick-up) | \$459.00 |
| | 241.455 | Addition for a couple of iron wheels on standard pick-up | \$675.00 |
| | 241.456 | Addition of one iron wheel on pick-up | \$292.00 |
| | 240.150 | Addition for a couple of iron wheels on a wide pick-up | \$426.00 |
| | 241.453 | Addition for a couple of adjustable wheels pick-up 170 cm | \$592.00 |
| | 241.454 | Addition for a couple of adjustable wheels pick-up 200 cm | \$376.00 |
| | 240.153 | Addition for wheels 15.0/55-17 | \$975.00 |
| | 240.171 | Addition for couple of wheels 19.0/45-17 | \$2,465.00 |
| | 241.457 | Addition for P.T.O. shaft 8 teeth | \$259.00 |
| Recommended | 240.154 | Addition for big angle P.T.O. shaft | \$1,066.00 |
| | 241.458 | Addition for big angle P.T.O. shaft 8 teeth | \$1,066.00 |
| Recommended | 240.165 | Automatic lubrication | \$464.00 |
| | 240.156 | Addition for hydraulic brakes | \$2,156.00 |
| | 240.166 | Automatic lubrication main chain (only with code 240.165) | \$775.00 |
| | 241.436 | Safety kit "ACTION" | \$675.00 |
| | 241.752 | Addition for a three-pole power cable | \$145.00 |
| | 241.767 | Tank support | \$342.00 |
| | 241.778 | Sprayer kit for distribution of preservatives (requires cod. 241.767) | \$5,012.00 |
| | 241.780 | Humidity meter kit | \$1,842.00 |

FITTINGS REQUESTED AFTER DELIVERY OF THE MACHINE

| | Code | Description | Price CDN |
|--|---------|--|------------|
| | 241.459 | Manual twine binding (after the delivery of the machine) | \$2,075.00 |
| | 240.164 | Manual net binding (after the delivery of the machine) | \$5,471.00 |
| | 241.460 | Kit electric twine binding M100 | \$1,282.00 |
| | 241.461 | Kit electric net binding M100 | \$1,449.00 |
| | 241.462 | Kit electric twine + net binding M100 | \$1,865.00 |
| | 241.463 | Kit automatic twine binding M200 | \$3,339.00 |
| | 241.464 | Kit automatic net binding M200 | \$3,672.00 |
| | 241.465 | Kit automatic twine + net binding M200 | \$4,255.00 |
| | 241.467 | Kit hydraulic brakes | \$3,089.00 |
| | 241.468 | Kit German towing eye DIN 74054 | \$409.00 |
| | 241.469 | Kit couple of wheels 11.5/80-15 | \$1,292.00 |
| | 241.470 | Kit couple of wheels 15.0/55-17 | \$2,456.00 |
| | 241.483 | Kit wheels 19.0/45-17 | \$4,555.00 |
| | 241.471 | Kit couple of pick-up adjustable wheels | \$816.00 |
| | 240.148 | Kit couple pick-up iron wheels | \$775.00 |
| | 241.472 | Kit pick-up iron wheels | \$416.00 |
| | 241.473 | Kit P.T.O. shaft 8 teeth | \$1,025.00 |
| | 241.474 | Kit homokinetic P.T.O. shaft | \$1,732.00 |
| | 241.475 | Kit homokinetic P.T.O. shaft 8 teeth | \$1,732.00 |
| | 241.753 | Kit three-pole power cable | \$183.00 |

PRICED IN CANADIAN DOLLARS

PRICES ARE FOB HARRISTON, ON- DESIGN & PRICE ARE SUBJECT TO CHANGE WITHOUT NOTICE

5808 Hwy #9, Harriston, Ontario, N0G 1Z0
Phone: 519-338-2923,
Fax: 519-338-2756
Email: sales@harcoag.ca
www.harcoag.ca



Mini Round Baler M50

Mini Round Baler M50

- | | |
|---|--|
| <ul style="list-style-type: none"> • Chamber dimension 50x70 cm • Changeable wheel-track • Automatic monotwine binding device with signal horn or net binding device with signal horn • Central drawbar + longer drawbar or three-point linkage • Adjustable pick-up wheels • Can be used in combination with small tractors with limited power • Produces bales that can be carried by hand • Can collect and bale green crops | <ul style="list-style-type: none"> • Tailgate with hydraulic control and mechanic lock • Bale chute • Bale counter • Double pick-up balancing • Cardan shaft • Pick-up side star wheels not provided with three-point linkages • Can be used in restricted areas/ or on steep slopes and areas with narrow access • The adjustable pick-up wheel enables the pickup to be kept at the correct distance from the ground |
|---|--|



| Model | Code | Description | Price - CDN |
|--------------|---------|--|-------------|
| M50 MINIROTO | 808.009 | Mini round baler with 85cm / 33.4" pick-up width | \$29,879.00 |

DIMENSIONS & WEIGHTS

| | Model | Width (inch) | Length (inch) | Height (inch) | Weight (lbs) |
|---------------|--------|--------------|---------------|---------------|--------------|
| In working | M50 MR | 55.1" | 88.2" | 60.6" | 844 lbs |
| For transport | M50 MR | 55.1" | 48.8" | 51.2" | 844 lbs |

OPTIONAL ACCESSORIES

| Code | Description | Price CDN |
|---------|---|------------|
| 280.022 | Three-point linkage or central drawbar (after sale) | \$1,570.00 |
| 280.023 | Power pack | \$4,369.00 |
| 280.024 | Lateral drawbar | \$5,692.00 |
| 280.025 | Pick-up hydraulic control | \$1,042.00 |
| 280.026 | Electric control for net binding device | \$1,968.00 |

PRICED IN CANADIAN DOLLARS

PRICES ARE FOB HARRISTON, ON- DESIGN & PRICE ARE SUBJECT TO CHANGE WITHOUT NOTICE

5808 Hwy #9, Harriston, Ontario, N0G 1Z0
Phone: 519-338-2923,
Fax: 519-338-2756
Email: sales@harcoag.ca
www.harcoag.ca



Square Baler M60

Square Baler M60

- Chamber dimension 34x44 cm
- Pick-up jack
- Cardan shaft
- Can be used in combination with low-power tractors
- Suitable for use in mountain areas and areas with difficult access
- Twine knotter
- Bale counter
- Third-wheel support
- Suitable for hay bales
- Mini/s with minimum operating power of 20-25 CV



| Model | Code | Description | Price - CDN |
|-----------|---------|---|-------------|
| M60 MINI | 808.011 | Square baler with 105cm / 41" pick-up width | \$32,532.22 |
| M60 SUPER | 808.012 | Square baler with 140cm / 54" pick-up width | \$33,600.84 |

DIMENSIONS & WEIGHTS

| | Model | Width (inch) | Length (inch) | Height (inch) | Weight (lbs) |
|---------------|-------|--------------|---------------|---------------|--------------|
| In working | M60 M | 63" | 156.3" | 59.8" | 2000 lbs |
| In working | M60 S | 74.8" | 156.3" | 59.8" | 2205 lbs |
| For transport | M60M | 63" | 126.4" | 59.8" | 2000 lbs |
| For transport | M60 S | 74.8" | 126.4" | 59.8" | 2205 lbs |

OPTIONAL ACCESSORIES

| Code | Description | Price CDN |
|---------|---|------------|
| 280.027 | Third wheel for "SUPER"- "EXPORT"- "MAGNUM" | \$725.00 |
| 280.028 | Hydraulic pick-up lift | \$1,404.00 |
| 280.029 | Hydraulic drawbar adjustment for "M60 Mini/S" | \$1,568.00 |
| 280.030 | Hydraulic drawbar adjustment for "M60 Mini" | \$1,568.00 |
| 280.031 | Hydraulic drawbar adjustment for "M60 Super" | \$1,568.00 |
| 280.032 | Long chute and rear trailer hitch | \$3,251.00 |
| 280.033 | Wide-angle cardan shaft | \$1,620.00 |
| 280.034 | Pick-up wheel | \$718.00 |
| 280.035 | Third wheel with holder for "MINI" | \$1,549.00 |
| 280.036 | Third wheel with holder for "SUPER" | \$1,549.00 |
| 280.037 | *Hand brake for "MINI"- "SUPER" | \$1,658.00 |

*These Options can be supplied, together with the machines only net ex-works prices.

PRICED IN CANADIAN DOLLARS

PRICES ARE FOB HARRISTON, ON- DESIGN & PRICE ARE SUBJECT TO CHANGE WITHOUT NOTICE



Mini Wrapper MF 70

Mini Wrapper MF 70

- Bale size 50x50 : 50x70
- Mechanic transmission with cardan shaft
- Lap winding number selection with automatic stop of the platform
- The machine stops automatically when it has finished
- Completely Automatic wrapping
- Selection of superimposable film layers (2,4,6)
- Rotating platform with two drive rolls with belts
- Stretcher for film-roll 250 mm. high



| Model | Code | Description | Price - CDN |
|---------|---------|----------------------------------|-------------|
| MF 70/M | 808.015 | Three-point mounted mini wrapper | \$15,984.00 |

DIMENSIONS & WEIGHTS

| | Model | Width (inch) | Length (inch) | Height (inch) | Weight (lbs) |
|---------------|---------|--------------|---------------|---------------|--------------|
| In working | MF 70/M | 47" | 63" | 37" | 205 lbs |
| For transport | MF 70/M | 47" | 63" | 37" | 205 lbs |

PRICED IN CANADIAN DOLLARS

PRICES ARE FOB HARRISTON, ON- DESIGN & PRICE ARE SUBJECT TO CHANGE WITHOUT NOTICE



Bale Wrapper WR1600

Bale Wrapper WR1600

- Three-point mounted with 2 driven rolls
- Film Stretcher 75-50cm
- Hydraulic cutting
- 3 pinions for the variation film layer
- Manually adjust speed
- Safety system with mechanic release
- Very compact and nimble, simple to handle, also in reduced spaces
- Working speeds are adjustable through the setting of the oil delivery valve
- Replacing a transmission's opinion, you can set the overlapping (for the film of 750mm or 500mm)
- Three-point linkage 2nd and 3rd cat
- Aluminum film stretcher rolls
- Possibility for overlapping film layers 2+2
- Satellite stretching film
- Proportional speed and advancing
- It works down on the soil therefore It can be linked to a small tractor
- Depend on the rotation speed
- Tours counter



| Model | Code | Description | Price - CDN |
|------------|---------|---|-------------|
| WR 1600 B | 802.309 | Three-point mounted satellite bale wrapper with brake | \$31,037.00 |
| WR 1600 BA | 802.543 | Automatic satellite-mounted bale wrapper with brake | \$26,266.00 |

DIMENSIONS & WEIGHTS

| | Model | Width (inch) | Length (inch) | Height (inch) | Weight (lbs) |
|---------------|---------------|--------------|---------------|---------------|--------------|
| For transport | WR 1600/1600B | 62.2" | 97.6" | 93.7" | 1785 lbs |

ACCESSORIES REQUIRED AT MACHINE ORDER

| Code | Description | Price CDN |
|---------|---------------------------------------|------------|
| 240.816 | Support kit 1 reel | \$276.00 |
| 241.158 | Addition for Auto-Stop | \$1,192.00 |
| 241.288 | Transport kit 1600 without rollers | \$359.00 |
| 240.185 | Kit load sensing | \$276.00 |
| 241.752 | Addition for a three-pole power cable | \$145.00 |

ACCESSORIES REQUIRED AFTER SALE

| Code | Description | Price CDN |
|---------|---|------------|
| 241.148 | Automatic wrapping control set (delivered after machine dispatch) | \$6,004.00 |
| 241.159 | Kit Auto-Stop | \$2,206.00 |
| 241.753 | Kit three-pole power cable | \$183.00 |

PRICED IN CANADIAN DOLLARS

PRICES ARE FOB HARRISTON, ON- DESIGN & PRICE ARE SUBJECT TO CHANGE WITHOUT NOTICE



Bale Wrapper WR1800

Bale Wrapper WR1800

- Electronic counter tours
- Film stretcher 75-50 cm
- Aluminum film stretcher roll
- Cradle support with the fifth wheel
- Predisposition for trailed version
- Compact and strong machine
- Big loading capacity
- 3 rapports of stretching film
- New automatism for pliers' rearmament
- Automatic rearmament of cutting pliers
- Three-point mounted with 2 rolls and 3 belts
- Film overlapping 2+2 or 2+2+2
- Fast system of height adjustment film stretcher
- Bale discharging by hydraulic control
- Cradle installed on the fifth wheel and not on bearings
- New film stretcher with locking system of reel
- Self-centering for the position of cradles overturning

| Model | Code | Description | Price - CDN |
|-----------|---------|----------------------------------|-------------|
| WR 1800 | 802.296 | Three-point mounted bale wrapper | \$20,979.00 |
| WR 1800 A | 802.544 | Automatic bale wrapper | \$28,624.00 |

DIMENSIONS & WEIGHTS

| | Model | Width (inch) | Length (inch) | Height (inch) | Weight (lbs) |
|---------------|---------|--------------|---------------|---------------|--------------|
| For transport | WR 1800 | 70.8" | 98.8" | 74.8" | 1728 lbs |

ACCESSORIES REQUIRED AT MACHINE ORDER

| Code | Description | Price CDN |
|---------|---|------------|
| 240.179 | Support kit 1 reel | \$276.00 |
| 240.180 | Support kit 2 reels | \$309.00 |
| 240.183 | Remote wrapping control (only with 240.182) | \$2,015.00 |
| 240.184 | Kit for 4th additional belt | \$426.00 |
| 240.185 | Load sensing kit | \$276.00 |
| 240.186 | Addition for cables kit 3,5 mt (no. 2) | \$176.00 |
| 240.194 | Adjustment kit for cradle tours | \$892.00 |
| 241.276 | Overlapping of 2 bale wrappers | \$802.00 |
| 241.277 | Overlapping of 3 bale wrappers | \$987.00 |
| 241.160 | Addition for Auto-Stop | \$1,192.00 |
| 241.752 | Addition for a three-pole power cable | \$145.00 |
| 241.758 | Independent hydraulic system | \$3,089.00 |

ACCESSORIES REQUIRED AFTER SALE

| Code | Description | Price CDN |
|---------|--|------------|
| 241.161 | Auto-Stop Set | \$2,206.00 |
| 241.182 | Automatic wrapping control kit (supplied after the delivery) | \$7,994.00 |
| 240.178 | Transformation kit from 1800 to 2100 | \$5,438.00 |
| 241.753 | Kit three-pole power cable | \$183.00 |

PRICED IN CANADIAN DOLLARS

PRICES ARE FOB HARRISTON, ON- DESIGN & PRICE ARE SUBJECT TO CHANGE WITHOUT NOTICE

5808 Hwy #9, Harriston, Ontario, N0G 1Z0
Phone: 519-338-2923,
Fax: 519-338-2756
Email: sales@harcoag.ca
www.harcoag.ca



Bale Wrapper WR2100

Bale Wrapper WR2100

- Model with 2 rolls and 3 belts
- Central loading fork
- Electronic counter tours
- 3 rapports of stretching film
- Cradle support by fifth wheel
- Self-centering cradle
- Adjustable drawbar (model 2100 T)
- 3-Point linkage (model 2100 P0)
- New automatism for pliers' rearmament
- Self-centering for position of cradle overturning
- Film stretcher 75-50cm
- Aluminum film stretcher rolls
- Automatic rearmament of cutting pliers
- Film overlapping 2+2 or 2+2+2
- Compact and strong machine
- Cradle Installed on the fifth wheel and not on bearings
- Big loading capacity
- New film stretcher with locking system of reel
- Fast system of height adjustment film stretcher

| Model | Code | Description | Price - CDN |
|-----------|---------|------------------------------------|-------------|
| WR 2100 T | 802.297 | Trailed bale wrapper | \$25,026.00 |
| WR 2100 P | 802.298 | Three Point mounted bale wrapper * | \$26,590.00 |

This version can handle more, but requires a bigger tractor

DIMENSIONS & WEIGHTS

| | Model | Width (inch) | Length (inch) | Height (inch) | Weight (lbs) |
|------------------------------|-----------|--------------|---------------|---------------|--------------|
| For transport | WR 2100 T | 70.8" | 94.8" | 80.3" | 1860 lbs |
| For transport | WR 2100 P | 70.8" | 98.4" | 74.8" | 1984 lbs |
| 2 Overlapped bale wrappers* | WR 2100 | 68.8" | 93.7" | 78.7" | 1860 x2 lbs |
| 3 overlapped bale wrappers * | WR 2100 | 68.8" | 93.7" | 110.2" | 1860 x3 lbs |

*The bale wrappers are overlapped with wheels, forks, film stretcher, and drawbar disassembled

ACCESSORIES REQUIRED AT MACHINE ORDER

| Code | Description | Price CDN |
|---------|---|------------|
| 240.191 | High draw bar kit | \$276.00 |
| 240.179 | Support kit for 1 reel | \$276.00 |
| 240.180 | Support kit for 2 reels | \$309.00 |
| 240.184 | Kit for 4th additional belt | \$426.00 |
| 240.185 | Load sensing kit | \$276.00 |
| 240.194 | Adjustment kit for cradle's tours 1800-2100 | \$892.00 |
| 240.195 | Addition for cables kit 3,5 mt (no. 3) | \$199.00 |
| 240.196 | Lights kit | \$559.00 |
| 241.276 | Overlapping of 2 bale wrappers | \$802.00 |
| 241.277 | Overlapping of 3 bale wrappers | \$987.00 |
| 241.160 | Add for Auto-Stop | \$1,192.00 |
| 241.162 | Addition for wheels 26x12-0012 | \$833.00 |
| 241.527 | Addition for german towing link DIN 74054 | \$276.00 |
| 241.752 | Addition for three-pole power cable | \$145.00 |

ACCESSORIES REQUIRED AFTER SALE

| Code | Description | Price CDN |
|---------|--|------------|
| 240.189 | Three point linkage (for model 2100 trailed) | \$1,582.00 |
| 241.754 | Transformation kit 3rd point -> pull type | \$466.00 |
| 240.258 | Set german towing link DIN 74054 | \$433.00 |
| 241.161 | Auto-Stop Set | \$2,206.00 |
| 241.573 | Kit three-pole power cable | \$183.00 |

PRICED IN CANADIAN DOLLARS

PRICES ARE FOB HARRISTON, ON- DESIGN & PRICE ARE SUBJECT TO CHANGE WITHOUT NOTICE

5808 Hwy #9, Harriston, Ontario, N0G 1Z0
Phone: 519-338-2923,
Fax: 519-338-2756
Email: sales@harcoag.ca
www.harcoag.ca



Bale Wrapper WR3100

Bale Wrapper WR3100

- Trailed model with 2 rolls and 3 belts
- Electronic counter tours
- Adjustable loading fork
- 2 reel supports
- 3 supports of stretching film
- Tyres 10.0/80.12
- New automatism for pliers' rearmament
- Self-centering for position of cradles overturning
- Frame with mobile wheel 2 position
 - Transport and working
- Film stretcher 75-50cm
- Automatic rearmament of cutting pliers
- Film overlapping 2+2 or 2+2+2
- Support cradle by fifth wheel
- Self-centering cradle
- Simple machine, high performances
- Cradle installed on fifth wheel, and not bearings
- New film stretcher with locking system of reel
- Fast system of height adjustment film stretcher
- Aluminum film stretcher rolls

| Model | Code | Description | Price - CDN |
|-----------|---------|--------------------------------|-------------|
| WR 3100 | 802.299 | Trailed bale wrapper | \$28,241.00 |
| WR 3100 A | 802.545 | Automatic trailed bale wrapper | \$34,083.00 |

DIMENSIONS & WEIGHTS

| | Model | Width (inch) | Length (inch) | Height (inch) | Weight (lbs) |
|-----------------------------|---------|--------------|---------------|---------------|--------------|
| For transport | WR 3100 | 95.2" | 137.0" | 90.5" | 1962 lbs |
| 2 Overlapped bale wrappers* | WR 3100 | 94.4" | 122.8" | 63.7" | 1962 x2 lbs |
| 3 Overlapped bale wrappers* | WR 3100 | 94.4" | 122.8" | 94.4" | 1962 x3 lbs |

*The bale wrappers are overlapped with wheels, forks, film stretcher, and drawbar disassembled

PRICED IN CANADIAN DOLLARS

PRICES ARE FOB HARRISTON, ON- DESIGN & PRICE ARE SUBJECT TO CHANGE WITHOUT NOTICE

5808 Hwy #9, Harriston, Ontario, N0G 1Z0
Phone: 519-338-2923,
Fax: 519-338-2756
Email: sales@harcoag.ca
www.harcoag.ca



ACCESSORIES REQUIRED AT MACHINE ORDER

| Code | Description | Price CDN |
|---------|---|------------|
| 240.197 | Overturning vertical bale kit | \$2,472.00 |
| 240.198 | Protection conveyor bale kit | \$1,159.00 |
| 240.179 | Support kit for 1 reel (*) | \$276.00 |
| 240.180 | Support kit for 2 reels (*) | \$309.00 |
| 240.199 | Addition wheels 11.0/65-12 | \$816.00 |
| 240.191 | High drawbar hitch kit | \$276.00 |
| 240.184 | Kit for 4th additional belt | \$426.00 |
| 240.185 | Load sensing kit | \$276.00 |
| 240.808 | Adjustment kit for cradle's tours | \$892.00 |
| 240.809 | Counterweight (45 kg) | \$559.00 |
| 241.755 | Lights kit | \$559.00 |
| 240.195 | Addition for cables kit 3,5 mt (no.3) | \$199.00 |
| 241.164 | Addition for Auto-Stop | \$1,192.00 |
| 241.257 | Addition for german towing link DIN 74054 | \$276.00 |
| 241.770 | Addition for german towing link DIN 74054 for EU homologation | \$145.00 |
| 241.434 | Headlight bar attachment kit on rocker | \$138.00 |
| 241.278 | Kit brackets wrapp.3100 for container | \$561.00 |
| 241.279 | Kit overlapping of 2 wrapp. 3100 for container | \$1,056.00 |
| 241.280 | Kit overlapping of 3 wrapp. 3100 for container | \$1,430.00 |
| 241.281 | Kit overlapping of 2 wrapp. 3100 for truck | \$868.00 |
| 241.282 | Kit overlapping of 3 wrapp. 3100 for truck | \$1,175.00 |
| 241.752 | Addition for three-pole power cable | \$145.00 |

ACCESSORIES REQUIRED AFTER SALE

| Code | Description | Price CDN |
|---------|---|------------|
| 240.805 | Couple of wheels 11.0/65-12 | \$1,909.00 |
| 240.193 | Automatic binding kit supplied after the delivery | \$7,994.00 |
| 240.163 | Auto-Stop Set | \$2,206.00 |
| 241.258 | Set german towing link DIN 74054 | \$433.00 |
| 241.753 | Kit three-pole power cable | \$183.00 |

PRICED IN CANADIAN DOLLARS

PRICES ARE FOB HARRISTON, ON- DESIGN & PRICE ARE SUBJECT TO CHANGE WITHOUT NOTICE

5808 Hwy #9, Harriston, Ontario, N0G 1Z0
Phone: 519-338-2923,
Fax: 519-338-2756
Email: sales@harcoag.ca
www.harcoag.ca



Bale Wrapper WR5100

Bale Wrapper WR5100

- Trailed model with 2 rolls and 3 belts
- Electronic counter tours
- Adjustable loading fork
- Adjustable draw-bar
- Support form two film reels
- 3 rapport of film stretching
- Tyres 13-55/16
- Simple machine with high performances
- Cardle installed on fifth wheel and not on bearings
- Rear platform for discharging bale on the side
- Film stretcher 75-50cm
- Aluminum film stretcher rolls
- Automatic rearmament of cutting pliers
- Film overlapping 2+2 or 2+2+2
- Support cradle by fifth wheel
- Self-centering cradle
- Vertical tipping unloading bale
- New film stretcher with locking system of reel
- Fast system of height adjustment film stretcher
- Fast adjustment telescopic fork

| Model | Code | Description | Price - CDN |
|-----------|---------|--------------------------------|-------------|
| WR 5100 | 802.301 | Trailed bale wrapper | \$36,650.00 |
| WR 5100 A | 802.546 | Automatic trailed bale wrapper | \$44,292.00 |

DIMENSIONS & WEIGHTS

| | Model | Width (inch) | Length (inch) | Height (inch) | Weight (lbs) |
|-----------------------------|---------|--------------|---------------|---------------|--------------|
| For transport | WR 5100 | 97.63" | 133.7" | 90.5" | 3703 lbs |
| 2 Overlapped bale wrappers* | WR 5100 | 94.4" | 122.8" | 63.7" | 3703 x2 lbs |

*The bale wrappers are overlapped with wheels, forks, film stretcher, and drawbar disassembled

ACCESSORIES REQUIRED AT MACHINE ORDER

| Code | Description | Price CDN |
|---------|---|------------|
| 240.179 | Support kit 1 reel | \$276.00 |
| 240.180 | Support kit 2 reels | \$309.00 |
| 240.184 | Kit for 4th additional belt | \$426.00 |
| 240.812 | Lights kit | \$559.00 |
| 240.185 | Load sensing kit | \$276.00 |
| 240.815 | Adjustment kit for cradle's tours | \$892.00 |
| 241.437 | Pack 2 overlapping wrappers for container | \$1,361.00 |
| 241.756 | Pack 2 overlapping wrappers for truck | \$802.00 |
| 241.160 | Addition for Auto-Stop | \$1,192.00 |
| 240.159 | Addition for U.S.A. towing link | \$128.00 |
| 241.251 | Addition for german towing link DIN 74054 | \$183.00 |
| 241.769 | Addition for german towing link DIN 74054 for EU homologation | \$128.00 |
| 241.752 | Addition for three-pole power cable | \$145.00 |

ACCESSORIES REQUIRED AFTER SALE

| Code | Description | Price CDN |
|---------|---|------------|
| 240.813 | Automatic wrapping control set (delivered after machine dispatch) | \$7,994.00 |
| 241.161 | Auto-Stop Set | \$2,206.00 |
| 241.753 | Kit three-pole power cable | \$183.00 |

PRICED IN CANADIAN DOLLARS

PRICES ARE FOB HARRISTON, ON- DESIGN & PRICE ARE SUBJECT TO CHANGE WITHOUT NOTICE

DARF Rakes

| 7-Bar Hydraulic Basket Rake | | | | |
|-----------------------------|----------------------|--------------|----------|-------------|
| Model | Description | Weight (lbs) | Assembly | Price [USD] |
| 6707CG | Fully Hydraulic, 31' | 6250 | | \$CALL |

| Super Duty 17-Wheel Overhead Rakes | | | | |
|------------------------------------|-----------------------------|------|----------|-------------|
| 1017LAC | Manual, 24' | 5450 | \$800.00 | \$42,995.00 |
| 1017LWAC | Manual, Wide, 29' | 5705 | \$800.00 | \$44,795.00 |
| 1017LFMAC | Hydraulic, 24' | 5450 | \$950.00 | \$46,395.00 |
| 1017LFMWAC | Hydraulic, Wide, 29' | 5750 | \$950.00 | \$48,995.00 |
| 1017LFMWGC | Hydraulic, Wide, GSNCK, 29' | 5905 | \$950.00 | \$49,995.00 |

| 3-Point Mount 15 Wheel Rake | | | | |
|-----------------------------|-------------|------|----------|-------------|
| 915BRP | Manual, 22' | 2740 | \$600.00 | \$27,895.00 |

| 3 & 4 Wheel Front Mounted Turning Rakes | | | | |
|---|-------------|------|----------|------------|
| 903BRHP | Manual, 65" | 975 | \$125.00 | \$4,995.00 |
| 904BRHP | Manual, 81" | 1075 | \$125.00 | \$6,195.00 |

| 3 & 4 Wheel Rear Mounted Turning Rakes | | | | |
|--|-------------|-----|----------|------------|
| 943BRP | Manual, 65" | 560 | \$175.00 | \$6,295.00 |
| 944BRP | Manual, 81" | 670 | \$175.00 | \$7,495.00 |

| 5 & 8 Wheel Tow Behind Turning Rakes | | | | |
|--------------------------------------|-------------|------|----------|-------------|
| 905TGBRP | Manual, 8' | 1425 | \$200.00 | \$14,095.00 |
| 908TGBRP | Manual, 12' | 1875 | \$225.00 | \$19,995.00 |

| 10-Wheel 3-Point Mount Brush Rake | | | | |
|-----------------------------------|-------------|------|----------|-------------|
| 510 | Manual, 20' | 1700 | \$350.00 | \$13,095.00 |

| <u>TIRES ARE ADDITIONAL – LIST PRICES</u> | | | | |
|--|-------------------|--------------------|--|--|
| Part Number | Description | Price [USD] | | |
| FC715KIT | 7.62-15SL-8 Tires | PER KIT \$1,405.00 | | |
| SG11LX15-M | 11L-15SL-8 Tires | PER KIT \$1,800.00 | | |

PRICED IN UNITED STATES DOLLARS

PRICES ARE FOB SHAFTER, CA IN U.S.D. – SUBJECT TO CHANGE WITHOUT NOTICE

DARF Rakes – Model Descriptions

| Model | Descriptions |
|----------------------|--|
| 6707CG | 7-BAR HYDRAULIC RAKE with super duty walking beam axle with 2" spindles, 6" wheels, rubber mounted universal tines. An eight function electric/hydraulic manifold and control box including adjustable basket speed. 33 1/2" drive & idler wheels made from 3/8" steel with gauge wheels' front and rear. Requires two hydraulic circuits on prime mover. Specify 2-5/16" ball hitch or clevis hitch. |
| 1017LAC | 17-WHEEL OVERHEAD RAKE with super duty walking beam axle with 2" spindles, 8" wheels, heavy duty hubs, taper bearings in rake wheel cranks, rubber mounted double tines &dur-adjust. Requires two hydraulic circuits on prime mover. Specify 2-5/16" ball hitch or clevis hitch. |
| 1017LWAC | 17-WHEEL OVERHEAD RAKE with heavy duty overhead, 5' rephrasing cylinders, super duty walking beam axles mounted with 2" spindles, 8" wheels heavy duty hubs, taper bearings in rake wheel cranks, rubber mounted double tines &dur-adjust. Requires 2 hydraulic circuits on prime mover. Specify 2-5/16" ball hitch or clevis hitch. |
| 1017LFMAC | 17-WHEEL OVERHEAD RAKE with Fasse 7-function electro/hydraulic control valve (operate all functions from the Operator Platform). Equipped with super duty walking beam axle mounted with 2" spindles, 8" wheels, heavy duty hub, taper bearings in rake wheel cranks, rubber mounted double tines &dur-adjust. Requires one hydraulic circuit &12 volt access for control panel. Specify 2-5/16" ball hitch or clevis hitch. |
| 1017LFMWAC | 17-WHEEL OVERHEAD RAKE with heavy duty overhead, 5' rephrasing cylinders, super duty walking beam axles mounted with 2" spindles, heavy duty hubs, 8" wheels, rubber mounted double tines, dur-adjust and Fasse 7-function electro/hydraulic control valve (operate all functions from Operator Platform). Requires one hydraulic circuit and 12 volt access for control panel. Specify 2-5/16" ball hitch or clevis hitch. |
| 1017LFMWGC | 17-WHEEL OVERHEAD RAKE (same as above) EXCEPT WITH A GOOSENECK DRAW BAR. |
| 915BRP | 15-WHEEL, 3-POINT MOUNTED RAKE equipped with taper bearings in rake wheel cranks, and rubber mounted double tines. |
| 903BRHP 904BRHP | 3 OR 4 WHEEL WINDROW TURNER; FRONT MOUNTED, equipped with taper bearings in rake wheel cranks and rubber mounted double tines. |
| 943BRHP 944BRHP | 3 OR 4 WHEEL WINDROW TURNER; REAR MOUNTED, equipped with taper bearings in rake wheel cranks and rubber mounted double tines. |
| 905TGBRP 908TGBRP | 5 OR 8 WHEEL WINDROW TURNER; TOW BEHIND, equipped with taper bearings in rake wheel cranks and rubber mounted double tines. Requires one hydraulic circuit &12 volt access for control panel. Specify Right or Left Models and 2-5/16" ball hitch or clevis hitch. |
| 510 | 10-WHEEL OVERHEAD RAKE, 3-POINT MOUNTED RAKE equipped with taper bearings in rake wheel cranks, heavy duty double rake wheel frames, double row of rubber mounted double tines and solid steel wheel covers. Requires two hydraulic circuits &12 volt access for control panel. |

PRICED IN UNITED STATES DOLLARS

PRICES ARE FOB SHAFTER, CA IN U.S.D. – SUBJECT TO CHANGE WITHOUT NOTICE

Accessories & Conversions

| Part # | Description | Price [USD] |
|----------------------------|--|-------------|
| KSC917FS | Cable Track Conversion Kit – 917F Standard | \$1,195.00 |
| KSC917FW | Cable Track Conversion Kit – 917F Wide | \$1,295.00 |
| KSC917S | Cable Track Conversion Kit –917 Standard | \$705.00 |
| KSC917W | Cable Track Conversion Kit – 917 Wide | \$855.00 |
| SRKIT2-17 | Dur-Adjust Kit for 17 Wheel Overhead Rake | \$3,775.00 |
| H7000806 | Fasse Conversion Kit for 917 Standard Includes: Hoses, Fittings, Control Panel, Valve Body, Swing Cylinders, Cable Track & Mounting Brackets | \$8,205.00 |
| H7000806A | Fasse Conversion Kit for 917 Wide Includes: Hoses, Fittings, Control Panel, Valve Body, Swing Cylinders, Cable Track & Mounting Brackets | \$8,505.00 |
| 101793FLAC / 101793FRAC | Add a Wheel – Front – Kit with Crank, Spring & Rod with a Complete Rake Wheel (Left or Right) | \$1,905.00 |
| 101792RLAC / 101793RRAC | Add a Wheel – Rear – Kit with Crank, Spring & Chain with a Complete Rake Wheel (Left or Right) | \$1,125.00 |
| 9080301 | Retrofit with 4910# Hub – Complete Heavy Duty Walking Beam – Includes: Heavy Duty Hubs, Spindles, without Wheels One Rake to Convert from Standard Walking Beam or Fixed Axle. Both Sides | \$3,055.00 |
| 1180301 | Retrofit with Complete Super Duty Walking Beam – Includes: Super Duty Hubs, Spindles, without Wheels, Convert from Any Beam or Fixed Axle. Both Sides. | \$3,545.00 |
| 162000 | Gooseneck Assembly for 1017 Rake, Field Install | \$7,275.00 |
| GNK003 | Kicker Assembly, for Gooseneck Tongue, 3 Rake Wheels Complete with Spring & Rod | \$4,575.00 |
| 102114 | Heavy Duty Rake Wheel Frame | \$285.00 |
| 10211400P | Heavy Duty Rake Wheel Assembled with Poly Shield & Teeth (Included, but Not Attached) | \$655.00 |
| HDRW17-KIT | Heavy Duty Rake wheel Kit, Sold with Wholegoods | \$1,745.00 |

Net Charge for Complete Factory Assembly (No Discounts)

Unit is ready for delivery to your customer:

| | |
|---|---------------------|
| 2 thru 4 Wheel Standard Units | \$600.00 NET |
| 5 thru 6 Wheel Standard Units | \$675.00 NET |
| 8 Wheel Standard Units | \$800.00 NET |
| 13 thru 17 Wheel Standard Units | \$1,400.00 NET |
| All Fully Hydraulic Control Units | \$1,750.00 NET |
| ***Partial Assembly 17 Wheel Units | \$650.00 NET |

PRICED IN UNITED STATES DOLLARS

PRICES ARE FOB SHAFTER, CA IN U.S.D. – SUBJECT TO CHANGE WITHOUT NOTICE



Ferri is a leading international manufacturing company of boom mowers for grounds maintenance, slopes, river banks, and hedges. Flail Mowers and shredders for large and small excavators are available as well.

In addition to wholegoods and parts stocked by HARCO, the company supports North American after sale service, warranty and spare parts with a company warehouse in Massachusetts.

Due to the extensive line of models and options available the following price list gives base product prices only in USD (United States Dollars). For complete catalogue information (39 pages) contact your Harco Territory Manager, our sales desk at Harriston, or www.ferri-america.com.

| Model | Width of Cut | Slope or Fixed | Max. Capacity | Weight (lbs) | Base Price (USD) |
|--|--------------|----------------|----------------------|--------------|--------------------|
| 3-Point Mowers | | | | | |
| MT140 | 4' 7" | Fixed | 1 3/4" Hammer | 705 | \$8,467.00 |
| MT160 | 5' 3" | Fixed | 1 3/4" Hammer | 794 | \$9,176.00 |
| MT180 | 5' 11" | Fixed | 1 3/4" Hammer | 926 | \$10,322.00 |
| MT200 | 6' 7" | Fixed | 1 3/4" Hammer | 1,014 | \$10,608.00 |
| MKD2300 | 7' 6" | Fixed / Offset | 2" Hammer | 1,929 | \$16,635.00 |
| MKD2500 | 8' 2" | Fixed / Offset | 2" Hammer | 2,216 | \$18,034.00 |
| MKD2800 | 8' 11" | Fixed / Offset | 2" Hammer | 2,304 | \$19,292.00 |
| ZME125 | 4' 1" | Slope | 1" Y-Blade | 511 | \$11,410.00 |
| ZME155 | 5' 1" | Slope | 1" Y-Blade | 575 | \$12,105.00 |
| ZMGE1400 | 4' 8" | Slope | 1 3/4" Hammer | 1046 | \$13,345.00 |
| ZMGE1600 | 5' 4" | Slope | 1 3/4" Hammer | 1080 | \$13,644.00 |
| ZMTE PRO 1600 | 5' 5" | Slope | 1 3/4" Hammer | 1,034 | \$16,957.00 |
| ZMTE PRO 1800 | 6' 0" | Slope | 1 3/4" Hammer | 1,239 | \$17,258.00 |
| ZMTE PRO 2000 | 6' 9" | Slope | 1 3/4" Hammer | 1,290 | \$17,442.00 |
| | | | | | |
| | | | | | |
| | | | | | |
| | | | | | |
| *ZLE DYNAMIC 2000 | 6' 7" | Slope | 1 3/4" Hammer | 1,598 | \$20,984.00 |
| ZLE PRO 1800 | 6' 0" | Slope | 1 3/4" Hammer | 1,830 | \$24,280.00 |
| ZLE PRO 2000 | 6' 8" | Slope | 1 3/4" Hammer | 1,896 | \$24,623.00 |
| ZLE PRO 2300 | 7' 6" | Slope | 1 3/4" Hammer | 2,000 | \$25,450.00 |
| ZHE DYNAMIC 2500 | 8' 2" | Slope | 1 1/2" | 2,992 | \$27,860.00 |
| *Being phased out – we have stock though! | | | | | |

PRICED IN UNITED STATES DOLLARS

FOB HARRISTON, ON– DESIGN & PRICE ARE SUBJECT TO CHANGE WITHOUT NOTICE



| Model | Width of Cut | Max. Horizontal Reach | Max. Capacity | Weight (lbs) | Base Price (USD) |
|---|--------------|-----------------------|------------------|--------------|------------------|
| Skid Steer Flail Mowers | | | | | |
| TSKID1800 | 71" | Fixed | 1 ½ - 2" Hammers | 1,650 | \$19,423.00 |
| TSKID2000 | 79" | Fixed | 1 ½ - 2" Hammers | 1,720 | \$20,050.00 |
| Boom Mowers | | | | | |
| <i>Boom Mowers will require completing packages depending on tractor model. These are BASE prices ONLY.</i> | | | | | |
| T250A Classic | 24" | 8' 3" | ¾" Y-Blades | 749 | \$17,837.00 |
| T250A ElectraFull | 24" | 8' 3" | ¾" Y-Blades | 749 | \$27,822.00 |
| T320A Classic | 31" | 10' 7" | ¾" Y-Blades | 816 | \$18,576.00 |
| T320A Electra Full | 31' | 10' 7" | ¾" Y-Blades | 816 | \$28,525.00 |
| <i>Above Models Available with Electric Joystick – Please Call</i> | | | | | |
| Mower with hedge cutter bar – light green maintenance | | | | | |
| T350S Smart-Classical | 59" | 11' 10" | ½" | 507 | \$11,767.00 |
| T350SI SP TRONIC | 59" | 11' 10" | ½" | 705 | \$21,321.00 |
| T380D Smart-Classical | 39" | 12' 7" | 1 ¼" Y-Blades | 1,080 | \$19,456.00 |
| T430D Smart-Classical | 39" | 14' 2" | 1 ¼" Y-Blades | 1,091 | \$20,256.00 |
| T460 Classic | 41" | 15' 1" | 1 ¾" Y-Blades | 1,279 | \$20,680.00 |
| TM46 Farm | 44" | 15' 1" | 1 ¼" Y-Blades | 1,543 | \$25,202.00 |
| TM46 Farm Electra | 44" | 15' 1" | 1 ¼" Y-Blades | 1,543 | \$35,231.00 |
| TM46 Farm | 44" | 15' 3" | 1 ¾" T-Hammer | 1,713 | \$25,914.00 |
| TM46 Farm Electra | 44" | 15' 3" | 1 ¾" T-Hammer | 1,713 | \$35,917.00 |
| <i>Above Models Available with Electric Joystick – Please Call</i> | | | | | |
| TP490 Classic | 47" | 15' 9" | 1 ¾" T-Hammer | 1,984 | \$36,649.00 |
| TP490 Electra | 47" | 15' 9" | 1 ¾" T-Hammer | 1,984 | \$47,205.00 |
| TP600 Classic | 47" | 19' 6" | 1 ¾" T-Hammer | 2,094 | \$37,898.00 |
| TP600 Electra | 47" | 19' 6" | 1 ¾" T-Hammer | 2,094 | \$48,551.00 |
| *TP610 | 47" | 19' 5" | 1 ¾" T-Hammer | 2,017 | \$36,889.00 |
| TXV50 | 47" | 17' 2" | 2" Hammer | 2,755 | CALL FOR PRICE |
| TXV60 | 47" | 20' 6" | 2" Hammer | 2,855 | CALL FOR PRICE |
| <i>TXV Models Available with Electric Joystick – Please Call</i> | | | | | |

*Being phased out – we have stock though!

PRICED IN UNITED STATES DOLLARS


FOB HARRISTON, ON– DESIGN & PRICE ARE SUBJECT TO CHANGE WITHOUT NOTICE

5808 Hwy #9, Harriston, Ontario, N0G 1Z0
Phone: 519-338-2923, Fax: 519-338-2756
Email: sales@harcoag.ca
www.harcoag.ca




DEL MORINO FLAIL MOWERS

ENGINE DRIVEN

| CENTURION ATV | Standard Features |
|--|---|
|  <p><i>Designed to be towed by a Quad, Rider or ATV. It can cut & mulch grass, weeds & shrubs, clear uncultivated fields.</i></p> | <p>NEW</p> <ul style="list-style-type: none"> ▪ 2" Ball Type Coupling ▪ Honda GX390 Engine/Loncin 420 ▪ 2 belt drive transmission w/screw adjustable tensioner ▪ Rotor w/blades or hammers ▪ Adjustable rear roller ▪ Mechanic side shift 56 cm ▪ Centrifugal clutch/fuel tank 6L. ▪ Wheel position adjustable ▪ Pull Start |

| Model # | Working Width | Engine HP | Wt | Price (Cdn) |
|----------------|---------------|-----------|-----|-------------|
| ATV132 – Honda | 52" | 13 | 650 | \$5,885.00 |

| CENTURION ATV PRO | Standard Features |
|--|--|
|  <p><i>Designed to be towed by a Quad, Rider or ATV. It can cut & mulch grass, weeds & shrubs, clear uncultivated fields.</i></p> | <p>NEW</p> <ul style="list-style-type: none"> ▪ 2" Ball Type Coupling ▪ Honda IGX800 Engine ▪ 2 belt drive transmission w/screw adjustable tensioner ▪ Rotor w/blades or hammers ▪ Adjustable rear roller ▪ Mechanic side shift 56 cm ▪ Centrifugal clutch/fuel tank 11L. ▪ Wheel position adjustable ▪ Electric Start//Battery Included |


| Model # | Working Width | Engine HP | Wt | Price (Cdn) |
|------------------|---------------|-----------|-----|-------------|
| ATV158 PRO Honda | 62" | 25 | 794 | \$9,493.00 |

PRICED IN CANADIAN DOLLARS


PRICES ARE FOB HARRISTON, ONTARIO – DESIGN & PRICE ARE SUBJECT TO CHANGE WITHOUT NOTICE



DEL MORINO FLAIL MOWERS

| GINGER | Standard Features |
|---|---|
|  | <ul style="list-style-type: none"> ▪ Cat 1 three point hitch ▪ Aluminum gearbox 540 rpm ▪ Rotary with 'Y' blades or hammers ▪ Universal PTO shaft cat 1 |

| Model # | Working Width | Engine HP | Wt | Price (Cdn) |
|----------------|----------------------|------------------|-----------|--------------------|
| Ginger 96 | 38" | 12 – 25 | 286 | \$2,061.00 |
| Ginger 106 | 42" | 12 – 35 | 308 | \$2,107.00 |
| Ginger 125 | 50" | 12 – 40 | 330 | \$2,350.00 |

| FUNNY TOP | Standard Features |
|---|--|
|  | <ul style="list-style-type: none"> ▪ Cat 1, three point hitch ▪ Aluminum 540 gearbox ▪ 2 belt drive ▪ Y blades or hammers ▪ Adjustable rear roller ▪ Series 2 PTO shaft ▪ Manual offset |

| Model # | Working Width | Engine HP | Wt | Price (Cdn) |
|----------------|----------------------|------------------|-----------|--------------------|
| Funny Top 80 | 32" | 12 – 30 | 313 | \$2,879.00 |
| Funny Top 93 | 36" | 12 – 30 | 328 | \$3,006.00 |
| Funny Top 106 | 42" | 12 – 30 | 344 | \$3,170.00 |
| Funny Top 132 | 52" | 12 – 30 | 375 | \$3,315.00 |
| Funny Top 158 | 62" | 12 – 30 | 432 | \$3,557.00 |

PRICED IN CANADIAN DOLLARS


PRICES ARE FOB HARRISTON, ONTARIO – DESIGN & PRICE ARE SUBJECT TO CHANGE WITHOUT NOTICE

5808 Hwy #9, Harriston, Ontario, N0G 1Z0
Phone: 519-338-2923, Fax: 519-338-2756
Email: sales@harcoag.ca
www.harcoag.ca


DelMorino



DEL MORINO FLAIL MOWERS

| CENTURION | Standard Features |
|---|---|
|  | <ul style="list-style-type: none"> ▪ Cat 1 three point hitch ▪ Cast iron 540 gearbox ▪ 2 drive belts ▪ Y blades or hammers ▪ Series 4 PTO shaft ▪ Hydraulic side shift, 106=8", 158=11" |

| Model # | Working Width | Engine HP | Wt | Price (Cdn) |
|---------------|---------------|-----------|-----|-------------|
| Centurion 106 | 42" | 15 – 50 | 481 | \$3,730.00 |
| Centurion 132 | 52" | 15 – 50 | 567 | \$3,947.00 |
| Centurion 158 | 62" | 15 – 50 | 628 | \$4,200.00 |
| Centurion 186 | 73" | 15 – 50 | 769 | \$4,711.00 |

| FLIPPER | Standard Features |
|---|---|
|  | <ul style="list-style-type: none"> ▪ Cat 1&2 three point hitch ▪ Cast iron gearbox ▪ Standard 3 belt drive ▪ Y blades or hammers ▪ Adjustable roller & skid shoes ▪ Series 4 PTO shaft ▪ Hydraulic side shift ▪ Can be mounted front or rear reversible |

| Model # | Working Width | Engine HP | Wt | Price (Cdn) |
|-------------|---------------|-----------|-----|-------------|
| Flipper 80 | 32" | 15 – 70 | 388 | \$4,270.00 |
| Flipper 106 | 42" | 15 – 70 | 441 | \$4,497.00 |
| Flipper 132 | 50" | 15 – 70 | 562 | \$5,027.00 |
| Flipper 158 | 62" | 15 – 70 | 635 | \$5,314.00 |
| Flipper 186 | 72" | 15 – 70 | 714 | \$5,671.00 |
| Flipper 214 | 85" | 15 – 70 | 966 | \$6,038.00 |

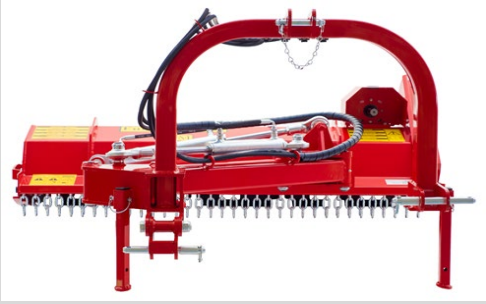
PRICED IN CANADIAN DOLLARS

PRICES ARE FOB HARRISTON, ONTARIO – DESIGN & PRICE ARE SUBJECT TO CHANGE WITHOUT NOTICE




5808 Hwy #9, Harriston, Ontario, N0G 1Z0
Phone: 519-338-2923, Fax: 519-338-2756
Email: sales@harcoag.ca
www.harcoag.ca

DEL MORINO FLAIL MOWERS

| FUNNY SUPER | Standard Features |
|---|--|
|  | <ul style="list-style-type: none"> ▪ Cat 1&2 three point hitch ▪ Aluminum 540 gearbox ▪ 2 drive belts ▪ Y blades or hammers ▪ Adjustable rear roller ▪ Series 4 PTO shaft ▪ 50° down, 90° up cutting head |

| Model # | Working Width | Engine HP | Wt | Price (Cdn) |
|-----------------|---------------|-----------|-----|-------------|
| Funny Super 106 | 42" | 15 – 35 | 540 | \$6,323.00 |
| Funny Super 132 | 52" | 15 – 35 | 573 | \$6,558.00 |

| CENTURION SUPER | Standard Features |
|---|---|
|  | <ul style="list-style-type: none"> ▪ Cat 1&2 three point hitch ▪ Cast iron 540 gearbox ▪ 3 drive belts ▪ Y blades or hammers ▪ Adjustable rear roller ▪ Series 4 PTO shaft ▪ 50° down, 90° up cutting head |


| Model # | Working Width | Engine HP | Wt | Price (Cdn) |
|----------------|---------------|-----------|-----|-------------|
| Cent Super 106 | 42" | 15 – 60 | 639 | \$6,944.00 |
| Cent Super 132 | 52" | 15 - 60 | 772 | \$7,300.00 |
| Cent Super 158 | 62" | 15 – 60 | 820 | \$7,530.00 |

PRICED IN CANADIAN DOLLARS


PRICES ARE FOB HARRISTON, ONTARIO – DESIGN & PRICE ARE SUBJECT TO CHANGE WITHOUT NOTICE

5808 Hwy #9, Harriston, Ontario, N0G 1Z0
Phone: 519-338-2923, Fax: 519-338-2756
Email: sales@harcoag.ca
www.harcoag.ca

DEL MORINO FLAIL MOWERS

| FLIPPER SUPER | Standard Features |
|---|---|
|  | <ul style="list-style-type: none"> ▪ Cat 1&2 three point hitch w/hydraulic side shift ▪ Counter blade Device ▪ High thickness side, 10 mm ▪ Adjustable rear roller ▪ Wide discharge area ▪ Universal PTO shaft cat 6 – 1800 mm ▪ Y blades or hammers |

| Model # | Working Width | Engine HP | Wt | Price (Cdn) |
|-------------------|---------------|-----------|------|-------------|
| Flipper Super 132 | 52" | 50 – 80 | 1036 | \$8,730.00 |
| Flipper Super 158 | 62" | 50 – 80 | 1085 | \$9,240.00 |
| Flipper Super 186 | 72" | 50 – 80 | 1135 | \$10,001.00 |

| LEVANTE SUPER | Standard Features |
|---|---|
|  | <ul style="list-style-type: none"> ▪ Transmission by 4 HD belts ▪ Counter blade Device ▪ High thickness side, 10 mm ▪ Wide discharge area ▪ Universal PTO shaft cat 6 – 1800 mm ▪ Y blades or hammers |

| Model # | Working Width | Engine HP | Wt | Price (Cdn) |
|-------------------|---------------|-----------|------|-------------|
| Levante Super 160 | 63" | 80 – 120 | 1588 | \$12,168.00 |
| Levante Super 190 | 75" | 80 – 120 | 1669 | \$12,999.00 |
| Levante Super 220 | 87" | 80 – 120 | 1753 | \$13,902.00 |

PRICED IN CANADIAN DOLLARS

PRICES ARE FOB HARRISTON, ONTARIO – DESIGN & PRICE ARE SUBJECT TO CHANGE WITHOUT NOTICE

5808 Hwy #9, Harriston, Ontario, N0G 1Z0
Phone: 519-338-2923, Fax: 519-338-2756
Email: sales@harcoag.ca
www.harcoag.ca



DEL MORINO

| Model | Cutting diameter |
|-----------|-------------------------------------|
| | |
| Ginger | 3 cm for blades 4 cm for hammers |
| | |
| Funny | Up to 3-4 cm |
| | |
| Centurion | Up to 4-5cm |
| | |
| Flipper | Up to 5-6 cm |
| | |
| Levante | Up to 6-7 cm |
| | |

Warranty:

Residential: 2 year parts & labour

Commercial: 1 year parts & labour

PRICED IN CANADIAN DOLLARS

PRICES ARE FOB HARRISTON, ONTARIO – DESIGN & PRICE ARE SUBJECT TO CHANGE WITHOUT NOTICE

TAB 4



Roller Mills
Electric Roller Mills

| Low Profile Mills | | | |
|--------------------------|-------------|--------------|------------------|
| Model | Description | Weight (lbs) | Price [USD] |
| LPM200 | Roller Mill | 350 | Call for pricing |
| LPE500 | Roller Mill | 550 | Call for pricing |
| LPE700 | Roller Mill | 550 | Call for pricing |

| Big Capacity Mills | | | |
|---------------------------|-------------|--------------|------------------|
| Model | Description | Weight (lbs) | Price [USD] |
| ABC900 | Roller Mill | 1,094 | Call for pricing |
| ABC1800 | Roller Mill | 1,452 | Call for pricing |
| ABC3600 | Roller Mill | 2,260 | Call for pricing |
| ABC5000 | Roller Mill | 4,500 | Call for pricing |

| Commercial Stacked Mills | | | |
|---------------------------------|-----------------------|--|------------------|
| CSU1000 | Two-High Stacked Unit | | Call for pricing |

| Electric Roller Mill Options | | | |
|-------------------------------------|-------------------------|--------------|------------------|
| Model | Description | Weight (lbs) | Price [USD] |
| LX200 | Auger Base Kit, LPM200 | 130 | Call for pricing |
| LX500 | Auger Base Kit, LPE500 | 150 | Call for pricing |
| LX700 | Auger Base Kit, LPE700 | | Call for pricing |
| LX900 | Auger Base Kit, ABC900 | | Call for pricing |
| LX1800 | Auger Base Kit, ABC1800 | | Call for pricing |
| LX3600 | Auger Base Kit, ABC3600 | | Call for pricing |
| LX5000 | Auger Base Kit, ABC5000 | | Call for pricing |

| Rotary Mill a la Carte | | | |
|-------------------------------|-----------------------|------------------------|--------------------------|
| Model | Description | ARM1665 16" x 6 x 5 | ARM16129 16" x 12 x 9 |
| | Base Unit | \$8,500.00 | Call for pricing |
| 72-0255 | PTO Kit | 4,100.00 | Call for pricing |
| 72-0252 | Trailer Kit | 2,500.00 | Call for pricing |
| 72-0254 | 30 hp Motor Kit | 4,300.00 | Call for pricing |
| | | | Call for pricing |
| 72-0262 | **No Drive Shield Kit | 450.00 | Call for pricing |
| 72-0275 | Cyclone | 2,400.00 | Call for pricing |

***Required when no drive kit is ordered.*

PRICED IN UNITED STATES DOLLARS

PRICES ARE FOB PENDER, NEBRASKA IN U.S.D. – SUBJECT TO CHANGE WITHOUT NOTICE



Trailer Roller Mills

(Auger or Blower Discharge Unit, Includes Intake Auger)

PTO Big Capacity Mills

| Model | Description | Weight (lbs) | Price [USD] |
|--------------|-------------------------|--------------|------------------|
| ATG900A | Auger Discharge Unit | | Call for pricing |
| ATG1820A | Auger Discharge Unit | 2,500 | Call for pricing |
| ATG1820B | Blower Discharge Unit | 2,450 | Call for pricing |
| ATG3620A | Auger Discharge Unit | 3,500 | Call for pricing |
| ATG3620A-SUI | Swing Under Intake | 3,900 | Call for pricing |
| ATG3620B | Blower Discharge Unit | 2,900 | Call for pricing |
| ATG6000A | Auger Discharge Unit | 5,500 | Call for pricing |
| ATG6020 | Auger Discharge Unit | | Call for pricing |
| ATG6020-SUI | Swing Under Intake | | Call for pricing |
| ATG10000C | Conveyor Discharge Unit | | Call for pricing |
| ATG15000 | Conveyor Discharge Unit | | Call for pricing |

Trailer Mills a la Carte

| Model | Description | Weight (lbs) | Price [USD] |
|---------|--------------------------|--------------|------------------|
| ATG1820 | Base Unit | | Call for pricing |
| 72-0265 | Loading Auger Kit | | Call for pricing |
| 72-0266 | Discharge Auger Kit | | Call for pricing |
| 72-0272 | Discharge Blower Kit | | Call for pricing |
| | | | |
| ATG3620 | Base Unit | | Call for pricing |
| 72-0250 | Loading Auger Kit | | Call for pricing |
| 72-0251 | Discharge Auger Kit | | Call for pricing |
| 72-0272 | Discharge Blower Kit | | Call for pricing |
| | Swing Under Intake Auger | | Call for pricing |
| | | | |
| ATG6000 | Base Unit | | Call for pricing |
| 72-0332 | Loading Auger Kit | | Call for pricing |
| 72-0276 | Discharge Auger Kit | | Call for pricing |
| 72-0339 | Swing Under Intake Auger | | Call for pricing |

Trailer Hammer Mills

| Model | Description | Weight (lbs) | Price [USD] |
|----------|-----------------------|--------------|------------------|
| ATH2000A | Auger Discharge Unit | | Call for pricing |
| ATH2000B | Blower Discharge Unit | | Call for pricing |

PRICED IN UNITED STATES DOLLARS

PRICES ARE FOB PENDER, NEBRASKA IN U.S.D. – SUBJECT TO CHANGE WITHOUT NOTICE

5808 Hwy #9, Harriston, On., N0G 1Z0

519-338-2923, Fax 519-338-2756
sales@harcoag.ca

Available in Quebec & Maritimes
Only

John B. M. Mfg. Ltd.

4074 Hessen Strasse, RR# 1, St. Clements, ON N0B 2M0

Call 800-392-7814 or 519-699-4324 / Fax 519-699-6105

Aug 9, 2024

Page 1 of 9

NEW T-1200LM LOAD

MASTER DUMPER

Page 7 of 9

FEEDER WAGONS

| OPTIONAL FOR ALL FEEDER WAGONS | | List Price |
|--|--|----------------|
| Tandem Rear Axle (for feeder wagons under 30' long)..... | | Add \$920 |
| Add 11L x 15" 8-Ply New Implement Tires on 6-Bolt Rims (for feeder wagons with 4 wheels).... | | Add \$720 |
| Less 245/75R16 Used Truck Tires on 6-Bolt Rims (for feeder wagons with 4 wheels)..... | | Subtract \$320 |

30' lengths come standard with a tandem axle & 5000 lb, 6-bolt hubs & spindles

| CATTLEMAN'S CHOICE FEEDER WAGONS (with rear entry door) | | | | | | | |
|---|------------|----------|------------|----------|------------|----------|------------|
| with 4000 lb, 6-bolt hubs & spindles & 245/75R16 used truck tires | | | | | | | |
| Size | List Price | Size | List Price | Size | List Price | Size | List Price |
| 7' x 12' | \$5,630 | 7' x 24' | \$7,700 | 8' x 12' | \$5,915 | 8' x 24' | \$7,930 |
| 7' x 16' | \$6,090 | 7' x 30' | \$9,845 | 8' x 16' | \$6,390 | 8' x 30' | \$10,735 |
| 7' x 20' | \$6,995 | | | 8' x 20' | \$7,355 | | |
| Optional Plywood Inserts / Add \$63 per foot of length | | | | | | | |

| DOUBLE BAR FEEDER WAGONS | | | | | | | |
|---|------------|----------|------------|----------|------------|----------|------------|
| with 4000 lb, 6-bolt hubs & spindles & 245/75R16 used truck tires | | | | | | | |
| Size | List Price | Size | List Price | Size | List Price | Size | List Price |
| 7' x 12' | \$5,190 | 7' x 24' | \$7,195 | 8' x 12' | \$5,550 | 8' x 24' | \$7,640 |
| 7' x 16' | \$5,780 | 7' x 30' | \$8,865 | 8' x 16' | \$6,085 | 8' x 30' | \$9,600 |
| 7' x 20' | \$6,490 | | | 8' x 20' | \$6,845 | | |

| PORTABLE BUNK FEEDER WAGONS (with rear entry door) | | | | | | | |
|---|------------|----------|------------|----------|------------|----------|------------|
| with 4000 lb, 6-bolt hubs & spindles & 245/75R16 used truck tires | | | | | | | |
| Size | List Price | Size | List Price | Size | List Price | Size | List Price |
| 5' x 12' | \$4,355 | 5' x 20' | \$5,135 | 6' x 12' | \$4,540 | 6' x 20' | \$5,350 |
| 5' x 16' | \$4,750 | 5' x 24' | \$5,335 | 6' x 16' | \$4,960 | 6' x 24' | \$5,540 |

| SINGLE BAR TMR FEEDER WAGONS (with rear entry door) | | | | | | | |
|---|------------|----------|------------|----------|------------|----------|------------|
| with 4000 lb, 6-bolt hubs & spindles & 245/75R16 used truck tires | | | | | | | |
| Size | List Price | Size | List Price | Size | List Price | Size | List Price |
| 7' x 12' | \$4,840 | 7' x 20' | \$5,870 | 7' x 24' | \$6,205 | 7' x 30' | \$7,875 |
| 7' x 16' | \$5,315 | | | | | | |

| ECONO ZERO GRAZER FEEDER WAGONS | | | | | | | |
|---|------------|----------|------------|----------|------------|----------|------------|
| with 5000 lb, 6-bolt hubs & spindles & 245/75R16 used truck tires | | | | | | | |
| Size | List Price | Size | List Price | Size | List Price | Size | List Price |
| 7' x 12' | \$5,290 | 7' x 16' | \$6,435 | 7' x 20' | \$7,150 | 7' x 24' | \$7,710 |

| TOMBSTONE FEEDER WAGONS | | | | | | | |
|---|------------|----------|------------|----------|------------|----------|------------|
| with 4000 lb, 6-bolt hubs & spindles & 245/75R16 used truck tires | | | | | | | |
| Size | List Price | Size | List Price | Size | List Price | Size | List Price |
| 7' x 12' | \$4,905 | 7' x 16' | \$5,410 | 7' x 20' | \$6,085 | 7' x 24' | \$6,730 |

| SELF LOCKING FEEDER WAGONS | | |
|---|--------------|------------|
| with 5000 lb, 6-bolt hubs & spindles & 245/75R16 used truck tires | | |
| Size | No. of Locks | List Price |
| 16 ft | 19 | \$7,885 |
| 20 ft | 23 | \$9,300 |
| 24 ft | 27 | \$10,320 |

SKID FEEDERS & FEED FRONTS

| HEAVY DUTY BUNK FEEDERS (with entry door on one end) | | | | | | |
|---|------------|----------|------------|----------|------------|---------------------|
| Size | List Price | Size | List Price | Size | List Price | |
| 4' x 10' | \$2,040 | 5' x 10' | \$2,220 | 6' x 10' | \$2,380 | Optional Kick Panel |
| 4' x 12' | \$2,230 | 5' x 12' | \$2,470 | 6' x 12' | \$2,710 | |
| 4' x 16' | \$2,400 | 5' x 16' | \$2,670 | 6' x 16' | \$2,950 | Add \$32 |
| 4' x 20' | \$2,745 | 5' x 20' | \$2,995 | 6' x 20' | \$3,240 | per running foot |
| 4' x 24' | \$3,035 | 5' x 24' | \$3,235 | 6' x 24' | \$3,435 | |

| HEAVY DUTY TUB FEEDERS | | | | FENCE LINE BUNK FEEDERS | | | |
|---|------------|-----------|------------|---|------------|-----------|------------|
| Size | List Price | Size | List Price | Size | List Price | Size | List Price |
| 34" x 8' | \$990 | 48" x 8' | \$1,150 | 34" x 8' | \$1,330 | 34" x 18' | \$1,995 |
| 34" x 10' | \$1,135 | 48" x 10' | \$1,315 | 34" x 10' | \$1,530 | 34" x 20' | \$2,075 |
| 34" x 12' | \$1,365 | 48" x 12' | \$1,595 | 34" x 12' | \$1,595 | 34" x 22' | \$2,160 |
| 34" x 16' | \$1,695 | 48" x 16' | \$1,915 | 34" x 14' | \$1,650 | 34" x 24' | \$2,330 |
| 34" x 20' | \$1,905 | 48" x 20' | \$2,045 | 34" x 16' | \$1,775 | | |
| 34" x 24' | \$2,125 | 48" x 24' | \$2,285 | | | | |
| Optional Kick Panel / Add \$32 per running foot | | | | Optional Kick Panel / Add \$32 per running foot | | | |
| | | | | 48" width available / Add \$20 per foot of length | | | |

| DOUBLE BAR RECTANGULAR FEEDERS (w/ 8" or 12" double bar spacing) | | | | | | | |
|---|--------------|----------------|---------------|--|--------------|----------------|---------------|
| Size | Bale Size | 12" List Price | 8" List Price | Size | Bale Size | 12" List Price | 8" List Price |
| 7' x 8' | 4' & 5' Bale | \$2,280 | \$2,410 | 8' x 8' | 5' & 6' Bale | \$2,520 | \$2,655 |
| 7' x 12' | 4' & 5' Bale | \$2,980 | \$3,160 | 8' x 12' | 5' & 6' Bale | \$3,200 | \$3,455 |
| 7' x 16' | 4' & 5' Bale | \$3,705 | \$3,860 | 8' x 16' | 5' & 6' Bale | \$3,985 | \$4,200 |
| 12" Extension (on top) / Add \$27 per foot of length | | | | Optional Entry Door (on one end) / Add \$265 | | | |

| RECTANGULAR FEEDERS (w/ open floor) | | | | | | |
|--|------------|----------|------------|----------|------------|-----------------------|
| Size | List Price | Size | List Price | Size | List Price | |
| 5' x 8' | \$1,215 | 6' x 8' | \$1,310 | 7' x 8' | \$1,380 | Optional Double Bars |
| 5' x 12' | \$1,550 | 6' x 12' | \$1,640 | 7' x 12' | \$1,775 | spaced 12" / Add \$40 |
| 5' x 16' | \$2,005 | 6' x 16' | \$2,085 | 7' x 16' | \$2,155 | per foot of length |

| TOMBSTONE FEEDERS | | | | BIG BEN HORSE FEEDERS | | | |
|--------------------------|------------|----------|------------|--|------------|----------|------------|
| Size | List Price | Size | List Price | Size | List Price | Size | List Price |
| 7' x 8' | \$2,060 | 8' x 8' | \$2,220 | 8' x 8' | \$2,570 | 8' x 12' | \$3,300 |
| 7' x 12' | \$2,855 | 8' x 12' | \$2,980 | Comes standard with Double Bars spaced 8" | | | |
| 7' x 16' | \$3,615 | 8' x 16' | \$3,765 | Optional Entry Door (on one end) / Add \$265 | | | |

| SELF LOCKING SKID FEEDERS | | | | | |
|----------------------------------|--------------|------------|-------|--------------|------------|
| Size | No. of Locks | List Price | Size | No. of Locks | List Price |
| 8 ft | 14 | \$3,665 | 16 ft | 22 | \$5,825 |
| 10 ft | 16 | \$4,315 | 20 ft | 26 | \$6,775 |
| 12 ft | 18 | \$4,775 | 24 ft | 30 | \$7,625 |

| HEAVY DUTY FEED FRONTS | | | SELF LOCKING FEED FRONTS | | |
|--|---------------|-----------------|---------------------------------|--------------|------------|
| Size / List | Size / List | Size / List | Size | No. of Locks | List Price |
| 4 ft / \$195 | 11 ft / \$515 | 18 ft / \$820 | 2 ft | 1 | \$260 |
| 5 ft / \$240 | 12 ft / \$550 | 19 ft / \$865 | 4 ft | 2 | \$445 |
| 6 ft / \$285 | 13 ft / \$595 | 20 ft / \$900 | 6 ft | 3 | \$650 |
| 7 ft / \$335 | 14 ft / \$640 | 21 ft / \$955 | 8 ft | 4 | \$840 |
| 8 ft / \$365 | 15 ft / \$670 | 22 ft / \$995 | 10 ft | 5 | \$1,050 |
| 9 ft / \$415 | 16 ft / \$725 | 23 ft / \$1,040 | 12 ft | 6 | \$1,250 |
| 10 ft / \$465 | 17 ft / \$770 | 24 ft / \$1,095 | Optional 12" Skirt | | |
| Comes standard with 20" Skirt / 54" overall height | | | Add \$32 per foot of length | | |

REACH LENGTH GUIDE

For Farm Boss, Regular Duty, Bale King & Round Bale racks

Please specify required reach length if ordering wagons directly from Horst Welding

**For Horst model 145 wagons ONLY:
 The optional 10 ft reach is required if putting a 16', 18' or 20' rack on top**

| RACK | ROUND REACH | SQUARE REACH |
|---|--------------------|---------------------|
| 36' Farm Boss & Bale King Racks | 24' reach length | 22' reach length |
| 36' Round Bale Racks | 24' reach length | 22' reach length |
| 32' Farm Boss & Bale King Racks | 22' reach length | 20' reach length |
| 30' Farm Boss & Bale King Racks | 20' reach length | 18' reach length |
| 30' Round Bale Racks | 20' reach length | 18' reach length |
| 28' Farm Boss & Bale King Racks | 18' reach length | 16' reach length |
| 26' Farm Boss Racks | 18' reach length | 16' reach length |
| 24' Farm Boss & Bale King Racks | 16' reach length | 14' reach length |
| 24' Regular Duty Racks | 16' reach length | N/A |
| 24' Round Bale Racks | 16' reach length | 14' reach length |
| 22' Regular Duty, Farm Boss & Bale King Racks | 16' reach length | 14' reach length |
| 20' Regular Duty, Farm Boss & Bale King Racks | 14' reach length | N/A |
| 20' Round Bale Racks | 14' reach length | N/A |
| 18' Regular Duty & Bale King Racks | 12' reach length | N/A |
| 16' Regular Duty & Bale King Racks | 11' reach length | N/A |

F O B St. Clements, Ontario / All prices subject to change without notice / HST not included in prices

FLAT RACKS

| FARM BOSS FLAT RACKS (w/ 10" channel beams) | | | | | | |
|--|--------------------|-----------------------------|---|----------|--------------------|-----------------------------|
| Size | Mesh List Price | Checker Plate List Price | | Size | Mesh List Price | Checker Plate List Price |
| 8.5' x 20' | \$4,490 | \$5,100 | | 9' x 20' | \$5,235 | \$6,080 |
| 8.5' x 22' | \$4,770 | \$5,460 | | 9' x 22' | \$5,495 | \$6,490 |
| 8.5' x 24' | \$5,135 | \$5,850 | Comes standard with 2 slant end gates 12" beams standard on 36' long racks | 9' x 24' | \$5,805 | \$6,785 |
| 8.5' x 26' | \$5,440 | \$6,315 | | 9' x 26' | \$6,040 | \$7,065 |
| 8.5' x 28' | \$5,735 | \$6,650 | | 9' x 28' | \$6,325 | \$7,335 |
| 8.5' x 30' | \$6,065 | \$7,000 | | 9' x 30' | \$6,585 | \$7,605 |
| 8.5' x 32' | \$6,805 | \$7,780 | | 9' x 32' | \$6,950 | \$7,990 |
| 8.5' x 36' | \$7,930 | \$8,990 | | 9' x 36' | \$8,380 | \$9,490 |

| REGULAR DUTY FLAT RACKS (w/ 6" channel beams) | | | | | | |
|--|--------------------|-----------------------------|--|------------|--------------------|-----------------------------|
| Size | Mesh List Price | Checker Plate List Price | | Size | Mesh List Price | Checker Plate List Price |
| 8.5' X 16' | \$3,235 | \$3,790 | Comes standard with 2 slant end gates | 8.5' X 22' | \$4,080 | \$4,840 |
| 8.5' X 18' | \$3,495 | \$4,125 | | 8.5' X 24' | \$4,405 | \$5,225 |
| 8.5' X 20' | \$3,745 | \$4,450 | | | | |

| BALE KING RACKS (w/ 10" channel beams) | | | | | | | |
|---|------------|------------|------------|----------|------------|----------|------------|
| Size | List Price | Size | List Price | Size | List Price | Size | List Price |
| 8.5' x 16' | \$2,720 | 8.5' x 28' | \$4,680 | 9' x 16' | \$3,495 | 9' x 28' | \$5,065 |
| 8.5' x 18' | \$3,255 | 8.5' x 30' | \$4,840 | 9' x 18' | \$4,010 | 9' x 30' | \$5,305 |
| 8.5' x 20' | \$3,585 | 8.5' x 32' | \$5,185 | 9' x 20' | \$4,110 | 9' x 32' | \$5,670 |
| 8.5' x 22' | \$3,845 | 8.5' x 36' | \$5,935 | 9' x 22' | \$4,300 | 9' x 36' | \$6,415 |
| 8.5' x 24' | \$4,110 | | | 9' x 24' | \$4,475 | | |
| Comes standard with 2 slant end gates / 12" beams standard on 36' length racks | | | | | | | |

| MINI RACK & COMPACT WAGON | | | MINI RACK ONLY | |
|---|------------|--|-----------------------|--|
| for ATV or Compact Tractor | List Price | | List Price | |
| 4' x 8' Mesh Deck on 2-Ton Wagon | \$3,725 | | \$1,800 | |
| Comes standard with 2 slant end gates & a 3' rear end gate | | | | |

High visibility SMV signs come standard on all above racks

| OPTIONAL FOR ALL ABOVE RACKS | List Price |
|--|-------------------|
| Tie Down Chains (to secure rack to running gear)..... | \$70 |
| Riser Kit for 22.5" Truck Tires..... | \$170 |
| 5' Rear End Gate..... | \$335 |
| Extended Rear Hitch..... | \$355 |
| LED Rear Light Kit with 15' Perma-Coil Cord & 7-Pin Plug (factory installed only)..... | \$850 |
| Rear Plug..... | \$125 |
| Winch with 3" x 30' Tie Down Strap..... | \$195 |
| Winch Track (6' length)..... | \$195 |
| Winch Bar..... | \$80 |
| Reach Supports (for 24' long round reaches)..... | \$220 |
| Horst Wagon Gear..... | Call for pricing |

ROUND BALE RACKS

All Round Bale Racks come standard with 2 slant end gates, high visibility SMV signs & 10" channel beams (12" beams standard on 36' length racks)

| 4' DIAMETER ROUND BALES | | | 5' DIAMETER ROUND BALES | | | 6' DIAMETER ROUND BALES | | |
|-------------------------|-----------------------|---------------------|-------------------------|-----------------------|---------------------|-------------------------|-----------------------|---------------------|
| | Straight Crossbars | Curved Crossbars | | Straight Crossbars | Curved Crossbars | | Straight Crossbars | Curved Crossbars |
| Size | List Price | List Price | Size | List Price | List Price | Size | List Price | List Price |
| 8.5' x 20' | \$2,890 | \$3,010 | 8.5' x 20' | \$2,645 | \$2,755 | 8.5' x 20' | \$2,460 | \$2,530 |
| 8.5' x 24' | \$3,400 | \$3,495 | 8.5' x 24' | \$3,170 | \$3,275 | 8.5' x 24' | \$2,885 | \$2,980 |
| 8.5' x 30' | \$4,045 | \$4,140 | 8.5' x 30' | \$3,845 | \$3,910 | 8.5' x 30' | \$3,495 | \$3,620 |
| 8.5' x 36' | \$5,225 | \$5,265 | 8.5' x 36' | \$4,775 | \$4,830 | 8.5' x 36' | \$4,475 | \$4,690 |

| OPTIONAL FOR ALL ROUND BALE RACKS | List Price |
|--|------------------------------|
| 5" x 3" Rub Rail (to cover crossbar ends)..... | \$32 per foot of Rack length |
| Tie Down Chains (to secure rack to running gear)..... | \$70 |
| Riser Kit for 22.5" Truck Tires..... | \$170 |
| Extended Rear Hitch..... | \$355 |
| LED Rear Light Kit with 15' Perma-Coil Cord & 7-Pin Plug (factory installed only)..... | \$850 |
| Rear Plug..... | \$125 |
| Reach Supports (for 24' long round reaches)..... | \$220 |
| Horst Wagon Gear..... | Call for pricing |

MIGHTY BALE HAULERS

| 20' lengths come standard with 5000 lb, 6-bolt hubs & spindles on front & rear | | | |
|--|-----------|---------------------------------|------------|
| Size | Bale Size | Tire Option | List Price |
| 8.5' x 20' | 4' & 5' | Less Rims & Tires..... | \$5,085 |
| 8.5' x 20' | 4' & 5' | 245/75R16 Used Truck Tires..... | \$5,490 |
| 8.5' x 20' | 4' & 5' | 11L x 15" 8-Ply Tires..... | \$6,100 |
| 8.5' x 20' | 6' | Less Rims & Tires..... | \$4,910 |
| 8.5' x 20' | 6' | 245/75R16 Used Truck Tires..... | \$5,315 |
| 8.5' x 20' | 6' | 11L x 15" 8-Ply Tires..... | \$5,915 |

| 24' lengths come standard with 5000 lb, 6-bolt hubs & spindles on the front & 5500 lb, 8-bolt hubs & spindles on the rear | | | |
|---|-----------|--|------------|
| Size | Bale Size | Tire Option | List Price |
| 8.5' x 24' | 4' & 5' | Less Rims & Tires..... | \$5,880 |
| 8.5' x 24' | 4' & 5' | Front – 17" Used Truck Tires Rear – 19.5" Used Truck Tires..... | \$6,295 |
| 8.5' x 24' | 4' & 5' | Front - 11L x 15" 8-Ply Tires Rear - 12.5L x 15" 12-Ply Tires..... | \$6,925 |
| 8.5' x 24' | 6' | Less Rims & Tires..... | \$5,705 |
| 8.5' x 24' | 6' | Front – 17" Used Truck Tires Rear – 19.5" Used Truck Tires..... | \$6,125 |
| 8.5' x 24' | 6' | Front - 11L x 15" 8-Ply Tires Rear - 12.5L x 15" 12-Ply Tires..... | \$6,740 |

DUMP TRAILERS

| T-150 MIGHTY DUMPER | |
|---|------------|
| Tandem axle / 1.5 ton capacity / Latching tailgate | |
| Dump box dimensions: 4' wide x 6.5' long x 18" sides | |
| Tire Option | List Price |
| 18 x 8.50-8 4-Ply Tires..... | \$4,915 |
| Optional / Hydraulic Power Pack with Remote (includes battery)..... | \$2,345 |

| S-500 MIGHTY DUMPER | |
|---|------------|
| Single axle / 5 ton capacity / Self opening tailgate w/ grain door | |
| Dump box dimensions: 6' wide x 10' long x 24" sides | |
| Tire Option | List Price |
| 245/75R16 Used Truck Tires..... | \$8,165 |
| 11L x 15" 8-Ply Tires..... | \$8,385 |
| 11L x 15" Load Range F Highway Service Tires..... | \$8,835 |
| Optional / Safety Chains..... | \$160 |
| Optional / LED Rear Light Kit with 15 ft Perma-Coil Cord & 7-Pin Plug (factory installed only)..... | \$850 |
| Optional / Hydraulic Power Pack with Remote (includes battery)..... | \$2,345 |

| S-500L MIGHTY DUMPER | |
|---|------------|
| Single axle / 5 ton capacity / Wood plank tailgate | |
| Dump box dimensions: 6' wide x 10' long x 12" sides | |
| Tire Option | List Price |
| 245/75R16 Used Truck Tires..... | \$7,450 |
| 11L x 15" 8-Ply Tires..... | \$7,740 |
| 11L x 15" Load Range F Highway Service Tires..... | \$8,190 |
| Optional / Safety Chains..... | \$160 |
| Optional / LED Rear Light Kit with 15 ft Perma-Coil Cord & 7-Pin Plug (factory installed only)..... | \$850 |
| Optional / Hydraulic Power Pack with Remote (includes battery)..... | \$2,345 |

| T-800 MIGHTY DUMPER | |
|---|------------|
| Tandem Axle / 8 ton capacity / Self opening tailgate w/ grain door | |
| Dump box dimensions: 6' wide x 10' long x 24" sides | |
| Tire Option | List Price |
| 245/75R16 Used Truck Tires..... | \$9,270 |
| 11L x 15" 8-Ply Tires..... | \$9,670 |
| 11L x 15" Load Range F Highway Service Tires..... | \$10,550 |
| Optional / Safety Chains..... | \$160 |
| Optional / LED Rear Light Kit with 15 ft Perma-Coil Cord & 7-Pin Plug (factory installed only)..... | \$850 |
| Optional / Hydraulic Power Pack with Remote (includes battery)..... | \$2,345 |

| T-800L MIGHTY DUMPER | |
|---|------------|
| Tandem Axle / 8 ton capacity / Wood plank tailgate | |
| Dump box dimensions: 6' wide x 10' long x 12" sides | |
| Tire Option | List Price |
| 245/75R16 Used Truck Tires..... | \$8,365 |
| 11L x 15" 8-Ply Tires..... | \$8,725 |
| 11L x 15" Load Range F Highway Service Tires..... | \$9,605 |
| Optional / Safety Chains..... | \$160 |
| Optional / LED Rear Light Kit with 15 ft Perma-Coil Cord & 7-Pin Plug (factory installed only)..... | \$850 |
| Optional / Hydraulic Power Pack with Remote (includes battery)..... | \$2,345 |

DUMP TRAILERS (continued)

| T-1200 MIGHTY DUMPER | |
|--|------------|
| Tandem Axle / 12 ton capacity / Self opening tailgate w/ grain door Dump box dimensions: 7' wide x 12' long x 36" sides | |
| Tire Option | List Price |
| 12.5L x 15" Load Range "F" Hwy Svc Tires..... | \$13,825 |
| 400/60 x 15.5" 14-Ply Flotation Tires..... | \$15,865 |
| Optional / Safety Chains..... | \$160 |
| Optional / LED Rear Light Kit with 15 ft Perma-Coil Cord & 7-Pin Plug (factory installed only)..... | \$850 |
| Optional / Hydraulic Tailgate..... | \$1,150 |

| T-1200H MIGHTY DUMPER | |
|--|------------|
| Tandem Axle / 12 ton capacity / Self opening tailgate w/ grain door Dump box dimensions: 7' wide x 12' long x 54" sides | |
| Tire Option | List Price |
| 12.5L x 15" Load Range "F" Hwy Svc Tires..... | \$14,170 |
| 400/60 x 15.5" 14-Ply Flotation Tires..... | \$16,365 |
| Optional / Safety Chains..... | \$160 |
| Optional / LED Rear Light Kit with 15 ft Perma-Coil Cord & 7-Pin Plug (factory installed only)..... | \$850 |
| Optional / Hydraulic Tailgate..... | \$1,150 |



| T-1200LM LOAD MASTER DUMPER | |
|---|------------|
| Tandem axle / 12 ton capacity / Hydraulic tailgate Dump box dimensions: 7' wide x 12' long x 24" sides | |
| Tire Option | List Price |
| 500/50 x 17" 18-Ply Flotation Tires with 12000 lb, 8-Bolt Hubs & Spindles..... | \$26,050 |
| Optional / Safety Chains..... | \$160 |
| Optional / LED Rear Light Kit with 15 ft Perma-Coil Cord & 7-Pin Plug (factory installed only)..... | \$850 |

| T-1200DB DIRT BOSS DUMPER | |
|---|------------|
| Tandem axle / 12 ton capacity / Hydraulic tailgate w/ grain door Dump box dimensions: 7' wide x 12' long x 24" sides | |
| Tire Option | List Price |
| 12.5L x 15" Load Range "F" Hwy Svc Tires..... | \$16,045 |
| 400/60 x 15.5" 14-Ply Flotation Tires..... | \$18,390 |
| 425/65R22.5" Used Truck Tires with 12000 lb, 8-Bolt Hubs & Spindles..... | \$20,090 |
| 500/50 x 17" 18-Ply Flotation Tires with 12000 lb, 8-Bolt Hubs & Spindles..... | \$22,270 |
| Optional / Safety Chains..... | \$160 |
| Optional / LED Rear Light Kit with 15 ft Perma-Coil Cord & 7-Pin Plug (factory installed only)..... | \$850 |

| T-1500DB DIRT BOSS DUMPER | |
|---|------------|
| Tandem axle / 15 ton capacity / Hydraulic tailgate w/ grain door Dump box dimensions: 7.5' wide x 16' long x 30" sides | |
| Tire Option | List Price |
| 445/50R22.5 Used Truck Tires..... | \$31,390 |
| 600/50 x 22.5" 16-Ply Flotation Tires..... | \$37,505 |
| Optional / LED Rear Light Kit with 15 ft Perma-Coil Cord & 7-Pin Plug (factory installed only)..... | \$850 |

DUMP TRAILERS (continued)

| T-1500GFB GRAIN & FORAGE BOSS DUMPER | |
|---|------------|
| Tandem axle / 15 ton capacity / Hydraulic tailgate w/ grain door | |
| Dump box dimensions: 7.5' wide x 16' long x 60" sides | |
| Tire Option | List Price |
| 445/50R22.5 Used Truck Tires..... | \$31,970 |
| 600/50 x 22.5" 16-Ply Flotation Tires..... | \$38,295 |
| Optional / LED Rear Light Kit with 15 ft Perma-Coil Cord & 7-Pin Plug (factory installed only)..... | \$850 |

DUMPER SPECIFICATIONS

| T-150 MIGHTY DUMPER | | S-500 MIGHTY DUMPER | | S-500L MIGHTY DUMPER | |
|----------------------------|-----------|----------------------------|-----------|-----------------------------|-----------|
| Overall Length | 10' 5" | Overall Length | 16' 2" | Overall Length | 16' 2" |
| Overall Width | 51" | Overall Width | 82" | Overall Width | 76" |
| Overall Height | 45" | Overall Height | 69" | Overall Height | 55" |
| Deck Height | 26" | Deck Height | 36" | Deck Height | 36" |
| Track Width | 41" | Track Width | 57" | Track Width | 57" |
| Maximum Dump Angle | 48° | Maximum Dump Angle | 53° | Maximum Dump Angle | 53° |
| Bushel Capacity | 31.2 | Bushel Capacity | 96 | Bushel Capacity | 48 |
| Approximate Weight | 1,000 lbs | Approximate Weight | 2,500 lbs | Approximate Weight | 2,300 lbs |

| T-800 MIGHTY DUMPER | | T-800L MIGHTY DUMPER | | T-1200 MIGHTY DUMPER | |
|----------------------------|-----------|-----------------------------|-----------|-----------------------------|-----------|
| Overall Length | 16' 2" | Overall Length | 16' 2" | Overall Length | 18' |
| Overall Width | 82" | Overall Width | 76" | Overall Width | 96" |
| Overall Height | 68" | Overall Height | 55" | Overall Height | 91" |
| Deck Height | 36" | Deck Height | 36" | Deck Height | 40" |
| Track Width | 58" | Track Width | 58" | Track Width | 68" |
| Maximum Dump Angle | 53° | Maximum Dump Angle | 53° | Maximum Dump Angle | 48° |
| Bushel Capacity | 96 | Bushel Capacity | 48 | Bushel Capacity | 201.6 |
| Approximate Weight | 3,500 lbs | Approximate Weight | 3,000 lbs | Approximate Weight | 4,000 lbs |



| T-1200H MIGHTY DUMPER | | T-1200LM LOAD MASTER | | T-1200DB DIRT BOSS DUMPER | |
|------------------------------|-----------|-----------------------------|-----------|----------------------------------|-----------|
| Overall Length | 18' | Overall Length | 18' | Overall Length | 18' |
| Overall Width | 96" | Overall Width | 93" | Overall Width | 96" |
| Overall Height | 109" | Overall Height | 85" | Overall Height | 91" |
| Deck Height | 40" | Deck Height | 43.75" | Deck Height | 40" |
| Track Width | 68" | Track Width | 70.5" | Track Width | 68" |
| Maximum Dump Angle | 48° | Maximum Dump Angle | 48° | Maximum Dump Angle | 48° |
| Bushel Capacity | 302.4 | Bushel Capacity | 127.6 | Bushel Capacity | 134.4 |
| Approximate Weight | 4,500 lbs | Approximate Weight | 5,600 lbs | Approximate Weight | 6,000 lbs |

| T-1500DB DIRT BOSS DUMPER | | T-1500GFB GRAIN & FORAGE BOSS DUMPER | |
|----------------------------------|-----------|---|-----------|
| Overall Length | 22' 6" | Overall Length | 22' 6" |
| Overall Width | 102" | Overall Width | 102" |
| Overall Height | 93" | Overall Height | 123" |
| Deck Height | 51" | Deck Height | 51" |
| Track Width | 74" | Track Width | 74" |
| Maximum Dump Angle | 48° | Maximum Dump Angle | 48° |
| Bushel Capacity | 240 | Bushel Capacity | 480 |
| Approximate Weight | 9,000 lbs | Approximate Weight | 9,000 lbs |

5808 Hwy #9, Harriston, Ontario, N0G 1Z0
Phone: 519-338-2923, Fax: 519-338-2756
Email: sales@harcoag.ca
www.harcoag.ca



Standard Model 760



Roto Grind Tub Grinder Models



Low Profile Model 760

Roto Grind Tub and Grain Grinders

Burrows Enterprises, LLC. 2024 East 8th Street, Greeley, Colorado 80631

Phone: (970) 353-3769***Fax: (970) 353-0839

Website: www.rotogrind.com

ROTO GRIND PRICE LIST

Suggested Retail - U.S. Funds

Roto Grind Tub Grinders are complete with the following standard equipment:

Tub Control Governor, Tub Speed Control, Hydraulic Hoses, Adjustable Riser,
Standard Curved Spout, Tires Mounted, Shear Bolt, P.T.O., Swivel for Spout,
Hardened Hammer Pins, Hard Surfaced Lead Hammers and Standard Hammers.

Model # 760 - High Profile Tub Grinder w/52" Deep Tub (Overall Height 8'6")
With 7" mill housing and standard equipment listed above **\$31,600.00**

Model # 760 - Low Profile Tub Grinder w/36" Deep Tub (Overall Height 7'6")
With 7" mill housing and standard equipment listed above **\$31,400.00**

Model # 1090 - High Profile Tub Grinder w/52" Deep Tub (Overall Height 8'8")
With 10" mill housing and standard equipment listed above **\$34,775.00**

Model # GG7 - Grain Grinder w / 3-point attachment 7" mill housing & Water kit_ **\$14,950.00**
With wheels & 12'x 10" hyd. Auger **\$22,500.00**

Model # GG10 Grain Grinder w/ 3-point attachment 10" mill housing & Water kit **\$16,725.00**
With wheels & 12'x 10" hyd. Auger **\$25,110.00**

Conversion Kit to add Hydraulic Auger option to 3PT Grain Grinders **\$5,055.00**

Call for pricing on Custom orders or machines with electric motor.
Assembled prices, suggested retail F.O.B. Manufacturing Plant.
Prices are subject to change without notice.

5808 Hwy #9, Harriston, Ontario, N0G 1Z0
Phone: 519-338-2923, Fax: 519-338-2756
Email: sales@harcoag.ca
www.harcoag.ca

BEDDING CHOPPERS



| Bedding Choppers for Straw, Hay or Cornstalks | | | |
|--|--|-------------|--------------------|
| Model # | Description | Lbs. | Price (Cdn) |
| KB1155 | Model KB 1000 side discharge chassis w/9 hp Honda engine & single swivel wheel | 460 | \$6,552.00 |

| Bedding Choppers for Straw, Hay or Newspaper | | | |
|---|--|-------------|--------------------|
| Model # | Description | Lbs. | Price (Cdn) |
| KB1250 | Model KB 1000 side discharge chassis w/16 hp Briggs & Stratton Vanguard Engine & double swivel wheel | 488 | \$8,424.00 |
| KB1255 | Model KB 1000 side discharge chassis w/13 hp Honda engine & double swivel wheel | 480 | \$7,098.00 |
| KB1280 | Model KB1000 side discharge chassis w/5 hp electric motor & double swivel wheel | 460 | \$6,084.00 |

| Bedding Choppers for use with TMR systems | | | |
|--|--|-------------|--------------------|
| Model # | Description | Lbs. | Price (Cdn) |
| KB1360 | Model KB 1300 Blower chassis w/56 knives, 5 hp electric motor & 6" x 5' PVC spout w/elbow | 650 | \$7,800.00 |
| KB1550 | Model KB 1500 Bottom discharge chassis w/18 'Bale Buster' plates, adjustable stand & 3 hp electric motor | 485 | \$5,304.00 |
| KB1560 | Model KB 1500 Bottom discharge chassis with 76 knives, adjustable stand & 3 hp electric motor | 485 | \$5,460.00 |

PRICED IN CANADIAN DOLLARS

PRICES ARE FOB HARRISTON, ONTARIO – DESIGN & PRICE ARE SUBJECT TO CHANGE WITHOUT NOTICE

5808 Hwy #9, Harriston, Ontario, N0G 1Z0
Phone: 519-338-2923, Fax: 519-338-2756
Email: sales@harcoag.ca
www.harcoag.ca

BEDDING CHOPPERS



| Mulching Choppers for Landscaping | | | |
|--|---|-------------|--------------------|
| Model # | Description | Lbs. | Price (Cdn) |
| KB1350 | Model KB 1300 Blower chassis w/56 knives, 16 hp Briggs & Stratton Vanguard engine & stationary gooseneck for 6" hose. | 650 | \$10,296.00 |
| KB1355 | Model KB 1300 Blower chassis w/56 knives, 13 hp Honda engine & stationary gooseneck for 6" hose. | 680 | \$9,048.00 |
| KB1370 | Model KB 1300 Blower chassis w/56 knives, stationary gooseneck for 6" hose. Less gas engine. | 570 | \$6,552.00 |
| KB1390 | Model KB 1300 Blower chassis w/56 knives, PTO drive, 3 point hitch. | 600 | \$9,048.00 |

| Mulch Bagger | | | |
|---------------------|--------------------|-------------|--------------------|
| Model # | Description | Lbs. | Price (Cdn) |
| | Mulch Bagger | | \$9,296.00 |

| Options & Accessories for Landscaping | | | |
|--|--------------------------------------|-------------|--------------------|
| Model # | Description | Lbs. | Price (Cdn) |
| KB1410 | Stationary Gooseneck for 6" hose | 18 | \$608.00 |
| KB1420 | Short Rotating Gooseneck for 6" hose | 20 | \$889.00 |
| KB1425 | Tall Rotating Gooseneck for 6" hose | 30 | \$967.00 |
| KB1415 | 30 feet of 6" blower hose | 50 | \$975.00 |
| KB1416 | 40 feet of 6" blower hose | 67 | \$1,248.00 |
| KB1417 | Hose handle kit | 5 | \$164.00 |
| KB1405 | 6" Blower hose per foot | 2 | \$33.00 |

PRICED IN CANADIAN DOLLARS

PRICES ARE FOB HARRISTON, ONTARIO – DESIGN & PRICE ARE SUBJECT TO CHANGE WITHOUT NOTICE

5808 Hwy #9, Harriston, Ontario, N0G 1Z0
Phone: 519-338-2923, Fax: 519-338-2756
Email: sales@harcoag.ca
www.harcoag.ca

WEAVERLINE

SILAGE CARTS



37 Bushel Cart – c/w 24V Charger (deduct \$936.00 if not required)

| Model # | Description | Lbs. | Price (Cdn) |
|---------|---|------|-------------|
| 537 | 537 Stainless Cart w/ 4 SS Augers & SS Conveyor | | \$15,288.00 |
| 537DL | 537 Stainless Cart w/ 4 SS Augers & 62 Detachable Chain | | \$15,288.00 |

31 Bushel Cart – c/w 24V Charger (deduct \$936.00 if not required)

| Model # | Description | Lbs. | Price (Cdn) |
|---------|--|------|-------------|
| 531SS4 | 531 Stainless Cart w/4 SS Augers & SS Conveyor | | \$14,352.00 |
| 531SS2 | 531 Stainless Cart w/2 SS Augers & SS Conveyor | | \$14,196.00 |
| 531DL | 531 Stainless Cart w/4 SS Augers & 62 Detachable Chain | | \$14,352.00 |

25 Bushel Cart – c/w 24V Charger (deduct \$936.00 if not required)

| Model # | Description | Lbs. | Price (Cdn) |
|---------|--|------|-------------|
| 525SS4 | 525 Stainless Cart w/4 SS Augers & SS Conveyor | | \$13,962.00 |
| 525SS2 | 525 Stainless Cart w/2 SS Augers & SS Conveyor | | \$13,806.00 |
| 525DL | 525 Stainless Cart w/4 SS Augers & 62 Detachable Chain | | \$13,962.00 |

21 Bushel Cart– c/w 24V Charger (deduct \$936.00 if not required)

| Model # | Description | Lbs. | Price (Cdn) |
|---------|--|------|-------------|
| 521SS4 | 521 Stainless Cart w/4 SS Augers & SS Conveyor | | \$14,352.00 |
| 521SS2 | 521 Stainless Cart w/2 SS Augers & SS Conveyor | | \$14,196.00 |
| 521DL | 521 Stainless Cart w/4 SS Augers & 62 Detachable Chain | | \$14,352.00 |

Options

| Description | Price (Cdn) |
|---|-------------|
| 24V Charger | \$936.00 |
| High box (13" to 30" discharge) | \$1,131.00 |
| Front & Side Unloading | \$1,041.00 |
| Extra Heavy Duty Caster (Included on Model 527) | \$148.00 |
| Air Tires (Outside) adds 6 1/2" to the width | \$468.00 |
| Hay Special Cart – Use 4SS Auger Cart Price and add | \$741.00 |

Carts w/2 SS Augers have the lower 2 augers Stainless and the top 2 augers hot roll.

PRICED IN CANADIAN DOLLARS

PRICES ARE FOB HARRISTON, ONTARIO – DESIGN & PRICE ARE SUBJECT TO CHANGE WITHOUT NOTICE

TAB 5



5808 Hwy #9, Harriston, Ontario, N0G 1Z0
Phone: 519-338-2923, Fax: 519-338-2756
Email: sales@harcoag.ca
www.harcoag.ca

TerraFormer (Earth Mover)

| | |
|--|---|
| Features Include: <ul style="list-style-type: none"> ▪ Infinite blade adjustments from 12 to 28 feet. ▪ Under 12 foot transport width. ▪ Auto grade & auto slope ready. ▪ Hydraulic cylinder protection circuits. | Standard Equipment: <ul style="list-style-type: none"> ▪ Hardened, industry standard cutting edges. ▪ Height & tilt indicator. ▪ Industrial cylinders. ▪ LED warning strobe package. |
| Optional Equipment: <ul style="list-style-type: none"> ▪ SD Drain autograde & slope control. ▪ Scraper style hitch. ▪ Electric over hydraulic multipliers or valves. ▪ Complete RTK systems. | |

| Model # | Description | Weight | In Freight | MSRP [CDN] |
|---------|--|--------|------------|--------------|
| 886500 | 8650 – 11K# Ag Hitch, Six Hydraulic Functions | | | \$183,600.00 |
| 887001 | Scraper Hitch Kit – Case/NH Pattern | | | \$5,347.00 |
| 887004 | 5 th Wheel Transport Hitch | | | \$3,087.00 |
| 887005 | Hydraulic Valve Multiplier for 5 Valve Tractors | | | \$1,654.00 |
| 887006 | Hydraulic Valve Multiplier for 4 Valve Tractors | | | \$3,308.00 |
| 887007 | 6 Electric Proportional Hydraulic Valve for Tractors w/Manual Valves | | | \$19,845.00 |
| 887100 | SD Drain Wireless Machine Control Package (Grade Only) | | | \$18,191.00 |
| 887101 | SD Drain Extreme Duty Wired Machine Control Package (Grade Only) | | | \$18,853.00 |
| 887105 | DAC2x2 Slope Control Kit & Unlock for SD Drain | | | \$2,977.00 |
| 887200 | ADMS Watershed Software w/1 year license & support | | | \$3,445.00 |
| | Factory Set-up – Tow Configuration | | | \$4,725.00 |



PRICED IN CANADIAN DOLLARS

PRICES ARE FOB BENITO, MB – DESIGN & PRICE ARE SUBJECT TO CHANGE WITHOUT NOTICE

5808 Hwy #9, Harriston, Ontario, N0G 1Z0

Phone: 519-338-2923, Fax: 519-338-2756

 Email: sales@harcoag.ca
www.harcoag.ca


Easy Installation * Fully Adjustable * UV Stable ABS * Universal Bracket

Available in Black, Gray, Green, Orange and Red.

Eclipse Canopies will fit most utility vehicles, mowers and tractors equipped with ROPS bars with listed frame sizes.

Includes canopy & mounting hardware.

| Hardware Options | ROPS | PITCH |
|------------------|-------------------|----------------|
| Standard | 2" x 2" & 3" x 2" | 0 to 25 Degree |
| Oversized | 4" x 2" & 4" x 3" | 0 to 25 Degree |
| Extreme Pitched | 2" x 2" & 3" x 2" | 45 Degree |

Universal TRACTOR Canopy – 4550 Series

| Item # | Description | Fits ROPS Sizes | MSRP [CDN] |
|---|-------------------------|--|------------|
| 4550B | 45" x 50" BLACK Canopy | 2" x 2", 3" x 1½", 3" x 1¾" & 3" x 2" ROPS | \$993.00 |
| 4550Ba | BLACK Canopy | For angled ROPS | \$893.00 |
| 4550Y | 45" x 50" GRAY Canopy | 2" x 2", 3" x 1½", 3" x 1¾" & 3" x 2" ROPS | \$1114.00 |
| 4550Ya | GRAY Canopy | For angled ROPS | \$970.00 |
| 4550R | 45" x 50" RED Canopy | 2" x 2", 3" x 1½", 3" x 1¾" & 3" x 2" ROPS | \$1114.00 |
| 4550Ra | RED Canopy | For angled ROPS | \$970.00 |
| 4550G | 45" x 50" GREEN Canopy | 2" x 2", 3" x 1½", 3" x 1¾" & 3" x 2" ROPS | \$1114.00 |
| 4550Ga | GREEN Canopy | For angled ROPS | \$970.00 |
| 4550O | 45" x 50" ORANGE Canopy | 2" x 2", 3" x 1½", 3" x 1¾" & 3" x 2" ROPS | \$1114.00 |
| *Being phased out – we have stock though! | | | |

Universal MOWER Canopy – 3641 Series

| Item # | Description | Fits ROPS Sizes | MSRP [CDN] |
|--------|-------------------------|--|------------|
| 3641SB | 36" x 41" BLACK Canopy | 2" x 2", 3" x 1½", 3" x 1¾" & 3" x 2" ROPS | \$855.00 |
| 3641RB | 36" x 41" BLACK Canopy | Fits 2½" Round ROPS | \$855.00 |
| 3641SY | 36" x 41" GRAY Canopy | 2" x 2", 3" x 1½", 3" x 1¾" & 3" x 2" ROPS | \$727.00 |
| 3641SG | 36" x 41" GREEN Canopy | 2" x 2", 3" x 1½", 3" x 1¾" & 3" x 2" ROPS | \$933.00 |
| 3641SO | 36" x 41" ORANGE Canopy | 2" x 2", 3" x 1½", 3" x 1¾" & 3" x 2" ROPS | \$933.00 |
| 3641SR | 36" x 41" RED Canopy | 2" x 2", 3" x 1½", 3" x 1¾" & 3" x 2" ROPS | \$993.00 |



Top Fan Powered

| Item # | Description | MSRP [CDN] |
|--------|-----------------------------|------------|
| C3641B | 36" x 41" BLACK Canopy | \$1,679.00 |
| C4351B | 43 ¾" X 50 ½" BLACK Canopy | \$1,713.00 |
| C4351G | 43 ¾" X 50 ½" GREEN Canopy | \$1,935.00 |
| C4351O | 43 ¾" X 50 ½" ORANGE Canopy | \$1,935.00 |
| C4351R | 43 ¾" X 50 ½" RED Canopy | \$1,935.00 |
| | Adapter Bar Kits | \$143.00 |

PRICED IN CANADIAN DOLLARS

PRICES ARE FOB HARRISTON, ONT – DESIGN & PRICE ARE SUBJECT TO CHANGE WITHOUT NOTICE

5808 Hwy #9, Harriston, Ontario, N0G 1Z0
Phone: 519-338-2923, Fax: 519-338-2756
Email: sales@harcoag.ca
www.harcoag.ca



Kubota RTV Canopy

Kubota RTV Canopy

| Model # | Part # | Description | MSRP [CDN] |
|-----------------------|---------|---------------|------------|
| RTV-X900 | K4860B1 | Black Canopy | \$765.00 |
| RTV-X1120D Diesel | K4860O1 | Orange Canopy | \$765.00 |
| RTV-XG850 Sidekick | K4860O1 | Orange Canopy | \$765.00 |

Gator UV Canopy

| Model # | Part # | Description | MSRP [CDN] |
|-------------------------|--------|---------------------------------|------------|
| TOPS | | | |
| TS, TX, TE 4x2 | JG21G | Top, frame & hardware kit | \$1,180.00 |
| TH 6x4 Diesel | JG04G | Top, frame & hardware kit | \$1,180.00 |
| TH 6x4 Gas | JG04G | Top, frame & hardware kit | \$1,180.00 |
| 2000 to 2003 | JG03G | Top, frame & hardware kit | \$1,180.00 |
| FRONT WINDSHIELD | | | |
| All T Gator Models | JG411A | Front windshield fits all units | \$407.00 |



John Deere Gator Canopy

All above includes canopy & mounting hardware

PRICED IN CANADIAN DOLLARS

PRICES ARE FOB HARRISTON, ONT – DESIGN & PRICE ARE SUBJECT TO CHANGE WITHOUT NOTICE



5808 Hwy #9, Harriston, Ontario, N0G 1Z0
 Phone: 519-338-2923, Fax: 519-338-2756
 Email: sales@harcoag.ca
www.harcoag.ca



PRICELIST

| Model | Description | Price [CDN] |
|----------------|---------------------------------------|-------------|
| HWP-100 | Processor w/2 way wedge | \$14,639.00 |
| HWP-100 | Processor w/4 way wedge | \$15,035.00 |
| HWP-100 | Processor w/2 way & 4 way wedge | \$15,321.00 |
| HWP-120 | Processor/Adjusts 4 way | \$18,634.00 |
| HWP-120 | Processor/Adjusts 6 way | \$18,981.00 |
| HWP-140B | Processor/Adjusts 4 way | \$27,704.00 |
| HWP-140B | Processor/Adjusts 6 way | \$28,051.00 |
| HWP-150 | Processor/Adjusts hydraulically 4 way | \$35,913.00 |
| HWP-150 | Processor/Adjusts hydraulically 6 way | \$36,267.00 |
| HWP-125GS | Grapple Saw | \$15,699.00 |
| HWP-200GS | Grapple Saw | \$16,134.00 |
| HWP-WHS10 | 100/120 Main Cab Harness Kit | \$1,017.00 |
| HWP-WHS8 | 140B//150 Main Cab Harness Kit | \$1,017.00 |
| HWP-WHGHK | Grapple Saw Cab Harness Kit | \$624.00 |
| No # available | 120 Joystick Harness Kit | \$1,673.00 |
| No # available | 140B Joystick Harness Kit | \$1,673.00 |
| No # available | 150 Joystick Harness Kit | \$1,673.00 |
| HWP-2111 | 120/140B 6-way Wedge | \$1,080.00 |
| HWP-2112 | 150 6-way Wedge | \$1,192.00 |
| No # available | Inverted Splitter | \$7,062.00 |

LEFT HAND PROCESSORS

| Model | Description | Price [CDN] |
|----------|-------------------------------------|-------------|
| HWP-140B | LH Processor w/4 way wedge | \$28,730.00 |
| HWP-140B | LH Processor w/6 way wedge | \$29,077.00 |
| HWP-140B | LH Processor w/4 way & 6 way wedge | \$29,812.00 |
| | | |
| HWP-150 | LH Processor w/4 way wedge | \$36,938.00 |
| HWP-150 | LH Processor w/6 way wedge | \$37,296.00 |
| HWP-150 | LH Processor w/4 way or 6 way wedge | \$38,129.00 |

PRICED IN CANADIAN DOLLARS

PRICES ARE FOB HARRISTON, ONTARIO – DESIGN & PRICE ARE SUBJECT TO CHANGE WITHOUT NOTICE



EXTENDED PROCESSORS

| Model | Description | Price [CDN] |
|---------|--|-------------|
| HWP-150 | Extended Processor w/4 way wedge | \$37,967.00 |
| HWP-150 | Extended Processor w/6 way wedge | \$38,322.00 |
| HWP-150 | Extended Processor w/4 way or 6 way wedge | \$39,154.00 |

TRAILER MODELS

| Model | Description | Price [CDN] |
|----------------|--|-------------|
| 100-3PT | Trailered Processor w/2 way | \$13,563.00 |
| 100-3PT | Trailered Processor w/4 way | \$13,957.00 |
| PUMP | Optional Hydraulic Pump Kit for 3PT | \$4,255.00 |
| ADJ.WEDGE | Hydraulic 4-WAY wedge for 100-3PT | \$837.00 |
| 100TR-D | Trailered Processor w/2 way *no adj. wedge* | \$16,840.00 |
| 100TR-D | Trailered Processor w/4 way *no adj. wedge* | \$17,224.00 |
| ELECTRIC START | Electric Start for 100TR-D | \$837.00 |
| 100TR-H | Trailered Processor w/2 way (Honda Engine) | \$24,625.00 |
| 100TR-H | Trailered Processor w/4 way (Honda Engine) | \$25,019.00 |
| ADJ.WEDGE | Adjustable hydraulic 4 way wedge for 100TR-H | \$837.00 |

PTO DRIVEN HYDRAULIC POWER UNIT

PLEASE NOTE: This unit comes dry, oil is extra (requires 25 U.S. gallons) not included in below prices

| Model | Description | Price [CDN] |
|---------|----------------------|-------------|
| HWP-HPU | With Cooler Assembly | \$6,215.00 |

PRICED IN CANADIAN DOLLARS

PRICES ARE FOB HARRISTON, ONTARIO – DESIGN & PRICE ARE SUBJECT TO CHANGE WITHOUT NOTICE



Compare us to the competition and you'll see why wood cutting & splitting is experiencing a *REVOLUTION!*

| | HWP-100 | HWP-120 | HWP-125G5 | HWP-140B | HWP-150 | HWP-150 EXTENDED |
|---------------------|--|--|--|---|---|---|
| LENGTH | Travel= 80" (203 cm) Working= 100" (254 cm) | Travel= 99" (203251 cm) Working= 121" (307cm) | 33" (84 cm) | Travel= 102" (259 cm) Working= 126" (320 cm) | Travel= 107" (272 cm) Working= 129" (328 cm) | Travel= 121" (307 cm) Working= 143" (363 cm) |
| WIDTH | 41" (104 cm) | 55" (140 cm) | 46" (142 cm) | 55" (140 cm) | 58" (147 cm) | 58" (147 cm) |
| HEIGHT | 41" (104 cm) | 51" (130 cm) | 41" (104 cm) | 51" (130 cm) | 57" (145 cm) | 57" (145 cm) |
| WEIGHT | 706 lbs (320 kg) | 1280 lbs (581 kg) | 770 lbs (349 kg) | 1450 lbs (658 kg) | 1638 lbs (743 kg) | 1905 lbs (864 kg) |
| MATERIAL | 3/16" Steel | 1/4" Steel | 3/8" & 5/8" Steel | 3/8" Steel | 3/8" Steel | 3/8" Steel |
| MINIMUM PRESSURE | 2800 (193 bar) | 2850 (196 bar) | 2850 (196 bar) | 2850 (196 bar) | 2850 (196 bar) | 2850 (196 bar) |
| FLOW | 10-15 gpm (39 - 57 l/min) | 14-20 gpm (53 - 76 l/min) | 15-20 gpm (57 - 76 l/min) | 15-20 gpm (57 - 76 l/min) | 15-20 gpm (57 - 76 l/min) | 15-20 gpm (57 - 76 l/min) |
| CONNECTIONS | 1-Pressure, 1-Return | 1-Pressure, 1-Return 1-Case Drain | 1-Pressure, 1-Return 1-Case Drain | 1-Pressure, 1-Return 1-Case Drain | 1-Pressure, 1-Return 1-Case Drain | 1-Pressure, 1-Return 1-Case Drain |
| MAX LOG DIAMETER | 14" (37 cm) | 15" (38 cm) | 27" (69 cm) | 18" (46 cm) | 22" (56 cm) | 22" (56 cm) |
| MAX LOG LENGTH | 10' (3.05 m) | 12' (3.66 m) | NA | 12' (3.66 m) | 12' (3.66 m) | 12' (3.66 m) |
| MIN LOG LENGTH | 4' (1.22 m) | 6' (1.82 m) | NA | 6' (1.82 m) | 6' (1.82 m) | 6' (1.82 m) |
| FIREWOOD CUT LENGTH | Up to 16" (33cm - 38 cm) | Up to 22" (56 cm) | NA | Up to 22" (56 cm) | Up to 22" (56 cm) | Up to 33" (84 cm) |
| SAW BAR | 18" (64 cm) Versacut | 25" (64cm) Harvester | 31" (80cm) Harvester | 25" (64cm) Harvester | 31" (80cm) Harvester | 31" (80cm) Harvester |
| SAW CHAIN | 68 DL 3/8 pitch 0.58 | 78 DL .404 pitch/18HX | 93 DL .404 pitch/18HX | 78 DL .404 pitch/18HX | 93 DL .404 pitch/18HX | 93 DL .404 pitch/18HX |
| SAW MOTOR | Gear | Bent Axis Piston | Bent Axis Piston(Industrial) | Bent Axis Piston(Industrial) | Bent Axis Piston(Industrial) | Bent Axis Piston(Industrial) |
| SAW OILER | Automatic 2 Qt (1.89 l) | Automatic 2 Qt (1.89 l) | Automatic 2 Qt (1.89 l) | Automatic 2 Qt (1.89 l) | Automatic 2 Qt (1.89 l) | Automatic 2 Qt (1.89 l) |
| MAX SAW CUT | 14" (37 cm) | 15" (38 cm) | 27" (69cm) | 18" (46 cm) | 22" (56 cm) | 22" (56 cm) |
| SPLITTER CYLINDER | Custom 3" x 18" Stroke | Standard 3.5" x 24" Stroke | NA | Custom 3.5" x 24" Stroke | Custom 4" x 24" Stroke | Custom 4" x 36" Stroke |
| SPLITTER FORCE | 21,195 @ 3000 psi | 28,850 @ 3000 psi | NA | 28,850 @ 3000 psi | 36,138 @ 3000 psi | 36,138 @ 3000 psi |
| SPLITTING WEDGE | 2-way or 4-way | 4-way or 6-way Manually Adjustable | NA | 4-way or 6-way Manually Adjustable | 4-way or 6-way Hydraulically Adjustable | 4-way or 6-way Hydraulically Adjustable |
| IN-FEED | Sliding Trough Carries Log to Wedge | Sliding Trough Carries Log to Wedge | Grapple | Sliding Trough Carries Log to Wedge | Sliding Trough Carries Log to Wedge | Sliding Trough Carries Log to Wedge |
| MOUNTING | Universal Quick Attach SAE Spec J2513 | Universal Quick Attach SAE Spec J2513 | Universal Quick Attach SAE Spec J2513 | Universal Quick Attach SAE Spec J2513 | Universal Quick Attach SAE Spec J2513 | Universal Quick Attach SAE Spec J2513 |
| MEASURING | NA | NA | NA | Manual Moveable Device | Manual Moveable Device | Manual Moveable Device |

| | HWP-100TR-D | HWP-100TR-H | HWP-100-3P | Hydraulic Pump Kit For 3 Point | |
|---------------------|--|---|---|--------------------------------|------------------|
| LENGTH | Travel= 126" (320 cm) Working= 96" (244 cm) | Travel= 126" (320cm) Working= 96" (244 cm) | 81" (205 cm) W/ Hyd. Wedge- 86" (218 cm) | Fluid Capacity | 15 US Gallon |
| WIDTH | 68" (172 cm) | 68" (172 cm) | 64" (162.5 cm) | Pump Flow Rate | 21.2 GPM |
| HEIGHT | 64" (162.5 cm) | 64" (162.5 cm) | 62" (157.5 cm) | Pump Max | 2,500 PSI |
| WEIGHT | 1260 lbs (572 kg) | 1405 lbs (637 kg) | 1027 lbs (466 kg) | Pump PTO Speed | 540 RPM |
| CONNECTIONS | NA | NA | 1-Pressure, 1-Return | Hydraulic Cooler | 50 GPM |
| MATERIAL | 3/16" Steel | 3/16" Steel | 3/16" Steel | Pressure Relief Valve | 2,400 PSI |
| MAX LOG DIAMETER | 14" (37 cm) | 14" (37 cm) | 14" (37 cm) | Hydraulic Fan & Wiring | 12 Volt |
| MAX LOG LENGTH | 8' (2.44 m) | 8' (2.44 m) | 8' (2.44 m) | Thermostat | Max 185°F (85°C) |
| MIN LOG LENGTH | 4' (1.22 m) | 4' (1.22 m) | 4' (1.22 m) | Filter Assembly & Filter | 25 Micron |
| FIREWOOD CUT LENGTH | Up to 16" (33cm - 38 cm) | Up to 16" (33cm - 38 cm) | Up to 16" (33cm - 38 cm) | Adjustable Legs | |
| SAW BAR | 18" (64 cm) Versacut | 18" (64 cm) Versacut | 18" (64 cm) Versacut | | |
| SAW CHAIN | 68 DL 3/8 pitch 0.58 | 68 DL 3/8 pitch 0.58 | 68 DL 3/8 pitch 0.58 | | |
| SAW MOTOR | Gear | Gear | Gear | | |
| SAW OILER | Automatic 2 Qt (1.89 l) | Automatic 2 Qt (1.89 l) | Automatic 2 Qt (1.89 l) | | |
| MAX SAW CUT | 14" (37 cm) | 14" (37 cm) | 14" (37 cm) | | |
| SPLITTER CYLINDER | Custom 3.5" x 18" Stroke | Custom 3.5" x 18" Stroke | Custom 3" x 18" Stroke | | |
| SPLITTER FORCE | 21,195 @ 2600 psi | 21,195 @ 2600 psi | 21,195 @ 2400 psi | | |
| SPLITTING WEDGE | 2-way or 4-way | 2-way or 4-way | 2-way or 4-way | | |
| IN-FEED | Sliding Trough Carries Log to Wedge | Sliding Trough Carries Log to Wedge | Sliding Trough Carries Log to Wedge | | |
| TIRE SIZE | 4.8-12 | 4.8-12 | | | |
| MOUNTING | 2" Ball | 2" Ball | | | |
| MOTOR | DuroMax 420CC | GX630 Honda 20.8 hp 1" Keyed Shaft | | | |
| FUEL CAPACITY (GAS) | 1.75 Gal | 1.5 Gal | | | |
| OIL CAPACITY | 37.2 FL OZ | 15 Gal | | | |
| RPM | 3600 | 3600 | | | |
| PUMP | High Low | Honor Gear Pump 5/8 Keyed Shaft | | | |
| GPM | 16 | 16 | | | |
| HYDRAULIC FILTER | | Spin On | | | |

PRICED IN CANADIAN DOLLARS

PRICES ARE FOB HARRISTON, ONTARIO – DESIGN & PRICE ARE SUBJECT TO CHANGE WITHOUT NOTICE



| SHIPPING SPECIFICATIONS | | | |
|-----------------------------------|----------|--------------------|----------------|
| ITEM | WEIGHT | DIMENSIONS (LxWxH) | NMFC/ Class |
| HWP 100 Processor w/ 2 Way Wedge | 770 lbs | 82x36x48 | 133300-09/ 100 |
| HWP 100 Processor w/ 4 Way Wedge | 779 lbs | 82x36x48 | 133300-09/ 100 |
| HWP 100 Processor w/ both Wedges | 800 lbs | 82x36x48 | 133300-09/ 100 |
| HWP 120 Processor- FIXED | 1380 lbs | 96x36x48 | 133300-09/ 100 |
| HWP 120 Processor w/ 4 Way Wedge | 1380 lbs | 96x36x48 | 133300-09/ 100 |
| HWP 120 Processor w/ 6 Way Wedge | 1393 lbs | 96x36x48 | 133300-09/ 100 |
| HWP 120 Processor w/ both Wedges | 1447 lbs | 96x36x48 | 133300-09/ 100 |
| HWP 140B Processor w/ 4 Way Wedge | 1550 lbs | 102x36x56 | 133300-08/ 175 |
| HWP 140B Processor w/ 6 Way Wedge | 1563 lbs | 102x36x56 | 133300-08/ 175 |
| HWP 140B Processor w/ both Wedges | 1617 lbs | 102x36x56 | 133300-08/ 175 |
| HWP 150 Processor w/ 4 Way Wedge | 1738 lbs | 107x44x64 | 133300-08/175 |
| HWP 150 Processor w/ 6 Way Wedge | 1749 lbs | 107x44x64 | 133300-08/175 |
| HWP 150 Processor w/ both Wedges | 1816 lbs | 107x44x64 | 133300-08/175 |
| HWP 150 Extended w/ 4 Way Wedge | 2005 lbs | 121x44x64 | 133300-08/175 |
| HWP 150 Extended w/ 6 Way Wedge | 2016 lbs | 121x44x64 | 133300-08/175 |
| HWP 150 Extended w/ Both Wedges | 2083 lbs | 121x44x64 | 133300-08/175 |
| 125GS HD Grapple Saw | 845 lbs | 48x48x42 | 114225-01/ 100 |
| Grapple | 735 lbs | 48x48x42 | 114225-01/ 100 |

Function

Requirements

Hot pin, ground pin, 6 function

Hot pin, ground pin, 5 function

Hot pin, ground pin, 5 function

BALE BUDDY 2000

| Model | Description | Price [CDN] |
|-----------------|---|-------------|
| Bale Buddy 2000 | Bale Wrapper – See Section 3, Page 20 for details | \$7,388.00 |



www.halversonwoodproducts.com

PRICED IN CANADIAN DOLLARS

PRICES ARE FOB HARRISTON, ONTARIO – DESIGN & PRICE ARE SUBJECT TO CHANGE WITHOUT NOTICE



SMV SIGNS

Harco SMV signs are high quality, locally made signs from dedicated craftsmen. Our regular signs are priced competitively with those of mass merchants and meet current requirements. High Visibility signs have more resolution for better visibility. Keep your customers, families and employees safe by always using signs that are current and in good condition.

| Model | Description | Price (Each) |
|----------|--|--------------|
| *AP101 | Flat Plastic Back SMV Sign – 12 pack | \$8.65 |
| AP102 | Decal Only For Sign – 12 pack | \$6.80 |
| *AP103 | Metal Back SMV Sign (Galvanized) – 12 pack | \$10.65 |
| AP105 | Plastic Back SMV Sign (Heavy Plastic) – 10 pack | \$9.55 |
| *AP101NS | Flat Plastic Back SMV Sign High Vis. – 12 pack | \$12.40 |
| AP102NS | Decal Only for SMV Sign High Vis. – 12 pack | \$10.65 |
| AP103NS | Metal Back SMV Sign High Vis. – 12 pack | \$15.35 |
| AP105NS | Plastic Back SMV Sign High Vis. – 10 pack | \$13.60 |
| *SMV50 | Spade for SMV Sign (come in any quantity) | \$3.15 |
| *SMV25 | Socket for SMV Sign Holder (come in any quantity) | \$2.70 |

** Inventory stocked at Harriston*

Expedite your orders by emailing your P/O with complete shipping instructions to parts@harcoag.ca



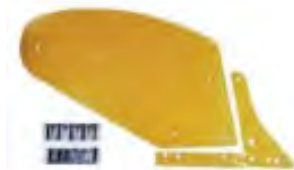
PolyTech Plastic Wear Products

Keeping your equipment operating at peak efficiency is vital in today's agricultural market. Poly Tech manufactures a full line of products including corn head liners, grain tank liners, grain and auger bed trough liners and much more to ensure you always get top performance.

Every one of our products is rigorously tested in real-world conditions and designed to fit perfectly on a wide variety of equipment brands.

We offer a complete line of polymer wear products for plows, combine headers and many other applications. Featured within these pages are some of our most common selling items. If you would like to see a full catalogue please contact your Territory Manager.

Please note, catalogue prices are in U.S. Dollars, so it is best to contact our Parts Department for pricing either through our website or email to parts@harcoag.ca.



QUICK REFERENCE INDEX



**Auger
Tube Liner**



**Deere 200
900/900F**



**200/900
900F Green**



**John Deere
600 Series**



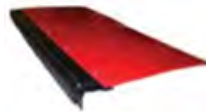
**CIH 1020
Skids**



**Case Auger
Bed Liner**



**JD Auger
Bed Liner**



**Case 1020
Feed Plate**



**Grain
Grabber 2**



**Tru Tube
Tool**



**Poly Clean
Out Door**



**Clean Grain
Elevator Auger
Cover**



**Stubble
Stoppers**



**Stalk Stomper
Replacement Shoes**



**Case Corn
Head Liners**



**Strip-Till
Accessories**



**Poly Moldboard
Cover**



Drill Drain



**Sprayer
Nozzles**



**RFM
Coil Wheels**

COMBINE

CORN HEAD

TILLAGE

SPRING

PEANUT

COTTON

HAY

HARDWARE

MATERIAL

TOOLS/SAFETY



CIH Stabilizer Cover



New Holland Skids



Mac Don Skids



AGCO Skids



Feeder House Kit



Poly Auger Fingers



Grain Tank Liners



AGCO Grain Tank Liner



Auger Trough Liners



Poly Auger Wear Shoes



JD Corn Head Liners



AGCO Corn Head Liner



Hood Patch Kits



Corn Stalk Guides



Ripper Shins & Covers



Peanut Combine Parts



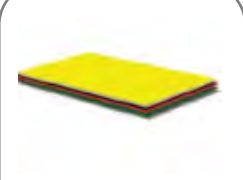
Cotton Picker Parts



Poly Pick-Up Bands



Hardware



Poly Last™ Sheets