

Professional Line

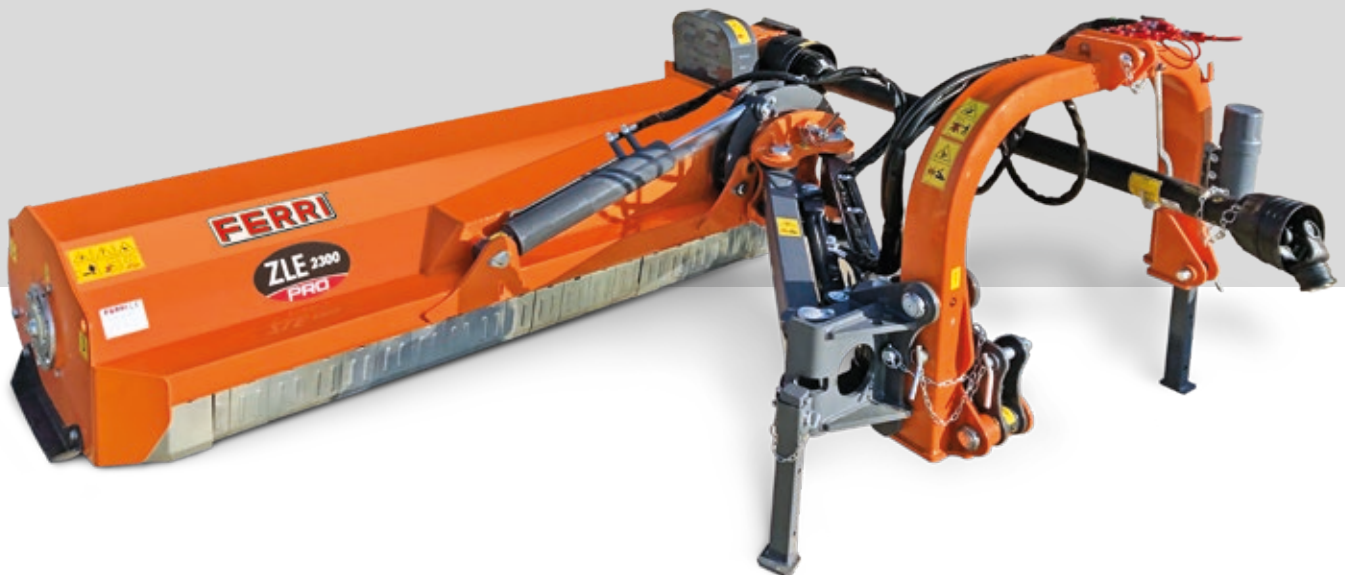
ProTeam



FERRI[®]

Professional offset/in-line
slope mowers for municipal
and green areas

ZLE
PRO





Professional offset/in-line slope mowers for municipal and green areas

The new model of professional offset mower ZLE PRO is particularly recommended for mulching prunings, branches and in general for the maintenance of road verges, hedges and embankments.

It can work behind the tractor in both central and lateral positions. Suitable for tractors from 60 to 120 HP.

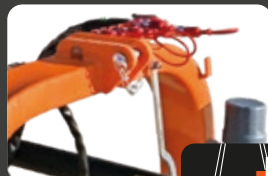
As standard, the ZLE PRO model has a reinforced structure with the subframe in STRENX steel to avoid damage to the frame and the efficient mechanical breakaway to protect the machine in the event of a collision with obstacles.



SAFETY



Hydraulic block valve for transportation with automatic activation



Hydraulic block tap for transportation with manual activation



Gearbox unit outside the transmission for more homogeneous mulching.

RELIABILITY



Mechanical shock absorber device, total protection in case of collision with obstacles



Adjustable sideshift hydraulic cylinder protected inside the two parallel arms.



ZMTE PRO 1800
ZMTE PRO 2000
ZMTE PRO 2300

STRENX™
PERFORMANCE STEEL

PERFORMANCE



Double skin mulching frame with inter-ankle "Full Coverage" layer in Strenx 700



Rear roller support with internally fixed bearings NG without grease fittings



Rotor support with bearings positioned inside the frame

TECHNICAL



Floating flail body frame, self-leveling to the ground.



Rotation joint mounted on self-lubricating bushes

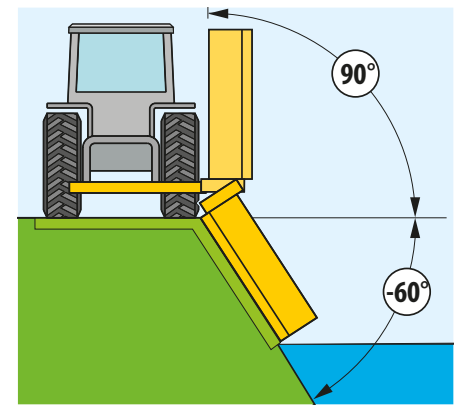
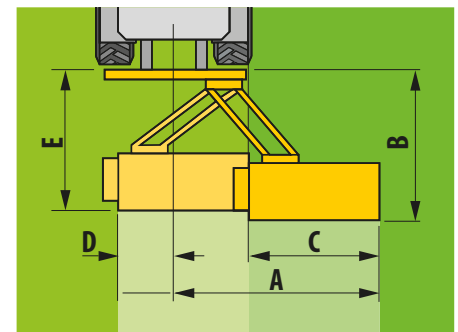


Professional offset/in-line slope mowers for municipal and green areas





Technical data		ZLE PRO		
Model		1800	2000	2300
Width of cut	ft	6'0"	6'8"	7'6"
Max Sidesliding*	ft	9'11"	10'6"	11'4"
Head angle movement		60°/ 90°	60°/ 90°	60°/ 90°
Weight	lbs	1830	1896	2000
Tractor	HP/PS	60/120	60/120	70/120
Min. Tractor weight	lbs	6173	6620	7050
Min. Tractor width	ft	6'7"	7'3"	7'7"
Pto	MAX Rpm	540	540	540
Blade tip speed	ft/sec	174	174	174

Working positions (ft)		ZLE PRO		
		1800	2000	2300
A	ft	9' 11"	10' 6"	11' 4"
B	ft	6' 6"	6' 6"	6' 6"
C	ft	6' 0"	6' 8"	7' 6"
D	ft	5' 1/2"	5' 1/2"	5' 1/2"
E	ft	6' 4"	6' 4"	6' 4"



* Reach measured from tractor centre line to head edge

Flails		ZLE PRO		
Interchangeable on the same rotor ("Overlap")		1800	2000	2300
Multiuse blades for: grass, bushes, shrubs, sticks	 Ø max 1 1/4" N° 54	60	66	
Forged hammer-blades for: woods, grass	 Ø max 1 3/4" N° 18	20	22	

All data subject to change
campbelladv.com 03322 ZLE PRO - USA - EN - Rev.0

www.ferri-america.com



FERRI srl
Via Govoni, 30
44034 Tamara (FE) Italy
Tel. +39 0532 866866
Fax +39 0532 866851
info@ferri.it - www.ferri.it



North America Sales and Marketing Manager / FERRI
Ronald E. Roglis - Glenarm, Illinois 62536
Cell (314) 422-9460 - Fax (217) 483-4123
ron.roglis@gmail.com

Parts Stock / FERRI:
J.S. Woodhouse Co., Inc. - 1314 Union Street
P.O. Box 1169 - West Springfield, Ma. 01090 U.S.A.
tel. 413-736-5462 - fax 413-732-3786
info@jswoodhouse.com