

PLANTER PERFORMANCE UPGRADES

# 05 SERIES

**KINZE**  
TRUE. BLUE. Advantage.

## TRUE planting performance.

Spend less time in the shop and more time in the field with the 05 series planter enhancements. Double the acres between service intervals with upgrades to row unit wear points for improved durability and ease of maintenance. **With an enhanced seed delivery system, plant more crop types, seed sizes, and increase your speed.**



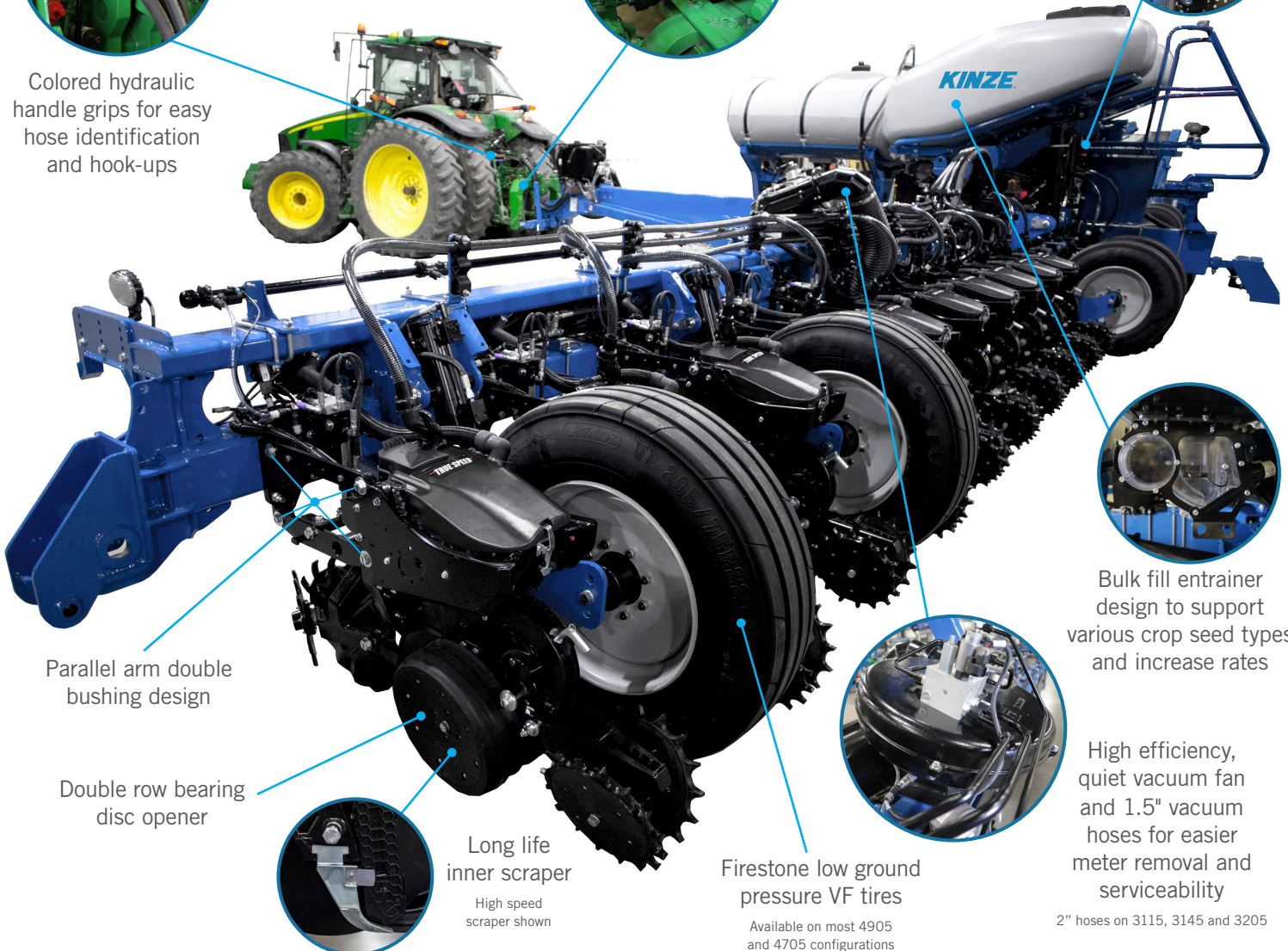
Colored hydraulic handle grips for easy hose identification and hook-ups

Variable displacement hydraulic piston PTO pump (2 SCVs)

Available on 4905 & 4705 models only



Redesigned hydraulics for simple operation and faster lift speed



Parallel arm double bushing design

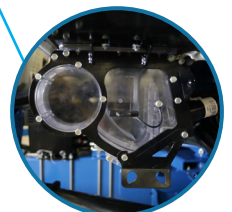
Double row bearing disc opener



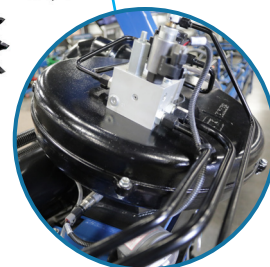
Long life inner scraper  
High speed scraper shown

Firestone low ground pressure VF tires

Available on most 4905 and 4705 configurations



Bulk fill entrainer design to support various crop seed types and increase rates



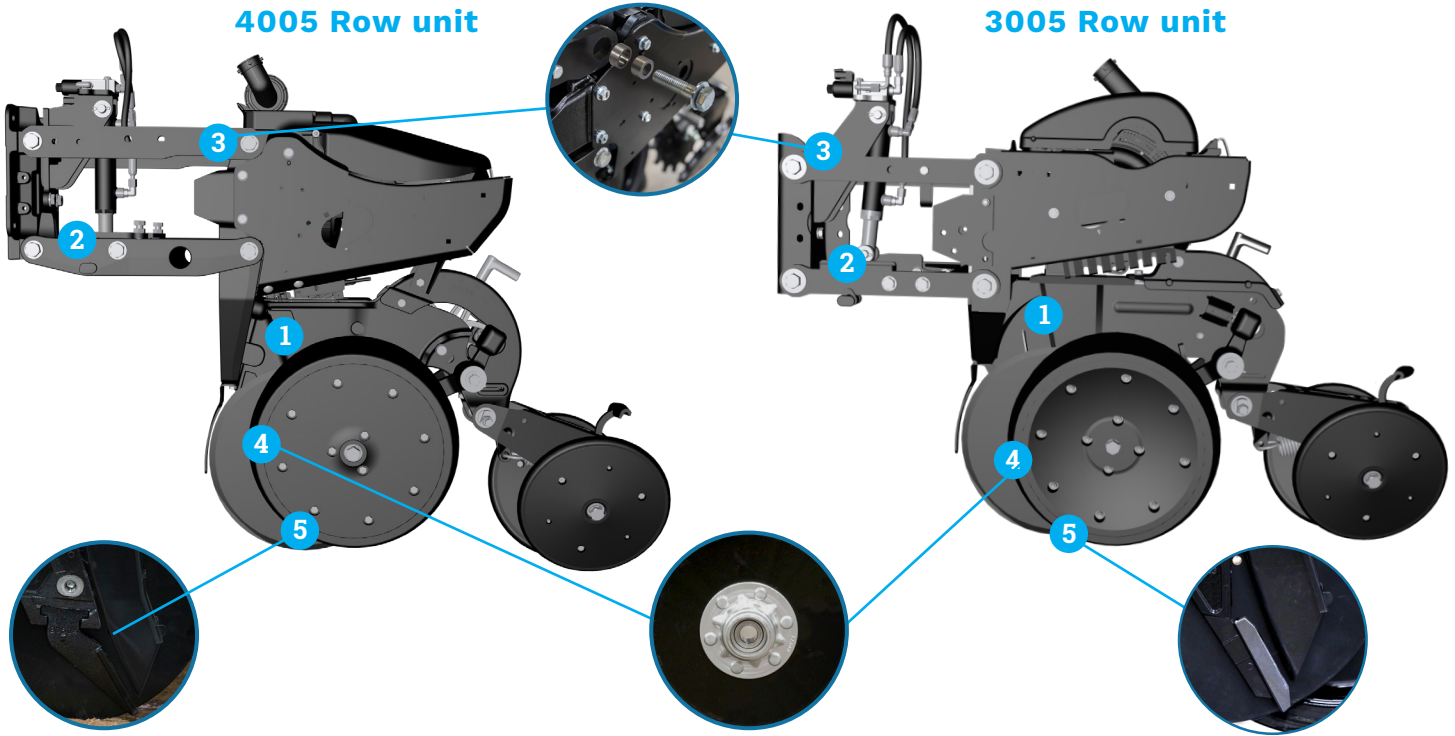
High efficiency, quiet vacuum fan and 1.5" vacuum hoses for easier meter removal and serviceability

2" hoses on 3115, 3145 and 3205

# 05 SERIES

## Common features on both 4005 and 3005 series row units

- Hardened, replaceable large diameter double parallel arm bushings have more wear area and are oil impregnated for double the wear life and to eliminate parallel arm replacement
- Inner scraper material upgraded for double the wear life
- Load equalizing gauge wheels for uniform depth control, even in heavy residue or rugged planting conditions
- Down force options depending on configuration: True Depth hydraulic, pneumatic or springs



1. Cast iron shanks for greater reliability and durability
2. 12" of row unit travel ensures ideal seed depth in varying terrains
3. Double parallel arm bushings with larger wear areas to eliminate arm replacement
4. Double row bearing disc opener for increased durability
5. Improved scraper material lasts two times longer than the '00 Series inner scraper

1. Heavy duty shanks with triangular reinforcement to max side-load strength
2. 10" of row unit travel to handle changing field conditions
3. Double parallel arm bushings with larger wear areas to eliminate arm replacement
4. Double row bearing disc opener for increased durability
5. Improved scraper material lasts two times longer than the '00 Series inner scraper

**KINZE**



Authorized Dealer:

Learn more about the **TRUE. BLUE. Advantage** at [kinze.com](http://kinze.com).

© 2021 by Kinze Manufacturing, Inc. Kinze®, the Kinze® logo, are trademarks owned by Kinze Manufacturing, Inc. Kinze Manufacturing, Inc. reserves the right to make changes in engineering, design and specifications, or add improvements at any time without notice or obligation.

MY2022\_042021