

# Farm King

## OPERATOR AND PARTS MANUAL

### Offset Discs

1225 & 1275 Model



# Table of Contents

**Introduction .....6**

**Safety.....7**

- Safety Instructions .....7
- General Safety.....8
- Operation Safety .....8
- Assembly Safety .....9
- Transport Safety.....9
- Hydraulic Safety..... 10
- Maintenance Safety ..... 10
- Tire Safety ..... 10
- Storage Safety.....10
- Safety Decals..... 11
- Installation ..... 11

**Specifications.....12**

**Assembly.....14**

- Gang Beam Chart.....26
- Gang Pattern - 1225M - 9" - 29/7 (410WSS).....27
- Gang Pattern - 1225M - 9" - 33/8 (410WSS).....28
- Gang Pattern - 1225M - 9" - 37/10 (410WSS).....28
- Gang Pattern - 1275N - 10-1/2" - 15/4 (410WSS/T2-215).....29
- Gang Pattern - 1275N - 10-1/2" - 19/6 (410WSS/T2-215) .....29
- Gang Pattern - 1225M/1275M - 10-1/2" - 27/10 (410WSS) .....30
- Gang Pattern - 1225M - 10-1/2" - 27/8 (T2-215) .....30
- Gang Pattern - 1225M - 10-1/2" - 31/10 (410WSS).....31
- Gang Pattern - 1225M - 10-1/2" - 31/10 (T2-215).....31
- Gang Pattern - 1225M/1275M - 10-1/2" - 37/10 (410WSS/T2-215) .....32
- Gang Pattern - 1275W - 10-1/2" - 37/10 (410WSS/T2-215) .....32
- Gang Pattern - 1275W - 10-1/2" - 41/14 (T2-215) .....33
- Gang Pattern - 1275W - 10-1/2" - 45/13 (T2-215) .....34
- Gang Pattern - 1225M - 12" - 25/9 (410WSS).....35
- Gang Pattern - 1275N - 12" - 13/4 (T2-215) .....36
- Gang Pattern - 1275N - 12" - 17/6 (T2-215) .....36
- Gang Pattern - 1275N - 12" - 21/6 (T2-215) .....37
- Gang Pattern - 1275M - 12" - 21/6 (T2-215).....37
- Gang Pattern - 1275M - 12" - 25/8 (T2-215).....38
- Gang Pattern - 1275M - 12" - 29/10 (T2-215).....38
- Gang Pattern - 1275W - 12" - 31/11 (T2-215).....39

- Gang Pattern - 1275M - 12" - 33/10 (T2-215).....39
- Gang Pattern - 1275W - 12" - 37/12 (T2-215) .....40
- Scraper Bar Support Pattern - 1275N - 12" - 13 .....41
- Scraper Bar Support Pattern - 1275N - 12" - 17 .....41
- Scraper Bar Support Pattern - 1275N - 12" - 21 .....42
- Scraper Bar Support Pattern - 1275M - 12" - 21 .....42
- Scraper Bar Support Pattern - 1275M - 12" - 25.....43
- Scraper Bar Support Pattern - 1275M - 12" - 29.....43
- Scraper Bar Support Pattern - 1275N - 12" - 31 .....44
- Scraper Bar Support Pattern - 1275M - 12" - 33.....44
- Scraper Bar Support Pattern - 1275W - 12" - 37.....45
- Scraper Bar Support Pattern - 1275W - 12" - 41.....45
  
- Operation .....46**
  - Adjustments .....50
  
- Maintenance .....56**
  
- Troubleshooting.....59**
  
- Parts .....62**
  - Frames, Hitch and Leveling Crank Assembly .....62
  - Frames, Hitch and Leveling Crank Assembly Parts List .....63
  - Rockshaft and Wheel Assembly .....68
  - Rockshaft and Wheel Assembly Parts List.....69
  - Disc Gang w/ 410 Series Bearing Assembly - 1225 .....70
  - Disc Gang w/ 410 Series Bearing Assembly - 1225 Parts List.....71
  - Disc Gang w/ Standard Hangers -T2-215 Bearings - 1225 .....74
  - Disc Gang w/ Standard Hangers -T2-215 Bearings - 1225 Parts List.....75
  - Disc Gang w/ Rigid Hangers -T2-215 Bearings - 1275 .....78
  - Disc Gang w/ Rigid Hangers -T2-215 Bearings - 1275 Parts List.....79
  - Disc Gang w/ Standard Hangers - 410WSS - 1225 ..... 82
  - Disc Gang w/ Standard Hangers - 410WSS - 1225 Parts List.....83
  - Disc Gang w/ Standard Hangers -T2-215 - 1225 .....86
  - Disc Gang w/ Standard Hangers -T2-215 - 1225 Parts List .....87
  - Stone Flex Hanger - 410 Bearings - 1225 .....90
  - Stone Flex Hanger - 410 Bearings - 1225 Parts List.....91
  - Stone Flex Hanger -T2-215 Bearings - 1225/1275 .....92
  - Stone Flex Hanger -T2-215 Bearings - 1225/1275 Parts List.....93
  - Stone Flex Hanger - 410WSS Bearings - 1225.....94
  - Stone Flex Hanger - 410WSS Bearings - 1225 Parts List .....94

- Stone Flex Hanger - T2-215 - 1225/1275 .....96
- Stone Flex Hanger - T2-215 - 1225/1275 Parts List .....97
- Scraper and Scraper Bar Assembly - 1275.....98
- Scraper and Scraper Bar Assembly - 1275 Parts List .....99
- Scraper and Scraper Bar Assembly - 1225..... 100
- Scraper and Scraper Bar Assembly - 1225 Parts List ..... 101
- Scraper and Scraper Bar Assembly - 1275..... 102
- Scraper and Scraper Bar Assembly - 1275 Parts List ..... 103
- Standard Scraper and Scraper Bar Assembly - 1225..... 104
- Standard Scraper and Scraper Bar Assembly - 1225 Parts List..... 105
- Heavy Duty Scraper and Scraper Bar Assembly - 1225 ..... 106
- Heavy Duty Scraper and Scraper Bar Assembly - 1225 Parts List..... 107
- Standard Scraper and Scraper Bar Assembly - 1275 ..... 108
- Standard Scraper and Scraper Bar Assembly - 1275 Parts List..... 109
- Hydraulic System Assembly ..... 110
- Disc Light Kit ..... 112
- Safety Light Kit..... 113
- Safety Light Kit (2008 and Later) ..... 114
  
- Pre-Delivery Checklist ..... 115**
  
- Warranty ..... 116**

**Manufacturer’s statement:** for technical reasons Buhler Industries Inc. reserves the right to modify machinery design and specifications provided herein without any preliminary notice. Information provided herein is of descriptive nature. Performance quality may depend on soil fertility, applied agricultural techniques, weather conditions and other factors.

## Introduction

---

Keep this manual handy for frequent reference. All new operators or owners must review the manual before using the equipment and at least annually thereafter. Contact your Farm King Dealer if you need assistance, information, or additional copies of the manual. Visit our website at [www.farm-king.com](http://www.farm-king.com) for a complete list of dealers in your area.

The directions left, right, front and rear, as mentioned throughout this manual, are as seen facing in the direction of travel of the implement.

## Safety

---

### Safety Instructions

Remember, YOU are the key to safety. Good safety practices not only protect you, but also the people around you. Make these practices a working part of your safety program. Be certain that everyone operating this equipment is familiar with the recommended operating and maintenance procedures and follows all the safety precautions. Most accidents can be prevented. Do not risk injury or death by ignoring good safety practices.

The alert symbol is used throughout this manual. It indicates attention is required and identifies hazards. Follow the recommended precautions.



The safety alert symbol means...  
**ATTENTION! BECOME ALERT! YOUR SAFETY IS INVOLVED!**



#### CAUTION

The caution symbol indicates a potentially hazardous situation that, if not avoided, may result in minor or moderate injury. It may also be used to alert against unsafe practices.



#### WARNING

The Warning Symbol indicates a potentially hazardous situation that, if not avoided, could result in death or serious injury, and includes hazards that are exposed when guards are removed. It may also be used to alert against unsafe practices.



#### DANGER

The Danger Symbol indicates an imminently hazardous situation that, if not avoided will result in death or serious injury. This signal word is to be limited to the most extreme situations, typically for machine components that, for functional purposes, cannot be guarded.

## General Safety

- Have a first-aid kit available for use and know how to use it. Have a fire extinguisher available, stored in a highly visible location, and know how to use it.
- Wear appropriate protective gear. This list may include but is not limited to:
  - hard hat
  - protective shoes with slip resistant soles
  - protective glasses or goggles
  - heavy gloves
  - wet weather gear
  - hearing protection
  - respirator or filter mask
- Read and understand the Operator's Manual and all safety signs before operating, servicing, adjusting, repairing, or unplugging the equipment.
- Do not attempt any unauthorized modifications to your Farm King product as this could affect function or safety, and could affect the life of the equipment.
- Inspect and clean the working area before operating.
- Keep hands, feet, clothing, and hair away from moving parts.
- Ensure bystanders are clear of the area before operating.
- Only trained competent person(s) shall operate the unit. An untrained operator is not qualified to operate the machine.
- Lower machine to the ground, place all tractor controls in neutral, stop engine, turn monitor off, set park brake and remove ignition key, before servicing, adjusting, repairing this implement.
- Review safety related items with all personnel annually.

## Operation Safety

- Read and understand the Operator's Manual and all safety signs before using this disc.
- Lower machine to the ground, place all tractor controls in neutral, stop engine, set park brake and remove ignition key before servicing, adjusting or repairing implement.
- Do not allow riders on the disc or tractor during operation or transporting.
- Clear the area of all bystanders, before moving tractor and disc.
- Stand clear when folding or unfolding wings. Keep others away.
- Clean reflectors, SMV and lights before transporting.
- Attach disc securely to tractor using a hardened pin and a safety chain.
- Do not exceed a safe travel speed.
- Use hazard flasher on tractor and disc when transporting.
- Stay away from overhead power lines when folding or unfolding wings and during transport.
- Before applying pressure to the hydraulic system, make sure all components are tight and that hoses and couplings are in good condition.
- Review safety instructions annually.



## Assembly Safety

- When assembling disc, use aligning punch to line up holes. Keep fingers out of holes. Any sudden movement of heavy components will severely injure or sever your fingers.
- Use adequate manpower or hoist to lift the heavy components into place. Attempting to lift heavy components by yourself could cause serious injury.
- Be sure all bolts and hydraulic fittings are tight, and all cotter pins are installed in the slotted nuts and pins.
- Support the main frame securely before assembling the components. Inadequate support may result in the heavy components falling and causing serious injury to you or person(s) nearby.
- Be sure all wheel bolts are checked for tightness during initial transport or when first discing. Loose wheel bolts may result in the wheel falling off, causing serious damage to the disc and may cause serious injury to the operator or person(s) nearby.
- Hydraulic oil escaping under pressure has sufficient force to cause serious injury. Relieve pressure in all hydraulic components before disconnecting any hydraulic components. Before applying pressure to hydraulic system, be sure all connections are tight and components are not damaged. If injured by escaping hydraulic fluid, see a medical doctor immediately.
- When attaching gang assemblies, wear protective gloves to prevent injury from cutting edges of blades.
- Before applying pressure to the hydraulic system, be sure all connections are tight and the components are not damaged.
- If hydraulic cylinder shafts are unpinned and cycled to fill the cylinder with oils, they can be seriously damaged if clevis of shaft strikes rockshaft arm or wing cylinder lug.
- Do not stand under folded wings when working on disc. If hydraulic system failed or if hydraulic lever was accidentally operated, wings may fall resulting in serious injury or death to person(s) near disc.
- When installing gangs ensure adequate support is placed under main frame. If any hydraulic component failed, disc could drop causing serious injury or death to person(s) nearby.

## Transport Safety

- Read and understand ALL the information in the Operator's Manual regarding procedures and SAFETY before operating this disc in the field and/or on the road.
- Check with local authorities regarding transporting this implement on public roads.
- Always transport at a safe speed. Use caution when turning corners or meeting traffic.
- Make sure the SMV (Slow Moving Vehicle) emblem and all the lights and reflectors that are required by the local highway and transport authorities are in place, are clean and can be seen clearly by all overtaking and oncoming traffic.
- Be sure all amber and red lights are working to safeguard against rear end collisions. Daybreak and dusk are particularly dangerous.
- Be sure that the disc is securely attached to the tractor. Always use a safety chain between the machine and the tractor.
- Do not exceed 20 mph (32 km/h). Reduce speed on rough roads and surfaces.
- Always use hazard warning flashers on tractor and when transporting unless prohibited by law.

## Hydraulic Safety

- Always place all tractor hydraulic controls in neutral before dismounting.
- Make sure that all components in the hydraulic system are kept in good condition and are clean.
- Replace any worn, cut, abraded, flattened or crimped hoses.
- Do not attempt any makeshift repairs to the hydraulic lines, fittings or hoses by using tape, clamps or cements. The hydraulic system operates under extremely high pressure. Such repairs will fail suddenly and create a hazardous and unsafe condition.
- Wear proper hand and eye protection when searching for a high pressure hydraulic leak. Use a piece of wood or cardboard as a backstop instead of hands to isolate and identify a leak.
- If injured by escaping hydraulic fluid, seek medical attention immediately. Serious infection or toxic reaction can develop from hydraulic fluid penetrating the skin surface.
- Before applying pressure to the system, make sure all components are tight and that hoses and couplings are in good condition.

## Maintenance Safety

- Review the Operator's Manual and all safety items before working with maintaining or operating this disc.
- Lower machine to the ground, place all tractor controls in neutral, stop engine, turn monitor off, set park brake and remove ignition key before servicing, adjusting, or repairing this disc.
- Follow good shop practices:
  - keep service area clean and dry.
  - be sure electrical outlets and tools are properly grounded.
  - use adequate light for the job at hand.
- Before applying pressure to a hydraulic system, make sure all components are tight and hoses and couplings are in good condition.
- Relieve pressure from hydraulic cylinder before servicing or disconnecting from tractor.
- Clear the area of bystanders when carrying out any maintenance and repairs or making any adjustments.
- Place stands or blocks under the frame before working beneath the machine or when changing tires.
- Use only tools, jacks and hoists of sufficient capacity for the job.

## Tire Safety

- Failure to follow proper procedures when mounting a tire on a wheel or rim can produce an explosion which may result in serious injury or death.
- Do not attempt to mount a tire unless you have the proper equipment and experience to do the job.
- Have a qualified tire dealer perform required tire maintenance.

## Storage Safety

- Store unit in an area away from human or animal activity.
- Do not permit children to play on or around parked implement.

## Safety Decals

- Store unit in an area away from human or animal activity.
- Do not permit children to play on or around parked implement.

## Installation

- To install safety signs, ensure the installation area is clean and dry. Decide on the exact position before you remove the backing paper. Remove the smallest portion of the split backing paper and align over the specified area. Carefully press in place.
- Slowly peel back the remaining paper and smooth the remaining portion in place. Small air pockets can be pierced with a pin and smoothed out.
- Replace safety signs immediately should they become damaged, torn or illegible. Obtain replacements from your authorized dealer using the part numbers shown.

## Specifications

Model #	Frame Width	Approx. Cutting Width	# of Blades	Spacing	# of Wheels	410WSS Series Qty/Unit	T2-215 Series Qty/Unit
1225M	Medium	10-1/2'	29	9"	4	7	N/A
1225M	Medium	12'	33	9"	4	8	N/A
1225M	Medium	14'	37	9"	4	10	N/A
1225M	Medium	10'	23	10-1/2"	4	8	8*
1225M	Medium	12'	27	10-1/2"	4	10	8*
1225M	Medium	14'	31	10-1/2"	4	10	9*
1225M	Medium	15'	33	10-1/2"	4	10	10*
1275N	Narrow	6'	15	10-1/2"	2	N/A	4
1275N	Narrow	8'	19	10-1/2"	2	N/A	6
1275N	Narrow	10'	23	10-1/2"	2	N/A	6
1275M	Medium	10'	23	10-1/2"	4	N/A	8
1275M	Medium	12'	27	10-1/2"	4	N/A	10
1275M	Medium	14'	31	10-1/2"	4	N/A	10
1275M	Medium	15'	33	10-1/2"	4	N/A	10
1275W	Wide	16'	37	10-1/2"	4	N/A	12
1275W	Wide	18'	41	10-1/2"	4	N/A	12
1275W	Wide	20'	45	10-1/2"	4	N/A	12
1275N	Narrow	6'	13	12"	2	N/A	4
1275N	Narrow	8'	17	12"	2	N/A	6
1275N	Narrow	10'	21	12"	2	N/A	6
1275M	Medium	10'	21	12"	4	N/A	6
1275M	Medium	12'	25	12"	4	N/A	8
1275M	Medium	14'	29	12"	4	N/A	8
1275M	Medium	15'	31	12"	4	N/A	9
1275W	Wide	16'	33	12"	4	N/A	10
1275W	Wide	18'	37	12"	4	N/A	11
1275W	Wide	20'	41	12"	4	N/A	12

\*Optional

### Tire Size

- 1225/1275 - 6' to 10' - (2) 11L x 15 FI - Load Range AC
- 1225/1275 - 10' to 20' - (4) 11L x 15 FI - Load Range AC

### Tire Inflation

- 45 psi (310 kpa) - Load Range AC
- 60 psi (414 kpa) - Load Range AF

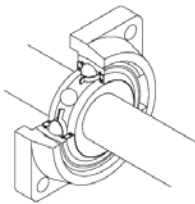
**CAUTION**

When inflating tires use a clip-on chuck and hose extension which will allow operator to stand clear of tire and wheel assembly. Do not stand in front of or over tire when inflating. Exploding tire and wheel parts can cause serious injury or death.

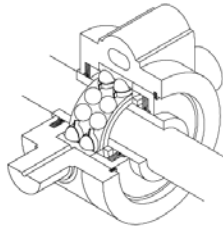
Front and rear gang angle - 19, 22 or 25 degrees

Bolt torques (dry)

- Gang bolts - 1-15/16" diameter - 3200 ft lb (4339 N.m) - Model 1225
- Gang bolts - 1-15/16" diameter - 3800 ft lb (5152 N.m) - Model 1275
- Leveling crank bolt - 1-1/4" diameter - 840 ft lb (1309 N.m)
- Bearing hanger u-bolt - 7/8" diameter - 430 ft lb (583 N.m)
- Wheel bolts - 9/16" diameter - 150 ft lb (203 N.m)



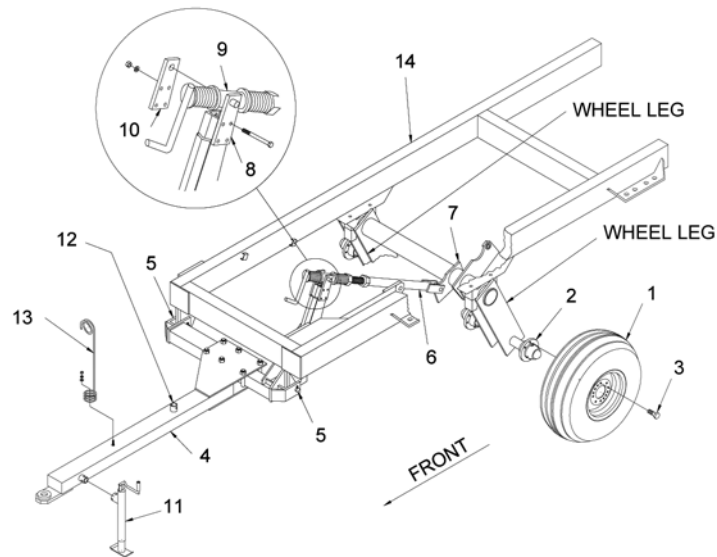
410WSS GREASEABLE BEARING



T2-215 GREASEABLE BEARING

# Assembly Instructions

ILL. 20.



1. See ILL. 20. (For all models) Raise frame approximately 36" (914 mm) from ground and block securely.



**CAUTION**

Support main frame securely before assembling components. Heavy frame could cause serious injury if it fell.

2. Attaching wheel assemblies - See ILL. 20.

**A - Single wheels - (model 1275N)**

Bolt tire and wheel assembly, arrow 1, to hub, arrow 2, on outside of each wheel leg, with six (6) wheel bolts, arrow 3, (Two (2) wheels required). TIGHTEN WHEEL BOLTS TO 150 ft lb (203 N.m)

**B - Dual wheels - (models 1225M, 1275M, 1275M)**

Bolt tire and wheel assembly, arrow 1, to hub, arrow 2, on each side of each wheel leg, with six (6) wheel bolts, arrow 3, (Four wheels required). TIGHTEN WHEEL BOLTS TO 150 ft lb (203 N.m)

**NOTE:** Be sure all wheel bolts are checked for tightness during initial transport or when first discing. Loose wheel bolts may result in wheel falling off, causing serious injury to the operator or those nearby.

**NOTE:** Wheel bolts must be kept tight. If bolts are not tight, bolts will loosen causing severe damage to hub, wheel and tire. Check wheel bolt periodically, especially the first few hours of operation, either transport or field work.



## CAUTION

Use adequate manpower or a hoist to lift component into place. Attempting to lift heavy components by yourself could cause serious injury.



## CAUTION

Support main frame securely before assembling components. Heavy frame could cause serious injury if it fell.



## CAUTION

When assembling disc, use aligning punch to line up holes. Keep fingers out of holes.

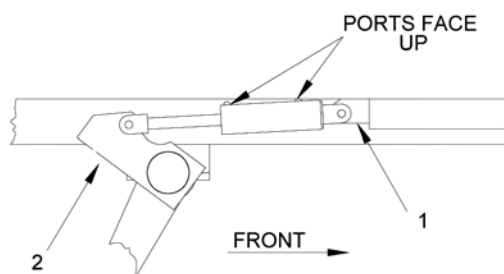
3. See ILL. 20. Fasten hitch assembly, arrow 4, to two hitch lugs, arrow 5, of frame. Fasten with two (2) 1-1/4" x 4" pins. Secure each pin with two (2) 5/16" x 1-3/4" cotter pins.
4. See ILL. 20. To attach leveling link, arrow 6, remove bolt-on lug, arrow 7, from leveling arm of hitch. Next place bearing tube, arrow 9, of crank assembly between weld-on lug, arrow 8, and bolt-on lug, arrow 10. Install ears of bearing tube, arrow 9, in 1" holes of lugs, arrows 8 and 10, then fasten bolt-on lug to leveling arm with four (4) 1/2" x 5" bolts complete with nuts and lock washers. Be sure grease fitting in bearing tube is facing up.

Next attach clevis end of leveling link, arrow 6, to arm, arrow 7, on rock shaft, fasten with (1) one 1-1/4" x 4-3/4" (327 x 121 mm) bolt c/w nut and lockwasher. Tighten bolt to 840 ft lb (1139 N.m.)

5. See ILL. 20. Fasten hose support, arrow 13, to bolt welded to top of hitch tongue with one (1) 11/16" I.D. flat washer, one (1) 5/8" lock removable spacer washer, and one (1) 5/8" nut.
6. See ILL. 21. Install one (1) 4" x 12" stroke hydraulic cylinder. Fasten barrel end to lug, arrow 1. Position barrel so port are facing up. Fasten shaft end to rock shaft cylinder arm, arrow 2. Fasten with one (1) 1-1/4" dia. pins supplied with cylinder. Secure each pin with two (2) 5/16 x 1-3/4" cotter pins.

**NOTE:** Hydraulic cylinder supplied as standard

ILL. 21





## CAUTION

Do not disconnect hydraulically operated components when there is pressure within those components. Hydraulic components under high pressure may cause parts and hydraulic fluid to fly out at a high velocity, which could cause serious injury.



## CAUTION

Hydraulic oil escaping under pressure has sufficient force to cause serious injury. If injured by escaping fluid, obtain medical treatment immediately.



## CAUTION

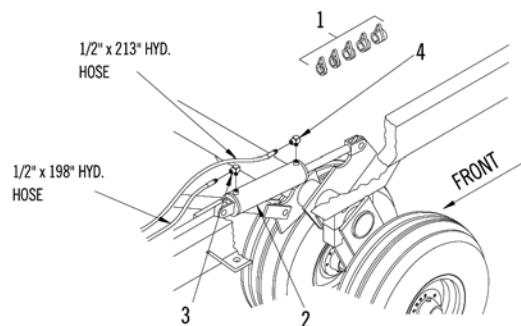
Check hydraulic hoses periodically for signs of rupture. Use a cardboard as backstop to check for escaping high pressure or hot fluid.



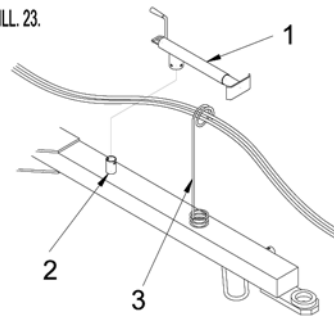
## CAUTION

Before applying pressure to hydraulic system, be sure all connections are tight and components are not damaged.

ILL. 22.



ILL. 23.



7. See ILL. 20. Mount hitch jack, arrow 11, on round tube on side of hitch when supporting disc hitch. When transporting disc position jack horizontally on top of hitch tube.

8. Connecting hydraulic hoses - see ILL. 22.

**A** - Install one (1) 1/2" N.P.T. x 90 degree street elbow, arrow 3 and 4, to the front and rear ports of hydraulic cylinder, arrow 2.

**B** - Connect one (1) 1/2" x 198 A hose to street elbow, arrow 3, in front port of hydraulic cylinder. Connect one (1) 1/2" x 213 A hose to street elbow, arrow 4, in rear port of hydraulic cylinder. Thread hoses through hose support, arrow 3, shown in ILL. 23.

**C** - Install one (1) male tip on end of each hose and connect hoses to tractor's hydraulic system.



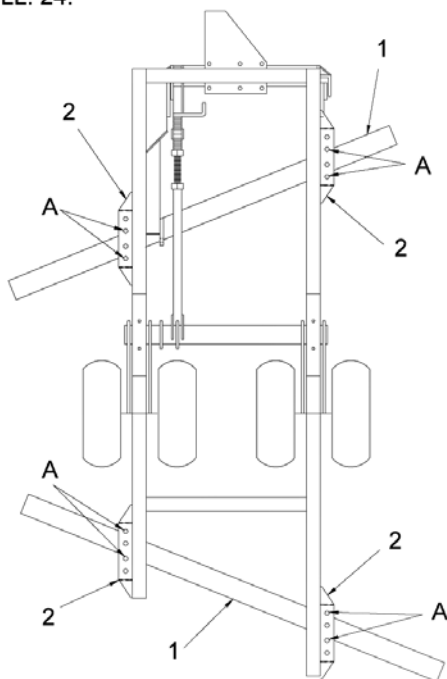
**D** - Fill hydraulic cylinder with oil. Extend and contract cylinder until it is completely filled with oil.

**E** - After cylinder is completely filled with hydraulic oil fully extend cylinder, arrow 2. Next install all depth control stops, arrow 1, on cylinder shaft. The total length of all stops is 8-1/4", the depth stops must be installed to lock disc in raised position while the rest of disc is being assembled.

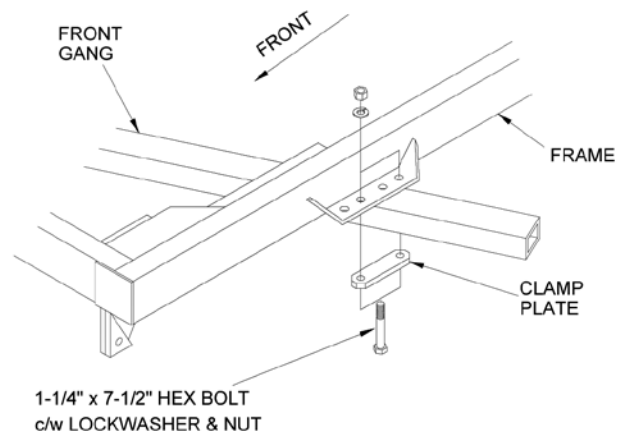
**NOTE:** See ILL. 23. Hitch jack, arrow 1, must be mounted to round tube, arrow 2, on top of hitch when disc is in motion. If jack is left on the side of the hitch (in horizontal position), tractor tires may hit the jack, causing severe damage to the hitch jack.

9. See ILL. 24. Using chart on page to determine the length of the front and rear gang beams, arrow 1, for your disc.
10. See ILL. 24 and 25. Fasten each gang beam to mounting brackets, arrow 2, lugs on side of frame with one (1) clamp plate, and two (2) 1-1/4" x 7-1/2" on each side of frame. To start with set gang beams at a medium angle by using holes, arrow A. Do not tighten 1-1/4" bolts at this time.

ILL. 24.



ILL. 25



## 11. Attaching hang assemblies - See ILL. 26.

**NOTE:** Remove scraper assemblies and bundling ties/bands from the gang assemblies. The scraper assembly that is bundled with each gang will be assembled together on the disc. Be sure each gang with its scraper assembly is kept together. The 5/8" x 2" (16 x 51 mm) U-bolts used to bundle scraper assemblies **MUST** be saved to assemble scraper bar to gang beam later.

**A** - Using gang pattern for your disc - Identify the front and rear gangs. Note that the gang with a outrigger blade (small diameter blade at the end) is a rear gang. If your disc has a gang on the front with the same number of blades as the rear gangs, use the following method to identify which gang is front and which is rear.

For solid hangers with 410WSS bearings front and rear is determined by the position of bearing grease fitting. When blades are orientated correctly, the grease fitting will face the rear of disc, see Detail D.

For solid hangers with T2-215 bearings front and rear is determined by the 5/8" x 10" (16 x 254 mm) bearing retainer bolt. When blades are orientated correctly, the double nut end of the bolt will face the front of the disc, see Detail C.

If your disc is equipped with stone flex hangers, front and rear gangs, is determined by the opening of the "C" shank. When blades are correctly orientated the open end of "C" shank will face rear of disc, see Detail E.

**B** - Rear gangs - Roll rear gangs in place under rear gang beams. Attach each bearing hanger to gang beam with two (2) 7/8" x 6" x 5-7/8". U-bolts. See detail "C" or "D". Leave U-bolts loose. If disc is equipped with optional stone flex bearing hangers, see step "D" to attach hangers.

**C** - Roll front gangs in place under front gang beams. Attach each bearing hanger gang beam with two (2) 7/8" x 6" x 5-7/8" U-bolts. See Detail "C" and "D". Leave U-bolts loose. If disc is equipped with optional stone flex bearing hanger, see step "D" to attach hanger.

**D** - Optional stone flex bearing hangers - See ILL. 26, Detail "E". Fasten each hanger assembly, arrow 1, to bottom of gang beam with one (1) backing plate, arrow 2, and two (2) 7/8" x 6" x 7-1/8" U-bolts. Be sure pin on backing plate is inserted into slot of shank. Leave U-bolts loose.



### **CAUTION**

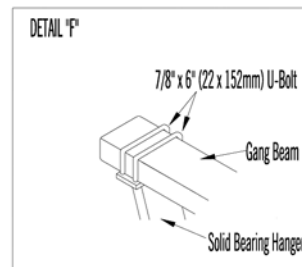
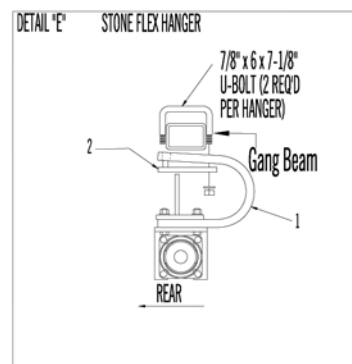
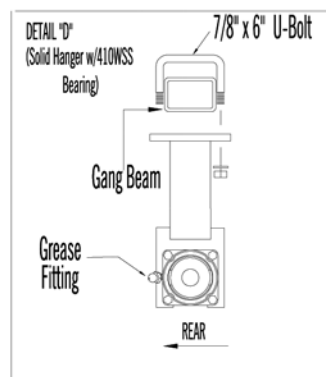
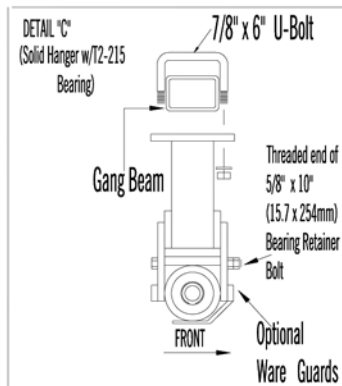
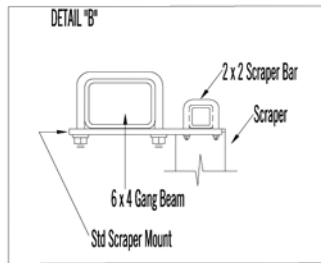
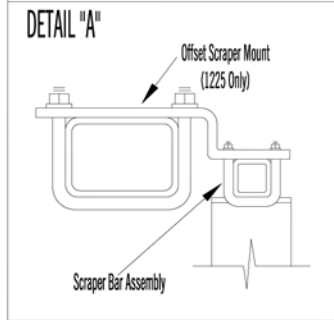
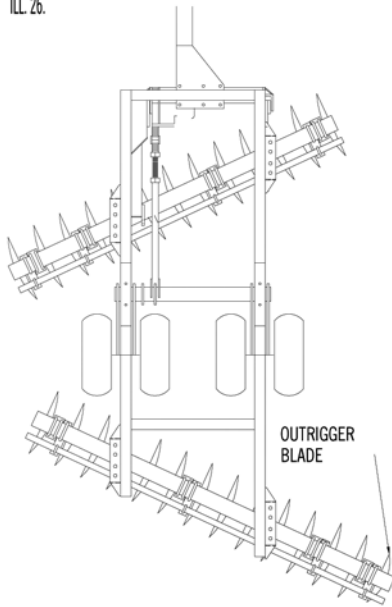
When attaching hang assemblies, wear protective gloves to help prevent injury from cutting edges of blades.

**E** - Adjust spacing between gang assemblies. This spacing should be the same distance as the blade spacing in the gang assemblies. Excess gang beam should extend to the right hand side on front gang and to the left side on the rear gang.

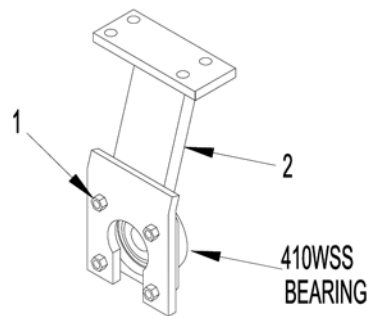
**F** - Before tightening bearing hanger U-bolts, check each bearing hanger to make sure hanger is sitting square under gang beam. Also, be sure hanger is not turned to one side. Tighten U-bolts to 430 ft lb.

**NOTE:** If bearing hangers are not sitting square before tightening U-bolts, thrust will be built into the bearings and the life of the bearings will be shortened.

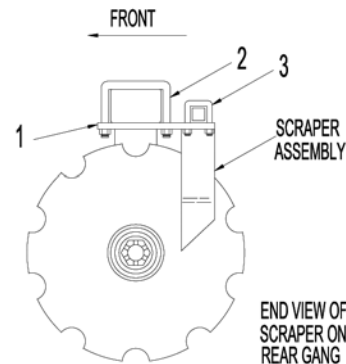
ILL. 26.



ILL. 27



ILL. 28



12. **Very Important:** See ILL. 27.

For discs with 410WSS series bearings and solid hangers. Loosen all the bolts, arrow 1, which fasten the bearings to the hangers, arrow 2, then turn the disc blades to allow the bearings to align themselves. Tighten all bolts. This operation is not required if T2-215 bearings are used.

13. Attaching scraper assemblies - See ILL. 28.

**A** - Identify scraper assembly for each gang. As indicated in Section 11 on previous page, the gangs were bundled with their corresponding scraper assembly. Scraper assemblies are assembled for front and rear gangs and must be installed on appropriate gang.

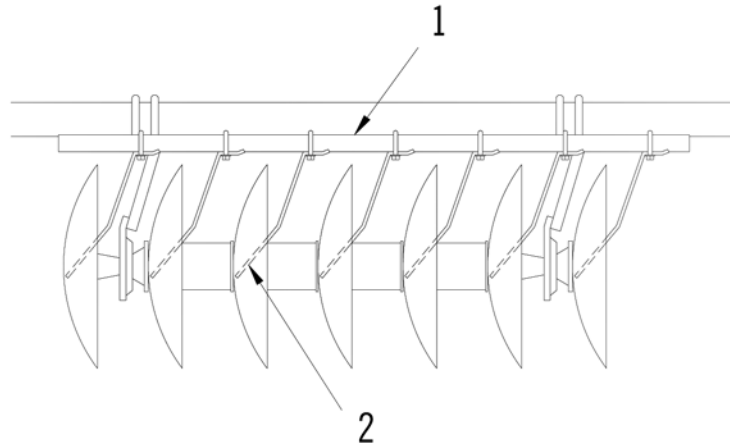
**B** - See Fig. 28. Position each scraper assembly on REAR side of it's gang with scrapers placed against concave side of blades. Fasten scraper assembly to gang beam with ONE (1) scraper bar support for each bearing hanger in the gang. Position outer scraper bar support as close as possible to the end of the scraper bar. Position the inner scraper bar support(s) close to a bearing hanger. Locate standard scraper bar support on BOTTOM side of gang beam and secure with (1) 3/4" x 6" (19 x 152 mm) U-bolt, arrow 2, c/w nuts and lockwashers. Place scraper bar assembly on TOP of scraper bar supports, arrow 1, and secure scraper bar to supports with one (1) 5/8" x 2" (16 x 51 mm) U-bolts, arrow 3, c/w nuts and lockwashers. Scraper mount plates are also shown in Detail "A" and "B" of ILL. 26.

**NOTE:** Model 1275 discs use double U-bolt scraper bar support.

**NOTE:** Model 1225 only - In some cases the standard scraper bar supports, shown in Detail "B", ILL. 26 can not be installed between frame and a bearing hanger. In these instances an offset scraper support is provided. This support is placed on top of the gang beam, as shown in Detail "A", ILL. 26 allowing clearance for installation. All models are supplied with four (4) offset supports. If they are not used for tight locations, use them in normal locations.

**NOTE:** Model 1275 disc does not require offset scraper bar supports.

ILL. 29

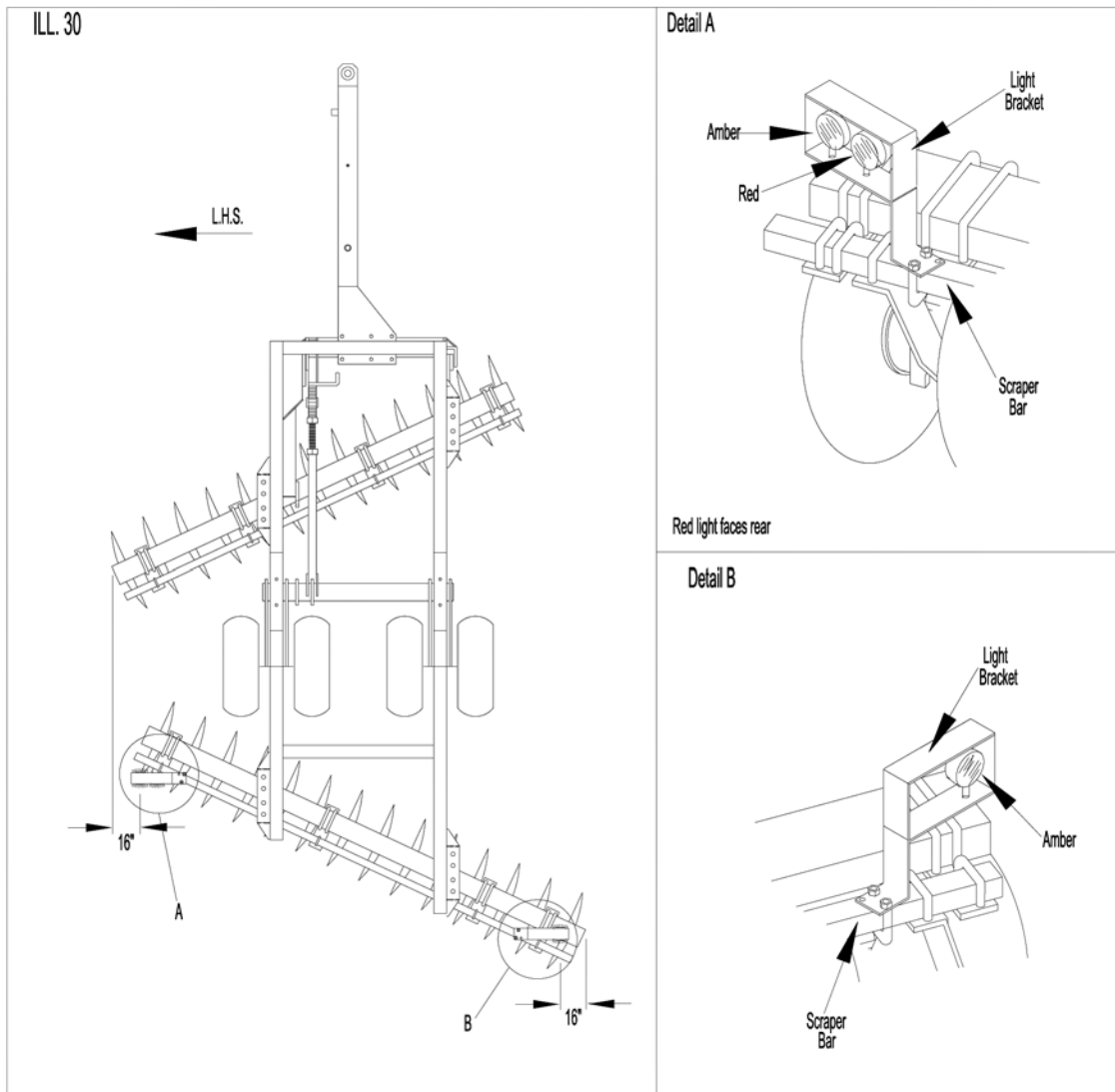


14. See ILL. 29. Adjust scraper bar, arrow 1, and scrapers, arrow 2, of each gang, so scraper is in contact with the disc blade.

**NOTE:** Disc will require less power to pull, if scrapers are adjusted properly.

15. Lateral gang adjustment - Before the 1-1/4" x 7-1/2" gang beam clamp plates can be tightened, the gangs must be positioned laterally under frame. Correct gang lateral gang position will result in a level discing job and good line of draft.
16. After lateral gang adjustments are complete tighten 1-1/4" x 7-1/2" gang beam clamp bolts. Tighten bolts to a minimum of 840 ft lb.

**Very important:** Be sure the 1-1/4" x 7-1/2" gang beam clamp bolts are very tight. Use wrenches supplied with disc to tighten clamp bolts. Severe damage can occur if these bolts are loose.



## 17. Safety light kit - Mount instructions (see ILL. 30)

**A** - Fasten one (1) lamp bracket on each end of rear scraper bar. Lamp brackets are L.H. and R.H. Fasten each lamp bracket with one (1) 1/2" x 2" U-bolt c/w nuts and lockwashers. Locate as shown in Detail "A" and "B". Leave U-bolts loose.

**B** - Fasten one (1) amber lamp and one (1) red lamp on L.H. lamp bracket. Position amber and red lamps so they face the rear with the amber lamp on the outside. Install lamps through 3/4" (19 mm) holes in lamp bracket. Secure with nuts. Leave nut loose so ring connector from wiring can be installed. See Detail "A".

**C** - Fasten one (1) amber lamp on R.H. lamp bracket. Position so amber lamp faces rear. Install lamp through 3/4" holes in lamp bracket. Secure with nut. Leave nut loose so ring connector from wiring can be installed. See Detail "B".

**D** - Position each lamp bracket so outer lamp is no more than 16" from widest part of disc to center of lamp. Next, tighten 1/2" x 2" U-bolts.

**NOTE:** Paragraphs "B", "C", "D" and ILL. 30 describes and show lamp position on North American Public Roads. For other countries such as Australia, check local laws and regulations for required warning lamp mounting positions.

**CAUTION**

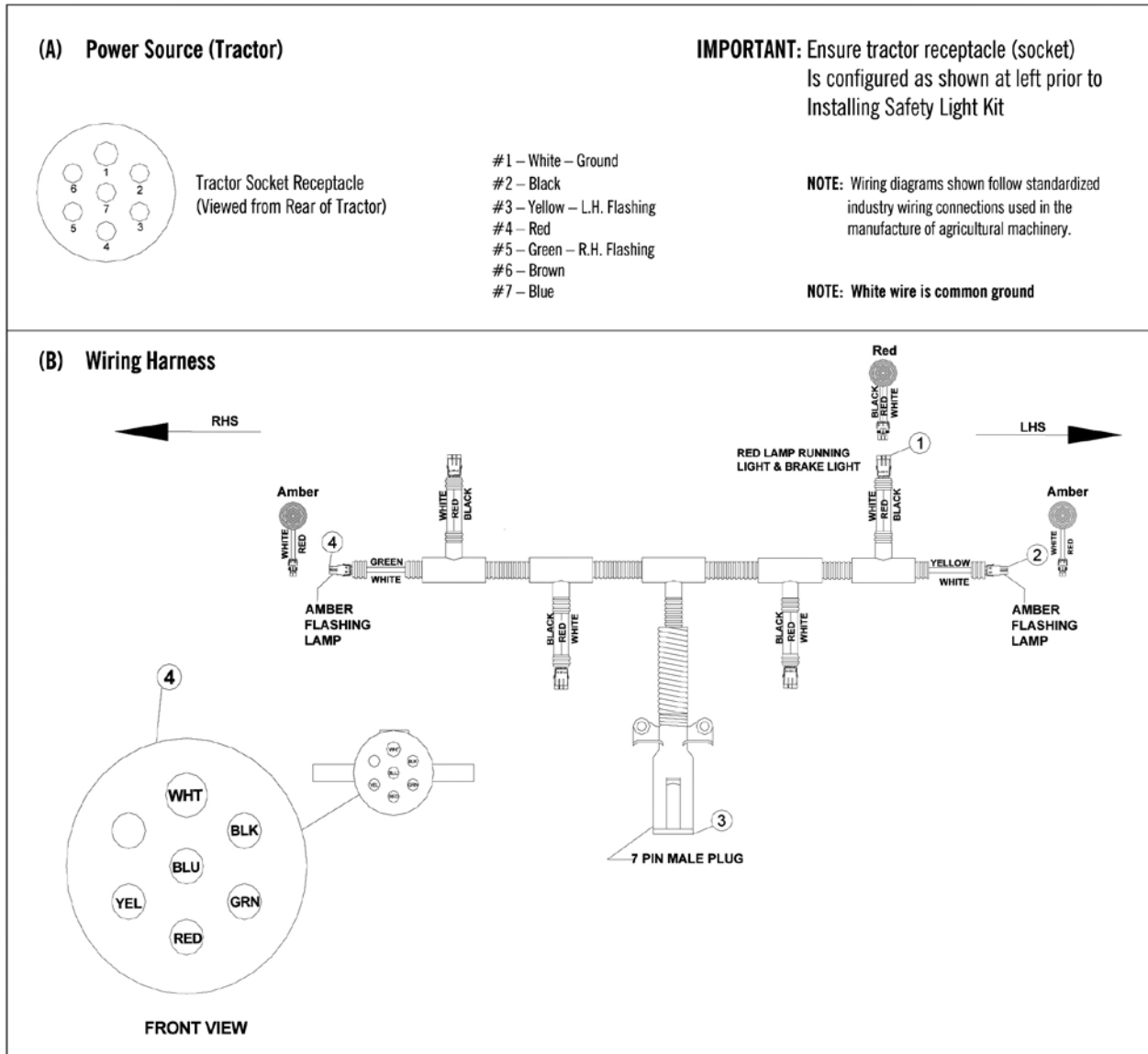
When transporting disc over public roads use the SMV emblem (not supplied) by Farm King and warning lights for protection of tractor and other motor vehicle operations. Check local laws for width maximums.

**E** - Install electrical wiring as follows:

**E1** - See FILL. 31 – Lay wiring harness on hitch and along RHS of frame with 7 pin male plug, arrow 3, located at front of hitch. The wiring harness is tagged LHS (left hand side) and RHS (right hand side) at outer plugs, arrow 2. When laying harness on frame ensure LH end of harness is placed on LHS of frame and RH end of harness is placed on RHS of frame. LHS and RHS of disc is determined by viewing disc from rear.

**NOTE:** The RH and LH side of harness must be properly positioned to allow signal lights to work correctly. Run LH and RH ends of harness along rear of frame and rear gangs back up to lamps. Tie harness to frame, gang beam and lamp supports as required with tie straps. Next plug in each amber lamps to two wire plugs, arrow 2. Plug in red lamp to a 3 wire plug, arrow 2.

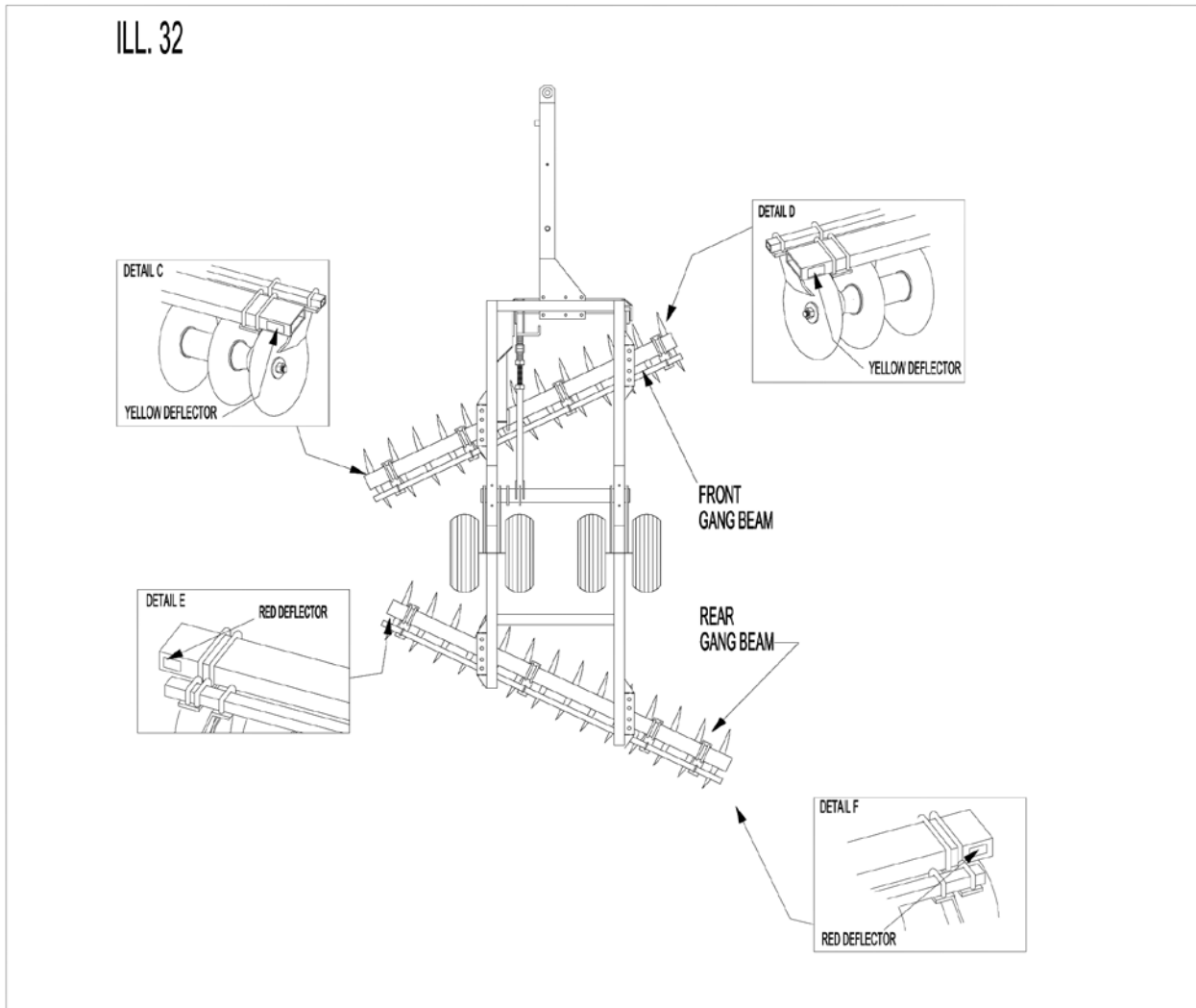
ILL. 31



**Components:**

- 2 - Lamps - amber both sides
- 1 - Lamp - red one side
- 1 - Wiring harness
- 10 - Cables ties





18. See ILL. 32. Install yellow and red reflections on ends of gang beams as shown.

Yellow reflectors must be placed on front side of front gang beam. Red reflectors must be placed on rear side of rear gang beams. Locate each reflector as close as possible to the end of gang beams.

## Gang Beam Chart

Model (Series)	Total # of Blades	# of Blades Front Gang	Front Gang Beam Length	# of Blades Rear Gang	Rear Gang Beam Length
----------------	-------------------	------------------------	------------------------	-----------------------	-----------------------

9" Spacing (410 Series Bearing)					
1225M	29	14 Blades	126"	15 Blades	130"
1225M	33	16 Blades	144"	17 Blades	147"
1225M	37	18 Blades	162"	19 Blades	168"

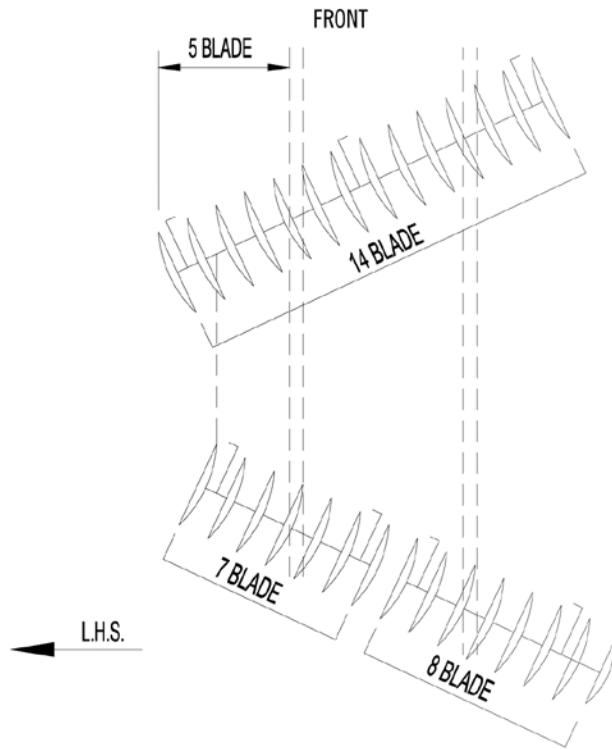
10-1/2" Spacing (410 Series & T2-215 Bearing)					
1225M	23	11 Blades	108"	12 Blades	118"
1225M	27	13 Blades	138"	14 Blades	140"
1225M	31	15 Blades	150"	16 Blades	162"
1225M	33	16 Blades	162"	17 Blades	174"
1275N	15	7 Blades	80"	8 Blades	92"
1275N	19	9 Blades	102"	10 Blades	108"
1275N	23	11 Blades	120"	12 Blades	130"
1275M	23	11 Blades	120"	12 Blades	130"
1275M	27	13 Blades	141"	14 Blades	152"
1275M	31	15 Blades	162"	16 Blades	174"
1275M	33	16 Blades	174"	17 Blades	186"
1275W	37	18 Blades	195"	19 Blades	204"
1275W	41	20 Blades	216"	21 Blades	228"
1275W	45	22 Blades	240"	23 Blades	248"

12" Spacing (T2-215 Bearing)					
1275N	13	6 Blades	72"	7 Blades	86"
1275N	17	8 Blades	98"	9 Blades	110"
1275N	21	10 Blades	121"	11 Blades	135"
1275M	21	10 Blades	121"	11 Blades	135"
1275M	25	12 Blades	150"	13 Blades	159"
1275M	29	14 Blades	171"	15 Blades	182"
1275M	31	15 Blades	184"	16 Blades	195"
1275W	33	16 Blades	195"	17 Blades	210"
1275W	37	18 Blades	219"	19 Blades	232"
1275W	41	20 Blades	246"	21 Blades	258"

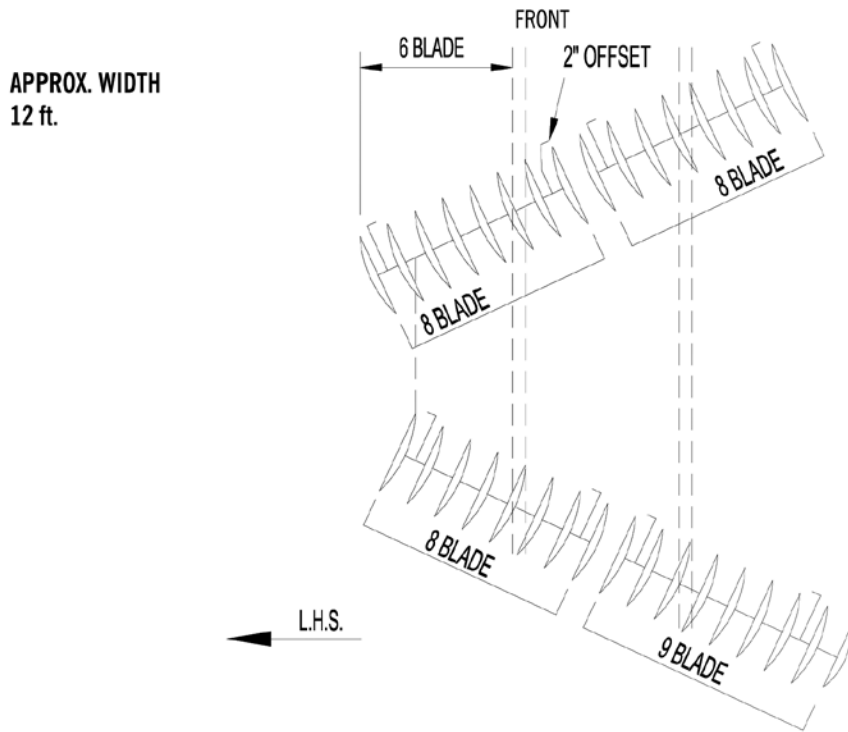
**NOTE:** All gang beams are made from 6" x 4" x 3/8" wall.

Gang Pattern - 1225M - 9" Spacing - 29 Blades/7 Bearings (410WSS)

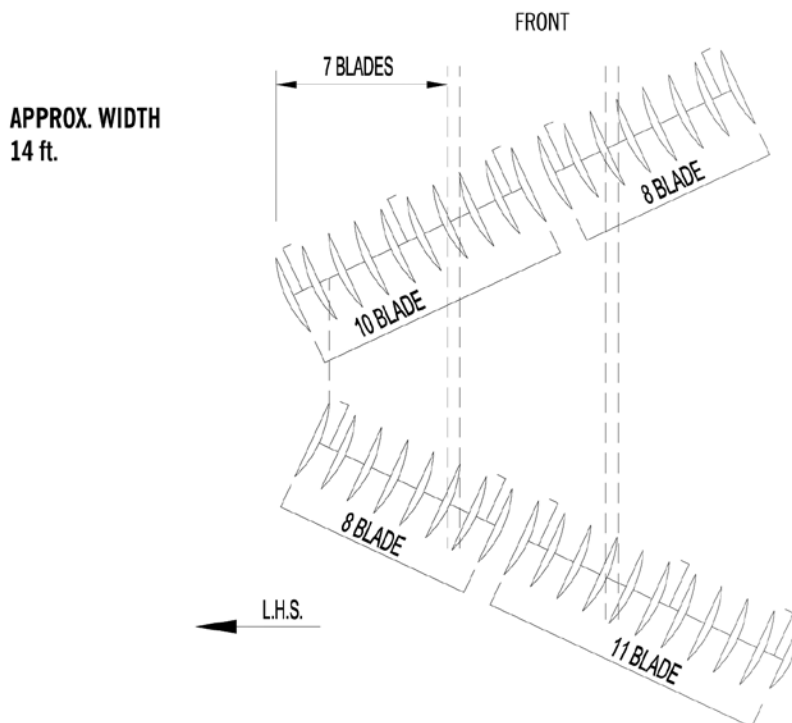
APPROX. WIDTH  
10-1/2 ft.



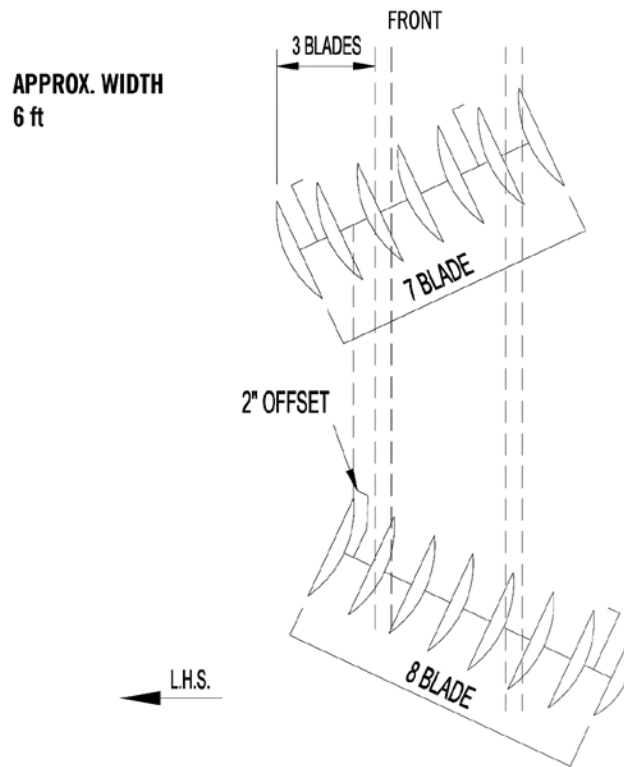
Gang Pattern - 1225M - 9" Spacing - 33 Blades/8 Bearings (410WSS)



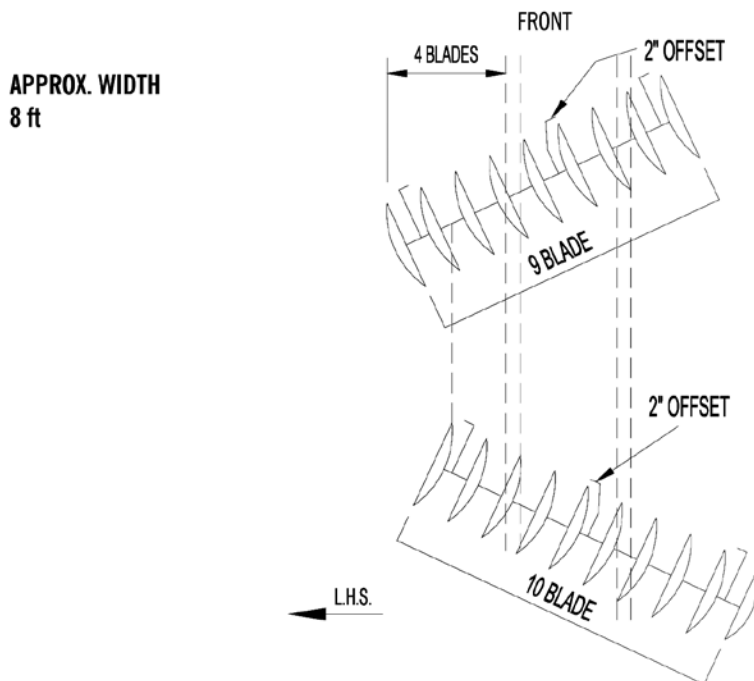
Gang Pattern - Model 1225M - 9" Spacing - 37 Blades/10 Bearings (410WSS)



Gang Pattern - 1275N - 10-1/2" Spacing - 15 Blades/4 Bearings (410WSS/T2-215)

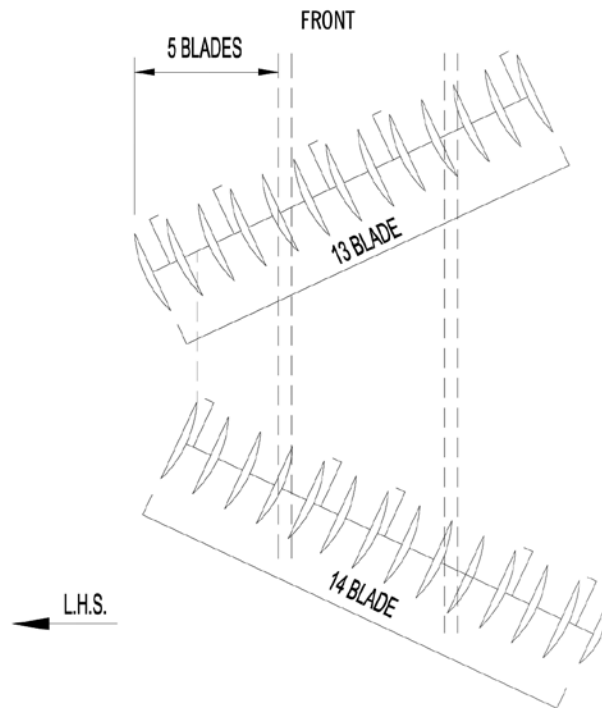


Gang Pattern - 1275N - 10-1/2" Spacing - 19 Blades/6 Bearings (410WSS/T2-215)



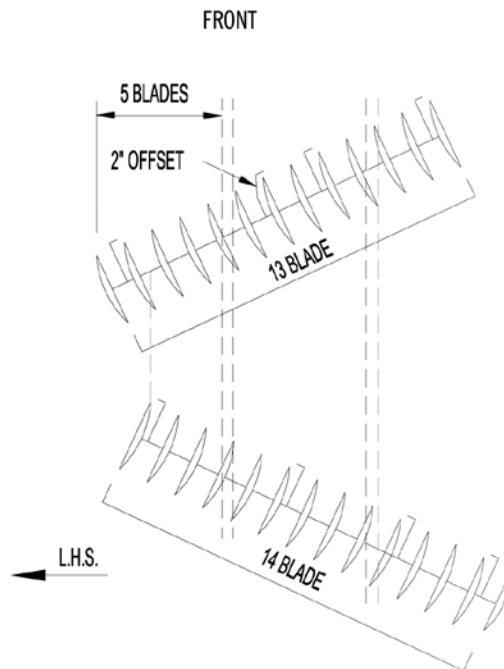
Gang Pattern - 1225M/1275M - 10-1/2" Spacing - 27 Blades/10 Bearings (410WSS)

APPROX. WIDTH  
12 ft

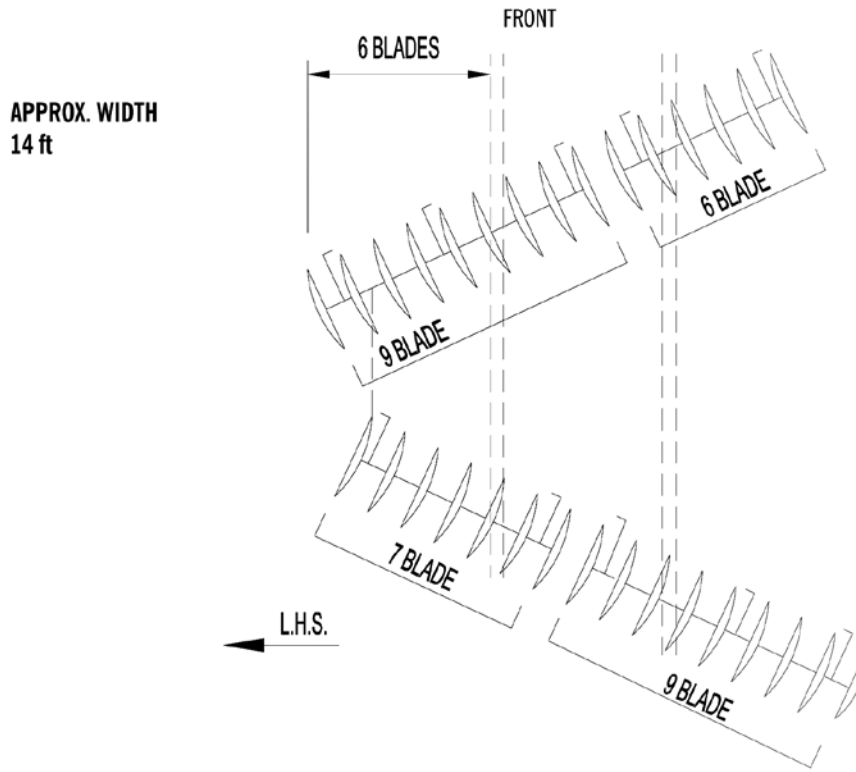


Gang Pattern - 1225M - 10-1/2" Spacing - 27 Blades/8 Bearings (T2-215)

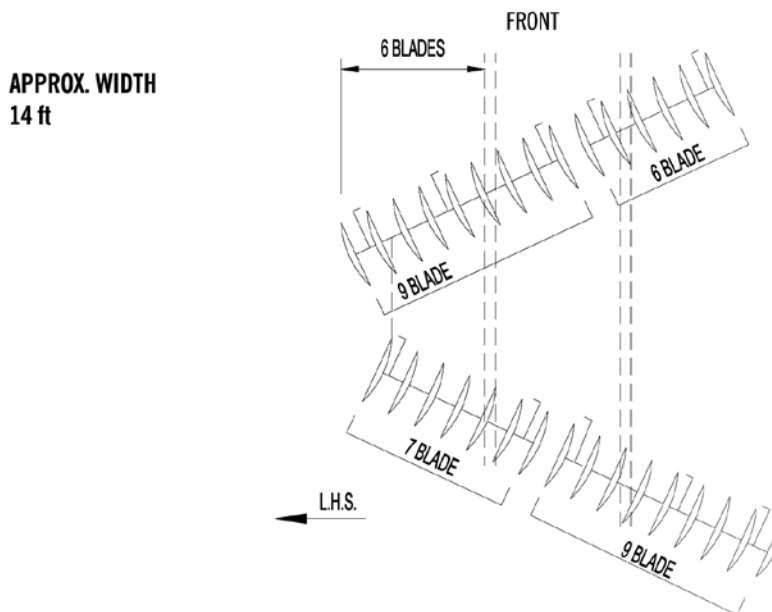
APPROX. WIDTH  
12 ft



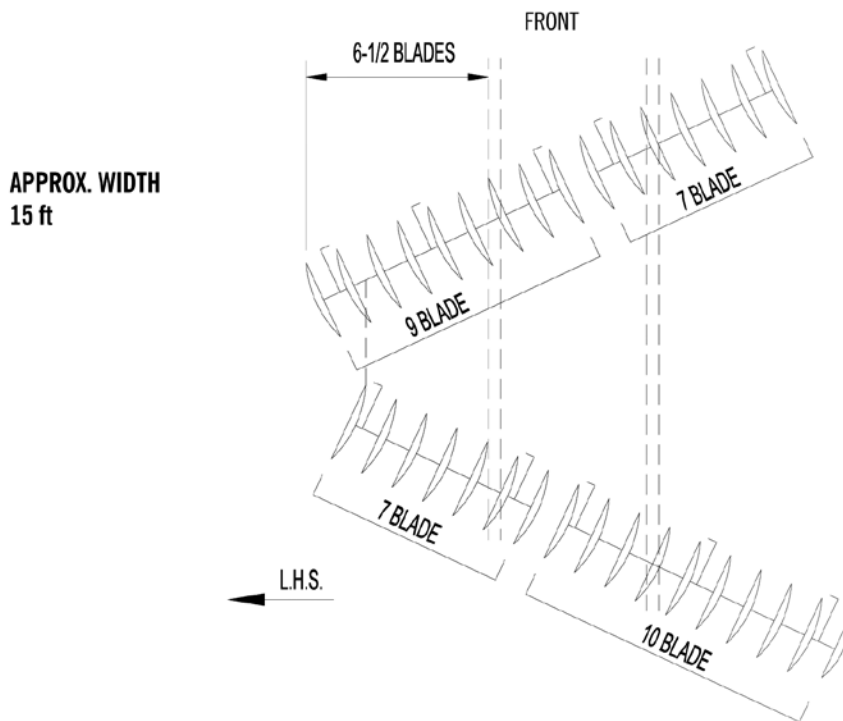
Gang Pattern - 1225M - 10-1/2" Spacing - 31 Blades/10 Bearings (410WSS)



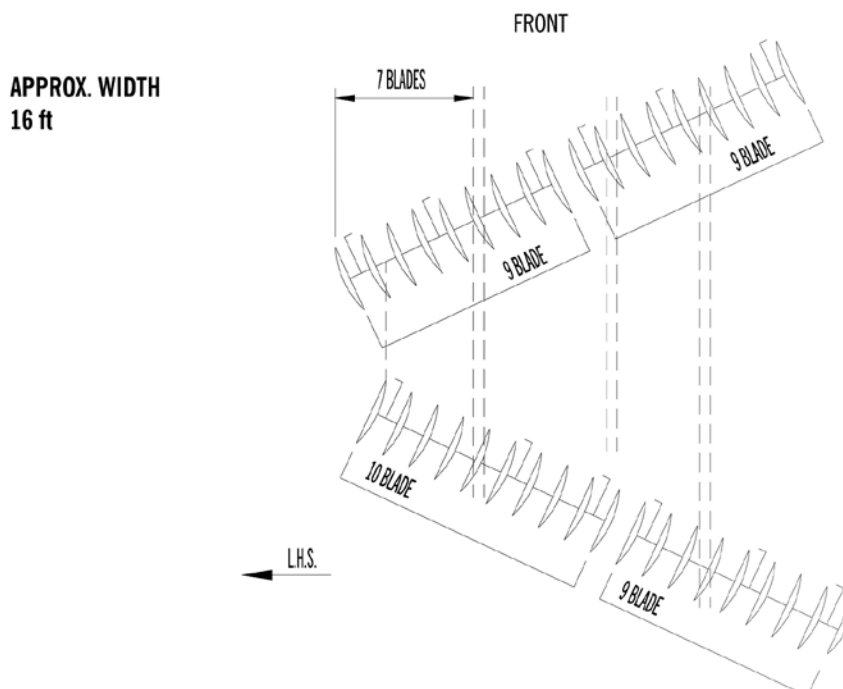
Gang Pattern - 1225M - 10-1/2" Spacing - 31 Blades/10 Bearings (T2-215)



Gang Pattern - 1225M/1275M - 10-1/2" Spacing - 37 Blades/10 Bearings (410WSS/T2-215)



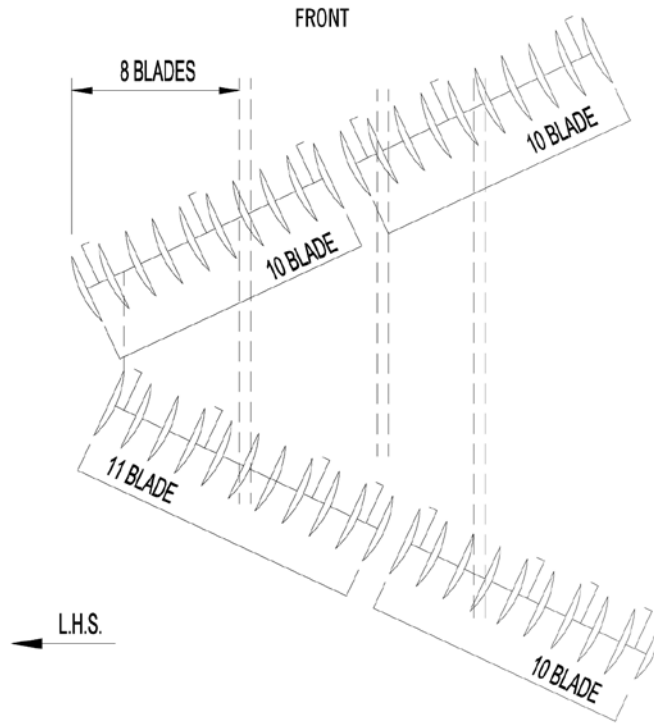
Gang Pattern - 1275W - 10-1/2" Spacing - 37 Blades/10 Bearings (410WSS/T2-215)





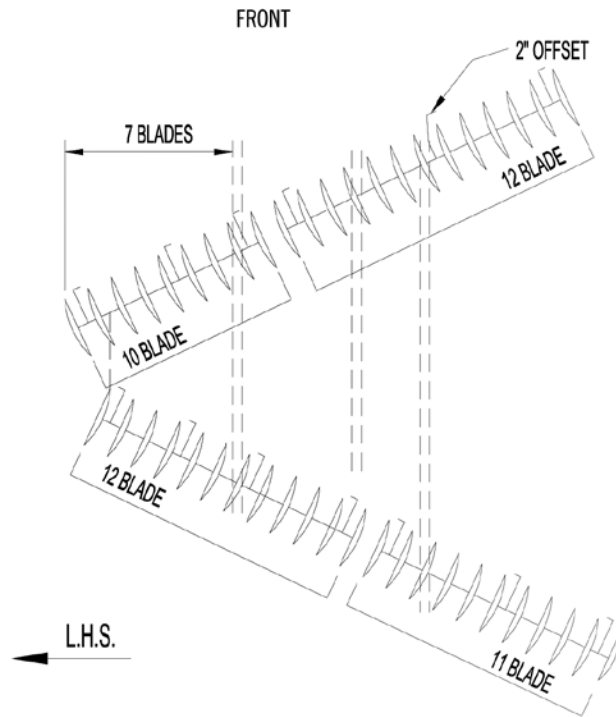
Gang Pattern - 1275W - 10-1/2" Spacing - 41 Blades/14 Bearings (T2-215)

APPROX. WIDTH  
18 ft

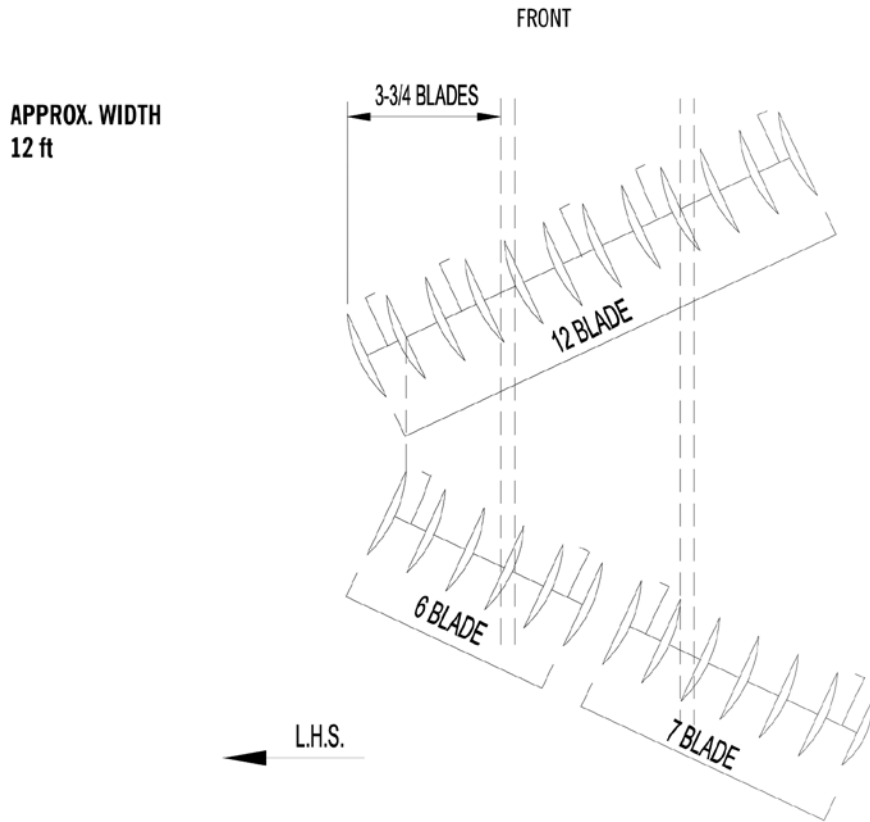


Gang Pattern - 1275W - 10-1/2" Spacing - 45 Blades/13 Bearings (T2-215)

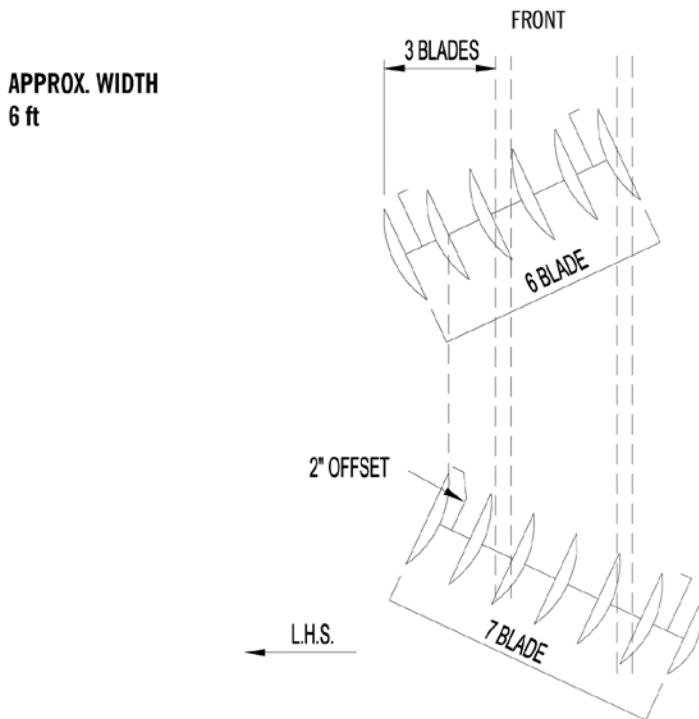
APPROX. WIDTH  
20 ft



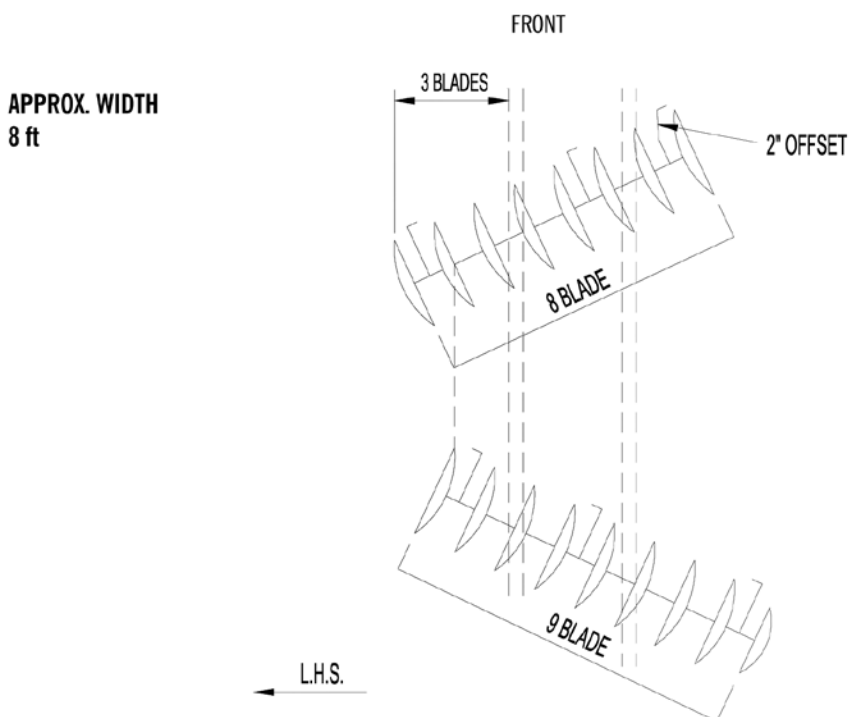
Gang Pattern - 1225M - 12" Spacing - 25 Blades/9 Bearings (410WSS)



**Gang Pattern - 1275N - 12" Spacing - 13 Blades/4 Bearings (T2-215)**

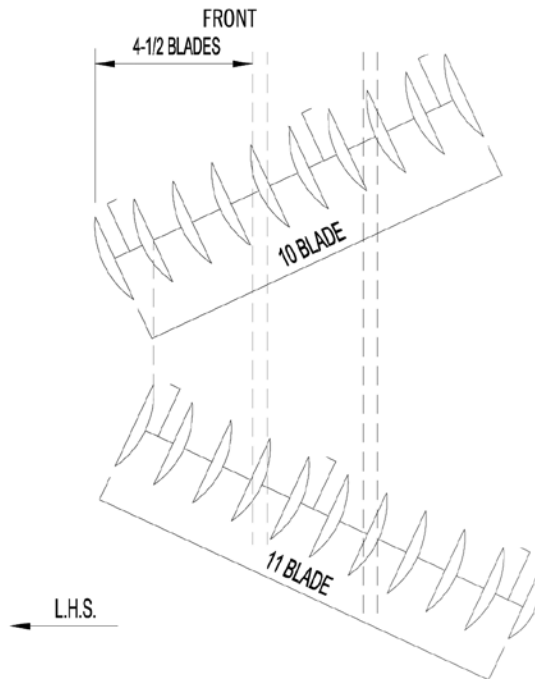


**Gang Pattern - 1275N - 12" Spacing - 17 Blades/6 Bearings (T2-215)**



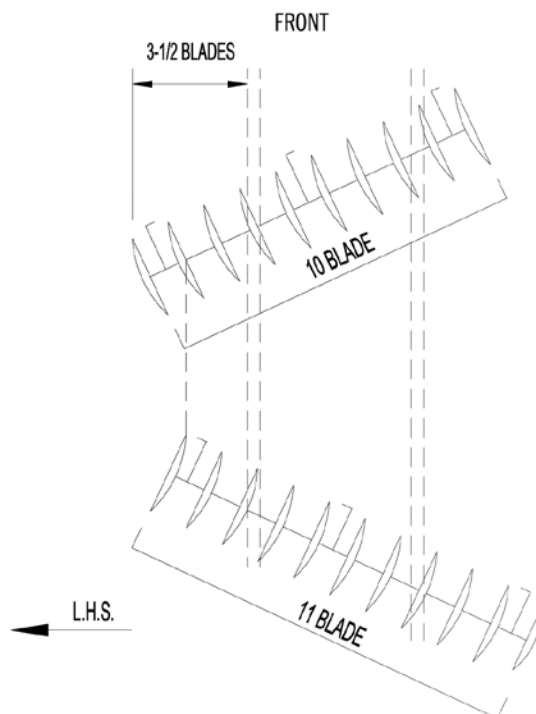
**Gang Pattern - 1275N - 12" Spacing - 21 Blades/6 Bearings (T2-215)**

**APPROX. WIDTH  
10 ft**

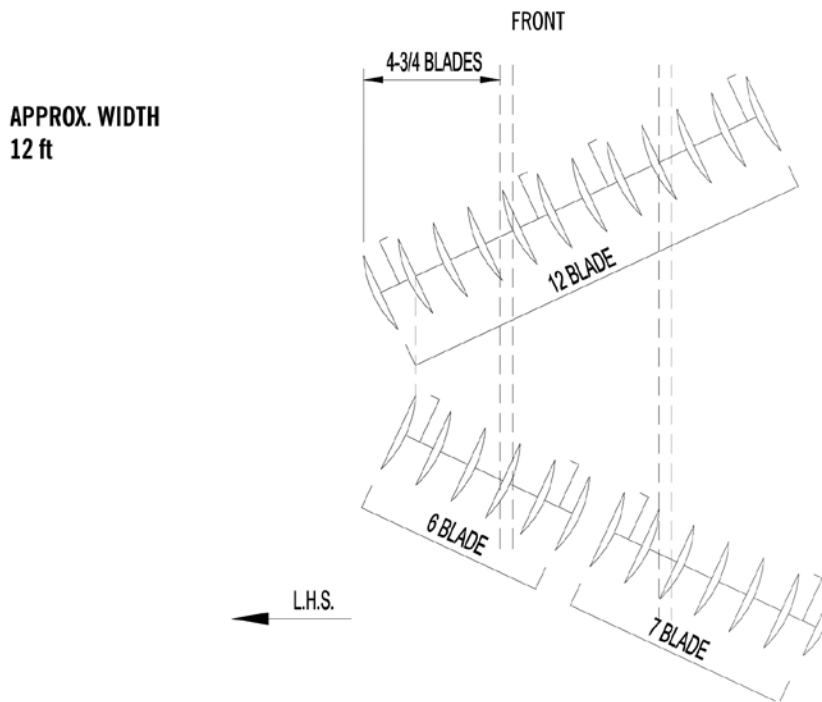


**Gang Pattern - 1275M - 12" Spacing - 21 Blades/6 Bearings (T2-215)**

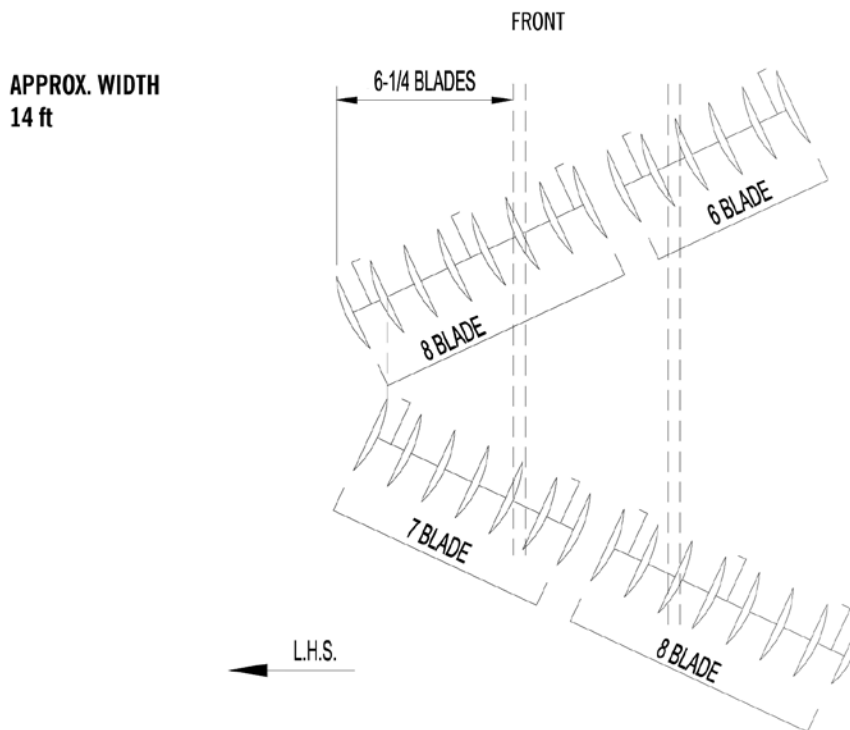
**APPROX. WIDTH  
10 ft**



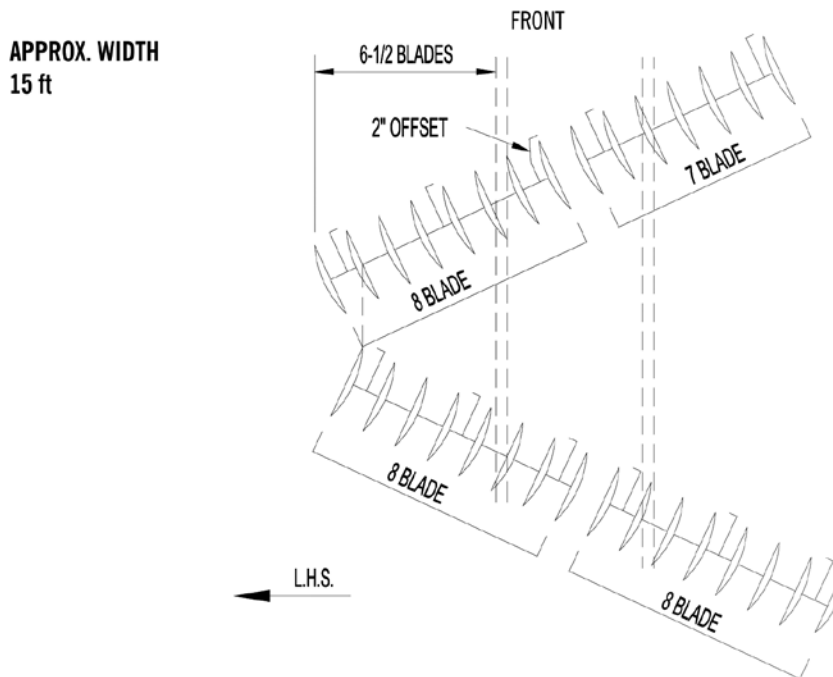
Gang Pattern - 1275M - 12" Spacing - 25 Blades/8 Bearings (T2-215)



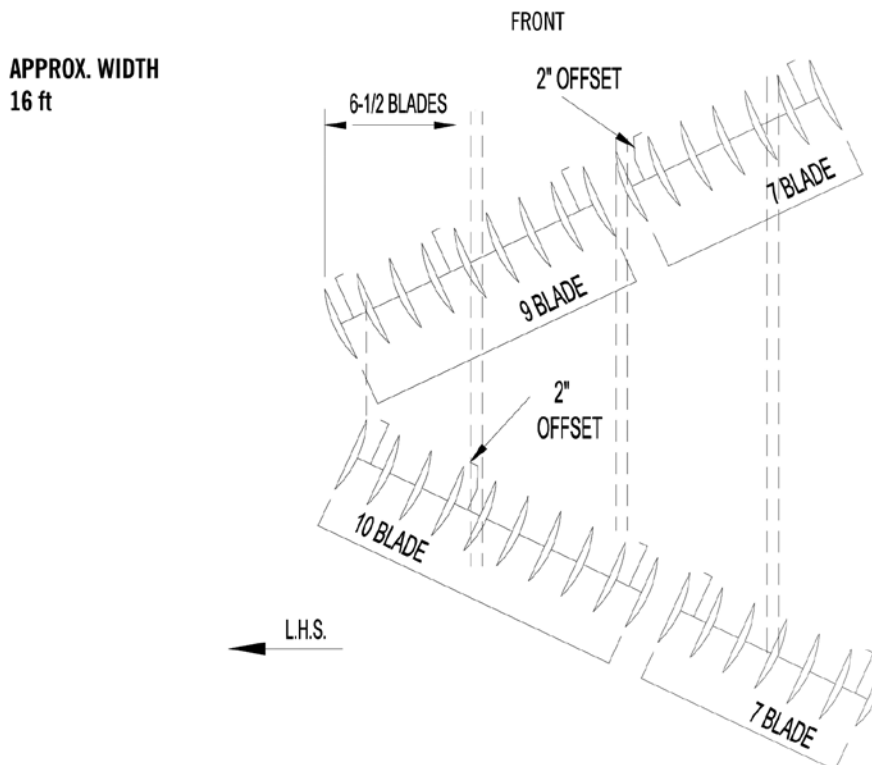
Gang Pattern - 1275M - 12" Spacing - 29 Blades/10 Bearings (T2-215)



Gang Pattern - 1275M - 12" Spacing - 31 Blades/11 Bearings (T2-215)

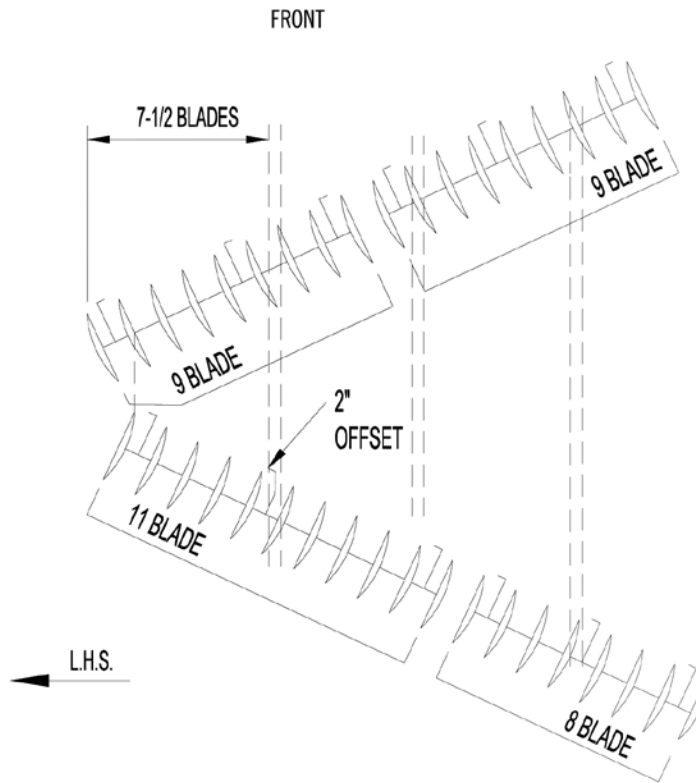


Gang Pattern - 1275W - 12" Spacing - 33 Blades/10 Bearings (T2-215)



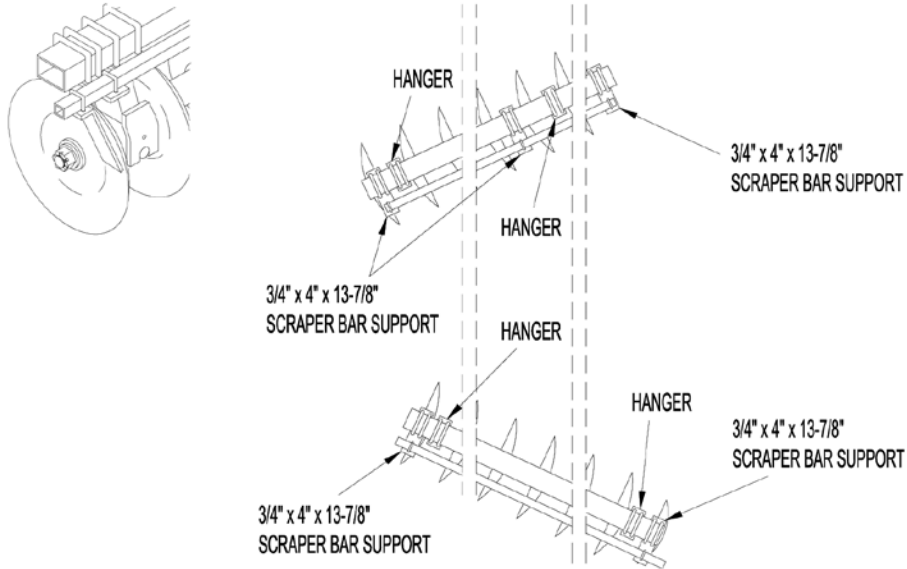
Gang Pattern - 1275W - 12" Spacing - 37 Blades/12 Bearings (T2-215)

APPROX. WIDTH  
18 ft

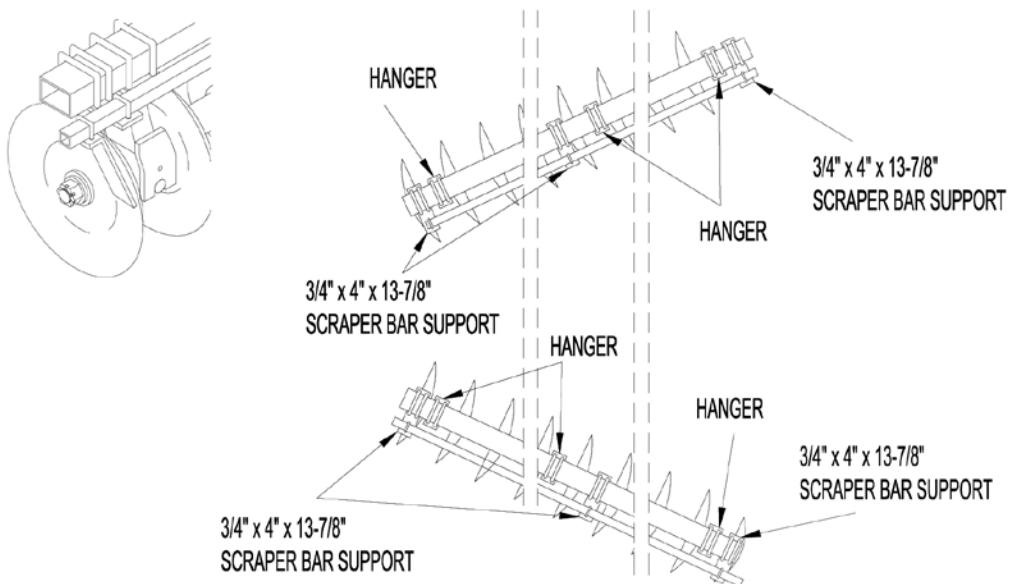




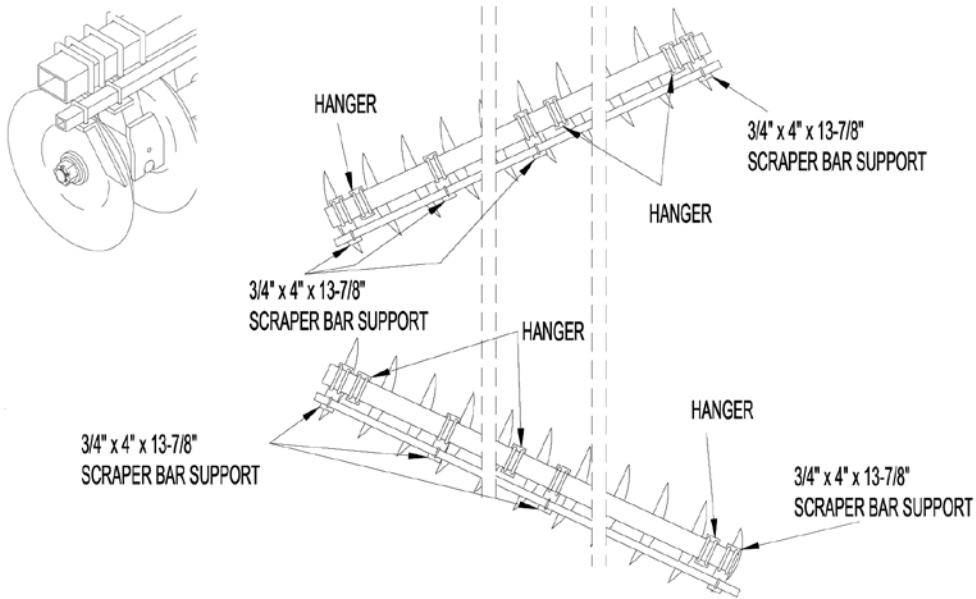
**Scraper Bar Support Pattern - 1275N - 12" Spacing - 13 Blades -  
28 Diameter Blades**



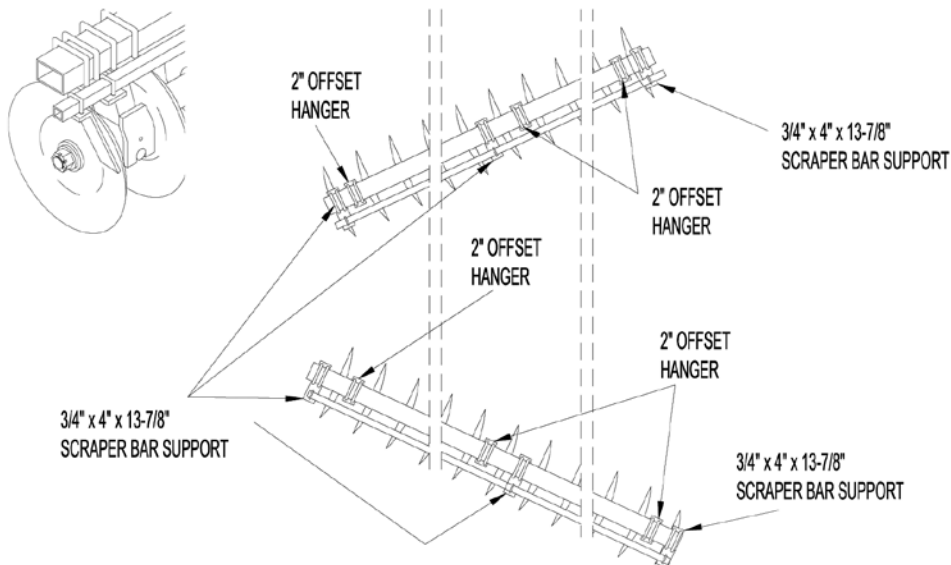
**Scraper Bar Support Pattern - 1275N - 12" Spacing - 17 Blades -  
28 Diameter Blades**



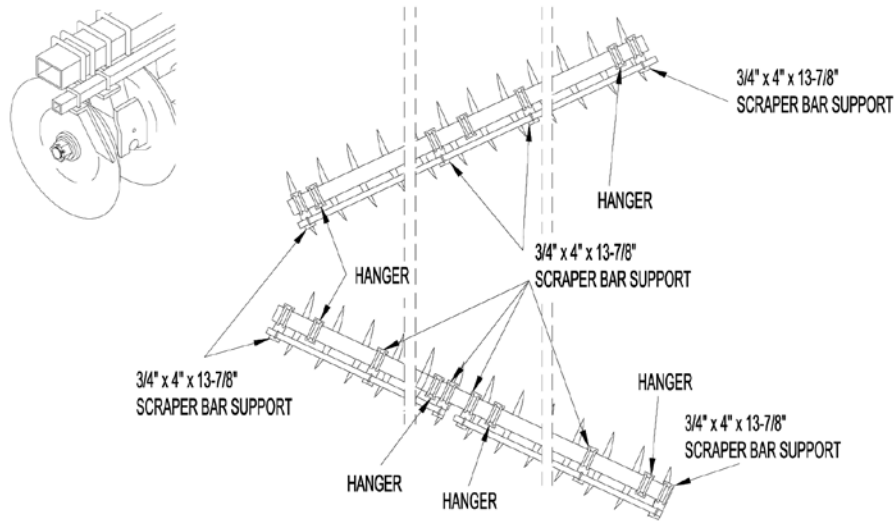
**Scraper Bar Support Pattern - 1275N - 12" Spacing - 21 Blades - 28 Diameter Blades**



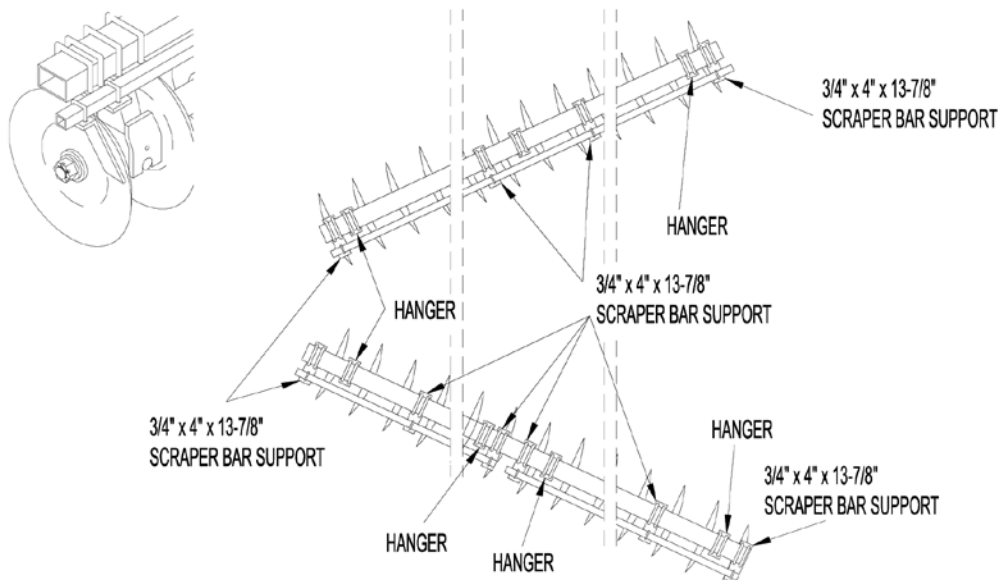
**Scraper Bar Support Pattern - 1275M - 12" Spacing - 21 Blades - 28 Diameter Blades**



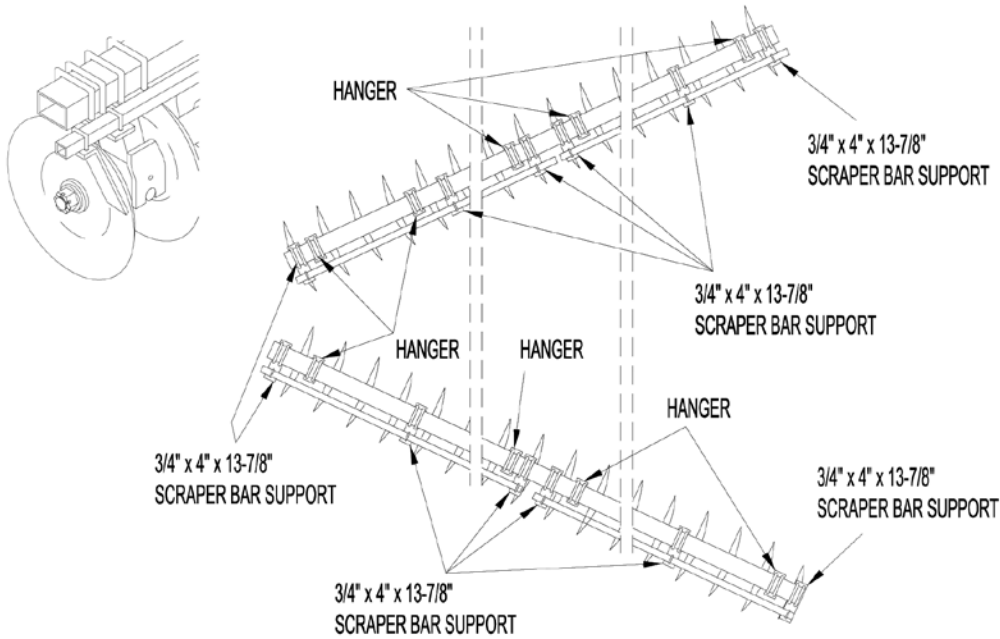
**Scraper Bar Support Pattern - 1275M - 12" Spacing - 25 Blades -  
28 Diameter Blades**



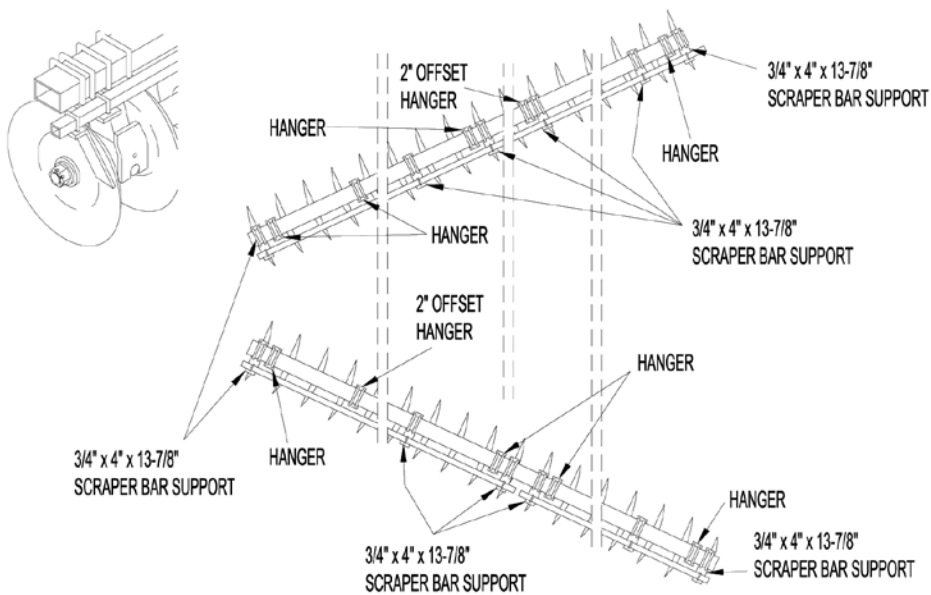
**Scraper Bar Support Pattern - 1275M - 12" Spacing - 29 Blades -  
28 Diameter Blades**



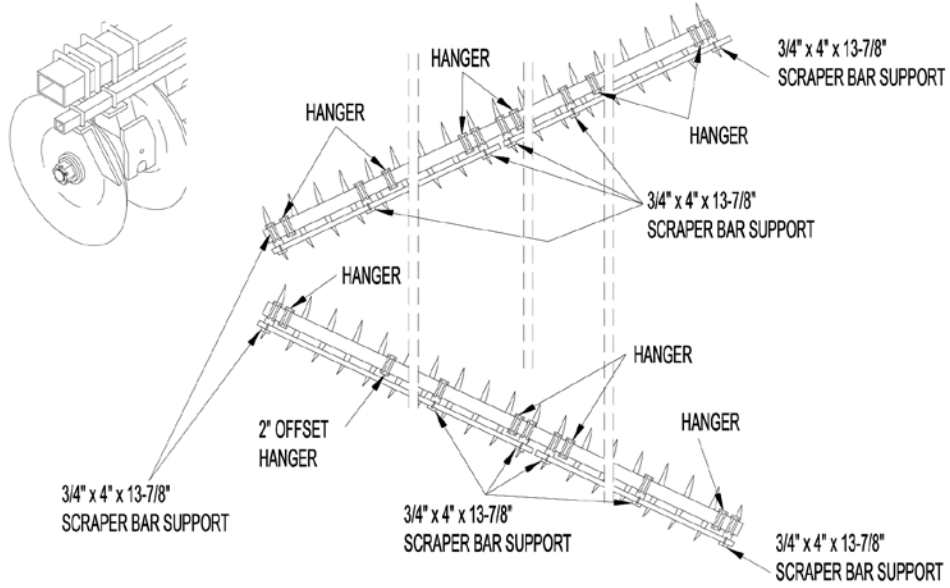
**Scraper Bar Support Pattern - 1275N - 12" Spacing - 31 Blades - 28 Diameter Blades**



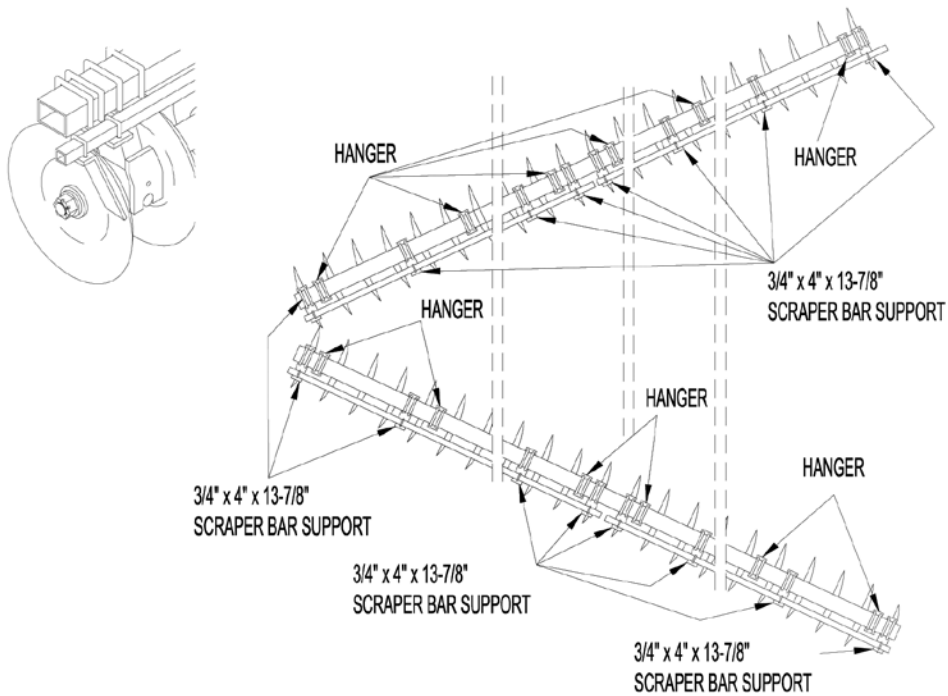
**Scraper Bar Support Pattern - 1275M - 12" Spacing - 33 Blades - 28 Diameter Blades**



**Scraper Bar Support Pattern - 1275W - 12" Spacing - 37 Blades -  
28 Diameter Blades**



**Scraper Bar Support Pattern - 1275W - 12" Spacing - 41 Blades -  
28 Diameter Blades**



## Operation Instructions

1. Before operating disc, refer to safety precautions on pages 2 through 7. Review disc safety item applicable to road transport and field operation of disc.
2. This machine is a primary tillage tool designed to bury crop residue or plow hay or grassland. The following recommendations (paragraph A to I) will enhance the performance of your disc:

**A** - For best performance the tractor drawbar should be pinned at center of tractor.

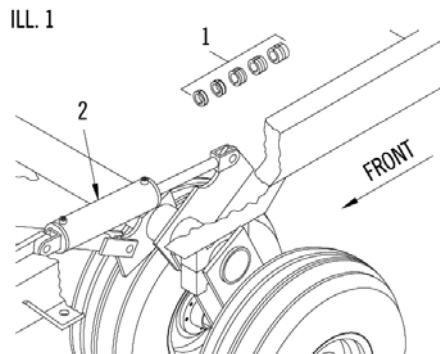
**B** - Always ensure that disc is level and cutting depth is properly adjusted. Disc will ridge or leave a furrow if front and rear gangs are not cutting at a even depth.

**C** - See ILL. 1. To set working depth, lower disc into the ground while moving forward until the disc reaches desired discing depth. Install the necessary depth control stops, arrow 1, on lift cylinder, arrow 2 to maintain the desired cutting depth.

**D** - Do not make sharp turns with the disc in ground. Sharp turns put excess pressure on the gangs.

It is advisable to always lift machine out of ground for making sharp turns. Excessive side thrust is applied to bearings and machine disc is turned while it is in the ground.

**E** - Tractor ground speed should not excess 6 mph (9.6 km/h) Reduce speed in rocky conditions to avoid damage to disc gangs and frame.

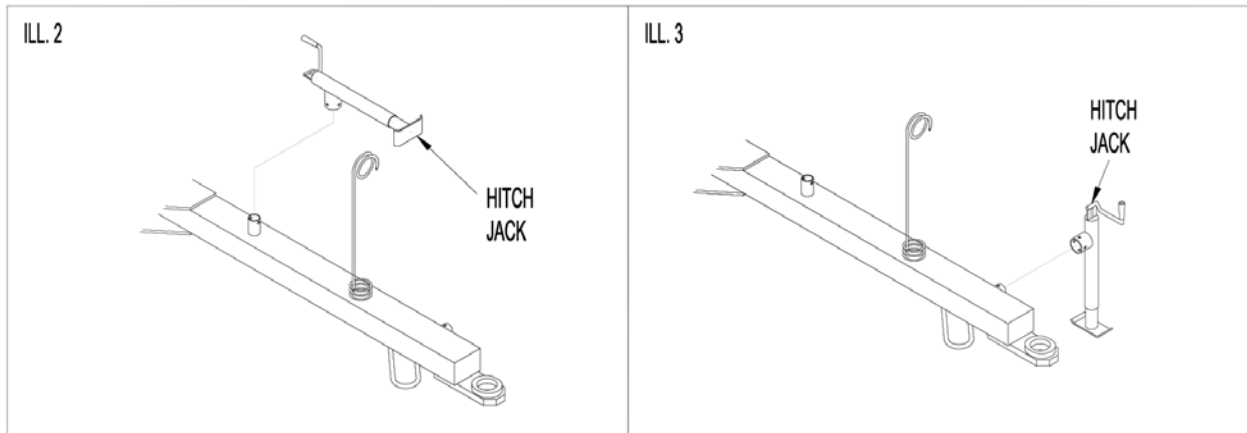


### CAUTION

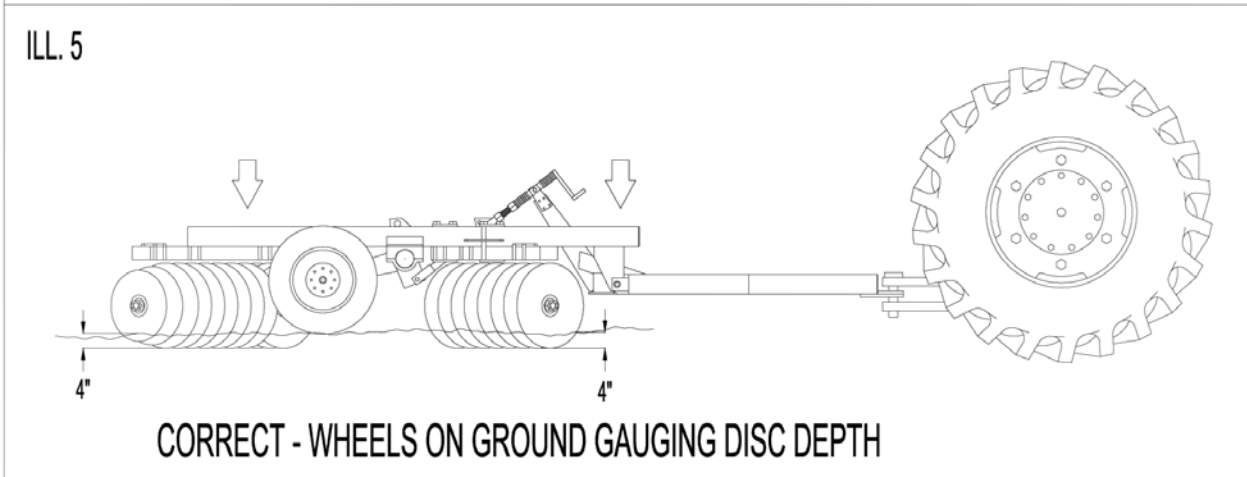
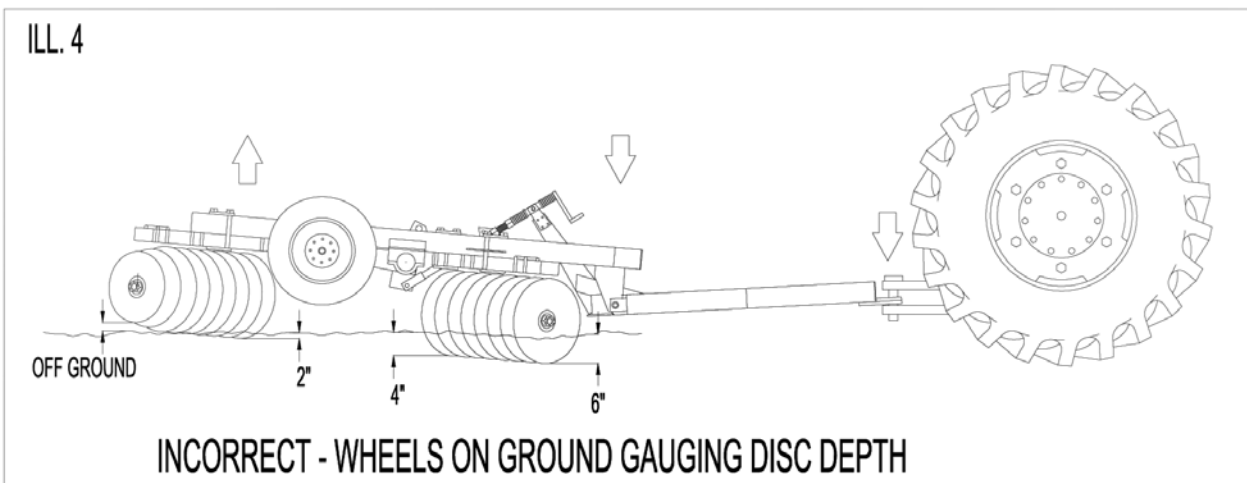
Never stand between the tractor and the disc when hitching disc to the tractor unless all tractor controls are in neutral and the brake is set. The tractor could roll backwards which could result in serious injury or death to you or person(s) nearby.

**F - NOTE:** Do not operate disc with front gangs cutting deeper than rear gangs, disc must be level. If front gangs are lower, excessive strain will be placed on blades, gang bearings and frame hitch which could lead to premature parts failure, especially outside blades and bearings of front RHS gang.

**G** - See ILL. 2 and 3. When transporting disc or discing, pin hitch jack to tube on top of hitch as shown in ILL. 2. When parking disc pin hitch jack to side of hitch in a vertical position as shown in ILL. 3.



**NOTE:** Do not transport disc with hitch jack in vertical position. Hitch jack will be severely damaged if it strikes ground or an obstruction.



**H** - To keep disc level, transport wheels must be riding on ground, gauging desired discing depth, as shown in ILL. 2.

If conditions are such that disc can not penetrate to maximum depth, do not raise transport wheels off ground as shown in ILL. 3. Raised transport wheels will cause front of disc to drop causing front gangs to cut deeper than rear gangs.

Front of disc will drop because rock shaft and hitch are linked. Hitch rises when wheels are raised off ground. Since hitch is fixed to tractor draw bar, front end of disc is forced down, transferring weight of rear gangs to front gangs.


With front of disc lower than the rear, the front right hand blades will cut much deeper than the front left hand blades. This means most of the disc's weight is placed on the front right hand blades forcing them deep into the ground.

Uneven and deep front gang penetration in tough conditions will place excessive strain on blades, gang bearings, frame and hitch leading to premature failure of parts, especially outside blades and bearings of front gangs.

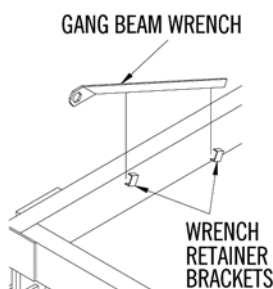
**NOTE:** Operating disc with transport wheels off ground will cause uneven discing job, and place undue strain on machine, which could lead to parts failure. Always operate disc with transport wheels on ground even if conditions will not allow disc to penetrate to maximum depth.

**I** - Gang angle can be set to match your discing conditions. Gang angle may need to be increased if disc will not penetrate soil. A decrease in gang angle may be needed if soil conditions are soft and soil does not flow through gang causing disc to plug.

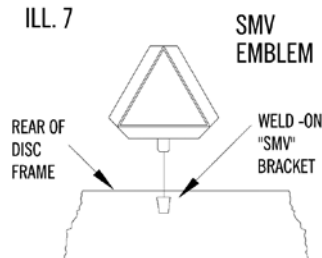
3. All models: See ILL. 6. Store gang beam wrench in wrench retainer brackets welded inside frame.

	<p><b>CAUTION</b></p>	<p>Never allow anyone to ride on draw bar of the tractor or on the disc as the person riding may fall and be seriously injured.</p>
---	-----------------------	---

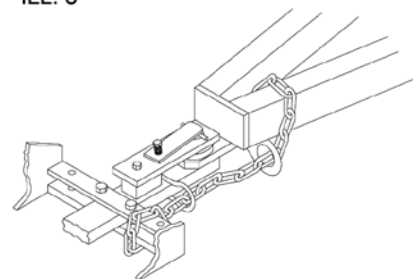
ILL. 6.



ILL. 7



ILL. 8





4. See ILL. 7. Install the Slow Moving Vehicle emblem (SMV - not supplied by Farm King) in the SMV bracket welded to the center of frame before transporting the disc.



## CAUTION

Use the SMV emblem (not supplied by Farm King) and warning lights for the protection of tractor and other motor vehicle operators when transporting the disc over public roads. Check local laws regarding transporting regulations.

5. For best performance the tractor draw bar should be pinned at center of tractor.
6. Ensure that disc is level and cutting depth is properly adjusted. Disc will ridge or leave a valley if front and rear gangs are not cutting at an even depth.
7. **NOTE:** Do not disc with front gangs cutting deeper than rear gangs. Disc must be level. If front gangs are lowered excessive strain will be placed on blades, gang bearings and frame hitch, which could lead to premature parts failure, especially outside blades and bearings of front RHS gang.
8. See ILL. 8. Before transporting disc, attach a safety chain to the tractor draw bar and a round lug welded to hitch. Use a chain with strength rating greater than the gross weight of disc.



## CAUTION

When transporting a disc, be sure to attach a safety chain between the tractor draw bar and disc hitch. The safety chain will help control disc should it accidentally separate from the draw bar. Use a chain with a strength rating greater than the gross weight of the towed machine. Serious damage, injury or death could result from the disc separating from the tractor draw bar.

9. See ILL. 8. Before transporting disc, lock wheels in down position by installing all depth control segments (8-3/4") on lift cylinder.

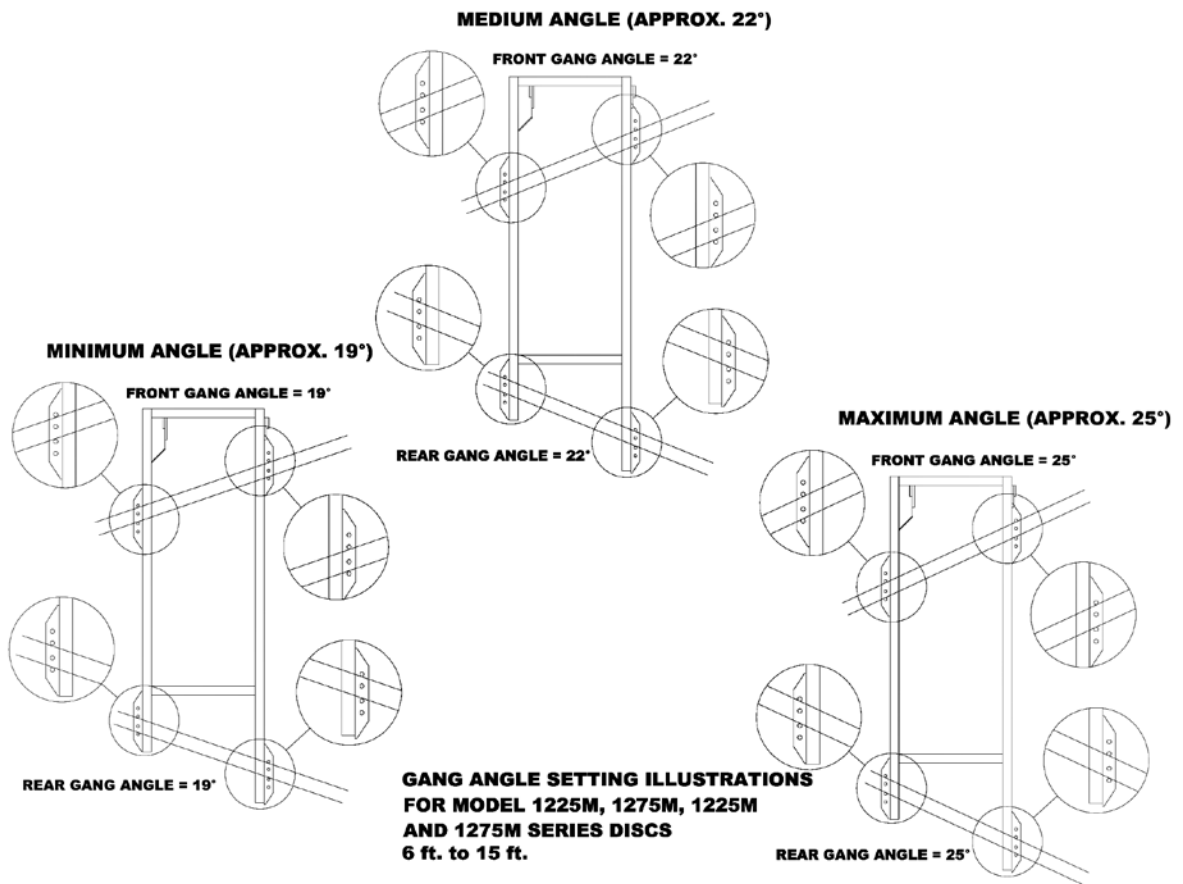


## CAUTION

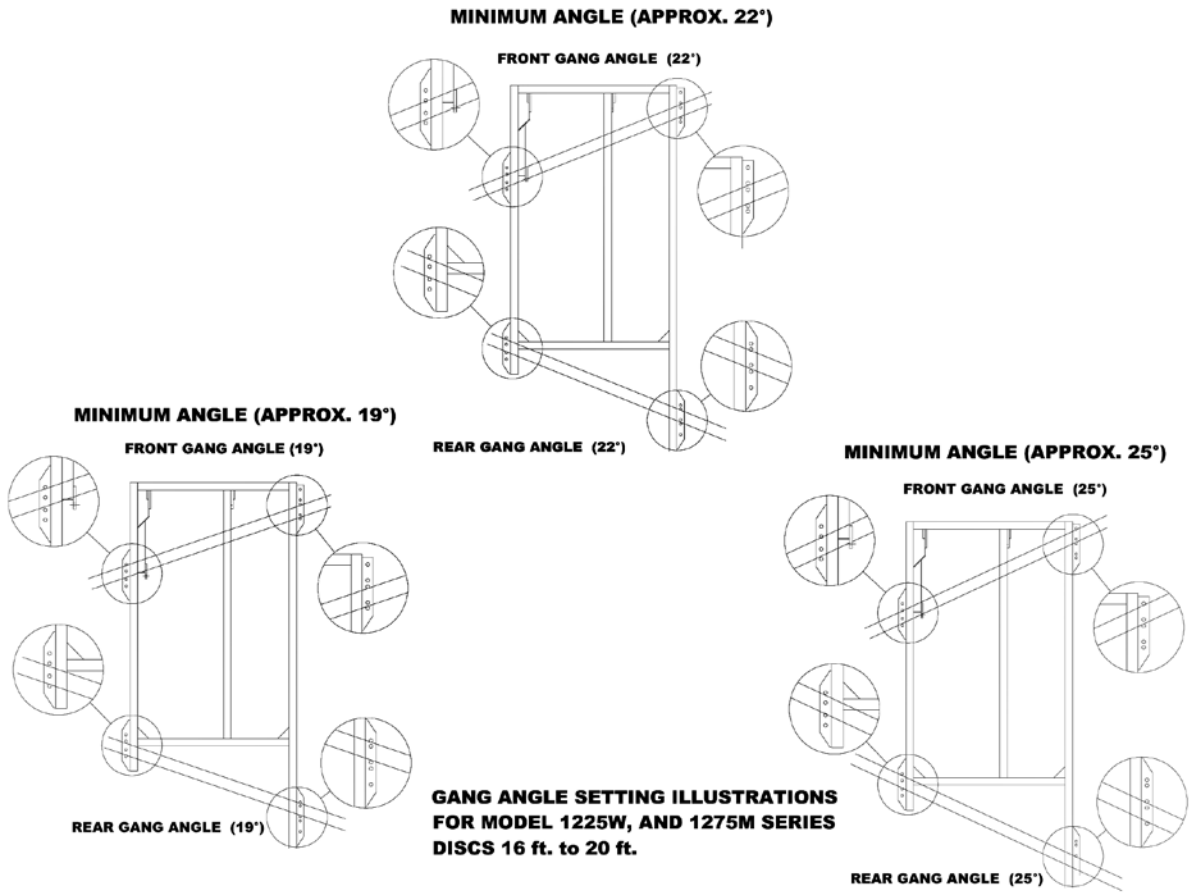
Before transporting the disc, always lock wheel in down position installing all depth control segments (8-3/4") on lift cylinder. If the hydraulic system, or if the hydraulic lever was accidentally operated, the disc could drop suddenly resulting in serious damage to the disc and serious injury to operator nearby.

Adjustments

ILL. 9



ILL. 10



1. Setting angle of front and rear gangs  
(See ILL. 9 for models 1275N, 1225M, 1275M - 6 ft to 15 ft)  
(See ILL. 10 for models 1275W - 16 ft to 20 ft)

**A** - The gangs can be set at three different angles (19, 22, and 25). The angle the gangs are set at is determined by soil conditions. A field with hard soil will require more cutting angle to penetrate soil than a field with soft soil. If disc pushes dirt instead of cutting through, less cutting angle is required.

To start, a medium angle is recommended.

**B** - Models 1275N, 1225M and 1275M. Adjust gang angle one side at a time. Gang angle is set by loosening beam clamp plates and installing two (2) 1-1/4" x 7-1/2" N.C. hex bolts through the desired holes in the (4) hole lugs welded to the outside of the frame. See ILL. 9 for holes used to obtain desired angle.

**C** - Model 1275W. Adjust gang angles one side at a time. Gang angle is set by loosening beam clamp plates and installing two (2) 1-1/4" x 7-1/2" NC hex bolts through the desired holes in the clamp plates on the side of the disc. The LHS has (4) hole clamp plates and the RHS has (5) hole clamp plates. See ILL. 10 for holes used to obtain desired angle.

**D** - **NOTE:** Always ensure disc has the same cutting angle on front gang as on the rear gang, if front gang is set at a medium angle, rear gang must also be set at a medium angle.

**NOTE:** Excessive gang angle will put added pressure on the gangs and will decrease the lift of the bearings, blades, etc.

**NOTE:** When gangs are set an extreme angle, more horsepower is required to pull disc.

2. Lateral adjustment of front gangs: See gang pattern for your machines.

**A** - For models 1275N, 1225M and 1275M discs. Position front gang so there is approximately 1-1/2 more blades extended beyond the left side of frame than the right side of frame.

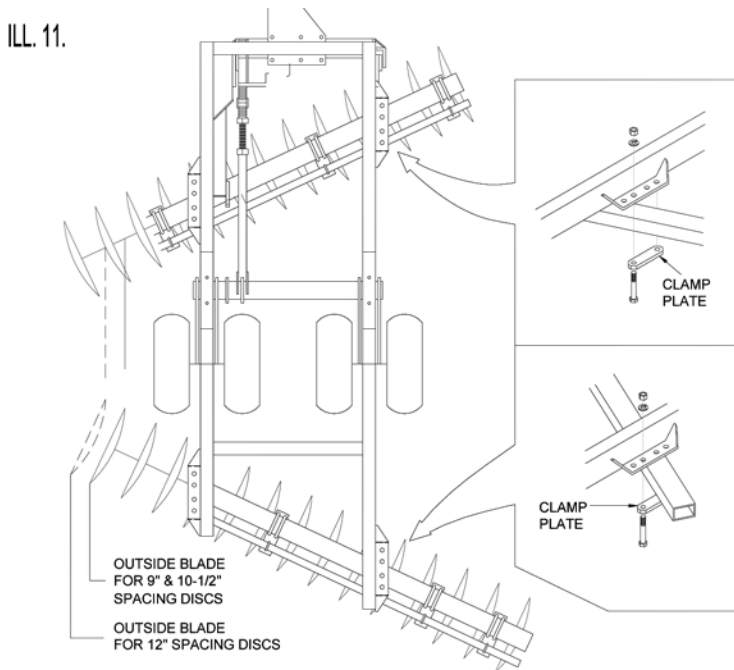
**B** - For model 1275W - 16' to 18-1/2' wide. Position front gang so there is approximately 4 more blades extended beyond the left side of frame than the right side of frame.

**C** - For models 1275W with 20' cutting width. Both front and rear gangs must be positioned further toward the RHS to prevent front and rear gangs from interfering with each other on LHS. Position front gang for each 20' models as follows:

Model 1275W - 20' (10-1/2" spacing) - 7 blades extending beyond LHS.

Model 1275W - 20' (12" spacing) - 7 blades extending beyond LHS.

**NOTE:** The gang patterns show actual number of blades that must extend beyond LHS for each machine. Use top of blade (12 o'clock position) and outside edge of frame as starting point to count blades.



3. Lateral adjustment of rear gangs for (all models) See ILL. 11.

The proper position of rear gang will result in level field finish. The operating speed, working depth, gang angle, and soil conditions will have determine this setting. If the rear gang is set too far to the right hand side, rear gangs will leave a furrow on left hand side.

An increase in operating speed may require that the rear gang must be moved farther to the right hand side. A decrease in operating speed may require rear gangs to be moved further to the left hand side. If gang angle is increased for deeper working depth, the rear gang usually must be moved farther to the right hand side.

If gang angle is decreased for a shallower operating depth, the rear gang usually must be moved farther to left hand side.

To start with, set rear gangs as follows, then adjust to suit your discing depth, speed and soil conditions:

9" & 10-1/2" spacing discs - Align leading edge of the outside rear blade on the left hand side between the second and third blade of the front gang as shown in ILL. 11.

12" spacing discs - Align leading edge of the outside rear blade on the left hand side with the center of the second blade of the front gang as shown in ILL. 11.

**NOTE:** The gang patterns show how L.H.S. of rear gang aligns with front gang for each machine.

**NOTE:** If bearing hanger restricts movement of rear gangs, make desired adjustment by moving the front gang.



## **CAUTION**

When operating on hillsides, use extreme care as tractor may tip sideways if it strikes hole, ditch or other irregularities.

4. See ILL. 11. When gang adjustments are complete, tighten gang beam clamp plates. Tighten bolts to a minimum of 840 ft lb.

**Very Important:** The 1-1/4" x 7-1/2" clamp bolts must be kept very tight at all times. If disc is operated when clamp bolts are loose, serious damage will occur to frame, gang beam, clamp plate and 1-1/4" bolts.

5. Leveling disc: See ILL. 12.

When operating disc, both the front and rear gangs should cut at the same depth. The leveling crank, arrow 1, is used to level the disc. Before the disc is leveled, set the depth control stop on rock shaft cylinder to obtain the desired discing depth.

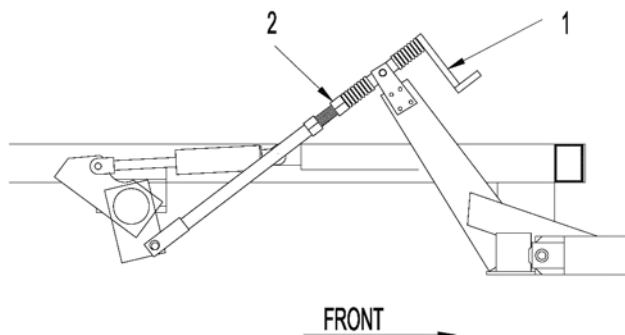
To lower front gangs, turn crank, arrow 1, counter clockwise (in)

To raise front gangs, turn crank, arrow 1, clockwise (out)

6. **NOTE:** See ILL. 12.

In very rocky conditions, loosen nut, arrow 2, of leveling crank so springs are free to slide back and forth approximately 1". This will allow more vertical flexing of disc.

ILL. 12.

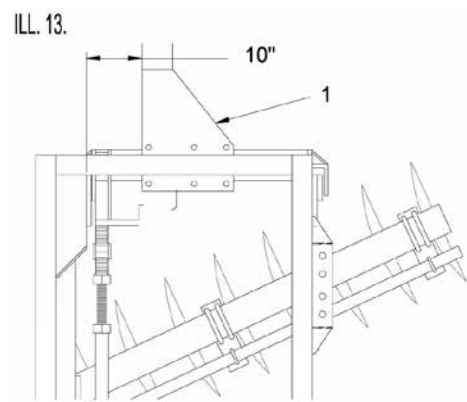
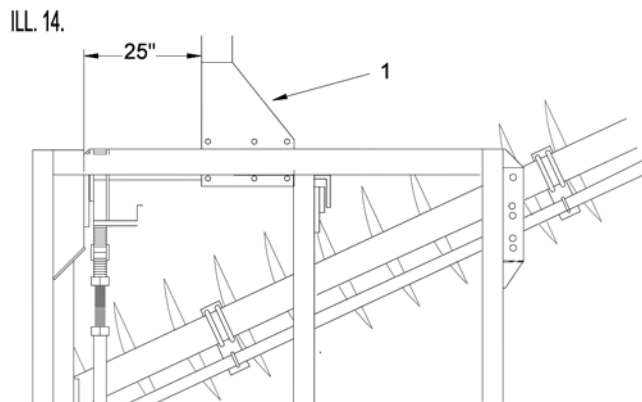


## 7. Lateral hitch adjustment

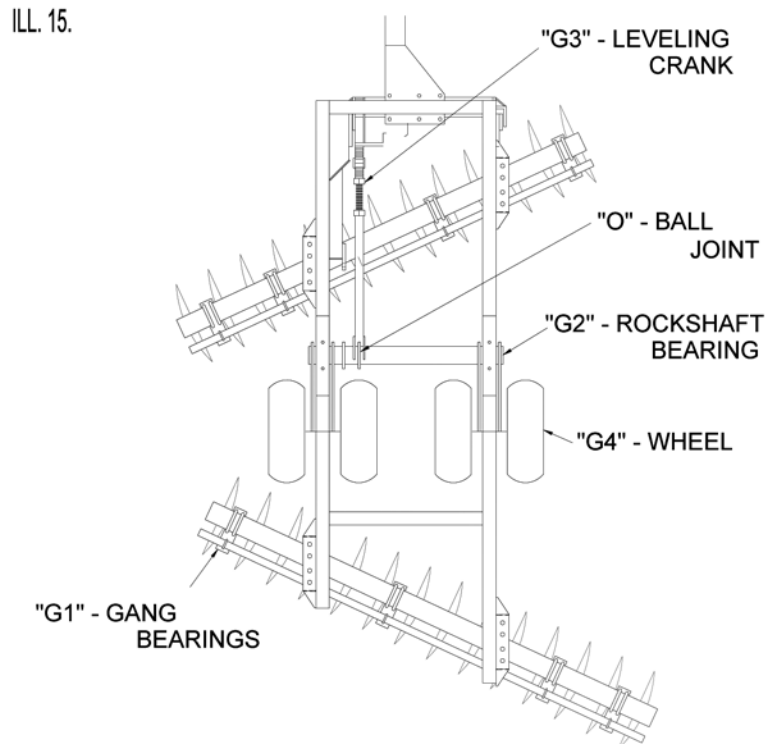
**A** - See ILL. 13. For all models except 1225 or 1275 series machines with 20' cutting width. Hitch tongue, arrow 1, should be fastened 10" from left side of draw bar. If disc side drafts, further hitch adjustments may be required. See trouble shooting.

**B** - See ILL. 13. On model 1275N series discs the hitch tongue, arrow 1, can not be adjusted laterally. If adjustments are required to eliminate side drafting, the gangs will have to be moved. See trouble shooting.

**C** - See ILL. 14. On machines with 20 ft. cutting width the hitch tongue, arrow 1, must be fastened 25" from left side of draw bar. This special adjustment is required because gangs have been positioned further to the R.H.S. so they don't interfere with each other on LHS. If disc side drafts, further hitch adjustments may be required. See trouble shooting.



## Maintenance



1. Lubrication: All lubrication points on disc are marked with arrow AG in ILL. 15. Use a high quality SAE multi purpose grease. Lubricate point marked with arrow AO with oil.

**G1** - Lubricate gang bearings every 20 hours of operation with 6 to 10 strokes of hand grease gun. Use a high quality SAE multipurpose grease.

**NOTE:** If 410WSS series bearings are over lubricated there is a possibility that seals can be pushed out. This is more likely to happen when bearings are new. To identify type of bearing your disc has see specifications section.

**G2** - Lubricate rockshaft bearing every 50 hours of operation.

**NOTE:** If rock shaft bearings are not lubricated there will be excessive wearing of rock shaft and rock shaft bearings.

**G3** - Lubricate leveling crank every 100 hours of operation.

**G4** - Lubricate the wheels every 50 hours of operation.

**O** - Lubricate leveling crank ball joint with every 100 hours of operation.



**NOTE:** When you receive your new disc, grease all lubrication points before starting to disc. However use caution when lubricating 410WSS gang bearings. These bearings will have been filled with grease at factory. If these bearings are over lubricated, seals may be damaged.

To determining type of gang bearings your disc is equipped with, see specifications section.

2. All bolts and nuts should be checked periodically to make sure they are tight. Special attention should be given to gang bolts, bearing bolts and bearing hanger U-bolts. If gang bolts come loose, they must be tightened to 3,200 ft lb.

**Very Important:** Severe damage will occur if gang bolts are loose.

3. When storing disc for a long period of time, apply a light coat of oil or grease to the blades. This will increase blade life. Also grease all lubricating points.
4. Keep tire pressure equal on all wheels. The amount of the pressure will depend on the size of the tires, weight of the disc and field conditions.
5. See Fig. 16. For disc equipped with optional T2-215 gang bearing. If T2-215 series bearings must be dismantled, a set screw must be removed (at bottom of casting) before seal cap can be removed.



### CAUTION

Do not service disc while it is in motion. You may fall in front of disc and be seriously injured.

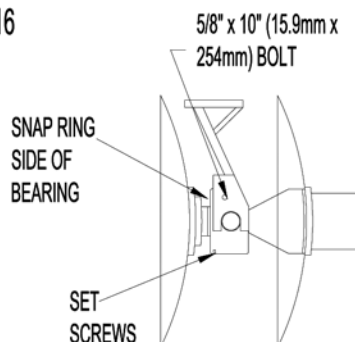


### CAUTION

Lower disc completely to ground when servicing. If disc must be serviced in raised position, lock in raised position using depth control stops. If any components should fail, or if hydraulic lever should be accidentally operated, disc could drop.

6. See Fig. 16. When reinstalling hanger on T2-215 bearings (if gangs are dismantled) do not over tighten the 5/8" x 10" (16 x 254 mm) bolts which fasten hanger to bearings. Turn locknut until it is snug against bearing hanger. The bolt may break during field operations if it is tightened using a normal torque.

FIG. 16



- All bolts and nuts should be checked periodically to make sure they are tight. Special attention should be given to gang bolts, bearing bolts and bearing hanger U-bolts, and wheel bolts.

They should be tightened as follows:

Gang bolts 1-15/16" (49 mm) diameter  
 - tighten to 3,200 ft lb torque (4339 N.m) - model 1225  
 - tighten to 3,800 ft lb torque (5152 N.m) - model 1275

Gang beam bolts 1-1/4" (32 mm) diameter - 840 ft lb (1139 N.m)

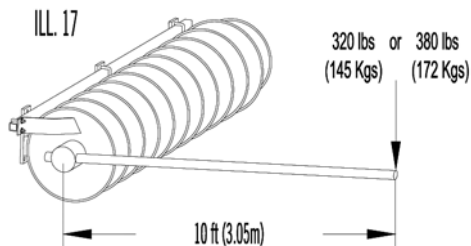
Leveling crank bolt 1-1/4" (2 mm) diameter - 840 ft lb (1139 N.m)

Wheel bolts 9/16" (14 mm) diameter - 50 ft lb (203 N.m)

Bearing hanger U-bolts 7/8" (22 mm) diameter - 430 ft lb (583 N.m)

See Fig. 17. To tighten gang bolt to 3,200 ft lb (4339 N.m) install a 10 ft (3.05 m) bar in socket wrench and apply 320 lb (145 kg) of force to end of bar. Similarly 3,800 ft lb (5152 N.m) would require 380 lb (172 kg) of force to end of 10' bar.

**NOTE:** After repairing a gang, the gang bolt should be retightened after 2 hours of operation.



## Troubleshooting

---

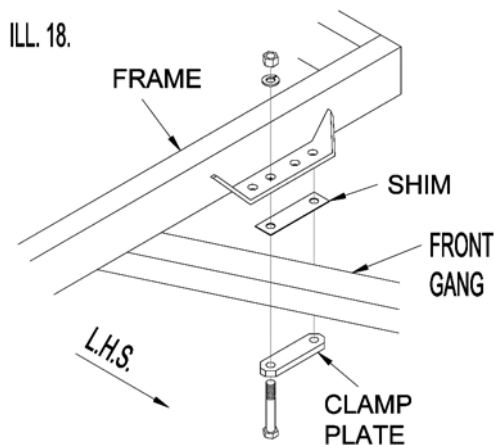
1. If front outside blade on right hand side is cutting too deep, causing disc to ridge at outside, the following adjustments can be made:

**A** - Check if transport wheels are on ground, gauging discing depth. If wheels are raised off ground, front end of disc will drop, causing disc to ridge on right hand side.

**B** - Check tire pressure. If tire pressure is lower on right hand side disc will cut deeper on the right hand side.

**C** - Using the leveling crank, raise front of disc. See ILL. 12.

**D** - If above adjustments don't cure problem, place shims between front gang beam and left hand side of disc frame. Locate shim as shown in ILL. 18.



2. If left hand gangs are leaving ridges at the outside of disc, move rear gang towards right hand side or decrease discing speed.
3. If left hand gangs are leaving a furrow at outside of disc, move rear gang toward left hand side or increase discing speed.
4. If left hand side of disc cuts deeper than the right hand side or opposite check tire pressure.
5. If disc is not penetrating soil, increase angle of front and rear gangs. See adjustment section. If increased gang angle does not give desired penetration, disc may be too light. See your Farm King dealer.
6. If disc is pushing dirt and leaving ridge at the outside, decrease cutting angle of front and rear gangs. See adjustments section.

7. If rear of disc side drafts towards right hand side, the following adjustments can be made:

**A** - Reduce pressure on rear gangs by raising rear gangs with leveling crank. Be sure front gangs are not cutting deeper than rear gangs. See ILL. 12.

**B** - If above adjustment does not cure problems, move hitch towards left hand side. If hitch can not be moved enough, loosen gang clamp plates, arrow 1, and move both front and rear gangs approximately 4" (102 mm) towards the right hand side. See ILL. 11. (Move gangs more if required).

**NOTE:**The hitch for model 1275N series discs can not be adjusted laterally, therefore adjustment to eliminate side draft must be made by moving gangs.

8. If rear disc side drafts towards left hand side, the following adjustments can be made:

**A** - Increase pressure on rear gang by lowering rear gangs with leveling crank. See ILL. 12.

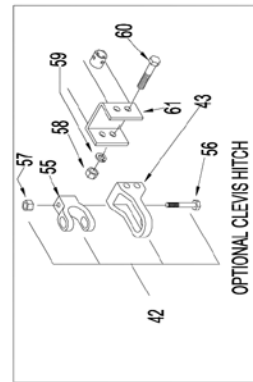
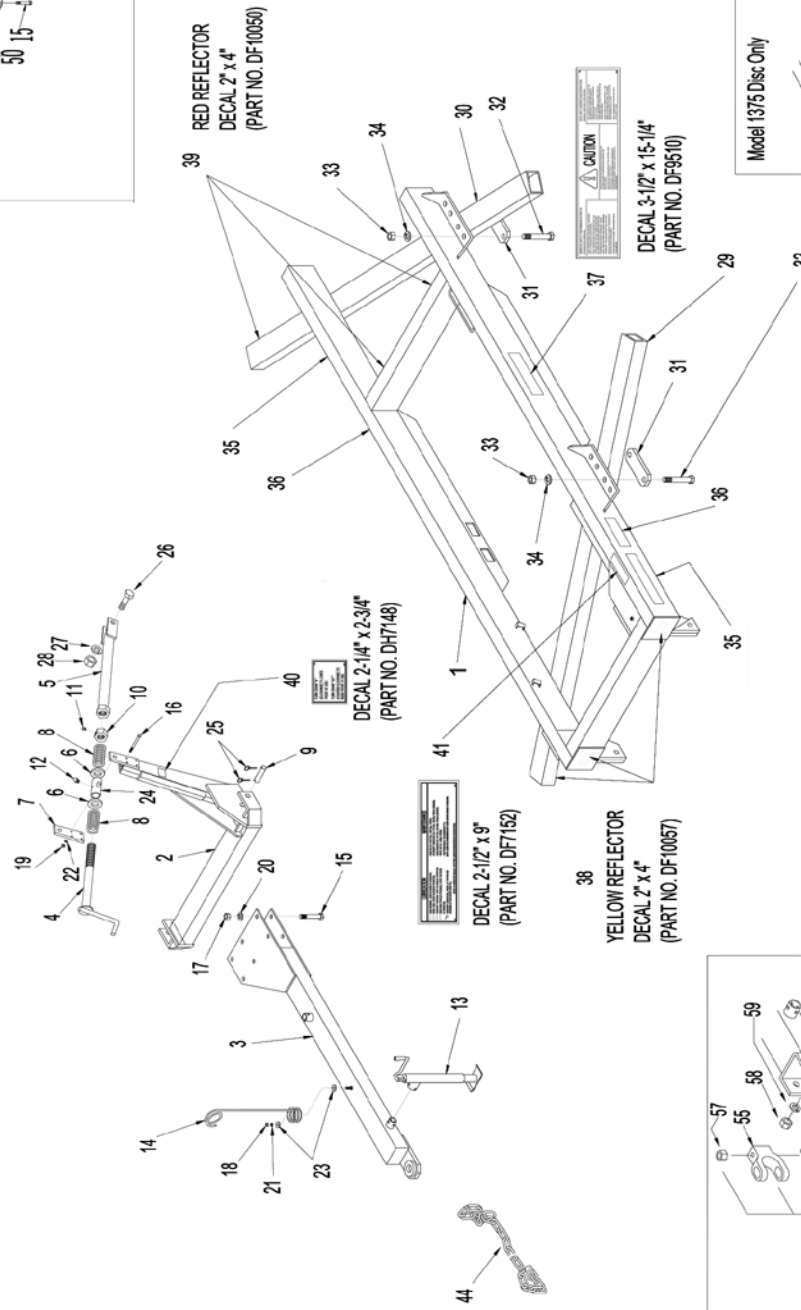
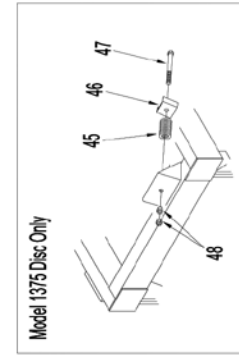
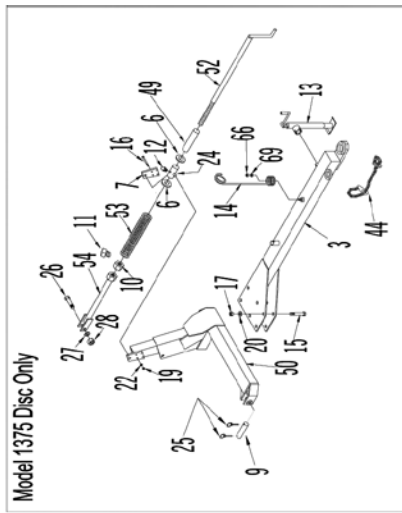
**B** - If above adjustments does not cure the problem, move hitch towards right hand side. If hitch can not be made enough, loosen gang clamp plates, arrow 1, and move both front and rear gangs approximately 4" (102 mm) towards left hand side. See ILL. 11 on page 15. (Move gangs more if required)

**NOTE:**The hitch for model 1275N series disc can not be adjusted laterally, therefore adjustments to eliminate side draft must be made by moving gangs.

9. If disc is plugged - adjust scrapers so they are fully in contact with blade or reduce angle.



## Frames, Hitch and Leveling Crank Assembly



## When Ordering Parts

Always give your dealer the Model, Color and Serial Number of your machine to assist him in ordering and obtaining the correct parts. Use the exploded view and tabular listing of the area of interest to exactly identify the required part.

Item	Part Number	Description	Qty
1	DF7141	1275N Frame c/w Decals	1
	DF7142	1225M Frame c/w Decals	1
	DF7143	1275M Frame c/w Decals	1
	DF7145	1275W Frame c/w Decals	1
2	DHA7146	Draw Bar 1275N	1
	DHA7147	Draw Bar 1225M, 1275M and 1275W	1
3	DHA7224	Std Tongue (all models)	1
	DHA7165	Tongue for Bolt-on Cast Hitch - (optional)	1
4	DCA3	Leveling Crank	1
5	DCA5181	Leveling Link	1
6	DC15	Thrust Bearing - Timken #T199	2
7	DH5146	Leveling Arm Lug	1
8	DH1	Compression Spring - Leveling Crank	2
9	DH7158	1-1/4" Dia. (32 mm) Hitch Pin	2
10	DH5	2" NC (51 mm) Heavy Nut - Drilled for Set Screw	1
11	BO500105	1/2" x 1" NC (13 x 25 mm) Square Head Set Screw	1
12	10GN1	1/4" (6 mm) - 28 Straight Grease Fitting	1
13	DHB5170	Hitch Jack	1
14	DHA5161	Hose Support	1
15	B100060	1" x 6" NC (25 x 152 mm) Hex Bolt Gr5 (Plated)	6
16	BO500050	1/2" x 5" NC (13 x 127 mm) Hex Bolt Gr5 (Plated)	4
17	BN100	1" NC (25 mm) Hex Nut (Plated)	6
18	BN062	5/8" NC (16 mm) Hex Nut (Plated)	1
19	BN050	1/2" NC (13 mm) Hex Nut (Plated)	4
20	BW100L	1" (25 mm) Lockwasher (Plated)	6
21	BW062L	5/8" (16 mm) Lockwasher (Plated)	1
22	BW050L	1/2" (13 mm) Lockwasher (Plated)	4
23		11/16" ID (17 mm) Flatwasher	2
24	DCA5184	Bearing Tube - Leveling Crank	1
25	C122576	7/16" (11 mm) Lockwasher	4
26	DR5215	1-1/4" x 4-3/4" (32 x 121 mm) NC Hex Bolt w/ Special Thread Length	1
27	BW125L	1-1/4" (32 mm) Spacer Washer	1
28	BP25150	1-1/4" (32 mm) NC Hex Nut	1

Item	Part Number	Description	Qty
------	-------------	-------------	-----

Front Gang Beam 9" (230 mm) Spacing			
	DBS126-6	126" (3200 mm) Gang Beam (4" x 6") - 1225M (29 blade disc)	*
	DBS144-6	144" (3658 mm) Gang Beam (4" x 6") - 1225M (33 blade disc)	*
	DBS162-6	162" (4115 mm) Gang Beam (4" x 6") - 1225M (37 blade disc)	*

Front Gang Beam 10-1/2" (267 mm) Spacing (410 Series Bearing)			
	DBS108-6	108" (2743 mm) Gang Beam (4" x 6") - 1225M (23 blade disc)	*
	DBS150-6	150" (3810 mm) Gang Beam (4" x 6") - 1225M (31 blade disc)	*
	DBS162-6	162" (4115 mm) Gang Beam (4" x 6") - 1225M (33 blade disc)	*
	DBS186-6	186" (4724 mm) Gang Beam (4" x 6") - 1225M (37 blade disc)	*
	DBS210-6	210" (5334 mm) Gang Beam (4" x 6") - 1225M (41 blade disc)	*
	DBS228-6	228" (5791 mm) Gang Beam (4" x 6") - 1225M (45 blade disc)	*

Front Gang Beam 10-1/2" (267 mm) Spacing (T2-215 Series Bearing)			
	DBS80-6	80" (2032 mm) Gang Beam (4" x 6") - 1275N (15 blade disc)	*
	DBS98-6	98" (2489 mm) Gang Beam (4" x 6") - 1275N (19 blade disc)	*
	DBS120-6	120" (3048 mm) Gang Beam (4" x 6") - 1275N (23 blade disc)	*
	DBS120-6	120" (3048 mm) Gang Beam (4" x 6") - 1275M (23 blade disc)	*
	DBS141-6	141" (3581 mm) Gang Beam (4" x 6") - 1275M (27 blade disc)	*
	DBS162-6	162" (4115 mm) Gang Beam (4" x 6") - 1275M (31 blade disc)	*
	DBS174-6	174" (4420 mm) Gang Beam (4" x 6") - 1275M (33 blade disc)	*
	DBS195-6	195" (4953 mm) Gang Beam (4" x 6") - 1275W (37 blade disc)	*
	DBS216-6	216" (5486 mm) Gang Beam (4" x 6") - 1275W (41 blade disc)	*
	DBS240-6	240" (6096 mm) Gang Beam (4" x 6") - 1275W (45 blade disc)	*

Front Gang Beam 12" (305 mm) Spacing (T2-215 Series Bearing)			
	DBS72-6	72" (1829 mm) Gang Beam (4" x 6") - 1275N (13 blade disc)	
	DBS98-6	98" (2489 mm) Gang Beam (4" x 6") - 1275N (17 blade disc)	
	DBS121-6	121" (3073 mm) Gang Beam (4" x 6") - 1275N (21 blade disc)	
	DBS121-6	121" (3073 mm) Gang Beam (4" x 6") - 1275M (21 blade disc)	*
	DBS150-6	150" (3810 mm) Gang Beam (4" x 6") - 1275M (25 blade disc)	*
	DBS171-6	171" (4343 mm) Gang Beam (4" x 6") - 1275M (29 blade disc)	*
	DBS184-6	184" (4674 mm) Gang Beam (4" x 6") - 1275M (31 blade disc)	*
	DBS195-6	195" (4953 mm) Gang Beam (4" x 6") - 1275W (33 blade disc)	*
	DBS219-6	219" (5563 mm) Gang Beam (4" x 6") - 1275W (37 blade disc)	*
	DBS246-6	246" (6248 mm) Gang Beam (4" x 6") - 1275W (41 blade disc)	*
	DBS124-6	124" (3150 mm) Gang Beam (4" x 6") - 1275M (21 blade disc)	*
	DBS145-6	145" (3683 mm) Gang Beam (4" x 6") - 1275M (25 blade disc)	*
	DBS171-6	171" (4343 mm) Gang Beam (4" x 6") - 1275M (29 blade disc)	*

\* As Required



Item	Part Number	Description	Qty
	DBS183-6	183" (4648 mm) Gang Beam (4" x 6") - 1275M (31 blade disc)	*

Rear Gang Beam 9" (230 mm) Spacing			
30	DBS130-6	130" (3302 mm) Gang Beam (4" x 6") - 1225M (29 blade disc)	*
	DBS147-6	147" (3734 mm) Gang Beam (4" x 6") - 1225M (33 blade disc)	*
	DBS168-6	168" (4267 mm) Gang Beam (4" x 6") - 1225M (37 blade disc)	*
	DBS186-6	186" (4274 mm) Gang Beam (4" x 6") - 1225M (41 blade disc)	*

Rear Gang Beam 10-1/2" (267 mm) Spacing (410 Series Bearing)			
	DBS118-6	118" (2997 mm) Gang Beam (4" x 6") - 1225M (23 blade disc)	*
	DBS140-6	140" (3556 mm) Gang Beam (4" x 6") - 1225M (27 blade disc)	*
	DBS162-6	162" (4115 mm) Gang Beam (4" x 6") - 1225M (31 blade disc)	*
	DBS174-6	174" (4420 mm) Gang Beam (4" x 6") - 1225M (33 blade disc)	*

Rear Gang Beam 10-1/2" (267 mm) Spacing (T2-215 Series Bearing)			
	DBS92-6	92" (2337 mm) Gang Beam (4" x 6") - 1275N (15 blade disc)	*
	DBS108-6	108" (2743 mm) Gang Beam (4" x 6") - 1275N (19 blade disc)	*
	DBS130-6	130" (3302 mm) Gang Beam (4" x 6") - 1275N (23 blade disc)	*
	DBS130-6	130" (3302 mm) Gang Beam (4" x 6") - 1275M (23 blade disc)	*
	DBS152-6	152" (3861 mm) Gang Beam (4" x 6") - 1275M (27 blade disc)	*
	DBS174-6	174" (4420 mm) Gang Beam (4" x 6") - 1275M (31 blade disc)	*
	DBS186-6	186" (4724 mm) Gang Beam (4" x 6") - 1275M (33 blade disc)	*
	DBS204-6	204" (5182 mm) Gang Beam (4" x 6") - 1275W (37 blade disc)	*
	DBS228-6	228" (5791 mm) Gang Beam (4" x 6") - 1275W (41 blade disc)	*
	DBS248-6	248" (6299 mm) Gang Beam (4" x 6") - 1275W (45 blade disc)	*

Rear Gang Beam 12" (305 mm) Spacing (T2-215 Series Bearing)			
	DBS86-6	86" (2184 mm) Gang Beam (4" x 6") - 1275N (13 blade disc)	*
	DBS110-6	110" (2794 mm) Gang Beam (4" x 6") - 1275N (17 blade disc)	*
	DBS135-6	135" (3429 mm) Gang Beam (4" x 6") - 1275N (21 blade disc)	*
	DBS135-6	135" (3429 mm) Gang Beam (4" x 6") - 1275M (21 blade disc)	*
	DBS159-6	159" (4039 mm) Gang Beam (4" x 6") - 1275M (25 blade disc)	*
	DBS182-6	182" (4623 mm) Gang Beam (4" x 6") - 1275M (29 blade disc)	*
	DBS195-6	195" (4953 mm) Gang Beam (4" x 6") - 1275M (31 blade disc)	*
	DBS210-6	210" (5334 mm) Gang Beam (4" x 6") - 1275W (33 blade disc)	*
	DBS232-6	232" (5893 mm) Gang Beam (4" x 6") - 1275W (37 blade disc)	*
	DBS258-6	258" (6553 mm) Gang Beam (4" x 6") - 1275W (41 blade disc)	*

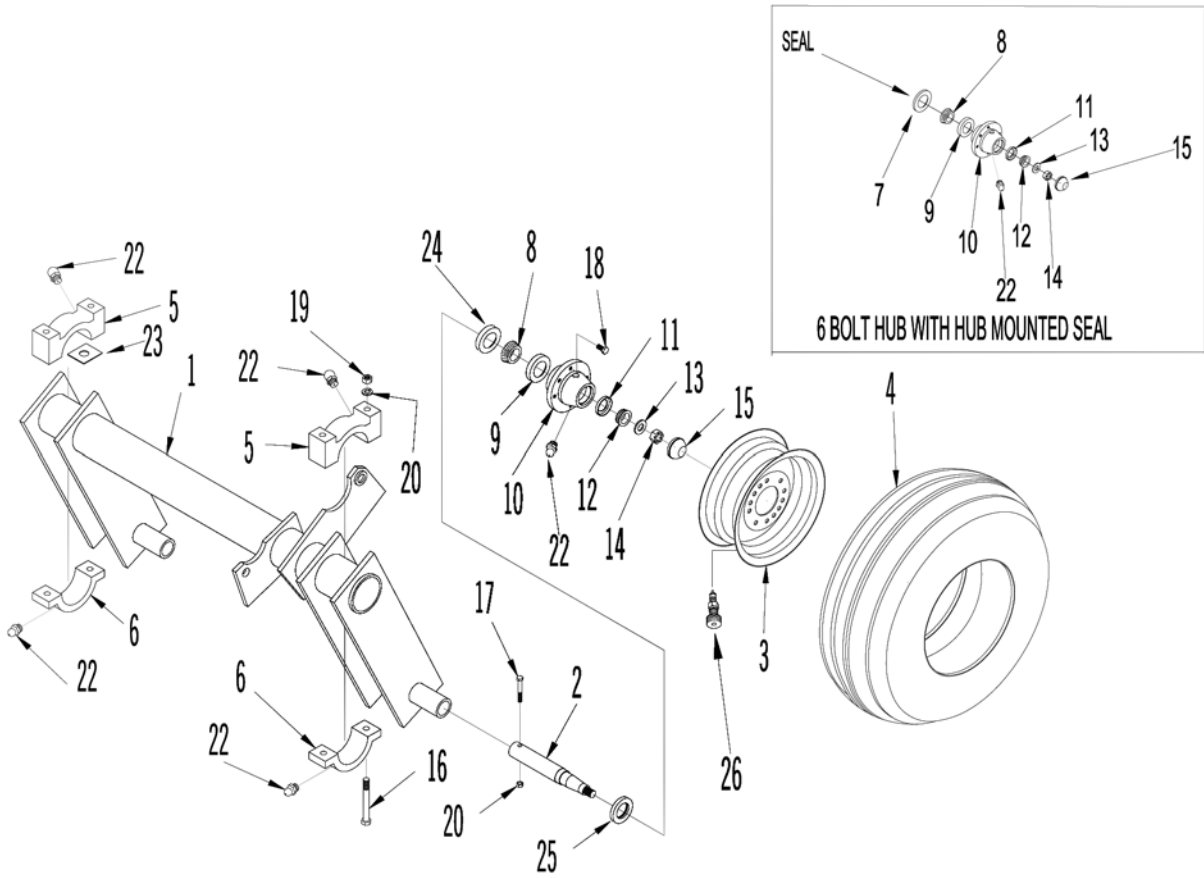
\* As Required

Item	Part Number	Description	Qty
31	DG7162	Gang Beam Clamp Plate - 1" x 4" x 11-3/8" (25 x 102 x 289 mm)	4
32	B125075	1-1/4" x 7-1/2" N.C. (32 x 191 mm) Hex Bolt Gr5 (Plated)	8
33	BN125	1-1/4" N.C. (32 mm) Hex Nut (Plated)	8
34		2-1/8" OD x 1-5/16" ID x 1/4 Flatwasher - (54 x 33 x 6 mm)	8
35	S81504	Decal - Farm King - 3" x 18-3/4" - (76 x 476 mm)	2
36	DF7149	Decal - 1225 - 3-1/4" x 10-1/4" - (83 x 260 mm)	2
	DF7150	Decal - 1275 - 3-1/4" x 10-1/4" - (83 x 260 mm)	2
37	DF9510	Decal - Caution - 3-1/2" x 15-1/4" - (89 x 387 mm)	1
38	DF10057	Yellow Reflector - 2" x 4" - (51 x 102 mm)	4
39	DF10050	Red Reflector - 2" x 4" - (51 x 102 mm)	4
40	DH7148	Decal - Crank - 2-1/4" x 2-3/4" - (57 x 70 mm)	1
41	DF7152	Decal - Maintenance - 2-1/2" x 9" - (64 x 229 mm)	1
42	DH7164	Cast Hitch and Clevis Hitch c/w Bolt and Nut (optional)	1
43	DH7163	Cast Hitch Tongue - (optional)	1
44	D13090	20200 lb Safety Chain (optional)	1
49	DC13098	11" (279 mm) Leveling Crank Spacer	1
55	DH7164	Cast Clevis - (optional)	1
56	BO137550-8	3/4" x 5" NC Hex Bolt- Gr8	1
57	BN075-SL	3/4" NC Hex Steel Locknut	1
58	BN100	1" NC Hex Nut	1
59	BW100L	1" Lockwasher	2
60	B100055	1" x 5-1/2 NC Hex Bolt	2
61	DH7166	Hitch Bracket - (weld-on)	1

\* As Required

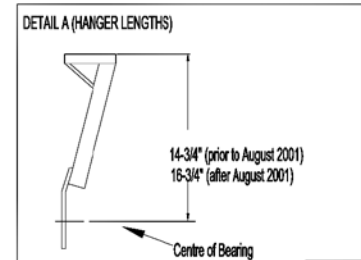
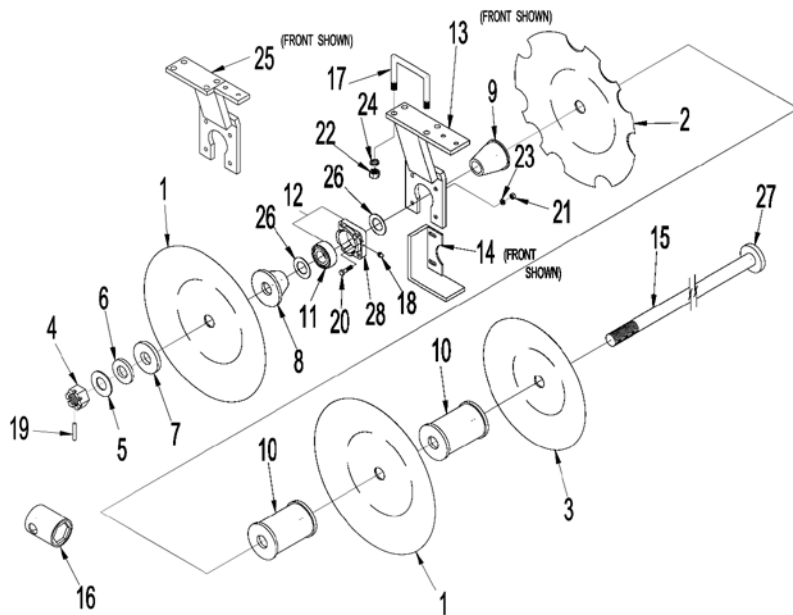


Rockshaft and Wheel Assembly



Item	Part Number	Description	Qty
1	DR7153	Rockshaft 1275N	1
	DR7154	Rockshaft 1225M, 1275M	1
	DR7155	Rockshaft 1275W	1
2	DR7156	618 Spindle - 14-1/2" (368 mm)	*
3	DR5261	15" x 8" - (381 x 203 mm) 6 Bolt Rim	*
4	IIL15FIC	11L x 15 - 6 PR Tubeless Tire	*
	IIL15FID	11L x 15 - 8 PR Tubeless Tire	*
	IIL15FIF	11L x 15 - 12 PR Tubeless Tire	*
5	DR860IT	Rockshaft Bearing - Bottom Half	2
6	DR8601B	Rockshaft Bearing - Top Half	2
7	DR122	Grease Seal	*
8	DR120	Cone Bearing - #LM25580	*
9	DR118	Cup - #LM25520	*
10	DRA9	618 Hub Complete c/w Cups	*
11	DR92	Cup - #LM48510	*
12	DR91	Cone Bearing - #LM48548	*
13	BW20010614F	2" OD x 1-1/16" ID x .140 (51 x 27 x 4 mm) Flatwasher	*
14	DR110	1" NF (25 mm) Slotted Hex Nut	*
15	DR123	Hub Cap	*
16	BO137565	3/4" x 6-1/2" NC (19 x 165 mm) Hex Bolt Gr5 (Plated)	4
17	BO50035	1/2" x 3-1/2" NC (13 x 89 mm) Hex Bolt (Plated)	2
18	DR125	9/16" NF x 1-1/8" (14 x 28 mm) Wheel Bolt	*
19	BN075	3/4" NC (19 mm) Hex. Nut (Plated)	*
20	BN050L	1/2" NC (13 mm) Nylon Locknut (Plated)	2
21	BW075L	3/4" (19 mm) Lockwasher (Plated)	4
22	10GNI	1/4" (6 mm) - 28" Grease Fitting	*
23	C50692	2" x 3" (51 x 76 mm) Shim	*
24	DR13191	Seal Cup - Spindle Mount Type	*
25	DR13190	Grease Seal - Spindle Mount Type	*
26	C60154	Valve Stem - Metal	*

## Disc Gang w/ 410 Series Bearing Assembly - 1225 (Used w/ Hanger Mounted Scraper Bar - Prior to S/N 51462)



Item	Part Number	Description	Qty
1	DG137	24" x 5/16" (610 x 8 mm) Plain Blade	*
2	DG79	24" x 9/32" (610 x 7 mm) Notched Blade	*
	DG138	24" x 5/16" (610 x 8 mm) Notched Blade	*
	DG75	26" x 5/16" (660 x 8 mm) Notched Blade	*
	DG87	26" x 3/8" (660 x 9 mm) Notched Blade	*
	DG159	26" x 3/8" (660 x 9 mm) Notched Cone Blade	*
3	DG149	20" x .236" (508 x 6 mm) Plain Outrigger Blade	*
	DG64	22" x .236" (559 x 6 mm) Plain Outrigger Blade	*
	DG76	24" x .275" (610 x 7 mm) Plain Outrigger Blade	*
4	DG82	2" NC (51 mm) Heavy Hex Slotted Nut	*
5	DG89	1/4" (6 mm) Shim Washer	*
6	DG88	1/2" (13 mm) Shim Washer	*
7	DG78	5-1/2" OD x 2" ID x 5/8" (138 x 51 x 16 mm) Head Washer – (used prior to 2003)	*
	DG13185	5-1/2" OD x 2" ID x 3/4" (138 x 51 x 19 mm) Head Washer – used w/ 24" blades – (used 2003 and later)	*
	DG13184	6" OD x 2" ID x 1" (152 x 51 x 25 mm) Head Washer – used w/ 26" blades – (used 2003 and later)	*
8	DGA106**	9" & 10-1/2" (230 & 267 mm) Spacing Short Half Spool for 410 Series Bearings – 3-1/4" (83 mm) Long - Concave Side w/ 6" washer	*
9	DGA103	9" (230 mm) Spacing Long Half Spool for EZ410N Bearings - 4-3/16" (106 mm) Long - Concave Side	*
	DGA136	9" (230 mm) Spacing Long Half Spool for 410WSS Bearings – 3-11/16" (93 mm) Long - Concave Side	*
	DGA105	10-1/2" (267 mm) Spacing Long Half Spool for EZ410N Bearings - 5-11/16" (144 mm) Long - Concave Side	*
	DGA131	10-1/2" (267 mm) Spacing Long Half Spool for 410WSS Bearings - 5-1/4" (133 mm) Long - concave side	*
10	DGA100	9" (230 mm) Spacing Full Spool - 6" (152 mm) Diameter Both Ends	*
	DGA101	10-1/2" (267 mm) Spacing Full Spool - 6" (152 mm) Diameter Both Ends	*
11	DG5364	EZ410N Series Greaseable Bearing – (1-9/16" Lg Inner Race)	*
	DG108	410WSS Series Greaseable Bearing – 2-1/16" (52 mm) Lg Inner Race	*
12	DGB5363	EZ410N Series Greaseable Bearing & Housing – (1-9/16" Lg Inner Race)	*
	DGB109	410WSS Series Greaseable Bearing c/w Housing & Grease Fitting – (2-1/16" Lg Inner Race)	*
13	DGA5318	Front LH, Rear RH Straight Bearing Hanger - 410 Series Bearing – 14-3/4" (375 mm) Top to Center of Bearing – used prior to Aug. 2001 – see Detail A	*
	DGA5319	Front RH, Rear LH Straight Bearing Hanger - 410 Series Bearing – 14-3/4" (375 mm) Top to Center of Bearing – used prior to Aug. 2001 – see Detail A	*

\*As Required

Item	Part Number	Description	Qty
	DGA13150	Front LH, Rear RH Straight Bearing Hanger - 410 Series Bearing - 16-3/4" (425 mm) Top to Center of Bearing - used after Aug. 2001 - see Detail A	*
	DGA13151	Front RH, Rear LH Straight Bearing Hanger - 410 Series Bearing - 16-3/4" (425 mm) Top to Center of Bearing - used after Aug. 2001 - see Detail A	*
14	DGA40	Front LH, Rear RH Bearing Guard – 410 Series Bearing	*
	DGA39	Front RH, Rear LH Bearing Guard – 410 Series Bearing	*

Gang Bolt for 9" Spacing			
15	DGA67	7 blade - 62-3/4" (1594 mm) Long	*
	DGA68	8 blade - 72" (1829 mm) Long	*
	DGA69	9 blade - 81" (2057 mm) Long	*
	DGA70	10 blade - 90-1/2" (2299 mm) Long	*
	DGA71	11 blade - 99-3/4" (2534 mm) Long	*
	DGA72	12 blade - 109" (2769 mm) Long	*
	DGA73	13 blade - 118-1/2" (3010 mm) Long	*
	DGA74	14 blade - 128-1/2" (3264 mm) Long	*
	DGA129	15 blade - 136-3/4" (3473 mm) Long	*

Gang Bolt for 10-1/2" Spacing - Includes Washer			
	DGA76	6 blade - 61" (1549 mm) Long	*
	DGA77	7 blade – 71-1/2" (1816 mm) Long	*
	DGA78	8 blade – 82-1/4" (2089 mm) Long	*
	DGA79	9 blade - 93" (2362 mm) Long	*
	DGA80	10 blade - 104" (2642 mm) Long	*
	DGA81	11 blade - 114-3/4" (2915 mm) Long	*
	DGA82	12 blade - 125-3/4" (3194 mm) Long	*
	DGA83	13 blade - 136-1/2" (3467 mm) Long	*
	DGA84	14 blade – 147-1/2" (3747 mm) Long	*

16	DGA35	Socket Wrench	*
17	DG5379	7/8" x 6" x 5-7/8" (22 x 152 x 149 mm) Long U-bolt - Standard Hanger	*
18	10GN1	1/4" (6 mm) - 28 Grease Fitting	2
19	DG10310	7/16" x 3" (11 x 76 mm) Lock Pin	*
20	BO62022	5/8" x 2-1/4" NC (16 x 57 mm) Hex Bolt	*
	BP62025	5/8" x 2-1/2" NC (16 x 64 mm) Hex Bolt – used w/ Bearing Guard	*
21	BN062	5/8" NC (16 mm) Hex Nut	*
22	BN087	7/8" NC (22 mm) Hex Nut	*
23	BW062L	5/8" (16 mm) Lockwasher	*

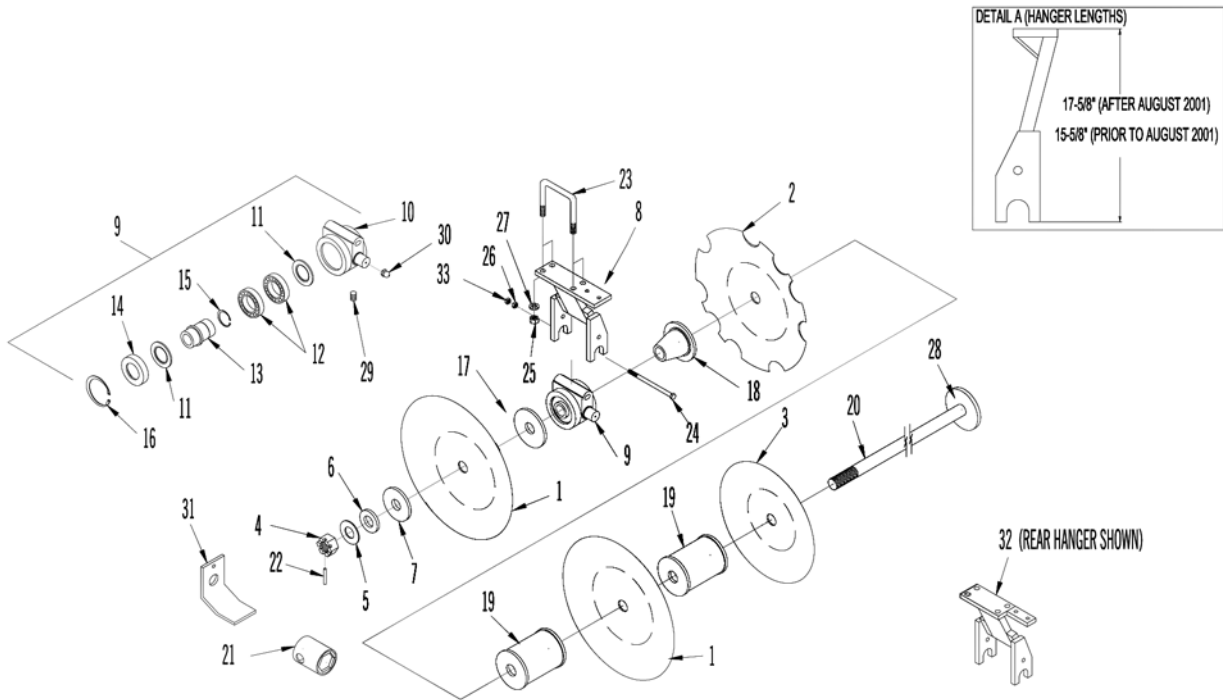
\*As Required



Item	Part Number	Description	Qty
24	BW087L	7/8" (22 mm) Lockwasher	*
25	DGA5322	Front LH, Rear RH 2" (51 mm) Offset Bearing Hanger - 410 Series Bearing - 14-3/4" (375 mm) Top to Center of Bearing – used Prior to Aug. 2001 – see Detail A	*
	DGA5323	Front RH, Rear LH 2" (51 mm) Offset Bearing Hanger - 410 Series Bearing – 14-3/4" (375 mm) Top to Center of Bearing – used prior to Aug. 2001 – see Detail A	*
	DGA13152	Front LH, Rear RH 2" (51 mm) Offset Bearing Hanger - 410 Series Bearing – 16-3/4" (425 mm) Top to Center of Bearing – used after Aug. 2001 – see Detail A	*
	DGA13153	Front RH, Rear LH 2" (51 mm) Offset Bearing Hanger - 410 Series Bearing – 16-3/4" (425 mm) Top to Center of Bearing – used after Aug. 2001 – see Detail A	*
26	DG237	3-1/2" OD x 2" ID x 1/16" (114 x 51 x 2 mm) Bearing Shield – (used w/ EZ410N Bearings Only)	*
27	DGA5370	5-1/2" (140 mm) Gang Washer – Weld-On	*
28	DG96	Housing – 410 Bearing	*

\*As Required

## Disc Gang w/ Standard Hangers - T2-215 Bearings - 9", 10-1/2" & 12" Spacing Model 1225 (Used w/ Hanger Mounted Scraper Bar - Prior to S/N 51462)



Item	Part Number	Description	Qty
1		Refer to Ref. No. 1 on page 73 for Plain Blades	
2		Refer to Ref. No. 2 on page 73 for Notched Blades	
3		Refer to Ref. No. 3 on page 73 for Outrigger Blades	
4	DG82	2" NC (51 mm) Heavy Hex Slotted Nut	*
5	DG89	1/4 (6 mm) Shim Washer	*
6	DG88	1/2" (13 mm) Shim Washer	*
7	DG13185	5-1/2" OD x 2" ID x 3/4" (138 x 51 x 19 mm) Head Washer – used w/ 24" Blades	*
	DG13184	6" OD x 2" ID x 1" (152 x 51 x 25 mm) Head Washer – used w/ 26" & 28" blades	*
8	DGA10566	Front RH & Rear LH Bearing Hanger for T2-215 Series Bearing – used prior to Aug. 2001 – see Detail A	*
	DGA10567	Rear Bearing Hanger for T2-215 Series Bearing – used prior to Aug. 2001 – see Detail A	*
	DGA13155	Rear Bearing Hanger- For T2-215 Series Bearing – Models prior to August 2001 – see Detail "A" for hanger length	*
	DGA13154	Rear Bearing Hanger for T2-215 Series Bearing – used after Aug. 2001 – see Detail A	*
9	DGB9900	Housing c/w Bearings, Seals, Sleeve, Snap Ring & Cap – T2-215 Series	*
10	DG9901	Housing Only – T2-215 Series	*
11	DG9905	Bearing Seal – National #200322	*
12	DG9904	#6215 Ball Bearing (Modified)	*
13	DG9906	5" (127 mm) Sleeve	*
14	DG9902	Bearing Housing Cap	*
15	DG9911	External Snap Ring – Philip French #D1400-75	*
16	DG9910	Internal Snap Ring – Philip French #D1300-130	*
17	DGA10563	9" & 10-1/2" (230 & 267 mm) Spacing, Short Half, 1-3/8" (35 mm) Long Convex Side w/ 6" (152 mm) Washer Spool	*
	DGA10572	12" (305 mm) Spacing, Short Half, 2-7/8" (73 mm) Long Convex Side w/ 6" (152 mm) Washer Spool	*
18	DGA10571	9" (230 mm) Spacing, Long Half 2-11/16" (68 mm) - Concave Side	*
	DGA103	10-1/2" & 12" (267 & 305 mm) Spacing Long Half, 4-3/16" (106 mm) Long - Concave Side	*
19	DGA100	9" (230 mm) Spacing, Full Spool w/ 6" (152 mm) Diameter Washer Both Ends	*
	DGA101	10-1/2" (267 mm) Spacing, Full Spool w/ 6" (152 mm) Diameter Washer Both Ends	*
	DGA111	12" (305 mm) Spacing, Full Spool w/ 6" (152 mm) Diameter Washer Both Ends	*
20		Refer to Ref. No 15 on Page 73 for Gang Bolts for 9" & 10-1/2" (230 & 267 mm) Spacing	*

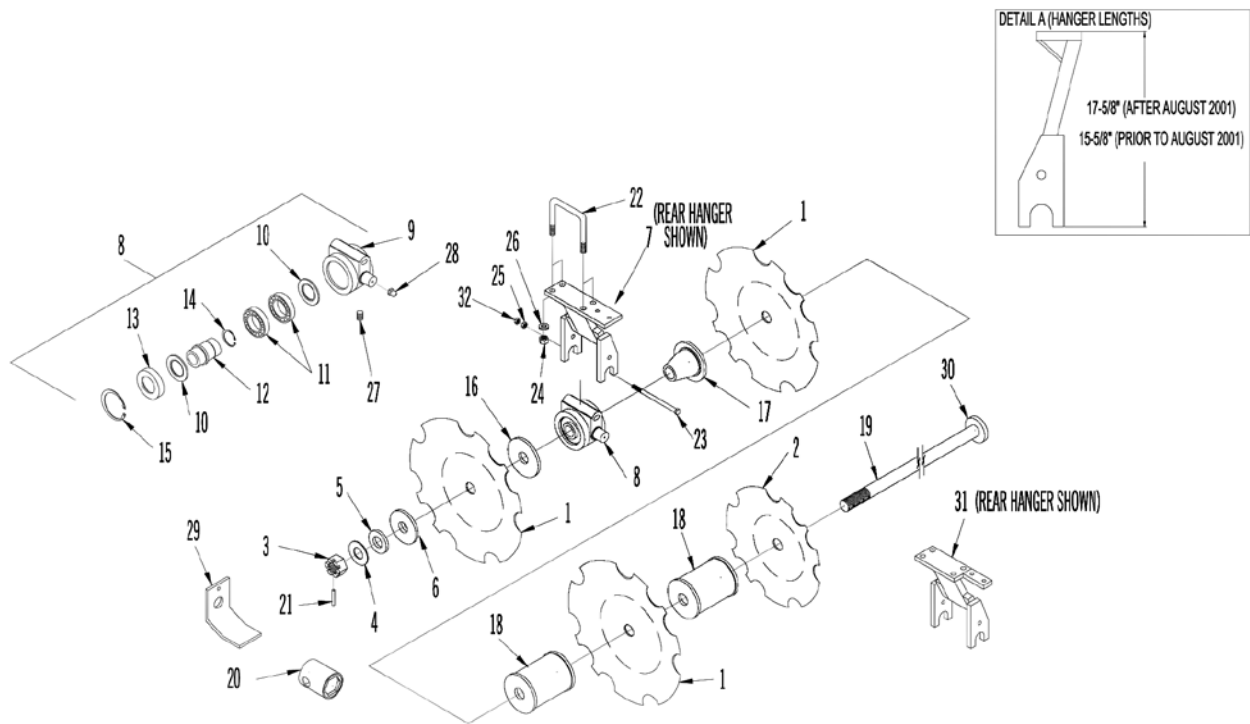
\*As Required

Item	Part Number	Description	Qty
Gang Bolt for 12" (305 mm) Spacing			
	DGA115	6 blade – 67-3/4" (1721 mm) Long	*
	DGA69	7 blade – 80" (2032 mm) Long	*
	DGA121	12 blade - 141-3/4" (3600 mm) Long	*
21	DGA35	Socket Wrench	*
22	DG10310	7/16" x 3" (11 x 76 mm) Lock Pin	*
23	DG5379	7/8" x 6" x 5-7/8" (22 x 152 x 149 mm) Long U-Bolt	*
24	BO62100	5/8" x 10" NC (16 x 254 mm) Hex Bolt Gr5 – used on machines less bearing	*
	BO62110	5/8" x 11" NC (16 x 279 mm) Hex Bolt Gr5 – used on Machines Equipped w/ Bearing	*
25	BN087	7/8" (22 mm) NC Hex Nut	*
26	BN062	5/8" (16 mm) NC Hex Nut	*
27	BW087L	7/8" (22 mm) Lockwasher	*
28	DGA5370	5-1/2" (140 mm) Gang Washer – Weld On	*
29	DG9912	Set Screw – 1/4" NC x 1/2" Long (6 x 13 mm)	*
30	10GN1	1/4" (6 mm) – 28 Straight Grease Fitting	*
31	DG10590	Bearing Guard – T2-215 Bearing	*
32	DGA10568	Front 2" (51 mm) Offset, Bearing Hanger for T2-215 Series Bearing – used prior to Aug. 2001 - see Detail A	*
	DGA10569	Rear 2" (51 mm) Offset, Bearing Hanger for T2-215 Series Bearing – used prior to Aug. 2001 - see Detail A	*
	DGA13157	2" (51 mm) Offset Trunion Mounted Bearing Hanger (Front RH & Rear LH) - used after Aug. 2001 - See Detail A	*
	DGA13156	2" (51 mm) Offset Trunion Mounted Bearing Hanger (Front LH & Rear RH) - used after Aug. 2001 - See Detail A	*
33	BN0625L	5/8" (16 mm) NC Hex Steel Lock Nut	*

\*As Required



Disc Gang w/ Rigid Hangers - T2-215 Bearings  
1275 (Used w/ Hanger Mounted Scraper Bar - Prior to S/N 51462)



Item	Part Number	Description	Qty
1	DG75	26" x 5/16" (8 mm) Notched	*
	DG87	26" x 3/8" (9 mm) Notched	*
	DG159	26" x 3/8" (9 mm) Notched Cone	*
	DG20051	28" x 3/8" (9 mm) Notched	*
2	DG61	22" x 9/32" (7 mm) Notched Outrigger Blade	*
	DG138	24" x 5/16" (8 mm) Notched Outrigger Blade	*
3	DG82	2" NC (51 mm) Heavy Slotted Hex Nut	*
4	DG89	1/4" (6 mm) Shim Washer	*
5	DG88	1/2" (13 mm) Shim Washer	*
6	DG13184	6" OD x 2" ID x 1" (152 x 51 x 25 mm) Head Washer	*
7	DGA10566	Front RH & Rear LH Bearing Hanger for T2-215 Series Bearing – used prior to Aug. 2001 – see Detail A	*
	DGA10567	Rear Bearing Hanger for T2-215 Series Bearing – used prior to Aug. 2001 – see Detail A	*
	DGA13155	Front Bearing Hanger for T2-215 Series Bearing – used after Aug. 2001 – see Detail A	*
	DGA13154	Rear Bearing Hanger for T2-215 Series Bearing – used after Aug. 2001 – see Detail A	*
8	DGB9900	Heavy Duty Industrial Type T2-215 Trunion Mounted Bearing Assembly	*
9	DG9901	T2-215 Bearing Housing Only	*
10	DG9905	Bearing Seal (National #200322)	*
11	DG9904	#6215 Ball Bearing (Modified)	*
12	DG9906	5" (127 mm) Sleeve	*
13	DG9902	Bearing Housing Cap	*
14	DG9911	External Snap Ring (Phillip French #D1400-75)	*
15	DG9910	Internal Snap Ring (Phillip French #D1300-130)	*
16	DGA11079	Short Half Spool - 7" OD (178 mm) Washer x 2-3/8" (60 mm) Long for T2-215 Bearing w/ 10-1/2" & 12" (267 x 305 mm) Spacing	*
17	DGA10564	Long Half Spool - 7" OD (178 mm) Washer x 4-15/16" (125 mm) Long for T2-215 Bearing w/ 12" (305 mm) Spacing	*
	DGA11077	Long Half Spool - 10-1/2" (267 mm) - 7" O.D. (178 mm) Washer x 3-7/16" (87 mm)	*
18	DGA11081	Full Spool - 12" Spacing w/ 7" (178 mm) Diameter Washer On Both Ends	*
	DGA11078	Full Spool - 10-1/2" Spacing w/ 7" (178 mm) Diameter Washer on Both Ends	*
Gang Bolt w/ 7" OD Weld-On Washer - 10-1/2" (267 mm) Spacing			
19	DGA215	7 Blade Gang Bolt - 72-1/2" - (1842 mm)	*
	DGA216	8 Blade Gang Bolt - 83-1/4" - (2115 mm)	*
	DGA217	9 Blade Gang Bolt - 94" - (2388 mm)	*

\*As Required

Item	Part Number	Description	Qty
	DGA218	10 Blade Gang Bolt- 105" – (2667 mm)	*
	DGA219	11 Blade Gang Bolt- 115-3/4" – (2940 mm)	*
	DGA220	12 Blade Gang Bolt- 126-3/4" – (3219 mm)	*
	DGA221	13 Blade Gang Bolt- 137-1/2" – (3493 mm)	*
	DGA222	14 Blade Gang Bolt- 148-1/2" – (3772 mm)	*

Gang Bolt w/ 7" OD Weld-On Washer - 12" (305 mm) Spacing			
	DGA190	6 Blade Gang Bolt - 69-3/4" – (1772 mm)	*
	DGA191	7 Blade Gang Bolt - 82" – (2038 mm)	*
	DGA192	8 Blade Gang Bolt - 94" – (238 mm)	*
	DGA193	9 Blade Gang Bolt - 106-3/4" – (2711 mm)	*
	DGA194	10 Blade Gang Bolt - 119" – (3023 mm)	*
	DGA195	11 Blade Gang Bolt - 131" – (3327 mm)	*
	DGA196	12 Blade Gang Bolt - 143-3/4" – (3651 mm)	*

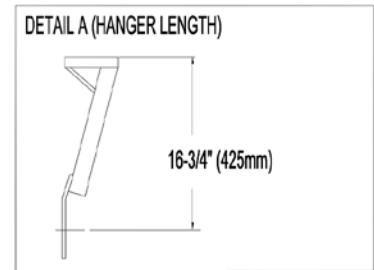
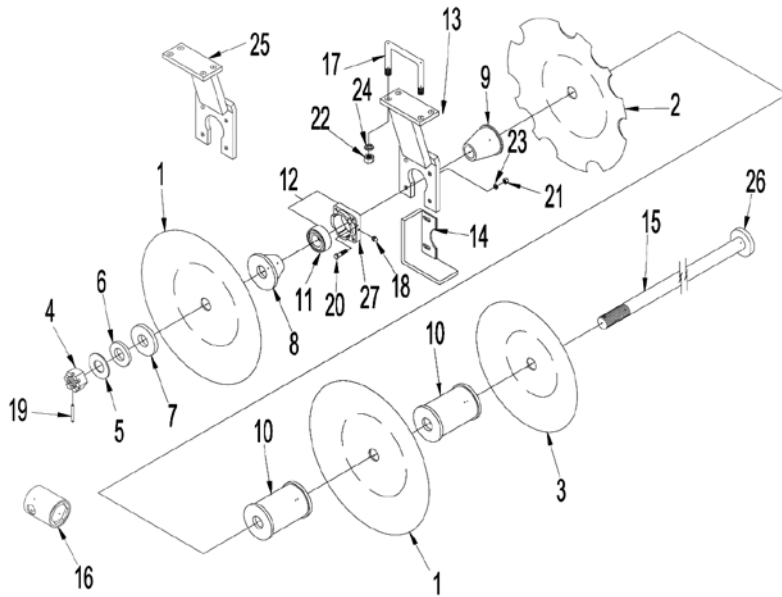
20	DGA35	Socket Wrench	*
21	DGA10310	7/16" x 3" (11 x 76 mm) Lock Pin	*
22	DG5379	7/8" x 7" x 5-7/8" (44 x 178 x 149 mm) Long U-bolt (Plated)	*
23	BO62100	5/8" x 10" NC (16 x 254 mm) Hex Bolt Gr5 (Plated) - used on machines less bearing guards	*
	BO62110	5/8" x 11" NC (16 x 279 mm) Hex Bolt Gr5 (Plated) - used on machines equipped w/ bearing guards	*
24	BN087	7/8" NC (22 mm) Hex Nut	*
25	BN062	5/8" NC (16 mm) Hex Nut	*
26	BW087	7/8" (22 mm) Lockwasher	*
27	DG9912	1/4" (6 mm) - 28 x 1/2" (13 mm) Socket Set Screw	*
28	10GN1	1/4" (6 mm) - 28 Grease Fitting	*
29	DG10590	Bearing Guard for T2-215 Bearing	*
30	DGA11086	Gang Bolt End Washer - 7" OD (178 mm) (Weld-On) for Discs Equipped w/ 26" Blades	*
31	DGA10568	Front 2" (51 mm) Offset, Bearing Hanger for T2-215 Series Bearing-used prior to Aug. 2001 - see Detail A	*
	DGA10569	Rear 2" (51 mm) Offset, Bearing Hanger for T2-215 Series Bearing-used prior to Aug. 2001 - see Detail A	*
	DGA13157	2" (51 mm) Offset Trunion Mounted Bearing Hanger (Front RH & Rear LH) - used after Aug. 2001 - see Detail A	*
	DGA13156	2" (51 mm) Offset Trunion Mounted Bearing Hanger (Front LH & Rear RH) - used after Aug. 2001 - see Detail A	*
32	BN0625L	5/8" (16 mm) NC Hex Steel Lock Nut	*

\*As Required





Disc Gang w/ Standard Hangers for 410WSS Bearings - 9" and 10" Spacing  
1225 (Used w/ Independently Mounted Scraper Bar - Used After S/N 51462)



Item	Part Number	Description	Qty
1	DG76	24" x 9/32" (610 x 7 mm) Plain Blade	*
	DG137	24" x 5/16" (610 x 8 mm) Plain Blade	*
	DG74	26" x 5/16" (660 x 8 mm) Notched	*
	DG107	26" x 3/8" (660 x 9 mm) Notched	*
	DG157	26" x 5/16" (660 x 8 mm) Plain Cone Blade	*
	DG130	28" x 3/8" (711 x 9 mm) Plain Blade	*
2	DG138	24" x 5/16" (610 x 8 mm) Notched Blade	*
	DG75	26" x 5/16" (660 x 8 mm) Notched Blade	*
	DG87	26" x 3/8" (660 x 9 mm) Notched Blade	*
	DG20051	28" x 3/8" (711 x 9 mm) Notched Blade	*
3	DG149	20" x .236" (508 x 6 mm) Plain Outrigger Blade	*
	DG64	22" x .236" (559 x 6 mm) Plain Outrigger Blade	*
	DG76	24" x .275" (610 x 7 mm) Plain Outrigger Blade	*
4	DG82	2" N.C. (51 mm) Heavy Slotted Hex. Nut	2
5	DG89	1/4" (6 mm) Shim Washer	*
6	DG88	1/2" (13 mm) Shim Washer	*
7	DG13185	5-1/2" OD x 2" ID x 3/4" (138 x 51 x 19 mm) Head Washer - used w/ 24" Blades	*
	DG13184	6" OD x 2" ID x 1" (152 x 51 x 25 mm) Head Washer - used w/ 26" Blades	*
8	DGA106	9" & 10-1/2" (230 & 267 mm) Spacing Short Half Spool for 410WSS Brg. 3-1/4" (83 mm) Long (Convex Side) w/ 6" (152 mm) Washer	*
9	DGA103	9" (230 mm) Spacing Long Half Spool for 410WSS Brg. 3-11/16" (94 mm) Long (Concave Side)	*
	DGA131	10-1/2" (267 mm) Spacing Long Half Spool for 410WSS Brg. 5-1/4" (133 mm) Long (Concave Side)	*
10	DGA100	9" (230 mm) Spacing Spool - 6" (152 mm) Diameter both ends	*
	DGA101	10-1/2" (267 mm) Spacing Spool - 6" (152 mm) Diameter both ends	*
11	DG108	410WSS Greaseable Bearing (2-1/16" (52 mm) wide)	*
12	DGB109	410WSS Bearing c/w Housing & Grease Fitting (2-1/16" (52 mm) Bearing Width)	*
13	DGA7183	Standard Bearing Hanger - 410WSS Bearing	*
14	DGA40	Front LH & Rear RH Bearing Guard - 410WSS Bearing	*
	DGA39	Rear RH & Front LH Bearing Guard - 410WSS Bearing	*

Gang Bolt w/ 9" (230 mm) Spacing			
15	DGA67	7 blade - 62-3/4" (1594 mm) Long	*
	DGA68	8 blade - 72" (1829 mm) Long	*
	DGA69	9 blade - 81" (2057 mm) Long	*
	DGA70	10 blade - 90-1/2" (2299 mm) Long	*
	DGA71	11 blade - 99-3/4" (2534 mm) Long	*

\*As Required

Item	Part Number	Description	Qty
	DGA72	12 blade - 109" (2769 mm) Long	*
	DGA73	13 blade - 118-1/2" (3010 mm) Long	*
	DGA74	14 blade - 128-1/2" (3264 mm) Long	*
	DGA129	15 blade - 136-3/4" (3473 mm) Long	*

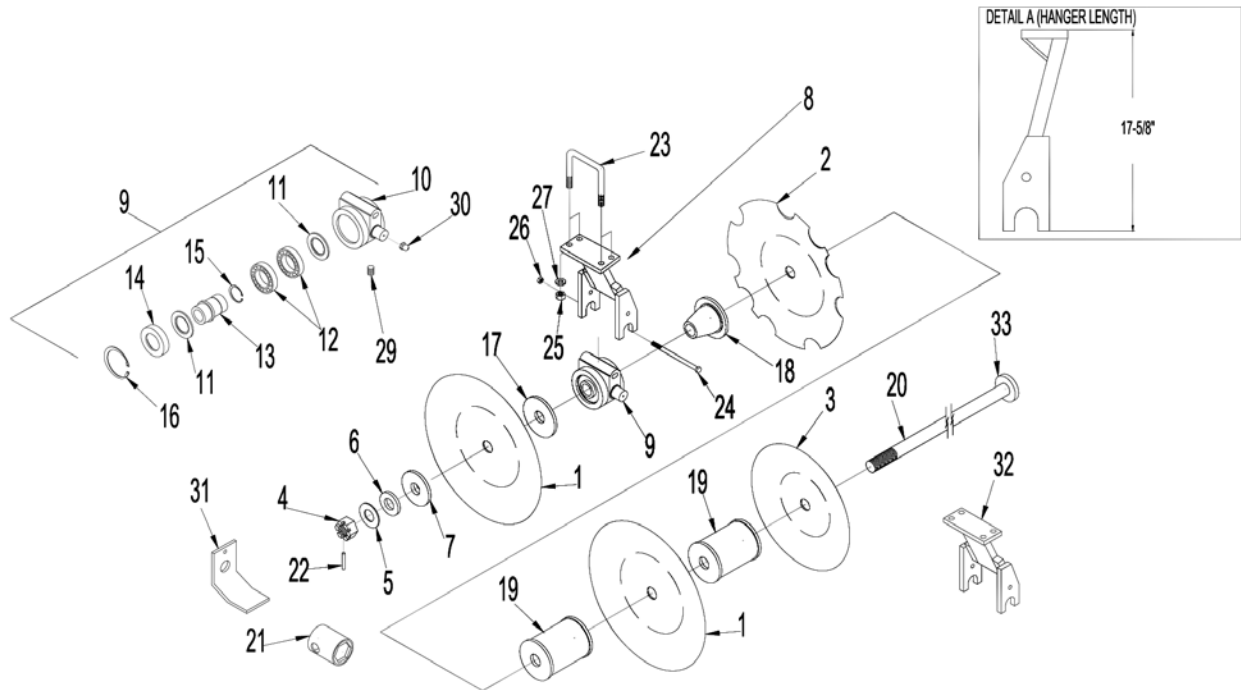
Gang Bolt w/ 10-1/2" (267 mm) Spacing - Includes Washer			
	DGA76	6 blade - 61" (1549 mm) Long	*
	DGA77	7 blade - 71-1/2" (1816 mm) Long	*
	DGA78	8 blade - 82-1/4" (2089 mm) Long	*
	DGA79	9 blade - 93" (2362 mm) Long	*
	DGA80	10 blade - 104" (2642 mm) Long	*
	DGA81	11 blade - 114-3/4" (2915 mm) Long	*
	DGA82	12 blade - 125-3/4" (3194 mm) Long	*
	DGA83	13 blade - 136-1/2" (3467 mm) Long	*
	DGA84	14 blade - 147-1/2" (3747 mm) Long	*

16	DGA35	Socket Wrench	1
17	DG5379	7/8" x 6" x 5-7/8" (22 x 152 x 149 mm) Long U-bolt	*
18	10GN1	1/4" (6 mm) - 28 Grease Fitting	2
19	DG10310	7/16" x 3" (11 mm x 76 mm) Lock Pin	*
20	BO62022	5/8" x 2-1/4" (16 mm x 57 mm) NC Hex Bolt - Gr5	*
	BO62025	5/8" x 2-1/4" (16 mm x 57 mm) NC Hex Bolt - Gr5 - used w/ Bearing Guard	*
21	BN062	5/8" (16 mm) NC Hex Nut	*
22	BN087	7/8" (22 mm) NC Hex Nut	*
23	BW062L	5/8" (16 mm) Lockwasher	*
24	BW087L	7/8" (22 mm) Lockwasher	*
25	DGA7184	2" (51 mm) Offset Hanger - 410WSS Bearing	*
26	DGA5370	5-1/2" (140 mm) Gang Washer - Weld On	*
27	DG96	Housing - 410WSS Bearing	*

\*As Required



Disc Gang w/ Standard Hangers - T2-215 Bearings - 9" and 10-1/2" Spacing  
1225 (Used w/ Independently Mounted Scraper Bar - Used After S/N 51463)



Item	Part Number	Description	Qty
1		Refer to Ref. No. 1 on page 83 for Plain Blades	
2		Refer to Ref. No. 2 on page 83 for Notched Blades	
3		Refer to Ref. No. 3 on page 83 for Outrigger Blades	
4	DG82	2" NC (51 mm) Heavy Hex Slotted Nut	*
5	DG89	1/4 (6 mm) Shim Washer	*
6	DG88	1/2" (13 mm) Shim Washer	*
7	DG13185	5-1/2" OD x 2" ID x 3/4" (138 x 51 x 19 mm) Head Washer - used w/ 24" blades	*
	DG13184	6" OD x 2" ID x 1" (152 x 51 x 25 mm) Head Washer - used w/ 26" & 28" blades	*
8	DGA13162	Std. Trunion Mounted Bearing Hanger w/o Scraper Tail - see Detail A	*
9	DGB9900	Housing c/w Bearings, Seals, Sleeve, Snap Ring & Cap - T2-215 Series	*
10	DG9901	Housing Only - T2-215 Series	*
11	DG9905	Bearing Seal - National #200322	*
12	DG9904	#6215 Ball Bearing (Modified)	*
13	DG9906	5" (127 mm) Sleeve	*
14	DG9902	Bearing Housing Cap	*
15	DG9911	External Snap Ring - Philip French #D1400-75	*
16	DG9910	Internal Snap Ring - Philip French #D1300-130	*
17	DGA10563	9" & 10-1/2" (230 & 267 mm) Spacing, Short Half, 1-3/8" (35 mm) Long Convex Side w/ 6" (152 mm) Washer Spool	*
18	DGA10571	9" (230 mm) Spacing, Long Half 2-11/16" (68 mm) - Concave Side	*
	DGA103	10-1/2" & 12" (267 & 305 mm) Spacing Long Half, 4-3/16" (106 mm) Long - Concave Side	*
19	DGA100	9" (230 mm) Spacing, Full Spool w/ 6" (152 mm) Diameter Washer Both Ends	*
	DGA101	10-1/2" (267 mm) Spacing, Full Spool w/ 6" (152 mm) Diameter Washer Both Ends	
20		Refer to Ref. No 15 on Page 83 for Gang Bolts for 9" & 10-1/2" (230 & 267 mm) Spacing	
21	DGA35	Socket Wrench	*
22	DG10310	7/16" x 3" (11 x 76 mm) Lock Pin	*
23	DG5379	7/8" x 6" x 5-7/8" (22 x 152 x 149 mm) Long U-Bolt	*
24	BO62100	5/8" x 10" NC (16 x 254 mm) Hex Bolt Gr5 - used on Machines Less Bearing	*
	BO62110	5/8" x 11" NC (16 x 279 mm) Hex Bolt Gr5 - used on Machines Equipped w/ Bearing	*
25	BN087	7/8" (22 mm) NC Hex Nut	*
26	BN062L	5/8" (16 mm) NC Hex Nylon Lock Nut	*
27	BW087L	7/8" (22 mm) Lockwasher	*
28	DGA5370	5-1/2" (140 mm) Gang Washer - Weld On	*

\*As Required

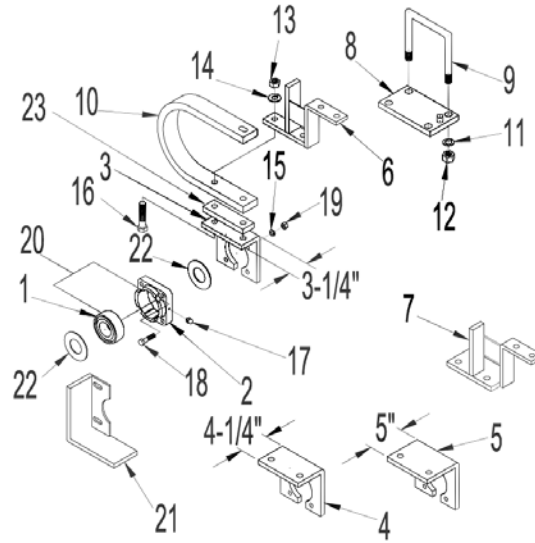
Item	Part Number	Description	Qty
29	DG9912	Set Screw - 1/4" NC x 1/2" Long (6 x 13 mm)	*
30	10GN1	1/4" (6 mm) - 28 Straight Grease Fitting	*
31	DG10590	Bearing Guard - T2-215 Bearing	*
32	DGA13163	2" (51 mm) Offset Trunion Mounted Bearing Hanger w/o Scraper Tail - see Detail A	*
	DGA13164	3-1/2" (89 mm) Offset Trunion Mounted Bearing Hanger w/o Scraper Tail - see Detail A	*

\*As Required





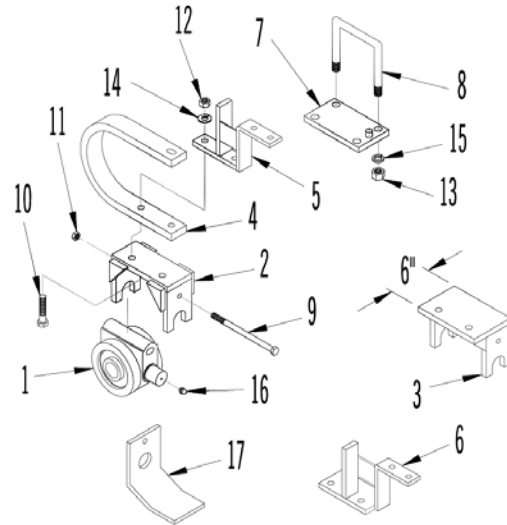
Stone Flex Hanger - 410 Bearings (Optional)  
Model 1225 (Used w/ Hanger Mounted Scraper Bar - Prior to S/N 51377)



Item	Part Number	Description	Qty
1	DG5364	EZ410N Greaseable Bearing - 1-9/16" Lg (40 mm) Inner Race	*
2	DG96	Housing - 410 Series Bearing	*
3	DG5324	Standard Mounting Bracket for 410 Series Bearing	*
	DG108	410WSS Greaseable Bearing - 2-1/16" Lg (52 mm) Inner Race	*
4	DGA5376	1-1/2" (38 mm) Offset Mounting Bracket - 410 Series Bearing - used w/ 26" Cone Blades	*
5	DGA5341	2" (51 mm) Offset Mounting Bracket - 410 Series Bearing	*
6	DGA5333	Scraper Bar Support - 1-1/2" (38 mm) Offset & Standard Mounting Bracket	*
7	DGA5336	Scraper Bar Support Bracket for 2" (51 mm) Offset Mounting Bracket - Rear Gang Only	*
8	DGA5337	Scraper Bar Support Bracket for 2" (51 mm) Offset Mounting Bracket Front Gang Only	*
9	DGA5328	Backing Plate	*
10	DG5378	7/8" x 7" x 7-1/8" Long (22 x 178 x 181 mm) U-bolt Plated	*
11	DG5313	1-1/4" x 2-1/2" (32 x 64 mm) Spring Shank	*
12	BW087	7/8" (22 mm) Lockwasher	*
13	BN087	7/8" NC (22 mm) Hex Nut	*
14	BN075	3/4" NC (19 mm) Hex Nut	*
15	BW075L	3/4" (19 mm) Lockwasher	*
16	BW062L	5/8" (16 mm) Lockwasher	*
17	BO137535	3/4" x 3-1/2" NC (19 x 89 mm) Hex Bolt	*
18	10GN1	1/4" (6 mm) - 28 Straight Grease Fitting	*
19	BO62022	5/8" x 2-1/4" NC (16 x 57 mm) Hex Bolt	*
20	BO62025	5/8" x 2-1/2" NC (16 x 57 mm) Hex Bolt - used w/ bearing guard	*
	BN062	5/8" NC (16 mm) Hex Nut	*
	DG5364	EZ410N Series Bearing c/w Housing & Grease Fitting - 1-9/16" Lg (40 mm) Inner Race	*
	DGB109	410WSS Series Bearing c/w Housing & Grease Fitting - 2-1/16" Lg (52 mm) Inner Race	*
21	DGA40	Front Bearing Guard - 410 Series Bearing	*
	DGA39	Rear Bearing Guard - 410 Series Bearing	*
22	DG237	4-1/2" OD x 2 x 1/16 (114 x 51 x 2 mm) Bearing Shield for EZ410N Bearing Only	*

\*As Required

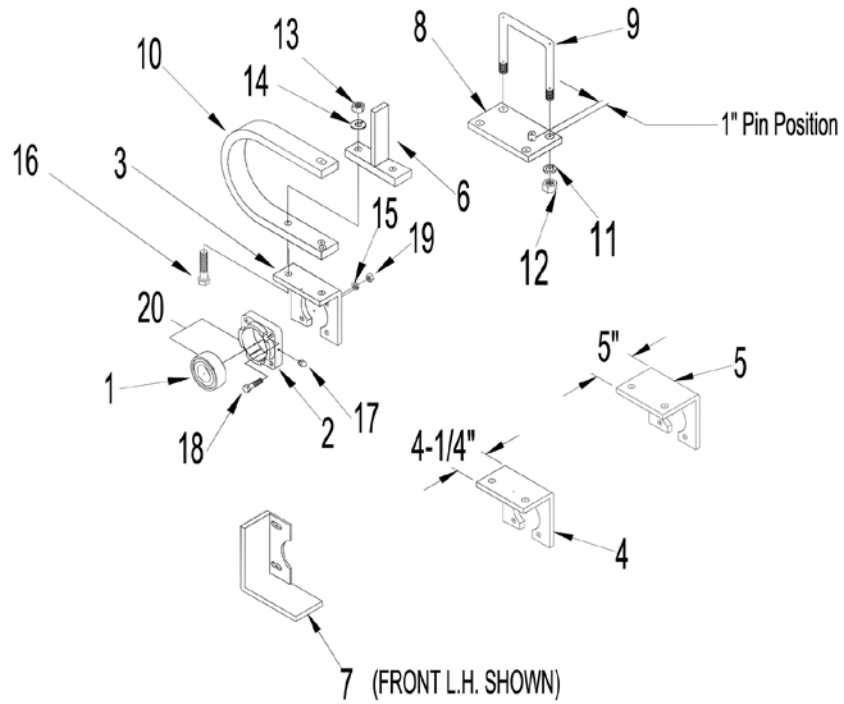
Stone Flex Hanger - T2-215 Bearings (Optional) - 26" Blades  
Model 1225 / 1275 (Used w/ Hanger Mounted Scraper Bar - Prior to S/N 51377)



Item	Part Number	Description	Qty
1	DGB9900	T2-215 Bearing Assembly (See page 91 for T2-215 Bearing Breakdown)	*
2	DGA10570	Standard Mounting bracket for T2-215 Bearing	*
3	DGA10575	2" (51 mm) Offset Mounting Bracket for T2-215 Bearing	*
4	DG5313	1-1/4" x 2-1/2" (32 x 64 mm) Spring Shank	*
5	DGA5333	Scraper Bar Support Bracket - Standard Hanger	*
6	DGA5336	Scraper Bar Support Bracket for 2" (51 mm) Offset Mounting Bracket - Rear Gang Only	*
7	DGA5337	Scraper Bar Support Bracket for 2" (51 mm) Offset Mounting Bracket - Front Gang Only	*
8	DGA5328	Backing Plate	*
9	DG5378	7/8" x 7" x 7-1/8" Long (22 x 178 x 181 mm) U-bolt	*
	BO62100	5/8" x 10" NC (16 x 254 mm) Hex Bolt Gr5 - used on Machines Less Bearing Guards	*
	BO62110	5/8" x 11" NC (16 x 279 mm) Hex Bolt - used on Machines Equipped w/ Bearing Guard	*
10	BO137535	3/4" x 3-1/2" NC (19 x 89 mm) Hex Bolt	*
11	BN062L	5/8" NC (16 mm) Hex Nylon Lock Nut	*
12	BN075	3/4" NC (19 mm) Hex Nut	*
13	BN087	7/8" NC (22 mm) Hex Nut	*
14	BW075L	3/4" (19 mm) Lockwasher	*
15	BW087	7/8" (22 mm) Lockwasher	*
16	10GN1	1/4" (6 mm) - 28 Straight Grease Fitting	*
17	DG10590	Bearing Guard - T2-215 Bearing	*

\*As Required

Stone Flex Hanger - 410WSS Bearings (Optional)  
1225 (Used w/ Independently Mounted Scraper Bar - After S/N 51377)

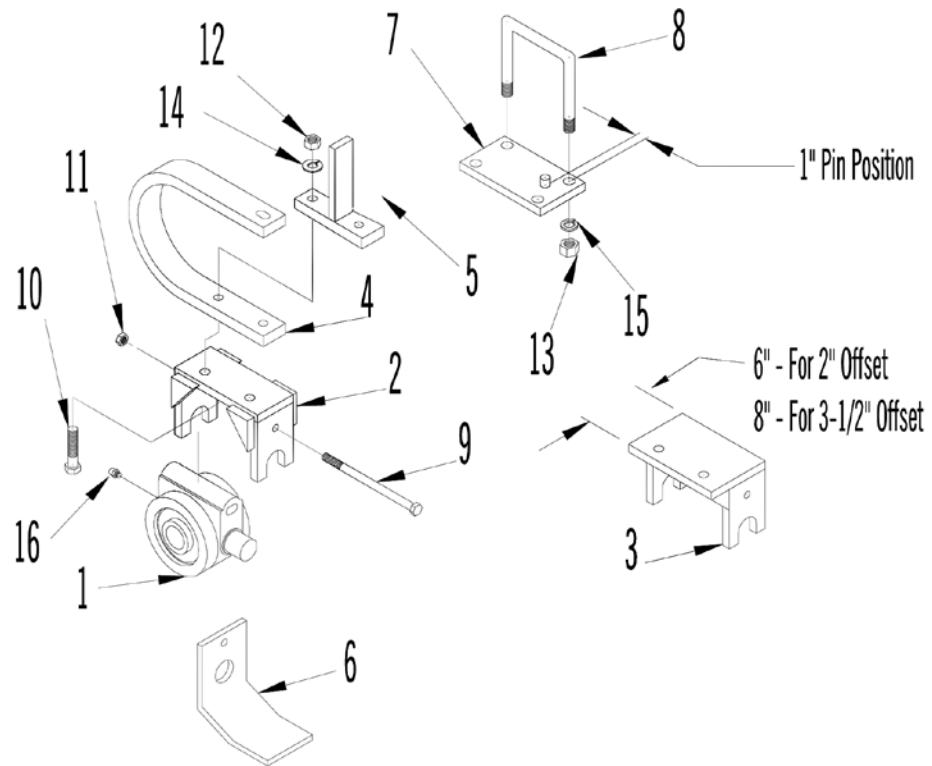


Item	Part Number	Description	Qty
1	DG108	410WSS Series Greaseable Bearing - 2-1/16" (52 mm) Wide	*
2	DG96	Housing for 410WSS Bearing	*
3	DG5324	Standard Mounting Bracket for 410WSS Bearing	*
4	DGA5376	1-1/2" (38 mm) Offset Mounting Bracket for 410WSS Bearing	*
5	DGA5341	2" (51 mm) Offset Mount Bracket for 410WSS Bearing	*
6	DG5338	Scraper Bar Support - Independently Mounted Scraper	*
7	DGA40	Front LH & Rear RH Bearing Guard	*
	DGA39	Rear LH & Front RH Bearing Guard	*
8	DGA5327	Backing Plate - used w/ Independently Mounted Scraper Only	*
9	DG5378	7/8" x 6" x 7-1/8" (22 x 152 x 181 mm) Long U-Bolt	*
10	DG5313	1-1/4" x 2-1/2" (32 x 64 mm) Spring Shank	*
11	BW087L	7/8" (22 mm) Lockwasher	*
12	BN087	7/8" NC (22 mm) Hex Nut	*
13	BN075	3/4" NC (19 mm) Hex Nut	*
14	BW075L	3/4" (19 mm) Lockwasher	*
15	BW062L	5/8" (16 mm) Lockwasher	*
16	BO137535	3/4" x 3-1/2" NC (19 x 89 mm) Hex Bolt	*
17	10GN1	1/4" (6 mm) - 28 Straight Grease Fitting	*
18	BO62022	5/8" x 2-1/4" NC (16 x 57 mm) Hex Bolt	*
	BO62025	5/8 x 2-1/2" NC (16 x 64 mm) Hex Bolt - used w/ bearing guard	*
19	BN062	5/8" NC (16 mm) Hex Nut	*
20	DGB109	410WSS Bearing c/w Housing & Grease Fitting - 2-1/16" (52 mm) Bearing Width	*

\*As Required

Stone Flex Hanger - T2-215 (Optional)

Model 1225/1275 (Used w/ Independently Mounted Scraper Bar - After S/N 51377)

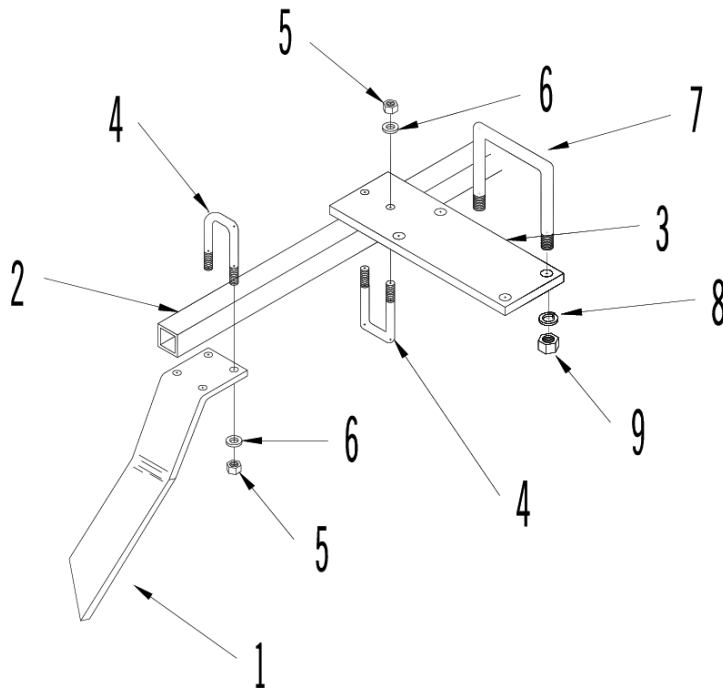




Item	Part Number	Description	Qty
1	DGB9900	T2-215 Bearing Assembly (see Page 86 for T2-215 Bearing Breakdown)	*
2	DGA10570	Standard Mounting Bracket	*
3	DGA10575	2" (51 mm) Offset Mounting Bracket	*
	DGA10576	3-1/2" (89 mm) Offset Mount Bracket	*
4	DG5313	1-1/4" x 2-1/2" (32 x 64 mm) Spring Shank	*
5	DGA5338	Shank Stop - Independently Mounted Scrapers Only	*
6	DG10590	Bearing Guard - T2-215 Bearing	*
7	DGA5327	Backing Plate - Independently Mounted Scraper Only	*
8	DG5378	7/8" x 7" x 7-1/8" (22 x 178 x 181 mm) Long U-Bolt	*
9	BO62100	5/8" x 10" NC (16 x 254 mm) Hex Bolt - Gr5	*
10	BO137535	3/4" x 3-1/2" NC (19 x 89 mm) Hex Bolt - Gr5	*
11	BN062L	5/8" NC (16 mm) Hex Nylon Lock Nut	*
12	BN075	3/4" NC (19 mm) Hex Nut	*
13	BW087	7/8" NC (22 mm) Hex Nut	*
14	BW075L	3/4" (19 mm) Lockwasher	*
15	BW087L	7/8" (22 mm) Lockwasher	*
16	10GN1	1/4" (6 mm) - 28 Straight Grease Fitting	*

\*As Required

Scraper and Scraper Bar Assembly  
1275 (Prior to 2001)



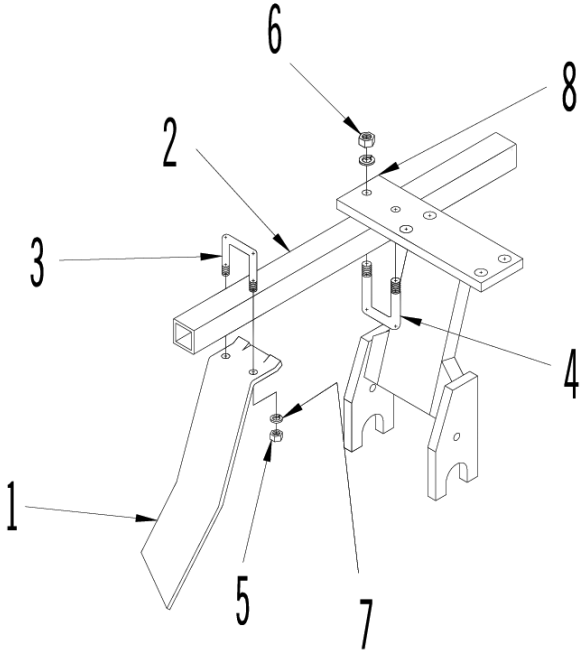
Item	Part Number	Description	Qty
1	DG10604	Scraper - 12" (305 mm) Spacing - Front Gang Only - 5/8" x 4" (16 x 102 mm)	*
	DG10605	Scraper - 12" (305 mm) Spacing - Rear Gang Only - 5/8" x 4" (16 x 102 mm)	*
	DG10602	Scraper - 10-1/2" (267 mm) Spacing - Front Gang Only - 5/8" x 4" (16 x 102 mm)	*
	DG10603	Scraper - 10-1/2" (267 mm) Spacing - Rear Gang Only - 5/8" x 4" (16 x 102 mm)	*

Scraper Bars for 12" (305 mm) Spacing			
2	DS72-2-4	6 Blade Gang Scraper Bar - 72-1/2" - (1842 mm)	*
	DS84-2-4	7 Blade Gang Scraper Bar - 84-1/2" - (2146 mm)	*
	DS96-2-4	8 Blade Gang Scraper Bar - 96-1/2" - (2451 mm)	*
	DS109-2-4	9 Blade Gang Scraper Bar - 109" - (2769 mm)	*
	DS121-2-4	10 Blade Gang Scraper Bar - 121-1/2" - (3086 mm)	*
	DS133-2-4	11 Blade Gang Scraper Bar - 133-1/2" - (3391 mm)	*
	DS146-2-4	12 Blade Gang Scraper Bar - 146" - (3708 mm)	*

3	DG235	Scraper Bar Support Plate 13-7/8" (352 mm) Long - (used 2001 & prior) - Not used w/ Discs Equipped w/ Stone Flex Hangers	*
4	DG5309	5/8" x 2" Long (16 x 51 mm) U-bolt	*
5	BN062	5/8" NC (16 mm) Hex Nut	*
6	BW062L	5/8" (16 mm) Lockwasher	*
7	DG5314	7/8" x 7" x 5-7/8" Long (22 x 178 x 22 mm) U-Bolt	*
8	BW087L	7/8" (22 mm) Lockwasher	*
9	BN087	7/8" NC (22 mm) Hex Nut	*

\*As Required

Scraper and Scraper Bar Assembly  
1225 (Used w/ Hanger Mounted Scrapers - Prior to S/N 51377)



Item	Part Number	Description	Qty
1	DG5300	Scraper - Rear - 5/16" x 4" (8 x 102 mm)	*
	DG5301	Scraper - Front - 5/16" x 4" (8 x 102 mm)	*
	DG5304	Scraper (For Cone Blades ONLY) - Rear - 5/16" x 4" (8 x 102 mm)	*
	DG5305	Scraper (For Cone Blades ONLY) - Front - 5/16" x 4" (8 x 102 mm)	*

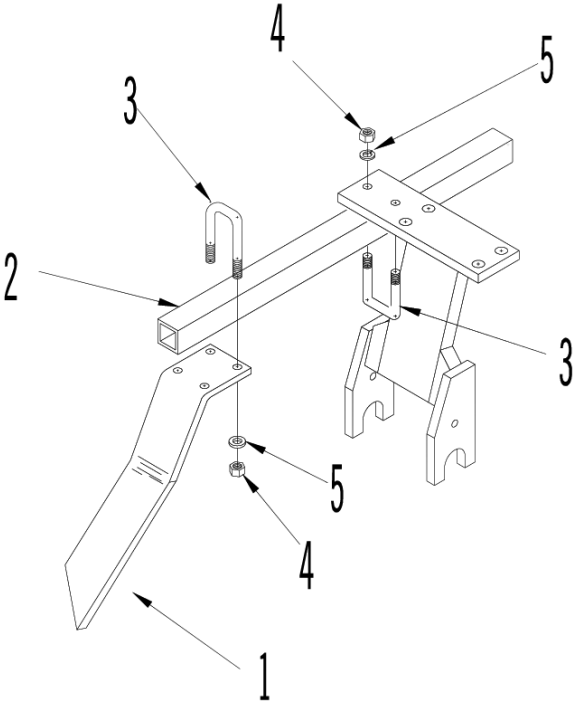
Scraper Bars for 9" (229 mm) Spacing			
2	DS54	6 Blade Gang Scraper Bar - 54" (1372 mm)	*
	DS66	7 Blade Gang Scraper Bar - 66" (1372 mm)	*
	DS72	8 Blade Gang Scraper Bar - 72" (1676 mm)	*
	DS84	9 Blade Gang Scraper Bar - 84" (2134 mm)	*
	DS90	10 Blade Gang Scraper Bar - 90" (2286 mm)	*
	DS102	11 Blade Gang Scraper Bar - 102" (2591 mm)	*
	DS114	12 Blade Gang Scraper Bar - 114" (2896 mm)	*
	DS120	13 Blade Gang Scraper Bar - 120" (3048 mm)	*

Scraper Bars for 10-1/2" (267 mm) Spacing			
	DS72	7 Blade Gang Scraper Bar - 72" (1829 mm)	*
	DS84	8 Blade Gang Scraper Bar - 84" (2134 mm)	*
	DS96	9 Blade Gang Scraper Bar - 96" (2438 mm)	*
	DS108	10 Blade Gang Scraper Bar - 108" (2743 mm)	*
	DS120	11 Blade Gang Scraper Bar - 120" (3048 mm)	*
	DS132	12 Blade Gang Scraper Bar - 132" (3353 mm)	*

3	DG5309	5/8" x 2" (16 x 51 mm) U-bolt	*
4	BN062	5/8" NC (16 mm) Hex Nut	*
5	BW062L	5/8" (16 mm) Lockwasher	*
6	BN062	5/8" NC (16 mm) Hex Nut	*
7	BW050L	1/2" (13 mm) Lockwasher	*
8	BW062L	5/8" (16 mm) Lockwasher	*

\*As Required

**Scraper and Scraper Bar Assembly**  
Model 1275 (Used w/ Hanger Mounted Scrapers - Prior to S/N 51377)



Item	Part Number	Description	Qty
1	DG10604	Scraper - 12" (305 mm) Spacing - Front Gang Only - 5/8" x 4" (16 x 102 mm)	*
	DG10605	Scraper - 12" (305 mm) Spacing - Rear Gang Only - 5/8" x 4" (16 x 102 mm)	*
	DG10602	Scraper - 10-1/2" (267 mm) Spacing - Front Gang Only - 5/8" x 4" (16 x 102 mm)	*
	DG10603	Scraper - 10-1/2" (267 mm) Spacing - Rear Gang Only - 5/8" x 4" (16 x 102 mm)	*

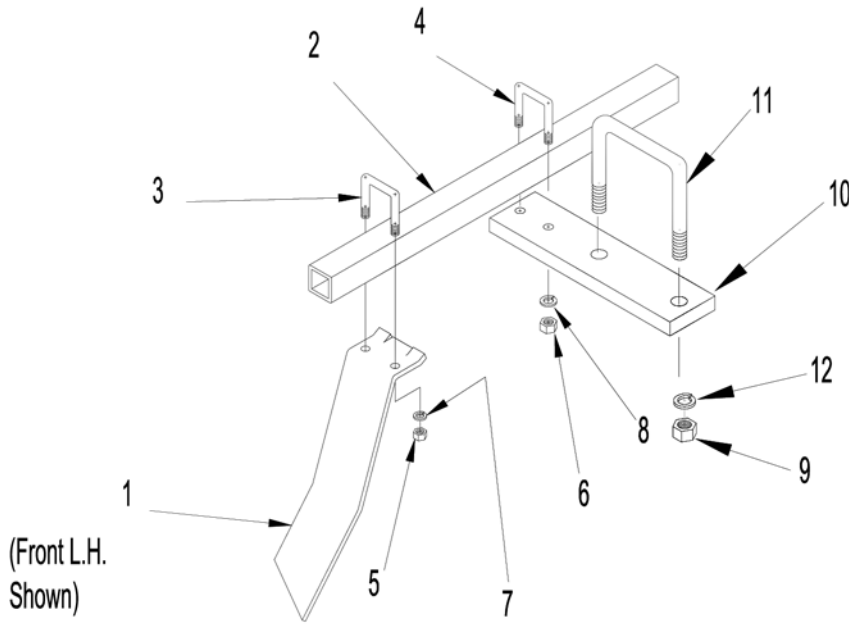
Scraper Bars for 10-1/2" (267 mm) Spacing			
2	DS72	7 Blade Gang Scraper Bar - 72" - (1829 mm)	*
	DS84	8 Blade Gang Scraper Bar - 84" - (2134 mm)	*
	DS96	9 Blade Gang Scraper Bar - 96" - (2438 mm)	*
	DS108	10 Blade Gang Scraper Bar - 108" - (2743 mm)	*
	DS120	11 Blade Gang Scraper Bar - 120" - (3048 mm)	*
	DS132	12 Blade Gang Scraper Bar - 132" - (3353 mm)	*

Scraper Bars for 12" (305 mm) Spacing			
	DS72-2-4	6 Blade Gang Scraper Bar - 72-1/2" - (1842 mm)	*
	DS84-2-4	7 Blade Gang Scraper Bar - 84-1/2" - (2146 mm)	*
	DS96-2-4	8 Blade Gang Scraper Bar - 96-1/2" - (2451 mm)	*
	DS109-2-4	9 Blade Gang Scraper Bar - 109" - (2769 mm)	*
	DS121-2-4	10 Blade Gang Scraper Bar - 121-1/2" - (3086 mm)	*
	DS133-2-4	11 Blade Gang Scraper Bar - 133-1/2" (3391 mm)	*
	DS146-2-4	12 Blade Gang Scraper Bar - 146" - (3708 mm)	*

3	DG5309	5/8" x 2" (16 x 51 mm) U-bolt	*
4	BN062	5/8" NC (16 mm) Hex Nut	*
5	BW062L	5/8" (16 mm) Lockwasher	*

\*As Required

Standard Scraper and Scraper Bar Assembly  
1225 (Used w/ Independently Mounted Scraper Bar - After S/N 51377)





Item	Part Number	Description	Qty
1	DG5292	Scraper Std – Rear Gang	
	DG5293	Scraper Std – Front Gang	

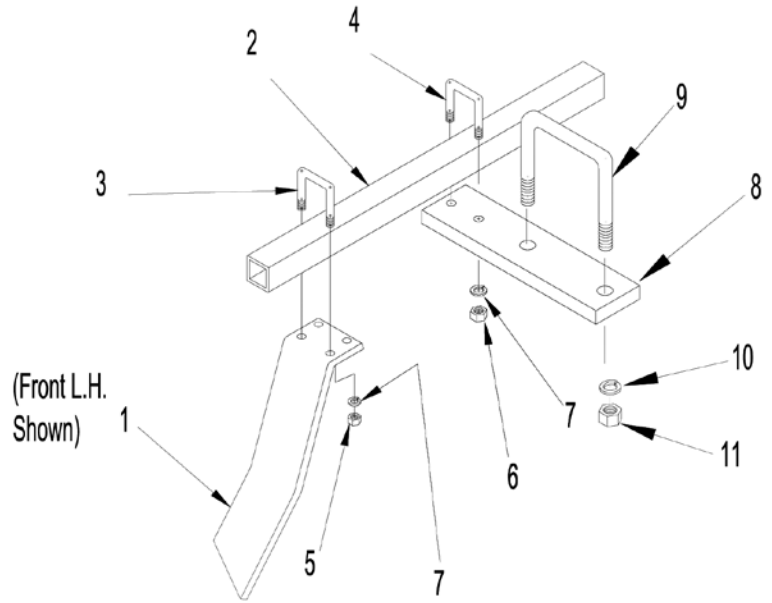
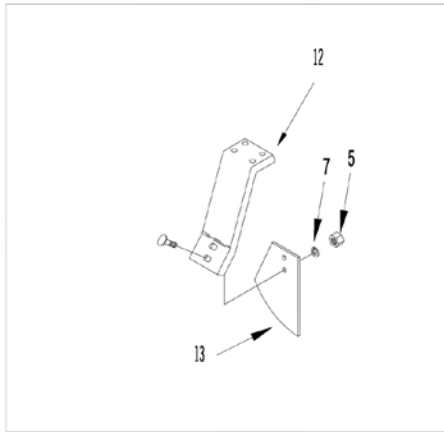
Scraper Bars for 9" (230 mm) Spacing			
2	DS54	6 Blade Gang Scraper Bar - 54" - (1372 mm)	*
	DS66	7 Blade Gang Scraper Bar - 66" - (1676 mm)	*
	DS72	8 Blade Gang Scraper Bar - 72" - (1829 mm)	*
	DS84	9 Blade Gang Scraper Bar - 84" - (2134 mm)	*
	DS90	10 Blade Gang Scraper Bar - 90" - (2286 mm)	*
	DS102	11 Blade Gang Scraper Bar - 102" - (2591 mm)	*
	DS114	12 Blade Gang Scraper Bar - 114" - (2896 mm)	*
	DS120	13 Blade Gang Scraper Bar - 120" - (3048 mm)	*

Scraper Bars for 10-1/2" (267 mm) Spacing			
	DS72	7 Blade Gang Scraper Bar - 72" - (1829 mm)	*
	DS84	8 Blade Gang Scraper Bar - 84" - (2134 mm)	*
	DS96	9 Blade Gang Scraper Bar - 96" - (2438 mm)	*
	DS108	10 Blade Gang Scraper Bar - 108" - (2743 mm)	*
	DS120	11 Blade Gang Scraper Bar - 120" - (2048 mm)	*
	DS132	12 Blade Gang Scraper Bar - 132" - (3353 mm)	*

3	DG5308	1/2" x 2" (13 x 51 mm) U-Bolt	*
4	DG5309	5/8" x 2" (16 x 51 mm) U-Bolt	*
5	BN050	1/2" NC (13 mm) Hex Nut	*
6	BN062	5/8" NC (16 mm) Hex Nut	*
7	BW050L	1/2" (13 mm) Lockwasher	*
8	BW062L	5/8" (16 mm) Lockwasher	*
9	BN075	3/4" NC (19 mm) Hex Nut	*
10	DG5296	Mount Plate - Scraper Bar	*
11	DG13145	3/4" x 6-7/8" cc x 5-3/4" (19 x 175 x 146 mm) U-Bolt	*
12	BW075L	3/4" (19 mm) Lockwasher	*

\*As Required

Heavy Duty Scraper and Scraper Bar Assembly  
1225 (Used w/ Independently Mounted Scraper Bar  
- After S/N 51462 w/ Rigid Hangers and After S/N 51376 w/ Stone Flex Hangers)



Item	Part Number	Description	Qty
1	DG13215	Heavy-Duty Scraper - 1/2" x 4" (13 x 102 mm) - Rear Gang	*
	DG13216	Heavy-Duty Scraper - 1/2" x 4" (13 x 102 mm) - Front Gang	*

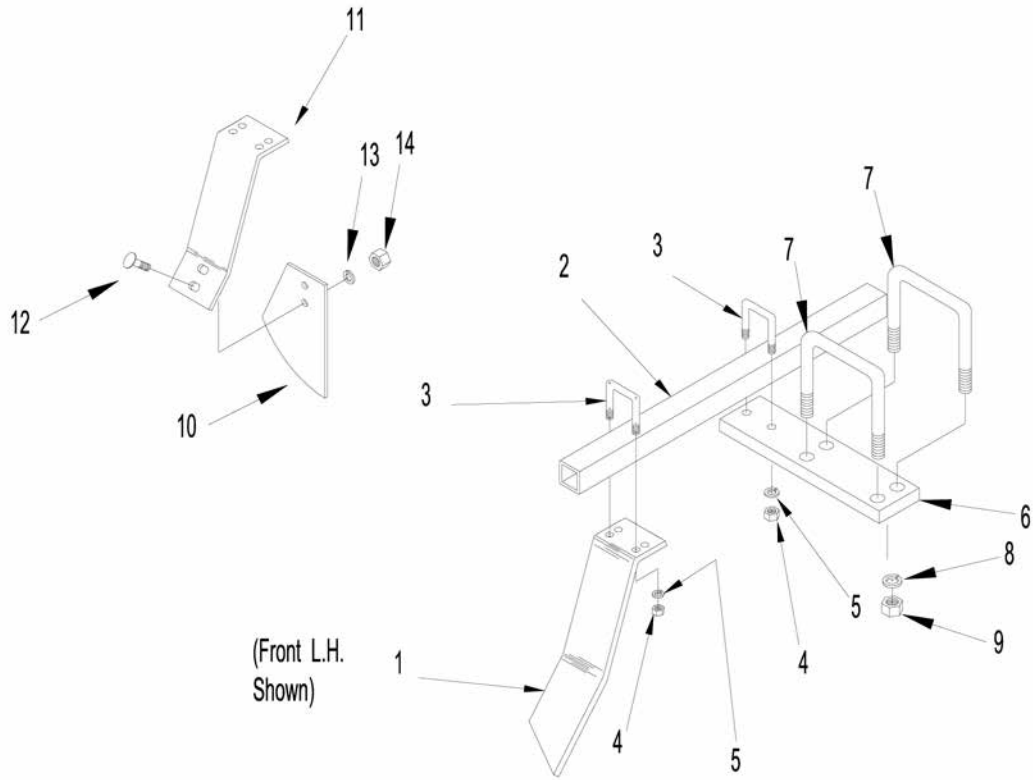
Scraper Bars for 9" (230 mm) Spacing			
2	DS54	6 Blade Gang Scraper Bar - 54" - (1372 mm)	*
	DS66	7 Blade Gang Scraper Bar - 66" - (1676 mm)	*
	DS72	8 Blade Gang Scraper Bar - 72" - (1829 mm)	*
	DS84	9 Blade Gang Scraper Bar - 84" - (2134 mm)	*
	DS90	10 Blade Gang Scraper Bar - 90" - (2286 mm)	*
	DS102	11 Blade Gang Scraper Bar - 102" - (2591 mm)	*
	DS114	12 Blade Gang Scraper Bar - 114" - (2896 mm)	*
	DS120	13 Blade Gang Scraper Bar - 120" - (3048 mm)	*

Scraper Bars for 10-1/2" (267 mm) Spacing			
	DS72	7 Blade Gang Scraper Bar - 72" - (1829 mm)	*
	DS84	8 Blade Gang Scraper Bar - 84" - (2134 mm)	*
	DS96	9 Blade Gang Scraper Bar - 96" - (2438 mm)	*
	DS108	10 Blade Gang Scraper Bar - 108" - (2743 mm)	*
	DS120	11 Blade Gang Scraper Bar - 120" - (3048 mm)	*
	DS132	12 Blade Gang Scraper Bar - 132" - (3353 mm)	*

3	DG5308	1/2" x 2" (13 x 51 mm) U-Bolt	*
4	DG5309	5/8" x 2" (16 x 51 mm) U-Bolt	*
5	BN050	1/2" NC (13 mm) Hex Nut	*
6	BN062	5/8" NC (16 mm) Hex Nut	*
7	BW062L	5/8" (16 mm) Lockwasher	*
8	DG5296	Straight Scraper Mount Plate	*
9	DG13145	3/4" x 6-7/8" cc x 5-3/4" (19 x 175 x 146 mm) U-Bolt	*
10	BW075L	3/4" (19 mm) Lockwasher	*
11	BN075	3/4" NC (19 mm) Hex Nut	*
12	DG7194	Heavy-Duty Scraper Holder - Wide Pan Scraper	*
13	DG7190	Wide Pan Scraper	*
14	BO50012C	1/2" x 1-1/4" NC (13 x 32 mm) Carriage Bolt	*

\*As Required

**Standard Scraper and Scraper Bar Assembly**  
**1275 (Used w/ Independently Mounted Scraper Bar**  
**- After S/N 51462 w/ Rigid Hangers and After S/N 51376 w/ Stone Flex Hangers)**



Item	Part Number	Description	Qty
1	DG10604	Scraper - 12" Spacing - Front Gang Only (5/8" x 4")	*
	DG10605	Scraper - 12" Spacing - Rear Gang Only (5/8" x 4")	*
	DG10602	Scraper - 10-1/2" Spacing - Front Gang Only (5/8" x 4")	*
	DG10603	Scraper - 10-1/2" Spacing - Rear Gang Only (5/8" x 4")	*

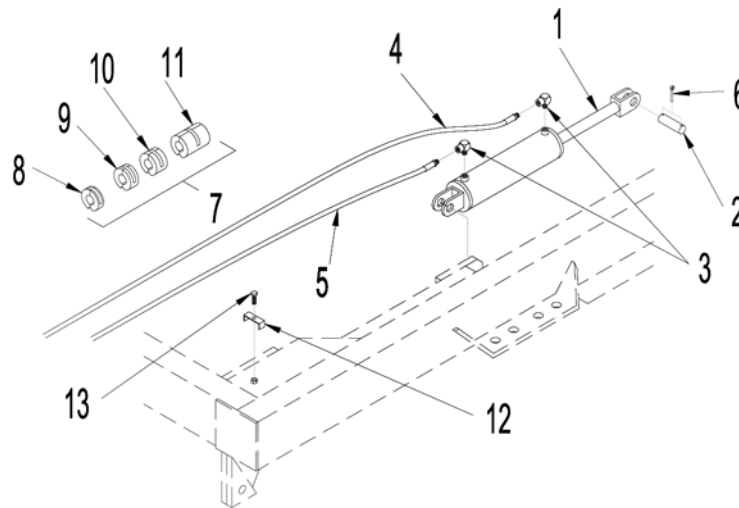
Scraper Bars for 10-1/2" Spacing - 3/16" Wall Tubing			
2	DS72-4	7 Blade Gang Scraper Bar - 72-1/2" - (1842 mm)	*
	DS83-4	8 Blade Gang Scraper Bar - 83-1/4" - (2115 mm)	*
	DS94-4	9 Blade Gang Scraper Bar - 94" - (2388 mm)	*
	DS105-4	10 Blade Gang Scraper Bar - 105" - (2667 mm)	*
	DS115-4	11 Blade Gang Scraper Bar - 115-3/4" - (2940 mm)	*
	DS126-4	12 Blade Gang Scraper Bar - 126-3/4" - (3219 mm)	*

Scraper Bars for 12" Spacing - 3/16" Wall Tubing			
	DS69-4	6 Blade Gang Scraper Bar - 69-3/4" - (1772 mm)	*
	DS82-4	7 Blade Gang Scraper Bar - 82" - (2083 mm)	*
	DS94-4	8 Blade Gang Scraper Bar - 94" - (2388 mm)	*
	DS106-4	9 Blade Gang Scraper Bar - 106-3/4" - (2711 mm)	*
	DS119-4	10 Blade Gang Scraper Bar - 119" - (3023 mm)	*
	DS131-4	11 Blade Gang Scraper Bar - 131" - (3327 mm)	*
	DS143-4	12 Blade Gang Scraper Bar - 143-3/4" - (3651 mm)	*

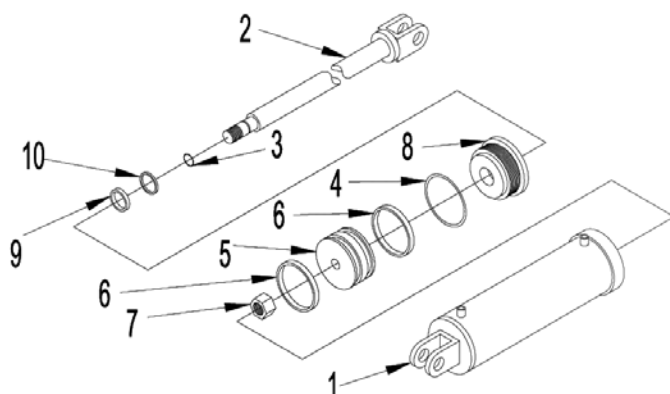
3	DG5309	5/8" x 2" (16 x 51 mm) U-Bolt	*
4	BN062	5/8" NC (16 mm) Hex Nut	*
5	BW062L	5/8" (16 mm) Lockwasher	*
6	DG5296	Straight Scraper Mount Plate	*
7	DG5379	7/8" x 7" x 5-7/8" (22 x 178 x 149 mm) Long U-Bolt Plated	*
8	BW087L	7/8" (22 mm) Lockwasher	*
9	BN087	7/8" NC (22 mm) Hex Nut	*
10	DG7190	Wide Pan Scraper	*
11	DG7194	Heavy-Duty Scraper Holder - Wide Pan Scraper	*
12	BO50012C	1/2" x 1-1/4" NC (13 x 32 mm) Carriage Bolt	*

\*As Required

Hydraulic System Assembly



Item	Part Number	Description	Qty
1	303	4" x 12" (102 x 305 mm) Hydraulic Cylinder c/w (2) Pins #DR5262	1
2	DR5262	1-1/4" Diameter x 4-3/4" (32 x 121 mm) Pin	2
3	DL9777	1/2" (13 mm) NPT x 90 Degree Street Elbow	2
4	D3047	1/2" x 213" (13 x 5410 mm) Hydraulic Hose	1
5	L2964	1/2" x 198" (13 x 5029 mm) Hydraulic Hose	1
6	BP31175	5/16" x 1-3/4" (8 x 44 mm) Cotter Pin	4
7	C50719	Whoa Stop Depth Control Package - 10-3/4" (273 mm)	1
8	C50711	1" (25 mm) Depth Stop	1
9	C50712	1-1/2" (38 mm) Depth Stop	1
10	C50714	2" (51 mm) Depth Stop	2
11	C50717	4-1/4" (108 mm) Depth Stop	1
12	DL9771	Hose Retainer	1
13	BO50012	1/2" x 1-1/4" NC (13 x 121 mm) Hex Bolt	1

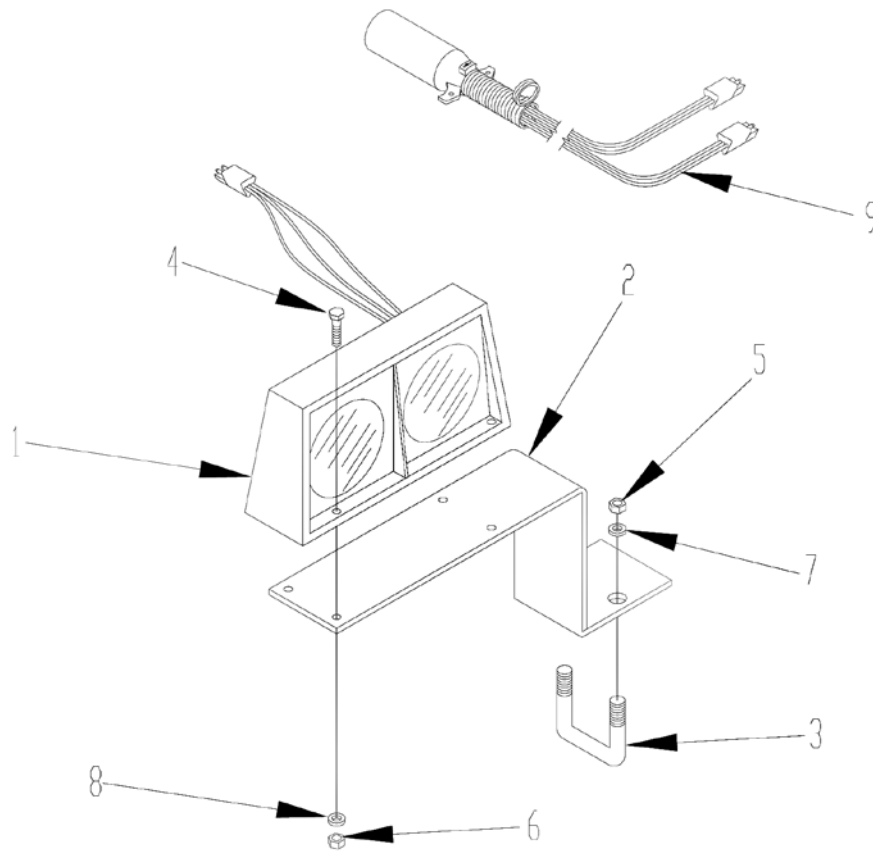


Item	Part Number	Description	Qty
------	-------------	-------------	-----

4" x 12" Rockshaft Cylinder Assembly - (Part No. 303)			
1	40TU11	Tube Assembly 4" x 12" (102 x 305 mm)	1
2	10SH57	Shaft 1-3/4" x 12" Lg w/ 1" (44 x 305 x 25 mm) Stub	1
3	10OR13	O-ring 1" ID x 1-1/4" OD x 1/8" (25 x 32 x 3 mm)	1
4	10OR17	O-ring 3-5/8" ID x 4" OD x 3/16" (92 x 102 x 5 mm)	1
5	40PB5	4" Diameter x 2-7/8" (102 x 73 mm) Lg	1
6	40CU3	U-cup 3-1/2" ID x 4" OD x 3/8" (89 x 102 x 10 mm) Deep	2
7	10NU4	1" (25 mm) - 14 UNS Hex Nut	1
8	40HP4	4-1/2" Diameter x 2-7/8" (114 x 73 mm) Lg	1
9	10RS3	Rod Seal 1-3/4" ID x 2-1/8" OD x 3/8" (44 x 55 x 10 mm) Deep	1
10	10WS3	Wiper Seal 1-3/4" ID x 2-1/8" OD x 3/16" (44 x 55 x 5 mm) Deep	1

Seal Kit for 4" x 12" (102 x 305 mm) Cylinder - (Part No. 4017N4)			
	40CU3	U-cup 3-1/2" ID x 4" OD x 3/8" (89 x 102 x 10 mm) Deep	2
	10OR23	O-ring 3-5/8" ID x 4" OD x 3/16" (92 x 102 x 5 mm)	1
	10OR13	O-ring 1" ID x 1-1/4" OD x 1/8" (25 x 32 x 3 mm)	1
	10RS3	Rod Seal - 1-3/4" ID x 2-1/8" OD x 3/8" (44 x 54 x 10 mm) Deep	1
	10WS3	Wiper Seal 1-3/4" ID x 2-1/8" OD x 3/16" (44 x 54 x 5 mm) Deep	1
	10OR19	O-ring 1-1/8" ID x 1-1/4" (28 x 32 mm) OD	1

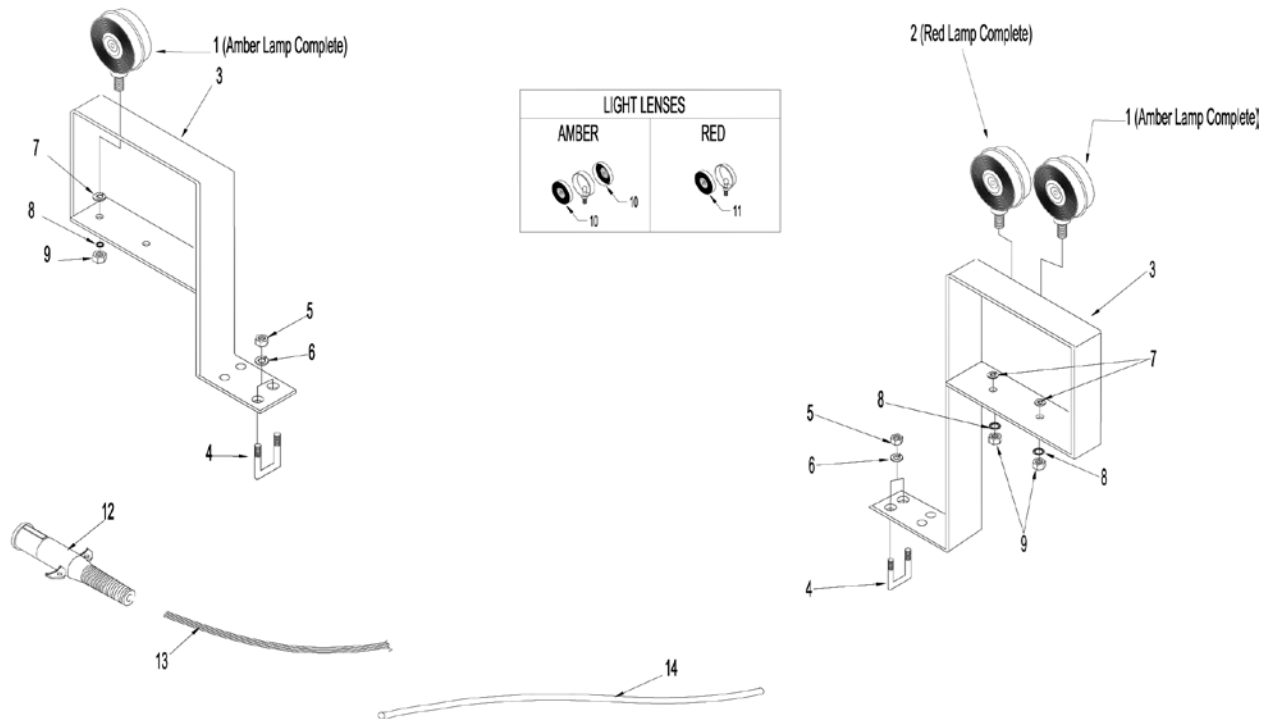
Disc Light Kit (Used Prior to 2002)



Item	Part Number	Description	Qty
1	D7170	Red & Amber Lights	1
2	D7171	Light Bracket	1
3	DG5308	1/2" x 2" (13 x 51 mm) U-Bolt	1
4	BO25012	1/4" x 1-1/4" (6 x 32 mm) Hex Bolt	4
5	BN050	1/2" NC (13 mm) Hex Nuts Plated	2
6	BN025	1/4" NC (6 mm) Hex Nuts Plated	4
7	BW050L	1/2" (13 mm) Lockwashers	2
8	BW025L	1/4" (6 mm) Lockwashers	4
9	D7172	Electrical Cord w/ Receptacle End	1

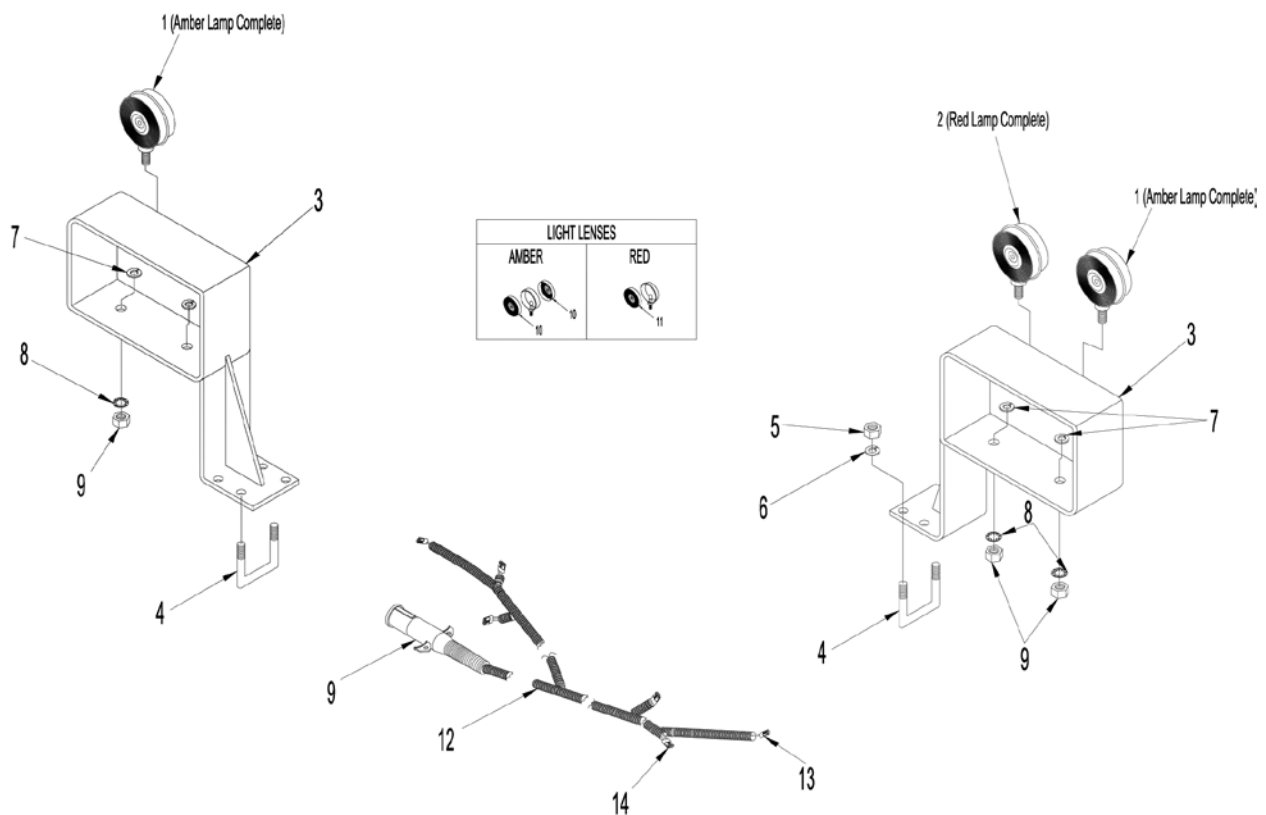


## Safety Light Kit (Used 2002 to 2008)



Item	Part Number	Description	Qty
1	LK6422	Amber Lamp c/w Washer & Nut	2
2	LK6401	Red Lamp c/w Washer & Nut	1
3	LK6396	Lamp Mount Bracket	2
4	DG5308	1/2" x 2" (13 x 51 mm) U-Bolt	4
5	BN050	1/2" NC (13 mm) Hex Nuts Plated	4
6	BW050L	1/2" (13 mm) Lockwashers	4
7	LK6407	1-1/8" x 1/2" (29 x 13 mm) Rubber Washer	3
8		1/2" (13 mm) Starwasher	3
9	LK6407	1/2" (13 mm) Hex Nut - NFTthread	3
10	LK6409	Amber Lens for Amber Lamps	4
11	LK6410	Red Lens for Red Lamps	1
12	LK6423	Male Plug Complete	1
13	LK6408	Electrical Wire - (White/Yellow/Brown/Green) - Supplied in Bulk - Strapping & Cutting Required	1
14		Plastic Loom	1

## Safety Light Kit (Used 2008 and Later)



Item	Part Number	Description	Qty
1	LK6426	Amber Lamp c/w Washer & Nut	2
2	LK6425	Red Lamp c/w Washer & Nut	1
3	LK6396	Lamp Mount Bracket	2
4	DG5308	1/2" x 2" (13 x 51 mm) U-Bolt	4
5	BN050	1/2" NC (13 mm) Hex Nuts Plated	4
6	BW050L	1/2" (13 mm) Lockwashers	4
7	LK6407	1-1/8" x 1/2" (29 x 13 mm) Rubber Washer	3
8		1/2" (13 mm) Starwasher	3
9	LK6423	Male Plug Complete	1
10	LK6429	Amber Lens for Amber Lamps	4
11	LK6430	Red Lens for Red Lamps	1
12	LK6427	Wiring Harness c/w Plugs	1
13	A75919	2 - Pin Plug - Female	2
14	A75899	3 - Pin Plug - Female	2

## Delivery Checklist

---

### Pre-delivery

- Torque all wheel bolts/lug nuts to specifications.
- Check tire pressures are correct. (Affects leveling process)
- Level machine. Refer to Operator's Manual for detailed instructions.
- Lubricate the entire machine as recommended in the Operator's Manual.
- Check tightness of all bolts.
- Check the correct # of depth stops are installed on mounting bar. (5)  
\*Model 81225 Offset takes (8) depth stops.
- Set front and rear gangs at medium angle.
- Adjust scrapers so they come into contact with blades.
- Check Operator's Manual to ensure all decals are correctly installed.
- Connect disc to tractor with a suitable pin and then lift the hitch jack.
- Check hydraulic hoses are leak free and hydraulic cylinders are filled with oil.
- Adjust mounted harrows as required (if equipped).
- Check lateral (side-to-side) settings of front and rear gangs and hitch tongue.
- Check all electrical components and connections.
- Check operation of safety lights to ensure they function properly.
- Ensure hydraulic lockout valves function properly.

Dealer Representative:

Date:

### Customer Delivery

- Give the Operator's Manual to your customer.
- Inform your customer of all safety precautions, maintenance procedures, and proper operation of the disc.
- Verify correct serial number.
- Attach disc to tractor.
- Ensure hitch jack is in transport position.
- Connect hydraulics, wiring harness, safety chain, etc.
- Ensure machine functions properly. (Fold/unfold, no leaks, lights work, etc)
- Take the disc to a field (preferably where the ground is level, if possible) and perform all required leveling adjustments. Follow the Operator's Manual.
- Explain warranty and fill out registration
- Start tractor and run all controls so your customer understands the correct operation of the disc and ensure all functions of the disc are working properly.

Dealer Representative:

Date:

## Farm King Limited Warranty

This document limits your warranty rights.

### **Base Limited Warranty**

Buhler Industries Inc. provides this warranty only to original retail purchasers of its product. Buhler Industries Inc. warrants to such purchasers that all Buhler Industries Inc. manufactured parts and components used and serviced as provided for in the Operator's Manual shall be free from defects in materials and workmanship for a period following delivery to the original retail purchaser of 12 months (80 days for commercial applications). This limited warranty applies only to those parts and components manufactured by Buhler Industries Inc. Parts and components manufactured by others are subject to their manufacturer's warranties, if any.

Buhler Industries Inc. will fulfill this limited warranty by, at its option, repairing or replacing any covered part that is defective or is the result of improper workmanship, provided that the part is returned to Buhler Industries Inc. within thirty (30) days of the date that such defect or improper workmanship is, or should have been, discovered. Buhler Industries Inc. reserves the right to either inspect the product at the buyer's location or have it returned to the factory for inspection. Parts must be returned through the selling representative and the buyer must prepay transportation charges.

Buhler Industries Inc. will not be responsible for repairs or replacements that are necessitated, in whole or part, by the use of parts not manufactured by or obtained from Buhler Industries Inc. Under no circumstances are component parts warranted against normal wear and tear. There is no warranty on product pump seals, product pump bearings, rubber product hoses, pressure gauges, or other components that require replacement as part of normal maintenance. Also: Buckets and Bucket Tines carry no warranty, Bent Spears carry no warranty, Snowblower Fan Shafts carry no warranty, Mower Blades carry no warranty, Portable Auger Parts Have Two (2) Year Warranty, Loader Parts Have Two (2) Year Warranty. The purchaser is solely responsible for determining suitability of goods sold. This warranty is expressly in lieu of all other warranties expressed or implied. Buhler Industries Inc. will in no event be liable for any incidental or consequential damages whatsoever. Nor for any sum in excess of the price received for the goods for which liability is claimed.

### **Repair Parts Limited Warranty**

Buhler Industries Inc. warrants Farm King replacement parts purchased after the expiration of the Buhler Industries Inc. Limited Warranty, and used and serviced as provided for in the Operator's Manual, to be free from defects in materials or workmanship for a period of thirty (30) days from the invoice date for the parts. Buhler Industries Inc. will fulfill this limited warranty by, at its option, repairing or replacing any covered part that is defective or is the result of improper workmanship, provided that the part is returned to Buhler Industries Inc. within thirty (30) days of the date that such defect or improper workmanship is, or should have been, discovered. Such parts must be shipped to Buhler Industries Inc. at the purchaser's expense.

### **What is Not Covered**

Under no circumstances does this limited warranty cover any components or parts that have been subject to the following: negligence; alteration or modification not approved by Buhler Industries Inc.; misuse; improper storage; lack of reasonable and proper maintenance, service, or repair; normal wear; damage from failure to follow operating instructions; accident; and/or repairs that have been made with parts other than those manufactured, supplied, and or authorized by Buhler Industries Inc.

**Authorized Dealer and Labor Costs**

Repairs eligible for labor under this limited warranty must be made by Buhler Industries Inc. or an authorized Farm King dealer. Buhler Industries Inc. retains the exclusive discretion to determine whether it will pay labor costs for warranty repairs or replacements, and the amount of such costs that it will pay and the time in which the repairs will be made. If Buhler Industries Inc. determines that it will pay labor costs for warranty work, it will do so by issuing a credit to the dealer's or distributor's account. Buhler Industries Inc. will not approve or pay invoices sent for repairs that Buhler Industries Inc. has not previously approved. Warranty service does not extend the original term of this limited warranty.

**Warranty Requirements**

To be covered by warranty, each Farm King new product must be registered with Buhler Industries Inc. within thirty (30) days of delivery to original retail purchaser. If the customer decides to purchase replacement components before the warranty disposition of such components is determined, Buhler Industries Inc. will bill the customer for such components and then credit the replacement invoice for those components later determined to be covered by this limited warranty. Any such replacement components that are determined not be covered by this limited warranty will be subject to the terms of the invoice and shall be paid for by the purchaser.

**Warranty Claims:**

Warranty requests must be prepared on Buhler Industries Inc. Warranty Claim Forms with all requested information properly completed. Warranty Claims must be submitted within a thirty (30) day period from date of failure repair.

**Warranty Labor:**

Any labor subject to warranty must be authorized by Buhler Industries Inc. The labor rate for replacing defective parts, where applicable, will be credited at 100% of the dealer's posted shop rate.

**Exclusive Effect of Warranty and Limitation of Liability**

TO THE EXTENT PERMITTED BY LAW, BUHLER INDUSTRIES INC. DISCLAIMS ANY WARRANTIES, REPRESENTATIONS, OR PROMISES, EXPRESS OR IMPLIED, AS TO THE QUALITY, PERFORMANCE, OR FREEDOM FROM DEFECT OF THE COMPONENTS AND PARTS COVERED BY THIS WARRANTY AND NOT SPECIFICALLY PROVIDED FOR HEREIN.

TO THE EXTENT PERMITTED BY LAW, BUHLER INDUSTRIES INC. DISCLAIMS ANY IMPLIED WARRANTIES OF MERCHANTABILITY AND FITNESS FOR A PARTICULAR PURPOSE ON ITS PRODUCTS COVERED HEREIN, AND DISCLAIMS ANY RELIANCE BY THE PURCHASER ON BUHLER INDUSTRIES INC.'S SKILL OR JUDGMENT TO SELECT OR FURNISH GOODS FOR ANY PARTICULAR PURPOSE. THE PURCHASER'S ONLY AND EXCLUSIVE REMEDIES IN CONNECTION WITH THE BREACH OR PERFORMANCE OF ANY WARRANTY ON PRODUCTS MANUFACTURED BY BUHLER INDUSTRIES INC. ARE THOSE SET FORTH HEREIN. IN NO EVENT SHALL BUHLER INDUSTRIES INC. BE LIABLE FOR INCIDENTAL OR CONSEQUENTIAL DAMAGES (INCLUDING, BY WAY OF EXAMPLE ONLY AND NOT LIMITATION, LOSS OF CROPS, LOSS OF PROFITS OR REVENUE, OTHER COMMERCIAL LOSSES, INCONVENIENCE, OR COST OF REPLACEMENT OF RENTAL EQUIPMENT). IN NO EVENT SHALL FARM KING'S CONTRACT OR WARRANTY LIABILITY EXCEED THE PURCHASE PRICE OF THE PRODUCT.

(Note that some provinces or states do not allow limitations on how long an implied warranty lasts or the exclusion or limitation of incidental or consequential damages, so the above limitations and exclusion may not apply to you.) This warranty gives you specific legal rights and you may also have other rights, which vary from province to province or state to state.

Buhler Industries Inc. neither assumes nor authorizes any person or entity, including its selling representatives, to assume any other obligations or liability in connections with the sale of covered equipment, or to make any other warranties, representations, or promises, express or implied, as to the quality, performance, or freedom from defect of the components and parts covered herein. No one is authorized to alter, modify, or enlarge this limited warranty, or its exclusions, limitations and reservations.

Corrections of defects and improper workmanship in the manner, and for the applicable time periods, provided for herein shall constitute fulfillment of all responsibilities of Buhler Industries Inc. to the purchaser, and Buhler Industries Inc. shall not be liable in negligence, contract, or on any other basis with respect to the subject equipment.

This limited warranty is subject to any existing conditions of supply which may directly affect Buhler Industries Inc.'s ability to obtain materials or manufacture replacement parts.

Buhler Industries Inc. reserves the right to make improvements in design or changes in specifications to its products at anytime, without incurring any obligation to owners of units previously sold.

**Government Legislation:**

Warranty terms and conditions are subject to provincial or state legislation.

**Important Note:** This warranty does not apply to rentals.



[www.farm-king.com](http://www.farm-king.com)

# Farm King

5110 - 62nd Street  
Vegreville, Alberta Canada, T9C 1N6  
Ph.: 204.822.4467 | Fax: 204.822.6348  
Toll Free: 888.524.1004  
E-mail: [info@buhler.com](mailto:info@buhler.com)  
[www.farm-king.com](http://www.farm-king.com)

Equipment shown is subject to change without notice.  
©2011 Buhler Trading Inc. Printed in Canada TSX:BUI

**bühler** | a division of Buhler Industries Inc.