

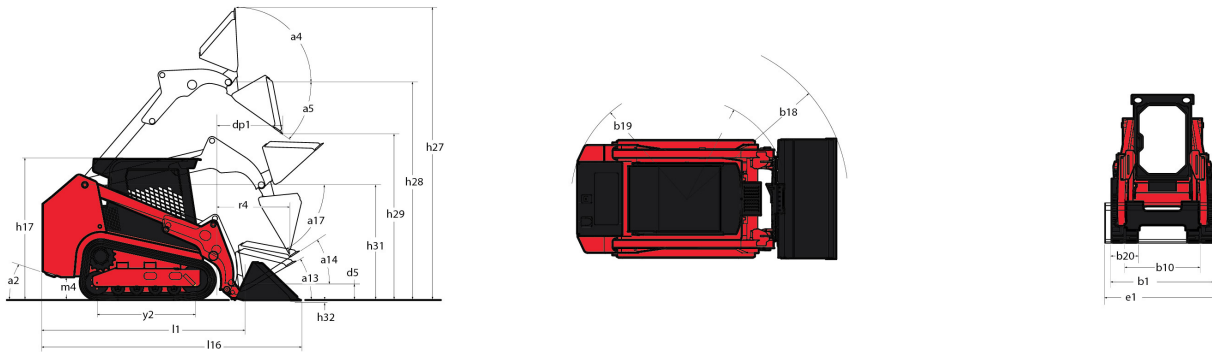
Technical sheet :

3200 VT



Capacities		Metric
Max. capacity	Q	4148 kg
Operating Weight		5267 kg
Operating Capacity at 35% Tipping Load		1452 kg
Operating Capacity At 50% Tipping Load		2074 kg
Tipping capacity		4148 kg
Weight and dimensions		
Overall Operating Height - Fully Raised	h27	4293 mm
Height to Hinge Pin – Fully Raised	h28	3302 mm
Reach - Fully Raised	dp1	1026 mm
Dump angle at full height	a5	41 °
Dump Height - Fully Raised	h29	2530 mm
Maximum Rollback Angle - Fully Raised	a4	90 °
Overall Height to Top of ROPS	h17	2111 mm
Overall length with bucket	l16	4059 mm
Departure angle	a2	24 °
Overall Length without Bucket	l1	3243 mm
Specified Height	h31	1938 mm
Reach at Specified Height	r4	751 mm
Dump angle at specified height	a17	68 °
Maximum Rollback Angle at Ground	a13	31 °
Carry Position	d5	199 mm
Maximum Rollback Angle at Carry Position	a14	31 °
Digging Position	h32	19 mm
Angle of Departure with STD Counterweight		24 °
Ground clearance	m4	309 mm
Track gauge	b10	1313 mm
Track Shoe Width	b20	450 mm
Crawler base	y2	1570 mm
Overall width less bucket	b1	1766 mm
Bucket Width	e1	2131 mm
Clearance Radius - Front with Bucket		2442 mm
Clearance Circle - Rear	wa1	1870 mm
Maximum rollback at specified height		64.50 °
Angle of Approach	a3	90 °
Grouser Height		25.40 mm
Track Type / Track Rollers / Roller Type		Rubber / 5 / Steel
Performances		
Ground Speed - Single Speed		8.60 km/h
Ground Speed - Two Speed		12.60 km/h
Drawbar Pull/Ttractive Effort		5792 kg
Bucket Breakout - Tilt Cylinder		4492 kg
Bucket Breakout - Lift Cylinder		3398 kg
Engine		
Engine brand		Deutz
Engine model		TD 3.6 EPA Final
Motor Type		Axial Piston with Planetary Gear Box Reduction
Gross Power (kW) / Gross Power		85 kW / 2300 rpm
Net Power (kW) / Net Power		80.80 kW / 2300 rpm
Max. torque		430 Nm
Battery		12 V
Cold Cranking Amps at Temperature (CCA)		950 A
Alternator - Voltage / Ampere		14 V / 95 A
Hydraulics		
Standard flow - Auxiliary hydraulics		102.20 l/min
Tank capacities		
Oil Pan Capacity		8.50 l
Hydraulic tank capacity		62.50 l
Fuel tank		123 l
Coolant system capacity		19.30 l
Displacement / Number of cylinders		3.60 l / 4
Miscellaneous		
Ground Pressure		0.37 Bar

Dimensional drawing



Equipment

Lifting function	
All-Tach® Attachment Mounting System	Standard
Auxiliary Hydraulics	Standard
Electronic Attachment Control - 14-Pin Connector	Optional
High-Flow Auxiliary Hydraulics	Optional
IdealTrax™ Automatic Track Tensioning System	Standard
Power-A-Tach® Attachment Mounting System	Optional
Motorization/Power	
Combination Radiator & Hydraulic Oil Cooler	Standard
Dual-Element Air Cleaner with Indicator	Standard
ECO Mode	Standard
Elevated Planetary Final Drives	Standard
Glowplugs Starts Assist	Standard
Two-Speed Hydrostatic Drive System	Standard
Operator station	
Air suspension seat	Optional
Full-Suspension Seat	Standard
IdealAccess™ Fold-Up Door	Optional
Multi-Function Display Screen	Standard
Pressurized Cab Enclosure with A/C	Optional
ROPS/FOPS Level II Overhead Guard	Standard
Other options	
Selectable Self-Leveling Hydraulic Lift Action 4	Optional
Pneumatics	
Single Flange Front/Dual Flange Rear Idlers	Standard
Safety	
Anti-Vandalism Lock Provisions	Standard
Back-Up Alarm	Standard
Easy Manager	Standard
Engine Alert System with Error Display	Standard
Secondary functions	
Counterweight	Standard



Siège Social

430 rue de l'Aubinière - 44150 Ancenis Cedex - France

Tel: +33(0)2 40 09 10 11 - Fax: +33 (0)2 40 09 10 97

www.manitou.com



This brochure describes versions and configuration options for Manitou products which may be fitted with different equipment. The equipment described in this brochure may be standard, optional or not available depending on version. Manitou reserves the right to change the specifications shown and described at any time and without prior warning. The manufacturer is not liable for the specifications given. For more information, contact your Manitou dealer. Non-contractual document. Product descriptions may differ from actual products. List of specifications is not comprehensive. The logos and visual identity of the company are the property of Manitou and may not be used without authorisation. All rights reserved. The photos and diagrams contained in this brochure are provided for information only.

MANITOU BF SA - Limited company with board of directors - Share capital: 39,668,399 euros - 857 802 508 RCS Nantes