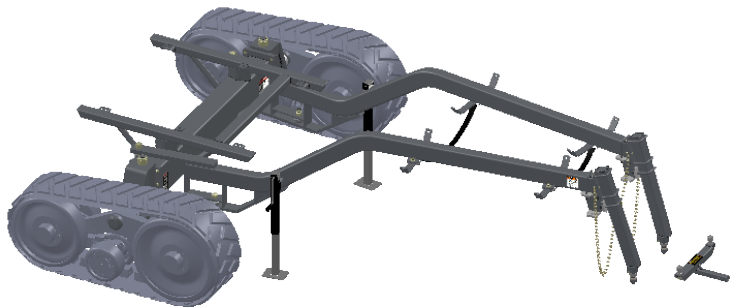
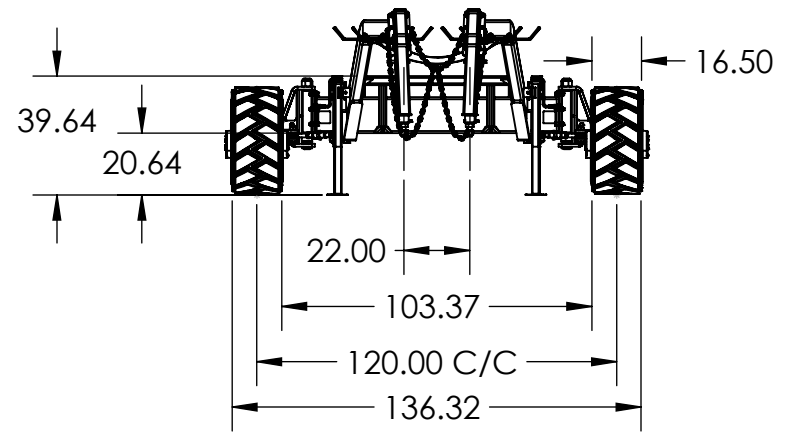
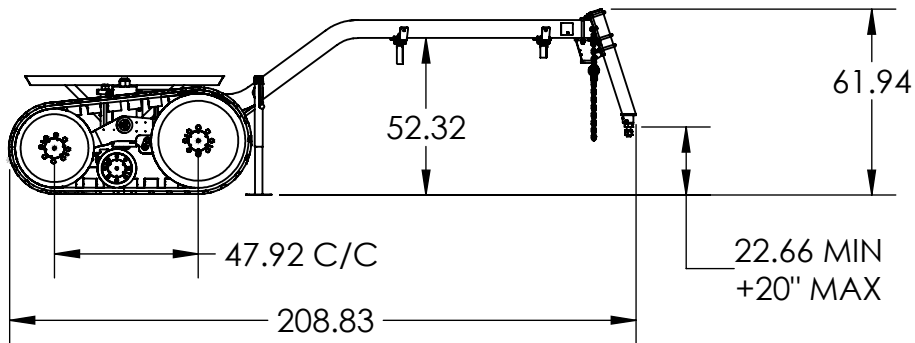

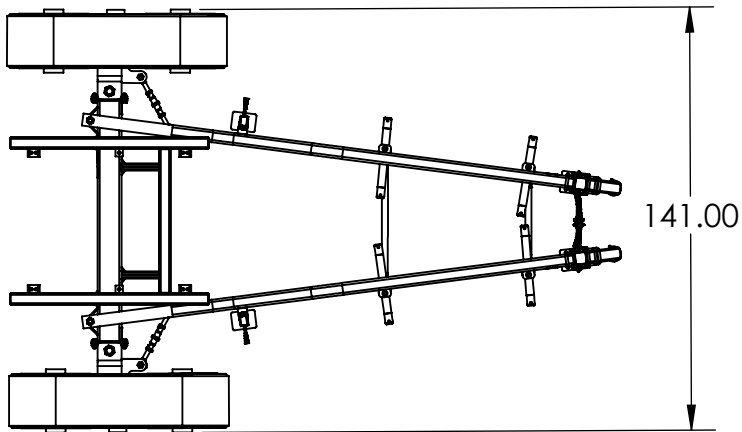


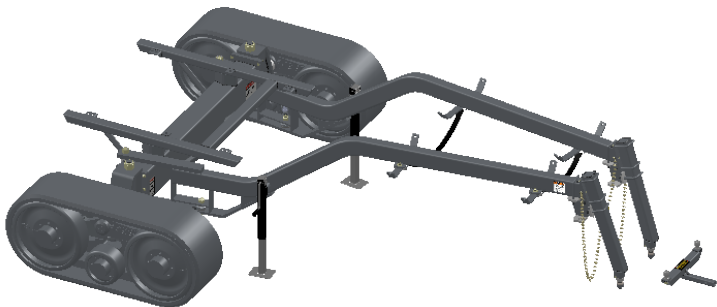
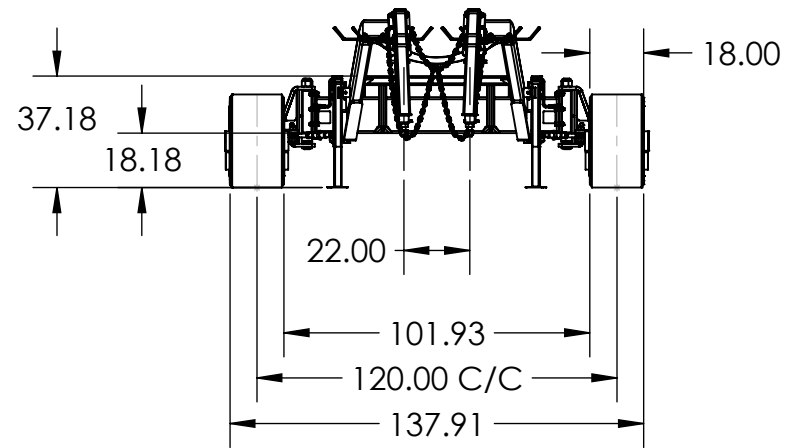
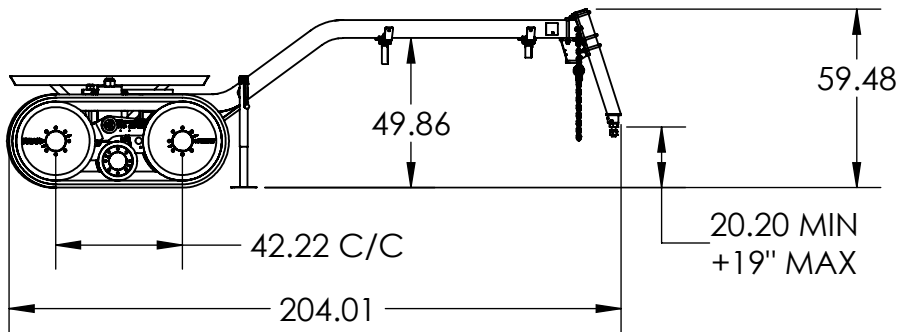
OPTIONS AS SHOWN		
OPTION	PART #	DESCRIPTION
Tracks	P000735	Track - TTS 30-1611 Series
Coupler Style	A000034	Hitch - Adj. (Req. A000017)
Adj. Axle	N/A	N/A (Req. A000176)




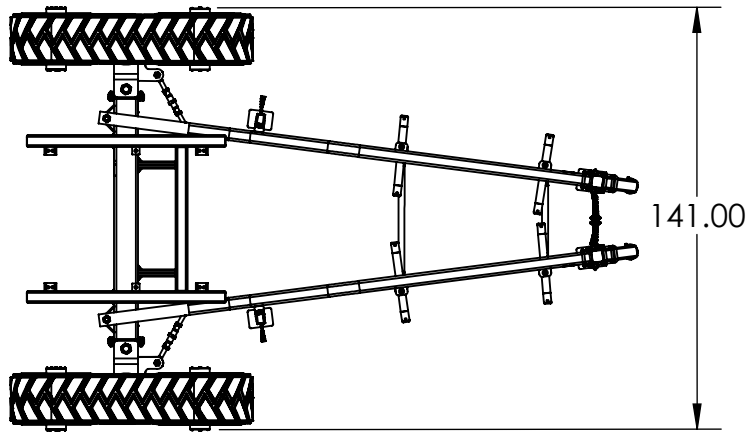
	<b>MONTAG MFG</b> 3816 461st AVE, Emmetsburg, IA 50536		P: 712-852-4572 F: 712-852-4574 <a href="http://www.montagmfg.com">www.montagmfg.com</a>	
	DO NOT SCALE DRAWING UNLESS OTHERWISE SPECIFIED: DIMENSIONS ARE IN INCHES  TOLERANCES ARE AS FOLLOWS: FRACTIONAL ± 1/32 ANGULAR: ± 1° TWO PLACE DECIMAL ±.03 THREE PLACE DECIMAL ±.003		<b>CONFIDENTIAL:</b> This drawing and design is proprietary and confidential to Montag Manufacturing, Inc.	
MATERIAL N/A		TITLE: <b>Auto Steer Cart - 12 Ton          120" C/C - TTS 30-1611          Series</b>		REV <b>C-01</b>
FINISH N/A		SIZE <b>A</b>		PART. NO. <b>C12T</b>
COMMENTS:		SCALE: 1:64		WEIGHT:



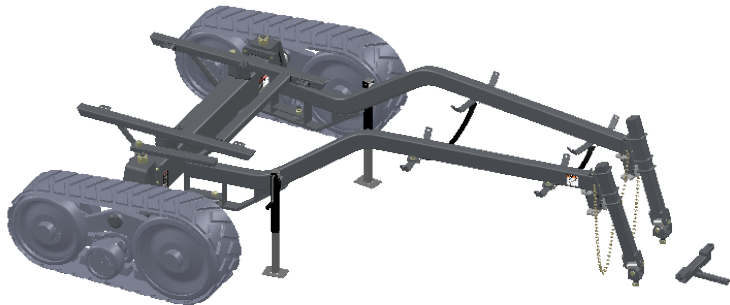
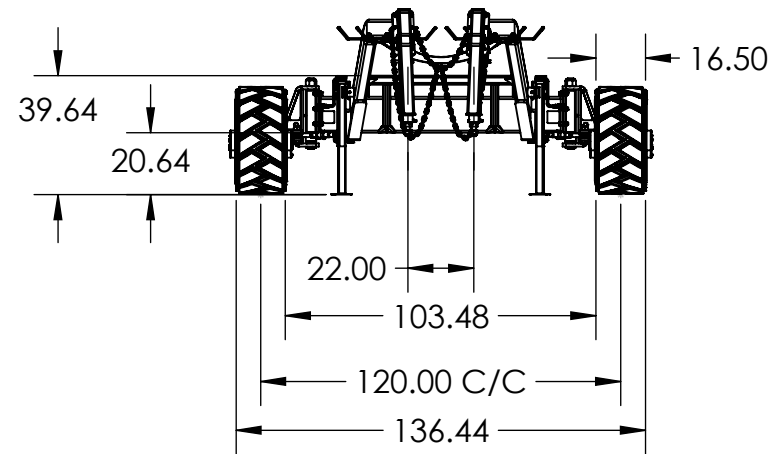
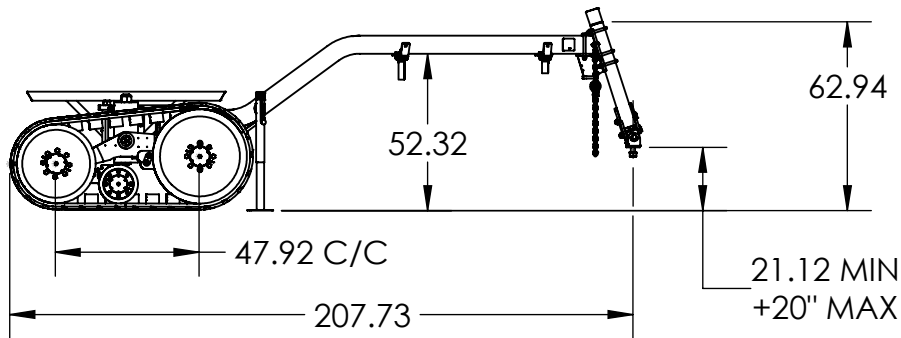
OPTIONS AS SHOWN		
OPTION	PART #	DESCRIPTION
Tracks	P000735	Track - TTS 35-1813 Series
Coupler Style	A000034	Hitch - Adj. (Req. A000017)
Adj. Axle	N/A	N/A (Req. A000176)




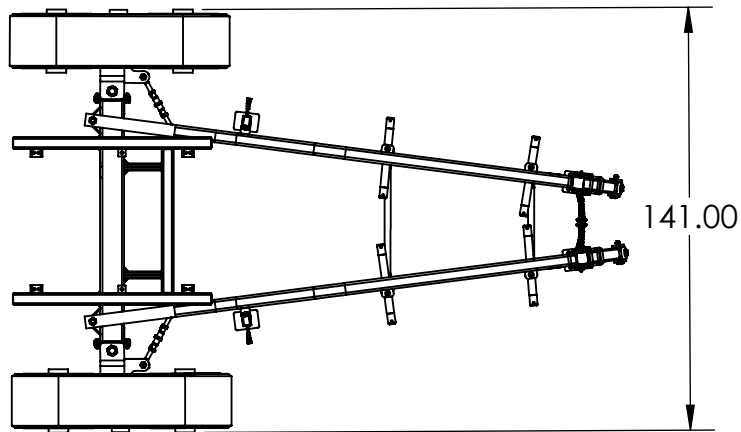
		<b>MONTAG MFG</b> 3816 461st AVE, Emmetsburg, IA 50536		P: 712-852-4572 F: 712-852-4574 <a href="http://www.montagmfg.com">www.montagmfg.com</a>	
		DO NOT SCALE DRAWING UNLESS OTHERWISE SPECIFIED: DIMENSIONS ARE IN INCHES  TOLERANCES ARE AS FOLLOWS: FRACTIONAL ± 1/32 ANGULAR: ± 1° TWO PLACE DECIMAL ±.03 THREE PLACE DECIMAL ±.003		<b>CONFIDENTIAL:</b> This drawing and design is proprietary and confidential to Montag Manufacturing, Inc.	
MATERIAL	N/A	DRAWN	SEC	DATE	08/18/14
FINISH	N/A	APPROVED	SEC	DATE	10/17/17
COMMENTS:		SIZE		PART. NO.	
		<b>A</b>		<b>C12T</b>	
		SCALE: 1:64		WEIGHT:	
				REV <b>C-01</b>	



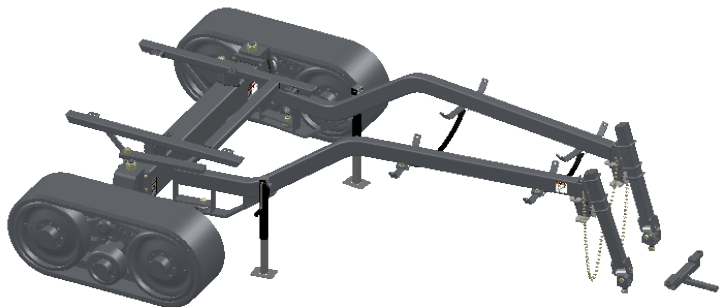
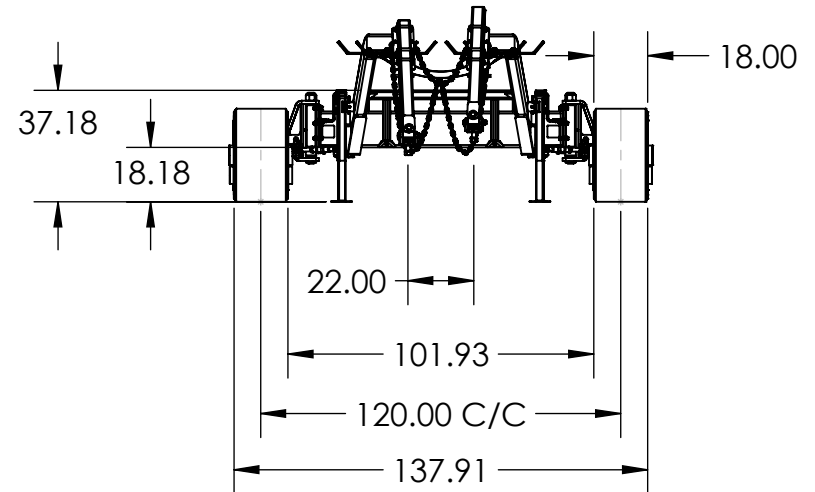
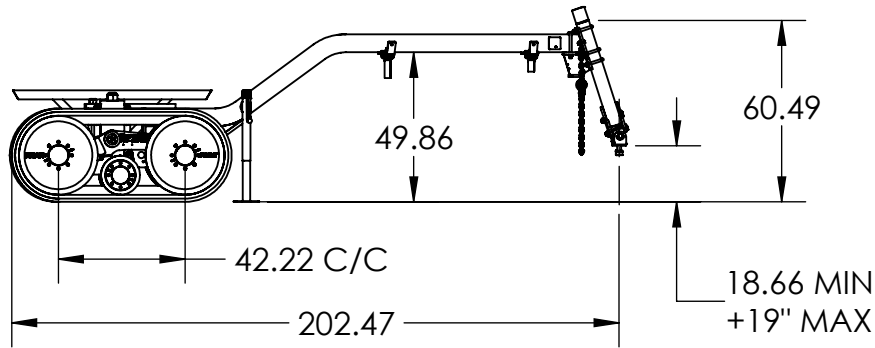
OPTIONS AS SHOWN		
OPTION	PART #	DESCRIPTION
Tracks	P000735	Track - TTS 30-1611 Series
Coupler Style	A000020	Hitch - Knuckle Assembly (Req. W000237)
Adj. Axle	N/A	N/A (Req. A000176)




		<b>MONTAG MFG</b> 3816 461st AVE, Emmetsburg, IA 50536		P: 712-852-4572 F: 712-852-4574 <a href="http://www.montagmfg.com">www.montagmfg.com</a>	
		DO NOT SCALE DRAWING UNLESS OTHERWISE SPECIFIED: DIMENSIONS ARE IN INCHES  TOLERANCES ARE AS FOLLOWS: FRACTIONAL ± 1/32 ANGULAR: ± 1° TWO PLACE DECIMAL ±.03 THREE PLACE DECIMAL ±.003		<b>CONFIDENTIAL:</b> This drawing and design is proprietary and confidential to Montag Manufacturing, Inc.	
MATERIAL	N/A	DRAWN	SEC	DATE	08/18/14
FINISH	N/A	APPROVED	SEC	DATE	10/17/17
COMMENTS:		SIZE		PART. NO.	
		<b>A</b>		<b>C12T</b>	
		SCALE: 1:64		WEIGHT:	
				REV <b>C-01</b>	



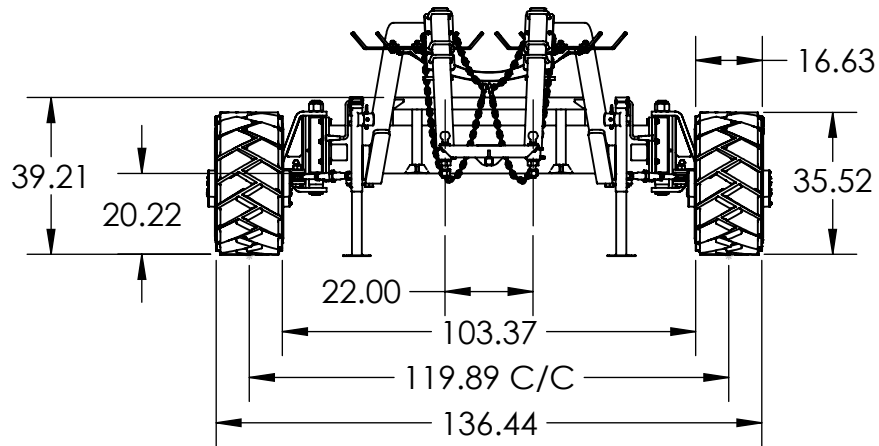
OPTIONS AS SHOWN		
OPTION	PART #	DESCRIPTION
Tracks	P000735	Track - TTS 35-1813 Series
Coupler Style	A000020	Hitch - Knuckle Assembly (Req. W000237)
Adj. Axle	N/A	N/A (Req. A000176)



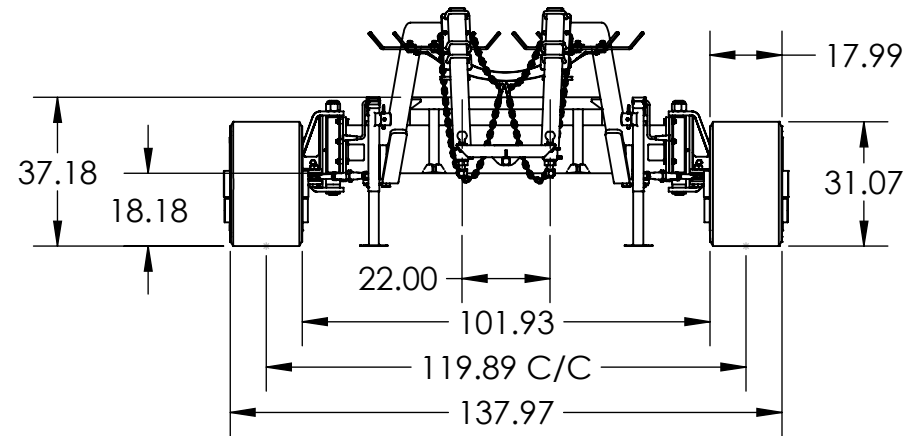
		<b>MONTAG MFG</b> 3816 461st AVE, Emmetsburg, IA 50536		P: 712-852-4572 F: 712-852-4574 <a href="http://www.montagmfg.com">www.montagmfg.com</a>	
		DO NOT SCALE DRAWING UNLESS OTHERWISE SPECIFIED: DIMENSIONS ARE IN INCHES  TOLERANCES ARE AS FOLLOWS: FRACTIONAL ± 1/32 ANGULAR: ± 1 TWO PLACE DECIMAL ±.03 THREE PLACE DECIMAL ±.003		<b>CONFIDENTIAL:</b> This drawing and design is proprietary and confidential to Montag Manufacturing, Inc.	
MATERIAL N/A		NAME SEC		DATE 08/18/14	
FINISH N/A		APPROVED SEC		DATE 10/17/17	
COMMENTS:		SIZE <b>A</b>		PART. NO. <b>C12T</b>	
		SCALE: 1:64		WEIGHT:	
		REV <b>C-01</b>			

# 0" OFFSET

**C12T  
P000735  
TTS 30-1611**



**C12T  
P000737  
TTS 35-1813**



**NOTE: ALL TRACK DIMENSIONS ARE APPROXIMATE**



**MONTAG MFG**

3816 461st AVE,  
Emmetsburg, IA 50536

P: 712-852-4572  
F: 712-852-4574  
www.montagmfg.com

DO NOT SCALE DRAWING  
UNLESS OTHERWISE SPECIFIED:  
DIMENSIONS ARE IN INCHES

TOLERANCES ARE AS FOLLOWS:  
FRACTIONAL  $\pm 1/32$   
ANGULAR:  $\pm 1$   
TWO PLACE DECIMAL  $\pm .03$   
THREE PLACE DECIMAL  $\pm .003$

MATERIAL: N/A  
FINISH: N/A

**CONFIDENTIAL:**  
This drawing and design is proprietary  
and confidential to Montag  
Manufacturing, Inc.

	NAME	DATE
DRAWN	SEC	08/18/14
APPROVED	SEC	10/17/17

COMMENTS:

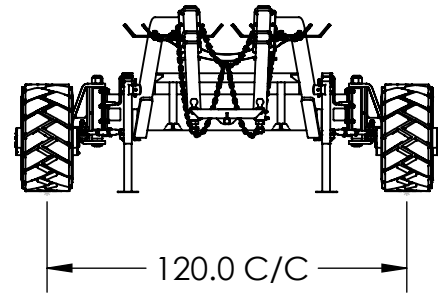
TITLE:

**Auto Steer Cart - 12 Ton  
Track**

SIZE	PART. NO.	REV
<b>A</b>	<b>C12T</b>	<b>C-01</b>

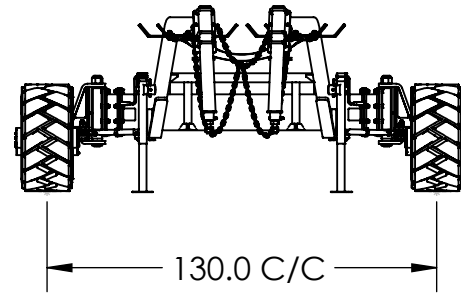
SCALE: 1:48 WEIGHT:

### 0" OFFSET



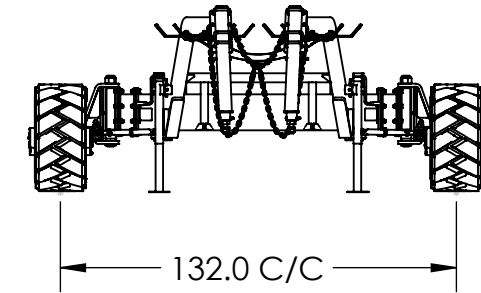
AXLE EXTENSION: NONE  
TIE-ROD: A000176

### 10" OFFSET



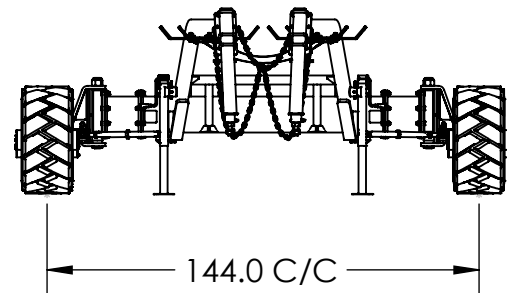
AXLE EXTENSION: A000043  
TIE-ROD: P000350

### 12" OFFSET



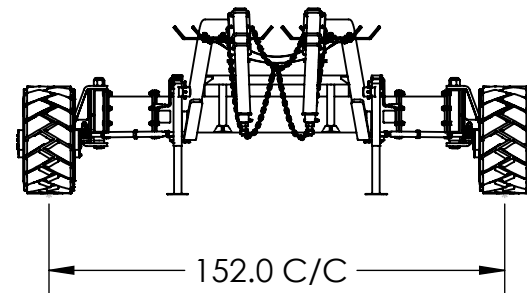
AXLE EXTENSION: A000044  
TIE-ROD: P000350

### 24" OFFSET



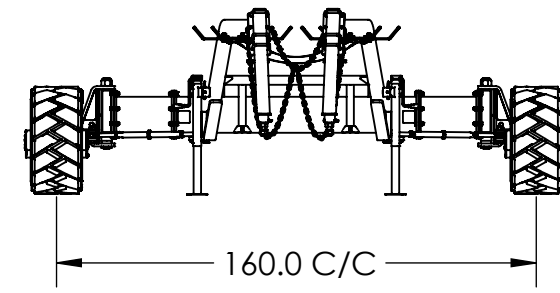
AXLE EXTENSION: A000045  
TIE-ROD: P000351

### 32" OFFSET



AXLE EXTENSION: A000046  
TIE-ROD: P000351

### 40" OFFSET



AXLE EXTENSION: A000047  
TIE-ROD: P000351

**CARTS DISPLAYED FEATURE THE TTS 30-1611 TRACK OPTION**



MONTAG MFG  
3816 461st AVE,  
Emmetsburg, IA 50536

P: 712-852-4572  
F: 712-852-4574  
www.montagmfg.com

DO NOT SCALE DRAWING  
UNLESS OTHERWISE SPECIFIED:  
DIMENSIONS ARE IN INCHES  
TOLERANCES ARE AS FOLLOWS:  
FRACTIONAL ± 1/32  
ANGULAR: ± 1  
TWO PLACE DECIMAL ±.03  
THREE PLACE DECIMAL ±.003

CONFIDENTIAL: This drawing and design is proprietary and confidential to Montag Manufacturing, Inc.		
	NAME	DATE
DRAWN	SEC	08/18/14
APPROVED	SEC	10/17/17

TITLE:  
Auto Steer Cart - 12 Ton  
Track

MATERIAL N/A  
FINISH N/A

COMMENTS:

SIZE	PART. NO.	REV
<b>B</b>	<b>C12T</b>	<b>C-01</b>
SCALE: 1:64		WEIGHT: