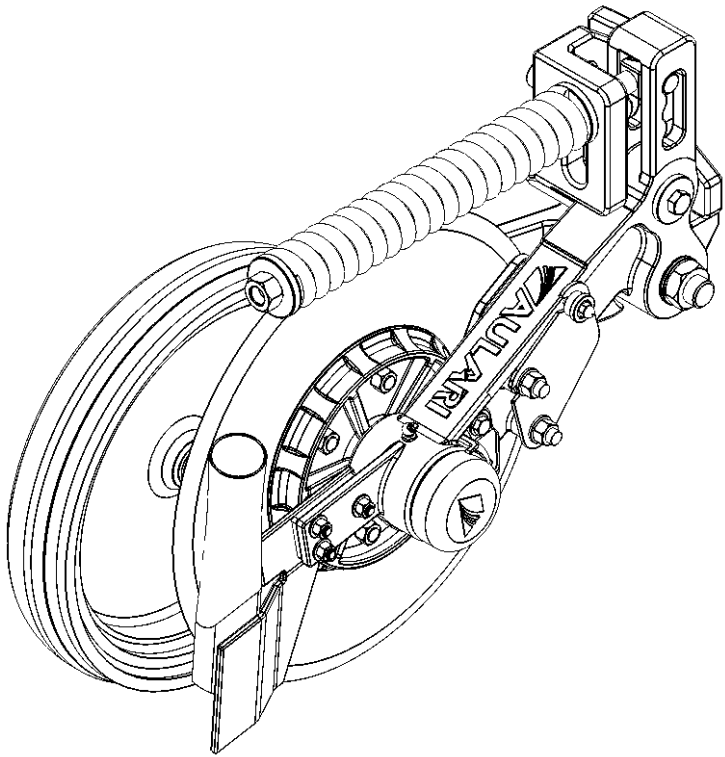


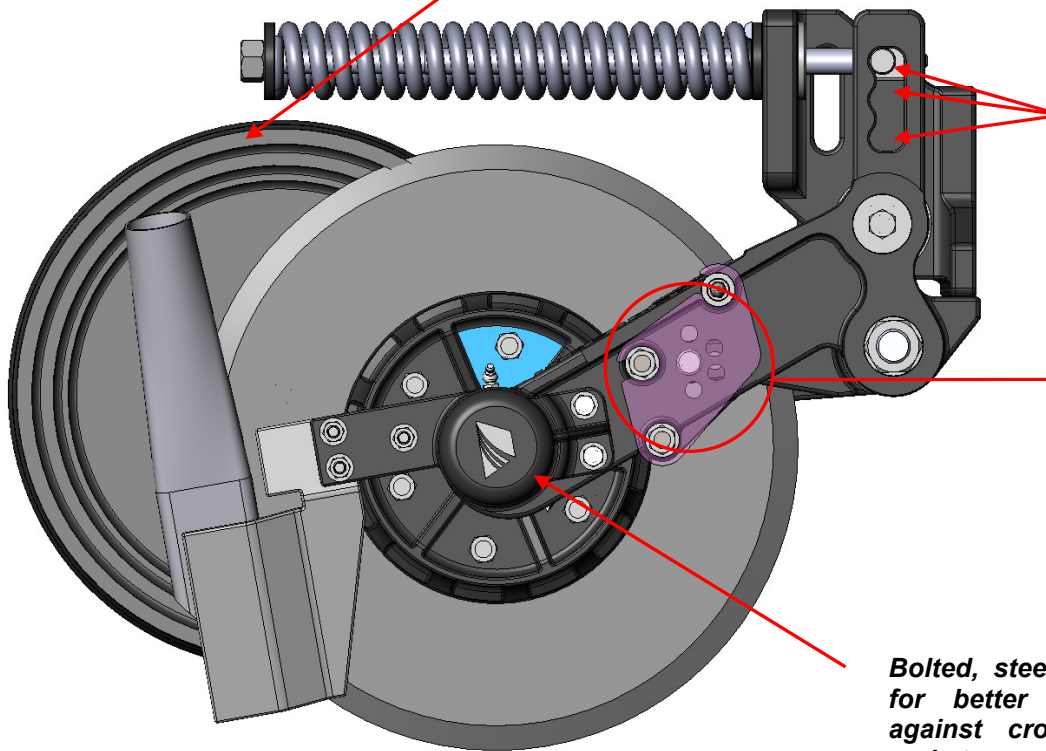
PRECISION PLACEMENT FERTILIZER COULTER

Industries Aulari Inc.
620 St-Roch, St-Barnabé Sud
(Québec) Canada J0H 1G0
Phone : 450 792-2126
Fax : 450 792-2127
info@aulari.com
www.aulari.com



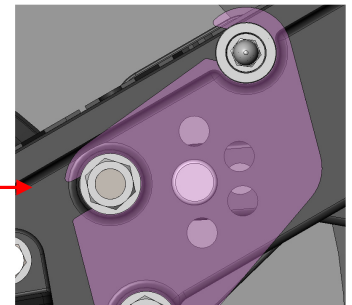
- ▼ 5 easy-to-adjust depth settings
- ▼ 3-stage down pressure: quick adjustment
- ▼ 2 disc options: 18" or 20" diameter
- ▼ 3" x 16" depth control wheel
- ▼ 7° disc angle
- ▼ Rugged quenched steel construction
- ▼ Greasable, carbon steel hub with tapered bearings
- ▼ Symmetric components: you no longer have to keep separate parts for left and right coulters! Only the fertilizer boot and the mounting plate are LH or RH.
- ▼ Easy disc replacement: simply remove the depth pin a drop the gauge wheel for full access to the disc!
- ▼ Can be installed on all brands of tractors and planters
- ▼ Adapted to all tillage systems: from conventional to no-till

3" x 16" depth control wheel



Downpressure settings (top to bottom):

- ▼ 640 lbs
- ▼ 520 lbs
- ▼ 400 lbs



5 depth settings:

- ▼ 1.5" to 5" for 18" disc
- ▼ 2.5" to 6" for 20" disc

Bolted, steel dust cap for better protection against crop residue and stones