

KINZE

GRAIN CARTS

DUAL AUGER



SINGLE AUGER



Dual auger grain carts

Simple, easy to operate low profile dual auger grain carts with a corner auger for exceptional visibility. Intuitive joystick for easy grain control and unload speeds to keep you running at peak efficiency. Minimal maintenance driveline and durable cart design with a self-tensioning track system for an uninterrupted harvest season.

- Dual auger corner auger design for easy operator visibility and better grain control
- Camso tracks with auto spring self-tensioning belt, pivoting bogie wheels with oil bath hubs and clear sight glass for easy visual inspection
- Intuitive joystick with thumb pad directional control, trigger flow gate control and horizontal auger on/off button
- Push button horizontal auger shut off for faster vertical auger clean out
- Auto-reset torque limiting overrunning clutch
- Styled, modular design with replaceable panels
- Low profile, short sides for rolling terrain
- Auger with thickened edge for 50% longer wear life
- Positive auger driveline engagement



Greater visibility with the pivoting external corner auger



Hydraulic horizontal disengagement provides superior grain control

2-year warranty

Protect your investment

Expect superior performance in the field and exceptional reliability, based on nearly a half-century of quality and craftsmanship. Every Kinze dual auger grain cart comes with the only 2-year warranty in the industry.

Optional features

Stay informed and protect your crop

Protect your investment with a cab-operated electric tarp.

Choose from two Digi-Star® electronic scale options.

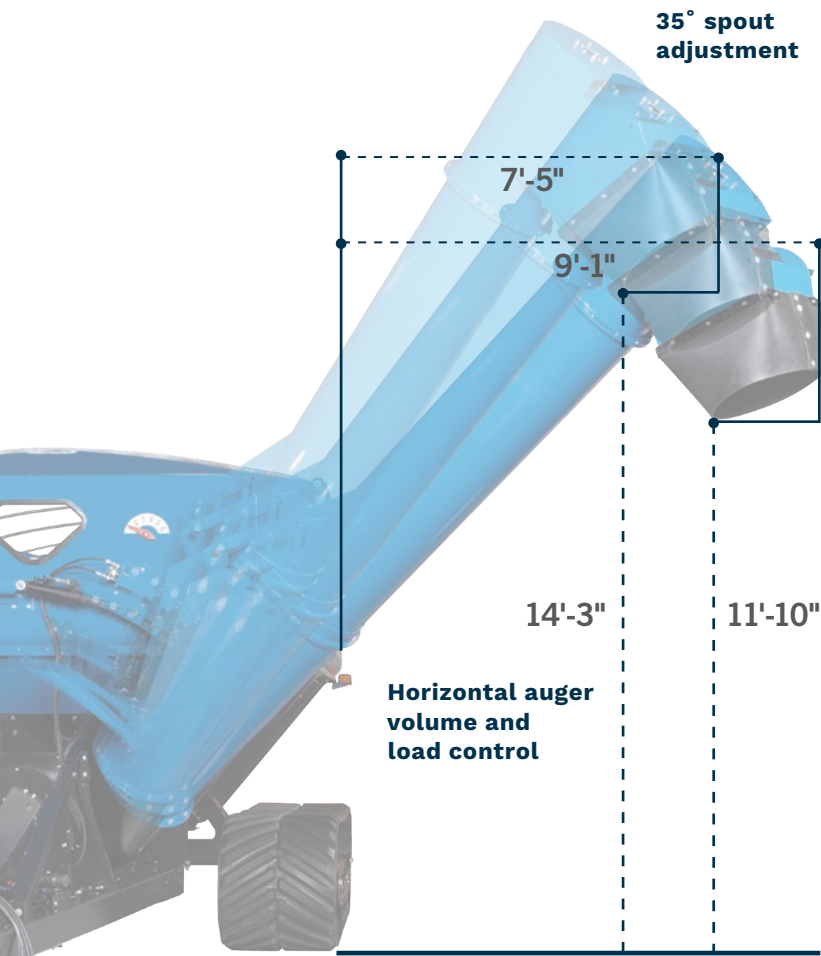


Digi-Star® electronic scale package options

- » GT400
- » GT560 with AutoLog™

Long life and durability

Kinze has been building carts since 1971 when it introduced the world's first two-wheeled, 435-bushel grain cart. Since then, we have been building them bigger, more rugged and durable for the long haul. With durability features like precision manufactured components, long-life powder coat finish, simple direct-driven gearboxes, and industrial grade cylinders, a Kinze Dual Auger Grain Cart will be a top performing and great looking cart for years to come.



Easy operation

Understanding your challenges inspires us to create solutions, like an industry-first low profile dual auger grain cart. Kinze's exclusive pivoting external corner auger allows for exceptional operator line-of-sight and comfort while maneuvering the grain cart. Additionally, the corner auger allows the operator to adjust the auger more than 2' in height and nearly 2' in reach, along with a hydraulically adjustable spout for precise grain placement.

Joystick control

Intuitive, ergonomic joystick design makes it easy to control four different cart functions: spout tip, horizontal auger on/off, flow gate, and auger tilt. It also reduces tractor SCV requirements. The joystick is standard on all dual auger grain carts.



1105

Heaped capacity -

Tires: 1250 bushels¹

Tracks: 1300 bushels¹

Unloads: 750 bu/min²



1205

Heaped capacity -

Tires: 1350 bushels¹

Tracks: 1400 bushels¹

Unloads: 750 bu/min²



1305

Heaped capacity -

Tires: 1450 bushels¹

Tracks: 1500 bushels¹

Unloads: 750 bu/min²



1500

Heaped capacity -

Tracks: 1700 bushels¹

Unloads: 750 bu/min²



¹ Cart capacity based on #2 corn at 15% moisture (56lb test weight). Cart capacity may vary based on crop type, grade, moisture and other environmental factors.

² Bushels per minute may vary with moisture content of grain and/or PTO rpm.

Undercarriage options

Ultimate grain cart flotation

Kinze dual auger grain carts come equipped with flotation tires, row crop tires, or tracks.



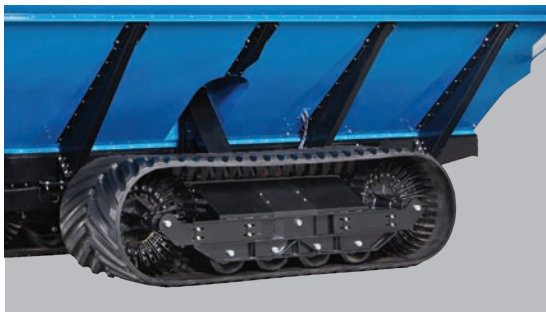
Flotation tires

For great mud handling performance, the 1250/50 R32 lug style flotation tire creates an extra-wide footprint for reduced compaction. 20-bolt hubs come standard, ensuring the heaviest loads remain balanced. Available on the 1105, 1205 and 1305 model carts.



Row crop tires

Dual 520/85 R42 165 tires, mounted on unequal length parallel link axles, provide flotation without disturbing the rows. Unique axle and reversible rim mounting system permit 30° to 40° between the tires. Available on the 1105, 1205 and 1305 model carts.



Kinze tracks by Camso (1105, 1205 and 1305)

High performance, 36" wide, Kinze tracks by Camso with oscillating bogie wheels allow for less berming and smoother operation with reduced rolling resistance. Reduced maintenance is achieved with oil bath hubs, equipped with clear caps for oil level visibility, and spring track tensioner.



Tracks

- Reduced ridging or berming during in-field runs
- » Designed specifically for Kinze grain carts
- » Lowers rolling resistance for ease of pulling
- » Ground contact length - 100"

Tension system

- Ensures proper operation of the system without any additional adjustments or maintenance
- » Mechanical spring track tensioner
- » Actively maintains tension
- » Reduces maintenance time

Wheels

- Reduced maintenance - no greasing or repacking of bearings
- » Heavy duty wheel hubs with oil bath lubrication
- » 5 years or 2,000 hours hub oil service intervals

Suspension system

- Oscillating bogie wheels maintain greater ground contact and support on uneven terrain
- » Improves cart stability
- » Reduces point loading and compaction zones
- » Smoother ride

1500 tracks

The model 1500 grain cart comes standard with a rubber-tracked undercarriage that is 36" wide and has 108" of ground contact. Rugged cast-iron, segmented end-wheels help to minimize maintenance and adjustments. Four mid-wheels on each side ensure durability and increased track life.

DIMENSIONS	1105	1205	1305	1500
Width – overall				
Flotation	14'	14'	14'	N/A
Row crop 30"	12' 7"	12' 7"	12' 7"	N/A
Row crop, wide row	15' 4"	15' 4"	15' 4"	N/A
Track	13'	13'	13'	13'
Length – total	31' 7"	34' 11"	34' 11"	38' 10"
Height – overall	11' 4"	10' 10"	11' 4"	11' 4"

SPECIFICATIONS

Weight				
Flotation (empty)	24,900 lbs.	25,190 lbs.	25,400 lbs.	N/A
Row crop (empty)	27,500 lbs.	28,260 lbs.	28,470 lbs.	N/A
Track (empty)	31,000 lbs.	31,470 lbs.	31,680 lbs.	35,180 lbs.
Hitch (empty)	3,950 lbs.	4,000 lbs.	4,040 lbs.	5,250 lbs.
Hitch (loaded) ¹	6,280 lbs.	6,540 lbs.	6,600 lbs.	7,380 lbs.
Capacity				
Heaped capacity - tires	1,250 bu.	1,350 bu.	1,450 bu.	N/A
Heaped capacity - tracks	1,300 bu.	1,400 bu.	1,500 bu.	1,700 bu.
Augers				
Vertical auger	24" Diameter	24" Diameter	24" Diameter	24" Diameter
Horizontal auger	22" Diameter	22" Diameter	22" Diameter	22" Diameter
Flotation Tire				
Hubs (cast ductile iron)	20 Bolt	20 Bolt	20 Bolt	N/A
Spindle	4 ½"	6"	6"	N/A
Row Crop				
Hubs (cast ductile iron)	4–10 Bolt	4–10 Bolt	4–10 Bolt	N/A
Spindle	4 ½"	4 ½"	4 ½"	N/A
Track				
Track width	36"	36"	36"	36"
Ground contact length	100"	100"	100"	108"
Total footprint (sq. in.)	7,214	7,214	7,214	7,776
End wheels (per track)	(2) 31 ½"	(2) 31 ½"	(2) 31 ½"	(2) 36 ½"
Mid wheels (per track)	4	4	4	4
Other				
Unload	750 bu/min	750 bu/min	750 bu/min	750 bu/min
PTO	1 ¾" - 1000 rpm	1 ¾" - 1000 rpm	1 ¾" - 1000 rpm	1 ¾" - 1000 rpm
Safety chains (grade 70)	(2) 40.5Klbs. Rated	(2) 40.5Klbs. Rated	(2) 40.5Klbs. Rated	(2) 40.5Klbs. Rated
Adjustable discharge spout	35°	35°	35°	35°
Drive belts	4-Band V Belts (2)	4-Band V Belts (2)	4-Band V Belts (2)	4-Band V Belts (2)
Hydraulic requirements	2 SCVs	2 SCVs	2 SCVs	2 SCVs

¹ Cart capacity and hitch weight are based on #2 corn at 15% moisture (56lb test weight). Cart capacity and hitch weight may vary based on crop type, grade, moisture and other environmental factors.

² Bushels per minute may vary with moisture content of grain and/or PTO rpm.

Single auger grain carts

Simple single auger grain carts that last longer than other carts in the market, built with premium components. Low maintenance drive line with no sheer bolts for reduced downtime and consistent and complete cleanout make crop change over effortless.

- Auto-reset torque limiting overrunning clutch
- 20" auger with thickened edge for 50% longer wear life
- 1051 available with premium Camso track option
- 20 bolt hubs for reliable load control
- Easy operation pit dump door for complete cleanout
- Quiet operating, positive auger driveline engagement



Easy operation pit dump door for complete cleanout



Front folding corner auger for excellent operator visibility



Precise grain placement with standard 35° adjustable spout

1-year warranty

Protect your investment

Every Single Auger Grain Cart comes with a 1-year warranty.

Optional features

Stay informed and protect your crop

Protect your investment with a cab-operated electric or manual tarp.

Choose from three Digi-Star® electronic scale options.



Digi-Star® electronic scale package options

- » GT400
- » GT560 with AutoLog™
- » GT560 with AutoLog™, WiFi, Moisture Sensor & GPS

851

Heaped Capacity: 850 bushels¹

Unloads: 475 bu/min²



1051

Heaped Capacity: 1050 bushels¹

Unloads: 475 bu/min²



¹ Cart capacity based on #2 corn at 15% moisture (56lb test weight). Cart capacity may vary based on crop type, grade, moisture and other environmental factors. ²Bushels per minute may vary with moisture content of grain and/or PTO rpm.

Tire & track options

Kinze Single Auger Grain Carts come with diamond or lug tread radial tires, or high performance Kinze tracks by Camso.



Kinze tracks by Camso (1051 only)

Rough fields and wet conditions create no delays for a grain cart equipped with tracks. 36" wide Kinze tracks by Camso have 100" of ground contact. Oscillating bogie wheels allow for less berming and smoother operation. Reduced maintenance is achieved with oil bath hubs, equipped with clear caps for oil level visibility, and spring track tensioner.



Low ground pressure radial diamond tires

Diamond tread radial tires provide low ground contact pressure to minimize soil compaction. Standard 20-bolt hubs ensure the heaviest loads remain balanced.

IF900/65R32CFO/191B(R3)



NEW Flotation lug tread radial tires

Flotation lug tread radial tires reduce compaction, increase hillside stability, improve maneuverability, are more durable, and increase harvest productivity. 20-bolt hubs ensure the heaviest loads remain balanced. VF 1050/50 R32L 198D (R1)

DIMENSIONS	851	1051
Width - overall		
Radial tires	14' 2"	14' 2"
Length - overall		
Length	28' 4"	30' 4"
Height		
Short side height	11' 1"	11' 7"
High side height	12' 1"	12' 7"
SPECIFICATIONS		
Capacity		
Heaped Capacity	850 bu. ¹	1,050 bu. ¹
Weight		
Radial tires (empty)	14,640 lbs.	15,100 lbs.
Tracks by Camso (empty)	N/A	23,000 lbs.
Hitch (empty)	2,500 lbs.	2,500 lbs.
Hitch (loaded) ¹	5,000 lbs.	5,000 lbs.
Auger		
Diameter	20"	20"
Reach	7' 3"	7' 3"
Height	13' 4"	13' 4"
Other		
Unload - bushel per minute	475 bu/min ²	475 bu/min ²
Adjustable discharge spout	35°	35°
Hydraulic requirements	3 SCVs	3 SCVs
PTO	1 ¾" - 1000 rpm	1 ¾" - 1000 rpm

¹ Cart hitch weight based on #2 corn at 15% moisture (56lb test weight). Cart capacity and hitch weight may vary based on crop type, grade, moisture and other environmental factors.

² Bushels per minute may vary with moisture content of grain and/or PTO rpm.



KINZE MANUFACTURING, INC.

PLANTING, HARVESTING AND TILLAGE SOLUTIONS BY FARMERS FOR FARMERS

From a shop in Ladora, Iowa, to today's sophisticated 160-acre campus and office complex with manufacturing and logistical support — Kinze has focused on one primary goal: designing and building solutions for farmers. That means listening to people who actually own and operate the equipment. Not only our loyal, hard-working customers, but many of our dedicated employees and the owners of Kinze Manufacturing.

KINZE®

Kinze Manufacturing, Inc. • 2172 M Ave
Williamsburg, Iowa 52361-0806 • kinze.com



Authorized Dealer:

© 2021 by Kinze Manufacturing, Inc. Kinze®, the Kinze® logo, are trademarks owned by Kinze Manufacturing, Inc. Kinze Manufacturing, Inc. reserves the right to make changes in engineering, design and specifications, or add improvements at any time without notice or obligation.

05/2021 / 1.5K
GLITGCARTSMPP