

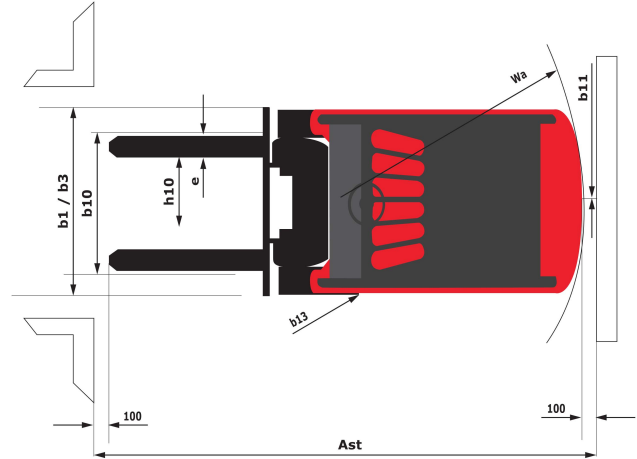
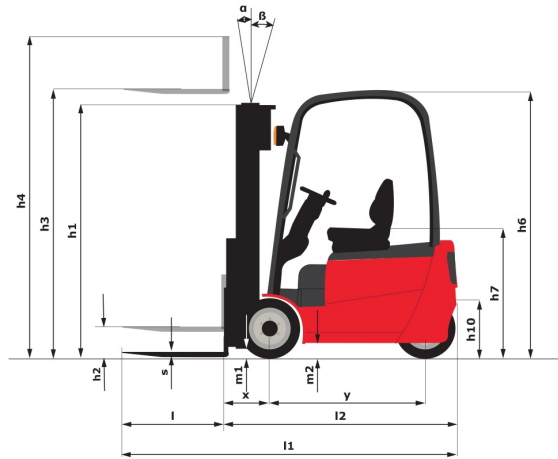
Technical sheet :

ME 320



Technical characteristics			Metric
1.1	Manufacturer		Manitou
1.2	Model Name		ME 320
1.3	Power source		Electric
1.4	Operator type		Seated
1.5	Max. capacity	Q	2000 kg
1.6	Load centre of gravity	c	500 mm
1.8	Load distance, centre of drive axle to fork	x	355 mm
1.9	Wheelbase	y	1465 mm
Weight			
2.1	Service weight		3470 kg
2.2	Weight on front axle (laden) / rear axle (laden)		4750 kg / 720 kg
2.3	Weight on front axle (Unladen) / rear axle (Unladen)		1530 kg / 1940 kg
Wheels			
3.1	Tyres type		PPS
3.2	Dimensions of front wheels		200/50-10
3.3	Dimensions of rear wheels		15x4,5-8
3.5	Number of front wheels / rear wheels		2 / 1
3.5.2	Number of drive wheels		2
3.6	Front wheel gauge	b10	910 mm
3.7	Rear wheel gauge	b11	175 mm
Dimensions			
4.1	Tilt of Mast Forward (deg) / Backward (deg)	α / β	5.5 / 6.5
4.7	Height of overhead guard (cabin)	h6	2040 mm
4.8	Seat height/stand height	h7	1000 mm
4.12	Height of towing bar (coupling height)	h10	500 mm
4.19	Overall length	l1	3076 mm
4.20	Length to face of forks	l2	2006 mm
4.21	Overall width	b1	1120 mm
4.22	Forks section / width / length	s / e / l	40 mm x 122 mm / 1070 mm
4.23	Fork carriage ISO 2328 (class/form) A/B		FEM 2A
4.24	Fork carriage width	b3	1000 mm
4.31	Ground clearance below mast	m1	100 mm
4.32	Ground clearance at centre of wheelbase	m2	110 mm
4.33	Aisle Width for pallets 1000 x 1200 crossways	Ast	3346 mm
4.34	Aisle width for 800 x 1200 pallet lengthways	Ast	3470 mm
4.35	Turning radius	Wa	1660 mm
Performances			
5.1	Travel speed (laden / unladen)		15 km/h / 15 km/h
5.2	Lifting speed (laden / unladen)		0.40 m/s / 0.45 m/s
5.3	Lowering speed (laden / unladen)		0.47 m/s / 0.42 m/s
5.5	Drawbar pull (Laden / Unladen)		900 daN / 930 daN
5.7	Gradeability (laden / unladen)		13 % / 15 %
5.10	Service brake		Oil bath
Engine			
6.1	Number of drive motor / Drive motor rating S2 60 min		2 / 9.50 kW
6.2	Lift motor rating at S3 15%		8.60 kW
6.3	Battery according to DIN 43531/35/36 A, B, C		DIN43531 A
6.4	Battery / Batteries capacity		48 V / 690 Ah
6.6	Energy consumption		4.70 kW/h
Miscellaneous			
8.1	Type of drive control		Electronic
8.2	Working hydraulic pressure for attachments		180 Bar
8.3	Oil flow rate for attachments		35 l/min
8.4	Measured/guaranteed mean noise level at the ear of the operator		< 70 dB(A)

Dimensional drawing



Characteristics of masts and residual capacities

Full Visibility Duplex		FVD 27	FVD 30	FVD 33	FVD 36	FVD 40	FVD 43	FVD 45
h2 - Free lift	mm	145	145	145	145	145	145	145
h1 - Height mast lowered *	mm	1845	1995	2145	2295	2545	2710	2820
h3 - Lifting Height	mm	2700	3000	3300	3600	4000	4300	4500
h4 - Height mast extended *	mm	3265	3565	3865	4165	4565	4865	5065
α / β - Mast inclination (front / rear)	°	5.50 / 6	5.50 / 6	5.50 / 6	5.50 / 6	3.50 / 5	3.50 / 5	3.50 / 5
Residual capacity without attachment (Industrial load chart)	kg	2000	2000	2000	2000	2000	1950	1900
Residual capacity with integrated side shift (Industrial load chart)	kg	2000	2000	2000	2000	2000	1950	1900
Residual capacity with hooked-on side shift (Industrial load chart)	kg	2000	2000	2000	2000	1850	1750	1700
Height at max capacity	mm	2700	3000	3300	3600	4000	4000	4000
Height at max capacity with integrated sideshift	mm	2700	3000	3300	3600	4000	4000	4000

Free Lift Duplex		FLD 27	FLD 30	FLD 33	FLD 36	FLD 40
h2 - Free lift	mm	1260	1410	1560	1710	1960
h1 - Height mast lowered *	mm	1845	1995	2145	2295	2545
h3 - Lifting Height	mm	2700	3000	3300	3600	4000
h4 - Height mast extended *	mm	3295	3595	3895	4195	4595
α / β - Mast inclination (front / rear)	°	5.50 / 6	5.50 / 6	5.50 / 6	5.50 / 6	3.50 / 5
Residual capacity without attachment (Industrial load chart)	kg	2000	2000	2000	2000	2000
Residual capacity with integrated side shift (Industrial load chart)	kg	2000	2000	2000	2000	2000
Residual capacity with hooked-on side shift (Industrial load chart)	kg	2000	2000	2000	2000	1850
Height at max capacity	mm	2700	3000	3300	3600	4000
Height at max capacity with integrated sideshift	mm	2700	3000	3300	3600	4000

Free Lift Triplex		FLT 40	FLT 43	FLT 45	FLT 48	FLT 50	FLT 55	FLT 60	FLT 65
h2 - Free lift	mm	1325	1425	1490	1590	1655	1825	2010	2010
h1 - Height mast lowered *	mm	1910	2010	2075	2175	2240	2410	2625	2840
h3 - Lifting Height	mm	4000	4300	4500	4800	5000	5500	6000	6500
h4 - Height mast extended *	mm	4595	4895	5095	5395	5595	6095	6625	7170
α / β - Mast inclination (front / rear)	°	3.50 / 5	3.50 / 5	3.50 / 5	3.50 / 5	3.50 / 5	3.50 / 5	3.50 / 5	3.50 / 5
Residual capacity without attachment (Industrial load chart)	kg	1950	1900	1800	1700	1600	1400	1300	1100
Residual capacity with integrated side shift (Industrial load chart)	kg	1950	1900	1800	1700	1600	1400	1300	1100
Residual capacity with hooked-on side shift (Industrial load chart)	kg	1800	1750	1650	1550	1450	1250	1150	950
Height at max capacity	mm	4000							
Height at max capacity with integrated sideshift	mm	4000							



Siège Social

430 rue de l'Aubinière - 44150 Ancenis Cedex - France

Tel: +33(0)2 40 09 10 11 - Fax: +33 (0)2 40 09 10 97

www.manitou.com



This brochure describes versions and configuration options for Manitou products which may be fitted with different equipment. The equipment described in this brochure may be standard, optional or not available depending on version. Manitou reserves the right to change the specifications shown and described at any time and without prior warning. The manufacturer is not liable for the specifications given. For more information, contact your Manitou dealer. Non-contractual document. Product descriptions may differ from actual products. List of specifications is not comprehensive. The logos and visual identity of the company are the property of Manitou and may not be used without authorisation. All rights reserved. The photos and diagrams contained in this brochure are provided for information only.

MANITOU BF SA - Limited company with board of directors - Share capital: 39,668,399 euros - 857 802 508 RCS Nantes