

Technical sheet :

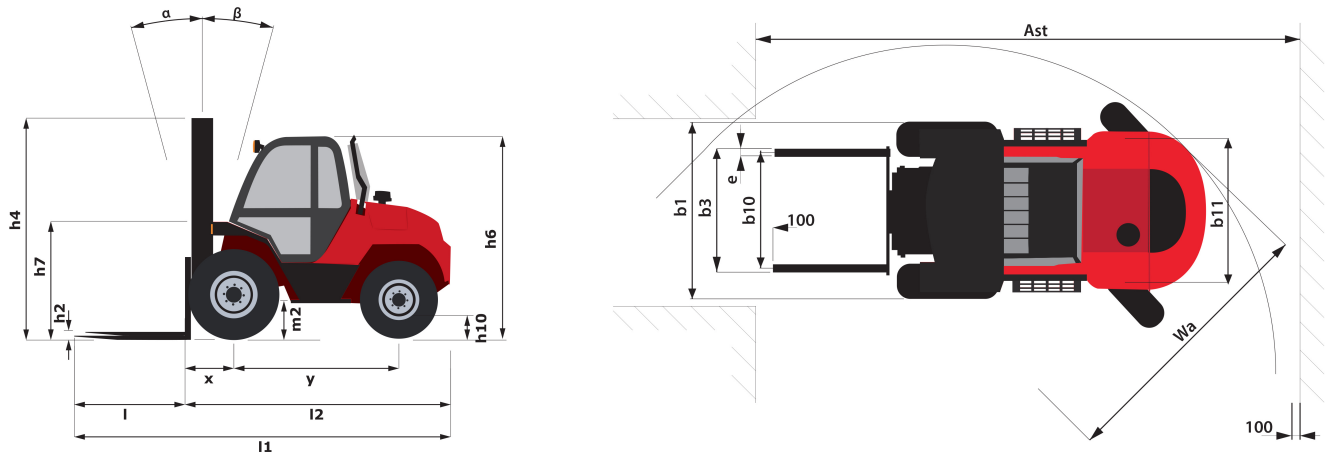
# **M 40-4 ST5**

---



|       | Technical characteristics  |                  | Metric                   |
|-------|--|------------------|--------------------------|
| 1.1   | Manufacturer   |                  | MANITOU                  |
| 1.2   | Model Name   |                  | M 40-4 ST5               |
| 1.3   | Power source   |                  | Diesel                   |
| 1.4   | Operator type  |                  | Seated                   |
| 1.5   | Max. capacity  | Q                | 4000 kg                  |
| 1.6   | Load centre of gravity   | c                | 500 mm                   |
| 1.8   | Load distance, centre of drive axle to fork  | x                | 763 mm                   |
| 1.9   | Wheelbase  | y                | 2120 mm                  |
|       | <b>Weight</b>  |                  |                          |
| 2.1   | Service weight   |                  | 6965 kg                  |
| 2.2   | Weight on front axle (laden) / rear axle (laden)   |                  | 9010 kg / 1955 kg        |
| 2.3   | Weight on front axle (Unladen) / rear axle (Unladen)                                     |                  | 2625 kg / 4340 kg        |
|       | <b>Wheels</b>  |                  |                          |
| 3.1   | Tyres type   |                  | Pneumatic                |
| 3.2   | Dimensions of front wheels   |                  | 18-22,5 MPT-06           |
| 3.3   | Dimensions of rear wheels  |                  | 340/80 R18 XMCL          |
| 3.5   | Number of front wheels / rear wheels   |                  | 2 / 2                    |
| 3.5.2 | Number of drive wheels   |                  | 4                        |
| 3.6   | Front wheel gauge  | b10              | 1620 mm                  |
| 3.7   | Rear wheel gauge   | b11              | 1740 mm                  |
|       | <b>Dimensions</b>  |                  |                          |
| 4.1   | Tilt of Mast Forward (deg) / Backward (deg)  | $\alpha / \beta$ | 15 / 15                  |
| 4.7   | Height of overhead guard (cabin) / Overall height of low overhead guard (Buggie version) | h6 / h6*         | 2486 mm / 2486 mm        |
| 4.8   | Seat height/stand height   | h7               | 1455 mm                  |
| 4.19  | Overall length   | l1               | 4858 mm                  |
| 4.20  | Length to face of forks  | l2               | 3658 mm                  |
| 4.21  | Overall width  | b1               | 2080 mm                  |
| 4.22  | Forks section x width x length   | s / e / l        | 50 mm x 150 mm / 1200 mm |
| 4.23  | Fork carriage ISO 2328 (class/form) A/B  |                  | FEM 3A                   |
| 4.24  | Fork carriage width  | b3               | 1670 mm                  |
| 4.31  | Ground clearance below mast  | m1               | 300 mm                   |
| 4.32  | Ground clearance at centre of wheelbase  | m2               | 426 mm                   |
| 4.33  | Aisle width for 1000 x 1200 pallet widthways   | Ast              | 6732 mm                  |
| 4.34  | Aisle width for 800 x 1200 pallet lengthways   | Ast              | 6732 mm                  |
| 4.35  | Turning radius   | Wa               | 4570 mm                  |
|       | <b>Performances</b>  |                  |                          |
| 5.1   | Travel speed (laden / unladen)   |                  | 10 km/h / 22 km/h        |
| 5.2   | Lifting speed (laden / unladen)  |                  | 0.40 m/s / 0.40 m/s      |
| 5.3   | Lowering speed (laden / unladen)   |                  | 0.50 m/s / 0.40 m/s      |
| 5.5   | Drawbar pull (Laden / Unladen)   |                  | 11000 daN / 6600 daN     |
| 5.10  | Service brake  |                  | Hydraulic                |
|       | <b>Engine</b>  |                  |                          |
| 7.1   | Engine brand / model   |                  | Deutz / TCD 2,9          |
| 7.2   | Engine power according to ISO 1585   |                  | 55 kW                    |
| 7.3   | Rated speed  |                  | 2300 rpm                 |
| 7.4   | Number of cylinders / Capacity of cylinders  |                  | 4 - 2925 cm <sup>3</sup> |
| 7.5   | Fuel consumption according to VDI cycle  |                  | 6.90 l/h                 |
|       | <b>Miscellaneous</b>   |                  |                          |
| 8.1   | Type of drive control  |                  | Electric                 |
| 8.2   | Working hydraulic pressure for attachments   |                  | 210 Bar                  |
| 8.3   | Oil flow rate for attachments  |                  | 97 l/min                 |
| 8.4   | Sound level at the driver's ear according to DIN 12 053                                  |                  | 76 dB(A)                 |

## Dimensional drawing



## Characteristics of masts and residual capacities

| Full Visibility Duplex  |    | FVD 30  | FVD 33  | FVD 35  | FVD 37  | FVD 40  | FVD 45  | FVD 50  |
|---|----|---------|---------|---------|---------|---------|---------|---------|
| h1 - Height mast lowered *  | mm | 2520    | 2670    | 2770    | 2870    | 3020    | 3270    | 3520    |
| h4 - Height mast extended *                                       | mm | 4070    | 4370    | 4570    | 4770    | 5070    | 5570    | 6070    |
| h3 - Max. lifting height  | mm | 3000    | 3300    | 3500    | 3700    | 4000    | 4500    | 5000    |
| $\alpha / \beta$ - Mast inclination (front / rear)                | °  | 15 / 15 | 15 / 15 | 15 / 15 | 15 / 15 | 15 / 15 | 15 / 15 | 15 / 15 |
| Residual capacity at max height                                   | kg | 4000    | 4000    | 4000    | 4000    | 4000    |         |         |
| Residual capacity without attachment (Off road load chart)        | kg | 4000    | 4000    | 4000    | 4000    | 4000    |         |         |
| Residual capacity with hooked-on side shift (Off road load chart) | kg | 4000    | 4000    | 4000    | 4000    | 4000    |         |         |
| Height at max capacity  | mm | 3000    | 3300    | 3500    | 3700    | 4000    |         |         |
| Height at max capacity with hooked-on sideshift                   | mm | 3000    | 3300    | 3500    | 3700    | 4000    |         |         |

| Free Lift Triplex   |    | FLT 37  | FLT 40  | FLT 43  | FLT 45  | FLT 47  | FLT 50  | FLT 55  |
|---|----|---------|---------|---------|---------|---------|---------|---------|
| h2 - Free lift  | mm | 1255    | 1355    | 1455    | 1530    | 1590    | 1705    | 1855    |
| h1 - Height mast lowered *  | mm | 2270    | 2370    | 2470    | 2545    | 2605    | 2720    | 2870    |
| h4 - Height mast extended *                                       | mm | 4770    | 5070    | 5370    | 5570    | 5770    | 6070    | 6570    |
| h3 - Max. lifting height  | mm | 3700    | 4000    | 4300    | 4500    | 4700    | 5000    | 5500    |
| $\alpha / \beta$ - Mast inclination (front / rear)                | °  | 15 / 15 | 15 / 15 | 15 / 15 | 15 / 15 | 15 / 15 | 10 / 15 | 10 / 15 |
| Residual capacity at max height                                   | kg | 4000    | 4000    | 4000    | 4000    |         |         |         |
| Residual capacity without attachment (Off road load chart)        | kg | 4000    | 4000    | 4000    | 4000    |         |         |         |
| Residual capacity with hooked-on side shift (Off road load chart) | kg |         |         |         | 3800    | 3000    |         | 2000    |
| Height at max capacity  | mm | 3700    | 4000    | 4300    | 4500    |         |         |         |
| Height at max capacity with hooked-on sideshift                   | mm |         |         |         | 4000    | 4200    |         | 4200    |

| Full Visibility Triplex                            |    | FLT 60  |
|--|----|---------|
| h2 - Free lift                                     | mm | 2030    |
| h1 - Height mast lowered *                         | mm | 3045    |
| h4 - Height mast extended *                        | mm | 7070    |
| h3 - Max. lifting height                           | mm | 6000    |
| $\alpha / \beta$ - Mast inclination (front / rear) | °  | 10 / 15 |



Siège Social

430 rue de l'Aubinière - 44150 Ancenis Cedex - France

Tel: +33(0)2 40 09 10 11 - Fax: +33 (0)2 40 09 10 97

[www.manitou.com](http://www.manitou.com)



This brochure describes versions and configuration options for Manitou products which may be fitted with different equipment. The equipment described in this brochure may be standard, optional or not available depending on version. Manitou reserves the right to change the specifications shown and described at any time and without prior warning. The manufacturer is not liable for the specifications given. For more information, contact your Manitou dealer. Non-contractual document. Product descriptions may differ from actual products. List of specifications is not comprehensive. The logos and visual identity of the company are the property of Manitou and may not be used without authorisation. All rights reserved. The photos and diagrams contained in this brochure are provided for information only.

MANITOU BF SA - Limited company with board of directors - Share capital: 39,668,399 euros - 857 802 508 RCS Nantes