

KINZE

ROW CROP

PLANTERS



TRUE. BLUE. Advantage.

You require durable equipment to handle tough conditions, while being simple to operate and easy to maintain. With more than 55 years of innovation and optimization, we continue to push industry performance boundaries by developing dependable, innovative, and easy to use agricultural equipment that delivers **TRUE Performance** when you need it.

PLANTER PERFORMANCE UPGRADES 05 SERIES

Spend less time in the shop and more time in the field with the 05 series planter enhancements. Double the acres between service intervals with upgrades to row unit wear points for improved durability and ease of maintenance. **With an enhanced seed delivery system, plant more crop types, seed sizes, and increase your speed.**

Colored hydraulic handle grips for easy hose identification and hook-ups



Variable displacement hydraulic piston PTO pump (2 SCVs)

Available on 4905 & 4705 models only



Parallel arm double bushing design

Double row bearing disc opener



Long life inner scraper
High speed scraper shown

Firestone low ground pressure VF tires

Available on most 4905 and 4705 configurations



High efficiency, quiet vacuum fan and 1.5" vacuum hoses for easier meter removal and serviceability
2" hoses on 3115, 3145 and 3205



Redesigned hydraulics for simple operation and faster lift speed



Bulk fill entrainer design supports various crop seed types and increased rates



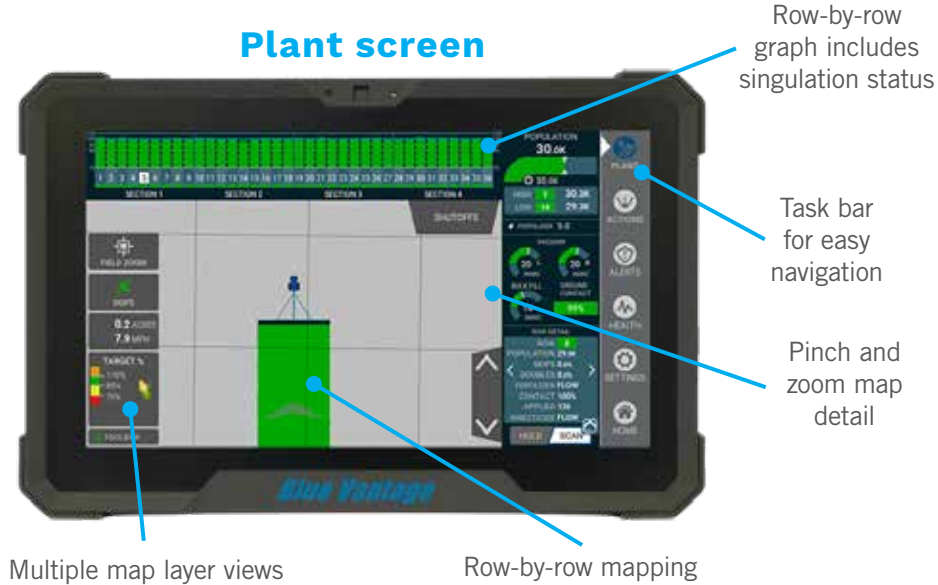
05 SERIES DESIGN

ORIGINAL DESIGN

Simple TRUE control of your planter.

The designed-by-Kinze and built-for-Kinze **Blue Vantage**® display is the industry's easiest to use, dedicated planter display. The innovative, clean, and streamlined display provides simple, accurate, and intuitive planter control for high productivity planting. Factory presets remove the labor and guesswork from setup, while a dedicated planting screen provides all critical information at one glance during planting. Built-in diagnostics provide easy and efficient troubleshooting.

- Ruggedized touch screen tablet is easy to understand and simple to use, and only requires 3 clicks to set up and start planting
- All critical planting information is displayed on a single, user optimized display screen; factory presets eliminate setup guesswork
- Dedicated Kinze display enables quick system updates, robust built-in diagnostics, and a single source for all user and troubleshooting questions
- Hydraulic weight transfer is actively adjusted by Blue Vantage as the weight of bulk fill hoppers change



Blue Drive and Blue Vantage availability

Model	Row Configuration
4905	24 Row 30"
4905	16 Row 30"
4905	12 Row 30"
4705	24 Row 30"
4705	36 Row 20"
3665	16 Row 30" ¹
3665	12 Row 30" ¹
3505	8 Row 30" ^{1,2}

¹ Split row option available
² Bulk fill only

Integrated down force screens



- True Depth map displays the target gauge wheel load as a percentage of ground contact
- Monitor and control the down force settings directly from the display plant screen

Shared Mapping (Map Sync™)



- Two or more planters equipped with Blue Vantage can share coverage data to plant in the same field at the same time
- Maximizes planting efficiency when using multiple planters in the same field

Task set-up



- One screen field set-up with no grower, farm, or field information required to plant
- Vacuum and bulk fill requirements for different crops are factory preset

Camera Options



- View up to four planter-mounted cameras
- First camera is factory installed and rearward-facing
- Three additional cameras can be mounted as needed

TRUE confidence during planting season.

Blue Drive® is a Kinze designed electric drive system that is simple, reliable and accurate, giving you confidence during the planting season. Ethernet communication and universal module architecture allow for faster, more accurate planter performance with built-in feature expandability. System design delivers enhanced section control and accurate seed placement, ensuring maximized profitability.

- Ethernet connectivity provides reliable, faster connection and speeds for quick software updates and troubleshooting
- Universal module design for easy troubleshooting and module replacement with built in diagnostic status indicators

- Proprietary, non-ISOBUS architecture to optimize the design and experience for Kinze users
- Built with capacity for future feature additions and software upgrades for maximum cost efficiencies and ease of maintenance

HIGH SPEED PLANTING SOLUTION

TRUE SPEED

Accurately achieve results at TRUE higher speeds.

Accurately plant at speeds from 3–12 mph with the **True Speed®** high speed meter and plant up to twice the number of acres in a day versus a conventional meter.* By controlling the seed from the seed disc to placement in the seed trench, precise singulation and seed spacing are achieved regardless of seed size, shape, or coating. Industry leading low seed release point delivers superior spacing accuracy for precise seed positioning in the row.

*subject to equipment, seed type and field conditions

- Easily replaceable industry leading wear components are long life and low cost — saving time and money
- A single, no-adjust singulator is all that is needed for planting corn, cotton, sugar beets, and milo
- Self-aligning delivery tube flighted belt does not stretch, or require removal after the planting season
- All access to the meter and delivery tube are tool-less for easy and efficient crop change-overs and maintenance
- Quick changeover of seed type is aided by a pivoting meter mount with lock-up, and easy to remove seed discs

Accuracy at your speed to maximize field efficiency and planting performance at speeds from 3-12 mph.

	5 mph	7 mph	10 mph	12 mph
Acres/hour (24 row planter)	26 acres/hr	36 acres/hr	51 acres/hr	61 acres/hr
Acres/hour (16 row planter)	17 acres/hr	24 acres/hr	34 acres/hr	41 acres/hr
% efficiency increase	-----	29%	50%	60%



Soybean
92 Cell, 30"



Soybean
46 Cell, 15"



Corn
32 Cells



Sugar beets/Milo
46 Cells



Cotton
46 Cells

True Speed availability¹

Model	Row Configuration
4905	24 Row 30"
4905	16 Row 30"
4905	12 Row 30"
4705	36 Row 20"
4705	24 Row 30"
3665	16 Row 30" ²
3665	12 Row 30" ²

¹ Available on bulk fill only
² Available with split row option

Unique seed disc paddle design

Provides positive load-in and holds the seed for precise handoff to delivery belt

Unique meter orientation

Perpendicular meter orientation provides seamless seed handoff from disc to delivery tube



Brush wheel

- Keeps seed in control with a positive handoff from the seed disc to the delivery belt
- Longer life and low cost replacement provides lower cost of ownership

Kinze received the prestigious AE50 award for 2021 for its outstanding True Speed technology that enables high speed planting.



No adjust singulator
One singulator for all crop types requires no adjustment

Kevlar reinforced belt

Increased wear life of components resulting in lower cost of ownership and eliminates the need to remove the belt at the end of the season



Lowest release points in the industry

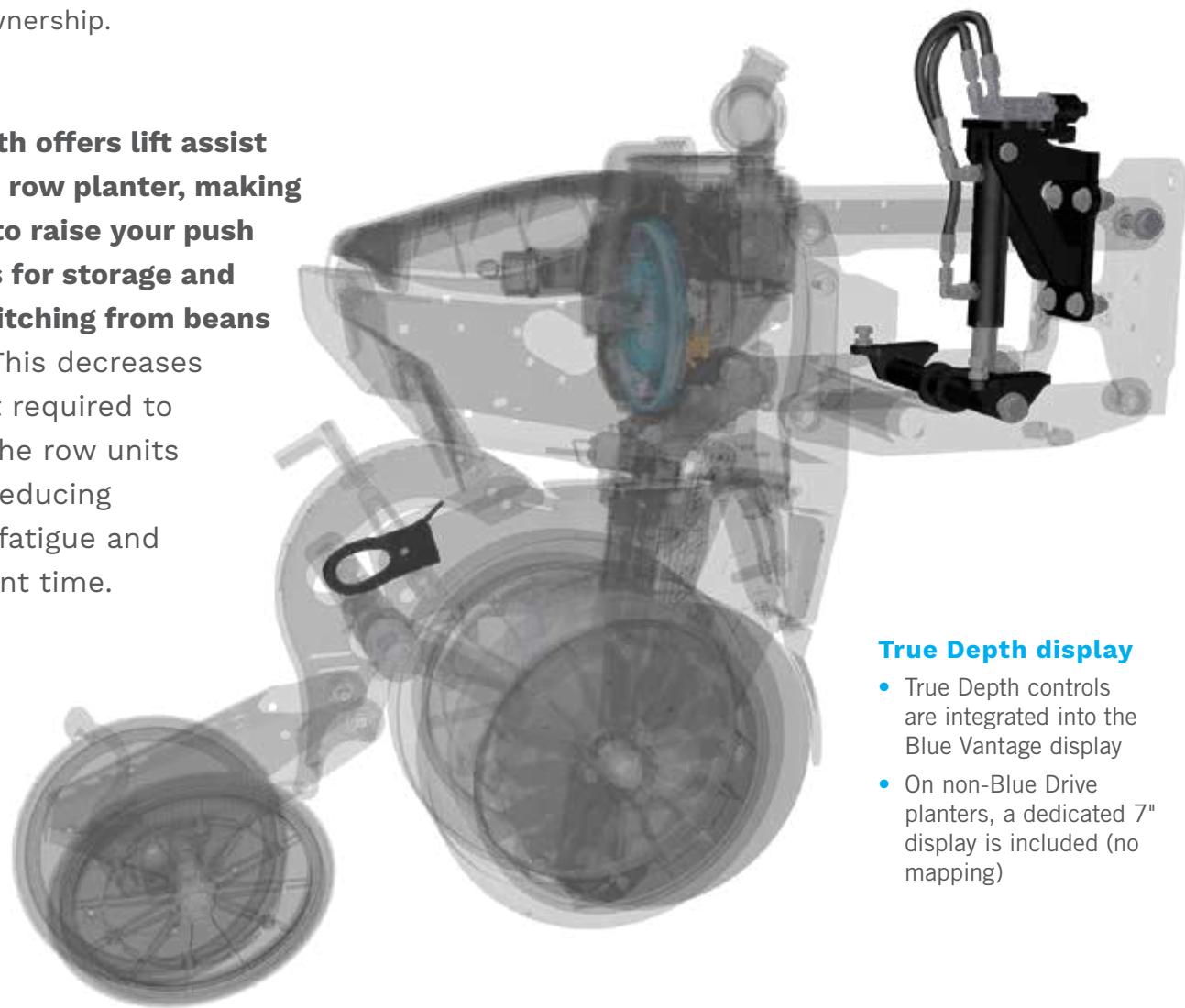
For superior Coefficient of Variation (COV)



Automatically hit your TRUE target depth to increase yields.

True Depth hydraulic down force removes the guesswork from down force settings. It maintains a consistent seed depth for optimum emergence and root development along with minimizing sidewall compaction. During conventional or no-till planting, gauge wheel load is constantly measured, and automatically and instantly adjusts the down force, or up-lift, for each individual row. A large diameter hydraulic cylinder rod and cast load link make True Depth more durable than competitive systems and maintains a low cost of ownership.

True Depth offers lift assist on a split row planter, making it easier to raise your push row units for storage and when switching from beans to corn. This decreases the effort required to lock-up the row units by 30%, reducing operator fatigue and adjustment time.



- Large diameter hydraulic cylinder rod is more durable in rocky field conditions and at higher planting speeds
- Overall cylinder design is rebuildable for lower cost of ownership
- Durable cast load link design with fully potted and sealed electronics are built for long term wear life
- Single valve per row provides clean and simple operation and ease of maintenance

True Depth availability:
4905, 4705, 3665, 3605, 3505*

* 3505 available on Blue Drive only

True Depth display

- True Depth controls are integrated into the Blue Vantage display
- On non-Blue Drive planters, a dedicated 7" display is included (no mapping)

Effortlessly handle a variety of seeds at a TRUE metered rate.

The **True Rate**® vacuum meter, with its wide selection of easy-to-change seed discs, can plant with 99% accuracy at speeds up to 8 mph as field conditions allow. The durable and easily serviceable design requires only one singulator for easy operation, optimum performance, and low cost of ownership.

- 3 o'clock seed release for consistent seed drop regardless of planter speed or population
- One easy to adjust singulator for all crop types to dial in singulation accuracy
- Engineered polymer seal provides long wear life and ensures consistent vacuum levels
- Tapered edge seed disc for reduced seed contact during release; improved COV, especially on slopes
- Quick crop changeover with a single button meter cover release and quarter turn quick release seed disc hub

True Rate vacuum meter seed discs

Many color-coded seed discs are available for planting different crops, seed sizes, and populations.



Superior singulation

One adjustable seed singulator for all seed types and sizes

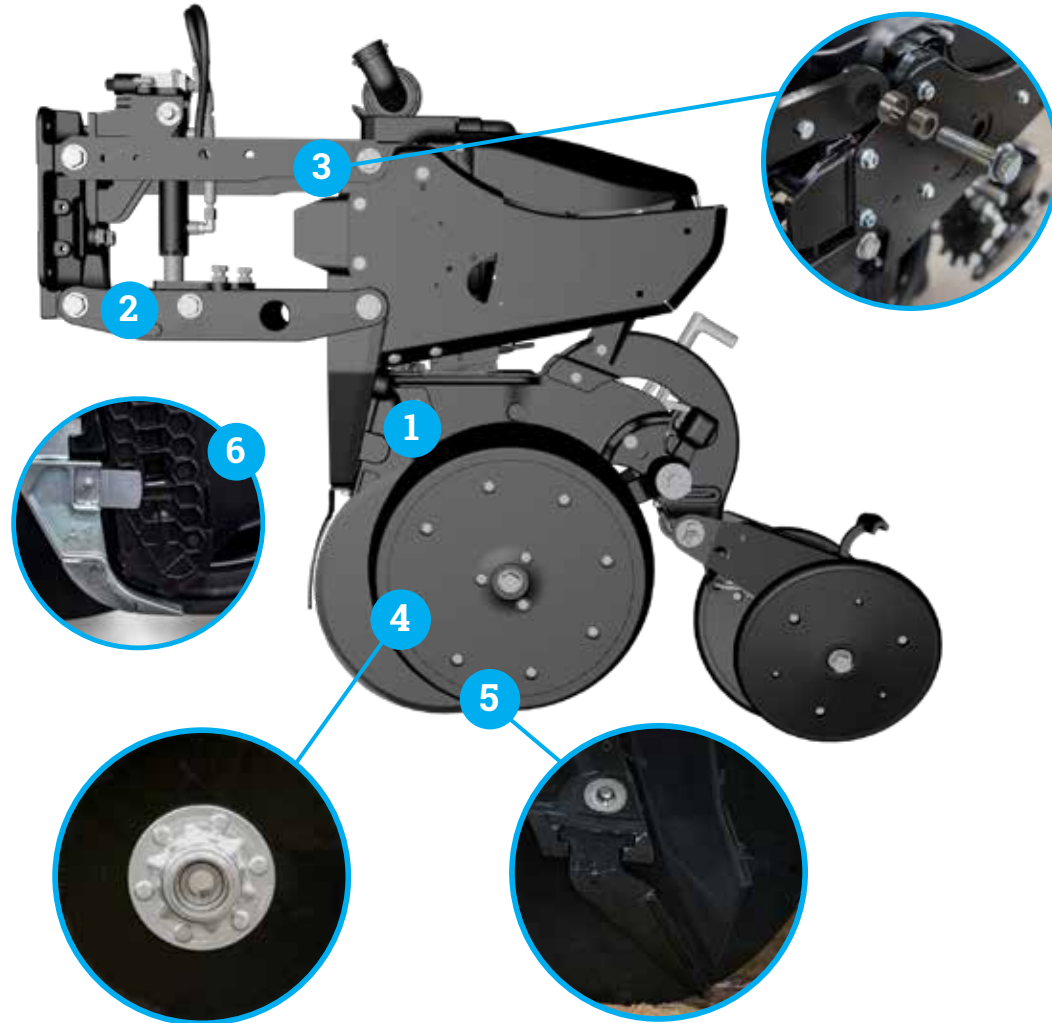


Superior loading

- » Seed pool shape promotes 100% clean out
- » Seed channel ensures every seed cell is loaded, preventing skips

4005 SERIES

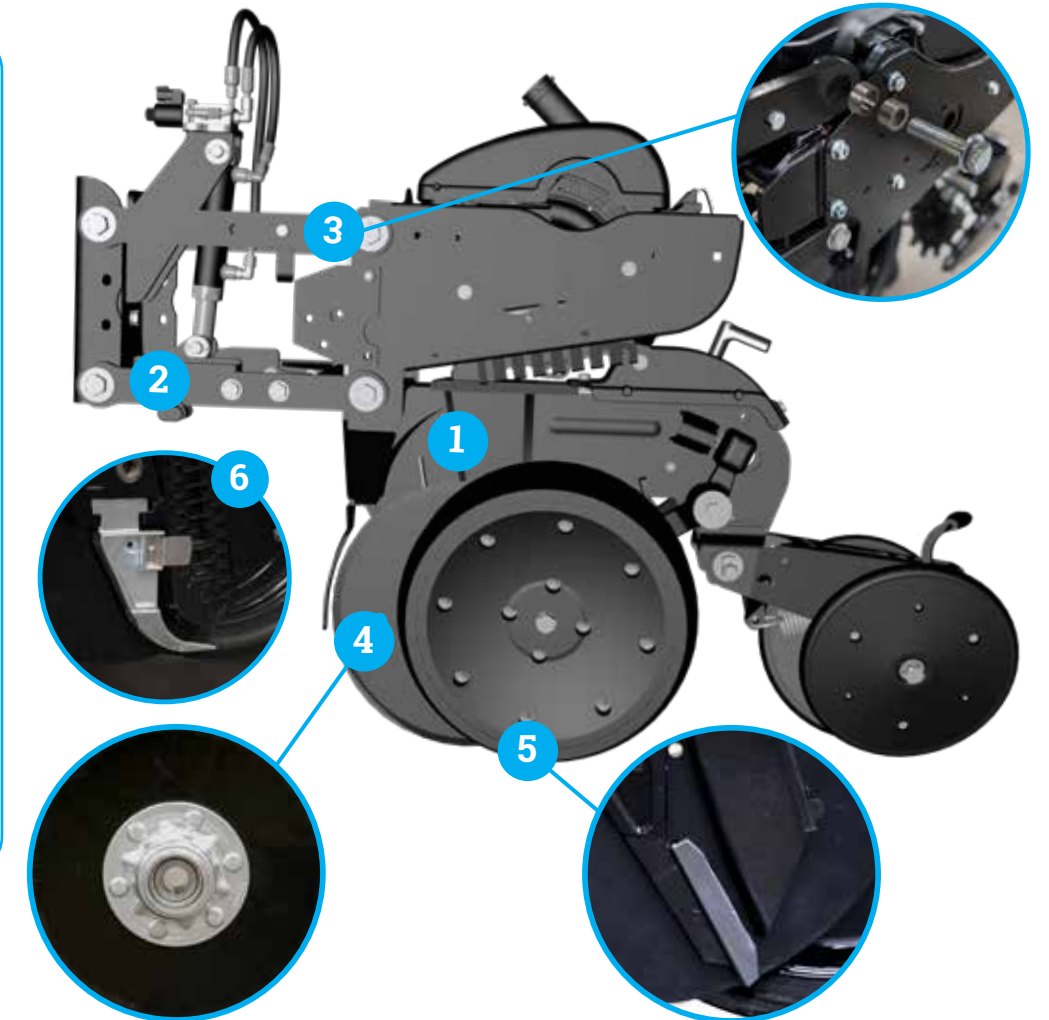
1. Cast iron shanks for greater reliability and durability
2. 12" row unit travel ensures ideal seed depth in varying terrains
3. Double parallel arm bushings with larger wear areas to eliminate arm replacement
4. Double row bearing disc opener for increased durability
5. Improved scraper material lasts two times longer than the '00 Series inner scraper
6. True Speed scraper



Row unit shown with bulk fill mini-hopper

3005 SERIES

1. Heavy duty shanks with triangular reinforcement to max side-load strength
2. 10" row unit travel handles changing field conditions
3. Double parallel arm bushings with larger wear areas to eliminate arm replacement
4. Double row bearing disc opener for increased durability
5. Improved scraper material lasts two times longer than the '00 Series inner scraper
6. True Speed scraper



Row unit shown with bulk fill mini-hopper

05 SERIES

Common features on both 4005 and 3005 series row units

- Hardened, replaceable large diameter double parallel arm bushings have more wear area and are oil impregnated for double the wear life and to eliminate parallel arm replacement
- Inner scraper material upgraded for twice the wear life
- Load equalizing gauge wheels for uniform depth control, even in heavy residue or rugged planting conditions
- Down force options depending on configuration: True Depth hydraulic, pneumatic, or springs

Row unit hoppers

On planters not equipped with bulk fill hoppers, durable row unit hoppers are available in two sizes.



4005 3.0 bu. high-capacity row unit hopper



4005 and 3005 1.9 bu. row unit hopper

Insecticide and granular chemical options available on 3005 and 4005.



This is the most advanced, yet simple to operate planter that has ever planted corn. Performance optimized with True Speed high speed meters, Blue Vantage display, Blue Drive electric drive, and high speed cast row units to accurately plant at speeds up to 12 mph and finish planting inside small windows of time. Hydraulic weight transfer and True Depth hydraulic down force ensure seed is placed at the correct depth for optimum emergence and root development.

- True high-performance and accurate planting with True Speed or True Rate vacuum meters and Blue Drive electric drive
- Simple and easy to use Blue Vantage display with Map Sync™ shared field coverage data, and up to four cameras
- Improved durability, longer wear life, and lower cost of ownership from O5 Series row unit upgrades
- Follow rolling terrain easily with a 3-section front fold frame with 42 degrees of wing flex
- Consistent seed depth control from the durable True Depth hydraulic down force system
- Reduced pinch row compaction from bulk fill with an active hydraulic weight transfer system
- Fewer stops, with up to 750 gallons of fertilizer on board, controlled by Blue Vantage
- Lower tractor hydraulic requirements and only two SCVs required with PTO variable displacement pump
- High transport clearance and shorter turn radius from patented flip axle
- Optimized hydraulic system with fast lift times and a clean, uncluttered layout

Features & options¹

True Speed meter

Blue Drive electric drive and Blue Vantage display

Cast row unit

True Depth hydraulic down force

Active² hydraulic weight transfer

42 degrees of wing flex

Up to 4 planter mounted cameras

True Rate vac meter

Flip axle

Narrow transport

Liquid fertilizer

¹Not all features are available with all configurations. Visit www.kinze.com/planters or your local dealer for details.

²Active hydraulic weight transfer only with bulk fill scales and Blue Drive.



Equipped with Blue Vantage display, Blue Drive electric drive, True Speed high speed meters, rugged cast row units, and True Depth hydraulic down force, the 4705 delivers unrivaled seed control and placement at speeds up to 12 mph. The front fold, 3 section, high clearance frame, equipped with larger front mounted tires and transfer, supports large seed and fertilizer capacities while reducing pinch row compaction.

- True high-performance and accurate planting with True Speed or True Rate vacuum meters and Blue Drive electric drive
- Simple and easy to use Blue Vantage display with Map Sync™ shared field coverage data, and up to four cameras
- Improved durability, longer wear life, and lower cost of ownership from O5 Series row unit upgrades
- Reduced pinch row compaction from bulk fill with an active hydraulic weight transfer system
- Fewer stops and improved efficiency from 750 gallons of fertilizer on board, controlled by Blue Vantage
- Lower tractor hydraulic requirements and only two SCVs required with PTO variable displacement pump
- Follow rolling terrain easily with a 3-section front fold frame with 30 degrees of wing flex
- Reduced soil compaction, increased residue flow, and improved flotation in soft fields from front mounted VF and IF technology tires
- Hydraulic wing locks and best in class transport clearance for easy and safe road transport

Features & options¹

True Speed meter

Blue Drive electric drive and Blue Vantage display

Cast row unit

True Depth hydraulic down force

Active² hydraulic weight transfer

Bulk fill

True Rate vac meter

Up to 4 planter mounted cameras

High transport clearance

Liquid fertilizer

¹Not all features are available with all configurations. Visit www.kinze.com/planters or your local dealer for details.

²Active hydraulic weight transfer only with bulk fill scales and Blue Drive.

FRONT FOLD MODEL

3705

24 ROW 20"

CLASSIC  PLANTER



The 3705 is a great value, 2-section front fold planter, in 24-row 20" spacing, that provides increased planting efficiency with minimal hydraulic requirements. With 110 bushels of bulk fill seed capacity, 300 gallons of fertilizer, True Rate vacuum meters, and hydraulic drive, it quickly plants narrow-row crops.

- Exceptional seed handling capabilities with upgraded bulk fill entrainer — up to 11 different crops
- 99% accuracy at speeds up to 8 mph as field conditions allow, with the True Rate vacuum meter
- Improved durability, longer wear life, and lower cost of ownership from 05 Series row unit upgrades
- Cost effective solution for planting 20" row crops
- Low hydraulic requirements — maximum of three SCVs required
- Fewer stops with 110 bushels bulk fill seed capacity
- Efficient fertilizer application with 300 gallons of fertilizer capacity

Features & options¹

True Rate vacuum seed meter	110 Bushel bulk fill	Variable rate hydraulic drive
300 Gallon liquid fertilizer	05 Series row unit enhancements	Narrow rows — 20"

¹Not all features are available with all configurations. Visit www.kinze.com/planters or your local dealer for details.

PIVOT FOLD MODEL

3665

16 ROW 30" | 12 ROW 30"

HIGH TECH  PLANTER



Outfitted with split row units, the 3665 is uniquely suited as a dedicated 15" soybean planter, along with the versatility to plant crops in 30" rows. Equipped with True Speed high speed meters, the simple to use Blue Vantage display, and Blue Drive electric drive — it delivers the precision required for maximum yields and profits at speeds up to 12 mph. With a 3-section pivot fold frame and 26 degrees of wing flex, it easily follows rolling terrain.

- True high-performance and accurate planting with True Speed or True Rate vacuum meters and Blue Drive electric drive
- Simple and easy to use Blue Vantage display with Map Sync™ shared field coverage data, and up to four cameras
- Improved durability, longer wear life, and lower cost of ownership from 05 Series row unit upgrades
- Reduced pinch row compaction from 110 bushel bulk fill seed capacity featuring an active hydraulic weight transfer system
- Narrow transport and easy serviceability achieved with double frame, lift and pivot folding frame design
- Improved trash flow, greater transport clearance, and increased lift height when turning around from the raising rock shaft axle design
- Fewer stops and improved efficiency with up to 600 gallons of fertilizer on board, controlled by Blue Vantage
- Follow rolling terrain easily with a 3-section pivot fold frame with 26 degrees of wing flex
- Consistent seed depth control with the durable True Depth hydraulic down force system

Features & options¹

True Speed meter	Active ² hydraulic weight transfer	24° total frame flex	Serviceability
Blue Drive electric drive and Blue Vantage display	True Rate meter	Split row	Narrow transport
True Depth hydraulic down force	Up to 4 planter mounted cameras	High clearance lift axle	Liquid fertilizer
		Bulk fill	

¹Not all features are available with all configurations. Visit www.kinze.com/planters or your local dealer for details.

²Active hydraulic weight transfer only with bulk fill scales and Blue Drive.

3605

16 ROW 30" | 12 ROW 30"

CLASSIC  PLANTER



Outfitted with split row units, the 3605 is uniquely suited as a dedicated 15" soybean planter, along with the versatility to plant crops in 30" rows. Equipped with dry or liquid fertilizer, bulk fill or row unit hoppers, True Rate vacuum or mechanical meters, hydraulic or ground contact drive, and other options, the 3605 can be built as unique as the way you farm.

- Improved durability, longer wear life, and lower cost of ownership from O5 Series row unit upgrades
- Exceptional seed handling capabilities with upgraded bulk fill entrainer — up to 11 different crops
- 99% accuracy at speeds up to 8 mph, as field conditions allow, with the True Rate vacuum meter
- Consistent seed depth control with the durable True Depth hydraulic down force system
- Follow rolling terrain with a 3-section pivot fold frame with 14 degrees of wing flex
- Reduced pinch row compaction with 80 bushel bulk fill seed capacity with a hydraulic weight transfer system
- Narrow transport and easy serviceability achieved with double frame, lift and pivot folding frame design
- Efficient fertilizer application with up to 600 gallons of liquid or 4,400 lbs. of dry fertilizer capacity
- Plant narrow row width crops with split row option

Features & options¹

True Rate meter	Ground contact drive	Finger pick-up meter	Serviceability
True Depth hydraulic down force	Hydraulic weight transfer standard	Brush meter 2.0	Narrow transport
Hydraulic drive	Split row	Liquid & dry fertilizer	

¹Not all features are available with all configurations. Visit www.kinze.com/planters or your local dealer for details.

3505

8 ROW 30" | 6 ROW 30"

HIGH TECH  PLANTER



Uniquely positioned as a small frame basic or advanced technology planter for smaller farms or small fields, the Kinze 3505 pivot fold planter is simple to operate, high performing, and available with or without split rows. Performance optimized with optional high tech features—Blue Vantage display, Blue Drive electric drive, True Rate vacuum meters, and True Depth hydraulic down force—it accurately places your seed for increased productivity and profits.

- True high-performance split row planting achieved with Blue Drive electric drive, True Rate vacuum meters, and upgraded O5 Series row units
- Simple and easy to use Blue Vantage display with Map Sync™ shared field coverage data, and up to four cameras
- Consistent seed depth control from the optional True Depth hydraulic down force system
- Exceptional seed handling capabilities with upgraded bulk fill entrainer—up to 11 different crops
- Fewer stops with 50 bushel bulk fill seed capacity
- 99% accuracy at speeds up to 8 mph as field conditions allow, with the True Rate vacuum meter
- Narrow transport and easy serviceability achieved with double frame, lift and pivot folding frame design
- Improved durability, longer wear life, and lower cost of ownership from O5 Series row unit upgrades
- Efficient fertilizer application with up to 300 gallons of liquid or 2,200 lbs. of dry fertilizer capacity

Features & options¹

Blue Drive electric drive and Blue Vantage display	True Rate meter	Split row	Finger pick-up meter
True Depth hydraulic down force	Bulk fill	Narrow transport	Brush meter 2.0
	Up to 4 planter mounted cameras	Electric Clutches	Serviceability

¹Not all features are available with all configurations. Visit www.kinze.com/planters or your local dealer for details.

WING FOLD MODEL

3205

12 ROW 30"

The 3205 wing fold planter is an economical solution for many operations—perfect for the farmer moving from a 6-row to a 12-row planter, or a growing operation in need of a second planter for smaller field sizes. Standard ground contact drive works seamlessly with True Rate vacuum meters for accurate seed placement. Wing fold frame provides center flex for terraces and rolling terrain; the proven design has minimal hydraulic requirements and low cost of ownership.

Model features¹

True Rate vacuum seed meter	Finger pick-up meter
05 Series row unit enhancements	Brush meter 2.0
Liquid fertilizer	Electric clutches
Ground contract drive	7" x 7" toolbar
	25 degrees toolbar flex

CLASSIC  PLANTER



STACK FOLD MODEL

3145

16 ROW 30" | 12 ROW 30"

Stack fold convenience, meter drive dependability, and parallel linkage frame durability are all featured in the 3145 stack fold mounted planter. This 3-section, 12- or 16-row mounted planter provides the versatility needed for ridge-till, strip-till, gravity irrigation, and other specialized operations. Equipped with telescoping U-joint shafts, stack folding is easy with no couplers to disengage. Optional dual lift assist wheels increase transport ease and stability.

Model features¹

True Rate vacuum seed meter	Brush meter 2.0
05 Series row unit enhancements	16 Degrees total frame flex
Ground contract drive	Inboard hinged point
Finger pick-up meter	Self-contained seed rate transmissions

CLASSIC  PLANTER



CLASSIC  PLANTER



RIGID MODEL

3005

8 ROW 30" | 6 ROW 30"
4 ROW 30"

A model of versatility of what we put in all our planters, the 3005 Kinze planter is an adaptable, small-frame hitch pin planter. Its bolt-together design can easily switch from standard to split rows and converts from 30" to 15" row spacing in minutes. When equipped with double frame, it can be outfitted with dry or liquid fertilizer along with optional split rows. Lower inputs and equipment costs up front allow you to customize and configure the 3005 planter to match your farm.

Model features¹

05 Series row unit enhancements	Rigid frame
Ground contract drive	Self-leveling hitch
Finger pick-up meter	Split rows
Brush meter 2.0	Liquid fertilizer
	Dry fertilizer

CLASSIC  PLANTER



MOUNTED MODEL

3115

8 ROW 30" | 6 ROW 30"
6 ROW 36-40"

A robust, durable, and productive planter, the 3115 mounted planter is perfect for smaller operations. It is the only rigid frame mounted planter with contact drive and self-contained seed rate transmissions. Great in smaller fields, this 6- or 8-row planter mounts to your tractor or other implements for ridge-till and strip-till management practices. Can be equipped with True Rate vacuum meters, finger pick-up meters, or brush meter 2.0.

Model features¹

True Rate vacuum seed meter	Finger pick-up meter
Ground contract drive	Brush meter 2.0
05 Series row unit enhancements	Rigid mounted frame

¹Not all features are available with all configurations. Visit www.kinze.com/planters or your local dealer for details.

Bulk fill seed delivery

More seed types. More seed sizes. More seeding rates. The 05 Series bulk fill entrainer delivers the variety of seeds you plant during a busy planting season. It's an air pressurized bulk fill seed delivery system, requiring no mechanical agitation, with capacities up to 120 bu. The system handles various seed sizes, higher populations, and supports planting speeds up to 12 mph. Shut off gate enables easy service or cleanout for seed remaining in the hoppers.



Increased crop compatibility

- Corn
- Beans
- #4 sunflowers
- Confectionary sunflowers
- Grain sorghum
- Cotton
- Canola
- Sweet corn
- Sugar beets
- Hemp
- Cover crops

Electronic scale package

Bulk fill seed hoppers are weighed individually allowing operator to see weight per hopper and acres remaining to empty. Package includes a catwalk mounted remote scale display for even filling. Bulk fill scales are required for the active weight transfer feature.

HYDRAULIC WEIGHT TRANSFER

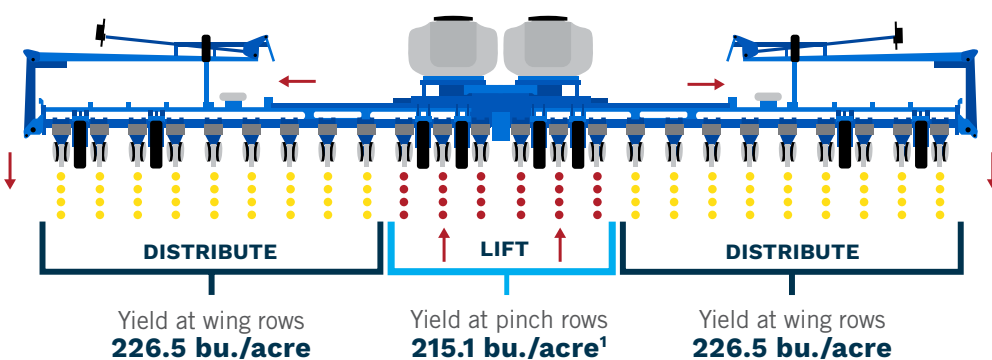
Hydraulic weight transfer

Hydraulic weight transfer distributes the weight from the center of the planter evenly across all rows, resulting in higher yields from less pinch row compaction.

On planters equipped with a bulk fill scale package and Blue Drive electric drive, the hydraulic weight transfer becomes ACTIVE. The weight of the bulk fill hoppers is constantly monitored, and the amount of weight transfer changes based on how much seed is in the hoppers.

Yield loss from pinch row compaction

The middle 6 rows of the planter next to the transport tires.



Three ways field compaction reduces yield:

- Reduces oxygen to the plant roots
- Reduces water to plant roots
- Restricts root development

¹Data based on research from Beck's Hybrids 2014 Practical Farm Research report, available at www.beckshybrids.com.

Brush meter 2.0

The proven Kinze brush meter 2.0 provides a low-maintenance and accurate meter solution for high volume crop populations, that is easy to clean, operate and maintain. Changing seed discs and wear items require no tools; low maintenance and low cost durable brushes can be replaced in seconds.

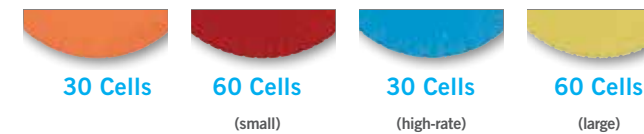
Brush meter 2.0 seed discs

Color-coded seed discs allow you to plant different crops, seed sizes and populations.

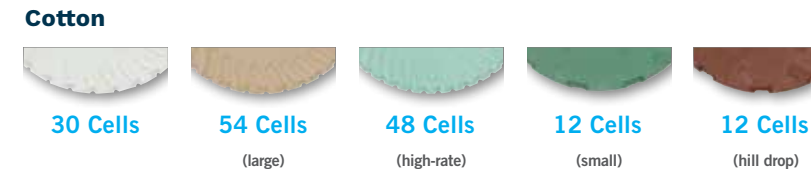
Soybean



Milo/Grain Sorghum



Wheat



Seeds are singulated in formed end-pockets and retained by a brush along the housing perimeter

No tools required to change discs or service brushes



Superior quality of lightweight, impact resistant polycarbonate plastic

Finger pick-up meter

Mechanical meter solution for mid-range seed size and planting speed of 4-6 mph.



Brush and seed bump design improves singulation of the seed

Specially-designed seed release opening in the finger wheel carrier plate prevents bounce back when seed is delivered to the conveyor belt

Drives



Blue Drive electric drive
No drive shafts, no chains, no clutches and no gearboxes. Available with True Speed & True Rate meters only.



Hydraulic drive
Ideal for variable seed rate prescriptions. Change rates on the go from your tractor seat.



Ground contact drive
Smooth, reliable and easy to operate. Uses spring-loaded tires. No clutches. No chains to remove for transport.

Meter options*

Drive options*

Model	Meter options*			Drive options*		
	True Speed meter	True Rate vacuum meter	Mechanical meter	Blue Drive electric drive	Hydraulic drive	Ground contact drive
4905	•	•	–	•	•	•
4705	•	•	–	•	–	–
3705	–	•	–	–	•	•
3665	•	•	•	•	•	–
3605	–	•	•	–	•	•
3505	–	•	•	•	–	•
3205	–	•	•	–	–	•
3145	–	•	•	–	–	•
3115	–	•	•	–	–	•
3005	–	–	•	–	–	•

*Not all features are available with all configurations. Visit www.kinze.com/planters or your local dealer for details.

Clutches



Electric row clutches

Clutch control, up to 32 rows, in two or three row sections. Stop seed flow by turning off seed meters (and planter sections) based on field mapping and previously planted areas.



Point row clutches for half-width planting

For ground contact drive (Not required for electric drives).

LIQUID AND DRY FERTILIZER

Fertilizer availability

Model	Size	Seed hopper style	Liquid fertilizer capacity	Dry fertilizer capacity
4905	24 Row	Bulk Fill	750 gal.	–
	16 Row	Bulk Fill	500 gal.	–
	12 Row	Bulk Fill	400 gal.	–
4705	36R20"/24R30"	Bulk Fill	750 gal.	–
3705	24 Row	Bulk Fill	300 gal.	–
3665	16 Row	Bulk Fill*	550 gal.	–
	12 Row	Bulk Fill*	550 gal.	–
3605	16 Row	Row Unit*	600 gal.	4,400 lbs.
	12 Row	Bulk Fill*	400 gal.	–
		Row Unit*	600 gal.	3,300 lbs.
3505	8 Row	Bulk Fill*	300 gal.	–
	6 Row	Row Unit*	300 gal.	1,650 lbs.
3205	12 Row	Row Unit	400 gal.	–
3005	8 Row	Row Unit	300 gal.	2,200 lbs.
	6 Row	Row Unit	300 gal.	1,650 lbs.
	4 Row	Row Unit	220 gal.	1,100 lbs.

* Fertilizer option not compatible with split row option.

Liquid fertilizer tube in-furrow



Maximize fertilizer effectiveness by adding drop tubes behind the row unit seed tubes to deliver liquid fertilizer in the furrow on top of the seed.

Fertilizer opener options



4905 fertilizer openers

Tool-less adjustments for precision down force and depth control. Quick lockup design is easy to disengage when not in use.



Notched single disc openers*

Notched for no-till. 16 3/4" blade, cast iron hub with horizontally mounted coil down pressure spring, drop tubes and vertical cast mount accommodate blade

depth adjustment. Available with depth/gauge wheel attachment.

*Certain restrictions apply. See your Kinze Dealer for details.

Fertilizer pump options

- » John Blue piston pump option with flow dividers*
- » Hydraulically driven centrifugal pump (4905, 4705) to allow section shut-off and variable rate capability

*Option includes pump mounting bracket, sprockets, drive components and flow divider.



Coulter mounted residue wheels

Free-floating 12" diameter wheels. 12 curved tines with interlocked or staggered mountings. 11 depth settings in 1/4" increments.



Dual row unit mounted residue wheels

Ideal for mulch-till. Rugged spring-loaded parallel linkage. 12" diameter wheel and 12 curved tines with 3-position mounting to vary aggressiveness.



Coulter blade options

16" diameter blades available in 1" bubbled, 1"-8 fluted or 3/4"-13 fluted designs.



Spoked gauge wheels

Ideal for planting in wet conditions, allows mud and debris to fall away from opener blades.

CLOSING WHEELS



Spiked



Rubber "V"



Cast iron* "V"

* Cast iron closing wheels recommended for tougher no-till applications.

FEATURES AND OPTIONS - 4005 SERIES

● = Standard ● = Optional

Features and options*	4905 / 24R 30"	4905 / 16R 30"	4905 / 12R 30"	4705 / 36R 20"	4705 / 24R 30"
Planter frame and toolbar	Front fold	Front fold	Front fold	Front fold	Front fold
Sections	3	3	3	3	3
Flexibility	21° Up / 21° Down	21° Up / 21° Down	21° Up / 21° Down	15° Up / 15° Down	15° Up / 15° Down
Row markers	●	●	●	●	●
Flip axle	●	—	—	—	—
Hydraulic weight transfer <small>(active hydraulic weight transfer w/bulk fill scale and Blue Drive)</small>	●	●	●	●	●
Number of rows per wing	8	5	3	12	8
Two-point hitch	●	●	●	—	—
CAT 4 drawbar hitch	●	●	●	●	●
CAT 5 drawbar hitch	—	—	—	●	●
PTO hydraulic package	●	●	●	●	●
Seed handling					
Bulk fill hoppers - total capacity	120 bu.	90 bu.	90 bu.	120 bu.	120 bu.
Bulk fill scale package	●	●	●	●	●
Transmission and drive system					
Blue Drive electric drive	●	●	●	●	●
Hydraulic drive	●	●	●	—	—
Ground contact drive	●	●	●	—	—
Displays and control					
Blue Vantage display <small>(standard with Blue Drive)</small>	●	●	●	●	●
Ag Leader InCommand 1200	●	●	●	—	—
Ag Leader electronics package	●	●	●	—	—
KPM III electronic seed monitor	●	●	●	—	—
Ag Leader 7500 GPS Receiver	●	●	●	●	●
Electric single row clutches	● (ground/hyd)	●	●	—	—
Down pressure					
True Depth hydraulic down force	●	●	●	●	●
Pneumatic down pressure	●	●	●	●	●
Metering					
True Speed high speed electric drive meter	●	●	●	●	●
True Rate vacuum meter	●	●	●	●	●
Attachments					
Spoked gauge wheels	●	●	●	●	●
Spiked closing wheels	●	●	●	●	●
Rubber V closing wheels	●	●	●	●	●
Cast iron closing wheels	●	●	●	●	●
Row unit mounted no-till coulters	●	●	●	●	●
Residue wheels	●	●	●	●	●
Granular chemical with hopper	●	●	●	●	●
Fertilizer					
Liquid fertilizer tanks	●	●	●	●	●
Liquid fertilizer openers	●	●	●	—	—
Liquid fertilizer tube in-furrow	●	●	●	●	●
Piston pump packages	●	●	●	—	—
Centrifugal pump packages	— (ground/hyd) ● (electric dr)	— (ground/hyd) ● (electric dr)	— (ground/hyd) ● (electric dr)	— (ground/hyd) ● (electric dr)	— (ground/hyd) ● (electric dr)
Miscellaneous					
Auxiliary work light package	●	●	●	●	●
Rear trailer hitch	●	●	●	—	—

*Not all features/options are available with all sizes or configurations. Some features/options available only through Dealer Parts.

FEATURES AND OPTIONS - 3005 SERIES

● = Standard ● = Optional

Features and options*	3705	3665	3605	3505	3205	3145	3115	3005
Planter frame and toolbar	Front fold	Pivot fold	Pivot fold	Pivot fold	Wing fold	Stack fold	Mounted	Rigid
Sections	2	3	3	1	2	1	1	1
Flexibility	Center flex 15° up / 15° down	Wing flex 13° up / 13° down	Wing flex 7° up / 7° down	Rigid	Center flex 13° up / 12° down	Wing flex 8° up / 8° down	Rigid	Rigid
Split rows	—	●	●	●	—	—	—	●
Even row split row	—	●	●	●	—	—	—	—
Row markers	●	●	●	●	●	●	●	●
Hydraulic weight transfer <small>(active hydraulic weight transfer w/bulk fill scale and Blue Drive)</small>	—	●	●	—	—	—	—	—
2-point adapter	—	●	●	●	—	—	—	—
PTO hydraulic pump	●	●	●	●	—	—	—	—
Seed handling								
Bulk fill hoppers - total capacity	110 bu.	110 bu.	80 bu.	50 bu.	—	—	—	—
Bulk fill scale package	●	●	●	—	—	—	—	—
Row unit hoppers - 1.9 bu.	—	—	●	●	●	●	●	●
Transmission and drive system								
Blue Drive electric drive	—	●	—	●	—	—	—	—
Hydraulic drive	●	●	●	—	—	—	—	—
Ground contact drive	●	—	●	●	●	●	●	—
Displays and controls								
Blue Vantage display <small>(standard with Blue Drive)</small>	—	●	—	●	—	—	—	—
Ag Leader InCommand 1200	●	●	●	●	●	—	—	—
Ag Leader electronics package	●	●	●	●	●	—	—	—
KPM III electronic seed monitor	●	—	●	●	●	●	●	●
Ag Leader 7500 GPS receiver	●	●	●	—	●	—	—	—
Electric single row clutches	●	●	●	●	●	—	—	—
Down pressure								
True Depth hydraulic down force	—	●	●	●	—	—	—	—
Pneumatic down pressure	●	●	●	●	—	—	—	—
Heavy duty down pressure springs	●	●	●	●	●	●	●	●
Metering								
True Speed high speed electric drive meter	—	●	—	—	—	—	—	—
True Rate vacuum meter	●	●	●	●	●	●	●	—
Brush meter 2.0	—	●	●	●	●	●	●	●
Finger pick-up meter	—	●	●	●	●	●	●	●
Attachments								
Spoked gauge wheels	●	●	●	●	●	●	●	●
Spiked closing wheels	●	●	●	●	●	●	●	●
Rubber V closing wheels	●	●	●	●	●	●	●	●
Cast iron closing wheels	●	●	●	●	●	●	●	●
Row unit mounted no-till coulters	●	●	●	●	●	●	●	●
Residue wheels	●	●	●	●	●	●	●	●
Granular chemical with hopper	●	●	●	●	●	●	●	●
Fertilizer								
Liquid fertilizer tanks	●	●	●	●	●	—	—	●
Dry fertilizer packages	—	—	●	●	—	—	—	●
Notched single disc opener package	—	●	●	●	●	—	—	●
Heavy-duty single disc opener package	—	●	●	●	●	—	—	●
Liquid fertilizer tube in-furrow	—	●	●	●	●	—	—	●
Liquid fertilizer piston pump pkgs	●	●	●	●	●	—	—	●
Miscellaneous								
Auxiliary work lights	—	●	●	●	—	—	—	—
Rear trailer hitch	—	●	●	●	—	—	—	—

*Not all features/options are available with all sizes or configurations. Some features/options available only through Dealer Parts.

MODEL DIMENSIONS AND WEIGHTS

	4905			4705		3705	3665	
	24R 30'	16R 30'	12R 30'	36R 20'	24R 30'	24R 20"	16R 30"	12R 30"
Length								
Planting - row unit hoppers	-	-	-	-	-	27' 4"	-	-
Planting - bulk fill hoppers	28' 10" ¹	21' 11" ¹	19' 4" ¹	30' 1"	30' 1"	27' 4"	26' 3"	23' 9"
Transport - row unit hoppers	-	-	-	-	-	32' 0"	-	-
Transport - bulk fill hoppers	43' 8" ¹	33' 5" ¹	29' 5" ¹	43' 2"	43' 2"	32' 0"	49' 2"	39' 2"
Width								
Planting - row unit hoppers	-	-	-	-	-	43' 11"	-	-
Planting - bulk fill hoppers	62' 5"	43' 4"	33' 4"	60' 10"	60' 10"	43' 11"	42' 11"	32' 11"
Transport - row unit hoppers	-	-	-	-	-	13' 0"	-	-
Transport - bulk fill hoppers	12' 0"	12' 0"	12' 0"	16' 2"	16' 2"	13' 0"	11' 2"	11' 2"
Height								
Planting - row unit hoppers	-	-	-	-	-	-	-	-
Planting - bulk fill hoppers	9' 3"	8' 11"	8' 9"	10' 4"	10' 4"	8' 7"	-	-
Transport - row unit hoppers	-	-	-	-	-	10' 9"	-	-
Transport - bulk fill hoppers	12' 0" ²	11' 9" ³	11' 7" ³	12' 4"	12' 4"	13' 0"	12' 11"	12' 11"
Weight (empty)								
Base machine - row unit hoppers ⁸	-	-	-	-	-	18,300-20,000 lbs.	-	-
Base machine - bulk fill hoppers ⁸	31,525-33,770 lbs.	21,490-22,930 lbs.	17,070-18,000 lbs.	32,000-37,400 lbs.	30,000-34,820 lbs.	19,700-21,000 lbs.	25,718 lbs.*	22,380 lbs.*
Hitch - row unit hoppers	-	-	-	-	-	-	-	-
Hitch - bulk fill hoppers	10,146 lbs. ⁴	7,380 lbs.	5,260 lbs.	8,000 lbs.	9,620 lbs.	-	-	-

	3205	3145	
	12R 30'	16R 30'	12R 30"
Length			
Planting - row unit hoppers	17' 9"	5' 3" / 9' 5" ⁵	5' 3" / 9' 5" ⁵
Transport - row unit hoppers	17' 9"	5' 3" / 9' 5" ⁵	5' 3" / 9' 5" ⁵
Width			
Planting - row unit hoppers	31' 4"	40' 0"	30' 0"
Transport - row unit hoppers	16' 2"	21' 1" ⁶ / 23' 0"	16' 1" ⁶ / 17' 9"
Height			
Planting - row unit hoppers	-	-	-
Transport - row unit hoppers	9' 1"	12' 6" ⁶ / 15' 6"	12' 2" ⁶ / 13' 2"
Weight (empty)			
Base machine - row unit hoppers ⁸	7,500-8,066 lbs.	7,480-8,109 lbs.	6,236-6,794 lbs.

MODEL DIMENSIONS AND WEIGHTS

	3605			3505	
	16R 30"	12R 30"	8R 30"	6R 30"	4R 30"
Length					
Planting - row unit hoppers	24' 0"	21' 0"	19' 8"	19' 8"	19' 8"
Planting - bulk fill hoppers	24' 0"	21' 0"	19' 8"	-	-
Transport - row unit hoppers	46' 10"	36' 10"	26' 5"	23' 9"	23' 9"
Transport - bulk fill hoppers	46' 10"	36' 10"	26' 5"	-	-
Width					
Planting - row unit hoppers	41' 2"	31' 2"	21' 10"	16' 10"	16' 10"
Planting - bulk fill hoppers	41' 2"	31' 2"	21' 10"	-	-
Transport - row unit hoppers	11' 2"	11' 2"	11' 2"	11' 2"	11' 2"
Transport - bulk fill hoppers	11' 2"	11' 2"	11' 2"	-	-
Height					
Planting - row unit hoppers	-	-	-	-	-
Planting - bulk fill hoppers	8' 2"	8' 2"	8' 0"	-	-
Transport - row unit hoppers	11' 5"	11' 5"	10' 6"	10' 6"	10' 6"
Transport - bulk fill hoppers	12' 6"	12' 6"	12' 0"	-	-
Weight (empty)					
Base machine - row unit hoppers ⁸	23,033 lbs.**	18,180 lbs.**	5,886-6,269 lbs.	5,163-5,443 lbs.	5,163-5,443 lbs.
Base machine - bulk fill hoppers ⁸	24,033 lbs.*	19,180 lbs.*	6,919-10,890 lbs.	-	-
Hitch - row unit hoppers	-	-	-	-	-
Hitch - bulk fill hoppers	-	-	-	-	-

	3115			3005		
	8R 30"	6R 36-40"	6R 30"	8R 30"	6R 30"	4R 30"
Length						
Planting - row unit hoppers	5' 3"	5' 3"	5' 3"	11' 4" / 13' 8" ⁷	11' 4" / 13' 8" ⁷	11' 4" / 13' 8" ⁷
Transport - row unit hoppers	5' 3"	5' 3"	5' 3"	11' 4" / 13' 8" ⁷	11' 4" / 13' 8" ⁷	11' 4" / 13' 8" ⁷
Width						
Planting - row unit hoppers	21' 10"	21' 0"	17' 8"	21' 10"	17' 8"	12' 8"
Transport - row unit hoppers	21' 10"	21' 0"	17' 8"	21' 10"	17' 8"	12' 8"
Height						
Planting - row unit hoppers	-	-	-	-	-	-
Transport - row unit hoppers	-	-	-	-	-	-
Weight (empty)						
Base machine - row unit hoppers ⁸	3,092-3,407 lbs.	2,560-2,854 lbs.	2,483-2,763 lbs.	4,874-5,548 lbs.	3,864-4,398 lbs.	2,538-2,948 lbs.

1. Add 2' 9" to length with drawbar hitch; add 1' 2" to length for 2-point hitch
 2. Includes row markers, flip axle and fertilizer
 3. Includes row markers and fertilizer
 4. Hitch weight reduced by 1,500 lbs when flip axle is engaged (may vary with other installed options)

5. With dual lift assist package
 6. Without markers
 7. With double-frame
 8. Base machine weight depends on how machine is equipped (meters, drives, hoppers, etc.)

* Typical configuration (split row, marker)
 ** Typical configuration



PLANTING, HARVESTING AND TILLAGE SOLUTIONS BY FARMERS FOR FARMERS

From a shop in Ladora, Iowa, to today's sophisticated 160-acre manufacturing and corporate headquarters, Kinze has remained focused on one thing: developing innovative advancements in agricultural equipment by listening to what customers have to say. From Jon Kinzenbaw's first day in the welding shop in 1965, customer intimacy has always, and will continue to be, of primary importance to Kinze. The question is, what's next?

The technology of planting is changing at an ever-increasing pace, and every year Kinze is releasing new features and enhancements that increase the precision, speed, and productivity of the season's most important job. **To learn about the latest technology in planters and try it out for yourself, we invite you to be our guests at the Kinze factory and demonstration grounds. Contact us by filling out a form at [Kinze.com/visit](https://www.kinze.com/visit), or call (888) 599-6630 to schedule your visit.**

KINZE®

Kinze Manufacturing, Inc. • 2172 M Ave
Williamsburg, Iowa 52361-0806 USA • [kinze.com](https://www.kinze.com)



Authorized Dealer: