

Parts Manual

KG540

Power Rake



Revised 04/04/22
09.20051 Rev. 01



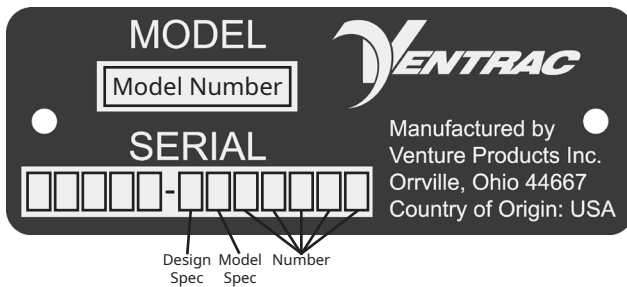
500 Venture Drive
Orrville Oh 44667
www.ventrac.com

View all manuals



Visit ventrac.com/manuals for the latest version of this parts manual. A downloadable operator's manual is also available.

Serial Number Description



Serial Plate Location



Notes

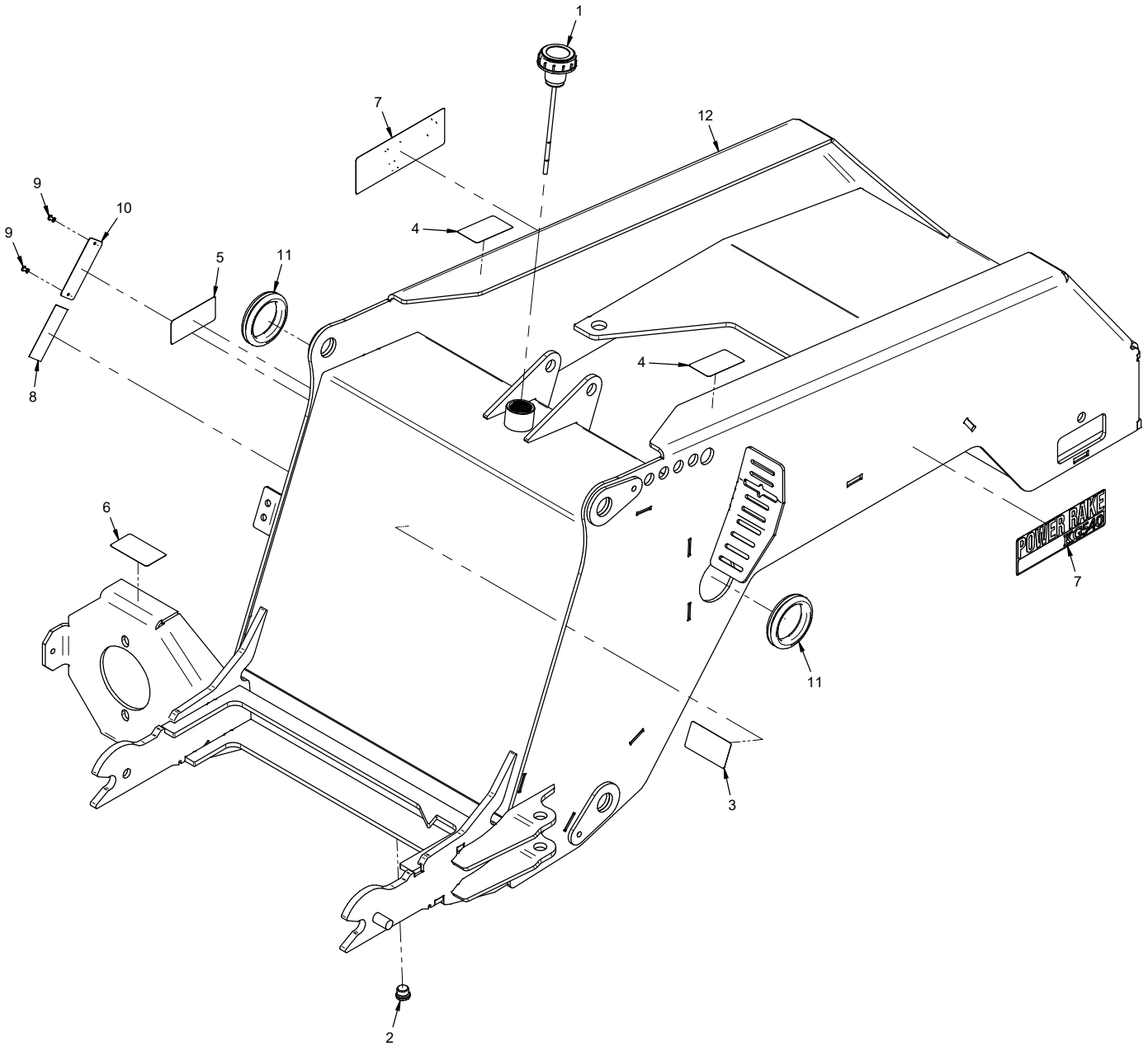
- If any component requires replacement, use only original Ventrac replacement parts.
- When ordering new components, be sure to order all required safety decals. All current safety decals must be affixed to the replacement components prior to installation of the component.

TABLE OF CONTENTS

PARTS	PAGE 4
Main Frame	4
Carrier Frame and Wheels.....	6
Rotor Frame and Rotor	8
Hydraulic Rotor Drive.....	10
Hydraulic Pump Actuator	12
Rotor Pivot Frames.....	14
Rotor Height Adjustment	16
Rotor Angle Adjustment	18
Side Wings and Dirt Containment Flap.....	20

PARTS

ILLUSTRATED DRAWING Main Frame



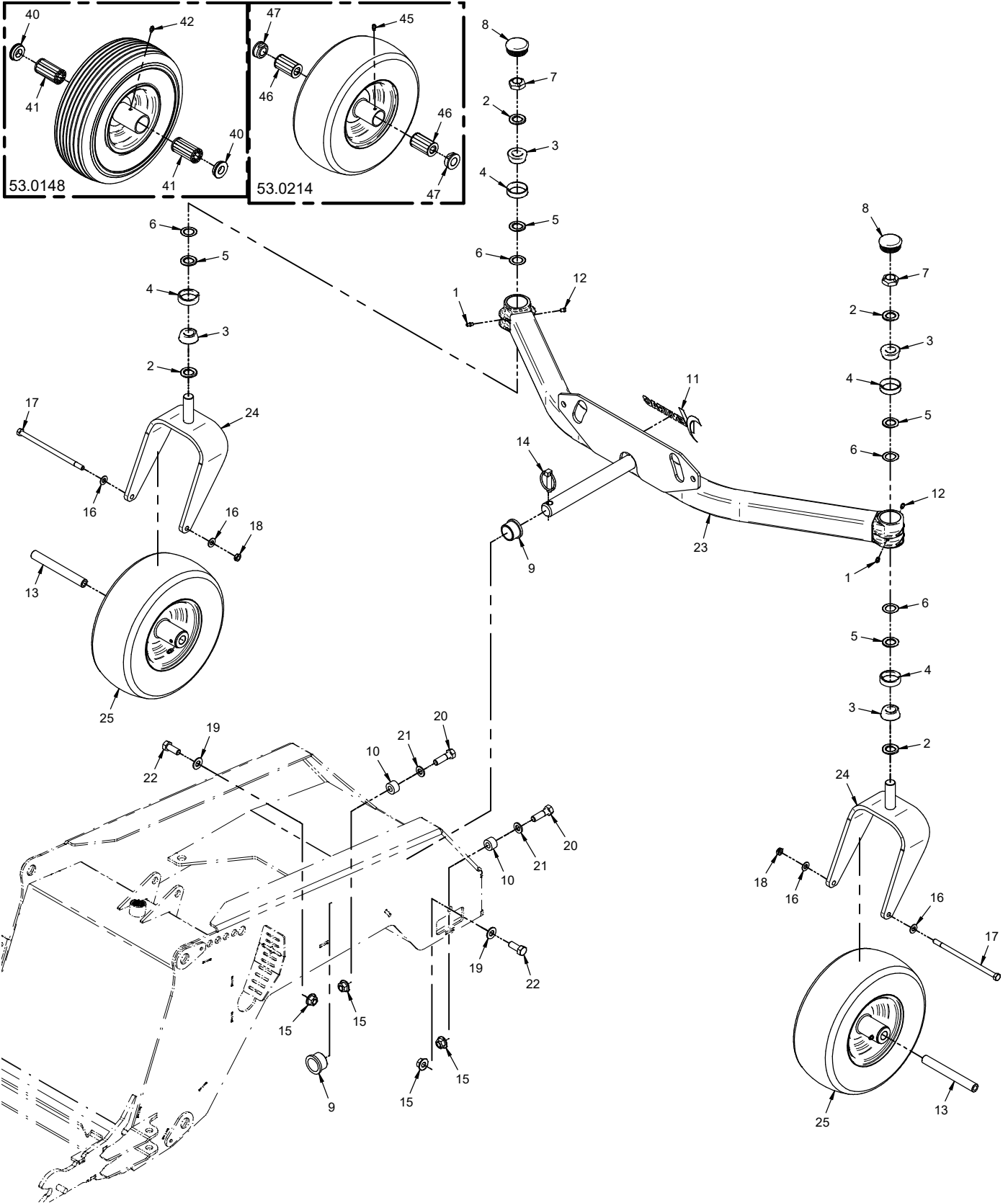
PARTS

Main Frame

REF.	PART NO.	DESCRIPTION	QTY.
1	23.0175	Dipstick, Asm 5-1/4	1
2	25.6408-H-06	Fitting, -06 MB x Hollow Allen	1
3	00.0374	Decal, Hot Surface	1
4	00.0364	Decal, Warning Pinch Point	2
5	00.0621	Decal, High Pressure Fluid Hazard	1
6	00.0631	Decal, Finger/Hand Entanglement	1
7	00.0673	Decal, KG540	2
8	00.0100	Decal, Built in the USA	1
9	04.0003	Rivet, Pop 1/8 X 3/8 SS	2
10	N/A	Plate, Ventrac Serial Number	1
11	05.0073	Grommet, 2 ID, 2-3/4 OD 9/16 T	2
12	KG-6003	Frame, Hitch / Hydraulic Tank	1

PARTS

ILLUSTRATED DRAWING Carrier Frame and Wheels



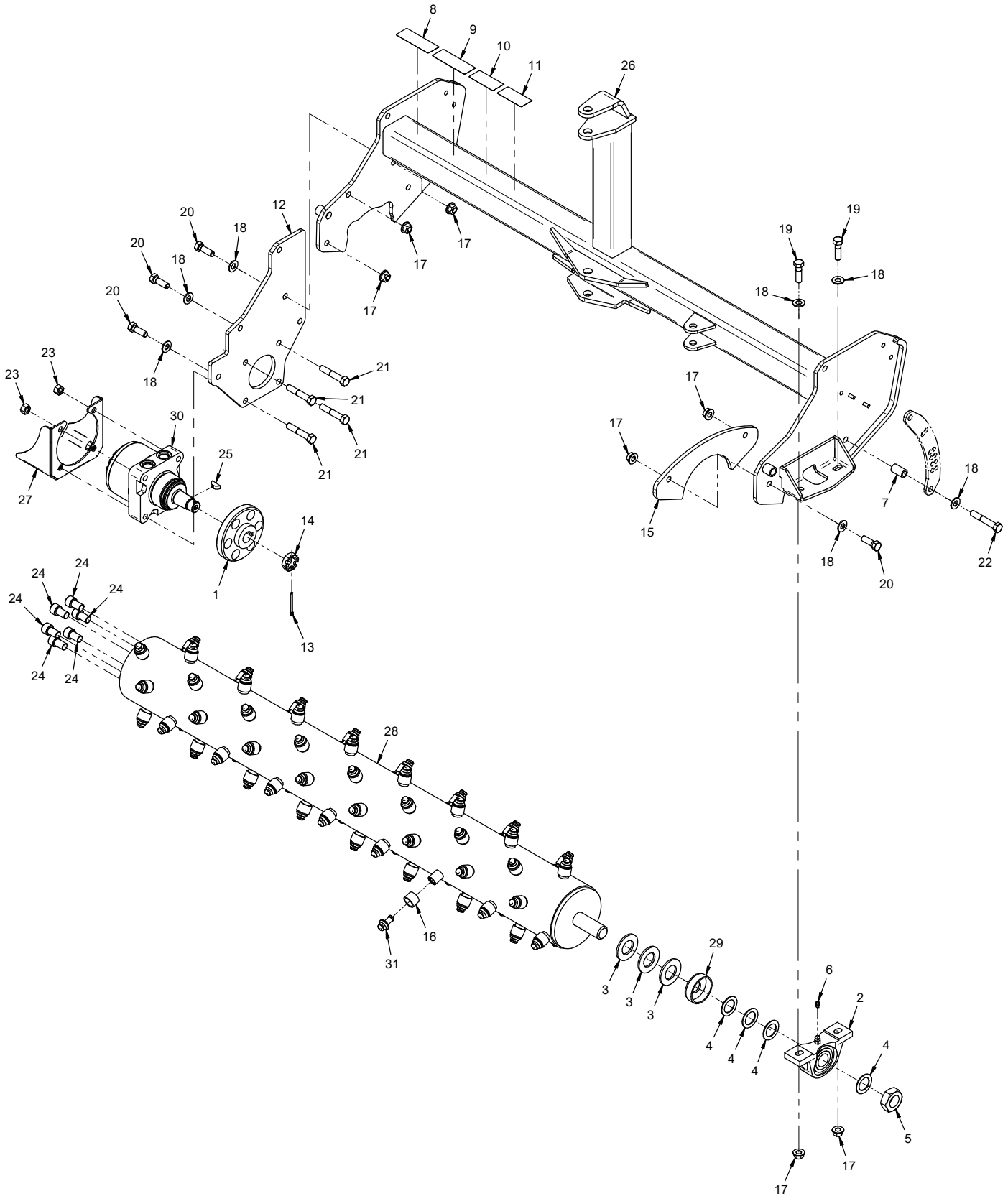
PARTS

Carrier Frame and Wheels

REF.	PART NO.	DESCRIPTION	QTY.
1	29.GF0001	.Grease Ftg, 1/4 SAE ST	2
2	99.B0119	.Washer, Mach 7/8 x 1-3/8 x 10 GA	4
3	55.LM12749LA2	.Bearing, Taper Roller Cone	4
4	55.LM12710	.Bearing, Cup	4
5	85.B0099	.Bushing, .875ID x 1.375OD x .120T	4
6	85.B0101	.Bushing, .005 Spacer	4
7	99.M0047	.Locknut, Stover M22 X 1.5 ZP	2
8	05.0172	.Plug, Ribbed Black LDPE	2
9	85.B0060	.Bushing, 1-1/4 ID x 1-1/2 OD 1	2
10	KG-1112	.Bushing, Wheel Frame Stop	2
11	00.0672	.Decal, Ventrac Black	1
12	29.GF0011	.Grease Ftg, Plug 1/4-28	2
13	50.0050	.Tube, Swivel Axle	2
14	03.0005	.Pin, Linch	1
15	99.E0103	.Nut, Locking Flange 1/2-13	4
16	95.06	.Washer, Flat 3/8 SAE	4
17	90.0660	.Bolt, 3/8-16 USS x 7-1/2	2
18	99.A06C	.Locknut, Center 3/8-16	2
19	95.08	.Washer, Flat 1/2 SAE	2
20	90.0814	.Bolt, 1/2-13 USS x 1-3/4	2
21	99.M0072	.Washer, Flat M12	2
22	90.0810	.Bolt, 1/2-13 USS x 1-1/4	2
23	KG-6008	.Frame, Carrier	1
24	50.0195	.Yoke, Caster 13" Wheel	2
25	53.0148	.Wheel, Asm 13x5x6 Rib Flatfree (Serial # 01001-01328)	2
25	53.0214	.Wheel, Asm 13 x 5 x 6 Flatfree (Serial # 01329-)	2
40	55.0072	.Bearing, Retainer 3/4"	2
41	55.0088	.Bearing, Roller Replacement	2
42	29.GF0001	.Grease Ftg, 1/4 SAE ST	1
45	29.GF0001	.Grease Ftg, 1/4 SAE ST	1
46	55.0116	.Bearing, Roller 2.25" Long	2
47	55.0114	.Retainer, Roller Bearing 3/4"	2

PARTS

ILLUSTRATED DRAWING Rotor Frame and Rotor



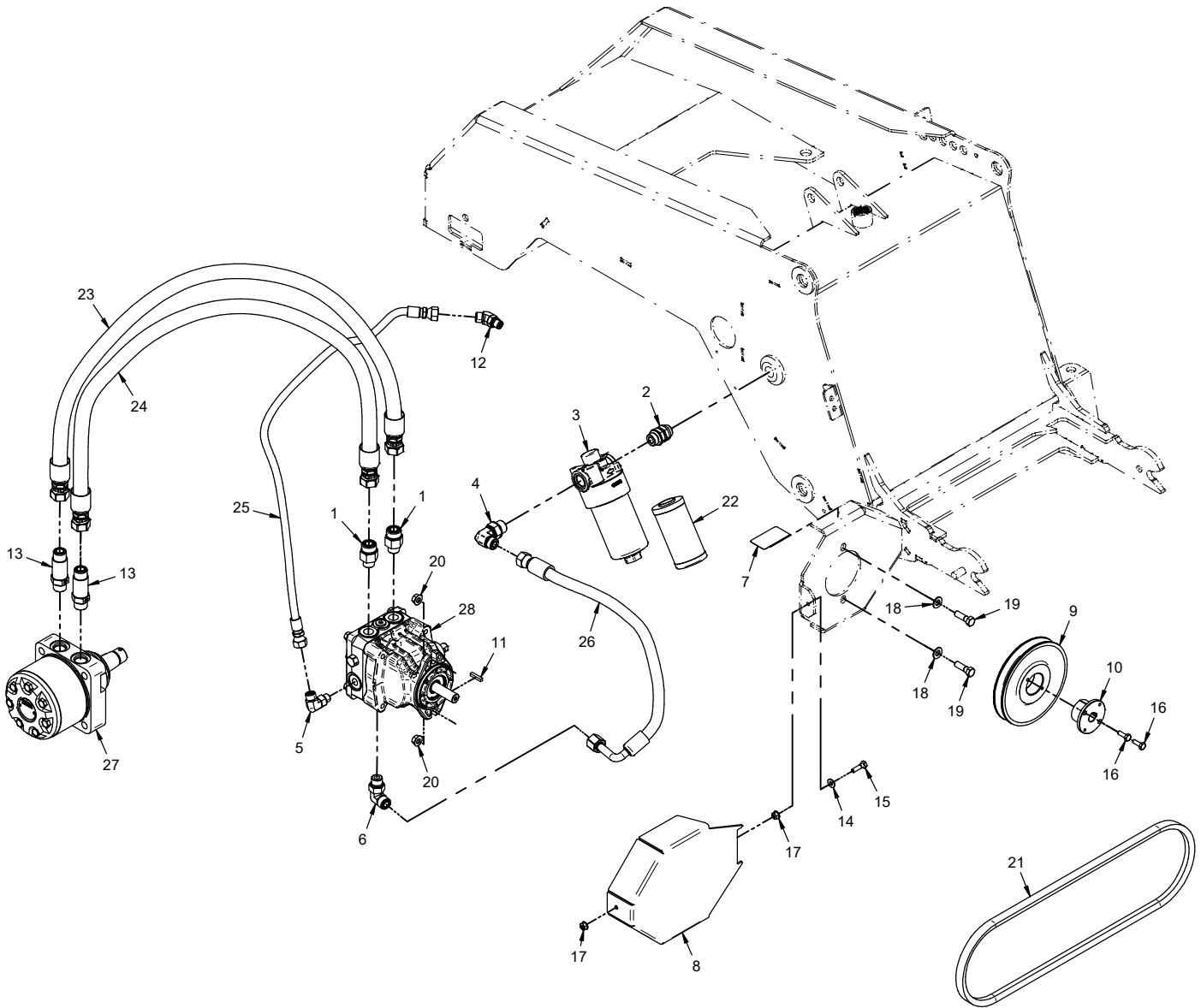
PARTS

Rotor Frame and Rotor

REF.	PART NO.	DESCRIPTION	QTY.
1	KG-1108	Hub, Rotor Drive	1
2	55.PB25020	Bearing, Pillow Block, 1-1/4	1
3	95.20	Washer, Flat 1-1/4 SAE	3
4	99.B0078	Washer, Mach, 1 1/4 , 14 GA	4
5	99.E0152	Nut, Jam 1-1/4 - 12 USS	1
6	29.GF0001	Grease Ftg, 1/4 SAE ST	1
7	KG-1068	Spacer, Wing Guide Right.	1
8	00.0620	Decal, Pinching or Crushing Hazard.	1
9	00.0675	Decal, Entanglement Hazard.	1
10	00.0674	Decal, Thrown Objects	1
11	00.0619	Decal, Read Operator's Manual.	1
12	KG-1083	Plate, Hyd Motor Mount.	1
13	02.CP0516	Cotter Pin, 5/32 x 2	1
14	99.E0069	Nut, Castle 1"-20 UNEF	1
15	KG-1024	Plate, Rotor End Cover	1
16	64.1999	Sleeve, Protective	72
17	99.E0103	Nut, Locking Flange 1/2-13	7
18	95.08	Washer, Flat 1/2 SAE	7
19	90.0814	Bolt, 1/2-13 USS x 1-3/4	2
20	90.0812	Bolt, 1/2-13 USS x 1-1/2	4
21	90.0822	Bolt, 1/2-13 USS x 2-3/4	4
22	90.0824	Bolt, 1/2-13 USS x 3	1
23	92.08	Nut, 1/2-13 USS	2
24	99.K0088	Bolt, SHCS 5/8-18 x 1 Grade 8	6
25	85.W0508	Key, Woodruff 5/16 x 1	1
26	KG-6004	Frame, Rotor Mount	1
27	KG-6017	Guard, Hyd Motor	1
28	KG-6019	Rotor, Drum	1
29	64.1014	Shield, Bearing Dirt Cover	1
30	21.0125	Motor, Hyd. Parker 238CC	1
31	79.0052	Tooth, Carbide 8620 Case Hard.	72

PARTS

ILLUSTRATED DRAWING Hydraulic Rotor Drive



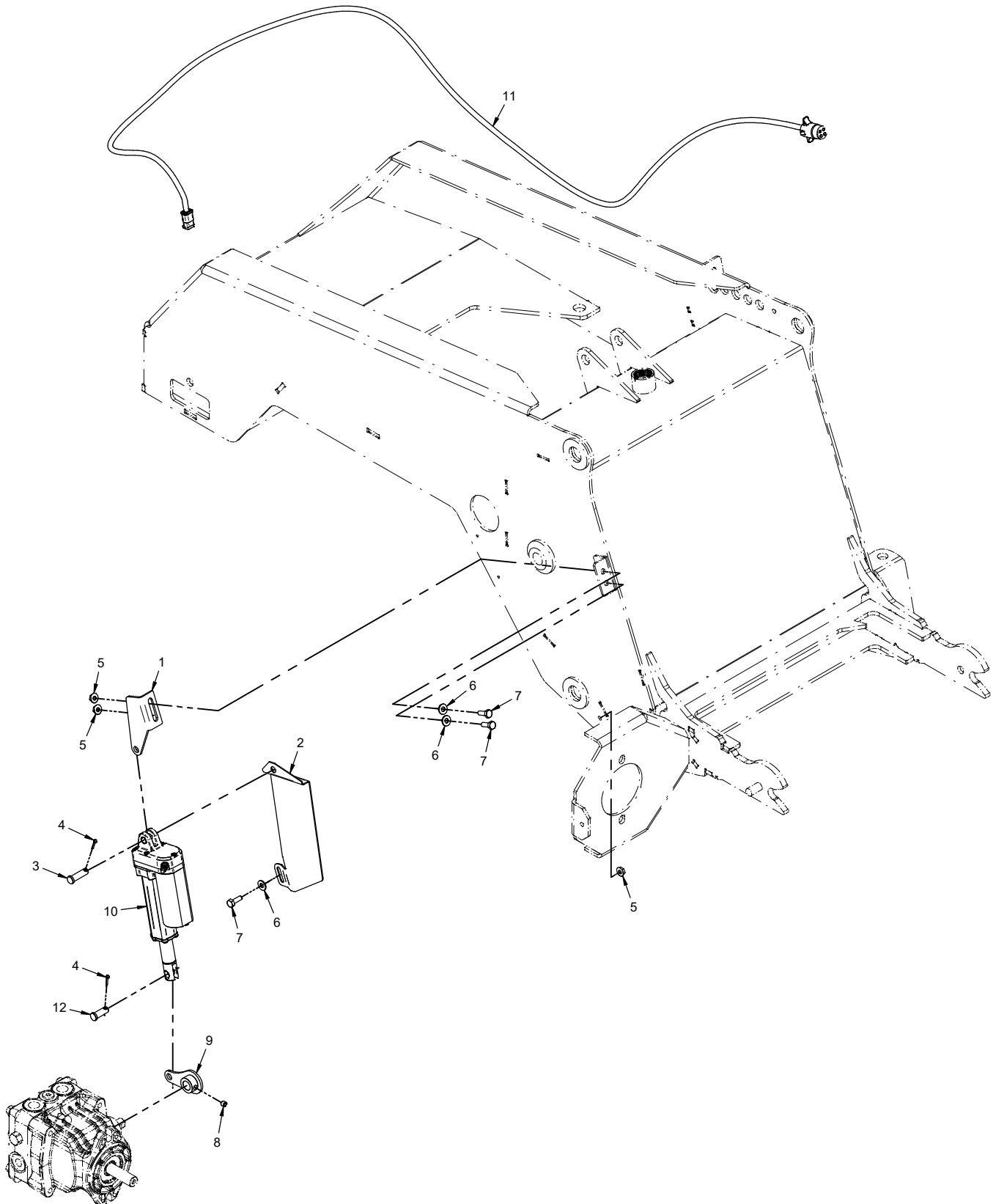
PARTS

Hydraulic Rotor Drive

REF.	PART NO.	DESCRIPTION	QTY.
1	25.FF6400-10-08	Fitting, Connector -10MF x -08MB	2
2	25.6407-10-10	Fitting, M. Adapter -10 X -10	1
3	21.0137	Filter, HYD ASM 25 Micron	1
4	25.FF6801-08-10	Fitting, 90 Elbow 08MFF x 10MB	1
5	25.FF6801-06-06	Fitting, 90 Elbow - 6MFF X 6MB	1
6	25.FF6801-08-08	Fitting, 90 Elbow 8MFF x 8MB	1
7	00.0631	Decal, Finger/Hand Entanglement	1
8	KG-1089	Cover, Drive Pulley	1
9	83.BK65H	Pulley, 6.5" H-Bushing	1
10	83.H17M	Bushing, 17mm H	1
11	85.K508	Key, 5mm Sq x 1"	1
12	25.FF6802-06-06	Fitting, 45 Elbow - 6Mff X 6Mb	1
13	25.FF6400-L-10-10	Fitting, Connector Long -10MF x -10MB	2
14	95.04	Washer, Flat 1/4 SAE	1
15	90.0408	Bolt, 1/4-20 USS x 1	1
16	90.0406	Bolt, 1/4-20 USS x 3/4"	2
17	99.E0101	Nut, Locking Flange 1/4-20	2
18	95.06	Washer, Flat 3/8 SAE	2
19	90.0610	Bolt, 3/8-16 USS x 1-1/4	2
20	99.SF06	Nut, SRF 3/8-16 USS	2
21	81.B052	Belt, B52R	1
22	21.0138	Filter, Hyd Element 25 Micron	1
23	20.0407	Hose, 3/4x34.00 SAE 100R17AR	1
24	20.0407	Hose, 3/4x34.00 SAE 100R17AR	1
25	20.0411	Hose, 1/4x38.00 SAE 100R17AR	1
26	20.0412	Hose, 1/2x21.00 SAE 100R17AR	1
27	21.0125	Motor, Hyd. Parker 238CC	1
28	21.0145	Pump, Hyd. Hydrogear	1

PARTS

ILLUSTRATED DRAWING Hydraulic Pump Actuator



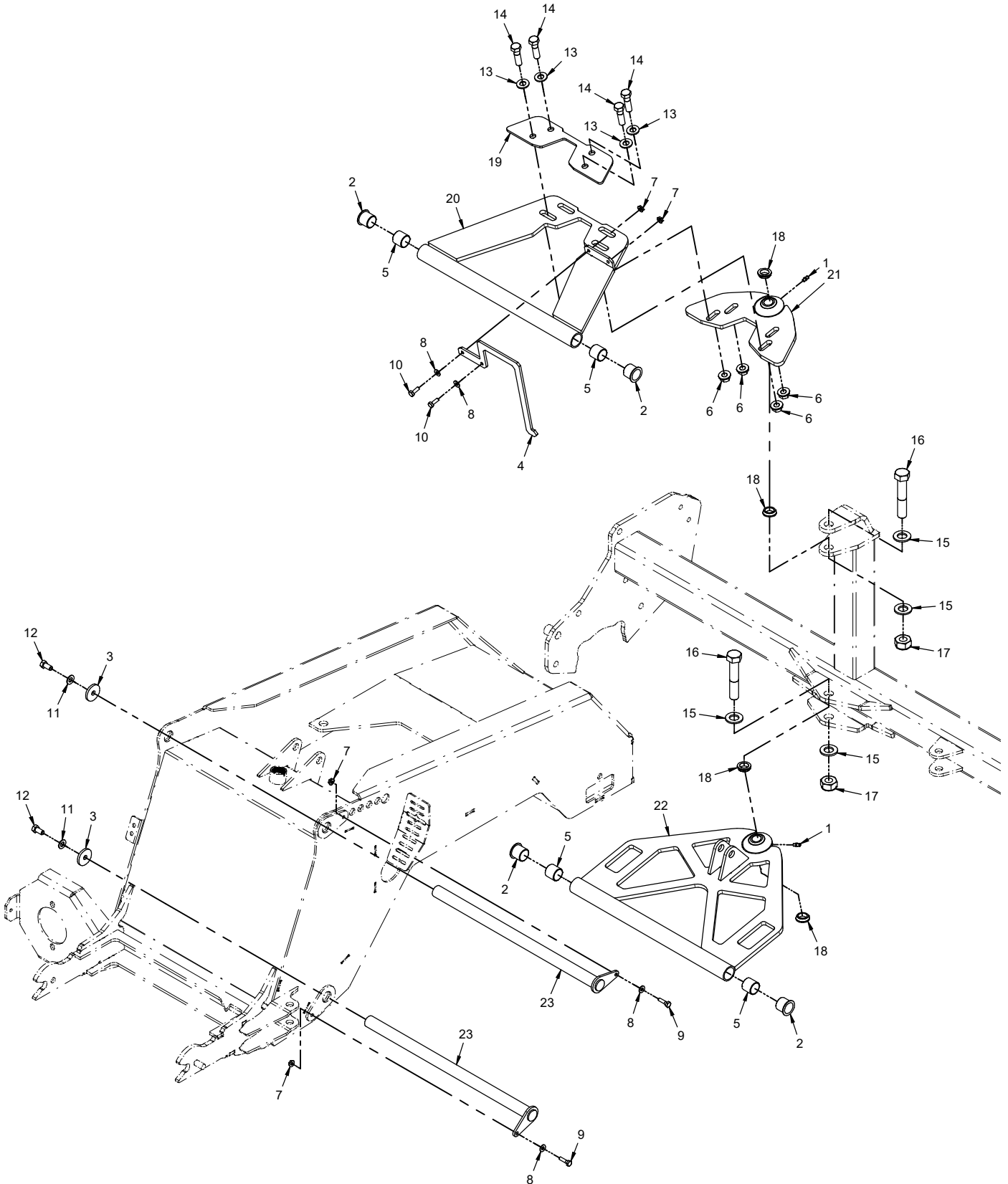
PARTS

Hydraulic Pump Actuator

REF.	PART NO.	DESCRIPTION	QTY.
1	KG-1094	Mount, Pump Actuator	1
2	KG-1121	Shield, Actuator Heat	1
3	03.0610	Clevis Pin, 3/8 X 1 1/4 Zp	1
4	02.CP0306	Cotter Pin, 3/32 X 3/4	2
5	99.SF04	Nut, SRF 1/4-20 USS	3
6	95.04	Washer, Flat 1/4 SAE	3
7	90.0406	Bolt, 1/4-20 USS x 3/4"	3
8	85.SS31	Set Screw, 5/16-24 x 3/8" SS	1
9	KG-6018	Lever, Pump Control	1
10	37.0070	Actuator, 12V 35mm Stroke	1
11	32.0211	Harness, Wire Actuator	1
12	03.0608	Clevis Pin, 3/8 x 1	1

PARTS

ILLUSTRATED DRAWING Rotor Pivot Frames



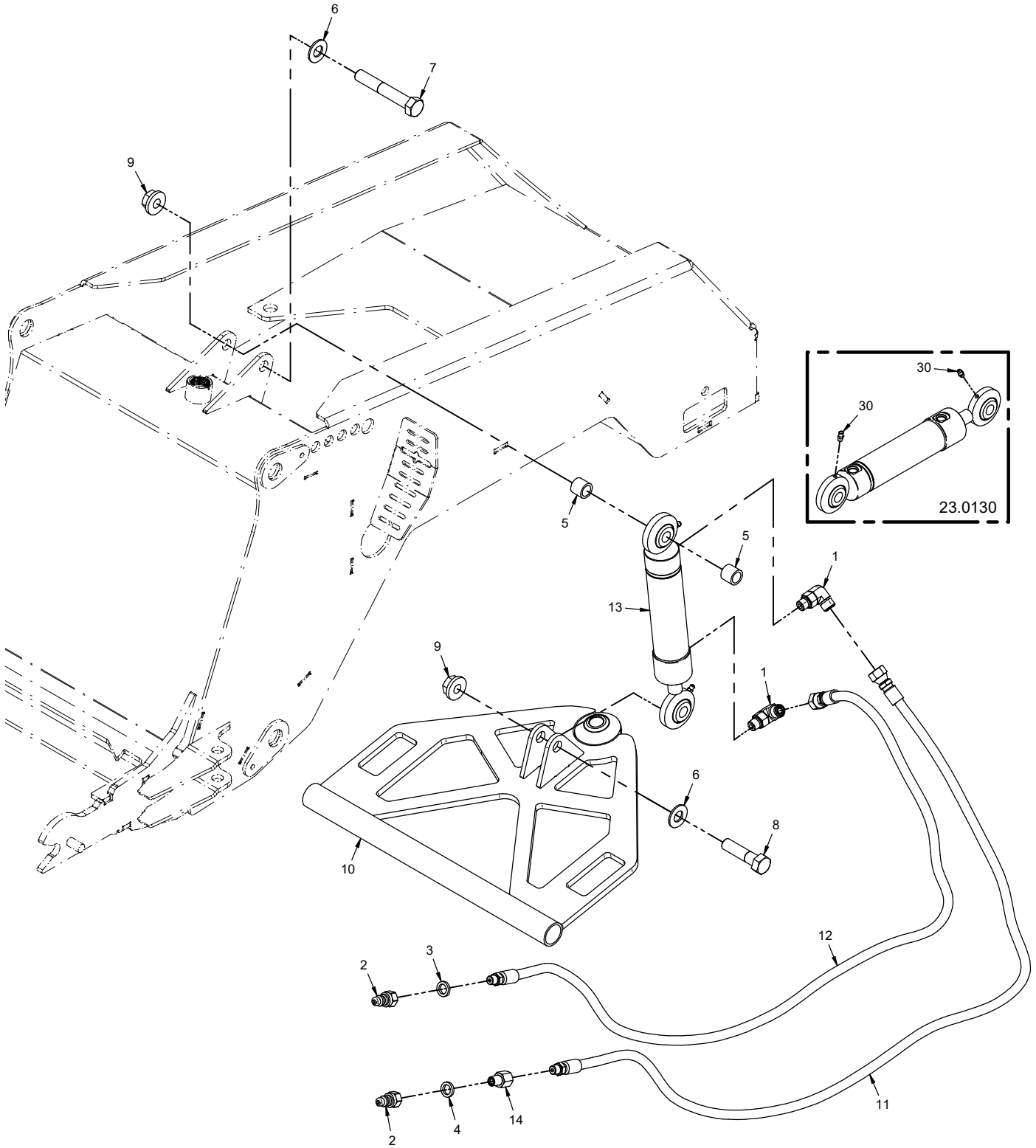
PARTS

Rotor Pivot Frames

REF.	PART NO.	DESCRIPTION	QTY.
1	29.GF0001	.Grease Ftg, 1/4 SAE ST	2
2	85.B0102	.Bushing, 1.000 ID x 1.125 OD x 1 L	4
3	KG-1098	.Washer, Pivot Rod Retainer	2
4	KG-1095	.Arm, Height Indicator	1
5	85.B0104	.Bushing, 1.000 ID x 1.125 OD x 1 L	4
6	99.E0103	.Nut, Locking Flange 1/2-13	4
7	99.SF04	.Nut, SRF 1/4-20 USS	4
8	95.04	.Washer, Flat 1/4 SAE	4
9	90.0408	.Bolt, 1/4-20 USS x 1	2
10	90.0406	.Bolt, 1/4-20 USS x 3/4"	2
11	95.06	.Washer, Flat 3/8 SAE	2
12	90.0606	.Bolt, 3/8-16 USS x 3/4	2
13	95.08	.Washer, Flat 1/2 SAE	4
14	90.0814	.Bolt, 1/2-13 USS x 1-3/4	4
15	95.12	.Washer, Flat 3/4 SAE	4
16	90.1232	.Bolt, 3/4-10 USS x 4	2
17	99.E0115	.Nut, Jam 3/4-10 Nylon Lock Wid	2
18	43.SP12-1WS	.Spacer. Rod End 3/4" Washer Style	4
19	KG-1122	.Plate, Upper Rotor Pivot	1
20	KG-6006	.Frame, Upper Rotor Pivot	1
21	KG-6012	.Mount, Upper Swivel	1
22	KG-6002	.Frame, Lower Rotor Pivot	1
23	KG-6011	.Pin, Pivot Anchor	2

PARTS

ILLUSTRATED DRAWING Rotor Height Adjustment



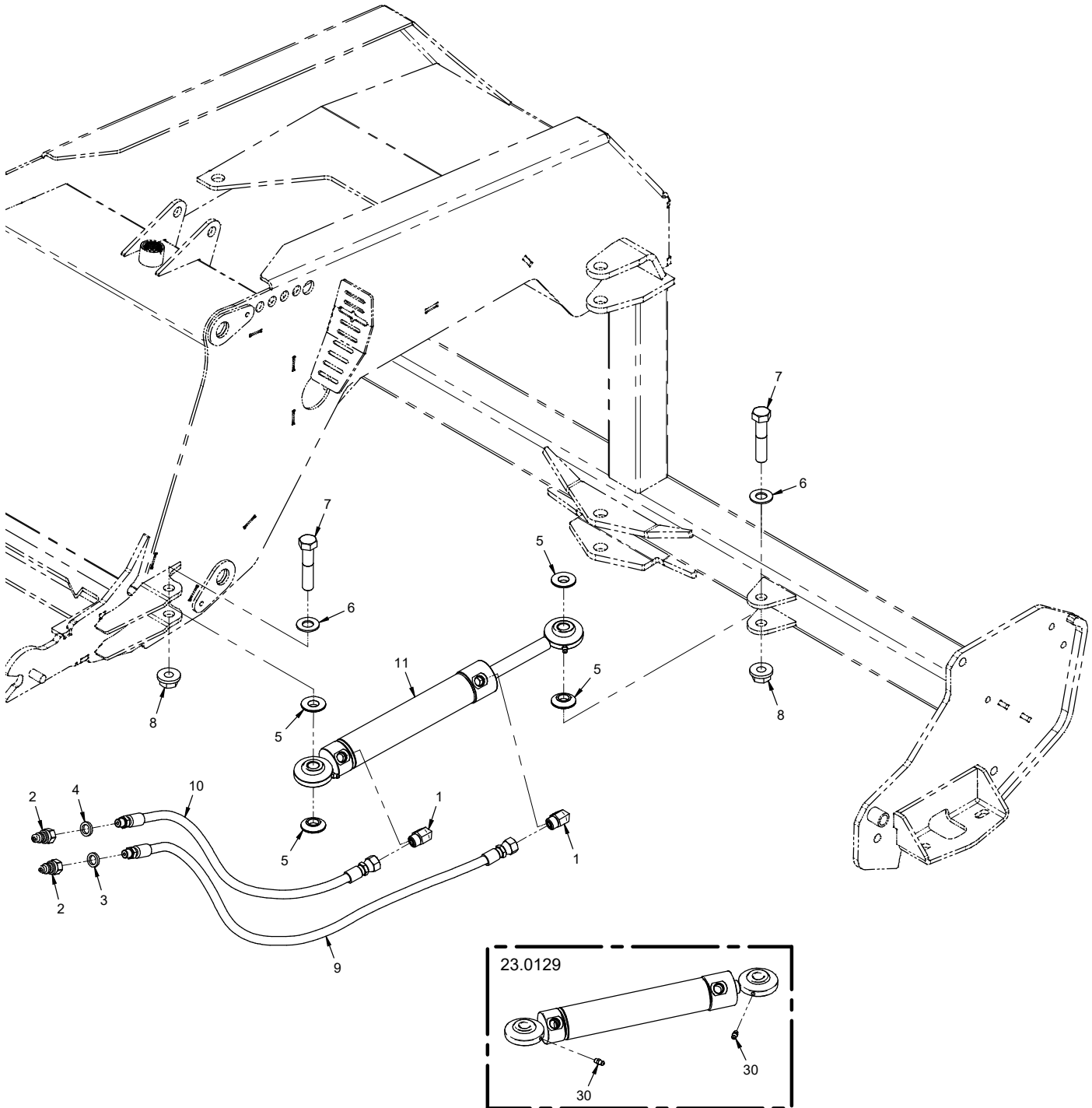
PARTS

Rotor Height Adjustment

REF.	PART NO.	DESCRIPTION	QTY.
1	25.FF6801-06-06	Fitting, 90 Elbow - 6MFF X 6MB	2
2	23.0104	Coupler, Quick Male 1/4	2
3	05.0156	Washer, .544 ID x .817 x .14 Nat	1
4	05.0157	Washer, .544 ID x .817 x .14 Blk	1
5	KG-1091	Spacer, Height Adjust Cylinder	2
6	95.10	Washer, Flat 5/8 SAE	2
7	90.1032	Bolt, 5/8-11 USS x 4	1
8	90.1020	Bolt, 5/8-11 USS x 2-1/2	1
9	99.E0094	Locknut, 5/8-11 Flanged Stover	2
10	KG-6002	Frame, Lower Rotor Pivot	1
11	20.0408	Hose, 1/4x48.00 SAE 100R17AR	1
12	20.0408	Hose, 1/4x48.00 SAE 100R17AR	1
13	23.0130	Cylinder, 1-1/2" X 5"	1
14	29.0092	Fitting, .025 Orifice 1/4 Pipe	1
30	29.GF0001	Grease Ftg, 1/4 SAE ST	2

PARTS

ILLUSTRATED DRAWING Rotor Angle Adjustment



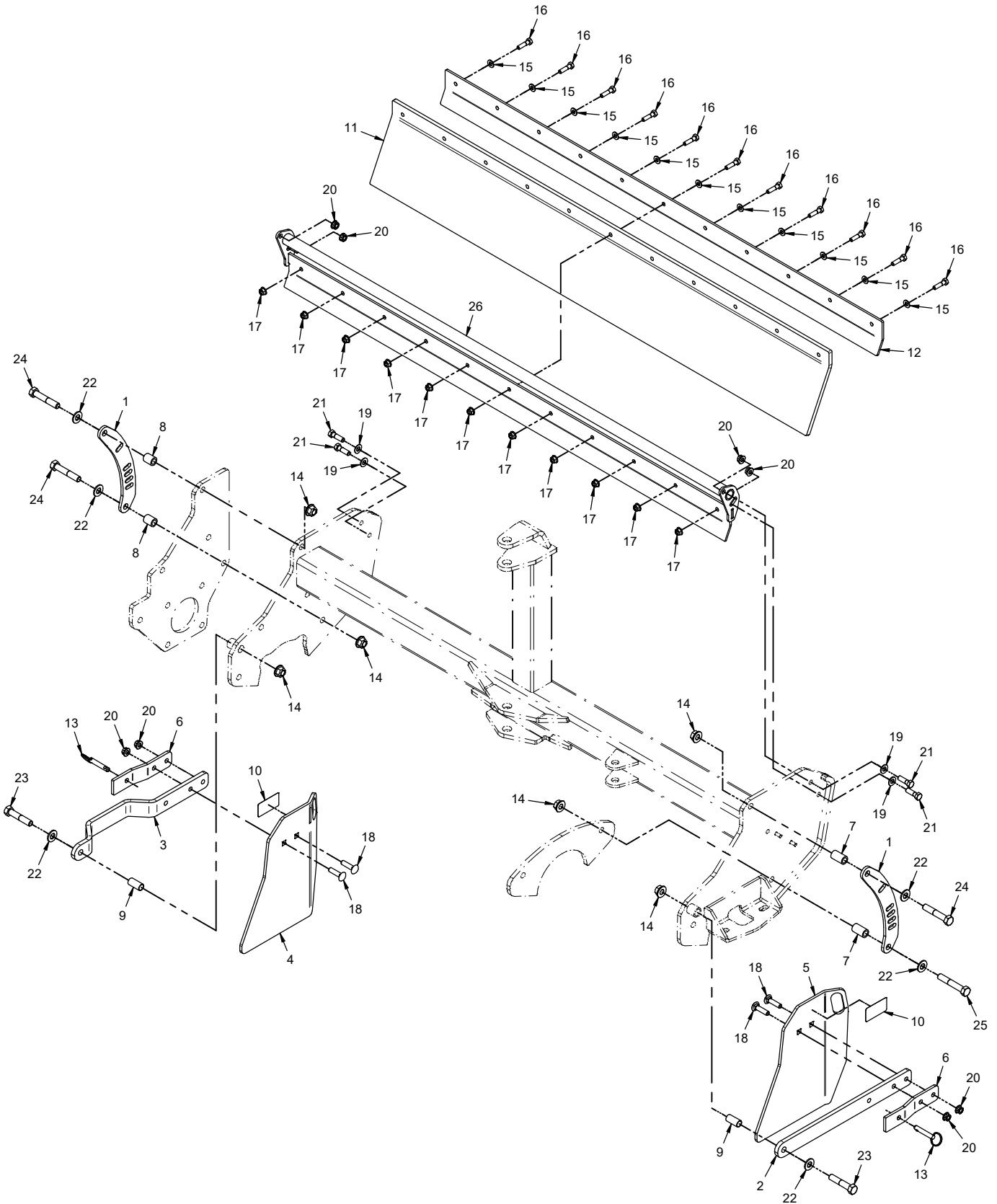
PARTS

Rotor Angle Adjustment

REF.	PART NO.	DESCRIPTION	QTY.
1	25.FF6801-06-06	Fitting, 90 Elbow - 6MFF X 6MB	2
2	23.0104	Coupler, Quick Male 1/4	2
3	05.0117	Washer, .544 ID x .817 x .14 Yel.	1
4	05.0116	Washer, .544 ID x .817 x .14 Red	1
5	43.SP10WS	Spacer, Rod End 5/8" Washer Style	4
6	95.10	Washer, Flat 5/8 SAE	2
7	90.1024	Bolt, 5/8-11 USS x 3	2
8	99.E0094	Locknut, 5/8-11 Flanged Stover	2
9	20.0409	Hose, 1/4x38.00 SAE 100R17AR	1
10	20.0410	Hose, 1/4x28.00 SAE 100R17AR	1
11	23.0129	Cylinder, 1-1/2" X 8" Steering	1
30	29.GF0001	Grease Ftg, 1/4 SAE ST	2

PARTS

ILLUSTRATED DRAWING Side Wings and Dirt Containment Flap



PARTS

Side Wings and Dirt Containment Flap

REF.	PART NO.	DESCRIPTION	QTY.
1	KG-1064	Guide, Side Wing	2
2	KG-1069	Arm, Right Side Wing	1
3	KG-1065	Arm, Left Side Wing	1
4	KG-1018	Wing, Left Side	1
5	KG-1019	Wing, Right Side	1
6	KG-1066	Plate, Side Wing Lock	2
7	KG-1068	Spacer, Wing Guide Right	2
8	KG-1114	Spacer, Wing Guide Left	2
9	KG-1067	Bushing, Wing Arm Pivot	2
10	00.0364	Decal, Warning Pinch Point	2
11	KG-1072	Flap, Front Dirt	1
12	KG-1071	Clamp, Front Belting	1
13	03.0010	Pin, Ball 3/8 X 1-1/2	2
14	99.E0103	Nut, Locking Flange 1/2-13	6
15	95.05	Washer, Flat 5/16 SAE	11
16	90.0510	Bolt, 5/16-18 USS x 1-1/4	11
17	99.E0102	Nut, Locking Flange 5/16-18	11
18	97.0612	Bolt, Carriage 3/8-16 x 1 1/2	4
19	95.06	Washer, Flat 3/8 SAE	4
20	99.E0082	Nut, Locking Flange 3/8-16	8
21	90.0610	Bolt, 3/8-16 USS x 1-1/4	4
22	95.08	Washer, Flat 1/2 SAE	6
23	90.0820	Bolt, 1/2-13 USS x 2-1/2	2
24	90.0822	Bolt, 1/2-13 USS x 2-3/4	3
25	90.0824	Bolt, 1/2-13 USS x 3	1
26	KG-6016	Frame, Front Dirt Flap	1