

# DEMCO

## SIDE DUMP TRAILERS



IT JUST MAKES SENSE.

**Low Center of Gravity =  
More Stability**



**CORSOL**  
CORROSION SOLUTIONS

*Doing Our Best to Provide You the Best*

[www.demco-products.com](http://www.demco-products.com) • 1.800.543.3626



# Superior Handling and Stability

- One of the **lowest center of gravity tubs on the market** - increases safety by being more stable and reducing twisting of the tub.
- Registered **Trademarked FlexCorners®** - allows for flexibility of the tub to reduce cracking in the corners when the load or terrain is uneven.
- The ability to **switch dump direction** - no need to walk around the trailer to change directions.
- **Corsol® Corrosion Solutions** - prevents undercutting and blistering.

*Demco Side Dump Trailers are your #1 choice for safety and productivity.*



## THE CORROSION SOLUTION

CORSOL® corrosion solutions are the result of PRP® Industries' METAL POLYMERIZATION® process. The result is a field-proven corrosion solution that prevents the devastating effects of undercutting and blistering on Demco's steel products.



**FIELD-PROVEN TESTING** Washington State Department of Transportation is particularly hard on its snow removal equipment. Exposure to months of harsh conditions and corrosive road salt while operating in mountainous regions is why we chose their equipment to field test CORSOL® corrosion solutions. The two salt spreader trucks shown below were brand new in 2008 and have since operated continuously out of the same facility.

\* Limited color selection

## FEATURES

### TUB

- 3 integrated tub pivot points with greaseless pivot bearings
- **Tub dump direction controlled from two places on the left side** - no need to walk all around the trailer to change dump direction
- Tub dump direction indicators visible in truck mirrors
- **Rubber EdgeFlex fenders with bolt-on mounts** - easily replace damaged fender parts
- **Large Single GRail on Tub** - lighter and stronger than two rail systems
- 1/4" Domex Rounded Vee Tub with original **FlexCorner® design**
- Standard Colors: Corsol Gray and Corsol Black (Custom colors available)
- Tub drains standard

### CHASSIS

- 20" deep twin "I" beam chassis with 3/8" kingpin plate
- Holland Atlas 55 Landing Gear w/ 2 speed gear box
- Holland CBX 23,000 lb, 5-3/4" OD axle
- Haldex 2S1M ABS system
- **Brakes:** Drum Brakes standard (Disc Brakes optional)
- **Suspensions:** SAF-Holland CBX23-245 Air Suspension w/Integrated Axles (Watson-Chalin lift and steer axles on Quint, Quad, and Trains) Spring Ride suspension available
- **Wheel & Tire Options:** 11R22.5 or 11R24.5 on Steel or Aluminum Rim, 385/65R22.5 Super Singles on Aluminum Rim (Other sizes available upon request)
- **Hydraulic System:** 3000 psi rated 3/4" Hoses, Fittings, Flow Divider, and Relief Valve. Trailer Mounted Electric Over Hydraulic Control Valve Available
- Twin 3000 psi rated 5" cylinders (Optional 6" cylinders available)
- Standard LED lights in enclosed boxes with sealed plugs
- Bolt-on Push block with Under Ride Bumper conform to Federal Motor Vehicle Safety Standards

## OPTIONS

See more options on next page



Dollies and Turntables Standard Model Variations Tongue lengths varying from 33" - 225"

### HIGH CAPACITY KITS



#### High Capacity Kit

20' Tub	22.3 cu. yds.
34' Tub	38.4 cu. yds.
37' Tub	41.5 cu.yds



#### XL High Capacity Kit

20' Tub	27.5 cu. yds.
34' Tub	47.3 cu. yds.
37' Tub	51.1 cu.yds

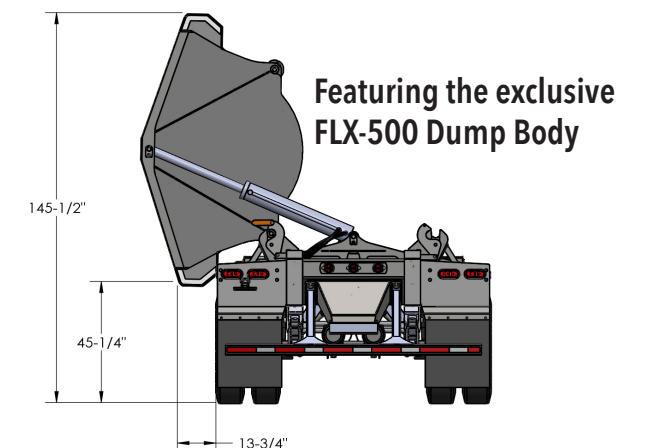
### TARPS



Aero Electric Tarps



Roll Rite Electric Tarps



STANDARD FEATURES

OPTIONS



**PIVOT MOUNTS**  
3 pivot points per side keeps your side dump stable and easy-to-use. Adjustable pivot mounts make certain the bushings ride on the saddle and are held together with a retaining bolt and bolts on each end



**INSIDE OF TUB**  
Quick and easy clean-out with no exceptions.



**TUB SUPPORTS**  
3 outer tub supports to increase strength



**FLEXCORNER® DESIGN**  
The Registered Trademarked Flex-Corner® design allows for flexibility to maintain the structural integrity of the tub and eliminates cracking



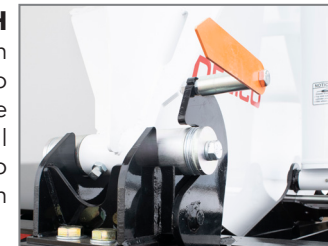
**NOSE BOX**



**GREASE ZERKS**  
5th Wheel Plate and a safe and convenient way to grease the Hydraulic Cylinders



**REMOTE GREASE ZERKS**  
Access grease zerks without having to leave the ground



**TUB LATCH**  
Tub dump direction controlled from two places on the left side - no need to walk all around the trailer to change dump direction



**DISC BRAKES**



**G RAIL**  
G Rail design to support the tub wall with an added benefit of protecting your tarp when dumping

**HEAVY DUTY LOAD BEARING LANDING GEAR**



**MIDSHIP LIGHT**

**ALUMINUM RIMS**  
Steel rims are standard

**REAR STROBE LIGHTS**  
For safety and visibility



**HOSE HANGER**



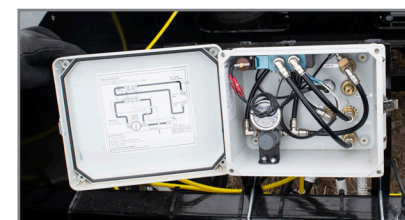
**6" CYLINDER**



**5" CYLINDER**



**TUB DRAINS**



**LIFT AXLE CONTROL VALVE ASSEMBLY**



**PUSH BLOCK**  
Bolt-on Push/Lift block with stub bumper

**FULL WIDTH MUDFLAPS**  
Available on front and rear



**EOH VALVE AND CONTROL BOX**



**BRAKE LINES**  
Strategically located and color coded



**ABS**



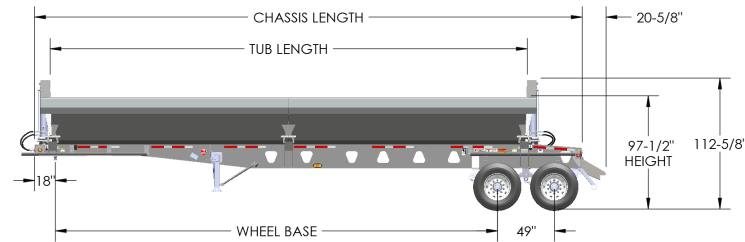
**PUSH BLOCK W/ PINTLE HITCH**



**PUSH BLOCK W/ UR BUMPER**

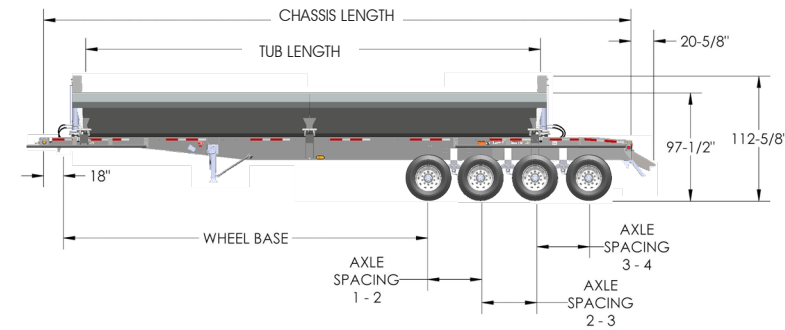
## TandemAxle

Model	Suspension	Chassis Length	Wheel Base	Axle Spacing	Tub Length	Tub Volume*	Tare Weight	Optional 37' Tub
35' Tandem	Air Ride	35'-4"	324.5"	49"	30'-3"	20.1 cu. yd.	13,640 lbs	NA
40' Tandem	Air Ride	40'-5"	383"	49"	34'-3"	22.7 cu. yd.	15,680 lbs	NA



## QuadAxle

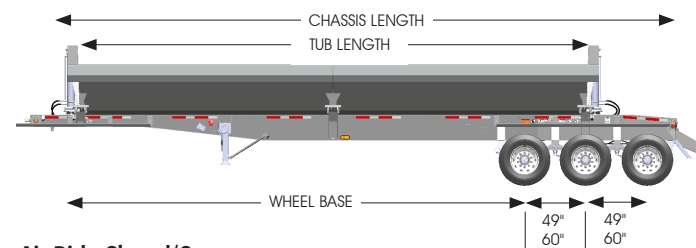
Model	Suspension	Chassis Length	Wheel Base	Axles 1-2	Axles 2-3	Axles 3-4	Volume* 34' 3" Tub	Tare Weight	Optional 37' Tub
44' Quad Rear Lift	Air Ride	44'-4"	330"	49"	49"	49"	22.7 cu. yd.	18,500 lbs	24.5 cu.yd.
44' Quad Rear Lift Lift/Steer	Air Ride	44'-4"	335"	49"	49"	60"	22.7 cu. yd.	19,200 lbs	24.5 cu.yd.
47' Quad FL/RLS	Air Ride	47'-2"	395"	49"	49"	60"	NA	19,500 lbs	24.5 cu. yd.



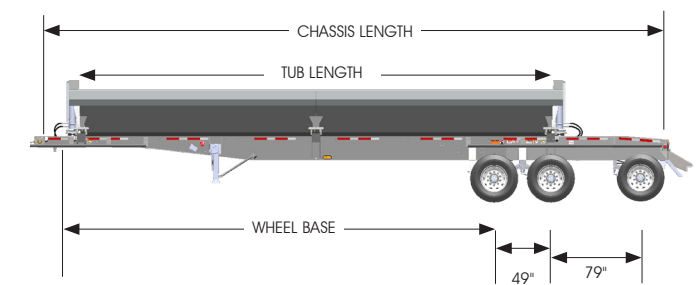
## TriAxle

Model	Suspension	Chassis Length	Wheel Base	Axle Spacing	Tub Length	Tub Volume*	Tare Weight	Optional 37' Tub
35' Tri-Axle	Air Ride	35'-4"	324.5"	49"	30'-3"	20.1 cu. yd.	16,500 lbs	NA
40' Tri-Axle	Air Ride	40'-5"	383"	49"	34'-3"	22.7 cu. yd.	17,000 lbs	NA
42' Tri-Axle	Air Ride	42'-1"	404"	49"	34'-3"	22.7 cu. yd.	17,500 lbs	NA
44' Tri-Axle	Air Ride	44'-2"	428"	49"	34'-3"	22.7 cu. yd.	17,900 lbs	24.5 cu.yd.
44' Tri-Axle	Spread Air Ride	44'-2"	417"	60"	34'-3"	22.7 cu. yd.	17,900 lbs	24.5 cu.yd.
46' Tri-Axle	Air Ride Closed/Open	45'-8"	377"	49" / 79"	34'-3"	22.7 cu. yd.	18,000 lbs	NA
47' Tri-Axle	Air Ride Closed/Open	47'-2"	395"	49" / 79"	37'	NA	18,200 lbs	24.5 cu. yd.

### Air Ride and Spread Air Ride

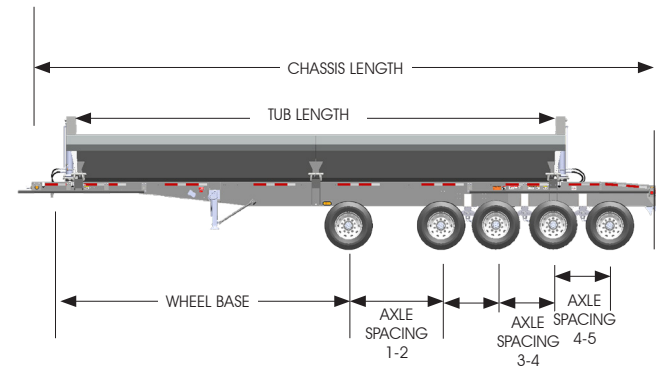


### Air Ride Closed/Open



## QuintAxle

Model	Suspension	Chassis Length	Wheel Base	Axles 1-2	Axles 2-3	Axles 3-4	Axles 4-5	Volume* 34' 3" Tub	Tare Weight Tub	Optional 37'
44' Quint	Air Ride	44'-4"	243 1/32"	97"	49"	49"	49"	NA	20,800 lbs	24.5 cu.yd.



## Trains

Maximum Payload • Maximize Profit

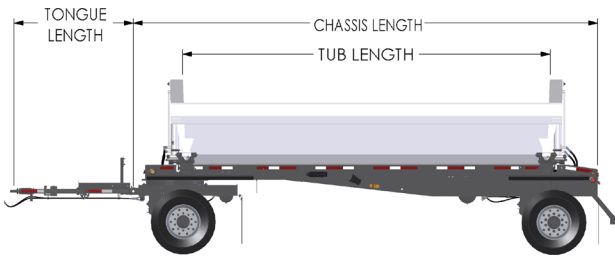


NOTE: Heights measured with 11R22.5 tires.

\* Water level capacity

## Pup Trailers with Turntables

- 26' with 20' Tub - 2 Axle, 3 Axle, or 4 Axle Air Ride
- 30' with 24' Tub - 4 Axle Air Ride



Model	Suspension	Tub Length	Tub Volume
26'	Air Ride	20'	13.5 cu. yd.
30'	Air Ride	24'	16 cu. yd.

## Truck Box Side Dump

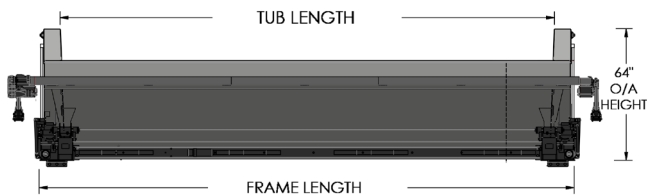


- One Year Warranty on Manufactured Parts
- Dumps to Left or Right Side
- Quick Side-to-Side dump change
- 20 Second dump (30 sec. cycle) at 33 GPM Flow
- Roll-Rite tarp option available



- May require EOH Valve
- Complete sub frame assembly-complete with wiring and lights
- Trademarked FlexCorner® Design

Model	Bolt on Sub-frame	Dump Body	Tub Capacity	Cylinder Diameter
14'	15' 8 1/2"	14' FLX500	9.3 cu. yds.	5"
15'	16' 8 1/2"	15' FLX500	10 cu. yds.	5"
16'	17' 8 1/2"	16' FLX500	10.75 cu. yds.	5"
17'	18' 8 1/2"	17' FLX500	11.5 cu. yds.	5"
20'	21' 8 1/2"	20' FLX500	13.5 cu. yds.	5"
24'	25' 8"	24' FLX500	15.8 cu. yds.	5"



*Doing Our Best to Provide You the Best*

4010 320th Street • Boyden, Iowa 51234  
1.800.543.3626

[www.demco-products.com](http://www.demco-products.com)