



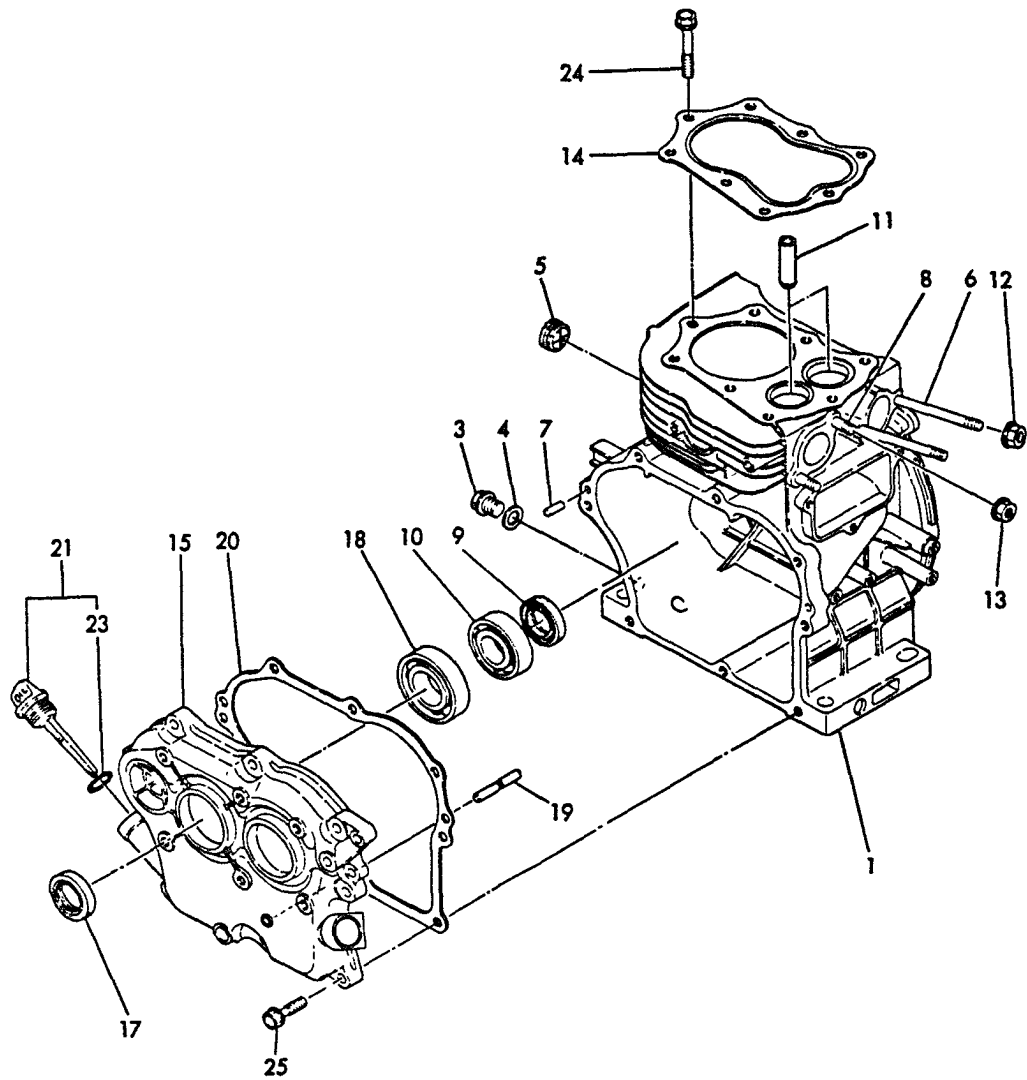
PARTS CATALOGUE

EG-3500



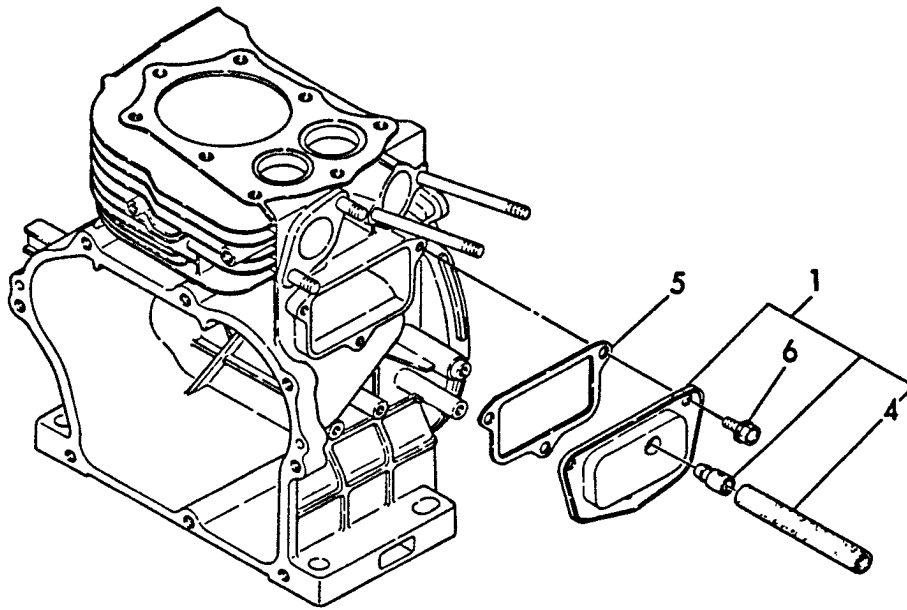
898 595-8056 0

1 CYLINDER BODY



REF. NO.	LEV. 0	PART NO.	DESCRIPTION	-----Q'TY-----					
				(A)	(B)	(C)	(D)	(E)	(F)
1	.	Y760870-01560	BODY ASSY, CYLINDER	1					
3	..	Y160610-01690	PLUG, DRAIN	1					
4	..	Y104200-59170	GASKET 12	1					
5	..	Y160820-01950	PLUG	1					
6	..	Y160610-04590	BOLT M6X82	2					
7	..	Y22312-060160	PARALLEL PIN 6X16	2					
8	..	Y26216-080182	STUD M8X18	2					
9	..	*REF. 8=9	OIL SEAL	1					
10	..	*REF. 8=10	BEARING	1					
11	..	*REF. 5=5	GUIDE, VALVE	2					
12	..	*REF. 6=10	NUT M6	2					
13	..	*REF. 6=19	NUT M8	2					
14	.	Y160810-01330	GASKET, CYL. HEAD	1					
15	.	Y760840-01500	COVER ASSY, SIDE	1					
17	..	*REF. 8=9	SEAL, OIL	1					
18	..	*REF. 8=11	BEARING	1					
19	..	*REF. 14=1	SHAFT, GOVERNOR	1					
20	.	Y160810-01410	GASKET, SIDE COVER	1					
21	.	Y160810-01740	CAP ASSY, LO FILLER	1					
23	..	Y24311-000180	O-RING 18-P	1					
24	.	Y160610-04180	BOLT M8X50	8					
25	.	Y26106-080302	BOLT M8X30	8					

2 BREATHER



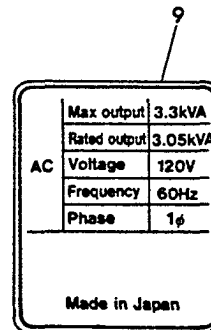
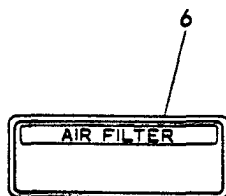
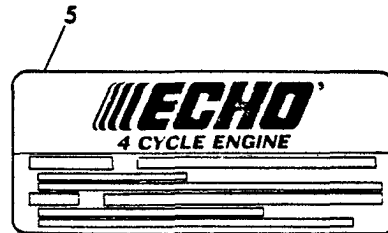
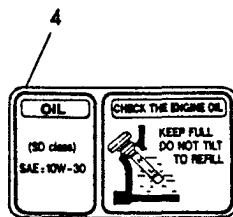
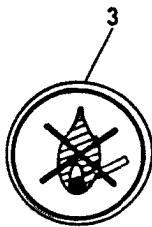
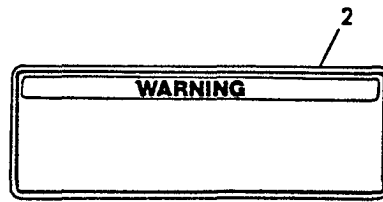
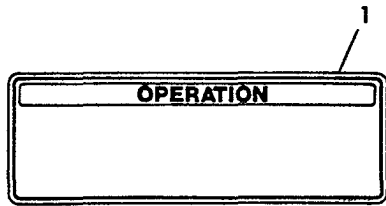
+-----+
 | 1A03 |
 | (1A01) |
 +-----+

(2) BREATHER

(A)=EG3500 (D)=
 (B)= (E)=
 (C)= (F)=

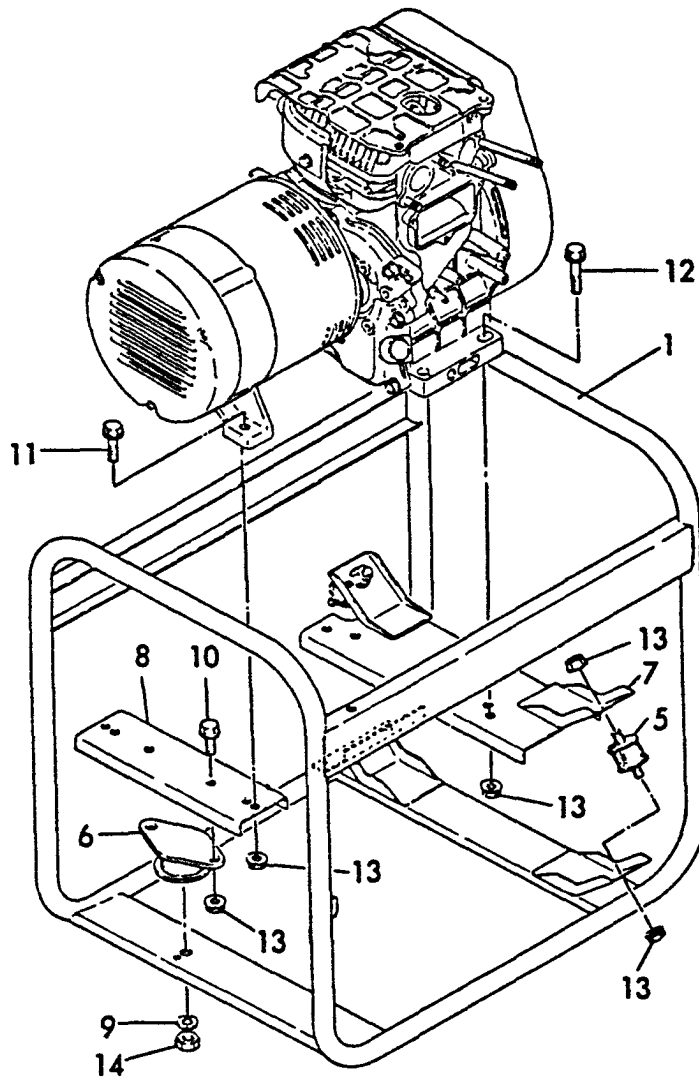
REF. NO.	LEV. 0	PART NO.	DESCRIPTION	-----Q'TY-----					
				(A)	(B)	(C)	(D)	(E)	(F)
1	.	Y160810-03010	BREATHER ASSY	1					
4	..	Y160810-03180	PIPE, BREATHER	1					
5	.	Y160810-03070	GASKET, BREATHER	1					
6	.	Y26476-060142	BOLT M6X14	3					

3 LABELS



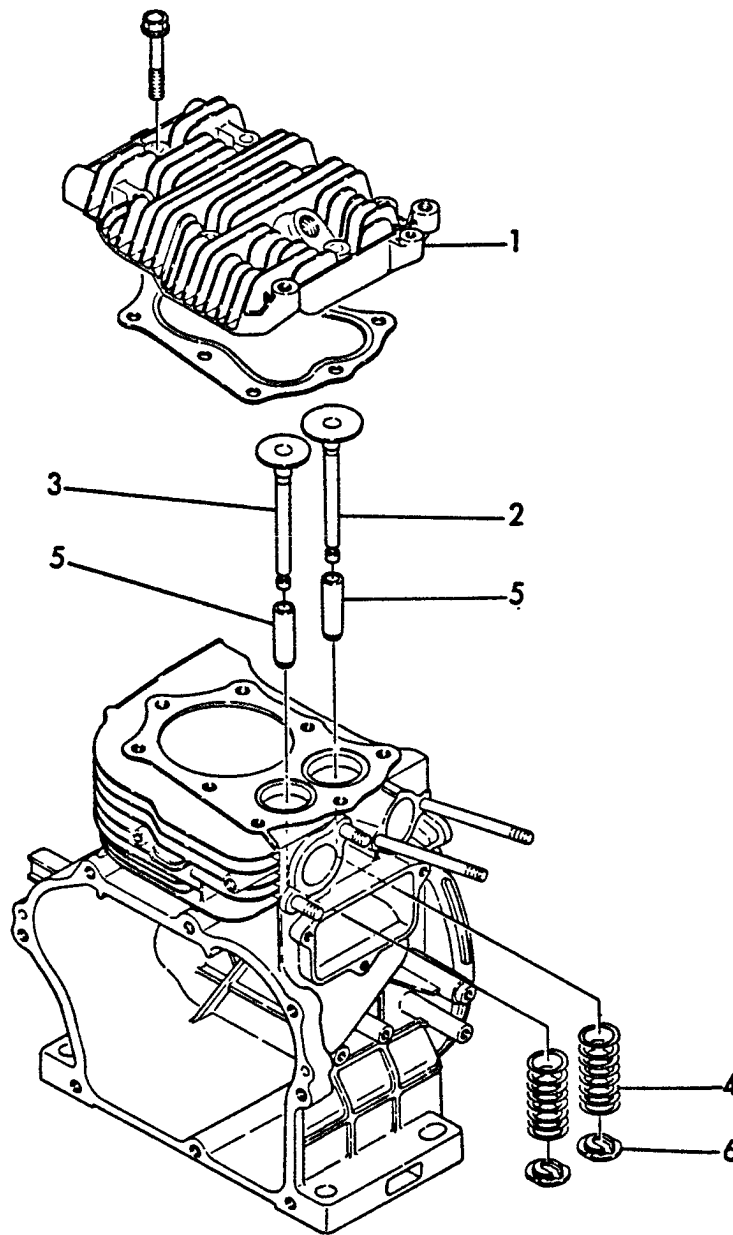
REF. NO.	LEV. 0	PART NO.	DESCRIPTION	-----Q'TY-----					
				(A)	(B)	(C)	(D)	(E)	(F)
1	.	Y183621-07250	LABEL, OPERATION	1					
2	.	Y183210-07260	LABEL, WARNING	1					
3	.	Y183210-07270	LABEL, NON FIRE	1					
4	.	Y183210-07290	LABEL, OIL	1					
5	.	Y160671-07370	LABEL(ECHO)	1					
6	.	Y183210-07370	LABEL, AIR CLEANER	1					
7	.	Y183820-07120	LABEL(EG3500)	1					
8	.	Y183210-07390	LABEL, EARTH	1					
9	.	Y183820-07550	LABEL, GENERATOR	1					

4 FRAME



REF. NO.	LEV. 0	PART NO.	DESCRIPTION	-----Q'TY-----					
				(A)	(B)	(C)	(D)	(E)	(F)
1	.	Y 783820-08720	FRAME ASSY	1					
5	.	Y 183920-08210	DAMPER, FRONT	2					
6	.	Y 183720-08220	DAMPER, REAR	1					
7	.	Y 183920-08230	STAY, DAMPER	1					
8	.	Y 183720-08250	STAY, REAR DAMPER	1					
9	.	Y 22217-100000	SPRING WASHER 10	1					
10	.	Y 26106-080202	BOLT M8X20	2					
11	.	Y 26106-080302	BOLT M8X30	2					
12	.	Y 26106-080382	BOLT M8X38	2					
13	.	Y 26366-080002	NUT M8	10					
14	.	Y 26717-100002	NUT M10	1					

5 CYLINDER HEAD



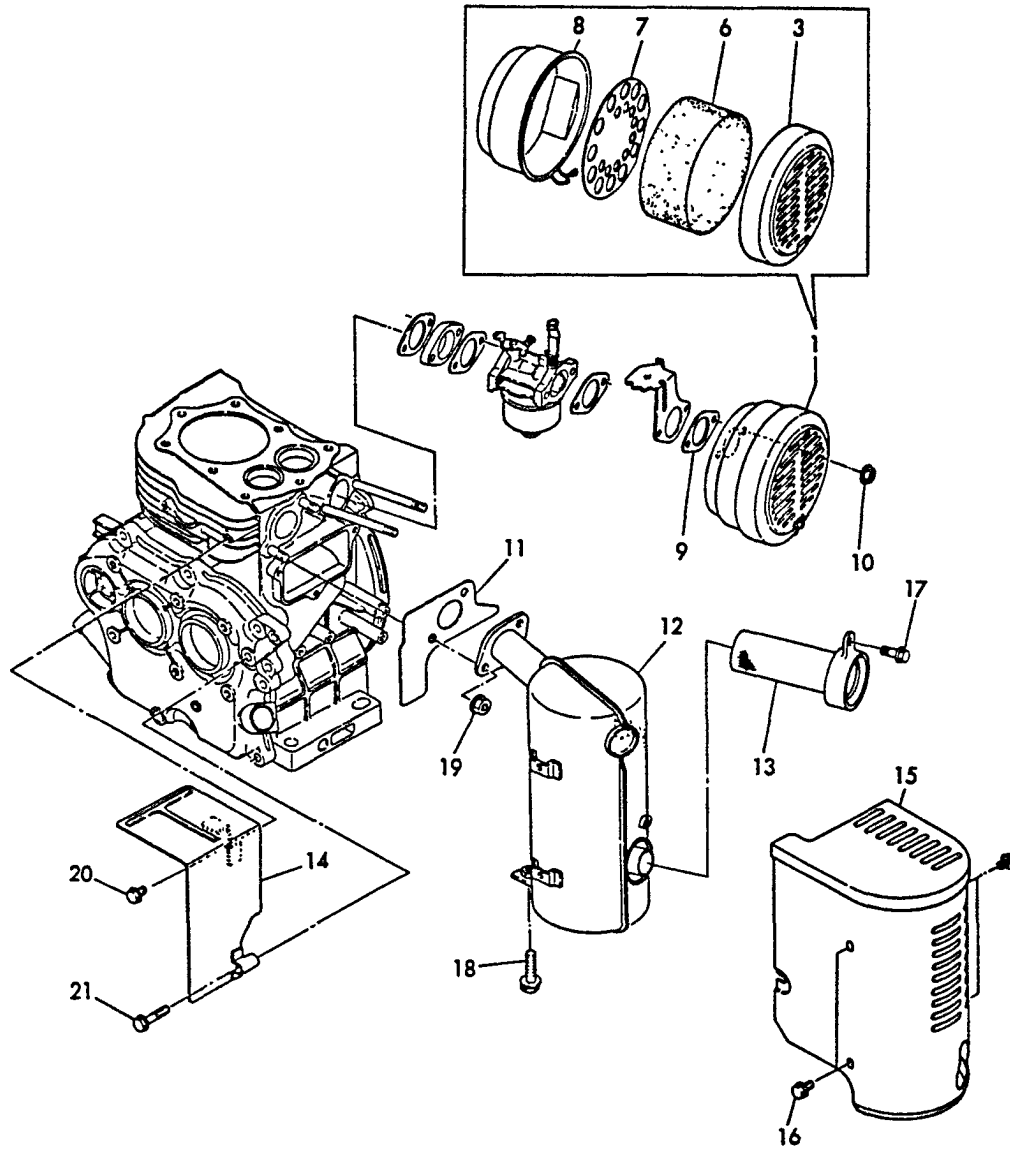
+-----+
 | 1A06 |
 | (1A01) |
 +-----+

(5) CYLINDER HEAD

(A)=EG3500 (D)=
 (B)= (E)=
 (C)= (F)=

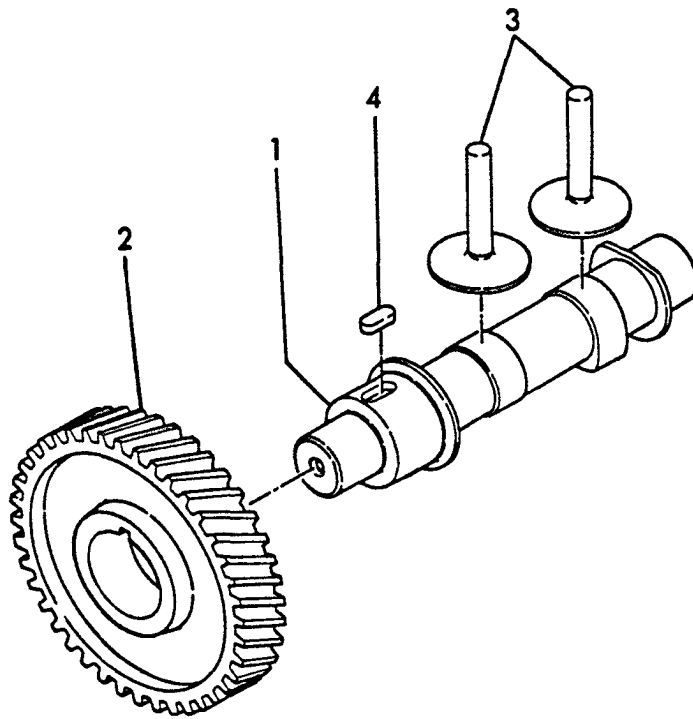
REF. NO.	LEV. 0	PART NO.	DESCRIPTION	-----Q'TY----- I P/U A R					
				(A)	(B)	(C)	(D)	(E)	(F)
1	.	Y 160810-11010	HEAD, CYLINDER	1					
2	.	Y 160810-11100	VALVE, SUCTION	1					
3	.	Y 160810-11110	VALVE, EXHAUST	1					
4	.	Y 160810-11120	SPRING, VALVE	2					
5	.	Y 160810-11160	GUIDE, VALVE	2					
6	.	Y 160810-11180	RETAINER	2					

6 AIR CLEANER & MUFFLER



REF. NO.	LEV. 0	PART NO.	DESCRIPTION	-----Q'TY-----					I P/U A R	
				(A)	(B)	(C)	(D)	(E)		(F)
1	.	Y760810-12560	CLEANER ASSY, AIR	1						
3	..	Y760810-12540	BODY, AIR CLEANER	1						
6	..	Y160810-12540	ELEMENT, AIR CLEANER	1						
7	..	Y160810-12550	HOLDER, ELEMENT	1						
8	..	Y160810-12730	CAP, AIR CLEANER	1						
9	.	Y160810-56150	GASKET, CARBURETOR	1						
10	.	Y26366-060002	NUT M6	2						
11	.	Y160810-13200	GASKET, MUFFLER	1						
12	.	Y160870-13560	MUFFLER	1						
13	.	Y160870-13650	SPARK ARRESTER	1						
14	.	Y160870-13730	PLATE	1						
15	.	Y160870-13810	COVER, MUFFLER	1						
16	.	Y26106-060082	BOLT M6X8	4						
17	.	Y26106-060102	BOLT M6X10	1						
18	.	Y26106-080302	BOLT M8X30	1						
19	.	Y26366-080002	NUT M8	2						
20	.	Y26476-060142	BOLT M6X14	1						
21	.	Y26476-060302	BOLT M6X30	1						

7 CAMSHAFT



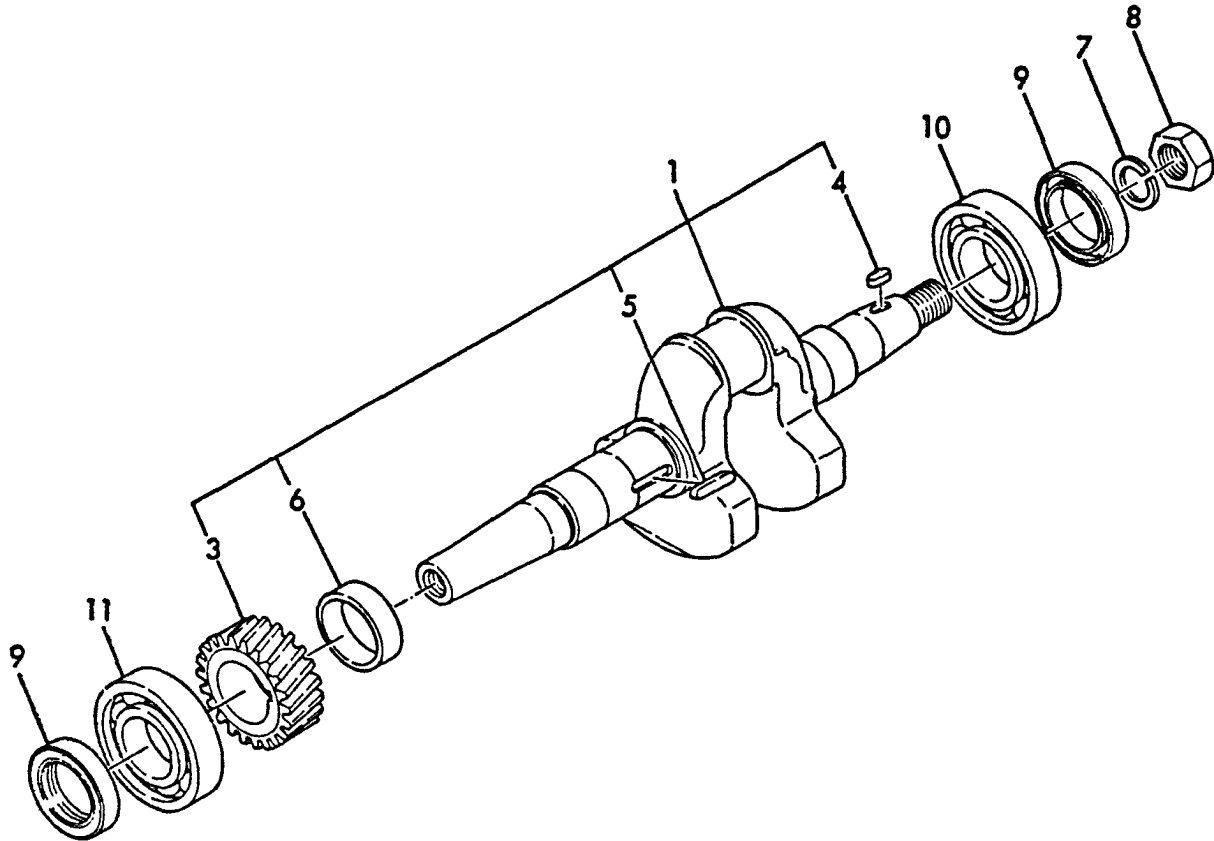
+-----+
 | 1A08 |
 | (1A01) |
 +-----+

(7) CAMSHAFT

(A)=EG3500 (D)=
 (B)= (E)=
 (C)= (F)=

REF. NO.	LEV. 0	PART NO.	DESCRIPTION	-----Q'TY-----						I P/U A R
				(A)	(B)	(C)	(D)	(E)	(F)	
1	.	Y 160840-14011	CAMSHAFT	1						
2	.	Y 160810-14100	GEAR, CAMSHAFT	1						
3	.	Y 160810-14200	TAPPET	2						
4	.	Y 22512-050120	KEY 5X5X12	1						

8 CRANKSHAFT & MAIN BEARING



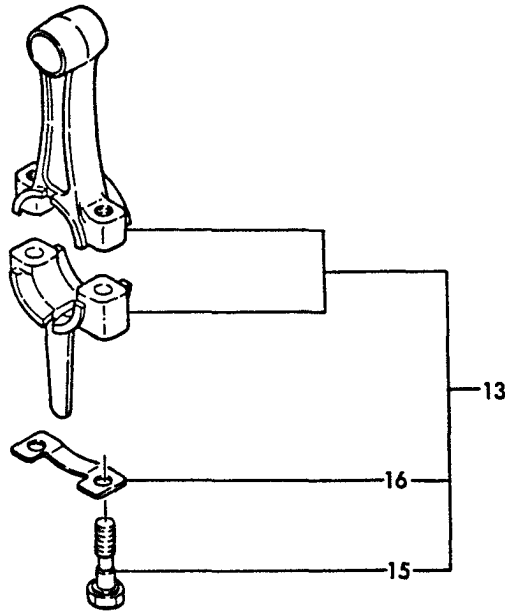
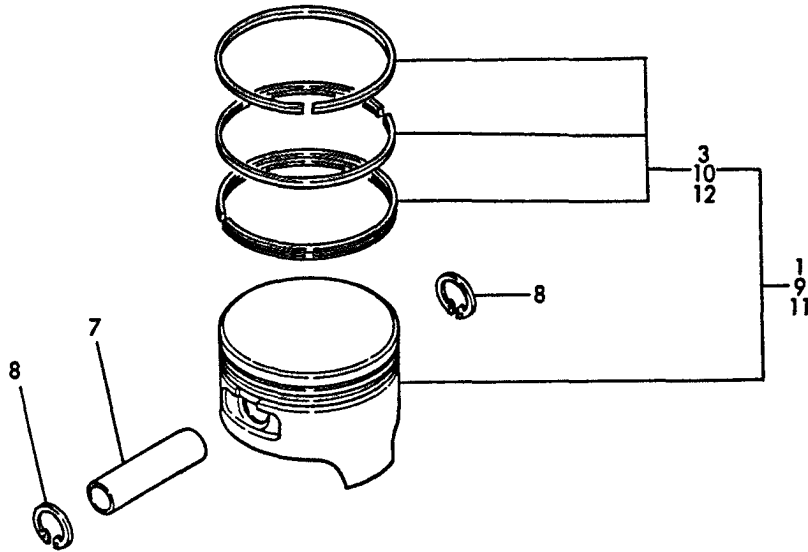
+-----+
 | 1A09 |
 | (1A01) |
 +-----+

(8) CRANKSHAFT & MAIN BEARING

(A)=EG3500 (D)=
 (B)= (E)=
 (C)= (F)=

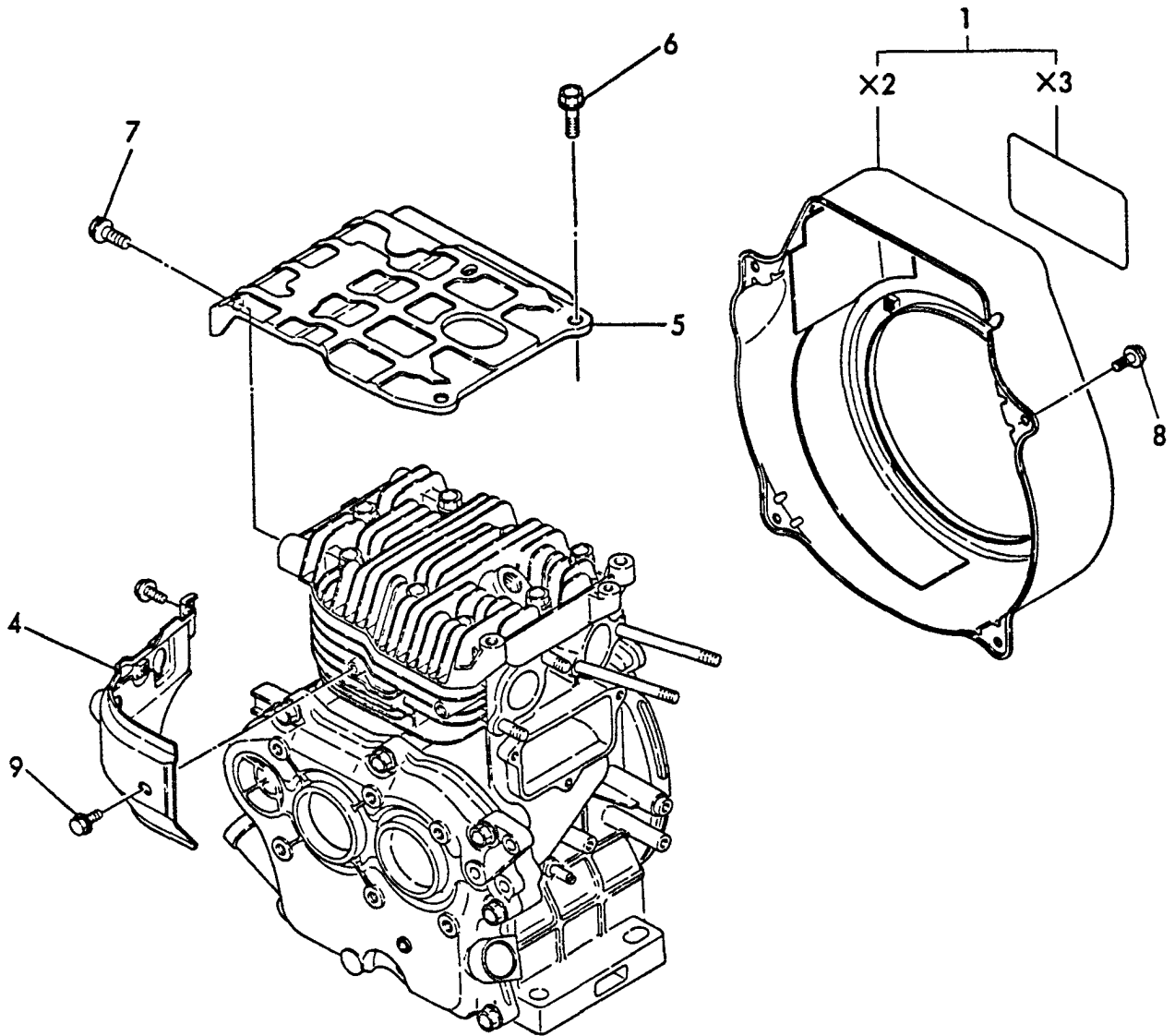
REF. NO.	LEV. 0	PART NO.	DESCRIPTION	-----Q'TY----- I P/U A R					
				(A)	(B)	(C)	(D)	(E)	(F)
1	.	Y 760870-21700	CRANKSHAFT ASSY	1					
3	..	Y 160810-21200	GEAR, CRANKSHAFT	1					
4	..	Y 160610-21290	KEY 4X10	1					
5	..	Y 160810-21290	KEY 4X24	1					
6	..	Y 160880-21610	SPACER, GEAR	1					
7	.	Y 22217-160000	SPRING WASHER 16	1					
8	.	Y 26737-160002	NUT M16	1					
9	.	Y 160210-02220	OIL SEAL	2					
10	.	Y 24101-062050	BALL BEARING	1					
11	.	Y 24101-062060	BALL BEARING	1					

9 PISTON & CONNECTING ROD



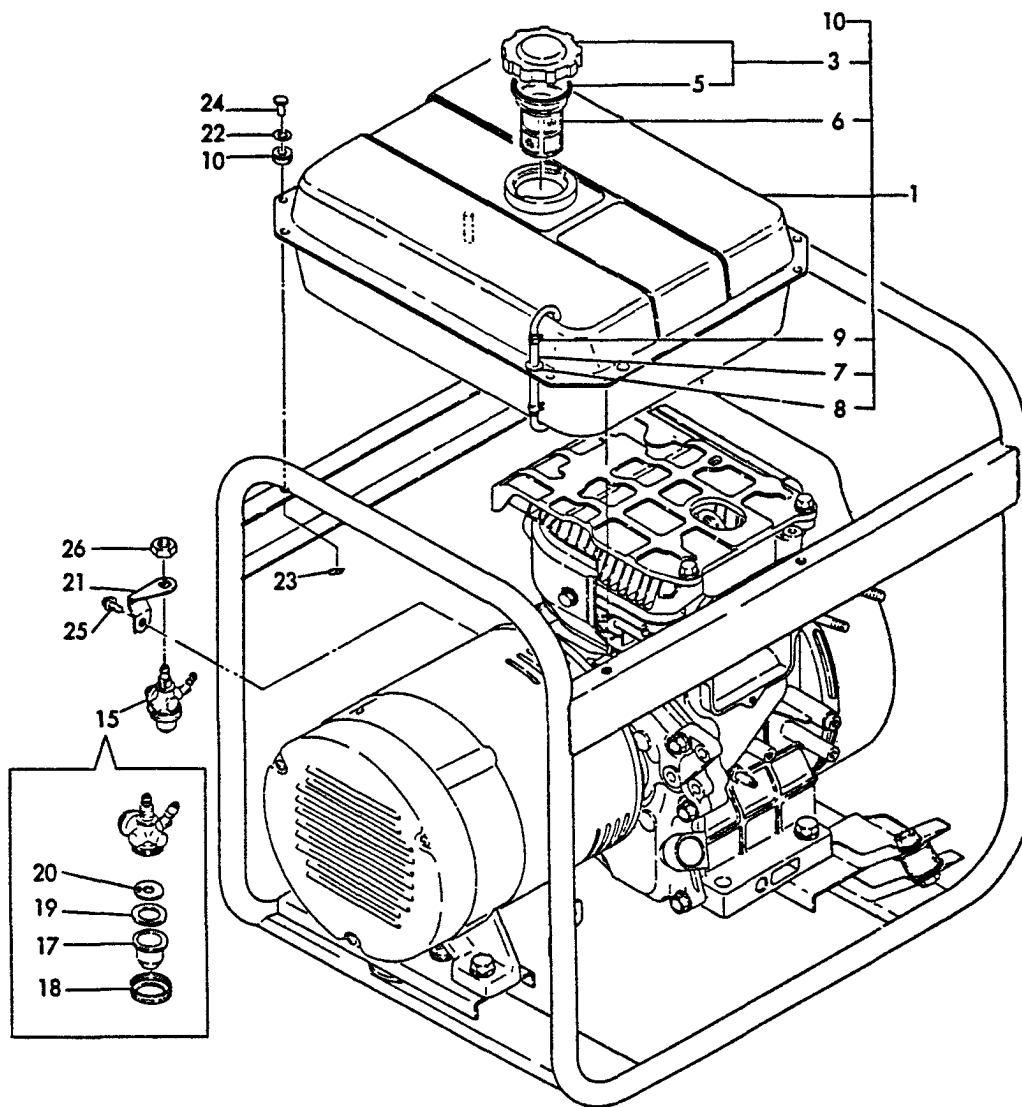
REF. NO.	LEV. 0	PART NO.	DESCRIPTION	-----Q'TY-----					
				(A)	(B)	(C)	(D)	(E)	(F)
1	.	Y160810-22011	PISTON W/RINGS	1					
3	..	Y760810-22500	RING SET, PISTON	1					
7	.	Y160810-22300	PIN, PISTON	1					
8	.	Y22252-000160	CIRCLIP 16-H	2					
9	.	Y160810-22470	PISTON ASY O.S.=0.25	1					
10	..	Y760810-22540	RING ASSY O.S.=0.25	1					
11	.	Y160810-22480	PISTON ASY O.S.=0.5	1					
12	..	Y760810-22550	RING ASSY O.S.=0.5	1					
13	.	Y760810-23100	ROD ASSY, CONNECTING	1					
15	..	Y160810-23200	BOLT, ROD	2					
16	..	Y160810-23210	WASHER	1					

10 COOLING FAN CASE



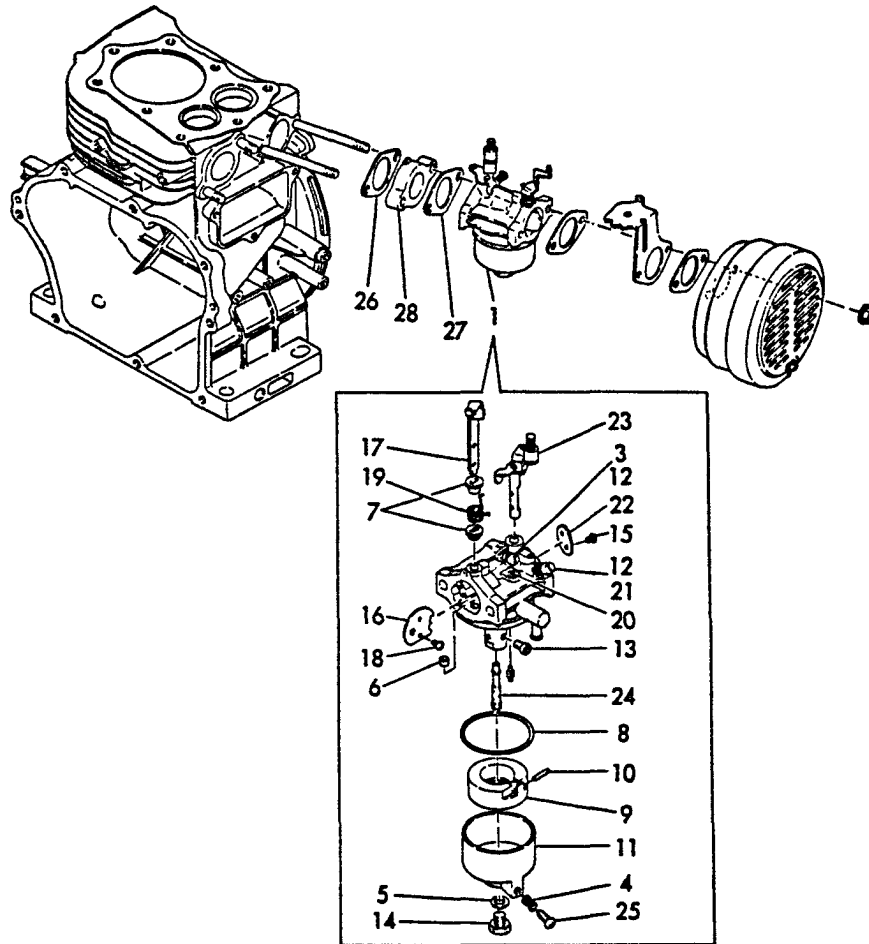
REF. NO.	LEV. 0	PART NO.	DESCRIPTION	-----Q'TY-----					
				(A)	(B)	(C)	(D)	(E)	(F)
1	.	Y 783820-45610	CASE ASSY, FAN	1					
4	.	Y 160810-45201	COVER, CYLINDER	1					
5	.	Y 160810-45250	COVER, CYL. HEAD	1					
6	.	Y 26106-080142	BOLT M8X14	2					
7	.	Y 26106-080202	BOLT M8X20	2					
8	.	Y 26476-060142	BOLT M6X14	4					
9	.	Y 26476-060142	BOLT M6X14	2					

11 FUEL TANK



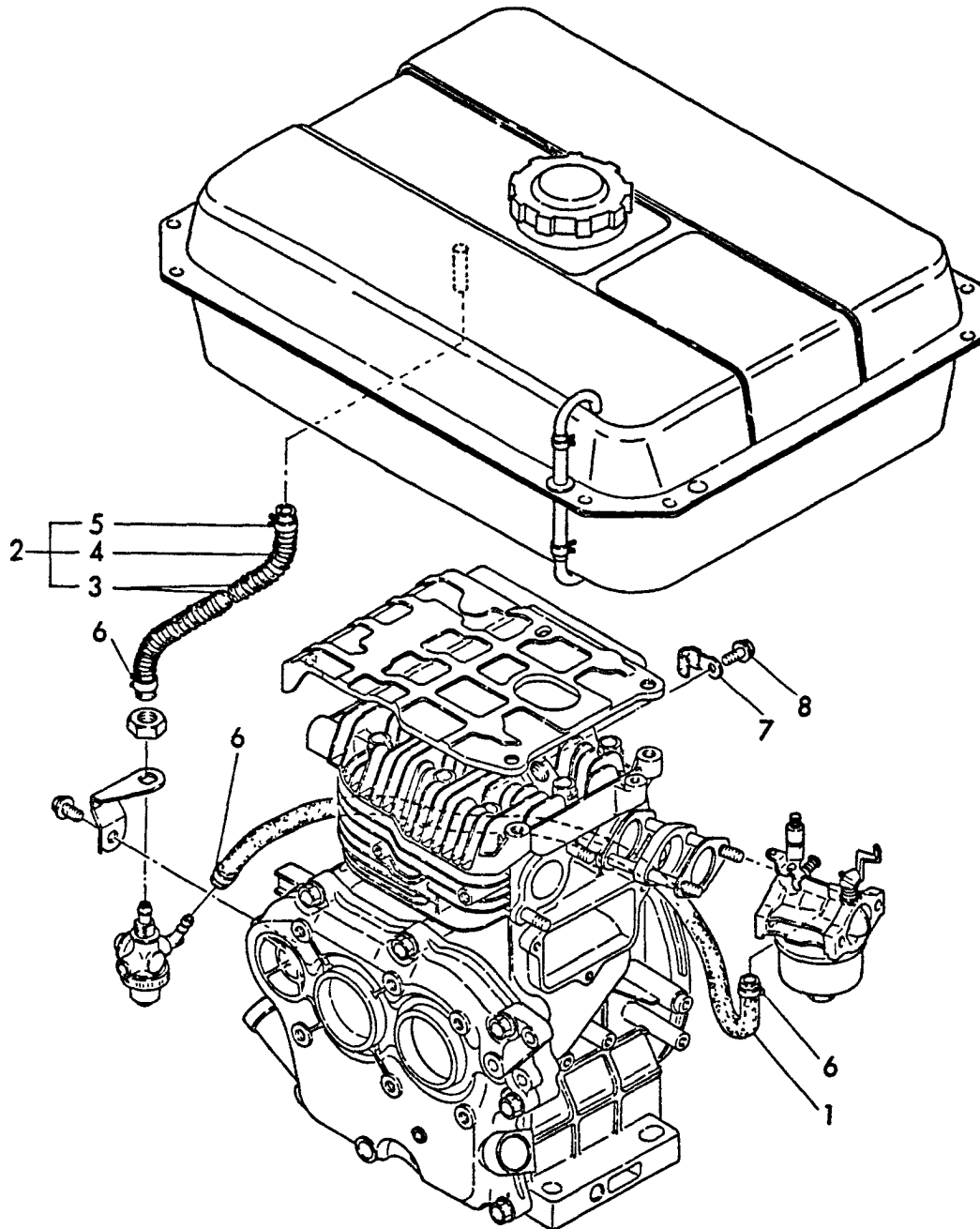
REF. NO.	LEV. 0	PART NO.	DESCRIPTION	-----Q'TY-----					
				(A)	(B)	(C)	(D)	(E)	(F)
1	.	Y 783820-55730	TANK ASSY, FUEL	1					
3	..	Y 160710-55060	CAP ASSY, TANK	1					
5	...	Y 160393-55050	GASKET	1					
6	..	Y 160710-55100	STRAINER	1					
7	..	Y 160710-55150	PIPE, GAUGE	1					
8	..	Y 183720-55190	GROMMET 9	1					
9	..	Y 124722-59050	CLAMP 9	1					
10	..	Y 183720-55210	GROMMET, FUEL TANK	4					
15	.	Y 160870-55301	COCK ASSY, FUEL	1					
17	..	Y 160710-55390	BOWL, STRAINER	1					
18	..	Y 160710-55360	RETAINER	1					
19	..	Y 160710-55370	GASKET	1					
20	..	Y 160210-55380	STRAINER, FUEL	1					
21	.	Y 160870-55350	STAY, COCK	1					
22	.	Y 160120-76940	WASHER	4					
23	.	Y 22360-060000	SNAP PIN 6	4					
24	.	Y 22487-060140	PIN, FLAT HEAT 6X14	4					
25	.	Y 26106-080142	BOLT M8X14	1					
26	.	Y 26777-120002	LOCK NUT M12	1					

12 CARBURETOR



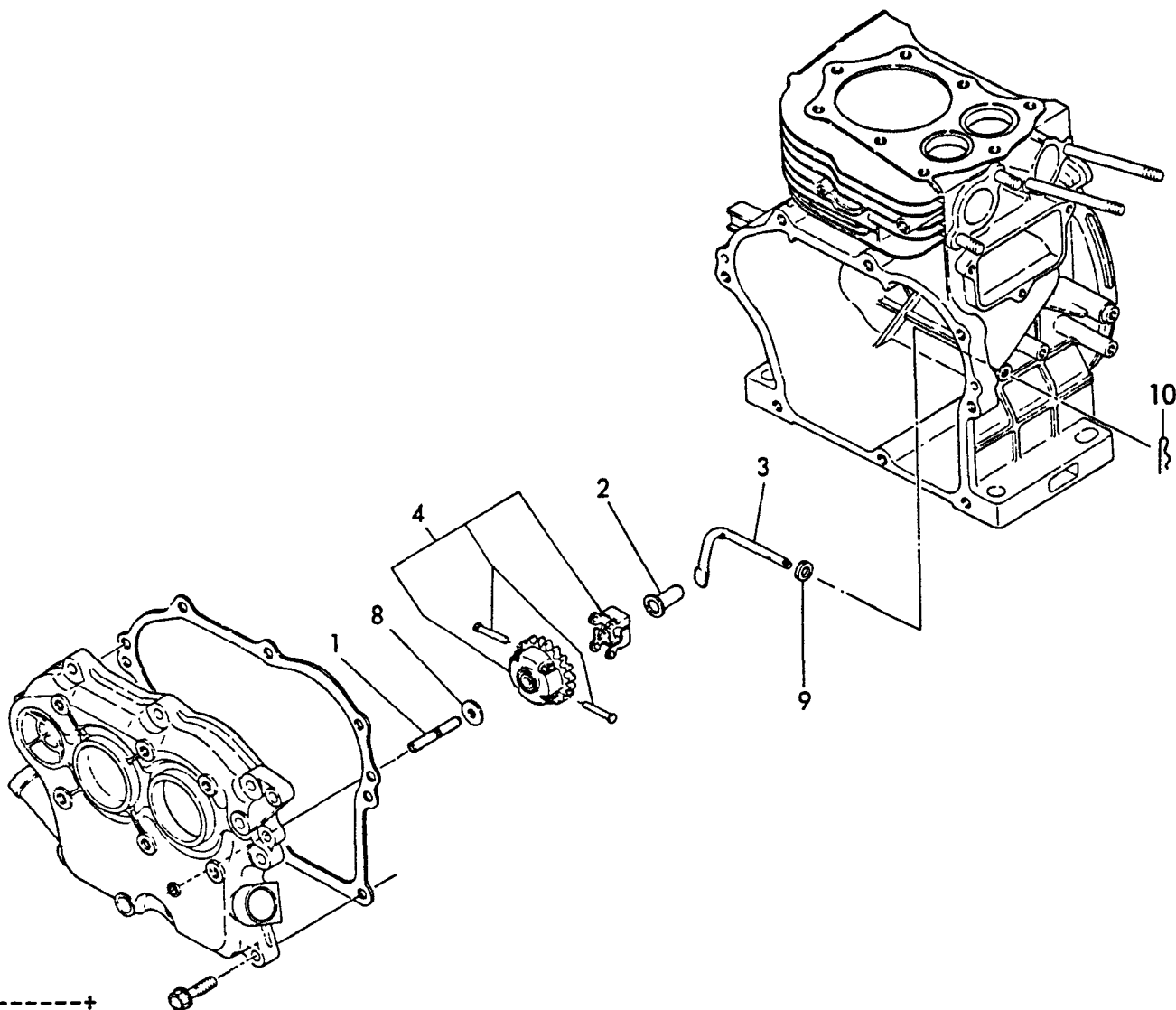
REF. NO.	LEV. 0	PART NO.	DESCRIPTION	-----Q'TY-----					
				(A)	(B)	(C)	(D)	(E)	(F)
1	.	Y160870-56010	CARBURETOR ASSY	1					
3	..	Y181230-56370	SCREW, THROTTLE	1					
4	..	Y181230-56380	SPRING	1					
5	..	Y160810-56550	WASHER	1					
6	..	Y160810-56580	RING, CHOKE SHAFT	1					
7	..	Y160810-56590	RING, CHOKE LEVER	2					
8	..	Y160210-56610	PACKING, CHAMBER	1					
9	..	Y160810-56620	FLOAT	1					
10	..	Y160610-56631	PIN	1					
11	..	Y160810-56640	BODY	1					
12	..	Y181130-56640	SPRING	2					
13	..	Y160810-56650	JET, MAIN	1					
14	..	Y160610-56660	BOLT	1					
15	..	Y160120-56670	SCREW	2					
16	..	Y160870-56680	VALVE, CHOKE	1					
17	..	Y160870-56700	LEVER, CHOKE	1					
18	..	Y160710-56710	SCREW	2					
19	..	Y160870-56720	SPRING	1					
20	..	Y160810-56790	JET, PILOT	1					
21	..	Y160610-56750	SCREW	1					
22	..	Y160810-56780	VALVE, THROTTLE	1					
23	..	Y160870-56770	SHAFT ASSY, THROTTLE	1					
24	..	Y160810-56820	NOZZLE, MAIN	1					
25	..	Y160610-56900	SCREW	1					
26	.	Y160810-56140	GASKET, SPACER	1					
27	.	Y160810-56150	GASKET, CARBURETOR	1					
28	.	Y160810-56160	SPACER, CARBURETOR	1					

13 FUEL PIPE



REF. NO.	LEV. 0	PART NO.	DESCRIPTION	-----Q'TY-----					
				(A)	(B)	(C)	(D)	(E)	(F)
1	.	Y160730-59360	PIPE(B), FUEL	1					
2	.	Y160243-59680	PIPE(A), FUEL	1					
3	..	Y160243-59610	PIPE(A), FUEL	1					
4	..	Y160241-59630	SPRING, PROTECTIVE	1					
5	..	Y124060-77680	CLAMP 10	1					
6	.	Y124060-77680	CLAMP 10	3					
7	.	Y160260-78700	CLAMP	1					
8	.	Y26476-060142	BOLT M6X14	1					

14 GOVERNOR



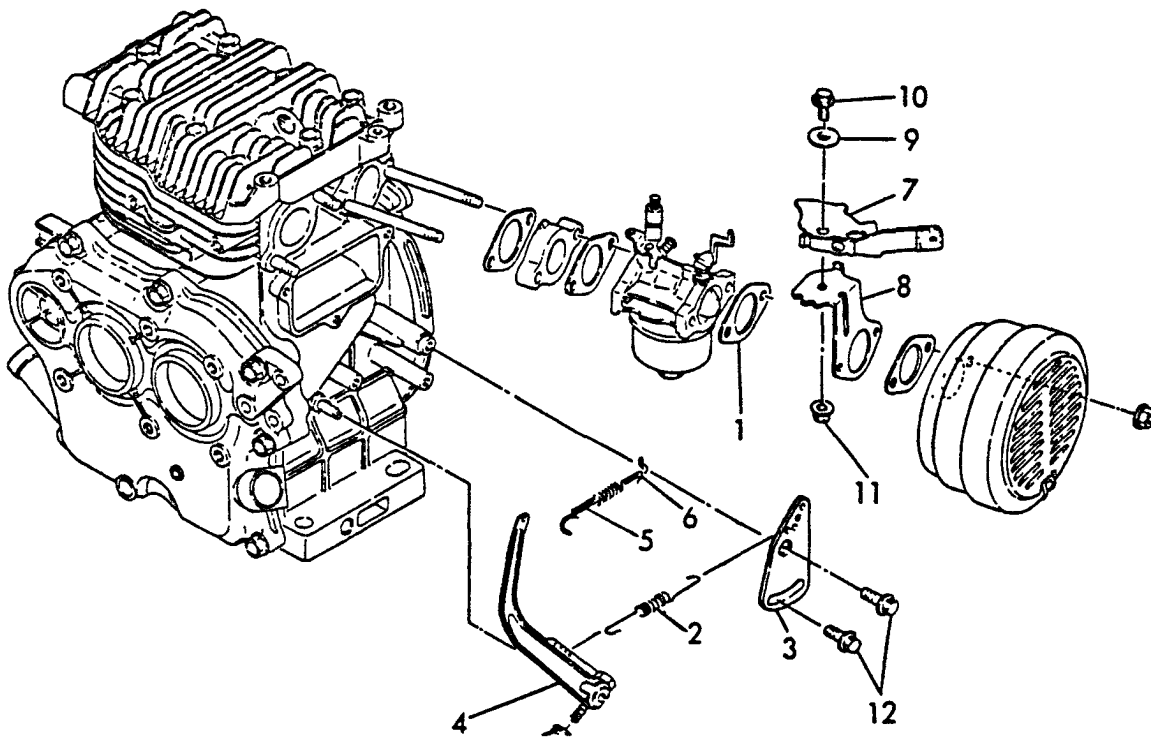
+-----+
 | 1A15 |
 | (1A01) |
 +-----+

(14) GOVERNOR

(A)=EG3500 (D)=
 (B)= (E)=
 (C)= (F)=

REF. NO.	LEV. 0	PART NO.	DESCRIPTION	-----Q'TY-----					
				(A)	(B)	(C)	(D)	(E)	(F)
1	.	Y 160610-61100	SHAFT, GOVERNOR	1					
2	.	Y 160610-61300	SPINDLE, GOVERNOR	1					
3	.	Y 160810-61310	YOKE, GOVERNOR	1					
4	.	Y 160610-61600	GEAR ASSY, GOVERNOR	1					
8	.	Y 160120-76940	WASHER	1					
9	.	Y 22137-060000	WASHER 6	1					
10	.	Y 22360-060000	SNAP PIN 6	1					

15 CONTROL DEVICE



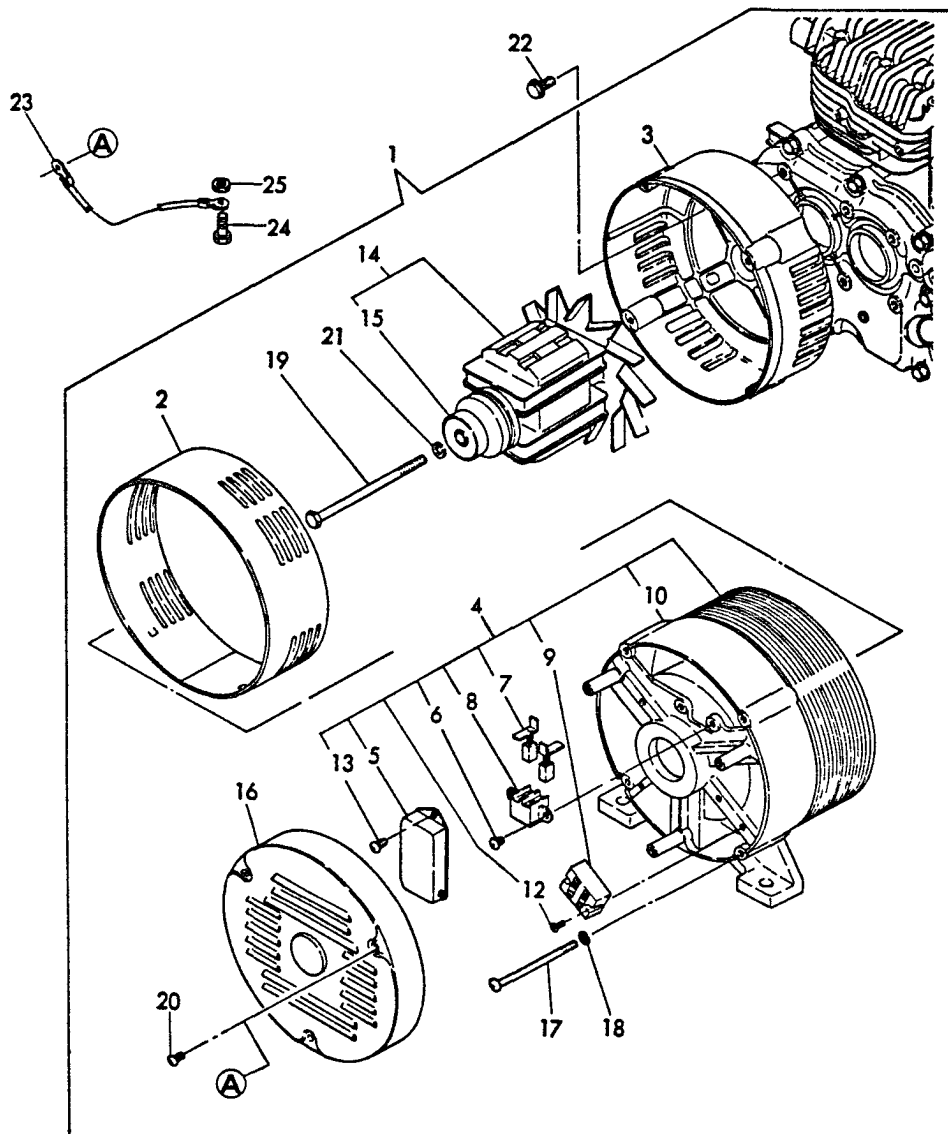
+-----+
 | 1A16 |
 | (1A01) |
 +-----+

(15) CONTROL DEVICE

(A)=EG3500 (D)=
 (B)= (E)=
 (C)= (F)=

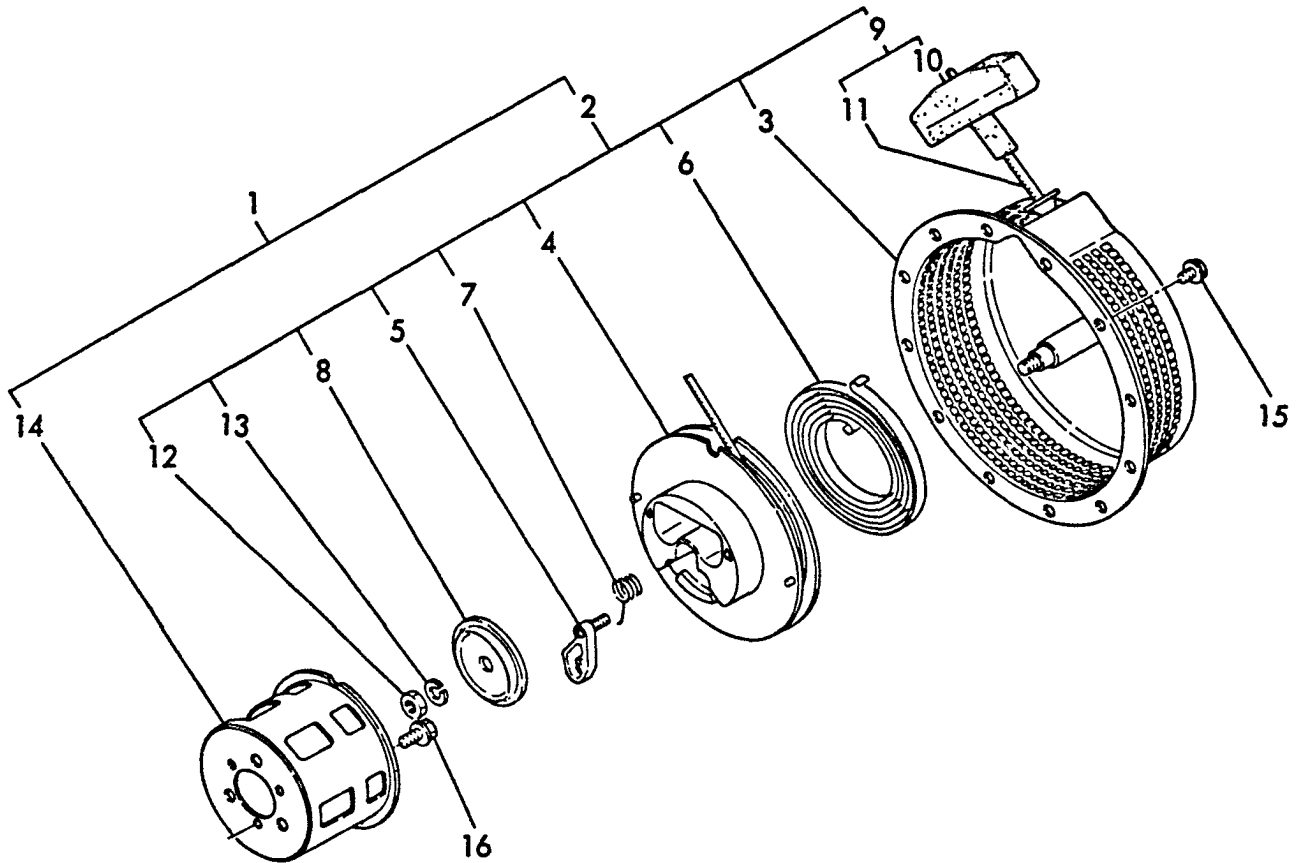
REF. NO.	LEV. 0	PART NO.	DESCRIPTION	-----Q'TY-----					
				(A)	(B)	(C)	(D)	(E)	(F)
1	.	Y160810-56150	GASKET, CARBURETOR	1					
2	.	Y160870-66010	SPRING, REGULATOR	1					
3	.	Y160970-66120	HANDLE, REGULATOR	1					
4	.	Y160810-66151	LEVER, GOVERNOR	1					
5	.	Y160810-66200	LINK, THROTTLE	1					
6	.	Y160810-66210	SPRING, TENSION	1					
7	.	Y160770-66300	LEVER ASSY, GOVERNOR	1					
8	.	Y160870-66330	BRACKET, LEVER	1					
9	.	Y160670-66350	COLLAR	1					
10	.	Y26106-060122	BOLT M6X12	2					
11	.	Y26366-060002	NUT M6	2					
12	.	Y26476-060142	BOLT M6X14	2					

16 GENERATOR



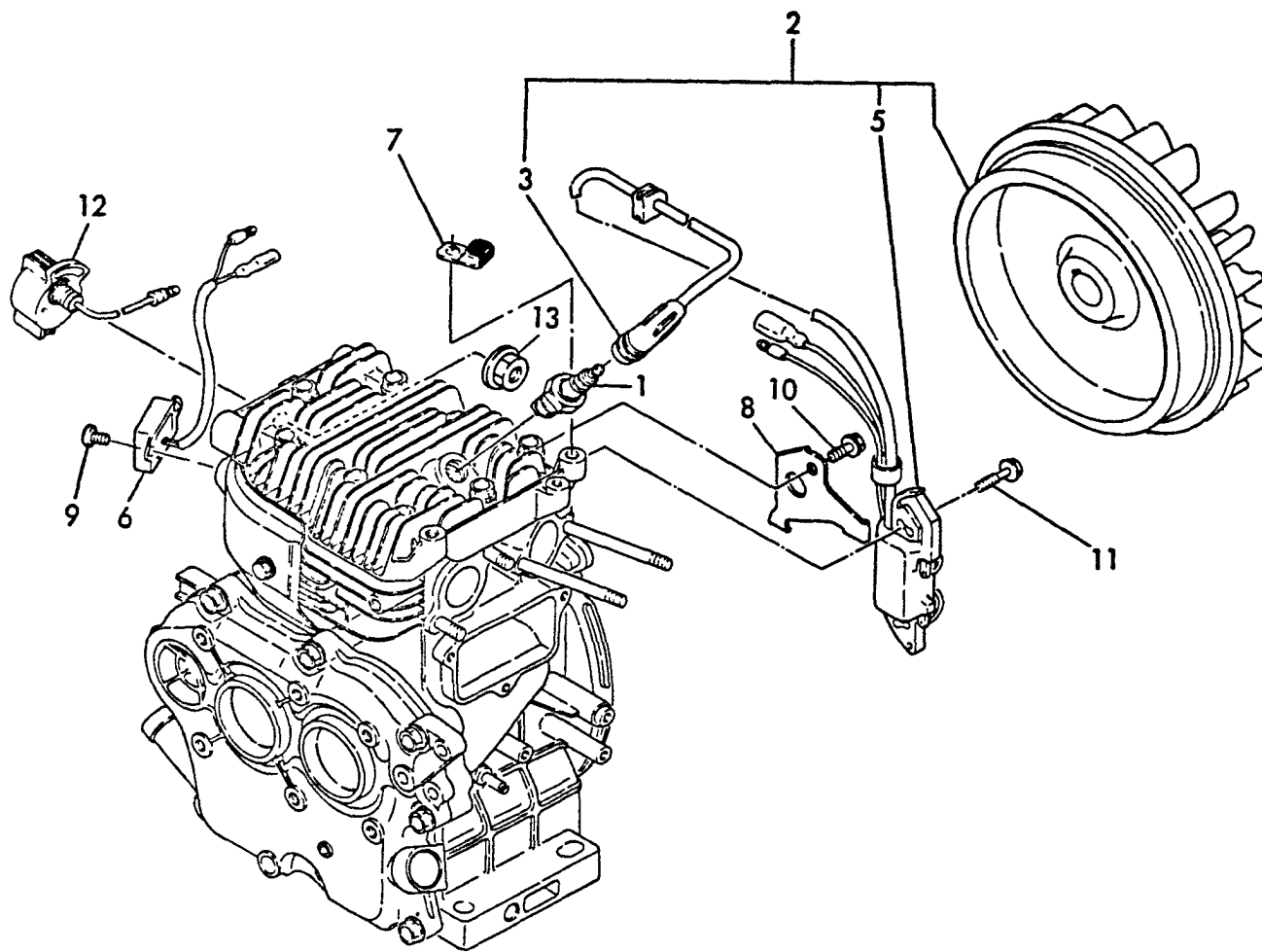
REF. NO.	LEV. 0	PART NO.	DESCRIPTION	-----Q'TY-----					
				(A)	(B)	(C)	(D)	(E)	(F)
1	.	Y 183820-74110	GENERATOR 3.0KVA	1					
2	..	Y 183820-74140	BAND	1					
3	..	Y 183820-74150	COVER, FRONT	1					
4	..	Y 183820-74230	STATOR ASSY.	1					
5	...	Y 183621-74170	A.V.R.	1					
6	...	Y 183820-74300	SCREW M5X 14	2					
7	...	Y 183820-74220	BRUSH	2					
8	...	Y 183820-74240	HOLDER, BRUSH	1					
9	...	Y 183820-74270	TERMINAL	1					
10	...	Y 183820-74260	COVER, REAR	1					
12	...	Y 183820-74300	SCREW M5X 14	2					
13	...	Y 183620-74310	SCREW M5X 10	2					
14	..	Y 183820-74350	ROTOR ASSY	1					
15	...	Y 183820-74360	BEARING	1					
16	..	Y 183820-74450	COVER, END	1					
17	..	Y 183820-74410	BOLT, THROUGH	4					
18	..	Y 22217-060000	SPRING WASHER 6	4					
19	..	Y 183820-74430	BOLT	1					
20	..	Y 183620-91290	SCREW M4X10	3					
21	..	Y 22217-100000	SPRING WASHER 10	1					
22	.	Y 26106-080202	BOLT M8X 20	4					
23	.	Y 183621-74450	WIRE, EARTH	1					
24	.	Y 26113-060162	BOLT M6X 16	1					
25	.	Y 26753-060002	NUT M6	1					

17 STARTING DEVICE



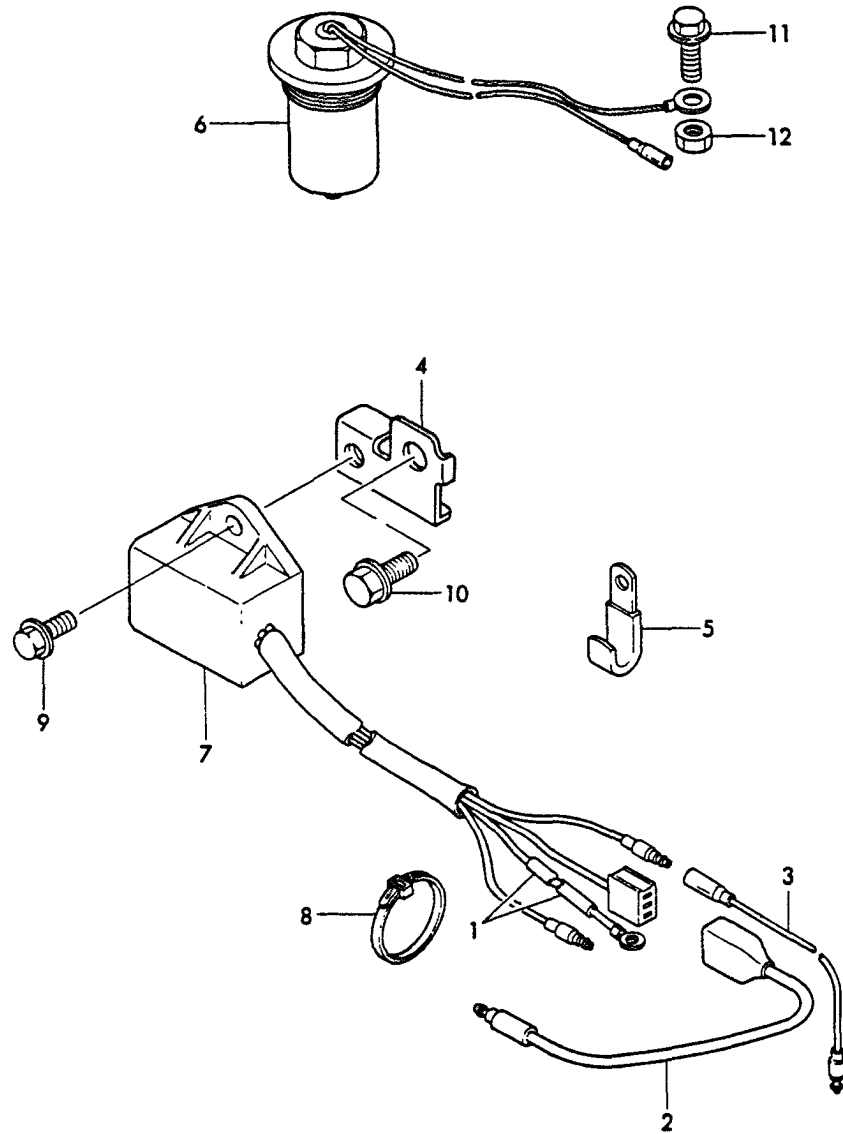
REF. NO.	LEV. 0	PART NO.	DESCRIPTION	-----Q'TY-----					
				(A)	(B)	(C)	(D)	(E)	(F)
1	.	Y160840-76050	STARTER ASSY, RECOIL	1					
2	..	Y160840-76250	RECOIL ASSY	1					
3	...	Y160840-76510	CASE, STATER	1					
4	...	Y160810-76520	REEL	1					
5	...	Y160840-76530	RATCHET	1					
6	...	Y160810-76540	SPRING, SPIRAL	1					
7	...	Y160840-76560	SPRING, FRICTION	1					
8	...	Y160810-76580	PLATE, FRICTION	1					
9	...	Y160810-76610	ROPE ASSY	1					
10	Y160810-76620	KNOB, STARTER	1					
11	Y160810-76630	STARTER WIRE	1					
12	...	Y181130-76680	NUT	1					
13	...	Y181130-76700	SPRING WASHER	1					
14	..	Y160810-76590	PULLEY, STARTER	1					
15	.	Y26106-060082	BOLT M6X8	4					
16	.	Y26106-060122	BOLT M6X12	3					

18 FLYWHEEL MAGNETO & STOP SWITCH



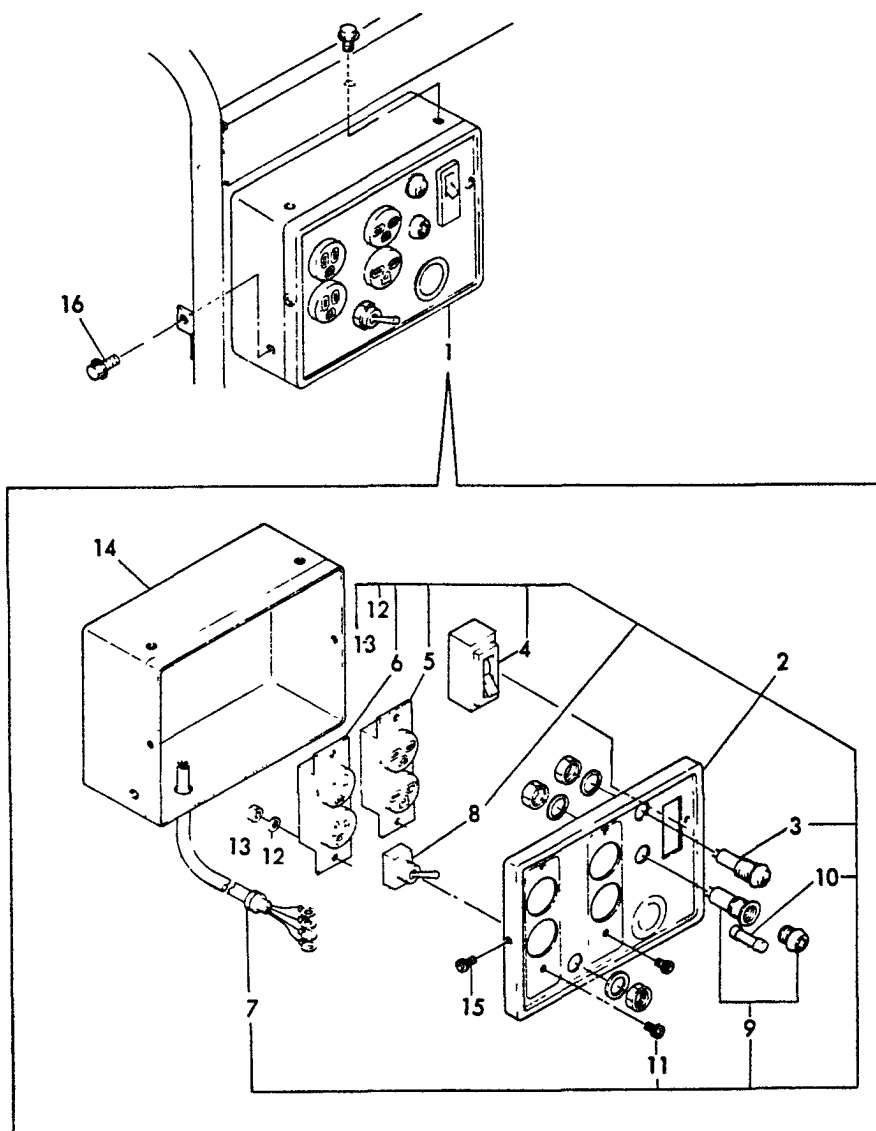
REF. NO.	LEV. 0	PART NO.	DESCRIPTION	-----Q'TY-----					
				(A)	(B)	(C)	(D)	(E)	(F)
1	.	Y160232-78010	PLUG, SPARK	1					
2	.	Y160840-78060	FLYWHEEL W/MAGNET	1					
3	..	Y160343-78040	CAP, PLUG	1					
5	..	Y160840-78510	COIL, IGNITION	1					
6	.	Y160810-78650	CONTROL UNIT	1					
7	.	Y160870-78700	CLAMP	1					
8	.	Y160910-78790	CLAMP	1					
9	.	Y26022-050102	SCREW M5X10	2					
10	.	Y26476-060142	BOLT M6X14	1					
11	.	Y26476-060252	BOLT M6X25	2					
12	.	Y160611-77250	SWITCH, STOP	1					
13	.	Y26366-080002	NUT M8	1					

19 OIL SENSOR



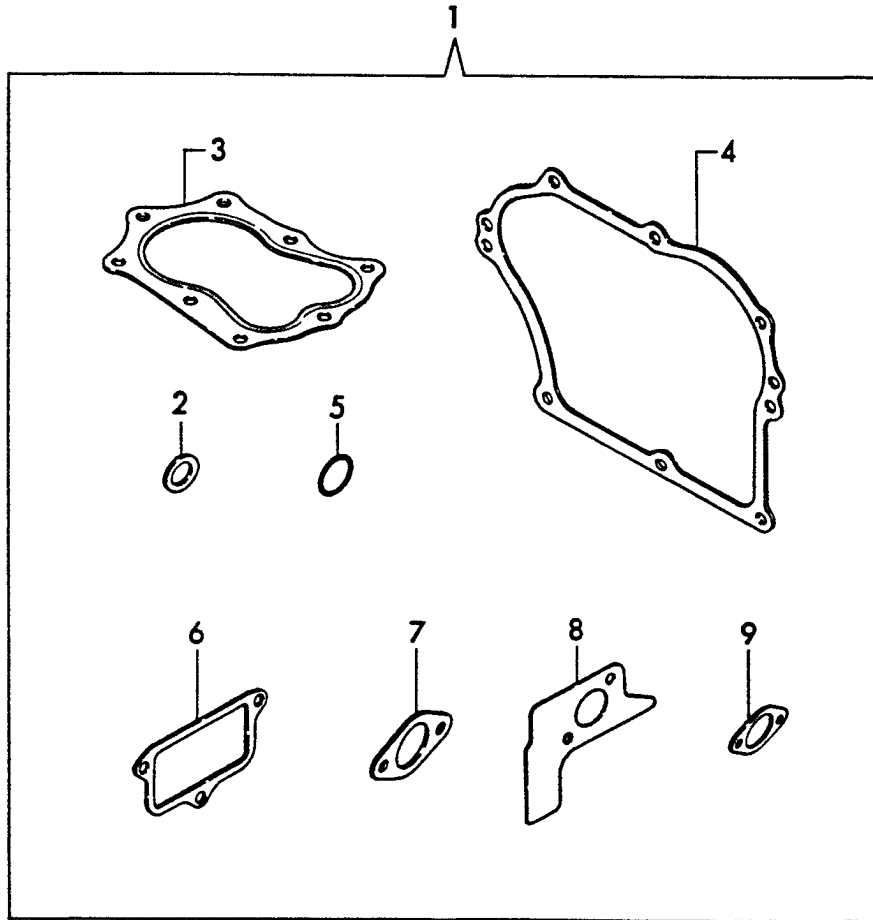
REF. NO.	LEV. 0	PART NO.	DESCRIPTION	-----Q'TY-----					
				(A)	(B)	(C)	(D)	(E)	(F)
1	.	Y160810-03400	TUBE, PROTECTIVE	1					
2	.	Y160671-78200	WIRE	1					
3	.	Y160671-78230	WIRE	1					
4	.	Y160671-78350	STAY, SENSOR UNIT	1					
5	.	Y160260-78700	CLAMP	1					
6	.	Y160710-78800	SENSOR, OIL LEVEL	1					
7	.	Y160870-78810	UNIT, OIL SENSOR	1					
8	.	Y160370-78950	CLAMP	2					
9	.	Y26106-060122	BOLT M 6X 12	1					
10	.	Y26106-080142	BOLT M 8X 14	1					
11	.	Y26113-060162	BOLT M 6X 16	1					
12	.	Y26753-060002	NUT M 6	1					

20 PANEL



REF. NO.	LEV.	O	PART NO.	DESCRIPTION	-----Q'TY-----					
					(A)	(B)	(C)	(D)	(E)	(F)
1	.		Y183820-91080	PANEL BOX ASSY	1					
2	..		Y183820-91170	PANEL ASSY	1					
3	...		Y183820-91320	LAMP 100V	1					
4	...		Y183820-91700	BREAKER 15A	1					
5	...		Y183920-91320	PLUG SOCKET 120V	1					
6	...		Y183920-91310	PLUG SOCKET 240V	1					
7	...		Y183820-91390	WIRE HARNESS	1					
8	...		Y183520-91750	SWITCH	1					
9	...		Y183920-91240	HOLDER, FUSE	1					
10	...		Y183820-91570	FUSE 15A	1					
11	...		Y26022-040082	SCREW M4X8	5					
12	...		Y22117-040000	WASHER 4	4					
13	...		Y21727-040002	NUT M4	4					
14	..		Y183820-91350	BOX ASSY	1					
15	..		Y26022-040082	SCREW M4X8	2					
16	.		Y26106-060082	BOLT M6X8	3					

22 GASKET SET (OPTIONAL)



+-----+
 | 1B07 |
 | (1A01) |
 +-----+

(22) GASKET SET(OPTIONAL)

(A)=EG3500 (D)=
 (B)= (E)=
 (C)= (F)=

REF. NO.	LEV. 0	PART NO.	DESCRIPTION	-----Q'TY-----					
				(A)	(B)	(C)	(D)	(E)	(F)
1	.	Y 760870-92600	GASKET SET	1					
2	..	Y 104200-59170	GASKET 12	1					
3	..	Y 160810-01330	GASKET, CYL. HEAD	1					
4	..	Y 160810-01410	GASKET, SIDE COVER	1					
5	..	Y 24311-000180	O-RING 18-P	1					
6	..	Y 160810-03070	GASKET, BREATHER	1					
7	..	Y 160810-56150	GASKET, CARBURETOR	3					
8	..	Y 160810-13200	GASKET, MUFFLER	1					
9	..	Y 160810-56140	GASKET, SPACER	1					