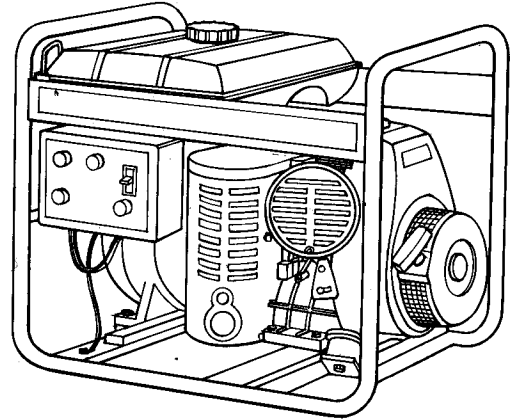
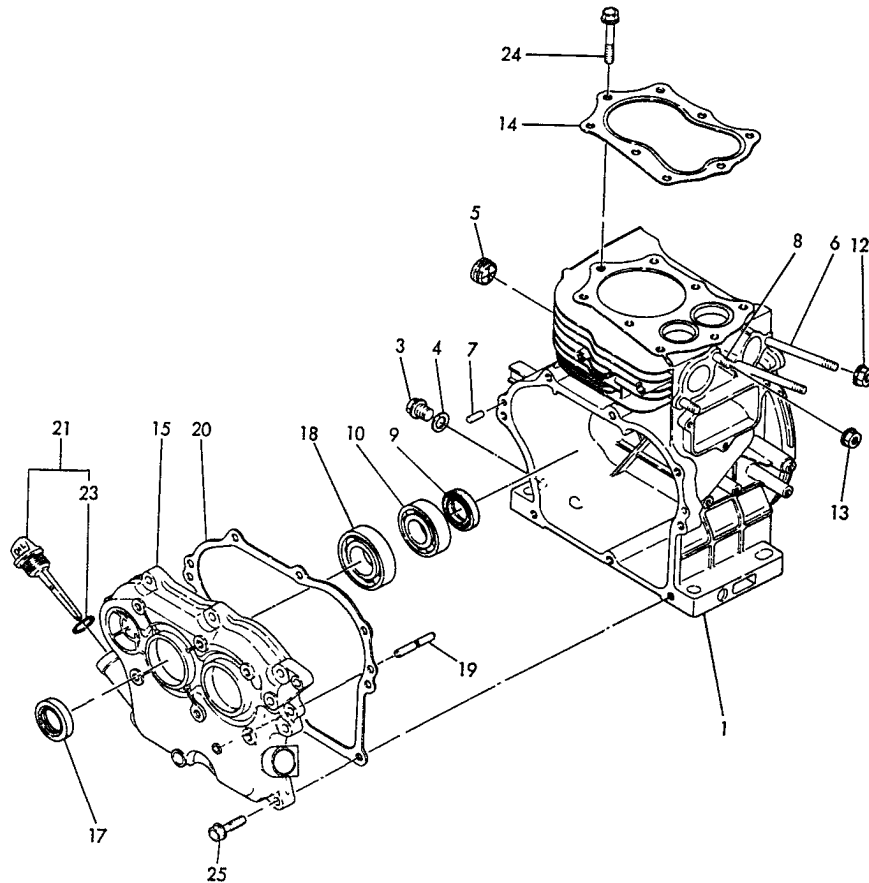




**GENERATOR PARTS MANUAL
MODEL EG-3500**



1 CYLINDER BLOCK



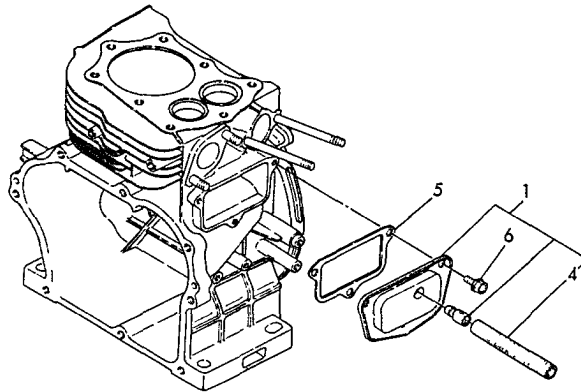
**1B02
(1B01)**

(1) CYLINDER BLOCK

(A) = EG-3500 (D) =
 (B) = (E) =
 (C) = (F) =

REF. NO.	LEV.	O	PART NO.	DESCRIPTION	Q'TY					
					(A)	(B)	(C)	(D)	(E)	(F)
1	.	Y	760870-01560	BLOCK ASSY, CYLINDER	1					
3	..	Y	160610-01690	PLUG, DRAIN	1					
4	..	Y	104200-59170	GASKET 12	1					
5	..	Y	160820-01950	PLUG	1					
6	..	Y	160610-04590	BOLT M6 X 90	2					
7	..	Y	223120-60160	PARALLEL PIN 6 X 16	2					
8	..	Y	262160-80182	STUD M8 X 18	2					
9	..	Y	160210-02220	OIL SEAL	1					
10	..	Y	241010-62050	BEARING 6205 C3	1					
12	..	Y	263660-60002	NUT M6	2					
13	..	Y	263660-80002	NUT M8	2					
14	.	Y	160810-01330	GASKET, CYL. HEAD	1					
15	.	Y	760840-01500	COVER ASSY, SIDE	1					
17	..	Y	101220-02220	SEAL, OIL	1					
18	..	Y	241010-62060	BEARING 6206 C3	1					
19	..	Y	160610-61100	SHAFT, GOVERNOR	1					
20	.	Y	160810-01410	GASKET, SIDE COVER	1					
21	.	Y	160810-01740	CAP ASSY, OIL FILLER	1					
23	..	Y	243110-00180	O-RING 18-P	1					
24	.	Y	160610-04180	BOLT M8 X 50	8					
25	.	Y	261060-80302	BOLT M8 X 30	8					

2 BREATHER



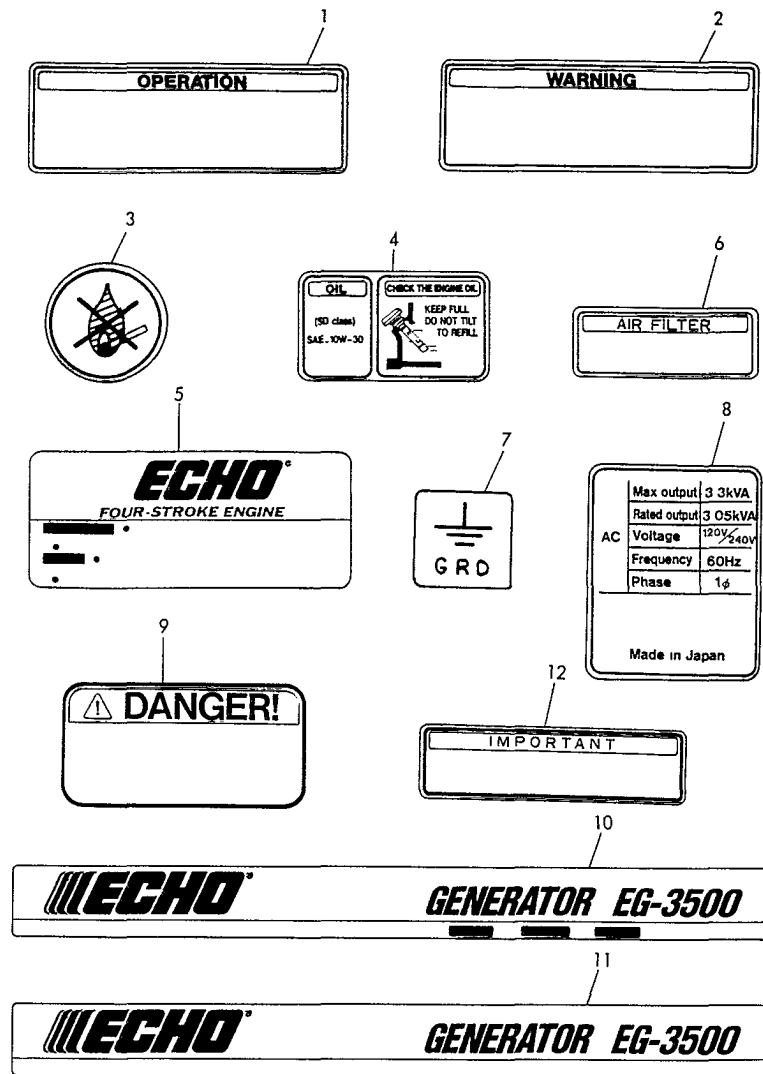
**1B03
(1B01)**

(2) BREATHER

(A) = EG-3500 (D) =
 (B) = (E) =
 (C) = (F) =

REF. NO.	LEV.	O	PART NO.	DESCRIPTION	Q'TY					
					(A)	(B)	(C)	(D)	(E)	(F)
1	.		Y 160810-03010	BREATHER ASSY	1					
4	..		Y 160710-03180	PIPE, BREATHER	1					
5	.		Y 160810-03070	GASKET	1					
6	.		Y 264760-60142	BOLT M6 X 14	3					

3 LABEL



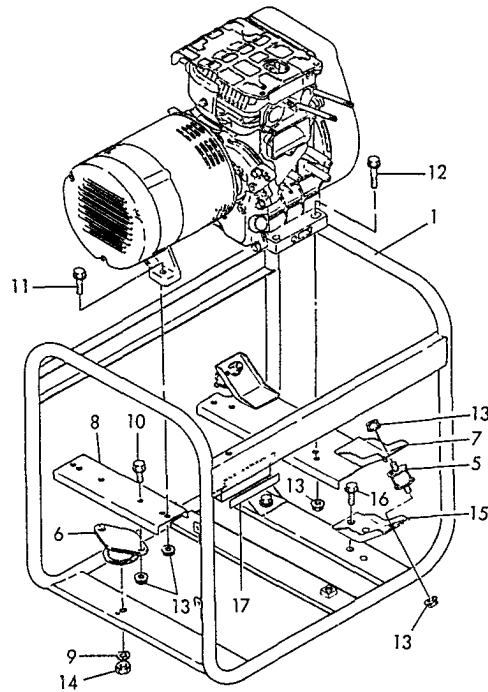
1B04
(1B01)

(3) LABEL

(A) = EG-3500 (D) =
 (B) = (E) =
 (C) = (F) =

REF. NO.	LEV.	O	PART NO.	DESCRIPTION	Q'TY					
					(A)	(B)	(C)	(D)	(E)	(F)
1	.	Y	183621-07250	LABEL, OPERATION	1					
2	.	Y	183621-07260	LABEL, CAUTION	1					
3	.	Y	183210-07270	LABEL, NON-FIRE	1					
4	.	Y	183210-07290	LABEL, OIL	1					
5	.	Y	160671-07371	LABEL (ECHO)	1					
6	.	Y	183210-07370	LABEL, AIR CLEANER	1					
7	.	Y	183210-07390	LABEL, EARTH	1					
8	.	Y	183820-07560	LABEL, GENERATOR	1					
9	.	Y	183720-07270	LABEL, DANGER	1					
10	.	Y	183825-07150	LABEL, GENERATOR	1					
11	.	Y	183825-07160	LABEL, GENERATOR	1					
12	.	Y	183210-07280	LABEL, IMPORTANT	1					

4 FRAME



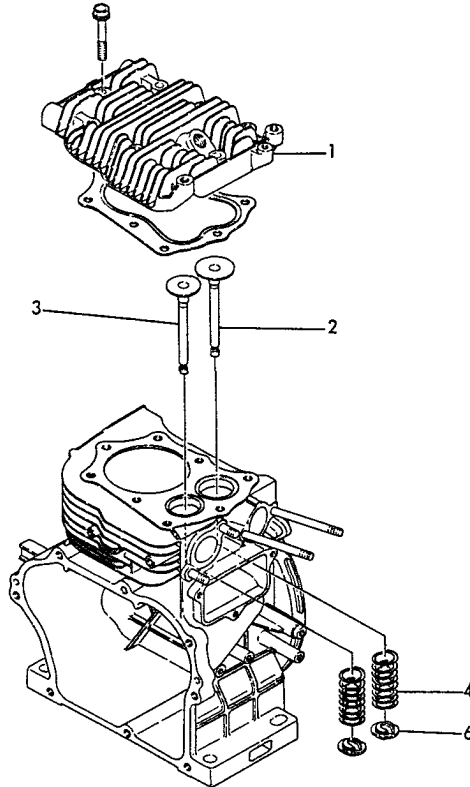
**1B05
(1B01)**

(4) FRAME

(A) = EG-3500 (D) =
 (B) = (E) =
 (C) = (F) =

REF. NO.	LEV.	O	PART NO.	DESCRIPTION	Q'TY					
					(A)	(B)	(C)	(D)	(E)	(F)
1	.	Y	783820-08721	FRAME ASSY	1					
5	.	Y	183920-08210	DAMPER, FRONT	2					
6	.	Y	183720-08220	DAMPER, REAR	1					
7	.	Y	183920-08230	STAY, DAMPER	1					
8	.	Y	183720-08250	STAY, DAMPER (REAR)	1					
9	.	Y	222171-00000	SPRING WASHER 10	1					
10	.	Y	261060-80202	BOLT M8 X 20	2					
11	.	Y	261060-80302	BOLT M8 X 30	2					
12	.	Y	261060-80382	BOLT M8 X 38	2					
13	.	Y	263660-80002	NUT M8	10					
14	.	Y	267161-00002	NUT M10	1					
15	.	Y	183621-08260	DAMPER STAY, LOWER	2					
16	.	Y	261060-80162	BOLT M8 X 16	4					
17	.	Y	183825-07910	SHEET, FRAME	1					

5 CYLINDER HEAD



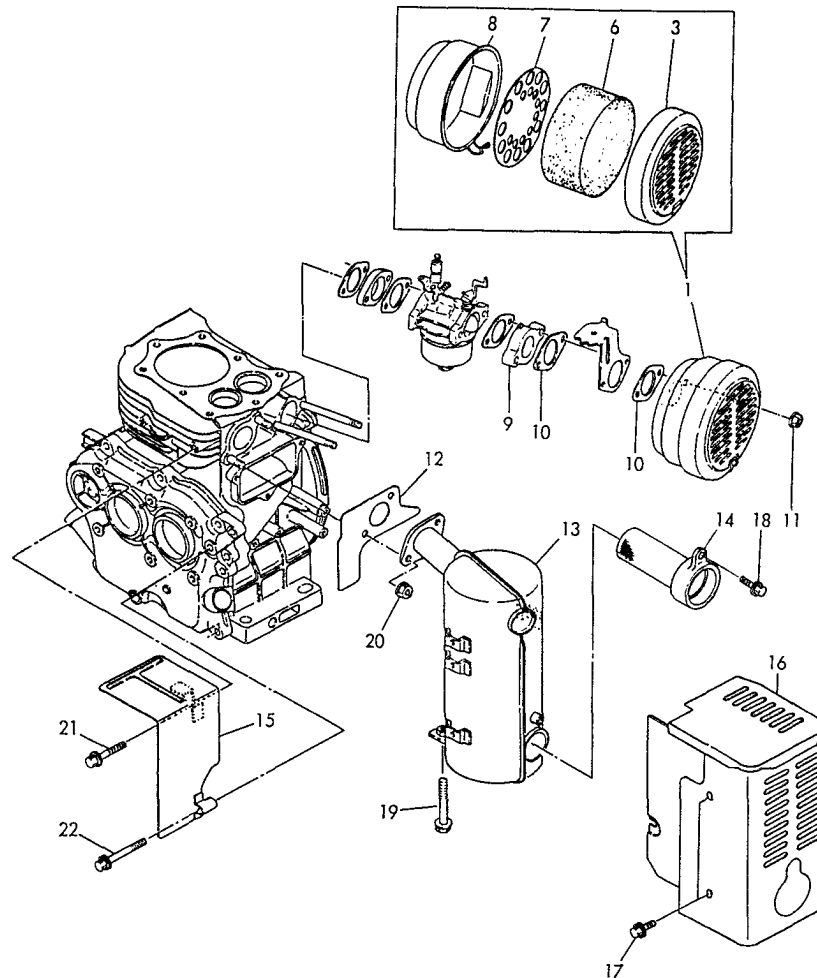
**1B06
(1B01)**

(5) CYLINDER HEAD

(A) = EG-3500 (D) =
 (B) = (E) =
 (C) = (F) =

REF. NO.	LEV.	O	PART NO.	DESCRIPTION	QTY					
					(A)	(B)	(C)	(D)	(E)	(F)
1	.		Y 160810-11010	HEAD, CYLINDER	1					
2	.		Y 160810-11100	VALVE, SUCTION	1					
3	.		Y 160810-11110	VALVE, EXHAUST	1					
4	.		Y 160810-11120	SPRING, VALVE	2					
6	.		Y 160810-11180	RETAINER, SPRING	2					

6 AIR CLEANER & MUFFLER



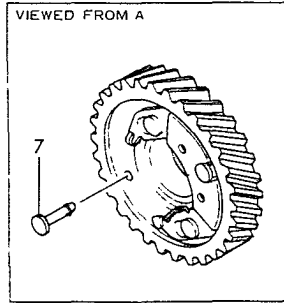
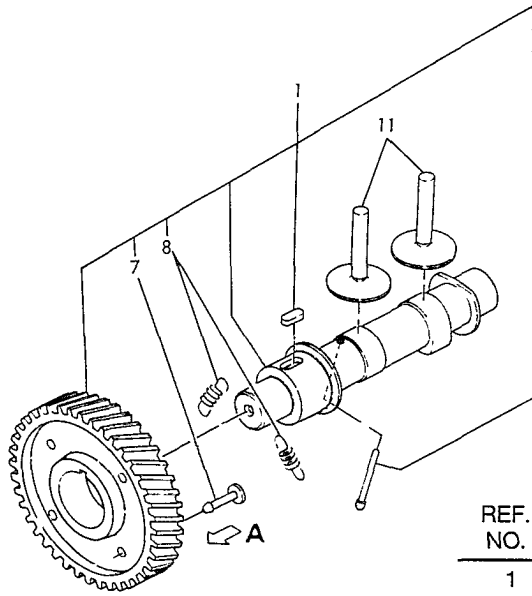
**1B07
(1B01)**

(6) AIR CLEANER & MUFFLER

(A) = EG-3500 (D) =
 (B) = (E) =
 (C) = (F) =

REF. NO.	LEV.	O	PART NO.	DESCRIPTION	QTY					
					(A)	(B)	(C)	(D)	(E)	(F)
1	.	Y	760810-12560	CLEANER ASSY, AIR	1					
3	..	Y	760810-12540	BODY, AIR CLEANER	1					
6	..	Y	160810-12540	ELEMENT, AIR CLEANER	1					
7	..	Y	160810-12550	HOLDER, ELEMENT	1					
8	..	Y	160810-12730	CAP, AIR CLEANER	1					
9	.	Y	160810-12880	SPACER, AIR CLEANER	1					
10	.	Y	160810-56150	GASKET	2					
11	.	Y	263660-60002	NUT M6	2					
12	.	Y	160810-13200	GASKET, MUFFLER	1					
13	.	Y	160870-13570	MUFFLER	1					
14	.	Y	160870-13650	SPARK ARRESTOR	1					
15	.	Y	160870-13730	PLATE, GUIDE	1					
16	.	Y	160870-13820	COVER, MUFFLER	1					
17	.	Y	261060-60082	BOLT M6 X 8	4					
18	.	Y	261060-60102	BOLT M6 X 10	1					
19	.	Y	261060-80302	BOLT M8 X 30	1					
20	.	Y	263660-80002	NUT M8	2					
21	.	Y	264760-60142	BOLT M6 X 14	1					
21	.	Y	264760-60302	BOLT M6 X 30	1					

7 CAMSHAFT



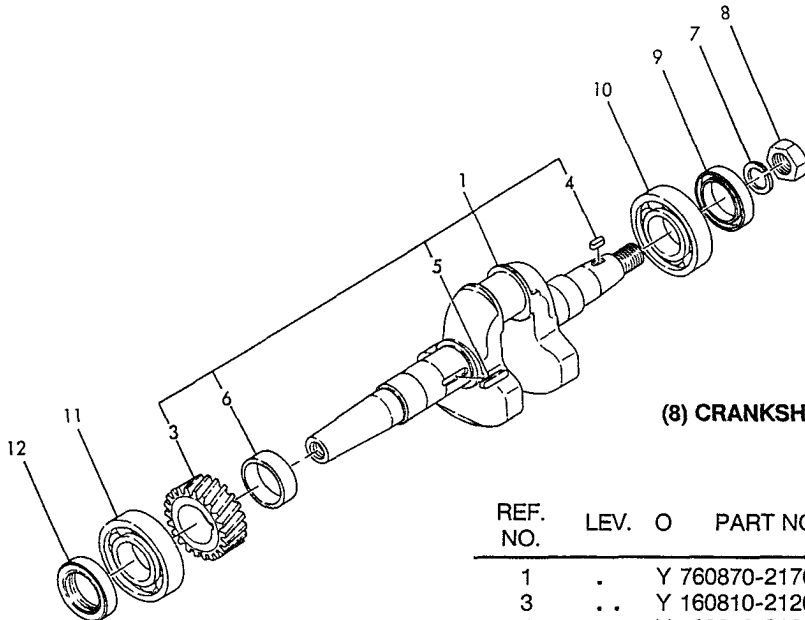
**1B08
(1B01)**

(7) CAMSHAFT

(A) = EG-3500 (D) =
 (B) = (E) =
 (C) = (F) =

REF. NO.	LEV.	O	PART NO.	DESCRIPTION	Q'TY					
					(A)	(B)	(C)	(D)	(E)	(F)
1	.	Y	160840-14050	CAMSHAFT ASSY	1					
7	..	Y	160810-14550	PIN (B), GUIDE	1					
8	..	Y	160759-14560	SPRING, DECOMP.	2					
11	.	Y	160810-14200	TAPPET	2					

8 CRANKSHAFT & MAIN BEARING



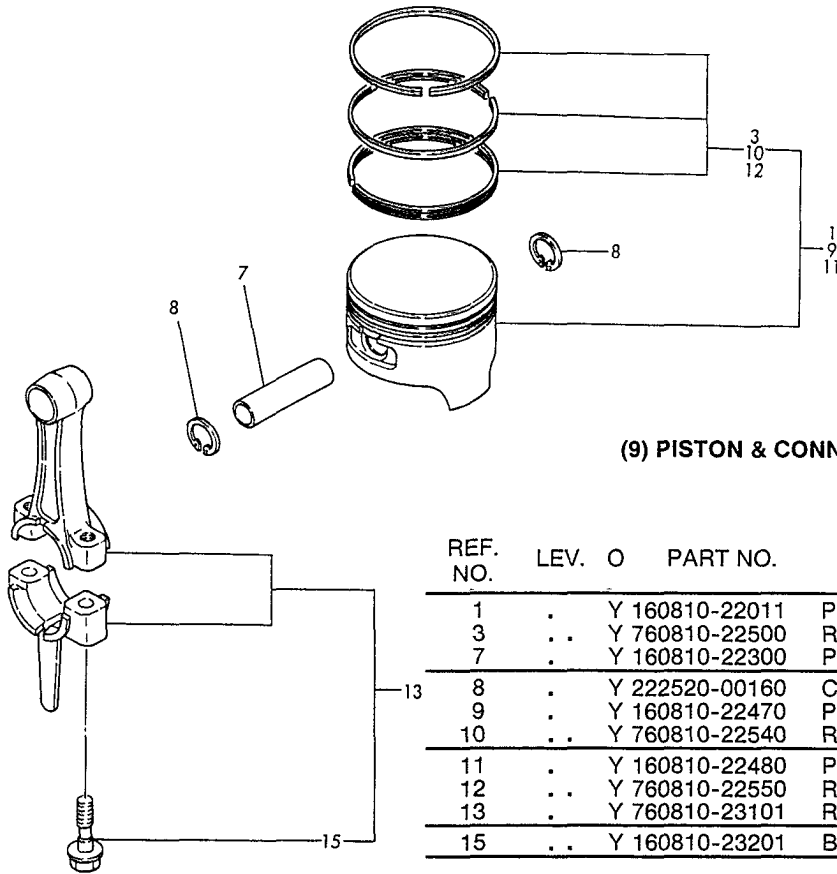
**1B09
(1B01)**

(8) CRANKSHAFT & MAIN BEARING

(A) = EG-3500 (D) =
 (B) = (E) =
 (C) = (F) =

REF. NO.	LEV.	O	PART NO.	DESCRIPTION	Q'TY					
					(A)	(B)	(C)	(D)	(E)	(F)
1	.	Y	760870-21700	CRANKSHAFT ASSY	1					
3	..	Y	160810-21200	GEAR, CRANKSHAFT	1					
4	..	Y	160610-21290	KEY 4 X 10	1					
5	..	Y	160810-21290	KEY 4 X 24	1					
6	..	Y	160880-21610	SPACER, GEAR	1					
7	.	Y	222171-60000	SPRING WASHER 16	1					
8	.	Y	267361-60002	NUT M16	1					
9	.	Y	160210-02220	OIL SEAL	1					
10	.	Y	241010-62050	BALL BEARING 6205 C3	1					
11	.	Y	241010-62060	BALL BEARING 6206 C3	1					
12	.	Y	101220-02220	OIL SEAL	1					

9 PISTON & CONNECTING ROD



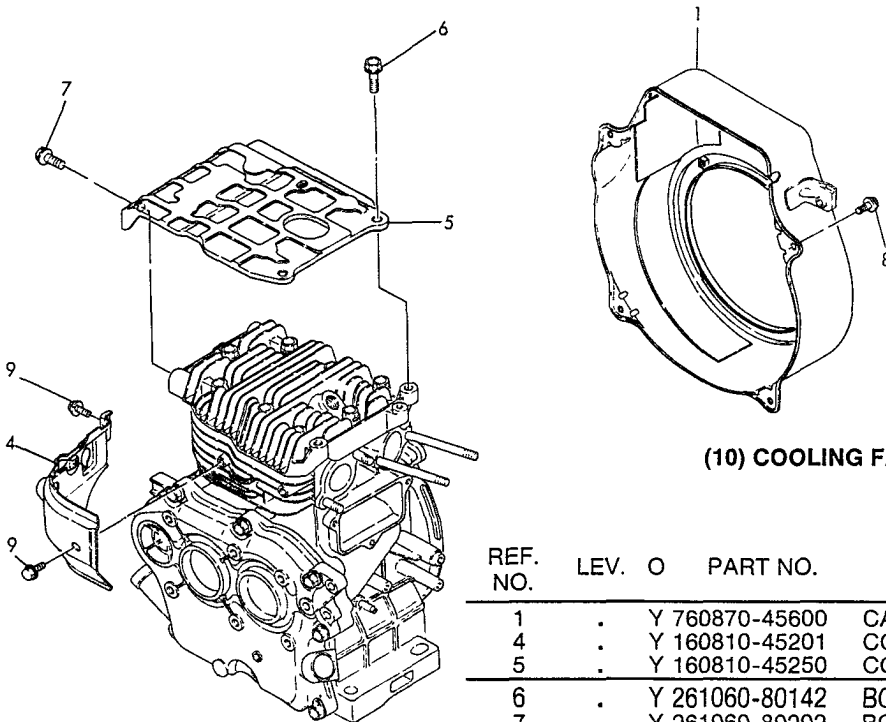
**1B10
(1B01)**

(9) PISTON & CONNECTING ROD

(A) = EG-3500 (D) =
 (B) = (E) =
 (C) = (F) =

REF. NO.	LEV.	O	PART NO.	DESCRIPTION	Q'TY					
					(A)	(B)	(C)	(D)	(E)	(F)
1	.	Y	160810-22011	PISTON W/RING	1					
3	..	Y	760810-22500	RING SET, PISTON	1					
7	.	Y	160810-22300	PIN, PISTON	1					
8	.	Y	222520-00160	CIRCLIP 16-H	2					
9	.	Y	160810-22470	PISTON ASSY O.S=0.25	1					
10	..	Y	760810-22540	RING SET O.S=0.25	1					
11	.	Y	160810-22480	PISTON ASSY O.S=0.5	1					
12	..	Y	760810-22550	RING SET OS=0.5	1					
13	.	Y	760810-23101	ROD ASSY, CONNECTING	1					
15	..	Y	160810-23201	BOLT, ROD	2					

10 COOLING FAN CASE



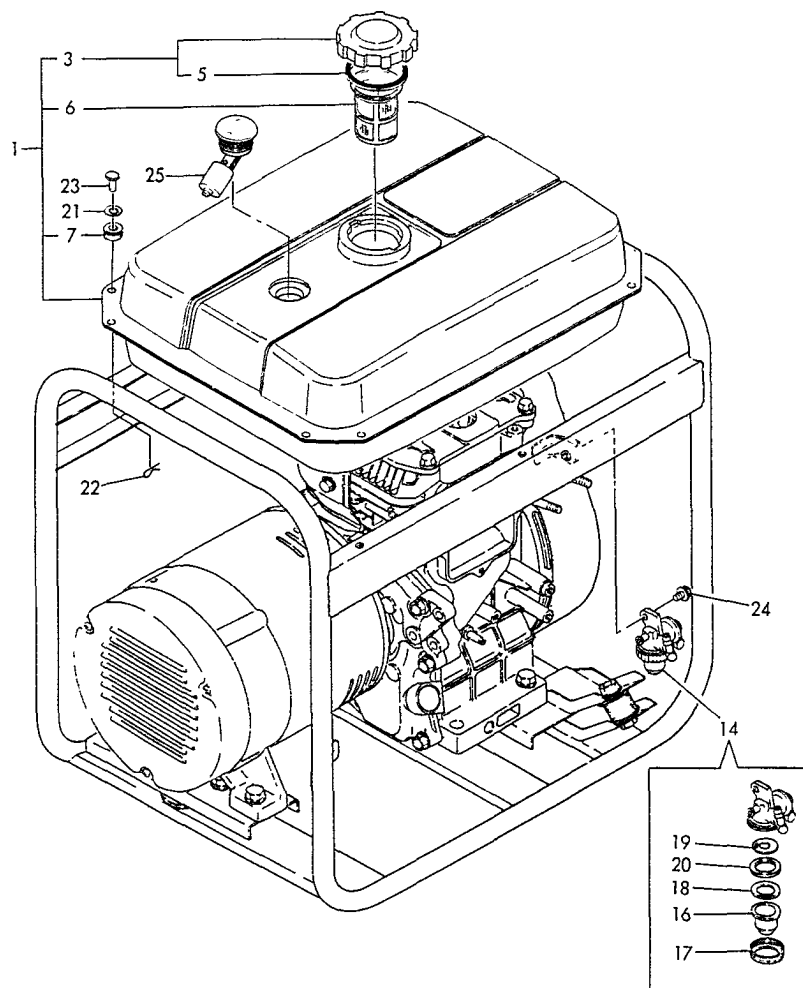
**1B11
(1B01)**

(10) COOLING FAN CASE

(A) = EG-3500 (D) =
 (B) = (E) =
 (C) = (F) =

REF. NO.	LEV.	O	PART NO.	DESCRIPTION	Q'TY					
					(A)	(B)	(C)	(D)	(E)	(F)
1	.	Y	760870-45600	CASE, COOLING FAN	1					
4	.	Y	160810-45201	COVER, CYLINDER	1					
5	.	Y	160810-45250	COVER, HEAD	1					
6	.	Y	261060-80142	BOLT M8 X 14	2					
7	.	Y	261060-80202	BOLT M8 X 20	2					
8	.	Y	264760-60142	BOLT M6 X 14	4					
9	.	Y	264760-60142	BOLT M6 X 14	2					

11 FUEL TANK



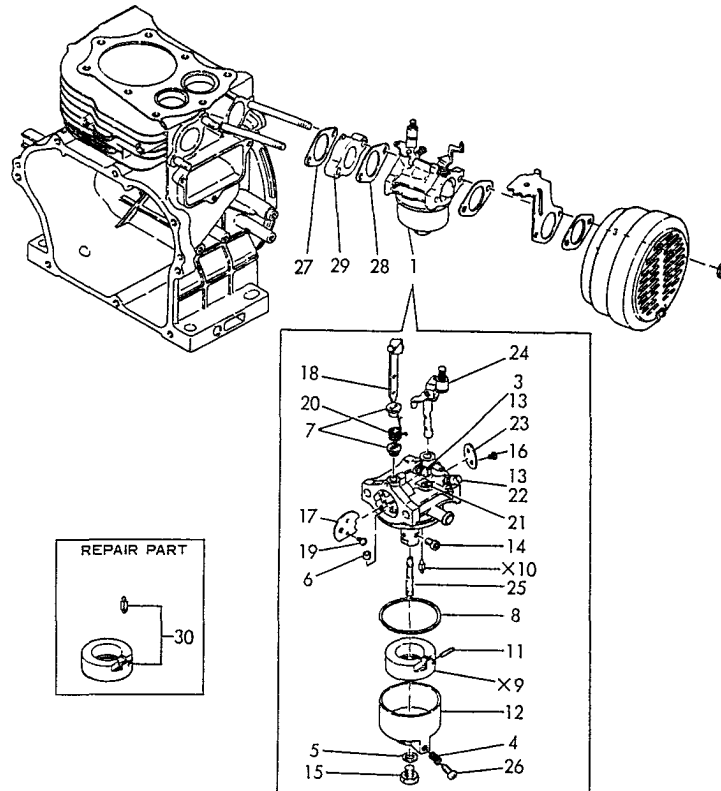
**1B12
(1B01)**

(11) FUEL TANK

(A) = EG-3500 (D) =
 (B) = (E) =
 (C) = (F) =

REF. NO.	LEV.	Q	PART NO.	DESCRIPTION	Q'TY					
					(A)	(B)	(C)	(D)	(E)	(F)
1	.	Y	783820-55731	TANK ASSY, FUEL	1					
3	..	Y	160642-55060	CAP ASSY, TANK	1					
5	...	Y	160393-55050	GASKET	1					
6	..	Y	160710-55100	FILTER, FUEL	1					
7	..	Y	183720-55210	GROMMET	4					
14	.	Y	160710-55301	COCK ASSY, FUEL	1					
16	..	Y	160710-55390	BOWL, STRAINER	1					
17	..	Y	160710-55360	RETAINER	1					
18	..	Y	160710-55370	GASKET	1					
19	..	Y	160710-55381	FILTER, FUEL	1					
20	..	Y	160692-55421	PLATE	1					
21	.	Y	183350-55130	WASHER	4					
22	.	Y	223600-60000	SNAP PIN 6	4					
23	.	Y	183350-55120	PIN, FLAT HEAD	4					
24	.	Y	261060-60082	BOLT M6 X 8	1					
25	.	Y	183925-55150	GAUGE, FUEL	1					

12 CARBURETOR



1B13
(1B01)

(12) CARBURETOR

(A) = EG-3500 (D) =
 (B) = (E) =
 (C) = (F) =

12 CARBURETOR

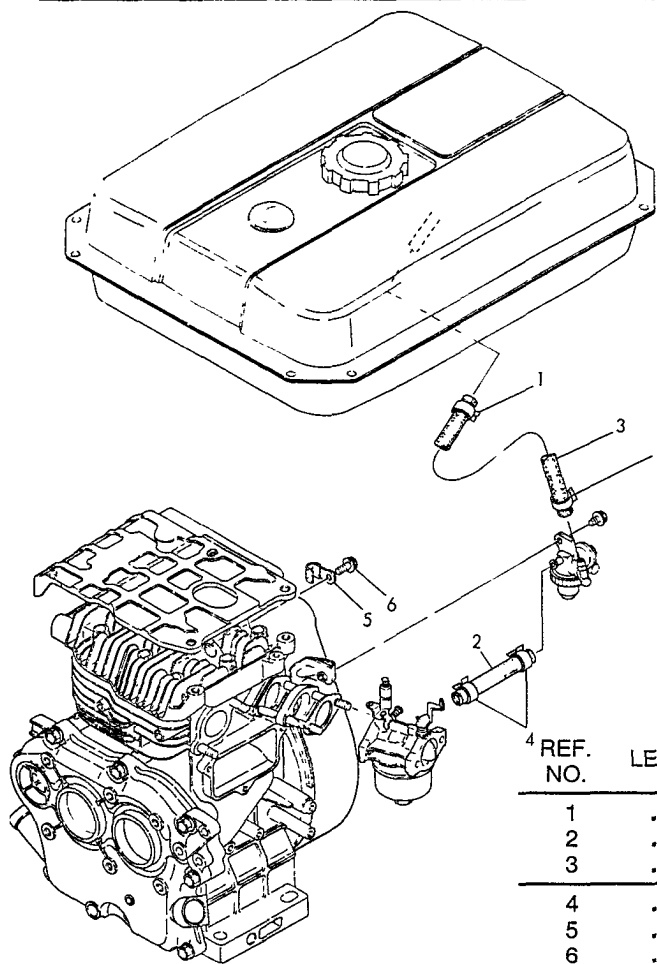
**1B13
(1B01)**

(12) CARBURETOR

(A) = EG-3500 (D) =
 (B) = (E) =
 (C) = (F) =

REF. NO.	LEV.	O	PART NO.	DESCRIPTION	Q'TY					
					(A)	(B)	(C)	(D)	(E)	(F)
1	.	Y	160870-56020	CARBURETOR ASSY	1					
3	..	Y	181230-56370	SCREW	1					
4	..	Y	181230-56380	SPRING	1					
5	..	Y	160810-56550	WASHER	1					
6	..	Y	160810-56580	RING, CHOKE SHAFT	1					
7	..	Y	160810-56590	RING, CHOKE LEVER	2					
8	..	Y	160210-56610	WASHER, FLOAT CHAMBER	1					
9	..	Y	160810-56620	FLOAT	1					
10	..	Y	160810-56750	NEEDLE	1					
11	..	Y	160610-56631	PIN	1					
12	..	Y	160810-56640	BODY, FLOAT CHAMBER	1					
13	..	Y	181130-56640	SPRING	2					
14	..	Y	160810-56650	JET, MAIN	1					
15	..	Y	160610-56660	BOLT	1					
16	..	Y	160120-56670	SCREW	2					
17	..	Y	160870-56680	VALVE, CHOKE	1					
18	..	Y	160870-56700	LEVER, CHOKE	1					
19	..	Y	160710-56710	SCREW	1					
20	..	Y	160870-56720	SPRING, CHOKE	1					
21	..	Y	160810-56790	JET, PILOT	1					
22	..	Y	160610-56750	SCREW, PILOT	1					
23	..	Y	160810-56780	VALVE, THROTTLE	1					
24	..	Y	160870-56770	SHAFT ASSY, THROTTLE	1					
25	..	Y	160810-56820	NOZZLE, MAIN	1					
26	..	Y	160610-56900	SCREW	1					
27	..	Y	160810-56140	GASKET, SPACER	1					
28	..	Y	160810-56150	GASKET, CARBURETOR	1					
29	.	Y	160810-56160	SPACER, CARBURETOR	1					
30	.	Y	160810-56250	NEEDLE ASSY (RUBBER)	1					

13 FUEL LINE



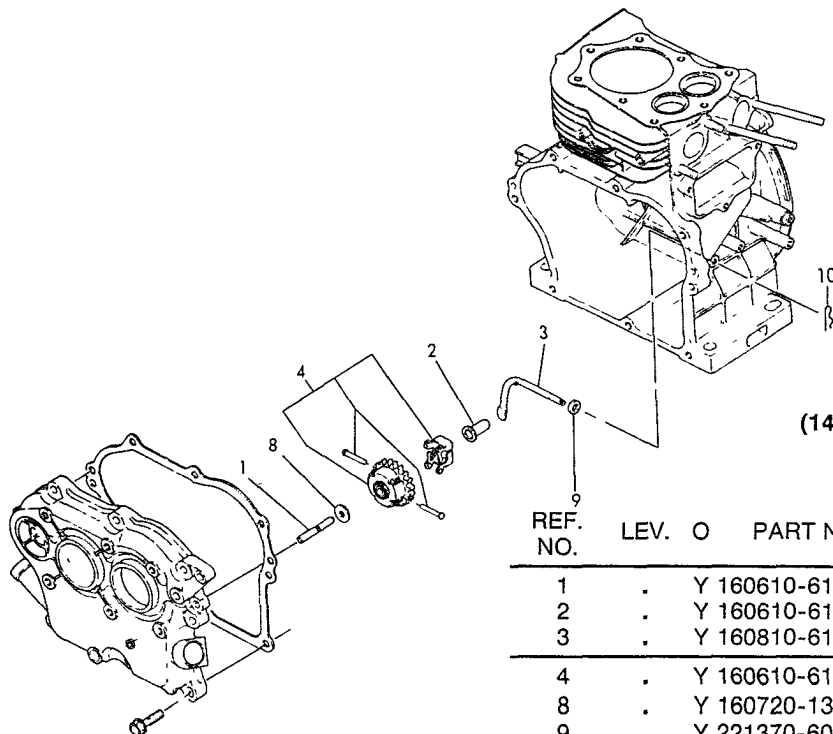
**1B14
(1B01)**

(13) FUEL LINE

(A) = EG-3500 (D) =
(B) = (E) =
(C) = (F) =

REF. NO.	LEV.	O	PART NO.	DESCRIPTION	Q'TY					
					(A)	(B)	(C)	(D)	(E)	(F)
1	.		Y 106990-44660	CLAMP, FUEL PIPE	2					
2	.		Y 160820-59360	PIPE (B), FUEL	1					
3	.		Y 160920-59380	PIPE (A3), FUEL	1					
4	.		Y 106100-44680	CLAMP 10	4					
5	.		Y 160260-78700	CLAMP	1					
6	.		Y 264760-60142	BOLT M6 X 14	1					

14 GOVERNOR



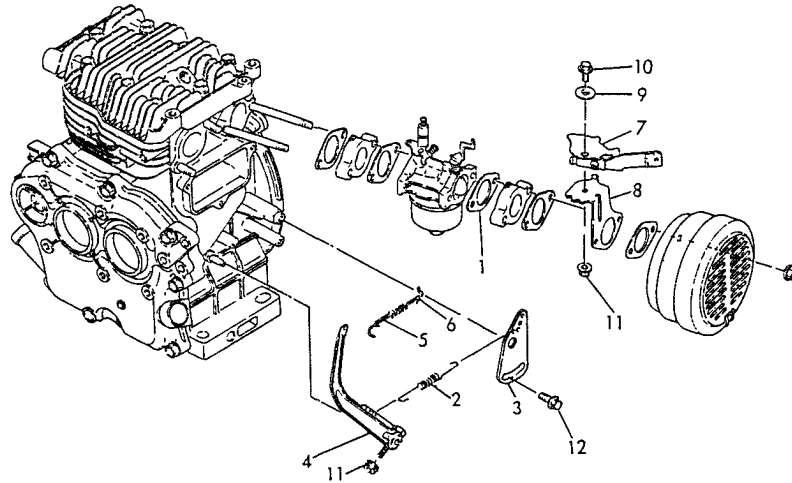
**1B15
(1B01)**

(14) GOVERNOR

(A) = EG-3500 (D) =
(B) = (E) =
(C) = (F) =

REF. NO.	LEV.	O	PART NO.	DESCRIPTION	Q'TY					
					(A)	(B)	(C)	(D)	(E)	(F)
1	.		Y 160610-61100	SHAFT, GOVERNOR	1					
2	.		Y 160610-61300	SPINDLE, GOVERNOR	1					
3	.		Y 160810-61310	YOKE, GOVERNOR	1					
4	.		Y 160610-61600	GEAR ASSY, GOVERNOR	1					
8	.		Y 160720-13730	WASHER	1					
9	.		Y 221370-60000	WASHER 6	1					
10	.		Y 223600-60000	SNAP PIN 6	1					

15 CONTROL DEVICE



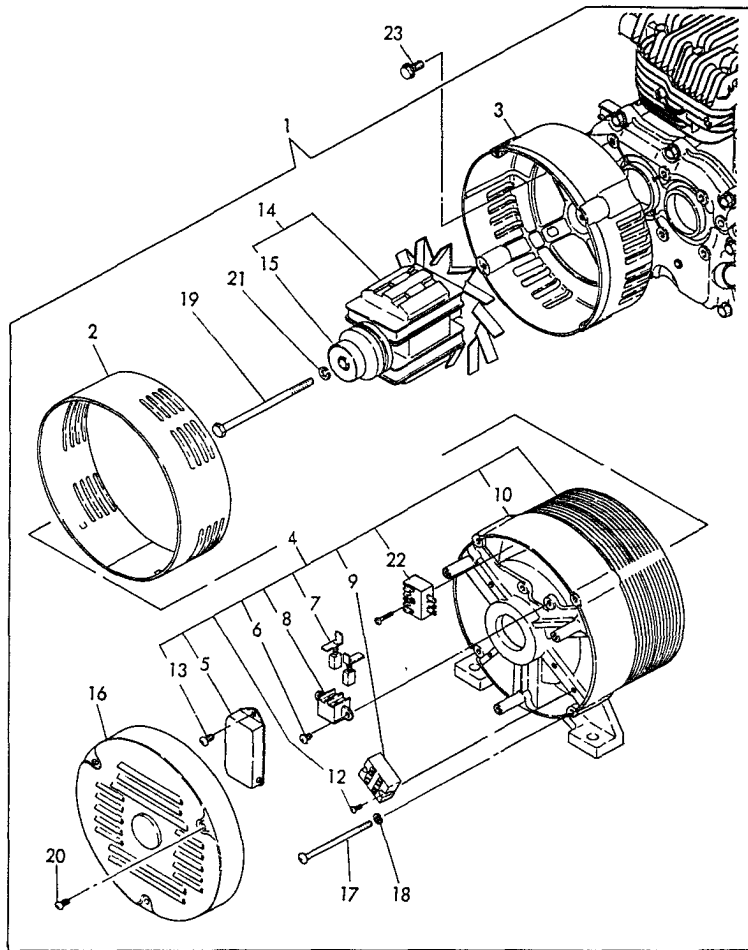
**1B16
(1B01)**

(15) CONTROL DEVICE

(A) = EG-3500 (D) =
 (B) = (E) =
 (C) = (F) =

REF. NO.	LEV.	O	PART NO.	DESCRIPTION	Q'TY					
					(A)	(B)	(C)	(D)	(E)	(F)
1	.	Y	160810-56150	GASKET, CARBURETOR	1					
2	.	Y	160870-66010	SPRING, REGULATOR	1					
3	.	Y	160970-66120	HANDLE, REGULATOR	1					
4	.	Y	160810-66151	LEVER, GOVERNOR	1					
5	.	Y	160810-66200	LINK THROTTLE	1					
6	.	Y	160810-66210	SPRING, TENSION	1					
7	.	Y	160870-66310	LEVEL ASSY	1					
8	.	Y	160870-66330	BRACKET, LEVER	1					
9	.	Y	160670-66350	COLLAR	1					
10	.	Y	261060-60122	BOLT M6 X 12	1					
11	.	Y	263660-60002	NUT M6	2					
12	.	Y	264760-60142	BOLT 6 X 14	1					

16 GENERATOR



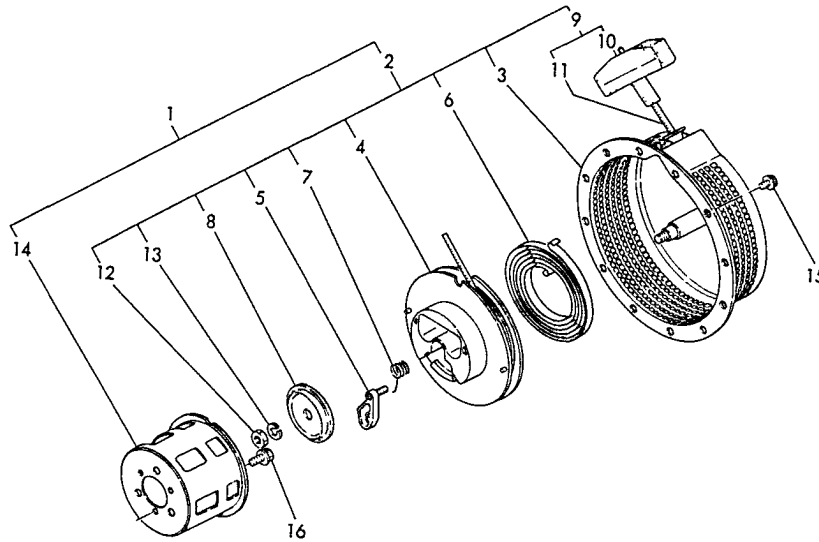
**1C01
(1B01)**

(16) GENERATOR

(A) = EG-3500 (D) =
(B) = (E) =
(C) = (F) =

REF. NO.	LEV.	O	PART NO.	DESCRIPTION	Q'TY					
					(A)	(B)	(C)	(D)	(E)	(F)
1	.	Y	183820-74060	GENERATOR 3.0KVA	1					
2	..	Y	183820-74140	BAND	1					
3	..	Y	183820-74150	COVER, FRONT	1					
4	..	Y	183820-74230	STATOR ASSY	1					
5	...	Y	183820-74170	A.V.R.	1					
6	...	Y	183820-74300	SCREW M5 X 14	2					
7	...	Y	183820-74220	BRUSH	2					
8	...	Y	183820-74240	HOLDER, BRUSH	1					
9	...	Y	183820-74270	TERMINAL	1					
10	...	Y	183820-74260	COVER, REAR	1					
12	...	Y	183820-74300	SCREW M5 X 14	2					
13	...	Y	183350-74380	SCREW M4 X 14	2					
14	..	Y	183820-74350	ROTOR ASSY.	1					
15	...	Y	183820-74360	BEARING	1					
16	..	Y	183820-74450	COVER, END	1					
17	..	Y	183820-74410	BOLT, THROUGH	4					
18	..	Y	222170-60000	SPRING WASHER 6	4					
19	..	Y	183820-74430	BOLT	1					
20	..	Y	183520-91290	SCREW M4 X 10	3					
21	..	Y	222171-00000	SPRING WASHER 10	1					
22	..	Y	183210-74470	RECTIFIER	1					
23	.	Y	261060-80202	BOLT M8 X 20	4					

17 STARTING DEVICE



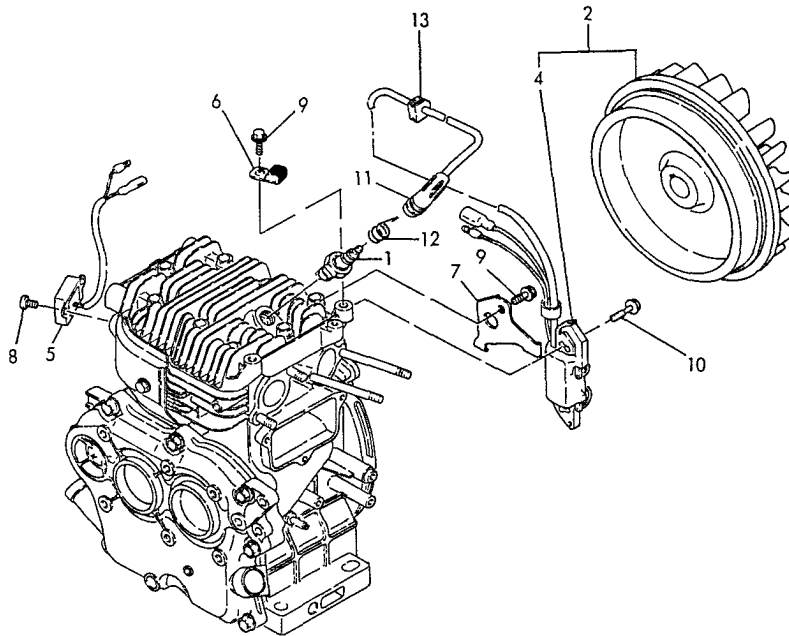
**1C02
(1B01)**

(17) STARTING DEVICE

(A) = EG-3500 (D) =
 (B) = (E) =
 (C) = (F) =

REF. NO.	LEV.	O	PART NO.	DESCRIPTION	Q'TY					
					(A)	(B)	(C)	(D)	(E)	(F)
1	.	Y	160840-76050	STARTER, RECOIL ASSY	1					
2	..	Y	160840-76250	RECOIL ASSY.	1					
3	...	Y	160840-76510	CASE, STARTER	1					
4	...	Y	160810-76520	REEL	1					
5	...	Y	160840-76530	RATCHET	1					
6	...	Y	160810-76540	SPRING, SPIRAL	1					
7	...	Y	160840-76560	SPRING, FRICTION	1					
8	...	Y	160810-76580	PLATE	1					
9	...	Y	160810-76610	WIRE ASSY.	1					
10	Y	160810-76620	KNOB	1					
11	Y	160810-76630	STARTER WIRE	1					
12	...	Y	181130-76680	NUT	1					
13	...	Y	181130-76700	WASHER	1					
14	..	Y	160810-76590	PULLEY, STARTER	1					
15	.	Y	261060-60082	BOLT M6 X 8	4					
16	.	Y	26106-060122	BOLT M6 X 12	3					

18 FLYWHEEL MAGNETO



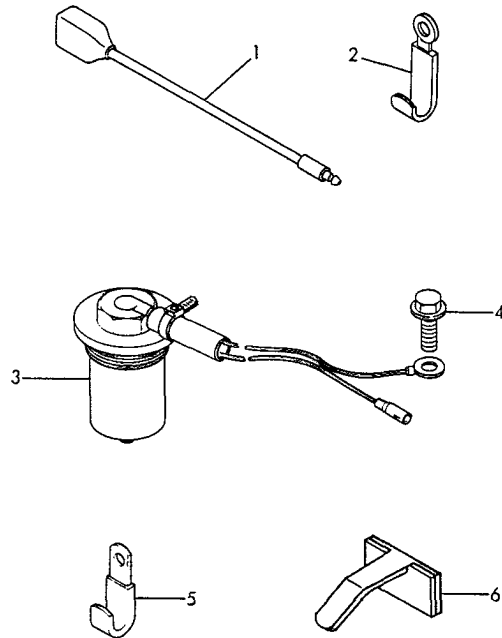
**1C03
(1B01)**

(18) FLYWHEEL MAGNETO

(A) = EG-3500 (D) =
 (B) = (E) =
 (C) = (F) =

REF. NO.	LEV.	O	PART NO.	DESCRIPTION	Q'TY					
					(A)	(B)	(C)	(D)	(E)	(F)
1	.	Y	160232-78010	PLUG, SPARK	1					
2	.	Y	160840-78060	FLYWHEEL W/MAGNETO	1					
4	..	Y	160840-78510	COIL, IGNITION	1					
5	.	Y	160810-78650	IGINITOR	1					
6	.	Y	160870-78700	CLAMP	1					
7	.	Y	160910-78790	CLAMP	1					
8	.	Y	260230-50102	SCREW M5 X 10	2					
9	.	Y	264760-60142	BOLT M6 X 14	2					
10	.	Y	264760-60252	BOLT M6 X 25	2					
11	.	Y	160700-78040	CAP, PLUG	1					
12	.	Y	160700-78050	TERMINAL, PLUG	1					
13	.	Y	160700-78720	GROMMET	1					

19 OIL SENSOR



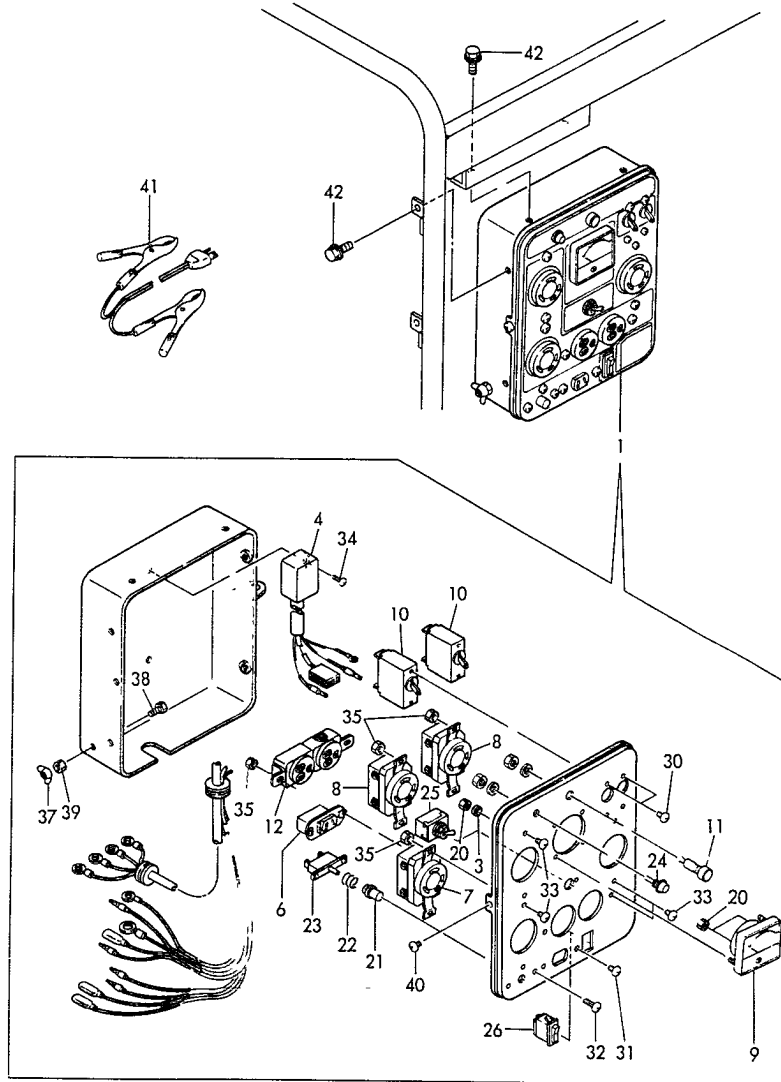
**1C04
(1B01)**

(19) OIL SENSOR

(A) = EG-3500 (D) =
 (B) = (E) =
 (C) = (F) =

REF. NO.	LEV.	O	PART NO.	DESCRIPTION	QTY					
					(A)	(B)	(C)	(D)	(E)	(F)
1	.	Y	160671-78220	WIRE	1					
2	.	Y	160820-78710	CLAMP	1					
3	.	Y	160975-78800	SENSOR, OIL LEVEL	1					
4	.	Y	261130-60122	BOLT M6 X 12	1					
5	.	Y	160260-78700	CLAMP	1					
6	.	Y	160560-78700	CLAMP	1					

20 PANEL



1C05
(1B01)

(20) PANEL

(A) = EG-3500 (D) =
 (B) = (E) =
 (C) = (F) =

20 PANEL

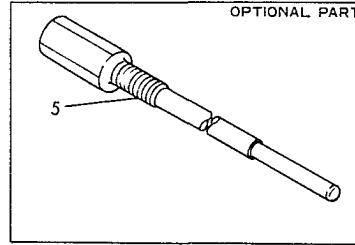
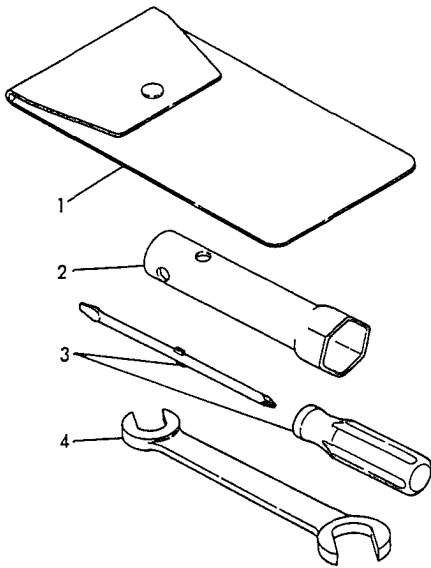
1C05
(1B01)

(19) PANEL

(A) = EG-3500 (D) =
(B) = (E) =
(C) = (F) =

REF. NO.	LEV.	O	PART NO.	DESCRIPTION	QTY					
					(A)	(B)	(C)	(D)	(E)	(F)
1	.	Y	183825-91050	BOX ASSY, PANEL	1					
3	...	Y	160664-14570	WASHER, DECOMP.	2					
4	...	Y	160870-78810	SENSOR UNIT, OIL	1					
6	...	Y	183825-91250	DC CONNECT	1					
7	...	Y	183660-91260	CONNECT	1					
8	...	Y	183660-91270	CONNECT	2					
9	...	Y	183820-91270	VOLTAGE METER 300V	1					
10	...	Y	183360-91290	AC BREAKER	2					
11	...	Y	183820-91310	PILOT LAMP	1					
12	...	Y	183920-91320	AC CONNECT	1					
20	...	Y	183925-91990	NUT M3	4					
21	...	Y	183000-96310	CAP, BREAKER	1					
22	...	Y	183000-96320	SPRING BREAKER	1					
23	...	Y	183000-96330	BREAKER	1					
24	...	Y	183000-97130	LAMP, OIL ALERT	1					
25	...	Y	183000-97420	SWITCH	1					
26	...	Y	183000-97440	SWITCH	1					
30	...	Y	265570-30062	SCREW 3 X 6	4					
31	...	Y	265570-30062	SCREW 3 X 6	2					
32	...	Y	267570-30122	SCREW 3 X 12	2					
33	...	Y	265570-40062	SCREW 4 X 6	8					
34	...	Y	265570-50102	SCREW 5 X 10	1					
35	...	Y	267560-40002	NUT M4	8					
37	...	Y	183621-08810	WING NUT M6	1					
38	...	Y	261130-60162	BOLT M6 X 16	1					
39	...	Y	267530-60002	NUT M6	1					
40	...	Y	265570-40062	SCREW 4 X 6	3					
41	.	Y	183210-91800	CABLE, CHARGING	1					
42	.	Y	261060-60082	BOLT M6 X 8	4					

21 TOOL



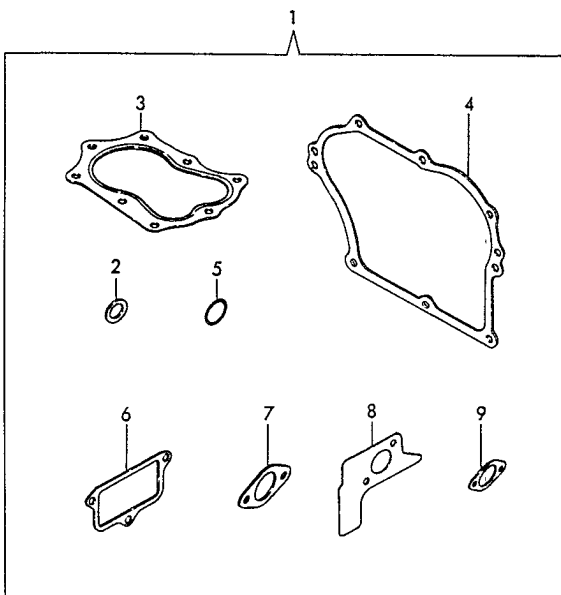
**1C06
(1B01)**

(21) TOOL

(A) = EG-3500 (D) =
(B) = (E) =
(C) = (F) =

REF. NO.	LEV.	O	PART NO.	DESCRIPTION	Q'TY					
					(A)	(B)	(C)	(D)	(E)	(F)
1	.	Y	160110-92610	BAG, TOOL	1					
2	.	Y	160120-92700	WRENCH 21, BOX	1					
3	.	Y	104200-92350	DRIVER	1					
4	.	Y	281101-00120	WRENCH 10 X 12	1					
5	.	Y	183820-92350	REMOVER, ROTOR	1					

22 GASKET SET



**1C07
(1B01)**

(22) GASKET SET

(A) = EG-3500 (D) =
(B) = (E) =
(C) = (F) =

REF. NO.	LEV.	O	PART NO.	DESCRIPTION	Q'TY					
					(A)	(B)	(C)	(D)	(E)	(F)
1	.	Y	760870-92600	GASKET SET	1					
2	..	Y	104200-59170	GASKET 12	1					
3	..	Y	160810-01330	GASKET, CYL. HEAD	1					
4	..	Y	160810-01410	GASKET, SIDE COVER	1					
5	..	Y	243110-00180	O-RING 18-P	1					
6	..	Y	160810-03070	GASKET, BREATHER	1					
7	..	Y	160810-56150	GASKET, CARBURETOR	3					
8	..	Y	160810-13200	GASKET, MUFFLER	1					
9	..	Y	160810-56140	GASKET, SPACER	1					