



**Operator's
Manual
RB-85/S
Broadcast
Spreader**

INTRODUCTION

Specifications, descriptions, and illustrative material in this literature are as accurate as possible. Specifications are subject to change without notice. Illustrations might include optional equipment and accessories, and might not include all standard equipment. Your equipment might appear slightly different than pictured equipment.



Read and understand all provided literature. Literature contains specifications and information for safety, operation, maintenance, storage, and assembly specific to this product. Scan QR codes for more information.



For additional literature, including safety manuals where applicable, or questions regarding terms used in this manual, visit:

<https://www.echo-usa.com/manuals>

OR

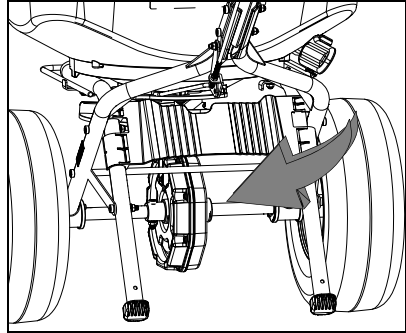


<https://www.shindaiwa-usa.com/manuals>

SERVICING INFORMATION

Parts and Serial Number

Genuine ECHO parts and assemblies for your ECHO products are available only from an Authorized ECHO Dealer. When you do need to buy parts always have the model number and serial number of the unit with you. For future reference write them in the space provided below.



Model No. _____ Serial No. _____

Service

Service of this product during the warranty period must be performed by an Authorized ECHO Service Dealer. For the name and address of the Authorized ECHO Service Dealer nearest you, ask your retailer or call: 1-800-432-ECHO (3246). Dealer information is also available on our Web Site www.echo-usa.com. When presenting your unit for Warranty service/repairs, proof of purchase is required.

ECHO Consumer Product Support

If you require assistance or have questions concerning the application, operation, or maintenance of this product, call the ECHO Consumer Product Support Department at 1-800-432-ECHO (3246) from 8:00 a.m. to 5:00 p.m. (Central Standard Time) Monday through Friday. Before calling, please know the model and serial number of your unit.

Product Registration

Register your ECHO equipment online at www.echo-usa.com or by filling out the product registration sheet included in this manual. Registering your product confirms warranty coverage and provides a direct link to ECHO if we find it necessary to contact you.

Additional Literature

In addition to finding information online, information is available from your Authorized ECHO Service Dealer, or by contacting ECHO Incorporated, 400 Oakwood Road, Lake Zurich, IL 60047, 1-800-432-ECHO (3246).

SAFETY

Safety Information **WARNING**

Carefully read these instructions before use. Improper use or failure to follow instructions can result in product failure or injuries. For safe use of this product you must read and follow all instructions before using.

 **WARNING**

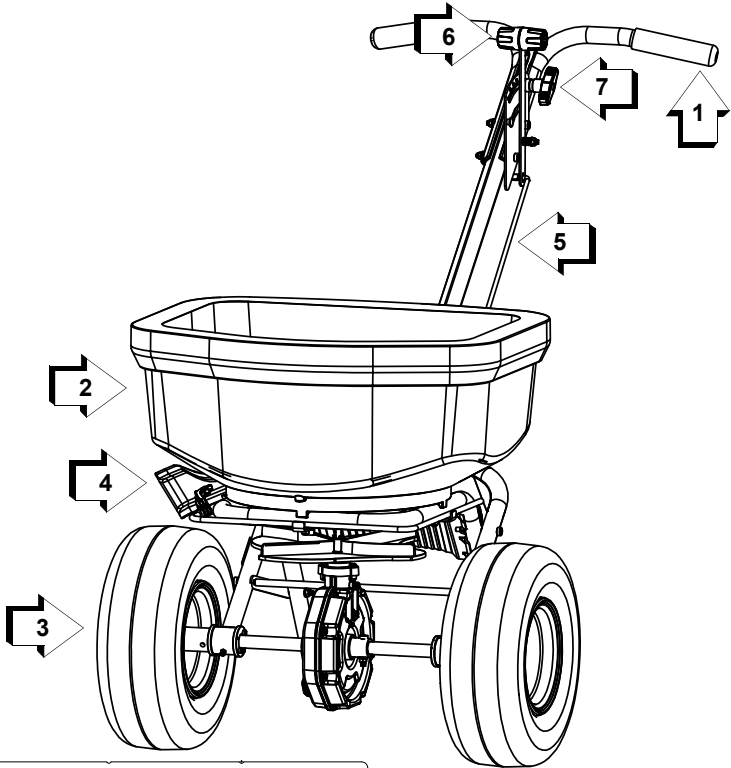
Cancer and Reproductive Harm
www.P65Warnings.ca.gov

 **WARNING**

- ◆ Do not allow anyone to operate the broadcast spreader without proper instructions.
- ◆ Do not permit children to operate the broadcast spreader.
- ◆ Wear all personal protective equipment recommended by chemical manufacturer.
- ◆ Read and follow the chemical label instructions and warnings for handling and applying the chemicals you plan to spread – application settings provided are only a guideline.

DESCRIPTION

Locate the safety decal(s) on your unit. Make sure the decal(s) is legible and that you understand and follow the instructions on it. If a decal cannot be read, a new one can be ordered from your dealer. The safety decal is for example only. Your label may appear slightly different.



<p>Setting compression chain / Cadre compresseur / Regler selon le chaîne de compression</p>		<p>ECHO</p> <p>Verwenden Sie Handschuhe / Faii ganturi / Lămăra la mâini / Rękawiczki / Stenove / Wear the gloves when using the chainsaw. Poza rękawiczek nie należy używać łańcucha. Należy używać rękawiczek ochronnych. Należy używać rękawiczek ochronnych. Należy używać rękawiczek ochronnych.</p>																																																																																																			
<p>ECHO</p>	<table border="1"> <tr> <td>1</td><td>2</td><td>3</td><td>4</td><td>5</td><td>6</td><td>7</td><td>8</td><td>9</td><td>10</td><td>11</td><td>12</td><td>13</td><td>14</td><td>15</td><td>16</td><td>17</td><td>18</td><td>19</td><td>20</td><td>21</td><td>22</td><td>23</td><td>24</td><td>25</td><td>26</td><td>27</td><td>28</td><td>29</td><td>30</td><td>31</td><td>32</td><td>33</td><td>34</td><td>35</td><td>36</td><td>37</td><td>38</td><td>39</td><td>40</td><td>41</td><td>42</td><td>43</td><td>44</td><td>45</td><td>46</td><td>47</td><td>48</td><td>49</td><td>50</td><td>51</td><td>52</td><td>53</td><td>54</td><td>55</td><td>56</td><td>57</td><td>58</td><td>59</td><td>60</td><td>61</td><td>62</td><td>63</td><td>64</td><td>65</td><td>66</td><td>67</td><td>68</td><td>69</td><td>70</td><td>71</td><td>72</td><td>73</td><td>74</td><td>75</td><td>76</td><td>77</td><td>78</td><td>79</td><td>80</td><td>81</td><td>82</td><td>83</td><td>84</td><td>85</td><td>86</td><td>87</td><td>88</td><td>89</td><td>90</td><td>91</td><td>92</td><td>93</td><td>94</td><td>95</td><td>96</td><td>97</td><td>98</td><td>99</td><td>100</td> </tr> </table>		1	2	3	4	5	6	7	8	9	10	11	12	13	14	15	16	17	18	19	20	21	22	23	24	25	26	27	28	29	30	31	32	33	34	35	36	37	38	39	40	41	42	43	44	45	46	47	48	49	50	51	52	53	54	55	56	57	58	59	60	61	62	63	64	65	66	67	68	69	70	71	72	73	74	75	76	77	78	79	80	81	82	83	84	85	86	87	88	89	90	91	92	93	94	95	96	97	98	99
1	2	3	4	5	6	7	8	9	10	11	12	13	14	15	16	17	18	19	20	21	22	23	24	25	26	27	28	29	30	31	32	33	34	35	36	37	38	39	40	41	42	43	44	45	46	47	48	49	50	51	52	53	54	55	56	57	58	59	60	61	62	63	64	65	66	67	68	69	70	71	72	73	74	75	76	77	78	79	80	81	82	83	84	85	86	87	88	89	90	91	92	93	94	95	96	97	98	99	100		
<p>Setting by gear / por / Nivelar por carter / Nivelar según la RPM del compresor</p>		<p>ECHO</p> <p>Verwenden Sie Handschuhe / Faii ganturi / Lămăra la mâini / Rękawiczki / Stenove / Wear the gloves when using the chainsaw. Poza rękawiczek nie należy używać łańcucha. Należy używać rękawiczek ochronnych. Należy używać rękawiczek ochronnych. Należy używać rękawiczek ochronnych.</p>																																																																																																			
<p>ECHO</p>	<table border="1"> <tr> <td>1</td><td>2</td><td>3</td><td>4</td><td>5</td><td>6</td><td>7</td><td>8</td><td>9</td><td>10</td><td>11</td><td>12</td><td>13</td><td>14</td><td>15</td><td>16</td><td>17</td><td>18</td><td>19</td><td>20</td><td>21</td><td>22</td><td>23</td><td>24</td><td>25</td><td>26</td><td>27</td><td>28</td><td>29</td><td>30</td><td>31</td><td>32</td><td>33</td><td>34</td><td>35</td><td>36</td><td>37</td><td>38</td><td>39</td><td>40</td><td>41</td><td>42</td><td>43</td><td>44</td><td>45</td><td>46</td><td>47</td><td>48</td><td>49</td><td>50</td><td>51</td><td>52</td><td>53</td><td>54</td><td>55</td><td>56</td><td>57</td><td>58</td><td>59</td><td>60</td><td>61</td><td>62</td><td>63</td><td>64</td><td>65</td><td>66</td><td>67</td><td>68</td><td>69</td><td>70</td><td>71</td><td>72</td><td>73</td><td>74</td><td>75</td><td>76</td><td>77</td><td>78</td><td>79</td><td>80</td><td>81</td><td>82</td><td>83</td><td>84</td><td>85</td><td>86</td><td>87</td><td>88</td><td>89</td><td>90</td><td>91</td><td>92</td><td>93</td><td>94</td><td>95</td><td>96</td><td>97</td><td>98</td><td>99</td><td>100</td> </tr> </table>		1	2	3	4	5	6	7	8	9	10	11	12	13	14	15	16	17	18	19	20	21	22	23	24	25	26	27	28	29	30	31	32	33	34	35	36	37	38	39	40	41	42	43	44	45	46	47	48	49	50	51	52	53	54	55	56	57	58	59	60	61	62	63	64	65	66	67	68	69	70	71	72	73	74	75	76	77	78	79	80	81	82	83	84	85	86	87	88	89	90	91	92	93	94	95	96	97	98	99
1	2	3	4	5	6	7	8	9	10	11	12	13	14	15	16	17	18	19	20	21	22	23	24	25	26	27	28	29	30	31	32	33	34	35	36	37	38	39	40	41	42	43	44	45	46	47	48	49	50	51	52	53	54	55	56	57	58	59	60	61	62	63	64	65	66	67	68	69	70	71	72	73	74	75	76	77	78	79	80	81	82	83	84	85	86	87	88	89	90	91	92	93	94	95	96	97	98	99	100		

- 1 Handles
- 2 Hopper
- 3 Wheels
- 4 Adjustable Deflector
- 5 Upper Control Rod
- 6 Gate Control Lever
- 7 Gate Adjustment Limiter

CONTENTS

The product you purchased has been partially factory pre-assembled for your convenience. Due to packaging restrictions, some assembly may be necessary.

After opening the carton, check for damage. Immediately notify your retailer or Dealer of damaged or missing parts. Use the contents list to check for missing parts.

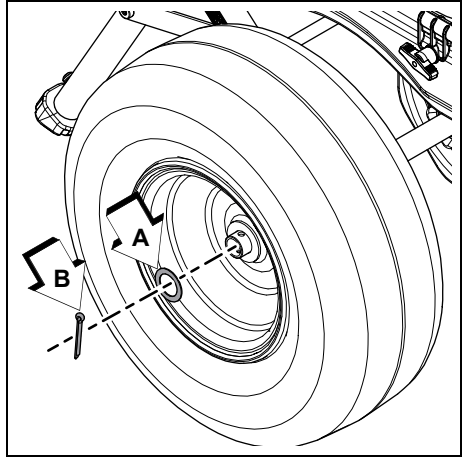
- 1 Hopper Assembly
- 2 Wheels
- 1 Upper Handle Assembly
- 1 Upper Control Rod
- 1 Lower Control Rod
- 1 Hinge Assembly
- 2 5 x 60 Bolts
- 1 5 x 50 Bolt
- 4 Flange nuts
- 1 Hex Nut
- 1 Washer
- 1 Cotter Pin
- 1 Clevis Pin
- 1 Spiked Auger
- 1 Grate
- 1 Hopper Cover
- 1 Rear Deflector
- 1 Operator's Manual

- 1 Warranty Statement

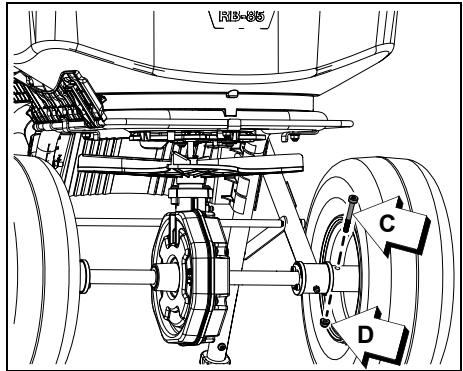
ASSEMBLY

Install Wheels and Handle

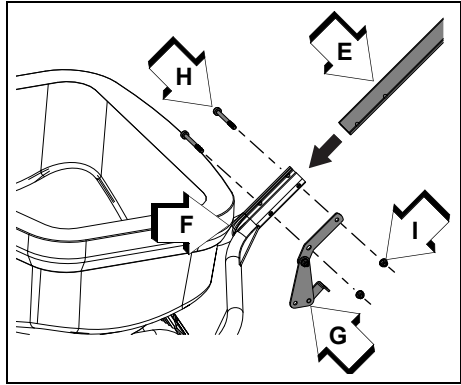
1. Install right wheel and secure with washer (A) cotter pin (B).



2. Install left wheel and secure with 6 x 50 mm bolt (C) and 6 mm flange nut (D).

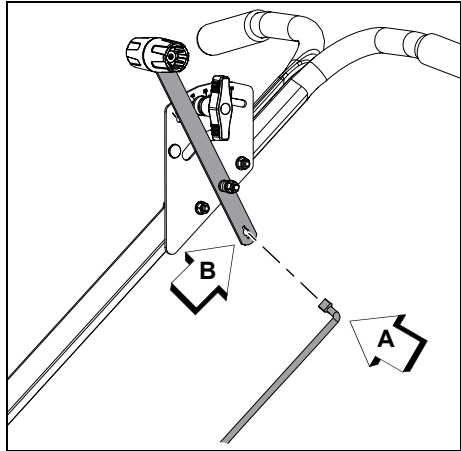


3. Install upper handle assembly (E) into lower handle bracket (F). Attach hinge (G) oriented as shown, and secure with two 6 x 60 mm bolts (H) and two 6 mm flange nuts (I).

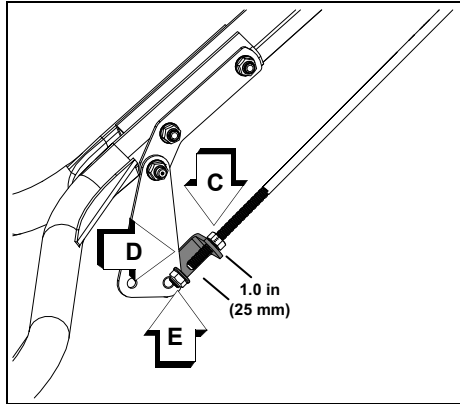


Install Control Rods

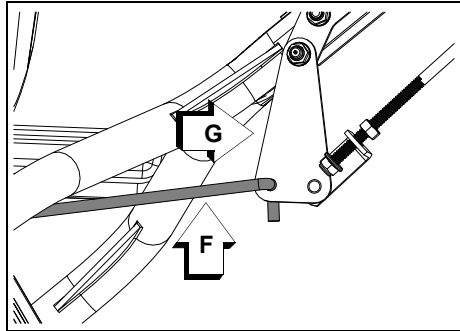
1. Insert tab end of upper control rod (A) into slotted hole in gate control lever (B). Turn rod clockwise until it is parallel with handle assembly.



2. Thread 6 mm nut (C) onto end of upper control rod to a distance of 25.4 mm (1 in) from bottom of rod. Insert threaded end of rod into hole in hinge arm (D). Then thread 6 mm flange nut (E) onto rod.

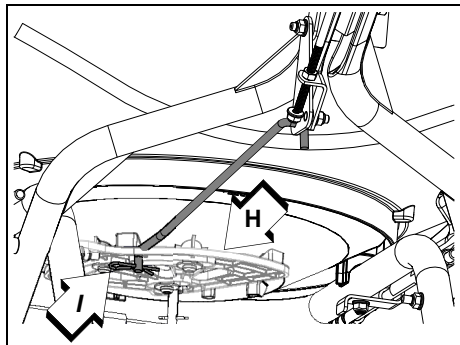


3. Insert lower control rod (F) into hinge (G), as shown.

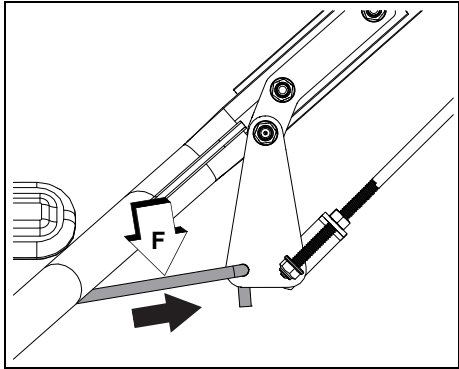


4. Insert other end of lower control rod into hole in gate control (H), as shown, and secure with clevis pin (I).

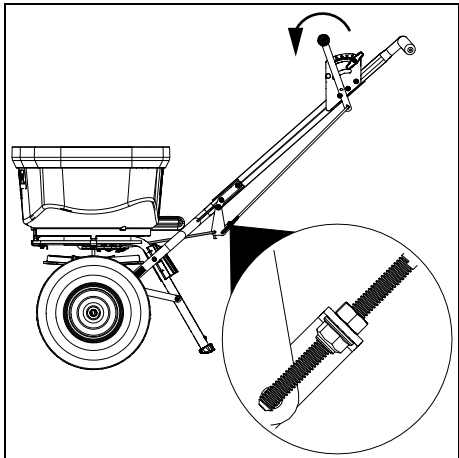
Note: Some parts removed from graphic for clarity.



- 5. Pull lower control rod (F) backward until gate is fully closed.

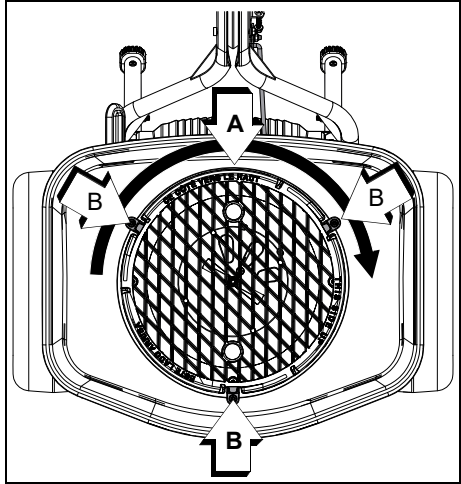


- 6. Position gate control lever fully forward, and tighten upper control rod nut and flange nut as shown.



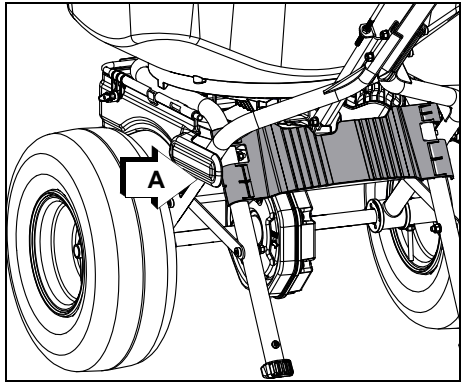
Install Grate

1. Align notches in grate (A) with tabs (B) in hopper. Install grate into hopper. Turn grate clockwise to lock into place.



Rear Deflector

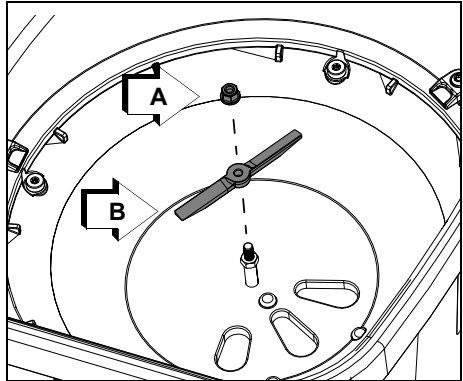
1. Install rear deflector (A) as shown.



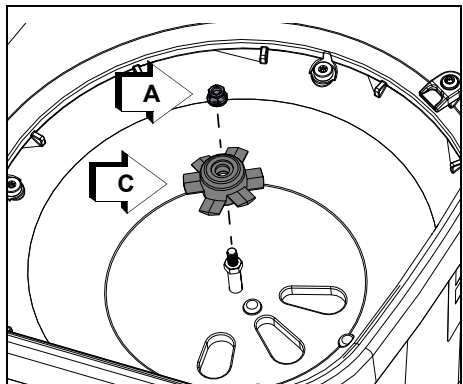
Change Auger

Note: Refer to operation section for information on selecting correct auger.

1. Remove grate.
2. Remove flange nut (A) and bar auger (B) from gear shaft.



3. Install spiked auger (C) onto gear shaft and secure with flange nut (B).
4. Reinstall grate.



NOTICE

Assure spiked auger is oriented as shown.

Check Tire Pressure

NOTICE

Tires should be inflated to 15 psi. Assure tire pressure does not exceed 30 psi.

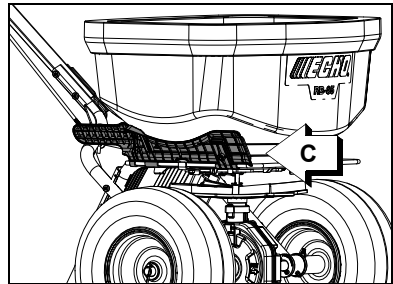
OPERATION

Application Instructions

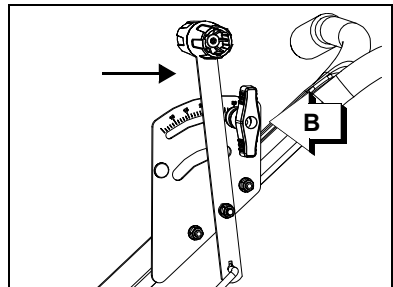
! CAUTION

TIP HAZARD. Unit can tip on uneven ground. Always fill hopper on flat ground, and keep bystanders away. Otherwise personal injury can result.

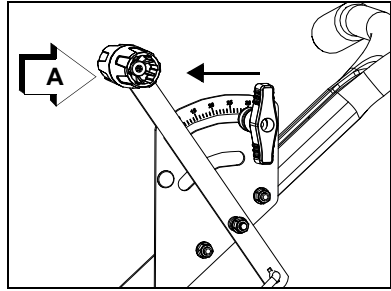
1. Adjust deflector (C) to desired angle for spreading range.



2. Pull gate control lever backward to set gate to desired opening size. Use gate adjustment limiter (B) to restrict gate opening size.



3. Push gate control lever (A) fully forward to close gate. Fill hopper with product. Fill hopper in an area that won't be damaged by spilled product.



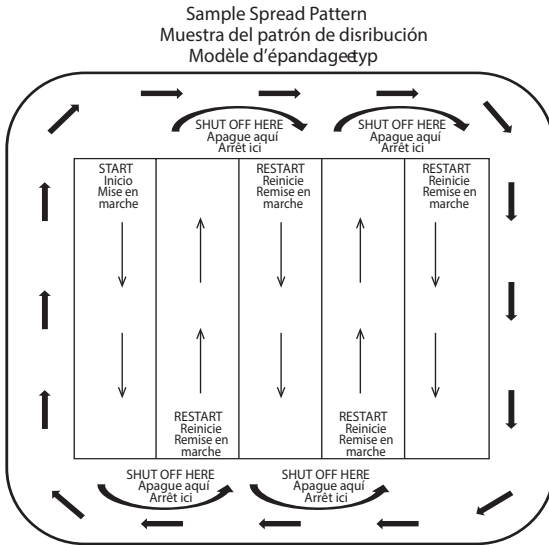
4. Start spreader in motion, and pull gate control lever back to begin the flow of product.
5. Move gate control lever forward to close gate before turning or stopping.

NOTICE

Unit comes with bar auger factory installed. Bar auger is for general turf applications such as fertilizers, herbicides, pesticides, grass seed, and other free-flowing material. Change to spiked auger for denser materials, such as lawn mineral supplements. See assembly section for installation instructions.

Setting comparison chart / Cuadro comparativo / Régler selon la charte de comparaison																			
ECHO	9	10	11	11	12	13	14	14	15	16	17	19	20	22	23	25	26	28	30
Scotts	2	2.5	3	3.25	3.5	4	4.75	5	5.5	6	7	8	9	10	11	12	13	14	15
Earthway	12	13	13.5	14	14.3	14.5	15	16	17	18	20	21	22	23	24	25	26	27	28
LESCO	4	5	5.5	6	7	8	9	9	9.5	10	11	12	13	14	15	16	17	18	19

Setting by granular size Ajuste por tamaño granular / Régler selon la taille des granules					
Setting	1 - 10	11 - 12	13 - 14	16 - 17	20 - 30
Ajuste	Pesticide	Weed Control	Fertilizer	Overseeding	New lawn
Réglage	Pesticidas	Control de hierba	Fertilizante	Resiembra	Nuevo césped
	Pesticide	Contrôle des mauvaises herbes	Fertilisation	Sursemmer	Pelouses neuves



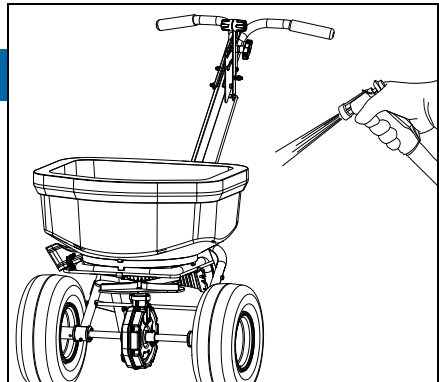
MAINTENANCE

Cleaning Spreader

NOTICE

Avoid spraying gear case directly, and do not use a pressure washer on spreader.

1. Wash spreader with a garden hose after each use.

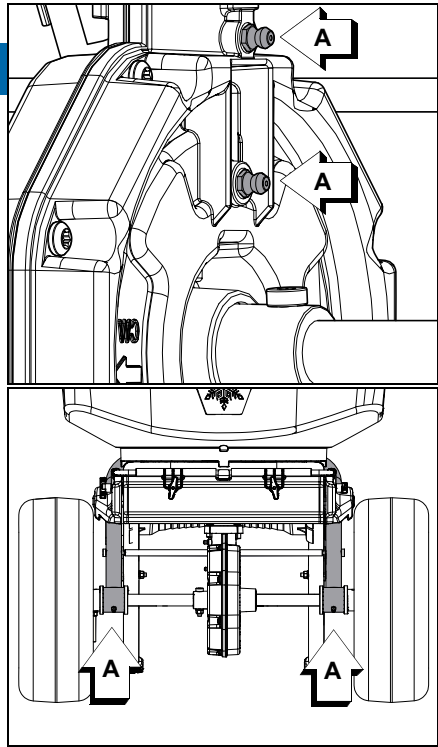


Lubrication

NOTICE

Lubricate gear case and axle once per season.

1. Gear case and Axle: Clear debris from grease fittings (A). Apply 1-2 pumps of lithium-based grease with appropriate grease gun. Clean excess grease from grease fittings.



SPECIFICATIONS

MODEL	RB-85
Length	1,194 mm (47 in)
Width	654 mm (25.75 in)
Height	952 mm (37.50 in)
Weight	16.20 kg (35.80 lb)
Capacity	
Weight	38.50 kg (85lb.)
Volume	43.90 L (1.55 ft ³)
Loading Height	641 mm (25.25 in)
Wheels and Tires	
Tire Diameter	305 mm (12 in)
Tire Type	Pneumatic
Recommended Pressure	103.4 kPa (15 psi)

PRODUCT REGISTRATION

Thank you for choosing ECHO Power Equipment

Please go to <http://www.echo-usa.com/Warranty/Register-Your-ECHO> to register your new product on-line. It's **FAST** and **EASY!** NOTE: your information will never be sold or misused by ECHO, Incorporated.

Registering your purchase enables us to contact you in the unlikely event of a service update or product recall, and verifies your ownership for warranty consideration.

If you do not have access to the Internet, you can complete the form below and mail to:

***ECHO Incorporated, Product Registration, PO Box 1139,
Lake Zurich, IL 60047.***



PRODUCT REGISTRATION CARD : TARJETA DE REGISTRO : CARTE D'ENREGISTREMENT DU PRODUIT

ONLINE OPTION: Register online and save a stamp! You will be alerted of product updates and/or be sent new ECHO product information and special offers. Simply go to: www.echo-usa.com

OPCIÓN POR INTERNET: Regístrese en la página web y ahorre una estampilla! Le alertarán sobre actualizaciones del producto y/o se le enviará información sobre los nuevos productos ECHO y ofertas especiales. Simplemente visite: www.echo-usa.com

OPTION EN LIGNE: Enregistrer en ligne et épargner un timbre! Vous serez informé sur les nouveaux produits ECHO et les mises à jour de produit ainsi que les offres spéciales. Simplement visitez le: www.echo-usa.com

Please Print : Por Favor Enscriba Con Letra De Molde : En Lettre Carré S.V.P.

Confidential: Information provided will not be shared or sold

Purchaser's Name : Nombre del Comprador : Nom de l'acheteur	
Address : Dirección : Adresse	Zip Code - Código Postal : Code Postal
City : Ciudad : Ville	State - Estado : Province
E-Mail Address : Dirección De Correo Electrónico : Courriel Électronique	
Phone Number : Número De Teléfono : Téléphone	Date of Purchase : Fecha de la Compra : Date de l'achat
Where Purchased : Nombre del Almacén donde fue Comprado : Lieu d'achat	
Model Number : Número del Modelo : No. de modèle	Serial Number : Número de Serie : No. de série

Registering your purchase enables us to contact you in the unlikely event of a service update or product recall and verifies your purchase for warranty purposes. We will not share your information with anyone else without your permission. Please do not provide your information to anyone else. We will not be responsible for the loss of information in the event of a fire, theft or other disaster. The registration of your purchase does not constitute an offer of insurance. The registration of your purchase does not constitute an offer of insurance. L'enregistrement de votre achat nous permettra de vous contacter dans le cas improbable de modifications des instructions d'emballage ou de rappel du produit et vérifier que vous êtes le propriétaire en cas de vol ou de perte.

Primary use of tool: Professional Homeowner Rental Equip.
 Uso primario de la herramienta: Profesional Dueño de casa Alquiler
 Usage principal: Professionnel Résidentiel Location
 Do you wish to receive periodic ECHO product information and special offers by e-mail? Yes No

¿Desea usted recibir información periódica y ofertas especiales por correo electrónico sobre el producto ECHO? Yes No

Souhaitez-vous recevoir périodiquement de l'information sur les produits ECHO et les offres spéciales par courrier électronique? Oui Non

Did you visit the ECHO website before purchasing your product? Yes No

Visitó usted la página web ECHO antes de comprar su producto? Si No

Avez-vous visité le site d'ECHO avant de procurer votre produit? Oui Non

What factor(s) most influenced your purchase?

- Performance
- Price
- Dealer
- Reliability
- Prior Experience
- Quality
- Friend/Family
- Brand
- Warranty

¿Que factor(es) influenció más en su compra?

- Funcionamiento
- Precio
- Distribuidor
- Confiabilidad
- Experiencia Anterior
- Calidad
- Amigo/Familia
- Marca
- Garantía

Quel facteur (facteurs) vous a influencé le plus?

- Performance
- Prix
- Marchand
- Fiabilité
- Expérience
- Qualité
- Ami/Famille
- Marque
- Garantie

ECHO Incorporated 400 Oakwood Rd., Lake Zurich, IL 60047
 1.800.432.ECHO WWW.ECHO-USA.COM

X757270206 02-2012



N30900001001 - N3090000999999

N30700001001 - N3070000999999



ECHO INCORPORATED

400 Oakwood Road
Lake Zurich, IL 60047

www.echo-usa.com