



## Manuel du Propriétaire - Owner's Manual Tome 2 - Volume 2

### OPEN 3.1 - OPEN 3.4 - OPEN 4.2 – OPEN 4.8

ZNAUTIC met à votre disposition les manuels propriétaire en format digital pour les langues Italien / Allemands /Espagnol et Norvégien. Pour toutes autres langues se rapprocher de votre distributeur pour demande aux équipes de ZNAUTIC en bon et due forme

*ZNAUTIC puts at your disposal the owner's manuals in digital format for the Italian / German / Spanish and Norwegian languages. For all other languages, contact your distributor for request to the ZNAUTIC teams in due form.*

Edition 1

## Register your boat today on the Zodiac Club

<https://www.zodiac-nautic.com/fr/zodiac-club/>



Get a Warranty extension of  
**3 YEARS**  
for your new boat\*



FR

Enregistrez votre bateau dès aujourd'hui sur le "Zodiac Club"  
<https://www.zodiac-nautic.com/fr/zodiac-club/>. Bénéficiez d'une extension de 3 ans de Garantie constructeur pour l'achat d'un bateau neuf\*  
\*voir conditions générales de la garantie Zodiac Nautic

ES

Registre su embarcación ahora en el "Zodiac Club"  
<https://www.zodiac-nautic.com/fr/zodiac-club/>. Beneficiése de una extensión de garantía de tres años, en la compra de una embarcación nueva\*  
\*ver las condiciones generales de la garantía Zodiac Nautic

IT

Registri il suo battello oggi sul "Zodiac Club"  
<https://www.zodiac-nautic.com/fr/zodiac-club/>. Beneficierà dell'estensione di 3 annos di Garanzia costruttore sull'acquisto di un battello nuovo\*  
\*vedere le condizioni generali della garanzia Zodiac Nautic

DE

Registrieren Sie Ihr Boot heute im "Zodiac Club"  
<https://www.zodiac-nautic.com/fr/zodiac-club/>. Erhalten Sie die 3-jährige Garantieerweiterung für Ihr neues Boot.\*  
\*Siehe Zodiac Nautic Garantiebedingungen

# VOLUME 2

## DESCRIPTION – BUOYANCY CHAMBER PROPULSION SYSTEM FITTING AND CIRCUITS

### CONTENTS


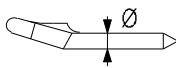

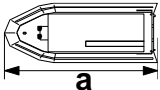




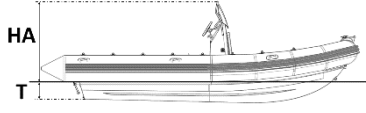
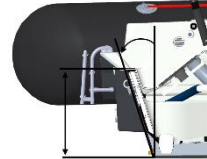
I- DESCRIPTION .....	3
I-1 TECHNICAL CHARACTERISTICS OF THE OPEN 3.1.....	3
I-2 TECHNICAL CHARACTERISTICS OF THE OPEN 3.4.....	5
I-3 TECHNICAL CHARACTERISTICS OF THE OPEN 4.2.....	7
I-4 TECHNICAL CHARACTERISTICS OF THE OPEN 4.8.....	9
I-5 INVENTORY AND LOCATION.....	12
I-6 EQUIPMENT LOCATION.....	16
I-6-1- OPEN 3.1 / OPEN 3.4.....	16
I-6-2- OPEN 4.2 / OPEN 4.8.....	18
I-7 HANDLING .....	20
I-7-1- Transport .....	20
I-7-2- Lifting .....	26
II- BUOYANCY CHAMBER.....	27
II-1 BUOYANCY CHAMBER.....	27
II-2 BUOYANCY CHAMBER ASSEMBLY ON THE HULL OPEN 4.2 / OPEN 4.8.....	27
II-3 SECURING THE PROTECTIVE FLAP .....	28
II-4 INFLATING THE BUOYANCY CHAMBER .....	29
II-5 PRESSURE .....	31
III- Propulsion system .....	33
IV- How to drive your boat.....	34
V- INSTALLATION AND CIRCUIT.....	35
V-1 FUEL CIRCUIT.....	35
V-1-1- Component locations: .....	35
V-1-2- Portable tank (optional) .....	37
V-1-3- Water separating fuel filter (not provided).....	38
V-1-4- Using the fuel supply circuit cut-off valves: (not provided) .....	39
V-1-5- Recommendations.....	40
V-2 CIRCUIT ELECTRIQUE.....	41
V-2-1- OPEN 3.1 / 3.4 / 4.2 .....	41


V-2-2- OPEN 4.8.....	44
V-2-3- Component locations: .....	47
V-2-4- Coupe-circuit (option) .....	47
V-2-5- Battery (not supplied).....	48
V-2-6- Navigation lights .....	49
V-2-7- Wiring an accessory.....	49
V-2-1- Wiring OPEN 3.1 / 3.4 /4.8 options .....	50
V-2-2- Connecting OPEN 4.8 options.....	51
V-3 INSTALLATION OF THE DRAINING SYSTEMS .....	53
V-3-1- Description of the functional elements.....	53
V-3-2- Through-hull plugs.....	53
V-3-3- Hull scupper:.....	54
V-4 STEERING.....	55
V-5 FIRE .....	55
V-6 ANCHORING/MOORING.....	56
V-7 BOARDING.....	57
V-7-1- BY THE BUOYANCY CHAMBER .....	57
V-7-2- LADDERS (OPTIONAL) .....	57
V-8 MECHANICAL RIGGING .....	58
V-9 UPHOLSTERY FIXATION .....	59
VI- LOCATION OF ACCESSORIES.....	60
VI-1 OPEN 3.1 / 3.4 BIMINI .....	60
VI-2 OPEN 4.2 / 4.8 BIMINI .....	60
VI-3 OPEN 4.8 ROLL BAR.....	61
VI-4 OPEN 3.1 / 3.4 PORTABLE TANKS .....	61
VI-5 OPEN 4.2 / 4.8 PORTABLE TANKS .....	61
VI-6 BATTERY SWITCH .....	62
VI-7 WHITE LIGHTS .....	62
VI-8 STORAGE NET .....	63
VI-9 LIFTING KIT .....	63
VI-10 EVA DECK .....	63
VII- SIGNALLING.....	64
VII-1 POSITION OF STICKERS.....	64
VII-1 DESCRIPTION OF THE STICKERS .....	64


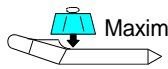

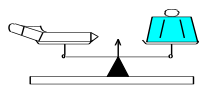
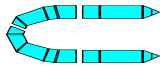
**DESCRIPTION - Technical characteristics**

**I- DESCRIPTION**

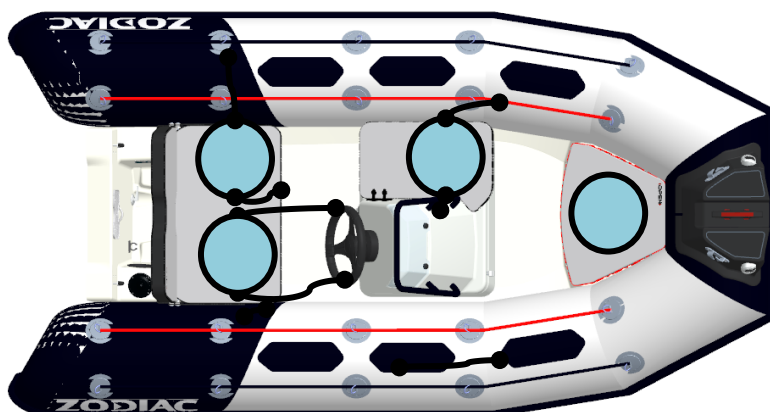
**I-1 TECHNICAL CHARACTERISTICS OF THE OPEN 3.1**

<b>Dimensions</b>						
<i>Dimension tolerance +/- 3%</i>						
	m	3.1	 Buoyancy chamber diameter	m	0.455	
	ft	10' 2"		ft	1' 6"	
	m	2	Without the buoyancy chamber 	a	m	2.58
	ft	6' 7"		ft	8' 6"	
	m	1.65		b	m	1.01
	ft	5' 5"		ft	3' 4"	
	m	0.71		c	m	1.134
	ft	1' 6"		ft	3' 9"	
	HA (mm)		930	Max. air draught		
	T (mm)		225	Max. draught		
	°		13	Transom angle		
	mm		438	Transom height		

<b>Design category</b>	
 (Directive 2013/53/EU)	I

<b>Capacity</b>				
<i>Weight tolerance +/- 5%</i>				
 (ISO)		1		
		4		
 Maximum <b>ISO 14946</b>	Kg	300	Maximum load i.a.w. ISO 14946 (1+2+3+4) data figuring on the ICNN certificate. Maximum load i.a.w. ISO 14945 (1+2+3+5) data figuring on the manufacturer plate. Weight of people Personal property List of all options proposed Content of consumable liquid tanks (fuel, drinking water, etc.) Weight of the engine or engines	
	lb.	661		
 Maximum <b>ISO 14945</b>	Kg	340		
	lb.	750		
	Kg	132	The weights indicated do not include any accessories	
	lb.	291		
Number of compartments			3	

## DESCRIPTION - Technical characteristics







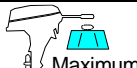
Seat with handles



### **WARNING!!!**

**DO NOT EXCEED THE MAXIMUM RECOMMENDED NUMBER OF PEOPLE. NO MATTER HOW MANY PEOPLE ARE ON BOARD, THE TOTAL WEIGHT OF PASSENGERS AND EQUIPMENT MUST NEVER EXCEED THE MAXIMUM RECOMMENDED LOAD.**

**ALWAYS USE THE DESIGNATED SEATS OR SEATING AREAS.**

Engine configuration of the Open 3.1				
 Long	Shaft length		SINGLE ENGINE	
			S	
	Minimum recommended power	HP	10	
		KW	7.5	
	Maximum recommended power	HP	15	
		KW	11.2	
	Maximum authorised power	HP	25	
		KW	18.6	
 Maximum	Maximum engine weight	Kg	57	
		Lbs	125.7	

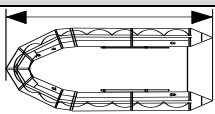
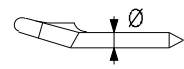
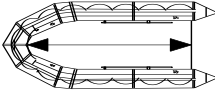
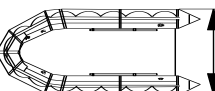
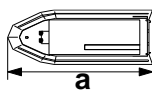

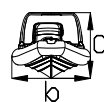
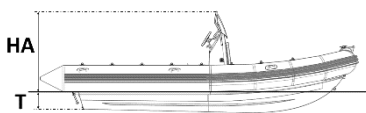
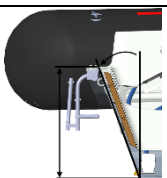
The recommended power corresponds to optimal use of the boat's capacities for an average load.


**NOTE:** The maximum authorized power, when greater than the maximum recommended power, must be used with extreme caution. It is intended for experienced users, using their boat under very specific conditions (transport of heavy loads, etc.). See the "Sailing advice" chapter in Volume 1 of the manual.


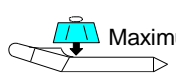
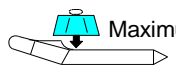
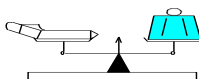
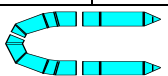
To avoid possible premature degradation of your tube, only for this size of boat, the engine should be mounted as high as possible on the transom. It is also recommended to switch your engine to port when you are at anchor, during the wintering and transport phases of the boat.

**DESCRIPTION - Technical characteristics**

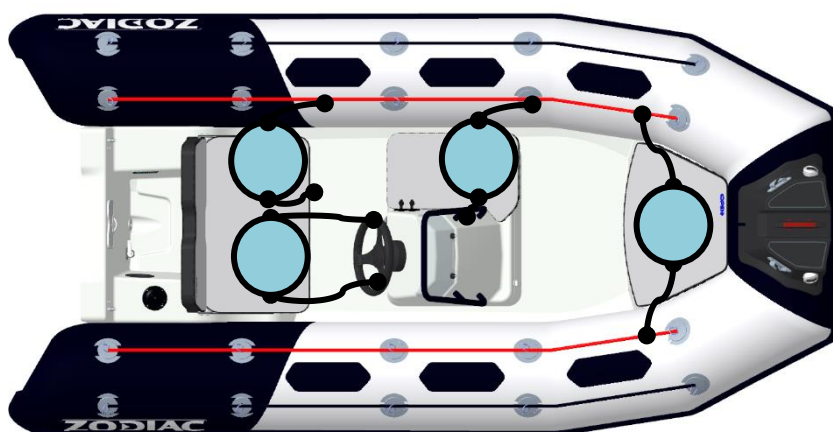
**I-2 TECHNICAL CHARACTERISTICS OF THE OPEN 3.4**

<b>Dimensions</b>						
<i>Dimension tolerance +/- 3%</i>						
	m	3.4		m	0.455	
	ft	11' 2"		ft	1' 6"	
	m	2.16	Without the buoyancy chamber	a	m	2.9
	ft	7' 1"			ft	9' 6"
	m	1.7		b	m	1.13
	ft	5' 7"			ft	3' 8"
	m	0.8		c	m	1.17
	ft	2' 7"			ft	3' 10"
	HA (mm)		945	Max. air draught		
	T (mm)		294	Max. draught		
	°		13	Transom angle		
	mm		524	Transom height		

<b>Design category</b>	
 (Directive 2013/53/EU)	I

<b>Capacity</b>					
<i>Weight tolerance +/- 5%</i>					
 (ISO)		I 4			
	<b>ISO 14946</b>	<b>Kg</b>	340	Maximum load i.a.w. ISO 14946 (1+2+3+4) data figuring on the ICNN certificate. Maximum load i.a.w. ISO 14945 (1+2+3+5) data figuring on the manufacturer plate. Weight of people Personal property List of all options proposed Content of consumable liquid tanks (fuel, drinking water, etc.) Weight of the engine or engines	
		<b>lb.</b>	750		
	<b>ISO 14945</b>	<b>Kg</b>	420		
		<b>lb.</b>	926		
			<b>Kg</b>		The weights indicated do not include any accessories
			<b>lb.</b>		
Number of compartments 		3			

## DESCRIPTION - Technical characteristics





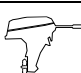
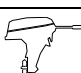

Seat with handles



### **WARNING!!!**

**DO NOT EXCEED THE MAXIMUM RECOMMENDED NUMBER OF PEOPLE. NO MATTER HOW MANY PEOPLE ARE ON BOARD, THE TOTAL WEIGHT OF PASSENGERS AND EQUIPMENT MUST NEVER EXCEED THE MAXIMUM RECOMMENDED LOAD.**

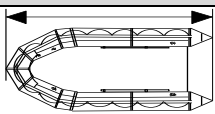
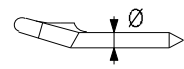
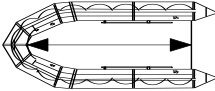
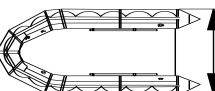
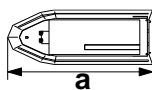

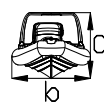
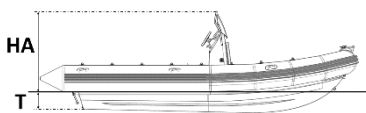
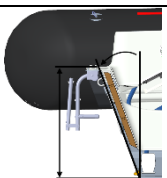
**ALWAYS USE THE DESIGNATED SEATS OR SEATING AREAS.**


Engine configuration of the Open 3.4					
 Long	Shaft length		SINGLE ENGINE		The recommended power corresponds to optimal use of the boat's capacities for an average load.
			L		
	Minimum recommended power	HP	10		
		KW	7.5		
	Maximum recommended power	HP	15		
		KW	11.2		
	Maximum authorised power	HP	30		
		KW	22.4		
 Maximum	Maximum engine weight	Kg	95		
		Lbs	209		


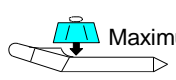
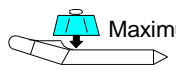
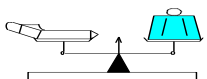
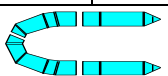
**NOTE:** The maximum authorized power, when greater than the maximum recommended power, must be used with extreme caution. It is intended for experienced users, using their boat under very specific conditions (transport of heavy loads, etc.). See the "Sailing advice" chapter in Volume 1 of the manual.

**DESCRIPTION - Technical characteristics**

**I-3 TECHNICAL CHARACTERISTICS OF THE OPEN 4.2**

<b>Dimensions</b>						
<i>Dimension tolerance +/- 3%</i>						
	m	4.2		m	0.455	
	ft	13' 9"		ft	1' 6"	
	m	2.7	Without the buoyancy chamber	a	m	3.6
	ft	8' 10"			ft	11' 10"
	m	1.9		b	m	1.24
	ft	6' 3"			ft	4' 1"
	m	1.1		c	m	1.3
	ft	3' 7"			ft	4' 3"
	HA (mm)		968	Max. air draught		
	T (mm)		456	Max. draught		
	°		17	Transom angle		
	mm		524	Transom height		

<b>Design category</b>	
 (Directive 2013/53/EU)	I

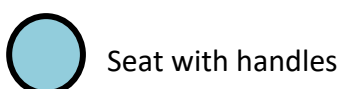
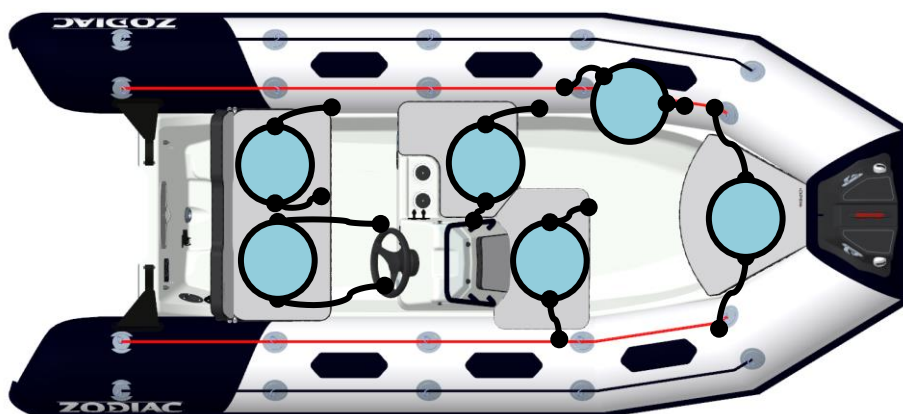
<b>Capacity</b>				
<i>Weight tolerance +/- 5%</i>				
 (ISO)		1 6		
	Maximum <b>ISO 14946</b>	Kg	560	
		lb.	1235	
	Maximum <b>ISO 14945</b>	Kg	680	
		lb.	1499	
			Kg	270
			lb.	595
Number of compartments 				3

Maximum load i.a.w. ISO 14946 (1+2+3+4) data figuring on the ICNN certificate.  
Maximum load i.a.w. ISO 14945 (1+2+3+5) data figuring on the manufacturer plate.  
Weight of people  
Personal property  
List of all options proposed  
Content of consumable liquid tanks (fuel, drinking water, etc.)  
Weight of the engine or engines

The weights indicated do not include any accessories








## DESCRIPTION - Technical characteristics



### **WARNING!!!**

**DO NOT EXCEED THE MAXIMUM RECOMMENDED NUMBER OF PEOPLE. NO MATTER HOW MANY PEOPLE ARE ON BOARD, THE TOTAL WEIGHT OF PASSENGERS AND EQUIPMENT MUST NEVER EXCEED THE MAXIMUM RECOMMENDED LOAD. ALWAYS USE THE DESIGNATED SEATS OR SEATING AREAS.**

Engine configuration of the Open 4.2				
 Long	Shaft length	SINGLE ENGINE		The recommended power corresponds to optimal use of the boat's capacities for an average load.
		L		
	Minimum recommended power	HP	15	
		KW	11.2	
	Maximum recommended power	HP	40	
		KW	29.8	
	Maximum authorised power	HP	50	
		KW	37.3	
 Maximum	Maximum engine weight	Kg	115	
		Lbs	253.5	

**NOTE:** The maximum authorized power, when greater than the maximum recommended power, must be used with extreme caution. It is intended for experienced users, using their boat under very specific conditions (transport of heavy loads, etc.). See the "Sailing advice" chapter in Volume 1 of the manual.

**DESCRIPTION - Technical characteristics**

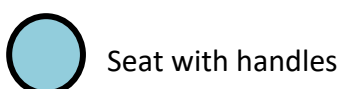
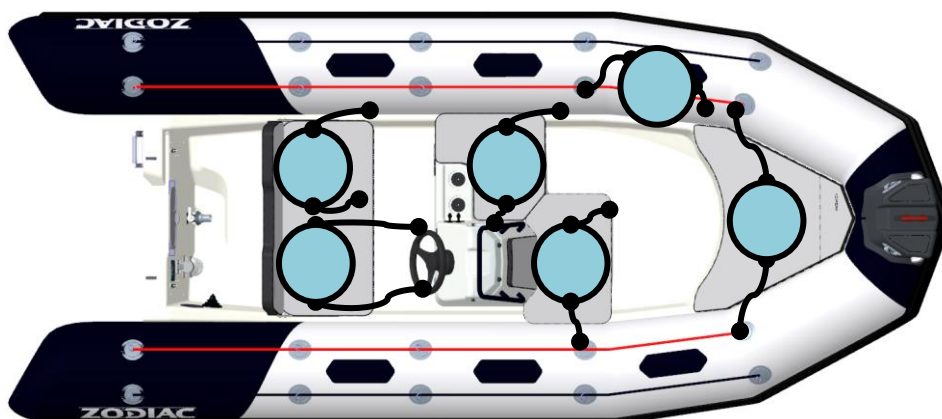
**I-4 TECHNICAL CHARACTERISTICS OF THE OPEN 4.8**

<b>Dimensions</b>						
<i>Dimension tolerance +/- 3%</i>						
	m	4.7		m	0.5	
	ft	15' 5"		ft	1' 8"	
	m	2.92	Without the buoyancy chamber	a	m	3.83
	ft	9' 7"			ft	12' 7"
	m	2.09		b	m	1.38
	ft	6' 10"			ft	4' 6"
	m	1.1		c	m	1.38
	ft	3' 7"			ft	4' 6"
	HA (mm)	1085	Max. air draught			
	T (mm)	485	Max. draught			
	°	17.5	Transom angle			
	mm	537	Transom height			

<b>Design category</b>	
<b>CE</b> (Directive 2013/53/EU)	I

<b>Capacity</b>				
<i>Weight tolerance +/- 5%</i>				
(ISO)			1 6	
	Maximum <b>ISO 14946</b>	Kg	590	Maximum load i.a.w. ISO 14946 (1+2+3+4) data figuring on the ICNN certificate. Maximum load i.a.w. ISO 14945 (1+2+3+5) data figuring on the manufacturer plate. Weight of people Personal property List of all options proposed Content of consumable liquid tanks (fuel, drinking water, etc.) Weight of the engine or engines
		lb.	1301	
	Maximum <b>ISO 14945</b>	Kg	760	
		lb.	1676	
		Kg	310	
		lb.	683	
Number of compartments			5	The weights indicated do not include any accessories






## DESCRIPTION - Technical characteristics



### **WARNING!!!**

**DO NOT EXCEED THE MAXIMUM RECOMMENDED NUMBER OF PEOPLE. NO MATTER HOW MANY PEOPLE ARE ON BOARD, THE TOTAL WEIGHT OF PASSENGERS AND EQUIPMENT MUST NEVER EXCEED THE MAXIMUM RECOMMENDED LOAD.**

**ALWAYS USE THE DESIGNATED SEATS OR SEATING AREAS.**

Engine configuration of the Open 4.8			
 Long	Shaft length		SINGLE ENGINE
			L
	Minimum recommended power	HP	40
		KW	29.8
	Maximum recommended power	HP	50
		KW	37.3
	Maximum authorised power	HP	80
		KW	59.7
 Maximum	Maximum engine weight	Kg	170
		Lbs	374.8

The recommended power corresponds to optimal use of the boat's capacities for an average load.

**NOTE:** The maximum authorized power, when greater than the maximum recommended power, must be used with extreme caution. It is intended for experienced users, using their boat under very specific conditions (transport of heavy loads, etc.). See the "Sailing advice" chapter in Volume 1 of the manual.

**DESCRIPTION - Technical characteristics**

**NOTE:** The maximum authorized power, when greater than the maximum recommended power, must be used with extreme caution. It is intended for experienced users, using their boat under very specific conditions (transport of heavy loads, etc.). See the "Sailing advice" chapter in Volume 1 of the manual.

**WARNING!!!**

**WHEN LOADING THE BOAT, NEVER EXCEED THE MAXIMUM RECOMMENDED LOAD. ALWAYS LOAD THE BOAT CAREFULLY AND SPREAD OUT THE LOAD APPROPRIATELY, TO MAINTAIN THE THEORETICAL TRIM (APPROXIMATELY HORIZONTAL). AVOID PLACING HEAVY LOADS HIGH UP.**

**WARNING!!!**

**THE MAXIMUM PAYLOAD SHOWN ON THE BUILDER'S PLATE MUST NOT BE EXCEEDED.**

**WE RECOMMEND, WHEN THE BOAT IS AT MAXIMUM CAPACITY:**

- TO SAIL CAREFULLY
- TO SPREAD THE LOAD
- MAINTAIN APPROPRIATE TRIM.

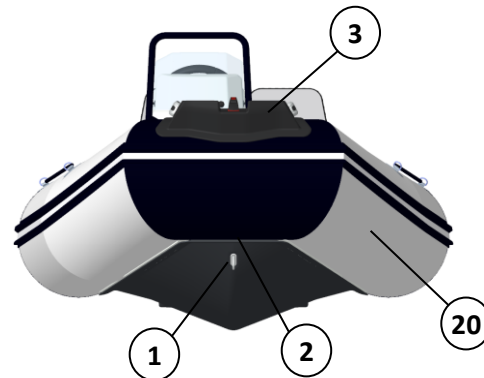
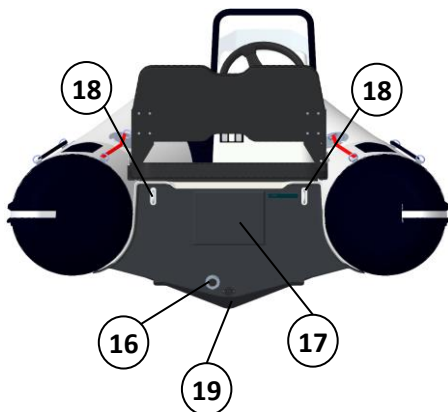
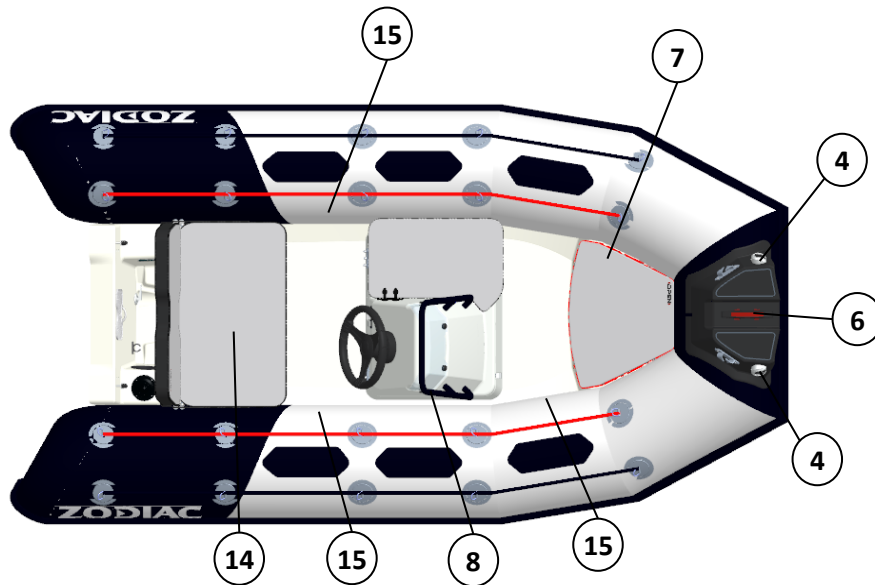
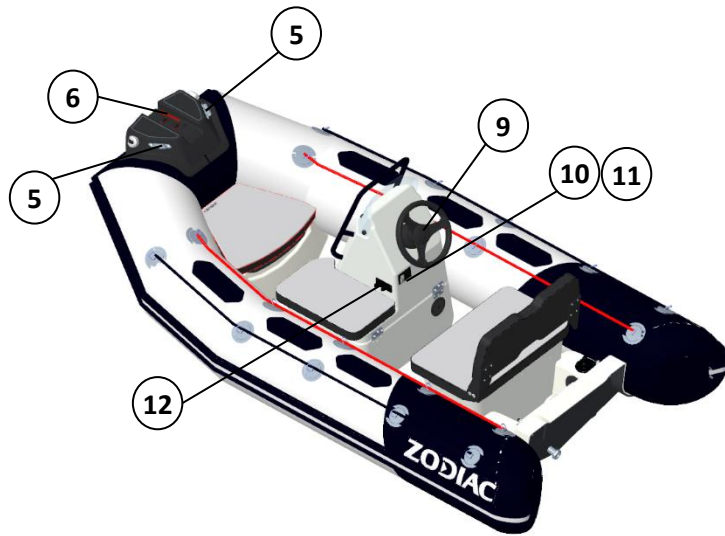
**WARNING!!!**

**DO NOT STORE FLAMMABLE PRODUCTS IN THE REAR COMPARTMENT. IT IS STRICTLY FORBIDDEN TO STORE A SPARE FUEL TANK.**

DESCRIPTION – INVENTORY and location

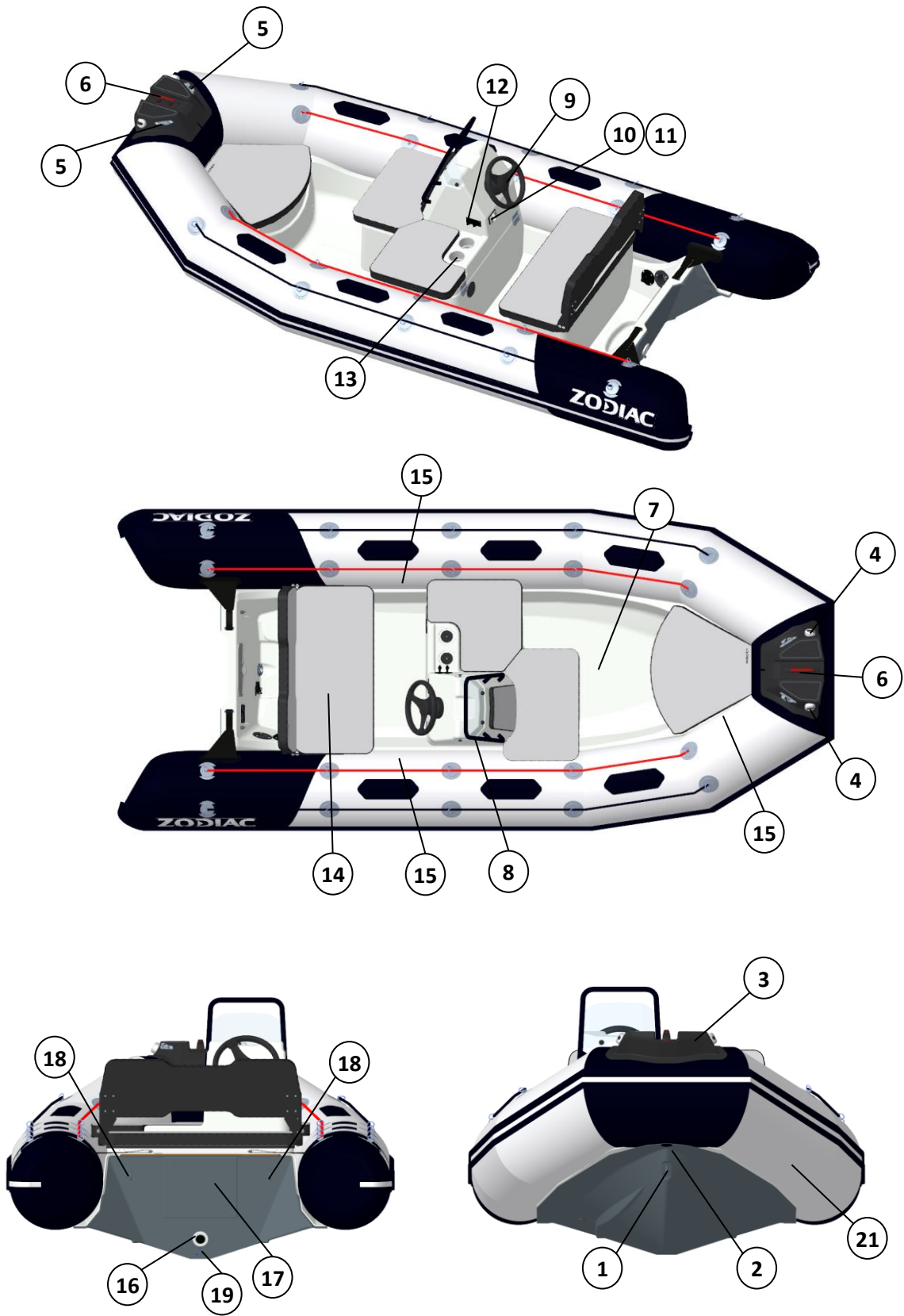
I-5 INVENTORY AND LOCATION

OPEN 3.1 & 3.4



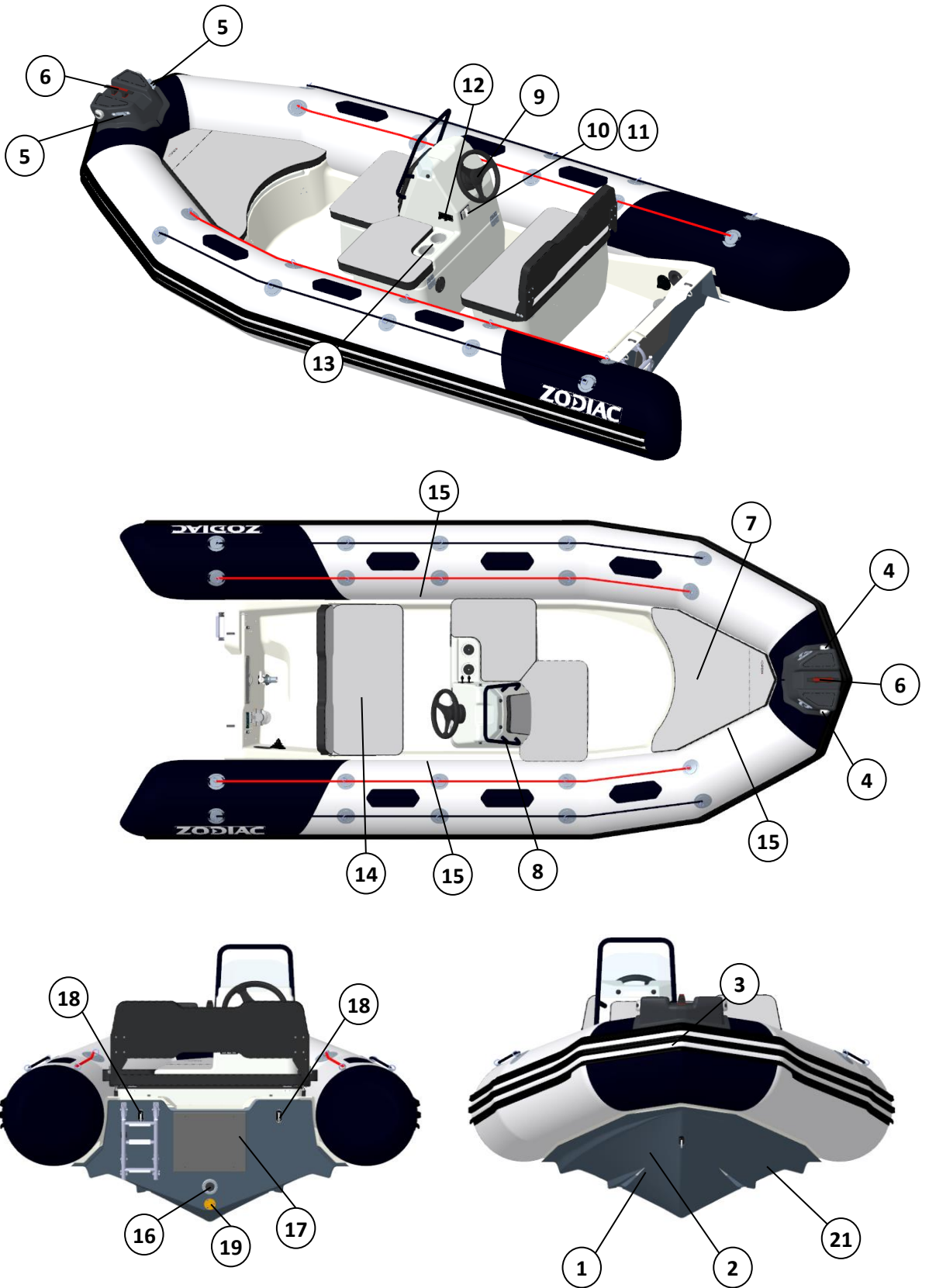
DESCRIPTION – INVENTORY and location

OPEN 4.2



DESCRIPTION – INVENTORY and location

OPEN 4.8



**DESCRIPTION – INVENTORY and location**

Ref.	DESCRIPTION
<b>STANDARD EQUIPMENT</b>	
	2 telescopic paddles, 1 foot inflator, 1 repair kit, 1 owner's manual (2 volumes), 1 pressure gauge. Polyester hull with counter-moulded and anti-slip deck
	Bolster
	Console
1	Bow plate
2	Buoyancy chamber flap fastening
3	Bow roller
4	Navigation lights
5	Fairlead
6	Mooring bollard
7	Anchor locker
8	Handrail
9	Steering wheel, mechanical steering
10	Navigation light switch
11	Switch location
12	12V plug and USB plug
13	Glove compartment /Glass holder
14	Battery (box) <span style="float: right;"><i>Inside the rear chest</i></span>
15	Inflation/deflation valves
16	Deck self-bailer
17	Martyr plate
18	Towing chain plates
19	Hull scupper
20	Fixed buoyancy chamber with rubbing strip, grab lines and long cones.
21	Removable buoyancy chamber with wide rubbing strip, grab lines and long cones.

OPTIONAL EQUIPMENT	OPEN 3.1	OPEN 3.4	OPEN 4.2	OPEN 4.8
Portable tank	X	X	X	X
Battery switch	X	X	X	X
Boarding ladder	X	X	X	X
Storage net	X	X	X	X
EVA deck	X	X	X	X
White lights	X	X	X	X
Lifting kit	X	X	X	X
Cockpit cover	X	X	X	X
Bimini	X	X	X	X
Turboswing			X	X
Roll bar/ Ski mast				X
Other options available. See your ZODIAC dealer				



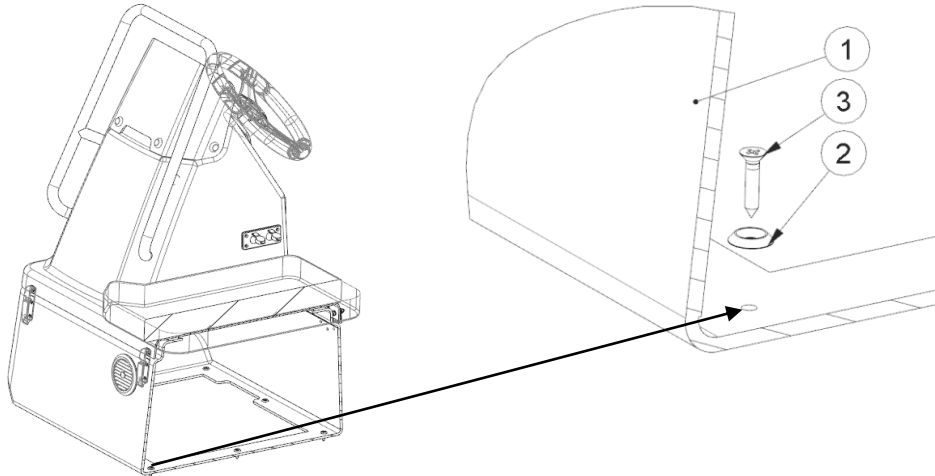
**I-6 EQUIPMENT LOCATION**

Your boat will be delivered with its console and bolster not assembled on the hull.  
Please follow the steps below to position, waterproof and maintain in position the elements on the deck.

We recommend that you install all the cables and engine wiring before following the assembly steps

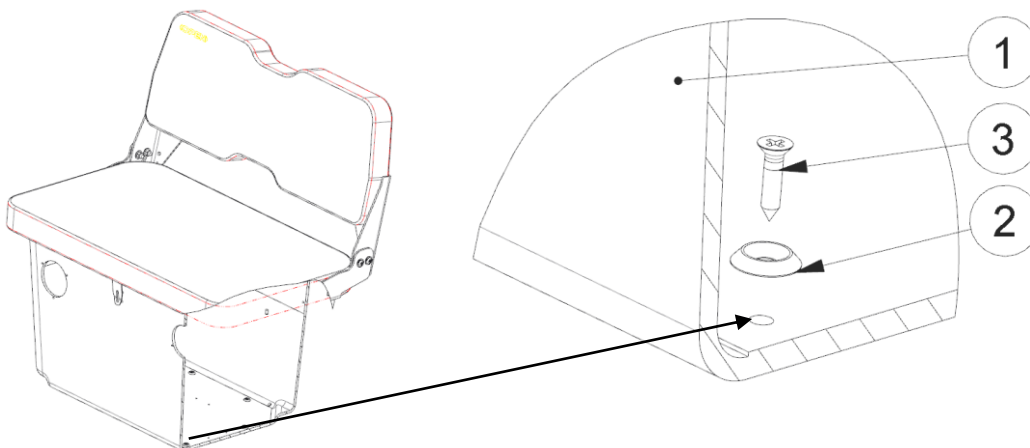
**I-6-1- OPEN 3.1 / OPEN 3.4**

**I-6-1-1- Console**



Ref.	Description	Quantity
1	3.1 / 3.4 CONSOLE ASSEMBLY	1
2	M5 BOWL WASHER	8
3	SCREW TOL FZ 4.8X25	8

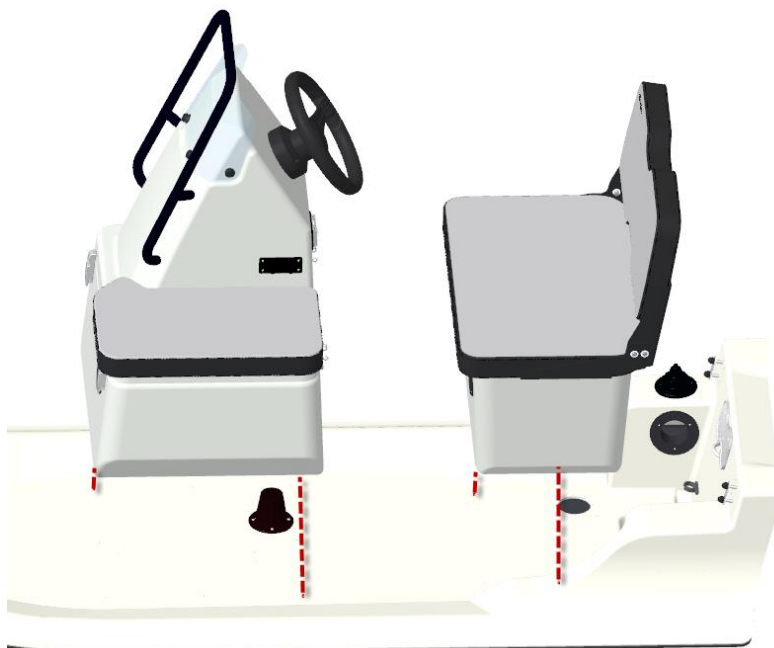
**I-6-1-2- Bolster**



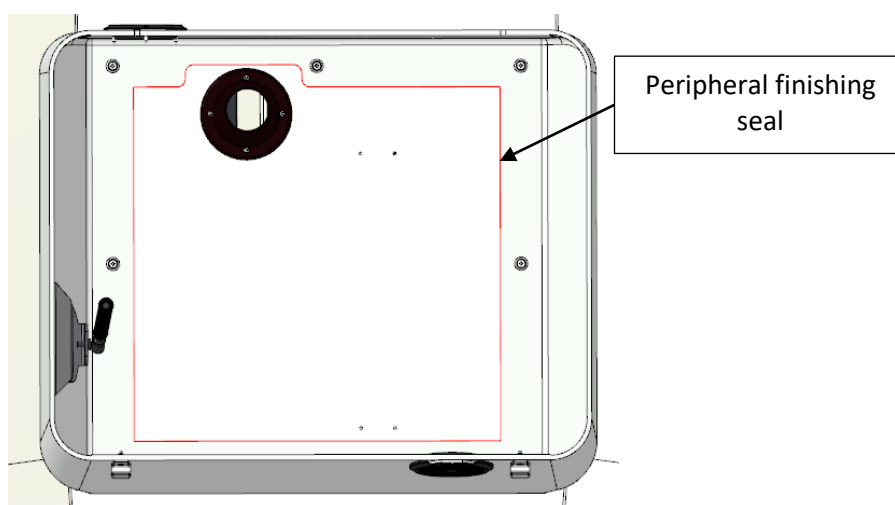
Ref.	Description	Quantity
1	3.1 / 3.4 BOLSTER ASSEMBLY	1
2	M5 BOWL WASHER	6
3	SCREW TOL FZ 4.8X32	6

**DESCRIPTION – INVENTORY and location****I-6-1-1- Installation**

- Present each item of equipment on the deck, lining it up with the holes, without screwing in,
- Check that the items of equipment are parallel with each other and the transom,
- Use the holes in the console and the bolster to mark the positions of the holes on the deck,
- Remove the equipment and drill with a  $\varnothing 4.2\text{mm}$  bit,
- Clean and place SIKAFLEX 221 around each hole and between each hole in order to create a peripheral seal.



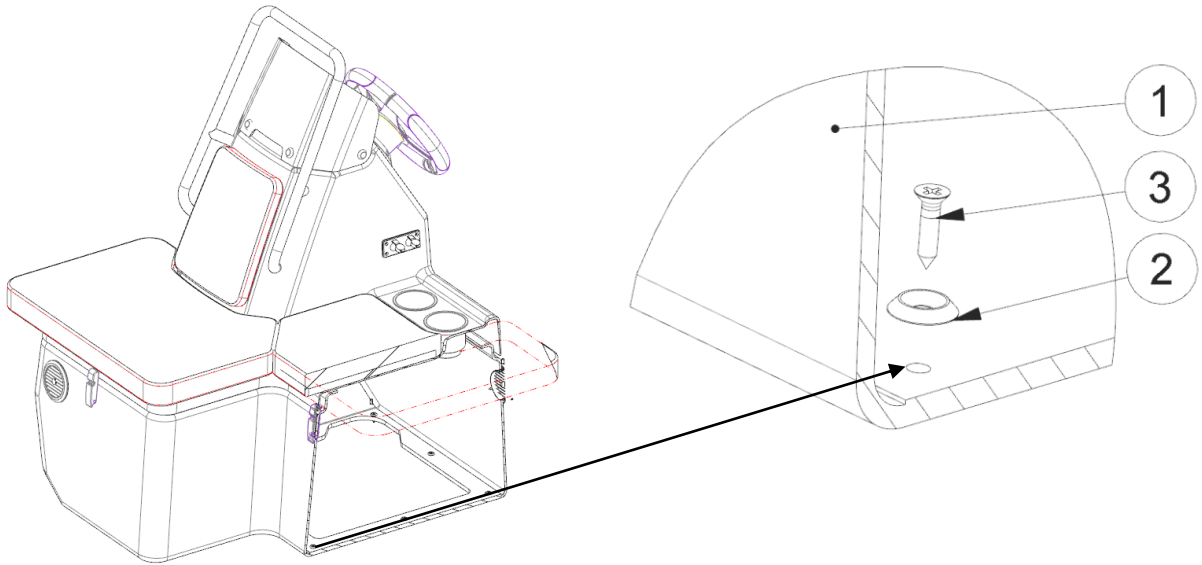
- Present the equipment on the deck and screw in.
- Clean off the excess SIKAFLEX
- Create a peripheral finishing seal on the internal section of the console to ensure better waterproofing.



**DESCRIPTION – INVENTORY and location**

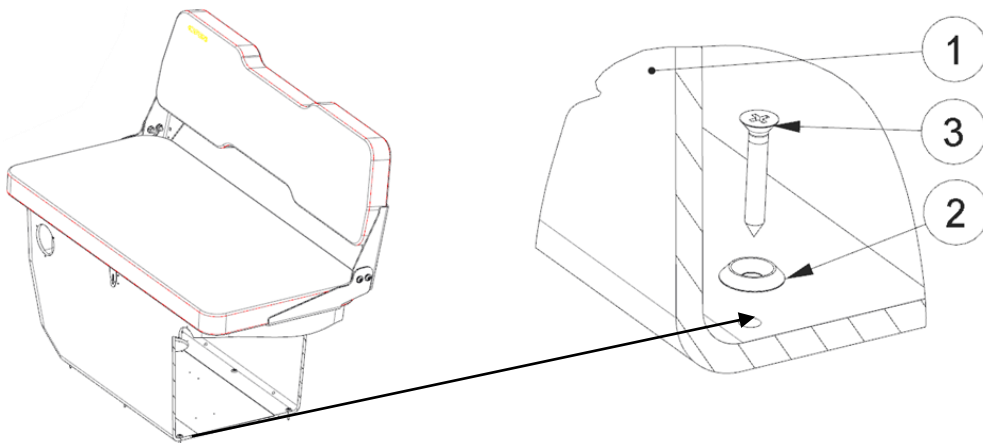
**I-6-2- OPEN 4.2 / OPEN 4.8**

**I-6-2-1- Console**



Ref.	Description	Quantity
1	4.2 / 4.8 CONSOLE ASSEMBLY	1
2	M5 BOWL WASHER	8
3	SCREW TOL FZ 4.8X25	8

**I-6-2-2- Bolster**

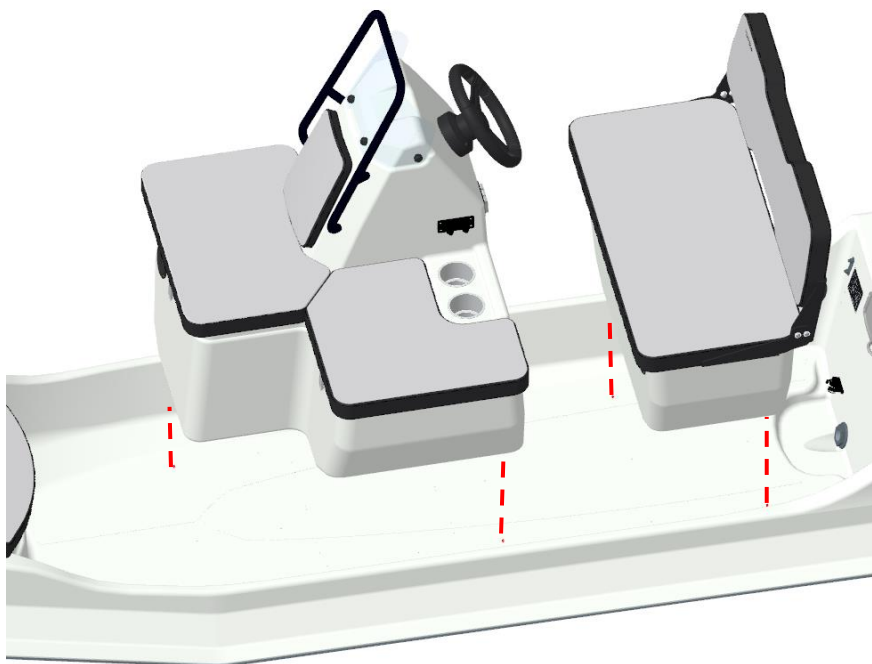


Ref.	Description	Quantity
1	4.2 / 4.8 BOLSTER ASSEMBLY	1
2	M5 BOWL WASHER	6
3	SCREW TOL FZ 4.8X32	6

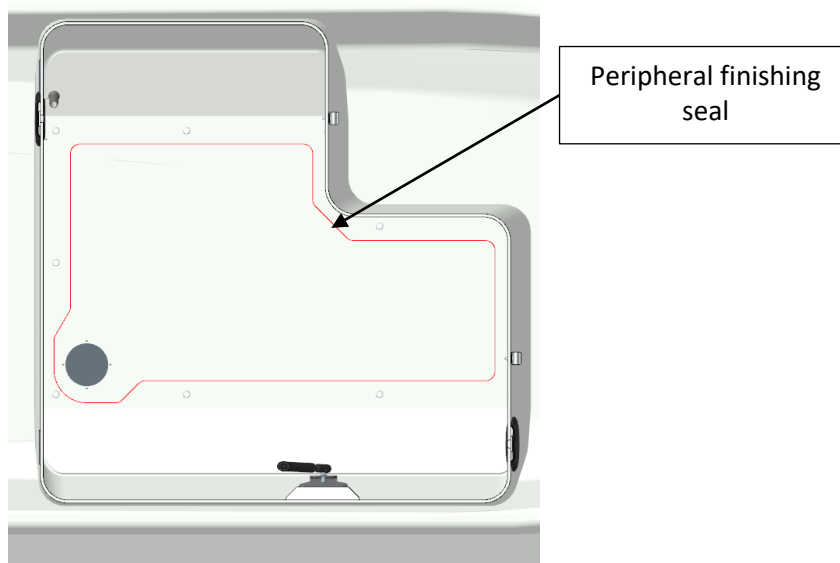
**DESCRIPTION – INVENTORY and location**

**I-6-2-3- Installation**

- Present each item of equipment on the deck, lining it up with the holes, without screwing in,
- Check that the items of equipment are parallel with each other and the transom,
- Use the holes in the console and the bolster to mark the positions of the holes on the deck,
- Remove the equipment and drill with a  $\varnothing 4.2\text{mm}$  bit,
- Clean and place SIKAFLEX 221 around and between each hole in order to create a peripheral seal.



- Present the equipment on the deck and screw in.
- Clean off the excess SIKAFLEX
- Create a peripheral finishing seal on the internal section of the console to ensure better waterproofing.



**I-7 HANDLING****I-7-1- Transport**

Trailer installation recommendations are specified in VOLUME I of the owner's manual.

**Use a trailer adapted to your boat.**

The boat is sized for road transport. It is designed to be transported inflated.

Total weight when in condition for trailer transportation comprises:

**OPEN 3.1**

<b>Unladen weight of the boat:</b>	132 kg	<i>Tolerance +/- 5 %</i>
<b>Engine weight:</b>	57 kg	
<b>Consumable quantity:</b>	25 kg	<i>Fuel tank</i>
<b>Options:</b>	14 kg	<i>Model including all options</i>
<b>Safety equipment:</b>	21 kg	<i>Equipment</i>
<b>Σ :</b>	<b>249 kg</b>	

**OPEN 3.4**

<b>Unladen weight of the boat:</b>	150 kg	<i>Tolerance +/- 5 %</i>
<b>Engine weight:</b>	95 kg	
<b>Consumable quantity:</b>	25 kg	<i>Fuel tank</i>
<b>Options:</b>	14 kg	<i>Model including all options</i>
<b>Safety equipment:</b>	21 kg	<i>Equipment</i>
<b>Σ :</b>	<b>305 kg</b>	

**OPEN 4.2**

<b>Unladen weight of the boat:</b>	265 kg	<i>Tolerance +/- 5 %</i>
<b>Engine weight:</b>	115 kg	
<b>Consumable quantity:</b>	47 kg	<i>Fuel and fresh water tanks</i>
<b>Options:</b>	27 kg	<i>Model including all options</i>
<b>Safety equipment:</b>	21 kg	<i>Equipment</i>
<b>Σ :</b>	<b>475 kg</b>	

**OPEN 4.8**

<b>Unladen weight of the boat:</b>	310 kg	<i>Tolerance +/- 5 %</i>
<b>Engine weight:</b>	170 kg	
<b>Consumable quantity:</b>	47 kg	<i>Fuel and fresh water tanks</i>
<b>Options:</b>	27 kg	<i>Model including all options</i>
<b>Safety equipment:</b>	21 kg	<i>Equipment</i>
<b>Σ :</b>	<b>575 kg</b>	

**DESCRIPTION - Handling**

STOWING ON A TRAILER OR CRADLE:  
USE THE BOW RING AND THE REAR CHAIN PLATES ON THE OUTSIDE OF THE TRANSOM.



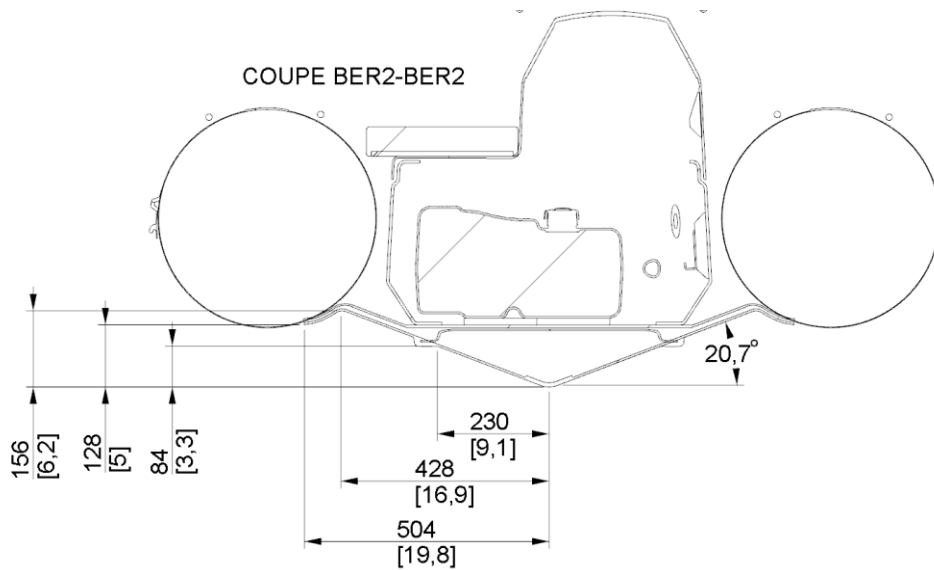
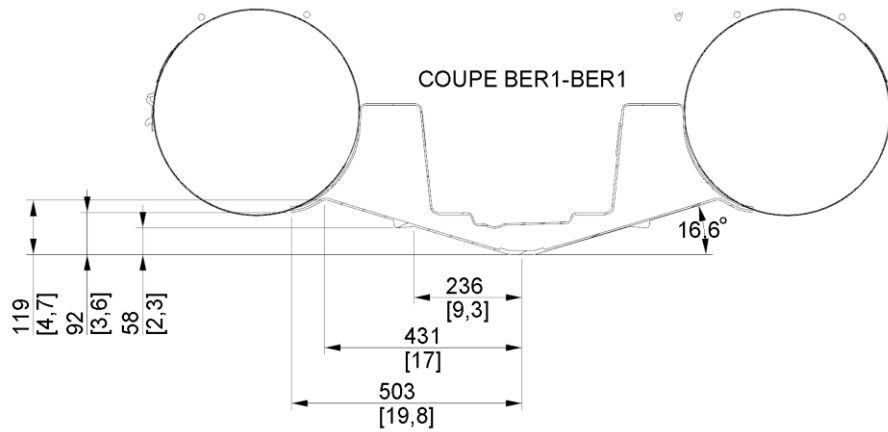
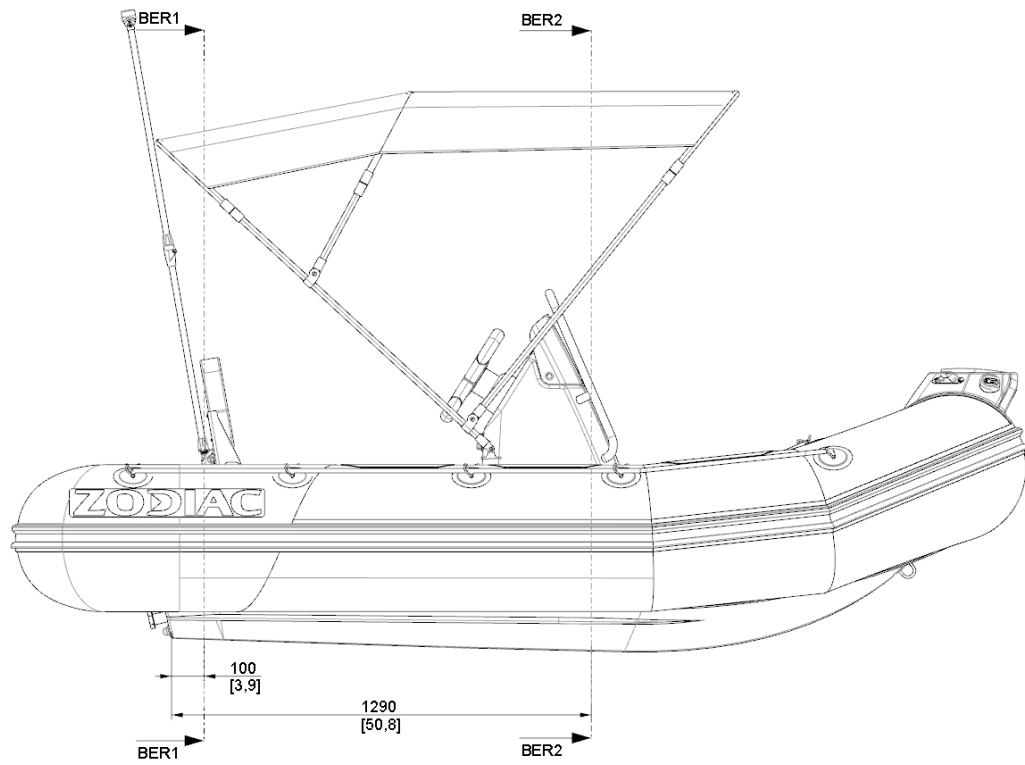
**RECOMMENDATION: IF TRANSPORTED WITH BUOYANCY CHAMBER DEFLATED!**  
TO AVOID DAMAGING THE CONE ENDS, WE RECOMMEND YOU USE THE TRANSPORT STRAP KIT (OPTIONAL EQUIPMENT).



**WARNING!!!**  
THE BOAT MUST REST ON THE BOW LINE.  
SEE DIAGRAM BELOW.

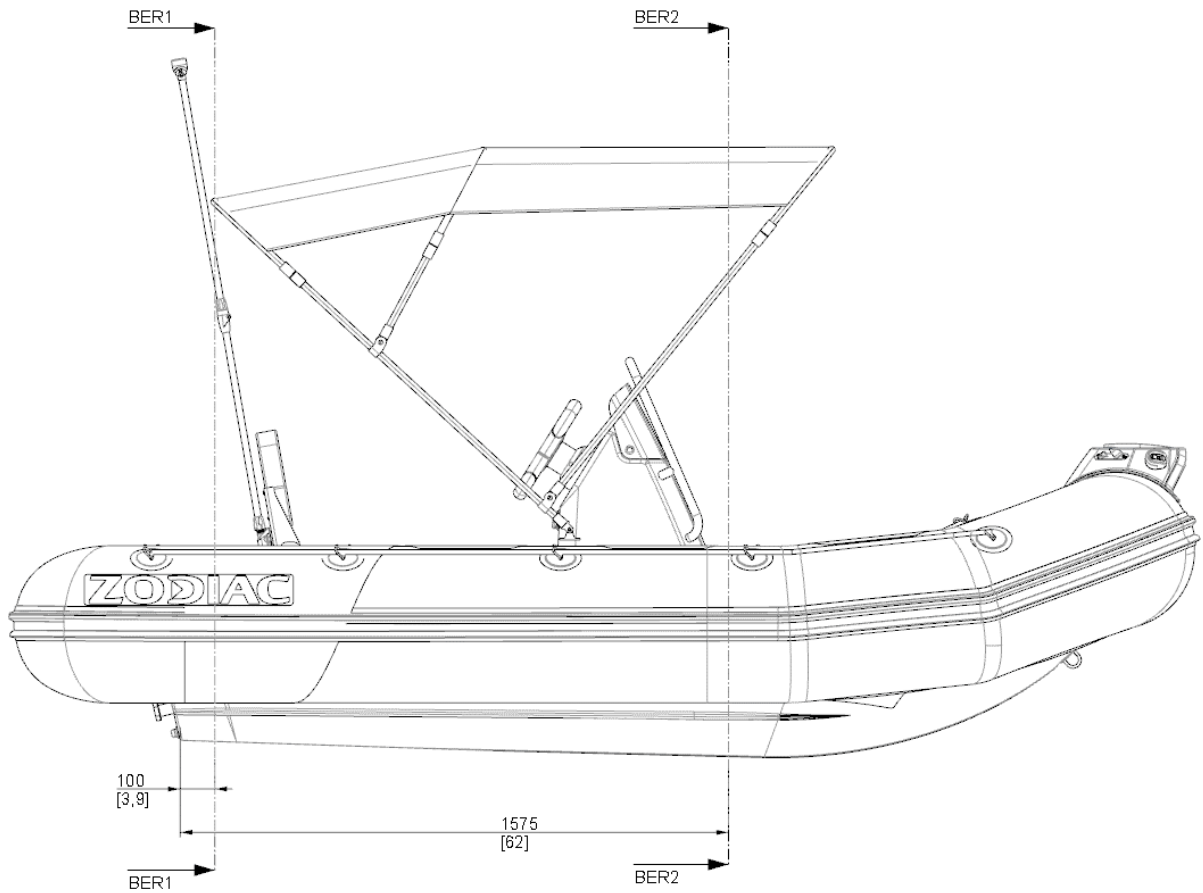
DESCRIPTION - Handling

OPEN 3.1

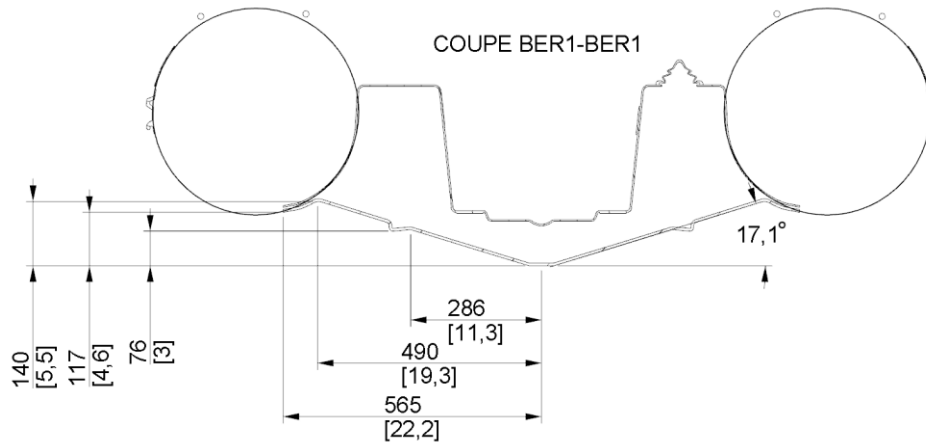


DESCRIPTION - Handling

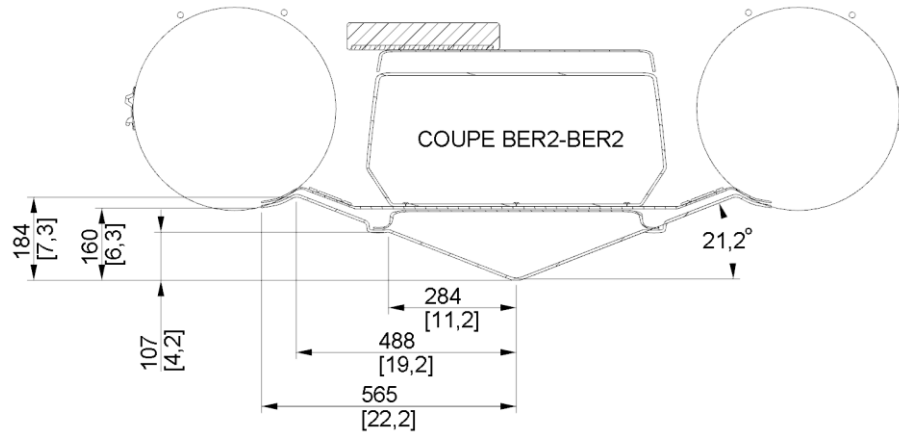
OPEN 3.4



COUPE BER1-BER1



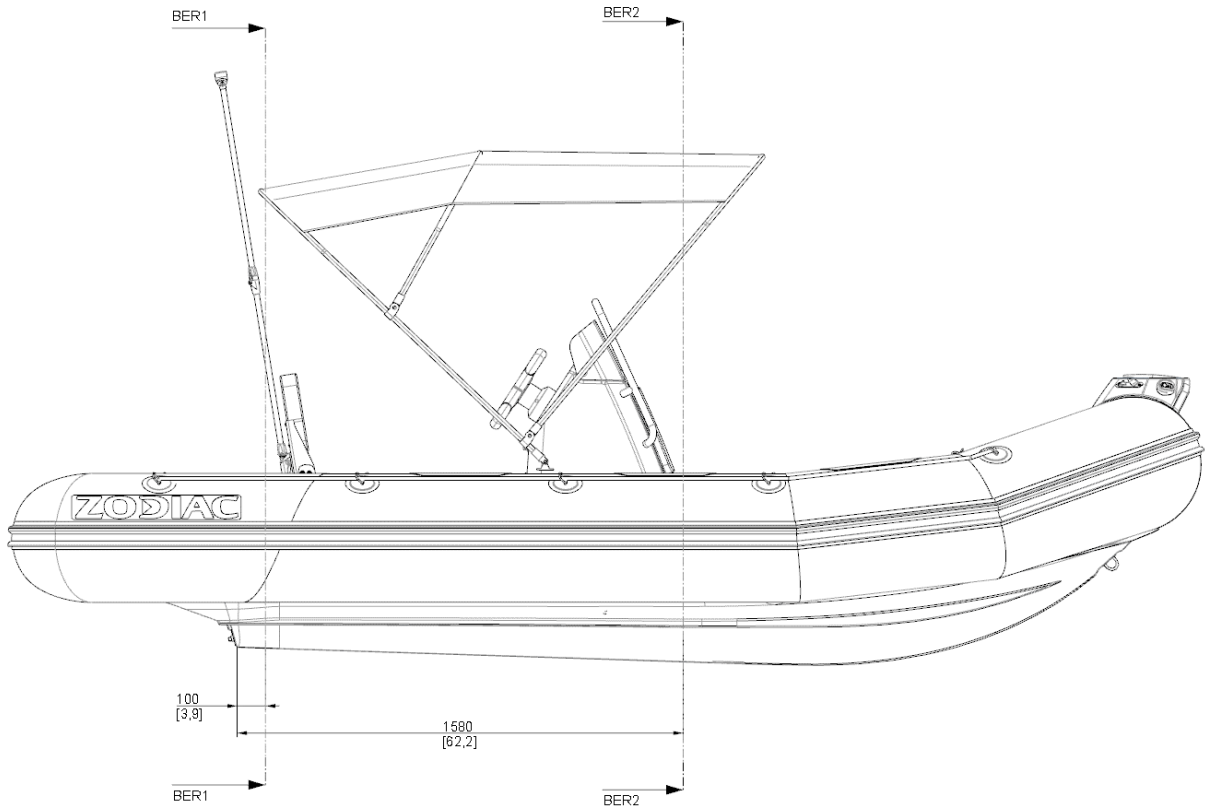
COUPE BER2-BER2



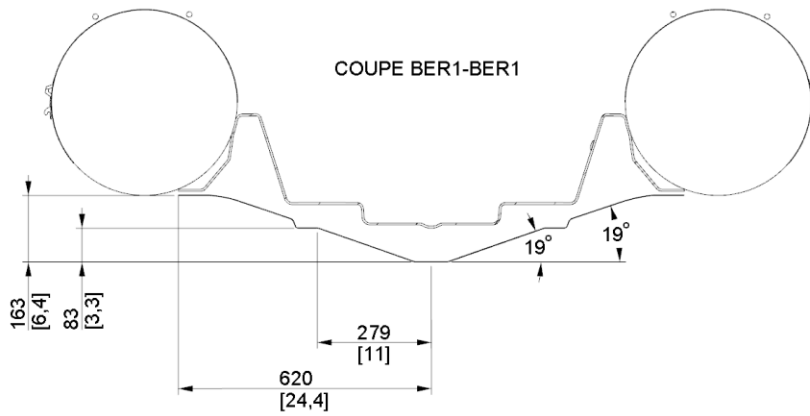


**DESCRIPTION - Handling**

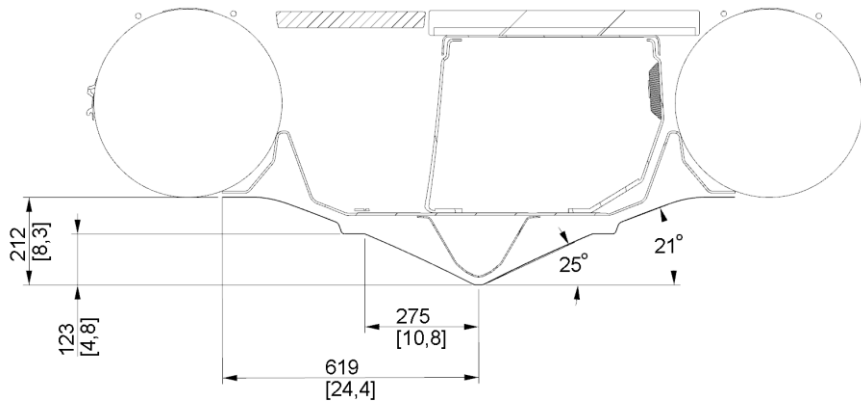
**OPEN 4.2**



**COUPE BER1-BER1**

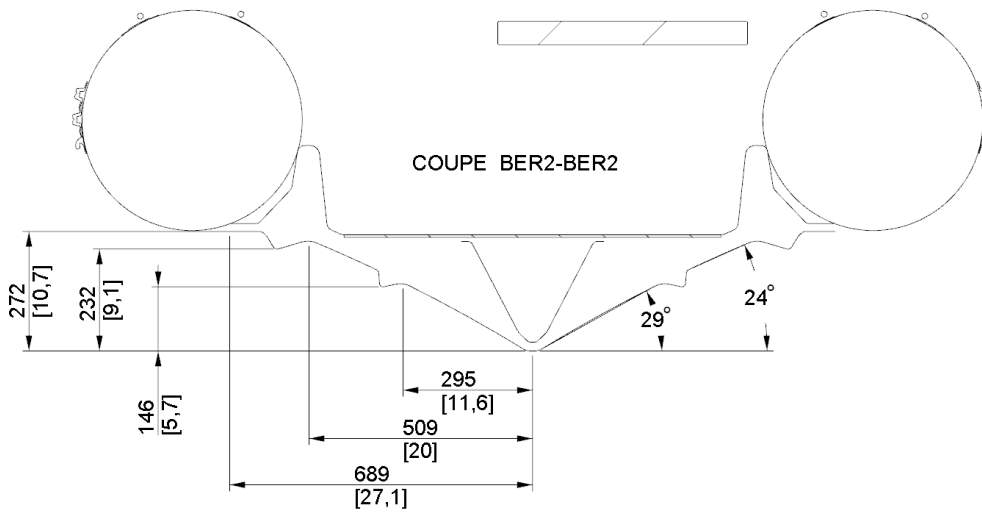
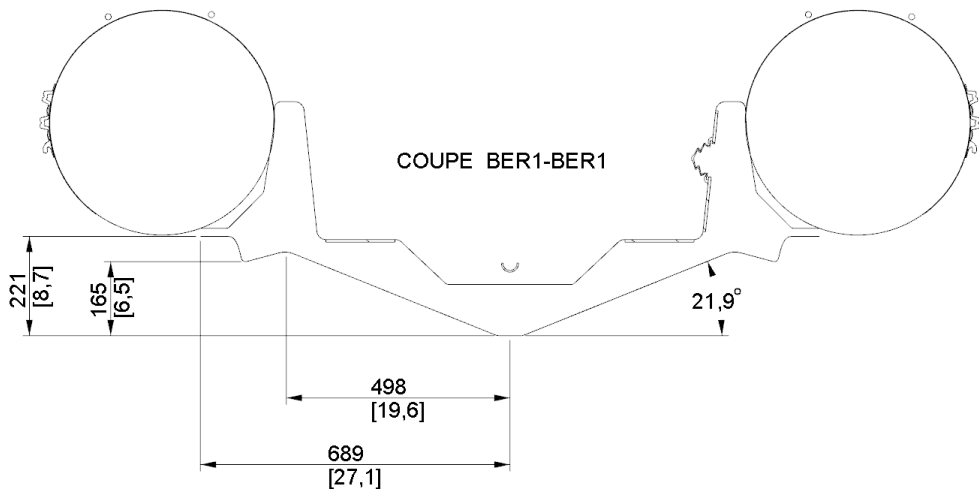
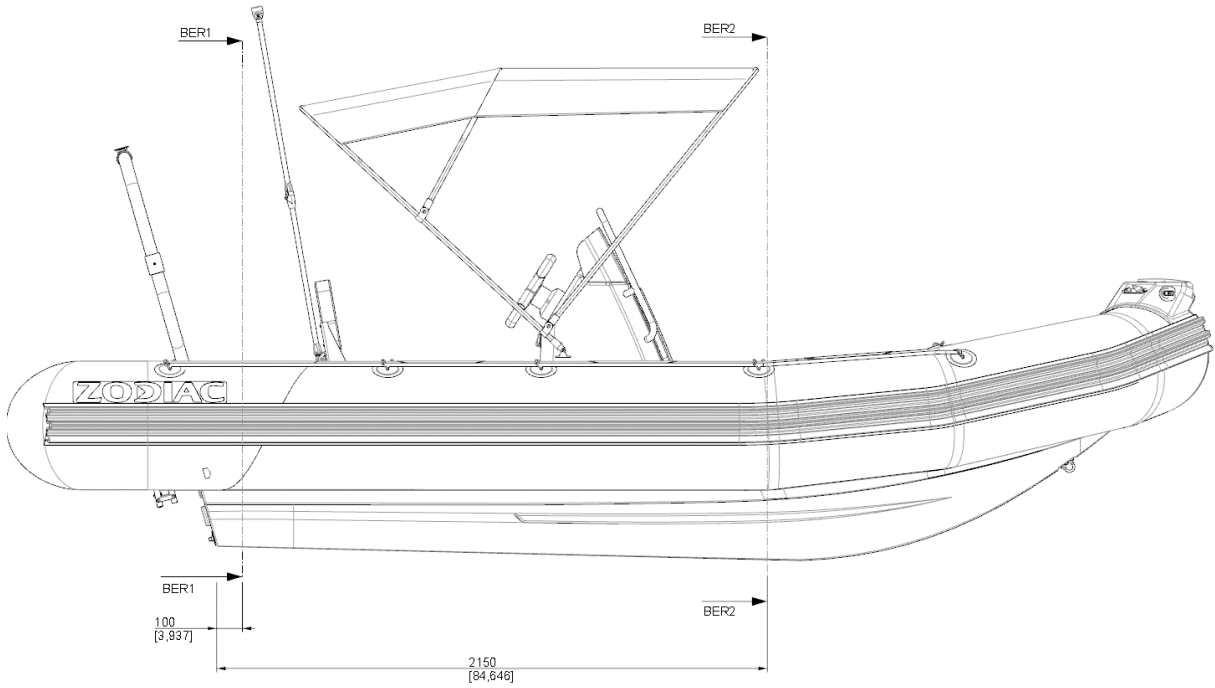


**COUPE BER2-BER2**



DESCRIPTION - Handling

OPEN 4.8



I-7-2- Lifting



**WARNING**

THE BOAT HAS NO LIFTING DEVICES. HOISTING REQUIRES PASSING SUITABLE LIFTING STRAPS UNDER THE HULL.



OPEN 3.1: 1000 mm\*

OPEN 3.4: 1100 mm\*

OPEN 4.2: 1220 mm\*

OPEN 4.8: 1400mm\*

\*Estimated centre of gravity with the heaviest engine, excluding options.



**WARNING**

LIFTING MUST BE CARRIED OUT BY PROFESSIONALS.



**DANGER!!!**

NO PASSENGERS ON BOARD WHILE LIFTING.



**WARNING!!!**

ALL EQUIPMENT MUST BE UNLOADED FROM THE BOAT FOR LIFTING OR DAVIT HANDLING.

BEFORE LAUNCHING THE BOAT, OPEN THE AFT DRAIN HOLE TO DRAIN ANY RAINWATER FROM THE BOTTOM OF THE BILGE (CLOSE THE DRAIN HOLE AGAIN BEFORE LAUNCHING).

**BUOYANCY CHAMBER – Installing the buoyancy chamber on the hull**

**II- BUOYANCY CHAMBER**

**II-1 BUOYANCY CHAMBER**

Your boat’s buoyancy chamber is made from STRONGAN DUOTEX® **1100** Decitex, 1000 gr/m<sup>2</sup> or NEOPRNE CSM-CR **1100** Decitex, 1050 gr/m<sup>2</sup>.

The maintenance recommendations are specified in VOLUME I of the owner's manual.

**II-2 BUOYANCY CHAMBER ASSEMBLY ON THE HULL OPEN 4.2 / OPEN 4.8**



IF THE BUOYANCY CHAMBER WAS STORED AT A TEMPERATURE BELOW 0°C, LEAVE IT IN A TEMPERATE LOCATION (20°C) FOR 12 HOURS BEFORE UNFOLDING.

YOU CAN INFLATE THE NON-FITTED BUOYANCY CHAMBER (pressure 240mb) AND LET IT STABILIZE FOR AROUND ONE HOUR. THEN DEFLATE IT.

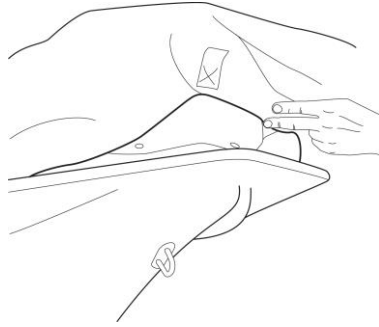
**NOTE:** the buoyancy chamber is fitted to the hull with the buoyancy chamber deflated

<b>1</b>	
<p>In order to facilitate the fitting of the buoyancy chamber, apply liquid soap to the hull’s rails (A).</p>	
<b>2</b>	
<p>Place the buoyancy chamber bolt rope (a) in the hull rail (b) starting with the front of the hull. Pull the buoyancy chamber to bring it to the water guard near the transom.</p>	
<b>3</b>	
<p>Repeat for the other side of the buoyancy chamber. The 2 protective flaps (sealing and exterior) should pass over the hull’s nose.</p>	

## BUOYANCY CHAMBER - INFLATING THE BUOYANCY CHAMBER

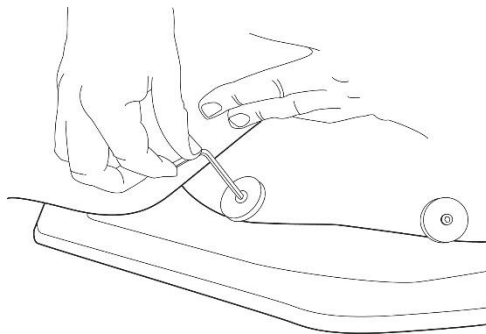
### II-3 SECURING THE PROTECTIVE FLAP

1



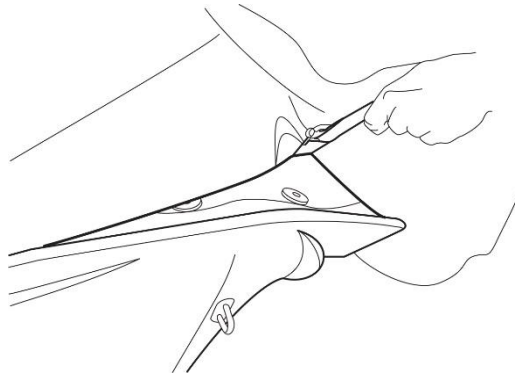
Position the internal protective flap

2



Fasten the internal protective flap (screws + washers)

3



After fastening the internal protective flap to the hull, pull the buoyancy chamber forward gently to pass the external protective flap over the front tip (do not attach it at this stage). Then pull the buoyancy chamber back.

Next, inflate

**NOTE:**

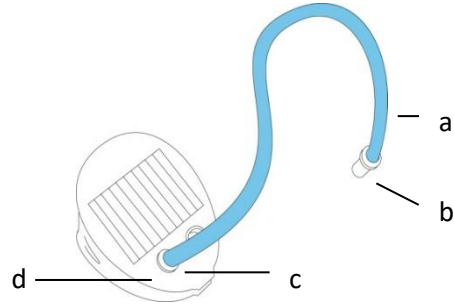
**The external protective flap must be fastened finally after the buoyancy chamber is inflated**

**BUOYANCY CHAMBER - INFLATING THE BUOYANCY CHAMBER**

**II-4 INFLATING THE BUOYANCY CHAMBER**

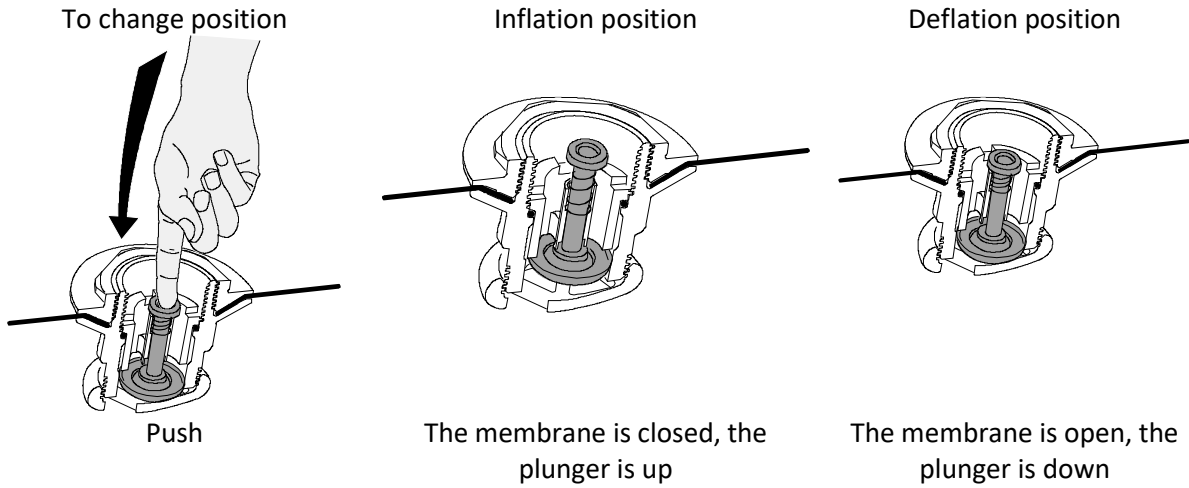
**INFLATOR**

- a. tube end
- b. adaptor
- c. tube base
- d. inflation port



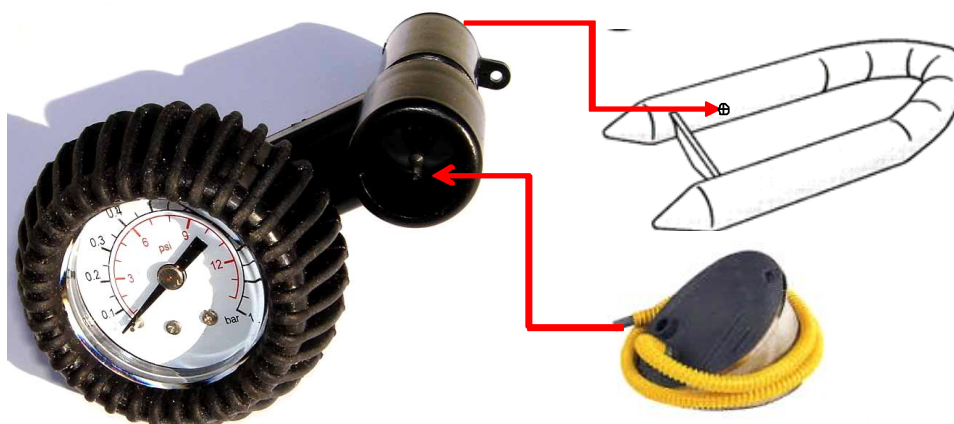
**NOTE:** A high capacity electric (12 V) inflator is available as an option (contact your dealer).

**"EASY-PUSH" VALVES**



## BUOYANCY CHAMBER - INFLATING THE BUOYANCY CHAMBER

### PRESSURE GAUGE



**WARNING!!!**  
**NEVER USE A COMPRESSOR OR COMPRESSED AIR CYLINDER.**

### INFLATION

**1º/** Place all valves in inflation position.

**2º/** Fit the adaptor that matches the diameter of the "easy-push" valve to the inflation tube tip.

**3º/** Attach the hose connector to the inflation pump inflation valve.

To properly inflate your tube, the inflator needs to be properly placed on the ground.

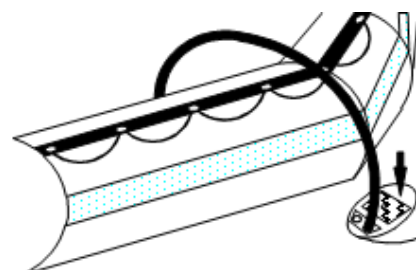
The tube will inflate quickly if the inflator is operated smoothly and unhurriedly.

**4./** Inflate the tube starting with the first compartment (a) from the bow (front), until a pressure of 200 mb is reached.

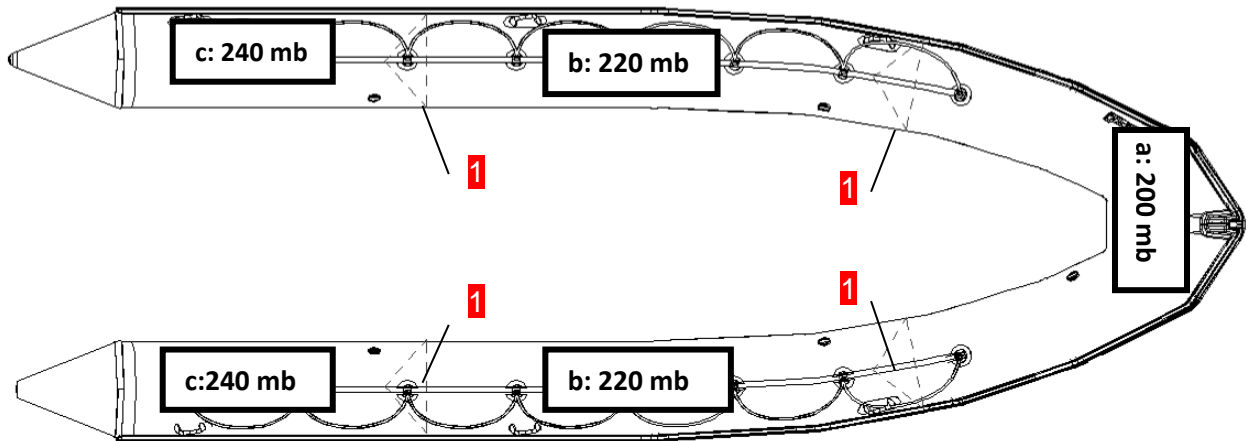
**5./** Then inflate the compartments (b) in the middle, until a pressure of 220 mb is reached, as read on the pressure gauge left on the first compartment.

**6./** Then inflate the aft compartments (c) to a pressure of 240 mb, still leaving the pressure gauge in the same location. The partitions (1) enable the pressure between each chamber to balance out.

**7º/** Inflation is completed: screw on the inflation valve plugs.



**BUOYANCY CHAMBER – PRESSURE**



**NOTE:** Observing a slight air loss before screwing the valve cap on is perfectly normal.  
Only the plugs provide final airtightness.

**II-5 PRESSURE**

The tube has **5** compartments. Each one should be at a pressure of **240 mb / 3.4 PSI**.  
 It is the buoyancy chamber's correct pressure.

The ambient temperature of the air or the water proportionally influences the internal pressure of the buoyancy chamber.	Ambient temperature	Pressure inside the buoyancy chamber
	+1°C	+4 mb / 0.06 PSI
	-1°C	-4 mb / 0.06 PSI

It is therefore important to be able to anticipate changes.

Check and adjust the pressure of inflatable compartments (by inflating or deflating) depending on the temperature (particularly when temperature variations are high between the morning and evening in particularly hot regions) and check that the pressure does not exceed the recommended pressure zone (from 220 to 270 mb).

**RISK OF PRESSURE LOSS**

Example:

Your boat is exposed to bright sunlight on the beach (temperature = 50°C) at the recommended pressure level (240 mb/3.4 PSI). When you put it in the water (temperature = 20°C), the temperature of the inflatable compartments and the pressure inside them will fall in step (by up to 120 mb) and **YOU WILL NEED TO REFLATE** to regain the millibars lost due to the difference in temperature between the ambient air and water.

It is normal to observe a drop in pressure at the end of the day when the outdoor temperature drops.



**RISK OF OVERPRESSURE**

Example:

Your boat is inflated to its recommended pressure (240 mb/3.4 PSI) at the start or the end of the day (low outside temperature = 10°C). During the day, your boat is exposed to bright sunlight on the beach or on the deck of a yacht (temperature = 50°C). Temperature inside the inflatable compartments will increase (up to 70°C) especially with a dark colour buoyancy chamber, causing the pressure to double (480 mb). **YOU WILL NEED TO DEFLATE** to return to the recommended pressure.

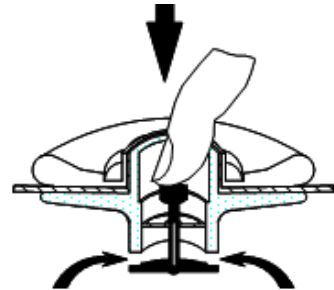


**WARNING!!!**

**IF YOUR BOAT IS OVERINFLATED, THE PRESSURE WILL ABNORMALLY WEAR THE INFLATABLE STRUCTURE WHICH MAY LEAD TO A BREACH OF THE ASSEMBLY.**

**SHOULD AN OVERPRESSURE OCCUR**

Release air by pressing on the valve knob



## PROPULSION SYSTEM

**III- Propulsion system**

Comply with the instructions provided by ZODIAC and with the instructions provided by the engine manufacturer when mounting the engine.

To get the best out of your boat, please consult your dealer.

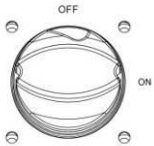

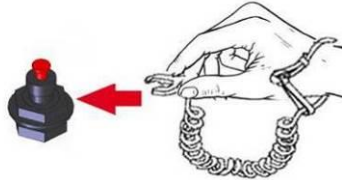
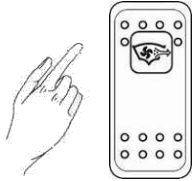


The engine bolts must be fitted through the transom using a screw hole sealing procedure (e.g: using Sikaflex sealant).

## HOW TO DRIVE YOUR BOAT

### IV- How to drive your boat

Before starting, refer to the Owner's Manual Volume I.

**NOTE:** Check that the buoyancy chamber is correctly inflated.

<p><b>1</b></p>  <p>Battery switch set to "ON", powered up</p>	<p><b>2</b></p>  <p>Fuel valve to "ON".</p>	<p><b>3</b></p>  <p>Put on and connect the circuit breaker*</p>
<p><b>4</b></p>  <p>Ventilate for 4 minutes</p>	<p><b>5</b></p>  <p>Throttle lever in neutral</p>	<p><b>6</b></p>  <p>Action the starter.</p>

\* If the coxswain falls overboard, immediately stopping the engine considerably reduces the risks of serious or fatal injury caused by being run over by the boat. Always couple the two ends of the emergency circuit breaker correctly.



**DANGER!!!**

- TURN OFF THE ENGINE IMMEDIATELY AS SOON AS A SWIMMER COMES CLOSE TO THE BOAT. THEY RISK BEING SERIOUSLY INJURED BY A ROTATING PROPELLER.



**WARNING!!!**

WHEN UNDERWAY, KEEP ALL LOCKERS, DECK HATCHES AND TANK ACCESS HATCH CLOSED.

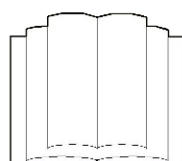
BREAKING WAVES CAN BE A SIGNIFICANT DANGER FOR STABILITY AND CAUSE FLOODING.

- SHOULD A DECK HATCH SEAL BECOME DAMAGED, PLEASE CONTACT YOUR DEALER TO ENSURE REPLACEMENT AS SOON AS POSSIBLE.

- AVOID ABRUPT MANOEUVRES AT FULL SPEED. REDUCE SPEED IN WAVES FOR THE COMFORT AND SAFETY OF PASSENGERS.



**30 KTS MAXIMUM**



MANOEUVRABILITY LIMITED TO 30 KTS MAXIMUM.  
RISK OF LOSS OF CONTROL IN TIGHT TURNS. REDUCE SPEED BEFORE TURNING IN ANY DIRECTION.

**INSTALLATION AND CIRCUIT: FUEL**

**V- INSTALLATION AND CIRCUIT**

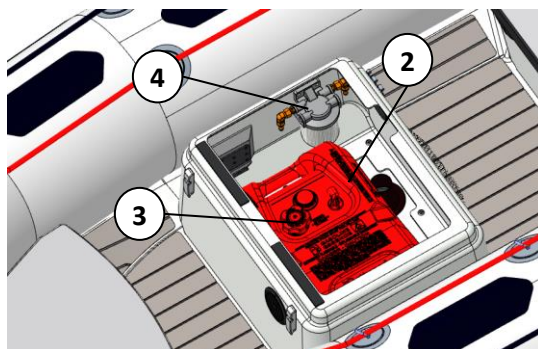
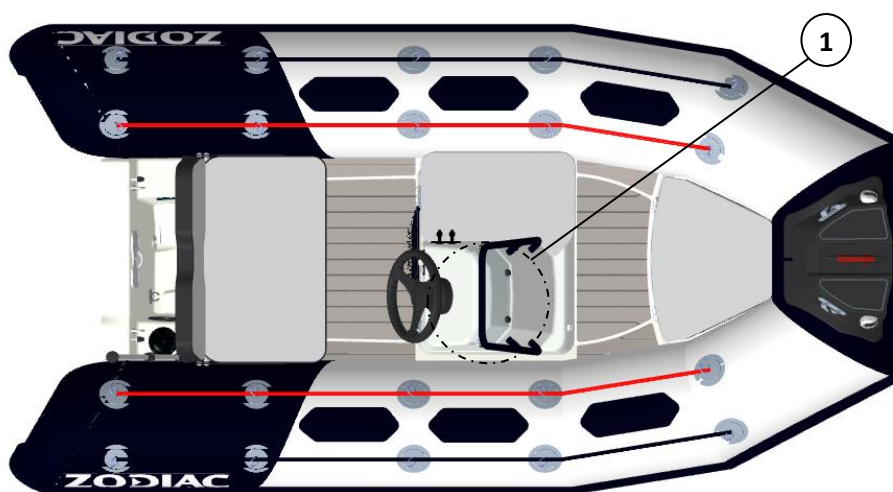
**V-1 FUEL CIRCUIT**



**WARNING!!!**  
DO NOT USE TYPE E10, E85, ETC. BIOFUELS.

V-1-1- Component locations:

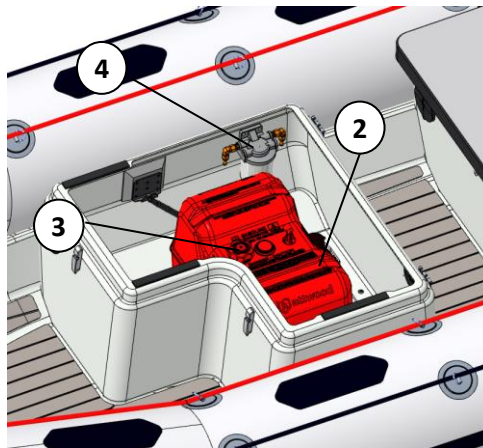
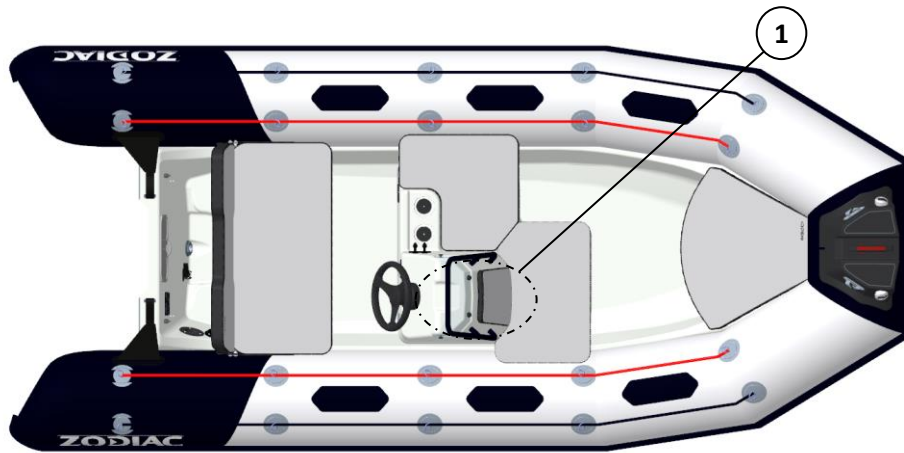
**OPEN 3.1 / 3.4**



Ref.	DESCRIPTION
1	Tank and filter access
2	Fuel tank ( <i>optional</i> )
3	Filling hole with cap
4	Water/fuel separator filter (not supplied)

## INSTALLATION AND CIRCUIT: FUEL

### OPEN 4.2 / 4.8



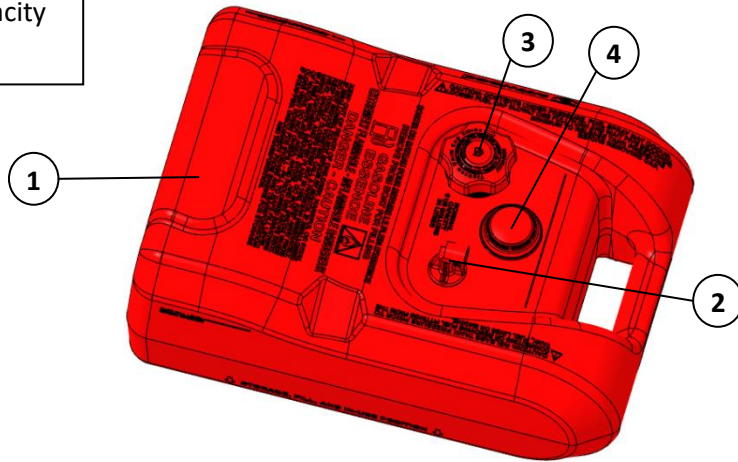
Ref.	DESCRIPTION
1	Tank and filter access
2	Fuel tank ( <i>optional</i> )
3	Filling hole with cap
4	Water/fuel separator filter (not supplied)

**INSTALLATION AND CIRCUIT: FUEL**

**V-1-2- Portable tank (optional)**

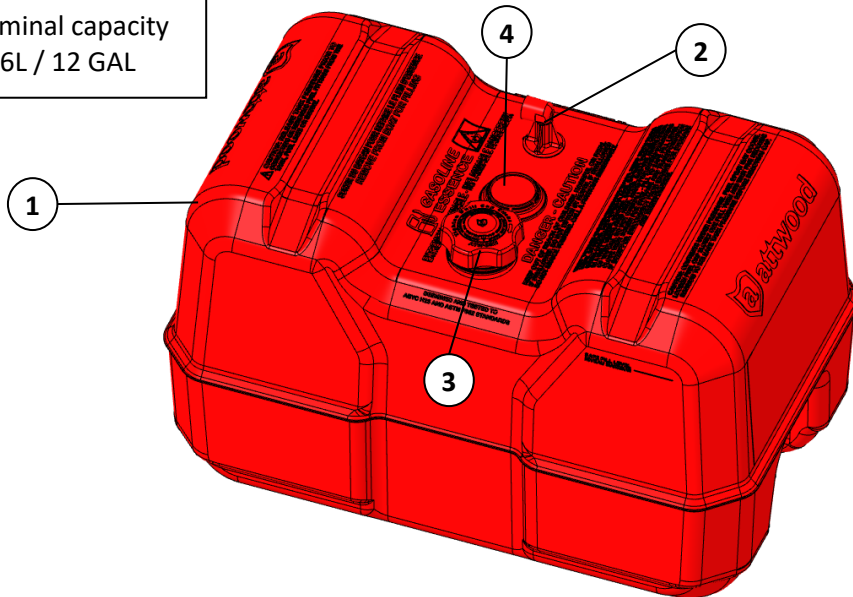
**OPEN 3.1 / 3.4**

Nominal capacity  
= 24L / 6 GAL



**OPEN 4.2 / 4.8**

Nominal capacity  
= 46L / 12 GAL



Ref.	DESCRIPTION
1	Portable tank *
2	Suction tube
3	Tank filler inlet
4	Gauge transmitter

**Note:** the tank option provides quick connectors and holding straps in order to be able to extract the tank without using tools. Each time before you sail, check that it is correctly held in place and that the connectors are fully connected.

*\*It may not be possible to use the full nominal capacity of the tank depending on the trim and the load. A 20% reserve is recommended.*



**WARNING!!!**

**IT IS VITAL TO HAVE A GAUGE DIAL. IT IS SUPPLIED WITH THE ENGINE. IF IT IS NOT PROVIDED, CONTACT YOUR DEALER.**

A standard US type sensor is used:

**Impedance (tank empty position)      30 Ohm**

**Impedance (tank full position) 240 Ohm**

All the dials on the market are compatible, with a few very rare exceptions.

To connect it, refer to the electrical diagram.

**V-1-3- Water separating fuel filter (not provided)**

To protect the engine, a water separating fuel filter is fitted to the engine fuel supply line.

The predefined location is in the console. As the attachments are pass-through, make sure that the zone is made water-tight during assembly.



Ref.	DESCRIPTION
1	Water/fuel separator filter
2	Replaceable filter cartridge

Make sure that there is no water in the metal bowl each time you use your boat:

- Slightly unscrew the drain cap (do not remove it completely);
- Drain the water;
- Screw the drain cap back on if only petrol remains in the bowl.

Repeat the operation more often if your engine does not run properly.

**INSTALLATION AND CIRCUIT: FUEL**



**WARNING!!!**  
**IT IS ESSENTIAL TO REPLACE THE CARTRIDGE EVERY 50 OPERATING HOURS.**  
**CONTACT YOUR DEALER TO PURCHASE A REPLACEMENT FILTER CARTRIDGE.**

**CHANGING THE FILTER CARTRIDGE**

Comply with ZODIAC's recommendations and with the filter manufacturer's recommendations. Follow the manual or the engine manufacturer's instructions. Follow the manual or the engine manufacturer's instructions

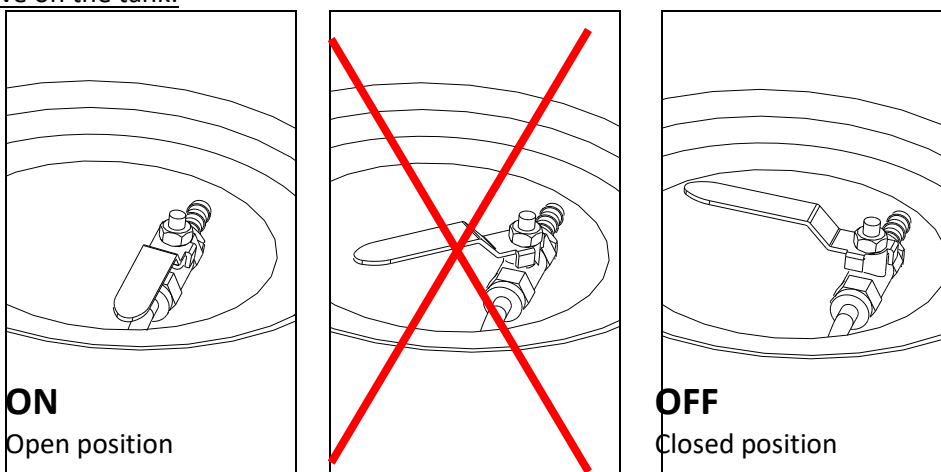
Place a draining funnel under the cartridge to be replaced.  
 Before replacing the filter, the pressure in the fuel feed system must be released.



**V-1-4- Using the fuel supply circuit cut-off valves: (not provided)**

We recommend installing a valve on your fuel circuit, between the engine and your tank. When not using your boat, close the fuel circuit valve.

Fuel circuit valve on the tank:



**WARNING:**  
**IF A FIRE BREAKS OUT ONBOARD, SHUTDOWN THE ENGINE AND CLOSE THE FUEL SUPPLY VALVES.**



**V-1-5- Recommendations**



**WARNING:**

- IF THERE IS A FUEL LEAK OR FIRE ONBOARD, THE FUEL CIRCUIT CUT-OFF VALVE LOCATED ON THE FUEL TANK IS USED TO CUT-OFF THE FUEL TANK FROM THE FUEL CIRCUIT AND IT MUST REMAIN CLOSED.
- HAVING A FULL TANK AVOIDS CONDENSATION APPEARING ON EACH OUTLET.
- HAVE THE FUEL TANK CLEANED EVERY 5 YEARS.
- CHECK THE TIGHTENING OF THE CLAMPS ON ALL THE HOSES.
- WHEN DRAINING THE FILTER, DO NOT EMPTY THE WATER INTO THE BOAT, USE A RECOVERY CONTAINER UNDER THE FILTER.
- SHUT OFF THE POWER SUPPLY BEFORE REMOVING THE FILTER CARTRIDGE.
- CAREFULLY READ THE INFORMATION ON THE FILTER'S INSTRUCTIONS.
- PETROL IS EXTREMELY INFLAMMABLE. MAKE SURE THAT THE ENGINES ARE STOPPED BEFORE WORKING ON THE FUEL SYSTEM.
- DO NOT SMOKE; KEEP ALL NAKED FLAMES OR INCANDESCENT BODIES WELL AWAY FROM THE WORK AREA.
- NEVER DRILL THE TANK AREA (AS SHOWN FROM THE DECK BY THE HATCH OVER IT) WITH A DRILL BIT THAT PROTRUDES FROM THE DRILL CHUCK BY MORE THAN 50 MM AND NEVER USE SCREWS THAT ARE MORE THAN 20 MM LONG.



**DANGER!!!**

**DO NOT STORE FLAMMABLE PRODUCTS IN THE REAR COMPARTMENT. IT IS STRICTLY FORBIDDEN TO STORE A SPARE FUEL TANK.**



**WARNING!!!**

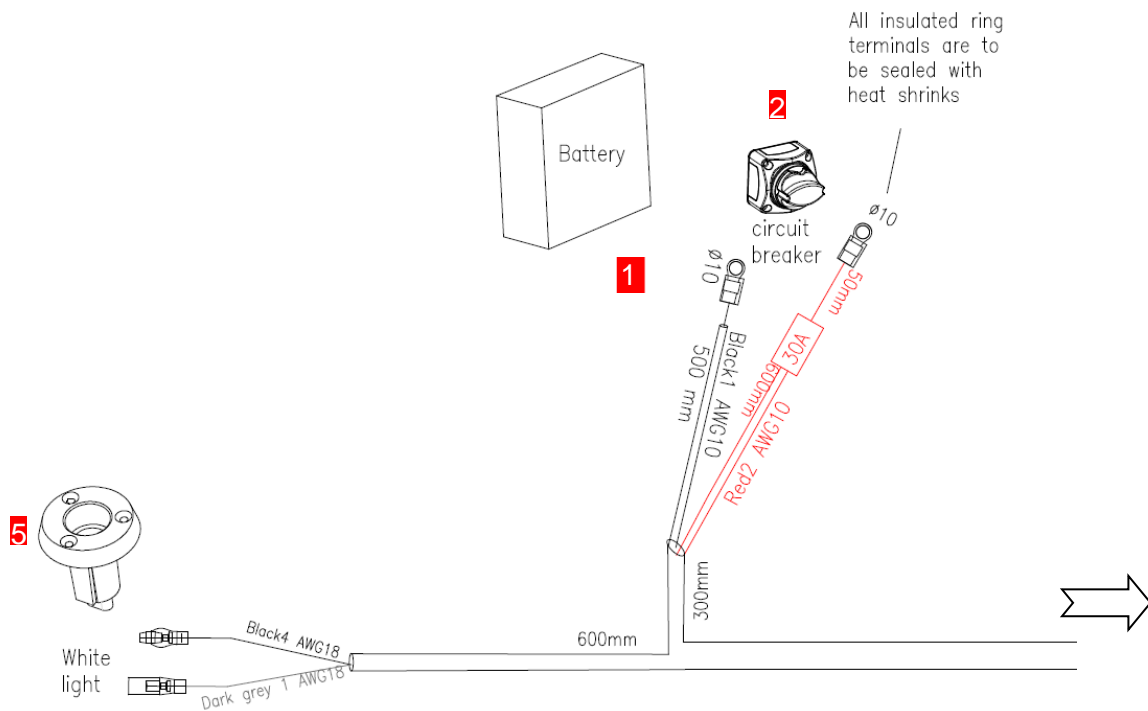
**DO NOT UNDER ANY CIRCUMSTANCES CHANGE THE FUEL INSTALLATIONS OR ALLOW UNQUALIFIED PEOPLE TO CARRY OUT MODIFICATIONS TO THESE CIRCUITS.**



## INSTALLATION AND CIRCUIT: ELECTRICITY

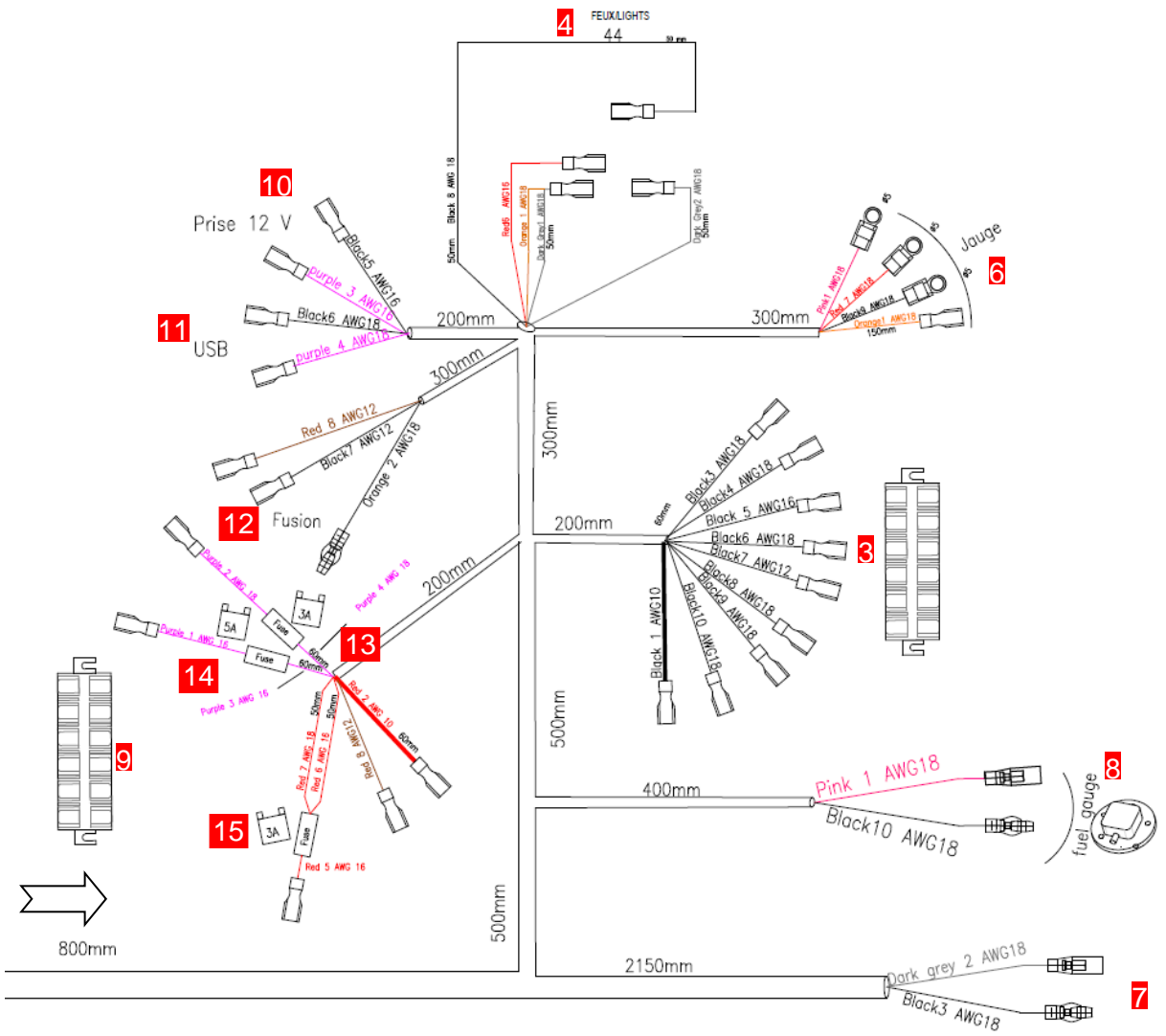
Ref.	DESCRIPTION
1	Navigation light switch
2	White light (optional)
3	Red / green light
4	USB plug (console)
5	12 Volt plug (console)
6	Circuit-breaker (optional)
7	30 A general fuse

### V-2-1-2- General wiring plan



Ref.	DESCRIPTION	
1	Battery connection	
2	Circuit breaker connection	
3	Bus bar ground connection	
4	Navigation light switch connection	
5	White light connection	
6	Petrol gauge dial connection	
7	Red green light connection	
8	Petrol gauge transmitter connection	
9	Positive bus bar connection	
10	12 Volt power socket connection (console)	
11	USB plug connection	
12	Radio set connection (optional)	
13	3A fuse USB socket	Purple 4 AWG18
14	5A fuse 12 volt socket	Purple 3 AWG18
15	3A fuse navigation lights	Red 6 & 7 AWG18

INSTALLATION AND CIRCUIT: ELECTRICITY

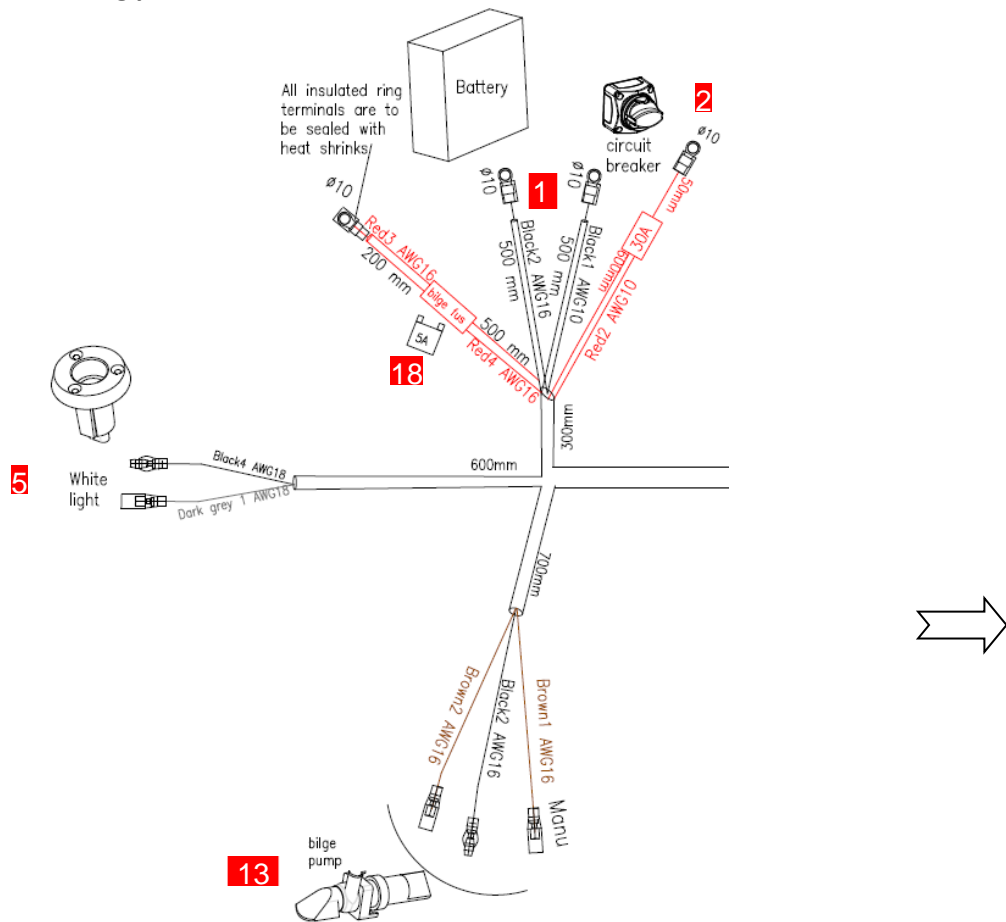




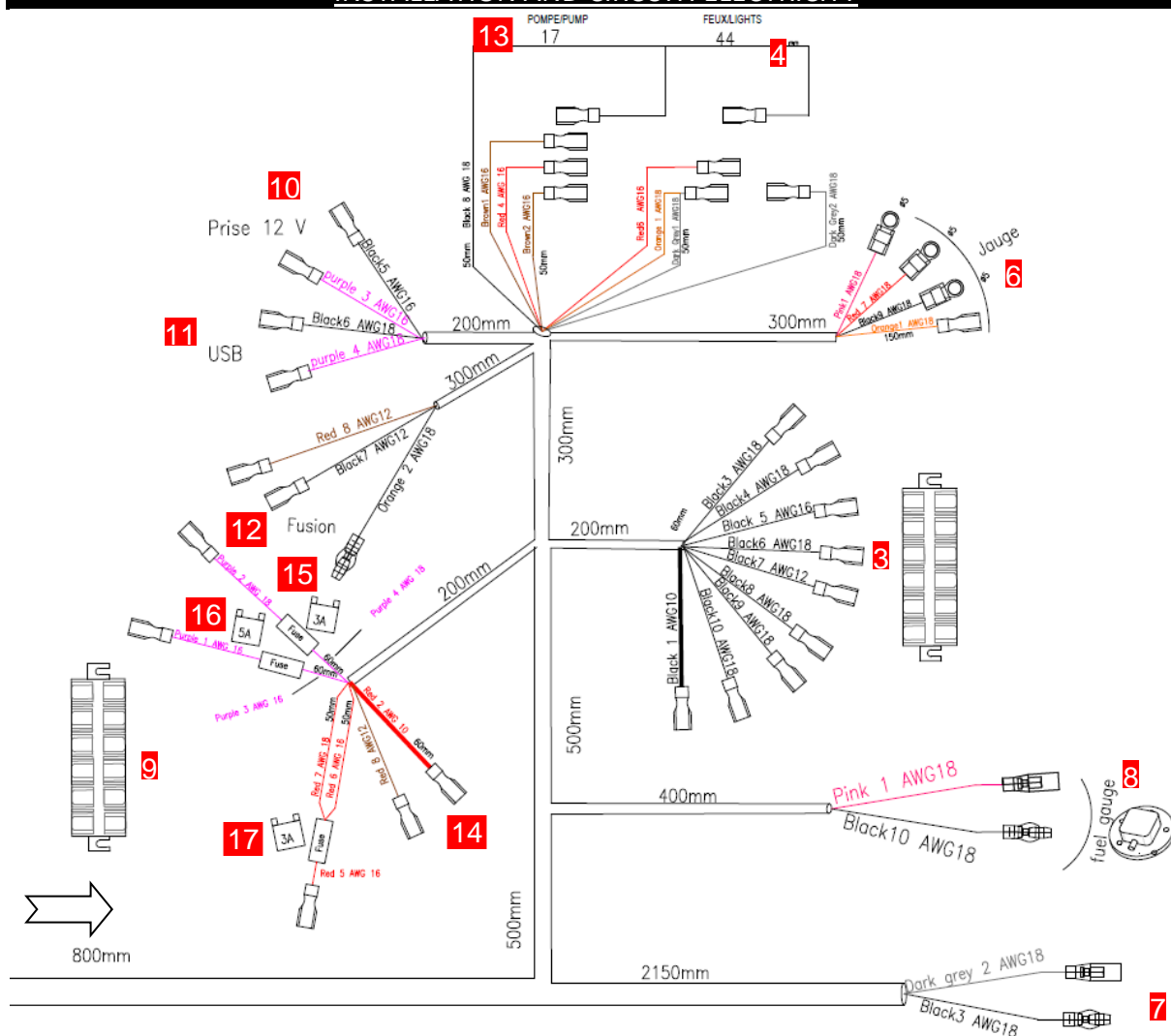
**INSTALLATION AND CIRCUIT: ELECTRICITY**

Ref.	DESCRIPTION
1	Navigation light switch
2	Bilge pump switch (optional)
3	Bilge pump (optional)
4	White light (optional)
5	Red / green light
6	USB plug (console)
7	12 Volt plug (console)
8	Circuit-breaker (optional)
9	30 A general fuse

**V-2-2-2- General wiring plan**



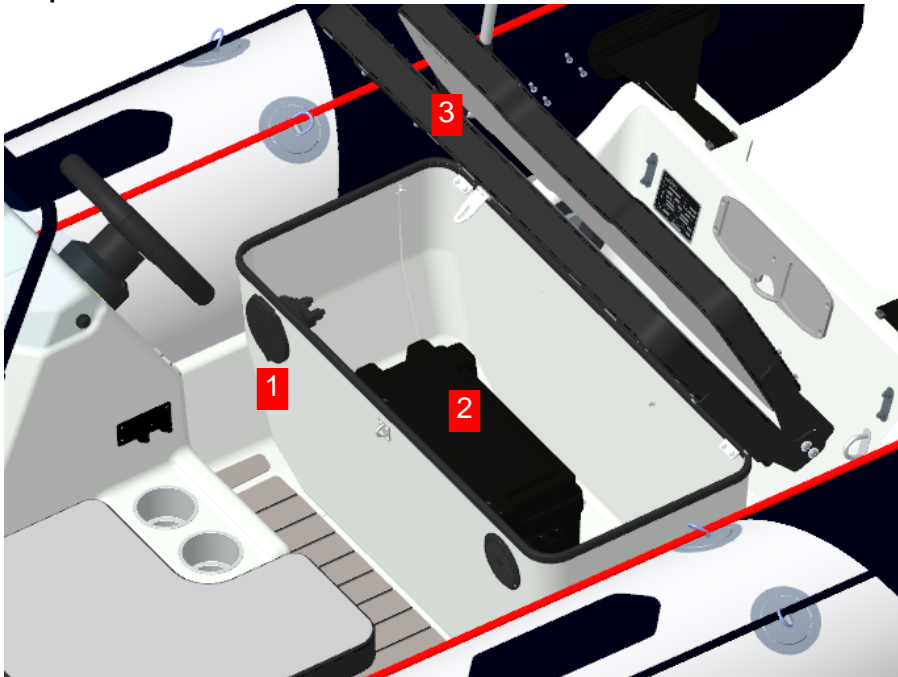
## INSTALLATION AND CIRCUIT: ELECTRICITY



Ref.	DESCRIPTION
1	Battery connection
2	Circuit breaker connection
3	Bus bar ground connection
4	Navigation light switch connection
5	White light connection
6	Petrol gauge dial connection
7	Red green light connection
8	Petrol gauge transmitter connection
9	Positive bus bar connection
10	12 Volt power socket connection (console)
11	USB plug connection
12	Radio set connection (optional)
13	Bilge pump switch connection (optional)
14	Bilge pump connection (optional)
15	3A fuse USB socket                      Purple 4 AWG18
16	5A fuse 12 volt socket                      Purple 3 AWG18
17	3A fuse navigation lights                      Red 6 & 7 AWG18
18	5A fuse bilge pump                              Purple 3 AWG18

**INSTALLATION AND CIRCUIT: ELECTRICITY**

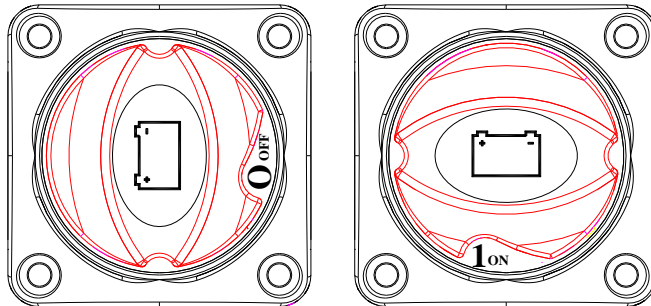
**V-2-3- Component locations:**



Ref.	DESCRIPTION
1	Circuit-breaker (optional)
2	Battery box
3	Battery maintenance access hatch

**V-2-4- Coupe-circuit (option)**

When not using your boat, set the circuit breaker in the OFF position.



**WARNING**  
**SWITCH OFF THE ENGINE BEFORE PLACING THE CIRCUIT BREAKER IN THE "OFF" POSITION**



### V-2-5- Battery (not supplied)

Comply with ZODIAC's recommendations and with the recommendations of the battery manufacturer for standard maintenance.



#### **MAINTAIN YOUR BATTERY:**

- KEEP THE BATTERY CLEAN AND DRY IN ORDER TO AVOID PREMATURE WEAR.
- TIGHTEN AND MAINTAIN THE TERMINAL LUGS BY GREASING THEM REGULARLY WITH VASELINE.



#### **WARNING!!!**

**THE WATER FROM THE WATER SUPPLY SYSTEM CONTAINS MINERAL WHICH DAMAGE BATTERIES.**

**ONLY ADD DISTILLED WATER TO THE BATTERY.**

**WHEN YOU INSTALL THE BATTERY, MAKE SURE THAT NO FUEL TANK, FUEL FILTER OR FUEL LINE CONNECTOR IS WITHIN 12 INCHES (305 MM) OF THE SURFACE OF THE BATTERY.**



#### **WARNING**

- KEEP THE BATTERIES AND THE ELECTROLYTE OUT OF THE REACH OF CHILDREN.
- ALWAYS KEEP THE BATTERY UPRIGHT, NEVER ON ITS SIDE.
- WHEN ADDING ELECTROLYTE OR WHEN RECHARGING THE BATTERY, ALWAYS REMOVE IT FROM THE ENGINE COMPARTMENT.
- BATTERY ELECTROLYTE IS A TOXIC AND DANGEROUS LIQUID. IT CONTAINS SULPHURIC ACID WHICH CAN CAUSE SERIOUS BURNS. AVOID CONTACT WITH SKIN, EYES AND CLOTHES.
- BATTERIES CAN EMIT EXPLOSIVE GASES. KEEP THEM AWAY FROM SPARKS, NAKED FLAMES, AND CIGARETTES ETC.
- WHEN CHARGING OR USING A BATTERY, WORK IN A WELL-VENTILATED ENVIRONMENT. ALWAYS PROTECT YOUR EYES WHEN WORKING CLOSE TO A BATTERY.

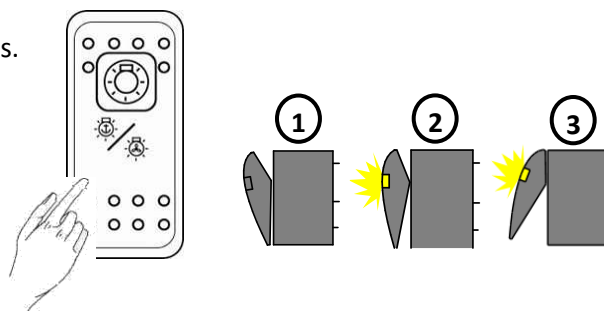
#### **NOTE:**

- When you do not intend to use your boat for a month or more, remove the battery and store it in a cool, dark, dry place. Fully recharge the battery before reusing it.
- If the battery is to be stored for a longer period of time, check the electrolyte density at least once a month and recharge the battery as soon as the density falls too far.
- Electrolyte density: 1.28 at 20°C.

### V-2-6- Navigation lights

Use this button to switch on the navigation lights. It has 3 positions.

- ① Off position
- ② White light position
- ③ White light, red light and green light position.



### V-2-7- Wiring an accessory

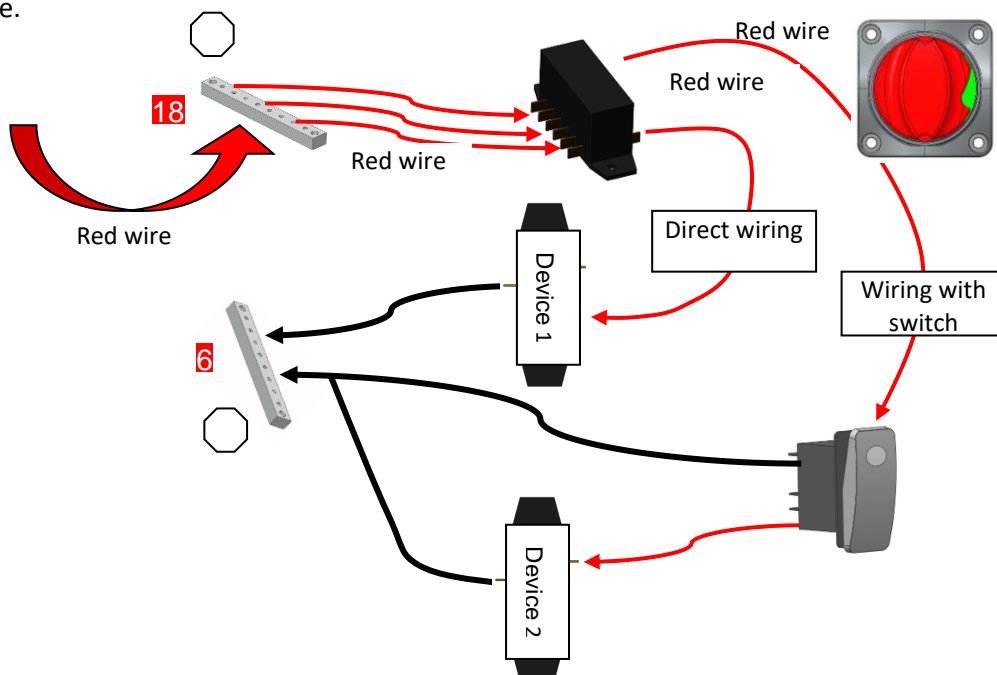
**1º/** Choose a free fuse location.

**2º/** Connect the power supply of your accessory to the terminal corresponding to this slot using a 6mm female tab type terminal.

**3º/** If you have to add cable for the connection, use cable with a cross-section of at least 1.5mm<sup>2</sup> that complies with "marine" standards (UL1426 or SAE J378 or SAE J1127 or SAE J1128 or more generally meeting ABYC and/or EC standards).

**4º/** Connect the earth cable of your accessory to the ground terminal strip using a Ø5 "ring terminal" (same comment as for the cable above).

**5º/** Insert an ATO type fuse with a max current of 15A and greater than the load current of your device.



## INSTALLATION AND CIRCUIT – CONNECTING OPTIONS

### V-2-1- Wiring OPEN 3.1 / 3.4 /4.8 options

The boat is fitted with a USB/12V plug as standard. However, it is also possible to add extra accessories under certain conditions:

- ① The accessories you want to add must be connected to the console.
- ② The accessories come in two categories:
  - A** → accessories that are or may be used continuously during normal boat operation,
  - B** → accessories that are used intermittently.

A		and	B	
Windscreen wipers			Cigar lighter (standard)	
Radio			Miscellaneous lighting	
Depth sounder			Horn	
GPS			Miscellaneous electronic equipment	
Searchlight			Shower pump	
Alarm system			<b>Max. power</b>	72W max.
Refrigerator				
VHF				
<b>Σ</b>	240W max.			



#### **WARNING**

**You must make sure that the total power of the accessories you add in column A is 240W (20A) or less AND that the max power of an accessory in column B is 72W (6A) or less.**

**The sections of the different cables in the wiring circuit were calculated using these figures; not following this rule may lead to electrical faults and cause short circuits.**

You may connect the options directly to the positive and negative console ground terminal (within the max. power limits), using an approved fuse-holder.

**NOTE:** If you are getting several pieces of electrical equipment installed, the total immediate consumption could potentially exceed your outboard engine's charge capacity.

For example, the electrical wiring harness can accept instant consumption of 570 W (including navigation lights and bilge pump), which is a little less than a 48A output current. The alternators in the engines fitted generally provide 15 A when at full throttle. Check your engine's technical documentation. You should therefore avoid using this equipment over a long period of time, as you run the risk of emptying the battery and not being able to restart the engine.

**INSTALLATION AND CIRCUIT – CONNECTING OPTIONS**

**V-2-2- Connecting OPEN 4.8 options**

A		and	B	
Windscreen wipers			Cigar lighter (standard)	
Radio			Miscellaneous lighting	
Depth sounder			Horn	
GPS			Miscellaneous electronic equipment	
Searchlight			Shower pump	
Alarm system			<b>Max. power</b>	102W max.
Refrigerator				
VHF				
<b>Σ</b>	336W max.			



**WARNING**

You must make sure that the total power of the accessories you add in column A is 336W (28A) or less AND that the max power of an accessory in column B is 102W (8.5A) or less.

The sections of the different cables in the wiring circuit were calculated using these figures; not following this rule may lead to electrical faults and cause short circuits.

You may connect the options directly to the positive and negative console ground terminal (within the max. power limits), using an approved fuse-holder.

**Example 1**

You may add:

- A 72W VHF set,
- A 36W GPS unit,
- A 180W radio,
- LED vanity lights 10W
- Shower pump 48W

A		and	B	
Windscreen wipers			Cigar lighter (standard)	
Radio	180W		Miscellaneous lighting	10 W
Depth sounder			Horn	
GPS	36W		Miscellaneous electronic equipment	
Searchlight			Shower pump	48 W
Alarm system			<b>Max. power</b>	58W ( < or = 102W)
Refrigerator				
VHF	72W			
<b>Σ</b>	288W < 336W ☺			

**CONCLUSION**



## INSTALLATION AND CIRCUIT – CONNECTING OPTIONS

### Example 2

You may add:

- A 60W VHF set,
- A 36W GPS unit,
- A 180W radio,
- A 120W searchlight.

A	
Windscreen wipers	
Radio	180W
Depth sounder	
GPS	36W
Searchlight	120W
Alarm system	
Refrigerator	
VHF	60W
<b>Σ</b>	396W > 336W ⚠

and

B	
Cigar lighter (standard)	
Miscellaneous lighting	
Horn	
Miscellaneous electronic equipment	
Shower pump	
<b>Max. power</b>	0W (< or = 102W) ⚠

**CONCLUSION**



### Example 3

You may add:

- A 60W GPS unit,
- A 180W radio,
- A 120W horn.

A	
Windscreen wipers	
Radio	180W
Depth sounder	
GPS	60W
Searchlight	
Alarm system	
Refrigerator	
VHF	
<b>Σ</b>	240W < 336W ⤴

and

B	
Cigar lighter (standard)	
Miscellaneous lighting	
Horn	
Miscellaneous electronic equipment	120W
Shower pump	
<b>Max. power</b>	120 W (>102W) ⚠

**CONCLUSION**



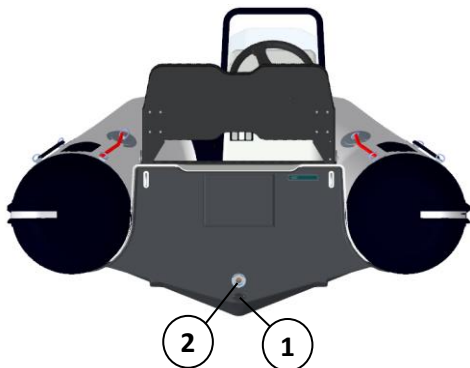
**NOTE:** Some manufacturers will indicate the amperage rather than the absorbed power. With direct current, as is the case here, just multiply by 12 to obtain the power.

**INSTALLATION AND CIRCUIT - DRAINING**

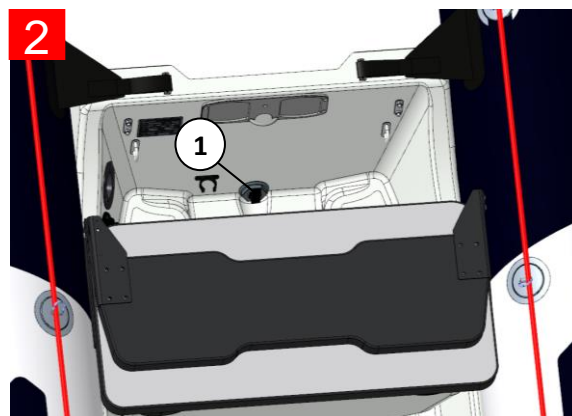
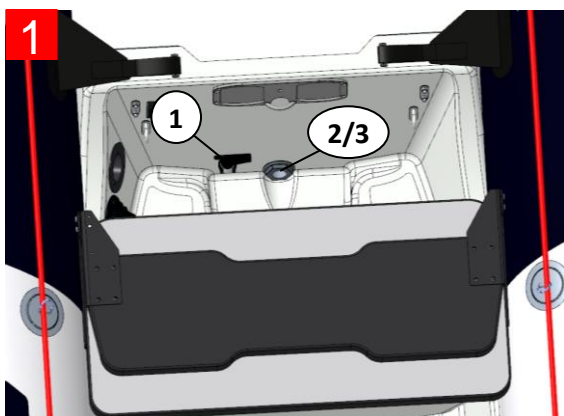
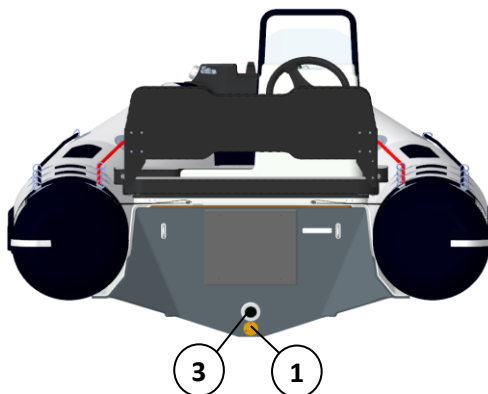
**V-3 INSTALLATION OF THE DRAINING SYSTEMS**

**V-3-1- Description of the functional elements**

**OPEN 3.1 / 3.4**



**OPEN 4.2 / 4.8**



Ref.	DESCRIPTION
1	Hull scupper
2	Through-hull
3	Through-hull with membrane
4	Through-hull plug

**V-3-2- Through-hull plugs**

Boat out of the water (on a trailer, cradle, etc.)



- PLUGS IN POSITION (1)

**Boat in the water...**



- WHEN SAILING, PLUGS INSERTED IN THE THROUGH-HULL (2)
- **WATER DRAINING PROCEDURE.**
  - STOPPED: PLUGS IN POSITION (1), THEN SAIL IN PLANING POSITION (> 6 KNOTS). PLACE PARTS BACK IN POSITION (2) WHEN THE WATER IS DRAINED.

**INSTALLATION AND CIRCUIT - DRAINING**

- **AT ANCHOR:**
  - **AT A TEMPORARY MOORING OR IN OTHER SITUATIONS WHERE THE BOAT IS UNLIKELY TO TAKE IN LARGE AMOUNTS OF WATER (HEAVY RAIN, BREAKING WAVES), PLACE THE PARTS IN POSITION (1) OR (2).**
  - **LONG-TERM OR RISKY ANCHORAGE: PLUGS OUT (1).**



**WARNING**

**IF THE BOAT TAKES IN LARGE AMOUNTS OF WATER FROM THE OUTSIDE (HEAVY RAIN, WAKE, ETC.) AND THE THROUGH-HULLS ARE PLUGGED, THE BOAT RISKS BEING SUBMERGED (BATHTUB EFFECT). THE WATER TAKEN ON MAY THEN ACCUMULATE IN THE BILGE AND MAKE THE BOAT MUCH HEAVIER CAUSING IT TO LIE LOW IN THE WATER AND CAUSE SERIOUS DAMAGE TO CERTAIN UNITS SUCH AS THE ENGINE OR THE ELECTRICAL CIRCUITS.**

**V-3-3- Hull scupper:**



**Boat out of the water (on a trailer, cradle, etc.)**



**OPEN POSITION, SCUPPER PLUG REMOVED.**

**Boat in the water...**



**CLOSED POSITION, SCUPPER PLUG IN PLACE.  
(ALWAYS ENSURE THAT THE SCUPPER PLUG IS PROPERLY CLOSED/TIGHT).**

**INSTALLATION AND CIRCUIT - STEERING****V-4 STEERING**

Comply with the steering manufacturer's recommendations (installation, use and maintenance).

To get the best out of your boat, please consult your dealer.

**V-5 FIRE****WARNING**

- **WE RECOMMEND THAT YOU ALWAYS HAVE A FIRE EXTINGUISHER ONBOARD. ALWAYS COMPLY WITH THE APPLICABLE LAWS IN YOUR COUNTRY.**
- **NEVER PLACE INFLAMMABLE MATERIALS CLOSE TO, OR ABOVE COOKING APPLIANCES.**

The boat is delivered without a fire extinguisher. It is your responsibility to ensure full compliance with the regulations that apply in your place of registration. When in service, the boat should be equipped with portable fire extinguishers.

The recommended position for the extinguisher is inside the stern locker or console.

Take care to keep the bilges clean and check at regular intervals that there are no fuel leaks or vapours

Never leave the boat unattended when cooking and/or heating equipment is in use.

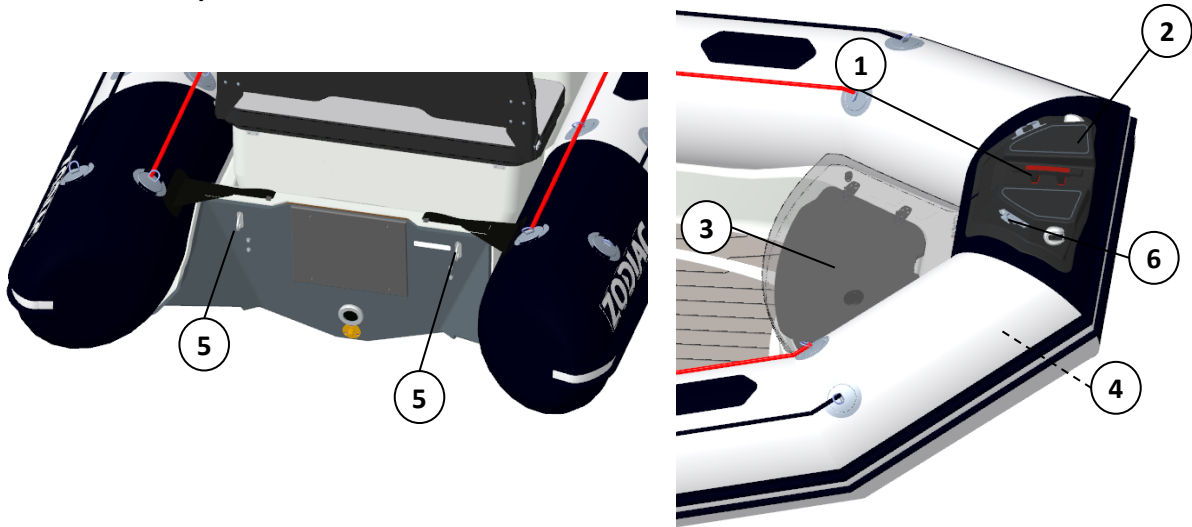
Do not smoke while handling gas or fuel.

Do not obstruct the safety controls, e.g. fuel shut-off valves, electrical system switches.

Do not fill the fuel tank when the engine is running or when cooking equipment is operating.



V-6 ANCHORING/MOORING



Ref.	DESCRIPTION
1	Cleats
2	Polyester bow roller
3	Anchor locker
4	Bow plate
5	Transom chain plates
6	Fairleads



**WARNING**

- FOR PERMANENT MOORING, USE THE BOW CHAIN PLATE AT THE FRONT OF THE BOAT OR ON THE TRANSOM.
- CHOOSE YOUR ANCHOR CHAIN ACCORDING TO THE LENGTH AND WEIGHT OF YOUR BOAT.

**INSTALLATION AND CIRCUIT – Boarding**

**V-7 BOARDING**

**V-7-1- BY THE BUOYANCY CHAMBER**

The boats have low freeboard (less than 500mm), allowing you to easily get back on board using the external lashings of the buoyancy chamber:



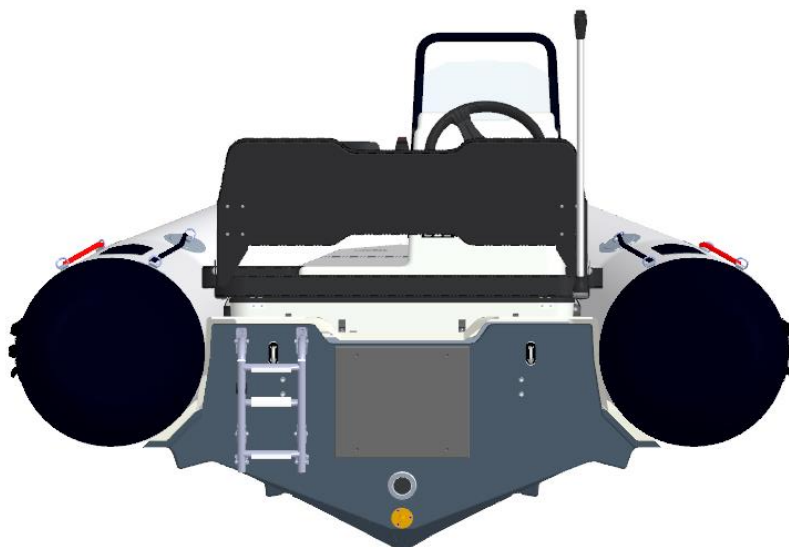
**V-7-2- LADDERS (OPTIONAL)**

**OPEN 3.1 / 3.4 / 4.2**

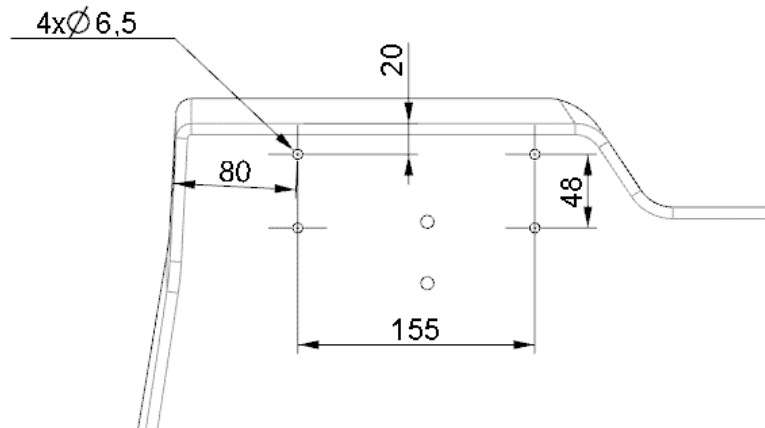
Take the eye nut supplied with the ladder and screw it onto a chain plate on the transom. Hook the ladder onto the eye nut and unfold the ladder onto the buoyancy chamber.



**OPEN 4.8**



**LADDER POSITION**



**DANGER!!!**

**ALWAYS MAKE SURE THAT THE ENGINE IS SWITCHED OFF BEFORE ANYONE CLIMBS BACK ON BOARD USING THE STERN LADDER.**

**WARNING**

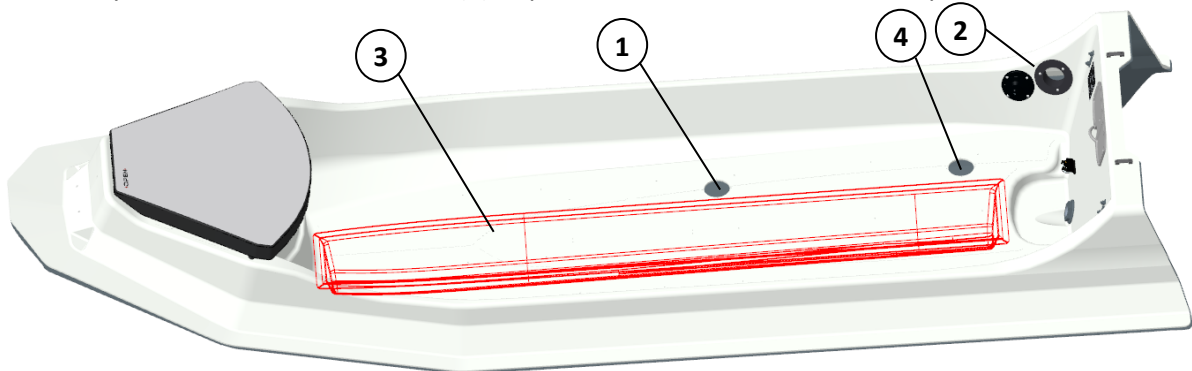
**WHEN THE BOAT IS OPERATED ALONE AND WHEN THE BOARDING LADDER CANNOT BE DEPLOYED FROM THE WATER, IT MUST BE LEFT IN PLACE FULL TIME.**

**V-8 MECHANICAL RIGGING**

For appearance purposes, all the cables and wiring for the rigging will pass from the console (1) to the engine (2) through the hull. We recommend passing these different elements through before attaching the equipment definitively to the deck.

We recommend running the cables along the deck counter mould (3) to the boat's chain plate to prevent any blockage.

If necessary, use the hole in the bolster (4) to pull the cables towards the chain plate.

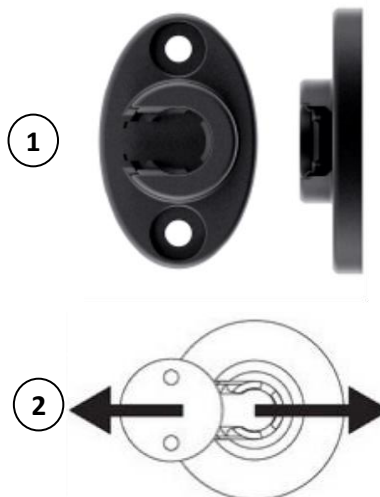
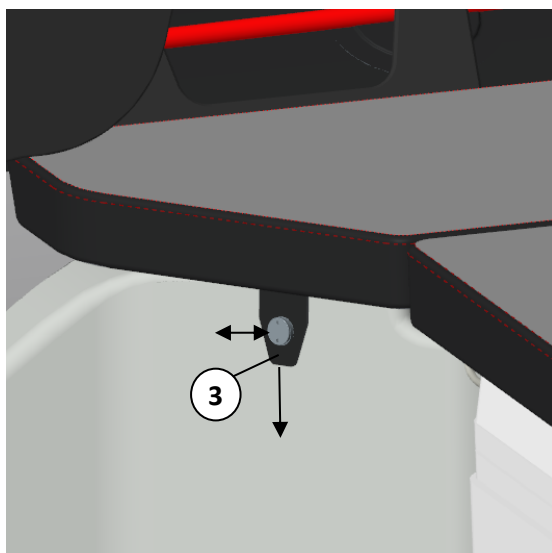


INSTALLATION AND CIRCUIT – Upholstery

V-9 UPHOLSTERY FIXATION

Your boat is equipped with a new type of fixation (1) to maintain the upholstery on the hull. This system provides magnets with a lateral unlocking (2).

- **Unlocking:** Slightly pull the retaining strap (3) downwards and make it slide to the side.
- **Locking:** Slightly pull the retaining strap (3) downwards and make it slide to the interior of the fixation.



**WARNING**

**DO NOT PULL DIRECTLY ON THE UPHOLSTERY TO UNCLIP IT, AS THIS WILL DAMAGE THE NEW FIXATION SYSTEM.**

## LOCATION OF ACCESSORIES

### VI- LOCATION OF ACCESSORIES

#### VI-1 OPEN 3.1 / 3.4 BIMINI



#### VI-2 OPEN 4.2 / 4.8 BIMINI

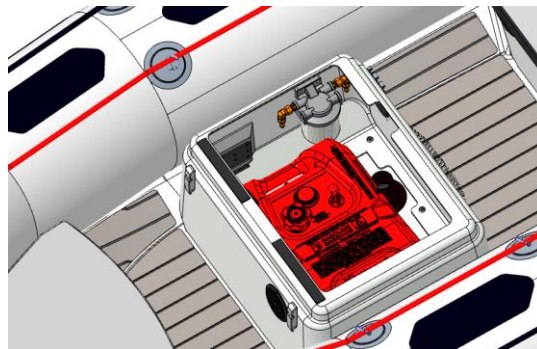


**LOCATION OF ACCESSORIES**

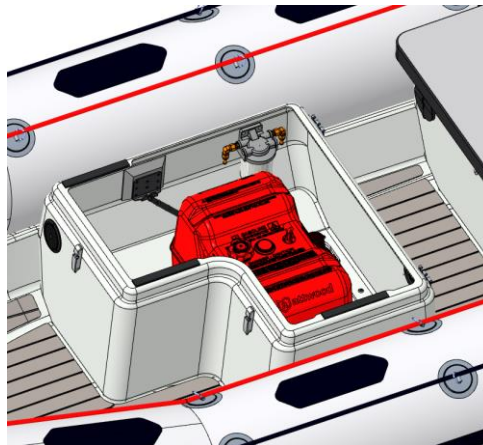
**VI-3 OPEN 4.8 ROLL BAR**



**VI-4 OPEN 3.1 / 3.4 PORTABLE TANKS**

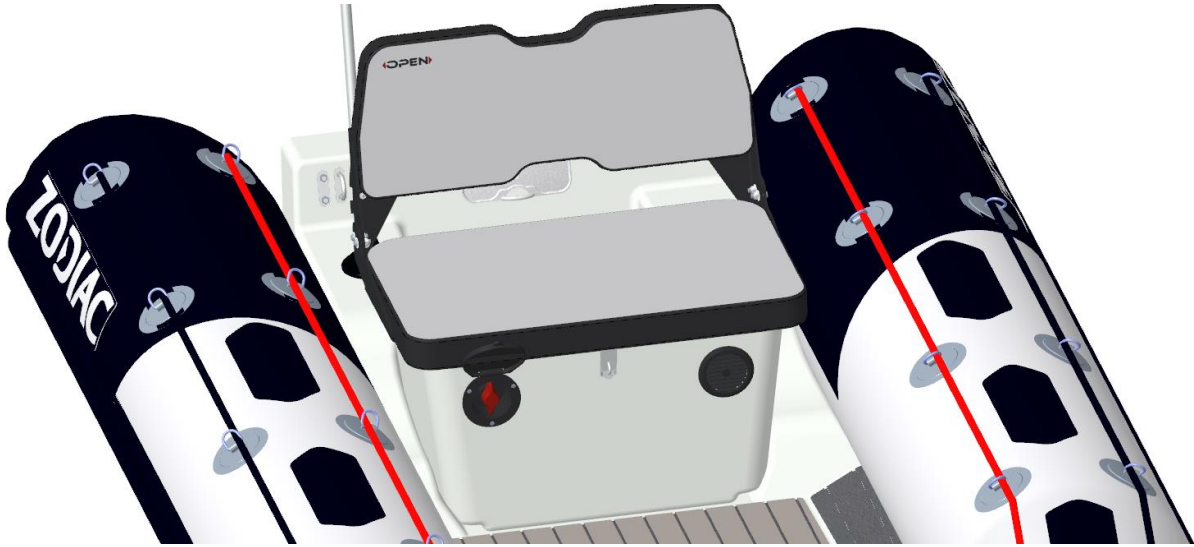


**VI-5 OPEN 4.2 / 4.8 PORTABLE TANKS**

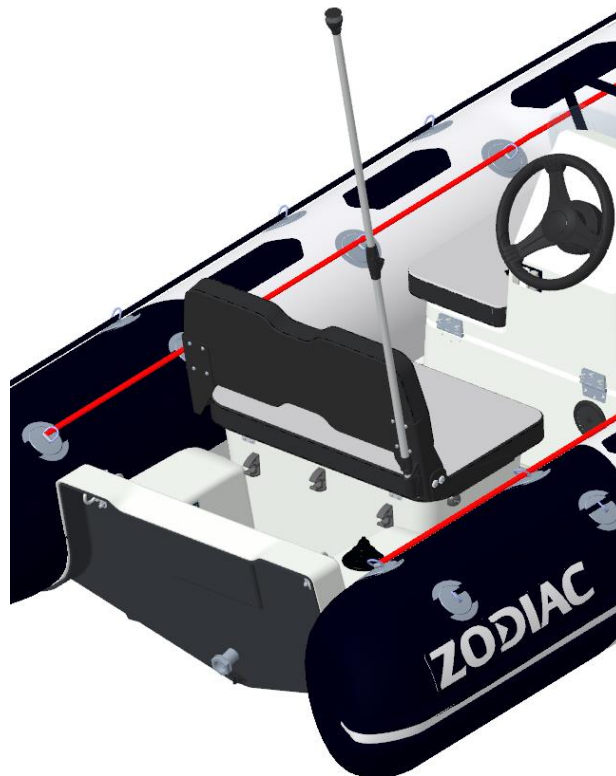


LOCATION OF ACCESSORIES

**VI-6 BATTERY SWITCH**

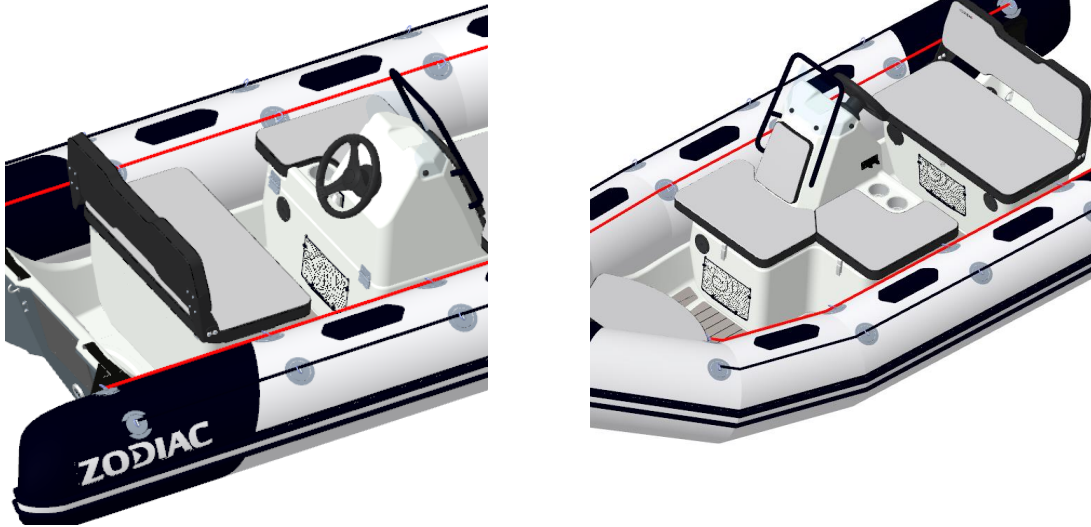


**VI-7 WHITE LIGHTS**

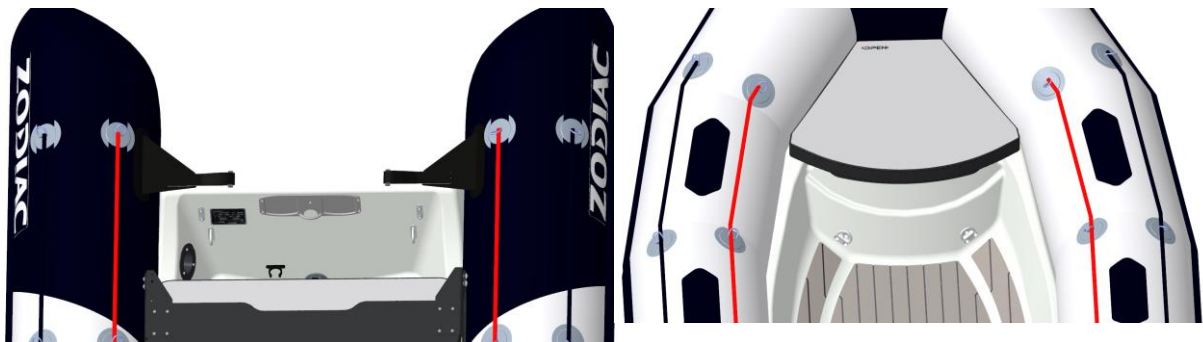


**LOCATION OF ACCESSORIES**

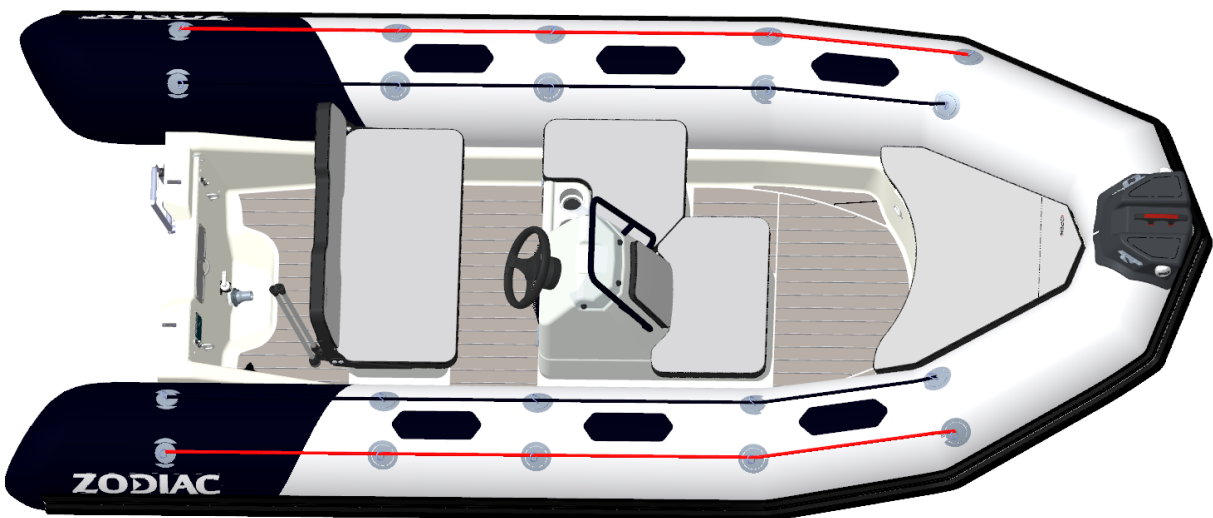
**VI-8 STORAGE NET**



**VI-9 LIFTING KIT**



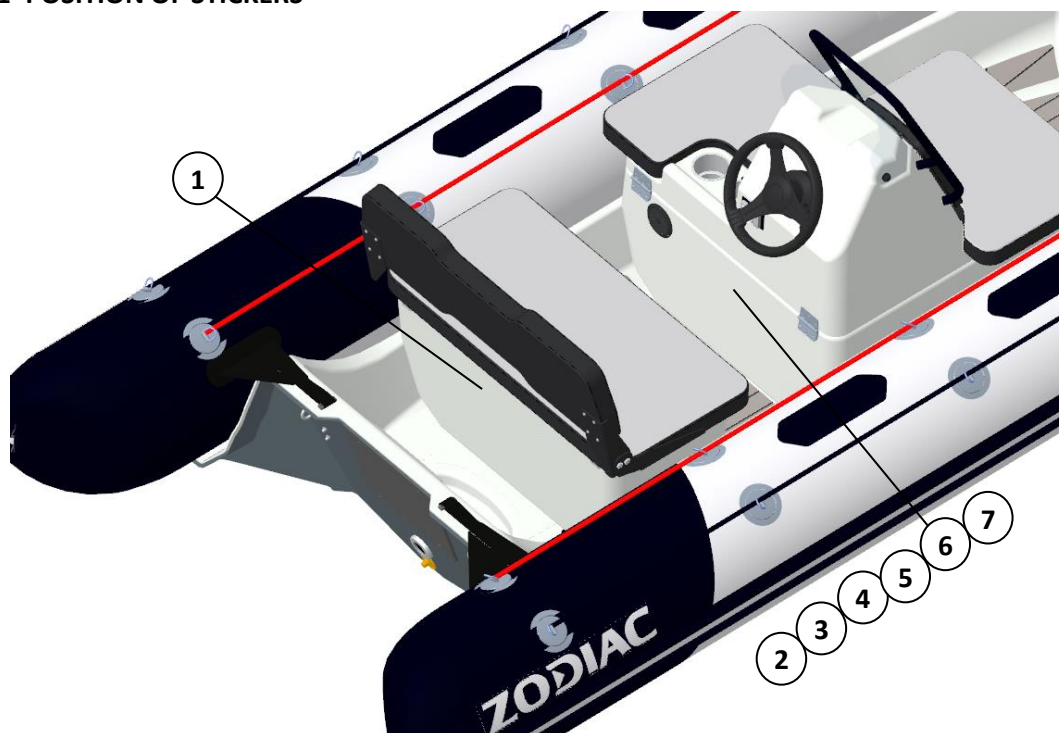
**VI-10 EVA DECK**





VII- SIGNALLING

VII-1 POSITION OF STICKERS



VII-1 DESCRIPTION OF THE STICKERS



<b>⚠ WARNING</b>	<b>⚠ AVERTISSEMENTS</b>
<ul style="list-style-type: none"> <li>• DO NOT TOUCH BATTERY TERMINALS (SHOCK AND ACID HAZARDS)</li> <li>• DISCONNECT BOTH LEADS BEFORE REMOVING BATTERY</li> <li>• CONNECT RED LEAD TO POSITIVE (+) TERMINAL</li> <li>• CONNECT BLACK LEAD TO NEGATIVE (-) TERMINAL</li> </ul>	<ul style="list-style-type: none"> <li>• NE PAS TOUCHER LES TERMINAUX DE LA BATTERIE (RISQUE DE CHOC ELECTRIQUE ET DE CONTACT AVEC L' ACIDE DE LA BATTERIE)</li> <li>• DEBRANCHER LES 2 FILS DE SORTIE AVANT DE RETIRER LA BATTERIE</li> <li>• RELIER LE CABLE ROUGE A LA BORNE (+)</li> <li>• RELIER LE CABLE NOIR A LA BORNE (-)</li> </ul>



<b>⚠ WARNING</b>	<b>⚠ AVERTISSEMENTS</b>
<p style="text-align: center;"><b>GASOLINE IS HIGHLY INFLAMMABLE AND EXPLOSIVE</b></p> <ul style="list-style-type: none"> <li>• STOP ENGINE BEFORE REFUELING</li> <li>• REFUEL IN WELL VENTILATED AREA</li> <li>• NEVER REFUEL WHILE SMOKING, AROUND SPARKS OR OPEN FLAME</li> <li>• AVOID SPILLING FUEL. WIPE UP ALL FUEL SPILLS IMMEDIATELY</li> <li>• LEAKING FUEL IS A FIRE HAZARD AND EXPLOSION HAZARD</li> <li>• INSPECT FUEL SYSTEM BEFORE EACH USE</li> </ul>	<p style="text-align: center;"><b>L' ESSENCE EST TRES FORTEMENT INFLAMMABLE ET EXPLOSIVE</b></p> <ul style="list-style-type: none"> <li>• ARRETER LE MOTEUR AVANT TOUT REMPLISSAGE.</li> <li>• NE PAS FUMER LORS DU REMPLISSAGE.</li> <li>• FAIRE LE PLEIN DANS UN ENDROIT VENTILE.</li> <li>• EVITER DE RENSER DU CARBURANT. ESSUYER IMMEDIATEMENT TOUTES LES FLAQUES DE CARBURANT CREEES</li> <li>• LES FUITES DE CARBURANTS CONSTITUENT UN RISQUE D' INCENDIE ET D' EXPLOSION</li> <li>• VERIFIER LE CIRCUIT CARBURANT AVANT CHAQUE UTILISATION</li> </ul>

**SIGNALLING**

<b>CAUTION</b>	<b>ATTENTION</b>
<p>IMPROPERLY TOWING YOUR BOAT CAN CAUSE SEVERE DAMAGE TO YOUR BOAT.</p> <ul style="list-style-type: none"> <li>NEVER TOW IN OPEN SEAS</li> <li>NEVER TOW ABOVE 6 KNOTS</li> </ul>	<p>UN REMORQUAGE INAPPROPRIE PEUT ENDOMMAGER VOTRE BATEAU</p> <ul style="list-style-type: none"> <li>NE PAS REMORQUER EN PLEINE MER</li> <li>NE PAS REMORQUER A PLUS DE 6 NOEUDS</li> </ul>

3

<b>WARNING</b>	<b>AVERTISSEMENT</b>
<p>DO NOT LIFT THE BOAT WITH PASSENGERS ON BOARD</p>	<p>NE PAS SOULEVER LE BATEAU AVEC DES PASSAGERS A BORD</p>

4

<b>DANGER</b>	<b>DANGER</b>
<p>TO AVOID INJURY OR DEATH, SHUT OFF ENGINE WHEN NEAR SWIMMERS OR PRIOR TO USING SWIN PLATFORM AND BOARDING LADDER</p>	<p>POUR EVITER DES BLESSURES OU LA MORT, COUPER LE MOTEUR EN APPROCHANT DE NAGEURS, ET AVANT TOUTE UTILISATION DE LA PLATEFORME ARRIERE OU DE L' ECHELLE DE BAIN</p>

5

<b>DANGER</b>	<b>DANGER</b>
<p>A FIRE EXTINGUISHER MUST BE CARRIED AT ALL TIMES</p>	<p>UN EXTINCTEUR DOIT ETRE DISPONIBLE EN PERMANENCE A BORD</p>

6

30 KNTS MAXIMUM

7



Regent Park 1 - Bat2B  
2480 L'Occitane  
31670 LABEGE  
FRANCE



## Manuel du Propriétaire - Owner's Manual Tome 2 - Volume 2

### OPEN 3.1 - OPEN 3.4 - OPEN 4.2 – OPEN 4.8

ZNAUTIC met à votre disposition les manuels propriétaire en format digital pour les langues Italien / Allemands /Espagnol et Norvégien. Pour toutes autres langues se rapprocher de votre distributeur pour demande aux équipes de ZNAUTIC en bon et due forme

*ZNAUTIC puts at your disposal the owner's manuals in digital format for the Italian / German / Spanish and Norwegian languages. For all other languages, contact your distributor for request to the ZNAUTIC teams in due form.*

Edition 1

## Register your boat today on the Zodiac Club

<https://www.zodiac-nautic.com/fr/zodiac-club/>



Get a Warranty extension of  
**3 YEARS**  
for your new boat\*



FR

Enregistrez votre bateau dès aujourd'hui sur le "Zodiac Club"  
<https://www.zodiac-nautic.com/fr/zodiac-club/>. Bénéficiez d'une extension de 3 ans de Garantie constructeur pour l'achat d'un bateau neuf\*  
\*voir conditions générales de la garantie Zodiac Nautic

ES

Registre su embarcación ahora en el "Zodiac Club"  
<https://www.zodiac-nautic.com/fr/zodiac-club/>. Beneficiese de una extensión de garantía de tres años, en la compra de una embarcación nueva\*  
\*ver las condiciones generales de la garantía Zodiac Nautic

IT

Registri il suo battello oggi sul "Zodiac Club"  
<https://www.zodiac-nautic.com/fr/zodiac-club/>. Beneficierà dell'estensione di 3 anni di Garanzia costruttore sull'acquisto di un battello nuovo\*  
\*vedere le condizioni generali della garanzia Zodiac Nautic

DE

Registrieren Sie Ihr Boot heute im "Zodiac Club"  
<https://www.zodiac-nautic.com/fr/zodiac-club/>. Erhalten Sie die 3-jährige Garantieerweiterung für Ihr neues Boot.\*  
\*Siehe Zodiac Nautic Garantiebedingungen

# TOME 2

## DESCRIPTION – FLOTTEUR

## SYSTEME DE PROPULSION

## INSTALLATION ET CIRCUITS

### SOMMAIRE

I- DESCRIPTION .....	3
I-1 CARACTERISTIQUES TECHNIQUES OPEN 3.1.....	3
I-2 CARACTERISTIQUES TECHNIQUES OPEN 3.4.....	5
I-3 CARACTERISTIQUES TECHNIQUES OPEN 4.2.....	7
I-4 CARACTERISTIQUES TECHNIQUES OPEN 4.8.....	9
I-5 INVENTAIRE ET LOCALISATION.....	12
I-6 EMPLACEMENT EQUIPEMENTS.....	16
I-6-1- OPEN 3.1 / OPEN 3.4.....	16
I-6-2- OPEN 4.2 / OPEN 4.8.....	18
I-7 MANUTENTION .....	20
I-7-1- Transport .....	20
I-7-2- Levage .....	26
II- FLOTTEUR .....	27
II-1 ENTRETIEN DU FLOTTEUR .....	27
II-2 MONTAGE DU FLOTTEUR SUR LA COQUE OPEN 4.2 / OPEN 4.8 .....	27
II-3 FIXATION DE LA BAVETTE.....	28
II-4 GONFLAGE DU FLOTTEUR .....	29
II-5 PRESSION.....	31
III- Système de propulsion.....	33
IV- Comment conduire votre embarcation .....	34
V- INSTALLATION ET CIRCUIT .....	35
V-1 CIRCUIT de CARBURANT .....	35
V-1-1- Localisation des éléments .....	35
V-1-2- Réservoir portable (en option) .....	37
V-1-3- Filtre séparateur eau/essence (non fourni).....	38
V-1-4- Utilisation des vannes de fermeture du circuit essence (non fournie) .....	39
V-1-5- Recommandations.....	40
V-2 CIRCUIT ELECTRIQUE.....	41
V-2-1- OPEN 3.1 / 3.4 / 4.2 .....	41

V-2-2- OPEN 4.8.....	44
V-2-3- Localisation des éléments .....	47
V-2-4- Coupe-circuit (option) .....	47
V-2-5- Batterie (non fournie).....	48
V-2-6- Feux de navigation.....	49
V-2-7- Câblage d'un accessoire .....	49
V-2-1- Branchements d'options OPEN 3.1 / 3.4 /4.8 .....	50
V-2-2- Branchements d'options OPEN 4.8 .....	51
V-3 INSTALLATION D'ASSECHEMENTS .....	53
V-3-1- Description des éléments fonctionnels .....	53
V-3-2- Bouchons passe coque .....	53
V-3-3- Nable de coque:.....	54
V-4 DIRECTION.....	55
V-5 INCENDIE.....	55
V-6 MOUILLAGE / AMARRAGE .....	56
V-7 REMONTÉE À BORD .....	57
V-7-1- PAR LE FLOTTEUR .....	57
V-7-2- PAR L'ECHELLE (OPTION).....	57
V-8 RIGGING MECANIQUE.....	58
V-9 FIXATION SELLERIE .....	59
VI- EMPLACEMENT ACCESSOIRES .....	60
VI-1 BIMINI OPEN 3.1 / 3.4.....	60
VI-2 BIMINI OPEN 4.2 / 4.8.....	60
VI-3 ROLL BAR OPEN 4.8.....	61
VI-4 RESERVOIRS PORTABLE OPEN 3.1 / 3.4 .....	61
VI-5 RESERVOIRS PORTABLE OPEN 4.2 / 4.8 .....	61
VI-6 COUPE BATTERIE.....	62
VI-7 FEUX BLANC .....	62
VI-8 FILET DE RANGEMENT .....	63
VI-9 KIT DE LEVAGE.....	63
VI-10 PONT EVA.....	63
VII- SIGNALETIQUE .....	64
VII-1 POSITION DES AUTOCOLLANTS .....	64
VII-1 DESCRIPTIF DES AUTOCOLLANTS.....	64

## DESCRIPTION - Caractéristiques techniques

## I- DESCRIPTION

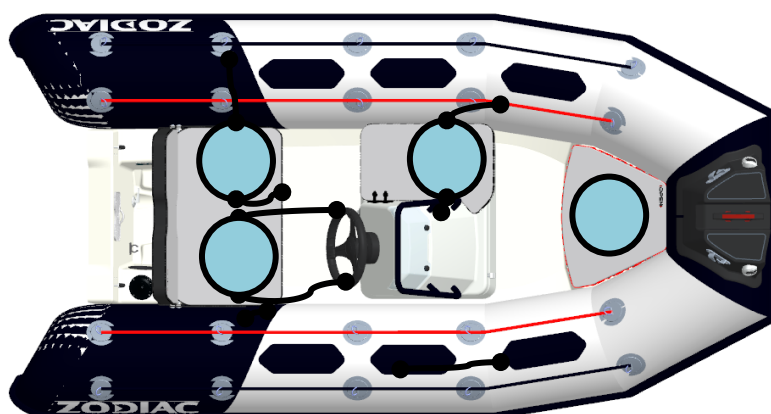
## I-1 CARACTERISTIQUES TECHNIQUES OPEN 3.1


Dimensions					
Tolérances sur les dimensions +/- 3%					
	m	3.1		m	0.455
	ft	10' 2"		ft	1' 6"
	m	2	Sans le flotteur  a  b  c 	m	2.58
	ft	6' 7"		ft	8' 6"
	m	1.65		m	1.01
	ft	5' 5"		ft	3' 4"
	m	0.71		m	1.134
	ft	1' 6"		ft	3' 9"
	HA (mm)	930	Tirant d'air max.		
	T (mm)	225	Tirant d'eau max.		
	°	13	Angle du tableau arrière		
	mm	438	Hauteur du tableau arrière		

Catégorie de conception	
(Directive 2013/53/EU)	C

Capacité				
Tolérances sur les poids +/- 5%				
(ISO)		C	Charge maximale selon ISO 14946 (1+2+3+4), données figurant sur le certificat ICNN. Charge maximale selon ISO 14945 (1+2+3+5), données figurant sur la plaque constructeur. Masse des personnes Effets personnels Liste de toutes les options proposées Contenu des réservoirs de liquides de consommation (essence, eau potable...) Masse du ou des moteurs	
		4		
	ISO 14946	Kg		300
		lb.		661
	ISO 14945	Kg	340	
		lb.	750	
		Kg	132	
		lb.	291	
Nombre de compartiments		3		

## DESCRIPTION - Caractéristiques techniques








 Assise avec prises de main



### **AVERTISSEMENT !!!**

**NE PAS DEPASSER LE NOMBRE MAXIMAL DE PERSONNES RECOMMANDE.**  
**QUELQUE SOIT LE NOMBRE DE PERSONNES À BORD, LA MASSE TOTALE DES PERSONNES ET DE L'EQUIPEMENT NE DOIT JAMAIS DÉPASSER LA CHARGE MAXIMALE RECOMMANDÉE.**

**TOUJOURS UTILISER LES SIÈGES OU PLACES ASSISES PRÉVUES.**

Motorisation Open 3.1			
 Long	Longueur de l'arbre		MONOMOTEUR
			S
	Puissance MINI recommandée	CV	10
		KW	7.5
	Puissance MAXI recommandée	CV	15
		KW	11.2
	Puissance MAXI autorisée	CV	25
		KW	18.6
 Maximum	Poids MAXI moteur	Kg	57
		Lbs	125.7

Les puissances recommandées correspondent à une exploitation optimale des capacités du bateau pour une charge moyenne.

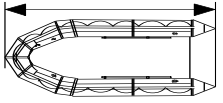
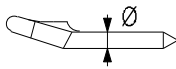
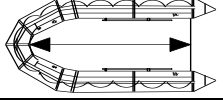
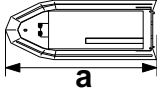

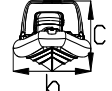
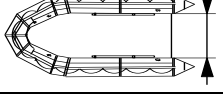
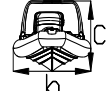
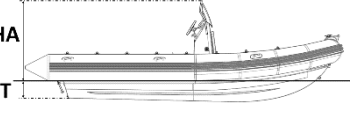
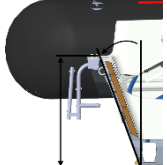
**NOTE :** La puissance maximale autorisée, lorsqu'elle est supérieure à la puissance maximale recommandée, doit être utilisée avec la plus extrême prudence. Elle s'adresse exclusivement à des utilisateurs expérimentés, employant leur bateau dans des conditions très spécifiques (transport de charges lourdes, etc.). Voir Tome 1 du manuel chapitre "Conseils de navigation".


Pour éviter une possible dégradation prématurée de votre flotteur, uniquement pour cette taille de bateau, le moteur doit être monté le plus haut possible sur le tableau arrière. Il est également recommandé de basculer votre moteur sur bâbord lorsque vous êtes au mouillage, lors des phases d'hivernage et de transport du bateau.


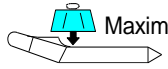

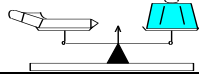
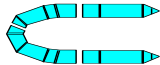


## DESCRIPTION - Caractéristiques techniques

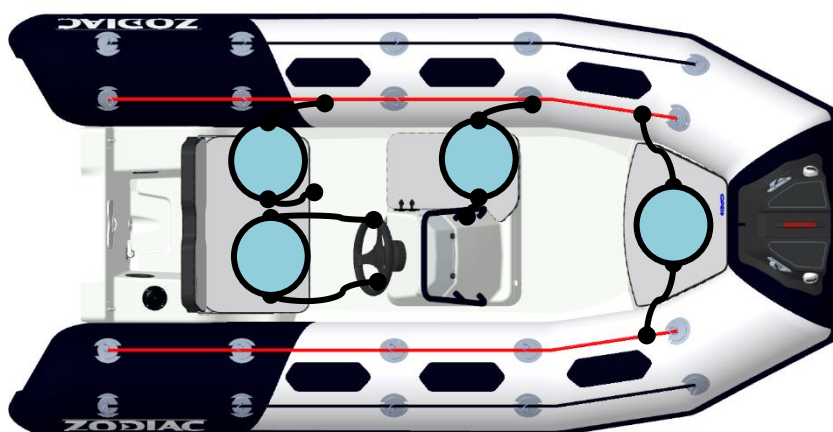
## I-2 CARACTERISTIQUES TECHNIQUES OPEN 3.4

Dimensions						
Tolérances sur les dimensions +/- 3%						
	m	3.4	 Diamètre du flotteur	m	0.455	
	ft	11' 2"		ft	1' 6"	
	m	2.16	Sans le flotteur 	a	m	2.9
	ft	7' 1"			ft	9' 6"
	m	1.7		b	m	1.13
	ft	5' 7"			ft	3' 8"
	m	0.8		c	m	1.17
	ft	2' 7"			ft	3' 10"
	HA (mm)	945	Tirant d'air max.			
	T (mm)	294	Tirant d'eau max.			
	°	13	Angle du tableau arrière			
	mm	524	Hauteur du tableau arrière			

Catégorie de conception	
 (Directive 2013/53/EU)	C

Capacité				
Tolérances sur les poids +/- 5%				
 (ISO)		C	Charge maximale selon ISO 14946 (1+2+3+4), données figurant sur le certificat ICNN. Charge maximale selon ISO 14945 (1+2+3+5), données figurant sur la plaque constructeur. Masse des personnes Effets personnels Liste de toutes les options proposées Contenu des réservoirs de liquides de consommation (essence, eau potable...) Masse du ou des moteurs	
		4		
 Maximum	ISO 14946	Kg		340
		lb.		750
 Maximum	ISO 14945	Kg	420	
		lb.	926	
		Kg	150	
		lb.	331	
Nombre de compartiments 		3		

## DESCRIPTION - Caractéristiques techniques




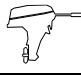

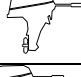

Assise avec prises de main



### **AVERTISSEMENT !!!**

**NE PAS DEPASSER LE NOMBRE MAXIMAL DE PERSONNES RECOMMANDE.**  
**QUELQUE SOIT LE NOMBRE DE PERSONNES À BORD, LA MASSE TOTALE DES PERSONNES ET DE L'EQUIPEMENT NE DOIT JAMAIS DÉPASSER LA CHARGE MAXIMALE RECOMMANDÉE.**

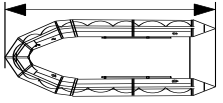
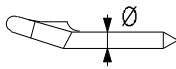
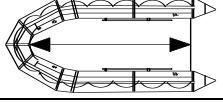
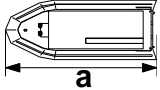

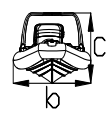
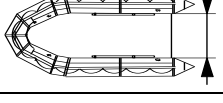
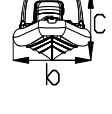
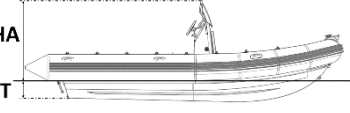
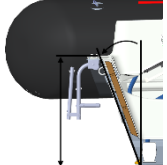
**TOUJOURS UTILISER LES SIÈGES OU PLACES ASSISES PRÉVUES.**


Motorisation Open 3.4				
 Long	Longueur de l'arbre		MONOMOTEUR	Les puissances recommandées correspondent à une exploitation optimale des capacités du bateau pour une charge moyenne.
			L	
	Puissance MINI recommandée	CV	10	
		KW	7.5	
	Puissance MAXI recommandée	CV	15	
		KW	11.2	
	Puissance MAXI autorisée	CV	30	
		KW	22.4	
 Maximum	Poids MAXI moteur	Kg	95	
		Lbs	209	


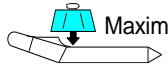

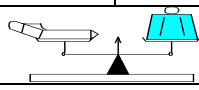
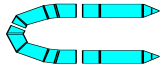
**NOTE :** La puissance maximale autorisée, lorsqu'elle est supérieure à la puissance maximale recommandée, doit être utilisée avec la plus extrême prudence. Elle s'adresse exclusivement à des utilisateurs expérimentés, employant leur bateau dans des conditions très spécifiques (transport de charges lourdes, etc.). Voir Tome 1 du manuel chapitre "Conseils de navigation".

## DESCRIPTION - Caractéristiques techniques

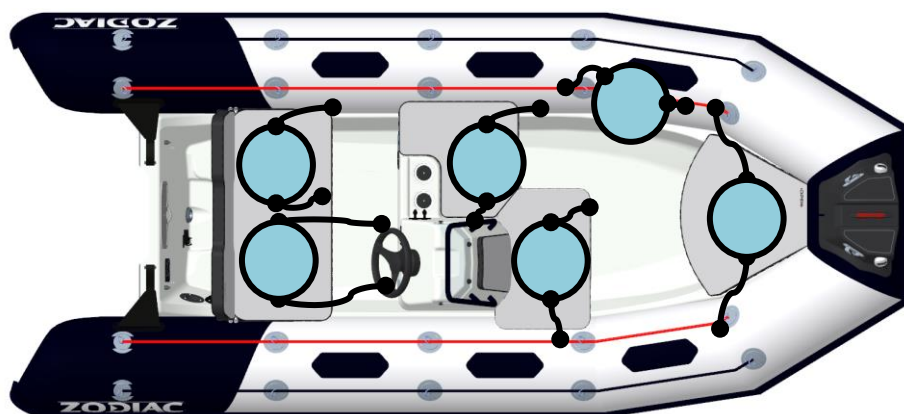
## I-3 CARACTERISTIQUES TECHNIQUES OPEN 4.2


Dimensions						
Tolérances sur les dimensions +/- 3%						
	m	4.2	 Diamètre du flotteur	m	0.455	
	ft	13' 9"		ft	1'6"	
	m	2.7	Sans le flotteur 	a	m	3.6
	ft	8' 10"			ft	11'10"
	m	1.9		b	m	1.24
	ft	6' 3"			ft	4' 1"
	m	1.1		c	m	1.3
	ft	3' 7"			ft	4' 3"
	HA	HA (mm)	968	Tirant d'air max.		
	T	T (mm)	456	Tirant d'eau max.		
	°	°	17	Angle du tableau arrière		
	mm	mm	524	Hauteur du tableau arrière		

Catégorie de conception	
 (Directive 2013/53/EU)	C

Capacité				
Tolérances sur les poids +/- 5%				
 (ISO)		C		
		6		
 Maximum	ISO 14946	Kg	560	Charge maximale selon ISO 14946 (1+2+3+4), données figurant sur le certificat ICNN. Charge maximale selon ISO 14945 (1+2+3+5), données figurant sur la plaque constructeur. Masse des personnes Effets personnels Liste de toutes les options proposées Contenu des réservoirs de liquides de consommation (essence, eau potable...) Masse du ou des moteurs
		lb.	1235	
 Maximum	ISO 14945	Kg	680	
		lb.	1499	
		Kg	270	
		lb.	595	
Nombre de compartiments			3	Poids indiqués hors accessoires

## DESCRIPTION - Caractéristiques techniques








 Assise avec prises de main



### **AVERTISSEMENT !!!**

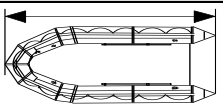
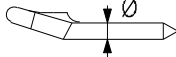
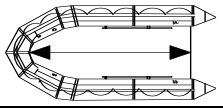
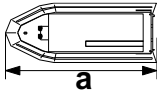


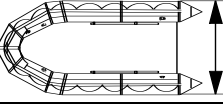
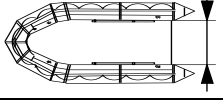
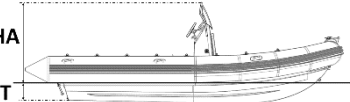
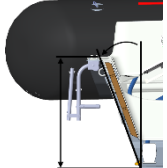
**NE PAS DEPASSER LE NOMBRE MAXIMAL DE PERSONNES RECOMMANDE.  
QUELQUE SOIT LE NOMBRE DE PERSONNES À BORD, LA MASSE TOTALE DES  
PERSONNES ET DE L'EQUIPEMENT NE DOIT JAMAIS DÉPASSER LA CHARGE  
MAXIMALE RECOMMANDÉE.  
TOUJOURS UTILISER LES SIÈGES OU PLACES ASSISES PRÉVUES.**


Motorisation Open 4.2				
	Longueur de l'arbre	MONOMOTEUR		Les puissances recommandées correspondent à une exploitation optimale des capacités du bateau pour une charge moyenne.
		L		
	Puissance MINI recommandée	CV	15	
		KW	11.2	
	Puissance MAXI recommandée	CV	40	
		KW	29.8	
	Puissance MAXI autorisée	CV	50	
		KW	37.3	
	Poids MAXI moteur	Kg	115	
		Lbs	253.5	


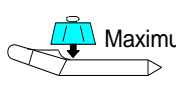
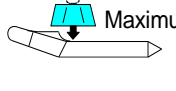
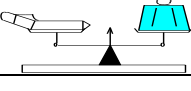

**NOTE :** La puissance maximale autorisée, lorsqu'elle est supérieure à la puissance maximale recommandée, doit être utilisée avec la plus extrême prudence. Elle s'adresse exclusivement à des utilisateurs expérimentés, employant leur bateau dans des conditions très spécifiques (transport de charges lourdes, etc.). Voir Tome 1 du manuel chapitre "Conseils de navigation".

## DESCRIPTION - Caractéristiques techniques

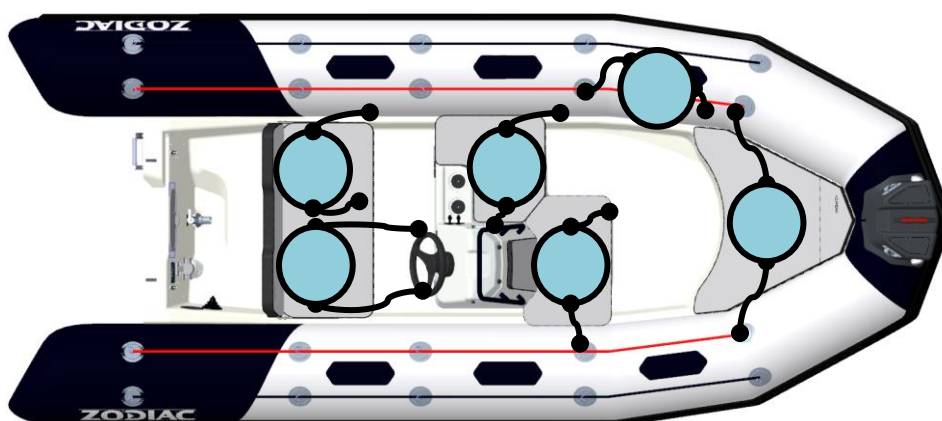
## I-4 CARACTERISTIQUES TECHNIQUES OPEN 4.8


Dimensions						
Tolérances sur les dimensions +/- 3%						
	m	4.7		m	0.5	
	ft	15' 5"		ft	1' 8"	
	m	2.92	Sans le flotteur   	a	m	3.83
	ft	9' 7"			ft	12' 7"
	m	2.09		b	m	1.38
	ft	6' 10"			ft	4' 6"
	m	1.1		c	m	1.38
	ft	3' 7"			ft	4' 6"
	HA (mm)	1085	Tirant d'air max.			
	T (mm)	485	Tirant d'eau max.			
	°	17.5	Angle du tableau arrière			
	mm	537	Hauteur du tableau arrière			

Catégorie de conception	
 (Directive 2013/53/EU)	C

Capacité				
Tolérances sur les poids +/- 5%				
 (ISO)		C		
		6		
 Maximum	ISO 14946	Kg	590	Charge maximale selon ISO 14946 (1+2+3+4), données figurant sur le certificat ICNN. Charge maximale selon ISO 14945 (1+2+3+5), données figurant sur la plaque constructeur. Masse des personnes Effets personnels Liste de toutes les options proposées Contenu des réservoirs de liquides de consommation (essence, eau potable...) Masse du ou des moteurs
		lb.	1301	
 Maximum	ISO 14945	Kg	760	
		lb.	1676	
		Kg	310	
		lb.	683	
Nombre de compartiments		5		Poids indiqués hors accessoires

## DESCRIPTION - Caractéristiques techniques







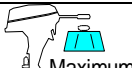
 Assise avec prises de main



### **AVERTISSEMENT !!!**

**NE PAS DEPASSER LE NOMBRE MAXIMAL DE PERSONNES RECOMMANDE.**  
**QUELQUE SOIT LE NOMBRE DE PERSONNES À BORD, LA MASSE TOTALE DES PERSONNES ET DE L'EQUIPEMENT NE DOIT JAMAIS DÉPASSER LA CHARGE MAXIMALE RECOMMANDÉE.**

**TOUJOURS UTILISER LES SIÈGES OU PLACES ASSISES PRÉVUES.**

Motorisation Open 4.8					
 Long	Longueur de l'arbre		MONOMOTEUR		Les puissances recommandées correspondent à une exploitation optimale des capacités du bateau pour une charge moyenne.
			L		
	Puissance MINI recommandée	CV	40		
		KW	29.8		
	Puissance MAXI recommandée	CV	50		
		KW	37.3		
	Puissance MAXI autorisée	CV	80		
		KW	59.7		
 Maximum	Poids MAXI moteur	Kg	170		
		Lbs	374.8		

**NOTE :** La puissance maximale autorisée, lorsqu'elle est supérieure à la puissance maximale recommandée, doit être utilisée avec la plus extrême prudence. Elle s'adresse exclusivement à des utilisateurs expérimentés, employant leur bateau dans des conditions très spécifiques (transport de charges lourdes, etc.). Voir Tome 1 du manuel chapitre "Conseils de navigation".

**DESCRIPTION - Caractéristiques techniques**

**NOTE :** La puissance maximale autorisée, lorsqu'elle est supérieure à la puissance maximale recommandée, doit être utilisée avec la plus extrême prudence. Elle s'adresse exclusivement à des utilisateurs expérimentés, employant leur bateau dans des conditions très spécifiques (transport de charges lourdes, etc.). Voir Tome 1 du manuel chapitre "Conseils de navigation".

**AVERTISSEMENT !!!**

**LORS DU CHARGEMENT DU BATEAU, NE JAMAIS DÉPASSER LA CHARGE MAXIMAL RECOMMANDEE. TOUJOURS CHARGER LE BATEAU AVEC SOIN ET REPARTIR LES CHARGES DE MANIERE APPROPRIEE POUR CONSERVER L'ASSIETTE THEORIQUE (APPOXIMATIVEMENT HORIZONTAL). EVITER DE PLACER DES CHARGES LOURDES DASN LES HAUTS.**

**AVERTISSEMENT !!!**

**LA CHARGE MAXIMUM INDIQUEE SUR LA PLAQUE CONSTRUCTEUR NE DOIT PAS ETRE DEPASSEE.**

**IL EST RECOMMANDE LORSQUE LE BATEAU EST CHARGE AU MAXIMUM :**

- **DE NAVIGUER AVEC PRECAUTION**
- **DE REPARTIR LES CHARGES**
- **DE CONSERVER UNE ASSIETTE DU BATEAU APPROPRIEE.**

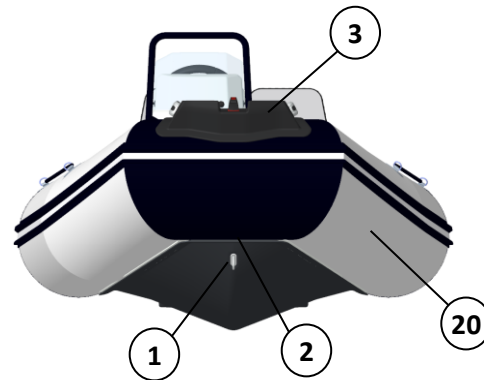
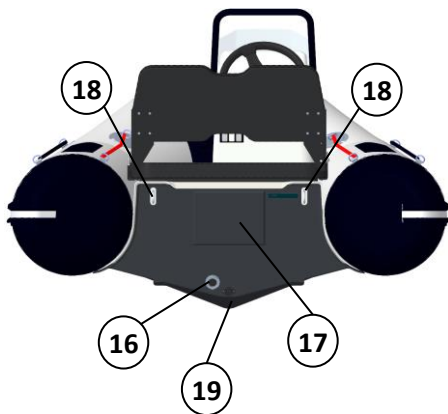
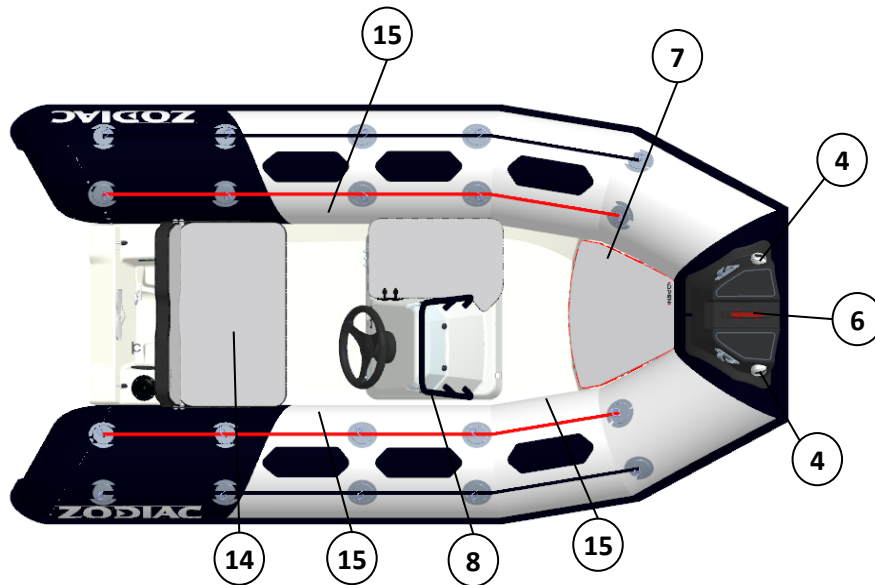
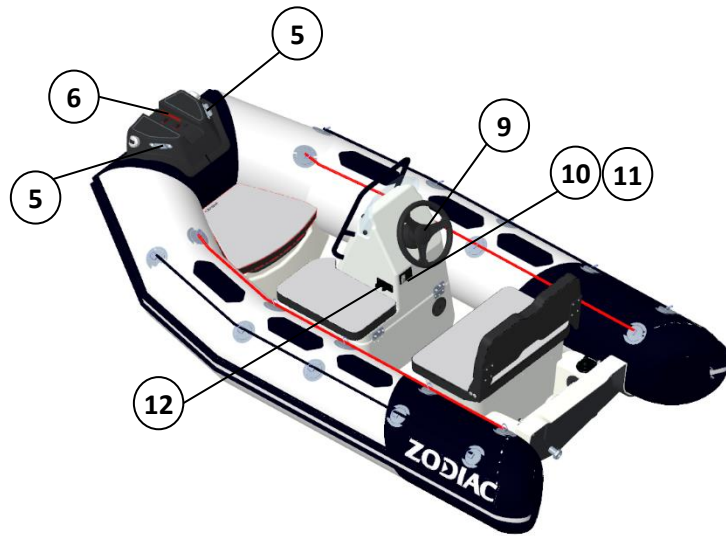
**ATTENTION !!!**

**NE PAS STOCKER DE PRODUITS INFLAMMABLES DANS LE COMPARTIMENT ARRIERE.**

**LE STOCKAGE D'UN RESERVOIR D'APPOINT EST FORMELLEMENT INTERDIT.**

I-5 INVENTAIRE ET LOCALISATION

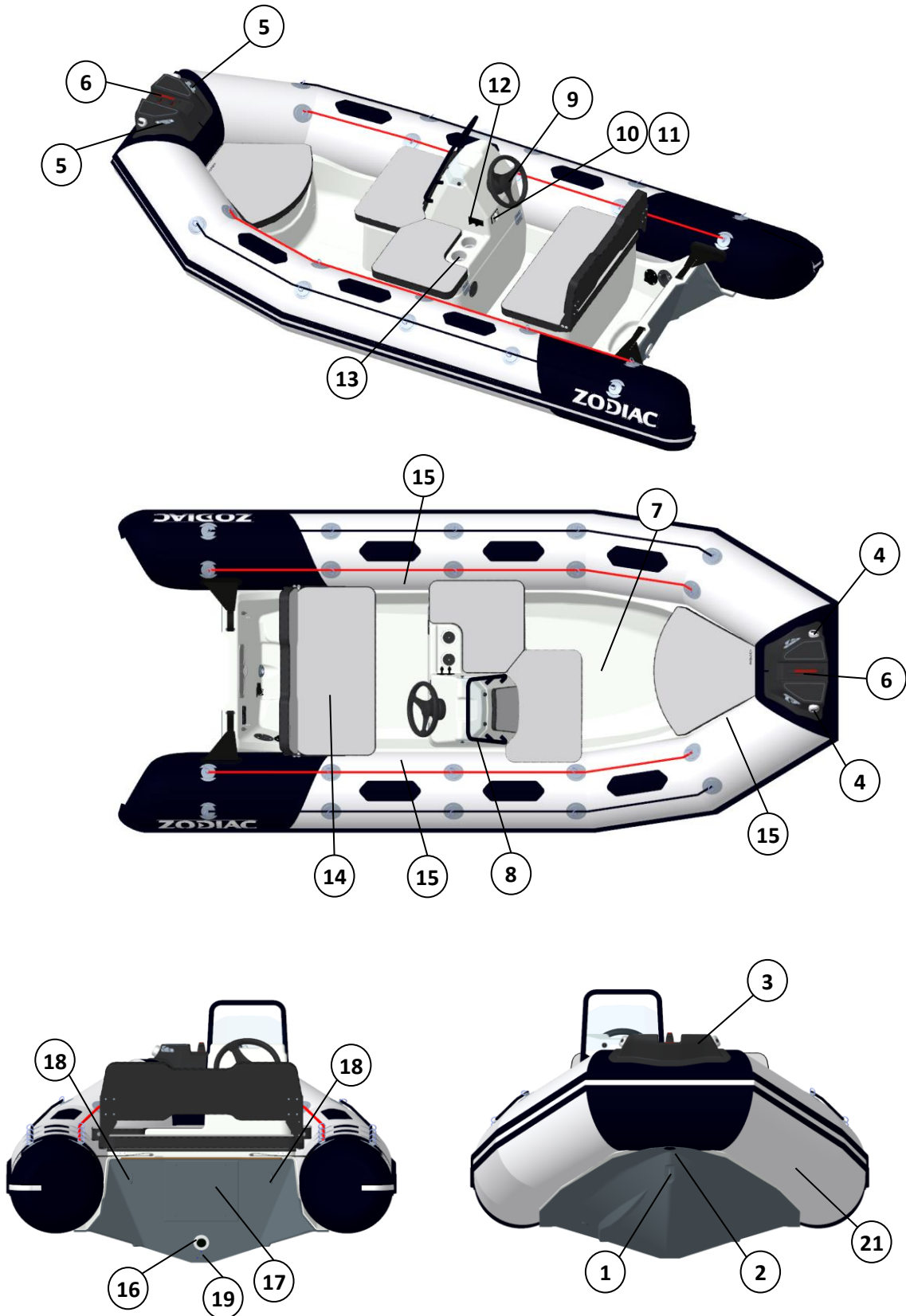
OPEN 3.1 & 3.4





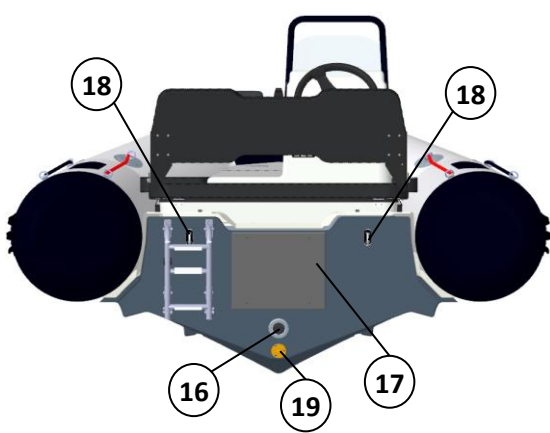
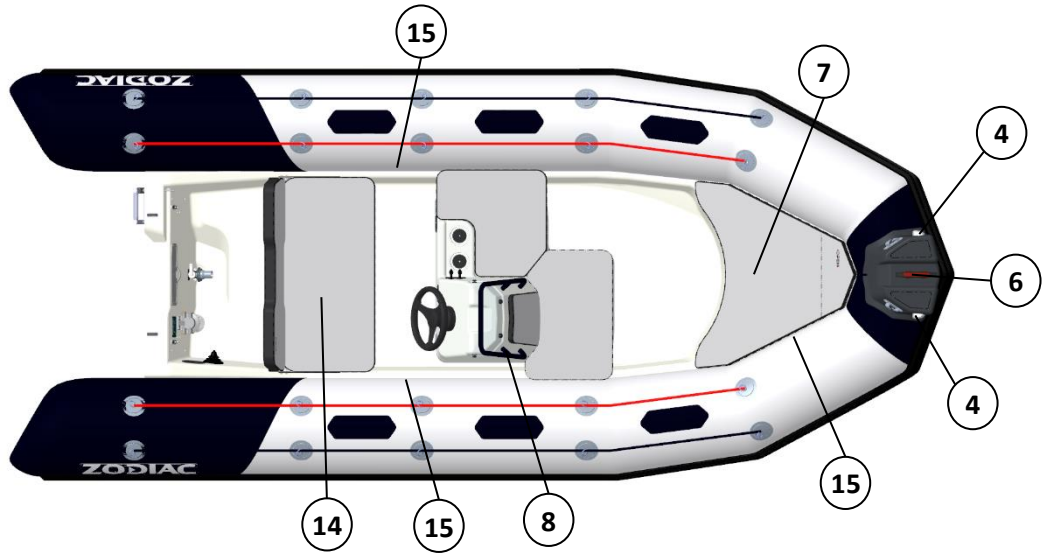
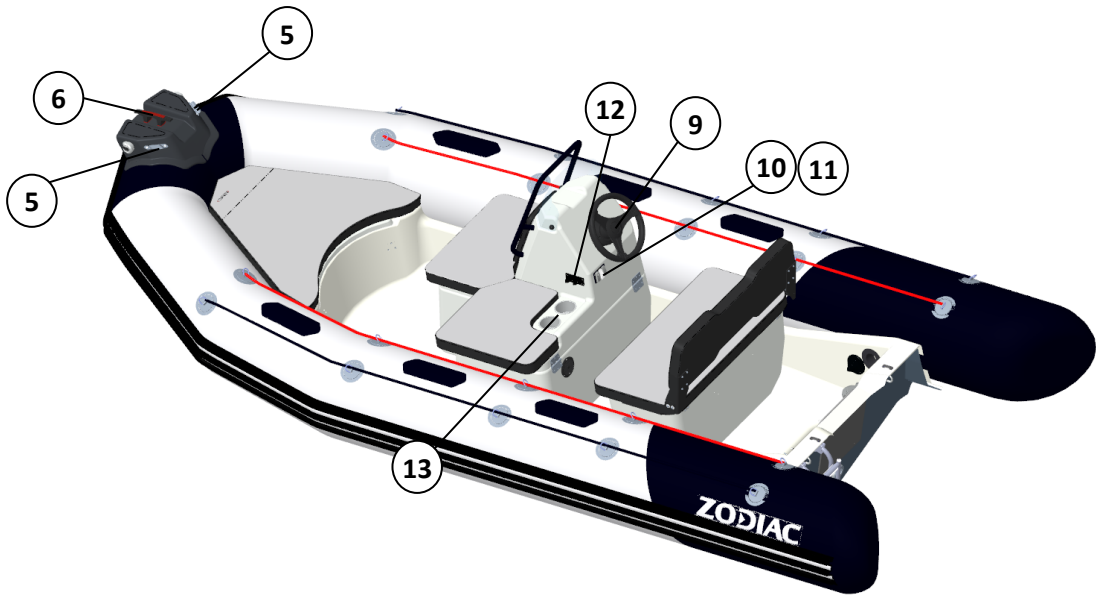
DESCRIPTION – INVENTAIRE et Localisation

OPEN 4.2



DESCRIPTION – INVENTAIRE et Localisation

OPEN 4.8



## DESCRIPTION – INVENTAIRE et Localisation

Repère	DESIGNATION
<b>EQUIPEMENT STANDARD</b>	
	2 pagaies télescopiques, 1 gonfleur à pied, 1 mallette de réparation, 1 manuel de propriétaire (2 tomes), 1 manomètre. Coque polyester avec pont contre moulé et antidérapant
	Banquette
	Console
1	Cadène d'étrave
2	Fixation bavette flotteur
3	Davier
4	Feux de navigation
5	Chaumard
6	Taquet d'amarrage
7	Coffre à mouillage
8	Main courante
9	Volant, direction mécanique
10	Interrupteur feu de navigation
11	Emplacement vides pour d'autres interrupteurs
12	Prise 12V et prise USB
13	Vide poche / Porte Gobelet
14	Batterie (bac) <i>A l'intérieur de la banquette arrière</i>
15	Valves de gonflement/dégonflement
16	Vide-vite de pont
17	Plaque martyr
18	Cadènes de remorquage
19	Nable de coque
20	Flotteur collé avec une bande anti-raggage, des saisines et des cônes longs.
21	Flotteur amovible avec une bande anti-raggage à profil large, des saisines et des cônes longs.

EQUIPEMENTS EN OPTION	OPEN 3.1	OPEN 3.4	OPEN 4.2	OPEN 4.8
Réservoir portable	X	X	X	X
Coupe-batterie	X	X	X	X
Echelle de bain	X	X	X	X
Filet de rangement	X	X	X	X
Pont EVA	X	X	X	X
Feux Blanc	X	X	X	X
Kit de levage	X	X	X	X
Taud de mouillage	X	X	X	X
Bimini	X	X	X	X
Turboswing			X	X
Roll Bar / Mât de ski				X
Autres options disponibles, voir votre revendeur ZODIAC				

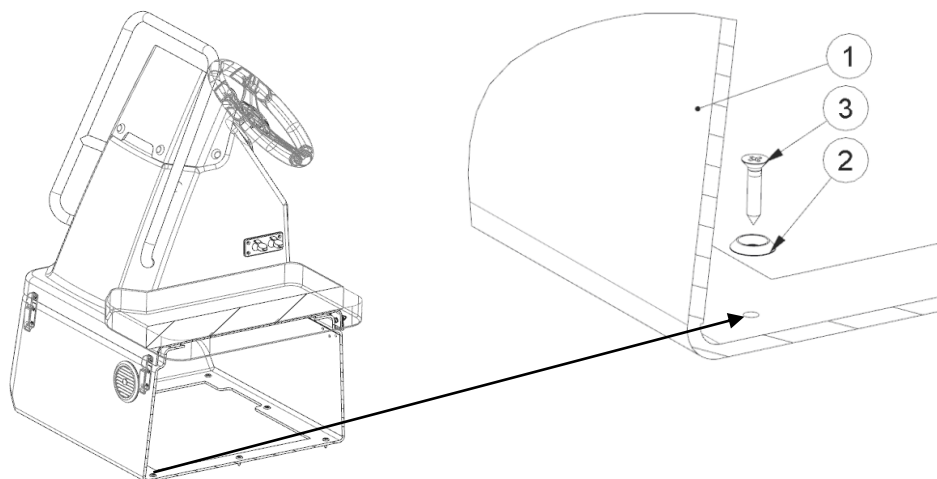
**I-6 EMBLACEMENT EQUIPEMENTS**

Votre bateau sera livré avec sa console et sa banquette non assemblé sur la coque.  
 Veuillez suivre les étapes ci-dessous pour la mise en place, l'étanchéité et le maintien en position des éléments sur le pont.

Il est conseiller d'installer tous les câbles et faisceaux moteur avant de suivre ces étapes de montage.

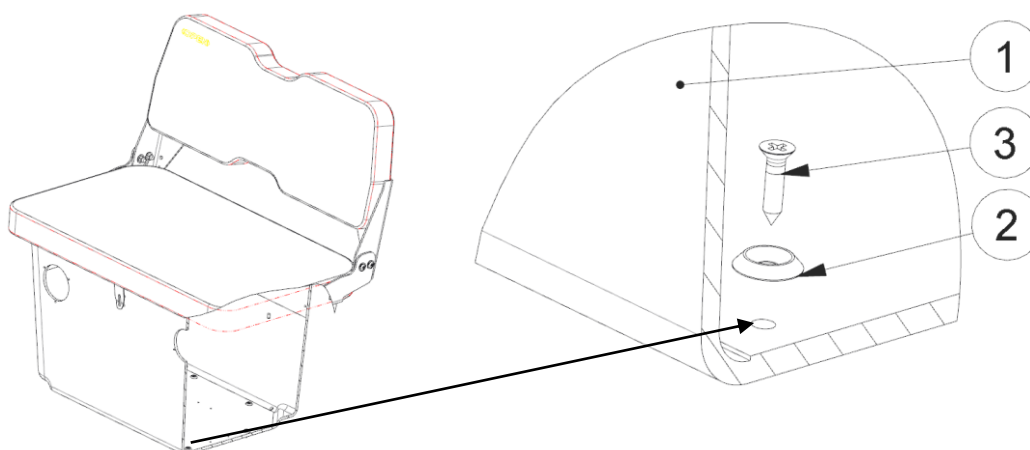
**I-6-1- OPEN 3.1 / OPEN 3.4**

**I-6-1-1- Console**



Repère	Désignation	Quantité
1	ENSEMBLE CONSOLE 3.1/3.4	1
2	RONDELLE CUVETTE M5	8
3	VIS TOL FZ 4,8X25	8

**I-6-1-2- Banquette**

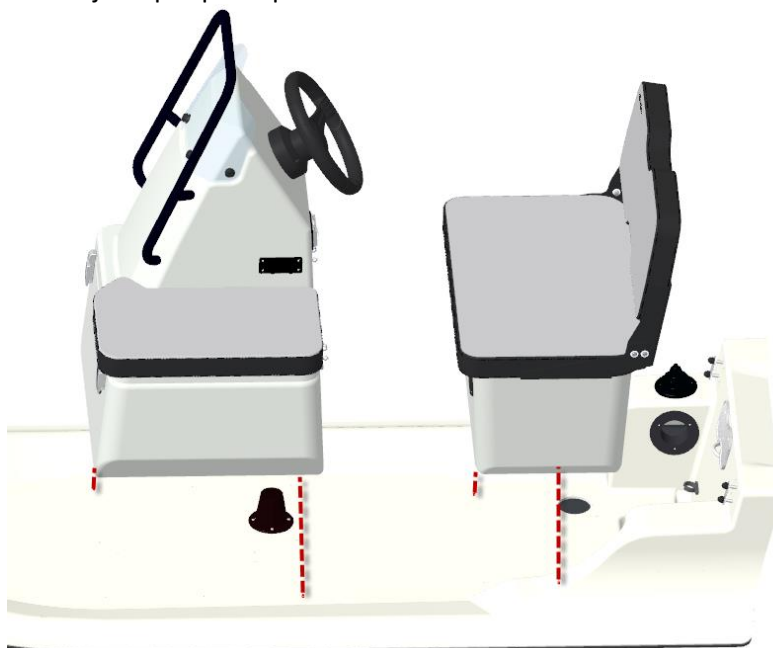


Repère	Désignation	Quantité
1	ENSEMBLE BANQUETTE 3.1/3.4	1
2	RONDELLE CUVETTE M5	6
3	VIS TOL FZ 4,8X32	6

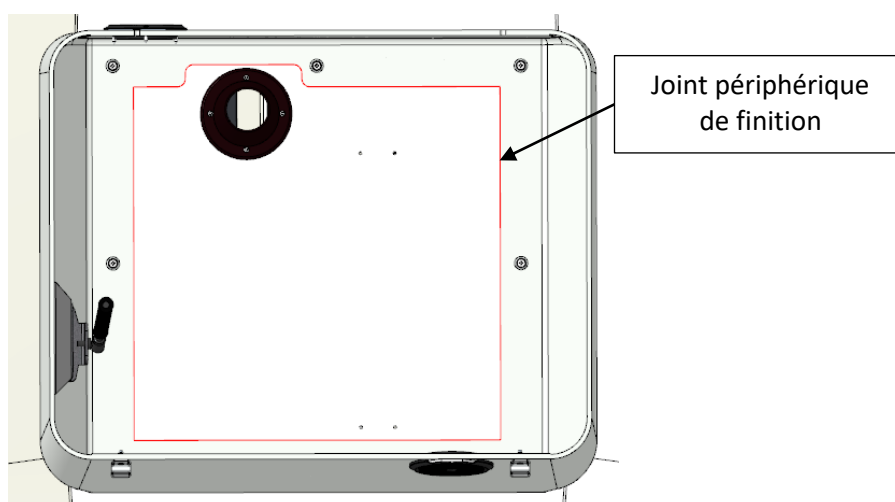
## DESCRIPTION – INVENTAIRE et Localisation

## I-6-1-1- Installation

- Présenter chaque équipement sur le pont en les alignant avec les perçages présents sans visser,
- Vérifier que les équipements soient bien parallèles entre eux et par rapport au tableau arrière,
- Utiliser les perçages de la console et de la banquette pour marquer les positions des perçages sur le pont,
- Enlever les équipements, percer avec un foret de  $\varnothing 4.2\text{mm}$ ,
- Nettoyer et déposer du SIKAFLEX 221 autour de chaque perçages et entre chaque perçages afin de créer un joint périphérique.



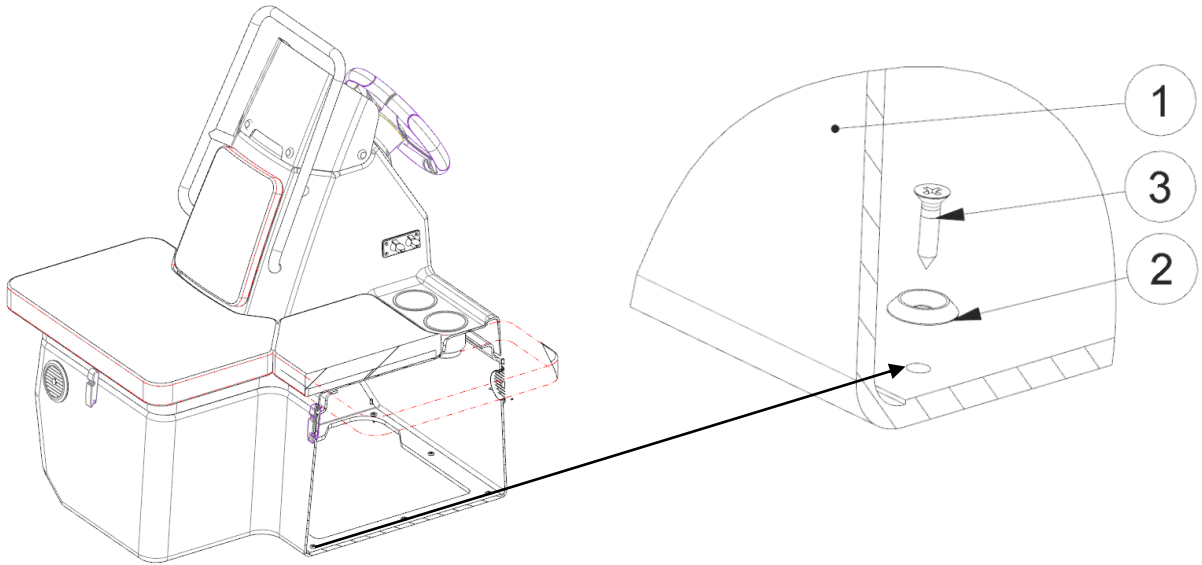
- Présenter les équipements sur le ponts et visser.
- Nettoyer le surplus de SIKAFLEX
- Réaliser un joint de finition périphérique sur la tranche intérieure de la console pour une meilleure étanchéité.



**DESCRIPTION – INVENTAIRE et Localisation**

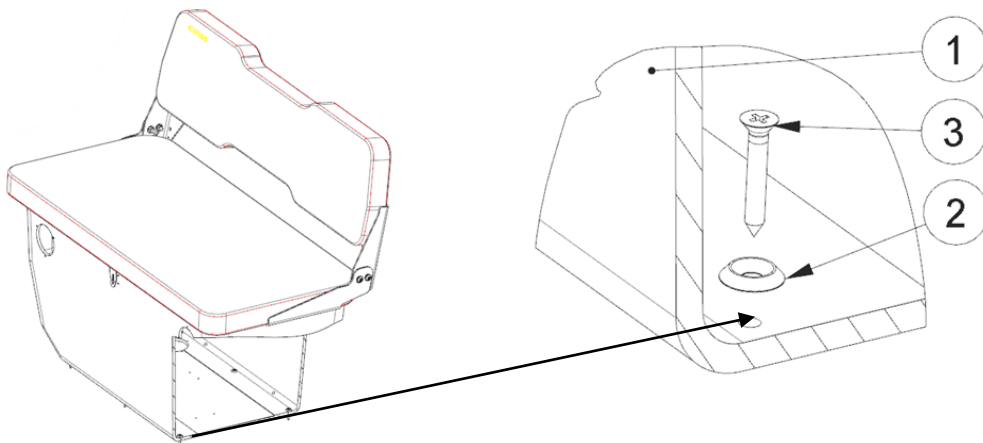
**I-6-2- OPEN 4.2 / OPEN 4.8**

**I-6-2-1- Console**



Repère	Désignation	Quantité
1	ENSEMBLE CONSOLE 4.2/4.8	1
2	RONDELLE CUVETTE M5	8
3	VIS TOL FZ 4,8X25	8

**I-6-2-2- Banquette**

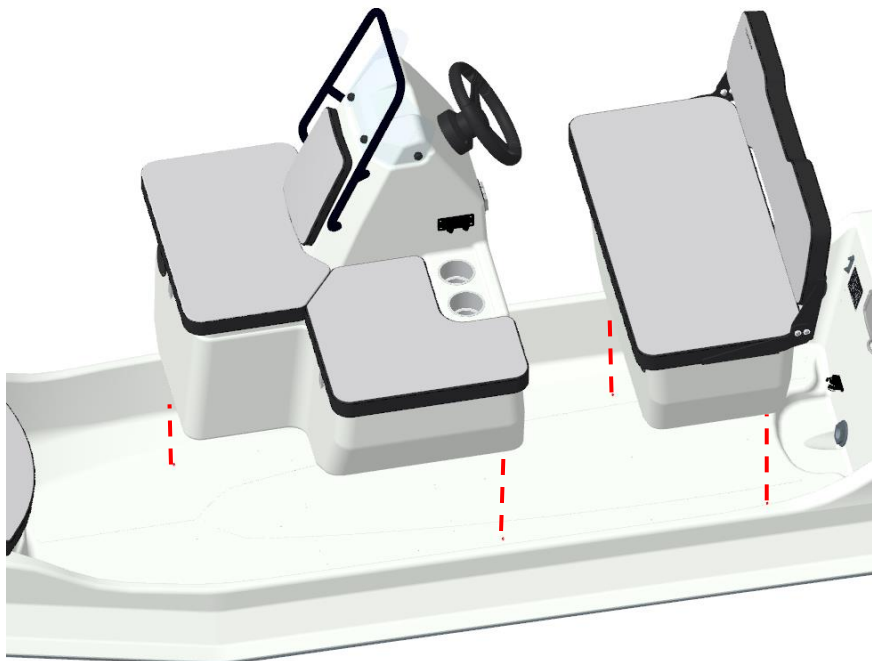


Repère	Désignation	Quantité
1	ENSEMBLE BANQUETTE 4.2/4.8	1
2	RONDELLE CUVETTE M5	6
3	VIS TOL FZ 4,8X32	6

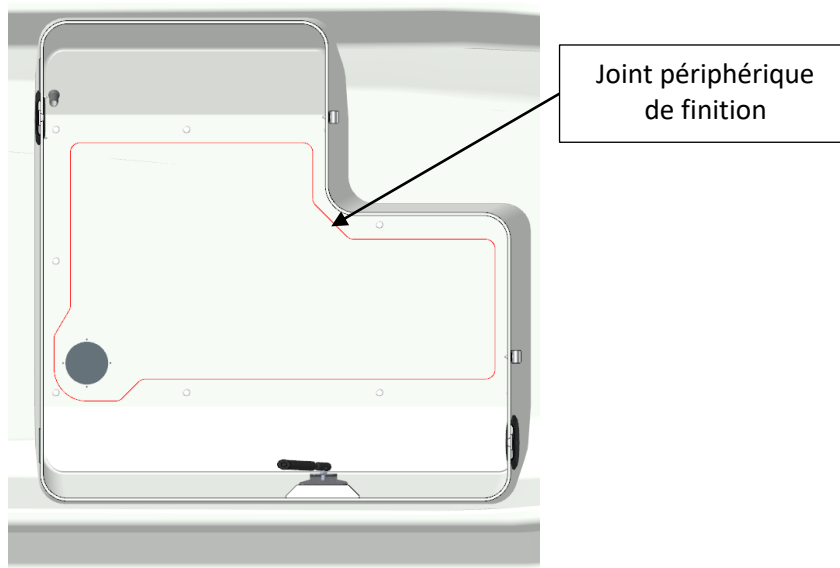
## DESCRIPTION – INVENTAIRE et Localisation

## I-6-2-3- Installation

- Présenter chaque équipement sur le pont en les alignant avec les perçages présents sans visser,
- Vérifier que les équipements soient bien parallèles entre eux et par rapport au tableau arrière,
- Utiliser les perçages de la console et de la banquette pour marquer les positions des perçages sur le pont,
- Enlever les équipements, percer avec un foret de  $\varnothing 4.2\text{mm}$ ,
- Nettoyer et déposer du SIKAFLEX 221 autour et entre chaque perçages afin de créer un joint périphérique.



- Présenter les équipements sur le ponts et visser.
- Nettoyer le surplus de SIKAFLEX
- Réaliser un joint de finition périphérique sur la tranche intérieure de la console pour une meilleure étanchéité.



I-7 MANUTENTION

I-7-1- Transport

Les conseils pour la mise sur remorque sont spécifiés dans le manuel du propriétaire TOME I.

**Utilisez une remorque adaptée à votre embarcation.**

Le bateau est au gabarit routier. Il est prévu pour être transporté gonflé.

La masse en condition de transport pour une remorque comprend :

**OPEN 3.1**

Poids du bateau à vide :	132 kg	<i>Tolérance +/- 5 %</i>
Poids moteur(s) :	57 kg	
Réserve consommable :	25 kg	<i>Réservoir essence</i>
Options :	14 kg	<i>Modèle toutes options</i>
Equipement de sécurité :	21 kg	<i>Equipements</i>
Σ :	<b>249 kg</b>	

**OPEN 3.4**

Poids du bateau à vide :	150 kg	<i>Tolérance +/- 5 %</i>
Poids moteur(s) :	95 kg	
Réserve consommable :	25 kg	<i>Réservoir essence</i>
Options :	14 kg	<i>Modèle toutes options</i>
Equipement de sécurité :	21 kg	<i>Equipements</i>
Σ :	<b>305 kg</b>	

**OPEN 4.2**

Poids du bateau à vide :	265 kg	<i>Tolérance +/- 5 %</i>
Poids moteur(s) :	115 kg	
Réserve consommable :	47 kg	<i>Réservoir essence et réservoir d'eau douce</i>
Options :	27 kg	<i>Modèle toutes options</i>
Equipement de sécurité :	21 kg	<i>Equipements</i>
Σ :	<b>475 kg</b>	

**OPEN 4.8**

Poids du bateau à vide :	310 kg	<i>Tolérance +/- 5 %</i>
Poids moteur(s) :	170 kg	
Réserve consommable :	47 kg	<i>Réservoir essence et réservoir d'eau douce</i>
Options :	27 kg	<i>Modèle toutes options</i>
Equipement de sécurité :	21 kg	<i>Equipements</i>
Σ :	<b>575 kg</b>	



**DESCRIPTION - Manutention**

ARRIMAGE SUR REMORQUE OU SUR BER :  
UTILISEZ L'ANNEAU D'ETRAVE ET LES CADENES ARRIERES SUR LA FACE  
EXTERIEURE DU TABLEAU ARRIERE.



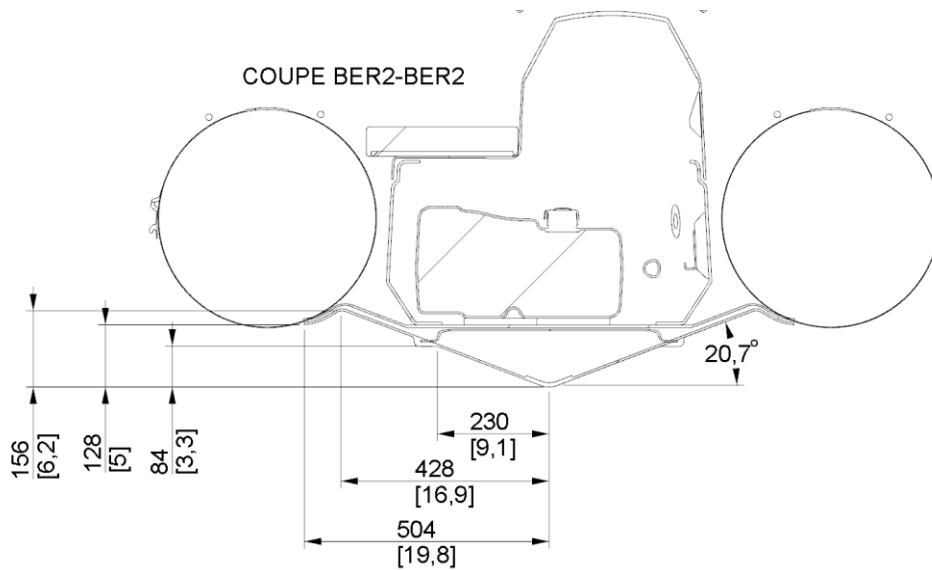
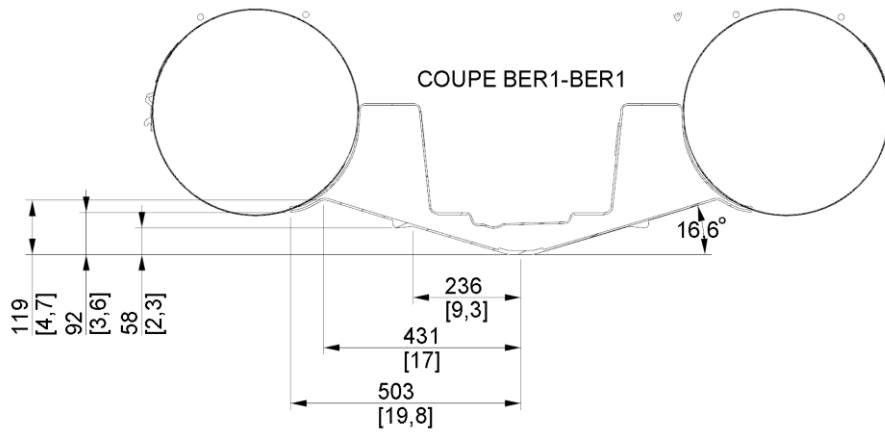
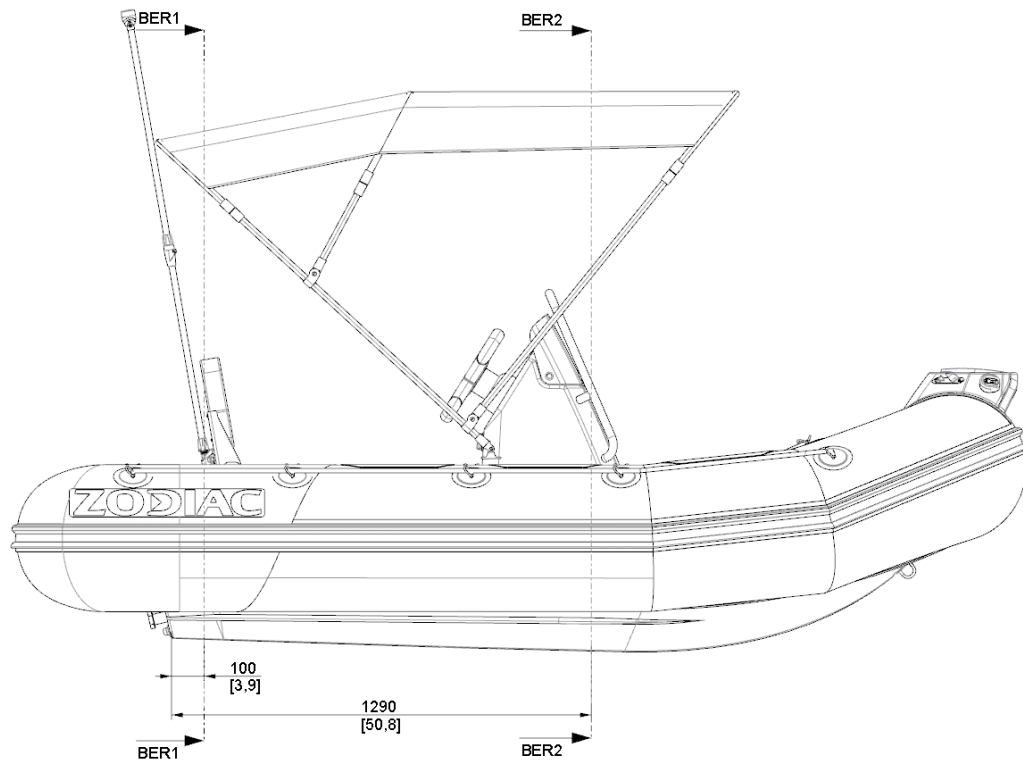
PRECONISATION : EN CAS DE TRANSPORT FLOTTEUR DEGONFLE !  
AFIN D'EVITER D'ENDOMMAGER LES CONES ARRIERE, IL EST PRECONISE DE  
SE PREMUNIR DU KIT DE SANGLE DE TRANSPORT (EQUIPEMENT EN  
OPTION).



ATTENTION !!!  
LE BATEAU DOIT IMPERATIVEMENT REPOSER SUR LA LIGNE D'ETRAVE.  
VOIR CROQUIS CI-DESSOUS.

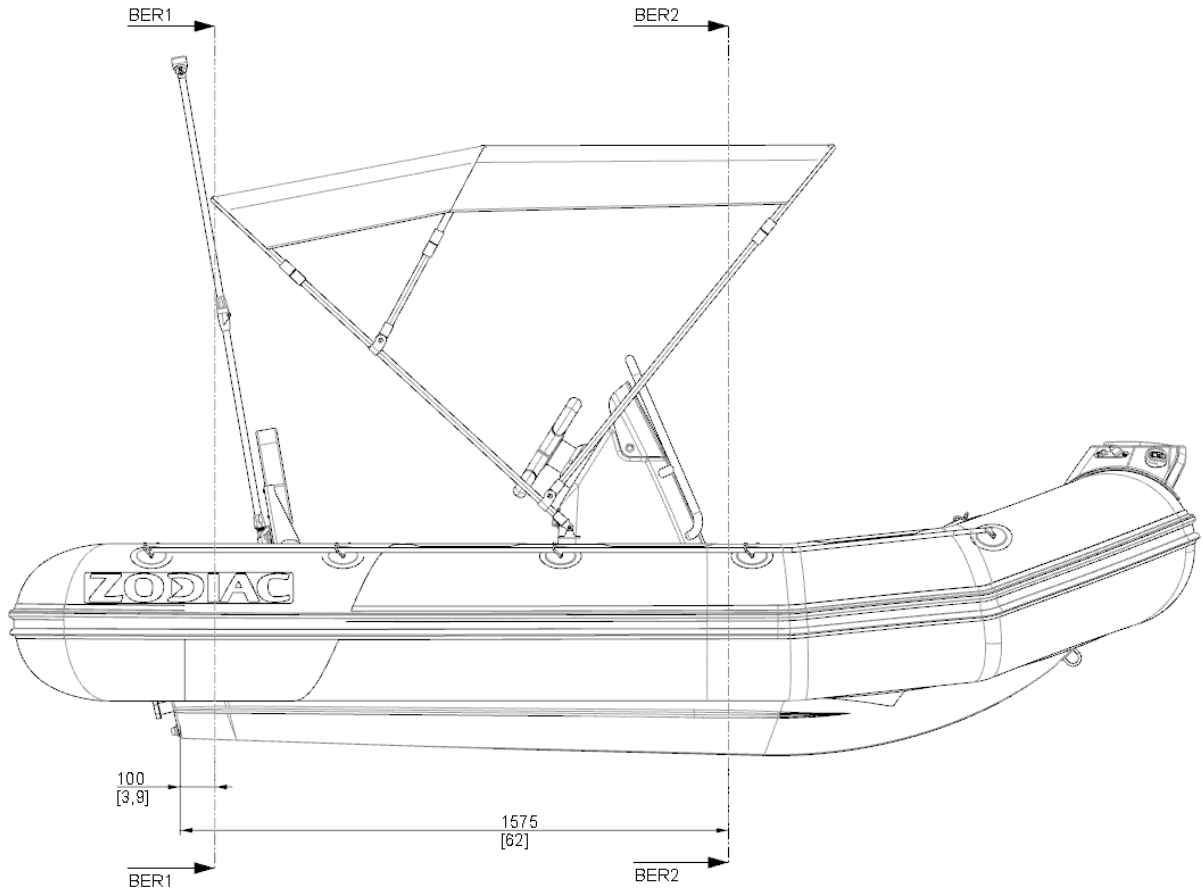
DESCRIPTION - Manutention

OPEN 3.1

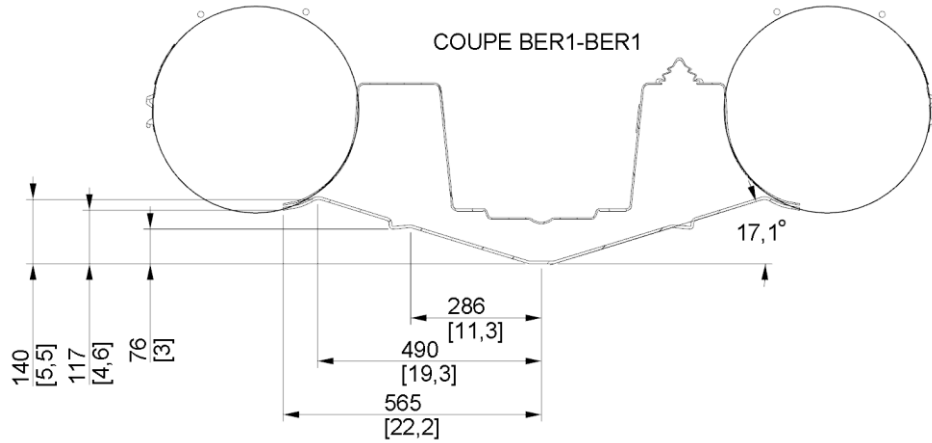


**DESCRIPTION - Manutention**

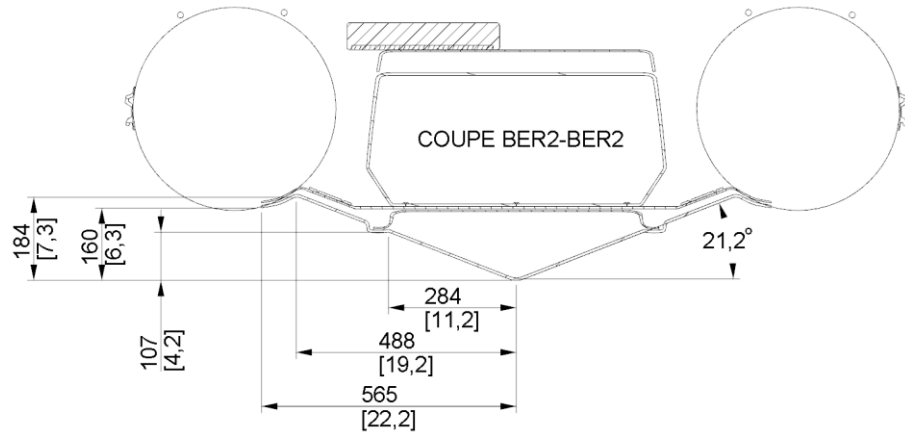
**OPEN 3.4**



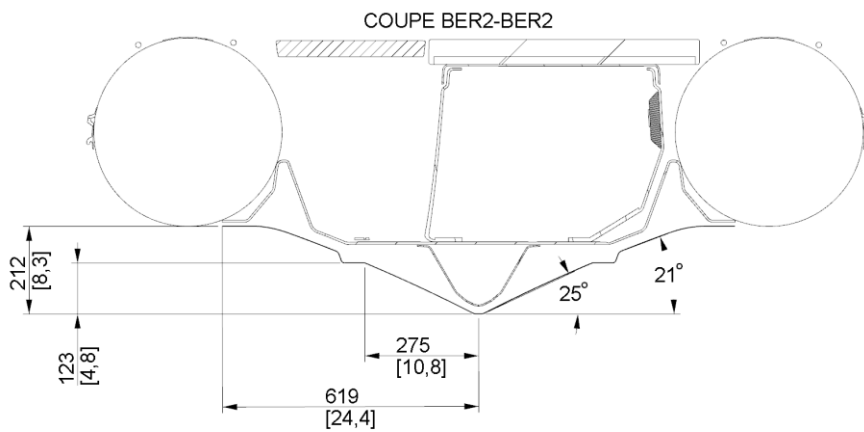
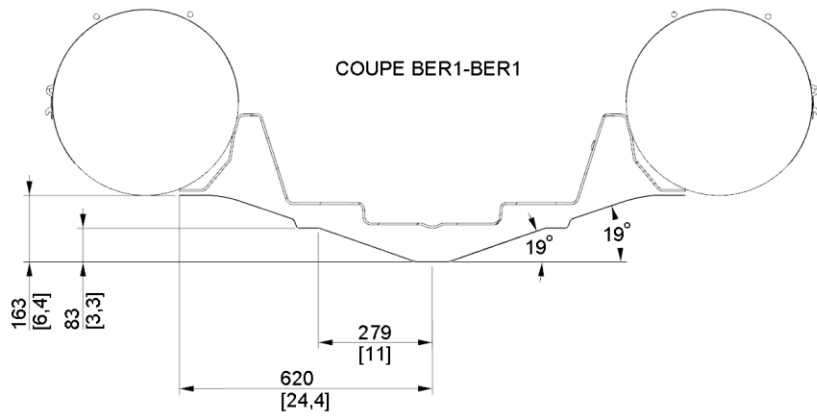
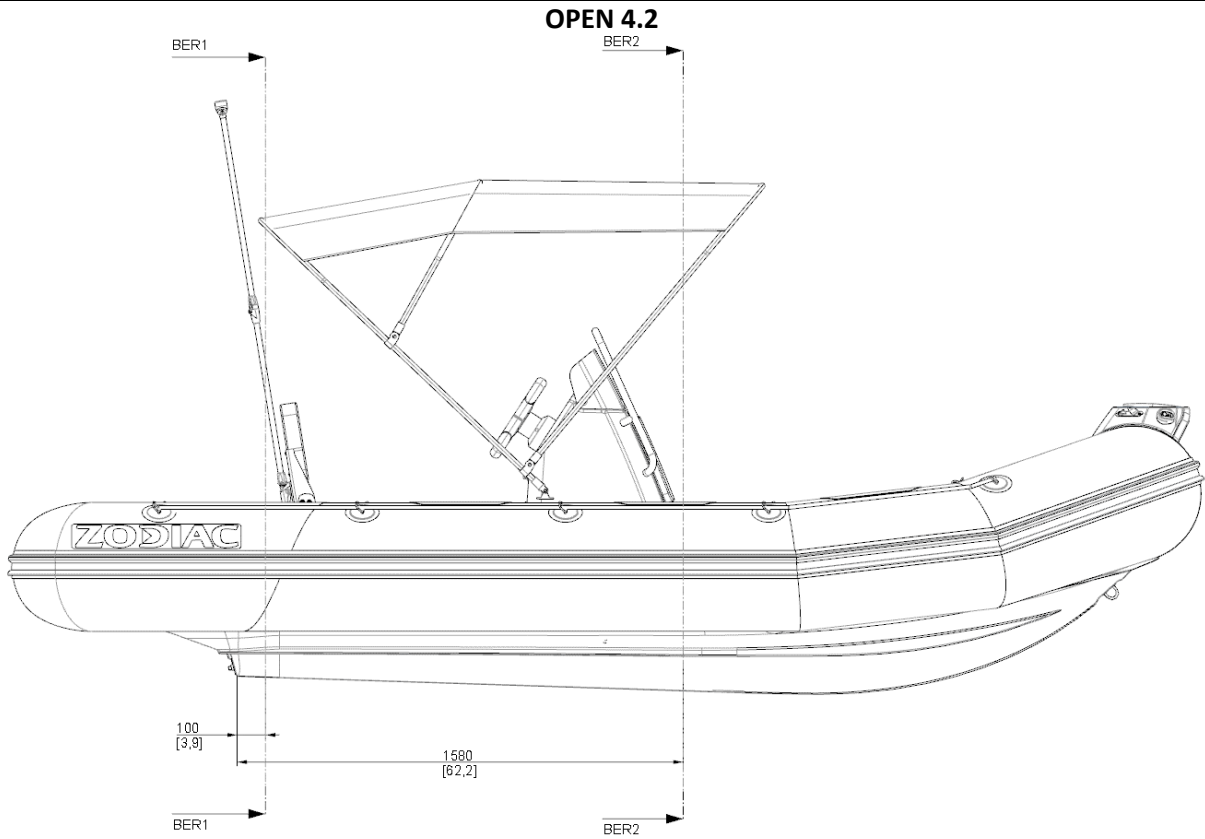
**COUPE BER1-BER1**



**COUPE BER2-BER2**

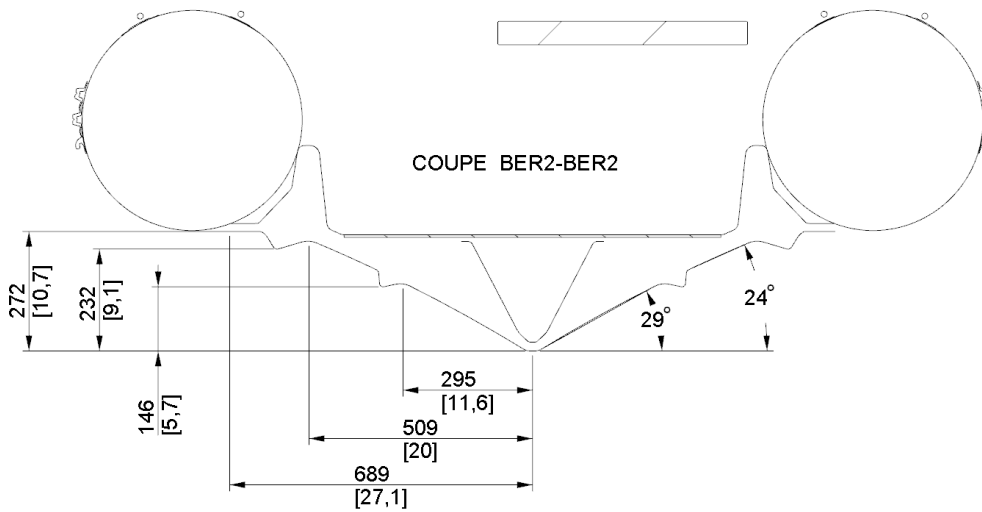
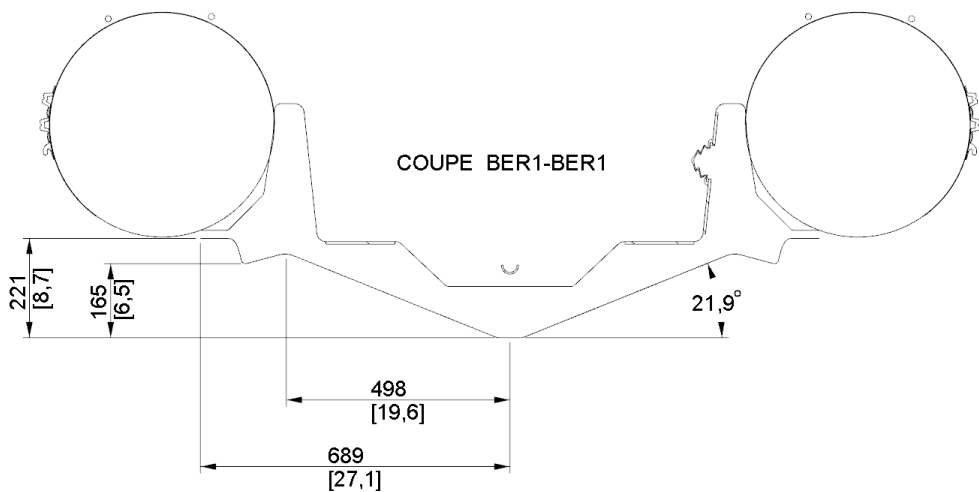
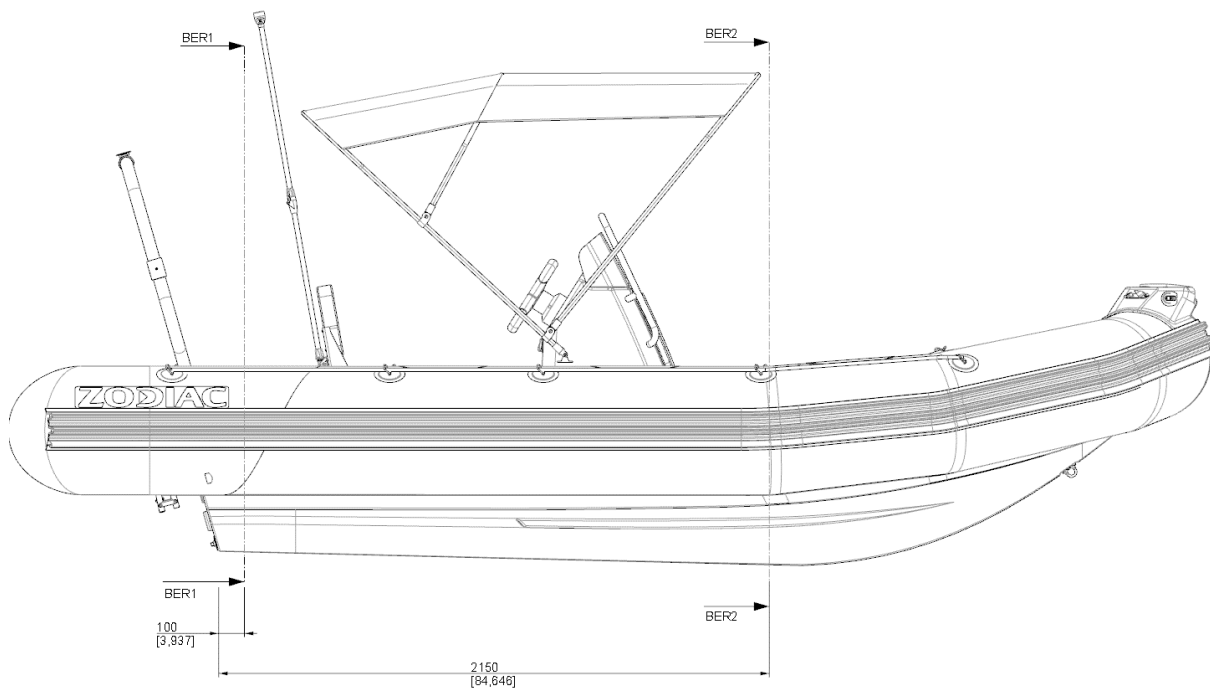


**DESCRIPTION - Manutention**



DESCRIPTION - Manutention

OPEN 4.8



I-7-2- Levage



**AVERTISSEMENT**

LE BATEAU NE DISPOSE PAS DE MOYEN DE LEVAGE. L'OPERATION DE LEVAGE DOIT OBLIGATOIREMENT S'EFFECTUER EN PASSANT DES SANGLES DE LEVAGE APPROPRIEES SOUS LA COQUE.



OPEN 3.1 : 1000 mm\*

OPEN 3.4 : 1100 mm\*

OPEN 4.2 : 1220 mm\*

OPEN 4.8 : 1400mm\*

\*Estimation du centre de gravité avec le moteur le plus lourd.



**AVERTISSEMENT**

POUR L'OPERATION DE LEVAGE S'ADRESSER A DES SPECIALISTES DU LEVAGE.



**DANGER !!!**

AUCUN PASSAGER À BORD LORS DU GRUTAGE.



**ATTENTION !!!**

LE BATEAU DOIT ETRE DECHARGE DE TOUT MATERIEL LORS DU GRUTAGE OU DE LA MISE SOUS BOSSOIRS.

OUVRIRE LE NABLE ARRIERE DE LA COQUE AVANT LA MISE A L'EAU DU BATEAU AFIN D'ASSURER L'EVACUATION EVENTUELLE D'EAU DE PLUIE EN FOND DE CALE (REFERMER LE NABLE AVANT LA MISE A L'EAU).

## FLOTTEUR – Montage du flotteur sur la coque

### II- FLOTTEUR

#### II-1 ENTRETIEN DU FLOTTEUR

Le flotteur de votre bateau est en tissu STRONGAN DUOTEX® **1100** décitex, 1000 gr/m<sup>2</sup> ou en NEOPRNE CSM-CR **1100** décitex, 1050 gr/m<sup>2</sup>.

Les conseils d'entretien sont spécifiés dans le manuel du propriétaire TOME I.

#### II-2 MONTAGE DU FLOTTEUR SUR LA COQUE OPEN 4.2 / OPEN 4.8

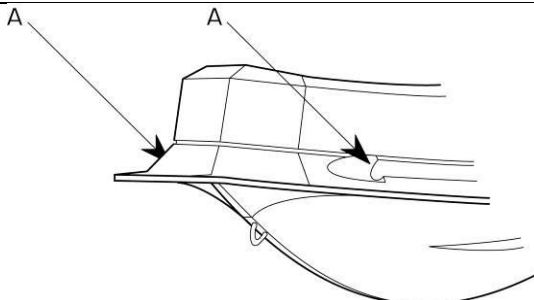


SI LE FLOTTEUR A ETE STOCKE A UNE TEMPERATURE INFERIEURE A 0°C, LAISSEZ LE 12h DANS UN LIEU TEMPÉRÉ (20°C) AVANT DE LE DÉPLIER.

VOUS POUVEZ EFFECTUER UN GONFLAGE DU FLOTTEUR NON MONTÉ (PRESSION 240mb) ET LE LAISSER STABILISER ENVIRON UNE HEURE. LE DEGONFLER ENSUITE.

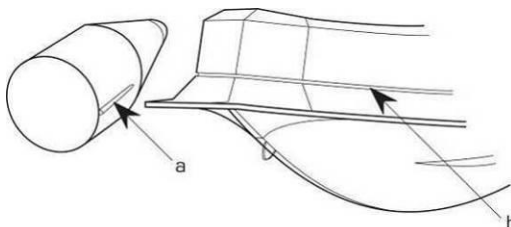
**NOTE :** le montage du flotteur sur la coque s'effectue flotteur dégonflé

**1**



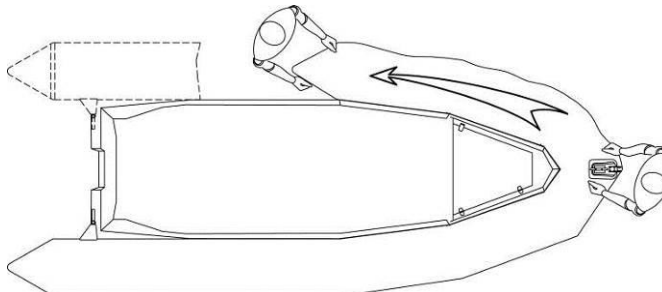
Pour faciliter la mise en place du flotteur, mettez du savon liquide dans les rails (A) de la coque.

**2**



Positionnez la ralingue (a) du flotteur dans le rail de la coque (b) en commençant par l'avant de la coque. Tirez le flotteur jusqu'à amener le pare-eau au niveau du tableau arrière.

**3**

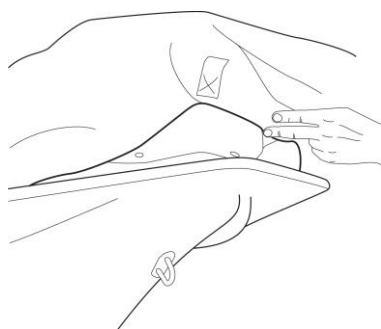


Procéder de la même façon pour l'autre côté du flotteur.

Les 2 bavettes (étanchéité et extérieure) doivent passer par-dessus le nez de la coque.

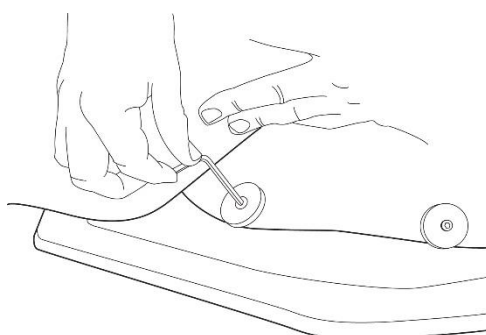
**II-3 FIXATION DE LA BAVETTE**

**1**



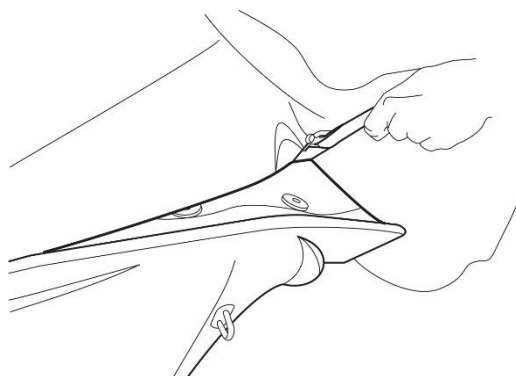
Mettez en place la bavette interne

**2**



Fixez la bavette interne (vis + rondelles)

**3**



Après fixation de la bavette interne sur la coque, tirer légèrement le flotteur vers l'avant pour passer la bavette externe par-dessus la pointe avant (ne pas l'attacher à ce stade). Tirez ensuite le flotteur vers l'arrière.

Procédez ensuite au gonflage

**NOTE:**

**La fixation finale de la bavette externe doit être effectuée après le gonflage du flotteur**

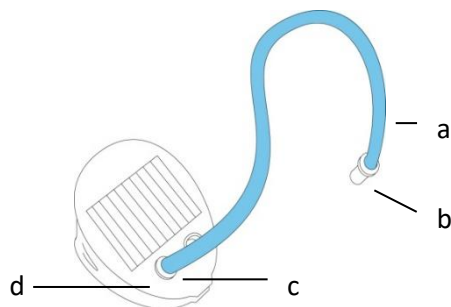


## FLOTTEUR – GONFLAGE DU FLOTTEUR

### II-4 GONFLAGE DU FLOTTEUR

#### LE GONFLEUR

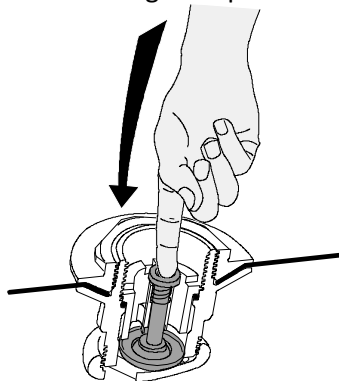
- a. embout du tuyau
- b. adaptateur
- c. embase du tuyau
- d. orifice de gonflage



**NOTE :** Un gonfleur électrique (12 V) gros débit est disponible en option (Contacter votre revendeur).

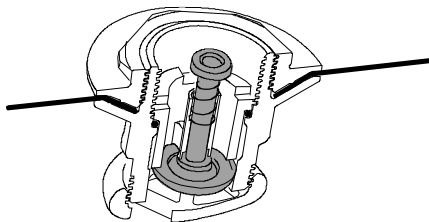
#### LES VALVES "EASY-PUSH"

Pour changer de position



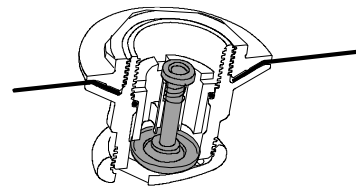
Poussez

En position de gonflage



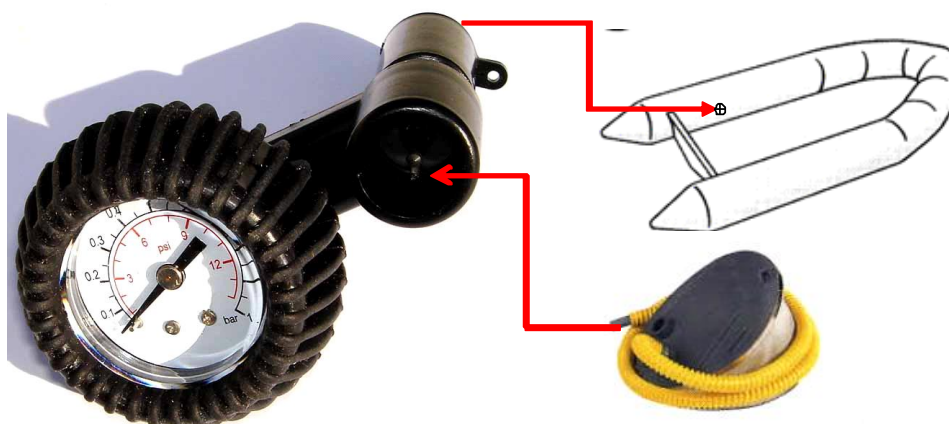
La membrane est fermée, le poussoir en position haute

En position de dégonflage



La membrane est ouverte, le poussoir en position basse

### LE MANOMÈTRE



### **ATTENTION !!!**

**NE PAS UTILISER DE COMPRESSEUR OU DE BOUTEILLE A AIR COMPRIME.**

### GONFLAGE

**1°/** Activez toutes les valves en position gonflage.

**2°/** Ajoutez l'adaptateur correspondant au diamètre de la valve "easy-push" à l'embout du tuyau du gonfleur.

**3°/** Fixez l'embase du tuyau à l'orifice de gonflage du gonfleur. Pour bien gonfler votre flotteur, il faut que le gonfleur ait une bonne assise sur le sol.

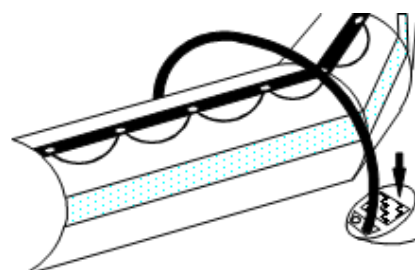
Le flotteur se gonfle rapidement si le gonfleur est actionné en souplesse et sans précipitation.

**4°/** Procédez au gonflage du flotteur en commençant par le premier compartiment (a) à l'avant, jusqu'à atteindre la pression de 200 mb.

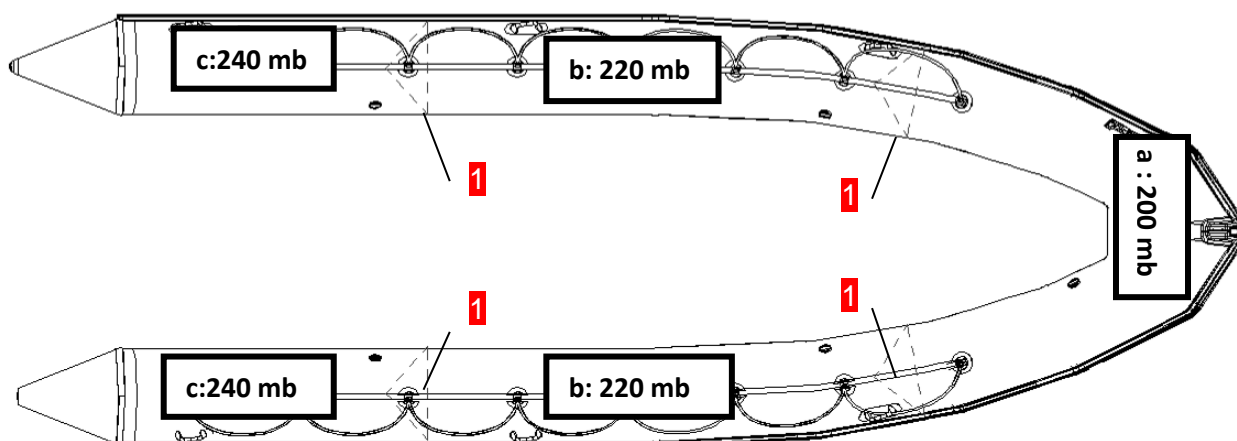
**5°/** Gonfler ensuite les compartiments (b) au milieu, jusqu'à atteindre la pression de 220 mb, lue sur le manomètre laissé sur le premier compartiment.

**6°/** Gonfler ensuite les compartiments arrière (c) à la pression de 240 mb, toujours avec le manomètre au même endroit. Les cloisons (1) permettent d'équilibrer la pression dans chaque compartiment.

**7°/** Le gonflage est terminé : vissez les bouchons des valves de gonflement.



## FLOTTEUR – PRESSION



**NOTE :** Il est normal de constater une légère fuite d'air avant le vissage du bouchon de valve.  
Seuls les bouchons assurent l'étanchéité finale.

## II-5 PRESSION

Le flotteur possède 5 compartiments. Chacun doit avoir une pression de **240 mb / 3.4 PSI**.  
C'est la pression d'utilisation du flotteur.

La température ambiante de l'air ou de l'eau influe proportionnellement sur le niveau de la pression interne du flotteur.	Température ambiante	Pression interne du flotteur
	+1°C	+4 mb / 0,06 PSI
-1°C	-4 mb / 0,06 PSI	

Il est donc important de savoir anticiper.

Vérifiez et ajustez la pression des compartiments gonflables (en regonflant ou en dégonflant selon le cas) en fonction des variations de température (surtout lorsque les écarts de température sont importants entre le matin et le soir dans les zones particulièrement chaudes) et assurez-vous que la pression ne s'écarte pas de la zone de pression recommandée (de 220 à 270 mb).

### RISQUE de SOUS-PRESSION

Exemple :

Votre bateau est exposé sur la plage en plein soleil (température=50°C) à la pression recommandée (240 mb/3,4 PSI). Lorsque vous le mettez à l'eau (température=20°C), la température et la pression interne des compartiments gonflables vont conjointement baisser (jusqu'à 120 mb) et **IL VOUS FAUDRA ALORS REGONFLER** jusqu'à regagner les millibars perdus à cause de l'écart de température entre l'air ambiant et l'eau.

Ainsi il est normal de constater une diminution de pression en fin de journée lorsque la température extérieure baisse.

### RISQUE de SURPRESSION

#### Exemple :

Votre bateau est gonflé à sa pression recommandée (240 mb/3,4 PSI) en début ou fin de journée (température extérieure basse=10°C). Dans la journée, votre bateau est exposé en plein soleil sur la plage ou sur le pont d'un yacht (température=50°C). La température intérieure des compartiments gonflables peut alors s'élever et atteindre jusqu'à 70°C (flotteurs de couleur foncée notamment) entraînant un doublement de la pression de départ (480 mb). **IL VOUS FAUDRA ALORS DEGONFLER** afin de revenir à la pression recommandée.

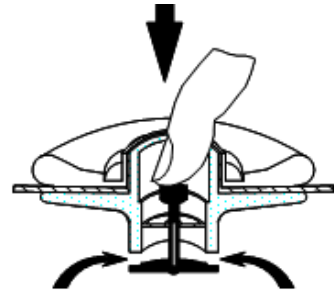


### **ATTENTION !!!**

**SI VOTRE BATEAU EST TROP GONFLE, LA PRESSION SOLLICITE DE FAÇON ANORMALE LA STRUCTURE GONFLABLE POUVANT ENTRAÎNER UNE RUPTURE D'ASSEMBLAGE.**

### **EN CAS DE SURPRESSION**

Libérez de l'air en appuyant sur le poussoir de la valve



## SYSTEME DE PROPULSION

**III- Système de propulsion**

Conformez-vous aux recommandations ZODIAC et aux recommandations du constructeur de moteur pour le montage du moteur.

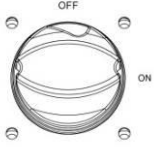

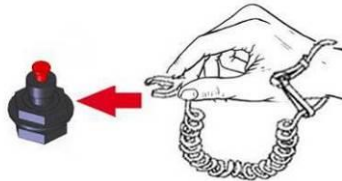
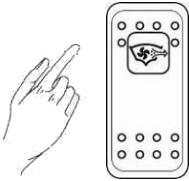

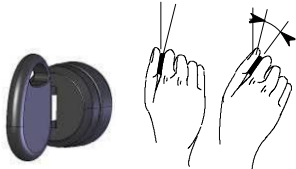
Pour une utilisation optimale de votre embarcation, veuillez consulter votre concessionnaire.  
Le montage des boulons moteur à travers le tableau arrière doit être réalisé suivant une procédure d'étanchéité du trou de passage des vis (montage au Sikaflex par exemple).

## COMMENT CONDUIRE VOTRE EMBARCACTION

### IV- Comment conduire votre embarcation

Avant de démarrer, se référer au manuel du propriétaire Tome I.

**NOTE :** Vérifier que le flotteur est correctement gonflé.

<p><b>1</b></p>  <p>Coupe-batterie sur «ON», en tension</p>	<p><b>2</b></p>  <p>Robinet d'essence sur «ON».</p>	<p><b>3</b></p>  <p>Enfilez et branchez le coupe-circuit*</p>
<p><b>4</b></p>  <p>Ventilez 4 minutes</p>	<p><b>5</b></p>  <p>Poignée de commande au point mort.</p>	<p><b>6</b></p>  <p>Actionnez le démarreur.</p>

\* Si le pilote venait à tomber à l'eau, l'arrêt immédiat du moteur réduit considérablement les risques de blessures graves, voire mortelles, causées par le passage du bateau. Reliez toujours correctement les deux extrémités du coupe-circuit d'urgence.



#### **DANGER !!!**

- **COUPEZ IMMÉDIATEMENT LE MOTEUR DÈS QU'UN BAIGNEUR SE TROUVE À PROXIMITÉ DU BATEAU. IL RISQUE D'ÊTRE GRAVEMENT BLESSÉ PAR UNE HÉLICE EN ROTATION.**



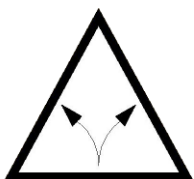
#### **ATTENTION!!!**

- **EN NAVIGATION, MAINTENIR TOUS LES COFFRES, TRAPPE DE PONT AINSI QUE LA TRAPPE D'ACCES RESERVOIR FERMES.**

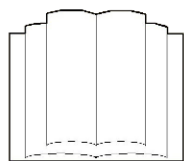
**LES VAGUES DÉFERLANTES CONSTITUENT DES DANGERS IMPORTANTS POUR LA STABILITÉ ET L'ENVAHISSEMENT.**

- **POUR LE CAS OU LE JOINT DES TRAPPES DE PONT EST ENDOMMAGE, VEUILLEZ CONSULTER VOTRE REVENDEUR POUR LE REMPLACER AU PLUS VITE.**

- **EVITER LES MANŒUVRES BRUSQUES À PLEINE VITESSE. REDUIRE LA VITESSE DANS LES VAGUES POUR LE CONFORT ET LA SÉCURITÉ DES OCCUPANTS.**



**30 NDS MAXIMUM**



**MANŒUVRABILITE LIMITEE A 30 NDS MAXIMUM. RISQUE DE PERTE DE CONTRÔLE EN CAS DE VIRAGES SERRÉS. RÉDUIRE LA VITESSE AVANT D'EFFECTUER DES VIRAGES DANS UNE DIRECTION QUELCONQUE.**

## INSTALLATION ET CIRCUIT: CARBURANT

### V- INSTALLATION ET CIRCUIT

#### V-1 CIRCUIT de CARBURANT

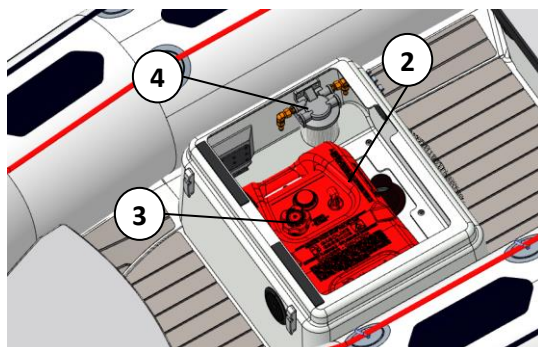
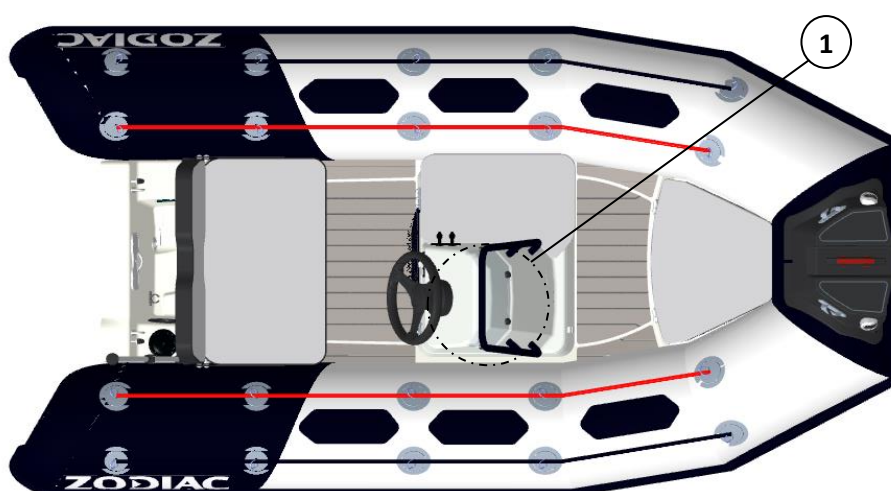


#### **ATTENTION !!!**

**N'UTILISEZ PAS DE BIOCARBURANTS TYPE E10, E85...**

#### V-1-1- Localisation des éléments

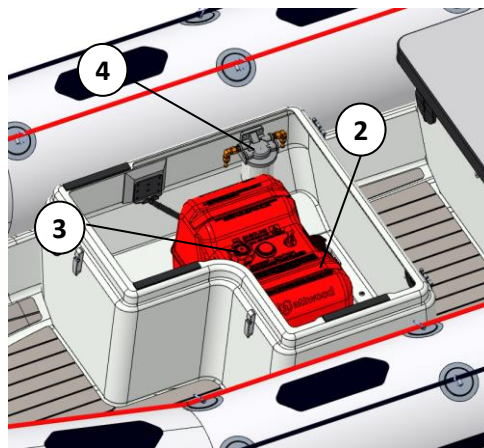
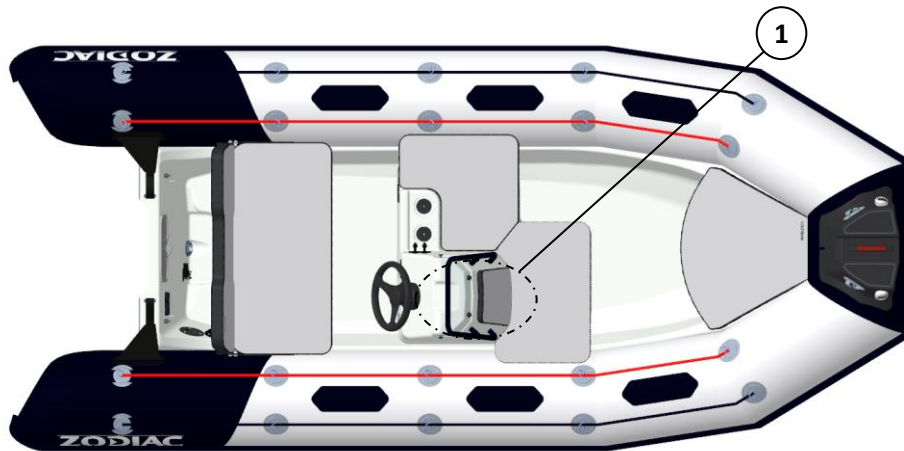
### OPEN 3.1 / 3.4



Repère	DESIGNATION
1	Accès réservoir et filtre
2	Réservoir d'essence <i>(en option)</i>
3	Orifice de remplissage avec bouchon <i>(en option)</i>
4	Filtre séparateur eau/essence (non fourni)

## INSTALLATION ET CIRCUIT: CARBURANT

### OPEN 4.2 / 4.8



Repère	DESIGNATION
1	Accès réservoir et filtre
2	Réservoir d'essence ( <i>en option</i> )
3	Orifice de remplissage avec bouchon ( <i>en option</i> )
4	Filtre séparateur eau/essence (non fourni)

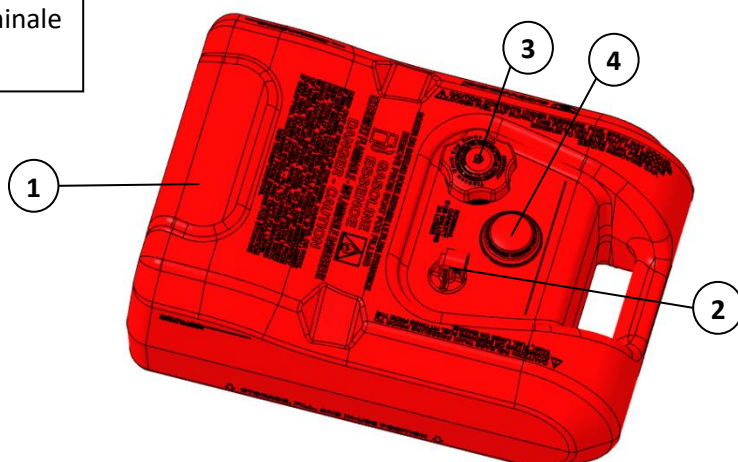


## INSTALLATION ET CIRCUIT: CARBURANT

## V-1-2- Réservoir portable (en option)

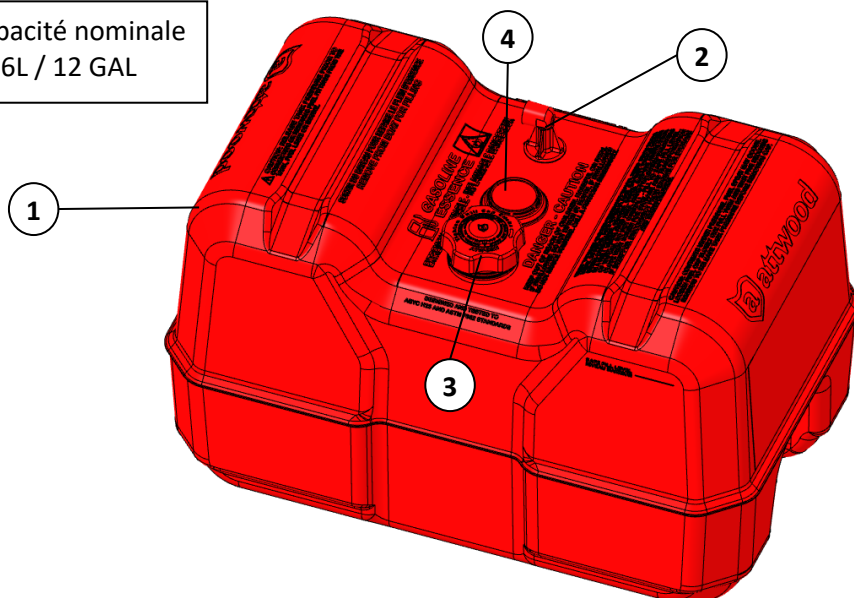
## OPEN 3.1 / 3.4

Capacité nominale  
= 24L / 6 GAL



## OPEN 4.2 / 4.8

Capacité nominale  
= 46L / 12 GAL



Repère	DESIGNATION
1	Réservoir portable *
2	Canne d'aspiration
3	Entrée Remplissage réservoir
4	Cadran de jauge

**Note :** l'option réservoir prévoit des raccords rapides et des sangles de maintien afin de pouvoir extraire le réservoir sans utiliser d'outils. Avant chaque navigation pensez à vérifier qu'il est correctement maintenu et que les raccords sont bien connectés.

\*La capacité nominale du réservoir peut ne pas être totalement utilisable en fonction de l'assiette et du chargement. Il est recommandé de conserver une réserve de 20 %.



**ATTENTION !!!**

**LA PRESENCE DU CADRAN DE JAUGE EST OBLIGATOIRE. CELUI-CI EST FOURNI AVEC LE MOTEUR. EN CAS D'ABSENCE VOUS DEVEZ VOUS RAPPROCHER DE VOTRE AGENT.**

La sonde est du type standard américain soit :

**Impédance (position réservoir vide) 30 Ohm**

**Impédance (position réservoir plein) 240 Ohm**

Tous les cadrans du marché sont compatibles, sauf à de très rares exceptions.

Pour le branchement, reportez-vous au schéma électrique.

**V-1-3- Filtre séparateur eau/essence (non fourni)**

Afin de protéger le moteur, un filtre séparateur d'eau /essence est placé sur le circuit d'alimentation essence du moteur.

L'emplacement prédéfini est dans la console, les fixation étant traversantes, penser à bien étanchéifier la zone lors du montage.



Repère	DESIGNATION
<b>1</b>	Filtre séparateur eau/essence
<b>2</b>	Élément de filtration interchangeable

Vérifiez, à chaque utilisation, l'absence d'eau dans le bol métallique :

- Dévissez légèrement le bouchon de vidange (ne pas l'enlever complètement) ;
- Vidangez l'eau ;
- Revissez le bouchon s'il n'y a que de l'essence dans le bol.

Renouvelez l'opération plus souvent si votre moteur ne fonctionne pas correctement.

## INSTALLATION ET CIRCUIT : CARBURANT



### **ATTENTION !!!**

**IL EST INDISPENSABLE DE REMPLACER LA CARTOUCHE TOUTES LES 50 HEURES D'UTILISATION.**

**CONTACTER LE RESEAU POUR L'ACHAT D'UNE CARTOUCHE DE REMPLACEMENT.**

### **CHANGEMENT DE LA CARTOUCHE DU FILTRE**

Conformez-vous aux recommandations ZODIAC et aux recommandations du constructeur du filtre. Suivre le manuel ou les instructions du fabricant du moteur.

Placer un entonnoir de vidange sous l'endroit où la cartouche sera remplacée.

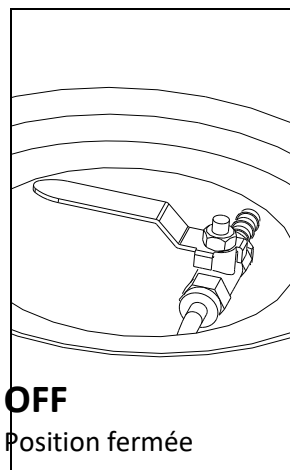
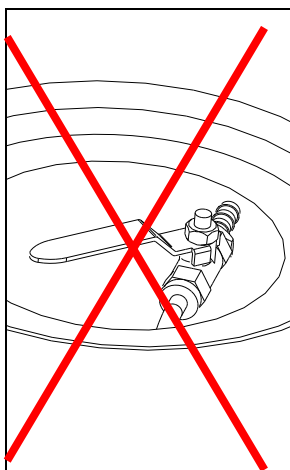
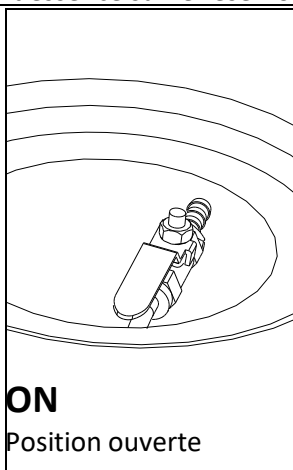
Avant d'effectuer le remplacement du filtre la pression du système d'alimentation d'essence doit être libérée.



### **V-1-4- Utilisation des vannes de fermeture du circuit essence (non fournie)**

Il vous est recommandé d'installer une vanne sur votre circuit d'essence, entre le moteur et votre réservoir. Lorsque vous n'utilisez plus votre bateau, fermer la vanne du circuit essence.

Vanne du circuit essence sur le réservoir :



### **AVERTISSEMENT :**

**EN CAS D'INCENDIE A BORD, COUPER LE MOTEUR ET LES VANNES DU CIRCUIT D'ESSENCE.**

### V-1-5- Recommandations



#### **AVERTISSEMENT :**

- EN CAS DE FUITE D'ESSENCE, OU D'INCENDIE, LA VANNE DE FERMETURE DU CIRCUIT ESSENCE, SITUEE SUR LE RESERVOIR, PERMET D'ISOLER LE RESERVOIR DU CIRCUIT ESSENCE ET DOIT RESTER FERMEE.
- UN RESERVOIR PLEIN EVITE LA CONDENSATION A CHAQUE SORTIE.
- FAITES NETTOYER LE RESERVOIR TOUS LES 5 ANS.
- VERIFIEZ LE SERRAGE DES COLLIERS SUR TOUTES LES DURITES.
- LORSQUE VOUS PURGEZ LE FILTRE, NE VIDEZ PAS L'EAU DANS LE BATEAU. UTILISEZ UN BAC DE RECUPERATION SOUS LE FILTRE.
- COUPEZ LE CONTACT AVANT DE DEMONTER LA CARTOUCHE DU FILTRE.
- LIRE ATTENTIVEMENT LES INSTRUCTIONS SUR LA NOTICE DU FILTRE.
- L'ESSENCE EST EXTREMEMENT INFLAMMABLE. LORSQUE VOUS DEVEZ INTERVENIR SUR LE SYSTEME DE CARBURANT, ASSUREZ-VOUS QUE LES MOTEURS SOIENT ARRETES.
- NE PAS FUMER ; ELOIGNER TOUTE FLAMME OU CORPS INCANDESCENT DE LA ZONE DE TRAVAIL.
- NE JAMAIS PERCER DANS LA ZONE RESERVOIR AVEC UN FORET DEPASSANT DE PLUS DE 50 MM DU MANDRIN DE LA PERCEUSE (REPERE SUR LE PONT PAR LA TRAPPE) ET NE PAS UTILISER DES VIS DE PLUS DE 20 MM DE LONGUEUR.



#### **DANGER !!!**

**NE PAS STOCKER DE PRODUITS INFLAMMABLES DANS LE COMPARTIMENT ARRIERE. LE STOCKAGE D'UN RESERVOIR D'APPOINT EST FORMELLEMENT INTERDIT.**



#### **ATTENTION !!!**

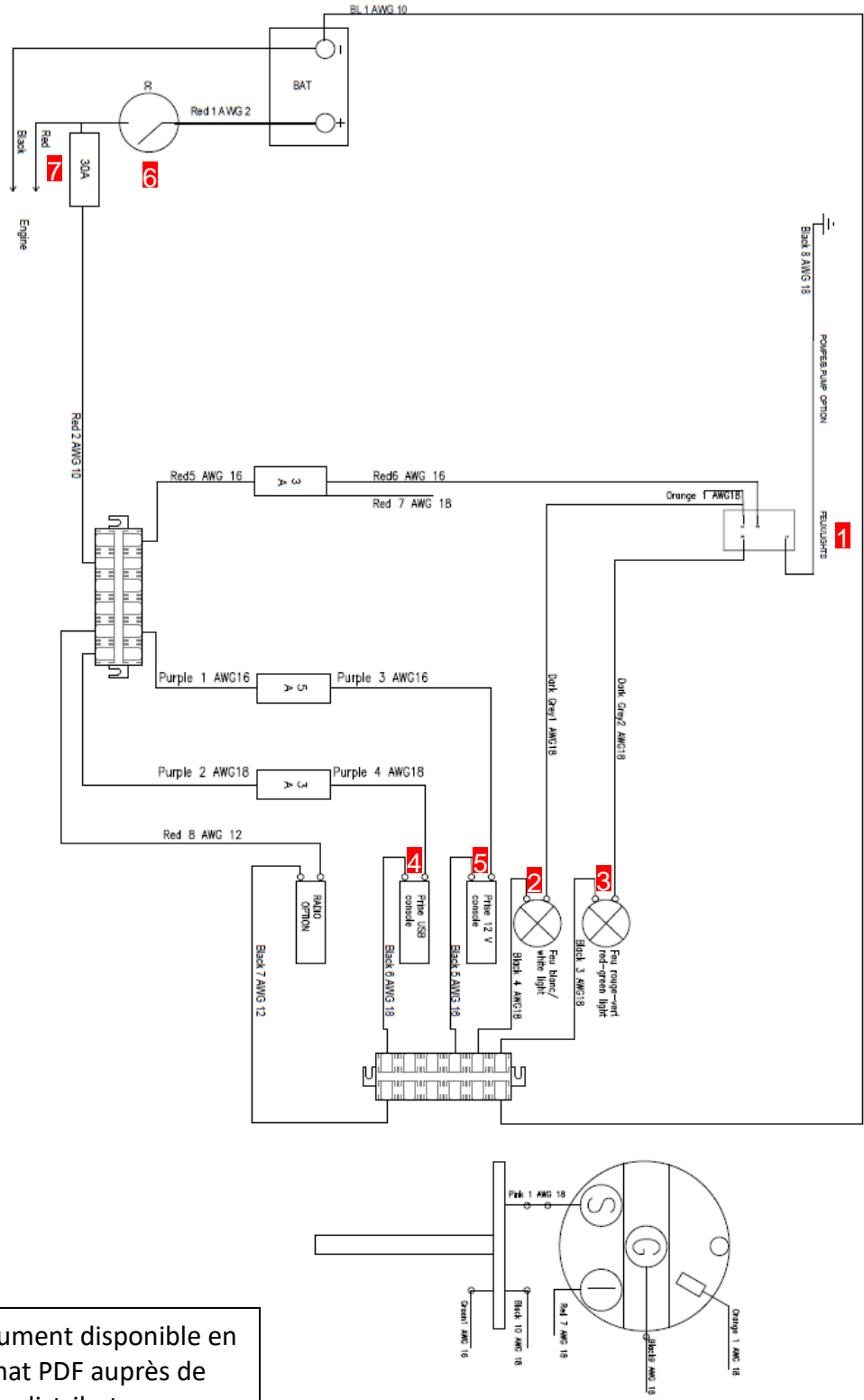
**NE MODIFIEZ EN AUCUNE RAISON LES INSTALLATIONS DE CARBURANT, OU NE LAISSEZ PAS UNE PERSONNE NON QUALIFIEE PROCEDER A LA MODIFICATION DE CES INSTALLATIONS.**

**INSTALLATION ET CIRCUIT: ELECTRIQUE**

**V-2 CIRCUIT ELECTRIQUE**

**V-2-1- OPEN 3.1 / 3.4 / 4.2**

**V-2-1-1- Schéma du faisceau général**

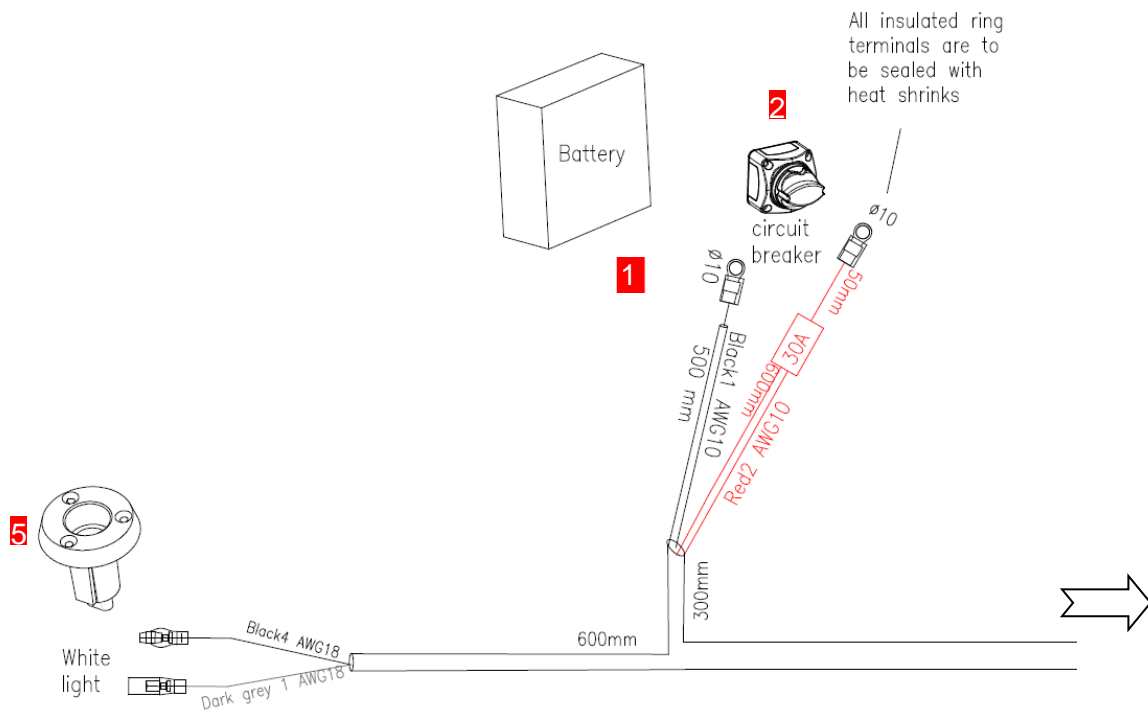


Document disponible en format PDF auprès de votre distributeur

## INSTALLATION ET CIRCUIT : ELECTRIQUE

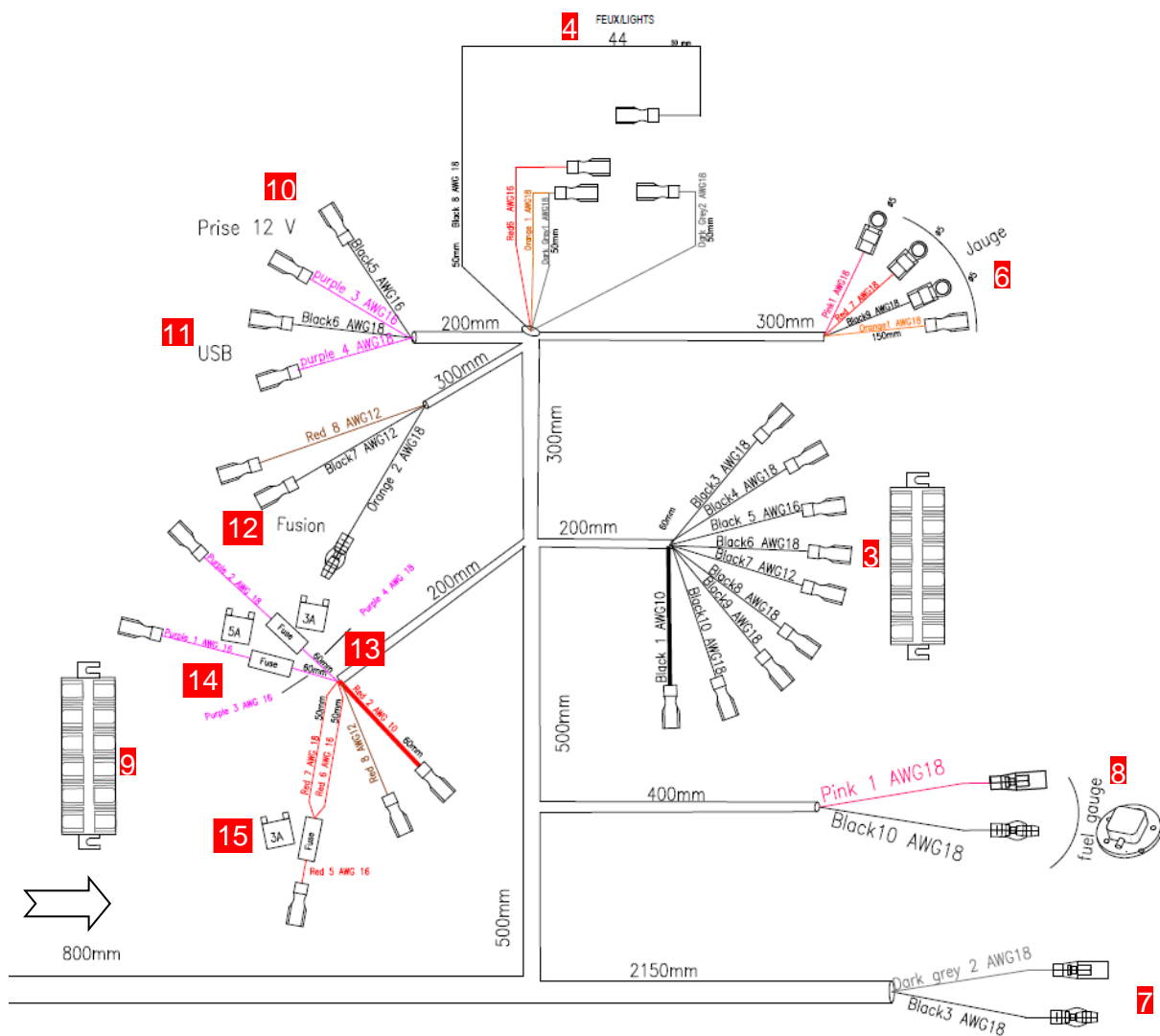
Repère	DESIGNATION
1	Interrupteur feu de navigation
2	Feu blanc (option)
3	Feu rouge vert
4	Prise USB (console)
5	Prise 12 volts (console)
6	Coupe-circuit (option)
7	Fusible général 30 A

### V-2-1-2- Plan du faisceau général



Repère	DESIGNATION	
1	Branchement batterie	
2	Branchement coupe-circuit	
3	Branchement bus bar masse	
4	Branchement interrupteur feu de navigation	
5	Branchement feu blanc	
6	Branchement cadran de jauge essence	
7	Branchement feu rouge/vert	
8	Branchement transmetteur de jauge essence	
9	Branchement bus bar positif	
10	Branchement prise 12 Volts (console)	
11	Branchement prise USB	
12	Branchement poste radio (option)	
13	Fusible 3A prise USB	Purple 4 AWG18
14	Fusible 5A prise d12 volts	Purple 3 AWG18
15	Fusible 3A feux de navigation	Red 6 & 7 AWG18

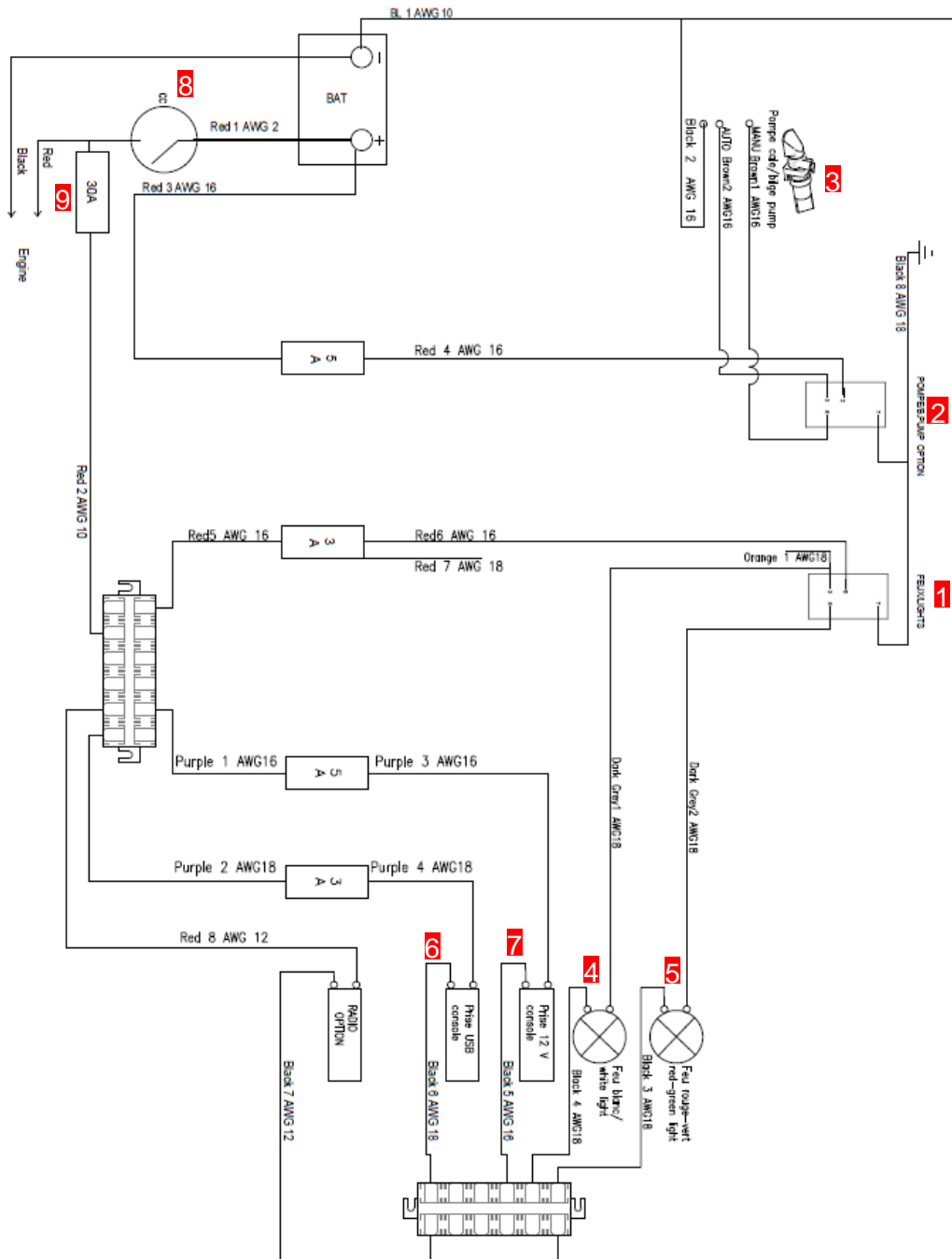
INSTALLATION ET CIRCUIT : ELECTRIQUE



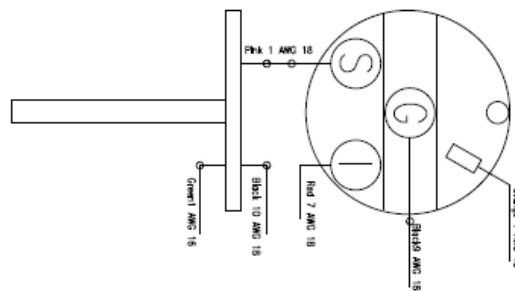
# INSTALLATION ET CIRCUIT : ELECTRIQUE

## V-2-2- OPEN 4.8

### V-2-2-1- Schéma du faisceau général



Document disponible en format PDF auprès de votre distributeur

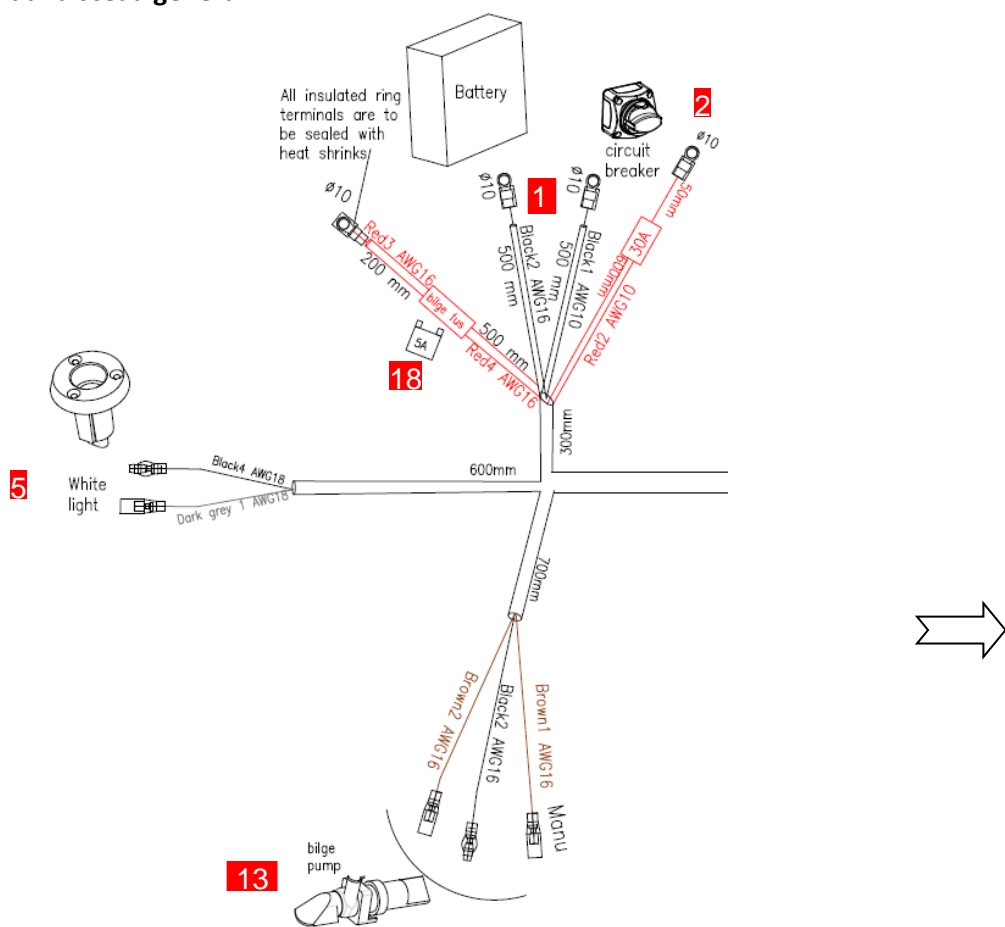




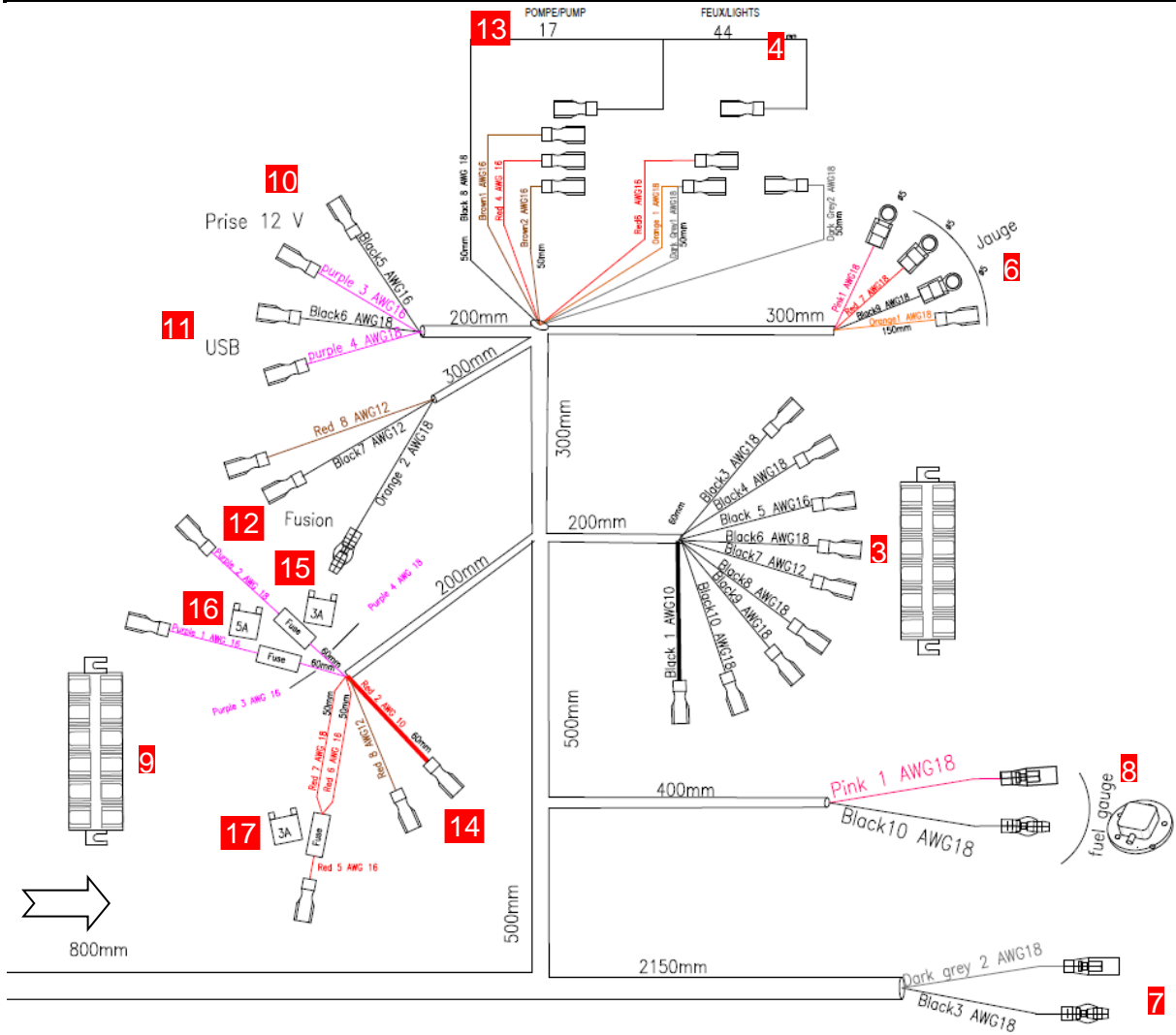
**INSTALLATION ET CIRCUIT : ELECTRIQUE**

Repère	DESIGNATION
1	Interrupteur feu de navigation
2	Interrupteur pompe de cale (option)
3	Pompe de cale (option)
4	Feu blanc (option)
5	Feu rouge vert
6	Prise USB (console)
7	Prise 12 volts (console)
8	Coupe-circuit (option)
9	Fusible général 30 A

**V-2-2-2- Plan du faisceau général**



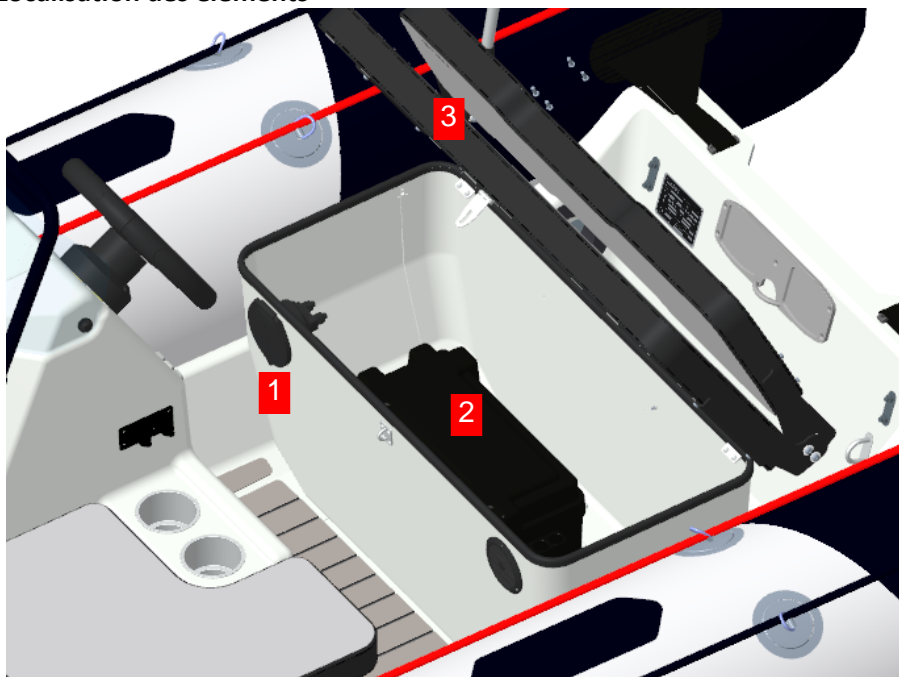
## INSTALLATION ET CIRCUIT : ELECTRIQUE



Repère	DESIGNATION	
1	Branchement batterie	
2	Branchement coupe-circuit	
3	Branchement bus bar masse	
4	Branchement interrupteur feu de navigation	
5	Branchement feu blanc	
6	Branchement cadran de jauge essence	
7	Branchement feu rouge/vert	
8	Branchement transmetteur de jauge essence	
9	Branchement bus bar positif	
10	Branchement prise 12 Volts (console)	
11	Branchement prise USB	
12	Branchement poste radio (option)	
13	Branchement interrupteur pompe de cale (option)	
14	Branchement pompe de cale (option)	
15	Fusible 3A prise USB	Purple 4 AWG18
16	Fusible 5A prise d12 volts	Purple 3 AWG18
17	Fusible 3A feux de navigation	Red 6 & 7 AWG18
18	Fusible 5A pompe de cale	Purple 3 AWG18

## INSTALLATION ET CIRCUIT: ELECTRIQUE

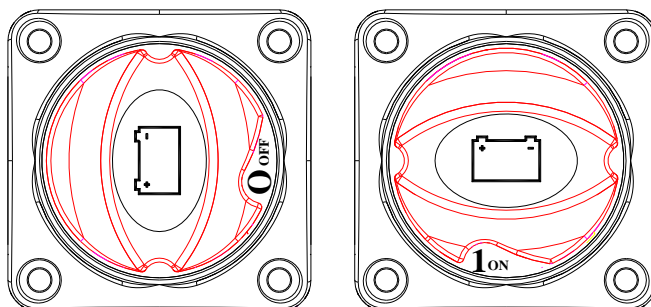
### V-2-3- Localisation des éléments



Repère	DESIGNATION
1	Coupe-circuit (option)
2	Bac batterie
3	Coffre d'accès maintenance batterie

### V-2-4- Coupe-circuit (option)

Lorsque vous n'utilisez plus votre bateau, mettez le coupe-circuit en position OFF.



**AVERTISSEMENT**  
**COUPEZ LE MOTEUR, AVANT DE METTRE LE COUPE-CIRCUIT EN POSITION « OFF »**

### V-2-5- Batterie (non fournie)

Conformez-vous aux recommandations ZODIAC et aux recommandations du fabricant de batteries pour l'entretien courant.



#### ENTRETENEZ VOTRE BATTERIE :

- MAINTENEZ LA BATTERIE PROPRE ET SECHE AFIN D'EVITER UNE USURE PREMATUREE.
- RESSERREZ ET ENTRETENEZ LES COSSES SUR BORNE EN LES GRAISSANT REGULIEREMENT AVEC DE LA VASELINE.



#### ATTENTION !!!

L'EAU PROVENANT DU SYSTEME D'ADDUCTION D'EAU CONTIENT DES MINERAUX QUI ENDOMMAGENT LES BATTERIES.

FAITES DONC TOUJOURS L'APPOINT AVEC DE L'EAU DISTILLEE.

ASSUREZ-VOUS D'INSTALLER LA BATTERIE DE MANIERE A CE QU'AUCUN RESERVOIR DE CARBURANT, FILTRE D'ESSENCE OU RACCORD DE LIGNE DE CARBURANT NE SOIT COMPRIS DANS L'ENVELOPPE DE 12 POUCHES (305 MM) DE LA SURFACE DE LA BATTERIE.



#### AVERTISSEMENT

- MAINTENIR LES BATTERIES ET L'ELECTROLYTE HORS DE PORTEE DES ENFANTS.
- NE COUCHEZ JAMAIS LA BATTERIE.
- LORSQUE VOUS RAJOUTEZ DE L'ELECTROLYTE OU QUE VOUS RECHARGEZ LA BATTERIE, RETIREZ-LA TOUJOURS DU COMPARTIMENT MOTEUR.
- L'ELECTROLYTE DE BATTERIE EST UN LIQUIDE TOXIQUE ET DANGEREUX. IL CONTIENT DE L'ACIDE SULFURIQUE, QUI PEUT PROVOQUER DE GRAVES BRULURES. EVITEZ TOUT CONTACT AVEC LA PEAU, LES YEUX ET LES VETEMENTS.
- LES BATTERIES PEUVENT DEGAGER DES GAZ EXPLOSIFS. ELOIGNEZ LES SOURCES D'ETINCELLES, LES FLAMMES NUES, LES CIGARETTES, ETC.
- LORSQUE VOUS CHARGEZ OU UTILISEZ UNE BATTERIE, OPEREZ EN UN ENDROIT BIEN VENTILE. PROTEGEZ TOUJOURS VOS YEUX LORSQUE VOUS TRAVAILLEZ A PROXIMITE D'UNE BATTERIE.

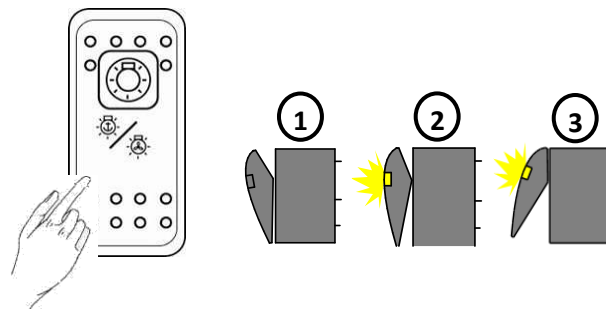
#### **NOTE :**

- Lorsque vous n'utilisez pas votre bateau pendant un mois ou plus, retirez la batterie et rangez-la dans un endroit frais, sombre et sec. Rechargez complètement la batterie avant de la réutiliser.
- Si la batterie doit être remise pendant une période plus longue, vérifiez la densité de l'électrolyte au moins une fois par mois et rechargez la batterie dès que la densité est trop basse.
- Densité de l'électrolyte : 1,28 à 20°C.

### V-2-6- Feux de navigation

Actionnez ce bouton pour allumer les feux de navigation. Il comporte 3 positions.

- ① Position éteint
- ② Position feu blanc
- ③ Position feu blanc, feu rouge et feu vert.



### V-2-7- Câblage d'un accessoire

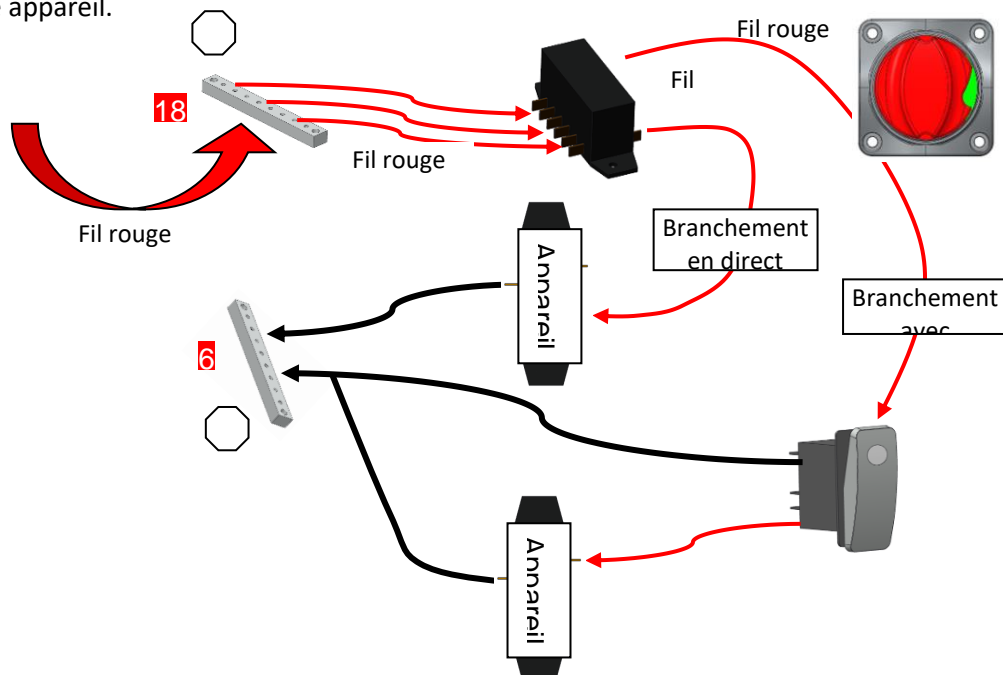
**1º/** Choisir un emplacement de fusible libre.

**2º/** Connecter le câble d'alimentation de votre accessoire sur la borne correspondante à cet emplacement avec une « cosse languette » femelle de 6mm.

**3º/** Si vous devez rajouter du câble pour le branchement, utiliser du câble de section mini 1.5mm<sup>2</sup> en respectant les recommandations en matière de câble « marine » (UL1426 ou SAE J378 ou SAE J1127 ou SAE J1128 ou d'une manière générale répondant aux recommandations ABYC et/ou CE).

**4º/** Connecter le câble de masse de votre accessoire sur le bornier de masse avec une « cosse à œil » Ø5 (même remarque que précédemment pour le câble).

**5º/** Insérer un fusible de type ATO d'intensité maxi de 15A et supérieure à l'intensité d'utilisation de votre appareil.



## INSTALLATION ET CIRCUIT – BRANCHEMENT d'OPTIONS

### V-2-1- Branchements d'options OPEN 3.1 / 3.4 /4.8

Le bateau est équipé de série d'une prise USB/12V. Cependant, il est possible d'ajouter des accessoires supplémentaires sous certaines conditions :

- ① Les accessoires que vous voulez rajouter devront être branchés au niveau de la console.
- ② Les accessoires se partagent en deux catégories :
  - A** → les accessoires qui sont utilisés ou qui sont susceptibles d'être utilisés en continu lors d'une utilisation normale du bateau,
  - B** → les accessoires qui sont utilisés de façon intermittente.

A	et	B
Essuie glaces		Prise allume-cigare (de série)
Radio		Eclairage divers
Sondeur		Avertisseur sonore
GPS		Équipement électronique divers
Projecteur		Pompe de douche
Système d'alarme		<b>Puissance maxi retenue</b>
Réfrigérateur		72W maxi
VHF		
<b>Σ</b>		
		240W maxi



#### **AVERTISSEMENT**

**Vous devez impérativement vous assurer que la somme des puissances des accessoires de la colonne A que vous rajoutez est inférieure ou égale à 240W (20A) ET que la puissance maxi d'un accessoire de la colonne B est inférieure ou égale à 72W (6A).**

**Les sections des différents câbles du faisceau ont été calculées avec ces valeurs ; le non-respect de cette règle peut engendrer des dysfonctionnements électriques et causer des courts-circuits.**

Vous pouvez connecter les options directement sur les bus bar positif et négatif de la console (dans la limite de puissance maxi), en insérant un porte-fusible homologué.

**NOTE :** Si vous faites installer de nombreux équipements électriques, La consommation instantanée totale pourra éventuellement dépasser la capacité de charge de votre moteur hors-bord.

Par exemple, si le faisceau électrique peut accepter une consommation instantanée de 570 W (feux de navigation et pompe de cale compris), soit un peu moins de 48A en débit de courant. Les alternateurs des moteurs actuels fournissent en général une intensité de 15A, à plein régime. A vérifier dans la documentation technique de votre moteur. Vous devez donc éviter une utilisation prolongée de ces appareils, au risque de vider votre batterie et ne pas pouvoir redémarrer votre moteur.

## INSTALLATION ET CIRCUIT – BRANCHEMENT d'OPTIONS

## V-2-2- Branchements d'options OPEN 4.8

A	
Essuie glaces	
Radio	
Sondeur	
GPS	
Projecteur	
Système d'alarme	
Réfrigérateur	
VHF	
$\Sigma$	336W maxi

et

B	
Prise allume-cigare (de série)	
Eclairage divers	
Avertisseur sonore	
Equipement électronique divers	
Pompe de douche	
<b>Puissance maxi retenue</b>	102W maxi

**AVERTISSEMENT**

**Vous devez impérativement vous assurer que la somme des puissances des accessoires de la colonne A que vous rajoutez est inférieure ou égale à 336W (28A) ET que la puissance maxi d'un accessoire de la colonne B est inférieure ou égale à 102W (8.5A).**

**Les sections des différents câbles du faisceau ont été calculées avec ces valeurs ; le non-respect de cette règle peut engendrer des dysfonctionnements électriques et causer des courts-circuits.**

Vous pouvez connecter les options directement sur les bus bar positif et négatif de la console (dans la limite de puissance maxi), en insérant un porte-fusible homologué.

**Exemple 1**

Vous voulez rajouter :

- Une VHF de 72W,
- Un GPS de 36W,
- Une radio de 180W,
- Feux de courtoisie LED 10W
- Pompe de douche 48 W

A	
Essuie glaces	
Radio	180W
Sondeur	
GPS	36W
Projecteur	
Système d'alarme	
Réfrigérateur	
VHF	72W
$\Sigma$	288W < 336W 👍

et

B	
Prise allume-cigare (de série)	
Eclairage divers	10 W
Avertisseur sonore	
Equipement électronique divers	
Pompe de douche	48 W
<b>Puissance maxi retenue</b>	58W ( < ou = 102W)

**CONCLUSION**

**Exemple 2**

Vous voulez rajouter :

- Une VHF de 60W,
- Un GPS de 36W,
- Une radio de 180W,
- Un projecteur de 120W.

A	
Essuie glaces	
Radio	180W
Sondeur	
GPS	36W
Projecteur	120W
Système d'alarme	
Réfrigérateur	
VHF	60W
<b>Σ</b>	396W > 336W ⚠

et

B	
Prise allume-cigare (de série)	
Eclairage divers	
Avertisseur sonore	
Équipement électronique divers	
Pompe de douche	
<b>Puissance maxi retenue</b>	0W ( < ou = 102W) ⚠

**CONCLUSION**



**Exemple 3**

Vous voulez rajouter :

- Un GPS de 60W,
- Une radio de 180W,
- Un avertisseur sonore de 120W.

A	
Essuie glaces	
Radio	180W
Sondeur	
GPS	60W
Projecteur	
Système d'alarme	
Réfrigérateur	
VHF	
<b>Σ</b>	240W < 336W 👍

et

B	
Prise allume-cigare (de série)	
Eclairage divers	
Avertisseur sonore	
Équipement électronique divers	120W
Pompe de douche	
<b>Puissance maxi retenue</b>	120 W ( > 102W) ⚠

**CONCLUSION**



**NOTE :** Certains fabricants vous donneront l'ampérage au lieu de la puissance absorbée. En courant continu (c'est le cas ici), il suffit de multiplier par 12 pour obtenir la puissance.

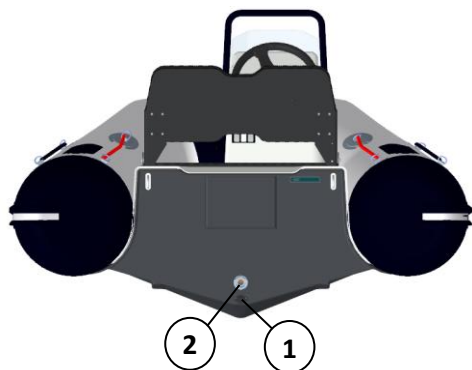


## INSTALLATION ET CIRCUIT – ASSECHEMENT

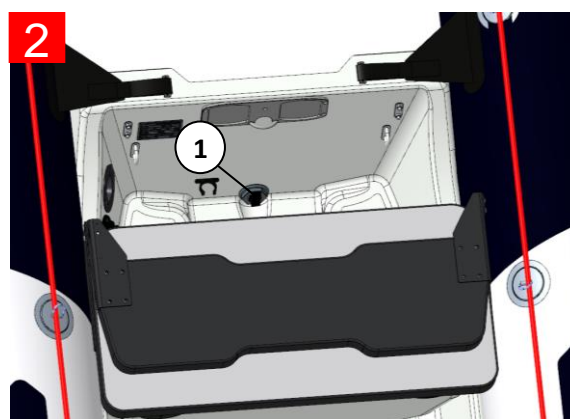
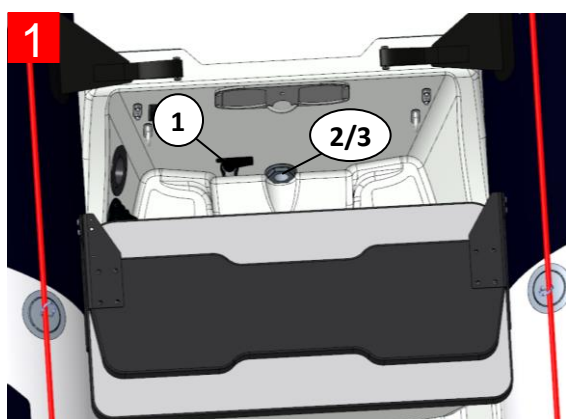
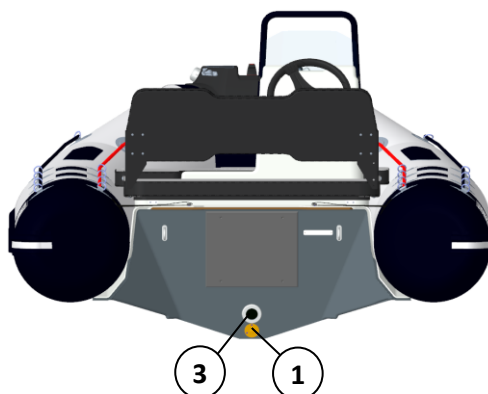
## V-3 INSTALLATION D'ASSECHEMENTS

## V-3-1- Description des éléments fonctionnels

## OPEN 3.1 / 3.4



## OPEN 4.2 / 4.8



Repère	DESIGNATION
1	Nable de coque
2	Passe-coque
3	Passe-coque avec membrane
4	Bouchon de passe coque

## V-3-2- Bouchons passe coque

Bateau hors de l'eau (remorque, sur bers...)...



- BOUCHONS EN POSITION (1)

Bateau à l'eau...

- EN NAVIGATION BOUCHONS INSERES DANS PASSE COQUE (2)
- PROCEDURE DE VIDANGE DE L'EAU EMBARQUEE.
  - A L'ARRET : BOUCHONS EN POSITION (1), PUIS NAVIGUEZ EN POSITION DEJAUGEE (>6 NŒUDS). REMETTRE LES ELEMENTS EN POSITION (2) UNE FOIS L'EAU EVACUEE.

## INSTALLATION ET CIRCUIT – ASSECHEMENT

- **AU MOUILLAGE :**
  - **MOUILLAGE TEMPORAIRE OU AUTRES SITUATIONS POUR LESQUELLES LE BATEAU NE RISQUE PAS DE RECEVOIR DE L'EAU EN QUANTITE IMPORTANTE (PLUIE ABONDANTE, VAGUES DEFERLANTES), PLACER LES ELEMENTS EN POSITION (1) OU (2), AU CHOIX.**
  - **MOUILLAGE PROLONGE OU À RISQUE: BOUCHONS RETIRES (1).**



**AVERTISSEMENT**

DANS LE CAS OU, SIMULTANEMENT, LE BATEAU REÇOIT UNE QUANTITE IMPORTANTE D'EAU PROVENANT DE L'EXTERIEUR (FORTES PLUIES, SILLAGE...), ET LES PASSE COQUE BOUCHES, LE BATEAU RISQUE D'ETRE SUBMERGE (EFFET BAIGNOIRE). L'EAU EMBARQUEE PEUT ALORS ATTEINDRE LA CALE ET ALOURDIR CONSIDERABLEMENT LE BATEAU, POUVANT ENTRAENER SON IMMERSION, ENDOMMAGEANT GRAVEMENT CERTAINS ORGANES COMME LE MOTEUR OU LES CIRCUITS ELECTRIQUES.

**V-3-3- Nable de coque:**



**Bateau hors de l'eau (remorque, sur bers...)...**



**POSITION OUVERT, BOUCHON DE NABLE RETIRÉ.**

**Bateau à l'eau...**



**POSITION FERMÉ, BOUCHON DE NABLE EN PLACE.  
(BIEN S'ASSURER QUE LE BOUCHON DE NABLE EST CORRECTEMENT FERMÉ/SERRE)**

**INSTALLATION ET CIRCUIT – DIRECTION****V-4 DIRECTION**

Conformez-vous aux recommandations du constructeur de la direction (installation, utilisation et maintenance).

Pour une utilisation optimale de votre embarcation, veuillez consulter votre concessionnaire.

**V-5 INCENDIE****AVERTISSEMENT**

- **NOUS VOUS RECOMMANDONS D'AVOIR UN EXTINCTEUR A BORD, CONFORMEZ-VOUS AUX LOIS EN VIGUEUR DANS VOTRE PAYS.**
- **NE PAS DISPOSER DE MATIERE INFLAMMABLE A PROXIMITE OU AU DESSUS D'APPAREILS DE CUISSON.**

Le bateau est livré sans extincteur, l'application du règlement national du pavillon de votre bateau est sous votre responsabilité. Le bateau doit être équipé, lorsqu'il est en service, d'extincteurs portatifs.

L'emplacement conseillé pour l'extincteur est dans le coffre arrière ou dans la console.

Veillez à la propreté des cales et vérifiez à intervalles réguliers l'absence de vapeurs ou de fuites de carburant.

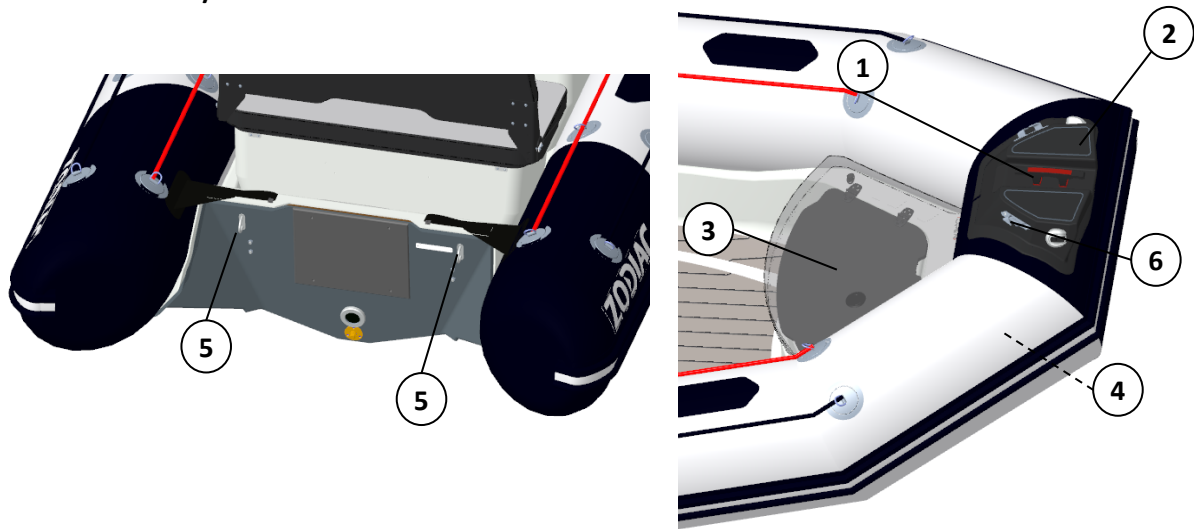
Ne pas laisser le bateau sans surveillance lorsque des appareils de cuisson et/ou de chauffage fonctionnent.

Ne pas fumer en manipulant du carburant ou du gaz.

Ne pas obstruer les commandes de sécurité, par exemple : robinets d'arrêt de carburant, interrupteurs du système électrique.

Ne pas remplir le réservoir de carburant lorsque le moteur tourne ou lorsque des appareils de cuisson fonctionnent.

V-6 MOUILLAGE / AMARRAGE



Repère	DESIGNATION
1	Taquets
2	Davier polyester
3	Coffre à mouillage
4	Cadène d'étrave
5	Cadènes tableau arrière
6	Chaumards



**AVERTISSEMENT**

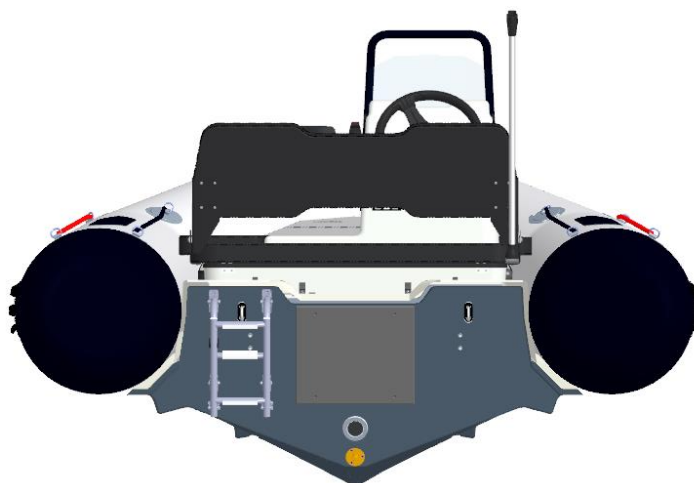
- L'AMARRAGE PERMANENT DOIT SE FAIRE A L'AIDE DE LA CADENE D'ETRAVE SITUE A L'AVANT DU BATEAU OU DES DU TABLEAU ARRIERE.
- CHOISISSEZ VOTRE LIGNE DE MOUILLAGE EN FONCTION DE LA LONGUEUR ET DU POIDS DE VOTRE EMBARCATION.

**INSTALLATION ET CIRCUIT – Remontée à bord****V-7 REMONTÉE À BORD****V-7-1- PAR LE FLOTTEUR**

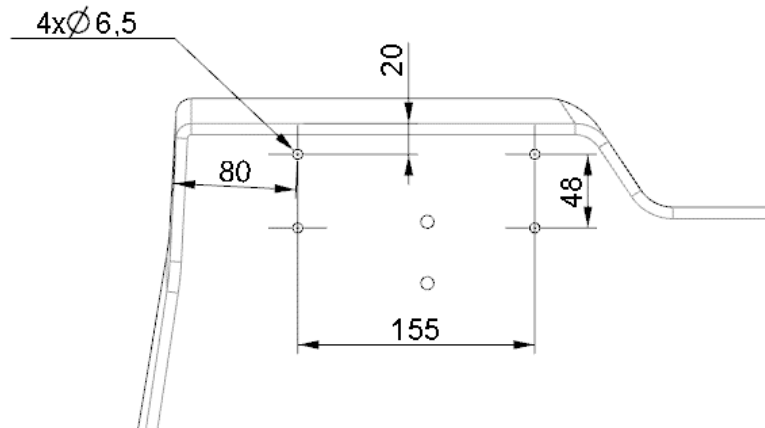
Les bateaux possèdent des francs bord bas (inférieur à 500mm), vous permettant de remonter facilement à bord en utilisant les saisines extérieures du flotteur :

**V-7-2- PAR L'ECHELLE (OPTION)****OPEN 3.1 / 3.4 / 4.2**

Prendre l'écrou à œil fournit avec l'échelle et le visser sur une cadène du tableau arrière. Accrocher l'échelle à l'écrou à œil et déplier l'échelle sur le flotteur.

**OPEN 4.8**

**POSITIONNEMENT ECHELLE**



**DANGER !!!**

**ASSUREZ-VOUS QUE LE MOTEUR SOIT ETEINT AVANT QU'UNE QUELCONQUE PERSONNE MONTE A BORD PAR L'ECHELLE ARRIERE.**

**AVERTISSEMENT**

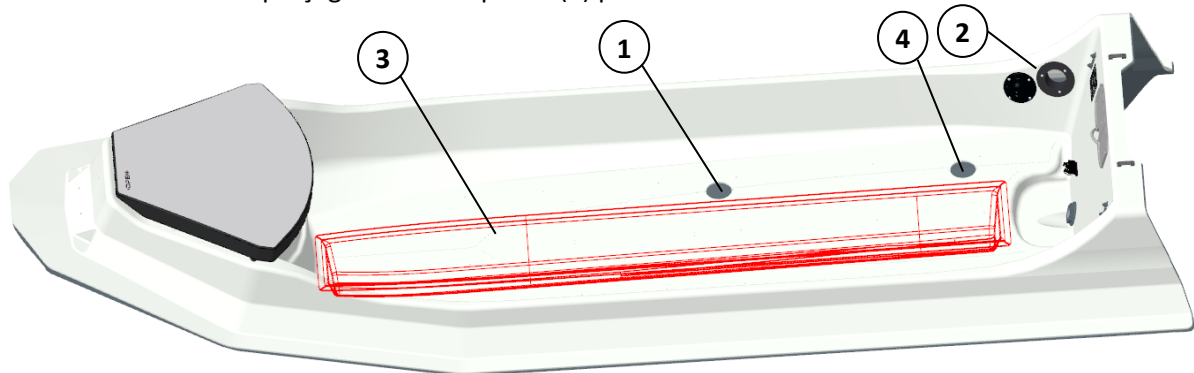
**QUAND LE BATEAU EST UTILISE EN SOLITAIRE, LORSQUE LE MOYEN DE REMONTEE A BORD N'EST PAS DEPLOYABLE A PARTIR DE L'EAU, LE MOYEN DE REMONTEE DOIT ETRE INSTALLE EN PERMANENCE.**

**V-8 RIGGING MECANIQUE**

Dans un souci d'esthétique, il est prévu que tout les câbles et faisceaux pour le rigging passent de la console (1) jusqu'au moteur (2) à travers la coque. Il est de conseiller de passer ces différents éléments avant la fixation définitive des équipements sur le pont.

Il est recommandé de faire passer les câbles le long du contre moule (3) de pont vers l'étrave du bateau pour éviter tous blocage.

Si nécessaire utiliser le perçage de la banquette (4) pour maintenir les câbles vers l'étrave.

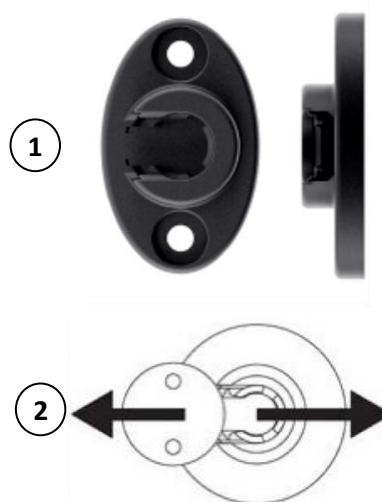
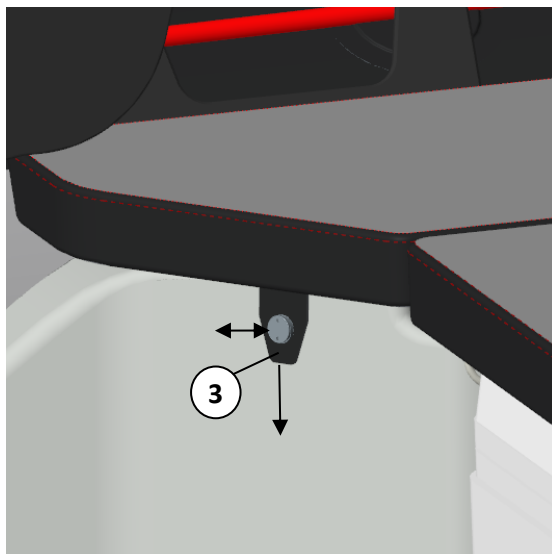


## INSTALLATION ET CIRCUIT – Fixation sellerie

## V-9 FIXATION SELLERIE

Votre bateau est muni d'un nouveau type de fixation (1) pour le maintien des selleries sur la coque. Ce système est muni d'aimants avec un déverrouillage latéral (2).

- **Déverrouillage** : Tirer légèrement sur la sangle de maintien (3) vers le bas et la faire glisser sur le côté.
- **Verrouillage** : Tirer légèrement sur la sangle de maintien (3) vers le bas et la faire glisser vers l'intérieur de la fixation.

**AVERTISSEMENT**

**NE PAS TIRER DIRECTEMENT SUR LES SELLERIES POUR LES DECLIPSER, CELA ENDOMMAGERA LE NOUVEAU SYSTÈME DE FIXATION**

VI- EMBLACEMENT ACCESSOIRES

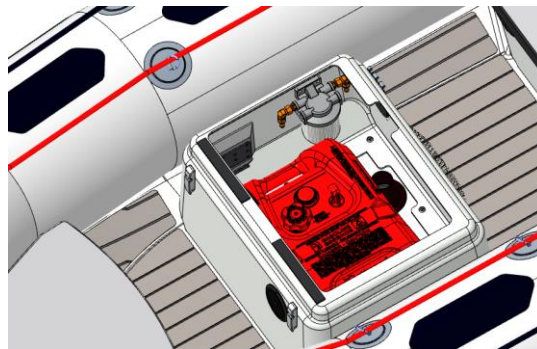
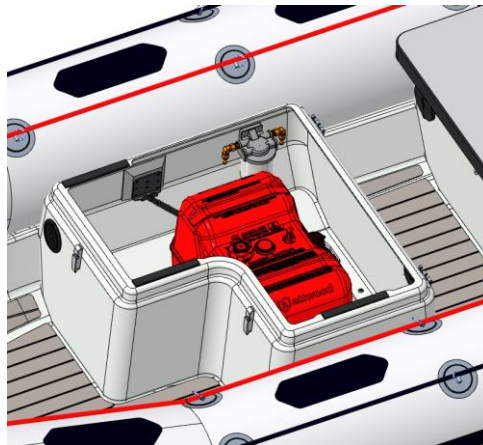
VI-1 BIMINI OPEN 3.1 / 3.4



VI-2 BIMINI OPEN 4.2 / 4.8

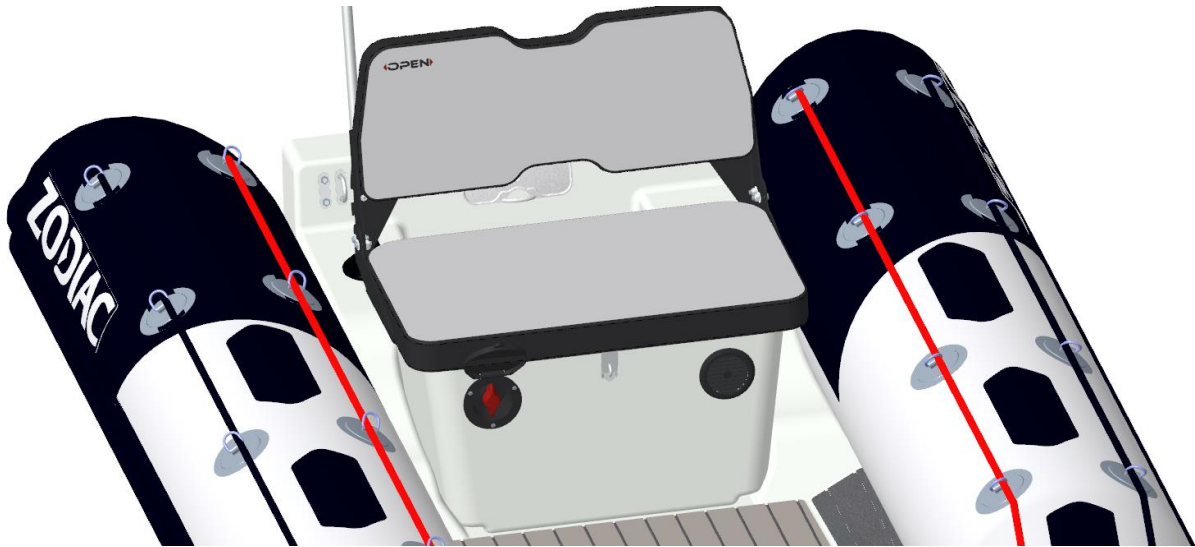




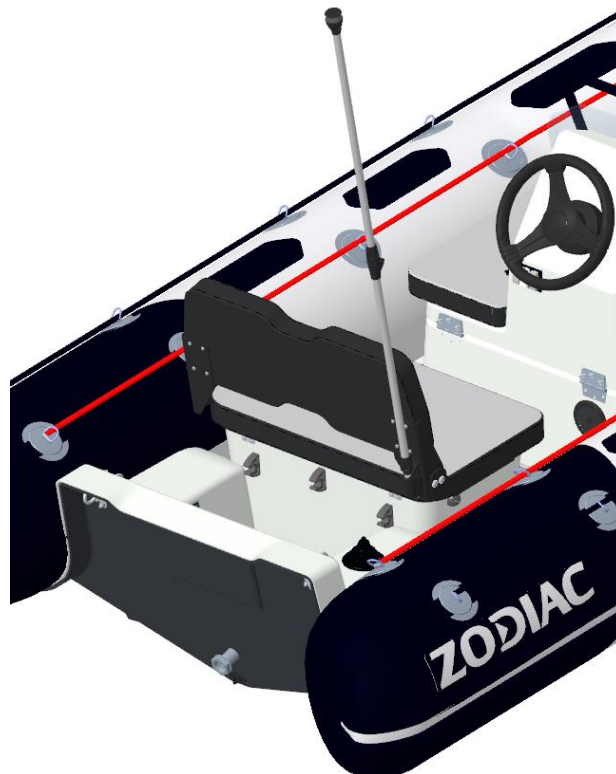
**EMPLACEMENT ACCESSOIRES****VI-3 ROLL BAR OPEN 4.8****VI-4 RESERVOIRS PORTABLE OPEN 3.1 / 3.4****VI-5 RESERVOIRS PORTABLE OPEN 4.2 / 4.8**

## EMPLACEMENT ACCESSOIRES

### VI-6 COUPE BATTERIE

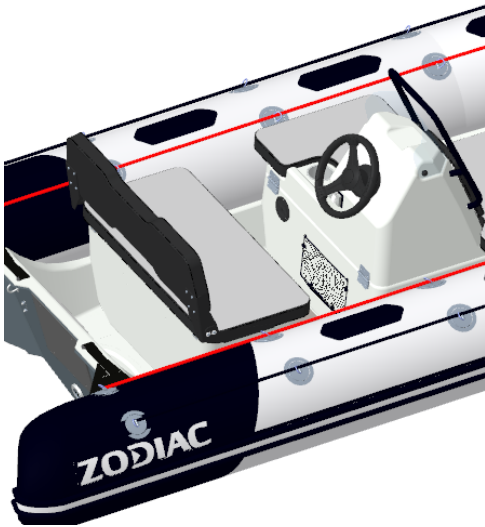


### VI-7 FEUX BLANC

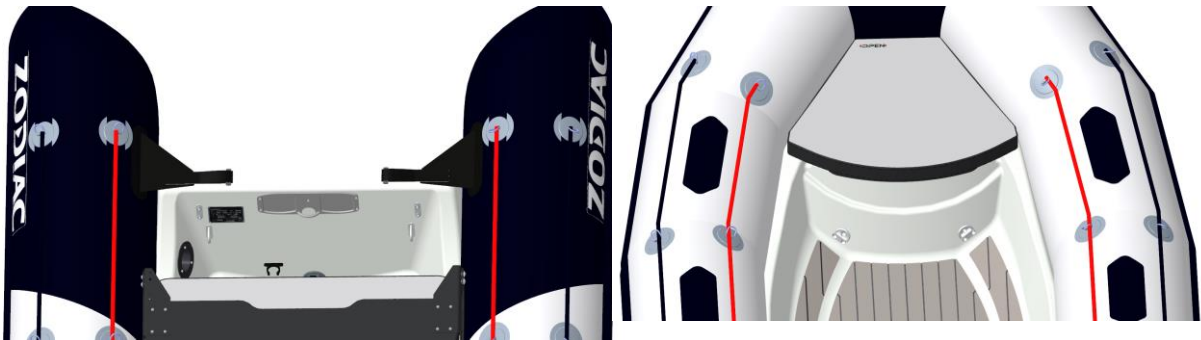


## EMPLACEMENT ACCESSOIRES

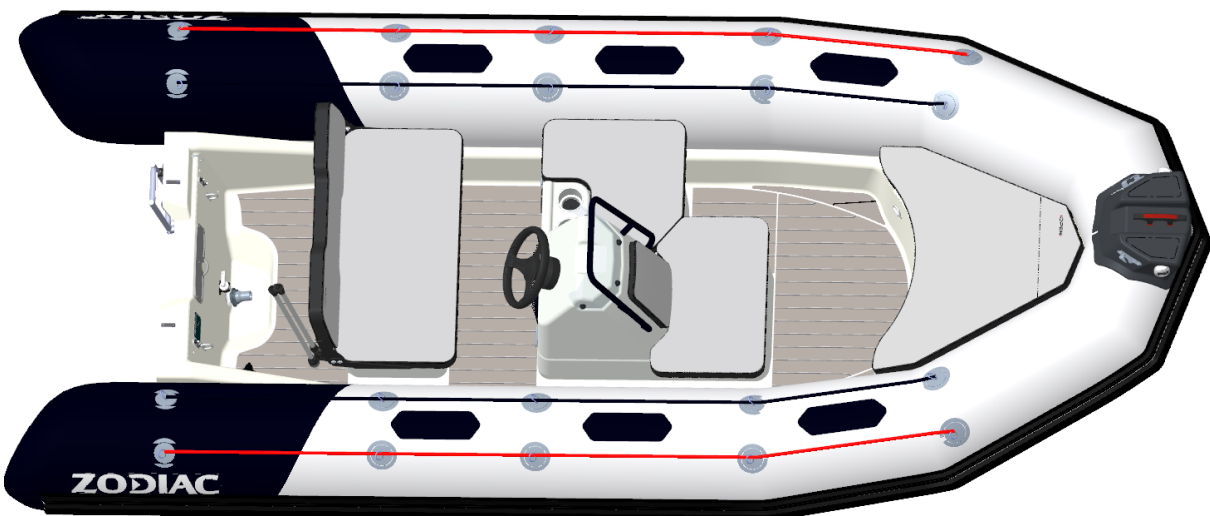
## VI-8 FILET DE RANGEMENT



## VI-9 KIT DE LEVAGE

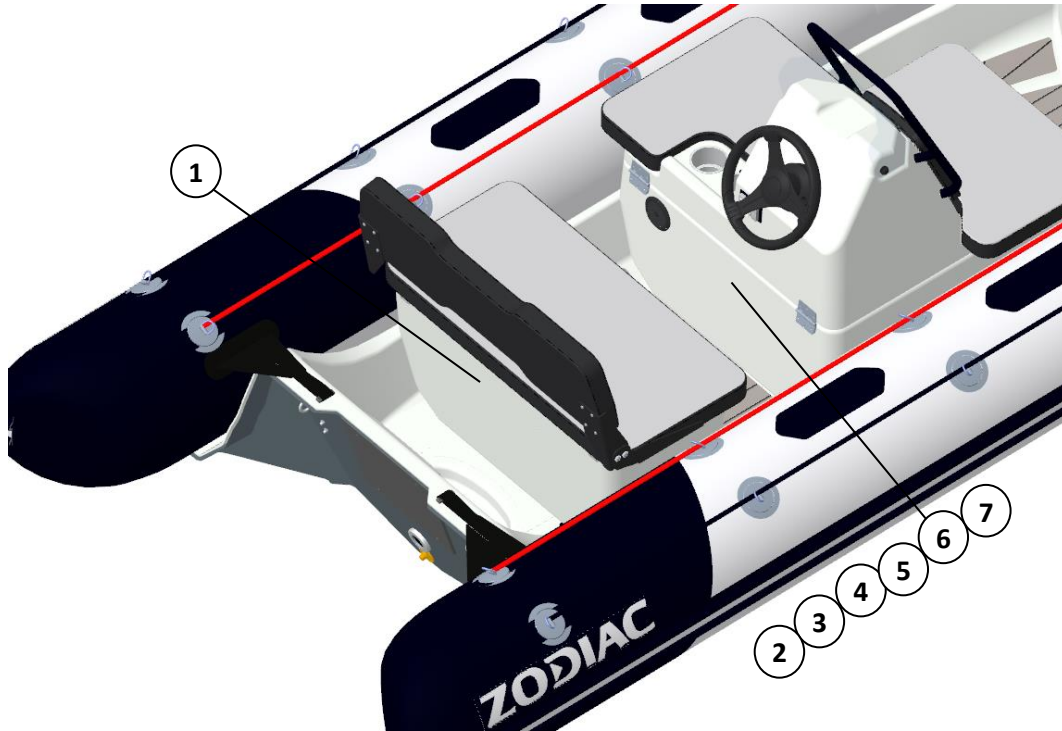


## VI-10 PONT EVA



VII- SIGNALETIQUE

VII-1 POSITION DES AUTOCOLLANTS



VII-1 DESCRIPTIF DES AUTOCOLLANTS



⚠ WARNING	⚠ AVERTISSEMENTS
<ul style="list-style-type: none"> <li>• DO NOT TOUCH BATTERY TERMINALS (SHOCK AND ACID HAZARDS)</li> <li>• DISCONNECT BOTH LEADS BEFORE REMOVING BATTERY</li> <li>• CONNECT RED LEAD TO POSITIVE (+) TERMINAL</li> <li>• CONNECT BLACK LEAD TO NEGATIVE (-) TERMINAL</li> </ul>	<ul style="list-style-type: none"> <li>• NE PAS TOUCHER LES TERMINAUX DE LA BATTERIE (RISQUE DE CHOC ELECTRIQUE ET DE CONTACT AVEC L' ACIDE DE LA BATTERIE)</li> <li>• DEBRANCHER LES 2 FILS DE SORTIE AVANT DE RETIRER LA BATTERIE</li> <li>• RELIER LE CABLE ROUGE A LA BORNE (+)</li> <li>• RELIER LE CABLE NOIR A LA BORNE (-)</li> </ul>



⚠ WARNING	⚠ AVERTISSEMENTS
<p style="text-align: center;"><b>GASOLINE IS HIGHLY INFLAMMABLE AND EXPLOSIVE</b></p> <ul style="list-style-type: none"> <li>• STOP ENGINE BEFORE REFUELING</li> <li>• REFUEL IN WELL VENTILATED AREA</li> <li>• NEVER REFUEL WHILE SMOKING, AROUND SPARKS OR OPEN FLAME</li> <li>• AVOID SPILLING FUEL. WIPE UP ALL FUEL SPILLS IMMEDIATELY</li> <li>• LEAKING FUEL IS A FIRE HAZARD AND EXPLOSION HAZARD</li> <li>• INSPECT FUEL SYSTEM BEFORE EACH USE</li> </ul>	<p style="text-align: center;"><b>L' ESSENCE EST TRES FORTEMENT INFLAMMABLE ET EXPLOSIVE</b></p> <ul style="list-style-type: none"> <li>• ARRETER LE MOTEUR AVANT TOUT REMPLISSAGE.</li> <li>• NE PAS FUMER LORS DU REMPLISSAGE.</li> <li>• FAIRE LE PLEIN DANS UN ENDROIT VENTILE.</li> <li>• EVITER DE RENSER DU CARBURANT. ESSUYER IMMEDIATEMENT TOUTES LES FLAQUES DE CARBURANT CREEES</li> <li>• LES FUITES DE CARBURANTS CONSTITUENT UN RISQUE D' INCENDIE ET D' EXPLOSION</li> <li>• VERIFIER LE CIRCUIT CARBURANT AVANT CHAQUE UTILISATION</li> </ul>

**SIGNALETIQUE**

<b>CAUTION</b>	<b>ATTENTION</b>
<p>IMPROPERLY TOWING YOUR BOAT CAN CAUSE SEVERE DAMAGE TO YOUR BOAT.</p> <ul style="list-style-type: none"> <li>NEVER TOW IN OPEN SEAS</li> <li>NEVER TOW ABOVE 6 KNOTS</li> </ul>	<p>UN REMORQUAGE INAPPROPRIE PEUT ENDOMMAGER VOTRE BATEAU</p> <ul style="list-style-type: none"> <li>NE PAS REMORQUER EN PLEINE MER</li> <li>NE PAS REMORQUER A PLUS DE 6 NOEUDS</li> </ul>
	3

<b>WARNING</b>	<b>AVERTISSEMENT</b>
<p>DO NOT LIFT THE BOAT WITH PASSENGERS ON BOARD</p>	<p>NE PAS SOULEVER LE BATEAU AVEC DES PASSAGERS A BORD</p>
	4

<b>DANGER</b>	<b>DANGER</b>
<p>TO AVOID INJURY OR DEATH, SHUT OFF ENGINE WHEN NEAR SWIMMERS OR PRIOR TO USING SWIN PLATFORM AND BOARDING LADDER</p>	<p>POUR EVITER DES BLESSURES OU LA MORT, COUPER LE MOTEUR EN APPROCHANT DE NAGEURS, ET AVANT TOUTE UTILISATION DE LA PLATEFORME ARRIERE OU DE L' ECHELLE DE BAIN</p>
	5

<b>DANGER</b>	<b>DANGER</b>
<p>A FIRE EXTINGUISHER MUST BE CARRIED AT ALL TIMES</p>	<p>UN EXTINCTEUR DOIT ETRE DISPONIBLE EN PERMANENCE A BORD</p>
	6

30 KNTS MAXIMUM

7



Regent Park 1 - Bat2B  
2480 L'Occitane  
31670 LABEGE  
FRANCE



## Manual del propietario - Owner's Manual Volumen 2 - Volume 2

### OPEN 3.1 - OPEN 3.4 - OPEN 4.2 – OPEN 4.8

ZNAUTIC proporciona los manuales del propietario en formato digital en italiano, alemán, español y noruego. Para otros idiomas, contacte con su distribuidor para que lo solicite a los equipos de ZNAUTIC.

*ZNAUTIC puts at your disposal the owner's manuals in digital format for the Italian / German / Spanish and Norwegian languages. For all other languages, contact your distributor for request to the ZNAUTIC teams in due form.*

Edición 1

## Register your boat today on the Zodiac Club

<https://www.zodiac-nautic.com/fr/zodiac-club/>



Get a Warranty extension of  
**3 YEARS**  
for your new boat\*



FR

Enregistrez votre bateau dès aujourd'hui sur le "Zodiac Club"  
<https://www.zodiac-nautic.com/fr/zodiac-club/>. Bénéficiez d'une extension de 3 ans de Garantie constructeur pour l'achat d'un bateau neuf\*  
\*voir conditions générales de la garantie Zodiac Nautic

ES

Registre su embarcación ahora en el "Zodiac Club"  
<https://www.zodiac-nautic.com/fr/zodiac-club/>. Beneficiese de una extensión de garantía de tres años, en la compra de una embarcación nueva\*  
\*ver las condiciones generales de la garantía Zodiac Nautic

IT

Registri il suo battello oggi sul "Zodiac Club"  
<https://www.zodiac-nautic.com/fr/zodiac-club/>. Beneficierà dell'estensione di 3 annos di Garanzia costruttore sull'acquisto di un battello nuovo\*  
\*vedere le condizioni generali della garanzia Zodiac Nautic

DE

Registrieren Sie Ihr Boot heute im "Zodiac Club"  
<https://www.zodiac-nautic.com/fr/zodiac-club/>. Erhalten Sie die 3-jährige Garantieerweiterung für Ihr neues Boot.\*  
\*Siehe Zodiac Nautic Garantiebedingungen

# VOLUMEN 2

## DESCRIPCIÓN – FLOTADOR

## SISTEMA DE PROPULSIÓN

## INSTALACIÓN Y CIRCUITOS

### ÍNDICE

I- DESCRIPCIÓN.....	3
I-1 CARACTERÍSTICAS TÉCNICAS OPEN 3.1.....	3
I-2 CARACTERÍSTICAS TÉCNICAS OPEN 3.4.....	5
I-3 CARACTERÍSTICAS TÉCNICAS OPEN 4.2.....	7
I-4 CARACTERÍSTICAS TÉCNICAS OPEN 4.8.....	9
I-5 INVENTARIO Y UBICACIÓN .....	12
I-6 UBICACIÓN DEL EQUIPAMIENTO .....	16
I-6-1- OPEN 3.1 / OPEN 3.4.....	16
I-6-2- OPEN 4.2 / OPEN 4.8.....	18
I-7 MANIPULACIÓN .....	20
I-7-1- Transporte .....	20
I-7-2- Izado.....	26
II- FLOTADOR.....	27
II-1 MANTENIMIENTO DEL FLOTADOR.....	27
II-2 MONTAJE DEL FLOTADOR EN EL CASCO OPEN 4.2 / OPEN 4.8.....	27
II-3 FIJACIÓN DE LA FALDILLA .....	28
II-4 INFLADO DEL FLOTADOR.....	29
II-5 PRESIÓN .....	31
III- Sistema de propulsión.....	33
IV- Cómo conducir la embarcación .....	34
V- INSTALACIÓN Y CIRCUITOS .....	35
V-1 CIRCUITO DE COMBUSTIBLE .....	35
V-1-1- Ubicación de los elementos.....	35
V-1-2- Depósito portátil ( <i>opcional</i> ).....	37
V-1-3- Filtro separador agua/gasolina (no suministrado) .....	38
V-1-4- Utilización de las válvulas de cierre del circuito de gasolina (no suministrado) .....	39
V-1-5- Recomendaciones .....	40
V-2 CIRCUITO ELÉCTRICO .....	41
V-2-1- OPEN 3.1 / 3.4 / 4.2 .....	41



V-2-2- OPEN 4.8.....	44
V-2-3- Ubicación de los elementos.....	47
V-2-4- Cortacircuitos (opcional) .....	47
V-2-5- Batería (no suministrada).....	48
V-2-6- Luces de navegación.....	49
V-2-7- Cableado de un accesorio.....	49
V-2-1- Conexión de opciones OPEN 3.1 / 3.4 /4.8.....	50
V-2-2- Conexión de opciones OPEN /4.8.....	51
V-3 INSTALACIÓN DE ACHIQUES .....	53
V-3-1- Descripción de elementos funcionales.....	53
V-3-2- Tapones de pasacascos .....	53
V-3-3- Espiche de casco:.....	54
V-4 DIRECCIÓN .....	55
V-5 INCENDIO .....	55
V-6 FONDEO / AMARRE.....	56
V-7 ACCESO A BORDO .....	57
V-7-1- POR EL FLOTADOR .....	57
V-7-2- POR LA ESCALAS (OPCIONAL).....	57
V-8 RIGGING MECÁNICO .....	58
V-9 FIJACIÓN DE ASIENTOS .....	59
VI- EMPLAZAMIENTO DE ACCESORIOS.....	60
VI-1 BIMINI OPEN 3.1 / 3.4.....	60
VI-2 BIMINI OPEN 4.2 / 4.8.....	60
VI-3 BARRA DE SEGURIDAD OPEN 4.8.....	61
VI-4 DEPÓSITO PORTÁTIL OPEN 3.1 / 3.4.....	61
VI-5 DEPÓSITO PORTÁTIL OPEN 4.2 / 4.8.....	61
VI-6 INTERRUPTOR DE BATERÍA .....	62
VI-7 LUZ BLANCA .....	62
VI-8 RED DE ALMACENAMIENTO.....	63
VI-9 KIT DE IZADO .....	63
VI-10 CUBIERTA EVA.....	63
VII- SEÑALIZACIÓN.....	64
VII-1 POSICIÓN DE LAS PEGATINAS .....	64
VII-1 DESCRIPCIÓN DE LAS PEGATINAS .....	64

**DESCRIPCIÓN - Características técnicas**

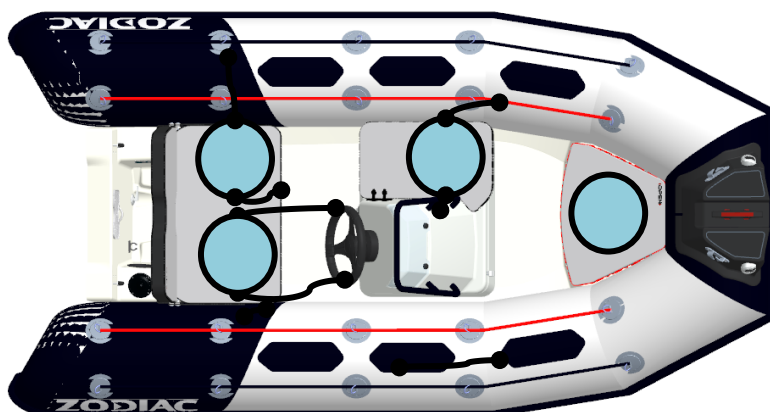
**I- DESCRIPCIÓN**


**I-1 CARACTERÍSTICAS TÉCNICAS OPEN 3.1**

<b>Dimensiones</b>						
<i>Tolerancias sobre las dimensiones +/- 3 %</i>						
	m	3,1		m	0,455	
	ft	10,2"		ft	1,6"	
	m	2	Sin el flotador 	a	m	2,58
	ft	6,7"		ft	8,6"	
	m	1,65		b	m	1,01
	ft	5,5"		ft	3,4"	
	m	0,71		c	m	1,134
	ft	1,6"		ft	3,9"	
	HA (mm)	930	Calado aéreo máx.			
	T (mm)	225	Calado agua máx.			
	°	13	Ángulo del tablero de popa			
	mm	438	Altura del tablero de popa			

<b>Categoría de diseño</b>	
<b>CE</b> (Directiva 2013/53/EU)	C

<b>Capacidad</b>				
<i>Tolerancias sobre los pesos +/- 5 %</i>				
(ISO)			C	
			4	
	<b>ISO 14946</b>	kg	300	Carga máxima según ISO 14946 (1+2+3+4), datos que figuran en el certificado ICNN. Carga máxima según ISO 14945 (1+2+3+5), datos que figuran en la placa del fabricante. Masa de las personas Efectos personales Lista de todas las opciones propuestas Contenido de los depósitos de líquidos de consumo (gasolina, agua potable...) Masa de los motores
		lb	661	
	<b>ISO 14945</b>	kg	340	
		lb	750	
		kg	132	
		lb	291	
Número de compartimentos			3	Pesos indicados sin accesorios








 Asiento con asas de sujeción



**¡¡¡ADVERTENCIA!!!**

**NO DEBE SUPERARSE EL NÚMERO MÁXIMO DE PERSONAS RECOMENDADO. INDEPENDIEMENTE DEL NÚMERO DE PERSONAS A BORDO, LA MASA TOTAL DE LAS PERSONAS Y DEL EQUIPO NUNCA DEBE SUPERAR LA CARGA MÁXIMA RECOMENDADA.**

**UTILICE SIEMPRE LOS ASIENTOS PREVISTOS.**

Motorización del Open 3.1					
 Long	Longitud del eje		MONOMOTOR		Las potencias recomendadas corresponden a una explotación óptima de las capacidades de la embarcación para una carga media.
			S		
	Potencia MÍNIMA recomendada	CV	10		
		KW	7.5		
	Potencia MÁXIMA recomendada	CV	15		
		KW	11.2		
	Potencia MÁXIMA autorizada	CV	25		
		KW	18.6		
 Maximum	Peso MÁXIMO del motor	kg	57		
		lb	125.7		

**NOTA:** la potencia máxima autorizada, cuando sea superior a la potencia máxima recomendada, debe utilizarse con la máxima prudencia. Está destinada exclusivamente a usuarios con experiencia que utilicen la embarcación en condiciones muy específicas (transporte de cargas pesadas, etc.). Ver Volumen 1 del manual, capítulo "Consejos de navegación".

Para evitar una posible degradación prematura de su flotador, solo para este tamaño de bote, el motor debe montarse lo más alto posible en el espejo de popa. También se recomienda cambiar el motor a babor cuando esté fondeado, durante las fases de invernada y transporte del barco.

**DESCRIPCIÓN - Características técnicas**

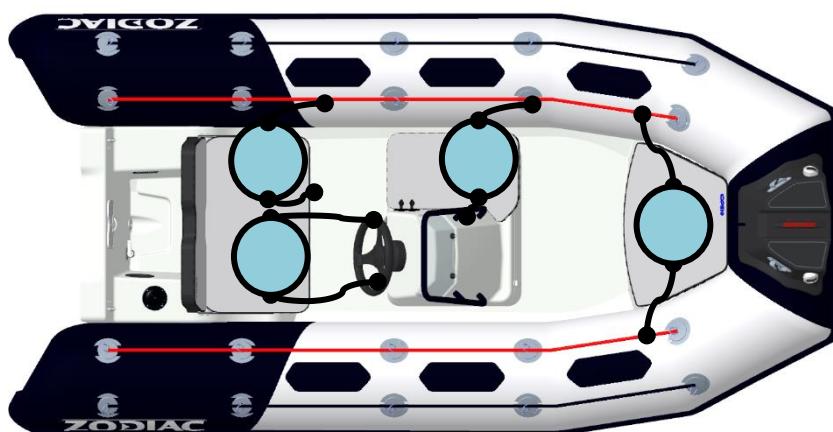
**I-2 CARACTERÍSTICAS TÉCNICAS OPEN 3.4**


<b>Dimensiones</b>						
<i>Tolerancias sobre las dimensiones +/- 3 %</i>						
	m	3,4		m	0,455	
	ft	11,2"		ft	1,6"	
	m	2,16	Sin el flotador 	a	m	2,9
	ft	7,1"			ft	9,6"
	m	1,7		b	m	1,13
	ft	5,7"			ft	3,8"
	m	0,8		c	m	1,17
	ft	2,7"			ft	3,10"
	HA	HA (mm)	945	Calado aéreo máx.		
	T	T (mm)	294	Calado agua máx.		
	°	°	13	Ángulo del tablero de popa		
	mm	mm	524	Altura del tablero de popa		

<b>Categoría de diseño</b>	
(Directiva 2013/53/EU)	C

<b>Capacidad</b>				
<i>Tolerancias sobre los pesos +/- 5 %</i>				
(ISO)			C	
			<b>4</b>	
Maximum	ISO 14946	kg	340	Carga máxima según ISO 14946 (1+2+3+4), datos que figuran en el certificado ICNN. Carga máxima según ISO 14945 (1+2+3+5), datos que figuran en la placa del fabricante. Masa de las personas Efectos personales Lista de todas las opciones propuestas Contenido de los depósitos de líquidos de consumo (gasolina, agua potable...) Masa de los motores
		lb	750	
Maximum	ISO 14945	kg	420	
		lb	926	
		kg	150	
		lb	331	
Número de compartimentos			3	

## DESCRIPCIÓN - Características técnicas





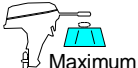


 Asiento con asas de sujeción



### **!!!ADVERTENCIA!!!**

**NO DEBE SUPERARSE EL NÚMERO MÁXIMO DE PERSONAS RECOMENDADO. INDEPENDIEMENTE DEL NÚMERO DE PERSONAS A BORDO, LA MASA TOTAL DE LAS PERSONAS Y DEL EQUIPO NUNCA DEBE SUPERAR LA CARGA MÁXIMA RECOMENDADA. UTILICE SIEMPRE LOS ASIENTOS PREVISTOS.**

Motorización del Open 3.4			
 Long	Longitud del eje		MONOMOTOR
			L
	Potencia MÍNIMA recomendada	CV	10
		KW	7.5
	Potencia MÁXIMA recomendada	CV	15
		KW	11.2
	Potencia MÁXIMA autorizada	CV	30
		KW	22.4
 Maximum	Peso MÁXIMO del motor	kg	95
		lb	209

Las potencias recomendadas corresponden a una explotación óptima de las capacidades de la embarcación para una carga media.

**NOTA:** la potencia máxima autorizada, cuando sea superior a la potencia máxima recomendada, debe utilizarse con la máxima prudencia. Está destinada exclusivamente a usuarios con experiencia que utilicen la embarcación en condiciones muy específicas (transporte de cargas pesadas, etc.). Ver Volumen 1 del manual, capítulo "Consejos de navegación".

**DESCRIPCIÓN - Características técnicas**

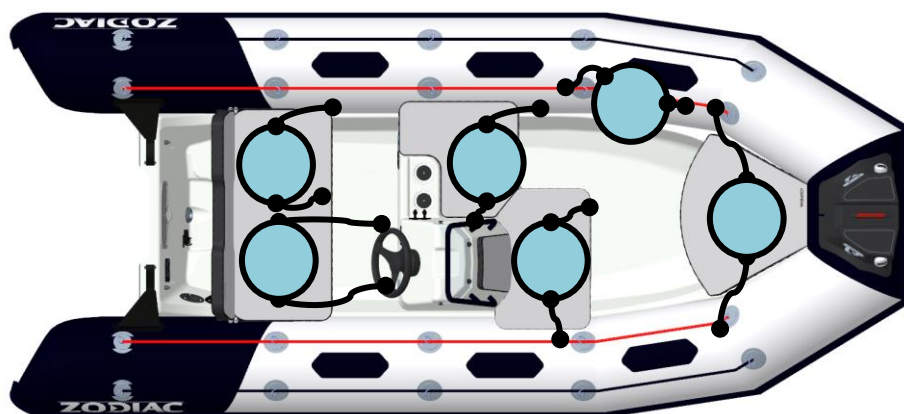
**I-3 CARACTERÍSTICAS TÉCNICAS OPEN 4.2**


<b>Dimensiones</b>						
<i>Tolerancias sobre las dimensiones +/- 3 %</i>						
	m	4,2		m	0,455	
	ft	13,9"		ft	1,6"	
	m	2,7	<p>Sin el flotador</p>	a	m	3,6
	ft	8,10"			ft	11,10"
	m	1,9		b	m	1,24
	ft	6,3"			ft	4,1"
	m	1,1		c	m	1,3
	ft	3,7"			ft	4,3"
	HA (mm)			968	Calado aéreo máx.	
	T (mm)			456	Calado agua máx.	
	°		17	Ángulo del tablero de popa		
	mm		524	Altura del tablero de popa		

<b>Categoría de diseño</b>	
	(Directiva 2013/53/EU) <span style="float: right;">C</span>

<b>Capacidad</b>					
<i>Tolerancias sobre los pesos +/- 5 %</i>					
		(ISO)		C	
		6			
	<b>ISO 14946</b>	kg	560	<p>Carga máxima según ISO 14946 (1+2+3+4), datos que figuran en el certificado ICNN. Carga máxima según ISO 14945 (1+2+3+5), datos que figuran en la placa del fabricante. Masa de las personas Efectos personales Lista de todas las opciones propuestas Contenido de los depósitos de líquidos de consumo (gasolina, agua potable...) Masa de los motores</p>	
		lb	1235		
	<b>ISO 14945</b>	kg	680		
		lb	1499		
			kg		270
			lb		595
Número de compartimentos				3	

## DESCRIPCIÓN - Características técnicas








 Asiento con asas de sujeción



### **!!!ADVERTENCIA!!!**

**NO DEBE SUPERARSE EL NÚMERO MÁXIMO DE PERSONAS RECOMENDADO. INDEPENDIEMENTE DEL NÚMERO DE PERSONAS A BORDO, LA MASA TOTAL DE LAS PERSONAS Y DEL EQUIPO NUNCA DEBE SUPERAR LA CARGA MÁXIMA RECOMENDADA. UTILICE SIEMPRE LOS ASIENTOS PREVISTOS.**

Motorización del Open 4.2				
 Long	Longitud del eje	MONOMOTOR		Las potencias recomendadas corresponden a una explotación óptima de las capacidades de la embarcación para una carga media.
		L		
	Potencia MÍNIMA recomendada	CV	15	
		KW	11,2	
	Potencia MÁXIMA recomendada	CV	40	
		KW	29,8	
	Potencia MÁXIMA autorizada	CV	50	
		KW	37,3	
 Maximum	Peso MÁXIMO del motor	kg	115	
		lb	253,5	

**NOTA:** la potencia máxima autorizada, cuando sea superior a la potencia máxima recomendada, debe utilizarse con la máxima prudencia. Está destinada exclusivamente a usuarios con experiencia que utilicen la embarcación en condiciones muy específicas (transporte de cargas pesadas, etc.). Ver Volumen 1 del manual, capítulo "Consejos de navegación".

**DESCRIPCIÓN - Características técnicas**

**I-4 CARACTERÍSTICAS TÉCNICAS OPEN 4.8**

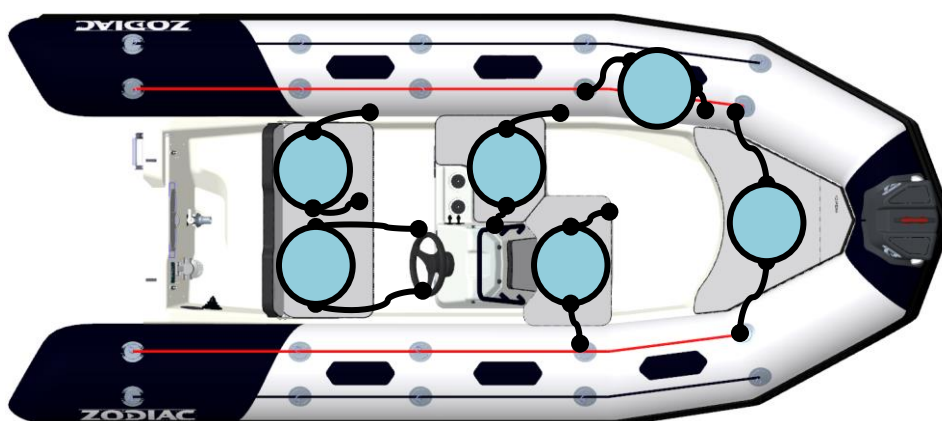
<b>Dimensiones</b>						
<i>Tolerancias sobre las dimensiones +/- 3 %</i>						
	m	4,7		m	0,5	
	ft	15,5"		ft	1,8"	
	m	2,92	Sin el flotador 	a	m	3,83
	ft	9,7"			ft	12,7"
	m	2,09		b	m	1,38
	ft	6,10"			ft	4,6"
	m	1,1		c	m	1,38
	ft	3,7"			ft	4,6"
	HA (mm)	1085	Calado aéreo máx.			
	T (mm)	485	Calado agua máx.			
	°	17,5	Ángulo del tablero de popa			
	mm	537	Altura del tablero de popa			


<b>Categoría de diseño</b>	
(Directiva 2013/53/EU)	C

<b>Capacidad</b>							
<i>Tolerancias sobre los pesos +/- 5 %</i>							
(ISO)			C				
			<b>6</b>				
	ISO 14946	kg	590	Carga máxima según ISO 14946 (1+2+3+4), datos que figuran en el certificado ICNN. Carga máxima según ISO 14945 (1+2+3+5), datos que figuran en la placa del fabricante. Masa de las personas Efectos personales Lista de todas las opciones propuestas Contenido de los depósitos de líquidos de consumo (gasolina, agua potable...) Masa de los motores			
		lb	1301				
	ISO 14945	kg	760				
		lb	1676				
		kg	310			Pesos indicados sin accesorios	
		lb	683				
Número de compartimentos			5				



## DESCRIPCIÓN - Características técnicas








 Asiento con asas de sujeción



### **!!!ADVERTENCIA!!!**

**NO DEBE SUPERARSE EL NÚMERO MÁXIMO DE PERSONAS RECOMENDADO. INDEPENDIEMENTE DEL NÚMERO DE PERSONAS A BORDO, LA MASA TOTAL DE LAS PERSONAS Y DEL EQUIPO NUNCA DEBE SUPERAR LA CARGA MÁXIMA RECOMENDADA.**

**UTILICE SIEMPRE LOS ASIENTOS PREVISTOS.**

Motorización del Open 4.8				
 Long	Longitud del eje	MONOMOTOR		Las potencias recomendadas corresponden a una explotación óptima de las capacidades de la embarcación para una carga media.
		L		
	Potencia MÍNIMA recomendada	CV	40	
		KW	29,8	
	Potencia MÁXIMA recomendada	CV	50	
		KW	37,3	
	Potencia MÁXIMA autorizada	CV	80	
		KW	59,7	
 Maximum	Peso MÁXIMO del motor	kg	170	
		lb	374,8	

**NOTA:** la potencia máxima autorizada, cuando sea superior a la potencia máxima recomendada, debe utilizarse con la máxima prudencia. Está destinada exclusivamente a usuarios con experiencia que utilicen la embarcación en condiciones muy específicas (transporte de cargas pesadas, etc.). Ver Volumen 1 del manual, capítulo "Consejos de navegación".

**DESCRIPCIÓN - Características técnicas**

**NOTA:** la potencia máxima autorizada, cuando sea superior a la potencia máxima recomendada, debe utilizarse con la máxima prudencia. Está destinada exclusivamente a usuarios con experiencia que utilicen la embarcación en condiciones muy específicas (transporte de cargas pesadas, etc.). Ver Volumen 1 del manual, capítulo "Consejos de navegación".

**!!!ADVERTENCIA!!!**

**DURANTE LA CARGA DE LA EMBARCACIÓN, NO SUPERE NUNCA LA CARGA MÁXIMA RECOMENDADA. CARGUE SIEMPRE LA EMBARCACIÓN CON CUIDADO Y REPARTA LA CARGA DE MANERA APROPIADA PARA CONSERVAR EL ASIENTO TEÓRICO (APROXIMADAMENTE HORIZONTAL). EVITE COLOCAR CARGAS PESADAS EN ZONAS ALTAS.**

**!!!ADVERTENCIA!!!**

**NO SOBREPASE LA CARGA MÁXIMA INDICADA EN LA PLACA DEL FABRICANTE.**

**CUANDO LA EMBARCACIÓN ESTÁ CARGADA AL MÁXIMO, SE RECOMIENDA:**

- NAVEGAR CON PRECAUCIÓN
- REPARTIR LA CARGA
- CONSERVAR UN ASIENTO ADECUADO DE LA EMBARCACIÓN.

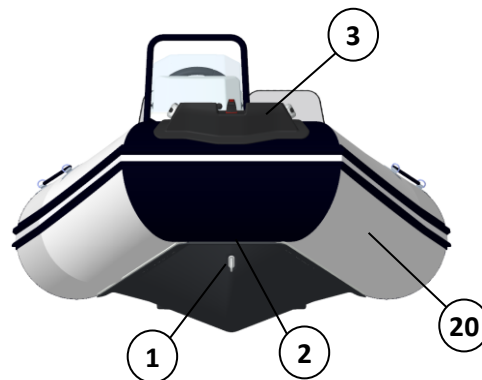
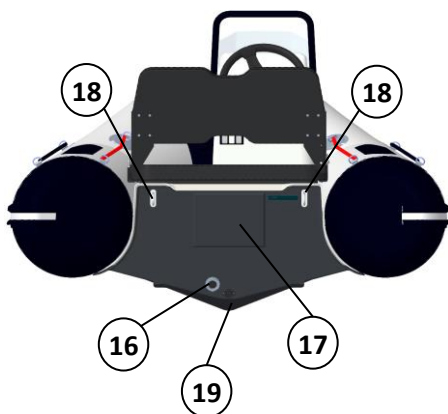
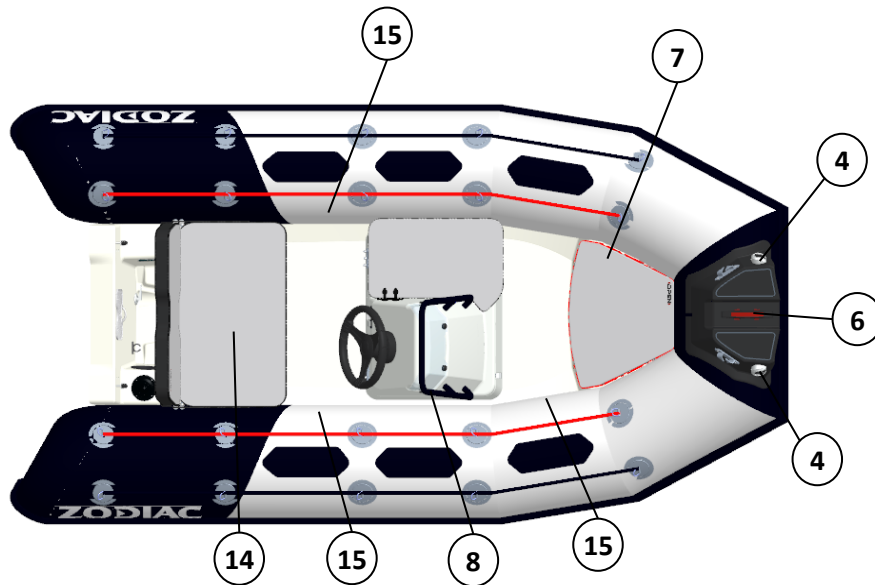
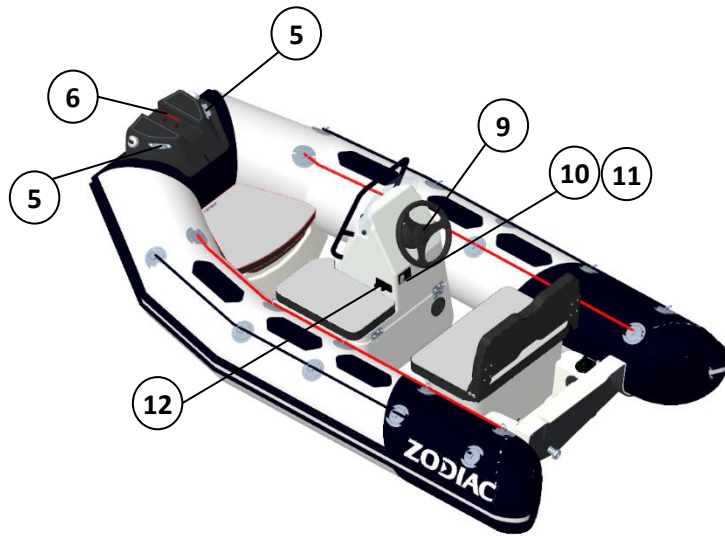
**!!!ATENCIÓN!!!**

**NO ALMACENE PRODUCTOS INFLAMABLES EN EL COMPARTIMENTO DE POPA.**

**SE PROHÍBE TERMINANTEMENTE EL ALMACENAMIENTO DE UN DEPÓSITO ADICIONAL.**

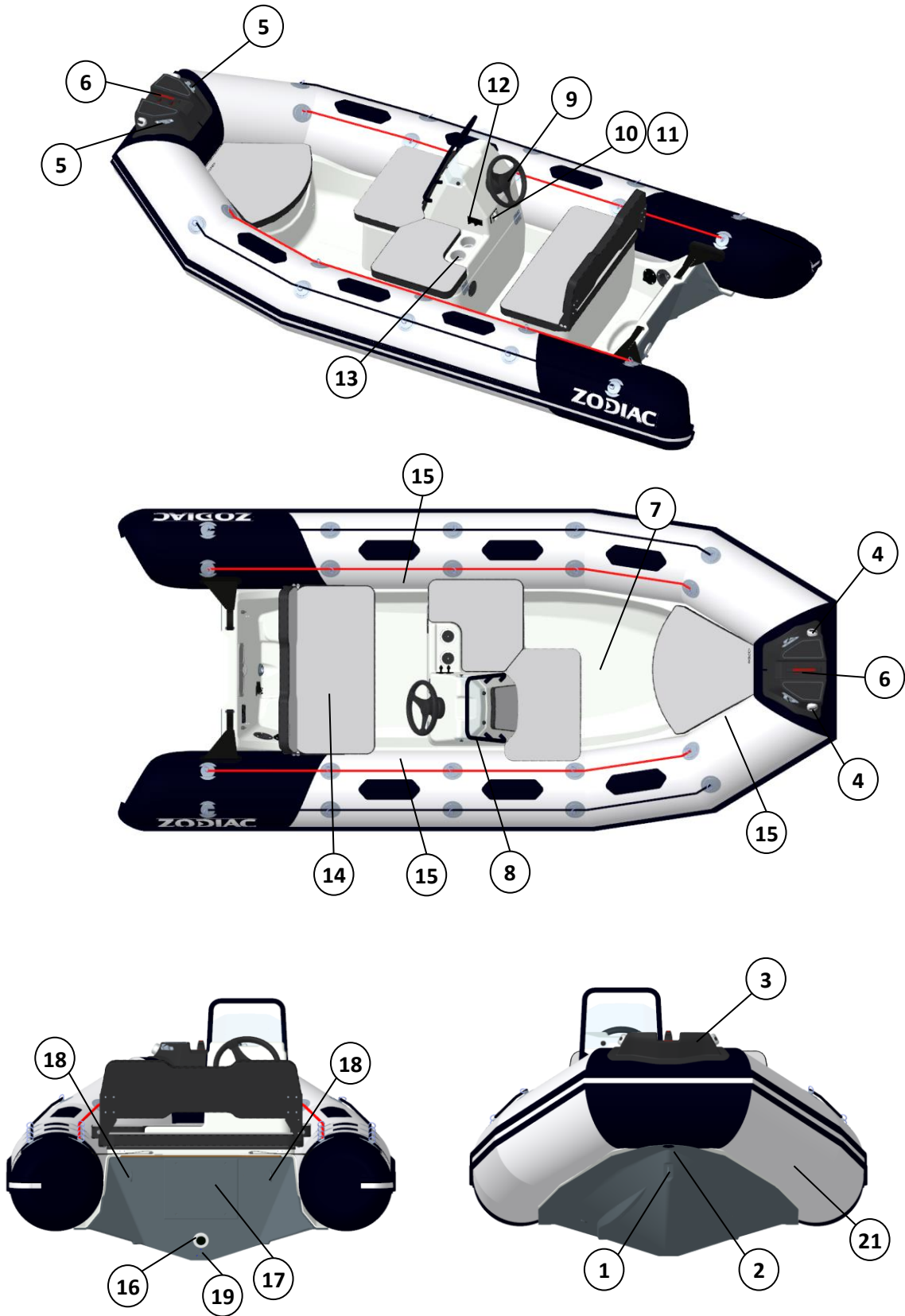
I-5 INVENTARIO Y UBICACIÓN

OPEN 3.1 y 3.4



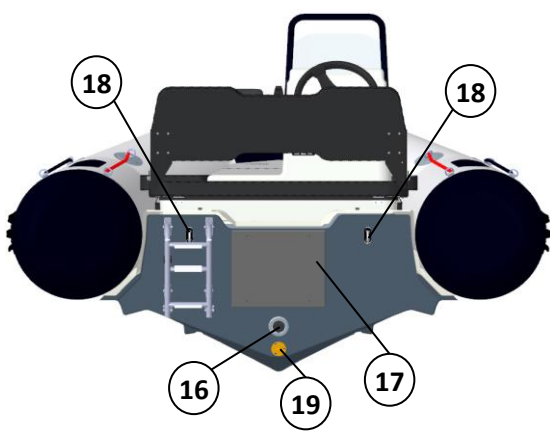
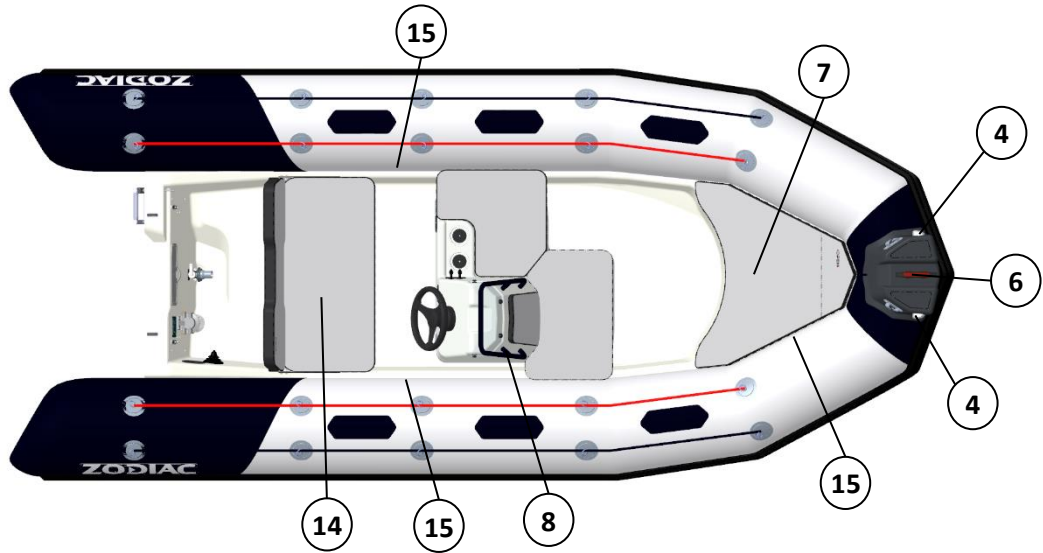
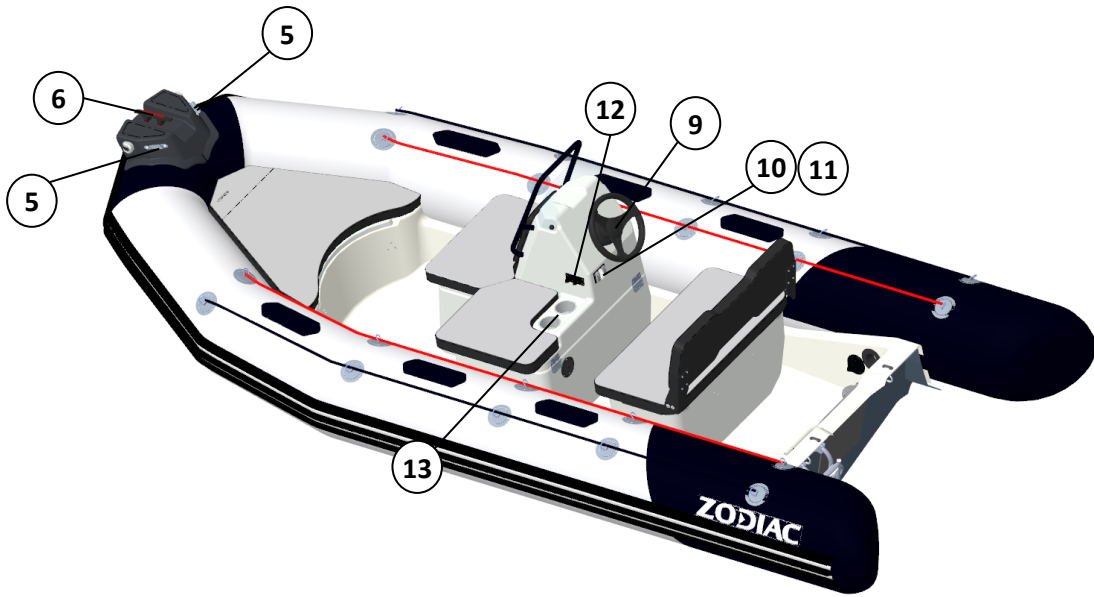
DESCRIPCIÓN – INVENTARIO Y UBICACIÓN

OPEN 4.2



DESCRIPCIÓN – INVENTARIO Y UBICACIÓN

OPEN 4.8



**DESCRIPCIÓN – INVENTARIO Y UBICACIÓN**

Referencia	DESCRIPCIÓN
<b>EQUIPO ESTÁNDAR</b>	
	2 pagayas telescópicas, 1 inflador de pie, 1 maletín de reparación, 1 manual de propietario (2 volúmenes) y 1 manómetro
	Casco de poliéster con cubierta contramoldeada y antideslizante
	Banqueta
	Consola
1	Cáncamo de roda
2	Fijación de faldilla de flotador
3	Cojinete de proa
4	Luces de navegación
5	Pasacabos
6	Cornamusas de amarre
7	Pozo de fondeo
8	Pasamanos
9	Volante, dirección mecánica
10	Interruptor luz de navegación
11	Emplazamiento interruptores
12	Toma 12 V y puerto USB
13	Compartimento portaobjetos / Portavasos
14	Batería (bandeja) <span style="float: right;"><i>En el interior de la banqueta de popa</i></span>
15	Válvulas de inflado/desinflado
16	Achicador rápido de cubierta
17	Placa Martyr
18	Cáncamos de remolque
19	Espiche de casco
20	Flotador fijo con una banda antirrozamiento de perfil ancho, guirlandas y conos largos
21	Flotador desmontable con una banda antirrozamiento de perfil ancho, guirlandas y conos largos

<b>EQUIPAMIENTO OPCIONAL</b>		<b>OPEN 3.1</b>	<b>OPEN 3.4</b>	<b>OPEN 4.2</b>	<b>OPEN 4.8</b>
	Depósito portátil	X	X	X	X
	Interruptor de batería	X	X	X	X
	Escala de baño	X	X	X	X
	Red de almacenamiento	X	X	X	X
	Cubierta EVA	X	X	X	X
	Luz blanca	X	X	X	X
	Kit de izado	X	X	X	X
	Soporte de fondeo	X	X	X	X
	Bimini	X	X	X	X
	Turboswing			X	X
	Barra de seguridad / Pilon de esquí				X
	Para otras opciones disponibles, consulte con su distribuidor ZODIAC				

**I-6 UBICACIÓN DEL EQUIPAMIENTO**

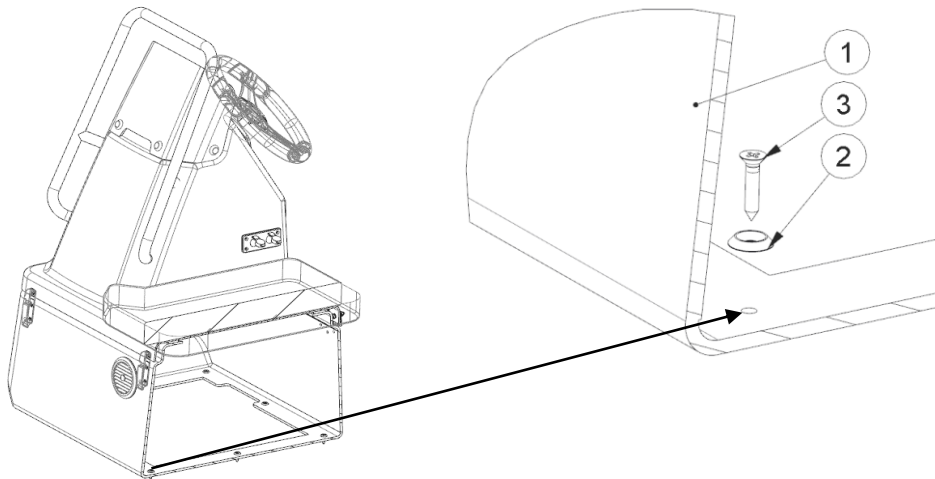
Su barco se entregará con la consola y la banqueta no montadas en el casco.

Siga los siguientes pasos para instalar, asegurar la estanqueidad y fijar los distintos elementos en la cubierta.

Antes de iniciar estos pasos de montaje, conviene instalar todo el cableado del motor.

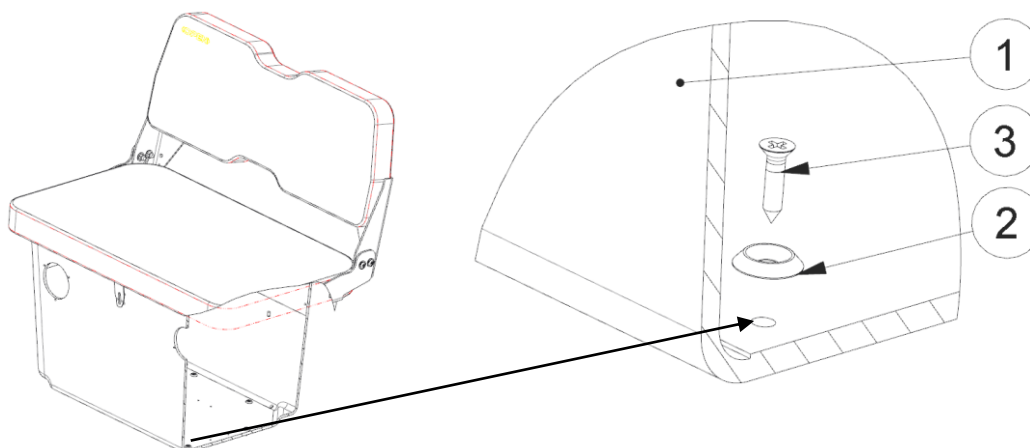
**I-6-1- OPEN 3.1 / OPEN 3.4**

**I-6-1-1- Consola**



Referencia	Designación	Cantidad
1	CONSOLA 3.1/3.4	1
2	ARANDELA INODORO M5	8
3	TORNILLOS TOL FZ 4,8 X25	8

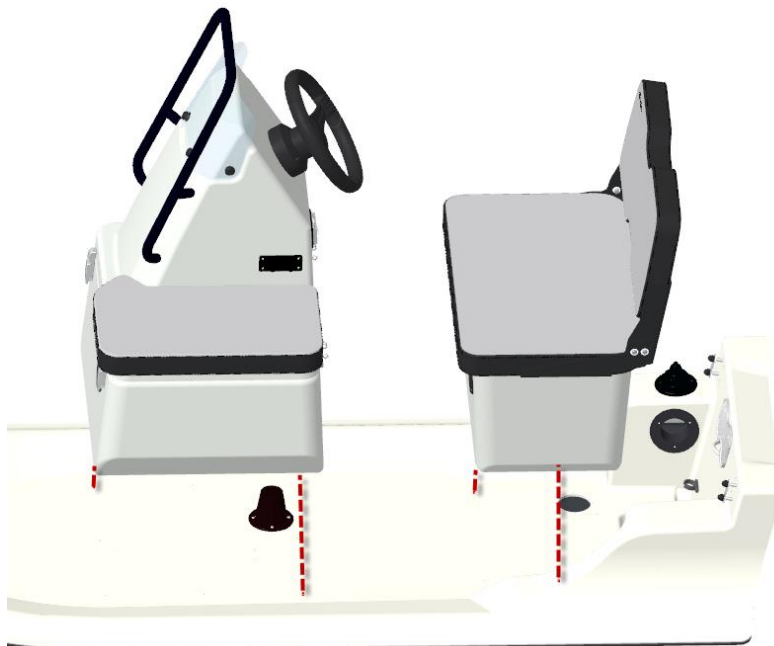
**I-6-1-2- Banqueta**



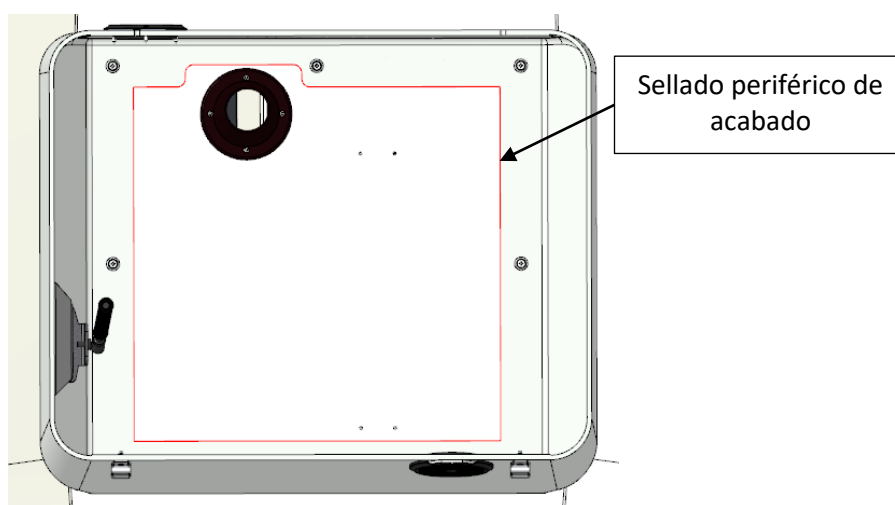
Referencia	Designación	Cantidad
1	BANQUETA 3.1/3.4	1
2	ARANDELA INODORO M5	6
3	TORNILLOS TOL FZ 4,8X32	6

**DESCRIPCIÓN – INVENTARIO Y UBICACIÓN****I-6-1-1- Instalación**

- Presente cada elemento en la cubierta alineándolo con los orificios previstos sin atornillar.
- Compruebe que los elementos queden paralelos entre sí y respecto al tablero de popa.
- Utilice los orificios de la consola y de la banqueta para marcar las posiciones de los orificios en la cubierta.
- Retire los elementos, taladre con una broca de  $\varnothing 4,2$  mm.
- Limpie y aplique SIKAFLEX 221 alrededor de los agujeros y entre cada agujero para crear un sellado periférico que refuerce la estanqueidad.



- Presente los elementos en la cubierta y atorníllelos.
- Limpie los restos de SIKAFLEX.
- Haga un último sellado en el borde interior de la consola para reforzar la estanqueidad.

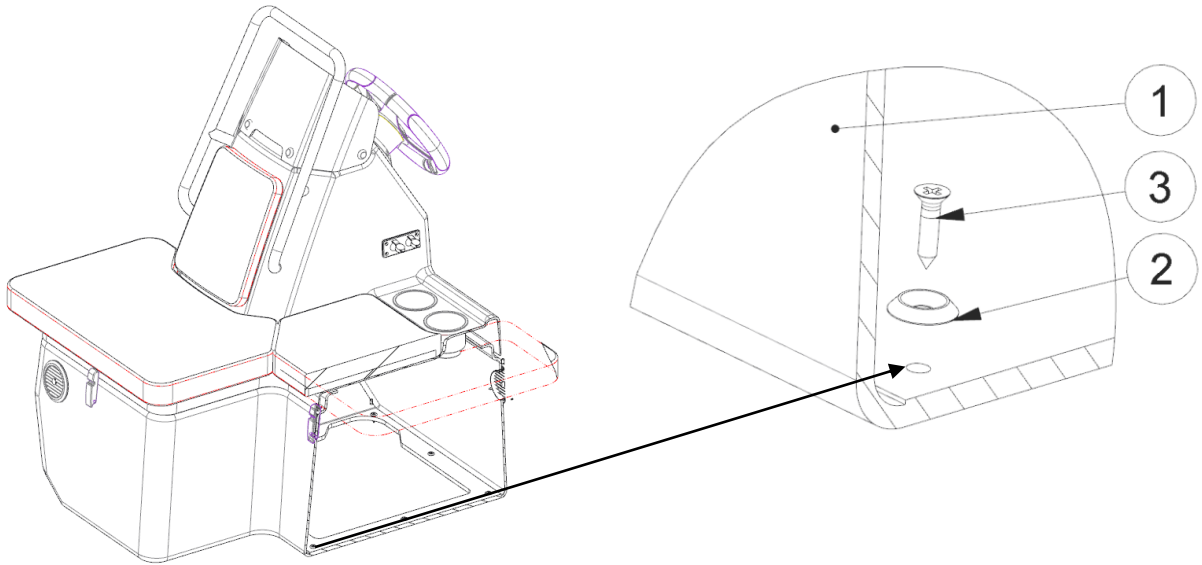




## DESCRIPCIÓN – INVENTARIO Y UBICACIÓN

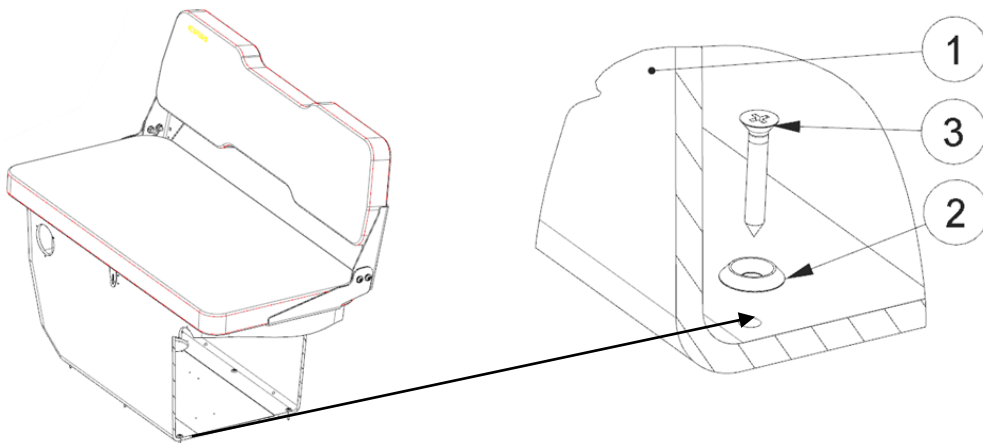
### I-6-2- OPEN 4.2 / OPEN 4.8

#### I-6-2-1- Consola



Referencia	Designación	Cantidad
1	CONSOLA 4.2/4.8	1
2	ARANDELA INODORO M5	8
3	TORNILLOS TOL FZ 4,8X25	8

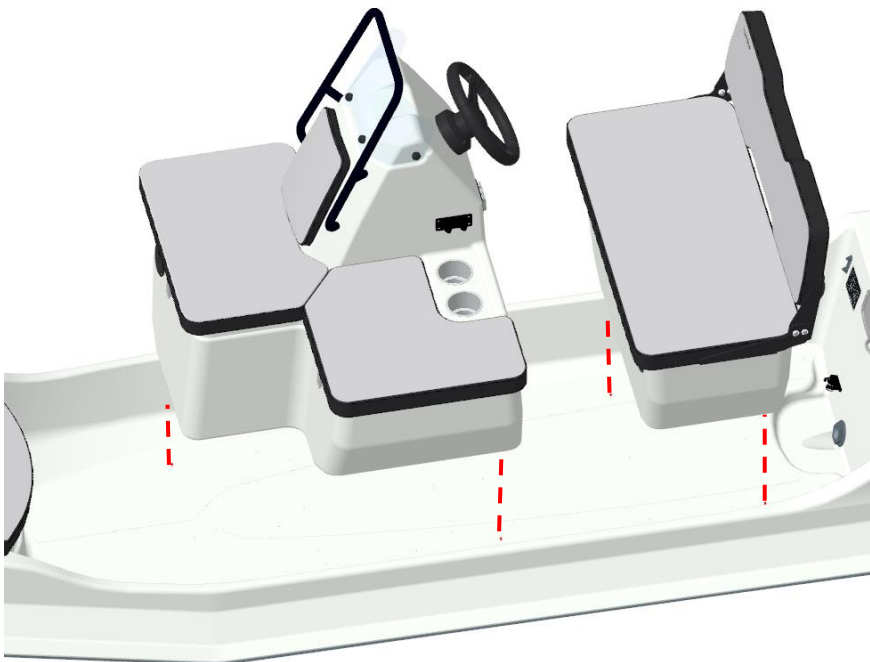
#### I-6-2-2- Banqueta



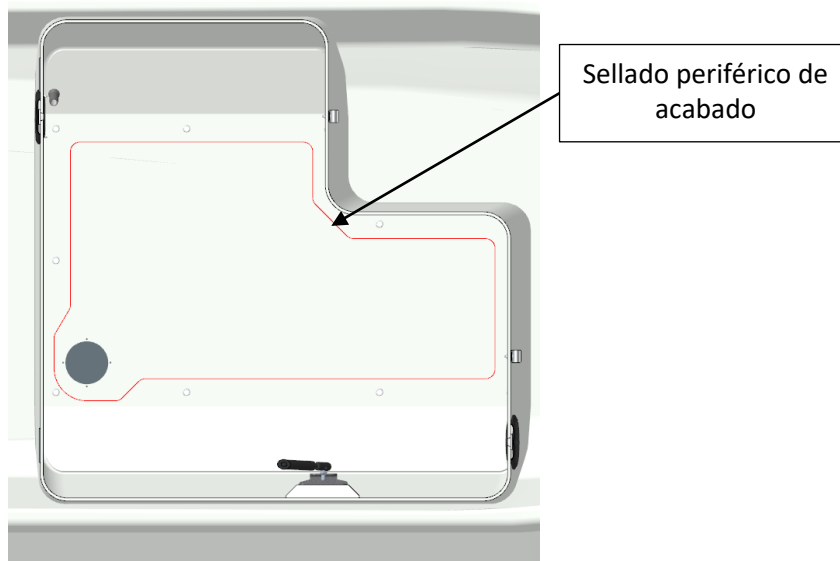
Referencia	Designación	Cantidad
1	BANQUETA 4.2/4.8	1
2	ARANDELA INODORO M5	6
3	TORNILLOS TOL FZ 4,8X32	6

**DESCRIPCIÓN – INVENTARIO Y UBICACIÓN****I-6-2-3- Instalación**

- Presente cada elemento en la cubierta alineándolo con los orificios previstos sin atornillar.
- Compruebe que los elementos queden paralelos entre sí y respecto al tablero de popa.
- Utilice los orificios de la consola y de la banqueta para marcar las posiciones de los orificios en la cubierta.
- Retire los elementos, taladre con una broca de  $\varnothing 4,2$  mm.
- Limpie y aplique SIKAFLEX 221 alrededor de los agujeros y entre cada agujero para crear un sellado periférico que refuerce la estanqueidad.



- Presente los elementos en la cubierta y atorníllelos.
- Limpie los restos de SIKAFLEX.
- Haga un último sellado en el borde interior de la consola para reforzar la estanqueidad.



**I-7 MANIPULACIÓN****I-7-1- Transporte**

Los consejos para la puesta en remolque se especifican en el manual del propietario, en el VOLUMEN I.

**Utilice un remolque adaptado a su embarcación.**

La embarcación tiene dimensiones normalizadas para el transporte por carretera. Está prevista para transportarse inflada.

La masa en condiciones de transporte para un remolque incluye:

**OPEN 3.1**

<b>Peso de la embarcación en vacío:</b>	132 kg	<i>Tolerancia +/- 5 %</i>
<b>Peso motor(es):</b>	97 kg	
<b>Reserva consumible:</b>	25 kg	<i>Depósito de gasolina</i>
<b>Opciones:</b>	14 kg	<i>Modelo con todas las opciones</i>
<b>Equipo de seguridad:</b>	21 kg	<i>Equipos</i>
<b>Σ :</b>	<b>289 kg</b>	

**OPEN 3.4**

<b>Peso de la embarcación en vacío:</b>	150 kg	<i>Tolerancia +/- 5 %</i>
<b>Peso motor(es):</b>	95 kg	
<b>Reserva consumible:</b>	25 kg	<i>Depósito de gasolina</i>
<b>Opciones:</b>	14 kg	<i>Modelo con todas las opciones</i>
<b>Equipo de seguridad:</b>	21 kg	<i>Equipos</i>
<b>Σ :</b>	<b>305 kg</b>	

**OPEN 4.2**

<b>Peso de la embarcación en vacío:</b>	265 kg	<i>Tolerancia +/- 5 %</i>
<b>Peso motor(es):</b>	115 kg	
<b>Reserva consumible:</b>	47 kg	<i>Depósito de gasolina y depósito de agua dulce</i>
<b>Opciones:</b>	27 kg	<i>Modelo con todas las opciones</i>
<b>Equipo de seguridad:</b>	21 kg	<i>Equipos</i>
<b>Σ :</b>	<b>475 kg</b>	

**OPEN 4.8**

<b>Peso de la embarcación en vacío:</b>	310 kg	<i>Tolerancia +/- 5 %</i>
<b>Peso motor(es):</b>	170 kg	
<b>Reserva consumible:</b>	47 kg	<i>Depósito de gasolina y depósito de agua dulce</i>
<b>Opciones:</b>	27 kg	<i>Modelo con todas las opciones</i>
<b>Equipo de seguridad:</b>	21 kg	<i>Equipos</i>
<b>Σ :</b>	<b>575 kg</b>	

**DESCRIPCIÓN - Manipulación**

ESTIBA SOBRE REMOLQUE O SOBRE BASADA:  
UTILICE EL CÁNCAMO DE RODA Y LOS CÁNCAMOS DE LA PARTE TRASERA EN LA CARA EXTERIOR DEL TABLERO DE POPA.



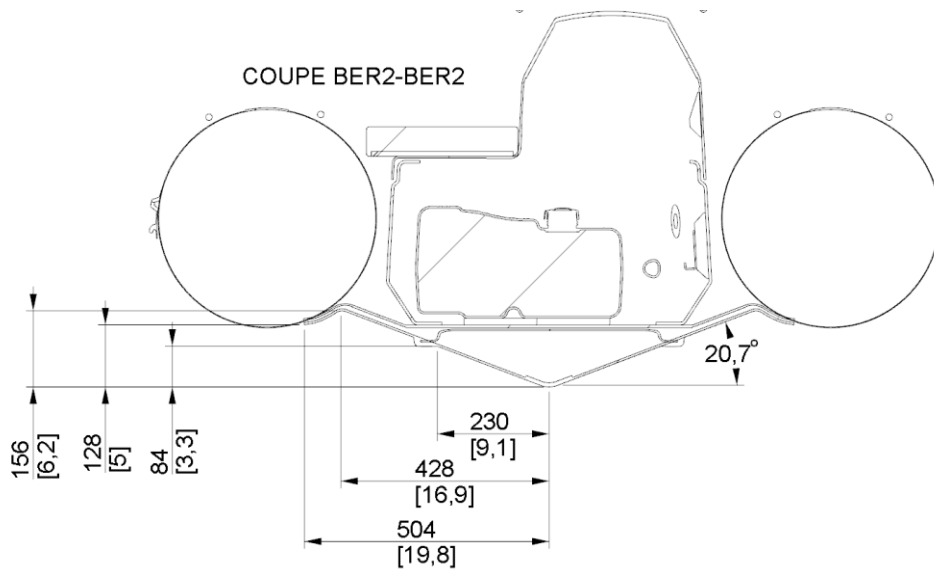
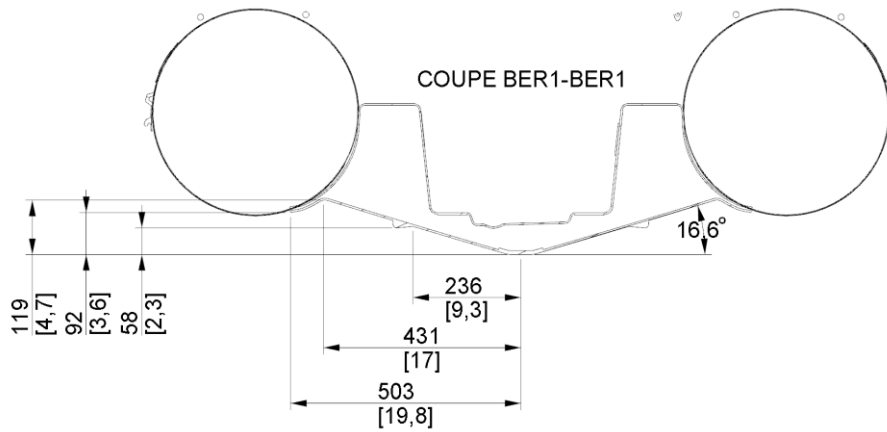
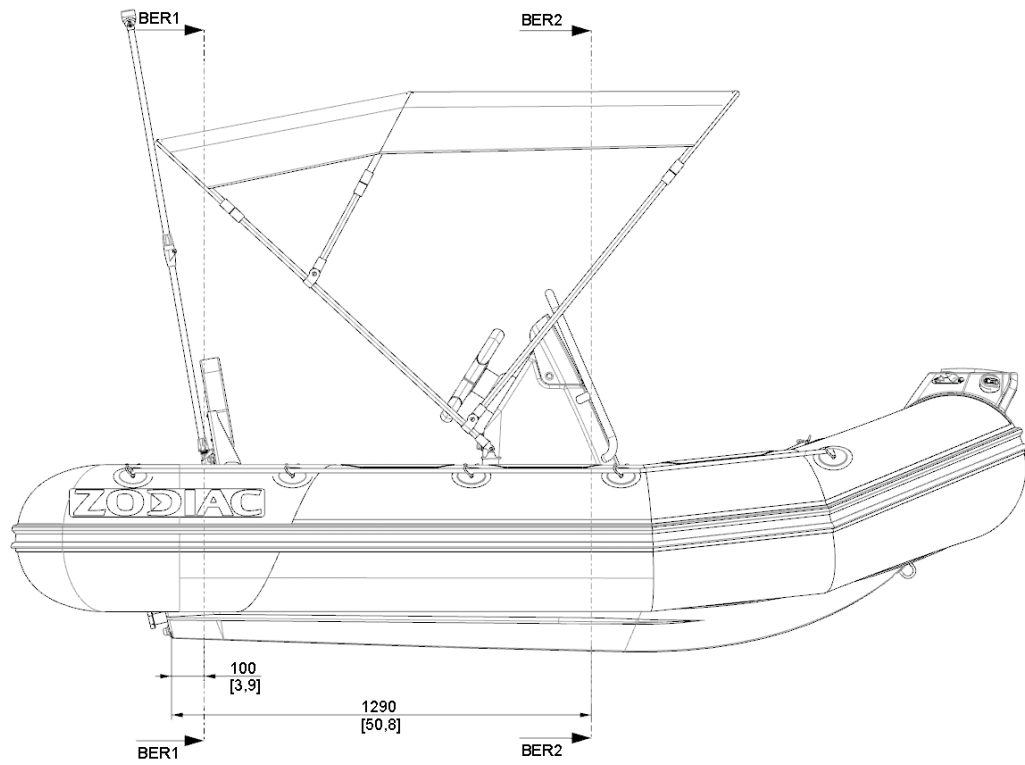
**Recomendación: ¡EN CASO DE TRANSPORTE, FLOTADOR DESINFLADO!**  
PARA EVITAR DAÑAR LOS CONOS TRASEROS, SE RECOMIENDA EQUIPARSE CON EL KIT DE CORREA DE TRANSPORTE (EQUIPO OPCIONAL).



**¡¡¡ATENCIÓN!!!**  
LA EMBARCACIÓN DEBE APOYARSE OBLIGATORIAMENTE SOBRE LA LÍNEA DE RODA.  
VER ESQUEMA SIGUIENTE.

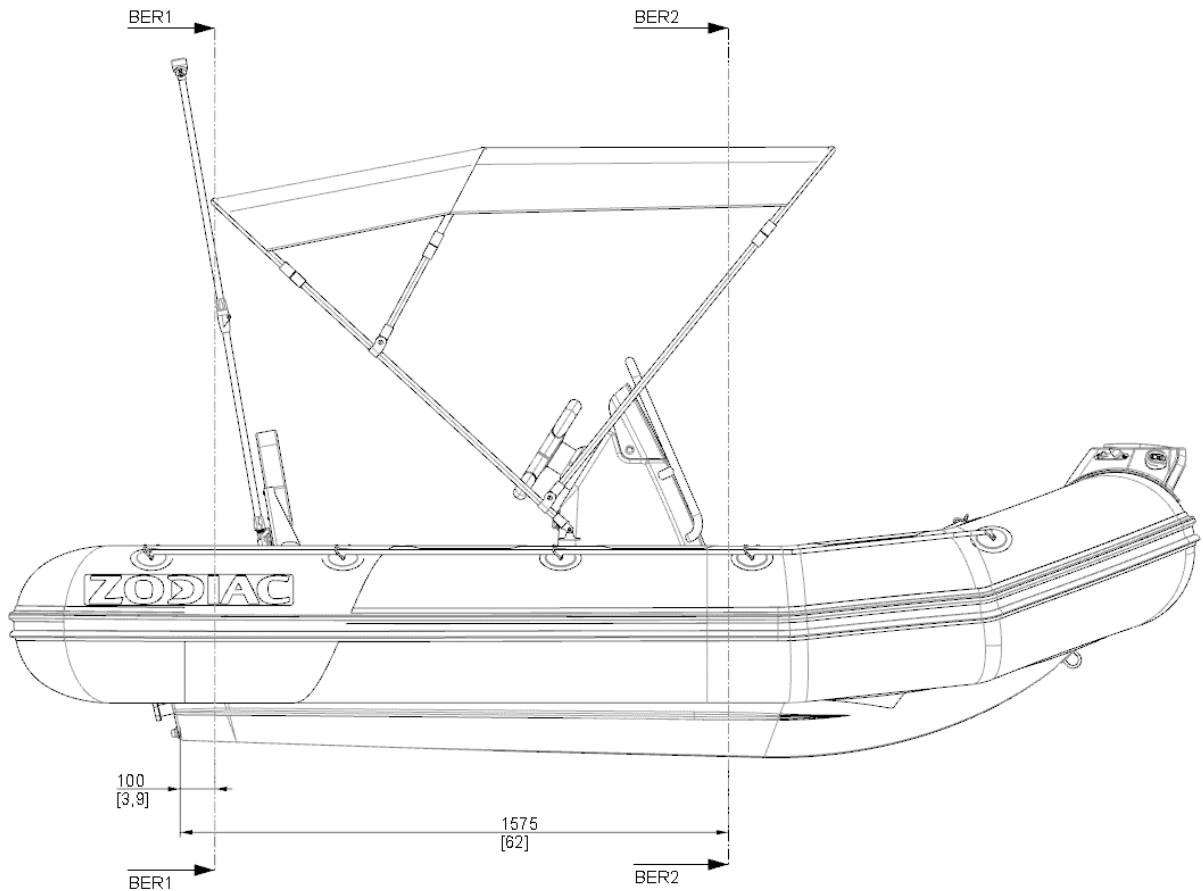
DESCRIPCIÓN - Manipulación

OPEN 3.1

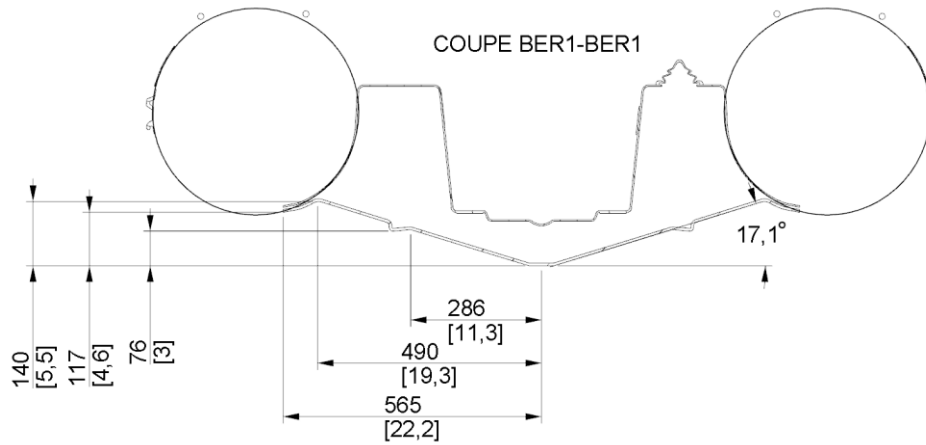


DESCRIPCIÓN - Manipulación

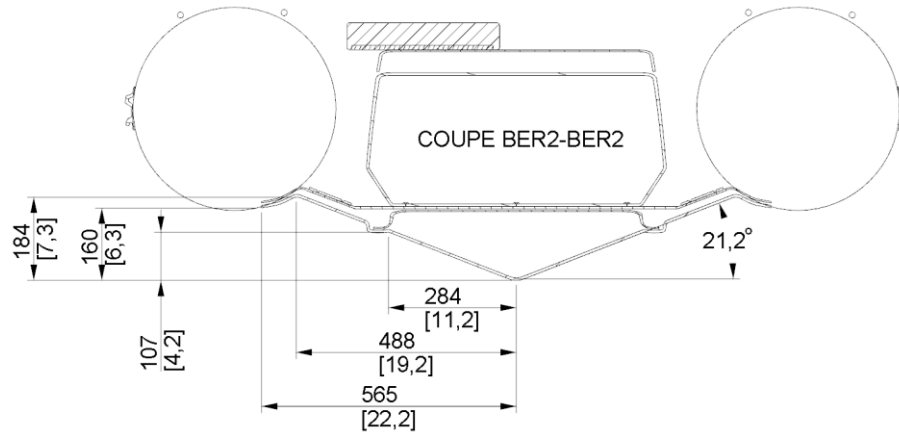
OPEN 3.4



COUPE BER1-BER1

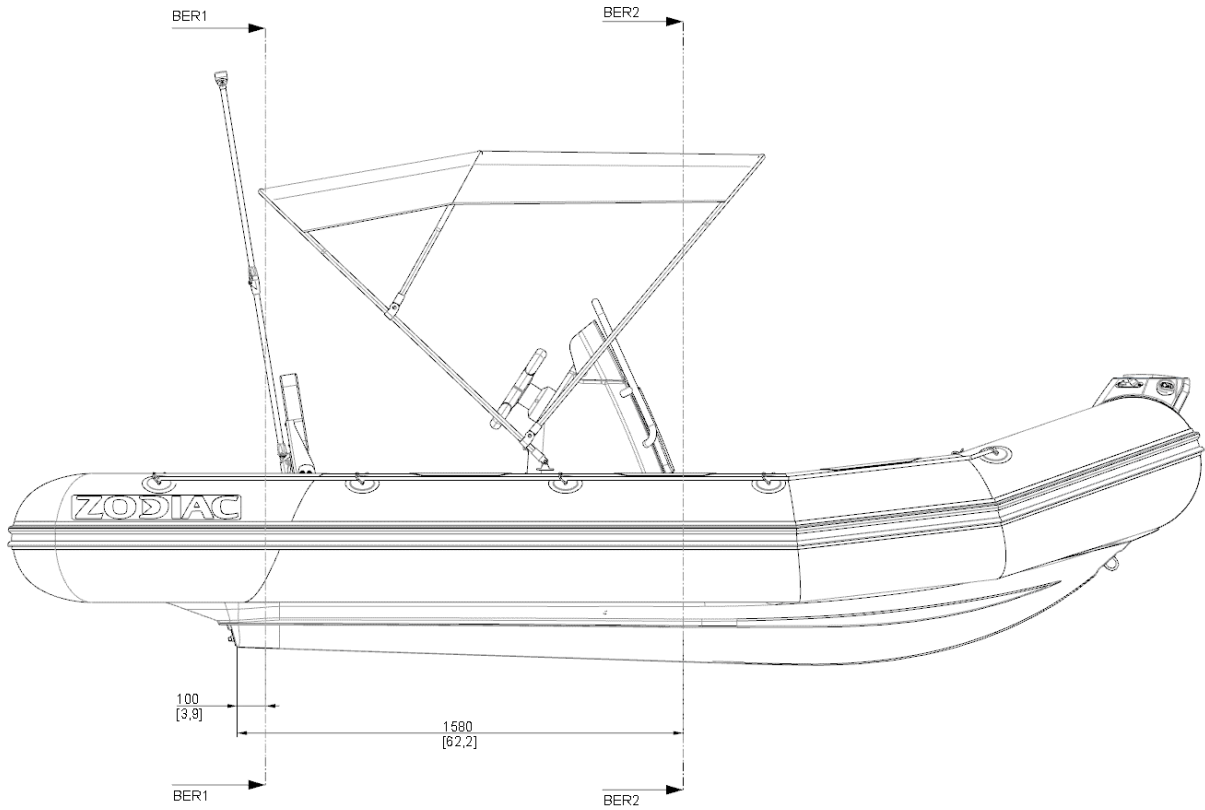


COUPE BER2-BER2

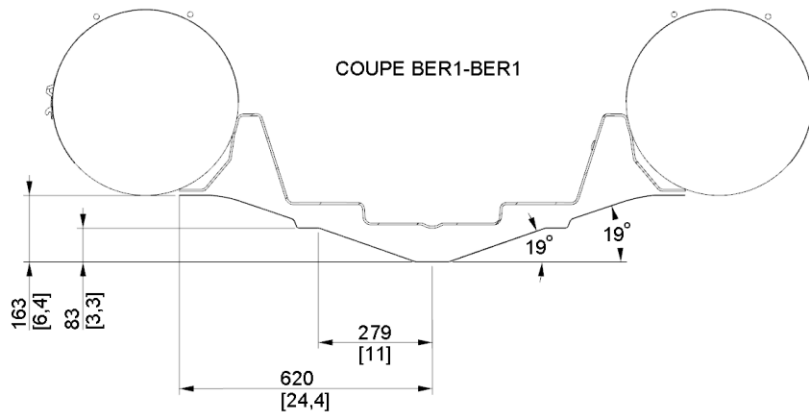


# DESCRIPCIÓN - Manipulación

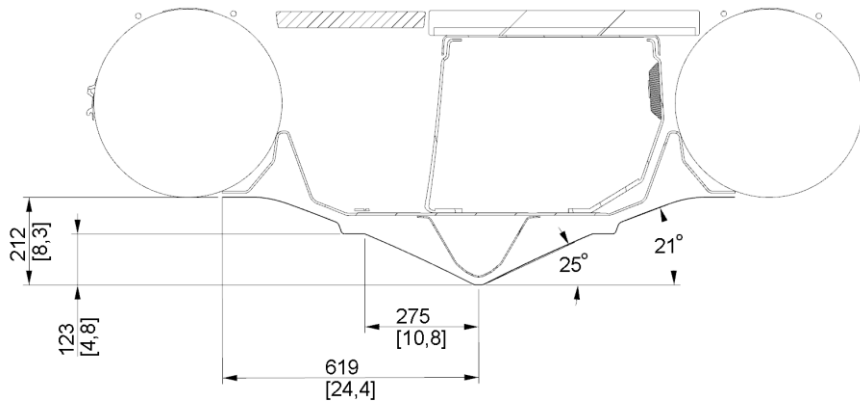
## OPEN 4.2



### COUPE BER1-BER1

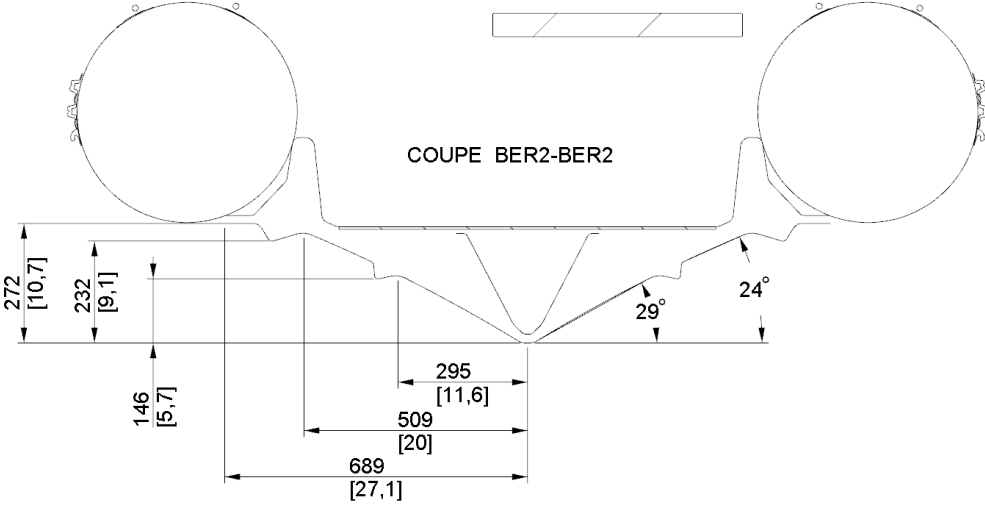
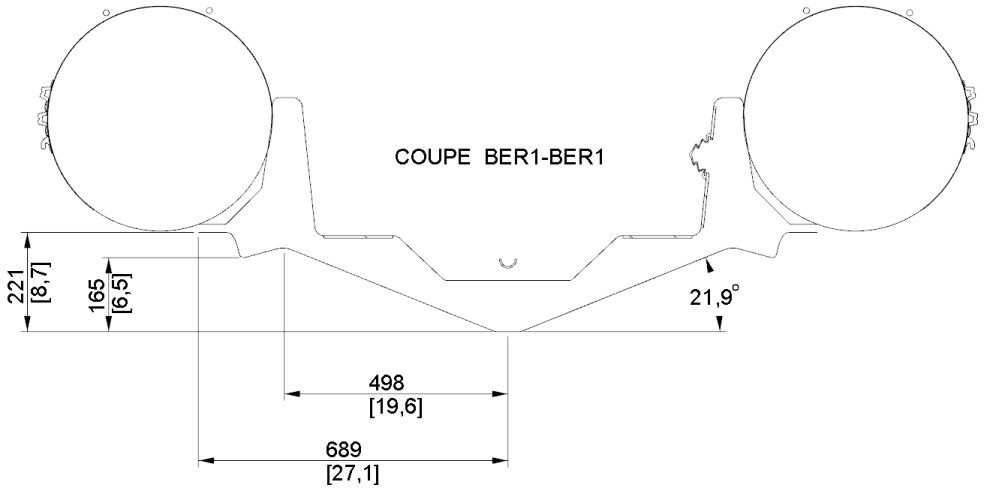
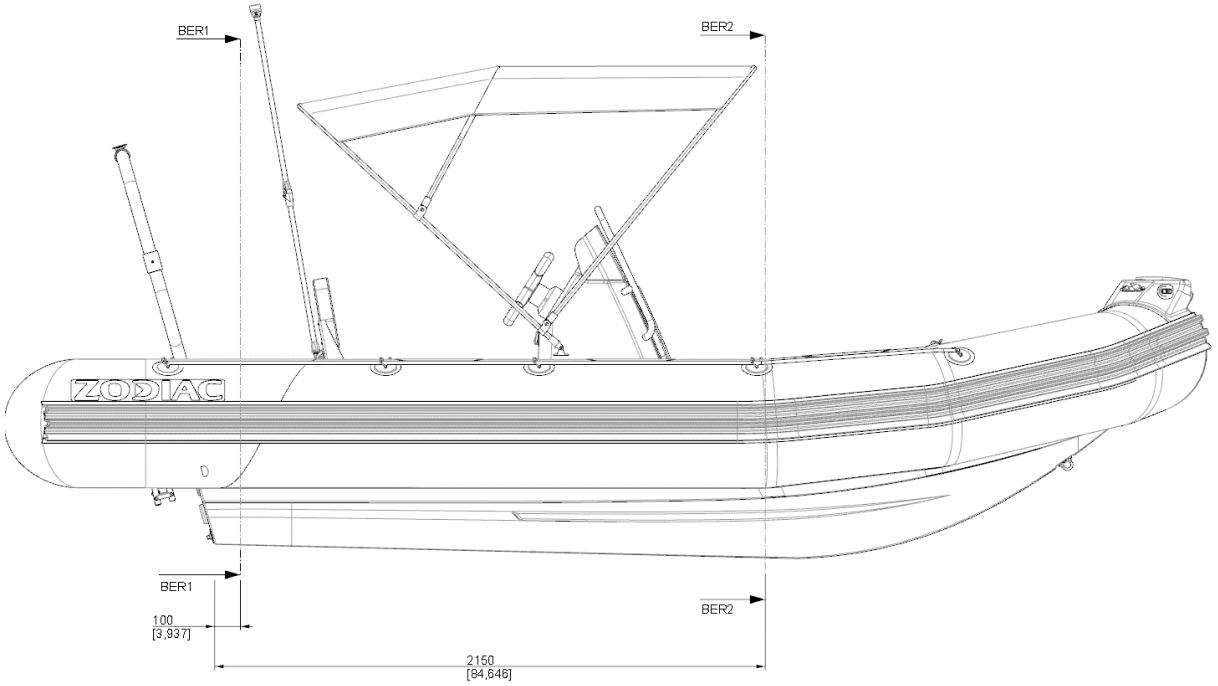


### COUPE BER2-BER2



DESCRIPCIÓN - Manipulación

OPEN 4.8





I-7-2- Izado



**ADVERTENCIA**

LA EMBARCACIÓN NO DISPONE DE MEDIOS DE IZADO. LA OPERACIÓN DE IZADO DEBE EFECTUARSE OBLIGATORIAMENTE PASANDO CORREAS DE IZADO ADECUADAS BAJO EL CASCO.



OPEN 3.1: 1000 mm\*

OPEN 3.4: 1100 mm\*

OPEN 4.2: 1220 mm\*

OPEN 4.8: 1400 mm\*

\*Estimación del centro de gravedad con el motor más pesado.



**ADVERTENCIA**

PARA LA OPERACIÓN DE IZADO, RECURRA SIEMPRE A ESPECIALISTAS DEL IZADO.



**¡¡¡PELIGRO!!!**

NO DEBE HABER NINGÚN PASAJERO A BORDO DURANTE EL IZADO CON GRÚA.



**¡¡¡ATENCIÓN!!!**

AL EFECTUARSE EL IZADO O COLOCACIÓN EN PESCANTE, LA EMBARCACIÓN NO DEBE ESTAR CARGADA.

ABRA EL ESPICHE TRASERO DEL CASCO ANTES DE LA BOTADURA DE LA EMBARCACIÓN PARA ASEGURAR LA EVENTUAL EVACUACIÓN DE AGUA DE LLUVIA EN LA CALA (VUELVA A CERRAR EL ESPICHE ANTES DE LA BOTADURA).

**FLOTADOR – Montaje del flotador en el casco**

**II- FLOTADOR**

**II-1 MANTENIMIENTO DEL FLOTADOR**

El flotador de la embarcación es de tejido STRONGAN DUOTEX® **1100** decitex, 1000 g/m<sup>2</sup> o de NEOPRENO CSM-CR **1100** decitex, 1050 g/m<sup>2</sup>.

Los consejos de mantenimiento se especifican en el manual del propietario, VOLUMEN I.

**II-2 MONTAJE DEL FLOTADOR EN EL CASCO OPEN 4.2 / OPEN 4.8**



SI EL FLOTADOR SE HA ALMACENADO A UNA TEMPERATURA INFERIOR A 0 °C, DÉJELO 12 HORAS EN UN LUGAR TEMPLADO (20 °C) ANTES DE DESPLEGARLO.

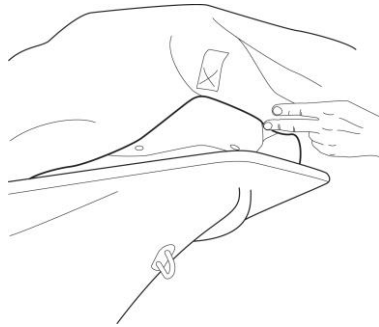
PUEDA INFLAR EL FLOTADOR NO MONTADO (PRESIÓN 240 MB) Y DEJAR QUE SE ESTABILICE DURANTE UNA HORA APROXIMADAMENTE. A CONTINUACIÓN, DESINFLARLO.

**NOTA:** el montaje del flotador en el casco se realiza con el flotador desinflado.

<b>1</b>	
	<p>Para facilitar la colocación del flotador, ponga jabón líquido en las guías (A) del casco.</p>
<b>2</b>	
	<p>Coloque la relinga (a) del flotador en la guía del casco (b) comenzando por la parte delantera del casco. Tire del flotador hasta llevar la protección contra agua a la altura del tablero de popa.</p>
<b>3</b>	
	<p>Proceda de la misma manera para el otro lado del flotador. Las 2 faldillas (estanqueidad y exterior) deben pasar por encima de la punta del casco.</p>

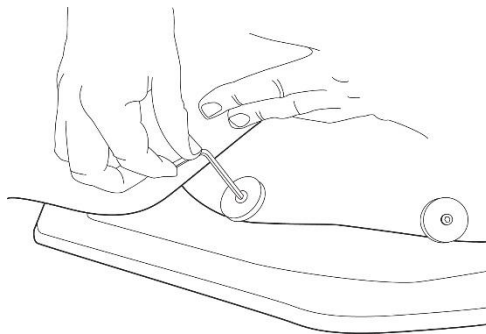
**II-3 FIJACIÓN DE LA FALDILLA**

**1**



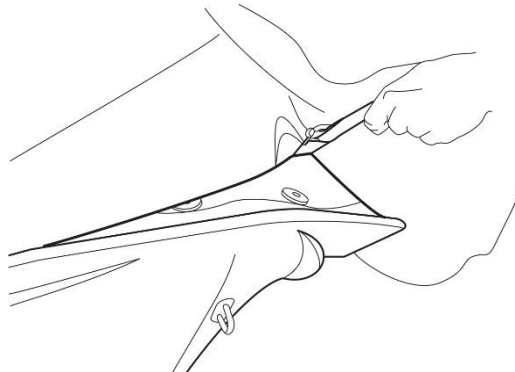
Posicione la faldilla interna

**2**



Fije la faldilla interna (tornillos + arandelas)

**3**



Después de haber fijado la faldilla interna sobre el casco, tire ligeramente del flotador hacia delante para pasar la faldilla externa por encima de la punta de proa (no fijarla de momento). Tire después el flotador hacia atrás.

Infle a continuación.

**NOTA:**

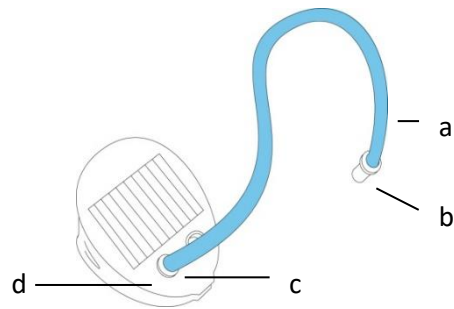
la fijación final de la faldilla exterior debe efectuarse después del inflado del flotador.

**FLOTADOR – INFLADO DEL FLOTADOR**

**II-4 INFLADO DEL FLOTADOR**

**EL INFLADOR**

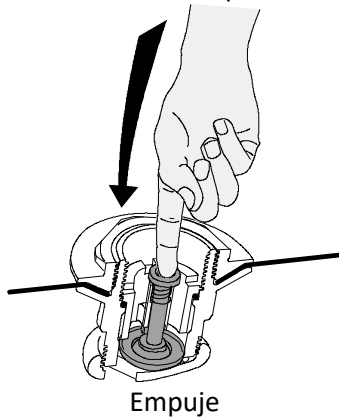
- a. extremo del tubo
- b. adaptador
- c. base del tubo
- d. orificio de inflado



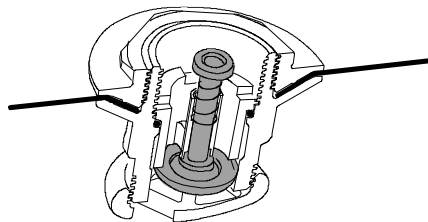
**NOTA:** opcionalmente hay disponible un inflador eléctrico (12 V) de alto caudal (contacte con su distribuidor).

**LAS VÁLVULAS "EASY-PUSH"**

Para cambiar de posición

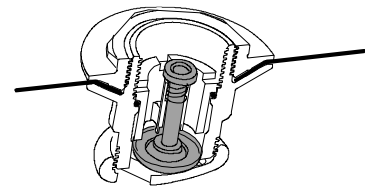


En posición de inflado



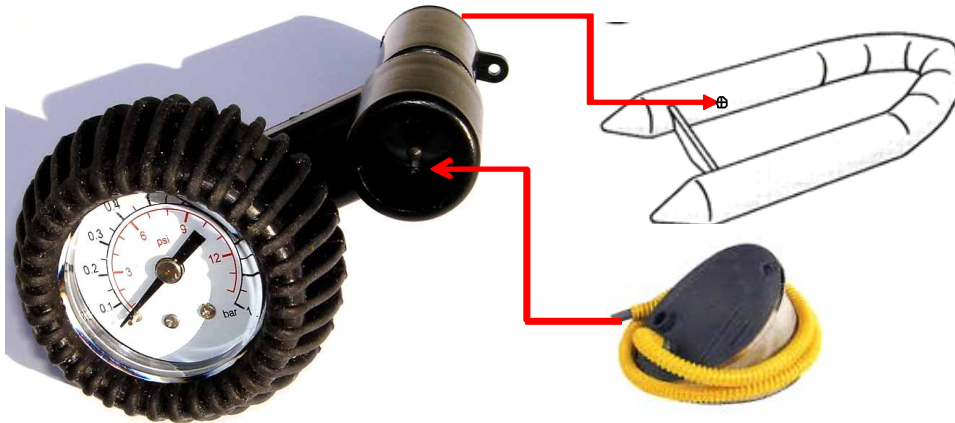
La membrana está cerrada, el pulsador se encuentra en posición alta

En posición de desinflado



La membrana está abierta, el pulsador está en posición baja

### EL MANÓMETRO

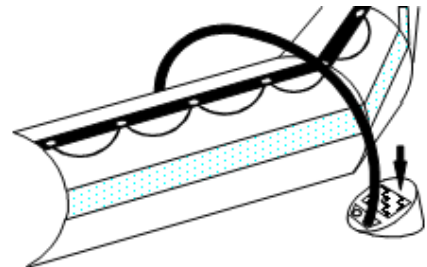


### **¡¡¡ATENCIÓN!!!**

**NO UTILICE UN COMPRESOR NI UNA BOTELLA DE AIRE COMPRIMIDO.**

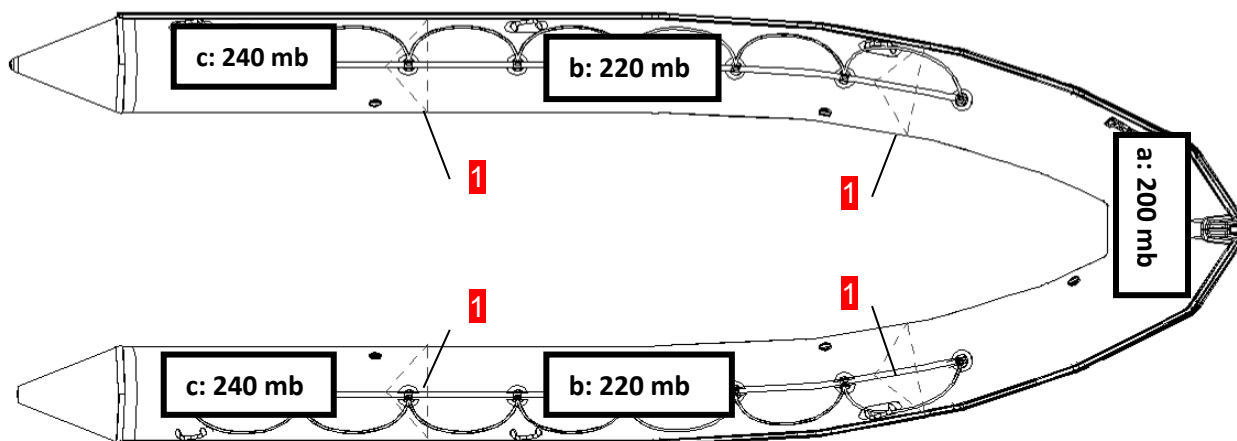
### INFLADO

1. Active todas las válvulas en la posición de inflado.
2. Añada el adaptador correspondiente al diámetro de la válvula "Easy-Push" en el extremo del tubo del inflador.
3. Fije la base del tubo en el orificio de inflado del inflador. Para inflar correctamente su flotador, es necesario que el inflador tenga un buen apoyo en el suelo. El flotador se infla rápidamente si el inflador se acciona con suavidad y sin precipitación.



4. Infle el flotador comenzando por el primer compartimento (a) a proa, hasta alcanzar una presión de 200 mb.
5. Infle a continuación los compartimentos (b) del centro, hasta alcanzar una presión de 220 mb, leída en el manómetro dejado en el primer compartimento.
6. Infle a continuación los compartimentos de popa (c) a una presión de 240 mb, con el manómetro en el mismo lugar. Los tabiques (1) permiten equilibrar la presión en cada compartimento.
7. El inflado ha terminado: enrosque los tapones de las válvulas de inflado.

**FLOTADOR - PRESIÓN**



**NOTA:** es normal detectar una ligera fuga de aire antes del roscado del tapón de la válvula. Solo los tapones garantizan la estanqueidad final.

**II-5 PRESIÓN**

El flotador posee 5 compartimentos. Cada uno debe tener una presión de **240 mb/3,4 PSI**. Es la presión de uso del flotador.

La temperatura ambiente del aire o del agua influye proporcionalmente sobre el nivel de la presión interna del flotador.	Temperatura ambiente	Presión interna del flotador
	+1°C	+4 mb / 0,06 PSI
-1°C	-4 mb / 0,06 PSI	

¡Es importante saber anticipar!

Compruebe y ajuste la presión de los compartimentos inflables (volviendo a inflar o desinflando según el caso) en función de las variaciones de temperatura (sobre todo cuando las diferencias de temperatura son importantes entre la mañana y la noche en las zonas particularmente cálidas) y asegúrese de que la presión no se sitúe fuera del intervalo de presión recomendada (de 220 a 270 mb).

**RIESGO de SOBREPRESIÓN**

Ejemplo:

La embarcación está expuesta en la playa a pleno sol (temperatura = 50 °C) a la presión recomendada (240 mb/3,4 PSI). Cuando la ponga en el agua (temperatura = 20 °C), la temperatura y la presión interna de los compartimentos inflables disminuirán conjuntamente (hasta 120 mb). Por tanto, **habrá que volver a inflar** hasta ganar los milibares perdidos a causa de la diferencia de temperatura entre el aire ambiente y el agua.

En consecuencia, es normal observar una disminución de presión al final del día cuando la temperatura exterior desciende.

### RIESGO de SOBREPRESIÓN

#### Ejemplo:

La embarcación está inflada a la presión recomendada (240 mb/3,4 PSI) al comienzo o al final del día (temperatura exterior baja = 10 °C). Durante el día, la embarcación está expuesta a pleno sol en la playa o en la cubierta de un yate (temperatura = 50 °C). La temperatura interior de los compartimientos inflables puede aumentar y alcanzar hasta 70 °C (flotadores de color oscuro sobre todo) provocando que la presión de inicio aumente el doble (480 mb). Por tanto, **habrá que desinflar** para volver a la presión recomendada.

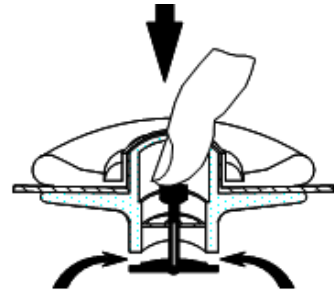


#### **¡¡¡ATENCIÓN!!!**

**SI LA EMBARCACIÓN ESTÁ DEMASIADO INFLADA, LA PRESIÓN EJERCE UN ESFUERZO ANORMAL SOBRE LA ESTRUCTURA INFLABLE, LO QUE PUEDE PROVOCAR UNA ROTURA DE ENSAMBLAJE.**

#### **EN CASO DE SOBREPRESIÓN**

Libere el aire apretando el pulsador de la válvula



**SISTEMA DE PROPULSIÓN****III- Sistema de propulsión**

Respete las recomendaciones ZODIAC y las del fabricante del motor para el montaje del motor.

Para una utilización óptima de la embarcación, consulte con su concesionario.

El montaje de los pernos del motor a través del tablero de popa debe realizarse siguiendo un procedimiento de sellado del orificio de paso de los tornillos (montaje con Sikaflex, por ejemplo).

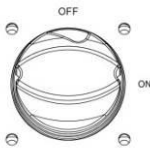

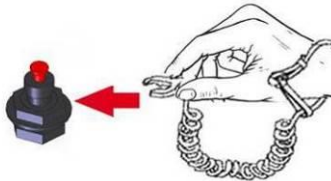
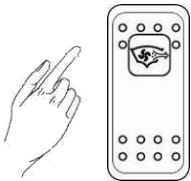

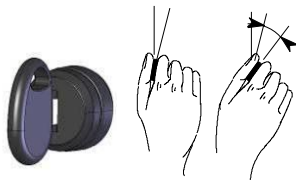


## CÓMO CONDUCIR LA EMBARCACIÓN

### IV- Cómo conducir la embarcación

Antes de la puesta en marcha, consulte el manual del propietario, Volumen I.

**NOTA:** compruebe que el flotador esté inflado correctamente.

<p><b>1</b></p>  <p>Interruptor de batería en «ON», en tensión.</p>	<p><b>2</b></p>  <p>Llave de gasolina en «ON».</p>	<p><b>3</b></p>  <p>Introduzca y conecte el interruptor de circuito*</p>
<p><b>4</b></p>  <p>Ventile durante 4 minutos.</p>	<p><b>5</b></p>  <p>Empuñadura de mando en punto muerto.</p>	<p><b>6</b></p>  <p>Accione el motor de arranque.</p>

\* Si el piloto acaba de caerse al agua, la parada inmediata del motor reduce considerablemente los riesgos de heridas graves, incluso mortales, causadas por el paso de la embarcación. Una siempre correctamente los dos extremos del cortacircuitos de emergencia.



### **¡¡¡PELIGRO!!!**

- APAGUE INMEDIATAMENTE EL MOTOR EN CUANTO SE ENCUENTRE UN BAÑISTA EN LAS PROXIMIDADES DE LA EMBARCACIÓN. CORRE EL RIESGO DE RESULTAR HERIDO GRAVEMENTE POR UNA HÉLICE EN ROTACIÓN.



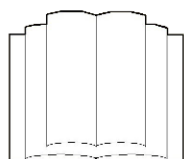
### **¡¡¡ATENCIÓN!!!**

- DURANTE LA NAVEGACIÓN, MANTENGA TODOS LOS PAÑÓLES, LA TRAMPILLA DE CUBIERTA Y LA TRAMPILLA DE ACCESO AL DEPÓSITO CERRADOS.

LAS OLAS ROMPIENTES REPRESENTAN UN GRAN PELIGRO PARA LA ESTABILIDAD Y EL EMBARGUE DE AGUA.

- EN CASO DE QUE LA JUNTA DE LAS TRAMPILLAS DE CUBIERTA ESTÉ DAÑADA, CONSULTE CON SU DISTRIBUIDOR PARA SUSTITUIRLA LO ANTES POSIBLE.

- EVITE LAS MANIOBRAS BRUSCAS A ALTA VELOCIDAD. REDUZCA LA VELOCIDAD EN LAS OLAS PARA GARANTIZAR EL CONFORT Y LA SEGURIDAD DE LOS OCUPANTES.



MANIOBRABILIDAD LIMITADA A 30 NDS COMO MÁXIMO. RIESGO DE PÉRDIDA DE CONTROL EN CASO DE VIRAJES CERRADOS. REDUZCA LA VELOCIDAD ANTES DE EFECTUAR VIRAJES EN CUALQUIER DIRECCIÓN.

**30 NDS MÁXIMO**

613770 A

**INSTALACIÓN Y CIRCUITOS: COMBUSTIBLE**

**V- INSTALACIÓN Y CIRCUITOS**

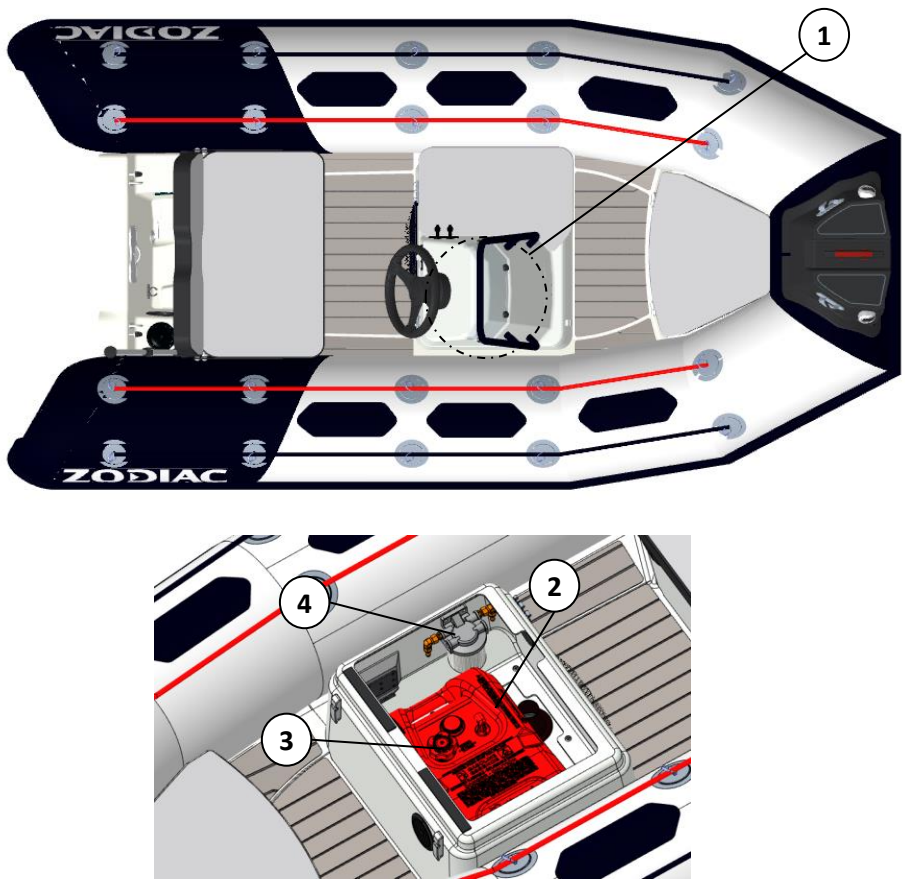
**V-1 CIRCUITO DE COMBUSTIBLE**



**¡¡¡ATENCIÓN!!!**  
**NO UTILICE BIOCMBUSTIBLES TIPO E10, E85...**

**V-1-1- Ubicación de los elementos**

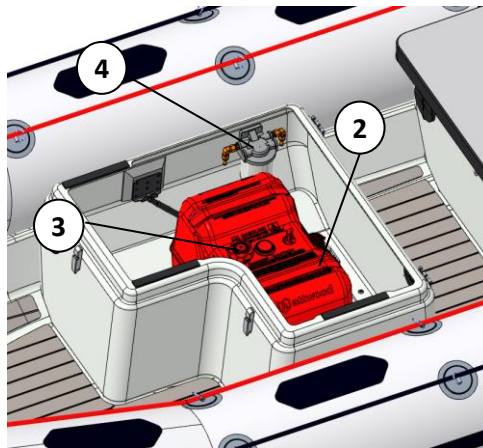
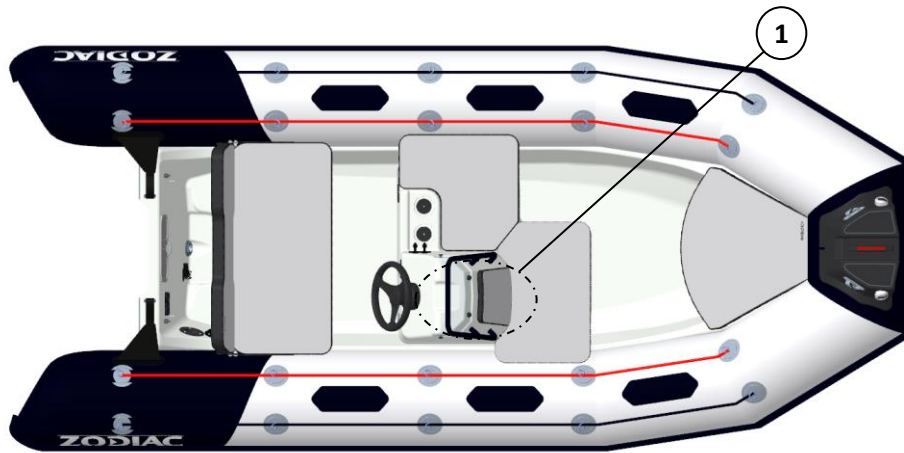
**OPEN 3.1 / 3.4**



Referencia	DESCRIPCIÓN
1	Acceso depósito y filtro
2	Depósito de gasolina (opcional)
3	Orificio de llenado con tapón (opcional)
4	Filtro separador agua/gasolina (no suministrado)

## INSTALACIÓN Y CIRCUITOS: COMBUSTIBLE

### OPEN 4.2 / 4.8



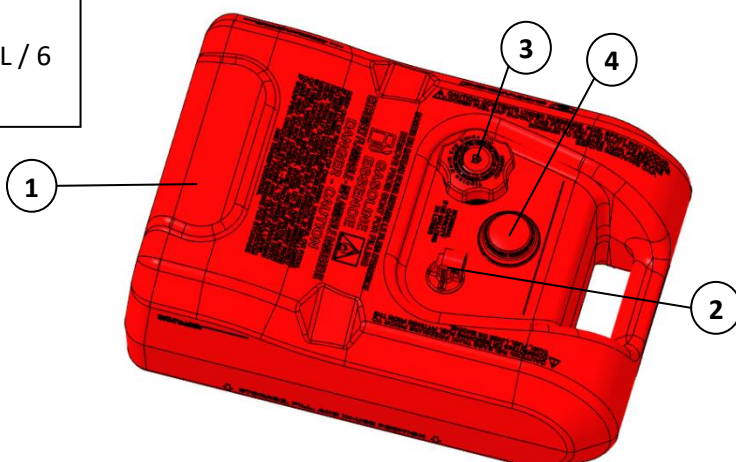
Referencia	DESCRIPCIÓN
1	Acceso depósito y filtro
2	Depósito de gasolina ( <i>opcional</i> )
3	Orificio de llenado con tapón ( <i>opcional</i> )
4	Filtro separador agua/gasolina (no suministrado)

**INSTALACIÓN Y CIRCUITOS: COMBUSTIBLE**

**V-1-2- Depósito portátil (opcional)**

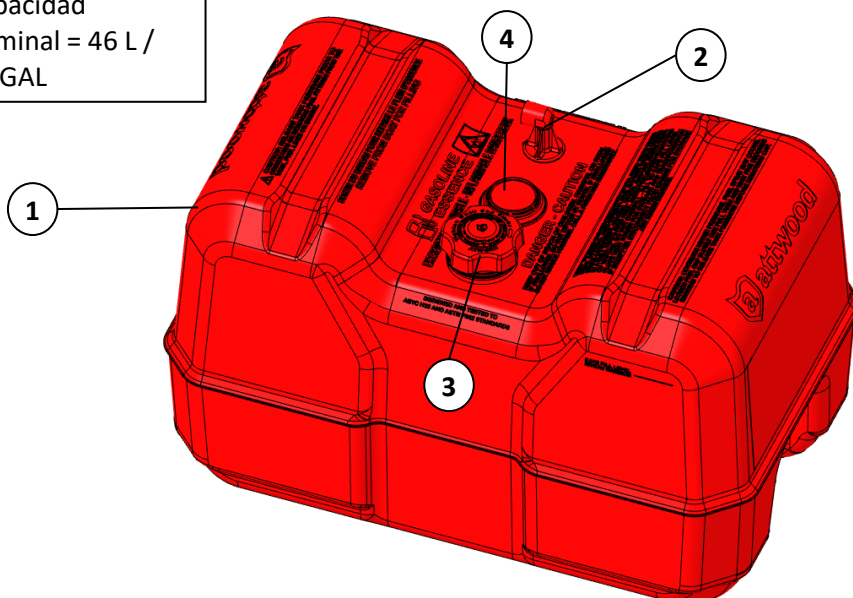
**OPEN 3.1 / 3.4**

Capacidad nominal = 24 L / 6 GAL



**OPEN 4.2 / 4.8**

Capacidad nominal = 46 L / 12 GAL



Referencia	DESCRIPCIÓN
1	Depósito portátil*
2	Caña de aspiración
3	Entrada Llenado depósito
4	Cuadrante de nivel de gasolina

**Nota:** esta opción cuenta con acoplamiento rápido y correas de sujeción para poder sacar el depósito sin necesidad de herramientas. Antes de cada navegación, compruebe que esté correctamente fijado y los accesorios bien conectados.

\* Puede que la capacidad del depósito no se pueda utilizar totalmente en función del asiento y de la carga. Es recomendable conservar una reserva de 20 %.



**¡¡¡ATENCIÓN!!!**

**EL RELOJ DE MEDICIÓN ES OBLIGATORIO. SE SUMINISTRA CON EL MOTOR. SI NO LO TUVIERA, CONTACTE CON SU DISTRIBUIDOR.**

La sonda es de tipo estándar americano:

**Impedancia (posición de depósito vacío)      30 Ohm**

**Impedancia (posición de depósito lleno)      240 Ohm**

Todos los cuadrantes del mercado son compatibles, salvo raras excepciones.

Para la conexión, consulte el esquema eléctrico.

**V-1-3- Filtro separador agua/gasolina (no suministrado)**

Para proteger el motor, se ha instalado un filtro separador de agua/gasolina en el circuito de alimentación de gasolina del motor.

La ubicación por defecto es en la consola. Las fijaciones son pasantes, por lo que hay que garantizar la estanqueidad de la zona durante el montaje.



Referencia	DESCRIPCIÓN
1	Filtro separador agua/gasolina
2	Elemento de filtración intercambiable

Compruebe, en cada uso, la ausencia de agua en el bol metálico:

- Desenrosque ligeramente el tapón de vaciado (no lo quite completamente)
- Vacíe el agua
- Vuelva a enroscar el tapón si solo hay gasolina en el bol.

Repita la operación con más frecuencia si su motor no funciona correctamente.

**INSTALACIÓN Y CIRCUITOS: COMBUSTIBLE**



**¡¡¡ATENCIÓN!!!**

**ES INDISPENSABLE CAMBIAR EL CARTUCHO CADA 50 HORAS DE USO. CONTACTE CON LA RED PARA COMPRAR UN CARTUCHO DE SUSTITUCIÓN.**

**CAMBIO DEL CARTUCHO DEL FILTRO**

Respete las recomendaciones ZODIAC y las del fabricante del filtro. Siga las indicaciones contenidas en el manual o las instrucciones del fabricante del motor.

Coloque un embudo de vaciado bajo el lugar donde se sustituirá el cartucho.

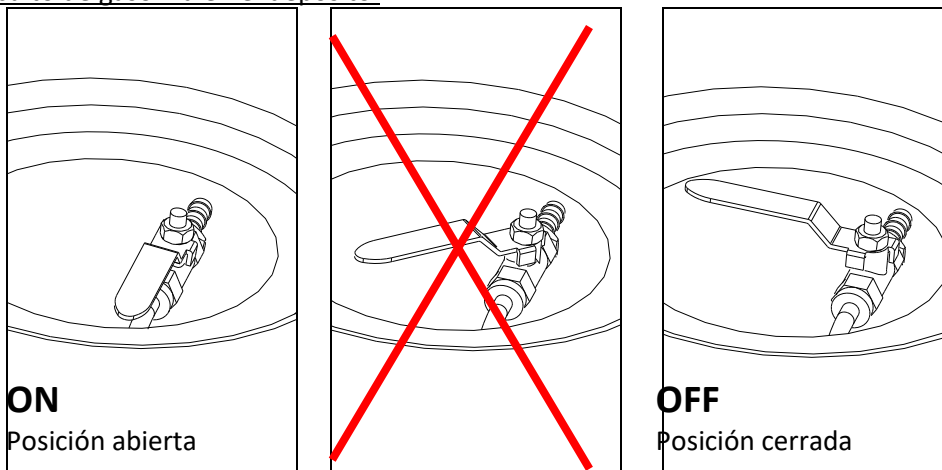
Antes de cambiar el filtro, se debe liberar la presión del sistema de alimentación de gasolina.



**V-1-4- Utilización de las válvulas de cierre del circuito de gasolina (no suministrado)**

Se recomienda instalar una válvula en el circuito de gasolina, entre el motor y el depósito. Cuando no utilice la embarcación, cierre la válvula del circuito de gasolina.

Válvula del circuito de gasolina en el depósito:



**ADVERTENCIA:**

**EN CASO DE INCENDIO A BORDO, APAGUE EL MOTOR Y CIERRE LAS VÁLVULAS DEL CIRCUITO DE GASOLINA.**

**V-1-5- Recomendaciones**



**ADVERTENCIA:**

- EN CASO DE FUGA DE GASOLINA O DE INCENDIO, LA VÁLVULA DE CIERRE DEL CIRCUITO DE GASOLINA, SITUADA EN EL DEPÓSITO, PERMITE AISLAR EL DEPÓSITO DEL CIRCUITO DE GASOLINA Y DEBE PERMANECER CERRADA.
- UN DEPÓSITO LLENO EVITA LA CONDENSACIÓN CADA VEZ QUE SE SALGA.
- HAGA LIMPIAR EL DEPÓSITO CADA 5 AÑOS.
- COMPRUEBE EL APRIETE DE LAS ABRAZADERAS EN TODOS LOS TUBOS DE GOMA.
- AL PURGAR EL FILTRO, NO VACÍE EL AGUA EN LA EMBARCACIÓN; PONGA UN RECIPIENTE DE RECUPERACIÓN DEBAJO DEL FILTRO.
- Quite el contacto antes de desmontar el cartucho del filtro.
- LEA ATENTAMENTE LAS INSTRUCCIONES SOBRE EL FILTRO.
- LA GASOLINA ES MUY INFLAMABLE. CUANDO DEBA INTERVENIR EN EL SISTEMA DE CARBURACIÓN, ASEGÚRESE DE QUE LOS MOTORES ESTÉN PARADOS.
- NO FUME; ALEJE CUALQUIER LLAMA O CUERPO INCANDESCENTE DE LA ZONA DE TRABAJO.
- NUNCA TALADRE EN LA ZONA DEL DEPÓSITO CON UNA BROCA QUE SOBRESALGA MÁS DE 50 MM DEL MANDRIL DEL TALADRO (MARCADO EN LA CUBIERTA POR LA TRAMPILLA) Y NO UTILICE TORNILLOS DE MÁS DE 20 MM DE LONGITUD.



**¡¡¡PELIGRO!!!**

**NO ALMACENE PRODUCTOS INFLAMABLES EN EL COMPARTIMENTO DE POPA. SE PROHÍBE TERMINANTEMENTE EL ALMACENAMIENTO DE UN DEPÓSITO SUPLEMENTARIO.**



**¡¡¡ATENCIÓN!!!**

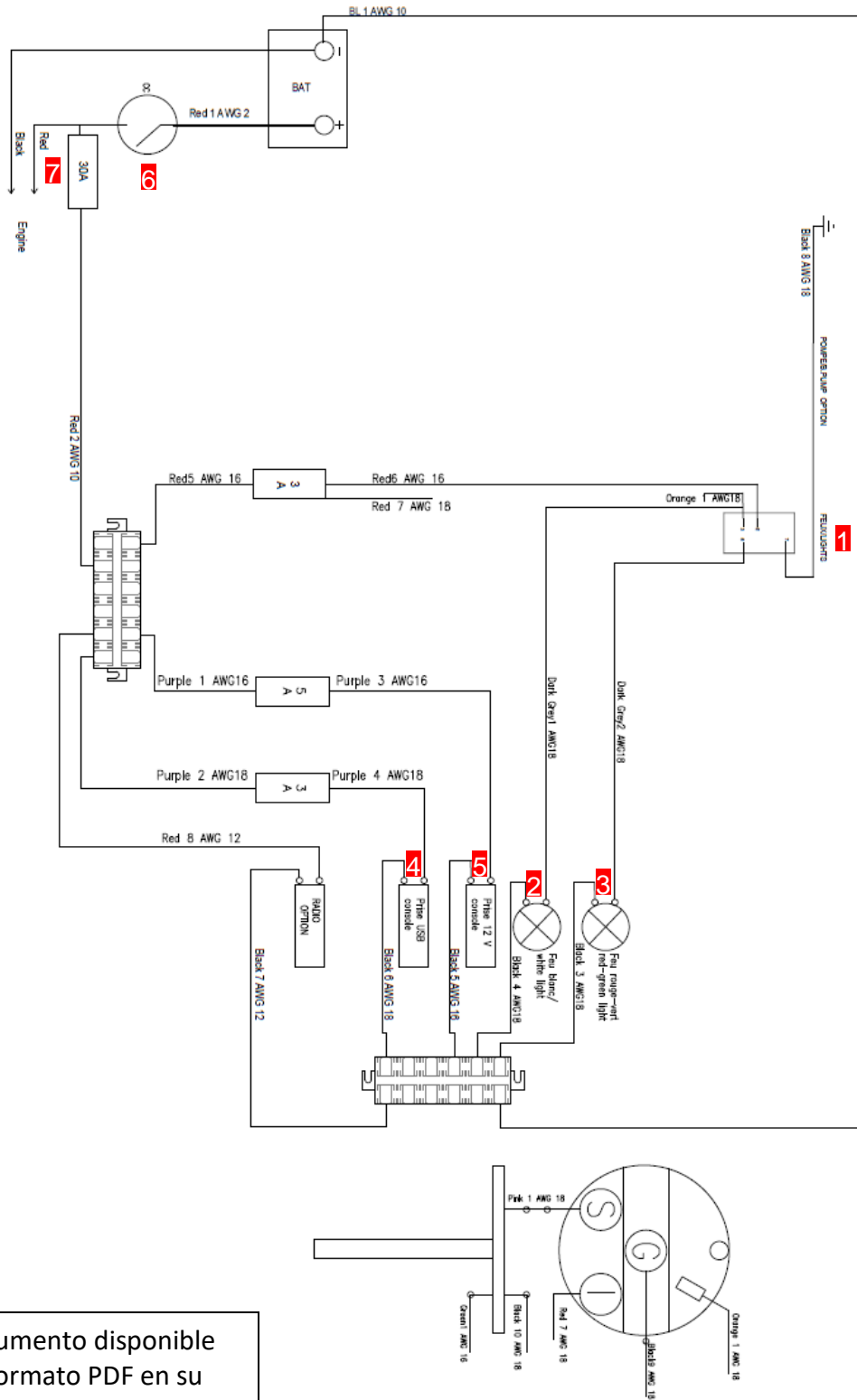
**NO MODIFIQUE POR NINGÚN MOTIVO LAS INSTALACIONES DE CARBURANTE, NI DEJE QUE PERSONAL NO CUALIFICADO REALICE LA MODIFICACIÓN DE ESTAS INSTALACIONES.**

## INSTALACIÓN Y CIRCUITOS: ELÉCTRICO

### V-2 CIRCUITO ELÉCTRICO

#### V-2-1- OPEN 3.1 / 3.4 / 4.2

##### V-2-1-1- Esquema del haz general



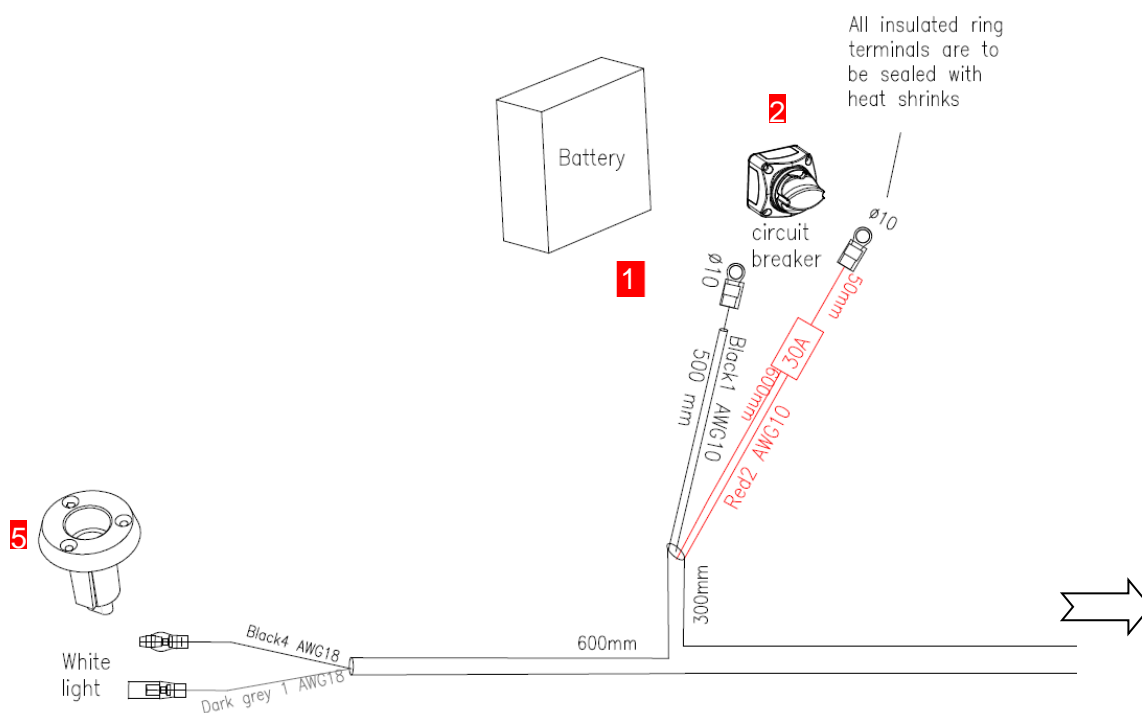
Documento disponible en formato PDF en su distribuidor



## INSTALACIÓN Y CIRCUITOS: ELÉCTRICO

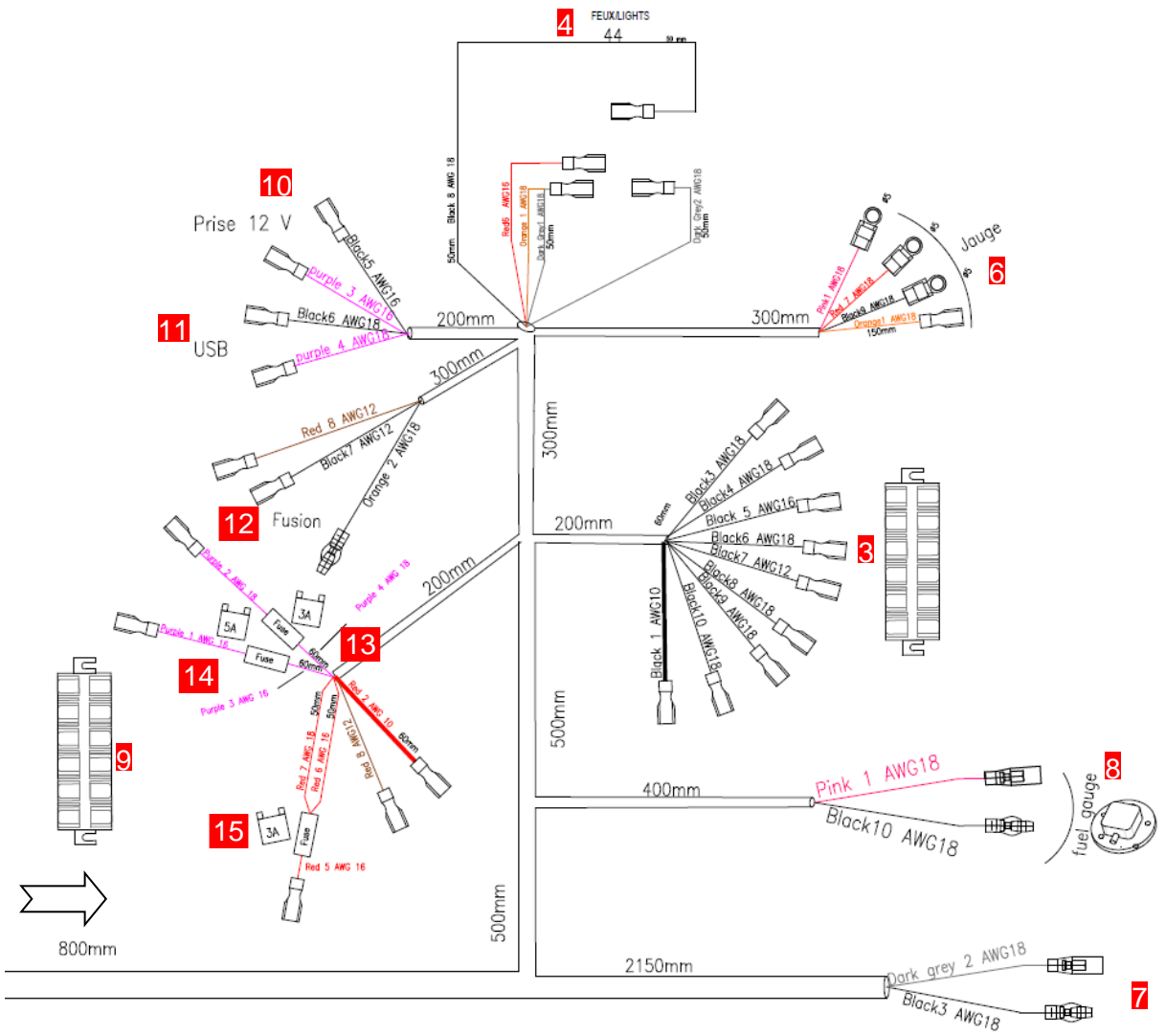
Referencia	DESCRIPCIÓN
1	Interruptor luz de navegación
2	Luz blanca (opcional)
3	Luz roja verde
4	Puerto USB (consola)
5	Toma de 12 voltios (consola)
6	Cortacircuitos (opcional)
7	Fusible general 30 A

### V-2-1-2- Plano del haz general



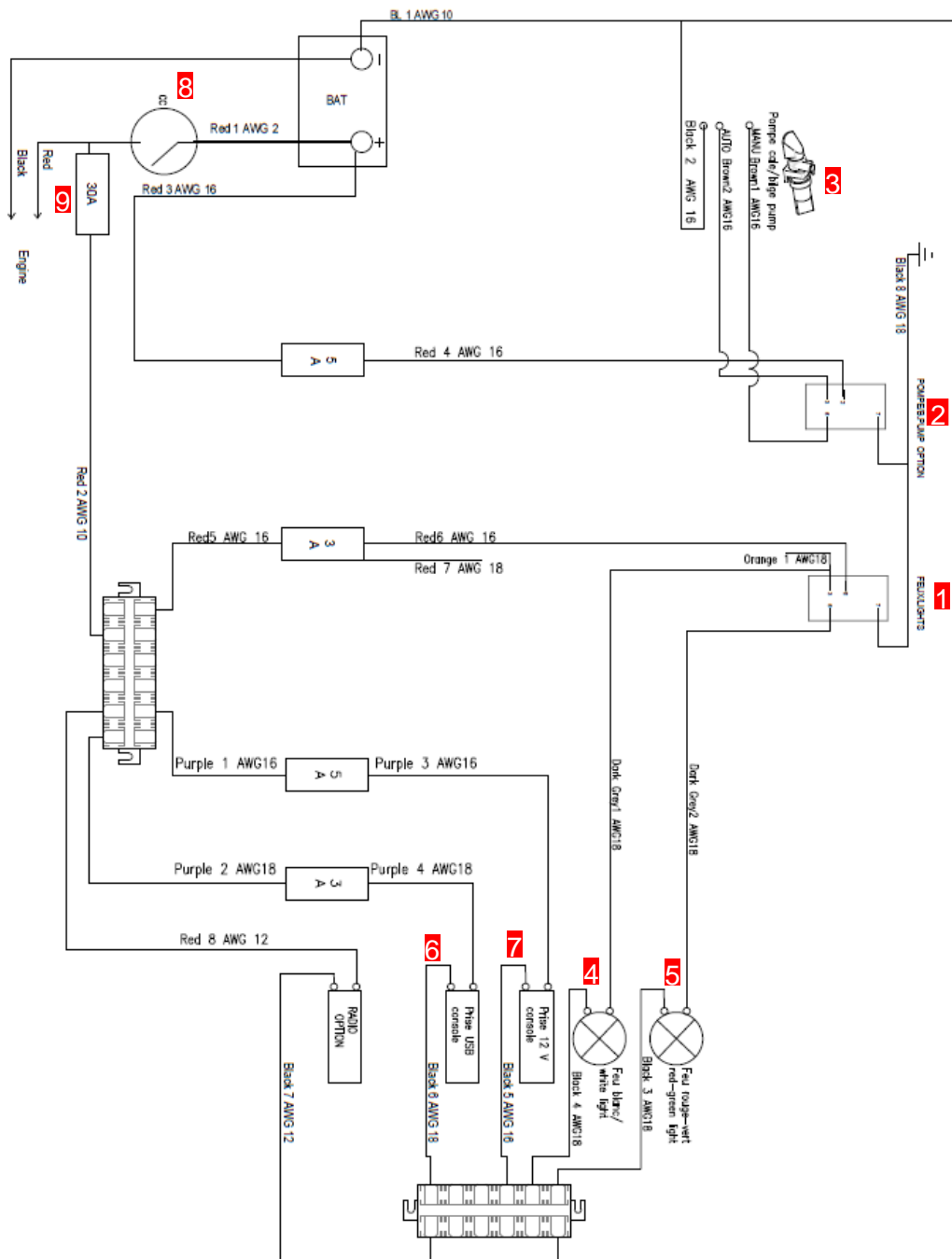
Referencia	DESCRIPCIÓN	
1	Conexión de batería	
2	Conexión de cortacircuitos	
3	Conexión de barra colectora masa	
4	Conexión de interruptor de luz de navegación	
5	Conexión de luz blanca	
6	Conexión de cuadrante de nivel de gasolina	
7	Conexión de luz roja/verde	
8	Conexión de transmisor de nivel de gasolina	
9	Conexión de barra colectora positivo	
10	Conexión de toma de 12 voltios (consola)	
11	Conexión de puerto USB	
12	Conexión de radio (opcional)	
13	Fusible 3A puerto USB	Purple 4 AWG18
14	Fusible 5A toma de 12 voltios	Purple 3 AWG18
15	Fusible 3A luces de navegación	Red 6 & 7 AWG18

INSTALACIÓN Y CIRCUITOS: ELÉCTRICO

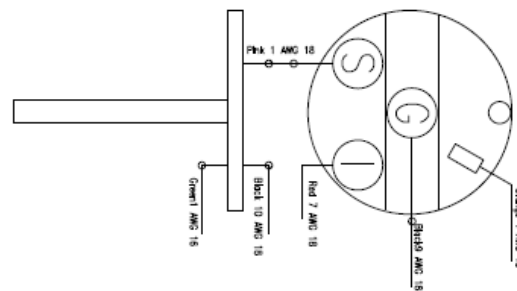


## V-2-2- OPEN 4.8

### V-2-2-1- Esquema del haz general



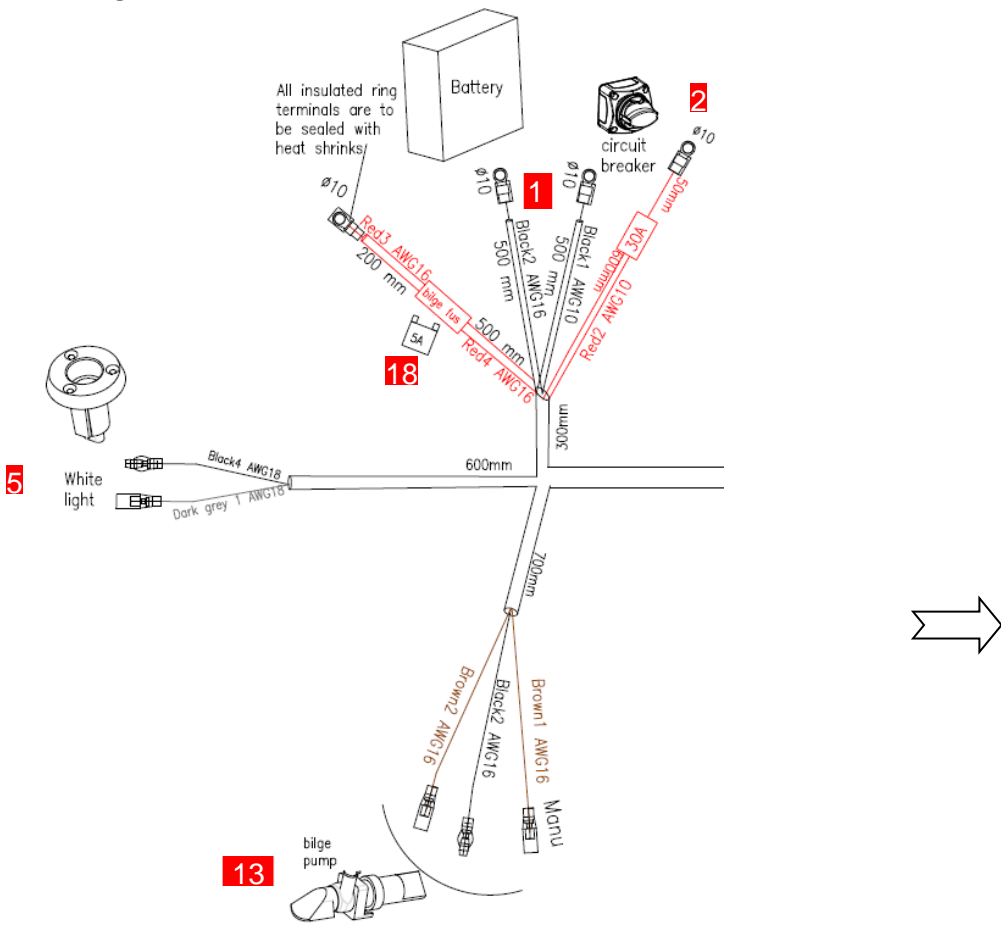
Documento disponible en formato PDF en su distribuidor



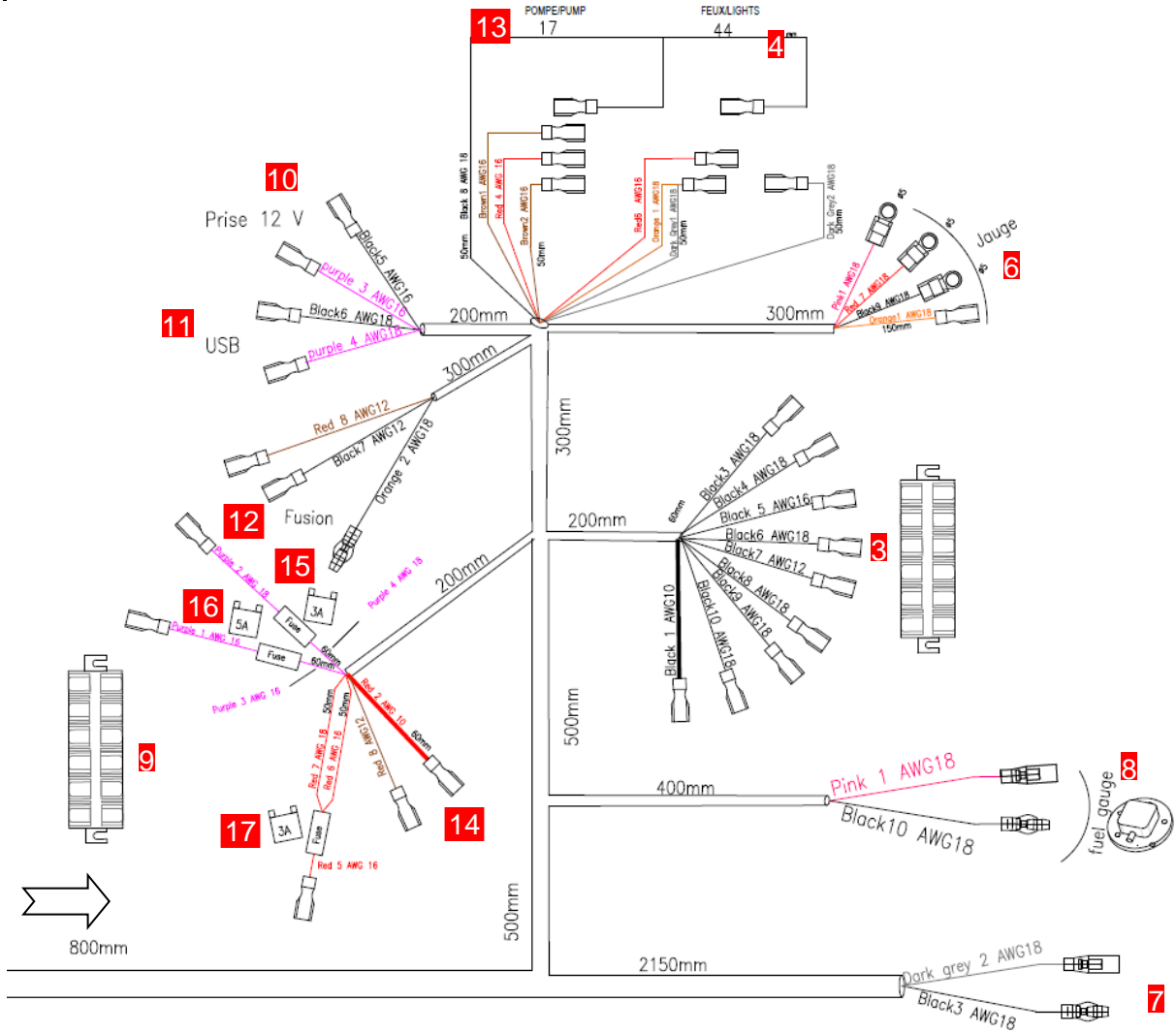
**INSTALACIÓN Y CIRCUITOS: ELÉCTRICO**

Referencia	DESCRIPCIÓN
1	Interruptor luz de navegación
2	Interruptor de bomba de achique (opcional)
3	Bomba de achique (opcional)
4	Luz blanca (opcional)
5	Luz roja verde
6	Puerto USB (consola)
7	Toma de 12 voltios (consola)
8	Cortacircuitos (opcional)
9	Fusible general 30 A

**V-2-2-2- Plano del haz general**



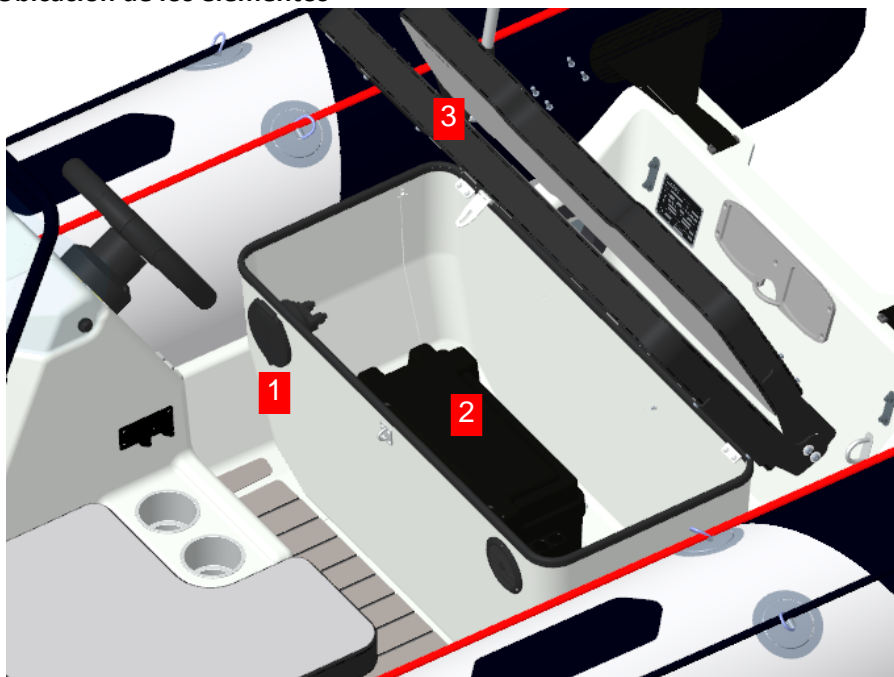
## INSTALACIÓN Y CIRCUITOS: ELÉCTRICO



Referencia	DESCRIPCIÓN	
1	Conexión de batería	
2	Conexión de cortacircuitos	
3	Conexión de barra colectora masa	
4	Conexión de interruptor de luz de navegación	
5	Conexión de luz blanca	
6	Conexión de cuadrante de nivel de gasolina	
7	Conexión de luz roja/verde	
8	Conexión de transmisor de nivel de gasolina	
9	Conexión de barra colectora positivo	
10	Conexión de toma de 12 voltios (consola)	
11	Conexión de puerto USB	
12	Conexión de radio (opcional)	
13	Conexión de interruptor de bomba de achique (opcional)	
14	Conexión de bomba de achique (opcional)	
15	Fusible 3A puerto USB	Purple 4 AWG18
16	Fusible 5A toma de 12 voltios	Purple 3 AWG18
17	Fusible 3A luces de navegación	Red 6 & 7 AWG18
18	Fusible 5A de bomba de achique	Purple 3 AWG18

**INSTALACIÓN Y CIRCUITOS: ELÉCTRICO**

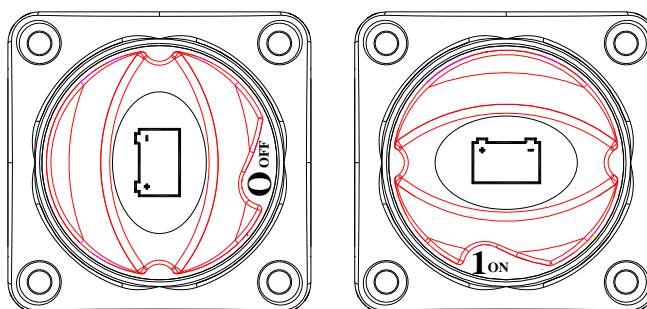
**V-2-3- Ubicación de los elementos**



Referencia	DESCRIPCIÓN
1	Cortacircuitos (opcional)
2	Bandeja batería
3	Tapa de acceso mantenimiento batería

**V-2-4- Cortacircuitos (opcional)**

Cuando no utilice la embarcación, ponga el cortacircuito en la posición OFF.



**ADVERTENCIA**  
**APAGUE EL MOTOR ANTES DE COLOCAR EL CORTACIRCUITOS EN LA POSICIÓN OFF.**

### V-2-5- Batería (no suministrada)

Para el mantenimiento corriente, respete las recomendaciones de ZODIAC y las del fabricante de baterías.



#### REALICE EL MANTENIMIENTO DE LA BATERÍA:

- MANTENGA LIMPIA Y SECA LA BATERÍA PARA EVITAR UN DESGASTE PREMATURO.
- APRIETE Y MANTENGA LOS TERMINALES SOBRE EL BORNE ENGRASÁNDOLOS REGULARMENTE CON VASELINA.



#### ¡¡¡ATENCIÓN!!!

EL AGUA PROCEDENTE DE LA RED CONTIENE MINERALES QUE DETERIORAN LAS BATERÍAS.

POR LO TANTO, COMPLETE SIEMPRE EL NIVEL CON AGUA DESTILADA. ASEGÚRESE DE INSTALAR LA BATERÍA DE MANERA QUE NINGÚN DEPÓSITO DE COMBUSTIBLE, FILTRO DE GASOLINA O RACOR DE TUBO DE COMBUSTIBLE ESTÉ DENTRO DE UN PERÍMETRO DE 12 PULGADAS (305 MM) DE LA SUPERFICIE DE LA BATERÍA.



#### ADVERTENCIA

- MANTENGA LAS BATERÍAS Y EL ELECTROLITO FUERA DEL ALCANCE DE LOS NIÑOS.
- NO COLOQUE NUNCA LA BATERÍA SOBRE UN COSTADO.
- AL AÑADIR ELECTROLITO O AL CARGAR LA BATERÍA, RETÍRELA SIEMPRE DEL COMPARTIMENTO DEL MOTOR.
- EL ELECTROLITO DE LA BATERÍA ES UN LÍQUIDO TÓXICO Y PELIGROSO. CONTIENE ÁCIDO SULFÚRICO, QUE PUEDE PROVOCAR GRAVES QUEMADURAS. EVITE CUALQUIER CONTACTO CON LA PIEL, LOS OJOS Y LA ROPA.
- LAS BATERÍAS PUEDEN LIBERAR GASES EXPLOSIVOS. ALEJE LAS FUENTES DE CHISPAS, LAS LLAMAS ABIERTAS, LOS CIGARRILLOS, ETC.
- AL CARGAR O UTILIZAR UNA BATERÍA, TRABAJE EN UN LUGAR BIEN VENTILADO. PROTÉJASE SIEMPRE LOS OJOS CUANDO TRABAJE CERCA DE UNA BATERÍA.

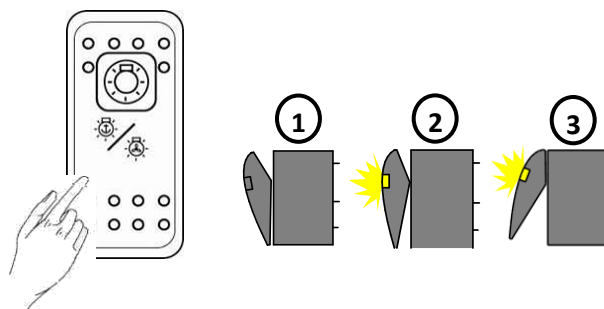
#### **NOTA:**

- Cuando no utilice la embarcación durante un mes o más, retire la batería y guárdela en un lugar fresco, oscuro y seco. Cargue completamente la batería antes de reutilizarla.
- Si se debe guardar la batería durante un periodo más largo, compruebe la densidad del electrolito al menos una vez al mes y cargue la batería cuando la densidad sea demasiado baja.
- Densidad del electrolito: De 1,28 a 20 °C.

### V-2-6- Luces de navegación

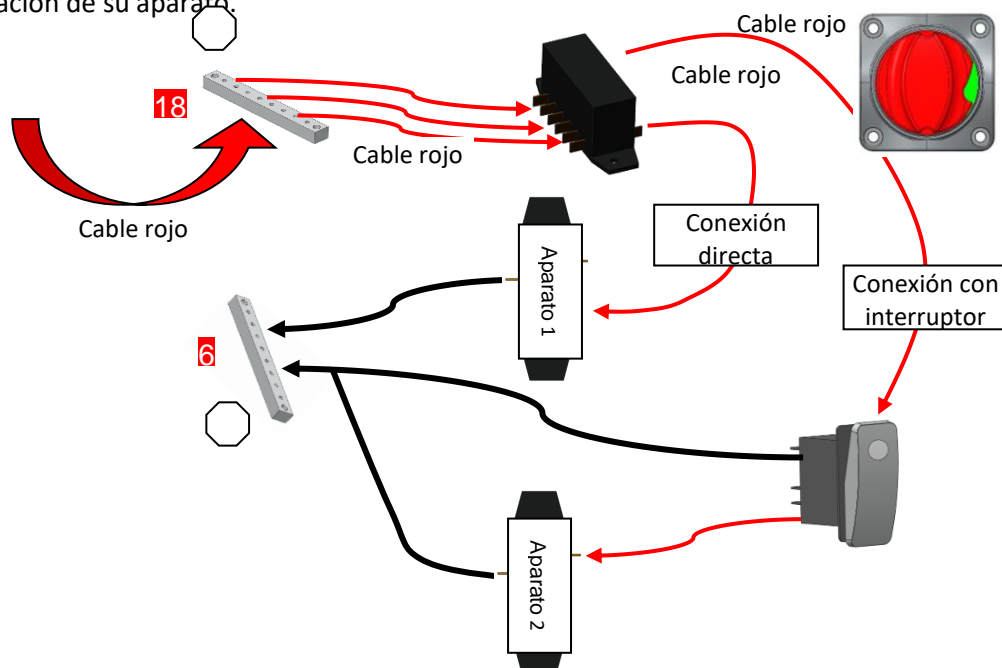
Accione este botón para encender las luces de navegación. Tiene 3 posiciones.

- ① Posición Apagado
- ② Posición luz blanca
- ③ Posición luz blanca, luz roja y luz verde



### V-2-7- Cableado de un accesorio

1. Elija un emplazamiento de fusible libre.
2. Conecte el cable de alimentación de su accesorio en el borne correspondiente a este emplazamiento con un «terminal lengüeta» hembra de 6 mm.
3. Si debe añadir cable para la conexión, es necesario utilizar un cable con una sección mínima de 1,5 mm<sup>2</sup> y respetar las recomendaciones en materia de cable «marino» (UL1426 o SAE J378 o SAE J1127 o SAE J1128 o de forma general que responda a las recomendaciones ABYC y/o CE).
4. Conecte el cable de masa de su accesorio en la placa de bornes de masa con un «terminal de ojo» Ø5 (misma observación que anteriormente para el cable).
5. Inserte un fusible de tipo ATO de intensidad máxima de 15 A y superior a la intensidad de utilización de su aparato.





**V-2-1- Conexión de opciones OPEN 3.1 / 3.4 /4.8**

La embarcación va equipada de serie con un puerto USB/12 V. No obstante, se pueden añadir accesorios adicionales en determinadas condiciones:

- ① Los accesorios que quiera añadir deberán conectarse en la consola.
- ② Los accesorios se dividen en dos categorías:
  - A** → los que se utilizan o pueden utilizarse de manera continua durante una utilización normal de la embarcación
  - B** → los que se utilizan de forma intermitente.

<b>A</b>	<b>y</b>	<b>B</b>
Limpiaparabrisas		Toma de encendedor (de serie)
Radio		Luces varias
Sonda		Bocina
GPS		Equipamiento electrónico diverso
Foco		Bomba de ducha
Sistema de alarma		<b>Potencia máx. adoptada</b>
Frigorífico		72 W máx.
VHF		
<b>Σ</b>		240 W máx.



**ADVERTENCIA**

Es imprescindible comprobar que la suma de las potencias de los accesorios de la columna A que se añada sea inferior o igual a 240 W (20 A) y que la potencia máxima de un accesorio de la columna B sea inferior o igual a 72 W (6 A).

Las secciones de los diferentes cables del haz han sido calculadas con estos valores; el incumplimiento de esta regla puede provocar problemas de funcionamiento eléctricos y cortocircuitos.

Se pueden conectar las opciones directamente en las barras colectoras positiva y negativa de la consola (dentro del límite de la potencia máxima) introduciendo un portafusibles homologado.

**NOTA:** si instala numerosos equipos eléctricos, el consumo instantáneo total podría sobrepasar eventualmente la capacidad de carga total de su motor fueraborda.

Por ejemplo, si el haz eléctrico puede aceptar un consumo instantáneo de 570 W (incluidas las luces de navegación y la bomba de achique), o sea, un poco menos de 48 A de intensidad de corriente. Los alternadores de los motores actuales suministran habitualmente una intensidad de 15 A, a plena potencia. Verificarlo en la documentación técnica del motor. Debe evitar usar esos aparatos prolongadamente, para evitar el riesgo de vaciar la batería y no poder volver a arrancar el motor.

**INSTALACIÓN Y CIRCUITOS – CONEXIÓN DE OPCIONES**

**V-2-2- Conexión de opciones OPEN /4.8**

A	y	B
Limpiaparabrisas		Toma de encendedor (de serie)
Radio		Luces varias
Sonda		Bocina
GPS		Equipamiento electrónico diverso
Foco		Bomba de ducha
Sistema de alarma		<b>Potencia máx. adoptada</b>
Frigorífico		102 W máx.
VHF		
<b>Σ</b>		
		336 W máx.



**ADVERTENCIA**

Es imprescindible comprobar que la suma de las potencias de los accesorios de la columna A que se añada sea inferior o igual a 336 W (28 A) Y que la potencia máxima de un accesorio de la columna B sea inferior o igual a 102 W (8,5 A).

Las secciones de los diferentes cables del haz han sido calculadas con estos valores; el incumplimiento de esta regla puede provocar problemas de funcionamiento eléctricos y cortocircuitos.

Se pueden conectar las opciones directamente en las barras colectoras positiva y negativa de la consola (dentro del límite de la potencia máxima) introduciendo un portafusibles homologado.

**Ejemplo 1**

Quiere añadir:

- Una VHF de 72 W
- Un GPS de 36 W
- Una radio de 180 W
- Luces de cortesía LED 10 W
- Bomba de ducha 48 W

A	y	B
Limpiaparabrisas		Toma de encendedor (de serie)
Radio	180 W	Luces varias
Sonda		Bocina
GPS	36 W	Equipamiento electrónico diverso
Foco		Bomba de ducha
Sistema de alarma		<b>Potencia máx. adoptada</b>
Frigorífico		58 W
VHF	72 W	(< o = 102 W)
<b>Σ</b>		
		288 W < 336 W 👍

**CONCLUSIÓN**



**Ejemplo 2**

Quiere añadir:

- Una VHF de 60W
- Un GPS de 36 W
- Una radio de 180 W
- Un foco de 120 W

A	
Limpiaparabrisas	
Radio	180 W
Sonda	
GPS	36 W
Foco	120 W
Sistema de alarma	
Frigorífico	
VHF	60 W
<b>Σ</b>	396 W > 336 W ⚠

y

B	
Toma de encendedor (de serie)	
Luces varias	
Bocina	
Equipamiento electrónico diverso	
Bomba de ducha	
<b>Potencia máx. adoptada</b>	0 W (< o = 102 W) ⚠

**CONCLUSIÓN**



**Ejemplo 3**

Quiere añadir:

- Un GPS de 60 W
- Una radio de 180 W
- Una bocina de 120 W

A	
Limpiaparabrisas	
Radio	180 W
Sonda	
GPS	60 W
Foco	
Sistema de alarma	
Frigorífico	
VHF	
<b>Σ</b>	240 W < 336 W 👍

y

B	
Toma de encendedor (de serie)	
Luces varias	
Bocina	
Equipamiento electrónico diverso	120 W
Bomba de ducha	
<b>Potencia máx. adoptada</b>	120 W (>102 W) ⚠

**CONCLUSIÓN**



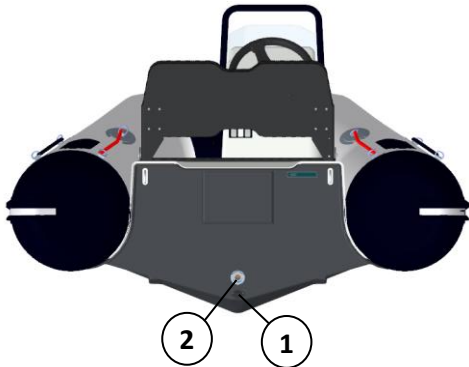
**NOTA:** algunos fabricantes le indicarán el amperaje en lugar de la potencia absorbida. En corriente continua (que es nuestro caso), basta con multiplicar por 12 para obtener la potencia.

**INSTALACIÓN Y CIRCUITOS – ACHIQUE**

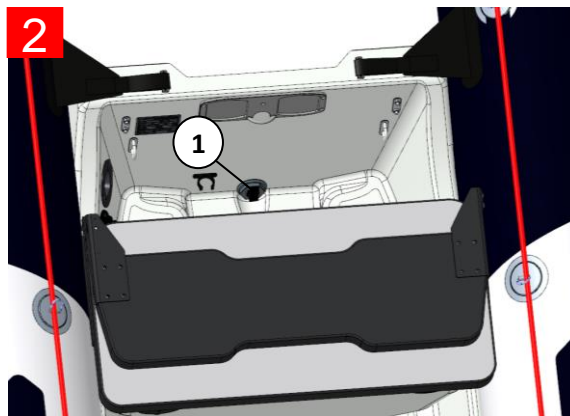
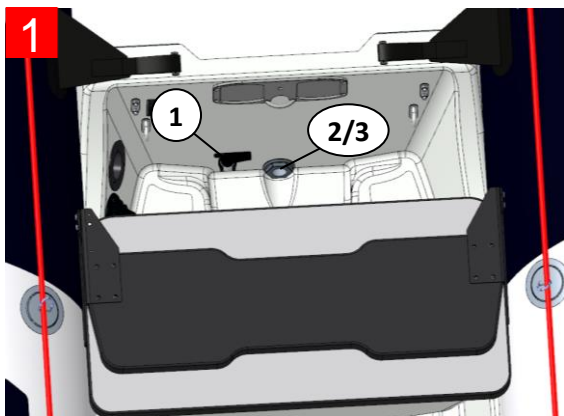
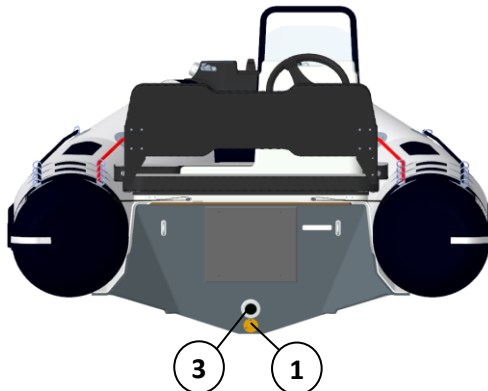
**V-3 INSTALACIÓN DE ACHIQUES**

**V-3-1- Descripción de elementos funcionales**

**OPEN 3.1 / 3.4**



**OPEN 4.2 / 4.8**



Referencia	DESCRIPCIÓN
1	Espiche de casco
2	Pasacascos
3	Pasacascos con membrana
4	Tapón de pasacascos

**V-3-2- Tapones de pasacascos**

Embarcación fuera del agua (remolque, sobre basadas, etc.)



- TAPONES EN POSICIÓN (1)

**Embarcación a flote**



- DURANTE LA NAVEGACIÓN, TAPONES INTRODUCIDOS EN EL PASACASCOS (2)
- **PROCEDIMIENTO DE VACIADO DEL AGUA EMBARCADA**
  - PARADA: TAPONES EN POSICIÓN (1) Y LUEGO NAVEGUE EN POSICIÓN DE PLANEADO (>6 NUDOS). VUELVA A PONER LOS ELEMENTOS EN LA POSICIÓN (2) UNA VEZ EVACUADA EL AGUA.

**INSTALACIÓN Y CIRCUITOS – ACHIQUE**

- EN EL FONDEADERO:
  - EN CASO DE FONDEO PROVISIONAL U OTRAS SITUACIONES EN LAS QUE LA EMBARCACIÓN NO TENGA RIESGO DE RECOGER AGUA EN CANTIDADES IMPORTANTES (LLUVIA ABUNDANTE, OLAS ROMPIENTES), COLOQUE LOS ELEMENTOS EN LA POSICIÓN (1) O (2), SEGÚN DESEE.
  - FONDEO PROLONGADO O CON RIESGO: TAPONES RETIRADOS (1).



**ADVERTENCIA**

EN EL CASO DE QUE, SIMULTÁNEAMENTE, LA EMBARCACIÓN RECOJA UNA CANTIDAD DE AGUA IMPORTANTE PROCEDENTE DEL EXTERIOR (FUERTE LLUVIA, ESTELA...) Y LOS PASACASCOS ESTÉN TAPADOS, SE CORRE EL RIESGO DE INUNDAR LA EMBARCACIÓN (EFECTO BAÑERA). EL AGUA EMBARCADA PODRÍA ALCANZAR LA CALA Y AUMENTAR EL PESO DE LA EMBARCACIÓN CONSIDERABLEMENTE, PUDIÉNDOLO SUMERGIRLA Y DAÑANDO GRAVEMENTE DETERMINADOS ÓRGANOS COMO EL MOTOR O LOS CIRCUITOS ELÉCTRICOS.

V-3-3- Espiche de casco:



**Embarcación fuera del agua (remolque, sobre basadas, etc.)**



POSICIÓN ABIERTA, ESPICHE RETIRADO.

**Embarcación a flote**



POSICIÓN CERRADA, ESPICHE COLOCADO.  
(COMPRUEBE QUE EL TAPÓN DE ESPICHE ESTÉ BIEN CERRADO/APRETADO)

**INSTALACIÓN Y CIRCUITOS – DIRECCIÓN****V-4 DIRECCIÓN**

Respete las recomendaciones del fabricante de la dirección (instalación, utilización y mantenimiento).

Para una utilización óptima de la embarcación, consulte con su concesionario.

**V-5 INCENDIO****ADVERTENCIA**

- **LE RECOMENDAMOS DISPONER DE UN EXTINTOR A BORDO, CONFORME A LAS LEYES VIGENTES EN SU PAÍS.**
- **NO PONGA MATERIAL INFLAMABLE CERCA O ENCIMA DE APARATOS DE COCCIÓN.**

La embarcación se entrega sin extintor; la aplicación del reglamento nacional de la bandera de su embarcación está bajo su responsabilidad. Cuando está en servicio, la embarcación debe estar equipado con extintores portátiles.

El emplazamiento recomendado para fijar el extintor es el pañol de popa o la consola.

Compruebe la limpieza de las calas y controle a intervalos regulares la ausencia de vapores o de fugas de combustible.

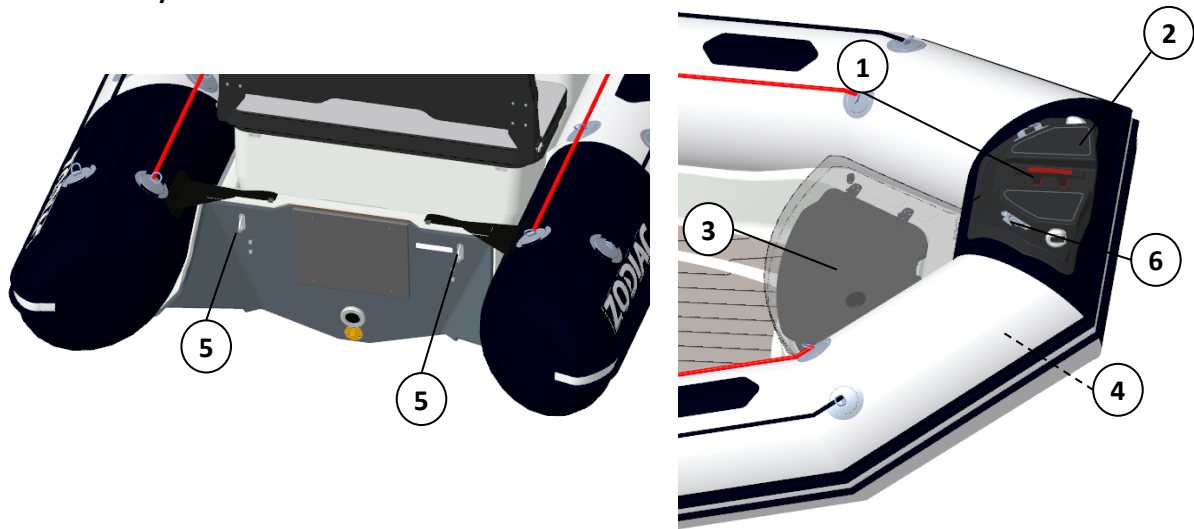
No deje la embarcación sin vigilancia cuando estén funcionando aparatos de cocción y/o de calefacción.

No fume cuando se manipule combustible o gas.

No obstruya los mandos de seguridad, por ejemplo: llaves de paso de combustible, interruptores del sistema eléctrico.

No llene el depósito de combustible cuando el motor esté en funcionamiento o si se están utilizando aparatos de cocción.

V-6 FONDEO / AMARRE



Referencia	DESCRIPCIÓN
1	Cornamusas
2	Cojinetes de proa de poliéster
3	Pozo de fondeo
4	Cáncamo de roda
5	Cáncamos de tablero de popa
6	Pasacabos



**ADVERTENCIA**

- EL AMARRE PERMANENTE DEBE REALIZARSE CON EL CÁNCAMO DE RODA SITUADO EN LA PROA DE LA EMBARCACIÓN.
- ELIJA SU LÍNEA DE FONDEO EN FUNCIÓN DE LA LONGITUD Y DEL PESO DE LA EMBARCACIÓN.

**INSTALACIÓN Y CIRCUITOS – Acceso a abordó**

**V-7 ACCESO A BORDO**

**V-7-1- POR EL FLOTADOR**

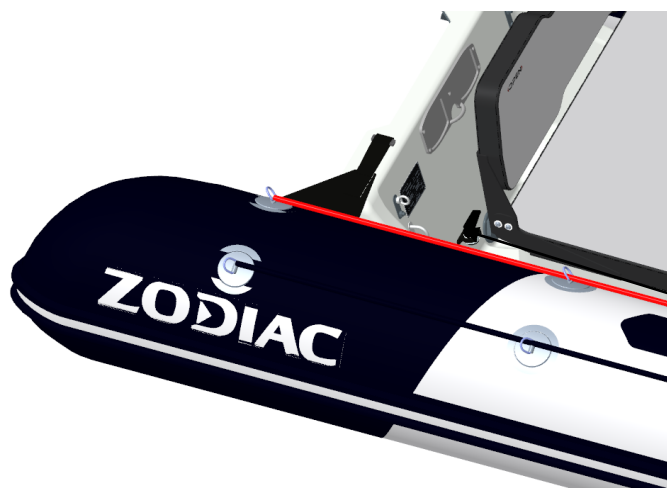
Los barcos tienen francobordo bajo (menos de 500mm), lo que le permite volver a bordo fácilmente utilizando las amarras externas del flotador:



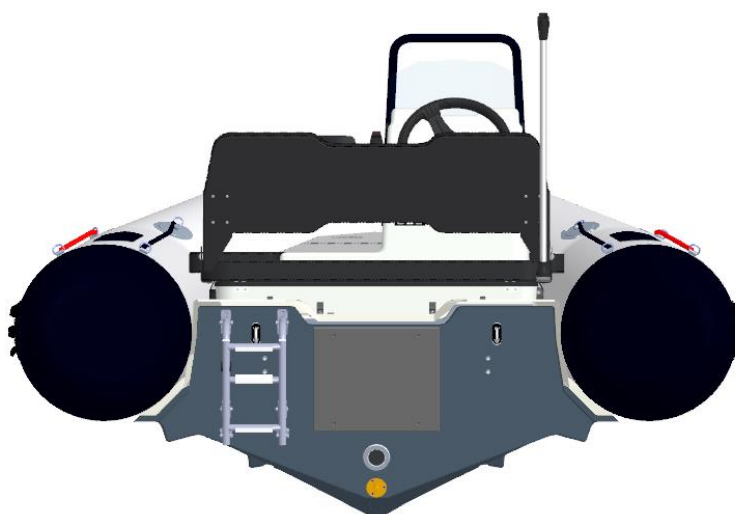
**V-7-2- POR LA ESCALAS (OPCIONAL)**

**OPEN 3.1 / 3.4 / 4.2**

Tome la tuerca de ojo suministrada con la escala y fíjela en uno de los cáncamos del tablero de popa. Cuelgue la escala de la tuerca de ojo y despliéguela sobre el flotador.

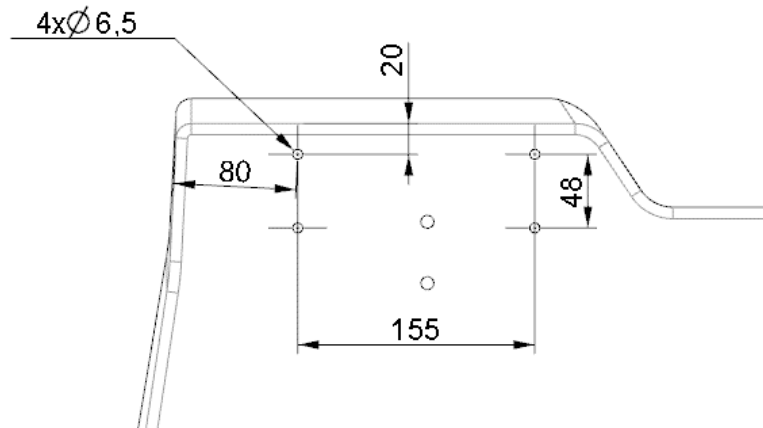


**OPEN 4.8**





**COLOCACIÓN DE ESCALA**



**¡¡¡PELIGRO!!!**

**ASEGÚRESE DE QUE EL MOTOR ESTÉ APAGADO ANTES DE QUE CUALQUIER PERSONA MONTE A BORDO POR LA ESCALA DE POPA.**

**ADVERTENCIA**

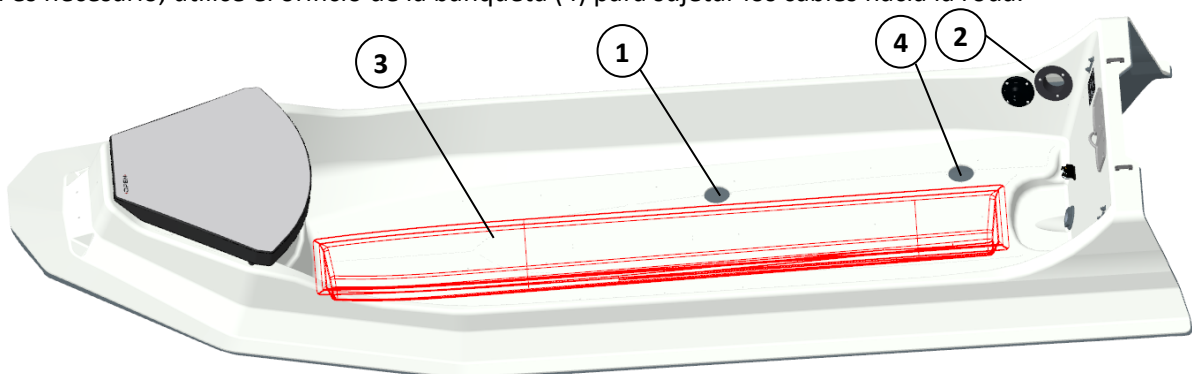
**CUANDO LA EMBARCACIÓN SE UTILIZA EN SOLITARIO, CUANDO EL MEDIO DE SUBIDA A BORDO NO SE PUEDE DESPLEGAR A PARTIR DEL AGUA, EL MEDIO DE SUBIDA DEBE ESTAR INSTALADO DE MODO PERMANENTE.**

**V-8 RIGGING MECÁNICO**

Por motivos estéticos, se ha previsto pasar todo el cableado del rigging de la consola (1) al motor (2) a través del casco. Conviene pasar estos elementos antes de fijar definitivamente el equipamiento en la cubierta.

Se recomienda pasar los cables a lo largo de la cubierta contramoldeada (3) hacia la roda de la embarcación para evitar cualquier bloqueo.

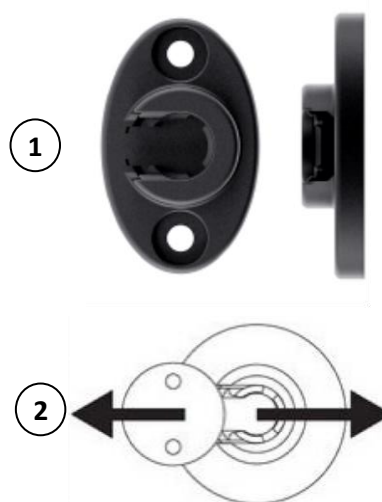
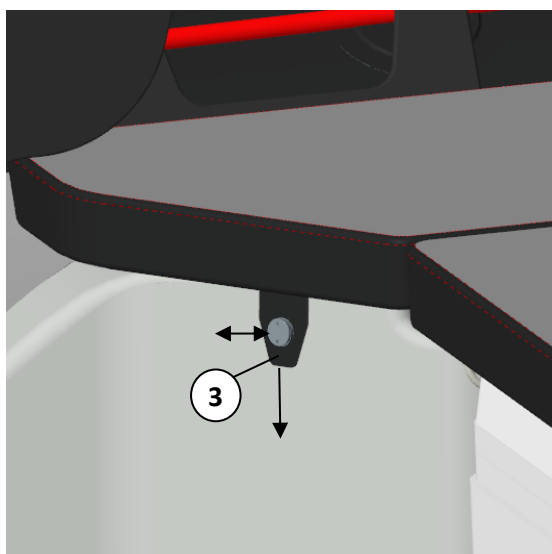
Si es necesario, utilice el orificio de la banqueta (4) para sujetar los cables hacia la roda.



**INSTALACIÓN Y CIRCUITO – Fijación asientos****V-9 FIJACIÓN DE ASIENTOS**

Vuestra embarcación tiene el nuevo tipo de fijación (1) para mantener los asientos sobre el casco. Este sistema está compuesto por imanes con un desbloqueo lateral (2).

- **Desbloquear:** Tirar ligeramente sobre la correa de sujeción (3) hacia abajo y hacerla correr sobre el lado.
- **Bloquear:** Tirar ligeramente sobre la correa de sujeción (3) hacia abajo y hacerla correr hacia el interior de la fijación.

**ADVERTENCIA**

**NO TIRE DIRECTAMENTE SOBRE LOS ASIENTOS PARA DESATAR LAS FIJACIONES, YA QUE ESTO DAÑARÍA EL NUEVO SISTEMA DE FIJACIÓN.**

## EMPLAZAMIENTO DE ACCESORIOS

### VI- EMPLAZAMIENTO DE ACCESORIOS

#### VI-1 BIMINI OPEN 3.1 / 3.4



#### VI-2 BIMINI OPEN 4.2 / 4.8

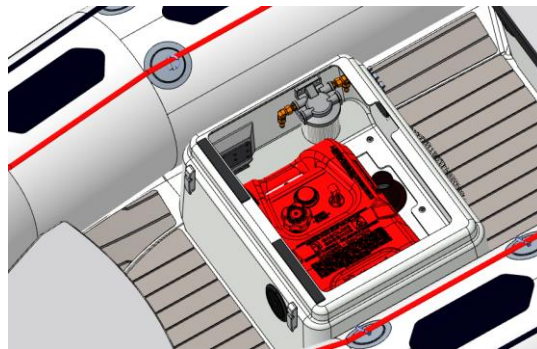


**EMPLAZAMIENTO DE ACCESORIOS**

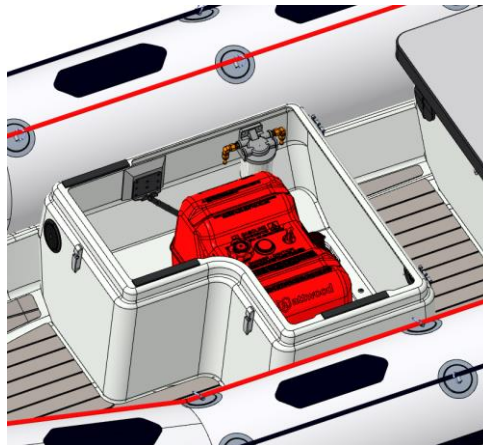
**VI-3 BARRA DE SEGURIDAD OPEN 4.8**



**VI-4 DEPÓSITO PORTÁTIL OPEN 3.1 / 3.4**

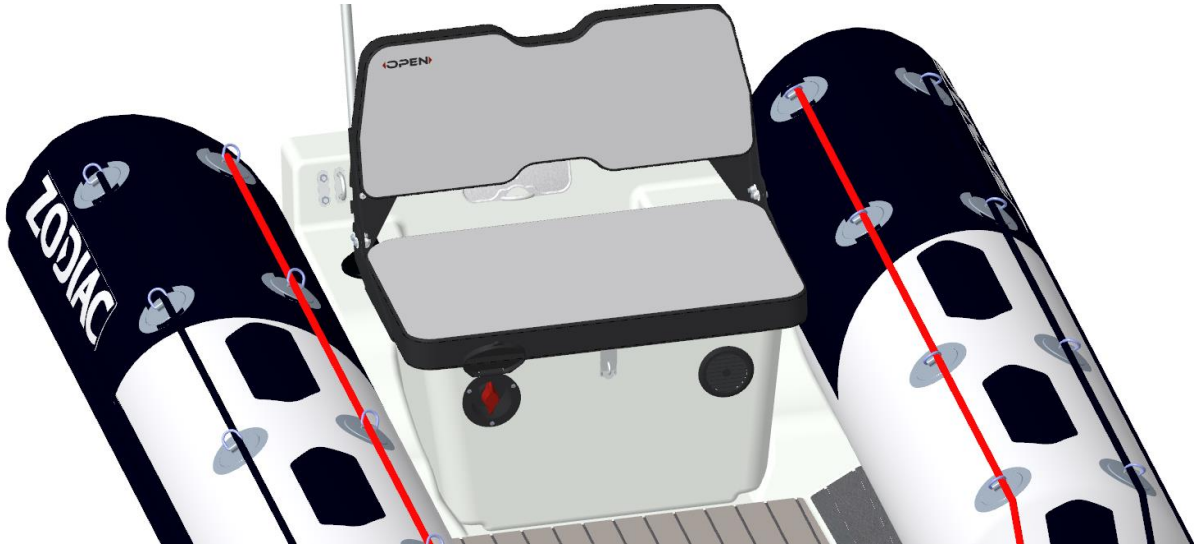


**VI-5 DEPÓSITO PORTÁTIL OPEN 4.2 / 4.8**

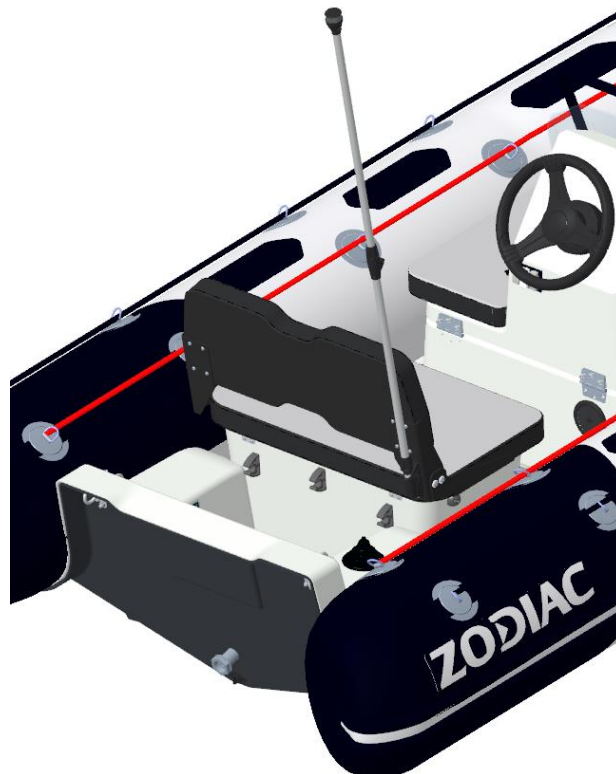


## EMPLAZAMIENTO DE ACCESORIOS

### VI-6 INTERRUPTOR DE BATERÍA

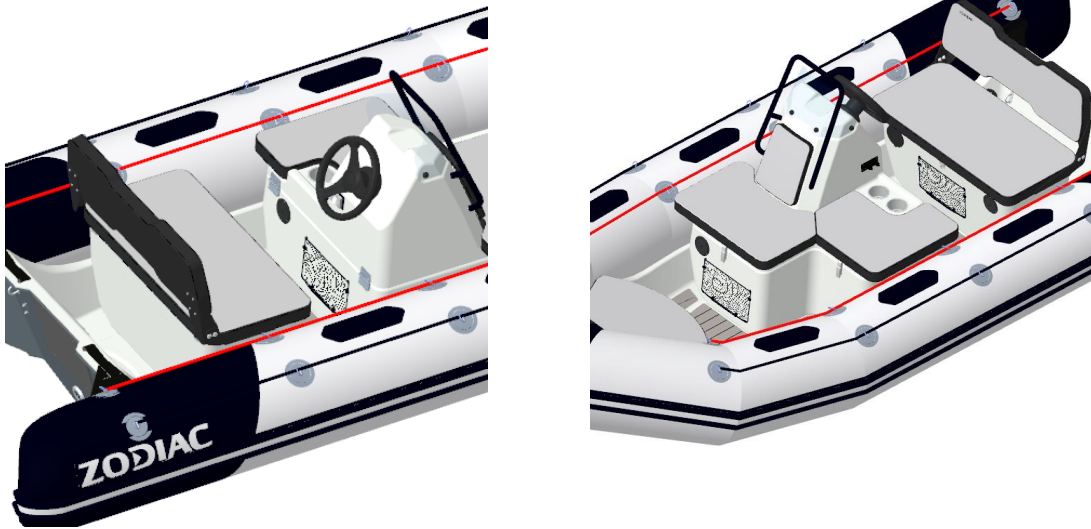


### VI-7 LUZ BLANCA

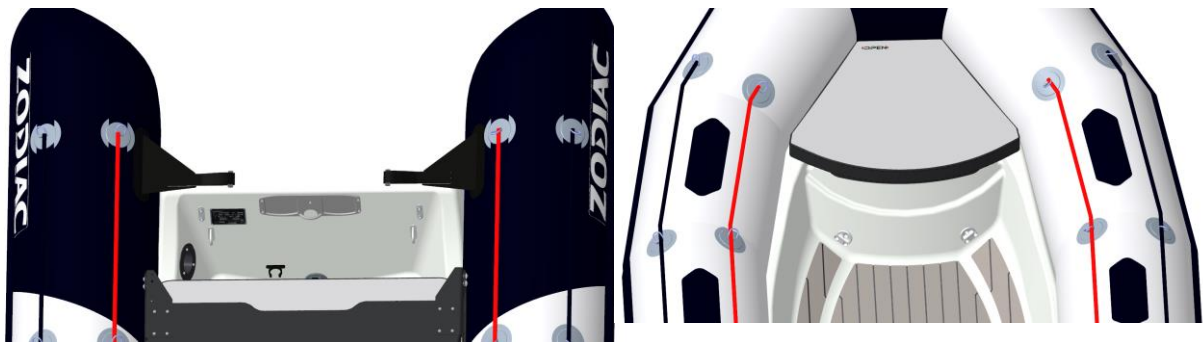


**EMPLAZAMIENTO DE ACCESORIOS**

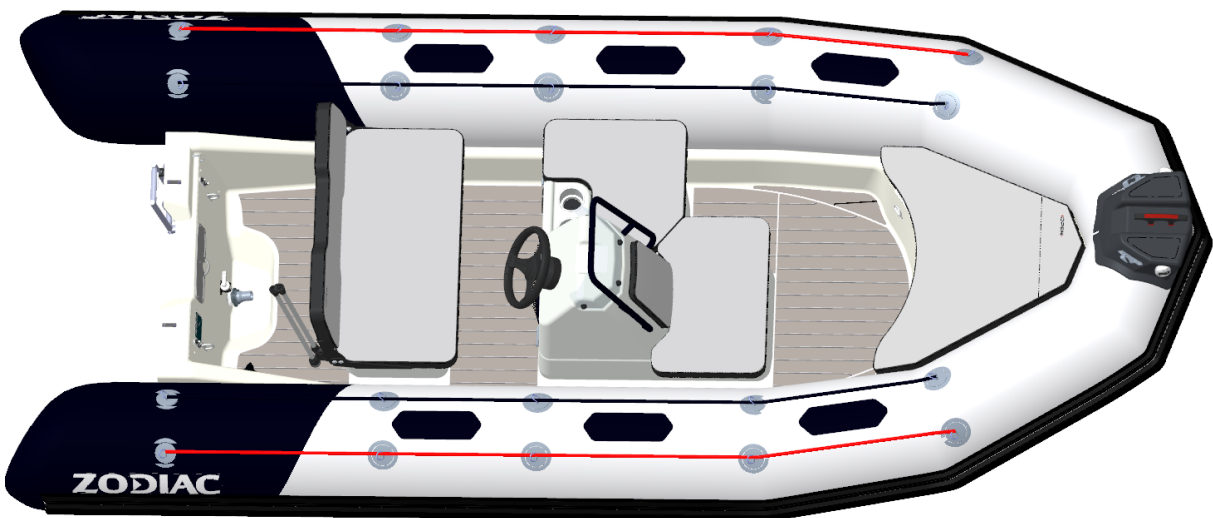
**VI-8 RED DE ALMACENAMIENTO**



**VI-9 KIT DE IZADO**

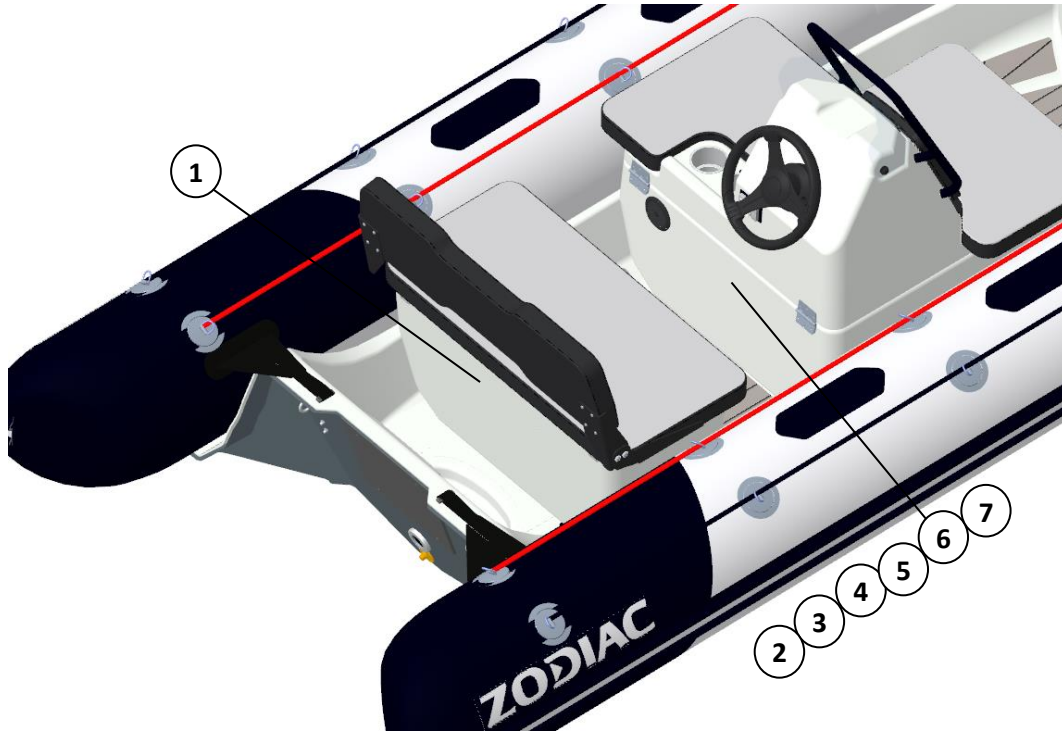


**VI-10 CUBIERTA EVA**



VII- SEÑALIZACIÓN

VII-1 POSICIÓN DE LAS PEGATINAS



VII-1 DESCRIPCIÓN DE LAS PEGATINAS



⚠ WARNING	⚠ AVERTISSEMENTS
<ul style="list-style-type: none"> <li>• DO NOT TOUCH BATTERY TERMINALS (SHOCK AND ACID HAZARDS)</li> <li>• DISCONNECT BOTH LEADS BEFORE REMOVING BATTERY</li> <li>• CONNECT RED LEAD TO POSITIVE (+) TERMINAL</li> <li>• CONNECT BLACK LEAD TO NEGATIVE (-) TERMINAL</li> </ul>	<ul style="list-style-type: none"> <li>• NE PAS TOUCHER LES TERMINAUX DE LA BATTERIE (RISQUE DE CHOC ELECTRIQUE ET DE CONTACT AVEC L' ACIDE DE LA BATTERIE)</li> <li>• DEBRANCHER LES 2 FILS DE SORTIE AVANT DE RETIRER LA BATTERIE</li> <li>• RELIER LE CABLE ROUGE A LA BORNE (+)</li> <li>• RELIER LE CABLE NOIR A LA BORNE (-)</li> </ul>



⚠ WARNING	⚠ AVERTISSEMENTS
<p style="text-align: center;"><b>GASOLINE IS HIGHLY INFLAMMABLE AND EXPLOSIVE</b></p> <ul style="list-style-type: none"> <li>• STOP ENGINE BEFORE REFUELING</li> <li>• REFUEL IN WELL VENTILATED AREA</li> <li>• NEVER REFUEL WHILE SMOKING, AROUND SPARKS OR OPEN FLAME</li> <li>• AVOID SPILLING FUEL. WIPE UP ALL FUEL SPILLS IMMEDIATELY</li> <li>• LEAKING FUEL IS A FIRE HAZARD AND EXPLOSION HAZARD</li> <li>• INSPECT FUEL SYSTEM BEFORE EACH USE</li> </ul>	<p style="text-align: center;"><b>L' ESSENCE EST TRES FORTEMENT INFLAMMABLE ET EXPLOSIVE</b></p> <ul style="list-style-type: none"> <li>• ARRETER LE MOTEUR AVANT TOUT REMPLISSAGE.</li> <li>• NE PAS FUMER LORS DU REMPLISSAGE.</li> <li>• FAIRE LE PLEIN DANS UN ENDROIT VENTILE.</li> <li>• EVITER DE RENSER DU CARBURANT. ESSUYER IMMEDIATEMENT TOUTES LES FLAQUES DE CARBURANT CREEES</li> <li>• LES FUITES DE CARBURANTS CONSTITUENT UN RISQUE D' INCENDIE ET D' EXPLOSION</li> <li>• VERIFIER LE CIRCUIT CARBURANT AVANT CHAQUE UTILISATION</li> </ul>

SEÑALIZACIÓN

<b>⚠ CAUTION</b>	<b>⚠ ATTENTION</b>
<p>IMPROPERLY TOWING YOUR BOAT CAN CAUSE SEVERE DAMAGE TO YOUR BOAT.</p> <ul style="list-style-type: none"> <li>• NEVER TOW IN OPEN SEAS</li> <li>• NEVER TOW ABOVE 6 KNOTS</li> </ul>	<p>UN REMORQUAGE INAPROPRIE PEUT ENDOMMAGER VOTRE BATEAU</p> <ul style="list-style-type: none"> <li>• NE PAS REMORQUER EN PLEINE MER</li> <li>• NE PAS REMORQUER A PLUS DE 6 NOEUDS</li> </ul>

3

<b>⚠ WARNING</b>	<b>⚠ AVERTISSEMENT</b>
DO NOT LIFT THE BOAT WITH PASSENGERS ON BOARD	NE PAS SOULEVER LE BATEAU AVEC DES PASSAGERS A BORD


4

<b>⚠ DANGER</b>	<b>⚠ DANGER</b>
TO AVOID INJURY OR DEATH, SHUT OFF ENGINE WHEN NEAR SWIMMERS OR PRIOR TO USING SWIN PLATFORM AND BOARDING LADDER	POUR EVITER DES BLESSURES OU LA MORT, COUPER LE MOTEUR EN APPROCHANT DE NAGEURS, ET AVANT TOUTE UTILISATION DE LA PLATEFORME ARRIERE OU DE L' ECHELLE DE BAIN

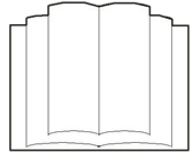
5

<b>⚠ DANGER</b>	<b>⚠ DANGER</b>
A FIRE EXTINGUISHER MUST BE CARRIED AT ALL TIMES	UN EXTINCTEUR DOIT ETRE DISPONIBLE EN PERMANENCE A BORD

6



**30 KNTS MAXIMUM**



7





Regent Park 1 - Bat2B  
2480 L'Occitane  
31670 LABEGE  
FRANCIA



## Manuale del proprietario Tomo 2 - Volume 2

### OPEN 3.1 - OPEN 3.4 - OPEN 4.2 – OPEN 4.8

ZNAUTIC fornisce i manuali del proprietario in formato digitale per le lingue italiana, tedesca, spagnola e norvegese. Per tutte le altre lingue, contattare il proprio distributore per farne richiesta ai team di ZNAUTIC

*ZNAUTIC puts at your disposal the owner's manuals in digital format for the Italian / German / Spanish and Norwegian languages. For all other languages, contact your distributor for request to the ZNAUTIC teams in due form.*

Edizione 1

## Register your boat today on the Zodiac Club

<https://www.zodiac-nautic.com/fr/zodiac-club/>



Get a Warranty extension of  
**3 YEARS**  
for your new boat\*



FR

Enregistrez votre bateau dès aujourd'hui sur le "Zodiac Club"  
<https://www.zodiac-nautic.com/fr/zodiac-club/>. Bénéficiez d'une extension de 3 ans de Garantie constructeur pour l'achat d'un bateau neuf\*  
\*voir conditions générales de la garantie Zodiac Nautic

ES

Registre su embarcación ahora en el "Zodiac Club"  
<https://www.zodiac-nautic.com/fr/zodiac-club/>. Beneficiese de una extensión de garantía de tres años, en la compra de una embarcación nueva\*  
\*ver las condiciones generales de la garantía Zodiac Nautic

IT

Registri il suo battello oggi sul "Zodiac Club"  
<https://www.zodiac-nautic.com/fr/zodiac-club/>. Beneficierà dell'estensione di 3 annos di Garanzia costruttore sull'acquisto di un battello nuovo\*  
\*vedere le condizioni generali della garanzia Zodiac Nautic

DE

Registrieren Sie Ihr Boot heute im "Zodiac Club"  
<https://www.zodiac-nautic.com/fr/zodiac-club/>. Erhalten Sie die 3-jährige Garantieerweiterung für Ihr neues Boot.\*  
\*Siehe Zodiac Nautic Garantiebedingungen

# TOMO 2

## DESCRIZIONE - TUBOLARE

## SISTEMA DI PROPULSIONE

## IMPIANTI E CIRCUITI

### INDICE

I- DESCRIZIONE .....	3
I-1 CARATTERISTICHE TECNICHE OPEN 3.1 .....	3
I-2 CARATTERISTICHE TECNICHE OPEN 3.4 .....	5
I-3 CARATTERISTICHE TECNICHE OPEN 4.2 .....	7
I-4 CARATTERISTICHE TECNICHE OPEN 4.8 .....	9
I-5 INVENTARIO E UBICAZIONE .....	12
I-6 UBICAZIONE ATTREZZATURE.....	16
I-6-1- OPEN 3.1 / 3.4.....	16
I-6-2- OPEN 4.2 / 4.8.....	18
I-7 MOVIMENTAZIONE .....	20
I-7-1- Trasporto .....	20
I-7-2- Sollevamento .....	26
II- TUBOLARE .....	27
II-1 MANUTENZIONE DEL TUBOLARE .....	27
II-2 MONTAGGIO DEL TUBOLARE SULLO SCAFO OPEN 4.2 / OPEN 4.8 .....	27
II-3 FISSAGGIO DEL GREMBIULE .....	28
II-4 GONFIAGGIO DEL TUBOLARE.....	29
II-5 PRESSIONE.....	31
III- Sistema di propulsione.....	33
IV- Come comportarsi con l'imbarcazione .....	34
V- IMPIANTI E CIRCUITI.....	35
V-1 CIRCUITO del CARBURANTE.....	35
V-1-1- Ubicazione degli elementi .....	35
V-1-2- Serbatoio portatile (opzionale) .....	37
V-1-3- Filtro separatore acqua/benzina (non fornito).....	38
V-1-4- Uso delle valvole di chiusura del circuito benzina (non fornita) .....	39
V-1-5- Raccomandazioni.....	40
V-2 CIRCUITO ELETTRICO.....	41
V-2-1- OPEN 3.1 / 3.4 / 4.2 .....	41

V-2-2- OPEN 4.8.....	44
V-2-3- Ubicazione degli elementi .....	47
V-2-4- Interruttore di sicurezza (opzionale) .....	47
V-2-5- Batteria (non fornita).....	48
V-2-6- Luci di navigazione.....	49
V-2-7- Cablaggio di un accessorio.....	49
V-2-1- Allacciamento degli optional OPEN 3.1 / 3.4 /4.8 .....	50
V-2-2- Allacciamento degli optional OPEN 4.8.....	51
V-3 IMPIANTO DI PROSCIUGAMENTO.....	53
V-3-1- Descrizione degli elementi funzionali.....	53
V-3-2- Tappi del passascafo.....	53
V-3-3- Foro di alaggio dello scafo: .....	54
V-4 STERZO .....	55
V-5 IMPIANTO ANTINCENDIO .....	55
V-6 ANCORAGGIO / ORMEGGIO .....	56
V-7 RISALITA A BORDO .....	57
V-7-1- DAL GALLEGGIANTE.....	57
V-7-2- SCALETTA (OPZIONALE).....	57
V-8 RIGGING MECCANICO .....	58
V-9 FISSAGGIO DELLA CUSCINERIA .....	59
VI- POSIZIONE DEGLI ACCESSORI.....	60
VI-1 BIMINI OPEN 3.1 / 3.4.....	60
VI-2 BIMINI OPEN 4.2 / 4.8.....	60
VI-3 ROLL BAR OPEN 4.8.....	61
VI-4 SERBATOI PORTATILI OPEN 3.1 / 3.4 .....	61
VI-5 SERBATOI PORTATILI OPEN 4.2 / 4.8 .....	61
VI-6 INTERRUOTTORE DI BATTERIA .....	62
VI-7 LUCE BIANCA.....	62
VI-8 RETE DI CONTENIMENTO OGGETTI .....	63
VI-9 KIT DI SOLLEVAMENTO .....	63
VI-10 PONTE EVA.....	63
VII- SEGNALETICA .....	64
VII-1 POSIZIONE DEGLI AUTOADESIVI .....	64
VII-1 DESCRIZIONE DEGLI AUTOADESIVI .....	64

**DESCRIZIONE - Caratteristiche tecniche**

**I- DESCRIZIONE**

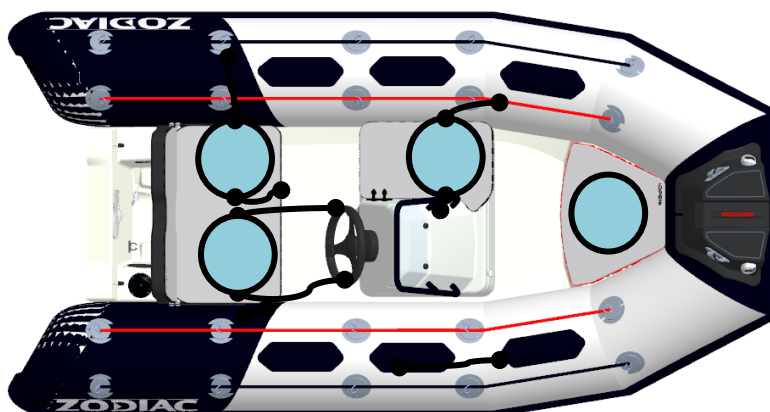
**I-1 CARATTERISTICHE TECNICHE OPEN 3.1**


<b>Dimensioni</b>						
<i>Tolleranze sulle dimensioni +/- 3%</i>						
	m	3,1		m	0,455	
	ft	10' 2"		ft	1' 6"	
	m	2	<p>Senza tubolare</p>	a	m	2,58
	ft	6' 7"		ft	8' 6"	
	m	1,65		b	m	1,01
	ft	5' 5"		ft	3' 4"	
	m	0,71	c	m	1,134	
	ft	1' 6"	ft	3' 9"		
	H (mm)		930	Altezza max		
	T (mm)		225	Pescaggio max		
	°		13	Angolo dello specchio di poppa		
	mm		438	Altezza dello specchio di poppa		

<b>Categoria di progettazione</b>	
<b>CE</b> (Direttiva 2013/53/UE)	C

<b>Capacità</b>				
<i>Tolleranze sui pesi +/- 5%</i>				
(ISO)		C		
		4		
	<b>ISO 14946</b>	<b>Kg</b>	300	<p>Carico massimo a norma ISO 14946 (1+2+3+4), dati indicati sul certificato ICNN.                      Carico massimo a norma ISO 14945 (1+2+3+5), dati indicati sulla targa del costruttore.                      Massa delle persone                      Effetti personali                      Elenco di tutti gli optional proposti                      Contenuto dei serbatoi di liquidi di consumo (benzina, acqua potabile...)                      Massa del o dei motori</p>
		<b>lb.</b>	661	
	<b>ISO 14945</b>	<b>Kg</b>	340	
		<b>lb.</b>	750	
		<b>Kg</b>	132	I pesi si intendono accessori esclusi
		<b>lb.</b>	291	
Numero di compartimenti		3		

## DESCRIZIONE - Caratteristiche tecniche






 Sedile con impugnature



### **AVVERTENZA!!!**

**NON SUPERARE IL NUMERO MASSIMO DI PERSONE RACCOMANDATO. INDIPENDENTEMENTE DAL NUMERO DI PASSEGGERI A BORDO, LA MASSA TOTALE DELLE PERSONE E DELL'EQUIPAGGIAMENTO NON DEVE MAI SUPERARE IL CARICO MASSIMO RACCOMANDATO. UTILIZZARE SEMPRE I SEDILI O I POSTI A SEDERE PREVISTI.**

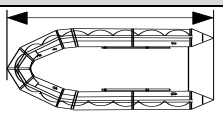
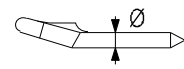
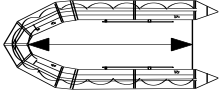
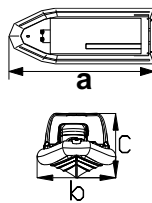


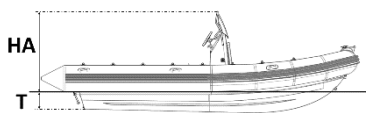
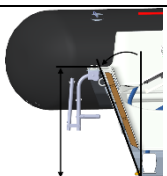
Motorizzazione Open 3.1				
	Lunghezza dell'albero	MONOMOTORE		Le potenze raccomandate corrispondono a uno sfruttamento ottimale della capacità dell'imbarcazione con carico medio.
		S		
	Potenza MIN raccomandata	CV	10	
		kW	7.5	
	Potenza MAX raccomandata	CV	15	
		kW	11.2	
	Potenza MAX consentita	CV	25	
		kW	18.6	
	Peso MAX motore	Kg	57	
		lb.	125.7	


**NOTA:** Qualora la potenza massima consentita sia superiore alla potenza massima raccomandata, deve essere utilizzata con la massima prudenza. Si rivolge esclusivamente a utilizzatori esperti, che utilizzano l'imbarcazione in condizioni molto specifiche (trasporto di carichi pesanti ecc.). Si veda il Tomo 1 del manuale, capitolo "Consigli per la navigazione".


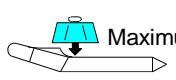
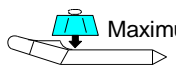
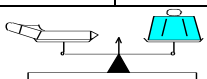
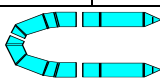
Per evitare un possibile degrado prematuro del galleggiante, solo per questa dimensione di barca, il motore dovrebbe essere montato il più in alto possibile sullo specchio di poppa. Si consiglia inoltre di portare il motore in porto quando si è all'ancora, durante le fasi di svernamento e trasporto della barca.

**DESCRIZIONE - Caratteristiche tecniche**

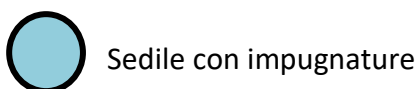
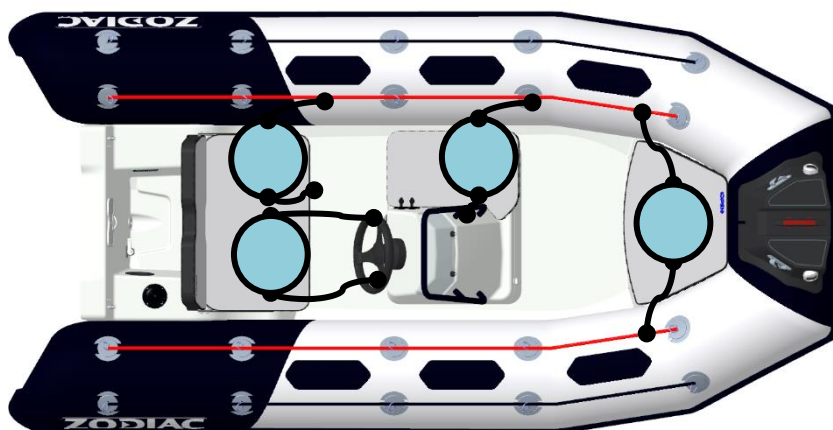
**I-2 CARATTERISTICHE TECNICHE OPEN 3.4**

<b>Dimensioni</b>						
<i>Tolleranze sulle dimensioni +/- 3%</i>						
	m	3,4	 Diametro del tubolare	m	0,455	
	ft	11' 2"		ft	1' 6"	
	m	2,16	 Senza tubolare	a	m	2,9
	ft	7' 1"			ft	9' 6"
	m	1,7		b	m	1,13
	ft	5' 7"			ft	3' 8"
	m	0,8		c	m	1,17
	ft	2' 7"			ft	3' 10"
 HA T	H (mm)			945	Altezza max	
	T (mm)			294	Pescaggio max	
	°		13	Angolo dello specchio di poppa		
	mm		524	Altezza dello specchio di poppa		

<b>Categoria di progettazione</b>	
 (Direttiva 2013/53/UE)	C


<b>Capacità</b>				
<i>Tolleranze sui pesi +/- 5%</i>				
 (ISO)		C 4		
 Maximum	<b>ISO 14946</b>	Kg	340	Carico massimo a norma ISO 14946 (1+2+3+4), dati indicati sul certificato ICNN. Carico massimo a norma ISO 14945 (1+2+3+5), dati indicati sulla targa del costruttore. Massa delle persone Effetti personali Elenco di tutti gli optional proposti Contenuto dei serbatoi di liquidi di consumo (benzina, acqua potabile...) Massa del o dei motori
		lb.	750	
 Maximum	<b>ISO 14945</b>	Kg	420	
		lb.	926	
		Kg	150	
		lb.	331	
Numero di compartimenti 		3		

## DESCRIZIONE - Caratteristiche tecniche



### **AVVERTENZA!!!**

**NON SUPERARE IL NUMERO MASSIMO DI PERSONE RACCOMANDATO. INDIPENDENTEMENTE DAL NUMERO DI PASSEGGERI A BORDO, LA MASSA TOTALE DELLE PERSONE E DELL'EQUIPAGGIAMENTO NON DEVE MAI SUPERARE IL CARICO MASSIMO RACCOMANDATO. UTILIZZARE SEMPRE I SEDILI O I POSTI A SEDERE PREVISTI.**

Motorizzazione Open 3.4				
 Long	Lunghezza dell'albero		MONOMOTORE	Le potenze raccomandate corrispondono a uno sfruttamento ottimale delle capacità dell'imbarcazione con carico medio.
			L	
	Potenza MIN raccomandata	CV	10	
		kW	7.5	
	Potenza MAX raccomandata	CV	15	
		kW	11.2	
	Potenza MAX consentita	CV	30	
		kW	22.4	
 Maximum	Peso MAX motore	Kg	95	
		lb.	209	

**NOTA:** Qualora la potenza massima consentita sia superiore alla potenza massima raccomandata, deve essere utilizzata con la massima prudenza. Si rivolge esclusivamente a utilizzatori esperti, che utilizzano l'imbarcazione in condizioni molto specifiche (trasporto di carichi pesanti ecc.). Si veda il Volume 1 del manuale, capitolo "Consigli per la navigazione".



**DESCRIZIONE - Caratteristiche tecniche**

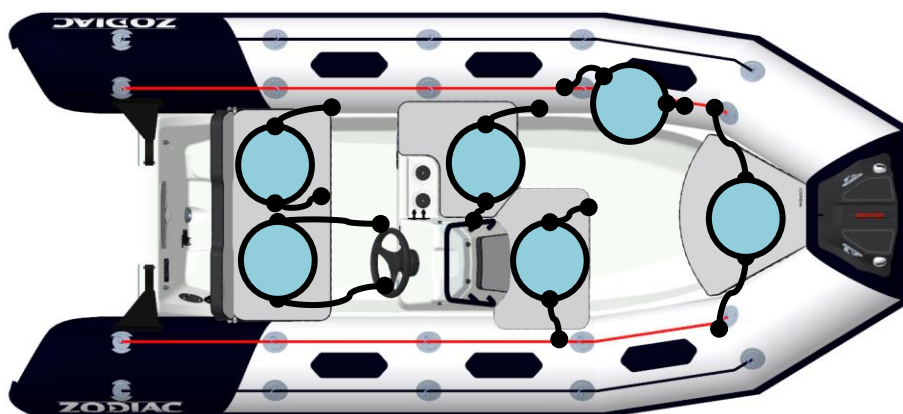
**I-3 CARATTERISTICHE TECNICHE OPEN 4.2**


<b>Dimensioni</b>						
<i>Tolleranze sulle dimensioni +/- 3%</i>						
	m	4,2		m	0,455	
	ft	13' 9"		ft	1'6"	
	m	2,7	<p>Senza tubolare</p>	a	m	3,6
	ft	8' 10"			ft	11'10"
	m	1,9		b	m	1,24
	ft	6' 3"			ft	4' 1"
	m	1,1		c	m	1,3
	ft	3' 7"			ft	4' 3"
	H (mm)			968	Altezza max	
	T (mm)			456	Pescaggio max	
	°		17	Angolo dello specchio di poppa		
	mm		524	Altezza dello specchio di poppa		

<b>Categoria di progettazione</b>	
(Direttiva 2013/53/UE)	C

<b>Capacità</b>				
<i>Tolleranze sui pesi +/- 5%</i>				
		C		
(ISO)		6		
	ISO 14946	Kg	560	<p>Carico massimo a norma ISO 14946 (1+2+3+4), dati indicati sul certificato ICNN.                      Carico massimo a norma ISO 14945 (1+2+3+5), dati indicati sulla targa del costruttore.                      Massa delle persone                      Effetti personali                      Elenco di tutti gli optional proposti                      Contenuto dei serbatoi di liquidi di consumo (benzina, acqua potabile...)                      Massa del o dei motori</p>
		lb.	1235	
	ISO 14945	Kg	680	
		lb.	1499	
		Kg	270	
		lb.	595	
Numero di compartimenti		3		I pesi si intendono accessori esclusi

## DESCRIZIONE - Caratteristiche tecniche





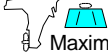


 Sedile con impugnature



### **AVVERTENZA!!!**

**NON SUPERARE IL NUMERO MASSIMO DI PERSONE RACCOMANDATO. INDIPENDENTEMENTE DAL NUMERO DI PASSEGGERI A BORDO, LA MASSA TOTALE DELLE PERSONE E DELL'EQUIPAGGIAMENTO NON DEVE MAI SUPERARE IL CARICO MASSIMO RACCOMANDATO. UTILIZZARE SEMPRE I SEDILI O I POSTI A SEDERE PREVISTI.**

Motorizzazione Open 4.2			
 Long	Lunghezza dell'albero	MONOMOTORE	
		L	
	Potenza MIN raccomandata	CV	15
		kW	11,2
	Potenza MAX raccomandata	CV	40
		kW	29,8
	Potenza MAX consentita	CV	50
		kW	37,3
 Maximum	Peso MAX motore	Kg	115
		lb.	253,5

Le potenze raccomandate corrispondono a uno sfruttamento ottimale delle capacità dell'imbarcazione con carico medio.

**NOTA:** Qualora la potenza massima consentita sia superiore alla potenza massima raccomandata, deve essere utilizzata con la massima prudenza. Si rivolge esclusivamente a utilizzatori esperti, che utilizzano l'imbarcazione in condizioni molto specifiche (trasporto di carichi pesanti ecc.). Si veda il Tomo 1 del manuale, capitolo "Consigli per la navigazione".

**DESCRIZIONE - Caratteristiche tecniche**

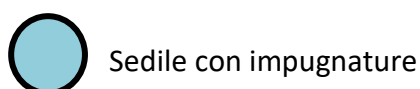
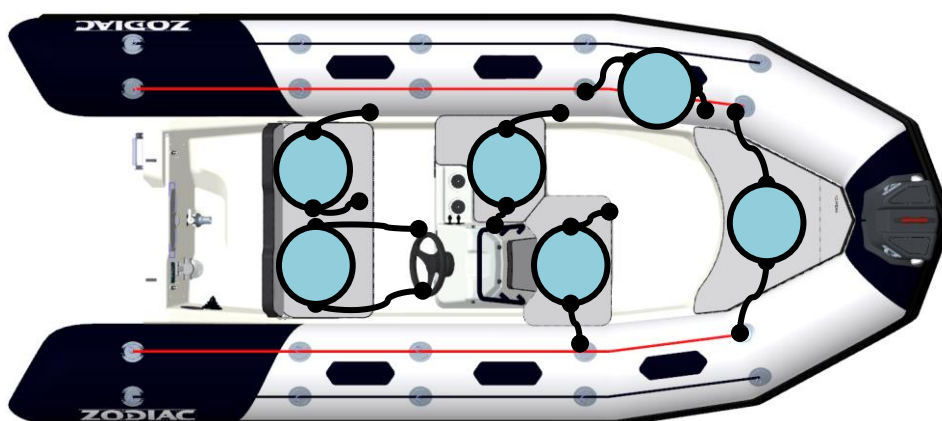
**I-4 CARATTERISTICHE TECNICHE OPEN 4.8**

<b>Dimensioni</b>						
<i>Tolleranze sulle dimensioni +/- 3%</i>						
	m	4,7		m	0,5	
	ft	15' 5"		ft	1' 8"	
	m	2,92	Senza tubolare   	a	m	3,83
	ft	9' 7"			ft	12' 7"
	m	2,09		b	m	1,38
	ft	6' 10"			ft	4' 6"
	m	1,1		c	m	1,38
	ft	3' 7"			ft	4' 6"
	H (mm)	1085	Altezza max			
	T (mm)	485	Pescaggio max			
	°	17,5	Angolo dello specchio di poppa			
	mm	537	Altezza dello specchio di poppa			

<b>Categoria di progettazione</b>	
<b>CE</b> (Direttiva 2013/53/UE)	C



<b>Capacità</b>				
<i>Tolleranze sui pesi +/- 5%</i>				
		C		
		<b>6</b>		
	<b>ISO 14946</b>	<b>Kg</b>	590	Carico massimo a norma ISO 14946 (1+2+3+4), dati indicati sul certificato ICNN. Carico massimo a norma ISO 14945 (1+2+3+5), dati indicati sulla targa del costruttore. Massa delle persone Effetti personali Elenco di tutti gli optional proposti Contenuto dei serbatoi di liquidi di consumo (benzina, acqua potabile...) Massa del o dei motori
		<b>lb.</b>	1301	
	<b>ISO 14945</b>	<b>Kg</b>	760	
		<b>lb.</b>	1676	
		<b>Kg</b>	310	
		<b>lb.</b>	683	
Numero di compartimenti		5		I pesi si intendono accessori esclusi

## DESCRIZIONE - Caratteristiche tecniche



### **AVVERTENZA!!!**

**NON SUPERARE IL NUMERO MASSIMO DI PERSONE RACCOMANDATO. INDIPENDENTEMENTE DAL NUMERO DI PASSEGGERI A BORDO, LA MASSA TOTALE DELLE PERSONE E DELL'EQUIPAGGIAMENTO NON DEVE MAI SUPERARE IL CARICO MASSIMO RACCOMANDATO. UTILIZZARE SEMPRE I SEDILI O I POSTI A SEDERE PREVISTI.**

Motorizzazione Open 4.8				
 Long	Lunghezza dell'albero	MONOMOTORE		Le potenze raccomandate corrispondono a uno sfruttamento ottimale delle capacità dell'imbarcazione con carico medio.
		L		
	Potenza MIN raccomandata	CV	40	
		kW	29,8	
	Potenza MAX raccomandata	CV	50	
		kW	37,3	
	Potenza MAX consentita	CV	80	
		kW	59,7	
 Maximum	Peso MAX motore	Kg	170	
		lb.	374,8	

**NOTA:** Qualora la potenza massima consentita sia superiore alla potenza massima raccomandata, deve essere utilizzata con la massima prudenza. Si rivolge esclusivamente a utilizzatori esperti, che utilizzano l'imbarcazione in condizioni molto specifiche (trasporto di carichi pesanti ecc.). Si veda il Tomo 1 del manuale, capitolo "Consigli per la navigazione".

**DESCRIZIONE - Caratteristiche tecniche**

**NOTA:** Qualora la potenza massima consentita sia superiore alla potenza massima raccomandata, deve essere utilizzata con la massima prudenza. Si rivolge esclusivamente a utilizzatori esperti, che utilizzano l'imbarcazione in condizioni molto specifiche (trasporto di carichi pesanti ecc.). Si veda il Tomo 1 del manuale, capitolo "Consigli per la navigazione".

**AVVERTENZA!!!**

**NEL CARICARE L'IMBARCAZIONE, NON SUPERARE MAI IL CARICO MASSIMO RACCOMANDATO. CARICARE SEMPRE L'IMBARCAZIONE CON CURA E RIPARTIRE I CARICHI IN MODO ADEGUATO PER CONSERVARE L'ASSETTO TEORICO (APPROSSIMATIVAMENTE ORIZZONTALE). EVITARE DI POSIZIONARE CARICHI PESANTI IN ALTO.**

**AVVERTENZA!!!**

**IL CARICO MASSIMO INDICATO SULLA TARGA DEL COSTRUTTORE NON DEVE ESSERE SUPERATO PER ALCUN MOTIVO.**

**QUANDO L'IMBARCAZIONE È CARICATA AL MASSIMO, SI RACCOMANDA QUANTO SEGUE:**

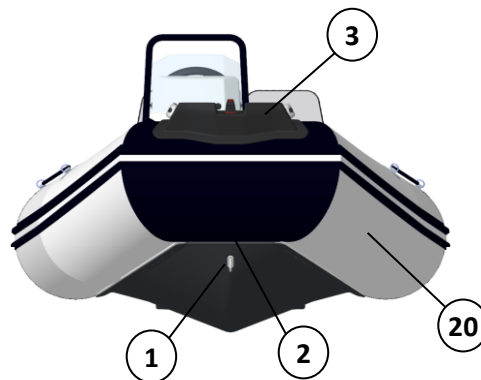
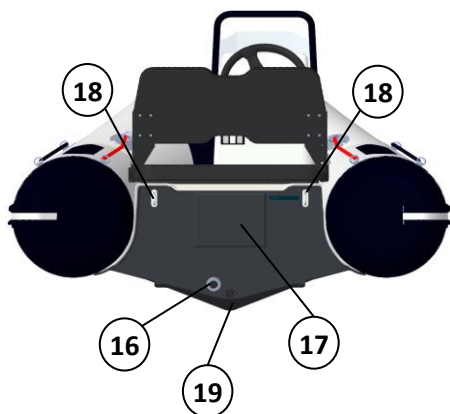
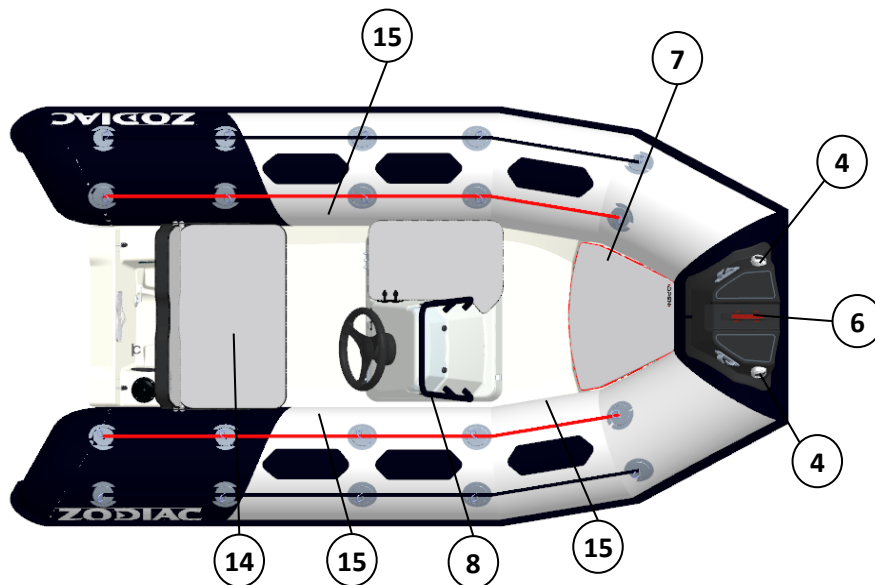
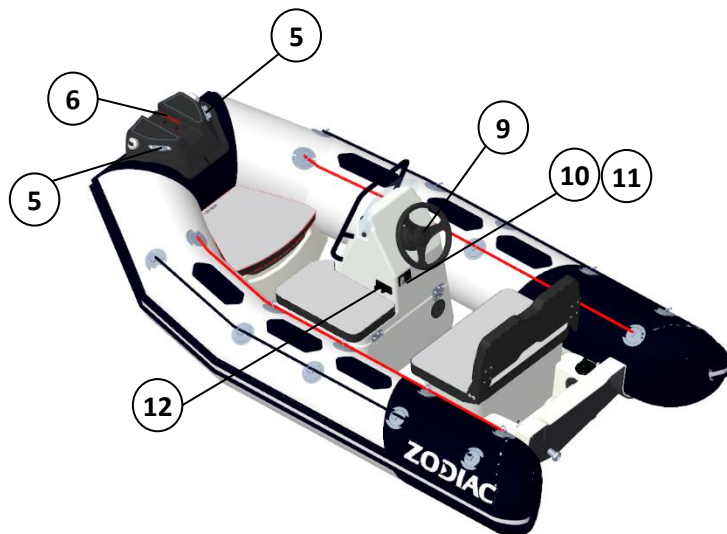
- **NAVIGARE CON PRECAUZIONE**
- **RIPARTIRE I CARICHI**
- **CONSERVARE UN ASSETTO ADEGUATO DELL'IMBARCAZIONE.**

**ATTENZIONE!!!**

**NON STIVARE PRODOTTI INFIAMMABILI NEL COMPARTIMENTO DI POPPA. È SEVERAMENTE VIETATO IMBARCARE UN SERBATOIO AUSILIARIO.**

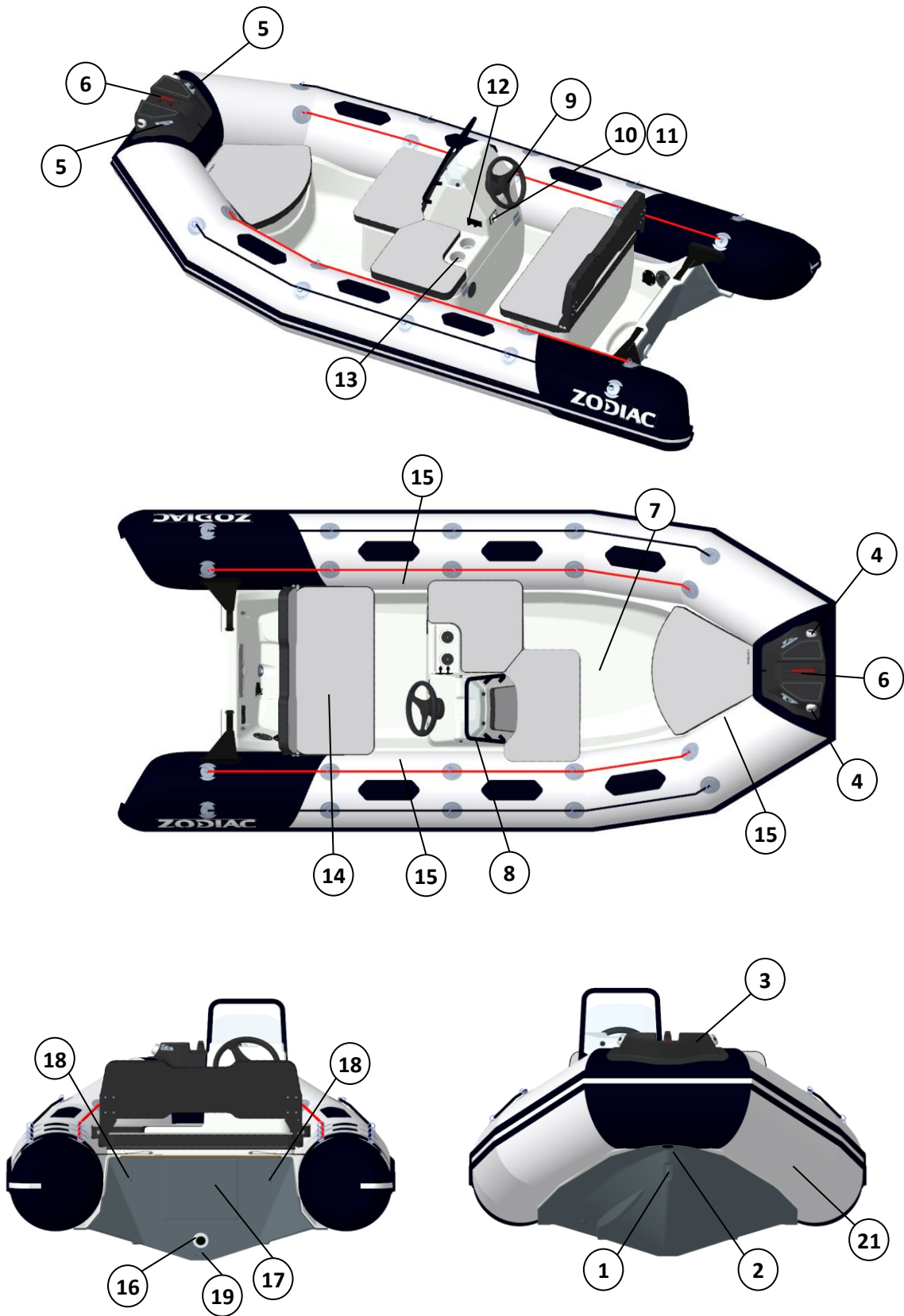
I-5 INVENTARIO E UBICAZIONE

OPEN 3.1 e 3.4



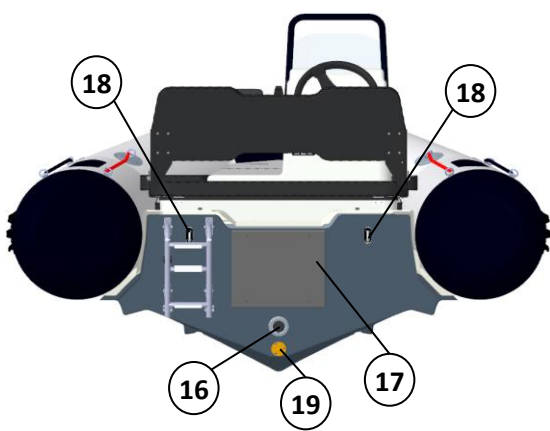
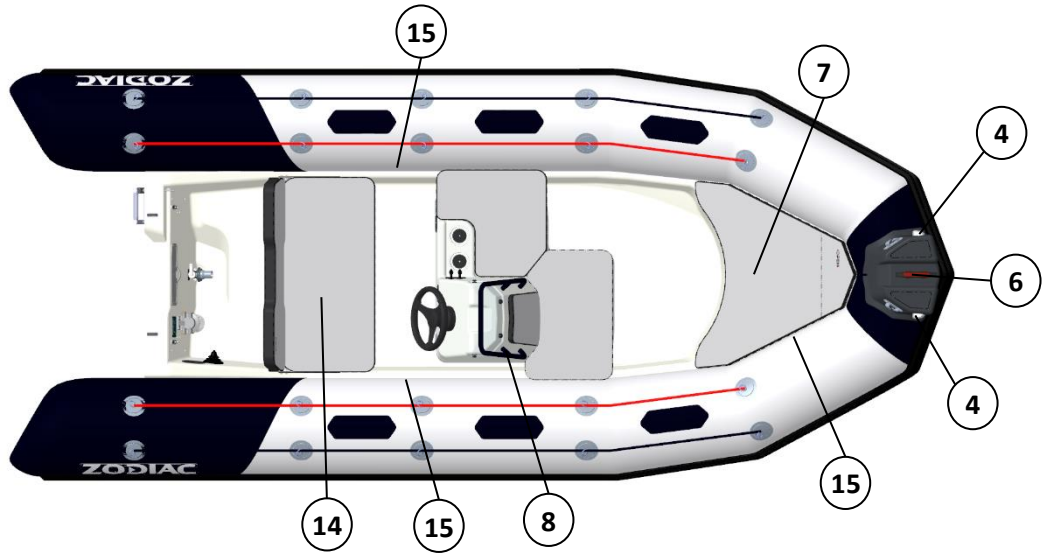
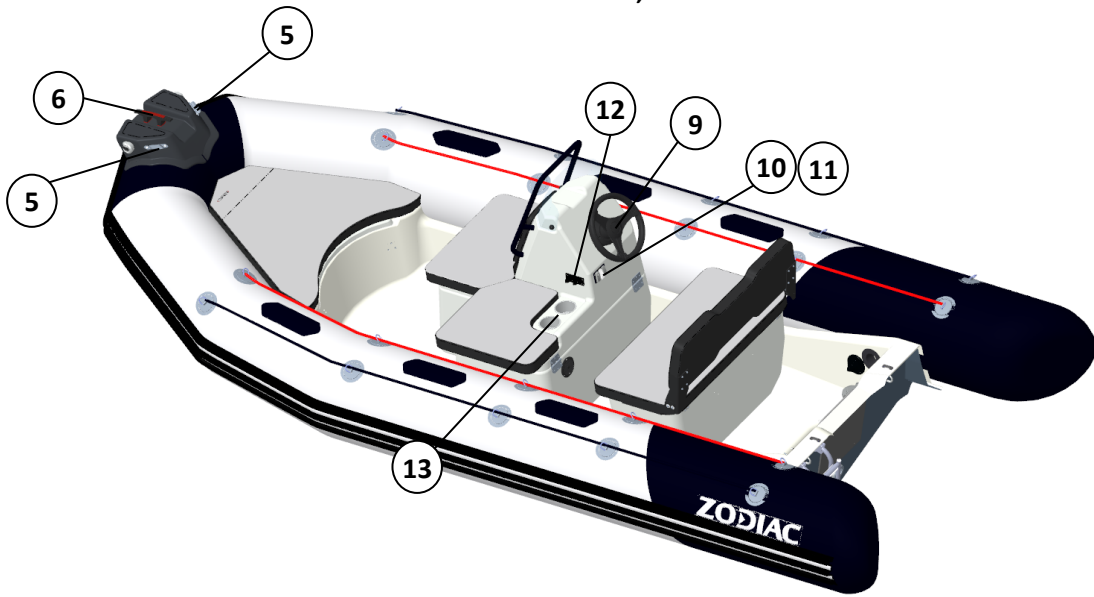
DESCRIZIONE - INVENTARIO E UBICAZIONE

OPEN 4,2



DESCRIZIONE - INVENTARIO E UBICAZIONE

OPEN 4,8





**DESCRIZIONE - INVENTARIO E UBICAZIONE**

Riferimento	DESCRIZIONE
<b>EQUIPAGGIAMENTO STANDARD</b>	
	2 remi telescopici, 1 pompa a pedale, 1 valigetta per le riparazioni, 1 manuale del proprietario (2 tomi), 1 manometro. Piano in poliestere con coperta a controstampo e antiscivolo
	Panca
	Console
1	Puleggia dell'ancora
2	Fissaggio grembiule tubolare
3	Puleggia
4	Luci di navigazione
5	Passacavi
6	Galloccia d'ormeggio
7	Gavone per ancoraggio
8	Corrimano
9	Volante, sterzo meccanico
10	Interruttore luce di navigazione
11	Spazi liberi per altri interruttori
12	Presa 12 V e presa USB
13	Portaoggetti/Portabicchieri
14	Batteria (vano) <i>All'interno del panchetto di poppa</i>
15	Valvole di gonfiaggio/sgonfiaggio
16	Scarico rapido del ponte
17	Piastra
18	Lande di traino
19	Foro di alaggio dello scafo
20	Tubolare incollato con bottazzo antiabrasione, rizze e coni lunghi.
21	Tubolare amovibile con bottazzo antiabrasione dal profilo largo, rizze e coni lunghi.

<b>ATTREZZATURE OPZIONALI</b>		<b>OPEN 3.1</b>	<b>OPEN 3.4</b>	<b>OPEN 4.2</b>	<b>OPEN 4.8</b>
	Serbatoio portatile	X	X	X	X
	Interruttore di batteria	X	X	X	X
	Scaletta bagno	X	X	X	X
	Rete di contenimento oggetti	X	X	X	X
	Ponte EVA	X	X	X	X
	Luce bianca	X	X	X	X
	Kit di sollevamento	X	X	X	X
	Cappa di ormeggio	X	X	X	X
	Bimini	X	X	X	X
	Turboswing			X	X
	Roll Bar / Asta da sci nautico				X
	Altri optional disponibili, contattare il rivenditore ZODIAC				

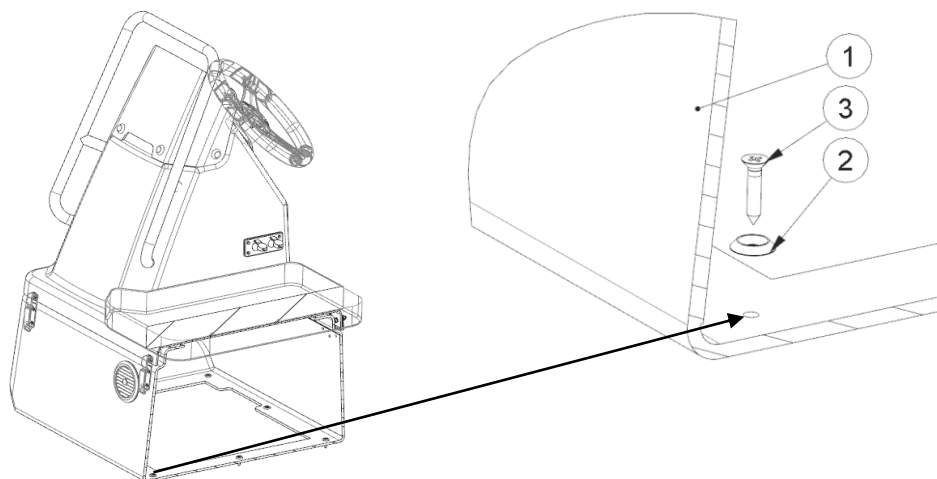
**I-6 UBICAZIONE ATTREZZATURE**

L'imbarcazione verrà consegnata con la console e la panca non assemblate sullo scafo.  
 Seguire i passaggi che seguono per posizionare, fissare e mantenere gli elementi in posizione sul ponte.

Si consiglia di posare tutti i cavi e i fasci del motore prima di eseguire queste fasi di montaggio.

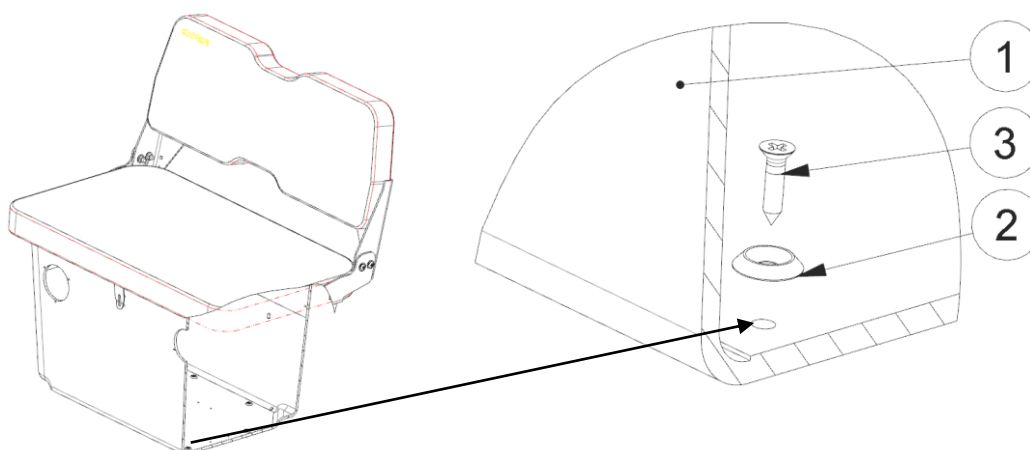
**I-6-1- OPEN 3.1 / 3.4**

**I-6-1-1- Console**



Riferimento	Articolo	Quantità
1	GRUPPO CONSOLE 3.1/3.4	1
2	RONDELLA SVASATA M5	8
3	VITE TOL FZ 4,8X25	8

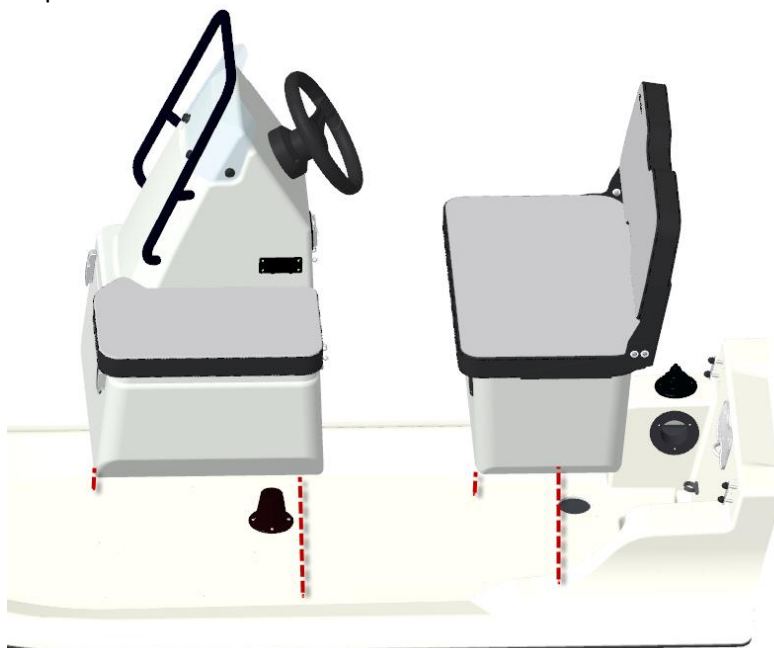
**I-6-1-2- Panca**



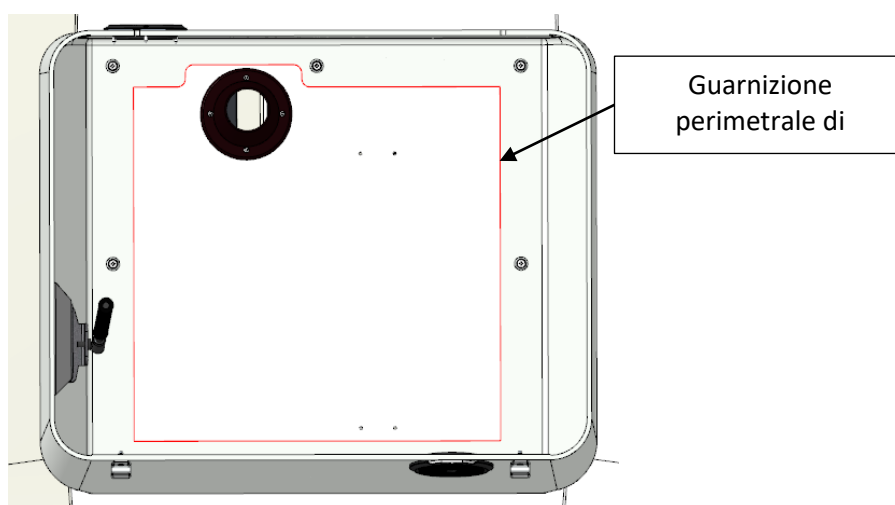
Riferimento	Articolo	Quantità
1	GRUPPO PANCA 3.1/3.4	1
2	RONDELLA SVASATA M5	6
3	VITE TOL FZ 4,8X32	6

**DESCRIZIONE - INVENTARIO e ubicazione****I-6-1-1- Installazione**

- Posizionare tutti gli elementi sul ponte allineandoli con i fori senza avvitarli,
- Verificare che siano tutti paralleli tra di loro e rispetto allo specchio di poppa,
- Utilizzare i fori della console e della panca per segnare le posizioni dei fori sul ponte,
- Alzare gli elementi, praticare un foro con punta  $\varnothing$  4,2 mm.
- Pulire e stendere del SIKAFLEX 221 attorno a ciascun foro e tra i fori per creare una guarnizione perimetrale.



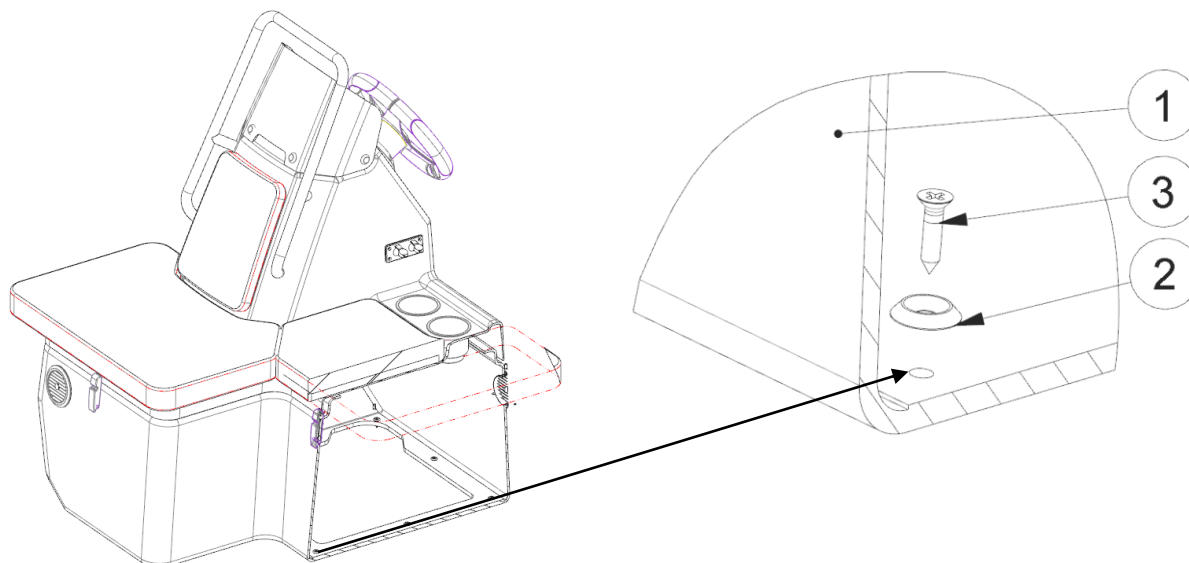
- Posizionare gli elementi sul ponte e avvitare.
- Rimuovere il SIKAFLEX in eccesso.
- Realizzare una guarnizione di finitura perimetrale sulla parte interna della console per garantire una migliore tenuta.



## DESCRIZIONE - INVENTARIO e ubicazione

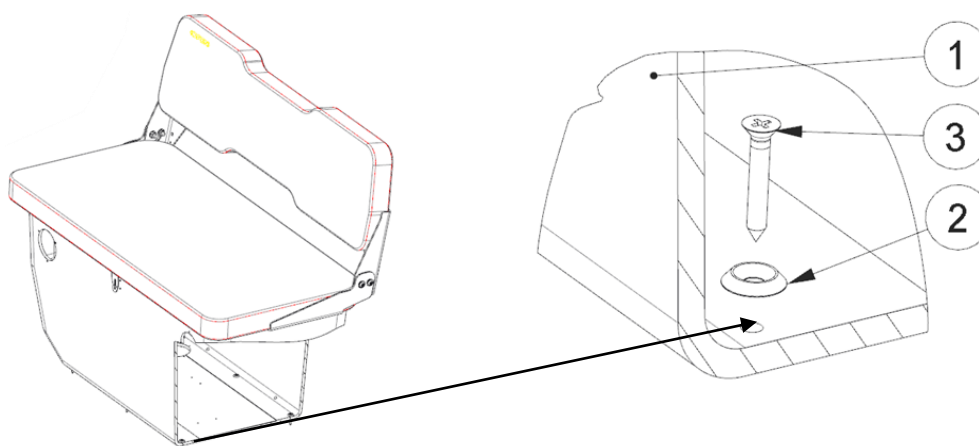
### I-6-2- OPEN 4.2 / 4.8

#### I-6-2-1- Console



Riferimento	Articolo	Quantità
1	GRUPPO CONSOLE 4.2/4.8	1
2	RONDELLA SVASATA M5	8
3	VITE TOL FZ 4,8X25	8

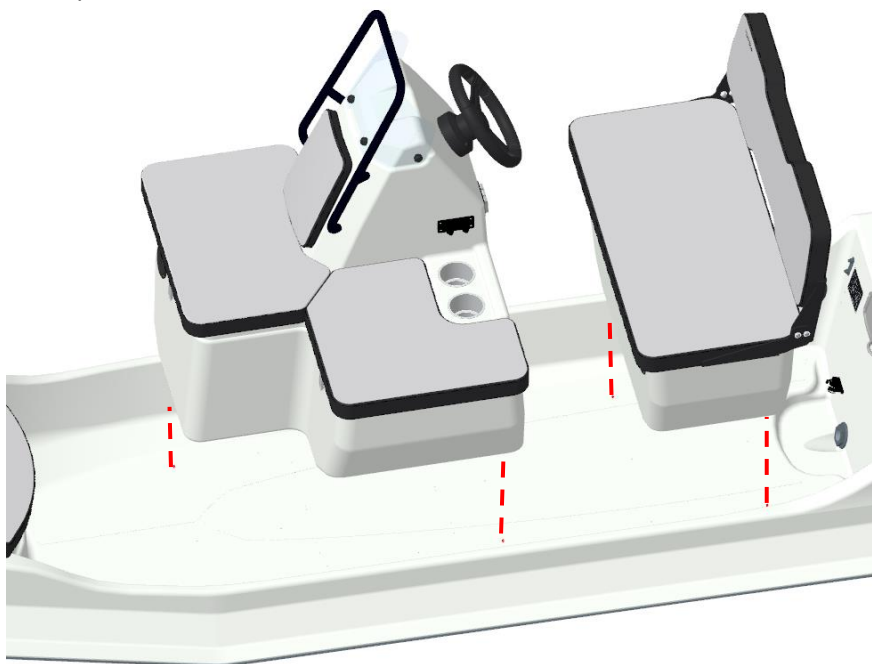
#### I-6-2-2- Panchetto



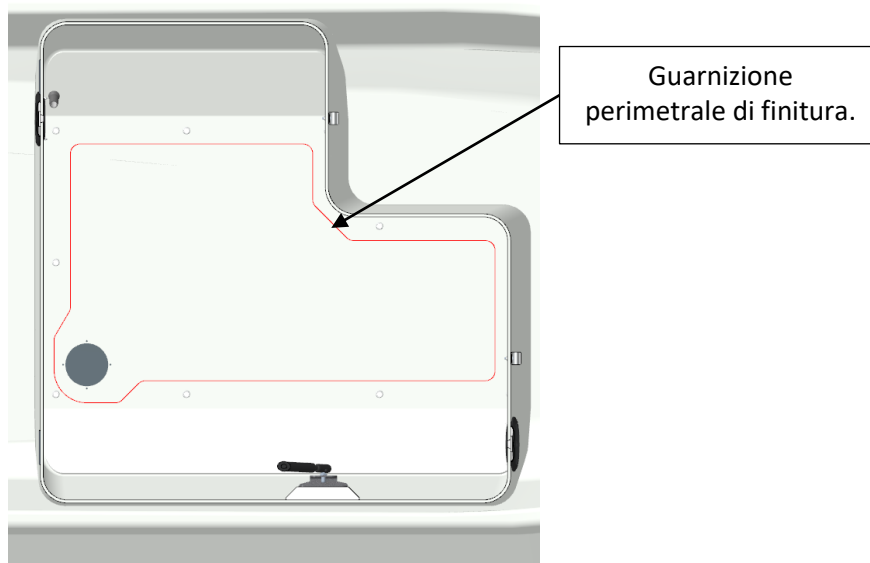
Riferimento	Articolo	Quantità
1	GRUPPO PANCHETTO 4.2/4.8	1
2	RONDELLA SVASATA M5	6
3	VITE TOL FZ 4,8X32	6

**DESCRIZIONE - INVENTARIO e ubicazione****I-6-2-3- Installazione**

- Posizionare tutti gli elementi sul ponte allineandoli con i fori senza avvitarli,
- Verificare che siano tutti paralleli tra di loro e rispetto allo specchio di poppa,
- Utilizzare i fori della console e della panca per segnare le posizioni dei fori sul ponte,
- Alzare gli elementi, praticare un foro con punta  $\varnothing 4,2$  mm.
- Pulire e stendere del SIKAFLEX 221 attorno a ciascun foro e tra i fori per creare una guarnizione perimetrale.



- Posizionare gli elementi sul ponte e avvitare.
- Rimuovere il SIKAFLEX in eccesso.
- Realizzare una guarnizione di finitura perimetrale sulla parte interna della console per garantire una migliore tenuta.



**I-7 MOVIMENTAZIONE**

**I-7-1- Trasporto**

I consigli per il trasporto su rimorchio sono forniti nel manuale del proprietario TOMO 1.

**Utilizzare un rimorchio adatto all'imbarcazione.**

L'imbarcazione rientra nella sagoma per il trasporto su strada. Deve essere trasportata gonfiata.

La massa in condizione di trasporto per un rimorchio comprende quanto segue:

**OPEN 3.1**

<b>Peso dell'imbarcazione a vuoto:</b>	132 kg	<i>Tolleranza +/- 5%</i>
<b>Peso motore/i:</b>	57 kg	
<b>Riserva consumabile:</b>	25 kg	<i>Serbatoio benzina</i>
<b>Optional:</b>	14 kg	<i>Modello con tutti gli optional</i>
<b>Equipaggiamento di sicurezza:</b>	21 kg	<i>Attrezzature</i>
<b>Σ:</b>	<b>249 kg</b>	

**OPEN 3.4**

<b>Peso dell'imbarcazione a vuoto:</b>	150 kg	<i>Tolleranza +/- 5%</i>
<b>Peso motore/i:</b>	95 kg	
<b>Riserva consumabile:</b>	25 kg	<i>Serbatoio benzina</i>
<b>Optional:</b>	14 kg	<i>Modello con tutti gli optional</i>
<b>Equipaggiamento di sicurezza:</b>	21 kg	<i>Attrezzature</i>
<b>Σ:</b>	<b>305 kg</b>	

**OPEN 4,2**

<b>Peso dell'imbarcazione a vuoto:</b>	265 kg	<i>Tolleranza +/- 5%</i>
<b>Peso motore/i:</b>	115 kg	
<b>Riserva consumabile:</b>	47 kg	<i>Serbatoio benzina e serbatoio acqua dolce</i>
<b>Optional:</b>	27 kg	<i>Modello con tutti gli optional</i>
<b>Equipaggiamento di sicurezza:</b>	21 kg	<i>Attrezzature</i>
<b>Σ:</b>	<b>475 kg</b>	

**OPEN 4.8**

<b>Peso dell'imbarcazione a vuoto:</b>	310 kg	<i>Tolleranza +/- 5%</i>
<b>Peso motore/i:</b>	170 kg	
<b>Riserva consumabile:</b>	47 kg	<i>Serbatoio benzina e serbatoio acqua dolce</i>
<b>Optional:</b>	27 kg	<i>Modello con tutti gli optional</i>
<b>Equipaggiamento di sicurezza:</b>	21 kg	<i>Attrezzature</i>
<b>Σ:</b>	<b>575 kg</b>	

**DESCRIZIONE - Movimentazione**

ORMEGGIO SU RIMORCHIO O SU INVASO:  
UTILIZZARE IL GOLFARO DEL DRITTO DI PRUA E LE LANDE DI POPPA SULLA PARTE ESTERNA DELLO SPECCHIO DI POPPA.



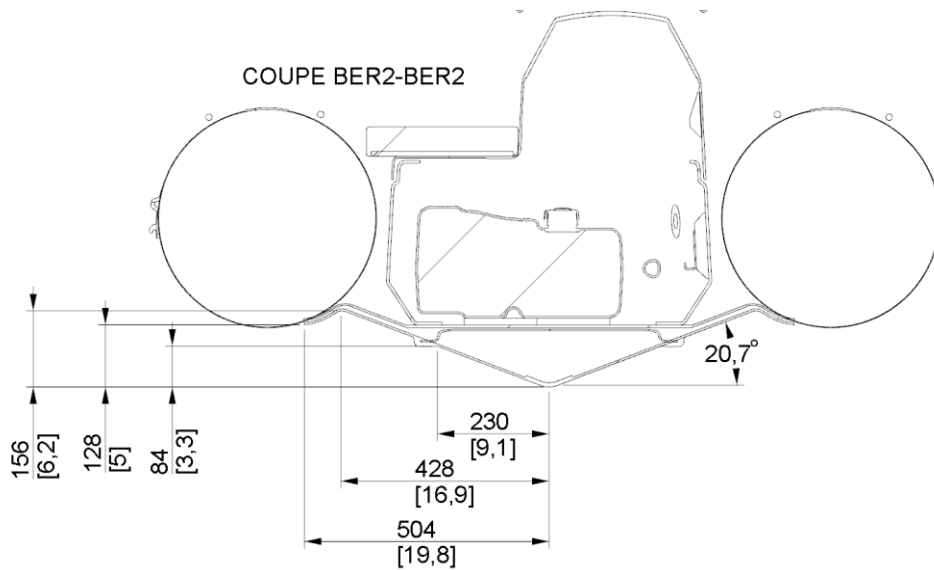
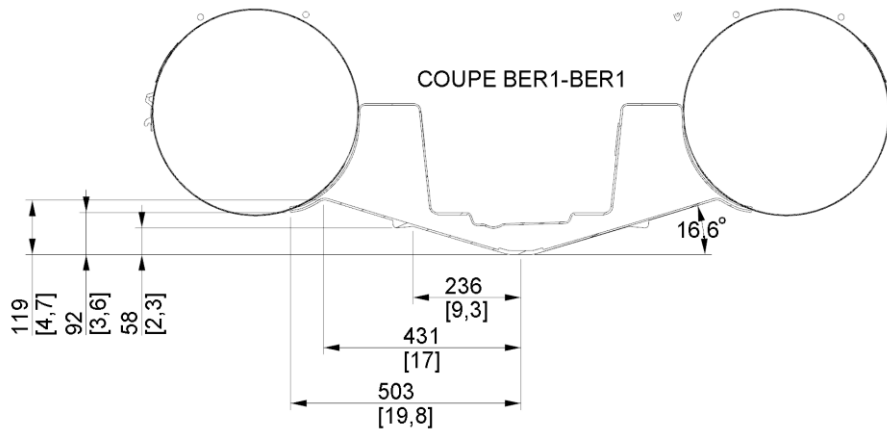
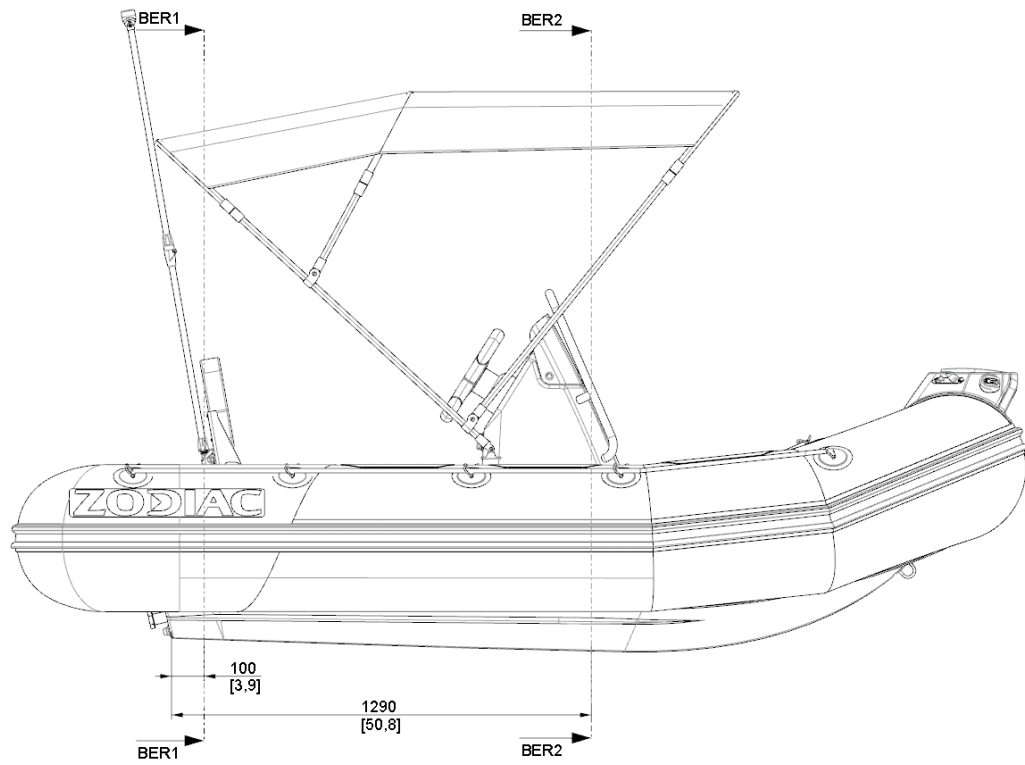
**RACCOMANDAZIONE: IN CASO DI TRASPORTO CON TUBOLARE SGONFIATO!**  
PER EVITARE DI DANNEGGIARE I CONI DI POPPA, SI RACCOMANDA DI PROCURARSI IL KIT CON LA CINGHIA DI TRASPORTO (EQUIPAGGIAMENTO OPTIONAL).



**ATTENZIONE!!!**  
L'IMBARCAZIONE DEVE POGGIARE TASSATIVAMENTE SULLA LINEA DELLA RUOTA DI PRUA.  
VEDERE DISEGNO DI SEGUITO.

DESCRIZIONE - Movimentazione

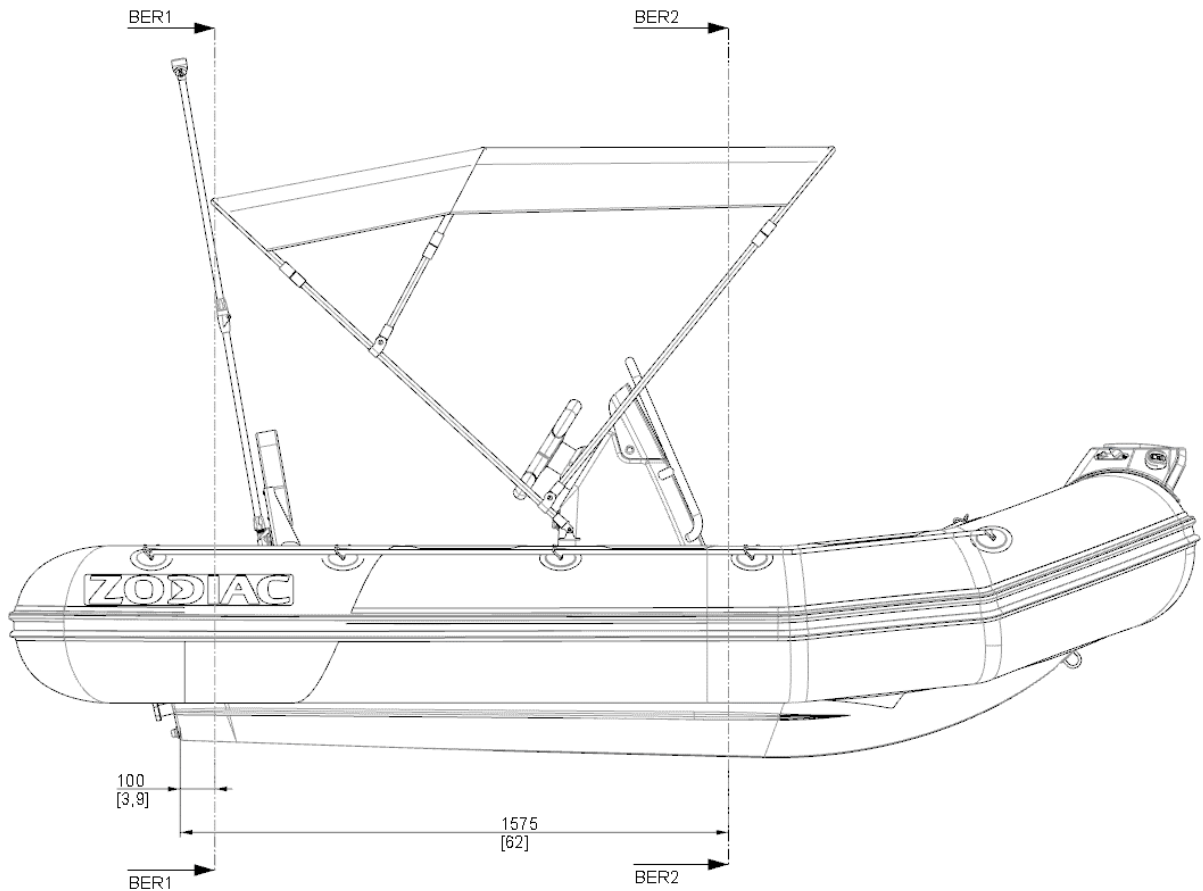
OPEN 3.1



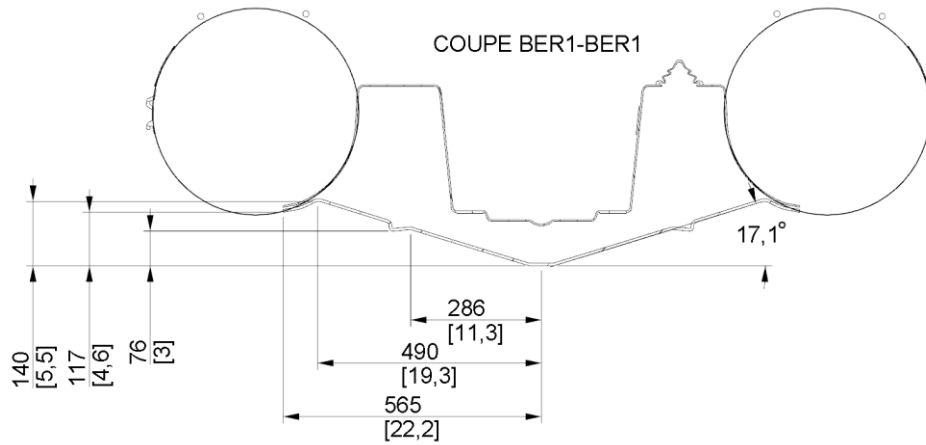


**DESCRIZIONE - Movimentazione**

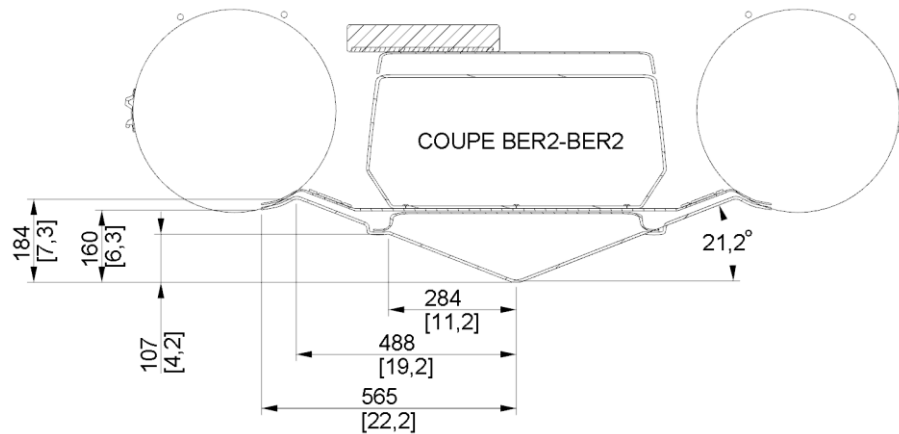
**OPEN 3.4**



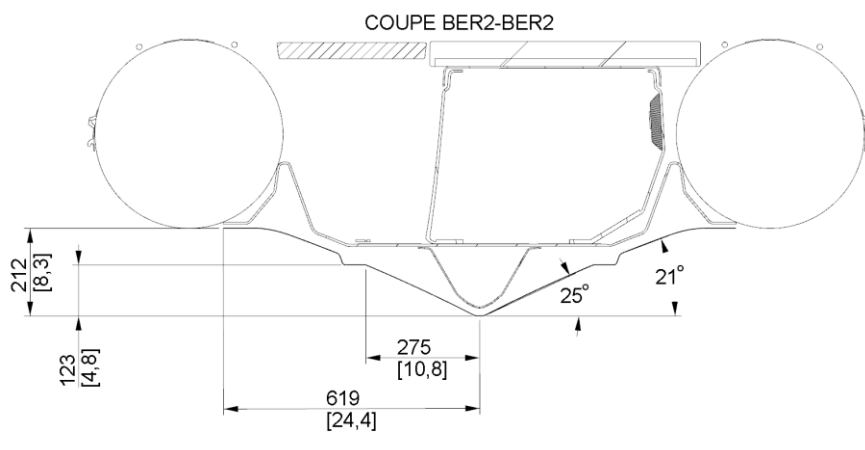
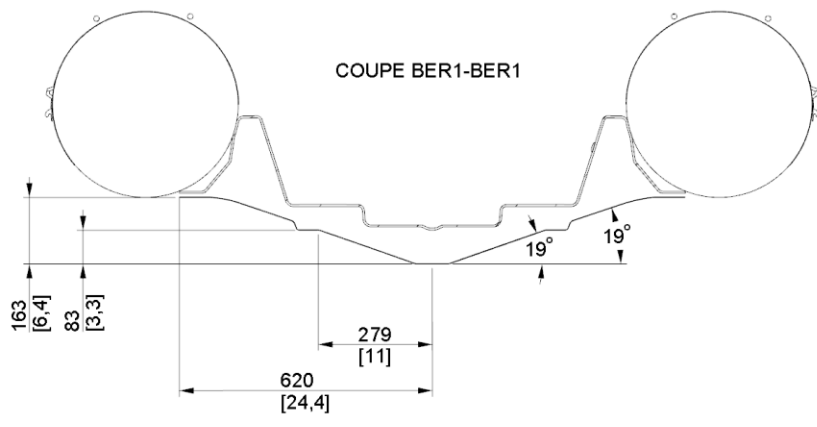
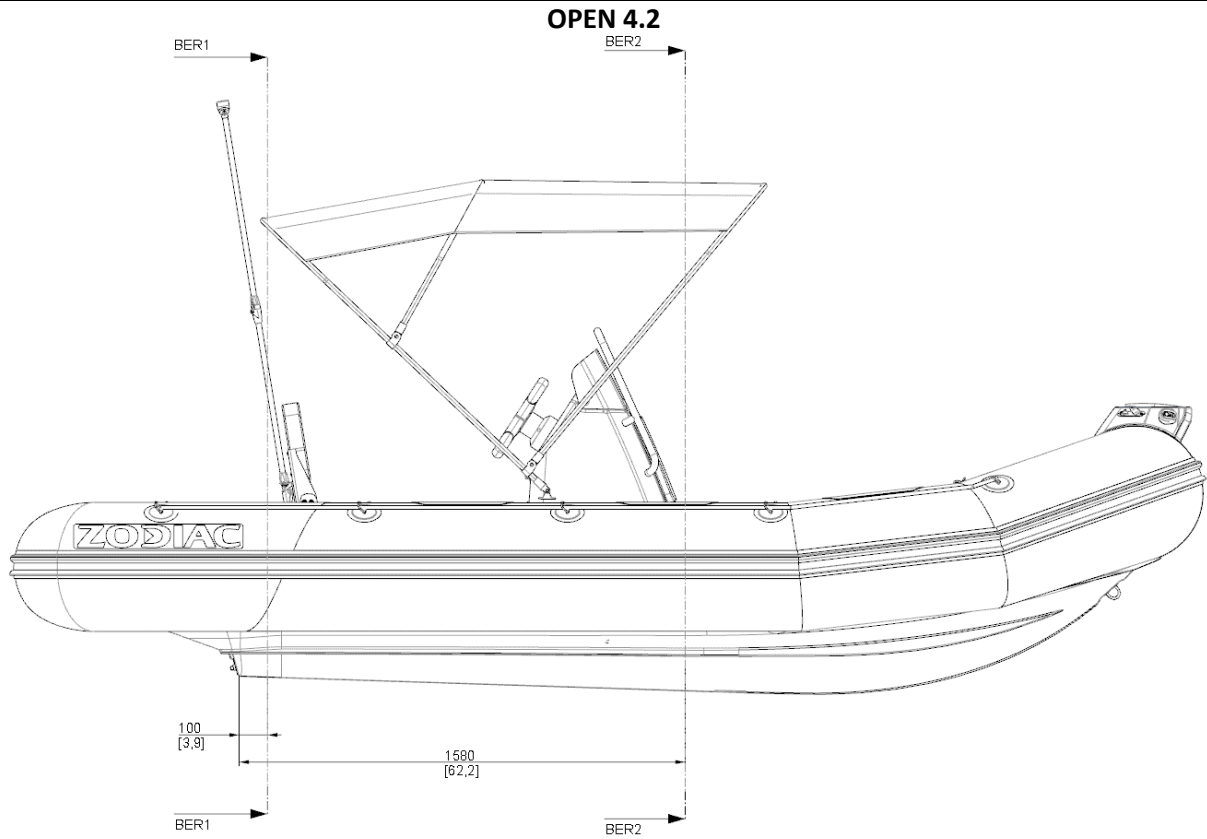
**COUPE BER1-BER1**



**COUPE BER2-BER2**

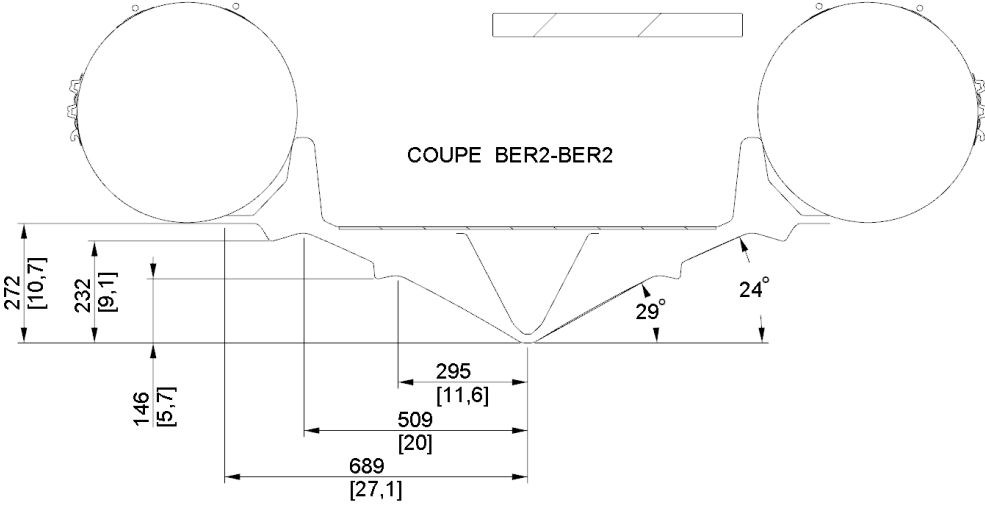
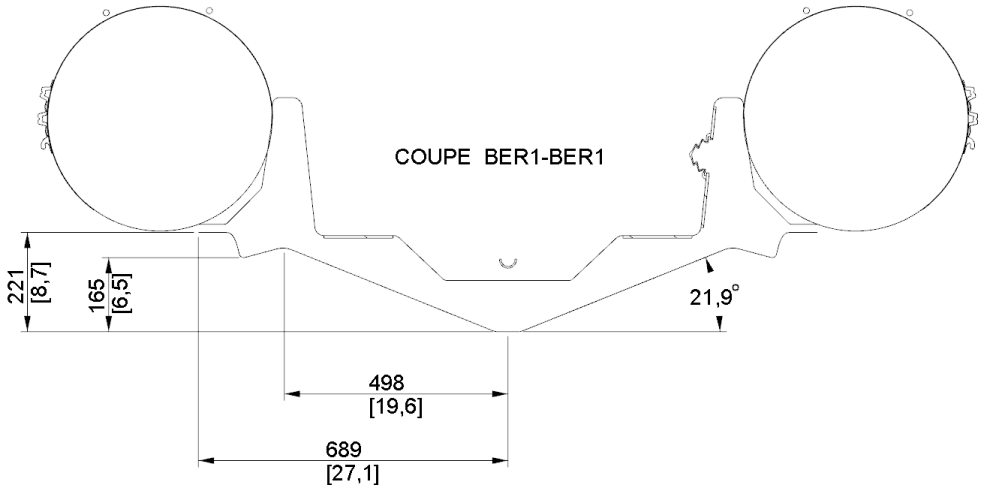
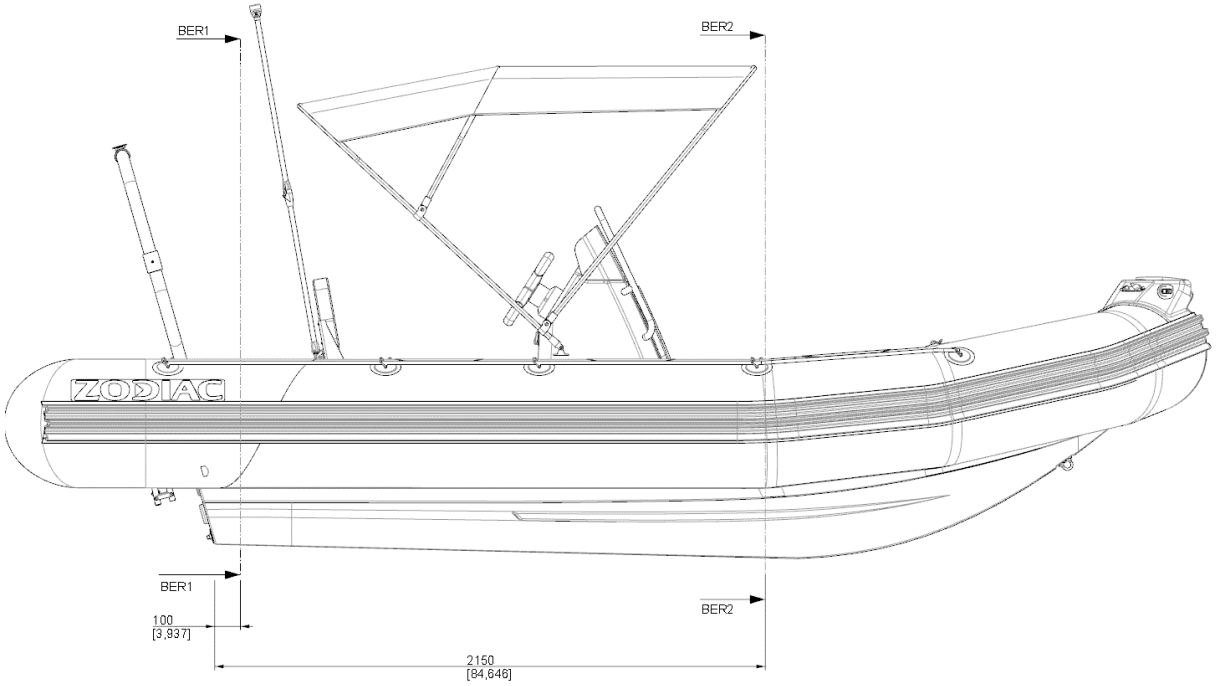


## DESCRIZIONE - Movimentazione



DESCRIZIONE - Movimentazione

OPEN 4.8



I-7-2- Sollevamento



**AVVERTENZA**

L'IMBARCAZIONE NON È DOTATA DI MEZZI DI SOLLEVAMENTO. L'OPERAZIONE DI SOLLEVAMENTO DEVE ESSERE TASSATIVAMENTE EFFETTUATA INFILANDO APPOSITE CINGHIE DI SOLLEVAMENTO SOTTO LO SCAFO.



OPEN 3.1: 1000 mm\*

OPEN 3.4: 1100 mm\*

OPEN 4.2: 1220 mm\*

OPEN 4.8: 1400mm\*

\*Stima del centro di gravità con il motore più pesante.



**AVVERTENZA**

PER L'OPERAZIONE DI SOLLEVAMENTO RIVOLGERSI A SPECIALISTI DEL SETTORE.



**PERICOLO!!!**

DURANTE IL GRUAGGIO, NESSUN PASSEGGERO DEVE TROVARSI A BORDO.



**ATTENZIONE!!!**

L'IMBARCAZIONE DEVE ESSERE PRIVA DI QUALSIASI EQUIPAGGIAMENTO DURANTE IL GRUAGGIO O IL POSIZIONAMENTO SULLA GRU.

APRIRE IL FORO DI ALAGGIO DI POPPA PRIMA DI CALARE IN ACQUA L'IMBARCAZIONE ONDE GARANTIRE L'EVACUAZIONE DI EVENTUALE ACQUA PIOVANA ACCUMULATASI NELLA SENTINA (RICHIUDERE IL FORO PRIMA DI CALARE IN ACQUA L'IMBARCAZIONE).

**TUBOLARE - Montaggio del tubolare sullo scafo****II- TUBOLARE****II-1 MANUTENZIONE DEL TUBOLARE**

Il tubolare dell'imbarcazione è in tessuto STRONGAN DUOTEX® **1100** dceitex, 1000 gr/m<sup>2</sup> o in NEOPRENE CSM-CR **1100** decitex, 1050 gr/m<sup>2</sup>.

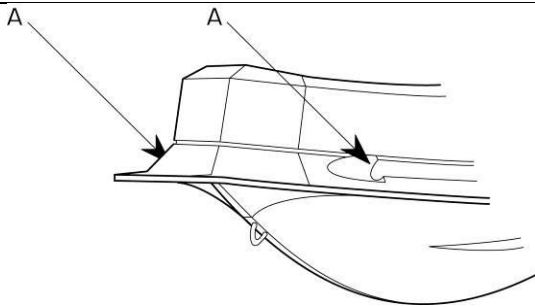
I consigli per la manutenzione sono specificati nel manuale del proprietario TOMO 1.

**II-2 MONTAGGIO DEL TUBOLARE SULLO SCAFO OPEN 4.2 / OPEN 4.8**

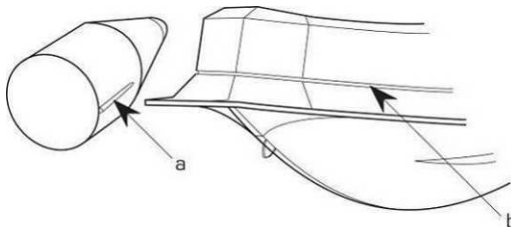
SE IL TUBOLARE È STATO RIMESSATO A UNA TEMPERATURA INFERIORE A 0°C, LASCIARLO PER 12 ORE IN UN LUOGO TEMPERATO (20°C) PRIMA DI APRIRLO.

È POSSIBILE PROCEDERE AL GONFIAGGIO DEL TUBOLARE NON MONTATO (PRESSIONE 240 MB) LASCIANDOLO STABILIZZARE PER CIRCA UN'ORA. QUINDI, SGONFIARE IL TUBOLARE.

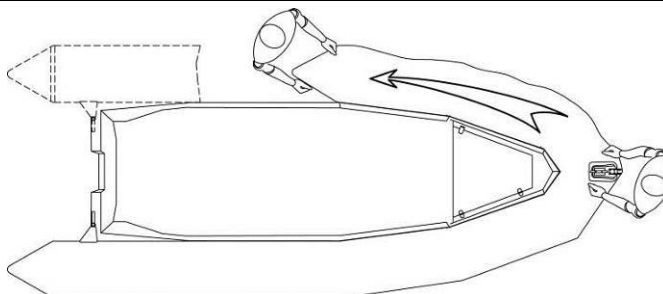
**NOTA:** il tubolare deve essere montato sullo scafo sgonfio

**1**

Per agevolare l'installazione del tubolare, cospargere le guide (A) dello scafo con un po' di sapone liquido.

**2**

Posizionare la ralinga (a) del tubolare nella guida dello scafo (b), iniziando dalla prua. Tirare il tubolare fino a portare il para-acqua al livello dello specchio di poppa.

**3**

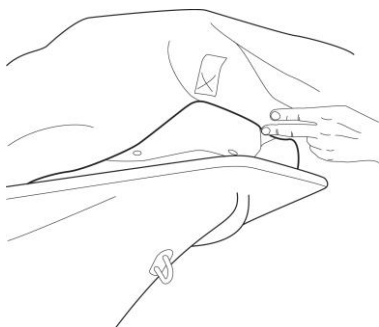
Procedere allo stesso modo per l'altro lato del tubolare.

I due grembiuli (d'impermeabilizzazione ed esterno) devono passare al di sopra del muso dello scafo.

## TUBOLARE - GONFIAGGIO DEL TUBOLARE

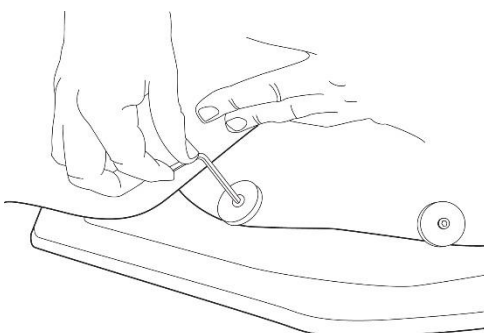
### II-3 FISSAGGIO DEL GREMBIULE

1



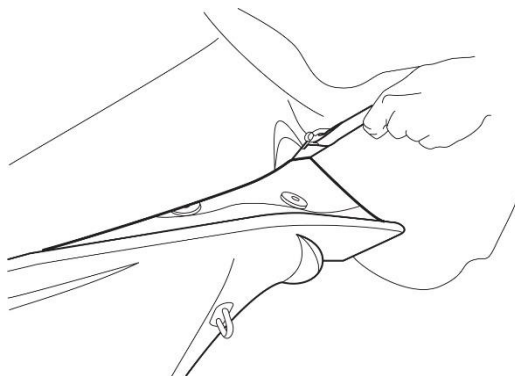
Posizionare il grembiule interno

2



Fissare il grembiule interno (vite + rondelle)

3



Dopo aver fissato il grembiule interno sullo scafo, tirare leggermente il tubolare in avanti per passare il grembiule esterno al di sotto della punta anteriore (non attaccarlo in questa fase). Quindi tirare il tubolare all'indietro.

Procedere al gonfiaggio.

**NOTA:**

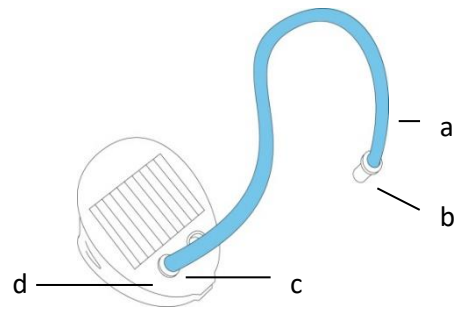
**Il fissaggio finale del grembiule esterno deve essere effettuato dopo aver gonfiato il tubolare**

**TUBOLARE - GONFIAGGIO DEL TUBOLARE**

**II-4 GONFIAGGIO DEL TUBOLARE**

**LA POMPA**

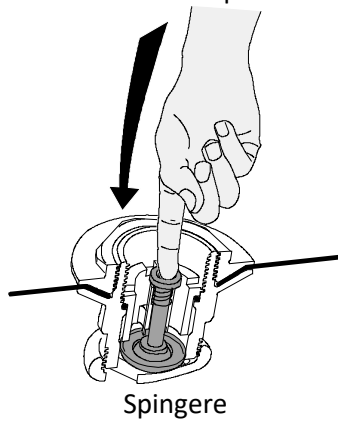
- a. punta del tubo
- b. adattatore
- c. base del tubo
- d. orifizio di gonfiaggio



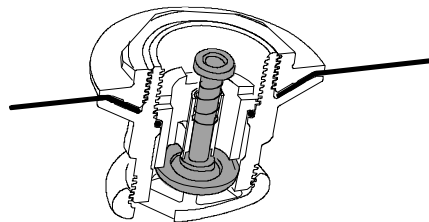
**NOTA:** NOTA: è disponibile come optional una pompa elettrica (12 V) a portata elevata (contattare il rivenditore).

**LE VALVOLE "EASY-PUSH"**

Per modificare la posizione

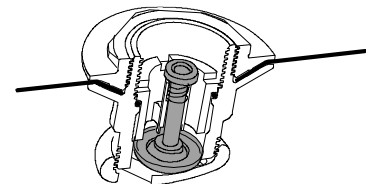


In posizione di gonfiaggio



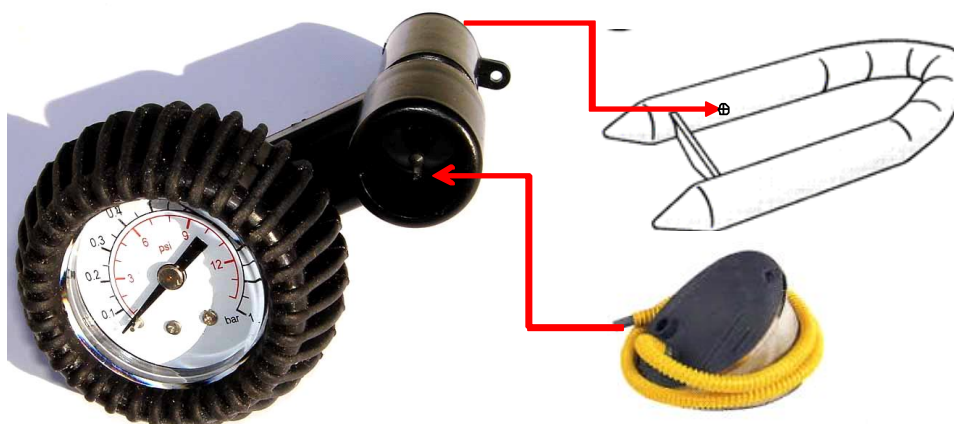
La membrana è chiusa, il pulsante è in posizione sollevata

In posizione di sgonfiaggio



La membrana è aperta, il pulsante è in posizione abbassata

### MANOMETRO



**ATTENZIONE!!!**  
**NON UTILIZZARE COMPRESSORI O BOMBOLE AD ARIA COMPRESSA.**

### GONFIAGGIO

**1º/** Portare tutte le valvole in posizione di gonfiaggio.

**2º/** Aggiungere l'adattatore corrispondente al diametro della valvola "Easy-Push" alla punta del tubo della pompa.

**3º/** Fissare la base del tubo all'orifizio di gonfiaggio della pompa.

Per gonfiare correttamente il tubolare, occorre che la pompa abbia un assetto stabile a terra.

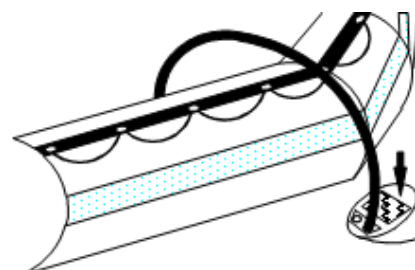
Il tubolare si gonfia rapidamente se la pompa di gonfiaggio viene azionata delicatamente e lentamente.

**4º/** Procedere al gonfiaggio del tubolare iniziando dal primo compartimento a prua (a), fino a raggiungere la pressione di 200 mb.

**5º/** Gonfiare in seguito i compartimenti al centro (b), fino a raggiungere la pressione di 220 mb, letta sul manometro lasciato sul primo compartimento.

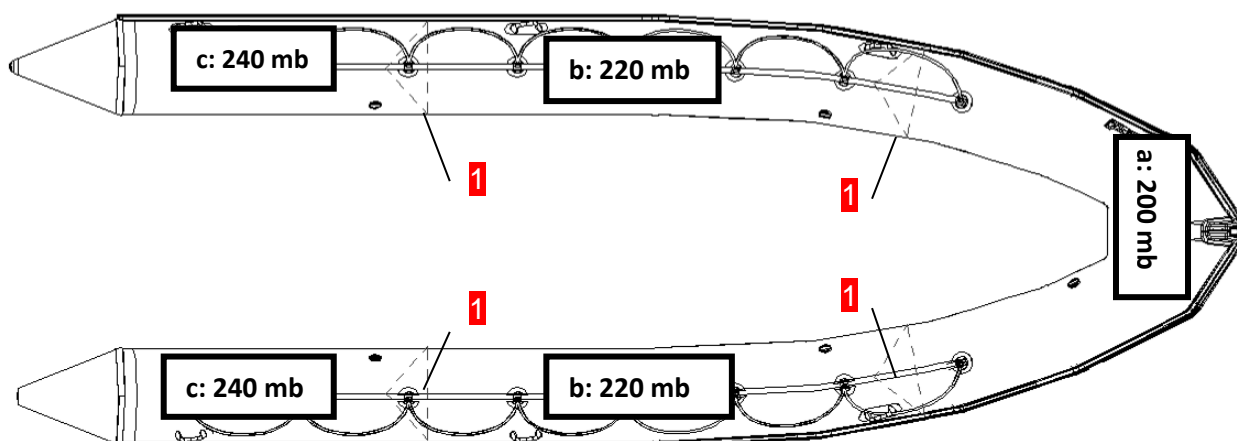
**6º/** Gonfiare in seguito i compartimenti a poppa (c) alla pressione di 240 mb, sempre con il manometro nella stessa posizione. I compartimenti stagni (1) permettono di equilibrare la pressione in ciascun compartimento.

**7º/** Il gonfiaggio è terminato: avvitare i tappi delle valvole di gonfiaggio.





## TUBOLARE - PRESSIONE



**NOTA:** Una leggera fuoriuscita d'aria prima dell'avvitamento del tappo della valvola è un fatto normale.

Solo i tappi garantiscono la tenuta finale.

## II-5 PRESSIONE

Il tubolare presenta **5** compartimenti. Ciascuno deve avere una pressione di **240 mb / 3,4 PSI**. Questo è il valore della pressione d'uso del tubolare.

La temperatura ambiente dell'aria o dell'acqua influisce in modo proporzionale sul livello della pressione interna del tubolare.	Temperatura ambiente	Pressione interna del tubolare
	+1°C	+4 mb / 0,06 psi
	-1°C	-4 mb / 0,06 psi

È quindi importante saper valutare in anticipo quanto segue.

Verificare e regolare la pressione dei compartimenti gonfiabili (rigonfiando o sgonfiando, a seconda dei casi) in funzione delle variazioni di temperatura (soprattutto quando gli sbalzi sono importanti tra la mattina e la sera, nelle zone particolarmente calde) e accertarsi che la pressione non sia troppo diversa rispetto a quella raccomandata (tra 220 e 270 mb).

### RISCHIO DI SOTTOPRESSIONE

Esempio:

L'imbarcazione è esposta ai raggi diretti del sole sulla spiaggia (temperatura = 50°C) alla pressione raccomandata (240 mb/3,4 psi). Dopo aver messo l'imbarcazione in acqua (temperatura = 20°C), la temperatura e la pressione interna dei compartimenti gonfiabili diminuiscono (fino a 120 mb) e sarà necessario rigonfiarli fino a recuperare i millibar perduti a causa degli sbalzi di temperatura tra l'aria e l'acqua.

Pertanto, è normale constatare una diminuzione di pressione alla fine della giornata, quando la temperatura si abbassa.

### RISCHIO DI SOVRAPRESSIONE

#### Esempio:

L'imbarcazione è gonfiata alla pressione consigliata (240 mb/3,4 PSI) all'inizio o alla fine della giornata (temperatura esterna bassa = 10°C). Durante la giornata, l'imbarcazione viene esposta ai raggi diretti del sole sulla spiaggia o sulla coperta di uno yacht (temperatura = 50°C). La temperatura interna dei compartimenti gonfiabili può quindi alzarsi fino a 70°C (soprattutto i tubolari di colore scuro) implicando un raddoppio del valore di pressione di partenza (480 mb). **OCCORRE DUNQUE SGONFIARE I TUBOLARI** per tornare alla pressione raccomandata.

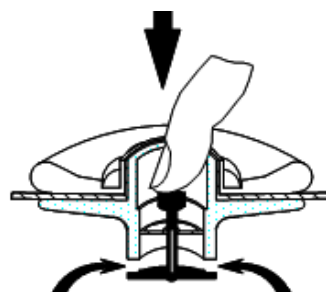


#### **ATTENZIONE!!!**

**SE L'IMBARCAZIONE È TROPPO GONFIA, LA PRESSIONE SOLLECITA LA STRUTTURA GONFIABILE IN MODO ANOMALO E SI PUÒ VERIFICARE UNA ROTTURA DEL TESSUTO.**

#### **IN CASO DI SOVRAPRESSIONE**

Liberare l'aria premendo sul pulsante della valvola



## SISTEMA DI PROPULSIONE

**III- Sistema di propulsione**

Attenersi alle raccomandazioni ZODIAC e alle raccomandazioni del costruttore del motore per il montaggio del motore.

Per un uso ottimale dell'imbarcazione, si prega di rivolgersi al proprio concessionario.

Il montaggio dei bulloni del motore attraverso lo specchio di poppa deve avvenire seguendo una procedura d'impermeabilità del foro di passaggio delle viti (montaggio con colla Sikaflex, ad esempio).

## COME COMPORTARSI CON L'IMBARCAZIONE

### IV- Come comportarsi con l'imbarcazione

Prima della partenza, consultare il manuale del proprietario Tomo 1.

**NOTA:** Verificare che il tubolare sia gonfiato correttamente.

<p><b>1</b></p>  <p>Interruttore batteria su "ON", in tensione</p>	<p><b>2</b></p>  <p>Rubinetto della benzina su "ON".</p>	<p><b>3</b></p>  <p>Inserire e collegare l'interruttore di sicurezza*</p>
<p><b>4</b></p>  <p>Ventilare per 4 minuti</p>	<p><b>5</b></p>  <p>Manopola di comando in folle.</p>	<p><b>6</b></p>  <p>Azionare il motorino d'avviamento.</p>

\* Se il pilota dovesse cadere in acqua, l'arresto immediato del motore riduce considerevolmente i rischi di ferite gravi, se non addirittura mortali, provocate dal passaggio dell'imbarcazione. Collegare sempre correttamente le due estremità dell'interruttore d'emergenza.



### **PERICOLO!!!**

- SPEGNERE IMMEDIATAMENTE IL MOTORE NON APPENA UN BAGNANTE SI TROVA IN PROSSIMITÀ DELL'IMBARCAZIONE. RISCHIA DI ESSERE FERITO GRAVEMENTE DALL'ELICA IN ROTAZIONE.

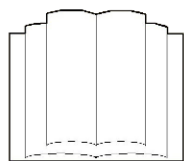
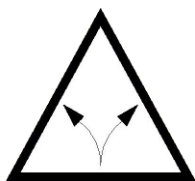


### **ATTENZIONE!!!**

- DURANTE LA NAVIGAZIONE, TENERE CHIUSI TUTTI I GAVONI, IL BOCCAPORTO IN COPERTA E LA BOTOLA D'ACCESSO AL SERBATOIO. LE ONDATE RAPPRESENTANO UN SERIO PERICOLO PER LA STABILITÀ E L'INONDAZIONE DELL'IMBARCAZIONE.

- NEL CASO IN CUI LA GUARNIZIONE DEI BOCCAPORTI DI COPERTA FOSSE DANNEGGIATA, CONSULTARE IL PROPRIO RIVENDITORE PER SOSTITUIRLA PRIMA POSSIBILE.

- EVITARE LE MANOVRE BRUSCHE AD ALTA VELOCITÀ. RIDURRE LA VELOCITÀ IN CASO DI ONDE, PER LA COMODITÀ E LA SICUREZZA DEGLI OCCUPANTI.



**MANOVRABILITÀ RIDOTTA A 30 NODI AL MASSIMO. RISCHIO DI PERDITA DEL CONTROLLO IN CASO DI VIRATE STRETTE. RIDURRE LA VELOCITÀ PRIMA DI EFFETTUARE UNA VIRATA IN QUALUNQUE DIREZIONE.**

**30 NODI AL MASSIMO**

**IMPIANTI E CIRCUITI: CARBURANTE**

**V- IMPIANTI E CIRCUITI**

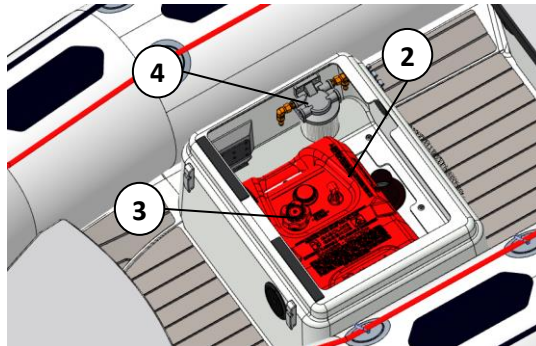
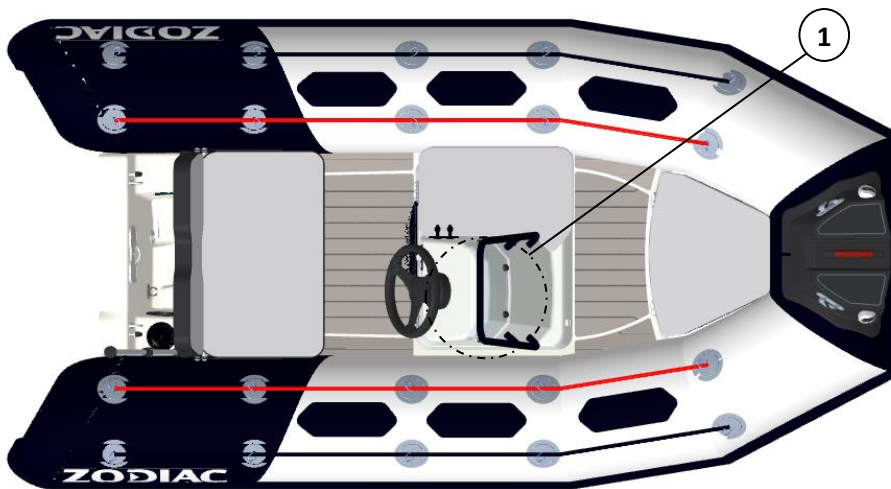
**V-1 CIRCUITO del CARBURANTE**



**ATTENZIONE!!!**  
**NON UTILIZZARE BIOCARBURANTI TIPO E10, E85...**

**V-1-1- Ubicazione degli elementi**

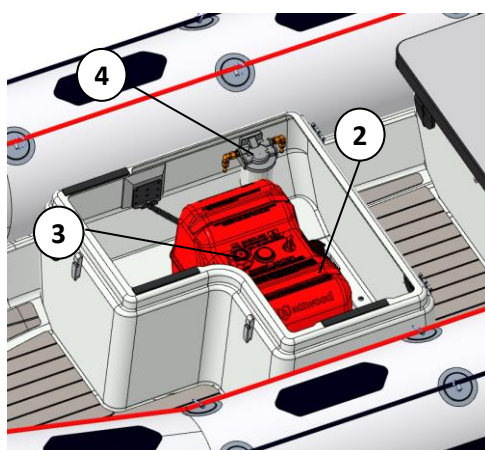
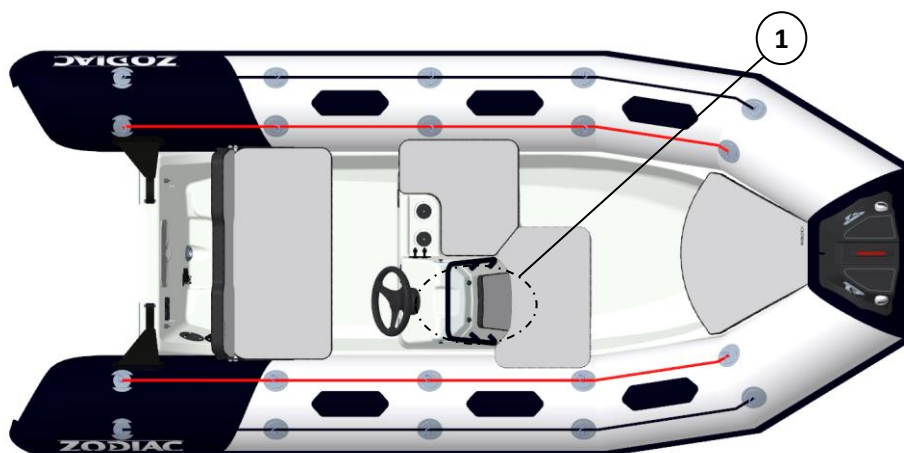
**OPEN 3.1 e 3.4**



Riferimento	DESCRIZIONE
1	Accesso serbatoio e filtro
2	Serbatoio benzina (opzionale)
3	Orifizio di riempimento con tappo ( <i>optional</i> )
4	Filtro separatore acqua/benzina (non fornito)

## IMPIANTI E CIRCUITI: CARBURANTE

### OPEN 4.2 e 4.8



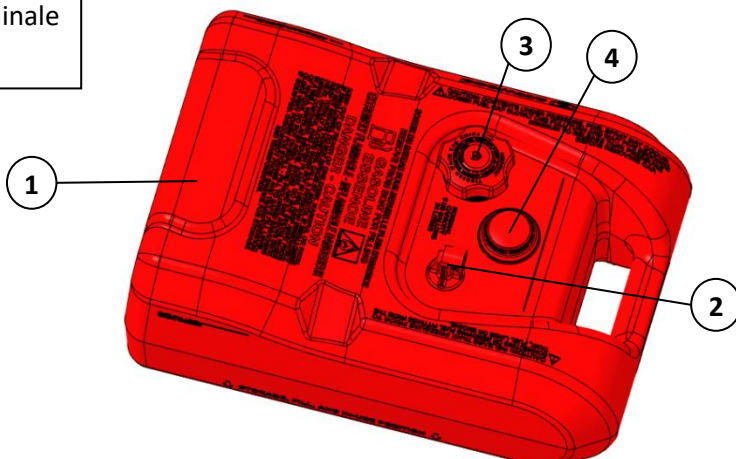
Riferimento	DESCRIZIONE
1	Accesso serbatoio e filtro
2	Serbatoio benzina (opzionale)
3	Orifizio di riempimento con tappo ( <i>optional</i> )
4	Filtro separatore acqua/benzina (non fornito)

**IMPIANTI E CIRCUITI: CARBURANTE**

**V-1-2- Serbatoio portatile (opzionale)**

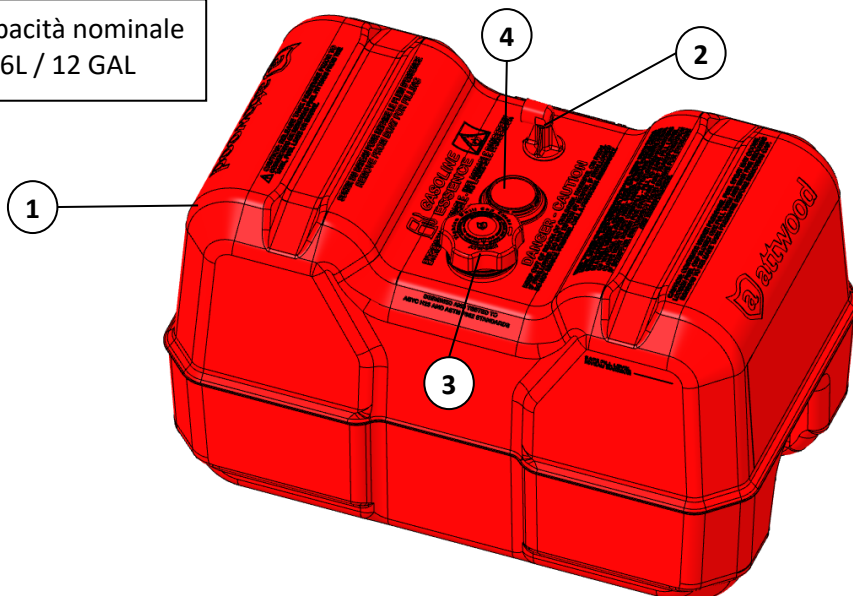
**OPEN 3.1 / 3.4**

Capacità nominale  
= 24L / 6 GAL



**OPEN 4.2 / 4.8**

Capacità nominale  
= 46L / 12 GAL



Riferimento	DESCRIZIONE
1	Serbatoio portatile *
2	Canna di aspirazione
3	Ingresso riempimento serbatoio
4	Quadrante del livello

**Nota :** l'opzione serbatoio prevede raccordi rapidi e cinghie di ritegno per poter estrarre il serbatoio senza utilizzare utensili. Prima di affrontare la navigazione verificare sempre il buono stato di manutenzione e che i raccordi siano correttamente collegati.

\* La capacità nominale del serbatoio potrebbe non essere completamente utilizzabile a seconda dell'assetto e del carico. Si raccomanda di conservare una riserva del 20 %.



**ATTENZIONE!!!**

**LA PRESENZA DEL QUADRANTE DI LIVELLO È OBBLIGATORIA. È FORNITO CON IL MOTORE. IN CASO DI MANCANZA, CONTATTARE L'AGENTE DI FIDUCIA.**

La sonda è di tipo standard americano, ossia:

**Impedenza (posizione serbatoio vuoto)            30 Ohm**

**Impedenza (posizione serbatoio pieno)            240 Ohm**

Tutti i quadranti sul mercato sono compatibili, salvo rarissime eccezioni.

Per l'allaccio, fare riferimento allo schema elettrico.

**V-1-3- Filtro separatore acqua/benzina (non fornito)**

Per proteggere il motore, sul circuito dell'alimentazione della benzina è previsto un filtro separatore acqua/benzina.

La posizione predefinita è nella console, con i fissaggi passanti. Durante il montaggio, accertarsi che la zona sia stagna.



Riferimento	DESCRIZIONE
<b>1</b>	Filtro separatore acqua/benzina
<b>2</b>	Elemento di filtrazione intercambiabile

Durante l'uso, verificare l'assenza d'acqua nel recipiente metallico:

- Svitare leggermente il tappo di scarico (senza toglierlo completamente);
- Svuotare l'acqua;
- Riavvitare il tappo se nel recipiente c'è solo benzina.

Ripetere l'operazione più spesso se il motore non funziona correttamente.



## IMPIANTI E CIRCUITI: CARBURANTE

**ATTENZIONE!!!**

**È INDISPENSABILE SOSTITUIRE LA CARTUCCIA OGNI 50 ORE D'USO. PER ACQUISTARE UNA CARTUCCIA DI SOSTITUZIONE, RIVOLGERSI ALLA RETE.**

**SOSTITUZIONE DELLA CARTUCCIA DEL FILTRO**

Attenersi alle raccomandazioni ZODIAC e a quelle del costruttore del filtro. Seguire il manuale o le istruzioni del costruttore del motore.

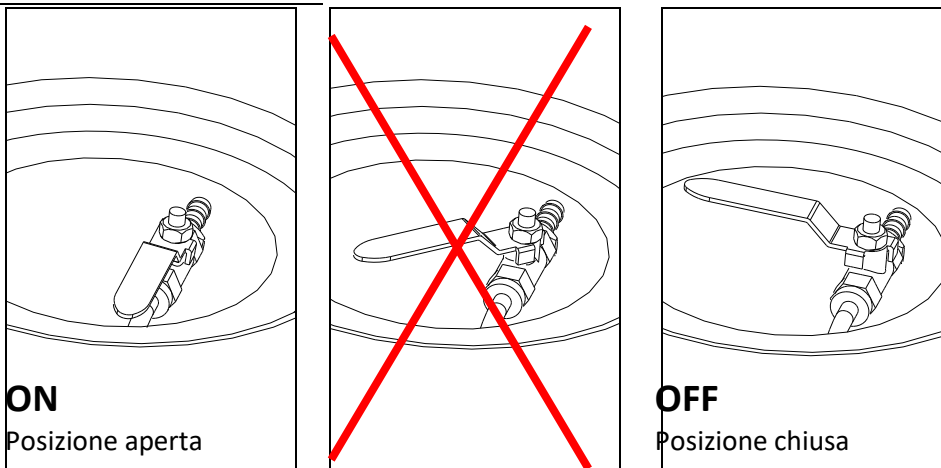
Posizionare un imbuto sotto il punto in cui deve essere sostituita la cartuccia.

Prima di procedere alla sostituzione del filtro, occorre liberare la pressione del sistema d'alimentazione della benzina.

**V-1-4- Uso delle valvole di chiusura del circuito benzina (non fornita)**

Si raccomanda di installare una valvola sul circuito della benzina, tra il motore e il serbatoio. Quando non si utilizza l'imbarcazione, chiudere la valvola del circuito benzina.

Valvola del circuito benzina sul serbatoio:

**AVVERTENZA:**

**IN CASO D'INCENDIO A BORDO, SPEGNERE IL MOTORE E CHIUDERE LE VALVOLE DEL CIRCUITO BENZINA.**

**V-1-5- Raccomandazioni**



**AVVERTENZA:**

- IN CASO DI PERDITA DI BENZINA O DI INCENDIO, LA VALVOLA DI CHIUSURA DEL CIRCUITO BENZINA SITUATA SUL SERBATOIO PERMETTE DI ISOLARE QUEST'ULTIMO DAL CIRCUITO E DEVE RIMANERE CHIUSA.
- IL SERBATOIO PIENO EVITA LA CONDENSA A OGNI USCITA.
- PULIRE IL SERBATOIO OGNI 5 ANNI.
- VERIFICARE IL SERRAGGIO DEI COLLARI SU TUTTI I TUBI FLESSIBILI.
- DURANTE LO SPURGO DEL FILTRO, NON SVUOTARE L'ACQUA NELL'IMBARCAZIONE. UTILIZZARE UNA VASCHETTA DI RECUPERO SOTTO IL FILTRO.
- SPEGNERE IL MOTORE PRIMA DI SMONTARE LA CARTUCCIA DEL FILTRO.
- LEGGERE ATTENTAMENTE LE ISTRUZIONI RIPORTATE SUL MANUALE DEL FILTRO.
- LA BENZINA È ESTREMAMENTE INFIAMMABILE. QUALORA SI DEBBA INTERVENIRE SUL SISTEMA DEL CARBURANTE, ASSICURARSI CHE I MOTORI SIANO SPENTI.
- NON FUMARE; ALLONTANARE QUALSIASI FIAMMA O CORPO INCANDESCENTE DALL'AREA DI LAVORO.
- NON FORARE MAI NELLA ZONA DEL SERBATOIO CON UNA PUNTA CHE SUPERI DI OLTRE 50 MM IL MANDRINO DEL TRAPANO (PUNTO DI RIFERIMENTO IN COPERTA ATTRAVERSO IL BOCCAPORTO) E NON UTILIZZARE VITI AVENTI UNA LUNGHEZZA SUPERIORE A 20 MM.



**PERICOLO!!!**

**NON STIVARE PRODOTTI INFIAMMABILI NEL COMPARTIMENTO DI POPPA. È SEVERAMENTE VIETATO IMBARCARE UN SERBATOIO AUSILIARIO.**



**ATTENZIONE!!!**

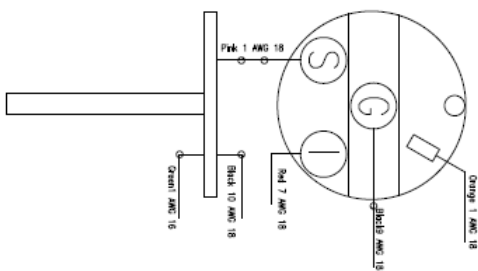
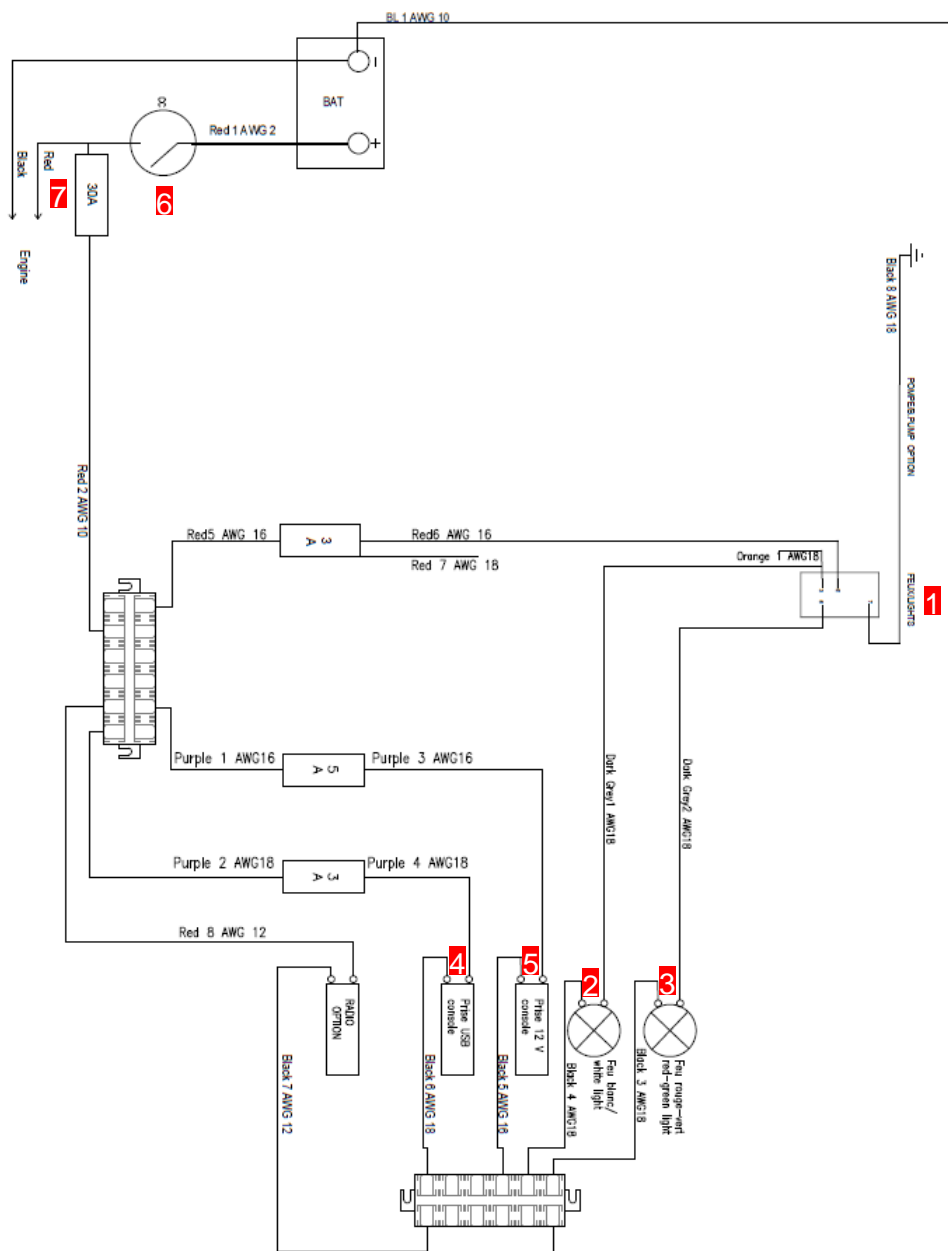
**NON MODIFICARE PER ALCUN MOTIVO GLI IMPIANTI DEL CARBURANTE NÉ LASCIARE CHE PERSONALE NON QUALIFICATO PROCEDA ALLA MODIFICA DI TALI IMPIANTI.**

IMPIANTI E CIRCUITI: ELETTRICO

V-2 CIRCUITO ELETTRICO

V-2-1- OPEN 3.1 / 3.4 / 4.2

V-2-1-1- Schema del fascio generale

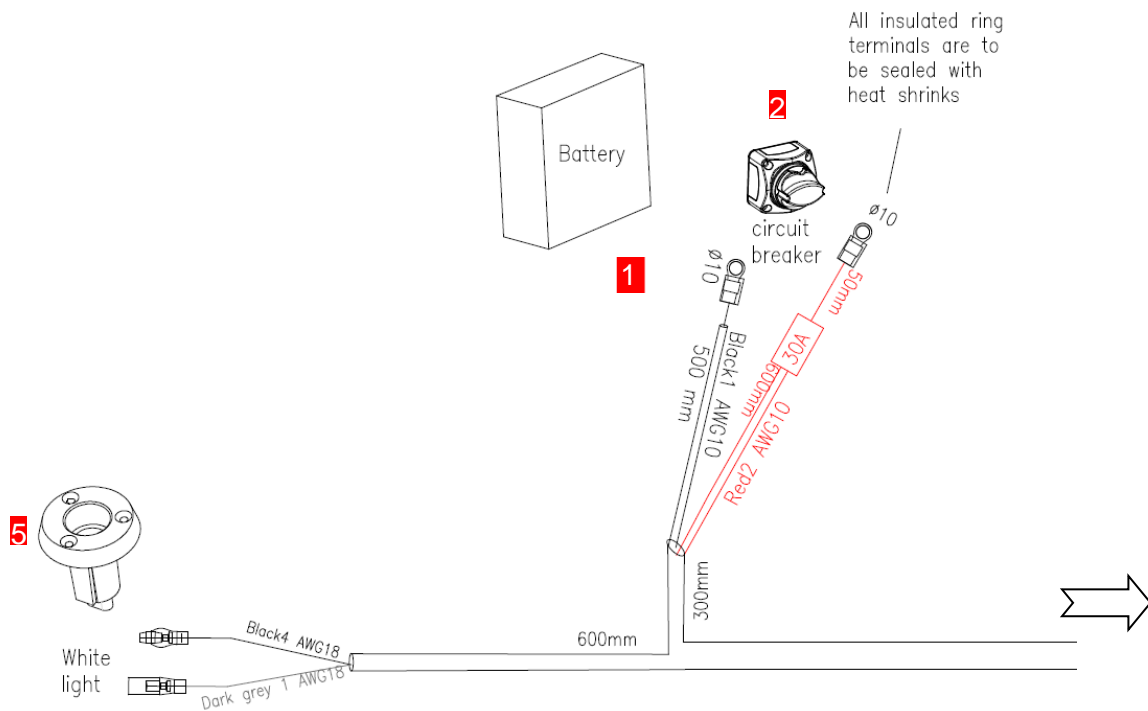


Documento disponibile in formato PDF presso il distributore

## IMPIANTI E CIRCUITI: ELETTRICO

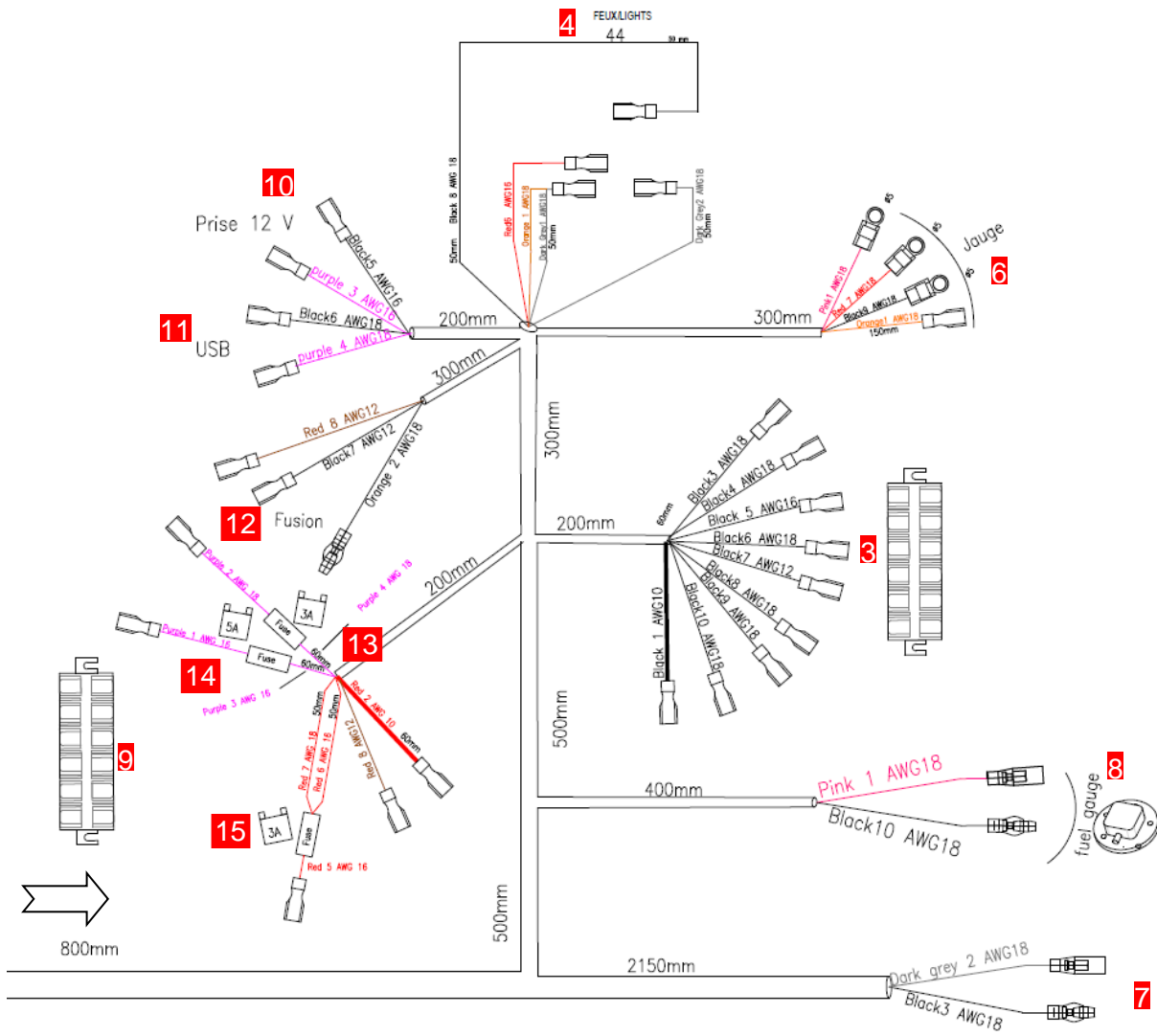
Riferimento	DESCRIZIONE
1	Interruttore luce di navigazione
2	Luce bianca (opzionale)
3	Luce rossa/verde
4	Pres a USB (consolle)
5	Pres a 12 V (consolle)
6	Interruttore di sicurezza (opzionale)
7	Fusibile generale 30 A

### V-2-1-2- Schema del fascio generale



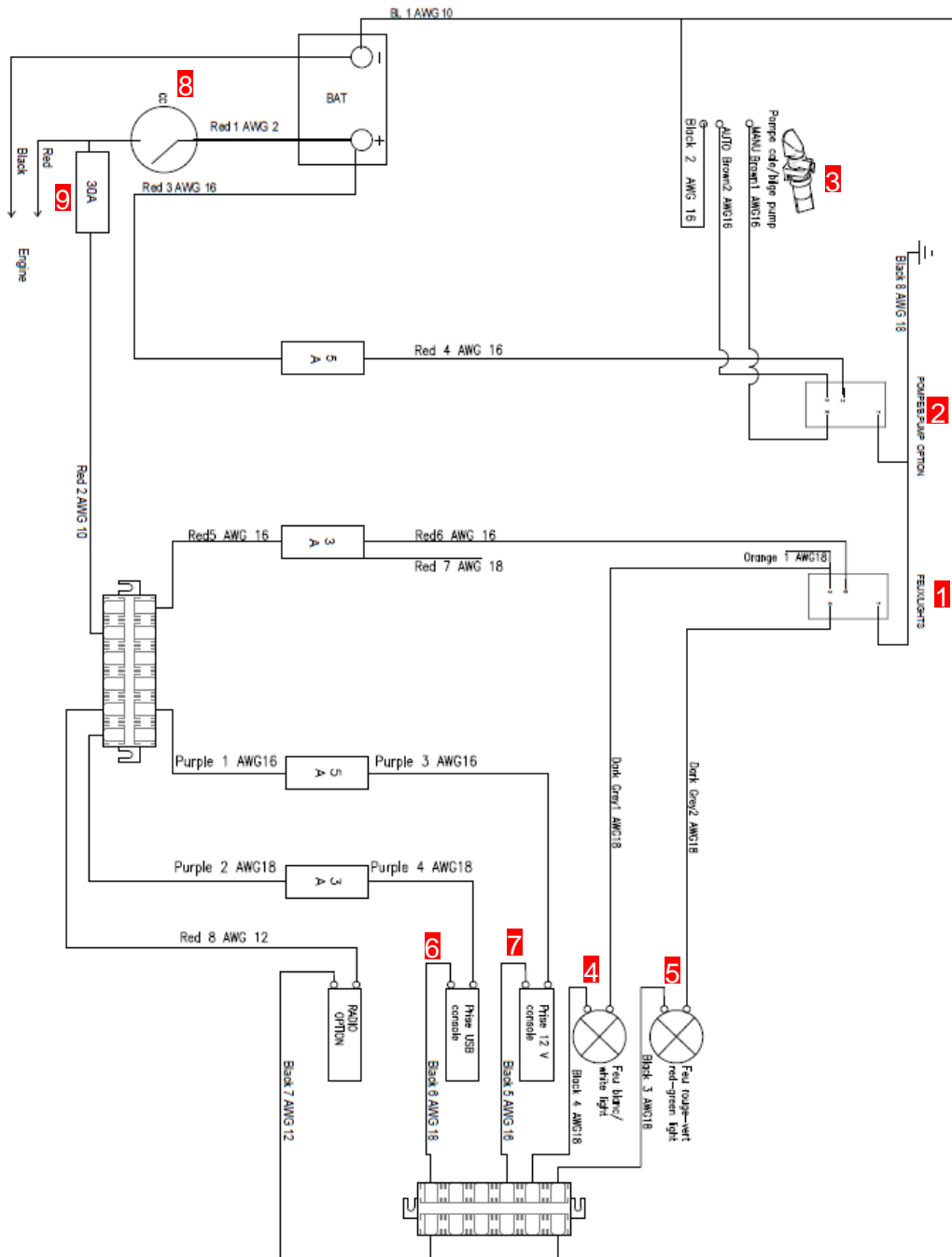
Riferimento	DESCRIZIONE	
1	Collegamento batteria	
2	Collegamento interruttore di sicurezza	
3	Collegamento bus terra	
4	Collegamento interruttore luce di navigazione	
5	Collegamento luce bianca	
6	Collegamento quadrante livello benzina	
7	Collegamento luce rossa/verde	
8	Collegamento trasmettitore livello benzina	
9	Collegamento bus bas positivo	
10	Collegamento presa 12 V (consolle)	
11	Collegamento presa USB	
12	Collegamento postazione radio (opzionale)	
13	Fusibile 3A presa USB	Viola 4 AWG18
14	Fusibile 5A presa d12volt	Viola 3 AWG18
15	Fusibile 3A luce di navigazione	Rosso 6 e 7 AWG18

IMPIANTI E CIRCUITI: ELETTRICO

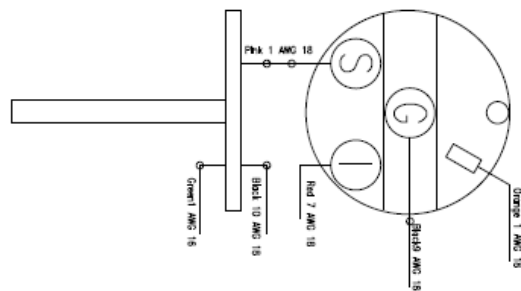


**V-2-2- OPEN 4.8**

**V-2-2-1- Schema del fascio generale**



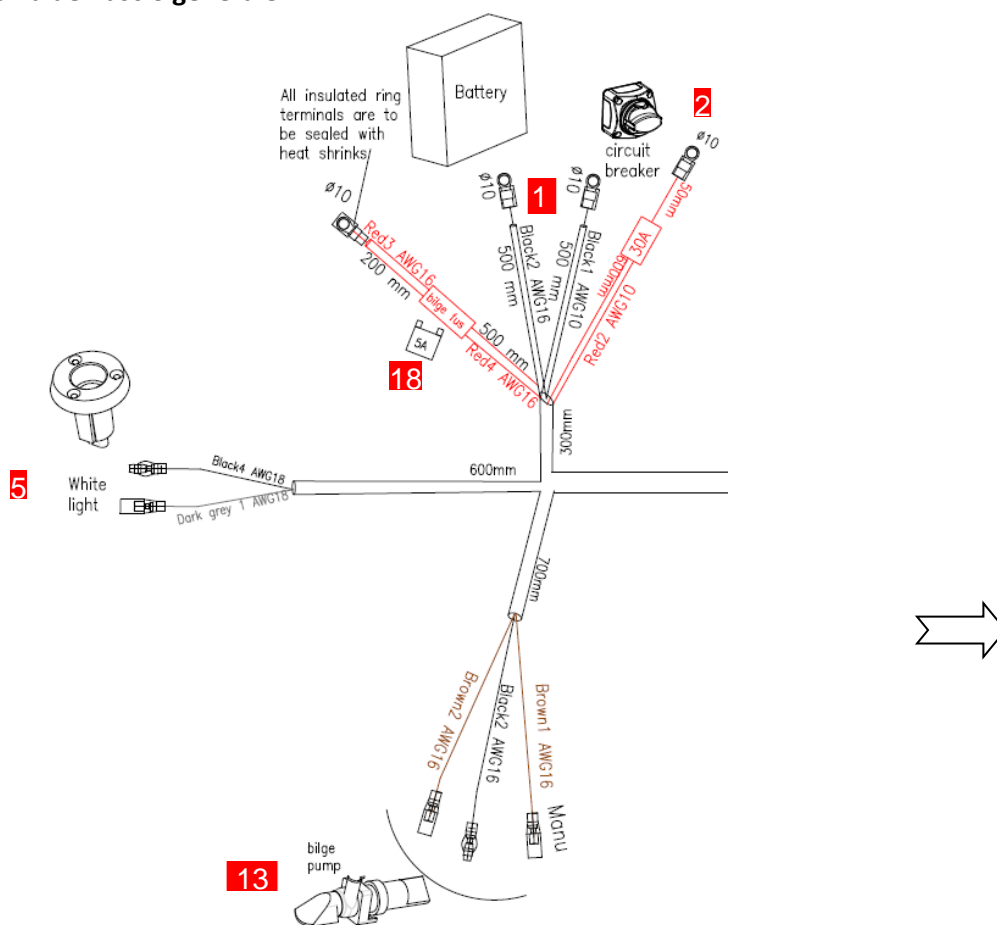
Documento disponibile  
in formato PDF presso il  
distributore



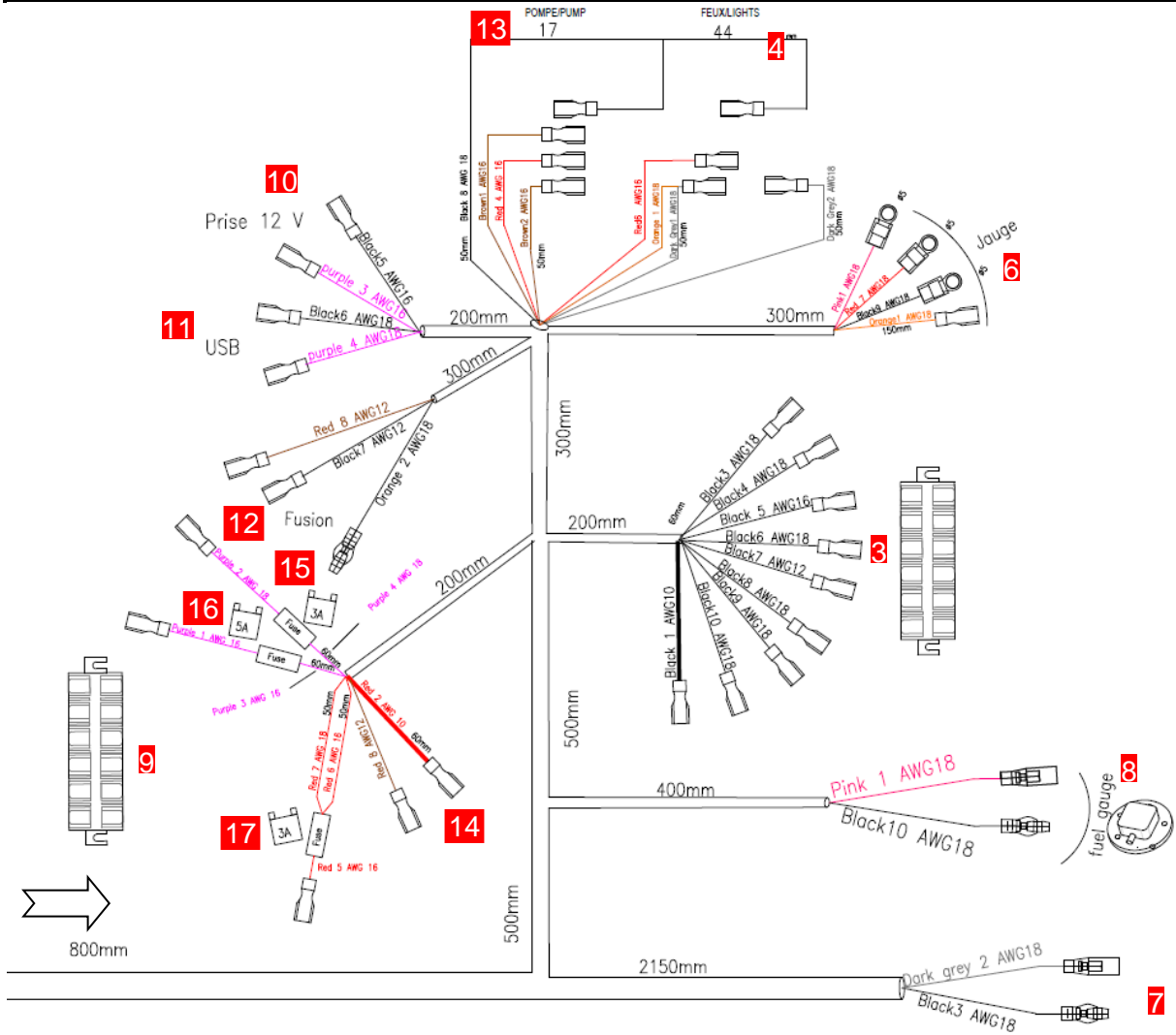
**IMPIANTI E CIRCUITI: ELETTRICO**

Riferimento	DESCRIZIONE
1	Interruttore luce di navigazione
2	Interruttore pompa di sentina (opzionale)
3	Pompa di sentina (opzionale)
4	Luce bianca (opzionale)
5	Luce rossa/verde
6	Pres a USB (console)
7	Pres a 12 V (console)
8	Interruttore di sicurezza (opzionale)
9	Fusibile generale 30 A

**V-2-2-2- Schema del fascio generale**



## IMPIANTI E CIRCUITI: ELETTRICO

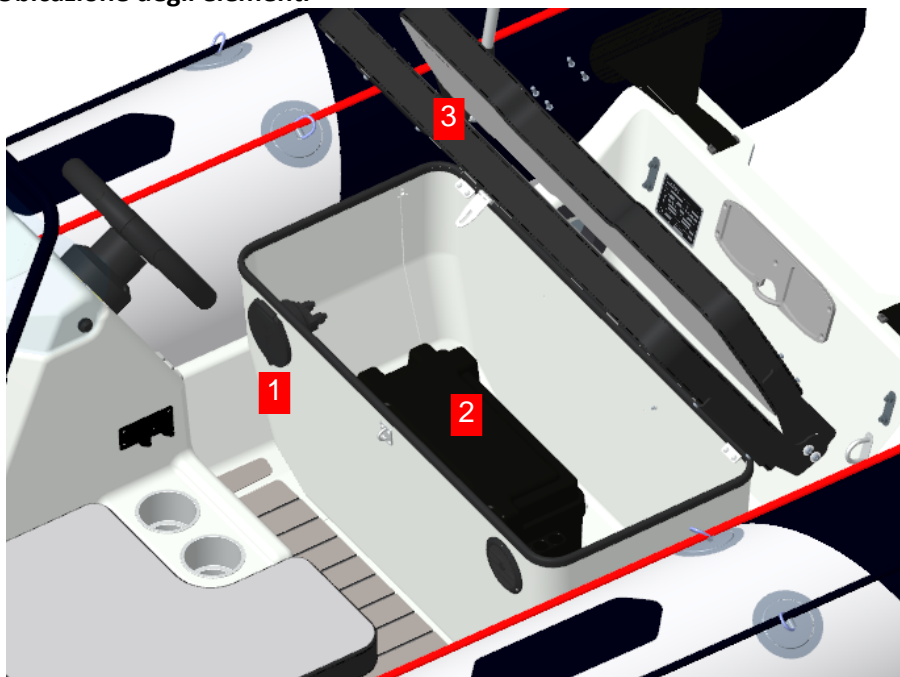


Riferimento	DESCRIZIONE	
1	Collegamento batteria	
2	Collegamento interruttore di sicurezza	
3	Collegamento bus terra	
4	Collegamento interruttore luce di navigazione	
5	Collegamento luce bianca	
6	Collegamento quadrante livello benzina	
7	Collegamento luce rossa/verde	
8	Collegamento trasmettitore livello benzina	
9	Collegamento bus bas positivo	
10	Collegamento presa 12 V (consolle)	
11	Collegamento presa USB	
12	Collegamento postazione radio (opzionale)	
13	Collegamento interruttore pompa di sentina (opzionale)	
14	Collegamento pompa di sentina (opzionale)	
15	Fusibile 3A presa USB	Viola 4 AWG18
16	Fusibile 5A presa d12volt	Viola 3 AWG18
17	Fusibile 3A luce di navigazione	Rosso 6 e 7 AWG18
18	Fusibile 5A pompa di sentina	Viola 3 AWG18



**IMPIANTI E CIRCUITI: ELETTRICO**

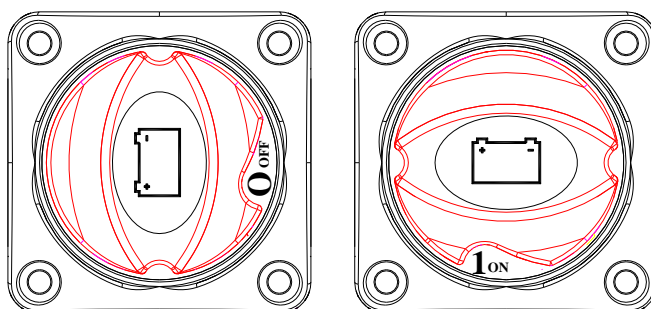
**V-2-3- Ubicazione degli elementi**



Riferimento	DESCRIZIONE
1	Interruttore di sicurezza (opzionale)
2	Vano batteria
3	Gavone di accesso per la manutenzione della batteria

**V-2-4- Interruttore di sicurezza (opzionale)**

Quando non si utilizza l'imbarcazione, spostare l'interruttore di sicurezza su OFF.



**AVVERTENZA**  
**SPEGNERE IL MOTORE PRIMA DI SPOSTARE L'INTERRUTTORE DI SICUREZZA SU "OFF"**

**V-2-5- Batteria (non fornita)**

Attenersi alle raccomandazioni ZODIAC e a quelle del costruttore delle batterie per la manutenzione corrente.



**MANUTENZIONE DELLA BATTERIA:**

- **MANTENERE LA BATTERIA PULITA E ASCIUTTA PER EVITARNE L'USURA PREMATURA.**
- **RISERRARE ED EFFETTUARE LA MANUTENZIONE DEI CAPICORDA SUL MORSETTO, LUBRIFICANDOLI REGOLARMENTE CON VASELINA.**



**ATTENZIONE!!!**

**L'ACQUA PROVENIENTE DAL SISTEMA D'IMMISSIONE DELL'ACQUA CONTIENE MINERALI DANNOSI PER LE BATTERIE.**

**PROVVEDERE PERTANTO AL RABBOCCO CON SOLA ACQUA DISTILLATA.**

**ASSICURARSI DI INSTALLARE LA BATTERIA IN MODO CHE NESSUN SERBATOIO DI CARBURANTE, FILTRO DELLA BENZINA O RACCORDO DELLA LINEA DEL CARBURANTE SIA PRESENTE NEL RAGGIO DI 305 MM DALLA SUPERFICIE DELLA BATTERIA.**



**AVVERTENZA**

- **MANTENERE LE BATTERIE E L'ELETTROLITA FUORI DALLA PORTATA DEI BAMBINI.**
- **NON CAPOVOLGERE MAI LA BATTERIA.**
- **DURANTE IL RABBOCCO DELL'ELETTROLITA O LA RICARICA DELLA BATTERIA, ESTRARLA SEMPRE DAL COMPARTO MOTORE.**
- **L'ELETTROLITA È UN LIQUIDO TOSSICO E PERICOLOSO. CONTIENE ACIDO SOLFORICO CHE PUÒ PROVOCARE USTIONI GRAVI. EVITARE QUALSIASI CONTATTO CON LA CUTE, GLI OCCHI E GLI INDUMENTI.**
- **LE BATTERIE POSSONO SPRIGIONARE GAS ESPLOSIVI. ALLONTANARE QUALSIASI FONTE DI SCINTILLE, FIAMME LIBERE, SIGARETTE ECC.**
- **DURANTE LA RICARICA O L'USO DELLA BATTERIA, INTERVENIRE IN UN LUOGO BEN AERATO. PROTEGGERE SEMPRE GLI OCCHI DURANTE QUALSIASI INTERVENTO NEI PRESSI DELLA BATTERIA.**

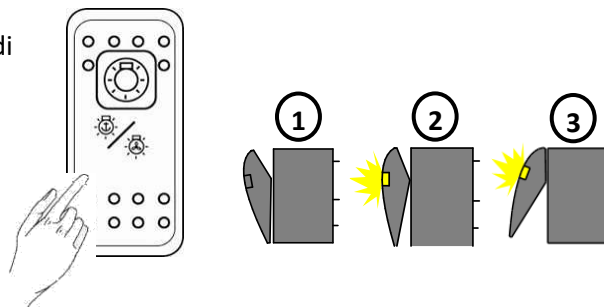
**NOTA:**

- **Qualora l'imbarcazione non venga utilizzata per un mese o più, estrarre la batteria e riporla in un luogo fresco, al riparo dalla luce e asciutto. Ricaricare completamente la batteria prima di riutilizzarla.**
- **Qualora la batteria debba essere rimessata per un periodo più lungo, verificare la densità dell'elettrolita almeno una volta al mese e ricaricare la batteria non appena la densità risulta troppo bassa.**
- **Densità dell'elettrolita: 1,28 a 20°C.**

### V-2-6- Luci di navigazione

Azionare questo pulsante per accendere le luci di navigazione. Il pulsante è a 3 posizioni.

- ① Posizione spento
- ② Posizione luce bianca
- ③ Posizione luce bianca, luce rossa e luce verde.



### V-2-7- Cablaggio di un accessorio

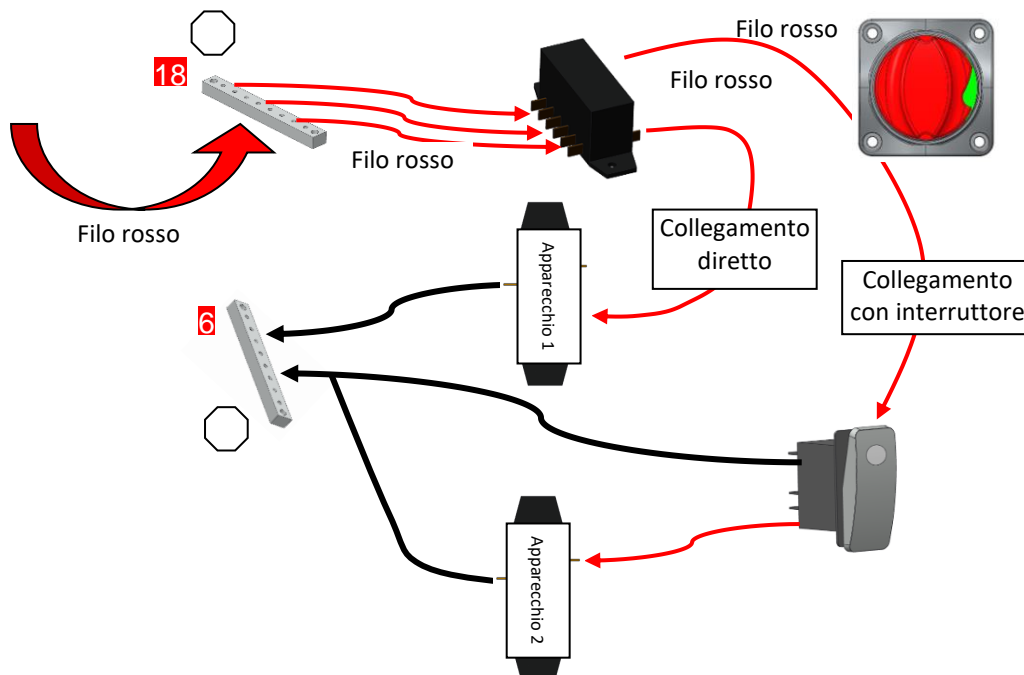
1º/ Scegliere una posizione con un fusibile libero.

2º/ Collegare il cavo d'alimentazione al morsetto corrispondente a questa posizione usando un "capocorda a linguetta" femmina da 6 mm.

3º/ Se è necessario aggiungere del cavo per il collegamento, utilizzare un cavo di sezione 1,5 mm<sup>2</sup> rispettando le raccomandazioni per i cavi di tipo "marino" (UL1426 o SAE J378 o SAE J1127 o SAE J1128 o, in generale, ABYC e/o CE).

4º/ Collegare il cavo di massa dell'accessorio al blocco morsetti di massa con un "capocorda a occhio" Ø 5 (stessa raccomandazione relativa ai cavi).

5º/ Inserire un fusibile tipo ATO da 15 A max e superiore all'intensità d'uso dell'apparecchio.



## IMPIANTI E CIRCUITI – ALLACCIAMENTO DEGLI OPTIONAL

### V-2-1- Allacciamento degli optional OPEN 3.1 / 3.4 /4.8

L'imbarcazione è dotata di una presa USB/ 12V di serie. È tuttavia possibile aggiungere accessori supplementari in funzione di determinate condizioni:

- ① Gli accessori da aggiungere devono essere allacciati a livello della consolle.
- ② Gli accessori si dividono in due categorie:
  - A** → accessori che vengono utilizzati o che sono suscettibili di essere utilizzati di continuo assieme all'uso normale dell'imbarcazione,
  - B** → accessori utilizzati in modo saltuario.

A	
Tergicristalli	
Radio	
Scandaglio	
GPS	
Riflettore	
Sistema di allarme	
Frigorifero	
VHF	
$\Sigma$	240W max

B	
Presa accendisigari (di serie)	
Luci varie	
Segnale acustico	
Apparecchi elettronici vari	
Pompa doccia	
<b>Potenza massima</b>	72W max



#### **AVVERTENZA**

**Accertarsi tassativamente che la potenza complessiva degli accessori aggiunti della colonna A sia inferiore o uguale a 240W (20A) E che la potenza massima di un accessorio della colonna B sia inferiore o uguale a 72W (6A).**

**Le sezioni dei diversi cavi del fascio sono state calcolate in base a questi valori; il mancato rispetto di questa regola può provocare guasti elettrici e cortocircuiti.**

È possibile collegare gli optional direttamente sui bus bar positivo e negativo della consolle (entro il limite della potenza massima), inserendo un portafusibile omologato.

**NOTA:** In caso di installazione di numerosi apparecchi elettrici, il consumo provvisorio totale potrà eventualmente eccedere la capacità di carica del motore fuori bordo.

Ad esempio, il fascio elettrico può supportare un consumo provvisorio di 570 W (luci di navigazione e pompa di sentina inclusi), vale a dire un po' meno di 48A in termini di alimentazione elettrica. Gli attuali alternatori del motore forniscono di norma un'intensità di 15 A, a pieno regime. Si raccomanda di verificare questo dato nella documentazione tecnica del motore. È dunque opportuno evitare un uso prolungato di tali apparecchi, onde prevenire un consumo eccessivo della batteria con il conseguente rischio di non poter riavviare il motore.

**IMPIANTI E CIRCUITI – ALLACCIAMENTO DEGLI OPTIONAL**

**V-2-2- Allacciamento degli optional OPEN 4.8**

A	
Tergicristalli	
Radio	
Scandaglio	
GPS	
Riflettore	
Sistema di allarme	
Frigorifero	
VHF	
$\Sigma$	336W max

e

B	
Presa accendisigari (di serie)	
Luci varie	
Segnale acustico	
Apparecchi elettronici vari	
Pompa doccia	
<b>Potenza massima</b>	102W max



**AVVERTENZA**

**Accertarsi tassativamente che la potenza complessiva degli accessori aggiunti della colonna A sia inferiore o uguale a 336W (28A) E che la potenza massima di un accessorio della colonna B sia inferiore o uguale a 102W (8,5A).**

**Le sezioni dei diversi cavi del fascio sono state calcolate in base a questi valori; il mancato rispetto di questa regola può provocare guasti elettrici e cortocircuiti.**

È possibile collegare gli optional direttamente sui bus bar positivo e negativo della consolle (entro il limite della potenza massima), inserendo un portafusibile omologato.

**Esempio 1**

Si desidera aggiungere:

- Un VHF da 72 W,
- Un GPS da 36 W,
- Una radio da 180W,
- Luci di cortesia a LED 10 W
- Pompa doccia 48 W

A	
Tergicristalli	
Radio	180W
Scandaglio	
GPS	36W
Riflettore	
Sistema di allarme	
Frigorifero	
VHF	72W
$\Sigma$	288 W < 336W ☺

e

B	
Presa accendisigari (di serie)	
Luci varie	10 W
Segnale acustico	
Apparecchi elettronici vari	
Pompa doccia	48 W
<b>Potenza massima</b>	58W ( < o = 102W)

**CONCLUSIONE**



**Esempio 2**

Si desidera aggiungere:

- Un VHF da 60W,
- Un GPS da 36 W,
- Una radio da 180W,
- Un riflettore da 120W.

A	
Tergicristalli	
Radio	180W
Scandaglio	
GPS	36W
Riflettore	120W
Sistema di allarme	
Frigorifero	
VHF	60W
<b>Σ</b>	396 W > 336W 💡

e

B	
Pres a accendisigari (di serie)	
Luci varie	
Segnale acustico	
Apparecchi elettronici vari	
Pompa doccia	
<b>Potenza massima</b>	0W (< 0 = 102W) 👍

**CONCLUSIONE**



**Esempio 3**

Si desidera aggiungere:

- Un GPS da 60W,
- Una radio da 180W,
- Un segnale acustico da 120 W.

A	
Tergicristalli	
Radio	180W
Scandaglio	
GPS	60W
Riflettore	
Sistema di allarme	
Frigorifero	
VHF	
<b>Σ</b>	240W < 336W 👍

e

B	
Pres a accendisigari (di serie)	
Luci varie	
Segnale acustico	
Apparecchi elettronici vari	120W
Pompa doccia	
<b>Potenza massima</b>	120 W (> 102W) 💡

**CONCLUSIONE**



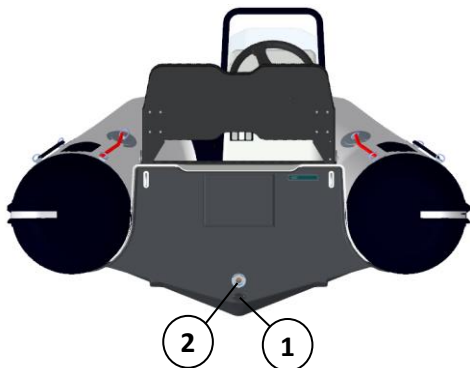
**NOTA:** Alcuni costruttori forniscono l'ampereaggio invece della potenza assorbita. In corrente continua (come in questo caso), è sufficiente moltiplicare per 12 per ottenere la potenza.

**IMPIANTI E CIRCUITI- PROSCIUGAMENTO**

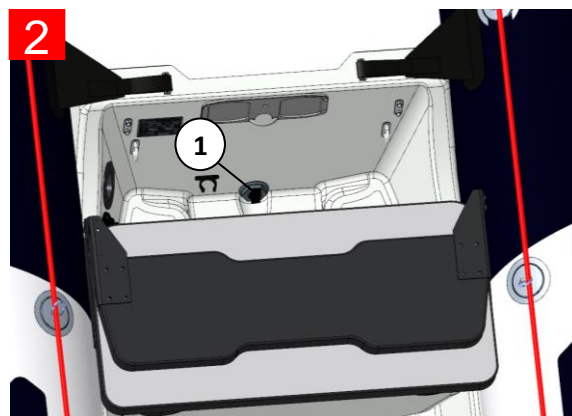
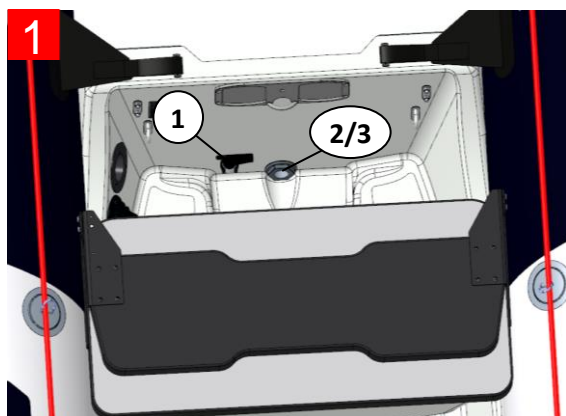
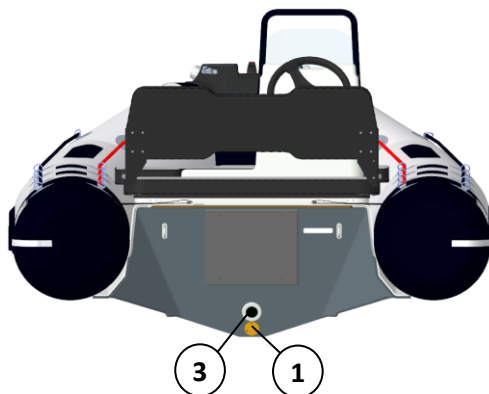
**V-3 IMPIANTO DI PROSCIUGAMENTO**

**V-3-1- Descrizione degli elementi funzionali**

**OPEN 3.1 e 3.4**



**OPEN 4.2 e 4.8**



Riferimento	DESCRIZIONE
1	Foro di alloggiamento dello scafo
2	Passascafo
3	Passascafo con membrana
4	Tappo del passascafo

**V-3-2- Tappi del passascafo**

**Imbarcazione all'asciutto (rimorchio, su invasi...)...**



- TAPPI IN POSIZIONE (1)

**Imbarcazione in acqua...**



- IN NAVIGAZIONE TAPPI INSERITI NEL PASSASCAFO (2)
- **PROCEDURA DI SVUOTAMENTO DELL'ACQUA IMBARCATA.**
  - IMBARCAZIONE FERMA: TAPPI IN POSIZIONE (1), QUINDI NAVIGARE IN POSIZIONE DI PLANATA (> 6 NODI). RIMETTERE IN POSIZIONE GLI ELEMENTI (2) DOPO AVER EVACUATO L'ACQUA.

**IMPIANTI E CIRCUITI- PROSCIUGAMENTO**

- **ALL'ORMEGGIO:**
  - **ORMEGGIO TEMPORANEO O ALTRE SITUAZIONI PER LE QUALI L'IMBARCAZIONE NON RISCHIA DI RICEVERE ACQUA IN QUANTITÀ IMPORTANTI (PIOGGE ABBONDANTI, ONDATE), METTERE GLI ELEMENTI IN POSIZIONE (1) O (2), A SCELTA.**
  - **ORMEGGIO PROLUNGATO O A RISCHIO: TAPPI ESTRATTI (1)**



#### **AVVERTENZA**

**SE L'IMBARCAZIONE DOVESSE IMBARCARE UNA NOTEVOLE QUANTITÀ DI ACQUA PROVENIENTE DALL'ESTERNO (PIOGGE ABBONDANTI, SCIA...) CON I TAPPI INSERITI NEL PASSA-SCAFO, L'IMBARCAZIONE RISCHIEREBBE DI ESSERE ALLAGATA (EFFETTO VASCA). L'ACQUA IMBARCATA PUÒ APPESANTIRE NOTEVOLMENTE L'IMBARCAZIONE COMPORTANDONE L'IMMERSIONE E DANNEGGIANDO GRAVEMENTE ALCUNI ORGANI QUALI IL MOTORE O I CIRCUITI ELETTRICI.**

**V-3-3- Foro di alaggio dello scafo:**



#### **Imbarcazione all'asciutto (rimorchio, su invasi...)...**



**POSIZIONE APERTA, TAPPO DEL FORO DI ALAGGIO ESTRATTO.**

#### **Imbarcazione in acqua...**



**POSIZIONE CHIUSA, TAPPO DEL FORO DI ALAGGIO INSERITO.  
(ACCERTARSI CHE IL TAPPO DEL FORO DI ALAGGIO SIA CHIUSO/SERRATO CORRETTAMENTE)**



**IMPIANTI E CIRCUITI– STERZO****V-4 STERZO**

Attenersi alle raccomandazioni del costruttore dello sterzo (installazione, uso e manutenzione).

Per un uso ottimale dell'imbarcazione, si prega di rivolgersi al proprio concessionario.

**V-5 IMPIANTO ANTINCENDIO****AVVERTENZA**

- **SI RACCOMANDA DI TENERE SEMPRE A BORDO UN ESTINTORE; ATTENERSI ALLE LEGGI VIGENTI NEL PROPRIO PAESE.**
- **NON COLLOCARE MATERIALI INFIAMMABILI NEI PRESSI O SOPRA GLI APPARECCHI DI COTTURA.**

L'imbarcazione viene fornita senza estintore; spetta al proprietario attenersi alle norme nazionali della bandiera dell'imbarcazione. L'imbarcazione deve essere dotata di estintori portatili, in servizio. La posizione consigliata per l'estintore è nel gavone di poppa o nella consolle.

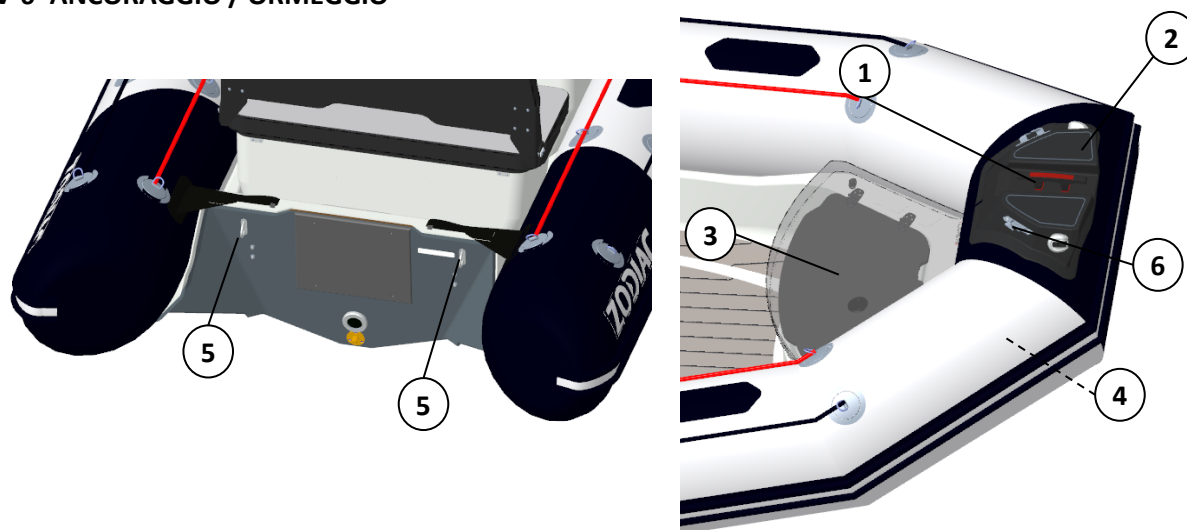
Mantenere i supporti puliti e verificare a intervalli regolari l'assenza di vapori o perdite di carburante. Non lasciare l'imbarcazione incustodita mentre sono in funzione apparecchi di cottura e/o di riscaldamento.

Non fumare durante la manipolazione di carburante o gas.

Non ostruire i comandi di sicurezza, ad esempio i rubinetti di arresto del carburante e gli interruttori dell'impianto elettrico.

Non riempire il serbatoio del carburante mentre il motore o gli apparecchi di cottura sono in funzione.

V-6 ANCORAGGIO / ORMEGGIO



Riferimento	DESCRIZIONE
1	Gallocce
2	Musone in poliestere
3	Gavone per ancoraggio
4	Puleggia dell'ancora
5	Lande dello specchio di poppa
6	Passacavi



**AVVERTENZA**

- L'ORMEGGIO PERMANENTE DEVE ESSERE EFFETTUATO CON L'AUSILIO DELLA LANDA DI PRUA POSTA A PRUA DELL'IMBARCAZIONE O DELLA LANDA DI POPPA.
- SCEGLIERE LA LINEA DI ANCORAGGIO IN FUNZIONE DELLA LARGHEZZA E DEL PESO DELL'IMBARCAZIONE.

**IMPIANTI E CIRCUITI – Risalita a bordo**

**V-7 RISALITA A BORDO**

**V-7-1- DAL GALLEGGIANTE**

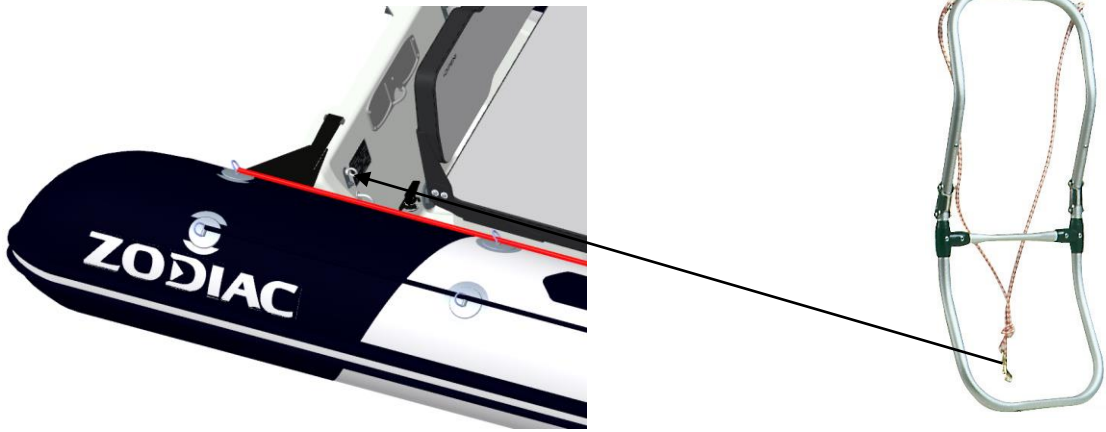
Le barche hanno bordo libero basso (meni di 500mm) che permette di risalire facilmente a bordo sfruttando gli ancoraggi esterni del galleggiante :



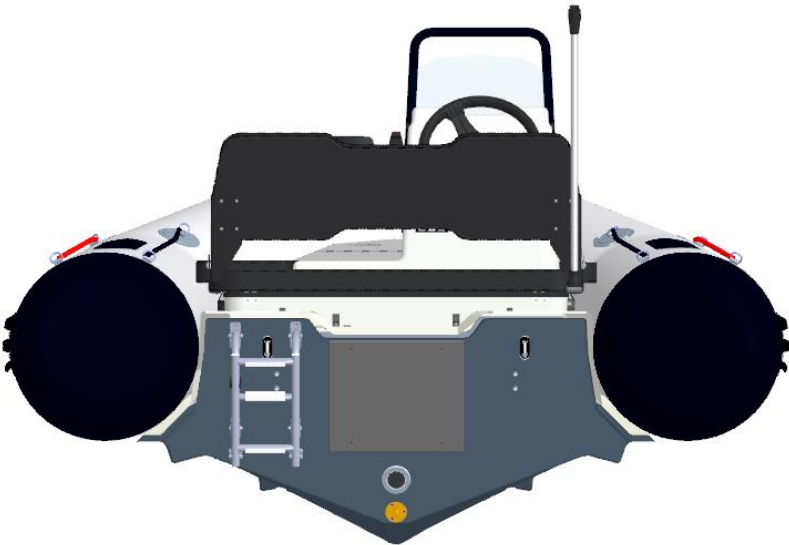
**V-7-2- SCALETTA (OPZIONALE)**

**OPEN 3.1 / 3.4 / 4.2**

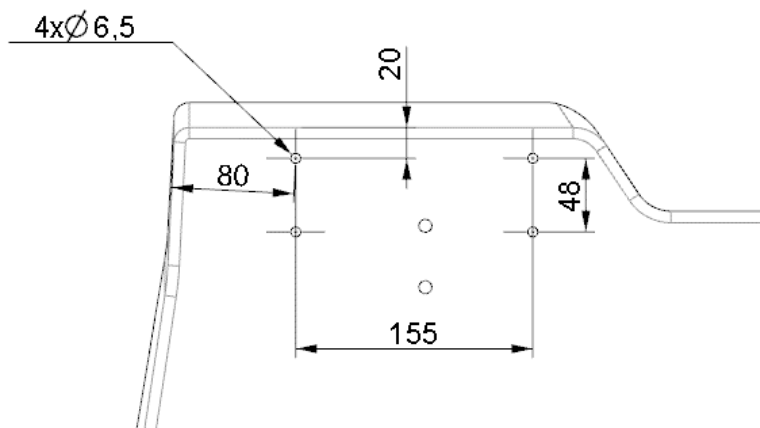
Prendere il dado a occhiello fornito con la scala e avvitarlo su una piastra della landa sullo specchio di poppa. Agganziare la scala al dado a occhiello e stendere la scala sul tubolare.



**OPEN 4.8**



**POSIZIONAMENTO SCALETTA**



**PERICOLO!!!**

**ASSICURARSI CHE IL MOTORE SIA SPENTO PRIMA CHE CHIUNQUE SALGA A BORDO DALLA SCALETTA POSTERIORE.**

**AVVERTENZA**

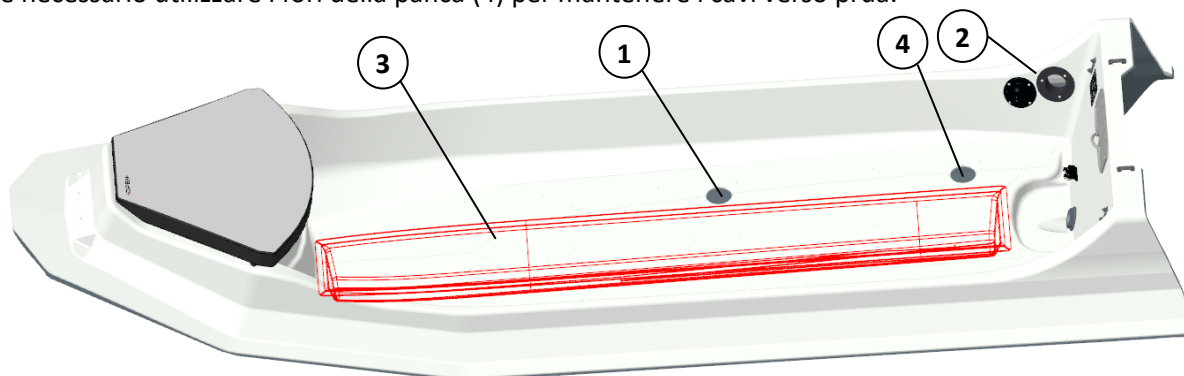
**QUANDO L'IMBARCAZIONE VIENE UTILIZZATA IN SOLITARIA, SE IL MEZZO DI SALITA A BORDO NON È GESTIBILE DALL'ACQUA DEVE ESSERE INSTALLATO IN PERMANENZA.**

**V-8 RIGGING MECCANICO**

Per un'attenzione estetica, è previsto che tutti i cavi e i fasci del rigging passino dalla consolle (1) al motore (2) attraverso lo scafo. Si consiglia di passare i diversi elementi prima del fissaggio definitivo delle apparecchiature sul ponte.

Si raccomanda di far passare i cavi lungo il controstampo (3) sul ponte verso la prua della barca per evitare blocchi.

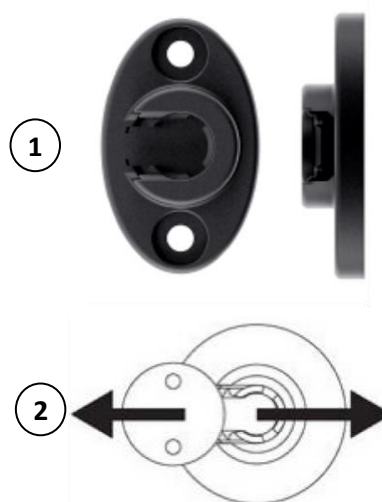
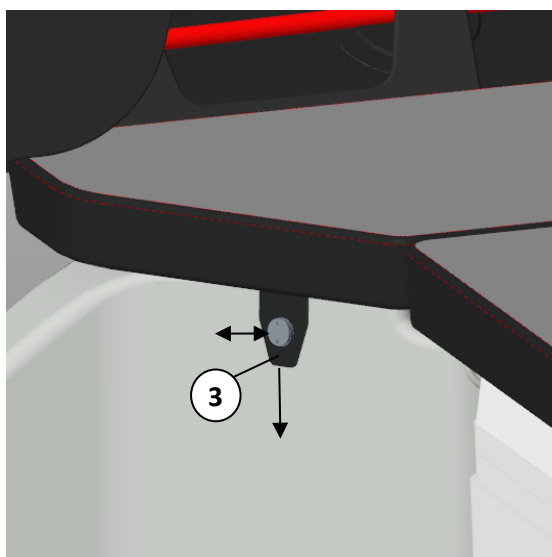
Se necessario utilizzare i fori della panca (4) per mantenere i cavi verso prua.



**IMPIANTI E CIRCUITI – Fissaggio della cuscineria****V-9 FISSAGGIO DELLA CUSCINERIA**

L'imbarcazione è dotata di un nuovo tipo di fissaggio (1) per mantenere la cuscineria sullo scafo. Questo sistema è dotato di magneti che si sbloccano al livello laterale (2).

- **Sbloccaggio:** tirare leggermente verso il basso la cinghia di fissaggio (3) e farla scorrere lateralmente.
- **Bloccaggio:** Tirare leggermente verso il basso la cinghia di fissaggio (3) e farla scorrere verso l'interno del sistema di fissaggio.

**AVVERTENZA**

**NON TIRARE DIRETTAMENTE SULLA CUSCINERIA PER SGANCIARLA ,  
DANNEGGEREBBE IL NUOVO SISTEMA DI FISSAGGIO**

**VI- POSIZIONE DEGLI ACCESSORI**

**VI-1 BIMINI OPEN 3.1 / 3.4**



**VI-2 BIMINI OPEN 4.2 / 4.8**

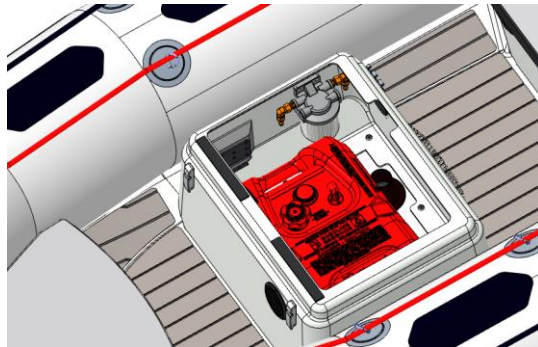


**POSIZIONE DEGLI ACCESSORI**

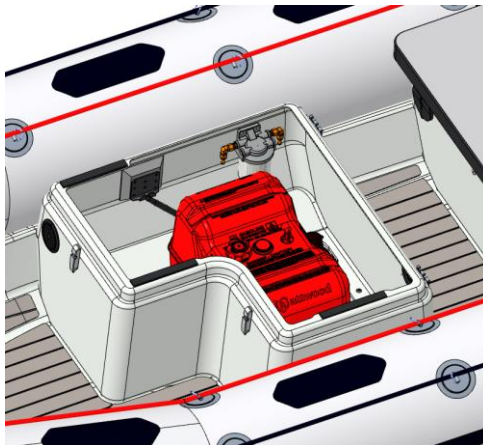
**VI-3 ROLL BAR OPEN 4.8**



**VI-4 SERBATOI PORTATILI OPEN 3.1 / 3.4**

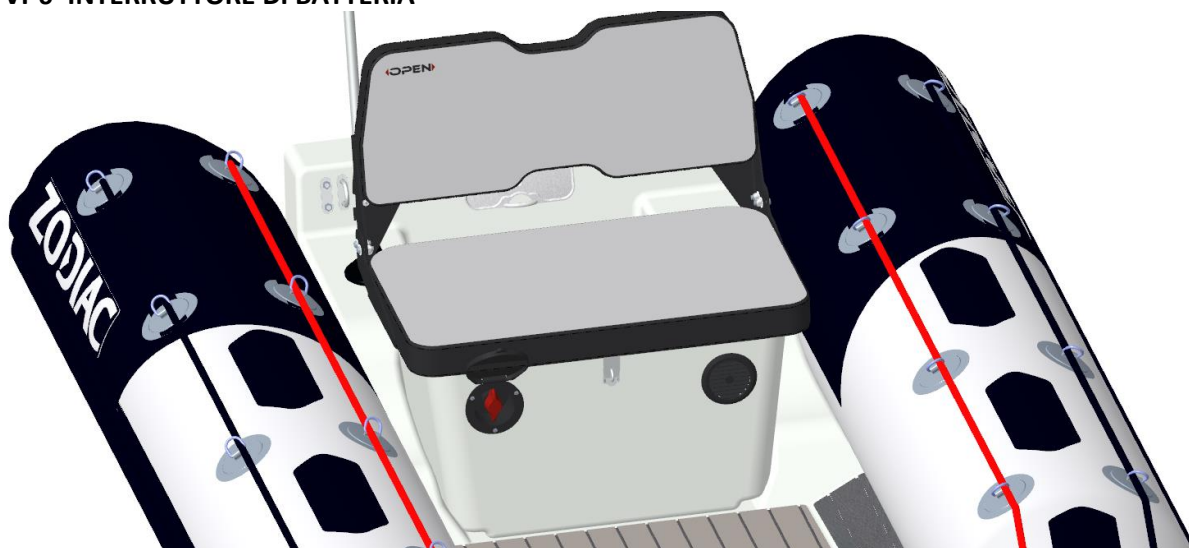


**VI-5 SERBATOI PORTATILI OPEN 4.2 / 4.8**

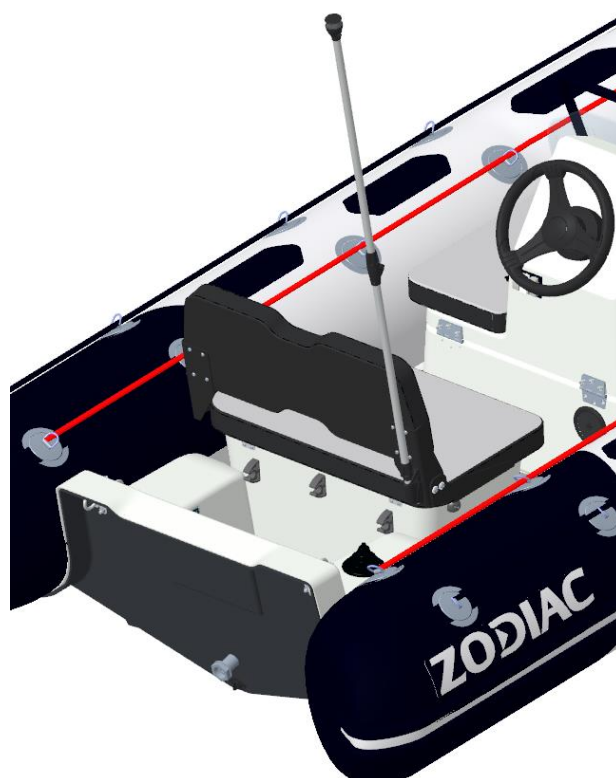


## POSIZIONE DEGLI ACCESSORI

### VI-6 INTERRUTTORE DI BATTERIA



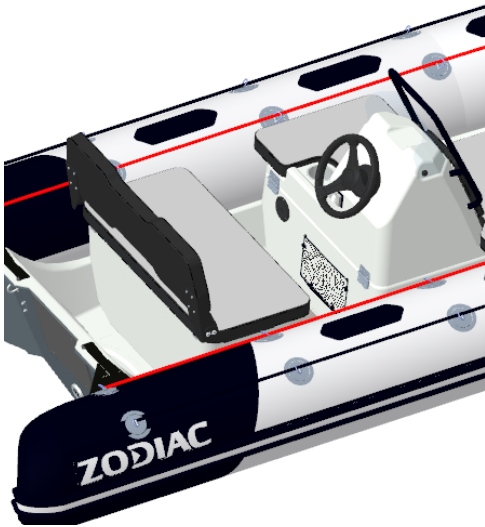
### VI-7 LUCE BIANCA



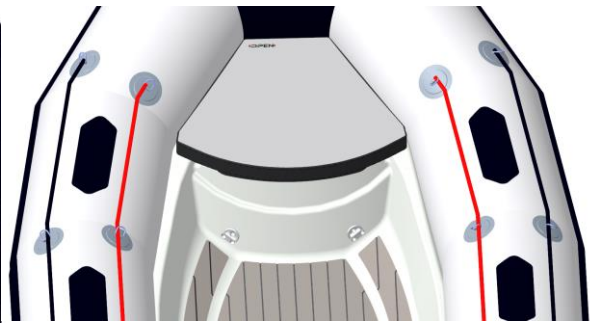
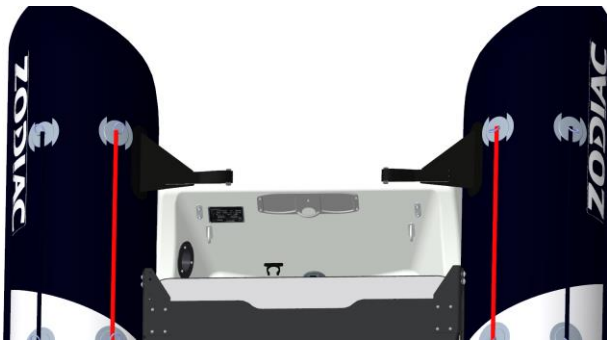


**POSIZIONE DEGLI ACCESSORI**

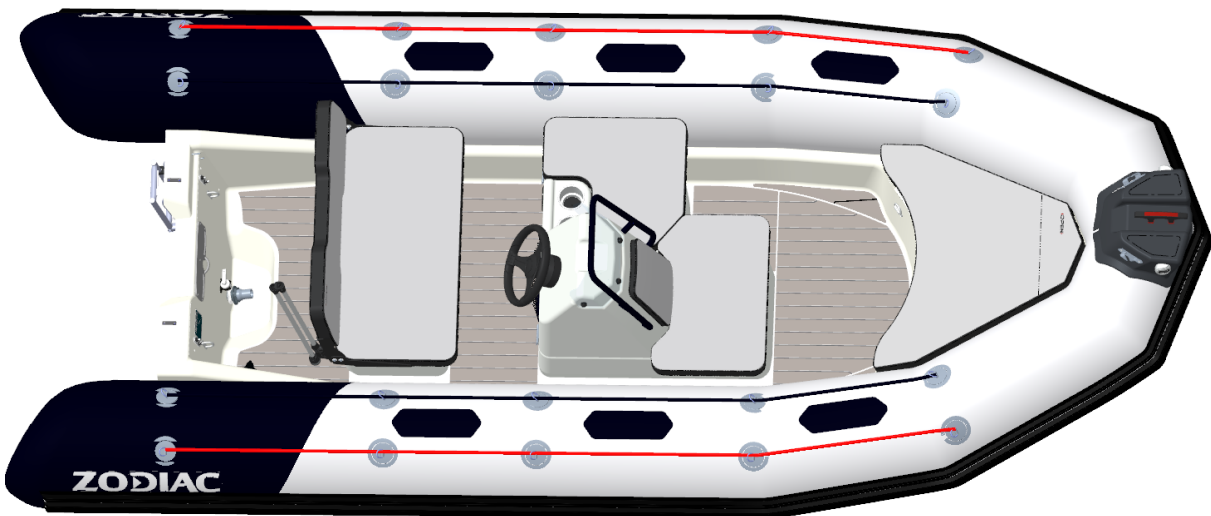
**VI-8 RETE DI CONTENIMENTO OGGETTI**



**VI-9 KIT DI SOLLEVAMENTO**

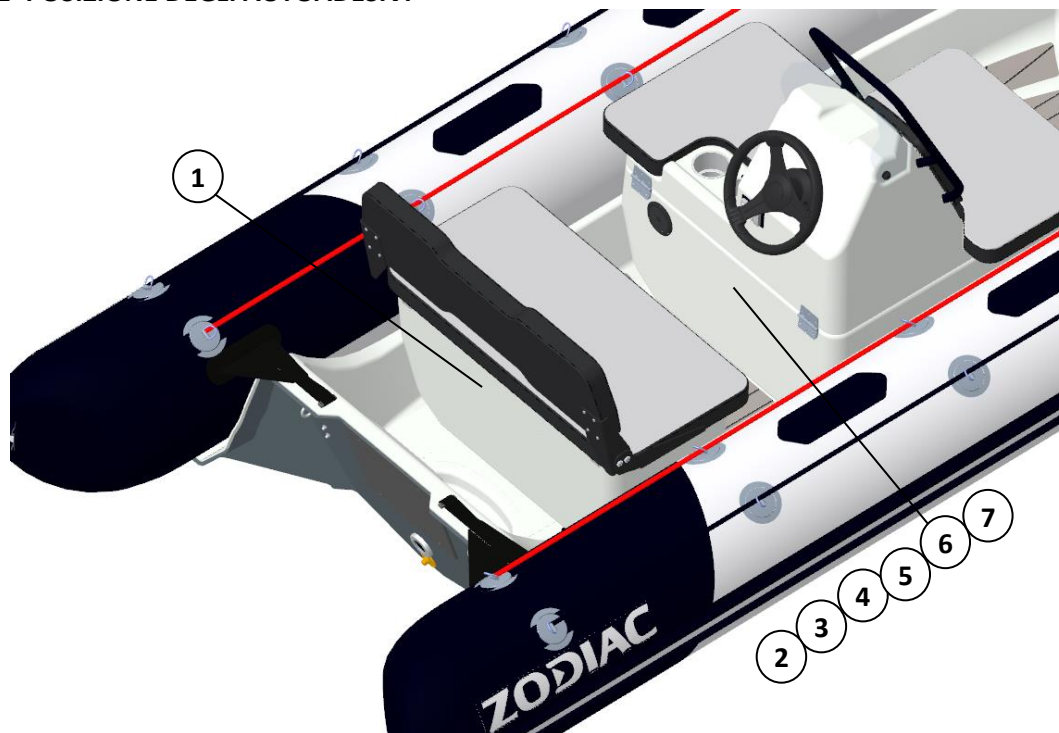


**VI-10 PONTE EVA**



VII- SEGNALETICA

VII-1 POSIZIONE DEGLI AUTOADESIVI



VII-1 DESCRIZIONE DEGLI AUTOADESIVI



⚠ WARNING	⚠ AVERTISSEMENTS
<ul style="list-style-type: none"> <li>• DO NOT TOUCH BATTERY TERMINALS (SHOCK AND ACID HAZARDS)</li> <li>• DISCONNECT BOTH LEADS BEFORE REMOVING BATTERY</li> <li>• CONNECT RED LEAD TO POSITIVE (+) TERMINAL</li> <li>• CONNECT BLACK LEAD TO NEGATIVE (-) TERMINAL</li> </ul>	<ul style="list-style-type: none"> <li>• NE PAS TOUCHER LES TERMINAUX DE LA BATTERIE (RISQUE DE CHOC ELECTRIQUE ET DE CONTACT AVEC L' ACIDE DE LA BATTERIE)</li> <li>• DEBRANCHER LES 2 FILS DE SORTIE AVANT DE RETIRER LA BATTERIE</li> <li>• RELIER LE CABLE ROUGE A LA BORNE (+)</li> <li>• RELIER LE CABLE NOIR A LA BORNE (-)</li> </ul>



⚠ WARNING	⚠ AVERTISSEMENTS
<p style="text-align: center;"><b>GASOLINE IS HIGHLY INFLAMMABLE AND EXPLOSIVE</b></p> <ul style="list-style-type: none"> <li>• STOP ENGINE BEFORE REFUELING</li> <li>• REFUEL IN WELL VENTILATED AREA</li> <li>• NEVER REFUEL WHILE SMOKING, AROUND SPARKS OR OPEN FLAME</li> <li>• AVOID SPILLING FUEL. WIPE UP ALL FUEL SPILLS IMMEDIATELY</li> <li>• LEAKING FUEL IS A FIRE HAZARD AND EXPLOSION HAZARD</li> <li>• INSPECT FUEL SYSTEM BEFORE EACH USE</li> </ul>	<p style="text-align: center;"><b>L' ESSENCE EST TRES FORTEMENT INFLAMMABLE ET EXPLOSIVE</b></p> <ul style="list-style-type: none"> <li>• ARRETER LE MOTEUR AVANT TOUT REMPLISSAGE.</li> <li>• NE PAS FUMER LORS DU REMPLISSAGE.</li> <li>• FAIRE LE PLEIN DANS UN ENDROIT VENTILE.</li> <li>• EVITER DE RENSER DU CARBURANT. ESSUYER IMMEDIATEMENT TOUTES LES FLAQUES DE CARBURANT CREES</li> <li>• LES FUITES DE CARBURANTS CONSTITUENT UN RISQUE D' INCENDIE ET D' EXPLOSION</li> <li>• VERIFIER LE CIRCUIT CARBURANT AVANT CHAQUE UTILISATION</li> </ul>


**SEGNALETICA**

<b>⚠ CAUTION</b>	<b>⚠ ATTENTION</b>
<p>IMPROPERLY TOWING YOUR BOAT CAN CAUSE SEVERE DAMAGE TO YOUR BOAT.</p> <ul style="list-style-type: none"> <li>• NEVER TOW IN OPEN SEAS</li> <li>• NEVER TOW ABOVE 6 KNOTS</li> </ul>	<p>UN REMORQUAGE INAPPROPRIE PEUT ENDOMMAGER VOTRE BATEAU</p> <ul style="list-style-type: none"> <li>• NE PAS REMORQUER EN PLEINE MER</li> <li>• NE PAS REMORQUER A PLUS DE 6 NOEUDS</li> </ul>

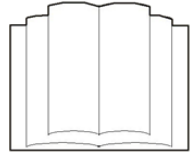
<b>⚠ WARNING</b>	<b>⚠ AVERTISSEMENT</b>
<p>DO NOT LIFT THE BOAT WITH PASSENGERS ON BOARD</p>	<p>NE PAS SOULEVER LE BATEAU AVEC DES PASSAGERS A BORD</p>

<b>⚠ DANGER</b>	<b>⚠ DANGER</b>
<p>TO AVOID INJURY OR DEATH, SHUT OFF ENGINE WHEN NEAR SWIMMERS OR PRIOR TO USING SWIN PLATFORM AND BOARDING LADDER</p>	<p>POUR EVITER DES BLESSURES OU LA MORT, COUPER LE MOTEUR EN APPROCHANT DE NAGEURS, ET AVANT TOUTE UTILISATION DE LA PLATEFORME ARRIERE OU DE L' ECHELLE DE BAIN</p>

<b>⚠ DANGER</b>	<b>⚠ DANGER</b>
<p>A FIRE EXTINGUISHER MUST BE CARRIED AT ALL TIMES</p>	<p>UN EXTINCTEUR DOIT ETRE DISPONIBLE EN PERMANENCE A BORD</p>



**30 KNTS MAXIMUM**





Regent Park 1 - Bat2B  
2480 L'Occitane  
31670 LABEGE  
FRANCIA

# TOMO 2

## DESCRIZIONE - TUBOLARE

## SISTEMA DI PROPULSIONE

## IMPIANTI E CIRCUITI

### INDICE

I- DESCRIZIONE .....	3
I-1 CARATTERISTICHE TECNICHE OPEN 3.1 .....	3
I-2 CARATTERISTICHE TECNICHE OPEN 3.4 .....	5
I-3 CARATTERISTICHE TECNICHE OPEN 4.2 .....	7
I-4 CARATTERISTICHE TECNICHE OPEN 4.8 .....	9
I-5 INVENTARIO E UBICAZIONE .....	12
I-6 UBICAZIONE ATTREZZATURE.....	16
I-6-1- OPEN 3.1 / 3.4.....	16
I-6-2- OPEN 4.2 / 4.8.....	18
I-7 MOVIMENTAZIONE .....	20
I-7-1- Trasporto .....	20
I-7-2- Sollevamento .....	26
II- TUBOLARE .....	27
II-1 MANUTENZIONE DEL TUBOLARE .....	27
II-2 MONTAGGIO DEL TUBOLARE SULLO SCAFO OPEN 4.2 / OPEN 4.8 .....	27
II-3 FISSAGGIO DEL GREMBIULE .....	28
II-4 GONFIAGGIO DEL TUBOLARE.....	29
II-5 PRESSIONE.....	31
III- Sistema di propulsione.....	33
IV- Come comportarsi con l'imbarcazione .....	34
V- IMPIANTI E CIRCUITI.....	35
V-1 CIRCUITO del CARBURANTE.....	35
V-1-1- Ubicazione degli elementi .....	35
V-1-2- Serbatoio portatile (opzionale) .....	37
V-1-3- Filtro separatore acqua/benzina (non fornito).....	38
V-1-4- Uso delle valvole di chiusura del circuito benzina (non fornita) .....	39
V-1-5- Raccomandazioni.....	40
V-2 CIRCUITO ELETTRICO.....	41
V-2-1- OPEN 3.1 / 3.4 / 4.2 .....	41

V-2-2- OPEN 4.8.....	44
V-2-3- Ubicazione degli elementi .....	47
V-2-4- Interruttore di sicurezza (opzionale) .....	47
V-2-5- Batteria (non fornita).....	48
V-2-6- Luci di navigazione.....	49
V-2-7- Cablaggio di un accessorio.....	49
V-2-1- Allacciamento degli optional OPEN 3.1 / 3.4 /4.8 .....	50
V-2-2- Allacciamento degli optional OPEN 4.8.....	51
V-3 IMPIANTO DI PROSCIUGAMENTO.....	53
V-3-1- Descrizione degli elementi funzionali.....	53
V-3-2- Tappi del passascafo.....	53
V-3-3- Foro di alaggio dello scafo: .....	54
V-4 STERZO .....	55
V-5 IMPIANTO ANTINCENDIO .....	55
V-6 ANCORAGGIO / ORMEGGIO .....	56
V-7 RISALITA A BORDO .....	57
V-7-1- DAL GALLEGGIANTE.....	57
V-7-2- SCALETTA (OPZIONALE).....	57
V-8 RIGGING MECCANICO .....	58
V-9 FISSAGGIO DELLA CUSCINERIA .....	59
VI- POSIZIONE DEGLI ACCESSORI.....	60
VI-1 BIMINI OPEN 3.1 / 3.4.....	60
VI-2 BIMINI OPEN 4.2 / 4.8.....	60
VI-3 ROLL BAR OPEN 4.8.....	61
VI-4 SERBATOI PORTATILI OPEN 3.1 / 3.4 .....	61
VI-5 SERBATOI PORTATILI OPEN 4.2 / 4.8 .....	61
VI-6 INTERRUETTORE DI BATTERIA .....	62
VI-7 LUCE BIANCA.....	62
VI-8 RETE DI CONTENIMENTO OGGETTI .....	63
VI-9 KIT DI SOLLEVAMENTO .....	63
VI-10 PONTE EVA.....	63
VII- SEGNALETICA .....	64
VII-1 POSIZIONE DEGLI AUTOADESIVI .....	64
VII-1 DESCRIZIONE DEGLI AUTOADESIVI .....	64

**DESCRIZIONE - Caratteristiche tecniche**

**I- DESCRIZIONE**

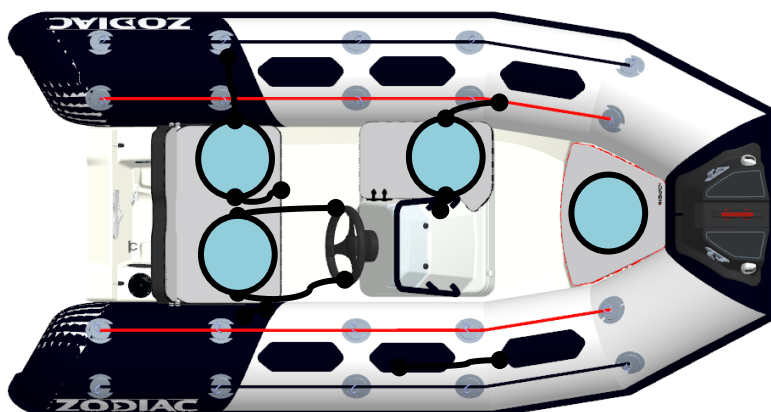
**I-1 CARATTERISTICHE TECNICHE OPEN 3.1**


<b>Dimensioni</b>						
<i>Tolleranze sulle dimensioni +/- 3%</i>						
	m	3,1		m	0,455	
	ft	10' 2"		ft	1' 6"	
	m	2	Senza tubolare	a	m	2,58
	ft	6' 7"		ft	8' 6"	
	m	1,65		b	m	1,01
	ft	5' 5"		ft	3' 4"	
	m	0,71		c	m	1,134
	ft	1' 6"		ft	3' 9"	
	H (mm)		930	Altezza max		
	T (mm)		225	Pescaggio max		
	°		13	Angolo dello specchio di poppa		
	mm		438	Altezza dello specchio di poppa		

<b>Categoria di progettazione</b>	
<b>CE</b> (Direttiva 2013/53/UE)	C

<b>Capacità</b>				
<i>Tolleranze sui pesi +/- 5%</i>				
		C		
4				
	Maximum <b>ISO 14946</b>	Kg	300	Carico massimo a norma ISO 14946 (1+2+3+4), dati indicati sul certificato ICNN. Carico massimo a norma ISO 14945 (1+2+3+5), dati indicati sulla targa del costruttore. Massa delle persone Effetti personali Elenco di tutti gli optional proposti Contenuto dei serbatoi di liquidi di consumo (benzina, acqua potabile...) Massa del o dei motori
		lb.	661	
	Maximum <b>ISO 14945</b>	Kg	340	
		lb.	750	
		Kg	132	I pesi si intendono accessori esclusi
		lb.	291	
Numero di compartimenti		3		

## DESCRIZIONE - Caratteristiche tecniche






 Sedile con impugnature



### **AVVERTENZA!!!**

**NON SUPERARE IL NUMERO MASSIMO DI PERSONE RACCOMANDATO. INDIPENDENTEMENTE DAL NUMERO DI PASSEGGERI A BORDO, LA MASSA TOTALE DELLE PERSONE E DELL'EQUIPAGGIAMENTO NON DEVE MAI SUPERARE IL CARICO MASSIMO RACCOMANDATO. UTILIZZARE SEMPRE I SEDILI O I POSTI A SEDERE PREVISTI.**

Motorizzazione Open 3.1				
 Long	Lunghezza dell'albero	MONOMOTORE		Le potenze raccomandate corrispondono a uno sfruttamento ottimale della capacità dell'imbarcazione con carico medio.
		S		
	Potenza MIN raccomandata	CV	10	
		kW	7.5	
	Potenza MAX raccomandata	CV	15	
		kW	11.2	
	Potenza MAX consentita	CV	25	
		kW	18.6	
 Maximum	Peso MAX motore	Kg	57	
		lb.	125.7	

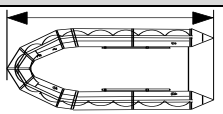
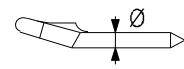
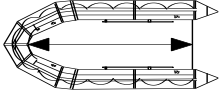
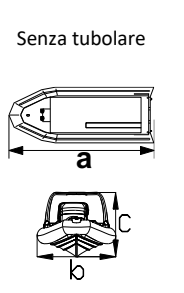


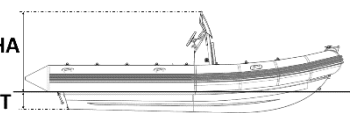
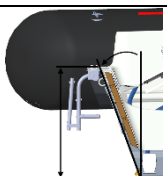
**NOTA:** Qualora la potenza massima consentita sia superiore alla potenza massima raccomandata, deve essere utilizzata con la massima prudenza. Si rivolge esclusivamente a utilizzatori esperti, che utilizzano l'imbarcazione in condizioni molto specifiche (trasporto di carichi pesanti ecc.). Si veda il Tomo 1 del manuale, capitolo "Consigli per la navigazione".


Per evitare un possibile degrado prematuro del galleggiante, solo per questa dimensione di barca, il motore dovrebbe essere montato il più in alto possibile sullo specchio di poppa. Si consiglia inoltre di portare il motore in porto quando si è all'ancora, durante le fasi di svernamento e trasporto della barca.


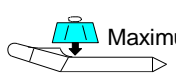
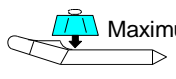
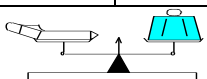
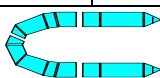


**DESCRIZIONE - Caratteristiche tecniche**

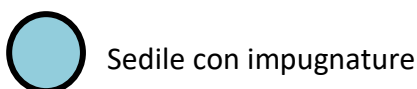
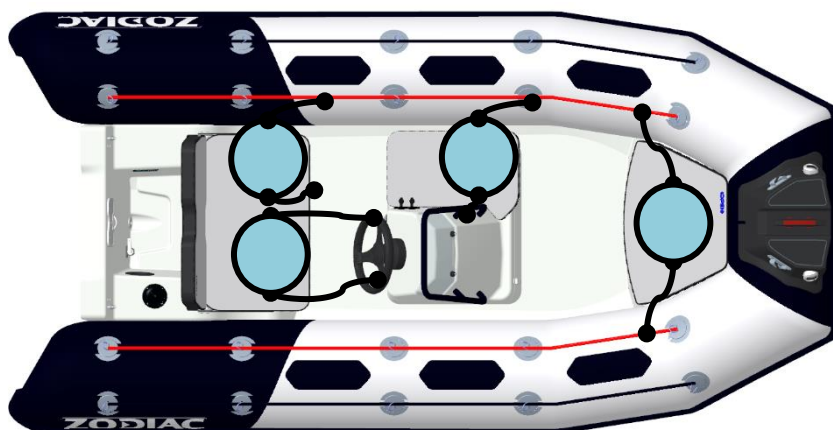
**I-2 CARATTERISTICHE TECNICHE OPEN 3.4**

<b>Dimensioni</b>						
<i>Tolleranze sulle dimensioni +/- 3%</i>						
	m	3,4	 Diametro del tubolare	m	0,455	
	ft	11' 2"		ft	1' 6"	
	m	2,16	 Senza tubolare	a	m	2,9
	ft	7' 1"		ft	9' 6"	
	m	1,7		b	m	1,13
	ft	5' 7"		ft	3' 8"	
	m	0,8		c	m	1,17
	ft	2' 7"		ft	3' 10"	
 HA T	H (mm)			945	Altezza max	
	T (mm)			294	Pescaggio max	
	°		13	Angolo dello specchio di poppa		
	mm		524	Altezza dello specchio di poppa		

<b>Categoria di progettazione</b>	
 (Direttiva 2013/53/UE)	C


<b>Capacità</b>				
<i>Tolleranze sui pesi +/- 5%</i>				
 (ISO)		C 4		
 Maximum	<b>ISO 14946</b>	Kg	340	Carico massimo a norma ISO 14946 (1+2+3+4), dati indicati sul certificato ICNN. Carico massimo a norma ISO 14945 (1+2+3+5), dati indicati sulla targa del costruttore. Massa delle persone Effetti personali Elenco di tutti gli optional proposti Contenuto dei serbatoi di liquidi di consumo (benzina, acqua potabile...) Massa del o dei motori
		lb.	750	
 Maximum	<b>ISO 14945</b>	Kg	420	
		lb.	926	
		Kg	150	
		lb.	331	
Numero di compartimenti 		3		

## DESCRIZIONE - Caratteristiche tecniche



### **AVVERTENZA!!!**

**NON SUPERARE IL NUMERO MASSIMO DI PERSONE RACCOMANDATO. INDIPENDENTEMENTE DAL NUMERO DI PASSEGGERI A BORDO, LA MASSA TOTALE DELLE PERSONE E DELL'EQUIPAGGIAMENTO NON DEVE MAI SUPERARE IL CARICO MASSIMO RACCOMANDATO. UTILIZZARE SEMPRE I SEDILI O I POSTI A SEDERE PREVISTI.**

Motorizzazione Open 3.4				
 Long	Lunghezza dell'albero		MONOMOTORE	Le potenze raccomandate corrispondono a uno sfruttamento ottimale delle capacità dell'imbarcazione con carico medio.
			L	
	Potenza MIN raccomandata	CV	10	
		kW	7.5	
	Potenza MAX raccomandata	CV	15	
		kW	11.2	
	Potenza MAX consentita	CV	30	
		kW	22.4	
 Maximum	Peso MAX motore	Kg	95	
		lb.	209	

**NOTA:** Qualora la potenza massima consentita sia superiore alla potenza massima raccomandata, deve essere utilizzata con la massima prudenza. Si rivolge esclusivamente a utilizzatori esperti, che utilizzano l'imbarcazione in condizioni molto specifiche (trasporto di carichi pesanti ecc.). Si veda il Volume 1 del manuale, capitolo "Consigli per la navigazione".

**DESCRIZIONE - Caratteristiche tecniche**

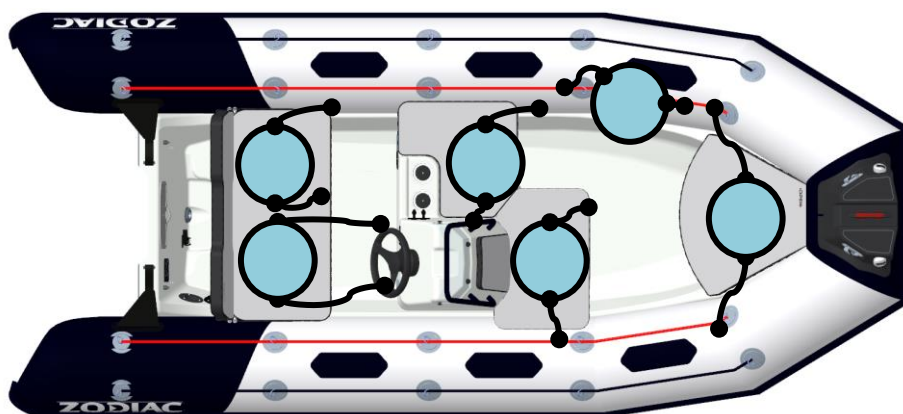
**I-3 CARATTERISTICHE TECNICHE OPEN 4.2**


<b>Dimensioni</b>						
<i>Tolleranze sulle dimensioni +/- 3%</i>						
	m	4,2		m	0,455	
	ft	13' 9"		Diametro del tubolare	ft	1'6"
	m	2,7	Senza tubolare 	a	m	3,6
	ft	8' 10"			ft	11'10"
	m	1,9		b	m	1,24
	ft	6' 3"			ft	4' 1"
	m	1,1		c	m	1,3
	ft	3' 7"			ft	4' 3"
	H (mm)			968	Altezza max	
	T (mm)			456	Pescaggio max	
	°		17	Angolo dello specchio di poppa		
	mm		524	Altezza dello specchio di poppa		

<b>Categoria di progettazione</b>	
(Direttiva 2013/53/UE)	C

<b>Capacità</b>				
<i>Tolleranze sui pesi +/- 5%</i>				
		C		
(ISO)		6		
	Maximum ISO 14946	Kg	560	Carico massimo a norma ISO 14946 (1+2+3+4), dati indicati sul certificato ICNN. Carico massimo a norma ISO 14945 (1+2+3+5), dati indicati sulla targa del costruttore. Massa delle persone Effetti personali Elenco di tutti gli optional proposti Contenuto dei serbatoi di liquidi di consumo (benzina, acqua potabile...) Massa del o dei motori
		lb.	1235	
	Maximum ISO 14945	Kg	680	
		lb.	1499	
		Kg	270	
		lb.	595	
Numero di compartimenti		3		I pesi si intendono accessori esclusi

## DESCRIZIONE - Caratteristiche tecniche







 Sedile con impugnature



### **AVVERTENZA!!!**

**NON SUPERARE IL NUMERO MASSIMO DI PERSONE RACCOMANDATO. INDIPENDENTEMENTE DAL NUMERO DI PASSEGGERI A BORDO, LA MASSA TOTALE DELLE PERSONE E DELL'EQUIPAGGIAMENTO NON DEVE MAI SUPERARE IL CARICO MASSIMO RACCOMANDATO. UTILIZZARE SEMPRE I SEDILI O I POSTI A SEDERE PREVISTI.**

Motorizzazione Open 4.2				
 Long	Lunghezza dell'albero	MONOMOTORE		Le potenze raccomandate corrispondono a uno sfruttamento ottimale delle capacità dell'imbarcazione con carico medio.
		L		
	Potenza MIN raccomandata	CV	15	
		kW	11,2	
	Potenza MAX raccomandata	CV	40	
		kW	29,8	
	Potenza MAX consentita	CV	50	
		kW	37,3	
 Maximum	Peso MAX motore	Kg	115	
		lb.	253,5	

**NOTA:** Qualora la potenza massima consentita sia superiore alla potenza massima raccomandata, deve essere utilizzata con la massima prudenza. Si rivolge esclusivamente a utilizzatori esperti, che utilizzano l'imbarcazione in condizioni molto specifiche (trasporto di carichi pesanti ecc.). Si veda il Tomo 1 del manuale, capitolo "Consigli per la navigazione".

**DESCRIZIONE - Caratteristiche tecniche**

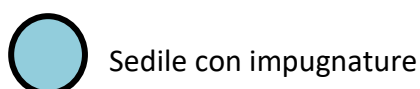
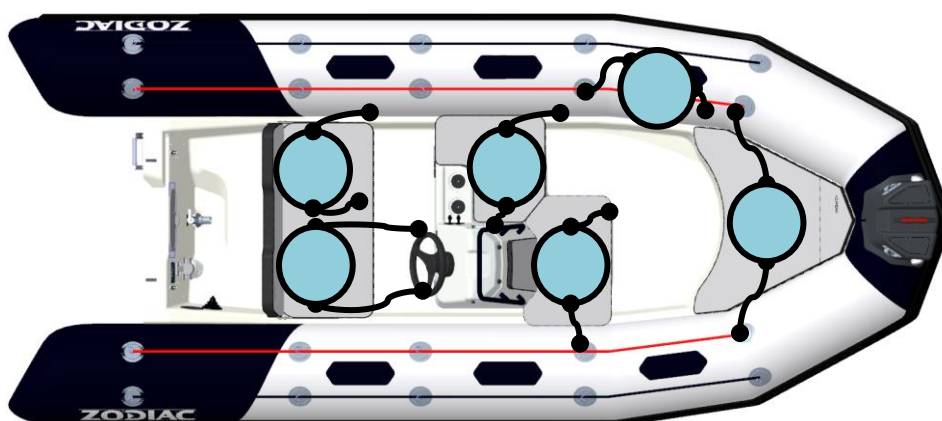
**I-4 CARATTERISTICHE TECNICHE OPEN 4.8**

Dimensioni						
Tolleranze sulle dimensioni +/- 3%						
	m	4,7		m	0,5	
	ft	15' 5"		ft	1' 8"	
	m	2,92	Senza tubolare   	a	m	3,83
	ft	9' 7"			ft	12' 7"
	m	2,09		b	m	1,38
	ft	6' 10"			ft	4' 6"
	m	1,1		c	m	1,38
	ft	3' 7"			ft	4' 6"
	H (mm)		1085	Altezza max		
	T (mm)		485	Pescaggio max		
	°		17,5	Angolo dello specchio di poppa		
	mm		537	Altezza dello specchio di poppa		

Categoria di progettazione	
(Direttiva 2013/53/UE)	C


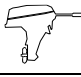


Capacità				
Tolleranze sui pesi +/- 5%				
(ISO)		C	Carico massimo a norma ISO 14946 (1+2+3+4), dati indicati sul certificato ICNN. Carico massimo a norma ISO 14945 (1+2+3+5), dati indicati sulla targa del costruttore. Massa delle persone Effetti personali Elenco di tutti gli optional proposti Contenuto dei serbatoi di liquidi di consumo (benzina, acqua potabile...) Massa del o dei motori	
		6		
	ISO 14946	Kg		590
		lb.		1301
	ISO 14945	Kg		760
		lb.		1676
		Kg	310	
		lb.	683	
Numero di compartimenti		5		

## DESCRIZIONE - Caratteristiche tecniche



### **AVVERTENZA!!!**

**NON SUPERARE IL NUMERO MASSIMO DI PERSONE RACCOMANDATO. INDIPENDENTEMENTE DAL NUMERO DI PASSEGGERI A BORDO, LA MASSA TOTALE DELLE PERSONE E DELL'EQUIPAGGIAMENTO NON DEVE MAI SUPERARE IL CARICO MASSIMO RACCOMANDATO. UTILIZZARE SEMPRE I SEDILI O I POSTI A SEDERE PREVISTI.**

Motorizzazione Open 4.8				
 Long	Lunghezza dell'albero	MONOMOTORE		Le potenze raccomandate corrispondono a uno sfruttamento ottimale delle capacità dell'imbarcazione con carico medio.
		L		
	Potenza MIN raccomandata	CV	40	
		kW	29,8	
	Potenza MAX raccomandata	CV	50	
		kW	37,3	
	Potenza MAX consentita	CV	80	
		kW	59,7	
 Maximum	Peso MAX motore	Kg	170	
		lb.	374,8	

**NOTA:** Qualora la potenza massima consentita sia superiore alla potenza massima raccomandata, deve essere utilizzata con la massima prudenza. Si rivolge esclusivamente a utilizzatori esperti, che utilizzano l'imbarcazione in condizioni molto specifiche (trasporto di carichi pesanti ecc.). Si veda il Tomo 1 del manuale, capitolo "Consigli per la navigazione".

**DESCRIZIONE - Caratteristiche tecniche**

**NOTA:** Qualora la potenza massima consentita sia superiore alla potenza massima raccomandata, deve essere utilizzata con la massima prudenza. Si rivolge esclusivamente a utilizzatori esperti, che utilizzano l'imbarcazione in condizioni molto specifiche (trasporto di carichi pesanti ecc.). Si veda il Tomo 1 del manuale, capitolo "Consigli per la navigazione".

**AVVERTENZA!!!**

**NEL CARICARE L'IMBARCAZIONE, NON SUPERARE MAI IL CARICO MASSIMO RACCOMANDATO. CARICARE SEMPRE L'IMBARCAZIONE CON CURA E RIPARTIRE I CARICHI IN MODO ADEGUATO PER CONSERVARE L'ASSETTO TEORICO (APPROSSIMATIVAMENTE ORIZZONTALE). EVITARE DI POSIZIONARE CARICHI PESANTI IN ALTO.**

**AVVERTENZA!!!**

**IL CARICO MASSIMO INDICATO SULLA TARGA DEL COSTRUTTORE NON DEVE ESSERE SUPERATO PER ALCUN MOTIVO.**

**QUANDO L'IMBARCAZIONE È CARICATA AL MASSIMO, SI RACCOMANDA QUANTO SEGUE:**

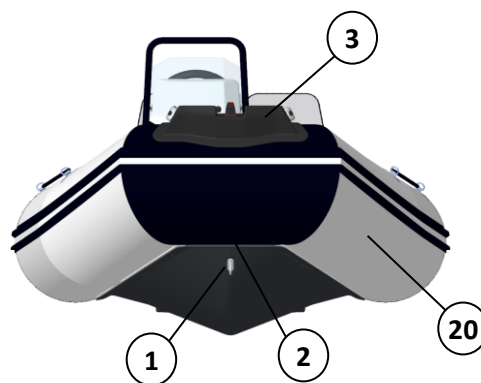
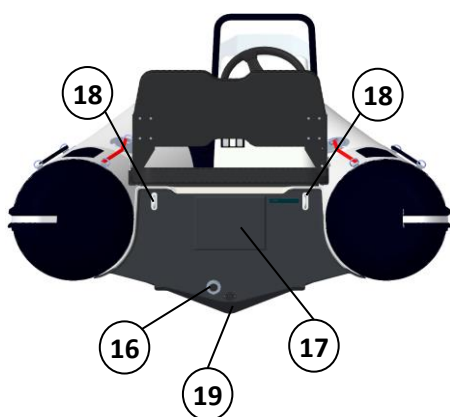
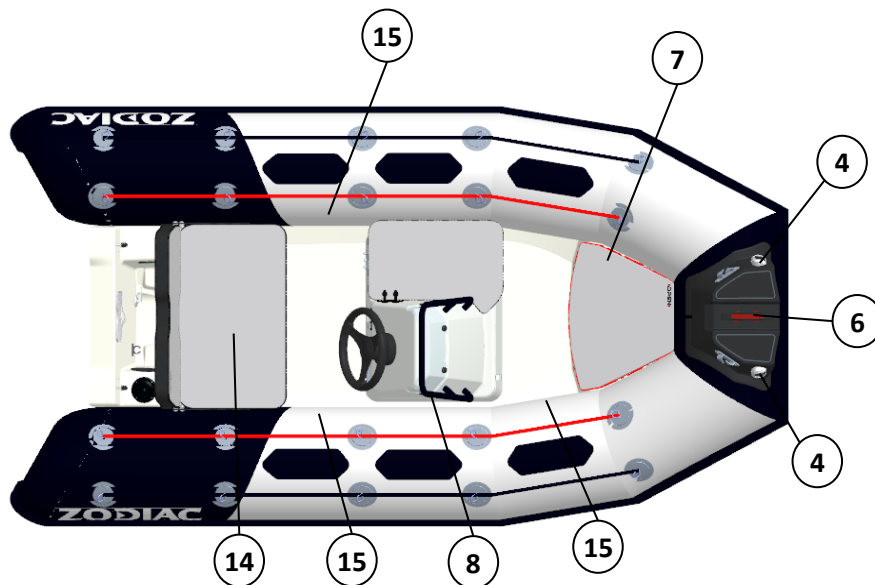
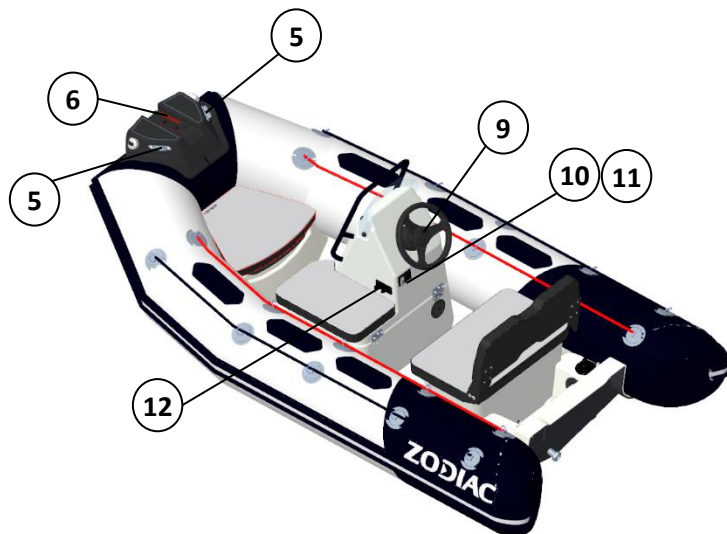
- **NAVIGARE CON PRECAUZIONE**
- **RIPARTIRE I CARICHI**
- **CONSERVARE UN ASSETTO ADEGUATO DELL'IMBARCAZIONE.**

**ATTENZIONE!!!**

**NON STIVARE PRODOTTI INFIAMMABILI NEL COMPARTIMENTO DI POPPA.  
È SEVERAMENTE VIETATO IMBARCARE UN SERBATOIO AUSILIARIO.**

I-5 INVENTARIO E UBICAZIONE

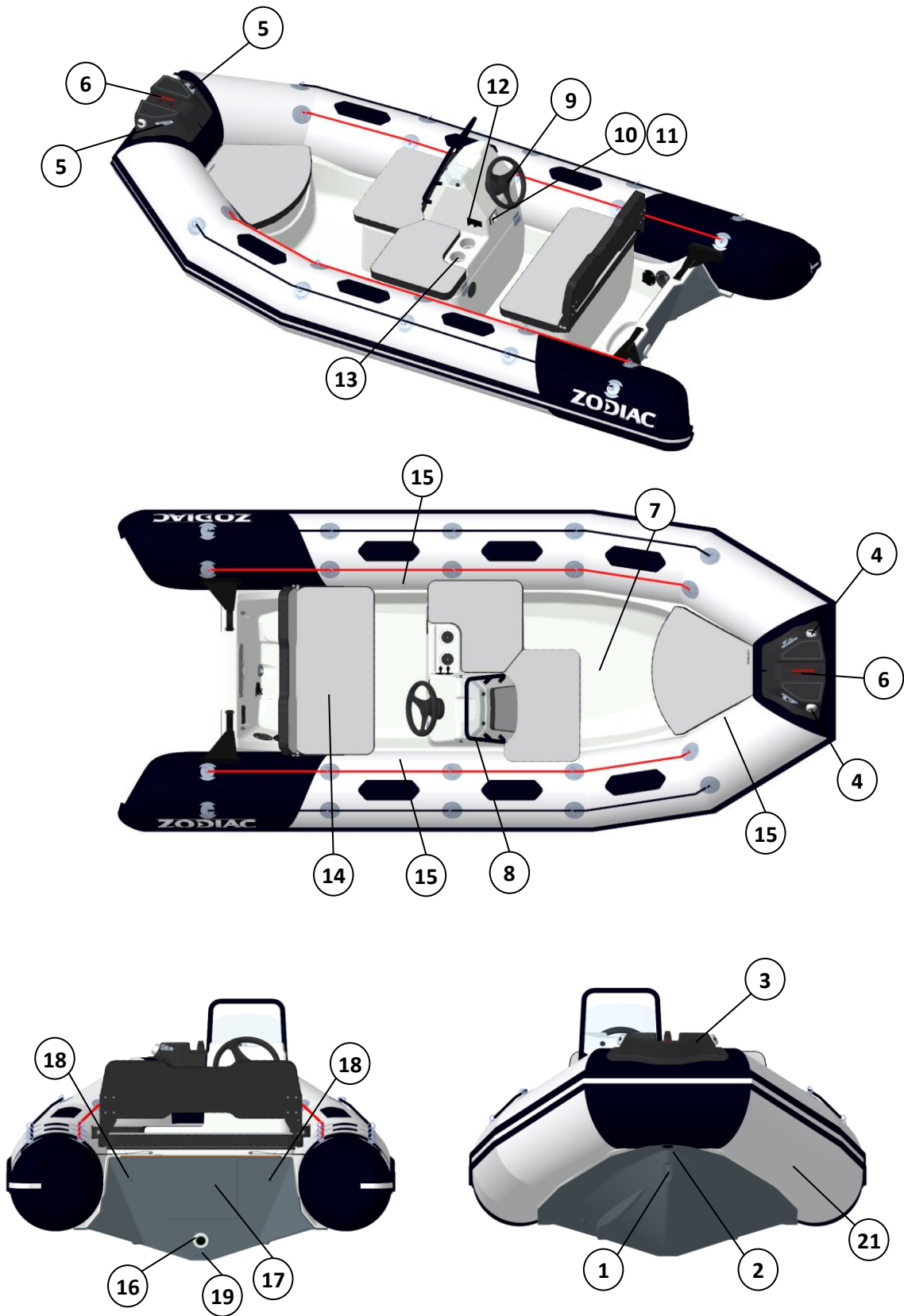
OPEN 3.1 e 3.4





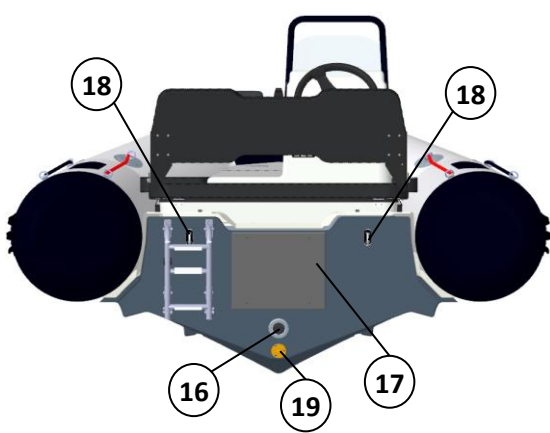
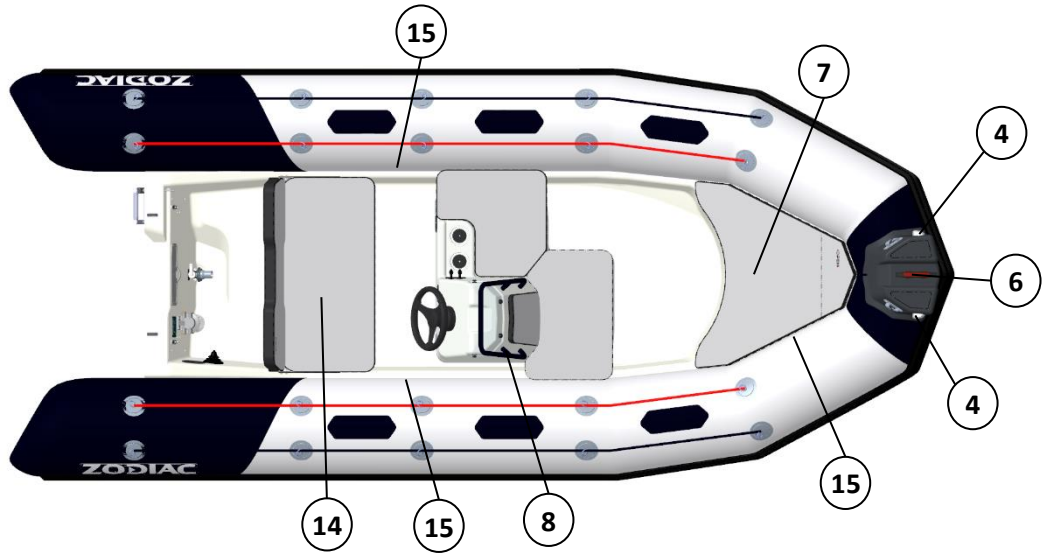
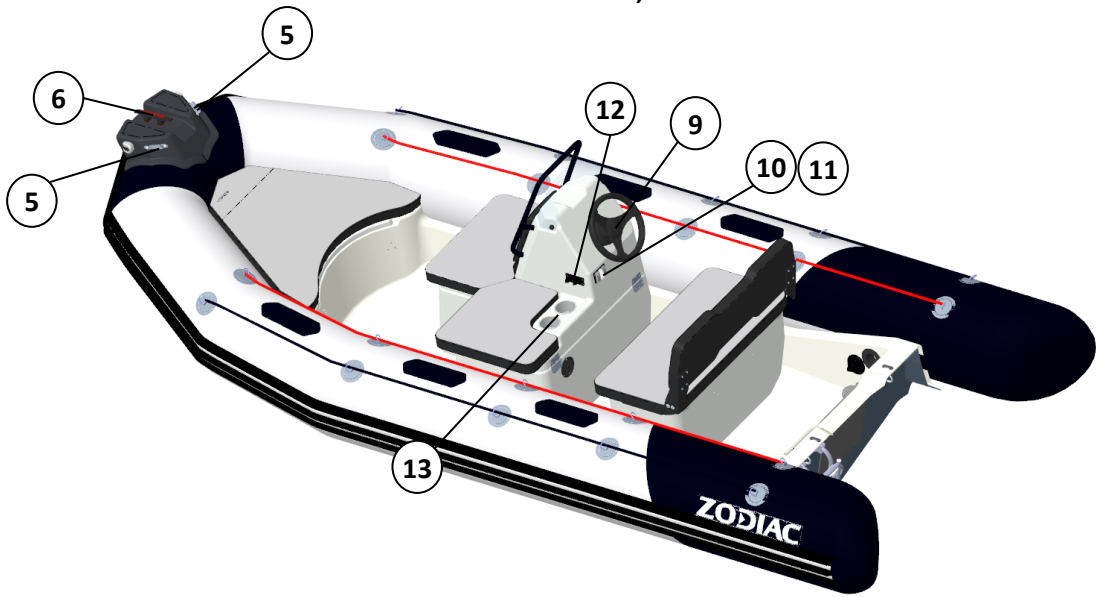
DESCRIZIONE - INVENTARIO E UBICAZIONE

OPEN 4,2



DESCRIZIONE - INVENTARIO E UBICAZIONE

OPEN 4,8



**DESCRIZIONE - INVENTARIO E UBICAZIONE**

Riferimento	DESCRIZIONE
<b>EQUIPAGGIAMENTO STANDARD</b>	
	2 remi telescopici, 1 pompa a pedale, 1 valigetta per le riparazioni, 1 manuale del proprietario (2 tomi), 1 manometro. Piano in poliestere con coperta a controstampo e antiscivolo
	Panca
	Console
1	Puleggia dell'ancora
2	Fissaggio grembiule tubolare
3	Puleggia
4	Luci di navigazione
5	Passacavi
6	Galloccia d'ormeggio
7	Gavone per ancoraggio
8	Corrimano
9	Volante, sterzo meccanico
10	Interruttore luce di navigazione
11	Spazi liberi per altri interruttori
12	Presa 12 V e presa USB
13	Portaoggetti/Portabicchieri
14	Batteria (vano) <i>All'interno del panchetto di poppa</i>
15	Valvole di gonfiaggio/sgonfiaggio
16	Scarico rapido del ponte
17	Piastra
18	Lande di traino
19	Foro di alaggio dello scafo
20	Tubolare incollato con bottazzo antiabrasione, rizze e coni lunghi.
21	Tubolare amovibile con bottazzo antiabrasione dal profilo largo, rizze e coni lunghi.

<b>ATTREZZATURE OPZIONALI</b>		<b>OPEN 3.1</b>	<b>OPEN 3.4</b>	<b>OPEN 4.2</b>	<b>OPEN 4.8</b>
	Serbatoio portatile	X	X	X	X
	Interruttore di batteria	X	X	X	X
	Scaletta bagno	X	X	X	X
	Rete di contenimento oggetti	X	X	X	X
	Ponte EVA	X	X	X	X
	Luce bianca	X	X	X	X
	Kit di sollevamento	X	X	X	X
	Cappa di ormeggio	X	X	X	X
	Bimini	X	X	X	X
	Turboswing			X	X
	Roll Bar / Asta da sci nautico				X
	Altri optional disponibili, contattare il rivenditore ZODIAC				

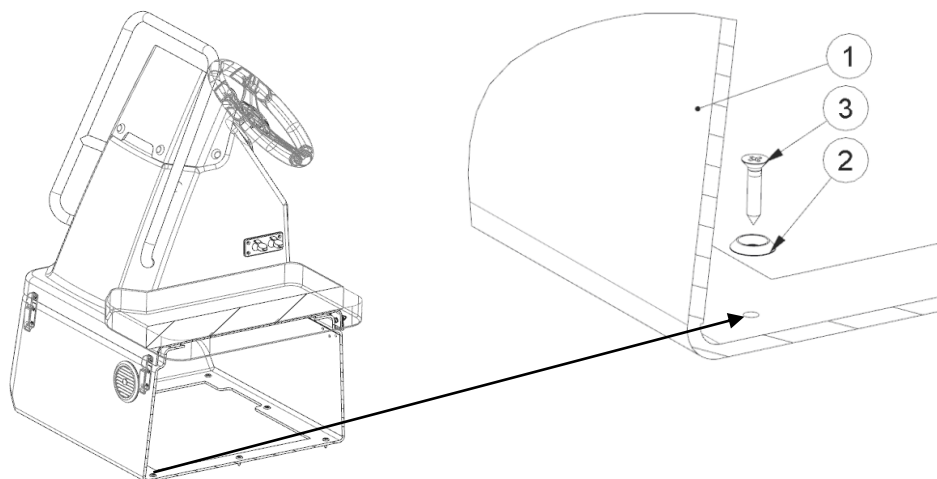
**I-6 UBICAZIONE ATTREZZATURE**

L'imbarcazione verrà consegnata con la console e la panca non assemblate sullo scafo.  
 Seguire i passaggi che seguono per posizionare, fissare e mantenere gli elementi in posizione sul ponte.

Si consiglia di posare tutti i cavi e i fasci del motore prima di eseguire queste fasi di montaggio.

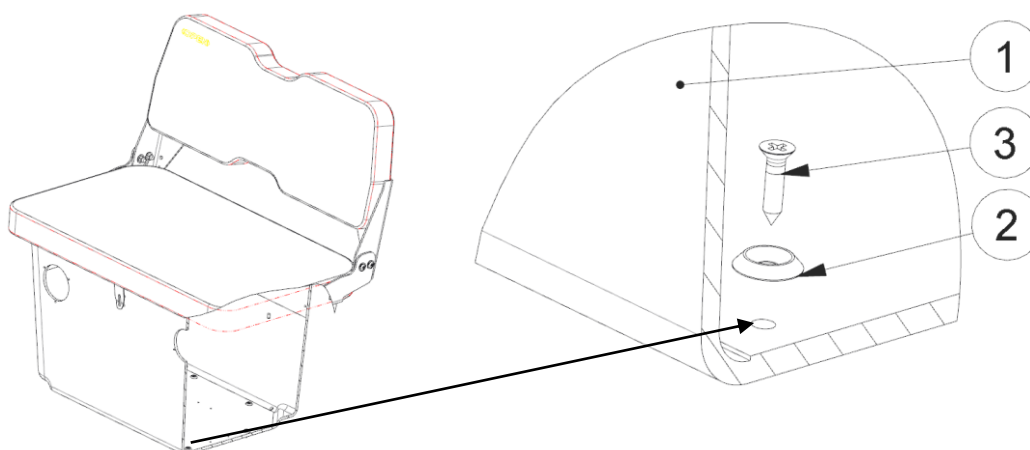
**I-6-1- OPEN 3.1 / 3.4**

**I-6-1-1- Console**



Riferimento	Articolo	Quantità
1	GRUPPO CONSOLE 3.1/3.4	1
2	RONDELLA SVASATA M5	8
3	VITE TOL FZ 4,8X25	8

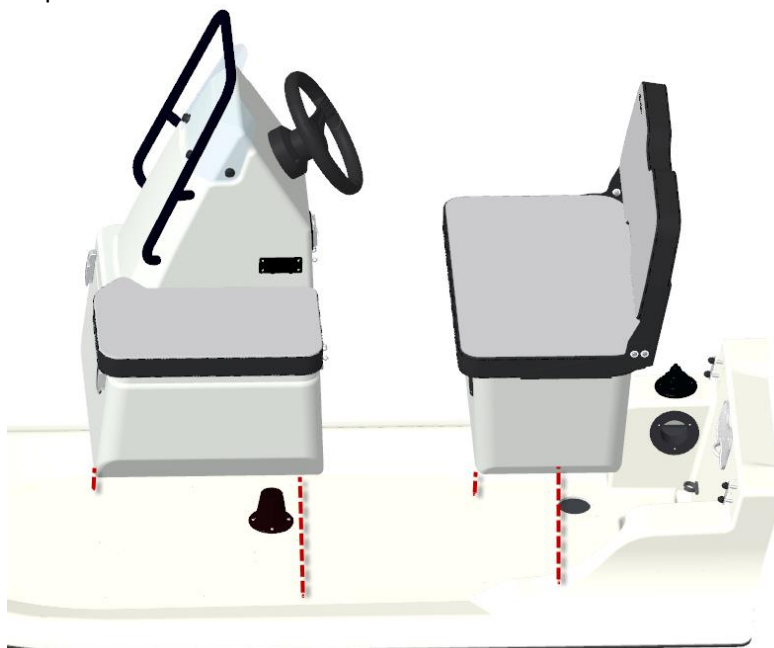
**I-6-1-2- Panca**



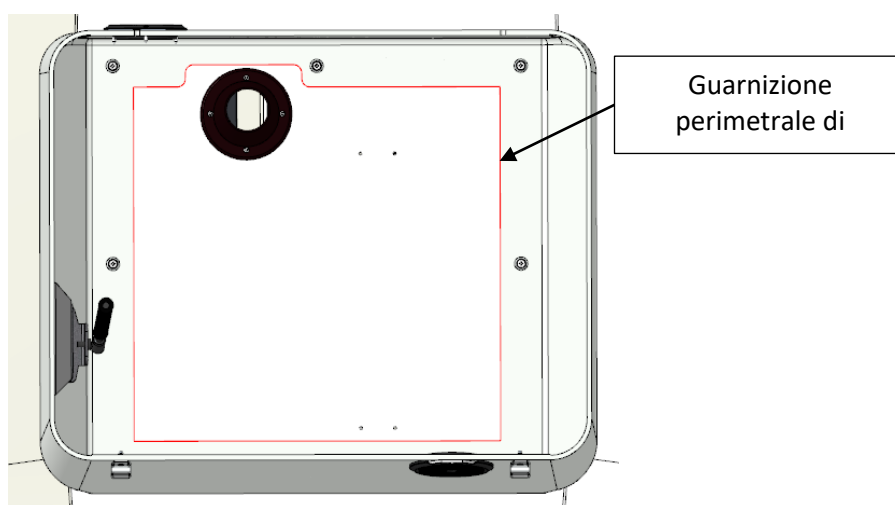
Riferimento	Articolo	Quantità
1	GRUPPO PANCA 3.1/3.4	1
2	RONDELLA SVASATA M5	6
3	VITE TOL FZ 4,8X32	6

**DESCRIZIONE - INVENTARIO e ubicazione****I-6-1-1- Installazione**

- Posizionare tutti gli elementi sul ponte allineandoli con i fori senza avvitarli,
- Verificare che siano tutti paralleli tra di loro e rispetto allo specchio di poppa,
- Utilizzare i fori della console e della panca per segnare le posizioni dei fori sul ponte,
- Alzare gli elementi, praticare un foro con punta  $\varnothing$  4,2 mm.
- Pulire e stendere del SIKAFLEX 221 attorno a ciascun foro e tra i fori per creare una guarnizione perimetrale.



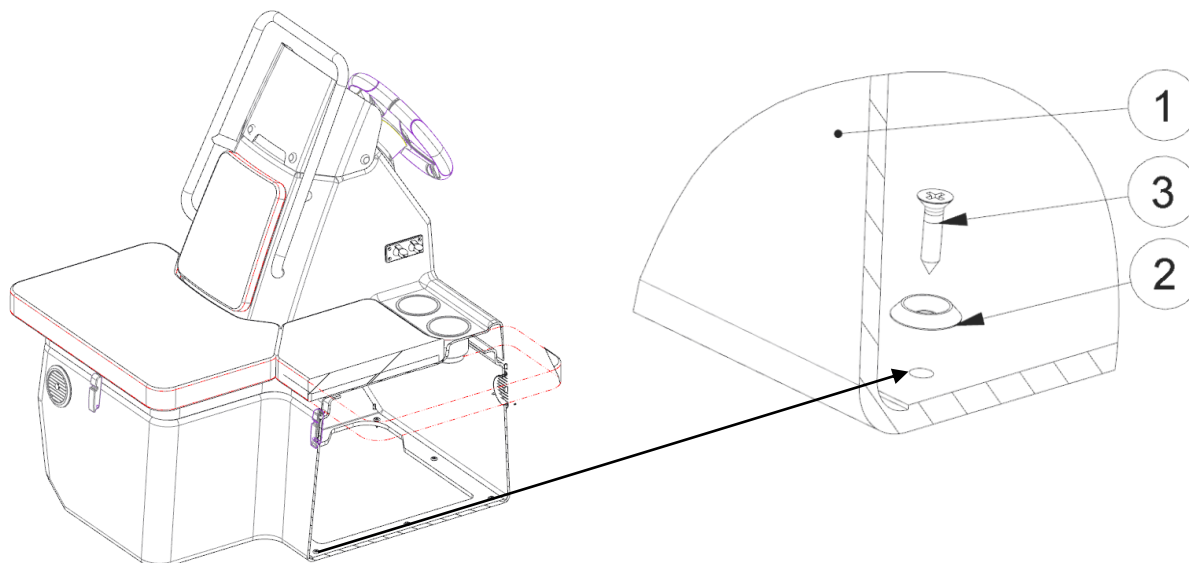
- Posizionare gli elementi sul ponte e avvitare.
- Rimuovere il SIKAFLEX in eccesso.
- Realizzare una guarnizione di finitura perimetrale sulla parte interna della console per garantire una migliore tenuta.



## DESCRIZIONE - INVENTARIO e ubicazione

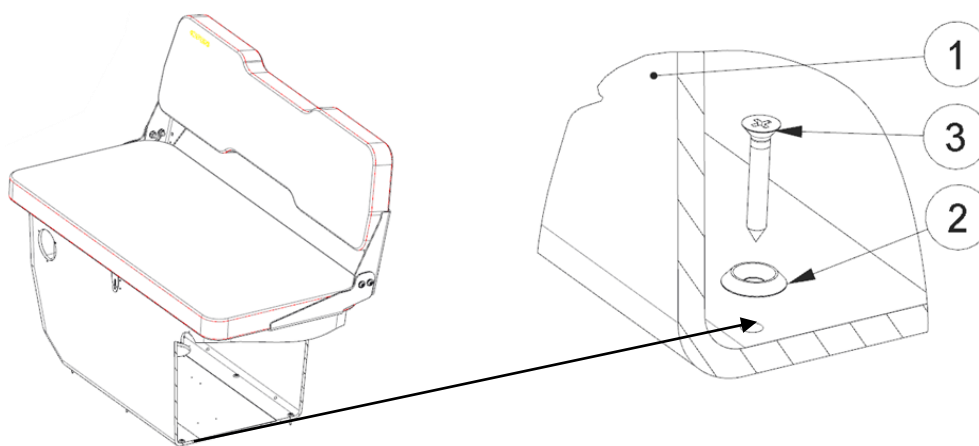
### I-6-2- OPEN 4.2 / 4.8

#### I-6-2-1- Console



Riferimento	Articolo	Quantità
1	GRUPPO CONSOLE 4.2/4.8	1
2	RONDELLA SVASATA M5	8
3	VITE TOL FZ 4,8X25	8

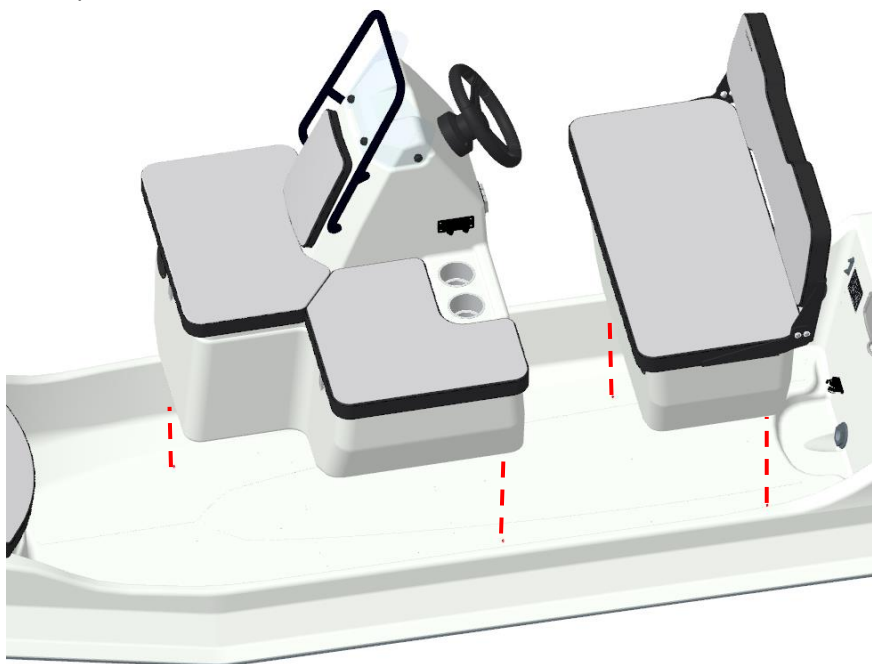
#### I-6-2-2- Panchetto



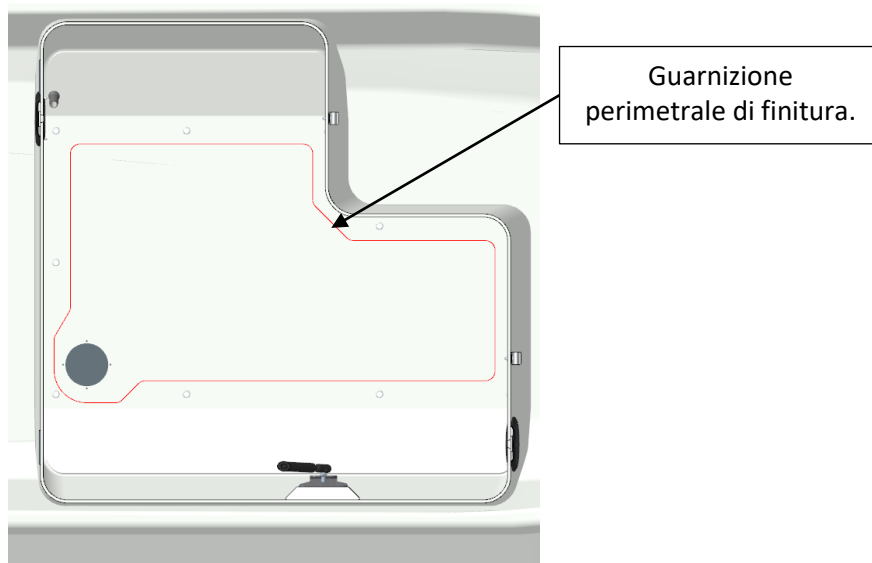
Riferimento	Articolo	Quantità
1	GRUPPO PANCHETTO 4.2/4.8	1
2	RONDELLA SVASATA M5	6
3	VITE TOL FZ 4,8X32	6

**DESCRIZIONE - INVENTARIO e ubicazione****I-6-2-3- Installazione**

- Posizionare tutti gli elementi sul ponte allineandoli con i fori senza avvitarli,
- Verificare che siano tutti paralleli tra di loro e rispetto allo specchio di poppa,
- Utilizzare i fori della console e della panca per segnare le posizioni dei fori sul ponte,
- Alzare gli elementi, praticare un foro con punta  $\varnothing 4,2$  mm.
- Pulire e stendere del SIKAFLEX 221 attorno a ciascun foro e tra i fori per creare una guarnizione perimetrale.



- Posizionare gli elementi sul ponte e avvitare.
- Rimuovere il SIKAFLEX in eccesso.
- Realizzare una guarnizione di finitura perimetrale sulla parte interna della console per garantire una migliore tenuta.



**I-7 MOVIMENTAZIONE**

**I-7-1- Trasporto**

I consigli per il trasporto su rimorchio sono forniti nel manuale del proprietario TOMO 1.

**Utilizzare un rimorchio adatto all'imbarcazione.**

L'imbarcazione rientra nella sagoma per il trasporto su strada. Deve essere trasportata gonfiata.

La massa in condizione di trasporto per un rimorchio comprende quanto segue:

**OPEN 3.1**

<b>Peso dell'imbarcazione a vuoto:</b>	132 kg	<i>Tolleranza +/- 5%</i>
<b>Peso motore/i:</b>	57 kg	
<b>Riserva consumabile:</b>	25 kg	<i>Serbatoio benzina</i>
<b>Optional:</b>	14 kg	<i>Modello con tutti gli optional</i>
<b>Equipaggiamento di sicurezza:</b>	21 kg	<i>Attrezzature</i>
<b>Σ:</b>	<b>249 kg</b>	

**OPEN 3.4**

<b>Peso dell'imbarcazione a vuoto:</b>	150 kg	<i>Tolleranza +/- 5%</i>
<b>Peso motore/i:</b>	95 kg	
<b>Riserva consumabile:</b>	25 kg	<i>Serbatoio benzina</i>
<b>Optional:</b>	14 kg	<i>Modello con tutti gli optional</i>
<b>Equipaggiamento di sicurezza:</b>	21 kg	<i>Attrezzature</i>
<b>Σ:</b>	<b>305 kg</b>	

**OPEN 4,2**

<b>Peso dell'imbarcazione a vuoto:</b>	265 kg	<i>Tolleranza +/- 5%</i>
<b>Peso motore/i:</b>	115 kg	
<b>Riserva consumabile:</b>	47 kg	<i>Serbatoio benzina e serbatoio acqua dolce</i>
<b>Optional:</b>	27 kg	<i>Modello con tutti gli optional</i>
<b>Equipaggiamento di sicurezza:</b>	21 kg	<i>Attrezzature</i>
<b>Σ:</b>	<b>475 kg</b>	

**OPEN 4.8**

<b>Peso dell'imbarcazione a vuoto:</b>	310 kg	<i>Tolleranza +/- 5%</i>
<b>Peso motore/i:</b>	170 kg	
<b>Riserva consumabile:</b>	47 kg	<i>Serbatoio benzina e serbatoio acqua dolce</i>
<b>Optional:</b>	27 kg	<i>Modello con tutti gli optional</i>
<b>Equipaggiamento di sicurezza:</b>	21 kg	<i>Attrezzature</i>
<b>Σ:</b>	<b>575 kg</b>	



**DESCRIZIONE - Movimentazione**

ORMEGGIO SU RIMORCHIO O SU INVASO:  
UTILIZZARE IL GOLFARO DEL DRITTO DI PRUA E LE LANDE DI POPPA SULLA PARTE ESTERNA DELLO SPECCHIO DI POPPA.



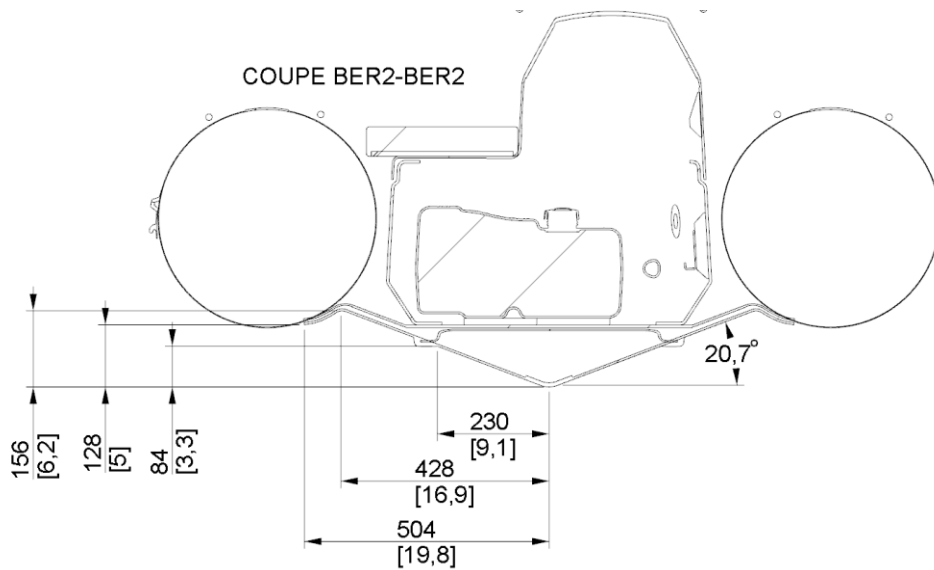
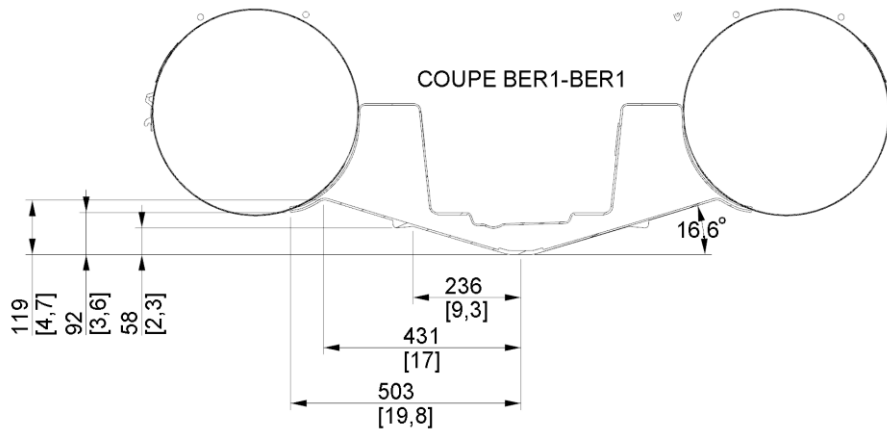
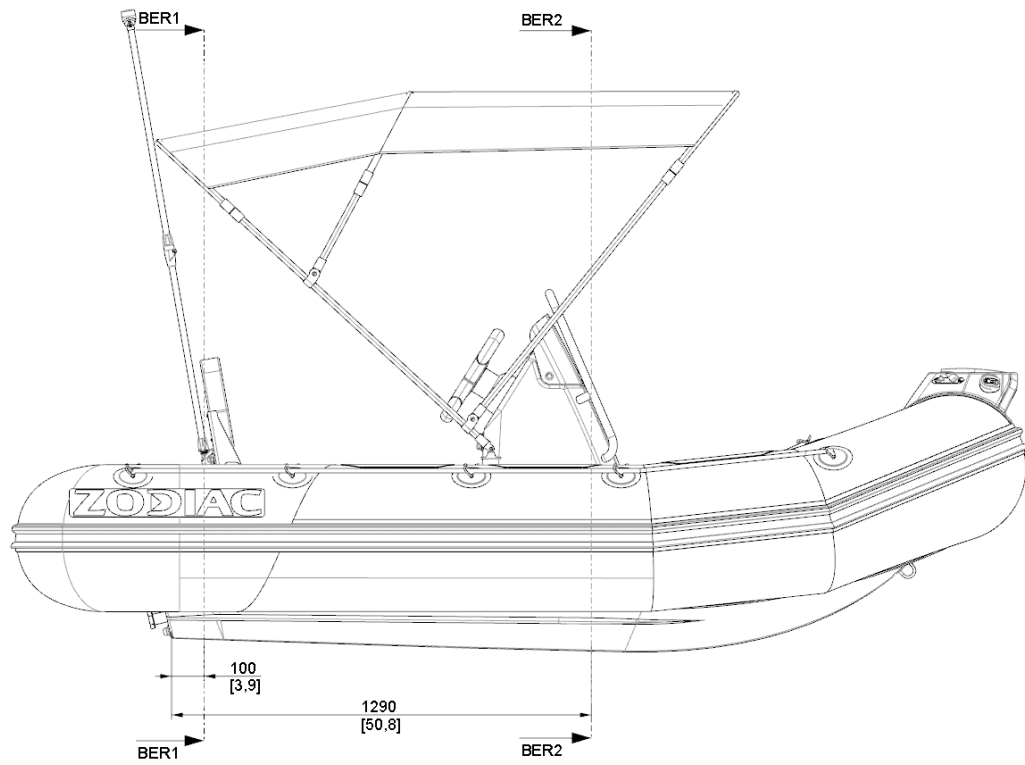
**RACCOMANDAZIONE: IN CASO DI TRASPORTO CON TUBOLARE SGONFIATO!**  
PER EVITARE DI DANNEGGIARE I CONI DI POPPA, SI RACCOMANDA DI PROCURARSI IL KIT CON LA CINGHIA DI TRASPORTO (EQUIPAGGIAMENTO OPTIONAL).



**ATTENZIONE!!!**  
L'IMBARCAZIONE DEVE POGGIARE TASSATIVAMENTE SULLA LINEA DELLA RUOTA DI PRUA.  
VEDERE DISEGNO DI SEGUITO.

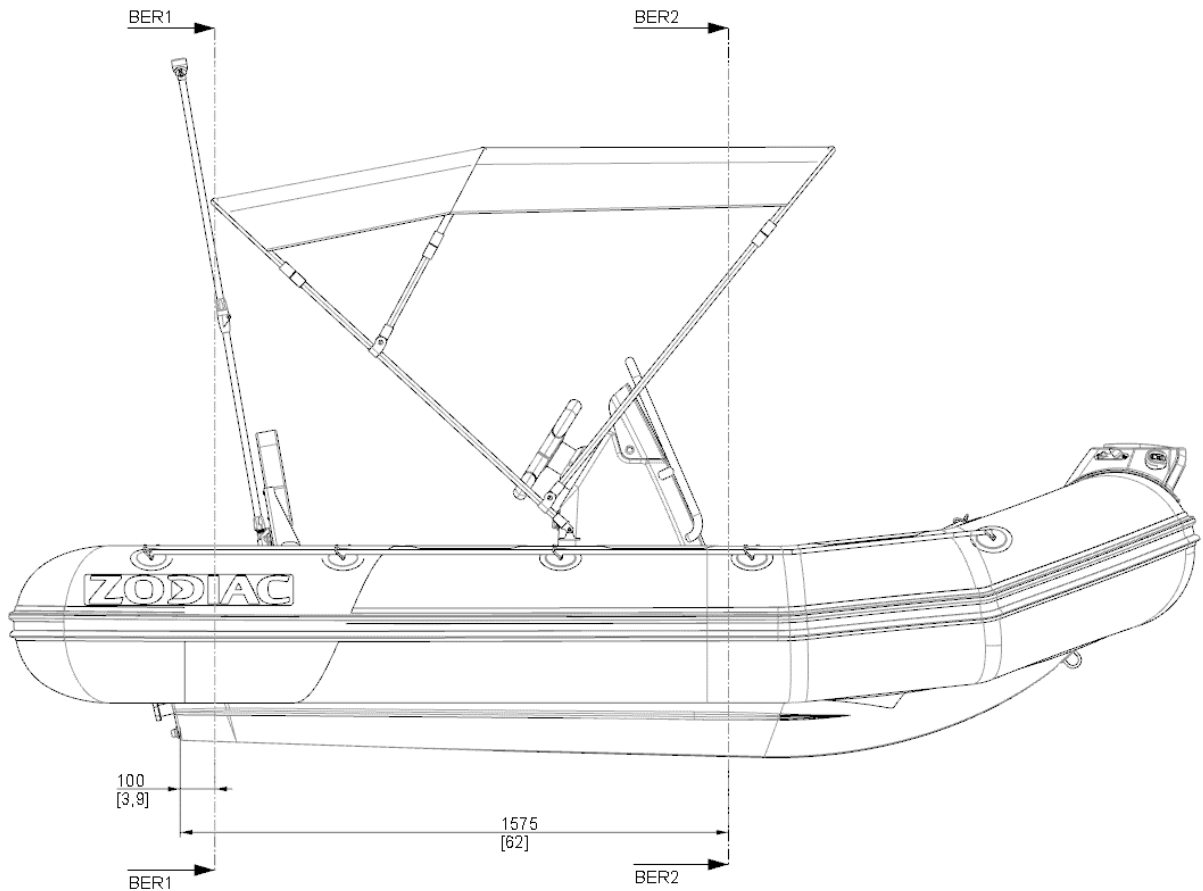
DESCRIZIONE - Movimentazione

OPEN 3.1

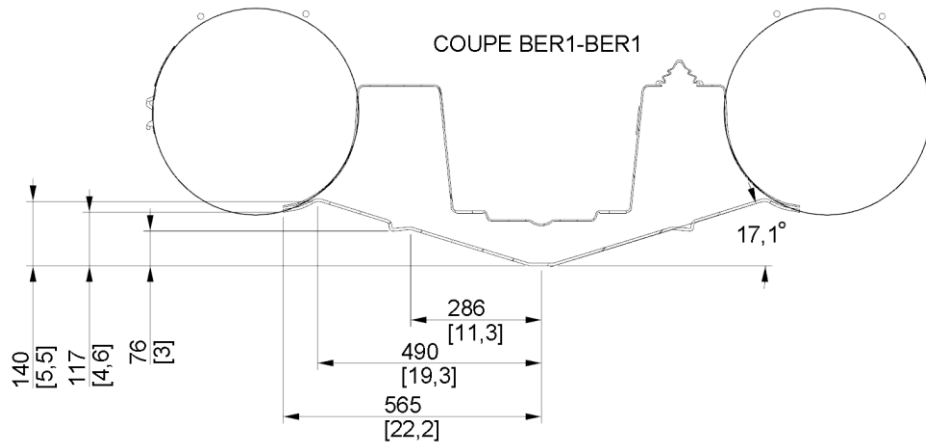


**DESCRIZIONE - Movimentazione**

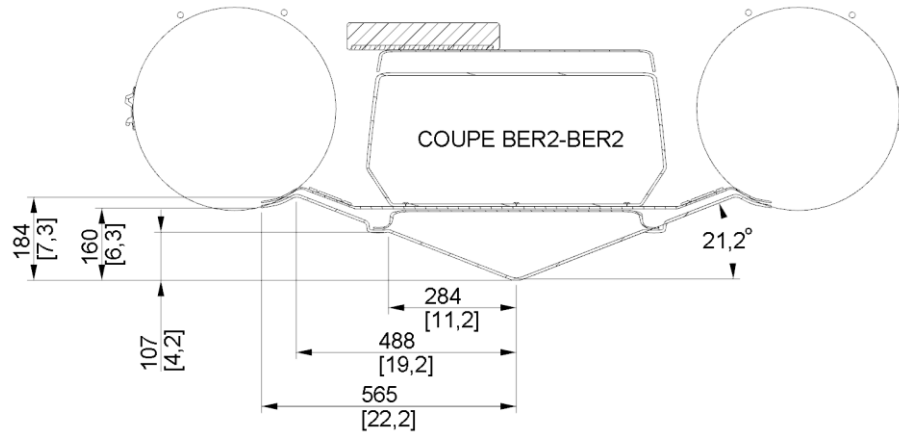
**OPEN 3.4**



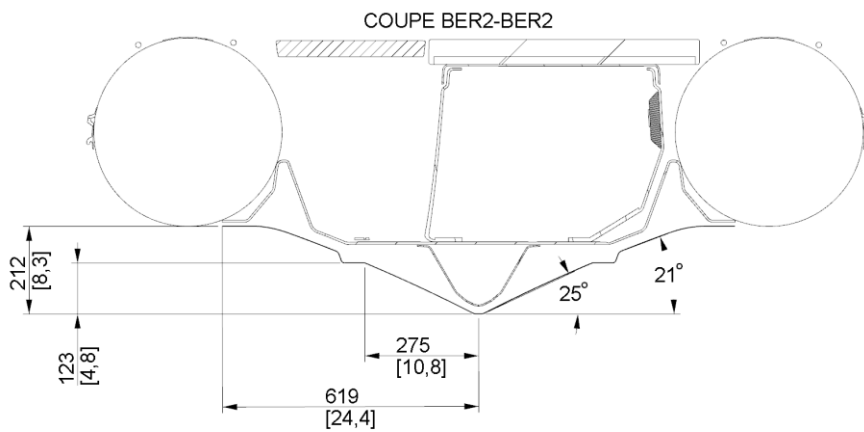
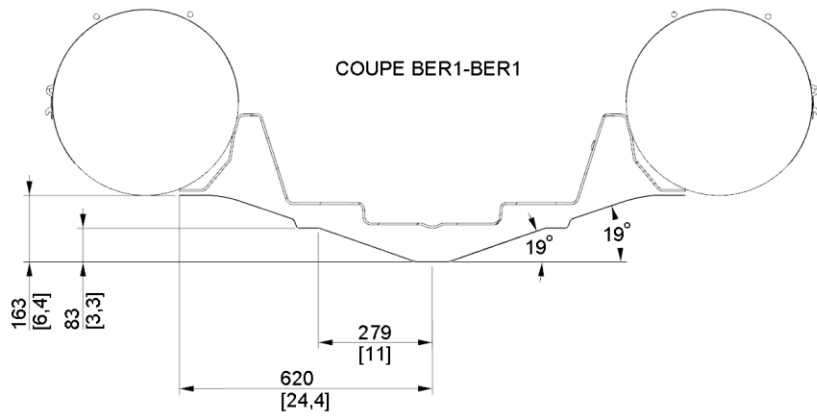
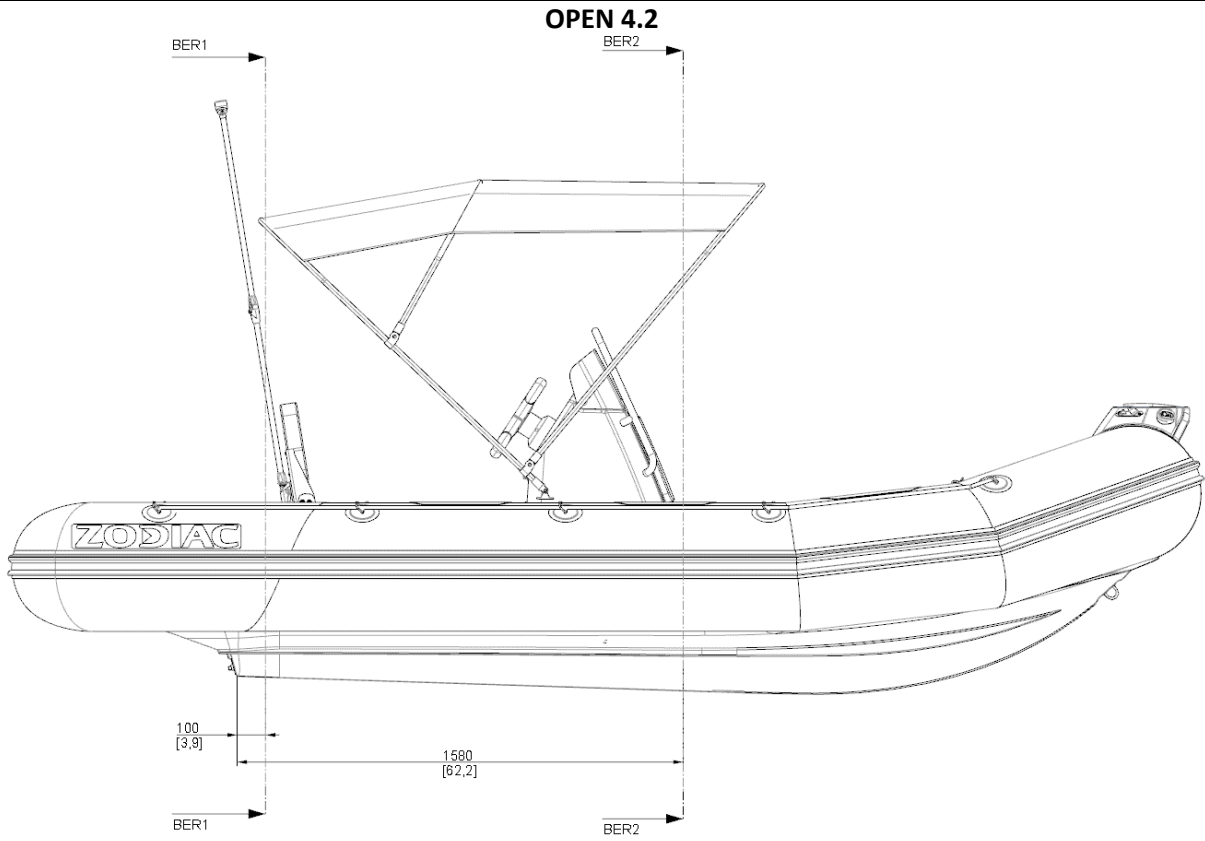
**COUPE BER1-BER1**



**COUPE BER2-BER2**

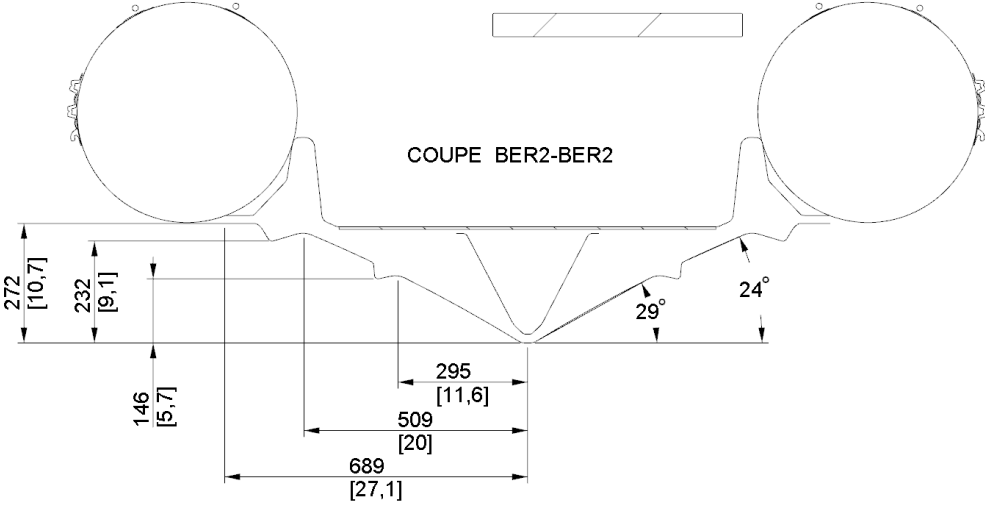
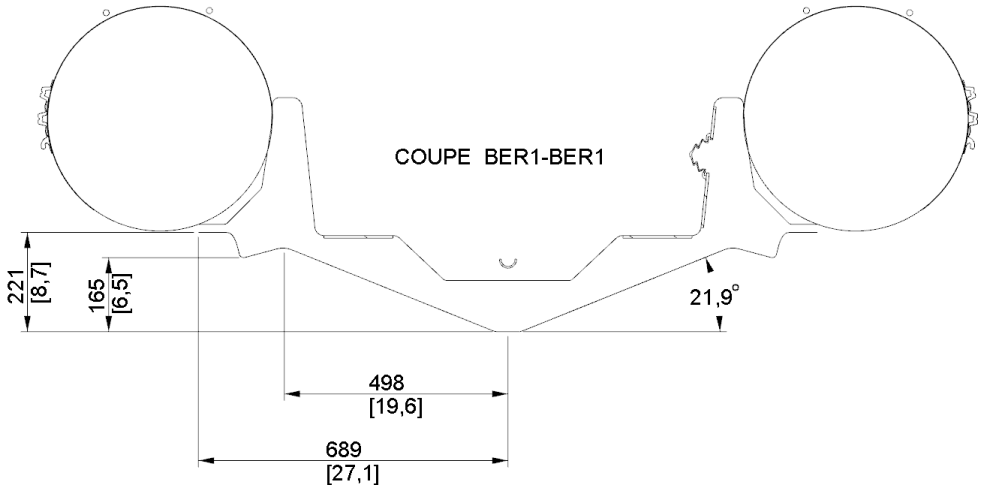
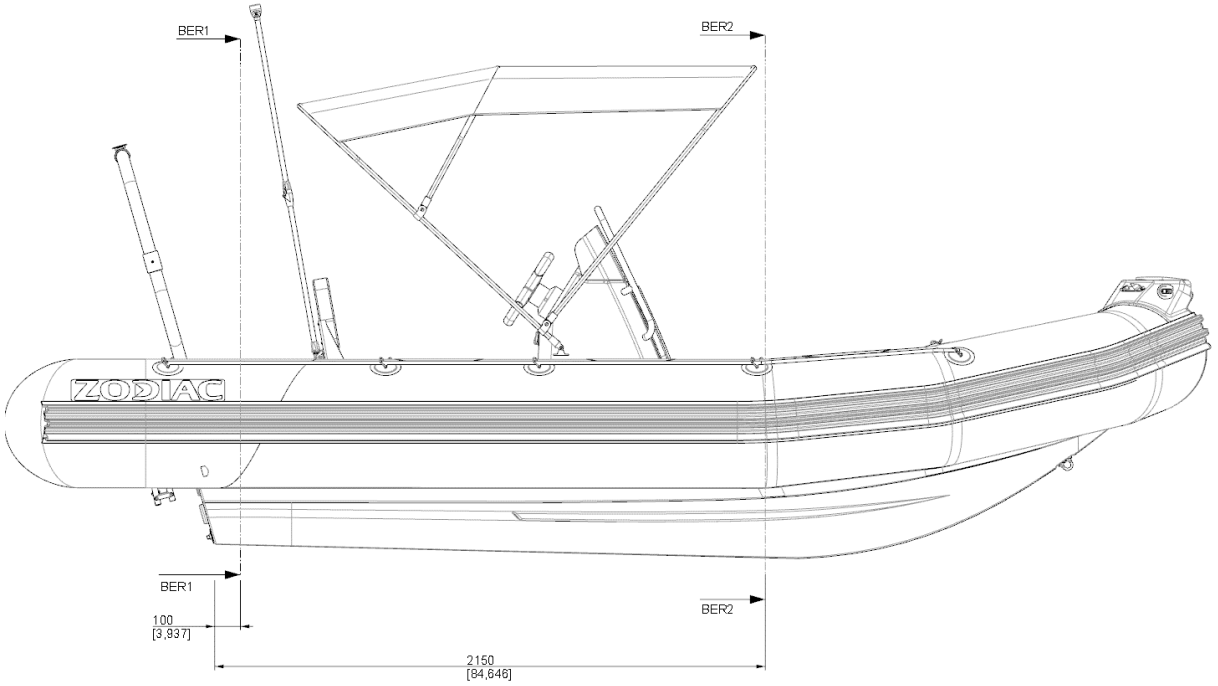


**DESCRIZIONE - Movimentazione**



DESCRIZIONE - Movimentazione

OPEN 4.8



I-7-2- Sollevamento



**AVVERTENZA**

L'IMBARCAZIONE NON È DOTATA DI MEZZI DI SOLLEVAMENTO. L'OPERAZIONE DI SOLLEVAMENTO DEVE ESSERE TASSATIVAMENTE EFFETTUATA INFILANDO APPOSITE CINGHIE DI SOLLEVAMENTO SOTTO LO SCAFO.



OPEN 3.1: 1000 mm\*

OPEN 3.4: 1100 mm\*

OPEN 4.2: 1220 mm\*

OPEN 4.8: 1400mm\*

\*Stima del centro di gravità con il motore più pesante.



**AVVERTENZA**

PER L'OPERAZIONE DI SOLLEVAMENTO RIVOLGERSI A SPECIALISTI DEL SETTORE.



**PERICOLO!!!**

DURANTE IL GRUAGGIO, NESSUN PASSEGGERO DEVE TROVARSI A BORDO.



**ATTENZIONE!!!**

L'IMBARCAZIONE DEVE ESSERE PRIVA DI QUALSIASI EQUIPAGGIAMENTO DURANTE IL GRUAGGIO O IL POSIZIONAMENTO SULLA GRU.

APRIRE IL FORO DI ALAGGIO DI POPPA PRIMA DI CALARE IN ACQUA L'IMBARCAZIONE ONDE GARANTIRE L'EVACUAZIONE DI EVENTUALE ACQUA PIOVANA ACCUMULATASI NELLA SENTINA (RICHIUDERE IL FORO PRIMA DI CALARE IN ACQUA L'IMBARCAZIONE).

**TUBOLARE - Montaggio del tubolare sullo scafo****II- TUBOLARE****II-1 MANUTENZIONE DEL TUBOLARE**

Il tubolare dell'imbarcazione è in tessuto STRONGAN DUOTEX® **1100** dceitex, 1000 gr/m<sup>2</sup> o in NEOPRENE CSM-CR **1100** decitex, 1050 gr/m<sup>2</sup>.

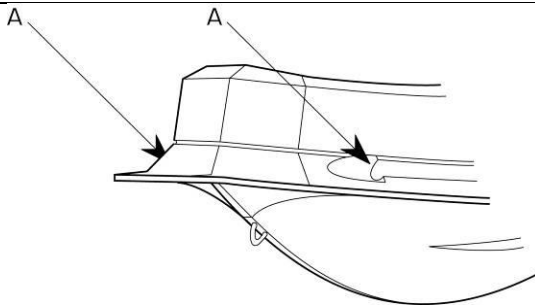
I consigli per la manutenzione sono specificati nel manuale del proprietario TOMO 1.

**II-2 MONTAGGIO DEL TUBOLARE SULLO SCAFO OPEN 4.2 / OPEN 4.8**

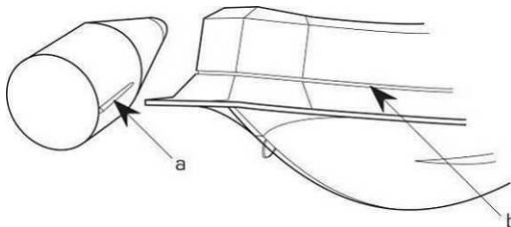
SE IL TUBOLARE È STATO RIMESSATO A UNA TEMPERATURA INFERIORE A 0°C, LASCIARLO PER 12 ORE IN UN LUOGO TEMPERATO (20°C) PRIMA DI APRIRLO.

È POSSIBILE PROCEDERE AL GONFIAGGIO DEL TUBOLARE NON MONTATO (PRESSIONE 240 MB) LASCIANDOLO STABILIZZARE PER CIRCA UN'ORA. QUINDI, SGONFIARE IL TUBOLARE.

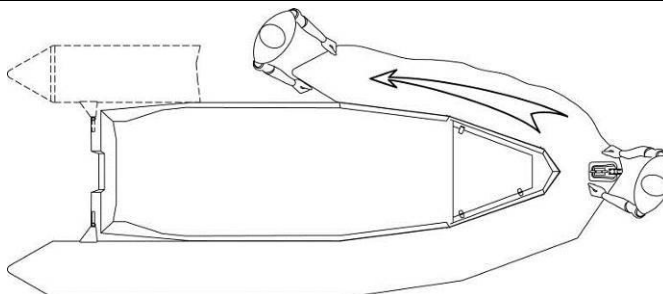
**NOTA:** il tubolare deve essere montato sullo scafo sgonfio

**1**

Per agevolare l'installazione del tubolare, cospargere le guide (A) dello scafo con un po' di sapone liquido.

**2**

Posizionare la ralinga (a) del tubolare nella guida dello scafo (b), iniziando dalla prua. Tirare il tubolare fino a portare il para-acqua al livello dello specchio di poppa.

**3**

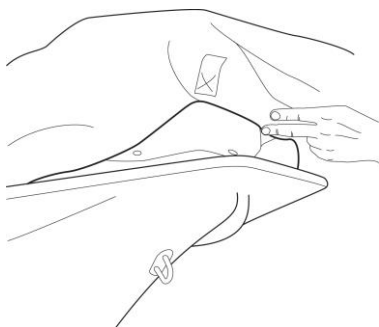
Procedere allo stesso modo per l'altro lato del tubolare.

I due grembiuli (d'impermeabilizzazione ed esterno) devono passare al di sopra del muso dello scafo.

## TUBOLARE - GONFIAGGIO DEL TUBOLARE

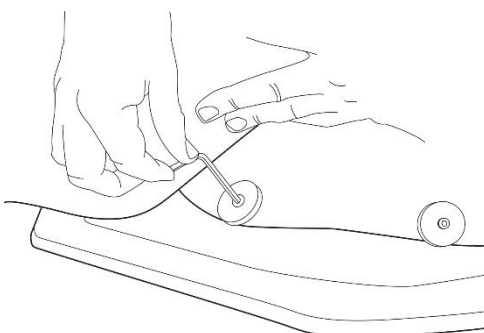
### II-3 FISSAGGIO DEL GREMBIULE

1



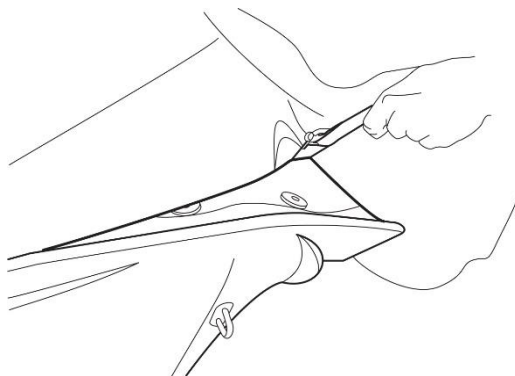
Posizionare il grembiule interno

2



Fissare il grembiule interno (vite + rondelle)

3



Dopo aver fissato il grembiule interno sullo scafo, tirare leggermente il tubolare in avanti per passare il grembiule esterno al di sotto della punta anteriore (non attaccarlo in questa fase). Quindi tirare il tubolare all'indietro.

Procedere al gonfiaggio.

**NOTA:**

**Il fissaggio finale del grembiule esterno deve essere effettuato dopo aver gonfiato il tubolare**

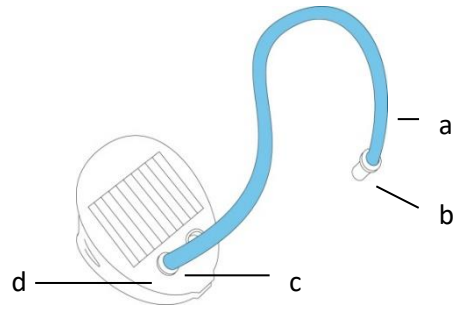


**TUBOLARE - GONFIAGGIO DEL TUBOLARE**

**II-4 GONFIAGGIO DEL TUBOLARE**

**LA POMPA**

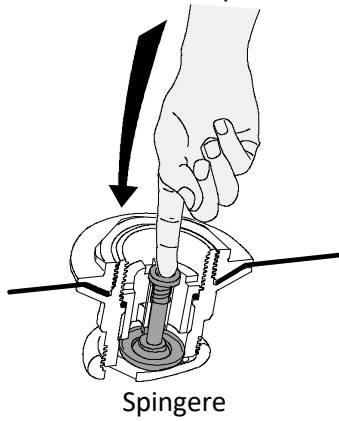
- a. punta del tubo
- b. adattatore
- c. base del tubo
- d. orifizio di gonfiaggio



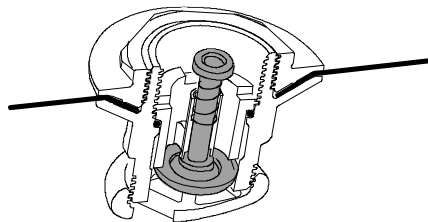
**NOTA:** NOTA: è disponibile come optional una pompa elettrica (12 V) a portata elevata (contattare il rivenditore).

**LE VALVOLE "EASY-PUSH"**

Per modificare la posizione

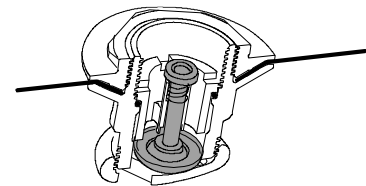


In posizione di gonfiaggio



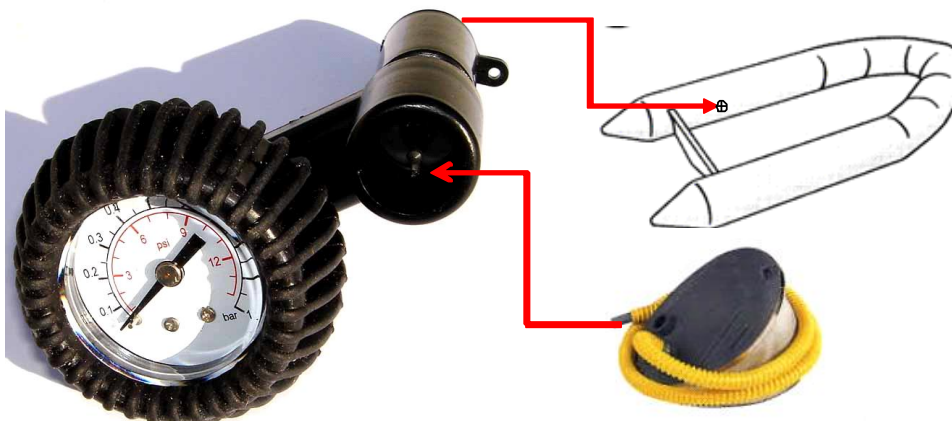
La membrana è chiusa, il pulsante è in posizione sollevata

In posizione di sgonfiaggio



La membrana è aperta, il pulsante è in posizione abbassata

### MANOMETRO



**ATTENZIONE!!!**  
**NON UTILIZZARE COMPRESSORI O BOMBOLE AD ARIA COMPRESSA.**

### GONFIAGGIO

**1°/** Portare tutte le valvole in posizione di gonfiaggio.

**2°/** Aggiungere l'adattatore corrispondente al diametro della valvola "Easy-Push" alla punta del tubo della pompa.

**3°/** Fissare la base del tubo all'orifizio di gonfiaggio della pompa.

Per gonfiare correttamente il tubolare, occorre che la pompa abbia un assetto stabile a terra.

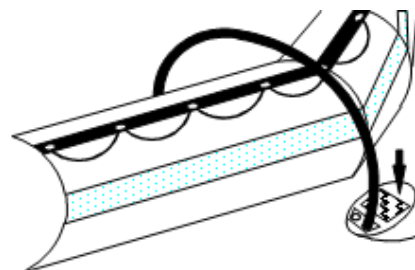
Il tubolare si gonfia rapidamente se la pompa di gonfiaggio viene azionata delicatamente e lentamente.

**4°/** Procedere al gonfiaggio del tubolare iniziando dal primo compartimento a prua (a), fino a raggiungere la pressione di 200 mb.

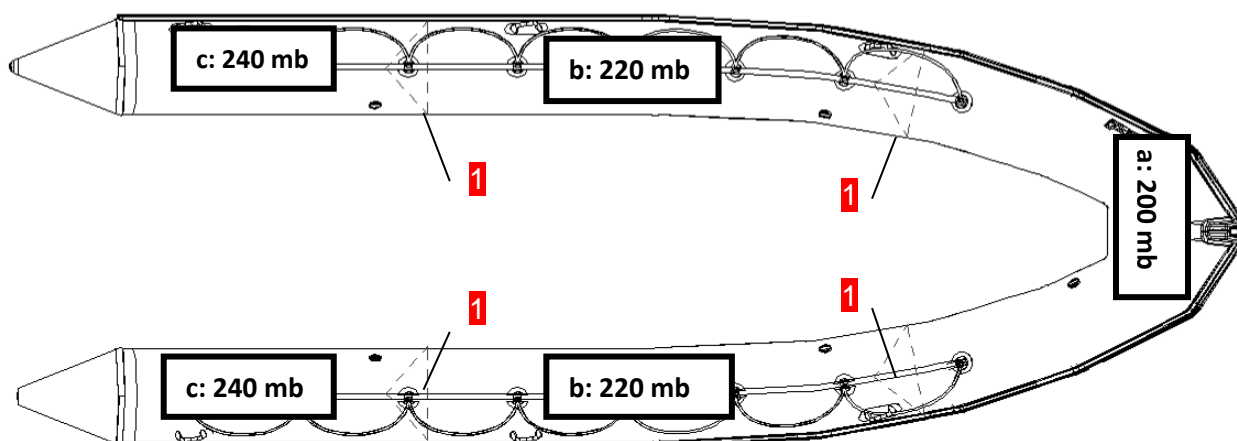
**5°/** Gonfiare in seguito i compartimenti al centro (b), fino a raggiungere la pressione di 220 mb, letta sul manometro lasciato sul primo compartimento.

**6°/** Gonfiare in seguito i compartimenti a poppa (c) alla pressione di 240 mb, sempre con il manometro nella stessa posizione. I compartimenti stagni (1) permettono di equilibrare la pressione in ciascun compartimento.

**7°/** Il gonfiaggio è terminato: avvitare i tappi delle valvole di gonfiaggio.



## TUBOLARE - PRESSIONE



**NOTA:** Una leggera fuoriuscita d'aria prima dell'avvitamento del tappo della valvola è un fatto normale.

Solo i tappi garantiscono la tenuta finale.

## II-5 PRESSIONE

Il tubolare presenta **5** compartimenti. Ciascuno deve avere una pressione di **240 mb / 3,4 PSI**. Questo è il valore della pressione d'uso del tubolare.

La temperatura ambiente dell'aria o dell'acqua influisce in modo proporzionale sul livello della pressione interna del tubolare.	Temperatura ambiente	Pressione interna del tubolare
	+1°C	+4 mb / 0,06 psi
	-1°C	-4 mb / 0,06 psi

È quindi importante saper valutare in anticipo quanto segue.

Verificare e regolare la pressione dei compartimenti gonfiabili (rigonfiando o sgonfiando, a seconda dei casi) in funzione delle variazioni di temperatura (soprattutto quando gli sbalzi sono importanti tra la mattina e la sera, nelle zone particolarmente calde) e accertarsi che la pressione non sia troppo diversa rispetto a quella raccomandata (tra 220 e 270 mb).

### RISCHIO DI SOTTOPRESSIONE

Esempio:

L'imbarcazione è esposta ai raggi diretti del sole sulla spiaggia (temperatura = 50°C) alla pressione raccomandata (240 mb/3,4 psi). Dopo aver messo l'imbarcazione in acqua (temperatura = 20°C), la temperatura e la pressione interna dei compartimenti gonfiabili diminuiscono (fino a 120 mb) e sarà necessario rigonfiarli fino a recuperare i millibar perduti a causa degli sbalzi di temperatura tra l'aria e l'acqua.

Pertanto, è normale constatare una diminuzione di pressione alla fine della giornata, quando la temperatura si abbassa.

### RISCHIO DI SOVRAPRESSIONE

#### Esempio:

L'imbarcazione è gonfiata alla pressione consigliata (240 mb/3,4 PSI) all'inizio o alla fine della giornata (temperatura esterna bassa = 10°C). Durante la giornata, l'imbarcazione viene esposta ai raggi diretti del sole sulla spiaggia o sulla coperta di uno yacht (temperatura = 50°C). La temperatura interna dei compartimenti gonfiabili può quindi alzarsi fino a 70°C (soprattutto i tubolari di colore scuro) implicando un raddoppio del valore di pressione di partenza (480 mb). **OCCORRE DUNQUE SGONFIARE I TUBOLARI** per tornare alla pressione raccomandata.

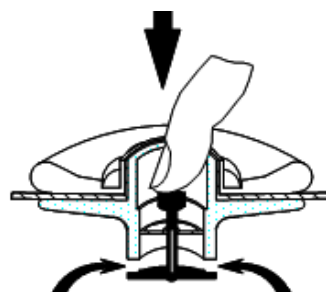


#### **ATTENZIONE!!!**

**SE L'IMBARCAZIONE È TROPPO GONFIA, LA PRESSIONE SOLLECITA LA STRUTTURA GONFIABILE IN MODO ANOMALO E SI PUÒ VERIFICARE UNA ROTTURA DEL TESSUTO.**

#### **IN CASO DI SOVRAPRESSIONE**

Liberare l'aria premendo sul pulsante della valvola



## SISTEMA DI PROPULSIONE

**III- Sistema di propulsione**

Attenersi alle raccomandazioni ZODIAC e alle raccomandazioni del costruttore del motore per il montaggio del motore.

Per un uso ottimale dell'imbarcazione, si prega di rivolgersi al proprio concessionario.

Il montaggio dei bulloni del motore attraverso lo specchio di poppa deve avvenire seguendo una procedura d'impermeabilità del foro di passaggio delle viti (montaggio con colla Sikaflex, ad esempio).

## COME COMPORTARSI CON L'IMBARCAZIONE

### IV- Come comportarsi con l'imbarcazione

Prima della partenza, consultare il manuale del proprietario Tomo 1.

**NOTA:** Verificare che il tubolare sia gonfiato correttamente.

<p><b>1</b></p>  <p>Interruttore batteria su "ON", in tensione</p>	<p><b>2</b></p>  <p>Rubinetto della benzina su "ON".</p>	<p><b>3</b></p>  <p>Inserire e collegare l'interruttore di sicurezza*</p>
<p><b>4</b></p>  <p>Ventilare per 4 minuti</p>	<p><b>5</b></p>  <p>Manopola di comando in folle.</p>	<p><b>6</b></p>  <p>Azionare il motorino d'avviamento.</p>

\* Se il pilota dovesse cadere in acqua, l'arresto immediato del motore riduce considerevolmente i rischi di ferite gravi, se non addirittura mortali, provocate dal passaggio dell'imbarcazione. Collegare sempre correttamente le due estremità dell'interruttore d'emergenza.



### **PERICOLO!!!**

- SPEGNERE IMMEDIATAMENTE IL MOTORE NON APPENA UN BAGNANTE SI TROVA IN PROSSIMITÀ DELL'IMBARCAZIONE. RISCHIA DI ESSERE FERITO GRAVEMENTE DALL'ELICA IN ROTAZIONE.

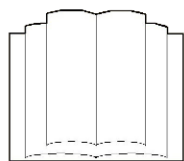
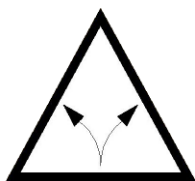


### **ATTENZIONE!!!**

- DURANTE LA NAVIGAZIONE, TENERE CHIUSI TUTTI I GAVONI, IL BOCCAPORTO IN COPERTA E LA BOTOLA D'ACCESSO AL SERBATOIO. LE ONDATE RAPPRESENTANO UN SERIO PERICOLO PER LA STABILITÀ E L'INONDAZIONE DELL'IMBARCAZIONE.

- NEL CASO IN CUI LA GUARNIZIONE DEI BOCCAPORTI DI COPERTA FOSSE DANNEGGIATA, CONSULTARE IL PROPRIO RIVENDITORE PER SOSTITUIRLA PRIMA POSSIBILE.

- EVITARE LE MANOVRE BRUSCHE AD ALTA VELOCITÀ. RIDURRE LA VELOCITÀ IN CASO DI ONDE, PER LA COMODITÀ E LA SICUREZZA DEGLI OCCUPANTI.



**MANOVRABILITÀ RIDOTTA A 30 NODI AL MASSIMO. RISCHIO DI PERDITA DEL CONTROLLO IN CASO DI VIRATE STRETTE. RIDURRE LA VELOCITÀ PRIMA DI EFFETTUARE UNA VIRATA IN QUALUNQUE DIREZIONE.**

**30 NODI AL MASSIMO**

**IMPIANTI E CIRCUITI: CARBURANTE**

**V- IMPIANTI E CIRCUITI**

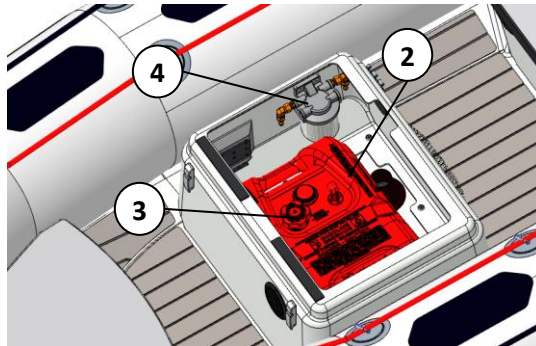
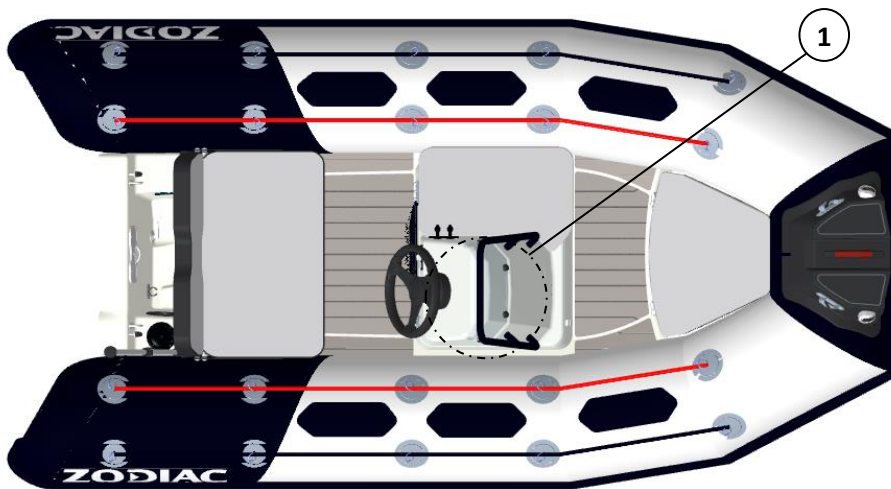
**V-1 CIRCUITO del CARBURANTE**



**ATTENZIONE!!!**  
**NON UTILIZZARE BIOCARBURANTI TIPO E10, E85...**

**V-1-1- Ubicazione degli elementi**

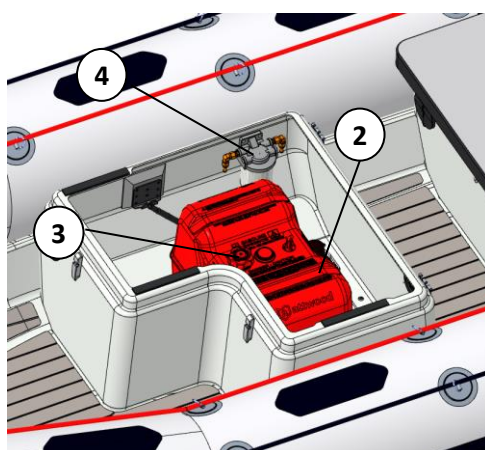
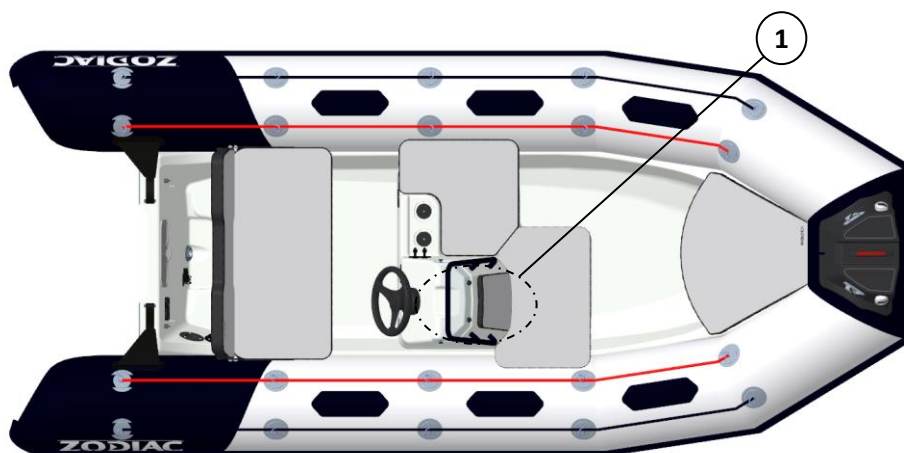
**OPEN 3.1 e 3.4**



Riferimento	DESCRIZIONE
1	Accesso serbatoio e filtro
2	Serbatoio benzina (opzionale)
3	Orifizio di riempimento con tappo ( <i>optional</i> )
4	Filtro separatore acqua/benzina (non fornito)

## IMPIANTI E CIRCUITI: CARBURANTE

### OPEN 4.2 e 4.8



Riferimento	DESCRIZIONE
1	Accesso serbatoio e filtro
2	Serbatoio benzina (opzionale)
3	Orifizio di riempimento con tappo ( <i>optional</i> )
4	Filtro separatore acqua/benzina (non fornito)

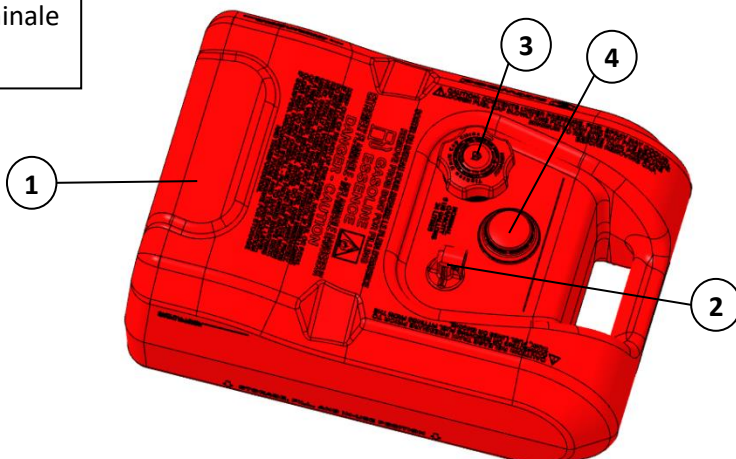


**IMPIANTI E CIRCUITI: CARBURANTE**

**V-1-2- Serbatoio portatile (opzionale)**

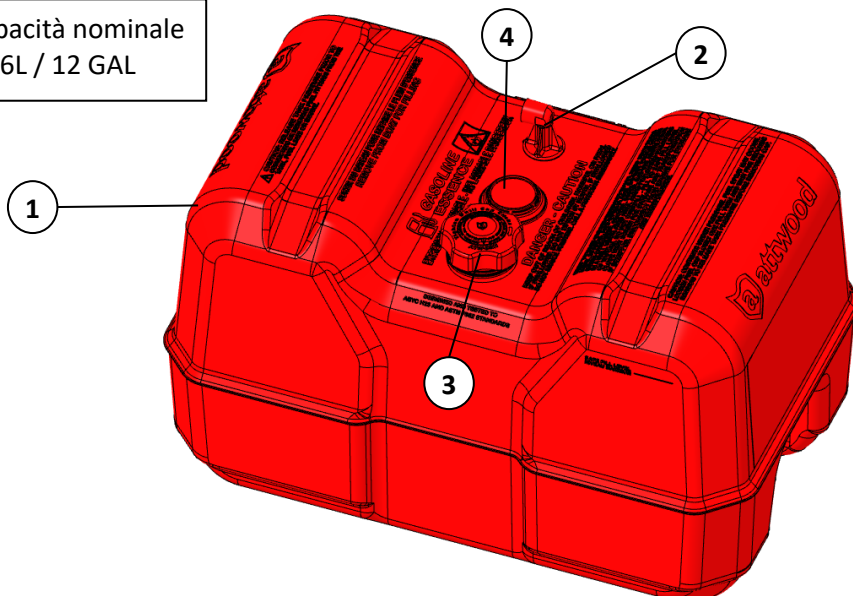
**OPEN 3.1 / 3.4**

Capacità nominale  
= 24L / 6 GAL



**OPEN 4.2 / 4.8**

Capacità nominale  
= 46L / 12 GAL



Riferimento	DESCRIZIONE
1	Serbatoio portatile *
2	Canna di aspirazione
3	Ingresso riempimento serbatoio
4	Quadrante del livello

**Nota :** l'opzione serbatoio prevede raccordi rapidi e cinghie di ritegno per poter estrarre il serbatoio senza utilizzare utensili. Prima di affrontare la navigazione verificare sempre il buono stato di manutenzione e che i raccordi siano correttamente collegati.

\* La capacità nominale del serbatoio potrebbe non essere completamente utilizzabile a seconda dell'assetto e del carico. Si raccomanda di conservare una riserva del 20 %.



**ATTENZIONE!!!**

**LA PRESENZA DEL QUADRANTE DI LIVELLO È OBBLIGATORIA. È FORNITO CON IL MOTORE. IN CASO DI MANCANZA, CONTATTARE L'AGENTE DI FIDUCIA.**

La sonda è di tipo standard americano, ossia:

**Impedenza (posizione serbatoio vuoto)            30 Ohm**

**Impedenza (posizione serbatoio pieno)            240 Ohm**

Tutti i quadranti sul mercato sono compatibili, salvo rarissime eccezioni.

Per l'allaccio, fare riferimento allo schema elettrico.

**V-1-3- Filtro separatore acqua/benzina (non fornito)**

Per proteggere il motore, sul circuito dell'alimentazione della benzina è previsto un filtro separatore acqua/benzina.

La posizione predefinita è nella console, con i fissaggi passanti. Durante il montaggio, accertarsi che la zona sia stagna.



Riferimento	DESCRIZIONE
<b>1</b>	Filtro separatore acqua/benzina
<b>2</b>	Elemento di filtrazione intercambiabile

Durante l'uso, verificare l'assenza d'acqua nel recipiente metallico:

- Svitare leggermente il tappo di scarico (senza toglierlo completamente);
- Svuotare l'acqua;
- Riavvitare il tappo se nel recipiente c'è solo benzina.

Ripetere l'operazione più spesso se il motore non funziona correttamente.

**IMPIANTI E CIRCUITI: CARBURANTE****ATTENZIONE!!!**

**È INDISPENSABILE SOSTITUIRE LA CARTUCCIA OGNI 50 ORE D'USO. PER ACQUISTARE UNA CARTUCCIA DI SOSTITUZIONE, RIVOLGERSI ALLA RETE.**

**SOSTITUZIONE DELLA CARTUCCIA DEL FILTRO**

Attenersi alle raccomandazioni ZODIAC e a quelle del costruttore del filtro. Seguire il manuale o le istruzioni del costruttore del motore.

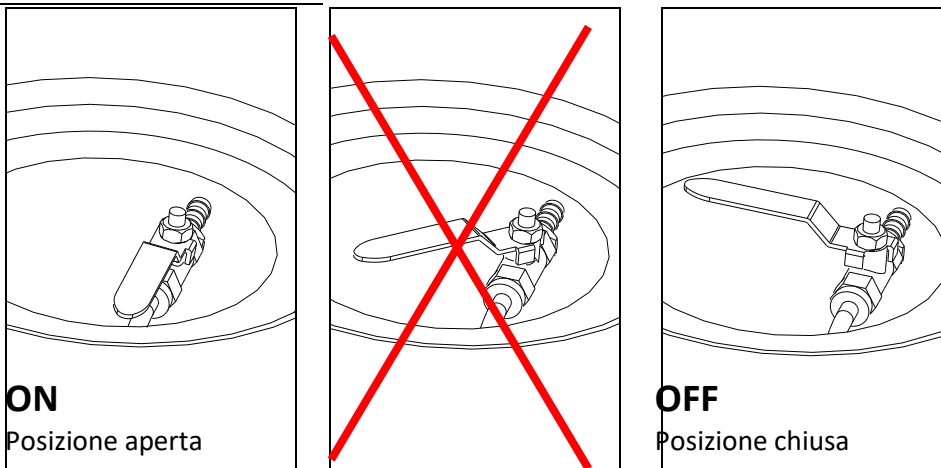
Posizionare un imbuto sotto il punto in cui deve essere sostituita la cartuccia.

Prima di procedere alla sostituzione del filtro, occorre liberare la pressione del sistema d'alimentazione della benzina.

**V-1-4- Uso delle valvole di chiusura del circuito benzina (non fornita)**

Si raccomanda di installare una valvola sul circuito della benzina, tra il motore e il serbatoio. Quando non si utilizza l'imbarcazione, chiudere la valvola del circuito benzina.

Valvola del circuito benzina sul serbatoio:

**AVVERTENZA:**

**IN CASO D'INCENDIO A BORDO, SPEGNERE IL MOTORE E CHIUDERE LE VALVOLE DEL CIRCUITO BENZINA.**

**V-1-5- Raccomandazioni**



**AVVERTENZA:**

- IN CASO DI PERDITA DI BENZINA O DI INCENDIO, LA VALVOLA DI CHIUSURA DEL CIRCUITO BENZINA SITUATA SUL SERBATOIO PERMETTE DI ISOLARE QUEST'ULTIMO DAL CIRCUITO E DEVE RIMANERE CHIUSA.
- IL SERBATOIO PIENO EVITA LA CONDENSA A OGNI USCITA.
- PULIRE IL SERBATOIO OGNI 5 ANNI.
- VERIFICARE IL SERRAGGIO DEI COLLARI SU TUTTI I TUBI FLESSIBILI.
- DURANTE LO SPURGO DEL FILTRO, NON SVUOTARE L'ACQUA NELL'IMBARCAZIONE. UTILIZZARE UNA VASCHETTA DI RECUPERO SOTTO IL FILTRO.
- SPEGNERE IL MOTORE PRIMA DI SMONTARE LA CARTUCCIA DEL FILTRO.
- LEGGERE ATTENTAMENTE LE ISTRUZIONI RIPORTATE SUL MANUALE DEL FILTRO.
- LA BENZINA È ESTREMAMENTE INFIAMMABILE. QUALORA SI DEBBA INTERVENIRE SUL SISTEMA DEL CARBURANTE, ASSICURARSI CHE I MOTORI SIANO SPENTI.
- NON FUMARE; ALLONTANARE QUALSIASI FIAMMA O CORPO INCANDESCENTE DALL'AREA DI LAVORO.
- NON FORARE MAI NELLA ZONA DEL SERBATOIO CON UNA PUNTA CHE SUPERI DI OLTRE 50 MM IL MANDRINO DEL TRAPANO (PUNTO DI RIFERIMENTO IN COPERTA ATTRAVERSO IL BOCCAPORTO) E NON UTILIZZARE VITI AVENTI UNA LUNGHEZZA SUPERIORE A 20 MM.



**PERICOLO!!!**

**NON STIVARE PRODOTTI INFIAMMABILI NEL COMPARTIMENTO DI POPPA. È SEVERAMENTE VIETATO IMBARCARE UN SERBATOIO AUSILIARIO.**



**ATTENZIONE!!!**

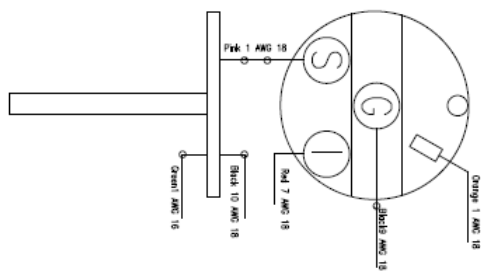
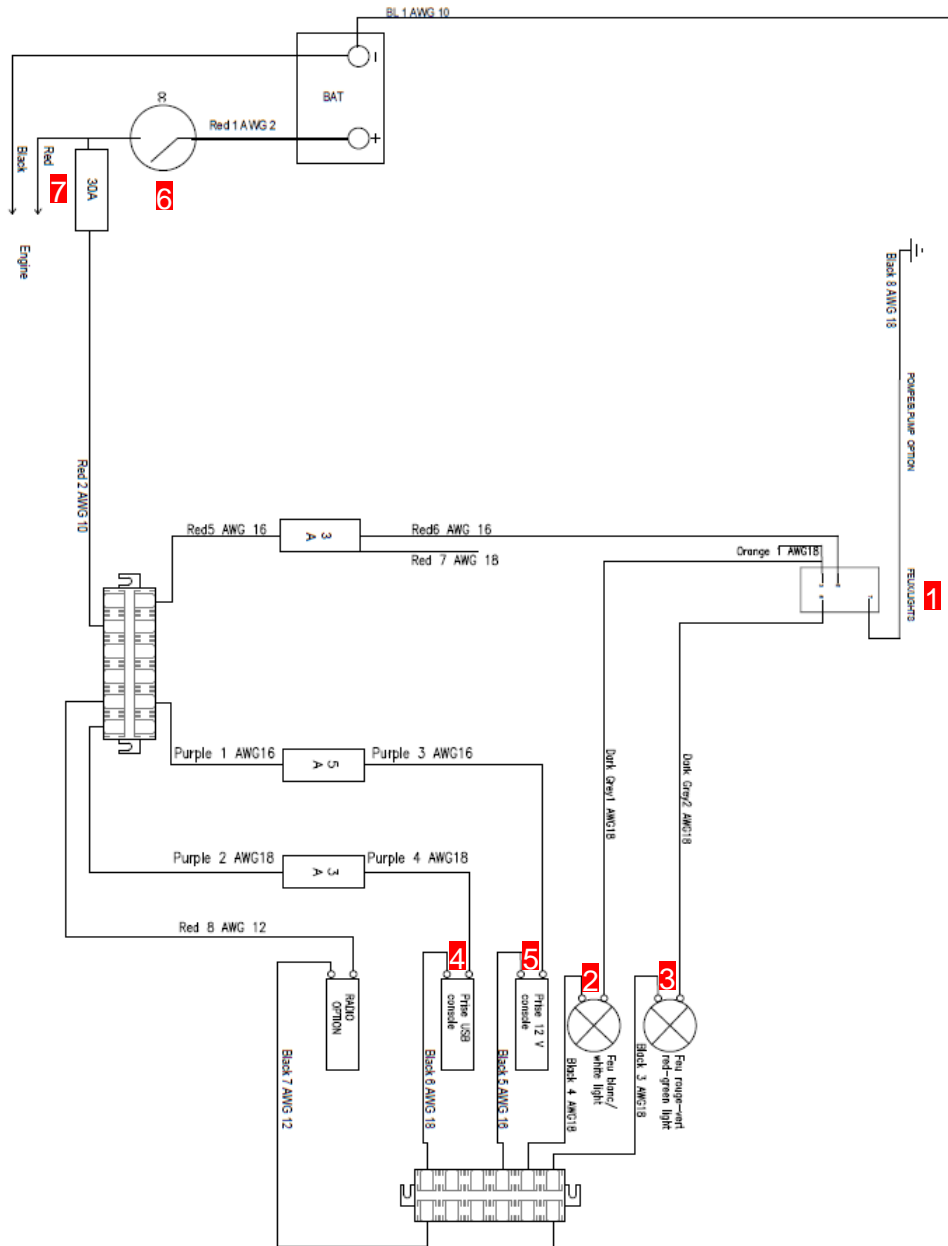
**NON MODIFICARE PER ALCUN MOTIVO GLI IMPIANTI DEL CARBURANTE NÉ LASCIARE CHE PERSONALE NON QUALIFICATO PROCEDA ALLA MODIFICA DI TALI IMPIANTI.**

IMPIANTI E CIRCUITI: ELETTRICO

V-2 CIRCUITO ELETTRICO

V-2-1- OPEN 3.1 / 3.4 / 4.2

V-2-1-1- Schema del fascio generale

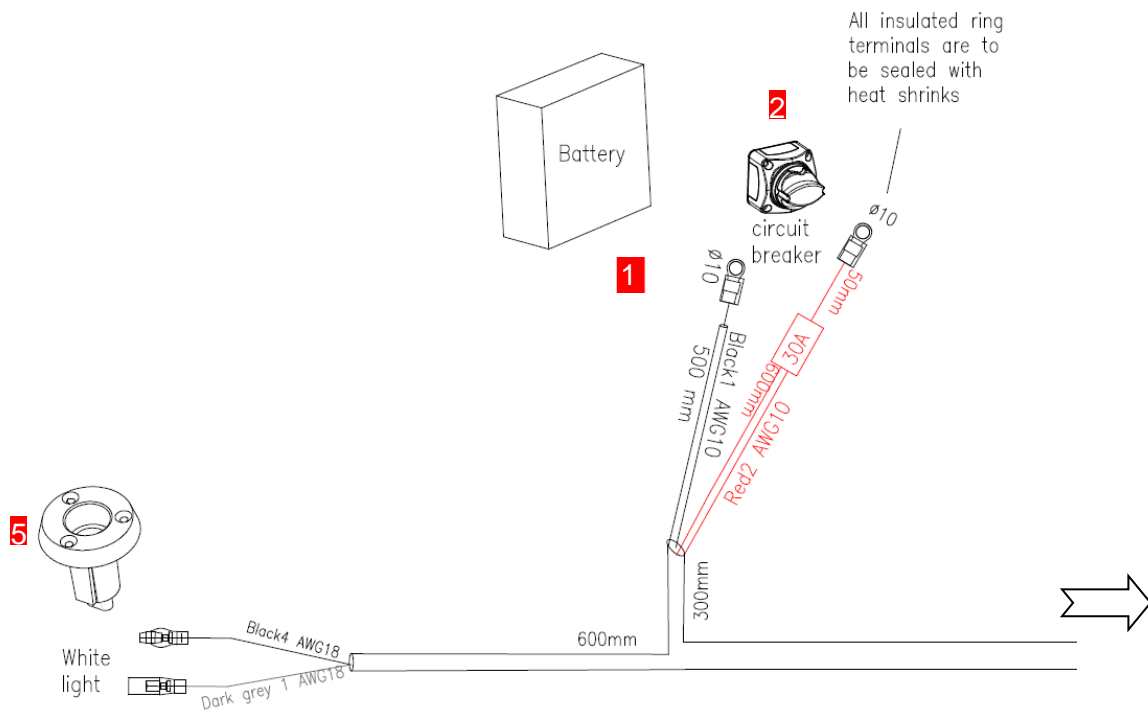


Documento disponibile in formato PDF presso il distributore

## IMPIANTI E CIRCUITI: ELETTRICO

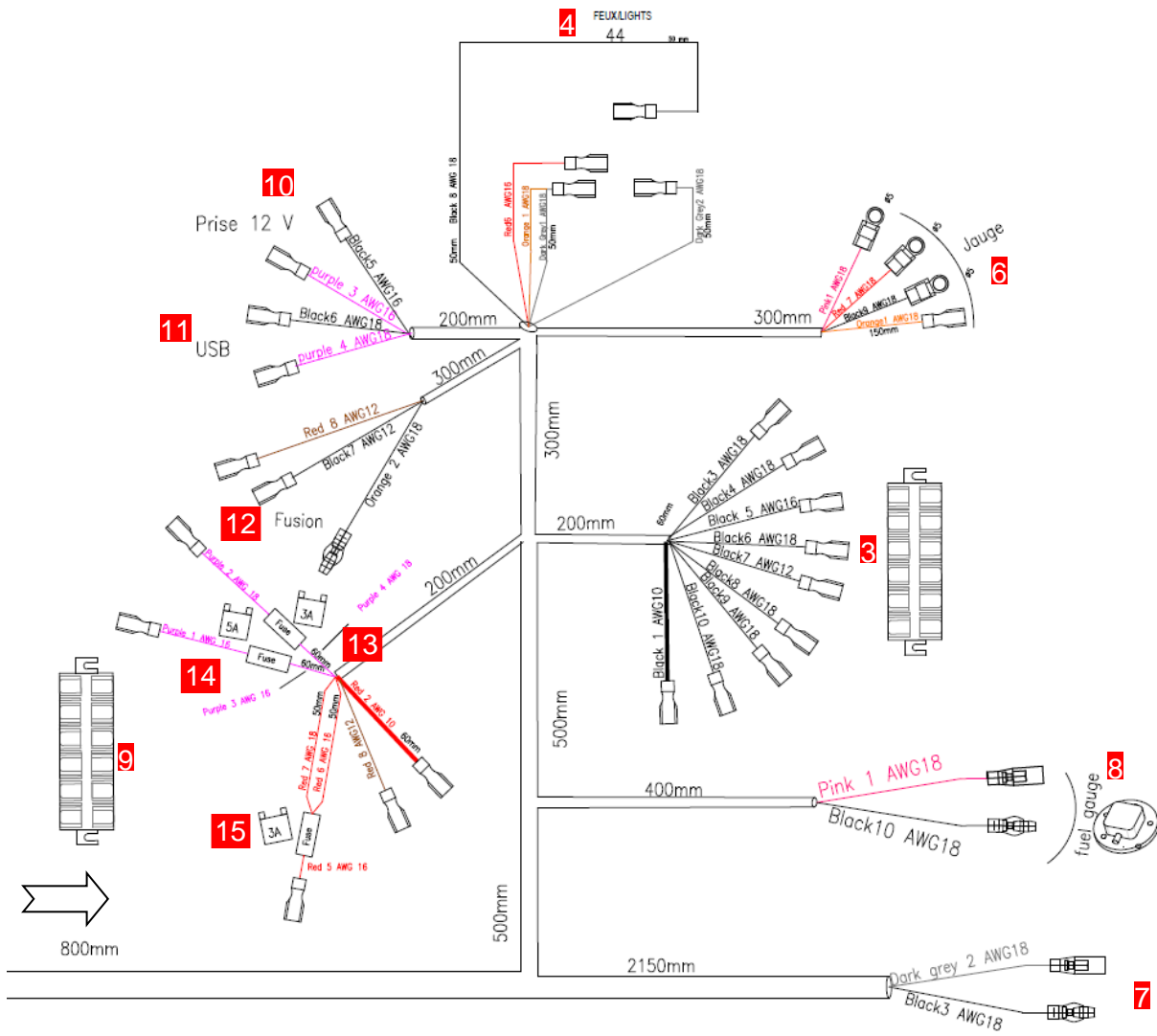
Riferimento	DESCRIZIONE
1	Interruttore luce di navigazione
2	Luce bianca (opzionale)
3	Luce rossa/verde
4	Pres a USB (consolle)
5	Pres a 12 V (consolle)
6	Interruttore di sicurezza (opzionale)
7	Fusibile generale 30 A

### V-2-1-2- Schema del fascio generale



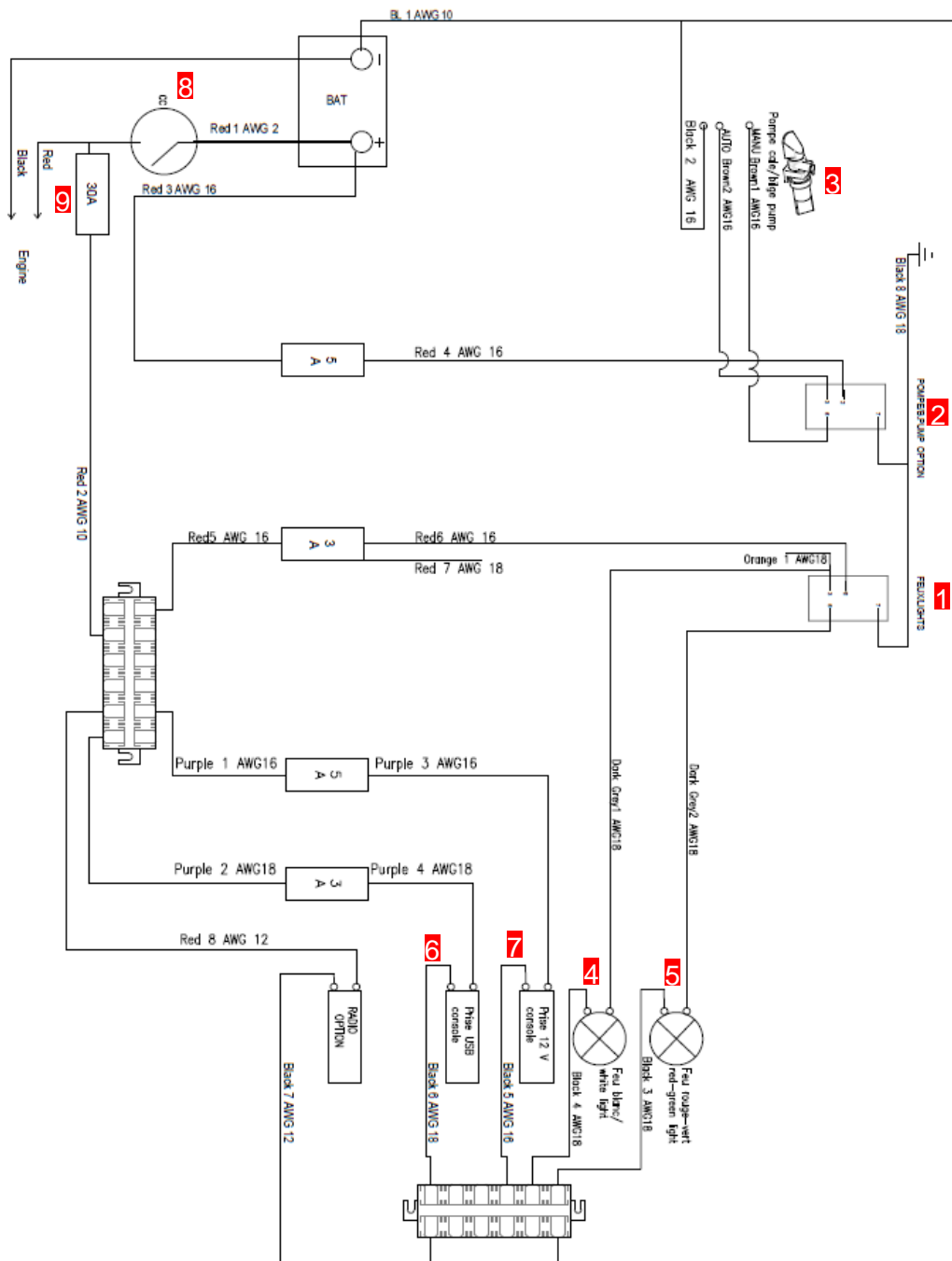
Riferimento	DESCRIZIONE	
1	Collegamento batteria	
2	Collegamento interruttore di sicurezza	
3	Collegamento bus terra	
4	Collegamento interruttore luce di navigazione	
5	Collegamento luce bianca	
6	Collegamento quadrante livello benzina	
7	Collegamento luce rossa/verde	
8	Collegamento trasmettitore livello benzina	
9	Collegamento bus bas positivo	
10	Collegamento presa 12 V (consolle)	
11	Collegamento presa USB	
12	Collegamento postazione radio (opzionale)	
13	Fusibile 3A presa USB	Viola 4 AWG18
14	Fusibile 5A presa d12volt	Viola 3 AWG18
15	Fusibile 3A luce di navigazione	Rosso 6 e 7 AWG18

IMPIANTI E CIRCUITI: ELETTRICO

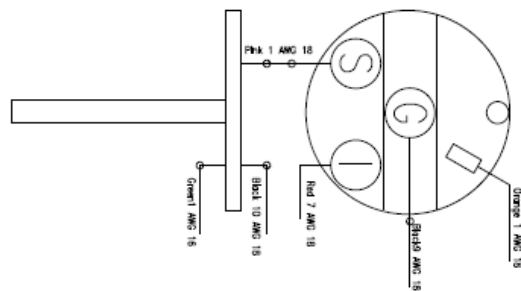


V-2-2- OPEN 4.8

V-2-2-1- Schema del fascio generale



Documento disponibile  
in formato PDF presso il  
distributore

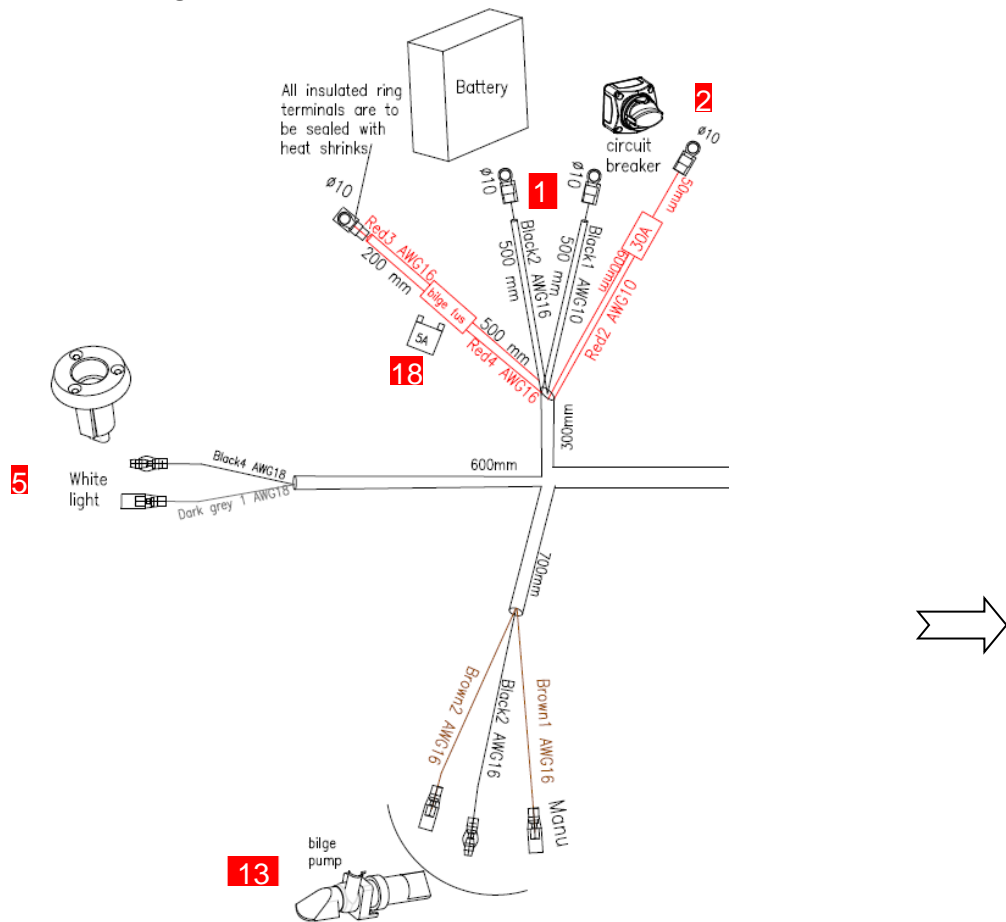




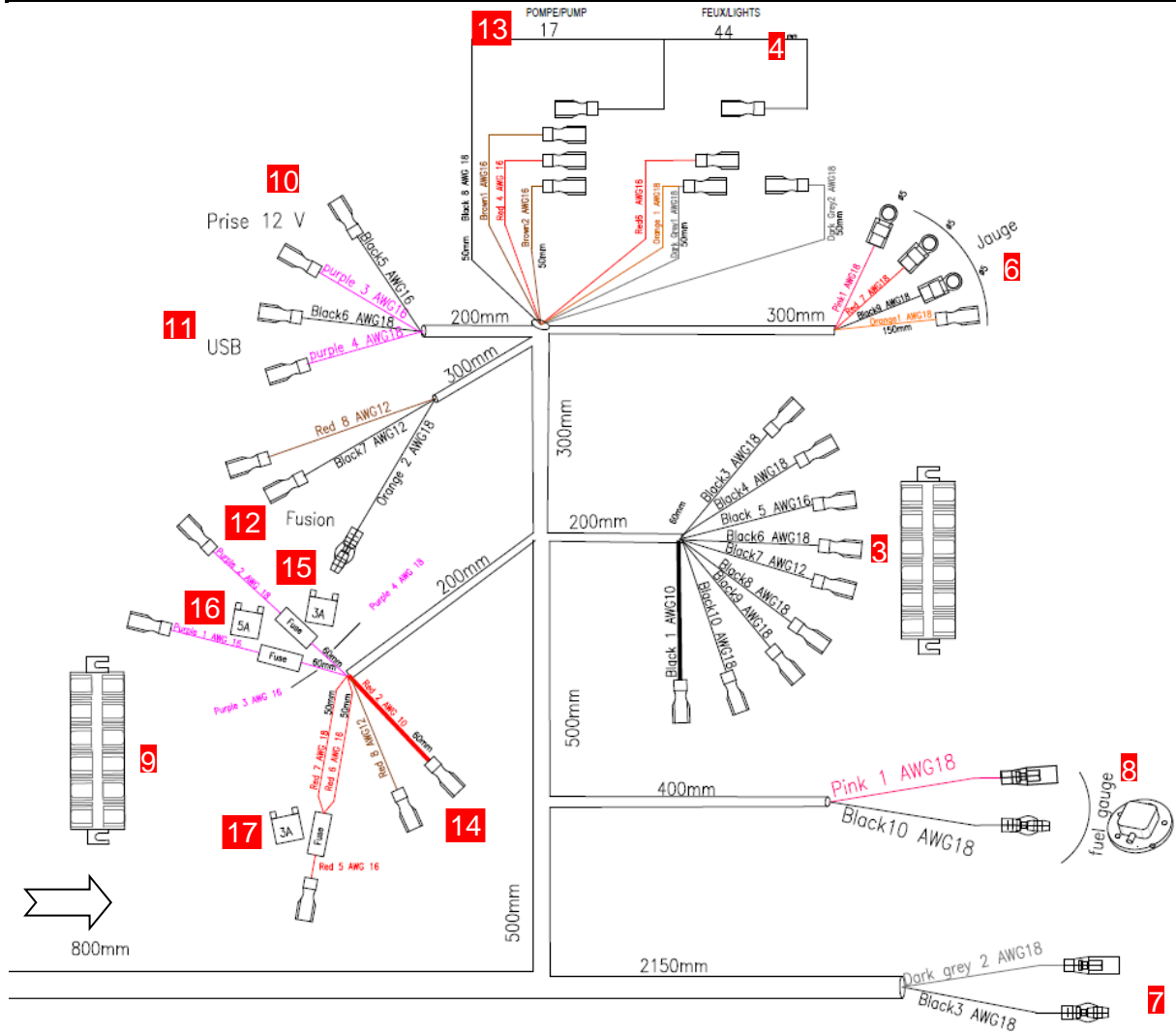
**IMPIANTI E CIRCUITI: ELETTRICO**

Riferimento	DESCRIZIONE
1	Interruttore luce di navigazione
2	Interruttore pompa di sentina (opzionale)
3	Pompa di sentina (opzionale)
4	Luce bianca (opzionale)
5	Luce rossa/verde
6	Presse USB (console)
7	Presse 12 V (console)
8	Interruttore di sicurezza (opzionale)
9	Fusibile generale 30 A

**V-2-2-2- Schema del fascio generale**



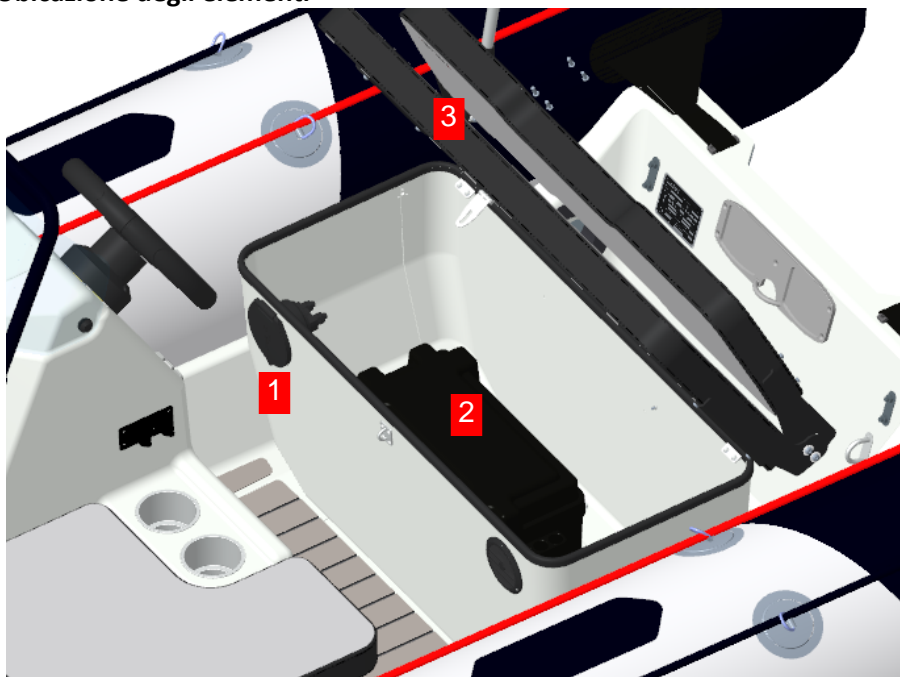
## IMPIANTI E CIRCUITI: ELETTRICO



Riferimento	DESCRIZIONE	
1	Collegamento batteria	
2	Collegamento interruttore di sicurezza	
3	Collegamento bus terra	
4	Collegamento interruttore luce di navigazione	
5	Collegamento luce bianca	
6	Collegamento quadrante livello benzina	
7	Collegamento luce rossa/verde	
8	Collegamento trasmettitore livello benzina	
9	Collegamento bus bas positivo	
10	Collegamento presa 12 V (consolle)	
11	Collegamento presa USB	
12	Collegamento postazione radio (opzionale)	
13	Collegamento interruttore pompa di sentina (opzionale)	
14	Collegamento pompa di sentina (opzionale)	
15	Fusibile 3A presa USB	Viola 4 AWG18
16	Fusibile 5A presa d12volt	Viola 3 AWG18
17	Fusibile 3A luce di navigazione	Rosso 6 e 7 AWG18
18	Fusibile 5A pompa di sentina	Viola 3 AWG18

**IMPIANTI E CIRCUITI: ELETTRICO**

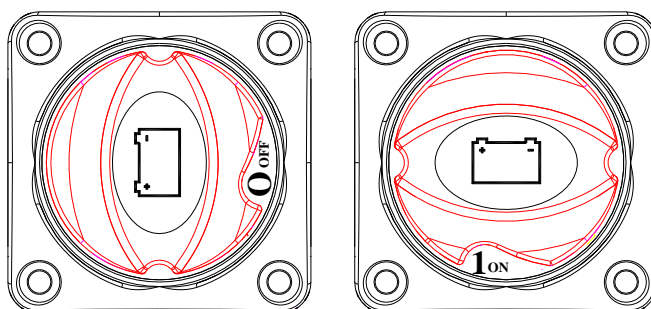
**V-2-3- Ubicazione degli elementi**



Riferimento	DESCRIZIONE
1	Interruttore di sicurezza (opzionale)
2	Vano batteria
3	Gavone di accesso per la manutenzione della batteria

**V-2-4- Interruttore di sicurezza (opzionale)**

Quando non si utilizza l'imbarcazione, spostare l'interruttore di sicurezza su OFF.



**AVVERTENZA**  
**SPEGNERE IL MOTORE PRIMA DI SPOSTARE L'INTERRUTTORE DI SICUREZZA SU "OFF"**

**V-2-5- Batteria (non fornita)**

Attenersi alle raccomandazioni ZODIAC e a quelle del costruttore delle batterie per la manutenzione corrente.



**MANUTENZIONE DELLA BATTERIA:**

- **MANTENERE LA BATTERIA PULITA E ASCIUTTA PER EVITARNE L'USURA PREMATURA.**
- **RISERRARE ED EFFETTUARE LA MANUTENZIONE DEI CAPICORDA SUL MORSETTO, LUBRIFICANDOLI REGOLARMENTE CON VASELINA.**



**ATTENZIONE!!!**

**L'ACQUA PROVENIENTE DAL SISTEMA D'IMMISSIONE DELL'ACQUA CONTIENE MINERALI DANNOSI PER LE BATTERIE.**

**PROVVEDERE PERTANTO AL RABBOCCO CON SOLA ACQUA DISTILLATA.**

**ASSICURARSI DI INSTALLARE LA BATTERIA IN MODO CHE NESSUN SERBATOIO DI CARBURANTE, FILTRO DELLA BENZINA O RACCORDO DELLA LINEA DEL CARBURANTE SIA PRESENTE NEL RAGGIO DI 305 MM DALLA SUPERFICIE DELLA BATTERIA.**



**AVVERTENZA**

- **MANTENERE LE BATTERIE E L'ELETTROLITA FUORI DALLA PORTATA DEI BAMBINI.**
- **NON CAPOVOLGERE MAI LA BATTERIA.**
- **DURANTE IL RABBOCCO DELL'ELETTROLITA O LA RICARICA DELLA BATTERIA, ESTRARLA SEMPRE DAL COMPARTO MOTORE.**
- **L'ELETTROLITA È UN LIQUIDO TOSSICO E PERICOLOSO. CONTIENE ACIDO SOLFORICO CHE PUÒ PROVOCARE USTIONI GRAVI. EVITARE QUALSIASI CONTATTO CON LA CUTE, GLI OCCHI E GLI INDUMENTI.**
- **LE BATTERIE POSSONO SPRIGIONARE GAS ESPLOSIVI. ALLONTANARE QUALSIASI FONTE DI SCINTILLE, FIAMME LIBERE, SIGARETTE ECC.**
- **DURANTE LA RICARICA O L'USO DELLA BATTERIA, INTERVENIRE IN UN LUOGO BEN AERATO. PROTEGGERE SEMPRE GLI OCCHI DURANTE QUALSIASI INTERVENTO NEI PRESSI DELLA BATTERIA.**

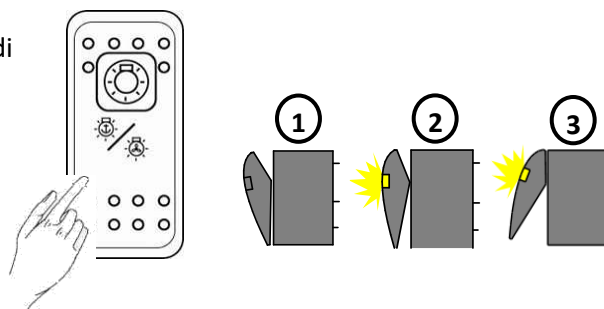
**NOTA:**

- **Qualora l'imbarcazione non venga utilizzata per un mese o più, estrarre la batteria e riporla in un luogo fresco, al riparo dalla luce e asciutto. Ricaricare completamente la batteria prima di riutilizzarla.**
- **Qualora la batteria debba essere rimessata per un periodo più lungo, verificare la densità dell'elettrolita almeno una volta al mese e ricaricare la batteria non appena la densità risulta troppo bassa.**
- **Densità dell'elettrolita: 1,28 a 20°C.**

### V-2-6- Luci di navigazione

Azionare questo pulsante per accendere le luci di navigazione. Il pulsante è a 3 posizioni.

- ① Posizione spento
- ② Posizione luce bianca
- ③ Posizione luce bianca, luce rossa e luce verde.



### V-2-7- Cablaggio di un accessorio

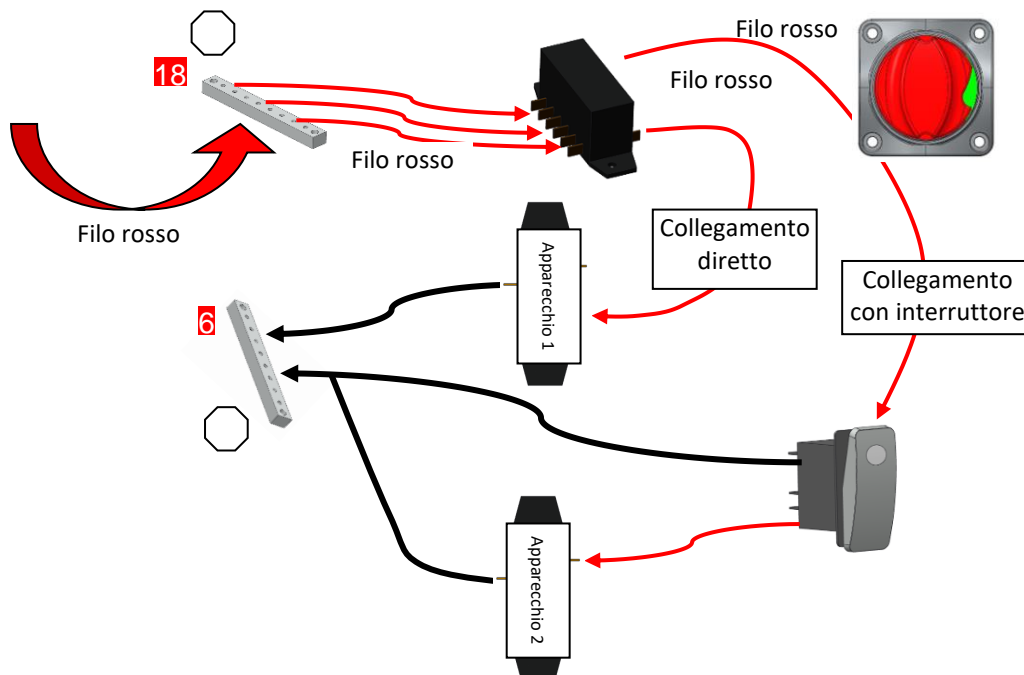
1º/ Scegliere una posizione con un fusibile libero.

2º/ Collegare il cavo d'alimentazione al morsetto corrispondente a questa posizione usando un "capocorda a linguetta" femmina da 6 mm.

3º/ Se è necessario aggiungere del cavo per il collegamento, utilizzare un cavo di sezione 1,5 mm<sup>2</sup> rispettando le raccomandazioni per i cavi di tipo "marino" (UL1426 o SAE J378 o SAE J1127 o SAE J1128 o, in generale, ABYC e/o CE).

4º/ Collegare il cavo di massa dell'accessorio al blocco morsetti di massa con un "capocorda a occhio" Ø 5 (stessa raccomandazione relativa ai cavi).

5º/ Inserire un fusibile tipo ATO da 15 A max e superiore all'intensità d'uso dell'apparecchio.



## IMPIANTI E CIRCUITI – ALLACCIAMENTO DEGLI OPTIONAL

### V-2-1- Allacciamento degli optional OPEN 3.1 / 3.4 /4.8

L'imbarcazione è dotata di una presa USB/ 12V di serie. È tuttavia possibile aggiungere accessori supplementari in funzione di determinate condizioni:

- ① Gli accessori da aggiungere devono essere allacciati a livello della consolle.
- ② Gli accessori si dividono in due categorie:
  - A** → accessori che vengono utilizzati o che sono suscettibili di essere utilizzati di continuo assieme all'uso normale dell'imbarcazione,
  - B** → accessori utilizzati in modo saltuario.

A	
Tergicristalli	
Radio	
Scandaglio	
GPS	
Riflettore	
Sistema di allarme	
Frigorifero	
VHF	
$\Sigma$	240W max

e

B	
Presa accendisigari (di serie)	
Luci varie	
Segnale acustico	
Apparecchi elettronici vari	
Pompa doccia	
<b>Potenza massima</b>	72W max



#### **AVVERTENZA**

**Accertarsi tassativamente che la potenza complessiva degli accessori aggiunti della colonna A sia inferiore o uguale a 240W (20A) E che la potenza massima di un accessorio della colonna B sia inferiore o uguale a 72W (6A).**

**Le sezioni dei diversi cavi del fascio sono state calcolate in base a questi valori; il mancato rispetto di questa regola può provocare guasti elettrici e cortocircuiti.**

È possibile collegare gli optional direttamente sui bus bar positivo e negativo della consolle (entro il limite della potenza massima), inserendo un portafusibile omologato.

**NOTA:** In caso di installazione di numerosi apparecchi elettrici, il consumo provvisorio totale potrà eventualmente eccedere la capacità di carica del motore fuori bordo.

Ad esempio, il fascio elettrico può supportare un consumo provvisorio di 570 W (luci di navigazione e pompa di sentina inclusi), vale a dire un po' meno di 48A in termini di alimentazione elettrica. Gli attuali alternatori del motore forniscono di norma un'intensità di 15 A, a pieno regime. Si raccomanda di verificare questo dato nella documentazione tecnica del motore. È dunque opportuno evitare un uso prolungato di tali apparecchi, onde prevenire un consumo eccessivo della batteria con il conseguente rischio di non poter riavviare il motore.

## IMPIANTI E CIRCUITI – ALLACCIAMENTO DEGLI OPTIONAL

## V-2-2- Allacciamento degli optional OPEN 4.8

A	
Tergicristalli	
Radio	
Scandaglio	
GPS	
Riflettore	
Sistema di allarme	
Frigorifero	
VHF	
$\Sigma$	336W max

e

B	
Presa accendisigari (di serie)	
Luci varie	
Segnale acustico	
Apparecchi elettronici vari	
Pompa doccia	
<b>Potenza massima</b>	102W max

**AVVERTENZA**

**Accertarsi tassativamente che la potenza complessiva degli accessori aggiunti della colonna A sia inferiore o uguale a 336W (28A) E che la potenza massima di un accessorio della colonna B sia inferiore o uguale a 102W (8,5A).**

**Le sezioni dei diversi cavi del fascio sono state calcolate in base a questi valori; il mancato rispetto di questa regola può provocare guasti elettrici e cortocircuiti.**

È possibile collegare gli optional direttamente sui bus bar positivo e negativo della consolle (entro il limite della potenza massima), inserendo un portafusibile omologato.

**Esempio 1**

Si desidera aggiungere:

- Un VHF da 72 W,
- Un GPS da 36 W,
- Una radio da 180W,
- Luci di cortesia a LED 10 W
- Pompa doccia 48 W

A	
Tergicristalli	
Radio	180W
Scandaglio	
GPS	36W
Riflettore	
Sistema di allarme	
Frigorifero	
VHF	72W
$\Sigma$	288 W < 336W ☺

e

B	
Presa accendisigari (di serie)	
Luci varie	10 W
Segnale acustico	
Apparecchi elettronici vari	
Pompa doccia	48 W
<b>Potenza massima</b>	58W (< o = 102W)

**CONCLUSIONE**

**Esempio 2**

Si desidera aggiungere:

- Un VHF da 60W,
- Un GPS da 36 W,
- Una radio da 180W,
- Un riflettore da 120W.

A	
Tergicristalli	
Radio	180W
Scandaglio	
GPS	36W
Riflettore	120W
Sistema di allarme	
Frigorifero	
VHF	60W
<b>Σ</b>	396 W > 336W 💡

e

B	
Pres a accendisigari (di serie)	
Luci varie	
Segnale acustico	
Apparecchi elettronici vari	
Pompa doccia	
<b>Potenza massima</b>	0W (< 0 = 102W) 👍

**CONCLUSIONE**



**Esempio 3**

Si desidera aggiungere:

- Un GPS da 60W,
- Una radio da 180W,
- Un segnale acustico da 120 W.

A	
Tergicristalli	
Radio	180W
Scandaglio	
GPS	60W
Riflettore	
Sistema di allarme	
Frigorifero	
VHF	
<b>Σ</b>	240W < 336W 👍

e

B	
Pres a accendisigari (di serie)	
Luci varie	
Segnale acustico	
Apparecchi elettronici vari	120W
Pompa doccia	
<b>Potenza massima</b>	120 W (> 102W) 💡

**CONCLUSIONE**



**NOTA:** Alcuni costruttori forniscono l'ampereaggio invece della potenza assorbita. In corrente continua (come in questo caso), è sufficiente moltiplicare per 12 per ottenere la potenza.

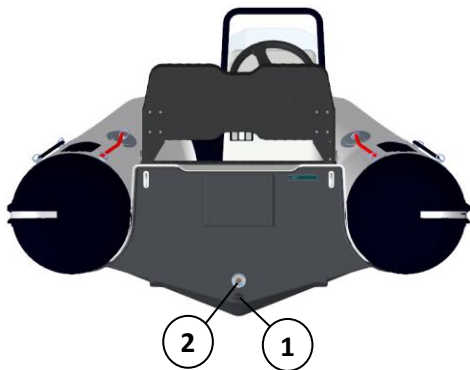


**IMPIANTI E CIRCUITI- PROSCIUGAMENTO**

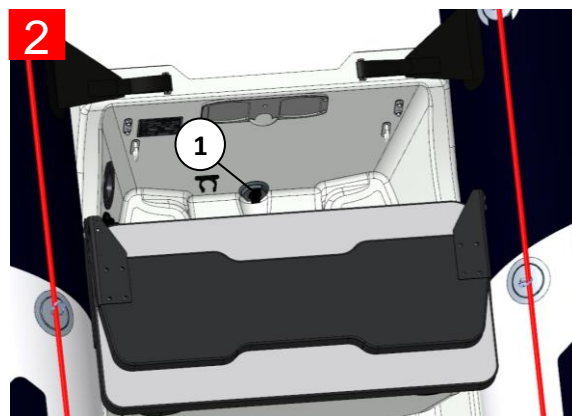
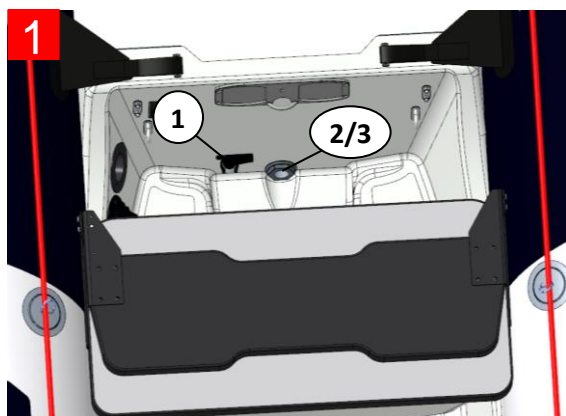
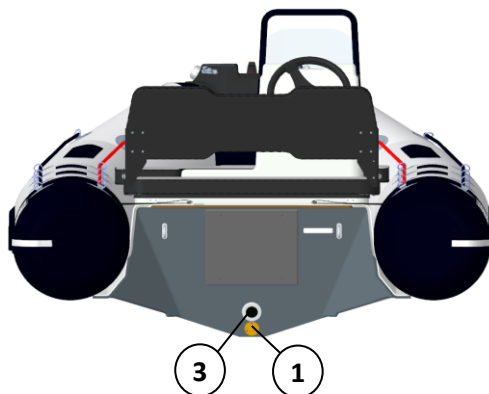
**V-3 IMPIANTO DI PROSCIUGAMENTO**

**V-3-1- Descrizione degli elementi funzionali**

**OPEN 3.1 e 3.4**



**OPEN 4.2 e 4.8**



Riferimento	DESCRIZIONE
1	Foro di alloggiamento dello scafo
2	Passascafo
3	Passascafo con membrana
4	Tappo del passascafo

**V-3-2- Tappi del passascafo**

**Imbarcazione all'asciutto (rimorchio, su invasi...)...**



- TAPPI IN POSIZIONE (1)

**Imbarcazione in acqua...**



- IN NAVIGAZIONE TAPPI INSERITI NEL PASSASCAFO (2)
- **PROCEDURA DI SVUOTAMENTO DELL'ACQUA IMBARCATA.**
  - IMBARCAZIONE FERMA: TAPPI IN POSIZIONE (1), QUINDI NAVIGARE IN POSIZIONE DI PLANATA (> 6 NODI). RIMETTERE IN POSIZIONE GLI ELEMENTI (2) DOPO AVER EVACUATO L'ACQUA.

**IMPIANTI E CIRCUITI- PROSCIUGAMENTO**

- **ALL'ORMEGGIO:**
  - **ORMEGGIO TEMPORANEO O ALTRE SITUAZIONI PER LE QUALI L'IMBARCAZIONE NON RISCHIA DI RICEVERE ACQUA IN QUANTITÀ IMPORTANTI (PIOGGE ABBONDANTI, ONDATE), METTERE GLI ELEMENTI IN POSIZIONE (1) O (2), A SCELTA.**
  - **ORMEGGIO PROLUNGATO O A RISCHIO: TAPPI ESTRATTI (1)**



**AVVERTENZA**

SE L'IMBARCAZIONE DOVESSE IMBARCARE UNA NOTEVOLE QUANTITÀ DI ACQUA PROVENIENTE DALL'ESTERNO (PIOGGE ABBONDANTI, SCIA...) CON I TAPPI INSERITI NEL PASSA-SCAFO, L'IMBARCAZIONE RISCHIEREBBE DI ESSERE ALLAGATA (EFFETTO VASCA). L'ACQUA IMBARCATA PUÒ APPESANTIRE NOTEVOLMENTE L'IMBARCAZIONE COMPORTANDONE L'IMMERSIONE E DANNEGGIANDO GRAVEMENTE ALCUNI ORGANI QUALI IL MOTORE O I CIRCUITI ELETTRICI.

**V-3-3- Foro di alaggio dello scafo:**



**Imbarcazione all'asciutto (rimorchio, su invasi...)...**



**POSIZIONE APERTA, TAPPO DEL FORO DI ALAGGIO ESTRATTO.**

**Imbarcazione in acqua...**



**POSIZIONE CHIUSA, TAPPO DEL FORO DI ALAGGIO INSERITO.  
(ACCERTARSI CHE IL TAPPO DEL FORO DI ALAGGIO SIA CHIUSO/SERRATO CORRETTAMENTE)**

**IMPIANTI E CIRCUITI- STERZO****V-4 STERZO**

Attenersi alle raccomandazioni del costruttore dello sterzo (installazione, uso e manutenzione).

Per un uso ottimale dell'imbarcazione, si prega di rivolgersi al proprio concessionario.

**V-5 IMPIANTO ANTINCENDIO****AVVERTENZA**

- **SI RACCOMANDA DI TENERE SEMPRE A BORDO UN ESTINTORE; ATTENERSI ALLE LEGGI VIGENTI NEL PROPRIO PAESE.**
- **NON COLLOCARE MATERIALI INFIAMMABILI NEI PRESSI O SOPRA GLI APPARECCHI DI COTTURA.**

L'imbarcazione viene fornita senza estintore; spetta al proprietario attenersi alle norme nazionali della bandiera dell'imbarcazione. L'imbarcazione deve essere dotata di estintori portatili, in servizio. La posizione consigliata per l'estintore è nel gavone di poppa o nella consolle.

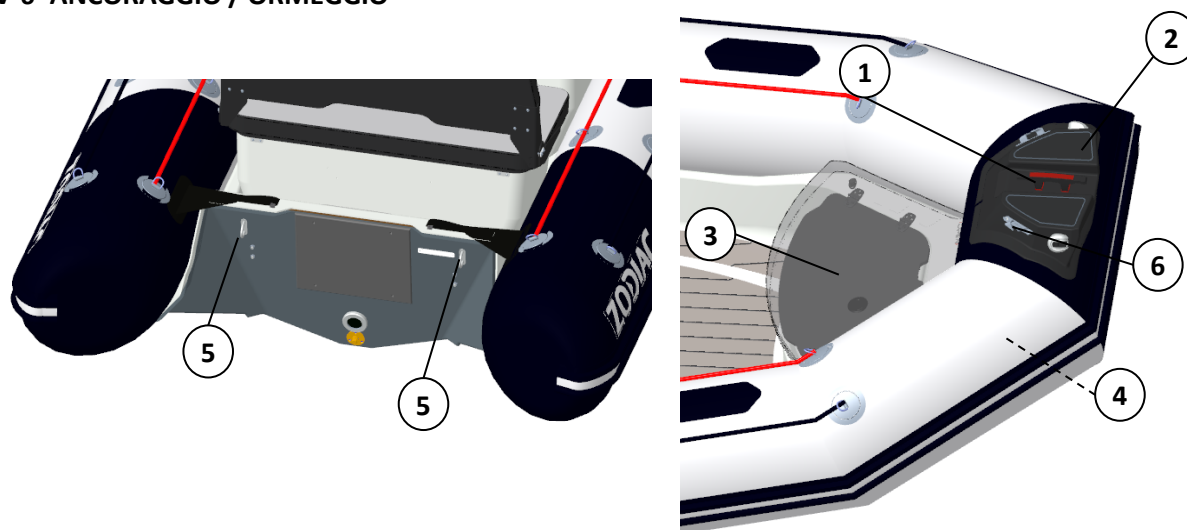
Mantenere i supporti puliti e verificare a intervalli regolari l'assenza di vapori o perdite di carburante. Non lasciare l'imbarcazione incustodita mentre sono in funzione apparecchi di cottura e/o di riscaldamento.

Non fumare durante la manipolazione di carburante o gas.

Non ostruire i comandi di sicurezza, ad esempio i rubinetti di arresto del carburante e gli interruttori dell'impianto elettrico.

Non riempire il serbatoio del carburante mentre il motore o gli apparecchi di cottura sono in funzione.

V-6 ANCORAGGIO / ORMEGGIO



Riferimento	DESCRIZIONE
1	Gallocce
2	Musone in poliestere
3	Gavone per ancoraggio
4	Puleggia dell'ancora
5	Lande dello specchio di poppa
6	Passacavi



**AVVERTENZA**

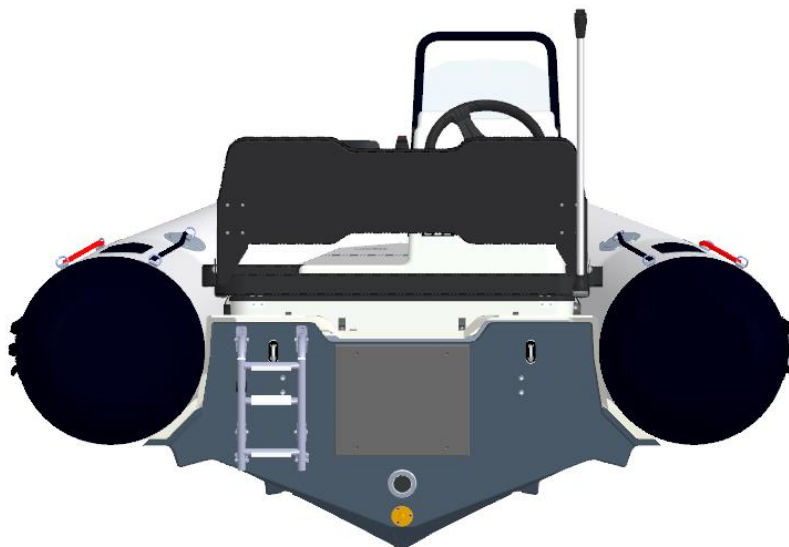
- L'ORMEGGIO PERMANENTE DEVE ESSERE EFFETTUATO CON L'AUSILIO DELLA LANDA DI PRUA POSTA A PRUA DELL'IMBARCAZIONE O DELLA LANDA DI POPPA.
- SCEGLIERE LA LINEA DI ANCORAGGIO IN FUNZIONE DELLA LARGHEZZA E DEL PESO DELL'IMBARCAZIONE.

**IMPIANTI E CIRCUITI – Risalita a bordo****V-7 RISALITA A BORDO****V-7-1- DAL GALLEGGIANTE**

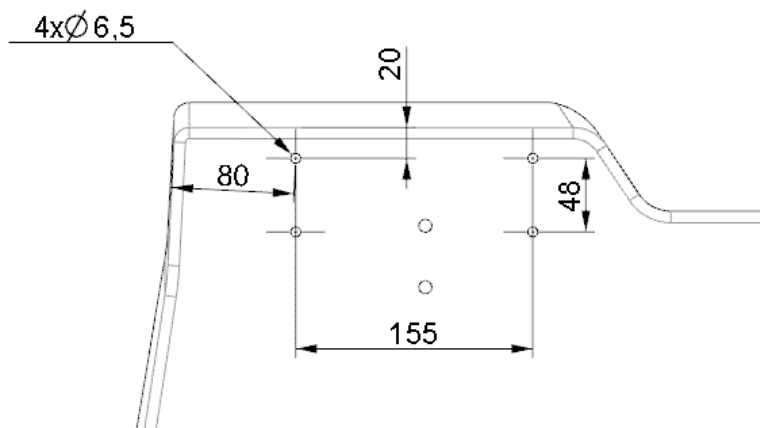
Le barche hanno bordo libero basso (meni di 500mm) che permette di risalire facilmente a bordo sfruttando gli ancoraggi esterni del galleggiante :

**V-7-2- SCALETTA (OPZIONALE)****OPEN 3.1 / 3.4 / 4.2**

Prendere il dado a occhiello fornito con la scala e avvitarlo su una piastra della landa sullo specchio di poppa. Agganziare la scala al dado a occhiello e stendere la scala sul tubolare.

**OPEN 4.8**

**POSIZIONAMENTO SCALETTA**



**PERICOLO!!!**

**ASSICURARSI CHE IL MOTORE SIA SPENTO PRIMA CHE CHIUNQUE SALGA A BORDO DALLA SCALETTA POSTERIORE.**

**AVVERTENZA**

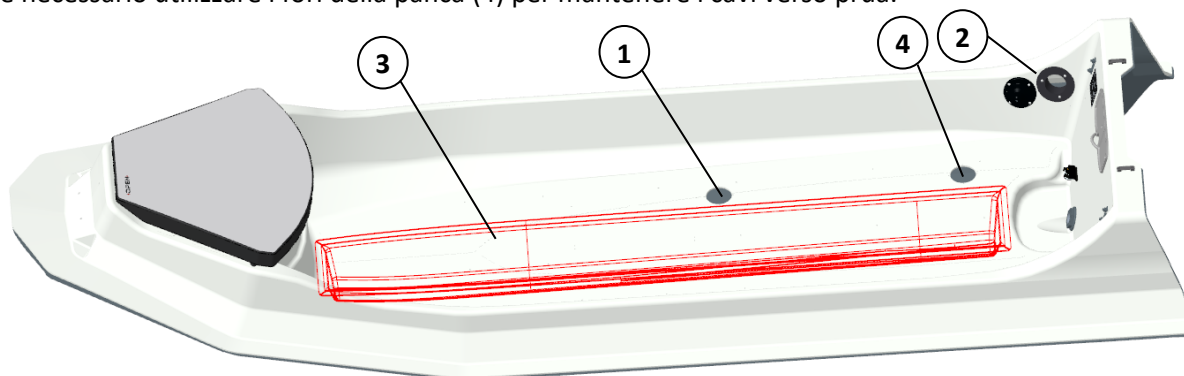
**QUANDO L'IMBARCAZIONE VIENE UTILIZZATA IN SOLITARIA, SE IL MEZZO DI SALITA A BORDO NON È GESTIBILE DALL'ACQUA DEVE ESSERE INSTALLATO IN PERMANENZA.**

**V-8 RIGGING MECCANICO**

Per un'attenzione estetica, è previsto che tutti i cavi e i fasci del rigging passino dalla consolle (1) al motore (2) attraverso lo scafo. Si consiglia di passare i diversi elementi prima del fissaggio definitivo delle apparecchiature sul ponte.

Si raccomanda di far passare i cavi lungo il controstampo (3) sul ponte verso la prua della barca per evitare blocchi.

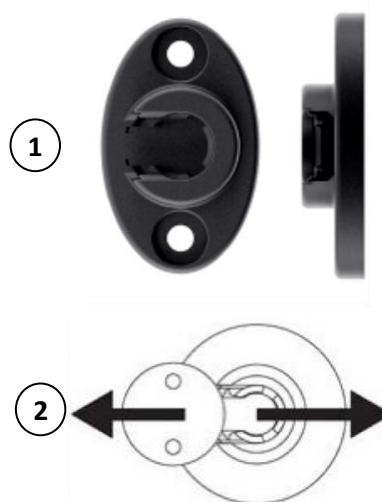
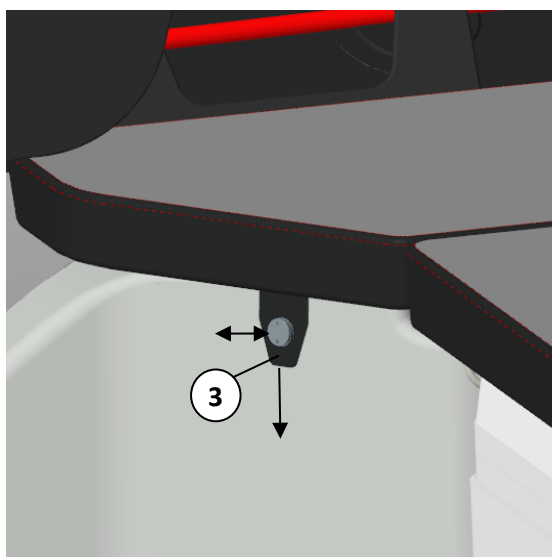
Se necessario utilizzare i fori della panca (4) per mantenere i cavi verso prua.



**IMPIANTI E CIRCUITI – Fissaggio della cuscineria****V-9 FISSAGGIO DELLA CUSCINERIA**

L'imbarcazione è dotata di un nuovo tipo di fissaggio (1) per mantenere la cuscineria sullo scafo. Questo sistema è dotato di magneti che si sbloccano al livello laterale (2).

- **Sbloccaggio:** tirare leggermente verso il basso la cinghia di fissaggio (3) e farla scorrere lateralmente.
- **Bloccaggio:** Tirare leggermente verso il basso la cinghia di fissaggio (3) e farla scorrere verso l'interno del sistema di fissaggio.

**AVVERTENZA**

**NON TIRARE DIRETTAMENTE SULLA CUSCINERIA PER SGANCIARLA ,  
DANNEGGEREBBE IL NUOVO SISTEMA DI FISSAGGIO**

**VI- POSIZIONE DEGLI ACCESSORI**

**VI-1 BIMINI OPEN 3.1 / 3.4**



**VI-2 BIMINI OPEN 4.2 / 4.8**



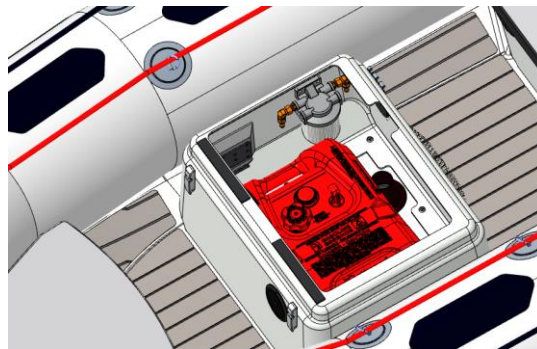


**POSIZIONE DEGLI ACCESSORI**

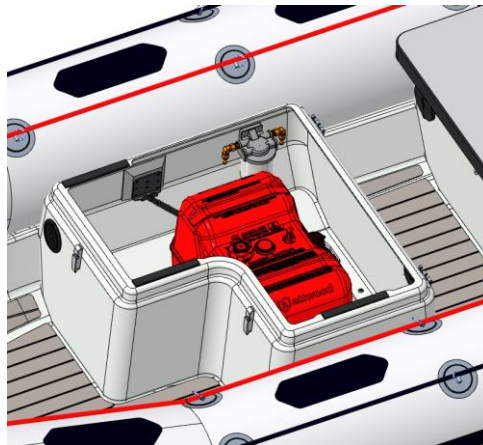
**VI-3 ROLL BAR OPEN 4.8**



**VI-4 SERBATOI PORTATILI OPEN 3.1 / 3.4**

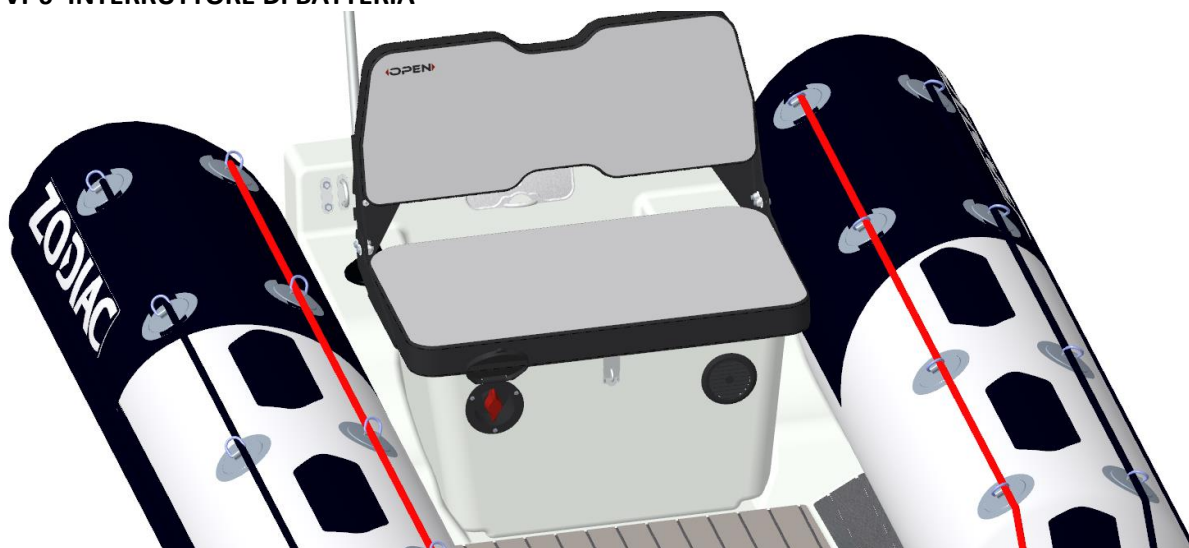


**VI-5 SERBATOI PORTATILI OPEN 4.2 / 4.8**

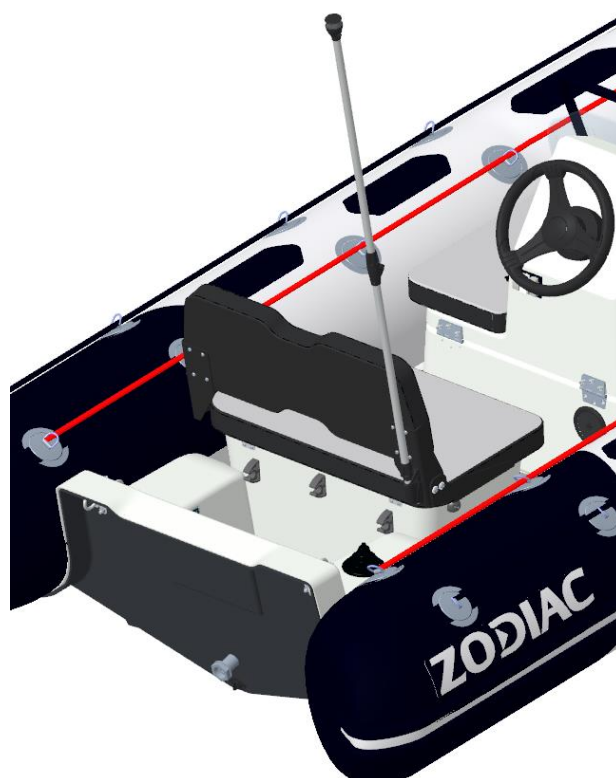


## POSIZIONE DEGLI ACCESSORI

### VI-6 INTERRUTTORE DI BATTERIA

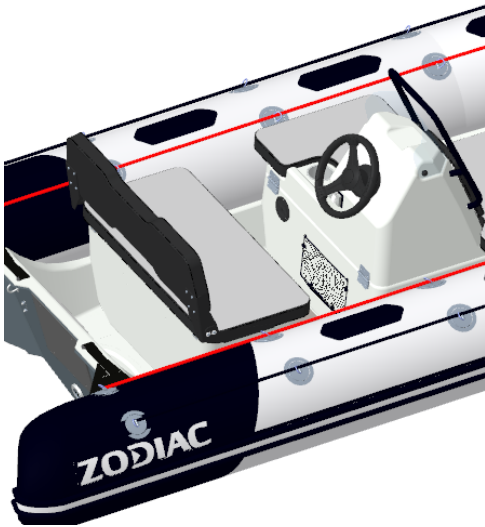


### VI-7 LUCE BIANCA

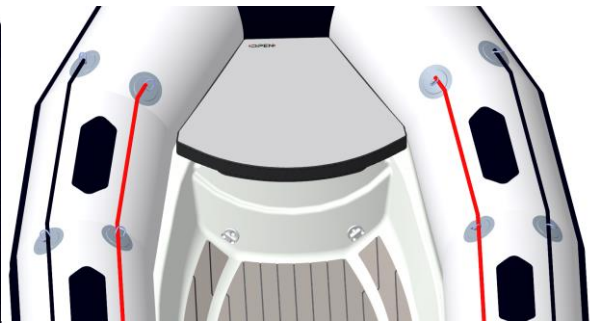
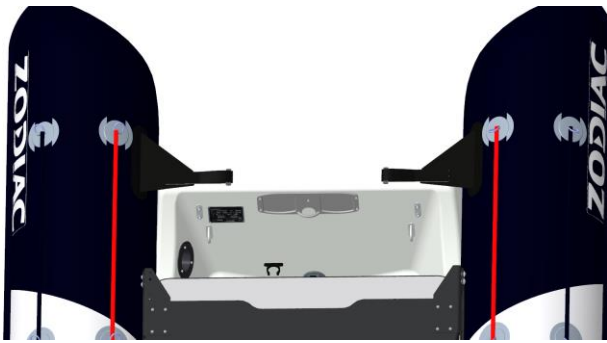


**POSIZIONE DEGLI ACCESSORI**

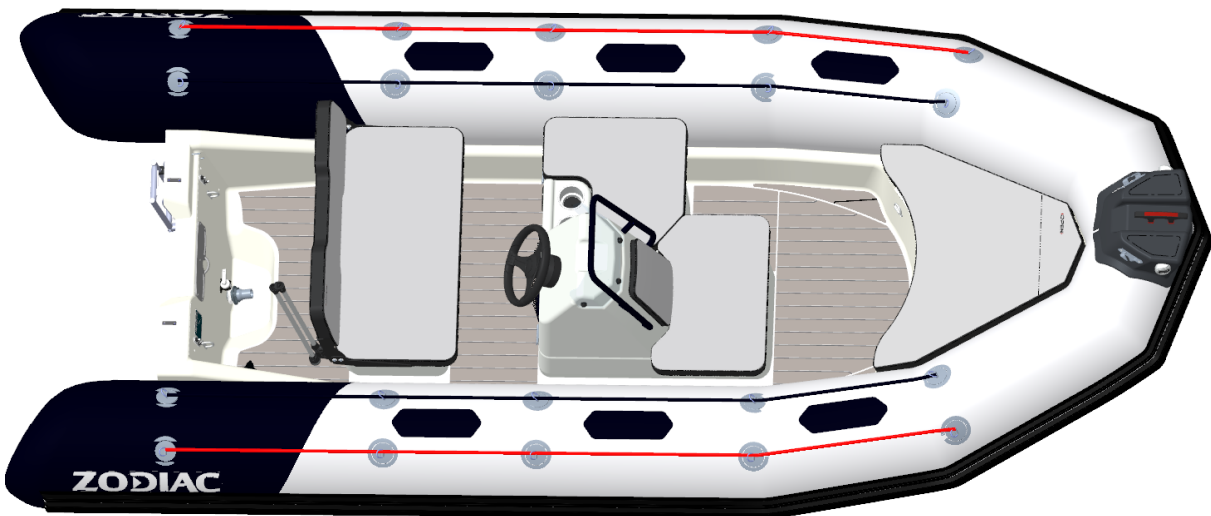
**VI-8 RETE DI CONTENIMENTO OGGETTI**



**VI-9 KIT DI SOLLEVAMENTO**

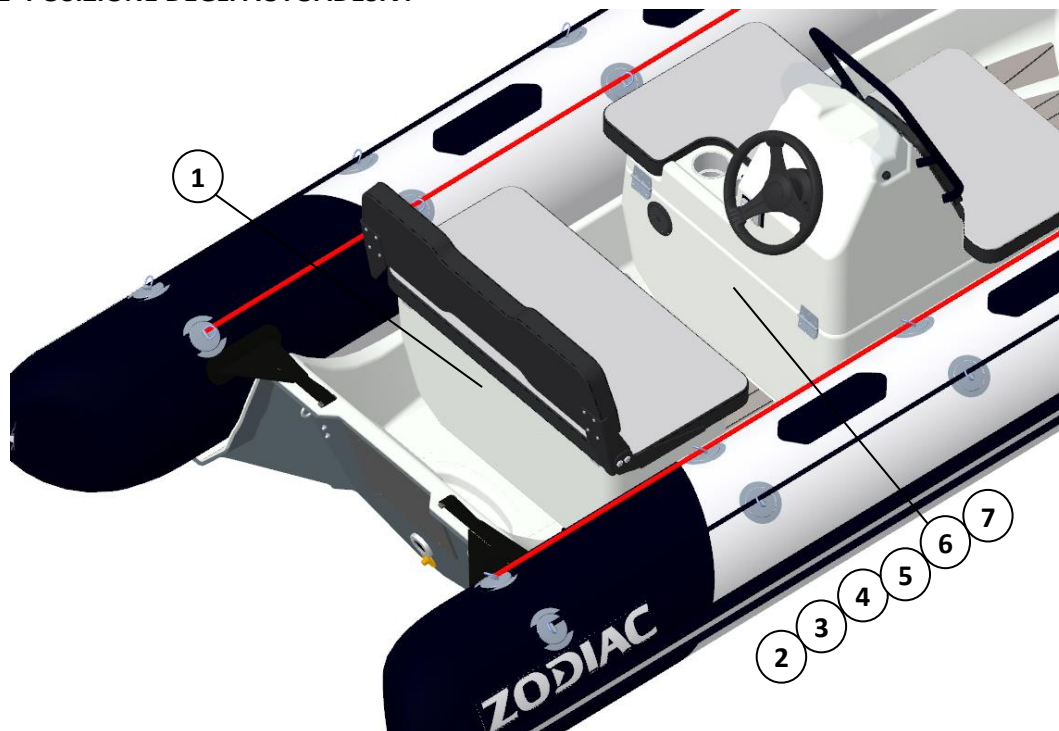


**VI-10 PONTE EVA**



VII- SEGNALETICA

VII-1 POSIZIONE DEGLI AUTOADESIVI



VII-1 DESCRIZIONE DEGLI AUTOADESIVI



⚠ WARNING	⚠ AVERTISSEMENTS
<ul style="list-style-type: none"> <li>• DO NOT TOUCH BATTERY TERMINALS (SHOCK AND ACID HAZARDS)</li> <li>• DISCONNECT BOTH LEADS BEFORE REMOVING BATTERY</li> <li>• CONNECT RED LEAD TO POSITIVE (+) TERMINAL</li> <li>• CONNECT BLACK LEAD TO NEGATIVE (-) TERMINAL</li> </ul>	<ul style="list-style-type: none"> <li>• NE PAS TOUCHER LES TERMINAUX DE LA BATTERIE (RISQUE DE CHOC ELECTRIQUE ET DE CONTACT AVEC L' ACIDE DE LA BATTERIE)</li> <li>• DEBRANCHER LES 2 FILS DE SORTIE AVANT DE RETIRER LA BATTERIE</li> <li>• RELIER LE CABLE ROUGE A LA BORNE (+)</li> <li>• RELIER LE CABLE NOIR A LA BORNE (-)</li> </ul>



⚠ WARNING	⚠ AVERTISSEMENTS
<p style="text-align: center;"><b>GASOLINE IS HIGHLY INFLAMMABLE AND EXPLOSIVE</b></p> <ul style="list-style-type: none"> <li>• STOP ENGINE BEFORE REFUELING</li> <li>• REFUEL IN WELL VENTILATED AREA</li> <li>• NEVER REFUEL WHILE SMOKING, AROUND SPARKS OR OPEN FLAME</li> <li>• AVOID SPILLING FUEL. WIPE UP ALL FUEL SPILLS IMMEDIATELY</li> <li>• LEAKING FUEL IS A FIRE HAZARD AND EXPLOSION HAZARD</li> <li>• INSPECT FUEL SYSTEM BEFORE EACH USE</li> </ul>	<p style="text-align: center;"><b>L' ESSENCE EST TRES FORTEMENT INFLAMMABLE ET EXPLOSIVE</b></p> <ul style="list-style-type: none"> <li>• ARRETER LE MOTEUR AVANT TOUT REMPLISSAGE.</li> <li>• NE PAS FUMER LORS DU REMPLISSAGE.</li> <li>• FAIRE LE PLEIN DANS UN ENDROIT VENTILE.</li> <li>• EVITER DE RENSER DU CARBURANT. ESSUYER IMMEDIATEMENT TOUTES LES FLAQUES DE CARBURANT CREEES</li> <li>• LES FUITES DE CARBURANTS CONSTITUENT UN RISQUE D' INCENDIE ET D' EXPLOSION</li> <li>• VERIFIER LE CIRCUIT CARBURANT AVANT CHAQUE UTILISATION</li> </ul>

**SEGNALETICA**

<b>⚠ CAUTION</b>	<b>⚠ ATTENTION</b>
<p>IMPROPERLY TOWING YOUR BOAT CAN CAUSE SEVERE DAMAGE TO YOUR BOAT.</p> <ul style="list-style-type: none"> <li>• NEVER TOW IN OPEN SEAS</li> <li>• NEVER TOW ABOVE 6 KNOTS</li> </ul>	<p>UN REMORQUAGE INAPPROPRIE PEUT ENDOMMAGER VOTRE BATEAU</p> <ul style="list-style-type: none"> <li>• NE PAS REMORQUER EN PLEINE MER</li> <li>• NE PAS REMORQUER A PLUS DE 6 NOEUDS</li> </ul>

3

<b>⚠ WARNING</b>	<b>⚠ AVERTISSEMENT</b>
<p>DO NOT LIFT THE BOAT WITH PASSENGERS ON BOARD</p>	<p>NE PAS SOULEVER LE BATEAU AVEC DES PASSAGERS A BORD</p>


4

<b>⚠ DANGER</b>	<b>⚠ DANGER</b>
<p>TO AVOID INJURY OR DEATH, SHUT OFF ENGINE WHEN NEAR SWIMMERS OR PRIOR TO USING SWIN PLATFORM AND BOARDING LADDER</p>	<p>POUR EVITER DES BLESSURES OU LA MORT, COUPER LE MOTEUR EN APPROCHANT DE NAGEURS, ET AVANT TOUTE UTILISATION DE LA PLATEFORME ARRIERE OU DE L' ECHELLE DE BAIN</p>

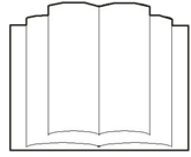
5

<b>⚠ DANGER</b>	<b>⚠ DANGER</b>
<p>A FIRE EXTINGUISHER MUST BE CARRIED AT ALL TIMES</p>	<p>UN EXTINCTEUR DOIT ETRE DISPONIBLE EN PERMANENCE A BORD</p>

6



**30 KNTS MAXIMUM**



7



Regent Park 1 - Bat2B  
2480 L'Occitane  
31670 LABEGE  
FRANCIA



## Eignerhandbuch - Owner's Manual Band 2 - Volume 2

### OPEN 3.1 - OPEN 3.4 - OPEN 4.2 – OPEN 4.8

ZNAUTIC stellt Ihnen das Eignerhandbuch in digitalem Format für die Sprachen Italienisch/Deutsch/Spanisch und Norwegisch zur Verfügung. Für sämtliche anderen Sprachen wenden Sie sich bitte an Ihren Händler, damit dieser formgerecht bei den ZNAUTIC-Teams anfragt.

*ZNAUTIC puts at your disposal the owner's manuals in digital format for the Italian / German / Spanish and Norwegian languages. For all other languages, contact your distributor for request to the ZNAUTIC teams in due form.*

Ausgabe 1

## Register your boat today on the Zodiac Club

<https://www.zodiac-nautic.com/fr/zodiac-club/>



Get a Warranty extension of  
**3 YEARS**  
for your new boat\*



FR

Enregistrez votre bateau dès aujourd'hui sur le "Zodiac Club"  
<https://www.zodiac-nautic.com/fr/zodiac-club/>. Bénéficiez d'une extension de 3 ans de Garantie constructeur pour l'achat d'un bateau neuf\*  
\*voir conditions générales de la garantie Zodiac Nautic

ES

Registre su embarcación ahora en el "Zodiac Club"  
<https://www.zodiac-nautic.com/fr/zodiac-club/>. Beneficiese de una extensión de garantía de tres años, en la compra de una embarcación nueva\*  
\*ver las condiciones generales de la garantía Zodiac Nautic

IT

Registri il suo battello oggi sul "Zodiac Club"  
<https://www.zodiac-nautic.com/fr/zodiac-club/>. Beneficierà dell'estensione di 3 anni di Garanzia costruttore sull'acquisto di un battello nuovo\*  
\*vedere le condizioni generali della garanzia Zodiac Nautic

DE

Registrieren Sie Ihr Boot heute im "Zodiac Club"  
<https://www.zodiac-nautic.com/fr/zodiac-club/>. Erhalten Sie die 3-jährige Garantieerweiterung für Ihr neues Boot.\*  
\*Siehe Zodiac Nautic Garantiebedingungen

# BAND 2

## BESCHREIBUNG – TRAGSCHLAUCH ANTRIEBSSYSTEM ANLAGEN UND KREISLÄUFE

### INHALT

I- BESCHREIBUNG .....	3
I-1 TECHNISCHE MERKMALE OPEN 3.1 .....	3
I-2 TECHNISCHE MERKMALE OPEN 3.4 .....	5
I-3 TECHNISCHE MERKMALE OPEN 4.2 .....	7
I-4 TECHNISCHE MERKMALE OPEN 4.8 .....	9
I-5 BESTANDTEILE UND ANORDNUNG .....	12
I-6 VORGESEHENER PLATZ AUSSTATTUNG .....	16
I-6-1- OPEN 3.1 / OPEN 3.4.....	16
I-6-2- OPEN 4.2/OPEN 4.8 .....	18
I-7 HANDHABUNG .....	20
I-7-1- Transport .....	20
I-7-2- Heben.....	26
II- TRAGSCHLAUCH .....	27
II-1 TRAGSCHLAUCHPFLEGE .....	27
II-2 MONTAGE DES TRAGSCHLAUCHS AM RUMPF OPEN 4.2/OPEN 4.8.....	27
II-3 BEFESTIGUNG DER ABWEISER.....	28
II-4 AUFPUMPEN DES TRAGSCHLAUCHS .....	29
II-5 LUFTDRUCK .....	31
III- Antriebssystem.....	33
IV- INBETRIEBNAHME DES BOOTS.....	34
V- ANLAGEN UND KREISLÄUFE.....	35
V-1 KRAFTSTOFFKREISLAUF.....	35
V-1-1- Anordnung der Elemente .....	35
V-1-2- Tragbarer Tank (optional).....	37
V-1-3- Benzinfilter mit Wasser/Benzinabscheider(nicht mitgeliefert).....	38
V-1-4- Nutzung der Absperrhähne des Benzinkreislaufs (nicht mitgeliefert) .....	39
V-1-5- Empfehlungen .....	40
V-2 STROMKREISLAUF .....	41
V-2-1- OPEN 3.1/3.4/4.2.....	41



V-2-2- OPEN 4.8.....	44
V-2-3- Anordnung der Elemente .....	47
V-2-4- Batterieschalter(optional) .....	47
V-2-5- Batterie (nicht mitgeliefert).....	48
V-2-6- Navigationslichter.....	49
V-2-7- Verkabelung eines Zusatzgeräts.....	49
V-2-1- Anschluss von Optionen OPEN 3.1/3.4/4.8.....	50
V-2-2- Anschluss von Optionen OPEN 4.8 .....	51
V-3 AUFBAU ZUR TROCKENLEGUNG .....	53
V-3-1- Beschreibung der Funktionselemente .....	53
V-3-2- Stopfen für Rumpfdurchlass.....	53
V-3-3- Rumpfablauf:.....	54
V-4 LENKUNG.....	55
V-5 BRANDFALL .....	55
V-6 ANKERN / ANLEGEN.....	56
V-7 EINSTIEG.....	57
V-7-1- ÜBER DEN SCHLAUCH.....	57
V-7-2- BADELEITERN (OPTIONAL).....	57
V-8 MECHANISCHES RIGGING .....	58
V-9 POLSTER FIXIEREN.....	59
VI- VORGESEHENER PLATZ DES ZUBEHÖRS.....	60
VI-1 BIMINI OPEN 3.1/3.4.....	60
VI-2 BIMINI OPEN 4.2/4.8.....	60
VI-3 GERÄTETRÄGER OPEN 4.8 .....	61
VI-4 TRAGBARER TANK OPEN 3.1/3.4 .....	61
VI-5 TRAGBARER TANK OPEN 4.2/4.8 .....	61
VI-6 BATTERIESCHALTER.....	62
VI-7 WEISSE LEUCHTEN .....	62
VI-8 GEPÄCKNETZ .....	63
VI-9 HEBEVORRICHTUNG .....	63
VI-10 EVA-DECK .....	63
VII- BESCHILDERUNG .....	64
VII-1 LAGE DER AUFKLEBER .....	64
VII-1 BESCHREIBUNG DER AUFKLEBER.....	64

**BESCHREIBUNG - Technische Merkmale**

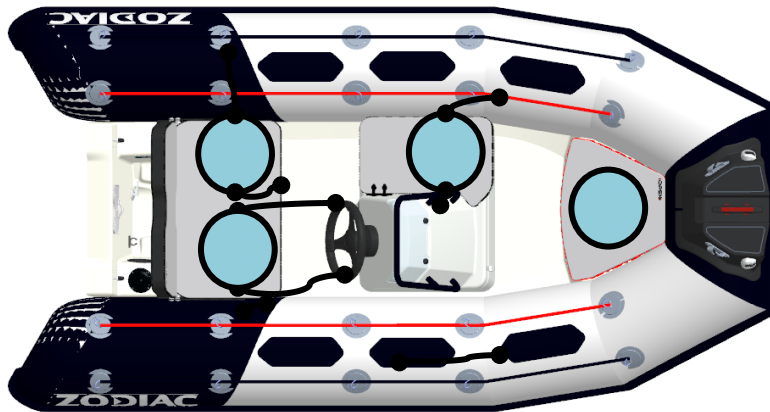
**I- BESCHREIBUNG**


**I-1 TECHNISCHE MERKMALE OPEN 3.1**

<b>Abmessungen</b>						
<i>Abmessungstoleranzen +/- 3%</i>						
	m	3.1		m	0.455	
	ft	10' 2"		Durchmesser Tragschlauch	ft	1' 6"
	m	2	Ohne Tragschlauch 	a	m	2.58
	ft	6' 7"			ft	8' 6"
	m	1.65		b	m	1.01
	ft	5' 5"			ft	3' 4"
	m	0.71		c	m	1.134
	ft	1' 6"			ft	3' 9"
	HA (mm)		930	Max. Durchfahrtshöhe		
	T (mm)		225	Max. Tiefgang		
	°		13	Winkel des Heckspiegels		
	mm		438	Höhe des Heckspiegels		

<b>Konstruktionskategorie</b>	
<b>CE</b> (Richtlinie 2013/53/EU)	C

<b>Tragfähigkeit</b>			
<i>Gewichtstoleranzen +/- 5%</i>			
(ISO)		C 4	
Maximum <b>ISO 14946</b>	kg	300	Maximale Zuladung nach ISO 14946 (1+2+3+4), siehe Angaben auf dem ICNN-Zertifikat. Maximale Zuladung nach ISO 14945 (1+2+3+5), siehe Angaben auf dem Herstellerschild. Gewicht der Personen Persönliche Ausstattung Liste aller angebotenen Optionen Inhalt der Behälter für Verbrauchsflüssigkeiten (Benzin, Trinkwasser,...) Gewicht des Motors bzw. der Motoren
	lb.	661	
Maximum <b>ISO 14945</b>	kg	340	
	lb.	750	
Maximum		kg	132
		lb.	291
Anzahl Fächer		3	








 Sitz mit Handgriffen



**WARNUNG!!!**

**DIE EMPFOHLENE MAXIMALE PERSONENZAHL DARF NICHT ÜBERSCHRITTEN WERDEN.**

**UNABHÄNGIG VON DER PERSONENZAHL AN BORD DARF DAS GESAMTGEWICHT DER PERSONEN UND DER AUSRÜSTUNG KEINESFALLS DAS MAXIMAL ZULÄSSIGE ZULADUNGSGEWICHT ÜBERSCHREITEN. NUR AUSGEWIESENE SITZE ODER SITZPLÄTZE BENUTZEN.**

Motorisierung Open 3.1			
	Länge der Antriebsachse		EINZELMOTOR
			S
	Empfohlene MINDESTLEISTUNG	PS	10
		kW	7.5
	Empfohlene HÖCHSTLEISTUNG	PS	15
		kW	11.2
	Zugelassene HÖCHSTLEISTUNG	PS	25
		kW	18.6
	HÖCHSTGEWICHT Motor	kg	57
		Lbs	125.7

Die empfohlenen Mindestleistungen gelten für eine optimale Nutzung der Tragfähigkeit des Bootes bei mittlerer Zuladung.

**HINWEIS:** Die zugelassene Höchstleistung muss, falls sie die empfohlene Höchstleistung überschreitet, mit größter Vorsicht eingesetzt werden. Sie ist ausschließlich für erfahrene Nutzer vorgesehen, die ihr Boot unter sehr spezifischen Bedingungen verwenden (Transport von Schwerlasten, etc.). Siehe Handbuch Band 1, Kapitel „Navigationstipps“.

Um eine mögliche vorzeitige Verschlechterung Ihres Schwimmers zu vermeiden, sollte der Motor nur für diese Bootsgröße so hoch wie möglich am Heck montiert werden. Es wird auch empfohlen, den Motor während der Überwinterungs- und Transportphase des Bootes auf Backbord umzustellen, wenn Sie vor Anker liegen.

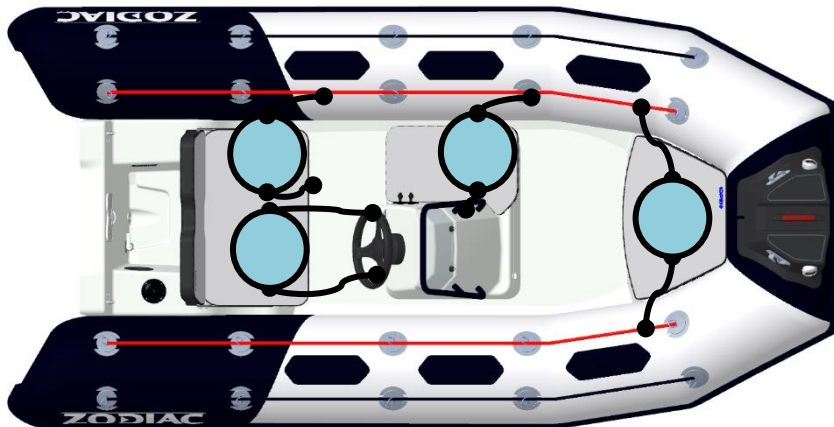
**BESCHREIBUNG - Technische Merkmale**


**I-2 TECHNISCHE MERKMALE OPEN 3.4**

<b>Abmessungen</b>						
<i>Abmessungstoleranzen +/- 3%</i>						
	m	3.4		m	0.455	
	ft	11' 2"		ft	1' 6"	
	m	2.16	<div style="text-align: center;">Ohne Tragschlauch</div>	a	m	2.9
	ft	7' 1"		ft	9' 6"	
	m	1.7		b	m	1.13
	ft	5' 7"		ft	3' 8"	
	m	0.8		c	m	1.17
	ft	2' 7"		ft	3' 10"	
	HA (mm)			945	Max. Durchfahrtshöhe	
	T (mm)			294	Max. Tiefgang	
	°		13	Winkel des Heckspiegels		
	mm		524	Höhe des Heckspiegels		

<b>Konstruktionskategorie</b>	
<b>CE</b> (Richtlinie 2013/53/EU)	C

<b>Tragfähigkeit</b>				
<i>Gewichtstoleranzen +/- 5%</i>				
		C		
		4		
	Maximum <b>ISO 14946</b>	kg	340	Maximale Zuladung nach ISO 14946 (1+2+3+4), siehe Angaben auf dem ICNN-Zertifikat. Maximale Zuladung nach ISO 14945 (1+2+3+5), siehe Angaben auf dem Herstellerschild. Gewicht der Personen Persönliche Ausstattung Liste aller angebotenen Optionen Inhalt der Behälter für Verbrauchsflüssigkeiten (Benzin, Trinkwasser,...) Gewicht des Motors bzw. der Motoren
		lb.	750	
	Maximum <b>ISO 14945</b>	kg	420	
		lb.	926	
		kg	150	
		lb.	331	
Anzahl Fächer		3		Angegebenes Gewicht ohne Zubehör



 Sitz mit Handgriffen








**WARNUNG!!!**

**DIE EMPFOHLENE MAXIMALE PERSONENZAHL DARF NICHT ÜBERSCHRITTEN WERDEN.**

**UNABHÄNGIG VON DER PERSONENZAHL AN BORD DARF DAS GESAMTGEWICHT DER PERSONEN UND DER AUSRÜSTUNG KEINESFALLS DAS MAXIMAL ZULÄSSIGE ZULADUNGSGEWICHT ÜBERSCHREITEN.**

**NUR AUSGEWIESENE SITZE ODER SITZPLÄTZE BENUTZEN.**

Motorisierung Open 3.4			
	Länge der Antriebsachse	EINZELMOTOR	
		L	
	Empfohlene MINDESTLEISTUNG	PS	10
		kW	7.5
	Empfohlene HÖCHSTLEISTUNG	PS	15
		kW	11.2
	Zugelassene HÖCHSTLEISTUNG	PS	30
		kW	22.4
	HÖCHSTGEWICHT Motor	kg	95
		Lbs	209

Die empfohlenen Mindestleistungen gelten für eine optimale Nutzung der Tragfähigkeit des Bootes bei mittlerer Zuladung.

**HINWEIS:** Die zugelassene Höchstleistung muss, falls sie die empfohlene Höchstleistung überschreitet, mit größter Vorsicht eingesetzt werden. Sie ist ausschließlich für erfahrene Nutzer vorgesehen, die ihr Boot unter sehr spezifischen Bedingungen verwenden (Transport von Schwerlasten, etc.). Siehe Handbuch Band 1, Kapitel „Navigationstipps“.

**BESCHREIBUNG - Technische Merkmale**

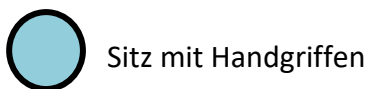
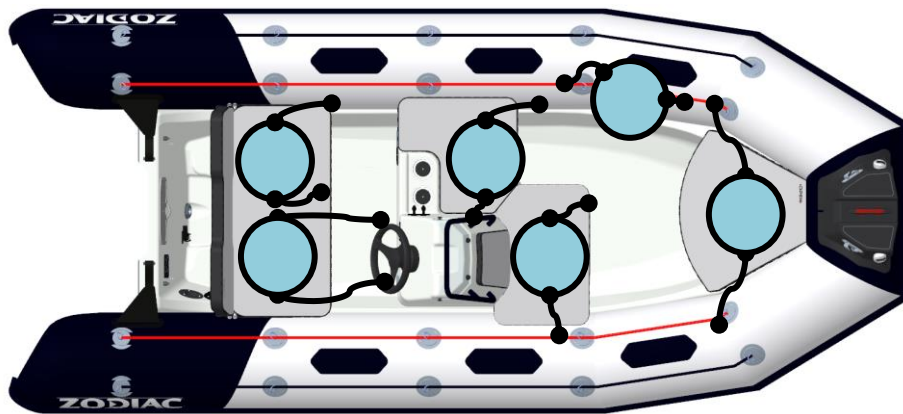
**I-3 TECHNISCHE MERKMALE OPEN 4.2**

<b>Abmessungen</b>						
<i>Abmessungstoleranzen +/- 3%</i>						
	m	4.2		m	0.455	
	ft	13' 9"		ft	1' 6"	
	m	2.7	Ohne Tragschlauch  a b c	a	m	3.6
	ft	8' 10"		ft	11' 10"	
	m	1.9		b	m	1.24
	ft	6' 3"		ft	4' 1"	
	m	1.1		c	m	1.3
	ft	3' 7"		ft	4' 3"	
	HA (mm)	968		Max. Durchfahrtshöhe		
	T (mm)	456		Max. Tiefgang		
	°	17	Winkel des Heckspiegels			
	mm	524	Höhe des Heckspiegels			

<b>Konstruktionskategorie</b>	
<b>CE</b> (Richtlinie 2013/53/EU)	C

<b>Tragfähigkeit</b>					
<i>Gewichtstoleranzen +/- 5%</i>					
		(ISO)	C 6		
	Maximum	<b>ISO 14946</b>	kg	560	Maximale Zuladung nach ISO 14946 (1+2+3+4), siehe Angaben auf dem ICNN-Zertifikat. Maximale Zuladung nach ISO 14945 (1+2+3+5), siehe Angaben auf dem Herstellerschild. Gewicht der Personen Persönliche Ausstattung Liste aller angebotenen Optionen Inhalt der Behälter für Verbrauchsflüssigkeiten (Benzin, Trinkwasser,...) Gewicht des Motors bzw. der Motoren
			lb.	1235	
	Maximum	<b>ISO 14945</b>	kg	680	
			lb.	1499	
			kg	270	
			lb.	595	
Anzahl Fächer			3		Angegebenes Gewicht ohne Zubehör






## BESCHREIBUNG - Technische Merkmale



### **WARNUNG!!!**

**DIE EMPFOHLENE MAXIMALE PERSONENZAHL DARF NICHT ÜBERSCHRITTEN WERDEN.**

**UNABHÄNGIG VON DER PERSONENZAHL AN BORD DARF DAS GESAMTGEWICHT DER PERSONEN UND DER AUSRÜSTUNG KEINESFALLS DAS MAXIMAL ZULÄSSIGE ZULADUNGSGEWICHT ÜBERSCHREITEN. NUR AUSGEWIESENE SITZE ODER SITZPLÄTZE BENUTZEN.**

Motorisierung Open 4.2				
 Long	Länge der Antriebsachse	EINZELMOTOR		
		L		
	Empfohlene MINDESTLEISTUNG	PS	15	
		kW	11.2	
	Empfohlene HÖCHSTLEISTUNG	PS	40	
		kW	29.8	
	Zugelassene HÖCHSTLEISTUNG	PS	50	
		kW	37.3	
 Maximum	HÖCHSTGEWICHT Motor	kg	115	
		Lbs	253.5	

Die empfohlenen Mindestleistungen gelten für eine optimale Nutzung der Tragfähigkeit des Bootes bei mittlerer Zuladung.

**HINWEIS:** Die zugelassene Höchstleistung muss, falls sie die empfohlene Höchstleistung überschreitet, mit größter Vorsicht eingesetzt werden. Sie ist ausschließlich für erfahrene Nutzer vorgesehen, die ihr Boot unter sehr spezifischen Bedingungen verwenden (Transport von Schwerlasten, etc.). Siehe Handbuch Band 1, Kapitel „Navigationstipps“.

**BESCHREIBUNG - Technische Merkmale**

**I-4 TECHNISCHE MERKMALE OPEN 4.8**

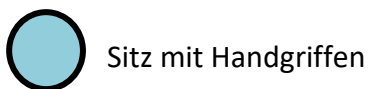
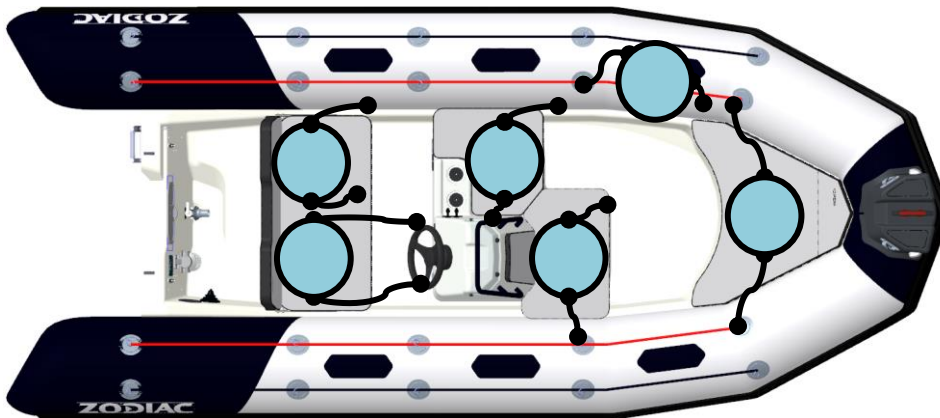
<b>Abmessungen</b> <i>Abmessungstoleranzen +/- 3%</i>						
	m	4.7		m	0.5	
	ft	15' 5"		Durchmesser Tragschlauch	ft	1' 8"
	m	2.92	Ohne Tragschlauch   	a	m	3.83
	ft	9' 7"			ft	12' 7"
	m	2.09		b	m	1.38
	ft	6' 10"			ft	4' 6"
	m	1.1		c	m	1.38
	ft	3' 7"			ft	4' 6"
	HA (mm)	1085	Max. Durchfahrtshöhe			
	T (mm)	485	Max. Tiefgang			
	°	17.5	Winkel des Heckspiegels			
	mm	537	Höhe des Heckspiegels			

<b>Konstruktionskategorie</b>	
<b>CE</b> (Richtlinie 2013/53/EU)	C

<b>Tragfähigkeit</b> <i>Gewichtstoleranzen +/- 5%</i>				
(ISO)			C	
			<b>6</b>	
	ISO 14946	kg	590	Maximale Zuladung nach ISO 14946 (1+2+3+4), siehe Angaben auf dem ICNN-Zertifikat. Maximale Zuladung nach ISO 14945 (1+2+3+5), siehe Angaben auf dem Herstellerschild. Gewicht der Personen Persönliche Ausstattung Liste aller angebotenen Optionen Inhalt der Behälter für Verbrauchsflüssigkeiten (Benzin, Trinkwasser,...) Gewicht des Motors bzw. der Motoren
		lb.	1301	
	ISO 14945	kg	760	
		lb.	1676	
		kg	310	
		lb.	683	
Anzahl Fächer			5	Angegebenes Gewicht ohne Zubehör



## BESCHREIBUNG - Technische Merkmale








### **WARNUNG!!!**

**DIE EMPFOHLENE MAXIMALE PERSONENZAHL DARF NICHT ÜBERSCHRITTEN WERDEN.**

**UNABHÄNGIG VON DER PERSONENZAHL AN BORD DARF DAS GESAMTGEWICHT DER PERSONEN UND DER AUSTRÜSTUNG KEINESFALLS DAS MAXIMAL ZULÄSSIGE ZULADUNGSGEWICHT ÜBERSCHREITEN.**

**NUR AUSGEWIESENE SITZE ODER SITZPLÄTZE BENUTZEN.**

Motorisierung Open 4.8				
	Länge der Antriebsachse	EINZELMOTOR		Die empfohlenen Mindestleistungen gelten für eine optimale Nutzung der Tragfähigkeit des Bootes bei mittlerer Zuladung.
		L		
	Empfohlene MINDESTLEISTUNG	PS	40	
		kW	29.8	
	Empfohlene HÖCHSTLEISTUNG	PS	50	
		kW	37.3	
	Zugelassene HÖCHSTLEISTUNG	PS	80	
		kW	59.7	
	HÖCHSTGEWICHT Motor	kg	170	
		Lbs	374.8	

**HINWEIS:** Die zugelassene Höchstleistung muss, falls sie die empfohlene Höchstleistung überschreitet, mit größter Vorsicht eingesetzt werden. Sie ist ausschließlich für erfahrene Nutzer vorgesehen, die ihr Boot unter sehr spezifischen Bedingungen verwenden (Transport von Schwerlasten, etc.). Siehe Handbuch Band 1, Kapitel „Navigationstipps“.

**BESCHREIBUNG - Technische Merkmale**

**HINWEIS:** Die zugelassene Höchstleistung muss, falls sie die empfohlene Höchstleistung überschreitet, mit größter Vorsicht eingesetzt werden. Sie ist ausschließlich für erfahrene Nutzer vorgesehen, die ihr Boot unter sehr spezifischen Bedingungen verwenden (Transport von Schwerlasten, etc.). Siehe Handbuch Band 1, Kapitel „Navigationstipps“.

**WARNUNG!!!**

**BEIM BELADEN DES BOOTS DAS MAXIMAL ZULÄSSIGE ZULADUNGSGEWICHT NIEMALS ÜBERSCHREITEN. GEHEN SIE BEIM BELADEN DES BOOTS STETS MIT GROSSER SORGFALT VOR UND VERTEILEN SIE DIE LAST SO, DASS DIE THEORETISCHE TRIMMUNG ERHALTEN BLEIBT (ANNÄHERND WAAGRECHT). SCHWERE LASTEN NICHT IM OBEREN BEREICH VERSTAUEN.**

**WARNUNG!!!**

**DAS AUF DEM HERSTELLERSCHILD ANGEGEBENE HÖCHSTGEWICHT DARF NICHT ÜBERSCHRITTEN WERDEN.**

**BEI MAXIMALER BELADUNG DES BOOTS WIRD EMPFOHLEN:**

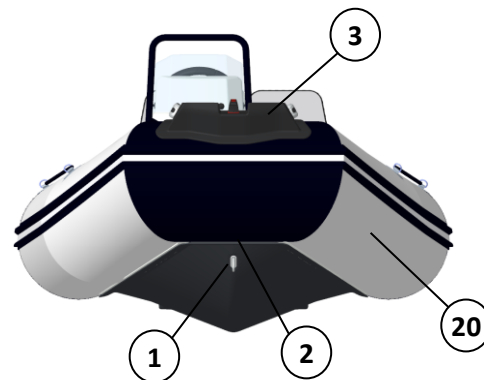
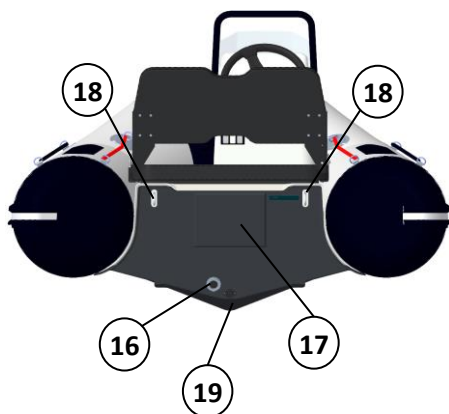
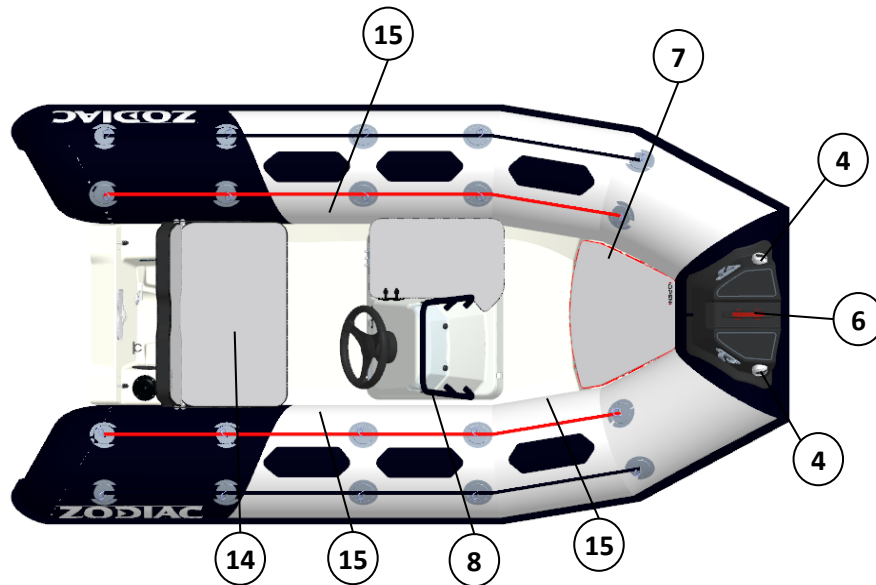
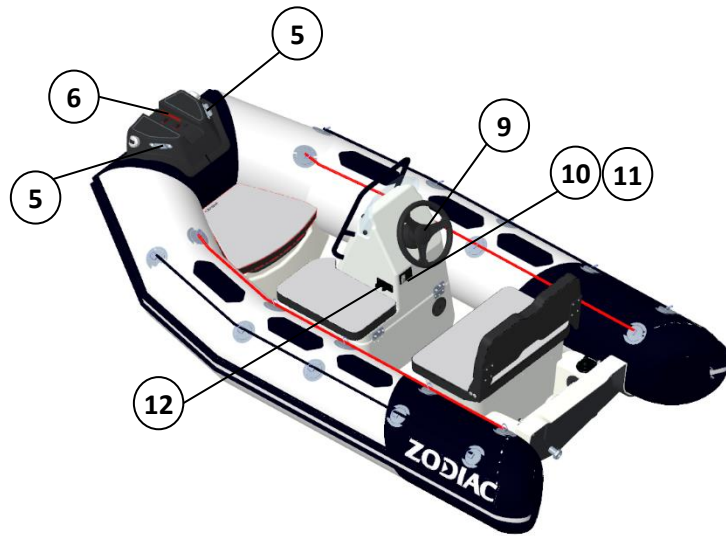
- MIT VORSICHT ZU FAHREN
- DIE LASTEN ZU VERTEILEN
- EINE GEEIGNETE TRIMMUNG DES BOOTS ZU ERHALTEN.

**ACHTUNG!!!**

**KEINE BRENNBAREN MITTEL IM HINTEREN RAUM LAGERN.  
DIE LAGERUNG EINES NACHFÜLLTANKS IST AUSDRÜCKLICH VERBOTEN.**

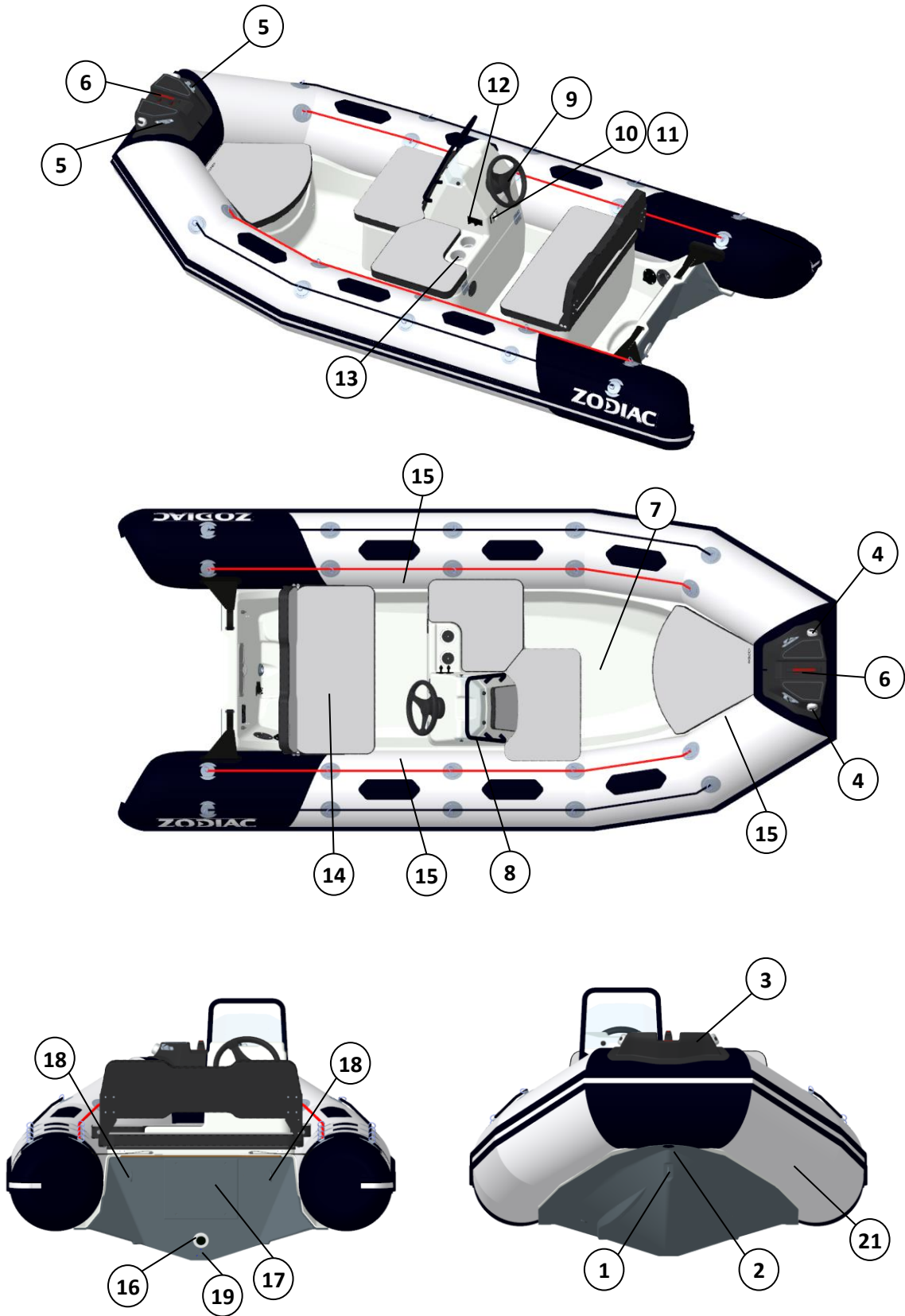
I-5 BESTANDTEILE UND ANORDNUNG

OPEN 3.1 & 3.4



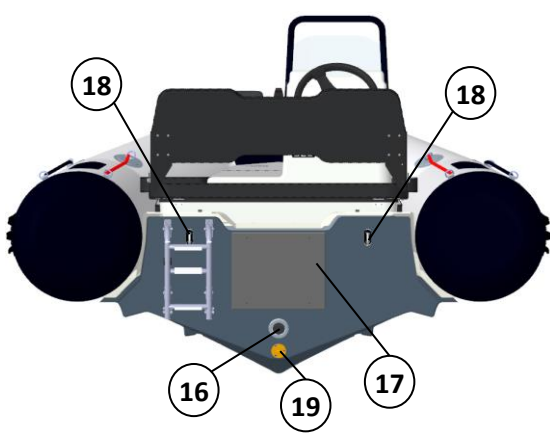
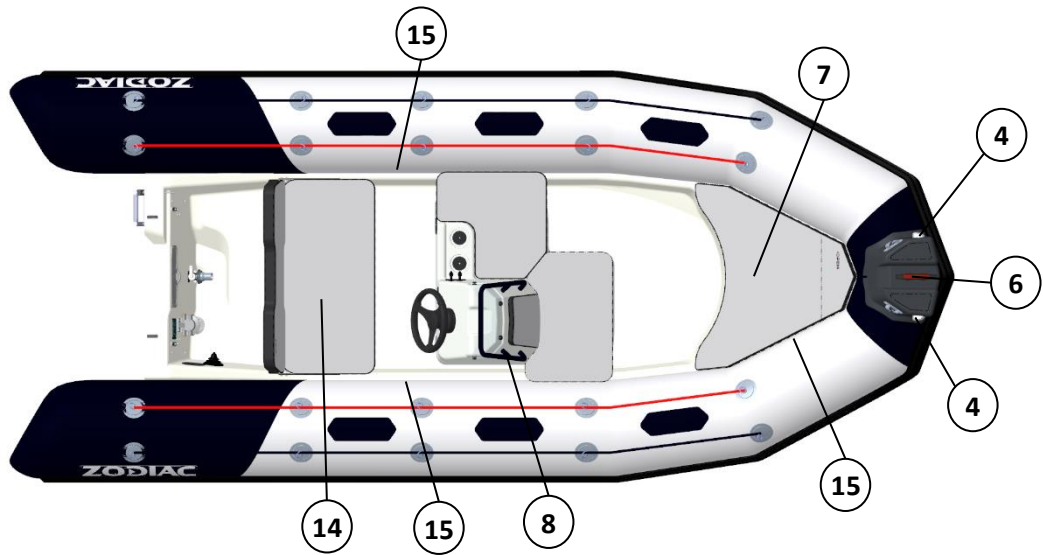
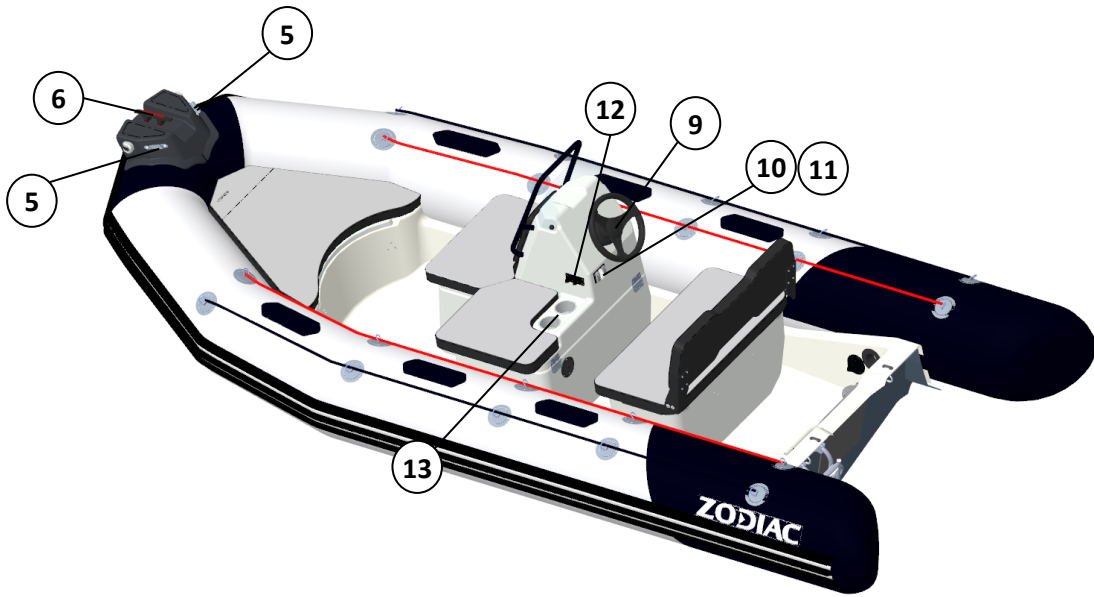
BESCHREIBUNG – INVENTAR und Lage

OPEN 4.2



BESCHREIBUNG – INVENTAR und Lage

OPEN 4.8



**BESCHREIBUNG – INVENTAR und Lage**

Markierung	BEZEICHNUNG
<b>STANDARD AUSSTATTUNG</b>	
	2 Teleskoppaddel, 1 Fußpumpe, 1 Reparatursatz, 1 Eignerhandbuch (2 Bände), 1 Manometer. Polyester-Rumpf mit vorgeformtem, rutschfestem Deck
	Sitzbank
	Steuerstand
1	Bugring
2	Befestigung Abweiser des Tragschlauchs
3	Ankerrolle
4	Positionsleuchten
5	Verholklampe
6	Klampe
7	Ankergehäuse
8	Handlauf
9	Lenkrad, mechanische Lenkung
10	Schalter Navigationslicht
11	Einbauplatz für Zusatzschalter
12	12 V-Steckdose und USB-Anschluss
13	Ablage/Trinkbecherhalter
14	Batterie (Kasten) <i>Im Innenraum der hinteren Sitzbank</i>
15	Aufpump-/Entleerungventile
16	Deckkrenzventil
17	Schutzplatte
18	Abschleppringe
19	Rumpfablauf
20	Geklebter Tragschlauch mit Scheuerleiste, Laschings und Langkegeln.
21	Abnehmbarer Tragschlauch mit breiter Profilscheuerleiste, Laschings und Langkegeln.

OPTIONALE AUSSTATTUNG		OPEN 3.1	OPEN 3.4	OPEN 4.2	OPEN 4.8
	Tragbarer Tank	X	X	X	X
	Batterieschalter	X	X	X	X
	Badeleiter	X	X	X	X
	Gepäcknetz	X	X	X	X
	EVA-Deck	X	X	X	X
	Weißleuchten	X	X	X	X
	Hebevorrichtung	X	X	X	X
	Persenning	X	X	X	X
	Bimini	X	X	X	X
	Turboswing			X	X
	Geräteträger/Wasserskimast				X
	Weitere Optionen verfügbar, bitte wenden Sie sich an Ihren ZODIAC-Händler				

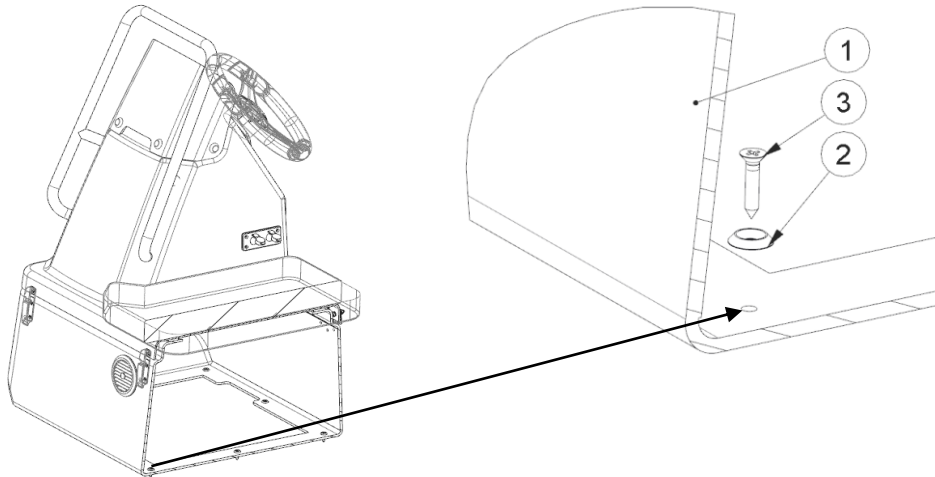
**I-6 VORGESEHENER PLATZ AUSSTATTUNG**

Ihr Boot wird mit seinem nicht montiertem Steuerstand und Sitzbank auf dem Rumpf geliefert  
Bitte befolgen Sie die nachfolgenden Etappen bei der Montage, Abdichtung und Befestigung der Elemente auf dem Deck

Es wird geraten, sämtliche Kabel und Motorkabelbäume vor der Befolgung dieser Montageetappen zu installieren.

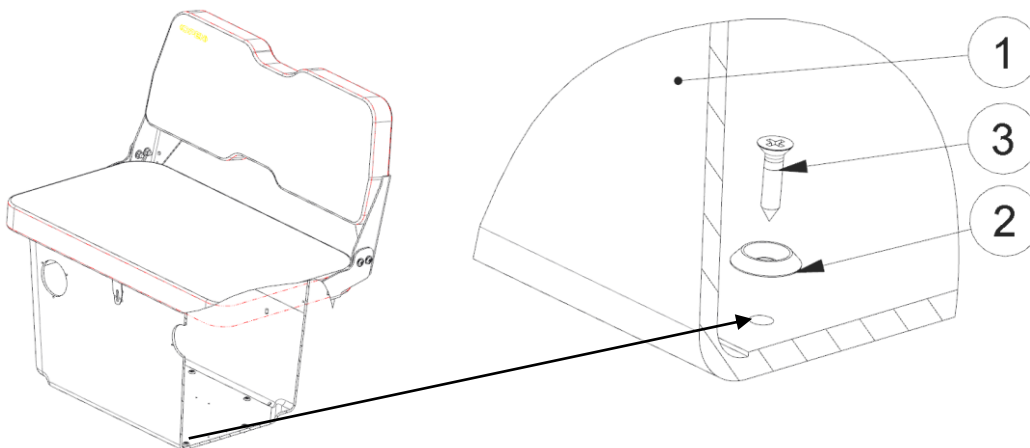
**I-6-1- OPEN 3.1 / OPEN 3.4**

**I-6-1-1- Steuerstand**



Markierung	Bezeichnung	Menge
1	GESAMTHEIT STEUERSTAND 3.1/3.4	1
2	FEDERSCHEIBE M5	8
3	BLECHSCHRAUBE FZ 4,8X25	8

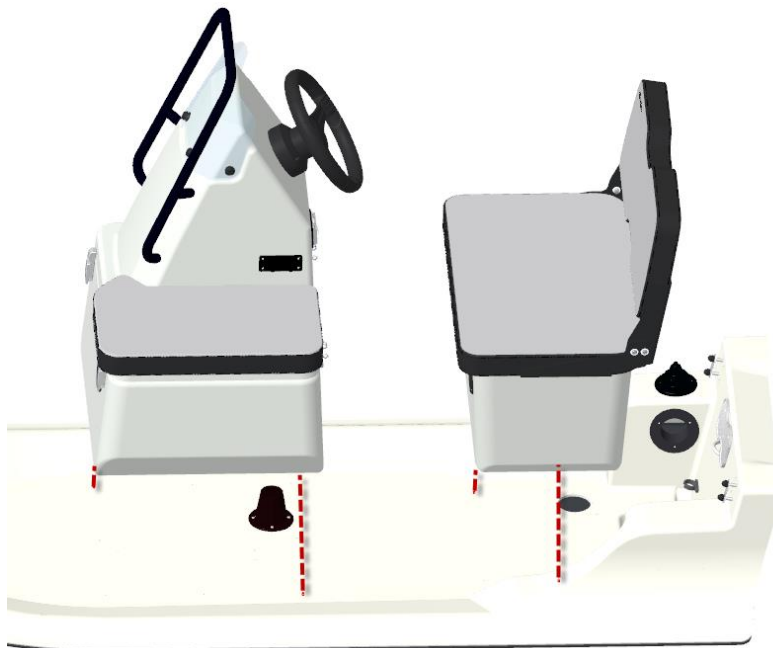
**I-6-1-2- Sitzbank**



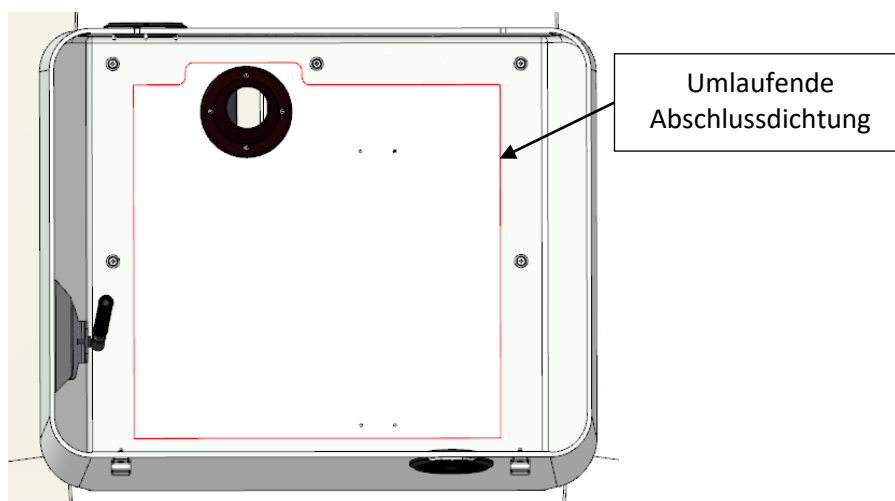
Markierung	Bezeichnung	Menge
1	GESAMTHEIT SITZBANK 3.1/3.4	1
2	FEDERSCHEIBE M5	6
3	BLECHSCHRAUBE FZ 4,8X32	6

**BESCHREIBUNG – INVENTAR und Lage****I-6-1-1- Montage**

- Jedes Ausstattungsteil auf dem Deck positionieren, indem man es mit den vorhandenen Bohrungen ausrichtet ohne es zu verschrauben.
- Überprüfen, dass die Ausstattungsteile zueinander und zum Heckspiegel parallel sind.
- Die Bohrungen des Steuerstands und der Sitzbank verwenden, um die Position der Bohrungen auf dem Deck zu markieren,
- die Ausstattungsteile entfernen, mit einem Bohrer  $\varnothing 4.2$  mm die Löcher bohren,
- reinigen und SIKAFLEX 221 rund um jede Bohrung bzw. zwischen allen Bohrungen auftragen, um eine umlaufende Dichtung zu schaffen.



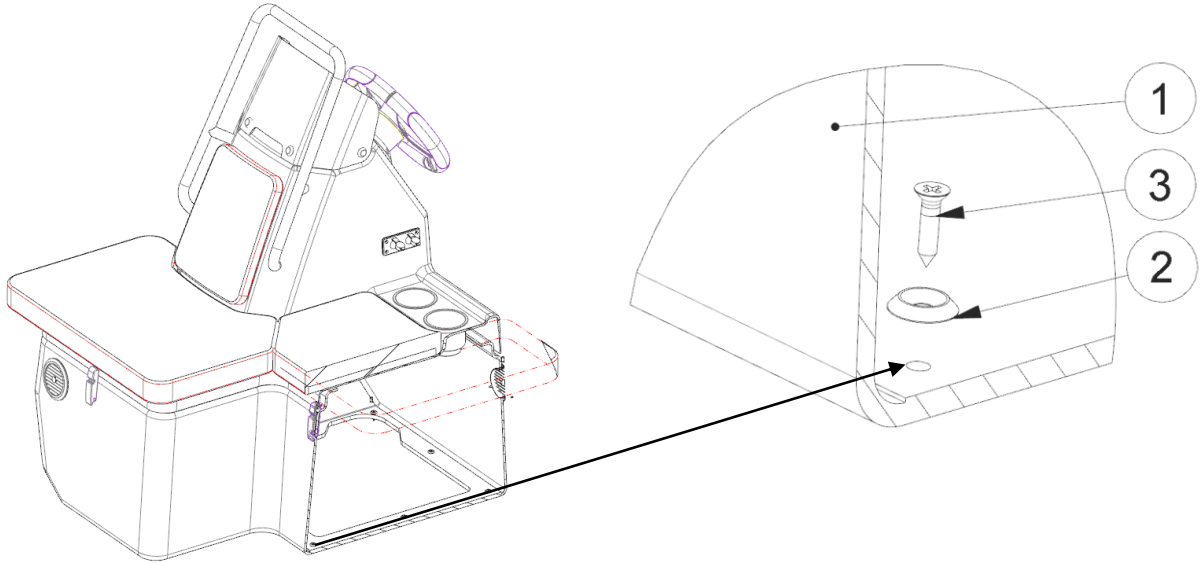
- Die Ausstattungsteile auf dem Deck positionieren und verschrauben.
- Das überschüssige SIKAFLEX reinigen.
- Für bessere Dichtheit eine umlaufende Abschlussdichtung an der inneren Kante des Steuerstands aufbringen.





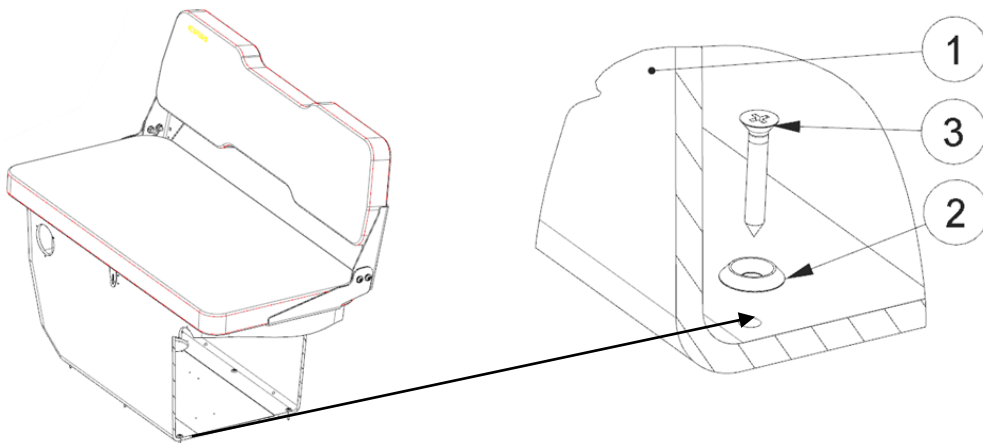
I-6-2- OPEN 4.2/OPEN 4.8

I-6-2-1- Steuerstand



Markierung	Bezeichnung	Menge
1	GESAMTHEIT STEUERSTAND 4.2/4.8	1
2	FEDERSCHEIBE M5	8
3	BLECHSCHRAUBE FZ 4,8X25	8

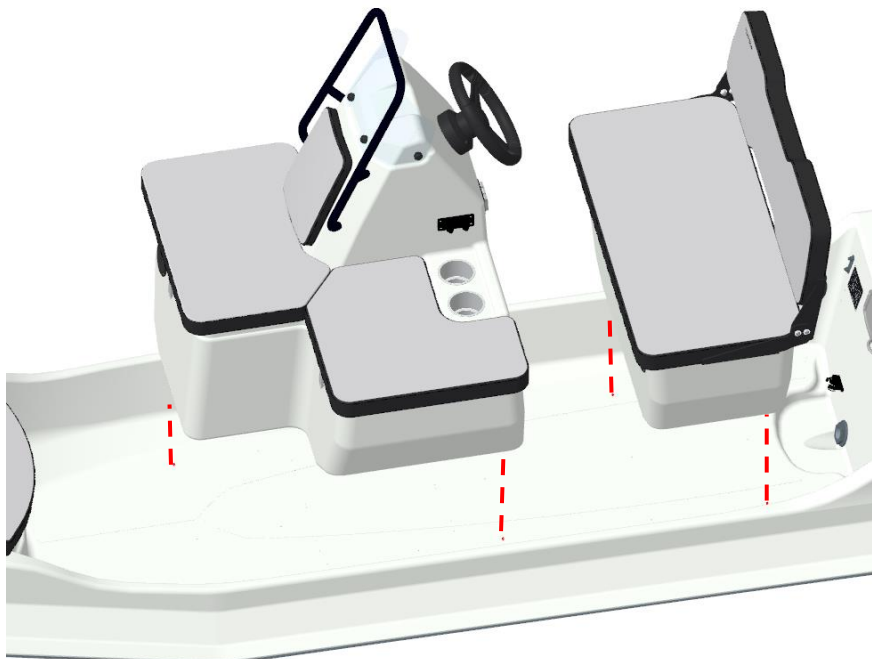
I-6-2-2- Sitzbank



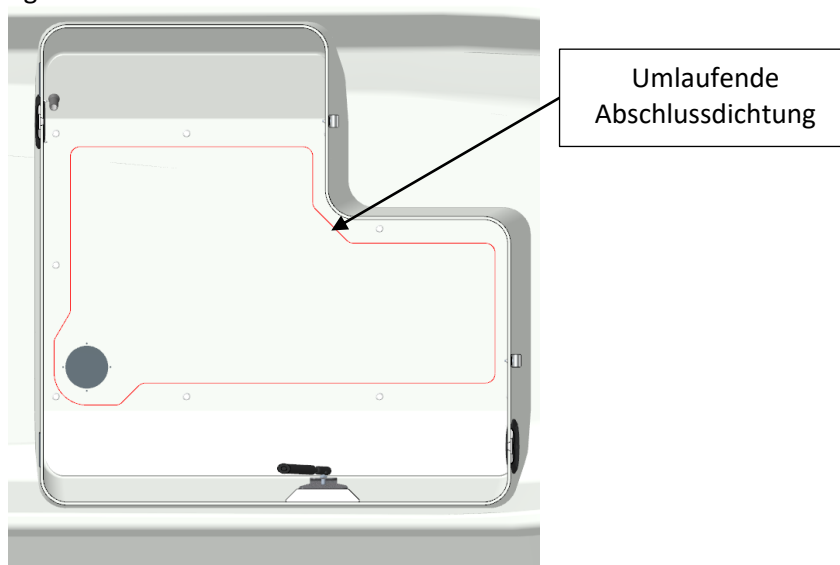
Markierung	Bezeichnung	Menge
1	GESAMTHEIT SITZBANK 4.2/4.8	1
2	FEDERSCHEIBE M5	6
3	BLECHSCHRAUBE FZ 4,8X32	6

**BESCHREIBUNG – INVENTAR und Lage****I-6-2-3- Montage**

- Jedes Ausstattungsteil auf dem Deck positionieren, indem man es mit den vorhandenen Bohrungen ausrichtet ohne es zu verschrauben.
- Überprüfen, dass die Ausstattungsteile zueinander und zum Heckspiegel parallel sind.
- Die Bohrungen des Steuerstands und der Sitzbank verwenden, um die Position der Bohrungen auf dem Deck zu markieren,
- die Ausstattungsteile entfernen, mit einem Bohrer  $\varnothing$  4.2 mm die Löcher bohren,
- reinigen und SIKAFLEX 221 rund um jede Bohrung bzw. zwischen allen Bohrungen auftragen, um eine umlaufende Dichtung zu schaffen.



- Die Ausstattungsteile auf dem Deck positionieren und verschrauben.
- Das überschüssige SIKAFLEX reinigen.
- Für bessere Dichtheit eine umlaufende Abschlussdichtung an der inneren Kante des Steuerstands aufbringen.



**I-7 HANDHABUNG****I-7-1- Transport**

Die Tipps zum Absetzen auf einem Anhänger finden Sie in BAND I des Eignerhandbuchs.

**Verwenden Sie einen für Ihr Boot geeigneten Anhänger.**

Die Bootsmaße entsprechen der Straßenbreite. Beim Transport sollte das Boot aufgepumpt sein.

Das Gewicht des Boots bei Transport auf einem Anhänger beträgt:

**OPEN 3.1**

<b>Leergewicht Boot:</b>	132 kg	<i>Toleranz +/- 5 %</i>
<b>Gewicht Motor (e):</b>	57 kg	
<b>Tank Verbrauchsgüter:</b>	25 kg	<i>Benzintank</i>
<b>Optionen:</b>	14 kg	<i>Modell mit sämtlichen Optionen</i>
<b>Sicherheitsausstattung:</b>	21 kg	<i>Ausstattung</i>
<b>Σ:</b>	<b>249 kg</b>	

**OPEN 3.4**

<b>Leergewicht Boot:</b>	150 kg	<i>Toleranz +/- 5 %</i>
<b>Gewicht Motor (e):</b>	95 kg	
<b>Tank Verbrauchsgüter:</b>	25 kg	<i>Benzintank</i>
<b>Optionen:</b>	14 kg	<i>Modell mit sämtlichen Optionen</i>
<b>Sicherheitsausstattung:</b>	21 kg	<i>Ausstattung</i>
<b>Σ:</b>	<b>305 kg</b>	

**OPEN 4.2**

<b>Leergewicht Boot:</b>	265 kg	<i>Toleranz +/- 5 %</i>
<b>Gewicht Motor (e):</b>	115 kg	
<b>Tank Verbrauchsgüter:</b>	47 kg	<i>Benzin- und Frischwassertank</i>
<b>Optionen:</b>	27 kg	<i>Modell mit sämtlichen Optionen</i>
<b>Sicherheitsausstattung:</b>	21 kg	<i>Ausstattung</i>
<b>Σ:</b>	<b>475 kg</b>	

**OPEN 4.8**

<b>Leergewicht Boot:</b>	310 kg	<i>Toleranz +/- 5 %</i>
<b>Gewicht Motor (e):</b>	170 kg	
<b>Tank Verbrauchsgüter:</b>	47 kg	<i>Benzin- und Frischwassertank</i>
<b>Optionen:</b>	27 kg	<i>Modell mit sämtlichen Optionen</i>
<b>Sicherheitsausstattung:</b>	21 kg	<i>Ausstattung</i>
<b>Σ:</b>	<b>575 kg</b>	

**BESCHREIBUNG - Handhabung**

SICHERUNG AUF ANHÄNGER ODER AUF BOOTSBOCKEN:  
BEFESTIGEN SIE DAS BOOT AM BUGRING UND DEN HECKRINGEN AN DER AUßENSEITE DES HECKSPIEGELS.

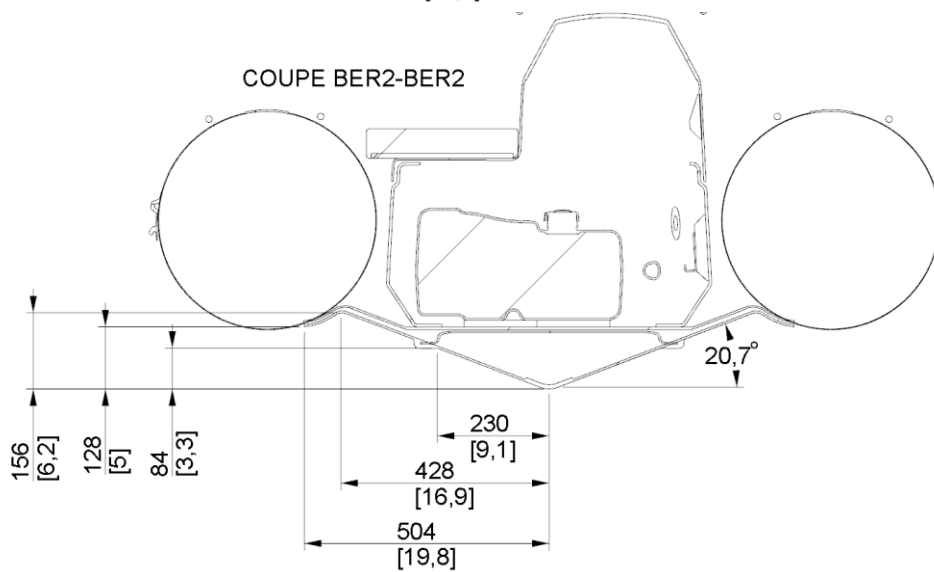
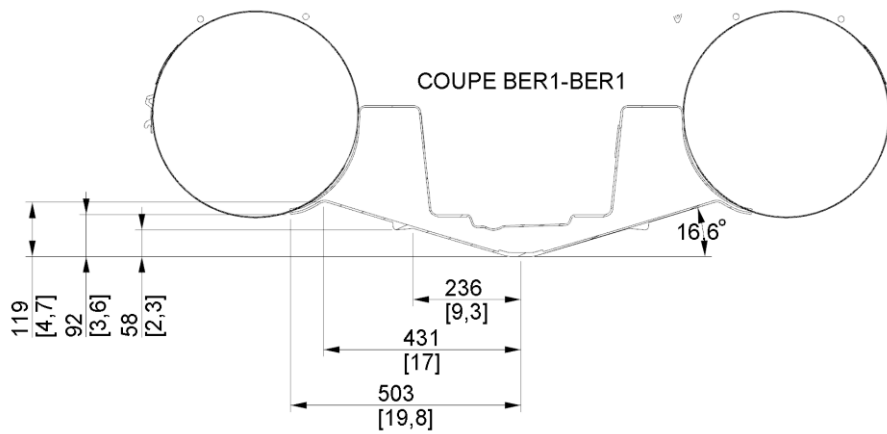
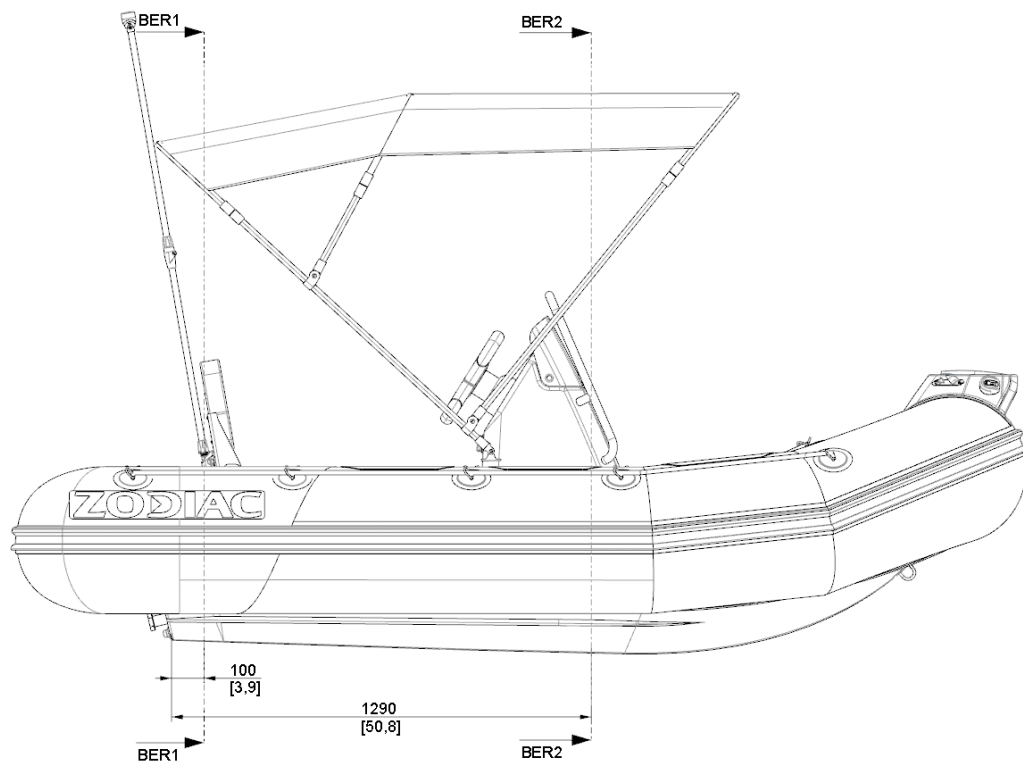


**EMPFEHLUNG: BEI TRANSPORT MIT LEEREM TRAGSCHLAUCH!**  
UM DIE HINTEREN KEGEL NICHT ZU BESCHÄDIGEN, EMPFEHLEN WIR IHNEN,  
DAS TRANSPORTGURT-SET (OPTIONALE AUSSTATTUNG) ZU VERWENDEN.



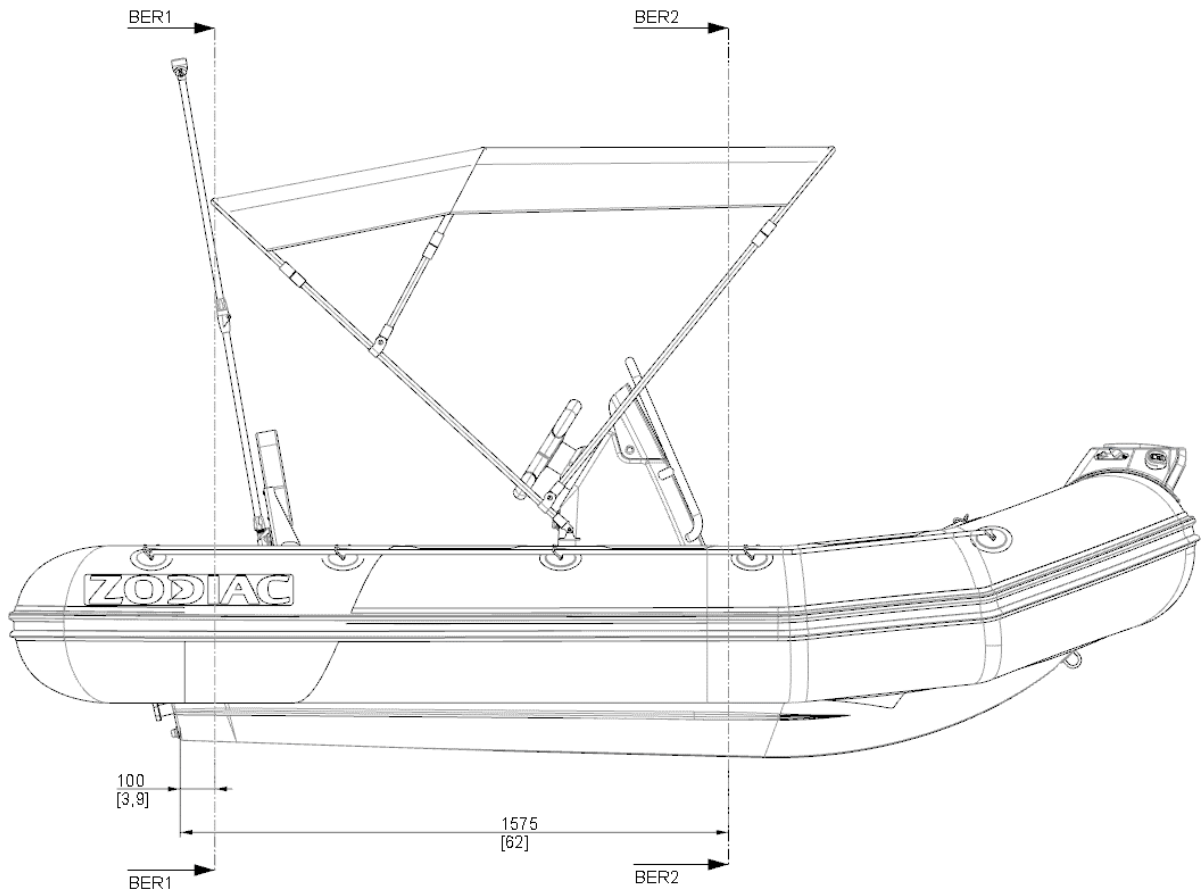
**ACHTUNG!!!**  
DAS BOOT MUSS ZWINGEND AUF DEM STEVEN LIEGEN.  
SIEHE NACHSTEHENDE ABBILDUNG.

OPEN 3.1

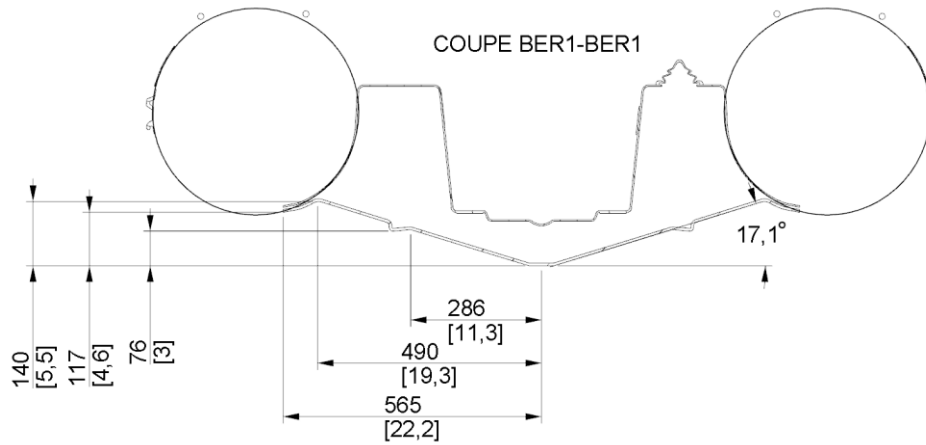


**BESCHREIBUNG - Handhabung**

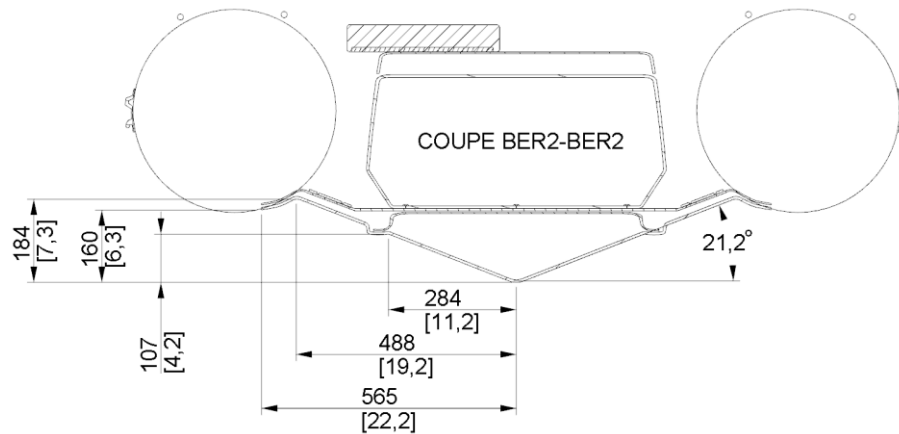
**OPEN 3.4**



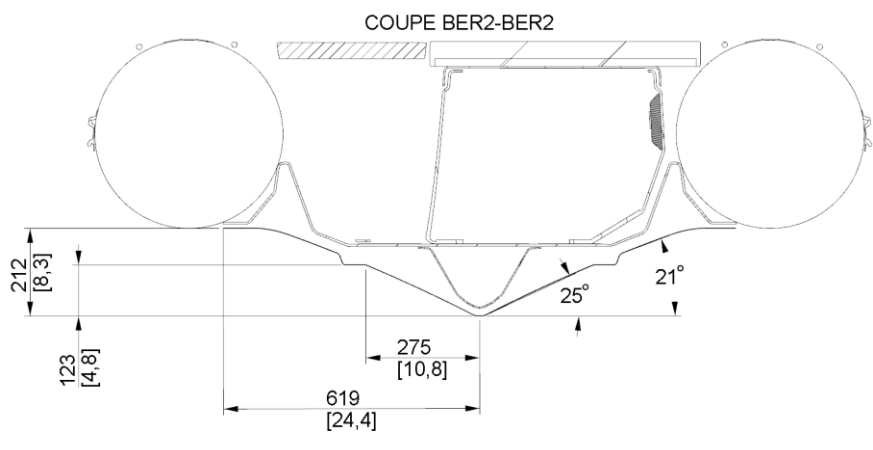
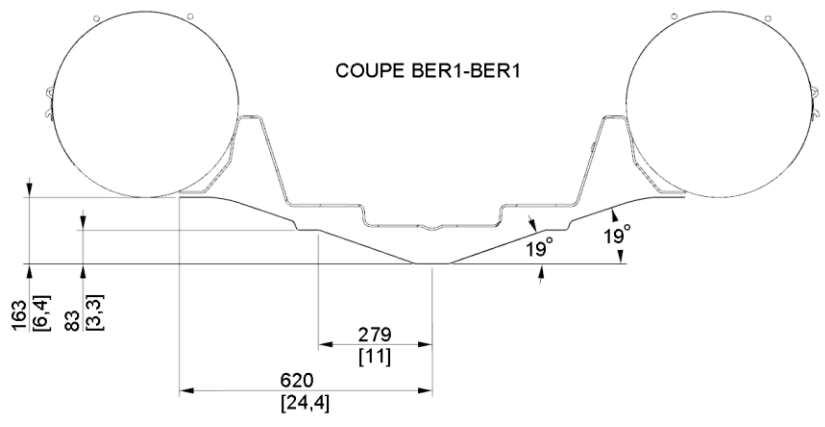
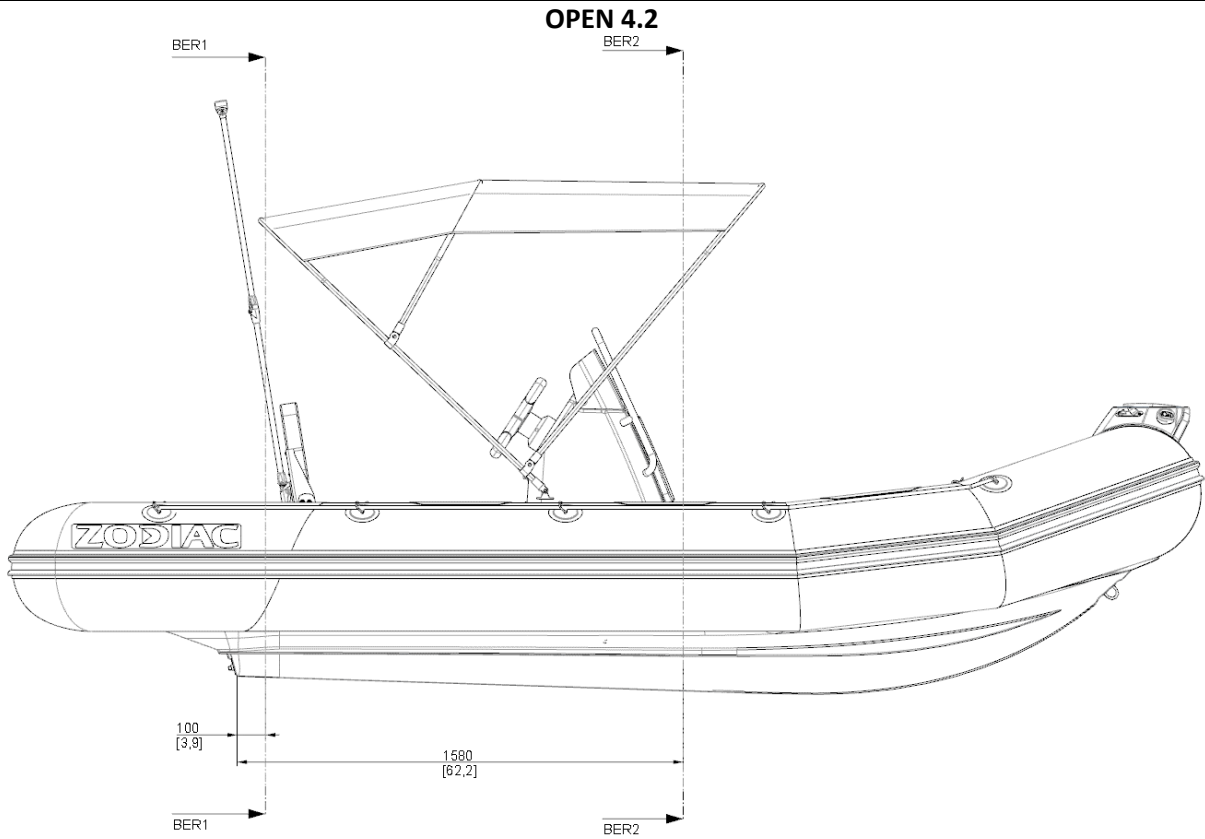
**COUPE BER1-BER1**



**COUPE BER2-BER2**

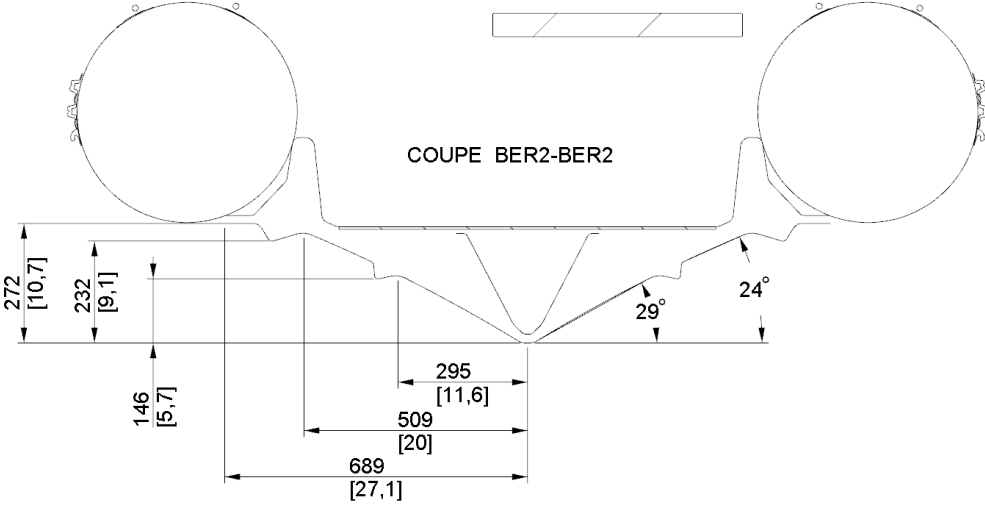
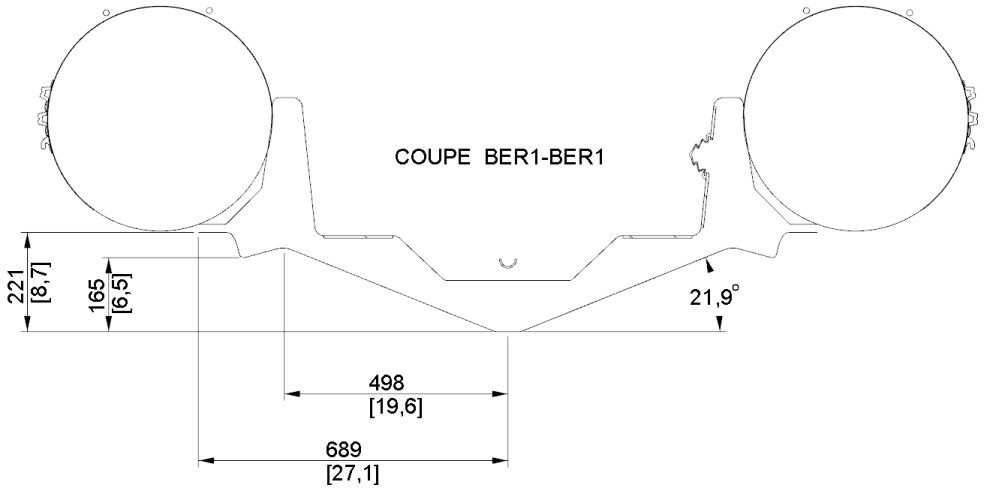
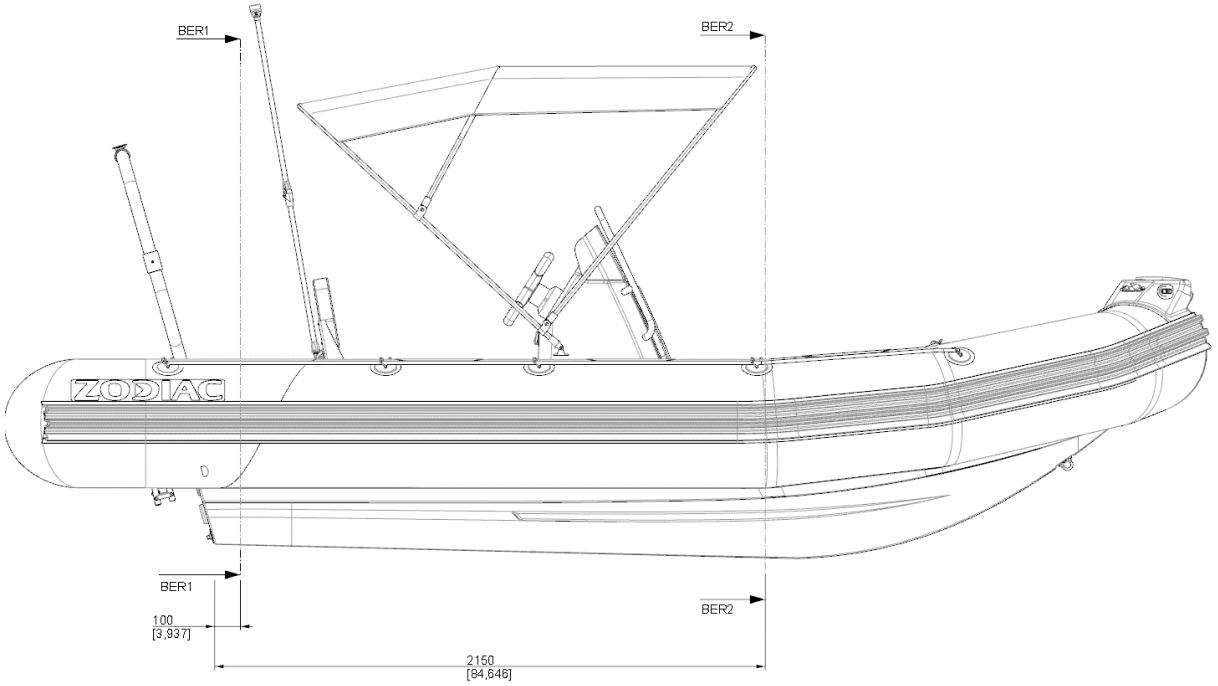


BESCHREIBUNG - Handhabung



BESCHREIBUNG - Handhabung

OPEN 4.8





I-7-2- Heben



**VORSICHT**

DAS BOOT VERFÜGT ÜBER KEINE HUBVORRICHTUNGEN. DAS HEBEN MUSS ZWINGEND MIT PASSENDEN HEBEGURTEN ERFOLGEN, DIE UNTER DEM RUMPF DURCHGEFÜHRT WERDEN.



OPEN 3.1: 1000 mm\*

OPEN 3.4: 1100 mm\*

OPEN 4.2: 1220 mm\*

OPEN 4.8: 1400mm\*

\* Geschätzter Schwerpunkt mit dem schwersten Motor.



**VORSICHT**

ZUM HEBEN DES BOOTS WENDEN SIE SICH AN HEBESPEZIALISTEN.



**GEFAHR!!!**

BEIM HUBVORGANG DARF KEIN PASSAGIER AN BORD SEIN.



**ACHTUNG!!!**

BEIM HEBEN BZW. BEI AUFHÄNGEN MIT DAVITS MUSS DAS BOOT KOMPLETT AUSGELADEN SEIN.

HINTEREN RUMPFABLAUF VOR DEM STAPELLAUF DES BOOTS ÖFFNEN, UM MÖGLICHES REGENWASSER AUS DEM KIELRAUM ABLAUFEN ZU LASSEN (RUMPFABLAUF VOR DEM KONTAKT MIT DEM WASSER WIEDER SCHLIEßEN).

**TRAGSCHLAUCH – Montage des Tragschlauchs am Rumpf**

**II- TRAGSCHLAUCH**

**II-1 TRAGSCHLAUCHPFLEGE**

Der Tragschlauch Ihres Boots besteht aus STRONGAN-\*Gewebe DUOTEX® **1100** Decitex-Gewebe, 1000 g/m<sup>2</sup> oder aus NEOPREN CSM-CR **1100** Decitex-Gewebe, 1050 g/m<sup>2</sup>.

Die Pflegehinweise finden Sie in BAND I des Eignerhandbuchs.

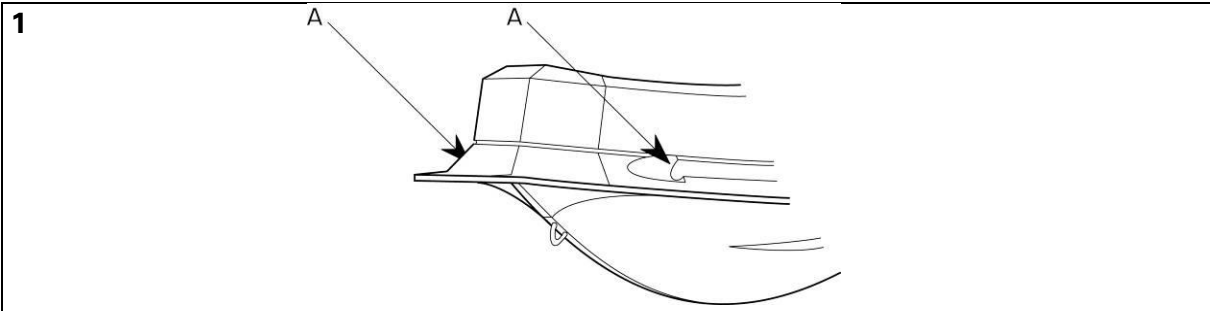
**II-2 MONTAGE DES TRAGSCHLAUCHS AM RUMPF OPEN 4.2/OPEN 4.8**



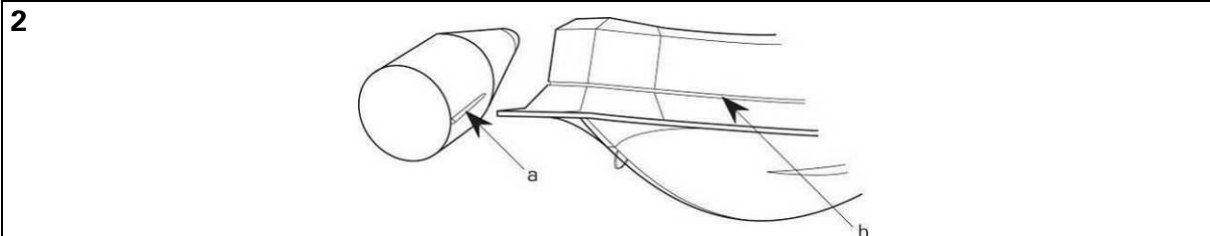
WENN DER TRAGSCHLAUCH BEI UNTER 0°C GELAGERT WURDE, BEWAHREN SIE IHN VOR DEM AUSEINANDERFALTEN 12 STUNDEN LANG AN EINEM ORT MIT RAUMTEMPERATUR (20°C) AUF.

SIE KÖNNEN DEN TRAGSCHLAUCH BEREITS VOR DEM AUFBAU AUFPUMPEN (DRUCK 240 mb) UND CA. EINE STUNDE STABILISIEREN LASSEN. DANACH LUFT ABLASSEN.

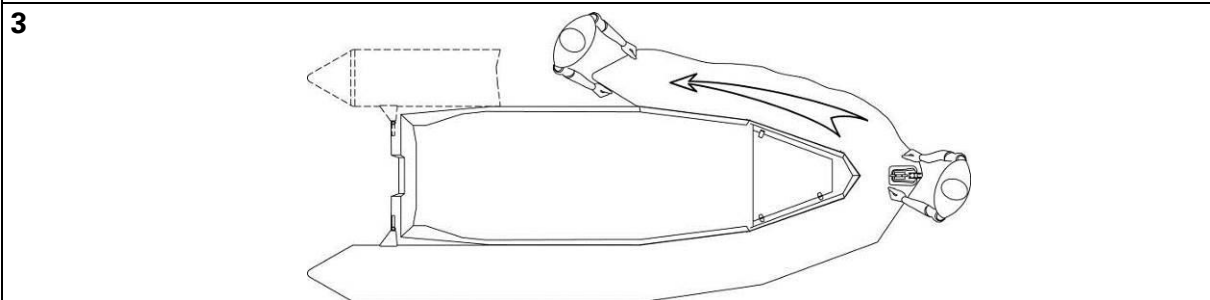
**HINWEIS:** die Montage des Tragschlauchs am Rumpf muss mit leerem Tragschlauch erfolgen



Für eine einfachere Montage des Tragschlauchs Flüssigseife in die Schienen (A) des Rumpfs geben.



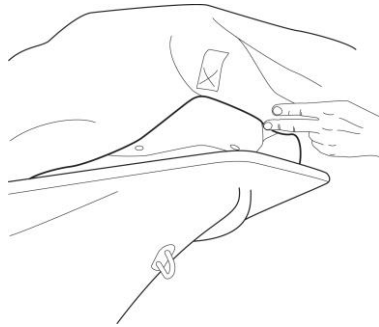
Schieben Sie den Tragschlauchkeder (a) von der Rumpfspitze aus in die Rumpfschiene (b). Ziehen Sie den Tragschlauch nach hinten, bis sich die Wassersperre auf der Höhe des Heckspiegels befindet.



Mit der anderen Seite des Tragschlauchs ebenso verfahren.  
Die 2 Lippen (Dicht- und Außenlippe) müssen über die Rumpfnase gezogen werden.

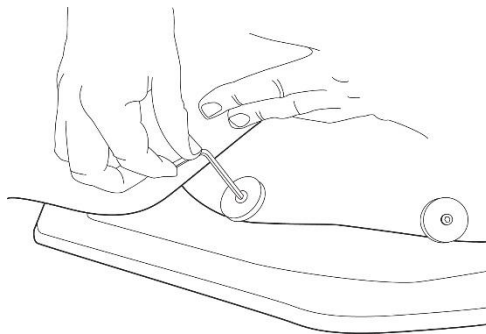
**II-3 BEFESTIGUNG DER ABWEISER**

**1**



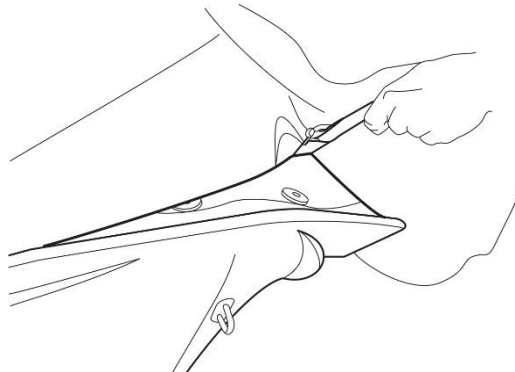
Inneren Abweiser installieren

**2**



Inneren Abweiser befestigen (Schrauben und Unterlegscheiben)

**3**



Nach der Befestigung des inneren Abweisers auf dem Rumpf den Tragschlauch etwas nach vorne ziehen, um den externen Abweiser über die Vorderspitze zu ziehen (noch nicht befestigen). Anschließend den Tragschlauch nach hinten ziehen.

Nun mit dem Aufpumpen beginnen

**HINWEIS:**

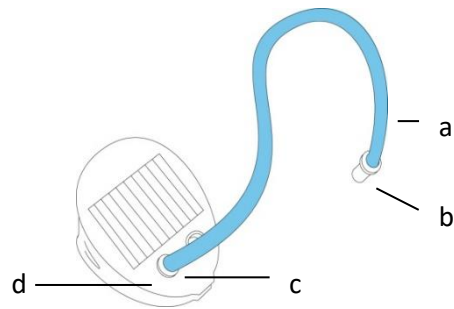
**Die endgültige Befestigung des externen Abweisers geschieht nach dem Aufpumpen des Tragschlauchs**

**TRAGSCHLAUCH – AUFPUMPEN DES TRAGSCHLAUCHS**

**II-4 AUFPUMPEN DES TRAGSCHLAUCHS**

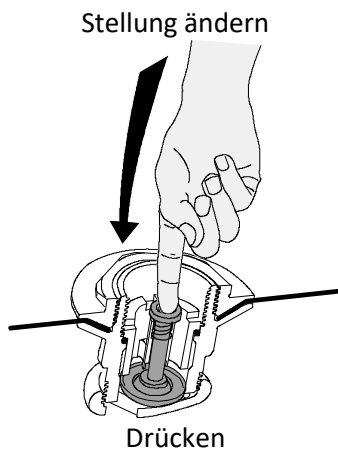
**FUSSPUMPE**

- a. Schlauchspitze
- b. Adapter
- c. Schlauchanschluss
- d. Aufpumpöffnung



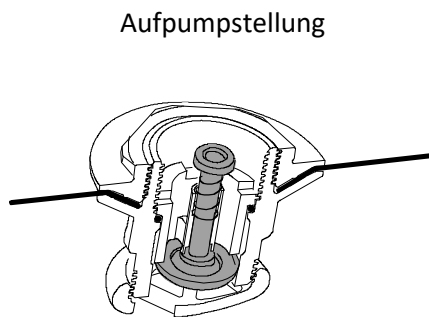
**HINWEIS:** Optional ist eine elektrische Luftpumpe (12 V) mit hoher Leistung erhältlich (wenden Sie sich bitte an Ihren Vertragshändler).

**„EASY PUSH“-Ventile**



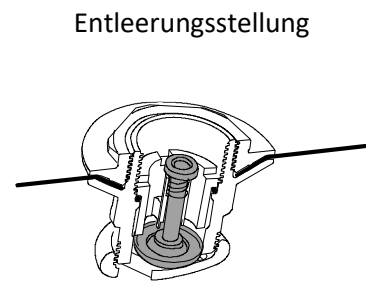
Stellung ändern

Drücken



Aufpumpstellung

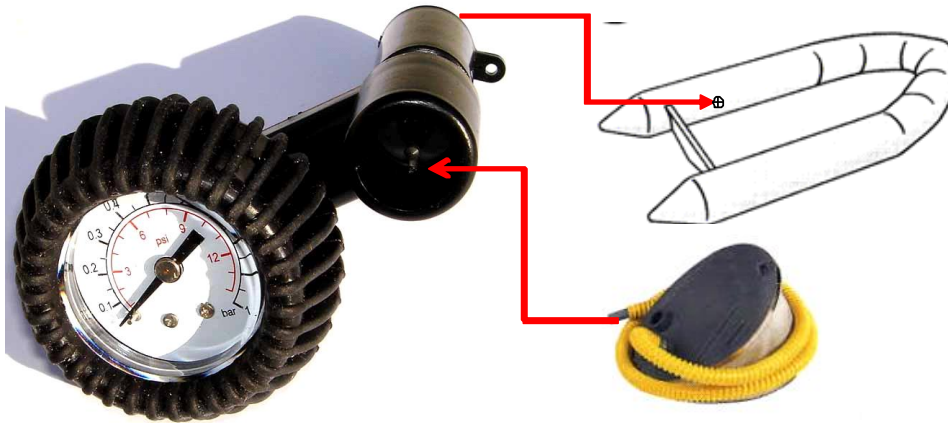
Die Membran ist geschlossen, der Druckstift in oberer Stellung



Entleerungsstellung

Die Membran ist geöffnet, der Druckstift in unterer Stellung

### MANOMETER



**ACHTUNG!!!**  
**VERWENDEN SIE KEINEN KOMPRESSOR BZW. KEINE DRUCKLUFTFLASCHE.**

### AUFPUMPEN

**1º/** Alle Ventile in Aufpumpstellung bringen.

**2º/** Setzen Sie den Adapter mit dem passenden Durchmesser für das „Easy-Push“-Ventil auf die Schlauchspitze der Fußpumpe.

**3º/** Schlauchanschluss an der Öffnung der Fußpumpe anbringen.

Um Ihren Tragschlauch effizient aufpumpen zu können, muss die Fußpumpe stabil auf dem Boden liegen.

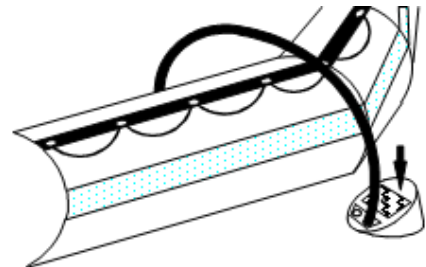
Der Tragschlauch füllt sich schneller, wenn die Fußpumpe mit gleichmäßigem Druck und ohne Hast betätigt wird.

**4º/** Beginnen Sie beim Aufpumpen des Tragschlauchs mit der Kammer am Bug (a). Pumpen Sie diese Kammer auf einen Druck von 200 mb auf.

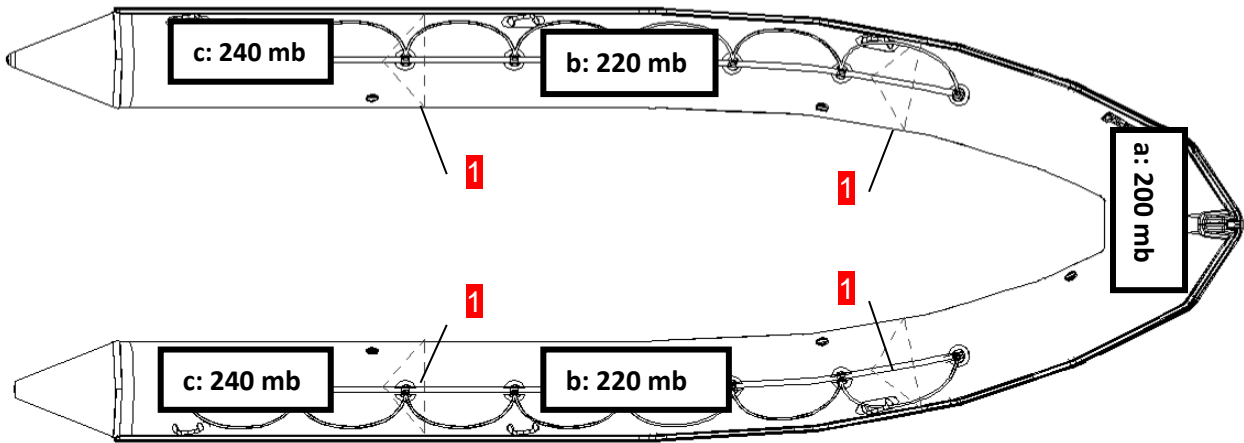
**5º/** Pumpen Sie dann die mittleren Kammern (b) auf, bis ein Druck von 220 mb erreicht ist. Der Druck wird am Manometer an der ersten Kammer abgelesen.

**6º/** Pumpen Sie zuletzt die hinteren Kammern (c) auf, bis ein Druck von 240 mb erreicht ist. Das Manometer bleibt dabei an der ersten Kammer. Über die Zwischenwände (1) der Kammern wird der Druck ausgeglichen.

**7º/** Der Tragschlauch ist vollständig aufgepumpt: Schrauben Sie die Ventilverschlusskappen wieder auf.



**TRAGSCHLAUCH - LUFTDRUCK**



**HINWEIS:** Vor Aufschrauben der Ventilverschlüsse ist ein leichter Luftverlust normal. Die Verschlüsse allein sorgen abschließend für die Dichtheit.

**II-5 LUFTDRUCK**

Der Tragschlauch besitzt **5** Kammern. Jede von ihnen muss einen Luftdruck von **240 mb / 3.4 PSI** aufweisen.

Dies ist der Betriebsdruck des Tragschlauchs.

Die Umgebungstemperatur der Luft oder das Wasser beeinflusst den Innendruck des Tragschlauchs.	Umgebungstemperatur	Innendruck des Tragschlauchs
	+1°C	+4 mb / 0,06 PSI
-1°C	-4 mb / 0,06 PSI	

Druckänderungen sind in der Regel vorhersehbar:

Prüfen Sie den Druck in den Luftkammern und gleichen Sie (durch Nachpumpen bzw. Entleeren) die durch eventuelle Temperaturschwankungen entstandene Druckdifferenz aus (vor allem bei großen Temperaturdifferenzen zwischen Morgen- und Abendstunden in besonders warmen Klimazonen). Vergewissern Sie sich, dass der Druck innerhalb des empfohlenen Bereichs bleibt (220 bis 270 mb).

**UNTERDRUCKGEFAHR**

Beispiel:

Ihr Boot liegt am Stand in praller Sonne bei 50°C, der Druck entspricht dem empfohlenen Luftdruck von 240 mbar/3,4 PSI. Wenn Sie das Boot zu Wasser lassen (Wassertemperatur 20°C), sinkt die Temperatur und damit der Luftdruck in den Kammern um bis zu 120 mb ab. **SIE MÜSSEN ALSO NACHPUMPEN**, um den Druckverlust aufgrund des Temperaturunterschieds (zwischen Umgebungsluft und Wasser) auszugleichen.

Wenn Sie also am Tagesende bei sinkenden Außentemperaturen einen Druckabfall feststellen, ist dies völlig normal.

### ÜBERDRUCKGEFAHR

#### Beispiel:

Das Boot wird morgens oder abends mit dem empfohlenen Luftdruck (240 mbar/3,4 PSI) aufgepumpt (es herrschen niedrige Außentemperaturen von 10°C). Im Laufe des Tages erwärmt sich das Boot bei einer Lufttemperatur von 50°C in praller Sonne am Strand oder auf dem Deck Ihrer Yacht. Die Innentemperatur der Luftkammern kann dann ansteigen und bis zu 70°C erreichen (insbesondere dunkelfarbige Tragschläuche), so dass es zu einer Verdopplung des Ausgangsdrucks (480 mb) kommt. **SIE MÜSSEN ALSO LUFT ABLASSEN**, um erneut den empfohlenen Druck zu erreichen.

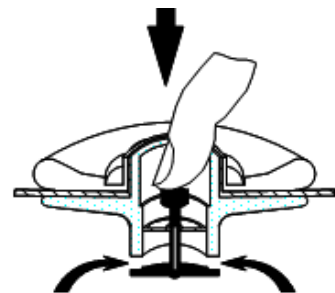


#### **ACHTUNG!!!**

**WENN IHR BOOT ZU STARK AUFGEPUMPT IST, WIRD DIE TRAGSCHLAUCHSTRUKTUR ÜBERMÄßIG BELASTET UND DIE KAMMERN KÖNNEN DURCH DEN ÜBERDRUCK AN DEN VERBINDUNGSSTELLEN AUFPLATZEN.**

#### **BEI ÜBERDRUCK**

Drücken Sie auf den Ventildruckstift, um Luft entweichen zu lassen.



## ANTRIEBSSYSTEM

**III- Antriebssystem**

Beachten Sie bei der Montage des bzw. der Motoren bitte die von ZODIAC und vom Motorhersteller gegebenen Empfehlungen.

Bitte kontaktieren Sie Ihren Händler, um Ihr Boot optimal zu nutzen.

Die Befestigung der Motorbolzen durch den Heckspiegel muss mit einer Abdichtung des Schraubenlochs erfolgen (z.B. Befestigung mit Sikaflex).

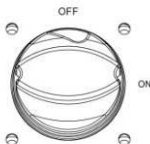

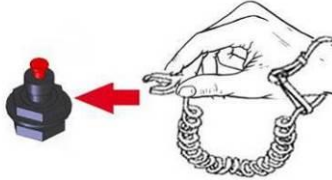
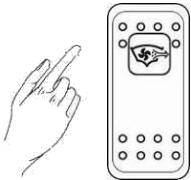

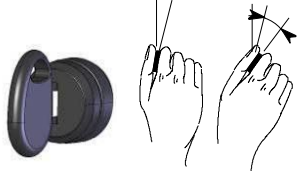


## INBETRIEBNAHME DES BOOTS

### IV- INBETRIEBNAHME DES BOOTS

Lesen Sie bitte vor dem Start Band I des Eignerhandbuchs.

**HINWEIS:** Vergewissern Sie sich, dass der Tragschlauch vorschriftsmäßig aufgepumpt ist.

<p><b>1</b></p>  <p>Batterieschalter auf „ON“, unter Spannung</p>	<p><b>2</b></p>  <p>Benzinabsperrhahn auf „ON“</p>	<p><b>3</b></p>  <p>Sicherheitsschalter aufstecken und anschließen*</p>
<p><b>4</b></p>  <p>4 Minuten belüften</p>	<p><b>5</b></p>  <p>Steuerhebel auf Leerlauf.</p>	<p><b>6</b></p>  <p>Anlasser betätigen.</p>

\* Sollte der Steuermann ins Wasser fallen, wird durch das sofortige Abschalten des Motors die Gefahr schwerer oder sogar tödlicher Verletzungen durch Überfahren erheblich verringert. Die beiden Enden des Sicherheitsschalters immer korrekt anschließen.



### **GEFAHR!!!**

- SCHALTEN SIE DEN MOTOR SOFORT AUS, WENN SICH EIN SCHWIMMER IN DER NÄHE DES BOOTS AUFHÄLT. ER KÖNNTE DURCH EINEN SICH DREHENDEN ROTOR SCHWER VERLETZT WERDEN.

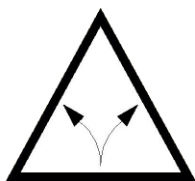


### **ACHTUNG!!!**

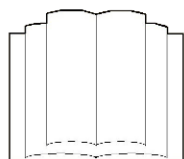
- ACHTEN SIE DARAUF, WÄHREND DER FAHRT ALLE STAUKÄSTEN, DIE DECKKLAPPE UND DIE TANKZUGANGSKLAPPE GESCHLOSSEN ZU HALTEN. STARKE WELLEN STELLEN EINE HOHE GEFAHR FÜR DIE STABILITÄT DAR UND KÖNNEN ZUR ÜBERFLUTUNG FÜHREN.

- SOLLTEN DIE DICHTUNGEN DER DECKKLAPPEN BESCHÄDIGT SEIN, WENDEN SIE SICH BITTE AN IHREN VERTRAGSHÄNDLER UND TAUSCHEN SIE SIE SO SCHNELL WIE MÖGLICH AUS.

- VERMEIDEN SIE PLÖTZLICHE FAHRMANÖVER BEI HOHER GESCHWINDIGKEIT. REDUZIEREN SIE BEI WELLENGANG ZUR SICHERHEIT UND FÜR DEN KOMFORT DER PASSAGIERE DIE GESCHWINDIGKEIT.



**MAXIMAL 30 KNOTEN**



DIE MANÖVRIERFÄHIGKEIT IST BIS MAXIMAL 30 KNOTEN GEWÄHRLEISTET.

BEI ZU ENGEN KURVEN KANN DAS BOOT AUßER KONTROLLE GERATEN. VOR EINEM RICHTUNGSWECHSEL DIE GESCHWINDIGKEIT DROSSELN.

**ANLAGEN UND KREISLAUF: KRAFTSTOFF**

**V- ANLAGEN UND KREISLÄUFE**

**V-1 KRAFTSTOFFKREISLAUF**

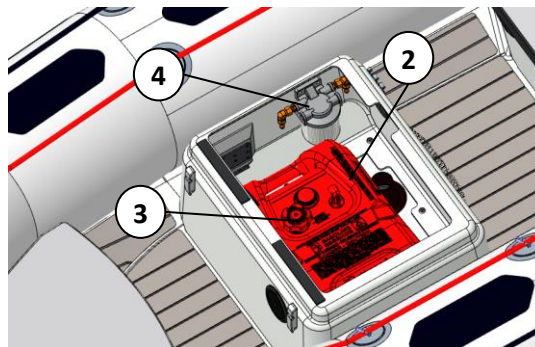
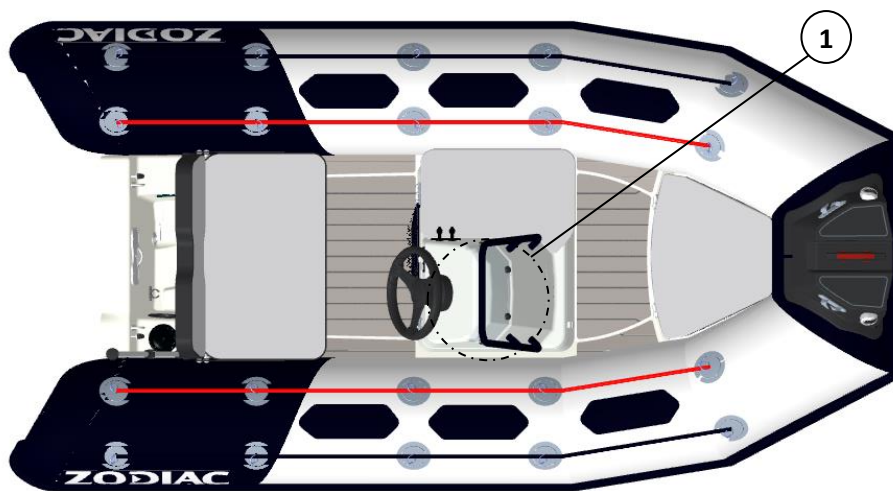


**ACHTUNG!!!**

**KEINE BIOKRAFTSTOFFE VOM TYP E10, E85, ETC. VERWENDEN.**

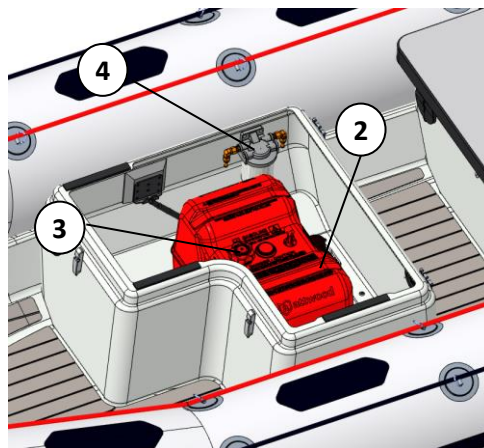
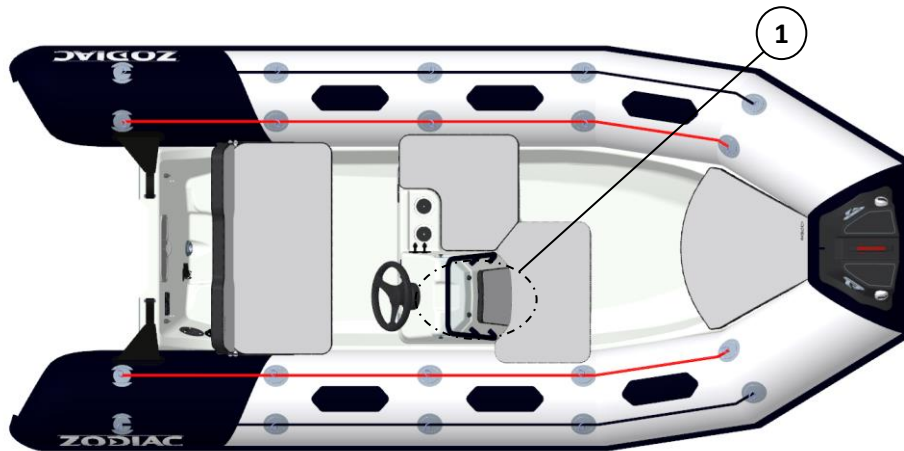
**V-1-1- Anordnung der Elemente**

**OPEN 3.1/ 3.4**



Markierung	BEZEICHNUNG
1	Tankzugang und Filter
2	Benzintank <i>(optional)</i>
3	Einfüllöffnung mit Deckel <i>(optional)</i>
4	Benzinfilter mit Wasserabscheider (nicht mitgeliefert)

OPEN 4.2/4.8



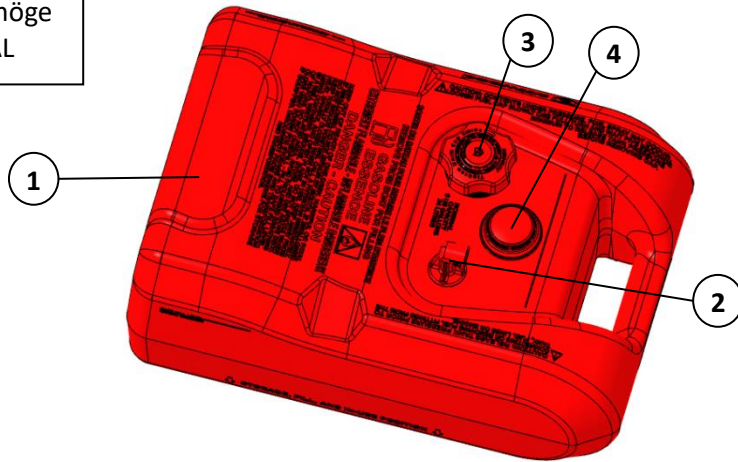
Markierung	BEZEICHNUNG
1	Tankzugang und Filter
2	Benzintank ( <i>optional</i> )
3	Einfüllöffnung mit Deckel ( <i>optional</i> )
4	Benzinfilter mit Wasserabscheider (nicht mitgeliefert)

**ANLAGEN UND KREISLAUF: KRAFTSTOFF**

**V-1-2- Tragbarer Tank (optional)**

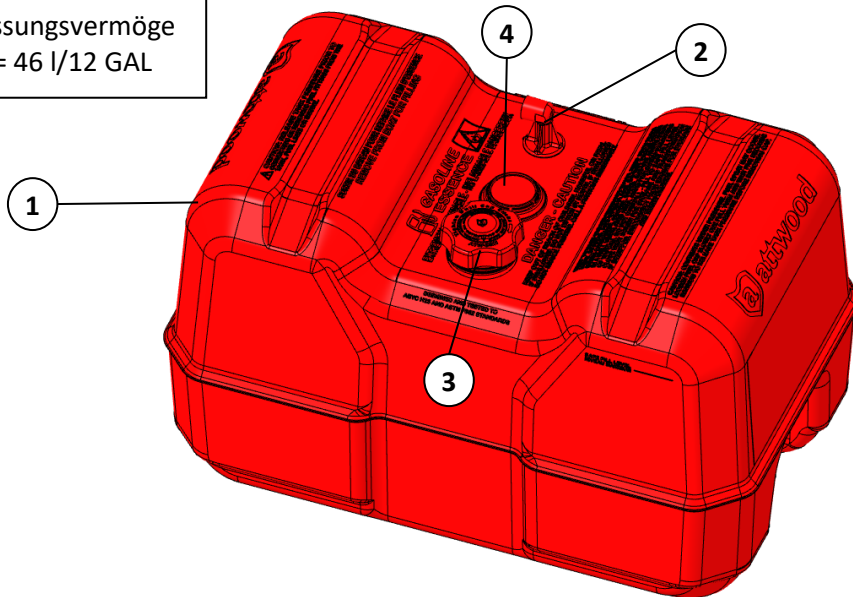
**OPEN 3.1/3.4**

Fassungsvermögen  
n = 24 l/6 GAL



**OPEN 4.2/4.8**

Fassungsvermögen  
n = 46 l/12 GAL



Markierung	BEZEICHNUNG
1	Tragbarer Tank*
2	Saugrohr
3	Einfüllöffnung Tank
4	Füllstandsanzeige

**Hinweis:** Die Tankoption beinhaltet Schnellkupplungen und Haltegurte, damit der Tank ohne Zuhilfenahme von Werkzeugen herausgenommen werden kann. Vor jeder Fahrt überprüfen, ob der Tank gut befestigt ist und die Kupplungen korrekt angeschlossen sind.

*\*Das Fassungsvermögen (Nenninhalt) des Tanks kann aufgrund von Trimmung und Zuladung gegebenenfalls nicht voll genutzt werden. Es wird empfohlen, mit einer Reserve von 20 % zu rechnen.*



**ACHTUNG!!!**

**ES MUSS ZWINGEND EINE FÜLLSTANDANZEIGE VORHANDEN SEIN. DIE FÜLLSTANDSANZEIGE WIRD MIT DEM MOTOR GELIEFERT. SOLLTE KEIN ANZEIGEINSTRUMENT VORHANDEN SEIN, SETZEN SIE SICH MIT IHREM VERTRAGSHÄNDLER IN VERBINDUNG.**

Die Sonde entspricht dem amerikanischen Standard:

**Impedanz (Tank leer) 30 Ohm**

**Impedanz (Tank voll) 240 Ohm**

Sämtliche auf dem Markt erhältlichen Füllstandsanzeigen sind kompatibel, von ein paar Ausnahmen abgesehen.

Zum Anschließen beachten Sie bitte den Schaltplan.

**V-1-3- Benzinfilter mit Wasser/Benzinabscheider(nicht mitgeliefert)**

Zum Schutz des Motors ist ein Benzinfilter mit Wasserabscheider im Kraftstoffsystem des Motors eingebaut.

Der vorgegebene Platz befindet sich im Steuerstand. Da die Befestigungen durchgängig sind, achten Sie bitte auf ein gutes Abdichten dieses Bereichs bei der Montage.



Markierung	BEZEICHNUNG
<b>1</b>	Benzinfilter mit Wasserabscheider
<b>2</b>	Austauschbares Filterelement

Vor jedem Einsatz sicherstellen, dass sich in der Metallschale kein Wasser befindet:

- Ablasstopfen ein wenig aufschrauben (nicht voll herausdrehen);
- Wasser ablassen;
- Wenn die Schale nur noch Benzin enthält, den Stopfen wieder einschrauben.

Wenn Ihr Motor nicht einwandfrei funktioniert, den Vorgang öfter wiederholen.

## ANLAGEN UND KREISLAUF: KRAFTSTOFF

**ACHTUNG!!!**

**DIE PATRONE MUSS SPÄTESTENS ALLE 50 STUNDEN AUSGETAUSCHT WERDEN.**

**BEI FRAGEN ZUM KAUF EINER AUSTAUSCHPATRONE SETZEN SIE SICH MIT DEM VERTRIEB IN VERBINDUNG.**

**AUSTAUSCHEN DER FILTERPATRONE**

Beachten Sie bitte die von ZODIAC und vom Filterhersteller gegebenen Empfehlungen. Befolgen Sie die im Handbuch bzw. vom Hersteller gegebenen Anweisungen.

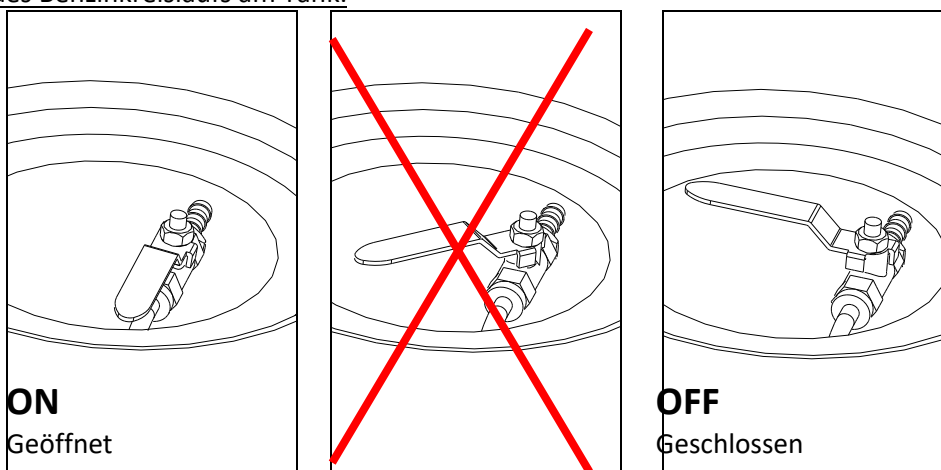
Setzen Sie einen Auffangtrichter unter die auszutauschende Patrone.

Vor dem Austauschen des Filters muss der Druck des Benzinzufuhrsystems abgelassen werden.

**V-1-4- Nutzung der Absperrhähne des Benzinkreislaufs (nicht mitgeliefert)**

Es wird empfohlen, in Ihrem Benzinkreislauf zwischen dem Motor und Ihrem Tank einen Absperrhahn zu installieren. Absperrhahn des Benzinkreislaufs schließen, wenn Sie Ihr Boot nicht mehr nutzen.

Absperrhahn des Benzinkreislaufs am Tank:

**WARNUNG:**

**STELLEN SIE BEI FEUER AN BORD DEN MOTOR AB UND SCHLIEßEN SIE DIE Absperrhähne DES BENZINKREISLAUFS.**

V-1-5- Empfehlungen



**WARNUNG:**

- MIT DEM ABSPERRHAHN AM TANK KANN DER TANK IM FALLE EINES BENZINLECKS VOM BENZINKREISLAUF GETRENNT WERDEN. BEI EINEM BRAND MUSS DER ABSPERRHAHN UNBEDINGT GESCHLOSSEN BLEIBEN.
- DURCH AUFFÜLLEN DES BENZINTANKS VOR JEDER FAHRT KANN KONDENSATION VERMIEDEN WERDEN.
- LASSEN SIE DEN BENZINTANK ALLE 5 JAHRE REINIGEN.
- ANZUG DER SCHELLEN AN ALLEN SCHLÄUCHEN PRÜFEN.
- WENN SIE DEN FILTER ENTLEEREN, LASSEN SIE DAS WASSER NICHT INS BOOT AB, SONDERN STELLEN SIE EINE AUFFANGWANNE UNTER DEN FILTER.
- SCHALTEN SIE VOR DEM AUSBAU DER FILTERPATRONE DIE ZÜNDUNG AUS.
- ANWEISUNGEN IN DER FILTERANLEITUNG AUFMERKSAM DURCHLESEN.
- BENZIN IST EXTREM SCHNELL ENTFLAMMBAR. VOR ARBEITEN AM KRAFTSTOFFSYSTEM SICHERSTELLEN, DASS DIE MOTOREN AUSGESCHALTET SIND.
- NICHT RAUCHEN; FLAMMEN ODER GLÜHENDE GEGENSTÄNDE VOM ARBEITSBEREICH FERNHALTEN.
- BOHREN SIE IM TANKBEREICH NIEMALS MIT EINEM BOHRER, DER MEHR ALS 50 MM AUS DEM SPANNFUTTER DER BOHRMASCHINE HERAUSRAGT (MARKIERUNG AUF DER KLASPE AN DECK) UND VERWENDEN SIE KEINE SCHRAUBEN MIT EINER LÄNGE VON ÜBER 20 MM.



**GEFAHR!!!**

KEINE BRENNBAREN MITTEL IM HINTEREN RAUM LAGERN. DIE LAGERUNG EINES NACHFÜLLTANKS IST AUSDRÜCKLICH VERBOTEN.



**ACHTUNG!!!**

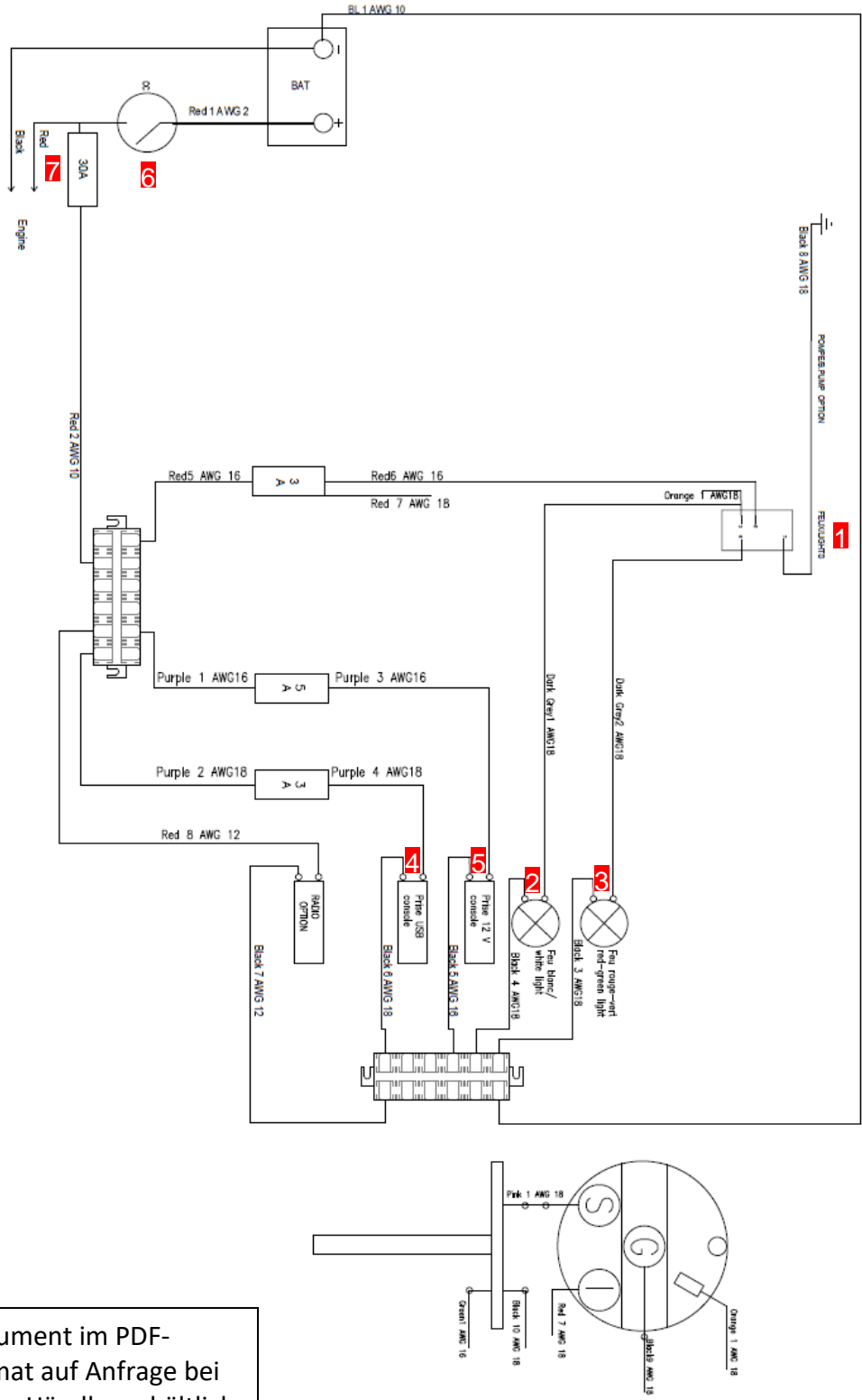
IN KEINEM FALL ÄNDERUNGEN AM KRAFTSTOFFSYSTEM VORNEHMEN BZW. NIEMALS NICHT QUALIFIZIERTE PERSONEN ÄNDERUNGEN AN DIESEN ANLAGEN VORNEHMEN LASSEN.

**ANLAGEN UND KREISLAUF: STROM**

**V-2 STROMKREISLAUF**

**V-2-1- OPEN 3.1/3.4/4.2**

**V-2-1-1- Hauptkabelbaumbelegungsschema**



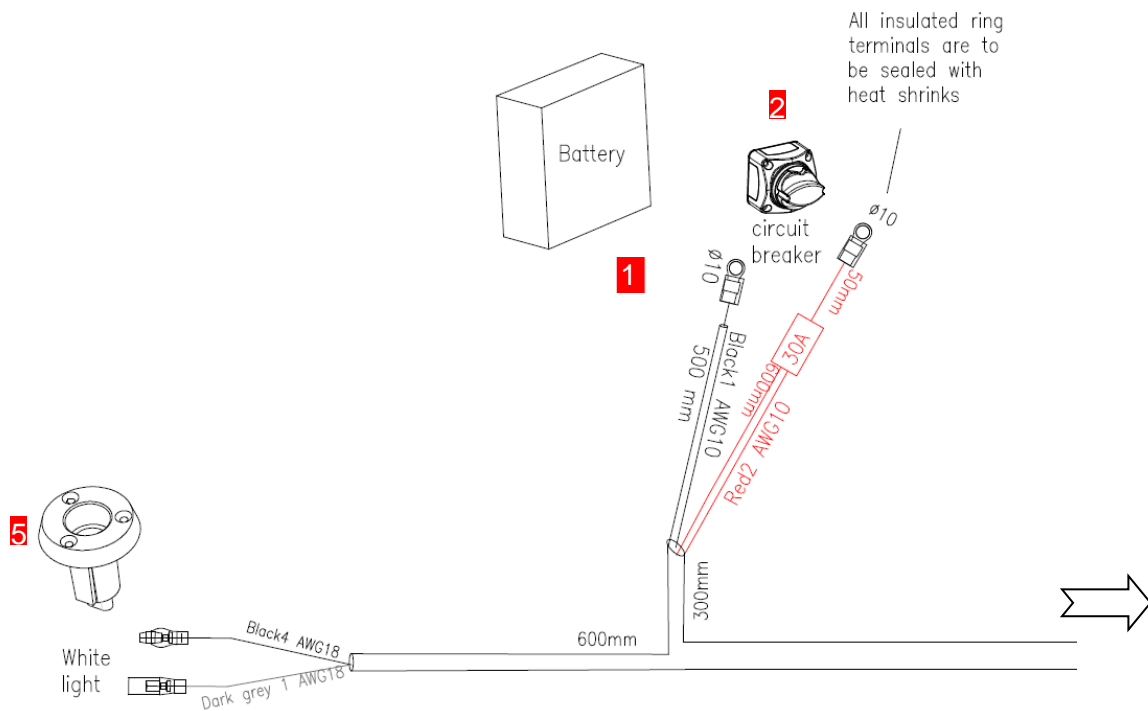
Dokument im PDF-Format auf Anfrage bei Ihrem Händler erhältlich



## ANLAGEN UND KREISLAUF: STROM

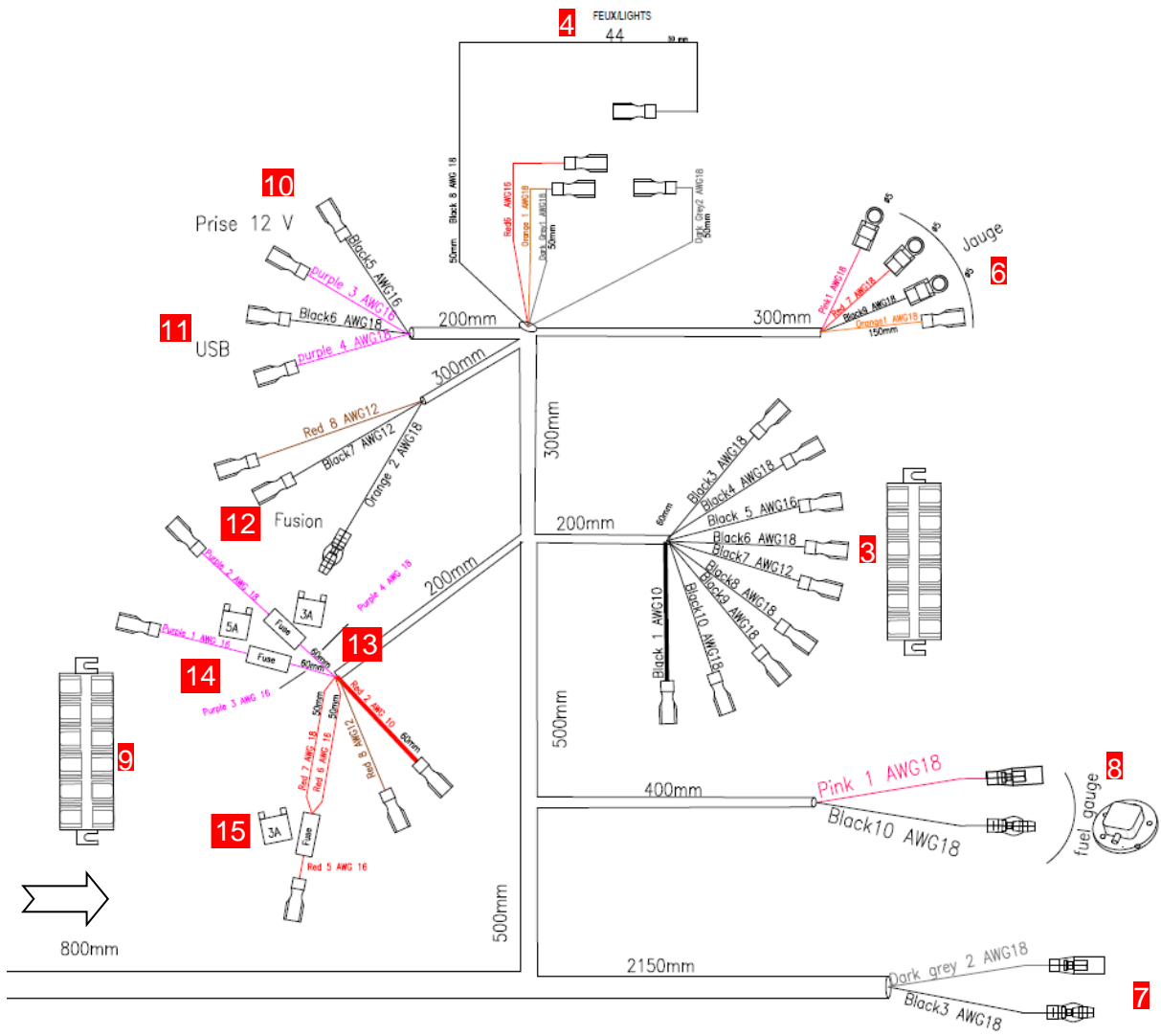
Markierung	BEZEICHNUNG
1	Schalter Navigationslicht
2	Weißer Leuchte (optional)
3	Rote/Grüne Leuchte
4	USB-Anschluss (Steuerstand)
5	12 Volt-Steckdose (Steuerstand)
6	Batterieschalter (optional)
7	Hauptsicherung 30 A

### V-2-1-2- Hauptkabelbaumbelegungsschema



Markierung	BEZEICHNUNG	
1	Anschluss Batterie	
2	Anschluss Batterieschalter	
3	Anschluss Schienenbusse Erdung	
4	Anschluss Schalter Navigationslicht	
5	Anschluss weiße Leuchte	
6	Anschluss Benzinfüllstandsanzeige	
7	Anschluss rote/grüne Leuchte	
8	Anschluss Füllstandsgeber für Benzintank	
9	Anschluss Schienenbusse	
10	Anschluss 12-Volt-Steckdose (Steuerstand)	
11	Anschluss USB-Anschluss	
12	Anschluss Audio-Gerät (optional)	
13	Sicherung 3A USB-Anschluss	Violett 4 AWG18
14	Sicherung 5A Steckdose 12 Volt	Violett 3 AWG18
15	Sicherung 3A Navigationslichter	Red 6 & 7, AWG18

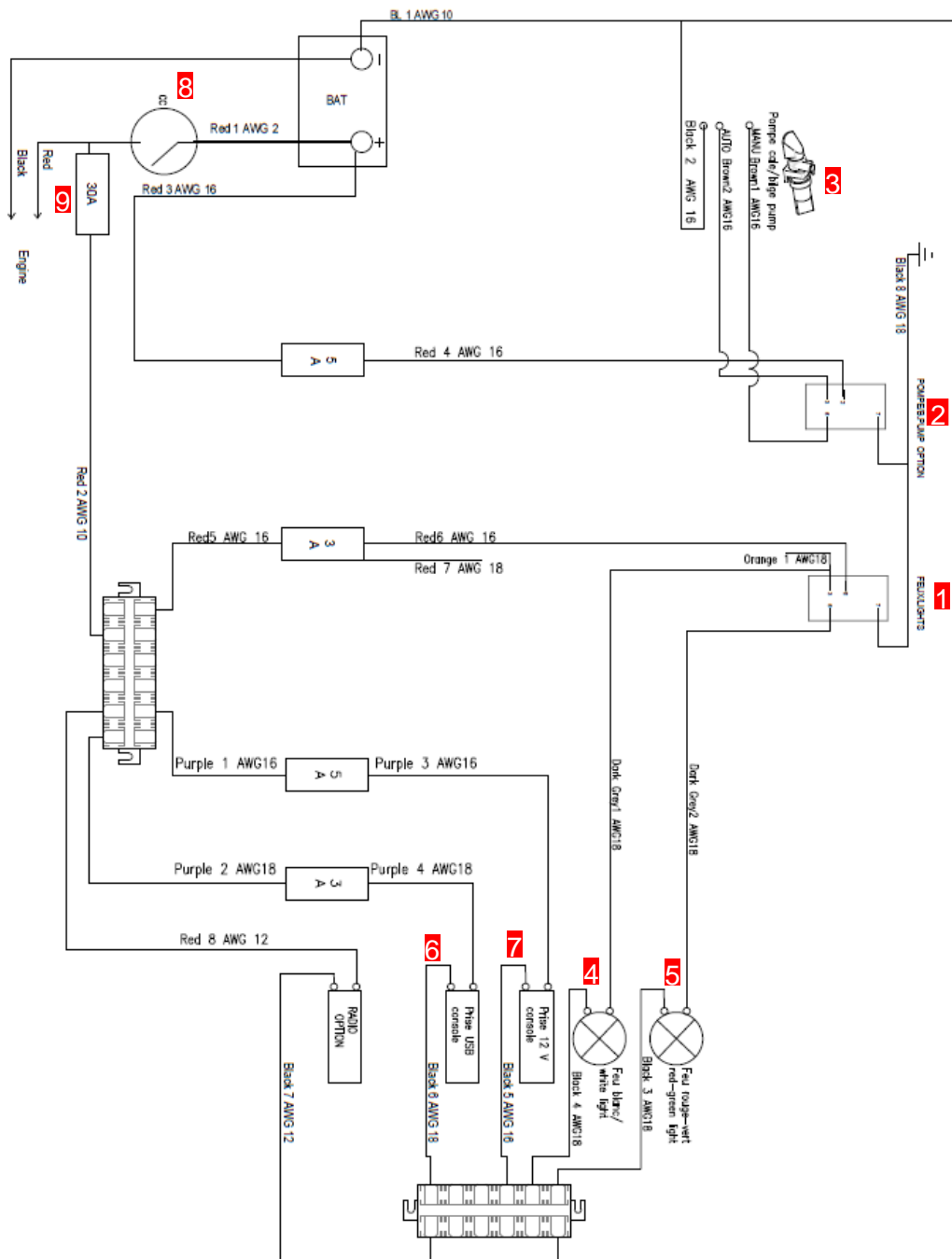
**ANLAGEN UND KREISLAUF: STROMKREISLAUF**



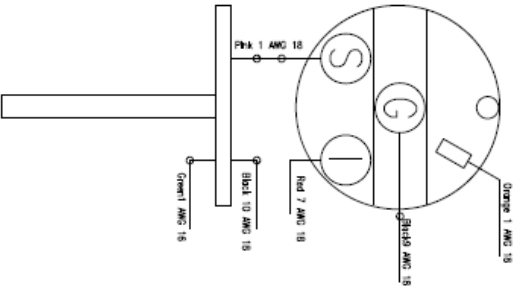
# ANLAGEN UND KREISLAUF: STROMKREISLAUF

## V-2-2- OPEN 4.8

### V-2-2-1- Hauptkabelbaumbelegungsschema



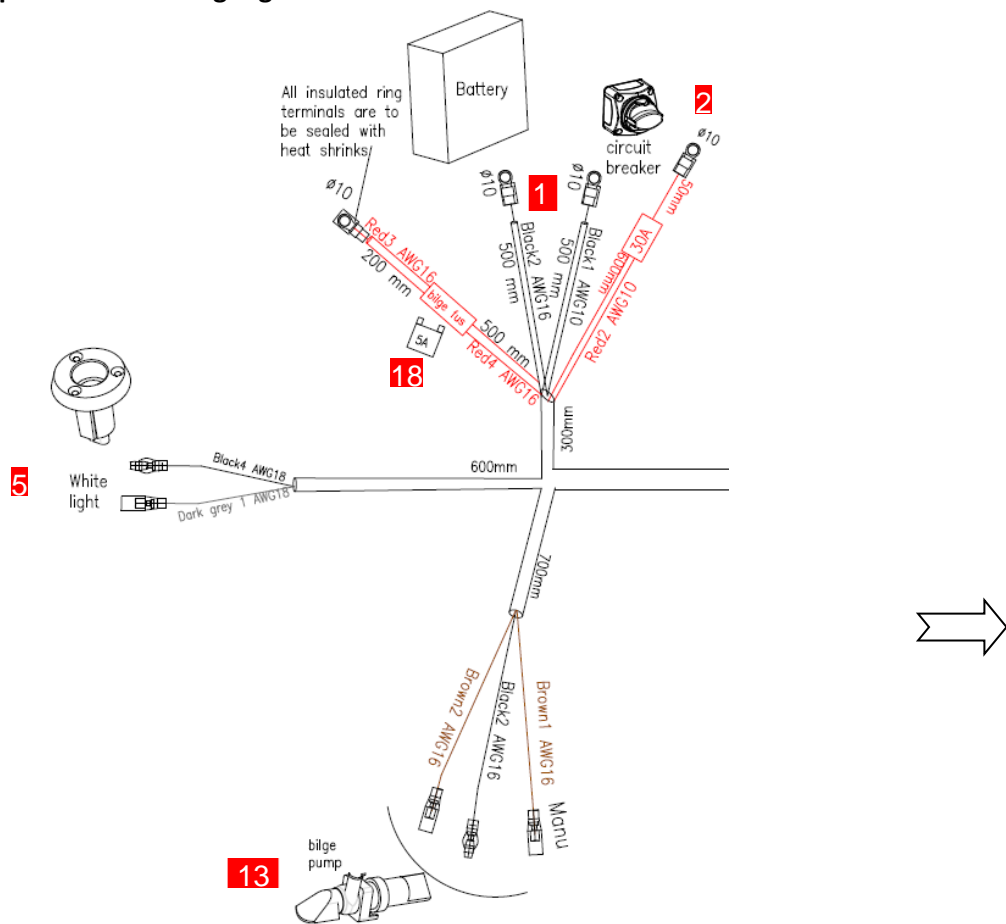
Dokument im PDF-Format auf Anfrage bei Ihrem Händler erhältlich



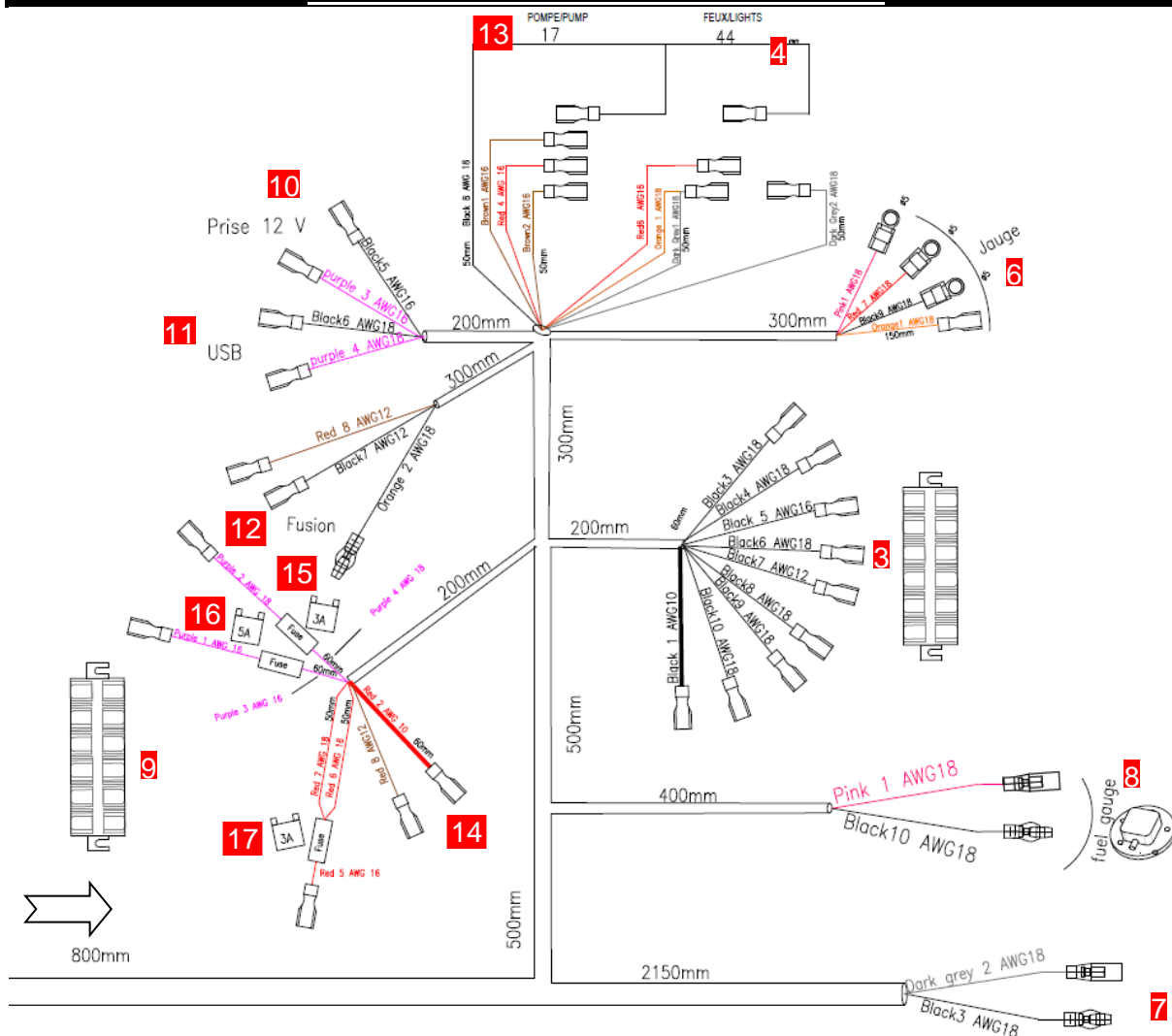
**ANLAGEN UND KREISLAUF: STROMKREISLAUF**

Markierung	BEZEICHNUNG
1	Schalter Navigationslicht
2	Schalter Bilgepumpe (optional)
3	Bilgepumpe (optional)
4	Weißleuchte (optional)
5	Rote/Grüne Leuchte
6	USB-Anschluss (Steuerstand)
7	12-Volt-Steckdose (Steuerstand)
8	Batterieschalter (optional)
9	Hauptsicherung 30 A

**V-2-2-2- Hauptkabelbaumbelegungsschema**



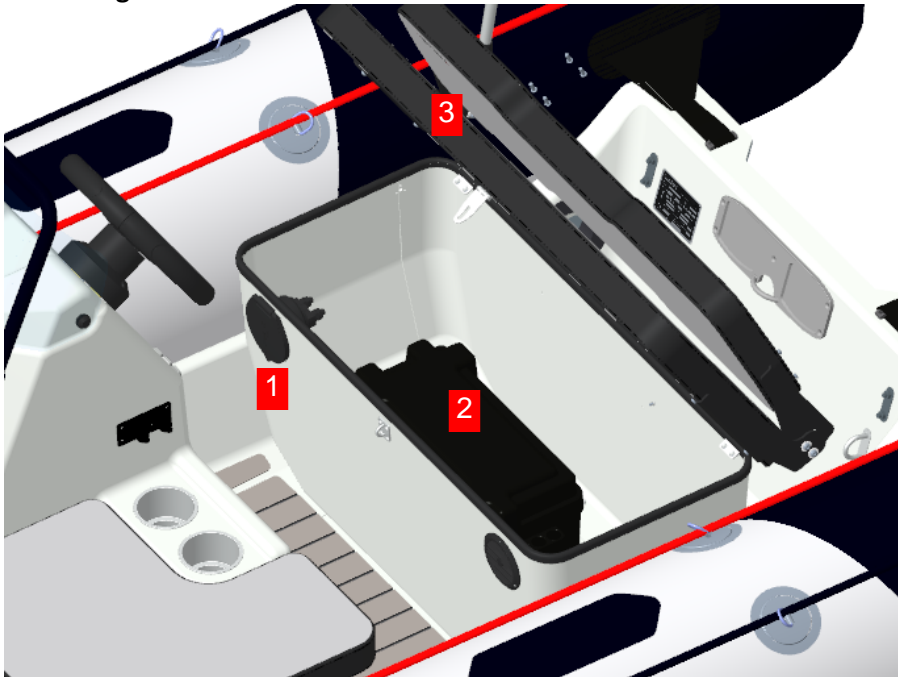
## ANLAGEN UND KREISLAUF: STROMKREISLAUF



Markierung	BEZEICHNUNG	
1	Anschluss Batterie	
2	Anschluss Batterieschalter	
3	Anschluss Schienenbusse Erdung	
4	Anschluss Schalter Navigationslicht	
5	Anschluss weiße Leuchte	
6	Anschluss Benzinfüllstandsanzeige	
7	Anschluss rote/grüne Leuchte	
8	Anschluss Füllstandsgeber für Benzintank	
9	Anschluss Schienenbusse	
10	Anschluss 12-Volt-Steckdose (Steuerstand)	
11	Anschluss USB-Anschluss	
12	Anschluss Audio-Gerät (optional)	
13	Anschluss Schalter Bilgepumpe (optional)	
14	Anschluss Bilgepumpe (optional)	
15	Sicherung 3A USB-Anschluss	Violett 4 AWG18
16	Sicherung 5A Steckdose 12 Volt	Violett 3 AWG18
17	Sicherung 3A Navigationslichter	Red 6 & 7, AWG18
18	Sicherung 5A Bilgepumpe	Violett 3 AWG18

**ANLAGEN UND KREISLAUF: STROMKREISLAUF**

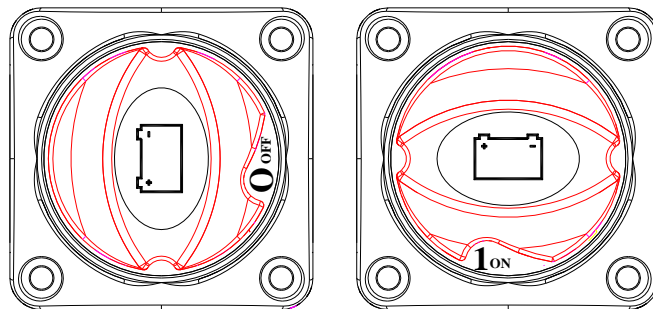
**V-2-3- Anordnung der Elemente**



Markierung	BEZEICHNUNG
1	Batterieschalter (optional)
2	Batteriekasten
3	Zugangskasten Wartung Batterie

**V-2-4- Batterieschalter(optional)**

Wenn Sie Ihr Boot nicht mehr benutzen, stellen Sie den Batterieschalter auf die Position OFF.



**WARNUNG**  
**SCHALTEN SIE DEN MOTOR AB, BEVOR SIE DEN BATTERIESCHALTER AUF DIE POSITION „OFF“ STELLEN**

### V-2-5- Batterie (nicht mitgeliefert)

Beachten Sie bei der elektrischen Wartung bitte die von ZODIAC und dem Hersteller gegebenen Empfehlungen.



#### BATTERIEPFLEGE:

- HALTEN SIE IHRE BATTERIE SAUBER UND TROCKEN, UM VORZEITIGEN VERSCHLEIß ZU VERMEIDEN.
- KABELSCHUHE AN DEN KLEMMEN ANZIEHEN UND DURCH REGELMÄßIGES SCHMIEREN MIT VASELINE PFLEGEN.



#### ACHTUNG!!!

**DAS WASSER AUS DEM WASSERVERSORGUNGSSYSTEM ENTHÄLT MINERALIEN, DIE DIE BATTERIEN SCHÄDIGEN.**

**STETS MIT DESTILLIERTEM WASSER AUFFÜLLEN.**

**ACHTEN SIE DARAUF, DIE BATTERIE SO ZU INSTALLIEREN, DASS SICH KEIN KRAFTSTOFFTANK, BENZINFILTER ODER KRAFTSTOFFLEITUNGSANSCHLUSS INNERHALB VON 12 ZOLL (305 MM) VON DER BATTERIEOBERFLÄCHE BEFINDET.**



#### WARNUNG

- BATTERIEN UND ELEKTROLYT VON KINDERN FERNHALTEN.
- BATTERIE NIEMALS LEGEN.
- BEIM AUFFÜLLEN VON ELEKTROLYT BZW. AUFLADEN DER BATTERIE DIESE IMMER AUS DEM MOTORGEHÄUSE ENTFERNEN.
- BATTERIE-ELEKTROLYT IST EINE GIFTIGE, GEFÄHRLICHE FLÜSSIGKEIT. SIE ENTHÄLT SCHWEFELSÄURE, DIE ZU SCHWEREN VERBRENNUNGEN FÜHREN KANN. VERMEIDEN SIE JEDEN KONTAKT MIT HAUT, AUGEN UND KLEIDUNG.
- BATTERIEN KÖNNEN EXPLOSIVE GASE ABGEBEN. FUNKENQUELLEN, OFFENE FLAMMEN, ZIGARETTEN, ETC. FERNHALTEN.
- ACHTEN SIE DARAUF, DASS SIE DIE BATTERIE STETS AN EINEM GUT BELÜFTETEN ORT LADEN ODER BENUTZEN. TRAGEN SIE BEI ALLEN ARBEITEN IN DER NÄHE EINER BATTERIE STETS EINEN AUGENSCHUTZ.

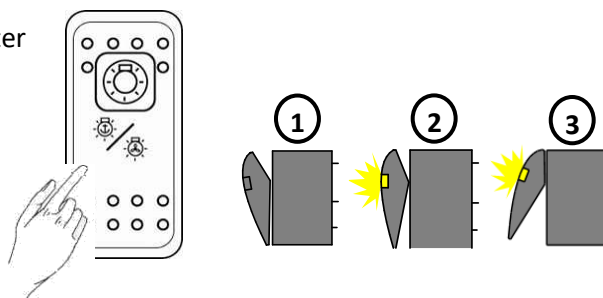
#### **HINWEIS:**

- Wenn Sie Ihr Boot mindestens einen Monat lang nicht benutzen, bauen Sie die Batterie aus und lagern Sie sie an einem kühlen, dunklen und trockenen Ort. Laden Sie die Batterie vor einer erneuten Benutzung vollständig auf.
- Wenn die Batterie für längere Zeit gelagert werden soll, prüfen Sie die Elektrolytdichte mindestens einmal monatlich und laden Sie die Batterie nach, sobald die Dichte zu stark absinkt.
- Dichte des Elektrolyts: 1,28 bei 20°C.

### V-2-6- Navigationslichter

Drücken Sie diese Taste, um die Navigationslichter einzuschalten. Sie hat 3 Stellungen.

- ① Position ausgeschaltet
- ② Position weiße Leuchte
- ③ Position weiße, rote und grüne Leuchte.



### V-2-7- Verkabelung eines Zusatzgeräts

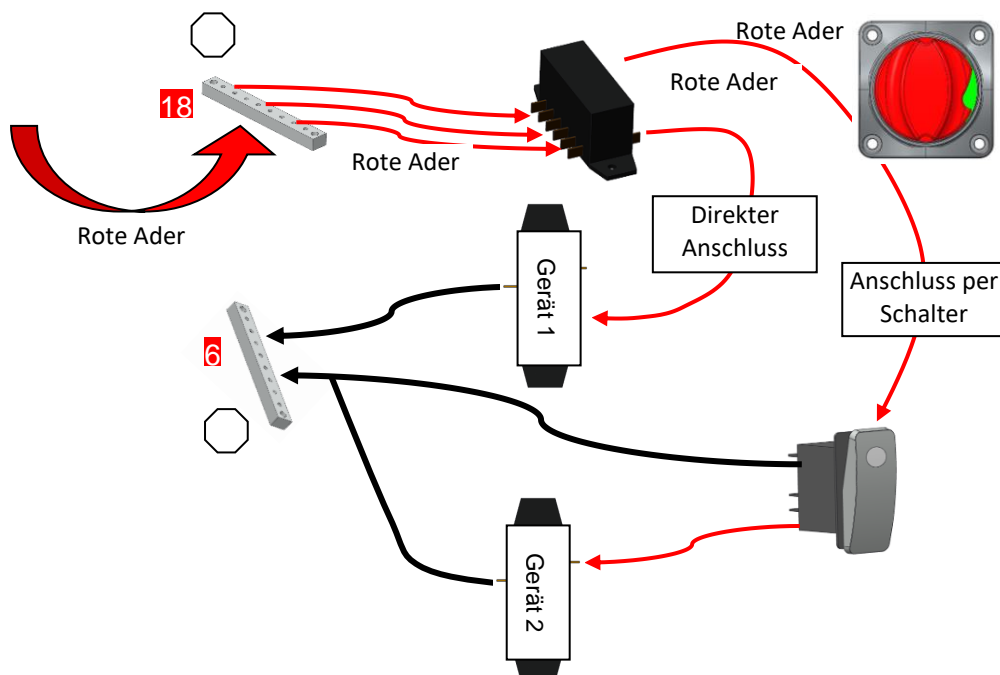
1/ Wählen Sie einen freien Sicherungssteckplatz.

2/ Schließen Sie das Anschlusskabel Ihres Zusatzgeräts mit einer 6 mm breiten Flachsteckhülse an der diesem Steckplatz entsprechenden Klemme an.

3/ Falls Sie für den Anschluss zusätzliches Kabel benötigen, verwenden Sie ein Kabel mit einem Querschnitt von mindestens 1,5 mm<sup>2</sup>, das die Empfehlungen für Bordinstallationen (UL1426 oder SAE J378 oder SAE J1127 oder SAE J1128 oder generell die ABYC und/oder CE Empfehlungen) erfüllt.

4/ Schließen Sie das Erdungskabel Ihres Zusatzgeräts mit einem Ringkabelschuh Ø 5 an die Erdungsklemmleiste an (es gilt die gleiche Empfehlung wie für Kabel).

5/ Bauen Sie eine ATO-Sicherung mit einer maximalen Stromstärke von 15 A ein, wobei die Absicherung über der Stromaufnahme Ihres Geräts liegen muss.





## ANLAGEN UND KREISLAUF – ANSCHLUSS VON OPTIONEN

### V-2-1- Anschluss von Optionen OPEN 3.1/3.4/4.8

Das Boot ist serienmäßig mit einem USB-Anschluss und einer 12-Volt-Steckdose ausgestattet. Es ist jedoch möglich, unter bestimmten Bedingungen weiteres Zubehör hinzuzufügen:

- ① Die hinzuzufügenden Zubehörelemente müssen am Steuerstand angeschlossen werden.
- ② Die Zusatzgeräte sind in zwei Kategorien unterteilt:
  - A** → Zusatzgeräte, die bei normaler Benutzung des Boots dauerhaft eingesetzt werden (oder dauerhaft eingesetzt werden können),
  - B** → Zusatzgeräte, die zeitweilig eingesetzt werden.

A		und	B	
Scheibenwischer			Zigarettenanzünder (serienmäßig)	
Radio			Verschiedene Beleuchtungselemente	
Echolot			Signalhorn	
GPS-Gerät			Verschiedene elektronische Ausstattung	
Strahler			Duschpumpe	
Alarmsystem			<b>Gemessene HÖCHSTLEISTUNG</b>	max. 72W
Kühlschrank				
VHF-Funkanlage				
<b>Σ</b>	max. 240W			



#### **WARNUNG**

**Stellen Sie in jedem Fall sicher, dass die Summe der Leistungen der Zubehörteile in Spalte A, die Sie hinzufügen, kleiner oder gleich 240 W (20 A) ist UND dass die maximale Leistung eines Zubehörteils in Spalte B kleiner oder gleich 72 W (6 A) ist.**

**Die Kabelquerschnitte des Kabelbaums wurden für diese Werte ausgelegt. Die Nichtbeachtung dieser Regel kann die Gefahr elektrischer Funktionsstörungen zur Folge haben und Kurzschlüsse verursachen.**

Sie können die Optionen direkt an die positiven und negativen Schienenbusse des Steuerstands anschließen (innerhalb der maximalen Leistungsgrenze), indem Sie einen zugelassenen Sicherungshalter einsetzen.

**HINWEIS:** Bei Ausstattung mit zahlreichen Elektrogeräten kann der momentane Stromverbrauch die Ladekapazität Ihres Außenbordmotors möglicherweise übersteigen.

Der Kabelbaum kann beispielsweise eine momentane Leistung von 570 W aufnehmen (einschließlich Navigationslichter und Bilgepumpe), das entspricht einer Stromstärke von etwas weniger als 48 A. Bei voller Drehzahl liefern die Lichtmaschinen der heutigen Motoren in der Regel eine Stromstärke von 15 A. Den genauen Wert entnehmen Sie bitte den technischen Unterlagen Ihres Motors. Sie sollten daher eine längere Nutzung dieser Geräte vermeiden, um Ihre Batterie nicht zu leeren und folglich Ihren Motor nicht mehr starten zu können.

**ANLAGEN UND KREISLAUF – ANSCHLUSS VON OPTIONEN**

**V-2-2- Anschluss von Optionen OPEN 4.8**

A		und	B	
Scheibenwischer			Zigarettenanzünder (serienmäßig)	
Radio			Verschiedene Beleuchtungselemente	
Echolot			Signalhorn	
GPS-Gerät			Verschiedene elektronische Ausstattung	
Strahler			Duschpumpe	
Alarmsystem			<b>Gemessene HÖCHSTLEISTUNG</b>	max. 102 W
Kühlschrank				
VHF-Funkanlage				
<b>Σ</b>	max. 336W			



**WARNUNG**

Stellen Sie in jedem Fall sicher, dass die Summe der Leistungen der Zubehörteile in Spalte A, die Sie hinzufügen, kleiner oder gleich 336 W (28 A) ist UND dass die maximale Leistung eines Zubehörteils in Spalte B kleiner oder gleich 102 W (8.5 A) ist. Die Kabelquerschnitte des Kabelbaums wurden für diese Werte ausgelegt. Die Nichtbeachtung dieser Regel kann die Gefahr elektrischer Funktionsstörungen zur Folge haben und Kurzschlüsse verursachen.

Sie können die Optionen direkt an die positiven und negativen Schienenbusse des Steuerstands anschließen (innerhalb der maximalen Leistungsgrenze), indem Sie einen zugelassenen Sicherungshalter einsetzen.

**Beispiel 1**

Sie möchten folgende Elemente hinzufügen:

- VHF-Funkgerät mit 72 W
- GPS-Gerät mit 36 W
- Ein Radiogerät mit 180W
- LED-Außenbeleuchtung 10 W
- Duschpumpe 48 W

A		und	B	
Scheibenwischer			Zigarettenanzünder (serienmäßig)	
Radio	180 W		Verschiedene Beleuchtungselemente	10 W
Echolot			Signalhorn	
GPS-Gerät	36 W		Verschiedene elektronische Ausstattung	
Strahler			Duschpumpe	48 W
Alarmsystem				58 W
Kühlschrank			<b>Gemessene HÖCHSTLEISTUNG</b>	(≤ 102 W)
VHF-Funkanlage	72 W			
<b>Σ</b>	288 W (< 336 W)☺			

**SCHLUSSFOLGERUNG**



## ANLAGEN UND KREISLAUF – ANSCHLUSS VON OPTIONEN

### Beispiel 2

Sie möchten folgende Elemente hinzufügen:

- VHF-Funkgerät mit 60W
- GPS-Gerät mit 36 W
- Ein Radiogerät mit 180W
- Strahler mit 120W.

A	
Scheibenwischer	
Radio	180 W
Echolot	
GPS-Gerät	36W
Strahler	120 W
Alarmsystem	
Kühlschrank	
VHF-Funkanlage	60 W
<b>Σ</b>	396 W > 336 W ⚠

und

B	
Zigarettenanzünder (serienmäßig)	
Verschiedene Beleuchtungselemente	
Signalhorn	
Verschiedene elektronische Ausstattung	
Duschpumpe	
<b>Gemessene Höchstleistung</b>	0 W (≤ 102 W) ⤴

**SCHLUSSFOLGERUNG**



### Beispiel 3

Sie möchten folgende Elemente hinzufügen:

- GPS-Gerät mit 60W
- Ein Radiogerät mit 180W
- Signalhorn mit 120 W

A	
Scheibenwischer	
Radio	180 W
Echolot	
GPS-Gerät	60 W
Strahler	
Alarmsystem	
Kühlschrank	
VHF-Funkanlage	
<b>Σ</b>	240 W (< 336 W) ⤴

und

B	
Zigarettenanzünder (serienmäßig)	
Verschiedene Beleuchtungselemente	
Signalhorn	
Verschiedene elektronische Ausstattung	120 W
Duschpumpe	
<b>Gemessene Höchstleistung</b>	120 W (> 102 W) ⚠

**SCHLUSSFOLGERUNG**



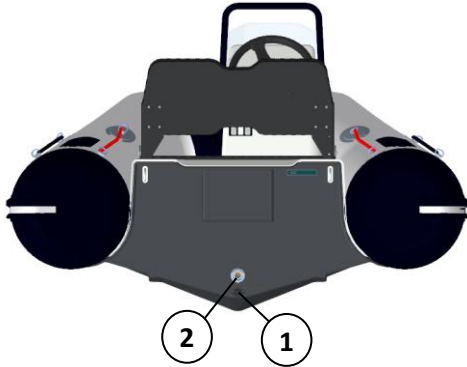
**HINWEIS:** Manche Hersteller geben die Ampereleistung statt der aufgenommenen Leistung an. Beim Gleichstrom (das ist hier der Fall) können Sie einfach mit 12 multiplizieren, um die Leistung zu erhalten.

**ANLAGEN UND KREISLAUF – TROCKENLEGUNG**

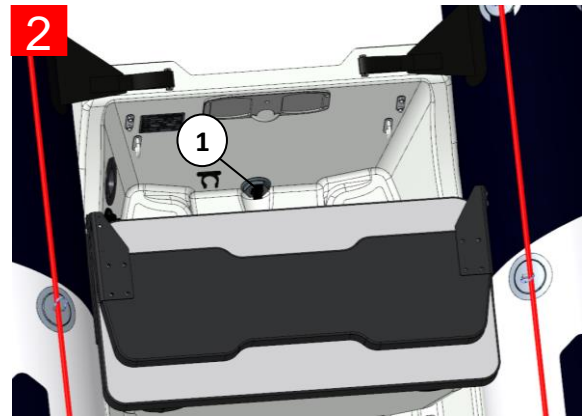
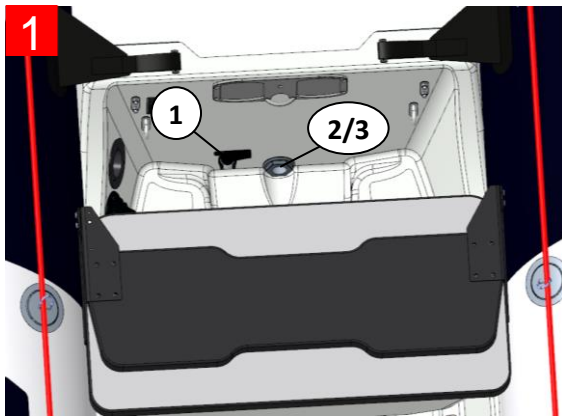
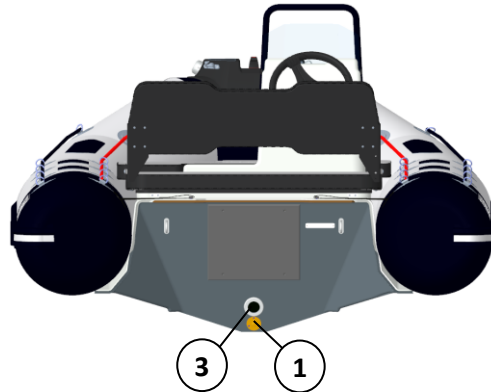
**V-3 AUFBAU ZUR TROCKENLEGUNG**

**V-3-1- Beschreibung der Funktionselemente**

**OPEN 3.1/3.4**



**OPEN 4.2/4.8**



Markierung	BEZEICHNUNG
1	Rumpfablauf
2	Rumpfdurchführung
3	Rumpfdurchführung mit Membran
4	Stopfen für Rumpfdurchlass

**V-3-2- Stopfen für Rumpfdurchlass**

**Boot nicht im Wasser (auf Anhänger, auf Bootsböcken...)**...



**STOPFEN ENTFERNT, POSITION (1)**

**Boot im Wasser...**



- **WÄHREND DER FAHRT MÜSSEN DIE STOPFEN IN DEN RUMPFDURCHCLASS EINGESETZT SEIN (2)**
- **ABLASS DES AN DECK GESAMMELTEN WASSERS.**
  - **IM STILLSTAND: STOPFEN ENTFERNT, POSITION (1), DANN DAS BOOT IN GLEITFAHRT LENZEN (> 6 KNOTEN). NACHDEM DAS GESAMTE WASSER AUSGELASSEN WURDE, STOPFEN WIEDER EINSETZEN (2).**

- **BEIM ANKERN:**
  - **BEI KURZZEITIGEM ANKERN ODER IN ANDEREN SITUATIONEN, IN DENEN KEINE GEFahr BESTEHT, DASS GROßE WASSERMENGEN INS BOOT GELANGEN (STARKER REGEN, BRANDUNGSWELLEN...) KÖNNEN SIE DIE STOPFEN JE NACH BELIEBEN IN POSITION (1) ODER (2) BELASSEN.**
  - **LÄNGERES ANKERN ODER RISKANTE BEDINGUNGEN: STOPFEN ENTFERNT (1).**



**WARNUNG**

**WENN GROßE WASSERMENGEN VON AUSSEN IN DAS BOOT GELANGEN (STARKER REGEN, KIELWASSER...) WÄHREND DIE STOPFEN EINGESETZT SIND, BESTEHT DIE GEFahr, DASS DAS BOOT ÜBERFLUTET WIRD (BADEWANNENEFFEKT). DAS AUFGENOMMENE WASSER KANN IN DIE BILGE EINDRINGEN UND DAS BOOT ERHEBLICH BESCHWEREN, SO DASS ES UNTERTAUCHT. DABEI KÖNNEN ANFÄLLIGE BESTANDTEILE WIE BEISPIELSWEISE DER MOTOR ODER DIE ELEKTRISCHEN STROMKREISE SCHWER BESCHÄDIGT WERDEN.**

**V-3-3- Rumpfablauf:**



**Boot nicht im Wasser (auf Anhänger, auf Bootsböcken...)...**



**GEÖFFNET, LENZVENTILVERSCHLUSS ABGENOMMEN.**

**Boot im Wasser...**



**GESCHLOSSEN, LENZVENTILVERSCHLUSS VORHANDEN.  
(VERGEWISSERN SIE SICH, DASS DER LENZVENTILVERSCHLUSS  
ORDNUNGSGEMÄß GESCHLOSSEN/FESTGESCHRAUBT IST)**

**ANLAGEN UND KREISLAUF – LENKUNG****V-4 LENKUNG**

Beachten Sie bitte die Empfehlungen des Lenkungsherstellers (Montage, Betrieb und Wartung).

Bitte kontaktieren Sie Ihren Händler, um Ihr Boot optimal zu nutzen.

**V-5 BRANDFALL****WARNUNG**

- **WIR EMPFEHLEN IHNEN, EINEN FEUERLÖSCHER AN BORD MITZUFÜHREN. BEACHTEN SIE BITTE DIE IN IHREM LAND GELTENDEN GESETZLICHEN VORSCHRIFTEN.**
- **KEIN ENTZÜNDLICHES MATERIAL IN DER NÄHE ODER ÜBER DEN KOCHERN ABLEGEN. DAS BOOT WIRD OHNE FEUERLÖSCHER GELIEFERT.**

Die Einhaltung der nationalen Vorschriften des Landes, unter dessen Flagge Ihr Boot fährt, liegt in der Verantwortung des Eigners. Bei Betrieb muss das Boot mit tragbaren Feuerlöschern ausgestattet sein.

Es wird empfohlen, den Feuerlöscher ist im Heckkasten oder im Steuerstand aufzubewahren.

Stellen Sie sicher, dass die Stauräume sauber sind, und prüfen Sie das Boot regelmäßig auf Dämpfe oder Kraftstofflecks.

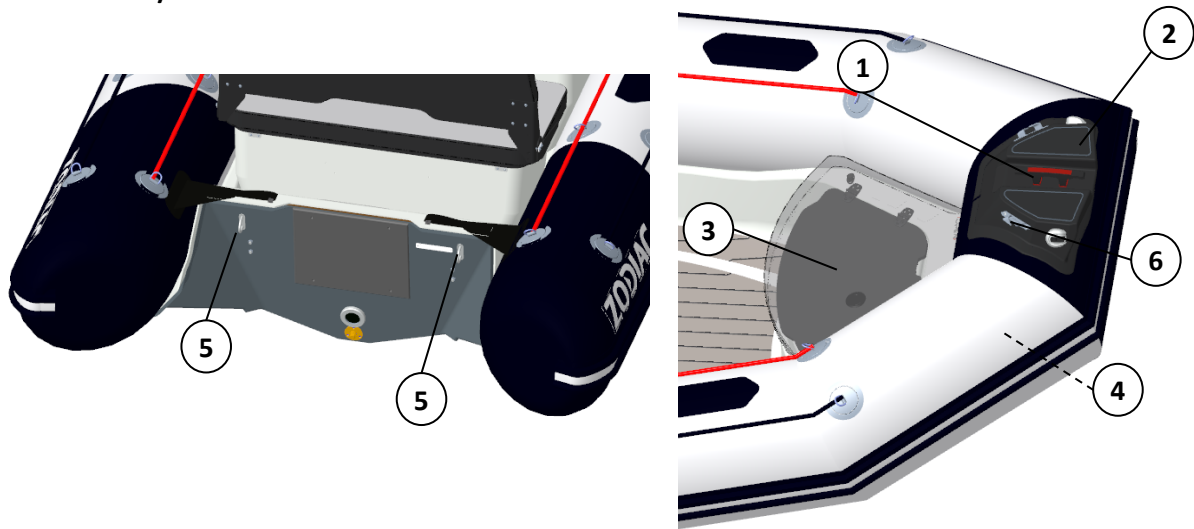
Lassen Sie das Boot nicht unbeaufsichtigt, wenn Kocher und/oder Heizgeräte in Betrieb sind.

Bei der Handhabung von Kraftstoff oder Gas nicht rauchen.

Sicherheitselemente wie z. B. Kraftstoffabsperrhähne, Schalter der elektrischen Anlage etc. nicht versperren.

Bei laufendem Motor oder während des Betriebs von Kochgeräten KEINEN Kraftstoff nachfüllen.

V-6 ANKERN / ANLEGEN



Markierung	BEZEICHNUNG
1	Klampen
2	Polyester-Ankerrolle
3	Ankergehäuse
4	Bugring
5	Heckringe
6	Verholklampen



**WARNUNG**

- FÜR EIN DAUERHAFTES ANLEGEN MÜSSEN DER BUGRING VORNE AM BOOT ODER DIE HECKRINGE VERWENDET WERDEN.
- BERÜCKSICHTIGEN SIE BEI DER WAHL DES RICHTIGEN ANKERTAUS LÄNGE UND GEWICHT IHRES BOOTS.

## ANLAGEN UND KREISLAUF – Einstieg

## V-7 EINSTIEG

## V-7-1- ÜBER DEN SCHLAUCH

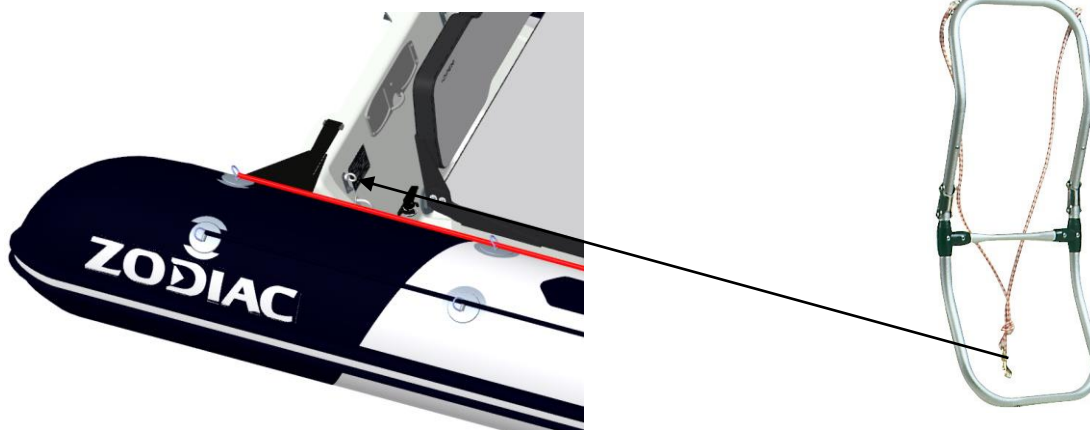
Die Boote haben einen niedrigen Freibord (weniger als 500mm), über den Sie mit den äußeren Greifleinen leicht wieder an Bord gelangen können:



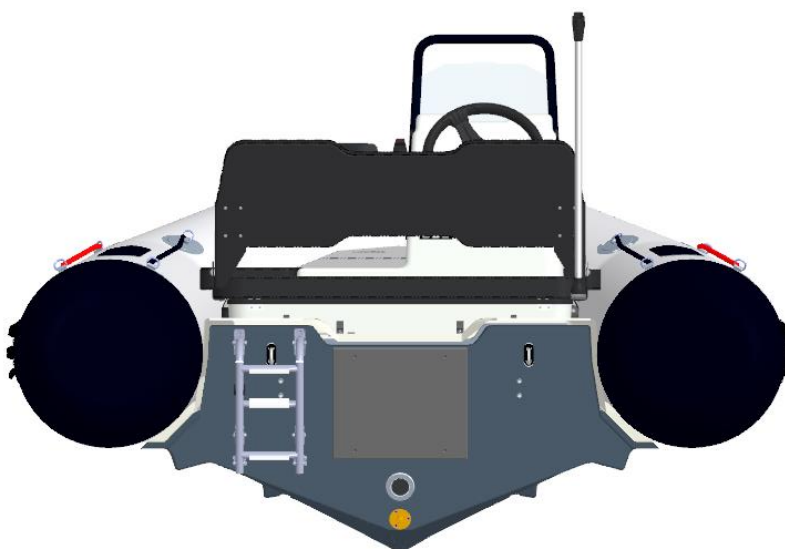
## V-7-2- BADELEITERN (OPTIONAL)

## OPEN 3.1/3.4/4.2

Verwenden Sie die Ringmutter, die mit der Badeleiter geliefert wird und schrauben Sie diese auf einen Heckring. Befestigen Sie die Badeleiter an der Ringmutter und klappen Sie die Leiter auf den Tragschlauch.

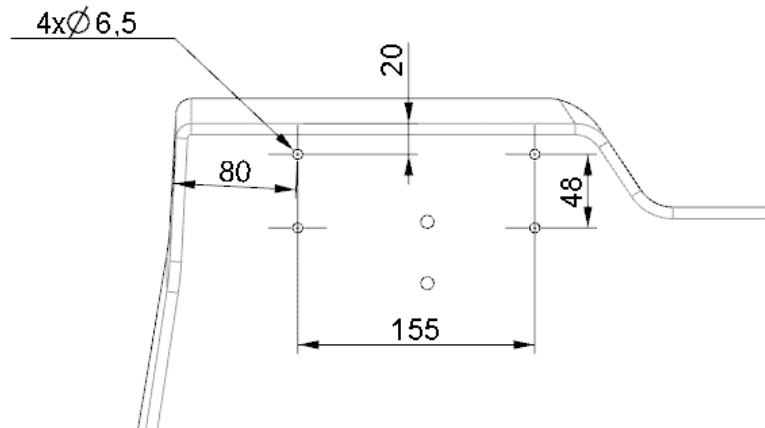


## OPEN 4.8





**POSITIONIERUNG DER BADELEITER**



**GEFAHR!!!**

**VERGEWISSERN SIE SICH, DASS DER MOTOR AUSGESCHALTET IST, BEVOR EINE PERSON ÜBER DIE HECKLEITER AN BORD STEIGT.**

**WARNUNG**

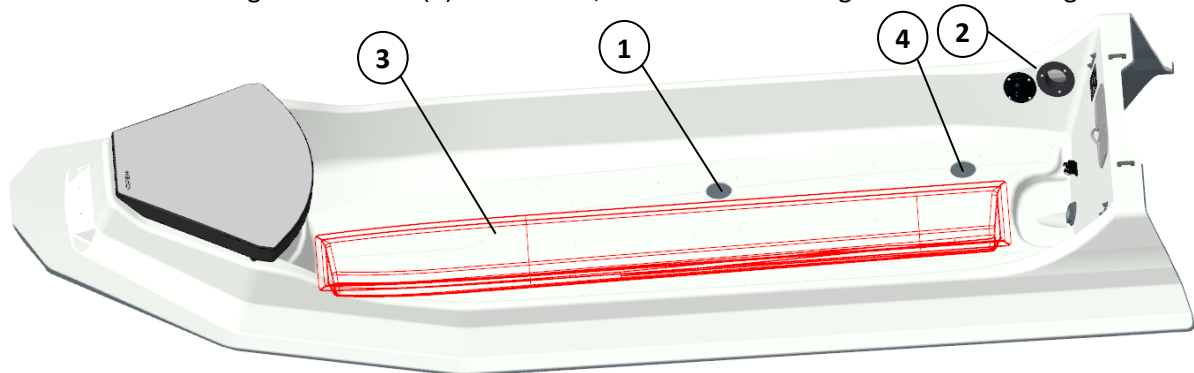
**WENN NUR EINE PERSON AN BORD IST UND DIE EINSTIEGSLEITER VOM WASSER AUS NICHT AUSGEKLAPPT WERDEN KANN, MUSS DIE LEITER BEI NUTZUNG DES BOOTS STÄNDIG AUSGEKLAPPT BLEIBEN.**

**V-8 MECHANISCHES RIGGING**

Aus ästhetischen Gründen verlaufen sämtliche Kabel und Kabelbäume für das Rigging vom Steuerstand (1) bis zum Motor (2) durch den Rumpf. Es wird empfohlen, diese verschiedenen Elemente vor der definitiven Befestigung der Ausstattungsbestandteile auf dem Deck durchzuleiten.

Es wird empfohlen, die Kabel entlang dem vorgeformten Deck (3) zum Bug zu verlegen, um ein Blockieren zu verhindern.

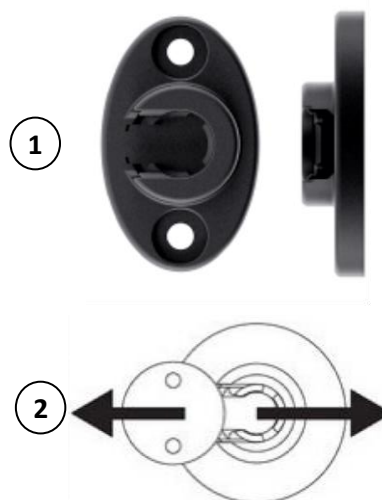
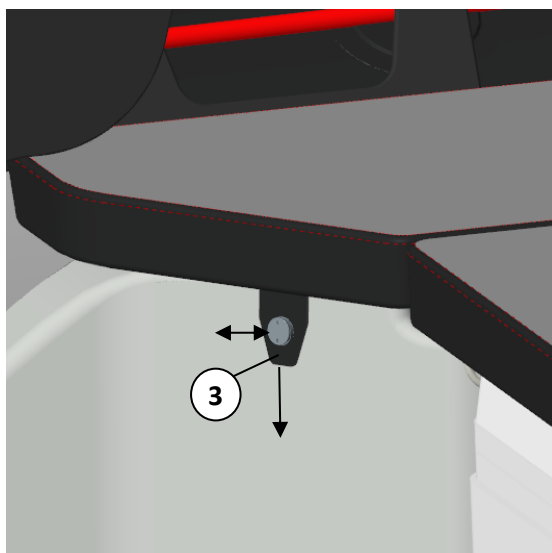
Bei Bedarf die Bohrung der Sitzbank (4) verwenden, um die Kabel im Bugbereich zu befestigen.



**ANLAGEN UND KREISLAUF – Polster fixieren****V-9 POLSTER FIXIEREN**

Ihr Boot ist mit einem neuen Fixierungstyp (1) ausgestattet, um die Polster am Rumpf zu befestigen. Dieses System ist mit Magneten und einer seitlichen Entriegelung versehen (2).

- **Entriegelung:** Ziehen Sie die Lasche (3) etwas nach unten und schieben Sie sie seitlich heraus.
- **Verriegelung:** Ziehen Sie die Lasche (3) etwas nach unten und schieben Sie sie in die Halterung.

**WARNUNG**

**ZIEHEN SIE ZUM ENTFERNEN DER POLSTER NICHT DIREKT AN IHNEN ,  
UM DAS NEUE BEFESTIGUNGSSYSTEM NICHT ZU BESCHÄDIGEN**

## VORGESEHENER PLATZ DES ZUBEHÖRS

### VI- VORGESEHENER PLATZ DES ZUBEHÖRS

#### VI-1 BIMINI OPEN 3.1/3.4



#### VI-2 BIMINI OPEN 4.2/4.8

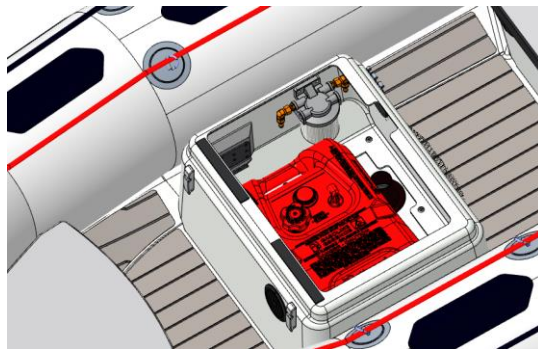


**VORGESEHENER PLATZ DES ZUBEHÖRS**

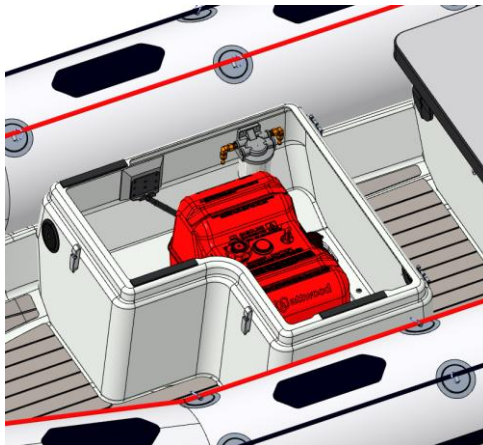
**VI-3 GERÄTETRÄGER OPEN 4.8**



**VI-4 TRAGBARER TANK OPEN 3.1/3.4**

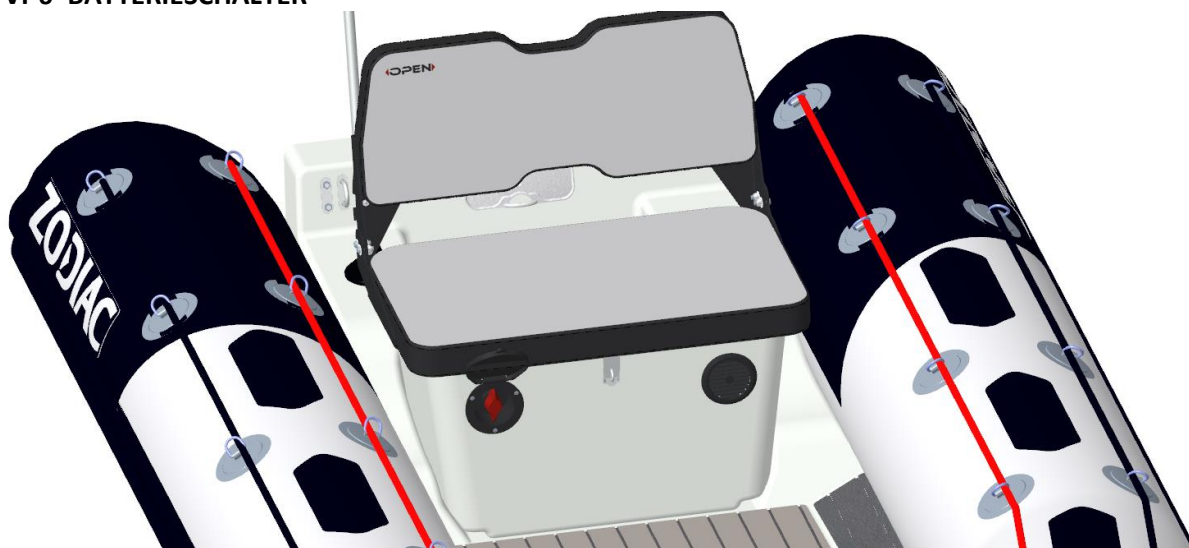


**VI-5 TRAGBARER TANK OPEN 4.2/4.8**

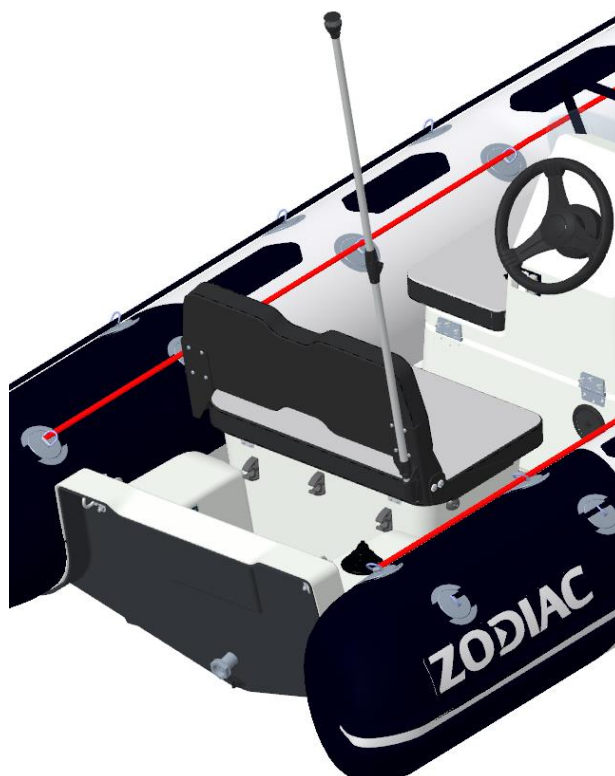


## VORGESEHENER PLATZ DES ZUBEHÖRS

### VI-6 BATTERIESCHALTER

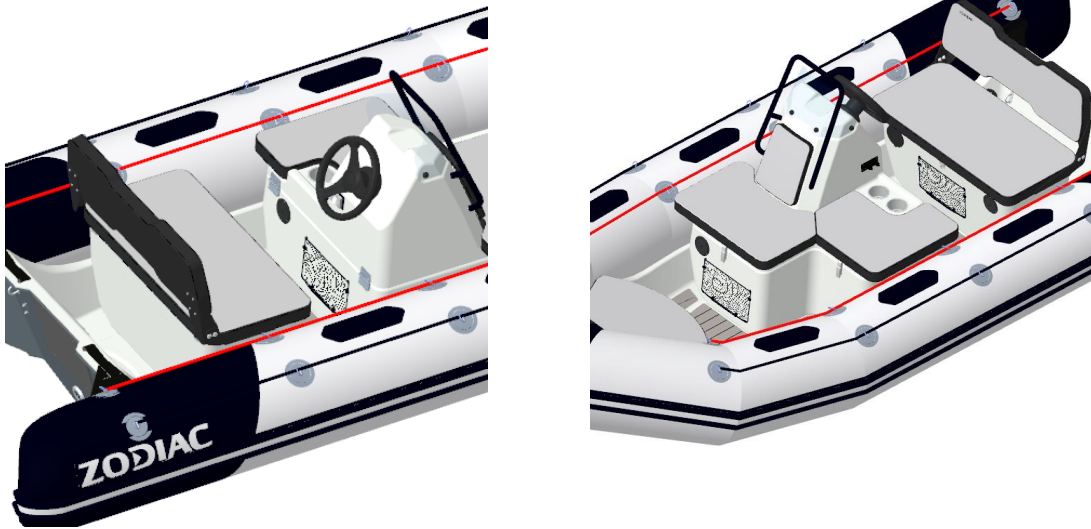


### VI-7 WEISSE LEUCHTEN

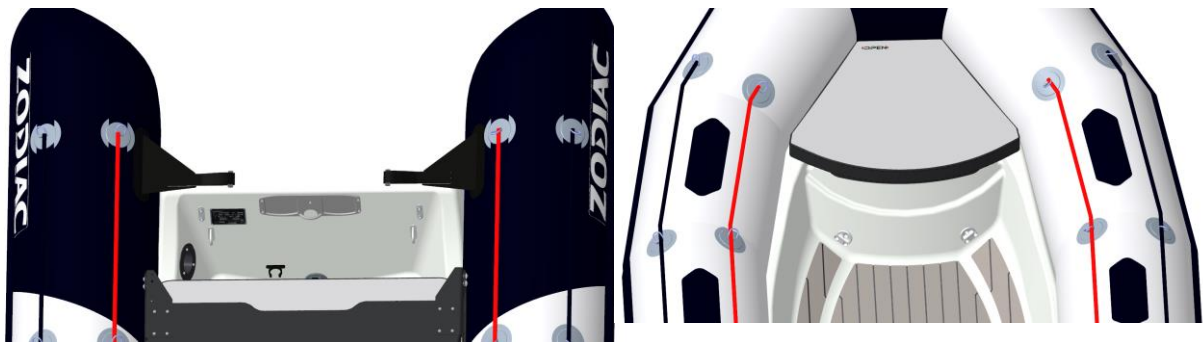


**VORGESEHENER PLATZ DES ZUBEHÖRS**

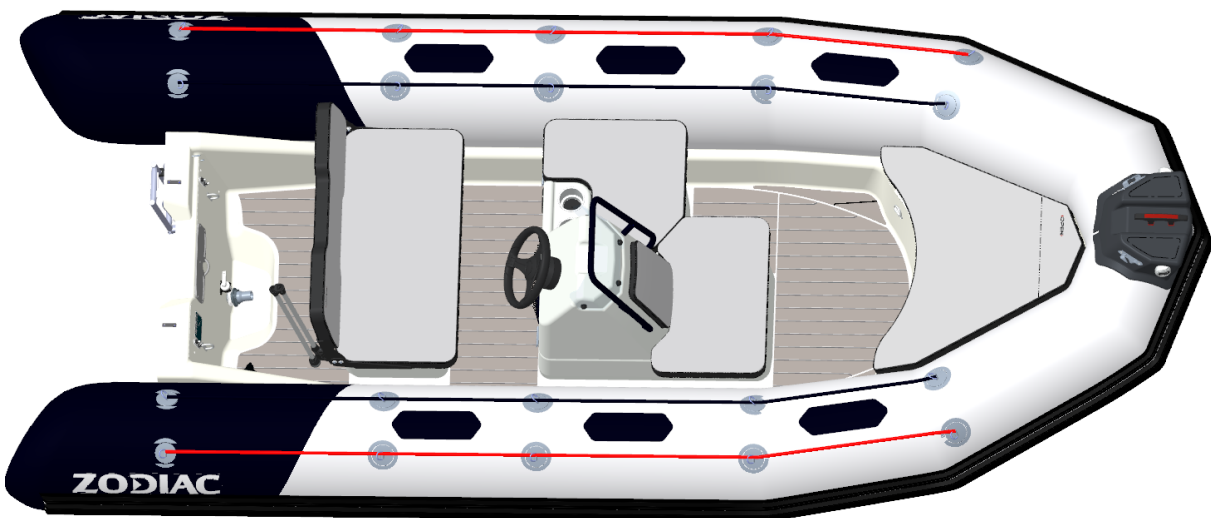
**VI-8 GEPÄCKNETZ**



**VI-9 HEBEVORRICHTUNG**

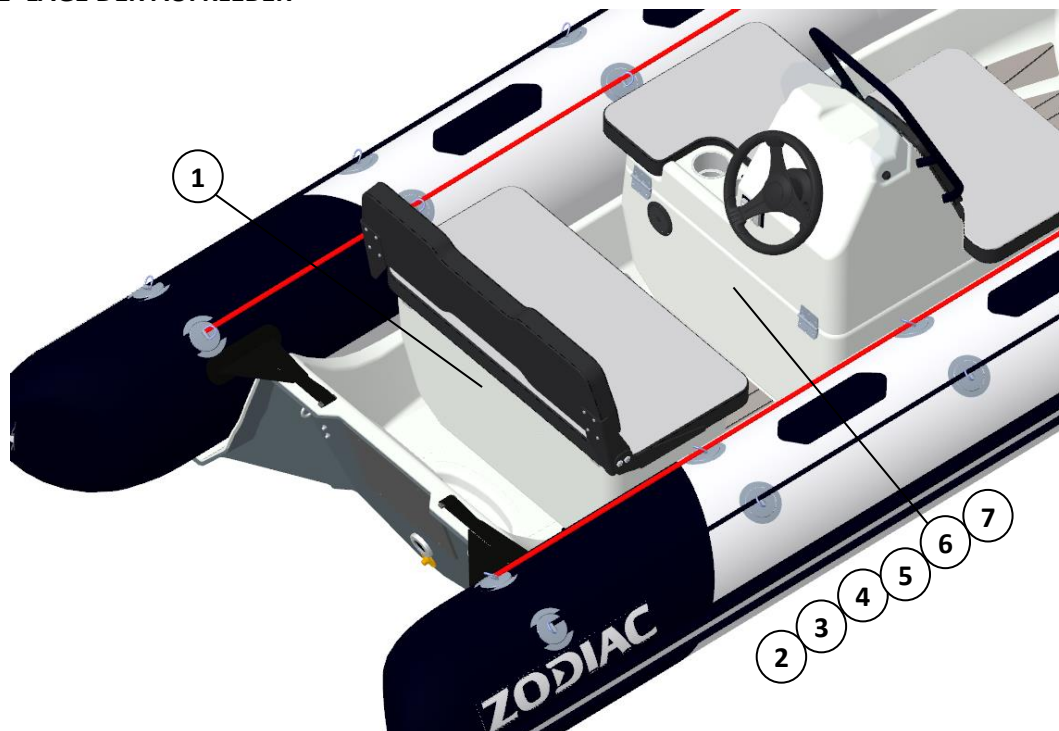


**VI-10 EVA-DECK**



VII- BESCHILDERUNG

VII-1 LAGE DER AUFKLEBER



VII-1 BESCHREIBUNG DER AUFKLEBER



⚠ WARNING	⚠ AVERTISSEMENTS
<ul style="list-style-type: none"> <li>• DO NOT TOUCH BATTERY TERMINALS (SHOCK AND ACID HAZARDS)</li> <li>• DISCONNECT BOTH LEADS BEFORE REMOVING BATTERY</li> <li>• CONNECT RED LEAD TO POSITIVE (+) TERMINAL</li> <li>• CONNECT BLACK LEAD TO NEGATIVE (-) TERMINAL</li> </ul>	<ul style="list-style-type: none"> <li>• NE PAS TOUCHER LES TERMINAUX DE LA BATTERIE (RISQUE DE CHOC ELECTRIQUE ET DE CONTACT AVEC L' ACIDE DE LA BATTERIE)</li> <li>• DEBRANCHER LES 2 FILS DE SORTIE AVANT DE RETIRER LA BATTERIE</li> <li>• RELIER LE CABLE ROUGE A LA BORNE (+)</li> <li>• RELIER LE CABLE NOIR A LA BORNE (-)</li> </ul>



⚠ WARNING	⚠ AVERTISSEMENTS
<p style="text-align: center;"><b>GASOLINE IS HIGHLY INFLAMMABLE AND EXPLOSIVE</b></p> <ul style="list-style-type: none"> <li>• STOP ENGINE BEFORE REFUELING</li> <li>• REFUEL IN WELL VENTILATED AREA</li> <li>• NEVER REFUEL WHILE SMOKING, AROUND SPARKS OR OPEN FLAME</li> <li>• AVOID SPILLING FUEL. WIPE UP ALL FUEL SPILLS IMMEDIATELY</li> <li>• LEAKING FUEL IS A FIRE HAZARD AND EXPLOSION HAZARD</li> <li>• INSPECT FUEL SYSTEM BEFORE EACH USE</li> </ul>	<p style="text-align: center;"><b>L' ESSENCE EST TRES FORTEMENT INFLAMMABLE ET EXPLOSIVE</b></p> <ul style="list-style-type: none"> <li>• ARRETER LE MOTEUR AVANT TOUT REMPLISSAGE.</li> <li>• NE PAS FUMER LORS DU REMPLISSAGE.</li> <li>• FAIRE LE PLEIN DANS UN ENDROIT VENTILE.</li> <li>• EVITER DE RENSER DU CARBURANT. ESSUYER IMMEDIATEMENT TOUTES LES FLAQUES DE CARBURANT CREEES</li> <li>• LES FUITES DE CARBURANTS CONSTITUENT UN RISQUE D' INCENDIE ET D' EXPLOSION</li> <li>• VERIFIER LE CIRCUIT CARBURANT AVANT CHAQUE UTILISATION</li> </ul>


**BESCHILDERUNG**

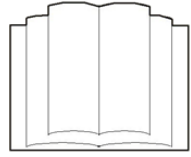
<b>⚠ CAUTION</b>	<b>⚠ ATTENTION</b>
<p>IMPROPERLY TOWING YOUR BOAT CAN CAUSE SEVERE DAMAGE TO YOUR BOAT.</p> <ul style="list-style-type: none"> <li>NEVER TOW IN OPEN SEAS</li> <li>NEVER TOW ABOVE 6 KNOTS</li> </ul>	<p>UN REMORQUAGE INAPPROPRIE PEUT ENDOMMAGER VOTRE BATEAU</p> <ul style="list-style-type: none"> <li>NE PAS REMORQUER EN PLEINE MER</li> <li>NE PAS REMORQUER A PLUS DE 6 NOEUDS</li> </ul>
	3

<b>⚠ WARNING</b>	<b>⚠ AVERTISSEMENT</b>
<p>DO NOT LIFT THE BOAT WITH PASSENGERS ON BOARD</p>	<p>NE PAS SOULEVER LE BATEAU AVEC DES PASSAGERS A BORD</p>
	4

<b>⚠ DANGER</b>	<b>⚠ DANGER</b>
<p>TO AVOID INJURY OR DEATH, SHUT OFF ENGINE WHEN NEAR SWIMMERS OR PRIOR TO USING SWIN PLATFORM AND BOARDING LADDER</p>	<p>POUR EVITER DES BLESSURES OU LA MORT, COUPER LE MOTEUR EN APPROCHANT DE NAGEURS, ET AVANT TOUTE UTILISATION DE LA PLATEFORME ARRIERE OU DE L' ECHELLE DE BAIN</p>
	5

<b>⚠ DANGER</b>	<b>⚠ DANGER</b>
<p>A FIRE EXTINGUISHER MUST BE CARRIED AT ALL TIMES</p>	<p>UN EXTINCTEUR DOIT ETRE DISPONIBLE EN PERMANENCE A BORD</p>
	6





30 KNTS MAXIMUM

7





Regent Park 1 - Bat2B  
2480 L'Occitane  
F 31670 LABEGE  
FRANKREICH



**Eierhåndbok - Owner's Manual**  
*Bind 2 - volum 2*

**OPEN 3.1 - OPEN 3.4 - OPEN 4.2 – OPEN 4.8**

ZNAUTIC stiller til disposisjon eierhåndbøker i digitalt format for språkene italiensk, tysk, spansk og norsk. For alle andre språk, vennligst henvend deg til din forhandler som kan videreformidle en forespørsel til ZNAUTIC.

*ZNAUTIC puts at your disposal the owner's manuals in digital format for the Italian / German / Spanish and Norwegian languages. For all other languages, contact your distributor for request to the ZNAUTIC teams in due form.*

Utgave 1

# BIND 2

## BESKRIVELSE - TUBE

## FREMDRIFTSSYSTEM

## INSTALLASJON OG KRETSER

### INNHold

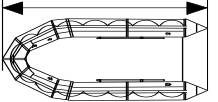
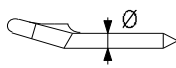
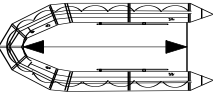
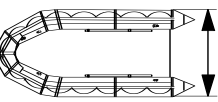
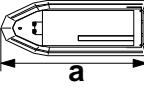
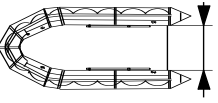
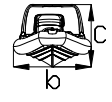
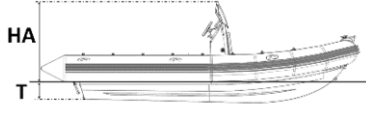
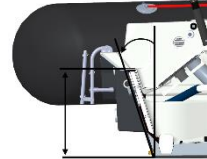
I- BESKRIVELSE .....	4
I-1 TEKNISKE KARAKTERISTIKKER OPEN 3.1.....	4
I-2 TEKNISKE KARAKTERISTIKKER OPEN 3.4 .....	6
I-3 TEKNISKE KARAKTERISTIKKER OPEN 4.2 .....	8
I-4 TEKNISKE KARAKTERISTIKKER OPEN 4.8 .....	10
I-5 INVENTAR OG PLASSERING .....	13
I-6 PLASSERING TIL UTSTYR .....	17
I-6-1- OPEN 3.1 / OPEN 3.4.....	17
I-6-2- OPEN 4.2 / OPEN 4.8.....	19
I-7 VEDLIKEHOLD .....	21
I-7-1- Transport.....	21
I-7-2- Løfting .....	27
II- TUBE.....	28
II-1 VEDLIKEHOLD AV TUBEN.....	28
II-2 MONTERING AV TUBEN PÅ SKROGET OPEN 4.2 / OPEN 4.8 .....	28
II-3 FESTE AV FLAP-EN.....	29
II-4 OPPBLÅSING AV TUBEN .....	30
II-5 TRYKK .....	32
III- Fremdriftssystem.....	34
IV- Hvordan kjøre båten.....	35
V- INSTALLASJON OG KRETS.....	36
V-1 DRIVSTOFFKRETS .....	36
V-1-1- Identifikasjon av plasseringen av elementene .....	36
V-1-2- Bærbar tank (ekstrautstyr).....	38
V-1-3- Skillefilter vann/bensin (følger ikke med) .....	39
V-1-4- Bruk av stengekranene i bensinkrets (følger ikke med).....	40
V-1-5- Anbefalinger.....	41
V-2 ELEKTRISK KRETS.....	42
V-2-1- OPEN 3.1 / 3.4 / 4.2 .....	42

V-2-2- OPEN 4.8 .....	45
V-2-3- Identifikasjon av plasseringen av elementene .....	48
V-2-4- Nødstop (ekstrautstyr).....	48
V-2-5- Batteri (følger ikke med) .....	49
V-2-6- Navigasjonslanterner .....	50
V-2-7- Kabling av et tilbehør .....	50
V-2-1- Tilkobling av ekstrautstyr OPEN 3.1 / 3.4 /4.8 .....	51
V-2-2- Tilkobling av ekstrautstyr OPEN 4.8.....	52
V-3 INSTALLASJON AV LENSEANORDNINGER.....	54
V-3-1- Beskrivelse av de funksjonelle elementene .....	54
V-3-2- Propper skroggjennomføring .....	54
V-3-3- Skroglensepropp:.....	55
V-4 STYRING.....	56
V-5 BRANN.....	56
V-6 ANKRING / FORTØYNING .....	57
V-7 OMBORDSTIGNING: STIGER (EKSTRAUTSTYR) .....	58
V-8 MEKANISK RIGGING .....	59
V-9 SETEFESTE .....	60
VI- PLASSERING TILBEHØR .....	61
VI-1 SOLTAK OPEN 3.1 / 3.4.....	61
VI-2 SOLTAK OPEN 4.2 / 4.8.....	61
VI-3 RULLESTANG OPEN 4.8 .....	62
VI-4 BÆRBARE TANKER OPEN 3.1 / 3.4.....	62
VI-5 BÆRBARE TANKER OPEN 4.2 / 4.8.....	62
VI-6 BATTERIBRYTER .....	63
VI-7 HVIT LANTERNE .....	63
VI-8 OPPBEVARINGSNETT .....	64
VI-9 LØFTESETT .....	64
VI-10 EVA-DEKK .....	64
VII- MERKING.....	65
VII-1 KLEBEMERKENES POSISJON .....	65
VII-1 BESKRIVELSE AV KLEBEMERKENE .....	65


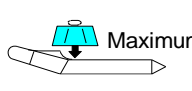
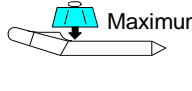
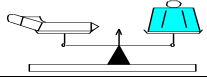
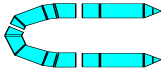
## BESKRIVELSE - Tekniske karakteristikk

### I- BESKRIVELSE

#### I-1 TEKNISKE KARAKTERISTIKKER OPEN 3.1

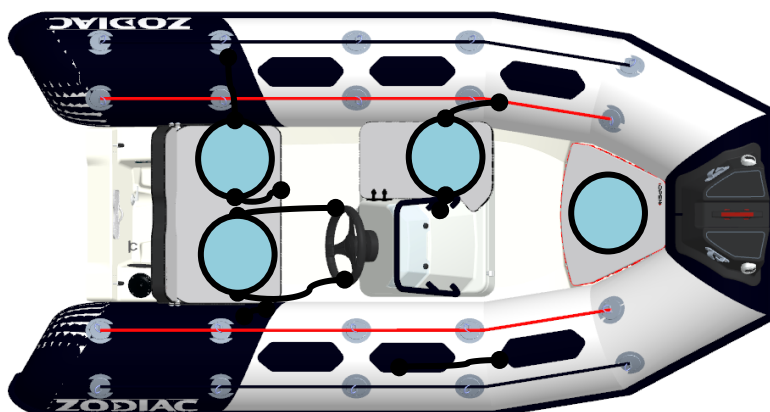
<b>Dimensjoner</b>						
<i>Toleranser på dimensjonene +/- 3%</i>						
	m	3,1		m	0,455	
	(fot)	10' 2"		(fot)	1' 6"	
	m	2	Uten tube	a	m	2,58
	(fot)	6' 7"			(fot)	8' 6"
	m	1,65		b	m	1,01
	(fot)	5' 5"			(fot)	3' 4"
	m	0,71		c	m	1,134
	(fot)	1' 6"			(fot)	3' 9"
	HA (mm)	930	Maks. dypgående			
	T (mm)	225	Maks. dypgående			
	°	13	Speilhekkens vinkel			
	mm	438	Speilhekkens høyde			


<b>Konstruksjonskategori</b>	
<b>CE</b> (direktiv 2013/53/EU)	C

<b>Kapasitet</b>			
<i>Toleranser på dimensjonene +/- 5%</i>			
 (ISO)		C 4	
	<b>ISO 14946</b>	kg	300
		lb.	661
	<b>ISO 14945</b>	kg	340
		lb.	750
		kg	132
		lb.	291
Antall kamre			3

Maksimal last iht. ISO 14946 (1+2+3+4), data anført på ICNN-sertifikatet.  
Maksimal last iht. ISO 14945 (1+2+3+5), data anført på produsentens merkeplate.  
Personers vekt  
Personlige effekter  
Liste over alt tilbudt ekstrautstyr  
Innhold til tankene med forbruksvæsker (bensin, drikkevann...)  
Motorens(-enes) vekt

Angitt vekt utenom tilbehør



 Sitteplass med håndgrep








**ADVARSEL!!!**

**DU MÅ ALDRI OVERSTIGE DET ANBEFALTE MAKSIMALE ANTALLET PERSONER.**

**UANSETT HVOR MANGE PERSONER SOM ER OMBORD, MÅ DEN TOTALE VEKTEN AV PERSONER OG UTSTYR ALDRI OVERSTIGE ANBEFALT MAKSIMAL LAST.**

**DE TILTENKTE SETENE OG SITTEPLASSENE MÅ ALLTID ANVENDES.**

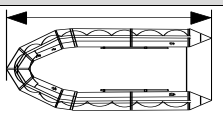
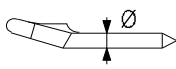
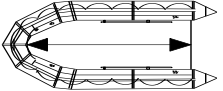

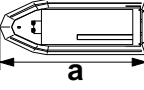

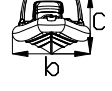
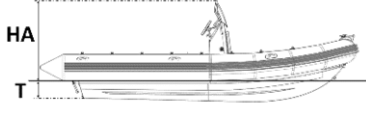
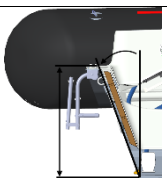
Motorisering Open 3.1					
 Long	Akselens lengde		ENKELTMOTOR		De anbefalte effektene svarer til optimal bruk av båtenes kapasitet ved middels last.
			S		
	Anbefalt MIN. effekt	HK	10		
		kW	7.5		
	Anbefalt MAKS. effekt	HK	15		
		kW	11.2		
	Tillatt MAKS. effekt	HK	25		
		kW	18.6		
 Maximum	MAKS. motorvekt	kg	57		
		lb.	126		


**MERK:** Den tillatte maksimaleffekten, når den er over den anbefalte, må brukes med ekstrem varsomhet. Den gjelder utelukkende for erfarne brukere som benytter båten under svært spesifikke forhold (transport av tung last osv.). Se bind 1 i håndboken, kapitlet "Navigasjonsråd".


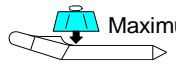
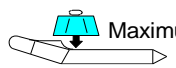
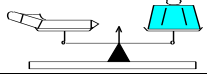
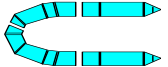
For å unngå mulig for tidlig nedbrytning av flottøren din, bare for denne størrelsen på båten, skal motoren monteres så høyt som mulig på akterspeilet. Det anbefales også å bytte motoren til havn når du anker, i løpet av vinteren og transportfasen av båten.

## BESKRIVELSE - Tekniske karakteristikker

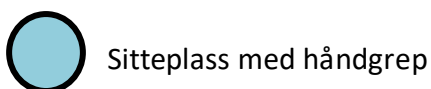
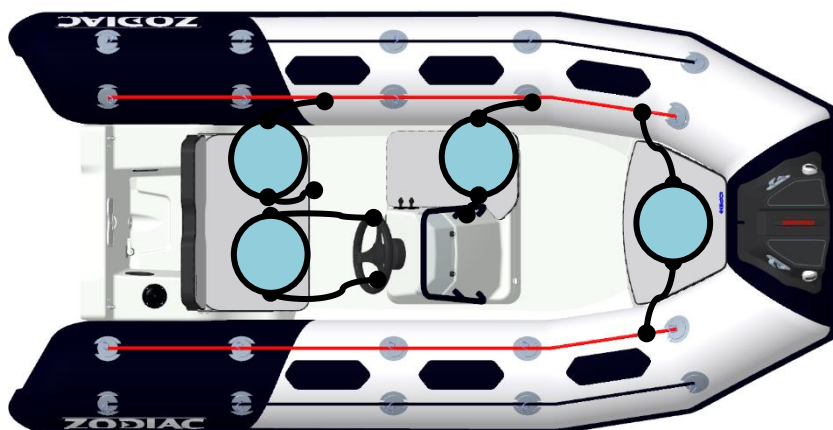
### I-2 TEKNISKE KARAKTERISTIKKER OPEN 3.4

<b>Dimensjoner</b>						
<i>Toleranser på dimensjonene +/- 3%</i>						
	m	3,4		m	0,455	
	(fot)	11' 2"		(fot)	1' 6"	
	m	2,16	Uten tube	a	m	2,9
	(fot)	7' 1"			(fot)	9' 6"
	m	1,7		b	m	1,13
	(fot)	5' 7"			(fot)	3' 8"
	m	0,8		c	m	1,17
	(fot)	2' 7"			(fot)	3' 10"
	HA (mm)	945	Maks. dypgående			
	T (mm)	294	Maks. dypgående			
	°	13	Speilhekkens vinkel			
	mm	524	Speilhekkens høyde			

<b>Konstruksjonskategori</b>	
 (direktiv 2013/53/EU)	C

<b>Kapasitet</b>				
<i>Toleranser på dimensjonene +/- 5%</i>				
 (ISO)			C	
			4	
	<b>ISO 14946</b>	kg	340	
		lb.	750	
	<b>ISO 14945</b>	kg	420	
		lb.	926	
			kg	150
			lb.	331
Antall kamre		3		

Maksimal last iht. ISO 14946 (1+2+3+4), data anført på ICNN-sertifikatet.  
Maksimal last iht. ISO 14945 (1+2+3+5), data anført på produsentens merkeplate.  
Personers vekt  
Personlige effekter  
Liste over alt tilbudt ekstrautstyr  
Innhold til tankene med forbruksvæsker (bensin, drikkevann....)  
Motorens(-enes) vekt  
Angitt vekt utenom tilbehør








**ADVARSEL!!!**

**DU MÅ ALDRI OVERSTIGE DET ANBEFALTE MAKSIMALE ANTALLET PERSONER.**

**UANSETT HVOR MANGE PERSONER SOM ER OMBORD, MÅ DEN TOTALE VEKTEN AV PERSONER OG UTSTYR ALDRI OVERSTIGE ANBEFALT MAKSIMAL LAST.**

**DE TILTENKTE SETENE OG SITTEPLASSENE MÅ ALLTID ANVENDES.**

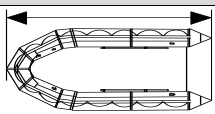
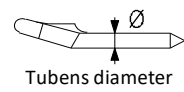
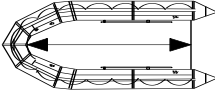

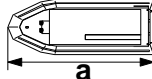

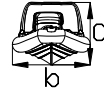
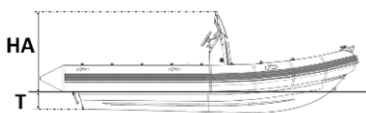
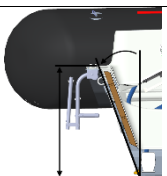
Motorisering Open 3.4				
	Akselens lengde		ENKELTMOTOR	De anbefalte effektene svarer til optimal bruk av båtens kapasitet ved middels last.
			L	
	Anbefalt MIN. effekt	HK	10	
		kW	7.5	
	Anbefalt MAKS. effekt	HK	15	
		kW	11.2	
	Tillatt MAKS. effekt	HK	30	
		kW	22.4	
	MAKS. motorvekt	kg	95	
		lb.	209	


**MERK:** Den tillatte maksimaleffekten, når den er over den anbefalte, må brukes med ekstrem varsomhet. Den gjelder utelukkende for erfarne brukere som benytter båten under svært spesifikke forhold (transport av tung last osv.). Se bind 1 i håndboken, kapitlet "Navigasjonsråd".


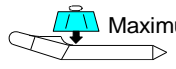
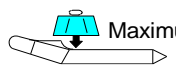
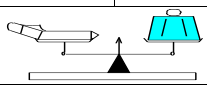
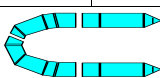


## BESKRIVELSE - Tekniske karakteristikk

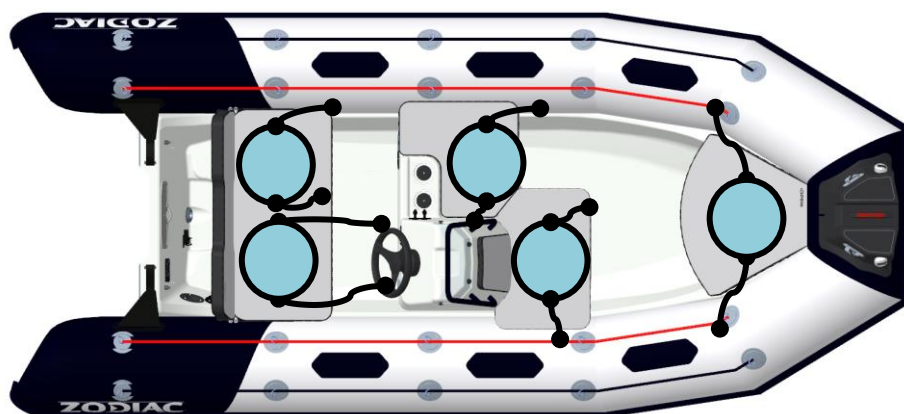
### I-3 TEKNISKE KARAKTERISTIKKER OPEN 4.2


<b>Dimensjoner</b>						
<i>Toleranser på dimensjonene +/- 3%</i>						
	m	4,2	 Tubens diameter	m	0,455	
	(fot)	13' 9"		(fot)	1' 6"	
	m	2,7	Uten tube	a	m	3,6
	(fot)	8' 10"			(fot)	11' 10"
	m	1,9	 a	b	m	1,24
	(fot)	6' 3"			(fot)	4' 1"
	m	1,1	 b, c	c	m	1.3
	(fot)	3' 7"			(fot)	4' 3"
	HA (mm)	968	Maks. dypgående			
	T (mm)	456	Maks. dypgående			
	°	17	Speilhekkens vinkel			
	mm	524	Speilhekkens høyde			

<b>Konstruksjonskategori</b>	
 (direktiv 2013/53/EU)	C

<b>Kapasitet</b>			
<i>Toleranser på dimensjonene +/- 5%</i>			
 (ISO)			C
			5
 Maximum ISO 14946	kg	560	Maksimal last iht. ISO 14946 (1+2+3+4), data anført på ICNN-sertifikatet. Maksimal last iht. ISO 14945 (1+2+3+5), data anført på produsentens merkeplate. Personers vekt Personlige effekter Liste over alt tilbudt ekstrautstyr Innhold til tankene med forbruksvæsker (bensin, drikkevann....) Motorens(-enes) vekt
	lb.	1235	
 Maximum ISO 14945	kg	680	
	lb.	1499	
	kg	270	Angitt vekt utenom tilbehør
	lb.	595	
Antall kamre		3	

## BESKRIVELSE - Tekniske karakteristikk



 Sitteplass med håndgrep








### **ADVARSEL!!!**

**DU MÅ ALDRI OVERSTIGE DET ANBEFALTE MAKSIMALE ANTALLET PERSONER.**

**UANSETT HVOR MANGE PERSONER SOM ER OMBORD, MÅ DEN TOTALE VEKTEN AV PERSONER OG UTSTYR ALDRI OVERSTIGE ANBEFALT MAKSIMAL LAST.**

**DE TILTENKTE SETENE OG SITTEPLASSENE MÅ ALLTID ANVENDES.**

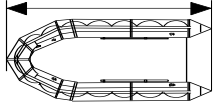
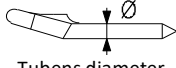
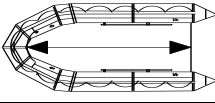
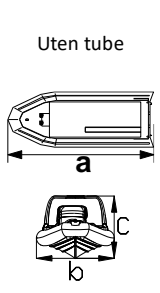
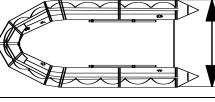

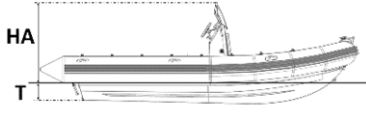
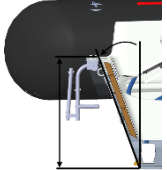
Motorisering Open 4.2				
 Long	Akselens lengde		ENKELTMOTOR	
			L	
	Anbefalt MIN. effekt	HK	15	
		kW	11,2	
	Anbefalt MAKS. effekt	HK	40	
		kW	29,8	
	Tillatt MAKS. effekt	HK	50	
		kW	37,3	
 Maximum	MAKS. motorvekt	kg	115	
		lb.	253,5	


De anbefalte effektene svarer til optimal bruk av båtenes kapasitet ved middels last.


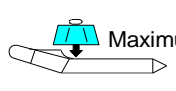
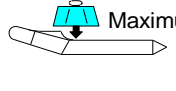
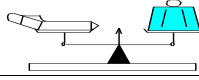
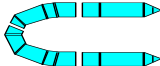
**MERK:** Den tillatte maksimaleffekten, når den er over den anbefalte, må brukes med ekstrem varsomhet. Den gjelder utelukkende for erfarne brukere som benytter båten under svært spesifikke forhold (transport av tung last osv.). Se bind 1 i håndboken, kapitlet "Navigasjonsråd".

## BESKRIVELSE - Tekniske karakteristikker

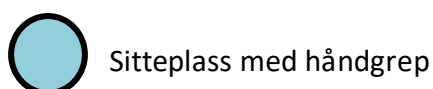
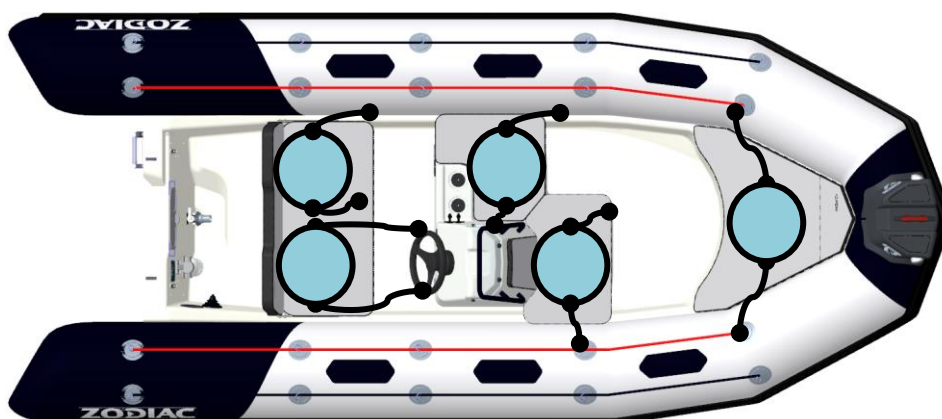
### I-4 TEKNISKE KARAKTERISTIKKER OPEN 4.8

<b>Dimensjoner</b>						
<i>Toleranser på dimensjonene +/- 3%</i>						
	m	4,7		m	0,5	
	(fot)	15' 5"		(fot)	1' 8"	
	m	2,92		a	m	3,83
	(fot)	9' 7"			(fot)	12' 7"
	m	2,09		b	m	1,38
	(fot)	6' 10"			(fot)	4' 6"
	m	1,1		c	m	1,38
	(fot)	3' 7"			(fot)	4' 6"
	HA (mm)	1085	Maks. dypgående			
	T (mm)	485	Maks. dypgående			
	°	17,5	Speilhekkens vinkel			
	mm	537	Speilhekkens høyde			

<b>Konstruksjonskategori</b>	
 (direktiv 2013/53/EU)	C

<b>Kapasitet</b>				
<i>Toleranser på dimensjonene +/- 5%</i>				
 (ISO)		C		
		5		
 Maximum	<b>ISO 14946</b>	kg	590	Maksimal last iht. ISO 14946 (1+2+3+4), data anført på ICNN-sertifikatet. Maksimal last iht. ISO 14945 (1+2+3+5), data anført på produsentens merkeplate. Personers vekt Personlige effekter Liste over alt tilbudt ekstrautstyr Innhold til tankene med forbruksvæsker (bensin, drikkevann....) Motorens(-enes) vekt
		lb.	1301	
 Maximum	<b>ISO 14945</b>	kg	760	
		lb.	1676	
		kg	310	Angitt vekt utenom tilbehør
		lb.	683	
Antall kamre			5	

## BESKRIVELSE - Tekniske karakteristikk








### **ADVARSEL!!!**

**DU MÅ ALDRI OVERSTIGE DET ANBEFALTE MAKSIMALE ANTALLET PERSONER.**

**UANSETT HVOR MANGE PERSONER SOM ER OMBORD, MÅ DEN TOTALE VEKTEN AV PERSONER OG UTSTYR ALDRI OVERSTIGE ANBEFALT MAKSIMAL LAST.**

**DE TILTENKTE SETENE OG SITTEPLASSENE MÅ ALLTID ANVENDES.**

Motorisering Open 4.8				
	Akselens lengde		ENKELTMOTOR	De anbefalte effektene svarer til optimal bruk av båtenes kapasitet ved middels last.
			L	
	Anbefalt MIN. effekt	HK	40	
		kW	29,8	
	Anbefalt MAKS. effekt	HK	50	
		kW	37,3	
	Tillatt MAKS. effekt	HK	80	
		kW	59,7	
	MAKS. motorvekt	kg	170	
		lb.	374,8	

**MERK:** Den tillatte maksimaleffekten, når den er over den anbefalte, må brukes med ekstrem varsomhet. Den gjelder utelukkende for erfarne brukere som benytter båten under svært spesifikke forhold (transport av tung last osv.). Se bind 1 i håndboken, kapitlet "Navigasjonsråd".

**MERK:** Den tillatte maksimaleffekten, når den er over den anbefalte, må brukes med ekstrem varsomhet. Den gjelder utelukkende for erfarne brukere som benytter båten under svært spesifikke forhold (transport av tung last osv.). Se bind 1 i håndboken, kapitlet "Navigasjonsråd".



**ADVARSEL!!!**

**DU MÅ ALDRI OVERSKRIDE MAKSIMAL LAST VED LASTING AV BÅTEN. DU MÅ ALLTID LASTE BÅTEN OMHYGGELIG OG FORDELE LASTEN RIKTIG FOR Å BEHOLDE TEORETISK TRIM (OMTRENTLIG HORIZONTAL). UNNGÅ Å LEGGE TUNG LAST OPPE.**



**ADVARSEL!!!**

**LASTEN SOM ER ANGITT PÅ PRODUSENTENS MERKEPLATE, MÅ IKKE OVERSKRIDES.**

**NÅR BÅTEN ER LASTET MAKSIMALT, ANBEFALES DET Å:**

- NAVIGERE FORSIKTIG,
- FORDELE LASTEN,
- TRIMME BÅTEN RIKTIG.

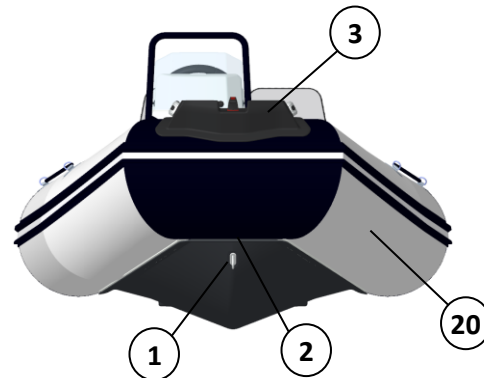
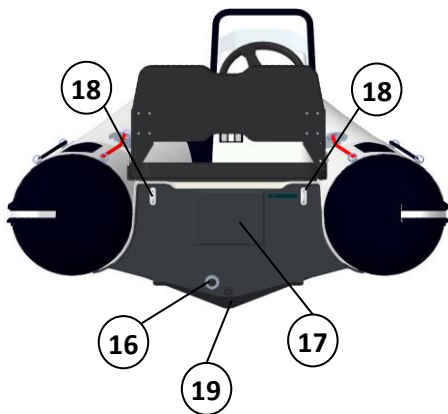
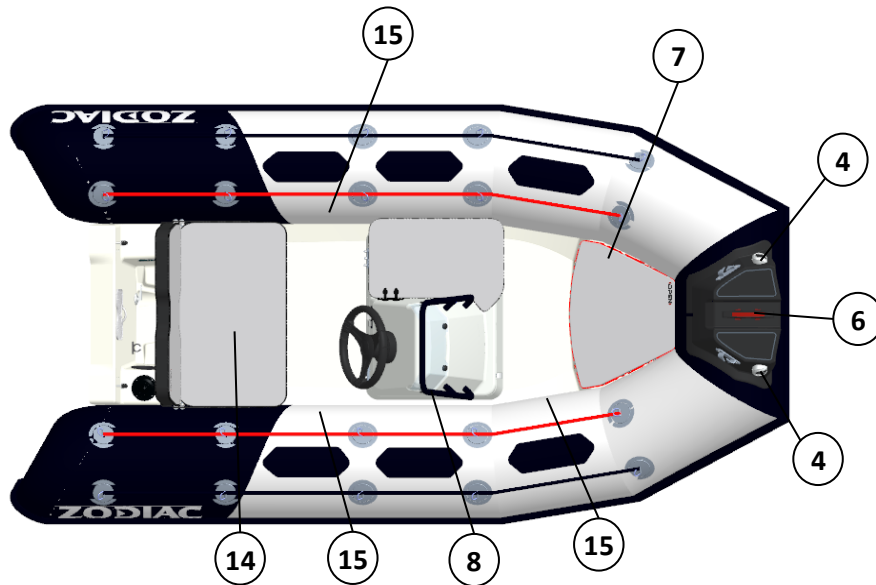
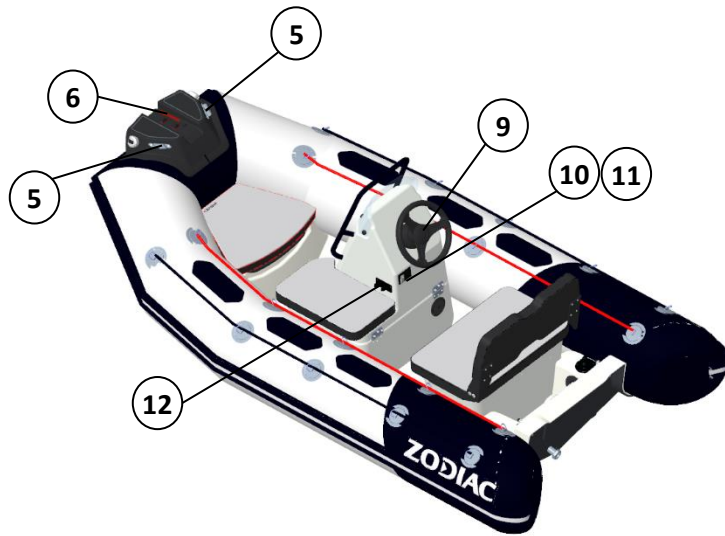


**OBS!!!**

**DU MÅ IKKE OPPBEVARE ANTENNELIGE PRODUKTER I AKTERROMMET. DET ER STRENGT FORBUDT Å LAGRE EN EKSTRA TANK.**

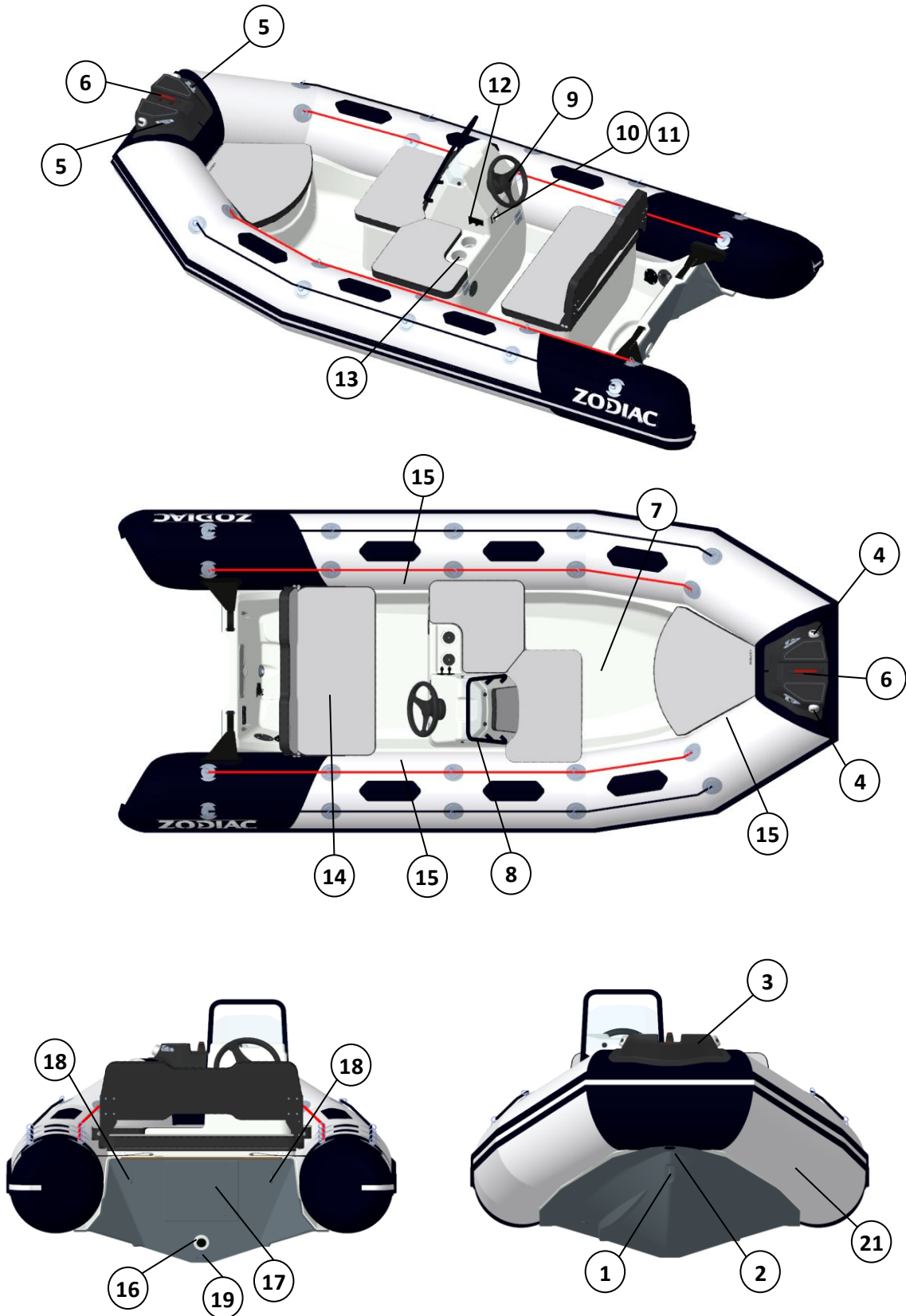
I-5 INVENTAR OG PLASSERING

OPEN 3.1 & 3.4



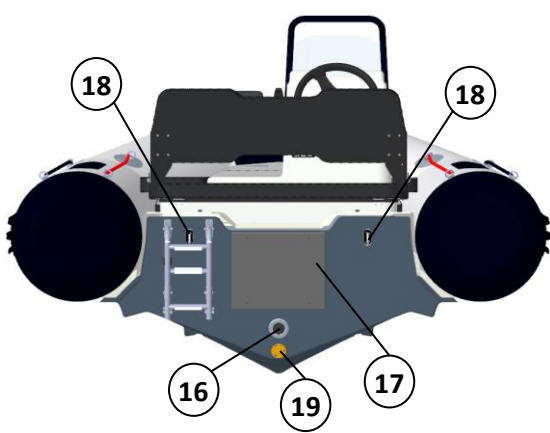
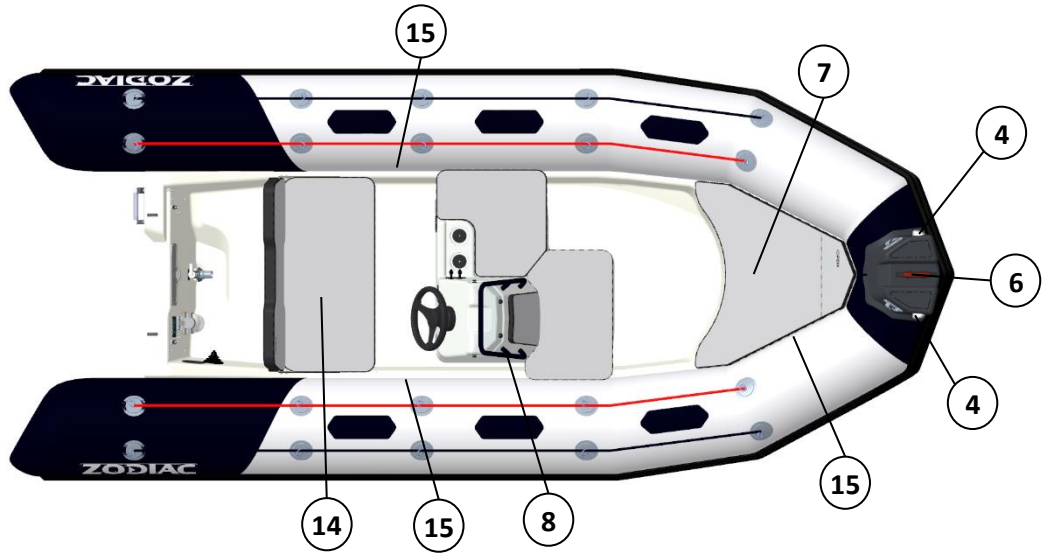
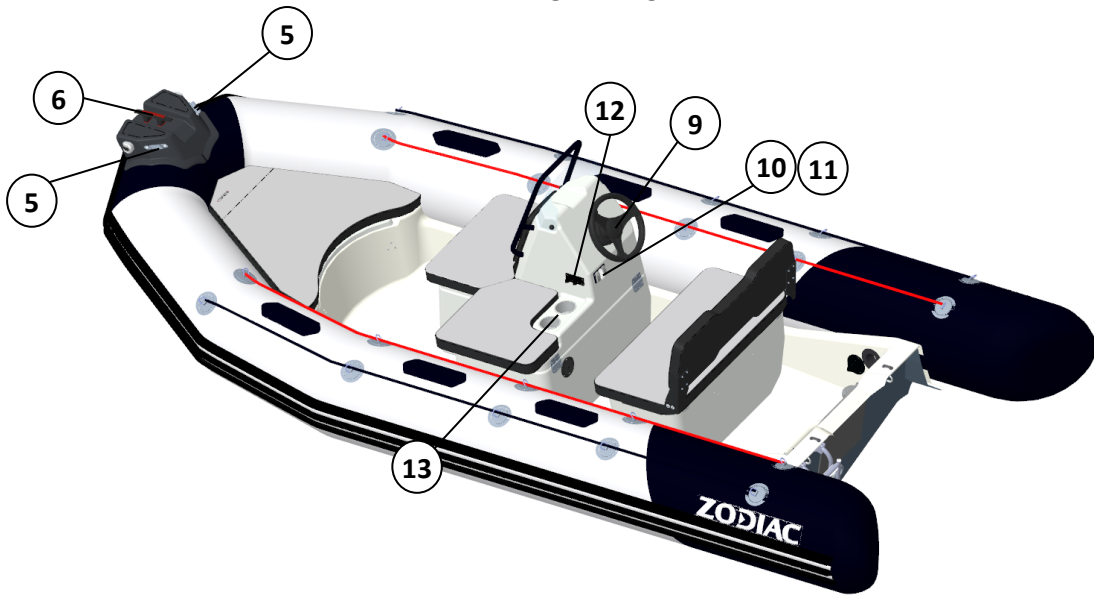
BESKRIVELSE - INVENTAR og plassering

OPEN 4.2



BESKRIVELSE - INVENTAR og plassering

OPEN 4.8





**BESKRIVELSE - INVENTAR og plassering**

Merke	BETEGNELSE
<b>STANDARD UTSTYR</b>	
	2 teleskopiske padleårer, 1 fotpumpe, 1 reparasjonskoffert, 1 eierhåndbok (2 bind), 1 trykkmåler Polyesterskrog med motstøpt antisklidekk
	Benk
	Konsoll
1	Røstjern i forstavn
2	Feste flap tube
3	Davit
4	Navigasjonslanterner
5	Klyss
6	Fortøyningsklamp
7	Ankringsrom
8	Griperekke
9	Ratt, mekanisk styring
10	Bryter navigasjonslanterne
11	Ledig plass for andre brytere
12	12V-kontakt og USB-kontakt
13	Hanskerom / begerholder
14	Batteri (hus) <i>Inne i den bakre benken</i>
15	Opppumpings-/luftutslippsventiler
16	Lenseventil for dekk
17	Beskyttelsesplate
18	Røstjern for sleping
19	Skroglensepropp
20	Limt tube med fenderlist, forankringer og lange kjegler.
21	Avtakbar tube med fenderlist med bred profil, forankringer og lange kjegler.

VALGFRITT TILBEHØR	OPEN 3.1	OPEN 3.4	OPEN 4.2	OPEN 4.8
Bærbar tank	X	X	X	X
Batteribryter	X	X	X	X
Badestige	X	X	X	X
Oppbevaringsnett	X	X	X	X
EVA-dekk	X	X	X	X
Hvit lanterne	X	X	X	X
Løftesett	X	X	X	X
Presenning, for forankring	X	X	X	X
Soltak	X	X	X	X
Turboswing			X	X
Rullestang / Vannskimast				X
Annet tilgjengelig ekstrautstyr, ta kontakt med din ZODIAC-forhandler				

**I-6 PLASSERING TIL UTSTYR**

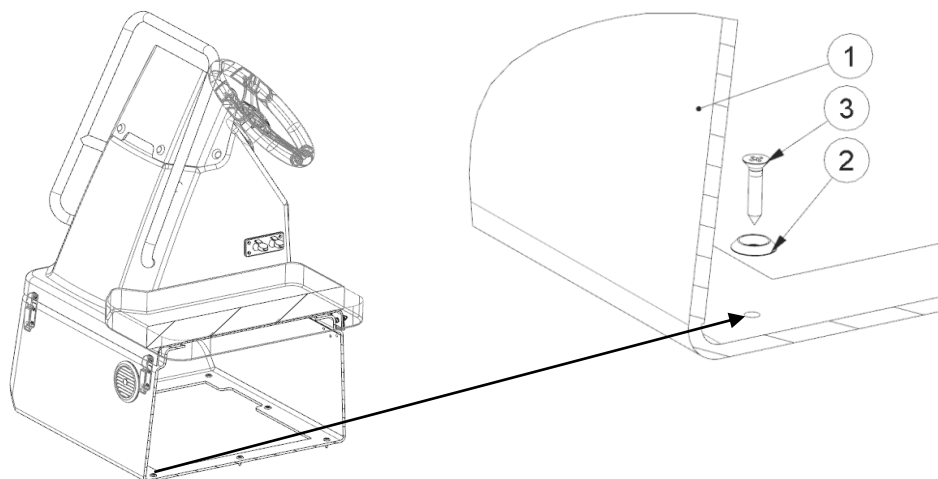
Båten leveres med konsoll og benk umontert på skroget.

Følg trinnene nedenfor for å installere elementene på dekket, sørge for at de er tette og holde dem fast på dekket.

Det anbefales å installere samtlige kabler og ledningsnett for motoren før du følger disse montasjetrinnene.

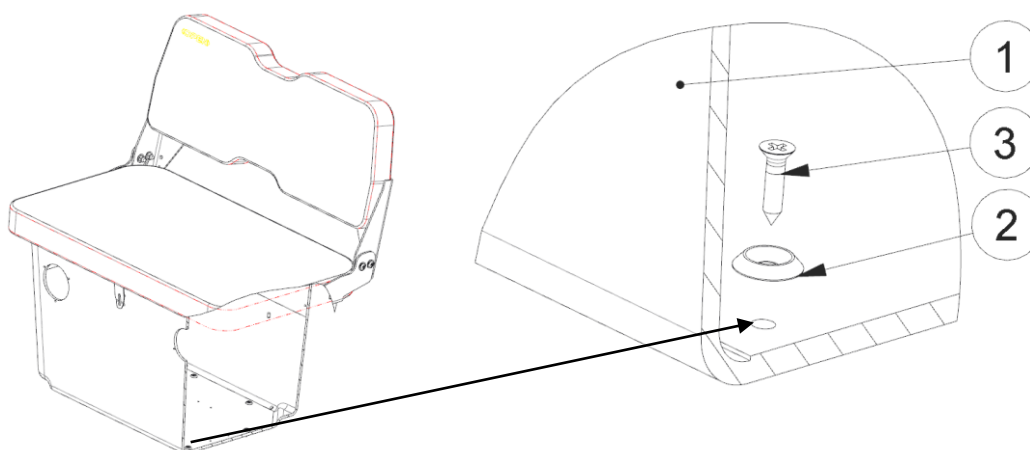
**I-6-1- OPEN 3.1 / OPEN 3.4**

**I-6-1-1- Konsoll**



Merke	Beskrivelse	Mengde
1	KONSOLLENHET 3.1/3.4	1
2	KOPPSKIVE M5	8
3	SKRUE TOL FZ 4,8X25	8

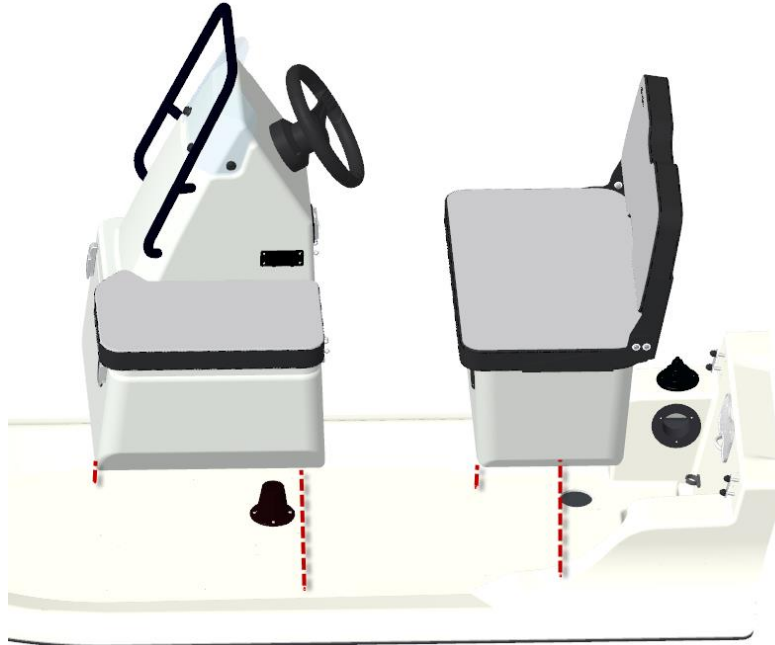
**I-6-1-2- Benk**



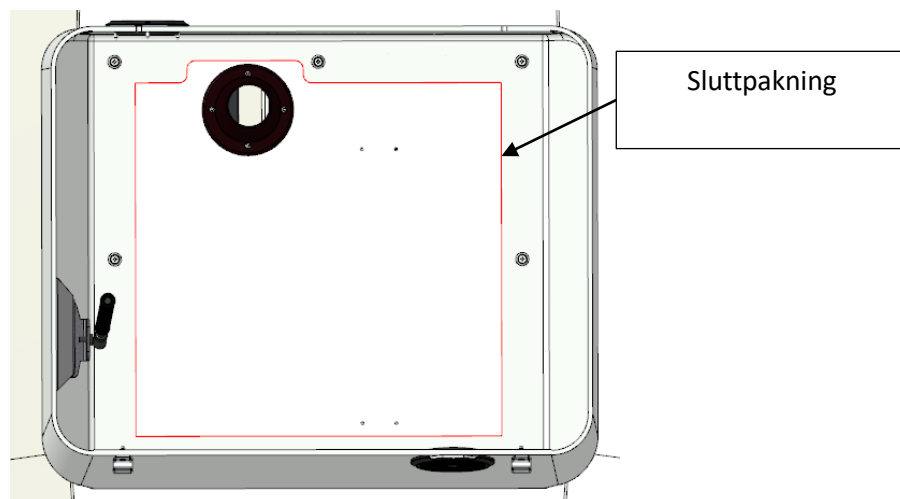
Merke	Beskrivelse	Mengde
1	BENKENHET 3.1/3.4	1
2	KOPPSKIVE M5	6
3	SKRUE TOL FZ 4,8X32	6

### I-6-1-1- Installasjon

- Legg hver utstyrsenhet på dekket ved å rette dem inn med hullene uten å skru.
- Sjekk at enhetene er innbyrdes parallelle og i forhold til speilhekken.
- Bruk konsollens og benkens hullinger til å merke plasseringene til hullene på dekket.
- Fjern enhetene, og bor med et  $\varnothing$  4,2 mm bor.
- Rengjør og fjern SIKAFLEX 221 rundt og mellom hvert hull for å lage en pakning.

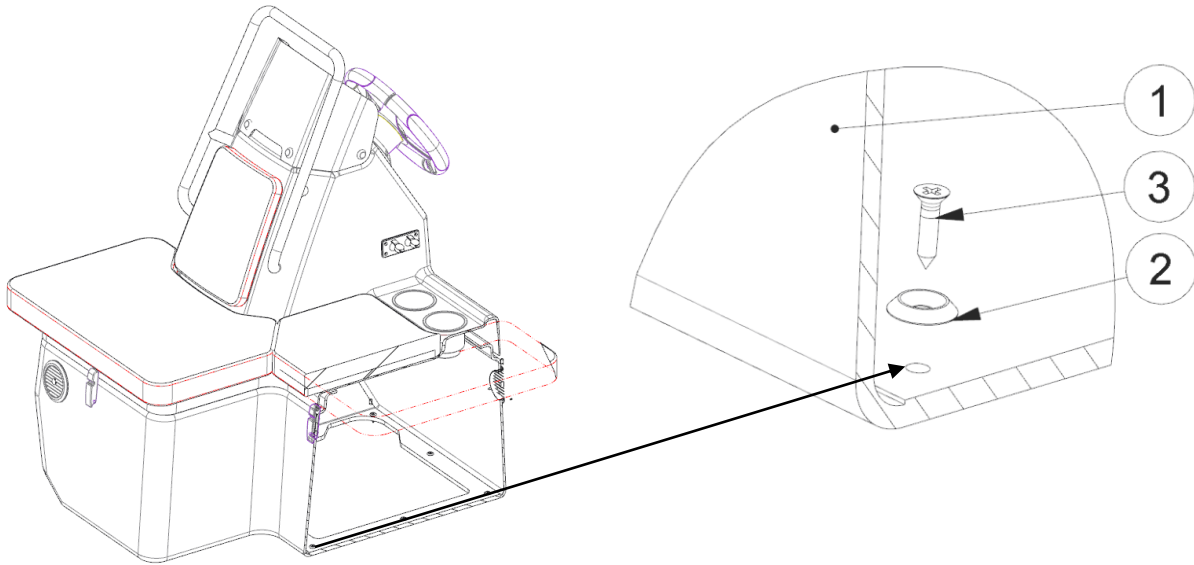


- Legg enhetene på dekket, og skru til.
- Rengjør overskytende SIKAFLEX
- Lag en sluttpakning på den innvendige kanten av konsollen for bedre tetthet.



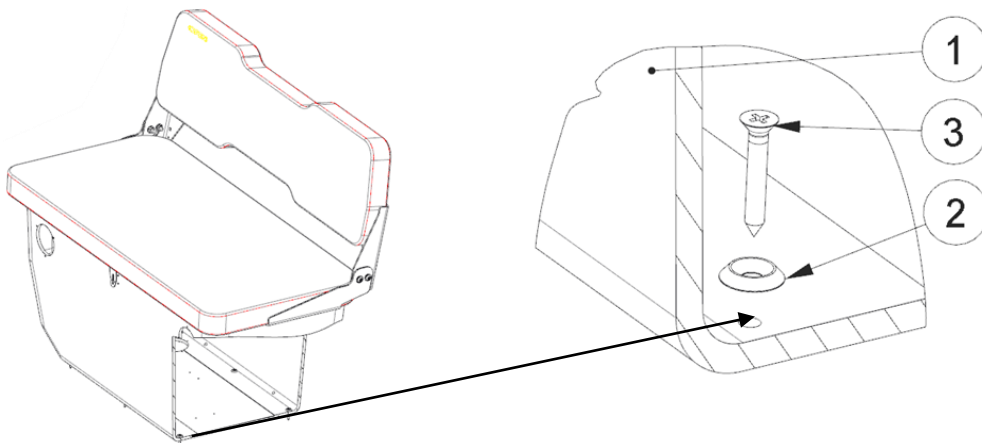
I-6-2- OPEN 4.2 / OPEN 4.8

I-6-2-1- Konsoll



Merke	Beskrivelse	Mengde
1	KONSOLLENHET 4.2/4.8	1
2	KOPPSKIVE M5	8
3	SKRUE TOL FZ 4,8X25	8

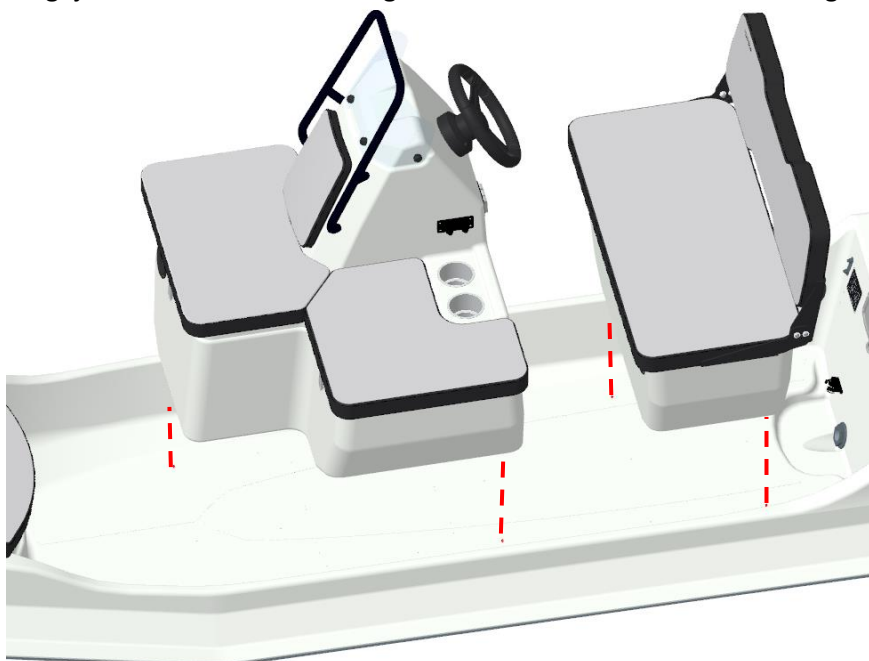
I-6-2-2- Benk



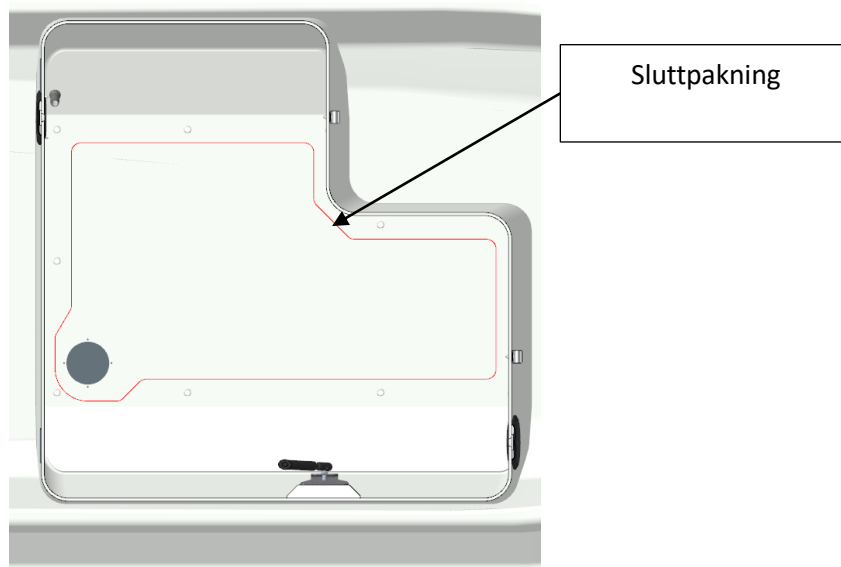
Merke	Beskrivelse	Mengde
1	BENKENHET 4.2/4.8	1
2	KOPPSKIVE M5	6
3	SKRUE TOL FZ 4,8X32	6

### I-6-2-3- Installasjon

- Legg hver utstyrsenhet på dekket ved å rette dem inn med hullene uten å skru,
- Sjekk at enhetene er innbyrdes parallelle og i forhold til speilhekken.
- Bruk konsollens og benkens hullinger til å merke plasseringene til hullene på dekket.
- Fjern enhetene, og bor med et  $\varnothing$  4,2 mm bor.
- Rengjør og fjern SIKAFLEX 221 rundt og mellom hvert hull hvert hull for å lage en pakning.



- Legg enhetene på dekket, og skru til.
- Rengjør overskytende SIKAFLEX
- Lag en sluttpakning på den innvendige kanten av konsollen for bedre tetthet.



## I-7 VEDLIKEHOLD

### I-7-1- Transport

Rådene for plassering på tilhenger er angitt i eierhåndbokens BIND I.

**Bruk en tilhenger som er egnet for båten.**

Båten har dimensjoner som er kompatible med kjøring på vei. Den er beregnet på å transporteres i oppblåst tilstand.

Vekt ved transport med tilhenger omfatter:

#### OPEN 3.1

<b>Tom båts vekt:</b>	132 kg	<i>Toleranse +/- 5 %</i>
<b>Motorens(-enes) vekt:</b>	57 kg	
<b>Reservetank forbruksvæsker</b>	25 kg	<i>Bensintank</i>
<b>Ekstraustyr:</b>	14 kg	<i>Modell samtlige ekstraustyr</i>
<b>Sikkerhetsutstyr:</b>	21 kg	<i>Utstyr</i>
<b>Σ:</b>	<b>249 kg</b>	

#### OPEN 3.4

<b>Tom båts vekt:</b>	150 kg	<i>Toleranse +/- 5 %</i>
<b>Motorens(-enes) vekt:</b>	95 kg	
<b>Reservetank forbruksvæsker</b>	25 kg	<i>Bensintank</i>
<b>Ekstraustyr:</b>	14 kg	<i>Modell samtlige ekstraustyr</i>
<b>Sikkerhetsutstyr:</b>	21 kg	<i>Utstyr</i>
<b>Σ:</b>	<b>305 kg</b>	

#### OPEN 4.2

<b>Tom båts vekt:</b>	265 kg	<i>Toleranse +/- 5 %</i>
<b>Motorens(-enes) vekt:</b>	115 kg	
<b>Reservetank forbruksvæsker:</b>	47 kg	<i>Bensintank og ferskvannstank</i>
<b>Ekstraustyr:</b>	27 kg	<i>Modell samtlige ekstraustyr</i>
<b>Sikkerhetsutstyr:</b>	21 kg	<i>Utstyr</i>
<b>Σ:</b>	<b>475 kg</b>	

#### OPEN 4.8

<b>Tom båts vekt:</b>	310 kg	<i>Toleranse +/- 5 %</i>
<b>Motorens(-enes) vekt:</b>	170 kg	
<b>Reservetank forbruksvæsker</b>	47 kg	<i>Bensintank og ferskvannstank</i>
<b>Ekstraustyr:</b>	27 kg	<i>Modell samtlige ekstraustyr</i>
<b>Sikkerhetsutstyr:</b>	21 kg	<i>Utstyr</i>
<b>Σ:</b>	<b>575 kg</b>	



SURRING PÅ TILHENGER ELLER PÅ BEDDING:  
BRUK FORTØYNINGSRINGEN I FORSTAVN OG RØSTJERNENE PÅ YTTERSIDEN  
AV SPEILHEKKEN.

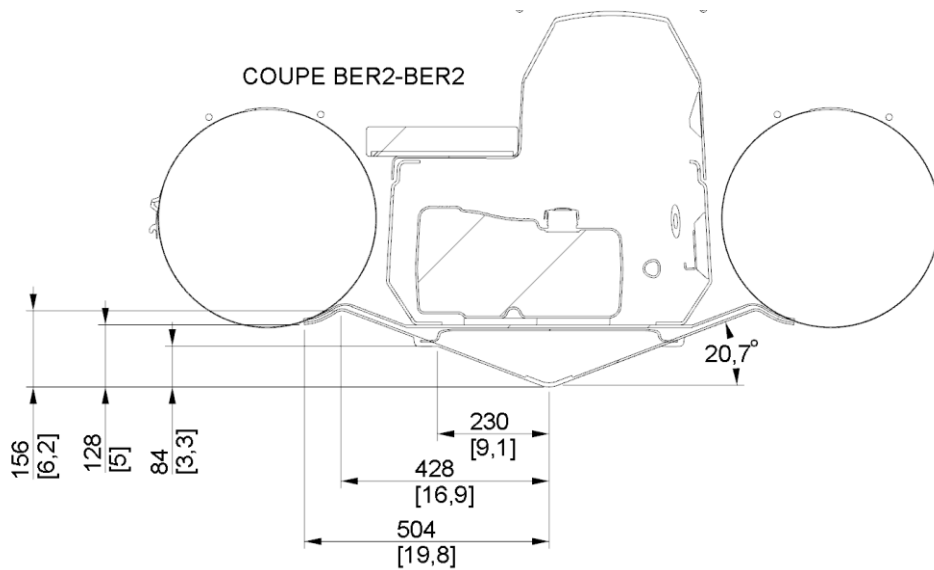
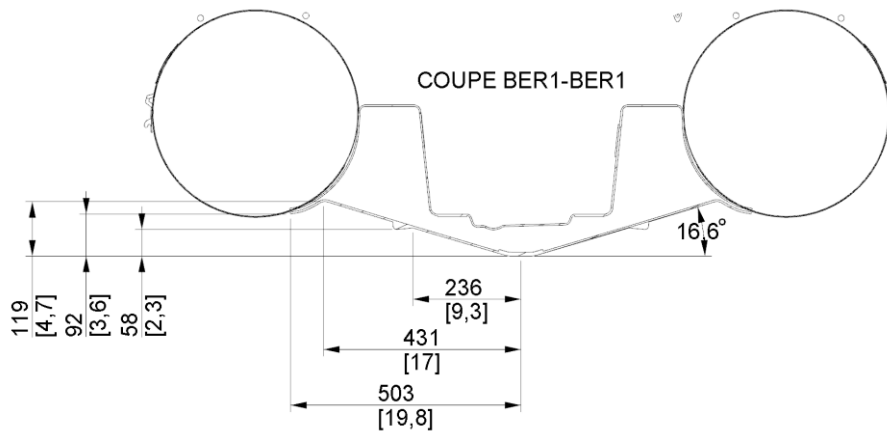
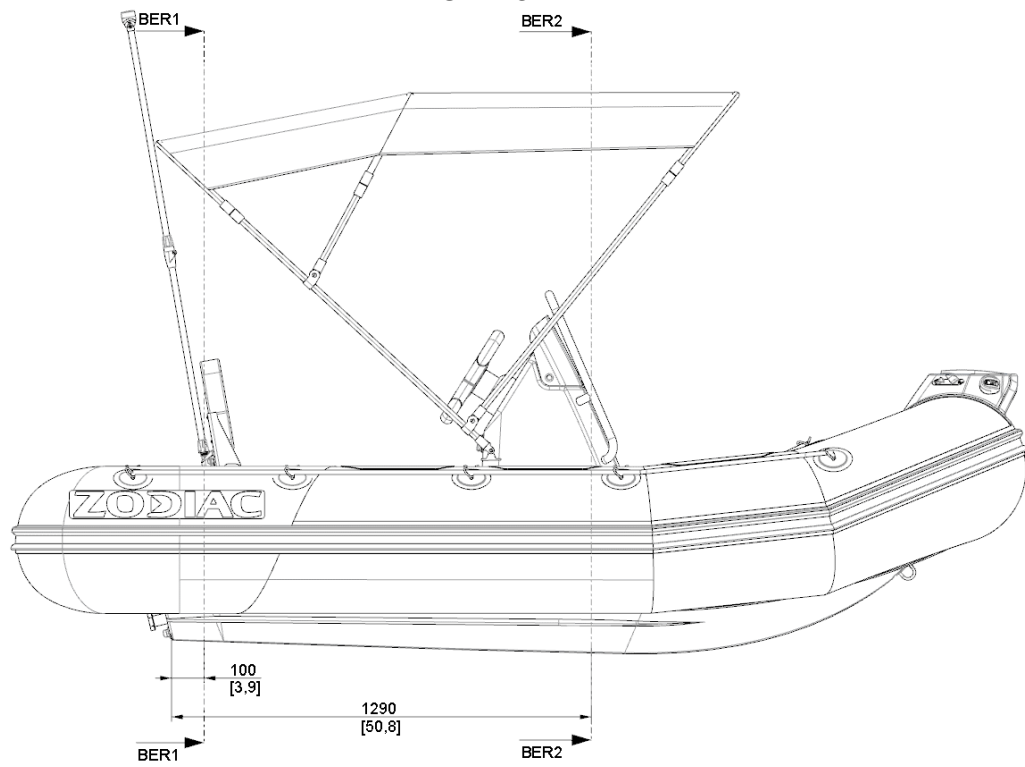


**ANBEFALING: VED TRANSPORT MÅ TUBEN IKKE VÆRE OPPBLÅST!**  
FOR Å UNNGÅ Å SKADE DE BAKRE KJEGLENE ANBEFALES DET Å HA ET SETT  
MED TRANSPORTSTROPPER (EKSTRAUTSTYR).



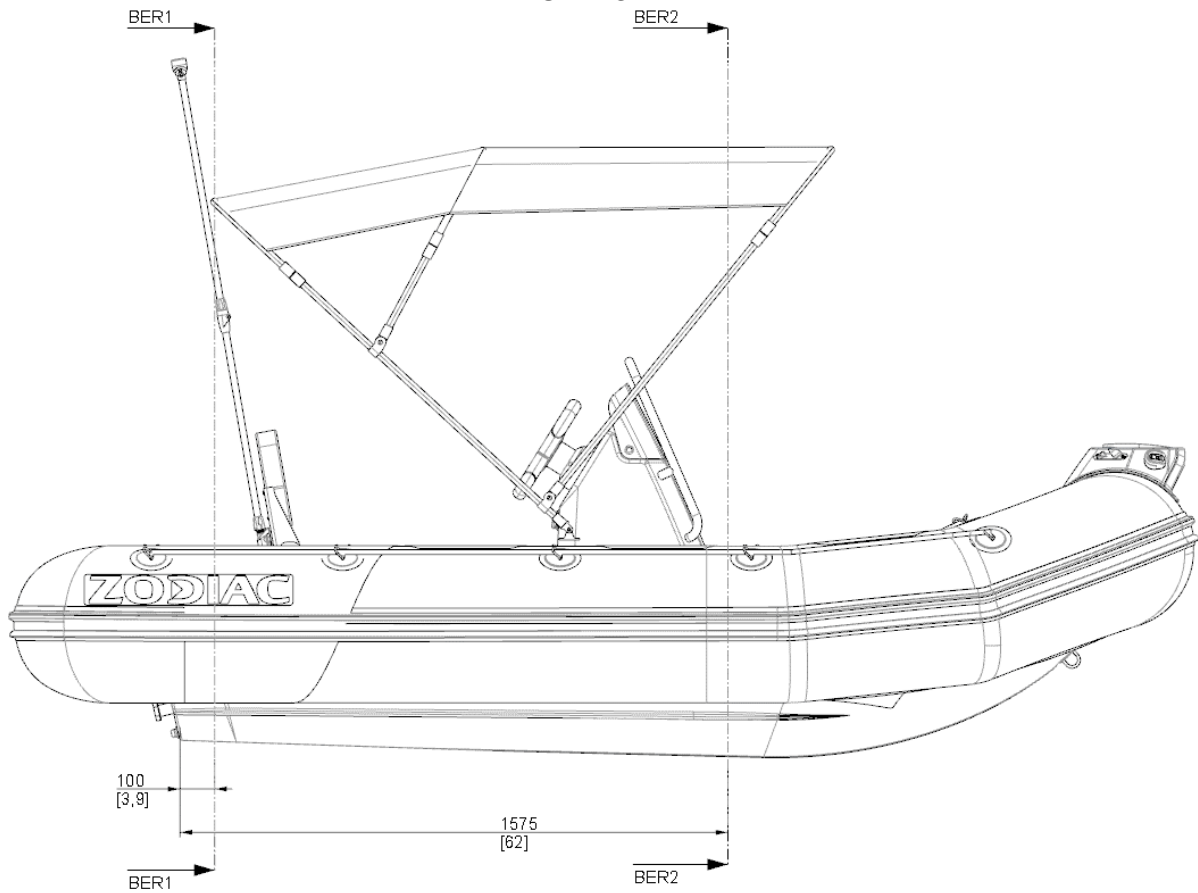
**OBS!!!**  
BÅTEN MÅ ABSOLUTT HVILE PÅ BAUGLINJEN.  
SE TEGNINGEN NEDENFOR.

OPEN 3.1

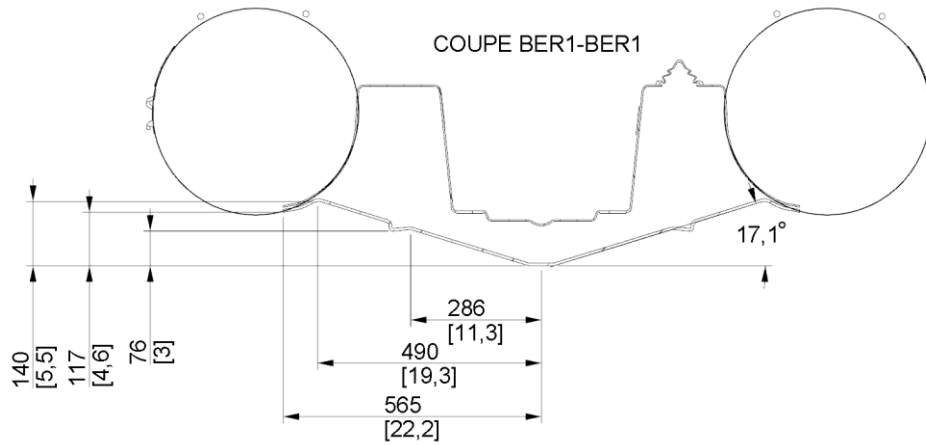




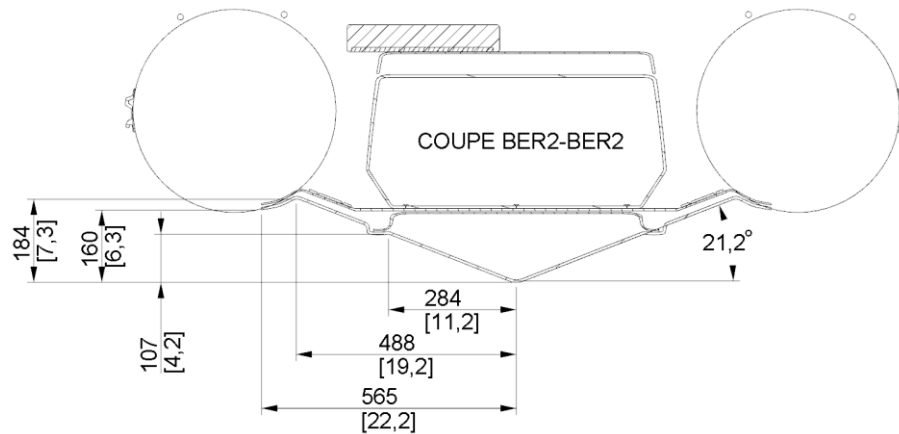
OPEN 3.4



COUPE BER1-BER1

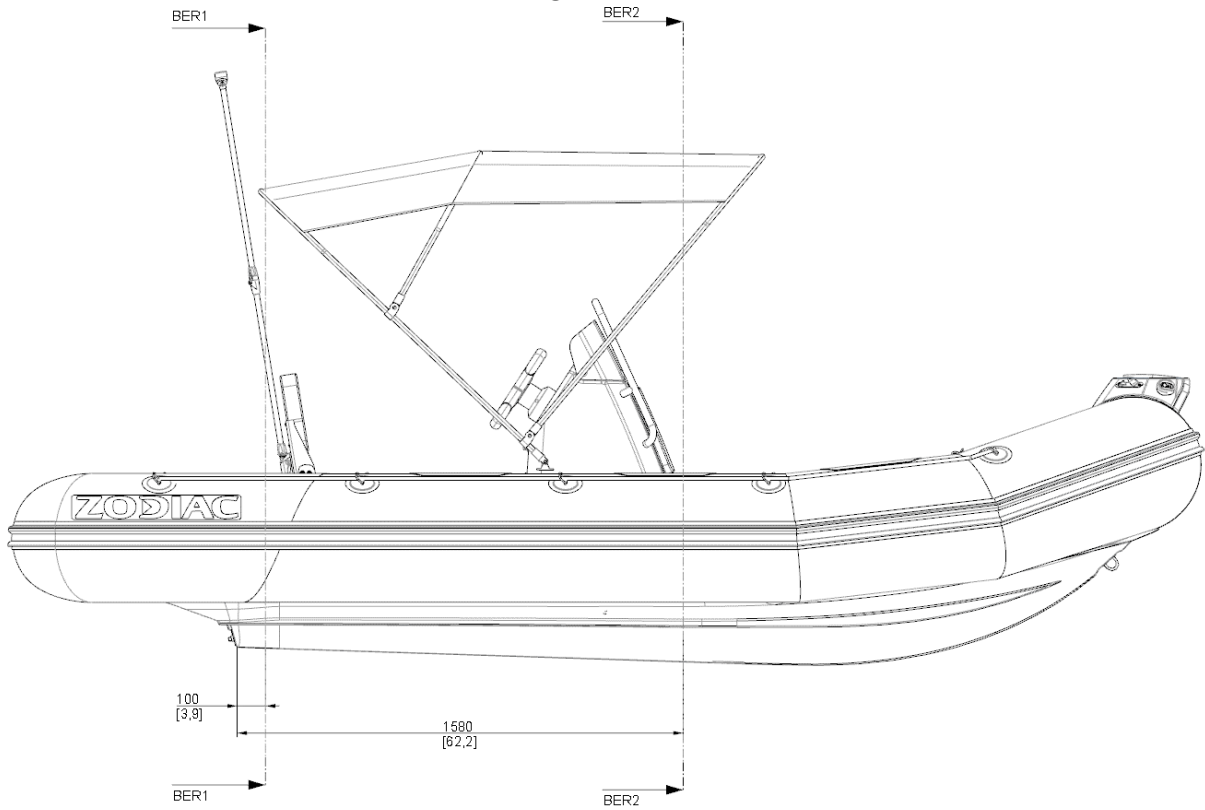


COUPE BER2-BER2

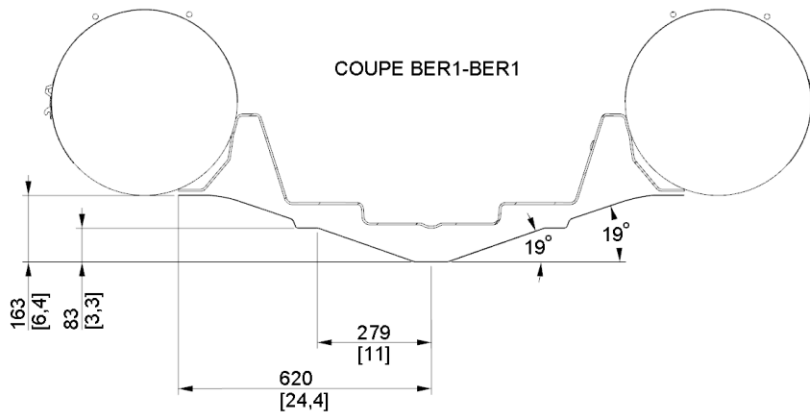


BESKRIVELSE - Håndtering

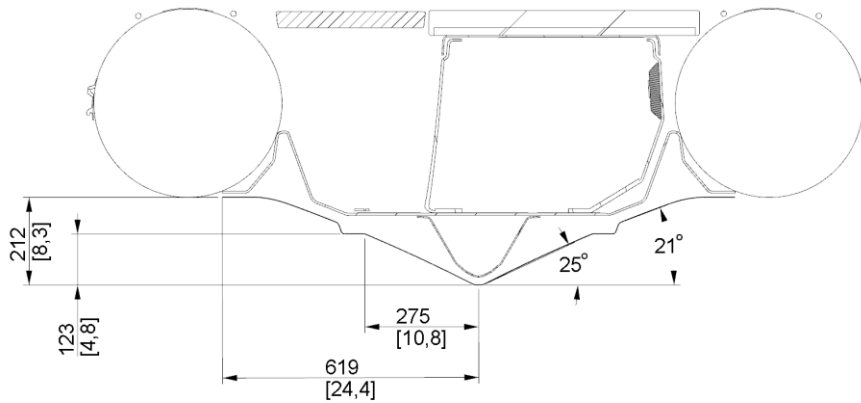
OPEN 4.2



COUPE BER1-BER1

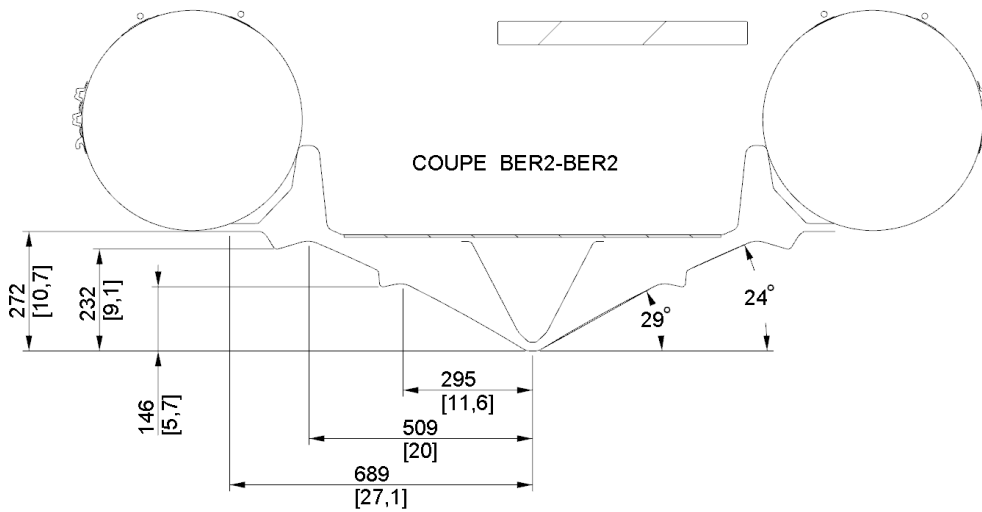
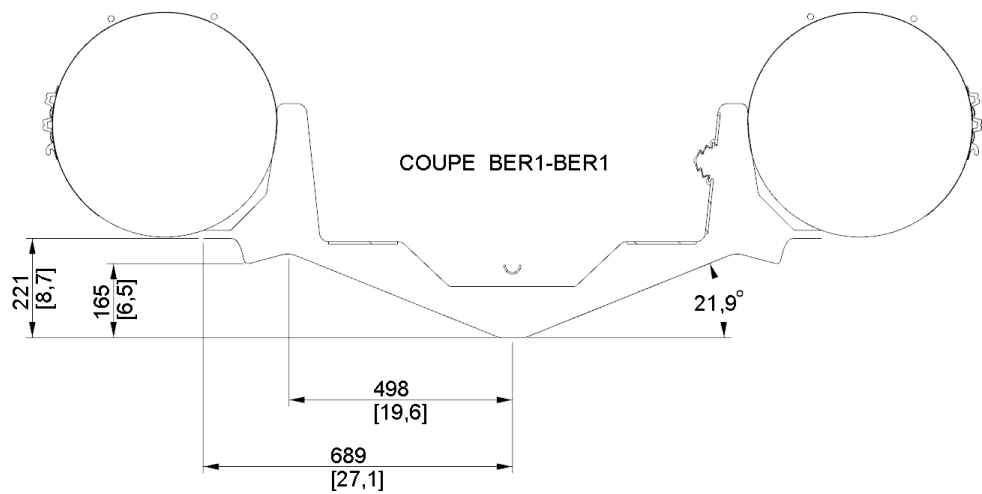
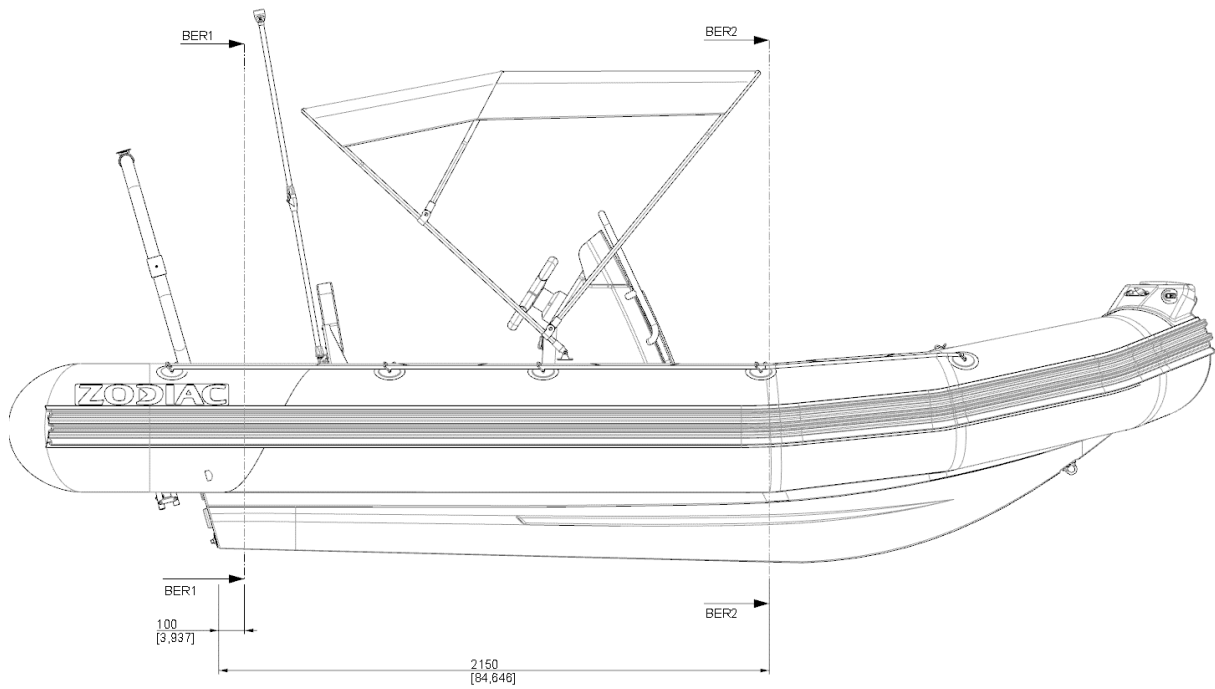


COUPE BER2-BER2



BESKRIVELSE - Håndtering

OPEN 4.8



I-7-2- Løfting



**ADVARSEL**

BÅTEN HAR IKKE LØFTEANORDNINGER. LØFTEOPERASJONEN MÅ UTFØRES VED Å FØRE EGNEDE LØFTESTROPPER INN UNDER SKROGET.



OPEN 3.1: 1000 mm\*

OPEN 3.4: 1100 mm\*

OPEN 4.2: 1220 mm\*

OPEN 4.8: 1400mm\*

\*Evaluering av tyngdepunktet med den tyngste motoren.



**ADVARSEL**

VED LØFTEOPERASJONER, HENVEND DEG TIL SPESIALISTER.



**FARE!!!**

INGEN PASSASJER OM BORD UNDER LØFTINGEN



**OBS!!!**

BÅTEN MÅ VÆRE TØMT FOR ALT UTSTYR NÅR DEN LØFTES ELLER SETTES PÅ DAVIT.

DU MÅ ÅPNE SKROGETS BAKRE LENSEPROPP FØR BÅTEN SETTES PÅ VANN FOR Å SØRGE FOR EVENTUELL TØMMING AV REGNVANN I BUNNEN AV BÅTEN (LUKK LENSEPROPPEN FØR BÅTEN SETTES PÅ VANN).

## TUBE - Montering av tuben på skroget

### II- TUBE

#### II-1 VEDLIKEHOLD AV TUBEN

Båtens tube er av stoffet STRONGAN DUOTEX® **1100** decitex, 1000 gr/m<sup>2</sup> eller NEOPREN CSM-CR **1100** decitex, 1050 gr/m<sup>2</sup>.

Vedlikeholdsrådene er angitt i eierhåndbokens BIND I.

#### II-2 MONTERING AV TUBEN PÅ SKROGET OPEN 4.2 / OPEN 4.8

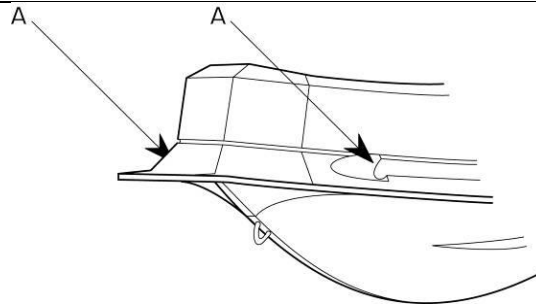


HVIS TUBEN ER LAGRET VED EN TEMPERATUR UNDER 0 °C, MÅ DU LA DEN VÆRE I 12 TIMER PÅ ET TEMPERERT STED (20 °C) FØR DU FOLDER DEN UT.

DU KAN PUMPE OPP DEN IKKE-MONTERTE TUBEN (TRYKK 240 mb) OG LA DEN STABILISERE SEG I CA. EN TIME. SLIPP DERETTER UT LUFTEN.

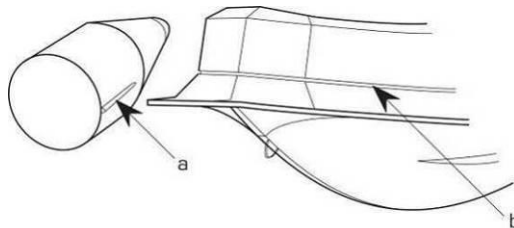
**MERK:** Tubens montering på skroget utføres med ikke-opplåst tube.

**1**



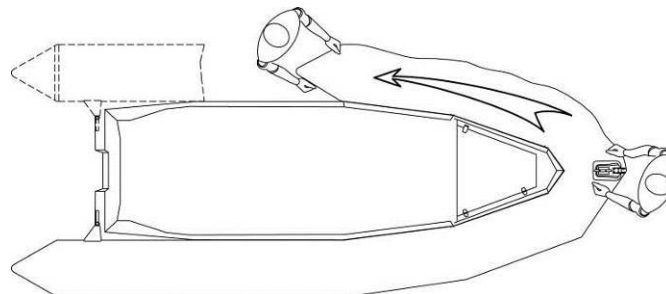
For å lette installasjon av tuben bør du bruke flytende såpe (A) i sporene på skroget.

**2**



Plasser tubens reling (a) i sporet på skroget (b) skroget. Begynn foran på skroget. Trekk tuben til vannbeskyttelsen er på nivå med speilhekken.

**3**

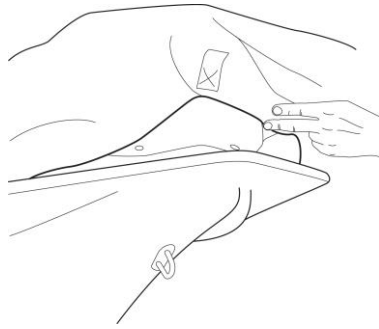


Gå frem på samme måte for den andre siden av tuben.  
De to flap-ene (tetthet og utvendig flap) skal gå over skrogets nese.

## TUBE - OPPBLÅSING AV TUBEN

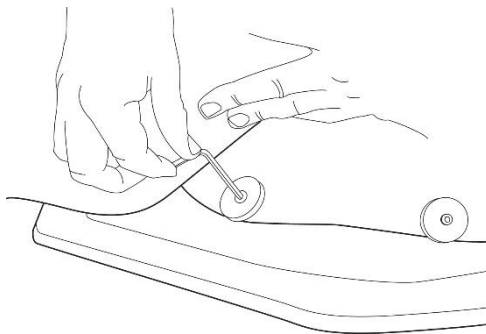
### II-3 FESTE AV FLAP-EN

1



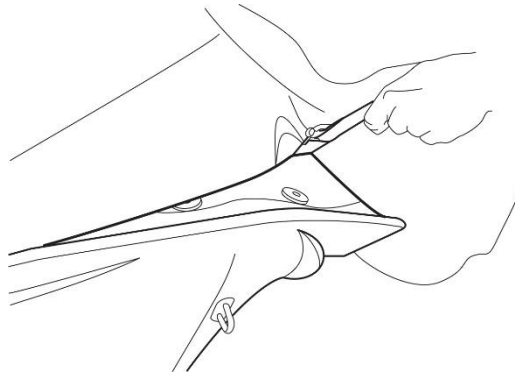
Sett på plass den innvendige flap-en

2



Fest den innvendige flap-en (skru + skiver)

3



Når den innvendige flap-en er festet på skroget, trekker du tuben noe forover for å føre den utvendige flap-en over den fremre spissen (ikke fest den ennå). Trekk så tuben bakover.

Foreta deretter oppblåsing

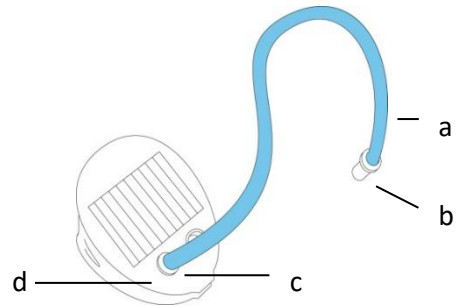
**MERK:**

**Det avsluttende festet av den utvendige flap-en skal utføres etter at tuben er blåst opp**

### II-4 OPPBLÅSING AV TUBEN

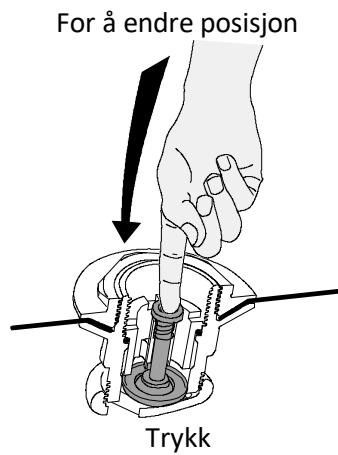
#### PUMPEN

- a. slangeende
- b. adapter
- c. slangens kobling
- d. pumpeåpning

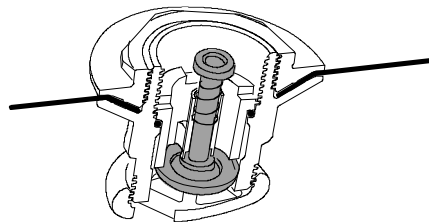


**MERK:** En elektrisk pumpe (12 V) med høy ytelse er tilgjengelig som ekstrautstyr (ta kontakt med forhandler).

#### EASY-PUSH"-VENTILER

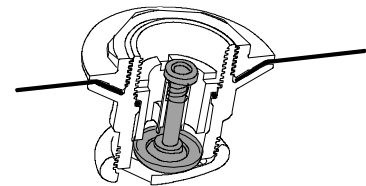


I oppblåsingsposisjon



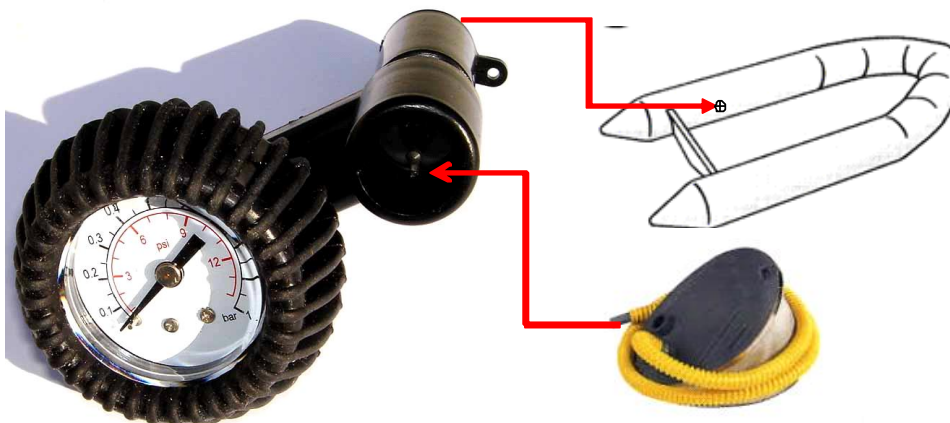
Membranen er lukket, bryteren i øvre posisjon

I luftutslippsposisjon



Membranen er åpen, bryteren i nedre posisjon

## TRYKKMÅLER



**OBS!!!**  
**IKKE BRUK KOMPRESSOR ELLER TRYKKLUFTFLASKE.**

## OPPBLÅSING

**1º/** Aktiver alle ventiler i oppblåsingsposisjon.

**2º/** Tilføy adapteren som svarer til diameteren til ventilen som er satt inn halvveis i enden av pumpens slange.

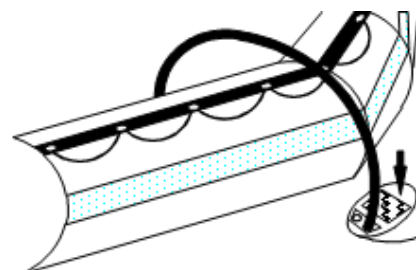
**3º/** Fest slangekoblingen til pumpens oppblåsingsåpning. For å blåse opp båten må pumpen ligge godt på bakken. Tuben blåses raskt opp hvis fotpumpen brukes på myk måte uten hastverk.

**4º/** Blås opp tuben ved å starte med det første kammeret (a) foran, til du oppnår et trykk på 200 mb.

**5º/** Blås så opp kamrene (b) på midten til du oppnår et trykk på 220 mb, som avleses på trykkmåleren du lot stå ved det første kammeret.

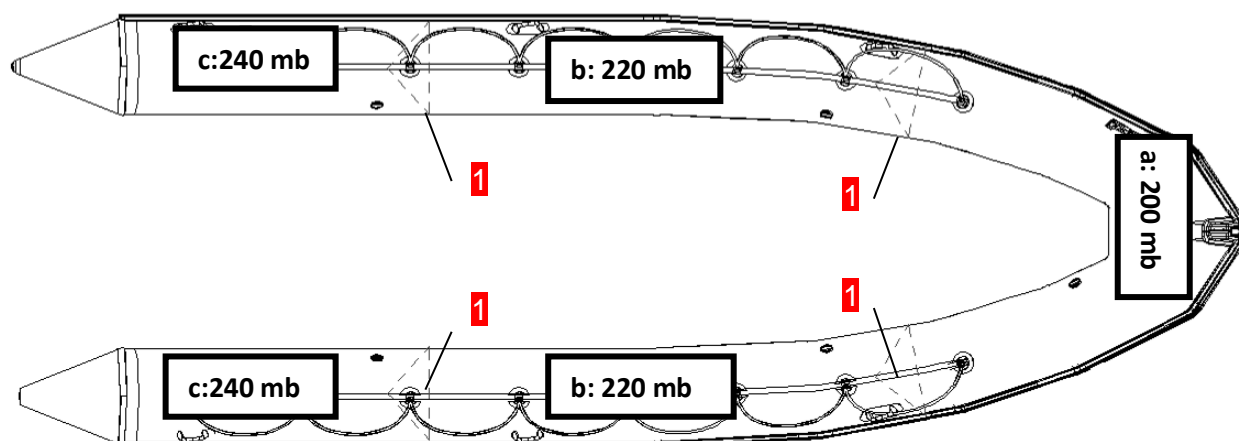
**6º/** Pump deretter opp de bakre kamrene (c) til et trykk på 240 mb. Trykkmåleren skal alltid være på samme sted. Skilleveggene (1) gjør det mulig å jevne ut trykket i hvert kammer.

**7º/** Oppblåsingen er avsluttet: Skru til pumpeventilproppene.





## TUBE - TRYKK



**MERK:** Det er normalt at det forekommer en lett lekkasje før ventilproppen skrues til.  
Bare propper gir avsluttende tetthet.

### II-5 TRYKK

Tube har 5 kamre. Hvert kammer skal ha et trykk på **240 mb / 3,4 PSI**.  
Dette er tubens driftstrykk.

Temperaturen i luft eller vann virker proporsjonalt inn på det innvendige trykknivået i tuben.	Omgivelsestemperatur	Innvendig trykk i tuben
	+1 °C	+4 mb / 0,06 PSI
-1 °C	-4 mb / 0,06 PSI	

Det er derfor viktig å foregripe.

Kontroller og juster trykket i de oppblåsbare kamrene (ved å blåse opp eller slippe ut luft alt etter hva som gjelder) ut fra temperaturvariasjonene (særlig når temperaturvariasjonene er store mellom morgen og kveld i spesielt varme regioner), og kontroller at trykket ikke avviker fra det anbefalte området (fra 220 til 270 mb).

### RISIKO FOR UNDERTRYKK

Eksempel:

Båten ligger i sterk sol på strand (temperatur = 50 °C) og har anbefalt trykk (240 mb / 3,4 PSI). Når du setter den på vann (temperatur = 20 °C), vil temperaturen og det innvendige trykket i de oppblåsbare kamrene synke samtidig (ned til 120 mb), og **DU MÅ DA BLÅSE OPP IGJEN** helt til du har fått dekket millibarene som ble tapt grunnet temperaturforskjellen mellom luften og vannet.

Det er også normalt at det forekommer en trykksenkning på slutten av dagen når utendørstemperaturen synker.

### Fare for OVERTRYKK

#### Eksempel:

Båten er oppblåst til anbefalt trykk (240 mb / 3,4 PSI) ved dagens begynnelse eller slutt (lav utendørs temperatur = 10 °C). I løpet av dagen ligger båten på stranden i sterk sol eller på dekket til en yacht (temperatur = 50 °C). Den innvendige temperaturen til de oppblåsbare kamrene kan da stige opptil 70 °C (særlig hvis tubene er mørkfarget), noe som medfører at starttrykket dobles (480 mb). **DU MÅ DA SLIPPE UT LUFT** for å gå tilbake til anbefalt trykk.

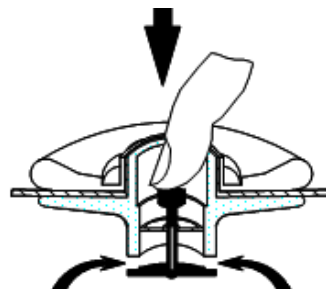


#### **OBS!!!**

**HVIS BÅTEN ER FOR STERKT OPPBLÅST, BELASTER TRYKKET DEN OPPBLÅSBARE STRUKTUREN UNORMALT MYE OG DETTE KAN MEDFØRE BRUDD PÅ ENHETEN.**

#### **VED OVERTRYKK**

Frigjør luft ved å trykke på ventilbryteren



### III- Fremdriftssystem

Følg anbefalingene fra ZODIAC og motorprodusentenes anbefalinger for montering av motoren.

For optimal bruk av båten bør du kontakte forhandler.

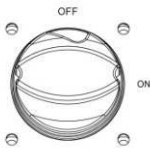

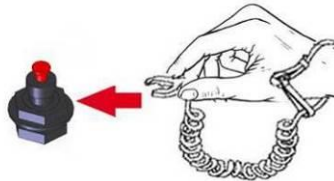


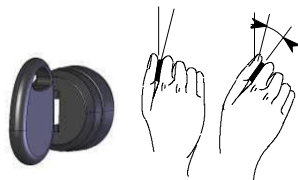
Motorboltene i speilhekkene skal monteres i henhold til prosedyren for tetthet til hullet for gjennomføring av skruene (f.eks. montering med Sikaflex).

## HVORDAN KJØRE BÅTEN

### IV- Hvordan kjøre båten

Før du starter, se eierhåndboken bind I.

**MERK:** Kontroller at tuben er riktig blåst opp.

<p><b>1</b></p>  <p>Batteribryter på "ON", på</p>	<p><b>2</b></p>  <p>Bensinkran på "ON".</p>	<p><b>3</b></p>  <p>Trekk på og koble til nødstoppen*</p>
<p><b>4</b></p>  <p>Luft ut i 4 minutter</p>	<p><b>5</b></p>  <p>Styrespak i nøytral.</p>	<p><b>6</b></p>  <p>Aktiver starteren.</p>

\* Hvis føreren faller i vannet, reduserer en øyeblikkelig oppstans av motoren vesentlig faren for alvorlige, eventuelt dødelige skader fra båtens fremdrift. Du må alltid koble begge ender av nødstoppen riktig til.



### **FARE!!!**

- KOBLE UT MOTOREN ØYEBLICKELIG HVIS NOEN SVØMMER I NÆRHETEN AV BÅTEN. EN ROTERENDE PROPELL KAN MEDFØRE STORE SKADER.



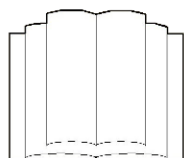
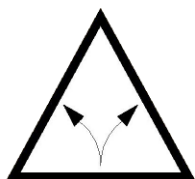
### **OBS!!!**

- UNDER NAVIGASJONEN MÅ SAMTLIGE ROM OG ADGANGSLUKEN TIL TANKEN VÆRE STENGT.

HØYE BØLGER ER EN ALVORLIG FARE FOR STABILITETEN OG DU MÅ VÆRE OBS PÅ FAREN FORBUNDET MED VANN SOM TRENGER INN I BÅTEN.

- DERSOM LUKENES PAKNING ER SKADET, MÅ DU TA KONTAKT MED FORHANDLEREN FOR Å FÅ SKIFTET DEN UT FORTEST MULIG.

- UNNGÅ BRÅ MANØVRERING MED FULL HASTIGHET. REDUSER HASTIGHETEN I BØLGER FOR Å GI PASSASJERENE KOMFORT OG SIKKERHET.



MANØVRERBARHETEN ER BEGRENSET TIL MAKS. 30 KNOP. FARE FOR TAP AV KONTROLL VED SKARPE SVINGER. REDUSER HASTIGHETEN FØR DU SVINGER UANSETT RETNING.

## INSTALLASJON OG KRETS: DRIVSTOFF

## V- INSTALLASJON OG KRETS

### V-1 DRIVSTOFFKRETS

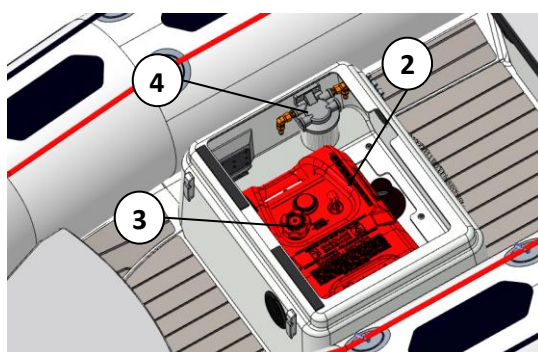
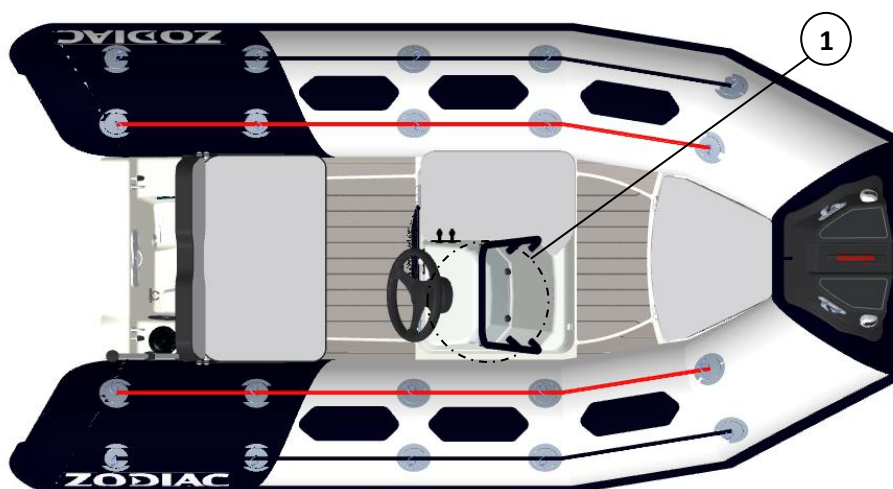


#### **OBS!!!**

IKKE BRUK BIOLOGISK DRIVSTOFF AV TYPE E10, E85...

#### V-1-1- Identifikasjon av plasseringen av elementene

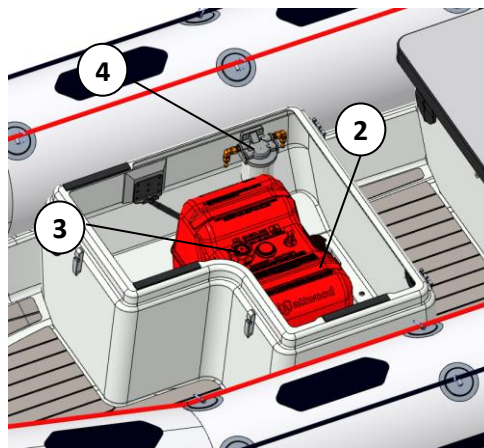
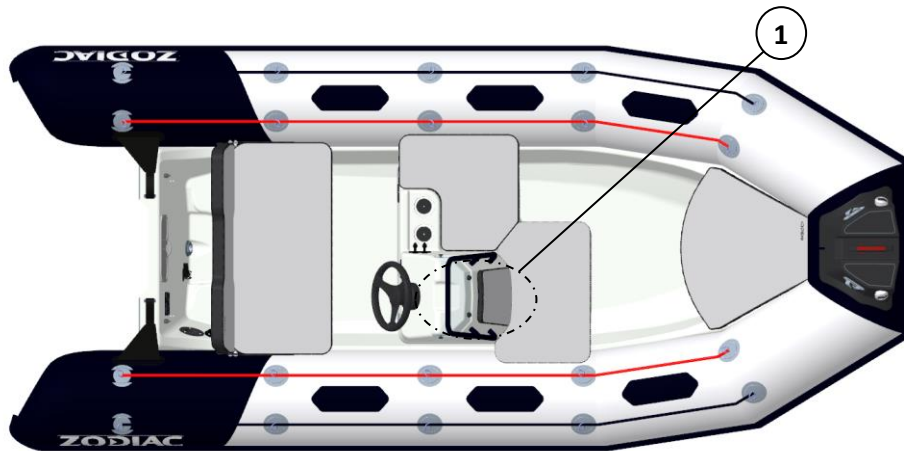
### OPEN 3.1 / 3.4



Merke	BETEGNELSE
1	Tilgang tank og filter
2	Drivstofftank ( <i>ekstra</i> styr)
3	Påfyllingsåpning med propp ( <i>ekstra</i> styr)
4	Skillefilter vann/bensin (følger ikke med)

# INSTALLASJON OG KRETS: DRIVSTOFF

## OPEN 4.2 / 4.8

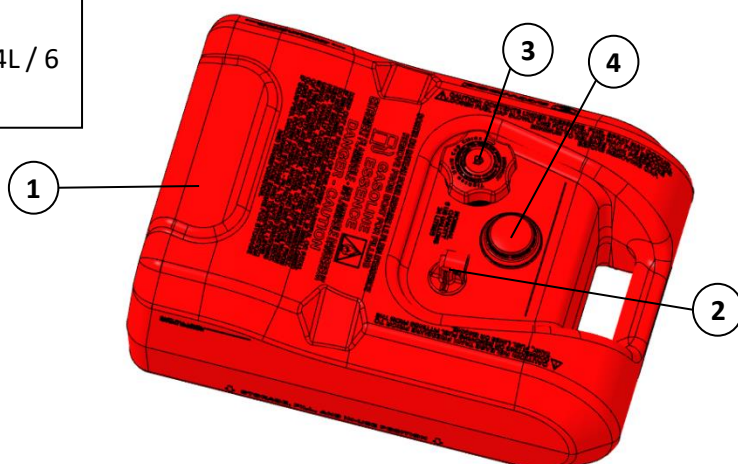


Merke	BETEGNELSE
1	Tilgang tank og filter
2	Drivstofftank ( <i>ekstrautstyr</i> )
3	Påfyllingsåpning med propp ( <i>ekstrautstyr</i> )
4	Skillefilter vann/bensin (følger ikke med)

V-1-2- Bærbar tank (ekstrautstyr)

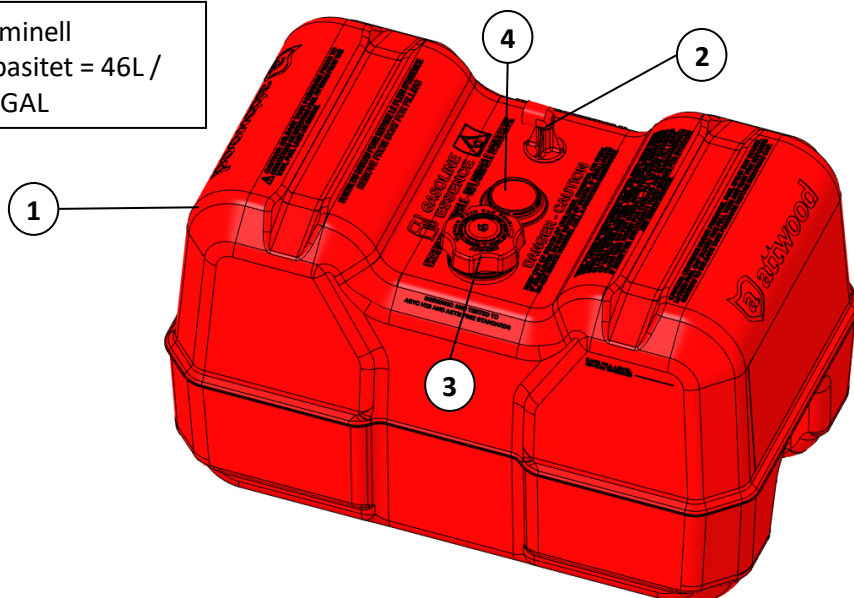
OPEN 3.1 / 3.4

Nominell  
kapasitet = 24L / 6  
GAL



OPEN 4.2 / 4.8

Nominell  
kapasitet = 46L /  
12 GAL



Merke	BETEGNELSE
1	Bærbar tank *
2	Sugestang
3	Inntak påfylling tank
4	Måleskive

**Merk:** Ekstrautstyret tank forutsetter at det finnes hurtigkoblinger og holdestropper for å kunne ta ut tanken uten å bruke verktøy. Før hver navigasjon må du passe på å sjekke at tanken holdes riktig på plass og at koblingene er riktig tilkoblet.

\*Tankens nominelle kapasitet risikerer å ikke utnyttes totalt alt etter trim og last. Det anbefales å ha en reserve på 20 %.



**OBS!!!**  
**MÅLESKIVE ER OBLIGATORISK. DEN FØLGER MED MOTOREN. HVIS DEN IKKE FORELIGGER, MÅ DU HENVENDE DEG TIL DIN FORHANDLER.**

Sonden er av standard amerikansk type, dvs.:

**Impedans (posisjon tom tank) 30 ohm**

**Impedans (posisjon full tank) 240 ohm**

Alle måleskiver på markedet er kompatible, bortsett fra enkelte sjeldne unntak.

Angående tilkobling, se det elektriske diagrammet.

### V-1-3- Skillefilter vann/bensin (følger ikke med)

For å beskytte motoren er et vann/bensinskillefilter plassert på motorens bensintilførselskrets. Den forhåndsdefinerte plasseringen er i konsollen. Siden festene er tverrgående, må du passe på å tette til sonen under montering.



Merke	BETEGNELSE
1	Skillefilter vann/bensin
2	Utskiftbart filtreringselement

Ved hver bruk må du sjekke at det ikke er vann i metallskålen:

- Skru noe løs tømmeproppen (ikke ta den helt ut).
- Tapp ut vannet.
- Skru proppen på igjen hvis det bare er bensin i skålen.

Gjenta operasjonen oftere hvis motoren ikke fungerer riktig.





**OBS!!!**

DET ER ABSOLUTT NØDVENDIG Å SKIFTE UT FILTER HVER 50. BRUKSTIME.

TA KONTAKT MED NETTVERKET FOR KJØP AV ET UTSKIFTNINGSFILTER.

**UTSKIFTNING AV FILTER**

Følg anbefalingene fra ZODIAC og filterprodusenten. Følg håndboken eller instruksene fra motorens produsent.

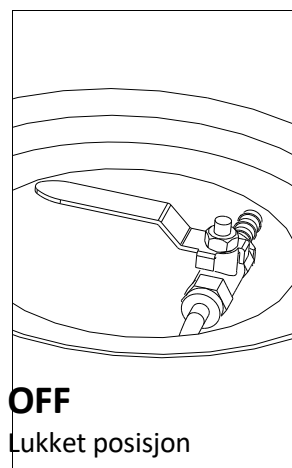
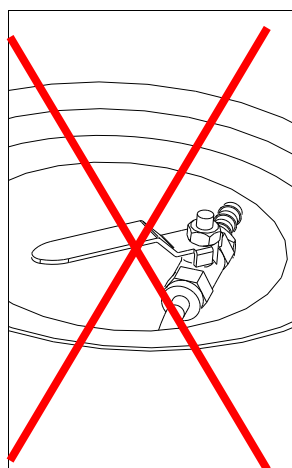
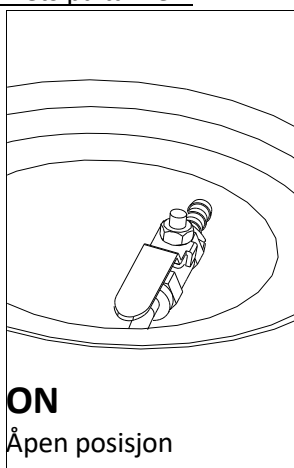
Benytt en trakt for å fylle opp det nye filteret med bensin før det monteres. Før du skifter ut filteret må trykket i bensintilførselssystemet slippes ut.



**V-1-4- Bruk av stengekranene i bensinkrets (følger ikke med)**

Det anbefales å installere en ventil på bensinkretsen mellom motoren og tanken. Steng bensinkretskranen når du ikke lenger bruker båten.

Kran til bensinkrets på tanken:



**ADVARSEL:**

VED BRANN OM BORD MÅ DU SLÅ AV MOTOREN OG STENGE BENSINKRETSKRANENE.

V-1-5- Anbefalinger



**ADVARSEL:**

- VED BENSINLEKKASJE ELLER BRANN KAN STENGEKRANEN FOR BENSINKRETSEN PÅ TANKEN ISOLERE TANKEN. DEN SKAL VÆRE LUKKET.
- EN FULL TANK GJØR DET MULIG Å UNNGÅ KONDENSASJON VED HVER UTFART.
- FÅ TANKEN RENGJORT HVERT 5. ÅR.
- KONTROLLER AT KLEMMENE ER TRUKKET TIL PÅ ALLE SLANGENE.
- NÅR DU TØMMER FILTERET, MÅ DU UNNGÅ Å TØMME VANN I BÅTEN. SETT ET KAR UNDER FILTERET.
- SLÅ AV TENNINGEN FØR DU FJERNER FILTERET FRA HOLDEREN.
- LES NØYE INSTRUKSJONENE I FILTERETS BRUKSANVISNING.
- BENSIN ER SVÆRT ANTENNELIG. PASS PÅ AT MOTORENE ER STANSET NÅR DU SKAL GRIPE INN PÅ DRIVSTOFFSYSTEMET.
- DU MÅ IKKE RØYKE. FJERN ALLE FLAMMER ELLER GLØDENDE GJENSTANDER BORT FRA ARBEIDSSONEN.
- DU MÅ ALDRI BORE I TANKSONEN MED ET BOR SOM OVERSTIGER 50 MM (ANGITT PÅ DEKKET PÅ LUKEN) OG IKKE BRUKE MER ENN 20 MM LANGE SKRUER.



**FARE!!!**

DU MÅ IKKE OPPBEVARE ANTENNELIGE PRODUKTER I AKTERROMMET. DET ER STRENGT FORBUDT Å LAGRE EN EKSTRA TANK.



**OBS!!!**

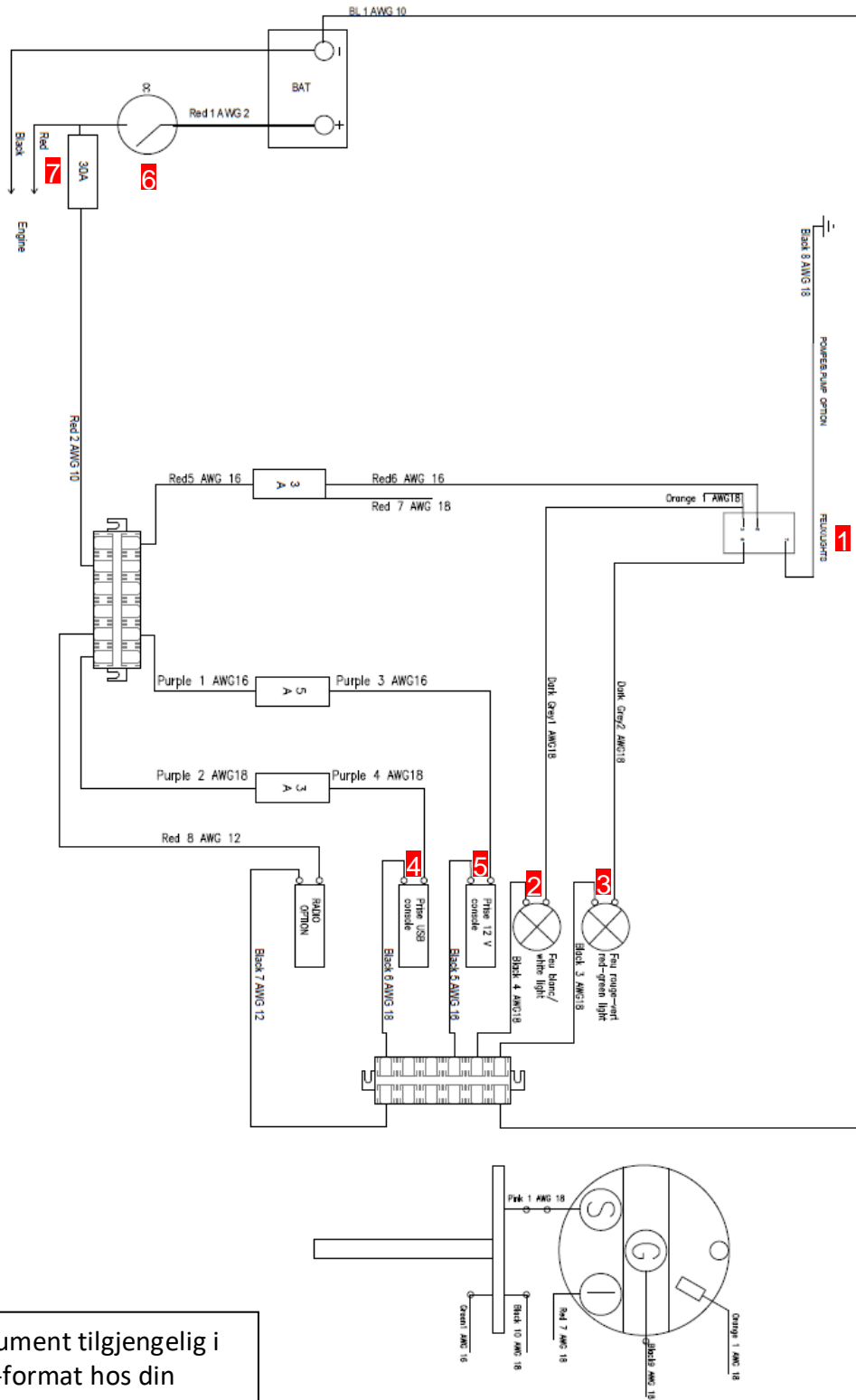
DU MÅ IKKE AV NOEN GRUNN MODIFISERE DRIVSTOFFANLEGGENE. IKKE LA EN IKKE-KVALIFISERT PERSON FORETA ENDRING AV DISSE INSTALLASJONENE.

# INSTALLASJON OG KRETS: ELEKTRISK

## V-2 ELEKTRISK KRETS

### V-2-1- OPEN 3.1 / 3.4 / 4.2

#### V-2-1-1- Skjema generelt ledningsnett

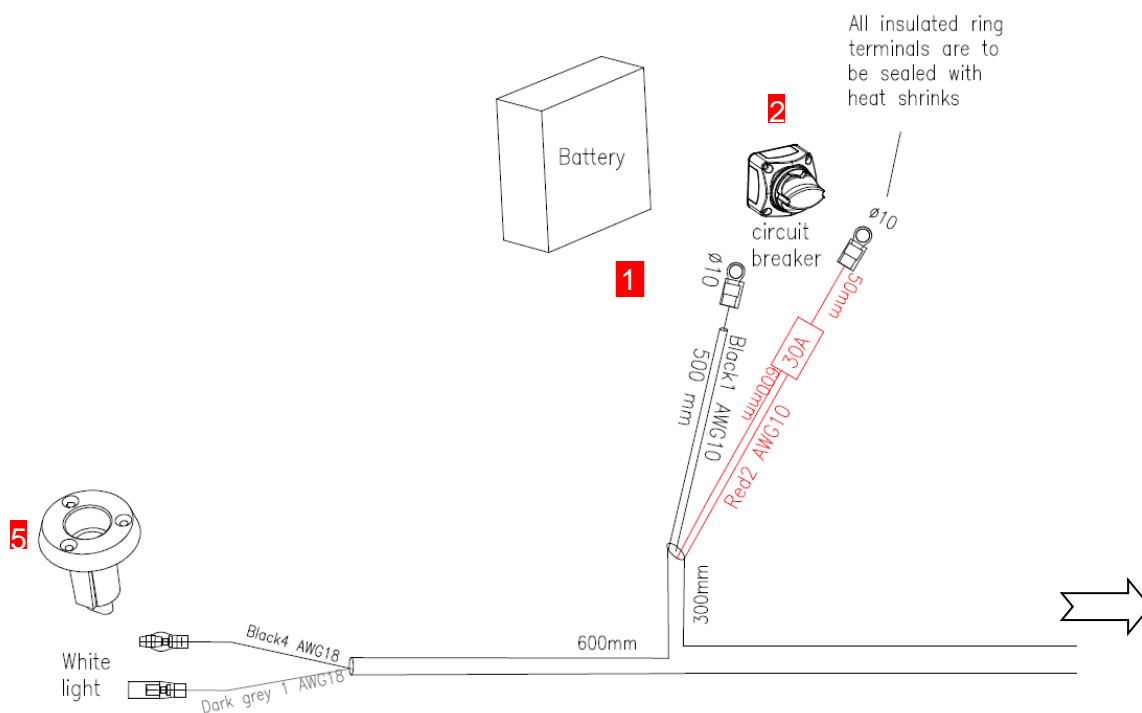


Dokument tilgjengelig i PDF-format hos din forhandler

## INSTALLASJON OG KRETS: ELEKTRISK

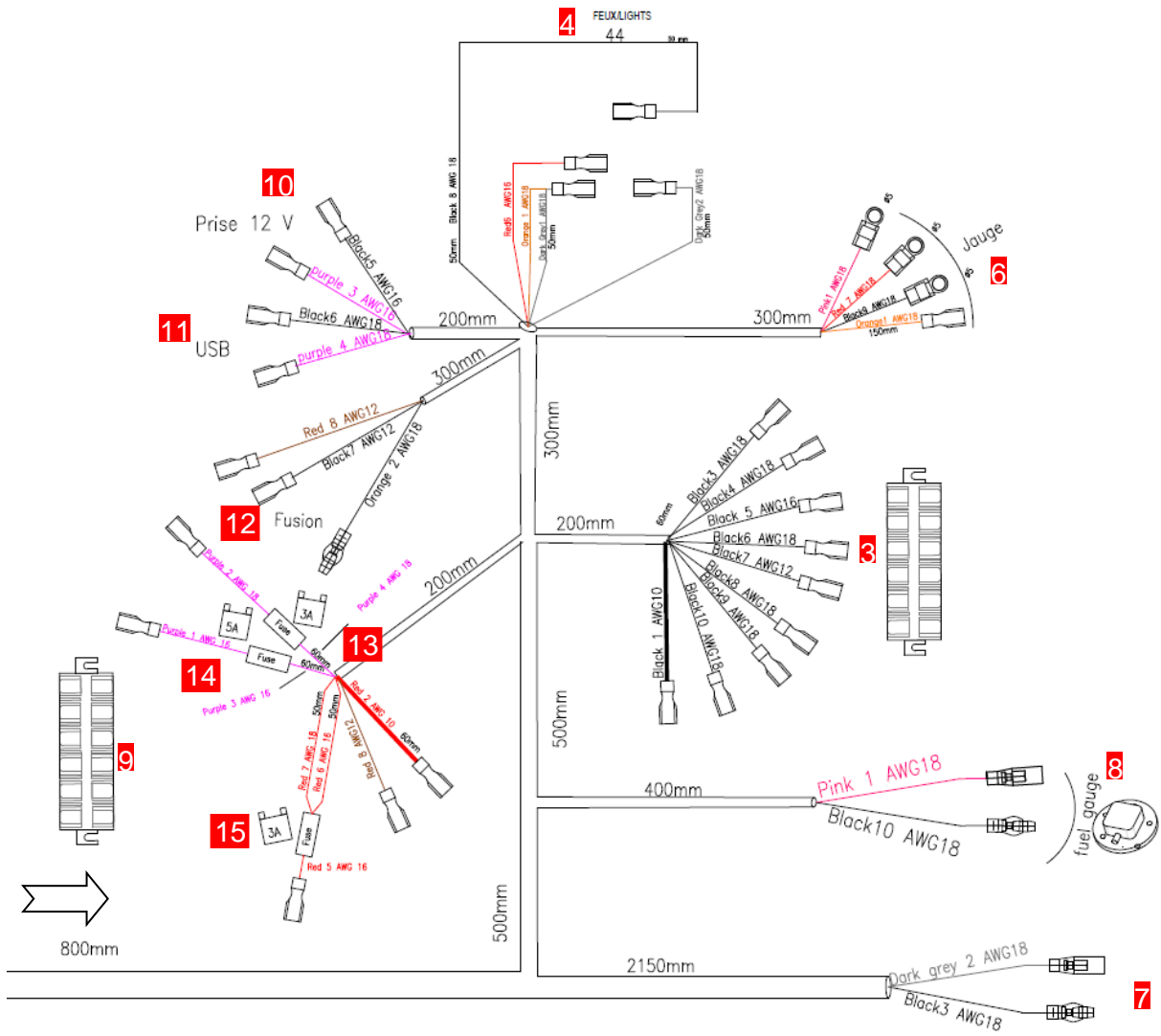
Merke	BETEGNELSE
1	Bryter navigasjonslanterne
2	Hvit lanterne (ekstrautstyr)
3	Rødgrønn lanterne
4	USB-kontakt (konsoll)
5	12 volt-kontakt (konsoll)
6	Nødstop (ekstrautstyr)
7	Generell sikring 30 A

### V-2-1-2- Plan generelt ledningsnett



Merke	BETEGNELSE	
1	Tilkobling batteri	
2	Tilkobling nødstop	
3	Tilkobling samleskinne vekt	
4	Tilkobling lanternebryter	
5	Tilkobling hvit lanterne	
6	Tilkobling måleskive bensin	
7	Tilkobling rød/grønn lanterne	
8	Tilkobling måletransmitter bensin	
9	Tilkobling positiv samleskinne	
10	Tilkobling 12 volt-kontakt (konsoll)	
11	Tilkobling USB-kontakt	
12	Tilkobling radio (ekstrautstyr)	
13	Sikring 3A USB-kontakt	Purple 4 AWG18
14	Sikring 5A 12 volt-kontakt	Purple 3 AWG18
15	Sikring 3A lanterner	Red 6 & 7 AWG18

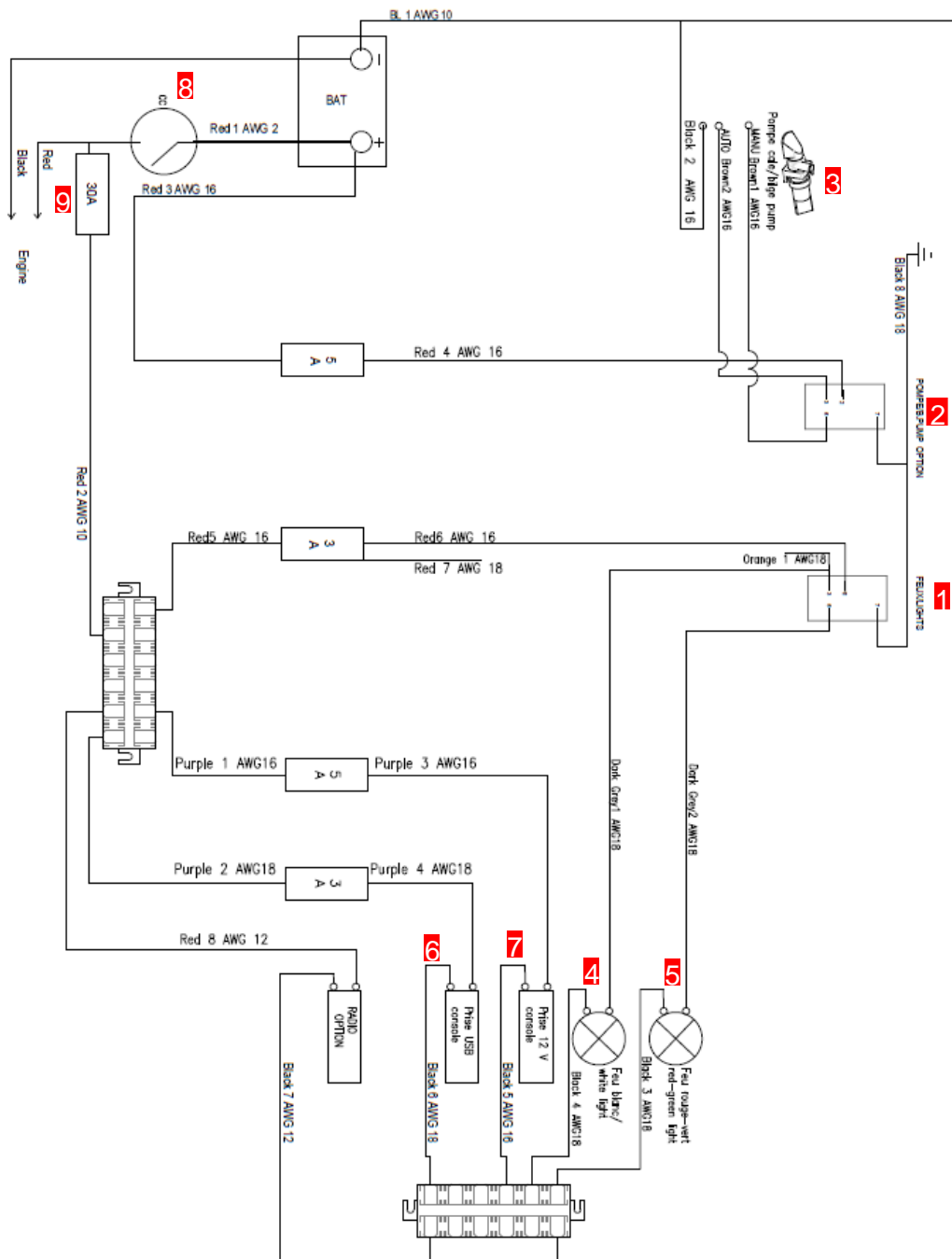
# INSTALLASJON OG KRETS: ELEKTRISK



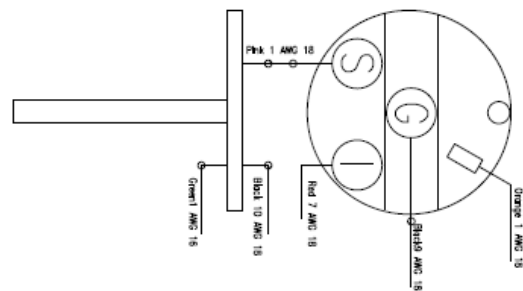
# INSTALLASJON OG KRETS: ELEKTRISK

## V-2-2- OPEN 4.8

### V-2-2-1- Skjema generelt ledningsnett



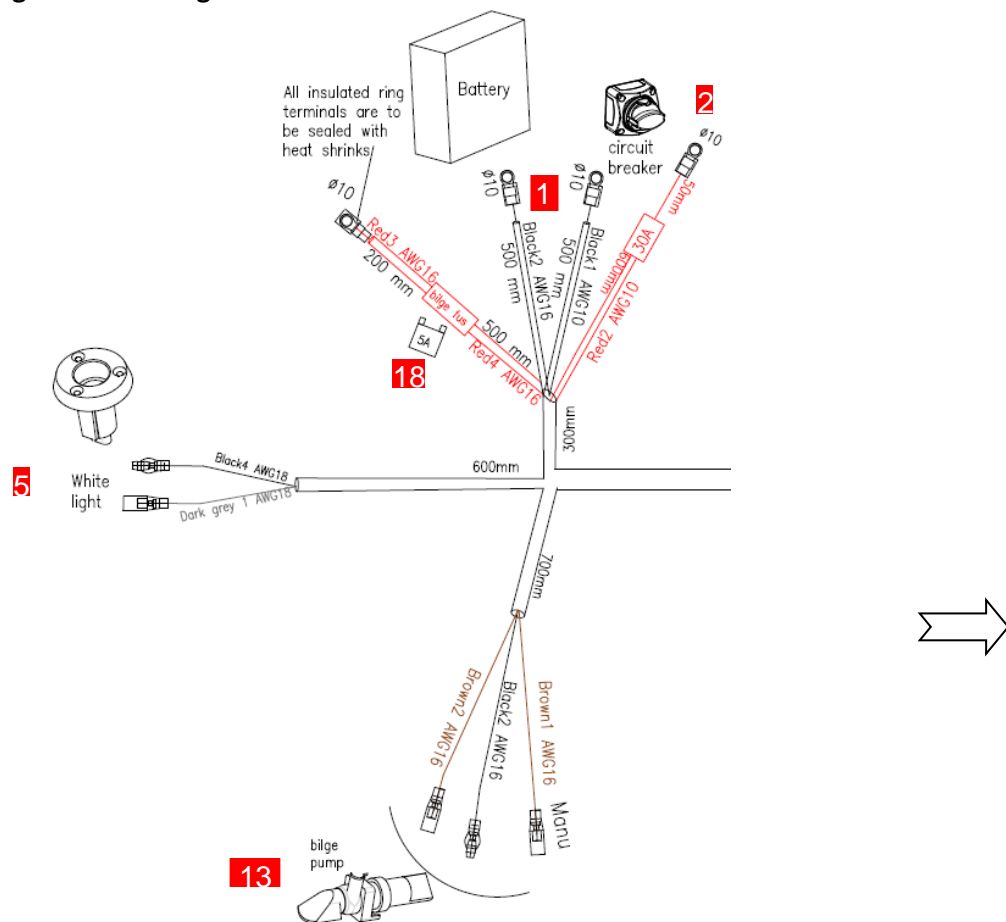
Dokument tilgjengelig i PDF-format hos din forhandler



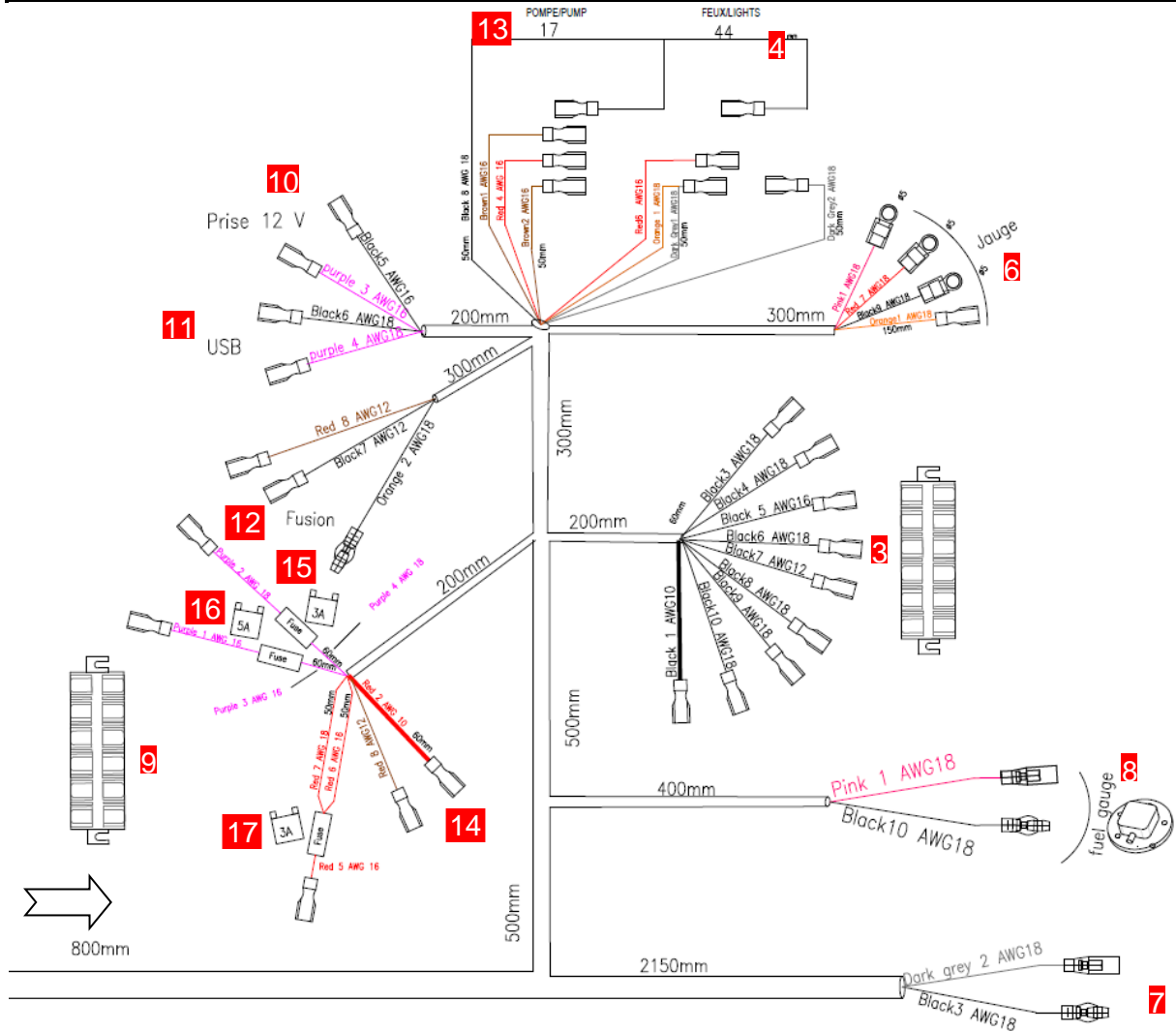
## INSTALLASJON OG KRETS: ELEKTRISK

Merke	BETEGNELSE
1	Bryter navigasjonslanterne
2	Bryter for dusjpumpe (ekstraustyr)
3	Lensepumpe (ekstraustyr)
4	Hvit lanterne (ekstraustyr)
5	Rødgrønn lanterne
6	USB-kontakt (konsoll)
7	12 volt-kontakt (konsoll)
8	Nødstopp (ekstraustyr)
9	Generell sikring 30 A

### V-2-2-2- Plan generelt ledningsnett



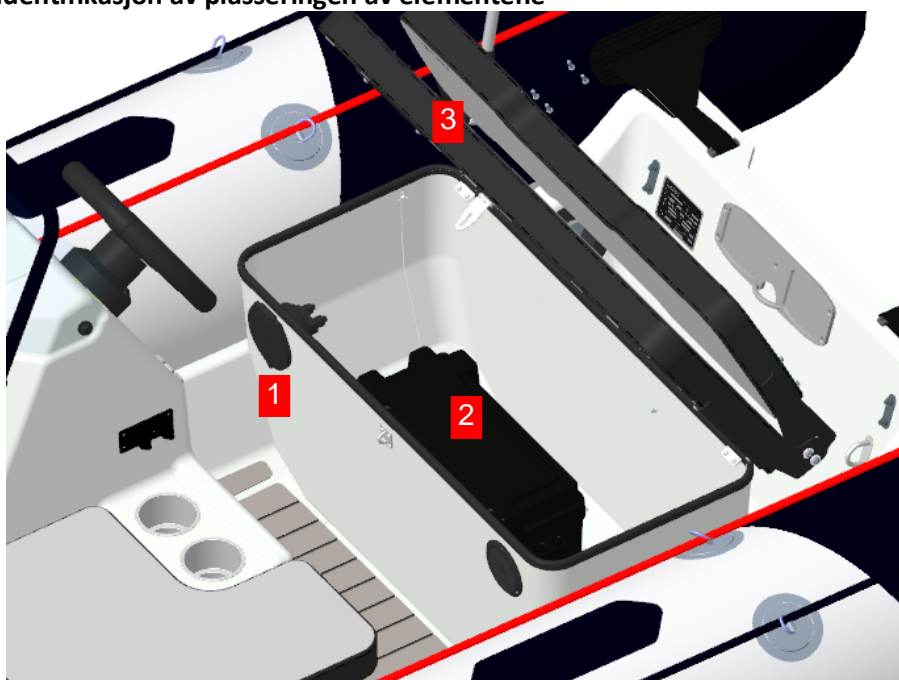
## INSTALLASJON OG KRETS: ELEKTRISK



Merke	BETEGNELSE	
1	Tilkobling batteri	
2	Tilkobling nødstop	
3	Tilkobling samleskinne vekt	
4	Tilkobling lanternebryter	
5	Tilkobling hvit lanterne	
6	Tilkobling måleskive bensin	
7	Tilkobling rød/grønn lanterne	
8	Tilkobling måletransmitter bensin	
9	Tilkobling positiv samleskinne	
10	Tilkobling 12 volt-kontakt (konsoll)	
11	Tilkobling USB-kontakt	
12	Tilkobling radio (ekstrautstyr)	
13	Tilkobling bryter lensepumpe (ekstrautstyr)	
14	Tilkobling lensepumpe (ekstrautstyr)	
15	Sikring 3A USB-kontakt	Purple 4 AWG18
16	Sikring 5A 12 volt-kontakt	Purple 3 AWG18
17	Sikring 3A lanterner	Red 6 & 7 AWG18
18	Sikring 5A lensepumpe	Red 3 AWG18



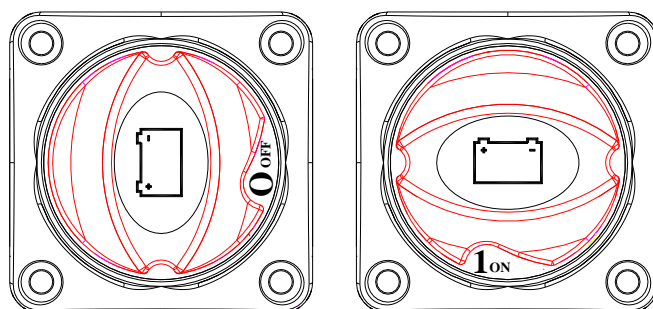
V-2-3- Identifikasjon av plasseringen av elementene



Merke	BETEGNELSE
1	Nødstop (ekstrautstyr)
2	Batterihus
3	Adgangsluke vedlikehold batteri

V-2-4- Nødstop (ekstrautstyr)

Når du ikke lenger bruker båten, må du sette nødstoppen på OFF.



**ADVARSEL**  
SLÅ AV MOTOREN FØR DU SETTER NØDSTOPPEN PÅ "OFF".

**V-2-5- Batteri (følger ikke med)**

Følg anbefalingene fra ZODIAC og batteriprodusenten når det gjelder vanlig vedlikehold.



**HOLD BATTERIET VEDLIKE:**

- **HOLD BATTERIET RENT OG TØRT FOR Å UNNGÅ TIDLIG SLITASJE.**
- **TREKK TIL OG HOLD VEDLIKE BATTERIKLEMMENE PÅ TERMINAL VED Å SMØRE REGELMESSIG MED VASELIN.**



**OBS!!!**

**VANNET FRA VANNTILFØRSELSSYSTEMET INNEHOLDER MINERALER SOM SKADER BATTERIENE.**

**DU MÅ DERFOR ALLTID FYLLE PÅ MED DESTILLERT VANN.**

**PASS PÅ AT DU INSTALLERER BATTERIET SLIK AT ROMMET PÅ 12 TOMMER (305 MM) TIL BATTERIOVERFLATEN IKKE INNEHOLDER NOEN DRIVSTOFFTANK, NOE BENSINFILTER ELLER NOEN KOBLING FOR DRIVSTOFFLINJE.**



**ADVARSEL**

- **HOLD BATTERIENE OG ELEKTROLYTTEN UTILGJENGELIG FOR BARN**
- **LEGG ALDRI BATTERIET NED.**
- **NÅR DU TILFØYER ELEKTROLYTT ELLER LADER BATTERIET, MÅ DU ALLTID FJERNE DET FRA MOTORHUSET.**
- **BATTERIELEKTROLYTTEN ER EN GIFTIG, FARLIG VÆSKE. DEN INNEHOLDER SVOVELSYRE SOM KAN MEDFØRE ALVORLIGE BRANNSÅR. UNNGÅ ALL KONTAKT MED HUDEN, ØYNENE OG KLÆRNE.**
- **BATTERIENE KAN AVGI EKSPLOSIVE GASSER. HOLD GNISTKILDER, ÅPNE FLAMMER, SIGARETTER OSV. UNNA.**
- **NÅR DU LADER ELLER BRUKER ET BATTERI, MÅ DETTE SKJE PÅ ET GODT LUFTET STED. BESKYTT ALLTID ØYNENE NÅR DU ARBEIDER I NÆRHETEN AV ET BATTERI.**

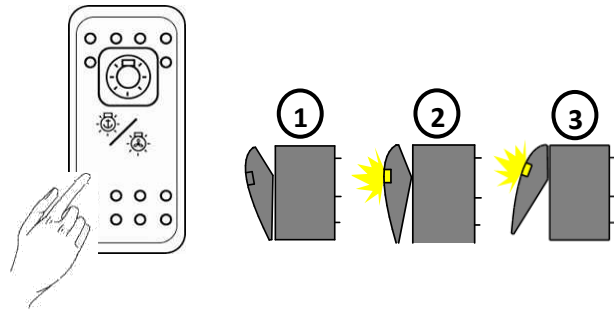
**MERK:**

- Når båten ikke skal brukes i en måned eller to, må du ta ut batteriet og lagre det på et kjølig, mørkt og tørt sted. Lad batteriet helt opp før du bruker det på nytt.
- Hvis batteriet har vært satt på lagring i lengre tid, må du kontrollere elektrolyttens tetthet minst én gang i måneden og lade batteriet opp igjen når tettheten er for lav.
- Elektrolyttens tetthet: 1,28 ved 20 °C

## V-2-6- Navigasjonslanterner

Aktiver denne knappen for å tenne lanternene.  
Den har 3 posisjoner.

- ① slukket posisjon
- ② hvit lanterne
- ③ hvit lanterne, rød lanterne og grønn lanterne.



## V-2-7- Kabling av et tilbehør

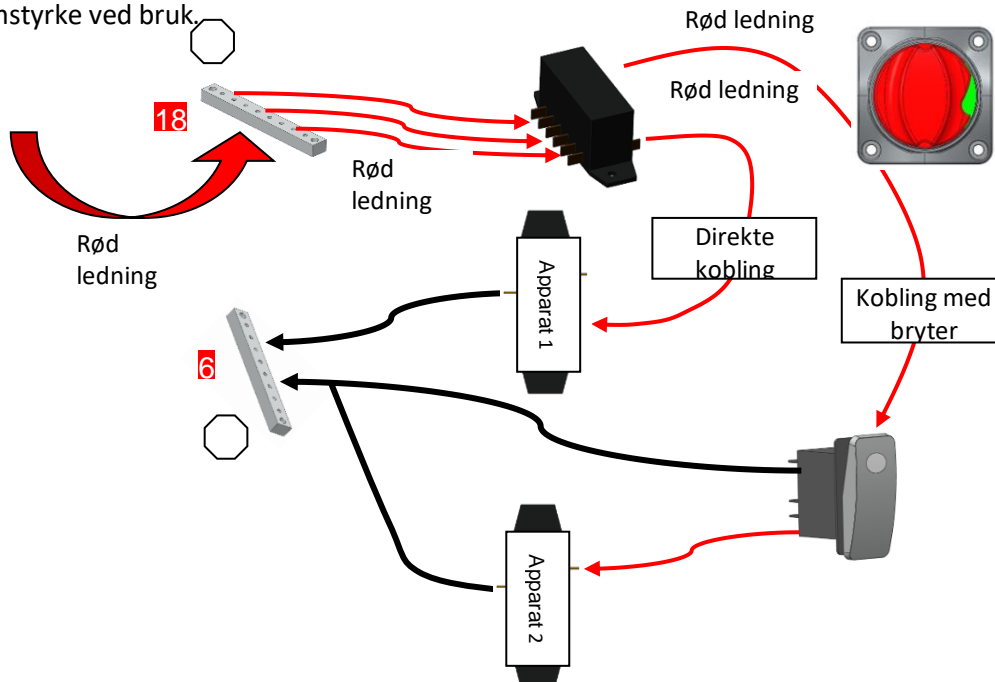
**1º**/ Velg en ledig sikringsplass.

**2º**/ Koble tilbehørets tilførselsledning til terminalen som svarer til denne plasseringen med en "tungeklemme" (hunkobling) på 6 mm.

**3º**/ Hvis du skal legge til en ledning for tilkoblingen, skal den ha en minimal diameter på 1,5 mm<sup>2</sup>. Respekter anbefalingene for ledninger til sjøs (UL1426, SAE J378, SAE J1127 eller SAE J1128 eller, generelt, samsvar med ABYC- og/eller EU-anbefalingene).

**4º**/ Koble tilbehørets jordingsledning til terminalblokken for jording med en "øyeklemme" Ø5 (samme merknad som før for tilførselsledningen).

**5º**/ Sett inn en sikring av type ATO med maksimal strømstyrke på 15A og over apparatets strømstyrke ved bruk.



## INSTALLASJON OG KRETS - TILKOBLING AV EKSTRAUTSTYR

### V-2-1- Tilkobling av ekstrautstyr OPEN 3.1 / 3.4 /4.8

Båten er som standard utstyrt med en USB/12V-kontakt. Men det er mulig å tilføye ekstra tilbehør på visse betingelser:

- ① Tilbehør du tilføyer må kobles til ved konsollen.
- ② Tilbehøret inngår i to kategorier:
  - A → tilbehør som brukes eller kan brukes kontinuerlig ved normal bruk av båten,
  - B → tilbehør som brukes med mellomrom.

A		og	B	
Vindusvisker			Sigarettenner (som standard)	
Radio			Diverse belysning	
Lodd			Horn	
GPS			Diverse elektronisk utstyr	
Lyskaster			Dusjpumpe	
Alarmsystem			<b>Maksimal påkrevd effekt</b>	72W maks.
Kjøleskap				
VHF				
$\Sigma$	240W maks.			



#### **ADVARSEL**

Du må absolutt kontrollere at totaleffekten for tilbehørene i kolonne A som du tilføyer, er under eller lik 240W (20A) og at den maksimale effekten til et tilbehør i kolonne B er under eller lik 72W (6A).

Diameterne til de forskjellige ledningene i ledningsnett er beregnet med disse verdiene. Manglende overholdelse av denne regelen kan medføre elektriske feil og kortslutninger.

Du kan koble til ekstrautstyr direkte på konsollens positive og negative samleskinne (innen grensen av maks. effekt) ved å sette inn en godkjent sikringsholder.

**MERK:** Hvis du installerer nytt elektrisk utstyr, kan det totale forbruket eventuelt overstige ladekapasiteten til påhengsmotoren.

For eksempel kan det elektriske ledningsnett tåle et øyeblikkelig forbruk på 570 W (medregnet lanterner og lensepumpe), dvs. litt mindre enn 48A i strømforbruk. De aktuelle motorenes vekselstrømgenerator gir generelt en strømstyrke på 15A ved full effekt. Sjekk i motorens tekniske dokumentasjon. Du må derfor unngå forlenget bruk av disse apparatene, ellers risikerer du å tømme batteriet slik at motoren ikke starter.

## INSTALLASJON OG KRETS - TILKOBLING AV EKSTRAUTSTYR

### V-2-2- Tilkobling av ekstrautstyr OPEN 4.8

Vindusvisker	
Radio	
Lodd	
GPS	
Lyskaster	
Alarmsystem	
Kjøleskap	
VHF	
$\Sigma$	336W maks.

og

<b>B</b>	
Sigarettenner (som standard)	
Diverse belysning	
Horn	
Diverse elektronisk utstyr	
Dusjpumpe	
<b>Maksimal påkrevd effekt</b>	102W maks.



#### **ADVARSEL**

Du må **absolutt** kontrollere at totaleffekten for tilbehørene i kolonne A som du **tilføyer**, er under eller lik 336W (28A) og at den maksimale effekten til et tilbehør i kolonne B er under eller lik 102W (8,5A).

Diameterne til de forskjellige ledningene i ledningsnett er beregnet med disse verdiene. Manglende overholdelse av denne regelen kan medføre elektriske feil og kortslutninger.

Du kan koble til ekstrautstyr direkte på konsollens positive og negative samleskinne (innen grensen av maks. effekt) ved å sette inn en godkjent sikringsholder.

#### **Eksempel 1**

Du vil tilføye:

- En VHF på 72W,
- En GPS på 36W,
- En radio på 180W,
- Innvendige LED-lys 10W,
- Dusjpumpe 48 W

<b>A</b>	
Vindusvisker	
Radio	180W
Lodd	
GPS	36W
Lyskaster	
Alarmsystem	
Kjøleskap	
VHF	72W
$\Sigma$	288W < 336W ☺

og

<b>B</b>	
Sigarettenner (som standard)	
Diverse belysning	10 W
Horn	
Diverse elektronisk utstyr	
Dusjpumpe	48 W
<b>Maksimal påkrevd effekt</b>	58W (< eller = 102W)

**KONKLUSJON**



## INSTALLASJON OG KRETS - TILKOBLING AV EKSTRAUTSTYR

### Eksempel 2

Du vil tilføye:

- En VHF på 60W,
- En GPS på 36W,
- En radio på 180W,
- En lyskaster på 120W.

Vindusvisker	
Radio	180W
Lodd	
GPS	36W
Lyskaster	120W
Alarmsystem	
Kjøleskap	
VHF	60W
$\Sigma$	396W > 336W 👎

og

B	
Sigarettenner (som standard)	
Diverse belysning	
Horn	
Diverse elektronisk utstyr	
Dusjpumpe	
<b>Maksimal påkrevd effekt</b>	0W (< eller = 102W) 👎

**KONKLUSJON**



### Eksempel 3

Du vil tilføye:

- En GPS på 60W,
- En radio på 180W,
- Et horn på 120W.

A	
Vindusvisker	
Radio	180W
Lodd	
GPS	60W
Lyskaster	
Alarmsystem	
Kjøleskap	
VHF	
$\Sigma$	240W < 336W 👍

og

B	
Sigarettenner (som standard)	
Diverse belysning	
Horn	
Diverse elektronisk utstyr	120W
Dusjpumpe	
<b>Maksimal påkrevd effekt</b>	120 W (>102W) 🤔

**KONKLUSJON**

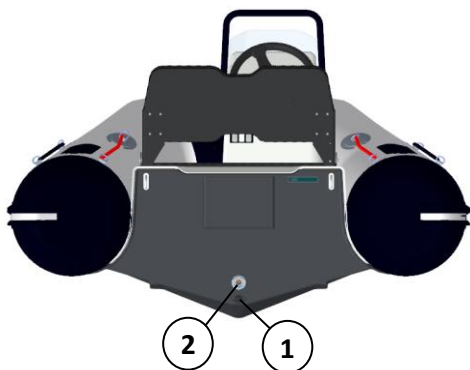


**MERK:** Visse produsenter angir spenning i stedet for absorbert effekt. Ved likestrøm (og det gjelder her) kan du ganske enkelt multiplisere med 12 for å oppnå effekten.

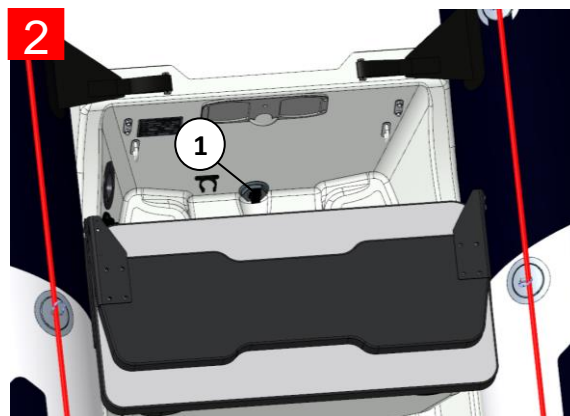
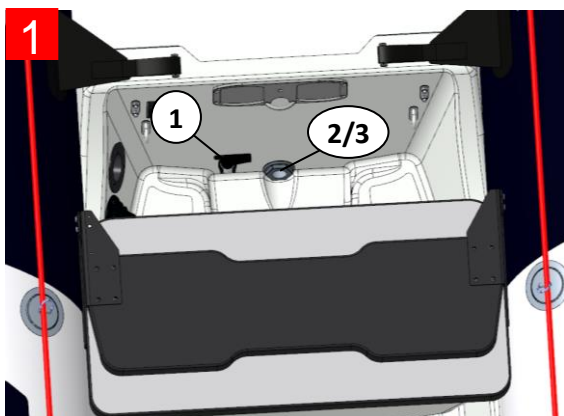
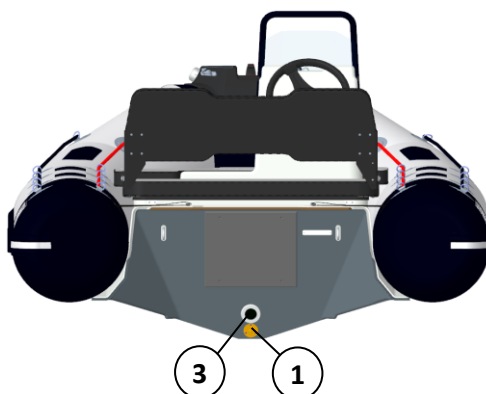
V-3 INSTALLASJON AV LENSEANORDNINGER

V-3-1- Beskrivelse av de funksjonelle elementene

OPEN 3.1 / 3.4



OPEN 4.2 / 4.8



Merke	BETEGNELSE
1	Skroglensepropp
2	Skroggjennomføring
3	Skroggjennomføring med membran
4	Propp skroggjennomføring

V-3-2- Propper skroggjennomføring  
Båt utenfor vann (tilhenger, på bedding)...



- PROPPER I POSISJON (1)

Båt på vann...



- VED NAVIGASJON, PROPPER SATT INN I SKROGGJENNOMFØRING (2)
- FREM GANGSMÅTE FOR TØMMING AV VANN OMBORD
  - VED OPPSTANS, PROPPENE I POSISJON (1), OG NAVIGER I PLANINGSPOSISJON (> 6 KNOP). SETT ELEMENTENE TILBAKE I POSISJON (2) NÅR VANNET ER TØMT UT.

- VED FORANKRING:
  - MIDLERTIDIG FORANKRING ELLER ANDRE SITUASJONER DER BÅTEN IKKE RISIKERER Å FÅ INN VANN I STORE MENGDER (MYE REGN, BØLGER SOM SLÅR INN I BÅTEN). PLOSSER ELEMENTENE (1) ELLER (2), ALT ETTER HVA SOM TRENGS.
  - FORLENGET ELLER RISIKOFYLT FORANKRING: PROPPER FJERNET (1).



**ADVARSEL**

HVIS BÅTEN TAR INN MYE VANN UTENFRA (STERKT REGN, KJØLVANN...) SAMTIDIG SOM SKROGGJENNOMFØRINGENE ER TILSTOPPET, RISIKERER DEN Å BLI SATT UNDER VANN (BADEKAREFFEKT). VANNET SOM ER KOMMET INN I BÅTEN, KAN DA NÅ BUNNEN OG GJØR BÅTEN MYE TYNGRE, MED FARE FOR SYNKING OG ALVORLIG SKADE PÅ VISSE ORGANER SOM MOTOREN ELLER DE ELEKTRISKE KRETSENE.

**V-3-3- Skroglensepropp:**



**Båt utenfor vann (tilhenger, på bedding)...**



ÅPEN POSISJON, LENSEPROPP FJERNET.

**Båt på vann...**



LUKKET POSISJON, LENSEPROPP PÅ PLESS.  
(SJEKK AT LENSEPROPPEN ER RIKTIG LUKKET/TILTRUKKET)



### V-4 STYRING

Følg produsentens anbefaling for styresystemet (installasjon, bruk og vedlikehold).

For optimal bruk av båten bør du kontakte forhandler.

### V-5 BRANN



#### ADVARSEL

- **VI ANBEFALER AT DU HAR ET BRANNSLOKKINGSAPPARAT OMBORD. FØLG LOVENE OG REGLENE SOM GJELDER I DITT LAND.**
- **DU MÅ IKKE HA BRENNBART MATERIALE I NÆRHETEN ELLER OVER KOKEAPPARATER.**

Båten leveres uten brannslukkingsapparat. Det er du som er ansvarlig for å iverksette nasjonale forskrifter for båten. Når den er i bruk, skal båten være utstyrt med bærbare brannslukkingsapparater.

Anbefalt plassering for brannslukkingsapparatet er i ankerrommet eller i konsollen.

Sørg for at båtens bunnkamre holdes rene og kontroller regelmessig at det ikke forekommer damp eller lekkasje fra drivstoffet.

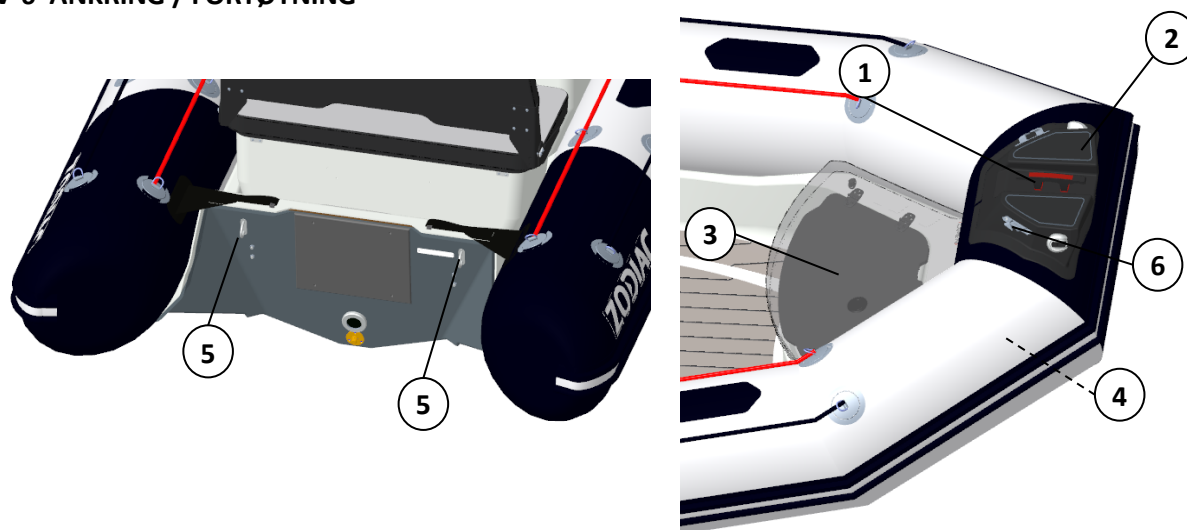
Ikke la båten være uten oppsyn når koke- og/eller varmeapparater brukes.

Ikke røyk når du håndterer drivstoff eller gass.

Unngå tilstopning av sikkerhetsbetjeningene, for eksempel: stengekran for drivstoff, el-systemets brytere.

Ikke fyll drivstofftanken mens motoren går eller mens kokeapparatene brukes.

V-6 ANKRING / FORTØYNING



Merke	BETEGNELSE
1	Klamper
2	Davit av polyester
3	Ankringsrom
4	Røstjern i forstavn
5	Røstjern speilhekk
6	Klyss



**ADVARSEL**

- PERMANENT FORTØYNING MÅ SKJE VED HJELP AV RØSTJERNET I FORSTAVNEN ELLER I SPEILHEKKEN.
- VELG FORTØYNINGSLINJE UT FRA BÅTENS LENGDE OG VEKT.

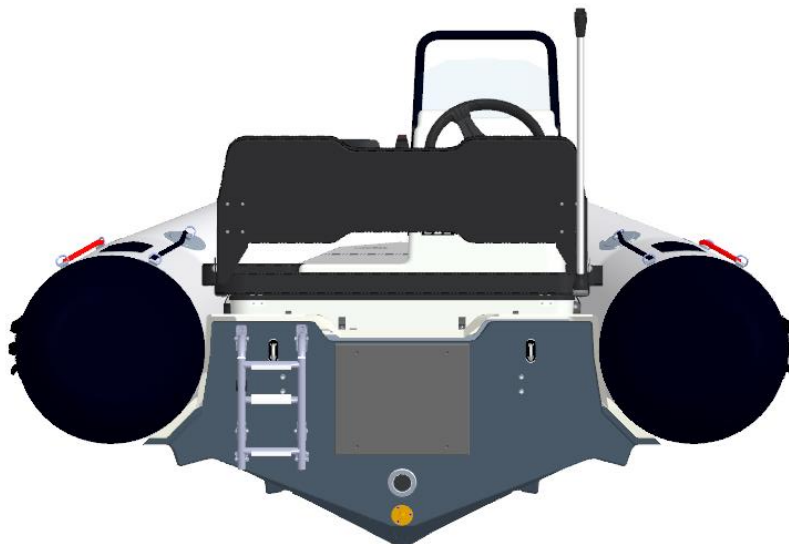
**V-7 OMBORDSTIGNING: STIGER (EKSTRAUTSTYR)**

**OPEN 3.1 / 3.4 / 4.2**

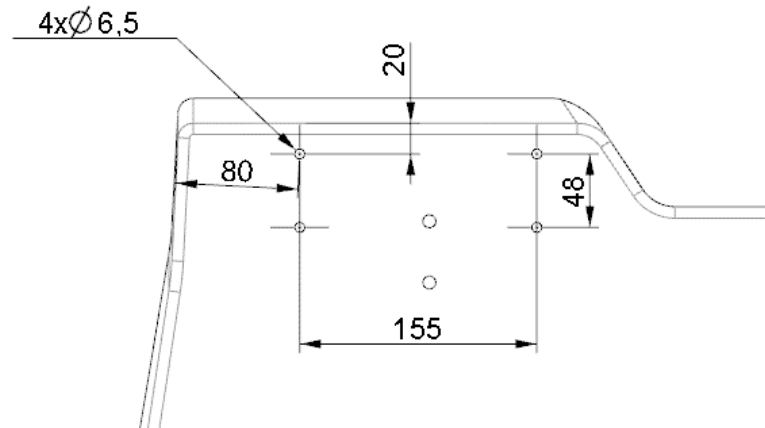
Ta øyemutteren som fulgte med stigen, og skru den på speilhekkens røstjern. Fest stigen til øyemutteren, og brett ut stigen på tuben.



**OPEN 4.8**



**PLASSERING STIGE**



**FARE!!!**  
PASS PÅ AT MOTOREN ER SLÅTT AV FØR NOEN ENTRER BÅTEN VIA AKTERSTIGEN.

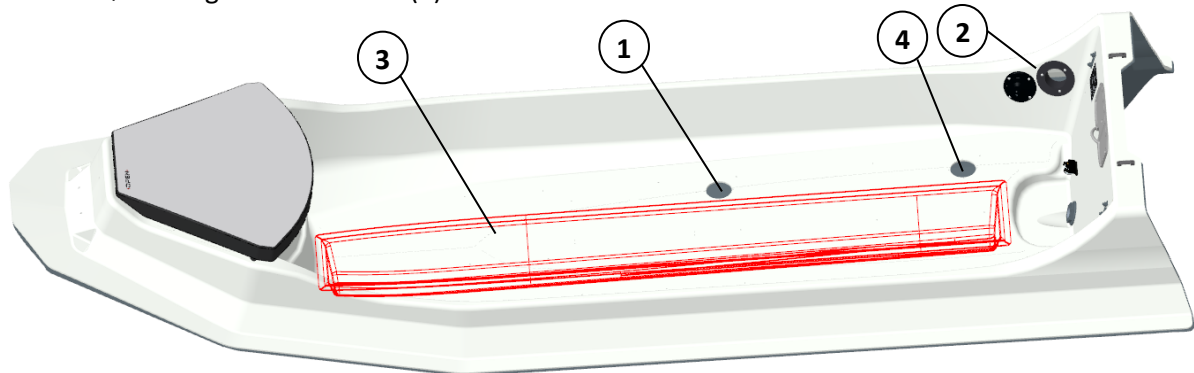
**ADVARSEL**  
NÅR DU ER ALENE I BÅTEN OG OMBORDSTIGNINGSMIDLET IKKE KAN BRETTESS UT FRA VANNSIDEN, MÅ DET VÆRE INSTALLERT PERMANENT.

**V-8 MEKANISK RIGGING**

Av estetiske hensyn er det planlagt at alle kabler og ledningsnett for riggingen går via konsollen (1) til motoren (2) gjennom skroget. Det anbefales å installere disse elementene før utstyrsenhetene festes definitivt på dekket.

Det anbefales å føre kablene langs den motstøpte (3) delen av dekket mot båtens forstavn for å unngå blokkering.

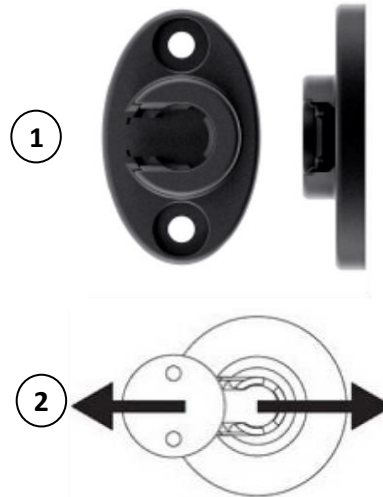
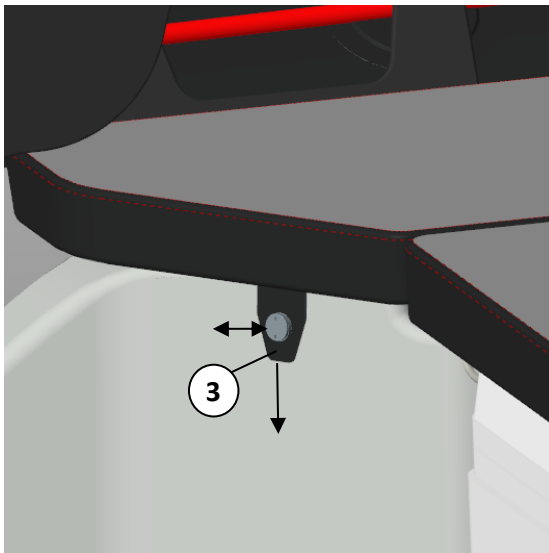
Bruk om nødvendig hullet i benken (4) for å holde kablene fast mot forstavnen.



V-9 SETEFESTE

Båten er utstyrt med en ny festetype (1) for å holde setene fast på skroget. Dette systemet er utstyrt med magneter med opplåsing på siden (2).

- **Opplåsing:** Trekk noe ned i holdestroppen (3) og skyv den på siden.
- **Låsing:** Trekk noe ned i holdestroppen (3) og skyv den mot innsiden av festet.



**ADVARSEL**

**IKKE TREKK DIREKTE I SETENE FOR Å KLIPSE DEM AV, DETTE VIL SKADE DET NYE FESTESYSTEMET**

VI- Plassering tilbehør

VI-1 SOLTAK OPEN 3.1 / 3.4



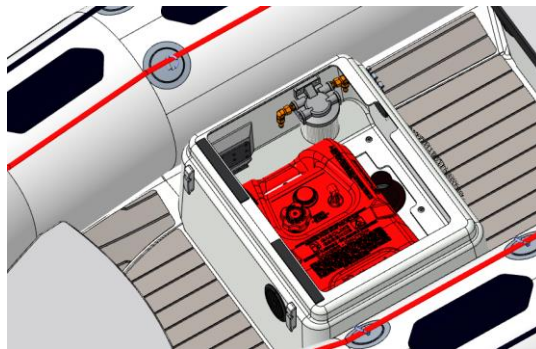
VI-2 SOLTAK OPEN 4.2 / 4.8



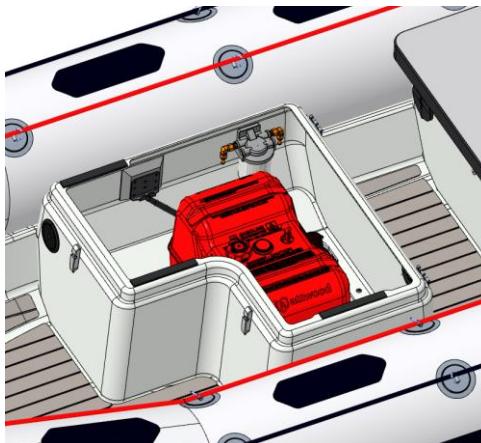
VI-3 RULLESTANG OPEN 4.8



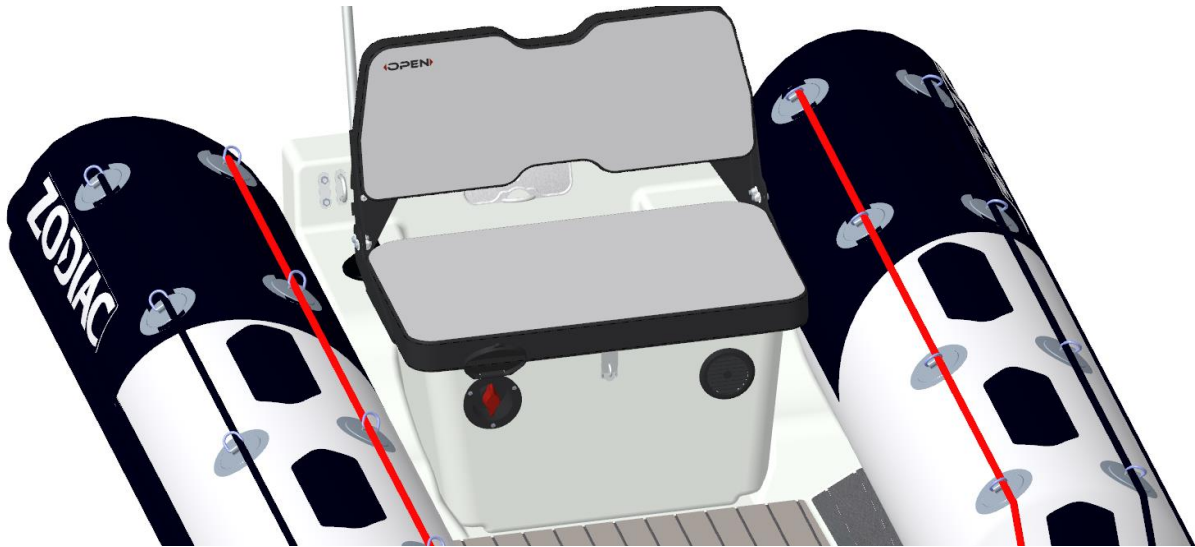
VI-4 BÆRBARE TANKER OPEN 3.1 / 3.4



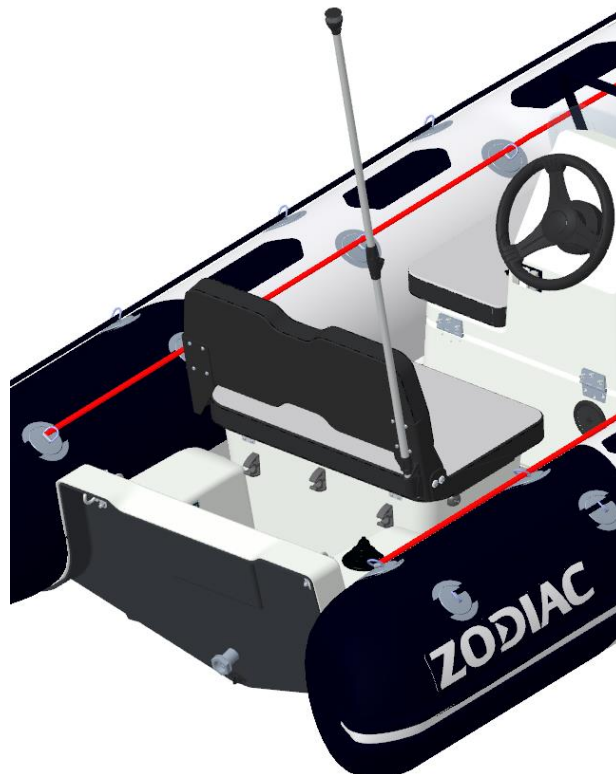
VI-5 BÆRBARE TANKER OPEN 4.2 / 4.8



VI-6 BATTERIBRYTER



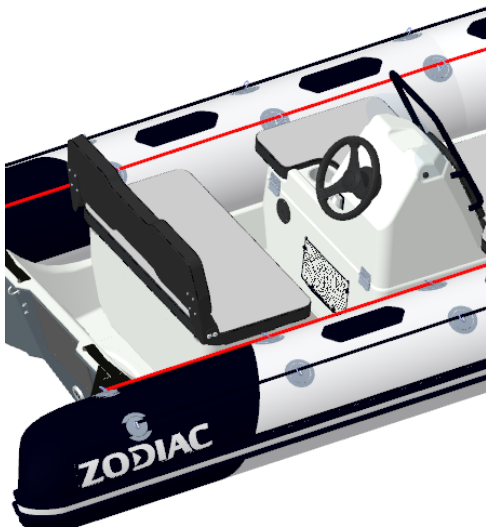
VI-7 HVIT LANTERNE



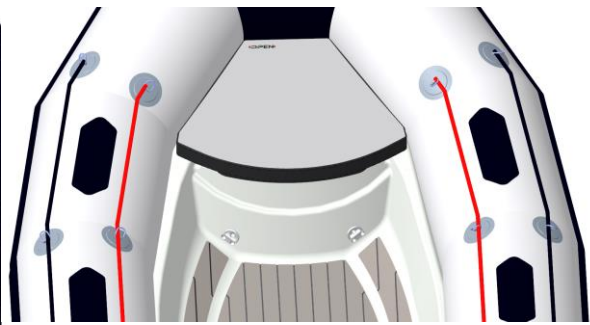
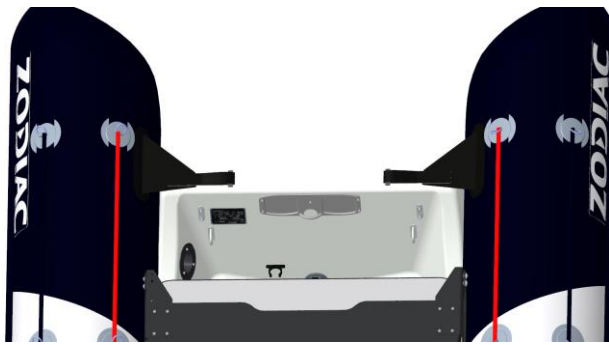


## PLASSERING TILBEHØR

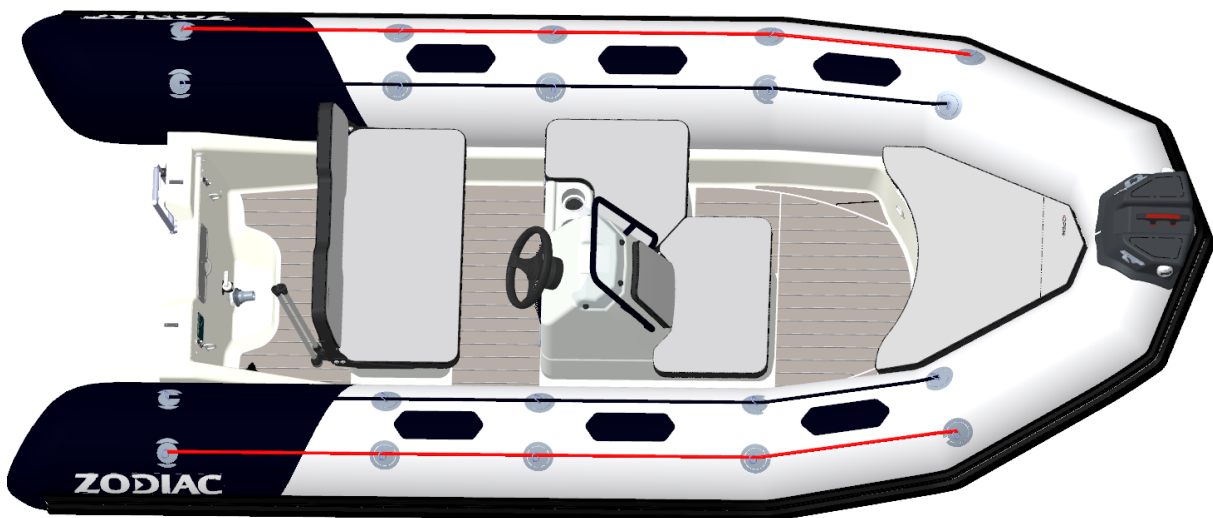
### VI-8 OPPBEVARINGSNETT



### VI-9 LØFTESETT

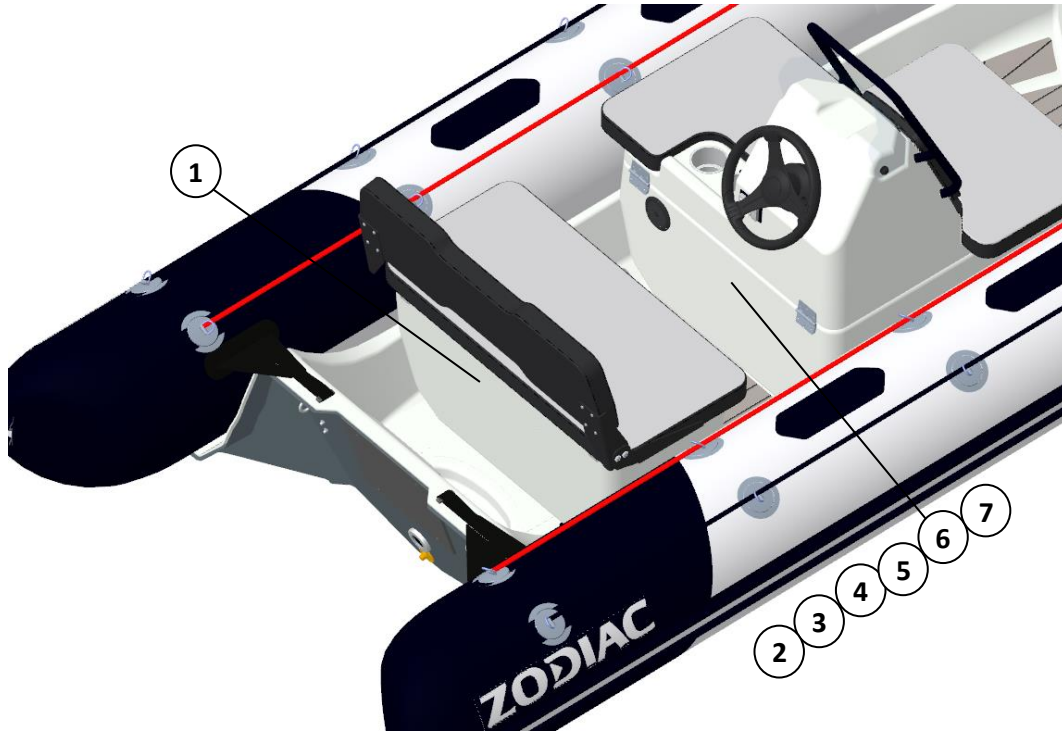


### VI-10 EVA-DEKK



VII- MERKING

VII-1 KLEBEMERKENES POSISJON



VII-1 BESKRIVELSE AV KLEBEMERKENE



⚠ WARNING	⚠ AVERTISSEMENTS
<ul style="list-style-type: none"> <li>• DO NOT TOUCH BATTERY TERMINALS (SHOCK AND ACID HAZARDS)</li> <li>• DISCONNECT BOTH LEADS BEFORE REMOVING BATTERY</li> <li>• CONNECT RED LEAD TO POSITIVE (+) TERMINAL</li> <li>• CONNECT BLACK LEAD TO NEGATIVE (-) TERMINAL</li> </ul>	<ul style="list-style-type: none"> <li>• NE PAS TOUCHER LES TERMINAUX DE LA BATTERIE (RISQUE DE CHOC ELECTRIQUE ET DE CONTACT AVEC L' ACIDE DE LA BATTERIE)</li> <li>• DEBRANCHER LES 2 FILS DE SORTIE AVANT DE RETIRER LA BATTERIE</li> <li>• RELIER LE CABLE ROUGE A LA BORNE (+)</li> <li>• RELIER LE CABLE NOIR A LA BORNE (-)</li> </ul>



⚠ WARNING	⚠ AVERTISSEMENTS
<p style="text-align: center;"><b>GASOLINE IS HIGHLY INFLAMMABLE AND EXPLOSIVE</b></p> <ul style="list-style-type: none"> <li>• STOP ENGINE BEFORE REFUELING</li> <li>• REFUEL IN WELL VENTILATED AREA</li> <li>• NEVER REFUEL WHILE SMOKING, AROUND SPARKS OR OPEN FLAME</li> <li>• AVOID SPILLING FUEL. WIPE UP ALL FUEL SPILLS IMMEDIATELY</li> <li>• LEAKING FUEL IS A FIRE HAZARD AND EXPLOSION HAZARD</li> <li>• INSPECT FUEL SYSTEM BEFORE EACH USE</li> </ul>	<p style="text-align: center;"><b>L' ESSENCE EST TRES FORTEMENT INFLAMMABLE ET EXPLOSIVE</b></p> <ul style="list-style-type: none"> <li>• ARRETER LE MOTEUR AVANT TOUT REMPLISSAGE.</li> <li>• NE PAS FUMER LORS DU REMPLISSAGE.</li> <li>• FAIRE LE PLEIN DANS UN ENDROIT VENTILE.</li> <li>• EVITER DE RENSER DU CARBURANT. ESSUYER IMMEDIATEMENT TOUTES LES FLAQUES DE CARBURANT CREES</li> <li>• LES FUITES DE CARBURANTS CONSTITUENT UN RISQUE D' INCENDIE ET D' EXPLOSION</li> <li>• VERIFIER LE CIRCUIT CARBURANT AVANT CHAQUE UTILISATION</li> </ul>

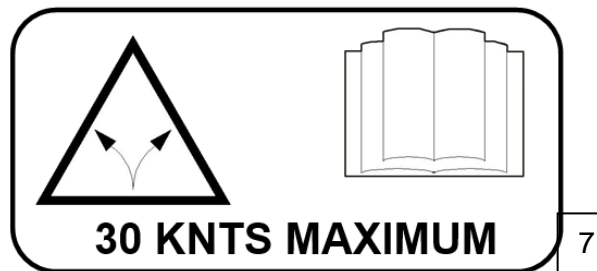
MERKING

<b>⚠ CAUTION</b>	<b>⚠ ATTENTION</b>
<p>IMPROPERLY TOWING YOUR BOAT CAN CAUSE SEVERE DAMAGE TO YOUR BOAT.</p> <ul style="list-style-type: none"> <li>• NEVER TOW IN OPEN SEAS</li> <li>• NEVER TOW ABOVE 6 KNOTS</li> </ul>	<p>UN REMORQUAGE INAPPROPRIÉ PEUT ENDOMMAGER VOTRE BATEAU</p> <ul style="list-style-type: none"> <li>• NE PAS REMORQUER EN PLEINE MER</li> <li>• NE PAS REMORQUER A PLUS DE 6 NOEUDS</li> </ul>
	<b>3</b>

<b>⚠ WARNING</b>	<b>⚠ AVERTISSEMENT</b>
<p>DO NOT LIFT THE BOAT WITH PASSENGERS ON BOARD</p>	<p>NE PAS SOULEVER LE BATEAU AVEC DES PASSAGERS A BORD</p>
	<b>4</b>

<b>⚠ DANGER</b>	<b>⚠ DANGER</b>
<p>TO AVOID INJURY OR DEATH, SHUT OFF ENGINE WHEN NEAR SWIMMERS OR PRIOR TO USING SWIN PLATFORM AND BOARDING LADDER</p>	<p>POUR EVITER DES BLESSURES OU LA MORT, COUPER LE MOTEUR EN APPROCHANT DE NAGEURS, ET AVANT TOUTE UTILISATION DE LA PLATEFORME ARRIERE OU DE L' ECHELLE DE BAIN</p>
	<b>5</b>

<b>⚠ DANGER</b>	<b>⚠ DANGER</b>
<p>A FIRE EXTINGUISHER MUST BE CARRIED AT ALL TIMES</p>	<p>UN EXTINCTEUR DOIT ETRE DISPONIBLE EN PERMANENCE A BORD</p>
	<b>6</b>





2 chemin de la Val Priout  
31450 AYGUESVIVES  
FRANKRIKE

OPEN

Side 67 / 67