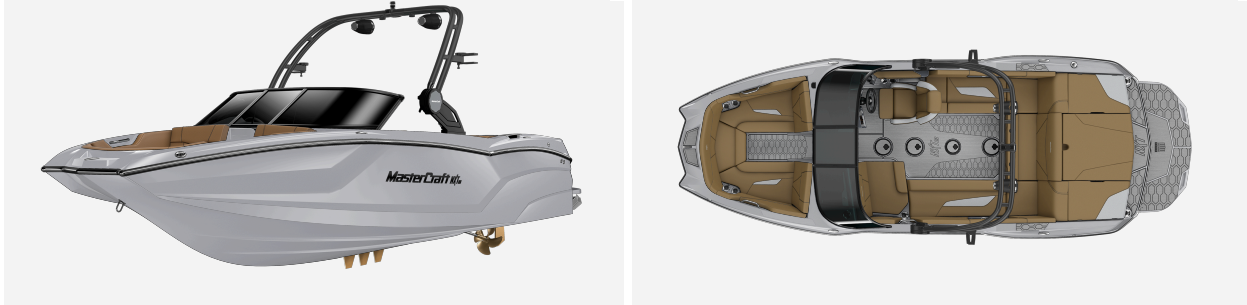





DESJARDINS STE-ADELE MARINE
1961 BOUL STE-ADELE C.P.
STE-ADELE, QC J8B 0K1
(450) 229-2946



2025 MASTERCRAFT NXT22 BOAT SERIAL NUMBER MBC6EBB3G425



STANDARD EQUIPMENT

V3 Pro Wake Propeller, Standard Exhaust, Steering Wheel - Three Spoke NXT Style, Cooler - 25qt, Cooler Stay, Seat Bolster (driver), Teak Wood Platform, Folding Platform Brackets, Gunnel Trim - Black w/ Stainless Steel, Rack and Pinion Steering w/ Tilt Helm, Thru-Hulls Chrome, Windshield - Black Frame, Sea Strainer, Fire Extinguisher, Triple Hard Tank Ballast System, Mirror (Base, black plastic) 6x9 Cipa Fixed, Strut - PureFlow, Multi-Gauge 3-in-1 System (Fuel, Oil Pressure, Engine Temp), Zero Off Speed Control System (integrated into display), Interior Courtesy Lights, Fuel System Carbon Canister, Automatic Bilge Pump System, Bilge Blower System, Automatic Engine Compartment Fire Extinguisher, Billet Aluminum Accented Dash, Shipping Cover, Hull Bottom - White, Hull Zone 1 - Gel, Hull Zone 2 - Gel, Hull Zone 3 - Gel, Deck Zone 1 - Gel White, Dash Gel Color Black, Fiberglass Cupholder Insert with Phone Holders - Color Black, Teak Wood Platform, Removable Snap-In Carpet - Gray or Tan, Z6 Tower w/Hydrolock Folding, Essential Board Racks (wake/wake) - Silver Satin or Black

COLORS

Deck 1	Stealth Gray
Hull Bottom	Stealth Gray
Hull 1	Stealth Gray
Hull 2	Stealth Gray
DESIGNATOR	Black
SWIM PLATFORM	FIBERGLASS
INTERIOR BASE	Coolfeel Beach Tan
INTERIOR 2ND BASE	Coolfeel Beach Tan
INTERIOR 3RD BASE	Bowmore Stealth Gray

PRICING AND OPTIONS

	MSRP
MASTERCRAFT SUGGESTED BASE PRICE	\$146,308.00
Option Upgrades	
ILMOR 6.0L MPI VD 1.75	No Charge
INTERIOR BASE - COOLFEEL BEACH TAN	\$1,583.00
INTERIOR 2ND BASE - COOLFEEL BEACH TAN	\$867.00
CONVERTIBLE CENTER REAR SEAT	\$2,008.00
FLOOR COVERING - SEADEK GRAY	\$3,000.00
CANADIAN COMPLIANCE PKG	\$33.00
MIRROR - ACTIV-VIEW PANORAMIC	\$583.00
TOWER - Z6 BLACK	\$2,492.00
TOWER RACKS - XL CLAMPING BOARD RACKS BLACK	\$2,283.00
TOWER ACCESSORIES - 2 M80 CANS	\$3,583.00
STEREO OBSERVER REMOTE	\$225.00
HEATER	\$1,550.00
BATTERY CHARGER - 110 VOLT	\$750.00
INSTALLED BATTERIES	\$1,067.00
REAR STORAGE NETS	\$250.00
TOTAL OPTIONS	\$20,274.00
FREIGHT/PREP	\$0.00
<i>* EXCHANGE RATE 1.0 TO 1.0 USD EFFECTIVE 9/20/2024</i>	
TOTAL SUGGESTED RETAIL PRICE (USD)	\$166,582.00

SPECIFICATIONS

Length	22' 0" / 6.70 M
Width Amidship	99" / 2.48 M
Boat Weight	4760 LBS / 2159 KG
Fuel Capacity	49 gallons / 185 L
Total Weight Capacity	14 people or 2312 LBS / 1049 KG
Draft	28" / .71 M
Interior Width	82.5" / 2.09 M

*WHILE EVERY REASONABLE EFFORT IS MADE TO ENSURE THE ACCURACY OF THIS DATA, WE ARE NOT RESPONSIBLE FOR ANY ERRORS OR OMISSIONS CONTAINED ON THESE PAGES. PLEASE VERIFY ANY INFORMATION IN QUESTION WITH A DEALERSHIP SALES REPRESENTATIVE. IMAGES, PRICING AND OPTIONS SHOWN ARE EXAMPLES ONLY, AND MAY NOT REFLECT EXACT BOAT/TRAILER COLOR, TRIM, OPTIONS, PRICING OR OTHER SPECIFICATIONS.