

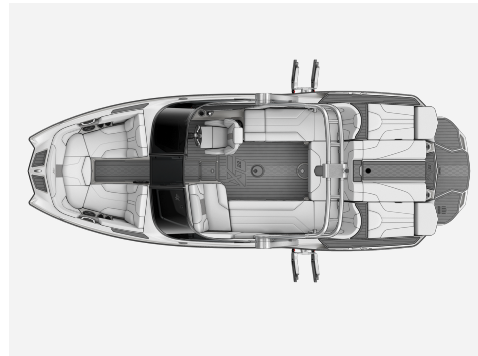
MasterCraft



DESJARDINS STE-ADELE MARINE
1961 BOUL STE-ADELE C.P.
STE-ADELE, QC J8B 0K1
(450) 229-2946



2023 MASTERCRAFT XT22 BOAT SERIAL NUMBER MBCE6FA4J223



STANDARD EQUIPMENT

Hull Bottom - White, Hull Zone 1 - Gel, Hull Zone 2 - Gel, Hull Zone 3 - Gel, Hull Zone 4 - Gel, Deck Zone 1 - Gel, Deck Zone 2 - Gel, Cockpit Fiberglass Cupholder Insert with Phone Holders Color - Black, Underwater Exhaust, Removable Snap-In Carpet - Gray or Tan, Custom Topstitch Thread Color, Lighting Color (Blue), Billet Glovebox Lid, Steering Wheel, Four Spoke, Unidirectional, Brushed, Walk-Thru Door - Frosted Acrylic, Cleats - Bow, Cleats - Midship, Cleats - Stern, Cooler - 36qt, Cooler Stay, MasterView Seat Bolster (driver), Teak Platform, Folding Platform Brackets, Transom Grab Handles, 7" Screen w/ Advanced Audio Package, iPod USB Jack, Drivers Wireless Charging Pad, Gunnel Trim - Black w/ Stainless Steel, Rack and Pinion Steering w/ Tilt Helm, Thru-Hulls Chrome, Windshield Wraparound, Brushed Aluminum Header, Sea Strainer, Fire Extinguisher, Triple Hard Tank Ballast System, Strut - PureFlow, Multi-Gauge 3-in-1 System (Fuel, Oil Pressure, Engine Temp), Speedometer, Tachometer, Zero Off Speed Control System (integrated into display), Depth Finder, Water Temp, Air Temp, Walkover Pads Gray or Teak Look, Fuel System Carbon Canister, Automatic Bilge Pump System, Bilge Blower System, Automatic Engine Compartment Fire Extinguisher, Shipping Cover, Activ-View Essential Mirror (Base, black plastic) 6x9 Cipa Fixed, Removable Snap-In Carpet - Gray or Tan, Teak Wood Platform, Z6 Tower w/Hydrolock Folding, Tower Leg Color Option - Silver Satin or Black, Essential Board Racks (wake/wake) - Silver Satin or Black

COLORS

Deck 1	White
Deck 2	White
Hull Bottom	Flint Gray
Hull 1	White
Hull 2	Flint Gray
Hull 3	White
DESIGNATOR	White Satin
SWIM PLATFORM	FIBERGLASS
INTERIOR BASE	Coolfeel Alpine White
INTERIOR 2ND BASE	Coolfeel Alpine White
INTERIOR 3RD BASE	Coolfeel Alpine White
INTERIOR 4TH BASE	Coolfeel Flint Gray

PRICING AND OPTIONS

	MSRP
MASTERCRAFT SUGGESTED BASE PRICE	\$170,458.00
Option Upgrades	
ILMOR 6.0L MPI VD 2.1	No Charge
HULL BOTTOM - FLINT GRAY	\$1,358.00
INTERIOR BASE - COOLFEEL ALPINE WHITE	\$1,525.00
INTERIOR 2ND BASE - COOLFEEL ALPINE WHITE	\$833.00
INTERIOR 3RD BASE - COOLFEEL ALPINE WHITE	\$767.00
SEADEK GRAY FLOOR COVERING	\$2,617.00
CUP HOLDER INSERTS - WHITE	\$433.00
COCKPIT WIRELESS CHARGING PADS	\$667.00
CANADIAN COMPLIANCE PKG	\$33.00
MIRROR - ACTIV-VIEW ELITE	\$1,133.00
UNDER TOWER BOAT COVER - BLACK	\$1,725.00
BIMINI COVER - BLACK	\$1,792.00
SURFSTAR SYSTEM	\$12,775.00
TOWER - Z8	\$11,183.00
TOWER RACKS - SUPREME SILVER	\$2,225.00
STEREO OBSERVER REMOTE	\$467.00
HEATER	\$1,467.00
POP UP SKI PYLON	\$917.00
TRADITIONAL FIBERGLASS SWIM PLATFORM WHITE	\$517.00
HYDRAULIC SEAT LIFT	\$533.00
CONVERTIBLE CENTER R/S	\$2,658.00
SUNPAD FLIP SEATING	\$1,392.00
STARBOARD POP UP SEATBACK	\$975.00
DUAL BATTERIES INSTALLED	\$1,175.00
BATTERY CHARGER - 110 VOLT	\$725.00
PLEASE SEE SECOND PAGE FOR ADDITIONAL OPTION INFORMATION	

SPECIFICATIONS

Length	22' 4" / 6.81 M
Width Amidship	102" / 2.59 M
Boat Weight	5485 LBS / 2488 KG
Fuel Capacity	79 gallons / 299 L
Total Weight Capacity	16 people or 2400 LBS / 1089 KG
Draft	29" / 0.74 M
Interior Width	86" / 2.18 M

*WHILE EVERY REASONABLE EFFORT IS MADE TO ENSURE THE ACCURACY OF THIS DATA, WE ARE NOT RESPONSIBLE FOR ANY ERRORS OR OMISSIONS CONTAINED ON THESE PAGES. PLEASE VERIFY ANY INFORMATION IN QUESTION WITH A DEALERSHIP SALES REPRESENTATIVE. IMAGES, PRICING AND OPTIONS SHOWN ARE EXAMPLES ONLY, AND MAY NOT REFLECT EXACT BOAT/TRAILER COLOR, TRIM, OPTIONS, PRICING OR OTHER SPECIFICATIONS.

2023 MASTERCRAFT XT22

BOAT SERIAL NUMBER

MBCE6FA4J223

PRICING AND OPTIONS CONTINUED

TOTAL OPTIONS

\$49,892.00

FREIGHT/PREP

\$0.00

* EXCHANGE RATE 1.0 TO 1.0 USD EFFECTIVE 9/10/2024

TOTAL SUGGESTED RETAIL PRICE (USD)

\$220,350.00