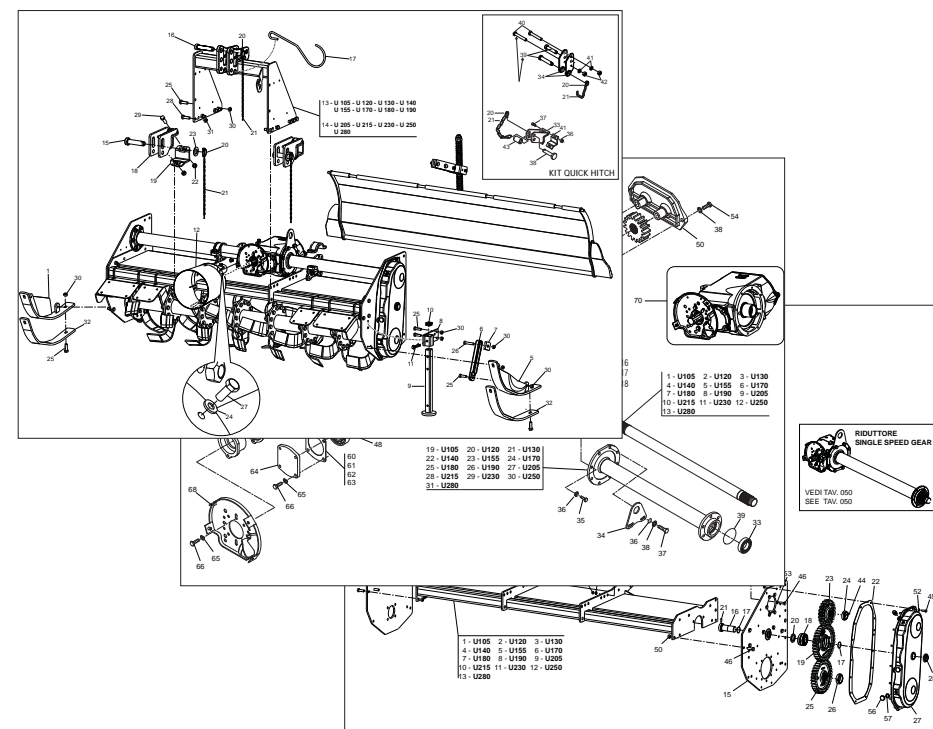


**MASCHIO GASPARDO S.p.A.**



**U**

**Cod: F07021001 2016-08**

- \*) Valido per Paesi UE
- \*) Valid for EU member countries
- \*) Valable dans les Pays UE
- \*) Gilt für EU-Mitgliedsländer
- \*) Válido para Países UE

- IT PARTI DI RICAMBIO**
- EN SPARE PARTS**
- DE ERSATZTEILE**
- FR PIÈCES DÉTACHÉES**
- ES PIEZAS DE REPUESTO**

**PARTI DI RICAMBIO**

Le ordinazioni delle parti di ricambio vanno fatte presso i nostri concessionari di zona e devono essere sempre corredate dalle seguenti indicazioni:

- **Tipo, modello e numero di matricola dell'attrezzatura.** Tali dati sono stampigliati nell'apposita targhetta di cui è dotata ogni attrezzatura.
- **Numero di codice della parte richiesta** rilevabile dal catalogo ricambi.
- **Descrizione del particolare e quantità richiesta.**
- **Numero della tavola.**
- **Mezzo di trasporto.** Nel caso questa voce non sia specificata, la Ditta Costruttrice, pur dedicando a questo servizio una particolare cura, non risponde di eventuali ritardi di spedizione dovuti a cause di forza maggiore.  
Le spese di trasporto si intendono sempre a carico del destinatario. La merce viaggia a rischio e pericolo del committente anche se venduta franco destino.

**NOTA:** Il termine **(Dx) Destro** o **(Sx) Sinistro** della macchina o di parti di essa, è inteso guardando la macchina dalla parte posteriore. Le eccezioni saranno indicate.

**SPARE PARTS**

*Orders must be transmitted through our area dealers and should always include the following indications:*

- **Type, model and serial number of the machine.** *These data are punched on the data plate with which every implement is equipped.*
- **Code number of the required spare part.** *This will be found in the spare parts catalogue.*
- **Description of the part and required quantity.**
- **Table number.**
- **Means of dispatch.** *If this item is not indicated, the Manufacturer, while dedicating particular care to this service, shall not be held responsible for delays in delivery caused by cases of force majeure.*  
*Transport expenses shall always be at the consignee's charge. The goods travel at the purchaser's risk and peril even when sold ex destination.*

**NOTE:** *The symbols (Dx) right and (Sx) left, concerning the machine or single parts of it, are referred, as in the figure, to a rear view of them. Exceptions will be indicated.*

**ERSATZTEILE**

Die Bestellungen müssen bei unseren Gebietshändlern aufgegeben werden. Bei der Bestellung sind stets die folgenden Angaben zu machen:

- **Typ, Modell und Serien-Nummer des Geräts.** Diese Daten stehen auf dem Typenschild, mit dem jedes Gerät versehen ist.
- **Artikel Nr. der erforderlichen Ersatzteile.** Diese stehen im Ersatzteil-Katalog.
- **Beschreibung des Ersatzteils und die erforderliche Stückzahl.**
- **Tafelnummer.**
- **Versandmittel.** Wenn dieser Punkt nicht spezifiziert wird, haftet die Herstellerfirma nicht für etwaigen Lieferverzug aufgrund höherer Gewalt, auch wenn er diesen Service besonders aufmerksam abwickelt. Die Frachtkosten gehen dagegen immer zu Lasten des Empfängers. Die Ware reist auf Gefahr und Risiko des Auftraggebers, auch wenn frei Haus Verkauft vereinbart worden ist.

**N.B.:** Die Merkzeichen **(Dx) rechts** und **(Sx) links** betreffen eine rückwärtige Aussicht der Maschine oder Teile von ihr (siehe Bild). Ausnahmen werden gezeit.

**PIECES DÉTACHÉES**

*Les ordres doivent être effectués auprès de nos concessionnaires de zone en précisant les indications suivantes:*

- **Type, modèle et numéro de série de la machine.** *Ces données sont gravées sur la plaque d'identification de chaque outil.*
- **Numéro de code de la pièce détachée** *indiqué sur le catalogue des pièces détachées.*
- **Description de la pièce et quantité requise.**
- **Numéro de plan.**
- **Moyen d'expédition.** *Si cette rubrique n'est pas indiquée, le Constructeur, bien que soucieux de ce service, ne répond pas des retards d'expédition pour des causes de force majeure.*  
*Les frais de transport sont toujours à la charge du destinataire. La marchandise voyage aux risques et périls de l'acheteur même si vendue franco de port.*

**N.B.:** *Les références (Dx) droit et (Sx) gauche de la machine ou des parties de la même, est entendue, comme de la figure, en regardant la machine de derriere dans le sens de marche.*

**RESPUESTOS**

Los pedidos han de efectuarse en nuestros concesionarios de zona y deben incluir siempre las siguientes indicaciones:

- **Tipo, modelo y número de matrícula del equipo.** Dichos datos están impresos en la relativa placa presente en el equipo.
- **Número de código de la parte requerida** presente en el catálogo respuestos.
- **Descripción de la pieza y cantidad requerida.**
- **Numero de ilustración.**
- **Medio de transporte.** En caso que este ítem no esté especificado, el Fabricante, aún prestando la debidas consideraciones para este aspecto, no responde por eventuales retardos de env'o debidos a causas de fuerza mayor.  
Los gastos de transporte se consideraran siempre a cargo del destinatario. La mercadería viaja bajo riesgo y peligro del comprador, incluso cuando se vende franco destino.

**N.B.:** La referencia **(Dx) derecha** o **(Sx) izquierda** de la máquina o de sus componentes, se entiende, como en la figura, mirando la máquina por la parte trasera. Se indicarán las excepciones.

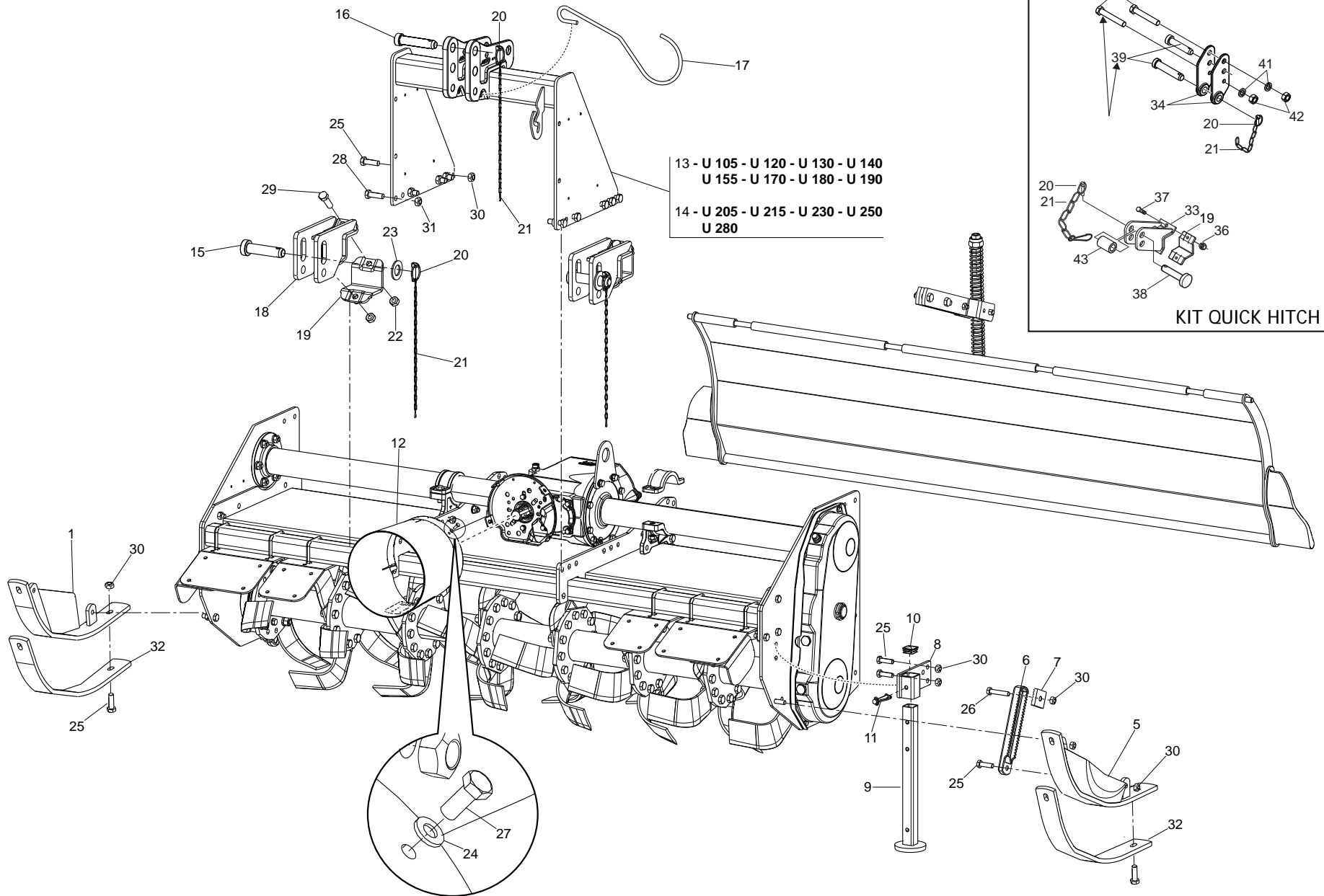
**INDICE**

<b>N° Tavola</b>	<b>Descrizione</b>	<b>Pagina</b>
TAV.010	ASSIEME GENERALE .....	5
TAV.020	TRASMISSIONE .....	7
TAV.030	ROTORE .....	9
TAV.040	CAMBIO .....	11
TAV.040	CAMBIO .....	13
TAV.050	RIDUTTORE .....	15
TAV.060	LAMIERA LIVELLATRICE .....	17
TAV.070	PROTEZIONI CE ED OPTIONALS .....	19
TAV.080	ASSIEME COLLEGAMENTO RULLI .....	21
TAV.090	KIT SUPPORTI PER TRASPORTO STRADALE .....	23
TAV.100	KIT TABELLE STRADALI G99600006 .....	25
TAV.110	KIT TABELLE STRADALI G99600017 .....	27
TAV.120	KIT TABELLE STRADALI G99600018 .....	29
TAV.130	CARDANO STANDARD .....	31
TAV.140	CARDANO STANDARD U230 .....	33
TAV.150	CARDANO OPTIONAL .....	35
TAV.160	RULLI .....	36

**INDEX**

<b>N° Table</b>	<b>Description</b>	<b>Page</b>
TAV.010	GENERAL ASSEMBLY.....	5
TAV.020	SIDE TRANSMISSION.....	7
TAV.030	ROTOR.....	9
TAV.040	GEARBOX.....	11
TAV.040	GEARBOX.....	13
TAV.050	SINGLE SPEED GEARBOX .....	15
TAV.060	LEVELING BAR.....	17
TAV.070	CE PROTECTION AND OPTIONALS.....	19
TAV.080	ROLLER ARMS ASSEMBLY.....	21
TAV.090	ROAD TRANSPORT SUPPORTS KIT.....	23
TAV.100	ROAD TRANSPORT KIT G99600006.....	25
TAV.110	ROAD TRANSPORT KIT G99600017.....	27
TAV.120	ROAD TRANSPORT KIT G99600018.....	29
TAV.130	STANDARD CARDAN SHAFT .....	31
TAV.140	STANDARD CARDAN SHAFT U230 .....	33
TAV.150	OPTIONAL CARDAN SHAFT .....	35
TAV.160	ROLLER.....	36

**TAV.010**



**ASSIEME GENERALE  
GENERAL ASSEMBLY**

**TAV.010**

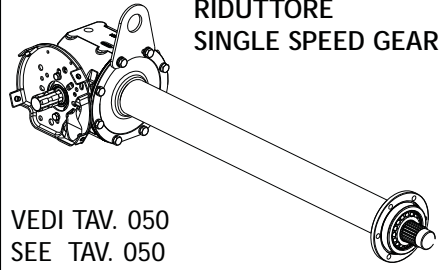
Pos.	Cod.	Descrizione	Description	Benennung	Description	Description
1	M59400902	SLITTA LATO ESTERNO	SLIDE THE OUTSIDE			
5	M59400903	SLITTA LATO TRASMISSIONE U-3	TRANSMISSION SIDE SLIDE U-3			
6	M64400520	REGOLAZIONE	ADJUSTMENT	REGLAGE	REGULIERUNG	REGISTRO
7	M01110532	PIASTRINA REGISTRO SLITTE	ADJUSTER TOOTHED PLATE	PLAQUETTE DE REGISTRE GLISSIER	REGULIERUNGSPLATTE	PLAQUITA REGISTRO TRINEO
8	M66100556	COMP. SUPPORTO PIEDINO	SUPPORT	SUPPORT	HALTER	SOPORTE
9	M29100731	COMP. PIEDINO SUPPORTO	SUPPORT	SUPPORT FRAISE	FRASE STANDER	SOPORTE FRESADORA
10	F05100025	TAPPO AD ALETTE 35X35 PLT NERO	PLUG	BOUCHON FERMETURE	VERSCHLUSSPFROPFEN	TAPONCLAUSURA
11	F02200562	SPINA SICUR.D. 8X70 ZN	SNAP PIN D.8X 70 ZN	FICHE EL. D.8X70 ZN	SCHERSTIFT D.8X 70 ZN	CLAVIJA D.8X 70 ZN
12	M01110144	PROTEZIONE CARDANO	CARDAN PROTECTION	PROTECTION CARDAN	GELENKWELLENSCHUTZ	PROTECCION CARDANICO
13	M20400569	CASTELLO 3 PUNTO L.550	COMPLETE 3RD POINT L.550	3EME POINT COMPL. L.550	3. PUNKT KOMPLETT L.550	TERCER PUNTO COMPL. L.550
14	M20400567	CASTELLO 3 PUNTO L.760	COMPLETE 3RD POINT	3EME POINT COMPL.	3. PUNKT KOMPLETT	TERCER PUNTO COMPL.
15	F20100074	PERNO D28 L109 C43 SPINA 3 P.	PIN FOR BAR LINKAGE	GOUJON ATTELAGE BARRE	VERB.BOLZEN SCHUTZHOLM	PERNO ATAQUE BARRA
16	F20100063	PERNO D25 L91 C43 TEST.D35 ZN	PIN D25 L91 C43 ZN	BOULON D25 L91 C43 ZN	BOLZEN D25 L91 C43 ZN	PERNO D25 L91 C43 ZN
17	F20120400	GANCIO SOSTEGNO CARDANO	SHAFT HOOK SUPPORT	SUPPORT CARDAN	GELENKWELLE - HACKEN	SOPORTE CARDAN
18	M68100568	COMP.ATTACCO BARRE OSCILLANTE	STIRRUP			
19	M37100534	STAFFA ATTACCO BARRE	U BOLT	BLOCAGE	U BOLZEN	BLOQUEO
20	F02200529	SPINA SCATTO D.11 H58 ZN	SNAP PIN D.11 H58 ZN	FICHE A DETENTE D.11 H58 ZN	EINRASTSTIFT D.11 H58 ZN	CLAVIJA DE MUELLE D.11 H58 ZN
21	G13812311	CATENELLA CON MOSCHETTONE	CHAIN WITH SPRING CATCH	CHAINETTE AVEC MOUSQUETON	KETTE MIT KARABINERHAKEN	CADENA CON GANCHO
22	F01220070	DADO M16X1,5 D980 10ZN	NUT M16X1,5 D980 8ZN	ECRO.M16X1,5 D980 8ZN	MUTTER M16X1,5 D980 8ZN	TUER.M16X1,5 D980 8ZN
23	F01410168	ROS.M30 31X 56X 4 U6592 ZN	WASHER M30 31X56X4 U6592 ZN	RONDELLA M30 31X56X4 U6592 ZN	SCHRAUBE M30 31X56X4 U6592 ZN	ARANDELLA M30 31X56X4 U6592 ZN
24	F01410037	ROS.M6 6,4X12,5X1,6 U6592 ZN	WASHER	RONDELLA	BEILAGSCHEIBE 6	
25	F01010291	VITE M12X1,25X40 U5740 8.8ZN	SCR. M12X1,25X40 U5740 8.8ZN	VIS M12X1,25X40 U5740 8.8 ZN	SCHR.M12X1,25X40 U5740 8.8 ZN	TORN. M12X1,25X40 U5740 8.8 ZN
26	F01010057	VITE M12X1,25X60 U5738 8.8ZN	SCR. M12X1,25X60 U5738 8.8ZN	VIS M12X1,25X60 U5738 8.8 ZN	SCHRA.M12X1,25X60 U5738 8.8 ZN	TORN. M12X1,25X60 U5738 8.8 ZN
27	F01020403	VITE M6X1X16 U5739 8.8ZN	SCR. M6X1X16 U5739 8.8ZN	VIS M6X1X16 U5739 8.8 ZN	SCHRAUBE M6X1X16 U5739 8.8 ZN	TORNILLO M6X1X16 U5739 8.8 ZN
28	F01010319	VITE M14X1,5X45 U5740 8.8ZN	SCR. M14X1,5X45 U5740 8.8ZN	VIS M14X1,5 X45 U5740 8.8 ZB	SCH. M14X1,5 X45 U5740 8.8 ZB	TORNILLO M14X1,5 X45 U5740 8.8
29	F01010114	VITE M16X1,5X50 U5738 8.8 ZN	SCR. M16X1,5X50 U5738 8.8ZN	VIS M 16X1,5X50 U5738 8.8 ZN	SCHRAU. M16X1,5X50 U5738 8,8ZN	TORN. M16X1,5X50 U5738 8.8 ZN
30	F01220047	DADO M12X1,25 D980 8ZN	NUT M12X1,25 D980 8ZN	ECROU M12X1,25 D980 8 ZN	MUTTER M12X1,25 D980 8 ZN	TUERCA M12X1,25 D980 8 ZN
31	F01220059	DADO M14X1,5 D980 8ZN	NUT M14X1,5 D980 8ZN	ECROU M14X 1,5 D980 8 ZN	MUTTER M14X 1,5 D980 8 ZN	TUERCA M14X 1,5 D980 8 ZN
32	M59400905	SLITTA ANTIUS.	SLIDING WEAR			
33	M59400595	ATTACCO INFERIORE U JD	LOWER ATTACK U JD			
34	M53400522	PIASTRA PER TERZO PUNTO	SUPPORT FOR THIRD POINT HITCH			
36	F01220070	DADO M16X1,5 D980 10ZN	NUT M16X1,5 D980 8ZN	ECRO.M16X1,5 D980 8ZN	MUTTER M16X1,5 D980 8ZN	TUER.M16X1,5 D980 8ZN
37	F01010114	VITE M16X1,5X50 U5738 8.8 ZN	SCR. M16X1,5X50 U5738 8.8ZN	VIS M 16X1,5X50 U5738 8.8 ZN	SCHRAU. M16X1,5X50 U5738 8,8ZN	TORN. M16X1,5X50 U5738 8.8 ZN
38	F20100135	PERNO D28 L 93 C43 TEST.D60 ZN	PIN D28 L93 C43 GALV.ED			
39	F20100124	PERNO D32 L135 C40 TEST.D45 Z	BOLT D32 L135 C40 ZN	BOULON D32 L135 C40 ZN	BOLZEN D32 L135 C40 ZN	PERNO D32 L135 C40 ZN
40	F01010210	VITE M24X2X150 U5738 8.8ZN	SCR. M24X2X150 U5738 8.8ZN	VIS M24X 2X150 U5738 8.8	SCHRAUBE M24X 2X150 U5738 8.	TORNILLO M24X 2X150 U5738 8.
41	F01480189	ROS.G 25X39,5X 6 FLZNNC-240H	GROWER WASHER D.24	RONDELLA GROWER D.24	SCHIEBE GROWER D.24	ARANDELA GROWER D.24
42	F01200377	DADO M24X2 U5588 CL8 ZN 6.8ZN	NUT M24X2 U5588 6.8ZN	ECROU M24X2 U5586 6.8 ZN	MUTTER M24X2 U5588 6.8 ZN	TUERCA M24X2 U5588 6.8 ZN
43	M68100932	BUSSOLA	BUSHING	BOUSSOLE	BUECHSE	BRUJULA

**TAV.020**

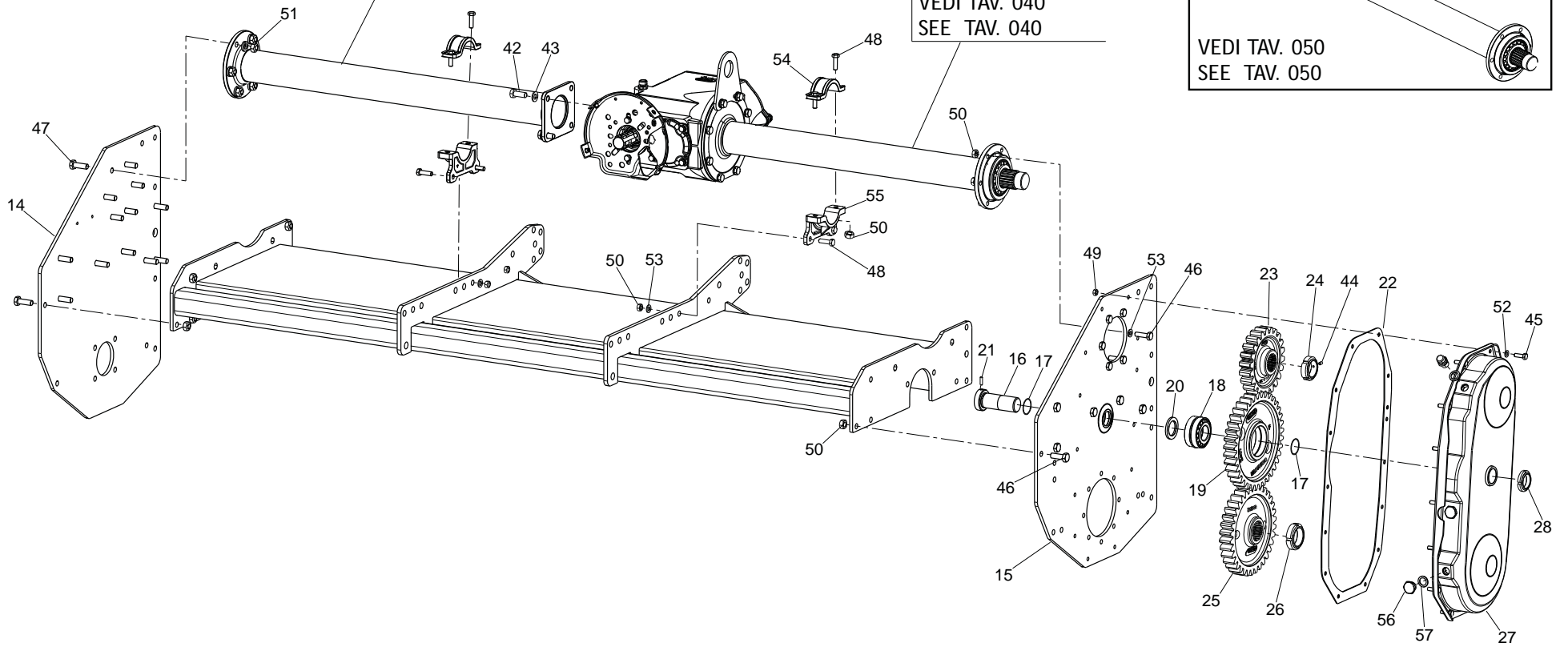
- 29 - U 105    30 - U 120    31 - U 130
- 32 - U 140    33 - U 155    34 - U 170
- 35 - U 180    36 - U 190    37 - U 205
- 38 - U 215    39 - U 230    40 - U 250
- 41 - U 280

**CAMBIO  
MULTI SPEED GEAR**  
VEDI TAV. 040  
SEE TAV. 040

**RIDUTTORE  
SINGLE SPEED GEAR**



VEDI TAV. 050  
SEE TAV. 050

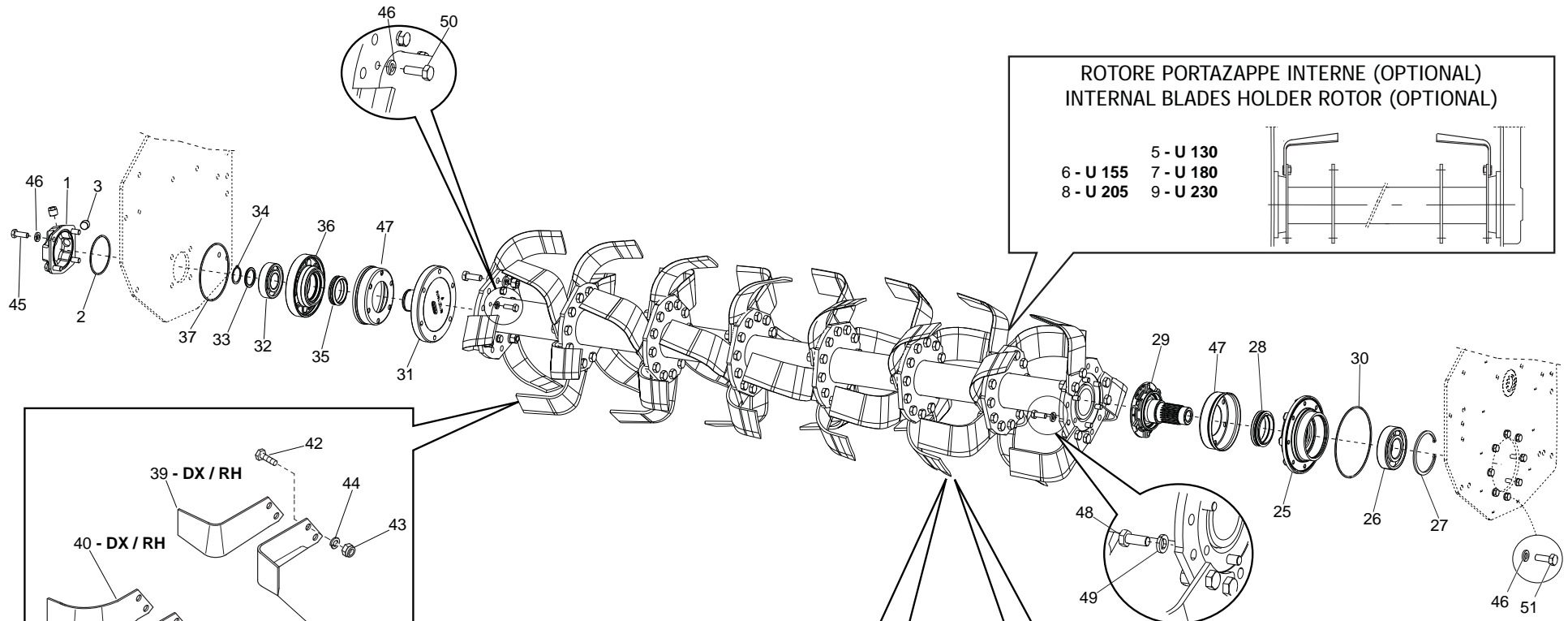


**TRASMISSIONE  
SIDE TRANSMISSION**

**TAV.020**

Pos.	Cod.	Descrizione	Description	Benennung	Description	Description
14	M59400560	FIANCATA LATO ESTERNO	OUTER SIDE PANEL			
15	M59400572	AS.FIANC.LATO TRASMISSIONE	EXTERNAL SIDE TRANSMISSION			
16	M71400361	PERNO INGR.CENTRALE H3	CENTRAL AXLE GEAR H3			
17	F03010504	ANELLO OR 34,65X1,78 NBR	GASKET OR 34,65X1,78 NBR	BAGUE OR 34,65X1,78 NBR	RING OR 34,65X1,78 NBR	ANILLO OR 34,65X1,78 NBR
18	M29100317	KIT CUSCINETTI U	BEARING SET	KIT ROULEMENT	LAGERSATZ	KIT COJINETE
19	M29100308	INGRANAGGIO CENTRALE Z=37 U	CENTRAL GEAR Z=37	ENGRENAGE CENTR. Z=37	ZENTR. ZAHNRAD Z=37	ENGRANAJE CENTR. Z=37
20	M59400581	ROSETTA DI SPESORAMENTO	SHIMMING WASHER			
21	F02100106	SPINA E.P. 6X 20 U6873 C70 BR	EL. PIN E.P. 6X20 U6873 C70 BR	GOUJON E.P. 6X 20 U6873 C70BR	BOLZEN E.P. 6X 20 U6873 C70BR	ESPINA E.P. 6X 20 U6873 C70BR
22	M29100304	GUARNIZIONE CARTER	DRIVE COVER GASKET	JOINT CARTER	DICHTUNG	JUNTA CARTER
23	M29100307	INGRANAGGIO SUPERIORE Z=25 U	UPPER GEAR Z=25	ENGRENAGE SUPERIEUR Z=25	OBERES ZAHNRAD Z=25	ENGRANAJE SUPERIOR Z=25
24	M29100316	GHIERA AUTOBLOCC.SU LATO EST.	SELF LOCKING NUT 40X1,5	COLLIER AUTOBL. 40X1,5	SELBSTSP. NUTMUTTER 40X1,5	VIROLA AUTOBL. 40X1,5
25	M29100309	INGRANAGGIO INFERIORE Z=34 U	LOWER GEAR Z=34	ENGRENAGE INFERIEUR Z=34	ZAHNRAD Z=34	ENGRANAJE INFERIOR Z=34
26	F02010144	GHIERA AU.GUP M45X1,5 T.4H ZN	SELF LOCKING NUT M45X1,5 T.4H	COLLIER AUTOBL. M45X1,5 T.4H	SELBSTSP. M45X1,5 T.4H ZN	VIROLA AUTOBL. M45X1,5 T.4H
27	M68100301	COMP. CARTER INGRANAGGI U2	GEARS COVER	CARTER ENGRENAGES	ZAHNRAEDERGEHAEUSE	CARTER ENGRANAJE
28	F02010022	GHIERA AU.GUK M35X1,5 T.4H ZN	SELF LOCKING NUT M35X1,5	COLLIER AUTOBL. M35X1,5	SELBSTSP. NUTMUTTER M35X1,5	VIROLA AUTOBL. M35X1,5
29	M59410232	DISTANZIALE LATO EST. 105	OUTER SPACER 105			
30	M59412232	DISTANZIALE LATO EST. 120	OUTER SPACER 120			
31	M59413232	DISTANZIALE LATO EST. 130	OUTER SPACER 130			
32	M59414232	DISTANZIALE LATO EST. 140	OUTER SPACER 140			
33	M59415232	DISTANZIALE LATO EST. 155-130L	OUTER SPACER 155-130L			
34	M59417232	DISTANZIALE LATO EST. 170	OUTER SPACER 170			
35	M59418232	DISTANZIALE LATO EST. 180-155L	OUTER SPACER 180-155L			
36	M59419232	DISTANZIALE LATO EST. 190	OUTER SPACER 190			
37	M59420232	DISTANZIALE LATO EST. 205	OUTER SPACER 205			
38	M59421232	DISTANZIALE LATO EST. 215	OUTER SPACER 215			
39	M59423232	DISTANZIALE LATO EST. 230-180L	OUTER SPACER 230-180L			
40	M59425232	DISTANZIALE LATO EST. 250	OUTER SPACER 250			
41	M59428232	DISTANZIALE LATO EST. 280	OUTER SPACER 280			
42	F01010283	VITE M12X1,25X30 U5740 8.8ZN	SCR. M12X1,25X30 U5740 8.8ZN	VIS M 12X1,25X30	SCHRAUBE M 12X1,25X30	TORNILLO M 12X1,25X30
43	F01410076	ROS.M12 13X 20X2,0 U1749 ZN	WASHER	RONDELLE	SCHEIBE	
44	F01050086	VITE M6X1X10 U5927 12.9BR	SCR. M6X1X10 U5927 12.9BR	VIS M 6X10	SCHRAUBE M 6X10	TORNILLO M 6X10
45	F01020440	VITE M8X1,25X25 U5739 8.8ZN	SCR. M8X1,25X25 U5739 8.8ZN	VIS M8X1,25X25 U5739 8.8 ZN	SCHRAUBE M8X1,25X25U5739 8.8ZN	TORNIL.M8X1,25X25 U5739 8.8 ZN
46	F01010288	VITE M12X1,25X35 U5740 8.8ZN	SCR. M12X1,25X35 U5740 8.8ZN	VIS M12X1,25X35 U5740 8.8 ZN	SCHR.M12X1,25X35 U5740 8.8 ZN	TORN.M12X1,25X35 U5740 8.8 ZN
47	F01010254	VITE M10X1,25X35 U5740 8.8ZN	SCR. M10X1,25X35 U5740 8.8ZN	VIS M 10X1,25X35	SCHRAUBE M 10X1,25X35	TORNILLO M 10X1,25X35
48	F01010291	VITE M12X1,25X40 U5740 8.8ZN	SCR. M12X1,25X40 U5740 8.8ZN	VIS M12X1,25X40 U5740 8.8 ZN	SCHR.M12X1,25X40 U5740 8.8 ZN	TORN. M12X1,25X40 U5740 8.8 ZN
49	F01220022	DADO M8X1,25 D980 8ZN	NUT M8X1,25 D980 8ZN	ECROU M8X 1,25 D980 8 ZN	MUTTER M8X 1,25 D980 8 ZN	TUERCA M8X 1,25 D980 8 ZN
50	F01220047	DADO M12X1,25 D980 8ZN	NUT M12X1,25 D980 8ZN	ECROU M12X1,25 D980 8 ZN	MUTTER M12X1,25 D980 8 ZN	TUERCA M12X1,25 D980 8 ZN
51	F01220034	DADO M10X1,25 D980 8ZN	NUT M10X1,25 D980 8ZN	ECRO.M10X1,25 D980 8 ZB	MUTT.M10X1,25 D980 8 ZB	TUER.M10X1,25 D980 8 ZB
52	F01410051	ROS.M8 8,4X 17X1,6 U6592 ZN	WASHER M8 8,4X17X1,6 U6592 ZN	RONDELLE	SCHEIBE	
53	F01480123	ROS.G 12,5X22,9X 4 FLZNNC-240H	WASHER M12 ZGP EXTRA P.	RONDELLE M12 ZGP EXTRA P.	UNTERLEGSSCHEIBE M12 ZGP EXTRA	ARANDELA M12 ZGP EXTRA P.
54	M10700261	STAFFA	GEARBOX BRACKET STIRRUP			
55	M10700260	SUPPORTO DISTANZIALE	GEARBOX BRACKET			
56	M29100717	TAPPO SFIATO	OIL BREATHER PLUG	BOUCHON DE SOUPIRAIL	ENTLUEFTERPFROPFEN	TAPON RESPIRADERO
57	M26100321	GUARNIZIONE PER TAPPO OLIO	GASKET	JOINT	DICHTUNG	JUNTA

**TAV.030**



**ROTORE PORTAZAPPE INTERNE (OPTIONAL)**  
**INTERNAL BLADES HOLDER ROTOR (OPTIONAL)**

6 - U 155	5 - U 130
7 - U 180	
8 - U 205	9 - U 230

39 - DX / RH  
 40 - DX / RH  
 38 - SX / LH  
 41 - SX / LH

42  
 43  
 44

**ROTORE PORTAZAPPE ESTERNE (OPTIONAL)**  
**EXTERNAL BLADES HOLDER ROTOR (OPTIONAL)**

13 - U 130
14 - U 155
15 - U 180
16 - U 205

**ROTORE PORTAZAPPE MISTE (OPTIONAL)**  
**MIXED BLADES HOLDER ROTOR (OPTIONAL)**

21 - U 140







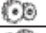









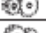





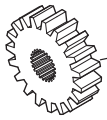
**ROTORE  
ROTOR**

**TAV.030**

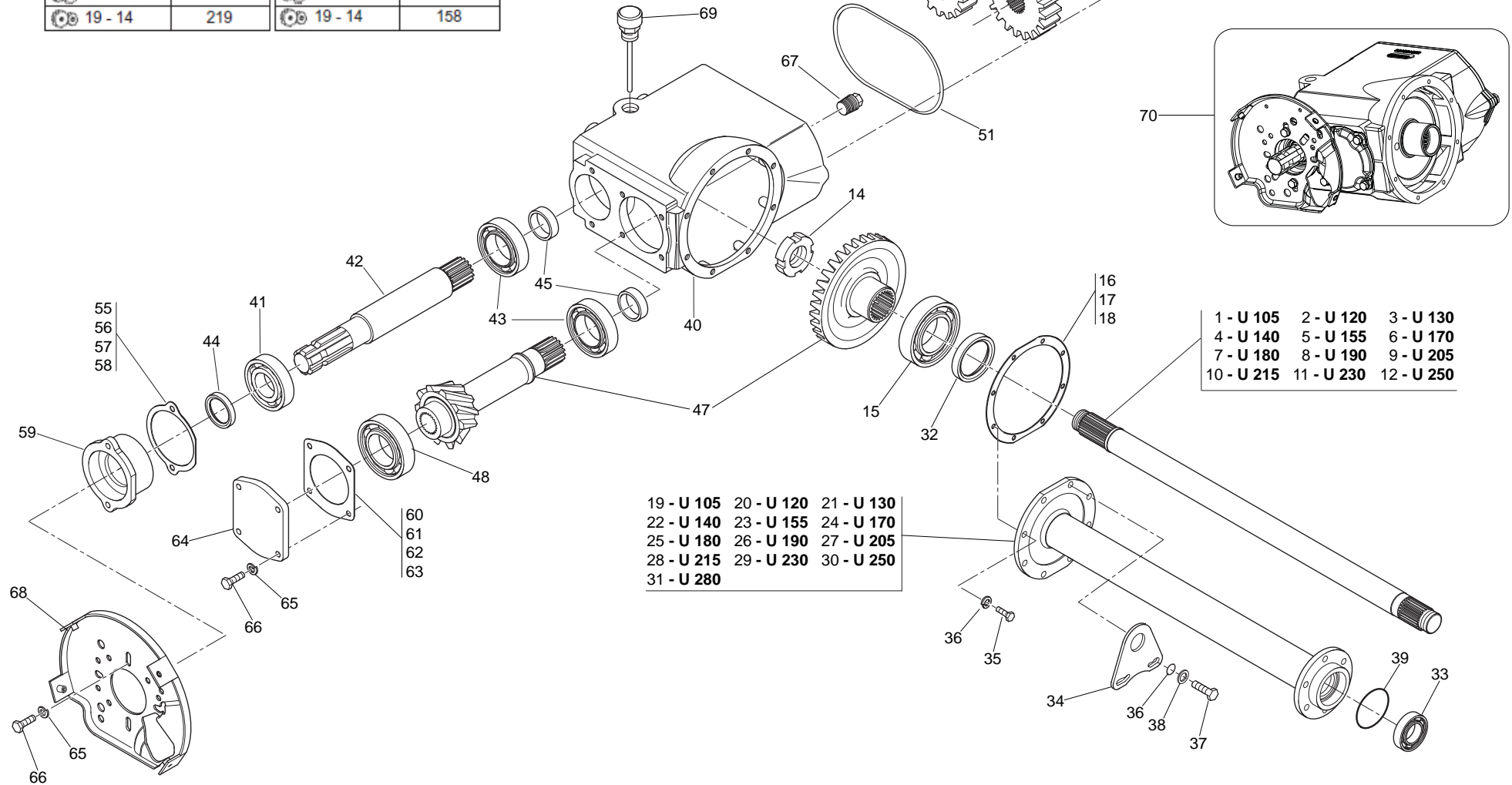
Pos.	Cod.	Descrizione	Description	Benennung	Description	Description
1	M68100413	COPERCHIO L.E.	COVER	COUVERCLE	DECKEL	TAPA
2	F03010684	ANELLO OR 94,84X3,53 NGR	GASKET OR 94,84X3,53 NBR	BAGUE OR 94.83X3.53 NBR	RING OR 94,84X3,53 NBR	ANILLO OR 94,84X3,53 NBR
3	F03150630	TAPPO SCARICO 1 2 GAS CON.	OIL OUTLET PLUG 1 2	BOUCHON DE VIDANGE HUILE 1 2	OELABLASSPFROPFEN 1 2	TAPON DESCARGADO ACEITE 1 2
5	M29113401	ROTORE PORTAZAPPE U130	BLADES HOLDER ROTOR 130	ROTOR PORTE COUTEAUX 130	MESSERHALTERROTOR 130	ROTOR PORTA-AZADAS 130
6	M29115401	ROTORE PORTAZAPPE U155	BLADES HOLDER ROTOR 155	ROTOR PORTE COUTEAUX 155	MESSERHALTERROTOR 155	ROTOR PORTA-AZADAS 155
7	M29118401	ROTORE PORTAZAPPE U180	BLADES HOLDER ROTOR 180	ROTOR PORTE COUTEAUX 180	MESSERHALTERROTOR 180	ROTOR PORTA-AZADAS 180
8	M29120401	ROTORE PORTAZAPPE U205	BLADES HOLDER ROTOR 205	ROTOR PORTE COUTEAUX 205	MESSERHALTERROTOR 205	ROTOR PORTA-AZADAS 205
9	M29123401	ROTORE PORTAZAPPE U230	BLADES HOLDER ROTOR 230	ROTOR PORTE COUTEAUX 230	MESSERHALTERROTOR 230	ROTOR PORTA-AZADAS 230
13	M29113422	ROTORE PORTAZAPPE U130 EST.	BLADES HOLDER ROTOR 130	ROTOR PORTE COUTEAUX 130	MESSERHALTERROTOR 130	ROTOR PORTA-AZADAS 130
14	M29115422	ROTORE PORTAZAPPE U155 EST.	BLADES HOLDER ROTOR 155	ROTOR PORTE COUTEAUX 155	MESSERHALTERROTOR 155	ROTOR PORTA-AZADAS 155
15	M29118422	ROTORE PORTAZAPPE U180 EST.	BLADES HOLDER ROTOR 180	ROTOR PORTE COUTEAUX 180	MESSERHALTERROTOR 180	ROTOR PORTA-AZADAS 180
16	M29120422	ROTORE PORTAZAPPE U205 EST.	BLADES HOLDER ROTOR 205	ROTOR PORTE COUTEAUX 205	MESSERHALTERROTOR 205	ROTOR PORTA-AZADAS 205
21	M29114417	ROTORE PORTAZAPPE EST.U140	BLADES HOLDER ROTOR 140	ROTOR PORTE COUTEAUX 140	MESSERHALTERROTOR 140	ROTOR PORTA-AZADAS 140
25	M59400471	SUPP. CUSCINETTO ROT. L.TRAS.	TRASMISSION SIDE BEARING SUPP.			
26	F04010226	CUSC.D50 D110 B27 6310	BEARING D50 D110 B27 6310	ROULEMENT 6310	LAGER 6310	COJINETE 6310
27	F02050482	ANELLO E. DI110X 4 U7437 C70	SEEGER RING D.110	BAGUE SEEGER D.110	SEEGERRING D.110	ANILLO SEEGER D.110
28	F03010879	ANELLO ANFIBIO 5850 GNL	WATER-PROOF OIL SEAL 5850	WATER-PROOF PARE-HUILE 5850	WATER-PROOF OELABDICHTUNG 5850	WATER-PROOF PARA-ACEITE 5850
29	M68100408	MOZZO LATO TRASMISSIONE	DRIVE SIDE HUB	MOYEU ROTOR COTE EXTERIEUR	TRANSMISSIONSEITE ROTORNABE	CUBO ROTOR LADO TRASMISION
30	F03010768	ANEL. OR 177,39X3,53 NBR	OR 177,39X3,53 NBR			
31	M68100409	MOZZO LATO ESTERNO	OUTER SIDE HUB	MOYEU COTE EXTERIEUR	SEITENWAND ROTORNABE	CUBO ROTOR LADO EXTERNO
32	F04010218	CUSC.D40 D90 B23 6308	BEARING D40 D90 B23 6308	ROULEMENT 6308	LAGER 6308	COJINETE 6308
33	M02108412	DISTANZ.RINF.MOZ.R.40X51X3	SEEGER STIFFENER RING	ANNEAU DE RENFORCEMENT SEEGER	SEEGERRING	ANILLO REFUERZO SEEGER
34	F02050168	ANELLO E. DE 40X1,75 U7435 C7	SEEGER RING 40X1,75 U7435 C70	BAGUE SEEGER 40X1,75 U7435 C70	SEEGERRING 40X1,75 U7435 C70	ANIL.SEEGER 40X1,75 U7435 C70
35	F03010861	ANELLO ANFIBIO 0440 GNL	WATER-PROOF OIL SEAL 0440	WATER-PROOF PARE-HUILE 0440	WATER-PROOF OELABDICHTUNG 0440	WATER-PROOF PARA-ACEITE 0440
36	M59400470	SUPPORTO CUSC. ROT.LAT. EST.	EXTERNAL SIDE BEARING SUPP.			
37	F03010756	ANELLO OR 142,47X3,53 NBR	GASKET OR 142,47X3,53 NBR	BAGUE OR 142,47X3,53 NBR	RING OR 142,47X3,53 NBR	ANILLO OR 142,47X3,53 NBR
38	M29100408	ZAPPA SQ SX U	LEFT SQR BLADE 80X7 U US UZ	LAME EQUERRE GCH 80X7 U US UZ	WINKELMESSER L 80X7 U US UZ	AZADA ESCUADRA I 80X7 U US UZ
39	M29100407	ZAPPA SQ DX U	RIGHT SQR BLADE 80X7 U US UZ	LAME EQUERRE DRT 80X7 U US UZ	WINKELMESSER R 80X7 U US UZ	AZADA ESCUADRA D 80X7 U US UZ
40	M29100405	ZAPPA EL DX U	R.HEL. BLADE 80X7 U US UZ	LAME HELICE DRT 80X7 U US UZ	BOGENMESSER R 80X7 U US UZ	AZADA HEL. D 80X7 U US UZ
41	M29100406	ZAPPA EL SX U	L.HEL. BLADE 80X7 U US UZ	LAME HELICE GCH 80X7 U US UZ	BOGENMESSER L 80X7 U US UZ	AZADA HEL. I 80X7 U US UZ
42	F20110032	VITE M14X1,5 X 40 SPEC 10.9 ZD	BOLT M14X1,5X40 10.9	VIS M 14X1,5X40	SCHRAUBE M 14X1,5X40	TORNILLO M 14X1,5X40
43	F01200089	DADO M14X1,5 U5587 CL8 ZNN6SZN	NUT M14X1,5 U5587 6SZN	ECROU M14X 1,5 U5587 6S ZB	MUTTER M14X 1,5 U5587 6S ZB	TUERCA M14X 1,5 U5587 6S ZB
44	F01480134	ROS.G 15X26,5X4,5 FLZNNC-240H	GROWER 15X26,5X4,5 EX.C70 ZN	RONDELLE GROWER 15X26,5X4,5	SCHIEBE GROWER 15X26,5X4,5	ARANDELA GROWER 15X26,5X4,5
45	F20110012	VITE M10X1,25X 35 5738 10.9 PL	BOLT M 10X1,25X35	VIS M 10X1,25X35	SCHRAUBE M 10X1,25X35	TORNILLO M 10X1,25X35
46	F01480112	ROS.G 10,5X19X 3 FLZNNC - 240H	GROWER WASHER D.10	RONDELLE GROWER D.10	SCHIEBE GROWER D.10	ARANDELA GROWER D.10
47	M29100413	COPRIPOLVERE	EXTERIOR DUST COVER	PARA-POUSSIERE	STAUBDECKEL	PARAPOLVO
48	F01010283	VITE M12X1,25X30 U5740 8.8ZN	SCR. M12X1,25X30 U5740 8.8ZN	VIS M 12X1,25X30	SCHRAUBE M 12X1,25X30	TORNILLO M 12X1,25X30
49	F01480123	ROS.G 12,5X22,9X 4 FLZNNC-240H	WASHER M12 ZGP EXTRA P.	RONDELLE M12 ZGP EXTRA P.	UNTERLEGSCHIEBE M12 ZGP EXTRA	ARANDELA M12 ZGP EXTRA P.
50	F20110011	VITE M10X1,25X30 SPEC 10.9 ZN	BOLT M 10X1,25X30	VIS M 10X1,25X30	SCHRAUBE M 10X1,25X30	TORNILLO M 10X1,25X30
51	F20110012	VITE M10X1,25X 35 5738 10.9 PL	BOLT M 10X1,25X35	VIS M 10X1,25X35	SCHRAUBE M 10X1,25X35	TORNILLO M 10X1,25X35

# TAV.040

 750 rpm	 rpm	 540 rpm	 rpm
 18 - 15	247	 18 - 15	178
 17 - 16	279	 17 - 16	201
 16 - 17	315	 16 - 17	227
 15 - 18	-	 15 - 18	256
 13 - 20	-	 13 - 20	329
 20 - 13	193	 20 - 13	139
 14 - 19	-	 14 - 19	290
 19 - 14	219	 19 - 14	158



- 46 - Z=15
- 49 - Z=18
- 52 - Z=16
- 53 - Z=17
- 71 - Z=13 (OPTIONAL)
- 72 - Z=20 (OPTIONAL)
- 73 - Z=14 (OPTIONAL)
- 74 - Z=19 (OPTIONAL)



- 1 - U 105
- 2 - U 120
- 3 - U 130
- 4 - U 140
- 5 - U 155
- 6 - U 170
- 7 - U 180
- 8 - U 190
- 9 - U 205
- 10 - U 215
- 11 - U 230
- 12 - U 250







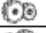









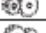



- 19 - U 105
- 20 - U 120
- 21 - U 130
- 22 - U 140
- 23 - U 155
- 24 - U 170
- 25 - U 180
- 26 - U 190
- 27 - U 205
- 28 - U 215
- 29 - U 230
- 30 - U 250
- 31 - U 280

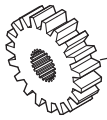
**CAMBIO  
GEARBOX**

**TAV.040**

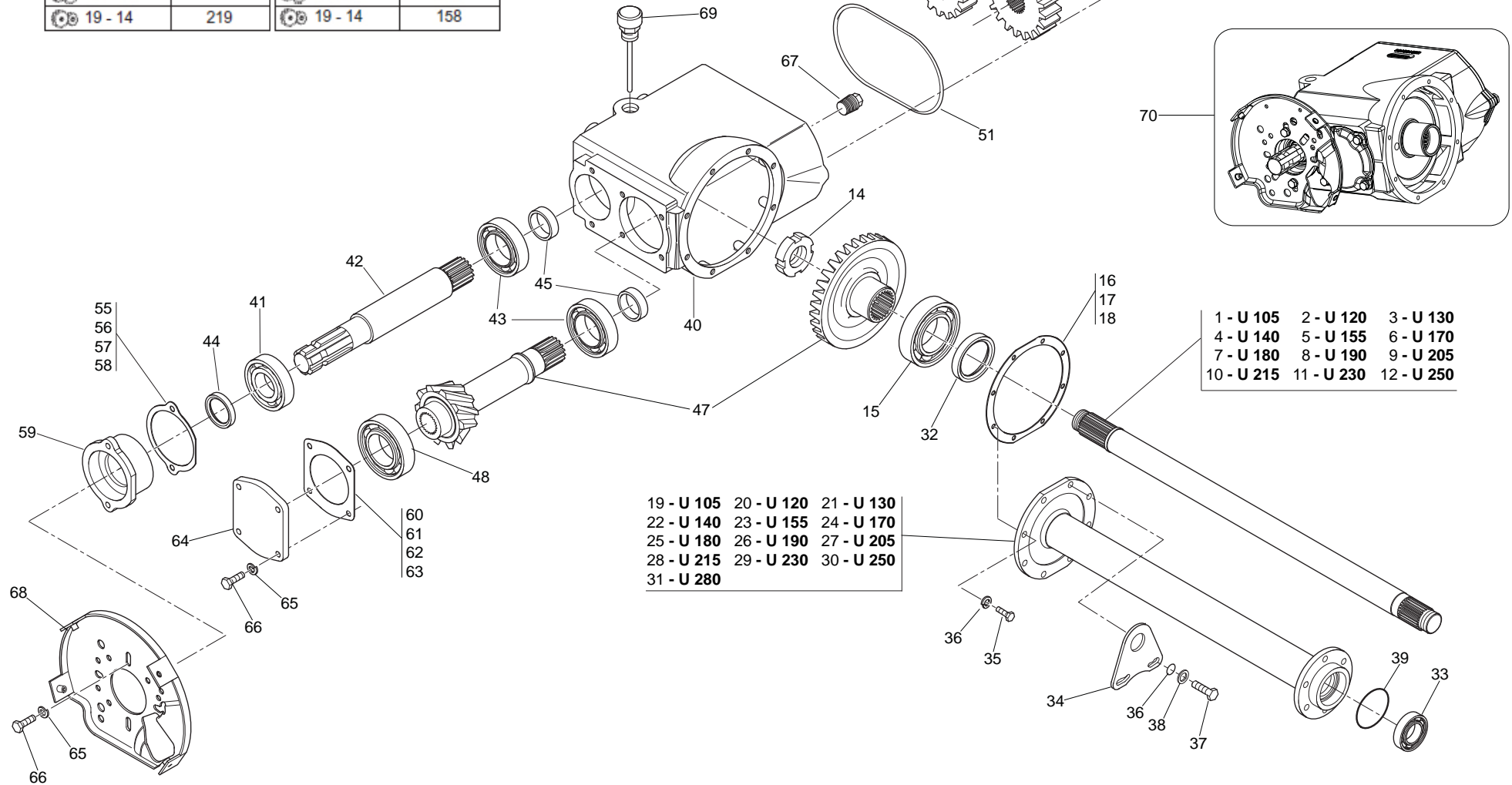
Pos.	Cod.	Descrizione	Description	Benennung	Description	Descrpcion
1	M29110213	ALBERO TRASM. U105C 130L C.C.	TRANSMISSION SHAFT	ARBRE DE TRANSMISSION	ANTRIEBSWELLE	EJE DE TRASMISION
2	M29112213	ALBERO DI TRASM.U120C 145L CC	TRANSMISSION SHAFT	ARBRE DE TRANSMISSION	ANTRIEBSWELLE	EJE DE TRASMISION
3	M29113213	ALBERO DI TRASM.U130C 155L CC	TRANSMISSION SHAFT	ARBRE DE TRANSMISSION	ANTRIEBSWELLE	EJE DE TRASMISION
4	M29114213	ALBERO TRASM. U140 CC	TRANSMISSION SHAFT 140C	ARBRE DE TRANSMISSION 140C	ANTRIEBSWELLE 140C	EJE DE TRASMISION 140C
5	M29115213	ALBERO TRASM.U155C 180L C.C.	TRANSMISSION SHAFT	ARBRE DE TRANSMISSION	ANTRIEBSWELLE	EJE DE TRASMISION
6	M29117213	ALBERO TRASMISSIONE U170C CC	TRANSMISSION SHAFT 170	ARBRE DE TRANSMISSION 170	ANTRIEBSWELLE 170	EJE DE TRASMISION 170
7	M29118213	ALBERO TRASMISSIONE U180C C.C.	TRANSMISSION SHAFT 180	ARBRE DE TRANSMISSION 180	ANTRIEBSWELLE 180	EJE DE TRASMISION 180
8	M29119213	ALBERO TRASMISSIONE U190C CC	TRANSMISSION SHAFT 190	ARBRE DE TRANSMISSION 190	ANTRIEBSWELLE 190	EJE DE TRASMISION 190
9	M29120213	ALBERO TRASMISSIONE U205C CC	TRANSMISSION SHAFT 205	ARBRE DE TRANSMISSION 205	ANTRIEBSWELLE 205	EJE DE TRASMISION 205
10	M29121213	ALBERO TRASMISSIONE U215C CC	TRANSMISSION SHAFT U215C CC			
11	M29123213	ALBERO TRASM. U230C C.C.	TRANSMISSION SHAFT 230	ARBRE DE TRANSMISSION 230	ANTRIEBSWELLE 230	EJE DE TRASMISION 230
12	M29125213	ALBERO TRASM. U250C C.C.	TRANSMISSION SHAFT 250	ARBRE DE TRANSMISSION 250	ANTRIEBSWELLE 250	EJE DE TRASMISION 250
14	F02010133	GHIERA AU.GUK M40X1,5 T.4H ZN	SELF LOCKING NUT M40X1,5	COLLIER AUTOBL.M40X1,5 T.4H ZN	SELBSTSP. NUTMUTTER M40X1,5	VIOLA AUTOBL. M40X1,5 T.4H ZN
15	F04050083	CUSC.D55 D90 T23 32011	BEARING D55 D90 T23 32011	ROULEMENT D55 D90 T23 32011	LAGER D55 D90 T23 32011	COJINETE D55 D90 T23 32011
16	M16100206	GUARNIZ. SUPPORTO CORONA	GASKET SUPPORT MM.0,15	JOINT SUPPORT MM.0,15	HALTERDICHTUNG MM.0,15	JUNTA SOPORTE MM.0,15
17	M16100205	GUARNIZ. SUPPORTO CORONA	GASKET SUPPORT MM.0,3	JOINT SUPPORT MM.0,3	HALTERDICHTUNG MM.0,3	JUNTA SOPORTE MM.0,3
18	M16100204	GUARNIZ.SUPPORTO CORONA	GASKET SUPPORT MM.0,5	JOINT SUPPORT MM.0,5	HALTERDICHTUNG MM.0,5	JUNTA SOPORTE MM.0,5
19	M59410231	COMP. DIST. L.TRASM.CAMBIO	SPACER SIDE GEAR			
20	M59412231	COMP. DIST. L.TRASM.CAMBIO	SPACER SIDE GEAR			
21	M59413231	COMP. DIST. L.TRASM.CAMBIO	SPACER SIDE GEAR			
22	M59414231	COMP. DIST. L.TRASM.CAMBIO	SPACER SIDE GEAR			
23	M59415231	COMP. DIST. L.TRASM.CAMBIO	SPACER SIDE GEAR			
24	M59417231	COMP. DIST. L.TRASM.CAMBIO	SPACER SIDE GEAR			
25	M59418231	COMP. DIST. L.TRASM.CAMBIO	SPACER SIDE GEAR			
26	M59419231	COMP. DIST. L.TRASM.CAMBIO	SPACER SIDE GEAR			
27	M59420231	COMP. DIST. L.TRASM.CAMBIO	SPACER SIDE GEAR			
28	M59421231	COMP. DIST. L.TRASM.CAMBIO	SPACER SIDE GEAR			
29	M59423231	COMP. DIST. L.TRASM.CAMBIO	SPACER SIDE GEARM.SIDE SPACER			
30	M59425231	COMP. DIST. L.TRASM.CAMBIO	SPACER SIDE GEAR			
31	M59428231	COMP. DIST. L.TRASM.CAMBIO	SPACER SIDE GEAR			
32	F03010175	ANELLO T.AS 55X 70X 8 D3760NBR	OIL SEAL 55X70X8 D3760NBR AS	PARE-HUILE 55X70X8 AS	OELABDICHTUNG 55X70X8 AS	PARA-ACEITE 55X70X8 AS
33	F04050077	CUSC.D45 D85 T24,75 32209	BEARING D45 D85 T24,75 32209	ROULEMENT 32209	LAGER 32209	COJINETE 32209
34	M66100114	STAFFA	BRACKET			
35	F01010250	VITE M10X1,25X30 U5740 8.8ZN	SCR. M10X1,25X30 U5740 8.8ZN	VIS M10X1,25X30 U5740 8.8 ZB	SCHR.M10X1,25X30 U5740 8.8 ZB	TORN.M10X1,25X30 U5740 8.8 ZB
36	F01480112	ROS.G 10,5X19X 3 FLZNNC - 240H	GROWER WASHER D.10	RONDELLE GROWER D.10	SCHEIBE GROWER D.10	ARANDELA GROWER D.10
37	F01010254	VITE M10X1,25X35 U5740 8.8ZN	SCR. M10X1,25X35 U5740 8.8ZN	VIS M 10X1,25X35	SCHRAUBE M 10X1,25X35	TORNILLO M 10X1,25X35
38	F01410062	ROS.M10 10,5X 18X 2 U6592 ZN	WASHER M10 10,5X 18X 2 U6592	RONDELLE M10 10,5X18X2 ZN	DICHTUNGSRING M10 10,5X18X2 ZN	RONDANA M10 10,5X18X2 ZN
39	F03010702	ANELLO OR 104,4X3,53 NBR	GASKET OR 4412	BAGUE OR 4412	RING OR 4412	ANILLO OR 4412
40	M59400103	CORPO CAMBIO	GEAR BOX			
41	F04050014	CUSC.D35 D72 T18,25 30207	BEARING D35 D72 T18,25 30207	ROULEMENT 30207	LAGER 30207	COJINETE 30207
42	M29100151	ALBERO PDF 18NICRMO5 UNI 5331	POWER TAKE-OFF SHAFT 1 3 8 Z=6	ARBRE PRISE DE FORCE 1 3 8 Z=6	ZAPFWELLE P.D.F. 1 3 8 Z=6	ARBOL TOMA DE FUERZA 1 3 8 Z=6
43	F04050070	CUSC.D35 D72 T24,25 32207	BEARING D35 D72 T24,25 32207	ROULEMENT 32207	LAGER 32207	COJINETE 32207
44	F03010080	ANELLO T.AS 35X 47X 7 D3760NBR	OIL SEAL 35X47X7 D3760NBR AS	PARE-HUILE 35X47X7 D3760NBR AS	OELABDICHTUNG35X47X7D3760NBRAS	PARA-ACEITE 35X47X7D3760NBR AS
45	M29100135	DISTANZ.CUSCINETTO 35X42,4X5	SPACER	ENTRETOISE	DISTANZSTUECK	DISTANCIADOR
46	M29100138	RUOTA DENTATA Z 15	GEAR Z-15	ENGRENAGE Z-15	ZAHNRAD WECHSELGETRIEBE Z-15	ENGRANAJE Z-15
47	M29100143	COPPIA CONICA	BEVEL GEAR PAIR	COUPLE CONIQUE	KEGELRITZELSATZ	PAR CONICO
48	F04050084	CUSC.D55 D100 T26,75 32211	BEARING D55 D100 T26,75 32211	ROULEMENT 32211	LAGER 32211	COJINETE 32211
49	M29100139	RUOTA DENTATA Z 18	GEAR Z-18	ENGRENAGE Z-18	ZAHNRAD WECHSELGETRIEBE Z-18	ENGRANAJE Z-18
50	M29100136	COPERCHIO INGRANAGGI CAMBIO	GEARBOX COVER	COUVERCLE BOITE DE VITESSE	WECHSELGETREIBEBECKEL	TAPA CAMBIO
51	M29100137	GUARNIZIONE COPERCHIO CAMBIO	GEARBOX COVER GASKET	JOINT COUVERCLE BOITE DE VIT.	WECHSELGETREIBEBECKEL DICHTUNG	JUNTA TAPA CAMBIO
52	M29100140	RUOTA DENTATA Z 16	GEAR Z-16	ENGRENAGE Z-16	ZAHNRAD WECHSELGETRIEBE Z-16	ENGRANAJE Z-16
53	M29100141	RUOTA DENTATA Z 17	GEAR Z-17	ENGRENAGE Z-17	ZAHNRAD WECHSELGETRIEBE Z-17	ENGRANAJE Z-17
54	F01020476	VITE M10X1,5X30 U5739 8.8ZN	SCR. M10X1,5X30 U5739 8.8ZN	VIS M10X1,5X30 U5739 8.8 ZN	SCHRAUBE M10X1,5X30U5739 8.8ZN	TORNIL.M10X1,5X30 U5739 8.8 ZN
55	M29100129	GUAR.COP.P.D.F.MYLAR O,05	GASKET MM.0,05	JOINT MM.0,05	DICHTUNG MM.0,05	JUNTA MM.0,05
56	M29100130	GUAR.COP.P.D.F.PRESSPAN 0,1	GASKET MM.0,1	JOINT MM.0,1	DICHTUNG MM.0,1	JUNTA MM.0,1

# TAV.040

 750 rpm	 rpm	 540 rpm	 rpm
 18 - 15	247	 18 - 15	178
 17 - 16	279	 17 - 16	201
 16 - 17	315	 16 - 17	227
 15 - 18	-	 15 - 18	256
 13 - 20	-	 13 - 20	329
 20 - 13	193	 20 - 13	139
 14 - 19	-	 14 - 19	290
 19 - 14	219	 19 - 14	158



- 46 - Z=15
- 49 - Z=18
- 52 - Z=16
- 53 - Z=17
- 71 - Z=13 (OPTIONAL)
- 72 - Z=20 (OPTIONAL)
- 73 - Z=14 (OPTIONAL)
- 74 - Z=19 (OPTIONAL)



- 1 - U 105
- 2 - U 120
- 3 - U 130
- 4 - U 140
- 5 - U 155
- 6 - U 170
- 7 - U 180
- 8 - U 190
- 9 - U 205
- 10 - U 215
- 11 - U 230
- 12 - U 250

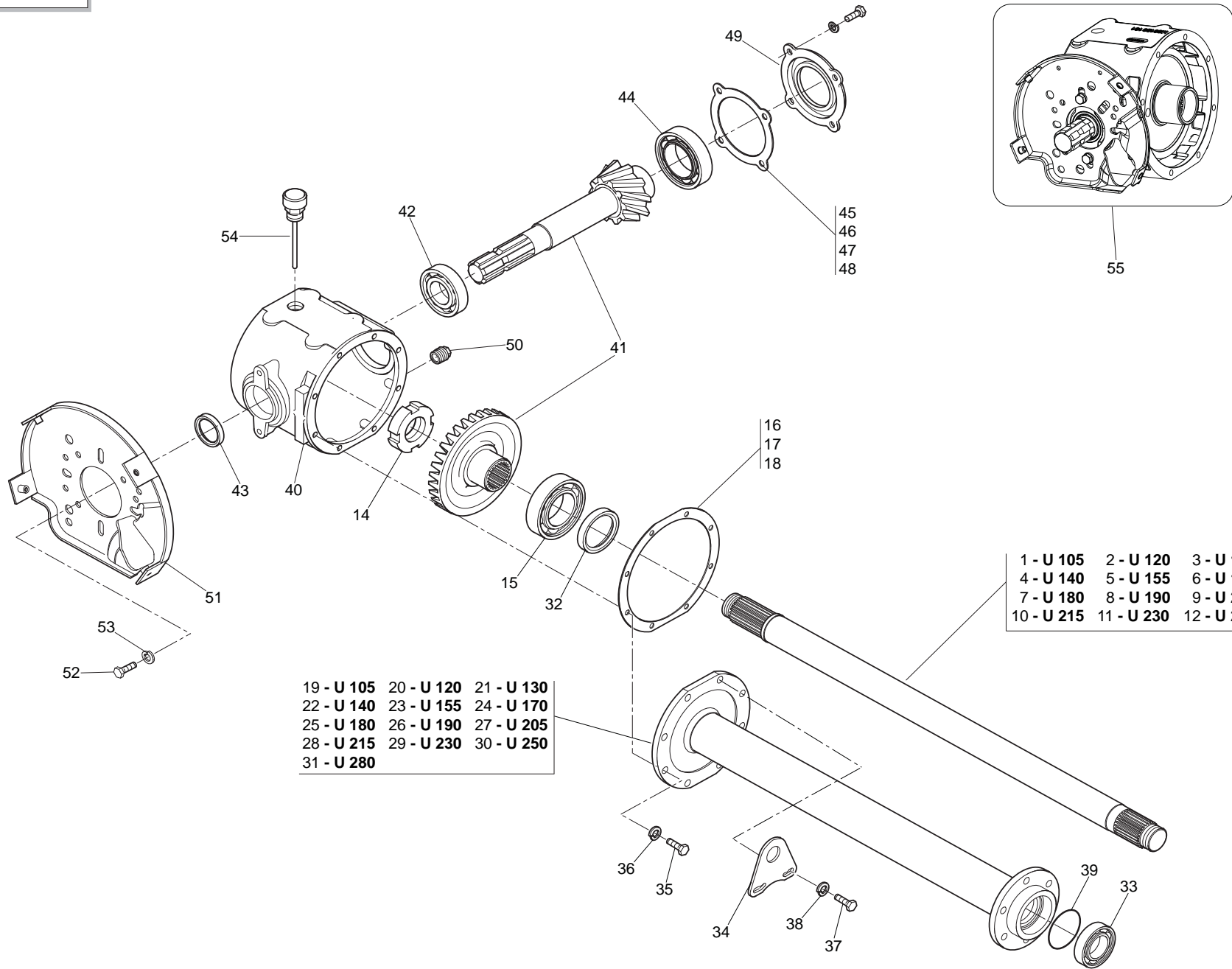
- 19 - U 105
- 20 - U 120
- 21 - U 130
- 22 - U 140
- 23 - U 155
- 24 - U 170
- 25 - U 180
- 26 - U 190
- 27 - U 205
- 28 - U 215
- 29 - U 230
- 30 - U 250
- 31 - U 280

**CAMBIO  
GEARBOX**

**TAV.040**

Pos.	Cod.	Descrizione	Description	Benennung	Description	Description
57	M29100131	GUAR.COP. P.D.F. PRESSPAN 0,3	GASKET MM.0,3	JOINT MM.0,3	DICHTUNG MM.0,3	JUNTA MM.0,3
58	M29100132	GUAR.COP. P.D.F. PRESSPAN 0,5	GASKET MM.0,5	JOINT MM.0,5	DICHTUNG MM.0,5	JUNTA MM.0,5
59	M29100128	COPERCHIO P.D.F.	BEARING COVER P.D.F.	COUVERCLE ROULEMENT P.D.F.	LAGERDECKEL P.D.F.	TAPA COJINETE P.D.F.
60	M29100106	GUARN.SUP. PIGNONE MYLAR 0,05	GASKET MM.0,05	JOINT MM.0,05	DICHTUNG MM.0,05	JUNTA MM.0,05
61	M29100107	GUAR.SUP. PIGNONE PRESSPAN 0,1	GASKET MM.0,1	JOINT MM.0,1	DICHTUNG MM.0,1	JUNTA MM.0,1
62	M29100108	GUAR.SUP. PIGNONE PRESSPAN 0,3	GASKET MM.0,3	JOINT MM.0,3	DICHTUNG MM.0,3	JUNTA MM.0,3
63	M29100109	GUAR.SUP. PIGNONE PRESSPAN 0,5	GASKET MM.0,5	JOINT MM.0,5	DICHTUNG MM.0,5	JUNTA MM.0,5
64	M29100105	COPERCHIO PIGNONE	BEARING SUPPORT COVER PINION	COUVERCLE ROULEMENT	LAGERDECKEL	TAPA COJINETE
65	F01480099	ROS.G 8,4X14,4X2,7 FLZNNC-240H	GROWER WASHER D.8	RONDELLE GROWER D.8	SCHEIBE GROWER D.8	ARANDELA GROWER D.8
66	F01020445	VITE M8X1,25X30 U5739 8.8ZN	SCR. M8X1,25X30 U5739 8.8ZN	VIS M 8X1,25X30 U5739 8.8 ZN	SCHRAU, M8X1,25X30 U5739 8.8ZN	TORN. M8X1,25X30 U5739 8.8 ZN
67	F03150630	TAPPO SCARICO 1 2 GAS CON.	OIL OUTLET PLUG 1 2	BOUCHON DE VIDANGE HUILE 1 2	OELABLASSPFROPFEN 1 2	TAPON DESCARGADO ACEITE 1 2
68	M37100106	ATTACCO PROTEZIONE	PROTECTION SUPPORT	SUPPORT PROTECTION CARDAN	GELENKWELLENSCHUTZ HALTER	SOPORTE PROTECCION CARDANICO
69	M20100155	TAPPO SFIATO CON ASTA L.	BREATHER PLUG	BOUCHON DE SOUPIRAIL	ENTLUEFTERSTOPFEN	TAPON RESPIRADERO
70	M59400101	COMP.M. CAMBIO VELOCITA	MULTI SPEED GEARBOX			
71	M29100146	INGRANAGGIO CAMBIO Z 13	GEARBOX GEAR Z13	PIGNON BOITE VITESSE Z 13		
72	M29100147	INGRANAGGIO CAMBIO Z 20	GEARBOX GEAR Z20	PIGNON BOITE VITESSE Z 20		
73	M29100144	INGRANAGGIO CAMBIO Z=14	GEAR Z-14	ENGRENAGE Z-14	ZAHNRAD WECHSELGETRIEBE Z-14	ENGRANAJE Z-14
74	M29100145	INGRANAGGIO CAMBIO Z=19	GEAR Z-19	ENGRENAGE Z-19	ZAHNRAD WECHSELGETRIEBE Z-19	ENGRANAJE Z-19

**TAV.050**



- 19 - U 105    20 - U 120    21 - U 130
- 22 - U 140    23 - U 155    24 - U 170
- 25 - U 180    26 - U 190    27 - U 205
- 28 - U 215    29 - U 230    30 - U 250
- 31 - U 280

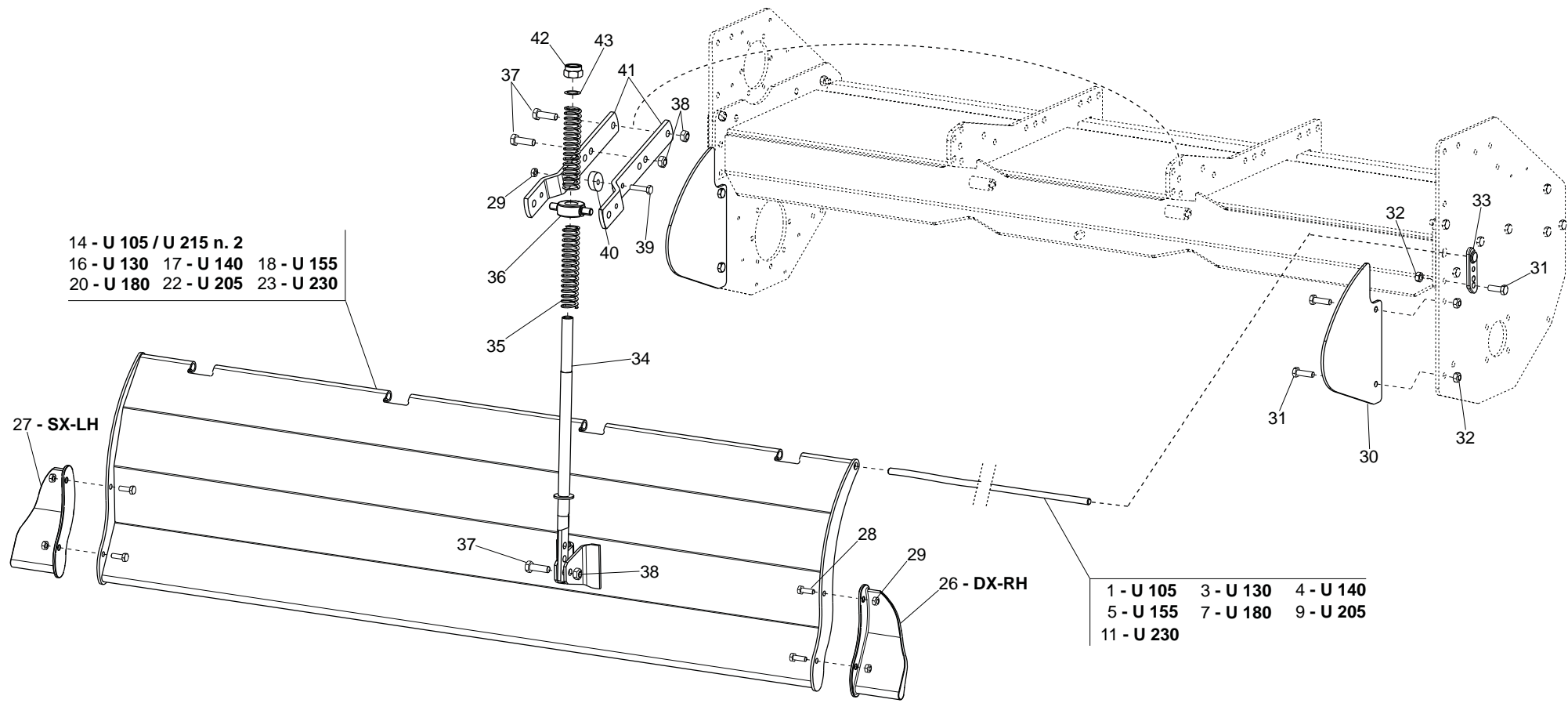
- 1 - U 105    2 - U 120    3 - U 130
- 4 - U 140    5 - U 155    6 - U 170
- 7 - U 180    8 - U 190    9 - U 205
- 10 - U 215    11 - U 230    12 - U 250

**RIDUTTORE  
SINGLE SPEED GEARBOX**

**TAV.050**

Pos.	Cod.	Descrizione	Description	Benennung	Description	Description
1	M29110206	ALBERO TRASM. U 105C 130L RID.	TRANSMISSION SHAFT	ARBRE DE TRANSMISSION	ANTRIEBSWELLE	EJE DE TRASMISION
2	M29112206	ALBERO TRASM.U120C 145L RID.	TRANSMISSION SHAFT	ARBRE DE TRANSMISSION	ANTRIEBSWELLE	EJE DE TRASMISION
3	M29113206	ALBERO TRASM.U130C 155L RID.	TRANSMISSION SHAFT	ARBRE DE TRANSMISSION	ANTRIEBSWELLE	EJE DE TRASMISION
4	M29114206	ALBERO TRASM.U140 RID.	TRANSMISSION SHAFT 140C	ARBRE DE TRANSMISSION 140C	ANTRIEBSWELLE 140C	EJE DE TRASMISION 140C
5	M29115206	ALBERO TRASM.U155C 180L RID.	TRANSMISSION SHAFT	ARBRE DE TRANSMISSION	ANTRIEBSWELLE	EJE DE TRASMISION
6	M29117206	ALBERO TRASMISSIONE U170C RID.	TRANSMISSION SHAFT	ARBRE DE TRANSMISSION	ANTRIEBSWELLE	EJE DE TRASMISION
7	M29118206	ALBERO TRASMISSIONE U180C RID.	TRANSMISSION SHAFT 180	ARBRE DE TRANSMISSION 180	ANTRIEBSWELLE 180	EJE DE TRASMISION 180
8	M29119206	ALBERO TRASMISSIONE U190C RID.	SPACER	ENTRETOISE	DISTANZSTUECK	DISTANCIADOR
9	M29120206	ALBERO TRASMISSIONE U205C RID.	TRANSMISSION SHAFT D=48 L=1152	ARBRE DE TRANSMISSION 205	ANTRIEBSWELLE 205	EJE DE TRASMISION 205
10	M29121206	ALBERO TRASMISSIONE U215C RID.	TRANSMISSION SHAFT D=48 L=1102			
11	M29123206	ALBERO TRASM. U230C RID.	TRANSMISSION SHAFT 230	ARBRE DE TRANSMISSION 230	ANTRIEBSWELLE 230	EJE DE TRASMISION 230
12	M29125206	ALBERO TRASM. U250C RID.	TRANSMISSION SHAFT 250	ARBRE DE TRANSMISSION 250	ANTRIEBSWELLE 250	EJE DE TRASMISION 250
14	F02010133	GHIERA AU.GUK M40X1,5 T.4H ZN	SELF LOCKING NUT M40X1,5	COLLIER AUTOBL.M40X1,5 T.4H ZN	SELBSTSP. NUTMUTTER M40X1,5	VIROLA AUTOBL. M40X1,5 T.4H ZN
15	F04050083	CUSC.D55 D90 T23 32011	BEARING D55 D90 T23 32011	ROULEMENT D55 D90 T23 32011	LAGER D55 D90 T23 32011	COJINETE D55 D90 T23 32011
16	M16100206	GUARNIZ. SUPPORTO CORONA	GASKET SUPPORT MM.0,15	JOINT SUPPORT MM.0,15	HALTERDICHTUNG MM.0,15	JUNTA SOPORTE MM.0,15
17	M16100205	GUARNIZ. SUPPORTO CORONA	GASKET SUPPORT MM.0,3	JOINT SUPPORT MM.0,3	HALTERDICHTUNG MM.0,3	JUNTA SOPORTE MM.0,3
18	M16100204	GUARNIZ. SUPPORTO CORONA	GASKET SUPPORT MM.0,5	JOINT SUPPORT MM.0,5	HALTERDICHTUNG MM.0,5	JUNTA SOPORTE MM.0,5
19	M59410230	DISTANZIALE LATO TRASM.	DISTANCE TRANSMISSION SIDE			
20	M59412230	DISTANZIALE LATO TRASM.	DISTANCE TRANSMISSION SIDE			
21	M59413230	DISTANZIALE LATO TRASM.	DISTANCE TRANSMISSION SIDE			
22	M59414230	DISTANZIALE LATO TRASM.	DISTANCE TRANSMISSION SIDE			
23	M59415230	DISTANZIALE LATO TRASM.	DISTANCE TRANSMISSION SIDE			
24	M59417230	DISTANZIALE LATO TRASM.	DISTANCE TRANSMISSION SIDE			
25	M59418230	DISTANZIALE LATO TRASM.	DISTANCE TRANSMISSION SIDE			
26	M59419230	DISTANZIALE LATO TRASM.	DISTANCE TRANSMISSION SIDE			
27	M59420230	DISTANZIALE LATO TRASM.	DISTANCE TRANSMISSION SIDE			
28	M59421230	DISTANZIALE LATO TRASM.	DISTANCE TRANSMISSION SIDE			
29	M59423230	DISTANZIALE LATO TRASM.	DISTANCE TRANSMISSION SIDE			
30	M59425230	DISTANZIALE LATO TRASM.	DISTANCE TRANSMISSION SIDE			
31	M59428230	DISTANZIALE LATO TRASM.	DISTANCE TRANSMISSION SIDE			
32	F03010175	ANELLO T.AS 55X 70X 8 D3760NBR	OIL SEAL 55X70X8 D3760NBR AS	PARE-HUILE 55X70X8 AS	OELABDICHTUNG 55X70X8 AS	PARA-ACEITE 55X70X8 AS
33	F04050077	CUSC.D45 D85 T24,75 32209	BEARING D45 D85 T24,75 32209	ROULEMENT 32209	LAGER 32209	COJINETE 32209
34	M66100114	STAFFA	BRACKET			
35	F01010254	VITE M10X1,25X35 U5740 8.8ZN	SCR. M10X1,25X35 U5740 8.8ZN	VIS M 10X1,25X35	SCHRAUBE M 10X1,25X35	TORNILLO M 10X1,25X35
36	F01480112	ROS.G 10,5X19X 3 FLZNNC - 240H	GROWER WASHER D.10	RONDELLE GROWER D.10	SCHIEBE GROWER D.10	ARANDELA GROWER D.10
37	F01010250	VITE M10X1,25X30 U5740 8.8ZN	SCR. M10X1,25X30 U5740 8.8ZN	VIS M10X1,25X30 U5740 8.8 ZB	SCHR.M10X1,25X30 U5740 8.8 ZB	TORN.M10X1,25X30 U5740 8.8 ZB
38	F01410062	ROS.M10 10,5X 18X 2 U6592 ZN	WASHER M10 10,5X 18X 2 U6592 ZN	RONDELLE M10 10,5X18X2 ZN	DICHTUNGSRING M10 10,5X18X2 ZN	RONDANA M10 10,5X18X2 ZN
39	F03010702	ANELLO OR 104,4X3,53 NBR	GASKET OR 4412	BAGUE OR 4412	RING OR 4412	ANILLO OR 4412
40	M59400102	CORPO RIDUTTORE	REDUCER GEARBOX			
41	M29100152	COPPIA CONICA	BEVEL GEAR PAIR			
42	F04050014	CUSC.D35 D72 T18,25 30207	BEARING D35 D72 T18,25 30207	ROULEMENT 30207	LAGER 30207	COJINETE 30207
43	F03010080	ANELLO T.AS 35X 47X 7 D3760NBR	OIL SEAL 35X47X7 D3760NBR AS	PARE-HUILE 35X47X7 D3760NBR AS	OELABDICHTUNG35X47X7D3760NBRAS	PARA-ACEITE 35X47X7D3760NBR AS
44	F04050020	CUSC.D55 D100 T22,75 30211	BEARING D55 D100 T22,75 30211	ROULEMENT D55 D100 T22,75	LAGER D55 D100 T22,75 30211	COJINETE D55 D100 T22,75 30211
45	M29100106	GUARN.SUP. PIGNONE MYLAR 0,05	GASKET MM.0,05	JOINT MM.0,05	DICHTUNG MM.0,05	JUNTA MM.0,05
46	M29100107	GUAR.SUP. PIGNONE PRESSPAN 0,1	GASKET MM.0,1	JOINT MM.0,1	DICHTUNG MM.0,1	JUNTA MM.0,1
47	M29100108	GUAR.SUP. PIGNONE PRESSPAN 0,3	GASKET MM.0,3	JOINT MM.0,3	DICHTUNG MM.0,3	JUNTA MM.0,3
48	M29100109	GUAR.SUP. PIGNONE PRESSPAN 0,5	GASKET MM.0,5	JOINT MM.0,5	DICHTUNG MM.0,5	JUNTA MM.0,5
49	M29100105	COPERCHIO PIGNONE	BEARING SUPPORT COVER PINION	COUVERCLE ROULEMENT	LAGERDECKEL	TAPA COJINETE
50	F03150630	TAPPO SCARICO 1 2 GAS CON.	OIL OUTLET PLUG 1 2	BOUCHON DE VIDANGE HUILE 1 2	OELABLASSPFROPFEN 1 2	TAPON DESCARGADO ACEITE 1 2
51	M37100106	ATTACCO PROTEZIONE	PROTECTION SUPPORT	SUPPORT PROTECTION CARDAN	GELENKWELLENSCHUTZ HALTER	SOPORTE PROTECCION CARDANICO
52	F01020436	VITE M8X1,25X20 U5739 8.8ZN	SCR. M8X1,25X20 U5739 8.8ZN	VIS M8X1,25X 20 U5739 8.8 ZN	SCHRAUBE M8X1,25X20U5739 8.8ZN	TORN. M8X1,25X20 U5739 8.8 ZN
53	F01480099	ROS.G 8,4X14,4X2,7 FLZNNC-240H	GROWER WASHER D.8	RONDELLE GROWER D.8	SCHIEBE GROWER D.8	ARANDELA GROWER D.8
54	M20100155	TAPPO SFIATO CON ASTA L.	BREATHER PLUG	BOUCHON DE SOUPIRAL	ENTLUEFTERSTOPFEN	TAPON RESPIRADERO
55	M59400100	COMP.M. RIDUTTORE U3	GEARBOX ASS. U3			

**TAV.060**



- 14 - U 105 / U 215 n. 2
- 16 - U 130 17 - U 140 18 - U 155
- 20 - U 180 22 - U 205 23 - U 230

- 1 - U 105 3 - U 130 4 - U 140
- 5 - U 155 7 - U 180 9 - U 205
- 11 - U 230



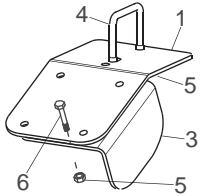
**LAMIERA LIVELLATRICE  
LEVELING BAR**

**TAV.060**

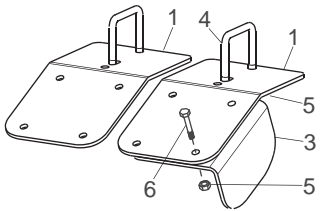
Pos.	Cod.	Descrizione	Description	Benennung	Description	Description
1	M28110796	PERNO CERNIERA D.14 L=1120	HINGE PIN LEVELLING PLATE 105	GOUJON CHARN. CAPOT NIV. 105	SCH.BOLZEN PLANIERHAUBE 105	PERNO CHARN. PLANCHA NIV. 105
3	M63113538	PERNO CERNIERA X LAM. LIV. 130	HINGE PIN LEVELLING PLATE	GOUJON CHARN. CAPOT NIV.	SCH.BOLZEN PLANIERHAUBE	PERNO CHARN. PLANCHA NIV.
4	M28114796	PERNO CERNIERA D.14 MOD.140	HINGE PIN LEVELLING PLATE 140	GOUJON CHARN. CAPOT NIV. 140	SCH.BOLZEN PLANIERHAUBE 140	PERNO CHARN. PLANCHA NIV. 140
5	M28115796	PERNO CERNIERA D.14 MOD.155	HINGE PIN LEVELLING PLATE 155	GOUJON CHARN. CAPOT NIV. 155	SCH.BOLZEN PLANIERHAUBE 155	PERNO CHARN. PLANCHA NIV. 155
7	M63118538	PERNO LAMIERA LIVELLATRICE	HINGE PIN LEVELLING PLATE	GOUJON CHARN. CAPOT NIV.	SCH.BOLZEN PLANIERHAUBE	PERNO CHARN. PLANCHA NIV.
9	M28120796	PERNO CERNIERA	HINGE PIN LEVELLING PLATE 205	GOUJON CHARN. CAPOT NIV. 205	SCH.BOLZEN PLANIERHAUBE 205	PERNO CHARN. PLANCHA NIV. 205
11	M28123796	PERNO CERNIERA	HINGE PIN LEVELLING PLATE 230	GOUJON CHARN. CAPOT NIV. 230	SCH.BOLZEN PLANIERHAUBE 230	PERNO CHARN. PLANCHA NIV. 230
14	M59410715	AS.LIVELLAT.LUNG.105	AS.LIVELLAT. LENGTH 105			
16	M59413715	AS.LIVELLAT.MINA 130	AS. LIVELLAT. MINA 130			
17	M59414715	AS.LIVELLAT.LUNG.145	COMP. REAR BONNET 140			
18	M59415715	AS.LIVELLAT.LUNG.155	COMP. REAR BONNET 155			
20	M59418715	AS.LIVELLAT.LUNG.180	COMP. REAR BONNET 180			
22	M59420715	AS.LIVELLAT.LUNG.200	COMP. REAR BONNET 205			
23	M59423715	AS.LIVELLAT.LUNG.230	COMP. REAR BONNET 230			
26	M59400744	ESTENSORE LAMIERA LIV. DX	EXTENDER SHEET METAL LIV. DX			
27	M59400745	ESTENSORE LAMIERA LIV. SX	EXTENDER SHEET METAL LIV. SX			
28	F01010250	VITE M10X1,25X30 U5740 8.8ZN	SCR. M10X1,25X30 U5740 8.8ZN	VIS M10X1,25X30 U5740 8.8 ZB	SCHR.M10X1,25X30 U5740 8.8 ZB	TORN.M10X1,25X30 U5740 8.8 ZB
29	F01220034	DADO M10X1,25 D980 8ZN	NUT M10X1,25 D980 8ZN	ECRO.M10X1,25 D980 8 ZB	MUTT.M10X1,25 D980 8 ZB	TUER.M10X1,25 D980 8 ZB
30	M59400791	PROLUNGA FIANCATA	SIDE PROTECTION			
31	F01010291	VITE M12X1,25X40 U5740 8.8ZN	SCR. M12X1,25X40 U5740 8.8ZN	VIS M12X1,25X40 U5740 8.8 ZN	SCHR.M12X1,25X40 U5740 8.8 ZN	TORN. M12X1,25X40 U5740 8.8 ZN
32	F01220047	DADO M12X1,25 D980 8ZN	NUT M12X1,25 D980 8ZN	ECROU M12X1,25 D980 8 ZN	MUTTER M12X1,25 D980 8 ZN	TUERCA M12X1,25 D980 8 ZN
33	M64400515	PIATTO DI FERMO ZG	LOCKING STIRRUP	ETRIER DE BLOCAGE	BLOCKIERUNGSBUEGEL	ESTRIBO BLOQUEO
34	M53400742	COMPOSTO TUBO REGOLAZ.PREMILAM	ADJUSTMENT PIPE	TUBE REGLAGE	ROHR EINSTELLUNG	TUBO REGULACI N
35	M53400758	MOLLA D=45 INT.29 L.181,5 ZD	SPRING D=45 D=29 L=181,5			
36	M26100714	SNODO SUPPORTO MARTINETTO	UPPER JOINT	JOINT SUPERIEUR	OBERGELENK	JANTURA SUPERIOR
37	F01010319	VITE M14X1,5X45 U5740 8.8ZN	SCR. M14X1,5X45 U5740 8.8ZN	VIS M14X1,5 X45 U5740 8.8 ZB	SCH. M14X1,5 X45 U5740 8.8 ZB	TORNILLO M14X1,5 X45 U5740 8.8
38	F01220059	DADO M14X1,5 D980 8ZN	NUT M14X1,5 D980 8ZN	ECROU M14X 1,5 D980 8 ZN	MUTTER M14X 1,5 D980 8 ZN	TUERCA M14X 1,5 D980 8 ZN
39	F01010027	VITE M10X1,25X45 U5740 8.8BR	SCR. M10X1,25X45 U5740 8.8BR	VIS M 10X1,25X45	SCHRAUBE M 10X1,25X45	TORNILLO M 10X1,25X45
40	M33100599	DISTANZIALE PROTEZIONE ERP.ZPG	SPACER	ENTRETOISE	DISTANZSTUECK	DISTANCIADOR
41	M72100668	PIATTO SUPP. MART. ZG	LINKAGE	ATTELAGE	VERBINDUNG	ATAQUE
42	F01230273	DADO M24X3 D985 8ZN	NUT M24X3 D985 8ZN	ECROU M24X 3 D985 8 ZN	MUTTER M24X 3 D985 8 ZN	TUERCA M24X 3 D985 8 ZN
43	F01500034	ROS. 26 X39X4 U1749 ZN	WASHER 26X39X4 U1749 ZN	RONDELLE 26 X39X4 U1749 ZN	SCHEIBE 26 X39X4 U1749 ZN	ARANDELA 26 X39X4 U1749 ZN

# TAV.070

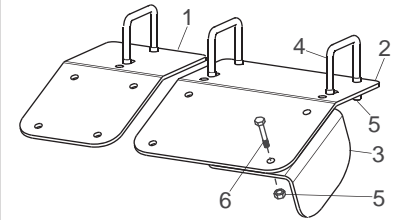
## U120 - U130 - U140



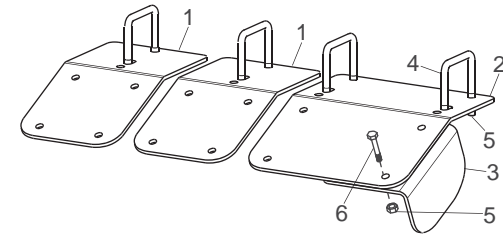
## U155 - U170



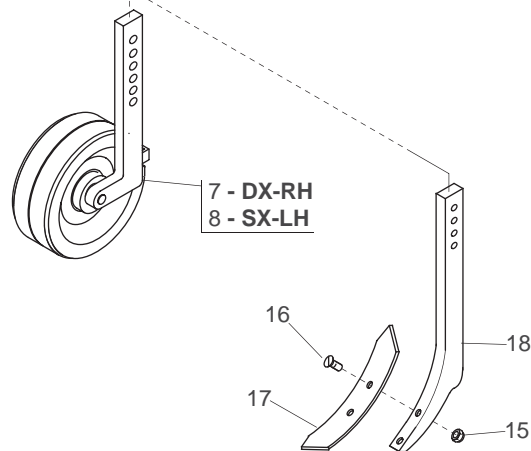
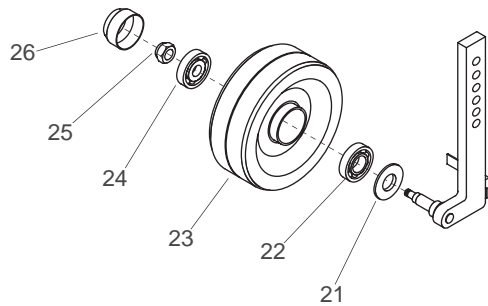
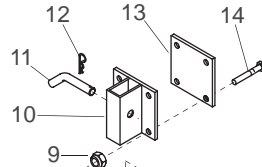
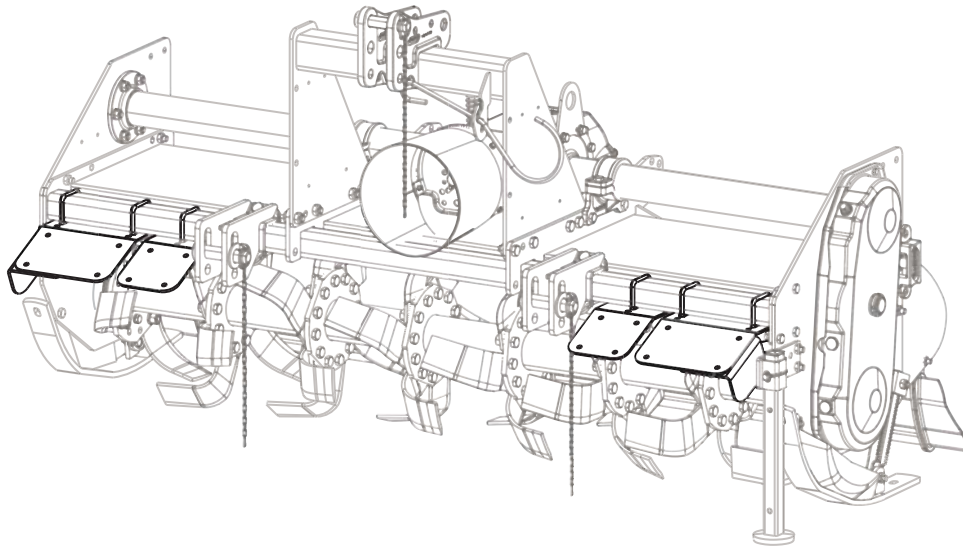
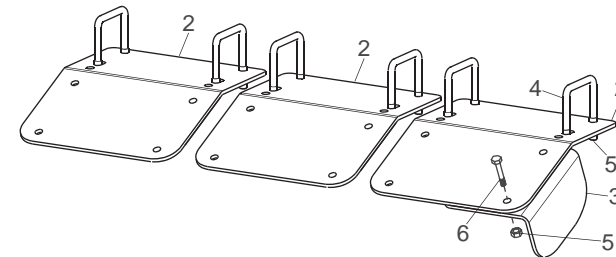
## U180 - U190



## U205 - U215 - U230



## U250 - U280

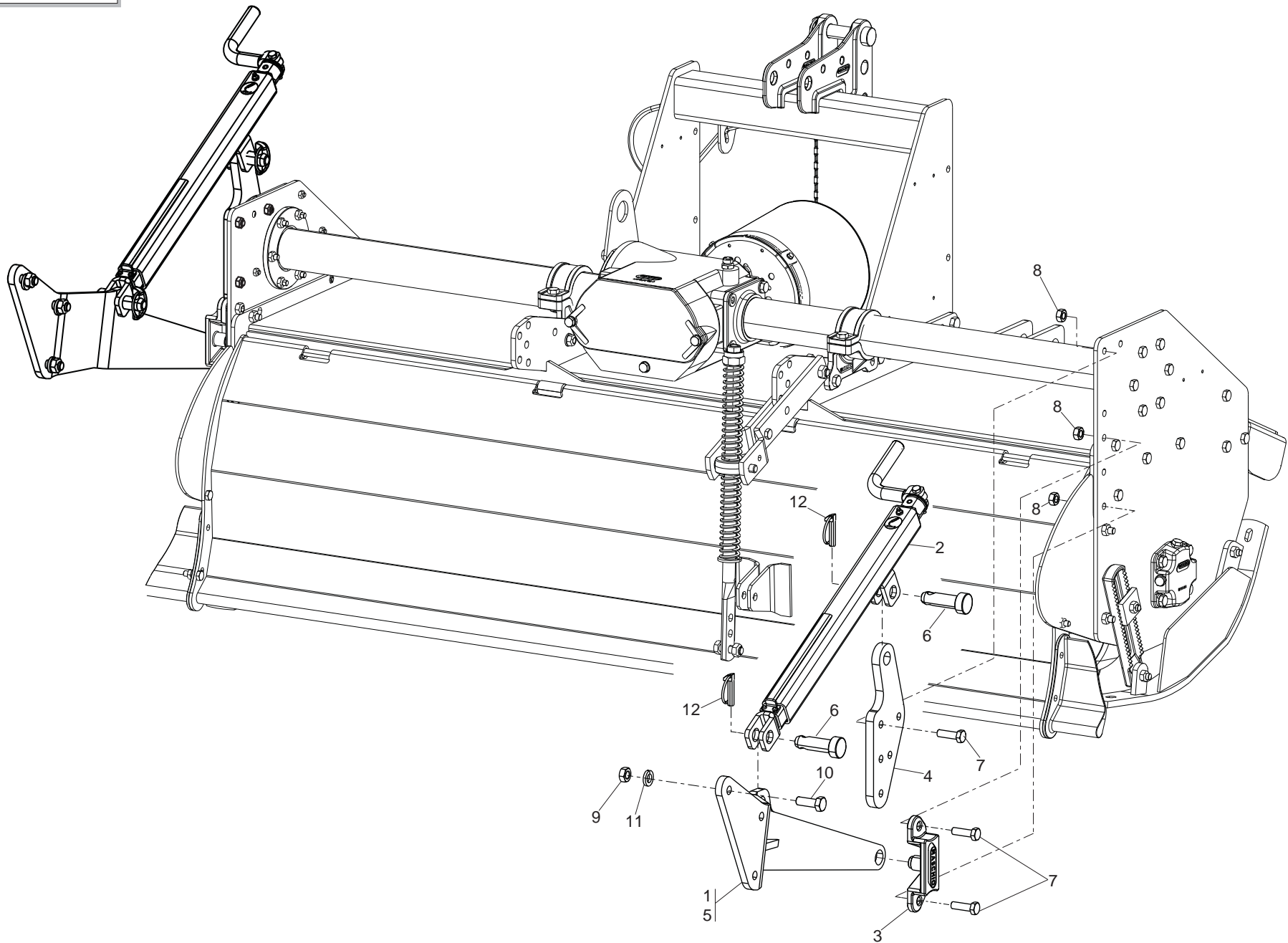


**PROTEZIONI CE ED OPTIONALS  
CE PROTECTION AND OPTIONALS**

**TAV.070**

Pos.	Cod.	Descrizione	Description	Benennung	Description	Description
1	M69100917	PROT.CE ANTE. L=150	FRONT PROTECTION L=150	PROTECTION AVANT L=150	VORDERER SCHUTZ L=150	PROTECC.DELANTERA L=150
2	M69100918	PROT.CE ANTE. L=240	FRONT PROTECTION L=240	PROTECTION AVANT L=240	VORDERER SCHUTZ L=240	PROTECC.DELANTERA L=240
3	M69100920	PROTEZIONE	PROTECTION	PROTECTION	SCHUTZ	PROTECCI N
4	F20110720	CAV.Q.B=60 M=10X1,5 L=80	U BOLT Q.B=60 M=10X1,5 L=80			
5	F01220033	DADO M10X 1,5 D980 8 ZN	NUT	ECROU	SELBSTSICHERNDE MUTTER M10 KL8	
6	F01020470	VITE M10X1,5X20 U5739 8.8ZN	SCR. M10X1,5X20 U5739 8.8ZN	VIS M10X1,5X20 U5739 8.8 ZN	SCHRAUBE M10X1,5X20 U5739 ZN	TORNILLO M10X1,5X20 U5739 8.8ZN
7	M68100717	COMP.RUOTA CON SUPPORTO DX	WHEEL DX	ROUE DX	RAD DX	RUEDA DX
8	M68100718	COMP.RUOTA CON SUPPORTO SX	WHEEL SX	ROUE SX	RAD SX	RUEDA SX
9	F01220047	DADO M12X1,25 D980 8ZN	NUT M12X1,25 D980 8ZN	ECROU M12X1,25 D980 8 ZN	MUTTER M12X1,25 D980 8 ZN	TUERCA M12X1,25 D980 8 ZN
10	M10700706	SUPPORTO ANCORA E RUOTE	SOILER AND WHEEL SUPPORT			
11	M26100713	PERNO BLOCCAGGIO RUOTA	WHEEL ADJUSTER PIN	GOIJON	BOLZEN	PERNO
12	F02200374	COPIGLIA R 4X 82 ZN	SPRING SPLIT PIN 4X82	GOUPILLE 4X82	SPLINT 4X82	PASADOR 4X82
13	M68100702	PIASTRA ATTACCO	SUPPORT BRACKET	ETRIER	PLATTE F.VORGRUEBBERHALTER	ESTRIBO
14	F01010064	VITE M12X1,25X100 U5738 8.8ZN	SCR. M12X1,25X100 U5738 8.8ZN	VIS M 12X1,25X100	SCHRAUBE M 12X1,25X100	TORNILLO M 12X1,25X100
15	F01220033	DADO M10X 1,5 D980 8 ZN	NUT	ECROU	SELBSTSICHERNDE MUTTER M10 KL8	
16	F01030095	VITE M10X1,5X50 U5933 10.9ZD	SCR. M10X1,5X50 U5933 10.9ZD	VIS M10X1,5X50 U5933 10.9 ZD	SCHRA.M10X1,5X50 U5933 10.9 ZD	TORN. M10X1,5X50 U5933 10.9 ZD
17	F20120010	VOMERINO REVERSIBILE	DISC PLOW	SOC	SEITLICHE SCHEIBE	REJA
18	M68100705	ANCORA PER ROMPIRACCIA	TOOTH FOR TRACK ERADICATOR	POINTE POUR DENTS EFFACEUSE	UNTERGRUNDLOCKERER	PUNTA PARA BORROHUELLA
21	M19100621	DISTANZIALE	SPACER	ENTRETOISE	DISTANZSTUECK	DISTANCIADOR
22	F04010170	CUSC.D25 D52 B15 6205 2RS EX	BEARING D25 D52 B15 6205 2RS	ROULEMENT 6205 2RS	LAGER 6205 2RS	COJINETE 6205 2RS
23	M68100713	COMP. RUOTA	WHEEL	ROUE	RAD	RUEDA
24	F04010208	CUSCINETTO 6304 2RS	COJINETE 6304 2RS			
25	F01220093	DADO M20X1,5 D980 8ZN	NUT M20X1,5 D980 8ZN	ECROU AUTOBL. M20X1,5 D980 8ZN	SELB.MUTTER M20X1,5 D980 8ZN	TUERCA AUTOBL.M20X1,5 D980 8ZN
26	F03151006	CALOTTA D.52	COVER	COUVERCLE	DECKEL	TAPA

**TAV.080**

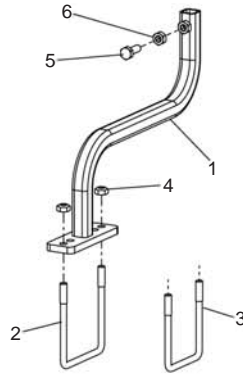
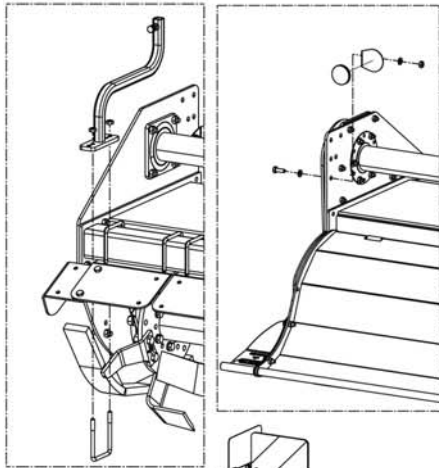


**ASSIEME COLLEGAMENTO RULLI  
ROLLER ARMS ASSEMBLY**

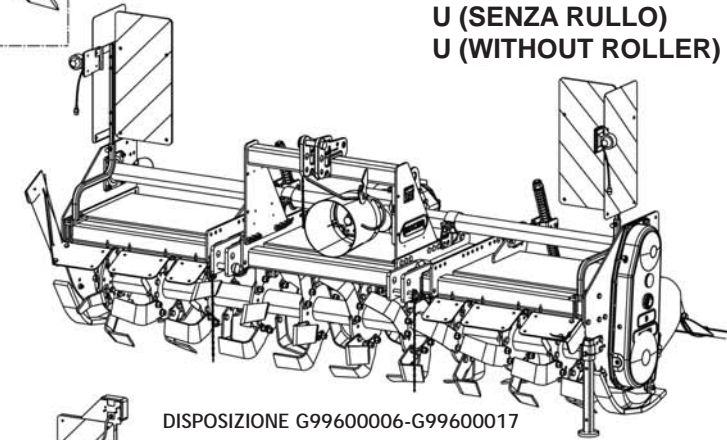
**TAV.080**

Pos.	Cod.	Descrizione	Description	Benennung	Description	Description
1	M59400651	BRACCIO COLLEGAMENTO RULLO SX	ROLLER CONNECTING ARM LH			
2	M26400423	MARTINETTO REG.C=465 A=645	MECHANICAL JACK C=465 O=645	MANIVELLE MECHANIC C=465 A=645	MECHANISC. SPINDEL C=465 A=645	GATO MECHANICO C=465 A=645
3	M53400810	STAFFA CERNIERA RULLO	ROLLER HINGE STIRRUP			
4	M53400603	STAFFA DI ATT. MARTINETTO	JACK CONN.BRACKET			
5	M59400650	BRACCIO COLLEGAMENTO RULLO DX	ROLLER CONNECTING ARM RH			
6	F20100048	PERNO D22 L48 C43 TEST.D35 ZN	BOLT D22 L48 C43 ZN	GOUJON D22 L48 C43	BOLZEN D22 L48 C43	PERNO D22 L48 C43
7	F01010291	VITE M12X1,25X40 U5740 8.8ZN	SCR. M12X1,25X40 U5740 8.8ZN	VIS M12X1,25X40 U5740 8.8 ZN	SCHR.M12X1,25X40 U5740 8.8 ZN	TORN. M12X1,25X40 U5740 8.8 ZN
8	F01220047	DADO M12X1,25 D980 8ZN	NUT M12X1,25 D980 8ZN	ECROU M12X1,25 D980 8 ZN	MUTTER M12X1,25 D980 8 ZN	TUERCA M12X1,25 D980 8 ZN
9	F01220059	DADO M14X1,5 D980 8ZN	NUT M14X1,5 D980 8ZN	ECROU M14X 1,5 D980 8 ZN	MUTTER M14X 1,5 D980 8 ZN	TUERCA M14X 1,5 D980 8 ZN
10	F01010318	VITE M14X1,5X40 U5740 8.8ZN	SCR. M14X1,5X40 U5740 8.8ZN	VIS M 14X1,5X40	SCHRAUBE M 14X1,5X40	TORNILLO M 14X1,5X40
11	F01480134	ROS.G 15X26,5X4,5 FLZNNC-240H	GROWER 15X26,5X4,5 EX.C70 ZN	RONDELLE GROWER 15X26,5X4,5	SCHEIBE GROWER 15X26,5X4,5	ARANDELA GROWER 15X26,5X4,5
12	F02200529	SPINA SCATTO D.11 H58 ZN	SNAP PIN D.11 H58 ZN	FICHE A DETENTE D.11 H58 ZN	EINRASTSTIFT D.11 H58 ZN	CLAVIJA DE MUELLE D.11 H58 ZN

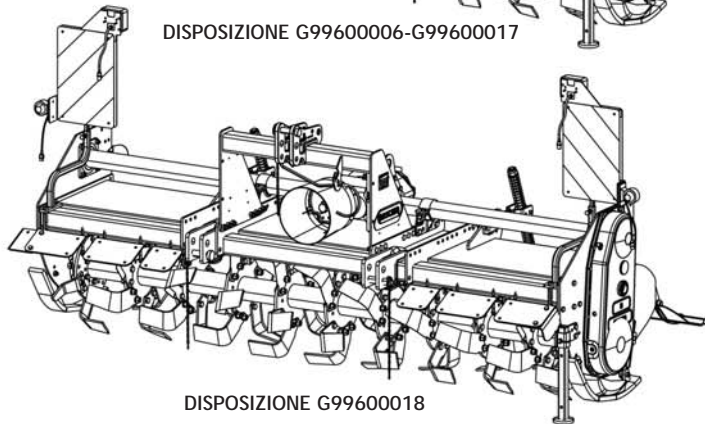
**TAV.090**



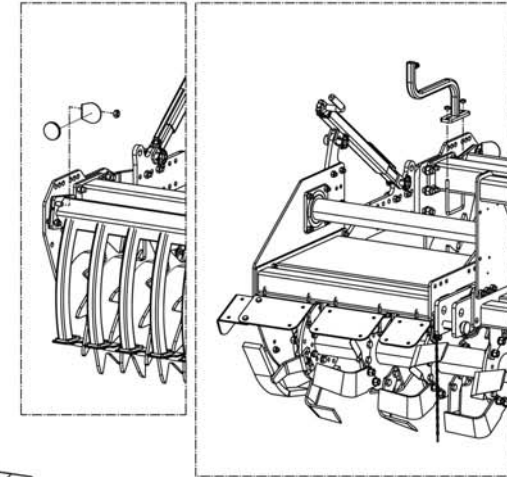
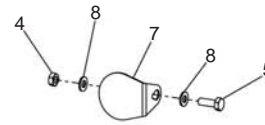
**U (SENZA RULLO)  
U (WITHOUT ROLLER)**



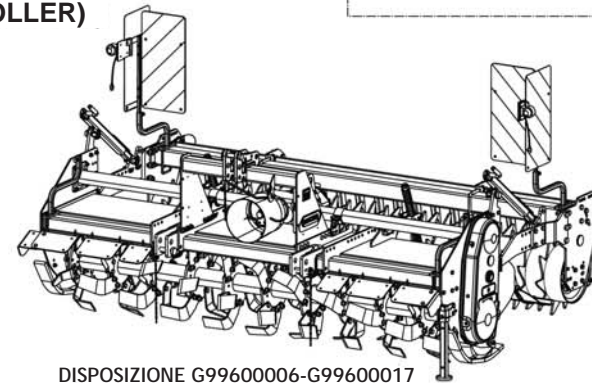
DISPOSIZIONE G99600006-G99600017



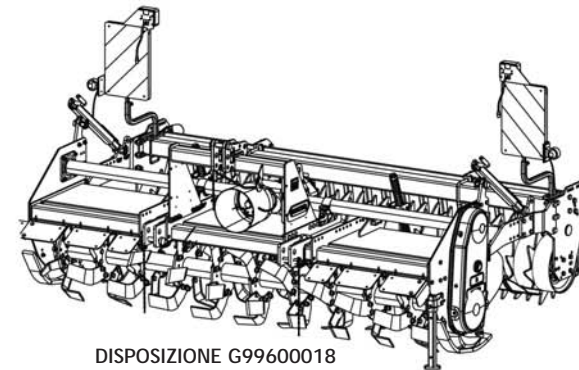
DISPOSIZIONE G99600018



**U (CON RULLO)  
U (WITH ROLLER)**



DISPOSIZIONE G99600006-G99600017



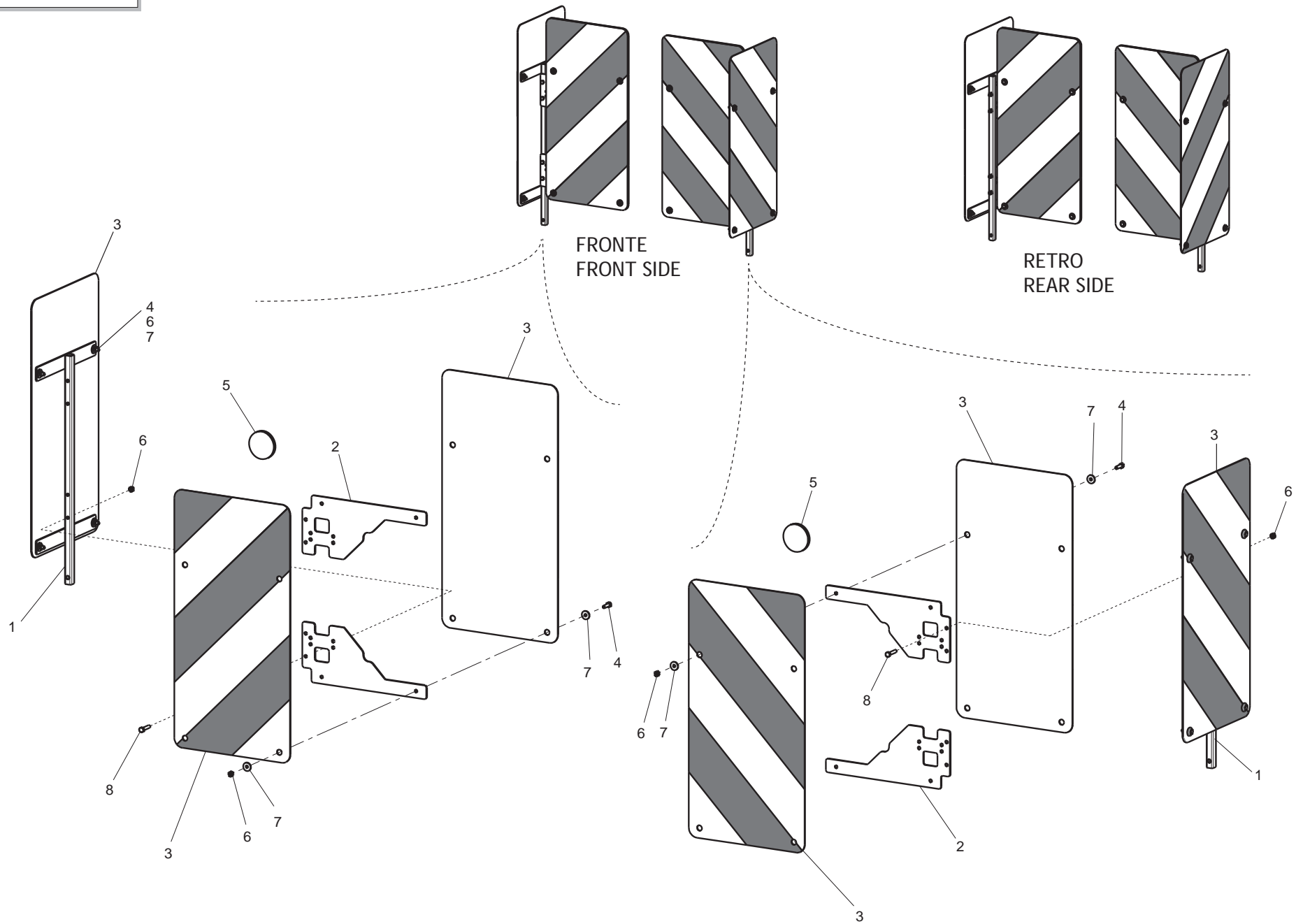
DISPOSIZIONE G99600018

**KIT SUPPORTI PER TRASPORTO STRADALE  
ROAD TRANSPORT SUPPORTS KIT**

**TAV.090**

Pos.	Cod.	Descrizione	Description	Benennung	Description	Description
1	M26400911	SUPPORTO TABELLA INGOMBRO	LIGHT-CHART SUPPORT			
2	F20110726	CAV.Q.B=100 M=10X1,5 L=122	U BOLT M10X 1,5X 30 111X122 ZG	ATTEL.M10X 1,5X 30 111X122 ZG	VERBI.M10X 1,5X 30 111X122 ZG	PERNO M10X 1,5X 30 111X122 ZG
3	F20110730	CAV.Q.B=80 M=10X1,5 L=109	U BOLTQ.B=80 M=10X1,5 L=109	BUTEE M10X 1,5X 30 91X 99 ZB	ANSCHLAG M10X 1,5X 30 91X 99	EL. DE EMPALME M10X 1,5X 30
4	F01220033	DADO M10X 1,5 D980 8 ZN	NUT	ECROU	SELBSTSICHERNDE MUTTER M10 KL8	
5	F01020476	VITE M10X1,5X30 U5739 8.8ZN	SCR. M10X1,5X30 U5739 8.8ZN	VIS M10X1,5X30 U5739 8.8 ZN	SCHRAUBE M10X1,5X30U5739 8.8ZN	TORNIL.M10X1,5X30 U5739 8.8 ZN
6	F01200270	DADO M10X1,5 U5588 CL8 ZN	NUT M10X1,5 U5588 6.8ZN	ECROU M10X 1,5 U5588 6.8 ZN	MUTTER M10X 1,5 U5588 6.8 ZN	TUERCA M10X 1,5 U5588 6.8 ZN
7	M28400701	SUPPORTO CATADIOTTRO	SUPPORT REFLECTOR			
8	F01410062	ROS.M10 10,5X 18X 2 U6592 ZN	WASHER M10 10,5X 18X 2 U6592	RONDELLE M10 10,5X18X2 ZN	DICHTUNGSRING M10 10,5X18X2 ZN	RONDANA M10 10,5X18X2 ZN

**TAV.100**



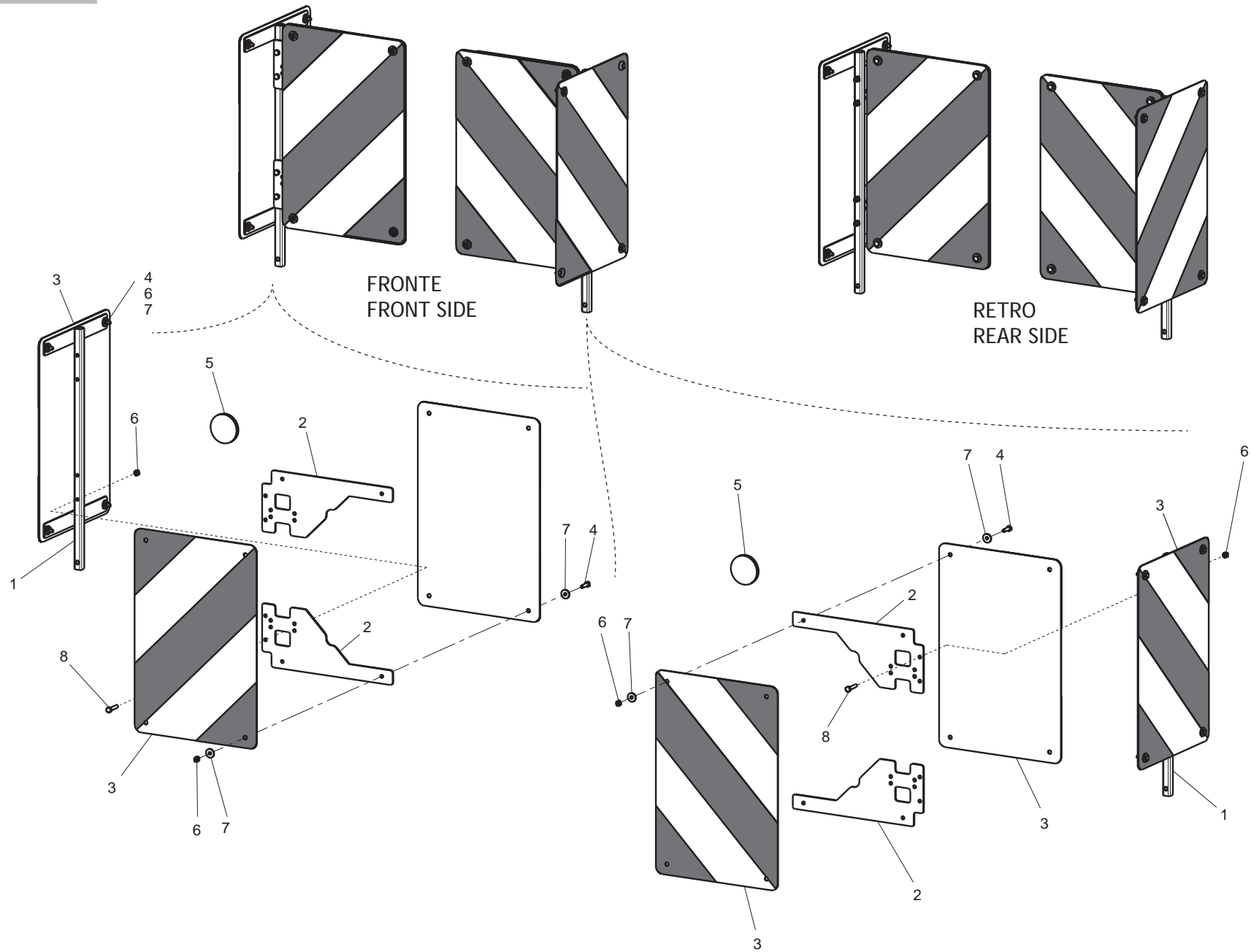


**KIT TABELLE STRADALI G99600006**  
**ROAD TRANSPORT KIT G99600006**

**TAV.100**

Pos.	Cod.	Descrizione	Description	Benennung	Description	Descrpcion
1	G16612070	TELAIO SUPP.TABELLE STRAD.	FRAME SUPPORT TABLE			
2	M04700558	SUPPORTO TABELLA INGOMBRO	LIGHT-CHART SUPPORT			
3	F05010816	TABELLE 2 CAR.SPORGENTI IT	WARNING BOARDS 2 IT			
4	F01020404	VITE M6X1X20 U5739 8.8ZN	SCREW M6X1X20 U5739 8.8ZN	VIS M6X1X20 U5739 8.8ZN	SCHRAUBE M6X1X20 U5739 8.8ZN	TORNILLO M6X1X20 U5739 8.8ZN
5	F05010820	CATARIFR.TONDO D60 ROSSO	ROUND REFLECTOR D.60 RED			
6	F01220011	DADO M6X1 D980 8ZN	NUT M6X1 D980 8ZN	ECROU M6X1 D980 8 ZN	MUTTER M6X1 D980 8 ZN	TUERCA M6X1 D980 8 ZN
7	F01420036	ROS.M6 6,4X 18X1,5 U6593 ZN	WASHER M6 6,4X 18X1,5 U6593 ZN	RONDELLE M6 6,4X18X1,5 U6593ZN	SCHEIBEN M6 6,4X18X1,5U6593 ZN	ARANDELA M6 6,4X18X1,5U6593ZN
8	F01020408	VITE M6X1X30 U5739 8.8ZN	SCR. M6X1X30 U5739 8.8ZN	VIS M 6X1X30	SCHRAUBE M 6X1X30	TORNILLO M 6X1X30

**TAV.110**

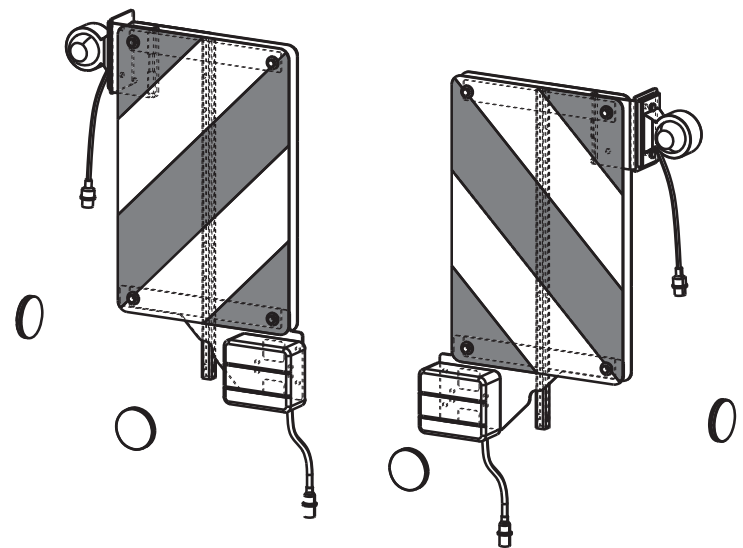
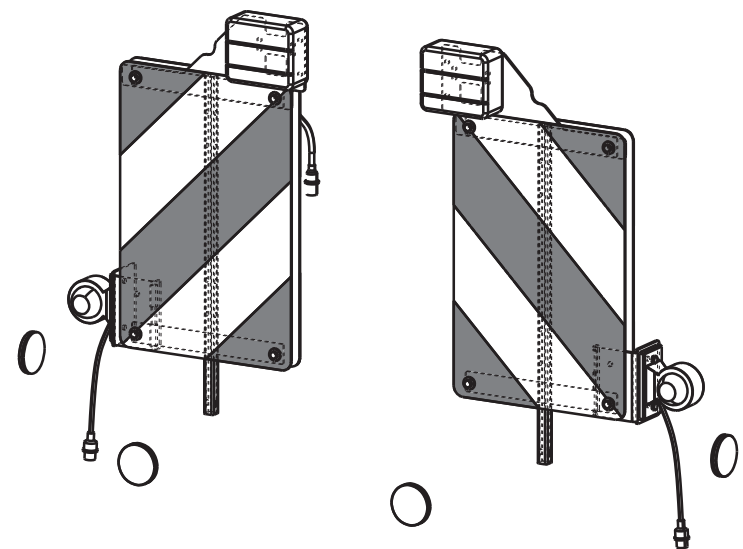
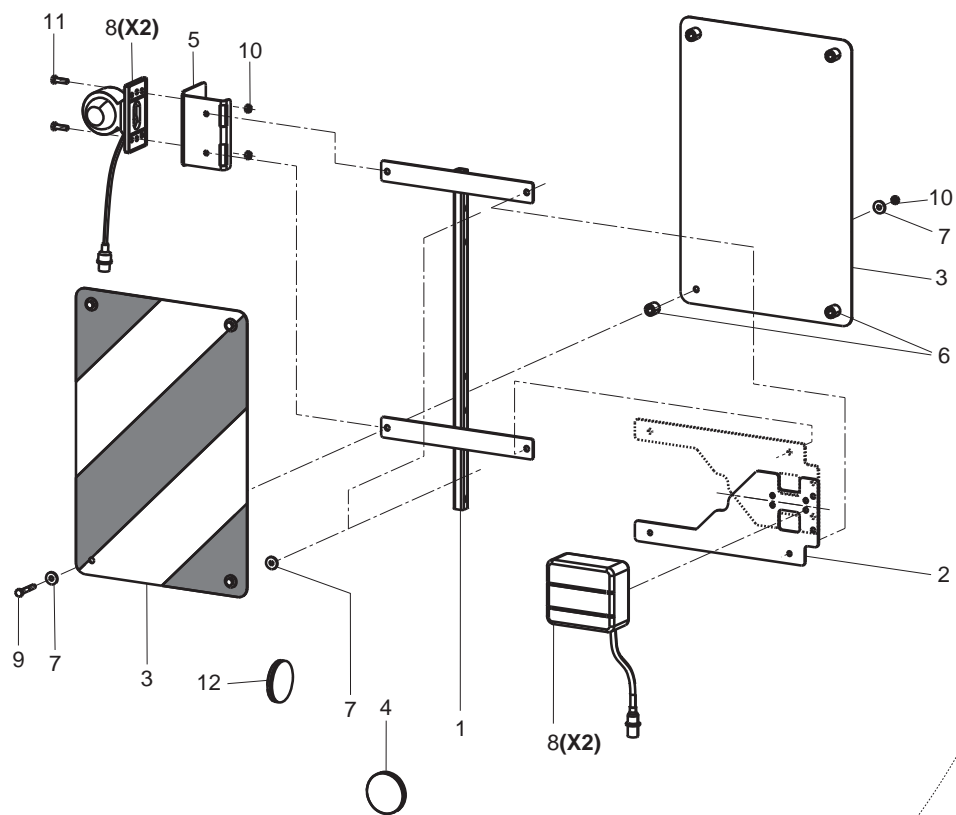


**KIT TABELLE STRADALI G99600017  
ROAD TRANSPORT KIT G99600017**

**TAV.110**

Pos.	Cod.	Descrizione	Description	Benennung	Description	Description
1	G16612070	TELAIO SUPP.TABELLE STRAD.	FRAME SUPPORT TABLE			
2	M04700558	SUPPORTO TABELLA INGOMBRO	LIGHT-CHART SUPPORT			
3	F05010817	TABELLE 2 CAR.SPORGENTI FR-D	WARNING BOARDS 2 FR-DE	TABLEAUX 2 AVERTISSEM. FR-DE	BRETT 2 WARNUNG FR-DE	TABLAS 2 CAR.ADVERT. FR-DE
4	F05010820	CATARIFR.TONDO D60 ROSSO	ROUND REFLECTOR D.60 RED			
5	M04700563	SUPPORTO LUCE D INGOMBRO	SUPPORT LIGHT OVERALL			
6	G18803050	BOCCOLA 8,5X16X16 PL	BUSHING 8,5X16X16 PL			
7	F01420036	ROS.M6 6,4X 18X1,5 U6593 ZN	WASHER M6 6,4X 18X1,5 U6593 ZN	RONDELLE M6 6,4X18X1,5 U6593ZN	SCHEIBEN M6 6,4X18X1,5U6593 ZN	ARANDELA M6 6,4X18X1,5U6593ZN
8	F05010833	KIT LUCI POST.STRAD.ECCEZ.	KIT REAR ROAD LIGHTS M.EXCEP.			

# TAV.120



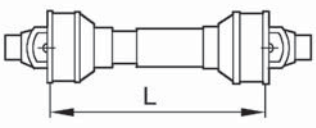
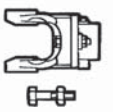
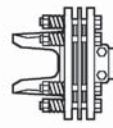
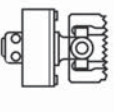

**KIT TABELLE STRADALI G99600018  
ROAD TRANSPORT KIT G99600018**

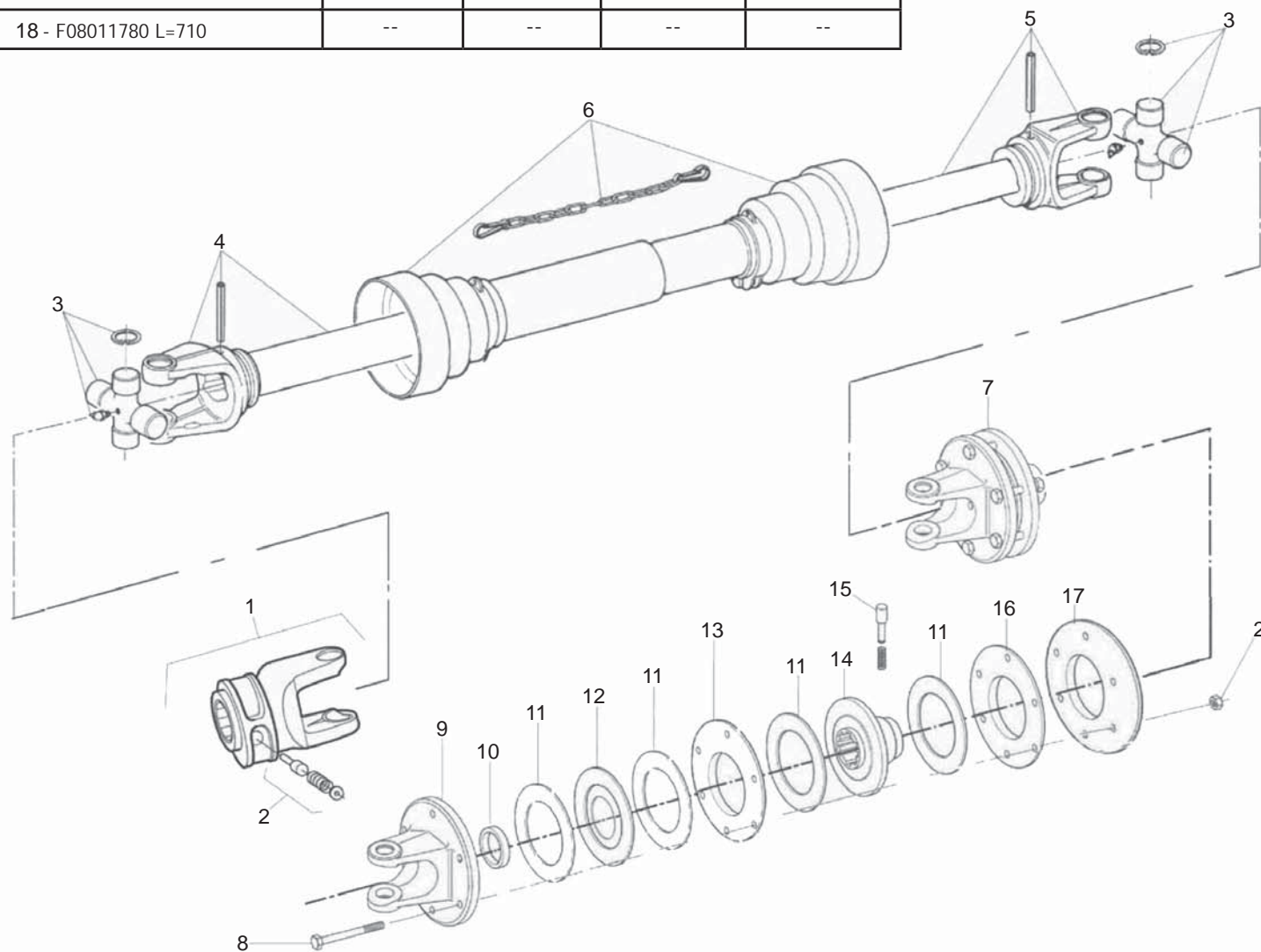
**TAV.120**

Pos.	Cod.	Descrizione	Description	Benennung	Description	Description
1	G16612070	TELAIO SUPP.TABELLE STRAD.	FRAME SUPPORT TABLE			
2	M04700558	SUPPORTO TABELLA INGOMBRO	LIGHT-CHART SUPPORT			
3	F05010817	TABELLE 2 CAR.SPORGENTI FR-D	WARNING BOARDS 2 FR-DE	TABLEAUX 2 AVERTISSEM. FR-DE	BRETT 2 WARNUNG FR-DE	TABLAS 2 CAR.ADVERT. FR-DE
4	F05010820	CATARIFR.TONDO D60 ROSSO	ROUND REFLECTOR D.60 RED			
5	M04700563	SUPPORTO LUCE D INGOMBRO	SUPPORT LIGHT OVERALL			
6	G18803050	BOCCOLA 8,5X16X16 PL	BUSHING 8,5X16X16 PL			
7	F01420036	ROS.M6 6,4X 18X1,5 U6593 ZN	WASHER M6 6,4X 18X1,5 U6593 ZN	RONDELLE M6 6,4X18X1,5 U6593ZN	SCHEIBEN M6 6,4X18X1,5U6593 ZN	ARANDELA M6 6,4X18X1,5U6593ZN
8	F05010833	KIT LUCI POST.STRAD.ECCEZ.	KIT REAR ROAD LIGHTS M.EXCEP.			
9	F01020040	VITE M6X1X40 U5737 8.8ZN	SCR. M6X1X40 U5737 8.8ZN	VIS M6X1X40 U5737 8.8ZN	SCHRAU. M6X1X40 U5737 8.8ZN	TORNI. M6X1X40 U5737 8.8ZN
10	F01220011	DADO M6X1 D980 8ZN	NUT M6X1 D980 8ZN	ECROU M6X1 D980 8 ZN	MUTTER M6X1 D980 8 ZN	TUERCA M6X1 D980 8 ZN
11	F01020404	VITE M6X1X20 U5739 8.8ZN	SCREW M6X1X20 U5739 8.8ZN	VIS M6X1X20 U5739 8.8ZN	SCHRAUBE M6X1X20 U5739 8.8ZN	TORNILLO M6X1X20 U5739 8.8ZN
12	F05010819	CATARIFR.TONDO D60 GIALLO	ROUND REFLECTOR D.60 YELLOW	JAUNE R FLECTEUR ROUND	RUNDREFLEKTOR GELB D60	REFLECTOR REDONDO AMARILLO

# TAV.130

## BONDIOLI

				
18 - F08011780 L=710	--	--	--	--



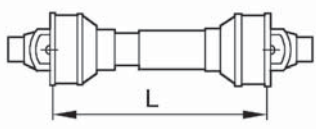
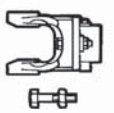
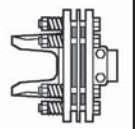
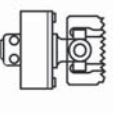

**CARDANO STANDARD  
STANDARD CARDAN SHAFT**

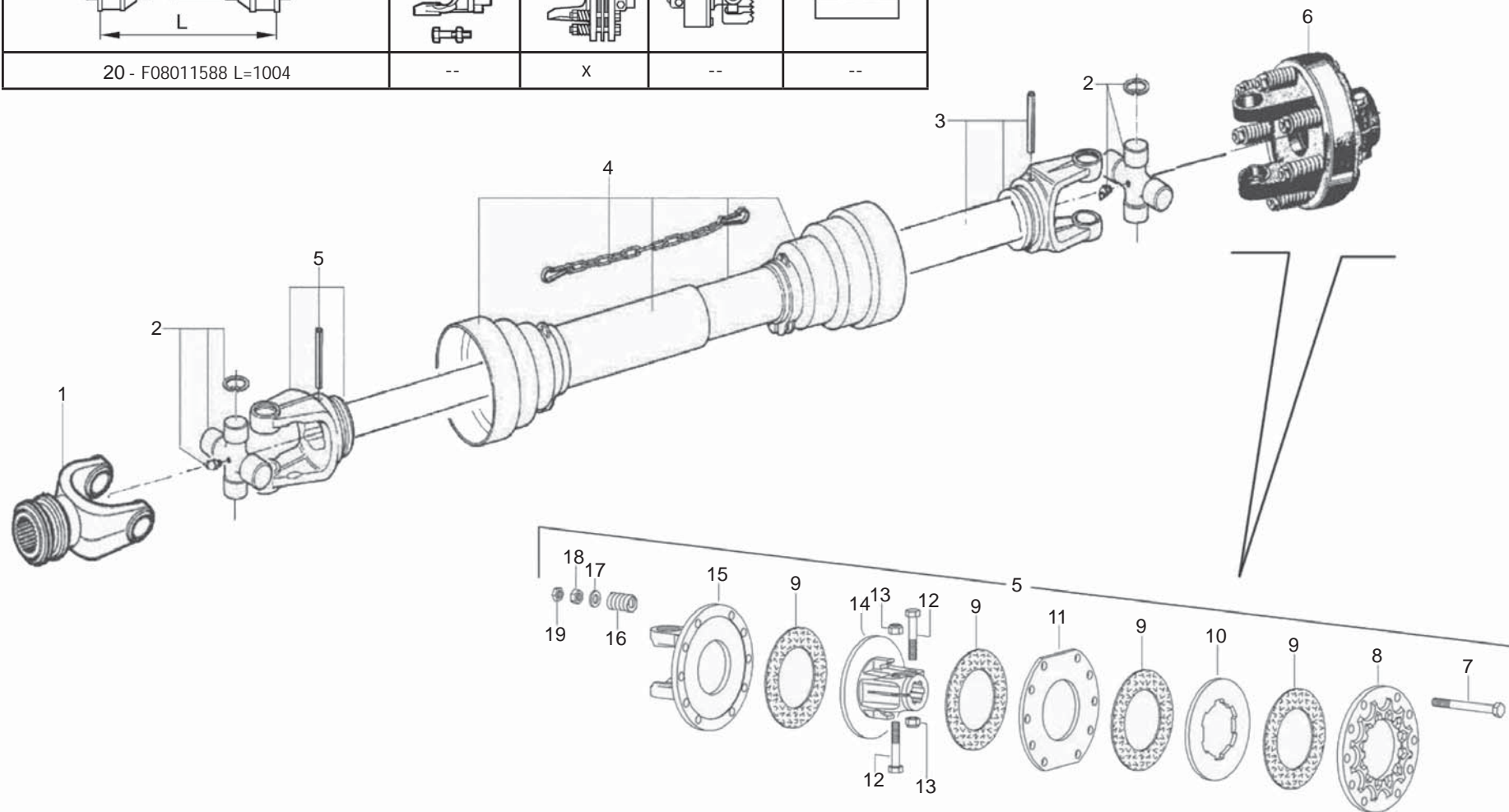
**TAV.130**

Pos.	Cod.	Descrizione	Description	Benennung	Description	Description
1	F08010167	5070H0355 FORCELLA COMPLETA	LINKAGE FORK	FOURCHE ATTELAGE	GABELSTUECK	HORQUILLAATAQUE
2	F01220033	DADO M10X 1,5 D980 8 ZN	NUT	ECROU	SELBSTSICHERNDE MUTTER M10 KL8	
3	F08010678	4120H0011R30 CROCIERA COMPLETA	SPIDER ASSY	CROISIERE COMPL.	GELENKKREUZ KOMPL.	CRUCETA COMPLETA
4	F08010489	08006021 FORCELLA TUBO EST.	FORK WITH EXTERNAL PIPE	FOURCHE AVEC TUBE EXT.	GABELST. AUSSENROHR	HORQUILLA TUBO EXT.
5	F08010559	FORCELLA TUBO INTERNO	FORK WITH INTERNAL PIPE	FOURCHE AVEC TUBE INTERIEUR	GABELST. INNENROHR	HORQUILLA TUBO INTERIOR
6	F08010834	PROT. COMPLETA BOS8	PROTECTION ASSY	PROTECTION COMPL.	KOMPL. SCHUTZ	PROTECCION COMPL.
7	F08011943	661H48303R FRIZ.FV34S7 1200NM	CLUTCH ASSY	EMBAYAGE COMPL.	KOMPL. KUPPLUNG	FRICCION COMPL.
8	F01020128	VITE M10X1,5X80 U5737 8.8ZN	SCR. M10X1,5X80 U5737 8.8ZN	VIS M10X1,5X80 U5737 8.8 ZN	SCHRAU. M10X1,5X80 U5737 8.8ZN	TORNIL.M10X1,5X80 U5737 8.8 ZN
9	F08001000	FLANGIA CON FORCELLA	FORK	FOURCHE	GABELST.	HORQUILLA
10	F08001840	258005320R02 BON.BOCOLA FRIZ	BOND.BUSHING	BOUCLE	BUECHSE	CASQUILLO
11	F08001400	BON.DISCO ATTRITO 247006251R08	247006251R08 BOND.LINING			
12	F08011944	248727702 DISCO P.INT.FT34 N.	INTERNAL DISC	DISQUE INTERMEDIAIRE	ZWISCHENSCHIEBE	DISCO INTERMEDIO
13	F08011945	248860001 DISCO XDN2 22NM SP.4	DISC	DISQUE	SCHEIBE	DISCO
14	F08011946	515890305 MOZZO FT FV34 P.ECC	515890305 HUB FT FV34 P.ECC*			
15	F08001880	PERNO DADO	PIN WITH NUT	GOUJON ECROU	STIFT MUTTER	PERNO CON TUERCA
16	F08001600	248860007 BON.DISCO DI SPINTA	248860007 BON.DISCO DI SPINTA.			
17	F08001800	367008860 BON.MOLLA 180X3,75	367008860 BON.SPRING 180X3,76			
18	F08011780	CARD.BONDIOLI 71R6071CE007N45A	BOND.71R6071CE007N45A PTOSHAFT			

**TAV.140**

**WALTERSCHEID**

				
20 - F08011588 L=1004	--	X	--	--



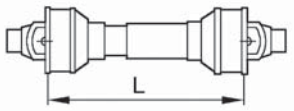
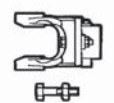
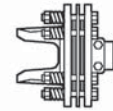
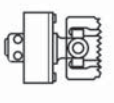
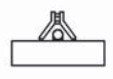


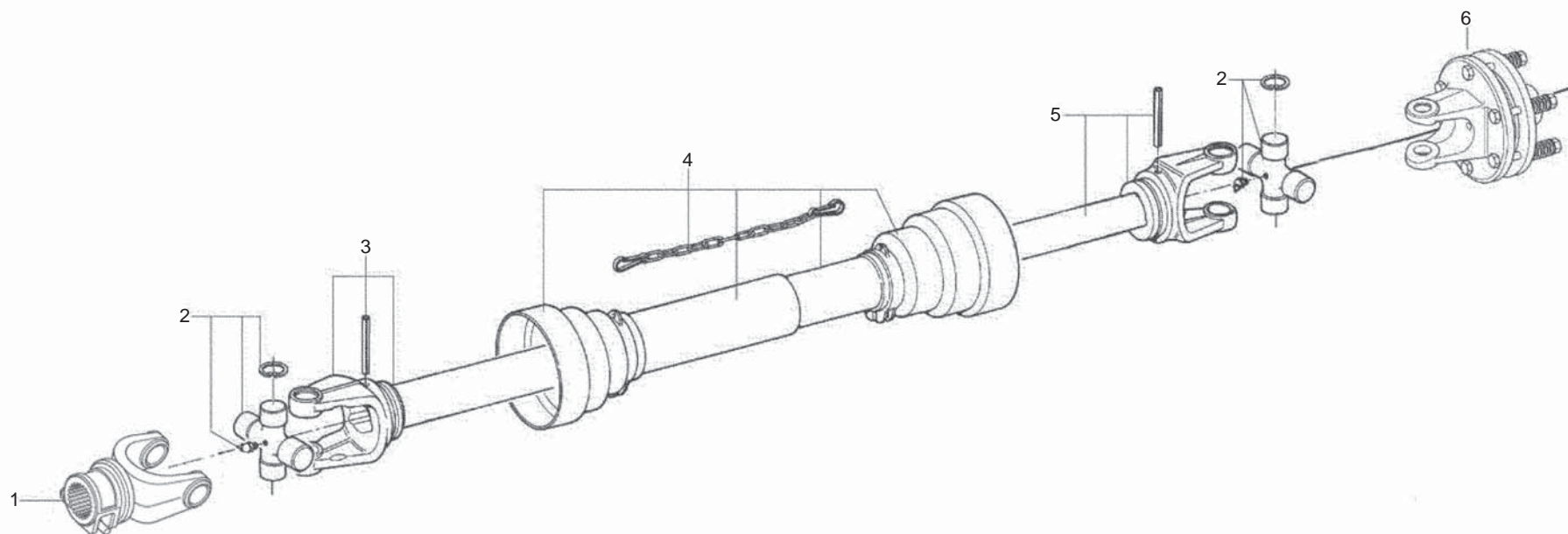
**CARDANO STANDARD U230  
STANDARD CARDAN SHAFT U230**

**TAV.140**

Pos.	Cod.	Descrizione	Description	Benennung	Description	Description
1	F08010459	FORCELLA COMP.PULS.-1 3 8 Z6	LINKAGE FORK-1 3 8 Z6	FOURCHE ATTELAGE-1 3 8 Z6	GABELSTUECK-1 3 8 Z6	HORQUILLA ATAQUE-1 3 8 Z6
2	F08010686	CROCIERA COMPLETA	SPIDER ASSY	CROISIERE COMPL.	GELENKKREUZ KOMPL.	CRUCETA COMPLETA
3	F08010721	FORCELLA TUBO ESTERNO	FORK WITH EXTERNAL PIPE	FOURCHE AVEC TUBE EXTERIEUR	GABELST. AUSSENROHR	HORQUILLA TUBO ESTERNO
4	F08010873	693066 PROTEZIONE CONPL.GKN	COMPL. PROTECTION GKN 693066		KOMPL. SCHUTZ	
5	F08010533	FORCELLA CON TUBO INTERNO	FORK WITH INTERNAL PIPE	FOURCHE AVEC TUBE INTERIEUR	GABELST. INNENROHR	HORQUILLA TUBO INTERNO
6	F08010996	LIMITATORE COMPLETO GKN	CLUTCH ASSY	EMBAYAGE COMPL.	KOMPL. KUPPLUNG	FRICCION COMPL.
7	F01010065	VITE M12X1,25X110 U5738 8.8ZN	SCR. M12X1,25X110 U5738 8.8ZN	VIS M 12X1,25X110	SCHRAUBE M 12X1,25X110	TORNILLO M 12X1,25X110
8	F08010972	DISCO DI PRESSIONE	PRESSURE DISC	DISQUE DE PRESSION	DRUCKSCHEIBE	DISCO DE PRESION
9	F08010909	DISCO D ATTRITO	FRICTION DISK	DISQUE DE FROTTEMENT	KUPPLUNGSCHEIBE	DISCO FROTAMIENTO
10	F08010936	DISCO DI TRASCINAMENTO	DRIVING DISK	DISQUE	SCHUBBETRIEBSCHEIBE	DISCO ARRASTRE
11	F08010954	DISCO INTERMEDIO	INTERNAL DISC SERIES	DISQUE INTERMEDIAIRE	ZWISCHENSCHIEBE SERIE	DISCO INTERMEDIO SERIE
12	F01020164	VITE M12X1,75X70 U5737 8.8ZN	SCREW M12X1,75X70 U5737 8.8ZN	VIS M12X1,75X70 U5737 8.8 ZN	SCHR. M12X1,75X70 U5737 8.8 ZN	TORN. M12X1,75X70 U5737 8.8 ZN
13	F01230059	DADO M12X1,75 D982 8ZN	LOCK-NUT M12X1,75 D982 8ZN	ECR.AUTO-FREI.M12X1,75 D982 ZN	SICHERUNGSMUT.M12X1,75 D982 8ZN	TUER.DE SEGUR.M12X1,75 D982 ZN
14	F08011074	MOZZO SCANALATO	SPLINED HUB	MOYEU CANNELE	KEILNABE	CUBO ACANALADO
15	F08010417	36.73.01 FORCELLA GR.2500	FLANGE FORK	FOURCHE AVEC FLASQUE	GABELSTUECK M. FLANSCH	HORQUILLA BRIDA
16	F08011222	660153 MOLLA DI PRESSIONE	PRESSURE SPRING	RESSORT DE PRESSION	DRUCKFEDER	MUELLE DE PRESION
17	F01410076	ROS.M12 13X 20X2,0 U1749 ZN	WASHER	RONDELLE	SCHEIBE	
18	F01200073	DADO M12X1,25 U5587 CL8 ZN	NUT M12X1,25 U5587 6SN	ECROU M12X1,25 U5587 6S ZN	MUTTER M12X1,25 U5587 6S ZN	TUERCA M12X1,25 U5587 6S ZN
19	F01230162	DADO M12X1,25 D439 ZN	NUT M12X1,25 D439 ZN		MUTTER M12X1,25 D439 ZN	
20	F08011588	CARD.GKN 181083	UNIVERSAL PTO SHAFT			

**BONDIOLI**

				
7 - F08011796 L=848	--	X	--	--



**CARDANO OPTIONAL  
OPTIONAL CARDAN SHAFT**

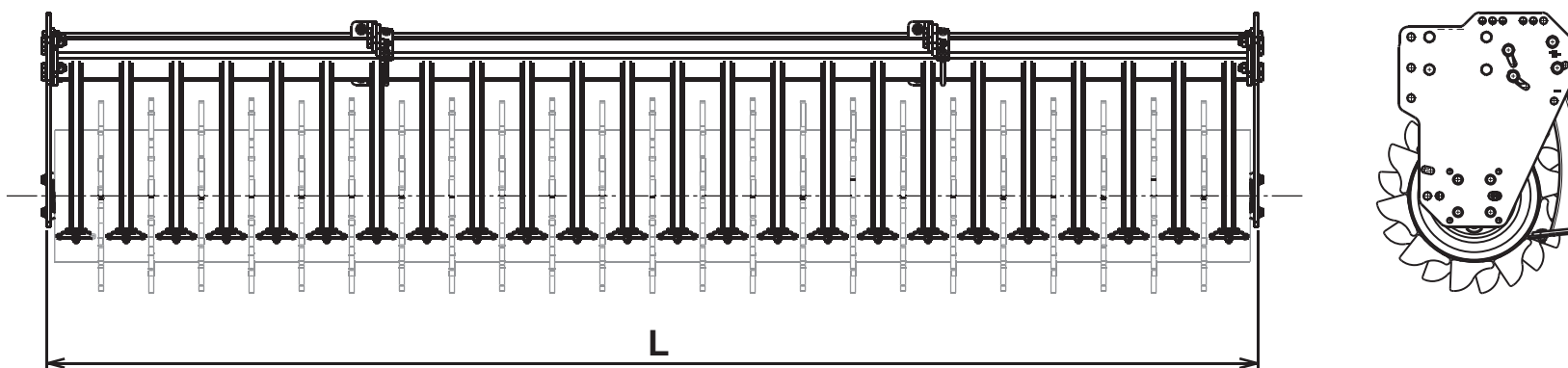
**TAV.150**

Pos.	Cod.	Descrizione	Description	Benennung	Description	Description
1	F08010167	5070H0355 FORCELLA COMPLETA	LINKAGE FORK	FOURCHE ATTELAGE	GABELSTUECK	HORQUILLA ATAQUE
2	F08010678	4120H0011R30 CROCIERA COMPLETA	SPIDER ASSY	CROISIERE COMPL.	GELENKKREUZ KOMPL.	CRUCETA COMPLETA
3	F08010489	08006021 FORCELLA TUBO EST.	FORK WITH EXTERNAL PIPE	FOURCHE AVEC TUBE EXT.	GABELST. AUSSENROHR	HORQUILLA TUBO EXT.
4	F08010834	PROT. COMPLETA BOS8	PROTECTION ASSY	PROTECTION COMPL.	KOMPL. SCHUTZ	PROTECCION COMPL.
5	F08000600	204066852 BON.FORC.T.CARD.INT	FORK WITH INTERNAL PIPE	FOURCHE AVEC TUBE INT.	GABELST. INNENROHR	HORQUILLA TUBO INT.
6	F08011943	661H48303R FRIZ.FV34S7 1200NM	CLUTCH ASSY	EMBAYAGE COMPL.	KOMPL. KUPPLUNG	FRICCION COMPL.
7	F08011796	CARD.BONDOLI 7106056UC0070T1	PTO SHAFT BON. 7106056UC0070T1			

MODELLO / MODEL	L[mm]
U105	1259
U130	1505
U155	1751
U180	1997
U205	2243
U230	2489
U280	2981

L- RAPPRESENTA LA LARGHEZZA DEL RULLO E VIENE UTILIZZATA PER LA SELEZIONE DEI RICAMBI DEL RULLO, VEDERE IL CATALOGO RICAMBI RULLI ALLEGATO.

L- IT DESCRIBES THE ROLLER WIDTH, AND IT IS UTILIZED FOR THE SELECTION OF THE ROLLER SPARE PARTS SEE ROLLERS SPARE PARTS CATALOGUE ENCLOSED.





**USATE SEMPRE RICAMBI ORIGINALI  
ALWAYS USE ORIGINAL SPARE PARTS  
IMMER DIE ORIGINAL-ERSATZTEILE VERWENDEN  
EMPLOYEZ TOUJOURS LES PIECES DE RECHANGE ORIGINALES  
UTILIZAR SIEMPRE REPUESTOS ORIGINALES**



**Servizio Assistenza Tecnica - After Sales Service  
Servizio Ricambi - Spare Parts Service**



**maschio.com**

DEALER:



**MASCHIO GASPARDO SpA**

**Registered Office and Production Plant**

Via Marcello, 73 - 35011 Campodarsego (Padova) - Italy

Tel. +39 049 9289810

Fax +39 049 9289900

info@maschio.com

www.maschionet.com

**MASCHIO GASPARDO SpA**

**Production Plant**

Via Mussons, 7 - 33075 Morsano al Tagliamento (PN) - Italy

Tel. +39 0434 695410

Fax +39 0434 695425

info@gaspardo.it

**MASCHIO DEUTSCHLAND GMBH**

Äußere Nürnberger Straße 5

D - 91177 Thalmässing - Deutschland

Tel. +49 (0) 9173 79000

Fax +49 (0) 9173 790079

dialog@maschio.de

www.maschionet.de

**MASCHIO-GASPARDO USA Inc**

120 North Scott Park Road

Eldridge, IA 52748 - USA

Ph. +1 563 2859937

Fax +1 563 2859938

info@maschio.us

**MASCHIO FRANCE Sarl**

1 rue Denis Papin ZA

F - 45240 La Ferte St. Aubin

France

Tel. +33 (0) 2.38.64.12.12

Fax +33 (0) 2.38.64.66.79

info@maschio.fr

**MASCHIO-GASPARDO ROMANIA S.R.L.**

Strada Înfrăţirii, F.N.

315100 Chisineu-Cris (Arad) -România

Tel. +40 257 307030

Fax +40 257 307040

info@maschio.ro

**ООО МАСКИО-ГАСПАРДО РУССИЯ**

04130, Россия,

Волгоградская область,

г. Волжский, ул. Пушкина, 117 «б».

Тел.: +7 8443 203100

факс: +7 8443 203101

e-mail: info@maschio.ru

**MASCHIO IBERICA S.L.**

**MASCHIO-GASPARDO POLAND**

**MASCHIO-GASPARDO UCRAINA**

**GASPARDO-MASCHIO TURCHIA**

**MASCHIO-GASPARDO CINA**

**MASCHIO-GASPARDO INDIA**