



## OPERATIONS & PARTS MANUAL

**FOR MODELS:**

- BE-BBR4G
- BE-BBR5G
- BE-BBR6G
- BE-BBR7G

PURCHASE DATE	MODEL NO.	SERIAL NUMBER
DEALER		



## **SAFETY INFORMATION**

### **⚠ CAUTION**

The following safety precautions should be thoroughly understood before attempting to begin assembling this machine.

1. Select an area for assembly that is clean and free of any debris which might cause persons working on the assembly to trip.
2. Do not lift heavy parts or assemblies. Use crane jack, tackle, fork trucks or other mechanical device.
3. Never put hands, or any part of body, under blocked up assemblies if at all possible.
4. After completing assembly, thoroughly inspect the machine to be sure that all nuts, bolts, hydraulic fittings or any other fastened assemblies have been thoroughly tightened.
5. Before operating equipment, If you have any questions regarding the proper assembly or operations, contact your dealer or the manufacturer.

### **⚠ IMPORTANT SAFETY INFORMATION**

Working with unfamiliar equipment can lead to careless injuries. Read this manual and the manual for your tractor, before assembly or operating, to acquaint yourself with the machine. It is the box scraper owner's responsibility, if this machine is used by any other person than yourself, is loaned or rented, to make certain that the operator is instructed in safe and proper use.

The use of this equipment is subjected to certain hazards which can not be protected against by mechanical means or product design. All operators of this equipment must read and understand this entire manual, paying close attention to safety and operating instructions, prior to using. If there is something in this manual you do not understand, ask your supervisor, or dealer, to explain it to you.

Most accidents occur because of neglect or carelessness. Keep all helpers and bystanders 25 feet from an operating box scraper. Only properly trained people should operate this machine.

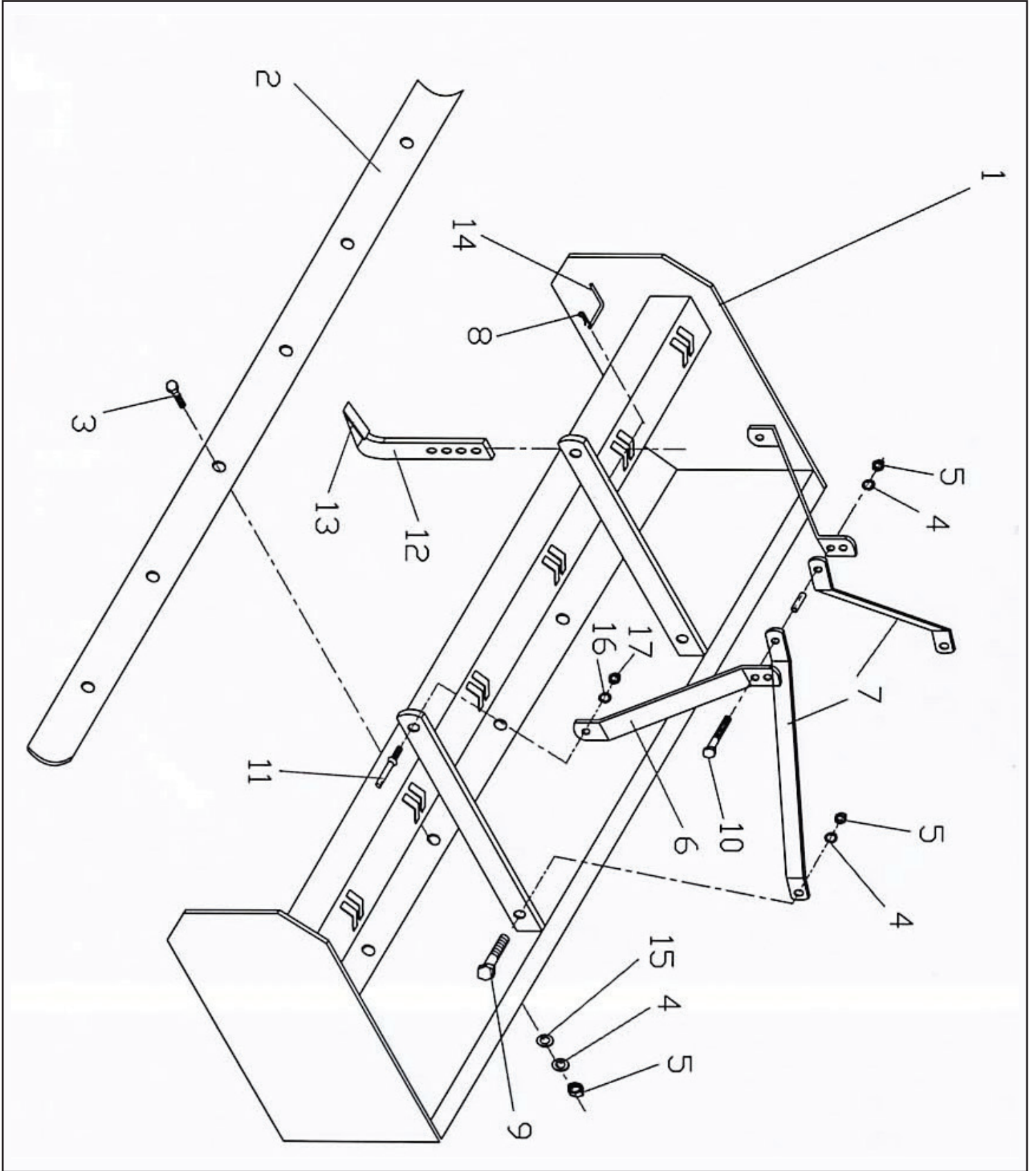
Personal protection equipment including safety glasses, safety shoes and gloves are recommended during assembly, installation, operation, adjustment, maintaining, repairing, removal or moving the box scraper.

Never place any part of your body where it would be in danger if movement should occur during assembly, installation, operation, maintaining, repairing, removal or moving the box scraper.

Before you operate the box scraper, check over all pins, bolts and connections to be sure all are securely in place. Replace any damaged or worn parts immediately.

Do not allow anyone who is not familiar with the safety rules and operation instructions to use this box scraper.

### 3 POINT BOX SCRAPER ASSEMBLY - DIAGRAM



REF	PART NO.	DESCRIPTION	SPECIFICATION	QTY
1	480401	Main Frame Weldment	4ft	1
	480501		5ft	1
	480601		6ft	1
	480701		7ft	1
	480801		8ft	1
2	480402	4' Blade		2
	480502	5' Blade		2
	480602	6' Blade	10mm	2
	481602	6' Thicker	12mm	2
	480702	7' Blade	12mm	2
	480802	8' Blade	12mm	2
3	480403	Carriage Bolt, M16x40	4ft	8
	480503		5ft	10
	480603		6ft	12
	480703		7ft	14
	480803		8ft	16
4	480404	Lock Washer, 16	4ft	11
	480504		5ft	13
	480604		6ft	15
	480704		7ft	17
	480804		8ft	19
5	480405	Nut, M16	4ft	11
	480505		5ft	13
	480605		6ft	15
	480705		7ft	17
	480805		8ft	19
6	480006	Top Link		2
7	480007	Tie Strap		2
8	480408	Hair Clip Pin	4'	4
	480508		5'	5
	480608		6'	6
	480708		7'	7
	480808		8'	8
9	480009	Bolt	M16x60	2
10	480010	Bolt	M16x110	1
11	480011	Hitch Pin		2
12	480412	Scarifier Shank	4ft	4
	480512		5ft	5
	480612		6ft	6
	480712		7ft	7
	480812		8ft	8

## Box Scraper Parts List

REF	PART NO.	DESCRIPTION	SPECIFICATION	QTY
13	480413	Replaceable Wear Tip	4'	4
	480513		5'	5
	480613		6'	6
	480713		7'	7
	480813		8'	8
14	480414	Pin, Lock	4'	4
	480514		5'	5
	480614		6'	6
	480714		7'	7
	480814		8'	8
15	480415	Flat Washer, 16	4'	8
	480515		5'	10
	480615		6'	12
	480715		7'	14
	480815		8'	16
16	480016	Lock Washer, 22		2
17	480017	Nut, M22x1.5		2





**BRABEREQ.COM**  
WGSALES@BRABEREQ.COM

**PHONE: 604-850-7770**  
**FAX: 604-850-7774**  
**TOLL FREE PHONE: 1-877-588-3311**  
**TOLL FREE FAX: 1-800-665-7334**