



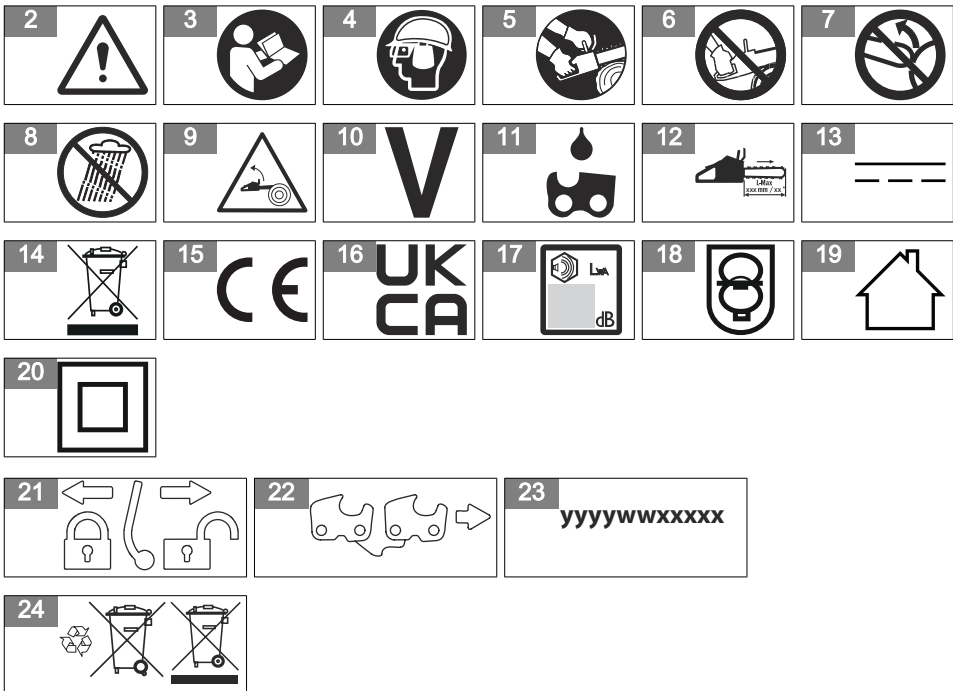
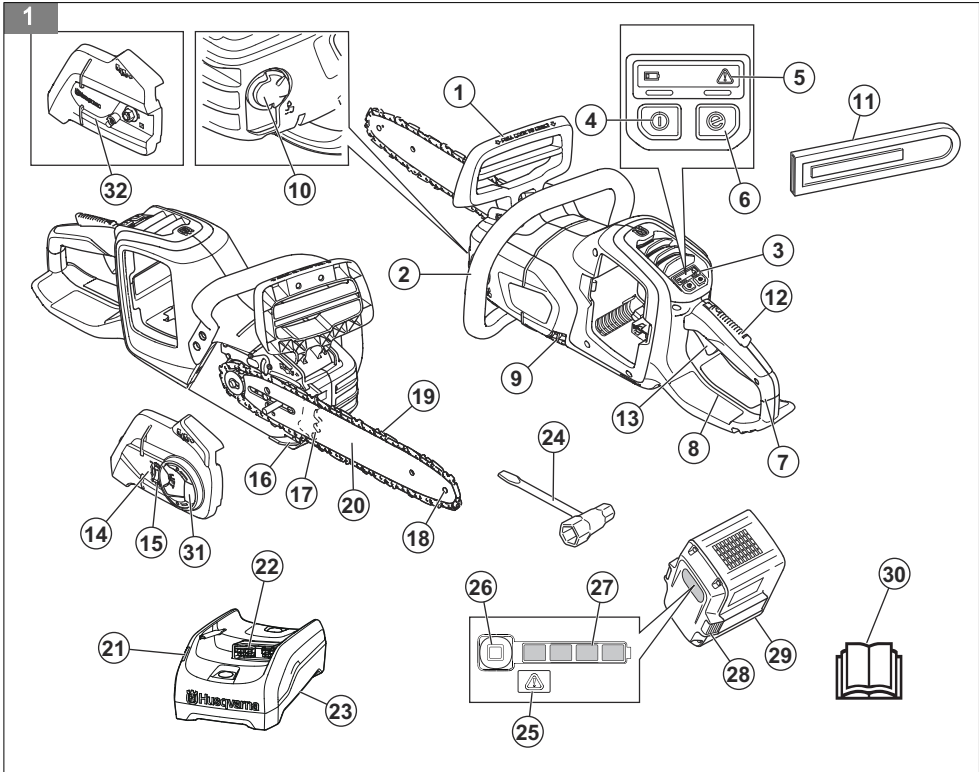
Husqvarna®



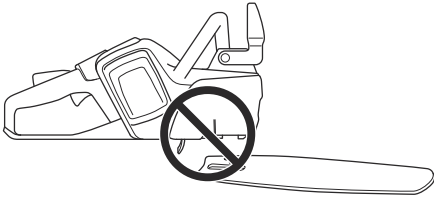
225i



EN	Operator's manual	20-45
BG	Ръководство за експлоатация	46-75
CS	Návod k použití	76-100
DA	Brugsanvisning	101-125
DE	Bedienungsanweisung	126-154
EL	Οδηγίες χρήσης	155-183
ES	Manual de usuario	184-210
ET	Kasutusjuhend	211-234
FI	Käyttöohje	235-258
FR	Manuel d'utilisation	259-285
HR	Priručnik za korištenje	286-310
HU	Használati utasítás	311-337
IT	Manuale dell'operatore	338-363
JA	取扱説明書	364-388
KO	사용자 설명서	389-411
LT	Operatoriaus vadovas	412-437
LV	Lietošanas pamācība	438-462
NL	Gebruiksaanwijzing	463-488
NO	Bruksanvisning	489-512
PL	Instrukcja obsługi	513-539
PT	Manual do utilizador	540-566
RO	Instrucțiuni de utilizare	567-592
RU	Руководство по эксплуатации	593-621
SK	Návod na obsluhu	622-646
SL	Navodila za uporabo	647-671
SR	Priručnik za rukovaoca	672-696
SV	Bruksanvisning	697-721
TR	Kullanım kılavuzu	722-746
UK	Посібник користувача	747-774
ZH	操作手册	775-795



25



26



27



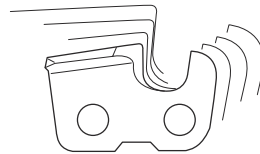
28



29



30

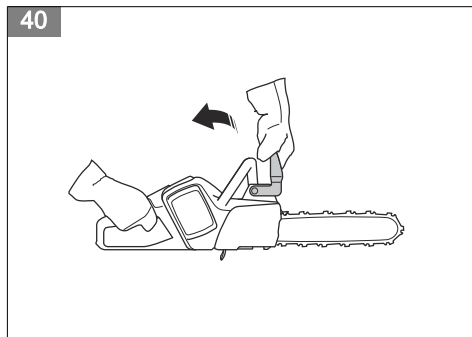
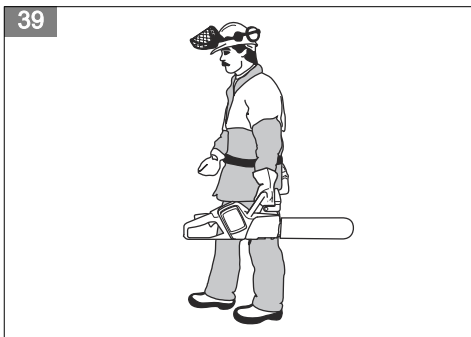
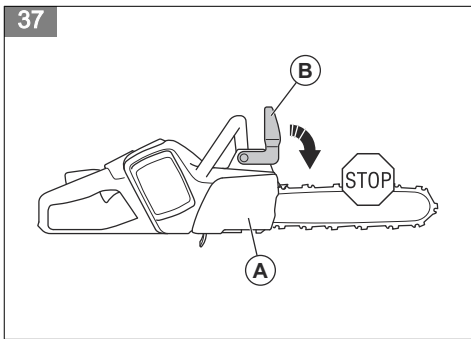
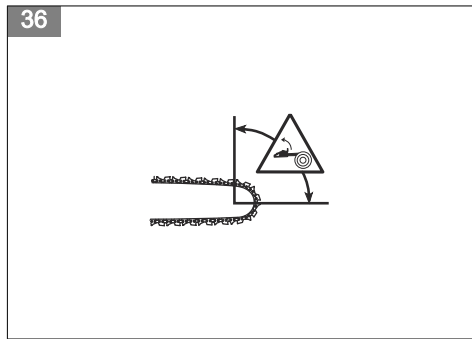
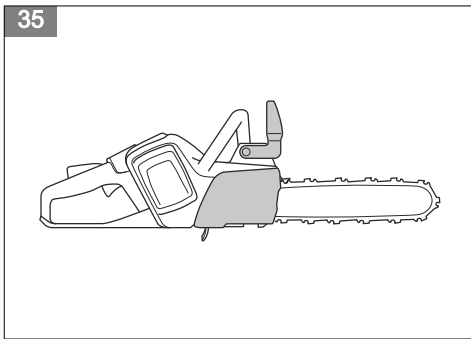
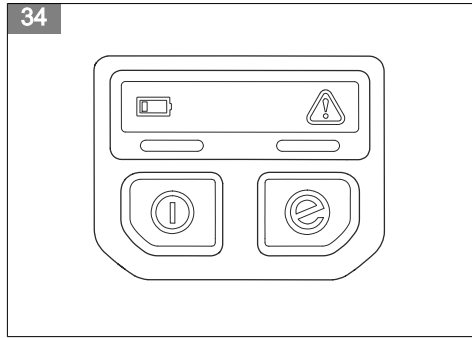
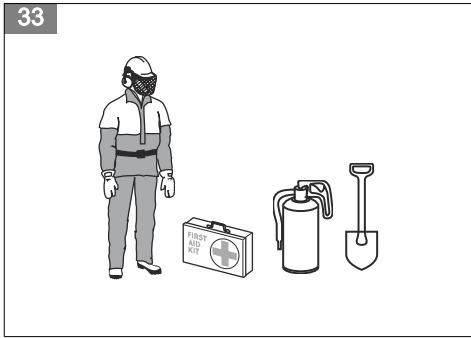


31

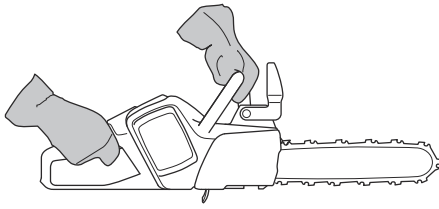


32

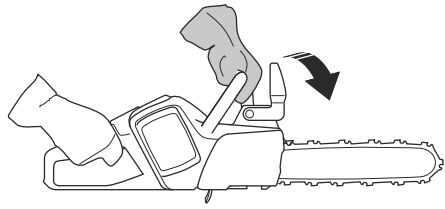




41



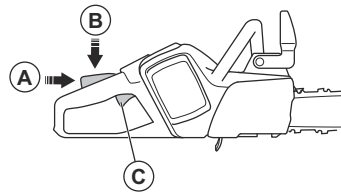
42



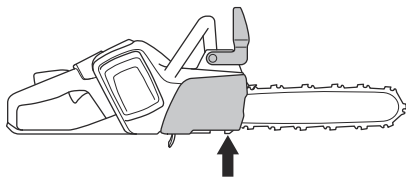
43



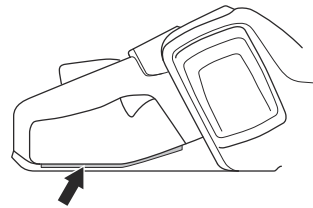
44



45



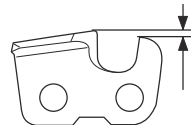
46

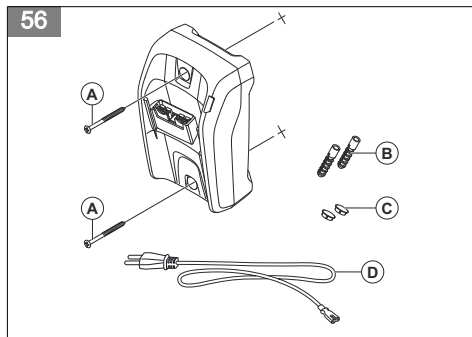
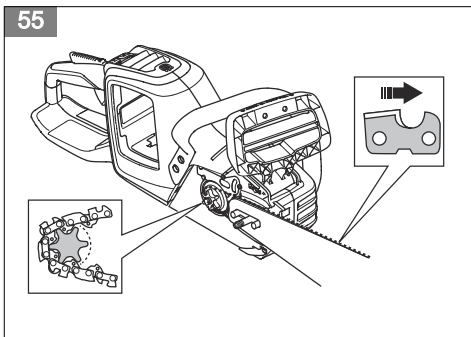
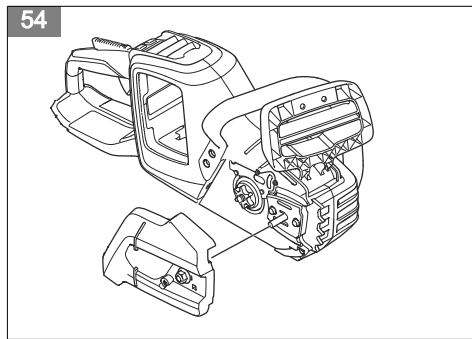
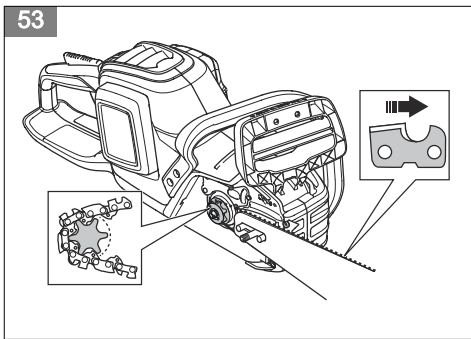
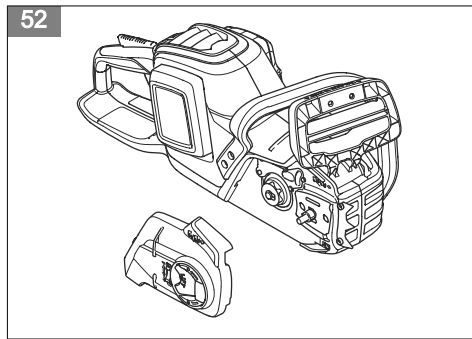
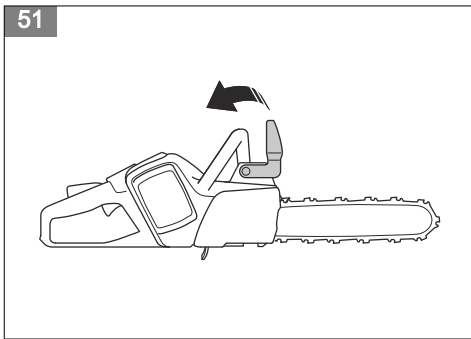
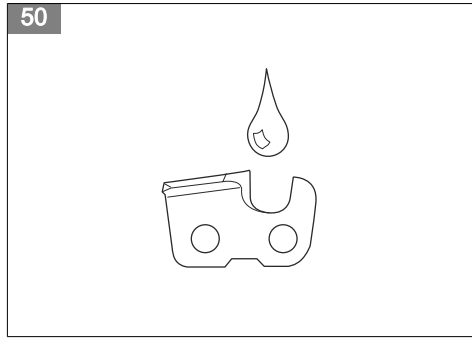
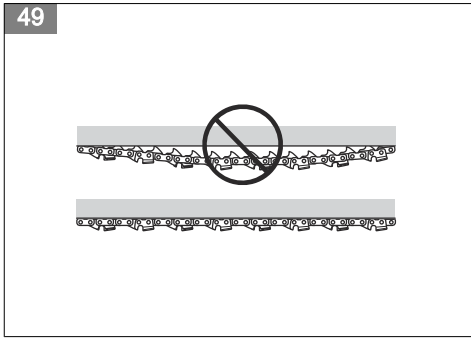


47

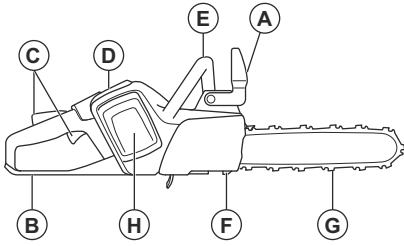


48





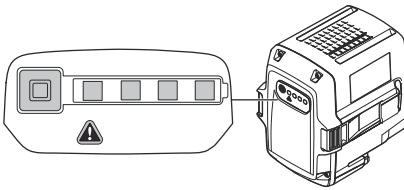
57



58



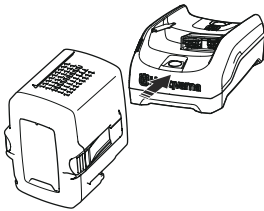
59



60



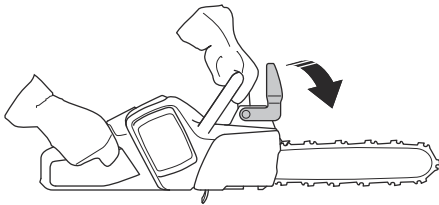
61



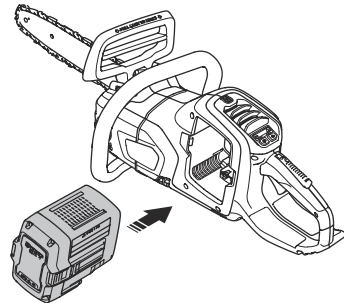
62

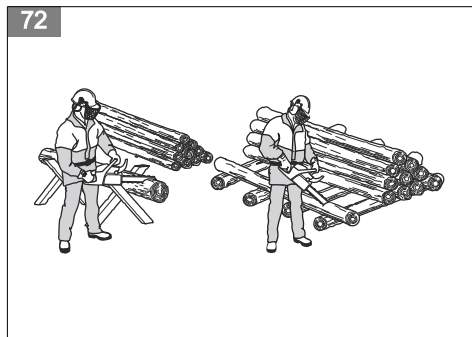
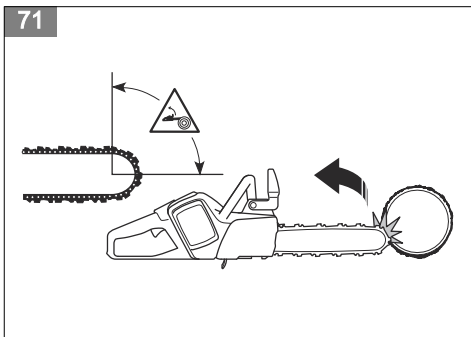
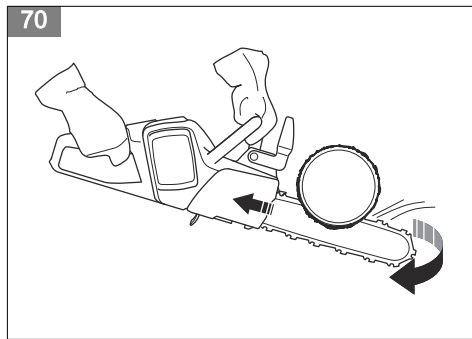
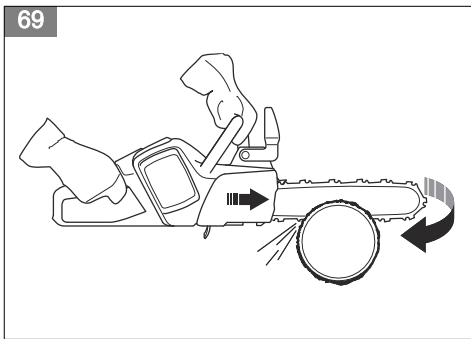
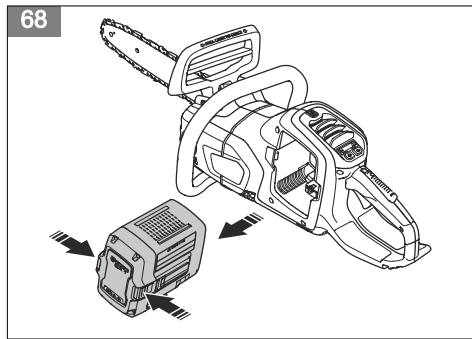
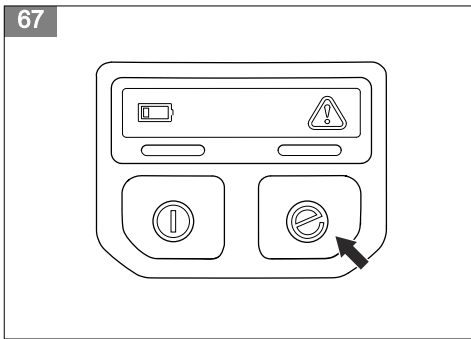
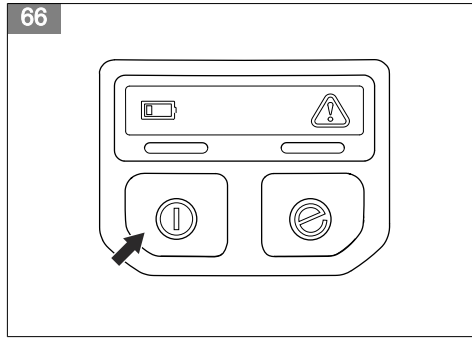
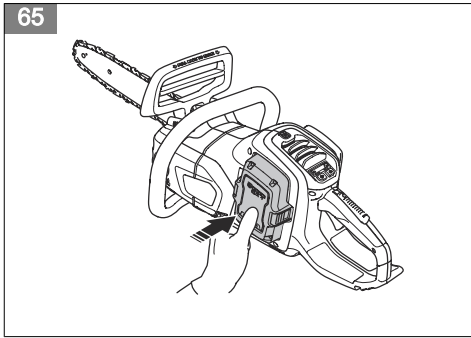


63

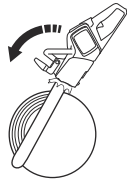


64

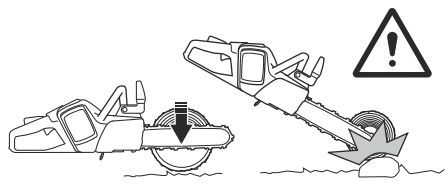




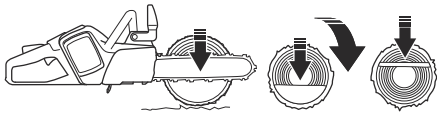
73



74



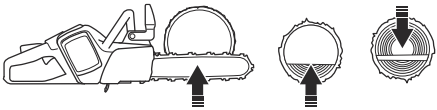
75



76



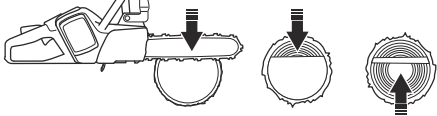
77



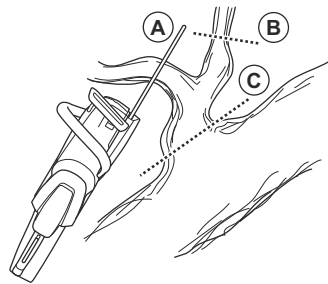
78

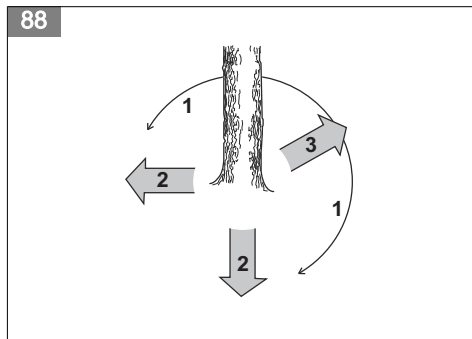
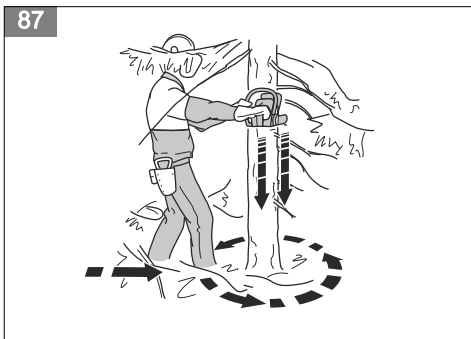
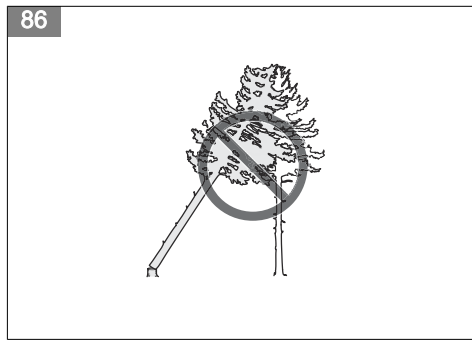
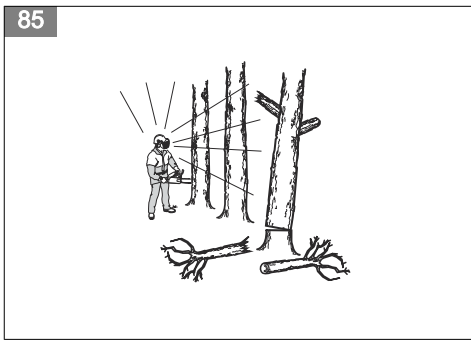
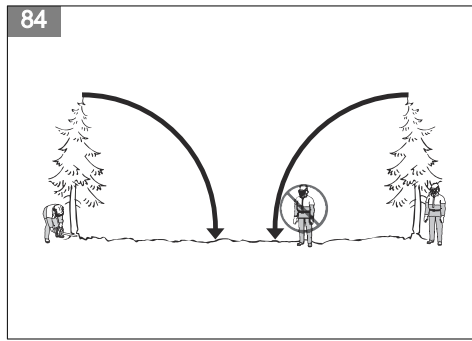
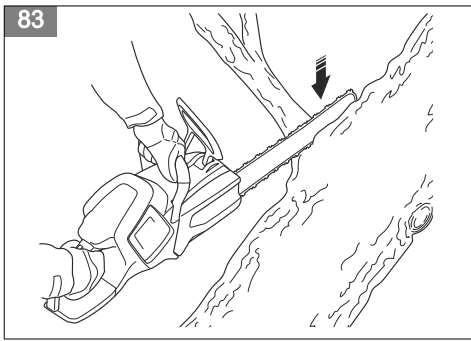
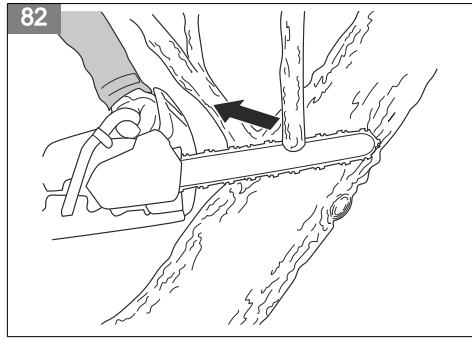
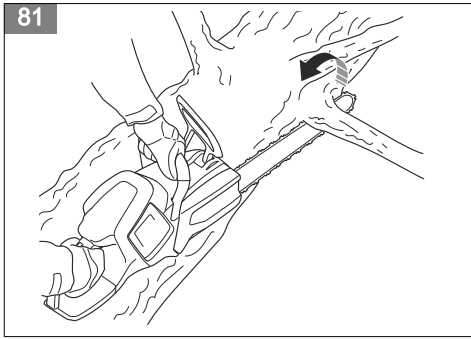


79

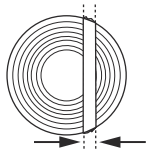


80

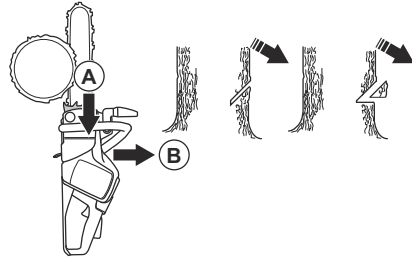




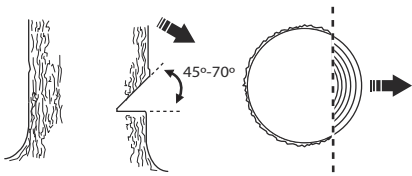
89



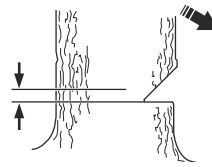
90



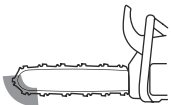
91



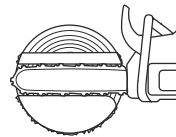
92



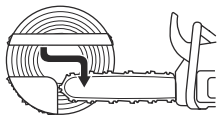
93



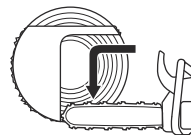
94



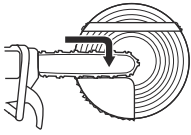
95



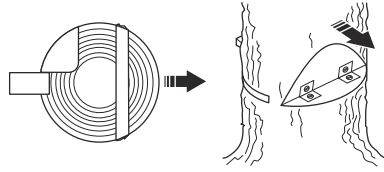
96



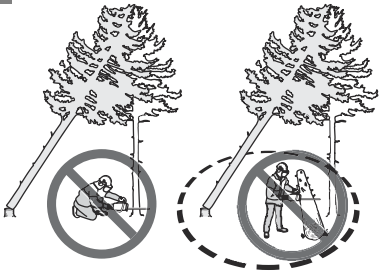
97



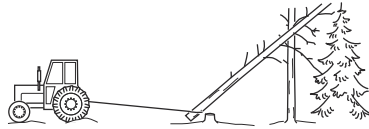
98



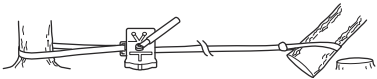
99



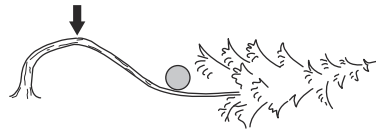
100



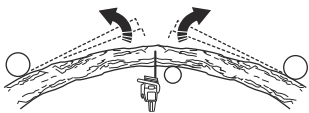
101



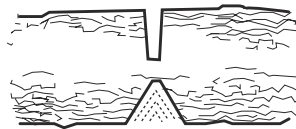
102



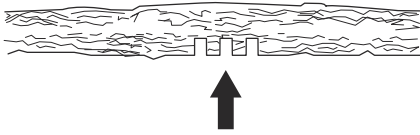
103



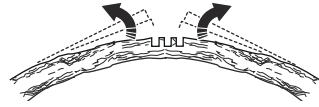
104



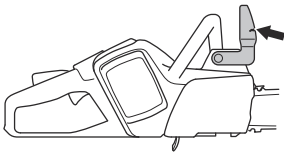
105



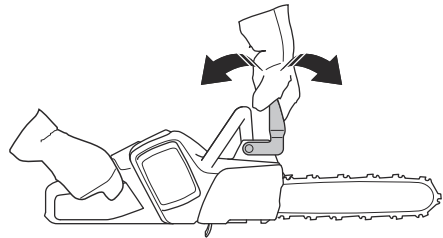
106



107



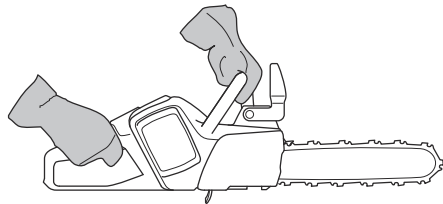
108



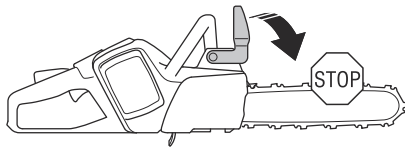
109



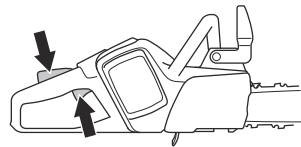
110



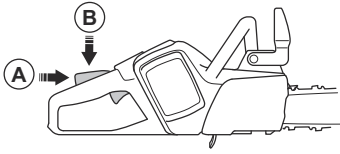
111



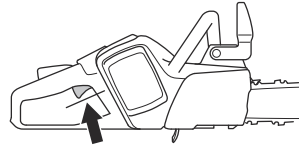
112



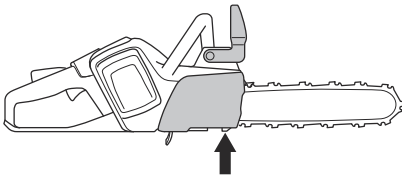
113



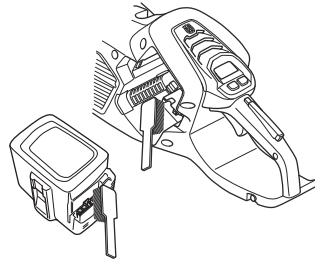
114



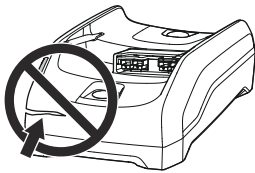
115



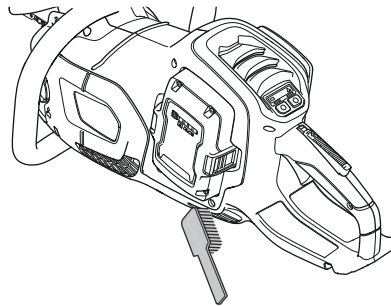
116



117



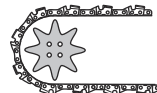
118



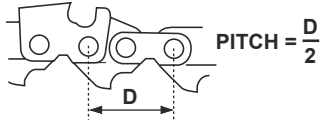
119



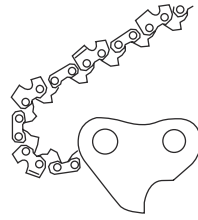
120



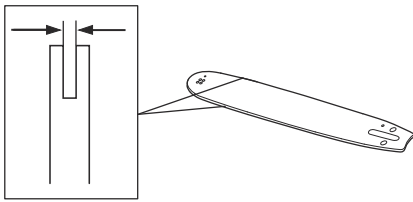
121



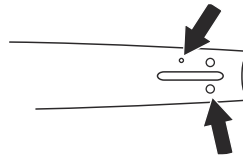
122



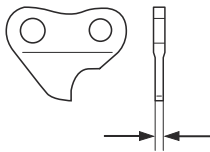
123



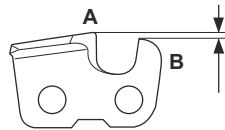
124



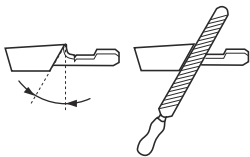
125



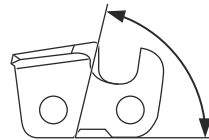
126



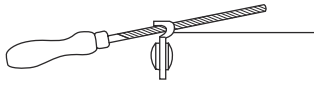
127



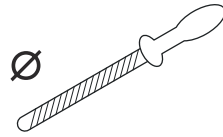
128



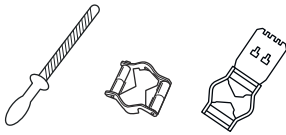
129



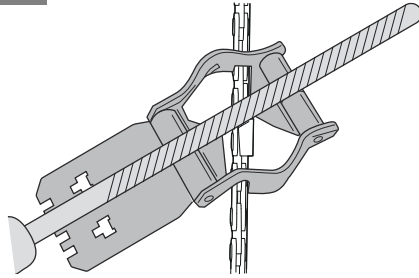
130



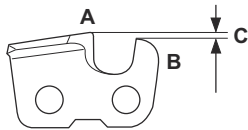
131



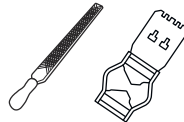
132



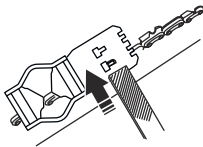
133



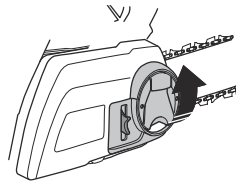
134



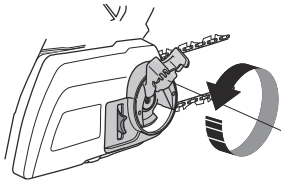
135



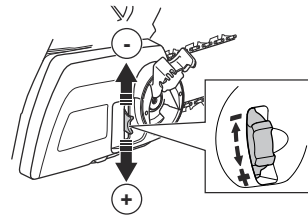
136



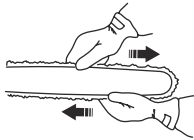
137



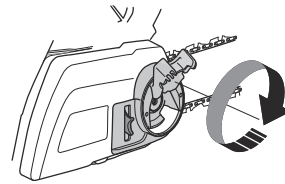
138



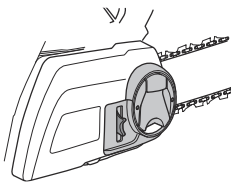
139



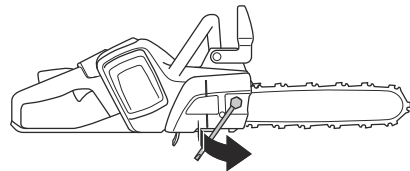
140



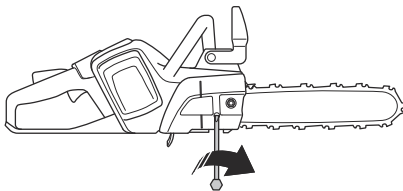
141



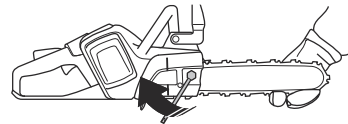
142



143



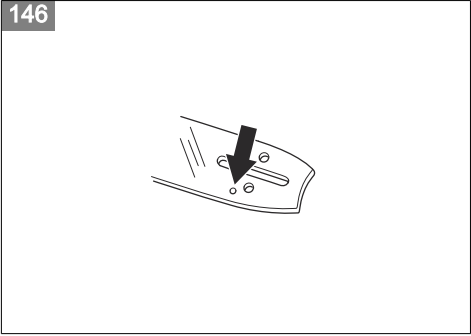
144



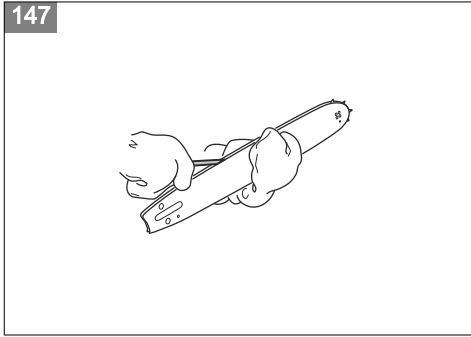
145



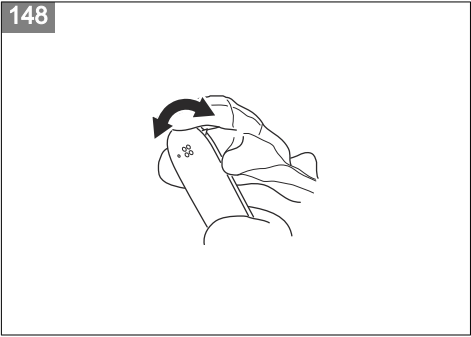
146



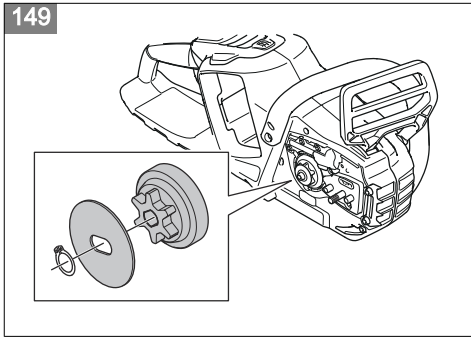
147



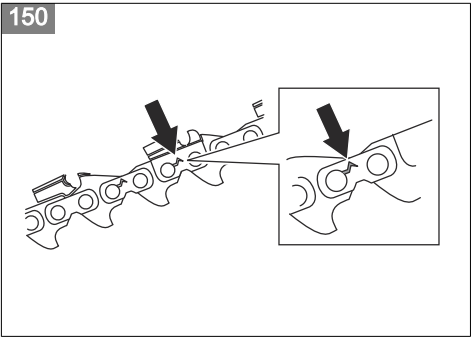
148



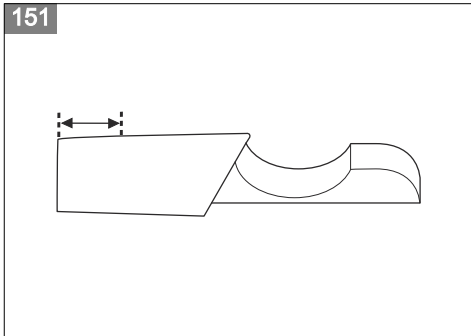
149



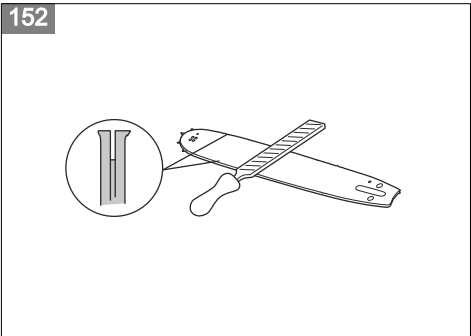
150



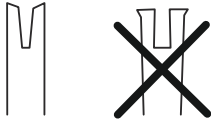
151



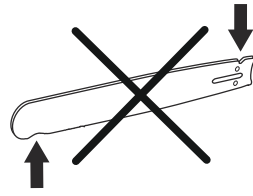
152



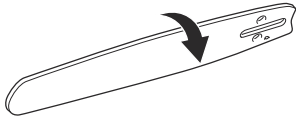
153



154



155



Contents

Introduction.....	20	Troubleshooting.....	39
Safety.....	21	Transportation, storage and disposal.....	40
Assembly.....	28	Technical data.....	41
Operation.....	29	Accessories.....	42
Maintenance.....	34	Declaration of Conformity.....	44

Introduction

Intended use

This chainsaw for forest service is designed for forest work such as felling, limbing and cutting.

Note: National regulations can set limit to the operation of the product.

Product overview

(Fig. 1)

1. Front hand guard
2. Front handle
3. User interface
4. Start/stop button
5. Warning indicator and battery indicator
6. SavE button
7. Rear handle with right hand guard
8. Information and warning decal
9. Housing
10. Chain oil tank
11. Transportation cover
12. Power trigger lockout
13. Power trigger
14. Drive sprocket cover with bar knob
15. Chain tensioner
16. Chain catcher
17. Spiked bumper
18. Bar tip sprocket
19. Saw chain
20. Guide bar
21. Indicator for state of charge
22. Connector
23. Battery charger
24. Combination wrench
25. Warning indicator
26. Button, battery status
27. Battery status
28. Battery release button
29. Battery
30. Operator's manual
31. Bar knob
32. Drive sprocket cover with bar bolt

Product description

Husqvarna 225i is a chainsaw model with an electrical motor.

Work is constantly in progress to increase your safety and efficiency during operation. Speak to your servicing dealer for more information.

Symbols on the product

- (Fig. 2) **WARNING:** This product can be dangerous and cause serious injury or death to the operator or others. Be careful and use the product correctly.
- (Fig. 3) Read the operator's manual carefully and make sure that you understand the instructions before you use the product.
- (Fig. 4) Use approved protective helmet, hearing protection and eye protection.
- (Fig. 5) Use 2 hands when you operate the product.
- (Fig. 6) Do not operate the product with 1 hand only.
- (Fig. 7) Do not let the guide bar tip touch an object.
- (Fig. 8) Do not use in rain.
- (Fig. 9) **Warning!** Kickback can occur when the guide bar tip touches an object. This causes the guide bar to be thrown in the direction of the operator. Risk of serious injury or death.
- (Fig. 10) Rated voltage, V
- (Fig. 11) Chain oil.
-

- (Fig. 12) The direction in which the saw chain rotates and maximum length of the guide bar.
- (Fig. 13) Direct current.
- (Fig. 14) **Environmental mark.** The product or package of the product is not domestic waste. Recycle it at a recycling station for electrical and electronic equipment.
- (Fig. 15) This product complies with applicable EC Directives.
- (Fig. 16) This product complies to the applicable UK regulations.
- (Fig. 17) Noise emission to the environment label as per European Directive 2000/14/EC, UK directives and regulations and New South Wales legislation "Protection of the Environment Operations (Noise Control) Regulation 2017". The guaranteed sound power level of the product is specified in *Technical data on page 41* and on the label.
- (Fig. 21) Chain brake, engaged (forward). Chain brake, disengaged (rearward).
- (Fig. 22) Chain direction.
- (Fig. 23) The rating plate shows the serial number. **yyyy** is the production year, **ww** is the production week.

Note: Other symbols/decals on the product refer to certification requirements for some markets.

Symbols on the battery and/or on the battery charger

- (Fig. 24) Recycle this product at a recycling station for electrical and electronic equipment. (Applies to Europe only)
- (Fig. 18) Fail-safe transformer.
- (Fig. 19) Use and keep the battery charger indoors only.
- (Fig. 20) Double insulation.

Manufacturer

Husqvarna AB
 Drottninggatan 2, SE-561 82, Huskvarna, Sweden, tel: +46-36-146500

Product damage

We are not responsible for damages to our product if:

- the product is incorrectly repaired.
- the product is repaired with parts that are not from the manufacturer or not approved by the manufacturer.
- the product has an accessory that is not from the manufacturer or not approved by the manufacturer.
- the product is not repaired at an approved service center or by an approved authority.

Safety

Safety definitions

Warnings, cautions and notes are used to point out specially important parts of the manual.



WARNING: Used if there is a risk of injury or death for the operator or bystanders if the instructions in the manual are not obeyed.



CAUTION: Used if there is a risk of damage to the product, other materials or the adjacent area if the instructions in the manual are not obeyed.

Note: Used to give more information that is necessary in a given situation.

General power tool safety warnings



WARNING: Read all safety warnings, instructions, illustrations and specifications provided with this power tool. Failure to follow all instructions listed below may result in electric shock, fire and/or serious injury.

- **Save all warnings and instructions for future reference.** The term "power tool" in the warnings refers to your mains-operated (corded) power tool or battery-operated (cordless) power tool.

Work area safety

- **Keep work area clean and well lit.** Cluttered or dark areas invite accidents.
- **Do not operate power tools in explosive atmospheres, such as in the presence of flammable**

liquids, gases or dust. Power tools create sparks which may ignite the dust or fumes.

- **Keep children and bystanders away while operating a power tool.** Distractions can cause you to lose control.

Electrical safety

- **Power tool plugs must match the outlet. Never modify the plug in any way. Do not use any adapter plugs with earthed (grounded) power tools.** Unmodified plugs and matching outlets will reduce risk of electric shock.
- **Avoid body contact with earthed or grounded surfaces, such as pipes, radiators, ranges and refrigerators.** There is an increased risk of electric shock if your body is earthed or grounded.
- **Do not expose power tools to rain or wet conditions.** Water entering a power tool will increase the risk of electric shock.
- **Do not abuse the cord. Never use the cord for carrying, pulling or unplugging the power tool. Keep cord away from heat, oil, sharp edges or moving parts.** Damaged or entangled cords increase the risk of electric shock.
- **When operating a power tool outdoors, use an extension cord suitable for outdoor use.** Use of a cord suitable for outdoor use reduces the risk of electric shock.
- **If operating a power tool in a damp location is unavoidable, use a residual current device (RCD) protected supply.** Use of a RCD reduces the risk of electric shock.

Personal safety

- **Stay alert, watch what you are doing and use common sense when operating a power tool. Do not use a power tool while you are tired or under the influence of drugs, alcohol or medication.** A moment of inattention while operating power tools may result in serious personal injury.
- **Use personal protective equipment. Always wear eye protection.** Protective equipment such as dust mask, non-skid safety shoes, hard hat or hearing protection used for appropriate conditions will reduce personal injuries.
- **Prevent unintentional starting. Ensure the switch is in the off-position before connecting to power source and/or battery pack, picking up or carrying the tool.** Carrying power tools with your finger on the switch or energising power tools that have the switch on invites accidents.
- **Remove any adjusting key or wrench before turning the power tool on.** A wrench or a key left attached to a rotating part of the power tool may result in personal injury.
- **Do not overreach. Keep proper footing and balance at all times.** This enables better control of the power tool in unexpected situations.

- **Dress properly. Do not wear loose clothing or jewellery. Keep your hair and clothing away from moving parts.** Loose clothes, jewellery or long hair can be caught in moving parts.
- **If devices are provided for the connection of dust extraction and collection facilities, ensure these are connected and properly used.** Use of dust collection can reduce dust-related hazards.
- **Do not let familiarity gained from frequent use of tools allow you to become complacent and ignore tool safety principles.** A careless action can cause severe injury within a fraction of a second.

Power tool use and care

- **Do not force the power tool. Use the correct power tool for your application.** The correct power tool will do the job better and safer at the rate for which it was designed.
- **Do not use the power tool if the switch does not turn it on and off.** Any power tool that cannot be controlled with the switch is dangerous and must be repaired.
- **Disconnect the plug from the power source and/or remove the battery pack, if detachable, from the power tool before making any adjustments, changing accessories, or storing power tools.** Such preventive safety measures reduce the risk of starting the power tool accidentally.
- **Store idle power tools out of the reach of children and do not allow persons unfamiliar with the power tool or these instructions to operate the power tool.** Power tools are dangerous in the hands of untrained users.
- **Maintain power tools and accessories. Check for misalignment or binding of moving parts, breakage of parts and any other condition that may affect the power tool's operation. If damaged, have the power tool repaired before use.** Many accidents are caused by poorly maintained power tools.
- **Keep cutting tools sharp and clean.** Properly maintained cutting tools with sharp cutting edges are less likely to bind and are easier to control.
- **Use the power tool, accessories and tool bits etc. in accordance with these instructions, taking into account the working conditions and the work to be performed.** Use of the power tool for operations different from those intended could result in a hazardous situation.
- **Keep handles and grasping surfaces dry, clean and free from oil and grease.** Slippery handles and grasping surfaces do not allow for safe handling and control of the tool in unexpected situations.

Battery tool use and care

- **Recharge only with the charger specified by the manufacturer.** A charger that is suitable for one type of battery pack may create a risk of fire when used with another battery pack.

- **Use power tools only with specifically designated battery packs.** Use of any other battery packs may create a risk of injury and fire.
- **When battery pack is not in use, keep it away from other metal objects, like paper clips, coins, keys, nails, screws or other small metal objects, that can make a connection from one terminal to another.** Shorting the battery terminals together may cause burns or a fire.
- **Under abusive conditions, liquid may be ejected from the battery; avoid contact. If contact accidentally occurs, flush with water. If liquid contacts eyes, additionally seek medical help.** Liquid ejected from the battery may cause irritations or burns.
- **Do not use a battery pack or tool that is damaged or modified.** Damaged or modified batteries may exhibit unpredictable behaviour resulting in fire, explosion or risk of injury.
- **Do not expose a battery pack or tool to fire or excessive temperature.** Exposure to fire or temperature above 130 °C / 266 °F may cause explosion.
- **Follow all charging instructions and do not charge the battery pack or tool outside the temperature range specified in the instructions.** Charging improperly or at temperatures outside the specified range may damage the battery and increase the risk of fire.

Service

- **Have your power tool serviced by a qualified repair person using only identical replacement parts.** This will ensure that the safety of the power tool is maintained.
- **Never service damaged battery packs.** Service of battery packs should only be performed by the manufacturer or authorized service providers.

General chain saw safety warnings

- **Keep all parts of the body away from the saw chain when the chain saw is operating. Before you start the chain saw, make sure the saw chain is not contacting anything.** A moment of inattention while operating chain saws may cause entanglement of you clothing or body with the saw chain.
- **Always hold the chain saw with your right hand on the rear handle and your left hand on the front handle.** Holding the chain saw with a reversed hand configuration increases the risk of personal injury and should never be done.
- **Hold the chain saw by insulated gripping surfaces only, because the saw chain may contact hidden wiring.** Saw chains contacting a "live" wire may make exposed metal parts of the chain saw "live" and could give the operator an electric shock.
- **Wear eye protection. Further protective equipment for hearing, head, hands, legs and feet is**

recommended. Adequate protective equipment will reduce personal injury from flying debris or accidental contact with the saw chain.

- **Do not operate a chain saw in a tree, on a ladder, from a rooftop, or any unstable support.** Operation of a chain saw in this manner could result in serious personal injury.¹
- **Always keep proper footing and operate the chain saw only when standing on fixed, secure and level surface.** Slippery or unstable surfaces may cause a loss of balance or control of the chain saw.
- **When cutting a limb that is under tension, be alert for spring back.** When the tension in the wood fibres is released, the spring loaded limb may strike the operator and/or throw the chain saw out of control.
- **Use extreme caution when cutting brush and saplings.** The slender material may catch the saw chain and be whipped toward you or pull you off balance.
- **Carry the chain saw by the front handle with the chain saw switched off and away from your body. When transporting or storing the chain saw, always fit the guide bar cover.** Proper handling of the chain saw will reduce the likelihood of accidental contact with the moving saw chain.
- **Follow instructions for lubricating, chain tensioning and changing the bar and chain.** Improperly tensioned or lubricated chain may either brake or increase the chance for kickback.
- **Cut wood only. Do not use chain saw for purposes not intended. For example: do not use chain saw for cutting metal, plastic, masonry or non-wood building materials.** Use of the chain saw for operations different than intended could result in a hazardous situation.
- **Do not attempt to fell a tree until you have an understanding of the risks and how to avoid them.** Serious injury could occur to the operator or bystanders while felling a tree.
- **Follow all instructions when clearing jammed material, storing or servicing the chain saw. Make sure the switch is off and the battery pack is removed.** Unexpected actuation of the chain saw while clearing jammed material or servicing may result in serious personal injury.
- **Do not operate a chain saw in a tree unless you have been specifically trained to do so.** Operation of a chain saw in a tree without proper training could increase the risk of serious personal injury.

Causes and operator prevention of kickback

Kickback may occur when the nose or tip of the guide bar touches an object, or when the wood closes in and pinches the saw chain in the cut. Tip contact in some cases may cause a sudden reverse reaction, kicking the guide bar up and back towards the operator. Pinching the saw chain along the top of the guide bar may push

¹ If you are trained in special cutting and working techniques, and properly secured (lift bucket, ropes, safety harness), deviations from this safety regulation can be made.

the guide bar rapidly back towards the operator. Either of these reactions may cause you to lose control of the saw which could result in serious personal injury. Do not rely exclusively upon the safety devices built into your saw. As a chain saw user, you should take several steps to keep your cutting jobs free from accident or injury. Kickback is the result of chain saw misuse and/or incorrect operating procedures or conditions and can be avoided by taking proper precautions as given below:

- **Maintain a firm grip, with thumbs and fingers encircling the chain saw handles, with both hands on the saw and position your body and arm to allow you to resist kickback forces.** Kickback forces can be controlled by the operator, if proper precautions are taken. Do not let go of the chain saw.
- **Do not overreach and do not cut above shoulder height.** This helps prevent unintended tip contact and enables better control of the chain saw in unexpected situations.
- **Only use replacement guide bars and saw chains specified by the manufacturer.** Incorrect replacement guide bars and saw chains may cause chain breakage and/or kickback.
- **Follow the manufacturer's sharpening and maintenance instructions for the saw chain.** Decreasing the depth gauge height can lead to increased kickback.

SAVE THESE INSTRUCTIONS.

General safety instructions



WARNING: Read the warning instructions that follow before you use the product.

- This product is a dangerous tool if you are not careful or if you use the product incorrectly. This product can cause serious injury or death to the operator or others. It is very important that you read and understand the contents of this operator's manual.
- Do not change the product without an approval from the manufacturer. Do not use a product that has been changed by others and always use original accessories. Changes that are not approved from the manufacturer can result in serious injury or death to the operator or others.
- Long term inhalation of chain oil fumes and sawdust can cause health problems.
- This product produces an electromagnetic field during operation. This field may under some circumstances interfere with active or passive medical implants. To decrease the risk of serious injury or death, we recommend persons with medical implants to turn to their physician and the medical implant manufacturer before operating this product.

Safety instructions for operation



WARNING: Read the warning instructions that follow before you use the product.

- The information in this operator's manual is not a replacement for professional knowledge and experience. If you do not feel safe in the situation that you are in, stop the product. Turn to your servicing dealer or a professional chainsaw operator. Do not attempt any task that you feel unsure of!
- Turn to your servicing dealer or Husqvarna if you have questions about the operation of the product. We can give you information about how to operate your product effectively and safely. Participate in a training class in chainsaw operation if possible. Your servicing dealer, forestry school or your library can give you information about training materials and classes that are available.
- You must understand the effects of kickback and how to prevent them before you use this product. Refer to *Kickback information on page 30* and *Common questions about kickback on page 30* for instructions.
- Do not use a product, battery or battery charger that is damaged or does not operate correctly.
- Do not touch a rotating saw chain. It can cause serious injuries or death.
- Do not use the product if you are tired, while under the influence of alcohol or drugs, medicine or anything that could have a negative effect on your vision, alertness, coordination or judgment.
- Working in bad weather is tiring and often brings added risk. Due to the added risk, it is not recommended to use the machine in very bad weather, for instance in dense fog, heavy rain, strong winds, intense cold, risk of lightning, etc.
- Do not start a product unless the guide bar, saw chain and all covers are assembled correctly. If not, the drive sprocket can come loose and cause serious injuries. Refer to *Assembly on page 28* for instructions.

(Fig. 25)

- Sometimes chips get stuck in the clutch cover causing the saw chain to jam. Always stop the motor before cleaning.
- Look around you. Make sure that there is no risk that persons or animals touch or influence on your control of the product.

(Fig. 26)

- Do not let children use or be near the product. The product is easy to start and children may be able to start it if they are not fully supervised. This can mean a risk of serious injury.
- Remove the battery when you do not have full view of the product or leave the product for any length of time.

- You must be stable on your feet in order to have full control of the product. Do not use the product if you are on a ladder or in a tree. Do not use the product if you are not on stable ground.

(Fig. 27)

- Working in a tree requires the use of special cutting and working techniques which must be observed in order to reduce the increased risk of personal injury. Never work in a tree unless you have received specific, professional training for such work, including training in the use of safety and other climbing equipment, such as harnesses, ropes, belts, climbing irons, snap hooks, carabiners, etcetera.
- Never attempt to catch falling sections. Never cut in the tree when you are only secured with one rope. Always use two secured ropes.
- If you are not careful, the risk of kickback increases. A kickback can occur if the kickback zone of the guide bar accidentally touches a branch, tree or other objects.

(Fig. 28)

- Do not hold the product with one hand. This product is not safely controlled with one hand.
- Do not use the product above shoulder height and do not try to cut with the guide bar tip.

(Fig. 29)

- Do not use a product in a situation where you can not call for help if an accident occur.
- Stop the product and engage the chain brake before you move the product. Hold the product with the guide bar and saw chain pointing rearward. Put on a transportation guard on the guide bar before transportation or before you move it for any distance.
- When you put the product on the ground, engage the chain brake and have a constant view of the product. Stop the product and remove the battery before you leave your product for any length of time.
- There is a risk that wood chips get stuck in the drive system. This can cause the saw chain to get stuck. Always stop the product and remove the battery before you clean it.
- The vibration level increases if you cut with cutting equipment that is incorrect or not correctly sharpened. Cutting hardwoods, such as broadleaf trees, causes more vibration than cutting softwoods, such as conifers.

(Fig. 30)

- Overexposure to vibration can lead to circulatory damage or nerve damage in persons who have decreased circulation. Speak to your physician if you experience symptoms of overexposure to vibration. Such symptoms include numbness, loss of feeling, tingling, pricking, pain, loss of strength, changes in skin colour or condition. These symptoms usually occur in the fingers, hands or wrists increases in cold temperatures.

- Do not try a pruning or limbing operation in a standing tree unless you have special training.
- Always stand on the uphill side of the log when you cut on a slope as the tree is likely to roll or slide downhill after it is felled. To maintain complete control of the product when you cut, release the cutting pressure near the end of the cut. Do not relax your hands around the handles. Do not let the saw chain to touch the ground. After you have completed the cut, wait for the saw chain to stop before you move the product. Always stop the motor before you move from tree to tree.

(Fig. 31)

- Do not fell a tree if there is any risk that it endangers any person, strike or cause any utility line, or cause property damage. If the tree strikes a utility line, the utility company must be notified immediately.
- Make sure that you can move around safely. Examine the conditions and the terrain around you for possible obstacles such as roots, rocks, branches, ditches and more. Be careful when you do work on sloping ground.
- Prevent situations which you think is beyond your capability.
- It is not possible to include each possible situation you can face when you use this product. Always be careful and use your common sense.

(Fig. 32)

Personal protective equipment



WARNING: Read the warning instructions that follow before you use the product.

(Fig. 33)

- Most chainsaw accidents occur when the saw chain touches the operator. You must use approved personal protective equipment during operation. Personal protective equipment does not give you full protection from injuries but it decreases the degree of injury if an accident occurs. Speak to your servicing dealer for recommendations about which equipment to use.
- Your clothing must be close-fitting but not limit your movements. Regularly do a check of the condition of the personal protective equipment.
- Use an approved protective helmet.
- Use approved hearing protection. Long-term exposure to noise can result in permanent damage to the hearing.
- Use approved protective glasses or a face visor to decrease the risk of injury from thrown objects. The product can throw objects, such as wood chips, small pieces of wood and more, at large force. This can result in serious injury, especially to the eyes.
- Use gloves with saw protection.
- Use pants with saw protection.

- Use boots with saw protection, steel toe-cap and non-slip sole.
- Always have a first-aid kit with you.
- Risk of sparks. Keep fire extinguishing tools and a shovel near to prevent forest fires.

Safety devices on the product



WARNING: Read the warning instructions that follow before you use the product.

- Do not use a product with safety devices that are damaged or do not operate correctly.
- Do a check of the safety devices regularly. Refer to *Maintenance and checks of the safety devices on the product on page 35*.
- If the safety devices are damaged or do not operate correctly, speak to your Husqvarna servicing dealer.

Functions of the user interface

The user interface includes the start/stop button, the SavE button, the battery status and the warning indicator. The warning indicator flashes if the chain brake is engaged or if there is a risk of overload. The overload protection temporarily stops the product and you cannot use the product until the temperature decreases. If the warning indicator shows a solid light, speak to your servicing dealer.

(Fig. 34)

For more information about the user interface, refer to *Product overview on page 20*.

The automatic stop function

The product has an automatic stop function that stops the product if you do not use it for 3 minutes.

Chain brake and front hand guard

Your product has a chain brake that stops the saw chain if you get a kickback. The chain brake decreases the risk of accidents but only you can prevent them.

(Fig. 35)



WARNING: Do not engage in situations where there is a risk of kickback. Be careful when you use your product and make sure that the kickback zone of the guide bar does not touch an object.

(Fig. 36)

The chain brake engages (A) manually by your left hand or automatically by the inertia release mechanism. Push the front hand guard (B) forward to engage the chain brake manually. This movement starts a spring-loaded mechanism that stops the drive sprocket.

(Fig. 37)

How the chain brake is engaged is in relation to the force of the kickback and position of the product. If you get an intense kickback while the kickback zone is farthest away from you, the chain brake engages by the inertia release. If the kickback is small or the kickback zone is nearer you, the chain brake engages manually by your left hand.

(Fig. 38)

Use the chain brake as a parking brake when you start the product and when you move short distances. This decreases the risk that you or a person near you touches the saw chain.

(Fig. 39)

Pull the front hand guard rearward to disengage the chain brake.

(Fig. 40)

A kickback can be very sudden and intense. Most kickbacks are small and do not always engage the chain brake. If a kickback occurs when you use the product, hold tightly around the handles and do not let go.

(Fig. 41)

The front hand guard also decreases the risk to touch the saw chain if your hand lets go of the front handle.

(Fig. 42)

In the felling position you cannot engage the chain brake manually. The chain brake can in this position only be engaged by the inertia release mechanism.

(Fig. 43)

Power trigger lockout

The power trigger lockout prevents accidental operation of the power trigger. If you push the power trigger lockout forward (A) and then push the power trigger lockout against the handle (B), it releases the power trigger (C). If you release the handle, the power trigger and the power trigger lockout move back to their initial positions.

(Fig. 44)

Chain catcher

The chain catcher catches the saw chain if it breaks or comes loose. If you have the correct chain tension, the risk decreases. You also decrease the risk if you do the correct maintenance on the guide bar and saw chain. See *Assembly on page 28* and *Maintenance on page 34* for instructions.

(Fig. 45)

Right hand guard

The right hand guard works as a protection for your hand if the saw chain breaks or comes loose. It also

prevents interference from branches and twigs when you use the product.

(Fig. 46)

Battery safety



WARNING: Read the warning instructions that follow before you use the product.

- Only use the 40-B series batteries that we recommend for your product. Refer to *Approved batteries on page 42*. The batteries are software encrypted.
- Use the 40-B series batteries that are rechargeable as a power supply for the related Husqvarna products only. Refer to *Approved batteries on page 42*. To prevent injury, do not use the battery as a power supply for other devices.
- Risk of electrical shock. Do not connect the battery terminals to keys, screws or other metal. This can cause a short circuit of the battery.
- Do not use batteries that are non-rechargeable.
- Do not put objects into the air slots of the battery.
- Keep the battery away from sunlight, heat or open flame. The battery can cause burns and/or chemical burns.
- Keep the battery away from rain and wet conditions.
- Keep the battery away from microwaves and high pressure.
- Do not try to disassemble or break the battery.
- Do not let battery acid touch your skin. Battery acid causes injuries to the skin, corrosion and burns. If you get battery acid in your eyes, do not rub but flush with water for minimum 15 minutes. If battery acid has touched your skin, you must clean the skin with a large quantity of water and soap. Get medical aid.
- Use the battery in temperatures between -10 °C (14 °F) and 40 °C (104 °F).
- Do not clean the battery or the battery charger with water. Refer to *To do a check of the battery and the battery holder on page 36*.
- Do not use a damaged battery.
- Keep batteries in storage away from metal objects such as nails, screws or jewelry.
- Keep the battery away from children.

Battery charger safety



WARNING: Read the warning instructions that follow before you use the product.

- Risk of electrical shock or short circuit if the safety instructions are not obeyed.
- Use an approved grounded mains socket that is not damaged.

- Do not use other battery chargers than the one supplied for your product. Only use 40-C80 chargers when you charge Husqvarna replacement batteries 40-B140. Refer to *Approved battery chargers for the product on page 43* and *Approved batteries on page 42*.
- Do not try to disassemble the battery charger.
- Do not use a defective or damaged battery charger.
- Do not lift the battery charger by the power cord. To disconnect the battery charger from a mains socket, pull out the plug. Do not pull the power cord.
- Keep all cables and extension leads away from water, oil and sharp edges. Make sure that the cable is not caught between doors, fences or similar.
- Do not use the battery charger near flammable materials or materials that can cause corrosion. Make sure that the battery charger is not covered. Pull out the plug to the battery charger if there is smoke or fire.
- Only charge the battery indoors in a location with good airflow and away from sunlight. Do not charge the battery outdoors. Do not charge the battery in wet conditions.
- Only use the battery charger where the temperature is between 5 °C (41 °F) and 40 °C (104 °F). Use the charger in an environment which has a good airflow, dry and free from dust.
- Do not put objects into the cooling slots of the battery charger.
- Do not connect the battery charger terminals to metal objects as this can short circuit the battery charger.
- Use approved wall sockets that are not damaged.
- Do not charge non-rechargeable batteries in the battery chargers.

Safety instructions for maintenance



WARNING: Read the warning instructions that follow before you do maintenance on the product.

- Remove the battery before you do maintenance, other checks or assemble the product.
- The operator must only do the maintenance and servicing shown in this operator's manual. Turn to your servicing dealer for maintenance and servicing of a larger extension.
- Do not clean the battery or the battery charger with water. Strong detergent can cause damage to the plastic.
- If you do not do maintenance, it decreases the life cycle of the product and increases the risk of accidents.
- Special training is necessary for all servicing and repair work, especially for the safety devices on the product. If not all checks in this operator's manual are approved after you have done maintenance, turn to your servicing dealer. We guarantee that there are

professional repairs and servicing available for your product.

- Only use original spare parts.

Safety instructions for the cutting equipment



WARNING: Read the warning instructions that follow before you use the product.

- Only use approved guide bar/saw chain combinations and filing equipment. Refer to *Technical data on page 41* for instructions.
- Use protective gloves when you use or do maintenance on the saw chain. A saw chain that does not move can also cause injuries.
- Keep the cutting teeth correctly sharpened. Obey the instructions and use the recommended file gauge. A saw chain that is damaged or incorrectly sharpened increases the risk of accidents.

(Fig. 47)

- Keep the correct depth gauge setting. Obey the instructions and use the recommended depth gauge setting. Too large depth gauge setting increases the risk of kickback.

(Fig. 48)

- Make sure that the saw chain has the correct tension. If the saw chain is not tight against the guide bar, the saw chain can derail. An incorrect saw chain tension increases wear on the guide bar, saw chain and chain drive sprocket. Refer to *Accessories on page 42*.

(Fig. 49)

- Do maintenance on the cutting equipment regularly and keep it correctly lubricated. If the saw chain is not correctly lubricated, the risk of wear on the guide bar, saw chain and chain drive sprocket increases.

(Fig. 50)

Assembly

To assemble the guide bar and saw chain (with bar knob)



WARNING: Always remove the battery before you assemble or do maintenance on the product.

1. Disengage the chain brake. (Fig. 51)
2. Loosen the bar knob and remove the drive sprocket cover. (Fig. 52)
3. Put the guide bar on top of the bar bolt. Steer the guide bar to its most rear position. Lift the saw chain above the drive sprocket and engage it in the groove on the guide bar. Start on the top edge of the guide bar.
4. Make sure that the edges of the cutters point forward on the top edge of the guide bar. (Fig. 53)
5. Install the drive sprocket cover and steer the chain adjuster pin to the hole in the guide bar.
6. Make sure that the drive links of the saw chain fit correctly on the drive sprocket.
7. Make sure that the saw chain is correctly engaged in the groove in the guide bar.
8. Apply tension to the saw chain. Refer to *Maintenance on page 34* for instructions.
9. Tighten the bar knob.

To assemble the guide bar and saw chain (with bar bolt)



WARNING: Always remove the battery before you assemble or do maintenance on the product.

1. Disengage the chain brake. (Fig. 51)
2. Loosen the bar nut and remove the drive sprocket cover. (Fig. 54)
3. Put the guide bar on top of the bar bolt. Steer the guide bar to its most rear position. Lift the saw chain above the drive sprocket and engage it in the groove on the guide bar. Start on the top edge of the guide bar.
4. Make sure that the edges of the cutters point forward on the top edge of the guide bar. (Fig. 55)
5. Install the drive sprocket cover and steer the chain adjuster pin to the hole in the guide bar.
6. Make sure that the drive links of the saw chain fit correctly on the drive sprocket.
7. Make sure that the saw chain is correctly engaged in the groove in the guide bar.
8. Tighten the bar nut with your fingers.
9. Tighten the saw chain. Refer to *Maintenance on page 34* for instructions.

To install the battery charger on the wall



CAUTION: Do not use an electric screwdriver to install the battery charger to

the wall. An electric screwdriver can cause damage to the battery charger.

1. Install the battery charger on the wall with the 2 screws (A). Use wall plugs (B) if it is necessary. (Fig. 56)
2. Install the 2 screw hole plugs (C).
3. Connect the power cord (D) to the battery charger and a mains socket.

Operation

Introduction



WARNING: Read and understand the safety chapter before you use the product.

To do a function check before you use the product

1. Do a check of the chain brake (A) to make sure that it operates correctly and that it is not damaged.
2. Do a check of the rear right hand guard (B) to make sure that it is not damaged.
3. Do a check of the power trigger and the power trigger lockout (C) to make sure that they operate correctly and that they are not damaged.
4. Do a check of the keypad (D) to make sure that it operates correctly.
5. Make sure that there is no oil on the handles (E).
6. Do a check to make sure that all parts are correctly attached and not damaged or missing.
7. Do a check of the chain catcher (F) to make sure that it is attached correctly.
8. Do a check of the chain tension (G).
9. Charge the battery (H) and make sure that it is correctly attached to the product.
10. Make sure that the saw chain stops when you release the power trigger. (Fig. 57)

To use the correct chain oil



WARNING: Do not use waste oil, which can cause injury to you and the environment. Waste oil also causes damage to the oil pump, the guide bar and the saw chain.



WARNING: The saw chain can break if the lubrication of the cutting equipment is not sufficient. Risk of serious injury or death to the operator.



WARNING: Use the correct chain oil for this function to operate correctly. Speak to your servicing dealer when you select your chain oil.

- Use Husqvarna chain oil for maximum saw chain life and to prevent negative effects on the environment. If Husqvarna chain oil is not available, we recommend you to use a standard chain oil.
- Use a chain oil with good adherence to the saw chain.
- Use a chain oil with correct viscosity range that agrees with the air temperature.



CAUTION: In temperatures below 0°C/32°F some chain oils become too thick, which can cause damage to the oil pump components.

- Use the recommended cutting equipment. Refer to *Accessories on page 42*.
- Remove the cap to the chain oil tank.
- Fill the chain oil tank with chain oil.
- Attach the cap carefully.

(Fig. 58)

Note: To see where the chain oil tank is on your product, refer to *Introduction on page 20*.

Battery



WARNING: Read and understand the safety chapter before you use the battery. Read and understand the operator's manual for the battery and the battery charger.

Keep the battery and the battery charger in the correct ambient temperatures.

	Ambient temperature
Operation of the battery	5 °C-40 °C / 41 °F-104 °F
Charging of the battery	5 °C-40 °C / 41 °F-104 °F

Battery status

(Fig. 59)

The display shows the state of charge and if there are problems with the battery.

LED indicator	Battery state of charge
4 LED lights are on	The battery is 76% - 100% charged.
3 LED lights are on	The battery is 51% - 75% charged.
2 LED lights are on	The battery is 26% - 50% charged.
1 LED light is on	The battery is 6% - 25% charged.
1 LED light flashes	The battery is 0% - 5% charged.

To charge the battery

Charge the battery if it is the first time that you use it. A new battery is only 30% charged.



CAUTION: Connect the battery charger to a power outlet with the voltage and frequency that is specified on the rating plate.

The battery does not charge if the battery temperature is more than 50 °C/122 °F.

1. Connect the power cord to the battery charger.
2. Connect the battery charger to a grounded power outlet. The charging LED flashes one time. (Fig. 60)
3. Connect the battery to the battery charger. The charging LED comes on. Charge the battery for maximum 24 hours. (Fig. 61)
4. Push the battery indicator button, if all the LED indicators come on, the battery is fully charged.
5. Pull the power plug to disconnect the battery charger from the power outlet. Do not pull the power cord.
6. Remove the battery from the battery charger.

Kickback information



WARNING: A kickback can cause serious injury or death to the operator or others. To decrease the risk you must know the causes of kickback and how to prevent them.

A kickback occurs when the kickback zone of the guide bar touches an object. A kickback can occur suddenly and with large force, which throws the product in the direction of the operator.

(Fig. 36)

Kickback always occurs in the cutting plane of the guide bar. Usually, the product is thrown against the operator but can also move in a different direction. It is how you

use the product when the kickback occurs that causes the direction of the movement.

(Fig. 62)

Kickback only occurs if the kickback zone of the guide bar touches an object. Do not let the kickback zone touch an object.

(Fig. 36)

A smaller bar tip radius decreases the force of the kickback.

Use a low kickback saw chain to decrease the effects of kickback. Do not let the kickback zone touch an object.



WARNING: No saw chain fully prevents kickback. Always obey the instructions.

Common questions about kickback

- **Will the hand always engage the chain brake during a kickback?**

No. It is necessary to use some force to push the front hand guard forward. If you do not use the force necessary, the chain brake will not be engaged. You must also hold the handles of the product stable with two hands during work. If a kickback occurs, it is possible that the chain brake does not stop the saw chain before it touches you. There are also some positions in which your hand can not touch the front hand guard to engage the chain brake.

- **Will the inertia release mechanism always engage the chain brake during kickback?**

No. First, the chain brake must operate correctly. Refer to *Maintenance and checks of the safety devices on the product on page 35* for instructions about how to do a check of the chain brake. We recommend you to do this each time before you use the product. Second, the force of the kickback must be large to engage the chain brake. If the chain brake is too sensitive, it can engage during rough operation.

- **Will the chain brake always protect me from injury during a kickback?**

No. The chain brake must operate correctly to give protection. The chain brake must also be engaged during a kickback to stop the saw chain. If you are near the guide bar, it is possible that the chain brake does not have time to stop the saw chain before it hits you.



WARNING: Only you and the correct working technique can prevent kickbacks.

To start the product

1. Do a check of the power trigger and power trigger lockout. Refer to *To do a check of the power trigger lockout on page 35*.
2. Engage the chain brake. (Fig. 63)
3. Put the battery in the battery holder. (Fig. 64)



CAUTION: Make sure that the battery is installed correctly into the battery holder. If the battery does not move easily into the battery holder, the position is not correct.

4. Push on the lower part of the battery until you hear a click sound. (Fig. 65)
5. Push and hold the start/stop button until the green LED comes on. (Fig. 66)

To use the SavE function

The SavE function decreases the chain speed and the power of the product.

1. Push the SavE button. The green LED comes on.
2. Push the SavE button again to disconnect the function. The green LED goes off. (Fig. 67)

To stop the product

1. Push the start/stop button until the green LED light goes off. (Fig. 66)
2. Push the battery release buttons and remove the battery from the battery holder to prevent accidental start. (Fig. 68)

Pull stroke and push stroke

You can cut through wood with the product in 2 different positions.

- To cut on the pull stroke is when you cut with the bottom of the guide bar. The saw chain pulls through the tree when you cut. In this position you have better control of the product and the position of the kickback zone.

(Fig. 69)

- To cut on the push stroke is when you cut with the top of the guide bar. The saw chain pushes the product in the direction of the operator.

(Fig. 70)



WARNING: If the saw chain is caught in the trunk, the product can be pushed at you. Hold the product tightly and make sure that the kickback zone of the guide bar does not touch the tree and causes a kickback.

(Fig. 71)

To use the cutting technique



WARNING: Use full power when you cut and decrease the speed to idle speed after each cut.



CAUTION: Do not let the motor operate for too long without load. This can cause damage to the motor.

1. Put the trunk on a saw horse or runners. (Fig. 72)



WARNING: Do not cut trunks in a pile. That increases the risk of kickback and can cause serious injury or death.

2. Remove the cut pieces from the work area.



WARNING: Cut pieces in the work area increase the risk of kickback and that you cannot keep your balance.

To use the spiked bumper

1. Push the spiked bumper into the trunk of the tree.
2. Apply full power and rotate the product. Keep the spiked bumper against the trunk. This procedure makes it easier to apply the force necessary to cut through the trunk. (Fig. 73)

To cut a trunk on the ground

1. Cut through the trunk on the pull stroke. Keep full power but be prepared for sudden accidents. (Fig. 74)



WARNING: Make sure that the saw chain does not touch the ground when you complete the kerf.

2. Cut approximately $\frac{2}{3}$ through the trunk and then stop. Turn the trunk and cut from the opposite side. (Fig. 75)

To cut a trunk that has support on one end



WARNING: Make sure that the trunk does not break during cutting. Obey the instructions below.

(Fig. 76)

1. Cut on the push stroke approximately $\frac{1}{3}$ through the trunk.
2. Cut through the trunk on the pull stroke until the two kerfs touch. (Fig. 77)

To cut a trunk that has support on two ends



WARNING: Make sure that the saw chain does not get caught in the trunk during cutting. Obey the instructions below.

(Fig. 78)

1. Cut on the pull stroke approximately $\frac{1}{3}$ through the trunk.
2. Cut through the remaining part of the trunk on the push stroke to complete the cut. (Fig. 79)



WARNING: Stop the motor if the saw chain gets caught in the trunk. Use a lever to open up the kerf and remove the product. Do not try to pull the product out by hand. This can result in injury when the product suddenly breaks free.

To use the limbing technique

Note: For thick branches, use the cutting technique. Refer to *To use the cutting technique on page 31*.



WARNING: There is a high accident risk when you use the limbing technique. Refer to *Kickback information on page 30* for instructions how to prevent kickback.



WARNING: Cut limbs one by one. Be careful when you remove small limbs and do not cut bushes or many small limbs at the same time. Small limbs can get caught in the saw chain and prevent safe operation of the product.

Note: If it is necessary, cut the limbs piece by piece. Cut the smaller branches (A) and (B) before you cut the limb near the trunk (C).

(Fig. 80)

1. Remove the limbs on the right side of the trunk.

- a) Keep the guide bar on the right side of the trunk and keep the body of the product against the trunk.
- b) Select the applicable cutting technique for the tension in the branch. (Fig. 81)



WARNING: If you are not sure about how to cut the branch, speak to a professional chainsaw operator before you continue.

2. Remove the limbs on the top of the trunk.
 - a) Keep the product on the trunk and let the guide bar move along the trunk.
 - b) Cut on the push stroke. (Fig. 82)
3. Remove the limbs on the left side of the trunk.
 - a) Select the applicable cutting technique for the tension in the branch. (Fig. 83)



WARNING: If you are not sure about how to cut the branch, speak to a professional chainsaw operator before you continue.

Refer to *To cut trees and branches that are in tension on page 34* for instructions on how to cut branches that are in tension.

To use the tree felling technique



WARNING: You must have experience to fell a tree. If possible, engage in a training course in chainsaw operation. Speak to an operator with experience for more knowledge.

To keep a safe distance

1. Make sure that persons around you keep a safe distance at a minimum of 2 1/2 tree lengths. (Fig. 84)
2. Make sure that no person is in the risk zone before or during felling. (Fig. 85)

To calculate the felling direction

1. Examine in which direction it is necessary for the tree to fall. The goal is to fell it in a position where you can limb and cut the trunk easily. It is also important that you are stable on your feet and can move about safely.



WARNING: If it is dangerous or not possible to fell the tree in its natural direction, fell the tree in a different direction.

2. Examine the natural fall direction of the tree. For example the tilt and bend of the tree, wind direction, the location of the branches and weight of snow.

3. Examine if there are obstacles, for example other trees, power lines, roads and/or buildings around.
4. Look for signs of damage and rot in the stem.



WARNING: Rot in the stem can mean a risk that the tree falls before you complete the cutting.

5. Make sure the tree has no damaged or dead branches that can break off and hit you during felling.
6. Do not let the tree fall onto a different standing tree. It is dangerous to remove a caught tree and there is a high accident risk. Refer to *To free a trapped tree on page 34*. (Fig. 86)



WARNING: During critical felling operations, lift your hearing protection immediately when the sawing is complete. It is important that you hear sounds and warning signals.

To clear the trunk and prepare your path of retreat

Cut off all branches from your shoulder height and down.

1. Cut on the pull stroke from the top down. Make sure that the tree is between you and the product. (Fig. 87)
2. Remove undergrowth from the work area around the tree. Remove all cut off material from the work area.
3. Do a check of the area for obstacles such as stones, branches and holes. You must have a clear path of retreat when the tree starts to fall. Your path of retreat must be approximately 135 degrees away from the felling direction.

1. The danger zone
2. The path of retreat
3. The felling direction

(Fig. 88)

To fell a tree

Husqvarna recommends you to make the directional cuts and then use the safe corner method when you fell a tree. The safe corner method helps you to make a correct felling hinge and control the felling direction.



WARNING: Do not fell trees with a diameter that is more than two times larger than the guide bar length. For this, you must have special training.

The felling hinge

The most important procedure during tree felling is to make the correct felling hinge. With a correct felling

hinge, you control the felling direction and make sure that the felling procedure is safe.

The thickness of the felling hinge must be equal and a minimum of 10% of the tree diameter.



WARNING: If the felling hinge is incorrect or too thin, you have no control of the felling direction.

(Fig. 89)

To make the directional cuts

1. Make the directional cuts. Run the directional cuts $\frac{1}{4}$ of the diameter of the tree. Make a 45° angle between the top cut and bottom cut.
 - a) Make the top cut first. Align the felling direction mark (A) of the product with the felling direction of the tree (B). Stay behind the product and keep the tree on your right side. Cut with a pull stroke.
 - b) Make the bottom cut. Make sure that the end of the bottom cut is at the same point as the end of the top cut. (Fig. 90)
2. Make sure that the directional cut line is perfectly horizontal and at right angles (90°) to the felling direction. The directional cut line goes through the point where the two directional cuts touch. (Fig. 91)

To use the safe corner method

The felling cut must be made slightly above the directional cut.

(Fig. 92)



WARNING: Be careful when you cut with the guide bar tip. Start to cut with the lower section of the guide bar tip as you make a bore cut into the trunk.

(Fig. 93)

1. If the usable cutting length is longer than the tree diameter, do these steps (a-d).
 - a) Make a bore cut straight into the trunk to complete the felling hinge width. (Fig. 94)
 - b) Cut on the pull stroke until $\frac{1}{3}$ of the trunk is left.
 - c) Pull the guide bar 5-10 cm/2-4 in rearward.
 - d) Cut through the remaining of the trunk to complete a safe corner that is 5-10 cm/2-4 in wide. (Fig. 95)
2. If the usable cutting length is shorter than the tree diameter, do these steps (a-d).
 - a) Make a bore cut straight into the trunk. The bore cut must extend $\frac{3}{5}$ of the tree diameter.
 - b) Cut on the pull stroke through the remaining trunk. (Fig. 96)
 - c) Cut straight into the trunk from the other side of the tree to complete the felling hinge.

- d) Cut on the push stroke, until $\frac{1}{3}$ of the trunk is left, to complete the safe corner. (Fig. 97)
3. Put a wedge in the kerf straight from behind. (Fig. 98)
4. Cut off the corner to make the tree fall.

Note: If the tree does not fall, hit the wedge until it does.

5. When the tree starts to fall, use the path of retreat to move away from the tree. Move a minimum of 5 m/15 ft away from the tree.

To free a trapped tree



WARNING: It is very dangerous to remove a trapped tree and there is a high accident risk. Keep out of the risk zone and do not try to fell a trapped tree.

(Fig. 99)

The safest procedure is to use one of the following winches:

- Tractor-mounted

(Fig. 100)

- Portable

(Fig. 101)

To cut trees and branches that are in tension

1. Figure out which side of the tree or branch that is in tension.

2. Figure out where the point of maximum tension is. (Fig. 102)
3. Examine which is the safest procedure to release the tension.

Note: In some situations the only safe procedure is to use a winch and not your product.

4. Keep a position where the tree or branch can not hit you when the tension is released. (Fig. 103)
5. Make one or more cuts of sufficient depth necessary to decrease the tension. Cut at or near the point of maximum tension. Make the tree or branch break at the point of maximum tension. (Fig. 104)



WARNING: Do not cut straight through a tree or branch that is in tension.



WARNING: Be very careful when you cut a tree that is in tension. There is a risk that the tree moves quickly before or after you cut it. Serious injury can occur if you are in an incorrect position or if you cut incorrectly.

6. If you must cut across tree/branch, make 2 to 3 cuts, 1 in. apart and with a depth of 2 in. (Fig. 105)
7. Continue to cut more into the tree until the tree/branch bends and the tension is released. (Fig. 106)
8. Cut the tree/branch from the opposite side of the bend, after the tension is released.

Maintenance

Introduction



WARNING: Read and understand the safety chapter before you do maintenance on the product.

Maintenance schedule



WARNING: Remove the battery before you do maintenance.

The following is a list of the maintenance steps that you must do on the product. See *Maintenance on page 34* for more information.

Maintenance	Before use	Weekly	Monthly
Clean the external parts of the product.	X		
Make sure that the power trigger and the power trigger lockout function correctly from a safety point of view.	X		
Clean the chain brake and make sure that it operates safely. Make sure that the chain catcher is not damaged. Replace it if necessary.	X		

Maintenance	Before use	Weekly	Monthly
Turn the guide bar for more equal wear. Make sure that the lubrication hole in the guide bar is not clogged. Clean the bar groove.	X		
Make sure that the cutter and cutter guard have no cracks and that they are not damaged. Replace the cutter or cutter guard if they have cracks or if they have been exposed to impact.	X		
Make sure that the guide bar and saw chain have sufficient oil.	X		
Do a check of the saw chain. Look for cracks and make sure that the saw chain is not rigid or unusually worn. Replace if necessary.	X		
Sharpen the saw chain. Do a check of its tension and condition. Do a check for wear on the drive sprocket and replace is necessary.	X		
Clean the air inlet on the product.	X		
Make sure that the screws and nuts are tight.	X		
Make sure that the keypad works correctly and that it is not damaged.	X		
Use a file to remove burrs from the edges of the guide bar.		X	
Do a check of the connections between the battery and the product. Do a check of the connection between the battery and the battery charger.			X
Empty and clean the oil tank.			X
Blow through the product and battery cooling slots gently with compressed air.			X

Maintenance and checks of the safety devices on the product

To do a check of the front hand guard

Regularly do a check of the front hand guard and the inertia brake release.

1. Make sure that the front hand guard does not have damages such as cracks. (Fig. 107)
2. Make sure that the front hand guard moves freely and that it is attached safely to the product. (Fig. 108)
3. Put the product, with the motor off, on a stump or other stable surface.
4. Hold the rear handle and let go of the front handle. Let the product fall against the stump. (Fig. 109)
5. Make sure that the chain brake engages as the guide bar hits the stump.

To do a check of the brake trigger

1. Put the product on stable ground and start it. See *Operation on page 29*.



WARNING: Make sure that the saw chain does not touch the ground or other objects.

2. Wrap your fingers and thumbs around the handles and hold the product tight. (Fig. 110)

3. Apply full power and tilt your left wrist against the front hand guard to engage the chain brake. The saw chain must stop immediately. (Fig. 111)



WARNING: Do not let go of the front handle!

To do a check of the power trigger lockout

1. Make sure that the power trigger and power trigger lockout move freely and that the return spring operates correctly. (Fig. 112)
2. Push the power trigger lockout forward (A) and down (B). Hold the power trigger lockout against the handle and make sure that it goes back to its initial position when you release it. (Fig. 113)
3. Make sure that the power trigger is locked at the idle position when the power trigger lockout is released. (Fig. 114)
4. Start the product and apply full power.
5. Release the power trigger and make sure that the saw chain stops and stays stationary.



WARNING: If the saw chain rotates when the power trigger is in the idle position, speak to your servicing dealer.

To do a check of the chain catcher

1. Make sure that there is no damage on the chain catcher.
2. Make sure that the chain catcher is stable and attached to the body of the product. (Fig. 115)

To do a check of the functions of the user interface

1. Start the product. Refer to *To start the product on page 31*.
2. Push and hold the start/stop button.
3. Make sure that the product stops and that the green LED goes off. (Fig. 66)

To do a check of the battery and the battery holder

1. Clean the battery and the battery holder with a soft brush.
2. Clean the cooling slots and battery connectors. (Fig. 116)
3. Make sure that the battery has no cracks or other damages.

To do a check of the battery charger

1. Make sure that the battery charger and the power supply cord is not damaged. Look for cracks and other damages. (Fig. 117)

To clean the cooling system

The cooling system keeps the motor temperature down. The cooling system includes the air intake on the left side of the product and a fan on the motor.

1. Clean the cooling system with a brush weekly or more frequently if it is necessary. (Fig. 118)
2. Make sure that the cooling system is not dirty or blocked.



CAUTION: A dirty or blocked cooling system can cause the product to become too hot. This causes damage to the product.

To sharpen the saw chain

Information about the guide bar and saw chain



WARNING: Use protective gloves when you use or do maintenance on the saw chain. A saw chain that does not move can also cause injuries.

Replace a worn or damaged guide bar or saw chain with the guide bar and saw chain combination recommended by Husqvarna. This is necessary to keep the safety functions of the product. Refer to *Accessories on*

page 42, for a list of replacement bar and chain combinations that we recommend.

- Guide bar length, in/cm. Information about the guide bar length can usually be found on the rear end of the guide bar.

(Fig. 119)

- Number of teeth on bar tip sprocket (T).

(Fig. 120)

- Chain pitch, in. The distance between the drive links of the saw chain must align with the distance of the teeth on the bar tip sprocket and drive sprocket.

(Fig. 121)

- Number of drive links. The number of drive links is decided by the type of guide bar.

(Fig. 122)

- Bar groove width, in/mm. The groove width in guide bar must be the same as the chain drive links width.

(Fig. 123)

- Chain oil hole and hole for chain tensioner. The guide bar must align with product.

(Fig. 124)

- Drive link width, mm/in.

(Fig. 125)

General information about how to sharpen the cutters

Do not use a blunt saw chain. If the saw chain is blunt, you must apply more pressure to push the guide bar through the wood. If the saw chain is very blunt, there will be no wood chips but sawdust.

A sharp saw chain eats through the wood and the wood chips becomes long and thick.

The cutting tooth (A) and the depth gauge (B) together makes the cutting part of the saw chain, the cutter. The difference in height between the two gives the cutting depth (depth gauge setting).

(Fig. 126)

When you sharpen the cutter, think about the following:

- Filing angle.

(Fig. 127)

- Cutting angle.

(Fig. 128)

- File position.

(Fig. 129)

- Round file diameter.

(Fig. 130)

It is not easy to sharpen a saw chain correctly without the correct equipment. Use a Husqvarna recommended file gauge. This will help you to keep maximum cutting performance and the kickback risk at a minimum.



WARNING: The force of the kickback increases a lot if you do not follow the sharpening instructions.

Note: Refer to *Accessories on page 42* for information about sharpening of the saw chain.

To sharpen the cutters

1. Use a round file and a file gauge to sharpen the cutting teeth. (Fig. 131)

Note: Refer to *Accessories on page 42* for information about which file and gauge that Husqvarna recommends for your saw chain.

2. Apply the file gauge correctly on to the cutter. Refer to the instruction supplied with the file gauge.
3. Move the file from the inner side of the cutting teeth and out. Decrease the pressure on the pull stroke. (Fig. 132)
4. Remove material from one side of all the cutting teeth.
5. Turn the product around and remove material on the other side.
6. Make sure that all cutting teeth are the same length.

General information about how to adjust the depth gauge setting

The depth gauge setting (C) decreases when you sharpen the cutting tooth (A). To keep maximum cutting performance you must remove filing material from the depth gauge (B) to receive the recommended depth gauge setting. See *Accessories on page 42* for instructions about how to receive the correct depth gauge setting for your saw chain.

(Fig. 133)



WARNING: The risk of kickback increases if the depth gauge setting is too large!

To adjust the depth gauge setting

Before you adjust the depth gauge setting or sharpen the cutters, refer to *To sharpen the cutters on page 37*, for instructions. We recommend you to adjust the depth gauge setting after each third operation that you sharpen the cutting teeth.

We recommend that you use our depth gauge tool to receive the correct depth gauge setting and bevel for the depth gauge.

(Fig. 134)

1. Use a flat file and a depth gauge tool to adjust the depth gauge setting. Only use a Husqvarna recommended depth gauge tool to get the correct depth gauge setting and bevel for the depth gauge.
2. Put the depth gauge tool on the saw chain.

Note: See the package of the depth gauge tool for more information about how to use the tool.

3. Use the flat file to remove the part of the depth gauge that extends through the depth gauge tool. (Fig. 135)

To adjust the tension of the saw chain



WARNING: A saw chain with an incorrect tension can come loose from the guide bar and cause serious injury or death.

A saw chain becomes longer when you use it. Adjust the saw chain regularly. Do a check of the saw chain tension each time you fill with chain oil.

Note: A new saw chain has a run-in period during which you must do a check of the tension more frequently.

To adjust the tension of the saw chain (with bar knob)

1. Fold the knob out until it opens. (Fig. 136)
2. Turn the knob counterclockwise to loosen the drive sprocket cover. (Fig. 137)
3. Turn the chain tensioner wheel to adjust the tension on the saw chain. The saw chain must be tight against the guide bar. (Fig. 138)

Note: Turn the wheel down (+) for more tension and up (-) for less tension.

4. Make sure that you can pull the saw chain around freely by hand and that it does not hang from the guide bar. (Fig. 139)
5. Turn the knob clockwise to tighten the bar knob. (Fig. 140)
6. Fold down the knob to lock the tension. (Fig. 141)

To adjust the tension of the saw chain (with bar bolt)

1. Loosen the bar nut that holds the drive sprocket cover. Use the combination wrench. (Fig. 142)
2. Lift the front of the guide bar and turn the chain tensioning screw. Use the combination wrench.
3. Tighten the saw chain until it is tight against the guide bar. (Fig. 143)
4. Tighten the bar nut with the combination wrench and lift the front of the guide bar at the same time. (Fig. 144)

1. Make sure that you can pull the saw chain around freely by hand and that it does not hang from the position of the chain tensioning screw on your product. (Fig. 139)

Note: Refer to *Product overview on page 20* for the position of the chain tensioning screw on your product.

To do a check of the saw chain lubrication

Do a check of the saw chain lubrication each third battery charge.

1. Start the product and let it run at 3/4 power. Hold the bar approximately 20 cm (8 inches) above a light colored surface.
2. If the saw chain lubrication is correct, you will see a clear line of oil on the surface after 1 minute. (Fig. 145)
3. If the saw chain lubrication is not correct, do the following checks.
 - a) Do a check of the oil channel in the guide bar to make sure that it is not blocked. Clean if necessary. (Fig. 146)
 - b) Do a check of the groove in the edge of the guide bar to make sure that it is clean. Clean if necessary. (Fig. 147)
 - c) Make sure that the bar tip sprocket turns freely and that the lubricating hole in the guide bar tip sprocket is not blocked. Clean and lubricate if necessary. (Fig. 148)
4. If the saw chain lubrication does not work after following the steps above, speak to your servicing dealer.

To do a check of the chain drive sprocket

- Examine the chain drive sprocket for wear. Replace the chain drive sprocket if it is necessary.

- Replace the chain drive sprocket each time that you replace the saw chain. (Fig. 149)

To examine the cutting equipment

1. Make sure that there are no cracks in rivets and links and that no rivets are loose. Replace if it is necessary. (Fig. 150)
2. Make sure that the saw chain is easy to bend. Replace the saw chain if it is rigid.
3. Compare the saw chain with a new saw chain to examine if the rivets and links are worn.
4. Replace the saw chain when the longest part of the cutting tooth is less than 4 mm/0.16 in. Also replace the saw chain if there are cracks on the cutters. (Fig. 151)

To do a check of the guide bar

1. Make sure that the oil channel is not blocked. Clean if it is necessary. (Fig. 146)
2. Examine if there are burrs on the edges of the guide bar. Remove the burrs using a file. (Fig. 152)
3. Clean the groove in the guide bar. (Fig. 147)
4. Examine the groove in the guide bar for wear. Replace the guide bar if it is necessary. (Fig. 153)
5. Examine if the guide bar tip is rough or very worn. (Fig. 154)
6. Make sure that the bar tip sprocket turns freely and that the lubricating hole in the bar tip sprocket is not blocked. Clean and lubricate if it is necessary. (Fig. 148)
7. Turn the guide bar daily to extend its life cycle. (Fig. 155)

Troubleshooting

User interface

LED screen	Possible faults	Possible solution
The warning indicator flashes.	Chain brake is engaged.	Disengage the chain brake.
	Temperature deviation.	Let the product to cool down.
	Overload. The saw chain can not move.	Release the saw chain.
	The power trigger and the start/stop button are pushed at the same time.	Release the power trigger to activate the product.
Orange activate LED flashing.	Low battery voltage.	Charge the battery.
The warning indicator is on.	Service.	Speak to your servicing dealer.

Battery

LED display	Possible faults	Possible solution
Green LED flashes.	Low battery voltage.	Charge the battery.
Error LED flashes.	Temperature deviation.	Use the battery in temperatures between -10°C (14°F) and 40°C (104°F).
	Too much voltage.	Make sure that the mains voltage aligns with the voltage of the product. Refer to the rating plate on the product. Remove the battery from the battery charger.
Error LED comes on.	Too much cell difference (1V).	Speak to your servicing dealer.

Battery charger

Condition	Possible faults	Possible procedure
The charging LED is red.	Permanent battery charger error.	Speak to your dealer.
The charging LED flashes green.	Temperature deviation, the battery is too cold or too hot to use or charge.	Let the battery cool down or warm it up. When the battery has the correct temperature, it can be used or charged again. Use the battery charger in ambient temperatures between 5 °C (41 °F) and 40 °C (104 °F).
The charging LED flashes red.	Faulty battery	Speak to your dealer

Transportation, storage and disposal

Transportation and storage

- The supplied Li-ion batteries obey the Dangerous Goods Legislation requirements.
- Obey the special requirement on package and labels for commercial transportation, including by third parties and forwarding agents.
- Speak to a person with special training in dangerous material before you send the product. Obey all applicable national regulations.
- Use tape on open contacts when you put the battery in a package. Put the battery in the package tightly to prevent movement.
- Remove the battery for storage or transportation.
- Put the battery and the battery charger in a space that is dry and free from moisture and frost.
- Do not keep the battery in an area where static electricity can occur. Do not keep the battery in a metal box.
- Put the battery in storage where the temperature is between 5°C/41°F and 25°C/77°F and away from open sunlight.
- Put the battery charger in storage where the temperature is between 5 °C/41 °F and 45°C/113°F and away from open sunlight.
- Use the battery charger only when the surrounding temperature is between 5°C/41°F and 40°C/104°F.
- Charge the battery 30% to 50% before you put it in storage for long periods.

- Put the battery charger in storage in a space that is closed and dry.
- Keep the battery away from the battery charger during storage. Do not let children and other not approved persons to touch the equipment. Keep the equipment in a space that you can lock.
- Clean the product and do a full servicing before you put the product in storage for a long time.
- Use the transportation guard on the product to prevent injuries or damage on the product during transportation and storage.
- Attach the product safely during transportation.

Disposal of the battery, battery charger and product

The symbol below means that the product is not domestic waste. Recycle it at a recycling station for electrical and electronic equipment. This helps to prevent damage to the environment and to persons.

Speak to local authorities, domestic waste service or your dealer for more information.

(Fig. 24)

Note: The symbol shows on the product or package of the product.

Technical data

Technical data

	225i
Motor	
Type	BLDC (brushless) 36V
Features	
Low energy mode	SavE
Lubrication system	
Type of oil pump	Automatic
Oil tank capacity, ml/cm ³	0.2/200
Weight	
Chainsaw without battery, guide bar, saw chain and empty chain oil tank, kg	3.1
Noise emissions ²	
Sound power level, measured dB(A)	97
Sound power level, guaranteed L _{WA} dB(A)	100
Sound levels ³	
Sound pressure level at the operator's ear, measured according to EN 62841-1	89
Vibration levels ⁴	
Front handle m/s ²	3.9
Rear handle m/s ²	3.9
Saw chain/guide bar	
Recommended bar lengths, in/cm	12-14/30.5-35.6
Usable cutting length, in/cm	11-13/27-33.2
Type of drive sprocket/number of teeth	Spur/6
Maximum chain speed / (Normal mode), m/s	11.8
Maximum chain speed / (SavE mode), m/s	9.4

² Noise emissions in the environment measured as sound power (L_{WA}) in conformity with EC directive 2000/14/EC and EN ISO 22868, has a typical statistical dispersion (standard deviation) of 3 dB (A).

³ Reported data for sound pressure level for the machine has a typical statistical dispersion (standard deviation) of 3 dB (A).

⁴ Vibration level, according to EN 62841-4-1. Reported data for vibration level has a typical statistical dispersion (standard deviation) of ± 1.5 m/s². Declared vibration data from measurements when the machine is fitted with a bar length and recommended chain type. If the machine is fitted with a different bar length, the vibration level may vary by $\max \pm 1.5$ m/s².

Accessories

Guide bar and saw chain combinations






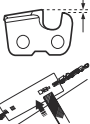
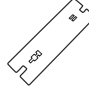






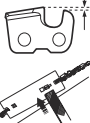
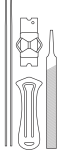

The following cutting attachments are approved for Husqvarna 225i.

Guide bar					Saw chain	
Type	Length, in	Chain pitch, in	Gauge, mm	Max. nose radius	Type	Length, drive links (no.)
501959545	12	3/8" mini	1.1	7T	Husqvarna H38 (581808145)	45
501959552	14	3/8" mini	1.1	7T	Husqvarna H38 (581807952)	52

Filing equipment and filing angles

Use a Husqvarna file gauge to sharpen the saw chain. A Husqvarna file gauge makes sure that you get the correct filing angles. The part numbers are given in the table below.

If you are not sure how to identify the type of saw chain on your product, refer to www.husqvarna.com for more information.

							
38	11/64 in/4.5 mm	75°	30°	0°	0.025 in/ 0.65 mm	505 69 81-03	579 55 88-01
							
93	5/32 in/4.0 mm	60°	30°	0°	0.025 in/ 0.65 mm	596 63 89-01	596 63 89-01

Approved batteries

Battery	40-B140
Type	Lithium-ion
Battery capacity, Ah	4
Nominal voltage, V	36

Battery	40-B140
Weight, kg	1.25

Approved battery chargers for the product

Battery charger	40-C80
Mains voltage, V	100-240
Frequency, Hz	50-60
Power, W	72
Output Voltage, V d.c./ Amps, A	43/1.6

Declaration of Conformity

EU Declaration of Conformity

We, **Husqvarna AB**, SE-561 82 Huskvarna, Sweden, tel:
+46-36-146500, declare on our sole responsibility that
the product:

Description	Cordless chainsaws
Brand	Husqvarna
Type / Model	225i
Identification	Serial numbers dating from 2023 and onwards

complies fully with the following EU directives and
regulations:

Directive/Regulation	Description
2006/42/EC	"relating to machinery"
2014/30/EU	"relating to electromagnetic compatibility"
2011/65/EU	"on the restriction of the use of certain hazardous substances in electrical and electronic equipment"
2000/14/EC	"relating to the noise emissions in the environment"

The following standards have been applied: EN
62841-1:2015+A11:2022, EN 62841-4-1:2020, EN
IEC 63000:2018, EN IEC 55014-1:2021, EN IEC
55014-2:2021.

Notified body: TÜV Rheinland LGA Products GmbH,
Tillystrasse 2, D-90431 Nuernberg, Germany, 0197, has
carried out EC type examination in accordance with the
machinery directive's (2006/42/EC) article 12, clause 3b.
The certificate has the number: BM 50604678 0001.

The supplied chainsaw conforms to the example that
underwent EC type examination.

In accordance with directive 2000/14/EC, Annex V, refer
to *Technical data on page 41* for the declared sound
values.

Huskvarna, 2023-10-30



Claes Losdal, R&D Manager, Husqvarna AB

Responsible for technical documentation



UK Declaration of Conformity

We, **Husqvarna AB**, SE-561 82 Huskvarna, Sweden, tel: +46-36-146500, declare on our sole responsibility that the product:

Description	Cordless chainsaws
Brand	Husqvarna
Type / Model	225i
Identification	Serial numbers dating from 2023 and onwards

complies fully with the following UK regulations:

Description
The Supply of Machinery (Safety) Regulations 2008
Electromagnetic Compatibility Regulations 2016
The Noise Emission in the Environment by Equipment for use Outdoors Regulations 2001
The Restriction of the Use of Certain Hazardous Substances in Electrical and Electronic Equipment Regulations 2012

and that the following standards and/or technical specifications are applied: EN 62841-1:2015, EN 62841-4-1:2020, EN IEC 63000:2018, EN IEC 55014-1:2021, EN IEC 55014-2:2021.

TUV Rheinland UK Ltd. Friars Gate (Third Floor),
1011 Stratford Road, Shirley, Solihull, B90 4BN, UK.
UK Approved Body No. 2571 Certificated number: A6
50558452 0001.

In accordance with S.I.2001/1701, schedule 8, refer to *Technical data on page 41* for the declared sound values.

Husqvarna, 2023-10-30



Claes Losdal, R&D Manager, Husqvarna AB

Responsible for technical documentation

**UK
CA**

UK Importer:
Husqvarna UK Ltd
Preston Road, Co. Durham
DL5 6UP

Съдържание

Въведение.....	46	Отстраняване на проблеми.....	69
Безопасност.....	48	Транспортиране, съхранение и изхвърляне.....	71
Монтаж.....	56	Технически данни.....	71
Операция.....	57	Принадлежности.....	72
Поддръжка.....	64	Декларация за съответствие.....	75

Въведение

Предназначение

Този верижен трион за горска работа е проектиран за дейности, като поваляне, обрязване на клони и рязане.

Забележка: Националните разпоредби могат да поставят ограничения за работата с продукта.

Общ преглед на продукта

(Фиг. 1)

1. Аварийен лост
2. Предна ръкохватка
3. Потребителски интерфейс
4. Бутон за стартиране/спиране
5. Предупредителен индикатор и индикатор за акумулаторната батерия
6. Бутон Save
7. Задна ръкохватка с предпазител за дясната ръка
8. Стикер за информация и предупреждение
9. Корпус
10. Резервоар за верижно масло
11. Капак за транспортиране
12. Блокировка на хранващия спусък
13. Хранващ спусък
14. Капак на задвижващия венец с фиксатор на шината
15. Механизъм за обтягане на веригата
16. Уловител на веригата
17. Буферен шип
18. Челно верижно колело на шината
19. Верига за моторен трион
20. Направляваща шина
21. Индикатор за състоянието на заряд
22. Конектор
23. Зарядно устройство за акумулатора
24. Комбиниран гаечен ключ
25. Предупредителен индикатор
26. Бутон, състояние на акумулаторната батерия
27. Състояние на акумулаторната батерия
28. Бутон за освобождаване на акумулаторната батерия

Описание на продукта

Husqvarna 225i е модел верижен трион с електрически мотор.

Ние работим постоянно, за да увеличаваме Вашата безопасност и ефективност по време на работа. Говорете с Вашия сервизен дилър за повече информация.

29. Акумулаторна батерия
30. Ръководство за оператора
31. Фиксатор на шината
32. Капак на задвижващия венец с болт на шината

Символи върху продукта

- (Фиг. 2) ПРЕДУПРЕЖДЕНИЕ: този продукт може да бъде опасен и да причини сериозно нараняване или смърт на оператора или други хора. Внимавайте и използвайте продукта правилно.
- (Фиг. 3) Прочетете внимателно ръководството за оператора и се уверете, че разбирате инструкциите, преди да използвате продукта.
- (Фиг. 4) Използвайте одобрена предпазна каска, антифони и защитни средства за очите.
- (Фиг. 5) Използвайте и 2-те си ръце при работа с продукта.
- (Фиг. 6) Не работете с продукта само с 1 ръка.
- (Фиг. 7) Не позволявайте на върха на направляващата шина да докосва предмети.
- (Фиг. 8) Не използвайте при дъжд.
- (Фиг. 9) Предупреждение! Когато върхът на направляващата шина се докосне до някакъв предмет, може да се
-

получи откат. Това води до отмятане на направляващата шина по посока на оператора. Риск от сериозно нараняване или смърт.

- (Фиг. 10) Номинално напрежение, V
- (Фиг. 11) Верижно масло.
- (Фиг. 12) Посоката, в която се върти веригата за моторен трион, и максималната дължина на направляващата шина.
- (Фиг. 13) Прав ток.
- (Фиг. 14) **Маркировка, свързана с околната среда.** Продуктът или опаковката на продукта не е битов отпадък. Рециклирайте го в станция за рециклиране за електрическо и електронно оборудване.
- (Фиг. 15) Този продукт отговаря на изискванията на приложимите директиви на ЕО.
- (Фиг. 16) Този продукт отговаря на изискванията на приложимите регламенти на Обединеното кралство.
- (Фиг. 17) Етикет за шумовите емисии за околната среда съгласно Европейска директива 2000/14/ЕО, директиви и регламенти на Обединеното кралство и законодателството на Нов Южен Уелс "Регламент 2017 относно защитата от дейности, оказващи влияние на околната среда (контрол на шума)". Гарантираното ниво на звуковата мощност на продукта е посочено в *Технически данни на страница 71* и на етикета.
- (Фиг. 21) Верижна спирачка, включена (напред). Верижна спирачка, изключена (назад).
- (Фиг. 22) Посока на веригата.
- (Фиг. 23) На типовата табелка е изписан серийният номер. **уууу** е годината на производство, а **ww** – седмицата на производство.

Забележка: Останалите символи/стикери на продукта се отнасят до изисквания по отношение на сертификати за определени пазари.

Символи върху акумулатора и/или зарядното устройство

- (Фиг. 24) Рециклирайте този продукт в пункт за рециклиране за електрическо и електронно оборудване. (Валидно само за Европа)
- (Фиг. 18) Устойчив на неизправности трансформатор.
- (Фиг. 19) Използвайте и дръжте зарядното устройство на акумулатора единствено на закрито.
- (Фиг. 20) Двойна изолация.

Производител

Husqvarna AB

Drottninggatan 2, SE-561 82, Huskvarna, Sweden, tel: +46-36-146500

Повреда на продукта

Ние не носим отговорност за повреди по нашия продукт, ако:

- продуктът е неправилно ремонтиран.
- продуктът е ремонтиран с части, които не са от производителя или не са одобрени от производителя.
- продуктът има принадлежност, която не е от производителя или не е одобрена от производителя.
- продуктът не е ремонтиран в одобрен сервизен център или от одобрен орган.

Безопасност

Дефиниции за безопасност

Предупреждения, знаци за внимание и бележки се използват за указване на особено важни части на инструкцията.



ПРЕДУПРЕЖДЕНИЕ: Използва се, ако има опасност от нараняване или смърт за оператора или за околните, ако не се спазват инструкциите в ръководството.



ВНИМАНИЕ: Използва се, ако има опасност от повреждане на машината, други материали или съседната зона, ако не се спазват инструкциите в ръководството.

Забележка: Използва се за предоставяне на повече информация, която е необходима в дадена ситуация.

Общи предупреждения за безопасност за силови инструменти



ПРЕДУПРЕЖДЕНИЕ: Прочетете всички предупреждения за безопасност, инструкции, илюстрации и спецификации, предоставени с този електрически инструмент. Неспазването на всички инструкции, изброени по-долу, може да доведе до електрически удар, пожар и/или сериозно нараняване.

- **Запазете всички предупреждения и инструкции за бъдещи справки.** Терминът "електрически инструмент" в предупрежденията се отнася за електрически управления (кабелен) електрически инструмент или такъв на батерии (безжичен).

Безопасност на работната област

- **Поддържайте работната област чиста и добре осветена.** Мръсните и тъмните области са по-предразполагащи към инциденти.
- **Не работете с електрически инструменти в експлозивна среда, като например в присъствието на запалителни течности, газове или прах.** Електрическите инструменти създават искри, които може да възпламенят праха или дима.
- **Дръжте децата и наблюдателите далеч, докато работите с електрически инструмент.**

Разсейването може да доведе до загуба на контрол.

Електрическа безопасност

- **Щепселите на електрическите инструменти трябва да съответстват на контакта. Никога не променяйте щепселите по какъвто и да било начин. Не използвайте никакви адаптерни щепсели със заземени електрически инструменти.** Немодифицираните щепсели и съответстващи им изходи ще намалят рисковете от токов удар.
- **Избягвайте контакт на тялото със заземени повърхности, като тръби, радиатори и хладилници.** Има повишен риск от електрически удар, ако Вашето тяло е заземено или замасено.
- **Не излагайте електрическите инструменти на дъжд или влажни условия.** Водата, която влиза в електрически инструмент, ще увеличи риска от електрически удар.
- **Не насилвайте шнура.** Никога не използвайте шнура за носене, дърпане или изключване на електрическия инструмент. Пазете шнура далече от топлинни източници, масло, остри ръбове или движещи се части. Повредените и оплетени шнурове увеличават риска от електрически удар.
- **Когато работите с електрически инструмент навън, използвайте удължителен шнур, който е подходящ за външна употреба.** Шнурът, подходящ за използване на открито, намалява рисковете от токов удар.
- **Ако работата с електрически инструмент на влажно място е неизбежна, използвайте захранване с устройство със защита от остатъчен ток (RCD).** Използването на RCD намалява риска от електрически удар.

Лична безопасност

- **Бъдете нащрек, внимавайте какво правите и бъдете разсъдливи, когато работите с електрически инструмент. Не използвайте електрически инструмент, когато сте изморени или когато сте под влиянието на наркотици, алкохол или лекарства.** Един миг на невнимание по време на работа с електрически инструменти може да доведе до сериозна телесна повреда.
- **Използвайте лични предпазни средства. Винаги носете защитни средства за очите.** Предпазните средства като респираторна маска, непързлящи се предпазни обувки, твърда каска или антифони, използвани за съответните условия, ще намалят телесните повреди.
- **Не допускайте нежелано стартиране. Уверете се, че ключът е в изключена позиция, преди да свържете източника на мощност и/или батериите, когато вземате или носите инструмента.**

Носенето на електрически инструменти, докато пръстът Ви е на превключателя, или включването в мрежата на инструменти, чийто прекъсвач е в позиция ВКЛ., предразполага към злополуки.

- **Извадете всички настройващи ключове или гаечни ключове, преди да включите електрическия инструмент.** Гаечен ключ или ключ, оставен закачен за въртящата се част на електрически инструмент, може да доведе до телесна повреда.
- **Не се протягайте прекалено надалеч, докато работите. Поддържайте съответната стъпка и баланс през цялото време.** Това позволява по-добър контрол на електрическия инструмент в неочаквани ситуации.
- **Обличайте се подходящо. Никога не носете широки дрехи или украшения. Дръжте косата и дрехите си далеч от движещите се части на инструмента.** Развети дрехи, бижута или дълга коса могат да бъдат закачени в движещите се части.
- **Ако са предоставени устройства за свързване на изсмукване на прах и съдове за събиране, уверете се, че те са свързани и се използват правилно.** Използването на съдове за събиране на прах може да намали опасностите, свързани с праха.
- **Не позволявайте на натрупания от честата употреба на инструменти опит да Ви вдъхне излишна увереност и да игнорирате принципите за безопасна употреба на инструменти.** Едно нехайно действие може да причини сериозно нараняване за част от секундата.

Употреба и грижа за електрическия инструмент

- **Не насилвайте електрическия инструмент. Използвайте подходящия електрически инструмент за Вашето приложение.** Правилният електрически инструмент ще свърши работата по-добре и по-безопасно със скоростта, за която е бил създаден.
- **Не използвайте електрическия инструмент, ако фиксаторът не го включва и изключва.** Всеки електрически инструмент, който не може да бъде управляван с фиксатора, е опасен и трябва да бъде поправен.
- **Разкачете щепсела от електрическия източник и/или премахнете акумулаторната батерия от електрическия инструмент, ако може да се отстрани, преди да правите каквито и да било настройки, да сменяте принадлежности или да съхранявате електрически инструменти.** Тези предпазни мерки намаляват риска от нежелано стартиране на електрическия инструмент.
- **Съхранявайте неизползваните електрически инструменти далеч от достъпа на деца и не разрешавайте на хора, които не са запознати с електрическия инструмент или тези инструкции,**

да работят с него. Електрическите инструменти са опасни в ръцете на необучени потребители.

- **Поддържайте електрическите инструменти и аксесоари. Проверявайте за неправилно поставяне или застъпване на движещите се части, счупени части или друго състояние, което може да се отрази на работата на електрическия инструмент. Ако електрическият инструмент бъде повреден, дайте го на поправка, преди да го използвате.** Много инциденти възникват с лошо поддържани електрически инструменти.
- **Поддържайте режещите инструменти остри и чисти.** Правилно поддържаните режещи инструменти с остри режещи краища са по-трудни за огъване и се контролират по-лесно.
- **Използвайте електрическия инструмент, принадлежностите, приставките и т. н. в съответствие с тези инструкции, като имате предвид условията и естеството на работата, която извършвате.** Използването на електрическия инструмент за операции, различни от тези, за които е предназначен, може да доведе до опасни ситуации.
- **Поддържайте ръкохватките и повърхностите за хващане сухи, чисти и без масло и грес.** Хлъзгавите ръкохватки и повърхности за хващане не позволяват безопасно боравене и контрол над инструмента при непредвидени ситуации.

Употреба и грижа за инструмента – акумулаторната батерия

- **Презареждайте само със зарядно устройство, определено от производителя.** Зарядно устройство, което е подходящо за един вид акумулаторна батерия, може да създаде опасност от злополука, когато се използва с друга акумулаторна батерия.
- **Използвайте електрическите инструменти само със специално определените акумулаторни батерии.** Използването на други акумулаторни батерии може да създаде риск от нараняване и пожар.
- **Когато акумулаторната батерия не е в употреба, я дръжте далеч от други метални предмети, като кламери, монети, ключове, пирони, винтове или други малки предмети, които могат да образуват връзка между едната клемма и другата.** Окъсяване на изводите на акумулаторната батерия може да предизвика изгаряния или пожар.
- **При злоупотреба от акумулаторната батерия може да бъде изхвърлена течност – избягвайте допир.** При възникване на случаен контакт изплакнете с вода. Ако течността попадне в очите, потърсете допълнителна медицинска помощ. Течност, изхвърлена от акумулаторната батерия, може да причини раздразнения или изгаряния.
- **Не използвайте акумулаторна батерия или инструмент, който е повреден или модифициран.**

Повредените или модифицирани акумулаторни батерии могат да имат непредсказуемо поведение, което да доведе до пожар, експлозия или опасност от нараняване.

- **Не излагайте акумулаторната батерия или инструмента на огън или прекомерна температура.** Излагането на огън или температура над 130°C/266°F може да предизвика експлозия.
- **Спазвайте всички инструкции за зареждане и не зареждайте акумулаторната батерия или инструмента извън температурния диапазон, посочен в инструкциите.** Неправилното зареждане или зареждането при температури извън посочения диапазон може да повреди акумулаторната батерия и да увеличи риска от пожар.

Обслужване

- **Техническото обслужване на Вашия електрически инструмент трябва да се извършва от квалифицирано лице, като се използват само идентични резервни части.** Това ще гарантира безопасността на електрическия инструмент.
- **Никога не обслужвайте повредени акумулаторни батерии.** Обслужването на акумулаторни батерии трябва да се извършва само от производителя или оторизирани сервизни доставчици.

Общи предупреждения за безопасност за верижния трион

- **Пазете всички части на тялото далеч от веригата за моторен трион, когато верижният трион работи.** Преди да стартирате верижния трион, уверете се, че веригата за моторен трион не е в контакт с нищо. Един момент на невнимание при работа с верижни триони може да причини захващане на дрехите или тялото Ви от веригата за моторен трион.
- **Винаги дръжте верижния трион с дясната си ръка за задната ръкохватка и с лявата – за предната ръкохватка.** Ако дръжите верижния трион с обратна конфигурация на ръцете, това увеличава риска от телесна повреда и никога не бива да го правите.
- **Дръжте верижния трион само за изолираните повърхности за хващане, защото веригата за моторен трион може да влезе в контакт със скрити проводници.** Ако веригите за моторен трион влязат в контакт с кабели, които е под напрежение, изложените метални части на верижния трион може да се офазят и операторът да бъде изложен на електрически удар.
- **Носете защитни средства за очите.** Препоръчително е използването на допълнително защитно оборудване за ушите, главата, ръцете, краката и стъпалата.

Адекватното защитно оборудване ще намали телесна повреда от летящи късове или при случаен контакт с веригата за моторен трион.

- **Не работете с верижен трион на дърво или на стълба, от покрив или върху нестабилна опора.** Работата с верижен трион по този начин може да доведе до тежка телесна повреда.⁵
- **Винаги стъпвайте стабилно и работете с верижния трион само когато стоите на неподвижна, стабилна и равна повърхност.** Хлъзгавите или нестабилни повърхности може да причинят загуба на равновесие или управление на верижния трион.
- **Когато режете клон, който е натегнат, бъдете нащрек за откат.** Когато натягането в дървесните влакна се освободи, натегнатият клон може да удари оператора и/или да изхвърли верижния трион извън Вашия контрол.
- **Бъдете изключително внимателни, когато режете храсти и фиданки.** Тънките материали може да се захванат във веригата за моторен трион, да отскочат напред към Вас и да Ви извадят от равновесие.
- **Носете верижния трион за предната ръкохватка с изключена верига за моторен трион и далеч от тялото.** Когато пренасяте или съхранявате верижния трион, винаги поставяйте капака на направляващата шина. Правилната работа с верижния трион ще намали вероятността от случаен контакт с въртящата се верига за моторен трион.
- **Следвайте инструкциите за смазване, натягане на веригата и смяна на шината и веригата.** Неправилно натегнатата или смазана верига може да засече или да увеличи шанса за откат.
- **Режете само дърво. Не използвайте верижния трион за цели, за които не е предназначен.** Например: не използвайте верижния трион за рязане на метал, пластмасата, зидария или недървени строителни материали. Използването на верижния трион за операции, различни от тези, за които е предназначен, може да създаде опасна ситуация.
- **Не се опитвайте да повалите дърво, преди да сте наясно с рисковете и с това как да ги избягвате.** При повяляне на дърво има вероятност от сериозно нараняване на оператора или страничните наблюдатели.
- **Спазвайте всички инструкции, когато почиствате заседнал материал, съхранявайте или обслужвате верижния трион.** Уверете се, че ключът е изключен, а акумулаторната батерия е извадена. Неочакваното задействане на верижния трион при почистване на заседнал материал или обслужване може да доведе до сериозна телесна повреда.

⁵ Ако сте обучени в специални техники на рязане и работа и сте добре обезопасени (кофа за повдигане, въжета, предпазен самар), могат да се направят отклонения от това правило за безопасност.

- **Не работете с верижен трион, когато сте качени на дърво, освен ако не сте специално обучени за това.** Работата с верижен трион на дърво без подходящо обучение може да увеличи риска от сериозна телесна повреда.

Причини за откат и превенция от страна на оператора

Откат може да възникне, когато носът или върхът на водещата шина докосне предмет или когато дървото се "затвори" и притисне веригата за моторен трион в среза. В някои случаи контактът на върха може да причини внезапна обратна реакция, като доведе до откат на водещата шина обратно към оператора. Притискането на веригата на моторен трион към горната част на водещата шина може бързо да я избута обратно към оператора. Всяка от тези реакции може да доведе до загуба на управлението над триона, което може да причини сериозна телесна повреда. Не трябва да разчитате само на вградения във Вашия трион приспособления за безопасност. Като потребител на верижен трион Вие следва да изпълните няколко стъпки, за да предотвратите настъпване на зпололуки или наранявания по време на изпълняване на задачите за рязане. Откатът е резултат от погрешно използване на верижния трион и/или неправилни процедури или условия на работа и може да се избегне, като се вземат правилни предпазни мерки, както е посочено по-долу:

- **Поддържайте надежден захват с двете ръце, като палците и пръстите трябва да обхващат дръжките на верижния трион; позиционирайте тялото и горната част на ръката си по такъв начин, че да Ви позволят да устоявате на силите на откат.** Силите на откат могат да се управляват от оператора, ако се вземат правилни предпазни мерки. Не пускайте верижния трион.
- **Не се пресягайте и не режете над височината на рамото.** Това ще предотврати нежелан контакт с върха и позволява по-добро управление на верижния трион в неочаквани ситуации.
- **Използвайте само посочените от производителя направляващи шини и резервни вериги за моторен трион.** Неправилните резервни направляващи шини и вериги за моторен трион може да причинят скъсване на веригата и/или откат.
- **Спазвайте инструкциите на производителя за заточване и поддръжка на веригата за моторен трион.** Намалването на мащаба на дълбочина може да доведе до по-силен откат.

ЗАПАЗЕТЕ ТЕЗИ ИНСТРУКЦИИ.

Общи инструкции за безопасност



ПРЕДУПРЕЖДЕНИЕ: Прочетете следващите предупредителни указания, преди да използвате машината.

- Този продукт е опасен инструмент, ако не сте достатъчно внимателни или ако го използвате неправилно. Този продукт може да причини сериозно нараняване или смърт на оператора и други хора. Много е важно да прочетете и да разберете съдържанието на настоящата инструкция за експлоатация.
- Не променяйте продукта без одобрението на производителя. Не използвайте продукт, който е променен от други, и винаги използвайте оригинални принадлежности. Промени, които не са одобрени от производителя, може да доведат до сериозно нараняване или смърт на оператора или други хора.
- Продължителното вдишване на изпарения от верижно масло и дървени стърготини може да доведе до здравословни проблеми.
- Тази машина създава електромагнитно поле по време на работа. При някои условия това поле може да интерферира с активни или пасивни медицински имплантанти. За да намалите риска от сериозно нараняване или смърт, препоръчваме лицата с медицински имплантанти да се обърнат към лекаря си и производителя на медицинския имплант, преди да работят с този продукт.

Инструкции за безопасност за работа



ПРЕДУПРЕЖДЕНИЕ: Прочетете следващите предупредителни инструкции, преди да използвате продукта.

- Информацията в това ръководство за оператора не заменя професионалните знания и опит. Ако не се чувствате безопасно в ситуацията, в която се намирате, спрете продукта. Обърнете се към Вашия сервизен дилър или към професионален оператор на верижен трион. Не предприемайте каквато и да било задача, в която не сте уверени!
- Потърсете Вашия сервизен дилър или Husqvarna, ако имате въпроси относно работата с продукта. Можем да Ви дадем информация за това как да работите с продукта ефективно и безопасно. Участвайте в курс на обучение за работа с верижен трион, ако е възможно. Вашият сервизен дилър, училище по дървообработване или библиотеката Ви могат да осигурят информация относно какви учебни материали и курсове на обучение са достъпни.
- Трябва да разберете ефектите на отката и как да ги предотвратите, преди да използвате продукта. Направете справка с *Информация за отката на страница 59* и *Често задавани въпроси за отката на страница 59* за инструкции.
- Не използвайте продукт, акумулаторна батерия или зарядно устройство за акумулаторни

батерии, което е повредено или не работи правилно.

- Не докосвайте въртяща се верига за моторен трион. Тя може да причини сериозно нараняване или смърт.
- Не използвайте продукта, ако сте уморени, ако сте под влиянието на алкохол, наркотични вещества, медикаменти и всичко друго, което може да има отрицателно въздействие върху зрението, вниманието, координацията или преценката Ви.
- Работата в лоши метеорологични условия е уморителна и често води до повишен риск. Поради повишения риск не се препоръчва работа с машината в много лоши метеорологични условия, например в гъста мъгла, силен дъжд, силни ветрове, силен студ, опасност от светкавици и т.н.
- Не стартирайте продукта, без направляващата шина, веригата за моторен трион и всички капаци да са монтирани правилно. В противен случай задвижващият венец може да се разхлаби и да причини сериозни наранявания. Направете справка с *Монтаж на страница 56* за инструкции.

(Фиг. 25)

- Понякога в капака на съединителя засядат стърготини и причиняват засичане на веригата за моторен трион. Винаги спирайте двигателя преди почистване.
- Огледайте се наоколо. Уверете се, че няма риск хора или животни да се докоснат или да Ви попречат да управлявате продукта.

(Фиг. 26)

- Не допускайте деца да използват или да бъдат близо до продукта. Продуктът се стартира лесно и децата може да успяят да го стартират, ако не са под постоянен надзор. Това може да означава риск от сериозно нараняване.
- Когато нямате пълна видимост над продукта или няма да го използвате за какъвто и да било период от време, отстранете акумулаторната батерия.
- Трябва да сте стабилно застанали на краката си, за да имате пълен контрол над продукта. Не използвайте продукта, ако стоите на стълба или дърво. Не използвайте продукта, ако не сте на стабилна повърхност.

(Фиг. 27)

- Работата, когато сте покачени на дърво, изисква използването на специални техники на рязане и на работа, които трябва да се спазват, за да се намали повишеният риск от телесна повреда. Никога не работете покачени на дърво, освен ако не сте обучени специално и професионално за такава работа, включително не сте преминали обучение за използването на обезопасяващо и друго оборудване за катерене, като например сбруи, въжета, колани, котки, пружинни карабинери, карабинери и други.

- Никога не се опитвайте да хващате падащи части. Никога не режете, когато сте на дървото и сте обезопасени само с едно въже. Винаги използвайте две обезопасителни въжета.
- Ако не внимавате, рискът за откат нараства. Откат може да се получи, ако зоната на откат на шината случайно докосне клон, дърво или други предмети.

(Фиг. 28)

- Не дръжете продукта с една ръка. Този продукт не може да се управлява безопасно с една ръка.
- Не използвайте продукта над височината на раменете и не опитвайте да режете с върха на направляващата шина.

(Фиг. 29)

- Не използвайте продукт в ситуация, при която не можете да извикате помощ, ако възникне инцидент.
- Преди да преместите продукта, го спрете и включете верижната спирачка. Носете продукта с обърнати назад направляваща шина и верига за моторен трион. Преди транспортиране или преместване на каквото и да било разстояние поставете предпазител при транспортиране върху направляващата шина.
- Когато поставяте продукта на земята, включвайте верижната спирачка и постоянно го наблюдавайте. Спирайте продукта и отстранявайте акумулаторната батерия, преди да го оставите за какъвто и да било период от време.
- Съществува риск дървени стърготини да заседнат в задвижващата система. Това може да причини засядане на веригата за моторен трион. Винаги спирайте продукта и отстранявайте акумулаторната батерия преди почистване.
- Нивото на вибрация се покачва, ако режете с режещо оборудване, което е неподходящо или не е заточено правилно. Рязането на твърда дървесина, като широколистни дървета, създава повече вибрация от рязането на мека дървесина, като иглолистни дървета.

(Фиг. 30)

- Прекомерното излагане на вибрации може да доведе до поражения върху кръвоносната система и нервната система на лица със затруднено кръвообращение. Говорете с Вашия лекар, ако се появят симптоми, които могат да са резултат от прекомерно излагане на вибрации. Такива симптоми са например изтръпване, загуба на чувствителност, "иглички", "бодежи", болки, физическа отпуснатост, промени в цвета или състоянието на кожата. Тези симптоми обикновено възникват в пръстите, ръцете или китките и се обострят при ниски температури.
- Не се опитвайте да извършвате операция по подрязване или поваляне на неотсечено дърво, ако не сте специално обучени за това.

- Когато режете по наклон, винаги стойте в горната част на наклона, тъй като дървото може да се изтърка или да се плъзне надолу, след като бъде повалено. За да поддържате пълен контрол върху продукта при рязане, към края на среза намалете натиска за рязане. Не отпускате ръцете си около ръкохватките. Не позволявайте на веригата за моторен трион да докосва земята. След като завършите среза, изчакайте веригата за моторен трион да спре да се движи, преди да преместите продукта. Винаги спирайте двигателя, преди да се преместите от едно дърво към друго.

(Фиг. 31)

- Не поваляйте дърво, ако има риск да застраши човек, да удари или да засегне комунална линия или да причини материални щети. Ако дървото удари комунална линия, компанията за комунални услуги трябва да бъде уведомена незабавно.
- Уверете се, че можете да се движите наоколо безопасно. Прочетете условията и терена около Вас за възможни препятствия, като например корени, скали, клони, канавки и др. Бъдете внимателни при работа по наклонен терен.
- Избягвайте ситуации, за които смятате, че надхвърлят възможностите Ви.
- Не е възможно да включите всяка възможна ситуация, с която можете да се сблъскате, когато използвате този продукт. Винаги бъдете внимателни и подхождайте разумно.

(Фиг. 32)

Лични предпазни средства



ПРЕДУПРЕЖДЕНИЕ: Прочетете следващите предупредителни инструкции, преди да използвате продукта.

(Фиг. 33)

- Повечето злополуки с верижан трион се случват при допир на веригата за моторен трион до оператора. По време на работа трябва да използвате одобрени лични предпазни средства. Личните предпазни средства не Ви дават пълна защита от наранявания, но намаляват степента на нараняване при възникване на злополука. Обърнете се към Вашия сервизен дилър за препоръки какво оборудване да използвате.
- Дрехите трябва да прилягат плътно, но да не ограничават движенията Ви. Редовно извършвайте проверка на състоянието на личните предпазни средства.
- Използвайте одобрена защитна каска.
- Използвайте одобрена защита на слуха. Дълготрайното излагане на шум може да доведе до постоянно увреждане на слуха.

- Използвайте одобрени защитни очила или лицева маска, за да намалите риска от нараняване от летящи предмети. Продуктът може да изхвърля с голяма сила предмети, като например дървени парченца, малки късчета дърво и други. Това може да доведе до сериозно нараняване, особено на очите.
- Използвайте ръкавици със защита за работа с трион.
- Използвайте панталони със защита за работа с трион.
- Използвайте ботуши със защита за работа с трион, стоманени бомбета и нехлъзгаща се подметка.
- Винаги носете комплект за първа помощ с Вас.
- Риск от искри. Дръжте наблизо оборудване за гасене на пожар и лопата, за да предотвратите горски пожари.

Устройства за безопасност на продукта



ПРЕДУПРЕЖДЕНИЕ: Прочетете следващите предупредителни инструкции, преди да използвате продукта.

- Не използвайте продукт с устройства за безопасност, които са повредени или не работят правилно.
- Извършвайте редовно проверка на устройствата за безопасност. Направете справка с *Техническо обслужване и проверки на приспособленията за безопасност на продукта на страница 65*.
- Ако устройствата за безопасност са повредени или не работят правилно, се обърнете към Вашия сервизен дилър на Husqvarna.

Функции на потребителския интерфейс

Потребителският интерфейс включва бутон за стартиране/спиране, бутон SavE, индикатор за състоянието на акумулаторната батерия и предупредителен индикатор. Предупредителният индикатор преримига, ако верижната спирачка е включена или ако има риск от претоварване. Защитата от претоварване временно спира продукта и не можете да го използвате, докато температурата не се понижи. Ако предупредителният индикатор свети с постоянна светлина, се обърнете към своя сервизен дилър.

(Фиг. 34)

За повече информация относно потребителския интерфейс направете справка с *Общ преглед на продукта на страница 46*.

Функция за автоматично спиране

Продуктът има автоматична функция за спиране, която го спира, ако не го използвате за 3 минути.

Верижна спирачка и аварийен лост

Вашият продукт има верижна спирачка, която спира веригата за моторен трион, ако се получи откат. Верижната спирачка намалява риска от злополуки, но само Вие можете да ги предотвратите.

(Фиг. 35)



ПРЕДУПРЕЖДЕНИЕ:

Избягвайте ситуации с риск за откат. Внимавайте, когато използвате продукта, и се уверете, че зоната на откат на направляващата шина не се докосва до някой предмет.

(Фиг. 36)

Верижната спирачка се задейства (А) ръчно чрез лявата Ви ръка или автоматично чрез механизма за освобождаване на инерцията. Избутайте аварийния лост (В) напред, за да задействате верижната спирачка ръчно. Това движение задейства пружинен механизъм, който спира задвижващия венец.

(Фиг. 37)

Начинът на задействане на верижната спирачка е съобразен със силата на отката и позицията на продукта. Ако получите силен откат, когато зоната на откат е най-далеч от Вас, верижната спирачка се задейства от инерционното освобождаване. Ако откатът е слаб или зоната на откат е по-близо до Вас, верижната спирачка се задейства ръчно от лявата Ви ръка.

(Фиг. 38)

Използвайте верижна спирачка като паркираща спирачка, когато стартирате продукта и когато се придвижвате на къси разстояния. Това намалява риска Вие или друг човек наблизко да докоснете веригата за моторен трион.

(Фиг. 39)

Издърпайте аварийния лост назад, за да изключите верижната спирачка.

(Фиг. 40)

Откатът може да бъде внезапен и интензивен. Повечето откати са незначителни и не винаги задействат верижната спирачка. Ако възникне откат, когато използвате продукта, дръжте здраво дръжките и не ги пускайте.

(Фиг. 41)

Аварийният лост също намалява риска да се докосне веригата за моторен трион, ако ръката Ви изпусне предната дръжка.

(Фиг. 42)

В позиция на поваляне не можете да задействате верижната спирачка ръчно. Верижната спирачка може да се задейства в тази позиция единствено от механизма за освобождаване на инерцията.

(Фиг. 43)

Блокировка на хранящия спусък

Блокировката на хранящия спусък предотвратява случайното му задействане. Ако натиснете блокировката на хранящия спусък напред (А) и след това натиснете блокировката на хранящия спусък към дръжката (В), тя освобождава хранящия спусък (С). Ако освободите дръжката, хранящият спусък и блокировката му се връщат в първоначално положение.

(Фиг. 44)

Уловител на веригата

Уловителят на веригата улавя веригата за моторен трион, ако тя се скъса или се разхлаби. Ако имате правилното натягане на веригата, рискът намалява. Вие също така намалявате риска, ако извършвате правилната поддръжка на направляващата шина и на веригата за моторен трион. Вижте *Монтаж на страница 56* и *Поддръжка на страница 64* за инструкции.

(Фиг. 45)

Предпазител за дясната ръка

Предпазителят за дясната ръка служи за защита на ръката при скъсване или разхлабване на веригата за моторен трион. Той предотвратява и навлизането на клони при използване на продукта.

(Фиг. 46)

Безопасност на акумулаторната батерия



ПРЕДУПРЕЖДЕНИЕ: Прочетете следващите предупредителни инструкции, преди да използвате продукта.

- Използвайте само акумулаторните батерии от серия 40-V, които препоръчваме за Вашия продукт. Направете справка с *Одобрени акумулаторни батерии на страница 73*. Акумулаторните батерии са шифровани софтуерно.
- Използвайте акумулаторните батерии от серия 40-V, които са презареждаеми, като източник на храняване само за свързаните продукти Husqvarna. Направете справка с *Одобрени акумулаторни батерии на страница 73*. За да предотвратите нараняване, не използвайте акумулаторната батерия като източник на храняване за други устройства.
- Опасност от електрически удар. Не свързвайте клемите на акумулаторната батерия с ключове, винтове или други метални предмети. Това може

да причини късо съединение на акумулаторната батерия.

- Не използвайте акумулаторни батерии, които са непрезареждаеми.
- Не поставяйте предмети във въздушните отвори на акумулаторната батерия.
- Съхранявайте акумулаторната батерия далеч от слънчева светлина, топлина или открит огън. Акумулаторната батерия може да причини изгаряния и/или химически изгаряния.
- Съхранявайте акумулаторната батерия далеч от дъжд или влага.
- Съхранявайте акумулаторната батерия далеч от микровълни и високо налягане.
- Не се опитвайте да разглобите или счупите акумулаторната батерия.
- Не позволявайте на електролит да докосне кожата Ви. Електролитът причинява наранявания по кожата, корозия и изгаряния. Ако в очите Ви попадне електролит, не ги търкайте, а ги промийте обилно с вода в продължение на най-малко 15 минути. Ако електролитът се докосне до кожата Ви, трябва да почистите кожата с голямо количество вода и сапун. Потърсете медицинска помощ.
- Използвайте акумулаторната батерия при температури между -10°C (14°F) и 40°C (104°F).
- Не почиствайте акумулаторната батерия или зарядното устройство за акумулаторни батерии с вода. Направете справка с *За извършване на проверка на акумулаторната батерия и държача за акумулаторни батерии на страница 66*.
- Не използвайте повредена акумулаторна батерия.
- Съхранявайте акумулаторната батерия далеч от метални предмети, като гвоздеи, винтове или бижута.
- Дръжте акумулаторната батерия далеч от деца.

Инструкции за безопасност за зарядното устройство на акумулаторната батерия



ПРЕДУПРЕЖДЕНИЕ: Прочетете следващите предупредителни инструкции, преди да използвате продукта.

- Ако не се спазват инструкциите за безопасност, има риск от токов удар или късо съединение.
- Използвайте одобрен заземен стенов контакт, който не е повреден.
- Не използвайте зарядни устройства, различни от доставеното с машината. Използвайте само зарядни устройства 40-C80, когато зареждате резервни акумулаторни батерии Husqvarna 40-V140. Направете справка с *Одобрени зарядни устройства за продукта на страница 74* и

Одобрени акумулаторни батерии на страница 73.

- Не опитвайте да разглобите зарядното устройство за акумулаторни батерии.
- Не използвайте дефектно или повредено зарядно устройство за акумулаторни батерии.
- Не повдигайте зарядното устройство за акумулаторни батерии, като го държите за охраняващия шнур. За да изключите зарядното устройство за акумулаторни батерии от стенов контакт, извадете щепсела. Не дърпайте охраняващия шнур.
- Дръжте всички кабели и удължителни кабели далеч от вода, масло и остри ръбове. Уверете се, че кабелът не е захванат между врати, оградни или други подобни.
- Не използвайте зарядното устройство за акумулаторни батерии близо до запалими материали или материали, които могат да причинят корозия. Уверете се, че зарядното устройство за акумулаторни батерии не е покрито. Ако има дим или огън, извадете щепсела на зарядното устройство за акумулаторни батерии.
- Зареждайте акумулаторната батерия само на закрито, на място с добро проветряване и далеч от слънчева светлина. Не зареждайте акумулаторната батерия на открито. Не зареждайте акумулаторната батерия във влажна среда.
- Използвайте зарядното устройство за акумулаторни батерии само при температури между 5°C (41°F) и 40°C (104°F). Използвайте зарядното устройство за акумулаторни батерии в среда, която е суха, без прах и има добро проветряване.
- Не поставяйте предмети в охлаждащите отвори на зарядното устройство за акумулаторни батерии.
- Не свързвайте клемите на зарядното устройство за акумулаторни батерии към метални предмети, тъй като това може да предизвика късо съединение на зарядното устройство за акумулаторни батерии.
- Използвайте одобрени стенови контакти, които не са повредени.
- Не зареждайте непрезареждаеми акумулаторни батерии в зарядните устройства за акумулаторни батерии.

Инструкции за безопасност при техническо обслужване



ПРЕДУПРЕЖДЕНИЕ: Прочетете следващите предупредителни указания, преди да извършвате техническо обслужване на продукта.

- Извадете батерията, преди да извършите техническо обслужване, други проверки или сглобяване на продукта.
- Операторът трябва да извършва само техническо обслужване и ремонтни дейности, показани в тази инструкция за експлоатация. Обърнете се към Вашия сервизен дилър при нужда от по-сериозно техническо обслужване и ремонтни дейности.
- Не почиствайте батерията или зарядното устройство с вода. Силните почистващи препарати могат да повредят пластмасата.
- Ако не извършвате техническо обслужване, това намалява експлоатационния живот на продукта и увеличава риска от злополука.
- Необходимо е специално обучение за всички ремонтни дейности и поправки особено що се отнася до приспособленията за безопасност на продукта. Ако не всички проверки в тази инструкция за експлоатация са одобрени, след като сте извършили техническото обслужване, обърнете се към Вашия сервизен дилър. Ние гарантираме, че за Вашия продукт има налични професионални поправки и ремонти.
- Използвайте само оригинални резервни части.

Инструкции за безопасност за режещо оборудване



ПРЕДУПРЕЖДЕНИЕ: Прочетете следващите предупредителни указания, преди да използвате машината.

- Използвайте само препоръчаните комбинации от направляваща шина/верига за моторен трион и оборудване за заточване. Инструкции можете да видите в *Технически данни на страница 71*.
- Носете защитни ръкавици, когато използвате или извършвате техническо обслужване на верига

за моторния трион. Верига за моторен трион, която не се движи, също може да причини наранявания.

- Поддържайте режещите зъби добре заточени. Спазвайте инструкциите и използвайте препоръчания шаблон за чапразене. Верига за моторен трион, която е повредена или неправилно заточена, увеличава риска от злополука.

(Фиг. 47)

- Поддържайте правилната настройка на мащаба на дълбочина. Следвайте инструкциите ни и използвайте препоръчаната настройка на мащаба на дълбочина. Прекалено голямата настройка на мащаба на дълбочина повишава риска за откат.

(Фиг. 48)

- Уверете се, че веригата за моторен трион е правилно натегната. Ако веригата за моторния трион не е затегната към направляващата шина, веригата може да излезе от водача. Неправилното обтягане на веригата за моторния трион повишава износването на направляващата шина, веригата за моторния трион и задвижващия венец на веригата. Вижте *Принадлежности на страница 72*.

(Фиг. 49)

- Редовно извършвайте техническа поддръжка на режещото оборудване и го поддържайте правилно смазано. Ако веригата за моторния трион не е смазана правилно, опасността от износване на направляващата шина, веригата за моторния трион и задвижващия венец на веригата се увеличава.

(Фиг. 50)

Монтаж

За монтиране на направляващата шина и веригата за моторен трион (с фиксатор на шината)



ПРЕДУПРЕЖДЕНИЕ: Винаги отстранявайте акумулаторната батерия, преди да сглобявате или да извършвате техническо обслужване на продукта.

1. Изключете верижната спирачка. (Фиг. 51)
2. Разхлабете фиксатора на шината и отстранете капака на задвижващия венец. (Фиг. 52)

3. Поставете направляващата шина върху болта на шината. Придвигнете направляващата шина до най-задната ѝ позиция. Повдигнете веригата за моторен трион над задвижващия венец и я закачете към жлеба на направляващата шина. Започнете от горния край на направляващата шина.
4. Уверете се, че ръбовете на режещите звена върху горния край на направляващата шина са насочени напред. (Фиг. 53)
5. Монтирайте капака на задвижващия венец и придвигнете регулиращия щифт на веригата към отвора в направляващата шина.
6. Уверете се, че кулисните предавки на веригата за моторен трион пасват правилно на задвижващия венец.

- Уверете се, че веригата за моторен трион е правилно закачена към жлеба на направляващата шина.
- Увеличете обтягането на веригата за моторен трион. Направете справка с *Поддръжка на страница 64* за инструкции.
- Затегнете фиксатора на шината.

За сглобяване на направляващата шина и веригата за моторен трион (с болт на шината)



ПРЕДУПРЕЖДЕНИЕ: Винаги отстранявайте акумулаторната батерия, преди да сглобявате или да извършвате техническо обслужване на продукта.

- Изключете верижната спирачка. (Фиг. 51)
- Разхлабете гайката на шината и отстранете капака на задвижващия венец. (Фиг. 54)
- Поставете направляващата шина върху болта на шината. Придвийте направляващата шина до най-задната ѝ позиция. Повдигнете веригата за моторен трион над задвижващия венец и я закачете към жлеба на направляващата шина. Започнете от горния край на направляващата шина.
- Уверете се, че ръбовете на режещите звена върху горния край на направляващата шина са насочени напред. (Фиг. 55)
- Монтирайте капака на задвижващия венец и придвийте регулиращия щифт на веригата към отвора в направляващата шина.

- Уверете се, че кулисните предавки на веригата за моторен трион пасват правилно на задвижващия венец.
- Уверете се, че веригата за моторен трион е правилно закачена към жлеба на направляващата шина.
- Затегнете гайката на шината с пръсти.
- Затегнете веригата за моторен трион. Направете справка с *Поддръжка на страница 64* за инструкции.

За монтиране на зарядното устройство за акумулаторни батерии на стената



ВНИМАНИЕ: Не използвайте електрическа отвертка, за да монтирате зарядното устройство за акумулаторни батерии към стената. Електрическа отвертка може да причини повреда на зарядното устройство за акумулаторни батерии.

- Монтирайте зарядното устройство за акумулаторни батерии на стената с 2-та винта (А). Ако се налага, използвайте дюбелите (В). (Фиг. 56)
- Монтирайте 2-те капачки за отвори за винтове (С).
- Свържете захранващия шнур (D) към зарядното устройство за акумулаторни батерии и стенен контакт.

Операция

Въведение



ПРЕДУПРЕЖДЕНИЕ: Прочетете и разберете раздела с инструкции за безопасност преди използване на продукта.

За проверка на функциите, преди да използвате продукта

- Направете проверка на верижната спирачка (А), за да се уверите, че тя работи правилно и не е повредена.
- Направете проверка на задния предпазител за дясната ръка (В), за да се уверите, че не е повреден.
- Направете проверка на захранващия спусък и блокировката на захранващия спусък (С), за да се уверите, че работят правилно и не са повредени.
- Направете проверка на клавиатурата (D), за да се уверите, че работи правилно.
- Уверете се, че по дръжките няма масло (E).
- Направете проверка, за да се уверите, че всички части са монтирани правилно и не са повредени или липсващи.
- Направете проверка на уловителя на веригата (F), за да се уверите, че е монтиран правилно.
- Направете проверка на натягането на веригата (G).
- Сменете акумулаторната батерия (H) и се уверете, че той е правилно монтиран към продукта.
- Уверете се, че веригата за моторен трион спира, когато отпуснете захранващия спусък. (Фиг. 57)

Използвайте подходящото верижно масло



ПРЕДУПРЕЖДЕНИЕ: Не използвайте отработено масло, което може да предизвика щети на Вас и на природата. Отработеното масло поврежда също маслената помпа, направляващата шина и веригата за моторен трион.



ПРЕДУПРЕЖДЕНИЕ: Веригата за моторния трион може да се скъса, ако не е достатъчно смазването на режещото оборудване. Опасност от сериозно нараняване или смърт за оператора.



ПРЕДУПРЕЖДЕНИЕ: За да се изпълнява тази функция нормално, използвайте подходящо верижно масло. Когато избирате верижно масло, говорете с дистрибутора по сервизното обслужване.

- Използвайте верижно масло Husqvarna за постигане на максимален срок на експлоатация на веригата за моторния трион и за предотвратяване на отрицателните въздействия върху околната среда. Ако не разполагате с верижно масло на Husqvarna, тогава Ви препоръчваме да използвате стандартно верижно масло.
- Използвайте верижно масло с добра адхезия към веригата за моторния трион.
- Използвайте верижно масло с вискозитет, който е подходящ за температурата на околната среда.



ВНИМАНИЕ: Ако температурата е под 0°C/32°F, някои верижни масла стават прекалено гъсти, което

може да доведе до повреждане на компонентите на маслената помпа.

- Използвайте препоръчаното режещо оборудване. Вижте *Принадлежности на страница 72*.
- Отстранете капачката на резервоара за верижно масло.
- Напълнете с масло резервоара за верижно масло.
- Поставете капачката внимателно.

(Фиг. 58)

Забележка: Местоположението на резервоара за верижно масло на Вашия продукт можете да видите в *Въведение на страница 46*.

Акумулаторна батерия



ПРЕДУПРЕЖДЕНИЕ: Прочетете и разберете главата за безопасност преди използване на акумулаторната батерия. Прочетете и разберете ръководството за оператора за акумулаторната батерия и зарядното устройство за акумулаторни батерии.

Поддържайте правилни околни температури за акумулаторната батерия и зарядното устройство за акумулаторни батерии.

	Околна температура
Работа на акумулаторната батерия	5°C – 40°C/41°F – 104°F
Зареждане на акумулаторната батерия	5°C – 40°C/41°F – 104°F

Състояние на акумулаторната батерия

Дисплейт показва състоянието на зареждане и дали има проблеми с акумулаторната батерия.

(Фиг. 59)

Светодиоден индикатор	Състояние на заряд на акумулаторната батерия
4 светодиодни светлини светят	Акумулаторната батерия е заредена на 76% – 100%.
3 светодиодни светлини светят	Акумулаторната батерия е заредена на 51% – 75%.
2 светодиодни светлини светят	Акумулаторната батерия е заредена на 26% – 50%.
1 светодиодна светлина свети	Акумулаторната батерия е заредена на 6% – 25%.
1 светодиодна светлина мига	Акумулаторната батерия е заредена на 0% – 5%.

За зареждане на акумулаторната батерия

Заредете батерията, ако това е първият път, в който я използвате. Новата акумулаторна батерия е заредена само на 30%.



ВНИМАНИЕ: Свържете зарядното устройство за акумулаторни батерии към захранващ контакт с напрежението и честотата, указани на табелката с данни.

Акумулаторната батерия не се зарежда, ако нейната температура е по-висока от 50°C (122°F).

1. Свържете захранващия шнур към зарядното устройство за акумулаторни батерии.
2. Свържете зарядното устройство за акумулаторни батерии към заземен захранващ контакт. Светодиодът за зареждане мига еднократно. (Фиг. 60)
3. Свържете акумулаторната батерия към зарядното устройство. Светодиодът за зареждане светва. Зареждайте акумулаторната батерия за най-много 24 часа. (Фиг. 61)
4. Натиснете бутон на индикатора върху акумулаторната батерия; ако всички светодиодни индикатори светнат, акумулаторната батерия е напълно заредена.
5. Издърпайте захранващия щепсел, за да изключите зарядното устройство за акумулаторни батерии от захранващия контакт. Не дърпайте захранващия шнур.
6. Отстранете акумулаторната батерия от зарядното устройство.

Информация за отката



ПРЕДУПРЕЖДЕНИЕ: Откатът може да причини сериозно нараняване или смърт на оператора или други хора. За да намалите опасността, Вие трябва да знаете причините за получаване на откат и начина за неговото предотвратяване.

Откат може се получава, когато зоната на откат на направляващата шина докосне предмет. Откатът може да възникне неочаквано и с голяма сила, която изтласква продукта по посока на оператора.

(Фиг. 36)

Откатът винаги възниква в рещестата равнина на направляващата шина. Обикновено продуктът се изтласква към оператора, но може да се премести и в друга посока. Начинът, по който използвате продукта при възникване на откат, определя посоката на движение.

(Фиг. 62)

Откат може да се получи единствено, когато зоната на откат на направляващата шина докосне предмет. Не позволявайте зоната на откат да докосва предмети.

(Фиг. 36)

По-малкият радиус на шината намалява силата на отката.

Използвайте вериги за моторен трион с малък откат, за да намалите въздействието на отката. Не позволявайте зоната на откат да докосва предмети.



ПРЕДУПРЕЖДЕНИЕ: Никаква верига за моторен трион не може да предотврати напълно отката. Винаги съблюдавайте инструкциите.

Често задавани въпроси за отката

• В случай на откат ръката винаги ли ще задейства верижната спирачка?

Не. Нужна е определена сила, за да се избута напред аварийният лост. Ако не използвате нужната сила, верижната спирачка няма да се задейства. Също така по време на работа трябва стабилно да държите дръжките на продукта с две ръце. Ако се получи откат, е възможно верижната спирачка да не спре веригата за моторния трион, преди тя да Ви достигне. Има и някои позиции, при които Вашата ръка не може да докосне аварийния лост, за да задейства верижната спирачка.

• По време на откат механизмът за освобождаване на инерцията винаги ли ще задейства верижната спирачка?

Не. Първо верижната спирачка трябва да работи нормално. Вижте *Техническо обслужване и проверки на приспособленията за безопасност на продукта на страница 65* за инструкции за проверката на верижната спирачка. Препоръчваме Ви да правите това всеки път, преди да използвате продукта. Второ, силата на отката трябва да бъде достатъчно голяма, за да задейства верижната спирачка. Ако верижната спирачка е прекалено чувствителна, тя може да се задейства при по-натоварена работа.

• Верижната спирачка винаги ли ще ме предпазва от нараняване по време на откат?

Не. Верижната спирачка трябва да работи нормално, за да осигури защитата. Верижната спирачка трябва също така да се задейства при откат, за да спре веригата за моторен трион. Ако сте близо до направляващата шина, е възможно верижната спирачка да няма достатъчно време, за да спре веригата за моторния трион, преди тя да Ви удари.



ПРЕДУПРЕЖДЕНИЕ: Само Вие и правилната техника на работа може да предотвратите откатите.

За стартиране на продукта

1. Проверете захранващия спусък и блокировката на захранващия спусък. Направете справка с *За проверка на блокировката на захранващия спусък на страница 65.*
2. Активирайте верижната спирачка. (Фиг. 63)
3. Поставете акумулаторната батерия в държача за акумулаторни батерии. (Фиг. 64)



ВНИМАНИЕ: Уверете се, че акумулаторната батерия е монтирана правилно в държача за акумулаторни батерии. Ако акумулаторната батерия не влезе с лекота в държача за акумулаторни батерии, позицията не е правилна.

4. Натискайте долната част на акумулаторната батерия, докато чуете щракване. (Фиг. 65)
5. Натиснете и задръжте бутона за стартиране/спирание, докато зеленият светодиод светне. (Фиг. 66)

За използване на функцията SavE

Функцията SavE намалява оборотите на веригата и мощността на продукта.

1. Натиснете бутона SavE. Зеленият светодиод светва.
2. Натиснете отново бутона SavE, за да изключите функцията. Зеленият светодиод изгасва. (Фиг. 67)

За спиране на продукта

1. Натискайте бутона за стартиране/спиране, докато зелената светодиодна светлина изгасне. (Фиг. 66)
2. Натиснете бутоните за освобождаване на акумулаторната батерия и отстранете акумулаторната батерия от държача за акумулаторни батерии, за да предотвратите случайно стартиране. (Фиг. 68)

Работен ход с теглене и работен ход с бутане

Можете да режете дърво с продукта в 2 различни посоки.

- Да режете на теглещ ход означава да режете с долната част на направляващата шина. Веригата за моторен трион се изтегля през дървото, когато режете. В тази позиция имате по-добър контрол над продукта и позицията на зоната на откат.

(Фиг. 69)

- Да режете на буташ ход означава да режете с горната част на направляващата шина. Веригата за моторен трион избутва продукта по посока на оператора.

(Фиг. 70)



ПРЕДУПРЕЖДЕНИЕ: Ако веригата за моторния трион бъде захваната в стъблото, продуктът може да бъде изтласкан към Вас. Дръжте продукта здраво и се уверете, че зоната на отката на направляващата шина не докосва дървото и не предизвиква откат.

(Фиг. 71)

За използване на техника на рязане



ПРЕДУПРЕЖДЕНИЕ: Използвайте пълна мощност при рязане и намалявайте оборотите до обороти на празен ход след всяко рязане.



ВНИМАНИЕ: Не оставяйте мотора да работи прекалено дълго без натоварване. Това може да повреди мотора.

1. Поставете ствола на магаре или подпори. (Фиг. 72)



ПРЕДУПРЕЖДЕНИЕ: Не режете стволите, когато са на купчина. Това повишава риска за откат и може да причини сериозно нараняване или смърт.

2. Отстранявайте нарязаните парчета от работната зона.



ПРЕДУПРЕЖДЕНИЕ: Нарязаните парчета в работната зона повишават риска за откат и затрудняват поддържането на равновесие.

Използване на буферния шип

1. Натиснете буферния шип в ствола на дървото.
2. Приложете пълна мощност и завъртете продукта. Дръжте буферния шип опрян в ствола. Тази процедура улеснява прилагането на необходимата сила за разрязване на ствола. (Фиг. 73)

Рязане на ствол върху земята

1. Режете ствола на теглещ ход. Поддържайте пълна мощност, но бъдете подготвени за внезапни инциденти. (Фиг. 74)



ПРЕДУПРЕЖДЕНИЕ:

Уверете се, че веригата за моторен трион не докосва земята при завършване на разреза.

2. Разрежете приблизително $\frac{2}{3}$ от ствола и спрете. Обърнете ствола и разрежете от противоположната страна. (Фиг. 75)

Рязане на ствол с опора в единия край



ПРЕДУПРЕЖДЕНИЕ: Уверете се, че стволът не се пречупва при рязане. Спазвайте инструкциите по-долу.

(Фиг. 76)

1. Разрежете на тласкащ ход приблизително $\frac{1}{3}$ от ствола.
2. Разрежете ствола на теглещ ход, докато двата среза се съединят. (Фиг. 77)

Рязане на ствол с опора от двете страни



ПРЕДУПРЕЖДЕНИЕ: Уверете се, че веригата на триона не се захваща в ствола по време на рязане. Спазвайте инструкциите по-долу.

(Фиг. 78)

1. Разрежете на теглещ ход приблизително $\frac{1}{3}$ от ствола.
2. Разрежете останалата част от ствола на тласкащ ход, за да завършите среза. (Фиг. 79)



ПРЕДУПРЕЖДЕНИЕ: Спрете мотора, ако веригата за моторен трион се захване в ствола. Използвайте лост, за да разтворите среза и да освободите продукта. Не опитвайте да издърпвате продукта с ръце. Това може да причини нараняване, когато продуктът внезапно се освободи.

За използване на техника на поваляне

Забележка: При дебели клони използвайте техниката на рязане. Вижте *За използване на техника на рязане на страница 60*.



ПРЕДУПРЕЖДЕНИЕ:

Съществува голяма опасност от злополука, когато си служите с техниката на поваляне. Вижте *Информация за отката на страница 59* инструкциите как да избегнете откат.



ПРЕДУПРЕЖДЕНИЕ:

Режете клоните един по един. Внимавайте когато премахвате малките клонки и не режете храсти или множество малки клонки едновременно. Малките клонки могат да се захванат във веригата на триона и да не позволяват безопасно функциониране на продукта.

Забележка: Ако е необходимо, отрежете клоните парче по парче. Отрежете по-малките клони (А) и (В), преди да отрежете клона, който е близо до ствола (С).

(Фиг. 80)

1. Премахнете клоните от дясната страна на стъблото.
 - a) Дръжте направляващата шина от дясната страна на ствола, а тялото на продукта срещу ствола.
 - b) Приложете подходящата техника на рязане според напрежението в клона. (Фиг. 81)



ПРЕДУПРЕЖДЕНИЕ:

Ако не сте уверени как да отрежете клона, обърнете се към професионален оператор на моторен трион преди да продължите.

2. Премахнете клоните на горната част на ствола.
 - a) Дръжте продукта върху ствола и оставете направляващата шина да се движи по дължината му.
 - b) Режете на тласкащ ход. (Фиг. 82)
3. Премахнете клоните от лявата страна на стъблото.
 - a) Приложете подходящата техника на рязане според напрежението в клона. (Фиг. 83)



ПРЕДУПРЕЖДЕНИЕ:

Ако не сте уверени как да отрежете клона, обърнете се към професионален оператор на моторен трион преди да продължите.

Вижте *Рязане на дървета и клони, които са натегнати на страница 63* инструкциите за начина на рязане на клони под напрежение.

Използване на техниката на поваляне на дърво



ПРЕДУПРЕЖДЕНИЕ: Трябва да имате опит за поваляне на дърво. Ако е възможно, запишете се за обучителен курс за работа с верижни триони. Обърнете се към оператор с опит за повече информация.

Пазене на безопасно разстояние

1. Уверете се, че хората около вас са на безопасно разстояние най-малко 2 1/2 дължини на дървото. (Фиг. 84)
2. Преди или в процеса на повалянето трябва да се убедите, че в тази рискова зона няма никого. (Фиг. 85)

Определяне на посоката на поваляне

1. Проучете в коя посока трябва да падне дървото. Целта е да падне в положение, при което може лесно да окастрите и разрежете ствола. Също така е важно да стоите стабилно на краката си и да можете да се придвижвате безопасно.



ПРЕДУПРЕЖДЕНИЕ: Ако е опасно или невъзможно да повалите дървото в естествената му посока, отсечете го в друга посока.

2. Проучете естествената посока на падане на дървото. Например наклонът и огъването на дървото, посоката на вятъра, разположението на клоните и тежестта на снега.
3. Проверете дали има препятствия, като например други дървета, електропроводи, пътища и/или сгради наоколо.
4. Огледайте за белези на увреждане и гниене в стъблото.



ПРЕДУПРЕЖДЕНИЕ: Гниене в стъблото може да означава опасност от падане на дървото преди да сте завършили рязането.

5. Уверете се, че дървото няма увредени или мъртви клони, които могат да се откъснат и да Ви ударят при повалянето.
6. Не оставяйте дървото да падне върху друго стоящо дърво. Премахването на заклещено дърво е опасно и има голяма опасност от злополука. Вижте *За освобождаване на заклещено дърво на страница 63*. (Фиг. 86)



ПРЕДУПРЕЖДЕНИЕ: По време на критични операции по поваляне, свалете незабавно антифоните, когато рязането

приключи. Важно е да чувате звуците и предупредителните сигнали.

Почистване на ствола и подготовка на пътя на отстъпление

Отрежете всички клони на височината на раменете Ви и по-надолу.

1. Режете на теглец ход от отгоре надолу. Уверете се, че дървото е между Вас и продукта. (Фиг. 87)
2. Премахнете израстъците от работната зона около дървото. Премахнете всички изрязан материал от работната зона.
3. Огледайте участъка за препятствия, като камъни, клони и дупки. Трябва да имате свободен път на отстъпление, когато дървото започне да пада. Пътят на отстъпление трябва да бъде приблизително 135 градуса настрана от посоката на повалянето.

1. Опасна зона
2. Път на отстъпление
3. Посоката на поваляне

(Фиг. 88)

Поваляне на дърво

Husqvarna Ви препоръчва при поваляне на дърво да направите направляващите срезове, след което да приложите метода на безопасния ъгъл. Методът на безопасния ъгъл Ви помага да направите правилен засек и да контролирате посоката на поваляне.



ПРЕДУПРЕЖДЕНИЕ: Не поваляйте дървета с диаметър два пъти по-голям от дължината на направляващата шина. За това трябва да преминете специално обучение.

Засек

Най-важната процедура при поваляне на дърво е да направите правилен засек. С правилен засек контролирате посоката на поваляне и сте убедени, че процедурата на поваляне е безопасна.

Дебелината на засека трябва да бъде еднаква и минимум 10% от диаметъра на дървото.



ПРЕДУПРЕЖДЕНИЕ: Ако засекът е неправилен или твърде тънък, Ви не контролирате посоката на поваляне.

(Фиг. 89)

Как се правят направляващи срезове

1. Направете направляващите срезове. Направете направляващите срезове на 1/4 от диаметъра на дървото. Осигурете ъгъл от 45° между горния и долния срез.
 - a) Първо направете горния срез. Изравнете белега за посоката на повалянето (А) на продукта с посоката на повалянето на дървото (В). Стойте зад продукта и застанете така, че дървото да бъде от дясната Ви страна. Режете с теглец ход.
 - b) Направете долния срез. Уверете се, че краят на долния срез е в същата точка като края на горния срез. (Фиг. 90)
2. Уверете се, че линията, направляваща рязането, е строго хоризонтална и под прав ъгъл (90°) спрямо посоката на повалянето. Линията, направляваща рязането, преминава през точката, в която се събират двата направляващи среза. (Фиг. 91)

Използване на метода на безопасния ъгъл

Повалящият срез трябва да бъде малко над направляващия срез.

(Фиг. 92)



ПРЕДУПРЕЖДЕНИЕ:

Внимавайте когато режете с върха на направляващата шина. Започнете да режете с долната част на върха на направляващата шина, като направите отвор, изрязан в ствола.

(Фиг. 93)

1. Ако полезната дължина на рязане е по-голяма от диаметъра на дървото, направете тези стъпки (a – d).
 - a) Направете отвор, изрязан на право в ствола, за да оформите ширината на засека. (Фиг. 94)
 - b) Режете на теглец ход, докато не остане 1/3 от ствола.
 - c) Изтеглете направляващата шина 5 – 10 cm/2 – 4 in в задна посока.
 - d) Прережете останалата част от ствола, за да оформите безопасен ъгъл, широк 5 – 10 cm/2 – 4 in. (Фиг. 95)
2. Ако полезната дължина на рязане е по-малка от диаметъра на дървото, направете тези стъпки (a – d).
 - a) Направете отвор, изрязан на право в ствола. Изрязаният отвор трябва да превишава 3/5 от диаметъра на дървото.
 - b) Прережете на теглец ход останалата част от ствола. (Фиг. 96)
 - c) Режете на право в ствола от другата страна на дървото, за да оформите засека.

d) Режете на тласкащ ход, докато не остане 1/3 от ствола, за да оформите безопасния ъгъл. (Фиг. 97)

3. Поставете клин в разреза на право отзад. (Фиг. 98)
4. Отсечете ъгъла, за да падне дървото.

Забележка: Ако дървото не падне, удрийте клина, докато падне.

5. Когато дървото започне да пада, използвайте пътя за отстъпление, за да се отдалечите от дървото. Отдалечете се минимум 5 m/15 ft от дървото.

За освобождаване на заклещено дърво



ПРЕДУПРЕЖДЕНИЕ:

Много е опасно да се премахне заклещено дърво и има голяма опасност от злополука. Стойте извън зоната на опасност и не се опитвайте да повалите заклещено дърво.

(Фиг. 99)

Най-безопасната процедура е да използвате някоя от следните лебедки:

- Монтирана на трактор

(Фиг. 100)

- Преносима

(Фиг. 101)

Рязане на дървета и клони, които са натегнати

1. Определете в каква посока ще се движат натегнатите дърво или клон.
2. Определете къде е точката на максимална натегнатост. (Фиг. 102)
3. Проучете коя е най-безопасната процедура за освобождаване на натягането.

Забележка:

При някои ситуации единствената безопасна процедура е да използвате лебедка, а не продукта.

4. Стойте в такова положение, при което дървото или клонът няма да Ви ударят при освобождаване на натягането. (Фиг. 103)
5. Направете един или повече срезове с необходимата дълбочина, за да се намали натягането. Режете близо до точката на максимално напрежение. Направете така, че дървото или клонът да се пречупят в точката на максимално натягане. (Фиг. 104)



ПРЕДУПРЕЖДЕНИЕ:

Не режете докрай дърво или клон, намиращи се под напрежение.



ПРЕДУПРЕЖДЕНИЕ:

Бъдете много внимателни, когато режете дърво, което е под напрежение. Съществува опасност дървото да отскочи бързо преди или след като го отсечете. Може да се получи сериозно нараняване, ако не

сте застанали правилно или режете неправилно.

6. Когато трябва да разрежете напречно дърво/клон, направете 2 или 3 среза на разстояние 1 инч един от друг и с дълбочина 2 инча. (Фиг. 105)
7. Продължете да режете дървото, докато дървото/клонът не се огъне и натягането не се освободи. (Фиг. 106)
8. Разрежете дървото/клона от противоположната страна на огъването, след като напрежението се освободи.

Поддръжка

Въведение



ПРЕДУПРЕЖДЕНИЕ: Прочетете и разберете главата с инструкции за безопасност, преди да започнете техническо обслужване на продукта.

Следва списък със стъпките от техническото обслужване, които трябва да изпълните за Вашия продукт. Вижте *Поддръжка на страница 64* за повече информация.

Разписаниe за техническо обслужване



ПРЕДУПРЕЖДЕНИЕ: Отстранете акумулаторната батерия, преди да извършите техническото обслужване.

Техническо обслужване	Преди употреба	Всяка седмица	Всеки месец
Почистете външните части на продукта.	X		
Уверете се, че захранващият спусък и блокировката на захранващия спусък работят правилно от гледна точка на безопасността.	X		
Почистете верижната спирачка и проверете дали работи безопасно. Уверете се, че уловителят на веригата не е повреден. Сменете при необходимост.	X		
Обръщайте направляващата шина, за да се износва по-равномерно. Уверете се, че отворът за смазване във направляващата шина не е задръстен. Почистете жлеба на шината.	X		
Уверете се, че резецът и предпазителят на резеца не са напукани и не са повредени. Сменете резеца или предпазителя на резеца, ако са напукани или ако са претърпели удар.	X		
Уверете се, че по направляващата шина и веригата за моторен трион има достатъчно масло.	X		
Проверете веригата за моторен трион. Огледайте за пукнатини и се уверете, че веригата за моторен трион не е неподвижна или пък прекомерно износена. Сменете, ако е необходимо.	X		

Техническо обслужване	Преди употреба	Всяка седмица	Всяки месец
Заточете веригата за моторен трион. Проверете нейното натягане и състояние. Проверете за износване на задвижващия венец и го сменете при необходимост.	X		
Почистете входа за въздуха на продукта.	X		
Уверете се, че всички винтове и гайки са затегнати.	X		
Уверете се, че клавишното поле работи правилно и че не е повредено.	X		
Изпилете с пила неравностите по ръбовете на направляващата шина.		X	
Проверете връзките между акумулаторната батерия и продукта. Проверете връзката между акумулаторната батерия и зарядното устройство.			X
Изпразнете и почистете резервоара за масло.			X
Продушайте отворите за охлаждане на продукта и акумулаторната батерия със състен въздух.			X

Техническо обслужване и проверки на приспособленията за безопасност на продукта

За извършване на проверка на аварийния лост

Редовно извършвайте проверка на аварийния лост и освобождаването на инерционната спирачка.

1. Уверете се, че предният предпазител за ръка няма повреди, като например пукнатини. (Фиг. 107)
2. Уверете се, че аварийният лост се движи свободно и че е закрепен безопасно към продукта. (Фиг. 108)
3. Поставете продукта с изключен двигател върху дънер или друга стабилна повърхност.
4. Дръжте задната ръкохватка и пуснете предната ръкохватка. Пуснете продукта върху дънера. (Фиг. 109)
5. Уверете се, че верижната спирачка се задейства, когато направляващата шина удари дънера.

За проверка на спусъка на спирачката

1. Поставете продукта върху стабилна повърхност и го стартирайте. Вижте *Операция на страница 57*.



ПРЕДУПРЕЖДЕНИЕ:

Уверете се, че веригата за моторния трион не докосва земята или друг предмет.

2. Хванете ръкохватките с пръсти и палци и дръжте продукта здраво. (Фиг. 110)

3. Подайте пълна мощност и наклонете лявата си китка към аварийния лост, за да задействате верижната спирачка. Веригата за моторния трион трябва да спре незабавно. (Фиг. 111)



ПРЕДУПРЕЖДЕНИЕ: Не отпускайте предната дръжка!

За проверка на блокировката на захранващия спусък

1. Уверете се, че захранващият спусък и блокировката на захранващия спусък се движат свободно и възвратната пружина работи правилно. (Фиг. 112)
2. Натиснете блокировката на захранващия спусък напред (А) и надолу (В). Задръжте блокировката на захранващия спусък към дръжката и се уверете, че се връща в изходното си положение, когато я отпуснете. (Фиг. 113)
3. Уверете се, че захранващият спусък е фиксиран в позиция на празен ход, когато блокировката на захранващия спусък се освобождава. (Фиг. 114)
4. Включете продукта и подайте пълна мощност.
5. Отпуснете захранващия спусък и се уверете, че веригата за моторния трион спира и остава неподвижна.



ПРЕДУПРЕЖДЕНИЕ:

Ако веригата за моторния трион се върти, когато захранващият спусък е в положение на празен ход, се обърнете към своя сервизен дистрибутор.

За проверка на уловителя на веригата

1. Уверете се, че няма повреди по уловителя на веригата.
2. Уверете се, че уловителят на веригата е стабилен и е монтиран към корпуса на продукта. (Фиг. 115)

За извършване на проверка на функциите на потребителския интерфейс

1. Стартирайте продукта. Направете справка с *За стартиране на продукта на страница 60*.
2. Натиснете и задръжте бутона за стартиране/спиране.
3. Уверете се, че продуктът спира и че зеленият светодиод изгасва. (Фиг. 66)

За извършване на проверка на акумулаторната батерия и държача за акумулаторни батерии

1. Почистете акумулаторната батерия и държача за акумулаторни батерии с мека четка.
2. Почистете слотовете за охлаждане и конекторите на акумулаторната батерия. (Фиг. 116)
3. Уверете се, че по акумулаторната батерия няма пукнатини или други повреди.

За извършване на проверка на зарядното устройство за акумулаторни батерии

1. Уверете се, че зарядното устройство за акумулаторни батерии и охраняващият шнур не са повредени. Огледайте за пукнатини и други повреди. (Фиг. 117)

За почистване на системата за охлаждане

Системата за охлаждане поддържа ниска температурата на двигателя. Системата за охлаждане включва смукателен въздухопровод от лявата страна на продукта и вентилатор върху двигателя.

1. Почиствайте с четка системата за охлаждане ежеседмично или по-често, ако е необходимо. (Фиг. 118)
2. Уверете се, че системата за охлаждане не е замърсена или запушена.



ВНИМАНИЕ: Замърсена или задръстена система за охлаждане може да доведе до прекомерно загряване на продукта. Това причинява повреда на продукта.

Заточване на веригата за моторен трион

Информация за направляващата шина и веригата за моторен трион



ПРЕДУПРЕЖДЕНИЕ: Носете защитни ръкавици, когато използвате или извършвате техническо обслужване на верига за моторния трион. Верига за моторен трион, която не се движи, също може да причини наранявания.

Сменете износената или повредена направляваща шина или верига за моторния трион с препоръчаните от Husqvarna комбинации от шина и верига. Това е необходимо, за да се поддържат функциите за безопасност на продукта. Вижте *Принадлежности на страница 72* за списъка с комбинации от резервни шина и верига, които препоръчваме.

- Дължина на направляващата шина, in/cm. Информация за дължината на направляващата шина обикновено може да се види в задния край на направляващата шина.

(Фиг. 119)

- Брой зъби на челно колело на шината (Т).

(Фиг. 120)

- Верижна стъпка, in. Разстоянието между кулисите предавки на веригата за моторен трион трябва да съвпадне с разстоянието на зъбите на челното колело на шината и задвижващия венец.

(Фиг. 121)

- Брой кулисни предавки. Броят на кулисите предавки се определя в зависимост от направляващата шина.

(Фиг. 122)

- Ширината на жлеба на шината in/mm. Ширината на канала във водещата шина трябва да бъде като тази на кулисите предавки на веригата.

(Фиг. 123)

- Отвор за верижно масло и отвор за натягане на веригата. Направляващата шина трябва да съвпадне с продукта.

(Фиг. 124)

- Ширина на кулисна предавка mm/in.

(Фиг. 125)

Обща информация за заточването режещите зъби

Не използвайте затъпена верига на трион. Ако веригата на триона е затъпена, трябва да използвате повече натиск, за да прокарате направляващата шина през дървото. Ако верига на

трион е много затъпена, няма да има парченца дърво, а дървени стърготини.

Острата верига на триона прорязва дървото и парченцата стават дълги и дебели.

Комбинацията от режещия зъб (А) и мащаба на дълбочината (В) представлява режещата част от веригата за моторен трион – резеца. Разликата във височината между двете дава дълбочината на рязане (настройката на мащаба на дълбочината).

(Фиг. 126)

Когато заточвате резеца, помислете за следното:

- Ъгъл на заточване.

(Фиг. 127)

- Ъгъл на рязане.

(Фиг. 128)

- Положение на пилата.

(Фиг. 129)

- Диаметър на кръглата пила.

(Фиг. 130)

Не е лесно правилно да се заточи верига за моторен трион без правилното оборудване. Използвайте препоръчан от Husqvarna шаблон за чапразене. Това ще Ви помогне да поддържате максимална ефективност на рязане и минимален риск от откат.



ПРЕДУПРЕЖДЕНИЕ: Силата на отката се увеличава много, ако не следвате инструкциите за заточване.

Забележка: Направете справка с *Принадлежности на страница 72* за информация относно заточването на веригата на триона.

За заточване на режещите зъби

1. За заточване на режещите зъби използвайте кръгла пила и шаблон за чапразене. (Фиг. 131)

Забележка: Направете справка с *Принадлежности на страница 72* за информация какви са пилата и калибърът, които Husqvarna препоръчва за Вашата верига за моторен трион.

2. Поставете шаблона за чапразене правилно върху режещия зъб. Направете справка с доставените с шаблона за чапразене инструкции.
3. Движете пилата от вътрешната страна на режещите зъби навън. Намалете натиска при теглещ работен ход. (Фиг. 132)
4. Отстранете материал от едната страна на всички режещи зъби.
5. Обърнете продукта и отстранете материал от другата страна.

6. Уверете се, че всички режещи зъби са с еднаква дължина.

Обща информация за това, как да регулирате настройката за мащаб на дълбочина

Настройката за мащаб на дълбочина (С) намалява, когато заточвате режещия зъб (А). За да запазите максимална ефективност на рязане, трябва да свалите материал за изпиляване от мащаба на дълбочина (В), за да постигнете препоръчаната настройка за мащаб на дълбочината. Вижте *Принадлежности на страница 72* за инструкции относно това, как се получава правилната настройка за мащаб на дълбочина за веригата за моторен трион.

(Фиг. 133)



ПРЕДУПРЕЖДЕНИЕ: Рискът за откат нараства, ако настройката на мащаба на дълбочината е твърде голяма!

За регулиране на настройката на мащаба на дълбочината

Преди да регулирате настройката на мащаба на дълбочината или да заточвате резците, направете справка с *За заточване на режещите зъби на страница 67* за инструкции. Препоръчваме Ви да регулирате настройката на мащаба на дълбочината при всяка трета операция по заточване на режещите зъби.

Препоръчваме Ви да използвате нашия инструмент за мащаб на дълбочината, за да получите правилната настройка на мащаба на дълбочината и скосяването за мащаба на дълбочината.

(Фиг. 134)

1. Използвайте плоска пила и инструмент за мащаб на дълбочината, за да регулирате настройката на мащаба на дълбочината. Използвайте само препоръчан от Husqvarna инструмент за мащаб на дълбочината, за да получите правилната настройка на мащаба на дълбочината и скосяването за мащаба на дълбочината.
2. Поставете инструмента за мащаб на дълбочината върху веригата за моторен трион.

Забележка: Вижте опаковката на инструмента за мащаб на дълбочината за повече информация за това как да използвате инструмента.

3. Използвайте плоската пила, за да отстраните частта от мащаба на дълбочината, която се подава от инструмента за мащаб на дълбочината. (Фиг. 135)

За регулиране на обтягането на веригата за моторния трион



ПРЕДУПРЕЖДЕНИЕ: Верига за моторен трион, която не е правилно обтегната, може да се откачи от направляващата шина и да причини сериозно нараняване или смърт.

При използването ѝ веригата за моторния трион се разтяга. Регулирайте редовно веригата за моторния трион. Проверявайте натягането на веригата за моторен трион всеки път, когато пълните с верижно масло.

Забележка: Новата верига за моторен трион има период на разработване, по време на който трябва да проверявате по-често натягането.

За регулиране на обтягането на веригата за моторен трион (с фиксатор на шината)

1. Изтеглете фиксатора, докато се отвори. (Фиг. 136)
2. Завъртете фиксатора обратно на часовниковата стрелка, за да разхлабите капака на задвижващия венец. (Фиг. 137)
3. Завъртете колелото за обтягане на веригата, за да регулирате обтягането на веригата за моторен трион. Веригата за моторен трион трябва да прилегне към направляващата шина. (Фиг. 138)

Забележка: Завъртете колелото надолу (+), за да увеличите натягането, и нагоре (-), за да го намалите.

4. Уверете се, че можете да дърпате веригата на триона с ръка без усилие и че тя не провисва от долната страна на направляващата шина. (Фиг. 139)
5. Завъртете фиксатора по часовниковата стрелка, за да го затегнете. (Фиг. 140)
6. Сгънете фиксатора надолу, за да фиксирате обтягането. (Фиг. 141)

За регулиране на обтягането на веригата за моторен трион (с болт на шината)

1. Разхлабете гайката на шината, която държи капака на задвижващия венец. Използвайте комбинирания гаечен ключ. (Фиг. 142)
2. Повдигнете предната част на направляващата шина и завийте винта за обтягане на веригата. Използвайте комбинирания гаечен ключ.
3. Затягайте веригата за моторен трион, докато легне плътно към направляващата шина. (Фиг. 143)

4. Затегнете гайката на шината с помощта на комбинирания гаечен ключ и същевременно повдигнете предната част на направляващата шина. (Фиг. 144)
5. Уверете се, че можете да дърпате веригата на триона с ръка без усилие и че тя не провисва от долната страна на направляващата шина. (Фиг. 139)

Забележка: Направете справка с *Общ преглед на продукта на страница 46* за позицията на винта за обтягане на веригата на Вашия продукт.

Извършване на проверка на смазването на веригата за моторен трион

Извършвайте проверка на смазването на веригата за моторен трион на всяко трето зареждане на акумулаторната батерия.

1. Стартирайте продукта и го оставете да работи на 3/4 от мощността. Задръжте шината на приблизително 20 cm (8 инча) над повърхност със светъл цвят.
2. Ако смазването на веригата за моторен трион е правилно, ще видите чиста линия от масло на повърхността след 1 минута. (Фиг. 145)
3. Ако смазването на веригата за моторен трион не е правилно, извършете следните проверки.
 - a) Извършете проверка на масления канал в направляващата шина, за да се уверите, че не е задръстен. Почистете при необходимост. (Фиг. 146)
 - b) Извършете проверка на жлеба на ръба на направляващата шина, за да се уверите, че е чист. Почистете при необходимост. (Фиг. 147)
 - c) Убедете се, че челното верижно колело на шината се върти свободно и че отворът за смазване на челното верижно колело на направляващата шина не е задръстен. Почистете и смажете при необходимост. (Фиг. 148)
4. Ако смазването на веригата за моторен трион не работи след изпълнението на посочените по-горе стъпки, говорете с Вашия дилър по сервизното обслужване.

За проверка на задвижващия венец на веригата

- Проверете задвижващия венец на веригата за износване. Сменете задвижващия венец на веригата, ако е необходимо.
- Сменяйте задвижващия венец на веригата при всяка смяна на веригата за моторен трион. (Фиг. 149)

За проверка на режещото оборудване

1. Уверете се, че няма пукнатини по нитовете и звената, както и че няма разхлабени нитове. Сменете, ако е необходимо. (Фиг. 150)
2. Уверете се, че веригата за моторен трион се огъва лесно. Сменете веригата за моторен трион, ако същата е втвърдена.
3. Сравнете веригата за моторен трион с нова такава, за да проверите дали нитовете и звената са износени.
4. Сменете веригата за моторен трион, когато най-дългата част на режещия зъб стане по-малка от 4 mm/0,16 in. Сменете веригата за моторен трион също, ако има пукнатини по резците. (Фиг. 151)
2. Проверете има ли неравности по ръбовете на направляващата шина. Отстранете чепациите с пила. (Фиг. 152)
3. Почистете канала в направляващата шина. (Фиг. 147)
4. Проверете дали е износен жлебът във направляващата шина. Сменете направляващата шина, ако е необходимо. (Фиг. 153)
5. Проверете дали върхът на направляващата шина е неравен или много износен. (Фиг. 154)
6. Уверете се, че челното верижно зъбно колело на шината се върти свободно и че отворът за смазване в същото не е запушен. Почистете го и го смажете, ако е необходимо. (Фиг. 148)
7. Обръщайте направляващата шина всеки ден, за да удължите експлоатационния ѝ живот. (Фиг. 155)

За проверка на направляващата шина

1. Уверете се, че маслените канали не са запушени. Почистете ги, ако е необходимо. (Фиг. 146)

Отстраняване на проблеми

Потребителски интерфейс

Светодиоден екран	Възможни неизправности	Възможно решение
Предупредителният индикатор мига.	Верижната спирачка е задействана.	Изключете верижната спирачка.
	Температурно отклонение.	Оставете продукта да се охлади.
	Претоварване. Веригата на триона не може да се движи.	Освободете веригата на триона.
	Захранващият спусък и бутонът за стартиране/спиране са натиснати едновременно.	Освободете захранващия спусък, за да активирате продукта.
Оранжевият светодиод за активация премигва.	Ниско напрежение на акумулаторната батерия.	Заредете акумулаторната батерия.

Светодиоден екран	Възможни неизправности	Възможно решение
Предупредителният индикатор свети.	Сервиз.	Говорете с дистрибутора по сервизното обслужване.

Акумулаторна батерия

Светодиоден дисплей	Възможни неизправности	Възможно решение
Зеленият светодиод мига.	Ниско напрежение на акумулаторната батерия.	Заредете акумулаторната батерия.
Светодиодът за грешка мига.	Температурно отклонение.	Използвайте акумулаторната батерия при температури между -10°C (14°F) и 40°C (104°F).
	Твърде високо напрежение.	Уверете се, че мрежовото напрежение съответства на напрежението на продукта. Направете справка с табелката с данни на продукта. Отстранете акумулаторната батерия от зарядното устройство.
Светодиодът за грешка светва.	Твърде голяма разлика в клетките (1 V).	Говорете с дистрибутора по сервизното обслужване.

Зарядно устройство за акумулатора

Състояние	Възможни неизправности	Възможна процедура
Светодиодът за зареждане свети в червено.	Постоянна грешка в зарядното устройство за акумулаторни батерии.	Говорете с Вашия дилър.
Светодиодът за зареждане мига в зелено.	Температурно отклонение, акумулаторната батерия е твърде студена или твърде гореща за използване или зареждане.	Оставете акумулаторната батерия да изстине или я загрейте. Когато акумулаторната батерия е с правилната температура, тя може да се използва или зарежда отново. Използвайте зарядното устройство за батерии при температури на околната среда между 5°C (41°F) и 40°C (104°F).
Светодиодът за зареждане мига в червено.	Неизправна акумулаторна батерия	Обърнете се към Вашия дилър

Транспортиране, съхранение и изхвърляне

Транспорт и съхранение

- Доставените литиево-йонни батерии отговарят на изискванията на законодателството за опасни продукти.
- Специалното изискване на опаковката и етикетите за търговско транспортиране трябва да се спазва, включително от трети страни и спедитори.
- Говорете с човек, преминал специално обучение за работа с опасни материали, преди да изпратите продукта. Спазвайте всички приложими национални наредби.
- Поставете тиксо върху откритите терминали, когато поставяте батерията в опаковка. Поставете акумулатора плътно в опаковката, за да предотвратите движение.
- Извадете батерията при съхраняване или транспортиране.
- Поставете батерията и зарядното устройство в сухо пространство, в което няма влага и скреж.
- Не съхранявайте акумулатора на места, където може да се натрупа статично електричество. Не съхранявайте акумулатора в метална кутия.
- Поставете акумулаторната батерия за съхранение при температура между 5°C/41°F и 25°C/77°F и далеч от пряка слънчева светлина.
- Поставете зарядното устройство за съхранение при температура между 5°C/41°F и 45°C/113°F и далеч от пряка слънчева светлина.
- Използвайте зарядното устройство само когато околната температура е между 5°C/41°F и 40°C/104°F.
- Заредете батерията между 30% и 50%, преди да я оставите за съхранение за продължително време.

- Съхранявайте зарядното устройство в затворено и сухо пространство.
- При съхранение дръжте акумулатора и зарядното устройство отделно. Не позволявайте на деца или други неодобриени лица да имат контакт с оборудването. Дръжте оборудването в пространство, което можете да заключавате.
- Почистете продукта и извършете пълно обслужване, преди да го съхранявате продължително време.
- Използвайте защитата при транспортиране на продукта, за да предотвратите наранявания или повреди на продукта по време на транспортиране и съхранение.
- Закрепете продукта безопасно при транспортиране.

Изхвърляне на акумулаторната батерия, зарядното устройство за акумулаторни батерии и продукта

Символът по-долу означава, че продуктът не е битов отпадък. Рециклирайте го в станция за рециклиране за електрическо и електронно оборудване. Това помага да се предотврати увреждане на околната среда или на лица.

Обърнете се към местните власти, услугите за битови отпадъци и Вашия дилър за повече информация.

(Фиг. 24)

Забележка: Символът се намира на продукта или на опаковката на продукта.

Технически данни

Технически характеристики

	225i
Двигател	
Тип	BLDC (безчетков) 36 V
Характеристики	
Нискоенергиен режим	SavE
Смазочна система	
Тип на маслената помпа	Автоматична

	225i
Капацитет на резервоара за масло, ml/cm ³	0,2/200
Тегло	
Вериген трион без акумулаторна батерия, направляваща шина, верига за моторен трион и празен резервоар за верижно масло, kg	3,1
Шумови емисии ⁶	
Ниво на звуковата мощност, измерена в dB(A)	97
Ниво на звуковата мощност, гарантирано L _{WA} dB(A)	100
Нива на шума ⁷	
Ниво на звуковото налягане при ухото на оператора, измерено съгласно EN 62841-1	89
Нива на вибрациите ⁸	
Предна ръкохватка, m/s ²	3,9
Задна ръкохватка, m/s ²	3,9
Верига за моторен трион/направляваща шина	
Препоръчвани дължини на пръта, in/cm	12 – 14/30,5 – 35,6
Използваема дължина на рязане, in/cm	11 – 13/27 – 33,2
Тип на задвижващия венец/брой на зъбите	Цилиндричен/6
Максимални обороти на веригата/(нормален режим), m/s	11,8
Максимални обороти на веригата/(режим SavE), m/s	9,4

Принадлежности

Комбинации от направляваща шина и верига за моторен трион

Следните режещи приставки са одобрени за Husqvarna 225i.

⁶ Шумови емисии в околната среда, измерени като звукова мощност (L_{WA}) в съответствие с директива на ЕО 2000/14/ЕО и EN ISO 22868, имат типична статистическа дисперсия (стандартно отклонение) от 3 dB (A).

⁷ Отчетените данни за нивото на звуковото налягане за машината имат типична статистическа дисперсия (стандартно отклонение) от 3 dB (A).

⁸ Ниво на вибрациите съгласно EN 62841-4-1. Отчетените данни за нивото на вибрациите имат типична статистическа дисперсия (стандартно отклонение) от $\pm 1,5$ m/s². Обявените данни за вибрациите са от измервания, при които машината е оборудвана с препоръчвана дължина на шината и тип верига. Ако машината е оборудвана с различна дължина на шината, равнището на вибрациите може да варира с максимум $\pm 1,5$ m/s².






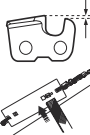
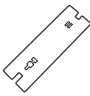






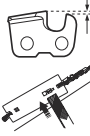
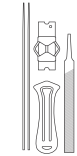

Направляваща шина					Верига за моторен трион	
Тип	Дължина, in	Стъпка на веригата, in	Маркировка, mm	Макс. радиус на върха	Тип	Дължина, кулисни предавки (брой)
501959545	12	3/8" mini	1,1	7T	Husqvarna H38 (581808145)	45
501959552	14	3/8" mini	1,1	7T	Husqvarna H38 (581807952)	52

Инструменти за заточване и ъгли на заточване

Използвайте шаблон за чапразене на Husqvarna за заточване на веригата за моторния трион. Шаблонът за чапразене на Husqvarna гарантира, че ще

постигнете точните ъгли на заточване. Серийните номера са дадени в таблицата по-долу.

Ако не сте сигурни как да идентифицирате типа на веригата за моторен трион на Вашия продукт, направете справка с www.husqvarna.com за повече информация.

							
38	11/64 in/ 4,5 mm	75°	30°	0°	0,025 in/ 0,65 mm	505 69 81-03	579 55 88-01
							
93	5/32 in/4,0 mm	60°	30°	0°	0,025 in/ 0,65 mm	596 63 89-01	596 63 89-01

Одобрени акумулаторни батерии

Акумулаторна батерия	40-B140
Тип	Литиевойонен
Капацитет на акумулаторната батерия, Ah	4
Номинално напрежение, V	36
Тегло, kg	1.25

Одобрени зарядни устройства за продукта

Зарядно устройство за акумулатора	40-C80
Напрежение на мрежата, V	100 – 240
Честота, Hz	50 – 60
Мощност, W	72
Изходно напрежение, V прав ток/ ампери, A	43/1,6

Декларация за съответствие

Декларация за съответствие на ЕС

Ние, **Husqvarna AB**, SE-561 82 Huskvarna, Швеция,
тел.: +46-36-146500, декларираме на своя собствена
отговорност, че продуктът:

Описание	Верижни триони без кабел
Марка	Husqvarna
Тип/модел	225i
Идентификация	Серийни номера от 2023 и нататък

отговаря напълно на следните директиви и
регламенти на ЕС:

Директива/регламент	Описание
2006/42/EO	"относно машините"
2014/30/EC	"относно електромагнитната съвместимост"
2011/65/EC	"по отношение на ограничението за използване на определени опасни вещества в електрическо и електронно оборудване"
2000/14/EO	"относно шумовите емисии в околната среда"

Приложени са следните стандарти: EN
62841-1:2015+A11:2022, EN 62841-4-1:2020, EN
IEC 63000:2018, EN IEC 55014-1:2021, EN IEC
55014-2:2021.



Упълномощен орган: TÜV Rheinland LGA Products
GmbH, Tillystrasse 2, D-90431 Nuernberg, Germany,
0197, е извършила изпитване на типа съгласно EO
в съответствие с директивата относно машините
(2006/42/EO), член 12, клауза 3b. Номерът на
сертификата е: VM 50604678 0001.

Доставеният верижен трион съответства на
екземпляра, който е бил подложен на изпитване на
типа съгласно EO.

В съответствие с директива 2000/14/EO, приложение
V, направете справка с *Технически данни на
страница 71* за обявените стойности на звука.

Husqvarna, 2023-10-30

Claes Losdal, мениджър по развойна дейност,
Husqvarna AB

Отговорен за техническата документация

Obsah

Úvod.....	76	Odstraňování problémů.....	95
Bezpečnost.....	77	Přeprava, skladování a likvidace.....	96
Montáž.....	84	Technické údaje.....	97
Provoz.....	85	Příslušenství.....	98
Údržba.....	91	Prohlášení o shodě.....	100

Úvod

Zamýšlené použití

Tato řetězová pila pro lesní hospodářství je určena pro lesní práce, např. pro kácení, odvětvování a řezání.

Povšimněte si: Věk pro používání výrobku může být omezen místními předpisy.

Popis výrobku

Husqvarna 225i je model řetězové pily s elektrickým motorem.

Nepřetržitě pracujeme na tom, abychom zvýšili vaši bezpečnost a efektivitu při používání. Další informace získáte u svého prodejce poskytujícího servis.

Popis výrobku

(Obr. 1)

1. Ochranný kryt levé ruky
2. Přední rukojeť
3. Uživatelské rozhraní
4. Vypínač
5. Varovná kontrolka a ukazatel stavu baterie
6. Tlačítko SavE (Úspora energie)
7. Zadní rukojeť s chráničem pravé ruky
8. Informační a výstražný štítek
9. Pouzdro
10. Nádrž oleje na mazání řetězu
11. Přepravní kryt
12. Pojistka páčky spínače
13. Páčka spínače
14. Kryt hnacího řetězového kola s knoflíkem lišty
15. Napínač řetězu
16. Zachycovač řetězu
17. Zubová opěrka
18. Řetězové kolečko na špičce lišty
19. Řetěz pily
20. Vodicí lišta
21. Kontrolka stavu nabití baterie
22. Konektor
23. Nabíječka baterií
24. Kombinovaný klíč
25. Varovná kontrolka
26. Tlačítko, stav baterie
27. Stav baterie
28. Tlačítko pro uvolnění baterie
29. Baterie
30. Návod k používání
31. Knoflík lišty
32. Kryt hnacího řetězového kola se šroubem lišty

Symbyly na výrobku

- (Obr. 2) **VAROVÁNÍ:** Tento výrobek může být nebezpečný a způsobit obsluze či dalším osobám vážné zranění. Buďte opatrní a výrobek používejte správně.
- (Obr. 3) Pečlivě si prostudujte návod k použití a předtím, než produkt začnete používat, se přesvědčte o tom, že pokynům rozumíte.
- (Obr. 4) Používejte schválenou ochrannou přílbu, ochranu sluchu a ochranu očí.
- (Obr. 5) Výrobek ovládejte oběma rukama.
- (Obr. 6) Nepoužívejte výrobek pouze jednou rukou.
- (Obr. 7) Nedovolte, aby špička lišty narazila do jakéhokoli předmětu.
- (Obr. 8) Nepoužívejte přístroj za deště.
- (Obr. 9) **Varování!** Ke zpětnému vrhu může dojít, když špička vodicí lišty narazí do předmětu. To způsobí odmrštění vodicí lišty směrem k obsluze. Nebezpečí vážného nebo smrtelného zranění.
- (Obr. 10) Jmenovité napětí, V
- (Obr. 11) Olej na mazání řetězu.

- (Obr. 12) Směr otáčení řetězu pily a maximální délka vodící lišty.
- (Obr. 13) Stejnoseměrný proud.
- (Obr. 14) **Označení týkající se ochrany životního prostředí.** Výrobek ani obal výrobku nelze zlikvidovat jako domácí odpad. Odevzdejte jej ve stanici pro recyklaci elektrických a elektronických zařízení.
- (Obr. 15) Tento výrobek vyhovuje příslušným směrnici ES.
- (Obr. 16) Tento výrobek vyhovuje platným předpisům Spojeného království.
- (Obr. 17) Štítek s emisemi hluku do životního prostředí podle směrnice EU 2000/14/ES a podle směrnice a předpisů Spojeného království a nařízení o regulaci hluku v australském Novém Jižním Walesu „Protection of the Environment Operations (Noise Control) Regulation 2017“. Garantovaná hladina akustického výkonu tohoto výrobku je uvedena v části *Technické údaje na strani 97* a na štítku.

- (Obr. 21) Brzda řetězu, aktivovaná (dopředu). Brzda řetězu, deaktivovaná (dozadu).
- (Obr. 22) Směr řetězu.
- (Obr. 23) Typový štítek s výrobním číslem. **yyyy** znamená rok výroby, **ww** znamená týden výroby.

Povšimněte si: Další symboly/štítky na výrobku se týkají certifikačních požadavků pro určité obchodní trhy.

Symboly na baterii nebo na nabíječe baterií

- (Obr. 24) Odevzdejte výrobek ve stanici pro recyklaci elektrických a elektronických zařízení. (Platí pouze pro Evropu)
- (Obr. 18) Transformátor se zabezpečením proti selhání.
- (Obr. 19) Nabíječku baterií použijte a skladujte pouze ve vnitřních prostorech.
- (Obr. 20) Dvojitá izolace.

Výrobce

Husqvarna AB

Drottninggatan 2, SE-561 82, Huskvarna, Sweden, tel: +46-36-146500

Poškození výrobku

Neneseme odpovědnost za poškození výrobku, pokud:

- byl výrobek nesprávně opraven.
- byl výrobek opraven pomocí součástí od jiného výrobce nebo součástí, které nejsou výrobcem schváleny.
- má výrobek příslušenství od jiného výrobce nebo příslušenství, které není výrobcem schváleno.
- výrobek nebyl opraven ve schváleném servisním středisku nebo schváleným odborníkem.

Bezpečnost

Definice týkající se bezpečnosti

Varování, upozornění a poznámky slouží jako upozornění na specifické důležité části návodu.



VÝSTRAHA: Používá se v případě nebezpečí úrazu nebo usmrcení obsluhy nebo okolních osob, pokud nejsou dodrženy pokyny uvedené v této příručce.



VAROVÁNÍ: Používá se v případě nebezpečí poškození výrobku, dalších materiálů či škod na majetku v blízkém okolí, pokud nejsou dodrženy pokyny uvedené v této příručce.

Povšimněte si: Používá se k poskytnutí dalších informací, které jsou nezbytné v dané situaci.

Obecné bezpečnostní výstrahy pro elektrické nářadí



VÝSTRAHA: Prohlédněte si všechny bezpečnostní pokyny, pokyny, ilustrace a technické údaje dodané s tímto elektrickým nástrojem. Při nedodržení některého z pokynů uvedených níže může dojít k úrazu elektrickým proudem, požáru nebo vážnému poranění.

- **Uložte si veškerá upozornění a pokyny pro použití v budoucnu.** Termín „elektrický nástroj“

v upozorněních označuje buď nástroj napájený ze sítě (kabelem), nebo napájený baterií (bezdrátový).

Bezpečnost pracovního prostoru

- **Udržujte pracovní prostor čistý a dobře osvětlený.** Přeplněné či tmavé prostory nahrávají nehodám.
- **Nepoužívejte elektrické nástroje ve výbušném prostředí, například v přítomnosti hořlavých kapalin, plynů či prachu.** Elektrické nástroje vytvářejí jiskry, které mohou zapálit prach nebo výparu.
- **Při práci s elektrickým nástrojem musí být děti i okolostojící osoby v dostatečné vzdálenosti.** Rozptýlení může způsobit, že ztratíte kontrolu nad nástrojem.

Bezpečnost při používání el. energie

- **Zástrčky elektrických nástrojů musí odpovídat elektrické zásuvce. Nikdy zásuvku žádným způsobem neupravujte.** U uzemněných elektrických nástrojů nepoužívejte žádné adaptéry. Původní zástrčky a odpovídající zásuvky snižují nebezpečí úrazu elektrickým proudem.
- **Zabraňte tělesnému kontaktu s uzemněnými povrchy, např. trubkami, radiátory, sporáky a chladničkami.** Pokud je lidské tělo uzemněno, hrozí větší nebezpečí úrazu el. proudem.
- **Nevystavujte elektrické nástroje dešti nebo působení vlhkosti.** Pokud do elektrického nástroje vnikne voda, zvyšuje se nebezpečí úrazu elektrickým proudem.
- **Nezacházejte hrubě s napájecím kabelem. Nikdy elektrický nástroj nenoste za kabel. Za kabel netahejte a neodpojujte nástroj od sítě taháním za kabel. Nevystavujte napájecí kabel působení tepla, oleje, nepoškoďte ho ostrými hranami nebo pohyblivými částmi.** Poškozený nebo ohnutý kabel zvyšuje nebezpečí úrazu elektrickým proudem.
- **Při používání elektrického nástroje venku použijte prodlužovací kabel určený pro venkovní použití.** Použití kabelu určeného pro venkovní použití snižuje nebezpečí úrazu elektrickým proudem.
- **Pokud je nezbytné pracovat s el. nástrojem ve vlhkém prostředí, použijte zdroj s proudovým chráničem.** Použití proudového chrániče snižuje nebezpečí úrazu elektrickým proudem.

Osobní bezpečnost

- **Při práci s elektrickým nástrojem dávejte pozor, sledujte, co děláte a používejte zdravý rozum. Nepracujte s elektrickým nástrojem, pokud jste unaveni nebo jste pod vlivem drog, alkoholu či léků.** Při práci s elektrickým nástrojem stačí okamžitá nepozornost a následkem může být vážný úraz.
- **Používejte osobní ochranné pomůcky. Vždy používejte ochranu zraku.** Ochranné vybavení, např. protiprachová maska, neklouzavá ochranná obuv, přílba nebo ochrana sluchu, použité správným způsobem snižují nebezpečí úrazu.
- **Zabraňte náhodnému spuštění. Před připojením k el. napájení nebo vložením baterií, zvednutím nebo**

nošením nástroje se přesvědčte, že je vypínač v poloze vypnuto. Přenášením elektrických nástrojů s prstem na spoušti nebo zapnutých elektrických nástrojů nahráváte nehodám.

- **Před zapnutím el. nástroje vyjměte jakýkoli seřizovací klíč nebo klíč na matici.** Klíč ponechaný na rotující části el. nástroje může způsobit úraz.
- **Nenatahujte se příliš daleko. Neustále pevně stůjte a držte rovnováhu.** Budete tak mít lepší kontrolu nad nástrojem v neočekávaných situacích.
- **Noste vhodný oděv. Nenoste volné oblečení ani šperky. Udržujte vlasy a oděv mimo dosah pohyblivých částí.** Pohyblivé části mohou zachytit volný oděv, šperky nebo dlouhé vlasy.
- **Pokud jsou zařízení přizpůsobena pro připojení odsávačů a lapačů prachu, musí být připojeny a správně použity.** Použitím lapačů prachu snižujete rizika spojená s výskytem prachu.
- **Nedovoďte, aby rutina nabytá častým používáním nástrojů způsobila, že začnete být neopatrní a budete ignorovat bezpečnostní zásady při zacházení s nástrojem.** Neopatrný úkon může způsobit vážné zranění ve zlomku sekundy.

Použití elektrických nástrojů a péče o ně

- **Při práci s elektrickými nástroji nepoužívejte násilí. Používejte správný elektrický nástroj pro danou aplikaci.** Správný elektrický nástroj vykoná práci lépe a bezpečněji rychleji, pro kterou byl navržen.
- **Nepoužívejte el. nástroj, pokud nefunguje vypínač pro zapnutí a vypnutí.** Každý elektrický nástroj, který nelze ovládat vypínačem, je nebezpečný a musí se opravit.
- **Před jakýmkoli nastavením, výměnou příslušenství nebo uložení elektrického nástroje odpojte zástrčku od napájení nebo vytáhněte z nástroje baterie, pokud je to možné.** Takováto preventivní bezpečnostní opatření snižují riziko náhodného spuštění el. nástroje.
- **Nepoužívané el. nástroje ukládejte mimo dosah dětí a nedovoďte, aby s nástrojem pracovaly osoby, které ho dobře neznají nebo si nepřečetly tento návod k použití nástroje.** Elektrické nástroje jsou v rukou neproškolených uživatelů nebezpečné.
- **Udržujte elektrické nástroje a příslušenství. Kontrolujte chybné zarovnání nebo spojení pohyblivých částí, rozbití jakýchkoli částí nebo jiné stavy, které mohou ovlivnit provoz elektrického nástroje. Pokud je elektrický nástroj poškozen, nechte ho opravit.** Mnohé nehody jsou způsobeny špatnou údržbou elektrických nástrojů.
- **Udržujte řezací nástroje ostré a čisté.** Správně udržované řezací nástroje s ostrými ostrými jsou méně náchylné k „zakousnutí“ a snadněji se ovládají.
- **Používejte elektrický nástroj, příslušenství a vsazené nože podle těchto pokynů. V úvahu je třeba brát pracovní podmínky a prováděnou práci.** Použitím elektrického nástroje k jinému účelu, než pro který

je určen, může mít za následek vznik nebezpečné situace.

- **Rukojeti a uchopovací plochy udržujte suché, čisté a bez zbytků oleje a maziva.** Kluzké rukojeti a uchopovací plochy neumožňují bezpečné ovládní a v neočekávaných situacích může dojít ke ztrátě kontroly.

Použití nástrojů napájených z baterie a péče o ně

- **Baterii dobíjejte pouze nabíječkou specifikovanou výrobcem.** Použití nabíječky vhodné pro jeden typ baterie může pro jiný typ baterie představovat nebezpečí vzniku požáru.
- **Elektrické nástroje používejte pouze s příslušnými speciálními bateriovými moduly.** Při použití jakékoli jiné baterie hrozí riziko úrazu a požáru.
- **Když baterii nepoužíváte, udržujte ji stranou od kovových předmětů, např. kancelářských sponek, mincí, klíčů, hřebíků, šroubů nebo jiných malých kovových předmětů, které by mohly spojit kontakty baterie.** Při zkratování kontaktů baterie může dojít k popáleninám nebo k požáru.
- **V nevhodných podmínkách může dojít k vytečení kapaliny z baterie.** Vyvarujte se kontaktu s kapalinou. Pokud dojde k náhodnému kontaktu, opláchněte postižené místo vodou. Při zasažení očí kapalinou vyhledejte lékařskou pomoc. Kapalina vyteká z baterie může způsobit podráždění nebo popáleniny.
- **Nepoužívejte poškozenou nebo upravenou baterii nebo výrobek.** Poškozené nebo upravené baterie mohou vykazovat neočekávané chování vedoucí k požáru, výbuchu nebo nebezpečí poranění.
- **Nevystavuje baterii ani nástroj ohni a nadměrným teplotám.** Vystavení ohni a teplotám nad 130 °C může způsobit explozi.
- **Dodržujte veškeré pokyny k nabíjení a nenabíjejte baterii ani nástroj mimo rozsah teplot uvedený v pokynech.** Nesprávné nabíjení nebo nabíjení při teplotách mimo uvedený rozsah může mít za následek poškození baterie a zvýšené nebezpečí požáru.

Servis

- **Servis elektrického nástroje smí provádět pouze kvalifikovaná osoba za použití identických náhradních součástek.** Tím bude zajištěna bezpečnost elektrického nástroje.
- **Nikdy neprovádějte servis poškozených baterií.** Servis baterií smí provádět pouze výrobce nebo autorizovaný servis.

Obecná bezpečnostní varování týkající se řetězové pily

- **Při práci s řetězovou pilou musí být všechny části těla mimo dosah řetězu pily. Před nastartováním řetězové pily zkontrolujte, zda se řetěz pily něčeho nedotýká.** Stačí okamžik nepozornosti při práci s řetězovou pilou a řetěz pily může zachytit váš oděv nebo tělo.
- **Je zapotřebí pilu vždy držet pevně pravou rukou za zadní rukojeť a levou rukou za přední rukojeť.** Pokud byste drželi pilu v obráceném gardu, zvýšilo by se riziko úrazu, takže se pila takto nikdy nesmí držet.
- **Držte řetězovou pilu pouze za izolované úchopy, protože řetěz pily by se mohl dostat do styku se skrytou kabeláží.** Pokud se řetěz pily dostane do styku s kabelem, který je pod proudem, může dojít k probíjení odkrytých kovových částí řetězové pily a obsluha může utrpět úraz elektrickým proudem.
- **Používejte ochranu očí. Doporučujeme použít další ochranné prostředky pro ochranu sluchu, hlavy, rukou, dolních končetin a nohou.** Vhodné ochranné prostředky sniží nebezpečí úrazu odlétávajícími úlomky nebo náhodným kontaktem s řetězem pily.
- **Nikdy nepracujte s řetězovou pilou na stromě, na žebříku, ze sítěchy nebo na jakékoli nestabilní podpěře.** Použití řetězové pily tímto způsobem může mít za následek vážné zranění osob.⁹
- **Vždy udržujte správný postoj a pracujte s řetězovou pilou pouze tehdy, když stojíte na pevném, bezpečném a rovném povrchu.** Na kluzkém nebo nestabilním povrchu může dojít ke ztrátě rovnováhy nebo kontroly nad řetězovou pilou.
- **Při řezání napružené větve dávejte pozor, aby se větev neodpružila zpět.** Když povolí napětí dřevních vláken, napružená větev může udeřit obsluhu nebo odhodit řetězovou pilu tak, že nad ní obsluha ztratí kontrolu.
- **Dávejte mimořádný pozor při řezání keřů a mladých stromků.** Tenký materiál může zachytit řetěz pily a může být vržen směrem k vám nebo vás vychýlit z rovnováhy.
- **Řetězovou pilu vždy přenášejte za přední rukojeť, vypnutou a od těla. Při přepravě nebo skladování pily vždy nasaďte na lištu ochranný kryt.** Správnou manipulací s řetězovou pilou se sníží pravděpodobnost náhodného kontaktu s pohyblivým se řetězem pily.
- **Postupujte podle pokynů pro mazání, napnutí řetězu a výměnu lišty a řetězu.** Nesprávné napnutí nebo namazání řetěz se může přetřhnout nebo může zvýšit pravděpodobnost zpětného vrhu.
- **Řezte pouze dřevo. Nepoužívejte řetězovou pilu k účelům, pro které není určena. Například: Nepoužívejte řetězovou pilu k řezání kovů, plastů, zdíva nebo nedřevěných stavebních materiálů.** Použití řetězové pily k jinému účelu, než pro který

⁹ Pokud jste vyškoleni ve speciálních postupech řezání a práce a jste řádně zajištěni (výšková plošina, lana, bezpečnostní postroj), můžete se odchýlit od tohoto bezpečnostního předpisu.

je určena, může mít za následek vznik nebezpečné situace.

- **Nesnažte se kácet strom, dokud neporozumíte rizikům a neurčíte postup, jak je eliminovat.** Při kácení stromu může dojít k vážnému zranění obsluhy nebo osob v blízkosti.
- **Při odstraňování uvízlého materiálu, skladování a servisu řetězové pily dodržujte veškeré pokyny. Zkontrolujte, zda je vypnutý spínač a vyjměte baterii.** Neočekávaná aktivace řetězové pily při odstraňování uvízlého materiálu nebo servisu může vést k vážnému zranění osob.
- **Nikdy nepracujte s řetězovou pilou na stromě, pokud k tomu nejste speciálně vyškoleni.** Použití řetězové pily na stromě bez řádného zaškolení může zvýšit riziko vážného úrazu.

Příčiny zpětného vrhu a opatření obsluhy, která mu zabráňují

Ke zpětnému vrhu může dojít, když špička vodící lišty narazí na nějaký objekt, nebo když se dřevo sevře a stiskne řetěz pily v řezu. Při kontaktu špičky vodící lišty s objektem může někdy dojít k náhlému zpětnému odrazu, který vymrští vodící lištu nahoru a dozadu proti obsluze. Když dojde ke stisknutí řetězu pily podél špičky vodící lišty, může dojít k rychlému vymrštění vodící lišty zpátky směrem k obsluze. Obě tyto reakce mohou způsobit, že ztratíte kontrolu nad pilou, a výsledkem může být zranění osob. Nespoléhejte výlučně na bezpečnostní zařízení zabudovaná v pile. Jako uživatel řetězové pily byste měli podniknout několik kroků, aby při řezání nedošlo k nehodě nebo k úrazu. Zpětný vrh je způsoben nesprávným použitím řetězové pily nebo nesprávnými pracovními postupy nebo podmínkami a je možné mu zabránit pomocí níže uvedených opatření:

- **Pilu pevně držte tak, že palce a prsty budou umístěny okolo rukojeti řetězové pily, držte ji oběma rukama a poloha vašeho těla a paže musí být taková, abyste odolali silám zpětného vrhu.** Při správných opatřeních může obsluha síly zpětného vrhu zvládnout. Nepouštějte řetězovou pilu.
- **Nenatahujte se příliš daleko a neřežte nad úrovní ramen.** Tím zabráníte nechtěnému kontaktu špičky s objektem a budete mít lepší kontrolu nad řetězovou pilou v neočekávaných situacích.
- **Používejte výhradně náhradní vodící lišty a řetězy pily předepsané výrobcem.** Nesprávné náhradní vodící lišty a řetězy pily mohou způsobit přetření řetězu nebo zpětný vrh.
- **Dodržujte pokyny výrobce týkající se ostření a údržby řetězu pily.** Snížení výšky omezovacích zubů může vést ke zvýšení síly zpětného vrhu.

TYTO POKYNY SI USCHOVEJTE.

Obecné bezpečnostní pokyny



VÝSTRAHA: Před použitím výrobku si přečtěte následující varování.

- Při neopatrném nebo nesprávném použití se stává tento výrobek velmi nebezpečným nástrojem. Tento výrobek může způsobit obsluze a dalším osobám vážné zranění. Je velmi důležité, abyste si prostudovali tento návod k použití a abyste porozuměli jeho obsahu.
- Neprovádějte změny na výrobku bez schválení výrobce. Nepoužívejte výrobek, který někdo pozměnil, a vždy používejte originální příslušenství. Změny, které neschválí výrobce, mohou vést k vážnému zranění nebo usmrcení uživatele či dalších osob.
- Dlouhodobé vdechování výparů z oleje na mazání řetězu a pilin může způsobit zdravotní potíže.
- Tento výrobek vytváří během provozu elektromagnetické pole. Toto pole může za určitých okolností narušovat funkci aktivních či pasivních implantovaných lékařských přístrojů. Za účelem snížení rizika možného vážného nebo smrtelného zranění doporučujeme osobám s implantovanými lékařskými přístroji poradit se před použitím výrobku s lékařem a s výrobcem implantovaného lékařského přístroje.

Bezpečnostní pokyny pro provoz



VÝSTRAHA: Před použitím výrobku si přečtěte následující varování.

- Tyto informace v návodu k používání nikdy nemohou nahradit profesionální znalosti a zkušenosti. Pokud se v nějaké situaci necítíte jistě, vypněte výrobek. Obratťe se na servisního prodejce nebo profesionálního uživatele řetězové pily. Nepouštějte se do žádné práce, pro kterou se necítíte dostatečně kvalifikovaní!
- Pokud máte dotazy ohledně používání výrobku, obraťte se na servisního prodejce nebo společnost Husqvarna. Můžeme vám poskytnout informace o tom, jak výrobek používat efektivně a bezpečně. Pokud možno absolvujte školení ohledně provozu řetězové pily. Váš servisní prodejce, lesnická škola nebo knihovna ve vaší obci vám mohou poskytnout informace o tom, jaké školicí materiály a kurzy jsou k dispozici.
- Před použitím tohoto výrobku musíte porozumět zpětnému vrhu a postupům, jak jej eliminovat. Viz část *Informace o zpětném vrhu na straně 86* a *Časté otázky ohledně zpětného vrhu na straně 87*, kde najdete pokyny.
- Nepoužívejte výrobek, baterii nebo nabíječku, které jsou poškozené nebo nefungují správně.
- Nedotýkejte se otáčejícího se řetězu pily. Může způsobit vážné zranění nebo usmrcení.
- Nikdy výrobek nepoužívejte, když jste unavení, pod vlivem alkoholu či jiných drog nebo když užíváte léky, které mohou negativně ovlivnit váš zrak, odhad, koordinaci nebo úsudek.

- Práce za nepříznivého počasí je únavná a často může zahrnovat další nebezpečí. Kvůli dalším možným nebezpečím nedoporučujeme používat stroj za špatného počasí, například v husté mlze, prudkém dešti, silném mrazu, při riziku výskytu blesků atd.
- Nespouštějte výrobek, aniž by byly vodící lišta, řetěz pily a všechny kryty správně namontovány. Jinak se může hnací řetězové kolo uvolnit a zavinit vážné zranění. Viz část *Montáž na strani 84*, kde najdete pokyny.

(Obr. 25)

- Někdy třisky uvíznou v krytu spojky a způsobí zaseknutí řetězu pily. Před čištěním vždy vypněte motor.
- Sledujte své okolí. Zkontrolujte, zda nehrozí nebezpečí, že mohou osoby nebo zvířata přijít do styku s výrobkem nebo ovlivnit vaši kontrolu nad ním.

(Obr. 26)

- Nedovolte dětem používat výrobek a pohybovat se v jeho blízkosti. Jelikož lze výrobek snadno spustit, mohou jej spustit i děti, pokud nejsou zcela pod dohledem. To představuje nebezpečí vážného zranění.
- Pokud nemáte výrobek na očích nebo jej hodláte na nějakou dobu opustit, vyjměte baterii.
- Aby bylo možné udržet plnou kontrolu nad výrobkem, je nutné udržovat stabilní postoj. Nepoužívejte výrobek na žebříku nebo na stromě. Nepoužívejte výrobek, pokud nestojíte na stabilním povrchu.

(Obr. 27)

- Práce na stromech vyžaduje použití speciálních řezacích a pracovních postupů, které je třeba dodržovat, aby bylo sníženo zvýšené nebezpečí poranění. Nikdy nepracujte na stromě bez absolvování speciálního, profesionálního výcviku pro takovou práci, včetně školení v používání bezpečnostního a jiného lezeckého vybavení, například postrojů, lan, pásů, stoupacích želez, karabin apod.
- Nikdy se nepokoušejte zachytit padající větvě. Nikdy neřežte na stromě, pokud jste zajištěni pouze jedním lanem. Vždy používejte dvě zajištěná lana.
- Pokud nejste při práci pozorní, zvyšuje se nebezpečí zpětného vrhu. K zpětnému vrhu dojde, když se zóna zpětného vrhu na vodící liště dotkne větve stromu nebo jiných předmětů.

(Obr. 28)

- Nedržte výrobek pouze jednou rukou. Tento výrobek nelze bezpečně ovládat jednou rukou.
- Nepoužívejte výrobek nad výškou ramen a nepokoušejte se řezat špičkou lišty.

(Obr. 29)

- Nepoužívejte výrobek v situacích, kde nemůžete v případě nehody přivolat pomoc.

- Než začnete výrobek přemísťovat, vypněte jej a aktivujte brzdu řetězu. Držte výrobek s vodící lištou a řetězem pily směrem dozadu. Před přepravou nebo přesunem na jakoukoli vzdálenost nasadte přepravní kryt na vodící lištu.
- Když pokládáte výrobek na zem, aktivujte brzdu řetězu a zajištěte, abyste na výrobek neustále viděli. Pokud hodláte výrobek opustit na libovolně dlouhou dobu, vypněte jej a vyjměte baterii.
- Hrozí nebezpečí, že piliny uvíznou v hnacím ústrojí. To může způsobit uvíznutí řetězu pily. Před čištěním výrobku jej vždy vypněte a vyjměte baterii.
- Při použití nesprávného nebo nesprávně naostřeného řezacího zařízení se zvyšuje hladina vibrací. Při řezání tvrdého dřeva, například listnatých stromů, vznikají silnější vibrace než při řezání měkkého dřeva, jako jsou jehličnaté dřeviny.

(Obr. 30)

- Nadměrné vystavení vibracím může u osob se zhoršenou funkcí krevního oběhu vést k poruchám oběhového nebo nervového systému. V případě, že byste pocítili příznaky obtíží způsobených nadměrným vystavením vibracím, obraťte se na svého lékaře. Mezi tyto příznaky patří strnulost končetin, ztráta citu, mravenčení, píchání, bolest, zeslábnutí, změna barvy nebo vzhledu pokožky. Tyto příznaky se obvykle objevují v prstech, na ruku nebo v zápěstí a zhoršují se při nízkých teplotách.
- Nepokoušejte se prořezávat nebo odvětvovat stojící stromy, pokud k tomu nejste speciálně vyškoleni.
- Pokud řežete na svahu, vždy stůjte nad kmenem, jelikož má strom po pokácení většinou tendenci skotálet se nebo posunout směrem dolů. Abyste si při řezání udrželi úplnou kontrolu nad výrobkem, uvolněte řezací tlak u konce řezu. Rukojeti vždy držte pevně. Řetězová pila nesmí přijít do styku se zemí. Po dokončení řezu a před vytažením výrobku počkejte, než se zastaví řetěz pily. Před přemístěním k dalšímu stromu vždy vypněte motor.

(Obr. 31)

- Nekácejte strom, pokud existuje riziko ohrožení dalších osob, kontaktu s elektrickým vedením nebo poškození majetku. Pokud strom narazí do elektrického vedení, je nutné okamžitě informovat energetickou společnost.
- Ujistěte se, že se můžete bezpečně pohybovat. Zkontrolujte podmínky a terén kolem sebe, zda se zde nevyskytují překážky, například kořeny, kameny, větve, příkopy atd. Při práci na svažitém terénu buďte opatrní.
- Vyvarujte se situací, které přesahují vaše schopnosti.
- Není možné uvést každou možnou situaci, se kterou byste se mohli při používání výrobku setkat. Buďte stále opatrní a používejte zdravý rozum.

(Obr. 32)

Osobní ochranné prostředky



VÝSTRAHA: Před použitím výrobku si přečtěte následující varování.

(Obr. 33)

- K většině nehod při použití řetězové pily dochází tehdy, když se obsluha dostane do kontaktu s řetězem pily. Během provozu musíte používat schválené osobní ochranné prostředky. Osobní ochranné prostředky nemohou zcela eliminovat nebezpečí úrazu, ale v případě nehody pomáhají snížit míru poranění. Informace o použití doporučeného vybavení získáte u servisního prodejce.
- Váš oděv musí být přiléhavý, ale nesmí vás omezovat v pohybu. Pravidelně kontrolujte stav osobních ochranných prostředků.
- Používejte schválenou ochrannou přilbu.
- Vždy používejte schválenou ochranu sluchu. Dlouhodobé vystavování působení hluku může vést k trvalému poškození sluchu.
- Používejte schválené ochranné brýle nebo ochranný štít na obličej, abyste snížili nebezpečí poranění vyvrstvenými předměty. Výrobek může velkou silou vyvrstvit různé předměty, např. dřevěné štěpky, malé či větší kusy dřeva atd. To může způsobit vážné zranění, především očí.
- Používejte ochranné rukavice pro práci s pilou.
- Používejte ochranné kalhoty pro práci s pilou.
- Používejte ochrannou obuv pro práci s pilou, s ocelovou špičkou a neklouzavou podrážkou.
- Vždy mějte po ruce lékárničku.
- Nebezpečí jisker. Mějte při sobě hasicí prostředky a lopatku, aby se zabránilo lesním požárům.

Bezpečnostní zařízení na produktu



VÝSTRAHA: Před použitím výrobku si přečtěte následující varování.

- Nepoužívejte výrobek s poškozenými bezpečnostními zařízeními nebo se zařízeními, která nefungují správně.
- Pravidelně kontrolujte bezpečnostní zařízení. Viz část *Údržba a kontroly bezpečnostních zařízení na výrobku na strani 92*.
- Pokud jsou bezpečnostní zařízení poškozená nebo nefungují správně, obraťte se na servis Husqvarna.

Funkce uživatelského rozhraní

Uživatelské rozhraní zahrnuje vypínač, tlačítko SavE, ukazatel stavu baterie a varovnou kontrolku. Varovná kontrolka bliká v případě, kdy došlo k aktivaci brzdy řetězu nebo když existuje nebezpečí přetížení. Ochrana proti přetížení dočasně zastaví výrobek a znemožní

jeho použití, dokud se nesníží teplota. Pokud varovná kontrolka svítí nepřerušovaně, obraťte se na servis.

(Obr. 34)

Další informace o uživatelském rozhraní naleznete v části *Popis výrobku na strani 76*.

Funkce automatického vypnutí

Výrobek je vybaven funkcí automatického vypnutí, která vypne výrobek, když jej nepoužíváte déle než tři minuty.

Brzda řetězu a chránič levé ruky

Výrobek je vybaven brzdou řetězu, která zastaví řetěz pily, pokud dojde k zpětnému vrhu. Tato brzda snižuje nebezpečí nehod, ale pouze vy jím můžete zabránit.

(Obr. 35)



VÝSTRAHA: Vyvarujte se situací, kde hrozí nebezpečí zpětného vrhu. Při použití výrobku buďte opatrní a zajistěte, aby zóna zpětného vrhu na vodící liště nepřišla do styku s jakýmkoli předmětem.

(Obr. 36)

Brzda řetězu (A) může být aktivována vaší levou rukou nebo mechanismem uvolňovaným setrvačností. Zatlacením ochranného krytu levé ruky (B) dopředu aktivujete brzdu řetězu ručně. Tento pohyb aktivuje pružinový mechanismus, který zastaví hnací řetězové kolo.

(Obr. 37)

Způsob aktivace brzdy řetězu závisí na síle zpětného rázu a poloze výrobku. Pokud dojde k silnému zpětnému vrhu, když je zóna zpětného vrhu nejdále od vás, brzda řetězu se aktivuje setrvačností. Pokud je zpětný vrh malý nebo je zóna zpětného vrhu blíže k vám, aktivujte brzdu řetězu manuálně levou rukou.

(Obr. 38)

Používejte brzdu řetězu jako parkovací brzdu, když spouštíte výrobek a když se pohybujete na krátké vzdálenosti. Tím se sníží nebezpečí, že vy nebo osoba poblíž přijde do kontaktu s řetězem pily.

(Obr. 39)

Zatažením ochranného krytu levé ruky dozadu deaktivujete brzdu řetězu.

(Obr. 40)

Zpětný vrh může být zcela nečekaný a velmi silný. Většina zpětných vrhů je však slabších a neaktivuje vždy brzdu řetězu. Pokud během používání výrobku dojde ke zpětnému vrhu, držte pevně rukojeti a nedovolte, aby vám vypadly z ruky.

(Obr. 41)

Ochranný kryt levé ruky také snižuje nebezpečí zasažení řetězem pily, pokud ruka upustí přední rukojeť.

(Obr. 42)

V poloze pro kácení nemůžete aktivovat brzdu řetězu rukou. Brzda řetězu se v této poloze aktivuje pouze mechanismem uvolňovaným setrvačností.

(Obr. 43)

Pojistka páčky spínače

Pojistka páčky spínače brání nechtěné aktivaci páčky spínače. Pokud zatlačíte pojistku páčky spínače dopředu (A) a poté pojistku páčky spínače přitlačíte k rukojeti (B), páčka spínače (C) se uvolní. Při uvolnění rukojeti se páčka spínače a pojistka páčky spínače vrátí zpět do svých původních poloh.

(Obr. 44)

Zachycovač řetězu

Zachycovač řetězu zachytí řetěz pily, pokud se přetrhne nebo uvolní. Pokud máte správně napnutý řetěz pily, riziko se snižuje. Nebezpečí můžete také snížit správnou údržbou vodící lišty a řetězu pily. Pokyny jsou uvedeny v části *Montáž na strani 84* a *Údržba na strani 91*.

(Obr. 45)

Chránič pravé ruky

Chránič pravé ruky funguje jako ochrana ruky, pokud se řetěz pily přetrhne nebo uvolní. Chrání vás také proti větřím a větvičkám při použití výrobku.

(Obr. 46)

Bezpečnostní pokyny týkající se baterí



VÝSTRAHA: Před použitím výrobku si přečtěte následující varování.

- Používejte výhradně baterie řady 40-B, které doporučujeme pro váš výrobek. Viz část *Schválené baterie na strani 98*. Baterie jsou softwarově zašifrovány.
- Používejte pouze baterie řady 40-B, které jsou dobíjecí a vhodné jako zdroj napájení pro související výrobky Husqvarna. Viz část *Schválené baterie na strani 98*. Abyste zabránili zranění, nepoužívejte baterii jako zdroj napájení pro jiná zařízení.
- Nebezpečí úrazu elektrickým proudem. Svorky baterie nepřipojujte ke klíčům, šroubkům nebo jiným kovovým předmětům. Může to způsobit zkrat baterie.
- Nepoužívejte baterie, které nejsou dobíjecí.
- Nevkládejte do větracích otvorů baterie žádné předměty.
- Chraňte baterii před sluncem, teplem nebo otevřeným ohněm. Baterie může způsobit popáleniny nebo chemické popáleniny.

- Chraňte baterii před deštěm a vlhkým prostředím.
- Chraňte baterii před mikrovlnami a vysokým tlakem.
- Baterii nikdy nerozebírejte nebo nerozbíjejte.
- Zamezte kontaktu kůže s akumulátorovou kyselinou. Akumulátorová kyselina způsobuje zranění, poleptání a popálení kůže. Pokud se vám akumulátorová kyselina dostane do očí, nemněte si je, ale vyplachujte je velkým množstvím vody po dobu minimálně 15 minut. Pokud dojde ke styku kůže s akumulátorovou kyselinou, musíte omýt pokožku velkým množstvím vody a mýdla. Vyhledejte lékařskou pomoc.
- Baterii používejte při teplotě -10 až 40 °C.
- Baterii ani nabíječku baterií nečistěte vodou. Viz část *Kontrola baterie a držáku baterie na strani 92*.
- Nepoužívejte poškozenou baterii.
- Baterie uchovávejte mimo dosah kovových předmětů, jako jsou např. hřebíky, šrouby nebo šperky.
- Uchovávejte baterie mimo dosah dětí.

Bezpečnostní pokyny pro nabíječku baterií



VÝSTRAHA: Před použitím výrobku si přečtěte následující varování.

- Pokud nejsou bezpečnostní pokyny dodržovány, hrozí nebezpečí úrazu elektrickým proudem nebo zkrat.
- Používejte schválenou uzemněnou zásuvku, která není poškozená.
- Nepoužívejte nabíječku, která nebyla dodána s výrobkem. Při nabíjení náhradních baterií Husqvarna 40-B140 používejte výhradně nabíječku 40-C80. Viz část *Nabíječky baterií schválené pro výrobek na strani 99* a *Schválené baterie na strani 98*.
- Nabíječku baterií nerozebírejte.
- Nepoužívejte vadnou nebo poškozenou nabíječku baterií.
- Nabíječku nezvedejte pomocí napájecího kabelu. Když nabíječku baterií odpojujete z elektrické zásuvky, tahejte za zástrčku. Netahajte za napájecí kabel.
- Všechny kabely včetně prodlužovací udržujte mimo dosah vody, oleje a ostrých hran. Dejte pozor, aby nebyl kabel přivřen ve dveřích, nezachytil se za plot a podobně.
- Nabíječku nepoužívejte v blízkosti hořlavých nebo korozivních materiálů. Zkontrolujte, zda není nabíječka baterií poškozená. V případě, že zaznamenáte kouř nebo požár, vytáhněte zástrčku kabelu nabíječky baterií ze zásuvky.
- Baterii nabíjejte pouze uvnitř, a to v místech s dobrým prouděním vzduchu a mimo dosah

slunečního světla. Nenabíjejte baterii venku. Nenabíjejte baterii ve vlhkém prostředí.

- Používejte nabíječku baterií pouze v místech, kde je teplota v rozsahu 5 až 40 °C. Nabíječku používejte v době větraném, suchém a bezprašném prostředí.
- Nevkládejte do chladících otvorů nabíječky baterií žádné předměty.
- Nepřipojujte svorky nabíječky baterií ke kovovým předmětům, protože by mohlo dojít ke zkratování nabíječky.
- Používejte schválené a nepoškozené elektrické zásuvky.
- V nabíječce nenabíjejte baterie, které nejsou dobíjecí.

Bezpečnostní pokyny pro údržbu



VÝSTRAHA: Před prováděním údržby výrobku si přečtěte následující varování.

- Před prováděním údržby, kontroly nebo montáže výrobku vyjměte baterii.
- Obsluha smí provádět pouze takové údržbářské a servisní úkony, které jsou popsány v tomto návodu k používání. Před provedením údržby a servisu většího rozsahu se obraťte na servisního prodejce.
- Baterii ani nabíječku baterií nečistěte vodou. Silné čisticí prostředky mohou způsobit poškození plastových dílů.
- Pokud byste neprováděli údržbu, podstatně by se zkrátil životní cyklus výrobku a zvýšilo se nebezpečí nehod.
- K provádění servisu a oprav je nutné speciální školení, zejména co se týče bezpečnostních zařízení. Pokud není možné po provedení údržby schválit všechny kontroly uvedené v tomto návodu k používání, obraťte se na servisního prodejce. Garantujeme, že jsou pro váš výrobek k dispozici profesionální opravy a servis.

- Používejte pouze originální náhradní díly.

Bezpečnostní pokyny pro řezací zařízení



VÝSTRAHA: Před použitím výrobku si přečtěte následující varování.

- Používejte výhradně schválené kombinace vodící lišty a řetězu pily a nástroje na broušení. Viz pokyny v části *Technické údaje na strani 97*.
- Při používání nebo údržbě řetězu pily noste ochranné rukavice. Zranění může způsobit i řetěz pily, který se nepohybuje.
- Udržujte řezací zuby správně naostřené. Postupujte podle pokynů a používejte doporučené vodítko pilníku. Poškozený nebo nesprávně naostřený řetěz pily zvyšuje nebezpečí nehod.

(Obr. 47)

- Udržujte správnou výšku omezovacích zubů. Dodržujte naše pokyny a používejte doporučené nastavení výšky omezovacích zubů. Příliš velké nastavení výšky omezovacích zubů zvyšuje nebezpečí zpětného vrhu.

(Obr. 48)

- Zkontrolujte, zda je pilový řetěz správně napnutý. Pokud není řetěz pily správně napnutý na vodící liště, může se z lišty uvolnit. Nesprávné napnutí řetězu pily zvyšuje opotřebení vodící lišty, řetězu pily a hnacího řetězového kola. Další informace naleznete v části *Příslušenství na strani 98*.

(Obr. 49)

- Pravidelně provádějte údržbu řezacího zařízení a udržujte jej řádně namazané. Pokud není řetěz pily řádně mazán, zvyšuje se opotřebení vodící lišty, řetězu pily a hnacího řetězového kola.

(Obr. 50)

Montáž

Montáž vodící lišty a řetězu pily (s knoflíkem lišty)



VÝSTRAHA: Před montáží a údržbou výrobku vždy vyjměte baterii.

1. Uvolněte brzdu řetězu. (Obr. 51)
2. Povolte knoflík lišty a sejměte kryt hnacího řetězového kola. (Obr. 52)
3. Vložte vodící lištu na vrchní část šroubu lišty. Posuňte vodící lištu do nejzazší polohy. Zvedněte pilový řetěz nad hnací řetězové kolo a zaveďte jej do drážky ve vodící liště. Začnete na horní straně vodící lišty.

4. Zkontrolujte, zda břity na řezacích zubech směřují na horním okraji vodící lišty dopředu. (Obr. 53)
5. Nasadte kryt hnacího řetězového kola a zasuňte tm napínače řetězu do otvoru ve vodící liště.
6. Zkontrolujte, zda vodící články pilového řetězu správně zapadají do hnacího řetězového kola.
7. Zkontrolujte, zda je řetěz pily řádně nasazený v drážce vodící lišty.
8. Napněte řetěz pily. Viz část *Údržba na strani 91*, kde najdete pokyny.
9. Utáhněte knoflík lišty.

Montáž vodící lišty a řetězu pily (se šroubem lišty)



VÝSTRAHA: Před montáží a údržbou výrobku vždy vyjměte baterii.

1. Uvolněte brzdu řetězu. (Obr. 51)
2. Povolte matici lišty a sejměte kryt hnacího řetězového kola. (Obr. 54)
3. Vložte vodící lištu na vrchní část šroubu lišty. Posuňte vodící lištu do nejzazší polohy. Zvedněte pilový řetěz nad hnací řetězové kolo a zaveďte jej do drážky ve vodící liště. Začněte na horní straně vodící lišty.
4. Zkontrolujte, zda bříty na řezacích zubech směřují na horním okraji vodící lišty dopředu. (Obr. 55)
5. Nasadte kryt hnacího řetězového kola a zasuňte trn napínače řetězu do otvoru ve vodící liště.
6. Zkontrolujte, zda vodící články pilového řetězu správně zapadají do hnacího řetězového kola.

7. Zkontrolujte, zda je řetěz pily řádně nasazený v drážce vodící lišty.
8. Utáhněte prsty matici lišty.
9. Napněte pilový řetěz. Viz část *Údržba na strani 91*, kde najdete pokyny.

Instalace nabíječky baterií na stěnu



VAROVÁNÍ: K instalaci nabíječky baterií na stěnu nepoužívejte elektrický šroubovák. Elektrický šroubovák může nabíječku poškodit.

1. Upevněte nabíječku na stěnu pomocí 2 šroubů (A). V případě potřeby použijte hmoždinky (B). (Obr. 56)
2. Namontujte krytky na 2 šrouby (C).
3. Připojte napájecí kabel (D) k nabíječce a elektrické zásuvce.

Provoz

Úvod



VÝSTRAHA: Než začnete s výrobkem pracovat, přečtěte si důkladně kapitolu o bezpečnosti.

Kontrola funkcí před použitím výrobku

1. Zkontrolujte brzdu řetězu (A), aby bylo zajištěno, že funguje správně a není poškozená.
2. Zkontrolujte chránič pravé ruky (B), aby bylo zajištěno, že není poškozený.
3. Zkontrolujte páčku spínače a pojistku páčky spínače (C), aby bylo zajištěno, že fungují správně a nejsou poškozené.
4. Proveďte kontrolu klávesnice (D) a vyzkoušejte, zda funguje správně.
5. Zkontrolujte, zda na rukojetích (E) není přítomen olej.
6. Zkontrolujte, zda jsou všechny díly správně připevněné, nejsou poškozené nebo nechybí.
7. Zkontrolujte zachycovač řetězu (F), aby bylo zajištěno, že je řádně připevněný.
8. Zkontrolujte napnutí řetězu (G).
9. Nabijte baterii (H) a zkontrolujte, zda je správně instalovaná ve výrobku.
10. Zkontrolujte, zda se řetěz pily zastaví, když uvolníte páčku spínače. (Obr. 57)

Používání správného oleje na mazání řetězu



VÝSTRAHA: Nepoužívejte vyjetý olej, který může způsobit zranění nebo poškodit životní prostředí. Vyjetý olej také způsobuje poškození čerpadla oleje, vodící lišty a řetězu pily.



VÝSTRAHA: Pokud není mazání řezacího zařízení dostatečné, řetěz pily se může přetrhnout. Nebezpečí vážného zranění či smrti obsluhy.



VÝSTRAHA: Používejte správný olej na mazání řetězu, aby mohla tato funkce správně fungovat. Při výběru oleje na mazání řetězu se poraďte se servisním prodejcem.

- Použitím oleje na mazání řetězu Husqvarna docílíte maximální životnosti řetězu pily a zabráníte negativním dopadům na životním prostředí. Pokud není olej Husqvarna k dispozici, doporučujeme používat standardní olej na mazání řetězu.
- Používejte olej na mazání řetězu s dobrou přilnavostí k řetězu pily.
- Používejte olej na mazání řetězu se správným rozsahem viskozity podle teploty vzduchu.



VAROVÁNÍ: Při teplotách nižších než 0 °C (32 °F) jsou některé oleje příliš husté, což může způsobit poškození součástí čerpadla oleje.

- Používejte doporučené řezací zařízení. Další informace naleznete v části *Příslušenství na strani 98*.
- Odšroubujte víčko nádrže oleje na mazání řetězu.
- Doplňte olej do nádrže oleje na mazání řetězu.
- Řádně utáhněte víčko.

(Obr. 58)

Povšimněte si: Umístění nádrže oleje na mazání řetězu na výrobku naleznete v části *Úvod na strani 76*.

Baterie



VÝSTRAHA: Než začnete s baterií pracovat, přečtěte si důkladně kapitolu o bezpečnosti. Přečtěte si důkladně návod k používání baterie a nabíječky baterií.

Kontrolka LED	Stav nabití baterie
Svítlí 4 kontrolky LED	Baterie je nabitá na 76–100 %.
Svítlí 3 kontrolky LED	Baterie je nabitá na 51–75 %.
Svítlí 2 kontrolky LED	Baterie je nabitá na 26–50 %.
Svítlí 1 kontrolka LED	Baterie je nabitá na 6–25 %.
Bliká 1 kontrolka LED	Baterie je nabitá na 0–5 %.

Nabití baterie

Před prvním použitím baterii nabijte. Nová baterie je nabitá pouze na 30 %.



VAROVÁNÍ: Nabíječku baterií zapojte do zásuvky s hodnotami napětí a frekvence, které jsou uvedené na typovém štítku.

Baterie se nenabíjí, pokud je teplota baterie vyšší než 50 °C.

1. Připojte k nabíječce baterií napájecí kabel.
2. Zapojte nabíječku baterií do uzemněné zásuvky. Kontrolka LED nabíjení jednou blikne. (Obr. 60)
3. Připojte baterii k nabíječce baterií. Rozsvítí se kontrolka LED dobíjení. Baterii nabíjejte maximálně po dobu 24 hodin. (Obr. 61)
4. Stiskněte tlačítko ukazatele stavu baterie. Pokud se rozsvítí všechny kontrolky LED, baterie je plně nabitá.

Baterii i nabíječku skladujte za správné okolní teploty.

	Okolní teplota
Provoz baterie	5–40 °C
Nabíjení baterie	5–40 °C

Stav baterie

Displej ukazuje stav nabití a zda došlo k problémům s baterií.

(Obr. 59)

5. Vytažením napájecí zástrčky odpojte nabíječku baterií z elektrické zásuvky. Netahejte za napájecí kabel.
6. Vyměňte baterii z nabíječky.

Informace o zpětném vrhu



VÝSTRAHA: Zpětný vrh může způsobit obsluze a dalším osobám vážné zranění. Abyste snížili nebezpečí, musíte znát příčiny zpětného vrhu a vědět, jak jim předejít.

K zpětnému vrhu dochází, pouze pokud se zóna zpětného vrhu na vodící liště dotkne nějakého předmětu. K zpětnému vrhu může dojít náhle a velkou silou, která odmrští výrobek proti uživateli.

(Obr. 36)

K zpětnému vrhu vždy dochází v rovině řezu vodící lišty. Výrobek je odmrštěn proti uživateli, ale může dojít také

k pohybu jiným směrem. Směr pohybu závisí na typu použití výrobku v době, kdy dojde k zpětnému vrhu.

(Obr. 62)

K zpětnému vrhu dochází, pouze pokud se zóna zpětného vrhu na vodící liště dotkne nějakého předmětu. Nedovolte, aby zóna zpětného vrhu narazila do jakéhokoli předmětu.

(Obr. 36)

Menší poloměr špičky vodící lišty snižuje sílu zpětného vrhu.

Používejte řetěz pily s nízkým zpětným vrhem pro snížení účinků zpětného vrhu. Nedovolte, aby zóna zpětného vrhu narazila do jakéhokoli předmětu.



VÝSTRAHA: Žádný řetěz pily zcela nezabrání zpětnému vrhu. Vždy dodržujte pokyny.

Časté otázky ohledně zpětného vrhu

• **Aktivuje má ruka brzdu řetězu vždy v případě zpětného vrhu?**

Ne. Je nezbytné vyvinout určitou sílu k zatlačení ochranného krytu levé ruky dopředu. Pokud nevyvinete nezbytnou sílu, brzda řetězu se neaktivuje. Během práce také musíte stále držet rukojeti výrobku oběma rukama. Pokud nastane zpětný vrh, je možné, že brzda řetězu nezastaví řetěz pily dříve, než do vás narazí. Existují také určité polohy, ve kterých nemůže vaše ruka narazit do ochranného krytu levé ruky a aktivovat tak brzdu řetězu.

• **Aktivuje vždy mechanismus uvolňovaný setrvačností brzdu řetězu při zpětném vrhu?**

Ne. Zaprvé musí správně fungovat brzda řetězu. Pokyny pro provádění kontroly brzdy řetězu naleznete v části *Údržba a kontroly bezpečnostních zařízení na výrobku na strani 92*. Doporučujeme vám provést tento postup před každým použitím výrobku. Za druhé musí být zpětný vrh silný, aby aktivoval brzdu řetězu. Pokud je brzda řetězu příliš citlivá, může se aktivovat během náročného provozu.

• **Ochrání mne brzda řetězu v případě zpětného vrhu vždy před zraněním?**

Ne. Brzda řetězu musí správně fungovat, aby mohla zajišťovat ochranu. Brzda řetězu se musí také během zpětného vrhu aktivovat, aby mohla zastavit řetěz pily. Pokud se nacházíte poblíž vodící lišty, je možné, že brzda řetězu nemusí mít dostatek času, aby zastavila řetěz pily, než vás zasáhne.



VÝSTRAHA: Zpětnému vrhu můžete zabránit pouze vy a správné pracovní postupy.

Spuštění výrobku

1. Zkontrolujte páčku spínače a pojistku páčky spínače. Viz část *Kontrola pojistky páčky spínače na strani 92*.
2. Aktivujte brzdu řetězu. (Obr. 63)
3. Vložte baterii do držáku baterie. (Obr. 64)



VAROVÁNÍ: Zkontrolujte, zda je baterie správně vložena do držáku baterie. Pokud nelze baterii snadno zasunout do držáku baterie, není vložena správně.

4. Zatlačte na dolní část baterie, dokud neuslyšíte cvaknutí. (Obr. 65)
5. Stiskněte a podržte vypínač, dokud se nerozsvítí zelená kontrolka LED. (Obr. 66)

Použití funkce SavE

Funkce SavE snižuje rychlost řetězu a výkon výrobku.

1. Stiskněte tlačítko SavE. Rozsvítí se zelená kontrolka LED.
2. Opětovným stiskem tlačítka SavE funkci vypnete. Zelená kontrolka LED zhasne. (Obr. 67)

Zastavení výrobku

1. Stiskněte vypínač, dokud zelená kontrolka LED nezhasne. (Obr. 66)
2. Stiskněte tlačítka pro uvolnění baterie a vymějte baterii z držáku baterie, abyste zabránili neúmyslnému spuštění. (Obr. 68)

Řez nabíhajícím a odbíhajícím řetězem

Dřevo můžete přeříznout ze 2 různých poloh.

- Řezání nabíhajícím řetězem je, když řežete dolní částí vodící lišty. Řetěz pily při řezání stromu táhne výrobek od uživatele. V této poloze máte lepší kontrolu nad výrobkem a polohou zóny zpětného vrhu.

(Obr. 69)

- Řezání odbíhajícím řetězem je, když řežete horní částí vodící lišty. Řetěz pily tlačí výrobek směrem k uživateli.

(Obr. 70)



VÝSTRAHA: Pokud dojde k sevření řetězu pily v kmeni, výrobek může být zatlačen proti vám. Držte pevně výrobek a zkontroluje, zda se zóna zpětného vrhu na vodící liště nedotýká stromu a nemůže způsobit zpětný vrh.

(Obr. 71)

Technika řezání



VÝSTRAHA: Při řezání používejte plný výkon a po každém řezu snižte otáčky na volnoběžné.



VAROVÁNÍ: Nenechávejte motor běžet příliš dlouho bez zátěže. Můžete tím poškodit motor.

1. Položte kmen na pracovní kozu nebo ližiny. (Obr. 72)



VÝSTRAHA: Neřežte kmeny na hromadě. Zvyšuje se tak nebezpečí zpětného vrhu a může dojít k vážnému zranění nebo usmrcení.

2. Odstraňte pořezané kusy z pracovní oblasti.



VÝSTRAHA: Pořezané kusy v pracovní oblasti zvyšují nebezpečí zpětného vrhu a ztráty rovnováhy.

Použití zubové opěrky

1. Zatláčte zubovou opěrku do kmene stromu.
2. Použijte plný výkon a otáčejte výrobkem. Zubovou opěrku mějte opřenou o kmen. Tento postup usnadňuje použití síly potřebné k prořezání kmene. (Obr. 73)

Řezání kmene na zemi

1. Řežte kmen nabíhajícím řetězem. Udržujte plný výkon, ale buďte připraveni na možnost náhlé nehody. (Obr. 74)



VÝSTRAHA: Při dokončování řezu dbejte na to, aby řetěz pily nezavadil o zem.

2. Proveďte řez přibližně do $\frac{2}{3}$ kmene a přestaňte řezat. Otočte kmen a řežte z opačné strany. (Obr. 75)

Řezání kmene podepřeného na jednom konci



VÝSTRAHA: Dbejte na to, aby kmen během řezání nepraskl. Dodržujte níže uvedené pokyny.

(Obr. 76)

1. Řežte odbíhajícím řetězem do přibližně $\frac{1}{3}$ kmene.
2. Řežte nabíhajícím řetězem, dokud se oba řezy nepojí. (Obr. 77)

Řezání kmene podepřeného na dvou koncích



VÝSTRAHA: Dbejte na to, aby se řetěz pily během řezání nezachytil v kmeni. Dodržujte níže uvedené pokyny.

(Obr. 78)

1. Řežte nabíhajícím řetězem do přibližně $\frac{1}{3}$ kmene.
2. Přerízněte zbývající část kmene odbíhajícím řetězem a dokončete řez. (Obr. 79)



VÝSTRAHA: Pokud se řetěz pily zachytí v kmeni, vypněte motor. Pomocí páky rozevřete řez a vyjměte výrobek. Nepokoušejte se vytáhnout výrobek rukou. Může dojít ke zranění při náhlém uvolnění výrobku.

Technika odvětvování

Povšimněte si: Při řezání silných větví použijte techniku řezání. Další informace naleznete v části *Technika řezání na strani 88*.



VÝSTRAHA: Při použití techniky odvětvování hrozí vysoké riziko nehody. Informace, jak předejít zpětnému vrhu, naleznete v části *Informace o zpětném vrhu na strani 86*.



VÝSTRAHA: Řežte větve jednu po druhé. Při odstraňování malých větví dávejte pozor a neřežte keře nebo mnoho malých větvíček najednou. Malé větvičky se mohou zachytit v řetězu pily a bránit bezpečnému provozu výrobku.

Povšimněte si: V případě potřeby řežte větve po částech. Menší větve (A) a (B) pořežte předtím, než začnete řezat větve u kmene (C).

(Obr. 80)

1. Odstraňte větve na pravé straně kmene.
 - a) Držte vodící lištu na pravé straně kmene a udržujte tělo výrobku proti kmeni.
 - b) Zvolte vhodnou techniku řezání pro příslušné napružení ve větví. (Obr. 81)



VÝSTRAHA: Pokud si nejste jisti, jak přeríznout větev, požádejte nejprve o radu profesionálního uživatele řetězové pily.

2. Odstraňte větve v horní části kmene.

- a) Přidržíte výrobek na kmeni a vedte vodící lištu podél kmene.
 - b) Řežte odbíhajícím řetězem. (Obr. 82)
3. Odstraňte větve na levé straně kmene.
- a) Zvolte vhodnou techniku řezání pro příslušné napružení ve větvi. (Obr. 83)



VÝSTRAHA: Pokud si nejste jisti, jak přeríznout větev, požádejte nejprve o radu profesionálního uživatele řetězové pily.

Pokyny pro řezání napružených větví naleznete v části *Řezání napružených stromů a větví na strani 90.*

Kácení stromů



VÝSTRAHA: Kácení stromů mohou provádět pouze zkušení pracovníci. Pokud možno absolvujte školení v používání řetězové pily. Další znalosti vám mohou předat uživatelé s většími zkušenostmi.

Udržování bezpečné vzdálenosti

1. Okolní osoby udržujte v bezpečné vzdálenosti, minimálně 2 1/2 délky stromu. (Obr. 84)
2. Zajistěte, aby se v této nebezpečné zóně před nebo během kácení nevyskytovaly další osoby. (Obr. 85)

Určení směru kácení

1. Určete, jakým směrem chcete, aby strom spadl. Cílem je pokácet strom na místo, kde můžete co nejnázne provést odvětvení a rozřezat kmen. Je také důležité, abyste zde měli stabilní postoj a mohli se bezpečně pohybovat.



VÝSTRAHA: Pokud je nebezpečné nebo nemožné pokácet strom v přirozeném směru, pokácejte jej v jiném směru.

2. Určete přirozený směr pádu stromu. Například náklon a ohnutí stromu, směr větru, rozmístění větví a váha sněhu.
3. Zkontrolujte, zda nejsou v okolí překážky, například jiné stromy, elektrická vedení, silnice anebo budovy.
4. Prohlédněte strom a hledejte známky hniloby na kmeni.



VÝSTRAHA: Hniloba na kmeni představuje nebezpečí, že strom spadne před dokončením řezu.

5. Zkontrolujte, zda nejsou na stromě poškozené nebo odumřelé větve, které by se mohly zlomit a spadnout na vás při kácení.

6. Nedovolte, aby strom spadl na jiný stojící strom. Odstraňování zaklesnutého stromu je nebezpečné a hrozí velké nebezpečí nehody. Další informace naleznete v části *Uvolnění zaklesnutého stromu na strani 90.* (Obr. 86)



VÝSTRAHA: Během kritických činností kácení musíte okamžitě po dokončení řezání odklopit ochranu sluchu. Je to důležité, abyste slyšeli zvuky a výstražné signály.

Čištění kmene a ústupové cesty

Odříznete všechny větve od výšky ramen dolů.

1. Řežte nabíhajícím řetězem shora dolů. Dbejte na to, aby byl strom mezi vámi a výrobkem. (Obr. 87)
2. Odstraňte podrost z pracovní oblasti kolem stromu. Odstraňte pořezaný materiál z pracovní oblasti.
3. Zkontrolujte, zda nejsou v oblasti překážky, například kameny, větve a díry. Musíte mít volnou ústupovou cestu, když strom začne padat. Vaše ústupová cesta by měla vést pod úhlem přibližně 135 stupňů od směru kácení.

1. Nebezpečná zóna
2. Ústupová cesta
3. Směr kácení

(Obr. 88)

Kácení stromů

Společnost Husqvarna doporučuje provést směrový zářez a poté při kácení stromu využít metodu bezpečnostního okénka. Metoda bezpečnostního okénka pomáhá vytvořit správný nadořez a získat lepší kontrolu nad směrem kácení.



VÝSTRAHA: Nekácejte stromy s průměrem větším než je dvojnásobek délky vodící lišty. Před prováděním takových prací musíte absolvovat zvláštní školení.

Nadořez

Nejdůležitějším krokem při kácení stromu je vytvoření správného nadořezu. Se správným nadořezem můžete kontrolovat směr kácení a zajistit bezpečnost postupu kácení.

Thloušťka nadořezu musí být stejnoměrná a tvořit minimálně 10 % průměru stromu.



VÝSTRAHA: Pokud je nadořez nesprávně proveden nebo příliš tenký, ztratíte kontrolu nad směrem kácení.

(Obr. 89)

Směrové zářezy

1. Vytvořte směrové zářezy. Vytvořte směrové zářezy do 1/4 průměru stromu. Vytvořte horní a dolní řez tak, aby mezi nimi byl úhel 45°.
 - a) Nejprve vytvořte horní řez. Zarovnejte značku směru kácení (A) na výrobku se směrem kácení stromu (B). Postavte se za výrobek. Strom musí být po vaší pravé straně. Proveďte řez nabíhajícím řetězem.
 - b) Proveďte dolní řez. Konec dolního řezu musí být ve stejném místě jako konec horního řezu. (Obr. 90)
2. Zkontrolujte, zda je linie směrového zářezu dokonale vodorovná a v pravém úhlu (90°) ke směru kácení. Linie směrového zářezu vede bodem, kde se dva směrové zářezy protínají. (Obr. 91)

Použití metody bezpečnostního okénka

Hlavní řez musí být mírně nad směrovým zářezem.

(Obr. 92)



VÝSTRAHA: Při řezání špičkou lišty buďte opatrní. Při provádění zápichu do kmene začněte řezat dolní část špičky lišty.

(Obr. 93)

1. Pokud je využitelná délka řezu delší než průměr stromu, pokračujte kroky (a–d).
 - a) Proveďte zápich přímo do kmene tak, aby zůstala správná šířka nedořezu. (Obr. 94)
 - b) Řežte nabíhajícím řetězem do doby, než zůstane 1/3 kmene.
 - c) Vytáhněte vodící lištu 5 až 10 cm (2 až 4 palce) dozadu.
 - d) Řezem ve zbývající části kmene vytvořte bezpečnostní okénko, které je 5 až 10 cm (2 až 4 palce) široké. (Obr. 95)
2. Pokud je využitelná délka řezu kratší než průměr stromu, pokračujte kroky (a–d).
 - a) Zapíchněte pilu v přímém směru do kmene. Zápich musí být delší než 3/5 průměru kmene.
 - b) Řežte nabíhajícím řetězem skrze zbývající část kmene. (Obr. 96)
 - c) Zapíchněte pilu přímo do kmene z druhé strany stromu a vytvořte správný nedořez.
 - d) Řežte odbíhajícím řetězem do doby, než zůstane 1/3 kmene a vytvořte bezpečnostní okénko. (Obr. 97)
3. Vložte klín do zářezu přímo zezadu. (Obr. 98)
4. Přeříznutím bezpečnostního okénka pokácejte strom.

Povšimněte si: Pokud se strom neskácí, pokácejte jej zatlučením klínu.

5. Když strom začne padat, opusťte prostor s využitím ústupové cesty. Přesuňte se minimálně 5 m (15 stop) od stromu.

Uvolnění zaklesnutého stromu



VÝSTRAHA: Odstraňování zaklesnutého stromu je velmi nebezpečné a hrozí vysoké nebezpečí nehody. Držte se mimo nebezpečnou zónu a nepokoušejte se kácet zaklesnutý strom.

(Obr. 99)

Nejbezpečnějším postupem je použít jeden z následujících navijáků:

- Instalovaný na traktoru

(Obr. 100)

- Přenosný

(Obr. 101)

Řezání napružených stromů a větví

1. Uvědomte si, která strana stromu nebo větve je napružená.
2. Uvědomte si, kde je bod maximálního napružení. (Obr. 102)
3. Určete, jak co nejbezpečněji uvolnit napružení.

Povšimněte si: V některých situacích je jedinou bezpečnou metodou použít naviják a nikoli výrobek.

4. Postavte se na místo, kde vás nemůže udeřit strom nebo větev po uvolnění napružení. (Obr. 103)
5. Vytvořte jeden nebo více řezů s dostatečnou hloubkou, které sníží napružení. Řežte v bodě nebo poblíž bodu maximálního napružení. Nechte strom nebo větev rozlomit v bodu maximálního napružení. (Obr. 104)



VÝSTRAHA: Neřežte přímo celý strom nebo větev pod napružením.



VÝSTRAHA: Dávejte velký pozor při řezání napruženého stromu. Hrozí nebezpečí, že se strom začne rychle pohybovat před nebo po dokončení řezu. Pokud se nacházíte v nesprávné poloze nebo pokud je řez proveden nesprávně, hrozí nebezpečí vážného zranění.

6. Pokud musíte přeříznout strom/větev, vytvořte 2 až 3 řezy, 1 palec (2,5 cm) vedle sebe a hluboké dva palce. (Obr. 105)
7. Pokračujte v řezání do větší hloubky, dokud se strom/větev neohne a neuvolní se napružení. (Obr. 106)

8. Po uvolnění napružení přeřízněte strom/větev z opačné strany ohybu.

Údržba

Úvod



VÝSTRAHA: Než začnete na výrobku provádět údržbu, přečtěte si pozorně kapitolu o bezpečnosti.

Níže je uveden seznam kroků údržby, které musíte provést na výrobku. Viz část *Údržba na strani 91* pro další informace.

Plán údržby



VÝSTRAHA: Před prováděním údržby vyjměte baterii.

Údržba	Před každým použitím	Týdně	Měsíčně
Vyčistěte vnější povrch výrobku.	X		
Zkontrolujte správnou funkci páčky spínače a pojistky páčky spínače z hlediska bezpečnosti.	X		
Vyčistěte brzdu řetězu a zkontrolujte, zda funguje bezpečně. Zkontrolujte, zda není zachycovač řetězu poškozený. V případě potřeby proveďte výměnu.	X		
Otáčejte vodící lištu, aby se opotřebovávala stejnoměrně. Zkontrolujte, zda není mazací otvor ve vodící liště ucpaný. Vyčistěte drážku vodící lišty.	X		
Zkontrolujte, zda nejsou na řezacím zařízení a krytu řezacího zařízení praskliny a zda nejsou poškozené. Vyměňte řezací zařízení nebo kryt řezacího zařízení, pokud jsou na nich praskliny nebo byly vystaveny nárazu.	X		
Zkontrolujte, zda jsou vodící lišta a řetěz pily dostatečně promazané.	X		
Zkontrolujte řetěz pily. Prohlédněte řetěz pily a hledejte praskliny. Řetěz nesmí být tuhý nebo nezvykle opotřebovaný. V případě potřeby proveďte výměnu.	X		
Naostřete pilový řetěz. Zkontrolujte napnutí a stav. Zkontrolujte, zda není hnací řetězové kolo opotřebované a v případě potřeby jej vyměňte.	X		
Vyčistěte přívod vzduchu výrobku.	X		
Zkontrolujte, zda jsou šrouby a matice dotažené.	X		
Zkontrolujte, zda klávesnice řádně funguje a není poškozená.	X		
Odstraňte veškeré otřepy z hran vodící lišty.		X	
Zkontrolujte spojení mezi baterií a výrobkem. Zkontrolujte spojení mezi baterií a nabíječkou baterií.			X
Vyprázdněte a vyčistěte olejovou nádrž.			X
Jemně profoukněte výrobek a chladicí otvory baterie stlačeným vzduchem.			X

Údržba a kontroly bezpečnostních zařízení na výrobku

volnoběžných otáček, obraťte se na servis.

Kontrola ochranného krytu levé ruky

Pravidelně provádějte kontrolu ochranného krytu levé ruky a uvolnění brzdy setrvačností.

1. Ujistěte se, že ochranný kryt levé ruky není poškozený, například zda na něm nejsou praskliny. (Obr. 107)
2. Zkontrolujte, zda se ochranný kryt levé ruky pohybuje volně a zda je bezpečně připevněn k výrobku. (Obr. 108)
3. Položte výrobek s vypnutým motorem na pařez nebo jiný stabilní povrch.
4. Uchopte zadní rukojeť a uvolněte přední rukojeť. Nechte výrobek narazit na pařez. (Obr. 109)
5. Zkontrolujte, zda se aktivuje brzda řetězu, když vodící lišta narazí do pařezu.

Kontrola spínače brzdy

1. Umístěte výrobek na stabilní povrch a nastavte jej. Viz *Provoz na strani 85*.



VÝSTRAHA: Zajistěte, aby řetěz pily nezavadil o zem nebo o nějaké jiné předměty.

2. Obepněte prsty a palce kolem rukojetí a pevně držte výrobek. (Obr. 110)
3. Uveďte výrobek na plný výkon a nakloňte levé zápěstí proti ochrannému krytu levé ruky, aby se aktivovala brzda řetězu. Řetěz pily se musí okamžitě zastavit. (Obr. 111)



VÝSTRAHA: Nepouštějte přední rukojeť!

Kontrola pojistky páčky spínače

1. Zkontrolujte, zda se páčka spínače a pojistka páčky spínače volně pohybují a zda vratná pružina funguje správně. (Obr. 112)
2. Zatlačte pojistku páčky spínače dopředu (A) a dolů (B). Přidržte pojistku spínače proti rukojeti a zkontrolujte, zda se po uvolnění vrátí do své původní polohy. (Obr. 113)
3. Zkontrolujte, zda při uvolnění pojistky páčky spínače zapadne páčka spínače do polohy volnoběžných otáček. (Obr. 114)
4. Spust'te výrobek a nastavte plný výkon.
5. Uvolněte páčku spínače a zkontrolujte, zda se řetěz pily zastaví a zůstane v klidu.



VÝSTRAHA: Pokud se řetěz pily otáčí, když je páčka spínače v poloze

Kontrola zachycovače řetězu

1. Zkontrolujte, zda není zachycovač řetězu poškozený.
2. Zkontrolujte, zda je zachycovač řetězu stabilní a řádně připevněný k tělu výrobku. (Obr. 115)

Kontrola funkčnosti uživatelského rozhraní

1. Nastavte výrobek. Viz část *Spuštění výrobku na strani 87*.
2. Stiskněte a podržte vypínač.
3. Ujistěte se, že se výrobek zastaví a zelená kontrolka LED zhasne. (Obr. 66)

Kontrola baterie a držáku baterie

1. Očistěte baterii a držák baterie pomocí měkkého kartáče.
2. Vyčistěte chladicí otvory a konektory baterie. (Obr. 116)
3. Zkontrolujte, zda nejsou na baterii praskliny a zda není jinak poškozená.

Kontrola nabíječky baterií

1. Zkontrolujte, zda není napájecí kabel nabíječky baterií poškozený. Zkontrolujte, jestli se neobjevily praskliny nebo jiné poškození. (Obr. 117)

Čištění chladicího systému

Chladicí systém brání nadměrnému zvýšení teploty motoru. Chladicí systém se skládá z přívodu vzduchu na levé straně výrobku a ventilátoru na motoru.

1. Čistěte chladicí systém kartáčem jednou týdně nebo v případě potřeby častěji. (Obr. 118)
2. Zkontrolujte, zda není chladicí systém znečištěný nebo ucpaný.



VAROVÁNÍ: Znečištěný nebo ucpaný chladicí systém způsobuje přehřívání výrobku. Tím může dojít k poškození výrobku.

Ostření pilového řetězu

Informace o vodící liště a řetězu pily



VÝSTRAHA: Při používání nebo údržbě řetězu pily noste ochranné rukavice. Zranění může způsobit i řetěz pily, který se nepohybuje.

Vyměňte opotřebenou nebo poškozenou vodící lištu nebo řetěz pily za kombinaci lišty a řetězu doporučené společností Husqvarna. To je nezbytné pro udržení bezpečnostních funkcí výrobku. Seznam doporučených

kombinací lišty a řetězu naleznete v části *Příslušenství na strani 98*.

- Délka vodící lišty, in/cm. Informace o délce vodící lišty obvykle naleznete na zadním konci vodící lišty.

(Obr. 119)

- Počet zubů na řetězovém kolečku špičky lišty (T).

(Obr. 120)

- Rozteč řetězu, in. Vzdálenost mezi vodícími články řetězu pily musí odpovídat vzdálenostem mezi zuby na řetězovém kolečku na špičce lišty i na hnacím řetězovém kole.

(Obr. 121)

- Počet vodících článků (ks). Počet vodících článků závisí na typu vodící lišty.

(Obr. 122)

- Šířka drážky lišty, in/mm. Šířka drážky ve vodící liště musí být stejná jako šířka vodících článků řetězu.

(Obr. 123)

- Otvor pro mazání řetězu a otvor pro napínač řetězu. Vodící lišta musí být vhodná pro příslušný výrobek.

(Obr. 124)

- Tloušťka vodícího článku, mm/in.

(Obr. 125)

Obecné informace o ostření řezacích článků

Nepoužívejte tupý řetěz pily. Pokud je řetěz pily tupý, musíte vyvinout větší tlak k zatlačení vodící lišty do dřeva. Pokud je řetěz pily velmi tupý, nebudou se vytvářet piliny, ale pouze prach.

Ostrý řetěz pily prochází snadno dřevem a piliny jsou dlouhé a silné.

Řezací zub (A) a omezovací patka (B) společně tvoří řezací část řetězu pily, tzv. řezací článek. Rozdíl výšky mezi těmito dvěma body zajišťuje hloubku řezu (nastavení výšky omezovacích zubů).

(Obr. 126)

Při ostření řezacích článků zohledněte následující informace:

- Úhel broušení.

(Obr. 127)

- Úhel bříty.

(Obr. 128)

- Poloha pilníku.

(Obr. 129)

- Průměr pilníku.

(Obr. 130)

Bez správného vybavení není snadné řetěz pily správně naostřit. Používejte doporučené vodítko pilníku Husqvarna. To vám pomůže maximalizovat řezný výkon a minimalizovat nebezpečí zpětného vrhu.



VÝSTRAHA: Síla zpětného vrhu se velmi zvyšuje, pokud nebudete dodržovat pokyny k ostření.

Povšimněte si: Viz část *Příslušenství na strani 98* pro informace o ostření řetězu pily.

Ostření řezacích zubů

1. Pomocí kulatého pilníku a vodítka pilníku naostřete řezací zuby. (Obr. 131)

Povšimněte si: Viz část *Příslušenství na strani 98* s informacemi o pilníku a vodítku pilníku, které pro váš pilový řetěz doporučuje společnost Husqvarna.

2. Přiložte řádně vodítko pilníku k řezacímu zubu. Viz pokyny dodané s vodítkem pilníku.
3. Přejedte pilníkem z vnitřní strany řezacích zubů směrem ven. Při zpětném pohybu tlačte méně. (Obr. 132)
4. Naostřete všechny řezací zuby na jedné straně.
5. Otočte výrobek a naostřete zuby na druhé straně.
6. Zkontrolujte, zda je délka všech řezacích zubů stejná.

Obecné informace o nastavení výšky omezovacích zubů

Nastavení výšky omezovacího zubu (C) se změní po naostření řezacího zubu (A). Aby bylo možné udržet maximální řezný výkon, musíte naostřením omezovacích zubů (B) docílit doporučeného nastavení výšky omezovacích zubů. Pokyny o nastavení výšky omezovacích zubů pro váš řetěz pily naleznete v části *Příslušenství na strani 98*.

(Obr. 133)



VÝSTRAHA: Nebezpečí zpětného odrazu se zvyšuje, jestliže je výška omezovacích zubů příliš velká!

Nastavení výšky omezovacího zubu

Než začnete nastavovat výšku omezovacích zubů nebo ostřit řezací články, přečtěte si pokyny v části *Ostření řezacích zubů na strani 93s* pokyny. Doporučujeme výšku omezovacích zubů upravovat při každém třetím ostření řetězu.

Doporučujeme používat naši měрку omezovacích zubů. Docílíte tak správné výšky omezovacích zubů a správného úhlu hrany omezovacích zubů.

(Obr. 134)

1. Pomocí plochého pilníku a měrky omezovacích zubů upravte nastavení výšky omezovacích zubů. Používejte výhradně doporučenou měrku omezovacích zubů Husqvarna. Docílíte tak správné výšky omezovacích zubů a správného úhlu hrany omezovacích zubů.
2. Položte měrku omezovacích zubů na řetěz pily.

Povšimněte si: Více informací o použití měrky omezovacích zubů naleznete na obalu.

3. Pomocí plochého pilníku zbruste horní část omezovacího zubu, která vyčnívá nad měrkou omezovacích zubů. (Obr. 135)

Seřízení napnutí řetězu pily



VÝSTRAHA: Nesprávně napnutý řetěz pily se může uvolnit z vodící lišty a způsobit vážné zranění nebo usmrcení.

Při používání se řetěz pily prodlužuje. Proto jej pravidelně seřizujte. Při každém doplňování oleje na mazání řetězu zkontrolujte napnutí řetězu pily.

Povšimněte si: Během doby záběhu nového řetězu pily se musí jeho napnutí kontrolovat častěji.

Seřízení napnutí řetězu pily (knoflíkem lišty)

1. Vyklopte knoflík ven tak, aby se otevřel. (Obr. 136)
2. Otočením knoflíku proti směru hodinových ručiček povolte kryt hnacího řetězového kola. (Obr. 137)
3. Otáčením kolečka napínače řetězu seřídte napnutí řetězu pily. Řetěz pily musí být napnutý na vodící liště. (Obr. 138)

Povšimněte si: Otáčením kolečka dolů (+) zvýšíte napnutí a nahoru (-) jej snížíte.

4. Rukou potáhněte za řetěz pily a zkontrolujte tak, že se volně otáčí a že není na vodící liště prověšený. (Obr. 139)
5. Otáčením knoflíku ve směru hodinových ručiček utáhněte knoflík lišty. (Obr. 140)
6. Sklopením knoflíku dolů aretujte napnutí. (Obr. 141)

Seřízení napnutí řetězu pily (šroubem lišty)

1. Povolte matici lišty, která drží kryt hnacího kolečka. Použijte kombinovaný klíč. (Obr. 142)
2. Zvedněte přední část vodící lišty a otočte šroubem napínače řetězu. Použijte kombinovaný klíč.
3. Napínejte řetěz pily, dokud nebude dostatečně napnutý na vodící liště. (Obr. 143)
4. Dotáhněte matici vodící lišty kombinovaným klíčem a zároveň zvedněte přední část vodící lišty. (Obr. 144)

5. Rukou potáhněte za řetěz pily a zkontrolujte tak, že se volně otáčí a že není na vodící liště prověšený. (Obr. 139)

Povšimněte si: Viz část *Popis výrobku na straně 76* s polohou šroubu napínače řetězu u vašeho výrobku.

Kontrola mazání pilového řetězu

Při každém třetím nabití baterie zkontrolujte mazání řetězu pily.

1. Nastartujte výrobek a nechte jej běžet na 3/4 výkonu. Podržte vodící lištu přibližně 20 cm nad světlým povrchem.
2. Pokud je mazání řetězu správné, uvidíte po 1 minutě na povrchu jasnou olejovou čáru. (Obr. 145)
3. Není-li mazání řetězu správné, proveďte následující kontroly.
 - a) Zkontrolujte olejový kanálek ve vodící liště, aby bylo zajištěno, že není ucpaný. V případě potřeby jej vyčistěte. (Obr. 146)
 - b) Zkontrolujte drážku na okraji vodící lišty, aby bylo zajištěno, že je čistá. V případě potřeby jej vyčistěte. (Obr. 147)
 - c) Zkontrolujte, zda se řetězové kolečko na špičce lišty volně otáčí a zda není mazací otvor v řetězovém kolečku na špičce lišty ucpaný. V případě potřeby kolečko namažte a otvor vyčistěte. (Obr. 148)
4. Pokud mazání řetězu nefunguje po provedení výše uvedených kroků, obraťte se na servisního prodejce.

Kontrola hnacího řetězového kola

- Zkontrolujte opotřebení hnacího řetězového kola. V případě potřeby hnací řetězové kolo vyměňte.
- Vyměňte hnací řetězové kolo při každé výměně řetězu pily. (Obr. 149)

Kontrola žacího ústrojí

1. Zkontrolujte, zda nejsou na nýtech a člancích praskliny a zda nejsou nýty volné. V případě potřeby proveďte výměnu. (Obr. 150)
2. Zkontrolujte, zda se řetěz pily snadno ohýbá ve spojích članců. Vyměňte řetěz pily, pokud je příliš tuhý.
3. Určete, zda nejsou nýty a články opotřebené tak, že porovnáte řetěz pily s novým řetězem.
4. Vyměňte řetěz pily, pokud je nejdelší část řezacího zubu menší než 4 mm (0,16 palce). Vyměňte také řetěz pily, pokud jsou praskliny na řezacích zubech. (Obr. 151)

Kontrola vodící lišty

1. Zkontrolujte, zda není ucpaný olejový kanálek. V případě potřeby proveďte čištění. (Obr. 146)

2. Zkontrolujte, zda nejsou na hraně vodící lišty otřepy. Odstraňte otřepy pomocí pilníku. (Obr. 152)
3. Vyčistěte drážku ve vodící liště. (Obr. 147)
4. Zkontrolujte, zda není vodící lišta opotřebená. V případě potřeby zapalovací svíčku vyměňte. (Obr. 153)
5. Zkontrolujte, zda není špička lišty drsná nebo příliš opotřebená. (Obr. 154)
6. Zkontrolujte, zda se řetězové kolečko na špičce lišty volně otáčí a zda není mazací otvor v řetězovém kolečku na špičce lišty ucpaný. V případě potřeby kolečko namažte a otvor vyčistěte. (Obr. 148)
7. Denně otáčejte vodící lištu, aby se prodloužil její životní cyklus. (Obr. 155)

Odstraňování problémů

Uživatelské rozhraní

Obrazovka LED	Možné závady	Možné řešení
Bliká varovná kontrolka.	Je aktivována brzda řetězu.	Uvolněte brzdu řetězu.
	Odchylka teploty.	Nechte výrobek vychladnout.
	Přetížení. Řetěz pily se nehýbe.	Uvolněte řetěz.
	Páčka spínače a vypínač jsou stisknuty současně.	Aktivujte výrobek uvolněním páčky spínače.
Bliká oranžová LED kontrolka.	Nízké napětí baterie.	Nabijte baterii.
Svítil varovná kontrolka.	Servis.	Obrat'te se na servisního prodejce.

Baterie

LED displej	Možné závady	Možné řešení
Bliká zelená kontrolka LED.	Nízké napětí baterie.	Nabijte baterii.
Bliká chybová kontrolka LED.	Odchylka teploty.	Baterii používejte při teplotě -10 až 40 °C.
	Příliš vysoké napětí.	Zkontrolujte, zda napětí elektrické sítě odpovídá napětí výrobku. Viz typový štítek na výrobku.
		Vyjměte baterii z nabíječky.
Svítil chybová kontrolka LED.	Příliš velký rozdíl napětí článků (1 V).	Obrat'te se na servisního prodejce.

Nabíječka baterií

Stav	Možné závady	Možné řešení
Kontrolka LED dobíjení svítí červeně.	Trvalá chyba nabíječky baterií.	Obrat'te se na svého prodejce.
Kontrolka LED dobíjení bliká zeleně.	Teplotní odchylka – baterie je příliš studená nebo příliš horká pro použití nebo nabíjení.	Nechte baterii vychladnout nebo zahřát. Když má baterie správnou teplotu, lze ji znovu použít nebo nabít. Nabíječku baterií používejte při okolních teplotách v rozsahu 5 až 40 °C.
Kontrolka LED dobíjení bliká červeně.	Vadná baterie.	Obrat'te se na svého prodejce.

Přeprava, skladování a likvidace

Přeprava a skladování

- Dodané Li-ion baterie podléhají požadavkům legislativy o nebezpečném zboží.
- Dodržujte zvláštní požadavky uvedené na obalu a označení pro komerční přepravu, platí i pro třetí strany a dopravce.
- Než odešlete výrobek, promluvte si s osobou speciálně vyškolenou ohledně manipulace s nebezpečnými materiály. Dodržujte platné národní předpisy.
- Před vložením baterie do obalu zalepte rozpojené kontakty páskou. Vložte baterii do obalu a zajistěte ji proti pohybu.
- Před přepravou nebo uskladněním vyjměte baterii.
- Uložte baterii a nabíječku baterií na místo, které je suché a chráněné před vlhkostí a mrazem.
- Neskladujte baterii v místech, kde může docházet k výbojům statické elektřiny. Neskladujte baterii v kovovém obalu.
- Baterii skladujte na místě, kde je teplota v rozsahu 5 až 25 °C (41 až 77 °F) a mimo přímé sluneční světlo.
- Nabíječku baterií skladujte na místě, kde je teplota v rozsahu 5 až 45 °C (41 až 113 °F) a mimo přímé sluneční světlo.
- Nabíječku baterií používejte pouze při okolních teplotách v rozsahu 5 až 40 °C (41 až 104 °F).
- Před dlouhodobým uskladněním se ujistěte, že je baterie nabitá na 30 až 50 %.

- Uložte baterii a nabíječku baterií do uzavřené a suché místnosti.
- Skladujte baterii mimo nabíječku baterií. Nedovolte, aby se děti nebo neoprávněné osoby dotýkaly zařízení. Uchovávejte zařízení na místě, které lze uzamknout.
- Před dlouhodobým skladováním výrobku jej vyčistěte a proveďte kompletní údržbu.
- Před přepravou a uskladněním umístěte na výrobek přepravní kryt pro prevenci zranění a poškození.
- Během přepravy musí být výrobek bezpečně upevněný.

Likvidace baterie, nabíječky baterií a výrobku

Níže uvedený symbol znamená, že výrobek nelze zlikvidovat jako domácí odpad. Odevzdejte jej ve stanici pro recyklaci elektrických a elektronických zařízení. To pomůže eliminovat nebezpečí poškození životního prostředí a zdraví osob.

Další informace získáte od místních úřadů, služby zajišťující zpracování domácího odpadu nebo prodejce.

(Obr. 24)

Povšimněte si: Tento symbol je znázorněn na výrobku nebo obalu výrobku.

Technické údaje

Technické údaje

	225i
Motor	
Typ	BLDC (bezkontaktní) 36V
Funkce	
Režim nízké spotřeby	SavE
Systém mazání	
Typ olejového čerpadla	Automatické
Objem olejové nádrže, ml/cm ³	0,2/200
Hmotnost	
Hmotnost řetězové pily bez baterie, vodící lišty, řetězu pily, s prázdnou nádrží oleje na mazání řetězu, kg	3,1
Emise hluku ¹⁰	
Hladina akustického výkonu, změřená dB(A)	97
Hladina akustického výkonu, zaručená L _{WA} dB (A)	100
Hladiny hluku ¹¹	
Hladina akustického tlaku v úrovni uší obsluhy, měřena dle normy EN 62841-1	89
Úrovně vibrací ¹²	
Přední rukojeť, m/s ²	3,9
Zadní rukojeť, m/s ²	3,9
Pilový řetěz / vodící lišta	
Doporučená délka vodící lišty, palce/cm	12–14/30,5–35,6
Využitelná délka řezu, palce/cm	11–13/27–33,2
Typ hnacího řetězového kola / počet zubů	Pevný řetězec/6
Maximální rychlost řetězu (normální režim), m/s	11,8
Maximální rychlost řetězu (režim SavE), m/s	9,4

¹⁰ Emise hluku do okolního prostředí měřené jako akustický výkon (L_{WA}) v souladu se směrnicí 2000/14/ES a normou EN ISO 22868 mají typickou statistickou odchylku (standardní odchylku) 3 dB (A).

¹¹ Uváděná data pro hladinu akustického tlaku pro stroj mají typickou statistickou odchylku (standardní odchylku) 3 dB (A).

¹² Úroveň vibrací podle normy EN 62841-4-1. Uváděná data o úrovni vibrací mají typickou statistickou odchylku (standardní odchylku) $\pm 1,5$ m/s². Deklarovaná data o úrovni vibrací pocházejí z měření provedených u řetězové pily osazené vodící lištou a doporučeným typem řetězu. Pokud je řetězová pila osazena jinou vodící lištou, úroveň vibrací se může změnit maximálně o $\pm 1,5$ m/s².

Příslušenství

Kombinace vodící lišty a řetězu pily

Pro model Husqvarna 225i jsou schváleny následující řezací nástavce.

Vodící lišta					Řetěz pily	
Typ	Délka, palce	Rozteč řetězu, palce	Šířka drážky, mm	Maximální poloměr špičky	Typ	Délka, vodící články (počet)
501959545	12	3/8" mini	1,1	7T	Husqvarna H38 (581808145)	45
501959552	14	3/8" mini	1,1	7T	Husqvarna H38 (581807952)	52

Nástroje na ostření a úhly ostření

K ostření řetězu pily používejte vodítko pilníku Husqvarna. Vodítko pilníku Husqvarna zajišťuje, že docílíte správných úhlů ostření. Objednací čísla dílů jsou uvedena v tabulce níže.

Pokud si nejste jistí, jak identifikovat typ řetězu pily na výrobku, vyhledejte si informace na webových stránkách www.husqvarna.com.

38	11/64 palce / 4,5 mm	75°	30°	0°	0,025 palce / 0,65 mm	505 69 81-03	579 55 88-01
93	5/32 palce / 4 mm	60°	30°	0°	0,025 palce / 0,65 mm	596 63 89-01	596 63 89-01

Schválené baterie

Baterie	40-B140
Typ	Lithium-iontová
Kapacita baterie, Ah	4
Jmenovité napětí, V	36

Baterie	40-B140
Hmotnost, kg	1.25

Nabíječky baterií schválené pro výrobek

Nabíječka baterií	40-C80
Síťové napětí, V	100–240
Frekvence, Hz	50–60
Výkon, W	72
Výstupní napětí, V DC/ ampéry, A	43/1,6

Prohlášení o shodě

Prohlášení o shodě EU

My, **Husqvarna AB**, SE-561 82 Huskvarna, Švédsko,
tel.: +46-36-146500, zcela zodpovědně prohlašujeme,
že výrobek:

Popis	Akumulátorové řetězové pily
Značka	Husqvarna
Typ/Model	225i
Identifikace	Výrobní čísla od roku 2023 a dále

je zcela ve shodě s následujícími směrnici a předpisy
EU:

Směrnice/předpis	Popis
2006/42/ES	„o strojních zařízeních“
2014/30/EU	„o elektromagnetické kompatibilitě“
2011/65/EU	„o omezení používání některých nebezpečných látek v elektrických a elektronických zařízeních“
2000/14/ES	„týkající se emisí hluku do okolního prostředí“

Byly uplatněny následující normy: EN
62841-1:2015+A11:2022, EN 62841-4-1:2020, EN
IEC 63000:2018, EN IEC 55014-1:2021, EN IEC
55014-2:2021.



Oznámený subjekt: Společnost TÜV Rheinland LGA
Products GmbH, Tillystrasse 2, D-90431 Nuernberg,
Germany, 0197, provedla typovou zkoušku podle
směrnice ES pro strojní zařízení (2006/42/ES), čl. 12,
odst. 3b. Certifikát má číslo: BM 50604678 0001.

Dodaná řetězová pila je shodná se vzorkem, který
prošel typovou zkouškou ES.

V souladu se směrnicí 2000/14/ES, příloha V, viz
část *Technické údaje na strani 97* s deklarovanými
hodnotami hluku.

Huskvarna, 2023-10-30

Claes Losdal, manažer výzkumu a vývoje, Husqvarna
AB

Osoba odpovědná za technickou dokumentaci

Indhold

Indledning.....	101	Fejlfinding.....	120
Sikkerhed.....	102	Transport, opbevaring og bortskaffelse.....	121
Montering.....	109	Tekniske data.....	122
Drift.....	110	Tilbehør.....	123
Vedligeholdelse.....	116	Overensstemmelseserklæring.....	125

Indledning

Anvendelsesformål

Denne motorsav til skovbrug er beregnet til skovarbejde som f.eks. fældning, afkvistning og savning.

Bemærk: National lovgivning kan definere begrænsninger på betjeningen af produktet.

Produktoversigt

(Fig. 1)

1. Kastbeskyttelse
2. Forreste håndtag
3. Brugergrenseflade
4. Start/stop-knap
5. Advarselslampe og batteriindikator
6. SavE-knap
7. Bageste håndtag med højrehandsbeskyttelse
8. Informations- og advarselsmærkat
9. Hus
10. Kædeolietank
11. Transportdæksel
12. Lås på strømudløser
13. Strømudløser
14. Drivhjulsdæksel med sværdets drejeknap
15. Kædestrammer
16. Kædefanger
17. Barkstøtte
18. Næsehjul
19. Savkæde
20. Sværd
21. Indikator for opladningsstatus
22. Stik
23. Batterioplader
24. Ring- og gaffelnøgle
25. Advarselsindikator
26. Knap, batteristatus
27. Batteristatus
28. Knap til udløsning af batteri
29. Batteri
30. Brugervejledning
31. Sværdets drejeknap
32. Drivhjulsdæksel med sværdbolt

Produktbeskrivelse

Husqvarna 225i er en motorsavsmodel med elektrisk motor.

Der arbejdes konstant på at øge din sikkerhed og effektivitet under betjening. Spørg en serviceforhandler for at få yderligere oplysninger.

Symboler på produktet

- (Fig. 2) **ADVARSEL:** Dette produkt kan være farligt og forårsage alvorlig personskade eller død for brugeren eller andre. Vær forsigtig, og brug produktet korrekt.
- (Fig. 3) Læs brugervejledningen, og sørg for at have forstået indholdet, inden du bruger produktet.
- (Fig. 4) Brug godkendt beskyttelseshjelm, høreværn og øjenværn.
- (Fig. 5) Brug begge hænder ved betjening af produktet.
- (Fig. 6) Brug ikke produktet med kun én hånd.
- (Fig. 7) Lad ikke sværdspidsen berøre en genstand.
- (Fig. 8) Apparatet må ikke bruges i regnvejr.
- (Fig. 9) **Advarsel!** Kast kan forekomme, når sværdspidsen kommer i kontakt med en genstand. Det medfører, at sværdet kastes i retning af brugeren. Risiko for alvorlig personskade eller død.
- (Fig. 10) Nominel spænding, V
- (Fig. 11) Savkædeolie.
- (Fig. 12) Savkædens rotationsretning og sværdets maksimale længde.

- (Fig. 13) Jævnstrøm.
- (Fig. 14) **Miljømærke.** Produktet og produktemballagen er ikke almindeligt husholdningsaffald. Aflever det på en genbrugsstation til elektrisk og elektronisk udstyr.
- (Fig. 15) Dette produkt overholder gældende EU-direktiver.
- (Fig. 16) Dette produkt overholder gældende UK-regulativer.
- (Fig. 17) Mærkat vedrørende emission af støj til omgivelserne i henhold til EU-direktiv 2000/14/EF, direktiver og regulativer i Storbritannien og New South Wales' lovgivning om "Beskyttelse af miljøet (støjbegrensning) forordning 2017". Produktets garanterede lydeffektniveau er angivet i *Tekniske data på side 122* og på mærkaten.
- (Fig. 21) Kædebremse, aktiveret (fremad). Kædebremse, deaktiveret (baglæns).
- (Fig. 22) Kædens retning.
- (Fig. 23) Typeskiltet viser serienummeret. **yyyy** er produktionsåret, **ww** er produktionsugen.

Bemærk: Andre symboler/mærkater på produktet henviser til certificeringskrav på visse markeder.

Symboler på batteriet og/eller på batteriopladeren

- (Fig. 24) Aflever produktet på en genbrugsstation for elektrisk og elektronisk udstyr. (Gælder kun Europa)
- (Fig. 18) Fejsikker transformere.
- (Fig. 19) Brug og opbevar kun batteriopladeren indendørs.
- (Fig. 20) Dobbel isolering.

Producent

Husqvarna AB
Drottninggatan 2, SE-561 82, Huskvarna, Sweden, tel: +46-36-146500

Skader på produktet

Vi er ikke ansvarlige for skader på vores produkt, hvis:

- produktet er forkert repareret.
- produktet er repareret med dele, der ikke er fra producenten eller ikke er godkendt af producenten
- produktet har tilbehør, der ikke er fra producenten eller ikke er godkendt af producenten.
- produktet ikke er repareret på et godkendt servicecenter eller af en godkendt myndighed.

Sikkerhed

Sikkerhedsdefinitioner

Advarsler, forholdsregler og bemærkninger bruges til at pege på særligt vigtige dele af brugsanvisningen.



ADVARSEL: Bruges, hvis føreren udsætter sig selv eller omkringstående personer for risiko for personskade eller dødsfald ved tilsidesættelse af instruktionerne i brugsanvisningen.



BEMÆRK: Bruges, hvis der er risiko for skader på produktet, andre materialer eller det omgivende område ved tilsidesættelse af instruktionerne i brugsanvisningen.

Bemærk: Bruges til at give yderligere oplysninger, der er nødvendige i en given situation.

Generelle sikkerhedsadvarsler om elværktøj



ADVARSEL: Læs alle sikkerhedsadvarsler, instruktioner, illustrationer og specifikationer, der følger med dette elværktøj. Hvis du ignorerer de nedenfor anførte instruktioner, kan det medføre elektrisk stød, brand og/eller alvorlige skader.

- **Opbevar alle advarsler og instruktioner til senere brug.** Betegnelsen "elværktøj" i advarselerne henviser til dit værktøj, som drives af strøm fra

elektricitetsnettet (med ledning) eller fra batteri (ledningsfrit).

Sikkerhed i arbejdsområdet

- **Hold arbejdsområdet rent og godt oplyst.** Rodede eller mørke områder er en invitation til ulykker.
- **Betjen ikke elværktøj i områder med eksplosionsfare som f.eks. i nærheden af brændbare væsker, luftarter eller støv.** Elværktøj danner gnister, som kan antænde støv eller dampe.
- **Hold børn og tilskuere borte, mens elværktøjet betjenes.** Distraction kan få dig til at miste styringen.

Elektrisk sikkerhed

- **Stikket på elværktøjet skal passe til stikkontakten. Man må aldrig ændre på stikket. Benyt ikke adapterstik i forbindelse med jordet elværktøj.** Uændrede stik og passende stikkontakter reducerer risikoen for elektrisk stød.
- **Undgå kropskontakt med jordede genstande som f.eks. rør, radiatorer, komfurer og køleskabe.** Der er øget risiko for elektrisk stød, hvis din krop har forbindelse til jord.
- **Udsæt ikke elværktøj for regn eller våde omgivelser.** Vand, som trænger ind i et elværktøj, forøger risikoen for elektrisk stød.
- **Behandl kablet forsigtigt. Benyt aldrig kablet til at bære eller trække i elværktøjet eller til at trække stikket ud. Hold ledningen væk fra varme, olie, skarpe kanter eller bevægelige dele.** Beskadede eller filtrede kabler forøger risikoen for elektrisk stød.
- **Når man anvender et elværktøj udendørs, skal man bruge en forlængerledning, der er egnet til udendørs brug.** Brug af en ledning, der er egnet til udendørs brug, reducerer risikoen for elektrisk stød.
- **Hvis ikke man kan undgå at anvende et elværktøj på fugtige steder, skal man anvende et stik, der er beskyttet af en fejlstrømsafbryder.** Brug af et kabel med fejlstrømsafbryder nedsætter risikoen for elektrisk stød.

Personlig sikkerhed

- **Vær altid opmærksom, hold øje med, hvad du foretager dig, og benyt sund fornuft, når du betjener elværktøj.** Benyt ikke elværktøj, hvis du er træt eller er påvirket af narkotika, alkohol eller medicin. Et øjeblikkelig opmærksomhed under betjening af elværktøj kan resultere i alvorlig personskade.
- **Bær personligt beskyttelsesudstyr. Brug altid beskyttelsesbriller.** Beskyttelsesudstyr som støvmaske, skridsikre sikkerhedssko, beskyttelseshjelm eller høreværn, som benyttes til de relevante formål vil nedsætte risikoen for personskade.
- **Sørg for at forhindre uønsket start af værktøjet. Sørg for, at kontakten er i frakoblet position, før du slutter produktet til strømkilden og/eller batterienheden, samt når du tager eller bærer produktet.** At bære elværktøj med fingeren på kontakten eller at sætte

strøm til elværktøj med tændt kontakt er en invitation til ulykker.

- **Fjern alle indstillingsnøgler eller tænger, før elværktøjet tændes.** En tang eller nøgle, der efterlades på en roterende del af elværktøjet, kan forårsage personskade.
- **Stræk dig ikke for langt. Sørg for altid at have godt fodfæste og god balance.** Det sikrer bedre kontrol med elværktøjet i uventede situationer.
- **Bær det korrekte tøj. Undgå at bære løstsiddende tøj eller smykker.** Hold hår og tøj væk fra bevægelige dele. Løst tøj, smykker eller langt hår kan blive fanget af bevægelige dele.
- **Hvis der forefindes udstyr til støvudsugning og -opsamling, skal du sikre, at det er tilsluttet, og at det bruges korrekt.** Brug af støvopsamling kan nedbringe støvrelaterede farer.
- **Lad ikke erfaringen fra tidligere brug af værktøjer gøre dig eftergivende, så du ignorerer sikkerhedsprincipperne for værktøj.** En uopsigtig handling kan give alvorlige skader på en brøkdæl af et sekund.

Brug og pleje af elværktøj

- **Brug ikke magt ved brug af elværktøjet. Brug det korrekte elværktøj til din opgave.** Det korrekte elværktøj udfører arbejdet bedre og mere sikkert ved den norm, som det er konstrueret til.
- **Benyt ikke elværktøjet, hvis kontakten ikke kan slå til og fra.** Ethvert stykke elværktøj, som ikke kan styres med kontakten, er farligt og skal repareres.
- **Tag stikket ud af stikkontakten og/eller fjern batterienheden, hvis den kan tages ud, fra elværktøjet, før du foretager justeringer, skifter tilbehør eller sætter det til opbevaring.** Denne form for forebyggende sikkerhedsforanstaltninger nedsætter risikoen for, at elværktøjet startes ved et uheld.
- **Opbevar elværktøj der ikke er i brug uden for børns rækkevidde og lad ikke personer, der ikke er bekendt med elværktøjet eller disse instruktioner, betjene elværktøjet.** Elværktøj er farligt i hænderne på utrænede brugere.
- **Vedligeholdelse af eldrevne redskaber og tilbehør. Kontroller, om bevægende dele sidder forkert eller binder, om dele er ødelagt og enhver anden tilstand, som kan påvirke elværktøjets funktion. Hvis elværktøjet er beskadiget, skal det repareres, før det bruges igen.** Mange ulykker skyldes dårligt vedligeholdt elværktøj.
- **Hold skæreprodukter skarpe og rene.** Korrekt vedligeholdt skæreprodukter med skarpe klinger er mindre tilbøjelige til at binde og er lettere at styre.
- **Benyt elværktøj, tilbehør, værktøjsbits osv. i overensstemmelse med disse instruktioner og tag højde for arbejdsforholdene og det arbejde, der skal udføres.** Hvis man bruger det eldrevne produkt til andre formål end de tiltænkte, kan det medføre farlige situationer.

- **Hold håndtag og gribeblader tørre, rene og frie for olie og fedt.** Glatte håndtag og gribeblader muliggør ikke sikker håndtering og kontrol af værktøjet i uventede situationer.

Brug og pleje af batteriredskaber

- **Genoplad kun med den oplader, som producenten foreskriver.** En oplader, der egner sig til en bestemt type batteripakke, kan medføre risiko for brand, hvis den benyttes sammen med en anden batteripakke.
- **Brug kun elværktøj sammen med de batterienheder, der er beregnet specifikt til dem.** Brug af andre batterienheder medfører risiko for skader og brand.
- **Når batteripakken ikke anvendes, skal du holde den væk fra andre metalgenstande, såsom papir, clips, mønter, nøgler, søm, skruer eller andre små metalgenstande, der kan kortslutte polerne.** Kortslutning af batteripolerne kan forårsage forbrændinger eller brand.
- **Under ugunstige forhold kan der sprøjte væske ud fra batteriet, undgå kontakt.** Hvis væsken alligevel berøres, skal der skylles med vand. Hvis du får væske i øjnene, skal du søge læge. Væske, der siver ud fra batteriet, kan medføre irritation eller forbrænding.
- **Brug ikke en batteripakke eller et værktøj, som er beskadiget eller modificeret.** Beskadigede eller modificerede batterier kan opføre sig uforudsigeligt og medføre brand, eksplosion eller risiko for personskade.
- **Udsæt ikke en batteripakke eller værktøj for brand eller høje temperaturer.** Udsættelse for brand eller temperatur over 130 °C / 266 °F kan forårsage eksplosion.
- **Følg alle opladningsinstruktioner, og oplad ikke batteripakken eller værktøjet uden for det temperaturområde, der er angivet i instruktionerne.** Forkert opladning eller opladning ved temperaturer uden for det specificerede område kan beskadige batteriet og øge risikoen for brand.

Service

- **Få en kvalificeret reparatør til at foretage service på dit ældre produkt, og brug kun originale reservedele.** Det vil sikre, at elværktøjets sikkerhed bliver bibeholdt.
- **Der må aldrig udføres service på beskadigede batteripakker.** Service på batteripakker bør kun udføres af producenten eller autoriserede serviceudbydere.

Generelle sikkerhedsadvarsler vedr. kædesav

- **Hold alle dele af kroppen på sikker afstand af kædesaven, når den er i brug. Før du starter kædesaven, skal du kontrollere, at savkæden ikke er i kontakt med noget.** Et øjeblik uopmærksomhed

under betjening af kædesaven kan medføre, at savkæden griber fat i dit tøj eller dele af kroppen.

- **Hold altid kædesaven med højre hånd på det bageste håndtag og venstre hånd på det forreste håndtag.** Hvis kædesaven holdes med omvendt håndstilling, er der forøget risiko for personskade, og det bør derfor aldrig gøres.
- **Hold kun kædesaven i de isolerede grebsoverflader, da savkæden kan komme i kontakt med skjulte ledninger.** Hvis savkæden kommer i kontakt med et strømførende kabel, kan det medføre, at kædesavens fritliggende metaldele også bliver strømførende, og at operatøren får elektrisk stød.
- **Brug øjenværm. Yderligere beskyttelsesudstyr til hørelse, hoved, hænder, ben og fødder anbefales.** Egnede beskyttelsesudstyr vil reducere risikoen for personskader forårsaget af omkringflyvende løse dele og utilsigtet kontakt med savkæden.
- **Betjen ikke en kædesav i et træ, på en stige, fra et tag eller med ustabil støtte.** Betjening af en kædesav på denne måde kan forårsage alvorlig personskade.¹³
- **Sørg altid for at have ordentligt fodfæste, og betjen kun kædesaven, når du står på et fast, sikkert og plant underlag.** Glatte eller ustabile overflader kan medføre tab af balance eller kontrol over kædesaven.
- **Hvis du saver i en gren, som er under spænding, skal du være opmærksom på, at den kan fjedre tilbage.** Når spændingen i træfibrene frigives, kan den belastede gren ramme operatøren og/eller kaste kædesaven ud af kontrol.
- **Udvis stor forsigtighed ved beskæring af buske og yngre træer.** Det slanke materiale kan gribe fat i savkæden og blive pisket mod dig eller trække dig ud af balance.
- **Bær kædesaven i det forreste håndtag med kædesaven afbrudt og vendt væk fra kroppen. Sæt altid beskyttelseshylsteret på sværdet, når kædesaven transporteres eller opbevares.** Korrekt håndtering af kædesaven vil reducere risikoen for utilsigtet kontakt med den roterende savkæde.
- **Følg anvisningerne for smøring, kædespænding og udskiftning af sværd og kæde.** En forkert spændt eller smurt kæde kan enten bryde eller forøge risikoen for kast.
- **Sav kun i træ. Brug aldrig kædesaven i modstrid med det tiltænkte formål. For eksempel: Brug ikke kædesaven til at skære i metal, plastik, murværk eller byggematerialer, som ikke er af træ.** Brug af kædesaven til andre opgaver, end den er beregnet til, kan medføre farlige situationer.
- **Forsøg ikke at fælde et træ, før du har en forståelse af risiciene, og hvordan de kan undgås.** Operatøren eller personer i nærheden kan komme alvorligt til skade under fældning af et træ.

¹³ Hvis du er uddannet i specielle skære- og arbejdsteknikker og er korrekt sikret (løfteskovle, reb, faldsikringssele), kan der foretages afvigelser fra denne sikkerhedsforskrift.

- **Følg alle instruktioner, når der fjernes fastsiddende materiale, og ved opbevaring eller vedligeholdelse af kædesaven. Sørg for, at kontakten er slukket, og batteripakken er fjernet.** Uventet aktivering af kædesaven, mens der fjernes fastsiddende materiale eller udføres vedligeholdelse, kan resultere i alvorlig personskade.
- **Brug ikke en kædesav oppe i et træ, medmindre du er uddannet til det.** Drift af en kædesav i et træ uden korrekt træning kan øge risikoen for alvorlig personskade.

Årsager til og brugerens muligheder for at forhindre kast

Der kan opstå kast, hvis sværdspidsen kommer i kontakt med genstande, eller hvis træet lukker sig og klemmer savkæden fast i savsporet. Hvis sværdspidsen kommer i kontakt med genstande, er der risiko for en meget pludselig bagudrettet reaktion, som kaster sværdet opad og tilbage mod brugeren. Fastklemning af savkæden langs toppen af sværdet kan medføre, at sværdet skubbes tilbage imod brugeren med høj hastighed. Alle disse reaktioner kan medføre, at du mister kontrollen over motorsaven, hvilket kan forårsage alvorlig personskade. Forlad dig aldrig udelukkende på de sikkerhedsanordninger, der er bygget ind i motorsaven. Som bruger af en motorsav skal du træffe en række foranstaltninger for at holde dine saveopgaver fri for ulykker og personskader. Kast er et resultat af misbrug af motorsaven og/eller forkerte betjeningsprocedurer eller -forhold og kan forhindres ved overholdelse af de relevante sikkerhedsforholdsregler som beskrevet nedenfor:

- **Oprethold et sikkert greb med tommelfingrene og de øvrige fingre omkring motorsavens håndtag og begge hænder på motorsaven, og placer kroppen og armene, så du har mulighed for at modstå kræfterne fra eventuelle kast.** Kræfterne, der udløses af kast, kan kontrolleres af brugeren, hvis de relevante forholdsregler træffes. Slip ikke motorsaven.
- **Stræk dig aldrig under arbejdet, og sav ikke over skulderhøjde.** Dermed er det i en vis udstrækning muligt at forhindre utilsigtet kontakt imellem spidsen af sværdet og andre genstande, og kontrollen over motorsaven kan bedre opretholdes i uventede situationer.
- **Brug kun sværd og savkæder ved udskiftning, som er godkendt af producenten.** Forkerte udskiftningssværd og savkæder kan medføre kædebrud og/eller kast.
- **Følg producentens file- og vedligeholdelsesanvisninger for savkæden.** Reduktion af højden på dybdemåleren kan medføre forøget risiko for kast.

GEM DISSE ANVISNINGER.

Generelle sikkerhedsinstruktioner



ADVARSEL: Læs følgende advarselsinstruktioner, inden du bruger produktet.

- Dette produkt er et farligt værktøj, hvis du ikke er forsigtig, eller hvis du bruger produktet forkert. Dette produkt kan forårsage alvorlig personskade eller død for brugeren eller andre. Det er meget vigtigt, at du læser og forstår indholdet i denne brugsanvisning.
- Du må ikke ændre produktet uden en godkendelse fra producenten. Brug ikke et produkt, der er blevet ændret af andre, og brug altid originalt tilbehør. Ændringer, der ikke er godkendt af producenten, kan resultere i alvorlig personskade eller dødsfald for brugeren eller andre.
- Langvarig indånding af kædeoliedampe og savsmuld kan give helbredsmæssige problemer.
- Dette produkt danner et elektromagnetisk felt under drift. Dette felt kan i nogle tilfælde påvirke aktive eller passive medicinske implantater. For at mindske risikoen for alvorlig personskade eller dødsfald anbefaler vi, at personer med medicinske implantater kontakter deres læge og producenten af det medicinske implantat, før de tager produktet i brug.

Sikkerhedsinstruktioner for betjening



ADVARSEL: Læs følgende advarselsinstruktioner, inden du bruger produktet.

- Oplysningerne i denne brugervejledning er ikke en erstatning for faglige færdigheder og erfaring. Hvis du ikke føler dig sikker i den situation, du befinder dig i, skal du stoppe produktet. Kontakt din serviceforhandler eller en professionel kædesavsoperatør. Undgå at udføre opgaver, som du ikke føler dig tilstrækkeligt kvalificeret til!
- Henvend dig til serviceforhandleren eller Husqvarna, hvis du har spørgsmål om betjeningen af produktet. Vi kan give dig oplysninger om, hvordan du betjener dit produkt effektivt og sikkert. Tag et kursus i betjening af kædesav, hvis det er muligt. Din serviceforhandler, skovbrugsskolen eller det lokale bibliotek kan give dig yderligere oplysninger om tilgængelige kurser og kursusmaterialer.
- Du skal forstå konsekvenserne af kast, og hvordan de forhindres, før du anvender dette produkt. Se *Oplysninger om kast på side 111* og *Ofte stillede spørgsmål om kast på side 111* for instruktioner.
- Brug ikke et produkt, et batteri eller en batterioplader, der er beskadigede eller ikke fungerer korrekt.
- Rør ikke ved en roterende savkæde. Det kan medføre alvorlige personskader og død.

- Brug ikke produktet, hvis du er træt, hvis du er påvirket af alkohol eller narkotika, medicin eller andet, som kan forringe dit syn, din årvågenhed, din kropskontrol eller din dømmekraft.
- Arbejde i dårligt vejr er trættende og øger ofte risici for skader. På grund af den øgede risiko anbefales det ikke at bruge maskinen i meget dårligt vejr, f.eks. tæt tåge, kraftig regn, hård vind, kraftig kulde, risiko for lynnedslag.
- Start ikke produktet, uden at sværd, savkæde og alle dæksler er monteret korrekt. Hvis de ikke er, kan drivhjulet løse sig og forårsage alvorlige personskader. Se *Montering på side 109* for instruktioner.

(Fig. 25)

- Nogle gange sætter spåner sig fast i koblingsdækslet, så savkæden klemmes fast. Stands altid motoren før rengøring.
- Hold øje med omgivelserne. Kontrollér, at der ikke er nogen risiko for, at personer eller dyr berører eller har indflydelse på din kontrol over produktet.

(Fig. 26)

- Lad ikke børn bruge eller være i nærheden af produktet. Produktet er nemt at starte, og børn kan muligvis starte det, hvis de ikke holdes under fuldt opsyn. Dette kan indebære risiko for alvorlige personskade.
- Fjern batteriet, når du ikke har fuldt opsyn med produktet eller efterlader produktet i længere tid.
- Du skal stå stabilt på fødderne for at have fuld kontrol over produktet. Brug ikke produktet, hvis du befinder dig på en stige eller i et træ. Brug ikke produktet, hvis du ikke befinder dig på stabil grund.

(Fig. 27)

- Arbejde i træer kræver brug af særlige save- og arbejdsteknikker, som skal overholdes for at mindske den forøgede risiko for personskade. Arbejd aldrig oppe i et træ, medmindre du har modtaget specifik, professionel undervisning i sådant arbejde, herunder undervisning i brug af sikkerheds- og andet klatreudstyr som f.eks. selet, tove, bæltter, klatrejern, låsehager, karabinhager osv.
- Forsøg aldrig at gribe faldende dele. Sav aldrig i træet, hvis du kun er sikret med ét tov. Brug altid to sikrede reb.
- Hvis du ikke er forsigtig, øges risikoen for kast. Et kast kan forekomme, hvis tilbageslagsområdet for sværdet ved et uheld rammer en gren, et træ eller andre genstande.

(Fig. 28)

- Hold ikke produktet med kun én hånd. Du kan ikke håndtere produktet sikkert med én hånd.
- Brug ikke produktet over skulderhøjde, og forsøg ikke at save med sværdspsiden.

(Fig. 29)

- Brug ikke produktet i en situation, hvor du ikke kan få hjælp, hvis der sker et uheld.

- Stop produktet, og aktivér kædebremsen, før du flytter produktet. Hold produktet med sværdet og savkæden pegende bagud. Sæt en transportafskærmning på sværdet før transport, eller før du flytter det, uanset afstanden.
- Når du anbringer produktet på jorden, skal du aktivere kædebremsen og holde konstant øje med produktet. Stop produktet, og fjern batteriet, før produktet efterlades uden opsyn, uanset hvor længe.
- Der er risiko for, at træflis sætter sig fast i drivsystemet. Dette kan medføre, at savkæden sætter sig fast. Stop altid produktet, og fjern batteriet, før du rengør det.
- Vibrationsniveauet øges, hvis du saver med skæreudstyr, der er forkert eller ikke korrekt filet. Savning i en hård træsort, f.eks. løvtræer, forårsager flere vibrationer end savning i en blød træsort, f.eks. nåletræer.

(Fig. 30)

- Overeksponering af vibrationer kan føre til kredsløbsforstyrrelser og skader på nervesystemet hos personer med kredsløbsforstyrrelser. Tal med din læge, hvis du får symptomer på overeksponering af vibrationer. Eksempler på sådanne symptomer er følelsesløshed, manglende følesans, kildren, stikken, smerte, manglende eller reduceret styrke i forhold til normalt, forandringer i hudens farve eller i dens overflade. Disse symptomer forekommer som regel i fingre, hænder eller håndled ved lave temperaturer.
- Forsøg ikke at beskære eller afkviste et stående træ, medmindre du er uddannet til det.
- Stå altid på den opadvendte side af terrænet, når du beskærer på en bakke, da det er sandsynligt, at træet ruller eller glider ned ad bakke, når det er fældet. For at opretholde fuld kontrol over produktet, når du saver, skal du lette savtrykket, når du er ved at være færdig med at save. Undlad at slippe grebet om håndtagene. Lad ikke savkæden berøre jorden. Vent på, at savkæden standser efter færdiggørelse af gennemsavningen, inden produktet flyttes. Stands altid motoren, inden du bevæger dig fra træ til træ.

(Fig. 31)

- Undlad at fælde et træ, hvis der er nogen risiko for, at det udsætter en person for fare, rammer eller beskadiger en elledning, eller forårsager materiel skade. Hvis træet rammer en elledning, skal elselskabet straks underrettes herom.
- Sørg for, at du kan bevæge dig sikkert omkring. Undersøg forholdene og terrænet omkring dig for eventuelle forhindrede som f.eks. rødder, sten, grene, grøfter og andet. Vær forsigtig, når du arbejder på skrånende terræn.
- Undgå situationer, som du mener ligger uden for dine kvalifikationer.
- Det er ikke muligt at medtage alle de situationer, du kan komme til at stå i, når du bruger dette produkt. Vær altid forsigtig, og brug din sunde fornuft.

(Fig. 32)

Personligt beskyttelsesudstyr



ADVARSEL: Læs følgende advarselsinstruktioner, inden du bruger produktet.

(Fig. 33)

- De fleste ulykker med kædesave sker, når savkæden rammer brugeren. Du skal bruge godkendte personlige værnemidler under betjening. Personlige værnemidler yder ikke fuld beskyttelse mod personskader, men det mindsker graden af skaderne i tilfælde af, at der skulle ske et uheld. Kontakt en serviceforhandler for at få anbefalinger om, hvilket udstyr der skal bruges.
- Dit tøj skal være tætsiddende, men må ikke begrænse dine bevægelser. Kontrollér regelmæssigt tilstanden af det personlige beskyttelsesudstyr.
- Brug en godkendt beskyttelseshjelm.
- Brug godkendt høreværn. Langvarig eksponering for støj kan medføre permanente høreskader.
- Anvend beskyttelsesbriller eller ansigtsværn for at reducere risikoen for personskader fra genstande, der slynges ud. Produktet kan slynge genstande som træspåner, små træstykker osv. ud med stor kraft. Dette kan medføre alvorlig skade, især på øjnene.
- Brug handsker med savværn.
- Brug bukser med savværn.
- Brug støvler med savværn, stålnæser og skridsikre såler.
- Hav altid en førstehjælpskasse i nærheden.
- Risiko for gnister. Hav brandslukningsudstyr og en skovl i nærheden som hjælp til at forebygge skovbrande.

Sikkerhedsanordninger på produktet



ADVARSEL: Læs følgende advarselsinstruktioner, inden du bruger produktet.

- Brug ikke et produkt med sikkerhedsanordninger, der er beskadigede eller ikke fungerer korrekt.
- Kontrollér sikkerhedsanordningerne regelmæssigt. Se *Vedligeholdelse og eftersyn af sikkerhedsanordninger på produktet på side 117*.
- Hvis sikkerhedsanordningerne er beskadigede eller ikke fungerer korrekt, skal du kontakte din Husqvarna-forhandler.

Funktioner i brugergrænsefladen

Brugergrænsefladen omfatter start-/stopknappen, knappen SavE, batteristatus og advarselsindikator. Advarselsindikatoren blinker, hvis kædebremsen er aktiveret, eller hvis der er risiko for overbelastning. Overbelastningsbeskyttelsen standser midlertidigt produktet, og du kan ikke bruge produktet, før

temperaturen falder. Hvis advarselsindikatoren lyser konstant, skal du kontakte din serviceforhandler.

(Fig. 34)

For yderligere oplysninger om brugergrænsefladen, se *Produktoversigt på side 101*.

Den automatiske stopfunktion

Produktet har en automatisk stopfunktion, der stopper produktet, hvis du ikke bruger det inden for 3 minutter.

Kædebremse med kastbeskyttelse

Produktet er forsynet med en kædebremse, der stopper savkæden i tilfælde af kast. Kædebremsen mindsker risikoen for ulykker, men det er kun dig, der kan forhindre dem.

(Fig. 35)



ADVARSEL: Undgå situationer, hvor der foreligger kastrisiko. Vær forsigtig, når du bruger dit produkt, og sørg for, at sværdeste kastrisikoområde ikke rører et objekt.

(Fig. 36)

Kædebremsen (A) aktiveres manuelt med venstre hånd eller automatisk ved hjælp af træghedsfunktionen. Flyt kastbeskyttelsen (B) fremefter for at aktivere kædebremsen manuelt. Denne bevægelse starter en fjederbelastet mekanisme, som stopper drivhjulet.

(Fig. 37)

Sådan aktiveres kædebremsen i forhold til kastets kraft og placeringen af produktet. Hvis du oplever et voldsomt kast, mens kastrisikoområdet er længst væk fra dig, aktiveres kædebremsen af træghedsfunktionen. Hvis kastet er lille, eller kastrisikoområdet er tættere på dig, aktiveres kædebremsen manuelt med venstre hånd.

(Fig. 38)

Brug kædebremsen som en parkeringsbremse, når du starter produktet, og når du flytter dig over korte afstande. Dette reducerer risikoen for, at du eller en person i nærheden rører savkæden.

(Fig. 39)

Træk kastbeskyttelsen bagud for at deaktivere kædebremsen.

(Fig. 40)

Et kast kan være lynhurtigt og meget voldsomt. De fleste kast er små og resulterer ikke altid i, at kædebremsen indkobles. Hvis et kast forekommer, når du bruger produktet, skal du holde godt fast rundt om håndtagene og ikke give slip.

(Fig. 41)

Kastbeskyttelsen mindsker også risikoen for at ramme savkæden, hvis din hånd slipper det forreste håndtag.

(Fig. 42)

I fældstillingen kan du ikke aktivere kædebremsen manuelt. Når kædebremsen er i denne position, kan den kun tilkobles via træghedsfunktionen.

(Fig. 43)

Lås på strømudløser

Låsen på strømudløseren forhindrer utilsigtet betjening af strømudløseren. Når du trykker strømudløserlåsen fremad (A) og derefter trykker strømudløserlåsen mod håndtaget (B), slippes strømudløseren (C). Hvis grebet om håndtaget slippes, flyttes både strømudløseren og låsen på strømudløseren tilbage i deres oprindelige stillinger.

(Fig. 44)

Kædefanger

Kædefangeren fanger savkæden, hvis den knækker eller løsner sig. Hvis du har den korrekte kædespænding, mindskes risikoen. Du reducerer også risikoen, hvis du foretager den korrekte vedligeholdelse på sværdet og savkæden. Se *Montering på side 109* og *Vedligeholdelse på side 116* for vejledning.

(Fig. 45)

Højrehandsbeskyttelse

Højrehandsbeskyttelsen fungerer som en beskyttelse af din hånd, hvis savkæden knækker eller løsner sig. Det forhindrer også forstyrrelser fra grene og kviste, når du bruger produktet.

(Fig. 46)

Batterisikkerhed



ADVARSEL: Læs følgende advarselsinstruktioner, inden du bruger produktet.

- Brug kun de batterier i 40-B serien, vi anbefaler til dit produkt. Se *Godkendte batterier på side 123*. Batterierne er softwarekrypteret.
- Brug kun batterierne i 40-B serien, der er genopladelige, som strømforsyning til de relaterede Husqvarna produkter. Se *Godkendte batterier på side 123*. For at undgå personskaade må batteriet ikke anvendes som strømforsyning til andre produkter.
- Risiko for elektrisk stød. Tilslut ikke batteripolerne til nøgler, skruer eller andre metalgenstande. Dette kan medføre en kortslutning af batteriet.
- Brug ikke batterier, der ikke er genopladelige.
- Sæt ikke genstande ind i batteriets luftspalte.

- Hold batteriet væk fra sollys, varme og åben ild. Batteriet kan medføre forbrændinger og/eller kemiske forbrændinger.
- Hold batteriet væk fra regn og våde omgivelser.
- Hold batteriet væk fra mikrobløjer og højt tryk.
- Forsøg ikke at skille batteriet ad eller udelægge det.
- Lad ikke batterisyre komme i kontakt med huden. Batterisyre giver hudskader, korrosion og forbrændinger. Hvis du får batterisyre i øjnene, må du ikke gnide øjnene. Sørg for at skylle dem med rigeligt vand i mindst 15 minutter. Hvis batterisyre har rørt ved din hud, skal du rense huden med store mængder vand og sæbe. Opsøg en læge.
- Brug batteriet i temperaturer mellem -10 °C (14 °F) og 40 °C (104 °F).
- Batteriet eller batteriopladeren må aldrig rengøres med vand. Se *Sådan kontrolleres batteriet og batteriholderen på side 117*.
- Brug ikke et beskadiget batteri.
- Opbevar batterierne væk fra metalgenstande som f.eks. søm, skruer og smykker.
- Opbevar batteriet utilgængeligt for børn.

Batteriopladersikkerhed



ADVARSEL: Læs følgende advarselsinstruktioner, inden du bruger produktet.

- Risiko for elektrisk stød eller kortslutning, hvis sikkerhedsinstruktionerne ikke overholdes.
- Brug en godkendt jordforbundet stikkontakt, der ikke er beskadiget.
- Brug ikke andre batteriopladere end den, der blev leveret med dit produkt. Brug kun 40-C80 ladere når du oplader Husqvarna reservebatterier 40-B140. Se *Godkendte batteriopladere til produktet på side 124* og *Godkendte batterier på side 123*.
- Forsøg aldrig at adskille batteriopladeren.
- Brug ikke en defekt eller beskadiget batterioplader.
- Løft aldrig batteriopladeren ved hjælp af ledningen. Træk stikket ud for at afbryde batteriopladeren fra stikkontakten. Træk ikke i strømkablet.
- Hold alle kabler og forlængerledninger væk fra vand, olie og skarpe kanter. Sørg for, at ledningen ikke bliver klemt i døre, hegn eller lignende.
- Brug ikke batteriopladeren i nærheden af brandfarlige materialer eller materialer, der kan medføre korrosion. Sørg for, at batteriopladeren ikke er dækket. I tilfælde af røgafgivelse eller brand skal batteriopladeren afbrydes fra stikkontakten.
- Oplad kun batteriet indendørs på et sted med god ventilation og beskyttet mod direkte sollys. Batteriet må ikke oplades udendørs. Oplad ikke batteriet under våde forhold.
- Brug kun batteriopladeren ved temperaturer mellem 5 °C (41 °F) og 40 °C (104 °F). Brug

batteriopladeren på et sted med god ventilation, hvor den ikke udsættes for fugt eller støv.

- Sæt ikke genstande ind i batteriopladerens luftspalter.
- Forbind aldrig batteriopladerens poler med metalgenstande, da dette kan kortslutte batteriopladeren.
- Brug godkendte stikkontakter, som ikke er beskadiget.
- Ikke-genopladelige batterier må ikke oplades i batteriopladeren.

Sikkerhedsinstruktioner for vedligeholdelse



ADVARSEL: Læs følgende advarselsinstruktioner, inden du udfører vedligeholdelse på produktet.

- Fjern batteriet, inden du udfører vedligeholdelse, anden kontrol eller samler produktet.
- Brugeren må kun udføre den form for vedligeholdelses- og servicearbejde, der beskrives i denne brugervejledning. Kontakt en servicetekniker i forbindelse med større vedligeholdelses- og serviceopgaver.
- Batteriet eller batteriopladeren må aldrig rengøres med vand. Stærke opløsningsmidler kan beskadige platen.
- Hvis du ikke udfører vedligeholdelse, reduceres levetiden for produktet og risikoen for ulykker øges.
- Der kræves særlig uddannelse til al service og reparation, især for sikkerhedsanordninger på produktet. Hvis ikke alle kontroller i denne brugsanvisning er godkendt, efter du har udført vedligeholdelse, skal du kontakte din servicetekniker. Vi garanterer, at der er

professionelle reparationer og vedligeholdelse til rådighed for dit produkt.

- Brug altid kun originale reservedele.

Sikkerhedsinstruktioner til skæreudstyret



ADVARSEL: Læs følgende advarselsinstruktioner, inden du bruger produktet.

- Brug kun de godkendte kombinationer af sværd/ savkæde og fileudstyr. Se *Tekniske data på side 122* for yderligere vejledning.
- Brug beskyttelseshandsker, når du bruger eller udfører vedligeholdelse på savkæden. En savkæde, der ikke bevæger sig, kan også forårsage skader.
- Hold skæretænderne korrekt filede. Overhold instruktionerne, og brug det anbefalede ryttermål. En savkæde, der er beskadiget eller forkortet filet, øger risikoen for ulykker.

(Fig. 47)

- Hold korrekt rytterhøjde. Følg vores instruktioner, og brug den anbefalede rytterindstilling. Hvis rytterindstillingen er for stor, øges risikoen for kast.

(Fig. 48)

- Sørg for, at savkæden har den korrekte spænding. Hvis kæden ikke ligger tæt mod sværdet, kan kæden afsøres. En forkort savkædespænding øger slitage på sværdet, savkæden og kædedrivhjulet. Se *Tilbehør på side 123*.

(Fig. 49)

- Udfør vedligeholdelse på skæreudstyret regelmæssigt, og hold det korrekt smurt. Hvis kæden ikke er korrekt smurt, er der øget risiko for slitage på sværdet, savkæden og kædedrivhjulet.

(Fig. 50)

Montering

Samling af sværdet og savkæden (med drejeknap)



ADVARSEL: Fjern altid batteriet, før du samler eller udfører vedligeholdelse på produktet.

1. Deaktiver kædebremseren. (Fig. 51)
2. Løsn sværdets drejeknap, og afmonter drivhjulsdækslet. (Fig. 52)
3. Sæt sværdet oven på sværdbolt. Styr sværdet ind i den bageste position. Løft savkæden over drivkædehjulet, og sæt den i indgreb i sporet på sværdet. Start på sværdets overside.
4. Kontrollér, at æggene på skæretøjet peger fremad på sværdets overside. (Fig. 53)

5. Monter drivhjulsdækslet, og styr kædejusteringstappen til hullet i sværdet.
6. Sørg for, at savkædens drivled sidder perfekt på drivkædehjulet.
7. Sørg for, at savkæden er korrekt tilkoblet i sporet i sværdet.
8. Sådan strammes savkæden. Se *Vedligeholdelse på side 116* for instruktioner.
9. Spænd sværdets drejeknap.

Samling af sværdet og savkæden (med sværdbolt)



ADVARSEL: Fjern altid batteriet, før du samler eller udfører vedligeholdelse på produktet.

1. Deaktiver kædebremsen. (Fig. 51)
2. Skru sværdmøtrikken af, og afmonter drivhjulsdækslet. (Fig. 54)
3. Sæt sværdet oven på sværdbolten. Styr sværdet ind i den bageste position. Løft savkæden over drivkædehjulet, og sæt den i indgreb i sporet på sværdet. Start på sværdets overside.
4. Kontrollér, at æggene på skæretøjet peger fremad på sværdets overside. (Fig. 55)
5. Monter drivhjulsdækslet, og styr kædejusteringstappen til hullet i sværdet.
6. Sørg for, at savkædens drivled sidder perfekt på drivkædehjulet.
7. Sørg for, at savkæden er korrekt tilkoblet i sporet i sværdet.
8. Spænd sværdmøtrikken med fingrene.

9. Stram savkæden. Se *Vedligeholdelse på side 116* for instruktioner.

Sådan installeres batteriopladeren på væggen



BEMÆRK: Brug ikke en elektrisk skruetrækker til at montere batteriopladeren på væggen. En elektrisk skruetrækker kan beskadige batteriopladeren.

1. Installer batteriopladeren på væggen med de 2 skruer (A). Brug rawplugs (B), hvis det er nødvendigt. (Fig. 56)
2. Monter de 2 skruehulspropper (C).
3. Tilslut strømkablet (D) til batteriopladeren og en stikkontakt.

Drift

Indledning



ADVARSEL: Læs og forstå kapitlet om sikkerhed, før du bruger produktet.

Udfør en funktionskontrol, inden du bruger produktet

1. Kontrollér kædebremsen (A) for at sikre, at den fungerer korrekt, og at den ikke er beskadiget.
2. Kontrollér den bageste højrehåndsbeskyttelse (B) for at sikre, at den ikke er beskadiget.
3. Kontrollér strømudløseren og låsen på strømudløseren (C) for at sikre, at de fungerer korrekt, og at de ikke er beskadigede.
4. Kontrollér tastaturet (D) for at sikre, at det fungerer korrekt.
5. Sørg for, at der ikke er olie på håndtagene (E).
6. Udfør en kontrol for at sikre, at alle dele er korrekt monteret og ikke er beskadigede eller mangler.
7. Kontrollér kædefangeren (F) for at sikre, at den fungerer korrekt.
8. Kontrollér kædespændingen (G).
9. Oplad batteriet (H), og kontrollér, at det sidder korrekt på produktet.
10. Sørg for, at savkæden standser, når du slipper strømudløseren. (Fig. 57)

Sådan bruger du den korrekte kædeolie



ADVARSEL: Brug aldrig spildolie, som kan forårsage skade på dig selv og

miljøet. Spildolie forårsager også skader på oliepumpen, sværdet og savkæden.



ADVARSEL: Hvis smøringen af skæreudstyret ikke er tilstrækkelig, kan det medføre, at savkæden knækker. Risiko for alvorlig personskade eller dødsfald for brugeren.



ADVARSEL: Brug den korrekte kædeolie, så funktionen kan fungere korrekt. Henvend dig til din serviceforhandler, når du vælger en kædeolie.

- Brug Husqvarna-kædeolie til at maksimere savkædens levetid og for at undgå negative virkninger på miljøet. Hvis Husqvarna-kædeolien ikke er tilgængelig, anbefaler vi, at du bruger en standardkædeolie.
- Brug en kædeolie med god klæbeevne på kæden.
- Brug en kædeolie med korrekt viskositet, der passer til lufttemperaturen.



BEMÆRK: Ved temperaturer under 0 °C/ 32 °F kan nogle savkædeolier blive tykke, hvilket kan forårsage skade på oliepumpens komponenter.

- Brug det anbefalede skæreudstyr. Se *Tilbehør på side 123*.
- Tag dækslet af kædeolietanken.
- Fyld kædeolietanken med olie.
- Fastgør forsigtigt dækslet.

(Fig. 58)

Bemærk: Se *Indledning på side 101* for at se, hvor kædeolietanken sidder på produktet.

Batteri



ADVARSEL: Læs og forstå kapitlet om sikkerhed, før du bruger batteriet. Læs og forstå brugervejledningen for batteriet og batteriopladeren.

Opbevar batteriet og batteriopladeren ved de korrekte omgivende temperaturer.

	Omgivelsestemperatur
Betjening af batteriet	5 °C-40 °C / 41 °F-104 °F
Opladning af batteriet	5 °C-40 °C / 41 °F-104 °F

Batteristatus

Displayet viser status for opladningstilstand, og om der er problemer med batteriet.

(Fig. 59)

LED-indikator	Batteriopladningsstatus
4 LED-lamper er tændt	Batteriet er opladet 76-100%.
3 LED-lamper er tændt	Batteriet er opladet 51-75%.
2 LED-lamper er tændt	Batteriet er opladet 26-50%.
1 LED-lampe er tændt	Batteriet er opladet 6-25%.
1 LED-lampe blinker	Batteriet er opladet 0-5%.

Sådan oplades batteriet

Oplad batteriet, hvis det er første gang, du bruger det. Et nyt batteri er kun 30 % opladet.



BEMÆRK: Tilslut batteriopladeren til et strømudtag med den spænding og frekvens, der fremgår af typeskiltet.

Batteriet oplades ikke, hvis batteriets temperatur er højere end 50 °C/122 °F.

1. Tilslut strømkablet til batteriopladeren.
2. Tilslut batteriopladeren til et jordet strømudtag. LED-indikatoren for opladning blinker en gang. (Fig. 60)
3. Tilslutning af batteriet til batteriopladeren. LED-indikator for opladning tændes. Oplad batteriet i maks. 24 timer. (Fig. 61)
4. Tryk på batteriindikatorknappen. Hvis alle LED-indikatorerne tændes, er batteriet fuldt opladet.
5. Træk stikket ud for at frakoble batteriopladeren fra strømudtaget. Træk ikke i strømkablet.
6. Fjern batteriet fra batteriopladeren.

Oplysninger om kast



ADVARSEL: Et kast kan forårsage alvorlig personskade eller død for brugeren eller andre. For at reducere risikoen skal du forstå årsagen til kast, og hvordan du forebygger dette.

Kast sker, når sværdets kastrisikoområde kommer i kontakt med et objekt. Kast kan ske pludseligt og med stor kraft, som slynger produktet mod brugeren.

(Fig. 36)

Kast slår altid i sværdplanets retning. Normalt kastes produktet mod brugeren, men det kan også bevæge sig i en anden retning. Det er den måde, du bruger produktet på, når kastet opstår, der bestemmer bevægelsens retning.

(Fig. 62)

Kast kan kun ske, når sværdets kastrisikoområde kommer i kontakt med et objekt. Lad ikke kastrisikoområdet røre et objekt.

(Fig. 36)

Hvis sværdet har en mindre næseradius, reduceres kastets styrke.

Brug en savkæde med lavt kast for at mindske virkningerne af kastet. Lad ikke kastområdet røre et objekt.



ADVARSEL: Ingen savkæde kan helt forhindre kast. Overhold altid anvisningerne.

Ofte stillede spørgsmål om kast

- **Vil hånden altid aktivere kædebremsen i tilfælde af kast?**

Nej. Det er nødvendigt at bruge lidt kræfter til at skubbe kastbeskyttelsen fremad. Hvis du ikke bruger den nødvendige kraft, aktiveres kædebremsen

måske ikke. Du skal også holde håndtagene på produktet stabilt med begge hænder under arbejdet. Hvis der opstår et kast, stopper kædebremsen måske ikke savkæden, før den rammer dig. Der er også nogle arbejdsstillinger, som gør, at din hånd ikke kan berøre kastbeskyttelsen for at aktivere kædebremsen.

- **Vil træghedsfunktionen altid aktivere kædebremsen i tilfælde af kast?**

Nej. Først skal kædebremsen fungere korrekt. Se *Vedligeholdelse og eftersyn af sikkerhedsanordninger på produktet på side 117* for vejledning i, hvordan du kontrollerer kædebremsen. Vi anbefaler, at du gør dette hver gang, før du anvender produktet. For det andet skal kastets kraft være stor for at aktivere kædebremsen. Hvis kædebremsen er for følsom, kan den aktiveres ved ujævnt arbejde.

- **Beskytter kædebremsen mig altid mod skader i tilfælde af kast?**

Nej. Kædebremsen skal fungere korrekt for at give beskyttelse. Kædebremsen skal også aktiveres under et kast for at stoppe savkæden. Hvis du er i nærheden af sværdet, er det muligt, at kædebremsen ikke når at stoppe savkæden, før den rammer dig.



ADVARSEL: Det er kun dig selv og den rigtige arbejdsteknik, der kan forhindre kast.

Sådan startes produktet

1. Kontrollér strømudløseren og strømudløserlåsen. Se *Sådan kontrolleres låsen på strømudløseren på side 117*.
2. Aktivér kædebremsen. (Fig. 63)
3. Sæt batteriet i batteriholderen. (Fig. 64)



BEMÆRK: Sørg for, at batteriet er monteret korrekt i batteriholderen. Hvis batteriet ikke bevæger sig let ind i batteriholderen, så er det ikke monteret korrekt.

4. Tryk på den nederste del af batteriet, indtil du hører et klik. (Fig. 65)
5. Tryk på start/stop-knappen, og hold den nede, indtil det grønne LED-lys tændes. (Fig. 66)

Sådan bruges Save-funktionen

Save-funktionen reducerer kædens hastighed og øger produktets kraft.

1. Tryk på knappen Save. Den grønne LED tænder.
2. Tryk på Save-knappen igen for at afbryde funktionen. Den grønne LED slukker. (Fig. 67)

Sådan standses produktet

1. Tryk på start/stopknappen, indtil den grønne LED-indikator slukker. (Fig. 66)
2. Tryk på batteriudløserknapperne, og tag batteriet ud af batteriholderen for at undgå utilsigtet start. (Fig. 68)

Tilbagestrøg og savn timer med skubbende savkæde

Du kan save igennem træ med produktet i to forskellige positioner.

- At save med trækkende savkæde er, når du saver med bunden af sværdet. Savkæden trækker igennem træet, når du saver. I denne position har du bedre kontrol over produktet og positionen af dets kastrisikoområde.

(Fig. 69)

- At save med skubbende savkæde er, når du saver med toppen af sværdet. Savkæden skubber produktet i retning af brugeren.

(Fig. 70)



ADVARSEL: Hvis savkæden sætter sig fast i træstammen, kan produktet blive skubbet mod dig. Hold godt fast på produktet, og sørg for, at sværdets kastrisikoområde ikke berører træet og forårsager et kast.

(Fig. 71)

Sådan anvendes savn timer teknikken



ADVARSEL: Brug fuld kraft, når du saver, og nedsæt hastigheden til tomgang efter hvert savsnit.



BEMÆRK: Lad ikke motoren køre for længe uden belastning. Det kan forårsage skader på motoren.

1. Placer stammen på en savbuk eller runners. (Fig. 72)



ADVARSEL: Forsøg ikke at save træstammer i en bunke. Det øger risikoen for kast og kan medføre alvorlig personskade eller død.

2. Fjern de afsavede stykker fra arbejdsområdet.



ADVARSEL: Afsavede stykker i arbejdsområdet øger risikoen for kast, og for at du ikke kan holde balancen.

Sådan bruges barkstøtten

1. Skub barkstøtten ind i træets stamme.
2. Giv fuld gas, og drej produktet. Hold barkstøtten mod stammen. Denne procedure gør det lettere at anvende den kraft, der er nødvendig for at skære igennem stammen. (Fig. 73)

Sådan foretages savning i en stamme, der ligger på jorden

1. Sav igennem stammen med trækkende savkæde. Hold fuld kraft, men vær forberedt på pludseligt uheld. (Fig. 74)



ADVARSEL: Sørg for, at savkæden ikke kommer i kontakt med jorden, når du har gennemført snittet.

2. Skær ca. $\frac{2}{3}$ igennem stammen, og stop derefter. Drej stammen, og skær fra den modsatte side. (Fig. 75)

Sådan saver du i en stamme, der er understøttet i den ene ende



ADVARSEL: Sørg for, at stammen ikke knækker under savning. Overhold anvisningerne nedenfor.

(Fig. 76)

1. Sav med skubbende savkæde ca. $\frac{1}{3}$ igennem stammen.
2. Sav igennem stammen med trækkende savkæde, indtil de to snit mødes. (Fig. 77)

Sådan saver du i en stamme, der er understøttet i to ender



ADVARSEL: Sørg for, at kæden ikke kommer i klemme i stammen under savning. Overhold anvisningerne nedenfor.

(Fig. 78)

1. Sav med undersiden ca. $\frac{1}{3}$ igennem stammen.
2. Sav igennem den resterende del af stammen med skubbende savkæde for at afslutte snittet. (Fig. 79)



ADVARSEL: Stands motoren, hvis kæden kommer til at sidde fast i stammen. Brug en løftestang til at åbne savsnittet og få produktet fri. Forsøg ikke at rykke produktet løs. Dette kan resultere i personskade, når produktet pludseligt løsnes.

Sådan anvendes afkvistningsteknikken

Bemærk: Til tykke grene bruges savteknikken. Se *Sådan anvendes savningsteknikken på side 112.*



ADVARSEL: Der er en høj risiko for uheld ved brug af afkvistningsteknikken. Se *Oplysninger om kast på side 111* for at få instruktioner om at undgå kast.



ADVARSEL: Sav grene af en ad gangen. Vær forsigtig, når du fjerner små grene, og pas på ikke at save i buske eller mange små grene på samme tid. Små grene kan blive fanget i kæden og forhindre sikker brug af produktet.

Bemærk: Hvis det er nødvendigt, skal du skære grenene stykke for stykke. Skær de mindre grene (A) og (B), før du skærer grenen i nærheden af stammen (C).

(Fig. 80)

1. Fjern grenene på højre side af stammen.
 - a) Hold sværdet på højre side af stammen og hold produktets kabinet mod stammen.
 - b) Vælg den relevante savteknik til spændingen i grenen. (Fig. 81)



ADVARSEL: Hvis du ikke er sikker på, hvordan du skal skære grenen, skal du tale med en professionel motorsavsoperatør, før du fortsætter.

2. Fjern grenene i toppen af stammen.
 - a) Hvil produktet på stammen, og lad sværdet bevæge sig langs stammen.
 - b) Sav med skubbende savkæde. (Fig. 82)
3. Fjern grenene på venstre side af stammen.
 - a) Vælg den relevante savteknik til spændingen i grenen. (Fig. 83)



ADVARSEL: Hvis du ikke er sikker på, hvordan du skal skære grenen, skal du tale med en professionel motorsavsoperatør, før du fortsætter.

Se *Sådan saves i træer og grene, som befinder sig i spænd på side 115* for at få oplysninger om, hvordan du skal save grene, som er under spænding.

Sådan anvendes træfældningsteknikken



ADVARSEL: Du skal have erfaring for at fælde et træ. Hvis det er muligt, så deltag i et kursus i betjening af motorsave. Tal med en erfaren operatør for at få mere at vide.

Sådan holdes sikker afstand

1. Sørg for, at personer omkring dig holder sikker afstand på mindst 2 1/2 trælængde. (Fig. 84)
2. Sørg for, at der ikke befinder sig personer inden for dette risikoområde før og under fældning. (Fig. 85)

Sådan beregnes faldretningen

1. Undersøg, hvilken retning det er nødvendigt, at træet falder i. Målet er at fælde træet i en position, hvor du nemt kan afkviste og save i stammen. Det er også vigtigt, at du står stabilt på fødderne og kan bevæge dig sikkert omkring.



ADVARSEL: Hvis det er farligt eller ikke muligt at fælde træet i dets naturlige retning, skal du fælde træet i en anden retning.

2. Undersøg den naturlige faldretning af træet. F.eks. hældningen og bøjningen af træet, vindretning, placeringen af grene og vægten af sne.
3. Undersøg, om der er hindringer, f.eks. andre træer, kraftkabler, veje og/eller bygninger omkring.
4. Se efter tegn på skader og råd i stammen.



ADVARSEL: Råd i stammen kan indebære en risiko for, at træet falder, inden du er færdig med at save.

5. Sørg for, at træet ikke har nogle beskadigede eller døde grene, som kan falde ned og skade dig under fældningsarbejdet.
6. Du må ikke lade træet falde på et andet stående træ. Det er farligt og forbundet med meget stor ulykkesrisiko at fjerne et fastfældet træ. Se *Sådan frigøres et fastfældet træ på side 115*. (Fig. 86)



ADVARSEL: Ved kritiske fældninger skal du løfte dit høreværn, lige så snart savningen er afsluttet. Det er vigtigt, at du lytter efter lyde og advarselssignaler.

Sådan fjerner du stammen og forbereder din retrætevej

Klip alle grene fra skulderhøjde og ned.

1. Sav med undersiden af sværdet oppefra og ned. Sørg for, at træet er mellem dig og produktet. (Fig. 87)
2. Ryd undervegetation fra arbejdsområdet rundt om træet. Fjern alle afskærne materialer fra arbejdsstedet.
3. Udfør en kontrol af området med hensyn til forhindringer som f.eks. sten, grene og huller. Du skal have en let fremkommelig retrætevej, når træet begynder at falde. Retrætevejen bør ligge ca. 135° væk fra faldretningen.

1. Risikoområdet
2. Retrætevejen
3. Fældningsretningen

(Fig. 88)

Sådan fælder man træer

Husqvarna anbefaler, at du laver retningsnit og derefter bruger sikkerhedshjørnemetoden, når du fælder et træ. Sikkerhedshjørnemetoden hjælper dig med at opnå et korrekt brudpunkt og styre faldretningen.



ADVARSEL: Undlad at fælde et træ med en diameter, der er mere end to gange større end sværdets længde. Til dette formål skal du have specialuddannelse.

Brudpunktet

Den vigtigste procedure under træfældning er at opnå det korrekte brudpunkt. Med et korrekt brudpunkt kan du styre faldretningen og sørge for, at fældningsproceduren er sikker.

Tykkelsen af brudpunktet skal være ens og minimum 10 % af træets diameter.



ADVARSEL: Hvis brudpunktet er forkejt eller for tyndt, har du ingen kontrol over faldretningen.

(Fig. 89)

Sådan foretages retningsnittene

1. Foretag retningsnittene. Kør retningsnittene 1/4 af træets diameter. Lav en vinkel på 45° mellem oversnittet og undersnittet.
 - a) Lav oversnittet først. Ret faldretningsmærket (A) for produktet ind efter træets faldretning (B). Hold dig bag produktet, og sørg for at have træet på din højre side. Sav med trækkende savkæde.
 - b) Lav undersnittet. Sørg for, at enden af undersnittet er på samme sted i slutningen af oversnittet. (Fig. 90)
2. Sørg for, at retningsnitlinjen er helt vandret og vinkelret (90°) på faldretningen. Retningsnitlinjen går gennem det punkt, hvor de to retningsnit mødes. (Fig. 91)

Sådan bruges sikkerhedshjørnemethoden

Fældesnittet skal foretages en smule over retningsnittet.

(Fig. 92)



ADVARSEL: Vær forsigtig, når du saver med sværdets spids. Start med den nederste del af sværdets spids, når du foretager et stiksnit ind i stammen.

(Fig. 93)

1. Hvis den effektive skærelængde er længere end træets diameter, foretages disse trin (a-d).
 - a) Udfør et stiksnit lige ind i stammen for at fuldføre brudpunktets bredde. (Fig. 94)
 - b) Sav med undersiden, indtil der er $\frac{1}{3}$ af stammen tilbage.
 - c) Træk sværdet 5-10 cm/2-4 tommer bagud.
 - d) Skær gennem resten af stammen for at få et sikkert hjørne, der er 5-10 cm/2-4 tommer bredt. (Fig. 95)
2. Hvis den effektive skærelængde er kortere end træets diameter, foretages disse trin (a-d).
 - a) Udfør et stiksnit lige ind i stammen. Stiksnittet skal strække sig $\frac{3}{5}$ af træets diameter.
 - b) Sav med undersiden gennem resten af stammen. (Fig. 96)
 - c) Sav lige ind i stammen fra den anden side af træet for at fuldføre brudpunktets bredde.
 - d) Sav med skubbende savkæde, indtil $\frac{1}{3}$ af stammen er tilbage, for at opnå det sikre hjørne. (Fig. 97)
3. Slå en kile ind i savsnittet bagfra. (Fig. 98)
4. Sav hjørnet af for at få træet til at falde.

Bemærk: Hvis træet ikke falder, skal du slå på kilen, indtil det gør.

5. Når træet begynder at falde, skal du bruge retrætevejen til at bevæge dig væk fra træet. Flyt mindst 5 m væk fra træet.

Sådan frigøres et fastfældet træ



ADVARSEL: Det er meget farligt og forbundet med meget stor ulykkesrisiko at fjerne et fastfældet træ. Hold dig ude af

risikoområdet, og forsøg ikke at fælde et fastfældet træ.

(Fig. 99)

Den sikreste metode er at bruge et af følgende spil:

- Traktormonteret

(Fig. 100)

- Transportabel

(Fig. 101)

Sådan saves i træer og grene, som befinder sig i spænd

1. Find ud af, hvilken side af træet eller grenen, der er i spænd.
2. Find ud af, hvor punktet med mest spænding er. (Fig. 102)
3. Undersøg, hvad der er den sikreste procedure for at udløse spændingen.

Bemærk: I nogle situationer er den eneste sikre procedure at bruge et spil og ikke dit produkt.

4. Hold dig på et sted, hvor træet eller grenen ikke kan ramme dig, når spændingen udløses. (Fig. 103)
5. Lav et eller flere savsnit med tilstrækkelig dybde til at mindske spændingen. Sav ved eller i nærheden af punktet med maksimal spænding. Få træet eller grenen til at knække af ved punktet med maksimal spænding. (Fig. 104)



ADVARSEL: Sav ikke helt igennem et træ eller en gren, der er i spænd.



ADVARSEL: Vær forsigtig, når du saver i et træ, der er i spænd. Der er risiko for, at træet bevæger sig hurtigt før eller efter, at du saver i det. Der kan forekomme alvorlig personskade, hvis du er i forkert position, eller hvis du saver forkert.

6. Hvis du skal save tværs igennem træet/grenen, skal du lave 2 til 3 snit 1 tomme fra hinanden og med en dybde på 2 tommer. (Fig. 105)
7. Fortsæt med at save mere ind i træet, indtil træet/grenen bøjer og spændingen udløses. (Fig. 106)
8. Sav træet/grenen fra den modsatte side af bøjningen, efter at spændingen er udløst.

Vedligeholdelse

Indledning



ADVARSEL: Læs og forstå sikkerhedskapitlet, før du udfører vedligeholdelse på produktet.

Nedenfor vises en oversigt over det vedligeholdelsesarbejde, der skal udføres på produktet. Se *Vedligeholdelse på side 116* for flere oplysninger.

Vedligeholdelsesskema



ADVARSEL: Fjern batteriet, før du udfører vedligeholdelse.

Vedligeholdelse	Før hver anvendelse	Ugentligt	Månedligt
Rengør de udvendige dele af produktet.	X		
Kontrollér, at strømdrløseren og strømdrløserlåsen fungerer i sikkerhedsmæssig henseende.	X		
Rens kædebremsen, og sørg for, at den fungerer sikkert. Sørg for, at kædefangeren ikke er beskadiget. Udskift den om nødvendigt.	X		
Drej sværdet for at få mere ensartet slid på det. Sørg for, at smørehullet i sværdet ikke er tilstoppet. Rens kædesporet.	X		
Sørg for, at skæret og skæreværnet ikke har nogen revner, og at de ikke er beskadigede. Udskift skæret eller skæreværnet, hvis de har revner, eller hvis de har været udsat for slag.	X		
Sørg for, at sværdet og savkæden har nok olie.	X		
Kontrollér savkæden. Se efter revner, og sørg for, at savkæden ikke er stiv eller usædvanligt slidt. Udskift om nødvendigt.	X		
Skærp savkæden. Kontrollér spændingen og tilstanden af savkæden. Kontroller for slitage af drivhjulet, og udskift efter behov.	X		
Rengør luftindtaget på produktet.	X		
Sørg for, at skruer og møtrikker er spændt.	X		
Kontrollér, at tastaturet fungerer korrekt, og at det ikke er beskadiget.	X		
Brug en fil til at fjerne ujævnheder fra æggen af sværdet.		X	
Kontrollér forbindelserne mellem batteriet og produktet. Kontrollér forbindelserne mellem batteriet og batteriopladeren.			X
Tøm og rengør olietanken.			X
Blæs forsigtigt igennem produktets og batteriets køleåbninger med trykluft.			X

Vedligeholdelse og eftersyn af sikkerhedsanordninger på produktet

Sådan foretages en kontrol af forreste håndbeskyttelse

Foretag regelmæssigt kontrol af forreste håndbeskyttelse og træghedsfunktionen.

1. Sørg for, at forreste håndbeskyttelse ikke har skader som f.eks. revner. (Fig. 107)
2. Sørg for, at forreste håndbeskyttelse går let, og at den er sikkert fastgjort til produktet. (Fig. 108)
3. Placer produktet med slukket motor på en stub eller andet stabilt underlag.
4. Hold det bageste håndtag, og slip det forreste håndtag. Lad produktet ramme stubben. (Fig. 109)
5. Kontrollér, om kædebremsen indkobles, når sværdspidsen rammer stubben.

Sådan foretages en kontrol af bremseudløseren

1. Anbring produktet på et stabilt underlag, og start det. Se *Drift på side 110*.



ADVARSEL: Sørg for, at savkæden ikke er i kontakt med jorden eller noget andet.

2. Læg fingrene og tommelfingrene rundt om håndtagene, og hold godt fast på produktet. (Fig. 110)
3. Giv fuld gas, og vip venstre håndled mod kastbeskyttelsen for at aktivere kædebremsen. Savkæden skal stoppe øjeblikkeligt. (Fig. 111)



ADVARSEL: Slip ikke det forreste håndtag!

Sådan kontrolleres låsen på strømdløseren

1. Kontrollér, at strømdløseren og låsen på strømdløseren bevæger sig frit, og at returfederen fungerer korrekt. (Fig. 112)
2. Tryk strømdløserlåsen fremad (A) og ned (B). Tryk strømdløserlåsen mod håndtaget, og kontrollér, at den vender tilbage til udgangsstillingen, når den slippes. (Fig. 113)
3. Kontrollér, at strømdløseren låses i tomgangsposition, når låsen på strømdløseren slippes. (Fig. 114)
4. Start produktet, og giv fuld gas.
5. Slip strømdløseren, og sørg for, at savkæden standser, og at den bliver stående stille.



ADVARSEL: Hvis savkæden roterer, når strømdløseren er i tomgangsposition, skal du kontakte din serviceforhandler.

Sådan foretages en kontrol af kædefangeren

1. Sørg for, at der ikke er skader på kædefangeren.
2. Kontrollér, at kædefangeren er stabil og fastgjort til produktets kabinet. (Fig. 115)

Sådan kontrolleres brugergrænsefladens funktioner

1. Start produktet. Se *Sådan startes produktet på side 112*.
2. Tryk og hold nede på start/stop-knappen.
3. Sørg for, at produktet standser, og at den grønne lysdiode slukkes. (Fig. 66)

Sådan kontrolleres batteriet og batteriholderen

1. Rengør batteriet og batteriholderen med en blød børste.
2. Rengør køleribberne og batteritilslutningerne. (Fig. 116)
3. Sørg for, at batteriet ikke er revnet eller beskadiget.

Sådan kontrolleres batteriopladeren

1. Sørg for, at batteriopladeren eller strømforsyningskablet ikke er beskadiget. Se efter revner og andre skader. (Fig. 117)

Sådan rengøres kølesystemet

Kølesystemet holder motortemperaturen nede. Kølesystemet inkluderer luftindtaget på venstre side af produktet og en blæser på motoren.

1. Rengør kølesystemet med en børste hver uge eller oftere, hvis det er nødvendigt. (Fig. 118)
2. Sørg for, at kølesystemet ikke er snavset eller tilstoppet.



BEMÆRK: Et snavset eller tilstoppet kølesystem kan medføre, at produktet bliver for varmt. Dette forårsager skader på produktet.

Sådan skærpes savkæden

Information om sværdet og savkæden



ADVARSEL: Brug beskyttelseshandsker, når du bruger eller udfører vedligeholdelse på savkæden. En savkæde, der ikke bevæger sig, kan også forårsage skader.

Udskift slidte eller beskadigede sværd eller savkæder med de kombinationer af sværd og savkæder, der anbefales af Husqvarna. Dette er nødvendigt for at opretholde produktets sikkerhedsfunktioner. Se *Tilbehør på side 123* for en liste over reservesværd og kædekombinationer, vi anbefaler.

- Sværdets længde, tommer/cm. Oplysninger om sværdets længde kan som regel findes på den fjerne ende af sværdet.

(Fig. 119)

- Antal tænder i næsehjulet (T).

(Fig. 120)

- Kædedeling, tommer. Afstanden mellem drivleddene og savkæden skal justeres ind efter afstanden mellem tænderne på sværdets næsehjul og drivhjulet.

(Fig. 121)

- Antal drivled (stk.). Antallet af drivled bestemmes af typen af sværd.

(Fig. 122)

- Sværdsforsbreds, tommer/mm. Sporbredden i sværdet skal være den samme som bredden af kædens drivled.

(Fig. 123)

- Savkædeoliehul og hul til kædestrammertap. Sværdet skal flugte med produktet.

(Fig. 124)

- Drivledsbredde, mm/tommer

(Fig. 125)

Generelle oplysninger om, hvordan du filer skæretøjet

Benyt aldrig en sløv savkæde. Hvis savkæden er sløv, skal du påføre mere tryk for at skubbe sværdet gennem træet. Hvis savkæden er meget sløv, er der ingen træspåner, men savsmuld.

En skarp savkæde æder sig gennem træet, og træspånerne bliver lange og tykke.

Skæretanden (A) og ryttermålet (B) tilsammen udgør den skærende del af savkæden, skæret. Højdeforskellen mellem de to udgør skæredybden (rytterhøjde).

(Fig. 126)

Ved filing af skæret skal du tænke på følgende:

- Filevinkel.

(Fig. 127)

- Skærevinkel.

(Fig. 128)

- Filestilling.

(Fig. 129)

- Rundfildiameter.

(Fig. 130)

Det er ikke nemt at file en savkæde korrekt uden det rette udstyr. Brug et ryttermål, der er anbefalet af Husqvarna. Dette vil hjælpe dig med at bevare maksimal skærekapacitet og minimum risiko for kast.



ADVARSEL: Styrken af et kast øges meget, hvis du ikke følger instruktionerne vedrørende filing.

Bemærk: Se *Tilbehør på side 123* for oplysninger om filing af savkæden.

Sådan filer du skæretøjet

1. Brug en rundfil og et ryttermål til at file skæretænderne. (Fig. 131)

Bemærk: Se *Tilbehør på side 123* for at få oplysninger om, hvilken fil og ryttermål, Husqvarna anbefaler til din savkæde.

2. Sæt ryttermålet korrekt på skæretøjet. Se vejledningen, der leveres med ryttermålet.
3. Flyt filen fra den indvendige side af skæretænderne og ud. Reducer trykket på trækket i savkæden. (Fig. 132)
4. Fjern materiale fra den ene side af skæretænderne.
5. Vend produktet, og fjern materiale fra den anden side.
6. Sørg for, at alle skæretænderne har samme længde.

Generelle oplysninger om, hvordan du justerer rytterhøjden

Rytterhøjden (C) reduceres, når du filer skæretanden (A). For at bevare maksimal skærekapacitet skal du fjerne filningsmaterialer fra ryttermålet (B) for at modtage den anbefalede rytterhøjde. Se *Tilbehør på side 123* for vejledning om, hvordan du opnår den korrekte rytterhøjde for din savkæde.

(Fig. 133)



ADVARSEL: Hvis rytterhøjden er for stor, øges risikoen for kast!

Sådan justeres rytterhøjde

Før du justerer dybdemåleren eller skærper skærene, skal du se *Sådan filer du skæretøjet på side 118* for instruktioner. Vi anbefaler, at du justerer rytterhøjden efter hver tredje savkædefiling.

Vi anbefaler, at du anvender vores dybdemålerværktøj, så du er sikker på at modtage den korrekte rytterhøjde og den rigtige vinkel på rytterhøjden.

(Fig. 134)

1. Brug en fladfil og et dybdemåleværktøj til at justere rytterhøjden. Brug kun dybdemåleværktøj, der er anbefalet af Husqvarna, så du er sikker på at få de korrekte indstillinger for rytterhøjde og den rigtige vinkel på rytterhøjden.
2. Placer dybdemåleværktøjet på savkæden.

Bemærk: Se dybdemåleværktøjets emballage for yderligere oplysninger om, hvordan du bruger værktøjet.

3. Brug fladfilen til at fjerne den del af ryttermålet, der stikker ud gennem dybdemåleværktøjet. (Fig. 135)

Sådan justerer du spændingen på savkæden



ADVARSEL: En savkæde uden den korrekte spænding kan løsnes fra sværdet og forårsage alvorlig personskade eller dødsfald.

En savkæde bliver længere, når du bruger den. Juster savkæden regelmæssigt. Kontrollér kædespændingen, hver gang der fyldes kædeolie på.

Bemærk: En ny savkæde kræver en indkøringsperiode, hvor det er nødvendigt at kontrollere kædespændingen oftere.

Sådan justerer du spændingen på savkæden (med drejeknappen)

1. Fold grebet ud, indtil det åbnes. (Fig. 136)
2. Drej grebet mod uret for at løsne drivhjulsdækslet. (Fig. 137)
3. Drej kædestrammerhjulet for at justere spændingen på savkæden. Savkæden skal være tæt mod sværdet. (Fig. 138)

Bemærk: Drej hjulet ned (+) for mere spænding og op (-) for mindre spænding.

4. Kontrollér, at savkæden let kan trækkes rundt med hånden, og at den ikke hænger ned fra sværdet. (Fig. 139)
5. Drej grebet mod uret for at stramme sværdgrebet. (Fig. 140)
6. Fold grebet ned for at låse stramningen. (Fig. 141)

Sådan justerer du spændingen på savkæden (med sværdbolt)

1. Løsn sværdmøtrikken, der holder drivhjulets afskærmning. Brug ring- og gaffelnøglen. (Fig. 142)
2. Løft forenden af sværdet, og drej kædestrammerskruen. Brug ring- og gaffelnøglen.
3. Spænd savkæden, indtil den slutter tæt mod sværdet. (Fig. 143)

4. Spænd sværdmøtrikkerne med ring- og gaffelnøglen, og løft forenden af sværdet på samme tid. (Fig. 144)
5. Kontrollér, at savkæden let kan trækkes rundt med hånden, og at den ikke hænger ned fra sværdet. (Fig. 139)

Bemærk: Se *Produktoversigt på side 101* for placeringen af kædestrammerskruen på dit produkt.

Sådan kontrolleres savkædesmøringen

Kontrollér savkædesmøringen ved hver tredje batteriopladning.

1. Start produktet, og lad det køre ved 3/4 af fuld hastighed. Hold sværdet ca. 20 cm (8 tommer) over en lys overflade.
2. Hvis savkædesmøringen er korrekt, vil du se en klar linje af olie på overfladen efter 1 minut. (Fig. 145)
3. Hvis savkædesmøringen ikke er korrekt, skal du foretage følgende kontroller.
 - a) Kontrollér oliekanalen i sværdet for at sikre, at den ikke er blokeret. Rens den om nødvendigt. (Fig. 146)
 - b) Kontrollér sporet i kanten af sværdet for at sikre, at det er rent. Rens den om nødvendigt. (Fig. 147)
 - c) Kontrollér, at sværdets næsehjul går let, og at smørehullet på sværdets næsehjul ikke er blokeret. Rens og smør om nødvendigt. (Fig. 148)
4. Hvis savkædesmøringen ikke virker, efter at du har fulgt ovenstående trin, skal du henvende dig til serviceforhandleren.

Sådan foretages en kontrol af kædedrivhjulet

- Undersøg kædedrivhjulet for slitage. Udskift kædedrivhjulet, hvis det er nødvendigt.
- Udskift kædedrivhjulet ved hver savkædeudskiftning. (Fig. 149)

Sådan efterses klippeudstyret

1. Kontrollér, at der ikke er revner i nitter og led, og at ingen nitter er løse. Udskift dem, hvis det er nødvendigt. (Fig. 150)
2. Kontrollér, at savkæden er nem at bøje. Udskift savkæden, hvis den er stiv.
3. Sammenlign savkæden med en ny savkæde for at afgøre, om nitter og led er slidte.
4. Udskift savkæden, når den længste del af skæretanden er mindre end 4 mm. Udskift også kæden, hvis der er revner i skærene. (Fig. 151)

Sådan kontrolleres sværdet

1. Sørg for, at oliekanalen ikke er tilstoppet. Rengør den, hvis det er nødvendigt. (Fig. 146)
2. Undersøg, om der er ujævnheder på sværdets kanter. Fjern ujævnheder med en fil. (Fig. 152)
3. Rengør sporet på sværdet. (Fig. 147)
4. Undersøg sporet i sværdet for slitage. Udskift sværdet, hvis det er nødvendigt. (Fig. 153)
5. Undersøg, om sværdspidsen er ujævn eller meget slidt. (Fig. 154)
6. Kontrollér, at sværdets næsehjul bevæger sig frit, og at smørehullet på sværdets næsehjul ikke er blokeret. Rens og smør, hvis det er nødvendigt. (Fig. 148)
7. Drej sværdet dagligt for at forlænge dets levetid. (Fig. 155)

Fejlfinding

Brugergrenseflade

Kontrollampe-skærm	Mulige fejl	Mulig løsning
Advarselsindikatoren blinker.	Kædebremseren er aktiveret.	Deaktiver kædebremseren.
	Temperaturafvigelse.	Lad produktet køle ned.
	Overbelastning. Savkæden kan ikke bevæge sig.	Frigør savkæden.
	Strømuløseren og start/stopknappen trykkes ind på én gang.	Slip strømuløseren for at aktivere produktet.
Den orange aktiverings-LED blinker.	Lav batterispænding.	Oplad batteriet.
Advarselsindikatoren er tændt.	Service.	Kontakt din serviceforhandler.

Batteri

LED-display	Mulige fejl	Mulig løsning
Den grønne lysdiode blinker.	Lav batterispænding.	Oplad batteriet.
Fejl-LED blinker.	Temperaturafvigelse.	Brug batteriet i temperaturer mellem -10 °C (14 °F) og 40 °C (104 °F).
	For høj spænding.	Kontrollér, at netspændingen er i overensstemmelse med produktets spænding. Se typeskiltet på produktet.
		Fjern batteriet fra batteriopladeren.

LED-display	Mulige fejl	Mulig løsning
Fejl-LED'en tændes.	For stor celleforskel (1 V).	Kontakt din serviceforhandler.

Batterioplader

Tilstand	Mulige fejl	Mulig procedure
LED-indikatoren for opladning lyser rødt.	Permanent fejl på batterioplader.	Snak med din forhandler.
LED-indikatoren for opladning blinker grønt.	Temperaturoafvigelse, batteriet er for koldt eller for varmt til brug eller opladning.	Lad batteriet køle ned eller varmes op. Når batteriet har den korrekte temperatur, kan det bruges eller oplades igen. Brug batteriopladeren ved omgivende temperaturer på mellem 5 °C (41 °F) og 40 °C (104 °F).
LED-indikatoren for opladning blinker rødt.	Defekt batteri	Snak med din forhandler

Transport, opbevaring og bortskaffelse

Transport og opbevaring

- De medfølgende li-ion-batterier overholder lovkraevne vedrørende farligt gods.
- Overhold de særlige krav vedrørende emballage og etiketter til kommerciel transport, herunder tredjeparter og speditorer.
- Tal med en person med specialuddannelse i farligt materiale, før du sender produktet. Overhold alle gældende nationale bestemmelser.
- Sæt tape på åbne kontakter, når batteriet lægges i en pakke. Sørg for, at batteriet ikke kan bevæge sig i pakken.
- Fjern altid batteriet ved opbevaring eller transport.
- Sæt batteriet og batteriopladeren i et rum, der er tørt og fri for fugt og frost.
- Batteriet må ikke opbevares på steder, hvor statisk elektricitet kan forekomme. Opbevar ikke batteriet i en metalkasse.
- Opbevar batteriet ved temperaturer på mellem 5 °C/41 °F og 25 °C/77 °F og væk fra direkte sollys.
- Opbevar batteriopladeren ved temperaturer på mellem 5 °C/41 °F og 45 °C/113 °F og væk fra direkte sollys.
- Brug kun batteriopladeren ved en omgivende temperatur på mellem 5 °C/41 °F og 40 °C/104 °F.
- Oplad batteriet 30 % til 50 %, før du sætter det til opbevaring i længere tid.

- Opbevar batteriopladeren i et rum, der er lukket og tørt.
- Hold batteriet væk fra batteriopladeren under opbevaring. Lad ikke børn og andre ikke-autoriserede personer røre ved udstyret. Opbevar udstyret i et rum, der kan aflåses.
- Rengør produktet, og udfør fuld service, før du sætter produktet til opbevaring i længere tid.
- Brug transportskærmen på produktet for at forhindre personskader eller skader på produktet under transport og opbevaring.
- Fastspænd produktet sikkert under transporten.

Bortskaffelse af batteriet, batteriopladeren og produktet

Symbolet nedenfor betyder, at produktet ikke er almindeligt husholdningsaffald. Aflever det på en genbrugsstation til elektrisk og elektronisk udstyr. Dette hjælper med at forhindre skader på miljøet og på personer.

Kontakt lokale myndigheder, et renovationselskab eller din forhandler for at få flere oplysninger.

(Fig. 24)

Bemærk: Symbolet vises på produktet eller emballagen til produktet.

Tekniske data

Tekniske data

	225i
Motor	
Type	BLDC (børsteløs) 36 V
Funktioner	
Lavenergitilstand	SavE
Smøresystem	
Type af oliepumpe	Automatisk
Olietankens kapacitet, ml/cm ³	0,2/200
Vægt	
Kædesav uden batteri, sværd, savkæde og tom kædeolietank, kg	3,1
Støjmissioner ¹⁴	
Lydeffektniveau, målt dB(A)	97
Lydeffektniveau, garanteret L _{WA} dB(A)	100
Lydniveauer ¹⁵	
Lydtryksniveau ved brugerens ører, målt i henhold til EN 62841-1	89
Vibrationsniveauer ¹⁶	
Forreste håndtag m/s ²	3,9
Bageste håndtag m/s ²	3,9
Savkæde/sværd	
Anbefalede sværdlængder, tommer/cm	12-14/30,5-35,6
Effektiv skærelængde, tommer/cm	11-13/27-33,2
Type af drivhjul/antal tænder	Spur/6
Maks. kædehastighed/(Normal-tilstand), m/s	11,8
Maks. kædehastighed/(SavE-tilstand), m/s	9,4

¹⁴ Støjmissioner i miljøet målt som lydeffekt (L_{WA}) i overensstemmelse med EF-direktiv 2000/14/EF og EN ISO 22868 har en typisk statistisk spredning (standardafvigelse) på 3 dB (A).

¹⁵ Rapporterede data for lydtryksniveau for maskinen har en typisk statistisk spredning (standardafvigelse) på 3 dB(A).

¹⁶ Vibrationsniveau iht. EN 62841-4-1. Rapporterede data for vibrationsniveau har en typisk statistisk spredning (standardafvigelse) på ±1,5 m/s². De angivne vibrationsdata gælder målinger, hvor maskinen er installeret med en specifik sværdlængde og den anbefalede kædetype. Hvis maskinen er installeret med en anden sværdlængde, kan vibrationsniveauet variere med maks. ± 1,5 m/s².

Tilbehør

Kombinationer af sværd og savkæde



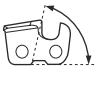


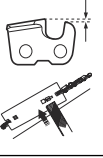
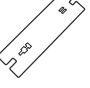



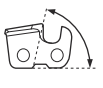


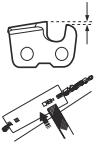
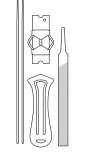

Følgende skæreudstyr er godkendt til Husqvarna 225i.

Sværd					Savkæde	
Type	Længde, tommer	Kædedeling, tommer	Sporbredde, mm	Maks. antal tænder, næsehjul	Type	Længde, drivled (nr.)
501959545	12	3/8 tommer mini	1,1	7T	Husqvarna H38 (581808145)	45
501959552	14	3/8 tommer mini	1,1	7T	Husqvarna H38 (581807952)	52

Opfyldningsudstyr og filevinkler

Brug et Husqvarna-ryttermål til at file savkæden. Et Husqvarna-ryttermål sikrer, at du bruger de korrekte filevinkler. Reserveredelsnumrene fremgår af nedenstående tabel.

Hvis du ikke er sikker på, hvordan du kan identificere savkædetypen på dit produkt, skal du se www.husqvarna.com for yderligere oplysninger.

							
38	11/64"/4,5 mm	75°	30°	0°	0,65 mm	505 69 81-03	579 55 88-01
							
93	5/32"/4,0 mm	60°	30°	0°	0,65 mm	596 63 89-01	596 63 89-01

Godkendte batterier

Batteri	40-B140
Type	Lithiumion
Batterikapacitet, Ah	4
Nominal spænding, V	36

Batteri	40-B140
Vægt, kg	1.25

Godkendte batteriopladere til produktet

Batterioplader	40-C80
Netspænding, V	100-240
Frekvens, Hz	50-60
Effekt, watt	72
Udgangsspænding, V (jævnstrøm)/ Ampere, A	43/1,6

Overensstemmelseserklæring

EU-overensstemmelseserklæring

Vi, **Husqvarna AB**, SE-561 82 Huskvarna, Sverige,
tlf: +46-36-146500, erklærer under eneansvar, at det
pågældende produkt:

Beskrivelse	Trådløse kædesave
Varemærke	Husqvarna
Type / model	225i
Identifikation	Serienumrene fra 2023 og fremefter

overholder følgende EU-direktiver og bestemmelser:

Direktiv/bestemmelser	Beskrivelse
2006/42/EF	"vedrørende maskiner"
2014/30/EU	"vedrørende elektromagnetisk kompatibilitet"
2011/65/EU	"om begrænsning af anvendelsen af visse farlige stoffer i elektrisk og elektronisk udstyr"
2000/14/EF	"vedrørende støjemissioner til omgivelserne"

Der er anvendt følgende standarder: EN
62841-1:2015+A11:2022, EN 62841-4-1:2020, EN
IEC 63000:2018, EN IEC 55014-1:2021, EN IEC
55014-2:2021.

Udpeget organ: TÜV Rheinland LGA Products GmbH,
Tillystrasse 2, D-90431 Nuernberg, Germany, 0197,
har foretaget en EF-typegodkendelse i henhold til
maskindirektivets (2006/42/EF) artikel 12, pkt. 3b.
Certifikatet har nummer: BM 50604678 0001.

Den leverede motorsav er i overensstemmelse med
det produkt, der er godkendt i henhold til EU-
typegodkendelse.

I overensstemmelse med direktiv 2000/14, bilag V, se
Tekniske data på side 122 for de angivne lydverdier.

Huskvarna, 2023-10-30



Claes Losdal, R&D Manager, Husqvarna AB
Ansvarlig for teknisk dokumentation



Inhalt

Einleitung.....	126	Fehlerbehebung.....	148
Sicherheit.....	127	Transport, Lagerung und Entsorgung.....	149
Montage.....	136	Technische Angaben.....	150
Betrieb.....	137	Zubehör.....	151
Wartung.....	143	Konformitätserklärung.....	154

Einleitung

Verwendungszweck

Diese Motorsäge wurde für forsttechnische Anwendungen wie Fällen, Entasten und Sägen entwickelt.

Hinweis: Der Betrieb des Geräts kann durch nationale Vorschriften eingeschränkt werden.

Geräteübersicht

(Abb. 1)

1. Vorderer Handschutz
2. Vorderer Handgriff
3. Anwenderschnittstelle
4. Start-/Stopptaste
5. Warnleuchte und Akkuanzeige
6. SavE-Taste (Energiespartaste)
7. Hinterer Handgriff mit Rechtshandschutz
8. Informations- und Warnschild
9. Gehäuse
10. Kettenöltank
11. Transportabdeckung
12. Gashebelsperre
13. Gashebel
14. Abdeckung des Kettenantriebsrads mit Spannmutter
15. Kettenspanner
16. Kettenfänger
17. Rindenstütze
18. Umlenkstern der Führungsschiene
19. Sägekette
20. Führungsschiene
21. Anzeige für Ladezustand
22. Verbinder
23. Akkuladegerät
24. Kombischlüssel
25. Warnanzeige
26. Taste, Akkuladezustand
27. Akkuladezustand
28. Akkuentriegelungstaste
29. Akku
30. Bedienungsanleitung
31. Spannmutter

Gerätebeschreibung

Husqvarna 225i ist ein Motorsägenmodell mit einem elektrischen Motor.

Wir arbeiten laufend daran, Ihre Sicherheit und die Effektivität während des Betriebs zu verbessern. Ihr Servicehändler steht Ihnen gerne für weitere Informationen zur Verfügung.

32. Abdeckung des Kettenantriebsrads mit Spannschraube

Symbole auf dem Gerät

- (Abb. 2) **WARNUNG:** Dieses Gerät kann gefährlich sein und schwere oder tödliche Verletzungen des Bedieners oder anderer Personen verursachen. Gehen Sie vorsichtig vor, und verwenden Sie das Gerät ordnungsgemäß.
- (Abb. 3) Lesen Sie die Bedienungsanleitung aufmerksam durch und machen Sie sich mit den Anweisungen vertraut, bevor Sie das Gerät verwenden.
- (Abb. 4) Tragen Sie einen zugelassenen Schutzhelm und Gehörschutz sowie eine zugelassene Schutzbrille.
- (Abb. 5) Halten Sie das Gerät während des Betriebs mit beiden Händen fest.
- (Abb. 6) Arbeiten Sie nicht einhändig mit dem Gerät.
- (Abb. 7) Sorgen Sie dafür, dass die Führungsschienenspitze mit keinem Gegenstand in Berührung kommt.
- (Abb. 8) Verwenden Sie die Geräte nicht bei Regen.
- (Abb. 9) **Warnung!** Ein Rückschlag kann auftreten, wenn die Führungsschienenspitze einen

Gegenstand berührt. Dadurch wird die Führungsschiene in Richtung des Bedieners geschleudert. Gefahr von schweren oder tödlichen Verletzungen.

(Abb. 10) Nennspannung, V

(Abb. 11) Kettenöl.

(Abb. 12) Richtung, in welche die Sägekette rotiert und maximale Länge der Führungsschiene.

(Abb. 13) Gleichstrom.

(Abb. 14) **Umweltkennzeichen.** Das Gerät und die Verpackung des Geräts dürfen nicht über den Hausmüll entsorgt werden. Recyceln Sie es an einer Recyclingstation für elektrische und elektronische Geräte.

(Abb. 15) Dieses Gerät entspricht den geltenden EG-Richtlinien.

(Abb. 16) Dieses Gerät entspricht den geltenden UK-Richtlinien.

(Abb. 17) Etikett mit Geräuschemissionen gemäß EG-Richtlinie 2000/14/EG, UK-Vorschriften und Richtlinien sowie der australischen „Protection of the Environment Operations (Noise Control) Regulation 2017“ (Umweltschutz-/Lärmschutzbestimmung) von New South Wales. Der garantierte Schalleistungspegel des Geräts ist unter *Technische Angaben auf Seite 150* und auf dem Etikett angegeben.

(Abb. 21) Kettenbremse, aktiviert (vorwärts). Kettenbremse, deaktiviert (rückwärts).

(Abb. 22) Kettenrichtung.

(Abb. 23) Auf dem Typenschild ist die Seriennummer angegeben. **yyyy** ist das Produktionsjahr, **ww** steht für die Produktionswoche.

Hinweis: Sonstige Symbole/Aufkleber auf dem Gerät beziehen sich auf Zertifizierungsanforderungen, die in einigen Märkten gelten.

Symbole auf dem Akku und/oder auf dem Ladegerät

(Abb. 24) Recyceln Sie dieses Gerät an einer Recyclingstation für elektrische und elektronische Geräte. (nur für Europa)

(Abb. 18) Störungsfreier Transformator.

(Abb. 19) Das Akkuladegerät darf nur in geschlossenen Räumen benutzt und aufbewahrt werden.

(Abb. 20) Doppelt isoliert

Hersteller

Husqvarna AB

Drottninggatan 2, SE-561 82, Huskvarna, Sweden, tel: +46-36-146500

Produktschäden

Wir haften nicht für Schäden an unserem Produkt, wenn:

- das Gerät nicht ordnungsgemäß repariert wird.
- das Gerät mit Teilen repariert wird, die nicht vom Hersteller stammen oder nicht vom Hersteller zugelassen sind.
- ein Zubehörteil mit dem Gerät verwendet wird, das nicht vom Hersteller stammt oder nicht vom Hersteller zugelassen ist.
- das Gerät nicht bei einem zugelassenen Service Center oder von einem zugelassenen Fachmann repariert wird.

Sicherheit

Sicherheitsdefinitionen

Warnungen, Vorsichtsmaßnahmen und Hinweise werden verwendet, um auf besonders wichtige Teile der Bedienungsanleitung hinzuweisen.



WARNUNG: Wird verwendet, wenn bei Nichtbeachtung der Anweisungen in diesem Handbuch die Gefahr von Verletzung oder Tod des Bedieners oder anderer Personen besteht.



ACHTUNG: Wird verwendet, wenn bei Nichtbeachtung der Anweisungen in diesem Handbuch die Gefahr von Schäden am Gerät, an anderen Materialien oder in der Umgebung besteht.

Hinweis: Für weitere Informationen, die in bestimmten Situationen nötig sind.

Allgemeine Sicherheitshinweise für Elektrowerkzeuge



WARNUNG: Lesen Sie alle für dieses Elektrowerkzeug vorgesehenen Sicherheitshinweise, Anleitungen, Abbildungen und technischen Daten. Wenn Sie die unten stehenden Anweisungen nicht befolgen, kann dies zu elektrischen Schlägen, Brand und/oder schweren Verletzungen führen.

- **Bewahren Sie alle Warnhinweise und Anweisungen für spätere Referenzzwecke auf.** Der Begriff „Elektrowerkzeug“ in den Warnhinweisen bezieht sich auf ein Elektrowerkzeug mit Netzbetrieb (über ein Kabel) oder mit Akkubetrieb (kabellos).

Sicherheit im Arbeitsbereich

- **Sorgen Sie für einen sauberen und gut ausgeleuchteten Arbeitsbereich.** Durch zugestellte oder dunkle Arbeitsbereiche steigt die Unfallgefahr stark an.
- **Betreiben Sie Elektrowerkzeuge niemals an Orten, an denen Explosionsgefahr besteht, z. B. in der Nähe von leicht entzündlichen Flüssigkeiten, Gasen oder Staubansammlungen.** Bei der Arbeit mit Elektrowerkzeugen kann es zu Funkenbildung kommen, wodurch sich Staub oder Dämpfe entzünden können.
- **Sorgen Sie bei der Arbeit mit Elektrowerkzeugen dafür, dass sich keine Kinder oder unbefugte Personen in der Nähe befinden.** Durch Ablenkungen können Sie die Kontrolle über das Werkzeug verlieren.

Elektrische Sicherheit

- **Die Netzstecker von Elektrowerkzeugen müssen zur Steckdose passen. Der Netzstecker darf in keiner Weise verändert werden. Verwenden Sie bei Elektrowerkzeugen mit Schutzkontakt (geerdet) niemals Adapterstecker.** Nicht modifizierte Stecker und Steckdosen reduzieren das Risiko eines Elektroschocks.
- **Vermeiden Sie Körperkontakt mit geerdeten Gegenständen wie Rohrleitungen, Heizungen, Herden oder Kühlschränken.** Bei Körperkontakt mit geerdeten Gegenständen besteht ein erhöhtes Stromschlagrisiko.

- **Setzen Sie Elektrowerkzeuge niemals Regen oder sonstiger Feuchtigkeit aus.** Wenn Wasser in ein Elektrowerkzeug eindringt, erhöht sich das Stromschlagrisiko.
- **Verwenden Sie das Anschlusskabel nicht missbräuchlich. Verwenden Sie das Anschlusskabel niemals zum Tragen oder Heranziehen des Elektrowerkzeugs, und ziehen Sie den Stecker nicht am Anschlusskabel aus der Steckdose. Halten Sie das Kabel fern von Hitzequellen, Öl, scharfen Kanten und beweglichen Teilen.** Beschädigte oder verdrehte Anschlusskabel erhöhen das Stromschlagrisiko.
- **Wenn Sie ein Elektrowerkzeug im Freien benutzen, verwenden Sie ein für den Außeneinsatz geeignetes Verlängerungskabel.** Die Verwendung eines für den Außeneinsatz geeigneten Kabels verringert das Risiko eines Stromschlags.
- **Falls der Einsatz eines Elektrowerkzeugs in einer feuchten Umgebung nicht zu vermeiden ist, benutzen Sie eine Stromversorgung mit FI-Schutzschalter (RCD).** Die Verwendung einer Fehlerstrom-Schutzeinrichtung (RCD) verringert das Risiko eines elektrischen Schlags.

Persönliche Sicherheit

- **Bleiben Sie aufmerksam, achten Sie auf das, was Sie tun, und setzen Sie gesunden Menschenverstand ein, wenn Sie mit Elektrowerkzeugen arbeiten. Benutzen Sie keine Elektrowerkzeuge, wenn Sie müde sind oder unter dem Einfluss von Drogen, Alkohol oder Medikamenten stehen.** Bei der Arbeit mit Elektrowerkzeugen können bereits kurze Phasen der Unaufmerksamkeit zu schweren Verletzungen führen.
- **Tragen Sie eine persönliche Schutzausrüstung. Tragen Sie stets einen Augenschutz.** Schutzausrüstung wie Atemschutzmaske, rutschsichere Sicherheitsschuhe, Schutzhelm und Gehörschutz senkt bei angemessenem Einsatz das Verletzungsrisiko.
- **Vermeiden Sie ein versehentliches Starten. Achten Sie darauf, dass sich der Schalter in der AUS-Stellung befindet, bevor Sie das Elektrowerkzeug an die Stromversorgung und/oder den Akku anschließen oder es hochheben oder herumtragen.** Durch Herumtragen von Elektrowerkzeugen mit dem Finger am Schalter und das Einstecken des Steckers bei betätigtem Schalter steigt das Unfallrisiko stark an.
- **Entfernen Sie sämtliche Einstellschlüssel, bevor Sie das Elektrowerkzeug einschalten.** Ein an einem beweglichen Teil des Elektrowerkzeugs angebrachter Schlüssel kann zu Verletzungen führen.
- **Sorgen Sie für einen festen Stand. Achten Sie jederzeit darauf, sicher zu stehen und das Gleichgewicht zu bewahren.** Dadurch haben Sie das

Elektrowerkzeug in unerwarteten Situationen besser im Griff.

- **Kleiden Sie sich richtig. Tragen Sie niemals lose sitzende Kleidung oder Schmuck. Halten Sie Haar und Kleidung von beweglichen Teilen fern.** Lose sitzende Kleidung, Schmuck oder langes Haar kann von beweglichen Teilen erfasst werden.
- **Wenn Anschlüsse für Staubabsaug- und Staubsammelvorrichtungen vorhanden sind, sorgen Sie dafür, dass diese richtig angeschlossen und eingesetzt werden.** Die Verwendung von Staubsammelvorrichtungen vermindert durch Staub verursachte Gefahren.
- **Auch wenn Sie durch häufige Verwendung bestens mit den Werkzeugen vertraut sind, dürfen Sie keinesfalls nachlässig werden und die Sicherheitsgrundsätze ignorieren.** Eine achtlose Handlung kann im Bruchteil einer Sekunde zu schweren Verletzungen führen.

Verwendung und Pflege von Elektrowerkzeugen

- **Überbeanspruchen Sie Elektrowerkzeuge nicht. Benutzen Sie das richtige Elektrowerkzeug für Ihren Einsatzzweck.** Das richtige Elektrowerkzeug erledigt seine Arbeit bei bestimmungsgemäßem Einsatz besser und sicherer.
- **Benutzen Sie das Elektrowerkzeug nicht, wenn es sich nicht am Schalter ein- und ausschalten lässt.** Jedes Elektrowerkzeug, das nicht mit dem Schalter betätigt werden kann, stellt eine Gefahr dar und muss repariert werden.
- **Trennen Sie das Elektrowerkzeug von der Stromversorgung, bzw. entfernen Sie den Akku, bevor Sie Einstellungen vornehmen, Zubehörteile austauschen oder das Elektrowerkzeug verstauen.** Solche präventiven Sicherheitsmaßnahmen verhindern den unbeabsichtigten Start des Elektrowerkzeugs.
- **Lagern Sie nicht benutzte Elektrowerkzeuge außerhalb der Reichweite von Kindern, und lassen Sie nicht zu, dass Personen das Elektrowerkzeug bedienen, die nicht mit dem Werkzeug selbst und/oder diesen Anweisungen vertraut sind.** Elektrowerkzeuge stellen in ungeschulten Händen eine Gefahr dar.
- **Warten Sie Elektrowerkzeuge und Zubehör. Prüfen Sie auf Fehlausrichtungen, sicheren Halt und Leichtgängigkeit beweglicher Teile, Beschädigungen von Teilen sowie auf jegliche andere Zustände, die sich auf den Betrieb des Elektrowerkzeugs auswirken können. Bei Beschädigungen lassen Sie das Elektrowerkzeug reparieren, bevor Sie es benutzen.** Viele Unfälle mit Elektrowerkzeugen sind auf schlechte Wartung zurückzuführen.
- **Halten Sie Schneidwerkzeuge scharf und sauber.** Ordnungsgemäß gewartete Schneidwerkzeuge mit scharfen Schneidkanten bleiben seltener hängen und sind einfacher zu bedienen.

- **Benutzen Sie Elektrowerkzeuge, Zubehör, Werkzeugeinsätze und Ähnliches in Übereinstimmung mit diesen Anweisungen und auf die für das jeweilige Elektrowerkzeug bestimmungsgemäße Weise, und beachten Sie dabei die jeweiligen Arbeitsbedingungen und die Art der auszuführenden Arbeiten.** Der Einsatz eines Elektrowerkzeugs für Zwecke, die von den hier angegebenen abweichen, kann zu Gefahrensituationen führen.
- **Halten Sie die Handgriffe und Griffflächen trocken, sauber und frei von Öl und Fett.** Wenn Handgriffe und Griffflächen rutschig sind, kann das Werkzeug in unerwarteten Situationen nicht sicher bedient und kontrolliert werden.

Verwendung und Pflege von akkubetriebenen Werkzeugen

- **Eine Aufladung darf nur mit dem vom Hersteller vorgeschriebenen Ladegerät durchgeführt werden.** Durch ein für einen bestimmten Akkutyp geeignetes Ladegerät kann Brandgefahr entstehen, wenn es für einen anderen Akku verwendet wird.
- **Verwenden Sie Elektrowerkzeuge nur mit speziell ausgezeichneten Akkus.** Die Verwendung anderer Akkus kann zu Verletzungs- und Brandgefahr führen.
- **Wird der Akku nicht verwendet, halten Sie ihn von Metallgegenständen wie Büroklammern, Münzen, Schlüsseln, Nägeln, Schrauben oder anderen kleineren Metallobjekten fern, da es zu einer Überbrückung der Kontakte kommen könnte.** Durch Kurzschluss der Akkuklemmen kann es zu Verbrennungen oder Bränden kommen.
- **Unter missbräuchlichen Bedingungen kann Flüssigkeit aus dem Akku austreten; vermeiden Sie Kontakt damit. Bei versehentlichem Hautkontakt sofort mit Wasser abspülen. Sollten Ihre Augen damit in Berührung gekommen sein, suchen Sie sofort ärztliche Hilfe auf.** Durch austretende Flüssigkeit aus dem Akku kann es zu Reizungen oder Verbrennungen kommen.
- **Verwenden Sie keinen Akku und kein Werkzeug, der bzw. das defekt ist oder modifiziert wurde.** Beschädigte oder modifizierte Akkus können ein unvorhersehbares Verhalten aufweisen, welches zu Feuer, Explosionen oder Verletzungsgefahren führen kann.
- **Setzen Sie Akku oder Werkzeug niemals Feuer oder sehr hohen Temperatur aus.** Feuer oder Temperaturen über 130 °C (266 °F) können zu einer Explosion führen.
- **Befolgen Sie die Ladeanweisungen und laden Sie den Akku oder das Werkzeug niemals bei Temperaturen außerhalb den in der Anleitung angegebenen Temperaturbereichen auf.** Unsachgemäßes Aufladen oder Aufladen bei Temperaturen außerhalb des angegebenen Bereichs kann den Akku beschädigen und die Brandgefahr erhöhen.

Service

- **Lassen Sie das Elektrowerkzeug von einem qualifizierten Fachmann reparieren, und bestehen Sie darauf, dass nur Originalersatzteile verwendet werden.** Auf diese Weise wird dafür gesorgt, dass die Sicherheit des Elektrowerkzeugs nicht beeinträchtigt wird.
- **Warten Sie niemals beschädigte Akkus.** Akkus dürfen nur vom Hersteller oder von autorisierten Serviceanbietern gewartet werden.

Allgemeine Motorsägen- Sicherheitswarnungen

- **Halten Sie alle Körperteile von der Sägekette fern, wenn die Motorsäge läuft. Bevor Sie die Motorsäge starten, stellen Sie sicher, dass die Sägekette keine anderen Gegenstände berührt.** Unaufmerksamkeit während des Betriebs der Motorsäge kann dazu führen, dass Sie sich mit Ihrer Kleidung oder mit einem Körperteil in der Sägekette verfangen.
- **Halten Sie die Motorsäge immer mit der rechten Hand am hinteren Handgriff und der linken Hand am vorderen Handgriff.** Wenn Sie die Motorsäge auf andere Weise festhalten, wird das Verletzungsrisiko erhöht. Vermeiden Sie dies.
- **Halten Sie die Motorsäge nur an den isolierten Griffoberflächen fest, da die Sägekette evtl. in Kontakt mit verborgener Verkabelung kommen kann.** Wenn die Sägekette mit einem stromführenden Leiter in Kontakt kommt, können freiliegende Metallteile der Motorsäge unter Strom gesetzt und der Anwender einem elektrischen Schlag ausgesetzt werden.
- **Tragen Sie einen Augenschutz. Weitere Schutzausrüstung für das Gehör sowie Kopf, Hände, Beine und Füße wird empfohlen.** Angemessene Schutzausrüstung verringert das Verletzungsrisiko durch umherfliegende Bruchstücke oder durch versehentlichen Kontakt mit der Sägekette.
- **Arbeiten Sie nicht mit einer Motorsäge auf einem Baum, auf einer Leiter, auf einem Dach oder generell auf instabilem Untergrund.** Der Betrieb einer Motorsäge unter diesen Bedingungen kann zu schweren Verletzungen führen.¹⁷
- **Achten Sie stets auf festen Stand, und betreiben Sie die Motorsäge nur, wenn Sie auf einer festen, sicheren und geraden Oberfläche stehen.** Auf rutschigen oder instabilen Oberflächen kann es zu einem Verlust des Gleichgewichts oder der Kontrolle über die Motorsäge kommen.
- **Rechnen Sie beim Durchtrennen eines Asts, der unter Spannung steht, mit seinem Zurückschnellen.** Wenn die Spannung der Holzfasern freigesetzt wird, kann der unter Spannung stehende Ast den Bediener treffen und/oder die Motorsäge außer Kontrolle geraten.

- **Gehen Sie beim Schneiden von Dickicht und Jungbäumen besonders umsichtig vor.** Das dünne Material kann sich in der Sägekette verfangen und in Ihre Richtung geschleudert werden bzw. Sie aus dem Gleichgewicht bringen.
- **Tragen Sie die Motorsäge am Vorderen Handgriff. Diese muss dabei ausgeschaltet sein und von Ihrem Körper weg weisen. Beim Transportieren oder Lagern der Motorsäge muss immer die Abdeckung der Führungsschiene angebracht werden.** Der richtige Umgang mit der Motorsäge verringert die Wahrscheinlichkeit des Kontakts mit der sich bewegenden Sägekette.
- **Befolgen Sie die Anweisungen zum Schmieren und Spannen der Kette sowie zum Wechseln der Schiene und Kette.** Eine falsch gespannte oder geschmierte Kette kann reißen oder das Rückschlagrisiko erhöhen.
- **Schneiden Sie nur Holz. Verwenden Sie die Säge nicht für andere Zwecke. Verwenden Sie die Motorsäge beispielsweise nicht zum Schneiden von Metall, Kunststoff, Mauerwerk oder anderen Materialien, die nicht aus Holz bestehen.** Der bestimmungswidrige Einsatz der Motorsäge kann zu gefährlichen Situationen führen.
- **Versuchen Sie nicht, einen Baum zu fällen, ohne mit den damit verbundenen Risiken und Ihrer Vermeidung vertraut zu sein.** Beim Fällen eines Baumes können der Bediener oder umstehende Personen schwere Verletzungen erleiden.
- **Befolgen Sie bei der Entfernung von festklemmendem Material sowie bei Lagerung oder Wartung der Motorsäge stets alle Anweisungen. Stellen Sie sicher, dass sich der Schalter auf der Position „Aus“ befindet und der Akku entfernt ist.** Eine unerwartete Betätigung der Motorsäge beim Entfernen von festklemmendem Material oder bei der Wartung kann zu schweren Verletzungen führen.
- **Benutzen Sie eine Motorsäge nicht in einem Baum, wenn Sie nicht speziell dafür geschult wurden.** Der Betrieb einer Motorsäge in einem Baum ohne entsprechende Schulung kann das Risiko schwerer Verletzungen erhöhen.

Ursachen für Rückschlag und Vermeiden durch den Anwender

Es kann zu einem Rückschlag kommen, wenn die Führungsschienspitze ein Objekt berührt oder wenn sich ein Spalt im Holz schließt und die Sägekette einklemmt. Der Kontakt mit der Spitze kann zu einer plötzlichen Umkehrreaktion führen, sodass die Führungsschiene nach oben und in Richtung des Bedieners geschleudert wird. Wird die Sägekette an der Oberseite der Führungsschiene eingeklemmt, kann die Führungsschiene schnell in Richtung des Bedieners geschleudert werden. Durch diese Reaktionen können Sie die Kontrolle über die Säge verlieren, was

¹⁷ Wenn Sie in speziellen Schneid- und Arbeitstechniken geschult und ordnungsgemäß gesichert sind (Aufzugskasten, Seile, Sicherheitsgurtzeug), kann von dieser Sicherheitsvorschrift abgewichen werden.

wiedermum zu schweren Verletzungen führen kann. Verlassen Sie sich nicht ausschließlich auf die Sicherheitsvorrichtungen Ihrer Säge. Als Benutzer einer Motorsäge müssen Sie verschiedene Maßnahmen ergreifen, um unfall- und verletzungsfrei zu arbeiten. Ein Rückschlag ist das Ergebnis unsachgemäßer Anwendung der Motorsäge und/oder falschen Betriebs. Dies lässt sich durch die nachfolgend aufgeführten Vorsichtsmaßnahmen vermeiden.

- **Halten Sie die Motorsäge stets mit Daumen und Fingern an den Griffen fest. Beide Hände sind an der Säge, und Ihr Körper sowie die Arme ermöglichen das Abfangen von Rückschlägen.** Rückschläge können bei Beachten der entsprechenden Vorsichtsmaßnahmen vom Bediener abgefangen werden. Lassen Sie die Motorsäge nicht los.
- **Beugen Sie sich nicht zu weit vor, und sägen Sie nicht über Schulterhöhe.** Auf diese Weise können Sie den unabsichtlichen Spitzenkontakt vermeiden und die Motorsäge in unerwarteten Situationen besser kontrollieren.
- **Verwenden Sie als Ersatzteile nur die vom Hersteller angegebenen Führungsschienen und Sägeketten.** Ungeeignete Ersatzführungsschienen und -ketten können zum Kettenbruch und/oder zu Rückschlägen führen.
- **Befolgen Sie die Herstelleranweisungen zum Schärfen und Warten der Sägekette.** Das Verringern der Tiefenbegrenzerhöhe kann zu stärkeren Rückschlägen führen.

BEWAHREN SIE DIESE BEDIENUNGSANLEITUNG AUF.

Allgemeine Sicherheitshinweise



WARNUNG: Lesen Sie die folgenden Warnhinweise, bevor Sie das Gerät benutzen.

- Dieses Gerät ist ein sehr gefährliches Werkzeug, wenn Sie nicht aufpassen oder das Gerät unsachgemäß verwenden. Dieses Gerät kann schwere Verletzungen des Bedieners oder anderer Personen verursachen. Es ist deshalb von größter Wichtigkeit, dass diese Bedienungsanweisung aufmerksam durchgelesen und verstanden wird.
- Nehmen Sie ohne die Genehmigung des Herstellers keine Veränderungen an dem Gerät vor. Verwenden Sie auch keine Geräte, die von anderen verändert wurden, und verwenden Sie immer Originalzubehör. Nicht vom Hersteller zugelassene Veränderungen können zu schweren oder sogar tödlichen Verletzungen des Bedieners oder anderer Personen führen.
- Das Einatmen des Kettenölnebels und des Staubs von Sägespänen über längere Zeit kann eine Gefahr für die Gesundheit darstellen.
- Dieses Gerät erzeugt beim Betrieb ein elektromagnetisches Feld. Dieses Feld kann sich unter bestimmten Bedingungen auf die Funktionsweise aktiver oder passiver medizinischer Implantate auswirken. Um die Gefahr von Situationen, die zu schweren oder tödlichen Verletzungen führen können, zu verringern, sollten sich Personen mit einem medizinischen Implantat vor der Nutzung dieses Gerätes an ihren Arzt und den Hersteller des Implantats wenden.

Sicherheitshinweise für den Betrieb



WARNUNG: Lesen Sie die folgenden Warnhinweise, bevor Sie das Gerät verwenden.

- Die Informationen in dieser Bedienungsanleitung sind kein Ersatz für Fachwissen und Erfahrungen. Wenn Sie sich in einer Situation nicht sicher fühlen, schalten Sie das Gerät ab. Wenden Sie sich an Ihren Kundendienst oder einen professionellen Anwender von Motorsägen. Vermeiden Sie jede Arbeit, für die Sie nicht ausreichend qualifiziert sind!
- Bei Fragen zur Bedienung des Geräts wenden Sie sich an Ihren Servicehändler oder an Husqvarna. Wir können Ihnen Informationen dazu geben, wie Sie Ihr Gerät effektiv und sicher bedienen. Nehmen Sie nach Möglichkeit an einer Schulung für die Bedienung von Motorsägen teil. Ihr Servicehändler, Forstfachschulen oder Bibliotheken informieren Sie über verfügbares Weiterbildungsmaterial und das Kursangebot.
- Vor der Verwendung dieses Geräts müssen Sie wissen, was ein Rückschlag ist und wie er vermieden werden kann. Siehe *Informationen zu Rückschlägen auf Seite 138* und *Häufig gestellte Fragen über Rückschläge auf Seite 138* für Anweisungen.
- Verwenden Sie das Gerät, den Akku oder das Ladegerät nicht, wenn sie beschädigt sind oder nicht ordnungsgemäß funktionieren.
- Kommen Sie nicht mit einer rotierenden Sägekette in Berührung. Dies kann zu schweren oder tödlichen Verletzungen führen.
- Verwenden Sie das Gerät nicht, wenn Sie müde sind, unter dem Einfluss von Alkohol, Drogen, Medikamenten oder sonstigen Mitteln stehen, die Ihre Sehkraft, Aufmerksamkeit, Körperkontrolle oder Ihr Urteilsvermögen beeinträchtigen könnten.
- Das Arbeiten bei schlechtem Wetter ist nicht nur ermüdend, sondern birgt auch zusätzliche Risiken. Aufgrund des höheren Risikos wird davon abgeraten, das Gerät bei sehr schlechtem Wetter zu verwenden, z. B. bei dichtem Nebel, starkem Regen, starkem Wind, großer Kälte, Gewittergefahr usw.
- Starten Sie das Gerät nur dann, wenn Führungsschiene, Sägekette und sämtliche Abdeckungen korrekt montiert sind. Andernfalls kann sich das Antriebsrad lösen und schwere

Verletzungen verursachen. Siehe *Montage auf Seite 136* für Anweisungen.

(Abb. 25)

- Gelegentlich setzt sich Splitt im Kupplungsdeckel fest, wodurch die Kette blockieren kann. Stellen Sie zur Reinigung grundsätzlich den Motor ab.
- Behalten Sie die Umgebung im Auge. Stellen Sie sicher, dass keine Gefahr besteht, dass Personen oder Tiere Ihre Kontrolle über das Gerät durch Berührung oder anderweitige Einflüsse beeinträchtigen.

(Abb. 26)

- Erlauben Sie niemals Kindern, das Gerät zu benutzen oder sich in seiner Nähe aufzuhalten. Das Gerät ist leicht zu starten, und Kinder können bei unzureichender Aufsicht in der Lage sein, es zu starten. Dies kann zu schweren Verletzungen führen.
- Entfernen Sie den Akku, wenn Sie das Gerät nicht vollständig im Blick haben oder das Gerät für einen beliebigen Zeitraum unbeaufsichtigt lassen.
- Sie müssen sicher auf Ihren Füßen stehen, um das Gerät voll unter Kontrolle zu haben. Verwenden Sie das Gerät nicht, wenn Sie sich auf einer Leiter oder auf einem Baum befinden. Verwenden Sie das Gerät nicht, wenn Sie nicht auf stabilem Untergrund stehen.

(Abb. 27)

- Die Arbeit in Bäumen erfordert den Einsatz von speziellen Schnitt- und Arbeitstechniken, die zur Vermeidung von erhöhten Verletzungsrisiken zu befolgen sind. Sie dürfen nur in einem Baum arbeiten, wenn Sie speziell für diese Art Arbeit geschult wurden. Dazu zählen auch Schulungen für die Verwendung von Sicherheits- und Kletterausrüstung, wie z. B. Gurtzeug, Seile, Gurte, Steigeisen, Hackensprenglingen, Karabinerhacken usw.
- Versuchen Sie nie, fallendes Schnittgut aufzufangen. Sägen Sie nie in den Baum, wenn Sie mit nur einem Seil gesichert sind. Verwenden Sie stets zwei gesicherte Seile.
- Wenn Sie nicht vorsichtig agieren, erhöht sich die Rückschlaggefahr. Ein Rückschlag kann auftreten, wenn der Rückschlagbereich der Führungsschiene einen Ast, einen Baum oder andere Gegenstände berührt.

(Abb. 28)

- Arbeiten Sie nicht einhändig mit dem Gerät. Dieses Gerät lässt sich mit nur einer Hand nicht sicher bedienen.
- Verwenden Sie das Gerät nicht über Schulterhöhe und versuchen Sie nicht, mit der Führungsschienen spitze zu schneiden.

(Abb. 29)

- Verwenden Sie das Gerät nicht in einer Situation, in der Sie im Falle eines Unfalls keine Hilfe rufen können.
- Halten Sie das Gerät an und aktivieren Sie die Kettenbremse, bevor Sie das Gerät bewegen. Halten Sie das Gerät so, dass die Führungsschiene und die Sägekette nach hinten zeigen. Bringen Sie einen Transportschutz an der Führungsschiene an, bevor Sie das Gerät transportieren oder um eine beliebige Strecke bewegen.
- Sichern Sie beim Abstellen des Geräts auf den Boden die Sägekette mit der Kettenbremse, und behalten Sie das Gerät immer im Auge. Schalten Sie das Gerät aus und entnehmen den Akku, bevor Sie Ihr Gerät für einen beliebigen Zeitraum zurücklassen.
- Es besteht die Gefahr, dass Holzspäne im Antriebssystem eingeklemmt werden. Dadurch kann die Sägekette blockieren. Vor dem Reinigen müssen Sie stets das Gerät ausschalten und den Akku entnehmen.
- Die Vibrationswerte erhöhen sich, wenn Sie sich mit unangemessener oder nicht ordnungsgemäß geschärfter Schneidausrüstung an die Arbeit machen. Das Sägen von Hartholz (die meisten Laubbäume) verursacht mehr Vibration als das Sägen von Weichholz (die meisten Nadelbäume).

(Abb. 30)

- Eine übermäßige Belastung durch Vibrationen kann bei Personen mit verminderter Durchblutung zu Kreislaufschäden oder Nervenschäden führen. Sprechen Sie mit Ihrem Arzt, wenn Sie nach übermäßiger Belastung durch Vibrationen irgendwelche Beschwerden haben. Beispiele für solche Symptome sind: Einschlafen von Körperteilen, Gefühlsverlust, Jucken, Stechen, Schmerzen, Verlust oder Beeinträchtigung der normalen Körperkraft, Veränderungen der Hautfarbe oder der Haut. Die Symptome treten normalerweise in den Fingern, Händen oder Handgelenken auf und verschlimmern sich bei kalten Temperaturen.
- Versuchen Sie nicht, stehende Bäume zu beschneiden oder zu entasten, wenn Sie nicht speziell dazu geschult sind.
- Stehen Sie beim Sägen an Hängen immer bergauf vom Stamm, da der Baum nach dem Fällen wahrscheinlich bergab rollt oder rutscht. Um beim Schneiden die vollständige Kontrolle über das Gerät zu behalten, verringern Sie den Schneiddruck am Ende des Schnitts. Halten Sie es aber weiterhin fest an den Griffen. Achten Sie darauf, dass die Sägekette nicht den Boden berührt. Warten Sie nach Abschluss des Schnitts, bis die Sägekette stoppt, bevor Sie das Gerät bewegen. Stellen Sie immer den Motor ab, bevor Sie zum nächsten Baum wechseln.

(Abb. 31)

- Fällen Sie niemals einen Baum, wenn die Gefahr besteht, dass Personen gefährdet, öffentliche Bedarfsleitungen getroffen oder

Sachbeschädigungen verursacht werden könnten. Sollte der Baum eine Bedarfsleitung treffen, muss der Versorgungsbetrieb umgehend darüber in Kenntnis gesetzt werden.

- Vergewissern Sie sich, dass Sie sich sicher bewegen können. Prüfen Sie die Bedingungen und das Gelände in Ihrer Umgebung auf Hindernisse wie Wurzeln, Steine, Äste, Löcher, Gräben und mehr. Seien Sie besonders vorsichtig, wenn Sie auf abschüssigem Gelände arbeiten.
- Vermeiden Sie Situationen, denen Sie sich nicht gewachsen fühlen.
- Es ist nicht möglich, jede mögliche Situation zu berücksichtigen, mit der Sie konfrontiert sein können, wenn Sie das Gerät verwenden. Lassen Sie immer Vorsicht walten, und arbeiten Sie mit gesundem Menschenverstand.

(Abb. 32)

Persönliche Schutzausrüstung



WARNUNG: Lesen Sie die folgenden Warnhinweise, bevor Sie das Gerät verwenden.

(Abb. 33)

- Bei Kontakt mit der Sägekette können schwerste Verletzungen auftreten. Sie müssen während des Betriebs eine zugelassene persönliche Schutzausrüstung tragen. Die persönliche Schutzausrüstung schützt Sie zwar nicht vollständig vor Verletzungen, vermindert aber den Umfang der Verletzungen bei einem Unfall. Sprechen Sie mit Ihrem Händler über Empfehlungen, welche Ausrüstung zu verwenden ist.
- Ihre Kleidung muss eng sitzen, darf aber nicht Ihre Bewegungen einschränken. Überprüfen Sie regelmäßig den Zustand der persönlichen Schutzausrüstung.
- Verwenden Sie einen zugelassenen Schutzhelm.
- Tragen Sie einen zugelassenen Gehörschutz. Eine längerfristige Beschallung mit Lärm kann zu bleibenden Gehörschäden führen.
- Tragen Sie stets eine zugelassene Schutzbrille oder einen Gesichtsschutz, um sich vor Verletzungen durch weggeschleuderte Gegenstände zu schützen. Das Gerät kann Gegenstände wie Sägespäne, Holzstückchen und mehr mit großer Kraft wegschleudern. Schwere Verletzungen, besonders an den Augen, können die Folge sein.
- Verwenden Sie Handschuhe mit Schnittschutz.
- Verwenden Sie Hosen mit Schnittschutz.
- Verwenden Sie Stiefel mit Schnittschutz, Stahlkappe und rutschfester Sohle.
- Sie sollten immer ein Erste-Hilfe-Set dabei haben.
- Risiko der Funkenbildung. Halten Sie zur Vermeidung von Waldbränden Feuerlöschwerkzeuge und eine Schaufel bereit.

Sicherheitsvorrichtungen am Gerät



WARNUNG: Lesen Sie die folgenden Warnhinweise, bevor Sie das Gerät verwenden.

- Verwenden Sie kein Gerät mit Sicherheitsvorrichtungen, die beschädigt sind oder nicht ordnungsgemäß funktionieren.
- Führen Sie regelmäßig eine Überprüfung der Sicherheitsvorrichtungen durch. Siehe *Wartung und Prüfung der Sicherheitseinrichtungen auf dem Gerät auf Seite 144*.
- Wenn die Sicherheitsvorrichtungen beschädigt sind oder nicht ordnungsgemäß funktionieren, wenden Sie sich an Ihren Husqvarna Servicehändler.

Funktionen der Benutzeroberfläche

Die Benutzeroberfläche umfasst die Start-/Stopptaste, die SavE-Taste (Energiespartaste), die Akkustatus- sowie die Warnanzeige. Die Warnanzeige blinkt, wenn die Kettenbremse aktiviert ist oder wenn das Risiko einer Überlastung besteht. Der Überlastungsschutz hält das Gerät vorübergehend an, und Sie können das Gerät nicht verwenden, bis die Temperatur gesunken ist. Wenn die Warnanzeige durchgehend leuchtet, wenden Sie sich an Ihren Händler.

(Abb. 34)

Weitere Informationen zur Benutzeroberfläche finden Sie unter *Geräteübersicht auf Seite 126*.

Die automatische Stoppfunktion

Das Gerät verfügt über eine automatische Stoppfunktion, die das Gerät stoppt, wenn Sie es drei Minuten lang nicht verwendet haben.

Kettenbremse mit Handschutz

Ihr Gerät ist mit einer Kettenbremse ausgestattet, welche die Sägekette bei einem Rückschlag stoppt. Die Kettenbremse verhindert die Unfallgefahr nur, wenn Sie selbst die erforderlichen Vorsichtsmaßnahmen einhalten.

(Abb. 35)



WARNUNG: Meiden Sie Situationen, in denen Rückschlaggefahr besteht. Seien Sie vorsichtig, wenn Sie das Gerät verwenden, und stellen Sie sicher, dass der Rückschlagbereich der Führungsschiene keine Gegenstände berührt.

(Abb. 36)

Die Kettenbremse (A) wird entweder manuell mit der linken Hand oder automatisch durch die Trägheitsfunktion aktiviert. Drücken Sie den Handschutz (B) nach vorne, um die Kettenbremse manuell zu

aktivieren. Diese Bewegung startet einen gefederten Mechanismus, der das Antriebsrad stoppt.

(Abb. 37)

Die Art und Weise, wie die Kettenbremse aktiviert wird, hängt von der Kraft des Rückschlags und der Position des Geräts ab. Bei einem heftigen Rückschlag und wenn sich der Rückschlagbereich so weit wie möglich von Ihnen entfernt befindet, wird die Kettenbremse durch die Trägheitsfunktion aktiviert. Bei einem leichten Rückschlag oder bei einem Rückschlag in Ihrer Nähe wird die Kettenbremse manuell von Ihrer linken Hand aktiviert.

(Abb. 38)

Verwenden Sie die Kettenbremse als Feststellbremse, wenn Sie das Gerät starten und sich über kurze Strecken bewegen. Dadurch reduzieren Sie das Risiko, dass Sie selbst oder Umstehende von der Sägekette erfasst werden.

(Abb. 39)

Bewegen Sie den Handschutz nach hinten, um die Kettenbremse zu lösen.

(Abb. 40)

Ein Rückschlag kann blitzschnell und mit großer Kraft auftreten. Die meisten Rückschläge sind klein und bewirken nicht immer ein Auslösen der Kettenbremse. Wenn ein Rückschlag auftritt, während Sie das Gerät benutzen, halten Sie die Griffe fest und lassen Sie nicht los.

(Abb. 41)

Der Handschutz verringert auch das Risiko, die Sägekette zu treffen, wenn Ihre Hand den vorderen Griff loslässt.

(Abb. 42)

In der Fallposition können Sie die Kettenbremse nicht manuell aktivieren. In dieser Position lässt sich die Kettenbremse nur mit der Trägheitsfunktion aktivieren.

(Abb. 43)

Gashebelsperre

Die Gashebelsperre verhindert ein versehentliches Auslösen des Gashebels. Wenn Sie die Gashebelsperre (A) nach vorne und dann die Gashebelsperre gegen den Griff (B) drücken, wird der Gashebel (C) freigegeben. Wenn Sie den Handgriff loslassen, werden Gashebel und Gashebelsperre wieder in ihre Ausgangsstellung zurückgestellt.

(Abb. 44)

Kettenfänger

Der Kettenfänger fängt die Kette, wenn sie bricht oder sich löst. Wenn Sie eine korrekte Kettenspannung haben, wird das Risiko verringert. Außerdem verringert sich das Risiko, wenn Sie die Führungsschiene und die

Sägekette korrekt warten. Siehe *Montage auf Seite 136* und *Wartung auf Seite 143* für Anweisungen.

(Abb. 45)

Rechtshandschutz

Der Rechtshandschutz dient als Schutz für Ihre Hand, wenn die Sägekette bricht oder sich löst. Er verhindert auch Störungen durch Äste und Zweige bei der Verwendung des Geräts.

(Abb. 46)

Sicherer Umgang mit Akkus



WARNUNG: Lesen Sie die folgenden Warnhinweise, bevor Sie das Gerät verwenden.

- Verwenden Sie nur Akkus der Serie 40-B, die wir für Ihr Gerät empfehlen. Siehe *Zugelassene Akkus auf Seite 152*. Die Akkus verfügen über eine Softwareverschlüsselung.
- Verwenden Sie als Stromversorgung für die zugehörigen Husqvarna Geräte nur wiederaufladbare Akkus der Serie 40-B. Siehe *Zugelassene Akkus auf Seite 152*. Um Verletzungen zu vermeiden, verwenden Sie den Akku nicht zur Energieversorgung anderer Geräte.
- Es besteht die Gefahr von elektrischen Schlägen. Verbinden Sie die Akkuklemmen nicht mit Schlüsseln, Schrauben oder anderen metallischen Gegenständen. Dadurch kann es zu einem Kurzschluss des Akkus kommen.
- Benutzen Sie keine Akkus, die nicht wiederaufladbar sind.
- Legen Sie keine Gegenstände in die Luftschlitze des Akkus.
- Halten Sie den Akku von direkter Sonneneinstrahlung, Hitze oder offenem Feuer fern. Der Akku kann Verbrennungen und/oder chemische Verätzungen verursachen.
- Halten Sie den Akku von Regen und Feuchtigkeit fern.
- Halten Sie den Akku von Mikrowellen und hohem Druck fern.
- Versuchen Sie nicht, den Akku zu zerlegen oder aufzubrechen.
- Vermeiden Sie Hautkontakt mit Batteriesäure. Batteriesäure verursacht Hautverletzungen, Korrosion und Verbrennungen. Sollte Batteriesäure in Ihre Augen gelangen, reiben Sie diese nicht, sondern spülen Sie sie mindestens 15 Minuten lang mit reichlich Wasser aus. Falls Ihre Haut mit Batteriesäure in Kontakt gekommen ist, reinigen Sie sie mit reichlich Wasser und Seife. Suchen Sie einen Arzt auf.
- Der Akku darf nur bei Temperaturen zwischen -10 °C (14 °F) und 40 °C (104 °F) verwendet werden.

- Reinigen Sie weder den Akku noch das Ladegerät mit Wasser. Siehe *So überprüfen Sie den Akku und das Akkufach auf Seite 145*.
- Verwenden Sie keinen beschädigten Akku.
- Lagern Sie Akkus getrennt von Metallgegenständen wie Nägeln, Schrauben oder Schmuck.
- Halten Sie den Akku fern von Kindern.

Sicherer Umgang mit dem Ladegerät



WARNUNG: Lesen Sie die folgenden Warnhinweise, bevor Sie das Gerät verwenden.

- Gefahr von elektrischen Schlägen oder Kurzschluss, wenn die Sicherheitshinweise nicht beachtet werden.
- Verwenden Sie eine geprüfte geerdete Steckdose, die nicht beschädigt ist.
- Verwenden Sie nur das mitgelieferte Ladegerät für Ihr Gerät. Verwenden Sie zum Laden von Husqvarna Ersatzakkus 40-B140 ausschließlich 40-C80 Ladegeräte. Siehe *Zugelassene Ladegeräte für das Gerät auf Seite 153* und *Zugelassene Akkus auf Seite 152*.
- Das Ladegerät nicht zerlegen.
- Verwenden Sie keine fehlerhaften oder beschädigten Ladegeräte.
- Heben Sie das Ladegerät nicht am Netzkabel an. Um das Ladegerät von der Steckdose zu trennen, ziehen Sie am Netzstecker. Ziehen Sie nicht am Netzkabel.
- Achten Sie darauf, dass keines der Kabel und Verlängerungskabel mit Wasser, Öl oder scharfen Kanten in Berührung kommt. Achten Sie darauf, dass Kabel nicht zwischen Türen, Zäunen o. Ä. eingeklemmt werden.
- Das Ladegerät darf nicht in der Nähe von entflammaren Materialien oder Materialien, die Korrosion verursachen können, verwendet werden. Vergewissern Sie sich, dass das Ladegerät nicht abgedeckt ist. Bei Rauchentwicklung oder Feuer muss der Stecker des Ladegeräts sofort aus der Steckdose gezogen werden.
- Laden Sie den Akku nur in geschlossenen Räumen an einem Ort mit guter Luftzirkulation und ohne direkte Sonneneinstrahlung. Laden Sie den Akku nicht im Freien. Auf keinen Fall Akkus in feuchter Umgebung laden.
- Verwenden Sie das Ladegerät nur bei einer Temperatur zwischen 5 °C (41 °F) und 40 °C (104 °F). Verwenden Sie das Ladegerät nur in einer gut belüfteten, trockenen und staubfreien Umgebung.
- Legen Sie keine Gegenstände in die Kühlschlitze des Ladegeräts.
- Verbinden Sie die Anschlüsse des Ladegeräts niemals mit Metallgegenständen. Dies kann zu einem Kurzschluss im Ladegerät führen.

- Nutzen Sie zugelassene Steckdosen, die nicht beschädigt sind.
- Setzen Sie keine nicht wiederaufladbaren Akkus in das Ladegerät ein.

Sicherheitshinweise für die Wartung



WARNUNG: Lesen Sie die folgenden Warnhinweise, bevor Sie das Gerät warten.

- Entfernen Sie vor Wartungs-, Kontroll- oder Montagearbeiten den Akku.
- Der Bediener darf nur die Wartungs- und Servicearbeiten ausführen, die in dieser Bedienungsanleitung beschrieben sind. Für darüber hinausgehende Wartungs- und Servicearbeiten wenden Sie sich bitte an Ihren Servicehändler.
- Reinigen Sie weder den Akku noch das Ladegerät mit Wasser. Starke Reiniger können den Kunststoff beschädigen.
- Wenn Wartungsarbeiten nicht durchgeführt werden, verringert sich die Lebensdauer des Geräts und die Unfallgefahr steigt.
- Für alle Service- und Reparaturarbeiten, insbesondere an den Sicherheitsvorrichtungen des Geräts, ist eine spezielle Schulung erforderlich. Wenn nach Durchführung der Wartungsarbeiten nicht alle in dieser Bedienungsanleitung beschriebenen Prüfungen mit positivem Ergebnis ausfallen, wenden Sie sich an Ihren Servicehändler. Wir garantieren Ihnen, dass für Ihr Gerät professionelle Service- und Reparaturdienste verfügbar sind.
- Nur Original-Ersatzteile verwenden.

Sicherheitshinweise für die Schneid-ausrüstung



WARNUNG: Lesen Sie die folgenden Warnhinweise, bevor Sie das Gerät verwenden.

- Verwenden Sie nur die empfohlenen Kombinationen von Führungsschiene/Sägekette und Einfüllhilfen. Eine Anleitung finden Sie in *Technische Angaben auf Seite 150*.
 - Tragen Sie Schutzhandschuhe, wenn Sie an der Sägekette eine Wartung durchführen oder sie verwenden. Eine Sägekette, die sich nicht bewegt, kann auch zu Verletzungen führen.
 - Sorgen Sie dafür, dass die Schneidezähne gut geschärft sind. Befolgen Sie die Anweisungen und verwenden Sie die empfohlene Schärflehre. Eine Sägekette, die beschädigt oder nicht korrekt geschärft ist, erhöht die Unfallgefahr.
- (Abb. 47)
- Behalten Sie den korrekten Tiefenbegrenzerabstand bei. Befolgen Sie die Anweisungen und verwenden

Sie die empfohlene Tiefenbegrenzereinstellung. Ein zu großer Tiefenbegrenzerabstand erhöht die Rückschlaggefahr.

(Abb. 48)

- Stellen Sie sicher, dass die Sägekette die richtige Spannung besitzt. Wenn sich die Sägekette nicht fest in der Führungsschiene befindet, kann die Sägekette abspringen. Eine falsche Sägekettenspannung führt zu höherem Verschleiß an der Führungsschiene, der Sägekette und dem Kettenantriebsrad. Siehe *Zubehör auf Seite 151*.

(Abb. 49)

- Führen Sie die Wartung der Schneidausrüstung regelmäßig durch und sorgen Sie für eine korrekte Schmierung. Wenn die Sägekette nicht ordnungsgemäß geschmiert ist, erhöht sich die Gefahr von Verschleiß an der Führungsschiene, der Sägekette dem und Kettenantriebsrad.

(Abb. 50)

Montage

So montieren Sie Führungsschiene und Sägekette (mit Spannmutter)



WARNUNG: Entfernen Sie stets den Akku, bevor Sie ein Zubehörteil anbringen oder das Gerät warten.

1. Deaktivieren Sie die Kettenbremse. (Abb. 51)
2. Lösen Sie die Spannmutter, und entfernen Sie die Abdeckung des Kettenantriebsrads. (Abb. 52)
3. Platzieren Sie die Führungsschiene auf der Spannschraube. Bringen Sie die Führungsschiene in ihre hinterste Stellung. Heben Sie die Sägekette über das Kettenantriebsrad, und passen Sie sie in die Nut in der Führungsschiene ein. Beginnen Sie an der Oberkante der Führungsschiene.
4. Achten Sie darauf, dass die Schneiden der Sägezähne auf der Oberkante der Führungsschiene nach vorn gerichtet sind. (Abb. 53)
5. Installieren Sie die Abdeckung des Kettenantriebsrads, und platzieren Sie den Stift der Ketteneinstellung in der Aussparung der Führungsschiene.
6. Stellen Sie sicher, dass die Treibglieder der Sägekette korrekt in das Kettenantriebsrad passen.
7. Stellen Sie sicher, dass die Sägekette korrekt in die Nut der Führungsschiene eingreift.
8. Spannen Sie die Sägekette. Siehe *Wartung auf Seite 143* für Anweisungen.
9. Ziehen Sie die Spannmutter an.

So montieren Sie Führungsschiene und Sägekette (mit Spannschraube)



WARNUNG: Entfernen Sie stets den Akku, bevor Sie ein Zubehörteil anbringen oder das Gerät warten.

1. Deaktivieren Sie die Kettenbremse. (Abb. 51)
2. Lösen Sie die Spannmutter, und entfernen Sie die Abdeckung des Kettenantriebsrads. (Abb. 54)
3. Platzieren Sie die Führungsschiene auf der Spannschraube. Bringen Sie die Führungsschiene in ihre hinterste Stellung. Heben Sie die Sägekette über das Kettenantriebsrad, und passen Sie sie in die Nut in der Führungsschiene ein. Beginnen Sie an der Oberkante der Führungsschiene.
4. Achten Sie darauf, dass die Schneiden der Sägezähne auf der Oberkante der Führungsschiene nach vorn gerichtet sind. (Abb. 55)
5. Installieren Sie die Abdeckung des Kettenantriebsrads, und platzieren Sie den Stift der Ketteneinstellung in der Aussparung der Führungsschiene.
6. Stellen Sie sicher, dass die Treibglieder der Sägekette korrekt in das Kettenantriebsrad passen.
7. Stellen Sie sicher, dass die Sägekette korrekt in die Nut der Führungsschiene eingreift.
8. Ziehen Sie die Spannmutter mit den Fingern fest.
9. Spannen Sie die Sägekette. Siehe *Wartung auf Seite 143* für Anweisungen.

So installieren Sie das Ladegerät an der Wand



ACHTUNG: Verwenden Sie keinen Akkuschrauber, um das Ladegerät an der Wand zu installieren. Ein Akkuschrauber kann das Ladegerät beschädigen.

1. Befestigen Sie das Ladegerät mit den 2 Schrauben (A) an der Wand. Verwenden Sie bei Bedarf Dübel (B). (Abb. 56)
2. Setzen Sie die beiden Bohrlochstopfen (C) ein.
3. Schließen Sie das Netzkabel (D) an das Ladegerät und an eine Steckdose an.

Betrieb

Einleitung



WARNUNG: Lesen Sie vor Gebrauch des Geräts das Kapitel über Sicherheit, und machen Sie sich damit vertraut.

So führen Sie eine Funktionsprüfung vor Verwendung des Geräts durch

1. Prüfen Sie die Kettenbremse (A), um sicherzustellen, dass sie ordnungsgemäß funktioniert und nicht beschädigt ist.
2. Prüfen Sie den hinteren Rechtshandschutz (B), um sicherzustellen, dass er nicht beschädigt ist.
3. Prüfen Sie den Gashebel und die Gashebelsperre (C), um sicherzustellen, dass sie ordnungsgemäß funktionieren und nicht beschädigt sind.
4. Kontrollieren Sie, ob die Tastatur (D) ordnungsgemäß funktioniert.
5. Achten Sie darauf, dass sich auf den Griffen (E) kein Öl befindet.
6. Kontrollieren Sie, ob alle Teile korrekt befestigt und nicht beschädigt sind und keine Teile fehlen.
7. Prüfen Sie den Kettenfänger (F), um sicherzustellen, dass er richtig angebracht ist.
8. Prüfen Sie die Kettenspannung (G).
9. Laden Sie den Akku (H) und stellen Sie sicher, dass er richtig am Gerät befestigt ist.
10. Stellen Sie sicher, dass die Sägekette anhält, wenn Sie den Gashebel drücken. (Abb. 57)

So verwenden Sie das richtige Kettenöl



WARNUNG: Verwenden Sie kein Altöl, das zu Verletzungen und Umweltschäden führen kann. Altöl beschädigt auch die Ölpumpe, Führungsschiene und Sägekette.



WARNUNG: Die Sägekette kann reißen, wenn die Schmierung der Schneidausrüstung nicht ausreichend ist. Gefahr von schweren oder tödlichen Verletzungen des Bedieners.



WARNUNG: Verwenden Sie die richtigen Kettenöl, damit diese Funktion korrekt funktionieren kann. Wenden Sie

sich zur Auswahl des Kettenöls an Ihren Servicehändler.

- Verwenden Sie Husqvarna Kettenöl, um die maximale Lebensdauer der Sägekette zu gewährleisten und negative Auswirkungen auf die Umwelt zu vermeiden. Wenn Husqvarna Kettenöl nicht verfügbar ist, empfehlen wir, ein Standardkettenöl zu verwenden.
- Verwenden Sie ein Kettenöl mit guter Haftung an der Sägekette.
- Verwenden Sie ein Kettenöl mit dem richtigen Viskositätsbereich, der zu der Lufttemperatur passt.



ACHTUNG: Bei Temperaturen unter 0 °C werden manche Kettenöle zu dickflüssig, was zu Schäden an der Ölpumpe führen kann.

- Verwenden Sie die empfohlene Schneidausrüstung. Siehe *Zubehör auf Seite 151*.
- Entfernen Sie den Deckel des Kettenöltanks.
- Füllen Sie den Kettenöltank mit Kettenöl.
- Befestigen Sie den Deckel sorgfältig.

(Abb. 58)

Hinweis: Um herauszufinden, wo sich der Kettenöltank an Ihrem Produkt befindet, siehe *Einleitung auf Seite 126*.

Akku



WARNUNG: Lesen Sie vor Gebrauch des Akkus das Kapitel über Sicherheit, und machen Sie sich damit vertraut. Lesen Sie außerdem die Bedienungsanleitung für den Akku und das Ladegerät, und machen Sie sich damit vertraut.

Sorgen Sie für die richtigen Umgebungstemperaturen von Akku und Ladegerät.

	Umgebungstemperatur
Betrieb des Akkus	5 °C-40 °C/41 °F-104 °F
Laden des Akkus	5 °C-40 °C/41 °F-104 °F

Akkuladezustand

Auf dem Display werden der Ladezustand und eventuelle Störungen des Akkus angezeigt.

(Abb. 59)

LED-Anzeigelampe	Akku-Ladezustand
4 LEDs leuchten	Der Akku ist zu 76 % - 100 % geladen.
3 LEDs leuchten	Der Akku ist zu 51 % - 75 % geladen.
2 LEDs leuchten	Der Akku ist zu 26 % - 50 % geladen.
1 LED leuchtet	Der Akku ist zu 6 % - 25 % geladen.
1 LED blinkt	Der Akku ist zu 0 % - 5 % geladen.

So laden Sie den Akku

Laden Sie den Akku, wenn Sie ihn zum ersten Mal verwenden. Ein neuer Akku ist nur zu 30 % geladen.



ACHTUNG: Schließen Sie das Ladegerät an eine Steckdose mit der auf dem Typenschild angegebenen Spannung und Frequenz an.

Der Akku wird nicht aufgeladen, wenn die Akkutemperatur mehr als 50 °C/122° F beträgt.

- Schließen Sie das Netzkabel an das Ladegerät an.
- Schließen Sie das Ladegerät an eine geerdete Steckdose an. Die Lade-LED blinkt ein Mal. (Abb. 60)
- Schließen Sie den Akku an das Ladegerät an. Die Lade-LED leuchtet auf. Laden Sie den Akku für maximal 24 Stunden. (Abb. 61)
- Drücken Sie die Taste für den Akku-Ladezustand. Wenn alle LED-Anzeigelampen aufleuchten, ist der Akku vollständig geladen.
- Ziehen Sie den Netzstecker, um das Ladegerät von der Steckdose zu trennen. Ziehen Sie nicht am Netzkabel.
- Nehmen Sie den Akku aus dem Ladegerät.

Informationen zu Rückschlägen



WARNUNG: Ein Rückschlag kann schwere Verletzungen des Bedieners oder anderer Personen verursachen. Um das Risiko zu mindern, müssen Sie die Ursachen für Rückschläge kennen und wissen, wie Sie sie vermeiden können.

Ein Rückschlag kann eintreffen, wenn der Rückschlagbereich der Schiene einen Gegenstand berührt. Ein Rückschlag kann plötzlich und mit großer Kraft auftreten, die das Gerät gegen den Bediener schleudert.

(Abb. 36)

Ein Rückschlag erfolgt immer in Richtung der Führungsschiene. Normalerweise wird das Gerät gegen den Bediener geschleudert, manchmal aber auch in

eine andere Richtung. Sie beeinflussen die Richtung der Bewegung durch Ihr Verhalten beim Auftreten des Rückschlags.

(Abb. 62)

Ein Rückschlag tritt nur auf, wenn der Rückschlagbereich der Schiene einen Gegenstand berührt. Sorgen Sie dafür, dass der Rückschlagbereich keine Gegenstände berührt.

(Abb. 36)

Ein kleinerer Radius der Schienen Spitze verringert die Kraft des Rückschlags.

Verwenden Sie eine Sägekette mit einem niedrigen Rückschlag, um die Auswirkungen des Rückschlags zu mindern. Sorgen Sie dafür, dass der Rückschlagbereich keine Gegenstände berührt.



WARNUNG: Keine Sägekette kann einen Rückschlag vollständig verhindern. Beachten Sie stets die Anweisungen.

Häufig gestellte Fragen über Rückschläge

- Wird die Hand die Kettenbremse beim Rückschlag stets aktivieren?**

Nein. Sie müssen etwas Kraft aufwenden, um den Handschutz nach vorn zu drücken. Wenn Sie nicht mit der erforderlichen Kraft drücken, kann die Kettenbremse nicht aktiviert werden. Außerdem müssen Sie die Griffe des Geräts während der Arbeit fest mit beiden Händen halten. Wenn es zu einem Rückschlag kommt, kann die Kettenbremse nicht die Sägekette anhalten, bevor sie Sie trifft. Es gibt auch einige Positionen, in denen Ihre Hand nicht an den Handschutz reicht, um die Kettenbremse zu aktivieren.

- Aktiviert die Trägheitsfunktion stets die Kettenbremse bei einem Rückschlag?**

Nein. Zunächst muss die Kettenbremse ordnungsgemäß funktionieren. Unter *Wartung und Prüfung der Sicherheitseinrichtungen auf dem Gerät auf Seite 144* finden Sie Anweisungen zur Überprüfung der Kettenbremse. Wir empfehlen Ihnen, sie vor jedem Gebrauch des Geräts zu überprüfen. Zum anderen muss die Kraft des Rückschlags hoch genug sein, um die

Kettenbremse zu aktivieren. Wenn die Kettenbremse zu empfindlich ist, kann sie bei rauhem Motorlauf aktiviert werden.

• **Wird mich die Kettenbremse bei einem Rückschlag stets vor Verletzungen schützen?**

Nein, die Kettenbremse muss richtig funktionieren, um Schutz zu bieten. Die Kettenbremse muss bei einem Rückschlag auch aktiviert werden, damit sie die Kette anhält. Wenn Sie sich in der Nähe der Führungsschiene aufhalten, hat die Kettenbremse u. U. nicht genügend Zeit, die Kette anzuhalten, bevor Sie sie trifft.



WARNUNG: Nur Sie selbst und die richtige Arbeitstechnik können einen Rückschlag verhindern.

So starten Sie das Gerät

1. Kontrollieren Sie den Gashebel und die Gashebelsperre. Siehe *So prüfen Sie die Gashebelsperre auf Seite 144*.
2. Aktivieren Sie die Kettenbremse. (Abb. 63)
3. Legen Sie den Akku in das Akkufach ein. (Abb. 64)



ACHTUNG: Stellen Sie sicher, dass der Akku korrekt im Akkufach sitzt. Wenn sich der Akku nicht leicht in das Akkufach bewegt, ist das die falsche Position.

4. Drücken Sie auf den unteren Teil des Akkus, bis Sie ein Klicken hören. (Abb. 65)
5. Halten Sie die Start-/Stopptaste gedrückt, bis das grüne LED-Licht aufleuchtet. (Abb. 66)

So verwenden Sie die SavE-Funktion

Die SavE-Funktion verringert die Kettengeschwindigkeit und die Leistung des Geräts.

1. Drücken Sie die SavE-Taste. Die grüne LED leuchtet auf.
2. Drücken Sie die SavE-Taste erneut, wenn Sie die Funktion deaktivieren möchten. Die grüne LED erlischt. (Abb. 67)

So stoppen Sie das Gerät

1. Drücken Sie die Start-/Stopptaste, bis die grüne LED erlischt. (Abb. 66)
2. Drücken Sie die Akkuentriegelungstasten, und nehmen Sie den Akku aus dem Akkufach, um einen versehentlichen Start zu vermeiden. (Abb. 68)

„Ziehende“ und „schiebende“ Kette

Sie können mit dem Gerät in 2 verschiedenen Positionen durch das Holz sägen.

- Beim Sägen mit „ziehender“ Kette sägen Sie mit der Unterseite der Führungsschiene. Die Sägekette „zieht“ durch den Baum, während Sie sägen. In dieser Position haben Sie eine bessere Kontrolle über das Gerät und die Position des Rückschlagbereichs.

(Abb. 69)

- Beim Sägen mit „schiebender“ Kette sägen Sie mit der Oberseite der Führungsschiene. Die Sägekette schiebt das Gerät in der Richtung des Bedieners.

(Abb. 70)



WARNUNG: Wenn die Sägekette im Stamm eingeklemmt wird, kann die Motorsäge gegen Sie gedrückt werden. Halten Sie das Gerät fest, und stellen Sie sicher, dass der Rückschlagbereich der Führungsschiene nicht den Baum berührt und es zu einem Rückschlag kommt.

(Abb. 71)

So wenden Sie die Schneidtechnik an



WARNUNG: Setzen Sie die volle Leistung beim Schneiden ein, und reduzieren Sie die Geschwindigkeit nach jedem Schnitt in den Leerlauf.



ACHTUNG: Lassen Sie den Motor nicht zu lange ohne Last laufen. Dies kann den Motor beschädigen.

1. Legen Sie den Stamm auf einen Sägebock o. Ä. (Abb. 72)



WARNUNG: Sägen Sie Stämme nicht stapelweise. Dies erhöht die Gefahr von Rückschlägen und kann zu schweren Verletzungen oder zum Tod führen.

2. Die gesägten Stücke aus dem Arbeitsbereich entfernen.



WARNUNG: Gesägte Stücke im Arbeitsbereich erhöhen die Rückschlaggefahr und es besteht die Gefahr, dass Sie das Gleichgewicht verlieren.

So verwenden Sie die Rindenstütze

1. Drücken Sie die Rindenstütze in den Baumstamm.

2. Geben Sie Vollgas, und verwenden Sie die Rindenstütze als Hebel. Drücken Sie die Rindenstütze weiterhin gegen den Stamm. Mit diesem Verfahren ist es einfacher, die Kraft zum Durchsägen des Baumes aufzubringen. (Abb. 73)

So sägen Sie einen Stamm auf dem Erdboden

1. Durchtrennen Sie den Stamm mit „ziehender“ Kette. Arbeiten Sie bei voller Leistung, aber seien Sie auf plötzliche Unfälle gefasst. (Abb. 74)



WARNUNG: Stellen Sie sicher, dass die Sägekette nicht den Boden berührt, nachdem Sie den Stamm durchgesägt haben.

2. Stoppen Sie, nachdem Sie rund zwei Drittel durch den Stamm gesägt haben. Drehen Sie den Stamm, um von der gegenüberliegenden Seite hineinzusägen. (Abb. 75)

So sägen Sie einen Stamm, der an einem Ende gestützt wird



WARNUNG: Stellen Sie sicher, dass der Stamm während des Sägens nicht bricht. Befolgen Sie die folgenden Anweisungen.

(Abb. 76)

1. Sägen Sie mit „schiebender“ Kette ca. $\frac{1}{3}$ durch den Stamm.
2. Durchtrennen Sie den Stamm mit „ziehender“ Kette, bis die beiden Kerben sich berühren. (Abb. 77)

So sägen Sie einen Stamm, der an zwei Enden gestützt wird



WARNUNG: Stellen Sie sicher, dass die Sägekette beim Sägen nicht im Stamm hängen bleibt. Befolgen Sie die folgenden Anweisungen.

(Abb. 78)

1. Sägen Sie mit „ziehender“ Kette ca. $\frac{1}{3}$ durch den Stamm.
2. Durchtrennen Sie den restlichen Teil des Stamms mit „schiebender“ Kette. (Abb. 79)



WARNUNG: Schalten Sie den Motor ab, wenn die Sägekette im Stamm hängen bleibt. Verwenden Sie einen Hebel, um den Schnitt zu öffnen und entfernen Sie das Gerät. Versuchen Sie nicht, das Gerät mit der Hand herauszuziehen. Wenn das Gerät plötzlich ausbricht, kann es zu Verletzungen kommen.

So verwenden Sie die Entastungstechnik

Hinweis: Wenden Sie die Sägetechnik bei dicken Ästen an. Siehe *So wenden Sie die Schneidtechnik an auf Seite 139*.



WARNUNG: Bei Anwendung der Entastungstechnik besteht ein hohes Unfallrisiko. Siehe *Informationen zu Rückschlägen auf Seite 138* für Anweisungen zur Vermeidung eines Rückschlags.



WARNUNG: Sägen Sie einen Ast nach dem anderen ab. Seien Sie besonders vorsichtig, wenn Sie kleine Äste sägen, und sägen Sie keine Büsche oder viele kleine Äste gleichzeitig ab. Kleine Äste können sich in der Sägekette verfangen und damit ist ein sicherer Betrieb des Geräts nicht mehr gewährleistet.

Hinweis: Falls notwendig, sägen Sie die Äste stückweise. Sägen Sie die kleineren Äste (A) und (B) zuerst und anschließend den Ast direkt am Stamm (C).

(Abb. 80)

1. Entfernen Sie die Äste auf der rechten Seite des Stamms.
 - a) Halten Sie die Führungsschiene auf der rechten Seite des Stamms, und drücken Sie den Gerätekörper gegen den Stamm.
 - b) Wählen Sie die gewünschte Sägetechnik, je nach Spannung im Ast. (Abb. 81)



WARNUNG: Wenn Sie sich beim Sägen des Astes nicht sicher sind, sprechen Sie mit einem erfahrenen Motorsägenbediener, bevor Sie fortfahren.

2. Entfernen Sie die Äste auf der Oberseite des Stamms.
 - a) Lassen Sie das Gerät auf dem Stamm und die Führungsschiene am Stamm entlang wandern.
 - b) Sägen Sie mit „schiebender“ Kette. (Abb. 82)
3. Entfernen Sie die Äste auf der linken Seite des Stamms.
 - a) Wählen Sie die gewünschte Sägetechnik, je nach Spannung im Ast. (Abb. 83)



WARNUNG: Wenn Sie sich beim Sägen des Astes nicht sicher sind, sprechen Sie mit einem

erfahrenen Motorsägenbediener,
bevor Sie fortfahren.

Siehe *Sägen in Baumstämmen und Ästen, die unter Spannung stehen auf Seite 142* für Anweisungen zum Sägen von Ästen, die unter Spannung stehen.

So verwenden Sie die Baumfälltechnik



WARNUNG: Das Fällen eines Baums setzt ein gewisses Maß an Erfahrung voraus. Nehmen Sie nach Möglichkeit an einem Kurs zum Bedienen von Motorsägen teil. Sprechen Sie mit einem erfahrenen Bediener, um nötiges Wissen zu erwerben.

So halten Sie einen ausreichenden Sicherheitsabstand ein

1. Stellen Sie sicher, dass Personen in Ihrem Umfeld einen ausreichenden Sicherheitsabstand von mindestens 2 1/2 Baumlängen einhalten. (Abb. 84)
2. Stellen Sie sicher, dass keine Person sich vor oder während dem Fällen im Gefahrenbereich aufhält. (Abb. 85)

So berechnen Sie die Fällrichtung

1. Überprüfen Sie, in welche Richtung der Baum fallen soll. Das Ziel ist, den Baum in eine Position zu fällen, in der Sie den Stamm leicht entasten und zerkleinern können. Wichtig ist auch, dass sie stabil auf den Füßen stehen und sich sicher bewegen können.



WARNUNG: Wenn es gefährlich oder nicht möglich ist, den Baum in seine natürliche Richtung zu fällen, dann fällen Sie ihn in eine andere Richtung.

2. Überprüfen Sie die natürliche Fallrichtung des Baumes. Zum Beispiel die Neigung und Biegung des Baumes, die Windrichtung, die Position der Äste und das Gewicht von Schnee.
3. Prüfen Sie, ob es Hindernisse vorhanden sind, z. B. andere Bäume, Stromleitungen, Straßen und/oder Gebäude.
4. Untersuchen Sie den Stamm auf Schäden und Fäulnis.



WARNUNG: Fäulnis im Stamm kann ein Risiko bedeuten, dass der Baum fällt, bevor Sie mit dem Sägen fertig sind.

5. Stellen Sie sicher, dass der Baum keine beschädigten oder abgestorbenen Äste hat, die abbrechen und Sie beim Fällen treffen können.

6. Lassen Sie den Baum nicht auf einen anderen stehenden Baum fallen. Es ist gefährlich, einen Baum zu entfernen, der sich beim Fällen verfangen hat. Es besteht sehr große Unfallgefahr. Siehe *So befreien Sie einen eingeklemmten Baum auf Seite 142*. (Abb. 86)



WARNUNG: Bei gefährlichen Fällarbeiten nehmen Sie den Gehörschutz sofort nach dem Sägen ab. Es ist wichtig, dass Sie Geräusche und Warnsignale hören.

So entfernen Sie Äste im unteren Stammbereich und bereiten Ihren Rückzugsweg vor

Sägen Sie alle Äste auf Schulterhöhe oder unterhalb davon.

1. Sägen Sie mit ziehender Kette von oben nach unten. Stellen Sie sicher, dass sich der Baum zwischen Ihnen und dem Gerät befindet. (Abb. 87)
2. Entfernen Sie Unterholz aus dem Arbeitsbereich um den Baum. Entfernen Sie alle gesägten Teile aus dem Arbeitsbereich.
3. Führen Sie eine Überprüfung des Bereichs auf Hindernisse wie Steine, Äste und Löcher durch. Sie müssen einen freien Rückzugsweg haben, wenn der Baum zu fallen beginnt. Der Rückzugsweg muss ungefähr 135 Grad schräg hinter der geplanten Fällrichtung des Baumes liegen.

1. Der Gefahrenbereich
2. Der Rückzugsweg
3. Die Fällrichtung

(Abb. 88)

So fällen Sie einen Baum

Husqvarna empfiehlt Ihnen, die Kerbschnitte zu machen und zum Fällen des Baumes die „Safe Corner“-Methode anzuwenden. Mit der „Safe Corner“-Methode können Sie das korrekte Brechmaß bestimmen und die Fallrichtung steuern.



WARNUNG: Fällen Sie keine Bäume mit einem Durchmesser, der mehr als doppelt so groß wie die Länge der Führungsschiene ist. Hierzu müssen Sie über eine Spezialausbildung verfügen.

Das Brechmaß

Der wichtigste Schritt beim Baumfällen ist das Ermitteln des korrekten Brechmaßes. Mit dem richtigen Brechmaß

können Sie die Fällrichtung kontrollieren und somit ein sicheres Fällen gewährleisten.

Die Stärke des Brechmaßes muss mindestens 10 % des Baumdurchmessers betragen.



WARNUNG: Wenn das Brechmaß falsch oder zu klein ist, können Sie die Fällrichtung nicht mehr kontrollieren.

(Abb. 89)

So machen Sie Kerbschnitte

1. Machen Sie Kerbschnitte. Nehmen Sie die Kerbschnitte durch 1/4 des Baumdurchmessers vor. Legen Sie einen 45 ° -Winkel zwischen dem oberen und dem unteren Schnitt an.
 - a) Machen Sie zuerst den Sägeschnitt von oben. Richten Sie die Fällrichtungsmarkierung (A) des Geräts an der Fällrichtung des Baumes (B) aus. Bleiben Sie hinter dem Gerät und halten Sie den Baum auf der rechten Seite. Sägen Sie mit ziehender Kette.
 - b) Machen Sie die unteren Schnitt. Stellen Sie sicher, dass das Ende des unteren Schnitts an der gleichen Stelle wie das Ende des Sägeschnitts von oben ist. (Abb. 90)
2. Stellen Sie sicher, dass die Kerbschnittlinie genau waagrecht ist und im rechten Winkel (90 °) zur Fallrichtung steht. Die Kerbschnittlinie geht durch den Punkt, wo die beiden Kerbschnitte sich berühren. (Abb. 91)

Anwendung der „Safe Corner“-Methode

Der Fallschnitt muss etwas oberhalb des Kerbschnitts gemacht werden.

(Abb. 92)



WARNUNG: Seien Sie vorsichtig, wenn Sie mit der Führungsschienenspitze sägen. Beginnen Sie mit dem unteren Bereich der Führungsschienenspitze zu sägen, während Sie einen Einstichschnitt in den Stamm machen.

(Abb. 93)

1. Wenn die effektive Schnittlänge größer als der Baumdurchmesser ist, folgen Sie diesen Schritten (a-d).
 - a) Machen Sie einen geraden Einstichschnitt, um die Brechmaßbreite zu erhalten. (Abb. 94)
 - b) Mit ziehender Kette sägen bis noch 1/4 des Stammes übrig ist.
 - c) Ziehen Sie die Führungsschiene 5 bis 10 cm nach hinten.

d) Durchtrennen Sie den restlichen Stamm, um eine sichere Ecke mit einer Breite von 5-10 cm zu erhalten. (Abb. 95)

2. Wenn die effektive Schnittlänge kürzer als der Baumdurchmesser ist, gehen Sie wie folgt vor (a-d).
 - a) Machen Sie einen geraden Einstichschnitt in den Stamm. Der Einstichschnitt muss größer als 3/5 des Baumdurchmessers sein.
 - b) Mit ziehender Kette durch den restlichen Stamm sägen. (Abb. 96)
 - c) Sägen Sie von der anderen Seite des Baumes gerade in den Stamm, um das Brechmaß zu erhalten.
 - d) Sägen Sie mit schiebender Kette bis 1/5 des Stammes übrig ist, um die sichere Ecke zu erhalten. (Abb. 97)
3. Legen Sie einen Keil gerade von hinten in die Kerbe. (Abb. 98)
4. Sägen Sie die Ecke des Baumes ab, damit er fällt.

Hinweis: Wenn der Baum nicht fällt, schlagen Sie auf den Keil, bis er fällt.

5. Wenn der Baum zu fallen beginnt, dann nutzen Sie den Rückzugsweg, um sich vom Baum zu entfernen. Entfernen Sie sich mindestens 5 Meter vom Baum.

So befreien Sie einen eingeklemmten Baum



WARNUNG: Es ist sehr gefährlich, einen Baum zu entfernen, der sich beim Fällen verfangen hat. Es besteht sehr große Unfallgefahr. Bleiben Sie außerhalb der Gefahrenzone und versuchen Sie nicht, einen eingeklemmten Baum zu fällen.

(Abb. 99)

Die sicherste Methode ist, eine der folgenden Winden zu verwenden:

- Am Traktor
- (Abb. 100)
- Tragbar

(Abb. 101)

Sägen in Baumstämmen und Ästen, die unter Spannung stehen

1. Finden Sie heraus, welche Seite des Baumstammes oder Asts unter Spannung steht.
2. Finden Sie heraus, an welchem Punkt die Spannung am stärksten ist. (Abb. 102)
3. Prüfen Sie, welches die sichersten Verfahren sind, um die Spannung zu lösen.

Hinweis: In manchen Fällen ist das einzig sichere Verfahren die Benutzung einer Winde und nicht Ihres Geräts.

4. Halten Sie sich dort auf, wo der Baumstamm oder Ast Sie nicht treffen kann, wenn die Spannung gelöst ist. (Abb. 103)
5. Machen Sie einen oder mehrere Schnitte so tief wie erforderlich, um die Spannung zu verringern. Sägen Sie am oder in der Nähe des Punktes mit der stärksten Spannung. Lassen Sie den Baumstamm oder Ast an dem Punkt mit der stärksten Spannung brechen. (Abb. 104)



WARNUNG: Sägen Sie einen Baumstamm, der unter Spannung steht, nie einfach durch.



WARNUNG: Sägen Sie sehr vorsichtig beim Schneiden von Bäumen,

die unter Spannung stehen. Es besteht die Gefahr, dass sich der Baum vor oder nach dem Sägen schnell bewegt. Es kann zu schweren Verletzungen kommen, wenn Sie sich in der falschen Position befinden oder wenn Sie falsch sägen.

6. Wenn Sie durch den Baum/Ast sägen müssen, bringen Sie 2 bis 3 Sägeschnitte im Abstand von ca. 2,5 cm und mit einer Tiefe von ca. 5 cm an. (Abb. 105)
7. Sägen Sie weiter in den Stamm, bis der Stamm/Ast sich biegt und die Spannung gelöst ist. (Abb. 106)
8. Sägen Sie den Baum/Ast von der anderen Seite der Biegung, nachdem die Spannung gelöst ist.

Wartung

Einleitung



WARNUNG: Lesen Sie vor dem Warten des Geräts das Kapitel über Sicherheit, und machen Sie sich damit vertraut.

Wartungsplan



WARNUNG: Entfernen Sie den Akku, bevor Sie Wartungsarbeiten durchführen.

Nachstehend sind die am Gerät vorzunehmenden Wartungsmaßnahmen aufgelistet. Siehe *Wartung auf Seite 143* für weitere Informationen.

Instand halten	Vor der Verwendung	Wöchentlich	Monatlich
Die äußeren Teile des Geräts reinigen.	X		
Sicherstellen, dass der Gashebel und die Gashebelsperre sicherheitstechnisch ordnungsgemäß funktionieren.	X		
Die Kettenbremse reinigen und sicherstellen, dass die Bremse ordnungsgemäß funktioniert. Sicherstellen, dass der Kettenfänger nicht beschädigt ist. Den Kettenfänger bei Bedarf austauschen.	X		
Die Führungsschiene drehen, um für gleichmäßigeren Verschleiß zu sorgen. Sicherstellen, dass die Schmierbohrung in der Führungsschiene nicht verstopft ist. Die Kettennut reinigen.	X		
Darauf achten, dass die Schneidausrüstung und die Schutzvorrichtung keine Risse aufweisen und nicht beschädigt sind. Die Schneidausrüstung oder die Schutzvorrichtung ersetzen, wenn sie Risse aufweisen oder Stößen ausgesetzt waren.	X		
Sicherstellen, dass die Führungsschiene und die Sägekette ausreichend geölt sind.	X		
Die Sägekette überprüfen. Auf Risse prüfen und sicherstellen, dass die Sägekette nicht starr oder ungewöhnlich stark verschlissen ist. Bei Bedarf ersetzen.	X		
Die Sägekette schärfen. Die Spannung und den Zustand prüfen. Das Kettenantriebsrad auf Verschleiß prüfen und gegebenenfalls ersetzen.	X		

Instand halten	Vor der Verwendung	Wöchentlich	Monatlich
Den Lufteinlass am Gerät reinigen.	X		
Sicherstellen, dass alle Schrauben und Muttern fest angezogen sind.	X		
Sicherstellen, dass die Tastatur ordnungsgemäß funktioniert und unbeschädigt ist.	X		
Eine Feile verwenden, um Grate an den Kanten der Führungsschiene zu entfernen.		X	
Die Verbindungen zwischen dem Akku und dem Gerät prüfen. Die Verbindung zwischen dem Akku und dem Akkuladegerät prüfen.			X
Den Öltank leeren und innen reinigen.			X
Das Gerät und die Kühlrippen des Akkus leicht mit Druckluft durchblasen.			X

Wartung und Prüfung der Sicherheitseinrichtungen auf dem Gerät

So prüfen Sie den Handschutz

Prüfen Sie regelmäßig den Handschutz und die Trägheitsfunktion.

1. Stellen Sie sicher, dass der vordere Handschutz keine Schäden wie Risse aufweist. (Abb. 107)
2. Stellen Sie sicher, dass der Handschutz sich frei bewegen lässt und sicher am Gerät befestigt ist. (Abb. 108)
3. Halten Sie das Gerät mit abgeschaltetem Motor über einen Baumstumpf oder einen anderen stabilen Gegenstand.
4. Halten Sie den hinteren Griff und lassen Sie den vorderen Handgriff los. Lassen Sie das Gerät auf den Baumstumpf fallen. (Abb. 109)
5. Stellen Sie sicher, dass die Kettenbremse aktiviert wird, sobald die Führungsschiene auf dem Baumstumpf aufschlägt.

So kontrollieren Sie die Handbremse

1. Stellen Sie das Gerät auf stabilen Untergrund und starten Sie es. Siehe *Betrieb auf Seite 137*.



WARNUNG: Stellen Sie sicher, dass die Sägekette nicht den Erdboden oder andere Gegenstände berührt.

2. Legen Sie Ihre Finger und Daumen um die Griffe und halten Sie das Gerät fest. (Abb. 110)
3. Lassen Sie das Gerät auf voller Leistung laufen und drücken Sie Ihr linkes Handgelenk gegen den Handschutz, um die Kettenbremse zu aktivieren. Die Sägekette muss sofort stoppen. (Abb. 111)



WARNUNG: Lassen Sie den vorderen Handgriff nicht los!

So prüfen Sie die Gashebelsperre

1. Prüfen Sie, ob sich der Gashebel und die Gashebelsperre frei bewegen lassen und ob die Rückholfeder korrekt funktioniert. (Abb. 112)
2. Drücken Sie die Gashebelsperre nach vorne (A) und nach unten (B). Halten Sie die Gashebelsperre gegen den Griff, und stellen Sie sicher, dass sie in ihre Ausgangsstellung zurückkehrt, wenn sie losgelassen wird. (Abb. 113)
3. Stellen Sie sicher, dass der Gashebel in der Leerlaufposition verriegelt ist, wenn die Gashebelsperre freigegeben wird. (Abb. 114)
4. Starten Sie das Gerät und lassen Sie es auf voller Leistung laufen.
5. Lassen Sie den Gashebel los, und prüfen Sie, ob die Sägekette stoppt und stehen bleibt.



WARNUNG: Dreht sich die Sägekette, wenn der Gashebel in Leerlaufstellung steht, wenden Sie sich an Ihren Händler.

So prüfen Sie den Kettenfänger

1. Kontrollieren Sie, ob der Kettenfänger unbeschädigt ist.
2. Stellen Sie sicher, dass der Kettenfänger stabil und am Körper des Geräts angebracht ist. (Abb. 115)

So prüfen Sie die Funktionen der Benutzeroberfläche

1. Starten Sie das Gerät. Siehe *So starten Sie das Gerät auf Seite 139*.
2. Drücken und halten Sie die Start-/Stopptaste.

3. Stellen Sie sicher, dass das Gerät anhält und die grüne LED erlischt. (Abb. 66)

So überprüfen Sie den Akku und das Akkufach

1. Reinigen Sie den Akku und das Akkufach des Geräts mit einer weichen Bürste.
2. Reinigen Sie die Kühlrippen und Akkuverbindungen. (Abb. 116)
3. Stellen Sie sicher, dass der Akku keine Risse oder sonstigen Schäden aufweist.

So kontrollieren Sie das Akkuladegerät

1. Stellen Sie sicher, dass das Akkuladegerät und das Netzkabel nicht beschädigt sind. Suchen Sie nach Rissen und anderen Beschädigungen. (Abb. 117)

So reinigen Sie das Kühlsystem

Das Kühlsystem hält die Motortemperatur niedrig. Das Kühlsystem besitzt unter anderem einen Lufteinlass auf der linken Seite des Geräts und einen Lüfter am Motor.

1. Reinigen Sie das Kühlsystem wöchentlich oder bei Bedarf häufiger mit einer Bürste. (Abb. 118)
2. Stellen Sie sicher, dass das Kühlsystem nicht verschmutzt oder verstopft ist.



ACHTUNG: Eine Verschmutzung oder Verstopfung des Kühlsystems kann das Gerät zu heiß werden lassen. Dies kann das Gerät beschädigen.

So schärfen Sie die Sägekette

So montieren Sie die Führungsschiene und die Sägekette



WARNUNG: Tragen Sie Schutzhandschuhe, wenn Sie an der Sägekette eine Wartung durchführen oder sie verwenden. Eine Sägekette, die sich nicht bewegt, kann auch zu Verletzungen führen.

Tauschen Sie abgenutzte oder beschädigte Führungsschienen und Sägeketten mit den von Husqvarna empfohlenen Kombinationen von Führungsschienen und Sägeketten aus. Dies ist notwendig, damit die Sicherheitsfunktionen des Geräts ordnungsgemäß arbeiten. Unter *Zubehör auf Seite 151* finden Sie eine Liste der von uns empfohlenen Ersatzschienen-/Kettenkombinationen.

- Länge der Führungsschiene in cm Informationen über die Länge der Führungsschiene können in der Regel am hinteren Ende der Führungsschiene finden.

(Abb. 119)

- Anzahl Zähne des Umlenksterns (T).

(Abb. 120)

- Kettenteilung, Zoll. Der Abstand zwischen den Treibgliedern der Sägekette muss dem Abstand zwischen den Zähnen auf dem Umlenkstern und dem Kettenantriebsrad angepasst sein.

(Abb. 121)

- Anzahl Treibglieder (St.). Die Anzahl der Treibglieder hängt von der Art der Führungsschiene ab.

(Abb. 122)

- Nutbreite der Schiene, mm. Die Nutbreite der Schiene muss identisch mit der Breite der Treibglieder der Kette sein.

(Abb. 123)

- Loch für Kettenöl und Loch für Kettenspanzapfen. Die Führungsschiene muss am Gerät ausgerichtet sein.

(Abb. 124)

- Treibgliedbreite (mm)

(Abb. 125)

Allgemeine Informationen zum Schärfen der Zähne

Verwenden Sie keine stumpfe Sägekette. Wenn die Sägekette stumpf ist, müssen Sie mehr Druck ausüben, um die Führungsschiene durch das Holz zu drücken. Wenn die Sägekette sehr stumpf ist, gibt es keine Holzspäne, sondern Sägemehl.

Eine scharfe Sägekette frisst sich durch das Holz, und die Holzspäne werden lang und dick.

Der Schneidezahn (A) und die Tiefenlehre (B) bilden zusammen das sägende Element der Sägekette. Der Höhenunterschied zwischen den beiden sorgt für die Schnitttiefe (Tiefenbegrenzerabstand).

(Abb. 126)

Wenn Sie den Zahn schärfen, bedenken Sie Folgendes:

- Schärfwinkel.

(Abb. 127)

- Schnittwinkel.

(Abb. 128)

- Schärfposition.

(Abb. 129)

- Durchmesser der Rundfeile.

(Abb. 130)

Ohne Hilfsmittel ist es nicht leicht, eine Sägekette korrekt zu schärfen. Verwenden Sie eine Husqvarna empfohlene Schärflehre. Dies hilft Ihnen, die maximale Schneidleistung zu erhalten und die Rückschlaggefahr auf ein Minimum zu reduzieren.



WARNUNG: Die Intensität des Rückschlags erhöht sich erheblich, wenn Sie die Anweisungen zum Schärfen nicht befolgen.

Hinweis: Siehe *Zubehör auf Seite 151*, um weitere Informationen zum Schärfen der Sägekette zu erhalten.

So schärfen Sie die Schneidezähne

1. Verwenden Sie eine Rundfeile und eine Feilenlehre zum Schärfen der Schneidezähne. (Abb. 131)

Hinweis: Siehe *Zubehör auf Seite 151*, um weitere Informationen dazu zu erhalten, welche Feile und Lehre Husqvarna für Ihre Sägekette empfiehlt.

2. Wenden Sie die Feilenlehre richtig auf das Schneidwerk an. Siehe die Anweisungen im Lieferumfang der Feilenlehre.
3. Fahren Sie mit der Feile von der Innenseite der Schneidezähne heraus. Heben Sie die Feile beim Zurückziehen an. (Abb. 132)
4. Entfernen Sie Material von der einen Seite aller Schneidezähne.
5. Drehen Sie das Gerät um und entfernen Sie Material von den Zähnen auf der anderen Seite.
6. Stellen Sie sicher, dass alle Schneidezähne die gleiche Länge haben.

Allgemeine Informationen zum Anpassen des Tiefenbegrenzerabstands

Der Tiefenbegrenzerabstand (C) nimmt ab, wenn Sie den Schneidezahn (A) schärfen. Um die maximale Schneidleistung zu erhalten, müssen Sie Feilmaterial von der Tiefenbegrenzerlehre (B) entfernen, um den empfohlenen Tiefenbegrenzerabstand einzuhalten. Siehe *Zubehör auf Seite 151* für weitere Informationen zum korrekten Tiefenbegrenzerabstand für Ihre Sägekette.

(Abb. 133)



WARNUNG: Die Rückschlaggefahr nimmt zu, wenn der Tiefenbegrenzerabstand zu groß ist!

So passen Sie den Tiefenbegrenzer an

Bevor Sie den Tiefenbegrenzerabstand einstellen oder die Zähne schärfen, siehe *So schärfen Sie die Schneidezähne auf Seite 140* für Anweisungen. Wir empfehlen, den Tiefenbegrenzerabstand nach jeder dritten Sägekettenschärfung einzustellen.

Wir empfehlen die Verwendung unserer Schärfllehre für den Tiefenbegrenzerabstand, um das korrekte Maß und den richtigen Winkel für die Tiefenbegrenzermase zu erhalten.

(Abb. 134)

1. Verwenden Sie eine Flachfeile und eine Schärfllehre zum Einstellen des Tiefenbegrenzerabstands. Verwenden Sie nur die Husqvarna empfohlene Schärfllehre für den Tiefenbegrenzerabstand, um das korrekte Maß und den richtigen Winkel für den Tiefenbegrenzer zu erhalten.
2. Setzen Sie die Schärfllehre auf die Sägekette.

Hinweis: Auf der Verpackung der Schärfllehre finden Sie weitere Informationen zur Verwendung des Werkzeugs.

3. Verwenden Sie die Flachfeile, um den Teil des Tiefenbegrenzers zu entfernen, der durch die Schärfllehre reicht. (Abb. 135)

So stellen Sie die Spannung der Sägekette ein



WARNUNG: Eine nicht korrekt gespannte Sägekette kann sich von der Führungsschiene lösen und schwere Verletzungen verursachen oder zum Tod führen.

Eine Sägekette wird bei Verwendung länger. Stellen Sie die Sägekette regelmäßig ein. Kontrollieren Sie bei jedem Nachfüllen von Kettenöl auch die Kettenspannung.

Hinweis: Eine neue Sägekette muss eine gewisse Zeit eingefahren werden, in der die Sägekettenspannung öfter kontrolliert werden muss.

So stellen Sie die Spannung der Sägekette ein (mit Spannmutter)

1. Lösen Sie den Knauf durch Herausklappen, bis er aufschnappt. (Abb. 136)
2. Durch Drehen des Knaufs gegen den Uhrzeigersinn wird die Abdeckung des Kettenantriebsrads gelöst. (Abb. 137)
3. Drehen Sie die Kettenspannrolle zum Einstellen der Spannung an der Sägekette. Die Sägekette muss fest an der Führungsschiene anliegen. (Abb. 138)

Hinweis: Drehen Sie das Rad nach unten (+), um die Spannung zu erhöhen, und nach oben (-), um die Spannung zu verringern.

4. Stellen Sie sicher, dass sich die Sägekette leicht von Hand bewegen lässt, aber nicht von der Führungsschiene herab hängt. (Abb. 139)
5. Durch Drehen des Knaufs im Uhrzeigersinn wird die Spannmutter angezogen. (Abb. 140)
6. Klappen Sie den Knauf nach unten, um die Spannung zu sichern. (Abb. 141)

So stellen Sie die Spannung der Sägekette ein (mit Spannschraube)

1. Lösen Sie die Spannmutter, die die Abdeckung des Kettenantriebsrads hält. Verwenden Sie dazu den Kombischlüssel. (Abb. 142)
2. Heben Sie die Spitze der Führungsschiene an, und drehen Sie die Kettenspannschraube. Verwenden Sie dazu den Kombischlüssel.
3. Ziehen Sie die Sägekette fest, bis sie fest an der Führungsschiene sitzt. (Abb. 143)
4. Ziehen Sie die Spannmutter mit dem Kombischlüssel an, und heben Sie gleichzeitig die Vorderseite der Führungsschiene an. (Abb. 144)
5. Stellen Sie sicher, dass sich die Sägekette leicht von Hand bewegen lässt, aber nicht von der Führungsschiene herab hängt. (Abb. 139)

Hinweis: Siehe *Geräteübersicht auf Seite 126* für die Position der Kettenspannschraube an Ihrem Gerät.

So prüfen Sie die Schmierung der Sägekette

Kontrollieren Sie die Schmierung der Sägekette bei jedem dritten Laden des Akkus.

1. Starten Sie das Gerät, und lassen Sie es mit 3/4-Leistung laufen. Halten Sie die Schiene ca. 20 cm (8 Zoll) über eine helle Fläche.
2. Wenn die Schmierung der Sägekette korrekt ist, sehen Sie nach 1 Minute eine durchsichtige Ölspur an der Oberfläche. (Abb. 145)
3. Wenn die Schmierung der Sägekette nicht korrekt ist, führen Sie die folgenden Überprüfungen durch.
 - a) Prüfen Sie die Ölleitung in der Führungsschiene, um sicherzustellen, dass sie nicht blockiert ist. Bei Bedarf reinigen. (Abb. 146)
 - b) Prüfen Sie die Nut in der Kante der Führungsschiene, um sicherzustellen, dass sie sauber ist. Bei Bedarf reinigen. (Abb. 147)
 - c) Kontrollieren Sie, ob der Umlenkstern der Führungsschiene sich leicht bewegen lässt und sein Schmierloch offen ist. Bei Bedarf reinigen und schmieren. (Abb. 148)
4. Wenn die Schmierung der Sägekette nach Durchführung der obigen Schritte nicht einwandfrei ist, wenden Sie sich an Ihren Händler.

So prüfen Sie das Kettenantriebsrad

- Überprüfen Sie das Kettenantriebsrad auf Verschleiß. Ersetzen Sie das Kettenantriebsrad, falls notwendig.
- Ersetzen Sie das Kettenantriebsrad bei jedem Wechsel der Sägekette. (Abb. 149)

So prüfen Sie die Schneidausrüstung

1. Stellen Sie sicher, dass es keine Risse an Nieten und Gliedern gibt und dass keine Nieten locker sind. Ggf. ersetzen. (Abb. 150)
2. Achten Sie darauf, dass sich die Sägekette einfach biegen lässt. Tauschen Sie die Sägekette aus, wenn sie starr ist.
3. Vergleichen Sie die Sägekette mit einer neuen Kette, um herauszufinden, ob Nieten und Glieder abgenutzt sind.
4. Tauschen Sie die Sägekette aus, wenn der längste Teil des Schneidezahns weniger als 4 mm lang ist. Tauschen Sie die Sägekette auch bei Rissen an den Schneidelementen aus. (Abb. 151)

So prüfen Sie die Führungsschiene

1. Stellen Sie sicher, dass die Ölleitung nicht verstopft ist. Reinigen Sie sie, falls dies notwendig ist. (Abb. 146)
2. Prüfen Sie, ob sich an den Kanten der Führungsschiene Grate gebildet haben. Entfernen Sie Grate mit einer Feile. (Abb. 152)
3. Reinigen Sie die Nut in der Führungsschiene. (Abb. 147)
4. Überprüfen Sie die Nut in der Führungsschiene auf Verschleiß. Tauschen Sie die Führungsschiene aus wenn nötig. (Abb. 153)
5. Prüfen Sie, ob die Führungsschienen spitze rau oder stark abgenutzt ist. (Abb. 154)
6. Kontrollieren Sie, ob der Umlenkstern der Führungsschiene sich leicht bewegen lässt und sein Schmierloch offen ist. Reinigen und schmieren Sie ihn bei Bedarf. (Abb. 148)
7. Drehen Sie die Führungsschiene täglich zur Verlängerung der Lebensdauer. (Abb. 155)

Fehlerbehebung

Anwenderschnittstelle

LED-Bildschirm	Mögliche Fehler	Mögliche Abhilfe
Die Warnanzeige blinkt.	Kettenbremse ist aktiviert.	Deaktivieren Sie die Kettenbremse.
	Temperaturabweichung.	Warten Sie, bis sich das Gerät abgekühlt hat.
	Überlastung. Die Sägekette kann sich nicht bewegen.	Die Sägekette freigeben.
	Der Gashebel und die Start-/ Stopptaste werden gleichzeitig gedrückt.	Lassen Sie den Gashebel los, um das Gerät zu aktivieren.
Orangefarbene LED des Einschaltknopfes blinkt.	Zu geringe Akkuspannung.	Batterie aufladen.
Die Warnanzeige leuchtet.	Service.	Wenden Sie sich an Ihren Servicehändler.

Akku

LED-Anzeige	Mögliche Fehler	Mögliche Abhilfe
Grüne LED blinkt.	Zu geringe Akkuspannung.	Akku aufladen.
Fehler-LED blinkt.	Temperaturabweichung.	Der Akku darf nur bei Temperaturen zwischen -10°C (14°F) und 40°C (104°F) verwendet werden.
	Überspannung.	Kontrollieren Sie, ob die Netzspannung mit der auf dem Geräteschild angegebenen Spannung übereinstimmt. Siehe Typenschild des Geräts. Nehmen Sie den Akku aus dem Ladegerät.
Fehler-LED leuchtet auf.	Die Zellendifferenz ist zu groß (1 V).	Den Servicehändler kontaktieren.

Akkuladegerät

Status	Mögliche Fehler	Mögliches Verfahren
Die Lade-LED leuchtet rot.	Dauerhafter Ladegerätfehler.	Wenden Sie sich an Ihren Händler.
Die Lade-LED blinkt grün.	Temperaturabweichung, der Akku ist zu kalt oder zu heiß zum Laden.	Lassen Sie den Akku abkühlen, oder erwärmen Sie ihn. Wenn der Akku die richtige Temperatur hat, kann er wieder verwendet oder aufgeladen werden. Das Akkuladegerät darf nur bei Umgebungstemperaturen zwischen 5 °C und 40 °C verwendet werden.
Die Lade-LED blinkt rot.	Akku defekt	Wenden Sie sich an Ihren Händler

Transport, Lagerung und Entsorgung

Transport und Lagerung

- Die mitgelieferten Lithium-Ionen-Akkus entsprechen den Anforderungen des Gefahrgutrechts.
- Beachten Sie für den gewerblichen Transport, auch durch Dritte oder Speditionen, die gesonderten Anforderungen auf Verpackung und Etiketten.
- Sprechen Sie sich, bevor Sie das Gerät versenden, mit einer Person ab, die speziell im Gefahrgutversand geschult ist. Beachten Sie sämtliche geltende nationale Vorschriften.
- Bedecken Sie offene Kontakte mit Klebeband, wenn Sie den Akku in eine Verpackung legen. Stellen Sie sicher, dass der Akku in der Verpackung nicht verrutschen kann.
- Entnehmen Sie den Akku für die Lagerung oder den Transport.
- Bringen Sie den Akku und das Ladegerät an einem Ort unter, der trocken und frei von Feuchtigkeit und Frost ist.
- Lagern Sie den Akku nicht an einem Ort, an dem es zu elektrostatistischen Entladungen kommen kann. Bewahren Sie den Akku nicht in einem Metallkasten auf.
- Stellen Sie bei der Lagerung des Akkus sicher, dass die Temperatur zwischen 5 °C/41 °F und 25 °C/77 °F liegt und der Akku keinem direkten Sonnenlicht ausgesetzt ist.
- Stellen Sie bei der Lagerung des Akkuladegeräts sicher, dass die Temperatur zwischen 5 °C/41 °F und 45 °C/113 °F liegt und das Ladegerät keinem direkten Sonnenlicht ausgesetzt ist.
- Das Ladegerät darf nur verwendet werden, wenn die Umgebungstemperatur zwischen 5 °C/41 °F und 40 °C/104 °F liegt.
- Laden Sie den Akku auf 30 bis 50 %, bevor Sie ihn über längere Zeit einlagern.
- Lagern Sie das Akkuladegerät in einem geschlossenen und trockenen Raum.

- Achten Sie bei der Lagerung darauf, dass sich der Akku nicht in unmittelbarer Nähe zum Ladegerät befindet. Kinder und andere nicht befugte Personen dürfen die Ausstattung nicht berühren. Verwahren Sie die Ausstattung in einem abschließbaren Raum.
- Reinigen Sie das Gerät und führen Sie umfassende Servicearbeiten durch, bevor Sie es längere Zeit einlagern.
- Verwenden Sie für das Gerät einen Transportschutz, um Verletzungen oder Schäden am Gerät bei Transport und Lagerung zu vermeiden.
- Befestigen Sie das Gerät während des Transports sicher.

Entsorgung von Akku, Ladegerät und Gerät

Das Symbol unten bedeutet, dass das Gerät nicht über den Hausmüll entsorgt werden darf. Recyceln Sie es an einer Recyclingstation für elektrische und elektronische Geräte. So werden Umwelt- und Personenschäden vermieden.

Weitere Informationen erhalten Sie bei örtlichen Behörden, dem Abfallentsorgungsunternehmen oder Ihrem Händler.

(Abb. 24)

Hinweis: Das Symbol ist auf dem Gerät oder der Verpackung des Geräts zu finden.

Entsorgen von Elektro- und Elektronik-Altgeräten

Gilt nur für Deutschland



Die durchgestrichene Abfalltonne weist darauf hin, dass Sie gesetzlich verpflichtet sind, dieses Gerät getrennt vom unsortierten Siedlungsabfall zu entsorgen. Die Entsorgung im Restmüll oder im gelben Sack ist verboten. Wenn das Produkt Einwegbatterien oder Akkus enthält, die nicht dauerhaft installiert sind, müssen diese vor der Entsorgung des Produkts entfernt und separat als Batterien bzw. Akkus entsorgt werden.

Entfernen von Batterien, Akkus und Leuchtmitteln:

Batterien, Akkus oder Leuchtmittel, die aus dem Produkt entfernt werden können, ohne es zu beschädigen, müssen vor der Entsorgung entfernt und separat als Batterien, Akkus oder Leuchtmittel entsorgt werden. Die folgenden Batterien oder Akkus sind in diesem Produkt enthalten:

- **Akkutyp:** Li-ion
- **Chemie:** Litium

Informationen zur Rückgabe von Elektro- und Elektronik-Altgeräten für Privathaushalte:

Wie im Folgenden näher beschrieben, sind bestimmte Verreiber verpflichtet, Elektro- und Elektronik-Altgeräte kostenlos zurückzunehmen.

Verreiber von Elektro- und Elektronikgeräten mit einer Verkaufsfläche von mindestens 400 m² und Lebensmittelhändler mit einer Gesamtverkaufsfläche von mindestens 800 m², die mehrmals im Kalenderjahr oder beständig Elektro- und Elektronikgeräte abgeben und verkaufen, sind unter den folgenden Umständen zur Rücknahme von Geräten verpflichtet:

1. Beim Verkauf eines neuen Elektro- oder Elektronikgeräts muss der Verreiber ein Altgerät desselben Gerätetyps kostenlos zurücknehmen, das im Wesentlichen die gleichen Funktionen wie das neue Gerät bereitstellt. Dies muss an dem Standort, an dem das Gerät abgegeben wird, oder in unmittelbarer Nähe geschehen. Privathaushalte gelten auch als der Ort, an dem das Gerät abgegeben wird, sofern das Produkt dorthin geliefert wird: In diesem Fall werden Altgeräte ohne Kosten für den Endbenutzer abgeholt.
2. Der Verreiber muss Altgeräte mit einem Durchmesser von weniger als 25 cm auf Wunsch des Endbenutzers an der Verkaufsstelle oder in unmittelbarer Nähe zurücknehmen. Diese Rückgabe muss nicht mit dem Kauf von Elektro- oder

Elektronikgeräten in Verbindung stehen und ist auf drei Altgeräte pro Gerätetyp beschränkt.

Bei Abschluss des Kaufvertrags für ein neues Elektro- oder Elektronikgerät muss der Verreiber den Endbenutzer über sein Recht informieren, das Altgerät zurückzugeben oder kostenlos abholen zu lassen, und den Endbenutzer fragen, ob er beabsichtigt, ein Altgerät bei der Lieferung des neuen Geräts zurückzugeben.

Dies gilt auch für den Vertrieb über Telekommunikation, wenn die Lager- und Versandfläche für Elektro- und Elektronikgeräte mindestens 400 m² beträgt oder wenn die gesamte Lager- und Versandfläche mindestens 800 m² beträgt, wobei die kostenlose Abholung von Elektro- oder Elektronikgeräten auf die folgenden Kategorien beschränkt ist:

- 1 (Wärmeüberträger)
- 2 (Geräte mit Displays) und
- 4 (große Geräte mit mindestens einer äußeren Abmessung von mehr als 50 cm)

Für alle anderen Elektro- und Elektronikgeräte muss der Verreiber entsprechende Rücknahmestellen in angemessener Nähe zum Endverbraucher sicherstellen. Dies gilt auch für Altgeräte, bei denen keine äußere Abmessung 25 cm überschreitet, die der Endbenutzer zurückgeben möchte, ohne ein neues Gerät zu erwerben.

Datenschutz

Alle Endbenutzer von Elektro- und Elektronik-Altgeräten sind dafür verantwortlich, alle personenbezogenen Daten von den zu entsorgenden Elektro- und Elektronik-Altgeräten zu löschen.

WEEE-Registrierungsnummer

Husqvarna 10168717

Sammlungs- und Verwertungsraten

Gemäß der WEEE-Richtlinie sind die EU-Mitgliedstaaten verpflichtet, Daten über Elektro- und Elektronik-Altgeräte zu sammeln und diese Daten an die Europäische Kommission zu übermitteln. Weitere Informationen hierzu finden Sie auf der BMUV-Website: <https://www.bmu.de/themen/wasser-ressourcen-abfall/kreislaufwirtschaft/statistiken/elektro-und-elektronikaltgeraete>

Technische Angaben

Technische Daten

	225i
Motor	
Typ	BLDC (bürstenlos) 36 V

	225i
Merkmale	
Energiesparmodus	SavE
Schmiersystem	
Ölpumpentyp	Automatisch
Füllmenge Öltank, ml/cm ³	0,2/200
Gewicht	
Motorsäge ohne Akku, Führungsschiene, Sägekette und mit leerem Kettenöltank, kg	3,1
Geräuschemissionen ¹⁸	
Schalleistungspegel, gemessen dB (A)	97
Schalleistungspegel, garantiert L _{WA} dB (A)	100
Schallpegel ¹⁹	
Der Schalldruckpegel am Ohr des Bedieners, gemessen gemäß EN 62841-1	89
Vibrationspegel ²⁰	
Vorderer Handgriff, m/s ²	3,9
Hinterer Handgriff, m/s ²	3,9
Sägekette/Führungsschiene	
Empfohlene Schienenlängen, Zoll/cm	12-14/30,5-35,6
Effektive Schnittlänge, Zoll/cm	11-13/27-33,2
Kettenantriebsradtyp/Anzahl Zähne	Stirnrad/6
Maximale Kettengeschwindigkeit/(normaler Modus), m/s	11,8
Maximale Kettengeschwindigkeit/(SavE-Modus), m/s	9,4

Zubehör

Kombinationen aus Führungsschiene und Sägekette

Die folgende Schneidausrüstung ist für Husqvarna 225i zugelassen.

¹⁸ Geräuschemissionen in der Umgebung, gemessen als Schalleistung (L_{WA}) gemäß EG-Richtlinie 2000/14/EG und EN ISO 22868, liegen normalerweise bei einer Ausbreitungsklasse (Standardabweichung) von 3 dB (A).

¹⁹ Berichten zufolge liegt der Schalldruckpegel für dieses Gerät normalerweise bei einer Ausbreitungsklasse (Standardabweichung) von 3 dB (A).



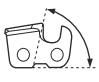



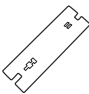






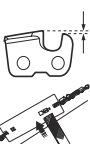
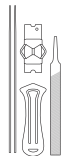

²⁰ Vibrationspegel gemäß EN 62841-4-1. Berichten zufolge liegt der Vibrationspegel normalerweise bei einer Ausbreitungsklasse (Standardabweichung) von ± 1,5 m/s². Angegebene Vibrationsdaten aus Messungen, bei denen das Gerät mit einer Schienenlänge und dem empfohlenen Kettentyp ausgestattet ist. Ist das Gerät mit einer anderen Schienenlänge ausgestattet, kann der Vibrationspegel um maximal ± 1,5 m/s² variieren.

Führungsschiene					Sägekette	
Typ	Länge, Zoll	Kettenteilung, Zoll	Tiefenbegrenzer, mm	Max. Radius des Umlenksterns	Typ	Länge, Treibglieder (Anz.)
501959545	12	3/8" mini	1,1	7T	Husqvarna H38 (581808145)	45
501959552	14	3/8" mini	1,1	7T	Husqvarna H38 (581807952)	52

Feilaurüstung und Feilwinkel

Verwenden Sie eine Husqvarna-Feilenlehre zum Schärfen der Sägekette. Eine Husqvarna-Feilenlehre stellt sicher, dass Sie die richtigen Feilwinkel erhalten. Die Teilenummern können Sie der unten stehenden Tabelle entnehmen.

Wenn Sie nicht genau wissen, wie Sie den Typ der Sägekette an Ihrem Gerät identifizieren, finden Sie unter www.husqvarna.com weitere Informationen dazu.

							
38	11/64 Zoll/ 4,5 mm	75°	30°	0°	0,025 Zoll/ 0,65 mm	505 69 81-03	579 55 88-01
							
93	5/32 Zoll/ 4,0 mm	60°	30°	0°	0,025 Zoll/ 0,65 mm	596 63 89-01	596 63 89-01

Zugelassene Akkus

Akku	40-B140
Typ	Lithium-Ionen
Akkukapazität, Ah	4
Nennspannung, V	36
Gewicht, kg	1.25

Zugelassene Ladegeräte für das Gerät

Akkuladegerät	40-C80
Netzspannung, V	100-240
Frequenz, Hz	50-60
Leistung, W	72
Ausgangsspannung, V DC/ Ampere, A	43/1,6

Konformitätserklärung

EU-Konformitätserklärung

Wir, **Husqvarna AB**, SE-561 82 Huskvarna,
Schweden, Tel.: +46-36-146500 erklären in alleiniger
Verantwortung, dass das Gerät:

Beschreibung	Akku-Motorsägen
Marke	Husqvarna
Typ/Modell	225i
Identifizierung	Seriennummern ab 2023

die folgenden EU-Richtlinien und -Verordnungen erfüllt:

Richtlinie/Verordnung	Beschreibung
2006/42/EG	„Maschinenrichtlinie“
2014/30/EU	„bezüglich EMV-Richtlinie“
2011/65/EU	„zur Beschränkung der Verwendung bestimmter gefährlicher Stoffe in Elektro- und Elektronikgeräten“
2000/14/EG	„über umweltbelastende Geräuschemissionen von zur Verwendung im Freien vorgesehenen Geräten und Maschinen“

Die folgenden Normen werden erfüllt: EN
62841-1:2015+A11:2022, EN 62841-4-1:2020, EN
IEC 63000:2018, EN IEC 55014-1:2021, EN IEC
55014-2:2021.



Benannte Stelle: TÜV Rheinland LGA Products GmbH,
Tillystrasse 2, D-90431 Nuernberg, Germany, 0197,
hat die EG-Typenprüfung gemäß Maschinenrichtlinie
(2006/42/EG) Artikel 12, Absatz 3b durchgeführt. Das
Zertifikat hat die Nummer: BM 50604678 0001.

Die gelieferte Motorsäge entspricht dem
Geräteexemplar, das die EG-Typenprüfung durchlaufen
hat.

Gemäß Richtlinie 2000/14/EG, Anhang V, siehe
Technische Angaben auf Seite 150 für die angegebenen
Schallwerte.

Huskvarna, 2023-10-30

Claes Losdal, R&D Manager, Husqvarna AB
Verantwortlich für die technische Dokumentation

Περιεχόμενα

Εισαγωγή.....	155	Αντιμετώπιση προβλημάτων.....	178
Ασφάλεια.....	156	Μεταφορά, αποθήκευση και απόρριψη.....	179
Συναρμολόγηση.....	165	Τεχνικά στοιχεία.....	180
Λειτουργία.....	166	Αξεσουάρ.....	181
Συντήρηση.....	172	Δήλωση Συμμόρφωσης.....	183

Εισαγωγή

Προβλεπόμενη χρήση

Αυτό το αλυσοπρίονο δασοκομίας έχει σχεδιαστεί για εργασίες στο δάσος όπως υλοτομία, ξεκλάρισμα και κοπή.

Περιεχόμενα Μπορεί να ισχύουν εθνικοί κανονισμοί που θέτουν όρια στη χρήση του προϊόντος.

Επισκόπηση προϊόντος

(Εικ. 1)

1. Προφυλακτήρας μπροστινού χεριού
2. Εμπρόσθια λαβή
3. Στοιχεία αλληλεπίδρασης με το χρήστη
4. Κουμπί εκκίνησης/διακοπής λειτουργίας
5. Προειδοποιητική ένδειξη και ένδειξη μπαταρίας
6. Κουμπί λειτουργίας εξοικονόμησης SavE
7. Οπίσθια χειρολαβή με προφυλακτήρα δεξιού χεριού
8. Πληροφορίες και προειδοποιητικά σήματα
9. Περίβλημα
10. Ντεπόζιτο λαδιού αλυσίδας
11. Κάλυμμα μεταφοράς
12. Ασφάλεια σκανδάλης γκαζιού
13. Σκανδάλη γκαζιού
14. Κάλυμμα του οδοντωτού τροχού μετάδοσης κίνησης με μπουτόν λάμας
15. Εντατήρας αλυσίδας
16. Συγκρατητής αλυσίδας
17. Οδοντωτός προφυλακτήρας
18. Γρανάζι μύτης της λάμας
19. Αλυσίδα πριονιού
20. Λάμα οδήγησης
21. Ένδειξη κατάστασης φόρτισης
22. Συνδετήρας
23. Φορτιστής μπαταρίας
24. Γερμανοπολύγωνο κλειδί
25. Προειδοποιητική ένδειξη
26. Κουμπί, κατάσταση μπαταρίας
27. Κατάσταση μπαταρίας
28. Κουμπί απασφάλισης μπαταρίας
29. Μπαταρία
30. Εγχειρίδιο χρήσης

Περιγραφή προϊόντος

Το Husqvarna 225i είναι ένα μοντέλο αλυσοπρίονου με ηλεκτρικό μοτέρ.

Εργαζόμεστε συνεχώς για απολαμβάνετε μεγαλύτερη ασφάλεια και υψηλότερη απόδοση κατά τη διάρκεια της εργασίας. Απευθυνθείτε στον αντιπρόσωπο σέρβις για περισσότερες πληροφορίες.

31. Μπουτόν λάμας

32. Οδοντωτός τροχός μετάδοσης κίνησης με μπουτόν λάμας

Σύμβολα στο προϊόν

(Εικ. 2)

ΠΡΟΕΙΔΟΠΟΙΗΣΗ: Αυτό το προϊόν μπορεί να είναι επικίνδυνο και να προκαλέσει σοβαρό τραυματισμό ή θάνατο του χειριστή ή άλλων ατόμων. Να είστε προσεκτικοί και να χρησιμοποιείτε το προϊόν σωστά.

(Εικ. 3)

Διαβάστε προσεκτικά το εγχειρίδιο χρήσης και βεβαιωθείτε ότι έχετε κατανοήσει τις οδηγίες προτού χρησιμοποιήσετε το προϊόν.

(Εικ. 4)

Χρησιμοποιείτε εγκεκριμένο κράνος προστασίας, καθώς και εγκεκριμένα προστατευτικά ακοής και μέσα προστασίας των ματιών.

(Εικ. 5)

Κατά τον χειρισμό του προϊόντος πρέπει να χρησιμοποιείτε και τα δύο χέρια.

(Εικ. 6)

Μην χειρίζεστε το προϊόν μόνο με το ένα χέρι.

(Εικ. 7)

Μην αφήνετε την άκρη (μύτη) της λάμας να έρχεται σε επαφή με άλλα αντικείμενα.

(Εικ. 8)

Να μην χρησιμοποιείται στη βροχή.

(Εικ. 9)

Προειδοποίηση! Όταν μύτη της λάμας αγγίξει ένα αντικείμενο, μπορεί να

προκληθεί κλώτσημα. Αυτό προκαλεί την εκσφενδόνιση της λάμας οδήγησης προς την κατεύθυνση του χειριστή. Κίνδυνος σοβαρού τραυματισμού ή θανάτου.

- (Εικ. 10) Ονομαστική τάση, V
- (Εικ. 11) Λάδι αλυσίδας.
- (Εικ. 12) Η κατεύθυνση περιστροφής της αλυσίδας πριονιού και το μέγιστο μήκος της λάμας οδήγησης.
- (Εικ. 13) Συνεχές ρεύμα.
- (Εικ. 14) **Περιβαλλοντική σήμανση.** Το προϊόν ή η συσκευασία του προϊόντος δεν αποτελεί οικιακό απόρριμμα. Ανακυκλώστε το σε κέντρο ανακύκλωσης ηλεκτρικού και ηλεκτρονικού εξοπλισμού.
- (Εικ. 15) Αυτό το προϊόν συμμορφώνεται με τις ισχύουσες οδηγίες ΕΚ.
- (Εικ. 16) Αυτό το προϊόν συμμορφώνεται με τις ισχύουσες Οδηγίες του Η.Β.
- (Εικ. 17) Ετικέτα εκπομπών θορύβου στο περιβάλλον σύμφωνα με την ευρωπαϊκή οδηγία 2000/14/ΕΚ, των οδηγιών του Η.Β. και τη νομοθεσία της Νότιας Νέας Ουαλίας "Κανονισμός για την προστασία των περιβαλλοντικών δράσεων (έλεγχος θορύβου) του 2017". Η εγγυημένη στάθμη θορύβου του προϊόντος καθορίζεται στην ενότητα *Τεχνικά στοιχεία στη σελίδα 180* και στην ετικέτα.
- (Εικ. 21) Φρένο αλυσίδας, συμπλεγμένο (μπροστά). Φρένο αλυσίδας, αποσυμπλεγμένο (πίσω).
- (Εικ. 22) Κατεύθυνση αλυσίδας.
- (Εικ. 23) Η πινακίδα τεχνικών χαρακτηριστικών δείχνει τον αριθμό σειράς. Το **yyyy** είναι το έτος παραγωγής, το **ww** είναι η εβδομάδα παραγωγής.

Περιεχόμενα Άλλα σύμβολα/σήματα που υπάρχουν στο προϊόν αναφέρονται σε απαιτήσεις πιστοποίησης για ορισμένες αγορές.

Σύμβολα στην μπαταρία ή/και στο φορτιστή της μπαταρίας

- (Εικ. 24) Ανακυκλώστε αυτό το προϊόν σε κέντρο ανακύκλωσης ηλεκτρικού και ηλεκτρονικού εξοπλισμού. (Ισχύει μόνο για την Ευρώπη)
- (Εικ. 18) Μετασημαστές εξασφαλισμένης λειτουργίας σε περίπτωση βλάβης.
- (Εικ. 19) Χρησιμοποιείτε και φυλάσσετε το φορτιστή μπαταρίας μόνο σε εσωτερικούς χώρους.
- (Εικ. 20) Διπλή μόνωση.

Κατασκευαστής

Husqvarna AB
Drottninggatan 2, SE-561 82, Huskvarna, Sweden, tel:
+46-36-146500

Ζημιά στο προϊόν

Δεν φέρουμε ευθύνη για ζημιές στο προϊόν μας εάν:

- Το προϊόν έχει επισκευαστεί λανθασμένα.
- Το προϊόν έχει επισκευαστεί με εξαρτήματα που δεν προέρχονται από τον κατασκευαστή ή που δεν έχουν εγκριθεί από τον κατασκευαστή.
- Το προϊόν διαθέτει ένα αξεσουάρ που δεν προέρχεται από τον κατασκευαστή ή που δεν έχει εγκριθεί από τον κατασκευαστή.
- Το προϊόν δεν έχει επισκευαστεί σε εγκεκριμένο κέντρο σέρβις ή από εγκεκριμένη αρχή.

Ασφάλεια

Ορισμοί για την ασφάλεια

Για την επισήμανση ειδικών σημαντικών τμημάτων του εγχειριδίου χρησιμοποιούνται προειδοποιήσεις, συστάσεις προσοχής και σημειώσεις.



ΠΡΟΕΙΔΟΠΟΙΗΣΗ: Χρησιμοποιείται όταν υπάρχει κίνδυνος τραυματισμού ή θανάτου του χειριστή ή άλλων παριστάμενων ατόμων, αν δεν τηρηθούν οι οδηγίες που παρέχονται στο εγχειρίδιο.



ΠΡΟΣΟΧΗ: Χρησιμοποιείται όταν υπάρχει κίνδυνος πρόκλησης ζημιάς στο προϊόν, σε άλλα υλικά ή στον παρακείμενο χώρο, αν δεν τηρηθούν οι οδηγίες που παρέχονται στο χειρίδιο.

Περιεχόμενα Χρησιμοποιείται για παροχή περισσότερων πληροφοριών, οι οποίες χρειάζονται σε μια δεδομένη κατάσταση.

Γενικές προειδοποιήσεις ασφαλείας ηλεκτρικού εργαλείου



ΠΡΟΕΙΔΟΠΟΙΗΣΗ: Διαβάστε όλες τις προειδοποιήσεις, τις οδηγίες, τις εικόνες και τις προδιαγραφές ασφαλείας που παρέχονται με αυτό το ηλεκτρικό εργαλείο. Η μη τήρηση όλων των οδηγιών που αναφέρονται παρακάτω μπορεί να προκαλέσει ηλεκτροπληξία, πυρκαγιά ή/και σοβαρό τραυματισμό.

- Φυλάξτε τις προειδοποιήσεις και τις οδηγίες για μελλοντική αναφορά. Ο όρος "ηλεκτρικό εργαλείο" που χρησιμοποιείται στις προειδοποιήσεις αναφέρεται στο εργαλείο που τροφοδοτείται από το δίκτυο ρεύματος (με καλώδιο) ή στο εργαλείο που τροφοδοτείται από μπαταρία (χωρίς καλώδιο).

Ασφάλεια στο χώρο εργασίας

- Διατηρείτε το χώρο εργασίας καθαρό και με καλό φωτισμό. Οι ακατάστατοι ή σκοτεινοί χώροι ενέχουν τον κίνδυνο ατυχημάτων.
- Μην χειρίζεστε ηλεκτρικά εργαλεία σε εκρηκτικές ατμόσφαιρες, π.χ. παρουσία εύφλεκτων υγρών, αερίων ή σωματιδίων σκόνης. Τα ηλεκτρικά εργαλεία δημιουργούν σπινθήρες, οι οποίοι ενδέχεται να προκαλέσουν την ανάφλεξη των σωματιδίων ή των καπνών.
- Κατά το χειρισμό ενός ηλεκτρικού εργαλείου, δεν πρέπει να βρίσκονται κοντά παιδιά ή άλλοι παρευρισκόμενοι. Ενδέχεται να αποσπάσουν την προσοχή σας, με αποτέλεσμα να χάσετε τον έλεγχο.

Ασφάλεια με το ηλεκτρικό ρεύμα

- Το βύσμα του ηλεκτρικού εργαλείου πρέπει να ταιριάζει στην πρίζα. Μην τροποποιείτε ποτέ το βύσμα. Μην χρησιμοποιείτε προσαρμογείς με γειωμένα ηλεκτρικά εργαλεία. Η χρήση μη τροποποιημένων φισ και αντίστοιχων πριζών μειώνει τον κίνδυνο ηλεκτροπληξίας.
- Αποφεύγετε την επαφή του σώματος με γειωμένες επιφάνειες, όπως σωλήνες, καλοριφέρ, κουζίνες και ψυγεία. Υπάρχει αυξημένος κίνδυνος ηλεκτροπληξίας, αν το σώμα σας έρθει σε επαφή με τη γείωση.

- Μην εκθέτετε ηλεκτρικά εργαλεία σε βροχή ή σε συνθήκες υγρασίας. Σε περίπτωση εισχώρησης νερού σε ηλεκτρικό εργαλείο, αυξάνεται ο κίνδυνος ηλεκτροπληξίας.
- Μην προκαλείτε φθορά στο καλώδιο. Μην χρησιμοποιείτε ποτέ το καλώδιο για τη μεταφορά, το τράβηγμα ή την αποσύνδεση του ηλεκτρικού εργαλείου. Φυλάσσετε το καλώδιο μακριά από θερμότητα, λάδια, αιχμηρές άκρες ή κινούμενα εξαρτήματα. Εάν το καλώδιο καταστραφεί ή εμπλακεί, αυξάνεται ο κίνδυνος ηλεκτροπληξίας.
- Όταν χρησιμοποιείτε ένα ηλεκτρικό εργαλείο σε εξωτερικό χώρο, χρησιμοποιήστε ένα καλώδιο προέκτασης που είναι κατάλληλο για χρήση σε εξωτερικό χώρο. Η χρήση καλωδίων κατάλληλων για εξωτερικό χώρο μειώνει τον κίνδυνο ηλεκτροπληξίας.
- Αν η χρήση ενός ηλεκτρικού εργαλείου σε χώρο με υγρασία είναι αναπόφευκτη, χρησιμοποιήστε παροχή ρεύματος με διάταξη προστασίας από ρεύματα διαρροής (RCD). Η χρήση μιας διάταξης RCD μειώνει τον κίνδυνο ηλεκτροπληξίας.

Προσωπική ασφάλεια

- Να είστε προσεκτικοί, να παρακολουθείτε αυτό που κάνετε και να χρησιμοποιείτε την κοινή λογική όταν χρησιμοποιείτε ένα ηλεκτρικό εργαλείο. Μην χρησιμοποιείτε ηλεκτρικά εργαλεία όταν είστε κουρασμένοι ή υπό την επήρεια ναρκωτικών, αλκοόλ ή φαρμάκων. Μια στιγμή απροσεξίας, κατά το χειρισμό ηλεκτρικών εργαλείων, μπορεί να οδηγήσει σε σοβαρό τραυματισμό.
- Χρησιμοποιείτε ατομικό προστατευτικό εξοπλισμό. Φοράτε πάντοτε προστατευτικά γυαλιά. Ο εξοπλισμός προστασίας, όπως προστατευτική μάσκα αναπνοής, αντλιοσθητικά παπούτσια ασφαλείας, κράνος ή προστατευτικά ακοής σε κατάλληλες συνθήκες, μειώνει τον κίνδυνο τραυματισμών.
- Φροντίστε ώστε να μην είναι εφικτή η ακούσια εκκίνηση. Βεβαιωθείτε ότι ο διακόπτης βρίσκεται στη θέση Off προτού συνδέσετε το εργαλείο στην πηγή τροφοδοσίας ή/και στην μπαταρία και προτού πιάσετε ή μεταφέρετε το εργαλείο. Η μεταφορά των ηλεκτρικών εργαλείων, ενώ έχετε το χέρι σας στο διακόπτη ή η σύνδεση σε πρίζα των ηλεκτρικών εργαλείων με διακόπτη ενέχει τον κίνδυνο ατυχήματος.
- Αφαιρέστε τυχόν κλειδιά προσαρμογής ή σύσφιξης, πριν ενεργοποιήσετε το ηλεκτρικό εργαλείο. Ένα κλειδί σύσφιξης ή προσαρμογής που παραμένει προσαρτημένο σε κινούμενο μέρος του ηλεκτρικού εργαλείου μπορεί να οδηγήσει σε τραυματισμό.
- Μην υπερεκτιμάτε τις δυνατότητές σας. Να πατάτε καλά τα πόδια σας και να διατηρείτε την ισορροπία σας συνέχεια. Έτσι επιτυγχάνεται καλύτερος έλεγχος του ηλεκτρικού εργαλείου, σε τυχόν απρόβλεπτες καταστάσεις.
- Φοράτε κατάλληλα ρούχα. Μην φοράτε φαρδιά ρούχα ή κοσμήματα. Φροντίστε τα μαλλιά και τα ρούχα σας να βρίσκονται σε απόσταση από τα κινούμενα εξαρτήματα. Τα φαρδιά ρούχα, τα

κοσμήματα ή τα μακριά μαλλιά ενδέχεται να πιαστούν σε κινούμενα μέρη.

- **Εάν παρέχονται διατάξεις για τη σύνδεση συστομάτων συλλογής και απομάκρυνσης σκόνης, βεβαιωθείτε ότι αυτές έχουν συνδεθεί και χρησιμοποιούνται σωστά.** Χρησιμοποιείτε σύστημα συλλογής σκόνης για να μειώσετε τους κινδύνους που σχετίζονται με τη σκόνη.
- **Ακόμη και αν χρησιμοποιείτε συχνά και είστε εξοικειωμένοι με τα εργαλεία, μην επαναπαύεστε και μην παραβλέπετε τις αρχές ασφαλείας των εργαλείων.** Μια απρόσεκτη ενέργεια μπορεί να προκαλέσει σοβαρό τραυματισμό σε κλάσμα του δευτερολέπτου.

Χρήση και φροντίδα των ηλεκτρικών εργαλείων

- **Μην ασκείτε μεγάλη δύναμη στο ηλεκτρικό εργαλείο.** Χρησιμοποιείτε το κατάλληλο ηλεκτρικό εργαλείο για την εφαρμογή σας. Το κατάλληλο ηλεκτρικό εργαλείο θα έχει καλύτερα αποτελέσματα για την εργασία σας και θα είναι ασφαλέστερο, στο βαθμό για τον οποίο είναι σχεδιασμένο.
- **Μην χρησιμοποιείτε το ηλεκτρικό εργαλείο, εάν δεν μπορεί να ενεργοποιηθεί και να απενεργοποιηθεί με το διακόπτη.** Ένα ηλεκτρικό εργαλείο που δεν μπορεί να ελεγχθεί από το διακόπτη είναι επικίνδυνο και πρέπει να επισκευαστεί.
- **Αποσυνδέστε το βύσμα από την πηγή τροφοδοσίας ή/και αφαιρέστε την μπαταρία (αν είναι αποσπώσιμη) από το ηλεκτρικό εργαλείο πριν από την πραγματοποίηση ρυθμίσεων, την αλλαγή αξεσουάρ ή την αποθήκευση ηλεκτρικών εργαλείων.** Αυτά τα προληπτικά μέτρα ασφαλείας μειώνουν τον κίνδυνο ακούσιας εκκίνησης του ηλεκτρικού εργαλείου.
- **Φυλάσσετε τα ηλεκτρικά εργαλεία που βρίσκονται σε αδράνεια, μακριά από παιδιά και μην επιτρέπετε σε άτομα που δεν είναι εξοικειωμένα με αυτά ή με τις οδηγίες να χρησιμοποιούν το ηλεκτρικό εργαλείο.** Τα ηλεκτρικά εργαλεία είναι επικίνδυνα στα χέρια μη εκπαιδευμένων χρηστών.
- **Φροντίστε να συντηρείτε τα ηλεκτρικά εργαλεία και τα αξεσουάρ.** Ελέγχετε για τυχόν μη ευθυγραμμισμένα ή μπλοκαρισμένα κινούμενα μέρη, ρωγμές στα διάφορα μέρη και κάθε άλλη κατάσταση που μπορεί να επηρεάζει τη λειτουργία του ηλεκτρικού εργαλείου. Σε περίπτωση ζημιάς, φροντίστε για την επισκευή του ηλεκτρικού εργαλείου πριν το χρησιμοποιήσετε. Πολλά ατυχήματα προκαλούνται από ηλεκτρικά εργαλεία που δεν συντηρούνται σωστά.
- **Διατηρείτε τα εργαλεία κοπής αιχμηρά και καθαρά.** Εάν τα εργαλεία κοπής συντηρούνται σωστά, με αιχμηρές άκρες κοπής, είναι λιγότερο πιθανή η εμπλοκή τους και πιο εύκολος ο έλεγχός τους.
- **Χρησιμοποιείτε το ηλεκτρικό εργαλείο, τα εξαρτήματα και τα τρυπάνια σύμφωνα με τις οδηγίες αυτές, λαμβάνοντας υπόψη τις συνθήκες εργασίας και την εργασία που πρέπει να εκτελεστεί.** Η χρήση των ηλεκτρικών εργαλείων για εφαρμογές διαφορετικές

από αυτές για τις οποίες προορίζονται μπορεί να οδηγήσει σε επικίνδυνες καταστάσεις.

- **Διατηρήστε τις χειρολαβές και τις επιφάνειες κρατήματος στεγνές και καθαρές, χωρίς λάδια και γράσο.** Οι ολισθηρές λαβές και επιφάνειες κρατήματος δεν επιτρέπουν τον ασφαλή χειρισμό και έλεγχο του εργαλείου σε απρόβλεπτες καταστάσεις.

Χρήση και φροντίδα εργαλείων μπαταρίας

- **Να επαναφορτίσετε μόνο με το φορτιστή που ορίζεται από τον κατασκευαστή.** Ένας φορτιστής κατάλληλος για έναν τύπο συστοιχίας μπαταριών μπορεί να δημιουργήσει κίνδυνο φωτιάς κατά τη χρήση με άλλη συστοιχία μπαταριών.
- **Χρησιμοποιήστε τα ηλεκτρικά εργαλεία μόνο με τις καθορισμένες συστοιχίες μπαταριών.** Η χρήση οποιασδήποτε άλλης μπαταρίας μπορεί να προκαλέσει κίνδυνο τραυματισμού και πυρκαγιάς.
- **Όταν η μπαταρία δεν χρησιμοποιείται, πρέπει να την φυλάσσετε μακριά από άλλα μεταλλικά αντικείμενα, όπως συνδετήρες, νομίσματα, κλειδιά, καρφιά, βίδες ή άλλα μικρά μεταλλικά αντικείμενα, που μπορεί να προκαλέσουν ένωση των πόλων.** Η βραχυκύκλωση των ακροδεκτών της μπαταρίας μεταξύ τους μπορεί να προκαλέσει εγκαύματα ή πυρκαγιά.
- **Σε περίπτωση ακατάλληλου χειρισμού, μπορεί να εκπαισθεί υγρό από την μπαταρία. Αποφεύγετε κάθε επαφή. Σε περίπτωση τυχαίας επαφής, ξεπλύνετε με νερό.** Εάν το υγρό έρθει σε επαφή με τα μάτια, ζητήστε επίσης ιατρική βοήθεια. Η εκτόξευση υγρού από την μπαταρία μπορεί να προκαλέσει ερεθισμούς ή εγκαύματα.
- **Μην χρησιμοποιείτε μπαταρίες ή εργαλεία που έχουν υποστεί ζημιά ή μεταρροπές.** Οι μπαταρίες που έχουν υποστεί ζημιά ή τροποποίηση μπορεί να παρουσιάσουν απρόβλεπτη συμπεριφορά με αποτέλεσμα να προκληθεί κίνδυνος πυρκαγιάς, έκρηξης ή τραυματισμού.
- **Μην εκθέτετε τις μπαταρίες ή τα εργαλεία σε φωτιά ή υπερβολική θερμοκρασία.** Η έκθεση σε φωτιά ή θερμοκρασίες πάνω από 130 °C/266 °F μπορεί να προκαλέσει έκρηξη.
- **Ακολουθήστε όλες τις οδηγίες φόρτισης και μην φορτίζετε τις μπαταρίες ή τα εργαλεία εκτός του εύρους θερμοκρασίας που προδιαγράφεται στις οδηγίες.** Η φόρτιση με λανθασμένο τρόπο ή σε θερμοκρασίες εκτός του προδιαγραφόμενου εύρους μπορεί να προκαλέσει ζημιά στην μπαταρία και αυξάνει τον κίνδυνο πυρκαγιάς.

Σέρβις

- **Αναθέστε το σέρβις του ηλεκτρικού σας εργαλείου σε εξειδικευμένο τεχνικό για επισκευή με τη χρήση μόνο πανομοιότυπων ανταλλακτικών.** Έτσι θα διασφαλίζεται η διατήρηση της ασφάλειας του ηλεκτρικού εργαλείου.
- **Μην εκτελείτε εργασίες σέρβις σε κατεστραμμένες μπαταρίες.** Οι εργασίες σέρβις σε μπαταρίες θα πρέπει να εκτελούνται μόνο από τον κατασκευαστή ή από εξουσιοδοτημένα καταστήματα σέρβις.

Γενικές προειδοποιήσεις ασφαλείας αλυσοπρίονου

- Κρατήστε όλα τα μέρη του σώματος μακριά από την αλυσίδα πριονιού, όταν το αλυσοπρίονο λειτουργεί. Προτού ξεκινήσετε το αλυσοπρίονο, βεβαιωθείτε ότι η αλυσίδα πριονιού δεν έρχεται σε επαφή με κανένα αντικείμενο. Μια στιγμή απροσεξίας κατά τον χειρισμό του αλυσοπρίονου μπορεί να προκαλέσει παγίδευση του ρουχισμού ή του σώματος στην αλυσίδα πριονιού.
- Κρατάτε πάντα το αλυσοπρίονο με το δεξί σας χέρι τοποθετημένο στην οπίσθια χειρολαβή και το αριστερό στην εμπρόσθια χειρολαβή. Η συγκράτηση του αλυσοπρίονου με τα χέρια σε αντίστροφη θέση αυξάνει τον κίνδυνο προσωπικού τραυματισμού και είναι μια ενέργεια που δεν πρέπει να κάνετε σε καμία περίπτωση.
- Πρέπει να πιάνετε το αλυσοπρίονο μόνο από τις μονωμένες επιφάνειες λαβής, καθώς η αλυσίδα του πριονιού μπορεί να έρθει σε επαφή με κρυφά καλώδια. Εάν η αλυσίδα πριονιού έρθει σε επαφή με ένα καλώδιο "υπό τάση" μπορεί να θέσει τα εκτεθειμένα μεταλλικά εξαρτήματα του αλυσοπρίονου υπό τάση και να προκαλέσει ηλεκτροπληξία στον χειριστή.
- Χρησιμοποιήστε μέσα προστασίας των ματιών. Συνιστάται η χρήση πρόσθετου εξοπλισμού προστασίας της ακοής, των χεριών, των ποδιών και των πελμάτων. Ο κατάλληλος εξοπλισμός προστασίας μειώνει τον κίνδυνο τραυματισμού από τα εκτοξευόμενα θραύσματα ή από τυχαία επαφή με την αλυσίδα πριονιού.
- Μην χειρίζεστε το αλυσοπρίονο ενώ είστε ανεβασμένοι σε δέντρα, σκάλες, ταράτσες ή οποιαδήποτε ασταθή στηρίγματα. Η χρήση του αλυσοπρίονου με αυτόν τον τρόπο αυτό μπορεί να οδηγήσει σε σοβαρό τραυματισμό.²¹
- Διατηρήστε σταθερό πάτημα και χρησιμοποιείτε το αλυσοπρίονο μόνο όταν στέκεστε σε σταθερή, ασφαλή και επίπεδη επιφάνεια. Οι ολισθηρές ή ασταθείς επιφάνειες μπορεί να προκαλέσουν απώλεια ισορροπίας ή ελέγχου του αλυσοπρίονου.
- Όταν κόβετε κλαδιά που βρίσκονται υπό μηχανική τάση, πρέπει να είστε σε εγρήγορση για ενδεχόμενα πινάγματα επαναφοράς. Όταν απελευθερώνεται η μηχανική τάση που ασκείται στις ίνες του ξύλου, το κλαδί που είναι σαν ελατήριο μπορεί να χτυπήσει τον χειριστή ή/και να θέσει το αλυσοπρίονο εκτός ελέγχου.
- Επιδείξτε μεγάλη προσοχή κατά την κοπή βεργών και δενδρυλλίων. Το λεπτό υλικό μπορεί να παγιδευτεί στην αλυσίδα πριονιού και να εκτοξευτεί προς το μέρος σας ή να σας θέσει εκτός ισορροπίας.
- Μεταφέρετε το αλυσοπρίονο από την εμπρόσθια χειρολαβή, ενώ το αλυσοπρίονο είναι εκτός λειτουργίας και κρατήστε το μακριά από το σώμα

σας. Κατά τη μεταφορά ή την αποθήκευση του αλυσοπρίονου, να τοποθετείτε πάντα το κάλυμμα της λάμας οδήγησης. Ο σωστός χειρισμός του αλυσοπρίονου μειώνει την πιθανότητα τυχαίας επαφής με την κινούμενη αλυσίδα πριονιού.

- Ακολουθήστε τις οδηγίες για τη λίπανση, το τέντωμα της αλυσίδας και την αλλαγή της λάμας και της αλυσίδας. Μια αλυσίδα με ακατάλληλη τάνυση ή ακατάλληλη λίπανση μπορεί να σπάσει ή να αυξήσει τον κίνδυνο τινάγματος.
- Κόβετε μόνο ξύλο. Μην χρησιμοποιείτε το αλυσοπρίονο για σκοπούς για τους οποίους δεν προορίζεται. Για παράδειγμα: μην χρησιμοποιείτε το αλυσοπρίονο για την κοπή μετάλλου, πλαστικού, κατασκευαστικής ξυλείας ή για την κοπή μη ξύλινων δομικών υλικών. Η χρήση του αλυσοπρίονου για εργασίες διαφορετικές από τις προβλεπόμενες μπορεί να οδηγήσει σε επικίνδυνες καταστάσεις.
- Μην επιχειρήσετε να κόψετε δέντρα, αν δεν έχετε κατανοήσει τους κινδύνους και τους τρόπους αποφυγής τους. Μπορεί να προκύψει σοβαρός τραυματισμός του χειριστή ή των παριστάμενων κατά την κοπή δέντρων.
- Ακολουθήστε όλες τις οδηγίες όταν απομακρύνετε υλικά που μπλοκάρουν τη λειτουργία ή όταν αποθηκεύετε ή συντηρείτε το αλυσοπρίονο. Βεβαιωθείτε ότι ο διακόπτης είναι στη θέση απενεργοποίησης και η μπαταρία έχει αφαιρεθεί. Η μη αναμενόμενη ενεργοποίηση του αλυσοπρίονου όταν απομακρύνετε υλικά που μπλοκάρουν τη λειτουργία του ή όταν το συντηρείτε μπορεί να οδηγήσει σε σοβαρό τραυματισμό.
- Μην χειρίζεστε το αλυσοπρίονο σε δέντρα, εκτός αν έχετε εκπαιδευτεί ειδικά για τον σκοπό αυτό. Η λειτουργία ενός αλυσοπρίονου σε δέντρο χωρίς κατάλληλη εκπαίδευση μπορεί να αυξήσει τον κίνδυνο σοβαρού τραυματισμού.

Αιτίες και πρόληψη κλωστήματος από το χειριστή

Μπορεί να προκύψει κλωστήμα (τίναγμα) όταν η μύτη ή το άκρο της λάμας οδήγησης ακουμπήσει σε ένα αντικείμενο ή όταν το ξύλο διπλώσει και παγιδεύσει την αλυσίδα πριονιού στο σημείο κοπής. Σε μερικές περιπτώσεις, η επαφή του άκρου μπορεί να προκαλέσει απότομη αντίστροφη αντίδραση, πινάζοντας τη λάμα οδήγησης προς τα επάνω και προς τα πίσω προς το χειριστή. Εάν η αλυσίδα πριονιού παγιδευτεί στο πάνω μέρος της λάμας οδήγησης μπορεί να σπρώξει απότομα τη λάμα οδήγησης προς τον χειριστή. Κάθε μία από αυτές τις αντιδράσεις μπορεί να προκαλέσει απώλεια ελέγχου του αλυσοπρίονου και να οδηγήσει σε σοβαρό τραυματισμό. Μην βασίζεστε αποκλειστικά στις ενσωματωμένες συσκευές ασφαλείας του πριονιού. Ως χρήστης αλυσοπρίονου, θα πρέπει να λαμβάνετε πολλά μέτρα για να προλαμβάνετε τα ατυχήματα ή τους τραυματισμούς όταν εκτελείτε εργασίες κοπής. Το

²¹ Εάν έχετε εκπαιδευτεί σε ειδικές τεχνικές κοπής και χειρισμού και χρησιμοποιείτε τον ενδεδειγμένο προστατευτικό εξοπλισμό (κάδος ανύψωσης, σχοινιά, εξάρτηση ασφαλείας), μπορούν να γίνουν αποκλίσεις από αυτόν τον κανονισμό ασφαλείας.

κλώστημα (τίναγμα) είναι το αποτέλεσμα της κακής χρήσης του αλυσοπριονίου ή/και των εσφαλμένων διαδικασιών ή συνθηκών λειτουργίας, ενώ μπορεί να αποφευχθεί με τις κατάλληλες προφυλάξεις που αναφέρονται παρακάτω:

- **Διατηρήστε σταθερή λαβή, με τους αντίχειρες και τα δάκτυλα να περιβάλουν τις χειρολαβές του αλυσοπριονίου, κρατώντας και τα δύο χέρια στο πριόνι και με το σώμα και το χέρι σας σε στάση που επιτρέπει την αντίσταση στις δυνάμεις κλωστήματος (πνάγματα).** Οι δυνάμεις κλωστήματος (πνάγματα) μπορούν να ελεγχθούν από το χειριστή, εφόσον λαμβάνονται κατάλληλες προφυλάξεις. Μην αφήνετε το αλυσοπριόνιο.
- **Μην τεντώνετε υπερβολικά και μην κόβετε σε ύψος πάνω από τον ώμο σας.** Αυτό εμποδίζει την ακούσια επαφή του άκρου και παρέχει καλύτερο έλεγχο του αλυσοπριονίου σε απρόβλεπτες καταστάσεις.
- **Να χρησιμοποιείτε μόνο ανταλλακτικές λάμες οδηγησης και αλυσίδες πριονιού που προδιαγράφονται από τον κατασκευαστή.** Οι λανθασμένες ανταλλακτικές λάμες οδηγησης και αλυσίδες πριονιού μπορεί να προκαλέσουν θραύση της αλυσίδας ή/και κλώστημα (τίναγμα).
- **Ακολουθήστε τις οδηγίες ακονίσματος και συντήρησης του κατασκευαστή για την αλυσίδα πριονιού.** Αν μειωθεί το ύψος του διαμετρήματος βάθους κοπής, μπορεί να προκύψει αυξημένο κλώστημα.

ΦΥΛΑΞΤΕ ΑΥΤΕΣ ΤΙΣ ΟΔΗΓΙΕΣ.

Γενικές οδηγίες ασφαλείας



ΠΡΟΕΙΔΟΠΟΙΗΣΗ: Προτού χρησιμοποιήσετε το προϊόν, διαβάστε τις παρακάτω προειδοποιητικές οδηγίες.

- Αυτό το προϊόν είναι ένα επικίνδυνο εργαλείο εάν δεν είστε προσεκτικοί ή δεν το χρησιμοποιείτε σωστά. Αυτό το προϊόν μπορεί να προκαλέσει σοβαρό τραυματισμό ή θάνατο του χειριστή ή άλλων ατόμων. Είναι ιδιαίτερα σημαντικό να διαβάσετε και να κατανοήσετε τα περιεχόμενα του παρόντος εγχειριδίου χρήσης.
- Μην τροποποιείτε το προϊόν χωρίς την έγκριση του κατασκευαστή. Μην χρησιμοποιείτε προϊόντα που έχουν τροποποιηθεί από άλλα άτομα και χρησιμοποιείτε πάντα γνήσια αξεσουάρ. Οι τροποποιήσεις που δεν είναι εγκεκριμένες από τον κατασκευαστή μπορεί να προκαλέσουν σοβαρό τραυματισμό ή θάνατο του χειριστή ή άλλων ατόμων.
- Η μακροχρόνια εισπνοή αναθυμιάσεων λαδιού αλυσίδας και πριονιδιού μπορεί να προκαλέσει προβλήματα υγείας.
- Αυτό το προϊόν παράγει ηλεκτρομαγνητικό πεδίο κατά τη λειτουργία του. Το πεδίο αυτό, υπό ορισμένες συνθήκες, μπορεί να προκαλέσει παρεμβολές σε ενεργά ή παθητικά ιατρικά εμφυτεύματα. Για να μειωθεί ο κίνδυνος σοβαρού

τραυματισμού ή θανάτου, συνιστούμε στα άτομα με ιατρικά εμφυτεύματα να συμβουλευθούν τον θεράποντα ιατρό τους και τον κατασκευαστή του ιατρικού εμφυτεύματος, προτού θέσουν το προϊόν σε λειτουργία.

Οδηγίες ασφαλείας για τη λειτουργία



ΠΡΟΕΙΔΟΠΟΙΗΣΗ: Προτού χρησιμοποιήσετε το προϊόν, διαβάστε τις παρακάτω προειδοποιητικές οδηγίες.

- Οι πληροφορίες στο παρόν εγχειρίδιο χρήσης δεν υποκαθιστούν τις επαγγελματικές ικανότητες και την εμπειρία. Εάν δεν αισθάνεστε ασφαλείς με την κατάσταση στην οποία βρίσκεστε, διακόψτε τη λειτουργία του προϊόντος. Απευθυνθείτε στον αντιπρόσωπο σέρβις ή σε έναν επαγγελματία χειριστή αλυσοπριονίου. Μην επιχειρήσετε να εκτελέσετε μια εργασία εάν δεν αισθάνεστε βέβαιοι!
- Απευθυνθείτε στον τοπικό αντιπρόσωπο σέρβις ή στη Husqvarna εάν έχετε ερωτήσεις σχετικά με τη λειτουργία του προϊόντος. Μπορούμε να σας παρέχουμε πληροφορίες για τον αποτελεσματικό και ασφαλή τρόπο χρήσης του προϊόντος σας. Συμμετάσχετε σε ένα εκπαιδευτικό μάθημα για τη χρήση του αλυσοπριονίου, εάν είναι εφικτό. Πληροφορίες σχετικά με το εκπαιδευτικό υλικό και τα μαθήματα που είναι διαθέσιμα μπορείτε να βρείτε στον αντιπρόσωπο σέρβις, τη δασοκομική σχολή ή την τοπική βιβλιοθήκη.
- Πρέπει να κατανοήσετε τις επιπτώσεις του κλωστήματος και πώς να το αποφύγετε προτού χρησιμοποιήσετε αυτό το προϊόν. Ανατρέξτε στην ενότητα *Πληροφορίες για το κλώστημα στη σελίδα 167* και *Συνήθειες ερωτήσεις σχετικά με το κλώστημα στη σελίδα 168* για οδηγίες.
- Μην χρησιμοποιείτε προϊόν, μπαταρία ή φορτιστή μπαταρίας που έχει υποστεί ζημιά ή δεν λειτουργεί σωστά.
- Μην αγγίζετε την αλυσίδα πριονιού, όταν περιστρέφεται. Αυτό μπορεί να προκαλέσει σοβαρούς τραυματισμούς ή θάνατο.
- Μην χρησιμοποιείτε ποτέ το προϊόν όταν είστε κουρασμένος, υπό την επήρεια αλκοόλ ή ναρκωτικών, φαρμάκων ή άλλων ουσιών που μπορεί να επηρεάσουν την όραση, την εγρήγορση, τον συντονισμό ή την κρίση σας.
- Η εργασία με άσχημες καιρικές συνθήκες είναι κουραστική και συχνά επιφέρει πρόσθετο κίνδυνο. Λόγω του πρόσθετου κινδύνου, δεν συνιστάται η χρήση του προϊόντος σε πολύ δυσμενείς καιρικές συνθήκες, π.χ. σε πυκνή ομίχλη, δυνατή βροχή, ισχυρούς ανέμους, έντονο κρύο, όταν υπάρχει κίνδυνος κεραυνόπτωσης κ.λπ.
- Μην εκκινείτε ένα προϊόν, εάν δεν έχουν τοποθετηθεί σωστά η λάμα οδηγησης, η αλυσίδα πριονιού και όλα τα καλύμματα. Διαφορετικά, ο οδοντωτός τροχός μετάδοσης κίνησης μπορεί να χαλαρώσει και να προκαλέσει σοβαρούς τραυματισμούς. Ανατρέξτε

στην ενότητα *Συναρμολόγηση στη σελίδα 165* για οδηγίες.

(Εικ. 25)

- Ορισμένες φορές κολλούν ροκανίδια στο κάλυμμα του συμπλέκτη και προκαλούν εμπλοκή της αλυσίδας του πριονιού. Σβήνεται πάντα τον κινητήρα πριν από τον καθαρισμό.
- Κοιτάξτε γύρω σας. Βεβαιωθείτε ότι δεν υπάρχει κίνδυνος να έρθουν άνθρωποι ή ζώα σε επαφή με το προϊόν ή να επηρεάσουν τον τρόπο που το χειρίζεστε.

(Εικ. 26)

- Μην επιτρέπετε σε παιδιά να χρησιμοποιούν ή να πλησιάζουν το προϊόν. Η εκκίνηση του μηχανήματος γίνεται εύκολα και τα παιδιά μπορούν να το θέσουν σε λειτουργία εάν δεν βρίσκονται υπό συνεχή επίτηρηση. Αυτό μπορεί να οδηγήσει σε σοβαρό τραυματισμό.
- Όταν το προϊόν δεν είναι εντός του οπτικού σας πεδίου ή όταν πρόκειται να το αφήσετε για οποιοδήποτε χρονικό διάστημα, αφαιρέστε την μπαταρία.
- Θα πρέπει να πατάτε σταθερά για να έχετε πλήρη έλεγχο του προϊόντος. Μην χρησιμοποιείτε το προϊόν εάν είστε επάνω σε σκάλα ή δέντρο. Μην χρησιμοποιείτε το προϊόν εάν δεν είστε σε σταθερό έδαφος.

(Εικ. 27)

- Για την εκτέλεση εργασιών επάνω σε δέντρα, απαιτείται η χρήση ειδικών τεχνικών κοπής και χειρισμού, οι οποίες θα πρέπει να χρησιμοποιούνται υπό επίβλεψη προκειμένου να μειώνεται ο αυξημένος κίνδυνος τραυματισμού. Μην εργάζεστε ποτέ επάνω σε δέντρο εάν δεν διαθέτετε την κατάλληλη εξειδικευμένη και επαγγελματική κατάρτιση για την εκτέλεση τέτοιων εργασιών, συμπεριλαμβανομένης της εκπαίδευσης για τη χρήση εξοπλισμού ασφαλείας και αναρρίχησης, όπως εξαρτήσεις, σχοινιά, ζώνες, ειδικά υποδήματα αναρρίχησης, γάντζοι, κρίκοι ασφαλείας κ.λπ.
- Μην επιχειρείτε ποτέ να πιάσετε κομμάτια που πέφτουν. Μην εκτελείτε ποτέ κοπή σε δέντρα όταν συγκρατείστε με ένα μόνο σχοινί. Χρησιμοποιείτε πάντα δύο σχοινιά συγκράτησης.
- Εάν δεν είστε προσεκτικοί, αυξάνεται ο κίνδυνος κλωστήματος. Το κλώστημα μπορεί να συμβεί εάν η περιοχή κλωστήματος της λάμας οδήγησε ακουμπήσει κατά λάθος σε κάποιο κλαδί, δέντρο ή άλλα αντικείμενα.

(Εικ. 28)

- Μην κρατάτε το προϊόν με το ένα χέρι. Δεν μπορείτε να ελέγξετε αυτό το προϊόν με ασφάλεια με το ένα χέρι.
- Μην χρησιμοποιείτε το προϊόν επάνω από το ύψος του ώμου και μην προσπαθείτε να κόψετε με τη μύτη της λάμας.

(Εικ. 29)

- Μην χρησιμοποιείτε το προϊόν σε συνθήκες όπου δεν μπορείτε να λάβετε βοήθεια σε περίπτωση ατυχήματος.
- Διακόψτε τη λειτουργία του προϊόντος και ενεργοποιήστε το φρένο αλυσίδας προτού μετακινήσετε το προϊόν. Κρατήστε το προϊόν με τη λάμα οδήγησης και την αλυσίδα πριονιού στραμμένες προς τα πίσω. Τοποθετήστε ένα προστατευτικό μεταφοράς στη λάμα οδήγησης πριν από τη μεταφορά ή τη μετακίνηση του προϊόντος σε οποιαδήποτε απόσταση.
- Όταν τοποθετείτε το προϊόν στο έδαφος, ενεργοποιήστε το φρένο αλυσίδας και φροντίστε το προϊόν να βρίσκεται πάντα εντός του οπτικού σας πεδίου. Όταν πρόκειται να αφήσετε το προϊόν για οποιοδήποτε χρονικό διάστημα, διακόψτε τη λειτουργία του και αφαιρέστε την μπαταρία.
- Υπάρχει κίνδυνος να κολλήσουν ροκανίδια στο σύστημα μετάδοσης κίνησης. Αυτό μπορεί να προκαλέσει εμπλοκή της αλυσίδας πριονιού. Να διακόψετε πάντα τη λειτουργία του προϊόντος και να αφαιρέτε την μπαταρία προτού το καθαρίσετε.
- Το επίπεδο κραδασμών αυξάνεται εάν κόβετε με λάθος εξοπλισμό κοπής ή με εξοπλισμό που δεν έχει ακονιστεί σωστά. Η κοπή σκληρών ξύλων, όπως πλατύφυλλων δέντρων, δημιουργεί περισσότερους κραδασμούς από την κοπή μαλακών ξύλων, όπως των κωνοφόρων.

(Εικ. 30)

- Η υπερέκθεση σε κραδασμούς μπορεί να προκαλέσει βλάβη στο κυκλοφορικό ή νευρικό σύστημα σε άτομα με κακή κυκλοφορία του αίματος. Αν αισθανθείτε συμπτώματα υπερέκθεσης σε κραδασμούς, επικοινωνήστε με τον γιατρό σας. Παραδείγματα τέτοιων συμπτωμάτων είναι το μούδιασμα, η απώλεια αίσθησης, οι σουβλιές, ο πόνος, η μυϊκή ατονία και η αλλαγή στο χρώμα ή την κατάσταση του δέρματος. Αυτά τα συμπτώματα συνήθως εμφανίζονται στα δάχτυλα, τα χέρια ή τους καρπούς και αυξάνονται σε χαμηλές θερμοκρασίες.
- Μην επιχειρήσετε να εκτελέσετε κλάδεμα ή ξεκλάρισμα σε όρθια δέντρα, εκτός αν έχετε εκπαιδευτεί ειδικά γι' αυτό.
- Πρέπει πάντα να στέκεστε στην ψηλότερη πλευρά του εδάφους όταν κόβετε ένα δέντρο σε κεκλιμένη επιφάνεια, καθώς το δέντρο είναι πιθανό να κυλήσει ή να γλιστρήσει προς τα κάτω μετά την κοπή του. Για να διατηρήσετε πλήρη έλεγχο του προϊόντος όταν κόβετε, απελευθερώστε την πίεση κοπής κοντά στο άκρο της κοπής. Μην ακουμπάτε τα χέρια σας γύρω από τις λαβές. Μην αφήνετε την αλυσίδα του πριονιού να έρθει σε επαφή με το έδαφος. Αφού ολοκληρώσετε την κοπή, περιμένετε να σταματήσει η αλυσίδα του πριονιού προτού μετακινήσετε το προϊόν. Σβήνεται πάντα το μοτέρ πριν από τη μετακίνηση από δέντρο σε δέντρο.

(Εικ. 31)

- Μην κόβετε ένα δέντρο εάν υπάρχει κίνδυνος να τραυματιστεί κάποιο άτομο, να χτυπήσει μια γραμμή παροχής ρεύματος ή να προκληθεί ζημιά σε

περιουσία. Εάν το δέντρο χτυπήσει σε μια γραμμή παροχής ρεύματος, θα πρέπει να ειδοποιηθεί αμέσως η εταιρεία παροχής ηλεκτρικού ρεύματος.

- Βεβαιωθείτε ότι μπορείτε να κινείστε με ασφάλεια. Εξετάστε τις συνθήκες και το έδαφος γύρω σας για πιθανά εμπόδια, όπως ρίζες, βράχια, κλαδιά, χαντάκια και άλλα. Να είστε προσεκτικοί όταν εργάζεστε σε επικλινείς εδαφούς.
- Αποφύγετε καταστάσεις τις οποίες θεωρείτε πέραν των δυνατοτήτων σας.
- Δεν είναι δυνατό να συμπεριληφθούν όλες οι πιθανές περιπτώσεις που μπορεί να συναντήσετε κατά τη χρήση αυτού του προϊόντος. Πρέπει πάντα να προσέχετε και να χρησιμοποιείτε την κοινή λογική.

(Εικ. 32)

Εξοπλισμός ατομικής προστασίας



ΠΡΟΕΙΔΟΠΟΙΗΣΗ: Προτού χρησιμοποιήσετε το προϊόν, διαβάστε τις παρακάτω προειδοποιητικές οδηγίες.

(Εικ. 33)

- Τα περισσότερα ατυχήματα με αλυσόπριονο προκύπτουν όταν η αλυσίδα πριονιού έρχεται σε επαφή με τον χειριστή. Πρέπει να χρησιμοποιείτε εγκεκριμένο εξοπλισμό ατομικής προστασίας όταν εργάζεστε. Ο εξοπλισμός ατομικής προστασίας δεν παρέχει πλήρη προστασία από τραυματισμούς, ωστόσο μειώνει τη σοβαρότητά τους σε περίπτωση ατυχήματος. Για συστάσεις σχετικά με τον εξοπλισμό που μπορείτε να χρησιμοποιήσετε, απευθυνθείτε στον αντιπρόσωπο σέρβις.
- Τα ρούχα σας πρέπει να είναι εφαρμοστά αλλά δεν πρέπει να περιορίζουν τις κινήσεις σας. Ελέγχετε τακτικά την κατάσταση του εξοπλισμού ατομικής προστασίας σας.
- Να χρησιμοποιείτε εγκεκριμένο κράνος προστασίας.
- Χρησιμοποιείτε εγκεκριμένη προστασία ακοής. Η μακροχρόνια έκθεση στον θόρυβο μπορεί να προκαλέσει μόνιμη βλάβη της ακοής.
- Φοράτε προστατευτικά γυαλιά ή προστατευτικό γέισο προσώπου, για να μειώνετε τον κίνδυνο τραυματισμού από αντικείμενα που μπορεί να εκτοξευθούν. Το προϊόν μπορεί να εκτοξεύσει αντικείμενα, όπως ροκανίδια, μικρά κομμάτια ξύλου κ.λπ., με μεγάλη δύναμη. Αυτό μπορεί να προκαλέσει σοβαρό τραυματισμό, ιδιαίτερα στα μάτια.
- Να χρησιμοποιείτε γάντια για προστασία από αλυσόπριονα.
- Να χρησιμοποιείτε παντελόνι για προστασία από αλυσόπριονα.
- Να χρησιμοποιείτε μπότες για προστασία από αλυσόπριονα με ενίσχυση στα δάχτυλα και αντιολισθητική σόλα.
- Πρέπει πάντα να έχετε μαζί σας ένα κουτί πρώτων βοηθειών.
- Κίνδυνος σπινθηρών. Για να εμποδίσετε την εκδήλωση δασικών πυρκαγιών, πρέπει πάντα να

έχετε κοντά σας εργαλεία πυρόσβεσης και ένα φτυάρι.

Συσκευές ασφαλείας στο προϊόν



ΠΡΟΕΙΔΟΠΟΙΗΣΗ: Προτού χρησιμοποιήσετε το προϊόν, διαβάστε τις παρακάτω προειδοποιητικές οδηγίες.

- Μην χρησιμοποιείτε το προϊόν με συσκευές ασφαλείας που έχουν υποστεί ζημιά ή δεν λειτουργούν σωστά.
- Πρέπει να κάνετε τακτικά έλεγχο των συσκευών ασφαλείας. Ανατρέξτε στην ενότητα *Συντήρηση και έλεγχοι των συσκευών ασφαλείας του προϊόντος στη σελίδα 173*.
- Εάν οι συσκευές ασφαλείας έχουν υποστεί ζημιά ή δεν λειτουργούν σωστά, απευθυνθείτε στον αντιπρόσωπο σέρβις της Husqvarna.

Λειτουργίες των στοιχείων αλληλεπίδρασης με τον χρήστη

Στα στοιχεία αλληλεπίδρασης με τον χρήστη περιλαμβάνονται το κουμπί έναρξης/διακοπής λειτουργίας, το κουμπί SavE, η ένδειξη της κατάστασης της μπαταρίας και η προειδοποιητική ένδειξη. Η προειδοποιητική λυχνία αναβοσβήνει εάν το φρένο αλυσίδας είναι ενεργοποιημένο ή εάν υπάρχει κίνδυνος υπερφόρτισης. Η προστασία από υπερφόρτιση διακόπτει προσωρινά τη λειτουργία του προϊόντος και δεν μπορείτε να χρησιμοποιήσετε το προϊόν μέχρι να μειωθεί η θερμοκρασία. Εάν η προειδοποιητική ένδειξη ανάβει σταθερά, απευθυνθείτε στον αντιπρόσωπο σέρβις.

(Εικ. 34)

Για περισσότερες πληροφορίες σχετικά με τα στοιχεία αλληλεπίδρασης με τον χρήστη, ανατρέξτε στην ενότητα *Επισκόπηση προϊόντος στη σελίδα 155*.

Λειτουργία αυτόματης διακοπής

Το προϊόν διαθέτει λειτουργία αυτόματης διακοπής με την οποία το προϊόν σταματά εάν δεν το χρησιμοποιήσετε για 3 λεπτά.

Φρένο αλυσίδας και προφυλακτικής μπροστινού χειριού

Το προϊόν σας διαθέτει ένα φρένο αλυσίδας που σταματά την αλυσίδα πριονιού σε περίπτωση κλωστήματος. Το φρένο αλυσίδας μειώνει τον κίνδυνο ατυχημάτων, αλλά μόνο εσείς μπορείτε να τα αποτρέψετε.

(Εικ. 35)



ΠΡΟΕΙΔΟΠΟΙΗΣΗ: Αποφύγετε καταστάσεις όπου υπάρχει κίνδυνος κλωστήματος. Να είστε προσεκτικοί όταν χρησιμοποιείτε το προϊόν και βεβαιωθείτε ότι

η περιοχή κλωστήματος της λάμας οδήγησης δεν αγγίζει κανένα αντικείμενο.

(Εικ. 36)

Το φρένο αλυσίδας (Α) ενεργοποιείται χειροκίνητα με το αριστερό σας χέρι ή αυτόματα από τον αδρανειακό μηχανισμό απασφάλισης. Πιέστε τον προφυλακτήρα μπροστινού χεριού (Β) προς τα εμπρός για να ενεργοποιήσετε το φρένο αλυσίδας χειροκίνητα. Αυτή η κίνηση ξεκινά έναν ελατηριωτό μηχανισμό που σταματά τον οδοντωτό τροχό μετάδοσης κίνησης.

(Εικ. 37)

Ο τρόπος με τον οποίο το φρένο αλυσίδας συμπλέκεται εξαρτάται από τη δύναμη του κλωστήματος (τινάγματος) και τη θέση του προϊόντος. Σε περίπτωση ισχυρού κλωστήματος ενώ η περιοχή κλωστήματος είναι όσο το δυνατόν πιο μακριά από εσάς, το φρένο αλυσίδας συμπλέκεται από τον αδρανειακό μηχανισμό απασφάλισης. Εάν το κλώστημα είναι ελαφρύ ή η περιοχή κλωστήματος είναι πιο κοντά σε εσάς, το φρένο αλυσίδας θα συμπλέκεται χειροκίνητα από το αριστερό σας χέρι.

(Εικ. 38)

Χρησιμοποιείτε το φρένο αλυσίδας ως φρένο στάθμευσης κατά την εκκίνηση του προϊόντος και κατά τη μετακίνηση σε μικρές αποστάσεις. Έτσι μειώνεται ο κίνδυνος να ακουμπήσει η αλυσίδα πριονιού εσάς ή κάποιο άτομο που βρίσκεται κοντά σας.

(Εικ. 39)

Τραβήξτε τον προφυλακτήρα μπροστινού χεριού προς τα πίσω, για να απενεργοποιήσετε το φρένο της αλυσίδας.

(Εικ. 40)

Το κλώστημα μπορεί να είναι πολύ απότομο και βίαιο. Τα περισσότερα κλώσματα δεν είναι ισχυρά και δεν ενεργοποιούν πάντα το φρένο αλυσίδας. Εάν προκληθεί κλώστημα κατά τη χρήση του προϊόντος, κρατήστε σφιχτά τις χειρολαβές και μην τις αφήσετε.

(Εικ. 41)

Ο προφυλακτήρας μπροστινού χεριού μειώνει επίσης τον κίνδυνο επαφής με την αλυσίδα πριονιού, εάν το χέρι σας αφήσει την εμπρόσθια χειρολαβή.

(Εικ. 42)

Στη θέση υλοτομίας, δεν μπορείτε να συμπλέξετε το φρένο της αλυσίδας χειροκίνητα. Το φρένο αλυσίδας μπορεί να ενεργοποιηθεί στη θέση αυτή μόνο από τον αδρανειακό μηχανισμό απασφάλισης.

(Εικ. 43)

Ασφάλεια σκανδάλης γκαζιού

Η ασφάλεια της σκανδάλης γκαζιού αποτρέπει την ακούσια λειτουργία της σκανδάλης γκαζιού. Εάν πιέσετε την ασφάλεια της σκανδάλης γκαζιού προς τα εμπρός (Α) και, στη συνέχεια, την πιέσετε πάνω στη λαβή

(Β), η σκανδάλη γκαζιού (C) απελευθερώνεται. Εάν απελευθερώσετε τη χειρολαβή, η σκανδάλη γκαζιού και η ασφάλεια της σκανδάλης γκαζιού επιστρέφουν στην αρχική τους θέση.

(Εικ. 44)

Συγκρατητής αλυσίδας

Ο συγκρατητής αλυσίδας συγκρατεί την αλυσίδα πριονιού εάν σπάσει ή χαλαρώσει. Εάν η αλυσίδα έχει τεντωθεί σωστά, ο κίνδυνος μειώνεται. Ο κίνδυνος μειώνεται επίσης εάν εκτελείται σωστή συντήρηση της λάμας και της αλυσίδας πριονιού. Ανατρέξτε στην ενότητα *Συναρμολόγηση στη σελίδα 165* και *Συντήρηση στη σελίδα 172* για οδηγίες.

(Εικ. 45)

Προφυλακτήρας δεξιού χεριού

Ο προφυλακτήρας δεξιού χεριού προστατεύει το χέρι σας σε περίπτωση που η αλυσίδα πριονιού σπάσει ή χαλαρώσει. Αποτρέπει επίσης παρεμβολές από μεγάλα και μικρά κλαδιά κατά τη χρήση του προϊόντος.

(Εικ. 46)

Ασφάλεια μπαταρίας



ΠΡΟΕΙΔΟΠΟΙΗΣΗ: Προτού χρησιμοποιήσετε το προϊόν, διαβάστε τις παρακάτω προειδοποιητικές οδηγίες.

- Χρησιμοποιείτε μόνο τις μπαταρίες της σειράς 40-B που συνιστούμε για το προϊόν σας. Ανατρέξτε στην ενότητα *Εγκεκριμένες μπαταρίες στη σελίδα 182*. Οι μπαταρίες φέρουν κωδικοποίηση λογισμικού.
- Χρησιμοποιήστε τις επαναφορτιζόμενες μπαταρίες της σειράς 40-B ως παροχή ρεύματος αποκλειστικά για τα συναφή προϊόντα Husqvarna. Ανατρέξτε στην ενότητα *Εγκεκριμένες μπαταρίες στη σελίδα 182*. Για την αποφυγή τραυματισμών, μην χρησιμοποιείτε την μπαταρία ως πηγή ηλεκτρικής ισχύος για άλλες συσκευές.
- Κίνδυνος ηλεκτροπληξίας. Μην συνδέετε τους πόλους της μπαταρίας σε κλειδιά, νομίσματα, βίδες ή άλλα μεταλλικά αντικείμενα. Αυτό μπορεί να προκαλέσει βραχυκύκλωμα της μπαταρίας.
- Μην χρησιμοποιείτε μπαταρίες που δεν είναι επαναφορτιζόμενες.
- Μην τοποθετείτε αντικείμενα μέσα στις εγκοπές αερισμού της μπαταρίας.
- Διατηρείτε την μπαταρία μακριά από την ηλιακή ακτινοβολία, τη θερμότητα ή τις γυμνές φλόγες. Η μπαταρία μπορεί να προκαλέσει εγκαύματα ή/και χημικά εγκαύματα.
- Διατηρείτε την μπαταρία μακριά από συνθήκες βροχής και υγρασίας.
- Διατηρείτε την μπαταρία μακριά από πηγές μικροκυμάτων και υψηλής πίεσης.

- Μην προσπαθήσετε να αποσυναρμολογήσετε ή να διαλύσετε την μπαταρία.
- Μην αφήνετε το οξύ τη μπαταρίας να έρθει σε επαφή με το δέρμα σας. Το οξύ της μπαταρίας προκαλεί τραυματισμούς στο δέρμα, διάβρωση και εγκαύματα. Σε περίπτωση επαφής του οξέος με τα μάτια, μην τα τρίβετε και ξεπλύνετε τα με νερό για τουλάχιστον 15 λεπτά. Εάν το οξύ της μπαταρίας έρθει σε επαφή με το δέρμα σας, πρέπει να καθαρίσετε το δέρμα με μεγάλη ποσότητα νερού και σαπουνι. Αναζητήστε ιατρική βοήθεια.
- Χρησιμοποιήστε την μπαταρία σε θερμοκρασίες μεταξύ -10 °C (14 °F) και 40 °C (104 °F).
- Μην καθαρίζετε την μπαταρία ή τον φορτιστή μπαταρίας με νερό. Ανατρέξτε στην ενότητα *Έλεγχος της μπαταρίας και της θήκης της μπαταρίας στη σελίδα 174*.
- Μην χρησιμοποιείτε κατεστραμμένες μπαταρίες.
- Φυλάσσετε τις μπαταρίες μακριά από μεταλλικά αντικείμενα, όπως καρφιά, νομίσματα και κοσμήματα.
- Φυλάσσετε την μπαταρία μακριά από παιδιά.

- Να φορτίζετε την μπαταρία μόνο σε εσωτερικό χώρο σε μια θέση με καλή ροή αέρα και μακριά από ηλιακή ακτινοβολία. Μην φορτίζετε την μπαταρία σε εξωτερικούς χώρους. Μην φορτίζετε την μπαταρία σε συνθήκες υγρασίας.
- Ο φορτιστής της μπαταρίας πρέπει να χρησιμοποιείται μόνο σε σημεία όπου η θερμοκρασία είναι μεταξύ 5 °C (41 °F) και 40 °C (104 °F). Χρησιμοποιείτε τον φορτιστή σε περιβάλλον καλά αεριζόμενο, ξηρό και χωρίς σκόνη.
- Μην τοποθετείτε αντικείμενα μέσα στις εγκοπές αερισμού του φορτιστή της μπαταρίας.
- Μην συνδέετε ποτέ τους ακροδέκτες του φορτιστή της μπαταρίας σε μεταλλικά αντικείμενα γιατί μπορεί να προκύψει βραχυκύκλωμα του φορτιστή.
- Χρησιμοποιείτε εγκυκριμένες πρίζες τούχου που δεν έχουν υποστεί ζημιά.
- Μην φορτίζετε μη επαναφορτιζόμενες μπαταρίες στους φορτιστές μπαταρίας.

Ασφάλεια φορτιστή μπαταρίας



ΠΡΟΕΙΔΟΠΟΙΗΣΗ: Προτού χρησιμοποιήσετε το προϊόν, διαβάστε τις παρακάτω προειδοποιητικές οδηγίες.

- Υπάρχει κίνδυνος ηλεκτροπληξίας ή βραχυκυκλώματος εάν δεν τηρηθούν οι οδηγίες ασφαλείας.
- Χρησιμοποιήστε εγκυκριμένη γειωμένη πρίζα που δεν έχει υποστεί ζημιά.
- Μην χρησιμοποιείτε άλλους φορτιστές μπαταρίας εκτός από αυτόν που παρέχεται για το προϊόν σας. Πρέπει να χρησιμοποιείτε μόνο φορτιστές 40-C80 για τη φόρτιση ανταλλακτικών μπαταριών Husqvarna 40-B140. Ανατρέξτε στην ενότητα *Εγκυκριμένοι φορτιστές μπαταρίας για το προϊόν στη σελίδα 182* και *Εγκυκριμένες μπαταρίες στη σελίδα 182*.
- Μην επιχειρείτε να αποσυναρμολογήσετε τον φορτιστή μπαταρίας.
- Μη χρησιμοποιείτε φορτιστή μπαταρίας που παρουσιάζει ελάττωμα ή έχει υποστεί ζημιά.
- Μην σηκώνετε τον φορτιστή μπαταρίας από το καλώδιο ρεύματος. Για να αποσυνδέσετε τον φορτιστή της μπαταρίας από την πρίζα, τραβήξτε το βύσμα. Μην τραβάτε το καλώδιο.
- Κρατήστε όλα τα καλώδια και τα καλώδια επέκτασης μακριά από νερό, λάδι και αιχμηρές γωνίες. Βεβαιωθείτε ότι το καλώδιο δεν έχει μαγκώσει σε πόρτες, φράχτες ή παρόμοια σημεία.
- Μην χρησιμοποιείτε τον φορτιστή μπαταρίας κοντά σε εύφλεκτα υλικά ή υλικά που μπορούν να προκαλέσουν διάβρωση. Βεβαιωθείτε ότι ο φορτιστής της μπαταρίας δεν είναι καλυμμένος. Σε περίπτωση έκλυσης καπνού ή τυρκαγιάς, βγάλτε τον φορτιστή μπαταρίας από την πρίζα.

Οδηγίες ασφαλείας για τη συντήρηση



ΠΡΟΕΙΔΟΠΟΙΗΣΗ: Προτού εκτελέσετε εργασίες συντήρησης στο προϊόν, διαβάστε τις παρακάτω προειδοποιητικές οδηγίες.

- Πρέπει να αφαιρείτε την μπαταρία προτού εκτελέσετε εργασίες συντήρησης, άλλους ελέγχους ή συναρμολόγηση του προϊόντος.
- Ο χειριστής πρέπει να εκτελεί μόνο τις εργασίες συντήρησης και σέρβις που υποδεικνύονται στο παρόν εγχειρίδιο χρήσης. Για πιο εκτεταμένες εργασίες συντήρησης και σέρβις, απευθυνθείτε στον τοπικό αντιπρόσωπο σέρβις.
- Μην καθαρίζετε την μπαταρία ή το φορτιστή μπαταρίας με νερό. Τα δραστικά απορρυπαντικά μπορεί να προκαλέσουν ζημιά στο πλαστικό.
- Εάν δεν κάνετε συντήρηση στο προϊόν, μειώνεται ο κύκλος ζωής του και αυξάνεται ο κίνδυνος ατυχημάτων.
- Απαιτείται ειδική εκπαίδευση για όλες τις εργασίες συντήρησης και επισκευής, ειδικά για τις διατάξεις ασφαλείας στο προϊόν. Αν δεν ολοκληρωθούν με επιτυχία όλοι οι έλεγχοι που περιγράφονται στο παρόν εγχειρίδιο χρήσης αφού κάνετε τη συντήρηση, απευθυνθείτε στον τοπικό αντιπρόσωπο σέρβις. Εγγυώμαστε ότι υπάρχει δυνατότητα επαγγελματικής επισκευής και σέρβις για το προϊόν σας.
- Χρησιμοποιείτε πάντα γνήσια ανταλλακτικά.

Οδηγίες ασφαλείας για τον εξοπλισμό κοπής



ΠΡΟΕΙΔΟΠΟΙΗΣΗ: Προτού χρησιμοποιήσετε το προϊόν, διαβάστε τις παρακάτω προειδοποιητικές οδηγίες.

- Χρησιμοποιείτε μόνο τους εγκυκριμένους συνδυασμούς λάμας οδήγησης/αλυσίδας πριονιού

και εξοπλισμού ακονίσματος. Για οδηγίες, ανατρέξτε στην ενότητα *Τεχνικά στοιχεία στη σελίδα 180*.

- Όταν χρησιμοποιείτε ή εκτελείτε εργασίες συντήρησης στην αλυσίδα του πριονιού, πρέπει να φοράτε προστατευτικά γάντια. Μια αλυσίδα πριονιού που δεν κινείται μπορεί επίσης να προκαλέσει τραυματισμούς.
- Διατηρείτε τα κοπτικά δόντια σωστά ακονισμένα. Φροντίστε να ακολουθείτε τις οδηγίες και να χρησιμοποιείτε τον συνιστώμενο οδηγό ακονίσματος. Μια αλυσίδα πριονιού που έχει υποστεί ζημιά ή δεν είναι σωστά ακονισμένη αυξάνει τον κίνδυνο ατυχημάτων.

(Εικ. 47)

- Διατηρείτε τη σωστή ρύθμιση του μετρητή βάθους. Φροντίστε να ακολουθείτε τις οδηγίες και να χρησιμοποιείτε τη συνιστώμενη ρύθμιση του μετρητή βάθους. Μια πολύ μεγάλη ρύθμιση του μετρητή βάθους αυξάνει τον κίνδυνο κλωστήματος.

(Εικ. 48)

- Βεβαιωθείτε ότι η αλυσίδα του πριονιού έχει τη σωστή τάνυση. Αν η αλυσίδα του πριονιού δεν είναι καλά σφιγμένη πάνω στη λάμα οδήγησης, μπορεί να εκτροχιαστεί. Εάν το τέντωμα της αλυσίδας του πριονιού δεν είναι σωστό, αυξάνεται η φθορά στη λάμα οδήγησης, στην αλυσίδα και στον οδοντωτό τροχό μετάδοσης κίνησης. Ανατρέξτε στην ενότητα *Αξεσουάρ στη σελίδα 181*.

(Εικ. 49)

- Πραγματοποιείτε τακτικά συντήρηση του εξοπλισμού κοπής και λιπάνετε τον σωστά. Εάν η αλυσίδα του πριονιού δεν λιπαίνεται σωστά, αυξάνεται ο κίνδυνος φθοράς της λάμας οδήγησης, της αλυσίδας και του οδοντωτού τροχού μετάδοσης κίνησης.

(Εικ. 50)

Συναρμολόγηση

Συναρμολόγηση της λάμας οδήγησης και της αλυσίδας πριονιού (με μπουτόν λάμας)



ΠΡΟΕΙΔΟΠΟΙΗΣΗ: Αφαιρείτε πάντα την μπαταρία πριν από τη συναρμολόγηση ή την εκτέλεση εργασιών συντήρησης στο προϊόν.

1. Απενεργοποιήστε το φρένο αλυσίδας. (Εικ. 51)
2. Ξεσφίξτε το μπουτόν λάμας και αφαιρέστε το κάλυμμα του οδοντωτού τροχού μετάδοσης κίνησης. (Εικ. 52)
3. Τοποθετήστε τη λάμα οδήγησης πάνω από το μπουζόνι της λάμας. Σπρώξτε τη λάμα τέρμα προς τα πίσω. Ανασηκώστε την αλυσίδα του πριονιού πάνω από τον οδοντωτό τροχό μετάδοσης κίνησης και τοποθετήστε τη μέσα στην εγκοπή της λάμας οδήγησης. Ξεκινήστε με το επάνω άκρο της λάμας οδήγησης.
4. Βεβαιωθείτε ότι τα άκρα των κοπτικών εργαλείων είναι στραμμένα προς τα εμπρός στο πάνω άκρο της λάμας οδήγησης. (Εικ. 53)
5. Τοποθετήστε το κάλυμμα του οδοντωτού τροχού μετάδοσης κίνησης και κατευθύνετε τον πείρο ρύθμισης αλυσίδας στην οπή της λάμας οδήγησης.
6. Βεβαιωθείτε ότι οι σύνδεσμοι του συστήματος μετάδοσης κίνησης της αλυσίδας πριονιού είναι σωστά τοποθετημένοι στον οδοντωτό τροχό μετάδοσης κίνησης.
7. Βεβαιωθείτε ότι η αλυσίδα πριονιού έχει τοποθετηθεί σωστά μέσα στην εγκοπή της λάμας οδήγησης.
8. Τεντώστε την αλυσίδα πριονιού. Ανατρέξτε στην ενότητα *Συντήρηση στη σελίδα 172* για οδηγίες.

9. Σφίξτε το μπουτόν λάμας.

Συναρμολόγηση της λάμας οδήγησης και της αλυσίδας πριονιού (με μπουζόνι λάμας)



ΠΡΟΕΙΔΟΠΟΙΗΣΗ: Αφαιρείτε πάντα την μπαταρία πριν από τη συναρμολόγηση ή την εκτέλεση εργασιών συντήρησης στο προϊόν.

1. Απενεργοποιήστε το φρένο αλυσίδας. (Εικ. 51)
2. Χαλαρώστε το παξιμάδι της λάμας και αφαιρέστε το κάλυμμα του οδοντωτού τροχού μετάδοσης κίνησης. (Εικ. 54)
3. Τοποθετήστε τη λάμα οδήγησης πάνω από το μπουζόνι της λάμας. Σπρώξτε τη λάμα τέρμα προς τα πίσω. Ανασηκώστε την αλυσίδα του πριονιού πάνω από τον οδοντωτό τροχό μετάδοσης κίνησης και τοποθετήστε τη μέσα στην εγκοπή της λάμας οδήγησης. Ξεκινήστε με το επάνω άκρο της λάμας οδήγησης.
4. Βεβαιωθείτε ότι τα άκρα των κοπτικών εργαλείων είναι στραμμένα προς τα εμπρός στο πάνω άκρο της λάμας οδήγησης. (Εικ. 55)
5. Τοποθετήστε το κάλυμμα του οδοντωτού τροχού μετάδοσης κίνησης και κατευθύνετε τον πείρο ρύθμισης αλυσίδας στην οπή της λάμας οδήγησης.
6. Βεβαιωθείτε ότι οι σύνδεσμοι του συστήματος μετάδοσης κίνησης της αλυσίδας πριονιού είναι σωστά τοποθετημένοι στον οδοντωτό τροχό μετάδοσης κίνησης.
7. Βεβαιωθείτε ότι η αλυσίδα πριονιού έχει τοποθετηθεί σωστά μέσα στην εγκοπή της λάμας οδήγησης.

8. Σφίξτε το παξιμάδι της λάμας με το χέρι.
9. Σφίξτε την αλυσίδα πριονιού. Ανατρέξτε στην ενότητα *Συντήρηση στη σελίδα 172* για οδηγίες.

ηλεκτρικό κατασβίδι μπορεί να προκαλέσει ζημιά στον φορτιστή μπαταρίας.

Τοποθέτηση του φορτιστή μπαταρίας στον τοίχο



ΠΡΟΣΟΧΗ: Μην χρησιμοποιείτε ηλεκτρικό κατασβίδι για την τοποθέτηση του φορτιστή μπαταρίας στον τοίχο. Ένα

1. Τοποθετήστε τον φορτιστή μπαταρίας στον τοίχο με 2 βίδες (A). Αν χρειάζεται, χρησιμοποιήστε βύσματα τοίχου (B). (Εικ. 56)
2. Τοποθετήστε τις 2 τάπες στις οπές βιδών (C).
3. Συνδέστε το καλώδιο ρεύματος (D) στον φορτιστή μπαταρίας και σε πρίζα τοίχου.

Λειτουργία

Εισαγωγή



ΠΡΟΕΙΔΟΠΟΙΗΣΗ: Προτού χρησιμοποιήσετε το προϊόν, διαβάστε και κατανοήστε το κεφάλαιο για την ασφάλεια.



ΠΡΟΕΙΔΟΠΟΙΗΣΗ: Η αλυσίδα του πριονιού μπορεί να φρενάρει, εάν η λίπανση του εξοπλισμού κοπής δεν είναι επαρκής. Κίνδυνος σοβαρού τραυματισμού ή θανάτου του χειριστή.

Έλεγχος λειτουργίας πριν από τη χρήση του προϊόντος

1. Ελέγξτε το φρένο αλυσίδας (A), για να βεβαιωθείτε ότι λειτουργεί σωστά και ότι δεν έχει υποστεί ζημιά.
2. Ελέγξτε τον πίσω προφυλακτήρα δεξιού χεριού (B), για να βεβαιωθείτε ότι δεν έχει υποστεί ζημιά.
3. Ελέγξτε τη σκανδάλη γκαζιού και την ασφάλεια της σκανδάλης γκαζιού (C), για να βεβαιωθείτε ότι λειτουργούν σωστά και ότι δεν έχουν υποστεί ζημιά.
4. Ελέγξτε το πληκτρολόγιο (D), για να βεβαιωθείτε ότι λειτουργεί σωστά.
5. Βεβαιωθείτε ότι δεν υπάρχει λάδι πάνω στις χειρολαβές (E).
6. Ελέγξτε τα εξαρτήματα, για να βεβαιωθείτε ότι έχουν προσαρτηθεί σωστά, ότι δεν έχουν υποστεί ζημιά και ότι δεν λείπουν.
7. Ελέγξτε τον συγκρατητή αλυσίδας (F), για να βεβαιωθείτε ότι έχει προσαρτηθεί σωστά.
8. Ελέγξτε το τέντωμα της αλυσίδας (G).
9. Φορτίστε την μπαταρία (H) και βεβαιωθείτε ότι έχει συνδεθεί σωστά στο προϊόν.
10. Βεβαιωθείτε ότι η αλυσίδα πριονιού σταματά όταν απελευθερώνετε τη σκανδάλη γκαζιού. (Εικ. 57)



ΠΡΟΕΙΔΟΠΟΙΗΣΗ: Για να ανταποκρίνεται σωστά αυτή η λειτουργία, χρησιμοποιήστε το σωστό λάδι αλυσίδας. Όταν επιλέγετε λάδι αλυσίδας, πρέπει να απευθύνεστε στον αντιπρόσωπο σέρβις.

- Χρησιμοποιήστε λάδι αλυσίδας πριονιού της Husqvarna για μέγιστη διάρκεια ζωής της αλυσίδας και για να αποφύγετε τις αρνητικές επιπτώσεις στο περιβάλλον. Εάν το λάδι αλυσίδας της Husqvarna δεν είναι διαθέσιμο, συνιστούμε να χρησιμοποιήσετε τυπικό λάδι αλυσίδας.
- Χρησιμοποιήστε λάδι αλυσίδας με καλή πρόσφυση στην αλυσίδα του πριονιού.
- Χρησιμοποιήστε λάδι αλυσίδας με σωστό εύρος τιμών ιξώδους, που αντιστοιχεί στη θερμοκρασία του αέρα.

Χρήση του σωστού λαδιού αλυσίδας



ΠΡΟΕΙΔΟΠΟΙΗΣΗ: Μην χρησιμοποιείτε απόβλητα λαδιού, τα οποία μπορεί να προκαλέσουν τραυματισμό σε εσάς και να βλάψουν το περιβάλλον. Τα απόβλητα λαδιού προκαλούν επίσης ζημιά στην αντλία λαδιού, στη λάμα οδήγησης και στην αλυσίδα του πριονιού.



ΠΡΟΣΟΧΗ: Σε θερμοκρασίες κάτω από 0 °C/32 °F, ορισμένα λάδια αλυσίδας γίνονται πολύ παχύρρευστα και μπορεί να προκαλέσουν ζημιά στα εξαρτήματα της αντλίας λαδιού.

- Χρησιμοποιήστε τον συνιστώμενο εξοπλισμό κοπής. Ανατρέξτε στην ενότητα *Αξεσουάρ στη σελίδα 181*.
- Αφαιρέστε την τάπα του νεπετόζιτου λαδιού της αλυσίδας πριονιού.
- Γεμίστε το νεπετόζιτο λαδιού της αλυσίδας πριονιού με λάδι αλυσίδας.
- Τοποθετήστε το καπάκι προσεκτικά.

(Εικ. 58)

Περιεχόμενα Για να δείτε πού βρίσκεται το νεπετόζιτο λαδιού αλυσίδας στο προϊόν σας, ανατρέξτε στην ενότητα *Εισαγωγή στη σελίδα 155*.

Μπαταρία



ΠΡΟΕΙΔΟΠΟΙΗΣΗ: Προτού χρησιμοποιήσετε την μπαταρία, διαβάστε και κατανοήστε το κεφάλαιο για την ασφάλεια. Διαβάστε και κατανοήστε το εγχειρίδιο χρήσης για την μπαταρία και τον φορτιστή της μπαταρίας.

Διατηρείτε την μπαταρία και τον φορτιστή μπαταρίας στις σωστές θερμοκρασίες περιβάλλοντος.

	Θερμοκρασία περιβάλλοντος
Λειτουργία της μπαταρίας	5 °C-40 °C / 41 °F-104 °F

Ένδειξη LED	Κατάσταση φόρτισης μπαταρίας
4 λυχνίες LED αναμμένες	Η μπαταρία είναι φορτισμένη κατά 76% - 100%.
3 λυχνίες LED αναμμένες	Η μπαταρία είναι φορτισμένη κατά 51% - 75%.
2 λυχνίες LED αναμμένες	Η μπαταρία είναι φορτισμένη κατά 26% - 50%.
1 λυχνία LED είναι αναμμένη	Η μπαταρία είναι φορτισμένη κατά 6% - 25%.
1 λυχνία LED αναβοσβήνει	Η μπαταρία είναι φορτισμένη κατά 0% - 5%.

Φόρτιση της μπαταρίας

Φορτίστε την μπαταρία, εάν είναι η πρώτη φορά που τη χρησιμοποιείτε. Μια καινούργια μπαταρία είναι φορτισμένη μόνο κατά 30%.



ΠΡΟΣΟΧΗ: Συνδέστε τον φορτιστή μπαταρίας σε μια πρίζα ρεύματος σύμφωνα με την τάση και τη συχνότητα που ορίζεται στην πινακίδα ονομαστικών τιμών.

Η μπαταρία δεν φορτίζεται εάν η θερμοκρασία της είναι μεγαλύτερη από 50 °C/122 °F.

1. Συνδέστε το καλώδιο της μπαταρίας στον φορτιστή.
2. Συνδέστε τον φορτιστή μπαταρίας σε μια γειωμένη πρίζα ρεύματος. Η ενδεικτική λυχνία LED φόρτισης αναβοσβήνει 1 φορά. (Εικ. 60)
3. Συνδέστε την μπαταρία στον φορτιστή. Η πράσινη ενδεικτική λυχνία LED φόρτισης ανάβει. Ο μέγιστος χρόνος φόρτισης της μπαταρίας δεν θα πρέπει να υπερβαίνει τις 24 ώρες. (Εικ. 61)
4. Πατήστε το κουμπί ένδειξης μπαταρίας. Αν ανάψουν όλες οι ενδεικτικές λυχνίες LED, η μπαταρία είναι πλήρως φορτισμένη.
5. Τραβήξτε το φιλς ηλεκτρικής τροφοδοσίας, για να αποσυνδέσετε τον φορτιστή μπαταρίας από την πρίζα. Μην τραβάτε το καλώδιο.
6. Αφαιρέστε την μπαταρία από τον φορτιστή.

	Θερμοκρασία περιβάλλοντος
Φόρτιση μπαταρίας	5 °C-40 °C / 41 °F-104 °F

Κατάσταση μπαταρίας

Στην οθόνη εμφανίζεται η κατάσταση φόρτισης και τυχόν προβλήματα της μπαταρίας.

(Εικ. 59)

Πληροφορίες για το κλώτσημα



ΠΡΟΕΙΔΟΠΟΙΗΣΗ: Το κλώτσημα μπορεί να προκαλέσει σοβαρό τραυματισμό ή θάνατο του χειριστή ή άλλων ατόμων. Για να μειώσετε τον κίνδυνο, πρέπει να γνωρίζετε τις αιτίες του κλωτσήματος και τον τρόπο με τον οποίο θα τις αποφεύγετε.

Το κλώτσημα προκύπτει μόνο όταν η περιοχή κλωτσήματος της λάμας οδήγησης ακουμπήσει σε ένα αντικείμενο. Το κλώτσημα μπορεί να προκύψει ξαφνικά και με μεγάλη δύναμη, με αποτέλεσμα να εκτιναχθεί το προϊόν προς την κατεύθυνση του χειριστή.

(Εικ. 36)

Το κλώτσημα προκαλείται πάντα στο επίπεδο κοπής της λάμας. Συνήθως, το προϊόν εκτινάσσεται πάνω στον χειριστή αλλά μπορεί επίσης να μετακινηθεί σε διαφορετική κατεύθυνση. Η κατεύθυνση της κίνησης εξαρτάται από τον τρόπο με τον οποίο χρησιμοποιείτε το προϊόν τη στιγμή που προκύπτει το κλώτσημα.

(Εικ. 62)

Το κλώτσημα προκύπτει μόνο εάν η περιοχή κλωτσήματος της λάμας ακουμπήσει σε ένα αντικείμενο. Μην αφήνετε την περιοχή κλωτσήματος να έλθει σε επαφή με οποιοδήποτε αντικείμενο.

(Εικ. 36)

Μια μικρότερη ακτίνα άκρου λάμας μειώνει τη δύναμη του κλωστήματος.

Για να μειώσετε τις επιπτώσεις του κλωστήματος, χρησιμοποιήστε αλυσίδα πριονιού χαμηλού κλωστήματος. Μην αφήνετε την περιοχή κλωστήματος να έρθει σε επαφή με κάποιο αντικείμενο.



ΠΡΟΕΙΔΟΠΟΙΗΣΗ: Καμία αλυσίδα πριονιού δεν εμποδίζει πλήρως το κλώστημα. Πρέπει πάντα να τηρείτε τις οδηγίες.

Συνήθεις ερωτήσεις σχετικά με το κλώστημα

- **Το χέρι μου ενεργοποιεί πάντα το φρένο αλυσίδας κατά τη διάρκεια του κλωστήματος;**

Όχι. Πρέπει να χρησιμοποιήσετε λίγη δύναμη για να σπρώξετε τον προφυλακτήρα μπροστινού χεριού προς τα εμπρός. Εάν δεν χρησιμοποιήσετε την απαιτούμενη δύναμη, το φρένο της αλυσίδας δεν θα ενεργοποιηθεί. Επίσης, πρέπει να κρατάτε σταθερά τις χειρολαβές του προϊόντος με τα δύο χέρια κατά την εργασία. Εάν προκύψει κλώστημα, το φρένο της αλυσίδας μπορεί να μην προλάβει να σταματήσει την αλυσίδα προτού ακουμπήσει πάνω σας. Υπάρχουν επίσης ορισμένες θέσεις στις οποίες το χέρι σας δεν μπορεί να αγγίξει τον προφυλακτήρα μπροστινού χεριού για να ενεργοποιήσει το φρένο αλυσίδας.

- **Ο αδρανειακός μηχανισμός απασφάλισης ενεργοποιεί πάντα το φρένο αλυσίδας κατά τη διάρκεια του κλωστήματος;**

Όχι. Πρώτον, το φρένο της αλυσίδας πρέπει να λειτουργεί σωστά. Για οδηγίες σχετικά με τον έλεγχο του φρένου της αλυσίδας, ανατρέξτε στην ενότητα *Συντήρηση και έλεγχοι των συσκευών ασφαλείας του προϊόντος στη σελίδα 173*. Συνιστούμε να το κάνετε αυτό κάθε φορά πριν από τη χρήση του προϊόντος. Δεύτερον, η δύναμη του κλωστήματος πρέπει να είναι μεγάλη για να ενεργοποιηθεί το φρένο της αλυσίδας. Εάν το φρένο της αλυσίδας είναι πολύ ευαίσθητο, μπορεί να ενεργοποιείται κατά τη διάρκεια έντονης εργασίας.

- **Το φρένο αλυσίδας θα με προστατεύει πάντα από τραυμασμό σε περίπτωση κλωστήματος;**

Όχι. Το φρένο της αλυσίδας πρέπει να λειτουργεί σωστά για να παρέχει προστασία. Το φρένο αλυσίδας θα πρέπει επίσης να ενεργοποιηθεί κατά τη διάρκεια ενός κλωστήματος για να σταματήσει την αλυσίδα πριονιού. Εάν βρίσκεστε κοντά στη λάμα οδήγησης, το φρένο της αλυσίδας μπορεί να μην προλάβει να σταματήσει την αλυσίδα πριν σας χτυπήσει.



ΠΡΟΕΙΔΟΠΟΙΗΣΗ: Η αποτροπή των κλωστημάτων εξαρτάται μόνο από εσάς και από τη σωστή τεχνική εργασία.

Εκκίνηση του προϊόντος

1. Ελέγξτε τη σκανδάλη γκαζιού και την ασφάλεια της σκανδάλης γκαζιού. Ανατρέξτε στην ενότητα *Έλεγχος της ασφαλείας της σκανδάλης γκαζιού στη σελίδα 174*.
2. Ενεργοποιήστε το φρένο της αλυσίδας. (Εικ. 63)
3. Τοποθετήστε την μπαταρία στη θήκη μπαταρίας. (Εικ. 64)



ΠΡΟΣΟΧΗ: Βεβαιωθείτε ότι η μπαταρία είναι σωστά τοποθετημένη στη θήκη της. Εάν η μπαταρία δεν κινείται εύκολα μέσα στη θήκη της, αυτό σημαίνει ότι δεν έχει τοποθετηθεί σωστά.

4. Πιέστε το κάτω τμήμα της μπαταρίας, μέχρι να ακούσετε ένα κλικ. (Εικ. 65)
5. Πατήστε παρατεταμένα το κουμπί εκκίνησης/ διακοπής λειτουργίας μέχρι να ανάψει η πράσινη λυχνία LED. (Εικ. 66)

Χρήση της λειτουργίας SavE

Η λειτουργία SavE μειώνει την ταχύτητα της αλυσίδας του πριονιού και την κατανάλωση ενέργειας του προϊόντος.

1. Πατήστε το κουμπί της λειτουργίας εξοικονόμησης ενέργειας SavE. Η πράσινη λυχνία LED ανάβει.
2. Πατήστε ξανά το κουμπί SavE για να διακόψετε τη λειτουργία. Η πράσινη λυχνία LED σβήνει. (Εικ. 67)

Διακοπή λειτουργίας του προϊόντος

1. Πατήστε το κουμπί εκκίνησης/διακοπής λειτουργίας μέχρι να σβήσει η πράσινη ενδεικτική λυχνία LED. (Εικ. 66)
2. Πατήστε τα κουμπιά απελευθέρωσης μπαταρίας και αφαιρέστε την μπαταρία από τη θήκη της για να αποφύγετε τυχόν ακούσια εκκίνηση. (Εικ. 68)

Κίνηση έλξης και κίνηση ώθησης

Μπορείτε να κάνετε κοπή ξύλου με το προϊόν σε 2 διαφορετικές θέσεις.

- Η κοπή στο τμήμα έλξης της διαδρομής γίνεται όταν κόβετε με την κάτω άκρη της λάμας οδήγησης. Η αλυσίδα του πριονιού τραβάει το δέντρο κατά την κοπή. Σε αυτήν τη θέση, έχετε καλύτερο έλεγχο του προϊόντος και της θέσης της περιοχής κλωστήματος. (Εικ. 69)
- Η κοπή στο τμήμα ώθησης της διαδρομής γίνεται όταν κόβετε με την επάνω άκρη της λάμας οδήγησης. Η αλυσίδα πριονιού σπρώχνει το προϊόν προς την κατεύθυνση του χειριστή. (Εικ. 70)



ΠΡΟΕΙΔΟΠΟΙΗΣΗ: Εάν η αλυσίδα του πριονιού παγιδευτεί μέσα στον κορμό, το προϊόν μπορεί να ωθηθεί προς το μέρος σας. Φροντίστε να κρατάτε το προϊόν σφιχτά και να βεβαιώνετε ότι η περιοχή κλωστήματος της λάμας οδήγησης δεν έρχεται σε επαφή με το δέντρο και δεν προκαλεί κλώστημα.

(Εικ. 71)

Για να χρησιμοποιήσετε την τεχνική κοπής



ΠΡΟΕΙΔΟΠΟΙΗΣΗ: Ανοίξτε τέρμα το γκάζι όταν κόβετε και μειώνετε τις στροφές στο ρελαντί μετά από κάθε κοπή.



ΠΡΟΣΟΧΗ: Μην αφήνετε το μοτέρ λειτουργεί για πολύ μεγάλο χρονικό διάστημα χωρίς φορτίο. Μπορεί να προκληθεί ζημιά στο μοτέρ.

1. Τοποθετήστε τον κορμό σε υποστάτη ή βάσεις κοπής. (Εικ. 72)



ΠΡΟΕΙΔΟΠΟΙΗΣΗ: Μην κόβετε στοιβαγμένους κορμούς. Αυτό αυξάνει τον κίνδυνο κλωστήματος και μπορεί να προκαλέσει σοβαρό τραυματισμό ή θάνατο.

2. Απομακρύνετε τα κομμένα κομμάτια από την περιοχή εργασίας.



ΠΡΟΕΙΔΟΠΟΙΗΣΗ: Τα κομμένα κομμάτια στην περιοχή εργασίας αυξάνουν τον κίνδυνο κλωστήματος και απώλειας της ισορροπίας.

Χρήση οδοντωτού προφυλακτήρα

1. Σπρώξτε τον οδοντωτό προφυλακτήρα μέσα στον κορμό του δέντρου.
2. Ανοίξτε τέρμα το γκάζι και περιστρέψτε το προϊόν. Κρατήστε τον οδοντωτό προφυλακτήρα πάνω στον κορμό. Με αυτήν τη διαδικασία διευκολύνεται η εφαρμογή της δύναμης που απαιτείται για να κοπεί ο κορμός. (Εικ. 73)

Κοπή κορμού στο έδαφος

1. Κόψτε τον κορμό στο τμήμα έλξης της διαδρομής. Διατηρήστε τέρμα το γκάζι, αλλά να είστε προετοιμασμένοι για ξαφνικά ατυχήματα. (Εικ. 74)



ΠΡΟΕΙΔΟΠΟΙΗΣΗ: Βεβαιωθείτε ότι η αλυσίδα του πριονιού δεν έρχεται σε επαφή με το έδαφος όταν ολοκληρώνετε κάθε κοπή.

2. Κόψτε σε βάθος ίσο περίπου με τα $\frac{3}{4}$ της διαμέτρου του κορμού και σταματήστε. Γυρίστε τον κορμό και εκτελέστε κοπή από την αντίθετη πλευρά. (Εικ. 75)

Κοπή κορμού που στηρίζεται στο ένα άκρο



ΠΡΟΕΙΔΟΠΟΙΗΣΗ: Βεβαιωθείτε ότι ο κορμός δεν θα σπάσει κατά τη διάρκεια της κοπής. Ακολουθήστε τις παρακάτω οδηγίες.

(Εικ. 76)

1. Εκτελέστε το τμήμα ώθησης της διαδρομής κοπής φτάνοντας σε βάθος περίπου ίσο με το $\frac{1}{2}$ της διαμέτρου του κορμού.
2. Εκτελέστε το τμήμα έλξης της διαδρομής κοπής μέχρι να συναντηθούν οι δύο εγκοπές στον κορμό. (Εικ. 77)

Κοπή κορμού που στηρίζεται σε δύο άκρα



ΠΡΟΕΙΔΟΠΟΙΗΣΗ: Βεβαιωθείτε ότι η αλυσίδα του πριονιού δεν παγιδεύεται μέσα στον κορμό κατά τη διάρκεια της κοπής. Ακολουθήστε τις παρακάτω οδηγίες.

(Εικ. 78)

1. Εκτελέστε το τμήμα έλξης της διαδρομής κοπής φτάνοντας σε βάθος περίπου ίσο με το $\frac{1}{3}$ της διαμέτρου του κορμού.
2. Κόψτε το υπόλοιπο τμήμα του κορμού εκτελώντας το τμήμα ώθησης της διαδρομής για να ολοκληρώσετε την κοπή. (Εικ. 79)



ΠΡΟΕΙΔΟΠΟΙΗΣΗ: Αν η αλυσίδα του πριονιού παγιδευτεί μέσα στον κορμό, σβήστε το μοτέρ. Χρησιμοποιήστε μοχλό για να ανοίξετε το σημείο κοπής και να απελευθερώσετε το προϊόν. Μην επιχειρήσετε να τραβήξετε το προϊόν με το χέρι για να το βγάλετε. Μπορεί να προκληθεί τραυματισμός όταν απελευθερωθεί ξαφνικά το προϊόν.

Για να χρησιμοποιήσετε την τεχνική ξεκλαρίσματος

Περιεχόμενα Για χοντρά κλαδιά, χρησιμοποιήστε την τεχνική κοπής. Ανατρέξτε στην ενότητα *Για να χρησιμοποιήσετε την τεχνική κοπής στη σελίδα 169*.



ΠΡΟΕΙΔΟΠΟΙΗΣΗ: Υπάρχει μεγάλος κίνδυνος ατυχήματος κατά τη χρήση της τεχνικής ξεκλαρίσματος. Ανατρέξτε στην ενότητα *Πληροφορίες για το κλώτσημα στη σελίδα 167* για οδηγίες σχετικά με την αποφυγή του κλωτσήματος (τινάγματος).



ΠΡΟΕΙΔΟΠΟΙΗΣΗ: Κόψτε τα κλαριά ένα προς ένα. Πρέπει να προσέχετε όταν αφαιρείτε μικρά κλαδιά και να μην κόβετε θάμνους ή πολλά μικρά κλαδιά ταυτόχρονα. Τα μικρά κλαδιά μπορεί να παγιδευτούν στην αλυσίδα του πριονιού και να εμποδίσουν την ασφαλή λειτουργία του προϊόντος.

Περιεχόμενα Εάν χρειάζεται, κόψτε τα κλαδιά κομμάτι-κομμάτι. Κόψτε τα μικρότερα κλαδιά (A) και (B) προτού κόψετε το κλαδί κοντά στον κορμό (C).

(Εικ. 80)

- Αφαιρέστε τα κλαδιά στη δεξιά πλευρά του κορμού.
 - Κρατήστε τη λάμα οδήγησης στη δεξιά πλευρά του κορμού και διατηρήστε το σώμα του προϊόντος ακουμπισμένο στον κορμό.
 - Επιλέξτε την κατάλληλη τεχνική κοπής για τη μηχανική τάση του κλαδιού. (Εικ. 81)



ΠΡΟΕΙΔΟΠΟΙΗΣΗ: Εάν δεν είστε βέβαιοι για το πώς πρέπει να κόψετε το κλαδί, απευθυνθείτε σε έναν επαγγελματία χειριστή αλυσοπριονίου προτού συνεχίσετε.

- Αφαιρέστε τα κλαδιά στο πάνω μέρος του κορμού.
 - Διατηρήστε το προϊόν πάνω στον κορμό και αφήστε τη λάμα οδήγησης να κινηθεί κατά μήκος του κορμού.
 - Εκτελέστε το τμήμα ώθησης της διαδρομής κοπής. (Εικ. 82)
- Αφαιρέστε τα κλαδιά στην αριστερή πλευρά του κορμού.
 - Επιλέξτε την κατάλληλη τεχνική κοπής για τη μηχανική τάση του κλαδιού. (Εικ. 83)



ΠΡΟΕΙΔΟΠΟΙΗΣΗ: Εάν δεν είστε βέβαιοι για το πώς πρέπει να κόψετε το κλαδί, απευθυνθείτε σε έναν επαγγελματία χειριστή αλυσοπριονίου προτού συνεχίσετε.

Ανατρέξτε στην ενότητα *Για να κόψετε δέντρα και κλαδιά που βρίσκονται υπό μηχανική τάση στη σελίδα 172* για οδηγίες σχετικά με την κοπή κλαδιών υπό μηχανική τάση.

Χρήση της τεχνικής υλοτομίας



ΠΡΟΕΙΔΟΠΟΙΗΣΗ: Για να κόψετε ένα δέντρο, πρέπει να έχετε σχετική εμπειρία. Εάν είναι εφικτό, παρακολουθήστε ένα εκπαιδευτικό πρόγραμμα για τη χρήση αλυσοπριονίου. Απευθυνθείτε σε έναν χειριστή με εμπειρία για περισσότερες γνώσεις.

Διατήρηση απόστασης ασφαλείας

- Βεβαιωθείτε ότι τα άτομα γύρω σας παραμένουν σε απόσταση ασφαλείας, τουλάχιστον 2 1/2 φορές το μήκος του δέντρου. (Εικ. 84)
- Βεβαιωθείτε ότι δεν βρίσκεται κανένα άλλο άτομο στην περιοχή κινδύνου πριν ή κατά τη διάρκεια της κοπής ρίζης. (Εικ. 85)

Υπολογισμός της κατεύθυνσης ρίψης

- Εξετάστε σε ποια κατεύθυνση πρέπει να πέσει το δέντρο. Ο στόχος είναι να το ρίξετε σε θέση στην οποία μπορείτε να ξεκλαρίσετε και να κόψετε τον κορμό εύκολα. Είναι επίσης σημαντικό να πατάτε σταθερά και να μπορείτε να μετακινήσετε με ασφάλεια.



ΠΡΟΕΙΔΟΠΟΙΗΣΗ: Αν το κόψιμο του δέντρου προς τη φυσιολογική του κατεύθυνση είναι επικίνδυνο ή μη εφικτό, κόψτε το δέντρο σε διαφορετική κατεύθυνση.

- Εξετάστε τη φυσική κατεύθυνση πτώσης του δέντρου. Για παράδειγμα, την κλίση και το βαθμό κάμψης του δέντρου, την κατεύθυνση του ανέμου, τη θέση των κλαδιών και το βάρος του χιονιού.
- Εξετάστε εάν υπάρχουν εμποδία, όπως για παράδειγμα άλλα δέντρα, γραμμές παροχής ηλεκτρικού ρεύματος, δρόμοι ή/και κτίρια στη γύρω περιοχή.
- Αναζητήστε ίχνη ζημιάς και αποσύνθεσης στον κορμό.



ΠΡΟΕΙΔΟΠΟΙΗΣΗ: Η αποσύνθεση στον κορμό μπορεί να προκαλέσει πτώση του δέντρου προτού ολοκληρώσετε την κοπή.

- Βεβαιωθείτε ότι το δέντρο δεν έχει κατεστραμμένα ή ξερά κλαδιά που μπορεί να σπάσουν και να σας χτυπήσουν κατά την πτώση.
- Μην αφήσετε το δέντρο να πέσει πάνω σε άλλο όρθιο δέντρο. Η απομάκρυνση ενός παγιδευμένου δέντρου είναι επικίνδυνη. Υπάρχει μεγάλος κίνδυνος ατυχήματος. Ανατρέξτε στην ενότητα *Απελευθέρωση παγιδευμένου δέντρου στη σελίδα 172*. (Εικ. 86)



ΠΡΟΕΙΔΟΠΟΙΗΣΗ: Κατά τη διάρκεια κρίσιμων εργασιών υλοτομίας, ανασηκώστε αμέσως τα προστατευτικά ακοής μετά την ολοκλήρωση της κοπής. Είναι σημαντικό να ακούτε ήχους και προειδοποιητικά σήματα.

Απομάκρυνση του κορμού και προετοιμασία της διαδρομής διαφυγής

Κόψτε όλα τα κλαδιά από το ύψος του ώμου σας και κάτω.

1. Εκτελέστε το τμήμα έλξης της διαδρομής κοπής από πάνω προς τα κάτω. Βεβαιωθείτε ότι το δέντρο βρίσκεται ανάμεσα σε εσάς και το προϊόν. (Εικ. 87)
2. Αφαιρέστε όλη τη χαμηλή βλάστηση από την περιοχή εργασίας γύρω από το δέντρο. Απομακρύνετε όλο το κομμένο υλικό από την περιοχή εργασίας.
3. Ελέγξτε την περιοχή για εμπόδια, όπως πέτρες, κλαδιά και τρύπες. Πρέπει να έχετε μια σαφή διαδρομή διαφυγής όταν το δέντρο αρχίζει να πέφτει. Η διαδρομή διαφυγής θα πρέπει να σχηματίζει γωνία περίπου 135 μοιρών με την κατεύθυνση ρίψης.

1. Περιοχή κινδύνου
2. Διαδρομή διαφυγής
3. Κατεύθυνση ρίψης

(Εικ. 88)

Υλοτόμηση δέντρου

Η Husqvarna συνιστά να κάνετε τα κατευθυντήρια κοψίματα και μετά να χρησιμοποιείτε τη μέθοδο ασφαλούς γωνίας για να κόψετε το δέντρο. Η μέθοδος ασφαλούς γωνίας σας βοηθά να δημιουργήσετε ένα σωστό άκοπο τμήμα κορμού και να ελέγξετε την κατεύθυνση ρίψης του δέντρου.



ΠΡΟΕΙΔΟΠΟΙΗΣΗ: Μην κόβετε δέντρα με διάμετρο μεγαλύτερη από το διπλάσιο του μήκους της λάμας οδήγησης. Για να το κάνετε αυτό, απαιτείται ειδική εκπαίδευση.

Άκοπο τμήμα του κορμού του δέντρου

Η πιο σημαντική διαδικασία κατά τη διάρκεια της κοπής ενός δέντρου είναι η δημιουργία του σωστού άκοπου τμήματος του κορμού του δέντρου. Με ένα σωστό άκοπο τμήμα κορμού δέντρου, μπορείτε να ελέγχετε την κατεύθυνση ρίψης και να εξασφαλίσετε ότι η διαδικασία κοπής είναι ασφαλής.

Το πάχος του άκοπου τμήματος του κορμού του δέντρου πρέπει να είναι ίσο με τη διάμετρο του δέντρου ή τουλάχιστον με το 10% της.



ΠΡΟΕΙΔΟΠΟΙΗΣΗ: Εάν το άκοπο τμήμα του κορμού του δέντρου έχει λάθος

πάχος ή είναι πολύ λεπτό, δεν θα μπορείτε να ελέγξετε την κατεύθυνση ρίψης.

(Εικ. 89)

Εκτέλεση κατευθυντήριων κοψιμάτων

1. Κάντε τα κατευθυντήρια κοψίματα. Κόψτε τα κατευθυντήρια κοψίματα στο 1/4 της διαμέτρου του δέντρου. Δημιουργήστε γωνία 45° μεταξύ της κοπής από πάνω και της κοπής από κάτω.
 - a) Κάντε πρώτα την κοπή από πάνω. Ευθυγραμμίστε το σημάδι κατεύθυνσης ρίψης (A) του προϊόντος με την κατεύθυνση πτώσης του δέντρου (B). Παραμείνετε πίσω από το προϊόν και διατηρήστε το δέντρο στη δεξιά σας πλευρά. Κόψτε στο τμήμα έλξης της διαδρομής.
 - b) Κάντε την κοπή από κάτω. Βεβαιωθείτε ότι το άκρο της κοπής από κάτω βρίσκεται στο ίδιο σημείο με το άκρο της κοπής από πάνω. (Εικ. 90)
2. Βεβαιωθείτε ότι η κατευθυντήρια γραμμή κοπής είναι πλήρως οριζόντια και σε ορθή γωνία (90°) με την κατεύθυνση πτώσης του δέντρου. Η κατευθυντήρια γραμμή κοπής περνά από το σημείο τομής των κατευθυντήριων κοψιμάτων. (Εικ. 91)

Χρήση μεθόδου ασφαλούς γωνίας

Η κοπή ρίψης πρέπει να γίνει λίγο πιο πάνω από το κατευθυντήριο κοψίμο.

(Εικ. 92)



ΠΡΟΕΙΔΟΠΟΙΗΣΗ: Προσέξτε όταν κόβετε με την άκρη (μύτη) της λάμας. Ξεκινήστε την κοπή με το κάτω τμήμα της άκρης (μύτης) της λάμας κάνοντας μια κάθετη τομή στον κορμό.

(Εικ. 93)

1. Εάν το ωφέλιμο μήκος κοπής είναι μεγαλύτερο από τη διάμετρο του δέντρου, εκτελέστε αυτά τα βήματα (α-δ).
 - a) Κάντε μια κάθετη τομή απευθείας μέσα στον κορμό για να ολοκληρώσετε το πλάτος του άκοπου τμήματος του κορμού του δέντρου. (Εικ. 94)
 - b) Εκτελέστε το τμήμα έλξης της διαδρομής κοπής μέχρι να απομείνει το 1/2 του κορμού.
 - c) Τραβήξτε τη λάμα οδήγησης προς τα πίσω κατά 5-10 cm/2-4".
 - d) Κόψτε το υπόλοιπο του κορμού για να δημιουργήσετε μια ασφαλή γωνία πλάτους 5-10 cm/2-4". (Εικ. 95)
2. Εάν το ωφέλιμο μήκος κοπής είναι μικρότερο από τη διάμετρο του δέντρου, εκτελέστε αυτά τα βήματα (α-δ).

- a) Κάντε μια κάθετη τομή απευθείας μέσα στον κορμό. Η κάθετη τομή πρέπει να εκτείνεται στα 3/5 της διαμέτρου του δέντρου.
 - b) Εκτελέστε το τμήμα έλξης της διαδρομής κοπής στο υπόλοιπο τμήμα του κορμού. (Εικ. 96)
 - c) Κάντε μια ευθεία τομή στον κορμό από την άλλη πλευρά του δέντρου για να ολοκληρώσετε το άκοπο τμήμα του κορμού του δέντρου.
 - d) Εκτελέστε το τμήμα ώθησης της διαδρομής κοπής μέχρι να απομείνει το 1/2 του κορμού, για να ολοκληρώσετε την ασφαλή γωνία. (Εικ. 97)
3. Τοποθετήστε μια σφήνα μέσα στην εγκοπή σε ευθεία από το πίσω μέρος. (Εικ. 98)
 4. Κόψτε τη γωνία για να πέσει το δέντρο.

Περιεχόμενα Εάν το δέντρο δεν πέφτει, χτυπήστε τη σφήνα μέχρι να πέσει το δέντρο.

5. Όταν το δέντρο αρχίσει να πέφτει, χρησιμοποιήστε τη διαδρομή διαφυγής για να απομακρυνθείτε από το δέντρο. Απομακρυνθείτε σε απόσταση τουλάχιστον 5 m/15' από το δέντρο.

Απελευθέρωση παγιδευμένου δέντρου



ΠΡΟΕΙΔΟΠΟΙΗΣΗ: Είναι πολύ επικίνδυνο να αφαιρέσετε ένα παγιδευμένο δέντρο και υπάρχει μεγάλος κίνδυνος ατυχήματος. Παραμείνετε έξω από την περιοχή κινδύνου και μην προσπαθήσετε να κόψετε ένα παγιδευμένο δέντρο.

(Εικ. 99)

Η ασφαλέστερη μέθοδος είναι να χρησιμοποιήσετε ένα από τα ακόλουθα βαρούλκα:

- Τοποθετημένο σε τρακτέρ

(Εικ. 100)

- Φορητό

(Εικ. 101)

Για να κόψετε δέντρα και κλαδιά που βρίσκονται υπό μηχανική τάση

1. Εκτιμήστε ποια πλευρά του δέντρου ή του κλαδιού βρίσκεται υπό μηχανική τάση.

2. Εκτιμήστε ποιο είναι το σημείο μέγιστης μηχανικής τάσης. (Εικ. 102)
3. Εξετάστε ποια είναι η ασφαλέστερη μέθοδος για να απελευθερώσετε τη μηχανική τάση.

Περιεχόμενα Σε ορισμένες περιπτώσεις, η μόνη ασφαλής μέθοδος είναι να χρησιμοποιήσετε βαρούλκο και όχι το προϊόν σας.

4. Παραμείνετε σε μια θέση όπου το δέντρο ή το κλαδί δεν μπορεί να σας χτυπήσει όταν απελευθερωθεί η μηχανική τάση. (Εικ. 103)
5. Κάντε ένα ή περισσότερα κοψίματα με επαρκές βάθος για τη μείωση της μηχανικής τάσης. Κόψτε στο σημείο μέγιστης μηχανικής τάσης ή κοντά σε αυτό. Αναγκάστε το δέντρο ή το κλαδί να σπάσει στο σημείο μέγιστης μηχανικής τάσης. (Εικ. 104)



ΠΡΟΕΙΔΟΠΟΙΗΣΗ: Μην κόβετε σε ευθεία ένα δέντρο ή κλαδί που βρίσκεται υπό μηχανική τάση.



ΠΡΟΕΙΔΟΠΟΙΗΣΗ: Να είστε πολύ προσεκτικοί όταν κόβετε ένα δέντρο που βρίσκεται υπό μηχανική τάση. Υπάρχει κίνδυνος το δέντρο να μετακινηθεί γρήγορα πριν ή μετά το κόψιμο. Μπορεί να προκύψει σοβαρός τραυματισμός εάν είστε σε εσφαλμένη θέση ή εάν κόψετε με λάθος τρόπο.

6. Εάν πρέπει να κόψετε κατά μήκος του δέντρου/κλαδιού, κάντε 2 έως 3 κοψίματα, σε απόσταση 2,54 cm (1 ίντσα) και με βάθος 5,08 cm (2 ίντσες). (Εικ. 105)
7. Συνεχίστε να κόβετε το δέντρο και άλλο, μέχρι το δέντρο/κλαδί να λυγίσει και να απελευθερωθεί η μηχανική τάση. (Εικ. 106)
8. Κόψτε το δέντρο/κλαδί από την αντίθετη πλευρά του λυγίσματος, αφού απελευθερωθεί η μηχανική τάση.

Συντήρηση

Εισαγωγή



ΠΡΟΕΙΔΟΠΟΙΗΣΗ: Προτού εκτελέσετε εργασίες συντήρησης στο προϊόν, διαβάστε και κατανοήστε το κεφάλαιο για την ασφάλεια.



ΠΡΟΕΙΔΟΠΟΙΗΣΗ: Προτού εκτελέσετε εργασίες συντήρησης, πρέπει να αφαιρέτε την μπαταρία.

Ακολουθεί μια λίστα με τα βήματα συντήρησης που πρέπει να εκτελείτε στο προϊόν. Ανατρέξτε στην

ενότητα *Συντήρηση στη σελίδα 172* για περισσότερες πληροφορίες.

Συντήρηση	Πριν από τη χρήση	Κάθε εβδομάδα	Κάθε μήνα
Καθαρίστε τα εξωτερικά μέρη του προϊόντος.	X		
Βεβαιωθείτε ότι η σκανδάλη γκαζιού και η λειτουργία κλειδώματος της σκανδάλης γκαζιού λειτουργούν σωστά από πλευράς ασφάλειας.	X		
Καθαρίστε το φρένο αλυσίδας και βεβαιωθείτε ότι λειτουργεί με ασφάλεια. Βεβαιωθείτε ότι ο συγκρατητής αλυσίδας δεν έχει υποστεί ζημιά. Αντικαταστήστε τον εάν χρειάζεται.	X		
Περιστρέψτε τη λάμα οδήγησης για πιο ομοιόμορφη φθορά. Βεβαιωθείτε ότι η οπή λίπανσης της λάμας οδήγησης δεν είναι φραγμένη. Καθαρίστε την αυλάκωση της λάμας.	X		
Βεβαιωθείτε ότι το εργαλείο κοπής και ο προφυλακτήρας του εργαλείου κοπής δεν έχουν ρωγμές και δεν έχουν υποστεί ζημιά. Αντικαταστήστε το εργαλείο κοπής ή τον προφυλακτήρα του εργαλείου κοπής αν έχουν ρωγμές ή έχουν εκτεθεί σε κρούση.	X		
Βεβαιωθείτε ότι πηγαίνει αρκετό λάδι στη λάμα οδήγησης και την αλυσίδα πριονιού.	X		
Ελέγξτε την αλυσίδα πριονιού. Κοιτάξτε για ρωγμές και βεβαιωθείτε ότι η αλυσίδα πριονιού δεν είναι άκαμπτη ή ασυνήθιστα φθαρμένη. Αντικαταστήστε, αν χρειάζεται.	X		
Ακονίστε την αλυσίδα πριονιού. Ελέγξτε το τέντωμα και την κατάστασή της. Ελέγξτε τον οδοντωτό τροχό μετάδοσης κίνησης για τυχόν φθορές και αντικαταστήστε τον εάν χρειάζεται.	X		
Καθαρίστε την εισαγωγή αέρα στο προϊόν.	X		
Βεβαιωθείτε ότι οι βίδες και τα παξιμάδια είναι σφιγμένα.	X		
Βεβαιωθείτε ότι το πληκτρολόγιο λειτουργεί σωστά και δεν έχει υποστεί ζημιά.	X		
Χρησιμοποιήστε μια λίμα για να απομακρύνετε τα ρινίσματα από τις άκρες της λάμας οδήγησης.		X	
Ελέγξτε τις συνδέσεις μεταξύ της μπαταρίας και του προϊόντος. Ελέγξτε τη σύνδεση μεταξύ της μπαταρίας και του φορτιστή μπαταρίας.			X
Αδειάστε και καθαρίστε το ντεπόζιτο λαδιού.			X
Φυσήξτε προσεκτικά το προϊόν και τις υποδοχές ψύξης μπαταρίας με πεπιεσμένο αέρα.			X

Συντήρηση και έλεγχοι των συσκευών ασφαλείας του προϊόντος

Εκτέλεση ελέγχου του προφυλακτήρα μπροστινού χεριού

Ελέγχετε τακτικά τον προφυλακτήρα μπροστινού χεριού και τον αδρανειακό μηχανισμό απασφάλισης του φρένου.

1. Βεβαιωθείτε ότι ο προφυλακτήρας μπροστινού χεριού δεν έχει ζημιές, όπως ρωγμές. (Εικ. 107)

2. Βεβαιωθείτε ότι ο προφυλακτήρας μπροστινού χεριού κινείται ελεύθερα και ότι είναι προσαρτημένος με ασφάλεια στο προϊόν. (Εικ. 108)
3. Τοποθετήστε το προϊόν, με σβηστό τον κινητήρα, επάνω σε έναν κορμό ρίζας ή άλλη σταθερή επιφάνεια.
4. Πιάστε την οπίσθια χειρολαβή και αφήστε την εμπρόσθια χειρολαβή. Αφήστε το προϊόν να πέσει επάνω στον κορμό ρίζας. (Εικ. 109)
5. Βεβαιωθείτε ότι το φρένο αλυσίδας ενεργοποιείται μόλις η λάμα οδήγησης αγγίξει τον κορμό ρίζας.

Για να εκτελέσετε έλεγχο της ενεργοποίησης του φρένου

1. Τοποθετήστε το προϊόν σε σταθερό έδαφος και εκκινήστε το. Ανατρέξτε στην ενότητα *Λειτουργία στη σελίδα 166*.



ΠΡΟΕΙΔΟΠΟΙΗΣΗ: Βεβαιωθείτε ότι η αλυσίδα πριονιού δεν έρχεται σε επαφή με το έδαφος ή με άλλα αντικείμενα.

2. Τυλίξτε τα δάχτυλα και τους αντίχειρές σας γύρω από τις χειρολαβές και κρατήστε το προϊόν σφιχτά. (Εικ. 110)
3. Ανοίξτε τέρμα το γκάζι και γείρετε τον αριστερό καρπό σας επάνω στον προφυλακτήρα μπροστινού χεριού για να ενεργοποιήσετε το φρένο αλυσίδας. Η αλυσίδα πριονιού πρέπει να σταματήσει αμέσως. (Εικ. 111)



ΠΡΟΕΙΔΟΠΟΙΗΣΗ: Μην αφήσετε την εμπρόσθια χειρολαβή!

Έλεγχος της ασφάλειας της σκανδάλης γκαζιού

1. Βεβαιωθείτε ότι η σκανδάλη γκαζιού και η ασφάλεια της σκανδάλης γκαζιού κινούνται ελεύθερα και ότι το ελατήριο επαναφοράς λειτουργεί σωστά. (Εικ. 112)
2. Πιέστε την ασφάλεια της σκανδάλης γκαζιού προς τα εμπρός (A) και προς τα κάτω (B). Κρατήστε την ασφάλεια της σκανδάλης γκαζιού πάνω στη λαβή και βεβαιωθείτε ότι επιστρέφει στην αρχική της θέση όταν την αφήνετε. (Εικ. 113)
3. Βεβαιωθείτε ότι η σκανδάλη γκαζιού είναι κλειδωμένη στη θέση του ρελαντί, όταν απελευθερώνεται η ασφάλεια της σκανδάλης γκαζιού. (Εικ. 114)
4. Εκκινήστε το προϊόν και εφαρμόστε πλήρη ισχύ.
5. Απελευθερώστε τη σκανδάλη γκαζιού και βεβαιωθείτε ότι η αλυσίδα του πριονιού σταματά και παραμένει ακίνητη.



ΠΡΟΕΙΔΟΠΟΙΗΣΗ: Εάν η αλυσίδα του πριονιού περιστρέφεται όταν η σκανδάλη του γκαζιού βρίσκεται στη θέση του ρελαντί, απευθυνθείτε στον αντιπρόσωπο σέρβις.

Για να εκτελέσετε έλεγχο του συγκρατητή αλυσίδας

1. Βεβαιωθείτε ότι δεν υπάρχουν ζημιές στον συγκρατητή αλυσίδας.
2. Βεβαιωθείτε ότι ο συγκρατητής αλυσίδας είναι σταθερός και προσαρτημένος στο σώμα του προϊόντος. (Εικ. 115)

Έλεγχος των λειτουργιών στα στοιχεία αλληλεπίδρασης με τον χρήστη

1. Θέστε το προϊόν σε λειτουργία. Ανατρέξτε στην ενότητα *Εκκίνηση του προϊόντος στη σελίδα 168*.
2. Πατήστε παρατεταμένα το κουμπί εκκίνησης/ διακοπής λειτουργίας.
3. Βεβαιωθείτε ότι το προϊόν σταματά και ότι η πράσινη λυχνία LED σβήνει. (Εικ. 66)

Έλεγχος της μπαταρίας και της θήκης της μπαταρίας

1. Καθαρίστε την μπαταρία και τη θήκη της μπαταρίας με μια μαλακή βούρτσα.
2. Καθαρίστε τις υποδοχές ψύξης και τους συνδέσμους της μπαταρίας. (Εικ. 116)
3. Βεβαιωθείτε ότι η μπαταρία δεν έχει ρωγμές και δεν έχει υποστεί ζημιά.

Έλεγχος του φορτιστή της μπαταρίας

1. Βεβαιωθείτε ότι ο φορτιστής της μπαταρίας και το καλώδιο ρεύματος δεν έχουν υποστεί ζημιά. Κοιτάξτε για ρωγμές και άλλες φθορές. (Εικ. 117)

Καθαρισμός του συστήματος ψύξης

Το σύστημα ψύξης διατηρεί χαμηλή τη θερμοκρασία του μοτέρ. Το σύστημα ψύξης περιλαμβάνει μια εισαγωγή αέρα στην αριστερή πλευρά του προϊόντος και έναν ανεμιστήρα στο μοτέρ.

1. Εκτελείτε καθαρισμό του συστήματος ψύξης με βούρτσα κάθε εβδομάδα ή πιο συχνά, εάν χρειάζεται. (Εικ. 118)
2. Βεβαιωθείτε ότι το σύστημα ψύξης δεν είναι βρώμικο ή φραγμένο.



ΠΡΟΣΟΧΗ: Εάν το σύστημα ψύξης είναι βρώμικο ή φραγμένο μπορεί να προκληθεί υπερθέρμανση του προϊόντος. Αυτό προκαλεί ζημιά στο προϊόν.

Ακόνισμα αλυσίδας πριονιού

Πληροφορίες σχετικά με τη λάμα οδήγησης και την αλυσίδα πριονιού



ΠΡΟΕΙΔΟΠΟΙΗΣΗ: Όταν χρησιμοποιείτε ή εκτελείτε εργασίες συντήρησης στην αλυσίδα του πριονιού, πρέπει να φοράτε προστατευτικά γάντια. Μια αλυσίδα πριονιού που δεν κινείται μπορεί επίσης να προκαλέσει τραυματισμούς.

Αν η λάμα οδήγησης ή η αλυσίδα πριονιού έχουν φθαρεί ή υποστεί ζημιά, χρησιμοποιήστε για αντικατάσταση το συνδυασμό λάμας οδήγησης και αλυσίδας πριονιού

που συνιστά η Husqvarna. Αυτό χρειάζεται για να διατηρούνται οι λειτουργίες ασφαλείας του προϊόντος. Για μια λίστα με τους συνιστώμενους συνδυασμούς λάμας και αλυσίδας, ανατρέξτε στην ενότητα *Αξεσουάρ στη σελίδα 181*.

- Μήκος λάμας οδήγησης, in/cm. Πληροφορίες σχετικά με το μήκος της λάμας οδήγησης μπορείτε συνήθως να βρείτε στο πίσω άκρο της λάμας.

(Εικ. 119)

- Αριθμός δοντιών στο γρανάζι της μύτης της λάμας (T).

(Εικ. 120)

- Βήμα αλυσίδας, ίντσες. Η απόσταση μεταξύ των συνδέσμων του συστήματος μετάδοσης κίνησης της αλυσίδας πριονιού πρέπει να αντιστοιχούν στην απόσταση των δοντιών στο γρανάζι της μύτης της λάμας και στον οδοντωτό τροχό μετάδοσης κίνησης.

(Εικ. 121)

- Αριθμός συνδέσμων συστήματος μετάδοσης κίνησης. Ο αριθμός των κινητήριων κρικών εξαρτάται από τον τύπο της λάμας οδήγησης.

(Εικ. 122)

- Πλάτος αυλάκωσης λάμας, ίντσες/mm. Το πλάτος αυλάκωσης της λάμας οδήγησης πρέπει να είναι ίδιο με το πλάτος των κρικών της αλυσίδας κίνησης.

(Εικ. 123)

- Οπή λαδιού αλυσίδας και οπή για εντατήρα αλυσίδας. Η λάμα οδήγησης πρέπει να αντιστοιχεί στο προϊόν.

(Εικ. 124)

- Πλάτος συνδέσμου συστήματος μετάδοσης κίνησης, mm/ίντσες

(Εικ. 125)

Γενικές πληροφορίες σχετικά με τον τρόπο ακονίσματος των κοπτικών εργαλείων

Μην χρησιμοποιείτε μια στομωμένη αλυσίδα πριονιού. Εάν η αλυσίδα του πριονιού έχει στομώσει, πρέπει να εφαρμόσετε περισσότερη πίεση για να στρώσετε τη λάμα οδήγησης μέσα από το ξύλο. Εάν η αλυσίδα του πριονιού είναι πολύ στομωμένη, δεν θα υπάρχουν ροκανίδια αλλά πριονίδια.

Εάν η αλυσίδα είναι ακονισμένη διαπερνά το ξύλο και δημιουργούνται ροκανίδια μεγάλου μήκους και πάχους.

Το δόντι κοπής (A) και ο οδηγός βάθους κοπής (B) συνιστούν από κοινού το κοπτικό τμήμα της αλυσίδας πριονιού, δηλαδή το εργαλείο κοπής. Η διαφορά ύψους μεταξύ των δύο αποτελεί το βάθος κοπής (ρύθμιση οδηγού βάθους κοπής).

(Εικ. 126)

Όταν ακονίζετε το εργαλείο κοπής, πρέπει να λαμβάνετε υπόψη τα εξής:

- Γωνία ακονίσματος.

(Εικ. 127)

- Γωνία κοπής.

(Εικ. 128)

- Θέση λάμας.

(Εικ. 129)

- Διάμετρος στρογγυλής λάμας.

(Εικ. 130)

Δεν είναι εύκολο να ακονίσετε μια αλυσίδα πριονιού σωστά χωρίς το σωστό εξοπλισμό. Χρησιμοποιήστε τον συνιστώμενο από την Husqvarna οδηγό ακονίσματος. Έτσι, θα διατηρήσετε τη μέγιστη απόδοση κοπής και θα μειώσετε το κλότσημα στο ελάχιστο.



ΠΡΟΕΙΔΟΠΟΙΗΣΗ: Η δύναμη κλωστήματος αυξάνεται πολύ, εάν δεν ακολουθήσετε τις οδηγίες ακονίσματος.

Περιεχόμενα Ανατρέξτε στην ενότητα *Αξεσουάρ στη σελίδα 181* για πληροφορίες σχετικά με το ακόνισμα της αλυσίδας πριονιού.

Ακόνισμα των κοπτικών εργαλείων

1. Χρησιμοποιήστε μια στρογγυλή λίμα και έναν οδηγό ακονίσματος για να ακονίσετε τα κοπτικά δόντια. (Εικ. 131)

Περιεχόμενα Ανατρέξτε στην ενότητα *Αξεσουάρ στη σελίδα 181* για πληροφορίες σχετικά με τη λίμα και τον οδηγό ακονίσματος που συνιστά η Husqvarna για την αλυσίδα του πριονιού σας.

2. Εφαρμόστε σωστά τον οδηγό ακονίσματος πάνω στο κοπτικό εργαλείο. Ανατρέξτε στις οδηγίες που παρέχονται μαζί με τον οδηγό ακονίσματος.
3. Μετακινήστε τη λίμα από την εσωτερική πλευρά του κοπτικού δοντιού προς τα έξω. Μειώστε την πίεση στο τμήμα έλξης της διαδρομής. (Εικ. 132)
4. Αφαιρέστε το υλικό από τη μία πλευρά όλων των κοπτικών δοντιών.
5. Γυρίστε το προϊόν ανάποδα και αφαιρέστε το υλικό από την άλλη πλευρά.
6. Βεβαιωθείτε ότι όλα τα κοπτικά δόντια έχουν το ίδιο μήκος.

Γενικές πληροφορίες σχετικά με τον τρόπο προσαρμογής της ρύθμισης μετρητή βάθους

Η ρύθμιση μετρητή βάθους (Γ) μειώνεται κατά το ακόνισμα του κοπτικού δοντιού (A). Για να διατηρήσετε τη μέγιστη απόδοση κοπής πρέπει να αφαιρέσετε το υλικό ακονίσματος από το μετρητή βάθους (B) για να επιτύχετε τη συνιστώμενη ρύθμιση μετρητή βάθους. Για οδηγίες σχετικά με τον τρόπο επίτευξης της σωστής ρύθμισης μετρητή βάθους για την αλυσίδα πριονιού σας, ανατρέξτε στην ενότητα *Αξεσουάρ στη σελίδα 181*.

(Εικ. 133)



ΠΡΟΕΙΔΟΠΟΙΗΣΗ: Εάν η ρύθμιση μετρητή βάθους είναι πολύ υψηλή, αυξάνεται ο κίνδυνος κλωστήματος!

Προσαρμογή της ρύθμισης οδηγού βάθους κοπής

Προτού προσαρμόσετε τη ρύθμιση του οδηγού βάθους κοπής ή ακονίσετε τα εργαλεία κοπής, ανατρέξτε στην ενότητα *Ακόνισμα των κοπτικών εργαλείων στη σελίδα 175* για οδηγίες. Συνιστούμε να προσαρμόζετε τη ρύθμιση του οδηγού βάθους κοπής μετά από κάθε τρίτη φορά που ακονίζετε τα κοπτικά δόντια.

Συνιστούμε να χρησιμοποιείτε το δικό μας όργανο οδηγού βάθους κοπής για να επιτύχετε τη σωστή ρύθμιση οδηγού βάθους κοπής και τη σωστή γωνία για τον οδηγό βάθους κοπής.

(Εικ. 134)

1. Χρησιμοποιήστε μια επίπεδη λίμα και ένα όργανο οδηγού βάθους κοπής για να προσαρμόσετε τη ρύθμιση του οδηγού βάθους κοπής. Χρησιμοποιήστε μόνο το συνιστώμενο όργανο οδηγού βάθους κοπής της Husqvarna για να επιτύχετε τη σωστή ρύθμιση του οδηγού βάθους κοπής και τη σωστή γωνία για τον οδηγό βάθους κοπής.
2. Τοποθετήστε το όργανο οδηγού βάθους κοπής επάνω στην αλυσίδα πριονιού.

Περιεχόμενα Για περισσότερες πληροφορίες σχετικά με τον τρόπο χρήσης του οργάνου, ανατρέξτε στη συσκευασία του οργάνου οδηγού βάθους κοπής.

3. Χρησιμοποιήστε την επίπεδη λίμα για να αφαιρέσετε το τμήμα του οδηγού βάθους κοπής που εκτείνεται μέσω του οργάνου οδηγού βάθους κοπής. (Εικ. 135)

Ρύθμιση τεντώματος της αλυσίδας του πριονιού



ΠΡΟΕΙΔΟΠΟΙΗΣΗ: Αν η αλυσίδα του πριονιού δεν έχει τενωθεί σωστά, μπορεί να ξεφύγει από τη λάμα οδήγησης και να προκαλέσει σοβαρό τραυματισμό ή θάνατο.

Η αλυσίδα του πριονιού επιμηκύνεται όταν τη χρησιμοποιείτε. Πρέπει να ρυθμίζετε την αλυσίδα του πριονιού τακτικά. Ελέγχετε το τέντωμα της αλυσίδας πριονιού κάθε φορά που γεμίζετε λάδι αλυσίδας.

Περιεχόμενα Εάν η αλυσίδα πριονιού είναι καινούργια, υπάρχει μια περίοδος "στρωσίματος" κατά την οποία θα πρέπει να ελέγχετε συχνότερα το τέντωμα.

Ρύθμιση του τεντώματος της αλυσίδας του πριονιού (με το μπουτόν λάμας)

1. Ξεδιπλώστε το μπουτόν προς τα έξω μέχρι να ανοίξει. (Εικ. 136)
2. Στρίψτε το μπουτόν αριστερόστροφα για να ξεσφίξετε το κάλυμμα του οδοντωτού τροχού μετάδοσης κίνησης. (Εικ. 137)
3. Περιστρέψτε τον τροχό τεντώματος αλυσίδας για να ρυθμίσετε το τέντωμα της αλυσίδας πριονιού. Η αλυσίδα πριονιού πρέπει να είναι καλά σφιγμένη επάνω στη λάμα. (Εικ. 138)

Περιεχόμενα Γυρίστε τον τροχό προς τα κάτω (+) για περισσότερο τέντωμα ή προς τα επάνω (-) για λιγότερο τέντωμα.

4. Βεβαιωθείτε ότι μπορείτε να τραβήξετε ελεύθερα την αλυσίδα του πριονιού με το χέρι και ότι δεν κρέμεται από τη λάμα οδήγησης. (Εικ. 139)
5. Στρίψτε το μπουτόν δεξιόστροφα για να σφίξετε το μπουτόν της λάμας. (Εικ. 140)
6. Διπλώστε προς τα κάτω το μπουτόν για να κλειδώσετε το τέντωμα. (Εικ. 141)

Ρύθμιση του τεντώματος της αλυσίδας του πριονιού (με μπουζόνι λάμας)

1. Ξεβιδώστε το παξιμάδι της λάμας που συγκρατεί το κάλυμμα του οδοντωτού τροχού μετάδοσης κίνησης. Χρησιμοποιήστε το συνδυαστικό κλειδί. (Εικ. 142)
2. Ανασηκώστε την μπροστινή άκρη της λάμας οδήγησης και περιστρέψτε τη βίδα τεντώματος αλυσίδας. Χρησιμοποιήστε το συνδυαστικό κλειδί.
3. Σφίξτε την αλυσίδα πριονιού μέχρι να σφίξει επάνω στη λάμα οδήγησης. (Εικ. 143)
4. Σφίξτε το παξιμάδι της λάμας χρησιμοποιώντας το γερμανοπολύγωνο κλειδί και ανασηκώστε ταυτόχρονα την μπροστινή άκρη της λάμας οδήγησης. (Εικ. 144)
5. Βεβαιωθείτε ότι μπορείτε να τραβήξετε ελεύθερα την αλυσίδα του πριονιού με το χέρι και ότι δεν κρέμεται από τη λάμα οδήγησης. (Εικ. 139)

Περιεχόμενα Ανατρέξτε στην ενότητα *Επισκόπηση προϊόντος στη σελίδα 155* για τη θέση της βίδας τεντώματος της αλυσίδας στο προϊόν σας.

Έλεγχος λίπανσης της αλυσίδας πριονιού

Ελέγχετε τη λίπανση της αλυσίδας του πριονιού σε κάθε τρίτη φόρτιση της μπαταρίας.

1. Εκκινήστε το προϊόν και αφήστε το να λειτουργήσει στα 3/4 της ισχύος. Κρατήστε τη λάμα περίπου 20 cm (8 ίντσες) πάνω από μια ανοιχτόχρωμη επιφάνεια.

2. Εάν η λίπανση της αλυσίδας πριονιού είναι σωστή, θα δείτε μια ευδιάκριτη γραμμή λαδιού στην επιφάνεια μετά από 1 λεπτό. (Εικ. 145)
3. Εάν η λίπανση της αλυσίδας πριονιού δεν είναι σωστή, πραγματοποιήστε τους παρακάτω ελέγχους.
 - a) Ελέγξτε το κανάλι λαδιού στη λάμα οδήγησης, για να βεβαιωθείτε ότι δεν έχει φράξει. Καθαρίστε εάν απαιτείται. (Εικ. 146)
 - b) Ελέγξτε την αυλάκωση στην άκρη της λάμας οδήγησης, για να βεβαιωθείτε ότι είναι καθαρή. Καθαρίστε εάν απαιτείται. (Εικ. 147)
 - c) Βεβαιωθείτε ότι το γρανάζι της μύτης της λάμας περιστρέφεται ελεύθερα και ότι η οπή λίπανσης στο γρανάζι της μύτης της λάμας οδήγησης δεν είναι φραγμένη. Καθαρίστε και λιπάνετε, αν χρειάζεται. (Εικ. 148)
4. Εάν η λίπανση της αλυσίδας πριονιού δεν έχει αποτέλεσμα μετά την εφαρμογή των παραπάνω βημάτων, επικοινωνήστε με τον αντιπρόσωπο σέρβις.

Έλεγχος του οδοντωτού τροχού μετάδοσης κίνησης της αλυσίδας

- Ελέγξτε τον οδοντωτό τροχό μετάδοσης κίνησης της αλυσίδας για φθορά. Αντικαταστήστε τον οδοντωτό τροχό μετάδοσης κίνησης αλυσίδας, εάν χρειάζεται.
- Αντικαθιστάτε τον οδοντωτό τροχό μετάδοσης κίνησης αλυσίδας κάθε φορά που αντικαθιστάτε την αλυσίδα του πριονιού. (Εικ. 149)

Έλεγχος εξοπλισμού κοπής

1. Βεβαιωθείτε ότι δεν υπάρχουν ρωγμές στα πριτσίνια και τους συνδέσμους και ότι δεν υπάρχουν χαλαρά πριτσίνια. Αν χρειάζεται, αντικαταστήστε τον. (Εικ. 150)

2. Βεβαιωθείτε ότι η αλυσίδα του πριονιού καμπυλώνεται εύκολα. Αν η αλυσίδα του πριονιού είναι άκαμπτη, αντικαταστήστε την.
3. Συγκρίνετε την αλυσίδα πριονιού με μια καινούργια αλυσίδα πριονιού, για να αποφασίσετε εάν τα πριτσίνια και οι σύνδεσμοι έχουν φθαρεί.
4. Αντικαταστήστε την αλυσίδα του πριονιού, όταν το μακρύτερο τμήμα των δοντιών κοπής είναι μικρότερο από 4 mm/0,16 in. Αντικαταστήστε επίσης την αλυσίδα εάν υπάρχουν ρωγμές στα δόντια κοπής. (Εικ. 151)

Για να εκτελέσετε έλεγχο της λάμας οδήγησης

1. Βεβαιωθείτε ότι ο δίαυλος λαδιού δεν είναι φραγμένος. Καθαρίστε, αν χρειάζεται. (Εικ. 146)
2. Εξετάστε εάν υπάρχουν ρινίσματα στις άκρες της λάμας οδήγησης. Αφαιρέστε τα γρέζια με μια λίμα. (Εικ. 152)
3. Καθαρίστε την εγκοπή στη λάμα οδήγησης. (Εικ. 147)
4. Εξετάστε την αυλάκωση της λάμας οδήγησης για τυχόν φθορές. Αν χρειάζεται, αντικαταστήστε τη λάμα οδήγησης. (Εικ. 153)
5. Εξετάστε εάν η μύτη της λάμας είναι τραχιά ή πολύ φθαρμένη. (Εικ. 154)
6. Βεβαιωθείτε ότι το γρανάζι της μύτης της λάμας περιστρέφεται ελεύθερα και ότι η οπή λίπανσης στο γρανάζι της μύτης της λάμας δεν είναι φραγμένη. Καθαρίστε και λιπάνετε, αν χρειάζεται. (Εικ. 148)
7. Να περιστρέφετε τη λάμα οδήγησης καθημερινά για να παρατείνετε τη διάρκεια ζωής της. (Εικ. 155)

Αντιμετώπιση προβλημάτων

Στοιχεία αλληλεπίδρασης με το χρήστη

Οθόνη LED	Πιθανά σφάλματα	Πιθανή λύση
Η προειδοποιητική ένδειξη αναβοσβήνει.	Το φρένο αλυσίδας είναι συμπλεγμένο.	Απενεργοποιήστε το φρένο αλυσίδας.
	Απόκλιση θερμοκρασίας.	Αφήστε το προϊόν να κρυώσει.
	Υπερφόρτωση. Η αλυσίδα του πριονιού δεν μπορεί να κινηθεί.	Απελευθερώστε την αλυσίδα πριονιού.
	Η σκανδάλη γκαζιού και το κουμπί εκκίνησης/διακοπής λειτουργίας πατήθηκαν ταυτόχρονα.	Απελευθερώστε τη σκανδάλη γκαζιού για να ενεργοποιήσετε το προϊόν.
Η πορτοκαλί λυχνία LED ενεργοποίησης αναβοσβήνει.	Χαμηλή τάση μπαταρίας.	Φορτίστε την μπαταρία.
Η προειδοποιητική ένδειξη είναι αναμμένη.	Σέρβις.	Απευθυνθείτε στον τοπικό αντιπρόσωπο σέρβις.

Μπαταρία

Οθόνη LED	Πιθανά σφάλματα	Πιθανή λύση
Η πράσινη λυχνία LED αναβοσβήνει.	Χαμηλή τάση μπαταρίας.	Φορτίστε την μπαταρία.
Η ενδεικτική λυχνία LED σφάλματος αναβοσβήνει.	Απόκλιση θερμοκρασίας.	Χρησιμοποιήστε την μπαταρία σε θερμοκρασίες μεταξύ -10 °C (14 °F) και 40 °C (104 °F).
	Υπερβολική τάση.	Βεβαιωθείτε ότι η τάση του δικτύου ρεύματος συμφωνεί με αυτήν του προϊόντος. Ανατρέξτε στην πινακίδα ονομαστικών τιμών στο προϊόν.
		Αφαιρέστε την μπαταρία από το φορτιστή.

Οθόνη LED	Πιθανά σφάλματα	Πιθανή λύση
Η λυχνία LED σφάλματος ανάβει.	Υπερβολική διαφορά τάσης μεταξύ των στοιχείων της μπαταρίας (1 V).	Απευθυνθείτε στον τοπικό αντιπρόσωπο σέρβις.

Φορτιστής μπαταρίας

Κατάσταση	Πιθανά σφάλματα	Πιθανή διαδικασία
Η λυχνία LED φόρτισης είναι κόκκινη.	Μόνιμο σφάλμα στον φορτιστή της μπαταρίας.	Απευθυνθείτε στον αντιπρόσωπο.
Η λυχνία LED φόρτισης αναβοσβήνει με πράσινο χρώμα.	Απόκλιση θερμοκρασίας, η μπαταρία είναι πολύ κρύα ή πολύ ζεστή για χρήση ή φόρτιση.	Αφήστε την μπαταρία να κρυώσει ή προθερμάνετε την. Όταν η θερμοκρασία της μπαταρίας είναι σωστή, μπορεί να χρησιμοποιηθεί ή να φορτιστεί εκ νέου. Χρησιμοποιήστε τον φορτιστή μπαταρίας σε θερμοκρασίες περιβάλλοντος μεταξύ 5 °C (41 °F) και 40 °C (104 °F).
Η λυχνία LED φόρτισης αναβοσβήνει με κόκκινο χρώμα.	Ελαττωματική μπαταρία	Απευθυνθείτε στον αντιπρόσωπο

Μεταφορά, αποθήκευση και απόρριψη

Μεταφορά και αποθήκευση

- Οι παρεχόμενες μπαταρίες ιόντων λιθίου πληρούν όλες τις απαιτήσεις της νομοθεσίας περί επικινδύνων εμπορευμάτων.
- Πρέπει να τηρείτε τις ειδικές απαιτήσεις που αναγράφονται στη συσκευασία και στις ετικέτες σχετικά με την εμπορική μεταφορά. Οι απαιτήσεις αυτές πρέπει επίσης να τηρούνται από οποιουδήποτε τρίτους και από τους διαμετακομιστές.
- Απευθυνθείτε σε ένα άτομο ειδικά εκπαιδευμένο στα επικίνδυνα υλικά προτού στείλετε το προϊόν. Να τηρείτε όλους τους ισχύοντες εθνικούς κανονισμούς.
- Αν συσκευάσετε την μπαταρία, χρησιμοποιήστε ταινία πάνω στις ακάλυπτες επαφές. Σφηνώστε την μπαταρία μέσα στο πακέτο για να αποτρέψετε τυχόν μετακινήσεις.
- Κατά τη φύλαξη ή τη μεταφορά του προϊόντος πρέπει πάντα να αφαιρείτε την μπαταρία.
- Τοποθετήστε την μπαταρία και τον φορτιστή της μπαταρίας σε χώρο στεγνό και προστατευμένο από την υγρασία και τον παγετό.
- Μην αποθηκεύετε την μπαταρία σε χώρους όπου ενδέχεται να προκληθεί στατικός ηλεκτρισμός. Μην αποθηκεύετε την μπαταρία σε μεταλλικό κουτί.
- Η αποθήκευση της μπαταρίας πρέπει να γίνεται σε σημεία με θερμοκρασία μεταξύ 5 °C /41 °F και 25 °C/77 °F και μακριά από το άμεσο ηλιακό φως.
- Η αποθήκευση του φορτιστή της μπαταρίας πρέπει να γίνεται σε σημεία με θερμοκρασία μεταξύ 5 °C/41 °F και 45 °C/113 °F και μακριά από το άμεσο ηλιακό φως.
- Ο φορτιστής της μπαταρίας πρέπει να χρησιμοποιείται μόνο όταν η θερμοκρασία περιβάλλοντος είναι μεταξύ 5 °C/41 °F και 40 °C/104 °F.
- Φορτίστε την μπαταρία κατά 30% έως 50% προτού την αποθηκεύσετε για μεγάλο χρονικό διάστημα.
- Η αποθήκευση του φορτιστή της μπαταρίας πρέπει να γίνεται σε χώρο κλειστό και στεγνό.
- Μην αποθηκεύετε την μπαταρία μαζί με τον φορτιστή. Μην επιτρέπεται να αγγίζουν τον εξοπλισμό παιδιά και άλλα μη εγκεκριμένα άτομα. Διατηρείτε τον εξοπλισμό σε χώρο που μπορείτε να κλειδώσετε.
- Προτού αποθηκεύσετε το προϊόν για μεγάλο χρονικό διάστημα, πρέπει να το καθαρίζετε και να εκτελείτε πλήρες σέρβις.
- Για να αποφύγετε τραυματισμούς ή ζημιές στο προϊόν κατά τη μεταφορά και την αποθήκευση, χρησιμοποιήστε το προστατευτικό μεταφοράς.
- Κατά τη μεταφορά, πρέπει να στερεώνετε καλά το προϊόν.

Απόρριψη της μπαταρίας, του φορτιστή μπαταρίας και του προϊόντος

Το παρακάτω σύμβολο σημαίνει ότι το προϊόν δεν είναι οικιακό απόρριμμα. Ανακυκλώστε το σε κέντρο

ανακύκλωσης ηλεκτρικού και ηλεκτρονικού εξοπλισμού.
Με αυτόν τον τρόπο συμβάλλετε στην προστασία του περιβάλλοντος και των ανθρώπων.

Για περισσότερες πληροφορίες, απευθυνθείτε στις τοπικές αρχές, στην υπηρεσία αποκομιδής οικιακών απορριμμάτων ή στον αντιπρόσωπο.

(Εικ. 24)

Περιεχόμενα Αυτό το σύμβολο υπάρχει πάνω στο προϊόν ή στη συσκευασία του προϊόντος.

Τεχνικά στοιχεία

Τεχνικά στοιχεία

	225i
Μοτέρ	
Τύπος	BLDC (χωρίς ψήκτρες) 36V
Χαρακτηριστικά	
Λειτουργία χαμηλής ενέργειας	SavE
Σύστημα λίπανσης	
Τύπος αντλίας λαδιού	Αυτόματο
Χωρητικότητα ντεπόζιτου λαδιού, ml/cm ³	0,2/200
Βάρος	
Αλυσσπρίνο χωρίς μπαταρία, λάμα οδήγησης, αλυσίδα πριονιού και άδειο ντεπόζιτο λαδιού αλυσίδας, kg	3,1
Εκπομπές θορύβου ²²	
Στάθμη ηχητικής ισχύος, μετρούμενη τιμή dB(A)	97
Εγγυημένη στάθμη ηχητικής ισχύος L _{WA} dB(A)	100
Στάθμες ήχου ²³	
Στάθμη ηχητικής πίεσης στα αυτιά του χειριστή, μετρημένη σύμφωνα με το πρότυπο EN 62841-1	89
Στάθμες κραδασμών ²⁴	
Εμπρόσθια χειρολαβή, m/s ²	3,9
Οπίσθια χειρολαβή, m/s ²	3,9
Αλυσίδα πριονιού/λάμα οδήγησης	
Συνιστώμενα μήκη λάμας, in/cm	12-14/30,5-35,6

²² Οι εκπομπές θορύβου στο περιβάλλον, οι οποίες μετρούνται ως ηχητική ισχύς (L_{WA}) σύμφωνα με την οδηγία EK 2000/14/EK και το πρότυπο EN ISO 22868, έχουν τυπική στατιστική διασπορά (τυπική απόκλιση) 3 dB (A).

²³ Τα καταγεγραμμένα στοιχεία για τη στάθμη ηχητικής πίεσης του μηχανήματος παρουσιάζουν τυπική στατιστική διασπορά (τυπική απόκλιση) 3 dB (A).

²⁴ Επίπεδο κραδασμών σύμφωνα με το πρότυπο EN 62841-4-1. Τα καταγεγραμμένα στοιχεία για τη στάθμη κραδασμών έχουν τυπική στατιστική διασπορά (τυπική απόκλιση) ίση με 1,5 m/s². Δηλωθέντα δεδομένα κραδασμών από μετρήσεις, όταν το μηχανήμα είναι εξοπλισμένο με μήκος λάμας και συνιστώμενο τύπο αλυσίδας. Εάν το μηχανήμα είναι εξοπλισμένο με διαφορετικό μήκος λάμας, το επίπεδο κραδασμών ενδέχεται να ποικίλλει έως και κατά 1,5 m/s².

	225i
Ωφέλιμο μήκος κοπής, in/cm	11-13/27-33,2
Τύπος οδοντωτού τροχού μετάδοσης κίνησης/αριθμός δοντιών	Κυλινδρικό γρανάζι/6
Μέγιστη ταχύτητα αλυσίδας / (κανονική λειτουργία), m/s	11,8
Μέγιστη ταχύτητα αλυσίδας / (λειτουργία SavE), m/s	9,4

Αξεσουάρ

Συνδυασμοί λάμας οδήγησης και αλυσίδας πριονιού

Τα ακόλουθα εξαρτήματα κοπής έχουν λάβει έγκριση για την Husqvarna 225i.






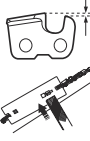
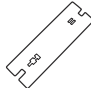






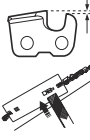
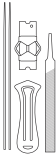

Λάμα οδήγησης					Αλυσίδα πριονιού	
Τύπος	Μήκος, ίντσες	Βήμα αλυσίδας, ίντσες	Πάχος, mm	Μέγ. ακτίνα μύτης	Τύπος	Μήκος, σύνδεσμοι συστήματος μετάδοσης κίνησης (αρ.)
501959545	12	3/8" mini	1,1	7 T	Husqvarna H38 (581808145)	45
501959552	14	3/8" mini	1,1	7 T	Husqvarna H38 (581807952)	52







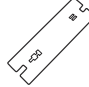

Εξοπλισμός ακονίσματος και γωνίες ακονίσματος

Χρησιμοποιήστε οδηγό ακονίσματος Husqvarna για να ακονίσετε την αλυσίδα του πριονιού. Ο οδηγός ακονίσματος Husqvarna εξασφαλίζει την επίτευξη

σωστών γωνιών ακονίσματος. Οι κωδικοί αριθμοί ανταλλακτικών αναφέρονται στον παρακάτω πίνακα.

Εάν δεν είστε βέβαιοι για τον τρόπο αναγνώρισης του τύπου της αλυσίδας πριονιού στο προϊόν, ανατρέξτε στην ενότητα www.husqvarna.com για περισσότερες πληροφορίες.

							
38	11/64 in/4,5 mm	75°	30°	0°	0,025 ίντσες/ 0,65 mm	505 69 81-03	579 55 88-01
							

							
93	5/32 in/4,0 mm	60°	30°	0°	0,025 ίντσες/ 0,65 mm	596 63 89-01	596 63 89-01

Εγκεκριμένες μπαταρίες

Μπαταρία	40-B140
Τύπος	Ιόντων λιθίου
Χωρητικότητα μπαταρίας, Ah	4
Ονομαστική τάση, V	36
Βάρος, κιλά	1.25

Εγκεκριμένοι φορτιστές μπαταρίας για το προϊόν

Φορτιστής μπαταρίας	40-C80
Τάση δικτύου παροχής, V	100-240
Συχνότητα, Hz	50-60
Ισχύς, W	72
Τάση εξόδου, V d.c./ Amp, A	43/1,6

Δήλωση Συμμόρφωσης

Δήλωση συμμόρφωσης ΕΕ

Η **Husqvarna AB**, SE-561 82 Huskvarna, Σουηδία, τηλ.: +46-36-146500, δηλώνουμε με αποκλειστική μας ευθύνη ότι το προϊόν:

Περιγραφή	Επαναφορτιζόμενα αλυσοπρίονα
Μάρκα	Husqvarna
Τύπος / Μοντέλο	225i
Αναγνώριση	Αριθμοί σειράς με ημερομηνία από το 2023 και έπειτα

συμμορφώνεται πλήρως με τις ακόλουθες οδηγίες και τους κανονισμούς της ΕΕ:

Οδηγία/Κανονισμός	Περιγραφή
2006/42/EK	"σχετικά με τα μηχανήματα"
2014/30/EE	"σχετικά με την ηλεκτρομαγνητική συμβατότητα"
2011/65/EE	"σχετικά με τον περιορισμό της χρήσης ορισμένων επικίνδυνων ουσιών σε είδη ηλεκτρικού και ηλεκτρονικού εξοπλισμού"
2000/14/EK	"σχετικά με τις εκπομπές θορύβου στο περιβάλλον"

Εφαρμόστηκαν τα ακόλουθα πρότυπα: EN 62841-1:2015+A11:2022, EN 62841-4-1:2020, EN IEC 63000:2018, EN IEC 55014-1:2021, EN IEC 55014-2:2021.



Κοινοποιημένος φορέας: Η TÜV Rheinland LGA Products GmbH, Tillystrasse 2, D-90431 Nuernberg, Germany, 0197., διενήργησε εξέταση τύπου ΕΚ, σύμφωνα με την οδηγία περί μηχανημάτων (2006/42/EK) άρθρο 12, σημείο 3 στοιχείο β. Το πιστοποιητικό έχει τον αριθμό: BM 50604678 0001.

Το παρεχόμενο αλυσοπρίονο συμφωνεί με το δείγμα που υποβλήθηκε σε εξέταση τύπου ΕΚ.

Σύμφωνα με την οδηγία 2000/14/EK, Παράρτημα V, βλ. *Τεχνικά στοιχεία στη σελίδα 180* για τις δηλωθείσες τιμές ήχου.

Huskvarna, 2023-10-30

Claes Losdal, Διευθυντής Έρευνας και Ανάπτυξης
Husqvarna AB

Υπεύθυνος για την τεχνική τεκμηρίωση

Contenido

Introducción.....	184	Resolución de problemas.....	205
Seguridad.....	185	Transporte, almacenamiento y eliminación.....	206
Montaje.....	193	Datos técnicos.....	207
Funcionamiento.....	194	Accesorios.....	208
Mantenimiento.....	200	Declaración de conformidad.....	210

Introducción

Uso previsto

Esta motosierra para servicios forestales está concebida para realizar tareas en el bosque como la tala, el desramado y el corte.

Nota: El uso de este producto podría estar regulado por la legislación nacional.

Descripción del producto

(Fig. 1)

1. Protección contra reculadas
2. Asa delantera
3. Interfaz de usuario
4. Interruptor de arranque/parada
5. Indicador de advertencia e indicador de la batería
6. Botón SavE
7. Asa trasera con protección para la mano derecha
8. Etiqueta de información y advertencia
9. Carcasa
10. Depósito de aceite de la cadena
11. Funda de transporte
12. Bloqueo del gatillo del acelerador
13. Gatillo de alimentación
14. Cubierta del piñón de arrastre con fijación de la espada
15. Tensor de la cadena
16. Captor de cadena
17. Apoyo de corteza
18. Cabezal de rueda de la espada
19. Cadena de sierra
20. Espada
21. Indicador del estado de carga
22. Conector
23. Cargador de batería
24. Llave combinada
25. Indicador de advertencia
26. Botón de estado de la batería
27. Estado de la batería
28. Botón para extraer la batería
29. Batería
30. Manual de usuario

Descripción del producto

La Husqvarna 225i es una motosierra que funciona con un motor eléctrico.

Trabajamos constantemente para mejorar la seguridad y la eficiencia durante el uso del producto. Póngase en contacto con su distribuidor para obtener más información.

31. Fijación de la espada

32. Cubierta del piñón de arrastre con tornillo de espada

Símbolos que aparecen en el producto

(Fig. 2) **ADVERTENCIA:** Este producto puede ser peligroso y ocasionar daños graves o mortales tanto al usuario como a cualquier otra persona. Tenga cuidado y utilice el producto correctamente.

(Fig. 3) Lea atentamente el manual de usuario y asegúrese de que entiende las instrucciones antes de utilizar el producto.

(Fig. 4) Utilice casco, protectores auriculares y protección ocular homologados.

(Fig. 5) Use ambas manos cuando trabaje con el producto.

(Fig. 6) No utilice el producto con una sola mano.

(Fig. 7) No permita que la punta de la espada entre en contacto con ningún objeto.

(Fig. 8) No lo utilice bajo la lluvia.

(Fig. 9) **Advertencia:** Se puede producir una reculada si la punta de la espada toca un objeto. Esto hará que la espada salga despedida en la dirección del operador. Riesgo de lesiones graves o mortales.

(Fig. 10) Tensión nominal, V

- (Fig. 11) Aceite para cadena.
- (Fig. 12) Sentido de rotación de la cadena de sierra y longitud máxima de la espada.
- (Fig. 13) Corriente continua.
- (Fig. 14) **Marca medioambiental.** Ni el producto ni su embalaje son residuos domésticos. Recíclelos en un centro de reciclaje para equipos eléctricos y electrónicos.
- (Fig. 15) Este producto cumple con las directivas CE vigentes.
- (Fig. 16) Este producto cumple con las normativas vigentes en el Reino Unido.
- (Fig. 17) Etiqueta de emisiones sonoras al medio ambiente conforme con la directiva europea 2000/14/CE, con las directivas y normativas del R. U. y con la regulación de 2017 sobre de protección del medio ambiente (control de ruidos) (Protection of the Environment Operations - Noise Control) de la legislación de Nueva Gales del Sur. El nivel de potencia acústica garantizado del producto se especifica en el apartado *Datos técnicos en la página 207* y en la etiqueta.
- (Fig. 21) Freno de cadena activado (hacia delante). Freno de cadena desactivado (hacia atrás).
- (Fig. 22) Sentido de la cadena.
- (Fig. 23) En la placa de características técnicas se indica el número de serie. **aaaa** es el año de producción y **ss** indica la semana de producción.

Nota: Los demás símbolos y etiquetas que aparecen en el producto corresponden a requisitos de homologación específicos en algunos mercados.

Símbolos que aparecen en la batería o en el cargador de la batería

- (Fig. 24) Recicle el producto en un centro de reciclaje para equipos eléctricos y electrónicos. (Aplicable solo para Europa)
- (Fig. 18) Transformador a prueba de fallos.
- (Fig. 19) Utilice y guarde el cargador de baterías únicamente en interiores.
- (Fig. 20) Doble aislamiento.

Fabricante

Husqvarna AB
Drottninggatan 2, SE-561 82, Huskvarna, Sweden, tel: +46-36-146500

Daños en el producto

No nos hacemos responsables de los daños que pueda sufrir el producto si:

- El producto se ha reparado incorrectamente.
- El producto se ha reparado con piezas que no eran del fabricante o no autorizadas por el fabricante.
- El producto tiene un accesorio que no es del fabricante o no está autorizado por este.
- El producto no se ha reparado en un centro de servicio autorizado o por un organismo homologado.

Seguridad

Definiciones de seguridad

Las advertencias, precauciones y notas se utilizan para destacar información especialmente importante del manual.



ADVERTENCIA: Indica un riesgo de lesiones o incluso de muerte del usuario o de las personas cercanas si no se respetan las instrucciones del manual.



PRECAUCIÓN: Indica un riesgo de daños en el producto, otros materiales o el área adyacente si no se respetan las instrucciones del manual.

Nota: Se usa para proporcionar más información necesaria en una situación determinada.

Advertencias generales de seguridad relacionadas con la herramienta eléctrica



ADVERTENCIA: Lea todas las advertencias de seguridad, instrucciones, ilustraciones y especificaciones que se suministran con esta herramienta eléctrica. Si no se siguen las instrucciones que aparecen a continuación, puede producirse una descarga eléctrica, un incendio o lesiones graves.

- **Conservar todas las advertencias e instrucciones para su consulta.** El término «herramienta eléctrica» empleado en las advertencias hace referencia a una herramienta eléctrica que funciona con conexión a la red de suministro (con cable) o a una herramienta que funciona con batería (sin cable).

Seguridad en el área de trabajo

- **Mantenga el área de trabajo limpia y bien iluminada.** Las zonas abarrotadas de cosas u oscuras favorecen los accidentes.
- **No maneje herramientas eléctricas en ambientes explosivos como aquellos en los que hay líquidos, gases o polvo inflamables.** Las herramientas eléctricas producen chispas que pueden inflamar el polvo o los vapores.
- **Mantenga alejados a los niños y a otras personas mientras trabaje con una herramienta eléctrica.** Las distracciones pueden hacer que pierda el control de esta.

Seguridad eléctrica

- **Los enchufes de las herramientas eléctricas deben corresponder a la toma de corriente utilizada. Nunca modifique el enchufe. No utilice adaptadores para las herramientas eléctricas con conexión a tierra.** Los enchufes sin modificar y las tomas de corriente del mismo tipo ayudan a reducir el riesgo de descarga eléctrica.
- **Evite el contacto de su cuerpo con superficies puestas a tierra como tuberías, radiadores, cocinas y neveras.** Si su cuerpo está en contacto con el suelo, existe un mayor riesgo de descarga eléctrica.
- **No exponga las herramientas eléctricas a la lluvia o a ambientes húmedos.** El riesgo de recibir descargas eléctricas aumentará si penetra agua en la herramienta eléctrica.
- **Maneje el cable con cuidado. No lo utilice nunca para transportar, tirar o desenchufar la herramienta eléctrica. Manténgalo alejado de fuentes de calor, aceite, aristas vivas o piezas móviles.** Los cables dañados o enredados incrementan el riesgo de descarga eléctrica.
- **Cuando trabaje con una herramienta eléctrica en exteriores, utilice un alargador indicado para este**

uso. Utilizar un cable adecuado para su uso en exteriores reduce el riesgo de descarga eléctrica.

- **Si es necesario utilizar una herramienta eléctrica en un lugar húmedo, utilice suministro eléctrico protegido con un interruptor diferencial.** La utilización de un interruptor diferencial reduce el riesgo de descargas eléctricas.

Seguridad personal

- **Esté siempre atento, fíjese en lo que está haciendo y utilice el sentido común cuando maneje una herramienta eléctrica. No utilice herramientas eléctricas si está cansado o bajo los efectos de estupefacientes, alcohol o medicamentos.** Un momento de descuido, mientras se trabaja con herramientas eléctricas, puede causar lesiones graves.
- **Utilice el equipo de protección individual. Protéjase siempre los ojos.** El equipo de protección, como la mascarilla antipolvo, los zapatos de seguridad antideslizantes, el casco o los protectores auditivos, utilizados en función de las condiciones de trabajo, reducirá el riesgo de lesiones.
- **Evite el encendido accidental de la herramienta. Asegúrese de que el interruptor está en la posición de apagado antes de conectar la máquina a la fuente de alimentación o la batería, cogerla o transportarla.** Transportar herramientas eléctricas con el dedo puesto sobre el interruptor o encenderlas con el interruptor en la posición de encendido puede provocar accidentes.
- **Quite todas las clavijas de ajuste o llaves de tuercas antes de encender la herramienta eléctrica.** Una llave de tuercas o clavija de ajuste que se ha dejado colocada en una pieza giratoria de la herramienta eléctrica puede causar lesiones.
- **No se estire demasiado. Mantenga una posición correcta y el equilibrio en todo momento.** Esto le permitirá controlar mejor la herramienta eléctrica en situaciones imprevistas.
- **Utilice la ropa adecuada. No utilice nunca ropa amplia ni joyas. Mantenga el pelo y la ropa alejados de las piezas móviles.** La ropa holgada, las joyas o el pelo largo pueden quedar atrapados en las piezas móviles.
- **Si se suministran equipos de aspiración o captación de polvo, asegúrese de que estén conectados y se utilicen correctamente.** El uso de estos equipos puede reducir los riesgos derivados del polvo.
- **Evite que la familiaridad adquirida con el uso frecuente de las herramientas le lleve a confiarse e ignorar las medidas de seguridad al utilizarlas.** Una acción negligente puede causar lesiones graves en una fracción de segundo.

Uso y cuidado de la herramienta eléctrica

- **No sobrecargue la herramienta eléctrica. Utilice la herramienta eléctrica adecuada para el trabajo que debe realizar.** Con la herramienta eléctrica

apropiada hará el trabajo mejor y con mayor seguridad a la potencia para la que fue diseñada.

- **No utilice la herramienta eléctrica si el interruptor no funciona.** Las herramientas que no se puedan controlar con el interruptor son peligrosas y deben repararse.
- **Desconecte el enchufe de la fuente de alimentación o quite la batería (si se puede desmontar) de la herramienta eléctrica antes de realizar cualquier ajuste, cambiar accesorios o guardarla.** Estas medidas de seguridad preventivas reducen el riesgo de encendido accidental de la herramienta eléctrica.
- **Guarde las herramientas eléctricas que no se utilicen fuera del alcance de los niños y no permita que personas no familiarizadas con su uso o con estas instrucciones las manejen.** Las herramientas eléctricas resultan peligrosas en manos de usuarios no cualificados.
- **Compruebe que las herramientas eléctricas y los accesorios están a punto. Compruebe que no haya partes móviles mal alineadas o trabadas, piezas rotas o cualquier otra circunstancia que pueda afectar al funcionamiento de la herramienta eléctrica. Si detecta daños, haga reparar la herramienta eléctrica antes de utilizarla.** Muchos accidentes se deben al uso de herramientas eléctricas que carecen de un mantenimiento adecuado.
- **Mantenga las herramientas de corte afiladas y limpias.** Las herramientas de corte con aristas afiladas y un mantenimiento adecuado tienen menos probabilidades de trabarse y son más fáciles de controlar.
- **Utilice la herramienta eléctrica, los accesorios, útiles, etc. según se indica en estas instrucciones, teniendo en cuenta las condiciones de trabajo y la tarea que debe realizar.** El uso de la herramienta eléctrica para trabajos distintos a aquellos para los que fue diseñada podría dar lugar a situaciones peligrosas.
- **Mantenga los mangos y superficies de agarre secos, limpios y sin aceite ni grasa.** Las superficies de agarre y los mangos resbaladizos no permiten manejar y controlar de forma segura la herramienta ante cualquier imprevisto.

Uso y cuidado de la herramienta a batería

- **Efectúe las recargas únicamente con el cargador especificado por el fabricante.** Un cargador apto para un tipo de batería puede comportar riesgo de incendio al utilizarse con otra batería distinta.
- **Utilice las herramientas eléctricas únicamente con las baterías específicas para ellas.** El uso de otra batería puede comportar riesgo de lesiones e incendio.
- **Cuando no utilice la batería, manténgala alejada de objetos metálicos pequeños que puedan conectar un terminal con otro, como clips, monedas, llaves, clavos, tornillos, etc.** Un cortocircuito en los terminales de la batería puede causar quemaduras o un incendio.

- **En condiciones extremas, el líquido puede salir expulsado de la batería; evite cualquier contacto con él. Si se produjera un contacto accidentalmente, enjuáguese con agua. Además, si el líquido entra en contacto con los ojos, busque asistencia médica.** El líquido expulsado de la batería puede causar irritaciones o quemaduras.
- **No utilice una batería o herramienta defectuosa, dañada o modificada.** Las baterías dañadas o modificadas pueden comportarse de forma impredecible y provocar incendios, explosiones o lesiones.
- **No exponga la batería o la herramienta al fuego ni a temperaturas excesivas.** La exposición al fuego o a temperaturas superiores a 130 °C/266 °F puede causar una explosión.
- **Siga todas las instrucciones de carga y no cargue la batería o la herramienta fuera del intervalo de temperaturas especificado en las instrucciones.** La carga incorrecta o a temperaturas fuera del intervalo especificado puede dañar la batería y aumentar el riesgo de incendio.

Servicio técnico

- **Solicite que su herramienta eléctrica sea reparada por personal cualificado y utilizando únicamente piezas de repuesto originales.** Esto garantizará la seguridad de la herramienta.
- **No revise baterías dañadas.** La revisión de las baterías solo debe realizarla el fabricante o proveedores de servicios autorizados.

Advertencias generales de seguridad sobre la motosierra

- **Mantenga todas las partes del cuerpo alejadas de la cadena mientras la motosierra se encuentre en funcionamiento. Antes de arrancar la motosierra, asegúrese de que la cadena de sierra no está en contacto con nada.** Un único instante de distracción mientras maneja una motosierra basta para que la cadena de sierra cause un accidente con sus prendas o cuerpo.
- **Sujete siempre la motosierra con la mano derecha en el asa trasera y la mano izquierda en el asa delantera, agarrando las asas con todos los dedos.** Nunca debe utilizarse la motosierra con las manos al revés, ya que esto aumenta considerablemente el riesgo de sufrir daños personales.
- **Sujete la motosierra únicamente por las superficies de agarre aisladas, ya que la cadena de la motosierra puede entrar en contacto con algún cable oculto.** Si la cadena de sierra toca un cable bajo tensión, es posible que las partes metálicas de la motosierra transmitan al usuario una descarga eléctrica.
- **Utilice protección ocular. Se recomienda utilizar equipos de protección adicionales para oídos, cabeza, manos, piernas y pies.** Un equipo de protección adecuado reducirá los daños personales

producidos por fragmentos desprendidos o por un contacto accidental con la cadena de sierra.

- **No utilice una motosierra estando sobre un árbol, una escalera, un tejado o cualquier tipo de superficie inestable.** Utilizar una motosierra de las formas anteriormente descritas podría provocar daños personales de gravedad.²⁵
- **Mantenga en todo momento los pies en una posición correcta y manipule la motosierra únicamente cuando se encuentre sobre una superficie nivelada, sólida y segura.** Una superficie inestable o resbaladiza podría hacerle perder el equilibrio o el control de la motosierra.
- **Preste especial atención a las reculadas al cortar ramas sometidas a tensión.** Cuando la tensión de las fibras de la madera se libera, la rama puede golpear al usuario y provocar la pérdida del control de la motosierra.
- **Sea especialmente cauto al cortar broza y árboles jóvenes.** Los materiales delgados pueden atascarse en la cadena de sierra y golpearle o hacerle perder el equilibrio.
- **Transporte la motosierra apagada, agarrándola por el asa delantera y alejada de su cuerpo. Cuando transporte o guarde la motosierra, coloque siempre la cubierta de la espada.** Manipular la motosierra de manera adecuada reducirá la posibilidad de sufrir un contacto accidental con la cadena de sierra en funcionamiento.
- **Siga las instrucciones sobre lubricación, tensado de la cadena, y cambio de la espada y la cadena.** Una cadena con una tensión o lubricación inadecuadas puede romperse y aumenta el riesgo de reculadas.
- **Corte únicamente madera. No utilice la motosierra con otros fines. Por ejemplo: no utilice la motosierra para cortar metales, plásticos o materiales de construcción que no sean madera.** El uso de la motosierra con fines distintos a aquellos para los que fue diseñada podría dar lugar a situaciones peligrosas.
- **No intente talar un árbol hasta que conozca los riesgos y cómo evitarlos.** El usuario o los transeúntes podrían sufrir daños graves mientras se tala un árbol.
- **Siga todas las instrucciones al extraer material atascado, guardar o realizar el mantenimiento de la motosierra. Asegúrese de que el interruptor está apagado y de que se ha extraído la batería.** El accionamiento inesperado de la motosierra mientras retira el material atascado o efectúa tareas de mantenimiento puede provocar daños personales graves.
- **No utilice una motosierra en un árbol a menos que haya recibido la formación específica para hacerlo.** Usar la motosierra en un árbol sin contar con la formación adecuada puede aumentar el riesgo de daños personales graves.

²⁵ Si ha recibido formación en técnicas especiales de corte y trabajo, y está correctamente asegurado (cesta elevadora, cuerdas, arnés de seguridad), puede desviarse de estas normas de seguridad.

Causas y prevención de las reculadas

Las reculadas pueden producirse cuando la punta de la espada roza un objeto o cuando la madera se cierra y atasca la cadena durante el corte. En algunos casos, el contacto con la punta de la espada puede provocar una reculada repentina que golpee al usuario al lanzar la espada hacia arriba y atrás. Un atasco en la cadena de sierra en la parte superior de la espada puede empujar a esta rápidamente hacia atrás, hacia el usuario. Cualquiera de estas reacciones puede hacerle perder el control de la sierra, lo que a su vez puede provocar daños personales de gravedad. Su seguridad no solo depende de los dispositivos de seguridad incorporados en la motosierra. Como usuario de una motosierra, debe tomar ciertas precauciones para realizar cortes sin riesgo de accidentes ni lesiones. Una reculada es la consecuencia de un uso inapropiado de la motosierra o de condiciones o procedimientos de trabajo incorrectos. Por lo tanto, puede evitarse tomando las siguientes precauciones:

- **Mantenga un agarre firme de la motosierra con ambas manos, con los pulgares y el resto de dedos rodeando los mangos. El cuerpo y el brazo deben encontrarse en una postura que le permita resistir las fuerzas de las reculadas.** El usuario puede controlar las fuerzas de las reculadas si toma las precauciones correspondientes. No suelte la motosierra.
- **No intente acceder a lugares demasiado altos y no corte a una altura superior a la de sus hombros.** De esta manera, se evita el contacto involuntario de la punta y se obtiene un control mayor de la motosierra en caso de imprevistos.
- **Utilice únicamente las espadas y cadenas de sierra indicadas por el fabricante.** Una sustitución incorrecta de la espada y cadena puede causar la rotura de la cadena y reculadas.
- **Siga las instrucciones de afilado y mantenimiento de la cadena de sierra facilitadas por el fabricante.** Disminuir el calibre de profundidad puede aumentar las reculadas.

GUARDE ESTAS INSTRUCCIONES.

Instrucciones generales de seguridad



ADVERTENCIA: Lea las siguientes instrucciones de advertencia antes de utilizar el producto.

- Este producto es una herramienta peligrosa si no se usa con cuidado o si se utiliza de forma incorrecta. Este producto puede ocasionar lesiones graves o mortales tanto al operador como a cualquier otra persona. Es muy importante que lea y comprenda el contenido de este manual de instrucciones.

- No realice modificaciones en el producto sin la aprobación previa del fabricante. No utilice un producto modificado por otras personas y emplee siempre accesorios originales. Las modificaciones que no hayan recibido la aprobación del fabricante pueden provocar lesiones graves o la muerte al operador o a cualquier otra persona.
- La inhalación prolongada de los gases emitidos por el aceite para cadena y serrín puede causar problemas de salud.
- Este producto genera un campo electromagnético durante el funcionamiento. Este campo magnético puede, en determinadas circunstancias, interferir con implantes médicos activos o pasivos. Para reducir el riesgo de lesiones graves o mortales, recomendamos que las personas que utilizan implantes médicos consulten a su médico y al fabricante del implante antes de poner en marcha este producto.

Instrucciones de seguridad para el funcionamiento



ADVERTENCIA: Lea las siguientes instrucciones de advertencia antes de utilizar el producto.

- La información contenida en este manual de usuario no reemplaza en ningún caso la experiencia y los conocimientos de un profesional. Si no se siente seguro en la situación en la que se encuentra, detenga el producto. Consulte a su distribuidor o a un profesional en el uso de motosierras. Evite los trabajos para los que no se sienta suficientemente cualificado.
 - Consulte a su distribuidor o a Husqvarna si tiene alguna pregunta acerca del funcionamiento del producto. Podemos ofrecerle información para utilizar el producto de manera eficaz y segura. Participe en un curso de formación sobre el uso de motosierras si tiene la oportunidad. El distribuidor local, una escuela de silvicultura o una biblioteca pueden informarle acerca del material de formación y los cursos disponibles.
 - Debe conocer los efectos de la reculada y las maneras de evitar este efecto antes de utilizar este producto. Consulte *Información sobre reculada en la página 195* y *Preguntas frecuentes acerca de las reculadas en la página 196* para obtener instrucciones.
 - No utilice ningún producto, batería ni cargador de batería dañado o que no funcione correctamente.
 - No toque la cadena de sierra cuando esté girando. Puede provocar lesiones graves o mortales.
 - No utilice el producto si está cansado, si ha ingerido alcohol o drogas, o si toma medicamentos o cualquier otra sustancia que puedan afectarles la vista, su capacidad de discernimiento o el control del cuerpo.
- Trabajar con mal tiempo es fatigoso y a menudo añade riesgos innecesarios. A causa del riesgo añadido, no se recomienda utilizar la máquina con muy mal tiempo como, por ejemplo, con niebla densa, lluvia intensa, vientos fuertes, frío extremo o riesgo de tormenta eléctrica, etc.
 - No ponga en marcha el producto sin haber montado antes la espada, la cadena de sierra y todas las cubiertas correctamente. De lo contrario, el piñón de arrastre puede aflojarse y causar lesiones graves. Consulte *Montaje en la página 193* para obtener instrucciones.
- (Fig. 25)
- A veces las astillas quedan atrapadas en la cubierta del embrague, lo que hace que la cadena de sierra se atasque. Antes de retirarlas, pare siempre el motor.
 - Observe el entorno. Asegúrese de que nadie ni ningún animal puedan interferir en la zona ni afectar al control del producto.
- (Fig. 26)
- No permita que los niños usen el producto ni se aproximen a él. La máquina es muy fácil de arrancar y los niños podrían hacerlo si no se les vigila lo suficiente. Esto supone un riesgo de lesiones graves.
 - Retire la batería cuando no tenga el producto bajo su control o si va a alejarse del producto durante mucho tiempo.
 - Debe contar con un equilibrio óptimo para poder controlar por completo el producto. No utilice el producto si se ha subido a una escalera o a un árbol. No utilice el producto si no se encuentra sobre una superficie estable.
- (Fig. 27)
- Los trabajos en árboles requieren conocimientos de técnicas especiales de trabajo y corte, que deben aplicarse para contrarrestar el aumento del riesgo de lesiones. Nunca lleve a cabo trabajos en árboles, a menos que haya recibido formación profesional específica para tales trabajos, incluida la formación en el uso de equipos de seguridad y otros equipos de escalada, como arneses, cuerdas, cinturones, trepadoras, mosquetones, etcétera.
 - Nunca intente coger las secciones que caen. Nunca corte subido al árbol si solo está asegurado mediante una cuerda. Utilice siempre dos cuerdas de seguridad.
 - Si no tiene cuidado, el riesgo de reculada aumenta. La reculada puede producirse si la zona de riesgo de reculada de la espada entra en contacto por accidente con una rama, un árbol u otro objeto.
- (Fig. 28)
- No sujete el producto con una sola mano. Este producto no se puede controlar con seguridad con solo una mano.

- No utilice el producto por encima de los hombros y no intente cortar con la punta de la espada.

(Fig. 29)

- No utilice el producto si las circunstancias no le permiten solicitar ayuda en caso de accidente.
- Detenga el producto y accione el freno de cadena antes de moverlo. Sujete el producto con la espada y la cadena de sierra apuntando hacia atrás. Cubra la espada con un protector para transporte antes de transportar el producto o moverlo a otro lugar.
- Cuando ponga el producto en el suelo, accione el freno de cadena y no lo pierda de vista. Pare el producto y quite la batería si va a alejarse de él durante mucho tiempo.
- Existe el riesgo de que se atasquen astillas de madera en el sistema de transmisión. Esto puede causar que la cadena se atasque. Pare siempre el producto y quite la batería antes de limpiarlo.
- El nivel de vibración aumenta si utiliza un equipo de corte incorrecto o que esté mal afilado. El nivel de vibración es mayor al cortar maderas duras, como es el caso de los árboles planifolios, en comparación con el corte de maderas blandas, como es el caso de las coníferas.

(Fig. 30)

- La sobreexposición a las vibraciones puede provocar problemas circulatorios y dolencias de carácter nervioso, especialmente en personas con patologías circulatorias. Acuda a un médico si nota síntomas que puedan relacionarse con la sobreexposición a las vibraciones. Ejemplos de estos síntomas son: entumecimiento, pérdida de sensibilidad, hormigueo, punzadas, dolor, pérdida o reducción de la fuerza normal, y cambios en el color o la superficie de la piel. Estos síntomas suelen aparecer en los dedos, en las manos y en las muñecas, y se acentúan cuando las temperaturas son bajas.
- No intente realizar la poda o el desramado en árboles que no hayan sido talados, a menos que haya recibido la formación específica para hacerlo.
- Manténgase siempre en el lado más alto del terreno con respecto al árbol, ya que es probable que este ruede o se deslice hacia abajo cuando lo tale. Para mantener un control completo del producto mientras corta, reduzca al mínimo la presión cuando esté a punto de finalizar el corte. No relaje las manos mientras agarra de las asas. No deje que la cadena de sierra entre en contacto con el suelo. Una vez finalizado el corte, espere a que la cadena se detenga antes de mover la motosierra. Antes de cambiar de árbol, pare siempre el motor.

(Fig. 31)

- No derribe un árbol si por ello pone en peligro a alguien o existe la posibilidad de golpear alguna línea de suministro de servicios públicos, o de causar daños en una propiedad. Si el árbol golpea una línea de suministro de servicios públicos, debe

notificarlo inmediatamente a la empresa de servicios públicos correspondiente.

- Compruebe que pueda caminar con seguridad. Examine las condiciones y el terreno para detectar cualquier obstáculo como, por ejemplo, raíces, piedras, ramas, zanjas, etc. Tenga cuidado cuando trabaje en una ladera.
- Si cree que una situación no se ajusta a su capacidad, evítela.
- No es posible mencionar todas las situaciones que se puede encontrar al usar este producto. Proceda siempre con cuidado y utilice el sentido común.

(Fig. 32)

Equipo de protección individual



ADVERTENCIA: Lea las siguientes instrucciones de advertencia antes de utilizar el producto.

(Fig. 33)

- La mayoría de los accidentes con motosierra se producen cuando la cadena de sierra toca al usuario. Utilice un equipo de protección individual homologado durante el uso del producto. El equipo de protección individual no elimina completamente el riesgo de lesiones, pero reduce la gravedad de las lesiones en caso de accidente. Consulte a su taller de servicio para que le informe sobre el equipo que puede utilizar.
- La ropa debe ser ceñida pero debe permitirle total libertad de movimiento. Compruebe periódicamente el estado del equipo de protección individual.
- Utilice un casco protector homologado.
- Utilice protectores auriculares homologados. La exposición prolongada al ruido puede causar daños crónicos en el oído.
- Utilice gafas protectoras o visera homologadas para reducir el riesgo de lesiones causadas por objetos que salgan despedidos. El producto puede lanzar con gran fuerza objetos como virutas, trozos de madera pequeños, etc. Ello comporta riesgo de lesiones personales graves, especialmente en los ojos.
- Utilice guantes con protección anticorte.
- Utilice pantalones con protección anticorte.
- Utilice botas con protección anticorte, puntera de acero y suela antideslizante.
- Tenga siempre a mano el equipo de primeros auxilios.
- Riesgo de chispas. Tenga a mano herramientas para extinguir incendios y una pala para evitar incendios forestales.

Dispositivos de seguridad en el producto



ADVERTENCIA: Lea las siguientes instrucciones de advertencia antes de utilizar el producto.

- No utilice ningún producto con dispositivos de seguridad dañados o que no funcionen correctamente.
- Realice una comprobación de los dispositivos de seguridad con frecuencia. Consulte *Mantenimiento y comprobaciones de los dispositivos de seguridad del producto en la página 201*.
- Si los dispositivos de seguridad están dañados o no funcionan correctamente, póngase en contacto con su taller de servicio Husqvarna.

Funciones de la interfaz de usuario

La interfaz de usuario incluye el botón de arranque/parada, el botón SavE, el indicador de estado de la batería y el indicador de advertencia. El indicador de advertencia parpadea si el freno de cadena está activado o hay riesgo de sobrecarga. La protección contra sobrecarga detiene temporalmente el producto; no podrá seguir trabajando con él hasta que se reduzca la temperatura. Si el indicador de advertencia muestra una luz fija, acuda a un taller de servicio.

(Fig. 34)

Para obtener más información acerca de la interfaz de usuario, consulte la sección *Descripción del producto en la página 184*.

Función de parada automática

El producto cuenta con una función de parada automática que detiene el producto si no lo usa durante 3 minutos.

Freno de cadena con protección contra reculadas

El producto cuenta con un freno de cadena que detiene la cadena en caso de reculada. El freno de cadena reduce el riesgo de accidentes, pero solo es usted quien puede impedirlos.

(Fig. 35)



ADVERTENCIA: No ponga en marcha el producto si hay riesgo de reculada. Tenga cuidado cuando utilice el producto y asegúrese de que el sector de riesgo de reculada de la espada no entre en contacto con ningún objeto.

(Fig. 36)

El freno de cadena (A) se activa manualmente con la mano izquierda o automáticamente por efecto de la inercia. Mueva la protección contra reculadas (B) hacia delante para acoplar el freno de cadena manualmente.

Este movimiento activa un mecanismo de muelle que detiene el piñón de arrastre.

(Fig. 37)

La forma en la que se activa el freno de cadena tiene relación con la fuerza de la reculada y la posición del producto. Si la reculada es fuerte y el sector de riesgo de reculada está alejado del operador, el freno de cadena se activa por inercia. Si la reculada no es muy fuerte o el sector de riesgo de reculada está próximo al operador, el freno de cadena se activa manualmente con la mano izquierda.

(Fig. 38)

Utilice el freno de cadena como freno de estacionamiento cuando arranque el producto y cuando se mueva en distancias cortas. Esto reduce el riesgo de que usted o cualquier otra persona que se encuentre cerca toquen la cadena de sierra.

(Fig. 39)

Mueva la protección contra reculadas hacia atrás para desacoplar el freno de cadena.

(Fig. 40)

Las reculadas pueden ser rapidísimas y muy violentas. La mayoría de las reculadas son pequeñas y, por tanto, no siempre activan el freno de cadena. Si se produjera una reculada al usar el producto, sujete bien los mangos y no los suelte.

(Fig. 41)

La protección contra reculadas también disminuye el riesgo de contacto con la cadena de sierra si se suelta el mango delantero.

(Fig. 42)

En posición de tala, no se puede activar el freno de cadena manualmente. En esta posición, el freno de cadena solo se activa por inercia.

(Fig. 43)

Bloqueo del gatillo de alimentación

El bloqueo del gatillo de alimentación evita el uso accidental de dicho gatillo. Si empuja el bloqueo del gatillo de alimentación hacia delante (A) y, a continuación, lo presiona contra el asa (B), el gatillo de alimentación (C) se suelta. Al soltar el mango, el gatillo de alimentación y el bloqueo vuelven a sus posiciones iniciales.

(Fig. 44)

Captor de cadena

El captor de cadena sujeta la cadena de sierra si se rompe o se suelta. El riesgo disminuye si la cadena está bien tensada. El riesgo también disminuye si el mantenimiento de la espada y la cadena de sierra es el adecuado. Consulte *Montaje en la página*

193 y *Mantenimiento en la página 200* para obtener instrucciones.

(Fig. 45)

Protección de la mano derecha

La protección de la mano derecha protege la mano si la cadena de sierra se rompe o se suelta. También evita el contacto con ramas al usar el producto.

(Fig. 46)

Seguridad de la batería



ADVERTENCIA: Lea las siguientes instrucciones de advertencia antes de utilizar el producto.

- Utilice únicamente las baterías de la serie 40-B recomendadas para el producto. Consulte *Baterías homologadas en la página 209*. Las baterías están encriptadas mediante software.
- Utilice las baterías recargables de la serie 40-B como fuente de alimentación solo para los productos Husqvarna relacionados. Consulte *Baterías homologadas en la página 209*. Para evitar lesiones, no utilice la batería como fuente de alimentación de otros dispositivos.
- Riesgo de descarga eléctrica. Evite que los terminales de la batería entren en contacto con llaves, tornillos u otros objetos metálicos. Esto puede provocar un cortocircuito en la batería.
- No utilice baterías que no sean recargables.
- No coloque objetos en las ranuras de ventilación de la batería.
- Mantenga la batería lejos de la luz directa del sol, de fuentes de calor o de las llamas. La batería puede provocar quemaduras o quemaduras químicas.
- Mantenga la batería resguardada de la lluvia y la humedad.
- Mantenga la batería lejos de microondas y fuentes de alta presión.
- No intente desmontar o romper la batería.
- No permita que el ácido de la batería entre en contacto con la piel. El ácido de la batería provoca lesiones en la piel, corrosión y quemaduras. Si el ácido de la batería entra en contacto con los ojos, no los frote: enjuáguelos con agua abundante durante al menos 15 minutos. Si el ácido de la batería ha entrado en contacto con la piel, lávela con agua abundante y jabón. Busque asistencia médica.
- Utilice la batería con temperaturas entre -10 °C (14 °F) y 40 °C (104 °F).
- No limpie la batería ni el cargador con agua. Consulte *Comprobación de la batería y de su soporte en la página 202*.
- No utilice una batería dañada.
- Guarde la batería alejada de objetos metálicos, como clavos, tornillos o joyas.

- Mantenga la batería alejada de los niños.

Seguridad del cargador de batería



ADVERTENCIA: Lea las siguientes instrucciones de advertencia antes de utilizar el producto.

- Existe riesgo de descarga eléctrica o cortocircuito si no se siguen las instrucciones de seguridad.
- Utilice una toma de corriente homologada con conexión a tierra que no esté dañada.
- No utilice cargadores de batería diferentes al suministrado con su producto. Utilice únicamente cargadores 40-C80 cuando cargue las baterías Husqvarna de repuesto 40-B140. Consulte *Cargadores de baterías homologados para el producto en la página 209* y *Baterías homologadas en la página 209*.
- No intente desmontar el cargador de batería.
- No utilice un cargador de batería defectuoso o dañado.
- No levante el cargador de batería tirando del cable de alimentación. Para desconectar el cargador de batería de la toma de corriente, tire del enchufe. No tire del cable de alimentación.
- Mantenga todos los cables y cables de extensión, alejados del agua, el aceite y los bordes afilados. Proceda con cuidado para evitar que el cable se enganche en puertas, vallas o similares.
- No utilice el cargador de batería cerca de materiales inflamables o corrosivos. Asegúrese de que el cargador de batería no está cubierto. Desenchufe el cargador de batería si produce humo o se incendia.
- Cargue la batería solo en interiores, en un lugar con buena ventilación y lejos de la luz solar directa. No cargue la batería en el exterior. No cargue la batería en un entorno húmedo.
- Utilice solamente el cargador de batería a temperaturas entre 5 °C (41 °F) y 40 °C (104 °F). Utilice el cargador en un entorno ventilado, seco y sin polvo.
- No cubra las ranuras de ventilación del cargador.
- Evite que los terminales del cargador de batería entren en contacto con objetos metálicos: pueden cortocircuitar el cargador.
- Utilice tomas de corriente homologadas y que estén en buen estado.
- No intente cargar baterías no recargables en los cargadores de batería.

Instrucciones de seguridad para el mantenimiento



ADVERTENCIA: Lea las instrucciones de advertencia siguientes antes de realizar el mantenimiento del producto.

- Retire la batería antes de realizar tareas de mantenimiento, otras comprobaciones o montar el producto.
- El usuario debe realizar solo el mantenimiento y las reparaciones indicadas en este manual. Acuda a su taller de servicio autorizado para las tareas de mantenimiento y reparaciones más importantes.
- No limpie la batería o el cargador con agua. Los detergentes agresivos pueden provocar daños en el plástico.
- Si no se realiza el mantenimiento, el ciclo de vida del producto disminuye y aumenta el riesgo de accidentes.
- Para realizar todos los trabajos de mantenimiento y reparación, especialmente en los dispositivos de seguridad en el producto, es necesaria una formación especial. Si no están aprobadas todas las comprobaciones de este manual de usuario después de realizar tareas de mantenimiento, acuda al taller de su distribuidor local. Le garantizamos que realizarán reparaciones y mantenimiento profesionales en su producto.
- Utilice únicamente piezas de repuesto originales.

Instrucciones de seguridad para el equipo de corte



ADVERTENCIA: Lea las siguientes instrucciones de advertencia antes de utilizar el producto.

- Utilice solo el equipo de afilado y las combinaciones de espada y cadena de sierra homologados.

Consulte *Datos técnicos en la página 207* para ver las instrucciones.

- Use guantes protectores cuando manipule la cadena de sierra o realice tareas de mantenimiento en ella. La cadena de sierra puede causar lesiones, aunque no se mueva.
- Mantenga los dientes de corte bien afilados. Siga las instrucciones y utilice el calibrador de afilado recomendado. Una cadena de sierra dañada o mal afilada aumenta el riesgo de accidentes.

(Fig. 47)

- Mantenga el calibre de profundidad adecuado. Siga las instrucciones y utilice el calibre de profundidad recomendado. Un calibre de profundidad demasiado grande aumenta el riesgo de reculada.

(Fig. 48)

- Asegúrese de que la cadena de sierra tiene la tensión correcta. Si la cadena de sierra no está bien tensada en la espada, puede soltarse. Si la tensión de la cadena de sierra es incorrecta, el desgaste de la espada, la cadena de sierra y el piñón de arrastre de la cadena es mayor. Consulte la sección *Accesorios en la página 208*.

(Fig. 49)

- Realice periódicamente el mantenimiento del equipo de corte y manténgalo bien lubricado. Si la cadena de sierra no está bien lubricada, el riesgo de desgaste de la espada, la cadena de sierra y el piñón de arrastre de la cadena es mayor.

(Fig. 50)

Montaje

Montaje de la espada y la cadena de sierra (con la fijación de la espada)



ADVERTENCIA: No olvide extraer la batería antes de montar el producto o realizar tareas de mantenimiento en él.

1. Desactive el freno de cadena. (Fig. 51)
2. Afloje la fijación de la espada y retire la cubierta del piñón de arrastre. (Fig. 52)
3. Ponga la espada sobre el tornillo de espada. Desplace la espada al máximo hacia atrás. Coloque la cadena sobre el piñón de arrastre e insértela en la ranura de la espada. Empiece con la parte superior de la espada.
4. Asegúrese de que los bordes de los eslabones de corte están orientados hacia delante en la parte superior de la espada. (Fig. 53)
5. Instale la cubierta del piñón de arrastre y ponga el pasador de ajuste de la cadena en el orificio de la espada.

6. Asegúrese de que los eslabones de arrastre de la cadena de sierra encajan correctamente en el piñón de arrastre.
7. Asegúrese de que la cadena de sierra está correctamente acoplada en la ranura de la espada.
8. Aplique tensión a la cadena de sierra. Consulte *Mantenimiento en la página 200* para obtener instrucciones.
9. Apriete la fijación de la espada.

Montaje de la espada y la cadena de sierra (con el tornillo de la espada)



ADVERTENCIA: No olvide extraer la batería antes de montar el producto o realizar tareas de mantenimiento en él.

1. Desactive el freno de cadena. (Fig. 51)
2. Afloje la tuerca de la espada y desmonte la cubierta del piñón de arrastre. (Fig. 54)

- Ponga la espada sobre el tornillo de espada. Desplace la espada al máximo hacia atrás. Coloque la cadena sobre el piñón de arrastre e insértela en la ranura de la espada. Empiece con la parte superior de la espada.
- Asegúrese de que los bordes de los eslabones de corte están orientados hacia delante en la parte superior de la espada. (Fig. 55)
- Instale la cubierta del piñón de arrastre y ponga el pasador de ajuste de la cadena en el orificio de la espada.
- Asegúrese de que los eslabones de arrastre de la cadena de sierra encajan correctamente en el piñón de arrastre.
- Asegúrese de que la cadena de sierra está correctamente acoplada en la ranura de la espada.
- Apriete la tuerca de la espada con los dedos.
- Apriete la cadena de sierra. Consulte *Mantenimiento en la página 200* para obtener instrucciones.

Instalación del cargador de batería en la pared



PRECAUCIÓN: No utilice un destornillador eléctrico para instalar el cargador de batería en la pared, ya que puede provocar daños en el cargador de batería.

- Instale el cargador de batería en la pared con los 2 tornillos (A). Utilice tacos (B) si es necesario. (Fig. 56)
- Instale los 2 tapones en los orificios de los tornillos (C).
- Conecte el cable de alimentación (D) al cargador de batería y a una toma de corriente.

Funcionamiento

Introducción



ADVERTENCIA: Asegúrese de leer y comprender el capítulo sobre seguridad antes de usar el producto.

Prueba de funcionamiento antes de utilizar el producto

- Realice una comprobación del freno de cadena (A) para asegurarse de que funciona correctamente y no está dañado.
- Realice una comprobación de la protección trasera para la mano derecha (B) para asegurarse de que no está dañada.
- Realice una comprobación del gatillo de alimentación y su bloqueo (C) para asegurarse de que funcionan correctamente y no están dañados.
- Revise el teclado (D) para asegurarse de que funciona correctamente.
- Asegúrese de que no haya aceite en las asas (E).
- Realice una comprobación para asegurarse de que todas las piezas estén correctamente conectadas y en perfectas condiciones, y que no falte ninguna.
- Realice una comprobación del captor de cadena (F) para asegurarse de que está montado correctamente.
- Realice una comprobación de la tensión de la cadena (G).
- Cargue la batería (H) y asegúrese de que está correctamente montada en el producto.
- Asegúrese de que la cadena de sierra se detiene al soltar el gatillo de alimentación. (Fig. 57)

Uso de aceite para cadena correcto



ADVERTENCIA: No utilice aceite residual, ya que puede causar tanto lesiones personales como daños al medio ambiente. El aceite residual también causa daños a la bomba de aceite, la espada y la cadena de sierra.



ADVERTENCIA: La cadena de sierra puede romperse si la lubricación del equipo de corte es insuficiente. Riesgo de lesiones graves o mortales para el operador.



ADVERTENCIA: Para que esta función funcione correctamente, utilice un aceite para cadena adecuado. Consulte a su taller de mantenimiento al seleccionar el aceite para cadena.

- Utilice aceite para cadena Husqvarna para prolongar al máximo la vida útil de la cadena de sierra y evitar efectos adversos en el medio ambiente. Si el aceite para cadena Husqvarna no está disponible, le recomendamos que utilice un aceite para cadena estándar.
- Utilice un aceite para cadena con buena adherencia a la cadena de sierra.
- Utilice un aceite para cadena con la viscosidad correcta según la temperatura ambiente.



PRECAUCIÓN: A temperaturas por debajo de 0 °C (32 °F), algunos aceites para cadena se vuelven

demasiado densos, lo que puede provocar daños en los componentes de la bomba de aceite.

- Utilice el equipo de corte recomendado. Consulte la sección *Accesorios en la página 208*.
- Quite el tapón del depósito de aceite para cadena.
- Llene el depósito de aceite para cadena con aceite para cadena.
- Coloque con cuidado el tapón.

(Fig. 58)

Nota: Para conocer la ubicación del depósito de aceite para cadena en el producto, consulte *Introducción en la página 184*.

Batería



ADVERTENCIA: Asegúrese de leer y comprender el capítulo sobre seguridad

Indicador LED	Estado de carga de la batería
4 testigos LED encendidos	La batería tiene una carga del 76 % al 100 %.
3 testigos LED encendidos	La batería tiene una carga del 51 % al 75 %.
2 testigos LED encendidos	La batería tiene una carga del 26 % al 50 %.
1 testigo LED encendido	La batería tiene una carga del 6 % al 25 %.
1 testigo LED parpadeando	La batería tiene una carga del 0 % al 5 %.

Carga de la batería

Cargue la batería si es la primera vez que la utiliza. Una batería nueva solo tiene una carga del 30 %.



PRECAUCIÓN: Conecte el cargador de batería a una toma de corriente cuya tensión y frecuencia coincidan con los valores indicados en la placa de características técnicas.

La batería no se cargará si su temperatura es superior a 50 °C/122 °F.

1. Conecte el cable de alimentación al cargador de batería.
2. Conecte el cargador de batería a una toma de corriente con conexión a tierra. El LED de carga parpadea una vez. (Fig. 60)
3. Conecte la batería al cargador. El LED de carga se enciende. Cargue la batería durante un máximo de 24 horas. (Fig. 61)
4. Pulse el botón del indicador de estado de la batería; si se encienden todos los testigos LED, la batería está completamente cargada.

antes de usar la batería. También debe leer y comprender el manual de usuario de la batería y el cargador de batería.

Mantenga la batería y el cargador de batería en lugares con una temperatura ambiente adecuada.

	Temperatura ambiente
Funcionamiento de la batería	5 °C-40 °C/41 °F-104 °F
Carga de la batería	5 °C-40 °C/41 °F-104 °F

Estado de la batería

El display muestra el estado de carga y si hay algún problema con la batería.

(Fig. 59)

5. Tire del enchufe o del conector para desconectar el cargador de batería de la toma de corriente. No tire del cable de alimentación.
6. Retire la batería del cargador.

Información sobre reculada



ADVERTENCIA: La reculada puede ocasionar lesiones graves o mortales tanto al operador como a cualquier otra persona. Para reducir el riesgo, debe conocer las causas de la reculada y cómo evitarlas.

La reculada se produce cuando la zona de riesgo de reculada de la espada toca un objeto. Una reculada puede producirse de forma repentina y violenta; esta situación lanza el producto contra el operador.

(Fig. 36)

La reculada sigue siempre el sentido del plano de la espada. Por lo general, el producto sale despedido contra el operador, pero también puede moverse en cualquier otra dirección. La dirección dependerá de la

manera en la que esté usando el producto cuando se produzca la reculada.

(Fig. 62)

La reculada solo puede producirse cuando la zona de riesgo de reculada de la espada toca un objeto. No permita que el sector de riesgo de reculada entre en contacto con ningún objeto.

(Fig. 36)

Cuanto menor es el radio de la punta de la espada, menor es la violencia de la reculada.

Para reducir los efectos de la reculada, utilice una cadena de sierra de reculada reducida. No permita que el sector de riesgo de reculada entre en contacto con ningún objeto.



ADVERTENCIA: No existe ninguna cadena de sierra que evite por completo la reculada. Cumpla siempre las instrucciones.

Preguntas frecuentes acerca de las reculadas

• ¿Podré activar siempre con la mano el freno de cadena en caso de reculada?

No. Es necesario ejercer algo de fuerza para mover la protección contra reculadas hacia delante. Si no ejerce la fuerza necesaria, el freno de cadena no se activará. Además, debe sujetar firmemente los mangos del producto con ambas manos mientras trabaja. En caso de reculada, es posible que el freno de cadena no detenga la cadena de sierra antes de entrar en contacto con usted. Además, hay algunas posiciones en las que no puede tocar la protección contra reculadas con la mano para activar el freno de cadena.

• ¿Se activará siempre el freno de cadena por inercia en caso de reculada?

No. En primer lugar, el freno de cadena debe funcionar correctamente. Consulte *Mantenimiento y comprobaciones de los dispositivos de seguridad del producto en la página 201* para obtener instrucciones sobre cómo comprobar el freno de cadena. Le recomendamos que lleve esto a cabo cada vez que vaya a utilizar el producto. En segundo lugar, la reculada debe tener la fuerza suficiente para activar el freno de cadena. Si el freno de cadena fuera demasiado sensible, podría activarse al trabajar en condiciones difíciles.

• ¿Me protegerá siempre el freno de cadena contra daños si se produce una reculada?

No. El freno de cadena debe funcionar correctamente para ofrecer protección. El freno de cadena debe activarse también al producirse una reculada para detener la cadena de sierra. Si se encuentra cerca de la espada, es posible que el freno de cadena no tenga tiempo suficiente para detener la cadena de sierra antes de entrar en contacto con usted.



ADVERTENCIA: Solo usted y una técnica de trabajo correcta podrán evitar las reculadas.

Puesta en marcha del producto

1. Realice una comprobación del gatillo del acelerador y del bloqueo de dicho gatillo. Consulte *Comprobación del bloqueo del gatillo de alimentación en la página 201*.
2. Active el freno de cadena. (Fig. 63)
3. Coloque la batería en su soporte. (Fig. 64)



PRECAUCIÓN: Compruebe que la batería está instalada correctamente en su soporte. Si la batería no entra con facilidad al introducirla en el soporte, la posición no es la correcta.

4. Presione la parte inferior de la batería hasta que oiga un clic. (Fig. 65)
5. Mantenga pulsado el botón de arranque/parada hasta que el LED verde se encienda. (Fig. 66)

Para usar la función SavE

La función SavE reduce la velocidad de la cadena y la potencia del producto.

1. Pulse el botón SavE. El LED verde se enciende.
2. Pulse de nuevo el botón SavE para desactivar la función. El LED verde se apagará. (Fig. 67)

Parada del producto

1. Pulse el botón de arranque/parada hasta que el LED verde se apague. (Fig. 66)
2. Presione los botones de desenganche de la batería y retire la batería de su soporte para evitar un arranque inesperado. (Fig. 68)

Cadena tirante y cadena impelente

El producto permite cortar madera en 2 posiciones diferentes.

- Cuando se corta con cadena tirante, el corte se efectúa con la parte inferior de la espada. La cadena de sierra tira a través del árbol para cortar. Esta posición permite un control óptimo del producto y del sector de riesgo de reculada.

(Fig. 69)

- Cuando se corta con cadena impelente, el corte se efectúa con la parte superior de la espada. La cadena de sierra empujará el producto en la dirección del operador.

(Fig. 70)



ADVERTENCIA: Si la cadena de sierra se atasca en el tronco, la motosierra puede salir despedida hacia usted. Sujete bien el producto y asegúrese de que la zona de riesgo de reculada de la espada no toque el árbol para evitar la reculada.

(Fig. 71)

Uso de la técnica de corte



ADVERTENCIA: Al cortar, acelere al máximo; una vez que finalice el corte, reduzca la velocidad hasta llegar a ralentí.



PRECAUCIÓN: No deje el motor funcionando durante demasiado tiempo sin carga. Esto puede provocar daños en el motor.

1. Ponga el tronco en un soporte o guía para serrar. (Fig. 72)



ADVERTENCIA: No corte troncos amontonados. Esto aumenta el riesgo de reculada y puede provocar lesiones graves o mortales.

2. Aparte los trozos cortados de la zona de trabajo.



ADVERTENCIA: Mantener los trozos cortados en la zona de trabajo aumenta el riesgo de reculada y puede dificultar el equilibrio.

Uso del apoyo de corteza

1. Empuje el apoyo de corteza en el tronco del árbol.
2. Aplique una potencia máxima y gire el producto. Mantenga el apoyo de corteza apoyado contra el tronco. Este proceso hace que sea más sencillo aplicar la fuerza necesaria para cortar el tronco. (Fig. 73)

Corte de un tronco en el suelo

1. Corte el tronco con la cadena tirante. Haga funcionar el producto a máxima velocidad pero prepárese para cualquier evento repentino. (Fig. 74)



ADVERTENCIA: Compruebe que la cadena de sierra no entra en contacto con el suelo al completar el corte.

2. Corte aproximadamente $\frac{2}{3}$ del tronco y deténgase. Gire el tronco para cortar desde el otro lado. (Fig. 75)

Corte de un tronco apoyado en uno de los extremos



ADVERTENCIA: Compruebe que el tronco no se rompa durante el corte. Respete las siguientes instrucciones.

(Fig. 76)

1. Corte con la cadena impelente aproximadamente $\frac{1}{3}$ del tronco.
2. Utilice la técnica de cadena tirante para cortar el tronco hasta que los dos cortes entren en contacto. (Fig. 77)

Corte de un tronco apoyado en ambos extremos



ADVERTENCIA: Asegúrese de que la cadena de sierra no se quede atrapada en el tronco durante el corte. Respete las siguientes instrucciones.

(Fig. 78)

1. Corte con la cadena tirante aproximadamente $\frac{1}{3}$ del tronco.
2. Utilice la técnica de cadena impelente para cortar el resto del tronco hasta completar el corte. (Fig. 79)



ADVERTENCIA: Detenga el motor si la cadena de sierra se atasca en el tronco. Para soltar el producto, utilice una palanca. No intente sacar el producto con la mano. La caída repentina del producto puede provocar lesiones.

Uso de la técnica de desramado

Nota: Para cortar ramas gruesas, use esta técnica de corte. Consulte la sección *Uso de la técnica de corte en la página 197*.



ADVERTENCIA: Hay un gran riesgo de accidentes al usar la técnica de desramado. Consulte *Información sobre reculada en la página 195* para obtener instrucciones sobre cómo evitar la reculada.



ADVERTENCIA: Corte las ramas una a una. Tenga cuidado al retirar las ramas pequeñas y no corte arbustos ni varias ramas pequeñas a la vez. Las ramas pequeñas pueden quedarse atrapadas en la cadena de sierra e impedir el funcionamiento seguro del producto.

Nota: Si es necesario, corte las ramas por partes. Corte las ramas más pequeñas (A) y (B) antes de cortar la rama cerca del tronco (C).

(Fig. 80)

1. Retire las ramas del lado derecho del tronco.
 - a) Mantenga la espada a la derecha del tronco y el cuerpo del producto contra el tronco.
 - b) Seleccione la técnica de corte adecuada según la tensión de la rama. (Fig. 81)



ADVERTENCIA: Si tiene dudas sobre cómo cortar la rama, hable con un operario profesional de motosierras antes de continuar.

2. Retire las ramas de la parte superior del tronco.
 - a) Mantenga el producto en el tronco y deje que la espada se mueva a lo largo del mismo.
 - b) Corte con la cadena impelente. (Fig. 82)
3. Retire las ramas del lado izquierdo del tronco.
 - a) Seleccione la técnica de corte adecuada según la tensión de la rama. (Fig. 83)



ADVERTENCIA: Si tiene dudas sobre cómo cortar la rama, hable con un operario profesional de motosierras antes de continuar.

Consulte *Corte de árboles y ramas tensos en la página 200* para ver las instrucciones sobre cómo cortar ramas sometidas a tensión.

Uso de la técnica de tala



ADVERTENCIA: Debe tener experiencia para talar un árbol. Si es posible, haga un curso de formación sobre el funcionamiento de la motosierra. Hablar con un operario experimentado para adquirir más conocimientos.

Mantenimiento de una distancia de seguridad

1. Asegúrese de que las personas que se encuentren cerca guarden una distancia mínima equivalente a 2 veces y media la longitud del árbol. (Fig. 84)
2. Asegúrese de que no haya nadie en esta zona de riesgo antes de la tala o durante la misma. (Fig. 85)

Cálculo de la dirección de derribo

1. Determine hacia qué dirección debe caer el árbol. El objetivo es que caiga en un lugar donde pueda desramarlo y cortar el tronco con facilidad. También es importante que cuente con un buen equilibrio y pueda moverse de forma segura.



ADVERTENCIA: Si es peligroso o imposible talar un árbol en su dirección natural, hágalo en una dirección diferente.

2. Examine la dirección de caída natural del árbol. Observe aspectos tales como la inclinación y la curvatura del árbol, la dirección del viento, la ubicación de las ramas y el peso de la nieve.
3. Examine si hay obstáculos, por ejemplo, otros árboles, tendidos eléctricos, carreteras y/o edificios alrededor.
4. Examine el tronco para verificar si está dañado o podrido.



ADVERTENCIA: Si el tronco está podrido, el árbol podría caer antes de finalizar el corte.

5. Asegúrese de que el árbol no esté dañado ni tenga ramas muertas que puedan romperse y golpearle al derribarlo.
6. Evite que el árbol caiga sobre la copa de otro árbol. Es peligroso retirar un árbol atascado y hay un elevado riesgo de accidente. Consulte la sección *Liberación de un árbol atascado en la página 199*. (Fig. 86)



ADVERTENCIA: En momentos críticos de la tala, levántese los protectores auriculares nada más terminar el corte. Debe estar atento a cualquier sonido o señal de advertencia.

Limpieza del tronco y preparación del camino de retirada

Corte todas las ramas desde la altura de sus hombros hacia abajo.

1. Corte con la cadena tirante de arriba abajo. Compruebe que el árbol se encuentre entre usted y el producto. (Fig. 87)
2. Elimine la vegetación de la zona de trabajo alrededor del árbol. Retire todos los materiales cortados de la zona de trabajo.
3. Revise la zona para comprobar si hay obstáculos como piedras, ramas y agujeros. Debe disponer de un camino de retirada despejado para abandonar la zona cuando el árbol empiece a caer. El camino de retirada debe estar a unos 135 grados de la dirección de derribo.

1. Zona de peligro
2. Camino de retirada
3. Dirección de derribo

(Fig. 88)

Para talar un árbol

Husqvarna recomienda hacer cortes de dirección y seguir el método de esquina segura al talar un árbol. El método de esquina segura le ayuda a conseguir una faja de desgaje correcta y a controlar la dirección de derribo.



ADVERTENCIA: No tale árboles con un diámetro más de dos veces superior a la longitud de la espada. Para ello, debe contar con una formación especial.

La faja de desgaje

El procedimiento más importante al talar un árbol es conseguir la faja de desgaje correcta. Con una faja de desgaje correcta, puede controlar la dirección de derribo y garantizar la seguridad del procedimiento.

El grosor de la faja de desgaje debe ser igual y como mínimo el 10 % del diámetro del árbol.



ADVERTENCIA: Si la faja de desgaje es incorrecta o demasiado delgada, no podrá controlar la dirección de derribo.

(Fig. 89)

Realización de cortes direccionales

1. Realice los cortes direccionales. Realice los cortes direccionales con una profundidad igual a 1/4 del diámetro del árbol. Debe existir un ángulo de 45° entre los cortes superior e inferior.
 - a) Realice primero el corte superior. Alinee la marca de dirección de derribo (A) del producto con la dirección de derribo del árbol (B). Sitúese detrás del producto y colóquese de tal forma que el árbol esté a su derecha. Efectúe un corte con cadena tirante.
 - b) Realice el corte inferior. Asegúrese de que el final del corte inferior se encuentre en el mismo punto que el extremo del corte superior. (Fig. 90)
2. Asegúrese de que la línea de corte direccional sea completamente horizontal y forme un ángulo recto (90°) con respecto a la dirección de derribo. La línea de corte direccional pasa por el punto en el que se tocan los dos cortes direccionales. (Fig. 91)

Uso del método de esquina segura

El corte de derribo se debe hacer ligeramente por encima del corte de indicación.

(Fig. 92)



ADVERTENCIA: Tenga cuidado al cortar con la punta de la espada. Empiece a cortar con la parte inferior de la punta de

la espada conforme hace un corte de cala en el tronco.

(Fig. 93)

1. Si la longitud efectiva de corte supera el diámetro del árbol, siga estos pasos (a-d).
 - a) Haga un corte de cala directamente en el tronco para completar la anchura de la faja de desgaje. (Fig. 94)
 - b) Corte con la cadena tirante aproximadamente hasta que quede 1/5 del tronco.
 - c) Tire de la espada 5-10 cm (2-4 pulg.) hacia atrás.
 - d) Corte el resto del tronco hasta completar una esquina segura con una anchura de 5-10 cm (2-4 pulg.). (Fig. 95)
2. Si la longitud efectiva de corte es menor que el diámetro del árbol, siga estos pasos (a-d).
 - a) Haga un corte de cala directamente en el tronco. El corte de cala debe abarcar 3/5 del diámetro del árbol.
 - b) Corte con la cadena tirante el resto del tronco. (Fig. 96)
 - c) Corte directamente el tronco desde el otro lado del árbol para completar la faja de desgaje.
 - d) Corte con la cadena impelente hasta que quede 1/5 del tronco para completar la esquina segura. (Fig. 97)
3. Ponga una cuña en el corte en posición recta desde atrás. (Fig. 98)
4. Corte la esquina para que el árbol caiga.

Nota: Si el árbol no se cae, golpee la cuña hasta que lo haga.

5. Cuando el árbol empiece a caer, use el camino de retirada para alejarse del árbol. Aléjese un mínimo de 5 m (15 pies) del árbol.

Liberación de un árbol atascado



ADVERTENCIA: Es muy peligroso retirar un árbol atascado y hay un elevado riesgo de accidente. Aléjese de la zona de riesgo y no intente derribar un árbol atascado.

(Fig. 99)

Lo más seguro es usar uno de los cabrestantes siguientes:

- Montado en un tractor

(Fig. 100)

- Portátil

(Fig. 101)

Corte de árboles y ramas tensos

1. Determine el punto del árbol o la rama que se encuentra tenso.
2. Determine el punto donde la tensión es más elevada. (Fig. 102)
3. Determine cuál es el procedimiento más seguro para aliviar la tensión.

Nota: En algunas situaciones, lo más seguro es usar un cabrestante en lugar del producto.

4. Sitúese en un lugar donde el árbol o la rama no puedan golpearle cuando la tensión disminuya. (Fig. 103)
5. Haga uno o varios cortes con una profundidad suficiente para aliviar la tensión. Efectúe un corte en el punto de tensión máxima o cerca del mismo. Asegúrese de que el árbol o la rama se rompan en el punto de tensión máxima. (Fig. 104)



ADVERTENCIA: No corte del todo un árbol o rama en tensión.



ADVERTENCIA: Tenga mucho cuidado al cortar un árbol en tensión. El árbol podría moverse bruscamente antes o después de cortarlo. Si no se encuentra en un lugar adecuado o si realiza el corte de manera incorrecta, puede sufrir lesiones graves.

6. Si necesita cortar a través del árbol o rama, efectúe de 2 a 3 cortes de 2,5 cm (1 pulg) de separación y una profundidad de 5 cm (2 pulg). (Fig. 105)
7. Siga cortando el árbol hasta que la rama o el árbol se doblen y la tensión disminuya. (Fig. 106)
8. Corte el árbol o la rama en el lado opuesto de la curvatura una vez que se haya reducido la tensión.

Mantenimiento

Introducción



ADVERTENCIA: Asegúrese de leer y comprender el capítulo sobre seguridad antes de realizar tareas de mantenimiento en el producto.

A continuación incluimos una lista con los pasos de mantenimiento que hay que efectuar en el producto. Consulte el apartado *Mantenimiento en la página 200* para obtener más información.

Programa de mantenimiento



ADVERTENCIA: Extraiga la batería antes de realizar tareas de mantenimiento.

Mantenimiento	Antes del uso	Semanal	Mensualmente
Inspeccione los componentes externos del producto.	X		
Por seguridad, asegúrese de que el gatillo de alimentación y su bloqueo funcionan correctamente.	X		
Limpie el freno de cadena y compruebe que funcione de manera segura. Asegúrese de que el captor de cadena no esté dañado. Realice la sustitución si es necesario.	X		
Dé la vuelta a la espada para que se desgaste de manera uniforme. Asegúrese de que el orificio de lubricación de la espada no esté obstruido. Limpie la guía de la cadena.	X		
Asegúrese de que ni los dientes de corte ni su protección presenten grietas y no estén dañados. Cambie los dientes de corte o su protección si presentan grietas o si han sufrido golpes.	X		
Asegúrese de que la espada y la cadena de sierra tienen suficiente aceite.	X		

Mantenimiento	Antes del uso	Semanal	Mensualmente
Realice una comprobación de la cadena de sierra. Compruebe si hay grietas y asegúrese de que la cadena de sierra no esté rígida ni presente un desgaste anómalo. Sustituya si es necesario.	X		
Afile la cadena de sierra. Compruebe la tensión y su estado. Realice una comprobación del desgaste del piñón de arrastre y cámbielo si es necesario.	X		
Limpie la toma de aire del producto.	X		
Asegúrese de que los tornillos y las tuercas están bien apretados.	X		
Asegúrese de que el teclado funcione correctamente y no esté dañado.	X		
Lime las rebabas en los bordes de la espada.		X	
Realice una comprobación de las conexiones entre la batería y el producto. Realice una comprobación de la conexión entre la batería y el cargador de batería.			X
Vacíe y limpie el depósito de aceite.			X
Aplique cuidadosamente aire comprimido al producto y a las ranuras de refrigeración de la batería.			X

Mantenimiento y comprobaciones de los dispositivos de seguridad del producto

Comprobación de la protección contra reculadas

Compruebe con frecuencia la protección contra reculadas y la activación del freno de cadena por inercia.

1. Asegúrese de que la protección contra reculadas no presente daños, como grietas. (Fig. 107)
2. Asegúrese de que la protección contra reculadas se mueve con facilidad y que está fijada de forma segura al producto. (Fig. 108)
3. Colóquese con el producto, con el motor apagado, sobre un tocón o cualquier otra superficie estable.
4. Sujete el asa trasera y suelte el asa delantera. Deje que el producto caiga contra el tocón. (Fig. 109)
5. Asegúrese de que el freno de cadena se acopla cuando la espada golpee el tocón.

Comprobación del efecto de frenado

1. Ponga el producto en una superficie estable y arránquelo. Consulte *Funcionamiento en la página 194*.



ADVERTENCIA: Asegúrese de que la cadena de sierra no entre en contacto con el suelo u otros objetos.

2. Sujete bien los mangos con todos los dedos para sostener el producto firmemente. (Fig. 110)

3. Acelere al máximo e incline la muñeca izquierda hacia la protección contra reculadas para activar el freno de cadena. La cadena de sierra debe detenerse inmediatamente. (Fig. 111)



ADVERTENCIA: No suelte el mango delantero.

Comprobación del bloqueo del gatillo de alimentación

1. Compruebe que el gatillo de alimentación y el bloqueo de dicho gatillo se mueven sin problemas y que el muelle de retorno funciona correctamente. (Fig. 112)
2. Empuje el bloqueo del gatillo de alimentación hacia delante (A) y hacia abajo (B). Sujete el bloqueo del gatillo de alimentación contra el asa y asegúrese de que vuelva a su posición inicial al soltarlo. (Fig. 113)
3. Asegúrese de que el gatillo de alimentación se bloquea en la posición de ralentí cuando el bloqueo se suelta. (Fig. 114)
4. Ponga en marcha el producto y acelere al máximo.
5. Suelte el gatillo de alimentación y compruebe que la cadena de sierra se para y permanece inmóvil.



ADVERTENCIA: Si la cadena gira cuando el gatillo de alimentación está en posición de ralentí, póngase en contacto con su taller de servicio.

Comprobación del captor de cadena

1. Asegúrese de que no haya daños en el captor de cadena.
2. Asegúrese de que el captor de cadena se encuentre estable y montado en el cuerpo del producto. (Fig. 115)

Comprobación de las funciones de la interfaz de usuario

1. Encienda el producto. Consulte *Puesta en marcha del producto en la página 196*.
2. Mantenga presionado el botón de arranque/parada.
3. Asegúrese de que el producto se detiene y de que el LED verde se apaga. (Fig. 66)

Comprobación de la batería y de su soporte

1. Limpie la batería y su soporte con un cepillo de cerdas suaves.
2. Limpie las ranuras de refrigeración y los conectores de la batería. (Fig. 116)
3. Asegúrese de que la batería no presente fisuras ni desperfectos.

Comprobación del cargador de batería

1. Asegúrese de que el cargador de batería y el cable de alimentación no estén dañados. Compruebe si hay grietas u otros daños. (Fig. 117)

Limpieza del sistema de refrigeración

El sistema de refrigeración mantiene la temperatura del motor baja. El sistema de refrigeración incluye la toma de aire en el lado izquierdo del producto y un ventilador en el motor.

1. Limpie el sistema de refrigeración con un cepillo una vez a la semana o con más frecuencia si es necesario. (Fig. 118)
2. Asegúrese de que el sistema de refrigeración no esté dañado ni obstruido.



PRECAUCIÓN: Un sistema de refrigeración sucio u obstruido puede dar lugar a que el producto se caliente demasiado. Esto provoca daños en el producto.

Para afilar la cadena de sierra

Información sobre la espada y la cadena de sierra



ADVERTENCIA: Use guantes protectores cuando manipule la cadena de sierra o realice tareas de mantenimiento

en ella. La cadena de sierra puede causar lesiones, aunque no se mueva.

Si la espada o la cadena de sierra se desgastan o presentan algún tipo de desperfecto, cámbielas por una combinación de espada y cadena de sierra recomendada por Husqvarna. Esto es necesario para conservar los niveles de seguridad del producto. Consulte *Accesorios en la página 208* para ver una lista de combinaciones recomendadas de espada y cadena de repuesto.

- Longitud de la espada, pulg/cm. La información sobre la longitud de la espada suele encontrarse en la parte posterior de la espada.

(Fig. 119)

- Número de dientes en el cabezal de rueda (T).

(Fig. 120)

- Paso de cadena, pulg. La distancia entre los eslabones de arrastre de la cadena de sierra debe corresponderse con la distancia de los dientes del cabezal de rueda de la espada y del piñón de arrastre.

(Fig. 121)

- Número de eslabones de arrastre (unidades). El número de eslabones de arrastre se determina según el tipo de espada.

(Fig. 122)

- Ancho de la guía de la espada, pulg/mm. El ancho de la guía de la espada debe ser idéntico al ancho de los eslabones de arrastre de la cadena.

(Fig. 123)

- Orificio para aceite de cadena y orificio para pasador tensor de cadena. La espada debe corresponderse con el producto.

(Fig. 124)

- Ancho del eslabón de arrastre, mm/pulg.

(Fig. 125)

Información general sobre cómo afilar los eslabones de corte

No corte con una cadena de sierra roma. Si la cadena de sierra no está afilada, tendrá que ejercer una presión superior para que la espada avance por la madera. Si la cadena de sierra está muy roma, en lugar de virutas se generará polvo de serrín.

Una cadena de sierra afilada avanza por la madera con facilidad y genera virutas largas y gruesas.

El diente de corte (A) y el calibre de profundidad (B) constituyen juntos el componente de corte de la cadena de sierra: el eslabón de corte. La diferencia de altura entre los dos indica la profundidad de corte (ajuste de calibre de profundidad).

(Fig. 126)

Cuando afile un eslabón de corte, piense en lo siguiente:

- Ángulo de afilado.

(Fig. 127)

- Ángulo de corte.

(Fig. 128)

- Posición de la lima.

(Fig. 129)

- Diámetro de la lima redonda.

(Fig. 130)

No es nada fácil afilar correctamente una cadena de sierra sin el equipo adecuado. Utilice el calibrador de afilado Husqvarna recomendado. De esta forma, conseguirá maximizar el rendimiento de corte y minimizar el riesgo de reculada.



ADVERTENCIA: La violencia de la reculada aumenta considerablemente si no se respetan las instrucciones relativas al afilado.

Nota: Consulte *Accesorios en la página 208* para obtener información sobre el afilado de la cadena de sierra.

Afilado de los eslabones de corte

1. Utilice una lima redonda y un calibrador de afilado para afilar los dientes de corte. (Fig. 131)

Nota: Consulte *Accesorios en la página 208* para obtener información sobre la lima y el calibrador que Husqvarna recomienda para su cadena de sierra.

2. Coloque correctamente el calibrador de afilado en el eslabón de corte. Consulte las instrucciones facilitadas con el calibrador de afilado.
3. Mueva la lima desde el interior de los dientes de corte hacia fuera. Reduzca la presión al tirar de la lima. (Fig. 132)
4. Afile un lado de todos los dientes de corte.
5. Dé la vuelta al producto y afile el otro lado.
6. Asegúrese de que todos los dientes de corte tengan la misma longitud.

Información general acerca de cómo regular el ajuste de calibre de profundidad

El ajuste de calibre de profundidad (C) disminuye al afilar los dientes de corte (A). Para conservar un rendimiento de corte máximo, debe afilar el calibre de profundidad (B) para obtener el ajuste de calibre de profundidad recomendado. Consulte *Accesorios en la página 208* para obtener instrucciones sobre cómo obtener el ajuste adecuado de calibre de profundidad para la cadena de sierra.

(Fig. 133)



ADVERTENCIA: Un ajuste de calibre de profundidad excesivo aumenta el riesgo de reculada.

Ajuste del calibre de profundidad

Antes de regular el calibre de profundidad o de afilar los eslabones de corte, consulte *Afilado de los eslabones de corte en la página 203* para obtener instrucciones. Recomendamos regular el ajuste de calibre de profundidad después de tres afilados de la cadena de sierra.

Recomendamos utilizar nuestro calibrador de profundidad para obtener el ajuste de calibre de profundidad y el ángulo del calibre de profundidad correctos.

(Fig. 134)

1. Utilice una lima plana y un calibrador de profundidad para ajustar el calibre de profundidad. Utilice solamente el calibrador de profundidad Husqvarna recomendado para obtener el ajuste de calibre de profundidad y el ángulo del calibre de profundidad adecuados.
2. Ponga el calibrador de profundidad por encima de la cadena de sierra.

Nota: Consulte el embalaje del calibrador de profundidad para obtener más información sobre cómo utilizar la herramienta.

3. Utilice la lima plana para eliminar la parte del calibre de profundidad que sobresalga del calibrador de profundidad. (Fig. 135)

Ajuste de la tensión de la cadena de sierra



ADVERTENCIA: Una cadena de sierra sin la tensión correcta podría soltarse de la espada y causar lesiones graves o la muerte.

Una cadena de sierra se destensa con el uso. Ajuste la cadena de sierra con regularidad. Realice una comprobación de la tensión de la cadena de sierra cada vez que añada aceite para cadena.

Nota: Las cadenas de sierra nuevas requieren un periodo de rodaje durante el que debe controlarse la tensión con mayor frecuencia.

Ajuste de la tensión de la cadena de sierra (con la fijación de la espada)

1. Abra la palanca de la fijación de la espada. (Fig. 136)

2. Gire la fijación hacia la izquierda para soltar la cubierta del piñón de arrastre. (Fig. 137)
3. Gire la rueda de tensado de la cadena para ajustar la tensión de la cadena de sierra. La cadena de sierra debe quedar apretada contra la espada. (Fig. 138)

Nota: Gire la rueda hacia abajo (+) para aumentar la tensión y hacia arriba (-) para disminuirla.

4. Asegúrese de que puede girar la cadena de sierra libremente con la mano y que esta no cuelga de la espada. (Fig. 139)
5. Gire la fijación de la espada hacia la derecha para apretarla. (Fig. 140)
6. Cierre la palanca para fijar la tensión. (Fig. 141)

Ajuste de la tensión de la cadena de sierra (con el tornillo de espada)

1. Afloje la tuerca de la espada que sujeta la cubierta del piñón de arrastre. Utilice la llave combinada. (Fig. 142)
2. Levante la parte delantera de la espada y gire el tornillo de tensado de la cadena. Utilice la llave combinada.
3. Apriete la cadena de sierra hasta que quede apretada contra la espada. (Fig. 143)
4. Apriete la tuerca de la espada con la llave combinada y levante la parte delantera de la espada al mismo tiempo. (Fig. 144)
5. Asegúrese de que puede girar la cadena de sierra libremente con la mano y que esta no cuelga de la espada. (Fig. 139)

Nota: Consulte *Descripción del producto en la página 184* para conocer la posición del tornillo de tensado de la cadena en su producto.

Comprobación de la lubricación de la cadena de sierra

Compruebe la lubricación de la cadena de sierra cada tres cargas de la batería.

1. Arranque el producto y déjelo funcionar a 3/4 de aceleración. Sujete la espada aproximadamente a 20 cm (8 pulg.) por encima de una superficie de color claro.
2. Si la lubricación de la cadena de sierra es adecuada, podrá ver una línea de aceite bien definida en la superficie al cabo de 1 minuto. (Fig. 145)
3. Si la lubricación de la cadena de sierra no es adecuada, efectúe las comprobaciones siguientes.
 - a) Compruebe el canal de aceite de la espada para asegurarse de que no esté obstruido. Limpie si es necesario. (Fig. 146)

- b) Compruebe la ranura en el borde de la espada para asegurarse de que esté limpia. Limpie si es necesario. (Fig. 147)
- c) Asegúrese de que el cabezal de rueda de la espada gire con facilidad y que su orificio de lubricación no esté obstruido. Limpie y lubrique si es necesario. (Fig. 148)

4. Si la lubricación de la cadena de sierra sigue sin ser adecuada tras llevar a cabo los procedimientos anteriores, acuda a su distribuidor.

Comprobación del piñón de arrastre de la cadena

- Examine el piñón de arrastre de la cadena en busca de signos de desgaste. Si fuera necesario, sustituya el piñón de arrastre de la cadena.
- Sustituya el piñón de arrastre de la cadena cada vez que reemplace la cadena de sierra. (Fig. 149)

Inspección del equipo de corte

1. Asegúrese de que no haya grietas en los remaches y eslabones, y que no haya ningún remache flojo. Proceda a la sustitución si es necesario. (Fig. 150)
2. Asegúrese de que la cadena de sierra se doble con facilidad. Sustituya la cadena de sierra si está rígida.
3. Compare la cadena de sierra con una cadena de sierra nueva para determinar si los remaches y eslabones están desgastados.
4. Cambie la cadena de sierra si la parte más larga del diente de corte tiene un tamaño inferior a 4 mm (0,16 pulg.). Asimismo, cambie la cadena de sierra si presenta grietas en los eslabones de corte. (Fig. 151)

Comprobación de la espada

1. Asegúrese de que el canal de aceite no esté obstruido. Si es necesario, proceda con su limpieza. (Fig. 146)
2. Compruebe si se han formado rebabas en los lados de la espada. Lime las rebabas. (Fig. 152)
3. Limpie la ranura de la espada. (Fig. 147)
4. Examine si la ranura de la espada presenta indicios de desgaste. Cambie la espada si es necesario. (Fig. 153)
5. Examine si la punta de la espada está en mal estado o muy desgastada. (Fig. 154)
6. Asegúrese de que el cabezal de rueda de la espada gire con facilidad y que su orificio de lubricación no esté obstruido. Limpie y lubrique si es necesario. (Fig. 148)
7. Gire la espada todos los días para prolongar su vida útil. (Fig. 155)

Resolución de problemas

Interfaz de usuario

Display LED	Posibles errores	Solución posible
El indicador de advertencia parpadea.	El freno de cadena está activado.	Desactive el freno de cadena.
	Desviación de la temperatura.	Deje que el producto se enfríe.
	Sobrecarga. La cadena de sierra no se puede mover.	Suelte la cadena de sierra.
	Se han pulsado a la vez el gatillo de alimentación y el botón de arranque/parada.	Suelte el gatillo de alimentación para activar el producto.
LED naranja de activación parpadeando.	Tensión de la batería baja.	Cargue la batería.
El indicador de advertencia está encendido.	Servicio.	Acuda a su taller de servicio autorizado.

Batería

Display LED	Posibles errores	Solución posible
El LED verde parpadea.	Tensión de la batería baja.	Cargue la batería.
El LED de error parpadea.	Desviación de la temperatura.	Utilice la batería con temperaturas entre -10 °C (14 °F) y 40 °C (104 °F).
	Hay demasiada tensión.	Asegúrese de que la tensión de la red eléctrica se corresponde con la del producto. Consulte la placa de características técnicas del producto.
		Retire la batería del cargador.
El LED de error se enciende	Hay demasiada diferencia entre las celdas (1 V).	Acuda a su taller de servicio.

Cargador de batería

Estado	Posibles errores	Procedimiento posible
El LED de carga se enciende en rojo.	Error del cargador de batería.	Póngase en contacto con su distribuidor.
El LED de carga parpadea en verde.	Desviación de la temperatura; la batería está demasiado fría o demasiado caliente para utilizarla o cargarla.	Deje que la batería se enfríe o se caliente. Cuando la batería tenga la temperatura correcta, podrá usarse o cargarse. Utilice el cargador de batería a temperaturas ambiente entre 5 °C y 40 °C (41 °F y 104 °F).
El LED de carga parpadea en rojo.	Batería defectuosa.	Póngase en contacto con su distribuidor.

Transporte, almacenamiento y eliminación

Transporte y almacenamiento

- Las baterías de iones de litio incluidas están sujetas a los requisitos de la normativa sobre mercancías peligrosas.
- Siga el requisito especial indicado en el paquete y en las etiquetas para el transporte comercial, incluso por terceros y agentes de transporte.
- Hable con alguien con formación especial en materiales peligrosos antes de enviar el producto. Respete todas las normativas nacionales.
- Cubra con cinta los contactos abiertos cuando ponga la batería en un paquete. Embale bien la batería en el paquete para evitar que se mueva.
- Extraiga la batería si va a guardar o transportar el producto.
- Coloque la batería y el cargador en un lugar seco y protegido de la humedad y las heladas.
- No almacene la batería en lugares donde pueda generarse electricidad estática. No guarde la batería en una caja metálica.
- Guarde la batería a una temperatura de entre 5 °C (41 °F) y 25 °C (77 °F), y protegida de la luz directa del sol.
- Guarde el cargador de la batería a una temperatura de entre 5 °C (41 °F) y 45 °C (113 °F), y protegido de la luz directa del sol.
- Utilice el cargador de la batería solo cuando la temperatura ambiente oscile entre 5 °C (41 °F) y 40 °C (104 °F).
- Cargar la batería entre el 30 % y el 50 % antes de guardarla durante periodos de tiempo largos.

- Guarde el cargador de la batería en un espacio cerrado y seco.
- Cuando guarde la batería, manténgala alejada del cargador. No permita que los niños ni otras personas no autorizadas toquen el equipo. Guarde el equipo en un lugar que pueda cerrarse con llave.
- Limpie el producto y realice un mantenimiento completo antes de guardarlo durante un periodo de tiempo prolongado.
- Utilice la protección de transporte del producto para evitar lesiones o daños en el producto durante el transporte y almacenamiento.
- Fije el producto firmemente durante el transporte.

Desecho de la batería, el cargador y el producto

El siguiente símbolo significa que el producto no puede desecharse con los residuos domésticos. Reciclelos en un centro de reciclaje para equipos eléctricos y electrónicos. Esto ayudará a evitar daños al medioambiente y a las personas.

Consulte a las autoridades locales, el servicio de recogida de residuos domésticos o a su distribuidor para obtener más información.

(Fig. 24)

Nota: El símbolo aparece en el producto o el paquete del producto.

Datos técnicos

Datos técnicos

	225i
Motor	
Tipo	BLDC (sin escobillas) 36 V
Características	
Modo de bajo consumo	Botón SavE
Sistema de lubricación	
Tipo de bomba de aceite	Automática
Capacidad del depósito de aceite, ml/cm ³	0,2/200
Peso	
Motosierra sin batería, espada ni cadena de sierra, y con el depósito de aceite para cadena vacío, kg	3,1
Emisiones de ruido ²⁶	
Nivel de potencia acústica medida, dB(A)	97
Nivel de potencia acústica garantizado L _{WA} dB(A)	100
Niveles acústicos ²⁷	
Nivel de presión sonora en el oído del usuario, medido conforme a EN 62841-1	89
Niveles de vibración ²⁸	
Asa delantera, m/s ²	3,9
Asa trasera, m/s ²	3,9
Cadena de sierra/espada	
Longitudes de espada recomendadas, pulg/cm	12-14/30,5-35,6
Longitud efectiva de corte, pulg/cm	11-13/27-33,2
Tipo de piñón de arrastre/número de dientes	Spur/6
Velocidad máxima de la cadena en modo normal, m/s	11,8

²⁶ Las emisiones sonoras en el entorno medidas como potencia acústica (L_{wa}) de conformidad con la Directiva 2000/14/CE y EN ISO 22868 de la CE, tienen una dispersión estadística típica (desviación estándar) de 3 dB(A).

²⁷ Los datos referidos al nivel de presión sonora de la máquina tienen una dispersión estadística típica (desviación estándar) de 3 dB(A).

²⁸ Nivel de vibración conforme a EN 62841-4-1. Los datos referidos del nivel de vibración tienen una dispersión estadística típica (desviación estándar) de $\pm 1,5$ m/s². Lecturas de vibración cuando la máquina está equipada con una longitud de espada y un tipo de cadena recomendados. Si la máquina está equipada con una espada de diferente longitud, el nivel de vibración puede variar aproximadamente $\pm 1,5$ m/s².

	225i
Velocidad máxima de la cadena en modo SavE, m/s	9,4

Accesorios

Combinaciones de espada y cadena de sierra



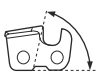


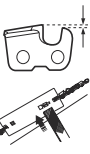
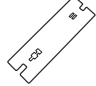



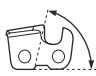



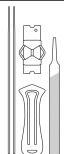

Los siguientes equipos de corte están homologados para la Husqvarna 225i.

Espada					Cadena de sierra	
Tipo	Longitud, pulg.	Paso de cadena, pulg	Galga, mm	Radio máx. de la punta	Tipo	Longitud, eslabones de arrastre (n.º)
501959545	12	3/8" mini	1,1	7 dientes	Husqvarna H38 (581808145)	45
501959552	14	3/8" mini	1,1	7 dientes	Husqvarna H38 (581807952)	52

Equipo de afilado y ángulos de afilado

Utilice un calibrador de afilado Husqvarna para afilar la cadena de sierra. Un calibrador de afilado Husqvarna garantiza la obtención de los ángulos de afilado correctos. En la tabla siguiente se indican las referencias.

Si no está seguro de cómo identificar qué cadena de sierra tiene en su motosierra, visite www.husqvarna.com para obtener más información.

							
38	11/64 pulg./4,5 mm	75°	30°	0°	0,025 pulg./0,65 mm	505 69 81-03	579 55 88-01
							
93	5/32 pulg./4,0 mm	60°	30°	0°	0,025 pulg./0,65 mm	596 63 89-01	596 63 89-01

Baterías homologadas

Batería	40-B140
Tipo	iones de litio
Capacidad de la batería, Ah	4
Tensión nominal, V	36
Peso, kg	1.25

Cargadores de baterías homologados para el producto

Cargador de batería	40-C80
Tensión de red, V	100-240
Frecuencia, Hz	50-60
Potencia, W	72
Tensión de salida, V CC/ Amperaje, A	43/1,6

Declaración de conformidad

Declaración de conformidad CE

Husqvarna AB, SE-561 82 Huskvarna (Suecia),
telf.: +46-36-146500, declara bajo su exclusiva
responsabilidad que el producto:

Descripción	Motosierras a batería
Marca	Husqvarna
Tipo/Modelo	225i
Identificación	Números de serie a partir del año 2023

Cumple las siguientes directivas y normas de la UE:

Directiva/Norma	Descripción
2006/42/CE	"relativa a las máquinas"
2014/30/UE	"relativa a la compatibilidad electromagnética"
2011/65/UE	"relativa a restricciones de utilización de determinadas sustancias peligrosas en aparatos eléctricos y electrónicos"
2000/14/CE	"relativa a las emisiones sonoras en el entorno"

Se han aplicado las normas siguientes: EN
62841-1:2015+A11:2022, EN 62841-4-1:2020, EN
IEC 63000:2018, EN IEC 55014-1:2021, EN IEC
55014-2:2021.

Organismo notificado: TÜV Rheinland LGA Products
GmbH, Tillystrasse 2, D-90431 Nuernberg, Germany,
0197., ha efectuado el examen de tipo CE conforme
a la Directiva relativa a las máquinas (2006/42/CE),
artículo 12, cláusula 3b. El certificado tiene el número:
BM 50604678 0001.

La motosierra suministrada es conforme con la muestra
que se sometió al examen de tipo CE.

Conforme con la directiva 2000/14/CE, Anexo V;
consulte *Datos técnicos en la página 207* para conocer
los valores de sonido declarados.

Huskvarna, 2023-10-30



Claes Losdal, director de I+D de Husqvarna AB

Responsable de la documentación técnica



Sisukord

Sissejuhatus.....	211	Veaotsing.....	229
Ohutus.....	212	Transportimine, hoiulepanek ja utiliseerimine.....	230
Kokkupanek.....	219	Tehnilised andmed.....	231
Töö.....	220	Lisavarustus.....	232
Hooldamine.....	225	Vastavusdeklaratsioon.....	234

Sissejuhatus

Kasutusotstarve

See metsatööl kasutatav kettsaag on ette nähtud sellisteks töödeks nagu puude langetamine, laasimine ja järkamine.

Märkus: Riiklikud õigusaktid võivad selle toote kasutamist piirata.

Toote tutvustus

(Joon. 1)

1. Eesmine käekaitse
2. Esikäepide
3. Kasutajaliides
4. Käivitus- ja seiskamisnupp
5. Hoiatus- ja akuindikaator
6. SavE-nupp
7. Tagumine käepide parema käe kaitsega
8. Teavitamis- ja hoiatustähised.
9. Korpus
10. Ketiõli paak
11. Transpordikate
12. Toitelüliti lukustus
13. Toitelüliti
14. Juhtplaadi nupuga veotähiku kate
15. Ketipinguti
16. Ketipüüdja
17. Kooretugi
18. Juhtplaadi otsatähik
19. Saekett
20. Juhtplaat
21. Laadimisoleku näidik
22. Pistik
23. Akulaadija
24. Kombivõti
25. Hoiatusnäidik
26. Nupp, aku olek
27. Aku olek
28. Aku vabastamise nupp
29. Aku
30. Kasutusjuhend
31. Juhtplaadi nupp

Toote kirjeldus

Husqvarna 225i on elektrimootoriga kettsaemudel.

Me teeme pidevalt tööd, et tõsta sinu ohutust ja tõhusust töötamisel. Lisateabe saamiseks võtke ühendust hooldusesindusega.

32. Juhtplaadi poldiga veotähiku kate

Sümbolid tootel

- (Joon. 2) HOIATUS! Toode võib olla ohtlik ja põhjustada kasutaja või kõrvaliste isikute ohtliku kehavigastuse või surma. Olge ettevaatlik ja kasutage toodet õigesti.
- (Joon. 3) Enne seadme kasutamist lugege kasutusjuhend hoolikalt läbi ja veenduge, et olete juhistest aru saanud.
- (Joon. 4) Kandke heakskiidetud kaitsekiivrit, kõrvaklappe ja kaitseprille.
- (Joon. 5) Seadme kasutamise ajal kasutage kaht kätt.
- (Joon. 6) Ärge kasutage toodet ainult ühe käega hoides.
- (Joon. 7) Ärge laske juhtplaadi otsal puutuda vastu objekti.
- (Joon. 8) Ärge kasutage vihmas.
- (Joon. 9) Hoiatus! Kui juhtplaadi ots puutub millegi vastu, võib tagajärjeks olla tagasiviskumine. Selle käigus viskub juhtplaat kasutaja suunas. See võib põhjustada raske kehavigastuse või surma.
- (Joon. 10) Nimipinge, V

- (Joon. 11) Ketipiili.
- (Joon. 12) Saeketi pöörlemisuund ja juhtplaadi maksimaalne pikkus.
- (Joon. 13) Alalisvool.
- (Joon. 14) **Keskkonnamärgis.** Toode või toote pakend ei kuulu olmejäätmete hulka. Toimetage see elektri- ja elektroonikajäätmete vastuvõtupunkti.
- (Joon. 15) See toode vastab kehtivatele EÜ direktiividele.
- (Joon. 16) See toode vastab kehtivatele ÜK eeskirjadele.
- (Joon. 17) Välistingimustes kasutatavate seadmete müratase vastab Euroopa direktiivi 2000/14/EÜ ja Uus Lõuna-Walesi seaduse „Protection of the Environment Operations (Noise control) Regulation 2017“ nõuetele. Toote garanteeritud helivõimsuse taseme andmed leiate jaotisest *Tehnilised andmed lk 231* ja sildil.
- (Joon. 21) Ketipidur, rakendatud (eesmine). Ketipidur, vabastatud (tagumine).
- (Joon. 22) Keti suund.
- (Joon. 23) Andmesildile on märgitud seerianumber. **aaaa** on tootmisaasta, **nn** on tootmisnädal.

Märkus: Ülejäänud seadmel toodud sümbolid/ tähised vastavad teatud riikides kehtivatele sertifitseerimisnõuetele.

Akul ja/või akulaadijal olevad sümbolid.

- (Joon. 24) Toimetage seade elektri- ja elektroonikajäätmete ringlussevõtukeskusesse. (Kehtib vaid Euroopas)
- (Joon. 18) Tõrkekindel trafo.
- (Joon. 19) Kasutage ja hoiustage akulaadijat ainult siseruumides.
- (Joon. 20) Topeltisolatsioon.

Tootja

Husqvarna AB

Drottninggatan 2, SE-561 82, Huskvarna, Sweden, tel: +46-36-146500

Toote kahjustused

Me ei vastuta meie tootele tekitatud kahjude eest, kui:

- toodet on valesti parandatud;
- toote parandamisel on kasutatud osi, mis ei ole tootja poolt valmistatud või heaks kiidetud;
- tootel on kasutatud tarvikut, mis ei ole tootja poolt valmistatud või heaks kiidetud;
- toodet ei ole parandatud volitatud hoolduskeskuses või volitatud isiku poolt.

Ohutus

Ohutuse määratlused

Mõistetega „hoiatus“, „ettevaatust“ ja „märkus“ juhitakse tähelepanu eriti olulistele kohtadele kasutusjuhendis.



HOIATUS: Tähistab kasutusjuhendi juhiste eiramise korral kasutaja või kõrvalseisjate kehavigastuse või surmaga lõppeva õnnetuse ohtu.



ETTEVAATUST: Tähistab kasutusjuhendi juhiste eiramise korral seadme, muude esemete või läheduses asuvate objektide kahjustamise ohtu.

Märkus: Tähistab antud olukorras vajalikku lisateavet.

Üldised ohutusalased märkused elektritööriistade kohta



HOIATUS: Lugege läbi kõik elektrilise tööriistaga kaasas olevad hoiatused, juhised, tehnilised andmed ning tutvuge joonistega. Alltoodud juhiste eiramine võib põhjustada elektrilöögi, tulekahju ja/või ohtliku kehavigastuse.

- **Hoidke kõik ohutusalased märkused ja juhised edasiseks kasutamiseks alles.** Märkustes kasutatud

elektritööriista mõiste tähistab võrgutoitel (juhtmega) elektritööriista või akutoitel (juhtmata) elektritööriista.

Tööala ohutus

- **Hoidke tööala puhas ja tagage hea valgustus.** Segamini või hämarad alad on õnnetusealid.
- **Ärge kasutage elektritööriista plahvatusohtlikus keskkonnas, näiteks tuleohtlike vedelike, gaaside või tolmu läheduses.** Elektritööriistad võivad tekitada sädemeid, mis võivad tolmu või gaasid süüdata.
- **Hoidke elektritööriista kasutamise ajal lapsed ja kõrvalseisjad tööalast eemal.** Tähelepanu hajumine võib põhjustada kontrolli kaotamist.

Elektriohutus

- Elektritööriista pistikud peavad sobima pistikupesasse. Ärge muutke pistikut mis tahes viisil. Ärge kasutage maandusega elektritööriistade puhul adapterpistikuid. Muutmata pistikud ja sobivad pistikupesad vähendavad elektrilöögi ohtu.
- Väldi kehalist kokkupuudet maandatud pindadega (nt torud, radiaatorid, elektripliidid ja külmikud). Keha maandamise korral on elektrilöögi oht suurem.
- Välitge elektritööriistade kokkupuudet vihma ja märgade tingimustega. Tööriista pääsenud vesi suurendab elektrilöögi saamise ohtu.
- Kasutage juhete õigesti. Ära kunagi kasuta juhete elektritööriista kandmiseks, tõmbamiseks või pistikupesast eemaldamiseks. Kaitske juhete kuumuse, õli, teravate servade ja liikuvate osade eest. Kahjustatud või sõlmes juhte suurendab elektrilöögi ohtu.
- Elektritööriistaga õues töötamisel kasuta välitingimustes kasutamiseks sobivat pikendusjuhet. Välitingimustes kasutamiseks sobiva pikendusjuhtme kasutamine vähendab elektrilöögi ohtu.
- Kui elektritööriista kasutamine niiskes keskkonnas on vältimatu, kasutage rikkevoolukaitsmega (RCD) kaitsud toidet. RCD kasutamine vähendab elektrilöögi ohtu.

Inimeste kaitsmine

- Olge elektritööriista kasutamisel tähelepanelik, jälgige oma tegevust ja kasutage tervet mõistust. Ärge kasutage elektritööriista, kui olete väsinud või uimastite, alkoholi või ravimite mõju all. Hetkeline tähelepanematus elektritööriistade kasutamise ajal võib lõppeda tõsiste kehavigastustega.
- Kasutage isikukaitselahendusi. Kasutage alati kaitseprille. Asjakohastes tingimustes kaitsevahendite (nt tolmu mask, mittelibisevad turvajalatsid, kiiver või kõrvaklapid) kasutamine vähendab kehavigastuste ohtu.
- Välitge soovimatut käivitumist. Enne seadme ühendamist toiteallika ja/või akuga, üles tõstmist või kandmist veendu, et lüliti oleks väljalülitatud asendis. Kui kannate elektritööriista nii, et teie

sõrm on toitelülilil, või pingestate lülitiga varustatud elektritööriista, võib see lõppeda õnnetusega.

- **Eemaldage enne elektritööriista sisselülitamist kõik reguleerimis- ja mutrivõtmed.** Elektritööriista pöörleva osa külge jäetud mutri- vm võti võib põhjustada kehavigastusi.
- **Ärge küünitage liiga kaugale.** Säilitage kogu aeg kindel jalgeaalne ja tasakaal. See annab ootamatutes olukordades parema kontrolli elektritööriista üle.
- **Kandke nõuetekohaseid riideid.** Ärge kandke lahtiseid rõivaid ega ehteid. Hoidke juuksed ja rõivad liikuvatest osadest eemal. Lahtised rõivad, ehted või pikad juuksed võivad liikuvate osade vahele kinni jääda.
- **Kui seadmel on ühendus tolmu eemaldus- ja kogumisseadmete jaoks, veenduge, et need on ühendatud ja neid kasutatakse õigesti.** Tolmukogumise kasutamise abil saab vähendada tolmu seotud ohte.
- **Ära muutu tööriistade sagedasest kasutusest hooletuks ja ära eira tööriistade ohutu kasutamise põhimõtteid.** Hooletu tegevus võib ka murdosa sekundi jooksul põhjustada tõsiseid kehavigastusi.

Elektritööriista kasutamine ja hooldamine

- **Ärge suruge elektritööriista jõuga.** Kasutage rakenduse jaoks asjakohast elektritööriista. Õige elektritööriist teeb töö ära paremini, ohutumalt ja ettenähtud kiirusel.
- **Ärge kasutage elektritööriista, kui lüliti vajutamisel ei lülitu seade sisse ega välja.** Mis tahes elektritööriist, mida pole võimalik juhtida, on ohtlik ja tuleb viivitamatult parandada.
- **Enne elektritööriista reguleerimist, tarvikute vahetamist või hoivulepanekut eemalda pistik toiteallikast ja/või eemalda elektritööriista küljest aku, kui see on eemaldatav.** Taoliselt ennetavad ohutusmeetmed vähendavad elektritööriista tahtmatu käivitamise ohtu.
- **Hoidke elektritööriista, mida te parasjagu ei kasuta, lastele kättesaamatus kohas ja ärge lubage elektritööriista kasutada isikutel, kes ei oska seda kasutada või pole neid juhiseid läbi lugenud.** Elektritööriistad on koolitamata kasutajate käes ohtlikud.
- Elektritööriista ja tarvikuid tuleb hooldada. Kontrollige liikuvate osade joondust ja kinnitusi, osade purunemist või muid tööriista kasutamist mõjutavaid tegureid. Kahjustuse korral laske elektritööriista enne kasutamist remontida. Paljude õnnetuste põhjuseks on halvasti hooldatud elektritööriistad.
- **Hoidke löikevahendid teravad ja puhtad.** Nõuetekohaselt hooldatud teravate löikeservadega löikevahendite kinnikiilumise tõenäosus on väiksem ja neid on hõlpsam juhtida.
- **Järgige elektritööriista, tarvikute, tööriistaotsikute jm kasutamisel neid juhiseid ning arvestage töötingimuste ja -ülesandega.** Elektritööriista

kasutamine muuks kui ettenähtud otstarbeks võib põhjustada ohtliku olukorra.

- **Hoidke käepidemed ja haardepinnad kuivad, puhtad ning õli- ja määrdevabad.** Libedate käepidemete ja haardepindade korral ei ole ootamatutes olukordades võimalik tööriista ohutult käsitseda ja juhtida.

Akutööriistade kasutamine ja hooldamine

- **Kasutage laadimiseks ainult tootja soovitatud laadijat.** Ühte tüüpi aku laadimiseks sobiv laadija võib koos teist tüüpi akuga kasutades tuleohtu põhjustada.
- **Kasutage mootortööriistades vaid spetsiaalselt neile loodud akusid.** Teisi akukogumeid kasutades riskite vigastuste ja tulekahjuga.
- **Kui aku pole hetkel kasutuses, hoidke seda eemal teistest metallesemetest (nt kirjaklambrid, mündid, võtmed, naelad, kruvid vms väiksed metalliesemed), mis võiksid akuklemme omavahel ühendada.** Akuklemmide lühistamine võib põhjustada põletushaavu või tulekahju.
- **Väärkasutamise korral võib akut vedelikku lekkida; vältige kokkupuudet.** Kokkupuute korral loputage kannatada saanud kohta veega. Kui vedelik satub silma, loputage silma veega ja pöörduge arsti poole. Akust lekkinud vedelik võib põhjustada ärritust või põletushaavu.
- **Ärge kasutage defektset või muudetud akut või tööriista.** Kahjustatud või muudetud akut võivad käituda ettearvamatult ning põhjustada tule-, plahvatus- või vigastusohtu.
- **Ärge laske akul või tööriistal puutuda kokku tulega või liiga kõrgete temperatuuridega.** Kokkupuude leegi või üle 130 °C temperatuuriga võib põhjustada plahvatus.
- **Järgige kõiki laadimisjuhiseid ja ärge vahetage akut või tööriista temperatuuril, mis jääb väljapoole juhistes kirjeldatud temperatuurivahemikku.** Aku laadimine valesti või väljaspool selleks ettenähtud temperatuurivahemikku võib akut kahjustada ja suurendada tuleohtu.

Hooldus

- **Laske elektritööriista hooldada vastava väljaõppega remontijal, kes tohib kasutada ainult identseid asendusosi.** See tagab elektritööriista ohutuse säilimise.
- **Ärge kunagi hooldage kahjustatud akusid.** Akusid võivad hooldada üksnes tootja või volitatud teenusepakkujad.

Kettsae üldised ohutusnõuded

- **Kui saag töötab, hoidke kõik kehaosad saeketist eemal. Enne kettsae käivitamist veenduge, et see ei puutuks vastu mõnda muud eset.** Hetkeline

tähelepanematus kettsae kasutamise ajal võib põhjustada teie riiete või keha kokkupuute saeketiga.

- **Hoidke parema käega alati tugevasti kettsae tagumiseist käepidemest ja vasakuga esikäepidemest.** Kui kasutate kettsae hoidmiseks vastupidist käeasetust, suurendate kehavigastuste ohtu, seetõttu tuleb sellist käitumist vältida.
- **Hoidke kettsaagi ainult isoleeritud haardepinnast, kuna saekett võib puutuda kokku peidetud juhtmetega.** Kui saekett puutub kokku voolu all oleva juhtmega, võivad kettsae metallosad samuti voolu alla sattuda ning kasutajale elektrilöögi anda.
- **Kandke kaitseprille. Soovitage kasutada ka kuulmise, pea, käte, jalgade ja jalalabade kaitsevahendeid.** Nõuetele vastavad kaitsevahendid vähendavad võimalikke kehavigastusi, mille põhjuseks on lendav praht või tahtmatu kontakt saeketiga.
- **Ärge töötage kettsaaga puu otsas, redelil, katusel ega ebakindlatel pindadel.** Muidu võib tagajärjeks olla raske kehavigastus.²⁹
- **Veenduge alati, et teil oleks sobiv jalgealune, ning kasutage kettsaagi ainult siis, kui seisate liikumatul, kindlal ja tasasel pinnal.** Libedatel ja ebakindlatel pindadel võite kaotada tasakaalu või kontrolli kettsae üle.
- **Kui lõikate pinge all olevat oksa, olge alati valmis selle võimalikuks tagasipaiskeks.** Kui puukiududesse talletunud pinge vabaneb, võib pinge all olnud oks kasutaja poole tagasi paiskuda ja/või kettsae kontrolli all hoidmise võimatuks muuta.
- **Olge pöösaid ja võrseid lõigates äärmiselt ettevaatlik.** Peened oksad võivad saeketi vahele kinni jääda ja seejärel piitsana teie poole viskuda või panna teid tasakaalu kaotama.
- **Kandke kettsaagi käepidemest hoides ja kehaist eemal ning väljalülitatud olekus. Kettsae transportimise või hoiustamise ajal katke juhtplaat alati spetsiaalse kattega.** Kettsae õige käsitsemine vähendab tahtmatu kokkupuute ohtu liikuva saeketiga.
- **Järgige määrimise, keti pingutamise ning juhtplaadi ja keti vahetamise juhiseid.** Valesti pingutatud või määritud kettsaag võib kas katki minna või keti tagasiviskumise ohtu suurendada.
- **Lõigake ainult puitu. Kasutage kettsaagi ainult ettenähtud otstarbel.** Näiteks ärge kasutage kettsaagi metalli, plasti, kivi või mittepuidust ehitusmaterjalide lõikamiseks. Kui kasutate kettsaagi otstarbel, milleks see pole ette nähtud, riskite ohtlike olukordadega.
- **Ärge püüdke langetada puud enne, kui teil on täielik ülevaade võimalikest ohtudest ja nende vältimise viisidest.** Puu langetamisel on seadme kasutajal või kõrvalseisjal oht saada raskeid kehavigastusi.
- **Järgige kinnikilunud materjali eemaldamisel ja kettsae hoiustamisel või hooldamisel kõiki juhiseid.**

²⁹ Kui teil on erilõikamise- ja töövõtete väljaõpe ning olete korralikult kinnitatud (tõstekopp, köied, turvakanderihmad), võite seda ohutusreeglit mitte järgida.

Veenduge, et lüliti oleks väljalülitatud asendis ja aku eemaldatud. Ketsae ootamatu käivitumine kinnikiilunud materjali eemaldamisel või seadme hooldamisel võib põhjustada raskeid kehavigastusi.

- **Ärge kasutage ketsaagi puu otsas, kui teil puudub sellekohane eriväljaõpe.** Ketsae kasutamine puu lõikamisel ilma väljaõppeta võib suurendada raske kehavigastuse ohtu.

Tagasiviskumise põhjused ja selle vältimine

Kui juhtplaadi ots puutub millegi vastu või kui lõigatav puit pigistab saeketi lõikesoone kinni, võib tagajärjeks olla saeketi tagasiviskumine. Juhtplaadi otsa kontakt võib teatud juhtudel põhjustada äkilist vastumõju, mis võib lüüa juhtplaadi üles ja tagasi kasutaja poole. Kui saekett piki juhtplaadi ülaserava kinni pigistada, võib juhtplaat järsult kasutaja poole tagasi pörkuda. Need reaktsioonid võivad põhjustada olukorra, kus kaotate kontrolli sae üle ning see võib lõppeda tõsiste kehavigastustega. Ärge lootke ainult sae ohutusseadistele. Ketsae kasutajana peaksite tarvitusele võtma mitmed meetmed, et teie lõiketööd mööduksid õnnestuste ja vigastusteta. Tagasiviskumise põhjuseks on ketsae väärkasutamine ja/või valed töövõtted või -tingimused ning selle vältimiseks tuleb järgida alljärgnevaid ettevaatusabinõusid.

- **Haarake seadmest kindlalt kinni. Teie põidlad ja sõrmed peavad asuma ümber käepidemete. Saagi tuleb hoida mõlema käega. Teie keha ja käsi peavad olema asendis, mis võimaldab teil tagasiviskumisjõudu kontrolli all hoida.** Õigete ettevaatusabinõude korral suudab kasutaja tagasiviskumisjõudu kontrolli all hoida. Ärge laske ketsaesast lahti.
- **Ärge küünitage liiga kaugemale ega lõigake õlgadest kõrgemal.** See aitab vältida soovimatut otsakontakti ja tagab teile ootamatutes olukordades ketsae üle parema kontrolli.
- **Kasutage asendamiseks ainult tootja soovitatud juhtplaate ja saekette.** Valed asendusjuhtplaadid ning -ketid võivad põhjustada keti purunemist ja/või tagasiviskumist.
- **Järgige tootja kehtestatud teritus- ja hooldusjuhiseid.** Lõikesügavuse piiraja kõrgust vähendades riskite suurenenud tagasiviskumiseiga.

HOIDKE NEED JUHISED ALLES

Üldised ohutuseeskirjad



HOIATUS: Enne seadme kasutamist lugege läbi järgnevad hoiatused.

- Seade on ohtlik, kui seda kasutada valesti või ettevaatamatult. Seade võib põhjustada kasutaja või kõrvaliste isikute ohtliku kehavigastuse või surma. Seepärast on väga tähtis, et loete käsitsemisõpetuse põhjalikult läbi ja saate kõikidest eeskirjadest korralikult aru.

- Ärge muutke toodet ilma tootja heakskiiduta. Ärge kasutage toodet, mida teised on muutnud ja kasutage alati originaalisavarustust. Tootja heakskiiduta muudatused võivad põhjustada kasutaja või kõrvaliste isikute tõsiseid kehavigastusi või surma.
- Ketili aurude ja saepuru pikemaajaline sissehingamine võib olla tervisele ohtlik.
- Seade tekitab töötades elektromagnetvälja. Teatud tingimustel võib väli häirida aktiivsete või passiivsete meditsiiniliste implantaatide tööd. Raskete või surmaga lõppevate kehavigastuste ohu vähendamiseks soovime meditsiinilisi implantaate kasutataval inimesel pidada enne selle seadme kasutamist nõu oma arsti ja implantaadi valmistajaga.

Ohutusjuhised kasutamisel



HOIATUS: Enne toote kasutamist lugege läbi järgmised hoiatused.

- Kasutusjuhendis olev teave ei asenda erialaseid teadmisi ja kogemusi. Kui te ei tunne end antud olukorras ohutult, seisake toode. Nõu küsimiseks pöörduge hooldusesinduse või professionaalse ketsae kasutaja poole. Ärge võtke tööd ette, kui te ei ole selleks saanud piisavat ettevalmistust.
- Kui teil tekib seadme kasutamisega seoses küsimusi, pöörduge hooldusesindaja või Husqvarna poole. Anname teile nõu toote õhusa ja ohutu kasutamise kohta. Kui võimalik, osalege ketsae kasutamise kursusel. Küsige oma hooldusesindusest, metsandusalaselt õppeasutusest või raamatukogust teavet õppematerjalide ja korraldatavate kursuste kohta.
- Enne seadme kasutamata hakkamist peate endale selgeks tegema, milline mõju on tagasiviskumisel ja kuidas seda vältida. Vt jaotisest *Teave tagasiviskumise kohta lk 221* ja *Üldised küsimused tagasiviskumise kohta lk 221*.
- Ärge kasutage toodet, akut ega akulaadijat, mis on kahjustatud või ei tööta korralikult.
- Ärge puudutage pöörlevat saeketti. See võib põhjustada raske kehavigastuse või surma.
- Ärge töötage seadmega, kui te olete väsinud, viibite alkoholi, uimastavate ainete või ravimite mõju all või mis tahes muudel asjaoludel, mis võivad halvendada teie nägemist, erksust, koordineerimist või otsustusvõimet.
- Halva ilmaga töötamine väsitab ja sellega kaasneb tihti muid ohte. Lisanduvate ohtude tõttu pole seadet soovitatav kasutada väga halva ilmaga, näiteks tiheda udu või vihma, tugeva tuule, väga külma temperatuuri või äikesehoju korral.
- Ärge käivitage seadet, mille juhtplaat, saekett või mõni katetest pole korralikult paigaldatud. Vastasel

juhul võib veotähik lahti tulla ja põhjustada raskeid kehavigastusi. Vt jaotisest *Kokkupanek lk 219*.

(Joon. 25)

- Vahel takerduvad pilpad sidurikattesse, mille tõttu kiilib saekett kinni. Puhastamise eel seisake alati mootor.
- Vaadake ringi. Veenduge, et puuduks igasugune oht, et inimesed või loomad saaksid seadme vastu puutuda või mõjutada teid seadme käsitsemisel.

(Joon. 26)

- Ärge lubage lapsi seadme lähedale või neil seda kasutada. Kuna seadet on lihtne käivitada, võivad lapsed selle käivitada, kui neid piisavalt ei jälgita. See tähendab raskete vigastuste tekke ohtu.
- Kui jätate seadme järelevalveta või lahkute seadme juurest mistahes ajaks, eemaldage aku.
- Et hoida seadet kindlalt kontrolli all, peab jalgealune olema stabiilne. Ärge kasutage seadet redelil või puu otsas. Ärge kasutage seadet, kui jalgealune pole stabiilne.

(Joon. 27)

- Puu otsas töötades tuleb kasutada ja järgida spetsiaalseid löikamis- ja töövõtteid, et vältida vigastuste ohtu. Ärge kunagi töötage kasvaval puul, kui te pole saanud vastavat professionaalset eriväljaõpet, sh väljaõpet turva- jm ronimisvarustuse (rakmed, köied, rihmad, ronimisraud, klamberkonksud, karabiinhaagid jne) kasutamiseks.
- Ärge kunagi üritage kukkuvaid oksid kinni püüda. Ärge lõigake puu oksid, kui olete kinnitatud vaid ühe köiega. Kasutage alati kahte kinnitusköit.
- Ettevaatamatuse korral suureneb tagasiviskumise oht. Tagasiviskumine võib toimuda siis, kui juhtplaadi tagasiviskumise ohusektor puutub kogemata vastu oksa, puutüve või muud objekti.

(Joon. 28)

- Ärge hoidke seadet ainult ühe käega. Ühe käega hoides ei saa seadet turvaliselt käsitseda.
- Ärge kunagi saagige seadmega kõrgemalt kui olakõrguselt ega proovige lõigata juhtplaadi otsaga.

(Joon. 29)

- Ärge kasutage seadet olukorras, kus te ei saa kutsuda õnnetuse korral abi.
- Enne seadme liigutamist seisake see ja rakendage ketipidur. Hoidke seadet nii, et juhtplaat ja saekett oleks suunatud tahapoole. Enne seadme transportimist või mistahes maad liigutades tuleb paigaldada juhtplaadile transpordikaitse.
- Kui asetate seadme maapinnale, rakendage ketipidur ja hoidke seadmel pidevalt silma peal. Kui lahkute seadme juurest mistahes ajaks, seisake seade ja eemaldage aku.
- Ketiveosüsteemi võivad jääda kinni puulaastud. Selle tagajärjel võib saekett kinni jääda. Enne puhastamise alustamist seisake alati seade ja eemaldage aku.

- Vale või valesti teritatud lõikeosa kasutamine suurendab vibratsioonitaset. Kõva puud (nt lehtpuud) saagides tekib suurem vibratsioon kui pehmet puud (nt okaspuud) saagides.

(Joon. 30)

- Tugeva vibratsiooniga töötamine võib põhjustada vereringe- või närvikahjustusi, eriti neil, kel on vereringehäireid. Pöörduge arsti poole, kui ilmneb nähte, mis võivad olla vibratsioonist põhjustatud. Sellisteks sümptomiteks on näiteks tundedus, surin, torkiv tunne, valu, nõrkus, muutused nahavärvis või naha seisukorras. Need nähud esinevad tavaliselt sõrmedes, käelabades ja randmetes ning ägenevad külmade temperatuuride puhul.
- Ärge püüdke kärpida või laasida kasvavat puud, kui teil puudub sellekohane eriväljaõpe.
- Palki kallakul lõigates seisake alati kallaku kõrgemal küljel, et langetatud puu veereks või libiseks mööda kallakut alla. Toote kindlalt kontrolli all hoidmiseks palgi lõikamise ajal vähendage lõike lõpuosas lõikesurvet. Ärge laske käsi käepideme ümber lödvaks. Ärge laske saeketil puutuda maad. Kui lõige on sooritatud, oodake enne toote liigutamist, kuni saekett jääb seisma. Ühe puu juurest teise juurde liikudes seisake alati mootor.

(Joon. 31)

- Ärge langetage puud, kui sellega kaasneb inimeste vigastamise oht, puu võib langeda elektriliinidele või kahjustada vara. Kui puu langeb elektriliinile, pöörduge kohe kommunaalteenuste poole.
- Veenduge, et saate turvaliselt liikuda. Uurige ümbritsevat olusid ja ümbritsevat ala, et seal ei leiduks takistusi, nagu juuri, kive, oksid, kraave jms. Olge kaldpinnal töötades ettevaatlik.
- Vältige olukordi, millega te ei pruugi toime tulla.
- Kõiki olukordi, mis võivad esmase kasutamisel ette tulla, pole võimalik kirjeldada. Olge alati ettevaatlik ja toimige arukalt.

(Joon. 32)

Isikukaitsevahendid



HOIATUS: Enne toote kasutamist lugege läbi järgmised hoiatused.

(Joon. 33)

- Enamik õnnetustest juhtub seetõttu, et kettsaag riivab seadme kasutajat. Seadmega töötamisel tuleb kasutada ettenähtud isikukaitsevahendeid. Isikukaitsevahendid ei välista täielikult kehavigastuste ohtu, kuid vähendavad õnnetusjuhtumi korral kehavigastuse raskusastet. Isikukaitsevahendite kohta teabe saamiseks võtke ühendust hooldusesindusega.
- Tööriided peavad olema liibuvad, kuid ei tohi liikumisvabadust piirata. Kontrollige isikukaitsevahendite seisukorda regulaarselt.

- Kandke heakskiidetud kaitsekiivrit.
- Kandke heakskiidetud kõrvaklappe. Pikaajaline müra võib tekitada püsiva kuulmiskahjustuse.
- Kasutage heakskiidetud kaitseprille või näokaitset, et kaitsta end õhku paiskuvate esemete tekitatud kehavigastuste eest. Seade võib suure jõuga õhku paisata puulaaste, puutükke ja muid taolisi esemeid. See võib tekitada tõsise vigastuse, eriti silmadele.
- Kandke sae kasutamiseks ette nähtud kaitsekindaid.
- Kandke sae kasutamiseks ette nähtud kaitsepükse.
- Kandke sae kasutamiseks ette nähtud terasest varbakaitse ja libisemiskindla tallaga saapaid.
- Hoidke alati käepärast esmaabikomplekt.
- Sädemeoht. Metsatulekahjude tekkimise ärahoidmiseks hoidke käepärast tulekustutusvahendit ja labidas.

Toote ohutusseadised



HOIATUS: Enne toote kasutamist lugege läbi järgmised hoiatused.

- Ärge kasutage toodet, mille ohutusseadmed on kahjustatud või ei tööta korralikult.
- Kontrollige ohutusseadiseid regulaarselt. Vt jaotisest *Seadme ohutusseadiste hooldamine ja kontrollimine lk 226*.
- Kui ohutusseadmed on kahjustatud või ei tööta korralikult, pöörduge Husqvarnahooldustöökoja poole.

Kasutajaliidese funktsioonid

Kasutajaliidesele on käivitus- ja seiskamisnupp, SavE-nupp, akuoleku ja hoiatuse indikaator. Hoiatuse indikaator vilgub, kui ketipidur on rakendatud või kui esineb ülekoormuse oht. Ülekoormuse kaitse seiskab ajutiselt seadme ja seda ei saa kasutada, kuni temperatuur on langenud. Kui hoiatuse indikaator põleb püsivalt, võtke ühendust hooldusesindusega.

(Joon. 34)

Lisateavet kasutajaliidese kohta vt jaotisest *Toote tutvustus lk 211*.

Automaatse seiskamise funktsioon

Seadmel on automaatse seiskamise funktsioon, mis seiskab seadme, kui seda ei kasutata kolme minuti vältel.

Ketipidur ja turvakäepide

Seadmel on ketipidur, mis peatab tagasiviskumise korral saeketi. Ketipidur vähendab õnnetuse ohtu, aga ainult teie kui kasutaja võimuses on õnnetusi vältida.

(Joon. 35)



HOIATUS: Ärge tekitage olukordi, kus võib tekkida tagasiviskumise oht. Olge seadmega töötamise ajal ettevaatlik ja veenduge, et juhtplaadi tagasilöögisektor midagi ei riivaks.

(Joon. 36)

Ketipiduri saab rakendada käsitsi (A) vasaku käega või see rakendub automaatselt inertsjõu toimel. Lükake turvakäepidet (B) edasi, et rakendada ketipidur käsitsi. See liigutus käivitab vedrumehhanismi, mis peatab veotähiku.

(Joon. 37)

Ketipiduri rakendumine oleneb tagasiviskumisjõust ja seadme paiknemisest. Kui tagasiviskumise ohusektor on teist kaugemal ja tekib tugev tagasiviskumine, siis rakendub ketipidur inertsmechhanismi toimel. Kui tagasiviskumine on nõrk või tagasiviskumise ohusektor on teile lähemal, rakendub ketipidur käsitsi teie vasaku käe abil.

(Joon. 38)

Kasutage ketipidurit seisupidurina, kui liigute käivitatud seadmega lühemaid vahemaid. Nii väheneb oht, et liikuv saekett võiks tabada teid või mõnda kõrvalseisjat.

(Joon. 39)

Ketipiduri vabastamiseks tõmmake turvakäepidet tahapoole.

(Joon. 40)

Tagasiviskumine võib olla väga ootamatu ja jõuline. Enamasti on tagasiviskumised väiksemad ja ei põhjusta alati ketipiduri rakendumist. Kui seadme kasutamise ajal tekib tagasiviskumine, hoidke käepidemetest tugevalt kinni ja ärge laske lahti.

(Joon. 41)

Turvakäepide vähendab saeketiga kokkupuutumise ohtu, kui teie käsi peaks esikäepidemest lahti laskma.

(Joon. 42)

Langetamisasendis ei saa ketipidurit käsitsi rakendada. Selles asendis saab ketipiduri rakendada ainult inertsmechhanismi abil.

(Joon. 43)

Toitelüliti lukustus

Toitelüliti lukustus välistab toitelüliti soovimatu sisselülitamise. Kui lükkate toitelüliti lukustuse edasi (A) ja seejärel vajutate selle vastu käepidet (B), vabastatakse toitelüliti (C). Käepidemest lahti lastes lähevad nii toitelüliti kui toitelüliti lukustus tagasi algasendisse.

(Joon. 44)

Ketipüüdja

Ketipüüdja püüab keti kinni selle katkimineku või lahtituleku korral. Ohu vähendamiseks peab keti pingsus olema õige. Samuti aitab riski vähendada juhtplaadi ja saeketi nõuetekohane hooldamine. Juhiseid vt *Kokkupanek lk 219 ja Hooldamine lk 225.*

(Joon. 45)

Parema käe kaitse

Parema käe kaitse kaitseb kätt saeketi katkimineku või lahtituleku korral. Samuti ei lase see okstel töötamist segada.

(Joon. 46)

Aku ohutus



HOIATUS: Enne toote kasutamist lugege läbi järgmised hoiatused.

- Kasutage ainult toote jaoks soovitatud 40-B seeria akusid. Vt jaotisest *Heakskiidetud akud lk 233.* Akud on kodeeritud.
- Kasutage Husqvarna toodete vooluallikana üksnes taaslaetavaid 40-B seeria akusid. Vt jaotisest *Heakskiidetud akud lk 233.* Kehavigastuse vältimiseks ärge kasutage akut muude seadmete toiteallikana.
- Elektrilöögioht. Ärge ühendage akuklemme võtmete, kruvide või muude metallesemetega. See võib tekitada akus lühise.
- Ärge kasutage mittetaaslaetavaid akusid.
- Ärge asetage esemeid aku õhuavade sisse ja ette.
- Vältige aku kokkupuudet otsese päikesevalguse, kuumuse ja lahtise leegiga. Aku võib põhjustada põletusi ja/või keemilisi põletusi.
- Vältige aku kokkupuudet vihma ja märja keskkonnaga.
- Vältige aku kokkupuudet mikrolainete ja kõrgsurvega.
- Ärge demonteerige ega lõhkuge akut.
- Vältige akuhappe sattumist oma nahale. Akuhape põhjustab nahavigastusi, söövitusi ja põletusi. Kui akuhape satub silma, ärge hõõruge silmi, vaid loputage neid veega vähemalt 15 minutit. Kui akuhape satub teie nahale, puhastage nahapinda rohke vee ja seebiga. Pöörduge arsti poole.
- Kasutage akut keskkonnas, mille temperatuur jääb vahemikku $-10...40$ °C.
- Ärge puhastage akut või akulaadijat veega. Vt jaotisest *Aku ja akupesaa kontrollimine lk 226.*
- Ärge kasutage kahjustatud akut.
- Hoiustage akusid eemal metallesemetest (nt naelad, kruvid, ehted).
- Hoidke aku eemal lastest.

Akulaadija ohutus



HOIATUS: Enne toote kasutamist lugege läbi järgmised hoiatused.

- Ohutuseeskirjade eiramine võib kaasa tuua elektrilöögi või lühise.
- Kasutage heakskiidetud maandatud võrgupistikupesaa, mis on terve.
- Kasutage ainult seadme tarnekomplekti kuuluvat akulaadijat. Kasutage ainult 40-C80 laadijaid Husqvarna asendusakude 40-B140 laadimiseks. Vt jaotist *Seadme jaoks heaks kiidetud akulaadijad lk 233* ja *Heakskiidetud akud lk 233.*
- Ärge püüdke akulaadijat lahti monteerida.
- Ärge kunagi kasutage defektset või kahjustunud akulaadijat.
- Ärge tõstke akulaadijat toitejuhtmetest hoides. Akulaadija võrgupistikupesast lahutamiseks tõmmake pistikut. Ära tõmba toitejuhet.
- Vältige juhtmete ja pikendusjuhtmete kokkupuudet vee, õli ja teravate servadega. Jälgige, et juhe ei jääks uste, väravate jms vahele.
- Ärge kasutage akulaadijat tuleohtlike või korrosiooni tekitavate materjalide läheduses. Veenduge, et akulaadija poleks kinni kaetud. Suitsu või tule tekke korral eemaldage pistik akulaadijast.
- Laadige akut ainult hea õhuvahetusega siseruumis ja päikesevalguse eest kaitstuna. Ärge laadige akut õues. Ärge laadige akut märjas keskkonnas.
- Kasutage akulaadijat keskkonnas, mille temperatuur jääb vahemikku $5...40$ °C. Kasutage laadijat hästi ventileeritavas, kuivas ja tolmuvabas keskkonnas.
- Ärge asetage esemeid akulaadija jahutusavade sisse ja ette.
- Ärge kunagi ühendage akulaadija klemme metallesemete külge, vastasel korral võib akulaadija lühistuda.
- Kasutage heakskiidetud ja kahjustamata pistikupesasid.
- Ärge laadige akulaadijas mittelaetavaid akusid.

Ohutusjuhised hooldamisel



HOIATUS: Enne seadme hooldustööde tegemist lugege läbi järgnevad hoiatused.

- Eemaldage aku enne hooldustööde või muude kontrolltoimingute või seadme kokkupanemise alustamist.
- Seadme kasutaja tohib teha üksnes käesolevas kasutusjuhendis kirjeldatud hooldustöid. Mahukamate hooldustööde tegemiseks pöörduge hooldusesindusse.

- Ärge puhastage akut või akulaadijat veega. Tugevatoimeline pesuvahend võib kahjustada plast detaile.
- Kui hooldustöid ei tehta, siis toote kasutusega lüheneb ja õnnetuste oht kasvab.
- Kõigi hooldus- ja parandustööde tegemiseks (eriti seadme ohutusseadiste juures) on vajalik eriväljaõpe. Kui pärast hooldustööde tegemist ei läbi seade kõiki käesolevas kasutusjuhendis kirjeldatud kontrolltoiminguid, siis pöörduge hooldusesinduse poole. Garanteerime, et hooldusesinduses tehakse teie tootele professionaalsel tasemel remondi- ja hooldustööd.
- Kasutage ainult originaalvaruosi.

Lõikeosa ohutusjuhised



HOIATUS: Enne seadme kasutamist lugege läbi järgnevad hoiatused.

- Kasutage üksnes soovitatud juhtplaadi/saeketi kombinatsioone ja teritusvahendeid. Juhiseid vt *Tehnilised andmed lk 231*.
- Kandke saeketi käsitlemisel ja hooldamisel kaitsekindaid. Saekett, mis korralikult ei liigu, võib põhjustada kehavigastusi.

- Hoidke lõikehambad korralikult teritatuna. Järgige juhiseid ja kasutage soovitatud teritusmalli. Kahjustatud või valesti teritatud saekett suurendab õnnetuste ohtu.

(Joon. 47)

- Hoidke õiget sügavusmöödu väärtust. Järgige juhiseid ja kasutage õiget sügavusmöödu väärtust. Liiga suur sügavusmöödu väärtus suurendab tagasilöögi ohtu.

(Joon. 48)

- Veenduge, et saekett oleks õigesti pingutatud. Kui saekett pole juhtplaadi vastu tugevalt pingul, võib saekett maha tulla. Valesti pingutatud saekett suurendab juhtplaadi, saeketi ja keti veotähiku kulumist. Vt jaotist *Lisavarustus lk 232*.

(Joon. 49)

- Hooldage ja määrige lõikeosa regulaarselt. Kui saekett pole õigesti määritud, suurendab see juhtplaadi, saeketi ja keti veotähiku kulumise ohtu.

(Joon. 50)

Kokkupanek

Juhtplaadi ja saeketi paigaldamine (juhtplaadi nupuga)



HOIATUS: Eemaldage aku alati enne hooldustööde või muude kontrolltoimingute alustamist.

1. Vabastage ketipidur. (Joon. 51)
2. Keerake lahti juhtplaadi nupp ja eemaldage veotähiku kate. (Joon. 52)
3. Asetage juhtplaat juhtplaadi poldile. Viige juhtplaat kõige tagumisse asendisse. Tõstke saekett veotähikust kõrgemale ja asetage see juhtplaadis olevasse soonde. Alustage juhtplaadi ülemisest servast.
4. Veenduge, et lõikelülide ääred juhtplaadi ülemisel serval oleksid suunatud ettepoole. (Joon. 53)
5. Paigaldage veotähiku kate ja suunake ketipingutustihvt juhtplaadis olevasse auku.
6. Veenduge, et saeketi veolülid asuksid veotähikul õigesti.
7. Kontrollige, kas saekett on korralikult juhtplaadi soones.
8. Pingutage saeketti. Vt jaotisest *Hooldamine lk 225*.
9. Keerake kinni juhtplaadi nupp.

Juhtplaadi ja saeketi paigaldamine (juhtplaadi poldiga)



HOIATUS: Eemaldage aku alati enne hooldustööde või muude kontrolltoimingute alustamist.

1. Vabastage ketipidur. (Joon. 51)
2. Keerake lahti juhtplaadi mutter ja eemaldage veotähiku kate. (Joon. 54)
3. Asetage juhtplaat juhtplaadi poldile. Viige juhtplaat kõige tagumisse asendisse. Tõstke saekett veotähikust kõrgemale ja asetage see juhtplaadis olevasse soonde. Alustage juhtplaadi ülemisest servast.
4. Veenduge, et lõikelülide ääred juhtplaadi ülemisel serval oleksid suunatud ettepoole. (Joon. 55)
5. Paigaldage veotähiku kate ja suunake ketipingutustihvt juhtplaadis olevasse auku.
6. Veenduge, et saeketi veolülid asuksid veotähikul õigesti.
7. Kontrollige, kas saekett on korralikult juhtplaadi soones.
8. Pingutage plaadi kinnitusmutrit sõrmedega.
9. Pingutage saeketti. Vt jaotisest *Hooldamine lk 225*.

Akulaadija seinale paigaldamine



ETTEVAATUST: Ärge kasutage akulaadija seinale paigaldamiseks elektrilist

kruvikeerajat. Elektriline kruvikeeraja võib akulaadijat kahjustada.

1. Paigaldage akulaadija kahe kruviga (A) seinale. Vajadusel kasutage seinakorke (B). (Joon. 56)
2. Paigaldage kaks kruviauguga korki (C).
3. Ühendage toitejuhe (D) akulaadija ja vooluvõrguga.

Töö

Sissejuhatus



HOIATUS: Enne toote kasutamist lugege läbi ohutuspeatükk ja veenduge, et oleksite kõigest aru saanud.

õiget ketiõli. Ketiõli valides pöörduge hooldusesindusse.

Toimivustesti tegemine enne seadme kasutamist

1. Kontrollige ketipidurit (A) veendumaks, et see töötab korralikult ja poleks kahjustunud.
2. Kontrollige, et tagumine parema käe kaitse (B) poleks saanud kahju.
3. Kontrolli toitelüliti ja selle lukustust (C) veendumaks, et need töötavad korralikult ja pole kahjustunud.
4. Kontrollige klahvistikku (C) veendumaks, et see töötab korralikult.
5. Veenduge, et käepidemedel pole õli (E).
6. Kontrollige, et kõik osad oleksid korralikult kinnitatud ega poleks kahjustunud ega kaotsi läinud.
7. Kontrollige ketipüüdjat (F) veendumaks, et see on korralikult kinnitatud.
8. Kontrollige keti pingsust (G).
9. Laadige aku (H) ja veenduge, et see on korralikult seadme külge kinnitatud.
10. Veenduge, et toitelüliti vabastamisel saekett seisuks. (Joon. 57)

- Saeketi tööaja maksimeerimiseks ja kahjulike keskkonnamõjude vältimiseks kasutage Husqvarna ketiõli. Kui Husqvarna ketiõli pole saadaval, soovitage kasutada standardset ketiõli.
- Kasutage saeketi külge hästi kleepuvat ketiõli.
- Kasutage õhutemperatuurile vastava õige viskoossusvahemikuga ketiõli.



ETTEVAATUST:

Temperatuuridel alla 0 °C muutuvad mõned ketiõlid liiga paksuks ja see võib kahjustada õlipumba osi.

- Kasutage soovitatud lõikeosa. Vt jaotist *Lisavarustus lk 232*.
- Eemaldage ketiõli paagi kork.
- Valage ketiõli paaki ketiõli.
- Kinnitage kork hoolikalt tagasi.

(Joon. 58)

Märkus: Ketiõli paagi asukoha leidmiseks teie seadmel vt *Sissejuhatus lk 211*.

Õige ketiõli kasutamine



HOIATUS: Ärge kasutage läbitöötatud õli, kuna see võib teid vigastada ja keskkonda kahjustada. Läbitöötatud õli kahjustab õlipumpa, juhtplaati ja saeketti.

Aku



HOIATUS: Enne aku kasutamist lugege läbi ohutuspeatükk ja veenduge, et kogu teave on arusaadav. Lugege läbi aku ja akulaadija kasutusjuhend ning veenduge, et kogu teave on arusaadav.

Hoidke akut ja akulaadijat õigel õhutemperatuuril.

	Õhutemperatuur
Aku kasutamine	5 °C...40 °C
Aku laadimine	5 °C...40 °C



HOIATUS: Kui lõikeosa pole küllaldaselt määratud, võib saekett puruneda. Kasutaja ohtliku kehavigastuse või surma oht.

Aku olek

Ekraanil kuvatakse teave aku laetustaseme ja mistahes akuga seotud probleemide kohta.

(Joon. 59)



HOIATUS: Selle funktsiooni korrektseks toimimiseks tuleb kindlasti kasutada

LED-märgutuli	Aku laadimisolek
Pöleb 4 LED-tuld	Aku on 76–100% laetud.
Pöleb 3 LED-tuld	Aku on 51–75% laetud.
Pöleb 2 LED-tuld	Aku on 26–50% laetud.
Pöleb 1 LED-märgutuli	Aku on 6–25% laetud.
1 LED-märgutuli vilgub	Aku on 0–5% laetud.

Aku laadimine

Enne aku esimest kasutuskorda laadige aku täis. Uue aku laetustase on ainult 30%.



ETTEVAATUST: Ühendage akulaadija tüübisildil näidatud pinge ja sagedusega pistikupesasse.

Akut ei laeta, kui aku temperatuur on üle 50 °C.

1. Ühendage toitepistik akulaadijaga.
2. Ühendage akulaadija maandatud pistikupesasse. Laadimise LED-tuli vilgub ühe korra. (Joon. 60)
3. Ühendage aku akulaadijaga. Süttib laadimist tähistav LED-tuli. Ärge laadige akut kauem kui 24 tundi. (Joon. 61)
4. Vajutage akunäidiku nuppu. Kui kõik LED-märgutuled süttivad, on aku täis laetud.
5. Akulaadija eemaldamiseks vooluvõrgust tõmmake toitepistik pistikupesast välja. Ära tõmba toitejuhet.
6. Eemaldage aku laadijast.

Teave tagasisivikumise kohta



HOIATUS: Tagasisivikumine võib põhjustada kasutaja või kõrvaliste isikute ohtliku kehavigastuse või surma. Tagasisivikumise ohu vähendamiseks peate teadma, mis tagasisivikumist põhjustab ja kuidas seda vältida.

Tagasisivikumine tekib ainult siis, kui juhtplaadi tagasisivikumise ohusektor puutub millegi vastu. Tagasisivikumine võib toimuda äkki ja suure jõuga, paisates seadme kasutaja suunas.

(Joon. 36)

Tagasisivikumine tekib alati juhtplaadi lõikepinnal. Harilikult paiskub seade kasutaja suunas, kuid võib viskuda ka mujale. Liikumissuunda mõjutab see, kuidas te seadet tagasisivikumise hetkel kasutate.

(Joon. 62)

Tagasisivikumine tekib ainult siis, kui juhtplaadi tagasilöögisektor puutub millegi vastu. Ärge lubage tagasilöögisektoril millegi vastu puutuda.

(Joon. 36)

Juhtplaadi otsa väiksem raadius vähendab tagasisivikumise jõudu.

Tagasisivikumise mõjude vähendamiseks kasutage vähese tagasisivikumisega saeketti. Ärge laske tagasisivikumise ohusektoril puutuda vastu objekti.



HOIATUS: Ühegi saeketi puhul pole tagasisivikumine täielikult välistatud. Järgige alati juhiseid.

Üldised küsimused tagasisivikumise kohta

• Kas ma saan alati ise oma käega ketipiduri rakendada, kui tekib tagasisivikumine?

Ei, turvakäepideme edasivajutamiseks tuleb rakendada teataval määral jõudu. Kui te ei kasuta piisavat jõudu, siis ketipidur ei rakendu. Peate töö ajal hoidma seadme käepidemeid stabiilselt kahe käega. Tagasisivikumise korral ei pruugi ketipidur saeketti peatada enne, kui see teid riivab. Mõnedes tööasendites võib teie käsi mitte ulatuda turvakäepidemeni, et rakendada ketipidur.

• Kas ketipidur rakendub alati inertsjõu toimele, kui tekib tagasisivikumine?

Ei. Esmalt peab ketipidur olema õiges töökorras. Vt *Seadme ohutusomaduste hooldamine ja kontrollimine lk 226* juhiseid ketipiduri kontrollimise kohta. Soovitame teha seda iga kord enne seadme kasutamist. Teiseks peab tagasisivikumise jõud olema piisavalt tugev, et ketipidur rakenduks. Kui ketipiduri tundlikkus on liiga suur, võib see rakenduda ka mõne raskema tööoperatsiooni korral.

• Kas ketipidur kaitseb mind alati vigastuste eest, kui tekib tagasisivikumine?

Ei. Kaitse tagamiseks peab ketipidur olema õiges töökorras. Ketipidur peab olema ka tagasisivikumise ajal rakendatud, et saekett peatada. Kui olete juhtplaadile väga lähedal, ei pruugi ketipiduril olla piisavalt aega, et peatada saekett enne, kui see teid riivab.



HOIATUS: Tagasisivikumise ennetamiseks peate teie ise tundma ja kasutama õigeid tööviise.

Toote käivitamine

1. Kontrollige toitelüliti ja toitelüliti lukustust. Vt jaotist *Toitelüliti lukustuse kontrollimine lk 226*.
2. Rakendage ketipidur. (Joon. 63)
3. Asetage aku akuhoidikusse. (Joon. 64)



ETTEVAATUST: Kontrollige, kas aku on õigesti akupessa paigaldatud. Kui aku ei liigu sujuvalt akupessa, siis on aku asend vale.

4. Vajutage aku alumist osa, kuni kuulete klõpsatust. (Joon. 65)
5. Lülitage käivitus- ja seiskamisnuppu seni, kuni süttib roheline LED-tuli. (Joon. 66)

SavE funktsiooni kasutamine

Funktsioon SavE vähendab keti kiirust ja toote võimsust.

1. Vajutage SavE-nuppu. Süttib roheline LED-tuli.
2. Funktsiooni peatamiseks vajutage uuesti SavE nuppu. Roheline LED-tuli kustub. (Joon. 67)

Toote seiskamine

1. Vajutage käivitus- ja seiskamisnuppu, kuni roheline LED-tuli kustub. (Joon. 66)
2. Vajutage aku vabastusnupud sisse ja tõmmake aku akuhoidikust välja, et vältida ootamatut käivitumist. (Joon. 68)

Tõmbav kett ja lükkav kett

Seade võimaldab lõikamist kahe erineva asetusega.

- Lõikamine tõmbava ketiga tähendab lõikamist juhtplaadi allosaga. Lõikamisel tõmbab saekett läbi puu. Selles asendis on seade ja tagasiviskumise ohusektor paremini kontrollitavad.

(Joon. 69)

- Lõikamine lükkava ketiga tähendab lõikamist juhtplaadi ülaoasaga. Saekett lükkab seadet kasutaja suunas.

(Joon. 70)



HOIATUS: Kui saekett jääb tüve sisse kinni, võib seade teie suunas paiskuda. Hoidke seadet tugevalt kinni ja veenduge, et juhtplaadi tagasiviskumise ohusektor ei puutuks vastu puud ega kutsuks esile tagasiviskumist.

(Joon. 71)

Saagimistehnika kasutamine



HOIATUS: Kasutage saagimiseks täisvõimsust ja pärast löike tegemist langetage kiirus tühikäigule.



ETTEVAATUST: Ärge laske mootoril töötada liiga kaua ilma koormuseta. See võib mootorit kahjustada.

1. Pange tüvi saagimispukile või jalastele. (Joon. 72)



HOIATUS: Ärge saagige mitut tüve korraga. See suurendab tagasiviskumise ohtu ja võib põhjustada tõsiseid kehavigastusi või surma.

2. Korjake saetud tükid tööalalt kokku.



HOIATUS: Tööalale jäetud saetud tükid suurendavad tagasiviskumise ohtu, samuti võite töötamise ajal kaotada tasakaalu.

Kooretõe kasutamine

1. Suruge kooretugi puutüvesse.
2. Rakendage täisgaas ja pöörake toodet. Hoidke kooretuge vastu puutüve. See protsess teeb puutüve läbisaagimiseks vajaliku jõu rakendamise lihtsamaks. (Joon. 73)

Tüve saagimine maapinnal

1. Saagige tüvi läbi tõmbava ketiga. Kasutage täisvõimsust, aga olge valmis ootamatuteks õnnetusteks. (Joon. 74)



HOIATUS: Ärge laske soont lõpuni saagides saeketil puutuda vastu maad.

2. Saagige läbi umbes $\frac{2}{3}$ tüvest ja peatuge. Pöörake tüvi ümber ja saagige vastasküljelt. (Joon. 75)

Ühest otsast toetatud tüve saagimine



HOIATUS: Tagage, et tüvi ei saaks saagimise ajal murduda. Järgige allpool olevaid juhiseid.

(Joon. 76)

1. Saagige lükkava ketiga tüvi umbes $\frac{1}{3}$ läbi.
2. Saagige tõmbava ketiga, kuni sooned puutuvad kokku. (Joon. 77)

Kahest otsast toetatud tüve saagimine



HOIATUS: Jälgige, et saekett ei jääks saagimise ajal tüvesse kinni. Järgige allpool olevaid juhiseid.

(Joon. 78)

1. Saagige tõmbava ketiga tüvi umbes 1/3 läbi.
2. Saagige ülejäänud osa tüvest lükkava ketiga lõpuni läbi. (Joon. 79)



HOIATUS: Kui saekett jääb tüvesse kinni, seisake mootor. Painutage lõikesoon kangi abil lahti ja eemaldage seade. Ärge üritage seadet käsitsi vabaks tõmmata. Kui seade järsult vabaneb, võib see tekitada vigastusi.

Laasimistehnika kasutamine

Märkus: Kasutage jämedate okste saagimiseks saagimistehnikat. Vt jaotist *Saagimistehnika kasutamine lk 222*.



HOIATUS: Laasimistehnikat kasutades on suur õnnetuse oht. Juhiseid tagasiviskumise ennetamiseks vt jaotises *Teave tagasiviskumise kohta lk 221*.



HOIATUS: Saagige oksad üksteise järel läbi. Olge ettevaatlik peeneid oksi saagides ja ärge saagige võsa või palju peeneid oksi korraga. Peened oksad võivad saeketti takerduda ja takistada seadme ohutut kasutamist.

Märkus: Vajaduse korral lõigake oksi jupphaaval. Esmalt lõigake ära väiksemad oksad (A) ja (B) ning seejärel lõigake oks tüve lähedalt (C).

(Joon. 80)

1. Eemaldage oksad tüve paremalt küljelt.
 - a) Hoidke juhtplaat tüve paremal küljel ja seadme korpus vastu tüve.
 - b) Valige sobiv saagimistehnika vastavalt oksa pingele. (Joon. 81)



HOIATUS: Kui te pole kindel, kuidas oksa saagida, küsige eelnevalt nõu professionaalselt kettsaekasutajalt.

2. Eemaldage oksad tüve pealt.
 - a) Hoidke seadme korpus vastu tüve ja laske juhtplaadil liikuda mööda tüve.

- b) Saagige lükkava ketiga. (Joon. 82)
3. Eemaldage oksad tüve vasakult küljelt.
 - a) Valige sobiv saagimistehnika vastavalt oksa pingele. (Joon. 83)



HOIATUS: Kui te pole kindel, kuidas oksa saagida, küsige eelnevalt nõu professionaalselt kettsaekasutajalt.

Teavet pingele all olevate okste saagimise kohta vt jaotisest *Pinge all olevate puude ja okste saagimine lk 225*.

Langetamistehnika kasutamine



HOIATUS: Puu langetamiseks peab teil olema piisavalt kogemust. Võimaluse korral tehke läbi kettsae kasutamise kursused. Küsige lisateavet kogunud kettsaekasutajalt.

Ohutu kauguse hoidmine

1. Veenduge, et inimesed teie ümber püsiksid töö ajal vähemalt 2 1/2 puu pikkuse kaugusel. (Joon. 84)
2. Jälgige, et keegi ei viibiks nimetatud ohutsoonis enne langetamist ega langetamise ajal. (Joon. 85)

Langetamissuuna arvutamine

1. Tehke kindlaks puu langemissuund. Puu tuleb langetada laasimiseks ja tükeldamiseks võimalikult heas suunas. Samuti on oluline, et seisaksite stabiilselt ja saate ohutult liikuda.



HOIATUS: Kui loomulikus langemissuunas langetamine pole võimalik või on liiga ohtlik, laske puul langeda muus langemissuunas.

2. Uurige puu loomulikku langemissuunda. Näiteks puu kalle ja väändumine, tuule suund, okste asukoht ja lume raskus.
3. Kontrollige, kas läheduses on takistusi, nagu teised puud, õhujuhthmed, teed ja/või ehitised.
4. Kontrollige puud kahjustuste või mädaniku suhtes.



HOIATUS: Mädanenud tüvega puu võib langeda enne, kui olete saagimise lõpetanud.

5. Veenduge, et puul poleks katkisi või surnud oksi, mis võivad saagimise ajal teile peale kukkuda.
6. Ärge laske puul vastu teist kasvavat puud langeda. Kinnijäänud puud langetada on ohtlik ning õnnetusohu on suur. Vt jaotist *Kinnijäänud puu langetamine lk 225*. (Joon. 86)



HOIATUS: Kriitiliste langetamistööde puhul tõstke kõrvaklapid kohe peast eemale, kui olete saagimise lõpetanud. On oluline, et kuuleksite helisid ja hoiatussignaale.

Tüve laasimine ja pääsetee kindlustamine

Saagige oksad õlakõrgusest kuni allapoole.

1. Saagige tõmbava ketiga ülevalt alla. Jälgige, et puu oleks teie ja seadme vahel. (Joon. 87)
2. Eemaldage tööpiirkonnast puu ümber kasvav võsa. Eemaldage tööpiirkonnast kõik saetud tükid.
3. Veenduge, et pääseteed ei takistaks kivid, oksad, augud ja muud takistused. Kui puu hakkab langema, peab teil olema vaba pääsetee. Pääsetee peab olema langetamissuuna suhtes umbes 135-kraadise nurga all.

1. Ohupiirkond
2. Pääsetee
3. Langetamissuund

(Joon. 88)

Puu langetamine

Husqvarna soovitame teha langetussälgud ja kasutada puu langetamiseks ohutu nurga meetodit. Ohutu nurga meetod aitab saagige õige pideriba ja kontrollida langetamissuunda.



HOIATUS: Ärge langetage puid, mille läbimõõt on enam kui kaks korda suurem juhtplaadi pikkusest. Selleks on vaja eriväljaõpet.

Pideriba

Kõige tähtsam tehnika puude langetamisel on õige pideriba saagimine. Õige pideribaga juhite puu langemissuunda ja tagate, et langetamine laabuks ohutult.

Pideriba paksus peab olema ühtlane ja vähemalt 10% puu läbimõõdust.



HOIATUS: Kui pideriba on valesti saetud või liiga kitsas, ei saa te langetamissuunda kontrollida.

(Joon. 89)

Langetussälgude tegemine

1. Tehke langetussälgud. Lõigake langetussälgud 1/4 puu läbimõõdust. Tehke ülemine ja alumine sisselõige 45° nurga all.

- a) Tehke kõigepealt ülemine sisselõige. Suunake seadme langetamissuuna märgistus (A) puu langetamissuuna (B) järgi. Seiske seadme taga ja hoidke puu endast paremal. Saagige juhtplaadiga tõmmates.
- b) Tehke alumine lõige. Tehke alumine sisselõige, nii et see lõpeks samas kohas, kus ülemine sisselõige. (Joon. 90)

2. Langetussälgu joon peab olema täiesti horisontaalne ning langetamissuuna suhtes täisnurga (90°) all. Langetussälgu joon on koht, kus langetussälgud omavahel kokku puutuvad. (Joon. 91)

Ohutu nurga meetodi kasutamine

Langetav sisselõige tuleb teha veidi kõrgemale langetussälgust.

(Joon. 92)



HOIATUS: Olge ettevaatlik, kui lõikate juhtplaadi otsaga. Alustage lõikamist juhtplaadi alumise osaga ja tehke sisselõige tüvesse.

(Joon. 93)

1. Kui kasutatav lõikepikkus on puu läbimõõdust pikem, järgige juhiseid a–d.
 - a) Tehke sisselõige otse tüvesse, moodustades pideriba kogu laiuses. (Joon. 94)
 - b) Saagige tõmbava ketiga, kuni alles on 1/3 tüve.
 - c) Tõmmake juhtplaat 5–10 cm / 2–4 tolli tagasi.
 - d) Lõigake läbi ülejäänud tüvi, jättes 5–10 cm / 2–4 tolli laiuse ohutu nurga. (Joon. 95)
2. Kui kasutatav lõikepikkus on puu läbimõõdust lühem, järgige juhiseid a–d.
 - a) Tehke sisselõige otse tüvesse. Sisselõige peab olema 3/5 puu läbimõõdust.
 - b) Saagige tõmbava ketiga läbi ülejäänud tüvi. (Joon. 96)
 - c) Saagige mõlemalt küljelt tüvesse ja moodustage pideriba.
 - d) Saagige lükkava ketiga, kuni alles on 1/3 tüve, et moodustada ohutu nurk. (Joon. 97)
3. Pange otse tagant lõikesoonde kiil. (Joon. 98)
4. Puu langetamiseks saagige nurk läbi.

Märkus: Kui puu ei lange, lõige kiilu sisse, kuni puu hakkab langema.

5. Kui puu hakkab langema, eemalduge sellest mööda pääseteed. Eemalduge puust vähemalt 5 m / 15 jala kaugusele.

Kinnijäänud puu langetamine



HOIATUS: Kinnijäänud puud langetada on väga ohtlik ning õnnetusohut on suur. Ärge viibige ohutsoonis ja ärge proovige langetada kinnijäänud puud.

(Joon. 99)

Kõige ohutum on kasutada mõnda järgmistest vintsidest:

- traktorile monteeritud

(Joon. 100)

- kaasaskantav

(Joon. 101)

Pinge all olevate puude ja okste saagimine

1. Tehke kindlaks, milline puu või oksa külg on pinge all.
2. Tehke kindlaks, kus asub selle loomulik murdumiskoht. (Joon. 102)
3. Otsustage, missugune on kõige ohutum moodus pinge kõrvaldamiseks.

Märkus: Teatud olukordades on ainus ohutu moodus kasutada kettsae asemel vintsi.

4. Seiske nii, et puu või oks ei tabaks teid, kui see pinge alt vabaneb. (Joon. 103)
5. Tehke üks või mitu sisselõiget nii sügavalt, kui vaja pinge vähendamiseks. Tehke sisselõige murdumispunktis või selle läheduses. Murdke puu või oks murdumispunkti. (Joon. 104)



HOIATUS: Ärge saagige kunagi otse läbi pinge all olevat puud või oksa.



HOIATUS: Olge pinge all oleva puu saagimisel väga ettevaatlik. Puu võib enne või pärast saagimist järsult liikuda. Kui olete vales töoasendis või saete valesti, võib olla tagajärjeks ohtlik kehavigastus.

6. Kui teil tuleb saagida läbi puutüve/oksa, tehke kaks-kolm lõiget 2,5 cm vahedega 5 cm sügavuseni. (Joon. 105)
7. Jätkake saagimist, kuni puutüvi/oksa paindub ja vabaneb pingest. (Joon. 106)
8. Saagige puutüve/oksa teiselt poolt, kuni pinge on vabanenud.

Hooldamine

Sissejuhatus



HOIATUS: Enne seadme hooldamist lugege läbi ohutuspeatükk ja veenduge, et see oleks teile täielikult arusaadav.

Allpool on esitatud loend seadme hooldustöödest, mida peab tegema seadme kasutaja. Vt jaotisest *Hooldamine lk 225* lugege lisateavet.

Hooldusgraafik



HOIATUS: Enne hooldustööde alustamist eemaldage aku.

Hooldus	Enne kasutamist	Iga nädal	Iga kuu
Puhastage seadme välisosad.	X		
Kontrollige, et toitelüliti ja toitelüliti lukustus töötaksid ohutult ning nõuetekohaselt.	X		
Puhastage ketipidur ja veenduge, et see töötaks ohutult. Veenduge, et ketipüüdja oleks kahjustamata. Vajaduse korral asendage.	X		
Juhtplaadi ühtlasemaks kulumiseks pöörake see ümber. Veenduge, et juhtplaadi määrdeava poleks ummistunud. Puhastage ketisoon.	X		
Kontrollige, et lõikuril ja lõikuri kattel poleks pragusid ega kahjustusi. Vahetage lõikur või lõikuri kate välja, kui see on saanud lööke või on pragunenud.	X		

Hooldus	Enne ka- sutamist	Iga nädal	Iga kuu
Veenduge, et juhtplaat ja saekett saaksid piisavalt õli.	X		
Kontrollige saeketti. Kontrollige pragude suhtes ja veenduge, et saekett poleks jäik ega ebatavaliselt kulunud. Vajaduse korral asendage.	X		
Teritage saeketti. Kontrollige pingsust ja seisukorda. Kontrollige veotähikut kulumise suhtes, vajaduse korral vahetage välja.	X		
Puhastage seadme õhuvõtuava.	X		
Veenduge, et mutrid ja kruvid oleksid pingutatud.	X		
Kontrollige, et klahvistik töötab ega ole kahjustatud.	X		
Vii lige ära juhtplaadi külgedel olevad kraadid.		X	
Kontrollige aku ja seadme vahelisi ühendusi. Samuti kontrollige aku ja akulaadija vahelisi ühendusi.			X
Tühjendage ja puhastage õlipaak.			X
Puhuge toode ja aku jahutuspesad ettevaatlikult suruõhuga läbi.			X

Seadme ohutusseadiste hooldamine ja kontrollimine

Turvakäepideme kontrollimine

Kontrollige regulaarselt turvakäepidet ja automaatpidurit.

1. Veenduge, et eesmisel turvakäepidemel ei oleks kahjustusi, näiteks pragusid. (Joon. 107)
2. Veenduge, et turvakäepide liigub vabalt ning on kindlalt seadme külge kinnitatud. (Joon. 108)
3. Asetage väljalülitatud mootoriga seade kännule või muule stabiilsele pinnale.
4. Hoidke tagumisest käepidemest ja laske lahti esikäepidemest. Laske seadmel vastu kändu kukkuda. (Joon. 109)
5. Veenduge, et ketipidur rakenduks, kui juhtplaat puutub vastu kändu.

Pidurilüliti kontrollimine

1. Asetage seade stabiilsele pinnale ning käivitage see. Vt jaotist *Töö lk 220*.



HOIATUS: Veenduge, et saekett ei puutuks vastu maad või muid esemeid.

2. Hoidke seadet tugevalt, nii et põlglad ja sõrmed on ümber käepidemete. (Joon. 110)
3. Rakendage täisvõimsus ja aktiveerige ketipidur, surudes vasaku käe randme vastu turvakäepidet. Saekett peab kohe peatuma. (Joon. 111)



HOIATUS: Ärge laske esikäepidemest lahti.

Toitelüliti lukustuse kontrollimine

1. Veenduge, et toitelüliti ja toitelüliti lukustus liiguvad takistamatult ning tagastusvedru töötab korrektselt. (Joon. 112)
2. Lükake toitelüliti lukustus edasi (A) ja vajutage alla (B). Hoidke toitelüliti lukustust vastu käepidet ning veenduge, et see liigub vabastamisel tagasi algasendisse. (Joon. 113)
3. Veenduge, et toitelüliti oleks pärast toitelüliti lukustuse vabastamist tühikäigu asendisse lukustatud. (Joon. 114)
4. Käivitage seade ja andke täisgaasi.
5. Vabastage toitelüliti ja veenduge, et saekett peatuks ja jääks paigale.



HOIATUS: Kui kett pöörleb sel ajal, mil toitelüliti on tühikäiguasendis, pöörduge hooldusesindusse.

Ketipüüdja kontrollimine

1. Kontrollige, et ketipüüdja pole saanud kahju.
2. Veenduge, et ketipüüdja on stabiilne ja kinnitatud seadme korpuse külge. (Joon. 115)

Kasutajaliidese funktsioonide kontrollimine

1. Käivitage seade. Vt jaotist *Toote käivitamine lk 222*.
2. Vajutage pikalt käivitus- ja seiskamisnuppu.
3. Veenduge, et toode seiskub ja roheline LED-tuli kustub. (Joon. 66)

Aku ja akupesa kontrollimine

1. Puhastage aku ja akupesa pehme harjaga.

2. Puhastage jahutusavad ja akuklemmid. (Joon. 116)
3. Kontrollige, et akul poleks pragusid ega teisi kahjustusi.

Akulaadija kontrollimine

1. Veenduge, et akulaadija ega toiteallika kaabel ei oleks kahjustatud. Kontrollige pragusid ja muid kahjustusi. (Joon. 117)

Jahutussüsteemi puhastamine

Jahutussüsteem hoiab mootori temperatuuri madalana. Jahutussüsteemi osadeks on õhuvõtuava toote vasakul küljel ja mootoril olev ventilaator.

1. Puhastage jahutussüsteemi harjaga kord nädalas, vajaduse korral tihedamini. (Joon. 118)
2. Veenduge, et jahutussüsteem poleks määrduanud ega ummistunud.



ETTEVAATUST: Määrduanud või ummistunud jahutussüsteemiga seade võib üle kuumeneda. See kahjustab toodet.

Saeketi teritamine

Teave juhtplaadi ja saeketi kohta



HOIATUS: Kandke saeketi käsitsemisel ja hooldamisel kaitsekindaid. Saekett, mis korralikult ei liigu, võib põhjustada kehavigastusi.

Kulunud või kahjustatud juhtplaat või saekett tuleb asendada Husqvarna poolt soovitatud saeketi ja juhtplaadi kombinatsiooniga. See on vajalik seadme ohutusfunktsioonide töökorras ja toimivana hoidmiseks. Soovitatavate juhtplaadi ja keti kombinatsioonide loendit vt *Lisavarustus lk 232*.

- Juhtplaadi pikkus, tolli/cm. Teave juhtplaadi pikkuse kohta asub harilikult juhtplaadi tagaosas.

(Joon. 119)

- Hammaste arv juhtplaadi otsatähikul (T).

(Joon. 120)

- Saeketi samm tollides. Veolülide vahe peab sobima juhtplaadi otsatähiku ja veotähiku hammastega.

(Joon. 121)

- Veolülide arv. Veolülide arvu määrab juhtplaadi tüüp.

(Joon. 122)

- Ketisoone laius, mm/tollid. Juhtplaadi soone laius peab olema võrdne keti veolülide laiusega.

(Joon. 123)

- Saeketi õlitamisauk ja pingutusauk. Juhtplaat peab sobima kokku seadmega.

(Joon. 124)

- Veolüli laius, mm/tollid.

(Joon. 125)

Lõikuri teritamise üldjuhised

Ärge kasutage nüri saeketti. Kui saekett on nüri, peate kasutama saagimisel suuremat survet, et suruda juhtplaat läbi puidu. Kui saekett on väga nüri, tekib saagimisel puulaastude asemel saepuru.

Hästi teritatud saekett läheb saagimisel ise puu sisse ja saepuru koosneb paksudest pikergustest tükkidest.

Saeketi lõikavat osa nimetatakse lõikuriks ning see koosneb lõikehammastest (A) ja lõikesügavusest (B). Nende kõrguse erinevus määrab lõikesügavuse (sügavusmõõt).

(Joon. 126)

Lõikuri teritamisel arvestage järgmiste näitajatega.

- Teritusnurk.

(Joon. 127)

- Lõikenurk.

(Joon. 128)

- Viili asend.

(Joon. 129)

- Ümarviili läbimõõt.

(Joon. 130)

Ilma õigete abivahenditeta on väga raske saeketti korralikult teritada. Kasutage Husqvarna soovitatud teritusmalli. See aitab tagada maksimaalsed lõikeomadused ja vähendada tagasilöögi ohtu.



HOIATUS: Teritamishuhiste eiramisel suureneb tagasiviskumise jõud järsult.

Märkus: Vt jaotisest *Lisavarustus lk 232* saeketi teritamise teabe kohta.

Lõikuri teritamine

1. Kasutage lõikehammade teritamiseks ümarviili ja teritusmalli. (Joon. 131)

Märkus: Vt jaotisest *Lisavarustus lk 232* teie saeketi jaoks Husqvarna soovitatud viili ja malli teabe kohta.

2. Asetage teritusmall lõikurile õigesti. Lugege teritusmalli kasutusjuhendit.
3. Viilige lõikehambaid hammaste siseküljelt väljapoole. Viili tagasitõmbamisel vähendage survet. (Joon. 132)
4. Teritage kõik lõikehambad ühelt poolelt.
5. Pöörake seade ümber ja teritage kõik hambad teiselt küljelt.

6. Veenduge, et kõik lõikehambad oleksid ühepikkused.

Üldine teave saeketi sügavusmõõdu reguleerimise kohta

Lõikehamba (A) teritamisel sügavusmõõt (C) väheneb. Maksimaalsete lõikeomaduste tagamiseks peate viilima materjali lõikesüvisest (B), et saada soovitud sügavusmõõt. Vt *Lisavarustus lk 232* juhiseid teie saeketi jaoks õige sügavusmõõdu saamise kohta.

(Joon. 133)



HOIATUS: Liiga suure sügavusmõõdu korral suureneb tagasiviskumis oht.

Sügavusmõõdu reguleerimine

Enne lõikesügavuse mõõdiku reguleerimist või lõiketerade teritamist vt jaotist *Lõikuri teritamine lk 227* juhiseid lugemiseks. Soovitame lõikesügavuse mõõdikut seadistada iga kolmanda teritamise järel.

Soovitame kasutada sügavusmõõdu seadistamiseks vastavat teritusmalli, sellega tagatakse õige sügavusmõõt ja kontsa nurk.

(Joon. 134)

1. Sügavusmõõtu saate reguleerida lameviili ja teritusmalli abil. Kasutage lõikesügavuse mõõdiku seadistamiseks ainult Husqvarna pool sooviatud teritusmalli, sellega tagatakse õige sügavusmõõt ja kontsa nurk.
2. Pange teritusmall saeketile.

Märkus: Teritusmalli täpsed kasutusjuhised on toodud teritusmalli pakendil.

3. Teritusmallist välja ulatuva sügavusmõõdiku osa viilimiseks kasutage lameviili. (Joon. 135)

Saeketi pinge reguleerimine



HOIATUS: Valesti pingutatud saekett võib juhtplaadilt maha tulla ja põhjustada raske kehavigastuse või surma.

Kasutamise käigus venib saekett pikemaks. Reguleerige saeketti regulaarselt. Kontrollige saeketi pingsust alati, kui lisate ketiõli.

Märkus: Uus saekett vajab sissetöötamist ja sel ajal tuleb keti pingsust tihedamini kontrollida.

Saeketi pinge reguleerimine (juhtplaadi nupuga)

1. Klappige nupp välja avatud asendisse. (Joon. 136)
2. Veotähiku katte vabastamiseks keerake nuppu vastupäeva. (Joon. 137)

3. Saeketi pingsuse reguleerimiseks keerake keti pingutusratas. Saekett peab olema juhtplaadi vastu tugevalt pingul. (Joon. 138)

Märkus: Keti pingutamiseks keerake pingutusratas allapoole (+), keti lõdvendamiseks ülespoole (-).

4. Veenduge, et saaksite saeketti hõlpsasti käsitsi ringi vedada ja et see ei ripuks juhtplaadil. (Joon. 139)
5. Juhtplaadi nupu kinnikeeramiseks keerake nuppu päripäeva. (Joon. 140)
6. Pingsuse fikseerimiseks klappige nupp sisse. (Joon. 141)

Saeketi pinge reguleerimine (juhtplaadi poldiga)

1. Keerake lahti juhtplaadi mutter, mis hoiab paigal veotähiku katet. Kasutage lehtsilmsuvõtit. (Joon. 142)
2. Tõstke juhtplaadi esiosa üles ja keerake keti pingutuskruvi. Kasutage lehtsilmsuvõtit.
3. Pingutage saeketti, kuni see on juhtplaadi vastu tugevalt pingul. (Joon. 143)
4. Pingutage lehtsilmsuvõtme abil plaadimutter, tõeses samal ajal juhtplaadi esiosa üles. (Joon. 144)
5. Veenduge, et saaksite saeketti hõlpsasti käsitsi ringi vedada ja et see ei ripuks juhtplaadil. (Joon. 139)

Märkus: Vt jaotist *Toote tutvustus lk 211* seadme keti pingutuskruvi asukoha teabe kohta.

Saeketi määrituse kontrollimine

Kontrollige iga kolmanda akulaadimise järel keti määritust.

1. Käivitage seade ja laske sel töötada 3/4 võimsusel. Hoidke juhtplaati umbes 20 cm kõrgusel heledat värvi pinnast.
2. Kui saeketi määrimine töötab õigesti, näete ühe minuti järel selgesti eristatavat joont. (Joon. 145)
3. Kui saeketi määrimine ei tööta õigesti, kontrollige järgmist.
 - a) Kontrollige, et juhtplaadi õlikanal poleks blokeeritud. Vajaduse korral puhastage. (Joon. 146)
 - b) Kontrollige, et juhtplaadi serval olev õlikanal oleks puhas. Vajaduse korral puhastage. (Joon. 147)
 - c) Kontrollige, kas juhtplaadi otsatähik pöörleb vabalt ja et määrideauk juhtplaadi otsas ei oleks blokeeritud. Vajaduse korral puhastage ja määrige. (Joon. 148)
4. Kui saeketi määrimine ei tööta pärast ülaltoodud juhiste järgimist, võtke ühendust hooldusesindusega.

Keti veotähiku kontrollimine

- Kontrollige keti veotähikut kulumise suhtes. Vajaduse korral asendage keti veotähik.
- Vahetage keti veotähikut iga kord, kui vahetate saeketti. (Joon. 149)

Lõikeosa kontrollimine

1. Veenduge, et neetides ja lülides poleks pragusid ja et ükski neet poleks lahti tulnud. Vajadusel vahetage välja. (Joon. 150)
2. Veenduge, et saekett painduks kergesti. Kui saekett on jäik, vahetage see välja.
3. Saeketi neetide ja lülide kulumise kontrollimiseks võrrelge saeketti uue saeketiga.
4. Kui lõikehamba pikim osa on alla 4 mm / 0,16 tolli, tuleb saekett välja vahetada. Saekett tuleb välja vahetada ka siis, kui lõikuril on pragusid. (Joon. 151)

Juhtplaadi kontrollimine

1. Veenduge, et õlikanal poleks ummistund. Vajaduse korral puhastage. (Joon. 146)
2. Kontrollige, kas juhtplaadi servadel on kraate. Eemaldage kraadid teritusmalli abil. (Joon. 152)
3. Puhastage juhtplaadi soon. (Joon. 147)
4. Kontrollige juhtplaadi soont kulumise suhtes. Vajaduse korral vahetage juhtplaat välja. (Joon. 153)
5. Kontrollige, kas juhtplaadi ots on kare või väga kulunud. (Joon. 154)
6. Veenduge, et juhtplaadi otsatähik pöörleks vabalt ja et juhtplaadi otsatähiku määrdeava poleks ummistunud. Vajaduse korral puhastage ja määrige. (Joon. 148)
7. Juhtplaadi eluea pikendamiseks pöörake seda iga päev. (Joon. 155)

Veaotsing

Kasutajaliides

LED-ekraan	Võimalikud tõrked	Võimalik lahendus
Törkeindikaator vilgub.	Ketipidur on rakendatud.	Vabastage ketipidur.
	Temperatuuri kõrvalekalle.	Laske seadmel maha jahtuda.
	Ülekoormus. Saekett ei saa liikuda.	Vabastage saekett.
	Toitelülitiit ja start/stop-nuppu vajutatakse samal ajal.	Laske toitelülitiit lahti toote aktiveerimiseks.
Oranž aktiveerimise LED-tuli vilgub.	Aku pinge on madal.	Laadige akut.
Hoiatusindikaator põleb.	Hooldus.	Pöörduge hooldusesindusse.

Aku

LED-näidik	Võimalikud tõrked	Võimalik lahendus
Roheline LED-tuli vilgub.	Aku pinge on madal.	Laadige akut.

LED-näidik	Võimalikud tõrked	Võimalik lahendus
Tõrke-LED-tuli vilgub.	Temperatuuri kõrvalekalle.	Kasutage akut keskkonnas, mille temperatuur jääb vahemikku – 10...40°C (14...104°F).
	Liiga suur pinge.	Veenduge, et toiteallika võrgupinge vastab toote andmesildil märgitud pingega. Vaadake toote andmesilti. Eemaldage aku laadijast.
Tõrke LED-tuli süttib.	Liiga suur elementide erinevus (1V).	Pöörduge hooldusesindusse.

Akulaadija

Seisukord	Võimalikud tõrked	Võimalik tegevus
Laadimist tähistav LED-tuli on punane.	Akulaadija püsiv tõrge.	Pöörduge edasimüüja poole.
Laadimist tähistav LED-tuli vilgub roheliselt.	Vale temperatuur, aku on laadimiseks liiga külm või liiga kuum.	Laske akul jahtuda või soojeneda. Kui aku on saavutanud õige temperatuuri, saab seda uuesti kasutada või laadida. Kasutage akulaadijat keskkonnas, mille temperatuur jääb vahemikku 5...40 °C.
Laadimist tähistav LED-tuli vilgub punaselt.	Aku rike	Pöörduge edasimüüja poole

Transportimine, hoiepanek ja utiliseerimine

Transportimine ja hoiustamine

- Tarnitud liitiumioonakud vastavad ohtlike ainete eeskirjade nõuetele.
- Täitke kaubanduslikule transpordile kehtestatud pakendamise ja märgistamise erinõudeid (sh kolmandate osapoolte või ekspediitorite teenuseid kasutades).
- Enne seadme lähetamist konsulteerige isikuga, kes on läbinud ohtlike ainete käitlemise alase erikoolituse. Järgige kõiki kehtivaid riiklikke eeskirju.
- Enne aku pakendisse asetamist katke lahtised kontaktid isoleerteibiga. Asetage aku pakendisse tihkelt, et see ei saaks liikuma hakata.
- Hoiustamise ja transpordi ajaks tuleb aku eemaldada.
- Asetage aku ja akulaadija kohta, mis on kuiv ja mida ei ähvarda niiskus ega jäätumine.
- Ärge hoidke akut kohas, kus võib tekkida staatiline elekter. Ärge hoidke akut metallkastis.
- Hoidke akut ruumis, mille temperatuur püsib vahemikus 5...25°C (41...77°F) ja kus aku on varjatud otsese päikesevalguse eest.

- Hoidke akulaadijat ruumis, mille temperatuur püsib vahemikus 5...45°C (41...113°F) ja kus akulaadija on varjatud otsese päikesevalguse eest.
- Kasutage akulaadijat üksnes juhul, kui ümbritsev temperatuur on vahemikus 5...40°C.
- Enne aku pikemaajalist hoiustamist laadige see 30–50% ulatuses täis.
- Hoidke akulaadijat ruumis, mis on suletud ja kuiv.
- Ladustamisel hoidke aku akulaadijast eemal. Ärge lubage lastel ja teistel volitamata isikutel seadmeid puutuda. Hoidke seadmeid lukustatavas ruumis.
- Enne seadme pikemaajalist hoiustamist puhastage seade ja tehke sellele täishooldus.
- Transportimise ja hoiustamise ajal kasutage tootel olevat transpordikaitset, et vältida inimeste kehavigastusi ja toote kahjustusi.
- Kinnitage seade transpordi ajaks turvaliselt.

Aku, akulaadija ja seadme kasutuselt kõrvaldamine

All olev sümbol tähendab, et seade ei kuulu olmejäätmete hulka. Toimetage see elektri- ja

elektronikajäätmete vastuvõtupunkti. Nii aitate vältida keskkonna ja inimeste kahjustamist.

(Joon. 24)

Lisateavet küsige kohalike ametkondadelt, olmejäätmete käitlejatelt või edasimüüjalt.

Märkus: Sümbol asub tootel või toote pakendil.

Tehnilised andmed

Tehnilised andmed

	225i
Mootor	
Tüüp	BLDC (harjadeta) 36 V
Omadused	
Väikse energiatarbega režiim	SavE-
Määrdesüsteem	
Õlipumba tüüp	Automaatne
Õlipaagi maht, ml/cm ³	0,2/200
Kaal	
Ketsae kaal tühja ketiõli paagiga ning ilma aku, juhtplaadi ja saeketita (kg)	3,1
Müratasemed ³⁰	
Helivõimsuse tase, mõõdetud dB(A)	97
Helivõimsuse tase, garanteeritud L _{WA} dB(A)	100
Helitasemed ³¹	
Helirõhutase kasutaja kõrva juures, mõõdetud EN 62841-1 järgi	89
Vibratsioonitase ³²	
Esikäepide m/s ²	3,9
Tagumine käepide m/s ²	3,9
Saekett/juhtplaat	
Soovitatud juhtplaadi pikkus, cm	30,5-35,6
Juhtplaadi kasutatav löikepikkus, cm	27-33,2
Veotähiku tüüp / hammaste arv	Sirghammastega/6
Maksimaalne ketikiirus / (tavarežiim), m/s	11,8

³⁰ Müraemissioon ümbritsevasse keskkonda, mõõdetud helivõimsuse tasemenähtena (L_{WA}) vastavalt EÜ direktiivile 2000/14/EÜ ja EN ISO 22868, tüüpiline statistiline dispersioon (standardhälve) on 3 dB (A).

³¹ Seadme helitugevuse taseme teadaolevate väärtuste puhul on statistiline tühipleki 3 dB(A) (standardne kõrvallekalle).

³² Vibratsioonitase vastavalt standardile EN 62841-4-1. Vibratsioonitaseme kohta toodud andmete tüüpiline statistiline dispersioon (standardhälve) on ± 1,5 m/s². Mõõtmiste käigus kinnitatud vibratsioonandmed on tõesed juhul, kui kasutatakse standardset juhtplaadi pikkust ja soovitatud ketitüüpi. Kui masinal on muu juhtplaadi pikkus, võib vibratsioonitase varieeruda maksimaalselt ±1,5 m/s².

	225i
Maksimaalne ketikiirus / (savE režiim), m/s	9,4

Lisavarustus

Juhtplaadi ja saeketi kombinatsioonid



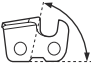



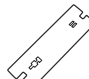






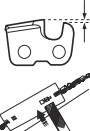


Husqvarna 225i jaoks on heaks kiidetud järgmised lõikeosad.

Juhtplaat					Saekett	
Tüüp	Pikkus, tollid	Saeketi samm, tollid	Saetee laius, mm	Maksimaalne ninaosa raadius	Tüüp	Pikkus, veolülid (tk)
501959545	12	3/8" mini	1,1	7T	Husqvarna H38 (581808145)	45
501959552	14	3/8" mini	1,1	7T	Husqvarna H38 (581807952)	52

Teritusvahendid ja teritusnurgad

Kasutage saeketi teritamiseks Husqvarna teritusmalli. Husqvarna teritusmall tagab õige teritusnurga saavutamise. Tootenumbrid on toodud allpool tabelis.

Kui te pole kindel, kuidas määratleda oma seadme saeketi tüüpi, lugege lisateavet jaotisest www.husqvarna.com.

							
38	4,5 mm	75°	30°	0°	0,65 mm	505 69 81-03	579 55 88-01
							
93	4,0 mm	60°	30°	0°	0,65 mm	596 63 89-01	596 63 89-01

Heakskiidetud akud

Aku	40-B140
Tüüp	Liitiumioonaku
Aku mahtuvus, Ah	4
Nimipinge, V	36
Kaal, kg	1.25

Seadme jaoks heaks kiidetud akulaadijad

Akulaadija	40-C80
Toitevõrgu pinge, V	100-240
Sagedus, Hz	50-60
Võimsus, W	72
Väljundpinge, alalisvool, V / amprit, A	43/1,6

Vastavusdeklaratsioon

EÜ vastavusdeklaratsioon

Meie, **Husqvarna AB**, SE-561 82 Huskvarna, Rootsi, tel:
+46-36-146500, deklareerime ainuvastutusel, et toode:

Kirjeldus	Juhtmeta kettsaad
Kaubamärk	Husqvarna
Tüüp/mudel	225i
Identifitseerimine	Seerianumbrid alates 2023. aastast

vastab täielikult järgmistele EÜ direktiividele ja määrustele:

Direktiiv/eeskirj	Kirjeldus
2006/42/EÜ	„masinadirektiiv“
2014/30/EL	„elektromagnetilise ühilduvuse direktiiv“
2011/65/EL	„elektri- ja elektroonikaseadmetes teatavate ohtlike ainete kasutamise piiramise direktiiv“
2000/14/EÜ	„seadmete müra kohta käiv direktiiv“

Rakendatud on järgmisi standardeid: EN
62841-1:2015+A11:2022, EN 62841-4-1:2020, EN
IEC 63000:2018, EN IEC 55014-1:2021, EN IEC
55014-2:2021.

Teavitatud asutus: TÜV Rheinland LGA Products
GmbH, Tillystrasse 2, D-90431 Nuernberg, Germany,
0197, on teostanud EÜ tüübikontrolli vastavalt
masinadirektiivi (2006/42/EÜ) artikli 12 punktide 3b.
Sertifikaadi number on: BM 50604678 0001.

Tarnitud kettsaag vastab näidisele, mis läbis EÜ
tüübikontrolli.

Vastavalt direktiivile 2000/14/EÜ, V lisa, vt jaotist
Tehnilised andmed lk 231 deklareeritud heliväärtuste
kohta teabe saamiseks.

Huskvarna, 2023-10-30



Claes Losdal, Husqvarna AB uurimis- ja arendusjuht

Tehnilise dokumentatsiooni eest vastutaja



Sisällys

Johdanto.....	235	Vianmääritys.....	253
Turvallisuus.....	236	Kuljettaminen, säilyttäminen ja hävittäminen.....	254
Asentaminen.....	243	Tekniset tiedot.....	255
Käyttö.....	244	Tarvikkeet.....	256
Huolto.....	249	Vaatimustenmukaisuusvakuutus.....	258

Johdanto

Käyttötarkoitus

Tämä metsäkäyttöön tarkoitettu moottorisaha on suunniteltu metsätöihin, kuten puiden kaatamiseen, karsimiseen ja katkomiseen.

Huomautus: Kansalliset määräykset saattavat rajoittaa tuotteen käyttöä.

Laitteen kuvaus

(Kuva 1)

1. Takapotkusuojus
2. Etukahva
3. Käyttöliittymä
4. Käynnistys-/pysäytyspainike
5. Varoitusvalo ja akun merkivalo
6. SavE-painike
7. Takakahva ja oikean käden suojus
8. Huomio- ja varoitustarra
9. Kotelo
10. Ketjuöljysäiliö
11. Kuljetussuojus
12. Käyttöliipaisimen varmistin
13. Käyttöliipaisin
14. Ketjupyörän suoja ja terälevyn nuppi
15. Ketjun kiristin
16. Ketjusieppo
17. Kuorituki
18. Kärkipyörä
19. Teräketju
20. Terälevy
21. Lataustilan ilmaisin
22. Liitin
23. Akkulaturi
24. Yhdistelmäavain
25. Varoitusvalo
26. Painike, akun tila
27. Akun tila
28. Akun vapautuspainike
29. Akku
30. Käyttöohje
31. Terälevyn nuppi

Tuotekuvaus

Husqvarna 225i on sähkömoottorilla toimiva moottorisaha.

Laitetta kehitetään jatkuvasti turvallisemmaksi ja tehokkaammaksi. Lisätietoja saat huoltoliikkeestä.

32. Ketjupyörän suoja ja terälevyn pultti

Laitteen symbolit

- (Kuva 2) VAROITUS: Tämä laite voi olla vaarallinen ja aiheuttaa käyttäjälle tai sivullisille vakavia vahinkoja tai kuoleman. Ole varovainen ja käytä laitetta oikein.
- (Kuva 3) Lue käyttöohje huolellisesti ja varmista, että ymmärrät sen sisällön, ennen kuin alat käyttää laitetta.
- (Kuva 4) Käytä hyväksytyä kypärää, kuulonsuojaimia ja silmäsuojaimia.
- (Kuva 5) Käytä tuotetta molemmin käsin.
- (Kuva 6) Älä pitele tuotetta vain yhdellä kädellä käytön aikana.
- (Kuva 7) Älä anna terälevyn kärjen osua mihinkään.
- (Kuva 8) Älä käytä laitetta sateessa.
- (Kuva 9) Varoitus! Jos terälevyn kärki osuu johonkin, tämä saattaa aiheuttaa takapotkun. Tällöin terälevy sinkoutuu käyttäjää kohti. Vakava loukkaantumisen tai kuoleman vaara.
- (Kuva 10) Nimellisjännite, V
- (Kuva 11) Teräketjuöljy.
-

- (Kuva 12) Teräketjun pyörimissuunta ja terälevyn enimmäispituus.
- (Kuva 13) Tasavirta.
- (Kuva 14) **Ympäristömerkintä.** Laitetta tai sen pakkausta ei saa hävittää kotitalousjätteen mukana. Vie se asianmukaiseen sähkö- ja elektroniikkalaitteiden keräyspisteeseen.
- (Kuva 15) Tämä tuote täyttää voimassa olevien EY-direktiivien vaatimukset.
- (Kuva 16) Tuote täyttää sovellettavien UK-säädösten vaatimukset.
- (Kuva 17) Melupäästöt ympäristöön -tarra Euroopan parlamentin ja neuvoston direktiivin 2000/14/EY, Yhdistyneen kuningaskunnan direktiivien ja säädösten ja Uuden Etelä-Walesin lainsäädännön Protection of the Environment Operations (Noise Control) Regulation 2017 -asetuksen mukaisesti. Laitteen taattu äänentehotas on määritelty kohdassa *Tekniset tiedot sivulla 255* ja arvokilvessä.
- (Kuva 21) Ketjujarru, kytketty (eteenpäin). Ketjujarru, vapautettu (taaksepäin).
- (Kuva 22) Ketjun pyörimissuunta.
- (Kuva 23) Sarjanumero näkyy tyyppikilvessä. **yyyy** on valmistusvuosi ja **ww** valmistusviikko.

Huomautus: Muita laitteen symboleita/tarroja tarvitaan joillakin markkina-alueilla ilmaisemaan sertifiointivaatimuksia.

Akun ja/tai akkulaturin symbolit

- (Kuva 24) Vie tämä laite asianmukaiseen sähkö- ja elektroniikkalaitteiden keräyspisteeseen. (Koskee ainoastaan Eurooppaa)
- (Kuva 18) Vikaturvallinen muuntaja.
- (Kuva 19) Käytä ja säilytä akkulaturia ainoastaan sisätiloissa.
- (Kuva 20) Kaksoiseristys.

Valmistaja

Husqvarna AB

Drottninggatan 2, SE-561 82, Huskvarna, Sweden, tel: +46-36-146500

Tuotteen vaurioituminen

Emme ole vastuussa tuotteen vaurioitumisesta, jos:

- tuote on korjattu virheellisesti
- tuotteen korjaamiseen on käytetty muita kuin valmistajan omia tai sen hyväksymiä osia
- tuotteessa on muu kuin valmistajan oma tai sen hyväksymä lisävaruste
- tuotetta ei ole korjattu valtuutetussa huoltopisteessä tai hyväksytyllä asiantuntijalla.

Turvallisuus

Turvallisuusmääritelmät

Varoituksia, huomioita ja huomautuksia käytetään, kun jotakin käyttöohjeen osaa halutaan erityisesti korostaa.



VAROITUS: Tätä käytetään, jos käyttöohjeen noudattamatta jättämisestä voi seurata käyttäjän tai sivullisen vamma tai kuolema.



HUOMAUTUS: Tätä käytetään, jos käyttöohjeen noudattamatta jättämisestä voi seurata koneen, muiden materiaalien tai ympäristön vaurioituminen.

Huomautus: Tätä käytetään tietyissä tilanteissa tarvittavien lisätietojen antamiseen.

Yleiset sähkötyökaluja koskevat varoitukset



VAROITUS: Lue kaikki tämän sähkötyökalun mukana tulevat turvavaroitukset, ohjeet, kuvat ja tekniset tiedot. Alla olevien ohjeiden noudattamatta jättäminen voi johtaa sähköiskuun, tulipaloon ja/tai vakavaan tapaturmaan.

- **Säästä kaikki varoitukset ja ohjeet tulevaa käyttöä varten.** Varoituksissa termillä "sähkötyökalu" tarkoitetaan verkkosähköllä toimivaa (johdollista) sähkötyökalua tai akkukäyttöistä (johdotonta) sähkötyökalua.

Työalueen turvallisuus

- **Pidä työalue siistinä ja hyvin valaistuna.** Sotkuiset tai hämärät alueet ovat alttiita onnettomuuksille.
- **Älä käytä sähkötyökaluja räjähdysriskissä ympäristössä, esimerkiksi herkästi syttyvien nesteiden, kaasujen tai pölyn läheisyydessä.** Sähkötyökaluista lähtevät kipinät voivat sytyttää pölyn tai kaasut.
- **Pidä lapset ja sivulliset poissa, kun käytät sähkötyökalua.** Häiriöt voivat saada sinut menettämään työkalun hallinnan.

Sähköturvallisuus

- **Sähkötyökalun pistokkeen on sovittava pistorasiiaan. Älä koskaan muuta pistoketta millään tavoin. Älä käytä mitään pistokesovittimia maadoitettujen sähkötyökalujen kanssa.** Muuttamattomat pistokkeet ja sopivat pistorasiat vähentävät sähköiskun vaaraa.
- **Varo koskettamasta maadoitettuja pintoja, kuten putkia, pattereita, liesiä ja jääkaappeja.** Sähköiskun riski kasvaa, jos käyttäjän keho on maadoitettu.
- **Älä altista sähkötyökaluja sateelle tai märille olosuhteille.** Sähkötyökaluun päässyt vesi lisää sähköiskun riskiä.
- **Älä vahingoita johtoa. Älä koskaan käytä johtoa kantamiseen, vetämiseen tai pistokkeen irrottamiseen pistorasiasta. Pidä johto etäällä kuumuudesta, öljystä, terävistä reunoista tai liikkuvista osista.** Vialliset tai solmussa olevat johdot lisäävät sähköiskuvaaraa.
- **Kun käytät sähkötyökalua ulkona, käytä ulkotioliihin sopivaa jatkojohtoa.** Ulkikäyttöön sopivan johdon käyttäminen vähentää sähköiskuvaaraa.
- **Mikäli sähkötyökalun käyttämistä kosteassa ei voida välttää, käytä virtalähdettä, jossa on vikavirtasuojakytkin (RCD).** Vikavirtasuojakytkimen käyttö vähentää sähköiskun vaaraa.

Henkilökohtainen turvallisuus

- **Pysy valppaana, katso mitä teet ja käytä tervettä järkeä käyttäessäsi sähkötyökalua. Älä käytä sähkötyökalua väsyneenä tai alkoholin, huumeiden tai lääkkityksen vaikutuksen alaisena.** Hetken epähuomio sähkötyökaluja käytettäessä voi johtaa vakavaan henkilövahinkoon.
- **Käytä henkilökohtaisia suojarusteita. Pidä aina silmäsuojia.** Hengityssuojain, luistamattomat turvakengät, kypärä, kuulosuojaimet ja muut suojarusteet niitä vaativissa oloissa käytettyinä vähentävät henkilövahinkoja.
- **Estä tahaton käynnistys. Varmista, että katkaisin on OFF-asennossa ennen virtalähteen ja/tai akun kytkemistä, työkaluun tarttumista tai sen kantamista.** Sähkötyökalujen kantaminen sormi katkaisijalla tai niiden kytkeminen sähköverkkoon tai akkuun katkaisimen ollessa päällä altistaa onnettomuuksille.
- **Irrota mahdolliset säätöavaimet ennen virran kytkemistä sähkötyökaluun.** Sähkötyökalun

pyöriivään osaan kiinnitetty avain voi aiheuttaa henkilövahingon.

- **Älä kurota. Säilytä aina tukeva asento ja tasapaino.** Tämä mahdollistaa sähkötyökalun paremman hallinnan odottamattomissa tilanteissa.
- **Pukeudu oikein. Älä käytä löysästi istuvia vaatteita tai koruja. Pidä hiukset ja vaatteet etäällä liikkuvista osista.** Löysät vaatteet, korut tai pitkät hiukset voivat tarttua liikkuviin osiin.
- **Jos käytettävissä on kytkentämahdollisuus pölynpoistojärjestelmälle, varmista, että se kytketään ja että sitä käytetään oikein.** Pölynpoistojärjestelmän käyttö voi vähentää pölyn liittyviä riskejä.
- **Vaikka olisit käyttänyt työkaluja usein ja tuntisit ne hyvin, mistä aina ottaa huomioon työkalun turvamaääräykset.** Huolimaton toiminta voi aiheuttaa vakavia vahinkoja sekunnin murto-osassa.

Sähkötyökalujen käyttö ja huolto

- **Älä pakota sähkötyökalua. Käytä käyttötarkoitukseen sopivaa sähkötyökalua.** Oikea sähkötyökalu tekee työn paremmin ja turvallisemmin nopeudella, jota varten se on suunniteltu.
- **Älä käytä sähkötyökalua, jos virtaa ei voi kytkeä ja katkaista virtakatkaisimella.** Mikä tahansa sähkötyökalu, jota ei voi hallita katkaisimella, on vaarallinen, ja se pitää korjata.
- **Irrota pistoke pistorasiasta ja/tai akku sähkötyökalusta, mikäli mahdollista, ennen kuin teet mitään säätöjä, vaihdat lisävarusteita tai varastoit sähkötyökalun.** Sellaiset varoimet vähentävät riskiä, että sähkötyökalu käynnistetään vahingossa.
- **Varastoi käyttämättömät sähkötyökalut pois lasten ulottuvilta, äläkä anna henkilöiden, jotka eivät tunne sähkötyökalua tai näitä ohjeita, käyttää sähkötyökalua.** Sähkötyökalut ovat vaarallisia kouluttamattomien käyttäjien käsissä.
- **Huolla sähkötyökaluja ja lisävarusteita. Tarkista, etteivät liikkuvat osat ole väärin suunnattuja tai tarttuvia, ettei mikään osa ole murtunut sekä kaikki muut tekijät, jotka voivat vaikuttaa sähkötyökalun toimintaan. Jos sähkötyökalu on vahingoittunut, korjauta se ennen käyttöä.** Monet onnettomuudet johtuvat huonosti huolletuista sähkötyökaluista.
- **Pidä leikkaustyökalut terävinä ja puhtaina.** Oikein huolletut leikkaustyökalut, joiden leikkausreunat ovat terävät, eivät juutu kiinni niin helposti ja ovat helpommin hallittavissa.
- **Käytä sähkötyökalua, lisävarusteita, teriä jne. näiden ohjeiden mukaisesti ottaen huomioon työskentelyolosuhteet ja suoritettavan työn laadun.** Sähkötyökalun käyttäminen ennakoituista poikkeavissa olosuhteissa voi johtaa vaaratilanteeseen.
- **Pidä kahvat ja tarttumapinnat kuivina, puhtaina ja öljyttöminä sekä puhtaina vasellinista.** Liukkaat kahvat ja tarttumapinnat eivät mahdollista työkalun turvallista käsittelyä ja hallintaa odottamattomissa tilanteissa.

Akkukäyttöisten työkalujen käyttö ja huolto

- **Lataa akku ainoastaan valmistajan tarkoitukseen nimeämällä laturilla.** Tietynlaiseen akustoon soveltuva laturi voi aiheuttaa tulipalon vaaran, jos sitä käytetään toisenlaisen akuston lataamiseen.
- **Liitä työkaluihin ainoastaan niissä käytettäviksi hyväksytyjä akkuja.** Muunlaisien akkujen käyttö voi aiheuttaa tapaturmien tai tulipalon vaaran.
- **Kun akkua ei käytetä, pidä se etäällä metalliesineistä, kuten paperiliittimistä, kolikoista, avaimista, nauloista, ruuveista tai muista pienistä metalliesineistä, jotka saattavat aiheuttaa kosketuksen liittinten välillä.** Akkuliitinten saattaminen keskenään oikosulkuun voi aiheuttaa palovammoja tai tulipalon.
- **Akusta voi tihkua nestettä väärissä olosuhteissa. Vältä kosketusta akkuneesteeseen. Jos akkuneestettä joutuu iholle, huuhtelee ihoalue vedellä. Jos neste joutuu kosketuksiin silmien kanssa, ota myös yhteys lääkäriin.** Akkuneeste voi aiheuttaa ihoärsytystä tai palovammoja.
- **Älä käytä vaurioitunutta tai muutettua akkua tai työkalua.** Jos tuotteessa käytetään vaurioituneita tai muutettuja akkuja, tuote ei välttämättä toimi asianmukaisesti. Seurauksena saattaa olla tulipalo, räjähdys tai tapaturma.
- **Älä altista akkua tai työkalua tullelle tai korkeille lämpötiloille.** Laitteen altistuminen tullelle tai yli 130 °C:n lämpötilalle voi aiheuttaa räjähdyksen.
- **Noudata kaikkia latausohjeita äläkä lataa akkua tai työkalua ohjeissa määritetyn lämpötila-alueen ulkopuolella.** Akun lataaminen väärin tai sallituista lämpötiloista poikkeavissa olosuhteissa voi vahingoittaa akkua ja lisätä tulipaloriskiä.

Huolto

- **Anna sähkötyökalun korjaaminen pätevän korjaajan tehtäväksi, joka käyttää vain täysin samanlaisia vaihto-osia.** Tämä varmistaa, että sähkötyökalu säilyy turvallisena käyttäjä.
- **Älä koskaan huolla vahingoittuneita akkuja.** Akkuja saavat huoltaa vain valmistaja ja valtuutetut palveluntarjoajat.

Moottorisahan yleiset turvallisuusvaroitukset

- **Pidä kaikki ruumiinosat poissa teräketjun luota, kun moottorisaha on käynnissä. Ennen kuin käynnistät moottorisahan, varmista, ettei teräketju osu mihinkään.** Hetken huolimattomuus moottorisahaa käytettäessä voi aiheuttaa vaatteiden tai kehon osien tarttumisen teräketjuun.
- **Pidä moottorisaha aina tukevassa otteessa oikea käsi takakahvassa ja vasen käsi etukahvassa.** Moottorisahan pitäminen kädet päinvastaisessa asennossa lisää henkilövahingon riskiä, joten sitä ei pidä tehdä koskaan.

- **Pitele moottorisahaa vain eristetystä tarttumapinnasta, koska teräketju voi osua pilotettuihin johtoihin.** Jos teräketju osuu jännitteeseen johtoon, moottorisahan paljaat metalliosat tulevat jännitteisiksi ja käyttäjä voi saada niistä sähköiskun.
- **Käytä suojalaseja. Lisäsuojasta korville, päälle, käsille ja jalolle suositellaan.** Asianmukainen suojarustus pienentää lentävistä roskista tai teräketjun tahattomasta koskettamisesta aiheutuvien henkilövahinkojen riskiä.
- **Älä käytä sahaa puussa, tikkailla, katolla tai epävakaalla alustalla.** Tällainen sahan käyttö voi aiheuttaa vakavan henkilövahingon.³³
- **Pidä aina kunnollinen jalansija ja käytä moottorisahaa vain seistessäsi kiinteällä, turvallisella ja tasaisella pinnalla.** Liukkaat tai epätasaiset pinnat voivat aiheuttaa tasapainon tai moottorisahan hallinnan menettämisen.
- **Varo takaiskimmahdusta, kun sahaat jännityksessä olevaa oksaa.** Kun puun kuitujen jännitys vapautuu, jännittynyt oksa voi osua käyttäjään ja/tai heittää moottorisahaa hallitsemattomasti.
- **Ole erittäin varovainen sahatessasi pensaita ja taimia.** Ohut materiaali voi tarttua teräketjuun ja lyödä sinua kohti tai vetää sinut pois tasapainosta.
- **Kanna moottorisahaa etukahvasta virta katkaistuna ja pois päin kehostasi. Kun kuljetat moottorisahaa tai viet sen varastoon, käytä aina terälevyn suojusta.** Moottorisahan asianmukainen käsittely pienentää tahattoman, pyörivään teräketjuun kosketuksen riskiä.
- **Noudata voitelia, ketjun kiristystä sekä terälevyn ja -ketjun vaihtoa koskevia ohjeita.** Virheellisesti kiristetty tai voideltu teräketju voi joko katketa tai kasvattaa takapotkun riskiä.
- **Sahaa vain puuta. Älä käytä moottorisahaa muihin kuin asianmukaisiin tarkoituksiin. Älä sahaa esimerkiksi metallia, muovia, kiveä tai muita kuin puisia rakennusmateriaaleja.** Moottorisahan käyttö muihin kuin sille tarkoitettuihin tehtäviin voi aiheuttaa vaaratilanteen.
- **Älä yritä kaataa puuta, ennen kuin ymmärrät siihen liittyvät riskit ja tiedät, miten ne vältetään.** Puun kaatamisesta voi aiheutua vakavia vammoja käyttäjälle tai sivullisille.
- **Noudata kaikkia ohjeita, kun irrotat juuttunutta ainesta tai varastoit tai huollat moottorisahaa. Varmista, että kytkin on OFF-asennossa ja akku irrotettu.** Moottorisahan käynnistäminen vahingossa juuttunutta ainesta irrottaessa tai laitetta huoltaessa voi johtaa vakavaan henkilövahinkoon.
- **Älä käytä moottorisahaa puussa, jollet ole saanut siihen erityiskoulutusta.** Moottorisahan käyttö puussa ilman asianmukaista koulutusta voi lisätä vakavien henkilövahinkojen riskiä.

³³ Jos olet saanut koulutusta erityisistä sahaus- ja työskentelytekniikoista, ja sinulla on asianmukaiset turvavarusteet (nostokori, köydet, turvaväljat), tästä turvasäädöstä voidaan poiketa.

Takapotkun syyt ja keinot sen estämiseen

Terälevyn kärjen osuminen esineeseen tai puun sulkeutuminen ja teräketjun sahausraan puristuksiin jääminen voi aiheuttaa takapotkun. Joissakin tilanteissa kärjen osuminen voi aiheuttaa äkillisen vastareaktion, jolloin terälevy sinkoutuu ylöspäin ja kohti käyttäjää. Jos moottorisahan terälevyn yläosa jää puristuksiin, terälevy voi työntyä nopeasti taakse kohti käyttäjää. Kumpi tahansa näistä reaktioista voi aiheuttaa sahan hallinnan menettämisen, minkä seurauksena voi olla vakava loukkaantuminen. Älä luota yksinomaan sahaan asennettuihin turvalaitteisiin. Moottorisahan käyttäjän tulee suorittaa useita toimenpiteitä, joilla pyritään estämään tapaturmat tai loukkaantumiset sahaustöiden yhteydessä. Takapotku johtuu moottorisahan virheellisestä käytöstä ja/tai virheellisistä toimintatavoista tai olosuhteista, ja se voidaan välttää alla kuvatuilla asianmukaisilla varotoimilla:

- **Säilytä pitävä ote sahasta siten, että peukalat ja etusormet ympäröivät moottorisahan kahvat ja molemmat kädet ovat sahan päällä, ja pidä kehosi ja käsivartesi asennossa, jossa pystyt vastaantamaan takapotkuvoimat.** Käyttäjä voi hallita takapotkuvoimat, jos ryhtyy asianmukaisiin varotoimiin. Älä päästä irti moottorisahasta.
- **Älä kurkota liian kauas, äläkä koskaan sahaa olkapäätason yläpuolelta.** Tämä auttaa estämään tahatonta karkikosketusta ja mahdollistaa paremman moottorisahan hallinnan odottamattomissa tilanteissa.
- **Käytä ainoastaan valmistajan määrittämiä varaterälevyjä ja -ketjuja.** Väärien varaterälevyjen ja -teräketjujen käytöstä voi seurata teräketjun katkeaminen ja/tai takapotku.
- **Noudata valmistajan ohjeita teräketjun villaukseen ja kunnossapitoon.** Syyvyyden säädön korkeuden laskeminen voi lisätä takapotkua.

SÄILYÄ NÄMÄ OHJEET TALLESSA.

Yleiset turvaohjeet



VAROITUS: Lue seuraavat varoitusohjeet ennen koneen käyttämistä.

- Tämä laite on vaarallinen työkalu, jos sitä käytetään huolimattomasti tai väärin. Tämä laite voi aiheuttaa käyttäjälle tai sivullisille vakavia vahinkoja tai kuoleman. On erittäin tärkeää, että luet ja ymmärrät tämän käyttöohjeen sisällön.
- Älä tee laitteeseen muutoksia, joita valmistaja ei ole hyväksynyt. Älä koskaan käytä laitetta, johon joku toinen on tehnyt muutoksia. Käytä aina alkuperäisiä lisävarusteita. Muut kuin valmistajan hyväksymät muutokset laitteeseen voivat aiheuttaa vakavia vahinkoja tai kuoleman käyttäjälle tai sivullisille.
- Teräketjuöljyhuurujen ja sahanpurun pitkäaikainen hengittäminen voi aiheuttaa terveysongelmia.

- Kone muodostaa käytön aikana sähkömagneettisen kentän. Kenttä saattaa joissakin olosuhteissa häiritä aktiivisten tai passiivisten lääketieteellisten implanttien toimintaa. Jotta vakavilta vahingoilta tai kuolemalta vältytään, lääkinnällisiä implantteja käyttävien henkilöiden kannattaa neuvotella lääkärin ja lääkinnällisen implantin valmistajan kanssa ennen tämän laitteen käyttämistä.

Turvallisuusohjeet käyttöä varten



VAROITUS: Lue seuraavat varoitukset ennen tuotteen käyttöä.

- Tässä käyttöohjeessa annetut tiedot eivät korvaa käyttäjän omaa ammattitaitoa ja kokemusta. Jos et tunne oloasi turvallisesti jossakin tilanteessa, pysäytä tuote. Ota yhteys huoltoliikkeeseen tai pätevään moottorisahan käyttäjään. Vältä sellaista käyttöä, mihin et katso taitosi riittävän!
 - Ota yhteys huoltoliikkeeseen tai Husqvarnaan, jos tuotteen käytöstä on jotain kysyttävää. Osaamme neuvoa sinua käyttämään tuotetta tehokkaasti ja turvallisesti. Osallistu mahdollisuuksien mukaan moottorisahan käyttökoulutukseen. Jälleenmyyjäsi, metsäopistot tai kirjastot voivat antaa tietoa saatavilla olevista koulutusmateriaaleista ja kursseista.
 - Varmista ennen tuotteen käyttöä, että ymmärrät, mitä takapotku tarkoittaa ja miten se voidaan estää. Katso kohdasta *Tietoa takapotkusta sivulla 245 ja Yleisiä kysymyksiä takapotkusta sivulla 245*.
 - Älä käytä tuotetta, akkua tai akkulaturia, joka on vahingoittunut tai joka ei toimi asianmukaisesti.
 - Älä koske pyörivään teräketjuun. Se voi aiheuttaa vakavia vammoja tai johtaa kuolemaan.
 - Älä käytä tuotetta, jos olet väsynyt, nauttinut alkoholia tai käytät näkökykyyn, viireyteen, harkintakykyyn tai kehon hallintaan mahdollisesti vaikuttavia lääkkeitä.
 - Huonossa säässä työskentely on väsyttävää, ja siihen liittyy usein riskitekijöitä. Riskitekijöiden takia laitetta ei ole suositeltavaa käyttää huonoissa sääolosuhteissa, kuten sumuisella, sateisella tai erittäin kylmällä säällä, kovalla tuulella tai silloin, kun salamointi on mahdollista.
 - Älä koskaan käynnistä moottorisahaa, jos terälevyjä, teräketjuja ja kaikkia suojuksia ei ole asennettu oikein. Muussa tapauksessa vetopyörä voi irrota ja aiheuttaa vakavia henkilövahinkoja. Katso kohdasta *Asentaminen sivulla 243*.
- (Kuva 25)
- Joskus lastut jumittuvat kytkinkoteloon ja saavat teräketjun jumittumaan. Sammuta moottori aina ennen puhdistusta.

- Katso ympärillesi. Varmista, että muut ihmiset tai eläimet eivät pääse osumaan tuotteeseen tai vaarantamaan tuotteen hallintaa.

(Kuva 26)

- Älä anna lasten käyttää tuotetta tai tulla sen lähelle. Tuote on helppo käynnistää, joten valvomatta jätetyt lapset saattavat pystyä käynnistämään sen. Tämä voi johtaa vakaviin vahinkoihin.
- Irrota akku, jos et pysty valvomaan tuotetta tai joudut jättämään sen lyhyeksikin aikaa.
- Tuotteen hallinta edellyttää, että seisot tukevassa asennossa. Älä käytä tuotetta, jos seisot tikkaila tai olet puussa. Älä käytä tuotetta, jos et seiso tukevalla alustalla.

(Kuva 27)

- Puussa työskentelyyn tarvitaan erityisiä sahaus- ja työskentelytekniikoita, joita on käytettävä suuremman loukkaantumisen riskin vuoksi. Älä koskaan työskentele puussa, ellei ole saanut kyseiseen työhön liittyvää erityistä ammatillista koulutusta, johon sisältyy koulutus turva- ja muiden kiipeilylaitteiden, kuten valjaiden, köönsien, hihnojen, tolppakenkien ja karabiinihakenojen käytöstä.
- Älä koskaan yritä ottaa kiinni putoavia paloja. Älä koskaan sahaa puussa, jos käytössäsi on vain yksi turvaköysi. Käytä aina kahta turvaköyttä.
- Jos olet huolimaton, takapotkun vaara kasvaa. Jos terälevyn takapotkusektori osuu vahingossa oksaan, puuhun tai muihin esineisiin, tämä saattaa aiheuttaa takapotkun.

(Kuva 28)

- Älä pitele tuotetta yhdellä kädellä. Laitetta ei voi hallita turvallisesti yhdellä kädellä.
- Älä käytä tuotetta hartialinjaa korkeammalla, äläkä yritä sahata terälevyn kärjellä.

(Kuva 29)

- Älä käytä laitetta tilanteessa, jossa et voi saada apua onnettomuuden sattuessa.
- Pysäytä laite ja kytke ketjujarru ennen laitteen siirtämistä. Pitele laitetta siten, että terälevy ja teräketju osoittavat taaksepäin. Suojaa terälevy kuljetussuojuksella ennen laitteen kuljettamista tai siirtämistä.
- Kun asetat laitteen maahan, kytke ketjujarru ja pidä laitetta jatkuvasti silmällä. Sammuta laite ja irrota akku ennen kuin jätät laitteen valvomatta vaikka lyhyeksikin ajaksi.
- Puulastut saattavat juuttua vetojärjestelmään. Tällöin teräketju voi juuttua kiinni. Sammuta laite ja irrota akku aina ennen puhdistusta.
- Tärinä lisääntyy, jos sahaat väärällä tai väärin teroitettulla terävarustuksella. Lehtipuiden kaltaisten kovien puulajien sahaus aiheuttaa enemmän tärinää kuin havupuiden kaltaisten pehmeiden puulajien sahaus.

(Kuva 30)

- Liiallinen altistuminen tärinälle saattaa aiheuttaa verisuoni- tai hermovaurioita verenkiertohäiriöistä kärsiville henkilöille. Käännä lääkäriin puoleen, jos havaitset oireita, jotka voivat liittyä liialliseen tärinäaltistukseen. Esimerkkejä tällaisista oireista ovat puutumiset, tunnottomuus, kutinat, pistelyt, kipu, voimattomuus tai heikkous, ihon värin tai pinnan muutokset. Näitä oireita esiintyy tavallisesti sormissa, käsissä tai ranteissa etenkin kylmällä säällä.

- Älä yritä suorittaa pystyssä olevassa puussa karsintaa tai leikkaamista, jos et ole saanut siihen koulutusta.
- Pysy aina kaadettavana olevan rungon ylärinteen puolella, sillä puu pyörii todennäköisemmin alamäkeen kaadon jälkeen. Pidä moottorisaha koko sahausajan täydessä hallinnassasi, paina sitten sahaa vähemmän leikkuun loppupuolella. Pidä kädet kahvojen ympärillä. Älä anna teräketjun koskettaa maata. Kun puu on katkaistu, odota että teräketju pysähtyy ennen laitteen liikuttamista. Pysäytä aina moottori, ennen kuin siirryt puun luota toisen puun luokse.

(Kuva 31)

- Älä kaada puuta, jos se voi aiheuttaa henkilö- tai omaisuusvahinkoja tai osua sähköjohtoon. Jos puu osuu sähköjohtoon, asiasta on ilmoitettava sähköyhtiölle välittömästi.
- Varmista, että pääset liikkumaan turvallisesti laitteen lähetyillä. Tarkista ympäristön ja maaston kunto juurakoiden, kivien, oksien ja ojien kaltaisten esteiden varalta. Ole varovainen, kun työskentelet kaltevilla pinnoilla.
- Vältä tilanteita, joissa et katso taitojesi riittävän.
- Tässä käyttöohjeessa ei pystytä millään kuvaamaan kaikkia mahdollisia tilanteita, joita laitteen käytössä saattaa tulla vastaan. Ole aina varovainen ja käytä tervettä järkeä.

(Kuva 32)

Henkilönsuojaimet



VAROITUS: Lue seuraavat varoitukset ennen tuotteen käyttöä.

(Kuva 33)

- Suurin osa moottorisahaa käytettäessä sattuvista onnettomuuksista tapahtuu teräketjun osuessa käyttäjään. Käytä hyväksytyä henkilökohtaista suojavarustusta käytön aikana. Henkilökohtaiset suojavarusteet eivät estä vammoja täysin, mutta ne lieventävät niitä onnettomuustilanteissa. Pyydä huoltoliikkeäsi suosittelemaan asianmukaisia varusteita.
- Vaatteiden on oltava vartalonmyötäiset, mutta ne eivät saa rajoittaa liikkumista. Tarkista henkilönsuojainten kunto säännöllisesti.
- Käytä hyväksytyä suojakypärää.

- Käytä hyväksytyjä kuulonsuojaimia. Pitkäaikainen altistuminen melulle saattaa aiheuttaa pysyviä kuulovaurioita.
- Käytä hyväksytyjä suojalaseja tai kasvovisiiriä, jotta sinkoavien kappaleiden aiheuttama tapaturmien vaara olisi pienempi. Tuote voi saada puulastujen ja pienten puunpalojen kaltaiset kappaleet sinkoutumaan ympäristöön suurella voimalla. Ne voivat aiheuttaa vakavia vahinkoja, etenkin silmille.
- Käytä viiltosuojattuja käsineitä.
- Käytä viiltosuojattuja housuja.
- Käytä viiltosuojattuja, teräksisellä varvassuojalla ja luistamattomalla pohjalla varustettuja saappaita.
- Pidä ensiapupakkausta aina mukana.
- Kipinöintivaara. Pidä palosammutusvälineet ja lapio lähitöillä metsäpalojen ehkäisemistä varten.

Tuotteen turvalaitteet



VAROITUS: Lue seuraavat varoitukset ennen tuotteen käyttöä.

- Älä käytä tuotetta vahingoittuneiden tai viallisten turvalaitteiden kanssa.
- Tarkasta turvalaitteet säännöllisesti. Katso kohdasta *Laitteen turvalaitteiden huolto ja tarkistukset sivulla 250*.
- Jos turvalaitteet ovat vahingoittuneet tai eivät toimi oikein, ota yhteys Husqvarna-huoltoliikkeeseen.

Käyttöpaneelin toiminnot

Käyttöpaneelissa on käynnistys-/pysäytyspainike, SavE-painike, akun tilan merkkivalo ja varoitusmerkkivalo. Varoitusvalo vilkkuu, jos ketjujarru on kytkettynä tai laite on vaarassa ylikuormittua. Ylikuormitusuoja pysäyttää tuotteen hetkellisesti ja estää sen käytön, kunnes lämpötila laskee. Jos varoitusvalo palaa jatkuvasti, käänny huoltoliikkeen puoleen.

(Kuva 34)

Lisätietoja käyttöpaneelistä on kohdassa *Laitteen kuvaus sivulla 235*.

Automaattinen pysäytys

Laitteessa on automaattinen pysäytystoiminto, joka pysäyttää laitteen, jos sitä ei käytetä kolmeen minuuttiin.

Takapotkusuojuksella varustettu ketjujarru

Laitteessa on ketjujarru, joka pysäyttää ketjujarrun takapotkun sattuessa. Ketjujarru vähentää onnettomuusrisiä, mutta vain sinä voit estää onnettomuudet.

(Kuva 35)



VAROITUS: Vältä tilanteita, joihin liittyy takapotkuvaara. Ole varovainen laitetta

käyttäessäsi ja varmista, että terälevyn takapotkusektori ei osu mihinkään.

(Kuva 36)

Ketjujarru (A) kytketään joko käsin (vasemmalla kädellä) tai automaattisella pysäytystoiminnolla. Kytke ketjujarru siirtämällä takapotkusuojusta (B) eteenpäin. Tämä liike käynnistää jousikuormitteisen mekanismin, joka pysäyttää vetopyörän.

(Kuva 37)

Ketjujarrun kytkemistapa on suhteessa takapotkun voimaan ja laitteen asentoon. Jos takapotku on huomattavan voimakas takapotkusektorin ollessa mahdollisimman kaukana käyttäjästä, automaattinen pysäytystoiminto kytkee ketjujarrun. Jos takapotku on lievä tai takapotkusektori on lähempänä käyttäjää, ketjujarru kytketään päälle vasemmalla kädellä.

(Kuva 38)

Käytä ketjujarrua seisontajarruna, kun käynnistät laitetta tai siirät sitä lyhyitä matkoja. Tällöin teräketju ei pääse osumaan käyttäjään tai sivullisiin.

(Kuva 39)

Kytke ketjujarru pois päältä vetämällä takapotkusuojusta taaksepäin.

(Kuva 40)

Takapotku voi olla salamannopea ja erittäin voimakas. Useimmat takapotkut ovat heikkoja, eivätkä ne aina kytke ketjujarrua. Mikäli takapotku tapahtuu sahan käytön aikana, pidä lujasti kiinni kahvoista, äläkä päästä irti.

(Kuva 41)

Takapotkusuojus pienentää myös teräketjuun osumisen risiä, jos ote irtoaa etukahvasta.

(Kuva 42)

Kaatoasennossa ketjujarrua ei voi kytkeä käsin. Tässä asennossa ketjujarrun voi kytkeä päälle ainoastaan automaattisella pysäytystoiminnolla.

(Kuva 43)

Käyttöliipaisimen varmistin

Käyttöliipaisimen varmistin estää tahattoman käyttöliipaisimen käytön. Kun painat käyttöliipaisimen varmistinta eteenpäin (A) ja sitten käyttöliipaisimen varmistinta päin kahvaa (B), käyttöliipaisin (C) vapautuu. Kun irrotat otteen kahvasta, sekä käyttöliipaisin että varmistin palautuvat lähtöasentoonsa.

(Kuva 44)

Ketjusieppo

Jos teräketju katkeaa tai irtoaa, se jää ketjusieppoon. Näiden risiä ehkäistään pitämällä kireys oikeana. Voit vähentää vaaraa myös huolehtimalla terälevyn

ja teräketjun asianmukaisesta huollosta. Katso ohjeet kohdista *Asentaminen sivulla 243* ja *Huolto sivulla 249*.

(Kuva 45)

Rystyssuojus

Rystyssuojus suojaa kättäsi, jos teräketju katkeaa tai irtoaa. Se estää myös sen, että oksat ja risut eivät pääse häiritsemään kahvasta kiinni pitämistä laitetta käytettäessä.

(Kuva 46)

Akkuturvallisuus



VAROITUS: Lue seuraavat varoitukset ennen tuotteen käyttöä.

- Käytä vain tuotteellesi suositeltuja 40-B-sarjan akkuja. Katso kohdasta *Hyväksytyt akut sivulla 257*. Akkujen ohjelmisto on suojattu.
- Käytä ladattavia 40-B-sarjan akkuja vain kyseisten Husqvarna-tuotteiden virtalähteenä. Katso kohdasta *Hyväksytyt akut sivulla 257*. Tapaturmien välttämiseksi akkua ei saa käyttää muiden laitteiden virtalähteenä.
- Sähköiskun vaara. Älä koske akun napoihin avaimella, ruuvilla tai muilla metalliesineillä. Tämä voi aiheuttaa akun oikosulun.
- Älä käytä akkuja, joita ei voi ladata.
- Älä aseta esineitä akun ilma-aukkoihin.
- Pidä akku suojassa auringonvalolta, kuumuudelta ja avotulelta. Akku voi aiheuttaa palo- ja/tai syöpymisvammoja.
- Suojaa akku sateelta ja kosteilta olosuhteilta.
- Älä altista akkua mikroaalloille ja korkealle paineelle.
- Älä yritä purkaa tai rikkoa akkua.
- Älä anna akkuhapon joutua kosketuksiin ihon kanssa. Akkuhappo vahingoittaa ihoa ja aiheuttaa korroosiota ja palovammoja. Jos akkuhappoa joutuu silmiin, älä hankaa silmiä vaan huuhtele niitä vedellä vähintään 15 minuuttia. Jos akkuhappoa joutuu iholle, puhdista iho runsaalla vedellä ja saippualla. Hakeudu lääkäriin.
- Käytä akkua lämpötilan ollessa välillä -10 °C (14 °F) - 40 °C (104 °F).
- Älä pese akkua tai akkulaturia vedellä. Katso kohdasta *Akun ja akun pidikkeen tarkistaminen sivulla 251*.
- Älä käytä vaurioitunutta akkua.
- Säilytä akkuja varastossa kaukana metalliesineistä kuten nauloista, ruuveista ja koruista.
- Pidä akku poissa lasten ulottuvilta.

Akkulaturin turvallisuus



VAROITUS: Lue seuraavat varoitukset ennen tuotteen käyttöä.

- On olemassa sähköiskun tai oikosulun vaara, jos turvaohjeita ei noudateta.
- Käytä hyväksytyä maadoitettua pistorasiaa, jossa ei ole vaurioita.
- Käytä vain akun mukana toimitettua akkulaturia. Käytä vain 40-C80-latureita Husqvarna 40-B140 -vara-akkujen lataamiseen. Katso kohdasta *Laitteen hyväksytyt akkulaturit sivulla 257* ja *Hyväksytyt akut sivulla 257*.
- Älä yritä purkaa akkulaturia.
- Älä käytä viallista tai vaurioitunutta akkulaturia.
- Älä nosta akkulaturia virtajohdosta. Irrota akkulaturia pistorasiasta vetämällä pistoke ulos. Älä vedä virtajohdosta.
- Pidä kaikki kaapelit ja jatkojohdot poissa veden, öljyn ja terävien reunojen ulottuvilta. Pidä huolta, ettei kaapeli jää ovien, aitojen tai muiden vastaavien esineiden väliin.
- Älä käytä akkulaturia herkästi syttyvien materiaalien tai syöpymistä aiheuttavien materiaalien lähellä. Varmista, että akkulaturia ei ole peitetty. Jos havaitset savua tai tulta, irrota akkulaturin pistoke pistorasiasta.
- Lataa akku vain sisätiloissa poissa auringonvalosta ja paikassa, jossa on hyvä ilmanvaihto. Älä lataa akkua ulkona. Älä lataa akkua märissä olosuhteissa.
- Käytä akkulaturia vain lämpötilan ollessa välillä 5 °C (41 °F) - 40 °C (104 °F). Käytä laturia kuivassa ja pölyttömässä ympäristössä, jossa on hyvä ilmanvaihto.
- Älä aseta esineitä akkulaturin jäähdytysaukkoihin.
- Älä liitä akkulaturin liittimiä metalliesineisiin, sillä tämä voi aiheuttaa akkulaturin oikosulun.
- Käytä hyväksytyjä ja ehjiä pistorasioita.
- Älä lataa akkulaturilla akkuja, jotka eivät sovellu uudelleenlataukseen.

Turvaohjeet huoltoa varten



VAROITUS: Lue seuraavat varoitushojeet ennen laitteen huoltamista.

- Irrota akku ennen laitteen huoltoa, muita tarkistuksia tai kokoamista.
- Käyttäjän on huolehdittava ainoastaan tässä käyttöohjekirjassa kuvatuista korjaus- ja huoltotoimista. Anna huoltoilikeen tehdä suuremmat korjaus- ja huoltotoimet.
- Älä pese akkua tai akkulaturia vedellä. Vahvat pesuaineet voivat vaurioittaa muovia.

- Laitteen huoltamatta jättäminen lyhentää sen käyttöikää ja lisää onnettomuusriskiä.
- Laitteen huolto- ja korjaustyöt, erityisesti laitteen turvalaitteille tehtävät työt, vaativat erityiskoulutusta. Jos kaikkia käyttöohjekirjassa lueteltuja tarkastuksia ei huollon jälkeen voida suorittaa hyväksytysti, vie laite huoltoliikkeeseen. Siellä laitteesi huolletaan ja korjataan ammattimaisesti.
- Käytä vain alkuperäisiä varaosia.

Terälaitteiden turvaohjeet



VAROITUS: Lue seuraavat varoitusohjeet ennen koneen käyttämistä.

- Käytä ainoastaan hyväksytyjä terälevyn ja teräketjun yhdistelmiä ja viilausvarusteita. Katso ohjeet kohdasta *Tekniset tiedot sivulla 255*.
- Käytä suojakäsineitä, kun käytät tai huollat teräketjua. Myös liikkumaton teräketju voi aiheuttaa vahinkoja.

- Huolehdi leikkuuhammastuksen oikeasta teroituksesta. Noudata ohjeita ja käytä suositeltua viilaanohjainta. Vaurioitunut tai väärin teroitettu teräketju lisää onnettomuusvaaraa.

(Kuva 47)

- Pidä syvyyden säätö oikeana. Noudata ohjeita ja käytä suositeltua syvyyden säätöasetusta. Liian suuri syvyyden säätöasetus lisää takapotkun vaaraa.

(Kuva 48)

- Varmista, että teräketju on oikein kiristetty. Jos teräketju ei ole kireällä terälevyä vasten, teräketju voi irrota. Teräketjun väärä kireys lisää terälevyn, teräketjun ja ketjun vetopyörän kulumista. Katso *Tarvikkeet sivulla 256*.

(Kuva 49)

- Huolla terälaitteet säännöllisesti ja voitele ne asianmukaisesti. Jos teräketjua ei ole voideltu kunnolla, terälevyn, teräketjun ja ketjun vetopyörän kulumisvaara kasvaa.

(Kuva 50)

Asentaminen

Terälevyn ja teräketjun asennus (terälevyn nupilla)



VAROITUS: Irrota aina akku ennen osien asentamista tai tuotteen huoltoa.

1. Vapauta ketjujarru. (Kuva 51)
2. Löysää terälevyn nuppia ja irrota ketjupyörän suoja. (Kuva 52)
3. Aseta terälevy terälevyn pulttien päälle. Ohjaa terälevy aivan takimmaiseen asentoon. Nosta teräketju vetopyörän päälle ja aseta se terälevyn ohjausuraan. Aloita terälevyn yläreunasta.
4. Varmista, että leikkuuterän yläosan teräsarmat osoittavat eteenpäin. (Kuva 53)
5. Asenna ketjupyörän suoja ja ohjaa ketjun kireyden säätimen tappi terälevyn loveen.
6. Varmista, että teräketjun vetolenkit asettuvat oikein vetopyörään.
7. Tarkista, että teräketju on asetettu oikein terälevyn ohjausuraan.
8. Kiristä teräketju. Katso kohdasta *Huolto sivulla 249*.
9. Kiristä terälevyn nuppi.

Terälevyn ja teräketjun asennus (terälevyn pultilla)



VAROITUS: Irrota aina akku ennen osien asentamista tai tuotteen huoltoa.

1. Vapauta ketjujarru. (Kuva 51)
2. Löysää terälevyn mutteria ja irrota ketjupyörän suoja. (Kuva 54)
3. Aseta terälevy terälevyn pulttien päälle. Ohjaa terälevy aivan takimmaiseen asentoon. Nosta teräketju vetopyörän päälle ja aseta se terälevyn ohjausuraan. Aloita terälevyn yläreunasta.
4. Varmista, että leikkuuterän yläosan teräsarmat osoittavat eteenpäin. (Kuva 55)
5. Asenna ketjupyörän suoja ja ohjaa ketjun kireyden säätimen tappi terälevyn loveen.
6. Varmista, että teräketjun vetolenkit asettuvat oikein vetopyörään.
7. Tarkista, että teräketju on asetettu oikein terälevyn ohjausuraan.
8. Kiristä terämutteri sormin.
9. Kiristä teräketju. Katso kohdasta *Huolto sivulla 249*.

Akkulaturin kiinnitys seinään



HUOMAUTUS: Älä käytä sähkökäyttöistä ruuvinväännintä asentaessasi akkulaturia seinään. Sähkökäyttöinen ruuviväännin voi vaurioittaa akkulaturia.

1. Asenna akkulaturi seinään kahdella ruuvilla (A). Käytä tarvittaessa ruuvitulppia (B). (Kuva 56)
2. Asenna ruuvireikien tulpat (2 kpl) (C).
3. Kytke akkulaturin virtajohto (D) akkulaturiin ja pistorasiaan.

Käyttö

Johdanto



VAROITUS: Lue ja sisäistä turvallisuutta käsittelevä luku ennen laitteen käyttöä.

Laitteen toiminnan tarkistaminen

1. Tarkista, että ketjujarru (A) toimii oikein ja ettei se ole vaurioitunut.
2. Tarkista, että takimmainen rystyssuojus (B) on ehjä.
3. Tarkista, että käyttöliipaisin ja käyttöliipaisimen varmistin (C) toimivat oikein ja ovat ehjiä.
4. Tarkista, että näppäimistö (D) toimii oikein.
5. Varmista, ettei kahvoissa (E) ole öljyä.
6. Tarkista, että kaikki osat on kiinnitetty oikein ja että ne ovat ehjät ja paikallaan.
7. Tarkista ketjusieppo (F) ja varmista, että se on kiinnitetty oikein.
8. Tarkista ketjun kireys (G).
9. Lataa akku (H) ja varmista, että se on kiinnitetty laitteeseen oikein.
10. Varmista, että teräketju pysähtyy, kun vapautat käyttöliipaisimen. (Kuva 57)

Oikean ketjuöljyn käyttö



VAROITUS: Älä käytä jätteöljyä, sillä se on haitallista sekä itsellesi että ympäristölle. Lisäksi jätteöljy vaurioittaa öljypumppua, terälevyä ja teräketjua.



VAROITUS: Teräketju saattaa katketa, jos terävarustuksen voitelu ei ole riittävää. Vakavan vahingon tai kuoleman vaara laitteen käyttäjälle.



VAROITUS: Jotta tämä toiminto toimisi oikein, käytä oikeaa teräketjuöljyä. Kysy lisätietoja ketjuöljyn valinnasta huoltoliikkeestä.

- Käytä Husqvarna-teräketjuöljyä, sillä se pidentää teräketjun käyttöikää ja estää negatiiviset ympäristövaikutukset. Jos Husqvarna-ketjuöljyä ei ole saatavilla, suosittelemme käyttämään tavallista teräketjuöljyä.

- Käytä teräketjuun hyvin tarttuvaa teräketjuöljyä.
- Käytä öljyä, jonka viskositeetti on ilman lämpötilaan sopiva.



HUOMAUTUS: Lämpötilan ollessa alle 0 °C (32 °F) jotkin teräketjuöljyt paksuuntuvat liikaa, mikä voi vaurioittaa öljypumpun osia.

- Käytä suositeltua terävarustusta. Katso *Tarvikkeet sivulla 256*.
- Poista teräketjuöljysäiliön korkki.
- Lisää teräketjuöljysäiliöön öljyä.
- Aseta korkki takaisin paikalleen huolellisesti.

(Kuva 58)

Huomautus: Laitteen teräketjuöljysäiliön paikka kerrotaan kohdassa *Johdanto sivulla 235*.

Akku



VAROITUS: Lue ja sisäistä turvallisuutta käsittelevä luku ennen akun käyttöä. Lue myös akun ja akkulaturin käyttöohje niin, että ymmärrät sen sisällön.

Säilytä akku ja laturi oikeassa lämpötilassa.

	Ympäristön lämpötila
Akun käyttö	5 °C - 40 °C / 41 °F - 104 °F
Akun lataaminen	5 °C - 40 °C / 41 °F - 104 °F

Akun tila

Näyttö osoittaa akun varaustason ja mahdolliset akkuun liittyvät ongelmat.

(Kuva 59)

LED-merkkivalo	Akun varaustila
4 merkkivaloa palaa	Akun varaustaso on 76–100 %.

LED-merkkivalo	Akun varaustila
3 merkkivaloa palaa	Akun varaustaso on 51–75 %.
2 merkkivaloa palaa	Akun varaustaso on 26–50 %.
1 merkkivalo palaa	Akun varaustaso on 6–25 %.
1 merkkivalo vilkkuu	Akun varaustaso on 0–5%.

Akun lataaminen

Lataa akku, jos sitä käytetään ensimmäisen kerran. Uuden akun varaus on vain 30 %.



HUOMAUTUS: Liitä laturi pistorasiaan, jonka jännite ja taajuus ovat tyyppikilven mukaisia.

Akku ei lataudu, jos akun lämpötila on yli 50 °C / 122 °F.

1. Kytke virtajohto akkulaturiin.
2. Liitä akkulaturi maadoitettuun pistorasiaan. Latauksen merkkivalo vilkkuu kerran. (Kuva 60)
3. Kytke akku akkulaturiin. Latauksen merkkivalo syttyy. Lataa akkua enintään 24 tuntia. (Kuva 61)
4. Paina akun merkkivalopainiketta. Jos kaikki merkkivalot syttyvät, akku on ladattu täyteen.
5. Irrota laturi pistorasiasta vetämällä sähköpistokkeesta. Älä vedä virtajohdosta.
6. Irrota akku akkulaturista.

Tietoa takapotkusta



VAROITUS: Takapotku voi aiheuttaa käyttäjälle tai sivullisille vakavia vahinkoja tai kuoleman. Vaaran pienentämiseksi sinun on tunnettava takapotkun syyt ja keinot niiden ehkäisemiseksi.

Takapotku tapahtuu silloin, kun terälevyn takapotkusektori osuu johonkin. Takapotku voi olla salamannopea ja hyvin voimakas, jolloin laite paiskautuu käyttäjän suuntaan.

(Kuva 36)

Takapotku suuntautuu aina terälevyn terätason suuntaan. Yleensä laite paiskautuu käyttäjää vasten, mutta se voi lennähtää myös toiseen suuntaan. Liikkeen suunta riippuu siitä, miten laitetta käytetään takapotkun sattuessa.

(Kuva 62)

Takapotku voi tapahtua vain silloin, kun terälevyn takapotkusektori osuu johonkin. Älä anna takapotkusektorin osua mihinkään.

(Kuva 36)

Pienempi terälevyn kärki tarkoittaa vähemmän voimakasta takapotkua.

Voit vähentää takapotkun vaikutuksia käyttämällä vähäisen takapotkun teräketjua. Älä anna takapotkusektorin osua mihinkään.



VAROITUS: Mikään saha ei voi estää takapotkua täysin. Noudata aina ohjeita.

Yleisiä kysymyksiä takapotkusta

• Voinko kytkeä ketjujarrun aina käsin takapotkun yhteydessä?

Ei. Takapotkusuojuksen työntäminen eteenpäin edellyttää jonkin verran voimaa. Jos et käytä riittävästi voimaa, ketjujarru ei kytkeydy. Sinun on myös pidettävä laitteesta kiinni kaksin käsin työskentelyn aikana. Jos takapotku tapahtuu, ketjujarru ei välttämättä pysäytä teräketjua ennen kuin se osuu sinuun. Joissakin asennoissa et edes pysty koskemaan takapotkusuojukseen ketjujarrun kytkemistä varten.

• Kytkekö automaattinen pysäytystoiminto aina ketjujarrun takapotkun yhteydessä?

Ei. Ketjujarrun on ensinnäkin toimittava oikein. Katso ketjujarrun tarkistusta koskevat ohjeet kohdasta *Laitteen turvalaitteiden huolto ja tarkistukset sivulla 250*. Suosittelemme tämän tarkistuksen tekemistä aina ennen laitteen käyttöä. Takapotkun on lisäksi oltava riittävän voimakas, jotta se kytkee ketjujarrun. Jos ketjujarru on liian herkkä, se voi kytkeytyä rajussa käytössä.

• Suojaako ketjujarru aina takapotkun aiheuttamilla vahingoilla?

Ei. Jotta ketjujarru suojaisi, sen on toimittava oikein. Ketjujarrun on lisäksi oltava kytkettynä takapotkun sattuessa, jotta se pysäyttää teräketjun. Jos olet terälevyn lähellä, ketjujarru ei välttämättä ehdi pysäyttämään teräketjua ennen kuin se osuu sinuun.



VAROITUS: Ainoastaan oma toimintasi ja oikeat työskentelytekniikat voivat estää takapotkuja.

Laitteen käynnistäminen

1. Tarkista käyttöliipaisin ja sen varmistin. Katso kohdasta *Käyttöliipaisimen varmistimen tarkistaminen sivulla 250*.
2. Kytke ketjujarru päälle. (Kuva 63)

3. Aseta akku akun pidikkeeseen. (Kuva 64)



HUOMAUTUS: Varmista, että akku on asennettu oikein akun pidikkeeseen. Jos akku ei kiinnity pidikkeeseen helposti, akku on väärässä asennossa.

4. Paina akun alaosaa, kunnes kuulet naksahduksen. (Kuva 65)
5. Paina käynnistys-/pysäytyspainiketta, kunnes vihreä merkkivalo syttyy. (Kuva 66)

SavE-toiminnon käyttäminen

SavE-toiminto hidastaa ketjun nopeutta ja laskee tuotteen tehoa.

1. Paina SavE-painiketta. Vihreä merkkivalo syttyy.
2. Sammuuta toiminto painamalla SavE-painiketta uudelleen. Vihreä merkkivalo sammuu. (Kuva 67)

Laitteen pysäyttäminen

1. Paina käynnistys-/pysäytyspainiketta, kunnes vihreä merkkivalo sammuu. (Kuva 66)
2. Paina akun vapautuspainikkeita ja irrota akku pidikkeestä, jotta laite ei käynnisty vahingossa. (Kuva 68)

Vetävä teräketju ja työntävä teräketju

Laitteella voi sahata puuta kahdessa eri asennossa.

- Vetävällä teräketjulla sahaaminen tarkoittaa sahaamista terälevyn alaosalla. Teräketju vetää puun läpi sahattaessa. Tässä asennossa saha ja takapotkusektorin asento pysyvät paremmin hallinnassa.

(Kuva 69)

- Työntävällä teräketjulla sahaaminen tarkoittaa sahaamista terälevyn yläosalla. Teräketju työntää sahaa käyttäjän suuntaan.

(Kuva 70)



VAROITUS: Jos teräketju jää kiinni runkoon, moottorisaha voi työntyä sinua kohti. Pidä sahasta tiukasti kiinni ja varmista, että terälevyn takapotkusektori ei koske puuta, jotta takapotkua ei synny.

(Kuva 71)

Katkontatekniikan käyttäminen



VAROITUS: Käytä täyttä tehoa sahaukseen ja laske nopeus joutokäyntiin jokaisen sahauksen jälkeen.



HUOMAUTUS: Älä anna moottorin käydä liian kauan ilman kuormitusta. Se voi vaurioittaa moottoria.

1. Aseta puunrunko sahapukille tai juoksuttimelle. (Kuva 72)



VAROITUS: Älä sahaa pinottuja puunrunkoja. Tämä lisää takapotkun vaaraa ja saattaa johtaa vakaviin vahinkoihin tai kuolemaan.

2. Siirrä katkaistut kappaleet pois, jotta työalue pysyy turvallisena.



VAROITUS: Työalueella olevat katkaistut kappaleet saattavat aiheuttaa takapotkun vaaran ja suistaa sinut tasapainosta.

Kuorituen käyttö

1. Paina kuorituki puun runkoa vasten.
2. Käytä täyttä tehoa ja kierrä laitetta. Pidä kuorituki runkoa vasten. Tämä menettely helpottaa tarvittavan voiman kohdistamiseen runkoa katkaistaessa. (Kuva 73)

Puunrunгон sahaaminen maassa

1. Sahaa puunrunko poikki vetävällä ketjulla. Käytä laitetta täydellä teholla mutta varaudu äkillisiin vahinkoihin. (Kuva 74)



VAROITUS: Varmista, ettei teräketju pääse osumaan maahan sahauksen päätteeksi.

2. Sahaa noin ¾ puunrunгон läpimitasta ja lopeta. Pyöräytä puunrunkoa ja sahaa vastakkaiselta puolelta. (Kuva 75)

Puunrunгон sahaaminen toisen pään ollessa tuettuna



VAROITUS: Varmista, ettei puunrunko halkea sahaamisen aikana. Noudata alla annettuja ohjeita.

(Kuva 76)

1. Sahaa puunrunkoa työntävällä ketjulla noin ¼ puunrunгон läpimitasta.
2. Sahaa puunrunkoa vetävällä ketjulla, kunnes sahaukset kohtaavat. (Kuva 77)

Puunrunгон sahaaminen molempien päiden ollessa tuettuina



VAROITUS: Varmista, ettei teräketju joudu puristuksiin puunrunkoon sahaamisen aikana. Noudata alla annettuja ohjeita.

(Kuva 78)

1. Sahaa puunrunkoa vetävällä ketjulla noin 1/3 puunrunгон läpimitasta.
2. Viimeistele sahaus sahaamalla jäljelle jäänyttä rungonosaa työntävällä ketjulla. (Kuva 79)



VAROITUS: Pysäytä moottori, jos teräketju jää kiinni runkoon. Avaa sahausuraa vääntöraudalla ja irrota laite. Älä yritä nykäistä laitetta irti käsin. Laitteen äkillinen irtoaminen saattaa aiheuttaa vahinkoja.

Karsintatekniikan käyttäminen

Huomautus: Käytä paksujen oksien sahaamiseen katkotekniikkaa. Katso *Katkotekniikan käyttäminen sivulla 246*.



VAROITUS: Karsintatekniikan käyttöön liittyy suuri onnettomuusvaara. Lisätietoja takapotkun estämisestä on kohdassa *Tietoa takapotkusta sivulla 245*.



VAROITUS: Sahaa oksat yksi kerrallaan. Ole varovainen pieniä oksia katkoessasi äläkä sahaa pensaita tai monia pikkuoksia samalla kertaa. Pienet oksat voivat tarttua kiinni teräketjuun ja estää laitteen turvallisen käytön.

Huomautus: Katko oksat tarvittaessa osissa. Sahaa pienemmät oksat (A) ja (B) ennen kuin sahaat oksan rungon läheltä (C).

(Kuva 80)

1. Poista oksat rungon oikealta puolelta.
 - a) Pidä terälevy aina rungon oikealla puolella ja pidä laitteen runko puunrunkoa vasten.
 - b) Valitse oksan jännitystä vastaava sahaustekniikka. (Kuva 81)



VAROITUS: Jos olet epävarma siitä, miten oksa leikataan, kysy ennen työn jatkamista neuvoa pätevältä moottorisahan käyttäjältä.

2. Poista oksat rungon yläosasta.

- a) Pidä laite puunrunkoa vasten ja anna terälevyn liikkua runkoa pitkin.
 - b) Sahaa työntävällä teräketjulla. (Kuva 82)
3. Poista oksat rungon vasemmalta puolelta.
 - a) Valitse oksan jännitystä vastaava sahaustekniikka. (Kuva 83)



VAROITUS: Jos olet epävarma siitä, miten oksa leikataan, kysy ennen työn jatkamista neuvoa pätevältä moottorisahan käyttäjältä.

Katso jännityksessä olevien oksien sahausohjeet kohdasta *Jännityksessä olevien puiden ja oksien sahaus sivulla 249*.

Puunkaatotekniikan käyttäminen



VAROITUS: Puun kaataminen edellyttää aikaisempaa kokemusta. Jos mahdollista, osallistu moottorisahan käyttökoulutukseen. Kysy lisätietoja kokeneelta käyttäjältä.

Turvallisen välimatkan säilyttäminen

1. Varmista, että sivulliset pysyvät turvallisen välimatkan eli vähintään 2,5 puun mitan päässä. (Kuva 84)
2. Varmista vielä ennen kaatoa ja sen aikana, että tällä vaaravyöhykkeellä ei ole ketään. (Kuva 85)

Kaatosuunnan laskeminen

1. Selvitä, mihin suuntaan puun tulee kaatua. Tavoitteena on kaataa puu sellaiseen paikkaan, jossa pystyt helposti karsimaan puun ja sahaamaan sen osiin. On ehdottoman tärkeää, että seisot tukevassa asennossa ja pystyt liikkumaan turvallisesti.



VAROITUS: Jos puun kaataminen sen luonnolliseen kaatosuuntaan on vaarallista tai mahdotonta, kaada puu toiseen suuntaan.

2. Selvitä puun luonnollinen kaatosuunta. Huomioi esimerkiksi puun kallistuminen tai taipuminen, tuulen suunta, oksien sijainti ja lumen paino.
3. Tarkista, onko puun ympärillä muiden puiden, voimalinjojen, teiden ja/tai talojen kaltaisia esteitä.
4. Tarkista, onko rungossa vaurioita tai lahoja kohtia.



VAROITUS: Rungon lahot kohdat saattavat aiheuttaa puun kaatumisen jo ennen sahaamisen päättymistä.

5. Varmista, että puussa ei ole vahingoittuneita tai kuolleita oksia, jotka saattavat katketa ja osua sinuun kaatamisen aikana.

6. Älä anna puun kaatua toista pystyssä olevaa puuta päin. Juuttuneen puun irrottaminen on erittäin vaarallista, ja siihen liittyy suuri onnettomuusvaara. Katso *Juuttuneen puun irrottaminen sivulla 249.* (Kuva 86)



VAROITUS: Nosta kuulosuojaimet pois korviltasi heti sahausksen jälkeen kriittisen kaatovaiheen aikana, jotta kuulet äänet ja varoitukset.

Alaoksien karsinta ja perääntymistie

Katkaise kaikki oksat hartialinjan korkeudelta ja sen alapuolelta.

1. Sahaa vetävällä teräketjulla ylhäältä alaspäin. Varmista, että puu on laitteen ja kehosi välissä. (Kuva 87)
2. Raivaa puun ympärillä työskentelyalueella oleva aluskasvillisuus pois. Poista työskentelyalueelta kaikki irti sahattu materiaali.
3. Tarkista, onko alueella kivien, oksien ja kuoppien kaltaisia esteitä. Sinulla on oltava esteetön perääntymistie, kun puu alkaa kaatua. Perääntymistie on tehtävä noin 135 astetta takaviistoon puun suunniteltuun kaatosuuntaan nähden.

1. Vaara-alue
2. Perääntymistie
3. Kaatosuunta

(Kuva 88)

Puun kaataminen

Husqvarna suosittelee tekemään puuta kaadettaessa kaatolovia ja käyttämään pitokulmamenetelmää. Pitokulmamenetelmä auttaa tekemään oikeanlaisen pitopuun ja ohjaamaan kaatosuuntaa.



VAROITUS: Älä kaada puita, joiden läpimitta on yli kaksi kertaa terälevyn pituutta suurempi. Tällaiseen työhön vaaditaan erityiskoulutus.

Pitopuu

Tärkein toimenpide puun kaatamisessa on oikeanlaisen pitopuun tekeminen. Kun pitopuu on oikeanlainen, voit ohjata kaatosuuntaa ja varmistaa kaadon turvallisuuden.

Pitopuun paksuuden on oltava tasainen ja vähintään 10 % puun läpimittasta.



VAROITUS: Jos pitopuu on virheellinen tai liian ohut, kaatosuuntaa ei voi ohjata.

(Kuva 89)

Kaatolovien sahaaminen

1. Sahaa kaatolovet. Sahaa kaatolovet niin, että niiden syvyys on 1/4 puun halkaisijasta. Ylä- ja alasahauksen välisen kulman on oltava 45°.
 - a) Tee ensin yläsahaus. Kohdista tuotteessa oleva kaatosuuntamerkki (A) puun kaatosuunnan (B) kanssa. Pysy tuotteen takana siten, että puu on oikealla puolella. Sahaa vetävällä ketjulla.
 - b) Tee alasahaus. Varmista, että alasahauksen päätepiste on kohdakkain yläsahauksen päätepisteen kanssa. (Kuva 90)
2. Varmista, että kaatolovilinja on täsmälleen vaakatasossa ja juuri oikeassa kulmassa (90°) kaatosuuntaan nähden. Kaatolovilinja kulkee kahden kaatoloven yhtymäkohdan poikki. (Kuva 91)

Pitokulmamenetelmän käyttäminen

Kaatosahaus on tehtävä hieman kaatoloven yläpuolelta. (Kuva 92)



VAROITUS: Ole varovainen, kun sahaat terälevyn kärjellä. Aloita sahaaminen tekemällä puunrunkoon pistosahaus terälevyn kärjen alaosalla.

(Kuva 93)

1. Jos tehokas sahauspituus on puun läpimittaa suurempi, tee seuraavat vaiheet (a–d).
 - a) Viimeistele pitopuun leveys tekemällä pistosahaus suoraan puunrunkoon. (Kuva 94)
 - b) Sahaa vetävällä ketjulla, kunnes jäljellä on noin 1/3 puunrungosta.
 - c) Vedä terälevy 5–10 cm / 2–4 tuumaa taaksepäin.
 - d) Sahaa jäljelle jäänyttä osaa ja viimeistele pitokulma, jonka leveys on 5–10 cm / 2–4 tuumaa. (Kuva 95)
2. Jos tehokas sahauspituus on puun läpimittaa pienempi, tee seuraavat vaiheet (a–d).
 - a) Tee pistosahaus suoraan puunrunkoon. Pistosahauksen pituuden oltava 3/5 puun läpimittasta.
 - b) Sahaa jäljelle jäänyttä osaa vetävällä teräketjulla. (Kuva 96)
 - c) Viimeistele pitopuu sahaamalla puunrunkoa suoraan puun toiselta puolelta.
 - d) Viimeistele pitokulma sahaamalla työntävällä teräketjulla, kunnes jäljellä on 1/3 rungosta. (Kuva 97)
3. Aseta kaatokiihi sahausuraan suoraan takaa. (Kuva 98)
4. Kaada puu sahaamalla kulma irti.

Huomautus: Jos puu ei kaadu, lyö kiihiä, kunnes näin tapahtuu.

5. Kun puu alkaa kaatua, siirry pois puun luota perääntymistietä pitkin. Siirry vähintään 5 metrin / 15 jalan etäisyydelle puusta.

Juuttuneen puun irrottaminen



VAROITUS: Juuttuneen puun irrottaminen on erittäin vaarallista, ja siihen liittyy suuri onnettomuusvaara. Pysy poissa vaara-alueelta äläkä yritä kaataa juuttunutta puuta.

(Kuva 99)

Turvallinen tapa on käyttää yhtä seuraavista vinsseistä:

- Traktoriin asennettu

(Kuva 100)

- Siirrettävä

(Kuva 101)

Jännityksessä olevien puiden ja oksien sahaus

1. Selvitä, kumpi puun tai oksan puoli on jännityksessä.
2. Selvitä, missä katkaisupiste on. (Kuva 102)
3. Selvitä, mikä on turvallisin keino vapauttaa jännitys.

Huomautus: Joissakin tilanteissa ainoa turvallinen keino on käyttää vinssiä laitteen sijaan.

4. Pysy sellaisessa paikassa, että puu tai oksa ei pääse osumaan sinuun jännityksen vapautuessa. (Kuva 103)
5. Sahaa niin syvälle ja tee niin monta sahausviiltoa, että jännitys vapautuu. Sahaa katkaisupisteen kohdalta tai läheltä sitä. Katkaise puu tai oksa katkaisupisteestä. (Kuva 104)



VAROITUS: Älä koskaan sahaa jännityksessä olevaa puuta tai oksaa kokonaan poikki.



VAROITUS: Ole varovainen jännityksessä olevaa puuta sahatessasi. Puu saattaa liikahtaa äkillisesti ennen tai jälkeen sen sahaamista. Voit saada vakavia vahinkoja, jos olet väärässä paikassa tai olet sahannut väärin.

6. Jos sinun on sahattava puu/oksa poikki, tee kaksi tai kolme 5 cm:n (2 tuuman) syvyistä sahausviiltoa 2,5 cm:n (tuuman) päähän toisistaan. (Kuva 105)
7. Jatka sahaamista syvemmälle puuhun, kunnes puu/oksa vääntyy ja jännitys vapautuu. (Kuva 106)
8. Kun jännitys on vapautunut, saha puu/oksa poikki vääntymän vastakkaiselta puolelta.

Huolto

Johdanto



VAROITUS: Lue ja sisäistä turvallisuutta käsittelevä luku ennen laitteen huoltamista.

Huoltokaavio



VAROITUS: Irrota akku ennen huoltotoimia.

Alla on luettelo tuotteelle tehtävistä huoltotoimista. Katso kohdasta *Huolto sivulla 249*.

Huolto	Aina ennen käyttöä	Viikoittain	Kuukausittain
Puhdista tuotteen ulko-osat.	X		
Varmista, että käyttöliipaisin ja sen varmistin toimivat asianmukaisesti turvallisuuksi ajatellen.	X		
Puhdista ketjujarru ja tarkista, että se toimii turvallisesti. Varmista, että ketjusieppi ei ole vaurioitunut. Vaihda tarvittaessa.	X		
Käännä terälevy, jotta se kuluu tasaisemmin. Varmista, että terälevyn voitelureikä ei ole tukossa. Puhdista terälevyn ohjausura.	X		
Varmista, että leikkaimessa ja leikkaimen suojuksessa ei ole halkeamia tai muita vaurioita. Vaihda leikkain tai leikkaimen suojuksen, jos niissä on halkeamia tai jos niihin on kohdistunut iskuja.	X		

Huolto	Aina ennen käyttöä	Viikoittain	Kuukausittain
Varmista, että terälevy ja teräketju saavat tarpeeksi öljyä.	X		
Tarkista teräketju. Tarkista, että teräketjussa ei ole halkeamia ja että se ei ole jäykkä tai epätavallisen kuluunut. Vaihda tarvittaessa.	X		
Teroita teräketju. Tarkista sen kiristys ja kunto. Tarkista vetopyörä kulumien varalta ja vaihda tarvittaessa.	X		
Puhdista laitteen ilmanottoaukko.	X		
Varmista, että kaikki ruuvit ja mutterit on kiristetty.	X		
Tarkista, että näppäimistö toimii oikein ja että se on ehjä.	X		
Viilaa jäysteet pois terälevyn sivuilta.		X	
Tarkista akun ja tuotteen väliset kytkennät. Tarkista akun ja akkulaturin välinen kytkentä.			X
Tyhjennä ja puhdista öljysäiliö.			X
Puhalla tuote ja akun jäähdytysaukot varovasti puhtaiksi paineilmalla.			X

Laitteen turvalaitteiden huolto ja tarkistukset

Takapotkusuojuksen tarkistaminen

Tarkista takapotkusuojus ja automaattinen pysäytystoiminto säännöllisesti.

- Varmista, ettei takapotkusuojuksessa ole halkeamia tai muita vaurioita. (Kuva 107)
- Varmista, että takapotkusuojus pääsee liikkumaan vapaasti ja se on kiinnitetty turvallisesti sahaan. (Kuva 108)
- Pidä moottori sammutettuna ja nosta tuote kannon päälle tai muulle tukevalle alustalle.
- Pidä takakahvasta kiinni ja päästä irti etukahvasta. Anna tuotteen pudota kannolle. (Kuva 109)
- Varmista, että ketjujarru kytkeytyy terälevyn osuessa kantoon.

Jarrun tarkistaminen

- Aseta laite tasaiselle alustalle ja käynnistä se. Katso *Käyttö sivulla 244*.



VAROITUS: Varmista, että teräketju ei pääse osumaan maahan tai mihinkään esineeseen.

- Kierrä sormet ja peukalat kahvojen ympärille ja pidä laitteesta kunnolla kiinni. (Kuva 110)
- Käytä laitetta täydellä teholla ja käännä sitten vasen ranteesi takapotkusuojusta vasten, jotta ketjujarru kytkeytyy. Teräketjun on pysähdyttävä välittömästi. (Kuva 111)



VAROITUS: Älä päästä irti etukahvasta!

Käyttöliipaisimen varmistimen tarkistaminen

- Tarkista, että käyttöliipaisin ja sen varmistin liikkuvat vapaasti ja että palautusjousi toimii oikein. (Kuva 112)
- Paina käyttöliipaisimen varmistinta eteenpäin (A) ja alas (B). Pidä käyttöliipaisimen varmistinta kahvaa (B) vasten ja varmista, että se palautuu lähtöasentoonsa, kun se vapautetaan. (Kuva 113)
- Tarkista, että käyttöliipaisin on lukittu joutokäyntiasentoon, kun käyttöliipaisimen varmistin vapautetaan. (Kuva 114)
- Käynnistä laite ja anna täyskaasu.
- Vapauta käyttöliipaisin ja tarkista, että teräketju pysähtyy ja jää paikoilleen.



VAROITUS: Jos teräketju pyörii, kun käyttöliipaisin on joutokäyntiasennossa, ota yhteyttä huoltoliikkeeseen.

Ketjusiepon tarkistus

- Varmista, että ketjusieppo on ehjä.
- Varmista, että ketjusieppo on tukevasti kiinni laitteen rungossa. (Kuva 115)

Käyttöpaneelin toimintojen tarkistaminen

- Käynnistä kone. Katso kohdasta *Laitteen käynnistäminen sivulla 245*.

2. Pidä käynnistys-/pysäytyspainiketta painettuna.
3. Varmista, että tuote pysähtyy ja vihreä merkkivalo sammuu. (Kuva 66)

Akun ja akun pidikkeen tarkistaminen

1. Puhdista akku ja akun pidike pehmeällä harjalla.
2. Puhdista jäähdytysaukot ja akkuliittimet. (Kuva 116)
3. Varmista, ettei akussa ole halkeamia tai muita vaurioita.

Akkulaturin tarkistus

1. Varmista, että akkulaturi ja virtajohto eivät ole vahingoittuneet. Tarkista, näkyykö niissä halkeamia tai muita vaurioita. (Kuva 117)

Jäähdytysjärjestelmän puhdistus

Jäähdytysjärjestelmä pitää moottorin lämpötilan alhaisena. Jäähdytysjärjestelmään kuuluvat tuotteen vasemmalla puolella oleva ilmanottoaukko sekä moottorin puhallin.

1. Puhdista jäähdytysjärjestelmä harjalla viikoittain tai tarvittaessa useammin. (Kuva 118)
2. Varmista, ettei jäähdytysjärjestelmä ole likainen tai tukossa.



HUOMAUTUS: Laite voi ylikuumentua likaisen tai tukkeutuneen jäähdytysjärjestelmän takia. Se vaurioittaa tuotetta.

Teräketjun teroittaminen

Terälevyä ja teräketjua koskevat tiedot



VAROITUS: Käytä suojakäsineitä, kun käytät tai huollat teräketjua. Myös liikkumaton teräketju voi aiheuttaa vahinkoja.

Vaihda kulunut tai vahingoittunut terälevy tai teräketju suositeltuun terälevyn ja teräketjun yhdistelmään. Suositukset antaa Husqvarna. Tämä on välttämätöntä laitteen turvatoimintojen säilyttämiseksi. Kohdassa *Tarvikkeet sivulla 256* on lueteltu varaosiksi suosittelemamme terälevy- ja teräketjuyhdistelmät.

- Terälevyn pituus, tuumaa/cm. Terälevyn tiedot löytyvät yleensä terälevyn takapäästä.

(Kuva 119)

- Kärkipyörän hampaiden lukumäärä (T).

(Kuva 120)

- Teräketjun jako, tuumaa. Terälevyn kärkipyörän hammastuksen ja vetopyörän etäisyyden on vastattava teräketjun vetolenkkien välistä etäisyyttä.

(Kuva 121)

- Vetolenkkien lukumäärä (kpl). Terälevyn tyyppi määrää vetolenkkien lukumäärän.

(Kuva 122)

- Terälevyn ohjausuran leveys, tuumaa/mm. Terälevyn ohjausuran leveyden on oltava sama kuin ketjun vetolenkkien leveys.

(Kuva 123)

- Teräketjun öljyreikä ja ketjunkiristystapin reikä. Ohjausuran on oltava kohdakkain laitteen kanssa.

(Kuva 124)

- Vetolenkin leveys, mm/tuumaa.

(Kuva 125)

Yleistä tietoa leikkainten teroituksesta

Älä käytä tylsää teräketjua. Jos teräketju on tylsä, työssä terälevyä voimakkaammin puun läpi. Jos teräketju on erittäin tylsä, sahauskessa syntyy vain sahanpurua eikä puulastuja.

Terävä teräketju purettuu kunnolla puuhun, ja sahatessa syntyy pitkiä ja paksuja puulastuja.

Leikkuuhammas (A) ja syvyydensäätohammas (B) muodostavat teräketjun leikkaavan osan eli terän. Näiden välinen korkeusero määrittää sahauspylvyyden (syvyyssasetuksen).

(Kuva 126)

Ota seuraavat asiat huomioon leikkainta teroittaessasi:

- Viilauksulma.

(Kuva 127)

- Leikkuukulma.

(Kuva 128)

- Viilan asento.

(Kuva 129)

- Pyöröviilan halkaisija.

(Kuva 130)

Teräketjua ei ole helppo teroittaa oikein ilman oikeita apuvälineitä. Käytä viilanojainta, jota Husqvarna suosittelee. Näin pystyt varmistamaan parhaan mahdollisen sahaustehon, ja takapotkun vaara pysyy vähäisenä.



VAROITUS: Takapotkun voima kasvaa merkittävästi, jos teroitushjeita ei noudateta.

Huomautus: Katso kohdasta *Tarvikkeet sivulla 256*, jos haluat lisätietoja teräketjun teroittamisesta.

Leikkainten teroittaminen

1. Käytä pyöröviilaa ja viilanojainta leikkuuhampaiden teroitukseen. (Kuva 131)

Huomautus: Katso kohta *Tarvikkeet sivulla 256* ja tarkista, mitä viilaa ja ohjainta Husqvarna suosittelee käyttämällesi teräketjulle.

2. Aseta viilanhajin asianmukaisesti leikkaimen päälle. Katso tarkemmat ohjeet viilanhajaimen mukana toimitetuista ohjeista.
3. Liikuta viilaa leikkuuhampaiden sisäpuolelta ulkopuolelle. Kevennä otetta paluuvendon ajaksi. (Kuva 132)
4. Viilaa kaikki leikkuuhampaat yhdeltä puolelta.
5. Käännä laite toisin päin ja viilaa hampaat toiselta puolelta.
6. Varmista, että kaikki leikkuuhampaat ovat samanpituisia.

Yleistä tietoa syvyysasetuksen muokkaamisesta

Syvyysasetus (C) laskee leikkuuhammasta (A) teroitettaessa. Jotta sahausteho säilyy parhaana mahdollisena, viilaa säätöhammasta (B) niin, että suositeltu syvyysasetus saavutetaan. Katso ohjeet teräketjun oikean syvyysasetuksen saavuttamiseen kohdasta *Tarvikkeet sivulla 256*.

(Kuva 133)



VAROITUS: Liian suuri syvyysasetus lisää teräketjun takapotkua.

Syvyysasetuksen muokkaaminen

Ennen kuin säädät syvyyttä tai teroitat leikkaimia, katso kohdasta *Leikkainten teroittaminen sivulla 25* ohjeet. Suosittelemme, että syvyysasetus säädetään joka kolmannella teräketjun teroituskerralla.

Suosittelomme, että käytät säätämässä viilausohjaintamme, jotta säätöhampaan mitta ja kulma saadaan oikeiksi.

(Kuva 134)

1. Käytä syvyysasetuksen muokkaamiseen lattaviilaa ja syvyysäätyökälyä. Käytä säätämiseen ainoastaan suositeltua Husqvarna-syvyysäätyökälyä, jotta säätöhampaan mitta ja kulma saadaan oikein.
2. Aseta syvyysäätyökäly teräketjun päälle.

Huomautus: Lue tarkemmat käyttöohjeet syvyysäätyökälyn pakkauksesta.

3. Viilaa lattaviilalla säätöhampaan päältä se osa, joka työntyy syvyysäätyökälyn yli. (Kuva 135)

Teräketjun kireyden säätäminen



VAROITUS: Väärin kiristetty teräketju saattaa irrota terälevystä ja aiheuttaa vakavan vahingon tai kuoleman.

Teräketju pitenee käytön myötä. Säädä teräketjua säännöllisin väliajoin. Tarkista ketjun kireys aina kun lisäät teräketjuöljyä.

Huomautus: Uusi teräketju vaatii sisäänajon, jonka aikana teräketjun kireys on tarkistettava useammin.

Teräketjun kireyden säätäminen (terälevyn nupilla)

1. Käännä nuppia ulospäin, kunnes se avautuu. (Kuva 136)
2. Löysää ketjupyörän suojusta kääntämällä nuppia vastapäivään. (Kuva 137)
3. Säädä teräketjun kireyttä kääntämällä ketjukireyden säätöpyörää. Teräketjun on oltava kireällä terälevyä vasten. (Kuva 138)

Huomautus: Lisää ketjun kireyttä kääntämällä säätöpyörää alas (+) tai vähennä sitä kääntämällä pyörää ylös (-).

4. Tarkista, että teräketjua on helppo pyörittää käsin ja että se ei roiku löysänä terälevyn alapuolella. (Kuva 139)
5. Kiristä terälevyn nuppi kääntämällä nuppia myötäpäivään. (Kuva 140)
6. Lukitse kireysasetus kääntämällä nuppi takaisin alas. (Kuva 141)

Teräketjun kireyden säätäminen (terälevyn pultilla)

1. Avaa terälevyn mutteri, jolla ketjupyörän suoja on kiinnitetty. Käytä yhdistelmäavainta. (Kuva 142)
2. Nosta terälevyn etuosaa ja käännä ketjun kiristysruuvia. Käytä yhdistelmäavainta.
3. Kiristä teräketjua, kunnes se asettuu tiukasti terälevyä vasten. (Kuva 143)
4. Kiristä terälevyn mutteria yhdistelmäavaimella ja nosta terälevyn kärkeä samaan aikaan. (Kuva 144)
5. Tarkista, että teräketjua on helppo pyörittää käsin ja että se ei roiku löysänä terälevyn alapuolella. (Kuva 139)

Huomautus: Katso kohdasta *Laitteen kuvaus sivulla 235* koneesi ketjun kiristysruuvien sijainti.

Teräketjuvoitelun tarkistaminen

Tarkista teräketjun voitelu joka kolmannella akun latauskerralla.

1. Käynnistä laite ja anna sen käydä 3/4 teholla. Pidä terälevyä noin 20 senttimetrin (8 tuuman) korkeudella vaaleasta pinnasta.
2. Jos teräketju on voideltu oikein, pinnalla näkyy minuuttia myöhemmin selkeä öljyvana. (Kuva 145)
3. Jos teräketjua ei ole voideltu oikein, tee seuraavat tarkistukset.
 - a) Tarkista, että terälevyn öljykanava on auki. Puhdista tarvittaessa. (Kuva 146)
 - b) Tarkista, että terälevyn sivulla oleva ura on puhdas. Puhdista tarvittaessa. (Kuva 147)
 - c) Tarkasta, että terälevyn kärkipyörä pääsee vapaasti pyörimään ja että kärkipyörän voitelureikä ei ole tukkeutunut. Puhdista ja voitele tarvittaessa. (Kuva 148)
4. Jos teräketjuvoitelu ei onnistu yllä mainittujen toimenpiteiden jälkeen, ota yhteyttä huoltoiliikkeeseen.

Ketjun vetopyörän tarkistaminen

- Tarkista ketjun vetopyörä kulumien varalta. Vaihda ketjun vetopyörä tarvittaessa.
- Ketjupyörä on vaihdettava aina teräketjun vaihdon yhteydessä. (Kuva 149)

Terävarustuksen tarkistaminen

1. Tarkista, että niiteissä tai lenkeissä ei ole halkeamia ja että niittejä ei ole irti. Vaihda tarvittaessa. (Kuva 150)

2. Varmista, että teräketju taipuu helposti. Jos teräketju on jäykkä, vaihda se.
3. Vertaa teräketjua uuteen teräketjuun ja tarkista, ovatko niitit ja lenkit kuluneet.
4. Vaihda teräketju, kun leikkuuhampan pisin osa on alle 4 mm:n (0,16 in) pituinen. Vaihda myös teräketju, jos leikkaimissa on halkeamia. (Kuva 151)

Terälevyn tarkistaminen

1. Varmista, että öljykanava ei ole tukossa. Puhdista tarvittaessa. (Kuva 146)
2. Tarkista, onko terälevyn reunoilla jäystettä. Poista jäysteet viilalla. (Kuva 152)
3. Puhdista terälevyn ura. (Kuva 147)
4. Tarkista terälevyn ohjausura kulumien varalta. Vaihda terälevy tarvittaessa. (Kuva 153)
5. Tarkista, onko terälevyn kärki karkea tai pahasti kulunut. (Kuva 154)
6. Tarkasta, että terälevyn kärkipyörä pääsee pyörimään vapaasti ja että kärkipyörän voitelureikä ei ole tukossa. Puhdista ja voitele tarvittaessa. (Kuva 148)
7. Käännä terälevy päivittäin toisinpäin, jotta sen käyttöikä pitenee. (Kuva 155)

Vianmääritys

Käyttöliittymä

LED-näyttö	Mahdolliset viat	Mahdollinen ratkaisu
Varoitusvalo vilkkuu.	Ketjujarru on kytketty.	Vapauta ketjujarru.
	Lämpötilavaihtelu.	Anna tuotteen jäähtyä.
	Ylikuormitus. Teräketju ei pääse liikkumaan.	Vapauta teräketju.
	Käyttöliippaisinta ja käynnistys-/pysäytyspainiketta painetaan samaan aikaan.	Käynnistä tuote vapauttamalla käyttöliippaisin.
Oranssi käynnistyksen merkivalo vilkkuu.	Matala akun jännite.	Lataa akku.

LED-näyttö	Mahdolliset viat	Mahdollinen ratkaisu
Varoitusvalo palaa.	Huolto.	Ota yhteyttä huoltoliikkeeseen.

Akku

LED-näyttö	Mahdolliset viat	Mahdollinen ratkaisu
Vihreä merkkivalo vilkkuu.	Matala akun jännite.	Lataa akku.
Vian merkkivalo vilkkuu.	Lämpötilavaihtelu.	Käytä akkua -10–40 °C:n lämpötilassa.
	Liian korkea jännite.	Varmista, että verkkojännite vastaa tuoteeseen kiinnitetyssä tyyppikilvessä ilmoitettua arvoa. Katso tietoa tuotteen tyyppikilvestä. Irrota akku akkulatorista.
Vian merkkivalo syttyy.	Akkukennoston ero liian suuri (1 V).	Ota yhteyttä huoltoliikkeeseen.

Akkulatori

Tila	Mahdolliset viat	Mahdollinen toimenpide
Latauksen merkkivalo palaa punaisena.	Pysyvä akkulatorin virhe.	Ota yhteyttä jälleenmyyjään.
Latauksen merkkivalo vilkkuu vihreänä.	Lämpötilavaihtelu, akku on liian kylmä tai kuuma käytettäväksi tai ladattavaksi.	Anna akun jäähtyä tai lämmetä. Kun akun lämpötila on oikea, sitä voi käyttää tai sen voi ladata. Käytä akkulatoria 5–40 °C:n lämpötilassa.
Latauksen merkkivalo vilkkuu punaisena.	Viallinen akku	Ota yhteyttä jälleenmyyjään.

Kuljettaminen, säilyttäminen ja hävittäminen

Kuljetus ja säilytys

- Mukana tulleet litiumioniakut ovat vaarallisten aineiden lainsäädännön määräysten mukaisia.
- Pakkausta ja merkintöjä koskevia erityismääräyksiä on noudatettava, myös kolmansien osapuolten tai huolitsijoiden järjestämässä tavarakuljetuksessa.
- Keskustele erityiskoulutuksen saaneen vaarallisten aineiden asiantuntijan kanssa ennen tuotteen lähettämistä. Noudata kaikkia kansallisia määräyksiä.
- Teippaa paljaat liittimet asettaessasi akun pakettiin. Aseta akku pakettiin tiukasti niin, ettei se pääse liikkumaan.

- Irrota akku varastoinnin tai kuljetuksen ajaksi.
- Aseta akku ja akkulatori paikkaan, johon kosteus tai pakkaneen eivät pääse.
- Älä säilytä akkua paikassa, jossa on staattista sähköä. Älä säilytä akkua metallilaatikossa.
- Säilytä akkua varastossa, jossa lämpötila on 5–25 °C ja jossa se ei ole suorassa auringonvalossa.
- Säilytä akkulatoria varastossa, jossa lämpötila on 5–45 °C ja jossa se ei ole suorassa auringonvalossa.
- Käytä akkulatoria ainoastaan 5–40 °C:n lämpötiloissa.
- Lataa akku ennen pitkäaikaista säilytystä niin, että sen varaustaso on 30–50 %.

- Säilytä akku kuivassa ja suljetussa tilassa.
- Pidä akku erillään akkulaturista varastoinnin aikana. Älä anna lasten tai asiaankuulumattomien henkilöiden koskea laitteeseen. Säilytä laitetta lukollisessa tilassa.
- Puhdista laite ja tee täysi huolto ennen pitkäaikaista säilytystä.
- Käytä kuljetussuojasta kuljetuksen ja varastoinnin aikana vaurioiden ja vammojen välttämiseksi.
- Kiinnitä laite hyvin kuljetuksen ajaksi.

sähkö- ja elektroniikkalaitteiden keräyspisteeseen. Tämä auttaa estämään sekä ympäristö- että henkilövahinkoja.

Saat lisätietoja paikallisviranomaisilta, jätehuollolta tai jälleenmyyjältäsi.

(Kuva 24)

Huomautus: Symboli on joko tuotteessa tai sen pakkauksessa.

Akun, akkulaturin ja tuotteen hävittäminen

Alla oleva symboli kertoo, että tuotetta ei saa hävittää kotitalousjätteen mukana. Vie se asianmukaiseen

Tekniset tiedot

Tekniset tiedot

	225i
Moottori	
Tyyppi	BLDC (harjaton) 36 V
Ominaisuudet	
Virransäästötila	SavE-toiminto
Voitelujärjestelmä	
Öljypumpun tyyppi	Automaattinen
Öljysäiliön tilavuus, ml/cm ³	0,2/200
Paino	
Moottorisaha ilman akkua, terälevyä, teräketjua ja ketjuöljysäiliön ollessa tyhjä, kg	3,1
Melupäästöt ³⁴	
Äänentehotaso, mitattu dB(A)	97
Äänentehotaso, taattu L _{WA} dB(A)	100
Äänitasot ³⁵	
Äänenpainetaso käyttäjän korvan tasalla mitattuna standardin EN 62841-1 mukaan	89

³⁴ Melupäästöistä ympäristöön äänentehona (L_{WA}) EY-direktiivin 2000/14/EY ja standardin EN ISO 22868 mukaisesti mitattuna tyypillinen tilastollinen hajonta (keskihajonta) on 3 dB(A).

³⁵ Ilmoitetuilla tiedoilla koneen äänenpainetasosta tyypillinen tilastollinen hajonta (vakiopoikkeama) on 3 dB(A).

	225i
Tärinätasot ³⁶	
Etukahva, m/s ²	3,9
Takakahva, m/s ²	3,9
Teräketju/terälevy	
Suosittelavat terälevypituudet, tuumaa/cm	12–14/30,5–35,6
Tehokas leikkuupituus, tuumaa/cm	11–13/27–33,2
Vetopyörän tyyppi / hampaiden lkm	Spur/6
Ketjunopeus enintään / (normaalitila), m/s	11,8
Ketjunopeus enintään / (savE-tila), m/s	9,4

Tarvikkeet

Terälevyn ja teräketjun yhdistelmät

Mallin Husqvarna 225i hyväksytyt terälaiteyhdistelmät:






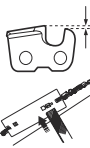
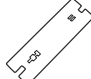






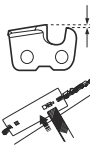
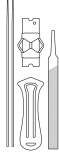

Terälevy					Teräketju	
Tyyppi	Pituus, tuumaa	Teräketjun jako, tuumaa	Uraleveys, mm	Kärkipyörän enimmäissäde	Tyyppi	Pituus, veto- lenkit (lkm)
501959545	12	3/8" mini	1,1	7T	Husqvarna H38 (581808145)	45
501959552	14	3/8" mini	1,1	7T	Husqvarna H38 (581807952)	52

Viilaustarvikkeet ja viilauskulmat

Käytä teräketjun teroittamiseen Husqvarna-viilanohjainta. Husqvarna-viilanohjainta käytettäessä viilauskulma on varmasti oikea. Osanumerot on annettu alla olevassa taulukossa.

Jos et osaa selvittää tuotteesi teräketjun tyyppiä, katso ohjeita osoitteesta www.husqvarna.com.

³⁶ Tärinätasot standardin EN 62841-4-1 mukaan. Ilmoitettujen tärinätasotietojen tyypillinen tilastollinen hajonta (vakiopoikkeama) on $\pm 1,5$ m/s². Ilmoitetut tärinäarvot on mitattu, kun laite on varustettu suositellulla terälevyn pituisella teräketjulla. Jos laite on varustettu eripituisella terälevyllä, tärinätasot voi vaihdella enintään $\pm 1,5$ m/s².

							
38	11/64 tuumaa / 4,5 mm	75°	30°	0°	0,025 tuumaa / 0,65 mm	505 69 81-03	579 55 88-01
							
93	5/32 tuumaa / 4,0 mm	60°	30°	0°	0,025 tuumaa / 0,65 mm	596 63 89-01	596 63 89-01

Hyväksytyt akut

Akku	40-B140
Tyyppi	Litiumioni
Akun kapasiteetti, Ah	4
Nimellisjännite, V	36
Paino, kg	1.25

Laitteen hyväksytyt akkulaturit

Akkulaturi	40-C80
Verkkovirta, V	100–240
Taajuus, Hz	50–60
Teho, W	72
Lähtöjännite, V, tasavirta/ ampeeria, A	43/1,6

Vaatimustenmukaisuusvakuutus

EU-vaatimustenmukaisuusvakuutus

Husqvarna AB, SE-561 82 Huskvarna, Ruotsi,
puhelinnumero: +46-36-146500, vakuuttaa täten, että
tuote:

Kuvaus	Akkukäyttöiset moottorisahat
Tuotemerkki	Husqvarna
Tyyppi/malli	225i
Tunniste	Sarjanumerot vuodesta 2023 alkaen

vastaaavat täysin seuraavien EU:n direktiivien ja
asetusten vaatimuksia:

Direktiivi/asetus	Kuvaus
2006/42/EC	konedirektiivi
2014/30/EU	EMC-direktiivi
2011/65/EU	Direktiivi tiettyjen vaarallisten aineiden käytön rajoittamisesta sähkö- ja elektroniikkalaitteissa
2000/14/EC	Melupäästäödirektiivi

Seuraavia standardeja on sovellettu: EN
62841-1:2015+A11:2022, EN 62841-4-1:2020, EN
IEC 63000:2018, EN IEC 55014-1:2021, EN IEC
55014-2:2021.

Ilmoitettu tarkastuslaitos: TÜV Rheinland LGA
Products GmbH, Tillystrasse 2, D-90431 Nuernberg,
Germany, 0197, on suorittanut EY-tyyppitarkastuksen
konedirektiivin (2006/42/EY) artiklan 12 kohdan 3b
mukaisesti. Sertifikaatin numero on: BM 50604678
0001.

Toimitettu moottorisaha vastaa EY-tyyppitarkastettua
sahaa.

Direktiivin 2000/14/EY, liitteen V mukaisesti, katso
kohdassa *Tekniset tiedot sivulla 255* ilmoitetut
meluarvot.

Huskvarna, 2023-10-30



Claes Losdal, tuotekehityspäällikkö, Husqvarna AB
Teknisestä dokumentaatiosta vastaava edustaja



Sommaire

Introduction.....	259	Dépannage.....	280
Sécurité.....	260	Transport, entreposage et mise au rebut.....	281
Montage.....	268	Caractéristiques techniques.....	282
Utilisation.....	269	Accessoires.....	283
Entretien.....	275	Déclaration de conformité.....	285

Introduction

Utilisation prévue

Cette tronçonneuse pour services forestiers est conçue pour des travaux forestiers tels que l'abattage, l'élagage et la coupe.

Remarque: La législation nationale peut imposer des limites à l'utilisation du produit.

Aperçu du produit

(Fig. 1)

1. Protection anti-rebond
2. Poignée avant
3. Interface utilisateur
4. Bouton marche/arrêt
5. Témoin d'avertissement et indicateur de batterie
6. Bouton SavE
7. Poignée arrière avec protection de la main droite
8. Autocollant d'information et d'avertissement
9. Carter
10. Réservoir d'huile de chaîne
11. Protection de transport
12. Blocage de la gâchette de puissance
13. Gâchette de puissance
14. Capot de pignon d'entraînement avec bouton de guide-chaîne
15. Tendeur de chaîne
16. Capteur de chaîne
17. Patin d'ébranchage
18. Pignon du nez de guide-chaîne
19. Chaîne
20. Guide-chaîne
21. Indicateur d'état de charge
22. Connecteur
23. Chargeur de batterie
24. Clé mixte
25. Témoin d'avertissement
26. Bouton, état de la batterie
27. État de la batterie
28. Bouton de libération de la batterie
29. Batterie
30. Manuel d'utilisation

Description du produit

Husqvarna 225i est un modèle de tronçonneuse équipé d'un moteur électrique.

Nous travaillons en permanence à l'amélioration de votre sécurité et de votre efficacité pendant l'utilisation. Pour davantage d'informations, contactez votre atelier d'entretien.

31. Bouton de guide-chaîne

32. Capot de pignon d'entraînement avec boulon de guide-chaîne

Symboles concernant le produit

(Fig. 2) **AVERTISSEMENT** : ce produit peut être dangereux et causer des blessures graves, voire mortelles, au conducteur ou à d'autres personnes. Soyez prudent et utilisez le produit correctement.

(Fig. 3) Lisez le manuel d'utilisation et assurez-vous de bien comprendre les instructions avant d'utiliser ce produit.

(Fig. 4) Portez un casque de protection, des protège-oreilles et des protections pour les yeux homologués.

(Fig. 5) Servez-vous de vos 2 mains lorsque vous utilisez le produit.

(Fig. 6) N'utilisez pas le produit d'une seule main.

(Fig. 7) Ne laissez pas le nez du guide-chaîne toucher un objet.

(Fig. 8) N'utilisez pas le produit sous la pluie.

(Fig. 9) Attention ! Un rebond peut se produire lorsque le nez du guide-chaîne entre en contact avec un objet. Ceci projette le guide-chaîne vers l'opérateur. Risque de blessures graves voire mortelles.

- (Fig. 10) Tension nominale, V
- (Fig. 11) Huile de chaîne.
- (Fig. 12) Sens de rotation de la chaîne et longueur maximale du guide-chaîne.
- (Fig. 13) Courant continu.
- (Fig. 14) **Marquage environnemental.** Le produit ou son emballage ne font pas partie des ordures ménagères. Déposez-le dans une station de recyclage pour équipements électriques et électroniques.
- (Fig. 15) Ce produit est conforme aux directives CE en vigueur.
- (Fig. 16) Ce produit est conforme aux réglementations en vigueur au Royaume-Uni.
- (Fig. 17) Étiquette relative aux émissions sonores dans l'environnement selon la directive européenne 2000/14/CE, les directives et réglementations du Royaume-Uni et la législation de la Nouvelle-Galles du Sud « Protection of the Environment Operations (Noise Control) Regulation 2017 ». Le niveau de puissance sonore garanti du produit est spécifié à la section *Caractéristiques techniques à la page 282* et sur l'étiquette.
- (Fig. 21) Frein de chaîne, serré (vers l'avant). Frein de chaîne, desserré (vers l'arrière).
- (Fig. 22) Sens de la chaîne.
- (Fig. 23) La plaque signalétique indique le numéro de série. **yyyy** désigne l'année de production et **ww** désigne la semaine de production.

Remarque: les autres symboles/autocollants présents sur le produit concernent des exigences de certification spécifiques à certains marchés.

Symboles sur la batterie et/ou son chargeur

- (Fig. 24) Déposez ce produit dans une station de recyclage pour équipements électriques et électroniques. (Concerne seulement l'Europe)
- (Fig. 18) Transformateur à sécurité intégrée.
- (Fig. 19) Utilisez et stockez le chargeur de batterie en intérieur uniquement.
- (Fig. 20) Double isolation.

Fabricant

Husqvarna AB
Drottninggatan 2, SE-561 82, Huskvarna, Sweden, tel: +46-36-146500

Endommagement du produit

Nous ne sommes pas responsables des dommages subis par le produit si :

- le produit n'est pas correctement réparé ;
- le produit est réparé avec des pièces qui ne proviennent pas du fabricant ou qui ne sont pas homologuées par le fabricant ;
- le produit est équipé d'un accessoire qui ne provient pas du fabricant ou qui n'est pas homologué par le fabricant ;
- le produit n'est pas réparé par un centre d'entretien agréé ou par une autorité homologuée.

Sécurité

Définitions de sécurité

Des avertissements, des recommandations et des remarques sont utilisés pour souligner des parties spécialement importantes du manuel.



AVERTISSEMENT: Symbole utilisé en cas de risque de blessures ou de mort pour l'opérateur ou les personnes à

proximité si les instructions du manuel ne sont pas respectées.



REMARQUE: Symbole utilisé en cas de risque de dommages pour le produit, d'autres matériaux ou les environs si les instructions du manuel ne sont pas respectées.

Remarque: Symbole utilisé pour donner des informations supplémentaires pour une situation donnée.

Consignes générales de sécurité relatives à l'outil à moteur



AVERTISSEMENT: Lisez l'ensemble des avertissements de sécurité, des consignes, des illustrations et des spécifications fournies avec cet outil électrique. Le non-respect des consignes énumérées ci-dessous peut être à l'origine d'un choc électrique, d'un incendie et/ou de blessures graves.

- **Conservez toutes ces consignes et instructions pour toute consultation ultérieure.** Le terme « outil électrique » utilisé dans les avertissements fait référence à l'outil branché sur secteur (fil) ou à l'outil alimenté par batterie (sans fil).

Sécurité dans l'espace de travail

- **Maintenez un espace de travail propre et bien éclairé.** Les espaces encombrés ou sombres exposent à des accidents.
- **N'utilisez pas de machines à usiner dans des atmosphères explosives, en présence de liquides, de gaz ou de poussières inflammables par exemple.** Les machines à usiner provoquent des étincelles qui peuvent enflammer la poussière ou les vapeurs.
- **Tenez les enfants et les spectateurs à distance lorsque la machine à usiner est en marche.** Un moment d'inattention peut vous faire perdre le contrôle.

Sécurité électrique

- **Les fiches des machines à usiner doivent être adaptées à la prise. N'apportez jamais de modifications à la fiche. Ne pas utiliser de fiches d'adaptation avec des machines mises à la terre.** Des fiches non modifiées et des prises compatibles réduisent le risque de choc électrique.
- **Évitez tout contact physique avec les surfaces mises à la terre telles que les tuyaux, les radiateurs, les cuisinières et les réfrigérateurs.** Le risque d'électrocution est plus important si le corps est relié à la terre.
- **Ne pas exposer les outils électriques à la pluie ou à l'humidité.** L'infiltration d'eau dans une machine à usiner augmente le risque d'électrocution.
- **Ne malmenez pas le cordon. N'utilisez jamais le cordon pour porter, tirer ou débrancher la machine. Maintenez le cordon d'alimentation à l'écart de la chaleur, de bords tranchants ou de pièces en mouvement.** Les fils endommagés ou emmêlés augmentent le risque de choc électrique.

- **Lorsque vous utilisez un outil électrique à l'extérieur, utilisez une rallonge électrique adaptée à l'usage extérieur.** L'utilisation d'un cordon d'alimentation pour usage extérieur réduit le risque d'électrocution.
- **Si vous n'avez d'autre choix que d'utiliser un outil électrique dans un endroit humide, utilisez une alimentation protégée par un dispositif de courant résiduel (RCD).** L'utilisation d'un RCD réduit le risque de choc électrique.

Sécurité du personnel

- **Restez attentif, regardez ce que vous faites et ayez recours à votre bon sens lorsque vous utilisez un outil électrique. N'utilisez pas d'outil électrique si vous êtes fatigué ou si vous êtes sous l'emprise de drogues, d'alcool ou de médicaments.** Un moment d'inattention pendant l'utilisation des machines à usiner peut entraîner des blessures corporelles graves.
- **Utilisez un équipement de protection personnelle. Travaillez toujours avec des lunettes de protection.** Les équipements de protection tels que le masque anti-poussière, les chaussures de sécurité antidérapantes, le casque ou le protège-oreilles utilisés dans des conditions appropriées réduisent les blessures corporelles.
- **Évitez tout démarrage intempestif. Vérifiez que l'interrupteur est en position d'arrêt avant de brancher l'outil sur l'alimentation et/ou la batterie, de le ramasser ou de le transporter.** Le fait de garder le doigt sur l'interrupteur pendant le transport des outils ou le branchement des machines alors que l'interrupteur est en position ON expose à des accidents.
- **Retirez toute clé ou clavette de calage avant de mettre la machine à usiner sous tension.** Une clé ou une clavette reliée à une pièce mobile de la machine à usiner peut entraîner des blessures corporelles.
- **Ne vous éloignez pas trop. Restez toujours en équilibre et sur vos appuis.** Cela favorise le contrôle de la machine à usiner dans les situations inattendues.
- **Habillez-vous correctement. Ne portez jamais de vêtements amples ou de bijoux. Éloignez vos cheveux et vos vêtements des pièces mobiles.** Les vêtements amples, les bijoux et les cheveux longs peuvent rester coincés dans les pièces mobiles.
- **Si des dispositifs sont fournis pour raccorder des systèmes de collecte et d'extraction de la poussière, vérifiez qu'ils sont correctement branchés et utilisés.** L'utilisation de systèmes de collecte de poussière peut réduire les risques associés à la poussière.
- **La connaissance des outils, acquise par l'usage fréquent de ces derniers, ne doit pas vous dispenser d'être prudent et d'appliquer les principes de sécurité.** Une action inconsidérée peut provoquer de graves blessures en une fraction de seconde.

Utilisation et entretien de la machine à usiner

- **Ne forcez pas sur la machine à usiner. Utilisez la machine à usiner qui convient à l'application.** La machine qui convient réalisera mieux son travail et de façon plus sûre, à la vitesse pour laquelle elle a été conçue.
- **N'utilisez pas la machine à usiner si l'interrupteur ne permet pas la mise sous tension ou l'arrêt.** Toute machine à usiner impossible à commander avec l'interrupteur est dangereuse et doit être réparée.
- **Débranchez la fiche de l'alimentation et/ou retirez la batterie, si celle-ci est amovible, avant de procéder aux réglages, de changer les accessoires ou de stocker un outil électrique.** Ces mesures de sécurité préventive réduisent le risque de mise sous tension accidentelle de la machine à usiner.
- **Rangez les machines à usiner hors de la portée des enfants et ne pas laisser des personnes qui ne connaissent pas la machine ou ces consignes utiliser l'appareil.** Les machines à usiner sont dangereuses si elles sont entre les mains d'utilisateurs non formés.
- **Entretenez les accessoires et outils électriques. Vérifier le mauvais alignement ou la fixation des pièces mobiles, l'éventuelle rupture des pièces ou toute autre condition susceptible d'altérer le fonctionnement de la machine. Si elle est endommagée, la machine à usiner doit être réparée avant toute réutilisation.** De nombreux accidents sont dus à des machines mal entretenues.
- **Maintenez les outils tranchants aiguisés et propres.** Des outils tranchants correctement entretenus avec des bords aiguisés sont moins susceptibles de se coincer et sont plus faciles à contrôler.
- **Utiliser la machine à usiner, les accessoires, les grains, etc. en suivant ces consignes et en tenant compte des conditions de travail et de la tâche à réaliser.** Il est dangereux d'utiliser l'outil électrique pour tout autre usage que celui prévu.
- **Les poignées et les surfaces de maintien doivent toujours être propres, sèches et sans traces d'huile ni de graisse.** Les poignées et les surfaces de maintien glissantes ne permettent pas une manipulation et un contrôle sûrs de l'outil dans des situations inattendues.

Utilisation et entretien d'un outil à batterie

- **Ne rechargez la machine qu'avec le chargeur indiqué par le fabricant.** Un chargeur convenant à un type de bloc de batteries particulier peut entraîner un risque d'incendie s'il est utilisé avec un autre bloc.
- **N'utilisez des outils électriques qu'avec des batteries spécifiquement conçues.** L'utilisation d'une autre batterie peut entraîner un risque de blessure et d'incendie.
- **Lorsque la batterie n'est pas utilisée, maintenez-la à distance d'objets métalliques, tels que des trombones, pièces de monnaie, clés, clous, vis, ou autres petits objets en métal risquant de relier une**

borne à l'autre. Court-circuiter les bornes de batterie entraîne un risque de brûlures et d'incendie.

- **En cas d'utilisation abusive, du liquide peut s'échapper de la batterie ; évitez tout contact. En cas de contact accidentel, rincez à l'eau. En cas de contact avec les yeux, consultez un médecin.** Le liquide échappé de la batterie peut causer irritations et brûlures.
- **N'utilisez pas une batterie ou un outil endommagé ou altéré.** Les batteries endommagées ou altérées peuvent présenter un comportement imprévisible pouvant provoquer un incendie, une explosion ou un risque de blessure.
- **N'exposez pas une batterie ou un outil au feu ou à des températures trop élevées.** L'exposition au feu ou à des températures supérieures à 130 °C / 266 °F peut provoquer une explosion.
- **Respectez toutes les instructions de charge et ne chargez pas la batterie ou l'outil en dehors de la plage de température spécifiée dans les instructions.** Ne pas charger la batterie correctement ou la charger à des températures comprises en dehors de la plage spécifiée peut endommager la batterie et augmenter le risque d'incendie.

Entretien

- **Confiez l'entretien de votre outil électrique à un mécanicien qualifié qui utilisera uniquement des pièces de rechange identiques.** Cela permet de garantir la sécurité de la machine.
- **Ne jamais entretenir des batteries endommagées.** L'entretien des batteries doit être effectué uniquement par le fabricant ou des fournisseurs de services agréés.

Consignes de sécurité générales concernant la tronçonneuse

- **Lorsque la tronçonneuse est en marche, maintenez la chaîne éloignée de toute partie du corps. Avant de démarrer la tronçonneuse, assurez-vous que la chaîne n'est en contact avec aucun objet.** Lorsque la tronçonneuse est en marche, il suffit d'un moment d'inattention pour que la chaîne accroche vos vêtements ou vous blesse.
- **Tenez toujours la tronçonneuse avec la main droite sur la poignée arrière et la main gauche sur la poignée avant.** N'inversez pas cette position, même si vous êtes gaucher, le risque de blessure serait plus élevé.
- **Tenez la tronçonneuse uniquement par les surfaces de préhension isolées, car la chaîne pourrait entrer en contact avec du câblage non apparent.** Si les chaînes entrent en contact avec un câble « sous tension », elles risquent de mettre également « sous tension » les parties métalliques de la tronçonneuse et vous pourriez recevoir un choc électrique.
- **Portez des protections pour les yeux. Il est recommandé de porter également un équipement de protection pour les oreilles, la tête, les mains, les jambes et les pieds.** Un équipement de protection

approprié réduit les blessures causées par la projection de débris ou un contact accidentel avec la chaîne.

- **N'utilisez pas une tronçonneuse dans un arbre, sur une échelle, sur un toit ou n'importe quel support instable.** L'utilisation d'une tronçonneuse dans ces conditions peut entraîner des blessures corporelles graves.³⁷
- **Ayez toujours un bon appui et n'utilisez la tronçonneuse que si vous êtes debout sur une surface plane, fixe et sécurisée.** Sur une surface glissante ou instable, vous pourriez perdre l'équilibre ou le contrôle de la tronçonneuse.
- **Lorsque vous sciez une branche en tension, faites attention à l'effet de rebond.** Lorsque la tension des fibres du bois est libérée, la branche peut vous frapper ou dévier la tronçonneuse.
- **Soyez extrêmement prudent lorsque vous coupez des broussailles ou de jeunes arbres.** Les branches minces peuvent bloquer la chaîne, vous fouetter ou vous déséquilibrer.
- **Portez la tronçonneuse en la tenant par la poignée avant, toujours éteinte et éloignée de votre corps. Pour transporter ou ranger la tronçonneuse, remettez toujours le fourreau du guide-chaîne.** Un maniement approprié de la tronçonneuse réduit le risque de contact accidentel avec la chaîne.
- **Suivez les instructions de lubrification, de tension de la chaîne et de changement du guide-chaîne et de la chaîne.** Une chaîne mal tendue ou mal lubrifiée peut se casser ou accroître les risques de rebond.
- **Ne coupez que du bois. N'utilisez pas la tronçonneuse pour un autre usage. Par exemple : n'utilisez pas de tronçonneuse pour couper du métal, du plastique, un ouvrage de maçonnerie, ni aucun matériau de construction autre que le bois.** Il est dangereux d'utiliser la tronçonneuse pour tout autre usage que celui prévu.
- **N'essayez pas d'abattre un arbre avant de posséder une bonne compréhension des risques et de savoir comment les éviter.** L'opérateur ou les personnes situées à proximité peuvent subir des blessures graves pendant l'abattage d'un arbre.
- **Respectez toutes les instructions lors du nettoyage du matériel végétal coincé, de l'entreposage ou de l'entretien de la tronçonneuse. Assurez-vous que l'interrupteur est en position d'arrêt et que la batterie est retirée.** Un démarrage inattendu de la tronçonneuse lorsque vous dégagez le matériel végétal coincé ou que vous procédez à l'entretien peut entraîner de graves blessures.
- **N'utilisez pas la tronçonneuse si vous vous trouvez dans un arbre, sauf si vous avez été spécifiquement formé à ce type d'intervention.** L'utilisation d'une tronçonneuse sur un arbre sans formation appropriée peut augmenter le risque de blessures corporelles graves.

³⁷ Si vous êtes formé aux techniques spéciales de coupe et de travail, et si vous êtes correctement attaché (nacelle élévatrice, cordes, harnais de sécurité), il est possible de déroger à ces règles de sécurité.

Causes et prévention des rebonds

Un rebond peut se produire si l'extrémité avant du guide-chaîne touche un objet, ou si le bois bloque la tronçonneuse. Dans certains cas, lorsque l'avant du guide entre en contact avec un objet, la tronçonneuse rebondit vers l'opérateur. Si la chaîne est bloquée sur l'avant du guide, celui-ci peut rebondir soudainement vers l'opérateur. L'une ou l'autre de ces réactions peut vous faire perdre le contrôle de la tronçonneuse et provoquer une blessure grave. Ne comptez pas exclusivement sur les dispositifs de sécurité incorporés dans la tronçonneuse. Lorsque vous utilisez une tronçonneuse, prenez plusieurs mesures pour éviter tout accident ou blessure. Un rebond est le résultat de conditions inappropriées, d'une procédure incorrecte ou d'une mauvaise utilisation de la tronçonneuse. Il peut être évité si vous prenez les précautions suivantes :

- **Tenez fermement la tronçonneuse des deux mains, les pouces sous les poignées, et placez votre corps et vos bras de manière à résister à la force d'un éventuel rebond.** La force de rebond peut être contrôlée si vous prenez les bonnes précautions. Ne lâchez pas la tronçonneuse.
- **Ne coupez jamais au-dessus de la hauteur de vos épaules.** Cela permet de réduire les contacts accidentels et de mieux contrôler la tronçonneuse dans des situations inattendues.
- **N'utilisez que les guide-chaînes et chaînes de sciage spécifiés par le fabricant.** Une chaîne de sciage ou un guide-chaîne inappropriés peuvent se rompre ou provoquer un rebond.
- **Suivez les instructions du fabricant pour l'affûtage et l'entretien de la chaîne.** Réduire la hauteur de la jauge de profondeur peut accroître le risque de rebond.

CONSERVEZ LES PRÉSENTES INSTRUCTIONS.

Instructions générales de sécurité



AVERTISSEMENT: Lisez les instructions qui suivent avant d'utiliser le produit.

- Ce produit est un outil dangereux si vous ne faites pas attention ou si vous l'utilisez de manière incorrecte. Ce produit peut causer des blessures graves, voire mortelles, à l'opérateur ou à d'autres personnes. Il importe donc de lire attentivement et de bien assimiler le contenu de ce manuel d'utilisation.
- Ne modifiez pas le produit sans approbation du fabricant. N'utilisez pas un produit qui a été modifié par un tiers et utilisez toujours des accessoires d'origine. Les modifications qui ne sont pas approuvées par le fabricant peuvent causer des

blessures graves, voire mortelles, à l'opérateur ou à d'autres personnes.

- Une inhalation prolongée de gaz d'huile de chaîne et de sciure peut provoquer des problèmes de santé.
- Ce produit génère un champ électromagnétique durant son fonctionnement. Ce champ peut dans certaines circonstances perturber le fonctionnement d'implants médicaux actifs ou passifs. Pour réduire le risque de blessures graves ou mortelles, nous recommandons aux personnes portant des implants médicaux de consulter leur médecin et le fabricant de leur implant avant d'utiliser cet appareil.

Instructions de sécurité pour le fonctionnement



AVERTISSEMENT: lisez les instructions qui suivent avant d'utiliser le produit.

- Les informations contenues dans ce manuel d'utilisation ne remplacent pas l'expérience et le savoir-faire d'un professionnel. Si vous ne vous sentez pas en sécurité dans une situation donnée, arrêtez le produit. Demandez conseil à votre atelier d'entretien ou à un opérateur de tronçonneuse professionnel. Ne vous lancez pas dans une tâche si vous ne vous en sentez pas capable !
- Demandez conseil à votre atelier d'entretien ou Husqvarna pour toute question relative au fonctionnement du produit. Nous pouvons vous donner des conseils sur la manière d'utiliser votre produit efficacement et en toute sécurité. Si possible, participez à une session de formation à l'utilisation d'une tronçonneuse. Votre atelier d'entretien, votre établissement de formation forestière et votre bibliothèque peuvent vous renseigner sur le matériel de formation et les cours disponibles.
- Vous devez comprendre le phénomène de rebond et savoir comment l'éviter avant d'utiliser ce produit. Reportez-vous à la section *Informations sur le rebond* à la page 270 et *Questions fréquentes concernant le rebond* à la page 271 pour plus d'instructions.
- N'utilisez pas un produit dont la batterie ou le chargeur est endommagé(e) ou ne fonctionne pas correctement.
- Ne touchez jamais une chaîne en rotation. Cela peut causer des blessures graves, voire mortelles.
- N'utilisez pas le produit si vous êtes fatigué, avez bu de l'alcool ou pris des médicaments susceptibles d'affecter votre vue, votre jugement ou la maîtrise de votre corps.
- Travailler par mauvais temps est cause de fatigue et peut être dangereux. Il n'est pas recommandé d'utiliser la machine dans de très mauvaises conditions météorologiques, par exemple, en cas de brouillard épais, de forte pluie, de vent violent, de froid intense ou de risque de foudre, etc., car

ces conditions constituent des facteurs de risque supplémentaires.

- Ne démarrez pas le produit si le guide-chaîne, la chaîne et tous les capots ne sont pas montés correctement. Sinon, le pignon d'entraînement risque de se détacher et de provoquer des blessures graves. Reportez-vous à la section *Montage* à la page 268 pour plus d'instructions.

(Fig. 25)

- Des copeaux se coincent parfois dans le carter de l'embrayage, ce qui bloque la chaîne. Arrêtez toujours le moteur avant de procéder au nettoyage.
- Observez bien la zone de travail. Assurez-vous qu'aucune personne ou aucun animal ne risque d'affecter ou d'influencer votre maîtrise du produit.

(Fig. 26)

- Mettez le produit hors de portée des enfants et ne laissez pas ces derniers l'utiliser. Dans la mesure où le produit est facile à démarrer, il est possible que des enfants arrivent à le mettre en route lorsque vous les quittez des yeux. Cela peut entraîner un risque de graves blessures.
- Retirez la batterie lorsque vous perdez le produit de vue ou le laissez sans surveillance, quelle que soit la durée de votre absence.
- Vous devez être bien campé sur vos pieds pour avoir une maîtrise totale du produit. N'utilisez pas ce produit si vous êtes sur une échelle ou dans un arbre. N'utilisez pas ce produit si vous n'êtes pas sur un sol stable.

(Fig. 27)

- Travailler à même l'arbre nécessite l'utilisation de techniques de coupe et de travail particulières qui doivent être respectées afin de réduire le risque accru de blessures corporelles. Ne travaillez jamais dans un arbre, sauf si vous avez suivi une formation professionnelle spécifique à un tel travail, incluant une formation relative à l'utilisation d'un équipement de sécurité et autre équipement de grimpe comme des harnais, des cordages, des ceintures, des étriers, des mousquetons, etc.
- Ne tentez jamais d'attraper des tronçons en pleine chute. Ne coupez jamais dans l'arbre si vous n'êtes sécurisé que par une seule corde. Utilisez toujours deux cordes bien attachées.
- Si vous ne faites pas attention, le risque de rebond augmente. Un rebond peut se produire si la zone de rebond du guide-chaîne touche accidentellement une branche, un arbre ou tout autre objet.

(Fig. 28)

- N'utilisez pas le produit d'une seule main. Il n'est pas possible de contrôler correctement ce produit d'une seule main.
- N'utilisez pas ce produit au-dessus de votre hauteur d'épaule et n'essayez pas de couper avec le nez du guide-chaîne.

(Fig. 29)

- N'utilisez aucun produit dans une situation où vous ne pouvez pas bénéficier d'aide en cas d'accident.
- Arrêtez le produit et engagez le frein de chaîne avant de déplacer le produit. Tenez le produit en orientant le guide-chaîne et la chaîne vers l'arrière. Placez un fourreau de protection sur le guide-chaîne avant de transporter le produit ou de le déplacer, quelle que soit la distance.
- Quand vous posez le produit par terre, engagez le frein de chaîne et veillez à toujours garder le produit dans votre champ de vision. Arrêtez le produit et retirez la batterie si vous ne devez pas vous en servir durant une période prolongée.
- Des copeaux de bois risquent de se coincer dans le système d'entraînement. Cela peut provoquer le blocage de la chaîne. Éteignez toujours le produit et retirez la batterie avant de le nettoyer.
- Le niveau de vibrations augmente si vous utilisez un équipement de coupe incorrect ou mal affûté. Le sciage de bois durs, tels que des feuillus, provoque davantage de vibrations que celui de bois tendres, tels que des conifères.

(Fig. 30)

- Une exposition excessive aux vibrations peut entraîner des troubles circulatoires ou nerveux chez les personnes souffrant de problèmes de circulation. Consultez un médecin en cas de symptômes liés à une exposition excessive aux vibrations. Voici les symptômes possibles : engourdissement, perte de sensibilité, chatouillements, picotements, douleur, faiblesse musculaire, décoloration ou modification épidermique. Ces symptômes apparaissent généralement dans les doigts, les mains ou les poignets et augmentent par temps froid.
- Ne tentez pas d'entreprendre des opérations d'élagage ou d'ébranchage sur un arbre en position verticale, sauf si vous avez été spécifiquement formé à ce type d'intervention.
- Tenez-vous toujours en amont de la bûche lorsque vous effectuez un travail de coupe en pente afin d'éviter les troncs qui peuvent rouler ou glisser vers le bas après avoir été abattus. Pour garder un contrôle complet de l'appareil lors de la coupe, relâchez la pression de coupe lorsque vous atteignez la fin de la coupe. Ne relâchez pas vos mains autour des poignées. Ne laissez pas la chaîne toucher le sol. Une fois la coupe terminée, attendez que la chaîne s'arrête avant de déplacer l'appareil. Coupez toujours le moteur lorsque vous vous déplacez d'un arbre à l'autre.

(Fig. 31)

- N'abattez pas d'arbre s'il risque de mettre en danger une personne, de heurter une ligne électrique ou de causer des dommages matériels. Si l'arbre heurte une ligne électrique, l'entreprise de service public doit en être informée immédiatement.
- Assurez-vous de pouvoir vous déplacer en toute sécurité. Étudiez les conditions et le terrain environnant pour repérer d'éventuels obstacles, tels

que des racines, des pierres, des branches, des fossés, etc. Soyez prudent lorsque vous travaillez sur un terrain en pente.

- Évitez toute situation qui vous semble au-delà de vos capacités.
- Il est impossible de mentionner toutes les situations auxquelles vous pouvez être confronté pendant l'utilisation de ce produit. Soyez toujours prudent et utilisez votre bon sens.

(Fig. 32)

Équipement de protection individuel



AVERTISSEMENT: lisez les instructions qui suivent avant d'utiliser le produit.

(Fig. 33)

- La plupart des accidents surviennent quand la chaîne de la tronçonneuse touche l'opérateur. Utilisez impérativement un équipement de protection individuel homologué pendant le fonctionnement. L'équipement de protection individuel ne protège pas complètement des blessures, mais il diminue la gravité des blessures en cas d'accident. Contactez votre atelier d'entretien pour obtenir des recommandations sur l'équipement à utiliser.
- Portez des vêtements près du corps qui n'entravent toutefois pas vos mouvements. Vérifiez régulièrement l'état de votre équipement de protection individuel.
- Utilisez un casque de protection homologué.
- Utilisez des protège-oreilles homologués. Une exposition prolongée au bruit risque de causer des lésions auditives permanentes.
- Utilisez des lunettes de protection ou une visière faciale homologuées pour vous protéger d'une éventuelle projection d'objets. Le produit peut projeter des objets tels que des copeaux de bois, des petits morceaux de bois, etc., avec une force importante. Il peut en résulter des blessures graves, surtout au niveau des yeux.
- Utilisez des gants de protection anti-chaîne.
- Utilisez un pantalon de protection anti-chaîne.
- Utilisez des bottes de protection anti-chaîne avec embout acier et semelle antidérapante.
- Prévoyez toujours une trousse de premiers secours.
- Risque d'étincelles. Veillez à toujours disposer de dispositifs extincteurs et d'une pelle pour prévenir les feux de forêt.

Dispositifs de sécurité sur le produit



AVERTISSEMENT: lisez les instructions qui suivent avant d'utiliser le produit.

- N'utilisez pas un produit dont les dispositifs de sécurité sont endommagés ou ne fonctionnent pas correctement.
- Contrôlez les dispositifs de sécurité régulièrement. Reportez-vous à la section *Entretien et contrôle des dispositifs de sécurité du produit à la page 276*.
- Si les dispositifs de sécurité sont endommagés ou ne fonctionnent pas correctement, contactez l'atelier de réparation de votre revendeur Husqvarna.

Fonctions de l'interface utilisateur

L'interface utilisateur comprend le bouton marche/arrêt, le bouton SavE, l'état de la batterie et l'indicateur d'avertissement. L'indicateur d'avertissement clignote si le frein de chaîne est serré ou s'il y a un risque de surcharge. La protection contre les surcharges arrête temporairement le produit et vous empêche de l'utiliser tant que la température n'a pas diminué. Si l'indicateur d'avertissement est allumé et fixe, contactez votre atelier d'entretien.

(Fig. 34)

Pour plus d'informations sur l'interface utilisateur, reportez-vous à *Aperçu du produit à la page 259*.

Fonction d'arrêt automatique

Le produit est doté d'une fonction d'arrêt automatique qui l'arrête si vous ne l'utilisez pas pendant 3 minutes.

Frein de chaîne avec arceau protecteur

Votre produit est équipé d'un frein de chaîne qui arrête la chaîne en cas de rebond. Le frein de chaîne réduit le risque d'accident mais seul l'utilisateur peut les prévenir.

(Fig. 35)



AVERTISSEMENT: Évitez les situations susceptibles de provoquer des rebonds. Soyez prudent pendant l'utilisation de votre produit et veillez à ce que la zone de rebond du guide-chaîne n'entre en contact avec aucun objet.

(Fig. 36)

Le frein de chaîne (A) est serré manuellement (de la main gauche) ou automatiquement, par la fonction d'inertie. Poussez la protection anti-rebond (B) vers l'avant pour serrer le frein de chaîne manuellement. Ce mouvement active un mécanisme à ressort qui arrête le pignon d'entraînement.

(Fig. 37)

La façon dont le frein de chaîne est engagé dépend de la force du rebond et de la position du produit. En cas de rebond intense lorsque la zone de rebond est très éloignée de vous, le frein de chaîne est engagé par l'inertie relâchée. Si le rebond est faible ou si la zone de rebond est plus proche de vous, vous pouvez engager le frein de chaîne manuellement de la main gauche.

(Fig. 38)

Utilisez le frein de chaîne comme un frein de stationnement lorsque vous démarrez le produit et lorsque vous le déplacez sur de courtes distances. Cela réduit le risque que vous ou une personne à proximité entre en contact avec la chaîne.

(Fig. 39)

Tirez la protection anti-rebond vers l'arrière pour desserrer le frein de chaîne.

(Fig. 40)

Un rebond peut être rapide et très violent. Toutefois, la plupart des rebonds sont courts et ne serrent pas nécessairement le frein de chaîne. Si un rebond se produit lorsque vous utilisez le produit, tenez fermement les poignées et ne lâchez pas.

(Fig. 41)

La protection anti-rebond réduit également le risque de contact avec la chaîne si vous lâchez la poignée avant.

(Fig. 42)

En position d'abattage, vous ne pouvez pas engager le frein de chaîne manuellement. Dans cette position, le frein de chaîne peut uniquement être serré par la fonction d'inertie.

(Fig. 43)

Blocage de la gâchette de puissance

Le blocage de la gâchette de puissance empêche toute activation accidentelle de cette dernière. Si vous appuyez sur le blocage de la gâchette de puissance vers l'avant (A), puis que vous appuyez sur le blocage de la gâchette de puissance contre la poignée (B), la gâchette de puissance (C) est relâchée. Relâchez la poignée pour remettre la gâchette de puissance et son blocage en position initiale.

(Fig. 44)

Capteur de chaîne

Le capteur de chaîne attrape la chaîne si elle casse ou se desserre. Le maintien d'une bonne tension de chaîne réduit ce risque. Vous pouvez également réduire ce risque en respectant les conseils d'entretien du guide-chaîne et de la chaîne. Consultez les sections *Montage à la page 268* et *Entretien à la page 275* pour plus d'instructions.

(Fig. 45)

Protection de la main droite

La protection anti-rebond protège votre main droite si la chaîne casse ou se desserre. Elle évite également que vous soyez gêné par des branches et des brindilles lorsque vous utilisez le produit.

(Fig. 46)

Consignes de sécurité relatives à l'utilisation de la batterie



AVERTISSEMENT: lisez les instructions qui suivent avant d'utiliser le produit.

- Utilisez uniquement les batteries de la série 40-B que nous recommandons pour votre produit. Reportez-vous à la section *Batteries homologuées à la page 284*. Les batteries sont codées par logiciel.
- Utilisez les batteries de la série 40-B rechargeables en tant qu'alimentation électrique pour les produits Husqvarna uniquement. Reportez-vous à la section *Batteries homologuées à la page 284*. Afin d'éviter toute blessure, n'utilisez pas la batterie comme source d'alimentation pour d'autres produits.
- Risque de choc électrique. Ne branchez pas les bornes de la batterie à des clés, des vis ou tout autre élément métallique. Cela peut provoquer un court-circuit de la batterie.
- N'utilisez pas de batteries non rechargeables.
- Ne placez pas d'objets dans les fentes d'aération de la batterie.
- Protégez la batterie des rayons directs du soleil, de la chaleur et des flammes nues. La batterie peut provoquer des brûlures et/ou des brûlures chimiques.
- Protégez la batterie de la pluie et de l'humidité.
- Protégez la batterie des micro-ondes et des hautes pressions.
- N'essayez pas de démonter ou de casser la batterie.
- Ne laissez pas l'acide de batterie entrer en contact avec votre peau. L'acide de batterie provoque des blessures cutanées, de la corrosion et des brûlures. Si vous recevez de l'acide de batterie dans les yeux, ne les frottez pas : rincez-les abondamment à l'eau pendant au moins 15 minutes. Si de l'acide de batterie a touché votre peau, nettoyez-la abondamment à l'eau et au savon. Consultez un médecin.
- Utilisez la batterie à une température comprise entre -10 °C (14 °F) et 40 °C (104 °F).
- Ne nettoyez pas la batterie ou le chargeur de batterie avec de l'eau. Reportez-vous à la section *Contrôle de la batterie et du support de batterie à la page 277*.
- N'utilisez pas une batterie endommagée.
- Conservez les batteries en stock à distance des objets métalliques, tels que les clous, les vis ou les bijoux.
- Tenez la batterie hors de portée des enfants.

Consignes de sécurité relatives au chargeur de batterie



AVERTISSEMENT: Lisez les instructions qui suivent avant d'utiliser le produit.

- Risque de choc électrique ou de court-circuit si les instructions de sécurité ne sont pas respectées.
- Utilisez une prise de courant murale mise à la terre agréée qui n'est pas endommagée.
- n'utilisez pas d'autres chargeurs de batterie que celui fourni pour votre produit. Utilisez uniquement des chargeurs 40-C80 lorsque vous chargez des batteries de rechange Husqvarna 40-B140. Reportez-vous à la section *Chargeurs de batterie homologués pour le produit à la page 284* et *Batteries homologuées à la page 284*.
- N'essayez pas de démonter le chargeur de batterie.
- N'utilisez pas de chargeur de batterie défectueux ou endommagé.
- Ne soulevez pas le chargeur de batterie par le cordon d'alimentation. Pour débrancher le chargeur de batterie d'une prise de courant murale, tirez sur la fiche. Ne tirez pas le cordon d'alimentation.
- Conservez tous les câbles et toutes les rallonges loin de l'eau, de l'huile et des bords tranchants. Veillez à ce que le câble ne soit pas coincé dans des portes, des clôtures ou tout autre équipement similaire.
- N'utilisez pas le chargeur de batterie à proximité de matériaux inflammables ou de matériaux pouvant provoquer la formation de corrosion. Assurez-vous que le chargeur de batterie n'est pas couvert. En cas de dégagement de fumée ou de début d'incendie, débranchez aussitôt la fiche reliée au chargeur de batterie.
- Rechargez la batterie uniquement en intérieur, dans un endroit bien aéré et à l'abri de la lumière. Ne chargez pas la batterie à l'extérieur. Ne rechargez pas la batterie dans des conditions humides.
- Utilisez le chargeur de batterie à une température comprise entre 5 °C (41 °F) et 40 °C (104 °F) uniquement. Utilisez le chargeur dans un environnement bien ventilé, sec et exempt de poussière.
- Ne placez pas d'objets dans les fentes de refroidissement du chargeur de batterie.
- Ne raccordez pas les bornes du chargeur de batterie à des objets métalliques car cela peut court-circuiter le chargeur de batterie.
- Utilisez des prises de courant murales homologuées et non endommagées.
- Ne placez aucune batterie non rechargeable dans le chargeur de batterie.

Consignes de sécurité pour l'entretien



AVERTISSEMENT: Lisez les instructions qui suivent avant d'effectuer l'entretien du produit.

- Retirez la batterie avant tout entretien, contrôle ou assemblage du produit.
- L'utilisateur ne doit effectuer que les travaux de maintenance et d'entretien décrits dans ce manuel d'utilisation. Adressez-vous à votre revendeur pour toute opération de maintenance et d'entretien de plus grande ampleur.
- Ne nettoyez pas la batterie ou le chargeur de batterie avec de l'eau. L'utilisation de détergents agressifs peut endommager le plastique.
- Un défaut d'entretien réduit le cycle de vie du produit et augmente le risque d'accidents.
- Une formation spéciale est nécessaire pour tous les travaux d'entretien et de réparation, en particulier pour les dispositifs de sécurité sur le produit. Si tous les contrôles spécifiés dans ce manuel d'utilisation ne sont pas validés après l'entretien, consultez votre revendeur. Nous garantissons la disponibilité d'un service de réparation et d'entretien professionnel pour votre produit.
- Utilisez uniquement les pièces de rechange d'origine.

Consignes de sécurité relatives à l'équipement de coupe



AVERTISSEMENT: Lisez les instructions qui suivent avant d'utiliser le produit.

- Utilisez uniquement des combinaisons guide-chaîne/chaîne et des équipements d'affûtage homologués. Reportez-vous à la section *Caractéristiques techniques à la page 282* pour connaître les instructions.
- Portez des gants de protection lorsque vous utilisez ou procédez à la maintenance de la chaîne. Une chaîne immobile peut également provoquer des blessures.
- Veillez à ce que les dents de coupe restent correctement affûtées. Respectez les instructions et utilisez la jauge de profondeur recommandée. Une chaîne endommagée ou mal affûtée augmente le risque d'accident.

(Fig. 47)

- Veillez à travailler avec un réglage de jauge de profondeur correct. Respectez les instructions et utilisez le réglage de jauge de profondeur recommandé. Un réglage de jauge de profondeur trop important augmente le risque de rebond.

(Fig. 48)

- Vérifiez que la chaîne de sciage est bien tendue. Si la chaîne n'est pas bien plaquée contre le guide-chaîne, elle peut dérailler. Une mauvaise tension de la chaîne augmente l'usure du guide-chaîne, de la chaîne et du pignon d'entraînement. Reportez-vous à la section *Accessoires à la page 283*.

(Fig. 49)

- Entretenez régulièrement l'équipement de coupe et veillez à ce qu'il reste correctement lubrifié. Si la chaîne n'est pas correctement lubrifiée, le risque d'usure du guide-chaîne, de la chaîne et du pignon d'entraînement augmente.

(Fig. 50)

Montage

Montage du guide-chaîne et de la chaîne (avec bouton de guide-chaîne)



AVERTISSEMENT: Retirez toujours la batterie avant de monter ou d'entretenir le produit.

1. Desserrez le frein de chaîne. (Fig. 51)
2. Desserrez le bouton du guide-chaîne et retirez le capot du pignon d'entraînement. (Fig. 52)
3. Placez le trou oblong du guide-chaîne sur les goujons de la tronçonneuse. Tirez le guide-chaîne dans sa position la plus en arrière possible. Placez la chaîne autour du pignon d'entraînement et placez-la dans la rainure du guide-chaîne. Commencez par le bord supérieur du guide-chaîne.
4. Assurez-vous que le bord tranchant des dispositifs de coupe est dirigé vers l'avant sur le dessus du guide-chaîne. (Fig. 53)

5. Installez le couvercle du pignon d'entraînement et guidez la goupille de réglage de la chaîne dans l'ouverture du guide-chaîne.
6. Assurez-vous que les maillons d'entraînement de la chaîne s'engagent dans le pignon d'entraînement.
7. Assurez-vous que la chaîne s'engage dans la rainure du guide-chaîne.
8. Appliquez une tension sur la chaîne. Reportez-vous à la section *Entretien à la page 275* pour plus d'instructions.
9. Serrez le bouton du guide-chaîne.

Pour monter le guide-chaîne et la chaîne (avec boulon de guide-chaîne)



AVERTISSEMENT: Retirez toujours la batterie avant de monter ou d'entretenir le produit.

1. Desserrez le frein de chaîne. (Fig. 51)
2. Dévissez l'écrou du guide-chaîne et retirez le capot du pignon d'entraînement. (Fig. 54)
3. Placez le trou oblong du guide-chaîne sur les goujons de la tronçonneuse. Tirez le guide-chaîne dans sa position la plus en arrière possible. Placez la chaîne autour du pignon d'entraînement et placez-la dans la rainure du guide-chaîne. Commencez par le bord supérieur du guide-chaîne.
4. Assurez-vous que le bord tranchant des dispositifs de coupe est dirigé vers l'avant sur le dessus du guide-chaîne. (Fig. 55)
5. Installez le couvercle du pignon d'entraînement et guidez la goupille de réglage de la chaîne dans l'ouverture du guide-chaîne.
6. Assurez-vous que les maillons d'entraînement de la chaîne s'engagent dans le pignon d'entraînement.
7. Assurez-vous que la chaîne s'engage dans la rainure du guide-chaîne.

8. Serrez l'écrou du guide-chaîne avec vos doigts.
9. Serrez la chaîne. Reportez-vous à la section *Entretien à la page 275* pour plus d'instructions.

Pour installer le chargeur de batterie sur un mur



REMARQUE: n'utilisez pas de tournevis électrique pour installer le chargeur de batterie sur le mur. Un tournevis électrique peut endommager le chargeur de batterie.

1. Installez le chargeur de batterie sur le mur à l'aide des 2 vis (A). Utilisez des chevilles murales (B) si nécessaire. (Fig. 56)
2. Installez les 2 capuchons de trou de vis (C).
3. Branchez le cordon d'alimentation (D) du chargeur de batterie sur une prise de courant murale.

Utilisation

Introduction



AVERTISSEMENT: Assurez-vous de lire et de comprendre le chapitre dédié à la sécurité avant d'utiliser l'appareil.

Pour effectuer un contrôle du fonctionnement avant d'utiliser le produit

1. Contrôlez le frein de chaîne (A) pour vous assurer qu'il fonctionne correctement et qu'il n'est pas endommagé.
2. Contrôlez la protection arrière droite (B) pour vous assurer qu'elle n'est pas endommagée.
3. Contrôlez la gâchette de puissance et le blocage de la gâchette de puissance (C) pour vous assurer qu'ils fonctionnent correctement et qu'ils ne sont pas endommagés.
4. Contrôlez le clavier (D) pour vous assurer qu'il fonctionne correctement.
5. Assurez-vous qu'il n'y a pas d'huile sur les poignées (E).
6. Vérifiez que toutes les pièces sont correctement fixées et qu'elles ne sont pas endommagées ou manquantes.
7. Contrôlez le capteur de chaîne (F) pour vous assurer qu'il est correctement fixé.
8. Contrôlez la tension de la chaîne (G).
9. Chargez la batterie (H) et assurez-vous qu'elle est correctement fixée au produit.

10. Assurez-vous que la chaîne s'arrête lorsque vous relâchez la gâchette de puissance. (Fig. 57)

Pour utiliser l'huile de chaîne appropriée



AVERTISSEMENT: n'utilisez pas de l'huile usagée, susceptible de provoquer des blessures graves et de nuire gravement à l'environnement. L'huile usagée peut aussi endommager la pompe à huile, le guide-chaîne et la chaîne.



AVERTISSEMENT: la chaîne peut ralentir si l'équipement de coupe n'est pas suffisamment lubrifié. Risque de blessures graves, voire mortelles, pour l'opérateur.



AVERTISSEMENT: Pour que cette fonction soit opérationnelle, utilisez l'huile de chaîne appropriée. Adressez-vous à votre atelier d'entretien lorsque vous sélectionnez votre huile de chaîne.

- Utilisez de l'huile de chaîne Husqvarna pour optimiser la durée de vie de la chaîne et éviter de nuire à l'environnement. Si l'huile de chaîne Husqvarna n'est pas disponible, nous vous recommandons d'utiliser une huile de chaîne ordinaire.
- Utilisez une huile de chaîne qui adhère bien à la chaîne.
- Utilisez une huile de chaîne dont la viscosité est adaptée à la température de l'air.



REMARQUE: À des températures inférieures à 0 °C (32 °F), certaines huiles de chaîne s'épaississent trop, ce qui peut endommager les composants de la pompe à huile.

- Utilisez les équipements de coupe recommandés. Reportez-vous à la section *Accessoires à la page 283*.
- Retirez le bouchon du réservoir d'huile de chaîne.
- Remplissez le réservoir d'huile de chaîne avec de l'huile de chaîne.
- Serrez bien le bouchon.

(Fig. 58)

Remarque: Pour connaître l'emplacement du réservoir d'huile de chaîne sur votre produit, reportez-vous à la section *Introduction à la page 259*.

Batterie



AVERTISSEMENT: assurez-vous de lire et de comprendre le chapitre

Témoin LED	État de charge de la batterie
4 voyants LED sont allumés	La batterie est chargée à 76 % - 100 %.
3 voyants LED sont allumés	La batterie est chargée à 51 % - 75 %.
2 voyants LED sont allumés	La batterie est chargée à 26 % - 50 %.
1 voyant LED est allumé	La batterie est chargée à 6 % - 25 %.
1 voyant LED clignote	La batterie est chargée à 0 % - 5 %.

Pour charger la batterie

chargez la batterie si vous l'utilisez pour la première fois. Une batterie neuve n'est chargée qu'à 30 %.



REMARQUE: branchez le chargeur de batterie sur une prise de courant à la tension et à la fréquence indiquées sur la plaque signalétique.

La batterie ne charge pas si la température de la batterie est supérieure à 50 °C/122 °F.

1. Branchez le cordon d'alimentation sur le chargeur de batterie.
2. Branchez le chargeur de batterie sur une prise de courant mise à la terre. La LED de charge clignote une fois. (Fig. 60)
3. Insérez la batterie dans le chargeur de batterie. La LED de charge s'allume. Chargez la batterie pendant 24 heures au maximum. (Fig. 61)

dédié à la sécurité avant d'utiliser la batterie. Assurez-vous également de lire et comprendre le manuel d'utilisation de la batterie et du chargeur de batterie.

Maintenez la batterie et le chargeur de batterie à des températures ambiantes correctes.

	Température ambiante
Fonctionnement de la batterie	5 °C-40 °C / 41 °F-104 °F
Charge de la batterie	5 °C-40 °C / 41 °F-104 °F

État de la batterie

L'écran indique l'état de charge ainsi que tout problème éventuel lié à la batterie.

(Fig. 59)

4. Appuyez sur le bouton d'indicateur de batterie. Si tous les témoins LED s'allument, la batterie est complètement chargée.
5. Tirez sur la prise électrique pour débrancher le chargeur de batterie de la prise de courant. Ne tirez pas le cordon d'alimentation.
6. Dégagez la batterie du chargeur de batterie.

Informations sur le rebond



AVERTISSEMENT: un rebond peut causer des blessures graves, voire mortelles, à l'opérateur ou à d'autres personnes. Afin de réduire ce risque, vous devez connaître les causes du rebond et savoir comment les éviter.

Un rebond se produit lorsque la zone de rebond du guide-chaîne touche un objet quelconque. Un rebond

peut être soudain et fort et projeter le produit vers l'opérateur.

(Fig. 36)

Le rebond se produit toujours dans le plan du guide-chaîne. Généralement, le produit est projeté contre l'opérateur, mais il peut aussi se déplacer dans une autre direction. C'est la façon dont vous utilisez le produit au moment du rebond qui détermine le sens du déplacement.

(Fig. 62)

Le rebond ne peut se produire que lorsque la zone de rebond du guide-chaîne touche un objet quelconque. Ne laissez la zone de rebond entrer en contact avec aucun objet.

(Fig. 36)

Un rayon du nez de guide-chaîne plus petit diminue la force du rebond.

Utilisez une chaîne à faible rebond pour réduire les effets de rebond. Ne laissez la zone de rebond entrer en contact avec aucun objet.



AVERTISSEMENT: aucune chaîne ne permet d'empêcher complètement le rebond. Respectez toujours les instructions.

Questions fréquentes concernant le rebond

- **Ma main serre-t-elle toujours le frein de chaîne en cas de rebond ?**

Non. Il est nécessaire d'appliquer une certaine force pour pousser la protection anti-rebond vers l'avant. Si vous n'appliquez pas la force nécessaire, le frein de chaîne ne sera pas serré. Vous devez également tenir les poignées du produit à deux mains pendant le travail afin qu'elles restent stables. En cas de rebond, il est possible que le frein de chaîne ne parvienne pas à arrêter la chaîne avant qu'elle ne vous touche. De plus, certaines situations vous empêchent de toucher la protection anti-rebond pour serrer le frein de chaîne.

- **La fonction d'inertie serre-t-elle toujours le frein de chaîne en cas de rebond ?**

Non. Premièrement, le frein de chaîne doit fonctionner correctement. Reportez-vous à la section *Entretien et contrôle des dispositifs de sécurité du produit à la page 276* pour des instructions de contrôle du frein de chaîne. Nous vous recommandons de procéder à ce contrôle avant chaque utilisation du produit. Ensuite, la force du rebond doit également être suffisamment élevée pour serrer le frein de chaîne. Si le frein de chaîne est trop sensible, il peut se serrer lorsque vous utilisez le produit pour des travaux difficiles.

- **Le frein de chaîne me protège-t-il toujours des blessures en cas de rebond ?**

Non. Le frein de chaîne doit fonctionner correctement pour offrir une protection. Le frein de chaîne doit également être serré en cas de rebond pour arrêter la chaîne. Si vous vous trouvez à proximité du guide-chaîne, il est possible que le frein de chaîne n'ait pas le temps d'arrêter la chaîne avant qu'elle ne vous touche.



AVERTISSEMENT: Vous seul, en ayant la bonne méthode de travail, pouvez empêcher les rebonds.

Pour démarrer le produit

1. Contrôlez la gâchette de puissance et son blocage. Reportez-vous à la section *Pour contrôler le blocage de la gâchette de puissance à la page 276*.
2. Engagez le frein de chaîne. (Fig. 63)
3. Placez la batterie dans le support de batterie. (Fig. 64)



REMARQUE: Assurez-vous que la batterie est correctement installée dans le support de batterie. Si la batterie ne bouge pas facilement dans son support, c'est qu'elle n'est pas installée correctement.

4. Poussez sur la partie inférieure de la batterie jusqu'à ce que vous entendiez un dé clic. (Fig. 65)
5. Appuyez sur le bouton marche/arrêt et maintenez-le enfoncé jusqu'à ce que la LED verte s'allume. (Fig. 66)

Pour utiliser la fonction SavE

La fonction SavE réduit la vitesse de la chaîne et la puissance du produit.

1. Appuyez sur le bouton SavE. La DEL verte s'allume.
2. Appuyez à nouveau sur le bouton SavE pour désactiver la fonction. La LED verte s'éteint. (Fig. 67)

Pour arrêter le produit

1. Appuyez sur le bouton marche/arrêt jusqu'à ce que la LED verte s'éteigne. (Fig. 66)
2. Appuyez sur les boutons de libération de la batterie et déposez la batterie de son support pour éviter tout démarrage accidentel. (Fig. 68)

Méthode tirée et méthode poussée

Vous pouvez couper le bois avec le produit dans 2 positions différentes.

- La méthode tirée consiste à couper à l'aide de la partie inférieure du guide-chaîne. La chaîne est tirée à travers l'arbre pendant la coupe. Dans cette position, vous avez un meilleur contrôle du produit et du positionnement de la zone de rebond.

(Fig. 69)

- La méthode poussée consiste à couper à l'aide de la partie supérieure du guide-chaîne. La chaîne pousse le produit vers l'opérateur.

(Fig. 70)



AVERTISSEMENT: si la chaîne se coince dans le tronc, le produit peut être repoussé vers vous. Maintenez fermement le produit et assurez-vous que la zone de rebond du guide-chaîne ne touche pas l'arbre et ne provoque pas un rebond.

(Fig. 71)

Pour utiliser la technique de coupe



AVERTISSEMENT: Utilisez la puissance maximum pour couper et réduisez la vitesse au ralenti après chaque coupe.



REMARQUE: Ne laissez pas le moteur fonctionner trop longtemps sans charge. Cela peut endommager le moteur.

1. Placez le tronc sur un chevalet ou un coulisseau. (Fig. 72)



AVERTISSEMENT: Ne coupez pas des troncs empilés. Cela augmente le risque de rebond et peut causer des blessures graves, voire mortelles.

2. Retirez les morceaux sciés de la zone de travail.



AVERTISSEMENT: Couper des morceaux dans la zone de travail augmente le risque de rebond et de perte d'équilibre.

Pour utiliser le patin d'ébranchage

1. Insérez le patin d'ébranchage dans le tronc de l'arbre.
2. Faites tourner le produit à pleine puissance et faites-le pivoter. Maintenez le patin d'ébranchage contre le tronc. Cette procédure facilite l'application de la force nécessaire pour couper le tronc. (Fig. 73)

Coupe d'un tronc au sol

1. Coupez le tronc avec la méthode tirée. Utilisez la puissance maximum tout en restant attentif à des accidents soudains éventuels. (Fig. 74)



AVERTISSEMENT: Vérifiez que la chaîne ne touche pas le sol lorsque vous terminez le trait de coupe.

2. Coupez environ $\frac{2}{3}$ dans le tronc, puis arrêtez-vous. Retournez le tronc et coupez depuis l'autre côté. (Fig. 75)

Coupe d'un tronc soutenu à une extrémité



AVERTISSEMENT: Vérifiez que le tronc ne se casse pas pendant la coupe. Respectez les instructions ci-dessous.

(Fig. 76)

1. Coupez avec la méthode poussée jusqu'à environ $\frac{1}{3}$ du tronc.
2. Coupez le tronc avec la méthode tirée jusqu'à ce que les deux traits de coupe se rejoignent. (Fig. 77)

Coupe d'un tronc soutenu aux deux extrémités



AVERTISSEMENT: Vérifiez que la chaîne ne se coince pas dans le tronc pendant la coupe. Respectez les instructions ci-dessous.

(Fig. 78)

1. Coupez avec la méthode tirée jusqu'à environ $\frac{1}{3}$ du tronc.
2. Coupez la partie restante du tronc avec la méthode poussée pour terminer la coupe. (Fig. 79)



AVERTISSEMENT: Arrêtez le moteur si la chaîne se coince dans le tronc. Utilisez un levier pour écarter l'entaille et retirer le produit. Ne tirez pas sur le produit pour le dégager. Cela peut provoquer des blessures lorsque le produit se dégage subitement.

Pour utiliser la technique d'élagage

Remarque: Pour les branches épaisses, utilisez la technique de coupe. Reportez-vous à la section *Pour utiliser la technique de coupe* à la page 272.



AVERTISSEMENT: Il y a un risque d'accident élevé lorsque vous utilisez la technique d'élagage. Reportez-vous à la section *Informations sur le rebond* à la page 270 pour savoir comment éviter le rebond.



AVERTISSEMENT: Coupez les branches une à une. Faites attention lorsque vous retirez des petites branches et ne coupez pas d'arbustes ni de nombreuses petites branches simultanément. De petites branches peuvent se coincer dans la chaîne et empêcher une utilisation sûre du produit.

Remarque: Si nécessaire, coupez les branches par étapes. Coupez les petites branches (A) et (B) avant de couper la branche à proximité du tronc (C).

(Fig. 80)

1. Retirez les branches sur le côté droit du tronc.
 - a) Maintenez le guide-chaîne sur le côté droit du tronc et maintenez le corps du produit contre le tronc.
 - b) Sélectionnez la technique de coupe applicable pour la tension dans la branche. (Fig. 81)



AVERTISSEMENT: Si vous n'êtes pas sûr de comment couper la branche, consultez un opérateur de tronçonneuse professionnel avant de continuer.

2. Retirez les branches au-dessus du tronc.
 - a) Conservez le produit sur le tronc et laissez le guide-chaîne se déplacer le long du tronc.
 - b) Coupez avec la méthode poussée. (Fig. 82)
3. Retirez les branches sur le côté gauche du tronc.
 - a) Sélectionnez la technique de coupe applicable pour la tension dans la branche. (Fig. 83)



AVERTISSEMENT: Si vous n'êtes pas sûr de comment couper la branche, consultez un opérateur de tronçonneuse professionnel avant de continuer.

Reportez-vous à *Pour couper un arbre ou une branche sous tension* à la page 275 pour savoir comment couper des branches qui sont sous tension.

Utilisation de la technique d'abattage



AVERTISSEMENT: Vous devez avoir de l'expérience pour abattre un arbre. Si possible, participez à une formation sur l'utilisation d'une tronçonneuse. Consultez un utilisateur expérimenté pour en savoir plus.

Maintien d'une distance de sécurité

1. Assurez-vous que les personnes à proximité conservent une distance de sécurité d'au moins 2 fois et demie la hauteur de l'arbre. (Fig. 84)
2. Veillez à ce que personne ne se trouve dans cette zone dangereuse avant et pendant l'abattage. (Fig. 85)

Calcul du sens de chute

1. Étudiez le sens dans lequel l'arbre doit tomber. L'objectif est de l'abattre dans une position où vous pourriez l'élaguer facilement et couper le tronc sans problème. Il est également important que vous puissiez être solidement campé sur vos pieds et évoluer en toute sécurité.



AVERTISSEMENT: En cas de danger ou s'il n'est pas possible d'abattre l'arbre dans son sens de chute naturel, abattez l'arbre dans un autre sens.

2. Étudiez le sens de chute naturel de l'arbre. Par exemple, l'inclinaison et la courbure de l'arbre, la direction du vent, l'emplacement des branches et le poids de la neige influent sur le sens de chute.
3. Vérifiez s'il y a des obstacles, comme d'autres arbres, des lignes électriques, des routes et/ou des bâtiments à proximité.
4. Recherchez des signes de dommages ou de pourrissement éventuels.



AVERTISSEMENT: Si le tronc est pourri, l'arbre risque de tomber avant que vous ayez terminé la coupe.

5. Assurez-vous que l'arbre ne comporte aucune branche endommagée ou morte susceptible de se casser et de vous heurter pendant l'abattage.
6. Ne laissez pas l'arbre tomber sur un autre arbre encore debout. Décrocher un arbre coincé dans un autre peut s'avérer dangereux et présente un grand risque d'accident. Reportez-vous à la section *Dégagement d'un arbre bloqué* à la page 274. (Fig. 86)



AVERTISSEMENT: Lors des opérations d'abattage délicates, ôtez vos protège-oreilles dès que le sciage est terminé. Il est important d'entendre les sons et les signaux d'avertissement.

Émondage des branches basses et préparation de votre retraite

Coupez toutes les branches à partir de la hauteur d'épaule, puis vers le bas.

1. Coupez en utilisant la méthode tirée de haut en bas. Veillez à ce que l'arbre se situe entre vous et le produit. (Fig. 87)
2. Retirez les broussailles de la zone de travail autour de l'arbre. Retirez tous les matériaux découpés de la zone de travail.

3. Contrôlez la zone en étant attentif aux obstacles tels que des pierres, des branches et des trous. Vous devez avoir une voie de retraite dégagée lorsque l'arbre commence à tomber. La voie de retraite doit être à environ 135° du sens de chute de l'arbre.

1. Zone dangereuse
2. Voie de retraite
3. Sens de chute

(Fig. 88)

Pour abattre un arbre

Husqvarna vous recommande d'effectuer des encoches directionnelles, puis d'utiliser la méthode du coin de sécurité lorsque vous abattez un arbre. La méthode du coin de sécurité permet de créer une bonne charnière et de contrôler le sens d'abattage.



AVERTISSEMENT: N'abattez pas d'arbre dont le diamètre est plus de deux fois supérieur à la longueur du guide-chaîne. Pour cela, vous devez suivre une formation spéciale.

La charnière

La procédure la plus importante pendant l'abattage est de réaliser une bonne charnière. Avec une bonne charnière, vous pouvez contrôler le sens d'abattage et vous assurer que la procédure d'abattage est sûre.

L'épaisseur de la charnière doit être égale ou supérieure à 10 % du diamètre de l'arbre.



AVERTISSEMENT: Si la charnière est incorrecte ou trop mince, vous n'aurez aucun contrôle sur le sens de la chute.

(Fig. 89)

Pour effectuer l'entaille directionnelle

1. Effectuez les entailles directionnelles. Effectuez les entailles directionnelles sur 1/4 du diamètre de l'arbre. Faites un angle de 45° entre l'entaille supérieure et l'entaille inférieure.
 - a) Commencez par l'entaille supérieure. Alignez le repère de direction de l'abattage (A) sur le produit avec la direction de l'abattage de l'arbre (B). Restez derrière le produit et gardez l'arbre à votre droite. Utilisez la méthode tirée.
 - b) Effectuez l'entaille inférieure. Assurez-vous que l'extrémité de l'entaille inférieure se trouve au même point que l'extrémité de l'entaille supérieure. (Fig. 90)
2. Assurez-vous que le trait de chute est bien horizontal et à angle droit (90°) par rapport à la direction de l'abattage. Le trait de chute traverse le point d'intersection des deux entailles directionnelles. (Fig. 91)

Pour utiliser la méthode du coin de sécurité

La coupe d'abattage doit être effectuée légèrement au-dessus de l'entaille directionnelle.

(Fig. 92)



AVERTISSEMENT: Soyez prudent lorsque vous coupez avec le nez du guide-chaîne. Commencez par couper avec la partie inférieure de l'extrémité du guide-chaîne tout en effectuant un sciage en plongée dans le tronc.

(Fig. 93)

1. Si la longueur de coupe effective est plus longue que le diamètre de l'arbre, suivez les étapes (a-d).
 - a) Effectuez un sciage en plongée dans le tronc pour terminer la largeur de la charnière. (Fig. 94)
 - b) Coupez avec la méthode tirée jusqu'à ce qu'il reste environ 1/3 du tronc.
 - c) Tirez le guide-chaîne de 5-10 cm/2-4 po vers l'arrière.
 - d) Coupez à travers le restant du tronc pour obtenir un coin de sécurité large de 5-10 cm/2-4 po. (Fig. 95)
2. Si la longueur de coupe effective est plus courte que le diamètre de l'arbre, suivez les étapes (a-d).
 - a) Effectuez un sciage en plongée dans le tronc. Il doit s'étendre sur 3/5 du diamètre de l'arbre.
 - b) Coupez le reste du tronc en utilisant la méthode tirée. (Fig. 96)
 - c) Coupez droit dans le tronc de l'autre côté de l'arbre pour terminer la charnière.
 - d) Coupez avec la méthode poussée, jusqu'à ce qu'il ne reste que 1/3 du tronc, pour obtenir le coin de sécurité. (Fig. 97)
3. Placez une cale dans l'entaille directement depuis l'arrière. (Fig. 98)
4. Coupez l'angle pour que l'arbre tombe.

Remarque: Si l'arbre ne tombe pas, frappez la cale jusqu'à ce qu'il tombe.

5. Lorsque l'arbre commence à tomber, utilisez la voie de retraite pour vous en éloigner. Éloignez-vous de l'arbre d'au moins 5 m/15 pi.

Dégagement d'un arbre bloqué



AVERTISSEMENT: Décrocher un arbre coincé dans un autre peut s'avérer très dangereux et présente un risque élevé d'accident. Restez hors de la zone de danger et n'essayez pas d'abattre un arbre coincé dans un autre arbre.

(Fig. 99)

La procédure la plus sûre consiste à utiliser l'un des treuils suivants :

- Monté sur tracteur

(Fig. 100)

- Mobile

(Fig. 101)

Pour couper un arbre ou une branche sous tension

1. Déterminez le côté de l'arbre ou de la branche qui est en tension.
2. Déterminez le point de tension maximale. (Fig. 102)
3. Étudiez la procédure la plus sûre pour relâcher la tension.

Remarque: Dans certains cas, la seule procédure sans danger est d'utiliser un treuil et non votre produit.

4. Veillez à rester dans une position dans laquelle l'arbre ou la branche ne peut pas vous heurter lorsque la tension est relâchée. (Fig. 103)
5. Faites une ou plusieurs coupes de profondeur suffisante pour réduire la tension. Coupez au niveau ou à proximité du point de tension maximale. Faites en sorte que l'arbre ou la branche se brise au niveau du point de tension maximale. (Fig. 104)



AVERTISSEMENT: Ne coupez jamais de part en part un arbre ou une branche en tension !



AVERTISSEMENT: Soyez très prudent lorsque vous coupez un arbre qui est en tension. L'arbre risque de se déplacer rapidement avant ou après la coupe. Cela peut occasionner des blessures graves si vous êtes dans une position incorrecte ou si vous ne coupez pas correctement.

6. Pour couper un arbre/une branche, effectuez 2 à 3 coupes, espacées de 2,5 cm (1 po) et d'une profondeur de 5 cm (2 po). (Fig. 105)
7. Continuez à approfondir les entailles dans l'arbre jusqu'à ce que l'arbre/la branche plie et que la tension soit relâchée. (Fig. 106)
8. Coupez l'arbre/la branche depuis le côté opposé à la courbe, une fois la tension relâchée.

Entretien

Introduction



AVERTISSEMENT: assurez-vous de lire et de comprendre le chapitre sur la sécurité avant de procéder à l'entretien du produit.

Calendrier d'entretien



AVERTISSEMENT: Retirez la batterie avant d'effectuer l'entretien.

La liste ci-dessous indique les étapes d'entretien à effectuer sur le produit. Voir *Entretien à la page 275* pour plus d'informations.

Entretien	Avant chaque utilisation	Toutes les semaines	Mensuel
Nettoyez les pièces externes du produit.	X		
Vérifiez que la gâchette de puissance et son blocage fonctionnent en toute sécurité.	X		
Nettoyez le frein de chaîne et vérifiez qu'il fonctionne en toute sécurité. Assurez-vous que le capteur de chaîne n'est pas endommagé. Remplacez-le si nécessaire.	X		
Retournez le guide-chaîne afin de répartir l'usure. Vérifiez que l'orifice de lubrification du guide-chaîne n'est pas bouché. Nettoyez la gorge de la chaîne.	X		

Entretien	Avant chaque utilisation	Toutes les semaines	Mensuel
Assurez-vous que le dispositif de coupe et sa protection ne présentent aucune fissure et ne sont pas endommagés. Remplacez le dispositif de coupe ou sa protection s'ils présentent des fissures ou s'ils ont subi un choc.	X		
Assurez-vous que le guide-chaîne et la chaîne sont suffisamment lubrifiés.	X		
Effectuez un contrôle de la chaîne. Recherchez la présence de fissures et assurez-vous que la chaîne n'est pas rigide ou anormalement usée. Remplacez si nécessaire.	X		
Affûtez la chaîne de sciage. Vérifiez sa tension et son état. Vérifiez l'usure du pignon d'entraînement et remplacez-le si nécessaire.	X		
Nettoyez la prise d'air du produit.	X		
Assurez-vous que les vis et les écrous sont serrés.	X		
Vérifiez que le clavier fonctionne correctement et n'est pas endommagé.	X		
Limez les bavures éventuelles sur les bords du guide-chaîne.		X	
Contrôlez les connexions entre la batterie et le produit. Contrôlez la connexion entre la batterie et le chargeur de batterie.			X
Videz et nettoyez le réservoir d'huile.			X
Nettoyez les fentes de refroidissement du produit et de la batterie avec de l'air comprimé à faible pression.			X

Entretien et contrôle des dispositifs de sécurité du produit

Pour contrôler le protège-main avant

Effectuez régulièrement un contrôle du protège-main avant et de la fonction d'inertie.

1. Assurez-vous que le protège-main avant ne présente pas de dommages tels que des fissures. (Fig. 107)
2. Assurez-vous que le protège-main avant se déplace librement et qu'il est bien fixé au produit. (Fig. 108)
3. Posez le produit avec le moteur arrêté sur une souche ou toute autre base stable.
4. Tenez la poignée arrière et lâchez la poignée avant. Laissez tomber le produit sur la souche. (Fig. 109)
5. Assurez-vous que le frein de chaîne s'engage lorsque le guide-chaîne heurte la souche.

Pour contrôler la commande de frein

1. Placez le produit sur une surface stable, puis démarrez-le. Consultez la section *Utilisation à la page 269*.



AVERTISSEMENT: Vérifiez que la chaîne ne touche pas le sol ni tout autre objet.

2. Placez vos doigts et votre pouce autour des poignées et tenez fermement le produit. (Fig. 110)
3. Faites tourner à puissance maximum et inclinez le poignet gauche contre la protection anti-rebond pour serrer le frein de chaîne. La chaîne doit s'arrêter immédiatement. (Fig. 111)



AVERTISSEMENT: Ne lâchez pas la poignée avant.

Pour contrôler le blocage de la gâchette de puissance

1. Assurez-vous que la gâchette de puissance et le blocage de la gâchette de puissance se déplacent librement et que le ressort de rappel fonctionne correctement. (Fig. 112)
2. Appuyez sur le blocage de la gâchette de puissance vers l'avant (A) et vers le bas (B). Maintenez le blocage de la gâchette de puissance contre la poignée et vérifiez qu'il revient en position initiale quand vous le relâchez. (Fig. 113)
3. Vérifiez que la gâchette de puissance est bloquée en position de ralenti lorsque le blocage est relâché. (Fig. 114)
4. Démarrez le produit et faites-le tourner à puissance maximum.

5. Lâchez la gâchette de puissance et vérifiez que la chaîne s'arrête et demeure immobile.



AVERTISSEMENT: Si la chaîne tourne lorsque la gâchette de puissance est en position de ralenti, contactez votre atelier d'entretien.

Pour contrôler la tension du capteur de chaîne

1. Assurez-vous que le capteur de chaîne n'est pas endommagé.
2. Assurez-vous que le capteur de chaîne est stable et bien fixé au corps du produit. (Fig. 115)

Comment contrôler les fonctions de l'interface utilisateur

1. Faites démarrer le produit. Reportez-vous à la section *Pour démarrer le produit à la page 271*.
2. Appuyez et maintenez le bouton marche/arrêt enfoncé.
3. Assurez-vous que le produit s'arrête et que la LED verte s'éteint. (Fig. 66)

Contrôle de la batterie et du support de batterie

1. Nettoyez la batterie et son support à l'aide d'une brosse douce.
2. Nettoyez les entrées de refroidissement et les connecteurs de la batterie. (Fig. 116)
3. Assurez-vous que la batterie ne présente aucune fissure ou aucun autre dommage.

Pour contrôler le chargeur de batterie

1. Assurez-vous que le chargeur de batterie et le câble d'alimentation ne sont pas endommagés. Recherchez la présence de fissures et d'autres dommages. (Fig. 117)

Pour nettoyer le circuit de refroidissement

Le système de refroidissement maintient une température basse dans le moteur. Le système de refroidissement comprend une prise d'air sur le côté gauche du produit et un ventilateur sur le moteur.

1. Nettoyez le système de refroidissement avec une brosse une fois par semaine ou plus fréquemment si nécessaire. (Fig. 118)
2. Assurez-vous que le système de refroidissement n'est pas encrassé ou colmaté.



REMARQUE: Un système de refroidissement encrassé ou colmaté peut entraîner une surchauffe du produit. Cela endommage le produit.

Pour affûter la chaîne de sciage

Informations relatives au guide-chaîne et à la chaîne



AVERTISSEMENT: Portez des gants de protection lorsque vous utilisez ou procédez à la maintenance de la chaîne. Une chaîne immobile peut également provoquer des blessures.

Remplacez un guide-chaîne ou une chaîne usé(e) ou endommagé(e) par la combinaison guide-chaîne/chaîne recommandée par Husqvarna. Cela est nécessaire pour maintenir les fonctions de sécurité du produit. Reportez-vous à la section *Accessoires à la page 283* pour une liste des combinaisons guide-chaîne et chaîne de rechange recommandées.

- Longueur de guide, po/cm. En général, vous trouverez la longueur de guide sur l'extrémité arrière du guide-chaîne.

(Fig. 119)

- Nombre de dents par pignon (T).

(Fig. 120)

- Pas de chaîne, pouces. La distance entre les maillons entraîneurs de la chaîne doit correspondre à la distance entre les dents sur le pignon de nez du guide-chaîne et le pignon d'entraînement.

(Fig. 121)

- Nombre de maillons entraîneurs (pce). Le nombre de maillons entraîneurs est déterminé par le type de guide-chaîne.

(Fig. 122)

- Largeur de la rainure du guide-chaîne, pouces/mm. La largeur de rainure du guide-chaîne doit être identique à la largeur des maillons entraîneurs de la chaîne.

(Fig. 123)

- Trou de graissage de chaîne et trou du tendeur de chaîne. Le guide-chaîne doit être aligné avec ce produit.

(Fig. 124)

- Jauge du maillon entraîneur, mm/po.

(Fig. 125)

Informations générales relatives à l'affûtage des dispositifs de coupe

N'utilisez jamais une chaîne dont les dents sont émoussées. Si la chaîne est émoussée, vous devez appliquer plus de pression pour pousser le guide-chaîne

dans le bois. Si la chaîne est très émoussée, vous ne produirez pas de copeaux de bois, mais de la sciure.

Une chaîne affûtée avance dans le bois et crée des copeaux de bois long et épais.

La dent de coupe (A) et la jauge de profondeur (B) constituent l'élément coupant de la chaîne et sont appelées « système de coupe ». La différence de hauteur entre ces deux éléments correspond à la profondeur de coupe (réglage de la jauge de profondeur).

(Fig. 126)

Lorsque vous affûtez le système de coupe, pensez aux éléments suivants :

- L'angle d'affûtage.

(Fig. 127)

- L'angle de coupe.

(Fig. 128)

- La position de la lime.

(Fig. 129)

- Le diamètre de la lime ronde.

(Fig. 130)

Il est difficile d'affûter correctement une chaîne sans équipement adapté. Utilisez un gabarit de lime recommandé Husqvarna. Il vous permettra de conserver des performances de coupe maximales et un risque de rebond minimal.



AVERTISSEMENT: La force du rebond augmente beaucoup si vous ne respectez pas les instructions d'affûtage.

Remarque: Reportez-vous à la section *Accessoires à la page 283* pour plus d'informations sur l'affûtage de la chaîne.

Pour affûter les dispositifs de coupe

1. Utilisez une lime ronde et une jauge de profondeur pour affûter les dents de coupe. (Fig. 131)

Remarque: Reportez-vous à la section *Accessoires à la page 283* pour plus d'informations sur la lime et la jauge recommandées par Husqvarna pour votre chaîne.

2. Appliquez la jauge de profondeur correctement sur la dent. Reportez-vous aux instructions fournies avec la jauge de profondeur.
3. Déplacez la jauge de la face interne de la dent de coupe à la face externe. Réduisez la pression lorsque vous utilisez la méthode tirée. (Fig. 132)
4. Retirez le matériau d'un côté de toutes les dents de coupe.

5. Retournez le produit et retirez le matériau du côté opposé.

6. Assurez-vous que toutes les dents de coupe sont de la même longueur.

Informations générales sur le réglage de la jauge de profondeur

Le réglage de la jauge de profondeur (C) diminue lors de l'affûtage de la dent de coupe (A). Afin de préserver des performances de coupe optimales, vous devez retirer le matériau d'affûtage de la jauge de profondeur (B) pour sélectionner le réglage de la jauge de profondeur recommandé. Voir *Accessoires à la page 283* pour des instructions sur la méthode de réglage correct de la jauge de profondeur pour votre chaîne.

(Fig. 133)



AVERTISSEMENT: Le risque de rebond augmente si le réglage de la jauge de profondeur est trop important !

Ajustement du réglage de la jauge de profondeur

Avant d'ajuster le réglage de la jauge de profondeur ou d'affûter les systèmes de coupe, reportez-vous à *Pour affûter les dispositifs de coupe à la page 278* pour plus d'instructions. Nous vous recommandons d'ajuster le réglage de la jauge de profondeur tous les trois affûtages des dents de coupe.

Nous vous recommandons d'utiliser notre outil de jauge de profondeur pour obtenir le bon réglage et le bon angle pour la jauge de profondeur.

(Fig. 134)

1. Pour ajuster le réglage de la jauge de profondeur, utilisez une lime plate et un outil de jauge de profondeur. Utilisez uniquement un outil de jauge de profondeur recommandé Husqvarna pour obtenir le bon réglage et le bon angle pour la jauge de profondeur.
2. Placez l'outil de jauge de profondeur sur la chaîne.

Remarque: Consultez l'emballage de l'outil de jauge de profondeur pour plus d'informations concernant son utilisation.

3. Utilisez la lime plate pour retirer la partie de la jauge de profondeur qui dépasse de l'outil de jauge de profondeur. (Fig. 135)

Pour régler la tension de la chaîne



AVERTISSEMENT: une chaîne dont la tension est inappropriée peut se désolidariser du guide-chaîne et provoquer des blessures graves, voire mortelles.

Une chaîne s'allonge lorsque vous l'utilisez. Réglez la chaîne régulièrement. Vérifiez la tension de la chaîne chaque fois que vous faites l'appoint en huile de chaîne.

Remarque: Une nouvelle chaîne exige une période de rodage durant laquelle vous devez vérifier la tension plus souvent.

Pour régler la tension de la chaîne (avec le bouton de guide-chaîne)

1. Repliez le bouton vers l'extérieur jusqu'à ce qu'il s'ouvre. (Fig. 136)
2. Tournez la molette dans le sens contraire des aiguilles d'une montre pour libérer le couvercle du pignon d'entraînement. (Fig. 137)
3. Tournez la vis sans fin du tendeur de chaîne pour régler la tension de la chaîne. La chaîne doit être plaquée contre le guide-chaîne. (Fig. 138)

Remarque: Tournez la molette vers le bas (+) pour augmenter la tension et vers le haut (-) pour la réduire.

4. Assurez-vous que la chaîne peut tourner manuellement et qu'elle ne pend pas sous le guide-chaîne. (Fig. 139)
5. Tournez le bouton dans le sens des aiguilles d'une montre pour serrer le bouton du guide-chaîne. (Fig. 140)
6. Rabattez la molette pour verrouiller la tension. (Fig. 141)

Pour régler la tension de la chaîne (avec le boulon de guide-chaîne)

1. Desserrez l'écrou du guide-chaîne qui maintient le couvercle du pignon d'entraînement. Utilisez la clé mixte. (Fig. 142)
2. Soulevez l'avant du guide-chaîne et tournez la vis de réglage de la tension de chaîne. Utilisez la clé mixte.
3. Serrez la chaîne jusqu'à ce qu'elle soit bien plaquée contre le guide-chaîne. (Fig. 143)
4. Serrez l'écrou du guide-chaîne à l'aide de la clé mixte et soulevez en même temps l'extrémité avant du guide-chaîne. (Fig. 144)
5. Assurez-vous que la chaîne peut tourner manuellement et qu'elle ne pend pas sous le guide-chaîne. (Fig. 139)

Remarque: Reportez-vous à la section *Aperçu du produit* à la page 259 pour connaître l'emplacement de la vis de serrage de la chaîne sur votre produit.

Pour contrôler la lubrification de la chaîne

Contrôlez la lubrification de la chaîne toutes les trois charges de batterie.

1. Démarrez le produit et faites-le tourner aux 3/4 de sa puissance. Maintenez le guide-chaîne environ 20 cm (8 po) au-dessus d'une surface claire.
2. Si la lubrification de la chaîne est correcte, vous verrez une ligne d'huile claire à la surface au bout d'une minute. (Fig. 145)
3. Si la lubrification de la chaîne n'est pas correcte, procédez aux contrôles suivants.
 - a) Contrôlez le canal de lubrification du guide-chaîne pour vous assurer qu'il n'est pas obstrué. Nettoyez-le si nécessaire. (Fig. 146)
 - b) Contrôlez la rainure au bord du guide-chaîne pour vous assurer qu'elle est propre. Nettoyez-le si nécessaire. (Fig. 147)
 - c) Vérifiez que le pignon du nez de guide-chaîne tourne librement et que l'orifice de lubrification situé à cet endroit n'est pas obstrué. Nettoyez et graissez au besoin. (Fig. 148)
4. Si la lubrification de la chaîne ne fonctionne pas après les étapes ci-dessus, contactez votre atelier d'entretien.

Pour contrôler le pignon d'entraînement de la chaîne

- Contrôlez l'usure du pignon d'entraînement de chaîne. Remplacez le pignon d'entraînement de chaîne si nécessaire.
- Remplacez le pignon d'entraînement de chaîne à chaque remplacement de la chaîne. (Fig. 149)

Pour inspecter l'équipement de coupe

1. Assurez-vous que les rivets et les maillons ne sont pas fissurés et qu'aucun des rivets n'est desserré. Remplacez-les si nécessaire. (Fig. 150)
2. Vérifiez que la chaîne peut être courbée facilement. Remplacez la chaîne si elle est rigide.
3. Comparez la chaîne à une chaîne neuve pour déterminer si les rivets et les maillons sont usés.
4. Remplacez la chaîne lorsque la partie la plus longue de la dent de coupe est inférieure à 4 mm/0,16 po. Remplacez également la chaîne en cas de fissures sur les systèmes de coupe. (Fig. 151)

Pour contrôler le guide-chaîne

1. Assurez-vous que la conduite d'huile n'est pas obstruée. Nettoyez-la si nécessaire. (Fig. 146)
2. Contrôlez l'absence de bavures sur les bords du guide-chaîne. Retirez les bavures avec une lime. (Fig. 152)
3. Nettoyez la rainure du guide-chaîne. (Fig. 147)

4. Examinez l'usure de la rainure du guide-chaîne. Remplacez le guide-chaîne si nécessaire. (Fig. 153)
5. Vérifiez si le nez du guide-chaîne est rugueux ou très usé. (Fig. 154)
6. Vérifiez que le pignon du nez du guide-chaîne tourne librement et que l'orifice de lubrification situé à cet endroit n'est pas obstrué. Nettoyez-le et lubrifiez-le si nécessaire. (Fig. 148)
7. Retournez le guide-chaîne tous les jours pour prolonger sa durée de vie. (Fig. 155)

Dépannage

Interface utilisateur

Écran à LED	Défaillances possibles	Solution possible
L'indicateur d'avertissement clignote.	Le frein de chaîne est engagé.	Desserrez le frein de chaîne.
	Écart de température.	Laissez le produit refroidir.
	Surcharge. La chaîne ne peut pas bouger.	Libérez la chaîne.
	Appuyez simultanément sur la gâchette de puissance et sur le bouton marche/arrêt.	Relâchez la gâchette de puissance pour activer le produit.
La LED orange clignote.	Tension de batterie faible.	Rechargez la batterie.
L'indicateur d'avertissement est allumé.	Service.	Contactez votre atelier d'entretien.

Batterie

Écran LED	Défaillances possibles	Solution possible
La LED verte clignote.	Tension de batterie faible.	Rechargez la batterie.
La LED d'erreur clignote.	Écart de température.	Utilisez la batterie à une température comprise entre -10 °C (14 °F) et 40 °C (104 °F).
	Tension trop élevée.	Assurez-vous que la tension secteur correspond à la tension du produit. Reportez-vous à la plaque signalétique sur le produit.
		Dégagez la batterie du chargeur de batterie.

Écran LED	Défaillances possibles	Solution possible
La LED d'erreur s'allume.	Différence trop importante entre les cellules (1 V).	Contactez votre atelier d'entretien.

Chargeur de batterie

État	Défaillances possibles	Procédure possible
La LED de charge est rouge.	Erreur de chargeur de batterie permanente.	Parlez-en à votre revendeur.
La LED de charge clignote en vert.	Écart de température, la batterie est trop froide ou trop chaude pour être utilisée ou chargée.	Laissez la batterie refroidir ou réchauffez-la. Lorsque la température de la batterie est correcte, elle peut à nouveau être utilisée ou rechargée. Utilisez le chargeur de batterie à des températures ambiantes comprises entre 5 °C (41 °F) et 40 °C (104 °F).
La LED de charge clignote en rouge.	Batterie défectueuse	Contactez votre revendeur

Transport, entreposage et mise au rebut

Transport et stockage

- Les batteries Li-ion fournies respectent les exigences de la législation sur les marchandises dangereuses.
- Vous devez respecter l'exigence spécifique relative à l'emballage et aux étiquettes pour les transports commerciaux, y compris par des tiers et des transitaires.
- Consultez un expert en matières dangereuses avant d'expédier le produit. Respectez les lois nationales en vigueur.
- Mettez du ruban adhésif sur les contacts lorsque vous placez la batterie dans un emballage. Placez la batterie dans l'emballage de façon hermétique pour empêcher tout mouvement.
- Retirez la batterie lors du stockage ou du transport.
- Placez la batterie et le chargeur de batterie dans un endroit sec, exempt d'humidité et de gel.
- Ne conservez pas la batterie dans un endroit présentant un risque d'électricité statique. Ne conservez pas la batterie dans une boîte métallique.
- Conservez la batterie dans un endroit où la température est comprise entre 5 °C (41 °F) et 25 °C (77 °F) et à l'écart de la lumière du soleil.
- Conservez le chargeur de batterie dans un endroit où la température est comprise entre 5 °C (41 °F) et 45 °C (113 °F) et à l'écart de la lumière du soleil.
- N'utilisez le chargeur de batterie que si la température ambiante est comprise entre 5 °C (41 °F) et 40 °C (104 °F).

- Chargez la batterie entre 30 % et 50 % avant de la remiser pendant de longues périodes.
- Conservez le chargeur de batterie dans un local fermé et sec.
- Conservez la batterie à l'écart du chargeur lors du rangement. Ne laissez pas des enfants ou d'autres personnes non homologuées toucher l'équipement. Conservez l'équipement dans un local verrouillable.
- Nettoyez le produit et effectuez un entretien complet avant de remiser le produit pendant de longues périodes.
- Utilisez la protection de transport du produit pour éviter les blessures et les dégâts causés au produit lors du transport et du remisage.
- Fixez le produit pour le transporter.

Mise au rebut de la batterie, du chargeur de batterie et du produit

Le symbole ci-dessous indique que le produit ne fait pas partie des déchets ménagers. Déposez-le dans une station de recyclage pour équipements électriques et électroniques. Ceci permet d'éviter les dangers pour l'environnement et les personnes.

Consultez les autorités locales, le service des ordures ménagères ou votre revendeur pour plus d'informations.

(Fig. 24)

Remarque: Le symbole apparaît sur le produit ou l'emballage du produit.

Caractéristiques techniques

Caractéristiques techniques

	225i
Moteur	
Type	BLDC (sans balais) 36 V
Fonctionnalités	
Mode faible consommation	Mode SavE
Système de lubrification	
Type de pompe à huile	Automatique
Capacité du réservoir d'huile, l/cm ³	0,2/200
Poids	
Tronçonneuse sans batterie, guide-chaîne, chaîne et réservoir d'huile de chaîne vide, kg	3,1
Émissions sonores ³⁸	
Niveau de puissance acoustique mesuré dB (A)	97
Niveau de puissance sonore, garanti L _{WA} dB(A)	100
Niveaux sonores ³⁹	
Niveau de pression sonore à l'oreille de l'utilisateur, mesuré selon la norme EN 62841-1	89
Niveaux de vibrations ⁴⁰	
Poignée avant, m/s ²	3,9
Poignée arrière, m/s ²	3,9
Chaîne/guide-chaîne	
Longueurs conseillées de guide-chaîne en cm/po	12–14/30,5–35,6
Longueur de coupe effective, cm/po	11–13/27–33,2
Type de pignon d'entraînement/nombre de dents	Spur/6
Vitesse de chaîne maximum/(mode Normal), m/s	11,8

³⁸ Les émissions sonores dans l'environnement mesurées comme puissance sonore (L_{WA}) selon la directive CE 2000/14/CE et la norme ISO 22868, présentent une dispersion statistique typique (déviatoin standard) de 3 dB (A).

³⁹ Les données reportées pour le niveau de pression sonore pour la machine montrent une dispersion statistique typique (déviatoin standard) de 3 dB (A).

⁴⁰ Niveau de vibrations conformément à la norme EN 62841-4-1. Les données reportées pour le niveau de vibrations montrent une dispersion statistique typique (déviatoin standard) de $\pm 1,5$ m/s². Mesures des vibrations déclarées lorsque la machine est équipée d'une longueur de guide et du type de chaîne recommandé. Si la machine est équipée d'une longueur de guide différente, le niveau de vibrations peut varier de $\pm 1,5$ m/s² au maximum.

	225i
Vitesse de chaîne maximum/(mode SavE), m/s	9,4

Accessoires

Combinaisons de guide-chaînes et de chaînes






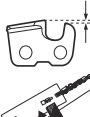
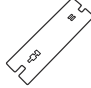






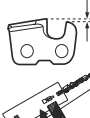
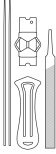

Les accessoires de coupe suivants sont homologués pour le modèle Husqvarna 225i.

Guide-chaîne					Chaîne	
Type	Longueur, cm/po	Pas de chaîne, po	Jauge, mm	Rayon max. du nez	Type	Longueur, maillons d'entraînement (n°)
501959545	12	3/8" min.	1,1	7T	Husqvarna H38 (581808145)	45
501959552	14	3/8" min.	1,1	7T	Husqvarna H38 (581807952)	52

Équipement et angles d'affûtage

Utilisez une jauge de profondeur Husqvarna pour affûter la chaîne. Une jauge de profondeur Husqvarna vous permet de vous assurer que vous avez les bons angles d'affûtage. Les références sont indiquées dans le tableau ci-dessous.

Si vous ne savez pas comment identifier le type de chaîne de votre produit, consultez le site www.husqvarna.com pour obtenir plus d'informations.

							
38	11/64" / 4,5 mm	75°	30°	0°	0,65 mm / 0,025 po	505 69 81-03	579 55 88-0 1
							
93	5/32 po / 4,0 mm	60°	30°	0°	0,65 mm / 0,025 po	596 63 89-01	596 63 89-01

Batteries homologuées

Batterie	40-B140
Type	Lithium-ion
Capacité de la batterie, Ah	4
Tension nominale, V	36
Poids, kg	1.25

Chargeurs de batterie homologués pour le produit

Chargeur de batterie	40-C80
Tension secteur, V	100-240
Fréquence, Hz	50-60
Puissance, W	72
Tension de sortie, V d.c./ Ampères, A	43/1,6

Déclaration de conformité

Déclaration de conformité UE

Nous, **Husqvarna AB**, SE-561 82 Huskvarna, Suède,
tél. : +46-36-146500, déclarons sous notre seule
responsabilité, que le produit :

Description	Tronçonneuses sans fil
Marque	Husqvarna
Type/Modèle	225i
Identification	Les numéros de série à partir de 2023 et ultérieurs

est entièrement conforme à la réglementation et aux
directives de l'UE suivantes :

Directive/Réglementation	Description
2006/42/CE	« relative aux machines »
2014/30/UE	« relative à la compatibilité électromagnétique »
2011/65/UE	« relative à la limitation de l'utilisation de certaines substances dangereuses au sein d'équipements électriques et électroniques »
2000/14/CE	« relative aux émissions sonores dans l'environnement »

Les normes harmonisées suivantes ont été appliquées :
EN 62841-1:2015+A11:2022, EN 62841-4-1:2020, EN
IEC 63000:2018, EN IEC 55014-1:2021, EN IEC
55014-2:2021.



L'organisme notifié : TÜV Rheinland LGA Products
GmbH, Tillystrasse 2, D-90431 Nuernberg, Germany,
0197,, a procédé à des tests de type CE conformément
à l'article 12, paragraphe 3b de la directive « Machines »
(2006/42/CE). Le certificat porte le numéro : BM
50604678 0001.

La tronçonneuse livrée est conforme à l'exemplaire qui a
été soumis au test de type CE.

Conformément à la directive 2000/14/CE, annexe V,
reportez-vous à la section *Caractéristiques techniques*
à la page 282 pour connaître les valeurs sonores
déclarées.

Husqvarna, 2023-10-30

Claes Losdal, responsable R&D, Husqvarna AB
Responsable de la documentation technique

Sadržaj

Uvod.....	286	Rješavanje problema.....	305
Sigurnost.....	287	Prijevoz, spremanje i zbrinjavanje.....	306
Sastavljanje.....	294	Tehnički podaci.....	307
Rad.....	295	Dodaci.....	308
Održavanje.....	300	Izjava o sukladnosti.....	310

Uvod

Namjena

Ova motorna pila za šumske radove dizajnirana je za radove u šumi kao što su obaranje stabala, obrezivanje i sjecanje.

Napomena: Nacionalnim propisima mogu se utvrditi ograničenja rada ovog proizvoda.

Pregled proizvoda

(Sl. 1)

1. Štitnik prednje ruke
2. Prednja ručka
3. Korisničko sučelje
4. Gumb START/STOP
5. Indikator upozorenja i indikator baterije
6. Gumb SavE
7. Stražnja ručka sa štitnikom desne ruke
8. Naljepnica s informacijama i upozorenjem
9. Kućište
10. Spremnik ulja za lanac
11. Poklopac za transport
12. Blokada okidača paljenja
13. Okidač paljenja
14. Poklopac pogonskog lančanika s kotačićem vodilice
15. Zatezač lanca
16. Hvatač lanca
17. Nazubljeni odbojnik
18. Lančanik na vrhu vodilice
19. Lanac pile
20. Vodilica
21. Indikator stanja napunjenosti
22. Priključak
23. Punjač baterije
24. Kombinirani ključ
25. Indikator upozorenja
26. Gumb, stanje baterije
27. Status baterije
28. Gumbi za otpuštanje baterije
29. Baterija
30. Korisnički priručnik
31. Kotačić vodilice

Opis proizvoda

Husqvarna 225i model je motorne pile s električnim motorom.

Neprestano radimo na povećanju vaše sigurnosti i učinkovitosti tijekom rada. Za više informacija obratite se servisnom distributeru.

32. Poklopac pogonskog lančanika s vijkom vodilice

Simboli na proizvodu

- (Sl. 2) UPOZORENJE: Ovaj proizvod može biti opasan i izazvati teške ozljede ili smrt rukovatelja ili drugih osoba. Budite oprezni i pravilno upotrebljavajte ovaj proizvod.
- (Sl. 3) Prije upotrebe proizvoda pažljivo pročitajte priručnik za rukovatelja i dobro usvojite upute.
- (Sl. 4) Upotrebljavajte odobrenu zaštitnu kacigu, zaštitu sluha i zaštitu za oči
- (Sl. 5) Tijekom rada s proizvodom koristite se objema rukama.
- (Sl. 6) Proizvodom nemojte rukovati samo s jednom rukom.
- (Sl. 7) Vrhom vodilice nemojte dodirivati predmete.
- (Sl. 8) Ne koristite ih na kiši.
- (Sl. 9) Upozorenje! Pri kontaktu vrha vodilice s predmetom može doći do povratnog trzaja. To uzrokuje odbacivanje vodilice u smjeru rukovatelja. Opasnost od ozbiljne ozljede ili smrti.
- (Sl. 10) Nazivni napon, V
- (Sl. 11) Ulje za lanac.
-

- (Sl. 12) Smjer vrtnje lanca pile i maksimalna duljina vodilice.
- (Sl. 13) Istosmjerna struja.
- (Sl. 14) **Oznaka zaštite okoliša.** Ni proizvod ni njegova ambalaža ne spadaju u kućanski otpad. Reciklirajte ga u reciklažnoj stanici za električnu i elektroničku opremu.
- (Sl. 15) Ovaj je proizvod sukladan s primjenjivim direktivama EZ-a.
- (Sl. 16) Ovaj proizvod ispunjava primjenjive UK propise.
- (Sl. 17) Emisija buke u okoliš u skladu s europskom Direktivom 2000/14/EZ, direktivama i propisima UK-a te propisom za zaštitu od radova u okolišu (kontrola buke) Novog Južnog Walesa iz 2017. Zajamčena razina jačine zvuka proizvoda naznačena je u *Tehnički podaci na stranici 307* i na naljepnici.
- (Sl. 21) Kočnica lanca, aktivirana (naprijed). Kočnica lanca, deaktivirana (natrag).
- (Sl. 22) Smjer lanca.
- (Sl. 23) Na natpisnoj pločici je serijski broj. **gggg** je godina proizvodnje, a **tt** je tjedan proizvodnje.

Napomena: Drugi simboli/naljepnice na proizvodu odnose se na zahtjeve za certifikaciju na pojedinim tržištima.

Sigurnost

Sigurnosne definicije

Upozorenjima, oprezima i napomenama naglašavaju se posebno važni dijelovi priručnika.



UPOZORENJE: Koristi se kada nepoštivanje uputa iz priručnika može uzrokovati smrt ili ozljede rukovatelja ili promatrača.



OPREZ: Koristi se kada nepoštivanje uputa iz priručnika može uzrokovati oštećenje proizvoda ili drugih materijala u neposrednoj blizini.

Simboli na bateriji i/ili punjaču baterija

- (Sl. 24) Reciklirajte ovaj proizvod u reciklažnoj stanici za električnu i elektroničku opremu. (Primjenjuje se samo na Europu)
- (Sl. 18) Sigurnosni transformator.
- (Sl. 19) Punjač baterije koristite i čuvajte isključivo u zatvorenom prostoru.
- (Sl. 20) Dvostruka izolacija.

Proizvođač

Husqvarna AB

Drottninggatan 2, SE-561 82, Huskvarna, Sweden, tel: +46-36-146500

Oštećenje proizvoda

U sljedećim okolnostima nećemo biti odgovorni za oštećenja proizvoda:

- proizvod nepravilno popravljen
- proizvod popravljen dijelovima koje nije proizveo proizvođač ili nemaju odobrenje proizvođača
- proizvod ima dodatnu opremu koje nije proizveo proizvođač ili nemaju odobrenje proizvođača
- proizvod nije popravljen u odobrenom servisnom centru ili kod ovlaštene osobe.

Napomena: Koristi se prikaz neophodnih dodatnih informacija za zadanu situaciju.

Opća sigurnosna upozorenja za električne alate



UPOZORENJE: Pročitajte sva sigurnosna upozorenja, upute, ilustracije i specifikacije isporučene s ovim električnim alatom. Nepoštivanje svih uputa u nastavku može uzrokovati električni udar, požar i/ili ozbiljne ozljede.

- **Spremite sva upozorenja i upute za buduće potrebe.** Pojam „električni alat“ u upozorenjima odnosi se na električni alat koji se napaja kabelom putem mrežne utičnice (ožičeni) ili električni alat na baterije (bežični).

Sigurnost na radnom mjestu

- **Radno mjesto mora biti čisto i dobro osvijetljeno.** Zakrčeni i tamni prostori čest su uzrok nesreća.
- **Nemojte upotrebljavati električne alate u eksplozivnim okruženjima, primjerice u blizini zapaljivih tekućina, plinova i prašine.** Električni alati stvaraju iskre koje mogu zapaliti prašinu ili isparenja.
- **Dok rukujete električnim alatom, pazite da u blizini nema djece ni promatrača.** Svako ometanje može uzrokovati gubitak nadzora nad strojem.

Električna sigurnost

- **Utičkači električnog alata moraju odgovarati utičnicama. Nemojte ni na koji način mijenjati utikač. Nemojte upotrebljavati utikače prilagodnika za električne alate s uzemljenjem.** Originalni utikači i odgovarajuće utičnice smanjuju opasnost od strujnog udara.
- **Izbjegavajte kontakt s uzemljenim površinama kao što su cijevi, radijatori, štednjaci i hladnjaci.** Postoji velika opasnost od strujnog udara ako dođete u dodir s uzemljenom površinom.
- **Električne alate nemojte izlagati kiši ili vlažnim uvjetima.** U slučaju dospijevanja vode u električni alat povećava se opasnost od strujnog udara.
- **Pazite na kabel. Kabel nemojte upotrebljavati za prenošenje, povlačenje ili isključivanje električnog alata. Držite ga podalje od vrućine, ulja, oštih rubova ili pokretnih dijelova.** Oštećeni ili zapetljani kabeli povećavaju opasnost od strujnog udara.
- **Kada električni alat upotrebljavate na otvorenom, morate upotrebljavati odgovarajući produžni kabel.** Kabel predviđen za upotrebu na otvorenom smanjuje opasnost od strujnog udara.
- **Ako električnim alatom morate rukovati na vlažnom mjestu, koristite napajanje putem zaštitnog uređaja diferencijalne struje (RCD).** Primjenom zaštitnog uređaja diferencijalne struje (RCD) smanjuje se opasnost od strujnog udara.

Osobna sigurnost

- **Budite usredotočeni, pazite što radite i razumno upravljajte električnim alatom. Električni alat nemojte upotrebljavati umorni ili pod djelovanjem droga, alkohola ili lijekova.** Trenutak nepažnje pri rukovanju električnim alatom može uzrokovati ozbiljne tjelesne ozljede.
- **Upotrebljavajte osobnu zaštitnu opremu. Uvijek nosite zaštitu za oči.** Upotreba zaštitne opreme poput maske za prašinu, protukliznih zaštitnih cipela, kacige i štitnika za uši u odgovarajućim uvjetima smanjuje opasnost od tjelesnih ozljeda.

- **Spriječite nehотиčno pokretanje stroja. Prije podizanja ili prenošenja alata ili pak njegova priključivanja na napajanje i/ili baterijski komplet sklopka mora biti u isključenom položaju.** Držanje prsta na prekidaču prilikom nošenja električnih alata ili priključivanje napajanja električnih alata kojima je prekidač uključen povećava rizik od nesreće.
- **Prije uključivanja električnog alata izvadite klin za prilagođavanje ili uklonite ključ.** Ako ključ ili klin ostanu na pokretnom dijelu električnog alata, može doći do tjelesnih ozljeda.
- **Ne posežite predaleko. Uvijek imajte dobar oslonac i održavajte ravnotežu.** To omogućuje bolju kontrolu električnog alata u neočekivanim situacijama.
- **Nosite prikladnu odjeću. Nemojte nositi široku odjeću ni nakit. Kosu i odjeću držite podalje od pomičnih dijelova.** Široka odjeća, nakit ili duga kosa mogu zapeti u pokretnim dijelovima stroja.
- **Ako su priloženi uređaji za povezivanje mehanizama za izdvajanje i prikupljanje prašine, pripazite na njihovo pravilno priključivanje i upotrebu.** Upotreba mehanizma za prikupljanje prašine može smanjiti opasnosti uzrokovane prašinom.
- **Zbog rutine nastale čestim primjenom alata nemojte postati samodopadni te zanemarivati sigurnosna pravila.** Neoprezan rad u djeliću sekunde može uzrokovati ozbiljnu ozljedu.

Upotreba i održavanje električnog alata

- **Nemojte preopterećivati električni alat. Upotrebljavajte električni alat koja odgovara namjeni.** Odgovarajući električni alat posao će obaviti bolje i sigurnije pri onoj brzini za koju je oblikovan.
- **Nemojte upotrebljavati električni alat ako mu se sklopka ne može uključiti i isključiti.** Električni alat kojim ne možete upravljati putem sklopke opasan je i potrebno ga je popraviti.
- **Prije bilo kakvih izmjena, zamjene dodatne opreme ili spremanja električnog alata isključite utikač od izvora napajanja i/ili izvadite baterijski paket iz električnog alata.** Te preventivne sigurnosne mjere smanjuju opasnost od nehottičnog pokretanja električnog alata.
- **Električne alate koji nisu u upotrebi skladištite izvan dohvata djece i osobama koje ne poznaju alat i nisu pročitale ove upute nemojte dopustiti rukovanje alatom.** Električni alati mogu biti opasni kada njima rukuju neiskusni korisnici.
- **Održavajte električni aparat i dodatnu opremu. Provjerite jesu li spojni ili pokretni dijelovi pogrešno namješteni, je li neki dio oštećen te postoje li neki drugi uzroci koji bi mogli onemogućiti ispravan rad električnog alata. Ako postoje oštećenja, popravite električni alat prije upotrebe.** Uzrok mnogim nesrećama jest loše održavanje električnih alata.
- **Alati za rezanje moraju biti oštri i čisti.** Ispravno održavani alati za rezanje s oštrim reznim oštricama neće se zablokirati te ih je lakše kontrolirati.
- **Upotrebljavajte električni alat, dodatke i dijelove itd. u skladu s ovim uputama, uzimajući u obzir radne**

uvjete i posao koji treba obaviti. Upotreba električnih alata u neodgovarajuće svrhe može dovesti do opasnih situacija.

- **Ručke i prihvatne površine moraju biti suhe, čiste i bez tragova ulja i masti.** Klizave ručke i prihvatne površine u neočekivanim situacijama onemogućuju sigurno rukovanje i kontrolu na alatom.

Upotreba i čišćenje alata za bateriju

- **Bateriju punite samo punjačem koji navodi proizvođač.** Punjač prikladan za jednu vrstu baterije može uzrokovati opasnost od požara ako se upotrebljava s drugim baterijskim kompletom.
- **Upotrebljavajte električne alate samo s posebno namijenjenim baterijskim kompletima.** Upotreba bilo kojeg drugog baterijskog kompleta može izazvati rizik od ozljede i požara.
- **Kad baterijski komplet ne upotrebljavate, držite ga dalje od drugih metalnih predmeta poput spojnica za papir, novčića, ključeva, čavala, vijaka ili drugih malih metalnih predmeta koji mogu spojiti priključke.** Kratki spoj priključaka baterije može uzrokovati opekline ili požar.
- **U uvjetima lošeg postupanja, iz baterije može štrcnuti tekućina; izbjegavajte dodir s njom. Ako slučajno dođe do dodira, isperite vodom. Ako tekućina dođe u dodir s očima, potražite i liječničku pomoć.** Tekućina koja štrcne iz baterije može izazvati iritacije ili opekline.
- **Nemojte upotrebljavati baterijski komplet ili alat koji je oštećen ili modificiran.** Oštećene ili izmijenjene baterije mogu se ponašati nepredvidivo te uzrokovati požar, eksploziju ili opasnost od ozljede.
- **Baterijski komplet i alat nemojte izlagati vatri ni ekstremnim temperaturama.** Izlaganje vatri ili temperaturama većima od 130 °C / 266 °F može dovesti do eksplozija.
- **Pridržavajte se svih uputa za punjenje, a baterijski komplet i alat nemojte puniti izvan temperaturnog raspona navedenog u uputama.** Neispravno punjenje ili držanje na temperaturama izvan navedenog raspona može oštetiti bateriju i povećati mogućnost od požara.

Servisiranje

- **Električni alat mora servisirati obučeni serviser s jednakim zamjenskim dijelovima.** Time se zadržava sigurnost električnog alata.
- **Oštećene baterijske pakete nikada nemojte servisirati.** Servisiranje baterijskih paketa dopušteno je samo proizvođaču ili ovlaštenim servisnim distributerima.

Opća sigurnosna upozorenja za motornu pilu

- **Dok je motorna pila u pogonu, držite sve dijelove tijela podalje od lanca pile. Prije pokretanja motorne pile pazite da lanac pile nije u dodiru s predmetima**

iz okoline. Trenutak nepažnje tijekom rukovanja motornom pilom može uzrokovati uplitanje odjeće ili dijelova tijela u lanac pile.

- **Motornu pilu obavezno držite tako da je vaša desna ruka na stražnjoj, a lijeva ruka na prednjoj dršci.** Držanje motorne pile obrnutim rasporedom ruku povećava opasnost od tjelesnih ozljeda i nikada se ne smije koristiti.
- **Motornu pilu držite samo za izolirane površine namijenjene za držanje zato što lanac pile može dodirivati skriveno ožičenje.** Lanci pile koji sadrže žicu pod naponom mogu provoditi struju kroz sve metalne dijelove motorne pile i izložiti rukovatelja opasnosti od strujnog udara.
- **Nosite zaštitu za oči. Preporučuje se upotreba dodatne zaštitne opreme za sluh, glavu, ruke, noge i stopala.** Odgovarajuća zaštitna odjeća smanjit će tjelesne ozljede u slučaju letećih krhotina ili slučajnog dodira lanca pile.
- **Motornu pilu nemojte upotrebljavati na stablu, ljestvama, krovu ili na nestabilnoj površini.** Pri takvom radu s motornom pilom mogu nastati ozbiljne tjelesne ozljede.⁴¹
- **Pazite da stalno imate primjeren oslonac, motornom pilom rukujte samo kad stojite na čvrstoj, sigurnoj i ravnoj podlozi.** Skiske ili nestabilne površine mogu uzrokovati gubitak ravnoteže ili gubitak kontrole nad motornom pilom.
- **Pri rezanju napete grane pazite na odsakivanje.** Po otpuštanju napetosti vlakana u drvetu napeta grana može udariti rukovatelja i/ili nekontrolirano odbaciti motornu pilu.
- **Budite iznimno oprezni pri rezanju gustiša i mladica.** Tanki materijal može se zaplesti u lanac pile i biti odbačen prema vama, što može uzrokovati gubitak ravnoteže.
- **Motornu pilu prenosite samo držeći je za ručku, isključenu i udaljenu od tijela. Prilikom prijevoza ili skladištenja motorne pile uvijek stavite zaštitni pokrov na vodilicu.** Pravilno korištenje motorne pile smanjit će vjerojatnost slučajnog kontakta s lancem pile u pokretu.
- **Pratite upute za podmazivanje, zatezanje lanca i zamjenu vodilice i lanca.** Nepravilno zategnut ili podmazan lanac može puknuti ili povećati mogućnost povratnog trzaja.
- **Režite samo drvo. Motornu pilu upotrebljavajte samo u namjenske svrhe. Na primjer: motornom pilom nemojte rezati metal, plastiku, kamen ili građevinske materijale koji nisu od drveta.** Upotreba motorne pile za radove za koje nije namijenjena može uzrokovati opasne situacije.
- **Nemojte pokušati oboriti stablo dok je shvatite opasnosti i načine za njihovo sprječavanje.** Pri obaranju stabla može doći do ozbiljnih ozljeda rukovatelja ili promatrača.

⁴¹ Ako ste obučeni za posebne poslove rezanja i ako poznajete radne tehnike (košara za podizanje, užad, sigurnosno remenje), možete napraviti odstupanja od ovih sigurnosnih propisa.

- **Prilikom uklanjanja zaglavljene materijala, spremanja ili servisiranja motorne pile pridržavajte se svih uputa. Prekidač mora biti isključen, a baterijski komplet izvađen.** Neočekivana aktivacija motorne pile prilikom čišćenja zaglavljene materijala ili servisiranja može rezultirati teškim tjelesnim ozljedama.
- **Ne radite s motornom pilom u drvetu osim ako niste za to posebno obučeni.** Upotreba motorne pile na stablu bez odgovarajućeg treninga može povećati rizik od ozbiljne tjelesne ozljede.

Uzroci i sprečavanje povratnog trzaja

Povratni trzaj može se dogoditi kada nos ili vrh vodilice dodirne predmet ili kada se drvo zatvori i uklješti lanac motorne pile u rezu. Kontakt vrhom vodilice u nekim slučajevima može uzrokovati povratni trzaj i odbaciti vodilicu nagore i unatrag prema korisniku. Uklještenje Lanca motorne pile uz vrh vodilice može odbaciti vodilicu unatrag prema korisniku. Bilo koja od reakcija može uzrokovati gubitak kontrole nad pilom što može izazvati ozbiljne tjelesne ozljede. Nemojte se oslanjati samo na sigurnosne uređaje koji su ugrađeni u pilu. Korisnik motorne pile treba poduzeti nekoliko koraka kako bi poslove rezanja osigurao od nesreće ili ozljede. Povratni trzaj rezultat je pogrešne uporabe motorne pile i/ili neispravnih radnih postupaka ili uvjeta, a može se izbjeći poduzimanjem odgovarajućih mjera opreza navedenih u nastavku:

- **Čvrsto s obje ruke držite pilu, palci i prsti moraju obuhvatiti ručke motorne pile, dok su tijelo i ruke u položaju otpornom na silu povratnog trzaja.** Korisnik može kontrolirati sile povratnog trzaja ako poduzme odgovarajuće mjere opreza. Nemojte ispustiti motornu pilu.
- **Nemojte se previše naginjati i nemojte rezati iznad visine ramena.** Time ćete smanjiti mogućnost slučajnog kontakta vrha i omogućiti bolju kontrolu nad motornom pilom u neočekivanim situacijama.
- **Koristite samo zamjenske vodilice i lance koje je odobrio proizvođač.** Neispravne zamjenske vodilice i lanci pile mogu uzrokovati pucanje lanca i/ili povratni trzaj.
- **Poštuje upute proizvođača za oštrenje i održavanje lanca pile.** Smanjivanje visine razmaka reznog alata može uzrokovati povećanje povratnog trzaja.

SPREMITI OVE UPUTE.

Opće sigurnosne upute



UPOZORENJE: Prije upotrebe proizvoda pročitajte upozoravajuće upute u nastavku.

- Ako ga upotrebljavate neoprezno ili nepravilno, ovaj proizvod je opasan alat. Ovaj proizvod može izazvati teške ozljede ili smrt rukovatelja ili drugih osoba. Veoma je važno da pažljivo pročitate i dobro razumijete sadržaj ovog priručnika.

- Nemojte mijenjati proizvod bez odobrenja proizvođača. Nemojte koristiti proizvod koji su druge osobe modificirale i uvijek koristite originalne radne dijelove. Izmjene koje proizvođač nije odobrio mogu uzrokovati teške ozljede ili smrt rukovatelja ili drugih osoba.
- Dugotrajno udisanje isparavanja ulja za lanac i piljevine može uzrokovati zdravstvene probleme.
- Proizvod tijekom rada proizvodi elektromagnetsko polje. To polje u određenim okolnostima može ometati aktivne ili pasivne medicinske implantate. Kako bi se smanjio rizik od teških ozljeda ili smrti, preporučujemo da osobe s medicinskim implantatima prije korištenja proizvoda zatraže savjet liječnika i proizvođača medicinskog implantata.

Sigurnosne upute za rad



UPOZORENJE: Prije upotrebe proizvoda pročitajte upute upozorenja u nastavku.

- Informacije u ovom korisničkom priručniku nisu zamjena za profesionalne vještine i iskustvo. Ako se u radnoj situaciji ne osjećate sigurno, zaustavite proizvod. Obratite se servisnom distributeru ili profesionalnom rukovatelju motornom pilom. Izbjegavajte svaku upotrebu ako smatrate da niste dovoljno kvalificirani za to!
- Ako imate pitanja o korištenju proizvoda, obratite se servisnom distributeru ili tvrtki Husqvarna. Možemo vam pružiti informacije o učinkovitijoj i sigurnoj upotrebi proizvoda. Ako je moguće, sudjelujte na tečaju za rad s motornom pilom. Obavijesti o raspoloživim materijalima i tečajevima zatražite od servisnog distributera, u šumarskoj školi ili u knjižnici.
- Prije upotrebe proizvoda proučite uzroke povratnih trzaja i načine njihova sprječavanja. Pogledajte *Informacije o povratnom trzaju na stranici 296* i *Česta pitanja o povratnom trzaju na stranici 297* upute.
- Proizvod, bateriju ili punjač baterije nemojte upotrebljavati ako su oštećeni ili neispravni.
- Nemojte dodirivati lanac pile dok se okreće. Time možete uzrokovati ozbiljne ozljede ili smrt.
- Proizvod nemojte upotrebljavati umorni, pod utjecajem alkohola, lijekova, pod terapijom ili izloženi bilo čemu što negativno utječe na vaš vid, opreznost, koordinaciju ili rasuđivanje.
- Rad u lošim vremenskim uvjetima umara i često je opasniji. Zbog povećane opasnosti ne preporučuje se upotreba proizvoda po vrlo lošem vremenu, npr. u gustoj magli, po jakoj kiši, snažnom vjetru, intenzivnoj hladnoći ili opasnosti od grmljavinskog nevremena.
- Proizvod nikada nemojte pokretati bez pravilno montirane vodilice, lanca pile i svih poklopaca. U suprotnom se pogonski lančanik može otpustiti i

uzrokovati ozbiljne ozljede. Pogledajte *Sastavljanje na stranici 294* upute.

(Sl. 25)

- Ponekad se može dogoditi da u poklopcu zvona spojke zapnu otpaci, što uzrokuje zaglavljanje lanca motorne pile. Prije čišćenja obavezno zaustavite motor.
- Pogledajte oko sebe. U blizini ne smije biti osoba ni životinja koje bi mogle dodirnuti proizvod ili vam ugroziti kontrolu nad njime.

(Sl. 26)

- Djeca nemojte dopustiti pristup proizvodu ni njegovu upotrebu. Uređaj se lako pokreće i djeca bi ga mogla pokrenuti ako nisu pod strogim nadzorom. To može rezultirati teškim ozljedama.
- Kada proizvod ne nadzirete ili ostavljate na dulje vrijeme, izvadite bateriju.
- Za potpunu kontrolu nad proizvodom morate zauzeti stabilan stojeći stav. Proizvod nemojte upotrebljavati dok ste na ljestvama ili na stablu. Nemojte koristiti proizvod ako ne stojite na stabilnom tlu.

(Sl. 27)

- Za vrijeme rada na drveću potrebno se pridržavati posebnih tehnika rezanja i radnih postupaka kako bi se izbjegla povećana opasnost od tjelesnih ozljeda. Ni u kojem slučaju nemojte raditi na drveću ako niste prošli posebnu, profesionalnu obuku za taj posao, uključujući obuku o uporabi zaštitne i druge penjačke opreme, kao što su remenje, užad, pojasevi, dereze, kuke, karabineri itd.
- Ne pokušavajte uhvatiti ogranke koji padaju. Ne režite drvo kada ste osigurani samo jednim užetom. Uvijek upotrebljavajte dva pričvršćena užeta.
- Ako niste oprezni, povećava se rizik od povratnog trzaja. Do povratnog trzaja može doći pri slučajnom dodiru područja povratnog trzaja vodilice s granom, stablom ili drugim predmetima.

(Sl. 28)

- Proizvod nemojte držati jednom rukom. Jednom rukom nije moguće sigurno upravljati proizvodom.
- Proizvod nemojte upotrebljavati iznad visine ramena i pokušavajte ne rezati vrhom vodilice.

(Sl. 29)

- Proizvod nemojte upotrebljavati u situaciji u kojoj u slučaju nezgode možete pasti.
- Prije premještanja proizvoda zaustavite ga i primijenite kočnicu lanca. Proizvod držite s vodilicom i lancem pile usmjerenima prema naprijed. Prije transporta ili prijenosa na bilo koju udaljenost postavite transportni štitičnik.
- Pri spuštanju proizvoda na tlo primijenite kočnicu lanca i nemojte ga ispuštati iz vida. Zaustavite proizvod i uklonite bateriju prije ostavljanja proizvoda bez nadzora na dulje vrijeme.
- Postoji opasnost od zaglavljanja komadića drva u pogonskom sustavu. To može uzrokovati

zaglavljenje lanca pile. Prije čišćenja obavezno zaustavite proizvod i uklonite bateriju.

- Razina vibracija povećava se pri rezanju s neispravnom ili nepravilno naoštrenom reznom opremom. Pri rezanju tvrdog drveta kao što su bjelogorična stabla nastaju jače vibracije nego pri rezanju mekog drveta kao što je crnogorica.

(Sl. 30)

- Preveliko izlaganje vibracijama može uzrokovati poremećaj cirkulacije ili oštećenje živčanog sustava kod ljudi koji sa slabom cirkulacijom. Ako imate simptome uzrokovane prevelikim izlaganjem vibracijama, obratite se liječniku. Simptomi uključuju obamrlost, nedostatak osjećaja, škakljanje, trnce, bol, gubitak snage, promjene boje ili stanja kože. Simptomi koji se uobičajeno pojavljuju u prstima, šakama ili zglobovima pojačavaju se na niskim temperaturama.
- Bez posebne obuke nemojte pokušavati obrezati ili potkresati stojeće stablo.
- Na kosini morate uvijek obavezno stajati iznad debla jer je veća mogućnost da će se stablo nakon obaranja otkotrljati ili otklizati nizbrdo. Kako biste tijekom rezanja zadržali potpunu kontrolu nad proizvodom, pri kraju reza popustite pritisak rezanja. Nemojte popuštati pritisak ruku na ručkama. Lancem pile nemojte dodirivati tlo. Nakon dovršetka reza, prije pomicanja proizvoda pričekajte na zaustavljanje lanca pile. Prije prelaska na sljedeće stablo obavezno zaustavite motor.

(Sl. 31)

- Nemojte obarati stablo ako postoji opasnost od ugrožavanja druge osobe, pada na komunalni vod ili oštećenja imovine. Ako stablo udari u komunalni vod, odmah morate obavijestiti komunalnu tvrtku.
- Provjerite možete li se sigurno kretati po tlu. Provjerite uvjete i ima li u okolnom terenu potencijalnih prepreka poput korijenja, kamenja, grana, jaraka i sl. Budite pažljivi prilikom rada na kosini.
- Spriječite situacije za koje smatrate da nadilaze vaše sposobnosti.
- Nije moguće opisati sve situacije s kojima se možete suočiti prilikom upotrebe ovog proizvoda. Uvijek budite pažljivi i razumni.

(Sl. 32)

Oprema za osobnu zaštitu



UPOZORENJE: Prije upotrebe proizvoda pročitajte upute upozorenja u nastavku.

(Sl. 33)

- Većina nezgoda s motornom pilom događaju se kada motorna pila dodirne operatera. Tijekom rada morate nositi odobrenu opremu za osobnu zaštitu. Oprema za osobnu zaštitu ne pruža vam potpunu

zaštitu od ozljeda, ali smanjuje stupanj težine ozljeda ako dođe do nezgode. Za preporuke o tomu kojom se opremom koristiti razgovarajte sa svojim servisnim zastupnikom.

- Vaša odjeća mora tijesno prianjati uz tijelo, ali ne i ograničavati vaše pokrete. Redovito provjeravajte stanje opreme za osobnu zaštitu.
- Nosite odobrenu zaštitnu kacigu.
- Upotrebljavajte odobrenu zaštitu sluha. Dugotrajno izlaganje buci može uzrokovati trajno oštećenje sluha.
- Upotrebljavajte odobrene zaštitne naočale ili vizir za lice kako biste smanjili opasnost od ozljeda odbačenim predmetima. Proizvod velikom silom može odbaciti predmete poput drvenog iverja, malih komada drva i slično. Ovo može prouzročiti ozbiljne ozljede, posebice ozljede očiju.
- Koristite rukavice sa zaštitom od motorne pile.
- Koristite hlače sa zaštitom od motorne pile.
- Upotrebljavajte čizme sa zaštitom od motorne pile, čeličnom kapicom za zaštitu prstiju i neklijajućim potplatima.
- Uvijek sa sobom nosite pribor za prvu pomoć.
- Opasnost od iskri. Uvijek držite pri ruci aparat za gašenje požara i lopatu za sprječavanje šumskih požara.

Sigurnosni uređaji na proizvodu



UPOZORENJE: Prije upotrebe proizvoda pročitajte upute upozorenja u nastavku.

- Proizvod nemojte upotrebljavati sa sigurnosnim uređajima koji su oštećeni ili nisu ispravni.
- Redovito pregledavajte sigurnosne uređaje. Pogledajte *Održavanje i provjere sigurnosnih uređaja na proizvodu na stranici 301*.
- Ako su sigurnosni uređaji oštećeni ili nisu ispravni, obratite se serviseru tvrtke Husqvarna.

Funkcije korisničkog sučelja

Korisničko sučelje sadržava gumb za pokretanje/ zaustavljanje, gumb SavE, indikator stanja baterije i indikator upozorenja. Indikator upozorenja treperi ako je uključena kočnica lanca ili ako postoji opasnost od preopterećenja. Zaštita od preopterećenja privremeno zaustavlja proizvod i ne možete se koristiti njime sve dok temperatura ne padne. Ako indikator upozorenja prestano svijetli, obratite se servisnom distributeru.

(Sl. 34)

Više informacija o korisničkom sučelju potražite pod *Pregled proizvoda na stranici 286*.

Funkcija automatskog zaustavljanja

Ovaj proizvod ima funkciju automatskog zaustavljanja kojom se proizvod zaustavlja nakon 3 minute nekorištenja.

Lanac pile i prednji štitić za ruku

Vaš proizvod ima kočnicu lanca koja zaustavlja lanac motorne pile u slučaju povratnog trzaja. Kočnica lanca smanjuje rizik od nezgoda, no samo vi ih možete spriječiti.

(Sl. 35)



UPOZORENJE: Izbjegavajte situacije u kojima postoji opasnost od povratnog trzaja. Budite pažljivi pri upotrebi proizvoda i pazite da područjem povratnog trzaja na vodilici ne dodirujete predmete.

(Sl. 36)

Kočnica lanca (A) uključuje se ručno lijevom rukom ili automatski putem inercijskog otpusnog mehanizma. Štitić prednje ruke (B) pomaknite naprijed kako biste aktivirali kočnicu lanca. Ovom kretnjom pokreće se opružni mehanizam koji zaustavlja pogonski lančanik.

(Sl. 37)

Aktiviranost kočnice lanca ovisi o snazi povratnog trzaja i položaju proizvoda. Ako osjetite snažni povratni trzaj dok je područje povratnog trzaja najudaljenije od vas, kočnica lanca primjenjuje se inercijskim otpusnim mehanizmom. Ako je povratni trzaj manji ili je područje povratnog trzaja bliže, kočnicu lanca aktivirat ćete ručno lijevom rukom.

(Sl. 38)

Kočnicu lanca upotrebljavajte kao parkirnu kočnicu pri pokretanju proizvoda i pri prevalljivanju kraćih udaljenosti. Time smanjujete opasnost da vi (ili neka osoba u vašoj blizini) dodirnete lanac motorne pile.

(Sl. 39)

Štitić prednje ruke pomaknite natrag kako biste deaktivirali kočnicu lanca.

(Sl. 40)

Do povratnog trzaja dolazi iznenada i naglo. Većina trzaja su slabi i ne aktiviraju uvijek kočnicu lanca. Ako do povratnog trzaja dođe tijekom upotrebe proizvoda, čvrsto držite ručke i nemojte ih ispuštati.

(Sl. 41)

Štitić prednje ručke smanjuje i opasnost od dodira lanca motorne pile ako ispuštite prednju ručku.

(Sl. 42)

U položaju za obaranje ne možete ručno aktivirati kočnicu lanca. Kočnicu lanca u ovom položaju moguće je primijeniti samo inercijskim otpusnim mehanizmom.

(Sl. 43)

Blokada okidača paljenja

Blokada okidača paljenja sprječava nehotičnu aktivaciju okidača paljenja. Ako blokadu okidača paljenja gurnete prema naprijed (A) i potom blokadu okidača paljenja pritisnete uz ručku (B), otpustit ćete time okidač paljenja (C). Kada otpustite ručku, okidač paljenja i blokada okidača paljenja vraćaju se na svoje početne položaje.

(Sl. 44)

Hvatač lanca

Hvatač lanca hvata lanac motorne pile u slučaju pucanja ili oslobađanja. Ako je zategnutost lanca ispravna, opasnost se smanjuje. Također možete smanjiti opasnost pravilnim provođenjem održavanja vodilice i lanca pile. Upute potražite u *Sastavljanje na stranici 294* i *Održavanje na stranici 300*.

(Sl. 45)

Štitnik desne ruke

Štitnik desne ruke djeluje kao zaštita za ruku u slučaju pucanja ili otpuštanja lanca. Također sprječava ometanje granama i graničicama tijekom upotrebe proizvoda.

(Sl. 46)

Sigurnost baterije



UPOZORENJE: Prije upotrebe proizvoda pročitajte upute upozorenja u nastavku.

- Upotrebljavajte isključivo baterije iz serije 40-B preporučene za vaš proizvod. Pogledajte *Odobrene baterije na stranici 308*. Baterije su softverski kodirane.
- Upotrebljavajte isključivo punjive baterije 40-B za napajanje odgovarajućih proizvoda tvrtke Husqvarna. Pogledajte *Odobrene baterije na stranici 308*. Bateriju nemojte upotrebljavati za napajanje drugih proizvoda jer postoji opasnost od ozljeda.
- Opasnost od strujnog udara. Polove baterije nemojte spajati s ključevima, vijcima ili drugim metalom. Tako može doći do kratkog spoja baterije.
- Nemojte upotrebljavati baterije koje se ne mogu puniti.
- Nemojte umetati predmete u zračne uređaje baterije.
- Bateriju zaštitite od sunčeve svjetlosti, vrućine i otvorenog plamena. Baterija može uzrokovati opekline i/ili kemijske opekline.
- Zaštitite bateriju od kiše i mokrih uvjeta.
- Zaštitite bateriju od mikrovalova i visokog tlaka.
- Bateriju nemojte rastavljati ili razbijati.
- Nemojte dopustiti kontakt baterijske kiseline s kožom. Baterijska kiselina uzrokuje ozljede kože, koroziju i opekline. Ako vam baterijska kiselina uđe u oči, nemojte ih trljati nego barem 15 minuta

ispirite oči s puno vode. Ako baterijska kiselina dođe u kontakt s kožom, operite je velikom količinom sapunice. Zatražite medicinsku pomoć.

- Bateriju upotrebljavajte u rasponu temperatura od -10 °C (14 °F) i 40 °C (104 °F).
- Bateriju ili punjač baterije nikada nemojte čistiti vodom. Pogledajte *Pregled baterije i držača baterije na stranici 302*.
- Nemojte upotrebljavati oštećenu bateriju.
- Baterije skladištite dalje od metalnih predmeta poput čavala, vijaka ili nakita.
- Bateriju držite podalje od djece.

Sigurnost punjača baterije



UPOZORENJE: Prije upotrebe proizvoda pročitajte upute upozorenja u nastavku.

- Nepoštivanje sigurnosnih uputa može uzrokovati električni udar ili kratki spoj.
- Upotrebljavajte neoštećenu uzemljenu mrežnu utičnicu.
- Upotrebljavajte isključivo punjače baterija isporučene uz proizvod. Upotrebljavajte isključivo punjače 40-C80 za punjenje zamjenskih baterija Husqvarna zamjenskih baterija 40-B140.. Pogledajte *Odobrene punjači baterije za proizvod na stranici 309* i *Odobrene baterije na stranici 308*.
- Nemojte rastavljati punjač baterije.
- Nemojte upotrebljavati neispravnu ili oštećenu bateriju ni punjač baterije.
- Punjač baterije nemojte podizati za električni kabel. Za odspajanje punjača baterije od zidne utičnice izvucite utikač. Nemojte povlačiti kabel za napajanje.
- Sve kabele i produžne kabele držite podalje od vode, ulja i oštirih rubova. Kabel nemojte zahvatiti vratima, ogradama i sl.
- Punjač baterije nemojte upotrebljavati u blizini zapaljivih materijala ili materijala koji mogu uzrokovati koroziju. Punjač baterije ne smije biti prekriven. Ako dođe do razvoja dima ili požara, odspojite utikač punjača baterije.
- Bateriju puniti isključivo u zatvorenom, dobro prozračenom zatvorenom prostoru bez izravne sunčeve svjetlosti. Baterije nemojte puniti na otvorenom. Bateriju nije dopušteno puniti u vlažnim uvjetima.
- Punjač baterije upotrebljavajte isključivo na temperaturama između 5 °C (41 °F) i 40 °C (104 °F). Punjač baterije upotrebljavajte u prozračnom i suhom okruženju bez prašine.
- Nemojte umetati predmete u rashladne uređaje punjača baterije.
- Nikada nemojte priključivati ​​terminale punjača baterije na metalne predmete jer tako možete izazvati kratki spoj na punjaču baterija.

- Upotrebljavajte neoštećene i odobrene zidne utičnice.
- Punjačima baterije nije dopušteno puniti baterije koje se ne mogu puniti.

Sigurnosne upute za održavanje



UPOZORENJE: Prije održavanja proizvoda pročitajte upozoravajuće upute u nastavku.

- Uklonite bateriju prije održavanja, drugih provjera ili sastavljanja proizvoda.
- Rukovatelj smije provoditi samo radove održavanja i servisiranja opisane u ovom korisničkom priručniku. Za veća održavanja i servisiranje obratite se serviseru.
- Bateriju ili punjač baterije nikada nemojte čistiti vodom. Jači deterdžent može oštetiti plastiku.
- Ako ne provodite održavanje, smanjujete vijek trajanja stroja i povećavate opasnost od nezgoda.
- Sva servisiranja i popravci uvjetuju posebnu obuku, posebice oni na sigurnosnim uređajima na proizvodu. Ako nakon provedbe održavanja nisu odobrene sve provjere iz ovog korisničkog priručnika, obratite se serviseru. Jamčimo dostupnost profesionalnih popravaka i servisiranja za vaš proizvod.
- Koristite samo originalne rezervne dijelove.

Sigurnosne upute za opremu za rezanje



UPOZORENJE: Prije upotrebe proizvoda pročitajte upozoravajuće upute u nastavku.

- Upotrebljavajte samo odobrene kombinacije vodilice/lanca motorne pile i opremu za oštrenje. Za upute pročitajte *Tehnički podaci na stranici 307*.
- Pri radu s lancem motorne pile ili njegovim održavanjem nosite zaštitne rukavice. Lanac motorne pile koji se ne pokreće također može prouzročiti ozljede.
- Pazite da su rezni zupci dobro naoštreni. Poštujte upute i upotrebljavajte preporučeni mjerac razmaka. Oštećeni ili neispravno naoštreni lanac motorne pile povećava opasnost od nezgoda.

(Sl. 47)

- Držite se ispravne postavke mjerača dubine. Poštujte upute i upotrebljavajte preporučenu postavku mjerača dubine. Prevelika postavka mjerača dubine povećava opasnost od povratnog trzaja.

(Sl. 48)

- Provjerite je li lanac motorne pile pravilno zategnut. Ako lanac motorne pile ne naliježe zategnuto na vodilicu, lanac može iskočiti. Neispravna zategnutost lanca motorne pile smanjuje habanje vodilice, lanca motorne pile i pogonskog zupčanika lanca. Pogledajte *Dodaci na stranici 308*.

(Sl. 49)

- Redovito održavajte opremu za rezanje i održavajte je dobro podmazanom. Ako lanac motorne pile nije ispravno podmazan, povećava se opasnost od habanja vodilice, lanca motorne pile i pogonskog zupčanika lanca.

(Sl. 50)

Sastavljanje

Sastavljanje vodilice i lanca pile (s kotačićem vodilice)



UPOZORENJE: Prije sastavljanja ili održavanja proizvoda obavezno uklonite bateriju.

1. Deaktivirajte kočnicu lanca. (Sl. 51)
2. Otpustite kotačić vodilice i uklonite poklopac pogonskog lančanika. (Sl. 52)
3. Postavite vodilicu na gornji dio vijka vodilice. Vodilicu postavite u krajnji stražnji položaj. Lanac pile podignite iznad pogonskog lančanika pa ga umetnite u utor na vodilici. Započnite na gornjoj strani vodilice.
4. Rubovi kružnih pila na gornjoj strani vodilice obavezno moraju biti okrenuti prema naprijed. (Sl. 53)
5. Postavite poklopac pogonskog zupčanika pa klin za podešavanje lanca umetnite u otvor na vodilici.

6. Pogonski članci lanca pile moraju pravilno pristajati na pogonski lančanik.
7. Lanac pile usto biti pravilno umetnut u utor na vodilici.
8. Zategnite lanac pile. Pogledajte *Održavanje na stranici 300* upute.
9. Zategnite kotačić vodilice.

Sastavljanje vodilice i lanca pile (s vijkom vodilice)



UPOZORENJE: Prije sastavljanja ili održavanja proizvoda obavezno uklonite bateriju.

1. Deaktivirajte kočnicu lanca. (Sl. 51)
2. Otpustite maticu vodilice i skinite poklopac pogonskog lančanika. (Sl. 54)

3. Postavite vodilicu na gornji dio vijka vodilice. Vodilicu postavite u krajnji stražnji položaj. Lanac pile podignite iznad pogonskog lančanika pa ga umetnite u utor na vodilici. Započnite na gornjoj strani vodilice.
4. Rubovi kružnih pila na gornjoj strani vodilice obvezno moraju biti okrenuti prema naprijed. (Sl. 55)
5. Postavite poklopac pogonskog zupčanika pa klin za podešavanje lanca umetnite u otvor na vodilici.
6. Pogonski članci lanca pile moraju pravilno pristajati na pogonski lančanik.
7. Lanac pile usto biti pravilno umetnut u utor na vodilici.
8. Prstima pritegnite maticu vodilice.
9. Pritegnite lanac motorne pile. Pogledajte *Održavanje na stranici 300* upute.

Postavljanje punjača baterije na zid



OPREZ: Punjač baterije na zid nemojte instalirati s pomoću ispitivača napona. Ispitivačem napona možete oštetiti punjač baterije.

1. Punjač baterije na zid postavite s 2 vijka (A). Ako je potrebno, primijenite tiple (B). (Sl. 56)
2. Postavite čepove provrta za vijke (C).
3. Kabel napajanja (D) priključite u punjač baterije i mrežnu utičnicu.

Rad

Uvod



UPOZORENJE: Prije upotrebe proizvoda pročitajte i usvojite poglavlje o sigurnosti.

Provjera ispravnosti rada prije upotrebe proizvoda

1. Provjerite funkcionira li kočnica lanca (A) pravilno te da nije oštećena.
2. Provjerite da stražnji štitnik desne ruke (B) nije oštećen.
3. Provjerite okidač paljenja i blokadu okidača paljenja (C) kako biste bili sigurni da su ispravni i neoštećeni.
4. Provjerite funkcionira li tipkovnica (D) pravilno.
5. Provjerite da na ručkama (E) nema ulja.
6. Provjerite jesu li svi dijelovi pravilno postavljeni, jesu li neoštećeni te nedostaju li neki.
7. Provjerite je li hvatač lanca (F) pravilno pričvršćen.
8. Provjerite zategnutost lanca (G).
9. Napunite bateriju (H) i provjerite je li pravilno pričvršćena na proizvod.
10. Provjerite zaustavlja li se motorna pila po otpuštanju okidača paljenja. (Sl. 57)

Uporaba ispravnog ulja za lanac



UPOZORENJE: Ne upotrebljavajte otpadno ulje jer to može prouzročiti ozljedu i zagaditi okoliš. Otpadno ulje također može prouzročiti i oštećenje pumpe za ulje, vodilice i lanca pile.



UPOZORENJE: Lanac pile može kočiti ako nije dostatna podmazanost opreme za rezanje. Opasnost od teških ozljeda ili smrti rukovatelja.



UPOZORENJE: Da bi ta funkcija ispravno funkcionirala, morate upotrebljavati ispravno ulje za lanac. O odabiru ulja za lanac razgovarajte sa svojim servisnim zastupnikom.

- Za maksimalni životni vijek lanca pile i sprječavanje negativnih posljedica za okoliš upotrebljavajte ulje za lanac Husqvarna. Ako nije dostupno ulje za lanac tvrtke Husqvarna, preporučujemo vam uporabu standardnog ulja za lanac.
- Upotrebljavajte ulje za lanac s dobrim prijanjanjem na lanac pile.
- Upotrebljavajte ulje za lanac s ispravnim rasponom viskoznosti koji se slaže s temperaturom zraka.



OPREZ: Na temperaturama ispod 0 °C / 32 °F neka ulja za lanac postaju pregusta, što može prouzročiti oštećenje komponenata pumpe za ulje.

- Upotrebljavajte preporučenu opremu za rezanje. Pogledajte *Dodaci na stranici 308*.
- Skinite poklopac sa spremnika ulja za lanac.
- U spremnik ulja za lanac ulijte ulje za lanac.
- Pažljivo vratite poklopac na mjesto.

(Sl. 58)

Napomena: Da biste vidjeli gdje se na vašem proizvodu nalazi spremnik ulja za lanac, pogledajte *Uvod na stranici 286*.

Baterija



UPOZORENJE: Prije upotrebe baterije pročitajte i usvojite poglavlje o sigurnosti. Pročitajte i usvojite korisnički priručnik za bateriju i punjač baterije.

Bateriju i punjač čuvajte na ispravnoj temperaturi okoline.

	Temperatura okoline
Rad baterije	5 °C – 40 °C / 41 °F – 104 °F

	Temperatura okoline
Punjenje baterije	5 °C – 40 °C / 41 °F – 104 °F

Status baterije

Na zaslonu se prikazuje stanje napunjenosti te postoje li problemi s baterijom.

(Sl. 59)

LED indikator	Stanje napunjenosti baterije
Uključena su četiri LED indikatora	Baterija je napunjena 76% – 100%.
Uključena su tri LED indikatora	Baterija je napunjena 51% – 75%.
Uključena su dva LED indikatora	Baterija je napunjena 26% – 50%.
Uključen je jedan LED indikator	Baterija je napunjena 6% – 25%.
Trepće jedna LED žaruljica	Baterija je napunjena 0% – 5%.

Zamjena baterije

Napunite bateriju pri prvoj upotrebi. Nova je baterija napunjena samo 30%.



OPREZ: Spojite punjač baterije na strujnu utičnicu s naponom i frekvencijom koji su navedeni na natpisnoj pločici.

Baterija se neće puniti ako je njezina temperatura veća od 50 °C / 122 °F.

1. Priključite punjač baterije na strujnu utičnicu.
2. Punjač baterije priključite na uzemljenu strujnu utičnicu. LED indikator punjenja zatreptat će jedanput. (Sl. 60)
3. Priključite bateriju na punjač baterije. Uključuje se LED indikator punjenja. Bateriju puniti najdulje 24 sata. (Sl. 61)
4. Pritisnite gumb indikatora baterije kad svijetle svi LED indikatora – baterija je potpuno napunjena.
5. Za odvajanje punjača baterije od strujne utičnice izvucite njegov strujni utikač. Nemojte povlačiti kabel za napajanje.
6. Izvadite bateriju iz punjača baterije.

Informacije o povratnom trzaju



UPOZORENJE: Povratni trzaj može prouzročiti teške ozljede ili smrt rukovatelja ili drugih osoba. Za smanjivanje tog rizika

morate znati koji su uzroci povratnog trzaja i kako ih spriječiti.

Do povratnog trzaja dolazi kada područje povratnog trzaja vodilice dodirne neki predmet. Povratni trzaj može se dogoditi nenadano te velikom silom, što taj predmet odbacuje u smjeru rukovatelja.

(Sl. 36)

Povratni se trzaj uvijek događa u ravni rezanja vodilice. Obično se predmet odbacuje prema rukovatelju, ali može se kretati u nekom drugom smjeru. Smjer kretanja predmeta ovisi o vašoj primjeni ovog proizvoda kada nastupi povratni trzaj.

(Sl. 62)

Do povratnog trzaja dolazi samo ako područje povratnog trzaja vodilice dodirne predmet. Ne dopuštajte da područje povratnog trzaja dodirne neki predmet.

(Sl. 36)

Manji polumjer vrha vodilice smanjuje silu povratnog trzaja.

Upotrebljavajte nisku razinu povratnog udara lanca da biste smanjili učinke povratnog trzaja. Ne dopuštajte da područje povratnog trzaja dodirne neki predmet.



UPOZORENJE: Nijedan lanac motorne pile ne sprječava u potpunosti povratni trzaj. Uvijek poštujte upute.

Česta pitanja o povratnom trzaju

- **Hoće li ruka uvijek povući kočnicu lanca tijekom povratnog trzaja?**

Ne. Neophodno je primijeniti silu da bi se prednji štitičnik za ruku pomaknuo naprijed. Ako ne primijenite neophodnu silu, kočnica lanca neće se uključiti. Također, ovaj proizvod morate održavati stabilnim držeći ga tijekom rada objema rukama za ručke. Ako dođe do povratnog trzaja, moguće je da kočnica lanca neće zaustaviti lanac motorne pile prije nego što vas dodirne. Također, postoje neki položaji u kojima rukom ne možete dosegnuti prednji štitičnik za ruku da biste uključili kočnicu lanca.

- **Hoće li inercijski otpusni mehanizam uvijek uključiti kočnicu lanca tijekom povratnog trzaja?**

Ne. Kao prvo, kočnica lanca mora ispravno funkcionirati. Za upute o načinu izvođenja provjere kočnice lanca pogledajte *Održavanje i provjere sigurnosnih uređaja na proizvodu na stranici 301*. Preporučujemo vam da to napravite svaki put prije uporabe ovog proizvoda. Kao drugo, sila povratnog trzaja mora biti dovoljno velika za uključivanje kočnice lanca. Ako je kočnica lanca preosjetljiva, može se i sama uključiti tijekom grubih radova.

- **Hoće li me kočnica lanca uvijek zaštititi od ozljeda tijekom povratnog trzaja?**

Ne. Kočnica lanca mora ispravno funkcionirati da bi vam mogla pružiti zaštitu. Kočnica lanca mora također biti uključena i tijekom povratnog trzaja da bi zaustavila lanac motorne pile. Ako ste blizu vodilice, moguće je da kočnica lanca neće imati vremena da zaustavi lanac motorne pile prije nego što vas on udari.



UPOZORENJE: Samo vi i vaša ispravna tehnika rada možete spriječiti povratne trzaje.

Pokretanje proizvoda

1. Provjerite prekidač za uključivanje i blokadu prekidača za uključivanje. Pogledajte *Provjera blokade okidača paljenja na stranici 302*.
2. Povucite kočnicu lanca. (Sl. 63)
3. Stavite bateriju u držač baterije. (Sl. 64)



OPREZ: Pobrinite se za to da baterija bude ispravno umetnuta u držač baterije. Ako se baterija ne umeće lako u držač baterije, njezin položaj nije ispravan.

4. Pritisnite donji dio baterije dok ne čujete škljocaj. (Sl. 65)
5. Pritisnite i držite gumb za pokretanje/zaustavljanje dok se ne uključi zeleni LED indikator. (Sl. 66)

Upotreba funkcije SavE

Funkcijom SavE smanjuju se brzina lanca i snaga proizvoda.

1. Pritisnite tipku SavE. Uključuje se zeleni LED indikator.
2. Ponovno pritisnite gumb SavE kako biste prekinuli funkciju. Isključuje se zeleni LED indikator. (Sl. 67)

Zaustavljanje proizvoda

1. Pritisnite i držite gumb za pokretanje/zaustavljanje dok se ne isključi zeleni LED indikator. (Sl. 66)
2. Pritisnite gumb za otpuštanje baterije pa izvadijte bateriju iz držača baterije kako biste izbjegli nenamjerno pokretanje. (Sl. 68)

Povlačenje i guranje

Drvo možete prerezati s proizvodom u 2 različita položaja.

- Rezanje povlačenjem znači rezati dnom vodilice. Tijekom rezanja lanac motorne pile povlači se kroz drvo. U tom položaju imate bolju kontrolu nad proizvodom i položajem područja povratnog trzaja.

(Sl. 69)

- Rezanje guranjem znači rezati vrhom vodilice. Lanac motorne pile gura proizvod u smjeru rukovatelja.

(Sl. 70)



UPOZORENJE: Ako se lanac motorne pile zaglavi u deblu, proizvod se može odgurnuti na vas. Čvrsto držite proizvod i pobrinite se da područje povratnog trzaja i vodilica ne dodiruju drvo i ne izazivaju povratni trzaj.

(Sl. 71)

Primjena tehnike rezanja



UPOZORENJE: Režite punim gasom, a nakon svakog reza brzinu smanjite na razinu praznog hoda.



OPREZ: Ne ostavljajte motor da radi dulje vrijeme bez opterećenja. Tako možete oštetiti motor.

1. Deblo postavite na nogare za piljenje ili vodilice. (Sl. 72)



UPOZORENJE: Debla nemojte rezati naslagana. To povećava opasnost od povratnog trzaja i može uzrokovati ozbiljne ozljede ili smrt.

2. Uklonite odrezane dijelove iz radnog područja.



UPOZORENJE: Odrezani dijelovi u radnom području povećavaju opasnost od povratnog trzaja i gubitka ravnoteže.

Upotreba nazubljenog odbojnika

1. Nazubljeni odbojnik gurnite u deblo stabla.
2. Primijenite punu snagu i zakrećite proizvod. Nazubljeni odbojnik držite uz deblo. Taj postupak olakšava primjenu sile potrebne da biste prerezali deblo. (Sl. 73)

Rezanje debela na tlu

1. Deblo prorežite povratnim pokretom. Održavajte puni gas, no budite spremni na iznenadne nezgode. (Sl. 74)



UPOZORENJE: Lanac motorne pile pri završetku zasjeka ne smije dodirnuti tlo.

2. Prorežite približno $\frac{1}{2}$ debela i potom se zaustavite. Okrenite deblo i režite s druge strane. (Sl. 75)

Rezanje debela poduprtog s jedne strane



UPOZORENJE: Pazite da se deblo ne prelomi tijekom rezanja. Pratite upute u nastavku.

(Sl. 76)

1. Pritiskanjem režite kroz približno $\frac{1}{3}$ debela.
2. Režite deblo povratnim pokretom dok ne spojite dva zasjeka. (Sl. 77)

Rezanje debela poduprtog s obje strane



UPOZORENJE: Pazite da se lanac pile tijekom rezanja ne zaglavi u deblo. Pratite upute u nastavku.

(Sl. 78)

1. Povlačenjem režite kroz približno $\frac{1}{3}$ debela.
2. Preostali dio debela prorežite pritiskanjem kako biste dovršili rez. (Sl. 79)



UPOZORENJE: Ako se lanac pile zaustavi u deblo, zaustavite motor. Polugom otvorite zasjek i izvadite proizvod. Nemojte ručno pokušati izvući proizvod. To pri iznenadnom otpuštanju proizvoda može uzrokovati ozljedu.

Primjena tehnike potkresivanja

Napomena: Za debele grane primjenjujte tehniku potkresivanja. Pogledajte *Primjena tehnike rezanja na stranici 297*.



UPOZORENJE: Pri primjeni tehnike potkresivanja povećava se opasnost. Upute za sprječavanje povratnog trzaja potražite pod *Informacije o povratnom trzaju na stranici 296*.



UPOZORENJE: Grane režite jednu po jednu. Pažljivo uklanjajte male grane i nemojte istovremeno rezati busene ili mnogo malih grana. Male grane mogu se zapetljati u lanac pile i onemogućiti siguran rad proizvoda.

Napomena: Ako je potrebno, grane režite dio po dio. Režite male grane (A) i (B) prije nego krenete rezati grane blizu debela (C).

(Sl. 80)

1. Uklonite grane s desne strane debela.
 - a) Vodilicu održavajte na desnoj strani debela, a kućičte proizvoda uz deblo.
 - b) Odaberite tehniku rezanja prikladnu za napetost grane. (Sl. 81)



UPOZORENJE: Ako niste sigurni u način rezanja grane, prije nastavka obratite se profesionalnom rukovatelju motorne pile.

2. Uklonite grane s gornje strane debela.
 - a) Održavajte proizvod na deblo i pomičite vodilicu duž debela.
 - b) Režite pritiskanjem. (Sl. 82)
3. Uklonite grane s lijeve strane debela.
 - a) Odaberite tehniku rezanja prikladnu za napetost grane. (Sl. 83)



UPOZORENJE: Ako niste sigurni u način rezanja grane, prije nastavka obratite se profesionalnom rukovatelju motorne pile.

Upute za rezanje napetih grana potražite pod *Rezanje napetih stabala i grana na stranici 300*.

Primjena tehnike za obaranje stabla



UPOZORENJE: Za rušenje stabla potrebno je iskustvo. Ako je moguće,

pohodite obuku za rukovanje motornom pilom. Više naučite od iskusnog rukovatelja.

Održavanje sigurne udaljenosti

1. Osobe oko vas moraju održavati sigurno udaljenost od najmanje 2 1/2 duljine stabla. (Sl. 84)
2. Tijekom obaranja nitko se ne smije zadržavati u opasnom području. (Sl. 85)

Izračunavanje smjera obaranja

1. Provjerite u kojem je smjeru nužno obaranje stabla. Cilj je oboriti ga u položaj u kojem jednostavno možete rezati grane i deblo. Također je važnost stabilnost na nogama i sigurno kretanje oko njega.



UPOZORENJE: Ako je opasno ili nemoguće oboriti stablo u prirodnom smjeru, oborite stablo u drugom smjeru.

2. Razmislite prirodni smjer pada stabla. Na primjer nagib i savijenost stabla, smjer vjeta, položaja grana i težina snijega.
3. Provjerite nalaze li se u blizini prepreke, primjerice druga stabla, električni vodovi, ceste i/ili građevine.
4. Potražite znakove oštećenja i truleži na deblu.



UPOZORENJE: Trulo deblo predstavlja opasnost od obaranja stabla prije dovršetka rezanja.

5. Uvjerite se da na stablu nema oštećenih ili mrtvih grana koje mogu otpasti i udariti vas tijekom obaranja.
6. Nemojte dopustiti pad stabla na drugo stojeće stablo. Opasno je uklanjati zaglavljeno stablo i velika je opasnost od nezgode. Pogledajte *Oslabađanje zaglavljeno stabla na stranici 300.* (Sl. 86)



UPOZORENJE: Tijekom kritičnih radnji obaranja zaštitu sluha podignite odmah po dovršetku piljenja. Važno je čuti zvukove i signale upozorenja.

Odstupanje od debla i priprema puta povlačenja

Odrežite sve grane ispod razine ramena.

1. Režite povlačenjem s vrha prema dnu. Stablo mora biti između vas i proizvoda. (Sl. 87)
2. Uklonite raslinje iz radnog područja oko stabla. Uklonite sav izrezani materijal iz radnoj područja.
3. Provjerite ima li u području prepreka poput kamenja, grana i rupa. Morate imati siguran put povlačenja pri početku pada stabla. Vaš put povlačenja trebao bi se biti približno pod 135 stupnjeva u odnosu na smjer obaranja.
1. Opasno područje

2. Put povlačenja
3. Smjer obaranja

(Sl. 88)

Rušenje stabla

Husqvarna za obaranje stabla preporučuje napraviti rezove za usmjerenje i potom primjenu metode sigurnog kuta. Metoda sigurnog kuta pomaže pri oblikovanju odgovarajuće prijelomnice za obaranje i upravljanju smjerom obaranja.



UPOZORENJE: Nemojte obarati stabla čiji je promjer dva puta veći od duljine vodilice. Za to morate proći posebnu obuku.

Prijelomnica za obaranje

Najvažniji postupak tijekom obaranja stabla je oblikovanje odgovarajuće prijelomnice za obaranje. S ispravnom prijelomnicom za obaranje upravljate smjerom obaranja i osiguravate sigurnost postupka obaranja.

Debljina prijelomnice za obaranje mora biti jednaka i iznositi najmanje 10 % promjera stabla.



UPOZORENJE: Ako je prijelomnica za obaranje neispravna ili pretanka, ne možete upravljati smjerom obaranja.

(Sl. 89)

Izvedba rezova za usmjerenje

1. Napravite rezove za usmjerenje. Napravite rezove za usmjerenje do 1/4 promjera stabla. Između gornjeg i donjeg reza napravite kut od 45°.
 - a) Prvo napravite gornji rez. Oznaku smjera obaranja stabla (A) na proizvodu poravnajte sa smjerom obaranja stabla (B). Ostanite iza proizvoda tako da vam stablo bude na desnoj strani. Režite povlačenjem.
 - b) Napravite donji rez. Kraj donjeg reza mora biti u istoj točki kao i kraj gornjeg reza. (Sl. 90)
2. Linija reza za usmjerenje mora biti savršeno vodoravna i pod pravim kutovima (90°) u odnosu na smjer obaranja. Linija reza za usmjerenje prolazi kroz točku dodira dva reza za usmjerenje. (Sl. 91)

Primjena metode sigurnog kuta

Obarajući rez izvodi se malo iznad reza za usmjerenje.

(Sl. 92)



UPOZORENJE: Budite pažljivi pri rezanju s vrhom vodilice. Rezanje započnite s donjim dijelom vrha vodilice i napravite ubodni rez u deblo.

(Sl. 93)

1. Ako je primjenjiva duljina za rezanje dulja od promjera stabla, provedite korake (a – d).
 - a) Napravite ubodni rez izravno u deblu kako niste dovršili širinu prijelomnice za obaranje. (Sl. 94)
 - b) Povlačenjem režite dok ne preostane približno $\frac{1}{4}$ debla.
 - c) Povucite vodilicu 5 – 10 cm / 2" – 4" unatrag.
 - d) Prorežite preostali dio debla kako biste dovršili sigurni kut širine 5 – 10 cm / 2" – 4". (Sl. 95)
2. Ako je primjenjiva duljina za rezanje kraća od promjera stabla, provedite korake (a – d).
 - a) Napravite ubodni rez izravno u deblu. Ubodni rez mora obuhvaćati $\frac{3}{5}$ promjera debla.
 - b) Preostali dio debla izrežite povlačenjem. (Sl. 96)
 - c) Režite izravno u deblu s druge strane stabla kako biste dovršili prijelomnicu za obaranje.
 - d) Za dovršetak sigurnog kuta režite pritiskanjem dok ne preostane $\frac{1}{4}$ debla. (Sl. 97)
3. Umetnite klin izravno sa stražnje strane. (Sl. 98)
4. Prerežite kut kako biste oborili stablo.

Napomena: Ako se stablo ne obori, udarajte klin dok se ne obori.

5. Kada stablo počne padati putem povlačenja udaljite se od stabla. Od stabla se udaljite najmanje 5 m / 15'.

Oslobađanje zaglavljeno stabla



UPOZORENJE: Vrlo je opasno pomicati zaglavljeno stablo i postoji velika opasnost od nezgode. Nemojte pristupiti opasnom području i nemojte pokušavati oboriti zaglavljeno stablo.

(Sl. 99)

Najsigurniji postupak je primjena jednog od sljedećih vitala:

- Na traktoru

(Sl. 100)

- Prijenosno

(Sl. 101)

Rezanje napetih stabala i grana

1. Otkrijte koja je strana stabla ili grane napeta.
2. Pronadite točku najveće napetosti. (Sl. 102)
3. Pronađite najsigurniji postupak za otpuštanje napetosti.

Napomena: U pojedinim situacijama jedini siguran postupak je primjena vitla umjesto proizvoda.

4. Zauzmite položaj u kojem vas stablo ili grana ne mogu udariti po otpuštanju napetosti. (Sl. 103)
5. Provedite jedan ili više rezova dovoljno dubokih za otpuštanje napetosti. Režite u točki najveće napetosti ili u njoj blizini. Ostvarite lom stabla ili grane u točki najviše napetosti. (Sl. 104)



UPOZORENJE: Nikada nemojte prepiliti napeto stablo ili granu.



UPOZORENJE: Budite vrlo pažljivi prilikom sječe napetog stabla. Postoji opasnost od brzog pomaka stabla prije ili tijekom rezanja. Ako se nalazite u pogrešnom položaju ili ako režete neispravno, može doći do ozbiljnih ozljeda.

6. Ako morate prerezati stablo/granu, napravite 2 do 3 reza dubine 2", međusobno razmaknutih 1". (Sl. 105)
7. Nastavite rezati stablo sve dok se stablo/grana je savije i time otpusti napetost. (Sl. 106)
8. Nakon popuštanja napetosti stablo/granu režite sa nasuprotne strane pregiba.

Održavanje

Uvod



UPOZORENJE: Prije održavanja proizvoda pročitajte i usvojite sigurnosno poglavlje.

Raspored održavanja



UPOZORENJE: Prije održavanja izvadite bateriju.

U nastavku je popis koraka održavanja neophodnih za održavanje proizvoda. Pogledajte *Održavanje na stranici 300* za više informacija.

Održavanje	Prije upotrebe	Tjedno	Mjesečno
Očistite vanjske dijelove proizvoda.	X		
Iz sigurnosnih razloga provjerite pravilno funkcioniranje prekidača za uključivanje i blokade prekidača za uključivanje.	X		
Očistite kočnicu lanca i provjerite ispravnost rada. Provjerite je li hvatač lanca neoštećen. Po potrebi ga zamijenite.	X		
Vodilicu okrećite radi ravnomjernijeg trošenja. Provjerite je li otvor za podmazivanje u vodilici prohodan. Provjerite otvor za podmazivanje u maču da nije začepljen.	X		
Rezač i štitičnik rezača ne smiju biti napuknuti ili oštećeni. Zamijenite napuknuti ili udareni rezač i štitičnik rezača.	X		
Vodilica i lanac pile moraju biti dovoljno podmazani.	X		
Pregledajte lanac pile. Potražite pukotine i uvjerite se kako lanac pile nije krut ili neuobičajeno istrošen. Ako je potrebno, zamijenite ih.	X		
Naoštrite lanac pile. Provjerite njegovu zategnutost i stanje. Utvrdite istrošenost pogonskog lančanika i po potrebi ga zamijenite.	X		
Očistite usis zraka na proizvodu.	X		
Provjerite jesu li vijci i matice pritegnuti.	X		
Provjerite funkcionira li tipkovnica pravilno i nije li oštećena.	X		
Turpijom uklonite sve strugotine s rubova vodilice.		X	
Provjerite spojeve između baterije i proizvoda. Provjerite spoj između baterije i punjača.			X
Ispraznite i očistite spremnik ulja.			X
Komprimiranim zrakom nježno propušite uređaj i utore za hlađenje baterije.			X

Održavanje i provjere sigurnosnih uređaja na proizvodu

Provjera prednjeg štitičnika za ruku

Redovito pregledavajte štitičnik prednje ruke i otpuštanje inercijske kočnice.

1. Provjerite ima li oštećenja na prednjem štitičniku za ruku, primjerice pukotine. (Sl. 107)
2. Štitičnik prednje ruke mora biti pokretan i sigurno pričvršćen na proizvod. (Sl. 108)
3. Proizvod s isključenim motorom postavite na panj ili drugu stabilnu površinu.
4. Držite stražnju ručku i otpustite prednju ručku. Dopustite da se proizvod nasloni na panj. (Sl. 109)
5. Provjerite uključuje li se kočnica lanca kada vrh vodilice udari u panj.

Provjera okidača kočnice

1. Proizvod postavite na stabilno tlo i pokrenite ga. Pogledajte *Rad na stranici 295*.



UPOZORENJE: Lancem motorne pile nije dopušteno dodirivati tlo ili druge predmete.

2. Obuhvatite ručke prstima i palčevima i čvrsto držite proizvod. (Sl. 110)
3. Primijenite puni gas pa lijevo zapešće okrenite prema štitičniku za prednju ruku kako biste uključili kočnicu lanca. Motorna pila mora se odmah zaustaviti. (Sl. 111)



UPOZORENJE: Nemojte ispustiti prednju ručku!

Provjera blokade okidača paljenja

1. Provjerite slobodno kretanje okidača paljenja i blokade okidača paljenja te pravilan rad povratne opruge. (Sl. 112)
2. Blokadu okidača paljenja pritisnite naprijed (A) i dolje (B). Zadržite blokadu okidača paljenja uz ručku i provjerite vraća li se u svoj početni položaj pri otpuštanju. (Sl. 113)
3. Provjerite je li okidač paljenja blokiran u praznom hodu kada je blokada okidača paljenja otpuštena. (Sl. 114)
4. Pokrenite proizvod i aktivirajte punu snagu.
5. Otpustite okidač paljenja i provjerite zaustavlja li se lanac pile i ostaje li nepomičan.



UPOZORENJE: Ako se lanac pile okreće kada okidač paljenja nije pritisnut, razgovarajte sa servisnim distributerom.

Provjera hvatača lanaca

1. Hvatač lanca ne smije biti oštećen.
2. Hvatač lanca mora biti stabilan i pričvršćen na kućište proizvoda. (Sl. 115)

Provjerite funkcije korisničkog sučelja

1. Pokrenite proizvod. Pogledajte *Pokretanje proizvoda na stranici 297*.
2. Pritisnite i zadržite gumb za pokretanje/ zaustavljanje.
3. Pobrinite se za to da se proizvod zaustavi i da se isključuje zeleni LED indikator. (Sl. 66)

Pregled baterije i držača baterije

1. Bateriju i držač baterije očistite mekom četkicom.
2. Očistite rashladne otore i priključke baterije. (Sl. 116)
3. Uvjerite se da baterija nema napuklina i da nije oštećena.

Provjera punjača baterije

1. Punjač baterije i kabel napajanja ne smiju biti oštećeni. Potražite napukline i slična oštećenja. (Sl. 117)

Čišćenje rashladnog sustava

Rashladni sustav temperaturu motora održava niskom. Rashladni sustav sastoji se od dovoda zraka na lijevoj strani proizvoda i ventilatora na motoru.

1. Rashladni sustav čistite četkom jedanput tjedno ili češće ako je to potrebno. (Sl. 118)
2. Provjerite je li rashladni sustav čist i prohodan.



OPREZ: Prljav ili neprohodan rashladni sustav može uzrokovati pregrijavanje proizvoda. Tako oštećujete proizvod.

Oštrenje lanca pile

Informacije o vodilici i lancu motorne pile



UPOZORENJE: Pri radu s lancem motorne pile ili njegovim održavanjem nosite zaštitne rukavice. Lanac motorne pile koji se ne pokreće također može prouzročiti ozljede.

Istrošenu ili oštećenu vodilicu ili lanac motorne pile zamijenite kombinacijom vodilice i lanca motorne pile koju preporučuje poduzeće Husqvarna. To je neophodno za očuvanje sigurnosnih funkcija proizvoda. Popis kombinacija rezervnih vodilica i lanaca koje mi preporučujemo potražite ovdje *Dodaci na stranici 308*.

- Duljina vodilice, inči/cm. Informacije o duljini vodilice obično se mogu pronaći sa stražnje strane vodilice.

(Sl. 119)

- Broj zubaca na vršnom zupčaniku vodilice (T).

(Sl. 120)

- Razmaci u lancu, inči. Razmak između pogonskih karika lanca motorne pile mora odgovarati razmaku između zubaca na vršnom zupčaniku vodilice i pogonskih zupčanika.

(Sl. 121)

- Broj pogonskih članaka. Broj pogonskih članaka određuje vrsta vodilice.

(Sl. 122)

- Širina utora u vodilici, inči/mm. Širina utora u vodilici mora biti ista kao i širina pogonskih članaka lanca.

(Sl. 123)

- Provrt za ulje za lanac i provrt za napravu za zatezanje lanca. Vodilica se mora poklapati s proizvodom.

(Sl. 124)

- Širina pogonskih članaka, mm/inči.

(Sl. 125)

Opće informacije o oštrenju rezača

Nemojte upotrebljavati tupi lanac pile. Ako je lanac pile tup, za guranje vodilice kroz drvo potreban je veći pritisak. Ako je lanac pile vrlo tup, neće biti iverja, nego samo piljevine.

Oštar lanac pile reže kroz drvo, a iverje je dugačko i debelo.

Zubac za rezanje (A) i mjerač dubine (B) zajedno tvore dio za rezanje lanca motorne pile, kružnu pilu. Razlika

u visini između to dvoje predstavlja dubinu rezanja (postavka mjerača dubine).

(Sl. 126)

Kada oštrote kružnu pilu, razmišljajte o sljedećem:

- Kut oštrenja.

(Sl. 127)

- Kut rezanja.

(Sl. 128)

- Položaj turpije.

(Sl. 129)

- Promjer okrugle turpije.

(Sl. 130)

Nije lako pravilno naoštрити lanac motorne pile bez odgovarajuće opreme. Upotrijebite Husqvarna preporučeni mjerac razmaka. To će vam pomoći u očuvanju maksimalnih reznih učinaka, a svodi opasnost od povratnog trzaja na minimum.



UPOZORENJE: Snaga povratnog trzaja znatno se povećava ako ne slijedite upute za oštrenje.

Napomena: Pogledajte *Dodaci na stranici 308* za informacije o oštrenju lanca pile.

Oštrenje rezača

1. Rezne zupce oštrote pomoću okrugle turpije i mjeraca razmaka. (Sl. 131)

Napomena: Pogledajte *Dodaci na stranici 308* za informacije o turpijama i mjeracima koje tvrtka Husqvarna preporučuje za vaš lanac pile.

2. Ispravno postavite mjerac razmaka na rezač. Pogledajte upute priložene mjeracu razmaka.
3. Turpiju pomičite od unutarnje strane reznih zubaca prema van. Smanjite pritisak pri povlačenju. (Sl. 132)
4. Uklonite materijal s jedne strane svih reznih zubaca.
5. Okrenite proizvod i uklonite materijal s druge strane.
6. Svi rezni zupci moraju biti iste duljine.

Opće informacije o načinu podešavanja postavke mjeraca dubine

Postavka mjeraca dubine (C) smanjuje se kad oštrote rezni zubac (A). Radi očuvanja maksimalnih reznih učinaka morate ukloniti isturpijani materijal iz mjeraca dubine (B) da biste dobili preporučenu postavku mjeraca dubine. Za upute o načinu dobivanja ispravne postavke mjeraca dubine za vaš lanac motorne pile pogledajte *Dodaci na stranici 308*.

(Sl. 133)



UPOZORENJE: Prevelika postavka mjeraca dubine povećava rizik od povratnog trzaja!

Podešavanje postavke mjeraca dubine

Prije podešavanja postavke mjeraca dubine ili oštrenja kružne pile za upute pogledajte *Oštrenje rezača na stranici 303*. Preporučujemo vam podešavanje mjeraca dubine nakon svakog trećeg oštrenja reznih zubaca.

Preporučujemo vam uporabu našeg mjeraca dubine kako biste dobili ispravnu postavku mjeraca dubine i ispravan kut mjeraca dubine.

(Sl. 134)

1. Plosnatom turpijom i alatom mjeraca dubine podesite postavku mjeraca dubine. Upotrebljavajte samo preporučeni alat mjeraca dubine proizvođača Husqvarna da biste dobili ispravnu postavku mjeraca dubine i kut mjeraca dubine.
2. Alat mjeraca dubine postavite na lanac motorne pile.

Napomena: Za više informacija o načinu uporabe tog alata pogledajte pakiranje mjeraca dubine.

3. Plosnatom turpijom uklonite dio mjeraca dubine koji izviri iz alata mjeraca dubine. (Sl. 135)

Prilagodba zategnutosti lanca pile



UPOZORENJE: Ako je lanac motorne pile neispravno zategnut, može se olabaviti s vodilice i prouzročiti teške ozljede ili smrt.

Tijekom uporabe lanac pile se rasteže. Redovito podešavajte lanac motorne pile. Provjerite zategnutost lanca pile pri svakom ulijevanju ulja za lanac.

Napomena: Tijekom razdoblja uhodavanja novog lanca pile nužno je češće provjeravati zategnutost.

Prilagodba zategnutosti lanca pile (s kotačićem vodilice)

1. Preklapajte kotačić dok se ne otvori. (Sl. 136)
2. Okrećite kotačić u smjeru suprotnom od kazaljke na satu kako biste otpustili poklopac pogonskog lančanika. (Sl. 137)
3. Okrećite kotačić za zatezanje lanca za podešavanje zategnutosti lanca pile. Lanac pile mora biti zategnut uz vodilicu. (Sl. 138)

Napomena: Okrećite kotačić dolje (+) za povećanje zategnutosti i gore (-) za smanjenje zategnutosti.

4. Lanac pile morate moći slobodno pomicati rukom, ali ne smije visjeti s vodilice. (Sl. 139)
5. Okrećite kotačić u smjeru kazaljke na satu kako biste zategnuli kotačić vodilice. (Sl. 140)
6. Preklopite kotačić dolje kako biste blokirali zategnutost. (Sl. 141)

Prilagodba zategnutosti lanca pile (s vijkom vodilice)

1. Odvrtite maticu vodilice koja pridržava poklopac pogonskog zupčanika. Koristite kombinirani ključ. (Sl. 142)
2. Podignite prednji dio vodilice pa okrenite vijak za zatezanje lanca. Koristite kombinirani ključ.
3. Pritegnite lanac pile dok ne bude čvrsto naljegao na vodilicu. (Sl. 143)
4. Pritežite maticu vodilice kombiniranim ključem i istovremeno podižite prednji dio vodilice. (Sl. 144)
5. Lanac pile morate moći slobodno pomicati rukom, ali ne smije visjeti s vodilice. (Sl. 139)

Napomena: Pogledajte *Pregled proizvoda na stranici 286* za položaj vijka za zatezanje lanca na svom proizvodu.

Provjera podmazivanja lanca motorne pile

Podmazanost lanca pile provjerite pri svakom trećem punjenju baterije.

1. Pokrenite proizvod i pogonite ga na 3/4 snage. Vodilicu držite približno 20 cm (8" inča) iznad svijetlo obojane površine.
2. Ako je lanac pile ispravno podmazan, nakon jedne minute na površini pojavljuje se jasna crta ulja. (Sl. 145)
3. Ako lanac pile nije pravilno podmazan, provedite sljedeće provjere.
 - a) Pregledajte uljni kanal u vodilici kako biste se uvjerali da nije neprohodan. Očistite po potrebi. (Sl. 146)
 - b) Pregledajte je li utor na rubu vodilice čist. Očistite po potrebi. (Sl. 147)
 - c) Provjerite pokreće li se lančanik na vrhu vodilice slobodno te je li otvor za podmazivanje na vrhu vodilice prohodan. Očistite i podmažite po potrebi. (Sl. 148)

4. Ako se lanac nakon provedbe prethodnih koraka i dalje ne podmazuje, obratite se servisnom distributeru.

Pregled pogonskog zupčanika lanca

- Provjerite istrošenost pogonskog zupčanika lanca. Po potrebi zamijenite pogonski zupčanik lanca.
- Zamijenite pogonski zupčanik lanca svaki put kada mijenjate lanac pile. (Sl. 149)

Pregled opreme za rezanje

1. Pobrinite se da u nitnama i sponama nema pukotina te da nitne nisu olabavljene. Po potrebi ih zamijenite. (Sl. 150)
2. Pobrinite se da se lanac motorne pile može lako savijati. Zamijenite lanac motorne pile ako je krut.
3. Usporedite lanac motorne pile s novim lancem motorne pile da biste provjerali jesu li nitne i spone istrošene.
4. Zamijenite lanac motorne pile kada je najdulji dio reznih zubaca manji od 4 mm / 0,16 inči. Također zamijenite lanac motorne pile ako na kružnoj pili postoje pukotine. (Sl. 151)

Provjera vodilice

1. Pobrinite se za prohodnost kanala za ulje. Ako je to potrebno, očistite ga. (Sl. 146)
2. Pregledajte ima li strugotina na rubovima vodilice. Turpijom odstranite strugotine. (Sl. 152)
3. Očistite utor u vodilici. (Sl. 147)
4. Pregledajte je li istrošen utor u vodilici. Ako je potrebno, zamijenite vodilicu. (Sl. 153)
5. Pregledajte je li vrh vodilice grub ili vrlo istrošen. (Sl. 154)
6. Pobrinite se da se vršni zupčanik vodilice može slobodno okretati i da nije začepljen provrt za podmazivanje u vršnom zupčaniku vodilice. Očistite i podmažite ako je to potrebno. (Sl. 148)
7. Okrećite vodilicu svakodnevno da biste joj produljili životni vijek. (Sl. 155)

Rješavanje problema

Korisničko sučelje

LED zaslon	Moguće pogreške	Moguće rješenje
Treperi indikator upozorenja.	Aktivirana je kočnica lanca.	Deaktivirajte kočnicu lanca.
	Odstupanje temperature.	Pustite da se proizvod ohladi.
	Preopterećenje. Lanac pile se ne kreće.	Otpustite lanac pile.
	Okidač paljenja i gumb za pokretanje/zaustavljanje pritisnuti su istovremeno.	Otpustite okidač paljenja za aktivaciju proizvoda.
Treperi narančasti LED indikator aktiviranja.	Nizak napon baterije.	Napunite bateriju.
Uključen je indikator upozorenja.	Servis.	Obratite se servisnom zastupniku.

Baterija

LED zaslon	Moguće pogreške	Moguće rješenje
Zeleni LED indikator treperi.	Nizak napon baterije.	Napunite bateriju.
Treperenje LED indikatora za pogreške.	Odstupanje temperature.	Bateriju upotrebljavajte u rasponu temperatura od -10 °C (14 °F) i 40 °C (104 °F).
	Prevelik napon.	Provjerite odgovara li napon mreže naponu na proizvodu. Pogledajte natpisnu pločicu na proizvodu. Izvadite bateriju iz punjača baterije.
Uključuje se crveni LED indikator pogreške.	Prevelika razlika između ćelija (1 V).	Obratite se servisnom zastupniku.

Punjač baterije

Stanje	Moguće pogreške	Mogući postupak
LED indikator punjenja crvene je boje.	Trajni problem punjača baterije.	Obratite se zastupniku.
LED indikator punjenja trepće zelenom bojom.	Odstupanje od temperature, baterija je ili prehladna ili prevruća za upotrebu ili punjenje.	Pustite da se baterija ohladi ili zagrije. Kada baterija postigne pravu temperaturu, možete je ponovo upotrebljavati ili puniti. Punjač baterije upotrebljavajte na temperaturi okoline između 5 °C (41 °F) i 40 °C (104 °F).
LED indikator punjenja trepće crvenom bojom.	Neispravna baterija	Obratite se zastupniku

Prijevoz, spremanje i zbrinjavanje

Prijevoz i skladištenje

- Isporučene litij-ionske baterije podliježu zahtjevima propisa o opasnim proizvodima.
- Pridržavajte se posebnih zahtjeva o pakiranju i označavanju u komercijalnom transportu, uključujući treće strane i prijevoznike.
- Prije slanja proizvoda obratite se osobi s posebnom obukom za opasni materijal. Pridržavajte se svih mjerodavnih nacionalnih propisa.
- Kada bateriju stavljate u pakiranje, otvorene kontakte prelijepite trakom. Učvrstite bateriju u pakiranju kako biste onemogućili pomicanje.
- Izvadite bateriju prilikom prijevoza ili skladištenja.
- Bateriju i punjač baterije spremite u suh prostor bez vlage i mraza.
- Bateriju nemojte spremite u prostor u kojem može nastati statički elektricitet. Bateriju nemojte čuvati u metalnoj kutiji.
- Bateriju uskladištite na mjestu s temperaturom između 5 °C / 41 °F i 25 °C / 77 °F te izvan izravnog sunčeva svjetla.
- Punjač baterije uskladištite na mjestu s temperaturom između 5 °C / 41 °F i 45 °C / 113 °F te izvan izravnog sunčeva svjetla.
- Punjač baterije upotrebljavajte samo pri temperaturama okoline između 5 °C / 41 °F i 40 °C / 104 °F.
- Prije dugotrajnog skladištenja bateriju napunite na 30 % do 50 %.

- Punjač baterije uskladištite u zatvorenom i suhom prostoru.
- Tijekom skladištenja bateriju držite podalje od punjača baterije. Djeci i drugim neovlaštenim osobama onemogućite dodirivanje opreme. Opremu spremite u prostor koji možete zaključati.
- Prije dugotrajnog skladištenja proizvoda očistite ga i provedite cjeloviti servis.
- Na proizvod prije transporta i skladištenja postavite prijenosni štitnik kako biste spriječili ozljede ili oštećenje proizvoda.
- Čvrsto pričvrstite proizvod tijekom transporta.

Zbrinjavanje baterije, punjača baterije i proizvoda

Simbol u nastavku označava proizvod koji se ne ubraja u kućanski otpad. Reciklirajte ga u reciklažnoj stanici za električnu i elektroničku opremu. Tako sprječavate oštećenje okoliša i ozljeđivanje osoba.

Više informacija zatražite od lokalnih vlasti, komunalne službe ili distributera.

(Sl. 24)

Napomena: Simbol se nalazi na proizvodu ili pakovanju proizvoda.

Tehnički podaci

Tehnički podaci

	225i
Motor	
Vrsta	BLDC (beskontaktni) 36 V
Značajke	
Način rada niske energije	SavE
Sustav podmazivanja	
Vrsta pumpe za ulje	Automatska
Zapremnina spremnika ulja, ml/cm ³	0,2/200
Težina	
Elektromotorna pila bez baterije, vodilice, lanca pile i s praznim spremnikom ulja za lanac, kg	3,1
Emisije buke ⁴²	
Izmjerena jačina zvuka dB(A)	97
Jamčena razina jakosti zvuka L _{WA} dB (A)	100
Jačina zvuka ⁴³	
Razina zvučnog tlaka na uhu rukovatelja, izmjerena sukladno EN 62841-1	89
Razine vibracije ⁴⁴	
Prednja ručka m/s ²	3,9
Stražnja ručka m/s ²	3,9
Lanac pile / vodilica	
Preporučene duljine vodilice, in/cm	12 – 14 / 30,5 – 35,6
Iskoristiva rezna duljina, in/cm	11 – 13 / 27 – 33,2
Vrsta pogonskog zupčanika / broj zubaca	Čeoni/6
Maksimalna brzina lanca / (normalni način rada), m/s	11,8
Maksimalna brzina lanca / (način rada SavE), m/s	9,4

⁴² Emisije buke u okoliš izmjerene kao jakost zvuka (L_{WA}) u skladu s Direktivama 2000/14/EC i EN ISO 22868 imaju tipično statističko raspršenje (standardno odstupanje) od 3 dB (A).

⁴³ Navedeni podaci za razinu pritiska zvuka za stroj uključuju tipično statističko raspršenje (standardno odstupanje) od 3 dB (A).

⁴⁴ Razina vibracija, u skladu s EN 62841-4-1. Podaci o razini vibracije pokazuju tipičnu statističku disperziju (standardnu devijaciju) od $\pm 1,5$ m/s². Navedeni podaci vibracija iz mjerenja kada je stroj opremljen s dužinom vodilice i preporučenom vrstom lanca. Ako je stroj opremljen vodilicom drugačije duljine, razina vibracije može varirati maksimalno $\pm 1,5$ m/s².

Dodaci

Kombinacije vodilice i motorne pile



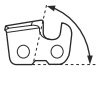


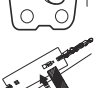
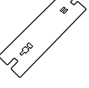



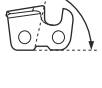


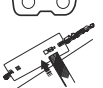
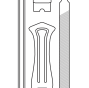

Sljedeći rezni nastavci odobreni su za Husqvarna 225i.

Vodilica					Lanac pile	
Vrsta	Duljina, inči	Korak lanca, inči	Mjerač, mm	Maks. polu-mjer vrha vodilice	Vrsta	Duljina, pogonski članci (br.)
501959545	12.	3/8" mini	1,1	7T	Husqvarna H38 (581808145)	45.
501959552	14	3/8" mini	1,1	7T	Husqvarna H38 (581807952)	52.

Oprema za oštrenje i kutovi oštrenja

Upotrijebite mjerač razmaka tvrtke Husqvarna za oštrenje lanca pile. Mjerač razmaka tvrtke Husqvarna osigurava ispravne kutove turpijanja. Brojčane oznake dijelova pronaći ćete u niže navedenoj tablici.

Ako niste sigurni kako identificirati vrstu lanca pile na svom proizvodu, za više informacija pogledajte www.husqvarna.com.

							
38.	11/64" / 4,5 mm	75°	30°	0°	0,025" / 0,65 mm	505 69 81-03	579 55 88-01
							
93	5/32 inča / 4,0 mm	60°	30°	0°	0,025" / 0,65 mm	596 63 89-01	596 63 89-01

Odobrene baterije

Baterija	40-B140
Vrsta	Litij-ion
Kapacitet baterije, Ah	4
Nazivni napon, V	36

Baterija	40-B140
Težina, kg	1.25

Odobreni punjači baterije za proizvod

Punjač baterije	40-C80
Mrežni napon, V	100 – 240
Frekvencija, Hz	50 – 60
Snaga, W	72
Izlazni napon, V DC / Amperi, A	43/1,6

Izjava o sukladnosti

EU izjava o sukladnosti

Mi, **Husqvarna AB**, SE-561 82 Huskvarna, Švedska, tel: +46-36-146500, pod punom odgovornošću izjavljujemo da proizvod:

Opis	Bežična motorna pila
Marka	Husqvarna
Vrsta/model	225i
Identifikacija	Serijski brojevi iz 2023 i noviji

u potpunosti su sukladni sljedećim EU direktivama i propisima:

Direktiva/propis	Opis
2006/42/EC	„o strojevima“
2014/30/EU	„koja se odnosi na elektromagnetsku kompatibilnost“
2011/65/EU	„o ograničenoj upotrebi određenih opasnih tvari u električnoj i elektroničkoj opremi“
2000/14/EC	„koja se odnosi na emisije buke u okoliš“

Primijenjeni su sljedeći standardi: EN 62841-1:2015+A11:2022, EN 62841-4-1:2020, EN IEC 63000:2018, EN IEC 55014-1:2021, EN IEC 55014-2:2021.

Prijavljeno tijelo: TÜV Rheinland LGA Products GmbH, Tillystrasse 2, D-90431 Nuernberg, Germany, 0197, proveo je ispitivanje tipa EZ sukladno direktivi o strojevima (2006/42/EC) članak 12., točka 3b. Certifikat ima broj: BM 50604678 0001.

Isporučena motorna pila usklađena je s primjerkom uređaja na kojemu je provedeno EZ tipno ispitivanje.

U skladu s direktivom 2000/14/EC, dodatkom V, pogledajte *Tehnički podaci na stranici 307* za navedene vrijednosti zvuka.

Huskvarna, 2023-10-30



Claes Losdal, Menadžer odjela za istraživanje i razvoj,
Husqvarna AB

Osoba odgovorna za tehničku dokumentaciju



TARTALOMJEGYZÉK

Bevezető.....	311	Hibaelhárítás.....	332
Biztonság.....	312	Szállítás, tárolás és ártalmatlanítás.....	333
Összeszerelés.....	320	Műszaki adatok.....	334
Üzemeltetés.....	321	Tartozékok.....	335
Karbantartás.....	327	Megfelelőségi nyilatkozat.....	337

Bevezető

Rendeltetés szerű használat

Ez az erdészeti láncfűrész erdőgazdálkodási munkákhoz, például fadóntéshez, gallyazáshoz és vágáshoz készült.

Megjegyzés: A termék működtetésére nemzeti jogszabályok általi korlátozások vonatkozhatnak.

A termék áttekintése

(ábra 1)

1. Első kézvédő
2. Elülső fogantyú
3. Felhasználói felület
4. Indító-/leállítógomb
5. Figyelmeztetés- és akkumulátorjelző
6. SavE gomb
7. Hátsó markolat jobb oldalsó kézvédővel
8. Tájékoztató és figyelmeztető címke
9. Ház
10. Láncolaj tartálya
11. Szállítótok
12. Kapcsológomb retesze
13. Kapcsológomb
14. Csillagkerék-fedél a vezetőlemez rögzítógombjával
15. Láncfeszítő
16. Láncfogó
17. Röntámasz
18. Vezetőlemez orrkereke
19. Fűrészlánc
20. Vezetőlemez
21. A töltöttségi állapot jelzőfénye
22. Csatlakozó
23. Akkumulátortöltő
24. Kombinált kulcs
25. Figyelmeztetésjelző
26. Gomb, akkumulátortöltöttség
27. Az akkumulátor állapot
28. Akkumulátorkioldó gomb
29. Akkumulátor
30. Kezelői kézikönyv
31. Vezetőlemez rögzítógombja

Termékleírás

A Husqvarna 225i egy elektromos motorral rendelkező láncfűrész.

Folyamatosan dolgozunk azon, hogy javítani tudjuk az ügyfeleink használat közbeni biztonságát és hatékonyságát. További tájékoztatásért forduljon az illetékes szakszervizhez.

32. Csillagkerék-fedél a vezetőlemez rögzítő töcsavarjával

A terméken található jelzések

- (ábra 2) **FIGYELMEZTETÉS:** A termék veszélyes lehet a kezelőre és másokra, valamint a súlyos sérüléseket és halálukat okozhatja. Körültekintően járjon el, és megfelelően használja a terméket.
- (ábra 3) Olvassa el a használati utasítást, és a termék használatba vétele előtt mindenképpen legyen tisztában a benne foglaltakkal.
- (ábra 4) Viseljen jóváhagyott védősisakot, valamint fül- és szemvédőt.
- (ábra 5) Működtetés közben mindig két kézzel tartsa a terméket.
- (ábra 6) Ne használja a terméket csak egy kézzel.
- (ábra 7) Ügyeljen, hogy a vezetőlemez csúcsa ne érjen hozzá semmihez.
- (ábra 8) Ne használja a készüléket esőben.
- (ábra 9) Figyelmeztetés! Visszarúgás történhet, ha a vezetőlemez orra hozzáér egy tárgyhoz. Ennek következtében a vezetőlemez a kezelő irányába mozdul el. Súlyos sérülés és halál kockázata.
- (ábra 10) Feszültségosztály, V

- (ábra 11) Láncolaj.
- (ábra 12) A fűrészlánc forgásiránya és a vezetőlemez maximális hossza.
- (ábra 13) Egyenáram.
- (ábra 14) **Környezetvédelmi jelzés.** A termék és a termék csomagolása nem minősül háztartási hulladéknak. Újrahasznosítását egy elektromos és elektronikus berendezések újrahasznosítására szolgáló ponton kell elvégezni.
- (ábra 15) Ez a termék megfelel a vonatkozó EK irányelveknek.
- (ábra 16) Jelen termék megfelel a vonatkozó Egyesült Királyságban hatályos szabályozásoknak.
- (ábra 17) A 2000/14/EK számú európai irányelvnek, az Egyesült Királyság irányelveinek és jogszabályainak, és New South Wales „Környezetben történő munkavégzés szabályozása (zajszabályozás), 2017” irányelvnek megfelelő környezeti zajkibocsátási címke. A termék garantált hangteljesítményszintjére vonatkozó adatok megtalálhatók az alábbi részen: *Műszaki adatok334. oldalon* és a címkén.
- (ábra 21) Lánccfék, bekapcsolva (előre). Lánccfék, kikapcsolva (hátra).
- (ábra 22) A lánc mozgásiránya.
- (ábra 23) A típustáblán megtalálható a sorozatszám. **6666** a gyártási év, **hh** pedig a gyártási hét.

Megjegyzés: A terméken szereplő többi jel/címke egyes piacok specifikus vizsgáztatási követelményeire vonatkozik.

Szimbólumok az akkumulátoron, illetve az akkumulátortöltőn

- (ábra 24) A termék újrahasznosítását elektromos és elektronikus berendezések újrahasznosítására szolgáló ponton kell elvégezni. (Kizárólag Európára vonatkozik)
- (ábra 18) Meghibásodásbiztos transzformátor.
- (ábra 19) Az akkumulátortöltőt kizárólag beltérben szabad használni és tárolni.
- (ábra 20) Kettős szigetelés.

Gyártó

Husqvarna AB
Drottningatan 2, SE-561 82, Huskvarna, Sweden, tel: +46-36-146500

A termék károsodása

A termékben keletkezett károkat nem vállalunk felelősséget, amennyiben:

- a termék javítását helytelenül végezték;
- a termék javítása nem a gyártótól származó vagy általa jóváhagyott alkatrészekkel történt;
- a terméket nem a gyártótól származó vagy általa jóváhagyott kiegészítővel szerelték fel;
- a termék javítását nem hivatalos szakszerviz vagy jóváhagyott egyéb szerviz végezte.

Biztonság

Biztonsági meghatározások

A figyelmeztetések, óvintézkedések és megjegyzések a használati utasítás kiemelten fontos részeire hívják fel a figyelmet.



FIGYELMEZTETÉS: Akkor használatos, ha a kézikönyv utasításainak be nem tartása esetén fennáll a kezelő vagy a közelben tartózkodók sérülésének vagy halálának veszélye.



VIGYÁZAT: Akkor használatos, ha a kézikönyv utasításainak be nem tartása esetén fennáll a vagyoni kár, illetve a termék vagy a környező terület károsodásának veszélye.

Megjegyzés: További információt biztosít az adott helyzetben szükséges tennivalókról.

A motoros szerszámmal kapcsolatos általános biztonsági figyelmeztetések



FIGYELMEZTETÉS: Olvassa el a jelen szerszámgépre vonatkozó összes biztonsági utasítást, útmutatást, ábrát és specifikációt. A az alább felsorolt utasítások figyelmen kívül hagyása áramütést, tüzet és/ vagy komoly sérülést okozhat.

- Tegyen el minden figyelmeztetést és utasítást, mert a jövőben szüksége lehet rájuk. A „motoros szerszám” kifejezés a figyelmeztetésekben a hálózatról működő (vezetékes) motoros szerszámra vagy az akkumulátorról működő (vezeték nélküli) motoros szerszámra vonatkozik.

A munkaterület biztonsága

- Tartsa a munkaterület tisztán és világítsa meg jól. A zsúfolt vagy sötét területeken könnyen bekövetkeznek balesetek.
- Ne működtesse a motoros szerszámot robbanásveszélyes környezetben, pl. gyúlékony folyadékok, gázok vagy por jelenlétében. A motoros szerszám szikrát vethet, amely begyűjthetja a port vagy a kipárolgást.
- Tartsa távol a gyermekeket és a szemlélődőket a motoros szerszám működtetése közben. A figyelem elvonása miatt elvesztheti az uralmát a szerszám felett.

Elektromos biztonság

- A motoros szerszám dugaszának illeszkednie kell az aljzatba. A dugón soha semmilyen átalakítást ne végezzen. Ne használjon adapter dugaszt a földelt motoros szerszámokhoz. Kisebb az áramütés veszélye, ha eredeti dugókat és hozzájuk illő aljzatokat használ.
- Kerülje el a földelt felületekkel, pl. csövekkel, radiátorokkal, tűzhelyekkel és hűtőszekrényekkel való érintkezést. Megnövekszik az áramütés veszélye, ha a teste le van földelve.
- Ne tegye ki a motoros szerszámot esőnek, és ne tartsa azt nedves környezetben. A gépbe jutó víz növeli az áramütés kockázatát.
- Ne bánjon durván a kábellel. Soha ne használja a kábelt a motoros szerszám hordozására, húzására vagy a dugasz kihúzására. Tartsa távol a kábelt hőtől, olajtól, éles széléktől vagy mozgó alkatrészekről. A sérült vagy összegabalyodott kábelek megnövelik az áramütés kockázatát.
- Ha kültéren használja a motoros szerszámot, használjon kültéri használatra megfelelő hosszabbítókábelt. A kültéri alkalmazáshoz megfelelő hosszabbító használata csökkenti az áramütés veszélyét.
- Ha a szerszámgépet feltétlenül nedves helyen kell használni, alkalmazzon életvédelmi relével

(RCD) védett tápellátást. Az RCD használatával csökkenthető az áramütés kockázata.

Személyes biztonság

- Legyen elővigyázatos, figyeljen arra, amit csinál, és használja a józan eszét a motoros szerszám működtetése során. Ne használja a motoros szerszámot, ha fáradt, vagy ha gyógyszer, gyógykezelés vagy alkohol hatása alatt áll. A szerszám működése közben egy pillanatnyi figyelemkiesés súlyos személyi sérülést okozhat.
- Használjon személyi védőfelszerelést. Mindig használjon szemvédőt. A megfelelő környezetben a védőfelszerelések, például a pormaszk, a csúszásgátló védőcipő, a kemény fejtető és a fülvédő használata csökkenti a személyi sérülések kockázatát.
- Akadályozza meg a véletlen indítást. Ellenőrizze, hogy a bekapcsoló gomb kikapcsolt állásban van-e, mielőtt csatlakoztatja az áramforrást és/vagy az akkumulátort, illetve felveszi vagy szállítja a szerszámot. Az ujjá kapcsolón tartásával vagy a bekapcsolt motoros szerszám áram alá helyezésével balesetet okozhat.
- Távolítsa el minden beállító kulcsot vagy csavarkulcsot, mielőtt bekapcsolná a motoros szerszámot. A motoros szerszám forgó alkatrészéhez csatlakozó kulcs vagy más szerszám személyi sérülést okozhat.
- Ne nyújtózkodjon a termékek. Mindig szilárdan álljon a talajon, és őrizze meg az egyensúlyát. Így jobban uralhatja a motoros szerszámot váratlan helyzetekben.
- Öltözködjön megfelelően. Ne viseljen ékszereket, rövidnadrágot, szandált, illetve ne legyen meztőláb. Tartsa távol a haját és ruházatát a mozgó alkatrészekről. A mozgó alkatrészek bekapathatják a laza ruhát, az ékszer vagy a hosszú haját.
- Ha a készülékhez csatlakoztatható porgyújtó berendezés, akkor mindig csatlakoztassa és használja azt. A porgyújtó alkalmazása csökkenti a porral kapcsolatos veszélyeket.
- A szerszámok rendszeres használatából adódó tapasztalata ne vezessen oda, hogy a terméket könnyelműen, a szerszám biztonsági alapelvek figyelmen kívül hagyásával működteti. Egy gondatlanul kivitelezett művelet akár egy századmásodperc alatt is súlyos sérüléshez vezethet.

A motoros szerszám használata és karbantartása

- Ne erőltesse a motoros szerszámot. Használjon a feladathoz megfelelő motoros szerszámot. A megfelelő szerszámgép jobb és biztonságosabb munkát fog végezni azon a sebességen, amire tervezték.
- Ne használja a motoros szerszámot, ha a kapcsoló nem kapcsolja ki vagy be. A kapcsolóval

nem vezérelhető szerszámgépek veszélyesek és javítandók.

- **Húzza ki a dugaszt az áramforrásból és/vagy vegye ki az akkumulátort (amennyiben kivethető), ha bármilyen beállítást végez, kicserél egy tartozékot vagy tárolja a motoros szerszámot.** Az ilyen megelőző biztonsági intézkedések csökkentik a motoros szerszám véletlen elindításának veszélyét.
- **A nem használt motoros szerszámot tartsa távol a gyermekektől, és ne engedje, hogy olyan személyek működtessék, akik nem ismerik a motoros szerszámot és ezeket az utasításokat.** A motoros szerszámok képzetlen felhasználók kezében veszélyt jelentenek.
- **Végezze el a szerszámgépek és tartozékok karbantartását. Ellenőrizze a mozgó alkatrészek hibás elhelyezkedését és rögzítését, az alkatrészek sérülését, és minden olyan állapotot, amely hatással lehet a szerszám működésére.** Ha sérült, javíttassa meg a motoros szerszámot használat előtt. A rosszul karbantartott motoros szerszámok rengeteg balesetet okoznak.
- **Tartsa élesen és tisztán a vágószerszámokat.** A megfelelően karbantartott, éles vágószerszámok kevésbé hajlamosak a beszorulásra, és könnyebb kezelni őket.
- **A szerszámot, a tartozékokat és az alkatrészeket stb. ezen utasításokkal összhangban használja, vegye figyelembe a munkakörülményeket és az elvégzendő feladatot.** Ha a szerszámgépet másféle tevékenységre használják, mint amire tervezték, veszélyes helyzet állhat elő.
- **A fogantyúkat és fogófelületeket tartsa szárazon, tisztán, olaj- és zsírmentesen.** A csúszós fogantyúk és fogófelületek nem teszik lehetővé a szerszám biztonságos kezelését és irányítását váratlan helyzetekben.

Az akkumulátor használata és karbantartása

- **Csak a gyártó által meghatározott töltővel töltsen.** Az a töltő, amelyik az egyik típusú akkumulátorhoz használható, tűzveszélyes lehet, ha másik típusú akkumulátorral használják.
- **A motoros szerszámokat csak a típusuknak megfelelő akkumulátorokkal használja.** Bármilyen más típusú akkumulátor használata sérülés- és tűzveszélyes.
- **Amikor az akkumulátort nem használja, tartsa távol más fémtárgyaktól, például gémkapcsoktól, érméktől, kulcsoktól, tűktől, csavaroktól vagy más kisebb fémtárgyaktól, amelyek összekapcsolhatják a sarukat.** Az akkumulátorsaruk rövidre zárása égést vagy tüzet okozhat.
- **Nem megfelelő körülmények hatására az akkumulátorból folyadék szivároghat ki. Kerülje az érintkezést. Ha ez véletlenül mégis megtörténik,**

öblítse le vízzel. Ha a folyadék szembe kerül, forduljon orvoshoz. Az akkumulátorból távozó folyadék irritációt vagy égési sérülést okozhat.

- **Ne használjon sérült vagy módosított akkumulátort vagy szerszámot.** A sérült vagy módosított akkumulátorok kiszámíthatatlanul viselkedhetnek, ami tüzet, robbanást vagy sérülést okozhat.
- **Az akkumulátort vagy szerszámot ne tegye ki tűznek vagy túl magas hőmérsékletnek.** A tűznek való kitettség, illetve a 130 °C/266 °F feletti hőmérséklet robbanást okozhat.
- **Kövesse a töltésre vonatkozó utasításokat, és ne töltsen az akkumulátort vagy a szerszámot az utasításokban megadott hőmérséklet-tartományon kívül.** A nem megfelelő, illetve a megadott tartományon kívül eső hőmérsékleten való töltés károsíthatja az akkumulátort és növeli a tűzveszélyt.

Szervizelés

- **A motoros szerszám szervizelését képzett szerelővel végeztesse el, aki kizárólag eredeti cserealkatrészeket használ.** Így fenntartható a motoros szerszám biztonsága.
- **Soha ne szervizelje a sérült akkumulátort.** Az akkumulátor szervizelését csak a gyártó vagy egy hivatalos szolgáltató végezheti el.

Láncfűrészre vonatkozó általános biztonsági figyelmeztetések

- **A láncfűrész használatakor minden testrészét tartsa távol a fűrészlánctól. A láncfűrész beindítása előtt győződjön meg róla, hogy a fűrészlánc semmilyhez sem ér hozzá.** A láncfűrész használatakor a fűrészlánc egy pillanatnyi figyelmetlenség hatására is belekapathat ruházatába vagy testébe.
- **Mindig fogja szilárdan a motorfűrész, a jobb kézzel a hátsó, bal kézzel az előlő fogantyút.** Soha ne cserélje fel a kezét, mert ez növeli a személyi sérülés veszélyét.
- **A láncfűrész kizárólag a szigetelt fogófelületeknél tartsa, mert a fűrészlánc rejtett kábelekkal érintkezhet.** Ha a fűrészláncok feszültség alatt álló vezetékkel érintkeznek, a láncfűrész bizonyos fémrészei is feszültség alá kerülhetnek, és így a kezelőjét áramütés érheti.
- **Viseljen védőszemüveget. További biztonsági felszerelés használata is javasolt a hallás, fej, kézfej, láb és lábfej védelmére.** A megfelelő védőfelszereléssel mérsékelhető az elrepülő törmelék vagy a fűrészlánc véletlen érintése okozta személyi sérülés.
- **Ne működtesse a láncfűrész fán, létrán és háztetőn állva, vagy egyéb instabil állványon.** A láncfűrész ilyen módon történő működtetése súlyos személyi sérüléshez vezethet.⁴⁵

⁴⁵ Ha Ön képzett a speciális vágási és munkavégzési technikák terén, és megfelelően rögzíti magát (emelőkösár, kötelek, biztonsági heveder segítségével), eltérhet ezen biztonsági előírásoktól.

- **Mindig gondoskodjon a megfelelő alaplazatról, és csak stabil, biztonságos és vízszintes felületen használja a láncfűrész.** Síkos vagy instabil felületen elvesztheti egyensúlyát vagy uralmát a láncfűrész felett.
- **Feszültség alatt álló ág vágásakor számoljon a visszacsapódás lehetőségével.** A farostok feszültségének megszűnésekor az ág a kezelőnek csapódhat, illetve úgy mozdulhat, hogy a kezelő elveszíti uralmát a láncfűrész felett.
- **Bokrok és fiatal fák vágása különös körültekintést igényel.** A vékony anyag beleakadhat a fűrészláncba, és a kezelő felé csapódhat, vagy kimozdíthatja a kezelőt az egyensúlyából.
- **A láncfűrész az előlő fogantyúnál fogva, mindig kikapcsolt állapotban, testétől elfordítva hordozza. A láncfűrész mindig felhelyezett vezetőlemezburkolattal szállítsa vagy tegye el.** A láncfűrész helyes kezelésével csökkenthető a mozgásban lévő fűrészlánc véletlen érintésének valószínűsége.
- **Kövesse a kenésre, láncfeszítésre, valamint a vezetőlemez és a lánc cseréjére vonatkozó utasításokat.** Ha a fűrészlánc feszessége vagy kenése nem megfelelő, akkor a lánc elszakadhat, illetve nagyobb a visszarúgásnak.
- **Csak fát vágjon. Ne használja a láncfűrész a rendeltetésének nem megfelelő célra. Például ne vágjon a láncfűrészszel fémet, műanyagot, falazatot vagy nem fából készült építőanyagot.** A láncfűrésznek a rendeltetésétől eltérő használata veszélyes helyzeteket idézhet elő.
- **Csak akkor vágjon ki fát, ha ismeri az azzal járó kockázatokat, és hogy azok hogyan kerülhetők el.** Fa kivágásakor súlyos sérülést szenvedhet a kezelő vagy a közelben tartózkodók.
- **A beakadt anyagok eltávolításakor, valamint a láncfűrész tárolásakor és szervizelésekor kövesse a megadott utasításokat. Állítsa a kapcsolót KI állásba, és vegye ki az akkumulátort.** A láncfűrész váratlan, a beakadt anyagok eltávolítása vagy a szervizelés során történő bekapcsolódása súlyos személyi sérüléshez vezethet.
- **Fán állva csak akkor használjon láncfűrész, ha kifejezetten erre a feladatra vonatkozó képzésben részesült.** Ha megfelelő képzés nélkül fán tartózkodva használja a láncfűrész, az növeli a súlyos személyi sérülés kockázatát.

A visszarúgás okai és megelőzése

Ha a vezetőlemez csúcsa egy másik tárggyal kerül érintkezésbe, vagy ha az összezáródó be csépi a fűrészláncot, visszarúgás következhet be. A csúcsnak egy másik tárggyal való érintkezése bizonyos esetekben heves reakciót válthat ki, felfelé és a kezelő felé dobva a vezetőlemezt. Ha a vezetőlemez felső részén becsipődik a fűrészlánc, a vezetőlemez hirtelen a kezelő felé lökődhet. A kezelő mindkét reakció esetén elveszítheti uralmát a fűrész felett, ami súlyos személyi sérüléshez vezethet. Ne hagyatkozzon kizárólag a fűrészbe épített biztonsági eszközökre.

A láncfűrész felhasználójaként lépéseket kell tennie a vágási munkálatok baleset- és sérülésmentessége érdekében. A visszarúgás a láncfűrész helytelen használatának, illetve a nem megfelelő eljárásnak és körülményeknek a következménye. Az alábbi ismertetett óvintézkedésekkel elkerülhető:

- **Stabilan, két kézzel tartsa a láncfűrész, ujjai szilárdan kulcsolódjanak a fogantyúkra. Test- és kartartása olyan legyen, hogy ellen tudjon állni a visszarúgási erőnek.** A megfelelő óvintézkedések megtétele esetén a kezelő ellenőrzése alatt tudja tartani a visszarúgási erőket. Ne engedje el a láncfűrész.
- **A géppel ne nyújtózzon, és soha ne vágjon vállmagasság fölött.** Így egyszerűbben megakadályozhatja, hogy a csúcs véletlenül hozzáérjen valaminez, és váratlan helyzetben könnyebben megőrizheti uralmát a láncfűrész felett.
- **Kizárólag a gyártó által meghatározott vezetőlemezt és fűrészláncot használja cserealkatrészként.** A nem megfelelő csere-vezetőlemez vagy -fűrészlánc használata láncszakadást, illetve visszarúgást okozhat.
- **Kövesse a gyártó fűrészláncra vonatkozó élezési és karbantartási utasításait.** A mélységhatároló magasságának csökkenése hevesebb visszarúgást okozhat.

ŐRIZZE MEG EZT A KEZELÉSI ÚTMUTATÓT.

Általános biztonsági utasítások



FIGYELMEZTETÉS: A termék használata előtt olvassa el az alábbi figyelmeztetéseket.

- Ez a termék veszélyes szerszám, ha nem körültekintően járnak el a használata során, vagy nem megfelelőképpen használják. A gép a kezelő és mások súlyos sérülését és halálát okozhatja. Nagyon fontos, hogy elolvassa és megértse e használati utasítás tartalmát.
- Ne végezzen módosításokat a terméken a gyártó jóváhagyása nélkül. Ne használjon olyan terméket, amelyet mások módosítottak, és mindig eredeti tartozékokat használjon. A gyártó jóváhagyása nélkül végrehajtott módosítások a kezelő és mások súlyos sérülését és halálát okozhatják.
- A láncolaj gőzeinek és a fűrészpor hosszas belégzése egészségügyi problémákat okozhat.
- A termék működés közben a vezetékes elektromágneses mezőt hoz létre. Ez bizonyos körülmények esetén hatással lehet az aktív vagy passzív orvosi implantátumokra. A súlyos sérülések és a halál kockázatának csökkentése érdekében azt javasoljuk, hogy az orvosi implantátumot használó személyek a termék alkalmazása előtt kérjék ki orvosuk vagy az orvosi implantátum gyártójának tanácsát.

Biztonsági utasítások az üzemeltetéshez



FIGYELMEZTETÉS: A termék használata előtt olvassa el az alábbi figyelmeztetéseket.

- A jelen használati utasításban szereplő információk nem helyettesítik a hozzáértő szaktudást és tapasztalatot. Ha nem érzi magát biztonságban az adott helyzetben, állítsa le a terméket. Forduljon az illetékes szakszervizhez vagy egy professzionális láncfűrészkezelőhöz. Ne próbálkozzon olyan munkával, amelyhez úgy véli, nincs elegendő szaktudása!
- Ha a termék működtetésével kapcsolatos kérdései vannak, forduljon az illetékes szakszervizhez vagy a Husqvarna vállalathoz. Mi tájékoztatást tudunk biztosítani arról, hogy hogyan lehet hatékony és biztonságos módon működtetni a terméket. Ha lehetséges, vegyen részt egy láncfűrészkezeléssel kapcsolatos oktatáson. Az elérhető oktatási anyagokról és tanfolyamokról az illetékes szakszerviz, az erdészeti iskolák és a könyvtárak tudnak tájékoztatást adni.
- A termék használata előtt mindenképpen meg kell értenie, hogy milyen hatásokkal jár a visszarúgás, és hogy hogyan előzheti meg. Lásd: *Visszarúgási információk 322. oldalon* és *Gyakori kérdések a visszarúgással kapcsolatban 322. oldalon* az utasításokért.
- Ne használja a sérült vagy nem megfelelően működő terméket, akkumulátort vagy akkumulátortöltőt.
- Ne érjen hozzá a forgó fűrészláncához. Súlyos sérüléseket és halált okozhat.
- Ne használja a terméket, ha fáradt, ha alkoholt vagy kábítószerrel fogyasztott, illetve ha a látását, éberségét, ítélőképességét vagy mozgáskoordinációját negatívan befolyásoló gyógyszerrel vett be.
- A rossz időben végzett munka fárasztó, és gyakran kockázatokkal is jár. Fokozott veszély miatt a gép használata rossz időjárási körülmények között, például sűrű ködben, intenzív esőzések, erős szélben, rendkívüli hidegben és villámláskor nem ajánlott.
- Ne indítsa be a terméket, amíg nincs helyesen felszerelve a vezetőlemez, a lánc és az összes burkolat. Ellenkező esetben a csillagkerék kilazulhat, és komoly sérülést okozhat. Lásd: *Összeszerelés 320. oldalon* az utasításokért.

(ábra 25)

- Néha faforgács szorul a tengelykapcsoló fedele alá, és ezért a lánc elakad. Tisztítás előtt mindig állítsa le a motort.
- Figyelje a környezetét. Győződjön meg arról, hogy nem áll fenn a kockázata, hogy személyek vagy

állatok hozzáérjenek a termékhez, vagy hatással legyenek a termék Ön általi vezérlésére.

(ábra 26)

- Ne engedje, hogy gyermekek használják a terméket, vagy hogy annak közelében tartózkodjanak. A termék könnyen beindítható, és szigorú felügyelet nélkül gyermekek is könnyedén beindíthatják. Ez súlyos sérülés kockázatát hordozza magában.
- Távolítsa el az akkumulátort, ha nem lát rá teljesen, illetve ha bármilyen hosszú ideig felügyelet nélkül hagyja a terméket.
- A termék teljes mértékű irányításához stabilan kell állnia. Ne használja a terméket, ha létrán áll vagy egy fán tartózkodik. Ne használja a terméket, ha nem stabil talajon áll.

(ábra 27)

- A fán végzett munka során különleges vágási és munkavégzési technikákat kell alkalmazni, amelyek szabályait a személyi sérülés fokozott veszélye miatt feltétlenül be kell tartani. Ne dolgozzon a fán mindaddig, amíg nem részesült ilyen munkálatokkal kapcsolatos speciális szakmai felkészítésben, a biztonsági és egyéb mászófelszerelések (hevederek, kötelek, mászóvasak, biztonsági horgok, karabinerek stb.) használatára vonatkozó oktatást is beleértve.
- Soha ne kísérelje meg elkapni a leeső részeket. Soha ne végezzen vágást a fán, miközben csak egy kötél segítségével van rögzítve. Mindig két rögzített kötelet használjon.
- Ha nem körültekintően jár el, megnő a visszarúgás kockázata. Visszarúgás akkor történhet, ha a vezetőlemez visszarúgási zónája véletlenül hozzáér egy ághoz, fához vagy egyéb tárgyhoz.

(ábra 28)

- Ne tartsa egy kézzel a terméket. Ezt a terméket egy kézzel tartva nem lehet biztonságosan irányítani.
- Ne használja a terméket vállmagasság felett, és ne próbáljon a vezetőlemez orrával vágást végezni.

(ábra 29)

- Ne használja a terméket olyan helyzetben, amelyben nem kaphat segítséget, ha baleset történik.
- Mielőtt máshová viszi át a terméket, állítsa le, és aktiválja a láncféket. Úgy tartsa a terméket, hogy a vezetőlemez és a fűrészlánc hátrafelé nézzen. A termék szállítása vagy bármilyen távolságra történő átvitele előtt helyezzen fel egy szállítási védőtokot a vezetőlemezre.
- Amikor a terméket a talajra helyezi, aktiválja a láncféket, és folyamatosan tartsa szemmel a terméket. Ha bármilyen hosszú időre magára hagyja a terméket, állítsa le, és vegye ki az akkumulátort.
- Fennáll a kockázata, hogy fűrészpor kerül a hajtorendszerbe. Ennek hatására a lánc elakadhat. A terméket a tisztítása előtt mindig állítsa le, és távolítsa el az akkumulátort.

- A rezgésszint megemelkedik, ha olyan vágószerszeggel végez munkát, amely nem megfelelő, vagy nincs megfelelőképpen megélezve. A keményfák, pl. lombhullató fák vágása több rezgést hoz létre, mint a puhafák, pl. tűlevelűek vágása.

(ábra 30)

- Az erős rezgés miatt a vérkeringési zavarokban szenvedő személyeknél ér- vagy idegsérülések léphetnek fel. Forduljon orvoshoz, ha olyan tüneteket tapasztal, amelyeket feltehetőleg az erős rezgés okozott. Ezek a tünetek lehetnek többek között: zsibbadás, érzéskiesés, bizsergés, szúró érzés, fájdalom, erőtlenység, a bőr színének vagy felületének megváltozása. Ezek a tünetek általában az ujjakban, kezekben, csuklóokban lépnek fel, és alacsony hőmérsékletek esetén megnő a kockázatuk.
- Álló fákon kizárólag akkor próbáljon meg aprítási vagy gallyazási műveleteket végezni, ha rendelkezik kifejezetten erre vonatkozó képesséssel.
- Lejtőn végzendő vágás esetén mindig a lejtő fatörzs feletti részén helyezkedjen el, mivel a kivágást követően a fa nagy eséllyel legurul vagy lecsúszik a lejtőn. Ahhoz, hogy a vágás során végig megőrizhesse a termék feletti uralmát, a vágás végső szakaszában csökkentse a vágási nyomást. Ne pihentesse kezét a fogantyúkon. Ügyeljen arra, hogy a fűrészlánc ne érjen a talajhoz. A vágás befejeztével, a termék mozgatása előtt várja meg, hogy a lánc megálljon. A fák közötti helyváltoztatás során állítsa le a motort.

(ábra 31)

- Ne vágjon ki fát, ha az valakire veszélyt jelenthet, közüzemi vezetékhez érhet vagy azt elszakíthatja, illetve anyagi kárt okozhat. Ha a fa elszakít egy közüzemi vezetékét, azonnal értesíteni kell a közüzemi vállalatot.
- Bizonyosodjon meg arról, hogy biztonságosan tud mozogni. Vizsgálja meg az Ön körül lévő körülményeket és terepet a lehetséges akadályok, pl. gyökerek, sziklák, ágak, árkok stb. szempontjából. Körültekintően járjon el, ha lejtős terepen végez munkát.
- Kerülje az olyan helyzeteket, amelyek a megítélése szerint meghaladják a képességeit.
- Nem lehetséges az összes lehetséges helyzetet felsorolni, amelyekkel a termék használata során szembesülhet. Mindig megfontoltan és előrelátóan cselekedjen.

(ábra 32)

Személyi védőfelszerelés



FIGYELMEZTETÉS: A termék használata előtt olvassa el az alábbi figyelmeztetéseket.

(ábra 33)

- A legtöbb láncfűrésszel kapcsolatos baleset úgy következik be, hogy a lánc hozzáér a kezelőhöz. A termék működtetése során jóváhagyott személyi védőfelszerelést kell használni. A személyi védőfelszerelés nem biztosít teljes védelmet a sérülésekkel szemben, de balesetek esetén csökkenti a sérülések mértékét. A megfelelő védőfelszerelést illetően forduljon az illetékes szakszervizhez.
- A ruházatának testhezállónak kell lennie, ugyanakkor nem akadályozhatja a mozgásban. Rendszeresen ellenőrizze a személyi védőfelszerelés állapotát.
- Használjon jóváhagyott védősisakot.
- Használjon jóváhagyott fülvédőt. Hosszú távon a tartós zajártalom maradandó halláskárosodást okozhat.
- A repülő tárgyak által okozott sérülések kockázatának csökkentése érdekében mindig viseljen jóváhagyott védőszemüveget vagy -maszkot. A termék képes tárgyakat, például faszilánkokat, kisebb fadarabokat stb. nagy erővel a levegőbe lökni. Ennek az eredménye súlyos sérülés, főleg szemsérülés lehet.
- Használjon fűrészbiztos védelemmel ellátott kesztyűt.
- Használjon fűrészbiztos védelemmel ellátott nadrágot.
- Használjon fűrészbiztos védelemmel ellátott, acéllemezes lábujjvédős és csúszásgátós talpú bakancsot.
- Mindig tartson magánál elsősegélykészletet.
- Szikraveszély. Tartson a közelben tűzoltó eszközöket és ásót az erdőtüzek elkerülése érdekében.

Biztonsági eszközök a terméken



FIGYELMEZTETÉS: A termék használata előtt olvassa el az alábbi figyelmeztetéseket.

- Ne használja a terméket sérült vagy nem megfelelően működő biztonsági eszközökkel.
- Rendszeresen ellenőrizze a biztonsági eszközöket. Lásd: *A termék biztonsági eszközeinek karbantartása és ellenőrzése 328. oldalon.*
- Ha a biztonsági eszközök sérültek vagy nem működnek megfelelően, forduljon a márkaszervizhez: Husqvarna.

A felhasználói felület funkciói

A felhasználói felületen az indító-/leállítógomb, a Save gomb, az akkumulátor állapotja és a figyelmeztetésjelző található. Aktivált láncfék vagy túlterhelés veszélye esetén villog a figyelmeztetésjelző. A túlterhelés-védelem ideiglenesen leállítja a terméket, amely nem használható addig, amíg a hőmérséklete le nem

csökken. Ha a figyelmeztetésjelző folyamatosan világít, forduljon az illetékes szakszervizhez.

(ábra 34)

A felhasználói felülettel kapcsolatos további információkat lásd: *A termék áttekintése 311. oldalon.*

Az automatikus leállítási funkció

A termék automatikus leállítási funkcióval rendelkezik, amely 3 percen át tartó téttenség esetén leállítja a terméket.

Láncfék és első kézvédő

A terméken láncfék található, amelynek az a feladata, hogy visszarúgás esetén leállítsa a láncot. A láncfék ugyan csökkenti a balesetek kockázatát, megakadályozni azonban csak Ön tudja őket.

(ábra 35)



FIGYELMEZTETÉS: Kerülje el a visszarúgás kockázatával járó helyzeteket. A termék használata során körültekintően járjon el, és ügyeljen, hogy a vezetőlemez visszarúgási zónája semmilyen tárgyhoz ne érjen hozzá.

(ábra 36)

A láncfék (A) vagy manuálisan, bal kézzel, vagy a tehetetlenségi kioldómechanizmus útján lép működésbe. Nyomja előre felé az első kézvédőt (B) a láncfék manuális bekapcsolásához. Ez a mozdulat beindít egy rugós szerkezetet, amely leállítja a csillagkereket.

(ábra 37)

A láncfék aktiválódása a visszarúgás erejével és a termék helyzetével van összefüggésben. Ha erős visszarúgást tapasztal akkor, amikor a visszarúgási zóna a legmesszebb van Öntől, akkor a láncfék a tehetetlenségi kioldás hatására aktiválódik. Ha a visszarúgás kismértékű, vagy a visszarúgási zóna közelebb van Önhöz, akkor a láncfék manuálisan, bal kézzel aktiválható.

(ábra 38)

A láncfék rögzítőfékként használható a termék beindításakor és rövid távolságokra való átvitelekor. Ez csökkenti annak kockázatát, hogy a fűrészlánc Önhöz vagy egy Önhöz közel álló személyhez érjen.

(ábra 39)

Mozdítsa hátrafelé az első kézvédőt a láncfék kikapcsolásához.

(ábra 40)

A visszarúgás nagyon hirtelen és intenzív lehet. A legtöbb visszarúgás azonban kisebb, és nem mindig aktiválja a láncfékét. Ha visszarúgás történik a termék

használata során, fogja meg erősen a fogantyúknál fogva, és ne engedje el.

(ábra 41)

Emellett az első kézvédő is csökkenti a fűrészláncsal való érintkezés kockázatát, ha Ön elengedi az elülső fogantyút.

(ábra 42)

A döntővágási pozícióban a láncfék nem aktiválható manuálisan. A láncfék ebben a pozícióban csak a tehetetlenségi kioldómechanizmus útján lép működésbe.

(ábra 43)

Kapcsológomb retesze

A kapcsológomb retesze megakadályozza a gomb véletlen megnyomását. Amikor előrenyomja a kapcsológomb reteszt (A), majd a reteszt a fogantyúhoz (B) nyomja, a kapcsológomb (C) kioldódik. Ha elengedi a fogantyút, a kapcsológomb és annak retesze visszaáll az eredeti állásába.

(ábra 44)

Láncfogó

A láncfogó megfogja a fűrészláncot, ha elszakad vagy meglazul. Ha a lánc feszessége megfelelő, akkor csökken ennek a kockázata. Emellett akkor is csökken a kockázat, ha elvégzi a megfelelő karbantartást a vezetőlemezen és a fűrészlánccon. Az utasításokat illetően lásd: *Összeszerelés 320. oldalon* és *Karbantartás 327. oldalon.*

(ábra 45)

Jobb oldali kézvédő

A jobb oldali kézvédő védelmet biztosít a kéz számára, ha a fűrészlánc elszakad vagy meglazul. Emellett megakadályozza, hogy a termék használata közben ágak vagy gallyak zavarják a működést.

(ábra 46)

Az akkumulátorral kapcsolatos biztonsági előírások



FIGYELMEZTETÉS: A termék használata előtt olvassa el az alábbi figyelmeztetéseket.

- Kizárólag a termékhez ajánlott 40-B sorozatú akkumulátorokat használja. Lásd: *Jóváhagyott akkumulátorok 336. oldalon.* Az akkumulátorok szoftveresen kódolva vannak.
- A tölthető 40-B sorozatú akkumulátorokat kizárólag a megfelelő Husqvarna termékek tápellátására használja. Lásd: *Jóváhagyott akkumulátorok 336. oldalon.* Ne használja az

akkumulátort más eszközök áramforrásaként, mivel ez balesetveszélyes.

- Elektromos áramütés veszélye. Ne csatlakoztassa az akkumulátorsarukat kulcsokhoz, csavarokhoz vagy egyéb fémhez. Ez az akkumulátor rövidzárlatát okozhatja.
- Ne használjon nem újratölthető akkumulátorokat.
- Ne tegyen tárgyakat az akkumulátor szellőzőnyílásaiba.
- Tartsa távol az akkumulátort a közvetlen napsütéstől, hőtől és nyílt lángtól. Az akkumulátor súlyos égési, illetve vegyi égési sérüléseket okozhat.
- Tartsa az akkumulátort esős, nedves környezetől távol.
- Tartsa az akkumulátort mikrohullámoktól és magas nyomástól távol.
- Soha ne próbálkozzon az akkumulátor szétszerelésével vagy szétbontásával.
- Ne engedje, hogy az akkumulátorsav a bőrre kerüljön. Az akkumulátorsav bőrsérülést, bőrmarást és égési sérülést okozhat. Ha akkumulátorsav került a szemébe, ne dörzsölje, hanem legalább 15 percen át alaposan mossa a szemét vízzel. Ha akkumulátorsav került a bőrre, mossa le az érintett bőrfelületet bő szappanos vízzel. Forduljon orvoshoz.
- Az akkumulátort -10 °C (14 °F) és 40 °C (104 °F) közötti hőmérsékleten használja.
- Soha ne tisztítsa vízzel az akkumulátort vagy az akkumulátortöltőt. Lásd: *Az akkumulátor és az akkumulátortartó ellenőrzése* 328. oldalon.
- Ne használjon sérült akkumulátort.
- A tárolás során tartsa az akkumulátorokat távol a fém tárgyaktól, például szegektől, csavaroktól és ékszerektől.
- Az akkumulátor gyerekektől elzárva tartandó.

Az akkumulátortöltő készülék biztonsága



FIGYELMEZTETÉS: A termék használata előtt olvassa el az alábbi figyelmeztetéseket.

- Áramütés vagy rövidzárlat veszélye, ha a biztonsági utasításokat nem tartják be.
- Használjon jóváhagyott földelt hálózati csatlakozót, amely nem sérült.
- Ne használjon mást a termékhez mellékelte akkumulátortöltőn kívül. Kizárólag 40-C80 töltőkészülékeket használjon a Husqvarna csereakkumulátorok 40-B140 töltéséhez. Lásd: *A termék esetében jóváhagyott akkumulátortöltők* 336. oldalon és *Jóváhagyott akkumulátorok* 336. oldalon.
- Ne próbálkozzon az akkumulátortöltő szétszerelésével.

- Ne használjon meghibásodott vagy sérült akkumulátortöltőt.
- Ne emelje fel az akkumulátortöltőt a tápkábelnél fogva. Az akkumulátortöltőt fali aljzatból történő kihúzásához a dugaszt húzza. Ne a tápkábelből húzza.
- Minden kábelt és hosszabbítókábellet óvjon a víztől, az olajtól és az éles peremektől. Ügyeljen rá, hogy a kábel ne akadjon be ajtóba, korlátba vagy hasonló tárgyba.
- Ne használja az akkumulátortöltőt gyúlékony anyagok vagy olyan anyagok közelében, amelyek korróziót okozhatnak. Győződjön meg róla, hogy az akkumulátortöltőt nem fedi semmi. Amennyiben a töltő füstölni vagy égni kezdene, húzza ki a dugóját.
- Az akkumulátort csak jó szellőzésű helyiségben, napfénytől távol töltsen. Ne töltsen az akkumulátort kültéren. Ne töltsen az akkumulátort nedves körülmények között.
- Az akkumulátortöltőt csak 5 °C (41 °F) és 40 °C (104 °F) közötti hőmérséklet esetén használja. A töltőkészüléket jól szellőző, száraz és pormentes környezetben használja.
- Ne tegyen tárgyakat az akkumulátortöltő hűtőnyílásaiba.
- Ne érintsen az akkumulátortöltőt csatlakozóhoz fémtárgyakat, mivel ezek rövidzárlatot okozhatnak a töltőkészüléken.
- Jóváhagyott, sértetlen fali aljzatot használjon.
- Ne töltsön nem újratölthető akkumulátorokat a töltővel.

Biztonsági utasítások a karbantartáshoz



FIGYELMEZTETÉS: A terméken végzett karbantartási műveletek előtt olvassa el az alábbi figyelmeztetéseket.

- Karbantartás, egyéb ellenőrzések vagy a termék összeszerelése előtt távolítsa el az akkumulátort.
- A kezelő kizárólag a jelen használati utasításban szereplő karbantartási és szervizmunkákat végezheti el. A szélesebb körű karbantartási és szervizmunkákkal kapcsolatban forduljon a szakszervizhez.
- Soha ne tisztítsa vízzel az akkumulátort vagy az akkumulátortöltőt. Az erős tisztítószerek kárt tehetnek a műanyagban.
- A karbantartási műveletek elmulasztása csökkenti a termék élettartamát, illetve növeli a balesetveszélyt.
- A gépen végzett minden szerviz- és javítási munkát szakképzettséget igényel, különös tekintettel a biztonsági eszközökre. Amennyiben a karbantartást követően nem minden, a használati utasításban leírt ellenőrzési művelet jóváhagyott, forduljon a szakszervizhez. Garantáljuk

a termékéhez megfelelő, professzionális javítást és szervizelést.

- Kizárólag eredeti pótalkatrészeket használjon.

A vágószerszerekre vonatkozó biztonsági utasítások



FIGYELMEZTETÉS: A termék használata előtt olvassa el az alábbi figyelmeztetéseket.

- Kizárólag jóváhagyott vezetőlemez/fűrészlanc kombinációkat és élezőfelszerelést használjon. Az utasításokat illetően tekintse át a következőt: *Műszaki adatok334. oldalon.*
- A fűrészlanc használata és karbantartása során használjon védőkesztyűt. A nem mozgó fűrészlanc is sérüléseket okozhat.
- Biztosítsa a vágófogak megfelelő mértékű élezését. Kövesse az utasításokat, és csak a javasolt reszelősablont használja. A károsodott vagy nem megfelelően megélezett fűrészlanc megnöveli a balesetek kockázatát.

(ábra 47)

- A helyes vágásmélység-beállítást alkalmazza. Kövesse az utasításokat, és csak a javasolt vágásmélység-beállítást használja. A túl nagyra beállított vágásmélység-beállítás növeli a visszacsapódás kockázatát.

(ábra 48)

- Ellenőrizze, hogy a fűrészlanc feszessége megfelelő-e. Ha a fűrészlanc nem fekszik rá szorosan a vezetőlemezre, akkor a fűrészlanc leugorhat a helyéről. A nem megfelelő fűrészlancfeszesség a vezetőlemez, a fűrészlanc és a csillagkerék fokozott kopását okozza. Lásd az *Tartozékok335. oldalon* fejezetet.

(ábra 49)

- Rendszeresen végezzen karbantartást a vágószerszerkezeten, és tartsa megfelelően kent állapotban. Ha a fűrészlanc nincs megfelelően megkenve, akkor megnő a vezetőlemez, a fűrészlanc és a csillagkerék kopásának kockázata.

(ábra 50)

Összeszerelés

A vezetőlemez és a fűrészlanc összeszerelése (a vezetőlemez rögzítőgombjával)



FIGYELMEZTETÉS: Mindig távolítsa el az akkumulátort, mielőtt szerelést vagy karbantartást végez a terméken.

1. Engedje ki a láncfékét. (ábra 51)
2. Lazítsa ki a csillagkerék fedelét rögzítő gombot, és távolítsa el a vezetőlemezt. (ábra 52)
3. Helyezze a vezetőlemezt a vezetőlemezt rögzítő csavarok fölé. Helyezze a vezetőlemezt a leghátsó pozícióba. Emelje a fűrészlancot a csillagkerék fölé és helyezze a vezetőlemez vágatába. Kezdje a vezetőlemez felső élén.
4. A vágószemek fogai a vezetőlemez felső felén mutassanak előrefelé. (ábra 53)
5. Szerelje fel a csillagkerék burkolatát, és helyezze a láncfeszesség-állító tűskét a vezetőlemezen lévő nyílásba.
6. Ellenőrizze, hogy a fűrészlanc meghajtószemei megfelelően illeszkednek-e a csillagkerékre.
7. Ügyeljen, hogy a fűrészlanc megfelelően rögzüljön a vezetőlemez vágatában.
8. Feszítse meg a fűrészlancot. Lásd: *Karbantartás327. oldalon* az utasításokért.
9. Húzza meg a vezetőlemez rögzítőgombját.

A vezetőlemez és a fűrészlanc összeszerelése (a vezetőlemez rögzítő töcsavarjával)



FIGYELMEZTETÉS: Mindig távolítsa el az akkumulátort, mielőtt szerelést vagy karbantartást végez a terméken.

1. Engedje ki a láncfékét. (ábra 51)
2. Lazítsa meg a vezetőlemez rögzítőanyáját, és vegye le a csillagkeréket. (ábra 54)
3. Helyezze a vezetőlemezt a vezetőlemezt rögzítő csavarok fölé. Helyezze a vezetőlemezt a leghátsó pozícióba. Emelje a fűrészlancot a csillagkerék fölé és helyezze a vezetőlemez vágatába. Kezdje a vezetőlemez felső élén.
4. A vágószemek fogai a vezetőlemez felső felén mutassanak előrefelé. (ábra 55)
5. Szerelje fel a csillagkerék burkolatát, és helyezze a láncfeszesség-állító tűskét a vezetőlemezen lévő nyílásba.
6. Ellenőrizze, hogy a fűrészlanc meghajtószemei megfelelően illeszkednek-e a csillagkerékre.
7. Ügyeljen, hogy a fűrészlanc megfelelően rögzüljön a vezetőlemez vágatában.
8. Szorítsa meg kézzel a láncvezető anyáját.
9. Szorítsa meg a fűrészlancot. Lásd: *Karbantartás327. oldalon* az utasításokért.

Az akkumulátortöltő falra történő felszerelése



VIGYÁZAT: Az akkumulátortöltő falra történő felszereléséhez ne használjon elektromos csavarhúzózt. Az

elektromos csavarhúzó kárt tehet az akkumulátortöltőben.

1. Szerelje fel az akkumulátortöltőt a falra a 2 csavarral (A). Szükség esetén használjon tipliket (B). (ábra 56)
2. Helyezze be a 2 csavarfurat-sapkát (C).
3. Csatlakoztassa a tápkábelt (D) egy akkumulátortöltőhöz és egy fali aljzathoz.

Üzemeltetés

Bevezető



FIGYELMEZTETÉS: A termék használata előtt figyelmesen olvassa el a biztonságról szóló fejezetet.



FIGYELMEZTETÉS: A megfelelő láncolaj használata szükséges a funkció helyes működéséhez. A láncolaj kiválasztásakor kérje ki az illetékes szakszerviz tanácsát.

A funkciók ellenőrzése a termék használata előtt

1. Ellenőrizze a láncféket (A), hogy rendesen működik-e, és hogy nem sérült-e meg.
2. Győződjön meg arról, hogy a jobb hátsó védőburkolat (B) nem sérült-e.
3. Ellenőrizze a kapcsológombot és a kapcsológomb retesztét (C), hogy megfelelően működnek-e, és hogy nem sérültek-e meg.
4. Ellenőrizze a billentyűzetet (D), hogy megfelelően működik-e.
5. Győződjön meg arról, hogy a fogantyúkon (E) nincsen-e olaj.
6. Győződjön meg arról, hogy minden elem helyesen lett csatlakoztatva, és nem sérült vagy hiányzik.
7. Ellenőrizze a láncfogót (F), hogy helyesen lett-e csatlakoztatva.
8. Ellenőrizze a lánc feszességét (G).
9. Töltse fel az akkumulátort (H), és ügyeljen arra, hogy megfelelően csatlakozzon a termékhez.
10. Ellenőrizze, hogy a fűrészlánc leáll-e a bekapcsológomb felengedésekor. (ábra 57)

- Használjon Husqvarna láncolajat a maximális fűrészlánc-élettartam, valamint a környezetre kifejtett negatív hatások megelőzése érdekében. Amennyiben Husqvarnaláncolaj nem hozzáférhető, hagyományos láncolaj használatát javasoljuk.
- Olyan láncolajat használjon, amely megfelelőképpen tapad a fűrészláncához.
- Megfelelő viszkozitású láncolajat használjon, amely megfelel a levegő hőmérsékletének.



VIGYÁZAT: A 0 °C/32 °F alatti hőmérsékleti értékek esetén bizonyos láncolajok túl sűrűvé válnak, ami az olajszivattyú összetevőinek károsodását okozhatja.

- Az ajánlott vágóeszközöket használja. Lásd az *Tartozékok335. oldal*on fejezetet.
- Vegye le a lánckenő olaj tartályának sapkáját.
- Töltse fel a láncolaj tartályát láncolajjal.
- Körültekintően helyezze fel a sapkát.

(ábra 58)

Megjegyzés: Ha meg szeretné tudni, hogy a lánckenő olaj tartalma hol van a terméken, lásd: *Bevezető311. oldal*on.

A megfelelő láncolaj használata



FIGYELMEZTETÉS: Ne használjon fáradt olajat, mert az az Ön és a környezet sérülését/károsodását okozhatja. A fáradt olaj nem csupán az olajszivattyút, hanem a vezetőlemezt és a láncban is képes károsodást okozni.



FIGYELMEZTETÉS: A fűrészlánc elszakadhat, ha a vágószerkezet kenése nem megfelelő. A kezelő súlyos sérülésének és halálának kockázata.

Akkumulátor



FIGYELMEZTETÉS: Az akkumulátor használata előtt figyelmesen olvassa el a biztonságról szóló fejezetet. Olvassa el figyelmesen az akkumulátorhoz és az akkumulátortöltőhöz mellékelt használati útmutatót is.

Tartsa az akkumulátort és az akkumulátortöltőt megfelelő környezeti hőmérsékleten.

	Környezeti hőmérséklet
Az akkumulátor használata	5 °C-40 °C/41 °F-104 °F
Az akkumulátor feltöltése	5 °C-40 °C/41 °F-104 °F

Az akkumulátor állapota

A kijelző jelzi az akkumulátor töltöttségét, valamint azt, hogy van-e valami probléma az akkumulátorral.

(ábra 59)

LED jelzőlámpa	Az akkumulátor töltöttségi állapota
4 LED világít	Az akkumulátor töltöttsége 76–100%-os.
3 LED világít	Az akkumulátor töltöttsége 51–75%-os.
2 LED világít	Az akkumulátor töltöttsége 26–50%-os.
1 LED világít	Az akkumulátor töltöttsége 6–25%-os.
1 LED villog	Az akkumulátor töltöttsége 0–5%-os.

Az akkumulátor töltése

Az első használat előtt tölts fel az akkumulátort. Az új akkumulátorok csak 30%-ra vannak feltöltve.



VIGYÁZAT: Az akkumulátortöltőt az adattáblán szereplő feszültségű és frekvenciájú tápaljzathoz csatlakoztassa.

50 °C/122 °F feletti hőmérséklet esetén az akkumulátor nem töltődik fel.

- Csatlakoztassa a tápkábelt az akkumulátortöltőhöz.
- Csatlakoztassa az akkumulátortöltőt földelt hálózati aljzathoz. A töltést jelző LED egyszer felvilan. (ábra 60)
- Csatlakoztassa az akkumulátort a töltőkészülethez. A töltést jelző LED világítani kezd. Az akkumulátort legfeljebb 24 óráig tölts. (ábra 61)
- Nyomja meg az akkumulátorjelző gombot. Ha az összes LED jelzőlámpa világít, az akkumulátor teljesen fel van töltve.
- Húzza ki a tápkábelt, és csatlakoztassa le az akkumulátortöltőt a tápcsatlakozóról. Ne a tápkábelt húzza.
- Vegye ki az akkumulátort a töltőből.

Visszarugási információk



FIGYELMEZTETÉS: A gép a kezelő és mások súlyos sérülését és halálát okozhatja. A kockázat csökkentése érdekében ismerni kell a visszarugás okait, valamint a megelőzésük módját.

Visszarugás csak akkor történik, amikor a vezetőlemez visszarugási zónája hozzáér egy tárgyhoz.

A visszarugás váratlanul és nagy erővel történhet, ami a kezelő felé dobja a terméket.

(ábra 36)

A visszarugás mindig a vezetőlemez síkjában történik. A termék általában a kezelő felé mozdul el, de más irányba is mozoghat. Az határozza meg, hogy merrefelé történik elmozdulás, hogy a visszarugás pillanatában hogyan használták a terméket.

(ábra 62)

Visszarugás csak akkor történik, ha a vezetőlemez visszarugási zónája hozzáér egy tárgyhoz. Ügyeljen, hogy a visszarugási zóna ne érjen hozzá semmihez.

(ábra 36)

Ha kisebb a vezetőlemez csúcsának sugara, az csökkenti a visszarugás erejét.

A visszarugás hatásainak csökkentése érdekében kis visszarugású fűrészláncot használjon. Ügyeljen, hogy a visszarugási zóna ne érjen hozzá semmihez.



FIGYELMEZTETÉS: Egyetlen fűrészlánc sem előzi meg teljes mértékben a visszarugást. Minden esetben kövesse az utasításokat.

Gyakori kérdések a visszarugással kapcsolatban

- A kezem mindig működésbe aktiválni fogja a láncfeket visszarugás esetén?**

Nem. Szükség van némi erőre ahhoz, hogy az elülső kézvédőt előrenyomja. Ha nem alkalmazza a szükséges mértékű erőt, akkor előfordulhat, hogy a láncfék nem fog aktiválódni. Emellett két kézzel stabilan kell tartania a termék markolatait a munkavégzés közben. Ha visszarugás történik, akkor előfordulhat, hogy a láncfék nem állítja le a fűrészláncot, mielőtt az hozzáérne Önhöz. Emellett van néhány olyan pozíció, amelyben a keze nem tud hozzáérni az elülső kézvédőhöz a láncfék aktiválásához.

- **A tehetetlenségi kioldómechanizmus mindig aktiválni fogja a láncféket visszarúgás közben?**

Nem. Először is, a láncféknek megfelelően kell működnie. A láncfék ellenőrzésével kapcsolatos utasításokat illetően tekintse át a következőt: *A termék biztonsági eszközeinek karbantartása és ellenőrzése* 328. oldalon. Javasoljuk, hogy minden alkalommal végezze el a termék használata előtt. Emellett a visszarúgás erejének elég intenzívnek kell lenni ahhoz, hogy aktiválja a láncféket. Ha a láncfék túl érzékeny, akkor nehéz műveletek közben aktiválódhat.

- **A láncfék mindig megvéd majd engem a sérülésektől visszarúgás esetén?**

Nem. A láncféknek megfelelően kell működnie ahhoz, hogy védelmet biztosítson. Emellett a láncféknek is aktiválnia kell a visszarúgás közben, hogy megállítsa a fűrészláncot. Ha Ön a vezetőlemez közelében van, akkor előfordulhat, hogy a láncféknek nem lesz elég ideje a fűrészlánc leállítására, mielőtt az Önhöz ér.



FIGYELMEZTETÉS: Kizárólag Ön és a megfelelő munkavégzési technika képes a visszarúgások megelőzésére.

A termék elindítása

1. Ellenőrizze a kapcsológombot és a kapcsológomb reteszét. Lásd: *A kapcsológomb reteszének ellenőrzése* 328. oldalon.
2. Aktiválja a láncféket. (ábra 63)
3. Helyezze az akkumulátort az akkumulátortartóba. (ábra 64)



VIGYÁZAT: Győződjön meg róla, hogy az akkumulátor megfelelően illeszkedik-e az akkumulátortartóba. Ha az akkumulátor nem megy bele könnyen az akkumulátortartóba, akkor az akkumulátor nem megfelelően van behelyezve.

4. Nyomja meg az akkumulátor alsó részét, amíg kattánó hangot nem hall. (ábra 65)
5. Tartsa nyomva az indító-/leállító gombot, amíg a zöld LED világitani nem kezd. (ábra 66)

A SavE funkció használata

A SavE funkció csökkenti a láncsebességet és a termék teljesítményét.

1. Nyomja meg a SavE gombot. A zöld LED felgyullad.
2. A funkció leállításához nyomja meg ismét a SavE gombot. A zöld LED kialszik. (ábra 67)

A termék leállítás

1. Nyomja le az indító-/leállító gombot, amíg a zöld LED fény ki nem alszik. (ábra 66)
2. Nyomja le az akkumulátorkioldó gombokat, és a véletlen beindítás elkerülése érdekében távolítsa el az akkumulátort az akkumulátortartóból. (ábra 68)

Húzó irányú vágás és toló irányú vágás

A terméket 2 különböző pozícióban használhatja fa vágására.

- A húzó irányú vágás az, amikor a vezetőlemez alsó részével végez vágást. A fűrészlánc áthalad a fán a vágás során. Ebben a pozícióban jobban irányítható a termék és a visszarúgási zóna pozíciója.

(ábra 69)

- A toló irányú vágás az, amikor a vezetőlemez felső részével végez vágást. Ekkor a fűrészlánc a kezelő irányába tolja el a terméket.

(ábra 70)



FIGYELMEZTETÉS: Ha a láncfűrész elakad a törzsben, a termék Ön felé nyomódhat. Tartsa szorosan a terméket, és ügyeljen arra, hogy a vezetőlemez visszarúgási zónája ne érjen hozzá a fához, ezáltal visszarúgást okozva.

(ábra 71)

Vágási technika alkalmazása



FIGYELMEZTETÉS: Vágás közben teljes fordulatszámot alkalmazzon, majd az egyes vágások után hagyja alapjáratú fordulatszámra járni a motort.



VIGYÁZAT: Ügyeljen arra, hogy terhelés nélkül a motor ne járjon túl hosszú ideig. Ez kárt tehet a motorban.

1. Helyezze a törzset fűrészállványra vagy bakra. (ábra 72)



FIGYELMEZTETÉS: Ne vágjon rakásban lévő törzseket. Ez növeli a visszarúgás kockázatát, és súlyos sérüléshez vagy halálhoz vezethet.

2. Távolítsa el a levágott darabokat a munkaterületről.



FIGYELMEZTETÉS: A munkaterületen maradó levágott darabok növelik a visszarúgás veszélyét,

és fennáll a veszélye annak is, hogy Ön elveszíti az egyensúlyát.

sérülésekhez vezethet, amikor a termék hirtelen kiszabadul.

A rönktámasz használata

1. Nyomja a rönktámaszt a fatörzsbe.
2. Kapcsoljon teljes teljesítményre, és fordítsa el a terméket. Tartsa a rönktámaszt a fatörzssel szemben. Ezzel az eljárással könnyebben kifejthető a fatörzs elvágásához szükséges erő. (ábra 73)

Törzs vágása a talajon

1. A törzs vágását húzó irányú vágással végezze el. Dolgozzon maximális fordulatszámon, de legyen felkészülve a hirtelen balesetekre. (ábra 74)



FIGYELMEZTETÉS:

Gondoskodjon róla, hogy a vágás befejezésekor a fűrészlánc ne érhesse a talajhoz.

2. Vágja be a törzset kb. a $\frac{2}{3}$ -áig, majd álljon meg. Fordítsa el a törzset, és végezzen vágást a másik oldaláról. (ábra 75)

Törzs vágása az egyik végén történő alátámasztással



FIGYELMEZTETÉS: Ügyeljen arra, hogy a törzs ne törjön el vágás közben. Tartsa be az alábbi utasításokat.

(ábra 76)

1. Ejtse bevágást toló irányú vágással kb. a törzs $\frac{1}{3}$ -áig.
2. Vágja át a törzset húzó irányú vágással, amíg a két bevágás egybe nem ér. (ábra 77)

Törzs vágása mindkét végén történő alátámasztással



FIGYELMEZTETÉS: Ügyeljen arra, hogy vágás közben a fűrészlánc ne akadhasson el a törzsben. Tartsa be az alábbi utasításokat.

(ábra 78)

1. Ejtse bevágást húzó irányú vágással kb. a törzs $\frac{1}{3}$ -áig.
2. Vágja át a törzs fennmaradó részét toló irányú vágással a vágás befejezéséhez. (ábra 79)



FIGYELMEZTETÉS: Ha a fűrészlánc elakad a törzsben, állítsa le a motort. Emelőűrd segítségével nyissa szét a vágást, és távolítsa el a terméket. Ne próbálja kézzel kihúzni a terméket. Ez

Gallyazási technika alkalmazása

Megjegyzés: Vastagabb ágakhoz alkalmazza a vágási technikát. Lásd az *Vágási technika alkalmazása* 323. oldalon fejezetet.



FIGYELMEZTETÉS: A gallyazási technika alkalmazása esetén igen nagy a balesetek kockázata. A visszarúgás megelőzésével kapcsolatos utasításokat illetően tekintse át a következőt: *Visszarúgási információk* 322. oldalon.



FIGYELMEZTETÉS: Egyenként vágja le az ágakat. A kisebb gallyak eltávolításakor körültekintően járjon el, és ne vágjon le egyszerre elágazó ágakat vagy sok kisebb gallyat. A kisebb gallyak beleakadhatnak a fűrészláncba, és akadályozhatják a termék biztonságos működtetését.

Megjegyzés: Szükség esetén darabonként vágja le a gallyakat. A törzs közelében lévő ág (C) levágása előtt a kisebb ágakat (A) és (B) vágja le.

(ábra 80)

1. Távolítsa el a törzs jobb oldalán lévő gallyakat.
 - a) Tartsa a vezetőlemezt a törzs jobb oldalán, a géptestet pedig tartsa szorosan a törzs mellett.
 - b) Válassza ki az alkalmas vágási technikát a törzs feszítettségének megfelelően. (ábra 81)



FIGYELMEZTETÉS: Ha nem biztos abban, hogy teljes mértékben tisztában van az ágvágási művelettel, a folytatás előtt kérje ki egy professzionális láncfűrészkezelő tanácsát.

2. Távolítsa el a törzs tetejénél lévő gallyakat.
 - a) Tartsa a terméket a törzsön, és engedje, hogy a vezetőlemez végighaladjon a törzs mentén.
 - b) Toló irányú vágást alkalmazzon. (ábra 82)
3. Távolítsa el a törzs bal oldalán lévő gallyakat.
 - a) Válassza ki az alkalmas vágási technikát a törzs feszítettségének megfelelően. (ábra 83)



FIGYELMEZTETÉS: Ha nem biztos abban, hogy teljes mértékben tisztában van az ágvágási művelettel, a folytatás előtt kérje ki

egy professzionális láncfűrészkezelő tanácsát.

A feszített állapotban lévő ágak vágásával kapcsolatos utasításokat illetően tekintse át a következőt: *Feszített állapotban lévő fák és ágak vágása* 326. oldalon.

A fadöntési technika alkalmazása



FIGYELMEZTETÉS: Fa kidöntéséhez bizonyos tapasztalattal kell rendelkeznie. Amennyiben lehetséges, vegyen részt egy láncfűrészkezeléssel kapcsolatos képzésen. További fontos tudnivalóként forduljon egy tapasztalt kezelőhöz.

Biztonságos távolság tartása

1. Ügyeljen arra, hogy a közelében lévő személyek legalább 2 1/2 fa hosszúságának megfelelő biztonságot tartssanak. (ábra 84)
2. Gondoskodjon arról, hogy a veszélyzónában senki ne tartózkodjon sem a fadöntés előtt, sem aközben. (ábra 85)

A fadőlés irányának kiszámítása

1. Vizsgálja meg, hogy mely irányban szükséges kidőlnie a fának. Az a cél, hogy olyan pozícióban dőljön ki, amelyben könnyű elvégezni a törzs gallyazását és vágását. Emellett az is fontos, hogy stabilon álljon a lábain, és biztonságosan tudjon mozogni.



FIGYELMEZTETÉS:

Amennyiben a fa természetes irányba való kidöntése veszélyt jelent vagy nem lehetséges, a fát egy másik irányba döntse ki.

2. Vizsgálja meg a fa természetes dőlésirányát. Például a fa dőlése és görbülete, a szélirány, az ágak elhelyezkedése és a hó is befolyással van erre.
3. Vizsgálja meg, hogy vannak-e a közelben akadályok, pl. másik fák, elektromos vezetékek, utak és/vagy épületek.
4. Vizsgálja meg, hogy láthatóak-e károsodás vagy rothadás jelei a fa tövén.



FIGYELMEZTETÉS: Ha a fa tövénél rothadás van jelen, akkor fennáll a kockázata, hogy a fa már a vágás befejezése előtt kidől.

5. Győződjön meg arról, hogy a fának nincsenek károsodott vagy elhalt ágai, amelyek a dőlés közben letörhetnek, és megüthetik Önt.

6. Ne engedje, hogy a fa egy másik, még álló fára dőljön. Egy fennakadó fát elmozdítani nagyon veszélyes, és igen nagy a balesetek kockázata. Lásd az *Fennakadt fa kiszabadítása* 326. oldalon fejezetet. (ábra 86)



FIGYELMEZTETÉS: A kritikus döntővágási műveletek során azonnal vegye le a hallásvédelmi eszközt, amikor befejezi a fűrészélést. Nagyon fontos, hogy képes legyen a hangok és figyelmeztető jelek meghallására.

A törzs letisztítása és a visszavonulási útvonal előkészítése

Vágja le a vállmagasságban és az alatt található ágakat.

1. Alkalmazzon húzó irányú vágást a törzs tetejétől az alja felé. Ügyeljen arra, hogy a fa Ön és a termék között helyezkedjen el. (ábra 87)
2. Távolítson el minden aljnövényzetet a fa körüli területről. Távolítson el minden levágot anyagot a munkaterületről.
3. Ellenőrizze a területet, hogy nincsenek-e rajta akadályok, pl. sziklák, ágak és gödrök. Akadálymentes visszavonulási útvonalra van szükség, amikor a fa dőlni kezd. A visszavonulási útvonalnak kb. 135 fokos szögben kell elhelyezkednie a döntési irányhoz viszonyítva.

1. A kockázati zóna
2. A visszavonulási útvonal
3. A dőlés iránya

(ábra 88)

Fák kivágása

A Husqvarna azt javasolja, hogy a fa kivágásakor alakítsa ki a döntőhajkokat, majd alkalmazza a biztonsági sarok módszert. A biztonsági sarok módszer lehetővé teszi a megfelelő törési lécc kialakítását és a dőlés irányának meghatározását.



FIGYELMEZTETÉS: Ne vágjon ki olyan fát, amelynek átmérője a vezetőlemez hosszának több mint kétszerese. Ehhez a művelethez speciális képzés elvégzése szükséges.

A törési lécc

A fakivágás legfontosabb művelete a megfelelő törési lécc kialakítása. A megfelelő törési lécc kialakításával

meghatározhatja a dőlés irányát, és biztosíthatja a fakivágási művelet biztonságosságát.

A törési lécs vastagságának a fa átmérőjének legalább 10%-át kell kitennie.



FIGYELMEZTETÉS: Ha a törési lécs nem megfelelő vagy túl vékony, Önnek nem lesz kihatása a dőlés irányára.

(ábra 89)

A döntőhajkok kialakítása

- Végezze el a döntőhajkok vágását. A döntőhajkokat a fa átmérőjének 1/4-éig kell bevágni. A felső vágás és az alsó vágás között 45°-os szögnek kell lennie.
 - Először a felső vágást ejtse meg. Igazítsa hozzá a termék döntővágási jelzését (A) a fa döntési irányához (B). Maradjon a termék mögött, és a fa mindig Öntől jobbra legyen. Húzó irányú vágást végezzen.
 - Ejtse meg az alsó vágást. Ügyeljen arra, hogy az alsó vágás végpontja ugyanannál a pontnál legyen, mint a felső vágás vége. (ábra 90)
- Ügyeljen arra, hogy a hajkvonal tökéletesen vízszintes legyen, és megfelelő szögben (90°) legyen a döntésirányhoz képest. A hajkvonal áthalad azon a ponton, ahol a két hajkvonal érintkezik. (ábra 91)

A biztonsági sarok módszer alkalmazása

A döntővágást valamivel a döntőhajk fölött kell bevágni.

(ábra 92)



FIGYELMEZTETÉS: Legyen óvatos a vezetőlemez csúcsával való vágás során. A törzsön végzett szűrővágás során a vágást a vezetőlemez csúcsának alsó részével kezdje.

(ábra 93)

- Ha az alkalmazható vágáshossz nagyobb, mint a fa átmérője, kövesse az alábbi lépéseket (a-d).
 - Ejtsen egyenes irányú szűrővágást a fatörzsben a törési lécs szélességének kialakításához. (ábra 94)
 - Végezzen húzó irányú vágást, míg csak a törzs 1/3-a marad hátra.
 - Húzza hátra a vezetőlemezt 5-10 cm-rel.
 - Vágja át a törzs fennmaradó részét az 5-10 cm széles biztonsági sarok kialakításához. (ábra 95)
- Ha az alkalmazható vágáshossz kisebb, mint a fa átmérője, kövesse az alábbi lépéseket (a-d).
 - Ejtsen egyenes irányú szűrővágást a fatörzsben. A szűrővágásnak meg kell haladnia a fa átmérőjének 3/5-ét.

- Vágja át a törzs fennmaradó részét húzó irányú vágással. (ábra 96)
 - Ejtsen egyenes vágást a törzsön a fa másik oldaláról a törési lécs kialakításához.
 - A biztonsági sarok kialakításához végezzen toló irányú vágást, míg csak a törzs 1/3-a marad hátra. (ábra 97)
- Helyezzen hátulról egy döntőéket a vágásba. (ábra 98)
 - Vágja le a sarkot a fa kidöntéséhez.

Megjegyzés: Ha ez nem történik meg, ütögesse a döntőéket, amíg a fa ki nem dől.

- Amikor a fa dőlni kezd, menjen távolabb a fától a visszavonulási útvonalon. Legalább 5 m-re távolodjon el a fától.

Fennakadt fa kiszabadítása



FIGYELMEZTETÉS: A fennakadt fákat nagyon veszélyes elmozdítani, és nagy a baleset kockázata. Maradjon a veszélyzónán kívül, és ne próbáljon meg fennakadt fát kivágni.

(ábra 99)

A legbiztonságosabb eljárás az, ha a következő csőrőlök egyikét alkalmazza:

- Traktorra szerelt

(ábra 100)

- Hordozható

(ábra 101)

Feszített állapotban lévő fák és ágak vágása

- Állapítsa meg, hogy a fa vagy ág mely része van feszített állapotban.
- Állapítsa meg, hogy mely ponton maximális a feszültség. (ábra 102)
- Állapítsa meg, hogy mi lenne a feszültség megszüntetésének legbiztonságosabb módja.

Megjegyzés: Bizonyos helyzetekben az az egyetlen biztonságos eljárás, ha csőrőlöt használ, nem pedig a terméket.

- Olyan pozíciót válasszon, amelyben nem ütheti meg Önt a fa vagy egy ág a feszültség megszűnésekor. (ábra 103)
- Ejtsen egy vagy több megfelelő mélységű vágást a feszültség csökkentése érdekében. A törési ponton vagy ahhoz közel ejtsen vágásokat. Ügyeljen arra, hogy a fa vagy ág a törési ponton törjön el. (ábra 104)



FIGYELMEZTETÉS: Ne fűrészljen át teljesen egy feszített állapotban levő fát vagy ágat.



FIGYELMEZTETÉS: Nagyon körültekintően járjon el, ha feszülő fát vág. Fennáll a kockázata, hogy a fa gyorsan mozogni kezd a vágás előtt vagy után. Súlyos sérülés történhet, ha

nem megfelelő pozícióban van, vagy helytelenül ejti meg a vágást.

6. Ha muszáj átvágnia egy fát/ágat, 2-3 vágást ejtsen, egymástól 1 hüvelyk távolságra, 2 hüvelyk mélységben. (ábra 105)
7. Ezt követően vágjon mélyebbre a fában, amíg a fa/ág meg nem hajlik, és meg nem szűnik a feszültség. (ábra 106)
8. A feszültség megszűnése után a hajlással ellentétes oldalon ejtsen vágást a fában/ágban.

Karbantartás

Bevezető



FIGYELMEZTETÉS: A termék karbantartása előtt olvassa el és értelmezze a biztonsággal foglalkozó fejezetet.

Alább következik egy lista a termék karbantartásával kapcsolatos lépésekről. Lásd: *Karbantartás327. oldal*on a további információkért.

Karbantartási terv



FIGYELMEZTETÉS: Karbantartási munkák előtt távolítsa el az akkumulátort.

Karbantartás	Használat előtt	Hetente	Havi
Tisztítsa le a termék külső alkatrészeit.	X		
Ellenőrizze, hogy biztonsági szempontból megfelelő-e a kapcsológomb és a kapcsológomb reteszének működése.	X		
Tisztítsa le a láncfékét és ellenőrizze a fék biztonságos működését. Ellenőrizze, hogy sértetlen-e a láncfogó. Szükség esetén cserélje ki.	X		
Az egyenletes kopás érdekében fordítsa meg a vezetőlemezt. Győződjön meg arról, hogy a vezetőlemez kenőjárata nincs-e eltömődve. Tisztítsa ki a lánchornyót.	X		
Győződjön meg arról, hogy a vágófelszerelés és a vágófelszerelés védőburkolata repedésektől és sérülésektől mentes. Cserélje le a vágófelszerelést vagy a vágófelszerelés védőburkolatát, ha repedések vannak rajtuk, vagy ha valamilyen behatás érte őket.	X		
Győződjön meg arról, hogy a vezetőlemezre és a fűrészláncra elegendő olaj jut.	X		
Végezze el a fűrészlánc ellenőrzését. Nézze meg, hogy nincsenek-e rajta repedések, és ellenőrizze, hogy a fűrészlánc nem merev vagy túlságosan kopott-e. Ha szükséges, cserélje ki.	X		
Élezze meg a fűrészláncot. Ellenőrizze a feszességét és az állapotát. Ellenőrizze a csillagkereket kopás szempontjából, és szükség esetén cserélje le.	X		
Tisztítsa meg a termék levegőbeömlő nyílását.	X		
Ellenőrizze, hogy a csavarok és anyák szorosan rögzülnek-e.	X		
Ellenőrizze, hogy a billentyűzet megfelelően működik-e, illetve sértetlen-e.	X		

Karbantartás	Használat előtt	Hetente	Havi
Reszelő használatával távolítsa el az esetlegesen kialakult sorjákat a vezetőlemez széleiről.		X	
Végezze el az akkumulátor és a termék közötti csatlakozások ellenőrzését. Végezze el az akkumulátor és az akkumulátortöltő közötti csatlakozás ellenőrzését.			X
Üritse ki és tisztítsa meg az olajtartályt.			X
Finoman fúvassa át sűrített levegővel a termék és az akkumulátor hűtőnyílásait.			X

A termék biztonsági eszközeinek karbantartása és ellenőrzése

Az első kézvédő ellenőrzése

Rendszeresen végezze el az első kézvédő és az automata fék ellenőrzését.

1. Ügyeljen rá, hogy az elülső kézvédőn ne keletkezzen sérülés, például repedés. (ábra 107)
2. Ellenőrizze, hogy szabadon mozog-e az elülső kézvédő, és hogy biztonságos módon csatlakozik-e a termékhez. (ábra 108)
3. Kikapcsolt motorral helyezze a terméket egy tuskóra vagy valamilyen egyéb stabil felületre.
4. Tartsa meg a hátsó markolatot, és engedje el az elülső markolatot. Engedje, hogy a termék a tuskóra essen. (ábra 109)
5. Győződjön meg arról, hogy a láncfék aktiválódik, amint a vezetőlemez hozzáér a tuskóhoz.

A fékhatás ellenőrzése

1. Helyezze a terméket stabil talajra, és indítsa be. Lásd: *Üzemeltetés321. oldalon.*



FIGYELMEZTETÉS:

Gondoskodjon arról, hogy a fűrészlánc se a talajhoz, se egyéb tárgyakhoz ne érjen hozzá.

2. Helyezze az ujjait és a hüvelykujjait a markolatok köré, és fogja szorosan a terméket. (ábra 110)
3. Adjon teljes gázt, és a bal csuklóját döntse előre az első kézvédő irányába a láncfék aktiválásához. A fűrészláncnak azonnal meg kell állnia. (ábra 111)



FIGYELMEZTETÉS: Az első fogantyút közben ne engedje el!

A kapcsológomb reteszének ellenőrzése

1. Győződjön meg arról, hogy a kapcsológomb és a kapcsológomb retеше akadálymentesen mozog-e, valamint hogy a visszatérítő rugó megfelelően működik-e. (ábra 112)

2. Nyomja előre a kapcsológomb reteszét (A), majd nyomja le (B). Nyomja a kapcsológomb reteszét a fogantyúhoz, és győződjön meg arról, hogy az elengedésekor a retesz visszatér-e az eredeti helyzetébe. (ábra 113)
3. Ellenőrizze, hogy reteszelve van-e a kapcsológomb üresjáratú pozíciónál, amikor fel van engedve a retеше. (ábra 114)
4. Kapcsolja be a terméket, és kapcsoljon teljes teljesítményre.
5. Engedje el a kapcsológombot, és győződjön meg arról, hogy a lánc megáll és nyugodtan marad.



FIGYELMEZTETÉS: Ha a fűrészlánc alapjáratú helyzetben lévő kapcsológombbal is forog, forduljon az illetékes szakszervizhez.

A láncfogó kenésének ellenőrzése

1. Győződjön meg arról, hogy a láncfogó nem sérült.
2. Győződjön meg arról, hogy a láncfogó stabil, és illeszkedik a termék testéhez. (ábra 115)

A felhasználói felület funkcióinak ellenőrzése

1. Indítsa be a terméket. Lásd: *A termék elindítása323. oldalon.*
2. Nyomja le és tartsa lenyomva az indító-/leállítógombot.
3. Győződjön meg arról, hogy a termék leállt-e, valamint hogy a zöld LED kialudt-e. (ábra 66)

Az akkumulátor és az akkumulátortartó ellenőrzése

1. Tisztítsa meg az akkumulátort és az akkumulátortartót egy puha kefe segítségével.
2. Tisztítsa meg a hűtőnyílásokat és az akkumulátorcsatlakozókat. (ábra 116)
3. Ellenőrizze, hogy az akkumulátoron nincs-e repedés vagy egyéb sérülés.

Az akkumulátortöltő ellenőrzése

1. Győződjön meg arról, hogy az akkumulátortöltő és a tápforrás kábele nem sérült. Ellenőrizze, hogy nincsenek-e rajta repedések vagy egyéb sérülések. (ábra 117)

A hűtőrendszer kitisztítása

A hűtőrendszer alacsonyan tartja a motor hőmérsékletét. A hűtőrendszer a termék bal oldalán található levegőbeömlőt, valamint a motoron lévő ventilátort foglalja magában.

1. Tisztítsa meg kefével a hűtőrendszert hetente egyszer, illetve szükség esetén ennél gyakrabban. (ábra 118)
2. Ellenőrizze, hogy nem szennyeződött-e a hűtőrendszer, illetve nincs-e eltömődve.



VIGYÁZAT: A szennyeződött vagy eltömődött hűtőrendszer miatt a termék túlmelegedhet. Ez a termék károsodását okozza.

A fűrészlanc élezése

A vezetőlemezzel és a fűrészlancsal kapcsolatos tudnivalók



FIGYELMEZTETÉS: A fűrészlanc használata és karbantartása során használjon védőkesztyűt. A nem mozgó fűrészlanc is sérüléseket okozhat.

A kopott vezetőlemezt és fűrészlancot a Husqvarna által javasolt vezetőlemez és fűrészlanc kombinációjára cserélje le. Erre azért van szükség, hogy megmaradjanak a termék biztonsági funkciói. A csere-vezetőlemezek és -fűrészlancok általunk ajánlott kombinációit illetően tekintse át a következőt: *Tartozékok335. oldalon.*

- Vezetőlemez hossza, hüvelyk/cm. A vezetőlemez hosszával kapcsolatos adatok általában a vezetőlemez hátsó részén szerepelnek.

(ábra 119)

- Fogak száma a vezetőlemez orrkerekén (T).

(ábra 120)

- Láncosztás, hüvelyk. A lánc vezetőszelei közötti távolságnak egyeznie kell a láncvezető végén lévő lánckerék és a meghajtó lánckerék fogai közötti távolsággal.

(ábra 121)

- Meghajtószelek száma. A meghajtószelek számát a vezetőlemez típusa határozza meg.

(ábra 122)

- A vezetőlemez nyomszélessége, hüvelyk/mm. A vezetőlemez vájátának szélessége ugyanolyan kell, hogy legyen, mint a lánc meghajtószeleinek.

(ábra 123)

- Láncolajozó nyílás, és nyílás a láncfeszítőhöz. A vezetőlemezeknek a terméknek megfelelőnek kell lennie.

(ábra 124)

- Meghajtószelek szélessége, mm/hüvelyk.

(ábra 125)

A vágószelek élezésével kapcsolatos általános tudnivalók

Ne használjon tompa fűrészlancot. Ha a fűrészlanc tompa, akkor nagyobb nyomást kell kifejteni ahhoz, hogy a vezetőlemez áthaladjon a fán. Ha a fűrészlanc nagyon tompa, akkor nem jön létre faforgács, csak fűrészpor.

Az éles fűrészlanc könnyedén áteszi magát a fán, és a faforgácsok hosszúak és vastagok lesznek.

A vágófog (A) és a mélység (B) együttesen teszi ki a fűrészlanc vágásra szolgáló részét, a vágószerszámot. A kettő magassága közötti különbség adja ki a vágási mélységet (vágásmélység-beállítás).

(ábra 126)

A vágószelek élezésekor a következőkre kell figyelni:

- Reszelési szög.

(ábra 127)

- Vágási szög.

(ábra 128)

- Reszelőpozíció.

(ábra 129)

- Hengeres reszelő átmérője.

(ábra 130)

Megfelelő eszköz hiányában nem egyszerű megélezni a fűrészlancot. Használjon egy ajánlott Husqvarna reszelősablont. Ez elő fogja segíteni a maximális vágási teljesítmény fenntartását, illetve minimális szinten tartja a visszarúgás kockázatát.



FIGYELMEZTETÉS: A visszarúgás ereje nagymértékben megnő, ha nem követik az élezésre vonatkozó utasításokat.

Megjegyzés: Lásd: *Tartozékok335. oldalon* a fűrészlanc élezésével kapcsolatos tudnivalóért.

A vágószelek élezése

1. A vágófogakat hengeres reszelővel és reszelősablonnal élezze meg. (ábra 131)

Megjegyzés: Lásd: *Tartozékok335. oldalon* a(z) Husqvarna által az Ön fűrészláncához ajánlott reszelőért és sablonért.

2. Helyezze el megfelelő módon a reszelősablont a vágószemen. Lásd a reszelősablonhoz mellékelt utasításokat.
3. A reszelőt a vágófogak belső oldaláról kifelé mozgassa. Csökkentse a nyomást a húzó irányú vágáson. (ábra 132)
4. Távolítsa el az anyagot az összes vágófog egyik oldaláról.
5. Fordítsa meg a terméket, és a másik oldalról is távolítsa el az anyagot.
6. Ügyeljen arra, hogy minden vágófog azonos hosszúságú legyen.

A vágásmélység-beállítás módosításával kapcsolatos általános tudnivalók

A vágásmélység-beállítás (C) csökken, amikor megélezi a vágófogakat (A). A maximális vágási teljesítmény megtartása érdekében el kell távolítani a reszelés során létrejött anyagokat a mélységhatárolóról (B), hogy megkapjuk az ajánlott vágásmélység-beállítást. Az adott fűrészlánc megfelelő vágásmélység-beállításának elérésével kapcsolatos utasításokat illetően lásd: *Tartozékok335. oldalon*.

(ábra 133)



FIGYELMEZTETÉS: A visszarágás kockázata megnő, ha a mélységhatároló távolsága túl nagy!

A mélységhatároló beállításának módosítása

A vágásmélység-beállítás módosítása és a vágószemek élezése előtt tekintse át a következőt *A vágószemek élezése329. oldalon* az utasításokért: Azt javasoljuk, hogy minden harmadik láncélezés után végezze el a mélységhatároló távolságának beállítását.

Javasoljuk, hogy a mélységhatároló beállításához használja a sablont, hogy pontosan le tudja mérni a távolságot, és el tudja érni a helyes oldalszöget.

(ábra 134)

1. Lapos reszelőt és mélységhatároló eszközt használjon a vágásmélység-beállításához. A mélységhatároló beállításához kizárólag egy ajánlott Husqvarna sablont használjon, hogy a távolságot pontosan tudja lemérni, és a helyes oldalszöget tudja elérni.
2. Helyezze a mélységhatároló eszközt a fűrészlánc fölé.

Megjegyzés: Az eszköz használatával kapcsolatos további tudnivalókat illetően tekintse át a mélységhatároló csomagolását.

3. A laposreszelő használatával távolítsa el a mélységhatároló kiálló részéről a felesleget. (ábra 135)

A fűrészlánc feszességének beállítása



FIGYELMEZTETÉS: Ha a feszesség nem megfelelő, a fűrészlánc leugorhat a vezetőlemezzel, ami súlyos sérülést vagy halált okozhat.

A fűrészlánc használat során meghosszabbodik. Rendszeresen állítsa be a fűrészláncot. A láncolaj feltöltésekor minden alkalommal ellenőrizze a fűrészlánc feszességét.

Megjegyzés: Minden új láncnak van egy bejáratási ideje, ami alatt gyakrabban kell a láncfeszességet ellenőrizni.

A fűrészlánc feszességének beállítása (a vezetőlemez rögzítőgombjával)

1. Hajtsa kifelé a gombot, amíg fel nem nyílik. (ábra 136)
2. A csillagkerék burkolatának meglazításához forgassa el az óramutató járásával ellentétes irányba a gombot. (ábra 137)
3. Fordítsa el a láncfeszítő kereket a fűrészlánc feszességének igazításához. A fűrészláncnak fel kell feküdnie a vezetőlemeze. (ábra 138)

Megjegyzés: Nagyobb feszesség eléréséhez fordítsa el lefelé (+) a kereket, kisebb feszültséghez pedig felfelé (-).

4. Győződjön meg arról, hogy a lánc kézzel szabadon körbehúzóható-e, és hogy nem lóg-e lazán a vezetőlemezzel. (ábra 139)
5. A vezetőlemez gombjának megszorításához forgassa el az óramutató járásával megegyező irányba a gombot. (ábra 140)
6. A feszesség reteszeléséhez hajtsa le a gombot. (ábra 141)

A fűrészlánc feszességének beállítása (a vezetőlemez rögzítő töcsavarjával)

1. Lazítsa ki a csillagkerék burkolatát rögzítő anyát a vezetőlemezen. Használja a kombinált csavarkulcsot. (ábra 142)
2. Emelje meg a vezetőlemez elejét, és forgassa el a feszítőtöcsavart. Használja a kombinált csavarkulcsot.
3. Szorítsa meg a fűrészláncot, amíg szorosan rá nem fekszik a vezetőlemeze. (ábra 143)
4. Szorítsa meg a vezetőlemez anyacsavarját a kombinált csavarkulccsal, és közben emelje fel a vezetőlemez elülső részét. (ábra 144)

5. Győződjön meg arról, hogy a lánc kézzel szabadon körbehúzható-e, és hogy nem lóg-e lazán a vezetőlemezről. (ábra 139)

Megjegyzés: Lásd: *A termék áttekintése* 311. oldalon a termék feszítőcsavar-pozícióját illetően.

A fűrészlánc kenésének ellenőrzése

Minden harmadik akkumulátortöltés után ellenőrizze a fűrészlánc kenését.

1. Indítsa el a terméket, és hagyja jární 3/4 fordulaton. Tartsa a vezetőlemezt kb. 20 cm-re (8 hüvelyk) egy világos színű felület felett.
2. Ha a fűrészlánc kenése megfelelő, akkor a felületen 1 perc elteltével egyértelmű olajcsík fog megjelenni. (ábra 145)
3. Ha nem megfelelő a fűrészlánc kenése, végezze el a következő ellenőrzéseket.
 - a) A vezetőlemez olajcsatornájának ellenőrzésével állapítsa meg, hogy nincs-e eltömődve. Szükség esetén tisztítsa meg a csatornát. (ábra 146)
 - b) Ellenőrizze, hogy tiszta-e a vezetőlemez szélén lévő vájat. Szükség esetén tisztítsa meg a csatornát. (ábra 147)
 - c) Ellenőrizze, hogy az orrkerék szabadon forog-e, és hogy nincs-e eldugulva a vezetőlemez csúcán lévő kenőnyílás. Tisztítsa meg és kenje meg, ha szükséges. (ábra 148)
4. Ha a fűrészlánc kenése a fenti lépések elvégzése után sem működik, forduljon az illetékes szakszervizhez.

A csillagkerék ellenőrzése

- Ellenőrizze a csillagkerék kopását. Szükség esetén cserélje ki a csillagkereket.
- A fűrészlánc cseréjekor a csillagkereket is cserélje ki. (ábra 149)

A vágószerkezet ellenőrzése

1. Győződjön meg arról, hogy nincsenek repedések a szegecseken és a szemeken, és hogy egyik szegecs sem laza. Szükség esetén cserélje ki. (ábra 150)
2. Győződjön meg arról, hogy a fűrészlánc könnyen hajlítható. Ha a fűrészlánc merev, cserélje le.
3. Hasonlítsa össze a láncot egy új láncsal annak megállapításához, hogy a szegecsek és a meghajtószemek elhasználódtak-e.
4. Cserélje ki a fűrészláncot, a vágófog leghosszabb része rövidebb, mint 4 mm/0,16 hüvelyk. Emellett akkor is ki kell cserélni a fűrészláncot, ha repedések vannak a vágószemeken. (ábra 151)

A vezetőlemez ellenőrzése

1. Ellenőrizze, hogy nincs-e eltömődve az olajcsatorna. Szükség esetén tisztítsa meg. (ábra 146)
2. Ellenőrizze, hogy nincs-e sorja a vezetőlemez szélein. Reszelő segítségével távolítsa el a sorjákat. (ábra 152)
3. Tisztítsa meg a vezetőlemez vájátát. (ábra 147)
4. Ellenőrizze, hogy nem kopott-e a vezetőlemez vájata. Szükség esetén cserélje ki a vezetőlemezt. (ábra 153)
5. Ellenőrizze, hogy nem durva vagy nagyon kopott-e a vezetőlemez csúcsa. (ábra 154)
6. Ellenőrizze, hogy az orrkerék szabadon forog-e, és hogy nincs-e eldugulva a vezetőlemez csúcán lévő kenőnyílás. Szükség esetén tisztítsa meg és kenje meg. (ábra 148)
7. Naponta fordítsa meg a vezetőlemezt az élettartama meghosszabbítása érdekében. (ábra 155)

Hibaelhárítás

Felhasználói felület

LED-kijelző	Lehetséges hibák	Lehetséges megoldás
Villog a figyelmeztetésjelző.	A láncfék be van kapcsolva.	Engedje ki a láncféket.
	Hőmérséklet-ingadozás.	Hagyja lehűlni a terméket.
	Túlterhelés. A fűrészlánc nem tud forogni.	Szabadítsa ki a fűrészláncot.
	A kapcsológomb és az indító-/leállító-gomb egyszerre lett megnyomva.	Engedje el a kapcsológombot a termék aktiválásához.
Villog a narancssárga aktiválási LED.	Alacsony akkumulátorfeszültség.	Töltse fel az akkumulátort.
Világít a figyelmeztetésjelző.	Szervizelés.	Forduljon az illetékes szakszervizhez.

Akkumulátor

LED-es kijelző	Lehetséges hibák	Lehetséges megoldás
Villog a zöld LED.	Alacsony akkumulátorfeszültség.	Töltse fel az akkumulátort.
Villog a hibajelző LED.	Hőmérséklet-ingadozás.	Az akkumulátort -10 °C (14 °F) és 40 °C (104 °F) közötti hőmérsékleten használja.
	Túl magas feszültség.	Ügyeljen arra, hogy a hálózati feszültség megegyezzen a termék feszültségével. Lásd a termék adattábláján.
		Vegye ki az akkumulátort a töltőből.
A hibajelző LED világítani kezd.	Túl nagy a cellák közötti különbség (1V).	Forduljon az illetékes szakszervizhez.

Akkumulátortöltő

Állapot	Lehetséges hibák	Lehetséges eljárás
A töltést jelző LED piros.	Maradandó akkumulátortöltő-hiba.	Forduljon márkakereskedőjéhez.
A töltést jelző LED zölden villog.	Hőmérséklet-ingadozás, az akkumulátor túl hideg vagy túl meleg a használathoz vagy a töltéshez.	Hagyja lehűlni, vagy melegítse fel az akkumulátort. Ha az akkumulátor hőmérséklete megfelelő, ismét használható vagy tölthető. Az akkumulátortöltőt 5 °C és 40 °C közötti környezeti hőmérsékleten használja.
A töltést jelző LED pirosan villog.	Hibás akkumulátor	Forduljon márkakereskedőjéhez.

Szállítás, tárolás és ártalmatlanítás

Szállítás és raktározás

- A mellékelt lítium-ion akkumulátorokra a veszélyes anyagokra vonatkozó jogszabályok követelményei érvényesek.
- Kereskedelmi szállításnál – harmadik fél és szállítmányozó cégek esetén is – a csomagolásra és címkézésre vonatkozó speciális előírásokat be kell tartani.
- A termék elküldése előtt forduljon egy veszélyes anyagok tekintetében szakképzett személyhez. Tartsa be az összes vonatkozó nemzeti előírást.
- Ha az akkumulátort becsomagolja, a szabadon álló érintkezőket le kell fedni ragasztószalaggal. Szorosan csomagolja be az akkumulátort, hogy az ne mozdulhasson el a csomagoláson belül.
- Tároláshoz vagy szállításhoz távolítsa el az akkumulátort.
- Helyezze az akkumulátort és az akkumulátortöltőt száraz, nedvesség- és fagymentes helyre.
- Ne tartsa az akkumulátort olyan helyen, ahol elektrosztatikus töltés lehet jelen. Ne tartsa az akkumulátort fém dobozban.
- Helyezze az akkumulátort közvetlen napfénytől védett helyre, ahol a hőmérséklet 5°C (41°F) és 25°C (77°F) között van.
- Helyezze az akkumulátortöltőt közvetlen napfénytől védett helyre, ahol a hőmérséklet 5 °C (41 °F) és 45°C (113°F) között van.
- Az akkumulátortöltőt csak 5°C (41°F) és 40°C (104°F) közötti környezeti hőmérséklet mellett használja.
- Hosszú ideig való tárolás előtt tölts fel az akkumulátort 30–50%-ra.

- Az akkumulátortöltőt száraz, zárt helyen tárolja.
- A tárolás során tartsa távol az akkumulátort az akkumulátortöltőtől. Ügyeljen arra, hogy gyermekek és más jogosulatlan személyek ne érhessenek a berendezéshez. A berendezést kulccsal zárható helyen tárolja.
- A hosszú ideig való tárolás előtt tisztítsa meg a terméket, és végezze el annak teljes karbantartását.
- A sérülések és a termék károsodásának elkerülése érdekében szállításkor és tároláskor használja a terméken található szállítási biztosítószerkezetet.
- Szállításkor rögzítse biztosan a terméket.

Az akkumulátor, az akkumulátortöltő és a termék ártalmatlanítása

Az alábbi szimbólum azt jelzi, hogy a termék nem minősül háztartási hulladéknak. Újrahasznosítását egy elektromos és elektronikus berendezések újrahasznosítására szolgáló ponton kell elvégezni. Ez elősegíti a környezetre és a személyekre gyakorolt káros hatások megelőzését.

További információkért forduljon a helyi hatóságokhoz, hulladékártalmatlanítási szolgáltatást végző vállalkozáshoz vagy kereskedőjéhez.

(ábra 24)

Megjegyzés: A szimbólum a terméken vagy annak csomagolásán található.

Műszaki adatok

Műszaki adatok

	225i
Motor	
Típus	BLDC (kefe nélküli) 36 V
Tulajdonságok	
Kis energiájú mód	SavE
Kenőrendszer	
Olajszivattyú típusa	Automata
Olajtartály űrtartalma, ml/cm ³	0,2/200
Tömeg	
Láncfűrész akkumulátor, vezetőlemez, fűrészlánc és üres olajtartály nélkül, kg	3,1
Zajkibocsátás ⁴⁶	
Hangteljesítményszint, dB(A)-ben mérve	97
Hangteljesítményszint, garantált, L _{WA} dB(A)	100
Zajszintek ⁴⁷	
A kezelő hallószervére gyakorolt, EN 62841-1 szerint mért hangnyomásszint	89
Rezgésszintek ⁴⁸	
Elülső fogantyú, m/s ²	3,9
Hátsó fogantyú, m/s ²	3,9
Fűrészlánc/vezetőlemez	
Ajánlott vezetőlemez hossz, hüvelyk/cm	12-14/30,5-35,6
Alkalmazható vágáshossz, hüvelyk/cm	11-13/27-33,2
Csillagkerék típusa/fogak száma	Homloklánckerék/6
Maximális láncsebesség/(Normál üzemmód), m/s	11,8
Maximális láncsebesség/(SavE üzemmód), m/s	9,4

⁴⁶ A környezet zajszennyezése hangteljesítményként (L_{WA}) az EK 2000/14/EC és EN ISO 22868 irányelvvel összhangban, a 3 dB (A) tipikus statisztikus ingadozásával (szórásával) rendelkezik.

⁴⁷ A gép hangnyomásszintjére vonatkozó jelentési adatok a 3 dB (A) tipikus statisztikus ingadozásával (szórásával) rendelkeznek.

⁴⁸ Rezgésszint az EN 62841-4-1 szabványnak megfelelően. A rezgésszintre vonatkozó jelentési adatok a ± 1,5 m/s² tipikus statisztikus ingadozásával (szórásával) rendelkeznek. Vágószerkezettel és az ajánlott lánc típusal felszerelt gépen mért eredmények alapján megállapított rezgési adatok. Ha a gép ettől eltérő vágószerkezettel van felszerelve, a rezgési szint max. ± 1,5 m/s² mértékben változhat.

Tartozékok

Vezetőlemez és fűrészlánc kompozíciók

Husqvarna 225i esetében a következő vágófelszerelésekre vonatkozik jóváhagyás.






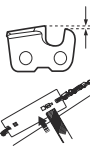







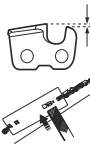
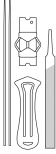

Vezetőlemez					Fűrészlánc	
Típus	Hossz, hüvelyk	Láncosztás, hüvelyk	Méret, mm	Max. orrsugár	Típus	Hossz, meghajtószemek (sz.)
501959545	12	3/8" mini	1,1	7T	Husqvarna H38 (581808145)	45
501959552	14	3/8" mini	1,1	7T	Husqvarna H38 (581807952)	52

Reszelőberendezés és reszelési szögek

Használjon Husqvarna reszelősablont a fűrészlánc megélezéséhez. Husqvarna reszelősablon használatával biztosan a megfelelő élezési szögeket

érheti el. A cikkszámok az alábbi táblázatban olvashatók.

Ha nem biztos abban, hogy hogyan tudja azonosítani a fűrészlánc típusát az adott termék esetében, a további tudnivalókat illetően tekintse át a következőt: www.husqvarna.com.

							
38	11/64 hüvelyk/4,5 mm	75°	30°	0°	0,025 hüvelyk/0,65 mm	505 69 81-03	579 55 88-01
							
93	5/32 hüvelyk/4,0 mm	60°	30°	0°	0,025 hüvelyk/0,65 mm	596 63 89-01	596 63 89-01

Jóváhagyott akkumulátorok

Akkumulátor	40-B140
Típus	Lítium-ion
Akkumulátor kapacitása, Ah	4
Névleges feszültség, V	36
Tömeg, kg	1.25

A termék esetében jóváhagyott akkumulátortöltők

Akkumulátortöltő	40-C80
Hálózati feszültség, V	100–240
Frekvencia, Hz	50–60
Teljesítmény, W	72
Kimeneti feszültség, V, egyenáram/ amper, A	43/1,6

Megfelelőségi nyilatkozat

EU megfelelési nyilatkozat

A Husqvarna AB, SE-561 82 Huskvarna, Svédország,
tel: +46-36-146500 a saját felelősségére kijelenti, hogy
a termék:

Leírás	Vezeték nélküli láncfűrészek
Márka	Husqvarna
Típus/modell	225i
Megjelölés	2023-as és újabb sorozatszámok

teljes mértékben megfelelnek a következő EU-
irányelveknek és szabályozásoknak:

Irányelv/rendelet	Leírás
2006/42/EK	„gépre vonatkozó”
2014/30/EU	„elektromágneses megfelelésre vonatkozó”
2011/65/EU	„az egyes veszélyes anyagok elektromos és elektronikus berendezésekben való alkalmazásának korlátozására vonatkozó”
2000/14/EK	„környezeti zajkibocsátásra vonatkozó”

A következő szabványok kerültek alkalmazásra: EN 62841-1:2015+A11:2022, EN 62841-4-1:2020, EN IEC 63000:2018, EN IEC 55014-1:2021, EN IEC 55014-2:2021.



Bejelentett tanúsítási szervezet: A TÜV Rheinland LGA Products GmbH, Tillystrasse 2, D-90431 Nuernberg, Germany, 0197, elvégezte az EK szerinti bevizsgálást a gépekről szóló irányelv (2006/42/EK) 12. cikkelyének 3b pontjával összhangban. A tanúsítvány a következő számmal rendelkezik: BM 50604678 0001.

A szállított láncfűrész megfelel az EK-típusvizsgálaton átesett példának.

A 2000/14/EK irányelv V. mellékletének megfelelően, lásd *Műszaki adatok 334. oldalon* a deklarált zajértékeket.

Huskvarna, 2023-10-30

Claes Losdal, K+F menedzser, Husqvarna AB

A műszaki dokumentációk felelőse

Sommario

Introduzione.....	338	Ricerca guasti.....	358
Sicurezza.....	339	Trasporto, stoccaggio e smaltimento.....	359
Montaggio.....	347	Dati tecnici.....	360
Utilizzo.....	348	Accessori.....	361
Manutenzione.....	354	Dichiarazione di conformità.....	363

Introduzione

Usò previsto

Questa motosega è pensata per lavori di silvicoltura come l'abbattimento, la sramatura e il taglio.

Nota: I regolamenti nazionali possono imporre restrizioni sull'uso del prodotto.

Panoramica del prodotto

(Fig. 1)

1. Protezione anticontraccolpo
2. Impugnatura anteriore
3. Interfaccia utente
4. Pulsante start/stop
5. Spia di avvertenza e spia della batteria
6. Pulsante SavE
7. Impugnatura posteriore con protezione della mano destra
8. Decalcomania di informazioni e avvertenza
9. Alloggiamento
10. Serbatoio dell'olio della catena
11. Copertura per il trasporto
12. Fermo della leva di comando
13. Leva di comando
14. Coperchio del pignone guida con manopola della barra
15. Tendicatena
16. Fermo della catena
17. Rampone
18. Rocchetto puntale
19. Catena
20. Barra guida
21. Spia dello stato di carica
22. Connettore
23. Caricabatteria
24. Chiave universale
25. Spia di avvertenza
26. Pulsante, stato della batteria
27. Stato della batteria
28. Pulsante per il rilascio della batteria
29. Batteria
30. Manuale dell'operatore

Descrizione del prodotto

Husqvarna 225i è una motosega con motore elettrico.

Il lavoro è in costante evoluzione per aumentare sicurezza ed efficienza durante le attività. Rivolgersi al centro di assistenza per maggiori informazioni.

31. Manopola della barra

32. Coperchio del pignone guida con bullone della barra

Simboli riportati sul prodotto

(Fig. 2) **AVVERTENZA:** questo prodotto può essere pericoloso e causare lesioni gravi o mortali all'operatore o a terzi. Prestare attenzione e utilizzare il prodotto correttamente.

(Fig. 3) Leggere attentamente il manuale dell'operatore e accertarsi di aver compreso le istruzioni prima di utilizzare il prodotto.

(Fig. 4) Utilizzare elmetto protettivo, cuffie protettive e protezione per gli occhi omologati.

(Fig. 5) Utilizzare entrambe le mani quando si lavora con questo prodotto.

(Fig. 6) Non utilizzare il prodotto con una sola mano.

(Fig. 7) Non lasciare che la punta della lama di guida tocchi un oggetto.

(Fig. 8) Non utilizzare sotto la pioggia.

(Fig. 9) **Avvertenza!** Il contraccolpo può verificarsi quando la punta della lama guida tocca un oggetto. In questo modo la barra di guida può scagliarsi in direzione dell'operatore. Rischio di lesioni gravi o letali.

- (Fig. 10) Tensione nominale, V
- (Fig. 11) Olio della catena.
- (Fig. 12) Senso di rotazione della catena e lunghezza massima della barra di guida.
- (Fig. 13) Corrente diretta.
- (Fig. 14) **Marchio ecologico.** Il prodotto o l'imballaggio del prodotto non è un rifiuto domestico. Riciclarlo in una stazione di riciclaggio per apparecchiature elettriche ed elettroniche.
- (Fig. 15) Il presente prodotto è conforme alle direttive CEE vigenti.
- (Fig. 16) Il presente prodotto è conforme ai regolamenti in vigore nel Regno Unito.
- (Fig. 17) Emissioni di rumore nell'ambiente in conformità alla Direttiva Europea 2000/14/CE, UK e alla norma del Nuovo Galles del Sud in materia di protezione dell'ambiente "Protection of the Environment Operations (Noise Control) Regulation 2017". Il livello di potenza sonora garantito del prodotto è specificato in *Dati tecnici alla pagina 360* nonché sull'etichetta.
- (Fig. 21) Freno della catena, inserito (avanti). Freno della catena, disinserito (indietro).
- (Fig. 22) Direzione della catena.
- (Fig. 23) La targhetta dati di funzionamento mostra il numero di serie. **aaaa** è l'anno di produzione, **ww** è la settimana di produzione.

Nota: I restanti simboli/decalcomanie sul prodotto riguardano particolari requisiti necessari per ottenere la certificazione in alcuni mercati.

Simboli sulla batteria e/o sul caricabatterie

- (Fig. 24) Riciclare questo prodotto in una stazione di riciclaggio per apparecchiature elettriche ed elettroniche. (Solo per l'Europa)
- (Fig. 18) Trasformatore a prova di guasto.
- (Fig. 19) Utilizzare e conservare il caricabatteria solo in ambienti interni.
- (Fig. 20) Doppio isolamento.

Produttore

Husqvarna AB
Drottninggatan 2, SE-561 82, Huskvarna, Sweden, tel: +46-36-146500

Danni al prodotto

Non siamo responsabili dei danni al prodotto se:

- Il prodotto viene riparato in modo errato.
- Il prodotto viene riparato con parti che non provengono o non sono omologate dal produttore.
- Il prodotto contiene un accessorio che non proviene o non è omologato dal produttore.
- Il prodotto non viene riparato presso un centro di assistenza autorizzato o presso un'autorità competente.

Sicurezza

Definizioni di sicurezza

Le avvertenze, le precauzioni e le note sono utilizzate per evidenziare le parti importanti del manuale.



AVVERTENZA: Utilizzato se è presente un rischio di lesioni o morte dell'operatore o di passanti nel caso in cui le istruzioni del manuale non vengano rispettate.



ATTENZIONE: Utilizzato se è presente un rischio di danni al prodotto, ad altri materiali oppure alla zona adiacente nel caso in cui le istruzioni del manuale non vengano rispettate.

Nota: Utilizzato per fornire ulteriori informazioni necessarie in una determinata situazione.

Avvertenze generali di sicurezza dell'elettrodomestico



AVVERTENZA: Leggere tutte le avvertenze di sicurezza, le istruzioni, le illustrazioni e le specifiche fornite con questo elettrodomestico. La mancata osservanza di tutte le istruzioni elencate di seguito può dare luogo a scosse elettriche, incendi e/o gravi lesioni.

- **Conservare tutte le avvertenze e le istruzioni per la futura consultazione.** Nelle avvertenze, il termine "elettrodomestico" si riferisce al vostro utensile alimentato tramite rete elettrica (con cavo) o a batteria (senza fili).

Sicurezza dell'area di lavoro

- **Tenere l'area di lavoro pulita e ben illuminata.** Il disordine e le aree di lavoro non illuminate possono essere causa di incidenti.
- **Non mettere in funzione elettrodomestici in ambienti esplosivi, quali quelli che comportano la presenza di liquidi infiammabili, gas o polvere.** Gli elettrodomestici generano scintille che possono incendiare polveri o fumi.
- **Tenere lontani bambini e spettatori mentre si fa funzionare un elettrodomestico.** Le distrazioni possono causare la perdita del controllo.

Sicurezza elettrica

- **Le spine degli elettrodomestici devono essere adatte alla presa. Evitare assolutamente di apportare modifiche alla spina. Non impiegare spine adattatrici assieme a elettrodomestici con collegamento a terra.** Le spine non modificate e le prese adatte allo scopo riducono il rischio di scosse elettriche.
- **Evitare il contatto con superfici messe a massa o collegate a terra, come condutture, radiatori, stufe e frigoriferi.** Sussiste un maggior rischio di scosse elettriche nel momento in cui il corpo è messo a massa.
- **Non esporre gli elettrodomestici a pioggia o umidità.** L'ingresso di acqua in un elettrodomestico fa aumentare il rischio di scosse elettriche.
- **Non rovinare il cavo elettrico. Non usare mai il filo per trasportare, tirare o staccare dalla presa l'elettrodomestico. Non avvicinare il cavo a fonti di calore, olio, spigoli taglienti e neppure a parti della macchina che siano in movimento.** I cavi danneggiati o attorcigliati fanno aumentare il rischio di scosse elettriche.
- **Per il funzionamento di un elettrodomestico all'aperto, usare una prolunga adatta.** L'uso di un cavo di prolunga omologato per l'impiego all'aperto riduce il rischio di scosse elettriche.
- **Se l'impiego dell'elettrodomestico in ambienti umidi è inevitabile, utilizzare un interruttore differenziale (salvavita) per proteggere il circuito di alimentazione.**

L'utilizzo di un salvavita riduce il rischio di scosse elettriche.

Sicurezza personale

- **Nell'uso di un elettrodomestico, restare alerta, fare attenzione a ciò che si sta facendo e usare il buon senso. Non usare un elettrodomestico quando si è stanchi o sotto l'effetto di droga, alcol o farmaci.** Un attimo di disattenzione può causare lesioni personali gravi.
- **Usare sempre abbigliamento protettivo personale. Indossare sempre una protezione per gli occhi.** L'uso in condizioni adeguate dell'abbigliamento protettivo (come mascherina protettiva, calzature di sicurezza antiscivolo, elmetto o cuffie protettive) riduce le lesioni personali.
- **Prevenire la messa in funzione accidentale. Accertarsi che l'interruttore sia in posizione OFF prima di effettuare il collegamento alla presa dell'alimentazione e/o alla batteria, di sollevare o trasportare l'attrezzo.** Il trasporto di elettrodomestici tenendo le dita sull'interruttore o su attrezzi che producono corrente e il cui interruttore è acceso, può provocare incidenti.
- **Rimuovere qualunque chiave o strumento di regolazione prima di accendere l'elettrodomestico.** Qualunque chiave o attrezzo lasciato attaccato a parti rotanti può causare danni alla persona.
- **Operare in sicurezza. Operare sempre facendo attenzione a posizionare bene i piedi e a mantenere l'equilibrio.** Ciò permette un migliore controllo dell'elettrodomestico in situazioni inattese.
- **Vestirsi in maniera adeguata. Non indossare abiti troppo ampi o gioielli. Tenere capelli e indumenti lontani dalle parti in movimento.** Lasciati liberi, indumenti, gioielli o capelli lunghi possono restare impigliati nelle parti in movimento.
- **Qualora vengano forniti strumenti per il collegamento a strutture di estrazione e raccolta della polvere, accertarsi che queste siano collegate e usate in modo adeguato.** La raccolta della polvere può ridurre i rischi legati alla presenza di questo agente.
- **La familiarità e l'esperienza acquisite con il prodotto non devono far sottovalutare i rischi insiti nell'utilizzo dello stesso. Non ignorare le norme basilari di sicurezza dell'attrezzatura.** Un'azione incauta può provocare gravi danni in una frazione di secondo.

Uso e cura dell'elettrodomestico

- **Non forzare l'elettrodomestico. Usare l'elettrodomestico adatto all'applicazione.** L'elettrodomestico giusto farà il lavoro meglio e in modo più sicuro se usato alla velocità per la quale è stato progettato.
- **Non usare l'elettrodomestico se non è possibile accenderlo o spegnerlo tramite interruttore.** Qualunque elettrodomestico che non possa essere controllato tramite interruttore è pericoloso e deve essere riparato.
- **Scollegare la spina dalla presa di corrente e/o rimuovere la batteria, se staccabile, prima di**

procedere a qualunque regolazione, cambio di accessori o alla conservazione degli elettroutensili.

Tali misure di sicurezza preventive riducono il rischio di avvio accidentale dell'elettroutensile.

- **Riporre gli elettroutensili fuori dalla portata dei bambini e non permettere l'uso dei suddetti a persone che non hanno familiarità con tali utensili e con queste istruzioni.** Nelle mani di persone inesperte, gli elettroutensili sono pericolosi.
- **Effettuare la manutenzione degli elettroutensili e degli accessori. Controllare che non si verifichi un errato allineamento o collegamento delle parti in movimento, la rottura di pezzi e qualsivoglia altra condizione che possa inficiare il funzionamento dell'elettroutensile. Qualora danneggiato, riparare l'elettroutensile prima dell'uso.** Molti incidenti sono causati da elettroutensili con una manutenzione inadeguata.
- **Mantenere affilati e puliti gli strumenti da taglio.** Con una manutenzione adeguata, gli strumenti da taglio con bordi affilati risultano più facili da controllare e meno pericolosi.
- **Usare l'elettroutensile, gli accessori, le punte ecc. come indicato dalle presenti istruzioni, tenendo conto delle condizioni di lavoro e della prestazione da effettuare.** L'impiego di elettroutensili per usi diversi da quelli previsti può dar luogo a situazioni di pericolo.
- **Mantenere le impugnature e le superfici di presa asciutte, pulite e prive di olio e grasso.** Le impugnature e le superfici di presa scivolose non consentono una manipolazione e un controllo sicuri dell'utensile in situazioni impreviste.

Utilizzo e manutenzione della batteria

- **Ricaricare l'attrezzo esclusivamente utilizzando il caricabatterie specificato dal produttore.** L'utilizzo di un caricabatterie indicato per un altro tipo di batteria potrebbe provocare rischio di incendio.
- **Utilizzare i dispositivi esclusivamente con le batterie specificate.** L'utilizzo di altri pacchi batteria potrebbe provocare lesioni e incendi.
- **Quando la batteria non viene utilizzata, tenerla lontana da altri oggetti metallici, come graffette, monete, chiavi, chiodi, viti o altri piccoli oggetti metallici che potrebbero consentire il collegamento tra i terminali.** Provocare il cortocircuito dei terminali della batteria potrebbe causare ustioni o provocare un incendio.
- **In condizioni non ottimali, la batteria potrebbe perdere liquido; evitare il contatto. Qualora il contatto avvenisse, sciacquare la parte con acqua. Se il liquido entra negli occhi, chiamare immediatamente un medico.** Il liquido fuoriuscito dalla batteria potrebbe causare irritazioni o ustioni.
- **Non usare batterie o utensili danneggiati o modificati.** Batterie danneggiate o modificate

possono manifestare un comportamento imprevedibile, con rischio di incendi, esplosioni e lesioni.

- **Non esporre batterie o utensili a fiamme o temperature troppo elevate.** L'esposizione al fuoco o a una temperatura superiore a 130 °C / 266 °F può provocare esplosioni.
- **Seguire tutte le istruzioni per il caricamento della batteria e non caricare la batteria o l'utensile al di fuori dell'intervallo di temperatura indicato nelle istruzioni.** Ricaricare in modo inappropriato o a temperature che non rientrano nell'intervallo specificato può danneggiare la batteria e aumentare il rischio di incendio.

Assistenza

- **Far riparare l'elettroutensile solo ed esclusivamente da personale specializzato utilizzando solo pezzi di ricambio originali.** Questo garantirà che sia salvaguardata la sicurezza dell'elettroutensile.
- **Non riparare mai le batterie danneggiate.** Gli interventi sulle batterie dovrebbe essere eseguito solo dal produttore o da centri assistenza autorizzati.

Avvertenze di sicurezza generali della motosega

- **Tenere tutte le parti del corpo lontane dalla catena durante il funzionamento. Prima di avviare la motosega, assicurarsi che la catena non sia in contatto con corpi estranei.** Un semplice momento di disattenzione durante il funzionamento della motosega può provocare l'intrappolamento di abiti o parti del corpo.
- **Impugnare saldamente la motosega con la mano destra sull'impugnatura posteriore e quella sinistra sull'impugnatura anteriore.** Evitare di impugnare la motosega invertendo la posizione delle mani in quanto ciò aumenta il rischio di lesioni personali.
- **Impugnare la motosega utilizzando esclusivamente le apposite superfici isolate, in quanto la catena può entrare in contatto con cavi nascosti.** Il contatto della motosega con un cavo elettrico può causare la messa in tensione dei componenti metallici esposti della stessa e provocare una scossa elettrica all'operatore.
- **Indossare una protezione per gli occhi. Si raccomanda di utilizzare l'abbigliamento protettivo per orecchie, la testa, le mani, le gambe e i piedi.** L'uso di abbigliamento protettivo adeguato riduce il rischio di lesioni personali causate da frammenti volanti o dal contatto accidentale con la catena.
- **Non utilizzare la motosega sugli alberi, su una scala, da un tetto, o qualsiasi supporto instabile.** Il funzionamento di una motosega nel modo descritto può essere causa di gravi lesioni personali.⁴⁹
- **Mantenere sempre una posizione stabile dei piedi e utilizzare la motosega esclusivamente stando**

⁴⁹ Se si è formati su tecniche di taglio e di lavoro speciali e si è correttamente assicurati (cestello, funi, imbracatura di sicurezza), è possibile derogare a questa normativa di sicurezza.

in piedi su una superficie fissa, stabile e piana.

Superfici scivolose e instabili possono causare la perdita dell'equilibrio o del controllo della motosega.

- **Fare attenzione al movimento di rimbalzo quando si sega un ramo in tensione.** Quando viene rilasciata la tensione nelle fibre di legno, il ramo può colpire l'operatore e/o causare la perdita di controllo della motosega.
- **Prestare estrema attenzione quando si tagliano cespugli e alberelli.** Il materiale sottile può incastrarsi nella motosega e colpire l'operatore facendogli perdere l'equilibrio.
- **Trasportare la motosega per l'impugnatura anteriore dopo averla spenta, tenendola lontano dal corpo. Durante il trasporto o la conservazione della motosega, montare sempre il coperchio sulla barra di guida.** La corretta manipolazione della motosega riduce il rischio di contatto accidentale con la catena in movimento.
- **Seguire le istruzioni per la lubrificazione, la messa in tensione della catena e la sostituzione della barra e della catena.** Il tensionamento e la lubrificazione non adeguati della catena possono frenare la motosega o aumentare la possibilità di subire un contraccolpo.
- **Segare esclusivamente legno. Non usare la motosega per scopi diversi. Ad esempio: non usare la motosega per tagliare metallo, plastica, muri o materiali da costruzione diversi dal legno.** L'uso della motosega per operazioni diverse da quelle per le quali è stata progettata può creare situazioni di pericolo.
- **Non tentare di abbattere un albero fin quando non si comprendono i potenziali rischi e come evitarli.** Potrebbero verificarsi gravi lesioni all'operatore o ai passanti durante l'abbattimento degli alberi.
- **Seguire tutte le istruzioni per rimuovere eventuali residui, lo stoccaggio e la manutenzione della motosega. Accertarsi che l'interruttore sia in posizione OFF e la batteria sia stata rimossa.** L'azionamento imprevisto della motosega durante la rimozione di eventuali residui o la manutenzione può causare gravi lesioni personali.
- **Non abbattere alberi con la motosega a meno che non siate stati appositamente istruiti.** L'uso di una motosega su un albero senza un addestramento adeguato potrebbe aumentare il rischio di lesioni personali gravi.

Cause del contraccolpo e prevenzione da parte dell'operatore

Il contraccolpo può verificarsi quando la punta della barra di guida entra in contatto con un corpo estraneo o quando il legno si chiude e schiaccia la catena nel taglio. In alcuni casi, il contatto con la punta della barra di guida può provocare una reazione inversa repentina che scaglia la barra di guida verso l'alto e all'indietro in direzione dell'operatore. Lo schiacciamento della catena lungo la parte superiore della barra di guida può spingere rapidamente la barra di guida verso l'operatore. Queste reazioni possono causare la perdita

di controllo della motosega, provocando gravi lesioni personali. Non affidarsi esclusivamente ai dispositivi di sicurezza incorporati nella motosega. L'operatore della motosega deve mettere in atto misure adeguate per impedire il verificarsi di incidenti o lesioni personali durante il lavoro. Il contraccolpo è il risultato dell'uso errato della motosega o di procedure o condizioni di funzionamento errate e può essere evitato seguendo le opportune avvertenze riportate di seguito:

- **Mantenere una presa salda, afferrando le maniglie della motosega tra i pollici e le dita della mano, mantenendo entrambe le mani sulla motosega e posizionando il corpo e il braccio in modo appropriato per resistere alla forza esercitata dal contraccolpo.** La forza esercitata dal contraccolpo può essere controllata dall'operatore nel caso in cui vengano seguite le opportune avvertenze. Non lasciare andare la motosega.
- **Non allungarsi eccessivamente e non utilizzare la motosega a una altezza superiore alla spalla.** Ciò aiuterà a impedire il contatto accidentale con la punta della lama, consentendo un controllo migliore della motosega in situazioni impreviste.
- **Utilizzare esclusivamente le barre di guida e le catene di ricambio specificate dal produttore.** La sostituzione di barre di guida e catene con pezzi di ricambio non adeguati può causare la rottura e/o il contraccolpo della catena.
- **Seguire le istruzioni di affilatura e manutenzione della motosega fornite dal fabbricante.** La diminuzione dell'altezza dell'angolo di spoglia può aumentare il contraccolpo.

CONSERVARE LE PRESENTI ISTRUZIONI.

Istruzioni di sicurezza generali



AVVERTENZA: Leggere le seguenti avvertenze prima di utilizzare il prodotto.

- Questo prodotto è uno strumento pericoloso se non si presta attenzione o se si utilizza il prodotto in modo errato. Il prodotto può causare gravi lesioni o morte dell'operatore o altre persone. È di estrema importanza leggere e comprendere il contenuto di questo manuale di istruzioni.
- Non modificare il prodotto senza l'autorizzazione del produttore. Non utilizzare un prodotto che sembra essere stato modificato da altri e utilizzare sempre gli accessori originali. Le modifiche non approvate dal produttore possono provocare lesioni gravi o letali all'operatore o a altre persone.
- L'inalazione prolungata dei fumi dell'olio della catena e della polvere di segatura può causare problemi di salute.
- Durante il funzionamento, questo prodotto genera un campo elettromagnetico. Tale campo può interferire, in alcuni casi, con persone portatrici di impianti medici attivi o passivi. Per ridurre il rischio di lesioni gravi o letali, raccomandiamo alle persone portatrici

di impianti medici di consultare il proprio medico e il produttore dell'impianto prima di utilizzare questo prodotto.

Istruzioni di sicurezza per il funzionamento



AVVERTENZA: Leggere le seguenti avvertenze prima di utilizzare il prodotto.

- Le informazioni contenute nel presente manuale operatore non sostituiscono l'esperienza e la professionalità di un professionista. Se non si è in sicurezza durante le operazioni, spegnere il prodotto. Rivolgersi al centro di assistenza o a un operatore professionale. Evitare ogni tipo di operazione per la quale non ci si senta sufficientemente preparati!
- Rivolgersi al centro di assistenza o Husqvarna per eventuali domande relative al funzionamento del prodotto. Saremo lieti di fornire informazioni su come far funzionare il prodotto in modo efficiente e sicuro. Se possibile, partecipate ad un corso di formazione sul funzionamento della motosega. Il centro di assistenza, un istituto professionale o la biblioteca possono consigliarvi il materiale didattico disponibile oppure informarvi sui corsi di formazione.
- È necessario comprendere gli effetti di un contraccolpo e come evitarlo prima di utilizzare questo prodotto. Fare riferimento a *Informazioni per il contraccolpo alla pagina 349* e *Domande frequenti sul contraccolpo alla pagina 349* per istruzioni.
- Non utilizzare il prodotto, la batteria o il caricabatterie se risultano danneggiati o non funzionano correttamente.
- Non toccare una catena in rotazione. Ciò può causare gravi lesioni letali.
- Non utilizzare mai il prodotto in condizioni di stanchezza oppure sotto l'effetto di alcolici, stupefacenti o farmaci in grado di compromettere la vista, l'attenzione, la coordinazione o il giudizio.
- Lavorare in condizioni meteorologiche avverse è spesso stancante e comporta un ulteriore rischio. A causa di questo ulteriore rischio, si consiglia di non utilizzare il prodotto in condizioni meteorologiche sfavorevoli, per esempio, in presenza di nebbia fitta, pioggia battente, vento forte, freddo intenso, rischio di fulmini, ecc.
- Non avviare il prodotto senza che la barra di guida, la catena e tutti i coperchi siano correttamente montati. In caso contrario il pignone guida potrebbe allentarsi e causare gravi lesioni. Fare riferimento a *Montaggio alla pagina 347* per istruzioni.

(Fig. 25)

- A volte restano incastrate schegge nel coperchio della frizione, causando un inceppamento della catena. Spegnerle sempre il motore prima della pulizia.

- Osservare l'ambiente circostante. Accertarsi che non vi sia alcun rischio che persone o animali tocchino o influiscano sul vostro controllo del prodotto.

(Fig. 26)

- Non lasciare che i bambini si avvicinino al prodotto o che lo usino. Data l'estrema facilità di avviamento del prodotto, i bambini potrebbero essere in grado di avviarlo se non sono attentamente sorvegliati. Ciò può comportare il rischio di gravi lesioni.
- Rimuovere la batteria quando il prodotto non è completamente sotto controllo o quando si lascia il prodotto per un certo periodo di tempo.
- È necessario assumere una posizione stabile per avere il pieno controllo del prodotto. Non utilizzare il prodotto se ci si trova sopra una scala o su un albero. Non utilizzare il prodotto se non ci si trova su un terreno stabile.

(Fig. 27)

- Per lavorare sugli alberi è necessario adottare particolari tecniche di taglio, in modo da diminuire il rischio di ferirsi. Non lavorate mai sugli alberi se non avete una preparazione professionale specifica per questo tipo di attività, che deve comprendere la conoscenza delle tecniche di utilizzo degli attrezzi di salita e dei dispositivi di sicurezza, come funi, cinghie, ramponi, moschettoni ecc.
- Non tentare, di afferrare le parti che cadono. Non procedere mai con il taglio quando si è assicurati solo con una fune. Utilizzare sempre due funi di sicurezza.
- Se non si presta attenzione, il rischio di contraccolpo aumenta. Il contraccolpo si può verificare se il settore di contraccolpo sulla barra tocca accidentalmente un ramo, un albero o altri oggetti.

(Fig. 28)

- Non utilizzare il prodotto con una sola mano. Una mano non è sufficiente per il controllo sicuro del prodotto.
- Non utilizzare il prodotto ad un'altezza superiore a quella delle spalle e non cercare di tagliare con la punta della lama guida.

(Fig. 29)

- Non utilizzare il prodotto in situazioni dove non è possibile ottenere aiuto in caso di incidente.
- Arrestare il prodotto e innestare il freno della catena prima di spostarlo. Mantenere il prodotto con la barra di guida e la catena rivolte all'indietro. Mettere una protezione di trasporto sulla barra di guida prima del trasporto o prima di spostarlo per una distanza qualsiasi.
- Quando si poggia il prodotto a terra, bloccare il freno della catena e sorvegliare costantemente il prodotto. Arrestare il prodotto e rimuovere la batteria prima di lasciare il prodotto per qualsiasi periodo.
- Vi è il rischio che le schegge di legno si blocchino nel sistema di trasmissione. Ciò può causare l'inceppamento della catena. Arrestare sempre il prodotto e rimuovere la batteria prima di pulirlo.

- Il livello di vibrazioni aumenta se si utilizza attrezzatura di taglio non corretta o non correttamente affilata. Il taglio di legni duri come ad es. le latifoglie, causa un maggior numero di vibrazioni rispetto al taglio dei legni teneri, come ad es. conifere.

(Fig. 30)

- La sovraesposizione alle vibrazioni può causare lesioni neuro-vascolari a chi soffre di cattiva circolazione. In caso di sintomi riferibili a sovraesposizione alle vibrazioni rivolgersi al proprio medico. Esempi di questi sintomi: intorpidimento, perdita di sensibilità, "formicolio", "torpore", dolore, mancanza di forza o riduzione delle forze normali, alterazioni di colore o aspetto della pelle. Questi sintomi si verificano solitamente nelle dita, mani o polsi aumentano a basse temperature.
- Non tentare un'operazione di potatura o sramatura su albero in verticale se non si è specificamente addestrati a tale scopo.
- Tenersi sempre a monte rispetto all'albero quando si effettua il taglio in pendenza in quanto è probabile che questo rotoli o scivoli a valle dopo essere stato abbattuto. Per mantenere il controllo completo del prodotto quando si effettua il taglio, rilasciare la pressione di taglio verso la fine dell'attività. Non allentare mai la presa intorno alle impugnature. Non lasciare che la catena tocchi per terra. Dopo aver completato il taglio, aspettare che la catena si fermi prima di spostare il prodotto. Spegnerne sempre il motore prima di spostarsi da un albero all'altro.

(Fig. 31)

- Non abbattere un albero se c'è il rischio di lesionare persone, colpire o danneggiare una linea elettrica o provocare danni alle cose. Se l'albero colpisce una linea elettrica, la società elettrica deve essere informata immediatamente.
- Accertarsi di potersi muovere in sicurezza. Esaminare le condizioni e il terreno circostante per verificare l'eventuale presenza di possibili ostacoli, quali radici, rocce, rami, fossati e molto altro ancora. Prestare attenzione quando si lavora su terreni in pendenza.
- Evitare situazioni che si presumono superiori alle proprie capacità.
- Non è possibile includere ogni possibile situazione da affrontare quando si utilizza questo prodotto. Usare la massima cautela e il buon senso.

(Fig. 32)

Dispositivi di protezione individuale



AVVERTENZA: Leggere le seguenti avvertenze prima di utilizzare il prodotto.

(Fig. 33)

- La maggior parte degli incidenti si verifica quando la catena colpisce l'operatore. Utilizzare sempre

abbigliamento protettivo personale omologato durante il funzionamento. L'abbigliamento protettivo personale non offre una completa protezione da lesioni, tuttavia diminuisce il grado delle lesioni in caso di incidente. Rivolgersi al centro di assistenza per le raccomandazioni sulle attrezzature da utilizzare.

- Gli indumenti devono essere aderenti ma non limitare i movimenti. Controllare regolarmente le condizioni dei dispositivi di protezione individuale.
- Utilizzare un elmetto protettivo omologato.
- Usare cuffie protettive omologate. Una lunga esposizione al rumore può comportare lesioni permanenti all'udito.
- Indossare occhiali protettivi approvati o una visiera per ridurre il rischio di danni legati alla proiezione di oggetti. Il prodotto può lanciare oggetti quali trucioli di legno, piccoli pezzi di legno e altro con forte violenza. Possono insorgere gravi lesioni, in particolare agli occhi.
- Utilizzare guanti dotati di protezione per sega.
- Utilizzare pantaloni dotati di protezione per sega.
- Utilizzare stivali dotati di protezione per sega, punta in acciaio e suola antiscivolo.
- Tenere sempre a portata di mano la cassetta di pronto soccorso.
- Pericolo di scintille. Tenere sempre a portata di mano degli estintori e una pala per spegnere le fiamme ed evitare incendi boschivi.

Dispositivi di sicurezza sul prodotto



AVVERTENZA: Leggere le seguenti avvertenze prima di utilizzare il prodotto.

- Non utilizzare un prodotto usando dispositivi di sicurezza danneggiati o che non funzionano correttamente.
- Effettuare regolarmente un controllo dei dispositivi di sicurezza. Fare riferimento a *Controlli e manutenzione dei dispositivi di sicurezza sul prodotto alla pagina 355*.
- Se i dispositivi di sicurezza sono danneggiati o non funzionano correttamente, rivolgersi al centro di assistenza Husqvarna.

Funzioni dell'interfaccia utente

L'interfaccia utente include il pulsante di avvio/arresto, il pulsante SavE, la spia di stato della batteria e di avvertenza. La spia lampeggia se il freno della catena viene innestato o se vi è rischio di sovraccarico. La protezione dal sovraccarico arresta temporaneamente il prodotto e non è possibile utilizzare il prodotto fin quando la temperatura diminuisce. Se la spia di avvertenza mostra una luce fissa, rivolgersi al centro di assistenza.

(Fig. 34)

Per ulteriori informazioni sull'interfaccia utente, fare riferimento a *Panoramica del prodotto alla pagina 338*.

Funzione di arresto automatico

Il prodotto dispone di una funzione di arresto automatico che ne interrompe il funzionamento se non viene utilizzato per 3 minuti.

Freno della catena con protezione antictraccolpo

Il prodotto è dotato di un freno della catena che arresta la catena in caso di contraccolpo. Il freno della catena riduce il rischio di incidenti ma soltanto l'operatore può prevenirli con il suo operato.

(Fig. 35)



AVVERTENZA: Evitare situazioni dove vi è il rischio di contraccolpo. Prestare la massima attenzione quando si utilizza il prodotto e accertarsi che il settore di contraccolpo sulla barra non tocchi un oggetto.

(Fig. 36)

Il freno della catena (A) si attiva manualmente con la mano sinistra o in automatico con il meccanismo di attivazione inerziale. Spingere la protezione antictraccolpo (B) per inserire manualmente il freno della catena. Questo movimento attiva un meccanismo caricato a molla che blocca il pignone guida.

(Fig. 37)

Il modo in cui il freno della catena viene innestato è correlato alla forza del contraccolpo e alla posizione del prodotto. In caso di intenso contraccolpo mentre il relativo settore è quello più lontano dall'operatore, il freno della catena viene innestato dal meccanismo inerziale. Se il contraccolpo è leggero e il settore di contraccolpo è più vicino all'operatore, il freno della catena viene innestato manualmente con la mano sinistra.

(Fig. 38)

Utilizzare il freno della catena come freno di stazionamento quando si avvia il prodotto e quando ci si sposta per brevi distanze. Ciò diminuisce il rischio che l'operatore o una persona vicina tocchi la catena.

(Fig. 39)

Spostare in avanti la protezione antictraccolpo per disinserire il freno della catena.

(Fig. 40)

Il contraccolpo è improvviso e può essere molto violento. Nella maggior parte dei casi questi contraccolpi sono leggeri e non sempre innestano il freno della catena. Se si verifica un contraccolpo quando si utilizza il prodotto, afferrare saldamente le impugnature e non lasciarle andare.

(Fig. 41)

La protezione antictraccolpo, inoltre, riduce il rischio di toccare la catena se le mani lasciano andare l'impugnatura anteriore.

(Fig. 42)

In posizione di abbattimento non è possibile innestare manualmente il freno della catena. Il freno della catena può essere innestato in questa posizione solo tramite il meccanismo di attivazione inerziale.

(Fig. 43)

Fermo della leva di comando

Il fermo della leva di comando previene l'avviamento accidentale della leva di comando. Se si preme in avanti il fermo della leva di comando (A) e lo si spinge contro l'impugnatura (B), la leva di comando (C) si sblocca. Rilasciando l'impugnatura, la leva di comando e il fermo della leva di comando ritornano entrambi alla posizione iniziale.

(Fig. 44)

Fermo della catena

Il fermo della catena afferra la catena in caso di rottura o di allentamento. Con la corretta tensione della catena, il rischio diminuisce. Inoltre, è possibile ridurre il rischio se si effettua la corretta manutenzione sulla barra di guida e sulla catena. Per le istruzioni, vedere *Montaggio alla pagina 347* e *Manutenzione alla pagina 354*.

(Fig. 45)

Protezione della mano destra

La protezione della mano destra funziona come protezione per la mano se la catena si rompe o si allenta. Inoltre impedisce interferenze causate da rami e rametti quando si utilizza il prodotto.

(Fig. 46)

Sicurezza batterie



AVVERTENZA: Leggere le seguenti avvertenze prima di utilizzare il prodotto.

- Utilizzare solo le serie di batterie 40-B consigliate per il prodotto. Fare riferimento a *Batterie approvate alla pagina 362*. Le batterie sono codificate mediante software.
- Utilizzare solo le serie di batterie 40-B ricaricabili come alimentazione per i soli prodotti correlati Husqvarna. Fare riferimento a *Batterie approvate alla pagina 362*. Per evitare il rischio di lesioni, non utilizzare la batteria come fonte di alimentazione per altri dispositivi.
- Rischio di scosse elettriche. Non collegare i morsetti della batteria a chiavi, viti o altro tipo di metallo. Ciò può causare un corto circuito della batteria.
- Non utilizzare batterie non ricaricabili.

- Non inserire oggetti nelle feritoie di aerazione della batteria.
- Tenere la batteria lontano dalla luce del sole, dal calore o da fiamme libere. La batteria può causare bruciature e/o ustioni chimiche.
- Tenere la batteria lontano da pioggia e umidità.
- Tenere la batteria lontano da microonde e alta pressione.
- Non tentare di smontare o rompere la batteria.
- Evitare il contatto cutaneo con l'acido della batteria. L'acido della batteria provoca lesioni alla pelle, corrosione e ustioni. In caso di contatto degli occhi con l'acido della batteria, non strofinare, ma sciacquare gli occhi con acqua abbondante per almeno 15 minuti. Se l'acido della batteria viene a contatto con la pelle, lavare la cute con abbondante acqua e sapone. Consultare un medico.
- Utilizzare la batteria a temperature comprese tra -10 °C (14 °F) e 40 °C (104 °F).
- Non pulire la batteria o il caricabatterie con acqua. Fare riferimento a *Controllo della batteria e del supporto alla pagina 355*.
- Non utilizzare un prodotto danneggiato.
- Conservare le batterie lontano da oggetti metallici, come ad esempio chiodi, viti o gioielli.
- Tenere la batteria fuori dalla portata dei bambini.

Sicurezza del caricabatterie



AVVERTENZA: Leggere le seguenti avvertenze prima di utilizzare il prodotto.

- Rischio di scosse elettriche o cortocircuiti se non si osservano le istruzioni di sicurezza.
- Utilizzare una presa di corrente con messa a terra omologata che non sia danneggiata.
- Non utilizzare un caricabatterie diverso da quello fornito per il prodotto. Utilizzare i caricabatterie 40-C80 solo per ricaricare Husqvarna le batterie sostitutive 40-B140. Fare riferimento a *Caricabatterie approvati per il prodotto alla pagina 362* e *Batterie approvate alla pagina 362*.
- Non tentare di smontare il caricabatterie.
- Non utilizzare un caricabatterie difettoso o danneggiato.
- Non sollevare il caricabatterie tramite il cavo di alimentazione. Per scollegare il caricabatterie da una presa di rete, tirare la spina. Non tirare il cavo di alimentazione.
- Tenere tutti i cavi e le prolunghie lontani da acqua, olio e bordi appuntiti. Fare attenzione affinché il cavo non si incastri in porte, ostacoli o simili.
- Non utilizzare il caricabatterie in prossimità di materiali infiammabili o materiali corrosivi. Accertarsi che il caricabatterie non sia coperto. Staccare la spina del caricabatterie in caso di fumo o incendio.

- Caricare la batteria solo in luoghi chiusi, in una posizione con un buon flusso d'aria e lontano dalla luce diretta del sole. Non caricare la batteria all'aperto. Non caricare la batteria in condizioni di umidità.
- Utilizzare esclusivamente il caricabatterie a temperature comprese tra 5 °C (41 °F) e 40 °C (104 °F). Utilizzare il caricabatterie in un ambiente con adeguato flusso d'aria, asciutto e privo di polvere.
- Non inserire oggetti nelle feritoie di raffreddamento del caricabatterie.
- Non collegare i terminali del caricabatterie a oggetti metallici, poiché si potrebbe provocare un cortocircuito del caricabatterie.
- Utilizzare prese di rete omologate che non siano danneggiate.
- Non caricare batterie non ricaricabili nei caricabatterie.

Istruzioni di sicurezza per la manutenzione



AVVERTENZA: Leggere le seguenti avvertenze prima di eseguire la manutenzione del prodotto.

- Rimuovere la batteria prima di eseguire la manutenzione, altri controlli o montare il prodotto.
- L'operatore deve eseguire solo gli interventi di manutenzione e assistenza indicati in questo manuale operatore. Rivolgersi al Centro di assistenza di competenza per interventi di manutenzione e assistenza più importanti.
- Non pulire la batteria o il caricabatteria con acqua. Detergenti aggressivi possono causare danni alla plastica.
- Se non si esegue la manutenzione, si riduce il ciclo di vita del prodotto e aumenta il rischio di incidenti.
- È necessaria una formazione specifica per eseguire tutti gli interventi di manutenzione e lavori di riparazione, in particolare per i dispositivi di sicurezza del prodotto. Se non vengono approvati tutti i controlli descritti nel presente manuale operatore, dopo aver eseguito la manutenzione, contattare il Centro di assistenza. La nostra azienda garantisce la disponibilità di personale qualificato per le riparazioni e l'assistenza del prodotto.
- Utilizzare unicamente ricambi originali.

Istruzioni di sicurezza per l'attrezzatura di taglio



AVVERTENZA: Leggere le seguenti avvertenze prima di utilizzare il prodotto.

- Utilizzare solo combinazioni di barra di guida/catena e attrezzature di affilatura approvate. Per le

istruzioni, fare riferimento a *Dati tecnici alla pagina 360*.

- Indossare guanti protettivi quando si maneggia la catena o quando si esegue la manutenzione. Una catena che non si muove può causare anche lesioni.
- Mantenere i denti di taglio ben affilati. Seguire le istruzioni e usare la dima di affilatura consigliata. Una catena danneggiata o mal affilata aumenta il rischio di incidenti.

(Fig. 47)

- Mantenere una corretta regolazione dello spessore del truciolo. Seguire le istruzioni, mantenendo la regolazione del limitatore di spessore. Una regolazione del limitatore di spessore troppo grande aumenta il rischio di contraccolpo.

(Fig. 48)

- Assicurarsi che la catena sia correttamente tesa. Se la catena non è serrata contro la barra di guida, la catena può sganciarsi. Una tensione della catena non corretta aumenta l'usura della barra di guida, della catena e del pignone di azionamento della catena. Fare riferimento a *Accessori alla pagina 361*.

(Fig. 49)

- Eseguire la manutenzione dell'attrezzatura di taglio regolarmente e mantenerla correttamente lubrificata. Se la catena non è correttamente lubrificata, il rischio di usura della barra di guida, della catena e del pignone di azionamento della catena aumenta.

(Fig. 50)

Montaggio

Montaggio della barra di guida e della catena (con manopola della barra)



AVVERTENZA: Rimuovere sempre la batteria prima di montare o di eseguire la manutenzione del prodotto.

1. Disinserire il freno della catena. (Fig. 51)
2. Allentare la manopola della barra e rimuovere il coperchio del pignone guida. (Fig. 52)
3. Posizionare la barra di guida sopra il bullone della barra. Portare la barra di guida nella sua posizione più arretrata. Sollevare la catena sopra il pignone guida e inserirla nella scanalatura sulla barra di guida. Cominciare dalla parte superiore della barra di guida.
4. Assicurarsi che i bordi dei taglienti siano rivolti in avanti sul lato superiore della barra di guida. (Fig. 53)
5. Montare il coperchio del pignone guida e inserire il fermo tendicatena nel foro sulla barra di guida.
6. Assicurarsi che le maglie di trascinamento della catena si innestino correttamente sul pignone guida.
7. Assicurarsi che la catena sia inserita correttamente nella scanalatura della barra di guida.
8. Applicare tensione alla motosega. Fare riferimento a *Manutenzione alla pagina 354* per istruzioni.
9. Serrare la manopola della barra.

Montaggio della barra di guida e della catena (con bullone della barra)



AVVERTENZA: Rimuovere sempre la batteria prima di montare o di eseguire la manutenzione del prodotto.

1. Disinserire il freno della catena. (Fig. 51)
2. Allentare il dado della barra e rimuovere il coperchio del pignone guida. (Fig. 54)
3. Posizionare la barra di guida sopra il bullone della barra. Portare la barra di guida nella sua posizione più arretrata. Sollevare la catena sopra il pignone guida e inserirla nella scanalatura sulla barra di guida. Cominciare dalla parte superiore della barra di guida.
4. Assicurarsi che i bordi dei taglienti siano rivolti in avanti sul lato superiore della barra di guida. (Fig. 55)
5. Montare il coperchio del pignone guida e inserire il fermo tendicatena nel foro sulla barra di guida.
6. Assicurarsi che le maglie di trascinamento della catena si innestino correttamente sul pignone guida.
7. Assicurarsi che la catena sia inserita correttamente nella scanalatura della barra di guida.
8. Serrare il dado della barra con le dita.
9. Serrare la catena. Fare riferimento a *Manutenzione alla pagina 354* per istruzioni.

Installazione del caricabatterie alla parete



ATTENZIONE: Non utilizzare un cacciavite elettrico per installare il caricabatterie sulla parete. Un cacciavite elettrico può danneggiare il caricabatterie.

1. Installare il caricabatterie alla parete con le 2 viti (A). Se necessario, utilizzare tasselli per parete (B). (Fig. 56)
2. Installare i 2 tappi a vite con foro (C).
3. Collegare il cavo di alimentazione (D) al caricabatterie e a una presa a muro.

Utilizzo

Introduzione



AVVERTENZA: Leggere e comprendere il capitolo sulla sicurezza prima di utilizzare la macchina.

Verifica della funzionalità della macchina prima del suo utilizzo

1. Eseguire un controllo del freno della catena (A) per assicurarsi che funzioni correttamente e che non sia danneggiato.
2. Eseguire un controllo della protezione della mano destra (B) per accertarsi che non sia danneggiata.
3. Eseguire un controllo della leva di comando e del relativo fermo (C) per assicurarsi che funzionino correttamente e che non siano danneggiati.
4. Eseguire un controllo della tastiera (D) per assicurarsi che funzioni correttamente.
5. Accertarsi che non vi siano tracce di olio sulle impugnature (E).
6. Eseguire un controllo per assicurarsi che tutte le parti siano assemblate correttamente e non siano danneggiate o assenti.
7. Eseguire un controllo del fermo della catena (F) per assicurarsi che sia assemblato correttamente.
8. Eseguire il controllo della tensione della catena (G).
9. Caricare la batteria (H) e accertarsi che sia correttamente collegata al prodotto.
10. Accertarsi che la catena si arresti premendo la leva comando. (Fig. 57)

Come utilizzare l'olio della catena



AVVERTENZA: Non utilizzare olio di scarico, che può causare lesioni all'operatore ed è nocivo per l'ambiente. L'olio di scarico inoltre può provocare danni alla pompa dell'olio, alla barra guida e alla catena.



AVVERTENZA: La catena può rompersi se l'attrezzatura di taglio non è stata lubrificata a sufficienza. Rischio di lesioni gravi o letali per l'operatore.



AVVERTENZA: Utilizzare l'olio per la catena appropriato perché questa funzione venga attivata correttamente. Rivolgersi al

proprio centro di assistenza quando si sceglie l'olio della catena.

- Utilizzare l'olio della catena Husqvarna per ottenere la massima durata della motosega e per evitare gli effetti negativi sull'ambiente. Se l'olio della catena Husqvarna non è disponibile, si consiglia di utilizzare un comune olio per catene.
- Utilizzare un olio per catene con una buona aderenza alla catena.
- Utilizzare un olio per catene con il corretto intervallo di viscosità e compatibile con la temperatura dell'aria.



ATTENZIONE: Con temperature inferiori a 0 °C / 32 °F alcuni oli per catena diventano troppo densi e ciò potrebbe danneggiare i componenti della pompa dell'olio.

- Utilizzare l'attrezzatura di taglio consigliata. Vedere *Accessori alla pagina 361*.
- Rimuovere il tappo dal serbatoio dell'olio della catena.
- Riempire di olio il serbatoio dell'olio della catena.
- Montare il tappo con cautela.

(Fig. 58)

Nota: Per individuare il serbatoio dell'olio della catena sul prodotto, fare riferimento a *Introduzione alla pagina 338*.

Batteria



AVVERTENZA: Leggere e comprendere il capitolo sulla sicurezza prima di utilizzare la batteria. Leggere e comprendere il manuale operatore della batteria e del caricabatterie.

Mantenere la batteria e il caricabatterie a una temperatura ambiente adeguata.

	Temperatura ambiente
Funzionamento della batteria	5 °C-40 °C / 41 °F-104 °F
Caricamento della batteria	5 °C-40 °C / 41 °F-104 °F

Stato della batteria

(Fig. 59)

Il display mostra lo stato di carica e se sussistono problemi con la batteria.

Spia LED	Stato di carica della batteria
4 LED sono accesi	La batteria è carica al 76% - 100%.
3 LED sono accesi	La batteria è carica al 51% - 75%.
2 LED sono accesi	La batteria è carica al 26% - 50%.
1 LED è acceso	La batteria è carica al 6% - 25%.
1 LED lampeggia	La batteria è carica al 0% - 5%.

Ricarica della batteria

È necessario caricare la batteria prima di utilizzarla per la prima volta. Una batteria nuova è carica solo al 30 %.



ATTENZIONE: Collegare il caricabatterie a una presa di corrente con la tensione e la frequenza indicate sulla targhetta dati di funzionamento.

La batteria non si carica se la sua temperatura è superiore a 50 °C/122 °F.

1. Collegare il cavo di alimentazione al caricabatterie.
2. Collegare il caricabatterie a una presa di corrente con messa a terra. Il LED di carica lampeggia una volta. (Fig. 60)
3. Collegare la batteria al caricabatterie. Il LED di carica si accende. Caricare la batteria per massimo 24 ore. (Fig. 61)
4. Premere il pulsante della spia della batteria; se tutte le spie LED si accendono, la batteria è completamente carica.
5. Estrarre la spina di alimentazione per scollegare il caricabatterie dalla presa di corrente. Non tirare il cavo di alimentazione.
6. Rimuovere la batteria dal caricabatterie.

Informazioni per il contraccolpo



AVVERTENZA: Un contraccolpo può causare lesioni gravi o letali all'operatore o a terzi. Per ridurre il rischio è necessario conoscere le cause del contraccolpo e come evitarle.

Un contraccolpo può verificarsi solo quando il settore di contraccolpo sulla barra di guida tocca un oggetto. Un contraccolpo può verificarsi improvvisamente e con grande violenza, scagliando il prodotto contro l'operatore.

(Fig. 36)

Il contraccolpo avviene sempre lungo il piano di taglio della barra di guida. In genere, il prodotto viene lanciato contro l'operatore, ma può anche spostarsi in un'altra direzione. Il modo in cui si utilizza il prodotto, quando si verifica il contraccolpo, induce la direzione del movimento.

(Fig. 62)

Il contraccolpo può verificarsi solo quando il settore di contraccolpo della barra incontra un oggetto. Non lasciare che il settore di contraccolpo tocchi un oggetto.

(Fig. 36)

Un piccolo raggio sulla punta della barra diminuisce la forza del contraccolpo.

Utilizzare una catena con basso contraccolpo per ridurre gli effetti di contraccolpo. Non lasciare che il settore di contraccolpo tocchi un oggetto.



AVVERTENZA: Nessuna catena impedisce completamente il contraccolpo. Attenersi sempre alle istruzioni.

Domande frequenti sul contraccolpo

- **È sufficiente il contatto con la mano per innestare il freno della catena in caso di contraccolpo?**

No. È necessario utilizzare una certa forza per spingere in avanti la protezione anticontraccolpo. Se non si utilizza la forza necessaria, il freno della catena non si innesta. Inoltre, è necessario mantenere le impugnature del prodotto stabilmente con le due mani durante il lavoro. Se si verifica un contraccolpo, il freno della catena potrebbe non arrestare la catena prima che questa colpisca l'operatore. Vi sono inoltre alcune posizioni nelle quali la mano non può toccare la protezione anticontraccolpo per innestare il freno della catena.

- **Il meccanismo di attivazione inerziale innesta sempre il freno della catena durante il contraccolpo?**

No. Per prima cosa, il freno della catena deve funzionare correttamente. Per le istruzioni su come eseguire un controllo del freno della catena, fare riferimento a *Controlli e manutenzione dei dispositivi*

di sicurezza sul prodotto alla pagina 355. Si raccomanda di eseguire questa operazione ogni volta prima di utilizzare il prodotto. In secondo luogo, il contraccolpo deve essere grande per innestare il freno della catena. Se il freno della catena è troppo sensibile, si può innestare durante il funzionamento accidentato.

- **Il freno della catena protegge sempre l'operatore dalle lesioni di un eventuale contraccolpo?**

No. Il freno della catena deve funzionare correttamente per fornire protezione. Il freno della catena deve essere innestato anche durante un contraccolpo per arrestare la catena. Se si è in prossimità della barra di guida, il freno della catena potrebbe non avere il tempo per arrestare la catena prima che colpisca l'operatore.



AVVERTENZA: Solamente l'operatore e una corretta tecnica di lavoro possono evitare i contraccolpi.

Avviamento del prodotto

1. Effettuare un controllo della leva di comando e del fermo della leva. Fare riferimento a *Controllo del fermo della leva di comando alla pagina 355*.
2. Inserire il freno della catena. (Fig. 63)
3. Inserire la batteria nel relativo supporto. (Fig. 64)



ATTENZIONE: Accertarsi che la batteria sia correttamente installata nel supporto batteria. Se la batteria non entra facilmente nel relativo supporto, la posizione non è corretta.

4. Premere sulla parte inferiore della batteria fin quando non si percepisce uno scatto. (Fig. 65)
5. Tenere premuto il pulsante d'avvio/arresto fino all'accensione del LED verde. (Fig. 66)

Utilizzo della funzione SavE

La funzione SavE diminuisce la velocità della catena e la potenza del prodotto.

1. Premere il pulsante SavE. Il LED verde si accende.
2. Premere nuovamente il pulsante SavE per scollegare la funzione. Il LED verde si spegne. (Fig. 67)

Arresto del prodotto

1. Premere il pulsante di avvio/arresto fino a quando il LED verde non si spegne. (Fig. 66)
2. Premere i pulsanti per il rilascio della batteria ed estrarre la batteria dal supporto per evitare l'avviamento accidentale. (Fig. 68)

Catena a tirare e catena in spinta

È possibile tagliare il legno con il prodotto in 2 posizioni diverse.

- Il taglio con catena a tirare è quando si taglia con la parte inferiore della barra di guida. La catena tira attraverso l'albero durante il taglio. In questa posizione si ha un controllo migliore del prodotto e della posizione del settore di contraccolpo.

(Fig. 69)

- Il taglio con catena in spinta è quando si taglia con la parte superiore della barra di guida. La catena spinge il prodotto in direzione dell'operatore.

(Fig. 70)



AVVERTENZA: Se la catena resta impigliata nel tronco, il prodotto può essere spinto contro l'operatore. Tenere saldamente il prodotto e assicurarsi che il settore di contraccolpo sulla barra di guida non tocchi l'albero e provochi un contraccolpo.

(Fig. 71)

Utilizzo della tecnica di taglio



AVVERTENZA: Utilizzare la piena potenza quando si taglia e diminuire la velocità fino a raggiungere il regime minimo dopo ogni taglio.



ATTENZIONE: Non lasciare che il motore funzioni troppo a lungo senza carico. Ciò può causare danni al motore.

1. Posizionare il tronco su un cavalletto o sulle guide. (Fig. 72)



AVVERTENZA: Non tagliare tronchi accatastati. Ciò aumenta il rischio di contraccolpo e può causare lesioni gravi o letali.

2. Rimuovere i pezzi segati dall'area di lavoro.



AVVERTENZA: I pezzi segati nell'area di lavoro aumentano il rischio di contraccolpo e la possibilità di mantenere l'equilibrio.

Utilizzo del rampone

1. Spingere il rampone nel tronco dell'albero.
2. Applicare la potenza massima e ruotare il prodotto. Tenere il rampone contro il tronco. Questa procedura consentirà di applicare più facilmente la forza necessaria per il taglio del tronco. (Fig. 73)

Taglio di un tronco a terra

1. Tagliare il tronco con catena a tirare. Mantenere la piena potenza restando sempre all'erta per eventuali incidenti improvvisi. (Fig. 74)



AVVERTENZA: Assicurarsi che la catena non venga a contatto con il terreno quando si completa il taglio.

2. Tagliare circa $\frac{1}{4}$ del tronco e poi fermarsi. Ruotare il tronco e tagliare dal lato opposto. (Fig. 75)

Taglio di un tronco che ha un supporto a un'estremità



AVVERTENZA: Accertarsi che il tronco non si rompa durante le operazioni di taglio. Rispettare le istruzioni riportate di seguito.

(Fig. 76)

1. Tagliare con catena in spinta circa $\frac{1}{3}$ del tronco.
2. Tagliare il tronco con catena a tirare fin quando i due intagli si incontrano. (Fig. 77)

Taglio di un tronco che ha un supporto su due estremità



AVVERTENZA: Assicurarsi che la catena non rimanga impigliata nel tronco durante l'operazione di taglio. Rispettare le istruzioni riportate di seguito.

(Fig. 78)

1. Tagliare con catena a tirare circa $\frac{1}{3}$ del tronco.
2. Tagliare la parte restante del tronco con la catena in spinta per completare il taglio. (Fig. 79)



AVVERTENZA: Spegner il motore se la catena resta impigliata nel tronco. Utilizzare una leva per aprire il taglio e rimuovere il prodotto. Non provare a estrarre il prodotto a mano. Ciò può causare lesioni quando il prodotto si blocca improvvisamente.

Esecuzione di una sramatura

Nota: Per rami spessi, utilizzare la tecnica di taglio. Vedere *Utilizzo della tecnica di taglio alla pagina 350*.



AVVERTENZA: C'è un elevato rischio di incidenti quando si utilizza la sramatura. Per istruzioni su come prevenire un contraccolpo, fare riferimento a

Informazioni per il contraccolpo alla pagina 349.



AVVERTENZA: Tagliare i rami uno alla volta. Prestare attenzione quando si rimuovono i rami piccoli e non tagliare cespugli o più rami piccoli allo stesso tempo. I rami piccoli possono impigliarsi nella catena e impedire un utilizzo sicuro del prodotto.

Nota: Se è necessario, tagliare i rami pezzo dopo pezzo. Tagliare i rami più piccoli (A) e (B) prima di tagliare il ramo vicino al tronco (C).

(Fig. 80)

1. Rimuovere i rami sul lato destro del tronco.
 - a) Tenere la barra di guida sul lato destro del tronco e mantenere il corpo del prodotto contro il tronco.
 - b) Selezionare la tecnica di taglio da applicare alla tensione nel ramo. (Fig. 81)



AVVERTENZA: Se non si è sicuri su come tagliare il ramo, rivolgersi a un operatore professionale della motosega prima di continuare.

2. Rimuovere i rami nella parte superiore del tronco.
 - a) Mantenere il prodotto sul tronco e lasciare che la barra di guida si sposti lungo il tronco.
 - b) Tagliare con catena in spinta. (Fig. 82)
3. Rimuovere i rami sul lato sinistro del tronco.
 - a) Selezionare la tecnica di taglio da applicare alla tensione nel ramo. (Fig. 83)



AVVERTENZA: Se non si è sicuri su come tagliare il ramo, rivolgersi a un operatore professionale della motosega prima di continuare.

Per le istruzioni su come tagliare rami in tensione, fare riferimento a *Taglio di tronchi e rami in tensione alla pagina 353*.

Uso della tecnica di abbattimento degli alberi



AVVERTENZA: È necessario avere esperienza per abbattere un albero. Se possibile, seguire un corso di formazione per le operazioni di utilizzo della motosega. Rivolgersi a un operatore esperto per avere maggiori informazioni.

Mantenere una distanza di sicurezza

1. Assicurarsi che le persone lì intorno mantengano una distanza di sicurezza di minimo di 2 volte e 1/2 la lunghezza dell'albero stesso. (Fig. 84)
2. Accertarsi che non siano presenti persone nella zona a rischio prima e durante l'abbattimento. (Fig. 85)

Calcolo della direzione di caduta

1. Esaminare in quale direzione è necessario far cadere l'albero. Scopo dell'abbattimento è di far cadere l'albero nella migliore posizione per la successiva sramatura e il sezionamento del tronco. È anche importante rimanere stabilmente sui propri piedi e spostarsi in modo sicuro.



AVVERTENZA: Se è pericoloso o impossibile far cadere l'albero nella direzione naturale, far cadere l'albero in un'altra direzione.

2. Esaminare la direzione naturale di caduta dell'albero. Ad esempio, l'inclinazione e la piegatura del tronco, la direzione del vento, la posizione dei rami e il peso della neve.
3. Verificare se vi sono ostacoli intorno, ad esempio altri alberi, linee elettriche, strade e/o gli edifici.
4. Controllare se il tronco presenta segni di danni o decomposizione nel fusto.



AVVERTENZA: La decomposizione del fusto può implicare il rischio di caduta dell'albero prima del completamento del taglio.

5. Accertarsi che l'albero non abbia rami danneggiati o morti che potrebbero staccarsi durante l'abbattimento e colpire l'operatore.
6. Non far cadere l'albero su un altro albero in verticale. Rimuovere un albero rimasto impigliato è un'operazione pericolosa e il rischio di incidenti è alto. Vedere *Liberazione di un albero intrappolato alla pagina 353*. (Fig. 86)



AVVERTENZA: Durante le operazioni di abbattimento critiche, sollevare immediatamente le cuffie protettive una volta completato il lavoro di taglio. È importante sentire rumori e segnali di allarme.

Sramatura prima del taglio e percorso di ritirata

Tagliare tutti i rami dall'altezza delle spalle e verso il basso.

1. Tagliare con catena a tirare dall'alto verso il basso. Assicurarsi che l'albero sia tra voi e il prodotto. (Fig. 87)

2. Eliminare la vegetazione bassa dall'area di lavoro intorno all'albero. Rimuovere tutto il materiale tagliato dall'area di lavoro.
3. Effettuare un controllo dell'area per eventuali ostacoli, quali pietre, rami e buche. Deve essere disponibile un percorso di ritirata senza ostacoli quando l'albero comincia a cadere. Il percorso di ritirata deve essere a circa 135 gradi rispetto alla direzione di caduta.

1. Zona di rischio
2. Percorso di ritirata
3. Direzione di caduta

(Fig. 88)

Abbattimento di un albero

Husqvarna consiglia di eseguire i tagli direzionali e di utilizzare poi il metodo con angolo di sicurezza quando si abbatte un albero. Il metodo con angolo di sicurezza aiuta a realizzare una corretta cerniera di abbattimento e a controllarne la direzione di caduta.



AVVERTENZA: Non abbattere un albero che presenta un diametro più di due volte maggiore rispetto alla lunghezza della barra di guida. A tale scopo, è necessario possedere una formazione specifica.

Cerniera di abbattimento

La procedura più importante durante l'abbattimento di alberi è la realizzazione di una corretta cerniera di abbattimento. Con una corretta cerniera di abbattimento, è possibile controllare la direzione di caduta e assicurarsi che la procedura di abbattimento sia sicura.

Lo spessore della cerniera di abbattimento deve essere uguale e non inferiore al 10% del diametro dell'albero.



AVVERTENZA: Se la cerniera di abbattimento è sbagliata o troppo sottile, non si avrà alcun controllo sulla direzione di caduta.

(Fig. 89)

Esecuzione dei tagli direzionali

1. Esecuzione dei tagli direzionali. Eseguire tagli direzionali per 1/4 del diametro dell'albero. Creare un angolo di 45° tra il taglio superiore e quello inferiore.
 - a) Eseguire il taglio superiore per primo. Allineare il segno della direzione di caduta (A) del prodotto con la direzione di caduta dell'albero (B). Rimanere dietro il prodotto e mantenere l'albero sul lato destro. Tagliare con la catena a tirare.
 - b) Effettuare il taglio inferiore. Assicurarsi che l'estremità di taglio inferiore si trovi nello stesso punto della fine del taglio superiore. (Fig. 90)

2. Assicurarsi che la linea del taglio direzionale sia perfettamente orizzontale e ad angolo retto (90°) rispetto alla direzione di caduta. La linea del taglio direzionale passa attraverso il punto in cui si incontrano i due tagli direzionali. (Fig. 91)

Utilizzo del metodo con angolo di sicurezza

Il taglio di abbattimento deve essere praticato leggermente al di sopra del taglio direzionale.

(Fig. 92)



AVVERTENZA: Prestare la massima attenzione quando si taglia con la punta della lama di guida. Iniziare a tagliare con la parte inferiore della punta della lama di guida eseguendo un foro nel tronco.

(Fig. 93)

1. Se la lunghezza di taglio effettiva è più lunga del diametro dell'albero, procedere come indicato di seguito (a-d).
 - a) Eseguire un foro direttamente nel tronco per completare la larghezza della cerniera di abbattimento. (Fig. 94)
 - b) Tagliare con catena a tirare fino a quando non rimane $\frac{1}{5}$ del tronco.
 - c) Tirare la barra di guida 5-10 cm in senso longitudinale.
 - d) Tagliare la parte rimanente del tronco per completare un angolo di sicurezza largo 5-10 cm. (Fig. 95)
2. Se la lunghezza di taglio effettiva è più corta del diametro dell'albero, procedere come indicato di seguito (a-d).
 - a) Praticare un foro nel tronco. Il foro deve estendersi per $\frac{3}{5}$ del diametro dell'albero.
 - b) Tagliare con catena a tirare la parte rimanente del tronco. (Fig. 96)
 - c) Tagliare direttamente il tronco dall'altro lato dell'albero per completare la cerniera di abbattimento.
 - d) Tagliare con catena in spinta fino a quando non rimane $\frac{1}{5}$ del tronco per completare l'angolo di sicurezza. (Fig. 97)
3. Mettere un cuneo nel taglio da dietro. (Fig. 98)
4. Tagliare l'angolo per far cadere l'albero.

Nota: Se l'albero non cade, colpire il cuneo fino a quando non cade.

5. Quando l'albero comincia a cadere, utilizzare il percorso di ritirata per allontanarsi dall'albero. Spostarsi a una distanza minima di 5 m dall'albero.

Liberazione di un albero intrappolato



AVVERTENZA: Far cadere un albero rimasto impigliato è un'operazione molto pericolosa e il rischio di incidenti è alto. Mantenersi distanti dalla zona di rischio e non tentare di abbattere un albero intrappolato.

(Fig. 99)

La procedura più sicura è quella di usare uno dei seguenti verricelli:

- Montato sul trattore

(Fig. 100)

- Manuale

(Fig. 101)

Taglio di tronchi e rami in tensione

1. Individuare quale lato del ramo o tronco è in tensione.
2. Capire dove si trova il punto di massima tensione. (Fig. 102)
3. Esaminare quale è la procedura più sicura per allentare la tensione.

Nota: In alcune situazioni l'unica procedura sicura è utilizzare un verricello e non il prodotto.

4. Mantenere una posizione nella quale l'albero o il ramo non possa colpire l'operatore quando la tensione viene allentata. (Fig. 103)
5. Eseguire uno o più tagli di profondità sufficiente per diminuire la tensione. Tagliare in corrispondenza o vicino al punto di massima tensione. Far rompere l'albero o il ramo nel punto di massima tensione. (Fig. 104)



AVVERTENZA: Non tagliare completamente un ramo o un tronco in tensione.



AVVERTENZA: Prestare la massima attenzione quando si taglia un albero in tensione. Vi è il rischio che l'albero si sposti rapidamente prima o dopo il taglio. Si possono verificare gravi lesioni se ci si trova in una posizione non corretta o nel caso in cui il taglio è stato eseguito in modo errato.

6. Se si effettua un taglio attraverso un tronco/ramo, eseguire 2 o 3 tagli, distanti 1" l'uno dall'altro e con una profondità di 2". (Fig. 105)
7. Continuare a tagliare oltre nel tronco fino a quando il tronco/ramo si piega e la tensione viene allentata. (Fig. 106)

8. Tagliare il tronco/ramo dal lato opposto a quello curvato, dopo che la tensione è stata allentata.

Manutenzione

Introduzione



AVVERTENZA: Leggere attentamente il capitolo sulla sicurezza prima di eseguire la manutenzione del prodotto.

Programma di manutenzione



AVVERTENZA: Rimuovere la batteria prima di eseguire la manutenzione.

Qui di seguito è disponibile una lista delle operazioni di manutenzione da eseguire sul prodotto. Vedere *Manutenzione alla pagina 354* per ulteriori informazioni.

Manutenzione	Prima dell'uso	Una volta a settimana	Una volta al mese
Pulire esternamente il prodotto.	X		
Assicurarsi che il fermo della leva di comando e la leva di comando funzionino correttamente e in modo sicuro.	X		
Pulire il freno della catena e verificare che funzioni correttamente. Accertarsi che il fermo della catena non sia danneggiato. Sostituirlo se necessario.	X		
Invertire la barra di guida per un'usura più uniforme. Assicurarsi che il foro di lubrificazione sulla barra di guida non sia ostruito. Pulire la guida della catena.	X		
Assicurarsi che il tagliente e la relativa protezione non presentino incrinature e che non abbiano subito danni. Sostituire il tagliente o la relativa protezione se presentano incrinature o nel caso in cui abbiano subito degli urti.	X		
Assicurarsi che la barra di guida e la catena ricevano olio a sufficienza.	X		
Eseguire il controllo della catena. Verificare l'eventuale presenza di incrinature e assicurarsi che la catena non sia rigida o usurata in modo non regolare. Se necessario, eseguire la sostituzione.	X		
Affilare la catena. Effettuare un controllo delle condizioni e della tensione. Eseguire il controllo dell'usura del pignone guida e sostituirlo se necessario.	X		
Pulire la presa d'aria sul prodotto.	X		
Assicurarsi che i dadi e le viti siano serrati a fondo.	X		
Accertarsi che la tastiera funzioni correttamente e che non sia danneggiata.	X		
Limare eventuali irregolarità sui bordi della barra di guida.		X	
Effettuare un controllo dei collegamenti tra la batteria e il prodotto. Controllare il collegamento tra la batteria e il caricabatterie.			X
Svuotare e pulire il serbatoio dell'olio.			X
Soffiare delicatamente aria compressa all'interno del prodotto e sulle feritoie di raffreddamento della batteria.			X

Controlli e manutenzione dei dispositivi di sicurezza sul prodotto

Controllo della protezione anticontraccolpo

Eseguire regolarmente un controllo della protezione anticontraccolpo e del meccanismo di attivazione inerziale del freno.

1. Accertarsi che la protezione anticontraccolpo non presenti danni, come ad esempio incrinature. (Fig. 107)
2. Accertarsi che la protezione anticontraccolpo si muova liberamente e che sia fissata in modo sicuro al prodotto. (Fig. 108)
3. Collocare il prodotto, a motore spento, su un ceppo o su un'altra superficie stabile.
4. Afferrare l'impugnatura posteriore e lasciare l'impugnatura anteriore. Lasciar cadere il prodotto sul ceppo. (Fig. 109)
5. Assicurarsi che il freno della catena si azioni quando la barra guida colpisce il ceppo.

Controllo della leva del freno

1. Posizionare il prodotto su una superficie stabile e avviarlo. Vedere *Utilizzo alla pagina 348*.



AVVERTENZA: Assicurarsi che la catena non venga a contatto con il terreno o con altri oggetti.

2. Afferrare con le dita e i pollici le impugnature e mantenere fermo il prodotto. (Fig. 110)
3. Applicare la massima potenza e inclinare in avanti il polso sinistro verso la protezione anticontraccolpo per attivare il freno della catena. La motosega deve arrestarsi immediatamente. (Fig. 111)



AVVERTENZA: Non lasciare l'impugnatura anteriore!

Controllo del fermo della leva di comando

1. Controllare che la leva di comando e il relativo fermo si muovano liberamente e che la molla di richiamo funzioni correttamente. (Fig. 112)
2. Spingere il blocco della leva di comando in avanti (A) e verso il basso (B). Premere il fermo della leva di comando contro l'impugnatura e assicurarsi che ritorni nella posizione originale non appena viene rilasciato. (Fig. 113)
3. Assicurarsi che la leva di comando sia bloccata sul minimo quando viene rilasciato il fermo della leva di comando. (Fig. 114)
4. Avviare il prodotto e applicare piena potenza.
5. Rilasciare la leva di comando e accertarsi che la catena si arresti e rimanga ferma.



AVVERTENZA: Se la catena gira con la leva di comando nella posizione di minimo, contattare il rivenditore addetto all'assistenza.

Controllo del fermo della catena

1. Accertarsi che non vi siano danni sul fermo della catena.
2. Assicurarsi che il fermo della catena sia stabile e fissato al corpo del prodotto. (Fig. 115)

Controllo delle funzioni dell'interfaccia utente

1. Avviare il prodotto. Fare riferimento a *Avviamento del prodotto alla pagina 350*.
2. Tenere premuto il pulsante di avvio/arresto.
3. Accertarsi che il prodotto si arresti e che il LED verde si spenga. (Fig. 66)

Controllo della batteria e del supporto

1. Pulire la batteria e il relativo supporto con una spazzola morbida.
2. Pulire le feritoie di raffreddamento e i collegamenti della batteria. (Fig. 116)
3. Accertarsi che la batteria non presenti incrinature o altri danni.

Esecuzione del controllo del caricabatterie

1. Accertarsi che il caricabatterie o il cavo di alimentazione non siano danneggiati. Verificare l'eventuale presenza di incrinature e altri danni. (Fig. 117)

Pulizia del sistema di raffreddamento

Il sistema di raffreddamento mantiene bassa la temperatura del motore. Il sistema di raffreddamento comprende una presa d'aria sul lato sinistro del prodotto e una ventola sul motore.

1. Pulire il sistema di raffreddamento con una spazzola settimanalmente o più spesso se le condizioni lo richiedono. (Fig. 118)
2. Accertarsi che il sistema di raffreddamento non sia sporco o ostruito.



ATTENZIONE: Se il sistema di raffreddamento è sporco o ostruito può causare il surriscaldamento del prodotto. Ciò può causare danni al prodotto.

Per affilare la catena

Informazioni sulla barra di guida e la catena



AVVERTENZA: Indossare guanti protettivi quando si maneggia la catena o quando si esegue la manutenzione. Una catena che non si muove può causare anche lesioni.

Sostituire la barra di guida se usurata o danneggiata con le combinazioni di barra di guida e catena consigliate da Husqvarna. Questa operazione è necessaria per mantenere le funzioni di sicurezza del prodotto. Per un elenco delle combinazioni di barre e catene di ricambio consigliate, fare riferimento a *Accessori alla pagina 361*.

- Lunghezza barra di guida, cm. Le informazioni relative alla lunghezza della barra guida di solito si trovano sul lato posteriore della barra di guida.

(Fig. 119)

- Numero di denti nel rocchetto puntale (T).

(Fig. 120)

- Passo della catena. La distanza tra le maglie di trascinamento deve essere allineata con quella dei denti sul rocchetto puntale e sul pignone guida.

(Fig. 121)

- Numero di maglie di trascinamento. Il numero di maglie di trascinamento viene scelto mediante il tipo di barra di guida.

(Fig. 122)

- Larghezza scanalatura della lama, in mm. La larghezza della scanalatura nella barra di guida deve essere la stessa della larghezza delle maglie della catena di trasmissione.

(Fig. 123)

- Foro di lubrificazione della catena e foro del perno tendicatena. La barra di guida deve essere allineata con il prodotto.

(Fig. 124)

- Larghezza della maglia di trascinamento, mm.

(Fig. 125)

Informazioni generali su come affilare le lame

Non utilizzare una catena usurata. Se la catena è usurata, è necessario applicare una maggiore pressione per spingere la barra di guida attraverso il legno. Se la catena è molto usurata, non ci sarà alcun truciolo di legno ma solo polvere di segatura.

Una catena affilata penetra nel legno e i trucioli sono lunghi e spessi.

Il dente di taglio (A) e l'aggetto di spoglia (B) insieme costituiscono la parte tagliente di una catena, il tagliente. La differenza di altezza tra i due rappresenta la profondità di taglio (aggetto di spoglia).

(Fig. 126)

Per l'affilatura di una lama, tenere in considerazione i seguenti elementi:

- Angolo di affilatura.

(Fig. 127)

- Angolo di taglio.

(Fig. 128)

- Posizione della lima.

(Fig. 129)

- Diametro della lima tonda.

(Fig. 130)

È difficile affilare correttamente una catena senza gli strumenti adatti. Utilizzare una dima di affilatura consigliata Husqvarna. Aiuta a mantenere sempre le migliori prestazioni di taglio e il rischio di contraccolpo al minimo.



AVVERTENZA: La forza di contraccolpo aumenta molto se non vengono seguite le istruzioni di affilatura.

Nota: Fare riferimento a *Accessori alla pagina 361* per informazioni sull'affilatura della catena della sega.

Come affilare i taglienti

1. Utilizzare una lima tonda e una dima di affilatura per affilare i denti di taglio. (Fig. 131)

Nota: Fare riferimento a *Accessori alla pagina 361* per informazioni sulla lima e sulla dima di affilatura che Husqvarna consiglia per la propria catena del segaccio.

2. Applicare la dima di affilatura correttamente sul tagliente. Fare riferimento alle istruzioni fornite con la dima di affilatura.
3. Spostare la lima dal lato interno dei denti di taglio ed estrarla. Allentare la pressione sulla lima durante il taglio con catena a tirare. (Fig. 132)
4. Rimuovere il materiale di lato a tutti i denti di taglio.
5. Ruotare il prodotto e rimuovere il materiale di limatura sull'altro lato.
6. Accertarsi che tutti i denti di taglio siano della stessa lunghezza.

Informazioni generali su come regolare l'aggetto di spoglia

L'aggetto di spoglia (C) diminuisce affilando il dente di taglio (A). Al fine di mantenere sempre le migliori prestazioni di taglio è necessario rimuovere il materiale di limatura dall'aggetto di spoglia (B) per ottenere la regolazione consigliata. Per istruzioni su come ottenere

l'oggetto di spoglia corretto per la catena, vedere *Accessori alla pagina 361*.

(Fig. 133)



AVVERTENZA: Un oggetto di spoglia troppo grande aumenta il rischio di contraccolpo della catena!

Regolazione del calibro di profondità

Prima di regolare il calibro di profondità o affilare le lame, fare riferimento a *Come affilare i taglienti alla pagina 356* per istruzioni. Si raccomanda di regolare il calibro di profondità ogni tre affilature dei denti di taglio.

Si raccomanda l'utilizzo del nostro strumento di misurazione del calibro di profondità per ottenere altezza e angolo corretti.

(Fig. 134)

1. Utilizzare una lima piatta e uno strumento di misurazione del calibro di profondità per questa impostazione. Utilizzare esclusivamente il nostro strumento di misurazione del calibro di profondità Husqvarna per avere profondità e angolo corretti.
2. Posizionare lo strumento di misurazione del calibro di profondità sopra la catena.

Nota: Per ulteriori informazioni sull'utilizzo, vedere la confezione dello strumento di misurazione del calibro di profondità.

3. Utilizzare la lima piatta per rimuovere la parte di oggetto di spoglia che va oltre lo strumento. (Fig. 135)

Come regolare la tensione della catena



AVVERTENZA: Una catena senza la tensione corretta può allentarsi dalla barra di guida e provocare lesioni gravi o letali.

La catena si allunga durante l'utilizzo. Regolare la catena con regolarità. Eseguire un controllo della tensione della catena ogni volta che si aggiunge l'olio della catena.

Nota: Se la catena è nuova, richiede un periodo di rodaggio durante il quale occorre controllare più spesso la tensione.

Come regolare la tensione della catena (con manopola della barra)

1. Piegare verso l'esterno la manopola finché non si apre. (Fig. 136)
2. Girare la manopola in senso antiorario per allentare il coperchio del pignone guida. (Fig. 137)

3. Girare il ruotino tendicatena per regolare la tensione della catena. La catena deve essere tesa sulla barra guida. (Fig. 138)

Nota: Girare la ruota verso il basso (+) per maggiore tensione o verso l'alto (-) per minore tensione.

4. Accertarsi che la catena possa essere fatta girare manualmente con facilità e che non si discosti dalla barra di guida. (Fig. 139)
5. Girare la manopola in senso orario per serrare la manopola della barra. (Fig. 140)
6. Piegare verso il basso la manopola per bloccare la tensione. (Fig. 141)

Come regolare la tensione della catena (con il bullone della barra)

1. Allentare il dado della barra che regge il coperchio della rotella di trascinamento. Servirsi della chiave universale. (Fig. 142)
2. Sollevare la parte anteriore della barra di guida e girare la vite tendicatena. Servirsi della chiave universale.
3. Serrare la catena fino a quando è serrata contro la barra di guida. (Fig. 143)
4. Serrare il dado della barra con la chiave e sollevare contemporaneamente la parte anteriore della barra di guida. (Fig. 144)
5. Accertarsi che la catena possa essere fatta girare manualmente con facilità e che non si discosti dalla barra di guida. (Fig. 139)

Nota: Fare riferimento a *Panoramica del prodotto alla pagina 338* per la posizione della vite tendicatena sul prodotto in uso.

Controllo della lubrificazione della catena

Controllare la lubrificazione della catena a ogni terza sostituzione della batteria.

1. Avviare il prodotto e farlo girare a 3/4 del proprio regime. Mantenere la barra approssimativamente a 20 cm (8 pollici) al di sopra della superficie di colore chiaro.
2. Se la lubrificazione della catena è corretta, si vedrà una linea chiara di olio sulla superficie dopo 1 minuto. (Fig. 145)
3. Se la lubrificazione della catena non è corretta, effettuare le seguenti verifiche.
 - a) Eseguire un controllo del canale di lubrificazione della barra di guida per accertarsi che non sia ostruita. Pulire se necessario. (Fig. 146)
 - b) Eseguire un controllo della scanalatura sul bordo della barra di guida per assicurarsi che sia pulita. Pulire se necessario. (Fig. 147)

- c) Controllare che il rocchetto puntale ruoti liberamente e che il relativo foro di lubrificazione non sia ostruito. Pulire e lubrificare se necessario. (Fig. 148)
4. Se la lubrificazione della catena non funziona dopo aver seguito la procedura descritta sopra, rivolgersi al centro di assistenza.

Controllo del pignone guida della catena

- Verificare se il pignone guida della catena presenta segni di usura. Sostituire il pignone guida della catena se necessario.
- Sostituire il pignone guida della catena ogni volta che si sostituisce la catena. (Fig. 149)

Per controllare l'attrezzatura di taglio

1. Accertarsi che non vi siano crepe nei rivetti e collegamenti e che non vi sia alcun rivetto allentato. Sostituire se necessario. (Fig. 150)
2. Assicurarsi che la catena sia facile da tendere. Sostituire la catena se è rigida.
3. Confrontare la catena in uso con una nuova per valutare se è presente l'usura di maglie e rivetti.

4. Sostituire la catena quando la parte più lunga del dente di taglio è inferiore a 4 mm. Sostituirla anche se ci sono delle spaccature sulle lame. (Fig. 151)

Controllo della barra guida

1. Assicurarsi che il condotto dell'olio non sia ostruito. Pulire se necessario. (Fig. 146)
2. Verificare l'eventuale presenza di irregolarità sui bordi della barra di guida. Eliminare le eventuali sbavature utilizzando una lima. (Fig. 152)
3. Pulire la scanalatura della barra di guida. (Fig. 147)
4. Verificare se la scanalatura della barra di guida presenta segni di usura. Sostituire la barra di guida se necessario. (Fig. 153)
5. Verificare se la punta della barra di guida è irregolare o molto usurata. (Fig. 154)
6. Controllare che il rocchetto puntale ruoti liberamente e che il relativo foro di lubrificazione non sia ostruito. Pulire e lubrificare se necessario. (Fig. 148)
7. Ruotare la barra di guida quotidianamente per prolungarne la durata. (Fig. 155)

Ricerca guasti

Interfaccia utente

Schemata dei LED	Possibili guasti	Soluzione possibile
La spia di avvertenza lampeggia.	Il freno catena è inserito.	Disinserire il freno della catena.
	Deviazione di temperatura.	Lasciare che il prodotto si raffreddi.
	Sovraccarico. La catena della sega non riesce a muoversi.	Rilasciare la catena.
	La leva di comando e il pulsante di avvio/arresto vengono premuti contemporaneamente.	Rilasciare la leva di comando per attivare il prodotto.
Il LED arancione di attivazione lampeggia.	La tensione della batteria è bassa.	Caricare la batteria.

Schermata dei LED	Possibili guasti	Soluzione possibile
La spia di avvertenza è accesa.	Assistenza.	Contattare il centro di assistenza.

Batteria

Display a LED	Possibili guasti	Soluzione possibile
Il LED verde lampeggia.	La tensione della batteria è bassa.	Caricare la batteria.
Il LED di errore lampeggia.	Deviazione di temperatura.	Utilizzare la batteria a temperature comprese tra -10 °C (14 °F) e 40 °C (104 °F).
	Tensione eccessiva.	Accertarsi che la tensione di rete corrisponda alla tensione del prodotto. Fare riferimento alla targhetta dati di funzionamento sul prodotto. Rimuovere la batteria dal caricabatterie.
Il LED di errore si accende.	Differenza eccessiva tra le celle (1 V).	Contattare il centro di assistenza.

Caricabatteria

Condizione	Possibili guasti	Possibile procedura
Il LED di carica è rosso.	Errore permanente del caricabatterie.	Rivolgersi al proprio rivenditore.
Il LED di carica lampeggia in verde.	Deviazione di temperatura, la batteria è troppo fredda o troppo calda per essere usata o caricata.	Lasciare raffreddare la batteria o riscaldarla. Quando la batteria ha la temperatura corretta, può essere usata o caricata di nuovo. Utilizzare il caricabatterie a temperature ambiente comprese tra 5 °C (41 °F) e 40 °C (104 °F).
Il LED di carica lampeggia in rosso.	Batteria difettosa	Rivolgersi al proprio rivenditore

Trasporto, stoccaggio e smaltimento

Trasporto e rimessaggio

- Le batterie agli ioni di litio in dotazione rispettano i requisiti di legge sulle merci pericolose.
- Rispettare i requisiti speciali riportati sulla confezione e sulle etichette per il trasporto commerciale, compreso quello effettuato da terzi e da corrieri.
- Parlare con personale che ha seguito una formazione specifica in materiali pericolosi prima di inviare il prodotto. Rispettare tutte le norme nazionali vigenti.
- Quando si inserisce la batteria in un contenitore, applicare del nastro adesivo sui contatti aperti.

Inserire la batteria nel contenitore in modo da garantirne la massima aderenza.

- Rimuovere la batteria per la conservazione o il trasporto.
- Conservare la batteria e il caricabatterie in un luogo asciutto, privo di umidità e protetto dal gelo.
- Non conservare la batteria in aree elettricamente statiche. Non conservare mai la batteria in una scatola di metallo.
- Durante il rimessaggio, conservare la batteria in un luogo dove la temperatura è compresa tra 5 °C/41 °F e 25 °C/77 °F e lontano da luce solare.
- Durante il rimessaggio, conservare il caricabatterie in un luogo dove la temperatura è compresa tra 5 °C/41 °F e 45 °C/113 °F e lontano da luce solare.
- Utilizzare il caricabatterie soltanto quando la temperatura circostante è compresa tra 5 °C/41 °F e 40 °C/104 °F.
- Caricare la batteria dal 30% al 50% prima di immagazzinarla per lunghi periodi.
- Conservare il caricabatterie in un luogo chiuso e asciutto.
- Tenere la batteria lontano dal caricabatterie durante il rimessaggio. Non lasciare che i bambini e altre persone non autorizzate tocchino l'attrezzatura.

Mantenere le attrezzature in un luogo che è possibile chiudere.

- Pulire il prodotto ed eseguire una manutenzione completa prima di conservarlo per lunghi periodi.
- Utilizzare la protezione di trasporto sul prodotto per evitare che si danneggi durante il trasporto e il rimessaggio.
- Bloccare il prodotto in modo sicuro durante il trasporto.

Smaltimento della batteria, del caricabatterie e del prodotto

Il simbolo seguente indica che il prodotto non è un rifiuto domestico. Riciclarlo in una stazione di riciclaggio per apparecchiature elettriche ed elettroniche. Ciò contribuisce a evitare danni all'ambiente e alle persone.

Per maggiori informazioni contattare le autorità locali, il servizio per rifiuti domestici o il rivenditore.

(Fig. 24)

Nota: Il simbolo compare sul prodotto o sull'imballaggio.

Dati tecnici

Dati tecnici

	225i
Motore	
Tipo	BLDC (senza spazzole) 36V
Caratteristiche	
Modalità risparmio energetico	SavE
Sistema di lubrificazione	
Tipo di pompa dell'olio	Automatico
Capacità del serbatoio dell'olio, ml/cm ³	0,2/200
Peso	
Motosega senza batteria, barra di guida, catena, serbatoio dell'olio della catena a secco, kg	3,1
Emissioni di rumore ⁵⁰	
Livello potenza acustica, misurato dB(A)	97
Livello di potenza acustica, garantito L _{WA} dB(A)	100

⁵⁰ Le emissioni di rumore nell'ambiente misurate come potenza sonora (L_{WA}) in conformità con la direttiva CE 2000/14/CE ed EN ISO 22868, hanno una dispersione statistica tipica (deviazione standard) di 3 dB (A).

	225i
Livelli di rumorosità ⁵¹	
Livello di pressione acustica rispetto all'udito dell'operatore, misurato in base alla norma EN 62841 -1	89
Livelli di vibrazioni ⁵²	
Impugnatura anteriore, m/s ²	3,9
Impugnatura posteriore, m/s ²	3,9
Catena/barra di guida	
Lunghezze raccomandate della barra, poll./cm	12-14/30,5-35,6
Lunghezza di taglio utile, poll./cm	11-13/27-33,2
Tipo di pignone guida/numero di denti	Spur/6
Velocità massima della catena/(Modalità Normale.), m/s	11,8
Velocità massima della catena/(Modalità SavE), m/s	9,4

Accessori

Combinazioni barra di guida e catena

I seguenti gruppi di taglio sono approvati per Husqvarna 225i.

Barra guida					Catena	
Tipo	Lunghezza, pollici	Passo della catena, pollici	Larghezza della scanalatura, mm	Raggio max. puntuale	Tipo	Lunghezza, maglie di trascinamento (num.)
501959545	12	3/8" mini	1,1	7T	Husqvarna H38 (581808145)	45
501959552	14	3/8" mini	1,1	7T	Husqvarna H38 (581807952)	52

Attrezzature di affilatura e angoli di affilatura






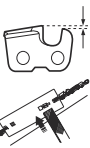




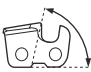





Utilizzare una dima di affilatura Husqvarna per affilare la catena. Una dima di affilatura Husqvarna garantisce

gli angoli di affilatura corretti. I numeri di codice sono indicati nella tabella riportata di seguito.

Se non si è sicuri di come identificare il tipo di catena in uso sul prodotto, fare riferimento a www.husqvarna.com per ulteriori informazioni.

⁵¹ I dati riportati per il livello di pressione acustica del macchinario hanno una dispersione statistica tipica (deviazione standard) di 3 dB (A).

⁵² Livello di vibrazioni in conformità alla norma EN 62841-4-1. I dati riportati per il livello di vibrazioni presentano una dispersione statistica tipica (deviazione standard) di $\pm 1,5$ m/s². Dati dichiarati sulle vibrazioni provenienti da misurazioni nel caso in cui la macchina presenti una lunghezza barra e il tipo di catena raccomandati. Se la macchina presenta una lunghezza barra differente, il livello di vibrazioni potrebbe variare di $\pm 1,5$ m/s² max.

							
38	11/64 pollici/4,5 mm	75°	30°	0°	0,025 poll./ 0,65 mm	505 69 81-03	579 55 88-01
							
93	5/32 pollici/4,0 mm	60°	30°	0°	0,025 poll./ 0,65 mm	596 63 89-01	596 63 89-01

Batterie approvate

Batteria	40-B140
Tipo	Ioni di litio
Capacità batteria, Ah	4
Tensione nominale, V	36
Peso, kg	1.25

Caricabatterie approvati per il prodotto

Caricabatteria	40-C80
Tensione di rete, V	100-240
Frequenza, Hz	50-60
Potenza, W	72
Tensione di uscita, V c.c. / amp, A	43/1,6

Dichiarazione di conformità

Dichiarazione di conformità UE

Husqvarna AB, SE-561 82 Huskvarna, Svezia, tel:
+46-36-146500, dichiara sotto la propria esclusiva
responsabilità che il prodotto indicato:

Descrizione	Motoseghe a batteria
Marchio	Husqvarna
Tipo/Modello	225i
Identificazione	Numeri di serie a partire da 2023 e successivi

È pienamente conforme alle seguenti norme e direttive
UE:

Direttiva/norma	Descrizione
2006/42/CE	"sulle macchine"
2014/30/EU	"sulla compatibilità elettromagnetica"
2011/65/UE	"sulla restrizione dell'uso di determinate sostanze pericolose nelle apparecchiature elettriche ed elettroniche"
2000/14/CE	"sull'emissione di rumore nell'ambiente"

Sono state applicate le seguenti norme: EN
62841-1:2015+A11:2022, EN 62841-4-1:2020, EN
IEC 63000:2018, EN IEC 55014-1:2021, EN IEC
55014-2:2021.



Organo competente: TÜV Rheinland LGA Products
GmbH, Tillystrasse 2, D-90431 Nuernberg, Germany,
0197, ha eseguito il controllo di omologazione CE in
base alla Direttiva Macchine (2006/42/CE) articolo 12,
punto 3b. Il certificato reca il numero: BM 50604678
0001.

La motosega fornita è conforme al campione sottoposto
a controllo CE.

In conformità alla direttiva 2000/14/CE, Allegato V, fare
riferimento a *Dati tecnici alla pagina 360* per i livelli
sonori dichiarati.

Huskvarna, 2023-10-30

Claes Losdal, Responsabile ricerca e sviluppo,
Husqvarna AB

Responsabile della documentazione tecnica

目次

はじめに.....	364	トラブルシューティング.....	383
安全性.....	365	搬送、保管、廃棄.....	384
組立.....	372	主要諸元.....	384
Operation(操作).....	373	アクセサリ.....	385
メンテナンス.....	378	適合宣言.....	388

はじめに

用途

この林業用チェーンソーは、伐倒、枝払い、切断などの森林作業用として開発されています。

注記： 本製品の使用においては、国内の規制が課せられる場合があります。

製品の概要

(図 1)

1. フロントハンドガード
2. フロントハンドル
3. ユーザーインターフェイス
4. START/STOP ボタン
5. 警告インジケータおよびバッテリーインジケータ
6. SavE ボタン
7. 右手ガード付きリヤハンドル
8. 情報と警告ラベル
9. ハウジング
10. チェンオイルタンク
11. 搬送用カバー
12. パワートリガーロック
13. パワートリガー
14. ドライブプロケットカバーおよびバーノブ
15. チェンテンション
16. チェンキャッチャー
17. スパイクバンパー
18. ノーズプロケット
19. ソーチェン
20. ガイドバー
21. 充電状態インジケータ
22. コネクター
23. バッテリー充電器
24. コンビレンチ
25. 警告インジケータ
26. ボタン、バッテリーの状態
27. バッテリーステータス
28. バッテリーリリースボタン
29. バッテリー
30. 取扱説明書
31. バーノブ
32. ドライブプロケットカバーおよびバーボルト

製品の説明

Husqvarna 225i は、電気モーターで作動するチェーンソーモデルです。

弊社では、皆様の安全と作業の効率性を向上させるため、常に製品の改善に力を入れています。詳しくは、サービス代理店までお問い合わせください。

製品に表記されるシンボルマーク

- (図 2) 警告：本製品の使用は危険を伴います。操作者や付近にいる人が重傷を負う、または死亡するおそれがあります。十分に注意し、本製品を正しく使用してください。
- (図 3) 本取扱説明書をよくお読みになり、内容をしっかりと把握したうえで、本製品を使用してください。
- (図 4) 認可されたヘルメット、イヤマフ、および防護メガネを着用してください。
- (図 5) 本製品は両手で持って操作してください。
- (図 6) 本製品は片手のみで操作しないでください。
- (図 7) ガイドバーの先端が物体が接触しないようにしてください。
- (図 8) 雨天では使用しないでください。
- (図 9) 警告! ガイドバー先端に物体が接触すると、キックバックが発生する場合があります。それによりガイドバーが作業者の方向にはじかれます。重傷または死亡事故の原因となるおそれがあります。
- (図 10) 定格電圧、V
- (図 11) チェンオイル
- (図 12) ソーチェンの回転方向とガイドバーの最大長。

- (図 13) 直流。
- (図 14) **環境マーク**本製品や本製品のパッケージは、一般廃棄物ではありません。電気・電子機器のリサイクル業者にリサイクルを依頼してください。
- (図 15) 本製品は EC 指令適合製品です。
- (図 16) 本製品は英国規制適合製品です。
- (図 17) 環境に対する騒音レベルは EC 指令 2000/14/EC、英国の指令および規制、ニューサウスウェールズの法規「Protection of the Environment Operations (Noise Control) Regulation 2017」に準拠しています。本製品の保証音響レベルは次の場所とラベルに記載されています： **主要語元 384** ページ。
- (図 21) チェンブレイキ、作動（前方）。チェンブレイキ、解除（後方）。
- (図 22) チェンの方向。
- (図 23) 製造番号は銘板に記載されています。 **yyyy** は製造年、 **ww** は製造された週です。

- (図 18) 安全装置付き変圧器。
- (図 19) バッテリー充電器は屋内でのみ使用、保管してください。
- (図 20) 二重絶縁。

メーカー

Husqvarna AB

Drottninggatan 2, SE-561 82, Huskvarna, Sweden, tel: +46-36-146500

製品の損傷

以下の場合、当社は製品の損傷について責任を負いません。

- 本製品が誤って修理された場合。
- メーカーによるものではない部品、またはメーカーの認可していない部品を使用して本製品を修理した場合。
- メーカーによるものではないアクセサリ、またはメーカーの認可していないアクセサリを本製品に使用した場合。
- 認定サービスセンターまたは認定販売店で本製品が修理されていない場合。

注記： 本製品に付いている他のシンボル / 銘板は、一部の市場地域に向けた認定条件を示します。

バッテリーやバッテリー充電器のシンボルマーク

- (図 24) 電気・電子機器のリサイクル業者にリサイクルを依頼してください。(ヨーロッパにのみ適用)

安全性

安全性の定義

警告、注意、注記は、取扱説明書の特に重要な部分を示しています。



警告： 取扱説明書の指示に従わない場合、使用者が負傷したり、死亡したりするが、あるいは付近の人に損傷を与える危険があることを意味します。



注意： 取扱説明書の指示に従わない場合、製品や他の物品、または隣接するエリアに損傷を与える危険があることを意味します。

注記： 特定の状況が必要とされる詳細情報を提供するために使用されます。

パワーツールの一般的な安全上の警告



警告： このパワーツールに付属している安全に関する警告、注意事項、図、仕様をすべてお読みください。下記のすべての指示に従わない場合、感電、火災、あるいは深刻な傷害を招くことがあります。

- **すべての警告や説明は、以後の参考のために保管してください。**警告の「パワーツール」とは、電源で

作動する（コード付）パワーツールまたはバッテリー駆動（コードレス）のパワーツールを指します。

作業エリアの安全

- 作業場所を清潔に、照明を明るく保ちます。乱雑な、あるいは暗い場所では、事故が起こりやすくなります。
- 可燃性の液体や気体、塵がある所など、爆発性雰囲気の中でパワーツールを作動させないでください。パワーツールは、塵やガスを発火させる火花を発生させます。
- パワーツールの操作中は子供やそばにいる人たちと十分な距離を置いてください。注意が散漫になって、操作ミスを引き起こす可能性があります。

電気保安

- パワーツールのプラグはコンセントに適合しなければなりません。決してプラグを改造しないでください。アダプタプラグをアースの付いた（接地された）パワーツールとともに使用しないでください。改造されていないプラグおよび型の同じコンセントを使用すれば、感電のリスクが低くなります。
- パイプやラジエータ、レンジ、冷蔵庫など、アースの付いた表面または接地された表面に触れないようにしてください。体が接地していたりアースされていたりすると、感電のリスクが高くなります。
- パワーツールを雨露や湿潤な環境に曝さないでください。パワーツール内に水が浸入すると、感電のリスクが高まります。
- コードを本来の目的以外に使用しないでください。コードを持ってパワーツールを移動したり、引っ張ったり、電源を抜いたりすることのないようにしてください。熱やオイル、とがった先端や可動部品にコードを近づけないでください。コードが破損したり絡まると、感電のリスクが高くなります。
- 屋外でパワーツールを操作する場合は、屋外での使用に適した延長コードを使用してください。屋外での使用に適したコードを使用することで、感電の危険性は少なくなります。
- 湿気のある場所でパワーツールを操作せざるを得ない場合は、電源を保護するために漏電遮断器（RCD）を使用してください。RCDは感電の危険を低減します。

個人の安全

- パワーツールを操作するときは、十分に気をつけて慎重に行動し、常識に従ってください。疲れているときや、医薬品およびアルコールの影響が残っている状態でパワーツールを使用しないでください。パワーツールの操作中は、一瞬の不注意が重大な傷害につながる可能性があります。
- 身体保護具を使用してください。常に眼の保護具を着用してください。防塵マスクや滑り止め用の安全靴、ヘルメット、イヤマフを使用すると、負傷の危険性が少なくなります。
- 予期せぬ始動を防止してください。電源およびバッテリーバックを接続したり、ツールを手にとって運んだりする前に、必ずスイッチがオフの位置にあることを確認してください。スイッチに指を置いてパ

ワーツールを運んだり、スイッチが入った状態でパワーツールに圧力をかけると、事故につながります。

- パワーツールをオンにする前に、調整キーとレンチを外してください。パワーツールの回転部品にレンチやキーが取り付けられたままになっていると、負傷の原因となります。
- 無理な体勢で作業しないでください。常に、安定した足場とバランスを保つようにしてください。こうすることで、予期しない事態でもパワーツールを安定した状態に保つことができます。
- 適切な服装を心がけてください。ゆったりした衣服や装身具を身につけないでください。可動部品に髪の毛や衣服を近づけないでください。ゆったりした衣服や装身具、長髪は可動部品に絡まるおそれがあります。
- 集塵装置の接続用装備が提供されている場合、それらが接続されて正しく使用されているか確認してください。集塵装置を使用すると、塵に関連する危険を回避できます。
- ツールを頻繁に使用することによる慣れで、安全への関心を失ってツールの安全原則を無視することは非常に危険です。不注意により、一瞬で深刻な事故が発生するおそれがあります。

パワーツールの使用と手入れ

- パワーツールを無理に使用しないでください。用途に合った正しいパワーツールを使用してください。正しいパワーツールを使用した方が、意図された速度でより良く安全に作業を行えます。
- スイッチが機能しない場合はパワーツールを使用しないでください。スイッチで制御できないパワーツールは危険なため、修理する必要があります。
- パワーツールの調整、アクセサリの変更、またはパワーツールの保管前は、電源プラグを外し、パワーツールからバッテリーバックを取り外してください（着脱可能な場合）。予防的な安全対策を行うことで、誤ってパワーツールを始動させる危険性が少なくなります。
- 使用していないパワーツールは子供の手の届かない所に保管して、パワーツールやこの取扱説明書に詳しくない人間がパワーツールを操作しないように注意してください。不慣れたユーザーがパワーツールを扱うと危険です。
- パワーツールとアクセサリをメンテナンスします。可動部品の誤調整や巻き付き、部品の破損やパワーツールの動作に影響する他の状態がないかどうか確認します。破損している場合は、使用する前にパワーツールを修理してください。ほとんどの事故は、正しいメンテナンスを受けていないパワーツールが原因です。
- 切削工具は研いだ状態で清潔に保ちます。正しくメンテナンスされて研いである切削工具は、バインドすることも少なく、制御が簡単です。
- パワーツール、アクセサリ、工具ビットなどは、これらの取扱説明書に従って使用し、作業条件および行う作業を考慮してください。意図されていない作業でパワーツールを使用すると、危険な状況を招くことがあります。

- ・ ハンドル部および保持面は乾燥させて、オイルや油が付着しないようにきれいな状態を保ってください。ハンドルと保持面が滑りやすいと、予期しない状況でツールの安全な取り扱いや制御ができません。

バッテリーツールの使用と手入れ

- ・ メーカー指定の充電器のみを使って充電してください。1種類のバッテリーパックのみに適合する充電器は、それ以外のバッテリーパックの充電で使用した場合、火災を起こす恐れがあります。
- ・ 仕様で指定されたバッテリーパックのみでパワーツールを使用してください。それ以外のバッテリーパックを使用すると、怪我や火災を招く危険があります。
- ・ バッテリーパックを使用しないときは、ペーパーリップ、コイン、キー、爪きり、ネジなどの金物、あるいは端子間を短絡するおそれがある他の小さな金物から遠ざけるようにしてください。バッテリー端子の短絡は、火傷や火災を引き起こす恐れがあります。
- ・ 劣悪な環境では、液体がバッテリーから漏れ出すことがあります。そのような場合、液体には触れないようご注意ください。もし万が一誤って触ってしまった場合、水で洗い流してください。液体が目に入ってしまった場合、医師の診察を受けてください。バッテリーから漏れ出した液体は、炎症や火傷を引き起こすことがあります。
- ・ 損傷した、または改造されたバッテリーパックやツールは使用しないでください。損傷した、または改造されたバッテリーは、予測不可能な挙動を起こし、発火や破裂、障害の原因となる可能性があります。
- ・ バッテリーパックやツールを火や高温にさらさないでください。火または 130 °C (266 °F) 以上の温度環境にさらすと爆発する恐れがあります。
- ・ 充電の手順にすべて従い、指示された温度範囲外でバッテリーパックまたはツールを充電しないでください。充電を不適切に行ったり、指定された範囲から外れた温度環境で行ったりした場合、バッテリーの損傷や火災発生危険の増加につながることがあります。

サービス

- ・ パワーツールのサービスは、資格のある修理担当者と同じ交換部品を使って行うようにしてください。こうすることで、パワーツールの安全性を維持できます。
- ・ 損傷したバッテリーパックを決して修理しようとししないでください。バッテリーパックの修理は、製造元または認定サービス代理店が行えません。

チェンソーに関する一般的な安全上の警告

- ・ チェンソーの操作中は、体のあらゆる部分をソーチェンから遠ざけるようにしてください。チェンソーを始動する前に、ソーチェンが何にも接触していないことを確認してください。チェンソーの操作中

は、一瞬の不注意が、ソーチェンによる衣服や身体巻き込み事故につながる場合があります。

- ・ チェンソーを持つときは、必ず右手でリヤハンドルを、左手でフロントハンドルを握ってください。逆の手でチェンソーを持つと怪我をする危険性が高まるため、この行為は絶対におやめください。
- ・ ソーチェンは隠れた配線に接触する可能性があるため、絶縁グリップ面だけを掴んでパワーツールを持ってください。ソーチェンが「通電」している配線に接触することで、チェンソーの露出している金属部分が「通電」状態となることがあり、使用者が感電する危険性があります。
- ・ 防護メガネを着用してください。さらに、聴覚、頭、手、脚と足用の身体保護具の着用を推奨します。適切な身体保護具を着用することで、飛び散る破片による怪我やソーチェンの接触事故を軽減できます。
- ・ 樹上、梯子の上、屋根の上、その他支えが安定しない状態で、チェンソーを操作しないでください。このような状態でチェンソーを操作すると、重傷を負うおそれがあります。⁵³
- ・ 常に、安定した足場を確保し、しっかりと水平に固定された安全な足場に立ってチェンソーを操作するようにしてください。滑りやすい足場や不安定な足場では、バランスを保ち、チェンソーを制御するのが難しくなります。
- ・ 張力がかかった枝を払うときは、スプリングバックに注意してください。木材繊維の張力が解放されたとき、板ばねのようにになっている枝で使用者が直撃を受けたり、チェンソーが制御不能になって飛ばされたりすることがあります。
- ・ 低木や若木を伐採する際は、細心の注意を払ってください。細長い形状のものはソーチェンに絡まって、使用者を鞭打つようにぶつかったり、使用者を引っ張ってバランスを崩したりすることがあります。
- ・ チェンソーのスイッチを切って、体から離れた上で、フロントハンドルを持って運んでください。チェンソーの輸送や保管を行う際は、ガイドバーカバーを常に取り付けてください。チェンソーを正しく取り扱うことで、動いているソーチェンとの不意な接触の危険性を減らすことができます。
- ・ 潤滑、チェンの張力調整、およびバーやチェンの交換については、指示に従ってください。チェンの張り具合や潤滑が不適切であると、チェンが損傷したり、キックバックの危険性が増したりする恐れがあります。
- ・ 樹木や材木のみを切断してください。意図されていない用途にチェンソーを使用しないでください。たとえば、プラスチック、石材、その他木材以外の建材の切断には、チェンソーを使用しないでください。意図されていない用途にチェンソーを使用すると、危険な状況が生まれることがあります。
- ・ リスクについて理解し、リスクを回避する方法を理解してから、伐倒を行ってください。伐倒作業時は、作業者や近くにいる人が重傷を負うおそれがあります。

⁵³ 特別な切削および作業技術の訓練を受け、(リフトバケット、ロープ、安全ハーネスを使って)適切に固定されている場合、この安全規制から逸脱することができます。

- ・ 詰まりを取り除く場合や、チェンソーの保管または整備を行う場合は、手順を守ってください。スイッチがオフになっていて、バッテリーパックが取り外されていることを確認します。詰まった物質を取り除く際、または整備作業中に、チェンソーが予期せず作動すると、重大な人的傷害につながるおそれがあります。
- ・ 専門のトレーニングを受けていないかぎり、樹上でチェンソーを操作しないでください。適切なトレーニングを受けずに樹上でチェンソーを操作した場合、重大な人的傷害が生じるおそれが高くなります。

キックバックの原因と使用者による防止方法

キックバックは、ガイドバー先端に何かが接触したとき、あるいは、樹木が近づきすぎて、切断中のソーチェーンに巻き込まれたときなどに発生します。先端が障害物に触れると、反動の力が突然発生し、ガイドバーが上方または使用者に向かって勢い良く戻ってきます。ガイドバーの上部に沿ってソーチェーンに何かが挟まると、ガイドバーが使用者へ向かって急激に押し戻されます。これらの反動による動作はいずれも、チェンソーの制御を不可能にして、深刻な人的傷害を招くことがあります。チェンソーに搭載されている安全装置を頼り過ぎないようにしてください。チェンソーの使用にあたっては、事故や怪我なく切断作業を行うために、いくつかの段階を踏む必要があります。キックバックは、チェンソーの誤った使用あるいは不適正な操作手順や操作条件などの結果生じるものであり、以下に示す正しい予防措置を講じることで避けることが可能です。

- ・ 親指と他の指で取り囲むようにしっかりとチェンソーのハンドルを握ります。キックバック力に耐えられるように、両手でチェンソーを持ちながら、体と腕の位置を決めてください。適切な予防措置を講じれば、使用者がキックバックを制御できます。チェンソーを離さないでください。
- ・ 無理な体勢で作業したり、肩の高さよりも上の位置の物体を切断したりしないでください。こうすることで、先端が偶発的に何かに接触するのを防ぐことができ、不測の事態でもチェンソーを適切に制御することが可能になります。
- ・ 交換用ガイドバーとソーチェーンは、ハスクバーナの指定品のみを使用してください。不適正なガイドバーやソーチェーンに交換した場合、チェーンの損傷やキックバックが起こることがあります。
- ・ ソーチェーンの目立てやメンテナンスについては、本書の記載にしたがってください。デブスゲージの高さの減少は、キックバックの増加につながります。

以下の指示は、大切に保管してください。

一般的な安全注意事項



警告： 本製品を使用する前に、以下の警告指示をお読みください。

- ・ 本製品は、慎重かつ適切に使用しないと、危険な道具となります。本製品により、操作者や付近にいる人が重傷を負う、または死亡するおそれがあります。本取扱説明書をよくお読みになり、内容を理解することが非常に重要です。

- ・ メーカーの承認なしに本製品を改造しないでください。他者が改造した製品を使用しないでください。また、必ず純正のアクセサリを使用してください。認定されていない改造は、作業者や付近にいる人の重傷または死亡事故の原因となるおそれがあります。
- ・ チェンオイルの蒸気や切りくずを長期間吸引していると、健康を害する場合があります。
- ・ 本製品では、運転中に電磁場が発生します。この電磁場は、ある条件下でアクティブ、またはパッシブな医療用インプラントに影響を及ぼすことがあります。深刻な重傷や死亡の危険を避けるため、医療用インプラントを使用している方は、本製品を使用する前に主治医および医療用インプラントの製造元に相談することをお勧めします。

操作のための安全注意事項



警告： 本製品を使用する前に、以下の警告指示をお読みください。

- ・ 本取扱説明書の情報は、専門家の知識や経験に相当するものではありません。現在の状況が安全ではないと思われる場合は、本製品を停止してください。サービス代理店またはチェンソーの専門家に相談してください。確信をもてない作業は行わないでください！
- ・ 本製品の操作について質問がある場合は、サービス代理店または Husqvarna にご相談ください。本製品を効率的に、安全に操作する方法をご説明します。可能であれば、チェンソー操作のトレーニングクラスにご参加ください。サービス代理店、林業学校、図書館などで、トレーニング資料や講習などについての情報が提供されています。
- ・ 本製品を使用する前に、キックバックの影響と、防止方法について理解する必要があります。参照：キックバックについて 374 ページおよび キックバックに関するよくある質問 375 ページ詳細をご覧ください。
- ・ 損傷している、または正しく動作しない製品、バッテリー、バッテリー充電器は使用しないでください。
- ・ 回転しているソーチェーンに触れないでください。重傷または死亡事故の原因となるおそれがあります。
- ・ 疲労時や飲酒後、視野・判断力・動作に悪影響を及ぼすような医薬品を服用したときは、本製品を使用しないでください。
- ・ 悪天候下での作業は疲れやすく、危険性も高まります。濃霧、豪雨、強風、厳寒、落雷の恐れがあるなど、天候が非常に悪い場合はリスクが高まるため、本製品を使用しないことをお勧めします。
- ・ ガイドバーやソーチェーン、カバー類がすべて正しく装着されていない状態では、本製品を始動しないでください。正しく装着されていない状態で始動すると、ドライブスプロケットが外れて、重症を負うおそれがあります。参照：組立 372 ページ詳細をご覧ください。

(図 25)

- 木くずがクラッチカバーに詰まって、ソーチェンが動かなくなることがあります。清掃する前に、必ずエンジンを停止してください。
- 周囲の状況を確認してください。本製品を操作する際、人や動物が触れたり干渉したりする危険がないことを確認してください。

(図 26)

- 本製品を子供に使用させたり、子供のそばで使用したりしないでください。本製品は簡単に始動できます。十分に監視していないと、子供が動かしてしまう可能性があります。これにより、重傷を負う危険があります。
- 監視できない場所に本製品を置く場合や、長時間使用しない場合は、バッテリーを取り外してください。
- 本製品を完全に制御するために、安定した場所で作業してください。ハシゴや木の上で本製品を使用しないでください。不安定な場所で本製品を使用しないでください。

(図 27)

- 樹上で作業するためには、けがを負うリスクの増加を減らすため、伐採作業用の特殊技術を使用し、これを順守する必要があります。安全関連の機器および木に登るためのその他の機器(例:ハーネス、ロープ、ヘルム、クライミングアイアン、スナップフック、カラビナ)の使用など、樹上での作業に関する特殊な専門の訓練を受けていない限り、樹上での作業は行わないでください。
- 落下した切断部分を受け止めようとしないでください。樹上での作業のときに、体をロープ1本で支えないでください。必ず安全ロープを2本使用してください。
- 慎重に扱わないと、キックバックの危険が高まります。ガイドバーのキックバックゾーンが誤って枝や木などに当たると、キックバックが発生するおそれがあります。

(図 28)

- 本製品は片手で操作しないでください。片手では本製品のコントロールが十分にできません。
- 本製品は肩より上で使用しないでください。また、ガイドバー先端で切断しようとししないでください。

(図 29)

- 事故が起こったときに助けを求めることができない場所で使用しないでください。
- 本製品を移動する場合は、本製品を停止させてチェーンブレーキをかけてください。ガイドバーとソーチェンを後ろに向けて製品を持ちます。搬送前、または少しでも移動する前には、ガイドバーに搬送用ガードを取り付けてください。
- 本製品を地面に置くときは、チェーンブレーキをかけて、常に本製品が視野に入るようにしてください。本製品から離れる際は、たとえ短時間でも、チェーンソーを停止してバッテリーを取り外してください。
- 駆動装置に木くずが詰まる危険があります。これにより、ソーチェンが動かなくなることがあります。本製品をクリーニングするときは、必ず停止させてバッテリーを取り外してください。

- 適合しない、または適切に目立てされていないカッティング装置を使用して切断すると、振動レベルが上がります。硬木(広葉樹など)を切断するとき、軟木(針葉樹など)を切断するより振動が大きくなります。

(図 30)

- 循環器系に障害のある人が振動を長期間受け続けると、循環器障害や神経障害を起こすことがあります。過度の振動を受け続けたために症状が現れた場合は、医師の診断を受けてください。症状にはしびれ、感覚麻痺、ピリピリ感、刺痛、痛み、脱力感、皮膚の色や状態の変化などがあります。通常、指、手、手首に発生するこれらの症状は、低温の環境下でよく起こります。
- 特別に訓練を受けていない限り、剪定や枝払い作業を実行しないでください。
- 伐倒後の木が坂を転がりたり滑り落ちたりする可能性があるため、斜面で切断作業を行う場合は、木の上方に立ってください。切断時に本製品を完全に制御するには、切断作業の終盤に切断圧力を解放します。ハンドルを握る両手は緩めないでください。ソーチェンが地面に触れないようにします。切断作業完了後、ソーチェンが停止してから本製品を移動してください。別の木へ移動する際は、必ずモーターを停止してください。

(図 31)

- 人に危害を加えたり、ライフラインに当たったり、物を損傷するおそれがある場合は伐倒作業を行わないでください。ライフラインに当たった場合は、公益事業会社にすぐに通知する必要があります。
- 身体の動きが自由に取れることを確認してください。木の根、岩、枝、溝などの障害物がない周りの状況や地形を調べてください。斜面で作業するときは、注意してください。
- 自分の能力で対応できない状況での作業は避けてください。
- 本製品の使用時に起こり得る状況をすべて予測し、対応することは不可能です。常に常識に基づいて注意して使用してください。

(図 32)

身体保護具



警告： 本製品を使用する前に、以下の警告指示をお読みください。

(図 33)

- チェンソー事故の大半は、ソーチェンが使用者に当たった際に発生します。作業中は、認可されたプロテクティブ装具を着用する必要があります。プロテクティブ装具で怪我を完全に防止できるわけではありませんが、万が一事故が起こった場合、負傷の度合いを軽減することができます。使用が推奨される装具については、サービス代理店にお問い合わせください。

- びったりとした、ただし動きを制限しない服を着用する必要があります。定期的にプロテクティブ装具の状態を確認してください。
- 認可された防護ヘルメットを着用してください。
- 認可されたイヤーマフを使用してください。長時間騒音にさらされると、回復不能な聴覚障害になる可能性があります。
- 認可された保護メガネあるいはバイザーを着用し、飛散する物体で負傷しないようにしてください。本製品は、木くず（小さな木片）などの物体を強い力で飛散させます。これにより重傷を負うことがあります。特に目の怪我の原因になることがあります。
- チェンソー用保護手袋を着用してください。
- チェンソー用保護ズボンを着用してください。
- つま先にスチールキャップの入った、滑りにくい靴底のチェンソー用保護ブーツを着用してください。
- 常に救急箱を手元に準備しておいてください。
- 火花の発生による危険。森林火災を防止するため、消火器とシャベルを用意してください。

本製品の安全装置



警告： 本製品を使用する前に、以下の警告指示をお読みください。

- 損傷している、または正しく動作していない安全装置を取り付けた状態で、製品を使用しないでください。
- 安全装置は定期的に点検してください。参照：製品の安全装置のメンテナンスと点検 379 ページ。
- 安全装置が損傷している、または正しく動作していない場合は、Husqvarna サービス代理店にお問い合わせください。

ユーザーインターフェイスの機能

ユーザーインターフェイスには、[START/STOP] ボタン、[SavE] ボタン、バッテリーステータス、警告インジケータがあります。チェンブレイキが作動するか、過負荷の危険がある場合、警告インジケータが点滅します。過負荷保護が作動すると、製品は一時的に停止し、温度が下がるまで使用できなくなります。警告インジケータが点灯している場合は、販売店にお問い合わせください。

(図 34)

ユーザーインターフェイスについて詳しくは、を参照してください。製品の概要 364 ページ。

自動停止機能

本製品には自動停止機能が搭載されており、3 分以上使用しないと停止します。

チェンブレイキとフロントハンドガード

本製品にはチェンブレイキが備わっており、キックバックが発生するとソーチェンが停止します。チェンブレイキは事故発生の危険性を軽減しますが、何よりも大切なのは慎重な取り扱いです。

(図 35)



警告： キックバックが発生する危険のある状況を作らないでください。本製品は慎重に使用して、ガイドバーのキックバックゾーンに何も触れないようにしてください。

(図 36)

チェンブレイキ (A) は、左手を使用して手動で、またはイナーシャ機構で自動的に作動させることができます。フロントハンドガード (B) を前方に動かして、チェンブレイキを手動ではめます。この動きにバネを使用した機構が反応し、ドライブスプロケットが停止します。

(図 37)

チェンブレイキの動作は、キックバックの強さと本製品の位置によって異なります。キックバックゾーンが身体から最も離れた位置にあるときに非常に強いキックバックが起こった場合、イナーシャ機構によりチェンブレイキがかかります。キックバックの力が弱く、キックバックゾーンが身体に近い場合は、左手で手動でチェンブレイキをかけます。

(図 38)

本製品を始動するときや、短距離を移動するときは、サイドブレイキのようにチェンブレイキを使用します。これにより、自身や周りにいる人にソーチェンが接触する危険性を低減できます。

(図 39)

フロントハンドガードを後方に引いて、チェンブレイキを解除します。

(図 40)

キックバックは突然、強い力で起こることがあります。キックバックのほとんどは弱いもので、いつもチェンブレイキが自動的にかかるとは限りません。本製品の使用中にキックバックが発生した場合は、ハンドルをしっかりと握って、放さないでください。

(図 41)

フロントハンドガードは、手がフロントハンドルから離れた際にソーチェンが接触するリスクを低減します。

(図 42)

伐倒ポジションでは、手動でチェンブレイキをかけることができません。このポジションでチェンブレイキをかけられるのは、イナーシャ機構だけです。

(図 43)

パワートリガーロック

パワートリガーロックは、パワートリガーの操作ミスを防ぐためのものです。パワートリガーロックを前方 (A) に押し、次にハンドルの方 (B) に押し込むと、パワートリガー (C) が解放されます。ハンドルから手を放すと、パワートリガーとパワートリガーロックは元の位置に戻ります。

(図 44)

チェンキヤッチャー

チェンキヤッチャーが破損したり、緩みがあったりすると、チェンキヤッチャーがソーチェンに絡まります。適切にチェンを張れば、危険を減少させることができます。ガイドバーとソーチェンを適切にメンテナンスすることで、危険が減少します。詳しくは、「[組立 372 ページ](#)」および「[メンテナンス 378 ページ](#)」を参照してください。

(図 45)

右手ガード

右手ガードは、ソーチェンが破損したり緩んだりした場合、手のガードとして機能します。また、製品を使用する際、枝や小枝が邪魔にならないようにします。

(図 46)

バッテリーの安全



警告： 本製品を使用する前に、以下の警告指示をお読みください。

- お使いの製品に推奨されている 40-B シリーズバッテリーのみを使用してください。参照：[認可されたバッテリー 386 ページ](#)。バッテリーはソフトウェアで暗号化されています。
- 再充電可能な 40-B シリーズバッテリーは、対応する Husqvarna 製品の電源としてのみ使用してください。参照：[認可されたバッテリー 386 ページ](#)。負傷を防ぐため、このバッテリーを他の装置の電源として使用しないでください。
- 感電するおそれがあります。バッテリーの端子を鍵、ネジ、その他の金属に接触させないでください。バッテリーが短絡する原因になります。
- 再充電できないバッテリーは使用しないでください。
- バッテリーのエアスロットに物が入らないようにしてください。
- バッテリーは直射日光や熱、裸火から保護してください。バッテリーによりやけどや化学熱傷を負うおそれがあります。
- バッテリーは雨から遠ざけて、濡れない状態に維持してください。
- バッテリーは電子レンジや高圧から保護してください。
- バッテリーを分解したり壊したりしないでください。
- バッテリー液が皮膚に触れないようにしてください。バッテリー液は、皮膚の負傷、荒れ、火傷の原因になります。目にバッテリー液が入った場合、目をこすらずに水で 15 分以上洗浄してください。バッテリー液が皮膚に触れた場合は、大量の水と石けんで皮膚を洗う必要があります。医師にご相談ください。
- バッテリーは -10 ~ 40 °C (14 ~ 104 °F) の温度で使用してください。

- バッテリーまたはバッテリー充電器は、水で洗浄しないでください。参照：[バッテリーとバッテリーホルダーの点検方法 380 ページ](#)。
- 損傷したバッテリーは使用しないでください。
- バッテリーはくぎ、ネジ、または宝飾品などの金属から離れて保管してください。
- バッテリーは子供が近づけない場所に保管してください。

バッテリー充電器の安全性



警告： 本製品を使用する前に、以下の警告指示をお読みください。

- 安全注意事項を守らないと、感電や短絡の危険があります。
- 認可された、破損のない主電源ソケットを、接地された状態で使用してください。
- 製品の付属品以外のバッテリー充電器は使用しないでください。Husqvarna 交換バッテリー 40-B140 を充電するときは、40-C80 充電器のみを使用してください。参照：[認可されたバッテリー充電器 387 ページ](#)および[認可されたバッテリー 386 ページ](#)。
- バッテリー充電器を分解しないでください。
- 故障または破損したバッテリー充電器は使用しないでください。
- 電源コードを持ってバッテリー充電器を持ち上げないでください。主電源ソケットからバッテリー充電器を取り外す際は、プラグを引っ張ってください。電源コードを引っ張らないでください。
- すべてのケーブルと延長コードが、水や油、または尖った物に接触しないようにしてください。ドア、フェンスなどの間に、ケーブルが挟まっていないことを確認してください。
- 可燃性の物質や、腐食の原因となる物質の近くでは、バッテリー充電器を使用しないでください。バッテリー充電器の上に覆うものが何もないことを確認してください。煙や火災が発生した場合、バッテリー充電器の電源プラグをコンセントから引き抜いてください。
- バッテリーは、通気がよく直射日光が当たらない屋内でのみ充電してください。屋外でバッテリーを充電しないでください。濡れた状態でバッテリーを充電しないでください。
- バッテリー充電器は、温度が 5 ~ 40 °C (41 ~ 104 °F) の場所だけで使用してください。充電器は、通気がよく、埃がない、乾燥した環境で使用してください。
- バッテリー充電器の冷却スロットに物が入らないようにしてください。
- バッテリー充電器が短絡するため、充電器の端子を金属物体へ接触させないでください。
- 認可された、破損していない壁コンセントを使用してください。
- 充電不可能なバッテリーを本バッテリー充電器で充電しないでください。

メンテナンスのための安全注意事項



警告： 本製品のメンテナンスを行う前に、以下の警告指示を読んでください。

- メンテナンス、その他の点検、または製品の組み立てを行う前に、バッテリーを取り外してください。
- 作業者は本取扱説明書に記載されているメンテナンスとサービスだけを実施してください。メンテナンスおよびさまざまなサービスについては、サービス代理店にお問い合わせください。
- バッテリーまたはバッテリー充電器を水分を含んだ布で拭いたり、水で洗浄したりしないでください。強い洗剤を使用すると、プラスチックの部品が損傷する場合があります。
- メンテナンスを実施しないと、製品の寿命が短くなり、事故の危険性が増します。
- 特に本製品の安全装置については、すべての整備と修理の作業に特殊な訓練が必要です。メンテナンスを実施した後、この取扱説明書の点検項目の中に不合格の項目があった場合は、サービス代理店にお問い合わせください。当社は、お客様の製品のために、プロフェッショナルな修理と整備を提供することを保証します。
- 純正の交換部品のみを使用してください。

カッティング装置の安全注意事項



警告： 本製品を使用する前に、以下の警告指示をお読みください。

- 認可されたガイドバー / ソーチェンの組み合わせと目立て装置のみを使用してください。手順については、「主要諸元 384 ページ」を参照してください。
- ソーチェンを使用したりメンテナンスを実施したりするときは、保護グローブを着用してください。動いていないソーチェンでも怪我をする場合があります。
- 刃の目立てを正しく行ってください。指示に従って、推奨された目立てゲージをご使用ください。破損している、または誤って目立てされたソーチェンを使用すると事故の危険性が高まります。

(図 47)

- テプスゲージの設定を正しく守ってください。指示に従い、推奨されているテプスゲージの設定を使用してください。テプスゲージの設定が大きすぎると、キックバックの危険性が高まります。

(図 48)

- ソーチェンに適切な張りがあることを確認します。ソーチェンがガイドバーにしっかり取り付けられていないと、ソーチェンが外れる場合があります。ソーチェンを正しく張らないと、ガイドバー、ソーチェン、およびドライブスプロケットの摩耗が早まります。 *アクセサリ 385 ページ* を参照してください。

(図 49)

- カッティング装置を定期的にメンテナンスして、適切に注油してください。ソーチェンが正しく注油されていないと、ガイドバー、ソーチェン、およびドライブスプロケットの摩耗が早まります。

(図 50)

組立

ガイドバーとソーチェンの組み立て方法 (バーノブ使用)



警告： 本製品の組み立て、またはメンテナンスを実行する前に必ずバッテリーを外してください。

1. チェンブレイキを解除します。(図 51)
2. バーノブを緩め、ドライブスプロケットカバーを外します。(図 52)
3. バーボルトの上にガイドバーを取り付けます。ガイドバーを最後部の位置まで移動します。ソーチェンをドライブスプロケットの上まで持ち上げて、ガイドバーの溝にはめます。ガイドバーの上端から装着作業を始めてください。
4. カッターの刃の先端部がガイドバーの上端で前向きになっていることを確認します。(図 53)
5. ドライブスプロケットカバーを取り付けて、チェン調整ピンをガイドバーの穴に通します。
6. ソーチェンのドライプリンクがドライブスプロケットに正しく取り付けられていることを確認します。

7. ソーチェンが正しくガイドバーの溝にはまっていることを確認します。
8. ソーチェンを張ります。手順については、 *メンテナンス 378 ページ* を参照してください。
9. バーノブを締め込みます。

ガイドバーとソーチェンの組み立て方法 (バーボルト使用)



警告： 本製品の組み立て、またはメンテナンスを実行する前に必ずバッテリーを外してください。

1. チェンブレイキを解除します。(図 51)
2. バーナットを緩め、ドライブスプロケットカバーを外します。(図 54)
3. バーボルトの上にガイドバーを取り付けます。ガイドバーを最後部の位置まで移動します。ソーチェンをドライブスプロケットの上まで持ち上げて、ガイドバーの溝にはめます。ガイドバーの上端から装着作業を始めてください。

4. カッターの刃の先端部がガイドバーの上端で前向きになっていることを確認します。(図 55)
5. ドライブスプロケットカバーを取り付けて、チェーン調整ピンをガイドバーの穴に通します。
6. ソーチェーンのドライプリングがドライブスプロケットに正しく取り付けられていることを確認します。
7. ソーチェーンが正しくガイドバーの溝にはまっていることを確認します。
8. 指でバーのナットを締めます。
9. ソーチェーンを張ります。手順については、メンテナンス 378 ページを参照してください。

1. 2本のネジ(A)で壁にバッテリー充電器を取り付けます。必要に応じて、ウォールプラグ(B)を使用します。(図 56)
2. 2個のネジ穴プラグ(C)を取り付けます。
3. 電源コード(D)をバッテリー充電器と主電源ソケットに接続します。

バッテリー充電器の壁への取り付け方法



注意： バッテリー充電器を壁に取り付けるときは電動ドライバーを使用しないでください。電動ドライバーはバッテリー充電器を損傷する可能性があります。

Operation (操作)

はじめに



警告： 本製品を使用する前に、安全に関する章を読んで理解してください。

製品使用前の機能チェック

1. チェンブレイキ(A)を点検し、正常に作動するか、損傷がないか確認します。
2. 後部右手ガード(B)を点検し、損傷がないか確認します。
3. パワートリガーロック(C)を点検し、正常に作動するか、損傷がないか確認します。
4. キーパッド(D)が正しく動作するか確認します。
5. ハンドル(E)にオイルが付着していないか確認します。
6. すべての部品が正しく取り付けられており、損傷や不足がないことを確認します。
7. チェンキャッチャー(F)を点検し、適切に取り付けられていることを確認します。
8. チェンの張り具合(G)を点検します。
9. バッテリー(H)が充電されており、製品に正しく取り付けられていることを確認します。
10. パワートリガーを放すとソーチェーンが停止することを確認します。(図 57)

正しいチェーンオイルの使用方法



警告： 人体や環境に害を及ぼすため、廃油は使用しないでください。また、廃油はオ

イルポンプ、ガイドバー、ソーチェーンを損傷させるおそれがあります。



警告： カutting装置の潤滑が十分でない場合、ソーチェーンが破損する可能性があります。作業者が重傷を負ったり、死亡事故につながったりするおそれがあります。



警告： この機能が正常に作動するように、適切なチェーンオイルを使用してください。チェーンオイルの選び方については、お近くのサービス代理店にご相談ください。

- ソーチェーンの寿命や環境保護のために Husqvarna 製のチェーンオイルを使用してください。Husqvarna 製のチェーンオイルを入手できない場合は、標準的なチェーンオイルの使用をお勧めします。
- ソーチェーン表面に滑らかな皮膜を形成するチェーンオイルを使用してください。
- 外気温に合う適正な粘着性のチェーンオイルを使用してください。



注意： 0°C 未満の温度では、一部のチェーンオイルは粘度が高くなりすぎて、オイルポンプ構成部品が損傷するおそれがあります。

- 推奨されているCutting装置を使用してください。アクセサリ-385 ページを参照してください。
- チェンオイルタンクのキャップを取り外します。
- チェンオイルタンクにチェーンオイルを充填します。
- キャップをしっかりと取り付けます。

(図 58)

注記： 製品のチェンオイルタンクの位置を確認するには、はじめに 364 ページを参照してください。

バッテリー



警告： バッテリーを使用する前に、安全に関する章をお読みにになり、内容を理解してください。バッテリーおよびバッテリー充電器の取扱説明書もお読みにになり、内容を理解してください。

バッテリーとバッテリー充電器を適切な周囲温度の場所に保管します。

	周囲温度
バッテリーの作動	5 °C ~ 40 °C (41 °F ~ 104 °F)
バッテリーの充電	5 °C ~ 40 °C (41 °F ~ 104 °F)

バッテリーステータス

ディスプレイには、充電の状況と、バッテリーに関する問題が表示されます。

(図 59)

LED インジケータ	バッテリー充電状態
LED ライトが 4 つ点灯	バッテリーは 76 % ~ 100 % 充電済み。
LED ライトが 3 つ点灯	バッテリーは 51 % ~ 75 % 充電済み。
LED ライトが 2 つ点灯	バッテリーは 26 % ~ 50 % 充電済み。
LED ライトが 1 つ点灯	バッテリーは 6 % ~ 25 % 充電済み。
LED ライトが 1 つ点滅	バッテリーは 0 % ~ 5 % 充電済み。

バッテリーの充電

初めてバッテリーを使用する場合は、バッテリーを充電してください。新品のバッテリーは 30 % しか充電されていません。



注意： 銘板で指定されている電圧と周波数の電源コンセントにバッテリー充電器を接続してください。

バッテリーの温度が 50 °C (122 °F) を超えると、バッテリーは充電されません。

1. 電源コードをバッテリー充電器に接続します。
2. バッテリー充電器を接地された電源コンセントに接続します。充電 LED が 1 回点滅します。(図 60)
3. バッテリーとバッテリー充電器の接続を接続します。充電 LED が点灯します。バッテリーを最大 24 時間充電します。(図 61)
4. バッテリーインジケータボタンを押します。すべての LED インジケータが点灯した場合、バッテリーは完全に充電されています。
5. 電源プラグを引いて、バッテリー充電器を電源コンセントから外します。電源コードを引っ張らないでください。
6. バッテリー充電器からバッテリーを外します。

キックバックについて



警告： キックバックにより作業員や付近にいる人が重傷を負う、または死亡するおそれがあります。リスクを軽減するには、キックバックの原因とその回避方法を理解しておく必要があります。

クバックの原因とその回避方法を理解しておく必要があります。

キックバックは、ガイドバーのキックバックゾーンに物体が接触したときに起こります。キックバックは突然発生し、製品本体が作業員に向かって跳ね返ってくる場合があります。

(図 36)

キックバックは、常にガイドバーの切削面で起こります。通常、本体は作業員に向かって跳ね返りますが、別の方向に向かう場合もあります。キックバック発生時に本製品をどのように使用していたかによって、キックバックの動きの方向が決まります。

(図 62)

キックバックは、ガイドバーのキックバックゾーンに物体が接触したときにのみ起こります。キックバックゾーンに何も接触しないようにしてください。

(図 36)

バー先端の半径が小さいと、キックバックの力が小さくなります。

キックバックの発生を減らすには、低キックバックソーチェンを使用してください。キックバックゾーンに何も接触しないようにしてください。



警告： キックバックが発生しないソーチェンはありません。指示に必ず従ってください。

キックバックに関するよくある質問

- キックバックが起きた場合、必ず手でチェンブレイキをかけることができますか？

いいえ。フロントハンドガードを前方に押すために、ある程度の力を使う必要があります。必要な力がかからない場合、チェンブレイキはかかりません。作業中は両手でしっかりと製品のハンドルを持ってください。キックバックが発生すると、チェンブレイキがソーチェンを止められず、ソーチェンが人体に接触する可能性があります。また、手がフロントハンドガードに触れず、チェンブレイキをかけられない位置もあります。

- キックバックが起きた場合、必ずイナーシャ機構でチェンブレイキをかけることができますか？

いいえ。まずはチェンブレイキが正しく機能する必要があります。チェンブレイキの点検方法の詳細については、「製品の安全装置のメンテナンスと点検 379 ページ」を参照してください。本製品を使用する前に、毎回実行することをお勧めします。次に、チェンブレイキがかかるには、キックバックが強い力で起こる必要があります。チェンブレイキの感度が高すぎると、負荷の高い作業の際にチェンブレイキがかかりやすくなります。

- キックバック発生時にチェンブレイキをかける时必须使用者の怪我を防ぐことができますか？

いいえ。怪我を防ぐには、チェンブレイキが適切に動作する必要があります。キックバック発生時には、チェンブレイキも使用してソーチェンを停止させる必要があります。作業者の身体がガイドバーに近い場合、チェンブレイキによるソーチェンの停止が間に合わずに、作業者にソーチェンが当たる可能性があります。



警告： 使用者が正しい操作方法で使った場合にのみ、キックバックを防ぐことができます。

本製品の始動方法

- パワートリガーとパワートリガーロックを点検します。参照：パワートリガーロックの点検 379 ページ。
- チェンブレイキをかけます。(図 63)
- バッテリーをバッテリーホルダーに取り付けます。(図 64)



注意： バッテリーがバッテリーホルダーにしっかりと取り付けられていることを確認してください。バッテリーがバッテリーホルダーにスムーズに入らない場合は、バッテリーの位置が正しくありません。

- カチッと音がするまで、バッテリーの下部を押します。(図 65)
- 緑色の LED ランプが点灯するまで、スタート / ストップボタンを押し続けます。(図 66)

Save 機能の使用

Save 機能を使用するとチェンの速度は遅くなり、本製品の出力が低下します。

- Save E ボタンを押します。緑色の LED が点灯します。
- もう一度 Save E ボタンを押すと、Save E 機能が停止します。緑色の LED が消灯します。(図 67)

本製品の停止方法

- 緑色の LED ランプが消灯するまで [START/STOP] ボタンを押し続けます。(図 66)
- バッテリーリリースボタンを押して、バッテリーをバッテリーホルダーから取り外します。(図 68)

引き切りと押し切り

本製品を使用して 2 つの位置から木を切断することができます。

- 引き切りで切断するには、ガイドバーの下部で切断します。切断するとき、ソーチェンが木を引き寄せます。この位置で、本製品とキックバックゾーンの位置をうまく制御できます。

(図 69)

- 押し切りで切断するには、ガイドバーの上部で切断します。ソーチェンが作業者の方向に製品を押しします。

(図 70)



警告： ソーチェンが幹に引っかかると、製品が作業者に向かって押し出されます。製品をしっかりと持ち、ガイドバーのキックバックゾーンが木に触れておらず、キックバックが発生しないことを確認します。

(図 71)

鋸断作業にあたって



警告： 切断するときは、最大出力で使用し、切断後は速度をアイドルリングに落とします。



注意： 負荷のない状態でモーターを長時間稼働させないでください。モーターが損傷するおそれがあります。

- 幹はソーホースランナーに置いてください。(図 72)



警告： 幹を積み重ねて切断しないでください。キックバックの危険が高まり、重傷または死亡事故の原因となるおそれがあります。

2. 作業済みの木片は作業エリアから撤去してください。



警告： 切断片が作業エリアにあるとキックバックの危険性が増し、バランスを失うおそれもあります。

スパイクバンパーを使用するには

1. スパイクバンパーを木の幹に押し当てます。
2. フルパワーにして本製品を回転させます。スパイクバンパーは幹に押し当てたままにしてください。幹の鋸断に必要な力をかけやすくなります。(図 73)

地面で幹を切断するには

1. 幹は引き切りで切断します。最大出力を維持しながら、予期せぬ事態に備えてください。(図 74)



警告： 切断が完了したときにソーチェンを地面に接触させないでください。

2. 幹の約 2/3 を切断してから停止します。幹を転がし、反対側から切断します。(図 75)

片側だけで支えている幹を切断するには



警告： 切断中に幹が折れないようにしてください。以下の手順に従ってください。

(図 76)

1. 幹を押し切りで約 1/3 切断します。
2. 2 つの切り口が当たるまで引き切りで幹を切断します。(図 77)

両側で支えている幹を切断するには



警告： 切断中にソーチェンが幹に引っかからないようにしてください。以下の手順に従ってください。

(図 78)

1. 幹を引き切りで約 1/3 切断します。
2. 押し切りで幹の残りの部分を切断します。(図 79)



警告： ソーチェンが幹に挟まった場合は、モーターを停止します。てこなどで切り口を広げ、本製品を抜き取ります。本製品を手で引き抜こうとしないでください。本品が突然抜けて負傷する危険があります。

枝払いをするには

注記： 太い枝の場合は、切断と同じ方法で行います。**鋸断作業にあたって 375 ページ**を参照してください。



警告： 枝払いの手法を使用しているときは、事故の危険性が高くなります。キックバックを防止する方法については、「キックバックについて 374 ページ」を参照してください。



警告： 太い枝を 1 本ずつ切断します。小さい枝を切除するときは注意してください。数を切ること(多数の小枝を同時に切ること)はしないでください。小さい枝がソーチェンに絡まり、本製品を安全に操作できなくなる場合があります。

注記： 小さい枝を切断する場合は、1 本ずつ作業します。小さい枝(A)と(B)を切断してから、幹に近い枝(C)を切ります。

(図 80)

1. 幹の右側にある枝を切断します。
 - a) ガイドバーを幹の右側に固定し、製品本体を木の幹に当てます。
 - b) 枝の張力に適した伐採手法を選択します。(図 81)



警告： 枝を切断する方法がわからない場合は、先にチェンソーの専門家に相談してください。

2. 幹の上部にある枝を切断します。
 - a) 本製品を木の幹に当てて保持し、ガイドバーを幹に沿って移動させます。
 - b) 押し切りで切断します。(図 82)
3. 幹の左側にある枝を切断します。
 - a) 枝の張力に適した伐採手法を選択します。(図 83)



警告： 枝を切断する方法がわからない場合は、先にチェンソーの専門家に相談してください。

張力がかかっている枝を切断する方法については、「張力のある木や枝の鋸断 378 ページ」を参照してください。

伐倒作業にあたって



警告： 木を切り倒すには経験が必要です。可能であれば、チェンソー操作のトレーニングコースに参加してください。経験を積んだ作業者の話を聞いて、知識を深めてください。

安全な距離を保つには

1. 付近にいる人が、木の高さより 2.5 倍以上離れていることを確認してください。(図 84)

- 伐倒前と伐倒中に、この「危険領域」内に誰もいないことを確認してください。(図 85)

伐倒方向を計算するには

- 伐倒させる必要がある方向を調べます。枝払いや幹切りが簡単に行えるように、伐倒の方向を決めます。また、足場が安定し、安全に移動できる必要があります。



警告：木が自然に倒れる方向に伐倒すると危険な場合や、それが不可能な場合は、別の方向に倒してください。

- 木が自然に倒れる方向を調べます。例えば、木の傾きや曲がり方、風の方向、枝の位置や雪の重さなどです。
- 周辺に他の木、電線、道路、建物などの障害物がないか調べてください。
- 幹に破損や腐敗がないか調べてください。



警告：幹が腐敗していると完全に切断する前に木が倒れる危険があります。

- 伐倒中に折れて頭上に落ちてきそうな割れ枝や枯れ枝がないかどうか確認してください。
- 木が別の立木に向かって倒れないようにしてください。他の木に引っかかった木を外す作業は危険で、事故の確率も高くなります。引っかかった木を外すには 378 ページを参照してください。(図 86)



警告：伐倒作業では、切断作業の完了後すぐにイヤマフを外してください。音や警告信号が聞こえるようにしてください。

枝払いして退避路を確保するには

肩の高さから下の枝をすべて切り落とします。

- 上から下に、引き切りで切断します。木が作業者と本製品の間にいることを確認してください。(図 87)
- 木の周辺の作業領域から下草を払います。切り落とした木材をすべて作業領域から除去します。
- 作業場所に石、枝、穴などの障害物がないか確認してください。木が倒れ始めたときに退避路に障害物がないようにしてください。退避路は、伐倒方向から約 135 度の角度になるように取る必要があります。

- 危険領域
- 退避路
- 伐倒方向

(図 88)

伐倒するには

Husqvarna では、木を倒すとき、受け口を作ってから、追いつる切りを行うことをお勧めします。追いつる切りにより、正しいつるを作り、伐倒方向をコントロールすることができます。



警告：木の直径がガイドバーの長さの 2 倍を超える場合は、伐倒しないでください。これには、特別なトレーニングが必要です。

つる

木の伐倒において最も重要な手順は、つるを適切に作ることです。正しいつるであれば伐倒方向をコントロールでき、伐倒手順の安全を確保できます。

つるの太さは、木の直径の 10 % 以上である必要があります。



警告：つるが間違っているか細すぎるとは、伐倒方向をコントロールできません。

(図 89)

受け口を作る方法

- 受け口を作ります。受け口は木の直径の 1/4 に当たる深さになるようにします。上切り口と下切り口の角度は 45° になるようにします。
 - 最初に上切り口を作ります。本製品の伐倒方向マーク (A) と木の伐倒方向 (B) を合わせます。本製品の後ろに立ち、木が右側に来るようにします。引き切りで切断します。
 - 下切り口を作ります。下切り口の終端が上切り口の終端と同じ位置になるようにします。(図 90)
- 受け口線が完全に水平で、伐倒方向に対して直角 (90°) であることを確認してください。受け口線は、2 つの受け口が接触するポイントを通ります。(図 91)

追いつる切りを行うには

追いつる切りは、受け口の少し上に作る必要があります。

(図 92)



警告：ガイドバー先端を使用して切断するときは注意してください。突っ込み切りをするときは、ガイドバー先端の下部を使用して切断を開始します。

(図 93)

- 切断に使用できる長さが木の直径より長い場合は、以下の手順 (a-d) に従ってください。
 - 幹にまっすぐに突っ込み切りし、つるを完成させます。(図 94)
 - 幹の 1/3 が残るまで引き切りで切断します。
 - ガイドバーを 5 ~ 10 cm/2 ~ 4 インチ後方に引きします。
 - 幹の残りを切断して、5 ~ 10 cm/2 ~ 4 インチ幅の後ろづるを完成させます。(図 95)
- 切断に使用できる長さが木の直径より短い場合は、以下の手順 (a-d) を実行します。

- a) 幹にまっすぐに突っ込み切りします。突っ込み切りは、木の直径の 3/5 に及ぶ必要があります。
 - b) 引き切りで幹の残りの部分を切断します。(図 96)
 - c) 木の反対側から幹にまっすぐに切り込み、つるを完成させます。
 - d) 幹の 1/3 が残るまで押し切りすると、後ろづるが完成します。(図 97)
3. 切り口の真後ろからクサビを打ち込みます。(図 98)
 4. つるを切り落として、木を倒します。

注記： 木が倒れない場合は、倒れるまでクサビを打ち込みます。

5. 木が倒れ始めたら、退避路で、木から離れます。木から 5 m/15 フィート以上離れてください。

引がかかった木を外すには



警告： 他の木に倒れかかった木を外す作業は非常に危険で、事故の確率も高くなります。危険ゾーンに入らないようにして、他の木に倒れかかった木を倒そうとしないでください。

(図 99)

次のいずれかのウィンチを使用すると最も安全です。

- ウィンチ付きトラクター

(図 100)

- 携帯ウィンチ

(図 101)

張力のある木や枝の鋸断

1. 木や枝にどのように張力がかかっているかを調べます。

2. 張力最大点がどこにあるかを調べます。(図 102)
3. 張力を解放する最も安全な手順を調べます。

注記： 本製品ではなく、ウィンチを使用するほうが安全な場合があります。

4. 張力が解放されたときに、木や枝が当たらない位置に立ちます。(図 103)
5. 張力を弱めるには、十分な深さの切り口を複数作る必要があります。張力最大点の真上または近くを切断します。張力最大点で木または枝を折ります。(図 104)



警告： 張力のある木や枝は、絶対に 1 度で切り倒そうとしないでください。



警告： 張力のある木を切断するときは十分注意してください。木を切断する前後に木がすばやく動く危険があります。不適切な位置にいる場合、または誤った場所を切断した場合、重傷を負う可能性があります。

6. 木や枝を切断しなくてはならない場合は、約 2.5 cm 間隔で約 5 cm の深さの切れ込みを 2、3 箇所入れます。(図 105)
7. 木や枝の屈曲や張力が解放されるまで、木を切断しません。(図 106)
8. 張力が解放されてから、屈曲の反対側から木 / 枝を切断します。

メンテナンス

はじめに



警告： 本製品のメンテナンスを実行する前に、安全に関する章を読んで理解してください。

メンテナンスのスケジュール



警告： メンテナンスを実行する前にバッテリーを外してください。

本製品に必要なメンテナンス手順のリストは以下のとおりです。参照：メンテナンス 378 ページ詳細を確認してください。

メンテナンス	毎回	毎週	毎月
本製品の外部部品を清掃してください。	X		

メンテナンス	毎回	毎週	毎月
パワートリガーとパワートリガーのロック機能が、安全面から見て正しく作動することを確認します。	X		
チェンブレイキを清掃し、チェンブレイキが安全に動作することを確認します。チェンキャッチャーに損傷がないことを確認してください。必要に応じて交換します。	X		
均一に摩耗するように、ガイドバーを回転させます。ガイドバーの潤滑孔が詰まっていないことを確認します。ガイドバーのレール溝を清掃します。	X		
カッターとカッターガードにヒビがなく、損傷していないことを確認します。ヒビがある場合や、衝撃を受けている場合は、カッターやカッターガードを交換します。	X		
ガイドバーとソーチェンに十分なオイルが注油されていることを確認します。	X		
ソーチェンを点検します。ヒビ割れがないか調べて、ソーチェンが粗くなっているか、異常に摩耗していないか確認します。必要に応じて交換します。	X		
ソーチェンを目立てします。ソーチェンの張り状態を点検します。ドライブスプロケットの摩耗を点検し、必要に応じて交換します。	X		
製品の給気口を清掃します。	X		
ネジとナットが確実に締められていることを確認します。	X		
キーパッドが正しく機能し、損傷がないことを点検します。	X		
ヤスリを使用して、ガイドバーの縁からすべてのバリを削り取ります。		X	
バッテリーと本製品の接続を確認します。バッテリーとバッテリー充電器の接続を確認します。			X
オイルタンクを空にして洗浄します。			X
製品とバッテリー冷却スロットに圧縮空気を慎重に吹き付けます。			X

製品の安全装置のメンテナンスと点検

フロントハンドガードの点検方法

定期的にフロントハンドガードとイナーシャ式ブレーキを点検します。

1. フロントハンドガードに亀裂などの損傷がないことを確認します。(図 107)
2. フロントハンドガードが自由に動き、製品に安全に取り付けられていることを確認します。(図 108)
3. モーターのスイッチを切って、切り株または安定した場所に製品を置きます。
4. リヤハンドルを持って、フロントハンドルを放します。製品を切り株に向けて落とします。(図 109)
5. ガイドバーが切り株に当たると、チェンブレイキがかかることを確認します。

ブレーキトリガーを点検するには

1. 製品を安定した地面に置き、始動します。*Operation (操作) 373 ページを参照してください。*



警告： ソーチェンが地面やその他の物に触れないよう、注意してください。

2. 親指とその他の指でハンドルを包むように持ち、製品をしっかり持ちます。(図 110)
3. 最大出力にして、左手首をフロントハンドガードに向けて傾けてチェンブレイキをかけます。ソーチェンがすぐに停止する必要があります。(図 111)



警告： このとき、フロントハンドルから手を放さないでください。

パワートリガーロックの点検

1. パワートリガーとパワートリガーロックがスムーズに動き、リターンスプリングが正しく機能することを点検します。(図 112)
2. パワートリガーロックを前方 (A) に押してから、押し下げます (B)。パワートリガーロックをハンドルの方向へ押し、指を放すと元の位置に戻ることを確認します。(図 113)

3. パワートリガーロックを解放したとき、パワートリガーがアイドリングの位置になっていることを確認します。(図 114)
4. 本製品を始動し、最大出力にします。
5. パワートリガーを解放し、ソーチェンの回転が停止して静止状態が保たれていることを確認します。



警告： パワートリガーがアイドリング位置にあるときにソーチェンが回転する場合は、サービス代理店にご連絡ください。

チェンキャッチャーを点検するには

1. チェンキャッチャーが損傷していないことを確認してください。
2. チェンキャッチャーが安定し、製品本体に取り付けられていることを確認してください。(図 115)

ユーザーインターフェイスの機能のチェック

1. 本製品を始動します。参照：本製品の始動方法 375 ページ。
2. スタート / ストップボタンを押し続けます。
3. 本製品が停止し、緑色の LED が消灯することを確認します。(図 66)

バッテリーとバッテリーホルダーの点検方法

1. バッテリーとバッテリーホルダーを柔らかいブラシで掃除します。
2. 冷却スロットとバッテリーコネクタを掃除します。(図 116)
3. バッテリーにひびがなく、損傷していないことを確認します。

バッテリー充電器を点検するには

1. バッテリー充電器および電源ケーブルが破損していないことを確認してください。ヒビ割れやその他の損傷がないか調べます。(図 117)

冷却システムの清掃方法

冷却システムにより、モーターの温度が低く保たれます。冷却システムは、本製品の左側にある空気取り込み口とモーターのファンで構成されます。

1. 必要に応じて、ブラシを使用して週に 1 回以上の頻度で冷却システムを清掃してください。(図 118)
2. 冷却システムに汚れや詰まりがないことを確認してください。



注意： 冷却システムに汚れや詰まりがあると、製品が過熱する原因になります。本製品が損傷します。

ソーチェンを目立てするには

ガイドバーとソーチェンの詳細



警告： ソーチェンを使用したりメンテナンスを実施したりするときは、保護グローブを着用してください。動いていないソーチェンでも怪我をする場合があります。

摩耗または損傷があるガイドバーやソーチェンは、Husqvarna 推奨のガイドバーとソーチェンの組み合わせで交換してください。これは、製品の安全機能を維持するために必要です。推奨される交換用ガイドバーとチェンの組み合わせリストについては、「アクセサリ 385 ページ」を参照してください。

- ガイドバーの長さ (インチ / cm)。ガイドバーの長さに関する情報は、ガイドバーの後部に記載されています。

(図 119)

- ノーズスプロケットの歯の数 (T)。

(図 120)

- チェンのピッチ (インチ)、ソーチェンのドライプリング同士の間隔と、ノーズスプロケットの歯とドライスプロケット間隔とが一致するようにしてください。

(図 121)

- ドライプリングの数。ドライプリング数は、ガイドバーの種類によって決定されます。

(図 122)

- ガイドバーのレール溝幅 (インチ / mm)。ガイドバーの溝幅は、チェンドライプリングの幅と同じにする必要があります。

(図 123)

- チェンオイル孔とチェンテンション孔。ガイドバーは製品と一致する必要があります。

(図 124)

- ドライプリングの幅 (mm / インチ)。

(図 125)

カッターの目立て方法に関する一般情報

刃先が丸くなったソーチェンは使用しないでください。ソーチェンの刃先が丸くなると、より大きな力をかけてガイドバーを木に押し込む必要があります。ソーチェンの刃先が非常に丸くなると、木片ではなく切りくずが出ます。

鋭いソーチェンを使用すると、抵抗なく木に切り込むことができ、長く厚い切りくずが出ます。

刃 (A) とデブスゲージ (B) は、ソーチェンの木を切る部分 (カッター) になります。刃とデブスゲージの高さの差が切断深度 (デブスゲージ設定) になります。

(図 126)

刃を目立てするときは、次のことを考慮してください。

- 目立て角度。
- (図 127)
- 切削角度。
- (図 128)
- ヤスリの位置。
- (図 129)
- 丸ヤスリの直径。
- (図 130)

ソーチェンの目立てを正しく行うには、適切な装置を使用する必要があります。Husqvarna 推奨の目立てゲージを使用してください。最高の切削性能を得ることができ、キックバックの危険も最小限に抑えられます。



警告： 目立て手順に従わないと、キックバックの力が大きくなります。

注記： ソーチェンの目立ての詳細については、*アクセサリー 385* ページを参照してください。

刃の目立て方法

1. 丸ヤスリと目立てゲージを使用して刃を目立てします。(図 131)

注記： Husqvarna が推奨するヤスリとゲージについては、*アクセサリー 385* ページを参照してください。

2. 目立てゲージを刃に正しく当てます。目立てゲージに付属している説明書を参照してください。
3. ヤスリを刃の内側から外側に動かします。引くときは力を抜いてください。(図 132)
4. すべての刃の片側にヤスリをかけます。
5. 本製品をひっくり返して、反対側の刃にヤスリをかけます。
6. すべての刃が同じ長さであることを確認してください。

デブスゲージ設定の調整方法に関する一般情報

刃 (A) の目立てを行うと、デブスゲージ設定 (C) が低くなります。切断性能を最良の状態に保つには、推奨されるデブスゲージ設定に達するまで、デブスゲージ (B) に合わせてヤスリをかける必要があります。お使いのソーチェンに適した正しいデブスゲージ設定について詳しくは、「*アクセサリー 385* ページ」を参照してください。

(図 133)



警告： デブスゲージの設定が高すぎると、キックバック発生の危険性が高まります。

デブスゲージの設定を調整するには

デブスゲージ設定の調整、または刃の目立てを行う前に、*刃の目立て方法 381* ページで手順を参照してください。デブスゲージ設定の調整は、刃の目立てを 3 回行うごとに 1 回の割合で行うことを推奨します。

デブスゲージの設定を正しく行い、デブスゲージの角度を調整するために、デブスゲージツールの使用を推奨します。

(図 134)

1. 平ヤスリとデブスゲージツールを使用して、デブスゲージ設定を調整します。必ず Husqvarna 推奨のデブスゲージツールを使用して、デブスゲージの設定を正しく行い、デブスゲージの角度を調整してください。
 2. デブスゲージツールをソーチェンに置きます。
- 注記：** デブスゲージツールの使用方法については、ツールのパッケージを参照してください。
3. 平ヤスリで、デブスゲージツールから突き出たデブスゲージ部分にヤスリをかけます。(図 135)

ソーチェンの張りの調整方法



警告： ソーチェンに適切な張りがないとガイドバーから外れることがあり、重傷または死亡事故の原因となるおそれがあります。

ソーチェンは、使用するにつれ長くなってきます。ソーチェンは定期的に調整してください。チェンオイルを充填するたびにソーチェンの張り具合を点検してください。

注記： 真新しいソーチェンは、慣らし運転が必要です。慣らし運転期間中は、頻繁に点検を行ってください。

ソーチェンの張りの調整 (バーノブ使用)

1. ノブを引き出します。(図 136)
2. ノブを反時計方向に回してドライブスプロケットカバーを締めます。(図 137)
3. チェンテンションホイールを回して、ソーチェンの張りを調整します。ソーチェンはガイドバーに適切に張る必要があります。(図 138)

注記： 張りを強くするにはホイールを下 (+) に回し、張りを弱めるには上 (-) に回します。

4. ソーチェンを手で自由に回せること、ガイドバーの下側にたるみがないことを確認してください。(図 139)
5. ノブを時計方向に回して、バーノブを締めます。(図 140)
6. ノブを閉じて張りをロックします。(図 141)

ソーチェンの張りの調整 (バーボルト使用)

1. ドライブsproケットカバーを保持するバーナットを緩めます。コンビレンチを使用してください。(図 142)
2. ガイドバーの前を持ち上げて、チェン張りネジを回します。コンビレンチを使用してください。
3. ガイドバーにソーチェンをしっかり取り付けます。(図 143)
4. コンビネーションレンチを使用してバーナットを締め込むと同時にガイドバーの前方を持ち上げます。(図 144)
5. ソーチェンを手で自由に回せること、ガイドバーの下側にたるみがないことを確認してください。(図 139)

注記： 参照：製品の概要 364 ページ本製品のチェンの張りネジの位置については、を参照してください。

ソーチェンの潤滑状態を点検するには

3 回目のバッテリー充電時にソーチェンの潤滑状態を点検します。

1. 本製品を始動し、3/4 の出力で運転します。色が薄い場所の上、約 20 cm (8 インチ) の高さでバーを保持します。
2. ソーチェンの潤滑状態が良好な場合、約 1 分後に透明なオイルの線が確認できます。(図 145)
3. ソーチェンの潤滑状態が不良な場合、次のことを点検してください。
 - a) ガイドバーのオイル孔が詰まっていないかどうか点検します。必要に応じて清掃します。(図 146)
 - b) ガイドバーの端にある溝が汚れていないかどうか点検します。必要に応じて清掃します。(図 147)
 - c) ガイドバーのノーズsproケットがスムーズに回転するか、またsproケットのオイル孔が詰まっていないかどうか点検します。必要に応じて清掃し、注油します。(図 148)
4. 上記の手順を実行してもソーチェンの潤滑状態が改善しない場合は、サービス代理店にお問い合わせください。

チェンドライブsproケットの点検方法

- ドライブsproケットに磨耗がないか点検します。必要に応じてドライブsproケットを交換します。
- ソーチェンを交換する度にチェンドライブsproケットも交換してください。(図 149)

カッティング装置の点検

1. リベットやリンクに亀裂がないこと、リベットが緩んでいないことを確認します。必要に応じて交換します。(図 150)
2. ソーチェンが簡単に曲がることを確認します。曲がらない場合はソーチェンを交換します。
3. リベットやリンクが摩耗していないかどうか、ソーチェンを新しいソーチェンと比べます。
4. 刃の最長の部分が 4 mm (0.16 インチ) 未満の場合、ソーチェンを交換してください。カッターに亀裂がある場合も、ソーチェンを交換してください。(図 151)

ガイドバーを点検するには

1. オイル孔に詰まりがないことを確認してください。詰まりがある場合は洗浄します。(図 146)
2. ガイドバーの縁にバリがないかどうかを調べます。ヤスリを使用してバリを除去します。(図 152)
3. ガイドバーの溝を清掃します。(図 147)
4. ガイドバーの溝に摩耗がないか調べます。摩耗がある場合は、ガイドバーを交換します。(図 153)
5. ガイドバー先端が粗くなっていないか、摩耗がひどくないか調べます。(図 154)
6. ガイドバーのノーズsproケットがスムーズに回転することと、sproケットのオイル孔が詰まっていないかどうか点検します。必要に応じて清掃し、注油します。(図 148)
7. 寿命を延ばすために、ガイドバーは毎日回転させます。(図 155)

トラブルシューティング

ユーザーインターフェイス

LED 画面	想定される障害	解決方法
警告インジケータが点滅。	チェンブレーキがかかっている。	チェンブレーキを解除します。
	温度範囲外です。	本製品を冷ましてください。
	過負荷。ソーチエンが動かない。	ソーチエンを解放します。
	パワートリガーと START/ STOP ボタンが同時に押されている。	パワートリガーを放して本製品を有効化します。
オレンジ色の LED が点滅。	バッテリーの電圧が下がっています。	バッテリーを充電してください。
警告インジケータが点灯。	サービス。	販売店にお問い合わせください。

バッテリー

LED 表示	想定される障害	解決方法
緑色の LED が点滅。	バッテリーの電圧が下がっています。	バッテリーを充電してください。
エラー LED が点滅。	温度範囲外です。	バッテリーは -10~40°C (14~104°F) の温度で使用してください。
	電圧が高すぎる。	電源の電圧が、本製品の電圧と一致することを確認してください。製品の銘板を参照してください。 バッテリー充電器からバッテリーを外します。
エラー LED が点灯。	セルの差異が大きすぎる (1V)。	販売店にお問い合わせください。

バッテリー充電器

条件	想定される障害	可能な手順
充電 LED が赤色に点灯している。	永続的なバッテリー充電器エラーが発生しました。	販売店にお問い合わせください。
充電 LED が緑色に点滅する。	動作温度外です。バッテリーの温度が低すぎるかまたは高すぎるため、使用または充電できません。	バッテリーの温度が下がるまで待つか、温度を上げます。バッテリーの温度が適切になると、使用または充電できるようになります。バッテリー充電器は周囲の温度が 5°C ~ 40°C の場合に使用してください。
充電 LED が赤色に点滅する。	バッテリーの不具合	販売店にお問い合わせください。

搬送、保管、廃棄

搬送と保管

- 同梱のリチウムイオンバッテリーは、危険物の規制に関する規則に準拠しています。
- 民間の運送業者による商用輸送においては、梱包およびラベル付けに関して所定の要件に従ってください。
- 本製品を送送する前に、危険物に関して特別な訓練を受けた担当者にご相談ください。該当するすべての国内規制に従ってください。
- バッテリーを梱包するときは、露出している端子にテープを貼ってください。バッテリーを固定し、動かないように梱包してください。
- 保管するときや搬送時はバッテリーを外してください。
- バッテリーとバッテリー充電器は、乾燥して湿気や霜がない場所に置いてください。
- 静電気が発生するような場所にはバッテリーを保管しないでください。バッテリーは金属製の箱に保管しないでください。
- バッテリーは温度が 5 ~ 25°C (41 ~ 77°F) の場所に保管し、直射日光から遠ざけてください。
- バッテリー充電器は温度が 5 ~ 45°C (41 ~ 113°F) の場所に保管し、直射日光から遠ざけてください。
- バッテリー充電器は、周囲温度が 5°C ~ 40°C の場合にのみ使用してください。
- バッテリーを長期間保管するときは、充電量を 30 ~ 50 % にしてください。

- バッテリー充電器は、密閉した乾いた場所に保管してください。
- バッテリーの保管中は、バッテリー充電器から遠ざけてください。子供や許可されていない他の人が機器に触れないようにしてください。施錠できる場所に装置を保管してください。
- 製品を長期間保管する場合は、その前に製品を清掃し、よく点検しておいてください。
- 搬送中および保管中に製品が傷ついたり損傷したりしないように、製品の移動用ガードを使用してください。
- 搬送中は製品をしっかりと固定してください。

バッテリー、バッテリー充電器、および製品の廃棄

以下のマークは、本製品が家庭ゴミではないことを示しています。電気・電子機器のリサイクル業者にリサイクルを依頼してください。これは、環境および人への被害を防止するためです。

詳細については、自治体の担当部局、家庭ゴミ収集業者、または販売店にお問い合わせください。

(図 24)

注記： マークは、製品または製品の容器に表示されています。

主要諸元

主要諸元

	225i
モーター	

	225i
タイプ	BLDC (ブラシレス) 36 V
特長	
低エネルギーモード	SavE
潤滑システム	
オイルポンプの型式	全自動
オイルタンク容量、mL/cm ³	0.2/200
質量	
チェンソー (バッテリー、ガイドバー、ソーチェンなし、チェンオイルタンクが空)、kg	3.1
騒音排出⁵⁴	
実測音響レベル dB (A)	97
保証音響レベル L _{WA} dB (A)	100
サウンドレベル⁵⁵	
使用者の聴覚の音圧レベル、EN 62841-1 に従った計測値	89
振動レベル⁵⁶	
フロントハンドル、m/s ²	3.9
リヤハンドル、m/s ²	3.9
ソーチェン / ガイドバー	
推奨されるバーの長さ、インチ/cm	12 ~ 14/30.5 ~ 35.6
切断できる長さ、インチ/cm	11 ~ 13/27 ~ 33.2
ドライブスプロケットの種類、歯数	Spur/6
最大チェン速度 / (通常モード)、m/s	11.8
最大チェン速度 / (SavE モード)、m/s	9.4

アクセサリ

ガイドバーとソーチェンの組み合わせ

Husqvarna 225i の使用が認可されているカッティング
アタッチメントは次のとおりです。

⁵⁴ EC 指令 2000/14/EC および EN ISO 22868 に準拠し、音響出力 (L_{WA}) として測定された環境における騒音排出の一般的な統計上のばらつき (標準偏差) は 3 dB (A) です。

⁵⁵ 報告データによれば、本機の騒音レベルの一般的な統計上のばらつき (標準偏差) は 3 dB (A) です。






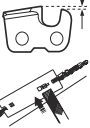
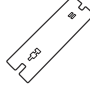






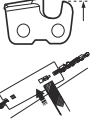


⁵⁶ 振動レベルは EN 62841-4-1 に準拠。報告データによれば、振動レベルの一般的な統計上のばらつき (標準偏差) は、± 1.5 m/s² です。正しい長さのガイドバーと推奨チェンタイプが取り付けられた製品を測定したときの公称振動データです。異なる長さのガイドバーが製品に取り付けられている場合、振動レベルは最大 ± 1.5 m/s² まで変化する可能性があります。

ガイドバー					ソーチェン	
タイプ	長さ、インチ	チェンピッチ、 インチ	ゲージ、mm	最大ノーズ半 径	タイプ	長さ、ドライブ リンク (数)
501959545	12	3/8 インチ / ミ ニ	1.1	7T	Husqvarna H38 (581808145)	45
501959552	14	3/8 インチ / ミ ニ	1.1	7T	Husqvarna H38 (581807952)	52

目立て用具と目立て角度

Husqvarna 製目立てゲージを使用して、ソーチェンを目立てします。Husqvarna 製目立てゲージを使用すると、正しい目立て角度で目立てできます。部品番号を次の表に示します。

お使いの製品のソーチェンのタイプがわからない場合は、www.husqvarna.com を参照してください。

							
38	11/64 インチ / 4.5 mm	75°	30°	0°	0.025 インチ / 0.65 mm	505 69 81-03	579 55 88-01
							
93	5/32 インチ / 4.0 mm	60°	30°	0°	0.025 インチ / 0.65 mm	596 63 89-01	596 63 89-01

認可されたバッテリー

バッテリー	40-B140
タイプ	リチウムイオン
バッテリー容量 (Ah)	4
公称電圧、V	36
質量、kg	1.25

認可されたバッテリー充電器

バッテリー充電器	40-C80
主電源電圧 (V)	100/240
周波数、Hz	50/60
電力、W	72
出力電圧、V d.c./アンペア、A	43/1.6

適合宣言

EU 適合宣言

Husqvarna AB、SE-561 82 Huskvarna、スウェーデン、電話 (+46-36-146500) は、単独責任のもとで、以下の製品の適合を宣言します。

名称	コードレスチェンソー
ブランド	Husqvarna
タイプ / モデル	225i
ID	2023 年以降の製造番号

が以下の EU 指令および規制を完全に順守し、

指令 / 規制	名称
2006/42/EC	「機械類に関する」
2014/30/EU	「電磁環境適合性に関する」
2011/65/EU	「電気・電子製品に含まれる特定有害物質の使用制限に関する」
2000/14/EC	「環境への騒音排出に関する」

次の標準規格にも適合しています。EN 62841-1:2015+A11:2022, EN 62841-4-1:2020, EN IEC 63000:2018, EN IEC 55014-1:2021, EN IEC 55014-2:2021。

試験機関：TÜV Rheinland LGA Products GmbH, Tillystrasse 2, D-90431 Nuernberg, Germany, 0197, が機械指令 (2006/42/EC) の第 12 条、3b 項に基づき EC タイプコントロールテストを実施しました。証明書の番号：BM 50604678 0001。

納品されたチェンソーは、EC タイプ試験適格のサンプル品に相当するものです。

指令 2000/14/EC の付録 V に従って宣言された音響値については、主要諸元 384 ページを参照してください。

Huskvarna, 2023-10-30



Claes Losdal, R&D Manager, Husqvarna AB

正式代表兼技術文書担当



목차

서문.....	389	고장 수리.....	406
안전성.....	390	운송, 보관 및 폐기.....	407
조립.....	396	기술 정보.....	408
작동.....	397	액세서리.....	409
유지 보수.....	402	준수 선언문.....	411

서문

고유 용도

산림용 체인 톱은 전도, 가지치기 및 절단과 같은 산림 작업에 맞추어 설계되었습니다.

주: 국가 규정에 따라 제품 작동에 제한이 있을 수 있습니다.

제품 개요

(그림 1)

1. 앞 손 보호대
2. 앞 핸들
3. 사용자 인터페이스
4. 시동/정지 버튼
5. 경고등 및 배터리 표시등
6. SavE 버튼
7. 오른손 보호대가 장착된 뒤 핸들
8. 정보와 경고 그림
9. 하우징
10. 체인 오일 탱크
11. 운송 커버
12. 파워 트리거 로크아웃
13. 파워 트리거
14. 바 손잡이가 있는 구동 스프로킷 커버
15. 체인 장력 조절기
16. 체인 캐처
17. 스파이크 범퍼
18. 바 끝 스프로킷
19. 체인 톱
20. 가이드 바
21. 충전 상태 표시등
22. 커넥터
23. 배터리 충전기
24. 콤비네이션 렌치
25. 경고 표시등
26. 버튼, 배터리 상태
27. 배터리 상태
28. 배터리 해제 버튼
29. 배터리
30. 사용자 설명서
31. 바 손잡이
32. 바 볼트가 있는 구동 스프로킷 커버

제품 설명

Husqvarna 225i은(는) 전기 모터가 달린 엔진톱 모델입니다.

작동 중의 안전과 효율성을 높이기 위한 노력은 항상 계속되고 있습니다. 자세한 내용은 서비스 대리점에 문의하십시오.

제품의 기초

- (그림 2) 경고: 본 제품은 위험할 수 있고 작업자 또는 다른 사람에게 심각한 부상이나 사망을 초래할 수 있습니다. 제품을 조심해서 올바르게 사용하십시오.
- (그림 3) 본 제품을 사용하기 전에 사용자 설명서를 주의 깊게 읽고, 반드시 지시사항을 이해하도록 하십시오.
- (그림 4) 승인된 안전모, 청각 및 시각 보호 장구를 사용하십시오.
- (그림 5) 제품을 조작할 때 양손을 사용하십시오.
- (그림 6) 한 손으로만 제품을 작동하지 마십시오.
- (그림 7) 가이드 바 끝이 물체에 닿지 않게 하십시오.
- (그림 8) 비가 내릴 때 사용하지 마십시오.
- (그림 9) 경고! 가이드 바 끝부분이 물체에 닿으면 기계 반동이 발생할 수 있습니다. 이로 인해 가이드 바가 작업자의 방향으로 튕깁니다. 심각한 부상 또는 사망 위험이 있습니다.
- (그림 10) 정격 전압, V
- (그림 11) 체인 오일.
- (그림 12) 톱 체인의 회전 방향과 가이드 바의 최대 길이.

- (그림 13) 직류.
- (그림 14) **환경 마크** 제품 또는 제품의 패키지는 가정용 폐기물이 아닙니다. 전기 및 전자 장비 재활용 처리장에서 재활용하십시오.
- (그림 15) 이 제품은 적용 가능한 모든 EC 지침 조항을 준수합니다.
- (그림 16) 이 제품은 적용 가능한 UK 규정을 준수합니다.
- (그림 17) 유럽 지침 2000/14/EC 및 UK 지침 및 규정과 뉴사우스웨일스 규정인 "2017 환경 운영 보호(소음 관리) 규정"에 따른 환경에 대한 소음 배출 라벨 제품의 보장 소음 수준은 **기술 정보 페이지의 408** 및 라벨에 지정되어 있습니다.
- (그림 21) 체인 브레이크, 작동됨(오른쪽). 체인 브레이크, 풀림(왼쪽).
- (그림 22) 체인 방향
- (그림 23) 명판에는 일련번호가 표시됩니다. **yyyy**는 생산 연도이고 **ww**는 생산 주입니다.

주: 제품의 여타 기호/도안은 일부 시장의 인증 요구사항을 나타냅니다.

배터리 및/또는 배터리 충전기의 기호

- (그림 24) 전기 및 전자 장비 재활용 처리장에서 이 제품을 재활용하십시오. (유럽에만 해당).
- (그림 18) 페일 세이프(Fail-safe) 변압기
- (그림 19) 배터리 충전기는 실내에서만 사용 및 보관하십시오.
- (그림 20) 이중 절연.

제조사

Husqvarna AB
Drottninggatan 2, SE-561 82, Huskvarna, Sweden, tel: +46-36-146500

제품 손상

다음과 같은 경우 당사는 제품의 손해에 대해 책임을 지지 않습니다.

- 제품이 올바르게 수리된 경우
- 제품이 제조업체에서 제공하지 않았거나 승인하지 않은 부품으로 수리된 경우
- 제품에 제조업체에서 제공하지 않았거나 승인하지 않은 액세서리가 있는 경우
- 제품이 인가된 서비스 센터 또는 인가된 기관에서 수리되지 않은 경우

안전성

안전 정의

설명서에서 특히 중요한 부분을 가리킬 때 경고, 주의 및 주가 사용됩니다.



경고: 설명서의 지시사항을 준수하지 않을 경우 작업자나 옆에 있던 사람이 부상을 입거나 사망할 위험이 있을 때 사용됩니다.



주의: 설명서의 지시사항을 준수하지 않을 경우 제품, 다른 재료 또는 인접한 지역에서 피해가 발생할 위험이 있을 때 사용됩니다.

주: 주어진 상황에 대한 정보를 추가로 제공할 때 사용됩니다.

일반 전동 공구 안전 경고



경고: 이 전동 공구와 함께 제공된 모든 안전 경고, 지침, 그림 및 사양을 읽으십시오. 아래 나열된 지침을 따르지 않으면 전기 쇼크,

화재 및/또는 심각한 부상이 발생할 수 있습니다.

- **나중에도 참조할 수 있도록 모든 경고와 지침을 보관하십시오.** 경고에 있는 "전동 공구"라는 용어는 주전원으로 작동하는(유선) 전동 공구 또는 배터리로 작동하는(무선) 전동 공구를 말합니다.

작업 영역의 안전

- **작업 영역을 깨끗하고 밝게 유지합니다.** 어수선하거나 어두운 곳에서 사고가 발생합니다.
- **전동 공구를 가연성 액체나 가스 또는 먼지 등이 있는 폭발 가능한 지역에서 작동시키지 마십시오.** 전동 공구는 먼지나 증기에 점화시킬 수 있는 불꽃을 발생시킵니다.
- **전동 공구를 조작할 때에는 아이들과 구경꾼들이 멀리 떨어지게 하십시오.** 방심할 경우 통제력을 잃을 수 있습니다.

전기적 안전

- **전동 공구 플러그는 소켓에 맞아야 합니다.** 플러그를 어떠한 경우에도 개조하지 마십시오. 접지시킨 전동 공구에 대해서는 어댑터 플러그를 사용하지 마십시오.

오. 개조하지 않은 플러그 및 꼭 맞는 소켓을 사용하면 전기 감전의 위험을 줄일 수 있습니다.

- 파이프, 라디에이터, 전자레인지, 냉장고 등과 같이 접지된 표면에 신체를 접촉시키지 마십시오. 접촉하는 경우에는 전기 감전 위험이 증대됩니다.
- 전동 공구를 비가 내리거나 젖어 있는 곳에 노출하지 마십시오. 전동 공구에 물이 유입되면 전기 감전의 위험이 증대됩니다.
- 코드를 무리하게 당기지 마십시오. 절대로 코드를 당겨서 전동 공구를 운반하거나 끌어당기거나 플러그를 빼지 마십시오. 코드를 열, 오일, 날카로운 모서리나 움직이는 부품에서 멀리하십시오. 코드가 손상되거나 영키는 경우 전기 감전의 위험이 증대됩니다.
- 전동 공구를 실외에서 작동하는 경우 실외용으로 적합한 연장 코드를 사용하십시오. 실외용으로 적합한 코드를 사용하면 감전의 위험이 줄어듭니다.
- 어쩔 수 없이 습한 장소에서 전동 공구를 작동해야 하는 경우에는 누전 차단기(RCD)로 보호되는 전원 공급 장치를 사용하십시오. 누전 차단기(RCD)를 사용하면 감전의 위험이 줄어듭니다.

개인 안전

- 전동 공구를 조작할 때에는 방심하지 말고 작업에 주의하며 상식에 어긋난 행동을 하지 마십시오. 피곤하거나 약물, 알코올 또는 의약품의 효과가 나타나는 동안에는 전동 공구를 사용하지 마십시오. 전동 공구를 조작하는 동안 한 순간의 방심이 심각한 인명 사고를 일으킬 수 있습니다.
- 개인 보호 장구를 사용하십시오. 항상 시각 보호 장구를 착용하십시오. 적절한 작업 조건을 위해 사용되는 먼지 차단 마스크, 미끄럼 방지 안전화, 안전모 또는 청각 보호 장구 등과 같은 안전장비는 부상의 위험을 줄여줍니다.
- 엔진에 실수로 시동이 걸리지 않도록 하십시오. 공구에 전선 및/또는 배터리 팩을 연결하거나, 공구를 들어 올리거나 운반하기 전에 스위치가 오프(OFF) 위치에 있는지 확인하십시오. 스위치 위에 손가락을 올려 놓고 전동 공구를 운반하거나 스위치가 켜져 있는 전동 공구에 전기를 흐르게 할 경우 사고를 일으키게 됩니다.
- 전동 공구의 전원을 켜기 전에 조정 키나 렌치를 제거합니다. 전동 공구의 회전하는 부품에 부착된 렌치나 키는 인명 사고를 일으킬 수 있습니다.
- 몸을 무리하게 앞으로 쏠리지 마십시오. 항상 발 밑은 곳에 적절한 균형을 유지하십시오. 이렇게 하면 예상치 못한 상황에서 전동 공구를 더 잘 제어할 수 있습니다.
- 적절한 복장을 갖추십시오. 헐거운 옷이나 장신구를 착용하지 마십시오. 머리카락, 의복은 움직이는 부품에서 멀리 떨어지게 하십시오. 헐거운 의복, 장신구나 긴 머리카락이 움직이는 부품에 끼일 수 있습니다.
- 먼지 추출 및 집진 설비를 연결하기 위해 제공된 장비의 경우 연결 상태와 제대로 사용되고 있는지 여부를 확인하십시오. 집진 설비를 사용할 경우 먼지와 관련된 위험을 줄일 수 있습니다.
- 공구의 빈번한 사용으로 인해 익숙해짐으로써 무사안일주의에 빠지거나 공구 안전 원칙을 무시하지 않도록 하십시오. 부주의한 작동으로 인해 1초 이내에 도 심각한 상처를 입을 수 있습니다.

전동 공구 사용 및 주의사항

- 전동 공구에 무리한 힘을 가하지 마십시오. 용도에 맞을 올바른 전동 공구를 사용하십시오. 올바른 전동 공구는 설계된 속도로 사용할 때 더 안전하고 훌륭하게 작업을 수행합니다.
- 스위치로 전동 공구를 켜고 끄지 못할 경우에는 전동 공구를 사용하지 마십시오. 스위치로 조작이 불가능한 전동 공구는 위험하며 수리해야 합니다.
- 조절, 부속품 교환 또는 전동 공구 보관 전에 전원에서 플러그를 분리하거나 배터리 팩을 탈착 가능한 경우 전동 공구에서 제거하십시오. 그러한 안전 예방 조치는 전동 공구에 실수로 시동을 거는 위험을 줄여줍니다.
- 아이들의 손이 닿지 않는 곳에 전동 공구를 보관하고 전동 공구나 이 지침에 대해 잘 모르는 사람이 전동 공구를 작동하지 못하도록 하십시오. 전동 공구가 훈련되지 않은 사용자의 손에 들어갈 경우 위험합니다.
- 전동 공구 및 액세서리를 유지 보수하십시오. 움직이는 부품의 오정렬이나 고착, 부품의 파손 및 기타 전동 공구의 작동에 영향을 줄 수 있는 상태를 점검하십시오. 전동 공구가 손상된 경우 사용하기 전에 수리하십시오. 전동 공구의 유지 보수가 불량한 경우 많은 사고가 발생할 수 있습니다.
- 절단 공구는 날카롭고 청결하게 관리하십시오. 날카로운 절단 날을 갖추도록 제대로 관리된 절단 공구는 고착될 가능성이 적고 제어하기가 쉽습니다.
- 작업 조건 및 수행해야 할 작업을 고려하면서 이 지침 사항에 따라 전동 공구, 액세서리 및 공구 바이트 등을 사용하십시오. 그러한 목적과 다른 작업에 전동 공구를 사용할 경우 위험한 상황이 발생할 수 있습니다.
- 핸들과 손잡이 부분을 건조하고 깨끗하고 오일과 그리스 없이 유지하십시오. 핸들과 손잡이 부분이 미끄러우면 예상치 못한 상황에서 공구를 안전하게 취급하고 제어할 수 없습니다.

무선 전동 공구 사용 및 주의사항

- 제조업체에서 지정한 충전기만으로 충전하십시오. 지정된 배터리 팩 유형에 적합하도록 설계된 충전기에 다른 유형의 배터리 팩을 사용하면 화재의 위험이 있을 수 있습니다.
- 전동 공구에는 특별히 지정된 배터리 팩만 사용하십시오. 다른 유형의 배터리 팩을 사용하면 상해 및 화재의 위험이 있을 수 있습니다.
- 단자의 단락을 야기할 수 있으므로 배터리 팩을 사용하지 않을 때는 클립, 동전, 열쇠, 못, 나사 등 각종 금속 물체로부터 멀리 하십시오. 배터리 단자가 단락되면 화상 또는 화재를 일으킬 수 있습니다.
- 너무 심하게 사용하면 배터리에서 배터리액이 누수될 수 있으므로 신체에 닿지 않게 하십시오. 만일 실수로 신체에 닿은 경우 물로 세척하십시오. 만일 배터리액이 눈에 닿은 경우 추가로 의료적인 도움을 받으십시오. 배터리에서 누수된 배터리액은 자극 또는 화상을 일으킬 수 있습니다.
- 손상되거나 개조된 배터리 팩 또는 공구를 사용하지 마십시오. 손상되거나 개조된 배터리는 화재, 폭발 및 부상의 위험이 있는 예측할 수 없는 동작을 할 수 있습니다.

- 배터리 팩 또는 공구를 불이나 과도한 온도에 노출시키지 마십시오. 불이나 130°C(266°F) 이상의 온도에 노출되면 폭발할 수 있습니다.
- 모든 충전 지침에 따라 지침에 지정된 온도 범위 외에 배터리 팩 또는 공구를 충전하지 마십시오. 부적절하게 충전하거나 명시된 온도 범위를 벗어나면 배터리를 손상시킬 수 있으며 화재의 위험이 높아집니다.

서비스

- 정품 교체 부품만을 사용하는 유자격 수리 기술자에게만 전동 공구 수리를 맡기십시오. 이렇게 하면 전동 공구의 안전을 확실히 관리할 수 있습니다.
- 손상된 배터리 팩은 정비하지 마십시오. 배터리 팩에 대한 서비스는 제조업체 또는 공인 서비스 제공업체만 수행해야 합니다.

엔진톱 일반 안전 경고

- 엔진톱이 작동 중인 경우 신체 모든 부분을 톱 체인으로 부터 멀리합니다. 엔진톱을 시동시키기 전에 톱 체인에 접촉하는 것이 없는지 확인하십시오. 엔진톱이 작동하는 동안 한 순간의 방심으로 옷이나 몸이 톱 체인에 걸릴 수 있습니다.
- 항상 오른손은 뒤 핸들에 왼손은 앞 핸들에 대고 엔진톱을 붙잡아야 합니다. 잡는 손을 바꿔서 엔진톱을 잡으면 부상 위험이 증가하므로 절대 하지 마십시오.
- 톱 체인이 숨어 있는 배선에 닿을 수 있으므로 엔진톱을 잡을 때는 반드시 절연된 손잡이 부분을 잡아야 합니다. 톱 체인이 "전기가 흐르는" 배선에 닿으면 이는 엔진톱의 금속 부품이 "흐르는 전기"에 노출됨을 의미하며 작업자가 감전될 수 있습니다.
- 시각 보호 장구를 착용하십시오. 청각, 머리, 손, 다리 및 발에 추가 안전장비를 착용할 것을 권장합니다. 적절한 보호 장비의 착용은 날리는 부산물이나 갑작스러운 톱 체인과의 접촉으로부터 인명 사고를 줄입니다.
- 나무, 사다리, 지붕 또는 불안정한 지지대에서 엔진톱을 작동하지 마십시오. 이런 방식으로 톱 체인톱을 작동하면 심각한 발명 사고가 발생할 수 있습니다.⁵⁷
- 항상 발을 올바르게 밟고 고정되고, 안전하며, 수평인 곳에서만 엔진톱을 작동하십시오. 미끄럽거나 불안정한 곳에서는 균형을 잃거나 엔진톱을 제어하지 못할 수 있습니다.
- 장력이 가해진 가지를 자르는 경우 가지가 튕겨 나올 수 있습니다. 목재 조직에 가해진 장력이 풀리면 반발력이 가해진 가지가 작업자를 치거나 엔진톱을 통해 불능 상태로 만들 수 있습니다.
- 잡목과 목목을 자를 때 특히 주의하십시오. 가는 부분이 톱 체인에 걸려 작업자 쪽으로 갑자기 날아가거나 작업자의 균형을 무너트릴 수 있습니다.
- 제품의 스위치를 끄고 몸에서 쓰러트리려 앞 핸들을 잡고 엔진톱을 운반하십시오. 엔진톱을 운반하거나 보관할 때는 항상 가이드 바 덮개를 장착하십시오. 엔진톱을 올바르게 취급하면 움직이는 톱 체인과 우발적인 접촉 가능성이 떨어집니다.

- 윤활, 체인 장력 조정, 바 및 체인 교체 시 지시사항을 따르십시오. 장력 또는 윤활 상태가 부적절한 체인은 고장 또는 기계 반동 가능성이 커집니다.
- 나무만 자르십시오. 옹도 외로 엔진톱을 사용하지 마십시오. 예: 엔진톱을 풀라스틱, 석재 또는 비록재 절단에 사용하지 마십시오. 엔진톱을 옹도 이외로 사용하면 위험한 상황이 발생합니다.
- 나무를 쓰러뜨리기 전에 위험과 예방책을 숙지해야 합니다. 나무가 쓰러지는 동안 사용자나 구경꾼이 심각한 부상을 입을 수 있습니다.
- 걸린 물질 제거, 엔진톱 보관 및 정비를 할 때 모든 지시사항을 따르십시오. 전원이 꺼져 있고 배터리 팩이 제거되었는지 확인하십시오. 걸린 물질 제거 혹은 정비를 할 때 엔진톱을 예상치 않게 작동하면 심각한 부상을 초래할 수 있습니다.
- 특별한 교육을 받지 않았으면 나무에서 체인톱을 작동하지 마십시오. 적절한 훈련없이 나무에 체인톱을 작동하면 심각한 부상을 입을 위험이 있습니다.

기계 반동의 원인 및 작업자 보호

가이드 바의 코 또는 끝부분이 물체에 접촉하거나 나무가 뺨뺨이 있고 절단면이 톱 체인을 조이면 기계 반동이 발생할 수 있습니다. 일부 경우 끝부분 접촉은 갑작스런 역반응을 유발하여 가이드 바를 작업자 방향으로 위 아래로 움직입니다. 가이드 바 상단이 톱 체인을 조이면 가이드 바가 작업자 쪽으로 빠르게 밀릴 수 있습니다. 이러한 반응으로 톱을 통제하지 못하고 심각한 부상이 발생할 수 있습니다. 톱에 장착된 안전 장치에만 의존하지 마십시오. 엔진톱 사용자로서 여러 조치를 취해 절단 작업의 사고나 부상을 방지해야 합니다. 기계 반동은 엔진톱 오용 및/또는 부적절한 사용 방법 또는 조건으로 발생하며 아래와 같은 적절한 주의를 통해 피할 수 있습니다.

- 두 손을 사용하여 엄지와 손가락으로 엔진톱 핸들을 단단히 잡고 몸과 팔을 기계 반동을 이길 수 있도록 위치시키십시오. 기계 반동은 적절한 주의를 취하면 작업자가 제어할 수 있습니다. 엔진톱을 놓치지 마십시오!
- 몸을 무리하게 앞으로 뻗거나 어깨 높이 위로 자르지 마십시오. 원치 않는 끝부분 접촉을 방지하고 예상치 못한 상황에서 엔진톱을 보다 잘 제어할 수 있습니다.
- 제조업체가 지정한 교체 가이드 바와 톱 체인만 사용하십시오. 부적절한 교체 가이드 바 및 톱 체인으로 체인 고장 및/또는 기계 반동이 발생할 수 있습니다.
- 제조업체의 톱 체인 연마 및 유지 보수 지침을 따르십시오. 깊이 게이지 높이를 줄이면 기계 반동이 증가할 수 있습니다.

이 지침을 보관하십시오.

일반 안전 지침



경고: 제품을 사용하기 전에 다음 경고를 지침을 읽으십시오.

- 이 제품은 조심하지 않거나 잘못 사용하면 위험한 공구입니다. 이 제품은 작업자 또는 다른 사람에게 심각

⁵⁷ 특수 절단 및 작업 기법에 대한 교육을 받고 리프트 버킷, 로프, 안전 벨트와 같이 적절한 안전 장치를 갖춘 경우 안전 규정을 변경할 수 있습니다.

한 부상이나 사망을 초래할 수 있습니다. 이 사용자 설명서를 읽고 내용을 이해하는 것이 매우 중요합니다.

- 제조업체의 승인 없이 제품을 변경하지 마십시오. 다른 사람이 변경한 제품을 사용하지 말고 항상 정품 액세서리를 사용하십시오. 제조업체에서 승인하지 않은 변경은 작업자 또는 다른 사람에게 심각한 부상 또는 사망을 초래할 수 있습니다.
- 체인 오일 연기와 흡입 먼지를 장기간 흡입하면 건강상의 문제가 발생할 수 있습니다.
- 본 제품은 작동 중 전자기장을 발생시킵니다. 일부 상황에서 전자기장 발생은 능동적 또는 수동적 의료 삽입물을 방해합니다. 의료 삽입물을 사용하는 경우, 심각한 부상 또는 사망의 위험을 줄이기 위하여 본 제품을 작동하기 전에 전문의 및 의료 삽입물 제조사와 상담하실 것을 권장합니다.

작동에 대한 안전 지침



경고: 제품을 사용하기 전에 다음 경고 지침을 읽으십시오.

- 이 사용자 설명서의 정보는 전문적인 지식과 경험을 대신하지 않습니다. 본인이 처한 상황에서 안전하다고 느끼지 않으면 제품을 중지하십시오. 서비스 대리점이나 엔진톱 전문가에게 문의하십시오. 자신 없는 작업은 시도하지 마십시오!
- 제품 작동에 관한 질문이 있는 경우 서비스 대리점이나 Husqvarna에 문의하십시오. 제품을 효과적이고 안전하게 작동시키는 방법에 대한 정보를 제공 받을 수 있습니다. 가능한 엔진톱 작동에 관한 실습 수업에 참여하십시오. 서비스 대리점, 임업 학교 또는 도서관에서 이용하실 수 있는 교육 자료 및 수업에 대한 정보를 제공해드릴 것입니다.
- 이 제품을 사용하기 전에 기계 반동의 영향과 이를 방지하는 방법을 이해해야 합니다. 참조: *기계 반동 정보 페이지의 398* 및 *기계 반동에 대한 일반 질문 페이지의 398*의 지침을 참조하십시오.
- 손상되거나 제대로 작동하지 않는 제품, 배터리 또는 배터리 충전기는 사용하지 마십시오.
- 회전하는 톱 체인을 만지지 마십시오. 중상을 입거나 사망할 수 있습니다.
- 피로한 상태, 알코올 및 마약, 약물 또는 기타 시력, 주의력, 협응 능력 및 판단력에 부정적 영향을 미칠 수 있는 물질의 영향을 받는 상태에서는 절대 이 제품을 사용해서는 안 됩니다.
- 나쁜 날씨에서 작업하면 쉽게 지치며 위험이 추가되는 경우가 많습니다. 따라서 짙은 안개, 폭우, 강풍, 폭한 및 낙뢰 위험 등과 같은 악천후에서는 장비를 사용하지 않는 것이 좋습니다.
- 가이드 바, 톱 체인 및 모든 덮개가 올바르게 조립되지 않았으면 절대 제품을 시동하지 마십시오. 그렇지 않으면 구동 스프로킷이 느슨해져서 중상을 입을 수 있습니다. 참조: *조립 페이지의 396*의 지침을 참조하십시오.

(그림 25)

- 가끔 조각이 클러치 덮개에 끼어 톱 체인이 고착될 수도 있습니다. 세척할 때는 항상 모터를 정지하십시오.

- 다음 사항을 고려하여 주변을 점검하십시오. 사람이나 동물이 제품에 접촉하거나 제품의 제어에 영향을 미칠 위험이 없는지 확인하십시오.

(그림 26)

- 어린이가 제품을 사용하거나 근처에 가지 못하도록 하십시오. 제품은 시동하기 쉬우므로 완벽하게 감시하지 않으면 어린이가 시동할 수도 있습니다. 이것은 심각한 부상을 당할 수 있는 위험을 의미합니다.
- 제품을 완전히 볼 수 없거나 장기간 사용하지 않는 경우 배터리를 분리하십시오.
- 제품을 완벽히 제어하려면 발을 안정적으로 디벼야 합니다. 사다리 또는 나무 위에서는 제품을 사용하지 마십시오. 바닥이 안정적이지 않으면 제품을 사용하지 마십시오.

(그림 27)

- 나무에서 작업하려면 인명 사고 위험을 줄이기 위해 특수 절단 및 작업 기법을 사용해야 합니다. 벨트, 로프, 벨트, 등반 아이론, 스냅 후크, 카라비너 등의 안전 및 기타 등반 장비의 사용 교육을 포함한 나무 작업에 대한 특별 전문 교육을 받지 않았으면 나무에서 작업하지 마십시오.
- 낙하 부분을 잡으려고 시도하지 마십시오. 로프 하나로 고정되었을 때는 나무에서 절단하지 마십시오. 항상 고정된 로프 2개를 사용하십시오.
- 조심하지 않으면 기계 반동의 위험이 증가합니다. 가이드 바의 기계 반동 구역이 가지, 나무 또는 기타 물체에 실수로 닿는 경우 기계 반동이 발생할 수 있습니다.

(그림 28)

- 한 손으로 제품을 잡지 마십시오. 한 손 사용 시 이 제품을 안전하게 통제할 수 없습니다.
- 어깨 높이 이상으로 제품을 사용하지 말고 가이드 바 끝부분으로 자르려고 하지 마십시오.

(그림 29)

- 사고가 발생했을 때 도움을 요청할 수 없는 상황에서는 제품을 사용하지 마십시오.
- 제품을 이동하기 전에 제품을 정지하고 체인 브레이크를 작동하십시오. 가이드 바 및 톱 체인이 뒤쪽을 향하도록 제품을 잡으십시오. 짧은 거리라도 가이드 바에 운송 보호대를 장착한 후에 운송 또는 운반하십시오.
- 제품을 땅에 둘 때는 체인 브레이크를 작동하고 제품을 지속적으로 관찰하십시오. 장기간 사용하지 않는 경우 제품을 정지시키고 배터리를 분리하십시오.
- 목재 조각이 구동 시스템에 걸릴 위험이 있습니다. 이로 인해 톱 체인이 고착될 수 있습니다. 청소하기 전에는 항상 제품을 멈추고 배터리를 제거하십시오.
- 잘못되거나 올바르게 연마되지 않은 절단 장비를 사용하면 진동 수준이 증가합니다. 연목재(예: 칠엽수)를 절단할 때보다 경목재(예: 활엽수)를 절단할 때 진동이 더 많이 발생합니다.

(그림 30)

- 진동에 너무 많이 노출되면 순환계가 약한 사람은 순환계 장애 또는 신경계 장애를 일으킬 수 있습니다. 진동에 과도하게 노출되어 나타나는 증상을 느끼면 의사에게 문의하십시오. 이런 증상에는 마비, 감각 상실, 육신거림, 따끔함, 통증, 무력감, 피부색 또는 상태

의 변화 등이 있으며 이러한 증상은 대개 손가락, 손 또는 손목 등에 발생하며 낮은 온도에서 작업할 때 더 심해질 수 있습니다.

- 특별한 교육을 받지 않았으면 서 있는 나무에 다들거나 가지치기 작업을 시도하지 마십시오.
- 나무가 넘어진 후 굴러 내려가거나 내리막일 가능성이 높기 때문에, 항상 통나무의 오르막 쪽에 서십시오. 절단 시 제품을 완전히 제어하려면 절단부 끝 부근에서 절단 압력을 해제하십시오. 핸들 주위에서 손의 긴장을 놓지 마십시오. 엔진톱이 지면에 닿지 않도록 하십시오. 절단 작업을 완료한 후 제품을 이동하기 전에 엔진톱이 중지될 때까지 기다리십시오. 나무에서 나무로 이동하기 전에 모터를 항상 정지시키십시오.

(그림 31)

- 나무를 쓰러뜨리지 마십시오. 사람을 위험에 처하게 하거나, 송전선을 쓰러뜨리거나, 재산 피해를 초래할 위험이 있습니다. 나무가 송전선을 쓰러뜨리면 전기 회사에 즉시 알려야 합니다.
- 작업자가 안전하게 움직일 수 있는지 확인하십시오. 주변과의 조건과 지형에 뿌리, 바위, 가지, 도랑 등의 장애물이 있는지 점검하십시오. 경사진 지면에서 작업할 때는 특히 주의하십시오.
- 자신의 능력을 넘어서는 상황을 방지하십시오.
- 이 제품을 사용할 때 직면할 수 있는 모든 상황을 설명할 수는 없습니다. 항상 조심하며 상식에 근거해 판단하십시오.

(그림 32)

개인 보호 장구



경고: 제품을 사용하기 전에 다음 경고 지침을 읽으십시오.

(그림 33)

- 대부분의 톱 체인 사고는 톱 체인이 직접 작업자 몸에 접촉될 때 발생합니다. 작동 중에는 인가된 개인안전장비를 사용해야 합니다. 개인안전장비가 부상을 완전히 방지할 수는 없지만 사고가 발생할 경우 부상의 정도를 줄일 수 있습니다. 어떤 장비를 사용할지에 대한 권장 사항은 서비스 대리점에 문의하십시오.
- 안전복은 동작을 제한하지 않는 범위에서 몸에 꼭 맞도록 착용해야 합니다. 정기적으로 개인안전장비의 상태를 점검하십시오.
- 승인된 안전모를 사용하십시오.
- 인가된 청각 보호 장구를 사용합니다. 소음에 장시간 노출될 경우 영구적인 청각 손상을 초래할 수 있습니다.
- 항상 승인된 보호용 안경 또는 얼굴 가리개를 착용해 튀어나온 물체로부터 부상 위험을 줄이도록 합니다. 제품 사용 중에 목재 조각이나 작은 나무조각 등이 갑작스럽게 빠른 속도로 날아올 수 있습니다. 이는 특이한 부위에 심각한 부상을 야기할 수 있습니다.
- 톱 방어용 장갑을 착용하십시오.
- 톱 방어용 바지를 착용하십시오.
- 철제 토 캡 및 미끄럼 방지 밀착이 달린 톱 방어용 안전화를 착용하십시오.

- 항상 구급함을 가까이 비치해 두십시오.
- 불꽃이 될 위험이 있습니다. 근처에 산불을 막고 있는 소화 도구와 삽을 준비하십시오.

제품의 안전장치



경고: 제품을 사용하기 전에 다음 경고 지침을 읽으십시오.

- 안전장치가 손상되었거나 올바르게 작동하지 않는 제품을 사용하지 마십시오.
- 안전장치를 정기적으로 점검하십시오. 참조: *제품의 안전장치 유지 보수 및 점검 페이지의 403*.
- 안전장치가 손상되었거나 올바르게 작동하지 않는 경우 Husqvarna 서비스 대리점에 문의하십시오.

사용자 인터페이스의 기능

사용자 인터페이스에는 시동/정지 버튼, SavE 버튼, 배터리 상태 및 경고등이 포함됩니다. 체인 브레이크가 작동되거나 과부하 위험이 있으면 경고 표시등이 깜박입니다. 과부하 방지 기능은 제품을 일시적으로 정지시키므로 온도가 내려갈 때까지 제품을 사용할 수 없습니다. 표시등이 계속 켜져 있으면 서비스 대리점에 문의하십시오.

(그림 34)

사용자 인터페이스에 대한 자세한 내용은 *제품 개요 페이지의 389* 항목을 참조하십시오.

자동 정지 기능

이 제품은 3분 동안 사용하지 않으면 정지시키는 자동 정지 기능이 있습니다.

체인 브레이크 및 앞 손 보호대

제품에는 기계 반동이 있을 때 체인 톱을 멈추게 하는 체인 브레이크가 있습니다. 체인 브레이크로 사고의 위험을 줄일 수 있지만 사용자의 주의가 각별히 필요합니다.

(그림 35)



경고: 기계 반동의 위험이 있는 상황에서는 작동하지 마십시오. 제품을 사용할 때 가이드 바의 기계 반동 구역 안에 물체가 닿지 않도록 주의하십시오.

(그림 36)

체인 브레이크(A)는 왼손으로 수동으로 작동시키거나 관성 풀림 장치를 이용해 자동으로 작동시킬 수 있습니다. 앞 손 보호대(B)를 앞쪽으로 밀면 체인 브레이크를 수동으로 작동할 수 있습니다. 이 동작은 구동 스프로킷을 멈추는 스프링 장착 장치를 시작합니다.

(그림 37)

체인 브레이크가 어떻게 작동하는지는 제품의 기계 반동의 힘과 제품의 위치에 관련이 있습니다. 기계 반동 구역이 작업자로부터 멀리 떨어져 있는 상황에서 강한 기계 반동이 일어나면 체인 브레이크가 관성 풀림 장치에 의해 작동됩니다. 기계 반동이 작거나 기계 반동 구역이 작업

자에게 가까이 있으면 왼손으로 체인 브레이크를 수동으로 작동합니다.

(그림 38)

제품을 시동할 때와 짧은 거리를 이동할 때 체인 브레이크를 정지 브레이크로 사용하십시오. 이렇게 하면 작업자 또는 근처의 사람이 체인 톱에 닿을 위험이 감소합니다.

(그림 39)

앞 손 보호대를 뒤로 당겨 체인 브레이크를 해제합니다.

(그림 40)

기계 반동은 아주 갑자기 강하게 일어날 수 있습니다. 대부분의 기계 반동은 작기 때문에 항상 체인 브레이크가 작동되는 것은 아닙니다. 제품을 사용할 때 기계 반동이 발생하면 손으로 핸들을 단단히 잡고 놓치지 마십시오.

(그림 41)

앞 손 보호대는 앞 핸들을 놓칠 경우 톱 체인에 닿을 위험을 줄입니다.

(그림 42)

전도 위치에서는 체인 브레이크를 수동으로 작동해선 안 됩니다. 이 위치에서는 관성 폴링 장치에 의해서만 체인 브레이크가 작동되어야 합니다.

(그림 43)

파워 트리거 로크아웃

파워 트리거 로크아웃은 파워 트리거가 우연히 작동되는 것을 방지합니다. 파워 트리거 로크아웃을 앞으로 누른 다음(A) 파워 트리거 로크아웃을 핸들에 대고 누르면(B), 파워 트리거(C)가 해제됩니다. 핸들을 놓으면 파워 트리거와 파워 트리거 로크아웃이 처음 위치로 돌아옵니다.

(그림 44)

체인 캐처

체인 캐처는 톱 체인이 끊어지거나 느슨해지면 톱 체인을 붙잡습니다. 체인 장력이 올바르게 유지되면 위험이 감소합니다. 가이드 바 및 톱 체인에 올바르게 유지 보수를 수행하면 위험도 감소합니다. *조립 페이지의 396 및 유지 보수 페이지의 402*에서 지침을 참조하십시오.

(그림 45)

오른손 보호대

오른손 보호대는 톱 체인이 끊어지거나 느슨해지는 경우 손을 보호합니다. 또한 제품을 사용할 때 가지와 잔가지가 방해하지 못하게 합니다.

(그림 46)

배터리 안전



경고: 제품을 사용하기 전에 다음 경고 지침을 읽으십시오.

- 제품이 권장되는 40-B 배터리만 사용하십시오. 참조: *인가된 배터리 페이지의 409*. 배터리는 소프트웨어 암호화되어 있습니다.

- 관련된 40-B 제품의 전원 공급 장치로 충전할 수 있는 Husqvarna 배터리를 사용하십시오. 참조: *인가된 배터리 페이지의 409*. 부상을 방지하기 위해 배터리를 다른 장치의 전원 공급 장치로 사용하지 마십시오.
- 감전의 위험이 있습니다. 배터리 단자를 열쇠, 나사 또는 기타 금속에 연결하지 마십시오. 이로 인해 배터리가 누전될 수 있습니다.
- 일회용 배터리를 사용하지 마십시오.
- 배터리의 에어 슬롯에 물체를 넣지 마십시오.
- 배터리를 직사광선, 열 또는 화염으로부터 멀리하십시오. 배터리가 화상 및/또는 화학 화상을 초래할 수 있습니다.
- 배터리가 비를 맞거나 젖지 않도록 보호하십시오.
- 배터리를 전자레인지나 고압으로부터 멀리하십시오.
- 배터리를 분해하거나 부수지 마십시오.
- 배터리 산이 피부에 닿지 않도록 하십시오. 배터리는 산은 피부 상처, 부식 및 화상의 원인이 됩니다. 눈에 배터리 산이 들어간면 문지르지 말고 물로 최소 15분 동안 눈을 씻어내십시오. 배터리 산이 피부에 닿은 경우 다량의 물과 비누로 피부를 씻어야 합니다. 의료 지원을 받으십시오.
- 배터리는 -10°C~40°C(14°F~104°F)의 온도에서 사용하십시오.
- 배터리 또는 배터리 충전기를 물로 청소하지 마십시오. 참조: *배터리 및 배터리 홀더 점검 방법 페이지의 403*.
- 손상된 배터리는 사용하지 마십시오.
- 배터리는 못, 나사 또는 보석과 같은 금속 물체가 닿지 않도록 보관하십시오.
- 배터리를 어린이의 손이 닿지 않는 곳에 보관하십시오.

배터리 충전기 안전



경고: 제품을 사용하기 전에 다음 경고 지침을 읽으십시오.

- 안전 지침을 준수하지 않을 경우 감전 또는 누전의 위험이 있습니다.
- 손상되지 않은, 인가된 접지 주전원 소켓을 사용하십시오.
- 제품과 함께 제공되지 않은 배터리 충전기를 사용하지 마십시오. Husqvarna 교체용 배터리 40-B140를 충전할 때는 40-C80 충전기만 사용하십시오. 자세한 내용은 *제품에 대해 인가된 배터리 충전기 페이지의 410* 그리고 *인가된 배터리 페이지의 409* 항목을 참조하십시오.
- 배터리 충전기 분해를 시도하지 마십시오.
- 결함이 있거나 손상된 배터리 충전기를 사용하지 마십시오.
- 전원 코드로 배터리 충전기를 들어 올리지 마십시오. 주전원 소켓에서 배터리 충전기를 분리하려면 플러그를 당겨 빼내십시오. 전원 코드를 당기지 마십시오.
- 모든 케이블 및 연결선을 물, 오일 및 날카로운 모서리로부터 멀리하십시오. 케이블이 문, 울타리 등에 끼지 않았는지 확인하십시오.

- 인화성 물질이나 부식성 물질 근처에서 배터리 충전기를 사용하지 마십시오. 배터리 충전기가 덮여 있지 않은지 확인하십시오. 연기 또는 불이 나는 경우에는 배터리 충전기 플러그를 분리하십시오.
- 공기가 잘 통하고 햇빛이 비치지 않는 실내에서만 배터리를 충전하십시오. 야외에서 배터리를 충전하지 마십시오. 젖어 있는 환경에서 배터리를 충전하지 마십시오.
- 배터리 충전기는 5°C~40°C(41°F~104°F)의 온도에서만 사용하십시오. 공기가 잘 통하고 건조하며 먼지가 없는 환경에서 충전기를 사용하십시오.
- 배터리 충전기의 냉각 슬롯에 물체를 넣지 마십시오.
- 배터리 충전기의 누전을 유발할 수 있으므로 충전기 단자를 금속 물체에 연결하지 마십시오.
- 손상되지 않은, 인가된 벽면 소켓을 사용하십시오.
- 일회용 배터리를 배터리 충전기에 삽입하여 충전하지 마십시오.

유지 보수에 대한 안전 지침



경고: 제품을 유지 보수하기 전에 다음 경고 지침을 읽으십시오.

- 유지 보수, 다른 점검 또는 제품을 조립하기 전에 배터리를 제거하십시오.
- 작업자는 이 사용자 설명서에 나와있는 유지 보수 및 서비스만 수행해야 합니다. 더 큰 연장 장치의 유지 보수 및 서비스는 서비스 대리점에 문의하십시오.
- 배터리 또는 배터리 충전기를 물로 청소하지 마십시오. 강한 세제는 플라스틱에 손상을 줄 수 있습니다.
- 유지 보수 작업을 수행하지 않으면 제품 수명주기가 단축되고 사고 위험이 높아집니다.
- 모든 서비스 및 수리 작업, 특히 제품의 안전장치에 대한 특별 교육이 필요합니다. 유지 보수를 마친 후에 이 사용자 설명서의 모든 점검 내용이 승인되지 않은 경우에는 서비스 대리점에 문의하십시오. 제품을 위한 전문 수리 및 서비스를 제공해드립니다.

- 정식 예비 부품만 사용하십시오.

절단 장비의 안전 지침



경고: 제품을 사용하기 전에 다음 경고 지침을 읽으십시오.

- 승인된 가이드 바/톱 체인 조합 및 연마 장비만 사용하십시오. 자세한 지침은 *기술 정보 페이지의 408*를 참조하십시오.
- 톱 체인을 사용하거나 유지 보수할 때에는 보호 장갑을 착용하십시오. 움직이지 않는 톱 체인으로 인해 부상을 입을 수도 있습니다.
- 절단 이물 올바르게 연마하여 유지하십시오. 지침을 준수하여 권장 파일게이지를 사용하십시오. 손상되거나 잘못 연마된 톱 체인은 사고 위험을 높입니다.

(그림 47)

- 정확한 깊이 게이지 설정을 유지하십시오. 당사 지침에 따라 권장 깊이 게이지 설정을 사용하십시오. 깊이 게이지 설정이 너무 크면 기계 반동의 위험이 증가합니다.

(그림 48)

- 톱 체인의 장력이 올바른지 확인합니다. 톱 체인이 가이드 바에 맞게 조여지지 않는 경우 톱 체인이 이탈할 수 있습니다. 잘못된 톱 체인 장력은 가이드 바, 톱 체인 및 체인 구동 스프로킷의 마모를 증가시킵니다. *역세서리 페이지의 409*를 참조하십시오.

(그림 49)

- 절단 장비를 정기적으로 유지 보수하고 올바르게 운항하십시오. 톱 체인이 올바르게 운항되지 않으면 가이드 바, 체인 및 체인 구동 스프로킷의 마모 위험이 증가합니다.

(그림 50)

조립

가이드 바와 체인 톱을 조립하는 방법 (바 손잡이 포함)



경고: 제품을 조립하거나 유지 보수하기 전에 항상 배터리를 분리합니다.

1. 체인 브레이크를 해제합니다. (그림 51)
2. 바 손잡이를 풀고 구동 스프로킷 덮개를 분리합니다. (그림 52)
3. 가이드 바를 바 볼트 위에 놓습니다. 가이드 바를 가장 뒤쪽에 놓습니다. 톱 체인을 구동 스프로킷 위에 놓고 가이드 바의 홈에 걸립니다. 가이드 바의 위 가장자리에서 시작합니다.
4. 절단 지점의 가장자리가 가이드 바의 상단 가장자리를 향하게 합니다. (그림 53)

5. 구동 스프로킷 덮개를 설치하고 체인 조절 핀을 가이드 바의 구멍을 향하게 합니다.
6. 톱 체인의 구동 고리가 구동 스프로킷에 정확하게 맞는지 확인합니다.
7. 톱 체인이 가이드 바의 홈에 제대로 걸렸는지 확인합니다.
8. 체인 톱에 장력을 적용합니다. 지침은 *유지 보수 페이지의 402* 항목을 참조하십시오.
9. 바 손잡이를 조이십시오.

가이드 바와 체인 톱을 조립하는 방법 (바 볼트 포함)



경고: 제품을 조립하거나 유지 보수하기 전에 항상 배터리를 분리합니다.

1. 체인 브레이크를 해제합니다. (그림 51)
2. 바 너트를 풀고 구동 스프로킷 덮개를 분리합니다. (그림 54)
3. 가이드 바를 바 볼트 위에 놓습니다. 가이드 바를 가장 뒤쪽에 놓습니다. 톱 체인을 구동 스프로킷 위에 놓고 가이드 바의 홈에 겁니다. 가이드 바의 위 가장자리에서 시작합니다.
4. 절단 지점의 가장자리가 가이드 바의 상단 가장자리를 향하게 합니다. (그림 55)
5. 구동 스프로킷 덮개를 설치하고 체인 조절 핀을 가이드 바의 구멍을 향하게 합니다.
6. 톱 체인의 구동 고리가 구동 스프로킷에 정확하게 맞는지 확인합니다.
7. 톱 체인이 가이드 바의 홈에 제대로 걸렸는지 확인합니다.

8. 바 너트를 손으로 단단히 칩니다.
9. 체인 톱을 조입니다. 지침은 *유지 보수 페이지의 402* 항목을 참조하십시오.

배터리 충전기를 벽에 설치하려는



주의: 전동 드라이버를 사용하여 배터리 충전기를 벽에 설치하지 마십시오. 전동 드라이버는 배터리 충전기를 손상시킬 수 있습니다.

1. 나사 2개로 벽에 배터리 충전기를 설치합니다(A). 필요한 경우 벽 플러그(B)를 사용하십시오. (그림 56)
2. 2개의 나사 홈 플러그를 설치합니다(C).
3. 전원 코드(D)를 배터리 충전기와 메인 소켓에 연결하십시오.

작동

서문



경고: 제품을 사용하기 전에 다음 '안전' 장을 읽고 이해하십시오.

제품 사용 전의 기능 점검 방법

1. 체인 브레이크(A)가 올바르게 작동하고 손상되지 않았는지 확인하십시오.
2. 후방 오른손 보호대(B)가 손상되지 않았는지 확인하십시오.
3. 파워 트리거와 파워 트리거 로크아웃(C)이 제대로 작동하고 손상되지 않았는지 확인하십시오.
4. 키패드(D)가 올바르게 작동하는지 확인하십시오.
5. 핸들(E)에 오일이 없는지 확인하십시오.
6. 모든 부품이 올바르게 부착되고 손상 또는 누락되지 않았는지 확인하십시오.
7. 체인 캐처(F)가 올바르게 부착되었는지 확인하십시오.
8. 체인의 장력(G)을 점검하십시오.
9. 배터리(H)를 충전하고 배터리가 제품에 올바르게 부착되었는지 확인하십시오.
10. 파워 트리거를 놓을 때 톱 체인이 멈추는 지 확인합니다. (그림 57)

올바른 체인 오일 사용 방법



경고: 페유를 사용하지 마십시오. 본인과 환경에 안 좋은 영향을 줄 수 있습니다. 또한 페유는 오일 펌프, 가이드 바 및 톱 체인을 손상시킵니다.



경고: 절단 장비의 운활이 충분하지 않을 경우 톱 체인이 파손될 수 있습니다. 작업자

에게 심각한 부상이나 사망의 위험이 있습니다.



경고: 이 기능이 올바르게 작동하려면 문제가 없는 체인 오일을 사용하십시오. 체인 오일을 선택할 때는 서비스 대리점에 문의하십시오.

- 톱 체인 수명을 최대한으로 연장하고 환경에 부정적인 영향을 주지 않으려면 Husqvarna 체인 오일을 사용하십시오. Husqvarna 체인 오일을 사용할 수 없는 경우 표준 체인 오일을 사용하는 것이 좋습니다.
- 톱 체인에 대한 적합성이 높은 체인 오일을 사용하십시오.
- 공기 온도에 부합하는 정확한 점도 범위를 가진 체인 오일을 사용하십시오.



주의: 0°C/32°F 이하의 온도에서는 일부 체인 오일이 너무 걸쭉해져서 오일 펌프 부품이 손상될 수 있습니다.

- 권장 절단 장비를 사용하십시오. *액세서리 페이지의 409*를 참조하십시오.
- 체인 오일 탱크의 캡을 제거합니다.
- 체인 오일 탱크에 체인 오일을 채웁니다.
- 캡을 주의 깊게 부착합니다.

(그림 58)

주: 제품에서 체인 오일 탱크 위치를 확인하려면 *서문 페이지의 389*를 참조하십시오.

배터리



경고: 제품을 사용하기 전에 다음 안전 장을 읽고 이해하십시오. 배터리 및 배터리 충전기용 사용자 설명서를 읽고 이해하십시오.

배터리와 배터리 충전기를 적정 실온에 두십시오.

	실온
배터리 작동 온도	5°C-40°C/41°F-104°F
배터리 충전하기	5 °C-40 °C / 41 °F-104 °F

배터리 상태

표시창에는 배터리 충전 상태와 배터리에 문제가 있는지 여부가 표시됩니다.

(그림 59)

LED 표시등	배터리 충전 상태
LED 표시등 4개 켜짐	배터리가 76%~100% 충전되었습니다.
LED 표시등 3개 켜짐	배터리가 51%~75% 충전되었습니다.
LED 표시등 2개 켜짐	배터리가 26%~50% 충전되었습니다.
LED 표시등 1개 켜짐	배터리가 6%~25% 충전되었습니다.
LED가 1개가 깜빡입니다.	배터리가 0%~5% 충전되었습니다.

배터리 충전 방법

배터리를 처음 사용하는 경우에는 배터리를 충전하십시오. 새 배터리는 30%만 충전되어 있습니다.



주의: 배터리 충전기를 명판에 명시된 전압과 주파수를 사용하는 전원 콘센트에 연결하십시오.

배터리 온도가 50°C/122°F보다 높으면 배터리가 충전되지 않습니다.

1. 배터리 코드를 배터리 충전기에 연결하십시오.
2. 배터리 충전기를 접지된 전원 콘센트에 연결합니다. 충전 LED가 1번 깜박입니다. (그림 60)
3. 배터리를 배터리 충전기에 연결 충전 LED가 켜집니다. 배터리를 최대 24시간 충전하십시오. (그림 61)
4. 배터리 표시등 버튼을 눌러 모든 LED 표시등이 켜지면 배터리가 완전히 충전된 것입니다.
5. 전원 플러그를 당겨 배터리 충전기를 전원 콘센트에서 분리하십시오. 전원 코드를 당기지 마십시오.
6. 배터리를 배터리 충전기에서 분리합니다.

기계 반동 정보



경고: 기계 반동은 작업자 또는 다른 사람에게 심각한 부상이나 사망을 초래할 수 있습니다. 위험을 줄이려면 기계 반동의 원인을 파악하고 이를 예방하는 방법을 알아야 합니다.

기계 반동은 가이드 바의 기계 반동 구역이 물체에 닿을 때 발생합니다. 갑작스럽고 큰 힘의 기계 반동으로 제품이 작업자 방향으로 날아갈 수 있습니다.

(그림 36)

기계 반동은 항상 가이드 바의 절단 평면에서 발생합니다. 일반적으로 제품은 작업자와 반대 방향으로 튕기지만 다른 방향으로 움직일 수도 있습니다. 제품을 사용하는

방법에 따라 기계 반동이 발생할 때 이동 방향이 달라집니다.

(그림 62)

기계 반동은 가이드 바의 기계 반동 구역이 물체에 닿을 때만 발생합니다. 기계 반동 구역이 물체에 닿지 않게 하십시오.

(그림 36)

작은 바 팁 반경은 기계 반동의 힘을 감소시킵니다.

저기계 반동 체인 톱을 사용하면 기계 반동 효과를 감소시킬 수 있습니다. 기계 반동 구역이 물체에 닿지 않게 하십시오.



경고: 어떤 체인 톱도 기계 반동을 완전히 방지하지 못합니다. 항상 지침을 준수하십시오.

기계 반동에 대한 일반 질문

- 기계 반동이 있는 경우 항상 한 손으로 체인 브레이크를 작동시키게 되나요?

그렇지 않습니다. 앞 손 보호대를 앞으로 밀기 위해 약간의 힘을 사용해야 합니다. 필요한 만큼 힘을 사용하지 않으면 체인 브레이크가 작동하지 않습니다. 또한 작업하는 동안 제품의 핸들을 두 손으로 단단히 잡아야 합니다. 기계 반동이 발생하면 톱 체인이 작업자의 몸에 닿기 전에 체인 브레이크가 톱 체인을 멈추지 못할 수 있습니다. 사용자의 손이 앞 손 보호대에 닿지 않아 체인 브레이크를 작동시키지 못하는 위치도 있을 수 있습니다.

- 기계 반동이 있을 때 관성 풀림 장치가 항상 체인 브레이크를 작동시키게 되나요?

그렇지 않습니다. 먼저, 체인 브레이크가 올바르게 작동해야 합니다. 체인 브레이크 점검 방법에 대한 지침은 *제품의 안전장치 유지 보수 및 점검 페이지의 403* 을 참조하십시오. 제품을 사용하기 전에 매번 이 작업을 수행할 것을 권장합니다. 둘째, 기계 반동의 힘이 강할 때만 체인 브레이크가 작동합니다. 체인 브레이크

크가 너무 민감하면 거친 작업 중에 체결될 수 있습니다.

• **기계 반동이 있을 때 체인 브레이크가 항상 부상을 방지해 주나요?**

아니요. 보호 기능이 작동하려면 체인 브레이크가 올바르게 작동해야 합니다. 기계 반동이 있을 때 체인 브레이크가 작동되어 톱 체인을 멈추어야 합니다. 가이드 바가 작업자와 가까이 있으면 톱 체인이 작업자를 덮치기 전에 체인 브레이크가 톱 체인을 정지할 시간이 없을 수도 있습니다.



경고: 오직 작업자와 올바른 작업 기법만이 기계 반동을 예방할 수 있습니다.

제품 시동 방법

1. 파워 트리거 및 파워 트리거 로크아웃을 점검합니다. 자세한 내용은 *파워 트리거 로크아웃 점검 방법 페이지의 403항목*을 참조하십시오.
2. 체인 브레이크를 걸속합니다. (그림 63)
3. 배터리를 배터리 홀더에 삽입합니다. (그림 64)



주의: 배터리가 배터리 홀더에 연결되어 있는지 확인하십시오. 배터리가 배터리 홀더에 쉽게 들어가지 않으면 위치가 올바르지 않은 것입니다.

4. 딸깍 소리가 날 때까지 배터리의 아래 부분을 밀어넣습니다. (그림 65)
5. 시동/정지 버튼을 녹색 LED가 켜질 때까지 길게 누릅니다. (그림 66)

SavE 기능 사용 방법

SavE 기능은 체인 속도 및 제품의 출력을 감소시킵니다.

1. SavE 버튼을 누릅니다. 녹색 LED가 켜집니다.
2. 기능을 차단하려면 SavE 버튼을 다시 누릅니다. 녹색 LED가 꺼집니다. (그림 67)

제품 정지 방법

1. 녹색 LED가 꺼질 때까지 시동/정지 버튼을 누르십시오. (그림 66)
2. 실수로 시동이 걸리지 않도록 배터리 해제 버튼을 누르고 배터리 홀더에서 배터리를 분리합니다. (그림 68)

풀 스트로크 및 푸시 스트로크

제품을 2개의 다른 위치에서 사용하여 목재를 절단할 수 있습니다.

- 풀 스트로크는 가이드 바의 하단으로 절단하는 방식입니다. 체인 톱으로 나무를 끌어당기는 방식으로 절단합니다. 이 위치에서 작업하면 제품 및 기계 반동 구역의 위치를 보다 잘 통제할 수 있습니다.

(그림 69)

- 푸시 스트로크는 가이드 바의 상단으로 절단하는 방식입니다. 체인 톱이 제품을 작업자 방향으로 밀어냅니다.

(그림 70)



경고: 체인 톱이 줄기에 걸리면 제품이 작업자를 밀어낼 수 있습니다. 제품을 단단히 잡고 가이드 바의 기계 반동 구역이 나무에 닿지 않는지 확인하여 기계 반동이 일어나지 않도록 합니다.

(그림 71)

절단 기법을 사용하는 방법



경고: 절단할 때는 최대 출력을 사용하고 매 절단 후에는 속도를 공전 속도로 줄이십시오.



주의: 모터가 부하없이 너무 오래동안 작동하지 않도록 하십시오. 그러면 모터가 손상될 수 있습니다.

1. 줄기를 작업대나 러너 위에 올려 놓으십시오. (그림 72)



경고: 줄기를 더미로 절단하지 마십시오. 이는 기계 반동의 위험을 증가시키고 심각한 부상 또는 사망을 초래할 수 있습니다.

2. 작업 영역에서 절단된 조각을 치우십시오.



경고: 작업 영역에 있는 잘라낸 조각은 기계 반동의 위험을 높이며 균형을 유지할 수 없도록 합니다.

스파이크 범퍼를 사용하면

1. 스파이크 범퍼를 나무의 트렁크 안으로 밀어 넣습니다.
2. 최대 전력을 공급하고 제품을 회전합니다. 스파이크 범퍼는 트렁크에 기댄 상태를 유지합니다. 이 절차를 따르면 트렁크를 절단하는 데 필요한 힘을 더 쉽게 가할 수 있습니다. (그림 73)

지면에서 줄기를 절단하는 방법

1. 풀 스트로크로 줄기를 절단하십시오. 최대 출력을 유지하면서 갑작스런 사고에 대비하십시오. (그림 74)



경고: 절단을 완료할 때 톱 체인이 지면에 닿지 않게 하십시오.

2. 줄기의 3/4 정도 절단한 다음 정지합니다. 줄기를 회전시켜 반대쪽에서 절단합니다. (그림 75)

한쪽 끝을 받친 상태로 줄기 자르기



경고: 절단 중에 줄기가 파손되지 않도록 합니다. 아래의 지침을 준수하십시오.

(그림 76)

1. 푸시 스트로크로 줄기의 약 1/3을 자릅니다.
2. 두 개의 절단 부위가 만날 때까지 폴 스트로크로 줄기를 절단하십시오. (그림 77)

양쪽 끝을 받친 상태로 줄기 자르기



경고: 절단 중에 톱 체인이 줄기에 걸리지 않도록 하십시오. 아래의 지침을 준수하십시오.

(그림 78)

1. 폴 스트로크로 줄기의 약 1/3을 자릅니다.
2. 푸시 스트로크로 줄기의 나머지 부분을 잘라 절단을 완료합니다. (그림 79)



경고: 톱 체인이 줄기에 걸린 경우 모터를 정지하십시오. 지렛대를 사용하여 절단 부위를 벌려 제품을 빼내십시오. 제품을 손으로 빼내지 마십시오. 제품이 갑자기 빠지면 부상을 입을 수 있습니다.

가지치기 기법을 사용하는 방법

주: 두꺼운 가지의 경우 절단 기법을 사용합니다. 절단 기법을 사용하는 방법 페이지의 399를 참조하십시오.



경고: 가지치기 기법 사용 시 사고 위험이 높습니다. 기계 반동을 방지하는 방법은 기계 반동 정보 페이지의 398를 참조하십시오.



경고: 나뭇가지를 하나씩 절단합니다. 작은 가지를 제거할 때는 주의를 기울이고, 덩불이나 여러 가지가 동시에 절단하지 마십시오. 작은 가지가 톱에 걸려 제품의 안전한 작동을 방해할 수 있습니다.

주: 필요한 경우, 가지를 하나씩 잘라냅니다. 줄기(C) 근처의 가지를 잘라내기 전에 작은 가지(A)와 (B)를 잘라냅니다.

(그림 80)

1. 줄기 오른쪽에 있는 가지를 제거합니다.
 - a) 줄기 오른쪽에 가이드 바를 두고 제품 본체가 줄기를 바라보도록 합니다.
 - b) 줄기의 장력을 감안해 적절한 절단 기법을 선택합니다. (그림 81)



경고: 줄기를 절단하는 방법에 대한 확신이 서지 않으면 계속하기 전에 전문 체인 톱 기술자에게 문의하십시오.

2. 줄기 상단에 있는 가지를 제거합니다.
 - a) 줄기 위에 제품을 놓고 가이드 바가 줄기를 따라 움직이도록 합니다.
 - b) 푸시 스트로크로 절단합니다. (그림 82)
3. 줄기 왼쪽에 있는 가지를 제거합니다.
 - a) 줄기의 장력을 감안해 적절한 절단 기법을 선택합니다. (그림 83)



경고: 줄기를 절단하는 방법에 대한 확신이 서지 않으면 계속하기 전에 전문 체인 톱 기술자에게 문의하십시오.

장력을 받는 줄기를 잘라내는 방법에 대한 지침은 *장력이 높은 나무와 가지 절단 페이지의 402*를 참조하십시오.

나무 전도 기법을 사용하는 방법



경고: 나무를 쓰러뜨리는 데는 충분한 경향이 필요합니다. 가능하면 체인 톱 작업 교육 과정에 참여하십시오. 더 많은 지식과 경험을 갖춘 작업자에게 문의하십시오.

안전 거리 유지

1. 주변 사람이 나무 길이의 2와 1/2 이상을 안전 거리로 유지하도록 하십시오. (그림 84)
2. 전도 전 또는 전도 중에 이 위험 구역에 아무도 없는지 확인하십시오. (그림 85)

전도 방향을 계산하는 방법

1. 의도한 방향으로 나무가 쓰러지는지 시험합니다. 목표는 가지와 줄기를 쉽게 자를 수 있는 위치에 나무를 쓰러뜨리는 것입니다. 발을 안정적으로 디디고 안전하게 움직일 수 있는 것도 중요합니다.



경고: 위험하거나 나무를 자연스러운 방향으로 쓰러뜨릴 수 없는 경우 나무를 다른 방향으로 쓰러뜨립니다.

2. 나무의 자연적 낙하 방향을 살펴보십시오. 나무의 기울기와 굴곡, 풍향, 가지의 위치와 눈의 무게를 예로 들 수 있습니다.
3. 주변에 다른 나무, 전선, 도로 및/또는 건물 등의 장애물이 있는지 검사하십시오.
4. 줄기에서 손상과 부패의 흔적을 찾으십시오.



경고: 줄기가 부패한 경우 절단을 완료하기 전에 나무가 쓰러질 위험이 있습니다.

5. 나무를 전도시킬 때 떨어져 나와 작업자를 칠지도 모르는 손상된 또는 죽은 가지가 나무에 있는지 점검하십시오.

6. 나무가 서 있는 다른 나무 위로 쓰러지지 않도록 하십시오. 걸린 나무를 치우는 것은 매우 위험하며 사고 위험성이 높습니다. *감긴 나무를 치우는 방법 페이지의 402*를 참조하십시오. (그림 86)



경고: 위험한 전도 작업 중에는 특질이 완료될 때 청각 보호 장구를 즉시 들어올리십시오. 소리와 경고 신호를 듣는 것이 중요합니다.

가지 제거 및 퇴로 확보 방법

어깨 높이 아래로 모든 줄기를 잘라냅니다.

1. 위에서 아래로 폴 스트로크로 절단합니다. 나무가 작업자와 제품 사이에 있도록 합니다. (그림 87)
2. 나무 주변 작업 구역에서 덩불을 제거합니다. 작업 영역에서 모든 절단물을 제거합니다.
3. 작업 영역에 돌, 가지 및 구멍과 같은 장애물이 있는지 확인합니다. 나무가 쓰러지기 시작할 때 확실한 퇴로가 있어야 합니다. 퇴로는 전도 방향에서 약 135도여야 합니다.

1. 위험지대
2. 퇴로
3. 전도 방향

(그림 88)

나무 쓰러뜨리기

Husqvarna는 나무를 전도할 때 방향성 절단을 수행할 때 세이프 코너 방법을 사용하도록 권장합니다. 세이프 코너 방법을 사용하면 올바른 전도 힌지를 만들고 전도 방향을 조절할 수 있습니다.



경고: 가이드 바 길이가보다 2배 이상 큰 직경의 나무는 쓰러뜨리지 마십시오. 이런 작업을 하는 경우 특별한 교육을 받아야 합니다.

전도 힌지

나무를 전도하는 중 가장 중요한 절차는 올바른 전도 힌지를 만드는 것입니다. 올바른 전도 힌지를 만들면 전도 방향을 조절하고 전도 절차를 안전하게 수행할 수 있습니다.

전도 힌지의 두께는 나무 직경의 10% 이상이어야 합니다.



경고: 전도 힌지가 올바르지 않거나 너무 얇으면 전도 방향을 조절할 수 없습니다.

(그림 89)

방향성 절단 수행하기

1. 방향성 절단을 수행합니다. 나무 직경의 1/4 지점까지 방향성 절단을 수행합니다. 상부 절단과 하부 절단 사이의 각도는 45°여야 합니다.

- a) 먼저 상부 절단을 수행합니다. 제품의 전도 방향 표시(A)를 나무의 전도 방향(B)에 맞춥니다. 작업자는 오른쪽에 나무가 오도록 제품 뒤쪽에 섭니다. 폴 스트로크로 절단을 합니다.

- b) 하부 절단을 수행합니다. 하부 절단의 끝 지점이 상부 절단의 끝과 같은 지점에 있는지 확인합니다. (그림 90)

2. 방향성 절단선이 완전히 수평이고 전도 방향에 대해 직각(90°)인지 확인합니다. 방향성 절단선은 두 방향성 절단이 만나는 점을 통과합니다. (그림 91)

세이프 코너(Safe corner) 방법

전도 절단은 방향성 절단보다 약간 위에서 수행해야 합니다.

(그림 92)



경고: 가이드 바 팁으로 절단할 때 주의하십시오. 줄기에 관통 절단을 수행할 때 가이드 바 팁의 하단 부분으로 절단을 시작합니다.

(그림 93)

1. 사용 가능한 절단 길이가 나무 지름보다 긴 경우 다음 단계(a-d)를 수행합니다.

- a) 줄기에 직선으로 관통 절단을 수행하여 전도 힌지 너비를 완료합니다. (그림 94)

- b) 줄기의 1/2이 남을 때까지 폴 스트로크로 절단합니다.

- c) 가이드 바를 뒤쪽으로 5-10cm/2-4인치 당깁니다.

- d) 줄기의 나머지 부분을 잘라 너비에서 5-10cm/2-4인치 너비의 세이프 코너 방법을 완료합니다. (그림 95)

2. 사용 가능한 절단 길이가 나무 지름보다 짧은 경우 다음 단계(a-d)를 수행합니다.

- a) 줄기에 직선으로 관통 절단을 수행합니다. 관통 절단은 나무 직경의 3/5까지 수행해야 합니다.

- b) 남은 줄기를 폴 스트로크로 절단합니다. (그림 96)

- c) 나무의 다른 쪽에서 줄기를 직선으로 절단하여 전도 힌지를 완료합니다.

- d) 줄기의 1/2이 남을 때까지 푸시 스트로크로 절단하여 세이프 코너 방법을 완료합니다. (그림 97)

3. 뒤에서 직선으로 절단 부위에 썩기를 깎습니다. (그림 98)

4. 나무가 쓰러지도록 모서리를 절단합니다.

주: 나무가 쓰러지지 않으면 쓰러질 때까지 썩기를 때립니다.

5. 나무가 쓰러지기 시작하면 퇴로로 비켜 나무에서 떨어집니다. 나무에서 최소 5m/15ft 떨어진 곳으로 이동합니다.

갈힌 나무를 치우는 방법



경고: 갈힌 나무를 치우는 것은 매우 위험하며 사고 위험성이 높습니다. 위험 지역에서 벗어나고, 갈힌 나무를 쓰러뜨리지 마십시오.

(그림 99)

가장 안전한 절차는 다음 원치 중 하나를 사용하는 것입니다.

- 트랙터 탑재

(그림 100)

- 휴대용 장비 이용

(그림 101)

장력이 높은 나무와 가지 절단

1. 나무에서 어느 쪽의 나무와 가지에 장력이 가해졌는지 찾아냅니다.
2. 최대 장력 지점을 찾아냅니다. (그림 102)
3. 장력을 없애는 가장 안전한 절차가 무엇인지 조사합니다.

주: 어떤 상황에서는 제품이 아니라 원치를 사용하는 것이 유일한 안전 절차입니다.

4. 나무나 가지가 장력이 풀릴 때 작업자에 닿지 않는 위치에 머무르십시오. (그림 103)
5. 장력을 줄이는데 필요한 충분한 깊이의 절단 부위를 하나 이상 만듭니다. 최대 장력점에 또는 그 가까이 절단을 하십시오. 나무 또는 가지가 최대 장력점에서 부러지게 하십시오. (그림 104)



경고: 장력을 받고 있는 나무 또는 가지를 절대 바로 자르지 마십시오!



경고: 장력을 받고 있는 나무를 자를 때 각별히 주의하십시오. 나무를 자르기 전이나 후에 나무가 빨리 움직일 위험이 있습니다. 잘못된 위치에 있거나 잘못 잘라낸 경우 심각한 부상을 입을 수 있습니다.

6. 나무/가지를 가로로 잘라야 하는 경우, 1인치 간격을 두고 2인치 길이로 2-3번 절단하십시오. (그림 105)
7. 나무/가지가 휘어지거나 장력이 사라질 때까지 계속 해서 더 깊이 자릅니다. (그림 106)
8. 일단 장력이 풀린 다음 나무/가지가 구부러진 곳의 반대쪽으로부터 절단합니다.

유지 보수

서문



경고: 제품의 유지 보수 작업을 수행하기 전에 안전 장을 읽고 이해하십시오.

다음은 제품에 반드시 행해야 하는 유지 보수 단계 목록입니다. 참조: *유지 보수 페이지의 402* 자세한 내용은 다음을 참조하십시오.

유지 보수 일정



경고: 유지 보수를 하기 전에 배터리를 제거하십시오.

유지 보수	사용 전	매주	매월
제품의 외부 부품을 청소하십시오.	X		
파워 트리거와 파워 트리거 로크아웃 기능이 안전상 올바르게 작동하는지 확인하십시오.	X		
체인 브레이크를 청소하고 체인 브레이크가 안전하게 작동하는지 확인하십시오. 체인 캐처가 손상되지 않았는지 확인하십시오. 필요하면 교체하십시오.	X		
골고루 마모되도록 가이드 바를 돌립니다. 가이드 바의 윤활 구멍이 막히지 않았는지 확인합니다. 바 흙을 청소하십시오.	X		
절단기와 절단기 가드에 균열이 없고 손상되지 않았는지 확인합니다. 균열이 있거나 충격을 받았다면 절단기 또는 절단기 가드를 교체합니다.	X		
가이드 바 및 톱 체인에 충분한 오일이 남아 있는지 확인합니다.	X		

유지 보수	사용 전	매주	매월
체인 톱을 점검합니다. 균열이 있는지 확인하고 톱 체인이 뺏뺏하거나 비정상적으로 닿지 않았는지 확인합니다. 필요하면 교체하십시오.	X		
톱 체인을 연마합니다. 장력과 상태를 점검합니다. 구동 스프로킷이 마모되었는지 확인하고 필요 시 교체합니다.	X		
제품의 공기 흡입구를 청소하십시오.	X		
나사와 너트가 단단히 조여졌는지 확인합니다.	X		
키패드가 제대로 작동하며 손상되지 않았는지 확인합니다.	X		
줄을 사용하여 가이드 바 가장자리에서 들쭉날쭉한 부분을 제거합니다.		X	
배터리와 제품 사이의 연결을 점검합니다. 배터리와 배터리 충전기 사이의 연결을 점검합니다.			X
오일 탱크를 비우고 청소합니다.			X
압축 공기로 부드럽게 제품과 배터리 냉각 슬롯을 청소하십시오.			X

제품의 안전장치 유지 보수 및 점검

앞 손 보호대 점검 방법

앞 손 보호대와 관성 브레이크 폴림을 정기적으로 점검합니다.

1. 앞 손 보호대에 균열 등의 손상이 없는지 확인합니다. (그림 107)
2. 앞 손 보호대가 자유롭게 움직이고 제품에 안전하게 부착되었는지 확인합니다. (그림 108)
3. 모터를 끄고 제품을 그루터기나 고정된 표면에 듭니다.
4. 뒤 핸들을 잡고 앞 핸들을 놓아 제품이 그루터기로 떨어지게 합니다. (그림 109)
5. 가이드 바가 그루터기에 부딪힐 때 체인 브레이크가 작동하는지 확인합니다.

브레이크 트리거 점검 방법

1. 제품을 안정된 지면 위에 놓고 시동시킵니다. **작동 페이저의 397**를 참조하십시오.



경고: 톱 체인이 지면 또는 기타 물체에 닿지 않게 합니다.

2. 손가락으로 핸들을 감싸고 제품을 단단히 잡으십시오. (그림 110)
3. 최대 출력을 적용하고 왼손 손목을 앞 손 보호대 쪽으로 기울여서 체인 브레이크를 작동합니다. 톱 체인이 즉시 정지해야 합니다. (그림 111)



경고: 앞 핸들을 놓아서는 안 됩니다.

파워 트리거 로크아웃 점검 방법

1. 파워 트리거와 파워 트리거 로크아웃이 부드럽게 움직이는지, 리턴 스프링이 올바르게 작동하는지 점검하십시오. (그림 112)
2. 파워 트리거 로크아웃을 앞으로(A) 누르고 아래로(B) 누르십시오. 파워 트리거 로크아웃을 핸들에 대고 유지한 다음 놓으면 원래 위치로 돌아오는지 확인하십시오. (그림 113)
3. 파워 트리거 로크아웃을 풀었을 때 공전 위치에서 파워 트리거가 잠기는 것을 확인하십시오. (그림 114)
4. 제품의 시동을 걸고 최대 출력을 공급합니다.
5. 파워 트리거를 풀고 톱 체인이 정지하여 가만히 있는지를 점검합니다.



경고: 파워 트리거가 공전 위치에 있는 경우에 톱 체인이 회전하면 서비스 대리점에 문의하십시오.

체인 캐처 점검 방법

1. 체인 캐처가 손상되지 않았는지 확인하십시오.
2. 체인 캐처가 안정되어 있고 제품 본체에 부착되어 있는지 확인하십시오. (그림 115)

사용자 인터페이스 기능 점검 방법

1. 제품을 시동합니다. 자세한 내용은 **제품 시동 방법 페이저의 399**항목을 참조하십시오.
2. 시동/정지 버튼을 길게 누릅니다.
3. 제품이 정지하고 녹색 LED가 꺼지는지 확인합니다. (그림 66)

배터리 및 배터리 홀더 점검 방법

1. 부드러운 브러시로 배터리와 배터리 홀더를 청소합니다.
2. 냉각 슬롯과 배터리 커넥터를 청소합니다. (그림 116)

3. 배터리에 균열이나 기타 손상이 없는지 확인하십시오.

배터리 충전기 점검 방법

1. 배터리 충전기와 전원 공급 코드가 손상되지 않았는지 확인합니다. 갈라진 틈 및 기타 손상이 있는지 확인합니다. (그림 117)

냉각 시스템 청소 방법

냉각 시스템은 모터 온도를 낮게 유지합니다. 냉각 시스템에는 제품의 왼쪽에 있는 공기 흡입구와 모터에 있는 팬이 포함됩니다.

1. 매주 또는 필요한 경우 더 자주 브러시로 냉각 시스템을 청소하십시오. (그림 118)
2. 냉각 시스템이 더럽거나 막히지 않도록 하십시오.



주의: 더럽거나 막힌 냉각 시스템으로 인해 제품이 너무 뜨거워질 수 있습니다. 그러면 제품이 손상될 수 있습니다.

톱 체인 연마 방법

가이드 바 및 톱 체인 정보



경고: 톱 체인을 사용하거나 유지 보수할 때에는 보호 장갑을 착용하십시오. 움직이지 않는 톱 체인으로 인해 부상을 입을 수도 있습니다.

마모되었거나 손상된 가이드 바 또는 톱 체인을 Husqvarna에서 권장하는 가이드 바 및 톱 체인 조합으로 교체합니다. 이는 제품의 안전 기능을 유지하는 데 필요합니다. 권장되는 교체용 바 및 체인 조합의 목록은 *액세서리 페이지의 409*를 참조하십시오.

- 가이드 바 길이, 인치/cm 가이드 바 길이에 대한 자세한 내용은 일반적으로 가이드 바 뒤쪽 끝에 있습니다.

(그림 119)

- 바 끝 스포로켓 부분의 이 수(T)

(그림 120)

- 체인 피치, 인치. 톱 체인의 구동 고리간 거리는 바 끝 스포로켓과 구동 스포로켓 부분에 있는 이의 거리와 일치해야 합니다.

(그림 121)

- 구동 고리의 수 구동 고리 수는 가이드 바 유형에 따라 결정됩니다.

(그림 122)

- 바 홈 폭, 인치/mm. 가이드 바의 홈 너비는 체인 구동 고리 폭과 같아야 합니다.

(그림 123)

- 체인 오일 구멍 및 체인 텐서너 구멍. 가이드 바가 제 품에 맞아야 합니다.

(그림 124)

- 구동 고리 폭, mm/인치.

(그림 125)

절단기를 연마하는 방법에 대한 일반 정보

무딘 톱 체인을 사용하지 마십시오. 톱 체인이 무딘 경우 가이드 바 목재에 밀어 넣기 위해 더 많은 압력을 가해야 합니다. 톱 체인이 매우 무딘 경우 목재 조각이 아닌 톱 발 먼지가 생깁니다.

날카로운 톱 체인은 목재에 잘 먹히고, 목재 조각이 길고 두꺼워 집니다.

톱 체인의 절단부인 절단기는 절단 이(A)와 깊이 게이지(B)로 구성됩니다. 절삭 깊이(깊이 게이지 설정)는 둘 사이의 높이 차이에 의해 결정됩니다.

(그림 126)

절단기를 연마할 때 다음 요소를 고려해야 합니다.

- 연마각

(그림 127)

- 절단각

(그림 128)

- 평줄 위치

(그림 129)

- 원형 줄 직경

(그림 130)

올바른 장비가 없으면 톱 체인을 정확하게 연마하기가 쉽지 않습니다. Husqvarna 권장 연마용 게이지를 사용하십시오. 이는 최대의 절단 성능과 최소의 기계 반동 위험을 유지하는 데 도움이 됩니다.



경고: 연마 지침을 따르지 않으면 기계 반동의 힘이 커집니다.

주: *액세서리 페이지의 409*에서 톱 체인의 연마에 대한 정보를 확인하십시오.

절단기 연마 방법

1. 원형 줄과 파일게이지를 사용하여 절단 이를 연마합니다. (그림 131)

주: *액세서리 페이지의 409* 항목에서 Husqvarna에서 톱 체인에 권장하는 줄 및 게이지에 대한 정보를 참조하십시오.

2. 절단기에 파일 게이지를 올바르게 적용합니다. 파일 게이지와 함께 제공된 지침을 참조하십시오.
3. 절단 이의 안쪽에서 밖으로 줄을 움직입니다. 폴 스트로크의 압력을 줄입니다. (그림 132)
4. 모든 절단 이의 한쪽 면에서 물질을 제거합니다.
5. 제품을 뒤집고 반대편에 있는 물질을 제거합니다.
6. 모든 절단 이 길이가 동일인지 확인하십시오.

깊이 게이지 설정을 조정하는 방법에 대한 일반 정보

절단 이(A)를 연마하면 깊이 게이지 설정(C)이 줄어들립니다. 최대 절단 성능을 유지하려면 깊이 게이지(B)에서 연

마 재료를 제거하여 권장 깊이 게이지 설정에 이르도록 해야 합니다. *액세서리 페이지의 409*에서 톱 체인에 대한 정확한 깊이 게이지 설정을 얻는 방법에 대한 지침을 참조하십시오.

(그림 133)



경고: 깊이 게이지 설정 범위가 너무 넓으면 기계 반동의 위험이 증가합니다!

깊이 게이지 설정 조정 방법

깊이 게이지 설정을 조정하거나 절단기를 연마하기 전에 *절단기 연마 방법 페이지의 404*의 지침을 참조하십시오. 절단기를 세 번씩 연마할 때마다 깊이 게이지 설정 조정을 권장합니다.

올바른 깊이 게이지 설정과 깊이 게이지에 대한 경사각을 얻기 위해서는 당사의 깊이 게이지 도구를 사용하실 것을 권장합니다.

(그림 134)

1. 평줄과 깊이 게이지 도구를 사용하여 깊이 게이지 설정을 조정하십시오. 올바른 깊이 게이지 설정과 깊이 게이지에 대한 경사각을 얻기 위해서는 Husqvarna 권장 깊이 게이지 도구만을 사용하십시오.
2. 깊이 게이지 도구를 톱 체인 위에 두십시오.

주: 이 도구를 사용하는 방법에 대한 자세한 내용은 깊이 게이지 도구 패키지를 참조하십시오.

3. 평줄을 사용해 깊이 게이지 도구를 지나 연장되어 있는 깊이 게이지 끝부분을 제거합니다. (그림 135)

체인 톱 장력 조절 방법



경고: 장력이 올바르지 않은 체인 톱이 가이드 바에서 느슨해지면 심각한 부상 또는 사망을 초래할 수 있습니다.

이를 사용하면 체인 톱이 더 길어집니다. 체인 톱을 정기적으로 조절하십시오. 체인 오일을 채울 때마다 톱 체인 장력을 확인하십시오.

주: 새 톱 체인에는 길들이기 위해 필요한 기간이 있으며 그 동안에는 장력을 더 자주 점검해야 합니다.

체인 톱 장력 조절 방법(바 손잡이)

1. 손잡이를 펴서 여십시오. (그림 136)
2. 손잡이를 시계 반대방향으로 돌려 구동 스프로킷의 덮개를 느슨하게 하십시오. (그림 137)
3. 체인 텐서너 휠을 돌려 톱 체인의 장력을 조정합니다. 톱 체인은 가이드 바에 단단히 조여야 합니다. (그림 138)

주: 휠을 아래로 돌리면(+) 장력이 커지고 위로(-) 돌리면 장력이 작아집니다.

4. 체인 톱을 손으로 당겼을 때 자유롭게 돌아가는지 그리고 가이드 바가 처지지 않는지 점검합니다. (그림 139)
5. 손잡이를 시계방향으로 돌려 바 손잡이를 조이십시오. (그림 140)
6. 손잡이를 접어서 장력을 고정합니다. (그림 141)

체인 톱 장력 조절 방법(바 볼트)

1. 구동 스프로킷 덮개를 고정하는 바 너트를 풀니다. 콤비네이션 렌치를 사용하십시오. (그림 142)
2. 가이드 바의 앞쪽을 들어 올리고 체인 장력 조절 나사를 돌립니다. 콤비네이션 렌치를 사용하십시오.
3. 톱 체인을 가이드 바에 단단히 조입니다. (그림 143)
4. 콤비네이션 렌치를 사용하여 바 너트를 조이고 동시에 가이드 바의 앞을 들어 올립니다. (그림 144)
5. 체인 톱을 손으로 당겼을 때 자유롭게 돌아가는지 그리고 가이드 바가 처지지 않는지 점검합니다. (그림 139)

주: 자세한 내용은 *제품 개요 페이지의 389* 제품의 체인 장력 조절 나사 위치는 을(를) 참조하십시오.

체인 톱 윤활 점검 방법

배터리를 3회 충전할 때마다 톱 체인 윤활을 점검하십시오.

1. 제품을 시동하고 3/4 출력으로 작동 시키십시오. 밝은 색상의 표면 위로 약 20cm(8인치) 정도에서 바를 잡으십시오.
2. 톱 체인 윤활이 올바르게 1분 후에 표면에 선명한 오일 선이 보일 것입니다. (그림 145)
3. 톱 체인 윤활이 올바르게 않으면 다음 사항을 확인합니다.
 - a) 가이드 바의 오일 통로가 막히지 않았는지 점검합니다. 필요하면 청소합니다. (그림 146)
 - b) 가이드 바의 가장자리 홈이 깨끗한지 점검합니다. 필요하면 청소합니다. (그림 147)
 - c) 가이드 바 끝 스프로킷이 자유롭게 회전하고 끝 스프로킷의 윤활 구멍이 막히지 않았는지 점검합니다. 필요하면 청소하고 윤활합니다. (그림 148)
4. 위의 단계를 수행한 후에 톱 체인 윤활이 작동하지 않으면 서비스 대리점에 문의하십시오.

체인 구동 스프로킷 점검 방법

- 체인 구동 스프로킷의 마모 여부를 검사합니다. 필요하면 체인 구동 스프로킷을 교체하십시오.
- 톱 체인을 교체할 때마다 체인 구동 스프로킷도 교체합니다. (그림 149)

절단 장비 검사 방법

1. 리벳과 고리에 금이 간 곳이 없는 지와 리벳이 풀리지 않았는지 확인합니다. 필요하면 교체하십시오. (그림 150)
2. 톱 체인을 쉽게 구부릴 수 있는지 확인합니다. 굽어 버린 경우 톱 체인을 교체하십시오.

3. 톱 체인을 새 톱 체인과 비교하여 리벳과 링크가 마모되었는지 검사합니다.
4. 절단 이의 가장 긴 부분이 4 mm/0.16인치 이하인 경우 톱 체인을 교체하십시오. 절단기에 금이 있으면 톱 체인을 교체하십시오. (그림 151)

가이드 바 점검 방법

1. 오일 채널이 막혀 있지 않은지 확인합니다. 필요하면 청소하십시오. (그림 146)
2. 가이드 바의 가장자리에 들쭉날쭉한 부분이 있는지 확인합니다. 파일을 사용하여 거친 부분을 제거합니다. (그림 152)

3. 가이드 바의 홈을 청소합니다. (그림 147)
4. 가이드 바의 홈이 마모되었는지 검사합니다. 필요한 경우 가이드 바를 교체합니다. (그림 153)
5. 가이드 바 끝부분이 거칠거나 마모되었는지 확인합니다. (그림 154)
6. 바 끝 스프로킷이 자유롭게 회전하고 끝 스프로킷의 윤활 구멍이 막히지 않았는지 점검합니다. 필요하면 청소하고 윤활합니다 (그림 148)
7. 수명주기를 연장하려면 가이드 바를 매일 돌리십시오. (그림 155)

고장 수리

사용자 인터페이스

LED 화면	발생 가능한 결합	가능한 해결 방법
경고 표시등이 깜박입니다.	체인 브레이크가 맞물렸습니다.	체인 브레이크를 해제합니다.
	주변 온도가 너무 낮거나 높습니다.	제품이 식도록 둡니다.
	과부하가 걸렸습니다. 톱 체인이 움직이지 않습니다.	체인 톱을 푸십시오.
	파워 트리거와 시동/정지 버튼을 동시에 눌렀습니다.	파워 트리거를 해제하고 제품을 작동하십시오.
주황색 활성 LED가 깜박입니다.	배터리 전압이 부족합니다.	배터리를 충전하십시오.
경고 표시등이 켜졌습니다.	서비스.	서비스 대리점에 문의하십시오.

배터리

LED 디스플레이	발생 가능한 결합	가능한 해결 방법
녹색 LED가 깜박임.	배터리 전압이 부족합니다.	배터리를 충전하십시오.

LED 디스플레이	발생 가능한 결함	가능한 해결 방법
오류 LED가 깜박임.	주변 온도가 너무 낮거나 높습니다.	배터리는 -10°C~40°C(14°F~104°F)의 온도에서 사용하십시오.
	전압이 너무 높습니다.	주전압이 제품 전압과 일치하는지 확인하십시오. 제품의 명판을 확인하십시오. 배터리를 배터리 충전기에서 분리합니다.
오류 LED가 켜짐.	셀 차이(1V)가 너무 큼니다.	서비스 대리점에 문의하십시오.

배터리 충전기

조건	발생 가능한 결함	가능한 절차
충전 LED가 빨간색입니다.	영구적인 배터리 충전기 오류입니다.	대리점에 문의하십시오.
충전 LED가 녹색으로 깜박입니다.	온도 편차, 즉 배터리가 너무 차갑거나 너무 뜨거워서 사용하거나 충전할 수 없습니다.	배터리가 식을 때까지 기다리거나 배터리를 따뜻하게 만드십시오. 배터리의 온도가 올바르게 다시 사용하거나 충전할 수 있습니다. 배터리 충전기는 5°C~40°C의 주변 온도에서 사용하십시오.
충전 LED가 빨간색으로 깜박입니다.	배터리에 결함이 있습니다.	대리점에 문의하십시오.

운송, 보관 및 폐기

운반 및 보관

- 제공된 리튬 이온 배터리는 위험 물질 규제를 준수합니다.
- 제삼자나 운송 중개인에 의해 이루어지는 상용 운송에 대해서는 포장 및 라벨에 대한 특수 요구사항을 준수하십시오.
- 제품을 보내기 전에 위험한 물체에 대한 특별한 교육을 받은 사람에게 문의하십시오. 모든 해당 국가 규정을 준수하십시오.
- 배터리를 패키지에 넣을 때 개방된 접점에 테이프를 사용하십시오. 배터리가 움직이지 않도록 패키지에 뽁뽁하게 넣으십시오.
- 보관하거나 운반할 때 항상 배터리를 분리합니다.
- 건조하고 습기 및 서리가 없는 공간에 배터리와 배터리 충전기를 보관하십시오.
- 정전기가 발생할 수 있는 장소에 배터리를 보관하지 마십시오. 배터리를 금속 상자에 보관하지 마십시오.
- 온도가 5°C~25°C(41°F~77°F) 사이이고 햇볕이 비치지 않는 곳에 배터리를 보관하십시오.
- 온도가 5°C~45°C(41°F~113°F) 사이이고 햇볕이 비치지 않는 곳에 배터리 충전기를 보관하십시오.
- 주변 온도가 5°C~40°C(41°F~104°F)일 때만 배터리 충전기를 사용하십시오.

- 장기간 보관하기 전에 배터리를 30%~50% 충전하십시오.
- 배터리 충전기를 폐쇄되고 건조한 공간에 보관하십시오.
- 보관 중에는 배터리를 배터리 충전기에서 멀리 보관하십시오. 어린이 및 기타 인가되지 않은 사람이 장비를 만지지 못하게 하십시오. 잠글 수 있는 공간에 장비를 보관하십시오.
- 제품을 장기간 보관하기 전에 청소하고 전체 서비스를 수행하십시오.
- 운반 및 보관 중에 부상이나 제품의 손상을 방지하려면 제품의 운송용 보호대를 사용하십시오.
- 제품을 안전하게 고정하여 운반하십시오.

배터리, 배터리 충전기 및 제품의 폐기

아래의 기호는 제품이 가정용 폐기물이 아님을 의미합니다. 전기 및 전자 장비 재활용 처리장에서 재활용하십시오. 이는 환경 및 사람에 대한 손상을 방지하는 데 도움이 됩니다.

자세한 정보는 지방 당국, 가정용 폐기물 서비스 또는 판매점에 문의하십시오.

(그림 24)

주: 기호는 제품 또는 제품 패키지에 표시됩니다.

기술 정보

기술 정보

	225i
모터	
유형	BLDC(무브러시) 36V
기능	
저 에너지 모드	SavE
윤활 시스템	
오일 펌프 타입	자동
오일 탱크 용량, l/cm ³	0.2/200
중량	
배터리를 제외한 엔진톱, 가이드 바, 톱 체인 및 빈 체인 오일 탱크, kg	3.1
소음 배출⁵⁸	
소음 출력 수준, 측정 dB(A)	97
소음 출력 수준, 보장 L _{WA} dB(A)	100
소음 수준⁵⁹	
EN 62841-1에 따라 측정된 작업자 청각에서의 음압 수준	89
진동 수준⁶⁰	
앞 핸들 m/s ²	3.9
뒤 핸들 m/s ²	3.9
체인 톱/가이드 바	
권장 바 길이, 인치/cm	12-14/30.5-35.6
사용 가능 절단 길이, 인치/cm	11-13/27-33.2
구동 스프로킷 유형/이의 수	스퍼/6
최대 체인 속도/(일반 모드), m/s	11.8
최대 체인 속도/(savE 모드), m/s	9.4

⁵⁸ EC 지침 2000/14/EC 및 EN ISO 22868에 따른 소음 출력으로 환경에서 측정된 소음 배출(L_{WA})의 일반적인 통계 분산(표준 편차)은 3dB(A)입니다.

⁵⁹ 장비의 음압 수준에 대해 보고된 데이터에 따르면 일반적인 통계 분산(표준 편차)은 3dB(A)입니다.

⁶⁰ EN 62841-4-1에 따른 진동 수준. 진동 수준에 대해 보고된 데이터는 일반적인 통계 분산(표준 편차)인 1.5m/s²입니다. 규정된 진동 데이터는 바와 권장 체인 유형이 장착된 장비에서 측정되었습니다. 장비에 길이가 다른 바가 장착된 경우 진동 수준은 최대 ± 1.5 m/s²까지 달라질 수 있습니다.

액세서리

가이드 바 및 톱 체인 조합






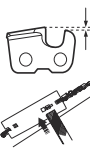
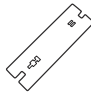






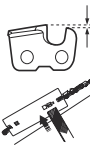
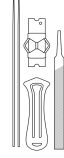

다음과 같은 절단용 부품이 Husqvarna 225i에 승인되었습니다.

가이드 바					체인 톱	
유형	길이, 인치	체인 피치, 인치	게이지, mm	최대 코 반경	유형	길이, 구동 고리(없음)
501959545	12	3/8인치 미니	1.1	7T	Husqvarna H38 (581808145)	45
501959552	14	3/8인치 미니	1.1	7T	Husqvarna H38 (581807952)	52

연마 장비 및 연마 각도

체인 톱 연마에는 Husqvarna 연마용 게이지를 사용하십시오. Husqvarna 연마용 게이지로 정확한 연마각을 얻을 수 있습니다. 부품 번호는 아래 표에 명시되어 있습니다.

제품의 체인 톱 유형을 확인하는 방법을 잘 모르는 경우 자세한 내용은 www.husqvarna.com을(를) 참조하십시오.

							
38	11/64인치/ 4.5 mm	75°	30°	0°	0.025인치/ 0.65mm	505 69 81-03	579 55 88-01
							
93	5/32인치/4.0 mm	60°	30°	0°	0.025인치/ 0.65mm	596 63 89-01	596 63 89-01

인가된 배터리

배터리	40-B140
유형	리튬이온
배터리 용량(Ah)	4
공칭 전압, V	36

배터리	40-B140
중량(kg)	1.25

제품에 대해 인가된 배터리 충전기

배터리 충전기	40-C80
주전원 전압, V	100-240
주파수, Hz	50-60
전력, W	72
출력 전압, V d.c. 암페어, A	43/1.6

준수 선언문

EU 준수 선언문

우리 **Husqvarna AB**, SE-561 82 Huskvarna, 스웨덴, 전
화: +46-36-146500는 당사의 전적인 책임하에 본 제품이

설명	무선 엔진톱
브랜드	Husqvarna
유형 / 모델	225i
식별	2023년도 일련번호부터 그 이후

다음의 EU 지침 및 규정을 모두 준수하고

지침/규정	설명
2006/42/EC	"장비류 관련"
2014/30/EU	"자기 호환성 관련"
2011/65/EU	"전기 및 전자 장치의 특정 위험 물질 사용에 관한 제한"
2000/14/EC	"환경에 대한 소음 배출 관련"

다음 표준이 적용되었습니다. EN
62841-1:2015+A11:2022, EN 62841-4-1:2020, EN IEC
63000:2018, EN IEC 55014-1:2021, EN IEC
55014-2:2021.

통보처: TÜV Rheinland LGA Products GmbH,
Tillystrasse 2, D-90431 Nuernberg, Germany, 0197,는
기계류 지침(2006/42/EC) 제12조 3b항에 의거 EC 형식
검사를 실시했습니다. 인증서 번호: BM 50604678 0001.

공급된 엔진톱은 EC 형식 검사를 받은 견본과 일치합니
다.

지침 2000/14/EC, 부록 V에 따라 선언된 사운드 값은 기
술 정보 페이지의 408 항목을 참조하십시오.

Huskvarna, 2023-10-30



Claes Losdal, 허스크바나 AB의 R&D 관리자
기술 문서 책임자



TURINYS

Įvadas.....	412	Gedimai ir jų šalinimas.....	432
Sauga.....	413	Transportavimas, saugojimas ir utilizavimas.....	433
Surinkimas.....	420	Techniniai duomenys.....	434
Naudojimas.....	421	Priedai.....	435
Techninė priežiūra.....	427	Atitikties deklaracija.....	437

Įvadas

Numatytasis naudojimas

Šis grandininis pjūklas skirtas tokiems miško darbams kaip medžių pjovimas, genėjimas ir pjaustymas.

Pasižymėkite: Nacionaliniai įstatymai gali nustatyti apribojimus šio produkto naudojimui.

Gaminio apžvalga

(Pav. 1)

1. Mechaninis saugiklis
2. Priekinė rankena
3. Naudotojo sąsaja
4. Paleidimo / stabdymo mygtukas
5. Įspėjimo indikatorius ir akumulatoriaus indikatorius
6. „SavE“ mygtukas
7. Galinė rankena su dešinės rankos apsauga
8. Informacinė ir įspėjimo lentelė
9. Garažas
10. Grandinės alyvos bakas
11. Transportavimo gaubtas
12. Maitinimo jungiklio fiksatorius
13. Maitinimo jungiklis
14. Varančiosios žvaigždutės gaubtas su plokštės rankenėle
15. Grandinės įtempiklis
16. Grandinės gaudiklis
17. Buferis
18. Pjovimo juostos žvaigždutė
19. Pjūklo grandinė
20. Kreipiančioji juosta
21. Įkrovos būsenos indikatorius
22. Jungtis
23. Akumulatoriaus įkroviklis
24. Kombinuotasis veržlįraktis
25. Įspėjamasis indikatorius
26. Mygtukas, akumulatoriaus būsenai
27. Akumulatoriaus būsenai
28. Akumulatoriaus nuėmimo mygtukas
29. Akumulatorius
30. Naudojimo instrukcija
31. Plokštės rankenėlė

Gaminio aprašas

„Husqvarna225i“ yra grandininio pjūklo modelis su elektriniu varikliu.

Nuolat stengiamės didinti jūsų saugumą ir darbo efektyvumą. Dėl išsamesnės informacijos kreipkitės į įgaliotąjį techninės priežiūros atstovą.

32. Varančiosios žvaigždutės gaubtas su juostos varžtu

Simboliai ant gaminio

- (Pav. 2) [SPĖJIMAS. Šis gaminys gali būti pavojingas ir rimtai sužeisti arba prazūdyti naudotoją arba aplinkinius. Būkite atsargūs ir tinkamai naudokite gaminį.
- (Pav. 3) Prieš naudodami gaminį atidžiai perskaitykite naudojimo instrukciją ir įsitikinkite, kad instrukcijas suprantate.
- (Pav. 4) Naudokite patvirtintą galvos apsaugą, apsauginę ausines ir akių apsaugos priemones.
- (Pav. 5) Dirbdami su gaminiu laikykite jį 2 rankomis.
- (Pav. 6) Nedirbkite laikydami gaminį tik 1 ranka.
- (Pav. 7) Neleiskite pjovimo juostos galui paliesti objekto.
- (Pav. 8) Negalima naudoti lyjant.
- (Pav. 9) Įspėjimas! Atatranka gali įvykti kreipiančiosios juostos galui palietus objektą. Dėl to kreipiančioji juosta bus išmesta į operatoriaus pusę. Rimto arba mirtino sužeidimo pavojus.
- (Pav. 10) Vardinė įtampa, V
- (Pav. 11) Grandinės alyva.
-

- (Pav. 12) Pjūklo grandinės sukimosi kryptis ir didžiausias kreipiančiosios juostos ilgis.
- (Pav. 13) Nuolatinė srovė.
- (Pav. 14) **Aplinkosaugos simbolis.** Gaminys ar gaminio pakuotė nepriskiriami būtinoms atliekoms. Nuvežkite jį į elektros ir elektronikos įrenginių perdirbimo punktą.
- (Pav. 15) Šis gaminys atitinka taikomas ES direktyvas.
- (Pav. 16) Šis gaminys atitinka taikomus JK reglamentus.
- (Pav. 17) Triukšmo emisijos į aplinką ženklimas atitinka Europos direktyvą 2000/14/EB, Jungtinės Karalystės direktyvas bei reglamentus ir Naujojo Pietų Velslo įstatymą „2017 m. aplinkos apsaugos (triukšmo kontrolės) reglamentas“. Gaminio garantuotasis garso galios lygis nurodytas *Techniniai duomenys psl. 434* ir etiketėje.
- (Pav. 21) Grandinės stabdys, įjungtas (priekinis). Grandinės stabdys, išjungtas (galinis).
- (Pav. 22) Grandinės kryptis.
- (Pav. 23) Nominalių parametrų plokštelėje nurodytas serijos numeris. **yyy** yra pagaminimo metai, **ww** yra pagaminimo savaitė.

Simboliai ant akumulatoriaus ir (ar) akumulatoriaus įkroviklio

- (Pav. 24) Nuvežkite šį gaminį į elektros ir elektronikos įrenginių perdirbimo punktą. (galioja tik Europoje)
- (Pav. 18) Apsaugotas transformatorius.
- (Pav. 19) Akumulatoriaus įkroviklį naudokite ir laikykite tik uždaroje patalpoje.
- (Pav. 20) Dviguba izoliacija.

Gamintojas

Husqvarna AB

Drottninggatan 2, SE-561 82, Huskvarna, Sweden, tel: +46-36-146500

Produkto pažeidimai

Mes neatsakome už mūsų gaminio sugadinimą, jei:

- gaminys netinkamai suremontuotas;
- gaminys suremontuotas naudojant kito gamintojo arba gamintojo nepatvirtintas dalis;
- gaminys turi kito gamintojo arba gamintojo nepatvirtintą priedą;
- gaminys suremontuotas ne patvirtintame techninės priežiūros centre arba jį suremontavo ne patvirtintas atstovas.

Pasižymėkite: Kiti ant gaminio pateikti simboliai (etiketės) skirti kai kurių rinkų sertifikavimo reikalavimams.

Sauga

Saugos ženklų reikšmės

Įspėjimai, perspėjimai ir pastabos yra skirtos atkreipti dėmesį į ypač svarbias vadovo dalis.



PERSPĖJIMAS: Naudojamas, kai naudotojui ar šalia esantiems asmenims kyla mirtino arba sunkaus sužeidimo pavojus arba, jei nesilaikoma vadove pateiktų nurodymų.



PASTABA: Naudojamas, kai kyla pavojus sugadinti gaminį, kitas medžiagas

arba padaryti žalą aplinkai, jei nesilaikoma vadove pateiktų nurodymų.

Pasižymėkite: Naudojamas papildomai informacijai apie konkrečią situaciją pateikti.

Bendrieji saugos įspėjimai naudojant elektrinius įrankius



PERSPĖJIMAS: Perskaitykite visus saugos nurodymus, instrukcijas, iliustracijas ir specifikacijas, pateikiamas su šiuo

elektrinių įrankių. Nesilaikydami toliau nurodytų instrukcijų galite sukelti gaisrą, gauti elektros smūgį ir (ar) rimtai susižeisti.

- **Saugokite visus įspėjimus ir instrukcijas, nes jų gali pritrūkti vėliau.** Terminas „elektros įrankis“ įspėjimuose reiškia iš elektros tinklo maitinamą (laidinį) elektros įrankį arba akumuliatoriumi maitinamą (belaidį) elektros įrankį.

Sauga darbo vietoje

- **Darbo vieta turi būti švari ir gerai apšviesta.** Netvarkingose arba tamsiose darbo vietose dažnai įvyksta nelaimės.
- **Nenaudokite elektros įrankių sprogiuose aplinkose, pavyzdžiui, ten, kur yra lengvai užsidegančių skysčių, dujų arba dulkių.** Elektros įrankiai kibirkščiuoja, todėl gali užsiliepsnoti dulkės arba garai.
- **Naudodami elektros įrankį, neleiskite arti būti vaikams ir pašaliniais asmenims.** Išsiblaškę galite prarasti įrenginio kontrolę.

Elektrosauga

- **Elektrinių įrankių kištukai turi atitikti elektros lizdus.** Niekada nebandykite kokių nors būdu perdaryti kištuko. Jei naudojate įžemintus elektros įrankius, nenaudokite jokių kištukų adapterių. Jeigu kištukai nėra perdaryti ir atitinka elektros lizdus, elektros smūgio pavojus yra mažesnis.
- **Nesilieskite prie elektros laidininkų paviršių, pavyzdžiui, vamzdžių, radiatorių, viryklių ir šaldytuvų.** Jei kūnas taps elektros laidininku, iškils elektros smūgio pavojus.
- **Nelaikykite elektrinių įrankių lietuje arba drėgnoje aplinkoje.** Į elektrinį įrenginį patekęs vanduo padidina elektros smūgio pavojų.
- **Tinkamai naudokite laidą.** Niekada neneškite įrankio laikydami už laido, netraukite jo ir nebandykite traukdami už jo ištraukti elektrinio įrankio kištuką. Laikykite laidą atokiai nuo šilumos šaltinių, tepalų, aštrių briaunų ar judančių dalių. Dėl pažeistų arba susipainiojusių laidų padidėja elektros smūgio rizika.
- **Jei elektrinį įrankį naudojate lauke, naudokite lauke skirtą naudoti ilgintuvą.** Naudojant lauke skirtą naudoti ilgintuvą, sumažėja elektros smūgio rizika.
- **Jeigu elektrinį įrankį būtina naudoti drėgnoje aplinkoje, naudokite lietakamosios srovės įtaisų (LSI) apsaugotą maitinimo šaltinį.** Naudojant LSI, sumažėja elektros smūgio pavojus.

Asmens sauga

- **Naudodami elektros įrankį, būkite budrūs, stebėkite savo veiksmus ir vadovaukitės sveiku protu.** Nenaudokite elektros įrankio, jei esate pavargę, apsvaigę nuo narkotikų, alkoholio arba vaistų. Dirbant elektros įrankiais netgi akimirksniu neatidumo gali tapti sunkaus sužeidimo priežastimi.

- **Naudokite asmenines apsaugines priemones. Visuomet užsidėkite akių apsaugos priemones.** Dėl atitinkamomis sąlygomis naudojamų apsauginių priemonių, pavyzdžiui, respiratorių, neslystančių apsauginių batų, šalmo arba apsauginių ausinių, sumažėja sužeidimų rizika.
- **Saugokitės atsitiktinio įsijungimo. Prieš prijungdami įrenginį prie maitinimo šaltinio ir (arba) akumuliatorių bloko, paimdami arba nešdami įrenginį, įsitikinkite, kad jungiklis yra išjungimo padėtyje.** Jei nešite elektros įrankį laikydami pirštą ant jungiklio ar prijungsite jį prie maitinimo šaltinio, kai jungiklis yra įjungimo padėtyje, gali įvykti nelaimingas atsitikimas.
- **Prieš įjungdami elektros įrankį, pašalinkite iš jo visus reguliavimo raktus ar veržliarakčius.** Besisukančioje elektros įrankio dalyje paliktas veržliaraktis arba raktas gali sužeisti.
- **Per plačiai neužsimokite. Visada tvirtai stovėkite ant kojų ir laikykite pusiausvyrą.** Tokiu būdu geriau kontroliuosite elektros įrankį netikėtose situacijose.
- **Apsirenkite tinkamai. Niekada nedėvėkite palaidų drabužių ar papuošalų.** Nelaikykite plaukų ir drabužių arti judančių dalių. Palaidi drabužiai, papuošalai arba ilgi plaukai gali įkliūti į judančias dalis.
- **Jeigu naudojate įtaisus, skirtus dulkių surinkimo įrenginiams prijungti, įsitikinkite, kad jie tinkamai prijungti ir naudojami.** Naudojant dulkių surinkimo įrenginius, sumažėja su dulėmis susijusių pavojų rizika.
- **Ilgą naudoti įrankiais ir prie jų pripratę nenustokite paisyti įrankių saugos principų.** Dėl neatsargių veiksmų galite sunkiai susižeisti vos per akimirką.

Elektros įrankių naudojimas ir priežiūra

- **Dirbdami su elektros įrankiu nenaudokite jėgos.** Naudokite savo darbui tinkamą elektros įrankį. Naudojant tam tikslui skirtą elektros įrankį, darbas bus atliktas saugiau ir greičiau.
- **Jeigu paspaudus jungiklį elektros įrankis neišsijungia arba neišsijungia, nenaudokite įrankio.** Elektros įrankis, kurio nepavyksta tinkamai valdyti jungikliu, kelia pavojų ir turi būti taisomas.
- **Prieš reguliuodami elektros įrankius, keisdami priedus arba padėdami saugoti, ištraukite maitinimo laido kištuką iš elektros lizdo ir (arba) išimkite akumuliatorių bloką, jei ji galima išimti.** Laikantis šių prevencinės apsaugos priemonių, sumažėja netyčinio elektros įrankio įjungimo rizika.
- **Nenaudojamos elektros įrankius laikykite vaikams nepasiekiamoje vietoje ir neleiskite naudoti elektros įrankio asmenims, kurie nemoka juo naudotis arba nėra susipažinę su šiomis instrukcijomis.** Nekvalifikuotų naudotojų rankose elektros įrankiai yra pavojingi.
- **Pržiūrėkite elektrinius įrankius ir priedus.** Patikrinkite, ar sureguliuotos ir nestringa judančios dalys, ar nėra sulūžusių dalių ir kitų veiksmų, kurie gali daryti įtaką elektros įrankio veikimui. Prieš naudojant, sugedusį elektros įrankį reikia sutaisyti.

Daug nelaimingų atsitikimų įvyksta dėl netinkamai prižiūrimų elektros įrankių.

- **Pjovimo įrankiai turi būti pagalasti ir švarūs.** Tinkamai prižiūrėti pjovimo įrankiai su aštriomis pjovimo briaunomis rečiau užstringa ir juos paprasčiau valdyti.
- **Elektros įrankius, priedus, įrankių galastuvus ir pan. naudokite taip, kaip nurodyta šiose instrukcijose, atsižvelgdami į darbo sąlygas ir atliekamą darbą.** Naudodami elektros įrankį ne pagal paskirtį, galite sukelti pavojingą situaciją.
- **Rankenos ir laikomieji paviršiai visuomet turi būti sausi ir švarūs (neištepiti alyva ar tepalais).** Slidžios rankenos ir laikymosi paviršiai neleidžia saugiai valdyti ir kontroliuoti netikėtose situacijose.

Akumuliatorinių įrankių naudojimas ir priežiūra

- **Akumuliatorius kraukite tik gamintojo nurodytu įkrovikliu.** Įkroviklis, tinkamas vienam akumuliatorių blokui, gali sukelti gaisro pavojų, naudojamas kitam akumuliatorių blokui įkrauti.
- **Elektros įrankius naudokite tik su jiems skirtais akumuliatorių blokais.** Naudojant bet kokį kitą akumuliatorių bloką kyla sužeidimo ir gaisro pavojus.
- **Nenaudojamą akumuliatorių bloką laikykite toliau nuo metalinių daiktų, galinčių sukurti jungtį tarp gnybtų, pavyzdžiui sąvaržėlių, monetų, raktų, vinių, varžtų ir kitų smulkių metalinių daiktų.** Trumpai sujungus akumuliatoriaus gnybtus gali kilti gaisras arba galite nudegti.
- **Esant nepalankioms sąlygoms, iš akumuliatoriaus gali imti tekėti skystis. Nelieskite jo. Ant odos netyčia patekusį skystį nuplaukite vandeniu. Skysčiui patekus į akis kreipkitės medicininės pagalbos.** Iš akumuliatoriaus ištekėjęs skystis gali sudirginti arba nudeginti.
- **Nenaudokite pažeisto arba modifikuoto akumuliatorių bloko įrankio.** Naudojant pažeistus ar modifikuotus akumuliatorius, jų veikimas gali būti neprognozuojamas ir jie gali sukelti gaisrą, sproгимą ar sužaloti.
- **Saugokite akumuliatorių bloką arba įrankį nuo ugnies ir didelės temperatūros.** Sąlytis su ugnimi arba 130 °C (266 °F) temperatūra gali sukelti sproгимą.
- **Laikykites visų įkrovimo nurodymų ir neįkraukite akumuliatorių bloko ar įrankio, esant nurodytame diapazone neišsitenkančiai temperatūrai.** Netinkamai įkraunant arba esant nurodytame diapazone neišsitenkančiai temperatūrai gali būti pažeistas akumuliatorius ir padidėti gaisro tikimybė.

Techninė priežiūra

- **Elektros įrankio techninę priežiūrą privalo atlikti kvalifikuotas remonto specialistas, naudodamas tik tokias pačias pakaitines dalis.** Tokiu būdu bus užtikrinta elektros įrankio sauga.

- **Niekada neapžiūrinėkite pažeistų akumuliatorių blokų.** Akumuliatorių blokų techninę priežiūrą gali atlikti tik gamintojas arba įgalioti paslaugų teikėjai.

Bendro pobūdžio įspėjimai dėl saugos naudojant grandininį pjūklą

- **Kai grandininis pjūklas veikia, laikykite jį kuo toliau nuo savo kūno. Prieš jungdami grandininį pjūklą įsitikinkite, kad jis prie nieko nesiliečia.** Bent trumpam atitraukus dėmesį nuo veikiančio grandininio pjūklo į jį gali įsivelti jūsų drabužiai ar kūno dalys.
- **Visada tvirtai laikykite grandininį pjūklą už rankenų – dešinė ranka už užpakalinės rankenos, kaire – už priekinės rankenos.** Jeigu pjūklą laikysite sukeitę rankas, galite sunkiai susižeisti, todėl niekuomet taip nedarykite.
- **Laikykite grandininį pjūklą tik už izoliuoto rankenų paviršiaus, nes pjūklo grandinė gali paliesti paslėptą laidą.** Pjūklo grandinėms susilietus su laidu, kuriuo teka elektros srovė, atviros metalinės grandininio pjūklo dalys gali įsielektrinti ir naudotojas gali patirti elektros smūgį.
- **Užsidėkite akių apsaugos priemones. Be to, rekomenduojama dėvėti klausos, galvos, rankų ir kojų apsaugos priemones.** Tinkamos apsaugos priemonės sumažina sužeidimo pavojų skriejant atplaišoms ar atsitiktinio prisilietimo prie grandininio pjūklo pavojų.
- **Nenaudokite grandininio pjūklo medyje, ant kopėčių, ant stogo arba nestabiliaus pagrindo.** Taip naudojant grandininį pjūklą galima rimtai susižeisti.⁶¹
- **Visuomet tvirtai stovėkite ant kojų ir pjaukite grandininio pjūklo tik tuomet, kai stovite ant nejudančio, tvirto ir lygus paviršiaus.** Stovėdami ant slidžių ar nestabilių paviršių galite prarasti pusiausvyrą arba nesuvaldyti grandininio pjūklo.
- **Pjaudami įtemptą šaką saugokitės, kad ji neatšoktų atgal.** Atsileidus medžio pluošto įtampai, įtempta šaka gali atsitrinkti į naudotoją ir (arba) išmušti grandininį pjūklą iš rankų.
- **Ypač atsargiai pjaukite krūmus ir jaunus medelius.** Grandininis pjūklas gali įstrigti plonuose kamienuose ir atšokti į jus arba išversti iš kojų.
- **Išjungtą grandininį pjūklą neškite paėmę už priekinės rankenos ir laikydami kuo toliau nuo savęs.** Grandininį pjūklą neškite ir laikykite tik uždėję kreipiančiosios juostos gaubtą. Tinkamai laikant grandininį pjūklą, mažėja pavojus atsitiktinai prisiliesti prie besisukančios pjūklo grandinės.
- **Vadovaukitės juostos ir pjūklo grandinės sutepimo, grandinės įtempimo ir kėlimo instrukcijomis.** Netinkamai įtempta ar sutepta pjūklo grandinė gali nutrūkti arba pjaunant pjūklas gali atšokti atgal.
- **Pjaukite tik medieną. Nenaudokite grandininio pjūklo ne pagal paskirtį. Pavyzdžiui, grandininio pjūklo nepjaukite metalo, plastiko, mūro ar kitų ne medinių**

⁶¹ Jei esate apmokyti specialiu pjovimo ir darbo metodų ir esate tinkamai prisitvirtinę (keltuvo kaušas, virvės, saugos diržai), galima nukrypti nuo šio saugos reglamento.

statybiųjų medžiagų. Naudodami grandininį pjūklą ne pagal paskirtį, galite sukelti pavojingas situacijas.

- **Nebandykite nuleisti medžio, kol nežinote visų grėsmių ir kaip jų išvengti.** Nuleidžiant medį operatorius arba aplinkiniai gali rimtai susižeisti.
- **Laikykitės visų nurodymų, kai valote užstrigusią medžiagą, saugojate grandininį pjūklą ar atliekate jo techninę priežiūrą. Įsitikinkite, kad jungtiklis išjungtas, o akumuliatorių blokas išimtas.** Netikėtai įsijungus grandininiam pjūklui, kai valoma užstrigusi medžiaga arba atliekama techninė priežiūra, galima sunkiai susižeisti.
- **Nenaudokite grandininio pjūklo medyje, nebent buvo specialiai tam apmokyti.** Grandininio pjūklu dirbant medyje neišklausius atitinkamų mokymų, gali padidėti sunkaus sužeidimo pavojus.

Atatranks priežastys ir operatoriaus apsauga

Atatranka gali įvykti pjovimo juostos galui palietus objektą arba medžio pjūvio vietai susispaudus ir sugnybus pjūklo grandinę. Kai kuriais atvejais juostos galo prisilietimas gali sukelti staigią atvirkštinę reakciją, kai kreipiamoji juosta atšoka į viršų ir atgal į operatorių. Jeigu kreipiamosios juostos galas įstringa, pjūklas gali staigiai atšokti atgal į operatorių. Dėl bet kurios iš šių reakcijų galite nesuvaldyti pjūklo ir sunkiai susižeisti. Niekuomet nepasitikėkite vien tik pjūkle įtaisytomis saugos priemonėmis. Kaip grandininio pjūklo naudotojas jūs turite pats saugotis nelaimingų atsitikimų ir pasirūpinti keilomis saugumo priemonėmis. Atatranka įvyksta dėl netinkamo grandininio pjūklo naudojimo ir (arba) netinkamų naudojimo procedūrų arba sąlygų ir jos galima išvengti, laikantis tinkamų saugumo priemonių, nurodytų toliau.

- **Pjūklą laikykite abiem rankomis tvirtai suėmę jo rankenas ir stovėkite taip, kad galėtumėte atlaikyti atatranks smūgį.** Operatorius gali valdyti atatranks jėgas, jeigu jis tinkamai elgiasi. Neleiskite grandininiam pjūklui išsprūsti.
- **Nesistenkite pasiekti tolimos šakos ir nepjunkite nieko aukščiau už savo pečių liniją.** Taip išvengsite netyčinio pjūklo galo prisilietimo ir geriau valdysite pjūklą netikėtomis aplinkybėmis.
- **Naudokite tik gamintojo nurodytas kreipiančiasias juostas ir pjūklo grandines.** Naudojant netinkamas atsargines kreipiančiasias juostas ir pjūklo grandines, grandinė gali nutrūkti arba gali įvykti atatranka.
- **Laikykitės gamintojo pateiktų grandininio pjūklo galandimo ir techninės priežiūros instrukcijų.** Sumažinus gylio reguliavimo ribotuvo aukštį gali padidėti atatranka.

SAUGOKITE ŠIAS INSTRUKCIJAS.

Bendrieji saugos nurodymai



PERSPĖJIMAS: Prieš naudodami gaminį, perskaitykite toliau esančius įspėjimus.

- Šis įrankis gali būti pavojingas, jei būsite neatsargūs arba gaminį naudosite netinkamai. Šis gaminys gali rimtai sužeisti arba pražudyti naudotoją arba aplinkinius. Labai svarbu, kad perskaitytumėte ir suprastumėte šias naudojimosi instrukcijas.
- Nekeiskite gaminio be gamintojo patvirtinimo. Nenaudokite gaminio, kurį pakeitė kiti ir naudokite originalius priedus. Dėl gamintojo nepatvirtintų pakeitimų naudotojas arba aplinkiniai gali susižeisti arba žūti.
- Ilgalais kvėpavimas grandinės alyvos garais ir pjovimo dulėmis gali sukelti sveikatos problemų.
- Šis gaminys veikia sukuria elektromagnetinį lauką. Tam tikromis aplinkybėmis šis laukas gali trikdyti aktyviųjų arba pasyviųjų medicininių implantų veiklą. Kad sumažėtų sunkių sužeidimų arba žūčių pavojus, medicininių implantų turintiems asmenims rekomenduojame prieš naudojant šį gaminį pasitarti su gydytoju ir implanto gamintoju.

Naudojimo saugos instrukcijos



PERSPĖJIMAS: Prieš naudodami gaminį, perskaitykite toliau esančius įspėjimus.

- Šioje naudojimo instrukcijoje pateikiama informacija nepakeičia profesionalių žinių ir patirties. Jei nesijaučiate saugiai dėl susidariusios padėties, sustabdykite gaminį. Kreipkitės į pardavimo atstovą arba profesionalų grandininio pjūklo naudotoją. Nesistenkite atlikti darbo, jei manote, kad nesate pakankamai kvalifikuotas!
- Kreipkitės į savo techninės priežiūros atstovą arba „Husqvarna“, jei turite klausimų apie gaminio veikimą. Galime suteikti jums informacijos apie tai, kaip veiksmingai ir saugiai naudoti gaminį. Jei galima, dalyvaukite grandininio pjūklo naudojimo mokymo kursuose. Jūsų techninės priežiūros atstovas, miškininkystės mokykla ar biblioteka gali suteikti jums informacijos apie mokymosi medžiagą bei organizuojamus mokymo kursus.
- Turite suprasti atatranks poveikį ir kaip apsisaugoti prieš naudojant šį gaminį. Žr. *Informacija apie atatranks smūgį psl. 422* ir *Bendrieji klausimai apie atatranką psl. 423* ir skaitykite instrukcijas.
- Nenaudokite gaminio, akumuliatoriaus arba įkroviklio, kuris yra pažeistas arba tinkamai neveikia.
- Nepalieskite besisukančios pjūklo grandinės. Tai gali sukelti rimtą ar mirtiną sužeidimą.
- Nenaudokite gaminio, jei esate pavargęs, išgėręs alkoholio ar vartojate medikamentus, kurie gali veikti jūsų regėjimą, budrumą, koordinaciją ar nuovoką.
- Darbas blogu oru vargina ir dažnai padidina pavojaus riziką. Dėl didesnio pavojaus, nerekomenduojama naudoti įrenginio labai blogu oru, pavyzdžiui, kai yra didelis rūkas, smarkus lietus, stiprus vėjas, didelis šaltis ar žaibo pavojus.
- Gaminį paleiskite tik tuo atveju, jei kreipiančioji juosta, pjūklo grandinė ir visi dangteliai yra tinkamai

sumontuoti. Priešingu atveju varančioji žvaigždutė gali atsipalaiduoti ir rimtai sužeisti. Žr. *Surinkimas psl. 420* ir skaitykite instrukcijas.

(Pav. 25)

- Kartais atplaišos įstringa sankabos gaubte, todėl pjūklo grandinė užsikerta. Prieš valydami visada sustabdykite variklį.
- Apsidairykite aplink. Įsitikinkite, kad nėra pavojsaus, jog užkliudysite pašalinius žmones ar gyvūnus arba jie paveiks jūsų gaminio valdymą.

(Pav. 26)

- Neleiskite vaikams naudoti ar būti šalia gaminio. Įrenginį užvesti labai paprasta, todėl akyklai neprižiūrimi vaikai gali lengvai tai padaryti. Tai reiškia, jog iškyla pavojus sunkiai susižeisti.
- Kai negalite prižiūrėti gaminio arba jį paliekate ilgesniam laikui, išimkite akumuliatorių.
- Kad galėtumėte visiškai kontroliuoti gaminį, turite tvirtai stovėti ant žemės abiem kojomis. Nenaudokite gaminio būdami ant kopėčių arba medyje. Nenaudokite gaminio, jei netvirtai stovite ant žemės.

(Pav. 27)

- Dirbant medžiuose, reikia žinoti specialią pjovimo ir darbo techniką, kurios būtina laikytis, norint sumažinti padidėjusį sužeidimo pavojų. Niekuomet nedirbkite medyje, jei negavote specialaus profesionalaus apmokymo, įskaitant apmokymą apie saugos ir lipimo įrangos (pvz., laikymo diržai, virvės, diržai, kapliukai, kablai, karabinai ir t.t.) naudojimą.
- Niekada nebandykite sugauti krentančių dalių. Niekada nepjaukite būdami medyje, prisitvirtinę tik viena virve. Visada naudokite dvi pritvirtintas virves.
- Jei nesate atidūs, padidėja atatranks pavojus. Atatranka gali įvykti, jei krepiančiosios juostos atatranks zona netyčia paliečia šaką, medį ar kitus objektus.

(Pav. 28)

- Nelaikykite gaminio viena ranka. Viena ranka valdyti šį gaminį nesaugu.
- Nenaudokite gaminio aukštesniame nei pečių aukštyje ir nebandykite pjauti pjovimo juostos galu.

(Pav. 29)

- Įrenginio nenaudokite tokiomis aplinkybėmis, kuriomis įvykus nelaimingam atsitikimui nepavyktų pasikviesti pagalbos.
- Prieš perkeldami gaminį, jį sustabdykite ir įjunkite grandinės stabdį. Gaminį laikykite nukreipę krepiančiąją juostą ir pjūklo grandinę atgal. Prieš transportuodami arba pernešdami gaminį, uždėkite ant krepiančiosios juostos transportavimo apsaugą.
- Kai padedate gaminį ant žemės, įjunkite grandinės stabdį ir nepalikite jo be priežiūros. Bet kuriam laikui palikdami savo gaminį jį išjunkite ir išimkite akumuliatorių.
- Pavarų sistemoje gali įstrigti pjuvenų. Dėl to pjūklo grandinė gali užstrigti. Prieš valydami visuomet sustabdykite gaminį ir išimkite jo akumuliatorių.

- Jei pjaunate netinkamai arba neteisingai pagaląsta pjovimo įranga, padidėja vibracijos lygis. Pjaunant kietus medžius, pvz., lapuočius, kyla didesnė vibracija nei pjaunant minkštus medžius, pvz., spygliuočius.

(Pav. 30)

- Ilgalaikė vibracija gali pakenkti silpnos kraujo apytakos žmonių kraujo apytakai ir nervų sistemai. Pajutę pernelyg stiprios ar ilgai trukusios vibracijos sukeltus simptomus, kreipkitės į gydytoją. Tokie simptomai yra sustingimas, tirpulis, jutimo praradimas, dilgčiojimas, bėdymas, skausmas, silpnumas, odos spalvos ir būklės pakitimas. Šie simptomai, paprastai jaučiami pirštuose, rankose arba riešuose, padidėja esant žemai temperatūrai.
- Nebandykite genėti arba pjaustyti stovinčio medžio, nebent esate specialiai tam apmokyti.
- Visada stovėkite įkalnės pusėje rąsto atžvilgiu, kai pjaunate ant šlaito, nes nuverstas medis virškiausiais riedės arba slysi į pakalnę. Tam, kad pjovimo metu visiškai kontroliuotumėte gaminį, prieš baigdami pjauti sumažinkite pjovimo spaudimą. Neatpalaiduokite rankų, kol laikote už rankenų. Saugokite, kad pjūklo grandinė nesusiliesių su žeme. Užbaigę pjauti palaukite, kol pjūklo grandinė sustos, tik tada judinkite gaminį. Judėdami nuo vieno medžio prie kito, visada išjunkite variklį.

(Pav. 31)

- Nepjaukite medžio, jei jis gali kelti pavojų asmenims arba gali pažeisti ar sugadinti komunalinius tinklus arba asmeninę nuosavybę. Medžiui nuvirtus virš komunalinių tinklų, apie tai būtina nedelsiant pranešti komunalinių paslaugų įmonei.
- Įsitikinkite, kad galite laisvai judėti. Patikrinkite sąlygas ir apžiūrėkite, ar aplink nėra šaknų, akmenų, šakų, griovių ir kt. Ant nuožulnaus paviršiaus dirbkite atsargiai.
- Venkite situacijų, kurioms, jūsų manymu, nesate pakankamai kvalifikuoti.
- Nejmanoma aprašyti kiekvienos galimos situacijos, su kuria galite susidurti dirbdami šiuo gaminiumi. Visada elkitės atsargiai ir vadovaukitės sveiku protu.

(Pav. 32)

Asmeninės apsauginės priemonės



PERSPĖJIMAS: Prieš naudodami gaminį, perskaitykite toliau esančius įspėjimus.

(Pav. 33)

- Daugelis nelaimių su grandininio pjūklo įvyksta, kai grandininis pjūklas prisiliečia prie naudotojo. Darbo metu būtina dėvėti patvirtintas asmenines apsaugines priemones. Asmeninės apsauginės priemonės nesuteikia visiškos apsaugos nuo sužeidimų, bet įvykus nelaimei sumažina sužeidimų

laipsnį. Techninės priežiūros atstovas gali rekomenduoti, kurią įrangą naudoti.

- Drabužiai turi būti prigludę, bet nevaržantys judesių. Reguliariai tikrinkite asmeninių apsauginių priemonių būklę.
- Naudokite patvirtintą apsauginį šalną.
- Naudokite patvirtintas apsaugines ausines. Ilgalaiskis triukšmo poveikis gali nesugrąžinamai pažeisti klausą.
- Naudokite patvirtintus apsauginius akinius ar apsauginį skydelį, kad sumažėtų pavojus susižeisti nuo lekiančių dalelių. Gaminys didele jėga gali išsviesti objektus, pvz., pjuvenas, mažus medienos gabaliukus ir kt. Jie gali rimtai sužeisti, ypač akis.
- Naudokite pirštines su apsauga nuo pjūklo.
- Naudokite kelnes su apsauga nuo pjūklo.
- Nešiokite batus su apsauga nuo pjūklo, plienine nosimi ir padų apsauga nuo slydimo.
- Su savimi visada turėkite pirmosios pagalbos vaistinėlą.
- Žiežirbų pavojus. Turėkite gaisro gesinimo priemonių ir kastuvą, kad galėtumėte apsaugoti mišką nuo gaisro.

Gaminio apsauginės priemonės



PERSPĖJIMAS: Prieš naudodami gaminį, perskaitykite toliau esančius įspėjimus.

- Nenaudokite gaminio su saugos įtaisais, kurie yra pažeisti arba tinkamai neveikia.
- Reguliariai tikrinkite apsaugines priemones. Žr. *Gaminio saugos įtaisų techninė priežiūra ir apžiūra psl. 428.*
- Jei saugos įtaisai pažeisti arba tinkamai neveikia, kreipkitės į Husqvarna techninės priežiūros specialistą.

Naudotojo sąsajos funkcijos

Naudotojo sąsajoje yra paleidimo / stabdymo mygtukas, „SavE“ mygtukas, akumulatoriaus būsenos ir įspėjimo indikatorius. Įspėjamoji lemputė pradeda blykčioti, kai įjungiamas grandinės stabdys arba iškyla perkrovo pavojus. Apsaugos nuo perkrovo sistema laikinai sustabdo gaminį, kad negalėtumėte jo naudoti, kol sumažės temperatūra. Jei įspėjimo indikatorius šviečia nuolat, kreipkitės į aptarnavimo atstovą.

(Pav. 34)

Daugiau informacijos apie naudotojo sąsają žr. *Gaminio apžvalga psl. 412.*

Automatinio stabdymo funkcija

Gaminys turi automatinio stabdymo funkciją, kuri sustabdo gaminį, jei nesinaudojate juo 3 minutes.

Grandinės stabdys ir priekinė rankos apsauga

Jūsų gaminys turi grandinės stabdį, kuris sustabdo pjūklo grandinę, jei kyla atatranka. Grandinės stabdys sumažina nelaimingų atsitikimų pavojų, tačiau tik naudotojas gali jų išvengti.

(Pav. 35)



PERSPĖJIMAS: Nedirbkite tokomis sąlygomis, kai kyla atatrankos pavojus. Būkite atsargūs dirbdami su gaminiumi ir įsitinkinkite, kad kreipiamosios juostos atatrankos zona neliečia objekto.

(Pav. 36)

Grandinės stabdys įjungiamas (A) mechaniškai (kaire ranka) arba automatiškai inerciniu stabdžiu. Pastumkite priekinę rankos apsaugą (B) į priekį, kad įjungtumėte grandinės stabdį mechaniškai. Šiuo judesiu paleidžiamas spyruklinis mechanizmas, kuris sustabdo varančiąją žvaigždutę.

(Pav. 37)

Grandinės stabdys įjungiamas, atsižvelgiant į atatrankos jėgą ir gaminio padėtį. Kai įvyksta smarki atatranka tuo metu, kai atatrankos sritis yra toliausiai nuo jūsų, grandinės stabdys įjungiamas inerciniu atleidimu. Jei atatranka nedidelė arba atatrankos sritis yra arčiau jūsų, grandinės stabdys įjungiamas mechaniškai kaire ranka.

(Pav. 38)

Naudokite grandinės stabdį kaip stovėjimo stabdį, kai paleidžiate gaminį ir kai judate nedideliais atstumais. Taip sumažinamas pavojus, kad naudotoją ar šalia jo esantį žmogų palies pjūklo grandinė.

(Pav. 39)

Pastumkite priekinę rankos apsaugą atgal, kad išjungtumėte grandinės stabdį.

(Pav. 40)

Atatranka gali būti labai staigi ir smarki. Dauguma atatrankos smūgių būna nestiprūs, todėl grandinės stabdys ne visada įsijungia. Jei atatranka įvyksta, kai naudojate gaminį, tvirtai laikykite rankenas ir jų nepaleiskite.

(Pav. 41)

Priekinė rankos apsauga taip pat sumažina pavojų paliesti pjūklo grandinę, jei ranka paleidžia priekinę rankeną.

(Pav. 42)

Leidžiant medžius grandinės stabdžio negalima įjungti mechaniškai. Grandinės stabdį šioje padėtyje gali įjungti tik inercinis stabdys.

(Pav. 43)

Maitinimo jungiklio fiksatorius

Maitinimo jungiklio užraktas neleidžia netyčia jo įjungti. Nuspaudus maitinimo jungiklio fiksatorių pirmyn (A) ir prispaudus maitinimo jungiklio fiksatorių prie rankenos (B), maitinimo jungiklis (C) atleidžiamas. Atleisus rankeną, tiek maitinimo jungiklis, tiek jo užraktas grįžta į pradinę padėtį.

(Pav. 44)

Grandinės gaudiklis

Grandinės gaudytuvas pagauna pjūklo grandinę, jei ji sulūžta arba atsilaisvina. Jei grandinės įtempimas tinkamas, pavojus sumažėja. Pavojų galite sumažinti tinkamai atlikdami kreipiamosios juostos ir pjūklo grandinės. Instrukcijas žr. *Surinkimas psl. 420 Techninė priežiūra psl. 427*.

(Pav. 45)

Dešinėsios rankos apsauginis skydas

Dešinėsios rankos apsauginis elementas veikia kaip rankos apsauga, pjūklo grandinės trūkimo arba atsilaisvinimo atveju. Jis taip pat saugo nuo šakų ir šakelių dirbant gaminiu.

(Pav. 46)

Akumuliatorių naudojimo sauga



PERSPĖJIMAS: Prieš naudodami gaminį, perskaitykite toliau esančius išpėjimus.

- Naudokite tik mūsų įrenginiui rekomenduojamus „40-B“ serijos akumulatorius. Žr. *Patvirtinti akumulatoriai psl. 435*. Akumulatoriai turi koduotą programinę įrangą.
- Naudokite tik „40-B“ serijos akumulatorius, kurie yra įkraunami tik kaip „Husqvarna“ įrenginių maitinimo šaltiniai. Žr. *Patvirtinti akumulatoriai psl. 435*. Kad išvengtumėte sužeidimų, nenaudokite akumulatoriaus kaip kitų gaminių maitinimo šaltinio.
- Elektros smūgio pavojus. Neleiskite akumulatoriaus gnybtams liestis prie raktų, atsuktuvų ar kitų metalinių daiktų. Galite sukelti akumulatoriaus trumpąjį jungimą.
- Nenaudokite neįkraunamų akumuliatorių.
- Nekiškite objektų į akumulatoriaus oro angas.
- Saugokite akumuliatorių nuo tiesioginių saulės spindulių, karščio ar atviros ugnies. Akumulatorius gali sukelti terminius ir (arba) cheminius nudegimus.
- Saugokite akumuliatorių nuo lietaus ir drėgmės.
- Saugokite akumuliatorių nuo mikrobangų ir aukšto slėgio.
- Nebandykite akumulatoriaus išmontuoti ar sulaužyti.
- Saugokitės, kad akumulatorinės rūgšties nepatektų ant odos. Akumulatorinė rūgštis gali pažeisti odą ir ją nudeginti. Jei akumulatorinės rūgšties patektų

į akis, jų netrinkite, tačiau mažiausiai 15 minučių skalaukite vandeniu. Jeigu akumulatorinės rūgšties pateko ant odos, nuplaukite tą vietą dideliu kiekiu vandens su muilu. Kreipkitės į gydytoją.

- Akumuliatorių naudokite nuo –10 °C (14 °F) iki 40 °C (104 °F) temperatūroje.
- Nevalykite akumulatoriaus ar įkroviklio vandeniu. Žr. *Akumulatoriaus ir akumulatoriaus laikiklio patikra psl. 429*.
- Sugadinto akumulatoriaus nenaudokite.
- Laikykite akumulatorius atokiau nuo metalinių daiktų, pavyzdžiui, vinių, varžtų, juvelyrinių dirbinių.
- Saugokite akumuliatorių nuo vaikų.

Įkroviklio sauga



PERSPĖJIMAS: Prieš naudodami gaminį, perskaitykite toliau esančius išpėjimus.

- Nesilaikant saugos instrukcijų, kyla elektros smūgio arba trumpojo jungimo rizika.
- Naudokite tvarkingą patvirtintą įžemintą elektros tinklo lizdą.
- Naudokite tik kartu su gaminiu pateiktą akumulatoriaus įkroviklį. 40-C80 įkroviklį naudokite tik įkraudami Husqvarna atsarginius akumulatorius 40-B140. Žr. *Gaminiui patvirtinti akumulatorių įkrovikliai psl. 436* ir *Patvirtinti akumulatoriai psl. 435*.
- Nebandykite išmontuoti akumulatoriaus įkroviklio.
- Nenaudokite sugadinto arba pažeisto akumulatoriaus įkroviklio.
- Nekelkite akumulatoriaus įkroviklio už maitinimo laido. Norėdami atjungti akumulatoriaus įkroviklį nuo elektros lizdo, traukite už kištuko. Netraukite už elektros laido.
- Visus kabelius ir jungiamuosius laidus laikykite toliau nuo vandens, alyvos ir aštrių briaunų. Būkite atidūs, kad kabelio neprispaustų durys, tvoros ar pan.
- Nenaudokite akumulatoriaus įkroviklio šalia degių arba koroziją sukeliančių medžiagų. Įsitinkinkite, kad akumulatoriaus įkroviklis neuždengtas. Pastebėję dūmus ar liepsną, ištraukite akumulatoriaus įkroviklio kištuką.
- Įkraukite akumuliatorių tik gerai vėdinamoje patalpoje, saugodami nuo saulės spindulių. Nekraukite akumulatoriaus lauke. Nekraukite akumulatoriaus drėgnomis sąlygomis.
- Akumuliatorių įkroviklį naudokite nuo 5 °C (41 °F) iki 40 °C (104 °F) temperatūroje. Įkroviklį naudokite gerai vėdinamoje, sausoje ir nedulkėtoje aplinkoje.
- Nekiškite objektų į įkroviklio aušinimo angas.
- Neprijunkite akumuliatorių įkroviklio gnybtų prie metalinių daiktų, nes taip sukelsite akumuliatorių įkroviklio trumpąjį jungimą.
- Naudokite patvirtintus ir nepažeistus sieninius lizdus.

- Akumuliatorių įkrovikliais nekraukite neįkraunamų akumuliatorių.

Priežiūros saugos instrukcijos



PERSPĖJIMAS: Prieš atlikdami gaminio techninę priežiūrą, perskaitykite toliau esančius įspėjimus.

- Prieš atlikdami techninę priežiūrą, kitą patikrą ar montuodami įrenginį, išimkite akumuliatorių.
- Operatorius gali atlikti tik tokius priežiūros ir techninės priežiūros darbus, kurie aprašyti šiame operatoriaus vadove. Dėl didesnių techninės priežiūros ir aptarnavimo darbų kreipkitės į techninės priežiūros atstovą.
- Nevalykite akumuliatoriaus ar įkroviklio vandeniu. Stiprus ploviklis gali sugadinti įrenginį.
- Neatliekant techninės priežiūros trumpėja įrenginio naudojimo laikas ir didėja nelaimingų atsitikimų pavojus.
- Visiems techninės priežiūros ir remonto darbams atlikti būtini specialūs mokymai, ypač atliekant su sauga susijusios įrangos priežiūrą. Jeigu atlikus techninę priežiūrą patvirtinti ne visi šiame naudotojo vadove nurodyti punktai, kreipkitės į techninės priežiūros atstovą. Garantuojame, kad jis suteiks profesionalią priežiūrą ir atliks gaminio techninės priežiūros darbus.
- Naudokite tik originalias atsargines dalis.

Saugos nurodymai pjovimo įrangai



PERSPĖJIMAS: Prieš naudodami gaminį, perskaitykite toliau esančius įspėjimus.

- Naudokite tik patvirtintus kreipiančiosios juostos / pjūklo grandinės derinius ir šlifavimo įrangą. Instrukcijas žr. *Techniniai duomenys psl. 434*.
- Naudodami grandininį pjūklą arba atlikdami jo priežiūrą, mūvėkite apsaugines pirštines. Nejudanti pjūklo grandinė taip pat gali sužaloti.
- Pasirūpinkite, kad pjovimo dantukai visada būtų gerai išgalšti. Laikykitės instrukcijų ir naudokite rekomenduojamą dildės šabloną. Pažeista arba netinkamai pagალsta pjūklo grandinė padidina nelaimingų atsitikimų pavojų.

(Pav. 47)

- Tinkamai nustatykite gylio reguliavimo ribotuvą. Laikykitės instrukcijų ir naudokite rekomenduojamą gylio reguliavimo ribotuvo nustatymą. Per didelis gylio ribotuvo nustatymas padidina atatrakos smūgio pavojų.

(Pav. 48)

- Įsitinkinkite, kad pjūklo grandinė tinkamai įtempta. Jei pjūklo grandinė nėra priglundusi prie kreipiančiosios juostos, ji gali nukristi. Dėl netinkamo pjūklo grandinės įtempimo padidėja kreipiančiosios juostos, pjūklo grandinės ir grandinės varančiosios žvaigždutės nusidėvėjimas. Žr. *Priedai psl. 435*.

(Pav. 49)

- Reguliariai atlikite pjovimo įrangos techninę priežiūrą ir tinkamai ją suteptite. Jei pjūklo grandinė nėra tinkamai sutepta, padidėja kreipiančiosios juostos, pjūklo grandinės ir grandinės varančiosios žvaigždutės nusidėvėjimas.

(Pav. 50)

Surinkimas

Kreipiančiosios juostos ir pjūklo grandinės surinkimas (su juostos rankenėle)



PERSPĖJIMAS: Visada išimkite akumuliatorių prieš montuodami / surinkindami gaminį ar atlikdami jo techninę priežiūrą.

1. Išjunkite pjūklo grandinės stabdį. (Pav. 51)
2. Atleiskite plokštės rankenėlę ir nuimkite varančiosios žvaigždutės gaubtą. (Pav. 52)
3. Užmaukite kreipiančiąją juostą ant juostos varžto. Perstumkite kreipiančiąją juostą į tolimiausią galinę padėtį. Uždėkite pjūklo grandinę ant varančiosios žvaigždutės ir įstatykite ją į griovelį kreipiančiojoje juostoje. Pradėkite nuo kreipiančiosios juostos viršutinės pusės.

4. Patikrinkite, ar pjovimo dantukų briaunos viršutinėje kreipiamosios juostos pusėje yra nukreiptos į priekį. (Pav. 53)
5. Uždėkite varančiosios žvaigždutės gaubtą ir į angą kreipiančiojoje juostoje įstatykite grandinės įtempimo kaištį.
6. Įsitinkinkite, kad pjūklo grandinės varantieji nareliai tinkamai uždėti ant varančiosios žvaigždutės.
7. Įsitinkinkite, kad pjūklo grandinė tinkamai įstatyta į kreipiančiosios juostos tarpelį.
8. Įtempkite pjūklo grandinę. Žr. *Techninė priežiūra psl. 427* ir skaitykite instrukcijas.
9. Užspauskite plokštės rankenėlę.

Kreipiančiosios juostos ir pjūklo grandinės surinkimas (su juostos varžtu)



PERSPĖJIMAS: Visada išimkite akumuliatorių prieš montuodami / surinkinėdami gaminį ar atlikdami jo techninę priežiūrą.

1. Išjunkite pjūklo grandinės stabdį. (Pav. 51)
2. Atlaisvinkite juostos veržlę ir nuimkite varančiosios žvaigždutės gaubtą. (Pav. 54)
3. Užmaukite kreipiančiąją juostą ant juostos varžto. Perstumkite kreipiančiąją juostą į tolimiausią galinę padėtį. Uždėkite pjūklo grandinę ant varančiosios žvaigždutės ir įstatykite ją į griovelį kreipiančiojoje juostoje. Pradėkite nuo kreipiančiosios juostos viršutinės pusės.
4. Patikrinkite, ar pjovimo dantukų briaunos viršutinėje kreipiamosios juostos pusėje yra nukreiptos į priekį. (Pav. 55)
5. Uždėkite varančiosios žvaigždutės gaubtą ir į angą kreipiančiojoje juostoje įstatykite grandinės įtempimo kaištį.

6. Įsitinkinkite, kad pjūklo grandinės varantieji nareliai tinkamai uždėti ant varančiosios žvaigždutės.
7. Įsitinkinkite, kad pjūklo grandinė tinkamai įstatyta į kreipiančiosios juostos tarpelį.
8. Pirštais priveržkite juostos veržlę.
9. Priveržkite pjūklo grandinę. Žr. *Techninė priežiūra psl. 427* ir skaitykite instrukcijas.

Akumuliatoriaus įkroviklio tvirtinimas prie sienos



PASTABA: Montuodami akumuliatorių įkroviklį ant sienos, nenaudokite elektrinio atsuktuvo. Elektriniu atsuktuvu galima pakenkti akumuliatorių įkrovikliui.

1. Pritvirtinkite akumuliatoriaus įkroviklį prie sienos 2 varžtais (A). Jei reikia, naudokite sieninius kaiščius (B). (Pav. 56)
2. Įkiškite 2 varžto angos kaiščius (C).
3. Prijunkite laidą (D) prie akumuliatoriaus įkroviklio ir įjunkite jį į maitinimo tinklą.

Naudojimas

Įvadas



PERSPĖJIMAS: Prieš naudodami gaminį perskaitykite ir supraskite skyrių apie saugą.

Funkcijų patikra prieš įrenginio naudojimą

1. Patikrinkite grandinės stabdį (A) ir įsitinkinkite, kad jis tinkamai veikia ir nėra sugadintas.
2. Patikrinkite, ar nepažeistas galinis dešiniosios rankos apsauginis skydas (B).
3. Patikrinkite maitinimo jungiklį ir maitinimo jungiklio fiksiatorių (C) bei įsitinkinkite, kad jie tinkamai veikia ir nėra sugadinti.
4. Patikrinkite, ar tinkamai veikia valdymo skydelis (D).
5. Įsitinkinkite, kad ant rankenų (E) nėra riebalų.
6. Patikrinkite, ar visos dalys tinkamai prijungtos, nepažeistos ir jų netrūksta.
7. Patikrinkite, ar tinkamai prijungtas grandinės gaudytuvas (F).
8. Patikrinkite grandinės įtempimą (G).
9. Įkraukite akumuliatorių (H) ir įsitinkinkite, kad jis tinkamai prijungtas prie gaminio.
10. Atleidę maitinimo jungiklį, įsitinkinkite, kad pjūklo grandinė sustojo. (Pav. 57)

Tinkamos grandinės alyvos naudojimas



PERSPĖJIMAS: Nenaudokite panaudotos alyvos, kuri gali pakenkti jums ir aplinkai. Dėl panaudotos alyvos gali sugesti alyvos siurblys, kreipiančioji juosta ir pjūklo grandinė.



PERSPĖJIMAS: Pjūklo grandinė trūkti, jeigu pjovimo įrangos tepimas nepakankamas. Rimto ar mirtino sužeidimo pavojus operatoriumi.



PERSPĖJIMAS: Kad funkcija veiktų tinkamai, naudokite tinkamą grandinės alyvą. Rinkdamiesi grandinės alyvą, kreipkitės į savo techninės priežiūros atstovą.

- Naudokite Husqvarna grandinės alyvą, kad užtikrintumėte maksimalią grandinės eksploatavimo trukmę ir išvengtumėte neigiamo poveikio aplinkai. Jei Husqvarna grandinės alyvos nėra, rekomenduojame naudoti standartinę grandinės alyvą.
- Naudokite gerai su pjūklo grandine sukimbančią grandinės alyvą.

- Naudokite tinkamo klampumo diapazono grandinės alyva, atsižvelgdami į oro temperatūrą.



PASTABA: Kai temperatūra nukrinta žemiau 0 °C / 32 °F, kai kurios grandinės alyvos tampa per tirštos, dėl to gali sugesti alyvos siurblio komponentai.

- Naudokite rekomenduojamą pjovimo įrangą. Žr. *Priedai psl. 435.*
- Nuimkite grandinės alyvos bakelio dangtelį.
- Užpildykite grandinės alyvos bakelį grandinės alyva.
- Atsargiai uždėkite dangtelį.

(Pav. 58)

Pasižymėkite: Norėdami sužinoti, kur yra grandinės alyvos bakelis jūsų gaminyje, žr. *Įvadas psl. 412.*

Akumulatorius



PERSPĖJIMAS: Prieš naudodami akumuliatorių perskaitykite ir supraskite skyrių apie saugą. Perskaitykite ir supraskite akumulatoriaus bei akumuliatoriaus įkroviklio naudojimo instrukcijas.

LED indikatorius lemputė	Akumulatoriaus įkrovimo būseną
Šviečia 4 LED indikatoriai	Akumulatorius įkrautas 76–100 %.
Šviečia 3 LED indikatoriai	Akumulatorius įkrautas 51–75 %.
Šviečia 2 LED indikatoriai	Akumulatorius įkrautas 26–50 %.
Šviečia 1 LED indikatorius	Akumulatorius įkrautas 6–25 %.
Mirksi 1 LED indikatorius	Akumulatorius įkrautas 0–5 %.

Akumulatoriaus įkrovimas

Jeigu naudojate įrenginį pirmą kartą, įkraukite akumuliatorių. Naujas akumuliatorius įkrautas tik 30 %.



PASTABA: Prijunkite akumulatoriaus įkroviklį tik prie nominalių parametru plokštelėje nurodytos įtampos ir dažnio maitinimo lizdo.

Jei akumulatoriaus temperatūra yra didesnė nei 50 °C (122 °F), jo nepavyks įkrauti.

- Prijunkite maitinimo laidą prie akumuliatorių įkroviklio.
- Prijunkite akumulatoriaus įkroviklį prie įžeminto maitinimo lizdo. Įkrovimo LED indikatorius mirksi vieną kartą. (Pav. 60)

Akumuliatorių ir akumulatoriaus įkroviklį laikykite tinkamoje aplinkos temperatūroje.

	Aplinkos temperatūra
Akumulatoriaus veikimas	5 °C–40 °C / 41 °F–104 °F
Akumulatoriaus įkrovimas	5 °C–40 °C / 41 °F–104 °F

Akumulatoriaus būseną

Ekrane rodoma akumulatoriaus įkrovos būseną ir galimos akumulatoriaus problemos.

(Pav. 59)

- Prijunkite akumuliatorių prie įkroviklio. Įsžiėbia įkrovimo šviesos diodas. Akumuliatorių kraukite daugiausia 24 valandas. (Pav. 61)
- Paspauskite akumulatoriaus indikacinį mygtuką; jei užsidega visi LED indikatoriai, akumuliatorius visiškai įkrautas.
- Ištraukite akumulatoriaus įkroviklį iš maitinimo lizdo. Netraukite už elektros laido.
- Iš įkroviklio išimkite akumuliatorių.

Informacija apie atatrąkos smūgį



PERSPĖJIMAS: Atatrąkos smūgis gali rimtai sužeisti arba pražudyti naudotoją arba aplinkinius. Norėdami sumažinti pavojų, turite išmanyti atatrąkos smūgio priežastis ir žinoti, kaip jų išvengti.

Atatrankos smūgis įvyksta kreipiančiosios juostos atatrankos zona palietus kokį nors objektą. Atatranka gali įvykti staiga ir su didele jėga, kuri išmeta produktą operatoriaus kryptimi.

(Pav. 36)

Atatrankos smūgis visada įvyksta kreipiančiosios juostos plovimo plokštumoje. Paprastai produktas išmetamas link operatoriaus, tačiau jis gali judėti ir į kitą pusę. Judėjimo kryptis priklauso nuo to, kaip naudojate produktą atatrankos metu.

(Pav. 62)

Atatrankos smūgis įmanomas tik kreipiančiosios juostos atatrankos zona palietus kokį nors objektą. Neleiskite atatrankos zonai paliesti objekto.

(Pav. 36)

Mažesnis galo skersmuo sumažina atatrankos smūgio jėgą.

Naudokite silpno atatrankos smūgio pjūklo grandinę, norėdami sumažinti atatrankos smūgio poveikį. Neleiskite atatrankos sričiai paliesti objekto.



PERSPĖJIMAS: Jokia pjūklo grandinė negali visiškai apsaugoti nuo atatrankos smūgio. Visada laikykitės instrukcijų.

Bendrieji klausimai apie atatranką

• Ar atatrankos smūgio atveju, ranka visada įjungia grandinės stabdį?

Ne. Priekinę rankos apsaugą reikia paspausti naudojant šiek tiek jėgos. Jei paspausite per silpnai, grandinės stabdys neįsijungs. Be to, dirbant būtina stabiliai abiem rankomis laikyti gaminį už rankenų. Įvykus atatrankos smūgiui, gali būti, kad grandinės stabdys nesustabdys pjūklo grandinės, kol ši palies jus. Be to, kai kuriose padėtyse ranka negali paliesti priekinės rankos apsaugos, kad įjungtų grandinės stabdį.

• Ar inercinis stabdys visada įjungia grandinės stabdį?

Ne. Visų pirma, grandinės stabdys privalo veikti tinkamai. Instrukcijas, kaip patikrinti grandinės stabdį, žr. *Gaminio saugos įtaisų techninė priežiūra ir apžiūra psl. 428* Rekomenduojame tai atlikti kiekvieną kartą prieš naudojant gaminį. Visų antra, atatrankos smūgio jėga turi būti didelė, kad įjungtų grandinės stabdį. Jei grandinės stabdys per jautrus, jis gali suveikti intensyvaus naudojimo metu.

• Ar grandinės stabdys visada apsaugos nuo sužalojimų atatrankos atveju?

Ne. Grandinės stabdys turi veikti tinkamai, kad teiktų apsaugą. Be to, grandinės stabdys turi būti įjungtas atatrankos atveju, kad sustabdytų pjūklo grandinę. Jei esate prie kreipiančiosios juostos, gali būti, kad grandinės stabdys nespės sustabdyti grandinės, kol ši prisilies prie jūsų.



PERSPĖJIMAS: Apsisaugoti nuo atatrankos galima tik savo pastangų ir tinkamo darbo technikos pagalba.

Gaminio paleidimas

1. Patikrinkite maitinimo jungiklį ir maitinimo jungiklio užraktą. Žr. *Maitinimo jungiklio fiksatoriaus patikra psl. 429*.
2. Įjunkite grandinės stabdį. (Pav. 63)
3. Akumuliatorių įstatykite į akumuliatoriaus laikiklį. (Pav. 64)



PASTABA: Įsitikinkite, kad akumuliatorius tinkamai įstatytas į akumuliatoriaus laikiklį. Jei akumuliatorius lengvai neįsistato į akumuliatoriaus laikiklį – akumuliatoriaus padėtis netinkama.

4. Paspauskite apatinę akumuliatoriaus dalį, kol išgirsite spragtelėjimą. (Pav. 65)
5. Paspauskite ir palaikykite įjungimo mygtuką, kol įsižiebs žalias šviesos diodas. (Pav. 66)

„Save“ funkcijos naudojimas

Funkcija „Save“ sumažina grandinės sukimosi greitį ir gaminio galingumą.

1. Paspauskite „Save“ mygtuką. Įsižiebs žalias LED indikatorius.
2. Paspauskite mygtuką „Save“ dar kartą, kad išjungtumėte funkciją. Žalias LED indikatorius užgesa. (Pav. 67)

Gaminio sustabdymas

1. Paspauskite ir laikykite paleidimo / stabdymo mygtuką, kol užges žalias LED indikatorius. (Pav. 66)
2. Paspauskite akumuliatoriaus atkabinimo mygtuką ir išimkite akumuliatorių iš jo laikiklio, kad įrenginys nepradėtų veikti netyčia. (Pav. 68)

Traukimo taktas ir stūmimo taktas

Produktu galite pjauti medį 2 skirtingose padėtyse.

- Kaip pjauti traukiamuoju judesiu, kai pjaunate kreipiančiosios juostos apačia. Pjūklo grandinė traukiama per medį pjaunant. Šioje padėtyje galite geriau valdyti gaminį ir atatrankos zonos padėtį.

(Pav. 69)

- Kaip pjauti stumiančia grandine, kai pjaunate kreipiančiosios juostos viršumi. Pjūklo grandinė stumia gaminį operatoriaus kryptimi.

(Pav. 70)



PERSPĒJIMAS: Jei pjūklo grandinē istringa kamieni, gaminys gali būtī stumtelētas ī jus. Laikykite produkta tvirtai ir īsitinkintē, kad kreipiančiosios juostos atatranks smūgio zona neliečia medžio ir nesukelia atatranks smūgio.

(Pav. 71)

Norint naudoti pjovimo technikā



PERSPĒJIMAS: Pjaukite visa galia, o kaskart perpjovē īskart sumažinkite greitī iki tuščiosios eigos.



PASTABA: Neleiskite varikliui per ilgai veikti be apkrovos. Antraip galima sugadinti variklī.

1. Užkelkite kamienā ant pjovimo stovo arba bēgiū.
(Pav. 72)



PERSPĒJIMAS: Nepjaukite ī rietuvē sukrautū kamienū. Dēl to padidēja atatranks pavojus ir galima stipriai susižeisti arba žūti.

2. Patraukite nupjautas dalis īš darbo vietas.



PERSPĒJIMAS: Darbo vietoje besimētanti nupjauta mediena padidina atatranks pavojū, be to, užkliuvē galite prarasti pusiausvyrā.

Buferio naudojimas

1. Prispauskite buferī prie medžio kamieno.
2. Paleiskite veikti visa galia ir sukite gaminī. Laikykite prispaudē buferī prie kamieno. Šī procedūra padeda perpjauti kamienā naudojant mažiau jēgos. (Pav. 73)

Norint pjauti kamienā ant žemēs

1. Kamienā pjaukite keldami pjūklā. Pjaukite visa galia, bet pasiruoškite netikėtumams. (Pav. 74)



PERSPĒJIMAS: Patirkinkite, ar grandininis pjūklas neliečia žemēs, kai baigiate pjauti rāstā.

2. Įpjaukite apytiksliai ¾ kamieno ir sustokite. Averskite rāstā ir pjaukite īš priešingos pusēs. (Pav. 75)

Norint pjauti rāstā, pritvirtintā viename gale



PERSPĒJIMAS: Pasirūpinkite, kad pjaunamas rāstas neperlūžtū. Vadovaukitēs tolesnėmis instrukcijomis.

(Pav. 76)

1. Spausdami įpjaukite apytiksliai ¼ rāsto.
2. Pjaukite rāstā keldami pjūklā, kol dvi įpjovos susisieks. (Pav. 77)

Norint pjauti rāstā, pritvirtintā abiejuose galuose



PERSPĒJIMAS: Pasirūpinkite, kad pjaunant pjūklo grandinē neįstrigtū rāste. Vadovaukitēs tolesnėmis instrukcijomis.

(Pav. 78)

1. Keldami pjūklā įpjaukite apytiksliai 1/3 rāsto.
2. Likusią rāsto dalį pjaukite spausdami pjūklā, kol perpjausite. (Pav. 79)



PERSPĒJIMAS: Pjūklo grandinei įstrigus rāste, išjunkite variklī. Svertu praskēskite įpjovos vietā ir ištraukite gaminī. Nebandykite ištraukti gaminio rankomis. Gaminui staiga išsilaisvinus, galite susižeisti.

Norint naudoti genėjimo technikā

Pasižymēkite: Storoms šakoms naudokite pjovimo technikā. Žr. *Norint naudoti pjovimo technikā psl. 424.*



PERSPĒJIMAS: Naudojant genėjimo technikā, kyla didelē nelaimēs rizika. Kaip īšvengtī atatranks, žr. *Informacija apie atatranks smūgį psl. 422.*



PERSPĒJIMAS: Šakas pjaukite pavieniui. Atsargiai pjaukite smulkesnes šakas ir nepjaukite krūmū arba keliū smulkiū šakeliū vienu metu. Smulkios šakelēs gali įstrigtī pjūklo grandinēje ir gaminium naudotis taps nesaugu.

Pasižymēkite: Šakas pjauti būtina dalimis. Prieš genėdami palei kamienā (C), nupjaukite smulkesnes šakeles (A) ir (B).

(Pav. 80)

1. Pašalinkite šakas nuo dešiniosios rāsto pusēs.
 - a) Kreipiančiąją juostā laikykite rāsto dešinēje, o gaminio korpusā prie rāsto.
 - b) Atsižvelgdami ī šakos įtampā, pasirinkite tinkamā pjovimo technikā. (Pav. 81)



PERSPĒJIMAS: Jei nesate tikri, kaip pjauti šaką, pasitarkite su profesionaliu grandininio pjūklo naudotoju.

- Pašalinkite šakas nuo rąsto viršaus.
 - Laikykite gaminį ant rąsto, o kreipiančiąją juosta veskite palei rąstą.
 - Pjaukite stumdami. (Pav. 82)
- Pašalinkite šakas nuo kairės rąsto pusės.
 - Atsižvelgdami į šakos įtampą, pasirinkite tinkamą pjovimo techniką. (Pav. 83)



PERSPĒJIMAS: Jei nesate tikri, kaip pjauti šaką, pasitarkite su profesionaliu grandininio pjūklo naudotoju.

Kaip pjauti įsitampusias šakas, žr. *Norint pjauti įsitampusius medžius ir šakas psl. 426.*

Norint naudoti medžių leidimo techniką



PERSPĒJIMAS: Medžiui nupjauti reikia patirties. Jei įmanoma, užsirašykite į grandininio pjūklo naudojimo kursas. Papildomų žinių gaukite pasitarę su patyrusiu naudotoju.

Norint palaikyti saugų atstumą

- Įsitinkinkite, kad aplinkiniai atsitraukę per saugų bent 2 1/2 medžio ilgio atstumą. (Pav. 84)
- Įsitinkinkite, kad prieš arba leidimo metu nieko nebūtų pavojingoje zonoje. (Pav. 85)

Norint apskaičiuoti medžio nuleidimo kryptį

- Patikrinkite, kuria kryptimi reikia nuleisti medį. Jūsų tikslas yra nuleisti medį tokia kryptimi, kad paskui būtų patogų genėti šakas ir jį pjaustyti kamieną. Be to, svarbu tvirtai stovėti ant kojų ir galėti saugiai judėti.



PERSPĒJIMAS: Jei nupjauti medį jo natūralia kritimo kryptimi yra pavojinga arba neįmanoma, nupjaukite jį kita kryptimi.

- Patikrinkite natūralią medžio vartimo kryptį. Pavyzdžiui, medžio pasvirimą ir išlinkimą, vėjo kryptį, šakų išsidėstymą ir sniego svorį.
- Patikrinkite, ar nėra aplink kliūčių, pavyzdžiui, kitų medžių, elektros linijų, kelių ir (arba) pastatų.
- Apžiūrėkite kamieną, ar jis nėra pažeistas ar patrūnijęs.



PERSPĒJIMAS: Dėl patrūnijusio kamieno kyla pavojus, kad medis virs jo nespėjus nupjauti.

- Įsitinkinkite, kad medis neturi pažeistų arba nudžiūvusių šakų, kurios pjaunant gali ant jūsų nukristi.
- Neleiskite medžiui užvirsti ant kito stovinčio medžio. Įstrigusį medį labai sunku ištraukti, ir toks darbas yra labai pavojingas. Žr. *Įstrigusio medžio atlaisvinimas psl. 426.* (Pav. 86)



PERSPĒJIMAS: Kritinių leidimo operacijų metu pakelkite apsaugines ausines iš karto baigę pjovimą. Svarbu, kad girdėtumėte garsus ir įspėjimo signalus.

Norint nuvalyti kamieną ir paruošti atsitraukimo kelią

Nupjaukite visas šakas iki jūsų pečių lygio.

- Pjaukite traukdami iš viršaus į apačią. Pasirūpinkite, kad medis būtų tarp jūsų ir gaminio. (Pav. 87)
- Nurinkite aplink kamieną augančia atžalija. Iš darbo zonos pašalinkite visą nupjautą medžiagą.
- Patikrinkite ar teritorijoje nėra kliūčių, pvz., akmenų, šakų ir duobių. Kai medis pradeda virsti būtina būti pasiruošus atsitraukimo kelią. Jūs turėtumėte paruošti maždaug 135 laipsnių kampo atsitraukimo kelią priešingoje nuo medžio vartimo pusėje.

- Pavojaus zona
- Atsitraukimo kelias
- Medžio nuleidimo kryptis

(Pav. 88)

Norint nuleisti medį

Husqvarna rekomenduoja įpjauti kryptinius pjūvius ir pjaunant medį naudoti saugesnio kampo metodą. Saugaus kampo metodas padeda išpjauti tinkamą užtūrą ir valdyti nuleidimo kryptį.



PERSPĒJIMAS: Nenuleiskite medžio, kurio skersmuo yra du kartus didesnis už kreipiančiosios juostos ilgį. Tam būtinas specialus apmokymas.

Užtūra

Nuleidžiant medį svarbiausia išpjauti tinkamą užtūrą. Išpjovus tinkamą užtūrą galima valdyti nuleidimo kryptį ir užtikrinti nuleidimo saugumą.

Užtūros storis turi atitikti mažiausiai 10 % medžio skersmens.



PERSPĖJIMAS: Jei užtūra yra netinkama arba per plona, nepavyks suvaldyti medžio nuleidimo krypties.

(Pav. 89)

Norint atlikti kryptinius pjūvius.

- Kryptinių pjūvių pjovimas. Įpjaukite kryptinius pjūvius per 1/4 medžio skersmens. Viršutinis ir apatinis pjūvis turi sueiti 45° laipsnių kampų.
 - Pirmiausia pjaukite viršutinį pjūvį. Sulygiuokite gaminio nuleidimo krypties žymę (A) su medžio nuleidimo kryptimi (B). Būkite už įrenginio, kad medis būtų jums iš dešinės. Pjaukite traukdami.
 - Įpjaukite apatinį pjūvį. Įsitikinkite, kad apatinis pjūvis baigiasi ties viršutinio pjūvio pabaiga. (Pav. 90)
- Įsitikinkite, kad kryptinio pjūvio linija yra visiškai horizontali ir sueina stačiu kampu (90°) su nuleidimo kryptimi. Kryptinio pjūvio linija eina per tašką, kur susikerta abu kryptiniai pjūviai. (Pav. 91)

Saugaus kampo metodo naudojimas

Nuleidimo pjūvis turi būti šiek tiek aukščiau už kryptinį pjūvį.

(Pav. 92)



PERSPĖJIMAS: Pjaudami kreipiančiosios juostos galu būkite atsargūs. Atlikdami durtinį pjūvį pradėkite pjauti apatinę kreipiančiosios juostos galo dalimi.

(Pav. 93)

- Jei naudingasis pjūklo ilgis yra didesnis už kamieno skersmenį, atlikite šiuos veiksmus (a-d).
 - Atlikite durtinį pjūvį į kamieną per visą užtūros plotį. (Pav. 94)
 - Traukdami pjūklą įpjaukite, kol liks 1/3 rąsto.
 - Traukite kreipiančiąją juosta 5–10 cm / 2–4 col. atgal.
 - Perpjaukite likusią kamieno dalį, kad kampas būtų saugus – 5–10 cm / 2–4 col. pločio. (Pav. 95)
- Jei naudingasis pjūklo ilgis yra mažesnis už kamieno skersmenį, atlikite šiuos veiksmus (a-d).
 - Atlikite durtinį pjūvį tiesiai į kamieną. Durtinis pjūvis privalo sudaryti 3/5 medžio skersmens.
 - Pjaukite likusią kamieno dalį traukdami. (Pav. 96)

- Įpjaukite tiesiai į kamieną iš kitos medžio pusės, kad išpjautumėte užtūrą.
 - Pjaukite stumdami, kol liks 1/3 kamieno, kad kampas būtų saugus. (Pav. 97)
- Įpjovą tiesiai iš galo įstatykite pleišta. (Pav. 98)
 - Nupjaukite kampą, kad nuleistumėte medį.

Pasižymėkite: Jei medis nenusileidžia, kalkite pleišta, kol jis medis nusileis.

- Kai medis pradeda leistis, atsitraukimo keliu pasišalinkite nuo medžio. Atsitraukite mažiausiai per 5 m / 15 pėdų nuo medžio.

Įstrigusio medžio atlaisvinimas



PERSPĖJIMAS: Įstrigusį medį labai sunku ištraukti, ir toks darbas yra labai pavojingas. Laikykitės atokiau pavojaus zonos ir nebandykite nuleisti įstrigusio medžio.

(Pav. 99)

Saugiausia yra naudoti vieną iš šių suktuvų:

- Pritvirtintą prie traktoriaus

(Pav. 100)

- Nešiojamą

(Pav. 101)

Norint pjauti įsitempusius medžius ir šakas

- Nustatykite, kuri medžio arba šakos pusė yra įsitempusi.
- Nustatykite, kur yra maksimalios įtampos taškas. (Pav. 102)
- Nustatykite, kuri procedūra saugiausia įtampai atpalaiduoti.

Pasižymėkite: Kai kuriais atvejais vienintelė saugi procedūra yra naudoti suktuvą, o ne gaminį.

- Stovėkite atokiau, kur jūs negalėtumėte kliudyti medis arba šaka atpalaidavus įtampą. (Pav. 103)
- Įpjaukite vieną ar kelis pakankamo gylio pjūvius, kad sumažėtų įsitempimas. Pjaukite pačiame maksimalaus įsitempimo taške arba greta jo. Padėkite medžiui arba šakai perlūžti maksimalaus įsitempimo taške. (Pav. 104)



PERSPĖJIMAS: Tiesiai nepjaukite įtempto medžio ar šakos.



PERSPĖJIMAS: Pjaudami įtemptą medį būkite labai atsargūs. Kyla pavojus, kad medis greitai atšoks jums nespėjus jo nupjauti. Būdami

netinkamoje padėtyje arba netinkamai pjaudami galite rimtai susižeisti.

6. Jei jums būtina pjauti teisiai per medį arba šaką, įpjaukite 2–3 įpjovas 1 col. atstumu ir 2 col. gylio. (Pav. 105)

7. Pjaukite giliau į medį, kol medis / šaka išlinks ir įtampa atsipalaiduos. (Pav. 106)

8. Kai atpalaiduosite įtampą, pajukite medį / šaką iš priešingos linkiui pusės.

Techninė priežiūra

Įvadas



PERSPĖJIMAS: Prieš prižiūredami produktą, perskaitykite ir supraskite saugos skyrių.

Toliau pateiktas būtinų gaminio priežiūros darbų sąrašas. Žr. *Techninė priežiūra psl. 427* Jei reikia daugiau informacijos,

Techninės priežiūros grafikas



PERSPĖJIMAS: Prieš atlikdami priežiūros darbus išimkite akumuliatorių.

Techninė priežiūra	Prieš pradedant darbą	Kas savaitę	Kas mėnesį
Valykite išorines gaminio dalis.	X		
Patikrinkite, ar maitinimo jungiklio ir paties mygtuko fiksavimo funkcija veikia saugiai.	X		
Išvalykite grandinės stabdį ir įsitinkite, kad jis veikia saugiai. Įsitinkite, kad grandinės gaudytuvus nepažeistas. Jei reikia, pakeiskite.	X		
Apsukite kreipiančiąją juostą, kad ji dėvėtusi tolygiau. Įsitinkite, kad neužsikimšusi kreipiančiojoje juostoje esanti tepimo anga. Išvalykite juostos griovelį.	X		
Pasirūpinkite, kad pjovimo dantukas ir pjovimo dantukų apsauga nėra suskilusi ir kad jie nepažeisti. Pakeiskite pjovimo dantukus arba pjovimo dantukų apsaugą, jei jie suskilinėję arba buvo sutrenkti.	X		
Įsitinkite, kad kreipiančioji juosta ir pjūklo grandinė gauna pakankamai alyvos.	X		
Norint patikrinti pjūklo grandinės tepimą Apžiūrėkite, ar nėra įtrūkimų ir patikrinkite, ar grandinė nėra standi arba per smarkiai nusidėvėjusi. Jei reikia, pakeiskite.	X		
Pagaląskite pjūklo grandinę. Patikrinkite jos įtempimą ir būklę. Patikrinkite ar nesusiūbėjusi varančioji žvaigždutė ir, jei reikia, pakeiskite.	X		
Išvalykite gaminio oro įsiurbimo angą.	X		
Patikrinkite, ar gerai priveržtos veržlės ir varžtai.	X		
Patikrinkite, ar nesugadintas ir tinkamai veikia valdymo skydelis.	X		
Dilde pašalinkite ant kreipiančiosios juostos briaunų susidariusius nelygumus.		X	
Patikrinkite jungtis tarp akumuliatoriaus ir gaminio. Patikrinkite jungtį tarp akumuliatoriaus ir akumuliatoriaus įkroviklio.			X
Ištuštinkite ir išvalykite alyvos bakelį.			X
Atsargiai suslėgtuoju oru prapūskite įrenginį ir jo baterijos aušinimo angas.			X

Gaminio saugos įtaisų techninė priežiūra ir apžiūra

Priekinės rankos apsaugos patikra

Reguliariai apžiūrėkite priekinę rankos apsaugą ir inercinį stabdį.

1. Įsitinkite, kad priekinė rankos apsauga nėra pažeista, pvz., ar nėra įtrūkių. (Pav. 107)
2. Įsitinkite, kad priekinė rankos apsauga juda laisvai ir yra saugiai prijungta prie gaminio. (Pav. 108)
3. Padėkite išjungtą gaminį ant kelmo arba kito stabilaus paviršiaus.
4. Laikykite už galinės rankenos ir atleiskite priekinę rankeną. Leiskite gaminiu nukristi ant kelmo. (Pav. 109)
5. Įsitinkite, kad kreipiančiai juostai atsitrenkus į kelmą, įsijungia grandinės stabdys.

Stabdžio jungiklio patikra

1. Padėkite gaminį ant stabilios, plokščios žemės ir paleiskite jį. Žr. *Naudojimas psl. 421*



PERSPĖJIMAS: Patikrinkite, ar pjūklo grandinė neliečia žemės ar kokio kito daikto.

2. Pirštais apkabinkite rankenas ir tvirtai laikykite gaminį. (Pav. 110)
3. Įjunkite maksimalią galią ir pakreipkite kairįjį riešą link priekinės rankos apsaugos, kad įjungtumėte grandinės stabdį. Pjūklo grandinė turi akimirksniu sustoti. (Pav. 111)



PERSPĖJIMAS: Nepaleiskite priekinės rankenos!

Maitinimo jungiklio fiksatoriaus patikra

1. Įsitinkinkite, kad maitinimo jungiklis ir jo užraktas laisvai juda, o grįžimo spyruoklė veikia tinkamai. (Pav. 112)
2. Paspauskite maitinimo jungiklio fiksatorių pirmyn (A) ir žemyn (B). Laikykite maitinimo jungiklio fiksatorių prispaudę prie rankenos ir patikrinkite, ar atleidus jis grįžta į savo pradinę padėtį. (Pav. 113)
3. Patikrinkite, kad maitinimo jungiklis būtų užfiksuotas laisvosios eigos padėtyje, kai maitinimo jungiklio užraktas atleistas. (Pav. 114)
4. Užveskite gaminį ir leiskite veikti visa jėga.
5. Atleiskite maitinimo jungiklį ir įsitinkinkite, kad grandinė sustoja ir daugiau nesisuka.



PERSPĖJIMAS: Jei pjūklo grandinė sukasi, kai maitinimo jungiklis yra laisvų apsakų padėtyje, susisiekite su techninės priežiūros atstovu.

Grandinės gaudytuvo patikra

1. Įsitinkinkite, kad grandinės gaudytuvus nepažeistas.
2. Įsitinkinkite, kad grandinės gaudytuvus stabilus ir prijungtas prie gaminio korpuso. (Pav. 115)

Naudotojo sąsajos funkcijų patikra

1. Paleiskite gaminį. Žr. *Gaminio paleidimas psl. 423*.
2. Paspauskite ir laikykite paleidimo / stabdymo mygtuką.
3. Įsitinkinkite, kad gaminys sustoja ir žalias šviesos diodas užgęsta. (Pav. 66)

Akumulatoriaus ir akumulatoriaus laikiklio patikra

1. Minkštu šepetėliu išvalykite akumulatoriaus laikiklį ir patį akumuliatorių.
2. Išvalykite aušinimo angas ir akumulatoriaus kontaktus. (Pav. 116)
3. Įsitinkinkite, kad akumulatorius nėra įtrūkęs arba pažeistas.

Norint patikrinti akumulatoriaus įkrovą

1. Įsitinkinkite, kad akumulatoriaus įkroviklis ir maitinimo šaltinio kabelis nepažeisti. Apžiūrėkite, ar nėra įskilimų arba kitų pažeidimų. (Pav. 117)

Aušinimo sistemos valymas

Aušinimo sistema palaiko žemą variklio temperatūrą. Aušinimo sistemą sudaro oro įsiurbimas kairėje gaminio pusėje ir ventiliatorius ant variklio.

1. Kartą per savaitę ar dažniau, jei būtina, šepetėliu išvalykite aušinimo sistemą. (Pav. 118)
2. Patikrinkite, ar aušinimo sistema neužteršta ir neužsikimšusi.



PASTABA: Dėl užterštos ar užblokuotos aušinimo sistemos gaminys gali perkaisti. Taip galima sugadinti gaminį.

Pjūklo grandinės galandimas

Informacija apie kreipiančiąją juostą ir pjūklo grandinę



PERSPĖJIMAS: Naudodami grandininį pjūklą arba atlikdami jo priežiūrą, mūvėkite apsaugines pirštines. Nejudanti pjūklo grandinė taip pat gali sužaloti.

Pakeiskite susidėvėjusią arba pažeistą kreipiančiąją juostą arba pjūklo grandinę Husqvarna rekomenduojamais kreipiančiosios juostos arba pjūklo grandinės deriniais. Tai būtina, norint palaikyti produkto saugumo funkcijas. Pakaitinių rekomenduojamų juostų ir grandinių derinių sąrašą rasite *Priedai psl. 435*.

- Kreipiančiosios juostos ilgis, col. / cm. Informaciją apie kreipiančiosios juostos ilgį paprastai galima rasti jos gale.

(Pav. 119)

- Juostos žvaigždutės dantų skaičius (T).

(Pav. 120)

- Grandinės žingsnis, tarpai tarp pjūklo grandinės varančiųjų narelių turi atitikti tarpus tarp juostos žvaigždutės ir varančiosios žvaigždutės dantų.

(Pav. 121)

- Varančiųjų narelių skaičius Varančiųjų narelių skaičių nulemia kreipiančiosios juostos tipas.

(Pav. 122)

- Juostos griovelio plotis, col. / cm Kreipiančiosios juostos griovelio plotis turi būti toks pat, kaip ir grandinės varančiųjų narelių plotis.

(Pav. 123)

- Pjūklo grandinės tepimo skylės ir skylės grandinės įtempimui. Kreipiančioji juosta privalo tikti gaminiui.

(Pav. 124)

- Varantysis narelis, mm / col.

(Pav. 125)

Bendra informacija apie pjoviklių palandinimą

Nenaudokite atšipusios pjūklo grandinės. Jei pjūklo grandinė atšipusi, turite labiau spausti, kad kreipiančioji juosta praeitų per medį. Jei pjūklo grandinė labai atšipusi, nebus medienos pjūvenų, tik pjovimo dulksės.

Aštri pjūklo grandinė lengvai eina per medį, o medienos pjūvenos yra ilgos ir stambios.

Pjaunantysis dantis (A) ir gylio reguliavimo ribotuvas (B) kartu sudaro pjūklo grandinės pjaunamąją dalį, pjovimo

dantuką. Aukščio skirtumas tarp šių dviejų dalių sudaro pjovimo gylį (gylio reguliavimo ribotuvo nustatymą).

(Pav. 126)

Galąsdami pjoviklį, atsižvelkite į toliau nurodytus dalykus.

- Galandimo kampas

(Pav. 127)

- Pjovimo kampas

(Pav. 128)

- Dildės padėtis

(Pav. 129)

- Apvaliosios dildės skersmuo

(Pav. 130)

Nelengva tinkamai pagalasti pjūklo grandinės neturint tinkamos įrangos. Naudokite Husqvarna rekomenduojamą galandimo šabloną. Taip galėsite pasiekti geriausius pjovimo rezultatus, o atatranks pavojų sumažinti iki minimumo.



PERSPĖJIMAS: Atatranks jėga smarkiai padidėja, jei nesilaikote galandimo nurodymų.

Pasižymėkite: Žr. *Priedai psl. 435* jei reikia informacijos apie pjūklo grandinės galandimą.

Pjovimo dantukų galandimas

1. Pjovimo dantukus galąskite naudodamiesi apvaliaja dilde ir galandimo šablonu. (Pav. 131)

Pasižymėkite: Žr. *Priedai psl. 435* jei reikia informacijos apie tai, kokią dildę ir galandimo šabloną Husqvarna rekomenduoja jūsų pjūklo grandinei.

2. Tinkamai uždėkite galandimo šabloną ant pjovimo dantuko. Žr. kartu su galandimo šablonu pateiktą instrukciją.
3. Braukite dilde nuo vidinės pjovimo dantukų pusės link išorinės pusės. Traukdami spauskite silpniau. (Pav. 132)
4. Pagaląskite visus pjovimo dantukus vienoje pusėje.
5. Apverskite gaminį ir pagaląskite dantukus kitoje pusėje.
6. Patikrinkite, ar visi pjovimo dantukai yra vienodo ilgio.

Bendroji informacija, kaip koreguoti gylio reguliavimo ribotuvą

Gylio reguliavimo ribotuvo nustatymas (C) mažėja, kai galandate pjovimo dantuką (A). Norint pjauti maksimaliu našumu, būtina pagalasti gylio reguliavimo ribotuvą (B), kad pjautumėte naudodami rekomenduojamą

gylio reguliavimo ribotuvo nustatymą. Jei reikia instrukcijų, kaip tinkamai nustatyti pjūklo grandinės gylio reguliavimo ribotuvą, žr. *Priedai psl. 435*.

(Pav. 133)



PERSPĖJIMAS: Per didelis gylio reguliavimo ribotuvo nustatymas padidina pjūklo grandinės atatranks pavojų!

Gylio reguliavimo ribotuvo nustatymas

Prieš koreguodami gylio reguliavimo ribotuvą arba galąsdami pjoviklius, žr. *Pjovimo dantukų galandimas psl. 430* pateikiamas instrukcijas. Mes rekomenduojame reguliuoti ribotuvą po kas trečio pjūklo grandinės galandimo.

Mes rekomenduojame ribotuvui naudoti mūsų galandimo šabloną tam, kad būtų pasiektas tinkamas ribotuvo matmuo ir tinkamas gylio reguliavimo ritinėlio kampas.

(Pav. 134)

1. Plokščiaja dilde ir gylio reguliavimo ribotuvo įrankiu sureguliuokite gylio reguliavimo ribotuvą. Naudokite tik Husqvarna rekomenduojamą gylio reguliavimo ribotuvą tam, kad būtų pasiektas tinkamas ribotuvo matmuo ir tinkamas gylio reguliavimo ribotuvo kampas.
2. Padėkite gylio reguliavimo ribotuvo įrankį ant pjūklo grandinės.

Pasižymėkite: Daugiau informacijos, kaip naudoti gylio reguliavimo ribotuvą, rasite įrankio pakuotėje.

3. Naudokite plokščiąją dildę gylio reguliavimo ribotuvo daliai, kuri išlenda pro gylio reguliavimo ribotuvo įrankio angą. (Pav. 135)

Pjūklo grandinės įtempimo reguliavimas



PERSPĖJIMAS: Netinkamai įtempta pjūklo grandinė gali nušokti nuo kreipiančiosios juostos ir rimtai arba mirtinai sužeisti.

Naudojama pjūklo grandinė pailgeja. Pjūklo grandinę reguliuokite reguliariai. Patikrinkite pjūklo grandinės įtempimą kiekvieną kartą, kai įpilate grandinės alyvos.

Pasižymėkite: Kol pjūklo grandinė nauja, ji turi prasitampyti, todėl naudojimo pradžioje įtempimą turite tikrinti dar dažniau.

Pjūklo grandinės įtempimo reguliavimas (su juostos rankenėle)

1. Lenkite rankenėlę į išorę, kol ji atsidarys. (Pav. 136)

2. Pasukite rankenėlę prieš laikrodžio rodyklę, kad atlaisvintumėte varančiosios žvaigždutės gaubtą. (Pav. 137)
3. Sukite grandinės įtempimo ratuką, kad koreguotumėte pjūklo grandinės įtempimą. Pjūklo grandinė turi būti įtempta prie kreipiančiosios juostos. (Pav. 138)

Pasižymėkite: Sukite ratuką žemyn (+), kad įtemptumėte, ir aukštyn (-), kad atpalaiduotumėte.

4. Patikrinkite, ar galite pjūklo grandinę rankomis laisvai sukti aplink ir ar ji standžiai priglundusi prie kreipiančiosios juostos. (Pav. 139)
5. Pasukite rankenėlę pagal laikrodžio rodyklę, kad priveržtumėte juostos rankenėlę. (Pav. 140)
6. Užlenkite rankenėlę ir užfiksukite įtempimą. (Pav. 141)

Pjūklo grandinės įtempimo reguliavimas (su juostos varžtu)

1. Atsukite juostos veržlę, tvirtinančią varančiosios žvaigždutės gaubtą. Naudokite kombinuotąjį veržliaraktį. (Pav. 142)
2. Pakelkite kreipiančiosios juostos priekį ir pasukite grandinės įtempimo varžtą. Naudokite kombinuotąjį veržliaraktį.
3. Priveržkite pjūklo grandinę, kol ji priglus prie kreipiančiosios juostos. (Pav. 143)
4. Priveržkite juostos veržlę kombinuotuju veržliarakčiu, tuo pačiu metu keldami kreipiančiosios juostos priekį aukštyn. (Pav. 144)
5. Patikrinkite, ar galite pjūklo grandinę rankomis laisvai sukti aplink ir ar ji standžiai priglundusi prie kreipiančiosios juostos. (Pav. 139)

Pasižymėkite: Žr. *Gaminio apžvalga psl. 412*
Gaminio pjūklo grandinės tempimo varžto vietą žr.

Pjūklo grandinės tepimo patikrinimas

Kas trečią kartą įkraudami akumuliatorių, patikrinkite pjūklo grandinės tepimą.

1. Užveskite gaminį ir leiskite jam veikti 3/4 visos galios. Laikykite juostą vidutiniškai 20 cm (8 col) virš šviesaus paviršiaus.
2. Jei pjūklo grandinės tepimas tinkamas, po 1 minutės ant paviršiaus pamatysite aiškią alyvos liniją. (Pav. 145)
3. Jei pjūklo grandinės tepimas netinkamas, atlikite toliau nurodytas patikras.
 - a) Patikrinkite kreipiančiosios juostos alyvos kanalą, įsitikinkite, kad jis neužsikimšęs. Išvalykite, jei būtina. (Pav. 146)

- b) Patikrinkite tarpelį ant kreipiančiosios juostos briaunos, įsitikinkite, kad jis švarus. Išvalykite, jei būtina. (Pav. 147)
 - c) Patikrinkite, ar laisvai sukasi juostos žvaigždutė, ir ar neužsikimšusi juostos žvaigždutės tepimo anga. Jei reikia, išvalykite ir sutepkite. (Pav. 148)
4. Jei pjūklo grandinės tepimas neveikia atlikus anksčiau minėtus veiksmus, pasitarkite su techninės priežiūros atstovu.

Grandinės varančiosios žvaigždutės patikra

- Patikrinkite grandinės varančiąją žvaigždutę, ar nenusidėvėjo. Esant reikalui pakeiskite varančiąją dėžutę.
- Keisdami grandinę kiekvieną kartą pakeiskite ir grandinės varančiąją žvaigždutę. (Pav. 149)

Pjovimo įrangos patikrinimas

1. Įsitikinkite, kad kniedės ir sujungimai neįskilę ir nėra laisvų kniedžių. Jei reikia, pakeiskite. (Pav. 150)
2. Įsitikinkite, kad pjūklo grandinė lengvai sulenkiamą. Pakeiskite pjūklo grandinę, jei ji standi.
3. Palyginkite pjūklo grandinę su nauja pjūklo grandine, kad nustatytumėte, ar kniedės ir grandys nesusidėvėjusios.
4. Keiskite pjūklo grandinę, kai ilgiausia pjovimo danties dalis yra trumpesnė, nei 4 mm / 0,16 col. Taip pat pakeiskite pjūklo grandinę, jei pjovikliai įskilę. (Pav. 151)

Norint patikrinti kreipiančiąją juostą

1. Įsitikinkite, kad alyvos kanalas neužblokuotas. Jei reikia, išvalykite. (Pav. 146)
2. Patikrinkite, ar ant kreipiančiosios juostos briaunos nėra šerpetų. Dilde pašalinkite nelygumus. (Pav. 152)
3. Išvalykite kreipiančiosios juostos griovelį. (Pav. 147)
4. Apžiūrėkite, ar nesusidėvėjęs kreipiančiosios juostos griovelis. Jei reikia, pakeiskite kreipiančiąją juostą. (Pav. 153)
5. Patikrinkite, ar kreipiančiosios juostos galas nėra pažeistas arba labai susidėvėjęs. (Pav. 154)
6. Patikrinkite, ar laisvai sukasi juostos žvaigždutė ir ar neužsikimšusi juostos žvaigždutės tepimo anga. Jei reikia, išvalykite ir sutepkite. (Pav. 148)
7. Kasdien apsukite kreipiančiąją juostą, kad ji tarnautų ilgiau. (Pav. 155)

Gedimai ir jų šalinimas

Naudotojo sąsaja

Šviesos diodų ekranas	Galimi gedimai	Galimas sprendimas
Mirksi įspėjimo indikatorius.	Užblokuotas grandinės stabdys.	Išjunkite pjūklo grandinės stabdį.
	Temperatūros svyravimai.	Leiskite pjaustytuvui atvėsti.
	Perkrova. Pjūklo grandinė negali judėti.	Išlaisvinkite pjūklo grandinę.
	Maitinimo jungiklis ir paleidimo / stabdymo mygtukas spaudžiami vienu metu.	Atleiskite maitinimo jungiklį, kad suaktyvintumėte gaminį.
Blykčioja oranžinės spalvos šviesos diodas.	Nepakankama baterijos įtampa.	Įkraukite akumuliatorių.
Šviečia įspėjimo indikatorius.	Techninė priežiūra.	Kreipkitės į techninio aptarnavimo atstovą.

Akumulatorius

LED ekranas	Galimi gedimai	Galimas sprendimas
Mirksi žalios spalvos šviesos diodas.	Nepakankama baterijos įtampa.	Įkraukite akumuliatorių.
Mirksi klaidos diodas.	Temperatūros svyravimai.	Akumuliatorių naudokite nuo -10 °C (14 °F) iki 40 °C (104 °F) temperatūroje.
	Per didelė įtampa.	Įsitinkite, kad elektros tinklo įtampa atitinka tą, kuri yra nurodyta ant gaminio. Žr. nominalių parametrų plokštelę ant gaminio.
		Iš įkroviklio išimkite akumuliatorių.
Įsibiebia klaidos šviesos diodas	Pernelyg didelis blokų skirtumas (1 V).	Kreipkitės į techninio aptarnavimo atstovą.

Akumulatoriaus įkroviklis

Būklė	Galimi gedimai	Galima procedūra
Įkrovimo šviesos diodas yra raudonos spalvos.	Nepataisoma akumulatoriaus įkroviklio klaida.	Susisieki su savo prekybos atstovu.
Įkrovimo šviesos diodas mirksi žaliai.	Temperatūros svyravimai, akumulatorius yra per šaltas arba per karštas.	Leiskite akumulatoriui atvėsti arba iššilti. Kai akumulatorius yra tinkamos temperatūros, jį galima vėl naudoti arba įkrauti. Akumulatoriaus įkroviklį naudokite, kai aplinkos temperatūra yra nuo 5 °C (41 °F) iki 40 °C (104 °F).
Įkrovimo šviesos diodas mirksi raudonai.	Akumulatoriaus gedimas	Susisieki su savo prekybos atstovu

Transportavimas, saugojimas ir utilizavimas

Gabenimas ir laikymas

- Pateikiamam ličio jonų akumulatoriui taikomos pavojingų krovinių gabenimo taisyklės.
- Laikykitės specialių komercinių krovinių gabenimui, įskaitant trečiųjų šalių ar tarpininko transporto priemonėmis, taikomų reikalavimų dėl pakavimo ir ženklavimo.
- Pasitarkite su pavojingų medžiagų gabenimo specialistu prieš siųsdami įrenginį. Laikykitės visų taikomų nacionalinių reikalavimų.
- Pakuodami akumulatorių uždėkite juostą ant atvirų kontaktų. Tvirtai supakuokite akumulatorių, kad jis nejudėtų.
- Sandėliavimo ar transportavimo metu atjunkite akumulatorių.
- Akumulatorių ir akumulatorių įkroviklį laikykite sausoje, drėgnoje ir teigiamos temperatūros vietoje.
- Nelaikykite akumulatoriaus tokioje vietoje, kur gali susidaryti statiniai krūviai. Nelaikykite akumulatoriaus metalinėje dėžutėje.
- Laikykite akumulatorių vietoje, kurios temperatūra nuo 5 °C / 41 °F iki 25 °C / 77 °F, saugokite nuo tiesioginių saulės spindulių.
- Laikykite akumulatorių įkroviklį vietoje, kurios temperatūra nuo 5 °C / 41 °F iki 45 °C / 113 °F, saugokite nuo tiesioginių saulės spindulių.
- Akumulatoriaus įkroviklį naudokite, tik kai aplinkos temperatūra yra 5–40 °C / 41–104 °F.
- Prieš saugodami ilgesnį laiką pasirūpinkite, kad akumulatorius būtų įkrautas 30–50 %.

- Akumulatorių įkroviklį laikykite uždaroje ir sausoje patalpoje.
- Saugodami išimkite akumulatorių iš akumulatoriaus įkroviklio. Neleiskite vaikams ar kitiems nepatvirtintiems asmenims liesti įrenginio. Įrenginį laikykite užrakintoje vietoje.
- Prieš saugodami gaminį ilgesnį laiką, išvalykite jį ir atlikite visus techninės priežiūros darbus.
- Transportuodami ar sandėliuodami įrenginį naudokite įrenginio transportavimo apsaugą, kad išvengtumėte sužalojimų ar produkto sugadinimo.
- Gabendami saugiai pritvirtinkite įrenginį.

Akumulatoriaus, akumulatorių įkroviklio ir įrenginio šalinimas

Tolesnis simbolis nurodo, kad įrenginys nepriskiriamas buitinėms atliekoms. Nuvežkite jį į elektros ir elektronikos įrenginių perdirbimo punktą. Taip saugosite nuo taršos aplinką ir žmones.

Daugiau informacijos kreipkitės į atsakingas vietas institucijas, buitinių atliekų priežiūros tarnybą ar prekybos atstovą.

(Pav. 24)

Pasižymėkite: Simbolis, rodomas ar įrenginio arba įrenginio pakuotės.

Techniniai duomenys

Techniniai duomenys

	225i
Variklis	
Tipas	BLDC (be šepetėlių) 36 V
Savybės	
Energijos taupymo režimas	„SavE“
Tepimo sistema	
Alyvos siurblio tipas	Automatinis
Alyvos bakelio talpa, ml/cm ³	0,2 / 200
Svoris	
Grandininis pjūklas be akumulatoriaus, pjaunančiosios juostos, pjūklo grandinės, tuščių grandinės alyvos bakeliu, kg	3,1
Skleidžiamas triukšmas ⁶²	
Garso galios lygis, matuojamas dB (A)	97
Garso galios lygis, garantuojamas L _{WA} dB (A)	100
Garso lygiai ⁶³	
Garso spaudimo naudotojo ausiai lygis, matuojamas pagal EN 62841-1	89
Vibracijos lygis ⁶⁴	
Priekinė rankena, m/sek. ²	3,9
Galinė rankena, m/sek. ²	3,9
Pjūklo grandinė / kreipiančioji juosta	
Rekomenduojamas juostos ilgis, col./cm	12–14/30,5–35,6
Efektyvus pjovimo ilgis, col./cm	11–13/27–33,2
Varančiosios žvaigždutės tipas / dantų skaičius	Spur/6
Didžiausias grandinės greitis / (įprastas režimas), m/s	11,8
Didžiausias grandinės greitis / („SavE“ režimas), m/s	9,4

⁶² Aplinkoje skleidžiamas triukšmas matuojamas kaip garso galia (L_{WA}), vadovaujantis EB direktyva 2000/14/EB ir EN ISO 22868, pasižymi įprasta 3 dB (A) statistine sklaida (standartinis nuokrypis).

⁶³ Pateiktuose duomenyse apie įrenginio garso slėgio lygį yra 3 dB (A) įprasta statistinė sklaida (standartinis nuokrypis).

⁶⁴ Vibracijos lygis atitinka EN 62841-4-1 standarto reikalavimus. Pateiktuose vibracijos lygio duomenyse yra 1,5 m/s² įprasta statistinė sklaida (standartinis nuokrypis). Nurodyti vibracijos duomenys nustatyti atliekant matavimus, kai įrenginyje įrengtas juostos ilgis ir rekomenduojamas grandinės tipas. Jei įrenginyje yra kitoks juostos ilgis, vibracijos lygis gali skirtis priklausomai nuo maks. ± 1,5 m/s².

Priedai

Kreipiančiosios juostos ir pjūklo grandinės deriniai






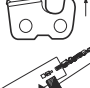
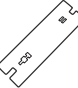



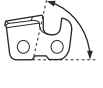


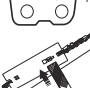
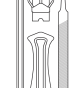

Šie pjovimo priedai yra skirti Husqvarna 225i.

Kreipiančioji juosta					Pjūklo grandinė	
Tipas	Ilgis, col.	Grandinės žingsnis, col.	Tarpamatis, mm	Maks. antgalio spindulys	Tipas	Ilgis, varantieji nareliai (vnt.)
501959545	12	3/8 col. mini	1,1	7 T	„Husqvarna“ H38 (581808145)	45
501959552	14	3/8 col. mini	1,1	7 T	„Husqvarna“ H38 (581807952)	52

Šlifavimo įrenginiai ir šlifavimo kampas

Pjūklo grandinę galąskite naudodami Husqvarna galandimo šabloną. Husqvarna galandimo šablonas užtikrina, kad pagaląsite tinkamu kampu. Toliau lentelėje išvardyti dalių numeriai.

Jei nesate tikri, kaip nustatyti savo gaminio pjūklo grandinės tipą, daugiau informacijos žr. www.husqvarna.com.

							
38	11/64 col. / 4,5 mm	75°	30°	0°	0,025 col. / 0,65 mm	505 69 81-03	579 55 88-01
							
93	5/32 col. / 4,0 mm	60°	30°	0°	0,025 col. / 0,65 mm	596 63 89-01	596 63 89-01

Patvirtinti akumulatoriai

Akumulatorius	40-B140
Tipas	Ličio jonų
Akumulatoriaus talpa, Ah	4

Akumulatorius	40-B140
Nominali įtampa, V	36
Svoris, kg	1.25

Gaminiui patvirtinti akumuliatorių įkrovikliai

Akumulatoriaus įkroviklis	40-C80
Maitinimo įtampa, V	100–240
Dažnis, Hz	50–60
Galia, W	72
Išėjimo įtampa, V nuol. srovė / Amperai, A	43 / 1,6

Atitikties deklaracija

ES atitikties deklaracija

Mes, **Husqvarna AB**, SE-561 82 Huskvarna, Švedija,
tel.: +46-36-146500, savo atsakomybe pareiškiame, kad
produktas:

Aprašymas	Akumulatoriniai grandininiai pjūklai
Gamintojas	Husqvarna
Tipas / modelis	225i
Identifikacijos numeris	Serijos numeriai nuo šios datos: 2023 ir vėlesni

visiškai atitinka šias ES direktyvas ir reglamentus:

Direktyva / reglamenas	Aprašymas
2006/42/EB	„dėl mašinų“
2014/30/ES	dėl elektromagnetinio suderinamumo
2011/65/ES	„dėl tam tikrų pavojingų medžiagų naudojimo elektros ir elektroninėje įrangoje apribojimo“
2000/14/EB	„dėl į aplinką skleidžiamo triukšmo“

Taikyti šie standartai: EN 62841-1:2015+A11:2022,
EN 62841-4-1:2020, EN IEC 63000:2018, EN IEC
55014-1:2021, EN IEC 55014-2:2021.

Notifikuotoji įstaiga: TÜV Rheinland LGA Products
GmbH, Tillystrasse 2, D-90431 Nuernberg, Germany,
0197, EB tipo patikrą pagal Mašinų direktyvos
(2006/42/EB) 12 straipsnio 3b punktą. Sertifikato
numeris: BM 50604678 0001.

Pristatytas benzininis grandininis pjūklas atitinka ES tipo
tyrimą praėjusį pavyzdį.

Pagal 2000/14/EB direktyvos V priedą, žr. *Techniniai
duomenys psl. 4.34* nurodytąsias garso vertes.

Husqvarna, 2023-10-30



Claes Losdal, Mokslinių tyrimų ir plėtros skyriaus
vadovas, „Husqvarna AB“

Atsakingas už techninę dokumentaciją



Saturs

Ievads.....	438	Problēmu novēršana.....	457
Drošība.....	439	Pārvadāšana, glabāšana un utilizēšana.....	458
Montāža.....	446	Tehniskie dati.....	459
Lietošana.....	447	Piederumi.....	460
Apkope.....	453	Atbilstības deklarācija.....	462

Ievads

Paredzētā lietošana

Šis mežkopības ķēdes zāģis ir paredzēts meža darbiem, piemēram, koku gāšanai, atzarošanai un zāģēšanai.

Piezīme: Šī izstrādājuma lietošanu var ierobežot valsts normatīvie akti.

Izstrādājuma pārskats

(Att. 1)

1. Priekšējais roku aizsargs
2. Priekšējais rokturis
3. Lietotāja saskarne
4. Iedarbināšanas/izslēgšanas poga
5. Brīdinājuma indikators un akumulatora indikators
6. Poga SavE
7. Aizmugurējais rokturis ar labās rokas aizsargu
8. Informācijas un brīdinājuma uzlīme
9. Korpus
10. Ķēdes eļļas tvertne
11. Transportēšanas aizsargs
12. Piedziņas mēlītes bloķētājs
13. Piedziņas mēlīte
14. Piedziņas zobrata pārsegs ar slīdes pogu
15. Ķēdes spriegotājs
16. Ķēdes uztvērējs
17. Zobains amortizators
18. Slīdes iemavas zobrats
19. Zāģa ķēde
20. Virzītājslīde
21. Uzlādes stāvokļa indikators
22. Savienotājs
23. Akumulatora lādētājs
24. Kombinētā uzgriežņu atslēga
25. Brīdinājuma indikators
26. Pogas, akumulatora uzlādes statuss
27. Akumulatora statuss
28. Akumulatora atvienošanas poga
29. Akumulators
30. Lietošanas rokasgrāmata
31. Slīdes poga
32. Piedziņas zobrata pārsegs ar slīdes skrūvi

Izstrādājuma apraksts

Husqvarna 225i ir ķēdes zāģa modelis ar elektromotoru.

Mēs nepārtraukti strādājam, lai uzlabotu jūsu drošību un efektivitāti, darbojoties ar šo ierīci. Lai iegūtu plašāku informāciju, sazinieties ar servisa pārstāvi.

Simboli uz izstrādājuma

(Att. 2)

BRĪDINĀJUMS. Šis izstrādājums var būt bīstams un radīt smagas vai nāvējošas traumas operatoram vai citām personām. Esiet uzmanīgi un lietojiet izstrādājumu pareizi.

(Att. 3)

Uzmanīgi izlasiet šo lietotāja rokasgrāmatu un pirms izstrādājuma lietošanas pārliecinieties, vai izprotat norādījumus.

(Att. 4)

Lietojiet apstiprināto aizsargķiveri, dzirdes aizsarglīdzekļus un acu aizsarglīdzekļus.

(Att. 5)

Darbojoties ar izstrādājumu, turiet to abās rokās.

(Att. 6)

Nedarbiniet izstrādājumu, turot to ar vienu roku.

(Att. 7)

Neļaujiet virzītājslīdes galam pieskarties kādam priekšmetam.

(Att. 8)

Nelietojiet lietus laikā.

(Att. 9)

Brīdinājums! Kad virzītājslīdes gals pieskaras kādam priekšmetam, var rasties atsitieni. Tādēļ virzītājslīde tiek sviesta operatora virzienā. Pastāv smagu vai nāvējošu traumu risks.

(Att. 10)

Spriegums, V

(Att. 11)

Ķēdes eļļa.

- (Att. 12) Zāga ķēdes griešanās virziens un maksimālais virzītājsliedes garums.
- (Att. 13) Līdzstrāva.
- (Att. 14) **Vides marķējums.** Izstrādājums vai iepakojums nav sadzīves atkritumi. Likvidējiet to elektrisko un elektronisko ierīču pārstrādes uzņēmumā.
- (Att. 15) Šis izstrādājums atbilst spēkā esošajām EK direktīvām.
- (Att. 16) Šis izstrādājums atbilst spēkā esošajām AK regulām.
- (Att. 17) Trokšņa izplūdes vidē uzlīme atbilstoši Eiropas Direktīvai 2000/14/EK, Apvienotās Karalistes direktīvām un Jaundienvidvēlsas tiesību aktam "Darba vides aizsardzības (trokšņa kontroles) regula (2017)". Izstrādājuma garantētais skaņas jaudas līmenis ir norādīts *Tehniskie dati lpp. 459 un uz etiķetes.*
- (Att. 21) Ķēdes bremze; ieslēgta (uz priekšu). Ķēdes bremze; izslēgta (atpakaļ).
- (Att. 22) Ķēdes virziens.
- (Att. 23) Datu plāksnītē ir norādīts sērijas numurs. **yyyy** ir ražošanas gads, **ww** ir ražošanas nedēļa.

Simboli uz akumulatora un/vai akumulatora lādētāja

- (Att. 24) Utilizējiet šo izstrādājumu elektrisko un elektronisko ierīču pārstrādes uzņēmumā. (Attiecās vienīgi uz Eiropu)
- (Att. 18) Bezatzeices transformators.
- (Att. 19) Lietojiet un uzglabājiet akumulatoru lādētāju tikai iekšējā.
- (Att. 20) Dubultā izolācija.

Ražotājs

Husqvarna AB

Drottninggatan 2, SE-561 82, Huskvarna, Sweden, tel: +46-36-146500

Produkta bojājumi

Mēs neatbildam par mūsu produkta bojājumiem, ja:

- ir veikts nepareizs produkta remonts;
- produkta remonts ir veikts, izmantojot detaļas, ko nav nodrošinājis vai apstiprinājis ražotājs;
- produktam tiek pievienots piederums, ko nav nodrošinājis vai apstiprinājis ražotājs;
- produkta remonts nav veikts pilnvarotā remontdarbnīcā vai pie pilnvarota speciālista.

Piezīme: Pārējie uz izstrādājuma norādītie simboli/norādes atbilst dažu valstu sertifikācijas prasībām.

Drošība

Drošības definīcijas

Brīdinājumi, norādes "Uzmanību!" un piezīmes tiek izmantotas, lai izceltu īpaši svarīgas lietotāja rokasgrāmatas daļas.



BRĪDINĀJUMS: Tiek izmantota tad, ja rokasgrāmatā sniegto instrukciju neievērošanas dēļ operatoram vai blakus esošajām personām draud traumu vai nāves risks.



IEVĒROJIET: Tiek izmantota tad, ja rokasgrāmatā sniegto instrukciju neievērošanas dēļ rodas izstrādājuma, citu

materiālu vai blakus esošās teritorijas bojājuma risks.

Piezīme: Tiek izmantota, lai sniegtu plašāku informāciju, kas nepieciešama attiecīgajā situācijā.

Vispārīgi drošības brīdinājumi par elektriskā darbarīka lietošanu



BRĪDINĀJUMS: **Izlasiet visas drošības instrukcijas, norādījumus, apskatiet attēlus un specifikācijas, kas ir komplektā ar šo elektrisko darbarīku.** Tālāk norādīto brīdinājumu un norādījumu neievērošana var

radīt strāvas triecienu, aizdegšanos un/vai nopietnas traumas.

- **Saglabājiet visus brīdinājumus un norādījumus turpmākām uzziņām.** Brīdinājumos izmantotais termins "elektriskais darbarīks" attiecas uz elektrisko darbarīku, kura barošanu nodrošina elektrotilkls (ar kabeli) vai akumulators (bez kabeļa).

Darba zonas drošība

- **Darba zonai jābūt tīrai un labi apgaismotai.** Nekārtīgās un tumšās vietās bieži notiek negadījumi.
- **Nelietojiet elektriskos darbarīkus sprādzienbīstamā vidē, piemēram, viegli uzliesmojošu šķidrumu, gāzu vai putekļu tuvumā.** Elektriskie darbarīki rada dzirksteles, kas var izraisīt putekļu vai izgarojumu aizdegšanos.
- **Elektriskā darbarīka lietošanas laikā neļaujiet tuvumā atrasties bērniem un citām personām.** Uzmanības novēršanas dēļ varat zaudēt kontroli.

Elektrodrošība

- **Elektriskā darbarīka kontaktspraudņiem jāatbilst elektrotīkla kontaktligzdām.** Nekādā gadījumā nepārveidojiet kontaktspraudņus. Ar iezemētiem elektriskajiem darbarīkiem nedrīkst izmantot nekādus pārejas spraudņus. Nepārveidotas kontaktdakšas un atbilstošas kontaktligzdas samazina strāvas triecienu risku.
- **Nepieļaujiet ķermeņa saskari ar iezemētām virsmām, piemēram, caurulēm, radiatoriem, plītiem un ledusskapjiem.** Ja ir izveidojies ķermeņa zemējums, pastāv paaugstināts strāvas trieciena risks.
- **Elektriskos darbarīkus nedrīkst pakļaut lietus vai mitruma iedarbībai.** Elektriskajā instrumentā iekļuvīšis ūdens paaugstina strāvas trieciena risku.
- **Lietojot kabeli, ievērojiet piesardzību.** Nekad neizmantojiet kabeli elektriskā instrumenta pārvietošanai, vilkšanai vai atvienošanai no kontaktligzdas. Sargiet kabeli no karstuma, eļļas, asām malām un kustīgām detaļām. Bojāti vai savijušies vadi paaugstina strāvas trieciena risku.
- **Lietojot elektrisko instrumentu ārpus telpām, izmantojiet lietošanai ārā piemērotu pagarinātāju.** Lietošanai ārā piemērota pagarinājuma vada izmantošana samazina elektriskās strāvas trieciena risku.
- **Ja no elektriskā instrumenta lietošanas mitros apstākļos nevar izvairīties, izmantojiet paliekošās strāvas ierīci (residual current device — RCD).** Izmantojot RCD, tiek samazināts elektriskās strāvas trieciena risks.

Individuālā aizsardzība

- **Lietojot elektrisko darbarīku, ievērojiet piesardzību, pārdomājiet savas darbības un rīkojieties saprātīgi.** Nelietojiet elektrisko darbarīku, kad esat noguris, kā arī narkotiku, alkohola vai zāļu iespaidā. Acumirkīga neuzmanība strādājot ar elektrisko darbarīku var radīt smagas traumas.

- **Lietojiet individuālos aizsardzības līdzekļus. Vienmēr lietojiet acu aizsargus.** Individuālo aizsardzības līdzekļu, piemēram, putekļu maskas, aizsargapavus ar neslīdošām zolēm, ķiveres vai dzirdes aizsarglīdzekļu, lietošana attiecīgos apstākļos samazina traumu gūšanas risku.
- **Nepieļaujiet nejausu ierīces ieslēgšanos. Pirms darbarīka pievienošanas strāvas avotam un/vai akumulatora blokam, pacelšanas vai pārvietošanas pārbaudiet, vai slēdzis ir izslēgtā stāvoklī.** Elektrisko darbarīku pārvietošana, turot pirkstu uz slēdža, vai darbarīku pieslēgšana barošanai, ja slēdzis ir ieslēgts, var izraisīt negadījumus.
- **Pirms elektriskā darbarīka ieslēgšanas noņemiet regulēšanas atslēgu vai uzgriežņu atslēgu.** Uz elektriskā darbarīka rotējošajām detaļām atstāta uzgriežņu atslēga vai atslēga var radīt traumu.
- **Nesniedzieties pārāk tālu. Vienmēr stāviet stabili un saglabājiet līdzsvaru.** Tādējādi var labāk vadīt elektrisko darbarīku negaidītās situācijās.
- **Attiecīgi apģērbieties. Nevalkājiet vaļīgu apģērbu vai rotaslietas. Nepieļaujiet matu un apģērba saskari ar kustīgajām daļām.** Vaļīgas drēbes, rotaslietas vai gari mati var iekerties kustīgajās detaļās.
- **Ja komplektācijā ir iekļautas pievienojamas putekļu iesūkšanas ierīces un savākšanas konteineri, pārbaudiet, vai tie ir piestiprināti un tiek pareizi izmantoti.** Putekļu savākšanas līdzekļu izmantošana var samazināt ar tiem saistītos draudus.
- **Nekļūstiet nevērīgs pret darbarīka drošas izmantošanas principiem un neignorējiet tos pat tad, ja bieži izmantojat darbarīku un esat labi apguvis to lietošanu.** Neuzmanīga rīcība var izraisīt nopietnu traumu vienā acumirklī.

Elektriskā darbarīka lietošana un uzturēšana

- **Nelietojiet elektrisko darbarīku ar spēku.** Izmantojiet konkrētajam darbam piemērotu elektrisko darbarīku. Izmantojot pareizo elektrisko darbarīku ar tam paredzēto ātrumu, darbu var paveikt labāk un drošāk.
- **Nelietojiet elektrisko darbarīku, ja, nospiežot slēdzi, tas neieslēdzas vai neizslēdzas.** Elektriskais darbarīks, kuru nevar vadīt, izmantojot slēdzi, rada draudus un ir jāremontē.
- **Pirms jebkādu regulēšanas darbu veikšanas, piederumu maiņas vai elektrisko darbarīku novietošanas uzglabāšanai atvienojiet kontaktspraudni no strāvas avota un/vai izņemiet akumulatora bloku.** Šādi piesardzības pasākumi samazina nejausās elektriskā darbarīka palaišanas risku.
- **Novietojiet elektrisko darbarīku, kas darbojas tukšgaitā, bērniem nepieejamā vietā un neļaujiet to lietot personām, kas nepazīna tā lietošanu vai šeit sniegtos norādījumus.** Nonākot rokās lietotājam bez atbilstošām zināšanām, elektriskie darbarīki ir bīstami.
- **Apkopiet elektriskos instrumentus un piederumus. Pārbaudiet kustīgo detaļu salāgojumu un saķeri,**

bojājumus un jebkādus citus faktorus, kas var ietekmēt elektriskā darbarīka darbību. Ja darbarīks bojāts, pirms tā lietošanas veiciet remontu. Daudzu nelaimes gadījumu iemesls ir slikti uzturēti elektriskie darbarīki.

- **Griezējinstrumenti jāuztur asi un tīri.** Pareizi uzturēti griezējinstrumenti ar asiem asmeņiem retāk saliecas, un tos ir vieglāk vadīt.
- **Lietojiet elektriskos instrumentus, piederumus un asmeņus u.c. detaļas atbilstoši šeit sniegtajiem norādījumiem, ņemot vērā darba apstākļus un veicamos uzdevumus.** Elektriskā instrumenta lietošana tam neparedzētiem mērķiem var radīt bīstamas situācijas.
- **Rokturiem un turēšanas virsmām ir jābūt sausām, tīrām un uz tām nedrīkst būt eļļas un smērvielas.** Slīdīgi rokturi un turēšanas virsmas traucē drošu darbarīka izmantošanu un vadību negaidītās situācijās.

Akumulatora instrumenta lietošana un apkope

- **Uzlādei izmantojiet tikai ražotāja norādīto lādētāju.** Lādētājs, kas ir piemērots viena tipa akumulatora blokam, var kļūt ugunsbīstams, lietojot to cita veida akumulatora blokam.
- **Izmantojiet elektriskos darbarīkus tikai ar tiem paredzētajiem akumulatoru blokiem.** Jebkura cita akumulatora bloka lietošana var radīt traumas un ugunsgrēka risku.
- **Kad akumulatora bloks netiek izmantots, turiet to drošā attālumā no metāla priekšmetiem, piemēram, papīra saspraudēm, monētām, atslēgām, naglām, skrūvēm un citiem nelieliem metāla priekšmetiem, kas var savienot spailles.** Akumulatora spaiļu savienošana var radīt apdegumus vai aizdegšanos.
- **Nepareizi lietojot, no akumulatora var izteciēt šķidrums; izvairieties no saskares ar to. Ja nejauši notiek saskare, noskalojiet skarto vietu ar lielu daudzumu ūdens. Ja šķidrums iekļūst acīs, vērsieties pēc medicīniskās palīdzības.** No akumulatora izteciējais šķidrums var radīt kairinājumu vai apdegumus.
- **Nelietojiet akumulatoru bloku vai darbarīku, ja tas ir bojāts vai pārveidots.** Bojāts vai pārveidots akumulators var darboties neparedzami, izraisot aizdegšanos, sprādzienu vai traumu gūšanas risku.
- **Nepakļaujiet akumulatoru bloku vai darbarīku uguns vai pārmērīgi augstas temperatūras ietekmei.** Ja pakļausit ierīci uguns vai tādas temperatūras iedarbībai, kas pārsniedz 130 °C (266°F), var notikt sprādziens.
- **Nemiet vērā visus uzlādes norādījumus un neuzlādējiet akumulatoru bloku vai darbarīku temperatūrā, kas ir ārpus norādījumu norādītā diapazona.** Nepareiza uzlāde vai uzlāde temperatūrā, kas ir ārpus norādītā diapazona, var bojāt akumulatoru un palielināt aizdegšanās risku.

Apkope

- **Uzticiet elektriskā darbarīka apkopi kvalificētam remontdarbu speciālistam, kas izmanto tikai oriģinālas rezerves daļas.** Tādējādi tiks garantēta elektriskā darbarīka lietošanas drošība.
- **Nekad neveiciet bojātu akumulatoru apkopi.** Akumulatoru apkopi drīkst veikt tikai ražotājs vai pilnvarota apkopes nodrošinātājs.

Ķēdes zāga vispārējie drošības brīdinājumi

- **Turiet visas ķermeņa daļas drošā attālumā no ķēdes zāga, ja tas darbojas! Pirms iedarbināt ķēdes zāgi, pārliecinieties, ka zāga ķēde nekam nepieskaras.** Strādājot ar ķēdes zāgi, pietiek ar brīdi neuzmanības, lai ierautu zāga ķēdē jūsu apģērbu vai ķermeņa daļu.
- **Vienmēr turiet ķēdes zāgi ar labo roku uz aizmugurējā roktura un ar kreiso roku uz priekšējā roktura.** Nekad neturiet ķēdes zāgi apgrieztā roku izvietojumā, jo tas palielina traumu risku.
- **Turiet ķēdes zāgi tikai aiz izolētās rokturu virsmas, jo zāga ķēde var saskarties ar slēptiem vadiem.** Zāga ķēdes, kas saskaras ar vadu, kurā ir strāva, var novadīt strāvu uz ķēdes zāga atsegtajām metāla daļām un radīt strāvas triecienu operatoram.
- **Izmantojiet acu aizsarglīdzekļus. Ieteicams izmantot arī papildu aizsargapriekojumu dzirdei, galvai, rokām, kājām un pēdām.** Atbilstošs drošības apriņķis samazinās traumu gūšanas risku, ko rada lidojoši gruži vai nejauša saskare ar zāga ķēdi.
- **Neizmantojiet ķēdes zāgi, atrodoties kokā, uz kāpnēm, jumta vai uz citas nestabilas pamatnes.** Šāda ķēdes zāga izmantošana var radīt smagas traumas.⁶⁵
- **Vienmēr stāviet stabilī un darbiniet ķēdes zāgi tikai tad, ja atrodaties uz nekustīgas, drošas un līdzenas virsmas.** Uz slidenas vai nestabilas virsmas varat zaudēt līdzsvaru vai kontroli pār ķēdes zāgi.
- **Zāgējot nospriegotu zaru, esiet uzmanīgi, jo tas var atlēkt atpakaļ savā sākotnējā stāvoklī.** Kad koka šķiedru spriegojums mazinās, nospriegotais zars var atsīties pret operatoru, kurš var zaudēt kontroli pār ķēdes zāgi.
- **Esiet īpaši piesardzīgi, zāgējot krūmus un jaunus kociņus.** Tievākie zari var iekerties zāga ķēdē un atlēkt atpakaļ jūsu virzienā, vai likt jums zaudēt līdzsvaru.
- **Turiet ķēdes zāgi aiz priekšējā roktura, kad zāģis ir izslēgts, un drošā attālumā no sava ķermeņa.** Transportējot vai uzglabājot ķēdes zāgi, vienmēr uzlieciet virzītājsliedes pārsegu. Atbilstoša rīkošanās ar ķēdes zāgi samazinās iespējamo risku nonākt saskarē ar kustīgo zāga ķēdi.
- **Ievērojiet eļļošanas, ķēdes spriegošanas un sliedes un ķēdes maiņas norādījumus.** Nepareizi

⁶⁵ Ja pārzināt visus zāgēšanas un darba paņēmienus un darbība ir droša (pacēlāja kauss, virves, drošības jostas), var tikt pieļautas atkāpes no šiem drošības noteikumiem.

nospriegota vai ieeļļota ķēde var pārtrūkt vai palielināt atsietna risku.

- **Zāgējiet tikai koku. Neizmantojiet ķēdes zāģi tam neparedzētos nolūkos. Piemēram: neizmantojiet motorzāģi, lai zāģētu metālu, plastmasu, mūri vai būvmateriālus, kas nav izgatavoti no koka.** Ķēdes zāģa izmantošana neparedzētiem mērķiem var radīt bīstamas situācijas.
- **Nemēģiniet nogāzt koku, pirms neesat novērtējis saistītos riskus un sapratis, kā tos novērst.** Koka gāšanās var radīt smagas traumas operatoram vai tuvumā esošajām personām.
- **Ievērojiet visas instrukcijas, atfīrot laukumu no iestrēguša materiāla, uzglabājot ķēdes zāģi (motorzāģi) vai veicot tā apkopi. Pārļiecinieties, ka slēdzis ir izslēgts un akumulatoru bloks ir izņemts.** Ja ķēdes zāģis negaidīti sāk darboties, kamēr atfīrāt laukumu no iestrēguša materiāla vai veicat ķēdes zāģa apkopi, iespējamas smagas traumas.
- **Darbiniet motorzāģi, atrodoties kokā, tikai tad, ja ir iegūtas praktiskas zināšanas par šāda darba veikšanu.** Motorzāģa darbināšana, atrodoties kokā, bez atbilstošas apmācības var palielināt nopietnu traumu gūšanas risku.

Atsietna cēloņi un operatora izvairīšanās no tā

Atsietni var rasties, kad virzītājsliedes priekšgals vai gals saskaras ar kādu priekšmetu, vai kad iezāģējums kokā aizveras un iespiež zāģa ķēdi. Saskašanās ar slīdes galu dažos gadījumos var izraisīt pēkšņu pretēji vērstu reakciju, atsietnā strauji virzot virzītājsliedi augšup un operatora virzienā. Zāģa ķēdes iespiešana virzītājsliedes augšējā galā var strauji virzīt virzītājsliedi atpakaļ operatora virzienā. Jebkuras šādas reakcijas rezultātā jūs varat zaudēt kontroli pār zāģi, un gūt nopietnas traumas. Nepaļaujieties tikai uz drošības ierīcēm, ar kurām aprīkots zāģis. Kā ķēdes zāģa lietotājam jums ir jāveic vairākas darbības, lai zāģēšanas darbu laikā nepieļautu negadījumus vai traumas. Atsietni ir ķēdes zāģa nepareizas lietošanas un/vai nepareizu ekspluatācijas procedūru vai ekspluatācijas apstākļu sekas un to var nepieļaut, veicot tālāk aprakstītos atbilstošos piesardzības pasākumus.

- **Turiet ķēdes zāģi stingrā tvērienā, ar tīkšķiem un pārējiem pirkstiem aptverot ķēdes zāģa rokturus, turiet ar abām rokām un ienemiet tādu stāju un roku pozīciju, lai varētu pretoties atsietna spēkam.** Operators var kontrolēt atsietna spēkus, ja ir veikti atbilstoši piesardzības pasākumi. Neatļaidiet ķēdes zāģi.
- **Nesniedzieties pārāk augstu un nezāgējiet virs plecu augstuma.** Tas palīdzēs izvairīties no nejaušas slīdes gala saskares un efektīvāk kontrolēt ķēdes zāģi neparedzētos gadījumos.
- **Nomaļņai izmantojiet tikai virzītājsliedes un zāģa ķēdes, ko norādījis ražotājs.** Neatbilstošas rezerves virzītājsliedes un zāģa ķēdes var izraisīt ķēdes pārtrūkšanu un/vai atsietni.

- **Ievērojiet ražotāja instrukcijas par zāģa ķēdes asināšanu apkopi.** Dziummēra augstuma samazināšana var izraisīt palielinātu atsietni.

SAGLABĀJIET ŠIS INSTRUKCIJAS.

Vispārīgi norādījumi par drošību



BRĪDINĀJUMS: Pirms sākat lietot izstrādājumu, izlasiet tālāk izklāstītās brīdinājuma instrukcijas.

- Šis izstrādājums ir bīstams rīks, ja ar to nerīkojas uzmanīgi vai ja to lieto nepareizi. Šis izstrādājums var izraisīt smagas vai nāvējošas traumas operatoram vai citām personām. Tāpēc ir ļoti svarīgi izlasīt un saprast šo lietotāja rokasgrāmatu.
- Neveiciet izstrādājumā nekādas izmaiņas, ko nav apstiprinājis ražotājs. Nelietojiet izstrādājumu, kuram citam personas ir veikušas izmaiņas, un vienmēr izmantojiet oriģinālos piederumus. Ražotāja neapstiprinātu izmaiņu dēļ operators vai citas personas var gūt smagas vai nāvējošas traumas.
- Ilgstoši ieelpojot ķēdes eļļas tvaikus un zāģu skaidas, var rasties veselības problēmas.
- Šis izstrādājums darbības laikā rada elektromagnētisko lauku. Noteiktos apstākļos šis lauks var traucēt aktīvā vai pasīvā medicīniskā implantāta darbību. Lai samazinātu smagu vai nāvējošu traumu risku, mēs iesakām personām, kurām ir medicīniskie implantāti, pirms šī izstrādājuma lietošanas konsultēties ar savu ārstu un medicīniskā implantāta ražotāju.

Darba drošības norādījumi



BRĪDINĀJUMS: Pirms izstrādājuma lietošanas izlasiet tālāk izklāstītos brīdinājumus.

- Šajā lietošanas rokasgrāmatā sniegtā informācija neaizstāj profesionālās zināšanas un pieredzi. Ja nokļūstat situācijā, kurā nejutaties droši, izslēdziet izstrādājumu. Vērsieties pie izplatītāja vai profesionāla ķēdes zāģa operatora. Nekad nedarīet neko, par ko neesat pārļiecināts!
- Ja rodas jautājumi par izstrādājuma darbību, sazinieties ar izplatītāju vai Husqvarna. Mēs varam sniegt informāciju par efektīvu un drošu izstrādājuma lietošanu. Ja iespējams, piedalieties apmācībā par ķēdes zāģa lietošanu. Informāciju par pieejamiem mācību materiāliem un apmācību varat lūgt izplatītājam, mežsaimniecības mācību iestādei vai bibliotēkai.
- Pirms šī izstrādājuma lietošanas jums jāizprot atsietna ietekme un tās novēršana. Skatiet šeit: *Informācija par atsietni lpp. 448* un *Bieži uzdotie jautājumi par atsietni lpp. 449* lai atrastu norādījumus.

- Nelietojiet izstrādājumu, akumulatoru vai akumulatora lādētāju, kas ir bojāts vai nedarbojas pareizi.
- Nepieskarieties zāga ķēdei, kad tā griežas. Šādi var gūt smagas vai nāvējošas traumas.
- Neizmantojiet izstrādājumu, ja esat noguris, ja esat lietojis alkoholu, narkotikas, medikamentus vai jebko, kas var negatīvi ietekmēt redzi, modrību, koordināciju vai spriestspēju.
- Darbs sliktos laikapstākļos ir nogurdinošs un bieži rada papildu risku. Paaugstinātā riska dēļ nav ieteicams izmantot izstrādājumu ļoti sliktos laikapstākļos, piemēram, biežā miglā, stiprā lietū, spēcīgā vējā, lielā aukstumā, negaisa laikā un tamlīdzīgos apstākļos.
- Neiedarbiniet izstrādājumu, ja vadsliede, zāga ķēde un visi pārēgi nav uzstādīti pareizi. Pretējā gadījumā piedziņas ķēdesrats var kļūt valģis un radīt smagas traumas. Skatiet šeit: *Montāža lpp. 446* lai atrastu norādījumus.

(Att. 25)

- Dažkārt skaidas iestrēgst sajūga pārsegā un izraisa zāga ķēdes iestrēgšanu. Pirms tīrīšanas vienmēr apturiet motoru.
- Uzmaniet apkārtni. Pārliecinieties, ka citas personas vai dzīvnieki nevar traucēt jums vadīt izstrādājumu vai nonākt saskarē ar to.

(Att. 26)

- Neļaujiet bērniem lietot izstrādājumu vai atrasties tā tuvumā. Tā kā izstrādājums ir viegli iedarbināms, bērni to var nejauši iedarbināt, ja netiek uzraudzīti. Tas var radīt smagas traumas.
- Ja nevarat izstrādājumu paturēt redzes lokā vai ja to kaut uz brīdi atstājat, izņemiet akumulatoru.
- Lai pārvaldītu izstrādājumu, jāstāv stabili. Nelietojiet izstrādājumu, stāvot uz kāpnēm vai atrodoties kokā. Nelietojiet izstrādājumu, ja neatrodaties uz stingras pamatnes.

(Att. 27)

- Lai strādātu, uzkāpjot kokā, jāpārzina īpašas zāgēšanas un darba metodes, kas jāievēro, lai mazinātu traumu risku. Nekādā gadījumā neveiciet darbus, uzkāpjot kokā, ja nav izieta konkrētā šādiem darbiem nepieciešamā profesionālā apmācība, tostarp drošības un kāpšanas aprīkojumu (piemēram, drošības jostu, virvju, siksnu, dzelkšņu, āķu, karabiņu u.c.) lietošanas apmācība.
- Nekādā gadījumā nemēģiniet noķert nozāgētās koka daļas. Nekad neveiciet zāgēšanu kokā, ja stiprinājumam ir izmantota tikai viena virve. Vienmēr izmantojiet divas stiprinājuma virves.
- Rīkojieties neuzmanīgi, palielinās atsitiena risks. Atsitiena var notikt, ja vadsliedes atsitiena zona nejauši pieskaras zaram, kokam vai citam priekšmetam.

(Att. 28)

- Neturiet izstrādājumu ar vienu roku. Šo izstrādājumu nevar droši vadīt, turot tikai ar vienu roku.

- Nelietojiet šo izstrādājumu augstāk par plecu līmeni un nemēģiniet zāgēt ar vadsliedes galu.

(Att. 29)

- Nelietojiet izstrādājumu situācijās, kur nevarat saņemt palīdzību, ja notiek negadījums.
- Pirms izstrādājuma pārvietošanas izslēdziet to un aktivizējiet ķēdes bremzi. Turiet izstrādājumu tā, lai vadsliede un zāga ķēde būtu vērsta uz aizmuguri. Pirms transportēšanas vai pārvietošanas uzlieciet uz vadsliedes transportēšanas aizsargu.
- Kad izstrādājums jānoliek uz zemes, aktivizējiet ķēdes bremzi un paturiet izstrādājumu savā redzes lokā. Ja izstrādājums ilgāku laiku netiek lietots, izslēdziet to un izņemiet akumulatoru.
- Pastāv risks, ka piedziņas sistēmā var iesprūst koka skaidas. Tādā gadījumā zāga ķēde var iestrēgt. Pirms izstrādājuma tīrīšanas vienmēr izslēdziet to un izņemiet akumulatoru.
- Vibrāciju līmenis pieaug, ja zāgējāt ar nepareizu vai nepareizi uzasinātu griešanas aprīkojumu. Cietu koku, piemēram, lapu koku, zāgēšana rada vairāk vibrāciju nekā mīkstu koku, piemēram, skujkoku, zāgēšana.

(Att. 30)

- Personām ar asinsrites traucējumiem pārmērīga atrašanās vibrāciju ietekmē var izraisīt asinsrites vai nervu sistēmas bojājumus. Ja jūtat pārmērīgas vibrācijas ietekmes simptomus, sazinieties ar ārstu. Simptomi var būt šādi: nejutīgums, tirpšana, dūrieni, sāpes, spēka zudums, ādas krāsas vai stāvokļa izmaiņas. Šie simptomi parasti parādās pirkstos, plaukstās vai plauktu locītavās aukstā laikā.
- Nemēģiniet veikt nenozāgēta koka zaru apgriešanas vai atzarošanas darbus, ja nav saņemta atbilstoša apmācība par šādu darbu veikšanu.
- Veicot zāgēšanu uz nogāzes, vienmēr stāviet augšpus koka, jo pēc nozāgēšanas koks var rīpot vai slidēt lejup pa nogāzi. Lai zāgēšanas laikā nodrošinātu pilnīgu izstrādājuma darbības kontroli, tuvojoties zāgēšanas beigām, samaziniet zāgēšanas spiedienu. Turot rokturus, neļaujiet satvērienam atslābt. Nieļaujiet zāga ķēdes saskari ar zemi. Kad zāgēšana pabeigta, uzgaidiet, līdz zāga ķēde apstājas, un tikai tad pārvietojiet zāģi. Vienmēr izslēdziet motoru, kad pārvietojaties no viena koka pie nākamā.

(Att. 31)

- Neveiciet koka gāšanu, ja pastāv jebkāds risks izraisīt klātesošu personu apdraudējumu, kokam nonākt saskarē ar elektrofliniju vai jebkādiem cauruļvadiem, vai arī izraisīt īpašuma bojājumus. Ja nozāgētais koks nonāk saskarē ar elektrofliniju vai cauruļvadiem, par to nekavējoties jāziņo attiecīgajam uzņēmumam.
- Pārliecinieties, ka varat droši pārvietoties. Izvērtējiet apstākļus un apkārtnes reljefu, meklējot iespējamus šķēršļus, piemēram, saknes, akmeņus, zarus, grāvjus u.c. Esiet uzmanīgi, strādājot slīpumā.

- Izvairieties no situācijām, kurās jūsu prasmes ir nepietiekamas.
- Nav iespējams aprakstīt pilnīgi visas situācijas, ar kurām varat saskarties, izmantojot šo izstrādājumu. Vienmēr rīkojieties piesardzīgi un saprātīgi.

(Att. 32)

Individuālie aizsarglīdzekļi



BRĪDINĀJUMS: Pirms izstrādājuma lietošanas izlasiet tālāk izklāstītos brīdinājumus.

(Att. 33)

- Vairākums ar ķēdes zāģi (motorzāģi) saistīto negadījumu notiek, ja zāģa ķēde saskaras ar lietotāju. Darba laikā ir jāizmanto individuālais aizsargaprīkojums. Individuālais aizsargaprīkojums negarantē pilnīgu aizsardzību pret traumām, taču tas samazina traumas smagumu, ja notiek negadījums. Lai iegūtu ieteikumus par izmantojamo aprīkojumu, sazinieties ar vietējo apkopes sniedzēju.
- Apģērbam jābūt pieguļošam, taču tas nedrīkst ierobežot kustības. Regulāri pārbaudiet individuālo aizsargaprīkojuma stāvokli.
- Izmantojiet apstiprinātu aizsargķiveri.
- Izmantojiet apstiprinātus dzirdes aizsarglīdzekļus. Ilgstoša uzturēšanās troksnī var radīt neatgriezeniskus dzirdes bojājumus.
- Lai samazinātu izviestu priekšmetu radītu traumu risku, lietojiet apstiprinātas aizsargbrilles vai sejas vizieri. Motorzāģis var ar lielu spēku izviesēt, piemēram, zāģu skaidas, mazus koka gabaliņus u.c. priekšmetus. Tas var izraisīt smagas traumas, it īpaši acu traumas.
- Lietojiet cimdus, kas aizsargā no zāģa ķēdes.
- Lietojiet darba bikses, kas aizsargā no zāģa ķēdes.
- Lietojiet darba apavus, kas aizsargā no zāģa ķēdes — ar tērauda purngaliem un neslīdošām zolēm.
- Vienmēr jābūt pieejamam pirmās palīdzības komplektam.
- Dzirksteļu risks. Lai nepieļautu meža ugunsgrēkus, turiet tuvumā ugunsdzēsamo aparātu un lāpstu.

Izstrādājuma drošības ierīces



BRĪDINĀJUMS: Pirms izstrādājuma lietošanas izlasiet tālāk izklāstītos brīdinājumus.

- Nelietojiet izstrādājumu ar drošības ierīcēm, kas ir bojātas vai nedarbojas pareizi.
- Regulāri pārbaudiet drošības ierīces. Skatiet šeit: *Izstrādājuma drošības ierīču apkope un pārbaudes lpp. 454.*
- Ja drošības ierīces ir bojātas vai nedarbojas pareizi, sazinieties ar Husqvarna apkopes dienesta pārstāvi.

Lietotāja saskarnes funkcijas

Lietotāja saskarnē ir iedarbināšanas/apturēšanas poga, SavE poga, akumulatora statusa un brīdinājuma indikators. Brīdinājuma indikators mirgo, ja ir aktivizēta ķēdes bremze vai ja pastāv pārslodzes risks. Pārslodzes aizsardzība īslaicīgi izslēdz izstrādājumu, un to nevar lietot, līdz temperatūra samazinās. Ja brīdinājuma indikators deg nepārtraukti, sazinieties ar izplatītāju, kas nodrošina apkopi.

(Att. 34)

Papildinformāciju par lietotāja saskarni skatiet šeit: *Izstrādājuma pārskats lpp. 438.*

Automātiskās izslēgšanas funkcija

Šim izstrādājumam ir automātiskās izslēgšanas funkcija, kas izslēdz izstrādājumu, ja tas netiek lietots 3 minūtes.

Ķēdes bremze un priekšējais roku aizsargs

Izstrādājumam ir ķēdes bremze, kas aptur zāģa ķēdi atsitiena gadījumā. Ķēdes bremze samazina nelaimes gadījumu risku, bet tos var novērst tikai lietotājs.

(Att. 35)



BRĪDINĀJUMS: Izvairieties no situācijām, kad pastāv atsitiena risks. Lietojot izstrādājumu, esiet uzmanīgs un centieties, lai virzītājsliedes atsitiena zona nepieskartos priekšmetiem.

(Att. 36)

Ķēdes bremzi (A) aktivizē vai nu manuāli ar kreiso roku vai automātiski ar inerces mehānismu. Pārvietojot priekšējo roku aizsargu (B) uz priekšu, lai manuāli aktivizētu ķēdes bremzi. Šī kustība iedarbina atsperes mehānismu, kas aptur piedziņas zobratu.

(Att. 37)

Ķēdes bremzes aktivizēšana ir atkarīga no atsitiena spēka un izstrādājuma novietojuma. Ja spēcīgs atsitiena rodas brīdī, kad atsitiena zona atrodas vistālāk prom no jums, ķēdes bremzi aktivizē inerces mehānisms. Ja atsitiena ir neliels vai ja atsitiena zona atrodas tuvāk jums, ķēdes bremze jāaktivizē manuāli ar kreiso roku.

(Att. 38)

Izmantojiet ķēdes bremzi kā stāvbremzi, kad iedarbināt izstrādājumu vai pārvietojaties nelielā attālumā. Tas samazina risku, ka jūs vai tuvumā esošas personas saskarsities ar ķēdes zāģi.

(Att. 39)

Pārvietojiet priekšējo roku aizsargu uz aizmuguri, lai deaktivizētu ķēdes bremzi.

(Att. 40)

Atsitiena var būt negaidīts un ļoti spēcīgs. Lielākā daļa atsitienu ir vāji un ne vienmēr aktivizē ķēdes bremzi. Ja,

lietojot izstrādājumu, jūtat atsitienu, stingri turiet rokturus un neatļaidiet izstrādājumu.

(Att. 41)

Priekšējais roku aizsargs arī samazina risku saskarties ar zāga ķēdi, ja tomēr izlaižat no rokām priekšējo rokturi.

(Att. 42)

Koku gāšanas pozīcijā ķēdes bremzi nevar aktivizēt manuāli. Šajā pozīcijā ķēdes bremzi var aktivizēt tikai ar inerces mehānismu.

(Att. 43)

Spēka sprūda bloķētājs

Spēka sprūda bloķētājs novērš nejašu spēka sprūda darbību. Ja stumsit spēka sprūda bloķētāju uz priekšu (A) un pēc tam piespiedis spēka sprūdu pie roktura (B), spēka sprūds (C) tiks atbrīvots. Atlaižot rokturi, spēka sprūds un spēka sprūda bloķētājs atgriežas sākotnējās pozīcijās.

(Att. 44)

Ķēdes uztvērējs

Ķēdes uztvērējs uztver zāga ķēdi, ja tā saplīst vai kļūst vaļīga. Ja ķēde ir pareizi nospriegota, risks samazinās. Risks samazinās arī tad, ja ir pareizi veikta virzītājsliedes un zāga ķēdes apkope. Norādījumus skatiet sadaļā *Montāža lpp. 446 un Apkope lpp. 453.*

(Att. 45)

Labās rokas aizsargs

Labās rokas aizsargs pasargā plaukstu, ja zāga ķēde saplīst vai kļūst vaļīga. Izstrādājuma lietošanas laikā tas arī pasargā no zariem.

(Att. 46)

Akumulatora drošība



BRĪDINĀJUMS: Pirms izstrādājuma lietošanas izlasiet tālāk izklāstītos brīdinājumus.

- Izmantojiet tikai tos 40-B sērijas akumulatorus, kas ieteikti jūsu izstrādājumam. Skatiet šeit: *Apstiprinātie akumulatori lpp. 461.* Akumulatoriem ir šifrēta programmatūra.
- Kā barošanas avotu izmantojiet tikai 40-B sērijas uzlādējamus akumulatorus saistītajiem Husqvarna izstrādājumiem. Skatiet šeit: *Apstiprinātie akumulatori lpp. 461.* Lai nepieļautu traumu gūšanas risku, akumulatoru nedrīkst izmantot kā citu izstrādājumu strāvas avotu.
- Elektriskās strāvas trieciena risks. Nesavienojiet akumulatora spaiļes ar atslēgām, skrūvēm vai citiem metāla priekšmetiem. Tas var izraisīt akumulatora īssavienojumu.
- Neizmantojiet akumulatorus, kas nav uzlādējami.

- Neievietojiet nekādus priekšmetus akumulatora gaisa atverēs.
- Neglabājiet akumulatoru vietās, ka ir pakļautas tiešai saulesgaismai, karstumam vai atklātām liesmām. Akumulatorus var radīt apdegumus un/vai ķīmiskos apdegumus.
- Akumulatoru nedrīkst pakļaut lietus un mitruma ietekmei.
- Akumulatoru nedrīkst pakļaut mikroviļņu un augsta spiediena ietekmei.
- Akumulatoru nedrīkst izjaukt vai saspiest.
- Nepieļaujiet elektrolīta nonākšanu saskarē ar ādu. Elektrolīts rada ādas traumas, koroziju un apdegumus. Ja elektrolīts iekļūst acīs, neberzējiet tās, bet skalojiet ar lielu daudzumu ūdens vismaz 15 minūtes. Ja elektrolīts ir nonācis saskarē ar ādu, āda ir jātīra ar lielu daudzumu ūdens un ziepēm. Meklējiet medicīnisku palīdzību.
- Akumulatoru drīkst izmantot temperatūrā no -10 °C (14 °F) līdz 40 °C (104 °F).
- Neūriet akumulatoru un tā lādētāju ar ūdeni. Skatiet šeit: *Akumulatora un akumulatora turētāja pārbaude lpp. 454.*
- Nelietojiet bojātu akumulatoru.
- Uzglabājiet akumulatorus vietā, kur tuvumā nav metāla priekšmetu, piemēram, naglu, skrūvju vai rotaslietu.
- Sargiet akumulatoru no bērniem.

Akumulatora lādētāja drošības norādes



BRĪDINĀJUMS: Pirms izstrādājuma lietošanas izlasiet tālāk izklāstītos brīdinājumus.

- Ja drošības instrukcijas netiek ievērotas, pastāv elektriskās strāvas trieciena vai īssavienojuma risks.
- Izmantojiet pārbaudītu zemētu elektrotīkla kontaktligzdu, kas nav bojāta.
- Neizmantojiet citus akumulatoru lādētājus, izņemot jūsu izstrādājumam paredzēto. Izmantojiet 40-C80 lādētājus tikai tad, ja lietojat Husqvarna uzlādējamus akumulatorus 40-B140. Skatiet šeit: *Izstrādājumam apstiprinātie akumulatora lādētāji lpp. 461 un Apstiprinātie akumulatori lpp. 461.*
- Nemēģiniet demontēt akumulatora lādētāju.
- Nelietojiet defektīvu vai bojātu akumulatora lādētāju.
- Nevelciet akumulatora lādētāju aiz barošanas kabeļa. Lai akumulatora lādētāju atvienotu no elektrotīkla kontaktligzdas, velciet aiz kontaktspraudņa. Nevelciet aiz barošanas kabeļa.
- Uzmanieties, lai vadi un pagarinātāji nesaskartos ar ūdeni, eļļu un asām malām. Nodrošiniet, lai kabelis netiktu iespiests durvīs, nožogojumos un līdzīgās konstrukcijās.
- Nelietojiet akumulatora lādētāju viegli uzliesmojošu materiālu vai materiālu, kas var izraisīt koroziju, tuvumā. Pārliecinieties, vai akumulatora lādētājs nav

pārsegs. Ja konstatējat dūmus vai uguni, izraujiet akumulatora lādētāja kontaktspraudni.

- Uzlādējiet akumulatoru tikai tādās telpās, kur ir laba gaisa plūsma un kur akumulators nav pakļauts saules gaismas ietekmei. Neuzlādējiet akumulatoru ārpus telpām. Neuzlādējiet akumulatoru mitrumā.
- Akumulatora lādētāju izmantojiet tikai vietās, kur temperatūra ir no 5 °C (41 °F) līdz 40 °C (104 °F). Izmantojiet lādētāju labi vēdināmā un sausā vietā, kur nav putekļu.
- Neievietojiet nekādus priekšmetus akumulatora lādētāja dzesēšanas atverēs.
- Nekādā gadījumā akumulatora lādētāja spaiļes nesavienojiet ar metāla priekšmetiem, jo tas var izraisīt akumulatora lādētāja īssavienojumu.
- Izmantojiet apstiprinātas kontaktligzdas, kas nav bojātas.
- Neizmantojiet akumulatoru lādētāju tādu akumulatoru uzlādei, kas nav atkārtoti uzlādējami.

Norādījumi par drošu apkopi



BRĪDINĀJUMS: Pirms veicat produkta apkopi, izlasiet brīdinājuma norādījumus.

- Noņemiet akumulatoru, pirms veicat apkopi, citas pārbaudes vai montējat produktu.
- Operators drīkst veikt tikai šajā lietotāja rokasgrāmatā norādītos apkopes un servisa darbus. Par plašākiem apkopes un servisa darbiem sazinieties ar jūsu apkopes nodrošinātāju.
- Netīriet akumulatoru un tā lādētāju ar ūdeni. Spēcīgs mazgāšanas līdzeklis var radīt plastmasas bojājumus.
- Neveicot apkopi, samazinās produkta dzīves cikls un palielinās nelaimes gadījumu risks.
- Īpaša apmācība ir nepieciešama visiem apkopes un remontdarbiem, jo īpaši šī produkta drošības ierīcēm. Ja visas šajā lietotāja rokasgrāmatā norādītās

pārbaudes netiek apstiprinātas pēc apkopes veikšanas, sazinieties ar apkopes nodrošinātāju. Mēs garantējam profesionālu remontdarbu un apkopes pieejamību jūsu produktam.

- Vienmēr izmantojiet tikai oriģinālās detaļas.

Griešanas aprikojuma drošības instrukcijas



BRĪDINĀJUMS: Pirms sākat lietot izstrādājumu, izlasiet tālāk izklāstītās brīdinājuma instrukcijas.

- Lietojiet tikai apstiprinātos virzītājsliedes/zāga ķēdes komplektus un asināšanas aprikojumu. Norādījumus skatiet šeit: *Tehniskie dati lpp. 459*.
- Lietojot zāga ķēdi vai veicot tās apkopi, valkājiet aizsargcimdus. Zāga ķēde var radīt traumas arī tad, ja tā nekustas.
- Griezējzobiem vienmēr jābūt pareizi uzasinātiem. Ievērojiet norādījumus un izmantojiet ieteikto šablonu. Bojāta vai nepareizi uzasināta zāga ķēde paaugstina nelaimes gadījumu risku.

(Att. 47)

- Ievērojiet pareizu griešanas dziļuma iestatījumu. Ievērojiet norādījumus un izmantojiet ieteicamo dziļummēra iestatījumu. Pārāk liels dziļummēra iestatījums paaugstina atsietiena risku.

(Att. 48)

- Pārbaudiet, vai zāga ķēdes spriegojums ir pareizs. Ja zāga ķēde nav stingri piespiesta virzītājslīdei, tā var kļūt vaļīga. Nepareizs zāga ķēdes spriegojums paaugstina virzītājsliedes, zāga ķēdes un zāga piedziņas zobrata nodilumu. Sk. *Piederumi lpp. 460*.

(Att. 49)

- Regulāri veiciet griešanas aprikojuma apkopi un nodrošiniet, lai tas būtu pareizi ieeļļots. Ja zāga ķēde netiek pareizi eļļota, paaugstinās virzītājsliedes, zāga ķēdes un zāga piedziņas zobrata nodiluma risks.

(Att. 50)

Montāža

Virzītājsliedes un zāga ķēdes (ar sliedes pogu) uzstādīšana



BRĪDINĀJUMS: Pirms izstrādājuma montāžas vai apkopes vienmēr noņemiet akumulatoru.

1. Izslēdziet ķēdes bremzi. (Att. 51)
2. Atļaidiet sliedes pogu un noņemiet piedziņas zobrata pārsegu. (Att. 52)

3. Uzlieciet virzītājsliedi uz sliedes skrūves. Aizbīdiet virzītājsliedi līdz galējam aizmugurējam stāvoklim. Paceliet zāga ķēdi virs piedziņas zobrata un ievietojiet virzītājsliedes rievā. Sāciet ar virzītājsliedes augšējo malu.
4. Pārliedciniet, ka griežņu malas vadslīdes augšpusē ir vērstas uz priekšu. (Att. 53)
5. Uzstādiet piedziņas zobrata pārsegu un iebīdiet ķēdes regulēšanas tapu virzītājsliedes atverē.
6. Pārbaudiet, vai zāga ķēdes piedziņas posmi pareizi salāgojas ar piedziņas zobratu.
7. Pārbaudiet arī, vai zāga ķēde ir pareizi ievietota virzītājsliedes rievā.

- Nospriegojiet zāga ķēdi. Skatiet šeit: *Apkope lpp. 453* lai atrastu norādījumus.
- Pievelciet sliedes pogu.

Virzītājsliedes un zāga ķēdes (ar sliedes skrūvi) uzstādīšana



BRĪDINĀJUMS: Pirms izstrādājuma montāžas vai apkopes vienmēr noņemiet akumulatoru.

- Izslēdziet ķēdes bremzi. (Att. 51)
- Noskrūvējiet sliedes uzgriezni un noņemiet piedziņas zobrata pārsegu. (Att. 54)
- Uzlieciet virzītājsliedi uz sliedes skrūves. Aizbīdiet virzītājsliedi līdz galējam aizmugurējam stāvoklim. Paceliet zāga ķēdi virs piedziņas zobrata un ievietojiet virzītājsliedes rievā. Sāciet ar virzītājsliedes augšējo malu.
- Pārliedziniet, ka griežņu malas vadslīdes augšpusē ir vērstas uz priekšu. (Att. 55)
- Uzstādiet piedziņas zobrata pārsegu un iebīdiet ķēdes regulēšanas tapu virzītājsliedes atverē.

- Pārbaudiet, vai zāga ķēdes piedziņas posmi pareizi salāgojas ar piedziņas zobratu.
- Pārbaudiet arī, vai zāga ķēde ir pareizi ievietota virzītājsliedes rievā.
- Ar pirkstiem pievelciet uzgriežņus.
- Pievelciet zāga ķēdi. Skatiet šeit: *Apkope lpp. 453* lai atrastu norādījumus.

Akumulatoru lādētāja uzstādīšana pie sienas



IEVĒROJIET: Neizmantojiet elektrisko skrūvgriezi akumulatoru lādētāja uzstādīšanai pie sienas. Elektrisks skrūvgriezis var izraisīt akumulatoru lādētāja bojājumus.

- Pieskrūvējiet akumulatoru lādētāju pie sienas ar 2 skrūvēm (A). Lietojiet dībeļus (B), ja nepieciešams. (Att. 56)
- Atverēs ievietojiet 2 dībeļus (C).
- Pievienojiet barošanas kabeli (D) akumulatoru lādētājam un elektroīkla kontaktligzdai.

Lietošana

Ievads



BRĪDINĀJUMS: Pirms produkta lietošanas izlasiet un izprotiet drošības norādījumus.

Darbības pārbaude pirms produkta lietošanas

- Pārbaudiet ķēdes bremzi (A), lai pārliedzinātos, vai tā pareizi darbojas un nav bojāta.
- Pārbaudiet aizmugurējo labās rokas aizsargu (B), lai pārliedzinātos, vai tas nav bojāts.
- Pārbaudiet spēka sprūdu un spēka sprūda bloķētāju (C), lai pārliedzinātos, vai tie darbojas pareizi un nav bojāti.
- Pārbaudiet tastatūru (D), lai pārliedzinātos, vai tā darbojas pareizi.
- Pārbaudiet, vai uz rokturiem nav eļļas (E).
- Pārbaudiet, vai visas daļas ir pareizi pievienotas, nav bojātas vai netrūkst.
- Pārbaudiet, vai ir pareizi piestiprināts ķēdes uztvērējs (F).
- Pārbaudiet ķēdes spriegojumu (G).
- Uzliedziet akumulatoru (H) un pārliedziniet, vai tas ir pareizi pievienots izstrādājumam.
- Pārliedziniet, vai, atlaižot spēka sprūdu, ķēdes zāģis tiek izslēgts. (Att. 57)

Piemērotas ķēdes eļļas lietošana



BRĪDINĀJUMS: Neizmantojiet izstrādāto eļļu, tā var radīt traumas un kaitēt apkārtnējam videi. Izstrādātā eļļa bojā eļļas sūkni, virzītājsliedi un zāga ķēdi.



BRĪDINĀJUMS: Ja griešanas aprīkojums netiek pietiekami eļļots, zāga ķēde var salūzt. Pastāv risks operatoram gūt smagas vai nāvējošas traumas.



BRĪDINĀJUMS: Lai šī funkcija darbotos pareizi, izmantojiet piemērotu ķēdes eļļu. Izvēloties ķēdes eļļu, konsultējieties ar izplatītāju.

- Izmantojiet Husqvarna ķēdes eļļu, lai nodrošinātu maksimāli ilgu zāga ķēdes darbību un nepieļautu negatīvu ietekmi uz vidi. Ja Husqvarna ķēdes eļļa nav pieejama, ieteicams izmantot standarta ķēdes eļļu.
- Izmantojiet zāga ķēdei piemērotu ķēdes eļļu.
- Izmantojiet ķēdes eļļu ar gaisa temperatūrai atbilstošu viskozitāti.



IEVĒROJIET: Temperatūrā, kas zemāka par 0 °C/32 °F, dažas ķēdes

eļļas kļūst pārāk biezas, tādējādi var sabojāt eļļas sūkņa komponentus.

- Izmantojiet ieteicamo griešanas aprīkojumu. Sk. *Piederumi lpp. 460.*
- Noņemiet ķēdes eļļas tvertnes vāciņu.
- Piepildiet ķēdes eļļas tvertni ar ķēdes eļļu.
- Rūpīgi uzlieciet atpakaļ vāciņu.

(Att. 58)

Piezīme: Informāciju par to, kur atrodas konkrētā izstrādājuma ķēdes eļļas tvertne, sk. *Ievads lpp. 438.*

Akumulators



BRĪDINĀJUMS: Pirms akumulatora lietošanas izlasiet un izprotiet drošības nodaļas norādījumus. Izlasiet akumulatora un akumulatora lādētāja lietošanas

rokasgrāmatu un pārliecinieties, ka izprotat to.

Glabājiet akumulatoru un akumulatoru lādētāju pareizi apkārtējās vides temperatūrā.

	Apkārtējās vides temperatūra
Akumulatora darbināšana	5–40 °C/41–104 °F
Akumulatora uzlāde	5–40 °C/41–104 °F

Akumulatora statuss

Displejā ir redzams uzlādes līmenis un akumulatora problēmu ziņojumi, ja pastāv problēmas.

(Att. 59)

Gaismas diodes indikators	Akumulatora uzlādes stāvoklis
Deg četras gaismas diodes	Akumulators ir uzlādēts 76–100% apmērā.
Deg trīs gaismas diodes	Akumulators ir uzlādēts 51–75% apmērā.
Deg divas gaismas diodes	Akumulators ir uzlādēts 26–50% apmērā.
Deg viena gaismas diode	Akumulators ir uzlādēts 6–25% apmērā.
Mirgo viena gaismas diode	Akumulatora ir uzlādēts 0–5% apmērā.

Akumulatora uzlāde

Ja akumulatoru lietojat pirmo reizi, uzlādējiet to. Jauns akumulators ir uzlādēts tikai par 30%.



IEVĒROJIET: Pievienojiet akumulatora lādētāju kontaktligzdai, kas atbilst datu plāksnītē norādītajam spriegumam un frekvencei.

Akumulators netiks uzlādēts, ja akumulatora temperatūra pārsniedz 50 °C/122 °F.

1. Pievienojiet barošanas kabeli akumulatoru lādētājam.
2. Pieslēdziet akumulatora lādētāju iezemētai barošanas kontaktligzdai. Uzlādes gaismas diode nomirgo vienu reizi. (Att. 60)
3. Pievienojiet akumulatoru pie lādētāja. Iedegas uzlādes gaismas diode. Akumulatora uzlādes laiks nedrīkst pārsniegt 24 stundas. (Att. 61)
4. Nospiediet akumulatora indikatora pogu, ja visas gaismas diodes iedegas; akumulators ir pilnībā uzlādēts.
5. Izraujiet barošanas kabeļa kontaktspraudni, lai atvienotu akumulatora lādētāju no barošanas kontaktligzdas. Nevelciet aiz barošanas kabeļa.

6. Izņemiet akumulatoru no lādētāja.

Informācija par atsitienu



BRĪDINĀJUMS: Atsitiens var radīt nopietnas traumas vai letālu iznākumu operatoram vai citām personām. Lai mazinātu risku, ir jāzina, kas izraisa atsitienu un kā to novērst.

Atsitiens rodas tad, ja virzītājsliedes atsitienu zona saskaras ar priekšmetu. Atsitiens var rasties pēkšņi un ar lielu spēku, kas grūž ķēdes zāģi operatora virzienā.

(Att. 36)

Atsitiens vienmēr notiek virzītājsliedes griešanas plaknē. Parasti ķēdes zāģis tiek grūsts operatora virzienā, bet tas var pārvietoties arī citā virzienā. Kustības virzienu nosaka ķēdes zāģa lietošanas veids atsitienu brīdī.

(Att. 62)

Atsitiens notiek tikai tad, ja virzītājsliedes atsitienu zona pieskaras priekšmetam. Nepieļaujiet atsitienu zonas saskari ar citiem priekšmetiem.

(Att. 36)

Atsitienu spēku samazina mazāks sliedes iemavas rādiuss.

Lai samazinātu atsitienu ietekmi, lietojiet zema atsitienu zāga ķēdi. Nepieļaujiet atsitienu zonas saskari ar citiem priekšmetiem.



BRĪDINĀJUMS: Neviena zāga ķēde atsitienu nenovērš pilnībā. Vienmēr ievērojiet norādījumus.

Bieži uzdotie jautājumi par atsitienu

• Vai atsitienu brīdī roka vienmēr aktivizē ķēdes bremzi?

Nē. Lai pāvirzītu priekšējo roku aizsargu uz priekšu, jāpieliek zināms spēks. Ja netiek piemērots nepieciešamais spēks, ķēdes bremze netiek aktivizēta. Jums darba laikā ir arī stingri jātur izstrādājuma rokturi abās rokās. Ja rodas atsitiens, ķēdes bremze var nepagūt apturēt zāga ķēdi pirms tā saskaras ar operatoru. Ir arī dažas pozīcijas, kurās roka nevar pieskarties priekšējam roku aizsargam, lai aktivizētu ķēdes bremzi.

• Vai atsitienu brīdī inerces mehānisms vienmēr aktivizē ķēdes bremzi?

Nē. Pirmkārt, ķēdes bremzei ir jādarbojas pareizi. Norādījumus par to, kā veikt ķēdes bremzes pārbaudi, skatiet šeit: *Izstrādājuma drošības ierīču apkope un pārbaudes lpp. 454*. Pārbaudi ieteicams veikt pirms katras izstrādājuma lietošanas reizes. Otrkārt, atsitienu ir jābūt spēcīgam, lai aktivizētu ķēdes bremzi. Ja ķēdes bremze ir pārāk jutīga, tā var tikt aktivizēta nevienmērīgas darbības laikā.

• Vai ķēdes bremze mani vienmēr pasargās no traumām atsitienu gadījumā?

Nē. Lai nodrošinātu aizsardzību, ķēdes bremzei ir jādarbojas pareizi. Turklāt atsitienu brīdī ķēdes bremze ir jāaktivizē, lai tā apturētu zāga ķēdi. Pastāv iespēja, ka ķēdes bremzei nepietiek laika apturēt zāga ķēdi, pirms tā saskaras ar jums, ja atrodaties virzītājsliedes tuvumā.



BRĪDINĀJUMS: Atsitienu varat novērst tikai jūs pats un pareiza darba tehnika.

Izstrādājuma ieslēgšana

1. Pārbaudiet piedziņas mēlīti un piedziņas mēlītes bloķētāju. Skatiet šeit: *Spēka sprūda bloķētāja pārbaude lpp. 454*.
2. Aktivizējiet ķēdes bremzi. (Att. 63)
3. Ievietojiet akumulatoru turētājā. (Att. 64)



IEVĒROJIET: Pārliedcinieties, vai akumulators ir pareizi ievietots akumulatora turētājā. Ja akumulators viegli neieslīd akumulatora turētājā, akumulators nav pareizi novietots.

4. Piespiediet akumulatora apakšējo daļu, līdz atskan klikšķis. (Att. 65)
5. Turiet nospiestu ieslēgšanas/apturēšanas pogu, līdz iedegas zaļas krāsas gaismas diode. (Att. 66)

SavE funkcijas izmantošana

SavE funkcija samazina ķēdes ātrumu un izstrādājuma jaudu.

1. Nospiediet pogu SavE. Iedegsies zaļās krāsas gaismas diode.
2. Nospiediet pogu SavE vēlreiz, lai funkciju izslēgtu. Zaļās krāsas gaismas diode nodziest. (Att. 67)

Izstrādājuma apturēšana

1. Turiet nospiestu iedarbināšanas/izslēgšanas pogu, līdz nodziest zaļās krāsas gaismas diode. (Att. 66)
2. Nospiediet akumulatora atbrīvošanas pogas un izņemiet akumulatoru no akumulatora turētāja, lai novērstu nejaušu iedarbināšanu. (Att. 68)

Zāgēšana, velkot un bīdot

Koku zāgēšanu var veikt 2 dažādos veidos.

- Lai zāgētu pa zāgēšanas līniju, jāzāgē ar virzītājsliedes apakšdaļu. Zāgējot zāga ķēde virzās cauri kokam. Šajā pozīcijā varat labāk kontrolēt izstrādājumu un atsitienu zonas pozīciju.

(Att. 69)

- Lai zāgētu pa stumšanas līniju, jāzāgē ar virzītājsliedes augšdaļu. Zāga ķēde bīda izstrādājumu operatora virzienā.

(Att. 70)



BRĪDINĀJUMS: Ja zāga ķēde iesprūst stumburā, ķēdes zāģis var tikt bīdīts jūsu virzienā. Turiet ķēdes zāģi stingri un pārbaudiet, vai virzītājsliedes atsitienu riska zona nesaskaras ar koku un nerada atsitienu.

(Att. 71)

Griešanas metodes izmantošana



BRĪDINĀJUMS: Griešanas laikā izmantojiet pilnu jaudu, bet pēc katra griešana samaziniet ātrumu līdz brīvgaitas apgriezienu skaitam.



IEVĒROJIET: Nepieļaujiet, ka dzinējs pārāk ilgi darbojas bez slodzes. Pretējā gadījumā dzinējs var tikt bojāts.

1. Uzlieciet balķi uz zāgēšanas stāfiva. (Att. 72)



BRĪDINĀJUMS: Neuzgājiet kaudzē sakrautus balķus. Tas palielina atsitiena risku un var radīt nopietnas vai nāvējošas traumas.

2. Nozāgētos gabalus pārvietojiet prom no darba veikšanas vietas.



BRĪDINĀJUMS: Nozāgētie gabali darba veikšanas vietā palielina atsitiena un līdzsvara zaudēšanas risku.

Balsta zoba izmantošana

1. Iestumiet balsta zobu koka stumbrā..
2. Padodiet pilnu jaudu un griežiet izstrādājumu riņķī. Turiet balsta zobu pret stumbru. Šī procedūra ļauj vieglāk lietot nepieciešamo spēku, lai izzāgētu cauri stumbram. (Att. 73)

Uz zemes nolikta balķa zāgēšana

1. Pārzāgējiet balķi pa zāgēšanas līniju. Saglabājiet pilnu jaudu, bet esiet gatavs pēkšņiem negadījumiem. (Att. 74)



BRĪDINĀJUMS: Gādājiet, lai zāga ķēde nepieskartos zemei brīdī, kad pabeidzat zāgējumu.

2. Iezāgējiet līdz apmēram 2/3 no balķa un pārtrauciet zāgēšanu. Pagrieziet balķi un zāgējiet no pretējās puses. (Att. 75)

Balķa zāgēšana, ja viens tā gals ir atbalstīts



BRĪDINĀJUMS: Gādājiet, lai zāgēšanas laikā balķis nesalūstu. Ievērojiet tālāk sniegtos norādījumus.

(Att. 76)

1. Iezāgējiet balķi pa stumšanas līniju līdz aptuveni 1/3.
2. Zāgējiet balķi pa zāgēšanas līniju, līdz abi zāgējumi savienojas. (Att. 77)

Balķa zāgēšana, ja abi tā gali ir atbalstīti



BRĪDINĀJUMS: Gādājiet, lai griešanas laikā zāga ķēde neiestrēgtu balķī. Ievērojiet tālāk sniegtos norādījumus.

(Att. 78)

1. Iezāgējiet balķi pa zāgēšanas līniju līdz aptuveni 1/3.
2. Zāgējiet atlikušo balķa daļu pa stumšanas līniju, lai pabeigtu griezumu. (Att. 79)



BRĪDINĀJUMS: Ja zāga ķēde iestrēgst balķī, apturiet dzinēju. Izmantojiet sviru, lai atvērtu zāgējumu, un

noņemiet izstrādājumu. Nemēģiniet izvilkēt izstrādājumu ar rokām. Ja izstrādājums pēkšņi atrīvosies, var rasties traumas.

Atzarošanas metodes izmantošana

Piezīme: Lai apstrādātu biezus zarus, izmantojiet griešanas metodi. Sk. *Griešanas metodes izmantošana lpp. 449.*



BRĪDINĀJUMS: Atzarošanas metode ir saistīta ar augstu negadījumu risku. Norādījumus par izvairīšanos no atsitiena skatiet *Informācija par atsitenu lpp. 448.*



BRĪDINĀJUMS: Zāgējiet zarus pa vienam. Ievērojiet piesardzību, zāgējot mazus zarus, un neuzgājiet krūmus vai daudz mazu zaru vienlaikus. Mazi zari var ieķērties zāga ķēdē un traucēt izstrādājuma drošu lietošanu.

Piezīme: Ja nepieciešams, zāgējiet zarus pa daļām. Vispirms nozāgējiet mazākos zarus (A) un (B), bet pēc tam zāgējiet resnāko zara vietu stumbrā (C) tuvumā.

(Att. 80)

1. Noņemiet zarus balķa labajā pusē.
 - a) Turiet vadotni balķa labajā pusē un atbalstiet izstrādājuma korpusu pret balķi.
 - b) Izvēlieties griešanas metodi atbilstoši zara spriegumam. (Att. 81)



BRĪDINĀJUMS: Ja nezināt, kā griezt zaru, pirms darba turpināšanas konsultējieties ar profesionālu ķēdes zāga operatoru.

2. Noņemiet zarus balķa augšpusē.
 - a) Turiet izstrādājumu uz balķa un virziet vadotni pāri balķim.
 - b) Zāgējiet pa stumšanas līniju. (Att. 82)
3. Noņemiet zarus balķa kreisajā pusē.
 - a) Izvēlieties griešanas metodi atbilstoši zara spriegumam. (Att. 83)



BRĪDINĀJUMS: Ja nezināt, kā griezt zaru, pirms darba turpināšanas konsultējieties ar profesionālu ķēdes zāga operatoru.

Norādījumus par nospriegotu zaru griešanu skatiet *Nospriegotu koku un zaru griešana lpp. 452.*

Koku gāšanas metodes izmantošana



BRĪDINĀJUMS: Lai gāztu kokus, nepieciešama iepriekšēja pieredze. Ja iespējams, iegūstiet zāga ķēdes lietošanas apmācību. Lai uzlabotu zināšanas, konsultējieties ar pieredzējušu operatoru.

Droša attāluma ievērošana

1. Nodrošiniet, lai citas personas atrastos drošā — vismaz 2 1/2 koka garumu — attālumā. (Att. 84)
2. Pārliedzieties, vai pirms koka gāšanas vai tās laikā neviens neatrodas riska zonā. (Att. 85)

Koka gāšanas virziena aprēķināšana

1. Pārbaudiet, kādā virzienā kokam ir jāgāžas. Mērķis ir nogāzt koku tā, lai tas gulētu pozīcijā, kurā jums ir ērti veikt atzarošanu un sazāgēšanu. Svarīgi ir arī, lai jūs stabili stāvētu uz kājām un varētu droši pārvietoties.



BRĪDINĀJUMS: Ja koka krišana dabiskā virzienā ir bīstama vai neiespējama, nodrošiniet tā krišanu citā virzienā.

2. Izpētiet koka dabisko krišanas virzienu. Piemēram, koka slīpumu un izliekumus, vēja virzienu, zaru atrašanās vietas un sniega svaru.
3. Izpētiet, vai koka apkārtne ir šķēršļi, piemēram, citi koki, elektroinīnijas, ceļi un/vai ēkas.
4. Pārbaudiet, vai stumburā nav bojājumu vai puves.



BRĪDINĀJUMS: Ja stumburā ir puve, pastāv risks, ka koks nokrīt, pirms ir pabeigta zāgēšana.

5. Pārliedzieties, vai kokam nav bojātu vai nokaltušu zaru, kas zāgēšanas laikā var nolūzt un uzkrīt jums virsū.
6. Nepieļaujiet, ka koks uzkrīt citam kokam. Novākt iesprūdušu koku ir bīstami — pastāv augsts negadījumu risks. Sk. *Iesprūduša koka atbrīvošana lpp. 452*. (Att. 86)



BRĪDINĀJUMS: Veicot kritiskus koku gāšanas darbus, pēc zāgēja pabeigšanas nekavējoties noņemiet dzirdes aizsarglīdzekļus. Ir svarīgi, lai jūs varētu saklausīt skaņas un brīdinājuma signālus.

Stumbra atbrīvošana un atkāpšanās ceļa sagatavošana

Nozāgējiet visus zarus plecu augstumā un zemāk.

1. Zāgējiet pa zāgēšanas līniju no augšas uz leju. Gādājiet, lai koks atrastos starp jums un izstrādājumu. (Att. 87)
2. Noņemiet krūmājus, kas atrodas darba zonā ap koku. Noņemiet visu nozāgēto materiālu no darba zonas.
3. Pārbaudiet, vai tuvumā nav šķēršļu, piemēram, akmeņu, zaru un bedru. Koka krišanas brīdī jums jābūt brīvam atkāpšanās ceļam. Jūsu atkāpšanās ceļam ir jābūt apmēram 135 grādu leņķī no koka gāšanās virziena.

1. Bīstamā zona
2. Atkāpšanās ceļš
3. Koka gāšanas virziens

(Att. 88)

Koka nogāšana

Husqvarna iesaka nogāzt koku, veicot virziena griezumus un pēc tam izmantojot drošo stūra metodi. Drošā stūra metode gādā par pareizu iezāgējuma līniju un palīdz kontrolēt iezāgējuma virzienu.



BRĪDINĀJUMS: Negāziet kokus, kuru diametrs vairāk nekā divas reizes pārsniedz vadotnes garumu. Lai veiktu šīs darbības, nepieciešama īpaša apmācība.

Iezāgējuma līnija

Koku gāšanas laikā ir būtiski izveidot pareizu iezāgējuma līniju. Ja iezāgējuma līnija būs pareiza, jūs kontrolēsiet iezāgējuma virzienu un gādāsiet par drošu gāšanas procedūru.

Iezāgējuma līnijas biezumam ir jābūt vienmērīgam un ne mazākam par 10% no koka diametra.



BRĪDINĀJUMS: Ja iezāgējuma līnija būs nepareiza vai pārāk plāna, jūs nevarēsiet kontrolēt iezāgējuma virzienu.

(Att. 89)

Virziena griezumu veikšana

1. Veiciet virziena griezumus. Iezāgējiet virziena griezumus dziļumā, kas atbilst 1/4 no koka diametra. Starp augšējo un apakšējo griezumu jābūt 45° leņķim.
 - a) Vispirms veiciet augšējo griezumu. Savietojiet izstrādājuma gāšanas virziena atzīmi (A) ar koka gāšanas virzienu (B). Stāviet aiz izstrādājuma tā, lai koks atrastos labajā pusē. Zāgējiet, veicot velkošu zāgēšanu.
 - b) Veiciet apakšējo griezumu. Raugiet, lai apakšējais griezumam beigtos turpat, kur beidzas augšējais griezumam. (Att. 90)

2. Raugiet, lai virziena griezuma līnija būtu pilnīgi taisna horizontālā virzienā un atrastos taisnā leņķī (90°) pret koka gāšanas virzienu. Virziena griezuma līnija iet caur punktu, kurā saskaras abi virziena griezumi. (Att. 91)

Drošās stūra metodes izmantošana

Iezāgējums jāveic nedaudz virs virziena griezuma.

(Att. 92)



BRĪDINĀJUMS: Ievērojiet piesardzību, griežot ar vadotnes uzmvu. Sāciet griezt ar vadotnes uzmvas apakšējo daļu, veicot urbuma zāgējumu baļķī.

(Att. 93)

1. Ja lietojamais griešanas garums ir garāks par koka diametru, veiciet tālāk norādītās darbības (a–d).
 - a) Veiciet taisnu urbuma zāgējumu baļķī visā iezāgējuma līnijas platumā. (Att. 94)
 - b) Zāgējiet pa zāgēšanas līniju, līdz atlikusi apmēram 1/3 no baļķa.
 - c) Velciet vadotni 5–10 cm/2–4 collu garumā virzienā uz aizmuguri.
 - d) Grieziat atlikušajā baļķa daļā, lai pabeigtu drošo stūri, kura platums ir 5–10 cm/2–4 collas. (Att. 95)
2. Ja lietojamais griešanas garums ir īsāks par koka diametru, veiciet tālāk norādītās darbības (a–d).
 - a) Veiciet urbuma zāgējumu tieši baļķī. Urbuma zāgējumam ir jābūt lielākam par 3/5 no koka diametra.
 - b) Zāgējiet pa zāgēšanas līniju cauri atlikušajai baļķa daļai. (Att. 96)
 - c) Zāgējiet tieši baļķī no koka otras puses, lai pabeigtu iezāgējuma līniju.
 - d) Zāgējiet pa stumšanas līniju, līdz atlikusi 1/3 no baļķa — tādējādi pabeigsit drošo stūri. (Att. 97)
3. Ievietojiet ķīli zāgējumā tieši no aizmugurē. (Att. 98)
4. Nogrieziet stūri, lai koks kristu.

Piezīme: Ja koks nekrīt, sitiet pa ķīli, līdz koks sāk krist.

5. Kad koks sāk krist, izmantojiet atkāpšanās ceļu, lai atvirzītos no koka. Pārvietojieties ne mazāk kā 5 m/15 pēdu attālumā no koka.

Iesprūduša koka atbrīvošana



BRĪDINĀJUMS: Iesprūduša koka noņemšana ir ļoti bīstama un saistīta ar

augstu negadījumu risku. Netuvojieties riska zonai un nemēģiniet nogāzt iesprūdušu koku.

(Att. 99)

Drošākā metode ir izmantot kādu no šīm vinčām:

- uz traktora montēta vinča;

(Att. 100)

- pārnēsājama vinča.

(Att. 101)

Nospriegotu koku un zaru griešana

1. Novērtējiet, kura koka vai zara puse ir nospriegota.
2. Novērtējiet, kurā vietā ir vislielākais spriegums. (Att. 102)
3. Izpētiet, kāds ir drošākais veids spriegojuma samazināšanai.

Piezīme: Dažās situācijās drošākais paņēmieni ir vinčas (nevis izstrādājuma) izmantošana.

4. Nostājieties tā, lai atbrīvotais koks vai zars neuzkristu jums virsū. (Att. 103)
5. Veiciet vienu vai vairākus pietiekami dziļus griezumus, lai samazinātu spriegojumu. Veiciet griezumus maksimālā nospriegojuma punkta tuvumā. Mērķis ir panākt, lai koks vai zars pārlūztu maksimālā nospriegojuma punktā. (Att. 104)



BRĪDINĀJUMS: Nekādā gadījumā negrieziet taisni cauri nospriegotam kokam vai zaram.



BRĪDINĀJUMS: Esiet ļoti piesardzīgs, zāgējot koku, kas ir nospriegots. Pastāv risks, ka koks pirms vai pēc nozāgēšanas var strauji pārvietoties. Ja atrodaties nepareizā pozīcijā vai zāgējat nepareizi, var gūt smagas traumas.

6. Ja ir jāpārzāgē koks/zars, veiciet 2 līdz 3 griezumus ar attālumu 1 colla un dziļumu 2 collas. (Att. 105)
7. Turpiniet zāgēt kokā, līdz koks/zars izliecas un spriegums tiek atbrīvots. (Att. 106)
8. Pēc sprieguma atbrīvošanas zāgējiet koku/zaru no izliekumam pretējās puses.

Apkope

Ievads



BRĪDINĀJUMS: Pirms ķēdes zāga apkopes veikšanas izlasiet un izprotiet sadaļu par drošības pasākumiem.

Zemāk ir redzams izstrādājuma apkopes darbību saraksts. Skatiet sadaļu *Apkope lpp. 453* plašākai informācijai

Tehniskās apkopes grafiks



BRĪDINĀJUMS: Pirms veicat apkopi, izņemiet akumulatoru.

Tehniskā apkope	Pirms izmantošanas	Reizi nedēļā	Reizi mēnesī
Notīriet izstrādājuma ārējās daļas.	X		
Pārbaudiet, vai piedziņas mēlīte un piedziņas mēlītes bloķēšanas funkcija darbojas pareizi un atbilstoši drošības noteikumiem.	X		
Notīriet ķēdes bremzi un pārbaudiet, vai tā darbojas droši. Pārļiecinieties, vai bojāts ķēdes uztvērējs. Ja nepieciešams, nomainiet to.	X		
Apvēršiet vadsliedi, lai tā nodiltu vienmērīgāk. Pārļiecinieties, vai virzītājsliedes eļļošanas atvere nav aizsērējusi. Izīrtiet sliedes rievu.	X		
Pārļiecinieties, vai griezējā un griezēja aizsargā nav plaisu un bojājumu. Ja griezējā vai griezēja aizsargā ir plaisas vai ja tie ir saņēmuši triecienu, nomainiet tos.	X		
Pārļiecinieties, vai ir pietiekami daudz virzītājsliedes un zāga ķēdes eļļas.	X		
Pārbaudiet zāga ķēdi. Pārbaudiet, vai nav plaisu un vai zāga ķēde nav pārāk stingra vai nodilusi. Ja nepieciešams, nomainiet.	X		
Uzasiniet zāga ķēdi. Pārbaudiet tās spriegojumu un stāvokli. Pārbaudiet, vai piedziņas zobrats nav nodilis, un, ja nepieciešams, nomainiet to.	X		
Izīrtiet izstrādājuma gaisa ieplūdes atveri.	X		
Pārļiecinieties, vai skrūves un uzgriežņi ir stingri pievilkti.	X		
Pārbaudiet, vai tastatūra darbojas pareizi un nav bojāta.	X		
Novīlējiet nelīdzenumus uz virzītājsliedes malām.		X	
Pārbaudiet savienojumus starp akumulatoru un izstrādājumu. Pārbaudiet savienojumu starp akumulatoru un akumulatora lādētāju.			X
Iztukšojiet un izīrtiet eļļas tvertni.			X
Viegli ar saspiesto gaisu izpūstiet izstrādājuma un akumulatora dzesēšanas spraugas.			X

Izstrādājuma drošības ierīču apkope un pārbaudes

Priekšējā roku aizsarga pārbaude

Regulāri pārbaudiet priekšējo roku aizsargu un bremžu aktivizēšanas inerces mehānismu.

1. Pārliedziniet, ka priekšējam roku aizsargam nav nekādu bojājumu, piem., plaisu. (Att. 107)
2. Pārbaudiet, vai priekšējais roku aizsargs brīvi pārvietojas un ir droši nostiprināts pie izstrādājuma. (Att. 108)
3. Nolieciet izstrādājumu ar izslēgtu motoru uz celma vai cita stabila priekšmeta.
4. Turiet aizmugurējo rokturi un atlaidiet priekšējo rokturi. Ļaujiet izstrādājumam krist uz celma. (Att. 109)
5. Pārliedziniet, vai ķēdes bremzei tiek aktivizēta, kad vadsliede pieskaras celmam.

Bremzes mēlītes pārbaude

1. Novietojiet izstrādājumu uz stabilas virsmas un iedarbiniet to. Skatiet šeit: *Lietošana lpp. 447.*



BRĪDINĀJUMS: Pārliedziniet, vai zāga ķēde nepieskaras zemei vai citiem priekšmetiem.

2. Ar visiem pirkstiem satveriet rokturus un stingri turiet izstrādājumu. (Att. 110)
3. Izmantojiet pilnu jaudu un virziet kreiso plaukstu locītavu uz priekšu pret priekšējo roku aizsargu, lai aktivizētu ķēdes bremzi. Zāga ķēdes kustībai ir nekavējoties jāapstājas. (Att. 111)



BRĪDINĀJUMS: Neatlaidiet priekšējo rokturi.

Spēka sprūda bloķētāja pārbaude

1. Pārbaudiet, vai spēka sprūds un spēka sprūda bloķētājs brīvi kustas un atgriezes atspere pareizi darbojas. (Att. 112)
2. Stumiet spēka sprūda bloķētāju uz priekšu (A) un lejup (B). Turiet spēka sprūda bloķētāju nospiestu pie roktura un pārliedziniet, vai pēc atlaišanas tas atgriežas sākotnējā pozīcijā. (Att. 113)
3. Pārliedziniet, vai spēka sprūds fiksējas tukšgaitas pozīcijā, kad tiek atlaists tā bloķētājs. (Att. 114)
4. Iedarbiniet izstrādājumu un padodiet pilnu jaudu.
5. Atlaidiet spēka sprūdu un pārbaudiet, vai zāga ķēde apstājas un paliek nekustīga.



BRĪDINĀJUMS: Ja zāga ķēde griežas, kad spēka sprūds atrodas

brīvgaitas pozīcijā, sazinieties ar izplatītāju, kas nodrošina servisu.

Ķēdes uztvērēja pārbaude

1. Pārbaudiet, vai ķēdes uztvērējs nav bojāts.
2. Pārbaudiet, vai ķēdes uztvērējs ir stingrs un pievienots izstrādājuma korpusam. (Att. 115)

Lietotāja saskarnes funkciju pārbaude

1. Iedarbiniet ierīci. Skatiet šeit: *Izstrādājuma ieslēgšana lpp. 449.*
2. Turiet nospiestu iedarbināšanas/apturēšanas pogu.
3. Pārliedziniet, ka izstrādājums apstājas un zaļā gaismas diode nodziest. (Att. 66)

Akumulatora un akumulatora turētāja pārbaude

1. Tīriet akumulatoru un tā turētāju ar mīkstu suku.
2. Izlīdēt dzesēšanas atveres un akumulatora savienotājus. (Att. 116)
3. Pārbaudiet, vai akumulators nav saplaisājis vai bojāts.

Akumulatora lādētāja pārbaude

1. Pārliedziniet, vai akumulatora lādētājs un barošanas kabelis nav bojāts. Pārbaudiet, vai nav plaisu un citu bojājumu. (Att. 117)

Dzesēšanas sistēmas tīrīšana

Dzesēšanas sistēma palīdz uzturēt zemu motora temperatūru. Dzesēšanas sistēmu veido gaisa ieplūdes atvere izstrādājuma kreisajā pusē un ventilators uz motora.

1. Tīriet dzesēšanas sistēmu ar suku katru nedēļu vai biežāk, ja nepieciešams. (Att. 118)
2. Pārliedziniet, vai dzesēšanas sistēma nav nefīra vai aizsērējusi.



IEVĒROJIET: Netīras vai aizsērējušas dzesēšanas sistēmas dēļ izstrādājums var pārmērīgi sakarst. Tas izraisa izstrādājuma bojājumus.

Zāga ķēdes asināšana

Informācija par virzītājsliedi un zāga ķēdi



BRĪDINĀJUMS: Lietojot zāga ķēdi vai veicot tās apkopi, valkājiet aizsargcimdus. Zāga ķēde var radīt traumas arī tad, ja tā nekustas.

Nomainiet nodilušu vai bojātu virzītājsliedi vai zāga ķēdi ar Husqvarna ieteiktu virzītājsliedes un zāga ķēdes kombināciju. Tas ir jādara, lai garantētu ķēdes

zāga drošības funkciju darbību. Sarakstu ar ieteiktajām rezervēs virzītājsliedes un ķēdes kombinācijām skatiet šeit: *Piederumi lpp. 460*.

- Virzītājsliedes garums, collas/cm. Informācija par virzītājsliedes garumu parasti ir norādīta virzītājsliedes aizmugures galā.

(Att. 119)

- Sliedes iemavas zobrata zobu skaits (T).

(Att. 120)

- Ķēdes posma garums, collās. Atstarpei starp zāga ķēdes dzinējposmiem jābūt vienādam ar attālumu starp zobiem uz sliedes iemavas zobrata un piedziņas zobrata.

(Att. 121)

- Dzinējposmu skaits. Dzinējposmu skaitu nosaka virzītājsliedes tips.

(Att. 122)

- Sliedes rievas platums, collas/mm. Virzītājsliedes gropes platumam ir jābūt vienādam ar zāga dzinējposmu platumu.

(Att. 123)

- Zāga ķēdes eļļošanas atvere un ķēdes spriegotāja atvere. Virzītājsliedei jāatbilst izstrādājumam.

(Att. 124)

- Dzinējposma platums, mm/collas.

(Att. 125)

Vispārīga informācija par griezēju asināšanu

Nezāgējiet ar neasu zāga ķēdi. Ja zāga ķēde ir neasa, ir jāpieliek lielāks spiediens, lai sliedi virzītu cauri kokam. Ja zāga ķēde ir ļoti neasa, veidojas nevis lielākas, bet smalkas koka skaidras.

Zāgējot koku ar asu zāga ķēdi, veidojas garas un biezas skaidas.

Zāga ķēdes griešanas daļu — griezēju — veido griešanas zobs (A) un dziļummērs (B). Atšķirība starp abu detaļu augstumu ir griešanas dziļums (dziļummēra iestatījums).

(Att. 126)

Asinot griezēju, jāņem vērā tālāk norādītie aspekti.

- Asināšanas leņķis.

(Att. 127)

- Zāgēšanas leņķis.

(Att. 128)

- Vīles stāvoklis.

(Att. 129)

- Apaļās vīles diametrs.

(Att. 130)

Zāga ķēdi pareizi asināt bez pareizā aprīkojuma ir ļoti sarežģīti. Izmantojiet Husqvarna ieteikto vīli. Tādējādi

tiks nodrošināta maksimāla griešanas veiktspēja un minimāls atsitiens risks.



BRĪDINĀJUMS: Ja netiek ievēroti norādījumi par asināšanu, būtiski pieaug atsitiens spēks.

Piezīme: Skatiet šeit: *Piederumi lpp. 460* par zāga ķēdes asināšanu.

Griezējzobu asināšana

1. Griezējzobu asināšanai izmantojiet apaļo vīli un šablonu. (Att. 131)

Piezīme: Skatiet šeit: *Piederumi lpp. 460* informāciju par vīli un šablonu, kādu Husqvarna iesaka izmantot ar zāga ķēdi.

2. Pareizi uzliediet šablonu uz griezējzobiem. Skatiet šablona komplektācijā iekļautos norādījumus.
3. Virziet vīli no griezējzobu iekšpusēs uz ārpusi. Samaziniet spiedienu, veicot vilkšanas kustību. (Att. 132)
4. Novilējiet materiālu no visu griezējzobu vienas puses.
5. Apgrieziet izstrādājumu otrādi un novilējiet materiālu otrā pusē.
6. Pārliecinieties, vai visi griezējzobi ir vienādi gari.

Vispārīga informācija par griešanas dziļuma iestatījuma regulēšanu

Griešanas dziļuma iestatījums (C) samazinās, kad tiek asināti griezējzobi (A). Lai nodrošinātu maksimālu griešanas veiktspēju, ir jānovilē dziļummērs (B), līdz iegūts ieteicamais griešanas dziļuma iestatījums. Norādījumus par pareiza zāga ķēdes griešanas dziļuma iestatījuma iegūšanu skatiet sadaļā *Piederumi lpp. 460*.

(Att. 133)



BRĪDINĀJUMS: Pārāk liels griešanas dziļums palielina ķēdes atsitiens risku!

Dziļummēra iestatījumu pielāgošana

Pirms dziļummēra iestatījuma regulēšanas vai griezēju asināšanas skatiet norādījumus šeit: *Griezējzobu asināšana lpp. 455*. Ieteicams regulēt dziļummēra iestatījumus pēc katras trešās griešanas zobu asināšanas reizes.

Iesakām lietot mūsu dziļummēru, lai iegūtu pareizu dziļummēra iestatījumu un leņķi.

(Att. 134)

1. Izmantojiet plakanvīli un dziļummēra instrumentu, lai pielāgotu dziļummēra iestatījumu. Lai iegūtu pareizu dziļummēra iestatījumu un lenķi, izmantojiet tikai Husqvarna ieteikto dziļummēra instrumentu.
2. Novietojiet šablonu virs zāga ķēdes.

Piezīme: Papildinformāciju par šablona izmantošanu skatiet uz tā iepakojuma.

3. Lietojiet plakanvīli, lai novīlētu dziļummēra daļu, kas izvirzās cauri šablonam. (Att. 135)

Zāga ķēdes spriegojuma regulēšana



BRĪDINĀJUMS: Ja zāga ķēde nav pareizi nospriegota, tā var noslīdēt no virzītājsliedes un radīt smagas vai nāvējošas traumas.

Zāga ķēde lietošanas laikā izstiepjās. Regulāri noregulējiet zāga ķēdi. Pārbaudiet ķēdes spriegojumu katru reizi, kad uzpildāt ķēdes eļļu.

Piezīme: Jaunai zāga ķēdei ir iestrādes laiks, kad spriegojums jāpārbauda biežāk.

Zāga ķēdes spriegojuma regulēšana (ar sliedes rokturi)

1. Atlieciet rokturi uz āru, līdz tas atveras. (Att. 136)
2. Lai atlaistu piedziņas zobrata pārsegu, grieziet rokturi pretēji pulksteņrādītāju kustības virzienam. (Att. 137)
3. Lai noregulētu zāga ķēdes spriegumu, pagrieziet ķēdes spriegotājrītni. Zāga ķēdei ir stingri jāturas pie virzītājsliedes. (Att. 138)

Piezīme: Pagrieziet rītni uz leju (+), lai pievilktu ķēdi stingrāk, vai uz augšu (-), lai spriegojums būtu mazāks.

4. Pārbaudiet, vai ķēdi var brīvi pavilkt ar roku un tā nenokarājas no virzītājsliedes. (Att. 139)
5. Pagrieziet rokturi pulksteņrādītāju kustības virzienā, lai pievilktu. (Att. 140)
6. Nolokiet rokturi, lai fiksētu spriegojumu. (Att. 141)

Zāga ķēdes spriegojuma regulēšana (ar sliede skrūvi)

1. Atlaidiet sliedes uzgriezni, kas notur piedziņas zobrata pārsegu. Lietojiet kombinēto atslēgu. (Att. 142)
2. Paceliet sliedes priekšdaļu un pagrieziet ķēdes spriegošanas skrūvi. Lietojiet kombinēto atslēgu.
3. Pievelciet zāga ķēdi, līdz tā stingri turas pie virzītājsliedes. (Att. 143)

4. Pievelciet sliedes uzgriezni, izmantojot kombinēto atslēgu, un vienlaikus paceliet virzītājsliedes galu. (Att. 144)
5. Pārbaudiet, vai ķēdi var brīvi pavilkt ar roku un tā nenokarājas no virzītājsliedes. (Att. 139)

Piezīme: Skatiet šeit: *Izstrādājuma pārskats lpp. 438* lai saņemtu informāciju par jūsu izstrādājuma ķēdes spriegošanas skrūves atrašanās vietu.

Zāga ķēdes eļļošanas stāvokļa pārbaude

Pēc katras trešās akumulatora uzlādes reizes pārbaudiet zāga ķēdes eļļošanas stāvokli.

1. Iedarbiniet izstrādājumu un darbiniet to ar 3/4 no maksimālā ātruma. Turiet sliedi aptuveni 20 cm (8 collas) virs gaišas krāsu virsmas.
2. Ja zāga ķēde ir pareizi ieeļļota, pēc 1 minūtes uz virsmas būs skaidri redzama eļļas līnija. (Att. 145)
3. Ja zāga ķēde nav pareizi ieeļļota, veiciet turpmāk norādītās pārbaudes.
 - a) Pārbaudiet, vai virzītājsliedes eļļas kanāls nav aizsprostots. Ja nepieciešams, iztīriet. (Att. 146)
 - b) Pārbaudiet, vai rievā virzītājsliedes malā ir tīra. Ja nepieciešams, iztīriet. (Att. 147)
 - c) Pārbaudiet, vai sliedes iemavas zobrats brīvi griežas un virzītājsliedes iemavas zobrata eļļošanas atvere nav aizsērējusi. Ja nepieciešams, iztīriet un ieeļļojiet. (Att. 148)
4. Ja pēc iepriekš norādīto darbību veikšanas zāga ķēdes joprojām netiek pareizi ieeļļota, sazinieties ar izplatītāju.

Ķēdes piedziņas zobrata pārbaude

- Pārbaudiet, vai ķēdes piedziņas zobrats nav nodilis. Ja nepieciešams, nomainiet ķēdes piedziņas zobratu.
- Ķēdes piedziņas zobrats jānomaina ikreiz, kad maināt zāga ķēdi. (Att. 149)

Pļaušanas aprīkojuma pārbaude

1. Pārbaudiet, vai nav redzamas kniežu un posmu plaisas un vai neviena kniede nav vaļīga. Ja nepieciešams, nomainiet. (Att. 150)
2. Pārbaudiet, vai zāga ķēdi var viegli saliekt. Ja zāga ķēde nav elastīga, nomainiet to.
3. Salīdziniet zāga ķēdi ar jaunu zāga ķēdi, lai novērtētu kniežu un posmu nodiluma pakāpi.
4. Nomainiet zāga ķēdi, ja griezējzoba garāka daļa ir mazāka nekā 4 mm/0,16 collas. Nomainiet zāga ķēdi arī tad, ja griezējos tiek konstatētas plaisas. (Att. 151)

Virzītājsliedes pārbaude

1. Pārbaudiet, vai eļļas kanāls nav bloķēts. Ja nepieciešams, iztīriet to. (Att. 146)
2. Pārbaudiet, vai virzītājsliedes malas nav nelīdzenas. Notīriet atskarpes, izmantojot šablonu. (Att. 152)
3. Iztīriet virzītājsliedes gropi. (Att. 147)
4. Pārbaudiet, vai virzītājsliedes rieva nav nodilusi. Nomainiet virzītājsliedi, ja nepieciešams. (Att. 153)
5. Pārbaudiet, vai virzītājsliedes gals nav nelīdzens vai stipri nodilis. (Att. 154)
6. Pārbaudiet, vai sliedes iemavas zobrats brīvi griežas un vai sliedes iemavas zobrata eļļošanas atvere nav aizsērējusi. Iztīriet un ieeļļojiet to, ja nepieciešams. (Att. 148)
7. Lai paildzinātu virzītājsliedes kalpošanas laiku, katru dienu apvēršiet to. (Att. 155)

Problēmu novēršana

Lietotāja saskarne

LED ekrāns	Iespējamās kļūmes	Iespējamais risinājums
Mirgo brīdinājuma indikators.	Ir aktivizēta ķēdes bremze.	Izslēdziet ķēdes bremzi.
	Temperatūras nobīde.	Ļaujiet izstrādājumam atdzist.
	Pārslodze. Zāģa ķēde nekustas.	Atbrīvojiet zāģa ķēdi.
	Vienlaikus ir nospiests spēka sprūds un ieslēgšanas/apturēšanas poga.	Atlaidiet spēka sprūdu, lai ieslēgtu izstrādājumu.
Mirgojošs oranžas krāsas LED gaismas indikators.	Akumulators izlādējies.	Uzlādējiet akumulatoru.
Deg brīdinājuma indikators.	Apkope.	Sazinieties ar apkopes pakalpojumu nodrošinātāju.

Akumulators

Gaismas diodžu displejs	Iespējamās kļūmes	Iespējamais risinājums
Mirgo zaļas krāsas gaismas diode.	Akumulators izlādējies.	Uzlādējiet akumulatoru.

Gaismas diodo displejs	Iespējamās kļūmes	Iespējamais risinājums
Mirgo kļūdas gaismas diode.	Temperatūras nobīde.	Akumulatoru drīkst izmantot temperatūrā no -10 °C (14 °F) līdz 40 °C (104 °F).
	Pārāk liels spriegums.	Pārliecinieties, vai elektrotīkla spriegums atbilst izstrādājuma sprieguma parametriem. Informāciju skatiet izstrādājuma datu plāksnītē. Izņemiet akumulatoru no lādētāja.
Iedegas kļūdas gaismas diode.	Pārāk liela elementu atšķirība (1 V).	Sazinieties ar apkopes pakalpojumu nodrošinātāju.

Akumulatora lādētājs

Stāvoklis	Iespējamās kļūmes	Iespējamā procedūra
Uzlādes gaismas diode deg sarkanā krāsā.	Pastāvīga akumulatora lādētāja kļūda.	Sazinieties ar izplatītāju.
Uzlādes gaismas diode mirgo zaļā krāsā.	Temperatūras nobīde, akumulators ir pārāk auksts vai pārāk karsts, lai to lietotu vai uzlādētu.	Ļaujiet akumulatoram atdzist vai sasilt. Kad akumulators ir sasniedzis pareizo temperatūru, to var atkal lietot vai uzlādēt. Izmantojiet akumulatora lādētāju vides temperatūras diapazonā no 5 °C (41 °F) līdz 40 °C (104 °F).
Uzlādes gaismas diode mirgo sarkanā krāsā.	Bojāts akumulators	Sazinieties ar izplatītāju

Pārvadāšana, glabāšana un utilizēšana

Pārvadāšana un uzglabāšana

- Komplektācijā iekļautie litijs jonu akumulatori atbilst bīstamo preču normatīvo aktu prasībām.
- Ievērojiet īpašās prasības, kas sniegtas uz iepakojuma un uzlīmēm attiecībā uz komerciālu transportēšanu, kā arī trešo pušu un sūtīšanas aģentu prasības.
- Pirms nosūtāt izstrādājumu, konsultējieties ar bīstamo preču apstrādes speciālistu. Ievērojiet visus spēkā esošos valsts likumus.
- Kad ievietojat akumulatoru iepakojumā, atvērtiem kontaktiem pievienojiet līmlenti. Ievietojiet akumulatoru iepakojumā cieši, lai novērstu kustēšanos.
- Transportēšanas vai glabāšanas nolūkos izņemiet akumulatoru.
- Novietojiet akumulatoru un akumulatora lādētāju sausā vietā, kuru neietekmē mitrums un sals.
- Neglabājiet akumulatoru vietās, kur var rasties statiskā elektrība. Neglabājiet akumulatoru metāla kārbā.
- Novietojiet akumulatoru glabāšanai vietā, kur temperatūra ir diapazonā no 5 °C/41 °F līdz 25 °C/77 °F un ko neskar tieša saules gaisma.
- Novietojiet lādētāju glabāšanai vietā, kur temperatūra ir diapazonā no 5 °C/41 °F līdz 45 °C/113 °F un ko neskar tieša saules gaisma.
- Izmantojiet akumulatoru lādētāju tikai tad, ja apkārtējā temperatūra ir diapazonā no 5 °C/41 °F līdz 40 °C/104 °F.
- Pirms akumulatoru novietošanas ilgstošai uzglabāšanai, uzlādējiet to par 30–50%.
- Novietojiet akumulatora lādētāju slēgtā un sausā vietā.
- Uzglabāšanas laikā neturiet akumulatoru lādētāja tuvumā. Neļaujiet bērniem un citām nesankcionētām personām pieskarties aprīkojumam. Glabājiet aprīkojumu slēdzamā vietā.

- Notīriet izstrādājumu un veiciet pilnu apkopi, pirms novietojat to ilgstošai glabāšanai.
- Izmantojiet transportēšanas aizsargu uz izstrādājuma, lai novērstu traumas vai izstrādājuma bojājumus transportēšanas vai glabāšanas laikā.
- Transportēšanas laikā droši nostipriniet izstrādājumu.

pārstrādes uzņēmumā. Tādējādi tiek samazināta kaitīgā ietekme uz vidi un cilvēkiem.

Plašāku informāciju vaicājiat pašvaldības iestādēm, sadzīves atkritumu apsaimniekotājam vai izplatītājam.

(Att. 24)

Akumulatora, akumulatoru lādētāja un ierīces utilizācija

Piezīme: Simbols ir redzams uz ierīces vai ierīces iepakojuma.

Zemāk esošais simbols norāda, ka ierīce nav sadzīves atkritumi. Utilizējiet to elektrisko un elektronisko ierīču

Tehniskie dati

Tehniskie dati

	225i
Motors	
Tips	BLDC (bezsku) 36 V
Funkcijas	
Zema enerģijas patēriņa režīms	Poga SavE
Eļļošanas sistēma	
Eļļas sūkņa tips	Automātisks
Eļļas tvertnes tilpums, ml/cm ³	0,2/200
Svars	
Ķēdes zāģis bez akumulatora, virzītājsliedes un zāģa ķēdes, ar tukšu ķēdes eļļas tvertni, kg	3,1
Trokšņa emisija ⁶⁶	
Skaņas jaudas līmenis, izmērītais dB (A)	97
Skaņas jaudas līmenis, garantētais L _{WA} dB(A)	100
Skaņas līmeņi ⁶⁷	
Skaņas spiediena līmenis pie lietotāja auss, mērīts saskaņā ar standartu EN 62841-1	89
Vibrācijas līmeņi ⁶⁸	
Priekšējais rokturis, m/s ²	3,9

⁶⁶ Trokšņa emisijai vidē, kas mērīta kā trokšņa jauda (L_{WA}) atbilstoši EK direktīvas 2000/14/EK un standarta EN ISO 22868 prasībām, ir tipiska 3 dB (A) statiskā izkliede (standartnovirze).

⁶⁷ Sniegtajos datos par skaņas spiediena līmeni ierīcei ir tipiska statistiskā 3 dB (A) izkliede (standartnovirze).

⁶⁸ Vibrācijas līmenis atbilstoši standartam EN 62841-4-1. Sniegtajos datos par vibrācijas līmeni tipiska statistiskā izkliede ir 1,5 m/s² (standarta novirze). Norādītie vibrāciju dati no mērījumiem, ja mašīna ir aprīkota ar sliedes garumu un ieteicamo ķēdes veidu. Ja mašīna ir aprīkota ar citu sliedes garumu, vibrāciju līmenis var mainīties maksimāli par ± 1,5 m/s².

	225i
Aizmugurējais rokturis, m/s ²	3,9
Zāga ķēde/virzītājsliede	
Ieteicamie slīdes garumi, collas/cm	12–14/30,5–35,6
Lietojamais griešanas garums, collas/mm	11–13/27–33,2
Piedziņas zobrata tips/zobu skaits	Spur/6
Maksimālais ķēdes ātrums/(standarta režīms), m/s	11,8
Maksimālais ķēdes ātrums/(savE režīms), m/s	9,4

Piederumi

Virzītājsliedes un zāga ķēdes kombinācijas






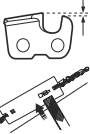


Lietošanai ar Husqvarna 225i ir apstiprināts tālāk norādītais griešanas aprīkojums.






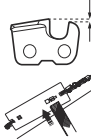
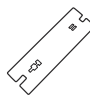






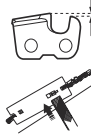
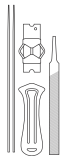

Virzītājsliede					Zāga ķēde	
Tips	Garums, collas	Ķēdes posms, collas	Slīdes plātums, mm	Maks. gala rādiuss	Tips	Garums, dzenošie posmi (gab.)
501959545	12	3/8 collas mini	1,1	7T	Husqvarna H38 (581808145)	45
501959552	14	3/8 collas mini	1,1	7T	Husqvarna H38 (581807952)	52

Asināšanas aprīkojums un asināšanas leņķi

Zāga ķēdes asināšanai izmantojiet Husqvarna šablonu. Husqvarna šablons nodrošina pareizu asināšanas leņķi. Detaļu numuri ir norādīti zemāk tabulā.

Ja neesat pārliecināti par to, kā noteikt sava izstrādājuma zāga ķēdes tipu, plašāku informāciju skatiet šeit:www.husqvarna.com.

							
38	11/64 collas/ 4,5 mm	75°	30°	0°	0,025 collas/ 0,65 mm	505 69 81-0 3	579 55 88-0 1

							
							
93	5/32 collas/ 4,0 mm	60°	30°	0°	0,025 collas/ 0,65 mm	596 63 89-0 1	596 63 89-0 1

Apstiprinātie akumulatori

Akumulators	40-B140
Tips	Litija jonu
Akumulatora ietilpība, Ah	4
Nominālais spriegums, V	36
Svars, kg	1.25

Izstrādājumam apstiprinātie akumulatora lādētāji

Akumulatora lādētājs	40-C80
Elektrotīkla spriegums, V	100–240
Frekvence, Hz	50–60
Jauda, W	72
Izvades spriegums, V d.c./ ampēri, A	43/1,6

Atbilstības deklarācija

ES atbilstības deklarācija

Mēs, **Husqvarna AB**, SE-561 82 Huskvarna, Zviedrija, tālr.: +46-36-146500, ar šo paziņojam, ka uzņemamies pilnu atbildību par to, ka šis izstrādājums:

Apraksts	Bezvadu ķēdes zāģi jeb motorzāģi
Zīmols	Husqvarna
Tips/modelis	225i
Identifikācija	Ar sērijas numuriem no 2023 un turpmākiem sērijas numuriem

pilnībā atbilst šādām ES direktīvām un noteikumiem:

Direktīva/regula	Apraksts
2006/42/EK	"par mehānismiem"
2014/30/ES	"par elektromagnētisko savietojamību"
2011/65/ES	Par dažādu bīstamo vielu lietošanas ierobežojumiem elektriskajos un elektroniskajos aprīkojumos
2000/14/EK	"par trokšņa emisiju vidē"

Ir piemēroti šādi standarti: EN 62841-1:2015+A11:2022, EN 62841-4-1:2020, EN IEC 63000:2018, EN IEC 55014-1:2021, EN IEC 55014-2:2021.

Pilnvarotā iestāde: TÜV Rheinland LGA Products GmbH, Tillystrasse 2, D-90431 Nuernberg, Germany, 0197, veica EK tipveida pārbaudi saskaņā ar mehānismu direktīvas (2006/42/EK) 12. panta 3b punkta prasībām. Sertifikāta numurs: BM 50604678 0001.

Piegādātais ķēdes zāģis atbilst paraugam, kam tika veikta EK noteiktā tipveida pārbaude.

Saskaņā ar direktīvu 2000/14/EK, V pielikumu; skatiet *Tehniskie dati lpp. 459* lai redzētu norādītās skaņas vērtības.

Huskvarna, 2023-10-30



Claes Losdal, izpētes un attīstības nodaļas vadītājs, Husqvarna AB

Atbildīgais par tehnisko dokumentāciju



Inhoud

Inleiding.....	463	Probleemoplossing.....	483
Veiligheid.....	464	Vervoer, opslag en verwerking.....	484
Montage.....	472	Technische gegevens.....	485
Werking.....	473	Accessoires.....	486
Onderhoud.....	479	Verklaring van overeenstemming.....	488

Inleiding

Gebruik

Deze kettingzaag voor bosbouwtoepassingen is bestemd voor boswerkzaamheden zoals vellen, snoeien en zagen.

Let op: Nationale wetgeving kan het gebruik van dit product mogelijk beperken.

Productoverzicht

(Fig. 1)

1. Terugslagbeveiliging
2. Voorhandgreep
3. Gebruikers interface
4. Start/stop-knop
5. Waarschuwinglampje en acculampje
6. SavE-knop
7. Achterhandgreep met rechterhandbescherming
8. Informatie- en waarschuwingsplaatje
9. Behuizing
10. Kettingolietank
11. Transportafscherming
12. Vergrendeling voedingsschakelaar
13. Voedingsschakelaar
14. Afdekking van het kettingaandrijf wiel met zaagbladknop
15. Kettingspanner
16. Kettingvanger
17. Schorssteun
18. Neuswiel
19. Zaagketting
20. Geleider
21. Indicator laadstatus
22. Connector
23. Acculader
24. Ring-steekslutel
25. Waarschuwinglampje
26. Knop, accustatus
27. Accustatus
28. Accuontgrendelknop
29. Accu
30. Bedieningshandleiding

Productbeschrijving

Husqvarna 225i is een kettingzaagmodel met een elektromotor.

Er wordt voortdurend gewerkt aan het verhogen van uw veiligheid en efficiëntie tijdens bedrijf. Neem voor meer informatie contact op met uw servicedealer.

31. Zaagbladknop
32. Afdekking van het kettingaandrijf wiel met zaagbladbout

Symbolen op het product

- (Fig. 2) **WAARSCHUWING:** Dit product kan gevaarlijk zijn en ernstig of fataal letsel toebrengen aan de gebruiker of anderen. Wees voorzichtig en gebruik het product op de juiste manier.
- (Fig. 3) Lees de bedieningshandleiding zorgvuldig door en zorg dat u de instructies hebt begrepen voordat u het product gaat gebruiken.
- (Fig. 4) Gebruik een goedgekeurde veiligheidshelm, gehoorbescherming en oogbescherming.
- (Fig. 5) Gebruik 2 handen wanneer u het product bedient.
- (Fig. 6) Gebruik het product nooit met 1 hand.
- (Fig. 7) Laat de punt van het zaagblad geen objecten raken.
- (Fig. 8) Niet in regen gebruiken.
- (Fig. 9) **Waarschuwing!** Terugslag kan optreden wanneer de punt van de geleider een voorwerp raakt. Hierdoor schiet de geleider in de richting van de gebruiker. Risico op ernstig letsel of de dood.
-

- (Fig. 10) Nominale spanning, V
- (Fig. 11) Kettingolie.
- (Fig. 12) De richting waarin de zaagketting roteert en maximale lengte van het zaagblad.
- (Fig. 13) Gelijkstroom.
- (Fig. 14) **Milieumarkering.** Het product of de verpakking ervan is geen huishoudelijk afval. Lever het in bij een recyclepunt voor elektrische en elektronische apparatuur.
- (Fig. 15) Dit product voldoet aan de geldende EG-richtlijnen.
- (Fig. 16) Dit product voldoet aan de geldende VK-richtlijnen.
- (Fig. 17) Geluidsemissies naar het omgevingslabel volgens de Europese richtlijn 2000/14/EG, de richtlijnen en voorschriften van het VK en de wetgeving van Nieuw-Zuid-Wales "Protection of the Environment Operations (Noise Control) Regulation 2017". Het gegarandeerde geluidsvermogensniveau van het product staat vermeld in *Technische gegevens op pagina 485* en op het label.
- (Fig. 21) Kettingrem, ingeschakeld (vooruit). Kettingrem, uitgeschakeld (achteruit).
- (Fig. 22) Draairichting van de ketting.
- (Fig. 23) Het serienummer staat op het productplaatje. **yyyy** is het productiejaar, **ww** is de productieweek.

Let op: Andere symbolen/stickers op het product hebben betrekking op certificeringseisen voor bepaalde markten.

Symbolen op de accu en/of op de accuhouder.

- (Fig. 24) Lever dit product in bij een recyclepunt voor elektrische en elektronische apparatuur. (Alleen geldig voor Europa)
- (Fig. 18) Faalveilige transformator.
- (Fig. 19) Bewaar en gebruik de acculader alleen binnen.
- (Fig. 20) Dubbele isolatie.

Fabrikant

Husqvarna AB
Drottninggatan 2, SE-561 82, Huskvarna, Sweden, tel: +46-36-146500

Schade aan het product

We zijn niet verantwoordelijk voor schade aan ons product als:

- het product niet goed is gerepareerd.
- het product is gerepareerd met onderdelen die niet van de fabrikant afkomstig zijn, of onderdelen die niet zijn goedgekeurd door de fabrikant.
- het product een accessoire bevat dat niet afkomstig is van de fabrikant of niet is goedgekeurd door de fabrikant.
- het product niet is gerepareerd door een erkend servicepunt of door een erkende autoriteit.

Veiligheid

Veiligheidsdefinities

Waarschuwingen, voorzorgsmaatregelen en opmerkingen worden gebruikt om te wijzen op belangrijke delen van de handleiding.



WAARSCHUWING: Wordt gebruikt om te wijzen op de kans op ernstig of fataal letsel voor de gebruiker of omstanders wanneer de instructies in de handleiding niet worden gevolgd.



OPGELET: Wordt gebruikt indien er een risico bestaat op schade aan het product en andere eigendommen of aan de omgeving wanneer de instructies in de handleiding niet worden gevolgd.

Let op: Geven verdere informatie die nodig is in een bepaalde situatie.

Algemene veiligheidswaarschuwingen voor elektrisch gereedschap



WAARSCHUWING: Lees alle veiligheidswaarschuwingen, instructies, illustraties en specificaties die worden meegeleverd met dit elektrisch gereedschap. Het niet opvolgen van ieder van de onderstaande instructies kan leiden tot elektrische schokken, brand en/of ernstig letsel.

- **Bewaar alle waarschuwingen en instructies voor later gebruik.** De term "elektrisch gereedschap" in de waarschuwingen verwijst zowel naar gereedschappen die op het lichtnet (met snoer) werken als gereedschappen die met een accu (snoerloos) werken.

Veiligheid van het werkgebied

- **Zorg ervoor dat de werkplek schoon en goed verlicht is.** In rommelige of donkere gebieden gebeuren eerder ongelukken.
- **Gebruik elektrisch gereedschap niet in een omgeving waar ontploffingsgevaar bestaat, zoals in de buurt van brandbare vloeistoffen, gassen of stof.** Elektrische apparaten creëren vonken waardoor het stof of de dampen kunnen ontbranden.
- **Houd kinderen en omstanders op afstand wanneer u elektrisch gereedschap gebruikt.** U kunt de controle over het apparaat verliezen als u afgeleid wordt.

Elektrische veiligheid

- **Elektrisch gereedschap moet geschikt zijn voor het betreffende stopcontact. Wijzig nooit de stekker. Gebruik nooit een adapterstekker in combinatie met geaarde elektrische gereedschappen.** Ongewijzigde stekkers en overeenkomende stopcontacten verkleinen het risico op elektrische schokken.
- **Vermijd lichamelijke contact met geaarde oppervlakken, zoals buizen, radiatoren, fornuizen en koelkasten.** Er is een verhoogd risico op elektrische schokken als uw lichaam geaard is.
- **Stel elektrische gereedschappen niet bloot aan regen of vochtige omstandigheden.** Water dat in elektrisch gereedschap binnendringt, verhoogt het risico op elektrische schokken.
- **Gebruik de kabel niet voor oneigenlijke doeleinden. Gebruik de kabel nooit om het elektrische apparaat te dragen, het mee te slepen of om de stekker uit het stopcontact te trekken. Houd de kabel uit de buurt van warmte, olie, scherpe randen en bewegende onderdelen.** Beschadigde of in de knoop geraakte kabels verhogen het risico op elektrische schokken.
- **Gebruik een verlengkabel die geschikt is voor gebruik buitenshuis wanneer u buiten werkt met elektrisch gereedschap.** Het gebruik van een kabel die geschikt is voor gebruik buitenshuis, vermindert het risico op elektrische schokken.

- **Als gebruik van een elektrisch apparaat in een vochtige omgeving onvermijdelijk is, gebruik dan een netvoeding met reststroombescherming (RCD).** Het gebruik van een aardlekschakelaar vermindert het risico op elektrische schokken.

Persoonlijke veiligheid

- **Wees altijd alert, kijk wat u doet en gebruik uw gezonde verstand wanneer u elektrisch gereedschap gebruikt. Gebruik elektrisch gereedschap niet als u moe bent of onder invloed bent van drugs, alcohol of medicijnen.** Een moment van onoplettendheid tijdens het gebruik van elektrische apparaat kan leiden tot ernstig persoonlijk letsel.
- **Maak altijd gebruik van persoonlijke beschermingsmiddelen. Draag altijd oogbescherming.** Beschermingsmiddelen zoals een stofmasker, veiligheidsschoenen met antislipprofiel, een veiligheidshelm of gehoorbescherming in relevante werkomstandigheden beperken letsel.
- **Voorkom een onbedoelde start. Zorg ervoor dat de schakelaar in de stand Off staat voordat u het gereedschap aansluit op een spanningsbron en/of accupack, oppakt of draagt.** Het dragen van elektrische apparaten met uw vinger op de schakelaar of het onder spanning zetten van elektrische apparaten waarvan de schakelaar op aan staat, kan makkelijk leiden tot ongelukken.
- **Verwijder eventuele (instel)sleutels voordat u het elektrisch gereedschap inschakelt.** Een sleutel die is bevestigd aan een draaiend onderdeel van het elektrische gereedschap kan persoonlijk letsel tot gevolg hebben.
- **Voorkom overstrekken. Zorg dat u te allen tijde stevig en in balans staat.** Hierdoor heeft u een betere controle over het apparaat in onverwachte situaties.
- **Draag geschikte kleding. Draag geen losse kleding of sieraden. Houd uw haar en kleding uit de buurt van bewegende onderdelen.** Losse kleding, sieraden of lang haar kunnen verstrikt raken in bewegende onderdelen.
- **Als de mogelijkheid bestaat voor het opvangen van stof moet u ervoor zorgen dat deze is aangesloten en op de juiste wijze wordt gebruikt.** Het gebruik van stofopvang kan stofgerelateerde gevaren beperken.
- **Laat de vertrouwdheid met de door u gebruikte apparaten door het frequente gebruik ervan niet toe leiden dat u de veiligheidsprincipes negeert.** Een onzorgvuldige handeling kan binnen een fractie van een seconde leiden tot ernstig letsel.

Gebruik en verzorging van elektrische apparaten

- **Gebruik elektrische gereedschap niet voor taken waarvoor het niet geschikt is. Gebruik het juiste elektrische apparaat voor uw toepassing.** Met het juiste elektrische apparaat kunt u de taak beter en veiliger uitvoeren met de snelheid waarvoor het is ontworpen.

- **Gebruik het elektrisch gereedschap niet als de aan/uitschakelaar niet werkt.** Elektrische apparaten die niet bediend kunnen worden met de schakelaar zijn gevaarlijk en moeten gerepareerd worden.
- **Haal de stekker uit het stopcontact en/of verwijder het accupack (indien verwijderbaar) van het elektrische gereedschap voordat u aanpassingen maakt, accessoires verwisselt of het elektrische gereedschap opbergt.** Deze voorzorgsmaatregelen verkleinen het risico op het per ongeluk starten van het elektrische apparaat.
- **Berg elektrisch gereedschap dat u niet nodig hebt op buiten het bereik van kinderen en laat personen die onbekend zijn met het elektrisch gereedschap of deze instructies niet werken met het elektrisch gereedschap.** Elektrische apparaten zijn gevaarlijk in handen van ongetrainde gebruikers.
- **Zorg voor een deugdelijk onderhoud van elektrische gereedschappen en accessoires.** Controleer op onjuiste montage of vastlopen van bewegende delen, gebroken onderdelen en andere condities die de werking van het elektrische gereedschap kunnen beïnvloeden. Als het elektrische apparaat beschadigd is, moet u het laten repareren voordat u het gebruikt. Veel ongelukken worden veroorzaakt door slecht onderhouden elektrische apparaten.
- **Houd snijgereedschappen scherp en schoon.** Goed onderhouden snijgereedschappen met scherpe snijranden zullen minder gauw vastlopen en zijn eenvoudiger onder controle te houden.
- **Gebruik het elektrisch gereedschap, de accessoires, gereedschapsbits en dergelijke in overeenstemming met deze instructies en houd hierbij rekening met de werkomstandigheden en het type kius dat moet worden uitgevoerd.** Als u het elektrische apparaat voor andere toepassingen gebruikt dan waarvoor het is bedoeld, kan er een gevaarlijke situatie ontstaan.
- **Houd de handgrepen en grijppoppervlakken droog, schoon en vrij van olie en vet.** Als handgrepen en grijppoppervlakken glad zijn, kan dit ervoor zorgen dat het gereedschap in onverwachte situaties niet veilig kan worden gehanteerd en bediend.

Gebruik en onderhoud van gereedschap met accu

- **Laad het gereedschap alleen op met de lader die door de fabrikant is gespecificeerd.** Een lader die voor een bepaald type accu geschikt is, kan een risico op brand creëren als de lader met een andere accu wordt gebruikt.
- **Gebruik elektrisch gereedschap enkel met de specifiek hiervoor bedoelde accu.** Als er andere accupacks worden gebruikt, bestaat er risico op letsel en brand.
- **Als het accupack niet gebruikt wordt, houd hem dan uit de buurt van andere metalen voorwerpen, zoals paperclips, munten, sleutels, spijkers, schroeven of andere kleine metalen voorwerpen die een verbinding tussen de twee klemmen kunnen maken.**

Als er kortsluiting tussen de accuaansluitingen ontstaat, kunnen er brandwonden of brand ontstaan.

- **Als het accupack verkeerd wordt gebruikt, kan er vloeistof uit de accu komen; zorg dat u deze niet aanraakt.** Als u per ongeluk in contact komt met de vloeistof, afspoelen met water. Als er vloeistof in de ogen komt dient u medische hulp in te roepen. Vloeistof die uit de accu komt kan irritatie of brandwonden veroorzaken.
- **Gebruik geen accupack of product dat beschadigd of gewijzigd is.** Beschadigde of aangepaste accu's kunnen onvoorspelbaar gedrag vertonen, wat kan leiden tot brand, explosies of letsel.
- **Stel het accupack of product niet bloot aan vuur of hoge temperaturen.** Blootstelling aan vuur of temperaturen hoger dan 130 °C kan een explosie veroorzaken.
- **Volg alle oplaadinstructies op en laad de accu of het product niet op bij temperaturen die buiten het in de instructies gespecificeerde bereik vallen.** Door onjuist opladen of opladen bij temperaturen die buiten het gespecificeerde bereik liggen, kan de accu beschadigd raken en neemt het risico op brand toe.

Service

- **Laat uw elektrische apparaat repareren door een gekwalificeerde monteur en gebruik uitsluitend identieke vervangingsonderdelen.** Dit zorgt ervoor dat de veiligheid van het elektrisch gereedschap wordt gehandhaafd.
- **Voer nooit onderhoud uit aan beschadigde accupacks.** Onderhoud aan accupacks mag alleen worden uitgevoerd door de fabrikant of geautoriseerde dienstverleners.

Algemene veiligheidswaarschuwingen voor de motorkettingzaag

- **Houd alle lichaamsdelen weg van de zaagketting als de motorkettingzaag in werking is.** Controleer voordat u de motorkettingzaag start of de zaagketting niets raakt. Als u even niet oplet, kan uw kleding of lichaam vast komen te zitten in de zaagketting bij het gebruik van een motorkettingzaag.
- **Houd de motorzaag altijd stevig vast met uw rechterhand op het achterste handvat en uw linker handvat op het voorste handvat.** Als u de motorkettingzaag andersom vasthoudt, neemt de kans op persoonlijk letsel toe; doe dat dus nooit.
- **Houd de motorkettingzaag alleen vast aan de geïsoleerde handgrepen, omdat de zaagketting verborgen bedrading kan raken.** Als zaagkettingen een onder stroom staande draad aanraken, kan dit ervoor zorgen dat niet-geïsoleerde delen van de motorkettingzaag ook onder stroom komen, waardoor de gebruiker een elektrische schok kan krijgen.
- **Draag oogbescherming.** We raden u aan verdere beschermingsuitrusting voor gehoor, hoofd, handen,

benen en voeten te gebruiken. Als u een geschikte beschermingsuitrusting draagt, neemt de kans op persoonlijk letsel door rondvliegend vuil of onbedoeld contact met de zaagketting af.

- **Gebruik geen kettingzaag in een boom, op een ladder, vanaf een dak of op een onstabiele ondergrond.** Wanneer u een kettingzaag op deze manier gebruikt, kan dit leiden tot ernstig persoonlijk letsel.⁶⁹
- **Ga altijd goed staan en bedien de motorkettingzaag alleen terwijl u op een vaste, stevige en vlakke ondergrond staat.** Gladde of onstabiele oppervlakken kunnen ervoor zorgen dat u uw evenwicht of de controle over de motorkettingzaag verliest.
- **Als u een tak doorzaagt die onder spanning staat, zorg dan dat de tak u niet kan raken.** Als de spanning in de houtvezels vrijkomt, kan de geveerde tak de gebruiker raken en/of ervoor zorgen dat de gebruiker de motorkettingzaag niet meer onder controle heeft.
- **Wees zeer voorzichtig als u struiken en jonge bomen zaagt.** Het dunne materiaal kan vast komen te zitten in de zaagketting en naar u toe zwiepen of u uit uw evenwicht brengen.
- **Draag de motorkettingzaag bij de voorste handgreep met de motorkettingzaag uitgeschakeld en van uw lichaam af. Als u de motorkettingzaag vervoert of opbergt, moet u altijd de afdekking over het zaagblad aanbrengen.** Als u de motorkettingzaag goed hanteert, verlaagt u de kans op onbedoeld contact met de bewegende zaagketting.
- **Volg de instructies voor het smeren, het spannen van de ketting en het vervangen van de geleider en de ketting.** Als de ketting niet goed is gespannen of gesmeerd, kan de ketting breken en neemt de kans op terugslag toe.
- **Zaag alleen hout. Gebruik de motorkettingzaag alleen waarvoor hij is bedoeld. Bijvoorbeeld: gebruik de motorkettingzaag niet voor het zagen van plastic, metaal, metselwerk of ander bouw materiaal dan hout.** Als de motorkettingzaag voor andere toepassingen dan bedoeld wordt gebruikt, kan dat tot gevaarlijke situaties leiden.
- **Probeer niet om een boom te vellen tot u weet welke risico's er zijn en hoe u deze kunt vermijden.** Ernstige verwondingen kunnen zich voordoen bij de gebruiker of omstanders tijdens het vellen van een boom.
- **Volg alle instructies op voor het verwijderen van vastgelopen materiaal en opslag of onderhoud van de motorkettingzaag. Zorg ervoor dat de schakelaar in de uitgeschakelde stand staat en het accupack is verwijderd.** Indien de motorkettingzaag onverwacht wordt geactiveerd tijdens het verwijderen van vastgelopen materiaal of onderhoud, kan dit leiden tot ernstig persoonlijk letsel.

- **Gebruik een kettingzaag NOOIT in een boom, tenzij u daar speciaal voor bent opgeleid.** Het gebruik van een motorkettingzaag in een boom zonder de juiste training kan het risico op ernstig persoonlijk letsel vergroten.

Oorzaken van terugslag en het voorkomen ervan door de gebruiker

Er kan terugslag optreden wanneer de punt van het zaagblad in contact komt met een voorwerp of wanneer de zaagsnede dichtklapt en de zaagketting in de sneede wordt geblokkeerd. Als de zaagbladpunt contact maakt, kan dit in sommige gevallen een plotselinge tegengestelde reactie veroorzaken, waarbij het zaagblad omhoog en naar achteren, naar de gebruiker toe wordt geslagen. Als de zaagketting aan de bovenkant van het zaagblad klem komt te zitten, kan het zaagblad snel op de gebruiker af komen. Bij deze reacties kunt u de controle over de zaag verliezen, wat kan leiden tot ernstig persoonlijk letsel. Vertrouw niet uitsluitend op de veiligheidsvoorzieningen die in de zaag zijn geïntegreerd. Bij het gebruik van een motorkettingzaag moet u een aantal stappen nemen om ongevallen of letsel bij het zagen te voorkomen. Terugslag is het gevolg van verkeerd gebruik en/of verkeerde bedrijfsprocedures of -omstandigheden van de motorkettingzaag en kan worden vermeden door de juiste voorzorgsmaatregelen te nemen, zoals hieronder wordt beschreven:

- **Houd de zaag stevig vast, met uw duimen en vingers rond de handgrepen van de motorkettingzaag, met beide handen op de zaag en uw lichaam en arm zodanig geplaatst dat u eventuele terugslag kunt opvangen.** De kracht van een terugslag kan door de gebruiker onder controle worden gehouden, mits de juiste voorzorgsmaatregelen zijn genomen. Laat de motorkettingzaag niet los.
- **Reik niet te ver en zaag niet boven schouderhoogte.** Zo voorkomt u onbedoeld contact met de punt en houdt u de motorkettingzaag in onverwachte situaties beter onder controle.
- **Monteer uitsluitend vervangende zaagbladen en zaagkettingen die door de fabrikant zijn gespecificeerd.** Als verkeerde vervangende zaagbladen en zaagkettingen worden gebruikt, kan de ketting breken en/of kan er terugslag ontstaan.
- **Volg de instructies van de fabrikant voor het slijpen en onderhouden van de zaagketting.** Als de zaagdiepte wordt verkleind, kan de terugslag toenemen.

BEWAAR DEZE INSTRUCTIES.

⁶⁹ Als u getraind bent in speciale zaag- en werktechnieken en goed beveiligt bent (hoogwerker, touwen, veiligheidsdraagstel), kunnen aanpassingen aan dit veiligheidsvoorschrift worden doorgevoerd.

Algemene veiligheidsinstructies



WAARSCHUWING: Lees de volgende waarschuwingen voordat u het product gaat gebruiken.

- Dit product kan bij onvoorzichtig of onjuist gebruik een gevaarlijk gereedschap zijn. Dit product kan ernstig of fataal letsel toebrengen aan de gebruiker of anderen. Het is erg belangrijk dat u deze gebruiksaanwijzing leest en begrijpt.
- Dit product mag niet worden gewijzigd zonder toestemming van de fabrikant. Gebruik het product niet als iemand anders het heeft gewijzigd en gebruik te allen tijde goedgekeurde accessoires. Wijzigingen die niet door de fabrikant zijn goedgekeurd, kunnen ernstig of fataal letsel tot gevolg hebben voor de gebruiker of anderen.
- Langdurige inhalatie van kettingoliegedampen en zaagsel kan gezondheidsproblemen veroorzaken.
- Dit product produceert tijdens bedrijf een elektromagnetisch veld. Dit veld kan onder bepaalde omstandigheden de werking van actieve of passieve medische implantaten verstoren. Om het risico op ernstig of fataal letsel te beperken, raden we personen met een medisch implantaat aan om contact op te nemen met hun arts en de fabrikant van het medische implantaat voordat ze dit product gebruiken.

Veiligheidsinstructies voor bediening



WAARSCHUWING: Lees de volgende waarschuwingen voordat u het product gaat gebruiken.

- De informatie in deze gebruikershandleiding kan vakkennis en ervaring niet vervangen. Als u het apparaat gebruikt in een situatie waarin u zich niet veilig voelt, schakel het apparaat dan direct uit. Neem contact op met uw servicedealer of een professionele kettingzaaggebruiker. Vermijd gebruik waarvan u vindt dat u niet voldoende gekwalificeerd bent!
- Neem contact op met uw servicedealer of Husqvarna als u vragen hebt over de werking van het product. Wij kunnen u informatie geven over hoe u uw product op de juiste manier en op veilige wijze bedient. Neem, indien mogelijk, deel aan een cursus over het gebruik van een kettingzaag. Uw servicedealer, bosbouwschool of uw bibliotheek kunnen u vertellen welk opleidingsmateriaal en cursussen er beschikbaar zijn.
- U dient inzicht te hebben in de effecten van terugslag en hoe deze te voorkomen voordat u dit product gaat gebruiken. Raadpleeg *Informatie over terugslag op pagina 474* en *Veelgestelde vragen over terugslag op pagina 475* voor instructies.

- Gebruik een product, accu of acculader niet als ze beschadigd zijn of niet correct werken.
- Raak een draaiende zaagketting niet aan. Dit kan leiden tot ernstig letsel of de dood.
- Gebruik het product nooit wanneer u vermoeid bent, alcohol of drugs hebt gebruikt, of als u medicijnen gebruikt die uw gezichtsvermogen, beoordelingsvermogen of coördinatie kunnen beïnvloeden.
- Werken in slechte weersomstandigheden is vermoeiend en kan tot extra gevaarlijke situaties leiden. Het is in verband met het extra gevaar niet aanbevolen om de machine te gebruiken bij zeer slecht weer, bijvoorbeeld dichte mist, zware regen, sterke wind, intense koude of bij risico op bliksem, etc.
- Start een product niet, tenzij de geleider, zaagketting en alle afdekkingen correct zijn geplaatst. Anders kan de kettingwielaandrijving losraken en ernstig letsel veroorzaken. Raadpleeg *Montage op pagina 472* voor instructies.

(Fig. 25)

- Soms komen snippers vast te zitten in het koppelingsdeksel, waardoor de ketting blokkeert. Stop altijd eerst de motor voordat u deze reinigt.
- Controleer de omgeving. Zorg dat er geen risico bestaat dat personen of dieren het product aanraken of invloed kunnen hebben op de besturing van het product.

(Fig. 26)

- Laat het product niet door kinderen bedienen; houd het buiten hun bereik. Het product start gemakkelijk. Hierdoor bestaat het gevaar dat kinderen het product starten wanneer ze niet onder volledig toezicht staan. Dit kan ernstig letsel tot gevolg hebben.
- Verwijder de accu als u geen zicht hebt op het product of het product enige tijd niet gebruikt.
- U moet op stabiele ondergrond staan om het product volledig onder controle te houden. Gebruik het product niet als u in een boom zit of op een ladder staat. Gebruik het product alleen als u op een stabiele ondergrond staat.

(Fig. 27)

- Bij werk in een boom moet speciale zaag- en werktechnieken worden toegepast om het grotere risico van persoonlijk letsel te beperken. Werk alleen in een boom als u specifieke, professionele training voor dergelijk werk hebt gevolgd, waaronder training in het gebruik van veiligheidsmiddelen en andere klimuitrusting, zoals draagstellen, touwen, riemen, klimijzers, snappers, karabijnhaken, enz.
- Probeer nooit een vallend stuk hout op te vangen. Zaag nooit in een boom wanneer u slechts met één lijn bent gezekeerd. Gebruik altijd twee veiligheidslijnen.
- Als u niet oplet, wordt het risico op terugslag groter. Een terugslag kan optreden als de terugslagzone

van de geleider per ongeluk een tak, boom of andere objecten raakt.

(Fig. 28)

- Gebruik het apparaat niet met één hand. U kunt dit product niet veilig onder controle houden met één hand.
- Gebruik het product niet boven schouderhoogte en probeer niet te zagen met de punt van de geleider.

(Fig. 29)

- Gebruik het product nooit in een situatie waarin u niet om hulp kunt roepen mocht er een ongeval gebeuren.
- Stop het product en schakel de kettingrem in vóór u het apparaat verplaatst. Houd het apparaat vast met de geleider en zaagketting naar achter gericht. Plaats transportbescherming op de geleider vóór u het apparaat vervoert of over enige afstand verplaatst.
- Als u het product op de grond plaatst, moet u de kettingrem inschakelen en ervoor zorgen dat u continu zicht hebt op het product. Stop het apparaat en verwijder de accu als u het apparaat enige tijd achterlaat.
- Het is mogelijk dat er spaanders vast komt te zitten in het aandrijfsysteem. Hierdoor kan de zaagketting vastlopen. Vóór u het apparaat schoonmaakt, moet u altijd eerst het apparaat uitschakelen en de accu verwijderen.
- Het trillingsniveau neemt toe als u met snijuitrusting werkt die onjuist of niet goed is geslepen. Het zagen van hardhoutsoorten, zoals loofbomen, veroorzaakt meer trillingen dan het zagen van zacht hout, zoals coniferen.

(Fig. 30)

- Overmatige blootstelling aan trillingen kan leiden tot bloedvat- en zenuwbeschadigingen bij personen met een verminderde bloedcirculatie. Consulteer uw dokter wanneer u symptomen waarneemt die wijzen op overmatige blootstelling aan trillingen. Voorbeelden van zulke symptomen zijn slapen, geen gevoel, 'kriebels', 'speldeprikken', pijn, geen of minder kracht, huidverkleuringen of veranderingen van het huidoppervlak. Deze klachten treden meestal op in de vingers, handen of polsen en nemen toe bij lage temperaturen.
- Probeer geen snoeiwerkzaamheden uit te voeren in een staande boom tenzij u hiervoor specifiek bent opgeleid.
- Blijf altijd op het hoger liggende terrein als u op een helling zaagt, omdat de boom nadat deze is gekapt, waarschijnlijk heuvelafwaarts rolt of schuift. Om tijdens het zagen de volledige controle over het product te behouden, vermindert u de zaagdruk wanneer het einde van de zaagsnede bijna is bereikt. Plaats uw handen stevig rond de handgrepen. Zorg dat de zaagketting niet in aanraking komt met de grond. Wacht na het voltooien van de zaagsnede tot de ketting stopt,

voordat u het product verplaatst. Stop de motor altijd voordat u naar de volgende boom gaat.

(Fig. 31)

- Vel geen boom als er een risico bestaat waardoor een persoon in gevaar kan komen, een nutsvoorziening kan worden geraakt of materiële schade kan worden veroorzaakt. Als de boom een nutsvoorziening raakt, moet u het nutsbedrijf onmiddellijk waarschuwen.
- Zorg ervoor dat u veilig kunt bewegen. Controleer de omgeving en het terrein op eventuele obstakels, zoals wortels, stenen, takken, sloten enzovoorts. Wees voorzichtig als u op een helling werkt.
- Voorkom situaties waarvan u denkt dat deze uw capaciteiten overschrijden.
- Het is niet mogelijk om elke situatie te vermelden die u kunt tegenkomen als u dit product gebruikt. Wees altijd voorzichtig en gebruik uw gezond verstand.

(Fig. 32)

Persoonlijke beschermingsuitrusting



WAARSCHUWING: Lees de volgende waarschuwingen voordat u het product gaat gebruiken.

(Fig. 33)

- De meeste ongelukken met een kettingzaag gebeuren wanneer de zaagketting contact maakt met de gebruiker. U moet goedgekeurde persoonlijke beschermingsmiddelen gebruiken wanneer u het product gebruikt. Persoonlijke beschermingsmiddelen bieden geen volledige bescherming tegen letsel, maar kunnen bij een ongeval wel de ernst van het letsel beperken. Neem contact op met uw servicedealer voor de aanbevolen veiligheidsuitrusting.
- Uw kleding moet nauwsluitend zijn zonder uw bewegingsvrijheid te beperken. Controleer regelmatig de toestand van uw persoonlijke beschermingsmiddelen.
- Draag een goedgekeurde veiligheidshelm.
- Gebruik goedgekeurde gehoorbescherming. Langdurige blootstelling aan lawaai kan leiden tot permanente gehoorbeschadiging.
- Gebruik een goedgekeurde veiligheidsbril of gezichtsvizier om de kans op letsel door wegvliegende voorwerpen te verkleinen. Het product kan voorwerpen zoals spaanders, kleine stukjes hout enz. met grote kracht wegslingeren. Dit kan leiden tot ernstig letsel, vooral aan ogen.
- Draag handschoenen met zaagbescherming.
- Draag een broek met zaagbescherming.
- Draag laarzen met zaagbescherming, stalen neuzen en antislipzolen.
- U moet altijd een EHBO-kit bij de hand hebben.

- Gevaar voor vonkvorming. Zorg dat u een brandblusser en een schop bij de hand hebt om bosbranden te voorkomen.

Veiligheidsvoorzieningen op het product



WAARSCHUWING: Lees de volgende waarschuwingen voordat u het product gaat gebruiken.

- Gebruik geen producten met veiligheidsvoorzieningen die beschadigd zijn of niet correct werken.
- Controleer de veiligheidsvoorzieningen regelmatig op een juiste werking. Raadpleeg *De veiligheidsvoorzieningen op het product onderhouden en controleren op pagina 480*.
- Als de veiligheidsvoorzieningen beschadigd zijn of niet goed werken, neem dan contact op met uw Husqvarna servicedealer.

Functies van de gebruikersinterface

De gebruikersinterface omvat de start-/stopknop, de knop SavE, de accustatus en het waarschuwinglampje. Het waarschuwinglampje knippert als de kettingrem wordt geactiveerd of als er risico op overbelasting is. De overbelastingsbescherming schakelt het product tijdelijk uit. U kunt het product weer gebruiken als de temperatuur is gedaald. Als het waarschuwinglampje blijft branden, neem dan contact op met uw servicedealer.

(Fig. 34)

Voor meer informatie over de gebruikersinterface, zie *Productoverzicht op pagina 463*.

De automatische stopfunctie

Het product is voorzien van een automatische stopfunctie die het product stopt als u het 3 minuten lang niet gebruikt.

Kettingrem met terugslagbeveiliging

Uw product heeft een kettingrem die de zaagketting stopt in het geval van terugslag. Een kettingrem vermindert het risico op ongevallen, maar alleen u kunt ze voorkomen.

(Fig. 35)



WAARSCHUWING: Vermijd situaties waarin het risico op terugslag bestaat. Ga voorzichtig met het product om en zorg dat de terugslagzone van de geleider geen contact maakt met een voorwerp.

(Fig. 36)

De kettingrem (A) wordt handmatig geactiveerd (via uw linkerhand) of automatisch via het

traagheidsmechanisme. Duw de terugslagbeveiliging (B) naar voren om de kettingrem handmatig in te schakelen. Er wordt een veermechanisme geactiveerd, dat het kettingaandrijf wiel stopt.

(Fig. 37)

Hoe de kettingrem wordt ingeschakeld, hangt af van de kracht van de terugslag en de positie van het product. Als u een intense terugslag ervaart terwijl de terugslagzone zich op het verste punt van u vandaan bevindt, wordt de kettingrem ingeschakeld door het traagheidsmechanisme. Als de terugslag niet sterk is of als de terugslagzone zich dichterbij u in de buurt bevindt, schakelt u de kettingrem handmatig in met uw linkerhand.

(Fig. 38)

Gebruik de kettingrem als parkeerrem wanneer u het product start en wanneer u korte afstanden aflegt. Dit vermindert de kans dat u of iemand in uw buurt de zaagketting raakt.

(Fig. 39)

Trek de terugslagbeveiliging naar achteren om de kettingrem uit te schakelen.

(Fig. 40)

Een terugslag kan bliksemsnel gebeuren en erg krachtig zijn. Meestal is de terugslag erg licht en de kettingrem wordt niet altijd geactiveerd. Als er een terugslag optreedt wanneer u het product gebruikt, houdt u het stevig vast aan de handgrepen en laat u het niet los.

(Fig. 41)

De terugslagbeveiliging verlaagt ook het risico op het raken van de zaagketting als u uw hand van de voorste handgreep afhaalt.

(Fig. 42)

In de velpositie kunt u de kettingrem niet handmatig inschakelen. De kettingrem kan in deze stand alleen worden ingeschakeld door het traagheidsmechanisme.

(Fig. 43)

Vergrendeling voedingsschakelaar

De vergrendeling van de activeringsschakelaar voorkomt dat de activeringsschakelaar per ongeluk wordt ingeschakeld. Als u de vergrendeling van de activeringsschakelaar naar voren (A) en tegen de handgreep (B) drukt, wordt de activeringsschakelaar (C) losgelaten. Als u de handgreep loslaat, bewegen de activeringsschakelaar en de vergrendeling weer terug naar hun beginposities.

(Fig. 44)

Kettingvanger

De kettingvanger vangt de zaagketting als deze breekt of loskomt. Zorg dat de ketting onder de juiste spanning staat om het risico hierop te verkleinen. Het risico wordt ook kleiner als u de geleider en zaagketting op de

juiste manier onderhoud. Zie *Montage op pagina 472* en *Onderhoud op pagina 479* voor instructies.

(Fig. 45)

Rechterhandbescherming

De rechterhandbescherming beschermt uw hand mocht de zaagketting breken of loskomen. Bovendien voorkomt deze dat takken het gebruik van het product in de weg staan.

(Fig. 46)

Veiligheid bij accu's



WAARSCHUWING: Lees de volgende waarschuwingen voordat u het product gaat gebruiken.

- Gebruik uitsluitend accu's uit de 40-B-serie die wij voor uw product aanbevelen. Raadpleeg *Goedgekeurde accu's op pagina 487*. De accu's zijn voorzien van softwarematige encryptie.
- Gebruik accu's uit de 40-B-serie die oplaadbaar zijn uitsluitend als een voedingsbron voor de bijbehorende producten van Husqvarna. Raadpleeg *Goedgekeurde accu's op pagina 487*. Gebruik de accu niet als voedingsbron voor andere apparaten, om letsel te voorkomen.
- Risico van elektrische schok. Breng de accuklemmen niet in contact met sleutels, schroeven of ander metaal. Dit kan kortsluiting van de accu veroorzaken.
- Gebruik geen accu's die niet oplaadbaar zijn.
- Plaats geen voorwerpen in de luchtspleten van de accu.
- Bescherm de accu tegen direct zonlicht, warmte of open vuur. De accu kan brandwonden en/of chemische brandwonden veroorzaken.
- Bescherm de accu tegen regen en vocht.
- Houd de accu uit de buurt van magnetrons en hoge druk.
- Probeer de accu niet te demonteren of te slopen.
- Laat accuzuur niet in contact komen met uw huid. Accuzuur kan verwondingen aan de huid, corrosie en brandplekken veroorzaken. Wrijf niet in uw ogen wanneer u accuzuur in uw ogen krijgt, maar spoel uw ogen minstens 15 minuten met water. Als accuzuur in contact is gekomen met uw huid, moet u de huid reinigen met veel water en zeep. Roep medische hulp in.
- Gebruik de accu bij temperaturen tussen -10 °C (14 °F) en 40 °C (104 °F).
- Reinig de accu of acculader nooit met water. Raadpleeg *De accu en de accuhouder controleren op pagina 480*.
- Gebruik geen beschadigde accu.
- Sla accu's op uit de buurt van metalen voorwerpen, bijvoorbeeld spijkers, schroeven en sieraden.

- Houd de accu buiten het bereik van kinderen.

Veiligheidsvoorschriften voor acculader



WAARSCHUWING: Lees de volgende waarschuwingen voordat u het product gaat gebruiken.

- Risico van elektrische schok of kortsluiting wanneer de veiligheidsinstructies niet worden opgevolgd.
- Gebruik een goedgekeurde geaarde wandcontactdoos die niet beschadigd is.
- Gebruik geen andere acculader dan die bij uw product is geleverd. Gebruik uitsluitend 40-C80-laders wanneer u vervangende Husqvarna-accu's oplaadt 40-B140. Zie *Goedgekeurde acculaders voor het product op pagina 487* en *Goedgekeurde accu's op pagina 487*.
- Probeer de acculader niet te demonteren.
- Gebruik geen defecte of beschadigde acculader.
- Til de acculader niet op aan de voedingskabel. Trek aan de stekker om de acculader uit de wandcontactdoos te halen. Trek niet aan de voedingskabel.
- Houd alle kabels en verlengsnoeren uit de buurt van water, olie en scherpe kanten. Let op dat de kabel niet bekneld raakt tussen deuren, hekken en dergelijke.
- Gebruik de acculader niet in de buurt van brandbare materialen of materialen die corrosie kunnen veroorzaken. Controleer of de acculader niet is afgedekt. Haal de stekker van de acculader uit de wandcontactdoos bij rookontwikkeling of brand.
- De accu mag alleen binnenshuis worden opgeladen op een plek met voldoende ventilatie en zonder direct zonlicht. Laad de accu niet buiten op. Laad de accu niet op in vochtige omstandigheden.
- Gebruik de acculader alleen op plekken met een temperatuur tussen 5 °C (41 °F) en 40 °C (104 °F). Gebruik de lader in een omgeving die goed geventileerd, droog en stofvrij is.
- Plaats geen voorwerpen in de koelspleten van de acculader.
- Verbind de contacten van de acculader niet met metalen objecten, omdat dit kortsluiting in de acculader kan veroorzaken.
- Gebruik goedgekeurde wandcontactdozen die niet beschadigd zijn.
- Laad niet-oplaadbare accu's niet op in de acculaders.

Veiligheidsinstructies voor onderhoud



WAARSCHUWING: Lees de volgende waarschuwingen voordat u onderhoud aan het product gaat uitvoeren.

- Verwijder de accu voordat u onderhoud of andere controles uitvoert, of het product demonteert.

- De gebruiker mag alleen de onderhouds- en servicewerkzaamheden uitvoeren die in deze bedieningshandleiding zijn beschreven. Ga naar uw servicedealer voor verdergaande service- of onderhoudswerkzaamheden.
- Reinig de accu of acculader nooit met water. Sterke reinigingsmiddelen kunnen schade aan het kunststof veroorzaken.
- Als u geen onderhoud uitvoert, verkort dit de levenscyclus van het product en vergroot het risico op ongevallen.
- Voor alle service en reparaties is speciale training vereist, vooral voor de veiligheidsvoorzieningen op het product. Als niet alle controles in deze bedieningshandleiding een goed resultaat geven nadat u onderhoud hebt uitgevoerd, ga dan naar uw servicedealer. Wij garanderen dat u daar professionele reparaties en service voor uw product krijgt.
- Gebruik alleen originele reserveonderdelen.

Veiligheidsinstructies voor snijuitrusting



WAARSCHUWING: Lees de volgende waarschuwingen voordat u het product gaat gebruiken.

- Gebruik alleen goedgekeurde combinaties van zaagblad/zaagketting en de hulpmiddelen voor vijlen. Zie *Technische gegevens op pagina 485* voor instructies.

- Draag veiligheidshandschoenen wanneer u onderhoud aan de zaagketting uitvoert of de zaagketting gebruikt. Ook een zaagketting die niet beweegt, kan verwondingen veroorzaken.
- Houd de zaagtanden goed geslepen. Volg de instructies en gebruik de aanbevolen vijlmal. Een beschadigde of verkeerd geslepen zaagketting vergroot de kans op ongevallen.

(Fig. 47)

- Zorg voor de correcte tanddiepte. Volg de instructies en gebruik de aanbevolen instelling voor de vijlmal. Als de tanddiepte te groot is, vergroot dit de kans op terugslag.

(Fig. 48)

- Zorg dat de zaagketting de juiste spanning heeft. Als de zaagketting niet strak tegen het zaagblad loopt, kan de zaagketting van het zaagblad lopen. Een verkeerde kettingspanning zorgt voor overmatige slijtage van het zaagblad, de zaagketting en het kettingaandrijf wiel. Zie *Accessoires op pagina 486*.

(Fig. 49)

- Voer regelmatig onderhoud uit op de snijuitrusting en houd deze goed gesmeerd. Bij onvoldoende smering van de zaagketting is de kans op slijtage van het zaagblad, de zaagketting en het kettingaandrijf wiel groter.

(Fig. 50)

Montage

De geleider en zaagketting monteren (met zaagbladknop)



WAARSCHUWING: Verwijder altijd de accu voordat u het product monteert of onderhoudt.

1. Schakel de kettingrem uit. (Fig. 51)
2. Maak de zaagbladknop los en verwijder de afdekking van het kettingaandrijf wiel. (Fig. 52)
3. Plaats de geleider bovenop de geleiderbout. Duw de geleider volledig in de achterste positie. Til de zaagketting boven het kettingaandrijf wiel en positioneer de ketting in de groef van de geleider. Begin aan de bovenzijde van de geleider.
4. Zorg dat de snijkanten van de zaagschakels op de bovenrand van het zaagblad naar voren wijzen. (Fig. 53)
5. Monteer de afdekking van het aandrijfkettingswiel en breng de stelpen van de kettingspanner aan in de uitsparing van de geleider.
6. Controleer of de aandrijfschakels van de zaagketting correct aanliggen op het kettingaandrijf wiel.

7. Controleer of de zaagketting correct is gepositioneerd in de groef op de geleider.
8. Span de zaagketting. Raadpleeg *Onderhoud op pagina 479* voor instructies.
9. Draai de zaagbladknop vast.

De geleider en zaagketting monteren (met zaagbladbout)



WAARSCHUWING: Verwijder altijd de accu voordat u het product monteert of onderhoudt.

1. Schakel de kettingrem uit. (Fig. 51)
2. Draai de zaagbladmoer los en verwijder de afdekking van het kettingaandrijf wiel. (Fig. 54)
3. Plaats de geleider bovenop de geleiderbout. Duw de geleider volledig in de achterste positie. Til de zaagketting boven het kettingaandrijf wiel en positioneer de ketting in de groef van de geleider. Begin aan de bovenzijde van de geleider.
4. Zorg dat de snijkanten van de zaagschakels op de bovenrand van het zaagblad naar voren wijzen. (Fig. 55)

5. Monteer de afdekking van het aandrijfkettingwiel en breng de stelpen van de kettingspanner aan in de uitsparing van de geleider.
6. Controleer of de aandrijfschakels van de zaagketting correct aanliggen op het kettingaandrijf wiel.
7. Controleer of de zaagketting correct is gepositioneerd in de groef op de geleider.
8. Draai de moer van het zaagblad met de hand vast.
9. Zet de zaagketting vast. Raadpleeg *Onderhoud op pagina 479* voor instructies.

De acculader aan de wand bevestigen



OPGELET: Gebruik geen elektrische schroevendraaier om de acculader aan de wand te bevestigen. Een elektrische schroevendraaier kan de acculader beschadigen.

1. Bevestig de acculader met de 2 schroeven (A) aan de wand. Gebruik wandpluggen (B) indien nodig. (Fig. 56)
2. Plaats de 2 schroefgatpluggen (C).
3. Sluit de voedingskabel (D) aan op de acculader en een stopcontact.

Werking

Inleiding



WAARSCHUWING: Zorg dat u het hoofdstuk over veiligheid hebt gelezen en begrepen voordat u het product gebruikt.

De werking controleren voordat u het product gebruikt

1. Controleer of de kettingrem (A) goed functioneert en niet beschadigd is.
2. Controleer of de rechterhandbescherming (B) achter niet beschadigd is.
3. Controleer of de activeringsschakelaar en de vergrendeling (C) van de activeringsschakelaar goed functioneren en niet beschadigd zijn.
4. Controleer het toetsenbord (D) om ervoor te zorgen dat het juist werkt.
5. Zorg ervoor dat er geen olie op de handgrepen (E) zit.
6. Controleer dat alle onderdelen correct zijn aangebracht en niet beschadigd zijn of ontbreken.
7. Controleer de kettingvanger (F) om ervoor te zorgen dat deze juist werkt.
8. Controleer de kettingspanning (G).
9. Laad de accu (H) op en controleer of deze correct is bevestigd aan het product.
10. Zorg dat de zaagketting stopt wanneer u de activeringsschakelaar loslaat. (Fig. 57)

De juiste kettingolie gebruiken



WAARSCHUWING: Gebruik geen afgewerkte olie. Dit kan leiden tot letsel bij uzelf en schade aan het milieu. Afgewerkte olie veroorzaakt ook schade aan de oliepompe, de geleider en de zaagketting.



WAARSCHUWING: De zaagketting kan breken bij onvoldoende smering van de zaagcomponenten. De gebruiker kan hierdoor ernstig of dodelijk letsel oplopen.



WAARSCHUWING: Gebruik voor een goede werking van deze functie de juiste kettingolie. Bespreek de keuze van de kettingolie met uw servicedealer.

- Gebruik kettingolie van Husqvarna voor een maximale levensduur van de zaagketting en om negatieve effecten op het milieu te voorkomen. We adviseren u om een standaard kettingolie te gebruiken als Husqvarna-kettingolie niet verkrijgbaar is.
- Gebruik een kettingolie die goed aan de zaagketting hecht.
- Gebruik een kettingolie met een viscositeitsbereik dat bij de luchttemperatuur past.



OPGELET: Bij temperaturen onder 0 °C worden sommige kettingoliën te dik, wat kan leiden tot beschadiging van de onderdelen van de oliepompe.

- Gebruik de aanbevolen snijuitrusting. Zie *Accessoires op pagina 486*.
- Verwijder de dop van de kettingolietank.
- Vul de kettingolietank met kettingolie.
- Bevestig de dop voorzichtig.

(Fig. 58)

Let op: Zie *Inleiding op pagina 463* om te zien waar de kettingolietank op uw product is.

Accu



WAARSCHUWING: Zorg dat u het hoofdstuk over veiligheid hebt gelezen en begrepen voordat u de accu gebruikt. Zorg er ook voor dat u de bedieningshandleiding

bij de accu en de acculader hebt gelezen en begrepen.

Houd de accu en de acculader in de correcte omgevingstemperaturen.

	Omgevingstemperatuur
Accu gebruiken	5 °C-40 °C / 41 °F-104 °F
Accu laden	5 °C-40 °C / 41 °F-104 °F

Accustatus

Het display toont de laadstatus en geeft aan of er problemen zijn met de accu.

(Fig. 59)

Led-indicator	Laadstatus accu
4 leds branden	De accu is 76% - 100% opgeladen.
3 leds branden	De accu is 51% - 75% opgeladen.
2 leds branden	De accu is 26% - 50% opgeladen.
1 led brandt	De accu is 6% - 25% opgeladen.
1 led knippert	De accu is 0% - 5% opgeladen.

De accu opladen

Laad de accu op als u deze voor de eerste keer gebruikt. Een nieuwe accu is slechts 30% opgeladen.



OPGELET: Sluit de acculader aan op een stopcontact waarvan de spanning en frequentie overeenkomen met de specificaties op het productplaatje.

De accu wordt niet opgeladen als de temperatuur van de accu hoger is dan 50 °C/122 °F.

1. Sluit de voedingskabel aan op de acculader.
2. Sluit de acculader aan op een geaard stopcontact. De oplaadled knippert 1 keer. (Fig. 60)
3. Sluit de accu aan op de acculader. De oplaadled gaat branden. Laad de accu max. 24 uur op. (Fig. 61)
4. Druk op de accu-indicatiemachine, wanneer alle led-indicatielampjes branden, is de accu volledig geladen.
5. Haal de stekker uit het stopcontact om de acculader van het stopcontact los te koppelen. Trek niet aan de voedingskabel.
6. Haal de accu uit de acculader.

Informatie over terugslag



WAARSCHUWING: Als gevolg van terugslag kunnen de gebruiker en anderen ernstig of dodelijk letsel oplopen. Om de risico's te beperken, moet u de oorzaken van terugslag kennen en weten hoe u terugslag kunt voorkomen.

Terugslag vindt plaats wanneer de terugslagrisico-sector van het zaagblad in contact komt met een voorwerp. Een terugslag kan plotseling en met grote kracht optreden, waardoor het product richting de gebruiker wordt geworpen.

(Fig. 36)

Terugslag gebeurt altijd in de richting van de geleider. Meestal raakt het product de gebruiker, maar het kan ook in een andere richting bewegen. De bewegingsrichting wordt bepaald door de manier waarop u het product gebruikt op het moment dat de terugslag optreedt.

(Fig. 62)

Terugslag vindt uitsluitend plaats wanneer de terugslagzone van de geleider in contact komt met een voorwerp. Zorg dat de terugslagzone geen contact maakt met een voorwerp.

(Fig. 36)

Een kleinere neusradius vermindert de kracht van de terugslag.

Gebruik een zaagketting met geringe terugslag om de effecten van terugslag te beperken. Laat de terugslagzone geen objecten raken.



WAARSCHUWING: Geen enkele zaagketting kan terugslag volledig voorkomen. Volg altijd de instructies.

Veelgestelde vragen over terugslag

- **Zal mijn hand de kettingrem bij terugslag altijd activeren?**

Nee. Er is enige kracht nodig om de terugslagbeveiliging naar voren te duwen. Als u onvoldoende kracht gebruikt, wordt de kettingrem niet ingeschakeld. Bovendien moet u het product stevig vasthouden met beide handgrepen tijdens gebruik. Bij terugslag is het mogelijk dat de kettingrem de zaagketting niet stopt voordat deze u raakt. In sommige posities kunt u met uw hand niet bij de terugslagbeveiliging om de kettingrem te activeren.

- **Zal het traagheidsmechanisme de kettingrem bij terugslag altijd activeren?**

Nee. Ten eerste moet de kettingrem correct werken. Zie *De veiligheidsvoorzieningen op het product onderhouden en controleren op pagina 480* voor instructies over het controleren van de kettingrem. We raden aan deze controle altijd uit te voeren voor u het product gebruikt. Ten tweede moet de terugslag voldoende sterk zijn om de kettingrem te activeren. Als de kettingrem te gevoelig is, kan deze inschakelen tijdens ruw gebruik.

- **Zal de kettingrem mij bij terugslag altijd beschermen tegen letsel?**

Nee, de kettingrem moet goed werken om bescherming te kunnen bieden. Bij een terugslag moet de kettingrem geactiveerd worden om de zaagketting te stoppen. Als u zich dicht bij het zaagblad bevindt, is het mogelijk dat de kettingrem de zaagketting niet op tijd stopt voordat deze u raakt.



WAARSCHUWING: Alleen met een juiste werktechniek kunt u terugslag voorkomen.

Product starten

1. Controleer de activeringsschakelaar en de vergrendeling van de activeringsschakelaar. Zie *De vergrendeling van de activeringsschakelaar controleren op pagina 480*.
2. Schakel de kettingrem in. (Fig. 63)
3. Plaats de accu in de accuhouder. (Fig. 64)



OPGELET: Controleer of de accu goed is aangebracht in de accuhouder. Als u de accu niet eenvoudig in de accuhouder kunt plaatsen, is de accu niet correct geïnstalleerd.

4. Druk op het onderste gedeelte van de accu totdat u een klik hoort. (Fig. 65)
5. Houd de start-/stopknop ingedrukt totdat de groene led gaat branden. (Fig. 66)

De functie SavE gebruiken

De functie SavE beperkt de kettingsnelheid en het vermogen van het product.

1. Druk op de knop SavE. De groene led gaat branden.
2. Druk nogmaals op de SavE-knop om de functie uit te schakelen. De groene led gaat uit. (Fig. 67)

Product stoppen

1. Druk op de start/stop-knop totdat de groene led uit gaat. (Fig. 66)
2. Druk op de accu-ontgrendelknoppen en verwijder de accu uit de accuhouder om onbedoeld starten te voorkomen. (Fig. 68)

Trekslag en duwslag

U kunt met het product op twee manieren hout zagen.

- U zaagt met een trekkende ketting wanneer u zaagt met de onderzijde van de geleider. De zaagketting wordt tijdens het zagen door de boom getrokken. In deze positie hebt u een betere controle over het product en de positie van de terugslagzone.

(Fig. 69)

- U zaagt met een duwende ketting wanneer u zaagt met de bovenzijde van de geleider. De zaagketting duwt het product in de richting van de gebruiker.

(Fig. 70)



WAARSCHUWING: Als de zaagketting vastraakt in de boomstam, kan het product naar u toe worden geduwd. Houd het product stevig vast en zorg ervoor dat de terugslagrisico-sector van het zaagblad niet de boom raakt en een terugslag veroorzaakt.

(Fig. 71)

Zaagtechnieken gebruiken



WAARSCHUWING: Gebruik het volle vermogen tijdens het zagen en breng het toerental terug naar stationair na elke zaagsnede.



OPGELET: Laat de motor niet te lang onbelast draaien. Dit kan schade aan de motor veroorzaken.

1. Leg de stam op een zaagbok of steun. (Fig. 72)



WAARSCHUWING: Zaag stammen niet als deze op een stapel liggen. Dat verhoogt het risico op terugslag en kan ernstig of fataal letsel veroorzaken.

2. Verwijder de gezaagde stukken uit de werkomgeving.



WAARSCHUWING: Doorgezaagde stukken in de werkomgeving verhogen het risico op terugslag en verliezen van uw evenwicht.

De schorssteun gebruiken

1. Plaats de schorssteun in de stam van de boom.
2. Geef vol gas en draai het product. Houd de schorssteun tegen de stam. Met deze procedure is het eenvoudiger om de kracht uit te oefenen die nodig is om de stam door te zagen. (Fig. 73)

Stammen zagen op de grond

1. Zaag de stam met een trekslag. Gebruik het volle vermogen, maar wees voorbereid op ongelukken. (Fig. 74)



WAARSCHUWING: Zorg dat de zaagketting de grond niet raakt wanneer u de zaagsnede voltooit.

2. Zaag ongeveer $\frac{3}{4}$ door de stam en stop dan. Roteer de stam en zaag van de andere kant. (Fig. 75)

Een stam doorzagen met ondersteuning aan één uiteinde



WAARSCHUWING: Zorg dat de stam niet breekt tijdens het zagen. Volg de onderstaande instructies.

(Fig. 76)

1. Zaag de stam ongeveer $\frac{1}{3}$ door met een duwslag.
2. Zaag de stam door met een trekslag totdat de twee zaagsneden elkaar raken. (Fig. 77)

Een stam doorzagen met ondersteuning aan twee uiteinden



WAARSCHUWING: Zorg dat de zaagketting niet vastraakt in de stam tijdens het zagen. Volg de onderstaande instructies.

(Fig. 78)

1. Zaag de stam ongeveer $\frac{1}{3}$ door met een trekslag.
2. Zaag de rest van de stam door met een duwslag om de zaagsnede te voltooien. (Fig. 79)



WAARSCHUWING: Stop de motor als de zaagketting vastraakt in de stam. Gebruik een hefboom om de zaagsnede te openen en het product te verwijderen. Probeer het product niet met de hand los te trekken. Dit kan leiden tot letsel wanneer het product plotseling losschiet.

De snoeitechnieken gebruiken

Let op: Gebruik de zaagtechniek voor dikke takken. Zie *Zaagtechnieken gebruiken op pagina 475*.



WAARSCHUWING: Het ongevalsrisico is erg groot wanneer u de snoeitechniek gebruikt. Zie *Informatie over terugslag op pagina 474* voor instructies over het voorkomen van terugslag.



WAARSCHUWING: Snoei takken één voor één. Wees voorzichtig met het verwijderen van kleine takken en zaag nooit meerdere struiken of kleine takken tegelijk door. Kleine takken kunnen klem komen te zitten in de zaagketting en veilig gebruik van het product verhinderen.

Let op: Zaag, indien nodig, de takken een voor een door. Zaag de kleinere takken (A) en (B) af voordat u de stomp in de buurt van de stam (C) afzaagt.

(Fig. 80)

1. Verwijder de takken aan de rechterzijde van de stam.
 - a) Houd het zaagblad aan de rechterkant van de stam en de romp van het product tegen de stam.
 - b) Selecteer de toepasselijke zaagtechniek voor de spanning in de tak. (Fig. 81)



WAARSCHUWING: Als u niet zeker weet hoe u de tak moet doorzagen, neemt u contact op met een professionele

kettingzaaggebruiker voordat u verder gaat.

2. Verwijder de takken op de bovenkant van de stam.
 - a) Houd het product op de stam en laat het zaagblad langs de stam bewegen.
 - b) Zaag de stam door met een duwslag. (Fig. 82)
3. Verwijder de takken aan de linkerzijde van de stam.
 - a) Selecteer de toepasselijke zaagtechniek voor de spanning in de tak. (Fig. 83)



WAARSCHUWING: Als u niet zeker weet hoe u de tak moet doorzagen, neemt u contact op met een professionele kettingzaaggebruiker voordat u verder gaat.

Zie *Bomen en takken zagen die onder spanning staan op pagina 478* voor instructies over het zagen van takken die onder spanning staan.

De boomveltechniek gebruiken



WAARSCHUWING: Een boom vellen vergt veel ervaring. Woon indien mogelijk een cursus voor het gebruik van een kettingzaag bij. Neem contact op met een gebruiker met ervaring voor meer informatie.

Veilige afstand houden

1. Zorg dat omstanders op veilige afstand staan: minstens 2,5 keer de lengte van de boom. (Fig. 84)
2. Zorg ervoor dat niemand zich voor en tijdens het vellen in de risicozone bevindt. (Fig. 85)

De valrichting bepalen

1. Bepaal in welke richting de boom moet vallen. De boom moet zodanig vallen dat u de stam gemakkelijk kan snoeien en zagen. Het is belangrijk dat u stabiel staat en veilig kan bewegen.



WAARSCHUWING: Als het gevaarlijk of niet mogelijk is de boom in zijn natuurlijke richting te laten vallen, laat de boom dan in een andere richting vallen.

2. Bepaal de natuurlijke valrichting van de boom. Denk bijvoorbeeld aan de helling en kromming van de boom, windrichting, locatie van de takken en het gewicht van sneeuw.
3. Controleer of er obstakels zijn, zoals andere bomen, hoogspanningsmasten, wegen en/of gebouwen.
4. Controleer de stam op beschadigingen en rotte plekken.



WAARSCHUWING: Een rotte plek in de stam kan tot gevolg hebben dat de boom valt voordat u hem volledig hebt doorgezaagd.

5. Zorg dat de boom vrij is van beschadigde of dode takken die kunnen afbreken en u raken tijdens het vellen.
6. Zorg dat de boom niet tegen een andere boom valt. Het is gevaarlijk om een vastgeraakte boom op de grond te krijgen en het ongevalsrisico is erg groot. Zie *Een vastgeraakte boom losmaken op pagina 478*. (Fig. 86)



WAARSCHUWING: Bij belangrijke bewerkingen, moet u uw gehoorbescherming verwijderen zodra de boom is geveld. Het is belangrijk dat u omgevingsgeluid en waarschuwingen kunt horen.

De stam ontdoen van takken en een vrij pad maken

Zaag alle takken vanaf schouderhoogte naar beneden af.

1. Zaag door met een trekslag van boven naar beneden. Zorg dat de boom tussen u en het product staat. (Fig. 87)
2. Zorg dat de werkomgeving rond de boom vrij is van ondergroei. Verwijder het afgezaagde materiaal uit de werkomgeving.
3. Controleer de omgeving op obstakels zoals stenen, takken en gaten. Er moet een obstakelvrij vluchtpad zijn wanneer de boom valt. De vluchtweg moet in een hoek van circa 135 graden (schuin achterwaarts) tegenover de geplande valrichting liggen.

1. De gevarezone
2. De vluchtweg
3. De valrichting

(Fig. 88)

Boom kappen

Husqvarna raadt u aan de inkepingen aan te brengen en vervolgens gebruik te maken van de veilige hoekmethode bij het vellen van een boom. De veilige hoekmethode helpt u een juist scharnierstuk te maken en de valrichting te sturen.



WAARSCHUWING: Vel geen bomen met een diameter die groter is dan twee keer de zaagbladlengte. Hiervoor moet u speciale training volgen.

Het scharnierstuk

De belangrijkste procedure tijdens het vellen van een boom is het maken van het juiste scharnierstuk. Met een juist scharnierstuk stuurt u de valrichting en zorgt u dat de velprocedure veilig verloopt.

De dikte van het scharnierstuk moet gelijk zijn aan en minimaal 10% zijn van de boomediameter.



WAARSCHUWING: Als het scharnierstuk onjuist of te dun is, hebt u geen controle over de valrichting.

(Fig. 89)

Richtingssneden aanbrengen

1. Breng de richtingssneden aan. Maak de inkepingen tot op 1/4 van de diameter van de boom. De bovenste en onderste snede moeten in een hoek van 45° van elkaar worden aangebracht.
 - a) Maak eerst de bovenste snede. Lijn de markering (A) voor de valrichting op het product uit met de valrichting (B) van de boom. Blijf achter het product en links van de boom staan. Zaag met een korte trekslag.
 - b) Maak de onderste snede. Zorg dat het uiteinde van de onderste inkeping op hetzelfde punt uitkomt als dat van de bovenste inkeping. (Fig. 90)
2. Zorg dat de richtingsnede perfect horizontaal is en de juiste hoek heeft (90°) ten opzichte van de valrichting. De lijn van de richtingsnede loopt door het punt waar de twee richtingsneden samenkomen. (Fig. 91)

De veilige hoek-methode gebruiken

De zaagsnede moet iets boven de inkeping worden aangebracht.

(Fig. 92)



WAARSCHUWING: Wees voorzichtig wanneer u zaagt met de punt van het zaagblad. Begin te zagen met het onderste deel van de punt van het zaagblad wanneer u een boring in de stam maakt.

(Fig. 93)

1. Als de bruikbare zaaglengte langer is dan de diameter van de boom, voer dan deze stappen (a-d) uit.
 - a) Maak een boring recht in de stam om de breedte van het scharnierstuk te voltooien. (Fig. 94)
 - b) Zaag de stam door met een trekslag tot ongeveer 1/4 van de stam overblijft.
 - c) Trek het zaagblad 5-10 cm naar achteren.
 - d) Zaag door de rest van de stam om een veilige hoek te voltooien van 5-10 cm breed. (Fig. 95)

2. Als de bruikbare zaaglengte korter is dan de diameter van de boom, voer dan deze stappen (a-d) uit.
 - a) Maak een boring recht in de stam. De boring moet zich uitstrekken tot 3/5 van de boomediameter.
 - b) Zaag de rest van de stam door met een trekslag. (Fig. 96)
 - c) Zaag recht in de stam vanaf de andere kant van de boom om het scharnierstuk te voltooien.
 - d) Zaag de stam door met een duwslag tot 1/3 van de stam overblijft om de veilige hoek te voltooien. (Fig. 97)
3. Plaats recht van achteren een wig in de zaagsnede. (Fig. 98)
4. Zaag de hoek door om de boom te laten vallen.

Let op: Als de boom niet valt, sla dan op de wig tot dit wel het geval is.

5. Wanneer de boom begint te vallen, gebruik dan de vluchtweg om weg te stappen van de boom. Stap minimaal 5 m weg van de boom.

Een vastgeraakte boom losmaken



WAARSCHUWING: Het is erg gevaarlijk om een vastgeraakte boom op de grond te krijgen en het ongevalsrisico is erg groot. Blijf uit de buurt van de risiczone en probeer een vastgeraakte boom niet te vellen.

(Fig. 99)

De veiligste methode is om een van de volgende lieren te gebruiken:

- Gemonteerd op een trekker (Fig. 100)
- Draagbaar (Fig. 101)

Bomen en takken zagen die onder spanning staan

1. Bepaal welke kant van de boom of takken onder spanning staat.
2. Bepaal op welk punt de meeste spanning staat. (Fig. 102)
3. Bepaal de veiligste methode om de spanning af te laten.

Let op: In sommige situaties is het alleen veilig om een lier te gebruiken en niet uw product.

4. Ga op een plek staan waar de boom of tak u niet kan raken wanneer de spanning wordt afgelaten. (Fig. 103)

5. Maak een of meerdere sneden van voldoende diepte om de spanning af te laten. Zaag op of bij het punt van maximale spanning. Zorg dat de boom of tak breekt op het punt met maximale spanning. (Fig. 104)



WAARSCHUWING: Zaag een boom of tak die onder spanning staat nooit helemaal door.



WAARSCHUWING: Wees zeer voorzichtig wanneer u een boom zaagt die gespannen staat. De kans bestaat

dat de boom erg snel beweegt vóór of na het zagen. Als u op de verkeerde positie staat of verkeerd zaagt, loopt u het risico op ernstig letsel.

6. Als u de boom of tak dwars moet doorzagen, breng dan 2 tot 3 snedes aan met 2,5 cm (1 inch) ruimte ertussen en met een diepte van 5 cm (2 inch). (Fig. 105)
7. Blijf zagen tot de boom/tak buigt en de spanning wordt afgelaten. (Fig. 106)
8. Zaag de boom/tak vanaf de andere kant van de kromming, nadat de spanning is afgelaten.

Onderhoud

Inleiding



WAARSCHUWING: Zorg dat u het hoofdstuk over veiligheid hebt gelezen en begrepen voordat u onderhoud aan het product gaat uitvoeren.

Onderhoudsschema



WAARSCHUWING: Verwijder de accu voordat u onderhoud uitvoert.

Hieronder volgt een lijst van het onderhoud dat u aan het product moet uitvoeren. Zie *Onderhoud op pagina 479* voor meer informatie.

Onderhoud	Vóór gebruik	Wekelijks	Maandelijks
Reinig de externe onderdelen van het product.	X		
Controleer of de voedingsschakelaar en de vergrendeling van de voedingsschakelaar correct werken vanuit veiligheidsoogpunt.	X		
Reinig de kettingrem en controleer of deze veilig werkt. Controleer of de kettingvanger niet beschadigd is. Vervang indien nodig.	X		
Draai de geleider, zodat slijtage gelijkmatig wordt verdeeld. Controleer of de smeeropening in de geleider niet is verstopt. Maak de groef schoon.	X		
Controleer of de snijder en de beschermkap geen scheuren vertonen en niet beschadigd zijn. Vervang de snijder of de beschermkap als deze scheuren vertonen of aan slagbelasting zijn blootgesteld.	X		
Controleer of er voldoende olie is op de geleider en zaagketting.	X		
Controleer de zaagketting. Let op scheuren en zorg dat de zaagketting niet overmatig stug of versleten is. Vervang indien nodig.	X		
Slijp de zaagketting. Controleer de spanning en staat van de ketting. Controleer het kettingaandrijf wiel op slijtage en vervang het indien nodig.	X		
Reinig de luchtinlaat van het product.	X		
Controleer of de schroeven en moeren goed zijn vastgedraaid.	X		
Controleer of het toetsenblok correct werkt en niet beschadigd is.	X		
Verwijder bramen op de randen van de geleider met een vijl.		X	
Controleer de verbindingen tussen de accu en het product. Controleer de verbinding tussen de accu en de acculader.			X

Onderhoud	Vóór gebruik	Wekelijks	Maandelijks
Leeg en reinig de olietank.			X
Blaas voorzichtig perslucht door het product en door de koelsleuven van de accu.			X

De veiligheidsvoorzieningen op het product onderhouden en controleren

De terugslagbeveiliging controleren

Controleer de terugslagbeveiliging en het traagheidsmechanisme regelmatig.

1. Zorg ervoor dat de terugslagbeveiliging geen beschadigingen vertoont, zoals scheuren. (Fig. 107)
2. Zorg ervoor dat de terugslagbeveiliging vrij beweegt en dat deze veilig op het product is bevestigd. (Fig. 108)
3. Schakel de motor uit en plaats het product op een boomstronk of een andere stabiele ondergrond.
4. Houd het achterste handgreep vast en laat de voorste handgreep los. Laat het product tegen de boomstronk vallen. (Fig. 109)
5. Zorg ervoor dat de kettingrem geactiveerd wordt wanneer het zaagblad de stronk raakt.

Remhendel controleren

1. Plaats het product op een stabiele ondergrond en schakel het product in. Zie *Werking op pagina 473*.



WAARSCHUWING: Zorg ervoor dat de zaagketting niet in aanraking komt met de grond of andere objecten.

2. Plaats uw duimen en vingers om de handgrepen houd het product goed vast. (Fig. 110)
3. Gebruik het volle vermogen en draai uw linkerpols tegen de terugslagbeveiliging om de kettingrem te activeren. De zaagketting moet onmiddellijk stoppen. (Fig. 111)



WAARSCHUWING: Laat de voorste handgreep niet los!

De vergrendeling van de activeringsschakelaar controleren

1. Zorg ervoor dat de activeringsschakelaar en de vergrendeling vrij kunnen bewegen en dat de retourveer goed werkt. (Fig. 112)

2. Druk de vergrendeling van de activeringsschakelaar naar voren (A) en naar beneden (B). Houd de vergrendeling van de activeringsschakelaar tegen de handgreep en controleer of deze terugkeert naar de oorspronkelijke positie wanneer u deze loslaat. (Fig. 113)
3. Controleer of de activeringsschakelaar in de stationaire stand is vergrendeld wanneer de vergrendeling wordt losgelaten. (Fig. 114)
4. Start het product en laat het op vol vermogen werken.
5. Laat de activeringsschakelaar los en controleer of de zaagketting stopt en blijft stilstaan.



WAARSCHUWING: Neem contact op met uw servicedealer als de zaagketting draait terwijl de activeringsschakelaar in de stationaire stand staat.

De kettingvanger controleren

1. De kettingvanger moet vrij zijn van beschadigingen.
2. Zorg dat de kettingvanger stabiel is en aan de behuizing van het product is bevestigd. (Fig. 115)

De functies van de gebruikersinterface controleren

1. Start het product. Zie *Product starten op pagina 475*.
2. Houd de start/stop-knop ingedrukt.
3. Controleer of het product stopt en de groene led uitgaat. (Fig. 66)

De accu en de accuhouder controleren

1. Reinig de accu en de accuhouder met een zachte borstel.
2. Reinig de koelsleuven en de accu-aansluitingen. (Fig. 116)
3. Controleer of de accu geen scheuren heeft en niet beschadigd is.

De acculader controleren

1. Controleer of de acculader en voedingskabel niet beschadigd zijn. Controleer op scheuren en andere schade. (Fig. 117)

Koelsysteem reinigen

Het koelsysteem zorgt ervoor dat de motor niet te warm wordt. Het koelsysteem is voorzien van een luchtinlaat

aan de linkerzijde van het product en een ventilator op de motor.

1. Maak het koelsysteem wekelijks schoon met een borstel, of vaker indien nodig. (Fig. 118)
2. Zorg ervoor dat het koelsysteem niet vuil of verstopt is.



OPGELET: Een vuil of verstopt koelsysteem kan leiden tot oververhitting van het product. Dit kan schade aan het product veroorzaken.

Zaagketting slijpen

Informatie over de geleider en zaagketting



WAARSCHUWING: Draag veiligheidshandschoenen wanneer u onderhoud aan de zaagketting uitvoert of de zaagketting gebruikt. Ook een zaagketting die niet beweegt, kan verwondingen veroorzaken.

Als het zaagblad of de zaagketting versleten of beschadigd is, moet u deze vervangen door een door Husqvarna aanbevolen combinatie van zaagblad en zaagketting. Zo blijven de veiligheidsfuncties van het product behouden. Zie *Accessoires op pagina 486* voor een lijst met aanbevolen combinaties voor het vervangen van het zaagblad en de zaagketting.

- Zaagbladlengte, inch/cm. Informatie over de lengte van het zaagblad kunt u meestal vinden op het achterste uiteinde van het zaagblad.

(Fig. 119)

- Aantal tanden in het neuswiel (T).

(Fig. 120)

- Steek van de ketting, inch. De afstand tussen de aandrijfschakels van de zaagketting, moet overeenkomen met de tandsteek van het neuswiel en het kettingaandrijfwielt.

(Fig. 121)

- Aantal aandrijfschakels (stuks). Het aantal aandrijfschakels wordt bepaald door het type zaagblad.

(Fig. 122)

- Breedte geleidergroef, inch/mm. De breedte van de groef in het zaagblad moet gelijk zijn aan de breedte van de aandrijfschakels.

(Fig. 123)

- Kettingolie-opening en opening voor kettingstrekkerpen. De geleider moet aangepast zijn aan het product.

(Fig. 124)

- Breedte aandrijfschakel, mm/inch.

(Fig. 125)

Algemene informatie over het slijpen van zaagtanden

Gebruik geen ongeslepen zaagketting. Als de zaagketting bot is, dient u meer druk toe te passen om de geleider door het hout te drukken. Als de zaagketting zeer bot is, ontstaan er geen houtsnippers maar zaagsel.

Een scherpe zaagketting zaagt door het hout en de houtsnippers worden lang en dik.

De zaagtand (A) en de dieptesteller (B) samen vormen het zagende deel van de zaagketting, de snijder. Het hoogteverschil tussen de twee geeft de zaagdiepte (instelling dieptesteller).

(Fig. 126)

Denk bij het slijpen van een zaagketting aan het volgende:

- Vijlhoek.

(Fig. 127)

- Snijhoek.

(Fig. 128)

- Vijlpositie.

(Fig. 129)

- Diameter van de ronde vijl.

(Fig. 130)

Het is niet makkelijk om zonder de juiste hulpmiddelen een zaagketting correct te slijpen. Gebruik een Husqvarna aanbevolen vijlmal. Deze helpt u om optimale zaagprestaties te bereiken en het risico op terugslag tot een minimum te beperken.



WAARSCHUWING: De terugslagkracht neemt aanzienlijk toe als u de slijpinstructies niet volgt.

Let op: Raadpleeg *Accessoires op pagina 486* voor informatie over het slijpen van de zaagketting.

De zaagtanden slijpen

1. Gebruik voor het slijpen van de snijtanden een ronde vijl en een vijlmal. (Fig. 131)

Let op: Raadpleeg *Accessoires op pagina 486* voor informatie over welke vijl en vijlmal wordt Husqvarna aangeraden voor uw zaagketting.

2. Plaats de vijlmal correct op de zaagtand. Raadpleeg de instructies die bij de vijlmal worden meegeleverd.
3. Beweeg de vijl vanaf de binnenkant van de snijtanden naar buiten. Verlaag de druk bij de trekslag. (Fig. 132)
4. Verwijder materiaal van één zijde van alle zaagtanden.

5. Draai het product om en verwijder het materiaal aan de andere kant.
6. Zorg ervoor dat alle zaagtanden dezelfde lengte hebben.

Algemene informatie over hoe u de hoogte van de dieptesteller aanpast.

De hoogte van de dieptesteller (C) neemt af wanneer u de zaagtanden (A) slijpt. Voor maximale zaagprestaties moet u de vijlresten verwijderen van de dieptesteller (B), zodat de dieptesteller de juiste hoogte heeft. Zie *Accessoires op pagina 486* voor instructies over hoe u voor de juiste hoogte van de dieptesteller zorgt voor uw zaagketting.

(Fig. 133)



WAARSCHUWING: Een te hoge dieptesteller vergroot het terugslagrisico van de ketting!

Hoogte van de dieptesteller aanpassen

Voordat u de dieptesteller gaat instellen of de zaagtanden gaat slijpen, raadpleegt u *De zaagtanden slijpen op pagina 48* voor instructies. We raden aan de snijdiepte bij te stellen na elke derde kettingslijpbeurt.

We raden u aan onze dieptesteller voor de tanddiepte te gebruiken, om de juiste maat voor de tanddiepte en de juiste hoek van de dieptestellernok te krijgen.

(Fig. 134)

1. Gebruik een platte vijl en een dieptestelgereedschap om de hoogte van de dieptesteller aan te passen. Gebruik alleen een door Husqvarna aanbevolen dieptestelgereedschap om de juiste tanddiepte en diepte-instelling te verkrijgen.
2. Plaats de dieptesteller op de zaagketting.

Let op: Zie de verpakking van de dieptesteller voor meer informatie over het gebruik.

3. Gebruik de platte vijl om het gedeelte van de dieptesteller te verwijderen dat boven de dieptesteller uitsteekt. (Fig. 135)

De spanning van de zaagketting afstellen



WAARSCHUWING: Een zaagketting die niet correct is gespannen, kan losschieten uit het zaagblad en ernstig of dodelijk letsel veroorzaken.

Een zaagketting rekt uit tijdens gebruik. Stel de zaagketting regelmatig af. Controleer de kettingspanning elke keer als u de kettingolie bijvult.

Let op: Een nieuwe zaagketting heeft een inlooperperiode waarin de spanning vaker moet worden gecontroleerd.

De spanning van de zaagketting afstellen (met zaagbladknop)

1. Klap de knop naar buiten tot deze opent. (Fig. 136)
2. Draai de knop linksom om de afdekking van het kettingaandrijfwiel los te maken. (Fig. 137)
3. Draai het kettingspannerwiel om de spanning op de zaagketting af te stellen. De zaagketting moet strak tegen de geleider liggen. (Fig. 138)

Let op: Draai het wiel omlaag (+) voor meer spanning en omhoog (-) voor minder spanning.

4. Controleer of de zaagketting gemakkelijk met de hand kan worden rondgedraaid en of deze niet doorhangt aan de onderkant van het zaagblad. (Fig. 139)
5. Draai de knop rechtsof om de zaagbladknop vast te draaien. (Fig. 140)
6. Klap de knop in om de spanning vast te zetten. (Fig. 141)

De spanning van de zaagketting afstellen (met zaagbladbout)

1. Draai de zaagbladmoer los waarmee de afdekking van het kettingaandrijfwiel is bevestigd. Gebruik de combinatietang. (Fig. 142)
2. Til de voorkant van de geleider op en draai de stelschroef van de ketting aan. Gebruik de combinatietang.
3. Span de zaagketting totdat deze strak tegen de geleider zit. (Fig. 143)
4. Draai de zaagbladmoer vast met de combinatiesleutel en til hierbij tegelijkertijd de voorzijde van het zaagblad omhoog. (Fig. 144)
5. Controleer of de zaagketting gemakkelijk met de hand kan worden rondgedraaid en of deze niet doorhangt aan de onderkant van het zaagblad. (Fig. 139)

Let op: Zie *Productoverzicht op pagina 463* voor de positie van de kettingspannschroef op uw product.

Smering van de zaagketting controleren

Controleer de smering van de zaagketting na elke derde keer dat u de accu oplaadt.

1. Start het apparaat en laat het draaien op driekwart van het maximale vermogen. Houd het zaagblad ongeveer 20 cm (8 inch) boven een lichtgekleurd oppervlak.

2. Als de smering van de zaagketting correct is, ziet u na 1 minuut een duidelijke olielijn op het oppervlak. (Fig. 145)
3. Als de smering van de zaagketting niet correct is, voert u de volgende controles uit.
 - a) Controleer het oliekanaal in de geleider om te controleren of dit niet verstopt is. Maak schoon indien nodig. (Fig. 146)
 - b) Controleer de groef in de rand van de geleider om ervoor te zorgen dat deze schoon is. Maak schoon indien nodig. (Fig. 147)
 - c) Zorg ervoor dat het neuswiel van het zaagblad soepel draait en dat de smeeroening van het tandwielpunt van de geleider open is. Maak schoon en smeer indien nodig. (Fig. 148)
4. Als de smering van de zaagketting niet correct is nadat u de bovenstaande stappen hebt gevolgd, neem dan contact op met uw servicedealer.
2. Controleer of de zaagketting eenvoudig te buigen is. Vervang de zaagketting wanneer deze onbuigzaam is.
3. Vergelijk de zaagketting met een nieuwe om te bepalen of de klinknagels en schakels versleten zijn.
4. Vervang de zaagketting wanneer het langste deel van de zaagtand kleiner dan 4 mm/0,16 inch is. Vervang de zaagketting ook als er scheurtjes in de zaagtanden zitten. (Fig. 151)

De geleider controleren

1. Controleer of het oliekanaal niet verstopt is. Reinig indien nodig. (Fig. 146)
2. Controleer de randen van de geleider op bramen. Verwijder bramen met een vijl. (Fig. 152)
3. Reinig de groef in het zaagblad. (Fig. 147)
4. Controleer de geleidergroef op slijtage. Vervang het zaagblad indien nodig. (Fig. 153)
5. Controleer de punt van de geleider op ruwheid en overmatige slijtage. (Fig. 154)
6. Controleer of het neuswiel van het zaagblad soepel draait en of de smeeroening in het neuswiel van het zaagblad open is. Maak schoon en smeer indien nodig. (Fig. 148)
7. Draai de geleider dagelijks om de levensduur te verlengen. (Fig. 155)

Het kettingaandrijf wiel controleren

- Controleer het kettingaandrijf wiel op slijtage. Vervang het kettingaandrijf wiel indien nodig.
- Het kettingaandrijf wiel moet vervangen worden telkens wanneer u de zaagketting vervangt. (Fig. 149)

Snijuitrusting controleren

1. Controleer op scheurtjes in klinknagels en schakels en op losse schakels. Vervang indien nodig. (Fig. 150)

Probleemoplossing

Gebruikers interface

Led-scherm	Mogelijke fouten	Mogelijke oplossing
Het waarschuwingslampje knippert.	Kettingrem is ingeschakeld.	Schakel de kettingrem uit.
	Temperatuurafwijking.	Laat het product afkoelen.
	Overbelasting. De zaagketting kan niet bewegen.	Maak de zaagketting los.
	De activeringsschakelaar en de start/stopknop worden tegelijkertijd ingedrukt.	Laat de activeringsschakelaar los om het product te activeren.

Led-scherm	Mogelijke fouten	Mogelijke oplossing
Led knippert oranje, actief.	Lage accu-spanning.	Laad de accu op.
Het waarschuwingslampje brandt.	Service.	Neem contact op met uw servicedealer.

Accu

Led-display	Mogelijke fouten	Mogelijke oplossing
Groene led knippert.	Lage accuspanning.	Laad de accu op.
Fout-led knippert.	Temperatuurafwijking.	Gebruik de accu bij temperaturen tussen -10 °C (14 °F) en 40 °C (104 °F).
	Spanning te hoog.	Controleer of de netspanning overeenkomt met de spanning van het product. Zie het productplaatje op het product. Haal de accu uit de acculader.
Fout-led gaat branden	Celverschil te groot (1 V).	Neem contact op met uw servicedealer.

Acculader

Staat	Mogelijke fouten	Mogelijke procedure
De oplaadled is rood.	Permanente acculaderfout.	Neem contact op met uw dealer.
De oplaadled knippert groen.	Temperatuurafwijking, de accu is te koud of te heet om te gebruiken of op te laden.	Laat de accu afkoelen of warm worden. Als de accu de juiste temperatuur heeft, kan deze weer worden gebruikt of opgeladen. Gebruik de acculader bij omgevingstemperaturen tussen 5 °C en 40 °C.
De oplaadled knippert rood.	Defecte accu	Neem contact op met uw dealer

Vervoer, opslag en verwerking

Transport en opslag

- De meegeleverde Li-ion-accu's voldoen aan de wettelijke vereisten voor gevaarlijke goederen.
- Neem de bijzondere voorschriften op de verpakking en labels voor commercieel transport in acht. Dit geldt ook voor derden en expediteurs.
- Neem contact op met een persoon die gespecialiseerd is op het gebied van gevaarlijke stoffen voordat u het product verzendt. Neem alle van toepassing zijnde nationale voorschriften in acht.
- Breng tape aan op blootliggende aansluitingen wanneer u de accu in een pakket plaatst. Plaats de accu strak in het pakket om beweging te voorkomen.
- Verwijder de accu bij opslag of vervoer.

- Plaats de accu en de acculader in een droge, vocht- en vorstvrije ruimte.
- Bewaar de accu niet op plaatsen waar statische elektriciteit aanwezig is. Bewaar de accu niet in een metalen doos.
- Bewaar de accu op een plaats met een temperatuur tussen 5 °C en 25 °C en niet in direct zonlicht.
- Bewaar de acculader op een plaats met een temperatuur tussen 5 °C en 45 °C en niet in direct zonlicht.
- Gebruik de acculader alleen als de omgevingstemperatuur tussen 5 °C en 40 °C ligt.
- Laad de accu op tussen de 30% en 50% voorafgaand aan langdurige opslag.
- Berg de acculader op in een ruimte die afgesloten en droog is.
- Bewaar de accu niet in de buurt van de acculader. Laat kinderen en andere onbevoegde personen niet aan de apparatuur komen. Bewaar de apparatuur in een ruimte die u kunt afsluiten.
- Reinig het product en voer een volledige onderhoudsbeurt uit voordat u het product voor langere tijd opslaat.

- Gebruik de transportbescherming op het product om letsel bij personen of schade aan het product tijdens vervoer en opslag te voorkomen.
- Bevestig het product stevig tijdens vervoer.

Accu, acculader en product afvoeren

Het onderstaande symbool betekent dat het product geen huishoudelijk afval is. Lever het in bij een recyclepunt voor elektrische en elektronische apparatuur. Dit voorkomt vervuiling van het milieu en letsel bij personen.

Neem contact op met de lokale autoriteiten, het afvalverwerkingsbedrijf of uw dealer voor meer informatie.

(Fig. 24)

Let op: Het symbool staat op het product of op de verpakking van het product.

Technische gegevens

Technische gegevens

	225i
Motor	
Type	BLDC (borstelloos) 36 V
Kenmerken	
Energiebesparende stand	Opslaan
Smeersysteem	
Type oliepomp	Automatisch
Inhoud olietank, ml/cm ³	0,2/200
Gewicht	
Acculoze kettingzaag, geleider, zaagketting en lege kettingolietank, kg	3,1
Geluidsemissies ⁷⁰	
Geluidsvermogeniveau, gemeten dB(A)	97
Geluidsvermogeniveau, gegarandeerd L _{WA} dB(A)	100
Geluidsniveaus ⁷¹	

⁷⁰ Geluidsemissies in de omgeving gemeten als geluidsvermogen (L_{WA}) volgens EG-richtlijn 2000/14/EG en EN ISO 22868 hebben een typische statistische spreiding (standaardafwijking) van 3 dB (A).

⁷¹ De gerapporteerde gegevens voor een geluidsdrumniveau voor de machine vertonen een typische statistische spreiding (standaardafwijking) van 3 dB(A).

	225i
Geluidsdrukniveau bij het oor van de gebruiker, gemeten volgens EN 62841-1	89
Trillingsniveau ⁷²	
Voorste handgreep, m/s ²	3,9
Achterste handgreep, m/s ²	3,9
Zaagketting/geleider	
Aanbevolen zaagbladlengtes, inch/cm	12-14/30,5-35,6
Effectieve zaaglengte, inch/cm	11-13/27-33,2
Type aandrijfwiel/aantal tanden	Spur/6
Maximale kettingsnelheid / (normale modus), m/s	11,8
Maximale kettingsnelheid / (SavE-modus), m/s	9,4

Accessoires

Combinaties van geleiders en zaagkettingen

De volgende opzetstukken zijn goedgekeurd voor Husqvarna 225i.






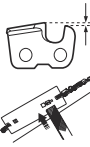
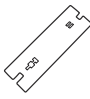






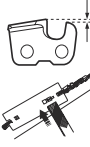
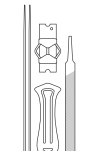

Geleider					Zaagketting	
Type	Lengte, inch	Kettingsteek, inch	Spoorbreedte, mm	Max. kopradius	Type	Zaagblad- en kettingcombinaties
501959545	12	3/8 inch mini	1,1	7T	Husqvarna H38 (581808145)	45
501959552	14	3/8 inch mini	1,1	7T	Husqvarna H38 (581807952)	52

Vijlbenodigdheden en vijlhoeken

Gebruik een Husqvarna-vijlmal om de zaagketting te slijpen. Een Husqvarna-vijlmal zorgt ervoor dat u de tanden in de juiste hoek kunt vijlen. De onderdeelnummers vindt u in onderstaande tabel.

Als u niet zeker weet hoe u het type zaagketting op uw product kunt herkennen, raadpleegt u www.husqvarna.com voor meer informatie.

⁷² Trillingsniveau volgens EN 62841-4-1. De gerapporteerde gegevens voor een trillingsniveau vertonen een typische statistische spreiding (standaardafwijking) van $\pm 1,5$ m/s². De opgegeven trillingsgegevens komen uit metingen waarbij de machine is voorzien van een zaagbladlengte en een aanbevolen type ketting. Als de machine is voorzien van een andere zaagbladlengte, kan het trillingsniveau met maximaal $\pm 1,5$ m/s² variëren.

							
38	11/64 inch/4,5 mm	75°	30°	0°	0,025 inch/ 0,65 mm	505 69 81-03	579 55 88-01
							
93	5/32 inch/4,0 mm	60°	30°	0°	0,025 inch/ 0,65 mm	596 63 89-01	596 63 89-01

Goedgekeurde accu's

Accu	40-B140
Type	Lithium-ion
Accucapaciteit, Ah	4
Nominale spanning, V	36
Gewicht, kg	1.25

Goedgekeurde acculaders voor het product

Acculader	40-C80
Netspanning, V	100-240
Frequentie, Hz	50-60
Vermogen, W	72
Uitgangsspanning, V d.c./ Ampère, A	43/1,6

Verklaring van overeenstemming

EU-verklaring van overeenstemming

Wij, **Husqvarna AB**, SE-561 82 Huskvarna,
Zweden, tel: +46-36-146500, verklaren onder onze
alleenverantwoordelijkheid dat het product:

Beschrijving	Draadloze kettingzagen
Merk	Husqvarna
Type/model	225i
Identificatie	Serienummers vanaf 2023 en verder

voldoen volledig aan de volgende EU-richtlijnen en
-regelgeving:

Richtlijn/Verordening	Beschrijving
2006/42/EG	"betreffende machines"
2014/30/EU	"betreffende elektromagnetische compatibiliteit"
2011/65/EU	"inzake beperking van het gebruik van bepaalde gevaarlijke stoffen in elektrische en elektronische apparatuur"
2000/14/EG	"betreffende de geluidsemmissies in het milieu"

De volgende normen zijn van toepassing: EN
62841-1:2015+A11:2022, EN 62841-4-1:2020, EN
IEC 63000:2018, EN IEC 55014-1:2021, EN IEC
55014-2:2021.

Aangemelde instantie: TÜV Rheinland LGA Products
GmbH, Tillystrasse 2, D-90431 Nuernberg, Germany,
0197, heeft een EG-typeonderzoek uitgevoerd volgens
de machinerichtlijn (2006/42/EG), artikel 12, punt 3b.
Het certificaat heeft nummer: BM 50604678 0001.

De geleverde kettingzaag is conform het exemplaar dat
een EG-typeonderzoek heeft ondergaan.

In overeenstemming met de richtlijn 2000/14/EC, bijlage
V, zie *Technische gegevens op pagina 485* voor de
verklaarde geluidswaarden.

Huskvarna, 2023-10-30



Claes Losdal, R&D Manager, Husqvarna AB
Verantwoordelijk voor technische documentatie



INNHold

Innledning.....	489	Feilsøking.....	507
Sikkerhet.....	490	Transport, oppbevaring og avhending.....	508
Montering.....	497	Tekniske data.....	509
Drift.....	498	Tilbehør.....	510
Vedlikehold.....	503	Samsvarserklæring.....	512

Innledning

Bruksområder

Denne kjedesagen for skogbruk er konstruert for skogsarbeid som felling, kvisting og kapping.

Merk: Nasjonale forskrifter kan sette grenser for bruken av produktet.

Produktoversikt

(Fig. 1)

1. Kastbeskyttelse
2. Fremre håndtak
3. Brukergrensesnitt
4. Start/stopp-knapp
5. Advarselsindikator og batteriindikator
6. SavE-knapp
7. Bakre håndtak med høyrehåndsbeskyttelse
8. Informasjons- og advarselsetikett
9. Hus
10. Kjedeoljetank
11. Transportdeksel
12. Kraftutløserperre
13. Kraftutløser
14. Drivhjuldeksel med stangknot
15. Kjedestrammer
16. Kjedefanger
17. Barkstøtte
18. Sverdets nesehjul
19. Sagkjede
20. Sverd
21. Indikator for ladestatus
22. Kobling
23. Batterilader
24. Kombinasjonsnøkkel
25. Advarselsindikator
26. Knapp, batteristatus
27. Batteristatus
28. Batteriutløserknapp
29. Batteri
30. Bruksanvisning
31. Stangknot
32. Drivhjuldeksel med stangbolt

Produktbeskrivelse

Husqvarna 225i er en motorsagmodell med elektrisk motor.

Det pågår et kontinuerlig arbeid for å øke sikkerheten og effektiviteten din under bruk. Kontakt serviceforhandleren din for mer informasjon.

Symboler på produktet

- (Fig. 2) **ADVARSEL:** Dette produktet kan være farlig og føre til alvorlig personskade eller død for brukeren eller andre. Vær forsiktig, og bruk produktet riktig.
- (Fig. 3) Les bruksanvisningen nøye, og forsikre deg om at du forstår instruksjonene før du bruker produktet.
- (Fig. 4) Bruk godkjent vernehjelm, hørselsvern og øyevern.
- (Fig. 5) Hold produktet med begge hender mens du bruker det.
- (Fig. 6) Bruk aldri produktet med bare én hånd.
- (Fig. 7) Ikke la sverdspissen komme borti noe.
- (Fig. 8) Ikke bruk maskinen i regnvær.
- (Fig. 9) **Advarsel!** Det kan skje kast når sverdspissen treffer en gjenstand. Det fører til at sverdet slynges i retning av brukeren. Risiko for alvorlig personskade eller dødsfall.
- (Fig. 10) Nominell spenning, V
- (Fig. 11) Kjedeolje.
- (Fig. 12) Sagkjedets rotasjonsretning og maksimum sverdlengde.

- (Fig. 13) Direktestrøm.
- (Fig. 14) **Miljømerke.** Produktet og produktemballasjen er ikke restavfall. Resirkuler det på et gjenvinningsanlegg for elektrisk og elektronisk utstyr.
- (Fig. 15) Dette produktet samsvarer med gjeldende EF-direktiver.
- (Fig. 16) Dette produktet samsvarer med gjeldende britiske forskrifter.
- (Fig. 17) Støyutslipp til omgivelsene som i EU-direktiv 2000/14/EF og New South Wales-forskriften «Protection of the Environment Operations (Noise Control) Regulation 2017». Garantert lydeffektnivå for produktet er angitt i *Tekniske data på side 509* og på etiketten.
- (Fig. 21) Kjedefrem, koblet inn (fremover). Kjedefrem, koblet ut (bakover).
- (Fig. 22) Kjederetning.
- (Fig. 23) Typeskiltet viser serienummeret. **yyyy** er produksjonsåret, **ww** er produksjonsuken.

Merk: Øvrige symboler/klistremerker angitt på produktet gjelder sertifiseringskrav for visse markeder.

Symboler på batteriet og/eller batteriladeren

- (Fig. 24) Lever dette produktet til et gjenvinningsanlegg for elektrisk og elektronisk utstyr. (Gjelder kun Europa)
- (Fig. 18) Feilsikker transformator.
- (Fig. 19) Batteriladeren skal bare brukes og oppbevares innendørs.
- (Fig. 20) Dobbelisolert.

Produsent

Husqvarna AB
Drottninggatan 2, SE-561 82, Huskvarna, Sweden, tel: +46-36-146500

Skader på produktet

Vi er ikke ansvarlige for skader på produktet vårt hvis:

- Produktet er reparert på feil måte.
- Produktet er reparert med deler som ikke kommer fra produsenten eller som ikke er godkjent av produsenten.
- Produktet har et tilbehør som ikke kommer fra produsenten eller som ikke er godkjent av produsenten.
- Produktet er ikke reparert på et godkjent servicesenter eller av en godkjent aktør.

Sikkerhet

Sikkerhetsdefinisjoner

Advarsler, oppfordringer og merknader brukes for å understreke spesielt viktige deler av bruksanvisningen.



ADVARSEL: Brukes hvis det er fare for personskade eller død for brukeren eller andre personer om instruksjonene i håndboken ikke følges.



OBS: Brukes hvis det er fare for skade på produktet, annet materiell eller nærliggende områder om instruksjonene i håndboken ikke følges.

Merk: Brukes for å gi mer nødvendig informasjon for en spesifikk situasjon.

Generelle sikkerhetsadvarsler for elektroverktøy



ADVARSEL: Les alle sikkerhetsadvarsler, -instruksjoner, -illustrasjoner og spesifikasjoner som fulgte med dette elektroverktøyet. Hvis du ikke følger alle instruksjonene som er angitt nedenfor, kan det føre til elektrisk støt, brann og/eller alvorlige skader.

- **Ta vare på alle advarsler og instruksjoner for fremtidig bruk.** Begrepet «elektroverktøy» i advarslene referer til elektrisk verktøy som drives av nettstrøm (med ledning) eller batteri (uten ledning).

Sikkerhet i arbeidsområdet

- **Hold arbeidsområdet rent og godt opplyst.** Rot og dårlig opplyste områder kan lett føre til ulykker.

- **Bruk ikke elektroverktøy i eksplosiv atmosfære, for eksempel der det finnes brennbare væsker, gasser eller støv.** Elektroverktøy danner gnister som kan antenne støv eller gasser.
- **Hold barn og andre tilskuere på avstand når elektroverktøyet er i bruk.** Distraksjoner kan føre til at du mister kontrollen.

Elektrisk sikkerhet

- **Støpselet til elektroverktøyet må passe til stikkkontakten.** Du må aldri modifisere støpselet på noen måte. Adapterpluggen må ikke brukes sammen med et jordet elektroverktøy. Når støpselet/pluggen ikke er modifisert og stikkkontakten passer, vil dette redusere faren for elektrisk støt.
- **Unngå kroppskontakt med jodede flater, for eksempel rør, radiatorer, komfyrer og kjøleskap.** Faren for elektrisk støt øker hvis kroppen til brukeren er jordet.
- **Elektroverktøy må ikke utsettes for regn eller fuktighet.** Hvis det kommer vann inn i elektroverktøyet øker faren for elektrisk støt.
- **Ledningen må håndteres forsiktig. Bruk aldri ledningen til å bære eller trekke noe, eller til å trekke ut støpselet.** Hold ledningen unna varme, olje, skarpe kanter og bevegelige deler. Skadet eller sammenflokete ledninger øker faren for elektrisk støt.
- **Når elektroverktøyet brukes utendørs, må det brukes en skjøteledning som er egnet for bruk utendørs.** Bruk av ledning for utendørs bruk reduserer faren for elektrisk støt.
- **Hvis elektroverktøyet må brukes på et fuktig sted, bør det være koblet til en strømkrets som er beskyttet av jordfeilbryter.** Bruk av jordfeilbryter reduserer faren for elektrisk støt.

Personlig sikkerhet

- **Vær oppmerksom, følg med på det du gjør, og utvis sunn fornuft når du bruker elektroverktøyet.** Ikke bruk elektroverktøy hvis du er trett eller påvirket av narkotika, alkohol eller legemidler. Et øyeblikks uoppmerksomhet ved bruk av elektroverktøy kan føre til alvorlig personskade.
- **Bruk personlig verneutstyr. Bruk alltid vernebriller.** Bruk av verneutstyr som støvmaske, vernesko med antisklisåle, hjelm og hørselvern der det kreves, reduserer faren for personskade.
- **Unngå utilsikket oppstart.** Forsikre deg om at bryteren står i av-stillingen før du kobler til strømforsyningen og/eller batteripakken, tar opp verktøyet eller bærer verktøyet. Hvis du bærer verktøyet med en finger på bryteren eller med elektroverktøyet påslått, kan det lett føre til ulykker.
- **Fjern eventuelle justeringsnøkler før du slår på elektroverktøyet.** En nøkkel som sitter på en roterende del av elektroverktøyet, kan føre til personskade.

- **Ikke strekk deg for langt. Hold alltid føttene på bakken og en balansert stilling.** Dette gir deg bedre kontroll over elektroverktøyet i uventede situasjoner.
- **Bruk egnede klær. Bruk ikke løstsittende klær eller smykker.** Hold hår og klær borte fra bevegelige deler. Løstsittende klær, smykker eller langt hår kan sette seg fast i bevegelige deler.
- **Hvis apparatet er forsynt med tilkobling for støvsuger eller oppsamler, må du forsikre deg om at disse er riktig tilkoblet og brukes på riktig måte.** Bruk av støvoppsamler kan redusere faren for støvrelaterte skader.
- **Selv om du har lang erfaring med bruk av elektroverktøy, må du ikke bli uforsiktig eller ignorere sikkerhetsreglene.** En uforsiktig handling kan føre til alvorlig personskade i løpet av en brøkdel av et sekund.

Bruk og vedlikehold av elektroverktøy

- **Bruk ikke makt på elektroverktøyet. Bruk riktig elektroverktøy for arbeidet som skal utføres.** Riktig elektroverktøy gjør jobben på en bedre og sikrere måte i den hastigheten det er konstruert for.
- **Bruk ikke elektroverktøyet hvis bryteren ikke lar seg slå på og av.** Elektroverktøy som ikke kan kontrolleres med bryteren, er farlig, og må repareres.
- **Koble støpselet fra strømforsyningen og/eller batteripakken fra elektroverktøyet, hvis den er avtakbar, før du foretar justeringer, skifter tilbehør eller lagrer elektroverktøyet.** Slike forebyggende sikkerhetstiltak reduserer faren for at elektroverktøyet starter ved et uhell.
- **Elektroverktøy som ikke er i bruk, må oppbevares utilgjengelig for barn.** La ikke elektroverktøyet brukes av personer som ikke er kjent med elektroverktøyet eller disse instruksjonene. Elektroverktøy er farlige når de brukes av uerfarne brukere.
- **Vedlikehold elektroverktøy og tilbehør. Kontroller justeringen av bevegelige deler, samt at de ikke sitter fast.** Kontroller at det ikke finnes ødelagte deler eller andre feil som kan påvirke bruken av elektroverktøyet. Hvis elektroverktøyet er skadet, må det repareres før bruk. Mange ulykker forårsakes av dårlig vedlikeholdt elektroverktøy.
- **Hold skjæreverktøy skarpe og rene.** Riktig vedlikeholdte skjæreverktøy med skarpe skjærekanter har mindre fare for å sette seg fast, og er lettere å kontrollere.
- **Bruk elektroverktøyet, tilbehør og verktøybits osv. i henhold til disse instruksjonene, og i forhold til arbeidsforholdene og arbeidet som skal utføres.** Bruk av elektroverktøy til andre oppgaver enn dem de er laget for, kan føre til farlige situasjoner.
- **Hold håndtakene og gripeflatene tørre, rene og frie for olje og fett.** Glatte håndtak og gripeflater gjør trygg håndtering og kontroll av verktøyet i uventede situasjoner umulig.

Bruk og pleie av batteriverktøy

- **Må bare lades med laderen som er spesifisert av produsenten.** En lader som passer til én batteripakke kan skape brannfare hvis den brukes med en annen batteripakke.
- **Bruk elektriske verktøy bare med spesielt designede batteripakker.** Bruk av andre batteripakker kan medføre fare for personskade og brann.
- **Når batteriet ikke er i bruk, må det holdes unna andre metallgjenstander som binders, mynter, nøkler, spiker, skruer og andre små metallgjenstander som kan danne en forbindelse fra den ene batteripolen til den andre.** Kortslutning av batteripolene kan føre til forbrenning eller brann.
- **Hvis batteriet utsettes for store påkjenninger, kan det komme væske ut av det. Unngå i så fall kontakt med denne væsken. Skyll med vann hvis kontakt oppstår ved et uhell. Hvis du får væske i øynene, kontakt lege øyeblikkelig.** Væske som kommer ut av batteriet kan forårsake irritasjon eller forbrenninger.
- **Ikke bruk batteripakken eller verktøyet hvis det er skadet eller endret.** Skadede eller endrede batterier kan ha en uforutsigbar adferd, noe som kan føre til brann, eksplosjoner eller personskader.
- **Ikke eksponer en batteripakke eller et verktøy for brann eller for høy temperatur.** Eksponering for flammer eller temperaturer over 130 °C (266 °F) kan føre til eksplosjon.
- **Følg alle instruksjoner for lading, og ikke lad batteripakken eller verktøyet utenfor temperaturområdet som er angitt i instruksjonene.** Lading på feil måte eller ved temperaturer utenfor det angitte området kan påføre batteriet skade og øke faren for brann.

Service

- **La en kvalifisert tekniker/reparatør utføre service, og gjør eventuelle utskiftninger kun med identiske reservedeler.** Dette sikrer at elektroverktøyet sikkerhet opprettholdes.
- **Utfør aldri service på skadede batteripakker.** Service av batteripakker skal kun utføres av produsenten eller autoriserte serviceleverandører.

Generelle sikkerhetsadvarsler for motorsag

- **Hold alle deler av kroppen unna sagkjedet når motorsagen er i bruk. Kontroller at sagkjedet ikke berører noe før du starter motorsagen.** Et øyeblikks uoppmerksomhet mens du bruker motorsagen kan føre til at klær eller kroppsdeler setter seg fast i sagkjedet.
- **Hold alltid motorsagen med høyre hånd på det bakerste håndtaket og venstre hånd på det fremste håndtaket.** Motorsagen må aldri holdes med hendene i motsatt posisjon. Dette øker faren for personskade.

- **Hold motorsagen bare i de isolerte gripeflatene, ettersom sagkjedet kan komme i kontakt med skjulte ledninger.** Sagkjeder som kommer i kontakt med en strømførende ledning, kan gjøre blottlagte metalldeleler på motorsagen strømførende, og dette kan gi brukeren elektrisk støt.
- **Bruk øyeværn. Det anbefales å bruke ytterligere verneutstyr til ører, hode, hender, bein og føtter.** Egnert verneutstyr reduserer faren for å bli skadet av flygende gjenstander eller utilsiktet kontakt med sagkjedet.
- **Ikke bruk en motorsag hvis du er i et tre, på en stige, på et hustak eller på andre ustabile underlag.** Bruk av en motorsag på denne måten kan føre til alvorlig personskade.⁷³
- **Sørg for at du alltid står støtt, og bruk motorsagen bare mens du står på fast, sikkert og flatt underlag.** Glatte eller ustabile underlag kan føre til at du mister balansen eller mister kontrollen over motorsagen.
- **Når du sager i treverk som står i spenn, må du være oppmerksom på at treverket kan bevege seg og at grenkutteren kan kastes tilbake.** Når spenningen i trefibrene utløses, kan treverket som står i spenn, treffe brukeren og/eller føre til at motorsagen kommer ut av kontroll.
- **Vær ekstremt forsiktig ved saging i busker og ungtre.** Det slanke materialet kan sette seg fast i sagkjedet og bli slynget mot deg, eller føre til at du mister balansen.
- **Bær motorsagen i det fremre håndtaket med motorsagen avslått og vendt bort fra kroppen. Sverddekslet må alltid være montert ved transport eller lagring av motorsagen.** Riktig håndtering av motorsagen reduserer faren for utilsiktet kontakt med det roterende sagkjedet.
- **Følg instruksjonene for smøring, kjedestramming og utskifting av sverd og kjede.** Kjedet kan ryke, og faren for kast økes hvis kjedet ikke er riktig strammet og smurt.
- **Sag bare i tre. Motorsagen må ikke brukes til andre formål enn den er ment for. Motorsagen må for eksempel ikke brukes til å sage i metall, plast, murverk eller andre byggematerialer enn tre.** Hvis motorsagen brukes til andre formål enn den er ment for, kan det oppstå farlige situasjoner.
- **Ikke forsøk å felle et tre før du har forståelse av farene og hvordan de kan unngås.** Det kan oppstå alvorlig personskade på brukeren eller tilskuere under felling av trær.
- **Følg alle instruksjonene når du fjerner fastkjørt materiale fra, oppbevarer eller vedlikeholder motorsagen. Sørg for at bryteren er av og batteripakken tatt av.** Hvis motorsagen aktiveres uventet mens du fjerner fastkjørt materiale eller utfører vedlikehold, kan det føre til alvorlig personskade.

⁷³ Hvis du har fått opplæring i spesielle sage- og arbeidsteknikker og er godt sikret (løftekurv, tau, sikkerhetssele), kan det gjøres avvik fra denne sikkerhetsregelen.

- **Ikke bruk en motorsag i et tre med mindre du er spesielt opplært til å gjøre det.** Bruk av motorsag i et tre uten tilstrekkelig opplæring kan øke risikoen for alvorlig personskade.

Årsaker til og forholdsregler mot kast

Kast kan forekomme når sverdspissen kommer i kontakt med et objekt, eller hvis treet klemmer fast sagkjedet i sagsporet. Hvis sverdspissen kommer i kontakt med et objekt, kan det i enkelte tilfeller føre til en plutselig motsatt reaksjon der sverdspissen kastes oppover og bakover mot brukeren. Hvis sagkjedet klemmes fast på oversiden av sverdet, kan sverdet bli skjøvet raskt tilbake mot brukeren. Disse reaksjonene kan føre til at du mister kontrollen over sagen, noe som kan føre til alvorlig personskade. Du må ikke stole blindt på sikkerhetsinnretningene som er innebygd i sagen. Som bruker av motorsag må du følge flere forholdsregler for å sikre at arbeidet ikke fører til ulykker eller personskader. Kast er et resultat av feil bruk av motorsagen og/eller feil prosedyrer eller arbeidsforhold, og det kan unngås ved å følge forholdsreglene nedenfor:

- **Sørg for at du har godt grep med tomler og fingre rundt saghåndtakene, med begge hender på sagen og med kroppen og armen i en stilling der du kan motstå kraften i et kast.** Krefte i et kast kan kontrolleres av brukeren hvis de riktige forholdsreglene følges. Ikke slipp motorsagen.
- **Unngå å strekke deg for å øke rekkevidden, og kutt ikke over skulderhøyde.** Dette bidrar til å hindre utilsiktet kontakt med sverdspissen, og gir bedre kontroll over motorsagen i uventede situasjoner.
- **Bruk bare sverd og sagkjeder som er spesifisert av produsenten.** Bruk av feil sverd eller kjede kan føre til at kjedet ryker og/eller at det oppstår kast.
- **Følg produsentens instruksjoner for filing og vedlikehold av sagkjedet.** Hvis dybdemålerens høyde reduseres, kan det føre til økt fare for kast.

TA VARE PÅ DENNE BRUKSANVISNINGEN.

Generelle sikkerhetsinstruksjoner



ADVARSEL: Les de følgende advarslene før du bruker produktet.

- Dette produktet er et farlig verktøy hvis du ikke er forsiktig, eller hvis du bruker produktet på feil måte. Dette produktet kan føre til alvorlig personskade eller død for operatøren eller andre. Det er meget viktig at du leser og forstår innholdet i denne bruksanvisningen.
- Ikke endre produkter uten godkjenning fra produsenten. Ikke bruk et produkt som har blitt endret av andre, og bruk alltid originalt tilbehør. Endringer som ikke er godkjent av produsenten, kan føre til alvorlig personskade eller død for operatøren eller andre.
- Langvarig innånding av oljedamp eller sagmugg kan føre til helseproblemer.

- Dette produktet danner et elektromagnetisk felt når det er i bruk. Dette feltet kan under visse forhold forstyrre aktive eller passive medisinske implantater. For å redusere faren for alvorlig eller livstruende personskade anbefaler vi at personer med medisinske implantater rådfører seg med legen sin og produsenten av det medisinske implantatet før de bruker dette produktet.

Sikkerhetsinstruksjoner for drift



ADVARSEL: Les de følgende advarselinstruksjonene før du bruker produktet.

- Informasjonen i denne bruksanvisningen er ikke en erstatning for fagkunnskap eller erfaring. Hvis du ikke føler deg sikker i situasjonen du er i, må du slå av produktet. Kontakt serviceforhandleren din eller en profesjonell motorsagoperatør. Unngå all bruk som du ikke føler deg tilstrekkelig kvalifisert til!
- Kontakt serviceforhandleren din eller Husqvarna hvis du har spørsmål om bruken av produktet. Vi kan gi deg informasjon om hvordan du bruker produktet på en effektiv og sikker måte. Ta et kurs i bruk av motorsag hvis du har mulighet til det. Serviceforhandleren, skogbruksskolen eller biblioteket kan gi deg informasjon om tilgjengelig opplæringsmaterieell og tilgjengelige kurs.
- Du må forstå virkningene av kast og hvordan du forebygger dem, før du bruker dette produktet. Se *Kastinformasjon på side 499* og *Vanlige spørsmål om kast på side 499* for instruksjoner.
- Ikke bruk et produkt, et batteri eller en batterilader som er skadet eller ikke fungerer korrekt.
- Ikke berør et roterende sagkjede. Det kan føre til alvorlige personskader eller død.
- Ikke bruk produktet hvis du er trett eller påvirket av alkohol, legemidler eller noe annet som kan ha en negativ innvirkning på syn, konsentrasjon, koordinasjon eller vurderingsevne.
- Arbeid i dårlig vær er slitsomt og kan medføre ekstra faremomenter. Det anbefales ikke å bruke maskinen i veldig dårlig vær, for eksempel i tett tåke, kraftig regn, sterk vind eller sterk kulde eller ved fare for lyn. Dette gir økt fare.
- Ikke start et produkt med mindre sverdet, sagkjedet og alle deksler er montert riktig. Hvis ikke kan drivhjulet løse og forårsake alvorlige personskader. Se *Montering på side 497* for instruksjoner.

(Fig. 25)

- Noen ganger kan det sette seg fast fliser i koplingsdekselet, som fører til at sagkjedet blokkeres. Stans alltid motoren før rengjøring.
- Se deg rundt. Kontroller at det ikke er noen fare for at mennesker eller dyr kommer borti eller påvirker kontrollen du har over produktet.

(Fig. 26)

- Ikke la barn bruke eller være i nærheten av produktet. Siden produktet er enkelt å starte, kan barn komme til å starte det hvis de ikke holdes under oppsyn. Dette kan medføre risiko for alvorlig personskade.
- Ta ut batteriet når du ikke har fullt utsyn til produktet eller skal forlate produktet, uansett hvor lenge.
- Du må stå støtt for å ha full kontroll over produktet. Ikke bruk produktet hvis du befinner deg på en stige eller i et tre. Ikke bruk produktet hvis du ikke står på fast underlag.

(Fig. 27)

- Arbeid oppe i trær krever bruk av spesielle sage- og arbeidsteknikker som må følges for å redusere faren for personskade. Arbeid aldri oppe i et tre hvis du ikke har spesifikk, profesjonell opplæring i slikt arbeid, inkludert opplæring i bruk av sikkerhets- og annet klatreutstyr, for eksempel seler, tau, belter, klatrejern, hektekroker, karabiner osv.
- Forsøk aldri å gripe fallende deler. Sag aldri i treet mens du bare er sikret med ett tau. Bruk alltid to sikrede tau.
- Hvis du ikke er forsiktig, øker faren for kast. Det kan skje et kast hvis kastrisikosonen til sverdet utilsiktet berører en gren, et tre eller en annen gjenstand.

(Fig. 28)

- Ikke hold produktet med én hånd. Det er ikke trygt å bruke dette produktet med én hånd.
- Ikke bruk produktet over skulderhøyde, og ikke forsøk å kappe med sverdspissen.

(Fig. 29)

- Ikke bruk produktet i en situasjon der du ikke kan tilkalle hjelp hvis det skulle skje en ulykke.
- Slå av produktet og aktiver kjedebremsen før du flytter produktet. Hold produktet med sverdet og sagkjedet rettet bakover. Sett en transportbeskyttelse på sverdet før transport eller før du flytter produktet, uansett hvor kort.
- Når du setter produktet på bakken, må du aktivere kjedebremsen og sørge for å ha konstant utsyn til produktet. Stopp produktet og fjern batteriet før du forlater produktet, uansett hvor lenge.
- Det er fare for at treffiser setter seg fast i drivsystemet. Det kan føre til at sagkjedet setter seg fast. Stopp alltid produktet og fjern batteriet før rengjøring.
- Vibrasjonsnivået øker hvis du kapper med skjæreutstyr som ikke er skjerpet, eller som er skjerpet feil. Kapping av harde treslag, for eksempel løvtrær, forårsaker mer vibrasjon enn kapping av myke treslag, for eksempel bartrær.

(Fig. 30)

- Overeksponering for vibrasjon kan føre til sirkulasjons- eller nerveskader hos personer med nedsatt blodsirkulasjon. Oppsøk lege hvis du opplever fysiske symptomer som kan relateres til overeksponering for vibrasjoner. Eksempel på slike symptomer er dovnang, manglende følelse, «kiling»,

«stikk», smerte, manglende eller redusert styrke, forandringer i hudens farge eller overflate. Disse symptomene forekommer vanligvis i fingre, hender eller håndledd og øker ved lave temperaturer.

- Ikke forsøk å beskjære eller kviste et stående tre med mindre du har spesialopplæring i det.
- Stå alltid på oversiden av treet når du feller et tre i skrått terreng, siden det er sannsynlig at treet vil rulle eller skli nedover når det er felt. For å beholde full kontroll over produktet må du lette på skjæretrykket når du nærmer deg slutten av kuttet. Ikke løsne grepet rundt håndtakene. Ikke la sagkjedet komme i kontakt med bakken. Når du har fullført skjæringen, venter du til sagkjedet stopper før du flytter produktet. Stopp alltid motoren før du går fra ett tre til et annet.

(Fig. 31)

- Ikke fell et tre hvis det kan sette en person i fare, treffe eller skade en forsyningsledning eller forårsake skade på eiendom. Hvis treet treffer en forsyningsledning, skal forsyningselskapet varsles umiddelbart.
- Forsikre deg om at du kan forflytte deg på en sikker måte. Undersøk forholdene og terrenget rundt deg med hensyn til mulige hindringer, som røtter, steiner, greiner, grøfter osv. Vær forsiktig når du arbeider i skråninger.
- Unngå situasjoner som du tror du ikke er kvalifisert for.
- Det er ikke mulig å ta med enhver situasjon du kan bli stilt overfor når du bruker dette produktet. Vær alltid forsiktig, og bruk sunn fornuft.

(Fig. 32)

Personlig verneutstyr



ADVARSEL: Les de følgende advarselsinstruksjonene før du bruker produktet.

(Fig. 33)

- De fleste motorsagulykker skjer når sagkjedet treffer operatøren. Du må bruke godkjent personlig verneutstyr under bruk. Personlig verneutstyr gir deg ikke full beskyttelse mot personskader, men det reduserer graden av personskade hvis det skjer en ulykke. Snakk med serviceforhandleren din for å få anbefalinger om hvilket utstyr du bør bruke.
- Klærne dine må være tettsittende, men ikke begrense bevegelsene dine. Kontroller regelmessig tilstanden til det personlige verneutstyret.
- Bruk godkjent vernehjelm.
- Bruk godkjent hørselsvern. Langvarig eksponering for støy kan gi varig hørselsskade.
- Bruk vernebriller eller ansiktsvisir for å redusere risikoen for personskade som følge av gjenstander som slynges ut. Produktet kan slynge ut gjenstander som sagspon, små trebitar osv. med stor kraft.

Partikler og støv kan forårsake alvorlig skade, spesielt på øynene.

- Bruk hansker med sagbeskyttelse.
- Bruk bukser med sagbeskyttelse.
- Bruk støvler med sagbeskyttelse, ståltupp og sklisikker såle.
- Ha alltid førstehjelpsutstyr med deg.
- Fare for gnister. Ha brannslukningsutstyr og en spade i nærheten for å kunne hindre skogbrann.

Sikkerhetsutstyr på produktet



ADVARSEL: Les de følgende advarselsinstruksjonene før du bruker produktet.

- Ikke bruk et produkt med sikkerhetsutstyr som er skadet eller ikke fungerer som det skal.
- Utfør regelmessig kontroll av sikkerhetsutstyret. Se *Vedlikehold av og kontroller av sikkerhetsanordningene på produktet på side 504*.
- Hvis sikkerhetsutstyret er skadet eller ikke fungerer som det skal, må du kontakte Husqvarna-serviceforhandleren.

Grensesnittfunksjoner

Brukergrensesnittet inkluderer start/stopp-knappen, SavE-knappen, batteristatusen og advarselsindikatoren. Varsellampen blinker hvis kjedebremsen er koblet inn, eller hvis det er fare for overbelastning. Overlastvernet stopper produktet midlertidig, og du kan ikke bruke produktet før temperaturen faller. Hvis advarselsindikatoren lyser kontinuerlig, må du kontakte serviceforhandleren din.

(Fig. 34)

Du finner mer informasjon om brukergrensesnittet i *Produktoversikt på side 489*.

Den automatiske stoppfunksjonen

Produktet har en automatisk stoppfunksjon som stopper produktet hvis du ikke bruker det på tre minutter.

Kjedebremse med kastbeskyttelse

Produktet ditt har en kjedebremse som stopper sagkjedet hvis du får et kast. Kjedebremsen reduserer faren for ulykker, men det er bare du som kan forhindre dem.

(Fig. 35)



ADVARSEL: Unngå situasjoner der det er risiko for kast. Vær forsiktig når du bruker produktet, og sørg for at kastrisikozonen til sverdet ikke berører en gjenstand.

(Fig. 36)

Kjedebremsen (A) kobles inn manuelt av deg med venstre hånd eller automatisk av tregthetsfunksjonen. Skyv kastbeskyttelsen (B) forover for å koble inn kjedebremsen manuelt. Denne bevegelsen aktiverer en fjærbelastet mekanisme som stopper drivhjulene.

(Fig. 37)

Kjedebremsen aktiveres ut fra kraften på kastet og hvor produktet er plassert. Hvis du får et kraftig kast når kastrisikozonen er lengst unna deg, kobles kjedebremsen inn av tregthetsfunksjonen. Hvis kastet er lite, eller hvis kastrisikozonen er nærmere deg, kobler du inn kjedebremsen manuelt med venstre hånd.

(Fig. 38)

Bruk kjedebremsen som en parkeringsbrems når du starter produktet, og når du forflytter deg over korte avstander. Dette reduserer faren for at du eller en person i nærheten kommer i kontakt med sagkjedet.

(Fig. 39)

Trekk kastbeskyttelsen bakover for å koble ut kjedebremsen.

(Fig. 40)

Et kast kan komme plutselig og intenst. De fleste kast er små og fører ikke alltid til at kjedebremsen kobles inn. Hvis det skjer et kast mens du bruker produktet, må du holde et fast grep i håndtakene og ikke slippe.

(Fig. 41)

Kastbeskyttelsen reduserer også risikoen for å berøre sagkjedet hvis du slipper det fremre håndtaket.

(Fig. 42)

I fellingsstillingen kan du ikke koble inn kjedebremsen manuelt. Kjedebremsen kan i denne stillingen bare kobles inn av tregthetsfunksjonen.

(Fig. 43)

Kraftutløserperre

Kraftutløserperren er konstruert for å hindre at kraftutløseren aktiveres utilsiktet. Hvis du skyver kraftutløserperren fremover (A) og deretter skyver kraftutløserperren mot håndtaket (B), utløses kraftutløseren (C). Når du slipper håndtaket, går kraftutløseren og kraftutløserperren tilbake til utgangsposisjonene.

(Fig. 44)

Kjedefanger

Kjedefangeren fanger sagkjedet hvis det ryker eller løsner. Hvis du har riktig kjedestramming, reduseres risikoen. Du kan også redusere risikoen gjennom riktig vedlikehold av sverdet og sagkjedet. Se *Montering på side 497* og *Vedlikehold på side 503* for instruksjoner.

(Fig. 45)

Høyrehåndsvem

Høyrehåndsvemet fungerer som en beskyttelse for hånden din hvis sagkjedet ryker eller løsner. Det hindrer også forstyrrelse fra greiner og kvister når du bruker produktet.

(Fig. 46)

Batterisikkerhet



ADVARSEL: Les de følgende advarselsinstruksjonene før du bruker produktet.

- Bruk bare batterier i 40-B-serien som vi anbefaler for produktet ditt. Se *Godkjente batterier på side 511*. Batteriene er programvarekryptert.
- Bruk bare batterier i 40-B-serien som er oppladbare, som strømforsyning for relaterte Husqvarna-produkter. Se *Godkjente batterier på side 511*. For å unngå personskader må du ikke bruke batteriet som strømforsyning for andre enheter.
- Fare for elektrisk støt. Ikke la batteripolene komme i kontakt med nøkler, skruer eller andre metallgjenstander. Dette kan føre til kortslutning av batteriet.
- Ikke bruk batterier som ikke er oppladbare.
- Ikke sett gjenstander inn i luftåpningene til batteriet.
- Hold batteriet unna sollys, varme og åpen ild. Batteriet kan forårsake forbrenninger og/eller kjemiske forbrenninger.
- Hold batteriet unna regn og fuktighet.
- Hold batteriet unna mikrobølger og høyt trykk.
- Ikke prøv å demontere eller ødelegge batteriet.
- Ikke la batterisyre komme i kontakt med huden. Batterisyre kan føre til skader på huden, korrosjon og forbrenning. Unngå å gni hvis du får batterisyre i øynene. Skyll øynene med vann i minst 15 minutter. Hvis du har fått batterisyre på huden, må du rengjøre huden med store mengder vann og såpe. Få legehjelp.
- Bruk batteriet i temperaturer mellom -10°C (14°F) og 40°C (104°F).
- Ikke rengjør batteriet eller batteriladeren med vann. Se *Slik kontrollerer du batteriet og batteriholderen på side 505*.
- Ikke bruk et skadet batteri.
- Oppbevar batteriene unna metallgjenstander, for eksempel spikre, skruer og smykker.
- Oppbevar batteriet utilgjengelig for barn.

Sikker bruk av batteriladeren



ADVARSEL: Les de følgende advarselsinstruksjonene før du bruker produktet.

- Fare for elektrisk støt eller kortslutning hvis sikkerhetsinstruksjonene ikke følges.
- Bruk en godkjent jordet stikkontakt som ikke er skadet.
- Ikke bruk andre ladere enn den som ble levert med produktet. Bruk bare 40-C80-ladere når du lader utbyttbare Husqvarna-batterier 40-B140. Se *Godkjente batteriladere til produktet på side 511* og *Godkjente batterier på side 511*.
- Ikke prøv å demontere batteriladeren.
- Ikke bruk en defekt eller skadet batterilader.
- Ikke løft batteriladeren etter strømledningen. For å koble laderen fra stikkontakten drar du i støpselet. Ikke dra i ledningen.
- Hold alle ledninger og skjøteledninger borte fra vann, olje og skarpe kanter. Pass på at kabelen ikke kommer i klem i dører, gjerder eller lignende.
- Ikke bruk batteriladeren i nærheten av brennbare materialer eller materialer som kan forårsake korrosjon. Kontroller at batteriladeren ikke er tildekket. Trekk ut støpselet til batteriladeren hvis det oppstår røyk eller brann.
- Bare lad batteriet innendørs på et sted med god luftsirkulasjon og som er beskyttet mot direkte sollys. Ikke lad batteriet utendørs. Ikke lad batteriet i fuktige omgivelser.
- Bare bruk batteriladeren i temperaturer mellom 5°C (41°F) og 40°C (104°F). Bruk laderen i godt ventilerte, tørre og støvfrie omgivelser.
- Ikke sett gjenstander inn i luftåpningene til laderen.
- Berør aldri ladekontaktene med metallgjenstander. Dette kan kortslutte batteriladeren.
- Bruk bare godkjente stikkontakter som ikke er skadet.
- Ikke lad engangs-batterier i batteriladerne.

Sikkerhetsinstruksjoner for vedlikehold



ADVARSEL: Les de følgende advarslene før du utfører vedlikehold på produktet.

- Fjern batteriet før du utfører vedlikehold, andre kontroller eller monterer produktet.
- Operatøren må bare utføre vedlikehold og service som refereres til i denne bruksanvisningen. Henvend deg til forhandleren for mer omfattende vedlikehold og service.
- Ikke rengjør batteriet eller batteriladeren med vann. Sterke vaskemidler kan skade platen.
- Hvis du ikke utfører vedlikehold, minsker levetiden til produktet og risikoen for ulykker øker.
- Det kreves spesiell opplæring for alt vedlikehold og reparasjonsarbeid, spesielt for sikkerhetsutstyret på produktet. Hvis ikke alle kontrollene i denne bruksanvisningen er godkjent etter at du har gjort vedlikehold, må du ta kontakt med

serviceforhandleren. Vi garanterer at fagmessig reparasjon og service er tilgjengelig for produktet.

- Bruk bare originalreservedeler.

Sikkerhetsinstruksjoner for skjæreutstyret



ADVARSEL: Les de følgende advarselinstruksjonene før du bruker produktet.

- Bruk bare godkjente sverd/sagkjede-kombinasjoner og fileutstyr. Se *Tekniske data på side 509* for instruksjoner.
- Bruk vernehansker når du bruker eller utfører vedlikehold på sagkjedet. Et sagkjede som ikke beveger seg kan også forårsake skader.
- Hold skjærtennene riktig filt. Følg instruksjonene, og bruk anbefalt filmal. Et sagkjede som er skadet eller feilslipt, øker risikoen for ulykker.

(Fig. 47)

- Oppretthold riktig dybdemålerinnstilling. Følg instruksjonene våre, og bruk anbefalt dybdemålerinnstilling. For stor dybdemålerinnstilling øker risikoen for kast.

(Fig. 48)

- Kontroller at sagkjedet har riktig stramming. Hvis sagkjedet ikke ligger stramt mot sverdet, kan det løsne. Feil kjedestrømning fører til økt slitasje på sverdet, sagkjedet og kjededrivhjulet. Se *Tilbehør på side 510*.

(Fig. 49)

- Utfør regelmessig vedlikehold på skjæreutstyret, og hold det riktig smurt. Hvis sagkjedet ikke er riktig smurt, øker risikoen for slitasje på sverdet, sagkjedet og kjededrivhjulet.

(Fig. 50)

Montering

Slik monterer du sverdet og sagkjedet (med sverdknott)



ADVARSEL: Ta alltid ut batteriet før du monterer eller utfører vedlikehold på produktet.

1. Koble ut kjedebremsen. (Fig. 51)
2. Løsne stangknotten og ta av drivhjuldekslet. (Fig. 52)
3. Sett sverdet på sverdbolten. Flytt sverdet til den bakerste stillingen. Løft sagkjedet over drivhjulet og sett det i sverdsporet. Begynn på oversiden av sverdet.
4. Sørg for at kantene på kapperne vender forover på toppkanten av sverdet. (Fig. 53)
5. Monter drivhjuldekslet, og styr kjedestrømmertappen til hullet i sverdet.
6. Kontroller at drivlenkene til kjedet sitter riktig på drivhjulet.
7. Kontroller også at sagkjedet har riktig inngrep i sporet i sverdet.
8. Stram til sagkjedet. Se *Vedlikehold på side 503* for instruksjoner.
9. Trekk til stangknotten.

Slik monterer du sverdet og sagkjedet (med sverdbolt)



ADVARSEL: Ta alltid ut batteriet før du monterer eller utfører vedlikehold på produktet.

1. Koble ut kjedebremsen. (Fig. 51)
2. Løsne sverdmutteren og fjern drivhjuldekslet. (Fig. 54)
3. Sett sverdet på sverdbolten. Flytt sverdet til den bakerste stillingen. Løft sagkjedet over drivhjulet og sett det i sverdsporet. Begynn på oversiden av sverdet.
4. Sørg for at kantene på kapperne vender forover på toppkanten av sverdet. (Fig. 55)
5. Monter drivhjuldekslet, og styr kjedestrømmertappen til hullet i sverdet.
6. Kontroller at drivlenkene til kjedet sitter riktig på drivhjulet.
7. Kontroller også at sagkjedet har riktig inngrep i sporet i sverdet.
8. Trekk til sverdmutterne med fingrene.
9. Trekk til sagkjedet. Se *Vedlikehold på side 503* for instruksjoner.

Slik monterer du batteriladeren på veggen



OBS: Ikke bruk en elektrisk skrutrekker til å montere batteriladeren på veggen. En elektrisk skrutrekker kan skade batteriladeren.

1. Monter batteriladeren på veggen med de to skruene (A). Bruk veggplugg (B) hvis det er nødvendig. (Fig. 56)
2. Monter de to skruerullpluggene (C).
3. Koble strømledningen (D) til batteriladeren og en stikkontakt.

Drift

Innledning



ADVARSEL: Les og forstå kapittelet om sikkerhet før du bruker produktet.

Slik utfører du en funksjonskontroll før du bruker produktet

1. Utfør en kontroll av kjedebremsen (A) for å forsikre deg om at den fungerer som den skal og at den ikke er skadet.
2. Utfør en kontroll av bakre høyrehåndsvern (B) for å forsikre deg om at det ikke er skadet.
3. Utfør en kontroll av kraftutløseren og kraftutløserperren (C) for å forsikre deg om at de fungerer som de skal og at de ikke er skadet.
4. Utfør en kontroll av tastaturet (D) for å forsikre deg om at det fungerer som det skal.
5. Forsikre deg om at det ikke er olje på håndtakene (E).
6. Utfør en kontroll for å forsikre deg om at alle delene er på plass, festet riktig og ikke skadet.
7. Utfør en kontroll av kjedefangeren (F) for å forsikre deg om at den er festet riktig.
8. Utfør en kontroll av kjedestrømmingen (G).
9. Lad batteriet (H), og kontroller at det er riktig festet til produktet.
10. Kontroller at sagkjedet stopper når du slipper kraftutløseren. (Fig. 57)

Bruke riktig kjedeolje



ADVARSEL: Ikke bruk spillolje. Spillolje kan forårsake skade på deg og miljøet. Spillolje fører også til skade på oljepumpen, sverdet og sagkjedet.



ADVARSEL: Sagkjedet kan bremse uten tilstrekkelig smøring av skjæreutstyret. Risiko for alvorlig personskade eller dødsfall for brukeren.



ADVARSEL: Bruk riktig kjedeolje for at denne funksjonen skal fungere som den

skal. Snakk med serviceforhandleren din når du skal velge kjedeolje.

- Bruk Husqvarna-kjedeolje for å få lengst mulig levetid og hindre negative virkninger på miljøet. Hvis Husqvarna-kjedeolje ikke er tilgjengelig, anbefaler vi at du bruker en standard kjedeolje.
- Bruk en kjedeolje som fester seg godt til sagkjedet.
- Bruk en kjedeolje med riktig viskositet i forhold til lufttemperaturen.



OBS: I temperaturer under 0 °C / 32 °F blir noen kjedeoljer for tykke, noe som kan føre til skader på deler av oljepumpen.

- Bruk det anbefalte skjæreutstyret. Se *Tilbehør på side 510*.
- Ta av lokket til kjedeoljetanken.
- Fyll kjedeoljetanken med kjedeolje.
- Fest lokket forsiktig.

(Fig. 58)

Merk: Hvis du vil finne ut hvor kjedeoljetanken er på produktet, kan du se *Innledning på side 489*.

Batteri



ADVARSEL: Les og forstå kapittelet om sikkerhet før du bruker batteriet. Les og forstå bruksanvisningen for batteriet og batteriladeren.

Batteriet og batteriladeren må oppbevares i riktig omgivelsestemperatur.

	Omgivelsestemperatur
Bruk av batteriet	5 °C–40 °C / 41 °F–104 °F
Lade batteriet	5 °C–40 °C / 41 °F–104 °F

Batteristatus

Displayet viser ladestatusen og eventuelle problemer med batteriet.

(Fig. 59)

LED-indikator	Batteriets ladestatus
4 LED-lamper lyser	Batteriet er 76–100 % ladet.
3 LED-lamper lyser.	Batteriet er 51–75 % ladet.

LED-indikator	Batteriets ladestatus
2 LED-lamper lyser.	Batteriet er 26–50 % ladet.
1 LED-lampe lyser.	Batteriet er 6–25 % ladet.
1 LED-lampe blinker.	Batteriet er 0–5% ladet.

Slik lader du batteriet

Hvis det er første gang du bruker batteriet, må du lade det. Et nytt batteri er bare 30 % ladet.



OBS: Koble batteriladeren til et strømuttak med den spenningen og frekvensen som er angitt på typeskiltet.

Batteriet lades ikke hvis batteritemperaturen er på over 50 °C/122 °F.

1. Koble strømledningen til batteriladeren.
2. Koble batteriladeren til en jordet stikkontakt. Ladelampen blinker én gang. (Fig. 60)
3. Koble batteriet til batteriladeren. Ladelampen slås på. Lad batteriet i maks. 24 timer. (Fig. 61)
4. Trykk på batteriindikatorknappen. Hvis alle LED-indikatorene lyser, er batteriet fulladet.
5. Trekk i støpselet for å ta batteriladeren ut av strømuttaket. Ikke dra i ledningen.
6. Fjern batteriet fra batteriladeren.

Kastinformasjon



ADVARSEL: Et kast kan føre til alvorlig personskade eller død for brukeren eller andre. For å redusere faren må du vite hva som forårsaket kastet, og hvordan du kan unngå det.

Et kast skjer bare når sverdets kastrisikosone berører en gjenstand. Et kast kan skje plutselig og med stor kraft som kaster produktet mot operatøren.

(Fig. 36)

Kast skjer alltid i skjæreplanet til sverdet. Vanligvis slynges produktet mot operatøren, men kan det også beveges i en annen retning. Det er hvordan du bruker produktet idet det skjer et kast, som bestemmer bevegelsesretningen.

(Fig. 62)

Kast skjer bare hvis sverdets kastrisikosone berører en gjenstand. Ikke la kastrisikosen berøre en gjenstand.

(Fig. 36)

En mindre sverdspissradius reduserer kraften til kastet.

Bruk et sagkjede med lite kast for å redusere kraften i et kast. Ikke la kastrisikosen berøre en gjenstand.



ADVARSEL: Ingen sagkjeder hindrer kast helt. Følg alltid instruksjonene.

Vanlige spørsmål om kast

- **Vil hånden min alltid aktivere kjedebremsen under et kast?**

Nei. Du må bruke litt kraft til å skyve kastbeskyttelsen forover. Hvis du ikke bruker den nødvendige kraften, blir ikke kjedebremsen koblet inn. Du må også holde håndtakene på produktet støtt med begge hender mens du arbeider. Hvis et kast oppstår, vil kjedebremsen kanskje ikke stoppe sagkjedet før det treffer deg. Det er også noen stillinger der hånden din ikke kan berøre kastbeskyttelsen for å koble inn kjedebremsen.

- **Vil tregheitsfunksjonen alltid aktivere kjedebremsen under et kast?**

Nei. For det første må kjedebremsen fungere som den skal. Se *Vedlikehold av og kontroller av sikkerhetsanordningene på produktet på side 504* for instruksjoner om hvordan du utfører en kontroll av kjedebremsen. Vi anbefaler at du alltid gjør dette før du begynner å bruke produktet. For det andre må kraften i kastet være kraftig nok til å aktivere kjedebremsen. Hvis kjedebremsen er for følsom, kan den gripe inn ved hard drift.

- **Vil kjedebremsen alltid beskytte meg mot skader under et kast?**

Nei. kjedebremsen må fungere på riktig måte for å gi beskyttelse. Kjedebremsen må også kobles inn under et kast for å stoppe sagkjedet. Hvis du er nær sverdet, vil kjedebremsen kanskje ikke rekke å stoppe sagkjedet før det treffer deg.



ADVARSEL: Bare du og riktig arbeidsteknikk kan hindre kast.

Slik starter du produktet

1. Utfør en kontroll av kraftutløseren og kraftutløsesperren. Se *Slik kontrollerer du kraftutløsesperren på side 504*.
2. Koble inn kjedebremsen. (Fig. 63)
3. Sett batteriet i batteriholderen. (Fig. 64)



OBS: Sørg for at batteriet settes inn i batteriholderen på riktig måte. Hvis det er vanskelig å få batteriet inn i batteriholderen, er dette fordi du prøver å sette det inn på feil måte.

- Trykk på den nedre delen av batteriet til du hører en klikkelyd. (Fig. 65)
- Trykk på og hold start/stopp-knappen inne til den grønne LED-lampen tennes. (Fig. 66)

Slik bruker du SavE-funksjonen

SavE-funksjonen reduserer kjedehastigheten og strømførbruket til produktet.

- Trykk på SavE-knappen. Den grønne LED-indikatoren tennes.
- Trykk på SavE-knappen på nytt for å koble ut funksjonen. Den grønne LED-lampen slukkes. (Fig. 67)

Slik stopper du produktet

- Trykk på start/stopp-knappen til den grønne LED-lampen slukkes. (Fig. 66)
- Trykk på batteriutløserknappene, og fjern batteriet fra batteriholderen for å unngå utilsiktet start. (Fig. 68)

Trekk- og skyvetak

Du kan sage gjennom tre med produktet i to forskjellige posisjoner.

- Kapping i trekkebevegelsen betyr at du kapper med bunnen av sverdet. Sagkjedet trekker seg gjennom treet når du kapper. I denne stillingen har du bedre kontroll over produktet og posisjonen til kastrisikonen. (Fig. 69)
- Kapping i skyvebevegelsen betyr at du kapper med toppen av sverdet. Sagkjedet skyver produktet mot operatøren. (Fig. 70)



ADVARSEL: Hvis sagkjedet setter seg fast i stammen, kan produktet bli skjøvet mot deg. Hold produktet i et fast grep, og kontroller at kastsonen til sverdet ikke berører treet og fører til et kast.

(Fig. 71)

Slik brukes kappeteknikken



ADVARSEL: Bruk full gass når du kapper, og reduser turtallet til tomgang etter hvert kutt.



OBS: Ikke la motoren gå for lenge uten belastning. Dette kan skade motoren.

- Legg stammen på en sagkrakk. (Fig. 72)



ADVARSEL: Ikke kapp stammer i en stabel. Dette øker risikoen for kast og kan føre til alvorlig personskade eller dødsfall.

- Fjern de avkappede trebitene fra arbeidsområdet.



ADVARSEL: Avkappede trebiter i kappeområdet øker risikoen for kast og at du mister balansen.

Slik bruker du barkstøtten

- Trykk barkstøtten inn i stammen på treet.
- Gi full gass og drei produktet. Hold barkstøtten mot stammen. Denne fremgangsmåten gjør det enklere å bruke kraften som trengs for å skjære gjennom stammen. (Fig. 73)

Slik kapper du en stamme på bakken

- Kapp gjennom stammen i trekkebevegelsen. Hold full effekt, men vær forberedt på plutselige ulykker. (Fig. 74)



ADVARSEL: Pass på at sagkjedet ikke berører bakken når du fullfører sagsnittet.

- Kapp omtrent $\frac{2}{3}$ gjennom stammen, og stopp. Roter stammen, og kapp fra motsatt side. (Fig. 75)

Kappe en stamme med støtte i den ene enden



ADVARSEL: Pass på at stammen ikke splittes under kappingen. Følg instruksjonene nedenfor.

(Fig. 76)

- Kapp ca. $\frac{1}{3}$ gjennom stammen i skyvebevegelsen.
- Kapp ferdig gjennom stammen i trekkebevegelsen. (Fig. 77)

Kappe en stamme med støtte i begge ender



ADVARSEL: Pass på at sagkjedet ikke blir sittende fast i stammen under kappingen. Følg instruksjonene nedenfor.

(Fig. 78)

- Kapp ca. $\frac{1}{3}$ gjennom stammen i trekkebevegelsen.
- Kapp gjennom resten av stammen i skyvebevegelsen for å fullføre kappingen. (Fig. 79)



ADVARSEL: Stopp motoren hvis sagkjedet setter seg fast i stammen. Bruk en hevarm til å åpne sagsnittet og frigjøre produktet. Ikke prøv å rykke løs produktet for hånd. Dette kan føre til personskade når produktet plutselig løsner.

Slik bruker du kvistingsteknikken

Merk: For tykke grener må du bruke kappeteknikken. Se *Slik brukes kappeteknikken på side 500*.



ADVARSEL: Ulykkesrisikoen er svært stor når du bruker kvistingsteknikken. Se *Kastinformasjon på side 499* for instruksjoner om hvordan du unngår kast.



ADVARSEL: Kapp kvistene én etter én. Vær forsiktig når du fjerner små kvister, og ikke kapp buskas eller mange små kvister samtidig. Små kvister kan sette seg fast i sagkjedet og hindre sikker bruk av produktet.

Merk: Hvis det er nødvendig, må du kutte kvistene bit for bit. Kutt de mindre grenene (A) og (B) før du kutter kvisten nær stammen (C).

(Fig. 80)

1. Fjern kvistene på høyre side av stammen.
 - a) Hold sverdet på høyre side av stammen, og holde hoveddelen av produktet mot stammen.
 - b) Velg riktig kappeteknikk for spenningen til grenen. (Fig. 81)



ADVARSEL: Hvis du ikke er sikker på om hvordan du skal kappe grenen, bør du snakke med en profesjonell motorsagbruker før du fortsetter.

2. Fjern kvister på toppen av stammen.
 - a) Hold produktet på stammen, og la sverdet bevege seg langs stammen.
 - b) Kapp i skyvebevegelsen. (Fig. 82)
3. Fjern kvistene på venstre side av stammen.
 - a) Velg riktig kappeteknikk for spenningen til grenen. (Fig. 83)



ADVARSEL: Hvis du ikke er sikker på om hvordan du skal kappe grenen, bør du snakke med en profesjonell motorsagbruker før du fortsetter.

Se *Slik kapper du trær og greiner som står i spenn på side 503* for instruksjoner om hvordan du kapper grener som står i spenn.

Slik bruker du trefellingsteknikken



ADVARSEL: Du trenger erfaring for å felle et tre. Om mulig bør du delta i et opplæringskurs for bruk av motorsag. Snakk med en erfaren bruker for å få mer kunnskap.

Slik holder du sikker avstand

1. Kontroller at personer rundt deg holder en sikkerhetsavstand på minst 2 1/2 ganger treet's lengde. (Fig. 84)
2. Forsikre deg om at ingen befinner seg i risikoområdet før eller under fellingen. (Fig. 85)

Slik beregner du fallretningen

1. Undersøk i hvilken retning det er nødvendig at treet skal falle. Målet er å felle det til en posisjon der du enkelt kan kviste og kappe opp stammen. Det er også viktig at du står støtt og kan forflytte deg på en sikker måte.



ADVARSEL: Hvis det er farlig eller ikke er mulig å felle treet i sin naturlige fallretning, må treet felles i en annen retning.

2. Undersøk den naturlige fallretningen til treet. Undersøk for eksempel vinkelen og bøyen til treet, vindretningen, plasseringen til greinene og vekten av snø.
3. Undersøk om det finnes hindringer i nærheten, for eksempel andre trær, kraftledninger, veier og/eller bygninger.
4. Se etter tegn på skader og råte i stammen.



ADVARSEL: Råte i stammen kan medføre risiko for at treet faller før du har fullført kappingen.

5. Kontroller at treet ikke har skadde eller døde greiner som kan brette og treffe deg under fellingen.
6. Ikke la treet falle på et annet, stående tre. Det er farlig å fjerne et tre som har satt seg fast. Se *Frigjøre et fastsatt tre på side 502*. (Fig. 86)



ADVARSEL: I kritiske fellingsoperasjoner må du ta av deg hørselsvernet umiddelbart etter at sagingen er fullført. Det er viktig at du hører lyder og varselsignaler.

Slik rydder du stammen og forbereder tilbaketrekingsruten din

Kapp av alle grener fra skulderhøyde og nedover.

1. Kapp i trekkebevegelsen fra toppen og nedover. Kontroller at treet er mellom deg og produktet. (Fig. 87)
 2. Fjern underskog fra arbeidsområdet rundt treet. Fjern alt avkappet materiale fra arbeidsområdet.
 3. Utfør en kontroll av området med hensyn til hindringer som steiner, greiner og hull. Du må ha en tydelig tilbaketrekingsrute når treet begynner å falle. Tilbaketrekingsruten må ha en vinkel på ca. 135 grader i forhold til fallretningen.
1. Faresonen
 2. Tilbaketrekingsruten
 3. Fallretningen

(Fig. 88)

Felle et tre

Husqvarna anbefaler at du lager styreskår og deretter bruker sikkerhetshjørnemetoden når du feller et tre. Sikkerhetshjørnemetoden gjør det enklere å lage en korrekt brytekant og kontrollere fallretningen.



ADVARSEL: Ikke fell trær med en diameter som er mer enn to ganger større enn sverdlengden. For å gjøre dette må du ha spesiell opplæring.

Brytekant

Det viktigste under en trefelling er å lage en korrekt brytekant. Med en korrekt brytekant kan du styre fallretningen og sørge for en trygg felling.

Tykkelsen på brytekanten må være lik hele veien og være på minst 10 % av trets diameter.



ADVARSEL: Hvis brytekanten er feil eller for tynn, har du ingen kontroll over fallretningen.

(Fig. 89)

Slik lager du styreskårene

1. Lag styreskårene. Styreskårene skal være 1/4 av diameteren til treet. Lag en vinkel på 45° mellom overskjæret og underskjæret.
 - a) Lag overskjæret først. Rett inn fallretningsmerket (A) på produktet etter fallretningen til treet (B). Stå bak produktet, og hold treet på din høyre side. Sag med en trekkebevegelse.
 - b) Lag underskjæret. Sørg for at enden av underskjæret er i samme punkt som enden av overskjæret. (Fig. 90)

2. Sørg for at styreskårlinjen er helt horisontal og i rett vinkel (90°) mot fallretningen. Styreskårlinjen går gjennom punktet der to styreskårene møtes. (Fig. 91)

Bruke sikkerhetshjørnemetoden

Hovedskåret må lages litt over styreskåret.

(Fig. 92)



ADVARSEL: Vær forsiktig når du skjærer med sverdspissen. Begynn å skjære med den nedre delen av sverdspissen for å lage et innsnitt i stammen.

(Fig. 93)

1. Hvis den effektive skjærelengden er lengre enn trets diameter, utfører du følgende trinn (a–d).
 - a) Lag et innsnitt rett inn i stammen for å fullføre bredden av brytekanten. (Fig. 94)
 - b) Skjær i trekkebevegelsen til 1/2 av stammen står igjen.
 - c) Trekk sverdet 5–10 cm / 2–4 tommer bakover.
 - d) Skjær gjennom resten av stammen for å lage et sikkerhetshjørne som er 5–10 cm / 2–4 tommer bredt. (Fig. 95)
2. Hvis den effektive skjærelengden er kortere enn trets diameter, utfører du følgende trinn (a–d).
 - a) Gjør et innstikk rett inn i stammen. Innsnittet skal være på 3/5 av trets diameter.
 - b) Skjær i trekkebevegelsen gjennom resten av stammen. (Fig. 96)
 - c) Skjær rett inn i stammen fra den andre siden av treet for å fullføre brytekanten.
 - d) Lag ferdig sikkerhetshjørnet ved å skjære i skyvebevegelsen til bare 1/2 av stammen er igjen. (Fig. 97)
3. Slå en kile inn i sagsnittet fra baksiden. (Fig. 98)
4. Skjær vekk hjørnet slik at treet faller.

Merk: Hvis treet ikke faller, slår du på kilen til treet faller.

5. Når treet begynner å falle, bruker du tilbaketrekingsruten for å komme deg bort fra treet. Gå minst 5 m (15 fot) unna treet.

Frigjøre et festsatt tre



ADVARSEL: Det er svært farlig å fjerne et tre som sitter fast, og det innebærer en høy ulykkesrisiko. Hold deg utenfor risikoområdet, og ikke prøv å felle et tre som har satt seg fast.

(Fig. 99)

Den sikreste fremgangsmåten er å bruke én av følgende vinsjer:

- Traktormontert

(Fig. 100)

- Bærbar

(Fig. 101)

Slik kapper du trær og greiner som står i spenn

1. Finn ut hvilken side av treet eller greinen som står i spenn.
2. Finn ut hvor det maksimale spenningspunktet er. (Fig. 102)
3. Finn ut hva som er den sikreste fremgangsmåten for å fjerne spenningen.

Merk: I noen situasjoner er den eneste sikre fremgangsmåten å bruke en vinsj, ikke produktet.

4. Hold en posisjon der treet eller greinen ikke kan treffe deg når spenningen blir fjernet. (Fig. 103)
5. Lag ett eller flere kutt av den nødvendige dybden for å fjerne spenningen. Kutt i eller nær det maksimale spenningspunktet. Sørg for at treet eller greinen brykker i det maksimale spenningspunktet. (Fig. 104)



ADVARSEL: Sag aldri rett gjennom et tre eller en grein som står i spenn.



ADVARSEL: Vær svært forsiktig når du kapper et tre som står i spenn. Det er fare for at treet beveger seg raskt før eller etter kappingen. Det kan skje alvorlige personskader hvis du er i feil posisjon, eller hvis du kapper feil.

6. Hvis du må sage gjennom treet/greinen, lager du 2 til 3 kutt, 1 tomme fra hverandre og med en dybde på 2 tommer. (Fig. 105)
7. Fortsett å sage dypere inn i treet, til treet/greinen bøyer seg, og spenningen blir frigjort. (Fig. 106)
8. Kapp treet/greinen fra motsatt side av bøyen etter at spenningen er fjernet.

Vedlikehold

Innledning



ADVARSEL: Les og forstå kapittelet om sikkerhet før du utfører vedlikehold på produktet.

Under følger en liste over vedlikeholdstrinnene som må utføres på produktet. Se *Vedlikehold på side 503* hvis du vil ha mer informasjon.

Vedlikeholdsskjema



ADVARSEL: Fjern batteriet før du utfører vedlikehold.

Vedlikehold	Før bruk	Ukentlig	Månedlig
Rengjør de utvendige delene av produktet.	X		
Kontroller at kraftutløseren og kraftutløser sperren fungerer riktig med hensyn til sikkerhet.	X		
Rengjør kjedebremsen, og kontroller at den fungerer på en sikker måte. Kontroller om kjedefangeren er skadet. Bytt den ved behov.	X		
Snu sverdet daglig for jevnere slitasje. Kontroller at smørehullet i sverdet ikke er tett. Rengjør kjedespoet.	X		
Kontroller om kapperen eller kapperbeskyttelsen har sprekker eller er skadet. Bytt kapperen eller kapperbeskyttelsen hvis den har sprekker eller har blitt utsatt for støt.	X		

Vedlikehold	Før bruk	Ukentlig	Månedlig
Kontroller at sverdet og sagkjedet har tilstrekkelig olje.	X		
Kontroller sagkjedet. Se etter sprekker, og kontroller at sagkjedet ikke er stivt eller uvanlig slitt. Bytt den ut om nødvendig.	X		
Slip sagkjedet. Kontroller strammingen og tilstanden. Kontroller drivhullet for slitasje, og bytt det ved behov.	X		
Rengjør luftinntaket på produktet.	X		
Kontroller at skruer og mutre sitter stramt.	X		
Kontroller at tastaturet fungerer som det skal, og at det ikke er skadet.	X		
Bruk en fil til å fjerne grader på sverdkantene.		X	
Kontroller forbindelsene mellom batteriet og produktet. Kontroller forbindelsen mellom batteriet og batteriladeren.			X
Tøm og rengjør oljetanken.			X
Blås forsiktig gjennom produktet og batterikjøleåpningene med trykkluft.			X

Vedlikehold av og kontroller av sikkerhetsanordningene på produktet

Kontrollere kastbeskyttelsen

Kontroller regelmessig kastbeskyttelsen og treghetsfunksjonen.

1. Kontroller at kastbeskyttelsen ikke har skader, for eksempel sprekker. (Fig. 107)
2. Kontroller at kastbeskyttelsen kan bevege seg fritt og at den er festet sikkert til produktet. (Fig. 108)
3. Sett produktet, med motoren slått av, på en stubbe eller en annen stabil flate.
4. Hold i det bakre håndtaket, og slipp det fremre håndtaket. La produktet falle mot stubben. (Fig. 109)
5. Kontroller at kjedebremsen kobles inn idet sverdet treffer stubben.

Slik kontrollerer du bremseutløseren

1. Sett produktet på bakken på et stabilt sted, og start det. Se *Drift på side 498*.



ADVARSEL: Sørg for at sagbladet ikke berører bakken eller andre gjenstander.

2. Grip håndtakene med alle fingrene, og hold produktet i et fast grep. (Fig. 110)
3. Gi full gass og vipp venstre håndledd forover til kastbeskyttelsen, for å koble inn kjedebremsen. Sagkjedet skal stoppe umiddelbart. (Fig. 111)



ADVARSEL: Ikke slipp det fremre håndtaket!

Slik kontrollerer du kraftutløseren

1. Kontroller at kraftutløseren og kraftutløserperren kan bevege seg fritt, og at returfjærene fungerer som de skal. (Fig. 112)
2. Skyv kraftutløserperren fremover (A) og ned (B). Hold kraftutløserperren mot håndtaket, og kontroller at den går tilbake til sin opprinnelige posisjon når du slipper den. (Fig. 113)
3. Kontroller at kraftutløseren låses i tomgangsstillingen når kraftutløserperren slippes. (Fig. 114)
4. Start produktet, og gi full gass.
5. Slipp kraftutløseren, og forsikre deg om at sagkjedet stopper og forblir i ro.



ADVARSEL: Hvis sagkjedet roterer når kraftutløseren er i tomgangsstillingen, må du snakke med serviceforhandleren din.

Slik kontrollerer du kjedefangeren

1. Forsikre deg om at det ikke er noen skader på kjedefangeren.
2. Kontroller at kjedefangeren er stabil og festet til produktkroppen. (Fig. 115)

Slik kontrollerer du funksjonene i brukergrensesnittet

1. Start produktet. Se *Slik starter du produktet på side 499*.
2. Trykk på og hold inne start/stopp-knappen.
3. Pass på at produktet stopper og den grønne LED-lampen slukkes. (Fig. 66)

Slik kontrollerer du batteriet og batteriholderen

1. Rengjør batteriet og batteriholderen med en myk børste.
2. Rengjør kjøleåpningene og batterikontaktene. (Fig. 116)
3. Pass på at batteriet ikke har sprekker eller andre skader.

Slik kontrollerer du batteriladeren

1. Forsikre deg om at batteriladeren og strømledningen ikke er skadet. Se etter sprekker og andre skader. (Fig. 117)

Slik rengjør du kjølesystemet

Kjølesystemet holder motortemperaturen nede. Kjølesystemet består av luftinntaket på venstre side av produktet og en vifte på motoren.

1. Rengjør kjølesystemet med en børste ukentlig, eller oftere ved behov. (Fig. 118)
2. Kontroller at kjølesystemet ikke er skittent eller tilstoppet.



OBS: Et skittent eller tilstoppet kjølesystem kan føre til at produktet blir for varmt. Dette fører til skade på produktet.

Slipe kjedet

Informasjon om sverdet og sagkjedet



ADVARSEL: Bruk vernehansker når du bruker eller utfører vedlikehold på sagkjedet. Et sagkjede som ikke beveger seg kan også forårsake skader.

Bytt ut slitte eller skadde sverd og sagkjeder med sverd/sagkjede-kombinasjonene som anbefales av Husqvarna. Dette er nødvendig for å bevare sikkerhetsfunksjonene til produktet. Se *Tilbehør på side 510* for å finne en liste over sverd og kjede-kombinasjoner som vi anbefaler.

- Sverdlengde, tommer/cm. Informasjon om sverdlengden finner man vanligvis på den bakre enden av sverdet.

(Fig. 119)

- Antall tenner i nesehjulet (T).

(Fig. 120)

- Kjededeling, tommer. Avstanden mellom drivlenkene til sagkjedet må stemme med avstanden til tennene på sverdets nesehjul og drivhjulet.

(Fig. 121)

- Antall drivlenker (stk). Antallet drivlenker avgjøres av sverdtypen.

(Fig. 122)

- Sverdsporbredde, tommer/mm. Sporbredden på sverdet må være den samme som bredden på kjededrivlenken.

(Fig. 123)

- Sagkjedehull og hull for kjedestrammertapp. Sverdet må være rettet inn etter produktet.

(Fig. 124)

- Drivlenkebredde, mm/tommer

(Fig. 125)

Generell informasjon om filing av kapperne

Ikke bruk et sløvt sagkjede. Hvis sagkjedet er sløvt, må du bruke mer kraft på å skyve sverdet gjennom treet. Hvis sagkjedet er svært sløvt, vil det ikke bli noen trefliser, men sagflis/sagmugg.

Et skarpt sagkjede eter seg gjennom treet, og treflisene blir lange og tykke.

Skjærtannen (A) og dybdemåleren (B) utgjør til sammen den kappende delen av sagkjedet, kapperen. Høydeforskjellen mellom de to gir skjæredybden (dybdemålerinnstillingen).

(Fig. 126)

Tenk på følgende når du filer en kapper:

- filingsvinkel

(Fig. 127)

- skjærevinkel

(Fig. 128)

- filstilling

(Fig. 129)

- rundfildiameter

(Fig. 130)

Det er ikke enkelt å skjære et sagkjede riktig uten det riktige utstyret. Bruk en Husqvarna-anbefal filmal. Den hjelper deg med å opprettholde maksimum skjærekapasitet og kastrisikoen på et minimum.



ADVARSEL: Kraften til kastet øker kraftig hvis du ikke følger de følgende instruksjonene om filing.

Merk: Se *Tilbehør på side 510* for informasjon om filing av sagkjedet.

Slik filer du kapperne

1. Bruk en rundfil og en filmal til å file skjæretennene. (Fig. 131)

Merk: Se *Tilbehør på side 510* for informasjon om hvilken fil og filmal Husqvarna anbefaler for sagkjedet ditt.

2. Påfør filmalen på kapperen på riktig måte. Se instruksjonene som fulgte med filmalen.
3. Flytt filen fra insiden av skjærtennene og utover. Reduser trykket i trekkebevegelsen. (Fig. 132)
4. Fjern materiale fra den ene siden av alle skjærtennene.
5. Snu produktet, og fjern materiale på den andre siden.
6. Kontroller at alle skjærtennene har samme lengde.

Generell informasjon om justering av dybdemålerinnstillingen

Dybdemålerinnstillingen (C) reduseres når du skjerper skjærtannen (A). For å opprettholde maksimal skjærekapasitet må du fjerne filemateriale fra dybdemåleren (B) for å få den anbefalte dybdemålerinnstillingen. Se *Tilbehør på side 510* for instruksjoner om å få den riktige dybdemålerinnstillingen for sagkjedet ditt.

(Fig. 133)



ADVARSEL: For høy dybdemålerinnstilling øker risikoen for kast.

Justere dybdemålerinnstillingen

Før du justerer dybdemålerinnstillingen eller filer kapperen må du se *Slik filer du kapperne på side 505* for instruksjoner. Vi anbefaler at du justerer dybdemålerinnstillingen for hver tredje gang du skjerper skjærtennene.

Vi anbefaler at du bruker dybdemålerverktøyet vårt til å få riktig dybdemålerinnstilling og vinkel for dybdemåleren.

(Fig. 134)

1. Bruk en flat fil og et dybdemålerverktøy til å justere dybdemålerinnstillingen. Bruk bare et Husqvarna-anbefalt dybdemålerverktøy til å få riktig dybdemålerinnstilling og vinkel for dybdemåleren.
2. Plasser dybdemålerverktøyet på sagkjedet.

Merk: Se emballasjen til dybdemålerverktøyet for mer informasjon om hvordan du bruker verktøyet.

3. Bruk den flate filen til å fjerne den delen av dybdemåleren som stikker ut av dybdemålerverktøyet. (Fig. 135)

Justering av sagkjedets stramming



ADVARSEL: Et sagkjede med feil stramming kan løsne fra sverdet og forårsake alvorlig personskade eller dødsfall.

Et sagkjede blir lengre når du bruker det. Juster sagkjedet regelmessig. Utfør en kontroll av sagkjedestrammingen hver gang du fyller på kjedeolje.

Merk: Et nytt sagkjede har en innkjøringsperiode der du må kontrollere sagkjedestrammingen oftere.

Slik justerer du strammingen på sagkjedet (med sverdknott)

1. Fold knotten ut til den åpnes. (Fig. 136)
2. Drei knotten mot klokken for å løsne drivhjuldekelet. (Fig. 137)
3. Drei kjedestrammerhjulet for å justere strammingen av sagkjedet. Sagkjedet må ligge stramt mot sverdet. (Fig. 138)

Merk: Drei hjulet ned (+) for mer stramming eller opp (-) for mindre stramming.

4. Kontroller at du enkelt og fritt kan trekke sagkjedet rundt for hånd og at det ikke henger ned fra sverdet. (Fig. 139)
5. Drei knotten med klokken for å stramme sverdknotten. (Fig. 140)
6. Fold knotten ned for å låse strammingen. (Fig. 141)

Slik justerer du strammingen på sagkjedet (med sverdbolt)

1. Løsne sverdmutteren som holder drivhjuldekelet. Bruk kombinasjonsverktøyet. (Fig. 142)
2. Løft fremre del av sverdet, og drei kjedestrammerskruen. Bruk kombinasjonsverktøyet.
3. Stram sagkjedet til det ligger stramt mot sverdet. (Fig. 143)
4. Stram sverdmutteren med kombinasjonsnøkkelen samtidig som du løfter sverdtuppen. (Fig. 144)
5. Kontroller at du enkelt og fritt kan trekke sagkjedet rundt for hånd og at det ikke henger ned fra sverdet. (Fig. 139)

Merk: Se *Produktoversikt på side 489* for informasjon om plasseringen av kjedestrammerskruen på produktet ditt.

Slik kontrollerer du sagkjedesmøringen

Kontroller sagkjedesmøringen for hvert tredje batteribytte.

1. Start produktet, og la det gå med 3/4 effekt. Hold sverdet ca. 20 cm (8 tommer) over en lyst farget flate.
2. Hvis sagkjedesmøringen er riktig, vil du se en tydelig oljestripe på flaten etter 1 minutt. (Fig. 145)
3. Hvis sagkjedesmøringen ikke er riktig, foretar du følgende kontroller.
 - a) Kontroller om oljekanalene i sverdet er tilstoppet. Rengjør ved behov. (Fig. 146)
 - b) Kontroller om sporet i sverdkanten er rent. Rengjør ved behov. (Fig. 147)
 - c) Kontroller at sverdets nesehjul kan bevege seg fritt og at smørehullet i sverdets nesehjul ikke er tilstoppet. Rengjør og smør ved behov. (Fig. 148)
4. Hvis sagkjedesmøringen ikke fungerer etter at du har fulgt trinnene ovenfor, må du kontakte serviceforhandleren din.

Slik kontrollerer du kjededrivhjulet

- Inspiser kjededrivhjulet for slitasje. Bytt ut kjededrivhjulet ved behov.
- Bytt ut kjededrivhjulet hver gang du bytter sagkjede. (Fig. 149)

Slik kontrollerer du skjæreutstyret

1. Forsikre deg om at det ikke er sprekker i nagler eller lenker og at ingen nagler er løse. Skift ut om nødvendig. (Fig. 150)

2. Kontroller at sagkjedet er lett å bøye. Skift ut sagkjedet hvis det er stivt.
3. Sammenlign sagkjedet med et nytt sagkjede for å undersøke om nagler eller lenker er slitt.
4. Bytt sagkjedet når den lengste delen av skjæretannen er kortere enn 4 mm. Skift også sagkjedet hvis det er sprekker på kapperne. (Fig. 151)

Slik kontrollerer du sverdet

1. Påse at oljekanalene ikke er blokkert. Rengjør om nødvendig. (Fig. 146)
2. Kontroller om det er grader på sverdkantene. Fjern alle grader ved hjelp av en fil. (Fig. 152)
3. Rengjør sporet i sverdet. (Fig. 147)
4. Undersøk sporet i sverdet for slitasje. Bytt sverdet ved behov. (Fig. 153)
5. Undersøk om sverdspissen er ru eller svært slitt. (Fig. 154)
6. Kontroller at sverdets nesehjul kan bevege seg fritt, og at smørehullet i nesehjulet ikke er tilstoppet. Rengjør og smør ved behov. (Fig. 148)
7. Snu sverdet daglig for å forlenge levetiden. (Fig. 155)

Feilsøking

Brukergrensesnitt

LED-skjerm	Mulige feil	Mulig løsning
Advarselsindikatoren blinker.	Kjedebremsen er satt på.	Koble ut kjedebremsen.
	Temperaturavvik.	La produktet avkjøles.
	Overbelastning. Det er ikke mulig å bevege sagkjedet.	Frigjør sagkjedet.
	Kraftutløseren og start/stoppknappen trykkes på samtidig.	Slipp kraftutløseren, og aktiver produktet.
Oransje aktivningslampe blinker.	Lav batterispenning.	Lad batteriet.

LED-skjerm	Mulige feil	Mulig løsning
Advarselsindikatoren er på.	service,	Snakk med serviceforhandleren din.

Batteri

LED-display	Mulige feil	Mulig løsning
Grønn LED-lampe blinker.	Lav batterispenning.	Lad batteriet.
Feilindikatoren blinker.	Temperaturavvik.	Bruk batteriet i temperaturer mellom –10°C (14°F) og 40°C (104°F).
	For sterk spenning	Kontroller at nettspenningen samsvarer med spenningen for produktet. Se typeskiltet på produktet. Fjern batteriet fra batteriladeren.
LED-feilindikatoren tennes.	For stor forskjell mellom cellene (1 V).	Snakk med serviceforhandleren din.

Batterilader

Tilstand	Mulige feil	Mulig fremgangsmåte
Ladelampen lyser rødt.	Permanent feil med batteriladeren.	Ta kontakt med forhandleren din.
Ladelampen blinker grønt.	Temperaturavvik – Batteriet er for kaldt eller for varmt for bruk eller lading.	La batteriet avkjøles, eller varm det opp. Når batteriet har riktig temperatur, kan det brukes eller lades igjen. Bruk batteriladeren i omgivelsestemperaturer på mellom 5 °C (41 °F) og 40 °C (104 °F).
Ladelampen blinker rødt.	Defekt batteri	Ta kontakt med forhandleren din.

Transport, oppbevaring og avhending

Transport og oppbevaring

- De medfølgende litiumionbatteriene samsvarer med kravene i loven om farlige varer.
- Følg de spesifikke kravene på emballasje og etiketter for kommersiell transport, inkludert av tredjeparter og fraktleverandører.
- Snakk med en person med spesiell opplæring i farlige materialer før du sender produktet. Følg alle gjeldende nasjonale forskrifter.
- Bruk tape på åpne kontakter når du plasserer batteriet i en pakke. Pakk batteriet stramt for å hindre bevegelse.
- Fjern batteriet ved lagring og transport.
- Oppbevar batteriet og batteriladeren på et sted som er tørt og fri for fukt og frost.
- Batteriet må ikke oppbevares på steder der det kan forekomme statisk elektrisitet. Ikke oppbevar batteriet i en metallkasse.
- Oppbevar batteriet i temperaturer mellom 5 °C (41 °F) og 25 °C (77 °F) og unna direkte sollys.
- Oppbevar batteriladeren i temperaturer mellom 5 °C (41 °F) og 45 °C (113 °F) og unna direkte sollys.
- Bruk batteriladeren bare i temperaturer mellom 5 °C (41 °F) og 40 °C (104 °F).
- Lad opp batteriet til 30–50 % før du setter det til oppbevaring i lange perioder.

- Oppbevar batteriladeren på et sted som er lukket og tørt.
- Hold batteriet og batteriladeren separert under oppbevaring. Ikke la barn eller andre uautoriserte personer røre utstyret. Oppbevar utstyret i et område som kan låses.
- Rengjør produktet og utfør en fullstendig service før du setter det til oppbevaring i lang tid.
- Bruk transportbeskyttelsen på produktet for å unngå personskader eller skade på produktet under transport og oppbevaring.
- Fest produktet på en sikker måte under transport.

gjenvinningsanlegg for elektrisk og elektronisk utstyr. Dette bidrar til å forhindre miljøskader og personskader.

Snakk med lokale myndigheter, det lokale renovasjonsvesenet eller forhandleren hvis du ønsker mer informasjon.

(Fig. 24)

Merk: Symbolet vises på produktet eller produktets emballasje.

Kassering av batteri, batterilader og produktet

Symbolet nedenfor indikerer at produktet er ikke husholdningsavfall. Resirkuler det på et

Tekniske data

Tekniske data

	225i
Motor	
Type	BLDC (børsteløs) 36 V
Egenskaper	
Lavenergimodus	SavE
Smøresystem	
Type oljepumpe	Automatisk
Oljetankens kapasitet, ml/cm ³	0,2 / 200
Vekt	
Motorsag uten batteri, sverd og sagkjede og med tom kjedeoljetank, kg	3,1
Støyutslipp ⁷⁴	
Lydeffektnivå, målt dB(A)	97
Lydeffektnivå, garantert L _{WA} dB(A)	100
Lydnivåer ⁷⁵	
Lydtrykknivå ved brukerens øre, målt etter EN 62841-1	89
Vibrasjonsnivåer ⁷⁶	

⁷⁴ Utslipp av støy til omgivelsene målt som støyeffekt (L_{WA}) i samsvar med direktiv 2000/14/EF og EN ISO 22868 har en typisk statistisk spredning (standardavvik) på 3 dB(A).

⁷⁵ Rapporterte data for lydtrykknivå for maskinen har en typisk statistisk spredning (standardavvik) på 3 dB(A).

⁷⁶ Vibrasjonsnivå i henhold til EN 62841-4-1. Rapporterte data for vibrasjonsnivå har en typisk statistisk spredning (standardavvik) på ±1,5 m/s². Oppgitte vibrasjonsdata fra målinger når maskinen er utstyrt med en sverdlengde og anbefalt kjedetype. Hvis maskinen er utstyrt med en annen sverdlengde, kan vibrasjonsnivået variere med maksimalt ±1,5 m/s².

	225i
Fremre håndtak, m/s ²	3,9
Bakre håndtak, m/s ²	3,9
Sagkjede/sverd	
Anbefalte sverdlengder, tommer/cm	12–14/30,5–35,6
Effektiv skjærelengde, tommer/cm	11–13/27–33,2
Type drivhjul / antall tenner	Spur/6
Maksimal kjedehastighet / (Normal modus), m/s	11,8
Maksimal kjedehastighet / (SavE-modus), m/s	9,4

Tilbehør

Kombinasjoner av sverd og sagkjede






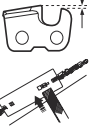
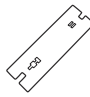

Følgende skjærestyr er godkjent for Husqvarna 225i.






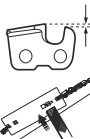
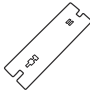






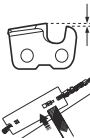
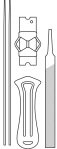

Sverd					Sagkjede	
Type	Lengde, tommer	Kjededeling, tommer	Sporbredde, mm	Maks. antall tenner nesehjul	Type	Lengde, drivledd (nr.)
501959545	12	3/8" mini	1,1	7T	Husqvarna H38 (581808145)	45
501959552	14	3/8" mini	1,1	7T	Husqvarna H38 (581807952)	52

Fileutstyr og filevinkler

Bruk en Husqvarna-filmal til å file sagkjedet. Med en Husqvarna-filmal får du de rette filevinklene. Delenumrene er oppgitt i tabellen nedenfor.

Hvis du ikke er sikker på hvordan du identifiserer sagkjedetypen på produktet ditt, kan du se www.husqvarna.com for mer informasjon.

							
38	11/64 tommer / 4,5 mm	75°	30°	0°	0,025 tommer / 0,65 mm	505 69 81-03	579 55 88-01

							
							
93	5/32 tommer / 4,0 mm	60°	30°	0°	0,025 tommer / 0,65 mm	596 63 89-01	596 63 89-01

Godkjente batterier

Batteri	40-B140
Type	Litium-ion
Batterikapasitet, Ah	4
Nominell spenning, V	36
Vekt, kg	1.25

Godkjente batteriladere til produktet

Batterilader	40-C80
Nettspenning, V	100–240
Frekvens, Hz	50–60
Effekt, W	72
Utgangsspenning, V DC Ampere, A	43 / 1,6

Samsvarserklæring

EU-samsvarserklæring

Vi, **Husqvarna AB**, SE-561 82 Huskvarna, Sverige, tlf.:
+46-36-146500, erklærer på eget ansvar at produktet:

Beskrivelse	Trådløse motorsager
Merke	Husqvarna
Type/modell	225i
ID	Serienumre datert 2023 og senere

fullstendig overholder følgende EU-direktiver og
-forskrifter:

Direktiv/regulering	Beskrivelse
2006/42/EF	«angående maskiner»
2014/30/EU	«angående elektromagnetisk kompatibilitet»
2011/65/EU	«om begrensning av bruk av visse farlige stoffer i elektrisk og elektronisk utstyr»
2000/14/EF	«angående utslipp av støy til omgivelsene»

Følgende standarder er blitt brukt: EN
62841-1:2015+A11:2022, EN 62841-4-1:2020, EN
IEC 63000:2018, EN IEC 55014-1:2021, EN IEC
55014-2:2021.

Kontrollorgan: TÜV Rheinland LGA Products GmbH,
Tillystrasse 2, D-90431 Nuernberg, Germany, 0197,
har utført EU-typeundersøkelsen i henhold til
maskindirektivets (2006/42/EF) artikkel 12, punkt 3b.
Sertifikatet har følgende nummer: BM 50604678 0001.

Den leverte motorsagen samsvarer med det
eksemplaret som gjennomgikk EF-typeprøving.

I samsvar med direktiv 2000/14/EF tillegg V, se
Tekniske data på side 509 for de oppgitte lydverdiene.

Huskvarna, 2023-10-30



Claes Losdal, FoU-leder, Husqvarna AB

Ansvarlig for teknisk dokumentasjon



SPIS TREŚCI

Wstęp.....	513	Rozwiązywanie problemów.....	534
Bezpieczeństwo.....	514	Transport, przechowywanie i utylizacja.....	535
Montaż.....	522	Dane techniczne.....	536
Przeznaczenie.....	523	Akcesoria.....	537
Przegląd.....	529	Deklaracja zgodności.....	539

Wstęp

Przeznaczenie

Niniejsza pilarka przeznaczona jest do prac leśnych, takich jak ścinka, okrzywywanie oraz przecinanie.

Uwaga: Przepisy państwowe lub lokalne mogą określać limit zastosowania produktu.

Przegląd produktu

(Rys. 1)

1. Zabezpieczenie przed odbiciem
2. Uchwyt przedni
3. Interfejs użytkownika
4. Przełącznik start/stop
5. Wskaźnik ostrzegawczy i wskaźnik akumulatora
6. Przycisk SavE
7. Tylony uchwyt i osłona prawej ręki
8. Naklejki informacyjne i ostrzegawcze
9. Obudowa
10. Zbiornik oleju do smarowania łańcucha
11. Pokrywa transportowa
12. Blokada spustu
13. Spust
14. Pokrywa zębátky napędowej z pokrętkiem prowadnicy
15. Napinacz łańcucha
16. Wychwytnik piły łańcuchowej
17. Zderzak
18. Końcówka prowadnicy
19. Łańcuch pilarki
20. Prowadnica
21. Wskaźnik stanu naładowania
22. Złącze
23. Ładowarka
24. Klucz dwustronny
25. Kontrolka ostrzegawcza
26. Przycisk, stan akumulatora
27. Stan akumulatora
28. Przycisk odłączania akumulatora
29. Akumulator
30. Instrukcja obsługi
31. Pokrętko prowadnicy

Opis produktu

Husqvarna 225i to model pilarki z silnikiem elektrycznym.

Nieustannie prowadzone są prace w celu zwiększenia bezpieczeństwa użytkownika i wydajności pracy. Dodatkowe informacje można uzyskać w centrum serwisowym.

32. Pokrywa zębátky napędowej ze śrubą prowadnicy

Symbole znajdujące się na produkcie

- (Rys. 2) OSTRZEŻENIE: Produkt może spowodować poważne obrażenia ciała lub śmierć operatora lub innych osób. Należy zachować ostrożność i prawidłowo korzystać z produktu.
- (Rys. 3) Przed użyciem produktu należy dokładnie i ze zrozumieniem przeczytać instrukcję obsługi.
- (Rys. 4) Należy nosić zatwierdzony kask ochronny oraz zatwierdzone ochronniki słuchu i wzroku.
- (Rys. 5) Należy używać obu rąk podczas korzystania z produktu.
- (Rys. 6) Produktu nie wolno obsługiwać jedną ręką.
- (Rys. 7) Nie można pozwolić, aby wierzchołek prowadnicy dotykał obiektu.
- (Rys. 8) Nie używać sprzętu w czasie deszczu.
- (Rys. 9) Uwaga! Odbicie może nastąpić, gdy wierzchołek prowadnicy dotknie jakiegoś przedmiotu. Powoduje to odrzucenie prowadnicy w stronę operatora. Ryzyko poważnych obrażeń ciała lub śmierci.
- (Rys. 10) Napięcie znamionowe, V

- (Rys. 11) Olej do smarowania łańcucha.
- (Rys. 12) Kierunek wirowania łańcucha pilarki i maksymalna długość prowadnicy.
- (Rys. 13) Prąd stały.
- (Rys. 14) **Oznaczenia dotyczące ochrony środowiska.** Tego produktu ani opakowania nie można traktować jak odpadów domowych. Należy poddawać je recyklingowi w zatwierdzonym punkcie zbiórki sprzętu elektrycznego i elektronicznego.
- (Rys. 15) Niniejszy produkt jest zgodny z obowiązującymi dyrektywami WE.
- (Rys. 16) Niniejsze urządzenie spełnia wymogi przepisów obowiązujących w Wielkiej Brytanii.
- (Rys. 17) Etykieta emisji hałasu do środowiska zgodna z dyrektywą europejską 2000/14/WE, dyrektywami i przepisami Wielkiej Brytanii oraz przepisami Nowej Południowej Walii „Protection of the Environment Operations (Noise Control) Regulation 2017”. Gwarantowany poziom mocy akustycznej urządzenia jest określony w *Dane techniczne na stronie 536* oraz na etykiecie.
- (Rys. 21) Hamulec łańcucha, włączony (do przodu). Hamulec łańcucha, wyłączony (do tyłu).
- (Rys. 22) Kierunek obrotów łańcucha.
- (Rys. 23) Tabliczka znamionowa zawiera numer seryjny. **yyyy** to rok produkcji, a **ww** oznacza tydzień produkcji.

Uwaga: Pozostałe symbole/naklejki samoprzylepne umieszczone na produkcie dotyczą wymogów związanych z certyfikatami w niektórych krajach.

Symbole na akumulatorze i/lub na ładowarce.

- (Rys. 24) Należy poddać urządzenie recyklingowi w punkcie zbiórki sprzętu elektrycznego i elektronicznego. (Dotyczy tylko Europy)
- (Rys. 18) Bezpieczny transformator.
- (Rys. 19) Ładowarkę używać i przechowywać wyłącznie wewnątrz.
- (Rys. 20) Podwójna izolacja.

Producent

Husqvarna AB
Drottninggatan 2, SE-561 82, Huskvarna, Sweden, tel: +46-36-146500

Uszkodzenie produktu

Nie odpowiadamy za uszkodzenia naszego produktu, w przypadku gdy:

- produkt jest nieprawidłowo naprawiany.
- produkt jest naprawiany przy użyciu części nie pochodzących od producenta lub niezatwierdzonych przez producenta.
- produkt jest wyposażony w akcesoria nie pochodzące od producenta lub niezatwierdzone przez producenta.
- produkt nie jest naprawiany w autoryzowanym centrum serwisowym lub przez autoryzowaną placówkę.

Bezpieczeństwo

Definicje dotyczące bezpieczeństwa

Ostrzeżenia, uwagi i informacje są używane do zwrócenia uwagi na szczególnie ważne sekcje instrukcji obsługi.



OSTRZEŻENIE: Jest używane, gdy istnieje ryzyko poważnych obrażeń, śmierci operatora lub uszkodzenia otoczenia w wyniku nieprzestrzegania instrukcji obsługi.



UWAGA: Jest używane, gdy istnieje ryzyko uszkodzenia materiałów lub urządzenia w wyniku nieprzestrzegania instrukcji obsługi.

Uwaga: Stosuje się, aby przekazać więcej informacji, które są przydatne w danej sytuacji.

Ostrzeżenia dotyczące bezpieczeństwa dla narzędzi elektrycznych



OSTRZEŻENIE: Zapoznać się ze wszystkimi ostrzeżeniami dotyczącymi bezpieczeństwa, zasadami, ilustracjami i specyfikacjami dołączonymi do tego narzędzia. Niezastosowanie się do wszystkich poniższych instrukcji może spowodować porażenie prądem, pożar lub poważne obrażenia.

- **Zachowaj wszystkie ostrzeżenia i instrukcje do korzystania z nich w przyszłości.** Termin „narzędzie elektryczne” używany w ostrzeżeniach dotyczy narzędzia zasilanego prądem z sieci elektrycznej (przewodowego) lub narzędzia zasilanego z akumulatora (beprzewodowego).

Bezpieczeństwo miejsca pracy

- **Miejsce pracy powinno być czyste i dobrze oświetlone.** Obszary zacienione i takie, w których panuje nieład, mogą powodować wypadki.
- **Nie należy używać narzędzi elektrycznych w atmosferze wybuchowej, takiej jak w przypadku obecności cieczy palnych, gazów lub pyłów.** Narzędzia zasilane tworzą iskry, które mogą zapalić pył lub opary.
- **Podczas pracy z użyciem narzędzia elektrycznego należy trzymać dzieci i osoby przechodzące z daleka.** W wyniku utraty uwagi możesz stracić kontrolę nad urządzeniem.

Zasady bezpieczeństwa – elektryczność

- **Wtyczki narzędzi elektrycznych muszą odpowiadać gniazdom.** Zabrania się dokonywania przeróbek wtyczki. Nie należy stosować adapterów w przypadku uziemionych narzędzi elektrycznych. Nieprzerobione wtyczki i dopasowane gniazdka pozwalają zredukować ryzyko porażenia prądem.
- **Należy unikać kontaktu ciała z powierzchniami uziemionymi, takimi jak rury, grzejniki, kucharki i lodówki.** Uziemienie ciała powoduje zwiększenie ryzyka porażenia prądem.
- **Nie należy wystawiać narzędzi elektrycznych na działanie deszczu lub wilgoci.** Woda, która przedostanie się do narzędzia elektrycznego, zwiększa ryzyko porażenia elektrycznego.
- **Nie niszczyć przewodu. Nigdy nie korzystać z przewodu do przenoszenia, ciągnięcia lub odłączania narzędzia elektrycznego. Przewód należy utrzymywać z dala od źródeł ciepła, olejów, ostrych krawędzi lub ruchomych części.** Uszkodzone lub splecione kable zwiększają zagrożenie porażenia prądem.
- **Używając narzędzia elektrycznego na zewnątrz budynków, należy korzystać z odpowiedniego przedłużacza.** Stosowanie przewodu przeznaczonego do użytku na zewnątrz

budynków pozwala ograniczyć ryzyko porażenia prądem.

- **Jeśli nieuniknione jest użycie narzędzia w warunkach dużej wilgotności, należy zastosować zasilanie chronione wyłącznikiem różnicowo-prądowym (RCD).** Korzystanie z wyłącznika różnicowo-prądowego (RCD) zmniejsza ryzyko porażenia prądem.

Bezpieczeństwo osób

- **Używając narzędzi elektrycznych, należy zachować skupienie, obserwować wykonywane czynności i kierować się zdrowym rozsądkiem. Nie należy używać narzędzi elektrycznych, kiedy użytkownik jest zmęczony lub pod wpływem działania narkotyków, alkoholu lub leków.** Chwila nieuwagi podczas obsługi narzędzia elektrycznego może doprowadzić do poważnych obrażeń.
- **Stosować środki ochrony osobistej. Należy zawsze stosować środki ochrony wzroku.** Sprzęt ochronny, taki jak maski, antypoślizgowe buty robocze, kask lub środki ochrony słuchu stosowane w odpowiednich warunkach pozwalają obniżyć ryzyko odniesienia obrażeń.
- **Należy zapobiec niezamierzonemu rozruchowi.** Przed podłączeniem do źródła zasilania i/lub akumulatora, podniesieniem lub przeniesieniem narzędzia należy upewnić się, że przełącznik znajduje się w położeniu wyłączenia. Przenoszenie narzędzia zasilanego z palcem na przełączniku lub wystawianie włączonego narzędzia na działanie energii elektrycznej może prowadzić do wypadków.
- **Przed włączeniem narzędzia elektrycznego należy usunąć wszelkie klucze.** Klucz pozostawiony przy części wirującej narzędzia może spowodować obrażenia ciała.
- **Nie należy przeceniać swoich możliwości. Stać na stabilnym podłożu i zachować równowagę.** Pozwoli to zachować lepszą kontrolę nad narzędziem elektrycznym w nieoczekiwanych sytuacjach.
- **Należy odpowiednio się ubierać. Nie należy zakładać luźnych ubrań i nosić biżuterii. Włosy oraz ubranie należy trzymać z dala od elementów ruchomych.** Luźna odzież, biżuteria lub długie włosy mogą zostać wciągnięte przez ruchome części.
- **Jeśli dołączone jest wyposażenie służące do podłączenia urządzeń odprowadzających i gromadzących pył, należy zadbać o jego podłączenie i właściwe używanie.** Stosowanie urządzeń odprowadzających pył może ograniczyć zagrożenia związane z obecnością pyłu.
- **Częste używanie urządzeń nie zwalnia operatora z obowiązku zachowania czujności i przestrzegania zasad bezpieczeństwa podczas korzystania z produktu.** Nierozważne działanie może doprowadzić do poważnych obrażeń w ułamku sekundy.

Użytkowanie i konserwacja narzędzia elektrycznego

- **Nie należy wysilać nadmiernie narzędzia. Używać narzędzia elektrycznego dopasowanego do zastosowania.** Właściwie narzędzie zasilane pozwoli lepiej i bezpieczniejszym wykonać pracę, do której zostało przeznaczone.
- **Nie należy używać narzędzia elektrycznego, jeśli przełącznik nie może go włączyć lub wyłączyć.** Jeśli narzędzie zasilane nie może być kontrolowane za pomocą wyłącznika, jest ono niebezpieczne i musi być oddane do naprawy.
- **Przed dokonaniem jakichkolwiek regulacji, zmianą akcesoriów lub odłożeniem do przechowywania odłączyć wtyczkę od źródła zasilania i/lub wyjąć akumulator z narzędzia, jeśli jest taka możliwość.** Takie działania zapobiegawcze redukuje ryzyko przypadkowego uruchomienia narzędzia.
- **Należy przechowywać nieużywane narzędzia elektryczne poza zasięgiem dzieci i nie pozwalać osobom nie zaznajomionym z narzędziami elektrycznymi lub niniejszymi instrukcjami ich obsługiwać.** Narzędzia zasilane są niebezpieczne w rękach nieprzeszkolonych użytkowników.
- **Konserwacja narzędzi elektrycznych i akcesoriów** Należy sprawdzić ustawienie w osi elementów mocujących lub ruchomych, uszkodzenia części i inne warunki, które mogą mieć wpływ na działanie narzędzia elektrycznego. W przypadku uszkodzenia narzędzie zasilane należy naprawić przed użyciem. Wiele wypadków spowodowanych jest przez niewłaściwą konserwację narzędzi elektrycznych.
- **Narzędzia tnące należy utrzymywać w stanie naostrzonym i czystym.** Właściwie konserwowane narzędzia tnące, z ostrymi krawędziami tnącymi dają mniejsze prawdopodobieństwo zacinania i łatwiej je kontrolować.
- **Narzędzia elektryczne, oprzyrządowanie i końcówki** powinny być używane zgodnie z niniejszymi instrukcjami, biorąc pod uwagę warunki robocze oraz zadanie, jakie należy wykonać. Korzystanie z narzędzia zasilanego do zadań innych, niż te, do których jest przeznaczone, może być niebezpieczne.
- **Utrzymywać uchwyty i powierzchnie do chwytania w stanie suchym, czystym oraz wolnym od smaru i oleju.** Śliskie uchwyty i powierzchnie do chwytania nie pozwalają na bezpieczną obsługę i kontrolę narzędzia w nieoczekiwanych sytuacjach.

Użytkowanie i konserwacja narzędzia elektrycznego zasilanego akumulatorem

- **Ładować jedynie za pomocą ładowarki wskazanej przez producenta.** Ładowarka przeznaczona do jednego rodzaju akumulatora może grozić pożarem w przypadku wykorzystania jej do ładowania innego rodzaju akumulatora.
- **Narzędzi elektrycznych należy używać wyłącznie w połączeniu z określonym rodzajem akumulatorów.**

Użycie akumulatorów innego rodzaju może stworzyć zagrożenie obrażeniami ciała i pożarem.

- **Kiedy akumulator nie jest używany, należy przechowywać go z dala od innych metalowych przedmiotów, takich jak spinacze do papieru, monety, klucze, gwoździe i śruby oraz innych niewielkich metalowych przedmiotów, które mogłyby połączyć dwa zaciski akumulatora.** Spięcie zacisków akumulatora może spowodować oparzenia lub pożar.
- **W niewłaściwych warunkach z akumulatora może wypłynąć płyn. Należy unikać kontaktu z tym płynem. Jeżeli dojdzie do kontaktu, przemyć wodą. Jeśli dojdzie do kontaktu płynu z oczami, należy dodatkowo skorzystać z pomocy medycznej.** Płyn wydostający się z akumulatora może wywołać podrażnienia lub oparzenia.
- **Nie używać akumulatora ani narzędzia, jeśli są one uszkodzone lub zostały zmodyfikowane.** Uszkodzone lub zmodyfikowane akumulatory mogą charakteryzować się nieprzewidywalnymi właściwościami skutkującymi pożarem, eksplozją lub ryzykiem doznania obrażeń przez użytkownika.
- **Nie wystawiać akumulatora ani narzędzia na działanie ognia bądź nadmiernej temperatury.** Narażenie na pożar lub temperaturę przekraczającą 130°C (266 °F) może spowodować wybuch.
- **Postępować zgodnie ze wszystkimi instrukcjami dotyczącymi ładowania i nie ładować akumulatora ani narzędzia w temperaturach wykraczających poza zakres określony w instrukcji.** Nieprawidłowe ładowanie lub ładowanie w temperaturach wykraczających poza dopuszczalny zakres może uszkodzić akumulator i zwiększyć ryzyko pożaru.

Serwis

- **Narzędzie zasilane należy przekazać do wykwalifikowanego personelu serwisowego w celu naprawy z użyciem identycznych części zamiennych.** Zapewni to bezpieczną pracę narzędzia elektrycznego.
- **Pod żadnym pozorem nie należy serwisować uszkodzonych akumulatorów.** Serwisowanie akumulatorów powinno być wykonywane wyłącznie przez producenta lub autoryzowany serwis.

Ogólne zasady bezpieczeństwa dotyczące pilarki

- **Trzymać wszystkie części ciała z daleka od łańcucha pracującej pilarki. Przed uruchomieniem pilarki upewnić się, że łańcuch nie dotyka do niczego.** Moment nieuwagi w czasie pracy pilarką może spowodować wplątanie części twojego ubrania lub ciała w łańcuch.
- **Pracując pilarką, należy zawsze trzymać ją oburącz, prawą ręką za uchwyt tylny, lewą za uchwyt przedni.** Trzymanie pilarki z odwróconym ustawieniem rąk zwiększa ryzyko obrażeń ciała i nie nigdy nie należy go stosować.

- **Pilarkę należy trzymać wyłącznie za izolowaną powierzchnię uchwytu, ponieważ pilarka może dotknąć ukrytych przewodów.** Łańcuch pilarki w kontakcie z przewodem pod napięciem może wywołać przepływ prądu przez nieosłonięte metalowe części pilarki, co może skutkować porażeniem operatora prądem.
- **Należy stosować środki ochrony oczu. Zalecane jest stosowanie środków ochrony osobistej słuchu, głowy, rąk, nóg i stóp.** Odpowiednie wyposażenie ochronne zmniejszy ryzyko obrażeń od latających odłamków lub na skutek przypadkowego kontaktu z łańcuchem.
- **Nie obsługiwać pilarki na drzewie, drabinie, dachu lub niestabilnej platformie.** Obsługa pilarki w ten sposób może skutkować poważnymi obrażeniami ciała.⁷⁷
- **Zawsze utrzymuj odpowiedni odstęp pomiędzy stopami i pracuj pilarką tylko na stabilnym, bezpiecznym i płaskim podłożu.** Śliskie lub niestabilne podłoża mogą spowodować utratę równowagi lub kontroli nad pilarką.
- **W czasie cięcia naprężonego konaru należy uważać na odbicie.** Uwolnienie napięcia w włóknach drewna może doprowadzić do odbicia i uderzenia operatora i/lub utraty kontroli nad pilarką.
- **Zachowaj szczególną ostrożność w czasie cięcia krzewów i młodych drzew.** Cienki materiał może zostać pochwycony przez łańcuch piły i pociągnięty w stronę operatora lub spowodować utratę równowagi.
- **W czasie przenoszenia trzymać wyłączonej pilarkę za przedni uchwyt, tak aby łańcuch znajdował się z dala od ciała.** Podczas przewożenia lub przechowywania pilarki należy pamiętać o założeniu osłony przewodnicy. Odpowiednie obchodzenie się z pilarką zmniejsza ryzyko dotknięcia do wirującego łańcucha.
- **Postępować zgodnie z instrukcjami dotyczącymi smarowania, napinania łańcucha oraz wymiany przewodnicy i łańcucha.** Niewłaściwie napięty lub nasmarowany łańcuch może się urwać lub zwiększyć ryzyko wystąpienia odbicia.
- **Należy ciąć wyłącznie drewno. Nie używaj pilarki do celów niezgodnych z jej przeznaczeniem. Przykładowo: nie należy używać pilarki do cięcia metalu, tworzyw sztucznych, kamienia lub niedrewnianych materiałów budowlanych.** Stosowanie pilarki do działań innych niż te, do których została przeznaczona, może doprowadzić do niebezpiecznych sytuacji.
- **Nie podejmować próby ścinki drzewa, aż do momentu zrozumienia powiązanego z tym ryzyka oraz sposobów na jego unikanie.** Podczas ścinki drzewa operator lub osoby postronne mogą odnieść poważne obrażenia.
- **Postępować zgodnie ze wszystkimi instrukcjami podczas usuwania zakleszczonego materiału, przechowywania lub serwisowania pilarki. Upewnij się, że przełącznik jest wyłączony i że akumulator został wyjęty.** Nieoczekiwane uruchomienie pilarki podczas usuwania zakleszczonego materiału lub serwisowania może spowodować poważne obrażenia ciała.
- **Bez odpowiedniego przeszkolenia zabrania się obsługi pilarki na drzewie.** Obsługa pilarki na drzewie bez odpowiedniego przeszkolenia może zwiększyć ryzyko odniesienia poważnych obrażeń.

Przyczyny i zabezpieczenie przed odbiciem

Odbicie może nastąpić, gdy wierzchołek przewodnicy dotknie jakiegoś przedmiotu lub gdy szczelina w drewnie zamyka się i powoduje zakleszczanie łańcucha. Dotknięcie wierzchołkiem jakiegoś przedmiotu może spowodować odrzucenie w górę i w tył, w kierunku operatora. Zakleszczenie łańcucha pilarki na górnym odcinku przewodnicy może spowodować nagłe pchnięcie przewodnicy do tyłu, w stronę operatora. Obie wyżej wymienione reakcje mogą prowadzić do utraty kontroli nad pilarką, a w efekcie do poważnych obrażeń ciała. Podczas pracy nie należy polegać wyłącznie na systemach bezpieczeństwa pilarki. Operator pilarki musi podjąć kilka kroków, aby praca z pilarką nie zakończyła się wypadkiem lub obrażeniami. Odbicie jest efektem nieprawidłowego używania pilarki i/lub niewłaściwych procedur obsługi lub warunków pracy i można go uniknąć, stosując się do poniższych zaleceń:

- **Należy utrzymywać pewny chwyt, z kciukami i palcami opłatającymi uchwyty pilarki, z obiema rękoma na niej i ustawić ciało i ramię tak, aby być w stanie przeciwstawić się siłom odbicia.** Siły odbicia mogą być kontrolowane przez operatora w przypadku stosowania odpowiednich środków ostrożności. Nie zdejmować dłoni z pilarki.
- **Nigdy nie sięgać za daleko i nie ciąć powyżej wysokości ramion.** Dzięki temu uniknie się przypadkowego dotknięcia wierzchołkiem przewodnicy i zapewni się lepszą kontrolę nad pilarką w nieoczekiwanych sytuacjach.
- **Należy stosować tylko określone przez producenta zamienne przewodnice i łańcuchy.** Zastosowanie niewłaściwych przewodnic i łańcuchów może doprowadzić do zerwania łańcucha i/lub odbicia.
- **Przestrzegać zasad producenta, dotyczących ostrzeżenia i konserwacji przewodnicy i łańcucha pilarki.** Zmniejszanie wysokości ogranicznika zagłębienia może doprowadzić do zwiększonego odbicia.

NALEŻY ZACHOWAĆ NINIEJSZE INSTRUKCJE.

⁷⁷ Jeśli użytkownik został przeszkolony w zakresie specjalnych technik cięcia i pracy oraz jest odpowiednio zabezpieczony (kosz, liny, szelki), możliwe są odchylenia od tych przepisów bezpieczeństwa.

Ogólne zasady bezpieczeństwa



OSTRZEŻENIE: Przed rozpoczęciem użytkowania produktu przeczytać następujące ostrzeżenia.

- Ten produkt jest niebezpiecznym narzędziem w przypadku nieostrożnego postępowania lub nieprawidłowego korzystania. Może spowodować poważne obrażenia ciała lub śmierć operatora lub innych osób. Dlatego bardzo ważne jest, aby dokładnie i ze zrozumieniem zapoznać się z treścią niniejszej instrukcji.
- Nie należy modyfikować urządzenia bez zgody producenta. Nie należy używać urządzenia, które zostało zmienione przez innych i zawsze należy stosować oryginalne akcesoria. Zmiany, które nie zostały zatwierdzone przez producenta, mogą być przyczyną poważnych obrażeń ciała lub śmierci operatora bądź innych osób.
- Długotrwałe wdychanie oparów oleju łańcuchowego oraz pyłu towarzyszącego powstawaniu wiórów może być szkodliwe dla zdrowia.
- Niniejszy produkt podczas pracy wytwarza pole elektromagnetyczne. W pewnych okolicznościach pole to może zakłócać pracę aktywnych lub pasywnych implantów medycznych. Przed użyciem tego produktu osoby z wszczepionym implantem medycznym powinny skonsultować się z lekarzem i producentem implantu w celu ograniczenia ryzyka poważnych lub śmiertelnych obrażeń.

Instrukcje bezpieczeństwa dotyczące obsługi



OSTRZEŻENIE: Przed rozpoczęciem użytkowania produktu przeczytać następujące ostrzeżenia.

- Informacje zawarte w niniejszej instrukcji obsługi nie zastępują profesjonalnej wiedzy i doświadczenia. Jeśli użytkownik nie czuje się bezpiecznie w zaistniałej sytuacji, powinien zatrzymać urządzenie. Zwrócić się do swojego dealera Husqvarna lub profesjonalnego operatora pilarki. Użytkownik nie powinien podejmować się prac, jeżeli uważa, że przekraczają one jego kwalifikacje.
- W razie jakichkolwiek pytań dotyczących działania produktu można skontaktować się ze swoim dealerem lub Husqvarna. Możemy przekazać informacje na temat skutecznej i bezpiecznej obsługi urządzenia. W miarę możliwości brać udział w szkoleniu z obsługi pilarki. Informacje o dostępnych materiałach szkoleniowych i kursach można otrzymać w punkcie serwisowym, w szkółce leśnej lub w bibliotece.
- Przed rozpoczęciem użytkowania tego produktu należy zrozumieć, na czym polega odbicie, oraz dowiedzieć się, jak mu zapobiegać. Patrz *Informacje*

dotyczące odbicia na stronie 525 oraz Najczęściej zadawane pytania dotyczące odbicia na stronie 525 w celu uzyskania instrukcji.

- Nie używać urządzenia, akumulatora ani ładowarki, które są uszkodzone lub nie działają prawidłowo.
- Nie dotykać wirującego łańcucha pilarki. Może to spowodować poważne obrażenia lub śmierć.
- Nigdy nie używać produktu, odczuwając zmęczenie bądź znajdując się pod wpływem alkoholu lub leków, które mogą wpływać ujemnie na wzrok, zdolność oceny sytuacji lub panowanie nad wykonywanymi ruchami.
- Praca przy złej pogodzie jest męcząca i często zwiększa ryzyko obrażeń. Nie zaleca się używać produktu w bardzo niesprzyjających warunkach np. w gęstej mgłę, podczas silnego deszczu, przy silnym wietrze, na silnym mrozie lub gdy występuje ryzyko wyładowań atmosferycznych.
- Nie uruchamiać urządzenia, jeśli prowadnica, łańcuch pilarki i wszystkie osłony nie są prawidłowo zamontowane. W przeciwnym razie zębatka napędowa może się obluźnić i spowodować poważne obrażenia. Patrz *Montaż na stronie 522* w celu uzyskania instrukcji.

(Rys. 25)

- Może zdarzyć się, że trociny wejdą w osłonę sprzęgła i spowodują zablokowanie się łańcucha. Zawsze wyłączać silnik przed przystąpieniem do czyszczenia.
- Rozejrzyj się dookoła. Upewnij się, że osoby i zwierzęta nie mają możliwości dotknięcia produktu lub wpływania na sterowanie nim.

(Rys. 26)

- Dzieci nie mogą korzystać z urządzenia ani przebywać w jego pobliżu. Ponieważ produkt można łatwo uruchomić, dzieci mogą być w stanie ją włączyć, jeżeli nie będą pilnowane. Może to prowadzić do odniesienia poważnych obrażeń.
- Wyjąć akumulator, jeśli nie można zapewnić pełnego nadzoru nad urządzeniem lub w przypadku pozostawiania urządzenia na dłuższy czas.
- Stabilnie stać na stopach, aby mieć pełną kontrolę nad urządzeniem. Nie używać produktu, będąc na drabinie lub na drzewie. Nie używać produktu na niestabilnym podłożu.

(Rys. 27)

- Praca na drzewie wymaga stosowania specjalnych technik cięcia i pracy, których należy przestrzegać, aby zredukować ryzyko obrażeń. Nigdy nie pracować na drzewie, będąc bez specjalnego, profesjonalnego szkolenia w zakresie takich prac, łącznie ze szkoleniem w użyciu sprzętu zabezpieczającego i innych urządzeń do prac na wysokościach, takich jak szelki, liny, pasy, raki, karabińczyki itp.
- Nie próbować łapania spadających odcinków. Nigdy nie używać pilarki, gdy operator jest zabezpieczony

tylko jedną liną. Należy zawsze używać dwóch lin bezpieczeństwa.

- Brak ostrożności zwiększa ryzyko odbicia. Strefa odbicia przewodnicy może przypadkowo zetknąć się z gałęzią, pobliskim drzewem lub innym przedmiotem i spowodować odbicie.

(Rys. 28)

- Urządzenia nie wolno trzymać jedną ręką. Trzymanie produktu jedną ręką nie zapewnia bezpiecznego panowania nad nim.
- Nigdy nie pracować produktem ponad poziomem ramion i nie próbować ciąć końcówką przewodnicy.

(Rys. 29)

- Nie używać urządzenia w sytuacji, w której nie będzie możliwe uzyskanie pomocy w razie wystąpienia wypadku.
- Przed przeniesieniem urządzenia zatrzymać urządzenie i włączyć hamulec łańcucha. Trzymać urządzenie z przewodnicą i łańcuchem skierowanymi do tyłu. Zakładać osłonę transportową na przewodnicę przed transportem lub przed przeniesieniem urządzenia na dowolną odległość.
- W przypadku odkładania urządzenia na ziemię włączyć hamulec łańcucha i utrzymywać stały kontakt wzrokowy z urządzeniem. Zatrzymać urządzenie i wyjąć z niego akumulator przed pozostawieniem go na dowolny okres czasu.
- Istnieje ryzyko, że ścinki drewna dostaną się do układu napędowego. Może to spowodować zacięcie łańcucha. Przed przystąpieniem do czyszczenia należy zawsze wyłączać produkt i wyjmować akumulator.
- Poziom wibracji zwiększa się w przypadku używania nieprawidłowego lub źle naostrzonego osprzętu tnącego. Piłowanie twardych gatunków drzew (takich jak drzewa liściaste) wywołuje większe drgania niż piłowanie gatunków miękkich (takie jak drzewa iglaste).

(Rys. 30)

- Nadmierne wibracje mogą spowodować uszkodzenia naczyń krwionośnych lub nerwów u osób mających problemy z krążeniem. W przypadku rozpoznania u siebie objawów, których przyczyną może być narażenie na nadmierne wibracje, należy zwrócić się do lekarza. Przykładami takich objawów są drętwienie, brak czucia, „łaskotanie”, „kłucie”, ból, całkowita lub częściowa utrata siły, zmiany koloru skóry lub naskórka. Objawy te najczęściej występują w palcach, dłoniach lub nadgarstkach i nasilają się w niskich temperaturach.
- Nie należy podejmować prób przycinania lub skracania gałęzi na stojącym drzewie bez odpowiedniego przeszkolenia.
- Podczas pracy na wzniesieniu należy zawsze stać po bardziej wzniesionej stronie ciętej kłody, ponieważ drzewo prawdopodobnie stoczy się lub zjedzie w dół wzniesienia po ścięciu. Aby zachować

całkowitą kontrolę nad produktem podczas cięcia należy, wyrównać siłę nacisku blisko końca cięcia. Nie należy zwalniać nacisku wokół uchwytów. Nie dopuszczają do zetknięcia pilarki z podłożem. Po zakończeniu cięcia poczekać na zatrzymanie pilarki przed jej przemieszczeniem. Przed przejściem z jednego drzewa do drugiego zawsze należy wyłączyć silnik.

(Rys. 31)

- Nie wolno ścinać drzew, jeżeli istnieje jakiegokolwiek ryzyko, że zagrazi to bezpieczeństwu ludzi, mienia i linii zasilających. W przypadku dotknięcia instalacji przez drzewo należy natychmiast powiadomić dostawcę mediów.
- Należy zapewnić sobie możliwość bezpiecznego poruszania się podczas pracy. Sprawdzić warunki i otaczający teren pod kątem ewentualnych przeszkód, takich jak korzenie, gałęzie, doły i inne. Zachować ostrożność podczas pracy na pochyłym terenie.
- Unikać sytuacji, które mogą przekraczać własne możliwości.
- Nie można uwzględnić każdej sytuacji, w jakiej potencjalnie można się znaleźć podczas korzystania z tego produktu. Zawsze zachowywać ostrożność i kierować się zdrowym rozsądkiem.

(Rys. 32)

Środki ochrony osobistej



OSTRZEŻENIE: Przed rozpoczęciem użytkowania produktu przeczytać następujące ostrzeżenia.

(Rys. 33)

- Większość wypadków zdarza się, gdy łańcuch pilarki dotyka ciała operatora. Stosować zatwierdzone środki ochrony osobistej podczas pracy. Środki ochrony osobistej nie zapewniają pełnej ochrony przed urazami, ale zmniejszają stopień obrażeń ciała w razie wypadku. Zwrócić się do swojego dealera, aby uzyskać zalecenia dotyczące odpowiedniego wyposażenia.
- Odzież musi być dopasowana, ale nie może ograniczać ruchów. Regularnie sprawdzać stan środków ochrony osobistej.
- Stosować atestowany kask ochronny.
- Stosować atestowane ochronniki słuchu. Długotrwałe przebywanie w hałasie może doprowadzić do trwałego uszkodzenia słuchu.
- Stosować okulary ochronne lub osłonę twarzy, aby ograniczyć ryzyko obrażeń w wyniku uderzenia przedmiotem odrzuconym spod urządzenia. Urządzenie może odrzucać z dużą siłą przedmioty takie jak wióry, małe kawałki drewna itp. Może to spowodować poważne obrażenia, szczególnie w razie uderzenia w oko.
- Używać rękawic ochronnych z zabezpieczeniem przed przecięciem pilarką.

- Używać spodni z wkładką zabezpieczającą.
- Nosić obuwie z zabezpieczeniem przed przecięciem piłą, z podnoskami stalowymi i przeciwpoślizgowymi podeszwami.
- Apteczka pierwszej pomocy powinna znajdować się zawsze w pobliżu.
- Ryzyko iskrzenia. Należy zawsze mieć w pobliżu sprzęt gaśniczy i łopatę, aby zapobiec pożarom lasów.

Zespoły zabezpieczające na produkcji



OSTRZEŻENIE: Przed rozpoczęciem użytkowania produktu przeczytać następujące ostrzeżenia.

- Nie używać produktu z urządzeniami zabezpieczającymi, które są uszkodzone lub nie działają prawidłowo.
- Regularnie przeprowadzać kontrole urządzeń zabezpieczających. Patrz *Konserwacja i kontrola zespołów zabezpieczających produktu na stronie 530*.
- Jeśli urządzenia zabezpieczające są uszkodzone lub nie działają prawidłowo, należy skontaktować się z warsztatem obsługi technicznej Husqvarna.

Funkcje interfejsu użytkownika

Na interfejs użytkownika składają się przełącznik start/stop, przycisk SavE i wskaźniki stanu baterii oraz ostrzegawczy. Wskaźnik ostrzegawczy miga w przypadku uruchomienia hamulca pilarki lub gdy występuje ryzyko przeciążenia. Zabezpieczenie przeciążeniowe powoduje chwilowe zatrzymanie urządzenia i uniemożliwia korzystanie z niego do momentu obniżenia temperatury. Jeśli kontrolka ostrzegawcza świeci światłem ciągłym, należy skontaktować się z punktem serwisowym.

(Rys. 34)

Więcej informacji na temat interfejsu użytkownika znajduje się w sekcji *Przegląd produktu na stronie 513*.

Funkcja automatycznego zatrzymania

Produkt wyposażono w funkcję automatycznego zatrzymania, która aktywuje się, jeśli urządzenie nie jest używane przez 3 minuty.

Hamulec łańcucha i zabezpieczenie przed odbiciem

Urządzenie wyposażone jest w hamulec łańcucha, który zatrzymuje łańcuch pilarki w razie odbicia. Hamulec łańcucha zmniejsza ryzyko wypadków, lecz tylko Ty, jako operator pilarki, możesz im ostatecznie zapobiec.

(Rys. 35)



OSTRZEŻENIE: Unikaj sytuacji, w których zachodzi ryzyko odbicia. Zachować ostrożność podczas korzystania

z urządzenia i uważać, aby strefa odbicia prowadnicy nie dotknęła obiektu.

(Rys. 36)

Hamulec łańcucha uruchamiany jest (A) manualnie lewą ręką, bądź automatycznie za pomocą mechanizmu bezwładnościowego. Przesunąć zabezpieczenie przed odbiciem (B) do przodu, aby manualnie włączyć hamulec łańcucha. Ruch ten powoduje aktywację mechanizmu sprężynowego, który blokuje zębatkę napędową.

(Rys. 37)

Sposób uruchamiania hamulca łańcucha jest zależny od siły odbicia i położenia produktu. W razie silnego odbicia, gdy strefa odbicia prowadnicy znajduje się możliwie najdalej od operatora, włącza się on wskutek działania przeciwcieżaru (masy bezwładnościowej) w kierunku odbicia. W przypadku słabego odbicia lub małej odległości strefy odbicia od operatora hamulec włączany jest manualnie lewą ręką.

(Rys. 38)

Należy używać hamulca łańcucha jako hamulca postojowego przy uruchamianiu urządzenia oraz przy przenoszeniu na krótkie odległości. Zmniejsza to ryzyko dotknięcia łańcucha pilarki przez operatora lub przez osobę znajdującą się w pobliżu.

(Rys. 39)

Pociągnąć dźwignię hamulca do tyłu, aby zwolnić hamulec pilarki.

(Rys. 40)

Odbicie może być gwałtowne i wystąpić nagle. W większości przypadków odbicia są niewielkie i nie zawsze powodują włączenie się hamulca łańcucha. W przypadku odbicia podczas używania produktu, należy trzymać uchwyty mocno i nie puszczać ich.

(Rys. 41)

Zabezpieczenie przed odbiciem zmniejsza także ryzyko dotknięcia łańcucha, jeśli ręka puści przedni uchwyt.

(Rys. 42)

Podczas ścinki nie można ręcznie włączać hamulca. W tej pozycji hamulec może zostać włączony wyłącznie na skutek działania przeciwcieżaru.

(Rys. 43)

Blokada manetki gazu

Blokada manetki gazu zabezpiecza przed przypadkowym naciśnięciem manetki. Po naciśnięciu blokady manetki gazu do przodu (A) i dociśnięciu jej do uchwytu (B), dźwignia manetka gazu (C) zostaje zwolniona. Po zwolnieniu uchwytu manetka gazu i blokada manetki gazu powrócą do swoich pozycji wyjściowych.

(Rys. 44)

Wychwytnik łańcucha

Wychwytnik łańcucha wylapuje łańcuch pilarki w razie pęknięcia lub obluźnienia. Jeśli naciąg łańcucha jest prawidłowy, ryzyko maleje. Można także zmniejszyć ryzyko poprzez wykonywanie prawidłowej konserwacji prowadnicy i łańcucha pilarki. Instrukcje można znaleźć w *Montaż na stronie 522 i Przegląd na stronie 529*.

(Rys. 45)

Ośłona prawej ręki

Ośłona prawej ręki działa jako ochrona dłoni w przypadku pęknięcia lub obluźnienia łańcucha. Zapobiega też nieprawidłowej pracy spowodowanej przez gałęzie podczas używania produktu.

(Rys. 46)

Zasady bezpieczeństwa związane z akumulatorem



OSTRZEŻENIE: Przed rozpoczęciem użytkowania produktu przeczytać następujące ostrzeżenia.

- Należy używać wyłącznie akumulatorów z serii 40-B zalecanych do posiadanego urządzenia. Patrz *Zatwierdzone akumulatory na stronie 538*. Akumulatory są zabezpieczone szyfrem programowym.
- Jako źródła zasilania do powiązanych produktów Husqvarna należy używać akumulatorów z serii 40-B. Patrz *Zatwierdzone akumulatory na stronie 538*. Aby uniknąć obrażeń, nie należy używać akumulatora jako źródła zasilania innych produktów.
- Ryzyko porażenia prądem. Nie zwierać zacisków akumulatora kluczami, śrubami ani innymi metalowymi przedmiotami. Może to spowodować zwarcie akumulatora.
- Nie wolno używać akumulatorów, których nie można ładować.
- Nie wkładać żadnych przedmiotów do szczeliny powietrznych akumulatora.
- Chronić akumulator przed bezpośrednim działaniem promieni słonecznych, wysoką temperaturą i otwartym płomieniem. Akumulator może spowodować oparzenia i/lub oparzenia chemiczne.
- Akumulator należy chronić przed deszczem i wodą.
- Akumulator należy chronić przed działaniem mikrofal i wysokiego ciśnienia.
- Nie próbować rozbierać ani rozbijać akumulatora.
- Nie należy pozwalać na wejście kwasu akumulatorowego w kontakt ze skórą. Kwas akumulatorowy powoduje obrażenia skóry, korozję i oparzenia. W przypadku dostania się kwasu akumulatorowego do oka nie trzeć oczu, tylko płukać je wodą przez przynajmniej 15 min. Jeśli kwas akumulatorowy wejdzie w kontakt ze skórą,

należy oczyścić skórę dużą ilością wody z mydłem. Uzyskać pomoc medyczną.

- Akumulator można używać w zakresie temperatur od -10°C (14°F) do 40°C (104°F).
- Do czyszczenia akumulatora i ładowarki nie należy używać wody. Patrz *Sprawdzanie akumulatora i uchwytu akumulatora na stronie 531*.
- Nie wolno używać uszkodzonego akumulatora.
- Przechowywać akumulatory z dala od metalowych przedmiotów, takich jak gwoździe, śruby czy biżuteria.
- Przechowywać akumulator z dala od dzieci.

Zasady bezpieczeństwa w czasie obsługi ładowarki



OSTRZEŻENIE: Przed rozpoczęciem użytkowania produktu przeczytać następujące ostrzeżenia.

- Nieprzestrzeganie zasad bezpieczeństwa stwarza ryzyko porażenia prądem lub wystąpienia zwarcia.
- Należy używać zatwierdzonego i uziemionego gniazda sieciowego, które nie jest uszkodzone.
- Nie używać innych ładowarek do akumulatorów niż te dostarczone dla danego produktu. Należy używać wyłącznie ładowarek 40-C80 do ładowania akumulatorów zastępczych Husqvarna 40-B140. Patrz *Ładowarki akumulatorów zatwierdzone dla urządzenia na stronie 538* oraz *Zatwierdzone akumulatory na stronie 538*.
- Nie należy podejmować prób rozmontowania ładowarki.
- Nie należy używać wadliwej lub uszkodzonej ładowarki do akumulatora.
- Nie podnosić ładowarki do akumulatora za przewód zasilający. Aby odłączyć ładowarkę do akumulatora od gniazda, wyciągnąć wtyczkę. Nie ciągnąć za przewód.
- Należy chronić wszystkie przewody i przedłużacze przed działaniem wody, olejów oraz przedmiotów o ostrych krawędziach. Uważać także, aby przewód nie został zakleszczony w drzwiach, furtkach, płotach itp.
- Nie używać ładowarki do akumulatora w pobliżu łatwopalnych materiałów lub materiałów, które mogą powodować korozję. Upewnić się, że ładowarka nie jest przykryta. W razie zauważenia dymu lub ognia należy odłączyć ładowarkę od źródła zasilania.
- Należy ładować akumulator wyłącznie wewnątrz budynku, w miejscu z dobrym przepływem powietrza i z dala od światła słonecznego. Nie należy ładować akumulatora na zewnątrz pomieszczeń. Nie ładować akumulatora w wilgotnym otoczeniu.
- Ładowarkę można użytkować w zakresie temperatur od 5°C do 40°C. Ładowarki należy używać w suchym, dobrze wentylowanym i wolnym od pyłów środowisku.

- Nie wkładać żadnych przedmiotów do szczelin wentylacyjnych ładowarki.
- Styków ładowarki nie należy zwierać metalowymi przedmiotami, gdyż może to wywołać zwarcie.
- Należy używać zatwierdzonego, sprawnego gniazodka elektrycznego.
- Nie należy ładować w ładowarkach baterii jednorazowego użytku.

Instrukcje bezpieczeństwa dotyczące konserwacji



OSTRZEŻENIE: Przed rozpoczęciem prac konserwacyjnych produktu przeczytać następujące ostrzeżenia.

- Wyjąć akumulator przed rozpoczęciem prac konserwacyjnych, innych przeglądów lub montażu produktu.
- Użytkownikowi wolno wykonywać tylko te czynności konserwacyjne i serwisowe, które są wskazane w niniejszej instrukcji obsługi. W przypadku czynności konserwacyjnych i serwisowych o szerszym zakresie należy zwrócić się do autoryzowanego serwisu.
- Do czyszczenia akumulatora ani ładowarki nie należy używać wody. Silne detergenty mogą spowodować uszkodzenie tworzywa sztucznego.
- Zaniechanie czynności konserwacyjnych skróci cykl życia produktu i zwiększy ryzyko wypadków.
- Dla wszystkich prac serwisowych i naprawczych, zwłaszcza dla urządzeń zabezpieczających na produkcie, konieczne jest specjalne przeszkolenie. Jeśli nie wszystkie opisane w niniejszej instrukcji obsługi kontrole zakończą się pomyślnie po wykonaniu konserwacji, należy zwrócić się do autoryzowanego serwisu. Gwarantujemy profesjonalne naprawy i serwisowanie produktu.
- Używaj wyłącznie oryginalnych części zamiennych.

Instrukcje dotyczące bezpieczeństwa osprzętu tnącego



OSTRZEŻENIE: Przed rozpoczęciem użytkowania produktu przeczytać następujące ostrzeżenia.

- Należy korzystać wyłącznie z zatwierdzonych zestawów prowadnicy/łańcucha pilarki oraz sprzętu do ostrzenia. Aby uzyskać odpowiednie instrukcje — patrz *Dane techniczne na stronie 536*.
- W trakcie użytkowania lub konserwacji łańcucha pilarki należy korzystać z rękawic ochronnych. Łańcuch pilarki, który się nie porusza, może również spowodować obrażenia.
- Dbać o właściwe naostrzenie zębów tnących. Przestrzegaj naszych instrukcji i używaj zalecanego prowadnika pilnika. Uszkodzony lub nieprawidłowo naostrzony łańcuch pilarki zwiększa ryzyko wypadków.

(Rys. 47)

- Utrzymuj prawidłowe ustawienie regulatora wysokości. Przestrzegaj naszych instrukcji i używaj zalecanego ustawienia regulatora wysokości. Użycie zbyt dużego szablonu do ograniczników zagłębienia zwiększa ryzyko odbicia.

(Rys. 48)

- Dopilnować, aby łańcuch został prawidłowo naprężony. Jeśli łańcuch pilarki nie jest dociśnięty do prowadnicy, może się z niej wypiąć. Nieprawidłowe naprężenie łańcucha pilarki zwiększa zużycie prowadnicy, łańcucha pilarki i zębчатки napędowej łańcucha. Patrz *Akcesoria na stronie 537*.

(Rys. 49)

- Regularnie wykonywać czynności konserwacyjne osprzętu tnącego i dbać o jego prawidłowe nasmarowanie. Jeśli łańcuch pilarki nie jest prawidłowo nasmarowany, zwiększa się ryzyko zużycia prowadnicy, łańcucha pilarki i zębчатки napędowej łańcucha.

(Rys. 50)

Montaż

Montaż prowadnicy i łańcucha pilarki (z pokrętkiem prowadnicy)



OSTRZEŻENIE: Zawsze wyjmować akumulator przed wykonywaniem jakichkolwiek czynności montażowych lub konserwacyjnych na maszynie.

1. Zwolnić hamulec łańcucha. (Rys. 51)
2. Poluzować pokrętko prowadnicy i zdjąć pokrywę zębчатки napędowej. (Rys. 52)
3. Nałożyć prowadnicę na śruby. Przesunąć prowadnicę w skrajne tylne położenie. Podnieść łańcuch nad zębatkę napędową łańcucha i włożyć go w rowek prowadnicy. Zacząć od górnej strony prowadnicy.

- Upewnić się, że krawędzie ogniw tnących na górnej krawędzi prowadnicy są zwrócone do przodu. (Rys. 53)
- Zamontować pokrywę zębątki napędowej i skierować kolek napinacza łańcucha do otworu w prowadnicy.
- Upewnić się, że ogniwa prowadzące łańcucha piły są ułożone prawidłowo na zębątkie napędowej łańcucha.
- Należy się również upewnić, że łańcuch pilarki jest prawidłowo osadzony w rowku prowadnicy.
- Zwiększyć napięcie łańcucha pilarki. Patrz *Przegląd na stronie 529* w celu uzyskania instrukcji.
- Dokręcić pokrętło prowadnicy.
- Upewnić się, że krawędzie ogniw tnących na górnej krawędzi prowadnicy są zwrócone do przodu. (Rys. 55)
- Zamontować pokrywę zębątki napędowej i skierować kolek napinacza łańcucha do otworu w prowadnicy.
- Upewnić się, że ogniwa prowadzące łańcucha piły są ułożone prawidłowo na zębątkie napędowej łańcucha.
- Należy się również upewnić, że łańcuch pilarki jest prawidłowo osadzony w rowku prowadnicy.
- Dokręć palcami nakrętkę motylkową.
- Naciągnąć łańcuch pilarki. Patrz *Przegląd na stronie 529* w celu uzyskania instrukcji.

Montaż prowadnicy i łańcucha pilarki (ze śrubą prowadnicy)



OSTRZEŻENIE: Zawsze wyjmować akumulator przed wykonywaniem jakichkolwiek czynności montażowych lub konserwacyjnych na maszynie.

- Zwolnić hamulec łańcucha. (Rys. 51)
- Poluzować nakrętkę prowadnicy i zdjąć pokrywę zębątki napędowej. (Rys. 54)
- Nałożyć prowadnicę na śruby. Przesunąć prowadnicę w skrajne tylne położenie. Podnieść łańcuch nad zębątkę napędową łańcucha i włożyć go w rowek prowadnicy. Zacząć od górnej strony prowadnicy.

Montaż ładowarki na ścianie



UWAGA: Do montażu ładowarki na ścianie nie należy używać śrubokręta elektrycznego. Śrubokręt elektryczny może spowodować uszkodzenie ładowarki.

- Zamontować ładowarkę na ścianie za pomocą 2 śrub (A). W razie potrzeby użyć kołków rozporowych (B). (Rys. 56)
- Zamocować 2 zaślepki do otworów na śruby (C).
- Podłączyć przewód zasilający (D) do ładowarki i gniazda zasilania.

Przeznaczenie

Wstęp



OSTRZEŻENIE: Przed użyciem produktu należy zapoznać się z rozdziałem dotyczącym bezpieczeństwa.

Wykonanie kontroli funkcjonalnej przed użyciem produktu

- Sprawdzić hamulec łańcucha (A), aby upewnić się, że działa on poprawnie i nie jest uszkodzony.
- Sprawdzić tylną osłonę prawej ręki (B), aby upewnić się, że nie jest ona uszkodzona.
- Sprawdzić manetkę gazu oraz blokadę manetki gazu (C), aby upewnić się, że działają one poprawnie i nie są uszkodzone.
- Sprawdzić klawiaturę (D), aby upewnić się, że działa poprawnie.
- Upewnić się, że nie ma oleju na uchwytach (E).
- Sprawdzić, czy wszystkie części są prawidłowo zamocowane i kompletne, i czy nie są uszkodzone.

- Sprawdzić wychwytnik łańcucha (F), aby upewnić się, że jest on prawidłowo zamontowany.
- Sprawdzić stan napięcia łańcucha pilarki (G).
- Naładować akumulator (H) i upewnić się, że jest on prawidłowo podłączony do produktu.
- Sprawdzić, czy łańcuch pilarki zatrzymuje się po naciśnięciu przycisku zasilania. (Rys. 57)

Używanie prawidłowego oleju do smarowania piły łańcuchowej



OSTRZEŻENIE: Nie należy używać zużytego oleju, ponieważ może to spowodować obrażenia operatora i zanieczyszczenie środowiska. Taki olej niszczy pompę olejową, prowadnicę i łańcuch piły.



OSTRZEŻENIE: Łańcuch piły może się zerwać, jeśli smarowanie osprzętu tnącego nie jest wystarczające. Ryzyko

poważnych obrażeń ciała lub śmierci operatora.



OSTRZEŻENIE: Używać odpowiedniego oleju do smarowania łańcuchowej w celu zapewnienia prawidłowego działania produktu. Przy wybieraniu oleju do łańcuchowej można skontaktować się ze swoim dealerem.

- Użyć oleju do smarowania łańcuchowej Husqvarna w celu zapewnienia maksymalnego czasu eksploatacji łańcucha i zapobiegania negatywnym skutkom dla środowiska. Jeśli olej do smarowania łańcuchowej Husqvarna jest niedostępny, zalecamy używanie standardowego oleju do smarowania łańcuchowej.
- Używać oleju do smarowania łańcuchowej o dobrej przyczepności.
- Używać oleju do smarowania łańcuchowej o odpowiedniej lepkości dostosowanej do temperatury powietrza.



UWAGA: W temperaturach poniżej 0°C/32°F niektóre oleje do smarowania łańcuchowej są zbyt gęste, co może spowodować uszkodzenie podzespołów pompy oleju.

- Używać zalecanego osprzętu tnącego. Patrz *Akcesoria na stronie 537*.
- Zdjąć korek zbiornika oleju do smarowania łańcuchowej.

- Napełnić zbiornik olejem do smarowania łańcuchowej.
- Ostrożnie założyć korek.

(Rys. 58)

Uwaga: Aby sprawdzić, gdzie w produkcie znajduje się zbiornik oleju do smarowania łańcuchowej, patrz *Wstęp na stronie 513*.

Akumulator



OSTRZEŻENIE: Przed użyciem akumulatora należy zapoznać się z rozdziałem dotyczącym bezpieczeństwa. Należy również przeczytać uważnie instrukcję obsługi dołączonej do akumulatora i ładowarki.

Zapewnić akumulatorowi i ładowarce prawidłową temperaturę otoczenia.

	Temperatura otoczenia
Działanie akumulatora	5°C-40°C / 41°F-104°F
Ładowanie akumulatora	5°C-40°C / 41°F-104°F

Stan akumulatora

Na wyświetlaczu pokazywane są informacje o stanie naładowania akumulatora oraz ewentualne problemy.

(Rys. 59)

Wskaźnik diodowy	Poziom naładowania akumulatora
Świecą się 4 diody LED	Poziom naładowania akumulatora wynosi 76–100%.
Świecą się 3 diody LED	Poziom naładowania akumulatora wynosi 51–75%.
Świecą się 2 diody LED	Poziom naładowania akumulatora wynosi 26–50%.
Świeci się 1 dioda LED	Poziom naładowania akumulatora wynosi 6–25%.
Miga 1 dioda LED	Poziom naładowania akumulatora wynosi 0–5%.

Ładowanie akumulatora

Akumulator należy naładować przed pierwszym użyciem. Nowy akumulator jest naładowany jedynie w 30%.



UWAGA: Ładowarkę należy podłączyć do gniazda zasilania o napięciu i częstotliwości zgodnymi z tabliczką znamionową.

Akumulator nie będzie się ładować, jeżeli jego temperatura przekroczy 50°C/122°F.

1. Podłączyć przewód zasilający do ładowarki.

2. Podłączyć ładowarkę do uziemionego gniazda zasilania. Dioda LED ładowania zamiga jeden raz. (Rys. 60)
3. Podłączyć akumulator do ładowarki. Zaświeci się dioda LED ładowania. Akumulator można ładować przez maks. 24 godziny. (Rys. 61)
4. Nacisnąć przycisk wskaźnika akumulatora. Jeśli zaświecą się wszystkie wskaźniki LED, akumulator jest w pełni naładowany.
5. Wyciągnąć wtyczkę przewodu zasilającego z gniazda, aby odłączyć ładowarkę od zasilania. Nie ciągnąć za przewód.
6. Akumulator należy wyjąć z ładowarki.

Informacje dotyczące odbicia



OSTRZEŻENIE: Odbicie może spowodować poważne obrażenia ciała lub śmierć operatora lub innych osób. Aby zmniejszyć ryzyko, należy poznać przyczyny odbicia oraz sposoby zapobiegania.

Odbicie powstaje w momencie zetknięcia się strefy odbicia prowadnicy z twardym przedmiotem. Odbicie może nastąpić nagle i z dużą siłą, która odrzuca produkt w stronę operatora.

(Rys. 36)

Odbicie powstaje zawsze w płaszczyźnie tnącej prowadnicy. Zazwyczaj produkt jest wyrzucany w stronę operatora, ale kierunek odbicia może też być inny. Kierunek ruchu odbicia jest zależny od sposobu używania produktu w momencie odbicia.

(Rys. 62)

Odbicie powstaje wyłącznie w momencie zetknięcia się strefy odbicia prowadnicy z twardym przedmiotem. Nie dopuszczać, aby strefa odbicia dotknęła obiektu.

(Rys. 36)

Mniejszy promień końcówki prowadnicy zmniejsza siłę odbicia.

Aby zmniejszyć efekt odbicia, należy używać łańcucha przeciwodbiowego. Nie dopuszczać, aby strefa odbicia dotknęła obiektu.



OSTRZEŻENIE: Żaden łańcuch nie chroni w pełni przed odbiciem. Należy zawsze przestrzegać instrukcji.

Najczęściej zadawane pytania dotyczące odbicia

• **Czy zawsze można włączyć hamulec łańcucha ręką w razie odbicia?**

Nie. Konieczne jest użycie siły, aby przesunąć zabezpieczenie przed odbiciem do przodu. Jeśli operator nie użyje wystarczającej siły, hamulec łańcucha nie uruchomi się. Należy również mocno trzymać uchwyty urządzenia dwiema rękami podczas pracy. W takiej sytuacji w razie odbicia hamulec może nie zatrzymać łańcucha przed dotknięciem operatora. Istnieją również pewne pozycje, w których ręka nie dotyka zabezpieczenia przed odbiciem w celu włączenia hamulca łańcucha.

• **Czy mechanizm odśrodkowy zawsze włącza hamulec łańcucha w razie odbicia?**

Nie. Po pierwsze hamulec łańcucha musi działać prawidłowo. Patrz *Konserwacja i kontrola zespołów zabezpieczających produktu na stronie 530*, aby zapoznać się z instrukcjami na temat kontroli hamulca łańcucha. Zalecamy wykonywanie tych czynności przed każdym użyciem urządzenia. Po

drugie, odbicie musi być odpowiednio silne, by hamulec łańcucha został włączony. Jeśli hamulec piły łańcuchowej jest zbyt wrażliwy, może się uruchomić podczas pracy pod dużym obciążeniem.

• **Czy hamulec łańcucha zawsze zabezpiecza przed obrażeniami w razie odbicia?**

Nie. Hamulec łańcucha musi działać prawidłowo, aby zapewnić ochronę. Hamulec łańcucha musi być również włączony podczas odbicia, aby zatrzymać łańcuch pilarki. Jeśli operator znajduje się w pobliżu prowadnicy, możliwe jest, że hamulec łańcucha może nie zdążyć zatrzymać łańcucha, zanim uderzy on w operatora.



OSTRZEŻENIE: Tylko stosowanie prawidłowej techniki pracy może zapobiec odbiciu.

Uruchamianie produktu

1. Sprawdzić manetkę gazu i jej blokadę. Patrz *Sprawdzanie blokady manetki gazu na stronie 530*.
2. Aktywować hamulec łańcucha. (Rys. 63)
3. Włożyć akumulator do uchwytu akumulatora. (Rys. 64)



UWAGA: Należy sprawdzić, czy akumulator jest prawidłowo osadzony w uchwycie. Jeśli akumulatora nie daje się łatwo włożyć do uchwytu, jego pozycja nie jest poprawna.

4. Nacisnąć dolną część akumulatora, aż będzie slychać dźwięk kliknięcia. (Rys. 65)
5. Nacisnąć i przytrzymać przycisk start/stop do momentu zapalenia się zielonej diody LED. (Rys. 66)

Korzystanie z funkcji SavE

Funkcja SavE zmniejsza prędkość łańcucha i moc produktu.

1. Nacisnąć przycisk SavE. Włączy się zielona dioda.
2. Ponowne naciśnięcie przycisku SavE wyłączy funkcję. Gaśnie zielona dioda LED. (Rys. 67)

Wyłączanie produktu

1. Naciskać przycisk start/stop, aż zielona dioda LED zgaśnie. (Rys. 66)
2. Wcisnąć przyciski zwolnienia akumulatora i wyjąć go z mocowania, aby zapobiec przypadkowemu uruchomieniu. (Rys. 68)

Cięcie poprzez nacisk i cięcie poprzez podciąganie.

Produkt może być używany do cięcia drewna w 2 różnych pozycjach.

- Cięcie przy ciągnącym ruchu łańcucha oznacza cięcie dolną krawędzią prowadnicy. Następuje przyciąganie pilarki w kierunku ciętego drewna. W tym położeniu operator ma większą kontrolę nad produktem oraz położeniem strefy odbicia.

(Rys. 69)

- Cięcie przy odpychającym ruchu łańcucha oznacza cięcie górną krawędzią prowadnicy. Łańcuch piły popycha produkt w kierunku operatora.

(Rys. 70)



OSTRZEŻENIE: Jeżeli łańcuch piły uwięźnie w kłodzie, produkt może zostać odepchnięty w stronę operatora. Należy mocno trzymać produkt i upewnić się, że strefa odbicia prowadnicy nie dotyka drzewa, aby zapobiec odbiciu.

(Rys. 71)

Technika cięcia



OSTRZEŻENIE: Korzystać z pełnej mocy podczas cięcia i zmniejszać prędkość do obrotów biegu jałowego po każdym cięciu.



UWAGA: Nie pozwalać, aby silnik pracował zbyt długo bez obciążenia. Niezastosowanie się do tego zalecenia może spowodować uszkodzenie silnika.

1. Położyć pień na podpórce lub w przyrzni. (Rys. 72)



OSTRZEŻENIE: Nie próbować ciąć pni ułożonych w stertach. Zwiększa to ryzyko odbicia i może spowodować poważne obrażenia ciała lub śmierć.

2. Odcięte kawałki należy usuwać z obszaru pracy.



OSTRZEŻENIE: Odcięte kawałki w obszarze pracy zwiększają ryzyko odbicia i utraty równowagi.

Używanie zderzaka

1. Wepchnąć zderzak w pień drzewa.
2. Ustawić pełną moc i obrócić produkt. Oprzeć zderzak o pień drzewa. Ta procedura ułatwia zastosowanie siły niezbędnej do przecięcia pnia. (Rys. 73)

Cięcie pnia na ziemi

1. Przeciąć pień w kierunku „do siebie”. Utrzymywać pełną moc, ale zachować gotowość na wypadek nagłego zdarzenia. (Rys. 74)



OSTRZEŻENIE: Upewnić się, że łańcuch pilarki nie dotknie podłoża przy kończeniu razu.

2. Przeciąć około ⅓ średnicy pnia, a następnie przerwać pracę. Obrócić pień i wznowić cięcie od przeciwnej strony. (Rys. 75)

Cięcie pnia podpartego na jednym końcu



OSTRZEŻENIE: Upewnić się, że pień nie złamie się podczas cięcia. Przestrzegać poniższych instrukcji.

(Rys. 76)

1. Ciąć w kierunku „od siebie” do około ⅓ grubości pnia.
2. Ciąć w kierunku „do siebie”, aż dwa razy się zetkną. (Rys. 77)

Cięcie pnia podpartego na obu końcach



OSTRZEŻENIE: Upewnić się, że łańcuch pilarki nie zakleszczy się w pniu podczas cięcia. Przestrzegać poniższych instrukcji.

(Rys. 78)

1. Ciąć w kierunku „do siebie” do około ⅓ grubości pnia.
2. Przeciąć pozostałą część pnia w kierunku „od siebie”, aż do pełnego przecięcia. (Rys. 79)



OSTRZEŻENIE: Zatrzymać silnik, jeśli łańcuch pilarki zakleszczy się w pniu. Użyć dźwigni w celu otwarcia szczeliny i wyjęcia produktu. Nie próbować wyciągnąć produktu ręką. Może to spowodować uraz przy nagłym uwolnieniu produktu.

Korzystanie z techniki okrzesywania

Uwaga: W przypadku grubych gałęzi użyć techniki cięcia. Patrz *Technika cięcia na stronie 526*.



OSTRZEŻENIE: Zastosowanie techniki okrzesywania wiąże się z wysokim ryzykiem wypadku. Instrukcje dotyczące zapobiegania odbiciom można znaleźć w części *Informacje dotyczące odbicia na stronie 525*.



OSTRZEŻENIE: Wycinać gałęzie pojedynczo. Zachować ostrożność podczas odcinania małych gałęzi i nie ciąć krzewów ani kilku małych gałęzi jednocześnie. Małe

gałęzie mogą zakleszczyć się w łańcuchu pilarki, co nie sprzyja bezpiecznej obsłudze produktu.

Uwaga: W razie konieczności gałęzie należy odcinać po kawałku. Przed wycięciem gałęzi w pobliżu pnia, należy wyciąć mniejsze gałęzie (A) i (B).

(Rys. 80)

1. Usunąć gałęzie z prawej strony pnia.
 - a) Trzymać prowadnicę po prawej stronie pnia i przycisnąć korpus produktu do pnia.
 - b) Zastosować technikę cięcia odpowiednią do naprężenia gałęzi. (Rys. 81)



OSTRZEŻENIE:

W przypadku braku pewności co do sposobu cięcia gałęzi przed kontynuowaniem skonsultować się z profesjonalnym pilarem.

2. Usunąć gałęzie z górnej części pnia.
 - a) Trzymać produkt na pniu i pozwolić prowadnicy na przesuwanie się wzdłuż pnia.
 - b) Ciąć w kierunku „od siebie”. (Rys. 82)
3. Usunąć gałęzie z lewej strony pnia.
 - a) Zastosować technikę cięcia odpowiednią do naprężenia gałęzi. (Rys. 83)



OSTRZEŻENIE:

W przypadku braku pewności co do sposobu cięcia gałęzi przed kontynuowaniem skonsultować się z profesjonalnym pilarem.

Instrukcje dotyczące cięcia naprężonych gałęzi można znaleźć w części *Przerzynka naprężonych drzew i gałęzi na stronie 529*.

Korzystanie z techniki ścinania



OSTRZEŻENIE: Ścinanie drzew wymaga doświadczenia. Jeśli to możliwe, ukończyc kurs obsługi pilarki. Skonsultować się z doświadczonym operatorem, aby uzyskać dodatkowe informacje.

Zachowanie bezpiecznej odległości

1. Upewnić się, że osoby w otoczeniu operatora zachowują bezpieczną odległość co najmniej 2 1/2 długości drzewa. (Rys. 84)
2. Zapewnić, aby nikt nie znajdował się w tej strefie zagrożenia przed i podczas ścinania. (Rys. 85)

Obliczanie kierunku obalania

1. Sprawdzić, w którym kierunku trzeba obalić drzewo. Podczas wyboru kierunku obalania należy wziąć pod uwagę najlepsze warunki do okrzesywania i cięcia pnia. Ważne jest również, aby zachować stabilność stóp i bezpieczeństwo poruszania się.



OSTRZEŻENIE: Jeśli ścięcie drzewa w jego naturalnym kierunku jest niebezpieczne lub niemożliwe, ściąć drzewo w innym kierunku.

2. Sprawdzić naturalny kierunek obalania drzewa. Wziąć pod uwagę na przykład przechylenie i wygięcie drzewa, kierunek wiatru, lokalizację gałęzi oraz masę śniegu.
3. Sprawdzić, czy w pobliżu istnieją przeszkody, na przykład inne drzewa, linie energetyczne, drogi i/lub budynki.
4. Poszukać śladów uszkodzeń i gnicia pnia.



OSTRZEŻENIE: Gnicie pnia może spowodować przewrócenie drzewa przed zakończeniem cięcia.

5. Sprawdzić, czy drzewo nie ma uszkodzonych lub obumarłych gałęzi, które mogą złamać się i spaść na Ciebie podczas obalania.
6. Nie pozwolić drzewu упаść na inne stojące drzewo. Obalanie na ziemię zawieszonoego drzewa jest niebezpieczne i istnieje duże ryzyko powstania wypadku. Patrz *Obalanie zawieszonoego drzewa na stronie 528*. (Rys. 86)



OSTRZEŻENIE: Podczas obalania drzewa podnieść ochronniki słuchu natychmiast po zakończeniu cięcia. Ważne jest, aby słyszeć dźwięki oraz sygnały ostrzegawcze.

Oczyszczanie pnia i przygotowywanie drogi oddalania się

Odciąć wszystkie gałęzie na wysokości ramion i niżej.

1. Ciąć w kierunku „do siebie”, z góry na dół. Upewnić się, że drzewo znajduje się między operatorem i produktem. (Rys. 87)
2. Usunąć podszyt z obszaru roboczego wokół drzewa. Usunąć cały odcięty materiał z obszaru roboczego.
3. Sprawdzić obszar pod kątem przeszkód, takich jak kamienie, gałęzie i dziury. Należy mieć wolną drogę ewakuacyjną, gdy drzewo zacznie upadać. Droga ewakuacyjna powinna prowadzić pod kątem ok. 135 stopni od kierunku obalania.
 1. Strefa niebezpieczeństwa
 2. Droga ewakuacji
 3. Kierunek obalania

(Rys. 88)

Ścinanie drzewa

Husqvarna zaleca wykonanie rżazów podcinających, a następnie metody bezpiecznego narożnika podczas ścinania drzewa. Metoda bezpiecznego narożnika umożliwiła wykonanie bezpiecznej zawiasy i kontrolowanie kierunku obalania.



OSTRZEŻENIE: Nie ścinać drzew o średnicy dwukrotnie większej niż długość prowadnicy. Ścinanie takich drzew wymaga specjalnego szkolenia.

Zawiasa

Najważniejszą procedurą podczas ścinania drzewa jest wykonanie właściwej zawiasy. Prawidłowa zawiasa umożliwia kontrolowanie kierunku obalania i upewnienie się, że procedura ścinania jest bezpieczna.

Grubość zawiasy musi być równa i wynosić co najmniej 10% średnicy drzewa.



OSTRZEŻENIE: Jeśli zawiasa jest nieprawidłowa lub zbyt cienka, kontrolowanie kierunku obalania nie jest możliwe.

(Rys. 89)

Wykonywanie rżazów podcinających

- Wykonać rżazy podcinające. Wykonać rżazy podcinające na głębokość 1/4 średnicy drzewa. Zachować kąt 45° pomiędzy górnym a dolnym rżazem.
 - Najpierw wykonać górny rżaz. Wyrównać znacznik kierunku obalania (A) urządzenia z kierunkiem obalania drzewa (B). Stać za produktem i utrzymywać drzewo po swojej prawej stronie. Ciąć w kierunku „do siebie”.
 - Wykonać dolny rżaz. Upewnić się, że koniec dolnego rżazu znajduje się w tym samym punkcie co koniec górnego rżazu. (Rys. 90)
- Upewnić się, że linia rżazu podcinającego jest idealnie pozioma i pod kątem prostym (90°) do kierunku obalania. Linia rżazu podcinającego przechodzi przez punkt, w którym stykają się dwa rżazy podcinające. (Rys. 91)

Stosowanie metody bezpiecznego narożnika

Rżaz ścinający należy wykonać nieco nad rżazem podcinającym.

(Rys. 92)



OSTRZEŻENIE: Zachować ostrożność podczas cięcia przy użyciu wierzchołka prowadnicy. Rozpocząć cięcie

dolną częścią wierzchołka prowadnicy tak, jak przy wykonywaniu otworu w pniu.

(Rys. 93)

- Jeśli użyteczna długość cięcia jest dłuższa niż średnica drzewa, wykonać następujące czynności (a-d).
 - Wykonać otwór prosto w pniu, aby zapewnić odpowiednią szerokość zawiasy. (Rys. 94)
 - Ciąć w kierunku „do siebie”, aż pozostanie około 1/4 grubości pnia.
 - Pociągnąć prowadnicę 5-10 cm/2-4 cale do tyłu.
 - Przeciąć pozostałą część pnia, aby wykonać bezpieczny narożnik o szerokości 5-10 cm/2-4 cale. (Rys. 95)
- Jeśli użyteczna długość cięcia jest krótsza niż średnica drzewa, wykonać następujące czynności (a-d).
 - Wykonać otwór prosto w pniu. Otwór musi sięgać około 3/5 średnicy drzewa.
 - Ciąć w kierunku „do siebie” przez pozostałą część pnia. (Rys. 96)
 - Przeciąć pień prosto od drugiej strony drzewa, aby wykonać zawiasę.
 - Ciąć w kierunku „od siebie”, aż pozostanie około 1/4 grubości pnia, aby wykonać bezpieczny narożnik. (Rys. 97)
- Włożyć klin do szczeliny, bezpośrednio od tyłu. (Rys. 98)
- Odciąć narożnik, aby obalić drzewo.

Uwaga: Jeśli drzewo nie obali się, uderzać klin, aż upadnie.

- Gdy drzewo zaczyna upadać, odsunąć się od niego, korzystając ze ścieżki ucieczki. Odsunąć się minimum 5 m/15 stóp od drzewa.

Obalanie zawieszzonego drzewa



OSTRZEŻENIE: Obalanie na ziemię zawieszzonego drzewa jest bardzo niebezpieczne i istnieje duże ryzyko powstania wypadku. Nie zbliżać się do strefy zagrożenia i nie próbować obalać zawieszzonego drzewa.

(Rys. 99)

Najbezpieczniejszą metodą jest skorzystanie z następujących wciągarek:

- Zamontowana na traktorze

(Rys. 100)

- Przenośna

(Rys. 101)

Przerzynka naprężonych drzew i gałęzi

1. Sprawdzić, która strona drzewa lub gałęzi jest naprężona.
2. Sprawdzić, gdzie znajduje się punkt maksymalnego naprężenia. (Rys. 102)
3. Zweryfikować, jaka procedura będzie najbezpieczniejsza, aby zwolnić naprężenie.

Uwaga: W niektórych sytuacjach jedyną bezpieczną procedurą jest skorzystanie z wciągarki, a nie urządzenia.

4. Stać w miejscu, w którym drzewo ani gałęzie nie będą mogły uderzyć operatora po zwolnieniu naprężenia. (Rys. 103)
5. Wykonać jeden lub więcej rzazów o odpowiedniej głębokości w celu zmniejszenia naprężenia. Wykonać cięcie w punkcie przełamania lub w jego pobliżu. Doprowadzić do złamania drzewa lub gałęzi w punkcie maksymalnego naprężenia. (Rys. 104)



OSTRZEŻENIE: Naprężonych gałęzi lub drzew nie wolno przecinać jednym rzazem.



OSTRZEŻENIE: Zachować szczególną ostrożność podczas cięcia naprężonych drzew. Istnieje ryzyko szybkiego przesunięcia drzewa przed lub po wykonaniu rzazu. Nieprawidłowa pozycja lub nieodpowiedni sposób cięcia mogą doprowadzić do poważnych obrażeń ciała.

6. Jeśli trzeba przeciąć drzewo/gałęź w poprzek, wykonać 2–3 nacięcia w odległości 1 cala od siebie i o głębokości 2 cali. (Rys. 105)
7. Kontynuować cięcie w głąb drzewa, aż drzewo/gałęź zegnę się i naprężenie zostanie zwolnione. (Rys. 106)
8. Po zwolnieniu naprężenia ciąć drzewo/gałęź po stronie przeciwnej do zgięcia.

Przegląd

Wstęp



OSTRZEŻENIE: Przed przystąpieniem do konserwacji produktu zapoznać się z rozdziałem dotyczącym bezpieczeństwa.

Plan konserwacji



OSTRZEŻENIE: Wyjąć akumulator przed przystąpieniem do konserwacji.

Poniżej zamieszczono listę czynności konserwacyjnych, które należy wykonywać przy produkcji. Patrz *Przegląd na stronie 529* aby uzyskać więcej informacji.

Konserwacja	Przed użytkowaniem	Co tydzień	Co miesiąc
Oczyszczyć zewnętrzne części urządzenia.	X		
Sprawdzić, czy manetka gazu i funkcja blokady manetki gazu działają prawidłowo pod względem bezpieczeństwa.	X		
Oczyszczyć hamulec pilarki i upewnić się, że działa bezpiecznie. Sprawdzić, czy wychwytnik łańcucha nie jest uszkodzony. W razie potrzeby wymienić.	X		
Obracać prowadnicę, aby zapewnić bardziej równomierne zużycie. Sprawdzić, czy otwór smarujący znajdujący się w prowadnicy nie jest zapchany. Oczyszczyć rowek prowadnicy.	X		
Upewnić się, że ostrze tnące i jego osłona nie mają pęknięć oraz że nie są uszkodzone. Wymienić ostrze tnące lub jego osłonę, jeśli są one pęknięte lub jeśli były narażone na uderzenie.	X		
Upewnić się, że prowadnica i łańcuch pilarki mają wystarczającą ilość oleju.	X		

Konserwacja	Przed użytkowaniem	Co tydzień	Co miesiąc
Sprawdzić łańcuch pilarki. Poszukać pęknięć i upewnić się, że łańcuch pilarki nie jest sztywny lub nienaturalnie zużyty. W razie potrzeby wymienić.	X		
Naostrzyć łańcuch pilarki. Sprawdzić jego napięcie i stan. Sprawdzić zębatkę napędową pod kątem zużycia i wymienić ją, jeśli to konieczne.	X		
Oczyszczyć wlot powietrza urządzenia.	X		
Upewnić się, że wszystkie nakrętki i śruby są prawidłowo dokręcone.	X		
Sprawdzić, czy klawiatura działa prawidłowo i czy nie jest uszkodzona.	X		
Pilnikiem usunąć zadziory z krawędzi prowadnicy.		X	
Sprawdzić połączenia pomiędzy akumulatorem a urządzeniem. Sprawdzić połączenie pomiędzy akumulatorem a ładowarką.			X
Opróżnić i oczyścić zbiornik oleju.			X
Za pomocą sprężonego powietrza delikatnie przedmuchać urządzenie i otwory chłodzenia akumulatora.			X

Konserwacja i kontrola zespołów zabezpieczających produktu

Sprawdzanie zabezpieczenia przed odbiciem

Należy regularnie sprawdzać zabezpieczenie przed odbiciem oraz zwalnianie mechanizmu bezwładnościowego hamulca.

1. Upewnić się, że przednia osłona dłoni nie ma uszkodzeń, takich jak pęknięcia. (Rys. 107)
2. Upewnić się, że zabezpieczenie przed odbiciem do przodu porusza się swobodnie i czy jest bezpiecznie przymocowane do produktu. (Rys. 108)
3. Umieścić pilarkę z wyłączonym silnikiem na pieńku lub innym stabilnym przedmiocie.
4. Trzymać tylny uchwyt i puścić przedni uchwyt. Pozwolić urządzeniu opaść na pień. (Rys. 109)
5. Sprawdzić, czy hamulec łańcucha włączy się, gdy wierzchołek prowadnicy uderzy w pień.

Sprawdzanie wyzwalacza hamulca

1. Ustawić urządzenie na stabilnym podłożu i uruchomić je. Patrz *Przeznaczenie na stronie 523*.



OSTRZEŻENIE: Upewnić się, że łańcuch nie dotyka podłoża lub innego przedmiotu.

2. Zaciśnąć palce i kciuki na uchwytach i mocno przytrzymać urządzenie. (Rys. 110)
3. Zastosować pełną moc i przechylić lewy nadgarstek w stronę zabezpieczenia przed odbiciem, aby włączyć hamulec łańcucha. Pilarka musi natychmiast się zatrzymać. (Rys. 111)



OSTRZEŻENIE: Nie zdejmować dłoni z uchwytu przedniego!

Sprawdzanie blokady manetki gazu

1. Upewnić się, że manetka gazu i jej blokada poruszają się płynnie, a sprężyny powrotne działają prawidłowo. (Rys. 112)
2. Popchnąć blokadę manetki gazu do przodu (A) i w dół (B). Docisnąć blokadę manetki gazu do uchwytu i upewnić się, czy po zwolnieniu powraca ona do pierwotnego położenia. (Rys. 113)
3. Sprawdzić, czy manetka gazu jest zablokowana w położeniu biegu jałowego podczas zwalniania blokady manetki gazu. (Rys. 114)
4. Włączyć produkt i ustawić na pełną moc.
5. Zwolnić manetkę gazu i upewnić się, że łańcuch zatrzymał się i pozostaje nieruchomy.



OSTRZEŻENIE: Jeśli łańcuch pilarki porusza się, gdy manetka gazu znajduje się w położeniu biegu jałowego, należy skontaktować się z przedstawicielem serwisu.

Sprawdzanie wychwytnika

1. Upewnić się, że na wychwytniku nie ma uszkodzeń.
2. Sprawdzić, czy wychwytnik jest stabilny i przymocowany do korpusu urządzenia. (Rys. 115)

Sprawdzenie funkcji interfejsu użytkownika

1. Uruchomić urządzenie. Patrz *Uruchamianie produktu na stronie 525*.

2. Wcisnąć i przytrzymać przełącznik start/stop.
3. Upewnić się, że produkt zatrzymał się, a zielona dioda LED zgasła. (Rys. 66)

Sprawdzanie akumulatora i uchwytu akumulatora

1. Akumulator i uchwyt akumulatora należy czyścić miękką szczotką.
2. Oczyścić szczeliny chłodzące i złącza baterii. (Rys. 116)
3. Upewnić się, że akumulator nie jest pęknięty ani uszkodzony.

Sprawdzanie ładowarki akumulatora

1. Upewnić się, że zasilacz akumulatora i przewód zasilający nie są uszkodzone. Poszukać pęknięć i innych uszkodzeń. (Rys. 117)

Czyszczenie układu chłodzenia

Układ chłodzenia utrzymuje niską temperaturę silnika. Na układ chłodzenia składają się wlot powietrza po lewej stronie produktu oraz wentylator na silniku.

1. Układ chłodzenia należy czyścić szczotką raz na tydzień lub częściej, jeśli zachodzi taka potrzeba. (Rys. 118)
2. Sprawdzić, czy system chłodzący nie jest zabrudzony lub zatkany.



UWAGA: Zanieczyszczony lub zatkany układ chłodzenia może spowodować przegrzanie się produktu. Może to doprowadzić do uszkodzenia produktu.

Ostrzenie łańcucha piły

Informacje na temat prowadnicy i łańcucha



OSTRZEŻENIE: W trakcie konserwacji łańcucha należy używać rękawic ochronnych. Łańcuch pilarki, który się nie porusza, może również spowodować obrażenia.

Wymienić zużytą lub uszkodzoną prowadnicę lub łańcuch na elementy zalecane przez Husqvarna. Jest to konieczne, aby zachować funkcje bezpieczeństwa produktu. Patrz *Akcesoria na stronie 537*, aby zapoznać się z listą zalecanych zamiennych prowadnic oraz łańcuchów.

- Długość prowadnicy, cale/cm. Informacje o długości prowadnicy można zazwyczaj znaleźć na jej tylnym końcu.

(Rys. 119)

- Ilość zębów na zębacie końcówki prowadnicy (T).

(Rys. 120)

- Podziałka łańcucha, cale. Końcówka prowadnicy i zębata napędowa łańcucha pilarki muszą być dostosowane do odległości między ogniwami prowadzącymi.

(Rys. 121)

- Ilość ogniw prowadzących (szt.). Liczba ogniw prowadzących zależy od typu prowadnicy.

(Rys. 122)

- Szerokość rowka prowadnicy, cale/mm. Szerokość rowka prowadnicy musi odpowiadać szerokości ogniw prowadzących.

(Rys. 123)

- Otwór smarujący łańcucha i otwór napinacza łańcucha. Prowadnica musi być dopasowana do urządzenia.

(Rys. 124)

- Szerokość ogniwa prowadzącego, mm/cale.

(Rys. 125)

Informacje ogólne na temat ostrzenia zębów tnących

Nie używać stępienego łańcucha pilarki. Jeżeli łańcuch pilarki jest stępiony, potrzeba więcej siły do przepchnięcia prowadnicy przez drewno. Jeżeli łańcuch pilarki jest bardzo stępiony, będzie spod niego wylatywał pył zamiast trocin.

Ostry łańcuch łatwo wchodzi w drewno i wylatują spod niego duże i długie wióry.

Na część tnącą łańcucha pilarki, czyli ogniwo tnące, składa się ząb tnący (A) oraz ogranicznik zagłębienia (B). Różnica wysokości między tymi dwoma elementami określa głębokość cięcia (ustawienie ogranicznika zagłębienia).

(Rys. 126)

Podczas ostrzenia zębów tnących należy zwrócić uwagę na następujące kwestie:

- Kąt zaostrzenia.

(Rys. 127)

- Kąt ostrza.

(Rys. 128)

- Kąt pozycji pilnika (kąt czołowy)

(Rys. 129)

- Średnica pilnika okrągłego

(Rys. 130)

Trudno jest poprawnie naostrzyć łańcuch tnący bez odpowiedniego sprzętu. Używać zalecanego prowadnika pilnika Husqvarna. Pomoże to utrzymać maksymalną wydajność cięcia i zminimalizuje ryzyko odbicia.



OSTRZEŻENIE: Siła odbicia zwiększa się znacząco w przypadku postępowania niezgodnego z instrukcjami ostrzenia.

Uwaga: Patrz *Akcesoria na stronie 537*, aby uzyskać informacje na temat ostrzenia łańcucha pilarki.

Ostrzenie zębów tnących

1. Użyć pilnika okrągłego i prowadnika pilnika, aby naostrzyć ząb tnący. (Rys. 131)

Uwaga: Patrz *Akcesoria na stronie 537*, aby uzyskać informacje na temat zalecanego pilnika i prowadnika dla danego łańcucha pilarki przez firmę Husqvarna.

2. Ustawić prawidłowo prowadnik pilnika względem przecinarki. Zapoznać się z instrukcją dostarczoną wraz z prowadnikiem pilnika.
3. Przesuwać pilnik od wewnętrznej strony zębów tnących na zewnątrz. Zmniejszyć nacisk przy ruchu „do siebie”. (Rys. 132)
4. Usunąć materiał z jednej strony wszystkich zębów tnących.
5. Obrócić urządzenie i usunąć spilowany materiał z drugiej strony.
6. Sprawdzić, czy wszystkie zęby tnące są tej samej długości.

OGÓLNE INFORMACJE DOTYCZĄCE USTAWIEŃ OGRANICZNIKA ZAGŁĘBIENIA

Ustawienie ogranicznika zagłębienia (C) zmniejsza się podczas ostrzenia zęba tnącego (A). Aby zachować maksymalną wydajność cięcia, należy usunąć spilowany materiał z ogranicznika zagłębienia (B) w celu uzyskania zalecanego ustawienia. Patrz *Akcesoria na stronie 537*, aby uzyskać instrukcje prawidłowego ustawienia ogranicznika zagłębienia łańcucha pilarki.

(Rys. 133)



OSTRZEŻENIE: Zbyt duża szczelina ogranicznika zagłębienia zwiększa ryzyko odbić!

Regulacja ustawienia ogranicznika zagłębienia

Przed regulacją ogranicznika zagłębienia lub ostrzeniem zębów tnących, patrz *Ostrzenie zębów tnących na stronie 532w* celu uzyskania instrukcji. Zalecamy regulację ogranicznika zagłębienia co trzy użycia przy okazji ostrzenia zębów tnących.

Zalecamy używanie naszego prowadnika pilnika z szablonem do ograniczników, by zapewnić

prawidłowy wymiar szczeliny łańcucha i prawidłowy kąt ogranicznika.

(Rys. 134)

1. Aby wyregulować ogranicznik zagłębienia, należy użyć płaskiego pilnika i szablonu do ograniczników zagłębienia. Należy korzystać wyłącznie z ogranicznika zagłębienia Husqvarna z szablonem do ograniczników, by zapewnić prawidłowy wymiar szczeliny łańcucha i prawidłowy kąt ogranicznika.
2. Umieścić szablon na łańcuchu.

Uwaga: Patrz zestaw szablonu ogranicznika zagłębienia, aby uzyskać więcej informacji na temat korzystania z narzędzia.

3. Użyć płaskiego pilnika, aby usunąć część ogranicznika zagłębienia, wystającą przez szablon do ograniczników zagłębienia. (Rys. 135)

Regulacja napięcia łańcucha piły



OSTRZEŻENIE: Nieprawidłowe napięcie łańcucha piły może doprowadzić do jego obluźnienia na prowadnicy, co grozi odniesieniem poważnych obrażeń lub śmiercią.

Podczas używania piły jej łańcuch się wydłuża. Należy regularnie regulować łańcuch piły. Sprawdzać napięcie łańcucha przy każdym uzupełnieniu oleju łańcuchowego.

Uwaga: Nowy łańcuch wymaga pewnego czasu na dotarcie, podczas którego napięcie łańcucha należy sprawdzać częściej.

Regulacja napięcia łańcucha pilarki (za pomocą pokrętki prowadnicy)

1. Wysunąć pokrętło do pozycji otwartej. (Rys. 136)
2. Obrócić pokrętło w lewo, aby poluzować pokrywę zębataki napędowej. (Rys. 137)
3. Obrócić kółko do napinania łańcucha, aby wyregulować napięcie łańcucha pilarki. Łańcuch musi ściśle przylegać do prowadnicy. (Rys. 138)

Uwaga: Obrócić kółko w dół (+), aby zwiększyć napięcie lub w górę (-), aby je zmniejszyć.

4. Sprawdzić, czy można łatwo przesunąć ręką łańcuch po prowadnicy i czy ściśle do niej przylega. (Rys. 139)
5. Obrócić pokrętło w prawo, aby naprężyć. (Rys. 140)
6. Zakręcić pokrętło, aby zablokować napięcie. (Rys. 141)

Regulacja napięcia łańcucha pilarki (za pomocą śruby prowadnicy)

1. Poluzuj nakrętkę prowadnicy, która trzyma pokrywę zębalki napędowej. Posłuż się kluczem dwustronnym. (Rys. 142)
2. Unieść przednią część prowadnicy i obracać śrubę napinacza. Posłuż się kluczem dwustronnym.
3. Naprężyć łańcuch pilarki, aż będzie ściśle przylegał do prowadnicy. (Rys. 143)
4. Dokręć nakrętkę prowadnicy za pomocą klucza, jednocześnie unosząc przednią część prowadnicy. (Rys. 144)
5. Sprawdź, czy można łatwo przesunąć ręką łańcuch po prowadnicy i czy ściśle do niej przylega. (Rys. 139)

Uwaga: Patrz *Przegląd produktu na stronie 513*, aby uzyskać informacje na temat położenia śruby regulującej napięcie łańcucha.

Sprawdzanie smarowania łańcucha pilarki

Smarowanie łańcucha pilarki należy sprawdzać co trzecie ładowanie akumulatora.

1. Uruchomić maszynę i pozwolić jej pracować przy 3/4 mocy. Trzymać prowadnicę około 20 cm (8 cali) nad jasną powierzchnią.
2. Jeśli smarowanie łańcucha pilarki jest odpowiednie, po minucie na powierzchni widoczna będzie wyraźna smuga oleju. (Rys. 145)
3. Jeśli smarowanie łańcucha nie jest odpowiednie, wykonać następujące czynności kontrolne.
 - a) Sprawdzić kanał olejowy prowadnicy, aby upewnić się, że nie jest zatkany. W razie potrzeby oczyścić go. (Rys. 146)
 - b) Sprawdzić, czy rowek na krawędzi prowadnicy jest czysty. W razie potrzeby oczyścić go. (Rys. 147)
 - c) Sprawdzić, czy zębalka końcówki prowadnicy łatwo obraca się i czy otwór smarujący nie jest zatkany. W razie potrzeby oczyścić go i nasmarować końcówkę. (Rys. 148)

4. Jeśli smarowanie łańcucha pilarki nie zadziała po wykonaniu powyższych czynności, należy skontaktować się z punktem serwisowym.

Sprawdzanie zębalki napędowej łańcucha

- Należy sprawdzić zębalkę napędową łańcucha pod kątem zużycia. W razie potrzeby wymienić zębalkę napędową łańcucha.
- Zębalkę napędową łańcucha należy wymieniać przy każdej wymianie łańcucha pilarki. (Rys. 149)

Kontrola osprzętu tnącego

1. Upewnić się, że nie ma pęknięć w nitach i łączach, oraz że żadne nitki nie są poluzowane. W razie potrzeby wymienić. (Rys. 150)
2. Upewnić się, że łańcuch łatwo się zgina. Wymienić łańcuch, jeśli jest sztywny.
3. Porównać łańcuch pilarki z nowym łańcuchem, aby sprawdzić, czy nitki i ogniwa nie są zużyte.
4. Wymienić łańcuch piły, gdy najdłuższa część zęba tnącego jest krótsza niż 4 mm/0,16 cala. Wymienić łańcuch piły w przypadku pęknięcia zębów tnących. (Rys. 151)

Sprawdzanie prowadnicy

1. Upewnić się, że kanał oleju nie jest zablokowany. Oczyścić, jeśli jest to konieczne. (Rys. 146)
2. Sprawdzić, czy na krawędziach prowadnicy nie ma zadziorów. Usunąć zadziory przy użyciu pilnika. (Rys. 152)
3. Oczyścić rowek w prowadnicy. (Rys. 147)
4. Sprawdzić rowek w prowadnicy pod kątem zużycia. W razie potrzeby wymienić prowadnicę. (Rys. 153)
5. Sprawdzić, czy końcówka prowadnicy nie jest nierówna lub bardzo zużyta. (Rys. 154)
6. Sprawdzić, czy zębalka końcówki prowadnicy łatwo obraca się i czy otwór smarujący nie jest zatkany. W razie potrzeby oczyścić i nasmarować. (Rys. 148)
7. Codziennie obracać prowadnicę, aby przedłużyć okres jej żywotności. (Rys. 155)

Rozwiązywanie problemów

Interfejs użytkownika

Ekran LED	Możliwe usterki	Możliwe rozwiązanie
Kontrolka ostrzegawcza miga.	Hamulec łańcucha włączony.	Zwolnić hamulec łańcucha.
	Odchylenia temperatury.	Pozwolić, aby urządzenie ostygło.
	Przeciążenie. Łańcuch pilarki nie porusza się.	Zwolnić łańcuch pilarki.
	Należy jednocześnie nacisnąć manetkę gazu i przycisk START/STOP.	Aby uruchomić produkt, należy zwolnić manetkę gazu.
Miga pomarańczowa dioda LED aktywacji.	Niskie napięcie akumulatora.	Naladować akumulator.
Kontrolka ostrzegawcza świeci się.	Oddać do serwisu.	Należy zwrócić się do punktu serwisowego.

Akumulator

Wyświetlacz LED	Możliwe usterki	Możliwe rozwiązanie
Miga zielona dioda LED.	Niskie napięcie akumulatora.	Naladować akumulator.
Miga dioda LED błędu.	Odchylenia temperatury.	Akumulator można używać w zakresie temperatur od -10°C (14°F) do 40°C (104°F).
	Zbyt wysokie napięcie.	Upewnić się, że napięcie sieciowe jest zgodne z wartością podaną na produkcie. Patrz tabliczka znamionowa na produkcie.
		Akumulator należy wyjąć z ładowarki.
Zapala się dioda LED błędu.	Zbyt wysoka różnica między ogniwami (1V).	Należy zwrócić się do punktu serwisowego.

Ładowarka

Stan	Możliwe usterki	Możliwe działania
Dioda LED ładowania świeci się na czerwono.	Trwała usterka ładowarki akumulatora.	Należy skontaktować się z dealerem.
Kontrolka LED stanu ładowania miga na zielono.	Odchylenia temperatury; akumulator jest zbyt zimny lub zbyt gorący do użytku lub ładowania.	Odczekać, aż akumulator ostygnie, lub ogrzać go. Gdy akumulator odzyska właściwą temperaturę, będzie mógł być ponownie użytkowany lub ładowany. Ładowarkę można użytkować w zakresie temperatur 5–40°C (41–104°F).
Kontrolka LED stanu ładowania miga na czerwono.	Niesprawny akumulator.	Należy skontaktować się z dealerem.

Transport, przechowywanie i utylizacja

Transport i przechowywanie

- Dołączone akumulatory litowo-jonowe są zgodne z przepisami dotyczącymi towarów niebezpiecznych.
- Należy przestrzegać specjalnych zaleceń podanych na opakowaniu i etykietach, dotyczących transportu komercyjnego, w tym także usług transportowych świadczonych przez strony trzecie i spedytorów.
- Przed wysłaniem produktu należy porozmawiać z osobą przeszkoloną w zakresie materiałów niebezpiecznych. Przestrzegać wszystkich przepisów krajowych, które mają zastosowanie.
- Podczas umieszczania akumulatora w opakowaniu zabezpieczyć otwarte zaciski taśmą. Zapakować akumulator w taki sposób, aby ściśle przylegał do opakowania, co zapobiegnie jego przemieszczaniu.
- Wyjmować akumulator na czas przechowywania lub transportu.
- Przechowywać akumulator i ładowarkę w miejscu suchym i wolnym od wilgoci oraz nienarażonym na mróz.
- Nie przechowywać akumulatora w miejscu, gdzie może występować prąd statyczny. Nie przechowywać akumulatora w metalowym pojemniku.
- Przechowywać akumulator w miejscu, w którym temperatura wynosi od 5°C do 25°C, z dala od bezpośredniego działania promieni słonecznych.
- Przechowywać ładowarkę w miejscu, w którym temperatura wynosi od 5°C do 45°C, z dala od bezpośredniego działania promieni słonecznych.
- Ładowarkę należy użytkować w zakresie temperatur od 5°C do 40°C.
- Naładować akumulator od 30% do 50% przed dłuższym okresem jego przechowywania.

- Przechowywać ładowarkę w zamkniętym i suchym miejscu.
- Przechowywać akumulator z dala od ładowarki. Nie wolno pozwalać dzieciom ani innym osobom postronnym na dotykane sprzętu. Przechowywać sprzęt w miejscu, które można zamknąć.
- Przed odstawieniem urządzenia na dłuższe przechowywanie należy je wyczyścić oraz przeprowadzić pełny przegląd.
- Użyć osłony transportowej na produkcie, aby zapobiec obrażeniom lub uszkodzeniu urządzenia podczas transportu i przechowywania.
- Przymocować bezpiecznie produkt podczas transportu.

Usuwanie akumulatora, ładowarki i produktu

Poniższy symbol oznacza, że produkt nie stanowi odpadu gospodarczego. Należy poddawać je recyklingowi w zatwierdzonym punkcie zbiórki sprzętu elektrycznego i elektronicznego. Pomaga to chronić środowisko i ludzi.

W celu uzyskania dodatkowych informacji należy skonsultować się z władzami lokalnymi, przedsiębiorstwem gospodarki komunalnej albo punktem sprzedaży.

(Rys. 24)

Uwaga: symbol widoczny jest na urządzeniu lub opakowaniu produktu.

Dane techniczne

Dane techniczne

	225i
Silnik	
Typ	BLDC (bezszcotkowy) 36 V
Zalety	
Tryb oszczędności energii	SavE
Układ smarowania	
Typ pompy olejowej	Automatyczny
Pojemność zbiornika oleju, ml/cm ³	0,2/200
Waga	
Pilarka bez akumulatora, prowadnicy, łańcucha i z pustym zbiornikiem oleju do smarowania łańcucha, kg	3,1
Poziomy hałasu ⁷⁸	
Zmierzony poziom mocy akustycznej, w dB(A)	97
Poziom głośności, gwarantowana moc akustyczna L _{WA} dB(A)	100
Poziomy głośności ⁷⁹	
Poziom ciśnienia akustycznego przy uchu operatora zmierzony zgodnie z normą EN 62841-1	89
Poziomy drgań ⁸⁰	
Uchwyt przedni, m/s ²	3,9
Uchwyt tylny, m/s ²	3,9
Łańcuch pilarki/prowadnica	
Zalecana dł. prowadnicy, cale/cm	12-14 / 30,5-35,6
Użytkowa dł. prowadnicy, cale/cm	11-13 / 27-33,2
Typ zębaki napędowej/liczba zębów	Spur/6
Maksymalna prędkość łańcucha / (tryb normalny), m/s	11,8

⁷⁸ Emisja hałasu do otoczenia mierzona jako moc akustyczna (L_{WA}) zgodnie z dyrektywą WE 2000/14/WE i EN ISO 22868 charakteryzuje się typowym rozproszeniem statystycznym (odchylenie standardowe) w wysokości 3 dB (A).

⁷⁹ Odnotowane dane dotyczące ciśnienia akustycznego urządzenia wykazują typowe rozproszenie statystyczne (odchylenie standardowe) w wysokości 3 dB(A).

⁸⁰ Poziom wibracji zgodnie z normą EN 62841-4-1. Odnotowane dane dla poziomu wibracji mają typowe rozproszenie statystyczne (odchylenie standardowe) w wysokości $\pm 1,5$ m/s². Deklarowane dane z pomiarów drgań w przypadku, gdy maszyna wyposażona jest w prowadnicę o zalecanej długości oraz w zalecany typ łańcucha. Jeśli maszyna wyposażona jest w prowadnicę o innej długości, poziom wibracji może się wahać w granicach $\pm 1,5$ m/s².

	225i
Maksymalna prędkość łańcucha / (tryb SavE), m/s	9,4

Akcesoria

Kombinacje prowadnicy i łańcucha






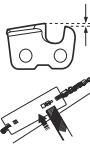
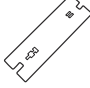



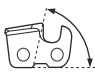


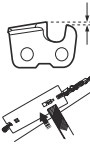
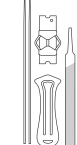

Poniższe osprzęty tnące zatwierdzone są dla modelu Husqvarna 225i.

Prowadnica					Łańcuch pilarki	
Typ	Długość, cale	Podziałka łańcucha pilarki, cale	Szerokość rowka, mm	Maks. liczba zębów na zębatce	Typ	Długość, ogniw prowadzące (liczba)
501959545	12	3/8" mini	1,1	7T	Husqvarna H38 (581808145)	45
501959552	14	3/8" mini	1,1	7T	Husqvarna H38 (581807952)	52

Sprzęt do ostrzenia i kąty ostrzenia

Użyć prowadnika pilnika Husqvarna do ostrzenia łańcucha pilarki. Prowadnik pilnika Husqvarna umożliwia zachowanie prawidłowego kąta podczas ostrzenia. Numery części podano w poniższej tabeli.

W przypadku wątpliwości, jak zidentyfikować typ łańcucha pilarki, patrz www.husqvarna.com, aby uzyskać więcej informacji.

							
38	11/64 cala/4,5 mm	75°	30°	0°	0,025 cala / 0,65 mm	505 69 81-03	579 55 88-01
							
93	5/32 cala/4,0 mm	60°	30°	0°	0,025 cala / 0,65 mm	596 63 89-01	596 63 89-01

Zatwierdzone akumulatory

Akumulator	40-B140
Typ	Litowo-jonowy
Pojemność akumulatora, Ah	4
Napięcie znamionowe, V	36
Masa, kg	1.25

Ładowarki akumulatorów zatwierdzone dla urządzenia

Ładowarka	40-C80
Napięcie sieciowe, V	100-240
Częstotliwość, Hz	50-60
Moc, W	72
Napięcie wyjściowe, V d.c./ ampery, A	43/1,6

Deklaracja zgodności

Deklaracja zgodności UE

Husqvarna AB, SE-561 82 Huskvarna,
Szwecja, tel. +46-36-146500, deklarujemy z pełną
odpowiedzialnością, że produkt:

Opis	Bezprzewodowe pilarki łańcuchowe
Marka	Husqvarna
Typ/model	225i
Identyfikacja	Numery seryjne z roku 2023 i nowsze

spełnia wszystkie wymogi określone w odpowiednich
dyrektywach i przepisach UE:

Dyrektywa/przepis	Opis
2006/42/WE	„w sprawie maszyn”
2014/30/UE	„dotycząca zgodności elektromagnetycznej”
2011/65/UE	„dotycząca ograniczenia użycia niektórych substancji niebezpiecznych w sprzęcie elektrycznym i elektronicznym”
2000/14/WE	„dotycząca emisji hałasu do środowiska”

Zostały zastosowane następujące normy: EN
62841-1:2015+A11:2022, EN 62841-4-1:2020, EN
IEC 63000:2018, EN IEC 55014-1:2021, EN IEC
55014-2:2021.



Jednostka notyfikowana: TÜV Rheinland LGA Products
GmbH, Tillystrasse 2, D-90431 Nuernberg, Germany,
0197,, przeprowadziła badanie typu WE zgodnie
z wymogami określonymi w dyrektywie maszynowej
(2006/42/WE) artykuł 12, klauzula 3b. Certyfikat
opatrzone jest numerem: BM 50604678 0001.

Niniejsza pilarka jest identyczna z egzemplarzem
poddanym kontroli typu zgodnie z przepisami WE.

Zgodnie z dyrektywą 2000/14/WE, aneks V, patrz *Dane
techniczne na stronie 536* dla deklarowanych wartości
dźwięku.

Husqvarna, 2023-10-30

Claes Losdal, Dyrektor ds. badań i rozwoju, Husqvarna
AB

Osoba odpowiedzialna za dokumentację techniczną

ÍNDICE

Introdução.....	540	Resolução de problemas.....	561
Segurança.....	541	Transporte, armazenamento e eliminação.....	562
Montagem.....	549	Especificações técnicas.....	563
Funcionamento.....	550	Acessórios.....	564
Manutenção.....	556	Declaração de conformidade.....	566

Introdução

Finalidade

Esta motosserra para silvicultura foi concebida para trabalhos florestais como, por exemplo, abate de árvores, desrama e corte.

Nota: A legislação nacional pode limitar a utilização deste produto.

Vista geral do produto

(Fig. 1)

1. Proteção dianteira para a mão
2. Punho dianteiro
3. Interface do utilizador
4. Botão Start/Stop
5. Indicador de aviso e indicador da bateria
6. Botão SavE (economia)
7. Punho traseiro com proteção para a mão direita
8. Autocolante de informação e aviso
9. Alojamento
10. Depósito de óleo de corrente
11. Cobertura de transporte
12. Bloqueio do interruptor de alimentação
13. Interruptor de alimentação
14. Cobertura do pinhão com manípulo da lâmina
15. Tensor da corrente
16. Retentor de corrente
17. Para-choques de espigão
18. Roletó
19. Corrente da serra
20. Lâmina de guia
21. Indicador do estado de carga
22. Conetor
23. Carregador de bateria
24. Chave combinada
25. Indicador de aviso
26. Botão, estado da bateria
27. Estado da bateria
28. Botão de desengate da bateria
29. Bateria
30. Manual do utilizador
31. Manípulo da lâmina

Descrição do produto

A Husqvarna 225i é uma motosserra com motor elétrico.

Decorre um trabalho constante para aumentar a sua segurança e eficiência durante o funcionamento. Para mais informações, contacte o distribuidor com assistência técnica.

32. Cobertura do pinhão com o parafuso da lâmina

Símbolos no produto

- (Fig. 2) **AVISO:** Este produto pode ser perigoso e provocar ferimentos graves ou a morte do operador ou de terceiros. Seja cuidadoso e utilize o produto corretamente.
- (Fig. 3) Leia o manual do utilizador com atenção e certifique-se de que compreende as instruções antes de utilizar o produto.
- (Fig. 4) Utilize um capacete de proteção, protetores acústicos e proteção ocular aprovados.
- (Fig. 5) Utilize as duas mãos para manusear o produto.
- (Fig. 6) Não utilize o produto apenas com uma mão.
- (Fig. 7) Não permita que a ponta da lâmina entre em contacto com um objeto.
- (Fig. 8) Não utilizar durante a chuva.
- (Fig. 9) **Aviso!** O retrocesso pode ocorrer quando a ponta da lâmina de guia entra em contacto com um objeto. Tal provoca a projeção da lâmina de guia na direção do utilizador. Risco de ferimentos graves ou morte.
- (Fig. 10) Tensão nominal, V
-

- (Fig. 11) Óleo de corrente.
- (Fig. 12) O sentido de rotação da corrente da serra e o comprimento máximo da lâmina de guia.
- (Fig. 13) Corrente contínua.
- (Fig. 14) **Marca ambiental.** O produto ou a respetiva embalagem não são resíduos domésticos. Recicle o equipamento numa estação de reciclagem para equipamentos elétricos e eletrónicos.
- (Fig. 15) Este produto está em conformidade com as diretivas aplicáveis da CE.
- (Fig. 16) Este produto está em conformidade com os regulamentos aplicáveis do Reino Unido.
- (Fig. 17) Emissão de ruído para a etiqueta ambiental de acordo com a Diretiva Europeia 2000/14/CE, as diretivas e regulamentos do Reino Unido e o regulamento "Protection of the Environment Operations (Noise Control) Regulation 2017" (regulamento de proteção de operações no meio ambiente [controlo do ruído] de 2017) da Nova Gales do Sul. O nível de potência sonora garantido do produto está especificado nas *Especificações técnicas na página 563* e na etiqueta.
- (Fig. 21) Travão da corrente, engatado (para a frente). Travão da corrente, desengatado (para atrás).
- (Fig. 22) Sentido da corrente.
- (Fig. 23) A etiqueta de tipo apresenta o número de série. **aaaa** é o ano de fabrico, **ss** é a semana de fabrico.

Nota: Os restantes símbolos/autocolantes existentes no produto dizem respeito às exigências de homologação de alguns países.

Símbolos na bateria e/ou no carregador da bateria

- (Fig. 24) Recicle este produto numa estação de reciclagem para equipamentos elétricos e eletrónicos. (Válido unicamente na Europa)
- (Fig. 18) Transformador contra-falhas.
- (Fig. 19) Utilize e armazene o carregador da bateria apenas em espaços interiores.
- (Fig. 20) Isolamento duplo.

Fabricante

Husqvarna AB
Drottninggatan 2, SE-561 82, Huskvarna, Sweden, tel: +46-36-146500

Danos no produto

Não somos responsáveis por danos no nosso produto se:

- o produto tiver sido incorretamente reparado.
- o produto tiver sido reparado com peças que não sejam do fabricante ou que não sejam aprovadas pelo fabricante.
- o produto tiver um acessório que não seja do fabricante ou que não seja aprovado pelo fabricante.
- o produto não tiver sido reparado por um centro de assistência autorizado ou por uma autoridade aprovada.

Segurança

Definições de segurança

Os avisos, as precauções e as notas são utilizados para indicar partes especialmente importantes do manual.



ATENÇÃO: Utilizado no caso de existir risco de ferimento ou morte para o utilizador ou transeuntes, se não forem respeitadas as instruções do manual.



CUIDADO: Utilizado se existir risco de danos para o produto, para outros materiais ou para a área adjacente, se não forem respeitadas as instruções do manual.

Nota: Utilizado para disponibilizar informações adicionais necessárias numa determinada situação.

Avisos gerais de segurança da ferramenta eléctrica



ATENÇÃO: Leia todos os avisos de segurança, as instruções, as ilustrações e as especificações fornecidos com esta ferramenta eléctrica. O incumprimento das instruções indicadas abaixo poderá resultar em choques eléctricos, incêndios e/ou ferimentos graves.

- **Guarde todos os avisos e instruções para referência futura.** O termo "ferramenta eléctrica" nos avisos refere-se à sua ferramenta eléctrica com ligação à corrente (com cabo) ou ferramenta eléctrica com bateria (sem cabo).

Segurança no local de trabalho

- **Mantenha a área de trabalho limpa e bem iluminada.** Áreas desarrumadas ou escuras convidam ao acidente.
- **Não maneje ferramentas eléctricas em ambientes explosivos, tal como na presença de líquidos inflamáveis, gases ou poeiras.** As ferramentas eléctricas criam faíscas que podem poeiras ou gases.
- **Mantenha as crianças e restantes pessoas afastadas enquanto maneja uma ferramenta eléctrica.** As distrações podem fazê-lo perder o controlo.

Segurança no manejo de eletricidade

- **As fichas das ferramentas eléctricas têm de corresponder à tomada eléctrica. Nunca modifique a ficha de qualquer forma. Não utilize quaisquer fichas adaptadoras com ferramentas eléctricas ligadas à terra.** As fichas inalteradas e as tomadas correspondentes reduzem o risco de choque eléctrico.
- **Evite o contacto corporal com superfícies ligadas à terra, tais como tubos, radiadores, fogões e frigoríficos.** Existe um risco acrescido de choque eléctrico se o seu corpo estiver em contacto com a terra.
- **Não exponha ferramentas eléctricas a chuva ou condições de elevada humidade.** A entrada de água numa ferramenta eléctrica aumenta o risco de choque eléctrico.
- **Não danifique o fio eléctrico. Nunca utilize o cabo eléctrico para transportar, puxar ou desligar a ferramenta eléctrica da tomada. Mantenha o cabo eléctrico afastado de fontes de calor, óleo, arestas afiadas ou de peças em movimento.** Os fios eléctricos danificados ou emaranhados aumentam o risco de choque eléctrico.
- **Ao operar uma ferramenta eléctrica no exterior, utilize um cabo de extensão adequado para utilização em exteriores.** A utilização de um cabo eléctrico

adequado para utilização no exterior reduz o risco de choque eléctrico.

- **Se não puder evitar operar uma ferramenta eléctrica em locais húmidos, utilize uma fonte de alimentação com corta-circuito com um dispositivo de corrente residual (RDC).** A utilização de um dispositivo de corrente residual (RCD) reduz o risco de choque eléctrico.

Segurança pessoal

- **Mantenha-se alerta, tenha atenção ao que está a fazer e use o bom senso ao operar uma ferramenta eléctrica. Não utilize uma ferramenta eléctrica se estiver cansado ou sob a influência de drogas, álcool ou medicação.** Um momento de desatenção durante o manejo de ferramentas eléctricas pode resultar em lesões pessoais graves.
- **Use equipamento de protecção pessoal. Use sempre protecção ocular.** A utilização de equipamento de protecção como máscara antipoeira, calçado de segurança antiderrapante, capacete ou protetores acústicos nas condições apropriadas irá reduzir os ferimentos pessoais.
- **Prevenção de arranque não intencional. Certifique-se de que o interruptor se encontra desligada antes de ligar a ferramenta à fonte de alimentação e/ou à bateria, ou de a pegar ou transportar.** Transportar ferramentas eléctricas com o dedo no interruptor ou ligar ferramentas eléctricas à corrente eléctrica com o interruptor ligado é um convite aos acidentes.
- **Remova qualquer chave de ajuste ou chave de porcas antes de ligar a ferramenta à corrente eléctrica.** Uma chave de porcas ou uma chave ligada a uma peça em rotação da ferramenta eléctrica pode resultar em lesões pessoais.
- **Não se debruce. Mantenha o equilíbrio e os pés sempre bem assentes.** Isto permite um melhor controlo da ferramenta eléctrica em situações inesperadas.
- **Vista-se adequadamente. Não use peças de roupa soltas ou jóias. Mantenha o cabelo e roupas longe de quaisquer peças em movimento.** Roupas soltas, jóias ou cabelo comprido podem ser apanhados nas peças em movimento.
- **Se forem fornecidos dispositivos para a ligação de equipamentos de extração e de recolha de poeiras, assegure-se de que estes estão ligados e são utilizados corretamente.** A utilização da recolha de poeiras pode reduzir os riscos relacionados com poeiras.
- **Siga sempre os princípios de segurança das ferramentas, mesmo que já esteja familiarizado com as mesmas devido a utilização frequente.** Uma ação descuidada pode provocar ferimentos graves numa fração de segundo.

Utilização e manutenção de ferramentas eléctricas

- **Não force a ferramenta eléctrica. Use a ferramenta eléctrica correcta para a sua aplicação.** A ferramenta

eléctrica correcta fará um trabalho melhor e mais seguro ao ritmo para o qual foi desenhada.

- **Não use a ferramenta eléctrica se o interruptor não ligar ou desligar.** Qualquer ferramenta eléctrica que não possa ser controlada com o interruptor é perigosa e tem de ser reparada.
- **Desligue a ficha da fonte de alimentação eléctrica e/ou retire a bateria, se amovível, da ferramenta eléctrica antes de efetuar qualquer ajuste, mudar acessórios ou guardar ferramentas eléctricas.** Estas medidas de prevenção reduzem o risco de ligar a ferramenta eléctrica acidentalmente.
- **Guarde ferramentas eléctricas que não estão na ser utilizadas fora do alcance das crianças e não permita que qualquer pessoa não familiarizada com a ferramenta eléctrica ou com as suas instruções maneje a ferramenta eléctrica.** As ferramentas eléctricas são perigosas nas mãos de utilizadores inexperientes.
- **Efetue a manutenção das ferramentas eléctricas e dos acessórios.** Verifique quanto a desalinhamentos ou bloqueio de peças móveis, danos de peças e qualquer outra condição que possa afectar o funcionamento da ferramenta eléctrica. Se estiver danificada, repare a ferramenta eléctrica antes de a usar. Muitos acidentes são causados por ferramentas eléctricas com má manutenção.
- **Mantenha as ferramentas de corte afiadas e limpas.** Ferramentas de corte com as zonas de corte afiadas e bem mantidas têm menos probabilidades de bloquear e são mais fáceis de controlar.
- **Use a ferramenta eléctrica, acessórios e brocas, etc. de acordo com estas instruções, tomando em consideração as condições de funcionamento e o trabalho a ser executado.** A utilização da ferramenta eléctrica para operações diferentes das previstas pode resultar numa situação perigosa.
- **Mantenha os punhos e as superfícies onde se segura secos, limpos e sem óleo nem massa lubrificante.** As superfícies onde se segura e os punhos escorregadios não permitem um controlo e um manuseamento seguros do produto em situações inesperadas.

Utilização e manutenção da bateria

- **Recarregue a bateria apenas com o carregador especificado pelo fabricante.** Um carregador adequado para um tipo de bateria pode criar risco de incêndio quando usado com outra bateria.
- **Utilize as ferramentas eléctricas apenas com as baterias concebidas para as mesmas.** A utilização de quaisquer outras baterias pode criar risco de ferimentos e incêndio.
- **Quando a bateria não está a ser utilizada, mantenha-a afastada de outros objetos metálicos, como clips, moedas, chaves, pregos, parafusos ou outros objetos metálicos pequenos que possam fazer a ligação entre os dois terminais.** Provocar curto-circuitos nos terminais das baterias pode provocar queimaduras ou um incêndio.

- **Em condições extremas, é possível que o líquido da bateria varta; evite o contacto. Se ocorrer algum contacto accidental, lave com água. Se o líquido entrar em contacto com os olhos, procure assistência médica adicional.** O líquido vertido da bateria pode provocar irritações ou queimaduras.
- **Não utilize uma bateria ou uma ferramenta que se encontre danificada ou modificada.** As baterias danificadas ou modificadas podem apresentar um comportamento imprevisível que pode resultar em incêndios, explosões ou ferimentos graves.
- **Não exponha uma bateria ou uma ferramenta a fogo ou temperaturas excessivas.** A exposição a fogo ou a temperaturas acima de 130 °C/266 °F pode provocar uma explosão.
- **Siga todas as instruções de carregamento e não carregue a bateria ou a ferramenta fora do intervalo de temperatura especificado nas instruções.** Os carregamentos impróprios ou a temperaturas fora do intervalo especificado podem danificar a bateria e aumentar o risco de incêndio.

Assistência

- **Garanta que a manutenção da sua ferramenta eléctrica é efetuada por um técnico de reparações qualificado e que utilize apenas peças de substituição idênticas.** Isto irá assegurar que a segurança das ferramentas eléctricas é mantida.
- **Nunca deve efetuar a manutenção de baterias danificadas.** A manutenção das baterias deve ser efetuada apenas pelo fabricante ou por prestadores de serviços autorizados.

Avisos de segurança gerais da motosserra

- **Mantenha todas as partes do corpo afastadas corrente da serra quando a motosserra está em funcionamento. Antes do arranque da motosserra, certifique-se de que a corrente da serra não está em contacto com qualquer objeto.** Um momento de desatenção ao operar motosserras pode causar o emaranhamento das roupas ou do corpo com a corrente da serra.
- **Empunhe sempre a motosserra com a mão direita no punho traseiro e a esquerda no punho dianteiro.** Se segurar a motosserra com a posição invertida das mãos aumentará o risco de ferimentos pessoais e, portanto, não deverá fazê-lo.
- **Segure a motosserra apenas pelas superfícies de agarrar isoladas, uma vez que a corrente da serra pode entrar em contacto com cablagem oculta.** O contacto das correntes das serras com um fio com tensão pode energizar as peças metálicas expostas da motosserra e, por conseguinte, provocar um choque elétrico no utilizador.
- **Utilize proteção ocular. Recomenda-se a utilização de equipamento de proteção adicional acústica, para a cabeça, as mãos, as pernas e os pés.** A utilização de equipamento de proteção adequado irá reduzir o risco de ferimentos pessoais provocados

por detritos arremessados ou por contacto accidental com a corrente da serra.

- **Não utilize a motosserra em árvores, em escadotes, em telhados ou qualquer suporte instável.** Se a motosserra for utilizada neste tipo de situação pode resultar em ferimentos pessoais graves.⁸¹
- **Mantenha sempre uma boa colocação dos pés e opere a motosserra apenas quando se encontrar sobre uma superfície fixa, segura e plana.** As superfícies escorregadias ou instáveis podem causar uma perda de equilíbrio ou do controlo da motosserra.
- **Ao cortar um ramo que esteja sob tensão, tenha cuidado para que este não seja arremessado contra si.** Quando a tensão nas fibras da madeira é libertada, o ramo sob tensão pode ser arremessado contra o utilizador e/ou descontrolar a motosserra.
- **Tenha muito cuidado ao cortar silvado e árvores jovens.** Os materiais finos podem ficar presos na corrente da serra e serem projetados na sua direção ou fazer com que perca o equilíbrio.
- **Transporte a motosserra pelo punho dianteiro, desligada e afastada do corpo.** Quando transportar ou armazenar a motosserra, coloque sempre a cobertura da lâmina de guia. O manuseamento correto da motosserra irá reduzir a probabilidade de contacto accidental com a corrente da serra em rotação.
- **Siga as instruções de lubrificação, tensionamento da corrente e substituição da lâmina e da corrente.** Uma corrente da serra que não esteja devidamente esticada ou lubrificada pode partir ou aumentar o risco de retrocesso.
- **Corte apenas madeira. Não utilize a motosserra para fins a que esta não se destine. Por exemplo: não utilize a motosserra para cortar metal, plástico, alvenaria ou materiais de construção que não sejam de madeira.** A utilização da motosserra para operações diferentes das previstas pode resultar em situações perigosas.
- **Não tente abater uma árvore até compreender os riscos e como evitá-los.** Ao abater árvores, podem ocorrer ferimentos graves no utilizador ou em terceiros.
- **Siga todas as instruções quando estiver a limpar material encravado, a armazenar ou a realizar a manutenção da motosserra. Certifique-se de que o interruptor se encontra desligado e que a bateria é retirada.** O acionamento inesperado da motosserra enquanto é efetuada a remoção de material encravado ou a manutenção pode resultar em ferimentos pessoais graves.
- **Não opere a motosserra numa árvore a menos que tenha recebido formação específica para tal.** A utilização de uma motosserra numa árvore sem ter a formação adequada pode aumentar o risco de ferimentos pessoais graves.

⁸¹ Se tiver formação em técnicas especiais de corte e trabalho e estiver devidamente seguro (elevador, cordas, arnés de segurança), podem ser efetuados desvios a estes regulamentos de segurança.

Causas de retrocesso e respectiva prevenção pelo operador

O retrocesso pode ocorrer quando a ponta da lâmina de guia entra em contacto com um objeto, ou quando a madeira se retrai e entala a corrente da serra durante o corte. Em alguns casos, quando a ponta da lâmina de guia entra em contacto com um objeto, pode ocorrer uma reação de retrocesso em que a lâmina de guia é atirada para cima e para trás, contra o operador. Se a corrente da serra ficar entalada ao longo da parte superior da lâmina de guia, esta poderá ser empurrada rapidamente contra o operador. Qualquer uma destas reações poderá fazer com que perca o controlo da motosserra, o que poderá resultar em ferimentos pessoais graves. Não confie exclusivamente nos dispositivos de segurança da motosserra. Como utilizador de motosserras, deverá tomar várias medidas para manter as suas tarefas de corte isentas de acidentes ou ferimentos. O retrocesso é o resultado de má utilização da motosserra e/ou procedimentos ou condições de funcionamento incorretos e pode ser evitado tomando as devidas precauções indicadas abaixo:

- **Agarre com firmeza, com os polegares e os dedos em volta dos punhos da motosserra, com ambas as mãos na serra, e posicione o corpo e os braços de forma a que consiga resistir às forças de retrocesso.** Se forem tomadas as devidas precauções, o operador poderá controlar as forças de retrocesso. Não largue a moto-serra.
- **Não se debruce nem corte acima da altura dos ombros.** Isto ajuda a evitar o contacto accidental da ponta com objetos e oferece um melhor controlo da motosserra em situações imprevistas.
- **Utilize apenas as lâminas de guia e as correntes de substituição especificadas pelo fabricante.** As lâminas de guia e correntes de substituição incorretas poderão partir a corrente e/ou provocar o retrocesso.
- **Siga as instruções do fabricante relativamente à afiação e manutenção da corrente da serra.** A diminuição da altura da abertura de corte, aumentará o retrocesso.

GUARDE ESTAS INSTRUÇÕES.

Instruções de segurança gerais



ATENÇÃO: Leia as instruções de aviso que se seguem antes de utilizar o produto.

- Se o utilizador não for cuidadoso ou se o produto for utilizado de forma incorreta, este produto é uma ferramenta perigosa. Este produto pode provocar ferimentos graves ou a morte do operador ou terceiros. É muito importante que você leia e

compreenda o conteúdo destas instruções para o uso.

- Não altere o produto sem a aprovação do fabricante. Não utilize um produto que tenha sido alterado por outros e use sempre acessórios originais. As alterações não aprovadas pelo fabricante podem resultar em ferimentos graves ou a morte do operador ou de terceiros.
- A inalação prolongada de gases do óleo de corrente e de serrim pode provocar problemas de saúde.
- Este produto produz um campo eletromagnético durante o funcionamento. Em determinadas circunstâncias, este campo pode interferir com o funcionamento de implantes médicos ativos ou passivos. Para diminuir o risco de ferimentos graves ou mortais, recomendamos que os portadores de implantes médicos consultem o seu médico e o fabricante do implante antes de utilizar este produto.

Instruções de segurança para funcionamento



ATENÇÃO: Leia as instruções de aviso que se seguem antes de utilizar o produto.

- As informações contidas neste manual do utilizador não substituem capacidades profissionais e experiência. Se não se sentir seguro na situação em que se encontra, pare o produto. Contacte o seu distribuidor com assistência técnica ou um utilizador de motosserra profissional. Evite qualquer forma de uso para a qual não se sinta suficientemente qualificado!
- Contacte o seu revendedor com assistência técnica ou a Husqvarna se tiver alguma dúvida sobre o funcionamento do produto. Podemos fornecer-lhe informações sobre como utilizar o produto de forma eficaz e segura. Se possível, participe numa formação sobre o funcionamento da motosserra. O seu revendedor com assistência técnica, escola de silvicultura ou a sua biblioteca poderão informá-lo sobre o material de formação e as aulas disponíveis.
- É necessário compreender os efeitos do retrocesso e como evitá-los antes de utilizar este produto. Consulte *Informação sobre retrocesso na página 551 e Perguntas comuns sobre o retrocesso na página 552* para obter instruções.
- Não utilize um produto, bateria ou carregador de bateria danificado ou que não funcione corretamente.
- Não toque numa corrente de serra rotativa. Tal pode causar ferimentos graves ou morte.
- Não utilize o produto se estiver cansado, sob o efeito de álcool ou drogas, se tiver tomado medicamentos ou outros produtos que possam afetar negativamente a sua visão, atenção, capacidade de discernimento ou o seu controlo físico.

- Trabalhar em más condições meteorológicas é cansativo e muitas vezes traz riscos acrescidos. Devido ao risco acrescido, não se recomenda a utilização da máquina em condições meteorológicas adversas, por exemplo, nevoeiro denso, chuva intensa, ventos fortes, frio intenso ou risco de trovoadas, etc.
- Não ligue um produto sem que a lâmina de guia, a corrente da serra e todas as coberturas estejam devidamente montadas. Caso contrário, o pino pode soltar-se e causar ferimentos graves. Consulte *Montagem na página 549* para obter instruções.

(Fig. 25)

- Por vezes, ficam aparas presas na cobertura da embraiagem, bloqueando a corrente da serra. Pare sempre o motor antes de proceder à limpeza.
- Verifique a área circundante. Certifique-se de que não existe o risco de terceiros ou animais tocarem ou influenciarem o seu controlo do produto.

(Fig. 26)

- Não deixe que as crianças utilizem ou se aproximem do produto. O produto liga-se facilmente e as crianças podem conseguir ligá-lo se não forem constantemente supervisionadas. Isto pode implicar um risco de ferimentos graves.
- Remova a bateria quando o produto estiver fora de vista ou quando o deixar sem supervisão por um período mais prolongado.
- Certifique-se de que está estável para ter total controlo sobre o produto. Não utilize o produto se estiver em cima de uma escada ou árvore. Não utilize o produto se não estiver num solo estável.

(Fig. 27)

- Trabalhar numa árvore exige a utilização de técnicas especiais de corte e trabalho, que têm de ser observadas para reduzir o risco acrescido de ferimentos. Nunca trabalhe numa árvore se não tiver recebido formação profissional específica, incluindo formação na utilização de equipamento de segurança e escalada, como, por exemplo, arnês, cordas, cintos, grampos de escalada, ganchos de encaixe, mosquetões, etc.
- Nunca tente apanhar secções em queda. Nunca efetue cortes na árvore quando estiver seguro apenas com uma corda. Utilize sempre duas cordas seguras.
- Se não for cuidadoso, o risco de retrocesso aumenta. Um retrocesso pode ocorrer se a zona de risco de retrocesso da lâmina de guia tocar acidentalmente num ramo, árvore ou outros objetos.

(Fig. 28)

- Não utilize o produto apenas com uma mão. É impossível controlar este produto com segurança só com uma mão.
- Não utilize o produto acima da altura dos ombros e não tente cortar com a ponta da lâmina de guia.

(Fig. 29)

- Não utilize um produto numa situação em que não consegue obter ajuda em caso de acidente.
- Pare o produto e engate o travão da corrente antes de deslocar o produto. Segure o produto com a lâmina de guia e a corrente da serra a apontar para trás. Coloque uma proteção para transporte na lâmina de guia antes de a transportar ou deslocar.
- Quando colocar o produto no solo, engate o travão da corrente e mantenha o produto sob vigilância contínua. Antes de se afastar do produto durante qualquer período de tempo, pare o produto e remova a bateria.
- Existe o risco de serradura ficar presa no sistema de acionamento. Tal pode fazer com que a corrente da serra fique presa. Desligue sempre o produto e remova a bateria antes de o limpar.
- O nível de vibração aumenta se cortar com equipamento de corte incorreto ou que não se encontra devidamente afiado. Serrar um tipo de madeira duro como, por exemplo, árvores de folha caduca, provoca vibrações maiores do que serrar um tipo macio como coníferas.

(Fig. 30)

- A sobre-exposição a vibrações pode levar a lesões arteriais ou nervosas em pessoas com má circulação sanguínea. Consulte um médico em caso de sintomas relacionados com a sobre-exposição a vibrações. Estes sintomas podem manifestar-se como torpor, ausência de sensibilidade, 'cócegas', 'picadelas', dor, falta ou redução de força normal, alterações de cor da pele ou da sua superfície. Estes sintomas normalmente ocorrem nos dedos, nas mãos ou nos pulsos e aumentam com temperaturas baixas.
- Não tente desramar ou podar uma árvore que não tenha sido cortada, exceto se tiver formação específica.
- Mantenha-se sempre na parte mais elevada do tronco ao cortar em declives, pois é provável que a árvore deslize pelo lado inclinado depois de cortada. Para controlar completamente o produto ao cortar, liberte a pressão de corte junto da extremidade do corte. Não relaxe as mãos enquanto estiver a segurar nos punhos. Não deixe a corrente da serra tocar no solo. Após concluir o corte, aguarde que a corrente da serra pare antes de mover o produto. Desligue sempre o motor antes de se deslocar de uma árvore para outra.

(Fig. 31)

- Não abata uma árvore se tal representar um risco para a segurança de qualquer pessoa ou se existir a possibilidade de atingir algum cabo de eletricidade ou de causar danos materiais. Se a árvore atingir algum cabo de eletricidade, tem de notificar imediatamente a companhia elétrica.
- Certifique-se de que pode deslocar-se com segurança. Examine as condições e o terreno circundante quanto à existência de eventuais obstáculos como, por exemplo, raízes, pedras,

ramos, valas e outros. Tenha cuidado ao trabalhar em terreno inclinado.

- Evite situações que lhe pareçam estar além das suas capacidades.
- Não é possível incluir cada eventual situação com a qual se pode deparar ao utilizar este produto. Seja sempre cuidadoso e use o seu senso comum.

(Fig. 32)

Equipamento de proteção pessoal



ATENÇÃO: Leia as instruções de aviso que se seguem antes de utilizar o produto.

(Fig. 33)

- A maioria dos acidentes com motosserras ocorre quando a corrente da serra atinge o utilizador. O utilizador tem de usar equipamento de proteção pessoal aprovado durante o funcionamento. O equipamento de proteção pessoal não fornece proteção total contra ferimentos, mas diminui a respetiva gravidade em caso de acidente. Contacte o seu distribuidor com assistência técnica para obter recomendações sobre o equipamento a utilizar.
- O vestuário tem de ser justo, mas não deve limitar os seus movimentos. Verifique regularmente o estado do equipamento de proteção pessoal.
- Utilize um capacete de proteção aprovado.
- Utilize protetores acústicos aprovados. A exposição prolongada a ruídos pode provocar danos auditivos permanentes.
- Use óculos de proteção aprovados ou viseira para reduzir o risco de ferimentos causados por objetos arremessados. O produto pode projetar objetos, tais como serradura, pequenos pedaços de madeira etc., com muita força. Isso pode causar ferimentos graves, especialmente nos olhos.
- Utilize luvas com proteção contra serra.
- Utilize calças com proteção contra serra.
- Utilize botas com proteção contra serra, biqueira de aço e sola antiderrapante.
- O kit de primeiros socorros deve estar sempre à mão.
- Risco de faíscas. Tenha sempre à mão ferramentas de extinção de incêndios e uma pá para evitar incêndios florestais.

Dispositivos de segurança no produto



ATENÇÃO: Leia as instruções de aviso que se seguem antes de utilizar o produto.

- Não utilize um produto com dispositivos de segurança danificados ou que não funcionem corretamente.
- Verifique regularmente os dispositivos de segurança. Consulte *Manutenção e verificação dos*

dispositivos de segurança no produto na página 557.

- Se os dispositivos de segurança estiverem danificados ou não funcionarem corretamente, contacte o seu distribuidor com assistência técnica Husqvarna.

Funções da interface do utilizador

A interface do utilizador inclui o botão Start/Stop, o botão SavE, o estado da bateria e o indicador de aviso. O indicador de aviso fica intermitente se o travão da corrente for ativado ou se existir o risco de sobrecarga. A proteção contra sobrecarga interrompe temporariamente o funcionamento do produto e o utilizador não pode utilizá-lo até a temperatura baixar. Se o indicador de aviso apresentar uma luz fixa, contacte o seu distribuidor com assistência técnica.

(Fig. 34)

Para obter mais informações sobre a interface do utilizador, consulte *Vista geral do produto na página 540.*

A função de paragem automática

O produto possui uma função de paragem automática que desliga o produto caso não o utilize durante 3 minutos.

Travão de corrente com protector anti-retrocesso

O seu produto possui um travão da corrente que para a corrente da serra em caso de retrocesso. O travão da corrente reduz o risco de acidentes, mas só o utilizador os poderá evitar.

(Fig. 35)



ATENÇÃO: Evite situações em que exista o risco de retrocesso. Tenha cuidado ao utilizar o produto e certifique-se de que o setor de risco de retrocesso da lâmina-guia não entra em contacto com um objeto.

(Fig. 36)

O travão da corrente engata (A) manualmente com a mão esquerda ou automaticamente através da função de inércia. Empurre para a frente a proteção dianteira para a mão (B) para engatar o travão da corrente manualmente. Este movimento ativa um mecanismo de mola que para o pinhão.

(Fig. 37)

A forma como o travão da corrente é acionado está relacionada com a força do retrocesso e a posição do produto. Em caso de ocorrer um retrocesso intenso enquanto o setor de risco de retrocesso se encontra afastado do utilizador, o travão da corrente engata pela função de inércia. Se o retrocesso for pequeno ou o setor de risco de retrocesso estiver próximo do

utilizador, o travão da corrente engata manualmente com a mão esquerda.

(Fig. 38)

Utilize o travão da corrente como travão de estacionamento quando ligar o produto e se deslocar em distâncias curtas. Isto diminui o risco de o utilizador ou alguém próximo entrar em contacto com a corrente da serra.

(Fig. 39)

Puxe a proteção dianteira para a mão para trás para desengatar o travão da corrente.

(Fig. 40)

Os retrocessos podem ocorrer subitamente e ser muito intensos. A maior parte dos retrocessos é pequena e nem sempre engata o travão da corrente. Se ocorrer um retrocesso ao utilizar o produto, segure firmemente os punhos e não largue.

(Fig. 41)

A proteção dianteira para a mão também reduz o risco de contacto com a corrente da serra caso a sua mão se solte do punho dianteiro.

(Fig. 42)

Na posição de abate, não é possível engatar o travão da corrente manualmente. Nesta posição, o travão da corrente pode apenas ser engatado pela função de inércia.

(Fig. 43)

Bloqueio do interruptor de alimentação

O bloqueio do interruptor de alimentação impede o funcionamento accidental do interruptor de alimentação. Se empurrar o bloqueio do interruptor de alimentação para a frente (A) e, em seguida, premir o bloqueio do interruptor de alimentação contra o punho (B), o interruptor de alimentação (C) é libertado. Quando solta o punho, o interruptor de alimentação e o bloqueio do interruptor de alimentação retornam às suas posições originais.

(Fig. 44)

Retentor de corrente

O retentor de corrente prende a corrente da serra caso esta se parta ou se solte. Se a tensão da corrente for a correta, o risco diminui. Também pode diminuir o risco se efetuar a manutenção correta da lâmina-guia e da corrente da serra. Consulte *Montagem na página 549* e *Manutenção na página 556* para obter instruções.

(Fig. 45)

Protector da mão direita

A proteção do lado direito funciona como uma proteção para a sua mão caso a corrente da serra se parta ou

se solte. Também impede a interferência de ramos e galhos quando utilizar o produto.

(Fig. 46)

Segurança da bateria



ATENÇÃO: Leia as instruções de aviso que se seguem antes de utilizar o produto.

- Utilize apenas as baterias da série 40-B que recomendamos para o seu produto. Consulte *Baterias aprovadas na página 565*. As baterias contêm software encriptado.
- Utilize as baterias da série 40-B recarregáveis como fonte de alimentação apenas para os produtos Husqvarna relacionados. Consulte *Baterias aprovadas na página 565*. Para evitar ferimentos, não utilize a bateria como fonte de alimentação para outros produtos.
- Risco de choque elétrico. Não ligue os terminais da bateria a chaves, parafusos ou outros metais. Caso contrário, pode provocar um curto-circuito da bateria.
- Não utilize baterias não recarregáveis.
- Não coloque objetos nas aberturas de ventilação da bateria.
- Mantenha a bateria afastada do sol, calor ou de chamas abertas. A bateria pode causar queimaduras e/ou queimaduras químicas.
- Mantenha a bateria afastada de chuva e condições de humidade.
- Mantenha a bateria afastada de micro-ondas e alta pressão.
- Não tente desmontar ou partir a bateria.
- Não deixe que o ácido da bateria entre em contacto com a pele. O ácido da bateria provoca ferimentos na pele, corrosão e queimaduras. Se o ácido da bateria entrar em contacto com os olhos, não os esfregue; lave os olhos com água durante, pelo menos, 15 minutos. Se o ácido da bateria entrar em contacto com a pele, tem de limpar a pele com uma grande quantidade de água e sabão. Procure assistência médica.
- Utilize a bateria a temperaturas entre -10 °C (14 °F) e 40 °C (104 °F).
- Não limpe a bateria nem o carregador de bateria com água. Consulte *Verificar a bateria e o respetivo suporte na página 558*.
- Não utilize uma bateria danificada.
- Mantenha as baterias armazenadas afastadas de objetos metálicos como, por exemplo, pregos, parafusos ou joias.
- Mantenha as baterias afastadas de crianças.

Segurança do carregador de bateria



ATENÇÃO: Leia as instruções de aviso que se seguem antes de utilizar o produto.

- Risco de choque elétrico ou curto-circuito se as instruções de segurança não forem cumpridas.
- Utilize uma tomada elétrica com ligação à terra aprovada que não esteja danificada.
- Não utilize outros carregadores de baterias que não o fornecido para o seu produto. Utilize apenas carregadores 40-C80 para carregar baterias de substituição Husqvarna 40-B140. Consulte *Carregadores de bateria aprovados para o produto na página 565* e *Baterias aprovadas na página 565*.
- Não tente desmontar o carregador de bateria.
- Não utilize um carregador de bateria que esteja com defeito ou danificado.
- Não utilize o cabo de alimentação para levantar o carregador de bateria. Para desligar o carregador de bateria de uma tomada elétrica, puxe a ficha. Não puxe o cabo de alimentação.
- Mantenha todos os cabos e cabos de extensão afastados de água, óleo e arestas afiadas. Certifique-se de que o cabo não fica entalado em portas, cercas ou objetos semelhantes.
- Não utilize o carregador de bateria próximo de materiais inflamáveis ou materiais que possam provocar corrosão. Certifique-se de que o carregador de bateria não está coberto. Em caso de fumo ou fogo, desligue o carregador de bateria da tomada.
- Carregue a bateria apenas em espaços interiores, com um bom fluxo de ar e sem exposição à luz solar. Não carregue a bateria no exterior. Não carregue a bateria em condições de humidade.
- Utilize apenas o carregador de bateria onde a temperatura se encontrar entre 5 °C (41 °F) e 40 °C (104 °F). Utilize o carregador em ambientes bem ventilados, secos e isentos de poeiras.
- Não coloque objetos nas aberturas de arrefecimento do carregador de bateria.
- Não ligue os terminais do carregador de bateria a objetos metálicos, uma vez que pode provocar um curto-circuito no carregador de bateria.
- Utilize tomadas elétricas aprovadas e que não se encontrem danificadas.
- Não carregue baterias não recarregáveis nos carregadores de bateria.

Instruções de segurança para manutenção



ATENÇÃO: Leia as instruções de aviso que se seguem antes de efetuar tarefas de manutenção no produto.

- Retire a bateria antes de efetuar tarefas de manutenção, outras verificações, ou de montar o produto.
- O operador só pode efetuar as tarefas de manutenção e assistência descritas neste manual do utilizador. Contacte o seu revendedor com assistência técnica para tarefas de manutenção e assistência de maior extensão.
- Não limpe a bateria ou o carregador com água. Os detergentes fortes podem danificar o plástico.
- Se não proceder à manutenção, irá diminuir o ciclo de vida do produto e aumentar o risco de acidentes.
- É necessária formação especializada para todos os trabalhos de assistência e reparação, especialmente para os dispositivos de segurança do produto. Se, após efetuar tarefas de manutenção, nem todas as verificações deste manual forem aprovadas, contacte o seu revendedor com assistência técnica. Garantimos que existem reparações e assistência profissionais disponíveis para o seu produto.
- Utilize sempre peças sobresselentes originais.

Instruções de segurança para equipamento de corte



ATENÇÃO: Leia as instruções de aviso que se seguem antes de utilizar o produto.

- Utilize apenas as combinações lâmina de guia/ corrente da serra e o equipamento de enchimento recomendados. Consulte *Especificações técnicas na página 563* para obter instruções.

- Use luvas de proteção quando utilizar ou realizar a manutenção da corrente da serra. Uma corrente da serra que não se mova também pode causar ferimentos.
- Mantenha os dentes de corte bem afiados. Siga as instruções e utilize o calibrador de lima recomendado. Uma corrente da serra danificada ou mal afiada aumenta o risco de acidentes.

(Fig. 47)

- Mantenha a definição de abertura de corte correta. Siga as instruções e use a definição de abertura de corte recomendada. Uma definição de abertura de corte demasiado grande aumenta o risco de retrocesso.

(Fig. 48)

- Certifique-se de que a corrente da serra está corretamente esticada. Se a corrente da serra não estiver bem apertada contra a lâmina-guia, a corrente da serra pode sair do trilho. Uma tensão da corrente da serra incorreta aumenta o desgaste da lâmina-guia, da corrente da serra e do pinhão da corrente. Consulte *Acessórios na página 564*.

(Fig. 49)

- Efetue a manutenção do equipamento de corte regularmente e mantenha-o corretamente lubrificado. Se a corrente da serra não estiver corretamente lubrificada, o risco de desgaste da lâmina-guia, da corrente da serra e do pinhão da corrente aumenta.

(Fig. 50)

Montagem

Montar a lâmina de guia e a corrente da serra (com manípulo da lâmina)



ATENÇÃO: Retire sempre a bateria antes de montar ou efetuar a manutenção do produto.

1. Desengate o travão da corrente. (Fig. 51)
2. Desaperte o manípulo da lâmina e retire a cobertura do pinhão. (Fig. 52)
3. Coloque a lâmina de guia sobre o respetivo parafuso. Oriente a lâmina de guia até à sua posição mais traseira. Levante a corrente da serra acima do pinhão e engate-a na ranhura da lâmina de guia. Comece pela extremidade superior da lâmina de guia.
4. Certifique-se de que as extremidades das lâminas estão viradas para a frente na extremidade superior da lâmina de guia. (Fig. 53)
5. Instale a cobertura do pinhão e oriente o pino de ajuste da corrente até ao orifício da lâmina de guia.

6. Certifique-se de que os elos de ligação da corrente da serra encaixam corretamente no pinhão.
7. Certifique-se de que a corrente da serra está bem engatada na ranhura da lâmina de guia.
8. Aplique tensão à corrente da serra. Consulte *Manutenção na página 556* para obter instruções.
9. Aperte o manípulo da lâmina.

Montar a lâmina de guia e a corrente da serra (com parafuso da lâmina)



ATENÇÃO: Retire sempre a bateria antes de montar ou efetuar a manutenção do produto.

1. Desengate o travão da corrente. (Fig. 51)
2. Desaperte a porca da lâmina e retire a cobertura do pinhão. (Fig. 54)

3. Coloque a lâmina de guia sobre o respetivo parafuso. Oriente a lâmina de guia até à sua posição mais traseira. Levante a corrente da serra acima do pinhão e engate-a na ranhura da lâmina de guia. Comece pela extremidade superior da lâmina de guia.
4. Certifique-se de que as extremidades das lâminas estão viradas para a frente na extremidade superior da lâmina de guia. (Fig. 55)
5. Instale a cobertura do pinhão e oriente o pino de ajuste da corrente até ao orifício da lâmina de guia.
6. Certifique-se de que os elos de ligação da corrente da serra encaixam corretamente no pinhão.
7. Certifique-se de que a corrente da serra está bem engatada na ranhura da lâmina de guia.
8. Aperte a porca da lâmina com os dedos.
9. Aperte a corrente da serra. Consulte *Manutenção na página 556* para obter instruções.

Instalar o carregador de bateria na parede



CUIDADO: Não utilize uma chave de parafusos elétrica para instalar o carregador de bateria na parede. Uma chave de parafusos elétrica pode causar danos no carregador de bateria.

1. Instale o carregador de bateria na parede com os 2 parafusos (A). Utilize buchas (B), se necessário. (Fig. 56)
2. Instale os 2 tampões dos orifícios dos parafusos (C).
3. Ligue o cabo de alimentação (D) ao carregador de bateria e a uma tomada de parede.

Funcionamento

Introdução



ATENÇÃO: Certifique-se de que lê e compreende o capítulo sobre segurança antes de usar o produto.

Para verificar o funcionamento antes de usar o produto

1. Verifique o travão da corrente (A) para confirmar que funciona corretamente e que não está danificado.
2. Verifique a proteção traseira para a mão direita (B) para confirmar que não está danificada.
3. Verifique o interruptor de alimentação e o respetivo bloqueio (C) para se certificar de que funcionam corretamente e não estão danificados.
4. Verifique o teclado para confirmar (D) se funciona corretamente.
5. Certifique-se de que não existe óleo nos punhos (E).
6. Efetue uma verificação para confirmar que todas as peças estão corretamente montadas e não estão danificadas ou em falta.
7. Verifique o retentor da corrente (F) para confirmar que está corretamente montado.
8. Verifique a tensão da corrente (G).
9. Carregue a bateria (H) e certifique-se de que está devidamente montada no produto.
10. Certifique-se de que a corrente da serra para quando solta o interruptor de alimentação. (Fig. 57)

Utilizar o óleo de corrente correto



ATENÇÃO: Não utilize óleo usado, pois este pode causar danos ao operador e ao ambiente. O óleo usado também danifica a bomba de óleo, a lâmina-guia e a corrente da serra.



ATENÇÃO: A corrente da serra pode partir se a lubrificação do equipamento de corte não for suficiente. Risco de ferimentos graves ou morte do operador.



ATENÇÃO: Utilize o óleo de corrente correto para que esta função funcione corretamente. Consulte a assistência técnica do seu revendedor para selecionar o óleo de corrente.

- Utilize óleo de corrente da Husqvarna para obter o tempo de vida útil máximo da corrente e para evitar efeitos negativos no meio ambiente. Se o óleo de corrente da Husqvarna não estiver disponível, recomenda-se a utilização de um óleo de corrente normal.
- Utilize um óleo de corrente com boa aderência à corrente da serra.
- Utilize um óleo de corrente com uma gama de viscosidade em conformidade com a temperatura do ar.



CUIDADO: A temperaturas inferiores a 0 °C/32 °F, alguns óleos de corrente ficam demasiado

espessos, o que pode causar danos nos componentes da bomba de óleo.

- Use o equipamento de corte recomendado. Consulte *Acessórios na página 564*.
- Retire a tampa do depósito de óleo de corrente.
- Abasteça o depósito de óleo de corrente com óleo de corrente.
- Prenda a tampa com cuidado.

(Fig. 58)

Nota: Para ver onde se encontra o depósito de óleo de corrente no seu produto, consulte *Introdução na página 540*.

Bateria



ATENÇÃO: Certifique-se de que lê e compreende o capítulo sobre segurança

Indicador LED	Estado de carga da bateria
4 luzes LED ligadas	A bateria tem uma carga entre 76% e 100%.
3 luzes LED ligadas	A bateria tem uma carga entre 51% e 75%.
2 luzes LED ligadas	A bateria tem uma carga entre 26% e 50%.
1 luz LED ligada	A bateria tem uma carga entre 6% e 25%.
1 luz LED está intermitente	A bateria tem uma carga entre 0% e 5%.

Carregar a bateria

Carregue a bateria se se tratar da primeira vez que a utiliza. Uma bateria nova tem apenas 30% de carga.



CUIDADO: Ligue o carregador de bateria a uma tomada de alimentação com a tensão e a frequência especificadas na etiqueta de tipo.

A bateria não carrega se a respetiva temperatura for superior a 50 °C (122 °F).

1. Ligue o cabo de alimentação ao carregador de bateria.
2. Ligue o carregador de bateria a uma tomada de alimentação com ligação à terra. O LED de carregamento pisca uma vez. (Fig. 60)
3. Ligue a bateria ao carregador de bateria. O LED de carregamento acende-se. Carregue a bateria no máximo durante 24 horas. (Fig. 61)
4. Prima o botão indicador da bateria; se todos os indicadores LED se acenderem, a bateria está totalmente carregada.

antes de utilizar a bateria. Certifique-se de que lê e compreende o manual do utilizador da bateria e do carregador de bateria.

Mantenha a bateria e o respetivo carregador de bateria a temperaturas ambiente corretas.

	Temperatura ambiente
Utilização da bateria	5 °C–40 °C/41 °F–104 °F
Carregamento da bateria	5 °C–40 °C/41 °F–104 °F

Estado da bateria

O visor apresenta o estado de carga e a existência de problemas com a bateria.

(Fig. 59)

5. Puxe a ficha de alimentação para desligar o carregador de bateria da tomada de alimentação. Não puxe o cabo de alimentação.
6. Retire a bateria do carregador da bateria.

Informação sobre retrocesso



ATENÇÃO: Um retrocesso pode provocar ferimentos graves ou a morte do operador ou terceiros. Para diminuir o risco, deve compreender as causas do retrocesso e como é possível evitá-las.

O retrocesso ocorre quando o sector de risco de retrocesso da lâmina-guia entra em contacto com um objeto. Um retrocesso pode ocorrer subitamente e com muita força, arremessando o produto na direção do operador.

(Fig. 36)

O retrocesso ocorre sempre na direção do plano de corte da lâmina-guia. Normalmente, o produto é arremessado contra o operador, mas também pode deslocar-se numa direção diferente. É a forma como

utiliza o produto quando ocorre um retrocesso que condiciona a direção do movimento.

(Fig. 62)

O retrocesso só ocorre se o sector de risco de retrocesso da lâmina-guia entrar em contacto com um objeto. Não permita que o setor de risco de retrocesso entre em contacto com um objeto.

(Fig. 36)

Um raio da ponta da lâmina inferior diminui a força do retrocesso.

Utilize uma corrente da serra de baixo retrocesso para diminuir os efeitos do retrocesso. Não permita que o setor de risco de retrocesso entre em contacto com um objeto.



ATENÇÃO: Nenhuma corrente da serra evita totalmente o retrocesso. Respeite sempre as instruções.

Perguntas comuns sobre o retrocesso

• A mão engatará sempre o travão da corrente na ocorrência de um retrocesso?

Não. É necessário utilizar alguma força para empurrar a proteção dianteira para a mão para a frente. Se não utilizar a força necessária, o travão da corrente não é engatado. O operador deve também segurar os punhos do produto de forma estável como as duas mãos durante o trabalho. Se ocorrer um retrocesso, é possível que o travão da corrente não pare a corrente da serra antes de entrar em contacto com o utilizador. Existem também algumas posições em que a sua mão não pode tocar na proteção dianteira para a mão para engatar o travão da corrente.

• A função de inércia engatará sempre o travão da corrente na ocorrência de um retrocesso?

Não. Em primeiro lugar, o travão da corrente deve funcionar corretamente. Consulte *Manutenção e verificação dos dispositivos de segurança no produto na página 557* para obter instruções sobre como efetuar a verificação do travão da corrente. Recomendamos que execute sempre esta operação antes de utilizar o produto. Em segundo lugar, a força do retrocesso tem de ser intensa para engatar o travão da corrente. Se o travão da corrente for demasiado sensível, pode ser ativado durante uma utilização mais agressiva.

• O travão da corrente proteger-me-á sempre de ferimentos na ocorrência de um retrocesso?

Não. O travão da corrente deve funcionar corretamente para proteger. O travão da corrente também deve ser engatado durante um retrocesso para parar a corrente da serra. Se o utilizador estiver próximo da lâmina-guia, é possível que o travão da corrente não tenha tempo suficiente para parar a corrente da serra antes de lhe acertar.



ATENÇÃO: Só o operador e a utilização da técnica de trabalho correta podem evitar retrocessos.

Arrancar o produto

1. Verifique o interruptor de alimentação e o bloqueio do interruptor de alimentação. Consulte *Verificar o bloqueio do interruptor de alimentação na página 557*.
2. Engate o travão da corrente. (Fig. 63)
3. Coloque a bateria no respetivo suporte. (Fig. 64)



CUIDADO: Certifique-se de que a bateria se encontra instalada corretamente no respetivo suporte. Se a bateria não se mover com facilidade no respetivo suporte, significa que a posição não está correta.

4. Prima a parte inferior da bateria até ouvir um som de clique. (Fig. 65)
5. Prima e mantenha premido o botão Start/Stop até o LED verde se acender. (Fig. 66)

Utilizar a função SavE

A função SavE reduz a velocidade da corrente e a potência do produto.

1. Prima o botão SavE. O LED verde acende-se.
2. Prima o botão SavE novamente para desativar a função. O LED verde apaga-se. (Fig. 67)

Parar o produto

1. Prima o botão Start/Stop até a luz LED verde se apagar. (Fig. 66)
2. Prima os botões de desengate da bateria e retire-a do respetivo suporte para evitar um arranque acidental. (Fig. 68)

Corrente a puxar e corrente a empurrar

É possível cortar madeira com o produto em 2 posições diferentes.

- Serrar com a corrente a puxar significa serrar com a parte inferior da lâmina de guia. A corrente da serra puxa através da árvore durante o corte. Nesta posição, o utilizador tem um maior controlo do produto e da posição do setor de risco de retrocesso.

(Fig. 69)

- Serrar com a corrente a empurrar significa serrar com a parte superior da lâmina de guia. A corrente da serra empurra o produto na direção do operador.

(Fig. 70)



ATENÇÃO: Se a corrente da serra ficar presa no tronco, o produto pode ser empurrado contra o operador. Segure o produto com firmeza e certifique-se de que o setor de risco de retrocesso da lâmina-guia não entra em contacto com a árvore nem provoca um retrocesso.

(Fig. 71)

Usar a técnica de corte



ATENÇÃO: Utilize a potência total durante trabalhos de corte e diminua a velocidade para ralenti após cada corte.



CUIDADO: Não deixe o motor a funcionar durante muito tempo sem carga. Caso contrário, pode provocar danos no motor.

1. Coloque o tronco num cavalete ou sobre travessas. (Fig. 72)



ATENÇÃO: Não corte troncos empilhados. Isto aumenta o risco de retrocesso e pode provocar ferimentos graves ou a morte.

2. Retire os pedaços cortados da área de trabalho.



ATENÇÃO: Os pedaços cortados na área de trabalho aumentam o risco de retrocesso e a possibilidade de o utilizador não conseguir manter o equilíbrio.

Utilizar o apoio para casca

1. Empurre o apoio para casca contra o tronco da árvore.
2. Aplique a potência total e rode o produto. Mantenha o apoio para casca contra o tronco. Este procedimento facilita a aplicação da força necessária para cortar o tronco. (Fig. 73)

Cortar um tronco no solo

1. Corte o tronco com a corrente a puxar. Mantenha a potência máxima mas esteja preparado para acidentes repentinos. (Fig. 74)



ATENÇÃO: Certifique-se de que a corrente da serra não toca no chão quando concluir o corte.

2. Corte aproximadamente $\frac{3}{4}$ do tronco e, em seguida, pare. Rode o tronco e corte a partir do lado oposto. (Fig. 75)

Cortar um tronco com apoio numa extremidade



ATENÇÃO: Certifique-se de que o tronco não parte durante o corte. Siga as instruções apresentadas abaixo.

(Fig. 76)

1. Corte com a corrente a empurrar aproximadamente $\frac{1}{3}$ do tronco.
2. Corte o tronco com a corrente a puxar até as duas partes cortadas entrarem em contacto. (Fig. 77)

Cortar um tronco com apoio em ambas as extremidades



ATENÇÃO: Certifique-se de que a corrente da serra não fica presa no tronco durante o corte. Siga as instruções apresentadas abaixo.

(Fig. 78)

1. Corte com a corrente a puxar aproximadamente $\frac{1}{4}$ do tronco.
2. Corte a parte restante do tronco com a corrente a empurrar para concluir o corte. (Fig. 79)



ATENÇÃO: Pare o motor se a corrente da serra ficar presa no tronco. Utilize uma alavanca para abrir o corte e retirar o produto. Não tente puxar o produto para fora com a mão. Isto pode resultar em ferimentos quando o produto se desprender repentinamente.

Usar a técnica de desrama

Nota: Para ramos grossos, utilize a técnica de corte. Consulte *Usar a técnica de corte na página 553*.



ATENÇÃO: Existe um risco elevado de acidente se utilizar a técnica de desrama. Consulte a secção *Informação sobre retrocesso na página 551* para obter instruções sobre como impedir o retrocesso.



ATENÇÃO: Corte os ramos um a um. Tenha cuidado ao retirar os ramos pequenos e não corte arbustos ou ramos muito pequenos ao mesmo tempo. Os ramos pequenos podem ficar presos na corrente da serra e impedir um funcionamento seguro do produto.

Nota: Se for necessário, corte os ramos por partes. Corte os ramos mais pequenos (A) e (B) antes de cortar o ramo junto ao tronco (C).

(Fig. 80)

1. Retire os ramos do lado direito do tronco.
 - a) Mantenha a lâmina guia no lado direito do tronco e mantenha o corpo do produto contra o tronco.
 - b) Selecione a técnica de corte aplicável para a tensão no ramo. (Fig. 81)



ATENÇÃO: Se não tiver a certeza sobre como cortar o ramo, fale com um operador de motosserra profissional antes de continuar.

2. Retire os ramos da parte superior do tronco.
 - a) Mantenha o produto no tronco e deixe que a lâmina guia se desloque ao longo do tronco.
 - b) Corte com a corrente a empurrar. (Fig. 82)
3. Retire os ramos do lado esquerdo do tronco.
 - a) Selecione a técnica de corte aplicável para a tensão no ramo. (Fig. 83)



ATENÇÃO: Se não tiver a certeza sobre como cortar o ramo, fale com um operador de motosserra profissional antes de continuar.

Consulte a secção *Cortar árvores e ramos sob tensão* na página 556 para obter instruções sobre como cortar ramos sob tensão.

Utilizar a técnica de abate de árvores



ATENÇÃO: O operador tem de ter experiência para abater uma árvore. Se possível, frequente um curso de formação sobre o funcionamento de motosserras. Fale com um operador com experiência para obter mais conhecimentos.

Manter uma distância segura

1. Certifique-se de que qualquer pessoa que se encontre nas proximidades mantém uma distância segura de, no mínimo, o comprimento de 2 árvores e meia. (Fig. 84)
2. Confirme que não se encontra ninguém nesta área de risco antes ou durante o abate. (Fig. 85)

Calcular a direção de abate

1. Avalie a direção em que a árvore deve cair. O objetivo no abate é colocar a árvore de um modo tal que a desrama e a traçagem do tronco possam realizar-se de forma simples. Também é importante que o operador esteja numa posição estável e que consiga circular em segurança.



ATENÇÃO: Caso não seja possível ou seja perigoso abater a árvore na sua direção de queda natural, abata a árvore numa direção diferente.

2. Examine a direção da queda natural da árvore. Por exemplo, a inclinação e curvatura da árvore, a direção do vento, a localização dos ramos e o peso da neve.
3. Avalie se existem obstáculos como, por exemplo, outras árvores, cabos de alta tensão, estradas e/ou edifícios.
4. Verifique se existem sinais de danos ou podridão no tronco.



ATENÇÃO: A existência de podridão no tronco pode implicar um risco de queda da árvore antes de concluir o corte.

5. Certifique-se de que a árvore não tem galhos partidos ou "mortos" que se podem romper e feri-lo durante o trabalho de abate.
6. Não deixe que a árvore caia sobre uma árvore que não tenha sido cortada. É perigoso remover uma árvore presa, existindo um risco elevado de acidentes. Consulte *Libertar uma árvore presa* na página 555. (Fig. 86)



ATENÇÃO: Em situações de abate críticas, os protetores acústicos devem ser levantados assim que terminar de serrar. É importante ouvir os sons e sinais de perigo.

Libertar o tronco e preparar o percurso de retirada

Corte todos os ramos a partir da altura dos ombros e para baixo.

1. Corte com a corrente a puxar de cima para baixo. Certifique-se de que a árvore fica entre si e o produto. (Fig. 87)
2. Remova a vegetação rasteira da área de trabalho à volta da árvore. Remova todo o material cortado da área de trabalho.
3. Faça uma verificação da área quanto a eventuais obstáculos, tais como pedras, ramos e orifícios. Tem de ter um percurso de retirada desimpedido quando a árvore começar a cair. O seu percurso de retirada deve ter aproximadamente 135 graus de distância em relação à direção de abate.

1. A zona de perigo
2. O percurso de retirada
3. A direção de abate

(Fig. 88)

Para abater uma árvore

A Husqvarna recomenda que efetue cortes direcionais e que utilize, em seguida, o método de recanto de segurança quando abater uma árvore. O método de recanto de segurança ajuda a efetuar uma linha de rutura correta e controlar a direção de abate.



ATENÇÃO: Não abata árvores com um diâmetro duas vezes maior do que o comprimento da lâmina guia. Para tal, tem de ter uma formação especializada.

A linha de rutura

O procedimento mais importante durante o abate de árvores é efetuar a linha de rutura correta. Com uma linha de rutura correta, pode controlar a direção de abate e certificar-se de que o procedimento de abate é seguro.

A espessura da linha de rutura deve ser igual e no mínimo 10% do diâmetro da árvore.



ATENÇÃO: Se a linha de rutura for incorreta ou demasiado fina, o operador não tem qualquer controlo sobre a direção de abate.

(Fig. 89)

Efetuar os cortes direcionais

1. Efetue os cortes direcionais. A profundidade dos cortes direcionais deve ser de 1/4 do diâmetro da árvore. Faça um ângulo de 45° entre o corte superior e o corte inferior.
 - a) Faça o corte superior em primeiro lugar. Alinhe a marca de direção de abate (A) do produto com a direção de abate da árvore (B). Mantenha-se atrás do produto e mantenha a árvore do seu lado direito. Corte com a corrente a puxar.
 - b) Faça o corte inferior. Certifique-se de que a extremidade do corte inferior está no mesmo ponto da extremidade do corte superior. (Fig. 90)
2. Certifique-se de que a linha de corte direcional é rigorosamente horizontal e em ângulos retos (90°) relativamente à direção de abate. A linha de corte direcional atravessa o ponto onde os dois cortes direcionais se encontram. (Fig. 91)

Utilizar o método de recanto de segurança

O corte de abate tem de ser efetuado ligeiramente acima do corte direcional.

(Fig. 92)



ATENÇÃO: Tenha cuidado ao serrar com a ponta da lâmina. Comece a cortar com a secção inferior da ponta da lâmina

enquanto efetua um corte de orifício no tronco.

(Fig. 93)

1. Se o comprimento de corte efetivo for maior do que o diâmetro da árvore, realize estes passos (a-d).
 - a) Efetue um corte de orifício diretamente no tronco para completar a largura da linha de rutura. (Fig. 94)
 - b) Corte com a corrente a puxar até que sobre 1/2 do tronco.
 - c) Puxe a lâmina guia 5-10 cm/2-4 pol. para trás.
 - d) Corte a parte restante do tronco para completar o recanto de segurança de 5-10 cm/2-4 pol. de largura. (Fig. 95)
2. Se o comprimento de corte efetivo for menor do que o diâmetro da árvore, realize estes passos (a-d).
 - a) Efetue um corte de orifício diretamente no tronco. O corte de orifício tem de se estender 3/5 do diâmetro da árvore.
 - b) Corte com a corrente a puxar através da parte restante do tronco. (Fig. 96)
 - c) Corte diretamente no tronco no lado oposto da árvore para completar a linha de rutura.
 - d) Corte com a corrente a empurrar até que sobre 1/3 do tronco para completar o recanto de segurança. (Fig. 97)
3. Coloque uma cunha no corte diretamente por trás. (Fig. 98)
4. Corte o recanto para fazer a árvore cair.

Nota: Se a árvore não cair, bata na cunha até que caia.

5. Quando a árvore começar a cair, utilize o percurso de retirada para se afastar da árvore. Afaste-se da árvore pelo menos 5 m/15 pés.

Libertar uma árvore presa



ATENÇÃO: É muito perigoso remover uma árvore presa, existindo um risco elevado de acidentes. Mantenha-se fora do zona de risco e não tente abater uma árvore presa.

(Fig. 99)

O procedimento mais seguro é utilizar um dos seguintes guinchos:

- Montado num trator

(Fig. 100)

- Portátil

(Fig. 101)

Cortar árvores e ramos sob tensão

1. Determine qual o lado da árvore ou ramo que se encontra sob tensão.
2. Determine a localização do ponto de tensão máxima. (Fig. 102)
3. Avalie qual o procedimento mais seguro para libertar a tensão.

Nota: Em algumas situações, o único procedimento seguro é utilizar um guincho e não o produto.

4. Mantenha-se numa posição em que a árvore ou ramo não possa feri-lo quando a tensão for libertada. (Fig. 103)
5. Faça um ou vários cortes de profundidade suficiente necessária para diminuir a tensão. Corte no ponto de tensão máxima ou próximo do mesmo. Faça com que a árvore ou o ramo parta no ponto de tensão máxima. (Fig. 104)



ATENÇÃO: Não serre de fora a fora uma árvore ou um ramo que se encontre sob tensão.



ATENÇÃO: Tenha muito cuidado ao cortar uma árvore que se encontra sob tensão. Existe o risco de a árvore se deslocar rapidamente antes ou depois de a cortar. Podem ocorrer ferimentos graves se estiver numa posição incorreta ou se cortar indevidamente.

6. Se tiver de cortar ao longo da árvore/ramo, faça 2 a 3 cortes, com uma distância de 1 pol. e com uma profundidade de 2 pol. (Fig. 105)
7. Continue a cortar a árvore até a árvore/ramo dobrar e a tensão ser libertada. (Fig. 106)
8. Corte a árvore/ramo a partir do lado oposto da dobra, após a tensão ser libertada.

Manutenção

Introdução



ATENÇÃO: Certifique-se de que leu e compreendeu o capítulo sobre segurança antes de realizar tarefas de manutenção no produto.

Esquema de manutenção



ATENÇÃO: Remova a bateria antes de efetuar a manutenção.

A seguinte lista de tarefas de manutenção tem de ser realizada no produto. Consulte *Manutenção na página 556* para obter mais informações.

Manutenção	Antes de utilizar	Semanalmente	Mensalmente
Limpe os componentes externos do produto.	X		
Certifique-se de que o interruptor de alimentação e o bloqueio do interruptor de alimentação funcionam corretamente e com segurança.	X		
Limpe o travão da corrente e certifique-se de que funciona em segurança. Certifique-se de que o retentor de corrente não está danificado. Substitua, se necessário.	X		
Rode a lâmina de guia para um desgaste mais uniforme. Certifique-se de que o orifício de lubrificação da lâmina de guia não está obstruído. Limpe a ranhura da lâmina.	X		
Certifique-se de que o cortador e a respetiva proteção não apresentam fissuras e que não estão danificados. Substitua o cortador ou a respetiva proteção se apresentarem fissuras ou se tiverem sido expostos a impacto.	X		
Certifique-se de que a lâmina de guia e a corrente da serra possuem óleo suficiente.	X		
Inspecione a corrente da serra. Verifique se existem fissuras e certifique-se de que a corrente da serra não está rígida ou muito gasta. Proceda à substituição, se necessário.	X		

Manutenção	Antes de utilizar	Semanalmente	Mensalmente
Afie a corrente da serra. Efetue uma verificação da respetiva tensão e estado. Efetue uma verificação do desgaste no pinhão e, se necessário, substitua.	X		
Limpe a entrada de ar do produto.	X		
Certifique-se de que os parafusos e as porcas estão apertados.	X		
Certifique-se de que o teclado funciona corretamente e de que não se encontra danificado.	X		
Utilize uma lima para remover quaisquer rebarbas das extremidades da lâmina de guia.		X	
Verifique as ligações entre a bateria e o produto. Verifique a ligação entre a bateria e o carregador de bateria.			X
Esvazie e limpe o depósito de óleo.			X
Sopre ar comprimido cuidadosamente através do produto e das ranhuras de refrigeração da bateria.			X

Manutenção e verificação dos dispositivos de segurança no produto

Verificar a proteção dianteira para a mão

Verifique regularmente a proteção dianteira para a mão e a libertação do travão por inércia.

1. Certifique-se de que a proteção dianteira para a mão não apresenta danos, como fissuras. (Fig. 107)
2. Certifique-se de que a proteção dianteira para a mão se move livremente e que está instalada de forma segura ao produto. (Fig. 108)
3. Coloque o produto, com o motor desligado, sobre um cepo ou outra superfície estável.
4. Segure o punho traseiro e solte o punho dianteiro. Deixe que o produto caia contra o cepo. (Fig. 109)
5. Certifique-se de que o travão da corrente é engatado quando a lâmina de guia atingir o cepo.

Verificar o acionamento do travão

1. Coloque o produto numa superfície estável e ligue-o. Consulte o capítulo *Funcionamento na página 550*.



ATENÇÃO: Certifique-se de que a corrente da serra não toca no chão nem noutros objetos.

2. Envolve os polegares e dedos em torno dos punhos e segure o produto com firmeza. (Fig. 110)
3. Acelere ao máximo e incline o seu pulso esquerdo contra a proteção dianteira para a mão para engatar o travão da corrente. A corrente da serra tem de parar imediatamente. (Fig. 111)



ATENÇÃO: Não solte o punho dianteiro!

Verificar o bloqueio do interruptor de alimentação

1. Certifique-se de que o interruptor de alimentação e o respetivo bloqueio se movem livremente e de que a mola de retorno funciona corretamente. (Fig. 112)
2. Empurre o bloqueio do interruptor de alimentação para a frente (A) e para baixo (B). Mantenha o bloqueio do interruptor de alimentação contra o punho e certifique-se de que este regressa à respetiva posição inicial quando o libertar. (Fig. 113)
3. Certifique-se de que o interruptor de alimentação está bloqueado na posição de ralenti quando o bloqueio do interruptor de alimentação é libertado. (Fig. 114)
4. Arranque o produto e aplique a potência máxima.
5. Solte o interruptor de alimentação e certifique-se de que a corrente da serra para e permanece parada.



ATENÇÃO: Se a corrente da serra rodar com o interruptor de alimentação na posição de ralenti, contacte o seu revendedor com assistência técnica.

Verificar o retentor de corrente

1. Certifique-se de que não existem danos no retentor de corrente.
2. Certifique-se de que o retentor de corrente se encontra estável e fixado ao corpo do produto. (Fig. 115)

Verificar as funções da interface do utilizador

1. Ligue o produto. Consulte *Arrancar o produto na página 552*.
2. Prima e mantenha premido o botão Start/Stop.
3. Certifique-se de que o funcionamento do produto é interrompido e de que o LED verde se apaga. (Fig. 66)

Verificar a bateria e o respetivo suporte

1. Limpe a bateria e o respetivo suporte com um pincel suave.
2. Limpe as ranhuras de arrefecimento e os conetores da bateria. (Fig. 116)
3. Certifique-se de que a bateria não tem fissuras nem danos.

Verificar o carregador de bateria

1. Certifique-se de que o carregador de bateria e o cabo da fonte de alimentação não estão danificados. Verifique se existem fissuras e outros danos. (Fig. 117)

Limpar o sistema de arrefecimento

O sistema de arrefecimento mantém a temperatura do motor baixa. O sistema de arrefecimento inclui a admissão de ar no lado esquerdo do produto e uma ventoinha no motor.

1. Limpe o sistema de arrefecimento com uma escova semanalmente ou com maior frequência se necessário. (Fig. 118)
2. Certifique-se de que o sistema de arrefecimento não está sujo ou obstruído.



CUIDADO: Um sistema de arrefecimento sujo ou obstruído pode provocar o sobreaquecimento do produto. Isto causa danos no produto.

Para afiar a corrente da serra

Informações sobre a lâmina-guia e a corrente da serra



ATENÇÃO: Use luvas de proteção quando utilizar ou realizar a manutenção da corrente da serra. Uma corrente da serra que não se mova também pode causar ferimentos.

Substitua uma lâmina-guia ou corrente da serra gasta ou danificada pelas combinações de lâmina-guia e corrente da serra recomendadas pela Husqvarna. Isto é necessário para manter as funções de segurança do produto. Consulte *Acessórios na página 564* para obter uma lista das combinações de lâmina e corrente de substituição recomendadas.

- Comprimento de lâmina-guia, pol./cm. As informações sobre o comprimento de lâmina-guia encontram-se normalmente na extremidade traseira da lâmina-guia.

(Fig. 119)

- Número de dentes no rolete (T).

(Fig. 120)

- Passo da corrente, pol. A distância entre os elos de acionamento da corrente da serra deve estar alinhada com a distância dos dentes no rolete e no pinhão.

(Fig. 121)

- Total de elos de condução (unid). O número de ligações de condução é decidido pelo tipo de lâmina-guia.

(Fig. 122)

- Largura da ranhura da lâmina, pol./mm. A largura da ranhura na lâmina-guia deve ser igual à largura da ligação de condução da corrente.

(Fig. 123)

- Orifício de lubrificação da corrente e orifício da cavilha do esticador da corrente. A lâmina-guia deve ficar alinhada com o produto.

(Fig. 124)

- Largura dos elos de acionamento, mm/pol.

(Fig. 125)

Informações gerais sobre como afiar as lâminas

Não use uma corrente da serra romba. Se a corrente da serra estiver romba, tem de aplicar mais pressão para empurrar a lâmina-guia através da madeira. Se a corrente da serra estiver demasiado romba, não existirá serradura mas sim serrim.

Uma corrente de serra afiada avança facilmente através da madeira e a serradura torna-se longa e espessa.

O componente cortante da corrente da serra, o cortador, é composto pelo dente de corte (A) e a abertura de corte (B). A diferença de altura entre os dois proporciona a profundidade de corte (definição da abertura de corte).

(Fig. 126)

Quando afiar um cortador, lembre-se do seguinte:

- Ângulo de afiação.

(Fig. 127)

- Ângulo de corte.

(Fig. 128)

- Posição da lima.

(Fig. 129)

- Diâmetro da lima redonda.

(Fig. 130)

Não é fácil afiar corretamente uma corrente da serra sem o equipamento adequado. Utilize o calibrador de lima recomendado pela Husqvarna. Tal ajudará a manter o máximo desempenho de corte e um risco de retrocesso mínimo.



ATENÇÃO: A força de retrocesso aumenta muito se não seguir as instruções de afiação.

Nota: Consulte *Acessórios na página 564* para obter informações sobre a afiação da corrente da serra.

Afiar as lâminas

1. Utilize uma lima redonda e um calibrador de lima para afiar os dentes de corte. (Fig. 131)

Nota: Consulte *Acessórios na página 564* para obter informações sobre a lima e o calibrador recomendados pela Husqvarna para a corrente da serra.

2. Aplique o calibrador de lima corretamente na cortadora. Consulte as instruções fornecidas com o calibrador de lima.
3. Mova a lima a partir da parte interior dos dentes de corte para fora. Diminua a pressão no movimento de retorno. (Fig. 132)
4. Remova o material de um dos lados de todos os dentes de corte.
5. Rode o produto e remova o material do outro lado.
6. Certifique-se de que todos os dentes de corte têm o mesmo comprimento.

Informações gerais sobre como ajustar a definição da abertura de corte

A definição da abertura de corte (C) diminui quando afia o dente de corte (A). Para manter o desempenho de corte máximo tem de retirar o material de afiação da abertura de corte (B) para receber a definição da abertura de corte recomendada. Consulte *Acessórios na página 564* para obter instruções sobre como receber a definição da abertura de corte correta para a corrente da serra.

(Fig. 133)



ATENÇÃO: O risco de retrocesso aumenta se a definição da abertura de corte for demasiado grande!

Ajustar a definição da abertura de corte

Antes de ajustar a definição da abertura de corte ou afiar as lâminas, consulte *Afiar as lâminas na página 559*, para obter instruções. Recomendamos que a definição da abertura de corte seja ajustada a cada três operações de afiação dos dentes de corte.

Recomendamos que utilize a nossa ferramenta de abertura de corte para obter a definição e o ângulo corretos para a abertura de corte.

(Fig. 134)

1. Utilize uma lima plana e uma ferramenta de abertura de corte para ajustar a definição da abertura de corte. Utilize apenas a ferramenta de abertura de corte recomendada pela Husqvarna para obter a definição e o ângulo corretos para a abertura de corte.
2. Coloque a ferramenta de abertura de corte na corrente da serra.

Nota: Consulte a embalagem da ferramenta de abertura de corte para obter mais informações sobre como utilizar a ferramenta.

3. Utilize a lima plana para remover a parte da abertura de corte que se estende ao logo da ferramenta de abertura de corte. (Fig. 135)

Ajustar a tensão da corrente da serra



ATENÇÃO: Uma corrente da serra com a tensão incorreta pode soltar-se da lâmina-guia e provocar ferimentos graves ou morte.

Uma corrente da serra fica mais longa quando é utilizada. Ajuste a corrente da serra regularmente. Verifique a tensão da corrente da serra sempre que abastecer com óleo de corrente.

Nota: Uma corrente da serra nova requer um período de rodagem durante o qual é necessário verificar a tensão da corrente mais frequentemente.

Ajustar a tensão da corrente da serra (com manípulo da lâmina)

1. Rode o manípulo para fora até abrir. (Fig. 136)
2. Rode o manípulo para a esquerda para desapertar a cobertura do pinhão. (Fig. 137)
3. Rode a roda tensora da corrente para ajustar a tensão da corrente da serra. A corrente da serra tem de ser apertada contra a lâmina de guia. (Fig. 138)

Nota: Rode a roda para baixo (+) para obter mais tensão e para cima (-) para reduzir a tensão.

4. Certifique-se de que consegue puxar a corrente da serra facilmente com a mão e de que esta não fica pendurada na lâmina-guia. (Fig. 139)
5. Rode o manípulo para a direita para apertar o manípulo da lâmina. (Fig. 140)
6. Rode o manípulo para baixo para bloquear a tensão. (Fig. 141)

Ajustar a tensão da corrente da serra (com parafuso da lâmina)

1. Solte a porca da lâmina que fixa a cobertura do pinhão. Utilize a chave de combinação. (Fig. 142)
2. Levante a parte dianteira da lâmina de guia e rode o parafuso tensor da corrente. Utilize a chave de combinação.
3. Aperte a corrente da serra até ficar apertada contra a lâmina de guia. (Fig. 143)
4. Aperte a porca da lâmina com a chave combinada e levante simultaneamente a parte dianteira da lâmina de guia. (Fig. 144)
5. Certifique-se de que consegue puxar a corrente da serra facilmente com a mão e de que esta não fica pendurada na lâmina-guia. (Fig. 139)

Nota: Consulte *Vista geral do produto na página 540* para obter a posição do parafuso tensor da corrente no seu produto.

Verificar a lubrificação da corrente da serra

Verifique a lubrificação da corrente da serra a cada três carregamentos de bateria.

1. Ligue o produto e deixe-o a trabalhar a 3/4 da potência. Mantenha a lâmina aproximadamente 20 cm (8 polegadas) acima de uma superfície de cor clara.
2. Se a lubrificação da corrente da serra estiver correta, verá uma linha de óleo na superfície após 1 minuto. (Fig. 145)
3. Se a lubrificação da corrente da serra não estiver correta, efetue as seguintes verificações.
 - a) Verifique se o canal de óleo na lâmina de guia não está bloqueado. Limpe se for necessário. (Fig. 146)
 - b) Verifique se a ranhura na extremidade da lâmina de guia está limpa. Limpe se for necessário. (Fig. 147)
 - c) Certifique-se de que o pinhão da ponta da lâmina roda facilmente e que o orifício de lubrificação do pinhão da ponta da lâmina de guia não está obstruído. Limpe e lubrifique se necessário. (Fig. 148)

4. Se a lubrificação da corrente da serra não funcionar depois de seguir os passos anteriores, contacte o seu revendedor com assistência técnica.

Verificar o pinhão da corrente

- Verifique o pinhão da corrente quanto à existência de desgaste. Caso seja necessário, substitua o pinhão da corrente.
- Substitua o pinhão sempre que substituir a corrente da serra. (Fig. 149)

Para examinar o equipamento de corte

1. Certifique-se de que não existem fissuras nos rebites e nos elos e de que os rebites não estão soltos. Substitua, se necessário. (Fig. 150)
2. Certifique-se de que é fácil dobrar a corrente da serra. Se estiver rígida, substitua a corrente da serra.
3. Compare a corrente da serra existente com uma corrente da serra nova para verificar se os rebites e os elos apresentam desgaste.
4. Substitua a corrente da serra, se a parte mais longa do dente de corte for inferior a 4 mm/0,16 pol. Substitua também a corrente da serra se existirem fissuras nas lâminas. (Fig. 151)

Verificar a lâmina-guia

1. Certifique-se de que o canal de óleo não está obstruído. Limpe se for necessário. (Fig. 146)
2. Verifique se existem rebarbas nas extremidades da lâmina-guia. Retire as rebarbas com uma lima. (Fig. 152)
3. Limpe a ranhura na lâmina-guia. (Fig. 147)
4. Verifique se a ranhura na lâmina-guia apresenta sinais de desgaste. Se necessário, substitua a lâmina-guia. (Fig. 153)
5. Verifique se a ponta da lâmina-guia está irregular ou muito desgastada. (Fig. 154)
6. Certifique-se de que o rolete da lâmina roda facilmente e que o orifício de lubrificação do rolete da lâmina não está obstruído. Limpe e lubrifique se necessário. (Fig. 148)
7. Rode a lâmina-guia diariamente de modo a aumentar o respetivo ciclo de vida. (Fig. 155)

Resolução de problemas

Interface do utilizador

Ecrã de LED	Falhas possíveis	Solução possível
O indicador de aviso fica intermitente.	O travão da corrente está acionado.	Desengate o travão da corrente.
	Desvio de temperatura.	Permita que o produto arrefeça.
	Sobrecarga. A corrente da serra não se consegue mover.	Solte a corrente da serra.
	Prima simultaneamente o interruptor de alimentação e o botão de arranque/paragem.	Solte o interruptor de alimentação para ativar o produto.
LED laranja ativado intermitente.	Tensão da bateria baixa.	Carregue a bateria.
O indicador de aviso está aceso.	Serviço.	Contacte o seu distribuidor com assistência técnica.

Bateria

Visor LED	Falhas possíveis	Solução possível
O LED verde pisca.	Tensão da bateria baixa.	Carregue a bateria.
LED de erro intermitente.	Desvio de temperatura.	Utilize a bateria a temperaturas entre -10°C (14°F) e 40°C (104°F).
	Tensão excessiva.	Certifique-se de que a tensão da corrente elétrica coincide com a tensão do produto. Consulte a etiqueta de tipo no produto. Retire a bateria do carregador da bateria.
LED de erro aceso.	Diferença entre células excessiva (1 V).	Contacte o seu distribuidor com assistência técnica.

Carregador de bateria

Estado	Falhas possíveis	Procedimento possível
O LED de carregamento está vermelho.	Erro do carregador de bateria permanente.	Contacte o seu distribuidor.
O LED de carregamento fica verde intermitente.	Desvio de temperatura, a bateria encontra-se demasiado fria ou demasiado quente para utilizar ou carregar.	Deixe a bateria arrefecer ou aquecer. Quando a bateria estiver na temperatura correta, esta pode ser utilizada ou carregada novamente. Utilize o carregador de bateria a temperaturas ambiente entre 5 °C (41 °F) E 40 °C (104 °F).
O LED de carregamento fica vermelho intermitente.	Bateria defeituosa	Contacte o seu distribuidor

Transporte, armazenamento e eliminação

Transporte e armazenamento

- As baterias de íões de lítio fornecidas cumprem os requisitos da legislação sobre mercadorias perigosas.
- Cumpra o requisito especial sobre a embalagem e as etiquetas de transporte comercial, incluindo por terceiros e agentes transitários.
- Contacte uma pessoa com formação específica em material perigoso antes de enviar o produto. Cumpra todos os regulamentos nacionais aplicáveis.
- Utilize fita em contactos abertos quando colocar a bateria numa embalagem. Coloque a bateria na embalagem de forma fixa para impedir movimentos.
- Retire sempre a bateria para armazenamento ou transporte.
- Coloque a bateria e o carregador da bateria num espaço seco e sem humidade ou gelo.
- Não armazene a bateria numa área onde possa haver electricidade estática. Não armazene a bateria numa caixa metálica.
- Coloque a bateria num local onde a temperatura varie entre 5 °C/41 °F e 25 °C/77 °F e esteja afastado da exposição à luz solar.
- Coloque o carregador da bateria num local onde a temperatura varie entre 5 °C/41 °F e 45 °C/113 °F e esteja afastado da exposição à luz solar.
- Utilize o carregador da bateria apenas quando a temperatura ambiente se encontrar entre os 5 °C/41 °F e os 40 °C/104 °F.
- Carregue a bateria entre 30% a 50% antes de a armazenar durante longos períodos de tempo.

- Armazene o carregador da bateria num espaço fechado e seco.
- Mantenha a bateria afastada do carregador da bateria durante o armazenamento. Não permita que crianças e outras pessoas não autorizadas entrem em contacto com o equipamento. Mantenha o equipamento num espaço que possa trancar.
- Antes de armazenar o produto durante longos períodos de tempo, limpe-o e efetue uma manutenção completa do mesmo.
- Utilize a proteção para transporte no produto para evitar ferimentos ou danos no produto durante o transporte e o armazenamento.
- Fixe o produto em segurança durante o transporte.

Eliminação da bateria, do carregador da bateria e do produto

O símbolo abaixo significa que o produto não é um resíduo doméstico. Recicle o equipamento numa estação de reciclagem para equipamentos elétricos e eletrónicos. Isto ajuda a evitar danos no ambiente e em pessoas.

Para obter mais informações, contacte as autoridades locais, o serviço de recolha de resíduos domésticos ou o seu revendedor.

(Fig. 24)

Nota: O símbolo aparece no produto ou na embalagem do produto.

Especificações técnicas

Especificações técnicas

	225i
Motor	
Tipo	BLDC (sem escova) 36V
Caraterísticas	
Modo de baixa energia	Botão SavE
Sistema de lubrificação	
Tipo de bomba de óleo	Automático
Capacidade do depósito de óleo, ml/cm ³	0,2/200
Peso	
Motosserra sem bateria, lâmina de guia, corrente da serra e depósito de óleo de corrente vazio, kg	3,1
Emissões de ruído ⁸²	
Nível de potência sonora, medido, dB(A)	97
Nível de potência sonora, garantido L _{WA} dB(A)	100
Níveis sonoros ⁸³	
Nível de pressão sonora, ao nível do ouvido do operador, medido de acordo com a norma EN 62841-1	89
Níveis de vibração ⁸⁴	
Punho dianteiro, m/s ²	3,9
Punho traseiro, m/s ²	3,9
Corrente da serra/lâmina-guia	
Comprimentos de lâmina recomendados, pol./cm	12-14/30,5-35,6
Comprimento de corte efetivo, pol./cm	11-13/27-33,2
Tipo de pinhão/n.º de dentes	Spur/6
Velocidade máxima da corrente/(modo Normal), m/s	11,8

⁸² As emissões de ruído medidas no ambiente sob a forma de potência sonora (L_{WA}), em conformidade com a diretiva CE 2000/14/CE e a norma EN ISO 22868, têm uma dispersão estatística típica (desvio padrão) de 3 dB(A).

⁸³ Os dados registados para o nível de pressão sonora para a máquina têm uma dispersão estatística típica (desvio padrão) de 3 dB (A).

⁸⁴ Nível de vibração em conformidade com a norma EN 62841-4-1. Os dados comunicados relativamente ao nível de vibração têm uma dispersão estatística típica (desvio padrão) de 1,5 m/s². Dados de vibração declarados a partir de medições efetuadas com a máquina equipada com um determinado comprimento de lâmina e o tipo de corrente recomendado. Se a máquina estiver equipada com um comprimento de lâmina diferente, o nível de vibrações pode variar no máx. $\pm 1,5$ m/s².

	225i
Velocidade máxima da corrente/(modo SavE), m/s	9,4

Acessórios

Combinações de lâminas de guia e correntes da serra



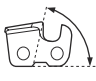


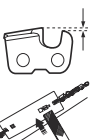
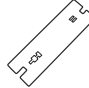






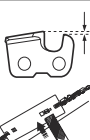
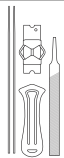

Os seguintes acessórios de corte foram aprovados para Husqvarna 225i.

Lâmina de guia					Corrente da serra	
Tipo	Comprimento, pol.	Passo da corrente, pol.	Largura do sulco, mm	Raio máx. da extremidade	Tipo	Comprimento, elos de acionamento (n.º)
501959545	12	3/8" mini	1,1	7T	Husqvarna H38 (581808145)	45
501959552	14	3/8" mini	1,1	7T	Husqvarna H38 (581807952)	52

Equipamento e ângulos de afiação

Utilize um calibrador de lima da Husqvarna para afiar a corrente da serra. Um calibrador de lima da Husqvarna garante que obtém os ângulos de afiação corretos. Poderá encontrar os números de peça correspondentes na tabela abaixo.

Se não tiver a certeza sobre como identificar o tipo de corrente da serra no produto, consulte www.husqvarna.com para obter mais informações.

							
38	11/64 pol./4,5 mm	75°	30°	0°	0,025 pol. / 0,65 mm	505 69 81-03	579 55 88-01
							
93	5/32 pol./4,0 mm	60°	30°	0°	0,025 pol. / 0,65 mm	596 63 89-01	596 63 89-01

Baterias aprovadas

Bateria	40-B140
Tipo	lões de lítio
Capacidade da bateria, Ah	4
Tensão nominal, V	36
Peso, kg	1.25

Carregadores de bateria aprovados para o produto

Carregador de bateria	40-C80
Tensão de corrente elétrica, V	100-240
Frequência, Hz	50-60
Potência, W	72
Tensão de saída, V CC/ Amps, A	43/1,6

Declaração de conformidade

Declaração UE de conformidade

A **Husqvarna AB**, SE-561 82 Huskvarna, Suécia,
tel: +46-36-146500, declara, sob sua inteira
responsabilidade, que o produto:

Descrição	Motosserras sem fios
Marca	Husqvarna
Tipo/Modelo	225i
Identificação	Números de série referentes a 2023 e posteriores

está em plena conformidade com as seguintes diretivas
e regulamentos da UE:

Diretiva/Regulamen- to	Descrição
2006/42/CE	"relativa a máquinas"
2014/30/UE	"relativa à compatibilidade eletromagnética"
2011/65/UE	"relativa à restrição do uso de determinadas substâncias perigosas em equipamento elétrico e eletrónico"
2000/14/CE	"relativa a emissões de ruído para o ambiente"

Foram respeitadas as seguintes normas: EN
62841-1:2015+A11:2022, EN 62841-4-1:2020, EN
IEC 63000:2018, EN IEC 55014-1:2021, EN IEC
55014-2:2021.



Entidade competente: A TÜV Rheinland LGA Products
GmbH, Tillystrasse 2, D-90431 Nuernberg, Germany,
0197, executou um exame de tipo CE, em conformidade
com a diretiva de máquinas (2006/42/CE), artigo 12.º,
cláusula 3b. O certificado tem o número: BM 50604678
0001.

A motosserra fornecida encontra-se em conformidade
com o exemplar submetido ao exame de tipo CE.

De acordo com a Diretiva 2000/14/CE, Anexo V,
consulte *Especificações técnicas na página 563* para
obter os valores de som declarados.

Huskvarna, 2023-10-30

Claes Losdal, gestor de I&D, Husqvarna AB
Responsável pela documentação técnica

CUPRINS

Introducere.....	567	Depanarea.....	587
Siguranță.....	568	Transportul, depozitarea și eliminarea.....	588
Asamblarea.....	576	Date tehnice.....	589
Funcționarea.....	577	Accesorii.....	590
Întreținerea.....	583	Declarație de conformitate.....	592

Introducere

Domeniul de utilizare

Acest motoferăstrău pentru exploatarea forestieră este destinat pentru lucrări forestiere, cum ar fi doborârea, tăierea ramurilor și tăierea copacilor.

Nota: Reglementările la nivel național pot stabili limite ale funcționării produsului.

Prezentare generală a produsului

(Fig. 1)

1. Apărătoare de mână din față
2. Mâner frontal
3. Interfață utilizator
4. Buton de pornire/oprire
5. Indicator de avertisment și indicator pentru baterie
6. Butonul SavE
7. Mâner spate cu apărătoare pentru mâna dreaptă
8. Autocolant cu avertismente și informații
9. Carcasă
10. Rezervor de ulei pentru lanț
11. Capac de transport
12. Dispozitiv de blocare întrerupător
13. Întrerupător
14. Capac roată de antrenare cu buton șină
15. Sistem de tensionare a lanțului
16. Opritor de lanț
17. Bară de protecție
18. Roată de lanț de la vârful șinei
19. Lanț de ferăstrău
20. Șină de ghidaj
21. Indicator pentru starea de încărcare
22. Conector
23. Încărcător de baterii
24. Cheie combinată
25. Indicator de avertisment
26. Buton, stare baterie
27. Stare baterie
28. Buton de eliberare a bateriei
29. Baterie
30. Manualul operatorului
31. Buton șină

Descrierea produsului

Husqvarna 225i este un model de motoferăstrău cu motor electric.

Se depun eforturi constante pentru a vă spori siguranța și eficiența în timpul funcționării. Adresați-vă reprezentantului de service pentru informații suplimentare.

32. Capac roată de antrenare cu șurub de șină

Simbolurile de pe produs

- (Fig. 2) AVERTISMENT: Acest produs poate fi periculos și poate cauza vătămări corporale grave sau decesul operatorului sau al altor persoane. Acționați cu grijă și utilizați corect produsul.
- (Fig. 3) Citiți cu atenție manualul operatorului și asigurați-vă că înțelegeți instrucțiunile înainte de a utiliza produsul.
- (Fig. 4) Folosiți cască de protecție și echipamente de protecție aprobate pentru ochi și auz.
- (Fig. 5) Folosiți ambele mâini atunci când acționați produsul.
- (Fig. 6) Nu utilizați produsul doar cu o singură mână.
- (Fig. 7) Nu permiteți ca vârful șinei de ghidaj să atingă niciun obiect.
- (Fig. 8) A nu se utiliza pe timp de ploaie.
- (Fig. 9) Avertisment! Poate apărea fenomenul de recul atunci când vârful șinei de ghidaj atinge un obiect. Acest lucru determină proiectarea șinei de ghidaj în direcția operatorului. Risc de vătămări corporale grave sau deces.
- (Fig. 10) Tensiune nominală, V

- (Fig. 11) Ulei pentru lanț.
- (Fig. 12) Direcția de rotație a lanțului de ferăstrău și lungimea maximă a șinei de ghidaj.
- (Fig. 13) Curent continuu.
- (Fig. 14) **Marcaj privind mediului înconjurător.** Nici produsul și nici ambalajul său nu sunt deșeuri menajere. Reciclați la un centru de reciclare pentru echipamente electrice și electronice.
- (Fig. 15) Acest produs respectă Directivele CE aplicabile.
- (Fig. 16) Acest produs este în conformitate cu reglementările aplicabile în Regatul Unit.
- (Fig. 17) Eticheta privind emisiile de zgomot în mediu, conform Directivei Europene 2000/14/CE și directivelor și reglementărilor din Regatul Unit și legislației din New South Wales „Regulamentul privind măsurile de protecție a mediului (controlul zgomotului) din 2017”. Nivelul de putere sonoră garantat al produsului este specificat în *Date tehnice la pagina 589* și pe etichetă.
- (Fig. 21) Frână de lanț, cuplată (înainte). Frână de lanț, decuplată (în spate).
- (Fig. 22) Direcție lanț.
- (Fig. 23) Plăcuța de identificare indică seria. **aaaa** este anul fabricației, **ss** este săptămâna fabricației.

Nota: Celelalte simboluri/autocolante de pe produs se referă la cerințele de certificare pentru unele piețe.

Simbolurile de pe baterie și/sau de pe încărcătorul acesteia

- (Fig. 24) Reciclați acest produs la un centru de reciclare pentru echipamente electrice și electronice. (Este valabilă numai pentru Europa)
- (Fig. 18) Transformator autoprotejat.
- (Fig. 19) Utilizați și păstrați încărcătorul de baterie numai în interior.
- (Fig. 20) Izolație dublă.

Producător

Husqvarna AB
Drottninggatan 2, SE-561 82, Huskvarna, Sweden, tel: +46-36-146500

Deteriorarea produsului

Nu suntem responsabili pentru deteriorarea produsului dacă:

- produsul este reparat necorespunzător.
- produsul este reparat cu piese care nu provin de la producător sau care nu sunt aprobate de acesta.
- produsul are un accesoriu care nu provine de la producător sau care nu este aprobat de acesta.
- produsul nu este reparat la un centru de service omologat sau de o autoritate omologată.

Siguranță

Definiții privind siguranța

Avertismentele, atenționările și notele sunt utilizate pentru a desemna părți foarte importante din manual.



AVERTISMENT: Se utilizează dacă există risc de vătămare sau de deces pentru operator sau pentru trecători, în cazul în care instrucțiunile din manual nu sunt respectate.



ATENȚIE: Se utilizează dacă există un risc de deteriorare a produsului, a altor materiale sau a zonelor învecinate, dacă instrucțiunile din manual nu sunt respectate.

Nota: Se utilizează pentru a furniza mai multe informații care sunt necesare într-o situație dată.

Avertismente generale privind siguranța uneltelor electrice



AVERTISMENT: Citiți toate avertismentele, instrucțiunile, ilustrațiile și specificațiile de siguranță furnizate cu această unealtă electrică. Nerespectarea instrucțiunilor enumerate mai jos poate avea ca rezultat electrocutare, incendii și/sau vătămări corporale grave.

- **Păstrați toate avertismentele și instrucțiunile pentru consultare ulterioară.** Termenul „unealtă electrică” folosit în avertismente se referă la unealta electrică (cu cablu) acționată de la rețeaua de alimentare sau la unealta electrică (fără cablu) acționată de baterii.

Siguranța zonei de lucru

- **Păstrați zona de lucru curată și bine iluminată.** Zonele dezordonate sau întunecoase provoacă accidente.
- **Nu acționați uneltele electrice în atmosfere explozive, cum ar fi prezența lichidelor, a gazelor sau a prafului inflamabil.** Uneltele electrice produc scântei care pot aprinde praful sau aburii.
- **Țineți la distanță copiii și alte persoane în timpul acționării unei unelte electrice.** Distragerea atenției poate cauza pierderea controlului.

Siguranța privind echipamentele electrice

- **Ștecherile uneltei electrice trebuie să corespundă prizei. Nu modificați niciodată ștecherul. Nu utilizați nicio fișă de conectare a adaptorului cu unelte electrice cu împământare (legate la masă).** Ștecherile nemodificate și prizele potrivite reduc riscul de șoc electric.
- **Evitați contactul cu corpul a suprafețelor de împământare sau legate la masă, cum ar fi țevi, radiatoare, plite și răcitoare.** Există un pericol sport de electrocutare dacă împământarea sau legarea la masă se face prin corpul dvs.
- **Nu expuneți uneltele electrice la ploaie sau la condiții de umezeală.** Apa care pătrunde într-o unealtă electrică va spori pericolul de electrocutare.
- **Nu folosiți cablul în mod abuziv. Nu utilizați niciodată cablul la transportarea, tragera sau deconectarea uneltei electrice. Țineți cablul departe de căldură, ulei, muchii ascuțite sau piese în mișcare.** Cablurile avariate sau încălcite sporesc pericolul de electrocutare.
- **Când acționați o unealtă electrică în exterior, utilizați un cordon de racord potrivit pentru utilizarea în exterior.** Folosirea unui cablu adecvat pentru utilizarea la exterior reduce riscul de șoc electric.
- **Dacă funcționarea unei unelte electrice într-o locație cu umiditate mare nu poate fi evitată, utilizați o sursă cu dispozitiv de protecție împotriva curentului rezidual (RCD).** Folosirea unui întrerupător de curent rezidual reduce pericolul de electrocutare.

Siguranța personală

- **Fiiți atent la ceea ce faceți și operați unealta electrică în baza simțului practic. Nu utilizați o unealtă electrică când sunteți obosit sau sub influența drogurilor, a alcoolului sau a medicamentelor.** Un moment de neatenție în timpul acționării uneltelor electrice poate duce la răniri grave.
- **Utilizați echipamentul personal de protecție. Purtați întotdeauna ochelari de protecție.** Echipamentele de protecție, cum ar fi masca împotriva prafului, încălțăminte de protecție antiderapantă, casca

sau protecția pentru auz utilizate în condiții corespunzătoare, vor reduce riscul de vătămări corporale.

- **Evitați pomirea accidentală. Verificați dacă comutatorul este în poziția OPRIT înainte de conectarea la o sursă de alimentare și/sau la baterii, înainte de ridicarea sau transportarea uneltei.** Transportarea uneltelor electrice având degetul poziționat pe comutator sau activarea uneltelor electrice care au comutatorul pornit pot provoca accidente.
- **Îndepărtați toate cheile de reglare sau cheile fixe înaintea pornirii uneltei electrice.** O cheie fixă sau o cheie rămasă atașată la o piesă rotativă a uneltei electrice poate duce la răniri.
- **Nu vă întindeți prea mult. Păstrați mereu o postură și un echilibru corespunzătoare.** Aceasta lucru permite un control mai bun al uneltei electrice în situații neașteptate.
- **Îmbrăcați-vă corespunzător. Nu purtați haine largi sau bijuterii. Țineți părul și îmbrăcămintea la distanță de piesele în mișcare.** Hainele largi, bijuteriile sau părul lung pot fi prinse în piesele în mișcare.
- **Dacă dispozitivele sunt dotate cu recorduri la instalații de extragere și colectare a prafului, asigurați-vă că acestea sunt conectate și utilizate corespunzător.** Colectarea prafului poate reduce pericolul provocat de acesta.
- **Nu vă încredeți în familiaritatea dobândită din utilizarea frecventă a uneltelor; prin urmare, nu ignorați principiile de siguranță ale uneltelor.** O acțiune neglijentă poate duce la vătămări corporale grave într-o fracțiune de secundă.

Utilizarea și întreținerea uneltei electrice

- **Nu forțați unealta electrică. Utilizați unealta electrică potrivit pentru aplicația dvs.** Unealta electrică potrivită va efectua lucrarea mai rapid și în condiții de siguranță mai bune la viteza de lucru pentru care a fost proiectată.
- **Nu utilizați unealta electrică în cazul în care nu poate fi pornită sau oprită de la comutator.** Orice unealtă electrică imposibil de controlat cu ajutorul comutatorului este periculoasă și trebuie reparată.
- **Deconectați ștecherul de la sursa de alimentare și/sau scoateți acumulatorul uneltei electrice, dacă este detașabil, înainte de a face reglaje, de a schimba accesoriile sau de a depozita unelte electrice.** Astfel de măsuri preventive de siguranță reduc riscul pornirii accidentale a uneltei electrice.
- **Nu lăsați uneltele electrice nefolosite la îndemâna copiilor și nu permiteți persoanelor care nu sunt familiarizate cu unealta electrică sau cu aceste instrucțiuni să o acționeze.** Uneltele electrice sunt periculoase în mâinile utilizatorilor neinstruiți.
- **Mențineți uneltele electrice și accesoriile acestora. Verificați centrarea sau legarea incorectă a pieselor în mișcare, ruperea pieselor și orice alte stări care pot afecta funcționarea uneltei electrice. Dacă este avariată, duceți unealta electrică la reparat înainte**

de a o utiliza. Multe accidente sunt provocate de uneltele electrice prost întreținute.

- **Păstrați uneltele de tăiere ascuțite și curate.** Este mai puțin probabil ca uneltele de tăiere cu tăisuri ascuțite întreținute corespunzător să se blocheze și sunt mai ușor de controlat.
- **Utilizați unealta electrică, accesoriile și piesele din unelaltă, etc. în conformitate cu aceste instrucțiuni, luând în considerare și condițiile de lucru și activitatea care urmează să fie efectuată.** Utilizarea uneltelor electrice pentru operații diferite de cele pentru care sunt destinate poate duce la apariția de situații periculoase.
- **Mențineți mânerele și suprafețele de prindere uscate, curate, fără ulei și unsoare.** Mânerele și suprafețele de prindere alunecoase nu permit manipularea și controlul în siguranță al uneltei în situații neprevăzute.

Utilizarea și întreținerea uneltei cu baterie

- **Reîncărcați numai cu încărcătorul specificat de producător.** Un încărcător adecvat pentru un tip de baterie poate constitui pericol de incendiu atunci când este utilizat cu un alt tip de baterie.
- **Utilizați uneltele electrice numai cu bateriile special indicate.** Utilizarea unui alt tip de acumulatori poate constitui pericol de vătămări corporale și de incendiu.
- **Când acumulatorul nu este utilizat, păstrați-l departe de alte obiecte metalice, precum agrafe de birou, monede, chei, cuie, șuruburi sau alte obiecte mici de metal, care pot crea o conexiune între borne.** Scurtcircuitarea bornelor bateriei poate cauza arsuri sau incendii.
- **În condiții de utilizare neadecvată, din baterie pot ieși stropi de lichid; evitați contactul.** Totuși, dacă intrați accidental în contact cu lichidul respectiv, spălați cu apă. Dacă lichidul intră în contact cu ochii, consultați un medic. Lichidul care se scurge din baterie poate cauza iritații sau arsuri.
- **Nu utilizați acumulatori sau unelte deteriorate sau modificate.** Bateriile deteriorate sau modificate pot prezenta un comportament imprevizibil, care poate duce la incendii, explozii sau pericol de vătămări corporale.
- **Nu expuneți acumulatorii sau uneltele la flăcări sau temperaturi excesive.** Expunerea la flăcări sau la temperaturi de peste 130°C/266°F poate cauza explozii.
- **Urmați toate instrucțiunile de încărcare și nu încărcați acumulatorul sau unelaltă în afara intervalului de temperatură specificat în instrucțiuni.** Încărcarea incorectă sau la temperaturi în afara intervalului specificat poate duce la deteriorarea bateriei și crește pericolul de incendiu.

Service

- **Cereți ca unelaltă dvs. electrică să fie reparată numai de un tehnician de reparații calificat, care să folosească numai piese de schimb identice.** Acest lucru va asigura păstrarea siguranței uneltei electrice.
- **Nu reparați niciodată acumulatori deteriorați.** Repararea acumulatorilor trebuie efectuată numai de către producător sau de către furnizorii de servicii autorizati.

Avertismente generale de siguranță privind motoferăstrăul

- **Feriți toate părțile corpului de lanțul ferăstrăului atunci când motoferăstrăul este în funcțiune. Înainte de a pomi motoferăstrăul, asigurați-vă că lanțul acestuia nu atinge niciun obiect.** Un moment de neatenție în timpul operării motoferăstrăului poate conduce la prinderea hainelor sau a părților corpului în lanțul ferăstrăului.
- **Prindeți întotdeauna motoferăstrăul cu mâna dreaptă de mânerul superior și cu mâna stângă de mânerul frontal.** Dacă țineți motoferăstrăul cu mâinile poziționate invers, sporește pericolul de vătămări corporale; prin urmare, nu inversați niciodată mâinile.
- **Țineți motoferăstrăul numai de suprafețele de prindere izolate, deoarece lanțul ferăstrăului poate atinge cabluri ascunse.** Lanțurile de ferăstrău care intră în contact cu un fir sub tensiune pot face ca părțile metalice ale motoferăstrăului să intre sub tensiune și să electrocuteze operatorul.
- **Purtați ochelari de protecție. Se recomandă echipament de protecție suplimentar pentru urechi, cap, mâini și picioare.** Echipamentul de protecție adecvat reduce vătămrile corporale provocate de resturile expulzate sau de contactul accidental cu lanțul ferăstrăului.
- **Nu acționați un motoferăstrău într-un copac, pe o scară, de pe un acoperiș sau orice suport instabil.** Acționarea unui motoferăstrău în acest mod ar putea duce la vătămări corporale grave.⁸⁵
- **Păstrați întotdeauna puncte de sprijin adecvate și acționați motoferăstrăul numai când stați pe o suprafață fixă, sigură și orizontală.** Suprafețele alunecoase sau instabile pot cauza pierderea echilibrului sau a controlului motoferăstrăului.
- **Când tăiați o creangă întinsă, fiți atenți la recul.** Când tensiunea din fibrele de lemn este eliberată, creanga aflată sub tensiune elastică poate lovi operatorul și/sau poate face ca motoferăstrăul să se miște necontrolat.
- **Fiți extrem de atent când tăiați tufișuri și puieti.** Materialul subțire se poate prinde în lanțul

⁸⁵ În cazul în care sunteți instruit în tehnici speciale de tăiere și de lucru și dacă sunteți asigurat în mod corespunzător (cupă de ridicare, frânghii, ham de siguranță), se pot face abateri de la aceste norme de siguranță.

ferăstrăului, și poate fi proiectat către dvs. sau vă poate dezechilibra.

- **1Transportați motoferăstrăul de mânerul frontal, oprit și îndepărtat de corp. Când transportați sau depozitați motoferăstrăul, montați întotdeauna capacul șinei de ghidare.** Manevrarea corespunzătoare a motoferăstrăului reduce posibilitatea de contact accidental cu lanțul mobil al ferăstrăului.
- **Urmați instrucțiunile pentru ungerea, tensionarea lanțului și schimbarea șinei și a lanțului.** Un lanț tensionat sau uns necorespunzător se poate rupe sau poate mări pericolul de recul.
- **Tăiați numai lemn. Nu utilizați motoferăstrăul pentru alte scopuri. De exemplu: nu utilizați motoferăstrăul pentru a tăia metal, plastic, zidărie sau alte materiale de construcție decât cele din lemn.** Utilizarea motoferăstrăului pentru alte operații decât cele pentru care a fost proiectat poate conduce la o situație periculoasă.
- **Nu încercați să doborâți un copac până când nu ați înțeles care sunt riscurile și cum le puteți evita.** În timpul doborârii unui copac, se pot produce vătămări corporale grave operatorului sau persoanelor din apropiere.
- **Respectați toate instrucțiunile atunci când eliminați materialul blocat, depozitați sau efectuați lucrări de service asupra motoferăstrăului. Asigurați-vă că comutatorul este oprit și acumulatorul este scos din produs.** Acționarea accidentală a motoferăstrăului în timpul eliminării materialului blocat sau efectuării lucrărilor de service poate cauza vătămări corporale grave.
- **Nu folosiți un motoferăstrău în copac dacă nu ați fost instruit în mod special pentru acest lucru.** Folosirea unui motoferăstrău în copac fără o instruire corespunzătoare poate crește riscul de vătămare corporală gravă.

Cauzele reculului și măsurile de prevenire luate de operator

Reculul poate apărea când ciocul sau vârful șinei de ghidare atinge un obiect sau când creanga din lemn revine în poziția inițială prinzând lanțul ferăstrăului în tăietură. În anumite cazuri, contactul cu vârful poate cauza o reacție inversă bruscă, aruncând șina de ghidare în sus și înapoi, spre operator. Prin prinderea lanțului de ferăstrău de-a lungul părții superioare a șinei de ghidaj, aceasta poate fi împinsă rapid înapoi, spre operator. Oricare dintre aceste reacții vă poate face să pierdeți controlul ferăstrăului, ceea ce ar putea conduce la vătămări corporale grave. Nu vă bazați numai pe dispozitivele de protecție cu care este prevăzut ferăstrăul dvs. Ca utilizator de motoferăstrău, trebuie să luați anumite măsuri pentru ca în timpul lucrărilor de tăiere să nu se producă accidente sau vătămări. Reculul este rezultatul utilizării incorecte a dispozitivului de tăiere a crengilor și/sau a procedurilor sau condițiilor necorespunzătoare de operare și poate

fi evitat prin luarea măsurilor adecvate de precauție, conform indicațiilor de mai jos:

- **Mențineți o priză fermă, cu policarii și degetele înconjurând mânerul motoferăstrăului, cu ambele mâini pe ferăstrău și poziționați-vă corpul și brațul astfel încât să puteți rezista forțelor de recul.** Forțele de recul pot fi controlate de operator dacă sunt luate măsurile de prevedere adecvate. Nu lăsați motoferăstrăul din mâini.
- **Nu vă întindeți excesiv și nu tăiați niciodată mai sus de înălțimea umărului.** În acest mod se previne contactul neintenționat cu vârful și se permite un control mai bun asupra motoferăstrăului în situații neașteptate.
- **Utilizați numai șinele de ghidare și lanțurile de ferăstrău de schimb specificate de producător.** Șinele de ghidare și lanțurile de schimb incorecte pot cauza ruperea lanțului și/sau reculul.
- **Respectați instrucțiunile producătorului cu privire la ascuțirea și întreținerea lanțului de ferăstrău.** Reducerea înălțimii pentru calibrarea adâncimii poate conduce la sporirea reculului.

PĂSTRAȚI ACESTE INSTRUCȚIUNI.

Instrucțiuni generale de siguranță



AVERTISMENT: Înainte de a utiliza produsul, citiți instrucțiunile de avertizare de mai jos.

- Acest produs este o unealtă periculoasă dacă nu sunteți atent sau dacă utilizați produsul incorect. Acest produs poate cauza vătămări corporale grave sau decesul operatorului sau al altor persoane. Este foarte important să citiți și să înțelegeți conținutul acestui manual de utilizare.
- Nu modificați produsul fără aprobare de la producător. Nu folosiți un produs care a fost schimbat de alte persoane și folosiți întotdeauna accesoriile originale. Modificările care nu sunt aprobate de producător pot provoca vătămări corporale grave sau decesul operatorului sau al altor persoane.
- Inhalarea pe termen lung a vaporilor de ulei pentru lanț și a rumegușului poate cauza probleme de sănătate.
- În timpul funcționării, acest produs produce un câmp electromagnetic. În anumite condiții, acest câmp poate interfera cu implanturile medicale active sau pasive. Pentru a scădea riscul de vătămări corporale grave sau deces, recomandăm persoanelor cu implanturi medicale să consulte medicul și producătorul implantului medical înainte de a utiliza produsul.

Instrucțiuni de siguranță pentru utilizare



AVERTISMENT: Înainte de a utiliza produsul, citiți instrucțiunile de avertizare de mai jos.

- Informațiile din acest manual al operatorului nu reprezintă un înlocuitor pentru cunoștințele și experiența profesională. Dacă nu vă simțiți în siguranță în situația în care sunteți, opriți produsul. Apelați la reprezentantul de service sau un operator profesionist al motoferăstrăului. Nu începeți nicio activitate dacă aveți incertitudini în legătură cu aceasta!
- Apelați la reprezentantul de service sau Husqvarna dacă aveți întrebări despre funcționarea produsului. Vă putem oferi informații despre utilizarea produsului eficient și în siguranță. Participați la un curs de instruire privind utilizarea motoferăstrăului, dacă este posibil. Reprezentantul dvs. de service, facultatea de silvicultură sau biblioteca dvs. vă pot oferi informații despre materialele și cursurile de instruire care sunt disponibile.
- Trebuie să înțelegeți efectele reculului și modul de prevenire al acestuia înainte de a utiliza acest produs. Consultați *Informații despre recul la pagina 578* și *Întrebări comune despre recul la pagina 578* pentru instrucțiuni.
- Nu utilizați un produs, un acumulator sau un încărcător de acumulatori care sunt deteriorate sau care nu funcționează corect.
- Nu atingeți un lanț de ferăstrău în rotație. Acesta poate provoca vătămări corporale grave sau deces.
- Nu utilizați produsul dacă sunteți obosit(ă), dacă ați consumat alcool, droguri, medicamente sau alte substanțe care v-ar putea afecta vederea, atenția, coordonarea sau judecata.
- Lucrul în condiții de vreme nefavorabilă este obositor și adesea aduce un plus de risc. Din cauza riscului suplimentar, nu se recomandă utilizarea aparatului în condiții de vreme nefavorabilă, cum ar fi ceață densă, ploaie abundentă, vânt puternic, frig pătrunzător, risc de descărcări electrice etc.
- Nu porniți un produs decât dacă șina de ghidaj, lanțul de ferăstrău și toate capacele sunt montate corect. În caz contrar, roata de antrenare se poate slăbi, provocând vătămări corporale grave. Consultați *Asamblarea la pagina 576* pentru instrucțiuni.

(Fig. 25)

- Uneori, așchiile rămân blocate în capacul ambreiajului, provocând blocarea lanțului de ferăstrău. Opriți întotdeauna motorul înainte de curățare.
- Priviți în jurul dvs. Asigurați-vă că nu există riscul ca persoane sau animale să atingă sau să vă influențeze controlul asupra produsului.

(Fig. 26)

- Nu permiteți copiilor să folosească sau să se apropie de produs. Produsul poate fi pornit cu ușurință, copiii îl pot porni dacă nu sunt supravegheați atent. Există riscul unor vătămări corporale grave.
- Scoateți bateria atunci când nu aveți produsul complet în câmpul vizual sau lăsați produsul nesupravegheat pentru orice durată de timp.
- Trebuie să aveți stabilitate pe picioare pentru a avea control deplin asupra produsului. Nu utilizați produsul dacă sunteți pe o scară sau într-un copac. Nu utilizați produsul dacă nu sunteți pe teren stabil.

(Fig. 27)

- Lucrul în copac necesită utilizarea unor tehnici de tăiere și de lucru speciale, care trebuie respectate pentru a se reduce riscul sporit de rănire personală. Nu lucrați niciodată în copac, decât dacă ați primit instruire profesională specială pentru asemenea lucrări, inclusiv instruire în utilizarea echipamentelor de siguranță și de ascensiune, cum ar fi harnașamentele, cablurile, chingile, ghearele de picior, inelele de siguranță, carabinierile etc.
- Nu încercați niciodată să prindeți secțiuni în cădere. Nu efectuați niciodată activități de tăiere în copac când sunteți asigurat doar cu un cablu. Utilizați întotdeauna două cabluri asigurate.
- Dacă nu sunteți atent(ă), riscul de recul crește. Poate apărea reculul dacă zona de recul a șinei de ghidaj atinge accidental o ramură, un copac sau alte obiecte.

(Fig. 28)

- Nu țineți produsul cu o singură mână. Acest produs nu este controlat în siguranță cu o mână.
- Nu utilizați produsul peste înălțimea umărului și nu încercați să tăiați cu vârful șinei de ghidaj.

(Fig. 29)

- Nu utilizați produsul într-o situație în care nu puteți primi ajutor în caz de accident.
- Opriți produsul și cuplați frâna de lanț înainte de a deplasa produsul. Țineți produsul cu șina de ghidaj și lanțul de ferăstrău orientate spre înapoi. Puneți o apărătoare de transport pe șina de ghidaj înainte de transport sau înainte de a-l deplasa pe orice distanță.
- Când puneți produsul pe sol, cuplați frâna de lanț și vizualizați constant produsul. Opriți produsul și scoateți bateria înainte de a lăsa produsul nesupravegheat pe orice perioadă de timp.
- Există riscul de blocare a așchiilor de lemn în sistemul de conducere. Acest lucru poate provoca blocarea lanțului de ferăstrău. Opriți întotdeauna produsul și scoateți bateria înainte de curățare.
- Nivelul vibrațiilor crește dacă tăiați cu echipament de tăiere incorect sau ascuțit incorect. Tăierea lemnului de esență tare, precum foioasele, provoacă mai multe vibrații decât tăierea lemnului de esență moale, precum coniferele.

(Fig. 30)

- Expunerea prelungită la vibrații poate duce la afecțiuni circulatorii sau la deteriorarea nervilor la persoanele cu circulație defectuoasă. Discutați cu medicul dacă prezentați simptome de expunere prelungită la vibrații. Astfel de simptome includ amorțeală, pierderea sensibilității tactile, gâdilături, ciupituri, durere, pierderea forței, modificări în culoarea sau în starea pielii. Aceste simptome apar de obicei la degete, mâini sau încheieturi și cresc la temperaturi scăzute.
- Nu încercați o operație de elagaj sau de curățare a trunchiului de ramuri asupra unui copac rezistent, dacă nu ați primit instruire specială.
- Atunci când efectuați o operație de tăiere pe o pantă, stați întotdeauna pe partea aflată la deal de buștean, deoarece copacul se poate rostogoli sau poate aluneca spre partea inferioară a pantei după doborâre. Pentru a menține controlul complet al produsului atunci când tăiați, eliberați presiunea de tăiere aproape de sfârșitul tăierii. Nu relaxați mâinile în jurul mânerelor. Nu permiteți ca lanțul de ferăstrău să atingă solul. După ce ați finalizat tăierea, așteptați ca lanțul de ferăstrău să se oprească înainte de a mișca produsul. Întotdeauna opriți motorul înainte de a vă deplasa de la un copac la altul.

(Fig. 31)

- Nu doborâți un copac dacă există riscul de punere în pericol al persoanelor, de lovire a cablurilor de utilități publice sau de distrugere a cablurilor de utilități publice sau bunurilor. Dacă copacul lovește un cablu de utilități publice, trebuie anunțată imediat societatea de utilități publice.
- Asigurați-vă că vă puteți deplasa în siguranță. Examinați condițiile și terenul din jur pentru a identifica eventuale obstacole, precum rădăcini, pietre, ramuri, șanțuri și multe altele. Fiți atenți atunci când lucrați pe sol înclinat.
- Evitați situațiile pe care le considerați dincolo de capacitatea dvs.
- Nu pot fi incluse toate situațiile posibile cu care vă puteți confrunta atunci când utilizați acest produs. Procedați întotdeauna cu atenție și folosiți-vă judecata.

(Fig. 32)

Echipament de protecție personală



AVERTISMENT: Înainte de a utiliza produsul, citiți instrucțiunile de avertizare de mai jos.

(Fig. 33)

- Majoritatea accidentelor legate de motoferăstraie apar atunci când lanțul de ferăstrău atinge operatorul. Trebuie să utilizați echipament de protecție personală aprobat în timpul funcționării. Echipamentul individual de protecție nu vă poate proteja complet de riscul de rănire, însă poate reduce gravitatea rănilor în cazul unui accident.

Adresați-vă reprezentantului de service pentru recomandări despre echipamentul care trebuie utilizat.

- Hainele dvs. trebuie să fie strânse pe corp, dar să nu vă limiteze mișcările. Efectuați în mod regulat un control al stării echipamentului de protecție personală.
- Purtați o cască de protecție omologată.
- Utilizați un sistem omologat de protecție a auzului. Expunerea pe termen lung la zgomot poate avea ca rezultat deteriorarea ireversibilă a auzului.
- Utilizați ochelari de protecție sau un vizor de protecție pentru față autorizate pentru a reduce pericolul de vătămări corporale cauzate de obiectele proiectate. Produsul poate proiecta obiecte precum așchii, bucăți mici de lemn etc., cu o forță considerabilă. Acestea pot cauza vătămări corporale grave, în special vătămări ale ochilor.
- Purtați mănuși pentru protecție împotriva ferăstraiei.
- Purtați pantaloni pentru protecție împotriva ferăstraiei.
- Purtați încălțăminte pentru protecție împotriva ferăstraiei, cu vârf din oțel și talpă anti-aderentă.
- Trebuie să aveți întotdeauna la dispoziție o trusă de prim ajutor.
- Risc de scânteie. Păstrați în apropiere instrumente de stingere a incendiilor și o lopată pentru a preveni incendiile forestiere.

Dispozitivele de siguranță de pe produs



AVERTISMENT: Înainte de a utiliza produsul, citiți instrucțiunile de avertizare de mai jos.

- Nu utilizați un produs cu dispozitive de siguranță care sunt deteriorate sau care nu funcționează corect.
- Verificați regulat dispozitivele de siguranță. Consultați *Întreținerea și controalele dispozitivelor de siguranță de pe produs la pagina 583*.
- În cazul în care dispozitivele de siguranță sunt deteriorate sau nu funcționează corect, adresați-vă Husqvarna agentului de service.

Funcțiile interfeței cu utilizatorul

Interfața cu utilizatorul include butonul de pornire/oprire, butonul SavE, indicatorul de stare a bateriei și indicatorul de avertisment. Indicatorul de avertizare se aprinde intermitent dacă frâna de lanț este cuplată sau dacă există pericolul de suprasolicitare. Protecția la suprasolicitare oprește temporar produsul și nu îl puteți utiliza până când temperatura nu scade. Dacă indicatorul de avertizare luminează continuu, discutați cu reprezentantul dvs. de service.

(Fig. 34)

Pentru mai multe informații despre interfața cu utilizatorul, consultați *Prezentare generală a produsului la pagina 567*.

Funcția de oprire automată

Produsul are o funcție de oprire automată care oprește produsul dacă nu îl folosiți timp de 3 minute.

Frână de lanț și apărătoare de mână din față

Produsul dvs. are o frână de lanț care oprește lanțul de ferăstrău dacă are loc un recul. Frâna de lanț reduce pericolul de accidente, însă numai dvs. le puteți preveni întâmpina.

(Fig. 35)



AVERTISMENT: Nu cuplați în situații în care există pericol de recul. Aveți grijă când utilizați produsul și asigurați-vă că zona de recul a șinei de ghidaj nu atinge un obiect.

(Fig. 36)

Frâna de lanț se cuplează (A) manual cu mâna stângă sau automat de către mecanismul de deblocare din inerție. Împingeți apărătoarea de mână din față (B) spre înainte pentru a cupla frâna de lanț manual. Această mișcare activează un mecanism cu arc care oprește roata de antrenare.

(Fig. 37)

Modul de activare a frânei de lanț este legat de forța reculului și de poziția produsului. Dacă obțineți un recul puternic în timp ce zona de recul este mai departe de dvs., frâna de lanț este cuplată de mecanismul de deblocare din inerție. Dacă reculul este mic sau zona de recul este mai aproape de dvs., frâna de lanț se cuplează manual cu mâna stângă.

(Fig. 38)

Utilizați frâna de lanț ca frână de parcare când porniți produsul și când vă deplasați pe distanțe scurte. Acest lucru scade riscul ca dvs. sau o persoană din apropierea dvs. să atingă lanțul de ferăstrău.

(Fig. 39)

Trageți apărătoarea de mână din față spre înapoi pentru a decupla frâna de lanț.

(Fig. 40)

Reculul poate fi foarte brusc și puternic. Majoritatea recurilor sunt mici și nu cuplează întotdeauna frâna de lanț. Dacă are loc un recul când utilizați produsul, țineți strâns mânerul și nu desprindeți mâinile de pe ele.

(Fig. 41)

Apărătoarea de mână din față reduce, de asemenea, riscul de a atinge lanțul de ferăstrău dacă desprindeți mâna de pe mânerul frontal.

(Fig. 42)

În poziția de doborâre nu puteți cupla manual frâna de lanț. Frâna de lanț poate fi cuplată în această poziție numai de mecanismul de deblocare din inerție.

(Fig. 43)

Opritorul întrerupătorului

Opritorul întrerupătorului este conceput pentru prevenirea operării accidentale a întrerupătorului respectiv. Dacă apăsați dispozitivul de blocare a întrerupătorului înainte (A) și apoi apăsați pe dispozitivul de blocare spre mânerul (B), întrerupătorul (C) este eliberat. Dacă eliberați mânerul, întrerupătorul și opritorul întrerupătorului se deplasează înapoi în pozițiile lor inițiale.

(Fig. 44)

Opritor de lanț

Opritorul de lanț prinde lanțul de ferăstrău dacă acesta se rupe sau se slăbește. Dacă lanțul este întins corect, riscul scade. Riscul se reduce, de asemenea, dacă întrețineți corect șina de ghidaj și lanțul de ferăstrău. Consultați *Asamblarea la pagina 576 și Întreținerea la pagina 583* pentru instrucțiuni.

(Fig. 45)

Apărătoare pentru mâna dreaptă

Apărătoarea pentru mâna dreaptă acționează ca protecție pentru mână dacă lanțul de ferăstrău se rupe sau se slăbește. Previne, de asemenea, interferențele cu ramuri și crengi când utilizați produsul.

(Fig. 46)

Siguranța bateriei



AVERTISMENT: Înainte de a utiliza produsul, citiți instrucțiunile de avertizare de mai jos.

- Utilizați numai bateriile din seria 40-B pe care vi le recomandăm pentru produsul dvs. Consultați *Baterii aprobate la pagina 591*. Bateriile sunt criptate prin software.
- Utilizați bateriile reîncărcabile din seria 40-B ca sursă de alimentare numai pentru produsele Husqvarna asociate. Consultați *Baterii aprobate la pagina 591*. Pentru a evita rănirea, nu folosiți bateria ca sursă de alimentare pentru alte dispozitive.
- Risc de electrocutare. Nu conectați bornele bateriei la chei, șuruburi sau alte metale. Aceasta poate cauza scurtcircuitarea bateriei.
- Nu utilizați baterii care nu sunt reîncărcabile.
- Nu puneți obiecte în fantele de aerisire a bateriei.
- Feriți bateria de lumina solară, de căldură sau de flăcări deschise. Bateria poate provoca arsuri și/sau arsuri chimice.

- Feriți bateria de ploaie și de condiții de umezeală.
- Feriți bateria de microunde și de înaltă presiune.
- Nu încercați să demontați sau să spargeți bateria.
- Nu lăsați acidul din baterie să vă atingă pielea. Acidul din baterie provoacă leziuni ale pielii, corozione și arsuri. Dacă acidul din baterie pătrunde în ochi, nu frecați, ci spălați-vă cu multă apă timp de cel puțin 15 minute. Dacă acidul din baterie a intrat în contact cu pielea, trebuie să o curățați cu apă și săpun din belșug. Solicitați ajutor medical.
- Utilizați bateria la temperaturi între -10 °C (14 °F) și 40 °C (104 °F).
- Nu curățați niciodată cu apă bateria sau încărcătorul de baterii. Consultați *Verificarea bateriei și a suportului de baterie la pagina 584*.
- Nu utilizați o baterie deteriorată.
- Depozitați bateriile la distanță de obiecte de metal, de exemplu de cuie, șuruburi sau bijuterii.
- Nu lăsați bateria la îndemâna copiilor.

Siguranța încărcătorului de baterii



AVERTISMENT: Înainte de a utiliza produsul, citiți instrucțiunile de avertizare de mai jos.

- Există riscul de electrocutare sau de scurtcircuit dacă nu sunt respectate instrucțiunile de siguranță.
- Folosiți o priză cu împământare aprobată care nu este deteriorată.
- Nu utilizați alte încărcătoare de baterii decât cel furnizat pentru produsul dvs. Utilizați doar încărcătoare 40-C80 când încărcați bateriile de schimb Husqvarna 40-B140. Consultați *Încărcătoare de baterii aprobate pentru produs la pagina 591* și *Baterii aprobate la pagina 591*.
- Nu încercați să dezasamblați încărcătorul de baterii.
- Nu utilizați un încărcător de baterii defect sau deteriorat.
- Nu ridicați încărcătorul de baterii ținând de cablul de alimentare. Pentru a deconecta încărcătorul de baterii de la priza de perete, trageți de ștecăr. Nu trageți de cablul de alimentare.
- Feriți toate cablurile și prelungitoarele de apă, ulei și muchii ascuțite. Asigurați-vă că acest cablu nu este prins între uși, garduri sau în alte locuri similare.
- Nu utilizați încărcătorul de baterii în apropiere de materiale inflamabile sau materiale care pot cauza corozione. Asigurați-vă că încărcătorul de baterii nu este acoperit. În caz de fum sau de incendiu, scoateți ștecărul încărcătorului de baterii.
- Încărcați bateria numai în interior, într-un loc cu aerisire adecvată și departe de lumina soarelui. Nu încărcați bateria în exterior. Nu încărcați bateria în medii umede.
- Utilizați încărcătorul de baterii la temperaturi între 5 °C (41 °F) și 40 °C (104 °F). Utilizați încărcătorul într-un mediu foarte bine ventilat, uscat și fără praf.

- Nu puneți obiecte în fantele de răcire a încărcătorului de baterii.
- Nu atingeți niciodată bornele încărcătorului de baterii cu obiecte metalice, deoarece se pot crea scurtcircuite.
- Utilizați prize de perete aprobate care nu sunt deteriorate.
- Nu încărcați baterii nereîncărcabile în încărcătorul de baterii.

Instrucțiuni de siguranță pentru întreținere



AVERTISMENT: Înainte de a efectua lucrări de întreținere asupra produsului, citiți instrucțiunile de avertisment de mai jos.

- Scoateți bateria înainte de a efectua întreținerea, alte verificări sau de a asambla produsul.
- Operatorul trebuie să efectueze numai operațiile de întreținere și service indicate în acest manual al operatorului. Apelați la reprezentantul de service pentru întreținerea și service-ul de mai mare amploare.
- Nu curățați niciodată bateria sau încărcătorul cu apă. Detergentul puternic poate deteriora plasticul.
- Dacă nu efectuați operații de întreținere, durata de viață a produsului scade, iar pericolul de accidente crește.
- Este necesară instruirea profesională specială pentru toate lucrările de service și reparații, mai ales pentru dispozitivele de siguranță de pe produs. Dacă nu toate verificările din acest manual al operatorului sunt aprobate; după ce ați efectuat operațiile de întreținere, apelați la reprezentantul de service. Vă garantăm că există servicii profesionale de reparații și service disponibile pentru produsul dvs.
- Utilizați doar piese de schimb originale.

Instrucțiuni de siguranță pentru echipamentele de tăiere



AVERTISMENT: Înainte de a utiliza produsul, citiți instrucțiunile de avertizare de mai jos.

- Utilizați numai combinații de șină de ghidaj/lanț de ferăstrău și echipamente de ascuțire aprobate. Consultați *Date tehnice la pagina 589* pentru instrucțiuni.
- Purtați mănuși de protecție atunci când utilizați sau efectuați întreținerea lanțului de ferăstrău. Un lanț de ferăstrău care nu se mișcă poate provoca de asemenea leziuni.
- Păstrați dinții ascuțiți corespunzător. Respectați instrucțiunile și utilizați matrița recomandată. Un lanț

de ferăstrău care este deteriorat sau incorect ascuțit crește pericolul de accidente.

(Fig. 47)

- Păstrați setarea corectă a calibrării adâncimii. Respectați instrucțiunile și utilizați setarea recomandată a calibrării adâncimii. O setare prea mare a calibrării adâncimii crește pericolul de recul.

(Fig. 48)

- Asigurați-vă că lanțul de ferăstrău are întinderea corectă. Dacă lanțul de ferăstrău nu este strâns pe șina de ghidare, lanțul de ferăstrău poate sări de

pe șină. O întindere incorectă a lanțului de ferăstrău crește uzura șinei de ghidare, a lanțului de ferăstrău și a roții de antrenare a lanțului. Consultați *Accesorii la pagina 590*.

(Fig. 49)

- Efectuați regulat întreținerea echipamentului de tăiere și păstrați-l corect lubrifiat. Dacă lanțul de ferăstrău nu este uns corect, crește riscul de uzură a șinei de ghidare, a lanțului de ferăstrău și a roții de antrenare a lanțului.

(Fig. 50)

Asamblarea

Asamblarea șinei de ghidaj și a lanțului de ferăstrău (cu butonul șinei)



AVERTISMENT: Scoateți întotdeauna bateria înainte de a monta sau de a efectua întreținerea produsului.

1. Decuplați frâna de lanț. (Fig. 51)
2. Slăbiți butonul șinei și scoateți capacul roții de antrenare. (Fig. 52)
3. Puneți șina de ghidaj peste șurubul de șină. Deplasați șina de ghidaj în ultima poziție din spate. Ridicați lanțul de ferăstrău deasupra roții de antrenare și cuplați-l în canalul de pe șina de ghidaj. Începeți de la marginea superioară a șinei de ghidaj.
4. Asigurați-vă că marginile frezelor sunt orientate înainte pe marginea superioară a șinei de ghidaj. (Fig. 53)
5. Montați capacul roții de antrenare și deplasați pintelul întinzător al lanțului în orificiul din șina de ghidare.
6. Asigurați-vă că zalele de ghidare ale lanțului de ferăstrău se fixează corect pe roata de antrenare.
7. Asigurați-vă că lanțul de ferăstrău este cuplat corect în canalul din șina de ghidaj.
8. Întindeți lanțul de ferăstrău. Consultați *Întreținerea la pagina 583* pentru instrucțiuni.
9. Strângeți butonul șinei.

Asamblarea șinei de ghidaj și a lanțului de ferăstrău (cu șurub de șină)



AVERTISMENT: Scoateți întotdeauna bateria înainte de a monta sau de a efectua întreținerea produsului.

1. Decuplați frâna de lanț. (Fig. 51)
2. Slăbiți piulița șinei și scoateți capacul roții de antrenare. (Fig. 54)
3. Puneți șina de ghidaj peste șurubul de șină. Deplasați șina de ghidaj în ultima poziție din spate. Ridicați lanțul de ferăstrău deasupra roții de antrenare și cuplați-l în canalul de pe șina de ghidaj. Începeți de la marginea superioară a șinei de ghidaj.
4. Asigurați-vă că marginile frezelor sunt orientate înainte pe marginea superioară a șinei de ghidaj. (Fig. 55)
5. Montați capacul roții de antrenare și deplasați pintelul întinzător al lanțului în orificiul din șina de ghidare.
6. Asigurați-vă că zalele de ghidare ale lanțului de ferăstrău se fixează corect pe roata de antrenare.
7. Asigurați-vă că lanțul de ferăstrău este cuplat corect în canalul din șina de ghidaj.
8. Strângeți piulița șinei cu degetele.
9. Strângeți lanțul de ferăstrău. Consultați *Întreținerea la pagina 583* pentru instrucțiuni.

Montarea încărcătorului de baterii pe perete



ATENȚIE: Nu utilizați o șurubelniță electrică pentru a monta încărcătorul de baterii pe perete. Șurubelnița electrică poate cauza deteriorarea încărcătorului de baterii.

1. Montați încărcătorul de baterii pe perete cu cele 2 șuruburi (A). Utilizați fișe de perete (B) dacă este necesar. (Fig. 56)
2. Montați cele 2 șuruburi în dibluri (C).
3. Conectați cablul de alimentare (D) la încărcătorul de baterii și la o priză.

Funcționarea

Introducere



AVERTISMENT: Citiți și înțelegeți capitolul referitor la siguranță înainte de utilizarea produsului.

Verificarea funcționării înainte de utilizarea produsului

1. Faceți un control al frânei de lanț (A) pentru a vă asigura că funcționează corect și că nu este deteriorat.
2. Verificați apărătoarea pentru mâna dreaptă (B) pentru a vă asigura că nu este deteriorată.
3. Verificați întrerupătorul și opritorul întrerupătorului (C) pentru a vă asigura că funcționează corect și că nu sunt deteriorate.
4. Verificați tastatura (D) pentru a vă asigura că funcționează corect.
5. Asigurați-vă să nu existe ulei pe mânere (E).
6. Faceți un control pentru a vă asigura că toate piesele sunt montate corect și nu sunt deteriorate sau lipsesc.
7. Faceți un control al opritorului de lanț (F) pentru a vă asigura că este montat corect.
8. Verificați întinderea lanțului (G).
9. Încărcați bateria (H) și asigurați-vă că este corect atașată la produs.
10. Asigurați-vă că lanțul de ferăstrău se oprește când eliberați întrerupătorul. (Fig. 57)

Utilizarea uleiului corect pentru lanț



AVERTISMENT: Nu folosiți ulei ars, care vă poate provoca leziuni și poate dăuna mediului. Uleiul ars cauzează, de asemenea, deteriorarea pompei de ulei, a șinei de ghidaj și a lanțului de ferăstrău.



AVERTISMENT: Lanțul de ferăstrău se poate rupe dacă ungerea echipamentului de tăiere nu este suficientă. Risc de vătămări corporale grave sau de deces al operatorului.



AVERTISMENT: Utilizați uleiul corect pentru lanț pentru ca această funcție să opereze corect. Adresați-vă reprezentantului

dvs. de service când alegeți uleiul pentru lanț.

- Folosiți uleiul pentru lanț Husqvarna pentru durata maximă de viață a lanțului de ferăstrău și pentru a preveni efectele negative asupra mediului. Dacă uleiul pentru lanț Husqvarna nu este disponibil, vă recomandăm să utilizați ulei standard pentru lanț.
- Folosiți un ulei pentru lanț cu o bună aderență pe lanțul de ferăstrău.
- Folosiți un ulei pentru lanț cu grad de viscozitate corect, în conformitate cu temperatura aerului.



ATENȚIE: La temperaturi mai mici de 0°C/32°F, unele uleiuri pentru lanț devin prea dense, ceea ce poate duce la deteriorarea componentelor pompei de ulei.

- Utilizați echipamentul de tăiere recomandat. Consultați *Accesorii la pagina 590*.
- Scoateți capacul rezervorului de ulei pentru lanț.
- Umpleți rezervorul de ulei pentru lanț cu ulei pentru lanț.
- Atașați capacul cu grijă.

(Fig. 58)

Nota: Pentru a vedea unde se află rezervorul de ulei pentru lanț pe produsul dvs., consultați *Introducere la pagina 567*.

Baterie



AVERTISMENT: Citiți cu atenție capitolul referitor la siguranță înainte de a utiliza bateria. Citiți cu atenție informațiile privind bateria și încărcătorul din manualul operatorului.

Păstrați bateria și încărcătorul la temperaturile ambiante corecte.

	Temperatură ambientă
Folosirea bateriei	5-40 °C / 41-104 °F
Încărcarea bateriei	5-40 °C / 41-104 °F

Stare baterie

Afișajul arată starea de încărcare și dacă există probleme cu bateria.

(Fig. 59)

Indicator cu LED	Starea de încărcare a bateriei
4 LED-uri aprinse	Bateria este încărcată în proporție de 76-100%.
3 LED-uri aprinse	Bateria este încărcată în proporție de 51-75%.
2 LED-uri aprinse	Bateria este încărcată în proporție de 26-50%.
1 LED este aprins	Bateria este încărcată în proporție de 6-25%.
1 LED luminează intermitent	Bateria este încărcată în proporție de 0-5%.

Încărcarea bateriei

Încărcați bateria dacă este prima dată când o folosiți. O baterie nouă este încărcată doar până la 30%.



ATENȚIE: Conectați încărcătorul de baterii la o priză de alimentare cu tensiunea și frecvența specificate pe plăcuța de identificare.

Bateria nu se încarcă dacă temperatura sa depășește 50 °C / 122 °F.

1. Conectați cablul de alimentare la încărcător.
2. Conectați încărcătorul la o priză cu împământare. LED-ul de încărcare luminează o dată. (Fig. 60)
3. Conectați bateria la încărcător. LED-ul de încărcare se aprinde. Încărcați bateria timp de maximum 24 de ore. (Fig. 61)
4. Apăsăți butonul indicator al bateriei dacă indicatoarele cu LED se aprind, bateria fiind complet încărcată.
5. Trageți fișa de alimentare pentru a deconecta încărcătorul de baterii de la priză. Nu trageți de cablul de alimentare.
6. Scoateți bateria din încărcător.

Informații despre recul



AVERTISMENT: Un recul poate cauza vătămări corporale grave sau decesul operatorului sau al altor persoane. Pentru a reduce pericolul, trebuie să cunoașteți cauzele reculului și modul de prevenire a acestora.

Un recul apare numai dacă zona de recul a șinei de ghidaj atinge un obiect. Un recul poate apărea brusc și cu forță ridicată, care proiectează produsul în direcția operatorului.

(Fig. 36)

Reculul apare întotdeauna în planul de tăiere al șinei de ghidaj. De obicei, produsul este proiectat asupra operatorului, dar se poate deplasa și într-o altă direcție. Direcția de deplasare este cauzată de modul în care utilizați produsul când apare reculul.

(Fig. 62)

Reculul apare numai dacă zona de recul a șinei de ghidaj atinge un obiect. Nu permiteți ca zona de recul să atingă un obiect.

(Fig. 36)

O rază mai mică a vârfului șinei reduce forța reculului.

Utilizați un lanț de fierăstrău cu recul redus pentru a reduce efectele reculului. Nu permiteți ca zona de recul să atingă un obiect.



AVERTISMENT: Niciun lanț de fierăstrău nu previne complet reculul. Respectați întotdeauna instrucțiunile.

Întrebări comune despre recul

• Mâna va cupla întotdeauna frâna de lanț în timpul unui recul?

Nu. Trebuie să folosiți forță pentru a împinge apărătoarea de mână din față spre înainte. Dacă nu folosiți forța necesară, frâna de lanț nu va fi cuplată. De asemenea, trebuie să țineți mânerul produsului ferm, cu două mâini în timpul lucrului. Dacă apare un recul, este posibil ca frâna de lanț să nu oprească lanțul de fierăstrău înainte de a vă atinge. Există, de asemenea, unele poziții în care mâna dvs. nu poate atinge apărătoarea de mână din față pentru a cupla frâna de lanț.

• Mecanismul de deblocare din inerție va cupla întotdeauna frâna de lanț în timpul unui recul?

Nu. În primul rând, frâna de lanț trebuie să funcționeze corect. Consultați *Întreținerea și controalele dispozitivelor de siguranță de pe produs la pagina 583* pentru instrucțiuni despre modul de verificare a frânei de lanț. Vă recomandăm să efectuați verificarea de fiecare dată înainte de a utiliza produsul. În al doilea rând, forța reculului trebuie să fie ridicată pentru a cupla frâna de lanț. Dacă frâna de lanț este prea sensibilă, aceasta se poate cupla în timpul funcționării intense.

• Frâna de lanț mă va apăra întotdeauna împotriva rănirii în timpul unui recul?

Nu. Frâna de lanț trebuie să funcționeze corect pentru a oferi protecție. Frâna de lanț trebuie, de asemenea, să fie cuplată în timpul unui recul pentru

a opri lanțul de ferăstrău. Dacă sunteți în apropierea șinei de ghidare, este posibil ca frâna de lanț să nu aibă timp să oprească lanțul de ferăstrău înainte de a vă lovi.



AVERTISMENT: Reculurile pot fi prevenite numai de dvs. și de o tehnică de lucru corectă.

Pornirea produsului

1. Faceți un control al întrerupătorului și al opritorului întrerupătorului. Consultați *Verificarea opritorului întrerupătorului la pagina 584*.
2. Cuplați frâna de lanț. (Fig. 63)
3. Introduceți bateria în suportul bateriei. (Fig. 64)



ATENȚIE: Asigurați-vă că bateria este instalată corect în suportul de baterie. Dacă bateria nu se deplasează cu ușurință în suportul de baterie, poziția nu este corectă.

4. Împingeți partea inferioară a bateriei până când auziți un clic. (Fig. 65)
5. Țineți apăsat butonul de pornire/oprire până când se aprinde LED-ul verde. (Fig. 66)

Utilizarea funcției SavE

Funcția SavE reduce turația lanțului și puterea produsului.

1. Apăsăți butonul SavE. LED-ul verde se aprinde.
2. Apăsăți din nou butonul SavE pentru a dezactiva funcția. LED-ul verde se stinge. (Fig. 67)

Oprirea produsului

1. Apăsăți butonul de pornire/oprire până când LED-ul verde se stinge. (Fig. 66)
2. Apăsăți butoanele de eliberare a bateriei și scoateți bateria din suportul de baterie pentru a preveni pornirea accidentală. (Fig. 68)

Trageți cursa și împingeți-o

Puteți tăia în lemn cu produsul în 2 poziții diferite.

- Tăierea la mișcarea de tragere are loc când tăiați cu partea de jos a șinei de ghidaj. Lanțul de ferăstrău trece prin copac când tăiați. În această poziție, aveți un control mai bun asupra produsului și poziției zonei de recul.

(Fig. 69)

- Tăierea la mișcarea de împingere are loc când tăiați cu partea de sus a șinei de ghidaj. Lanțul de ferăstrău împinge produsul în direcția operatorului.

(Fig. 70)



AVERTISMENT: Dacă lanțul de ferăstrău se prinde în trunchi, produsul poate fi împins către dvs. Țineți produsul strâns și asigurați-vă că zona de recul a șinei de ghidaj nu atinge copacul și nu cauzează un recul.

(Fig. 71)

Pentru a utiliza tehnica de tăiere



AVERTISMENT: Utilizați puterea completă când tăiați și reduceți turația de mers la ralanti după fiecare tăiere.



ATENȚIE: Nu lăsați motorul să funcționeze prea mult fără sarcină. Aceasta poate deteriora motorul.

1. Puneți trunchiul pe o capră sau un cadru de tăiat lemne. (Fig. 72)



AVERTISMENT: Nu tăiați trunchiurile sub formă de grămadă. Acest lucru crește pericolul de recul și poate duce la vătămări corporale grave sau deces.

2. Îndepărtați bucățile tăiate din zona de lucru.



AVERTISMENT: Bucățile tăiate rămase în zona de lucru cresc riscul de recul și vă împiedică să vă mențineți echilibrul.

Utilizarea barei de protecție

1. Împingeți bara de protecție în trunchiul copacului.
2. Aplicați putere maximă și rotiți produsul. Țineți bara de protecție pe trunchi. Această procedură face mai ușoară aplicarea forței necesare de tăiere a trunchiului. (Fig. 73)

Pentru a tăia un trunchi pe sol

1. Tăiați trunchiul la mișcarea de tragere. Mențineți puterea maximă, dar fiți pregătit pentru accidente bruște. (Fig. 74)



AVERTISMENT: Asigurați-vă că lanțul de ferăstrău nu atinge solul când finalizați tăietura.

2. Tăiați aproximativ ¾ din trunchi și apoi opriți-vă. Întoarceți trunchiul și tăiați din partea opusă. (Fig. 75)

Pentru a tăia un trunchi care are suport la un capăt



AVERTISMENT: Asigurați-vă că trunchiul nu se rupe în timpul tăierii. Respectați instrucțiunile de mai jos.

(Fig. 76)

1. Tăiați la mișcarea de împingere aproximativ $\frac{1}{3}$ din trunchi.
2. Tăiați trunchiul la mișcarea de tragere până când cele două tăieturi se ating. (Fig. 77)

Pentru a tăia un trunchi care are suport la ambele capete



AVERTISMENT: Asigurați-vă că lanțul de ferăstrău nu se prinde în trunchi în timpul tăierii. Respectați instrucțiunile de mai jos.

(Fig. 78)

1. Tăiați la mișcarea de tragere aproximativ $\frac{1}{3}$ din trunchi.
2. Tăiați restul trunchiului la mișcarea de împingere pentru a finaliza tăietura. (Fig. 79)



AVERTISMENT: Opriti motorul dacă lanțul de ferăstrău se prinde în trunchi. Utilizați o părghie pentru a deschide tăietura și a scoate produsul. Nu încercați să trageți produsul în afară cu mâna. Acest lucru poate duce la vătămare corporală când produsul se eliberează brusc.

Pentru a utiliza tehnica de curățare a trunchiului de ramuri

Nota: Pentru ramurile groase, folosiți tehnica de tăiere. Consultați *Pentru a utiliza tehnica de tăiere la pagina 579*.



AVERTISMENT: Există un mare risc de accident atunci când utilizați tehnica de curățare a trunchiului. Consultați *Informații despre recul la pagina 578* pentru instrucțiuni privind modul de prevenire a reculului.



AVERTISMENT: Tăiați ramurile una câte una. Aveți grijă când eliminați ramuri mici și nu tăiați tufșuri sau mai multe ramuri mici în același timp. Ramurile mici se pot prinde în lanțul de ferăstrău și pot preveni operarea în siguranță a produsului.

Nota: Dacă este necesar, tăiați ramurile bucată cu bucată. Tăiați ramurile mai mici (A) și (B) înainte de a tăia ramura de lângă trunchi (C).

(Fig. 80)

1. Îndepărtați ramurile din partea dreaptă a trunchiului.
 - a) Păstrați șina de ghidaj în partea dreaptă a trunchiului și mențineți corpul produsului pe trunchi.
 - b) Selectați tehnica de tăiere aplicabilă tensionării ramurii. (Fig. 81)



AVERTISMENT: Dacă nu sunteți sigur de modul de tăiere a ramurii, adresați-vă unui operator profesionist al motoferăstrăului înainte de a continua.

2. Îndepărtați ramurile din partea de sus a trunchiului.
 - a) Păstrați produsul de trunchi și lăsați șina de ghidaj să se deplaseze de-a lungul trunchiului.
 - b) Tăiați la mișcarea de împingere. (Fig. 82)
3. Îndepărtați ramurile din partea stângă a trunchiului.
 - a) Selectați tehnica de tăiere aplicabilă tensionării ramurii. (Fig. 83)



AVERTISMENT: Dacă nu sunteți sigur de modul de tăiere a ramurii, adresați-vă unui operator profesionist al motoferăstrăului înainte de a continua.

Consultați *Pentru a tăia copaci și ramuri tensionate la pagina 582* pentru instrucțiuni privind modul de tăiere a ramurilor tensionate.

Pentru a utiliza tehnica de doborâre a copacului



AVERTISMENT: Trebuie să aveți experiență pentru a doborâ un copac. Dacă este posibil, participați la un curs de instruire privind operarea unui motoferăstrău. Adresați-vă unui operator cu experiență, pentru mai multe cunoștințe.

Pentru a păstra distanța de siguranță

1. Asigurați-vă că persoanele din jurul dvs. păstrează o distanță de siguranță echivalentă cu minimum lungimea a 2 1/2 copaci. (Fig. 84)
2. Asigurați-vă că nu există nicio persoană în zona de risc înainte sau în timpul doborârii. (Fig. 85)

Pentru a calcula direcția de doborâre

1. Examinați direcția în care trebuie să cadă copacul. Scopul este să îl doborâți într-o poziție în care puteți curăța de ramuri și puteți tăiați trunchiul ușor. Este, de asemenea, important să aveți o poziție stabilă și să vă puteți deplasa în siguranță.



AVERTISMENT: Dacă este periculos sau nu puteți doborî un copac în direcția sa naturală, doborâți copacul în altă direcție.

2. Analizați direcția de cădere naturală a copacului. De exemplu, înclinarea și îndoirea copacului, direcția vântului, amplasarea ramurilor și greutatea de zăpadă.
3. Analizați dacă există obstacole, de exemplu alți copaci, linii de curent, drumuri și/sau clădiri în jurul acestuia.
4. Căutați semne de deteriorare și de putregai în trunchi.



AVERTISMENT: Putregaiul în trunchi poate însemna un risc de cădere a copacului înainte de a finaliza tăierea.

5. Asigurați-vă că respectivul copac nu are ramuri deteriorate sau moarte care se pot rupe și vă pot lovi în timpul doborârii.
6. Nu lăsați copacul să cadă peste un alt copac netăiat. Este periculos să îndepărtați un copac blocat și există un risc ridicat de accidente. Consultați *Pentru a elibera un copac blocat la pagina 582*. (Fig. 86)



AVERTISMENT: În timpul operațiilor critice de doborâre, ridicați protecția de auz imediat după finalizarea tăierii cu ferăstrăul. Este important să auziți sunetele și semnalele de avertisment.

Pentru a curăța trunchiul și a pregăti ruta de evacuare

Tăiați toate ramurile de la înălțimea umărului dvs. și în jos.

1. Tăiați la mișcarea de tragere, de sus în jos. Copacul trebuie să se afle între dvs. și produs. (Fig. 87)
2. Îndepărtați arbuștii din zona de lucru din jurul copacului. Îndepărtați toate materialele tăiate din zona de lucru.
3. Faceți un control al zonei pentru a identifica obstacole precum pietre, ramuri și găuri. Trebuie să aveți o cale de evacuare liberă când copacul începe să scadă. Calea dvs. de evacuare trebuie să fie la distanță de aproximativ 135 de grade față de direcția de doborâre.

1. Zona periculoasă

2. Calea de evacuare
3. Direcția de cădere

(Fig. 88)

Pentru a doborî un copac

Husqvarna vă recomandă să efectuați tăieri direcționale și apoi să folosiți metoda colțului de siguranță când doborâți un copac. Metoda colțului de siguranță vă ajută să realizați un punct de doborâre corect și să controlați direcția de doborâre.



AVERTISMENT: Nu doborâți copaci cu un diametru de două ori mai mare decât lungimea șinei de ghidaj. Pentru aceasta, trebuie să fi urmat o instruire specială.

Punctul de doborâre

Cea mai importantă procedură în timpul doborârii unui copac este stabilirea punctului de doborâre corect. Cu un punct de doborâre corect, controlați direcția de doborâre și vă asigurați că procedura de doborâre este sigură.

Grosimea punctului de doborâre trebuie să fie egală și să fie de cel puțin 10% din diametrul copacului.



AVERTISMENT: Dacă punctul de doborâre este incorect sau prea subțire, nu aveți niciun control asupra direcției de doborâre.

(Fig. 89)

Pentru a realiza tăieri direcționale

1. Realizați tăieturi direcționale. Realizați tăieturile direcționale până la o adâncime egală cu 1/4 din diametrul copacului. Realizați un unghi de 45° între tăietura de deasupra și tăietura de jos.
 - a) Realizați mai întâi tăietura de deasupra. Aliniați marcajul direcției de doborâre (A) al produsului cu direcția de doborâre a copacului (B). Stați în spatele produsului și mențineți copacul în partea dreaptă. Tăiați la o mișcare de tragere.
 - b) Realizați tăietura de jos. Asigurați-vă că extremitatea tăieturii de jos este în același punct cu extremitatea tăieturii de deasupra. (Fig. 90)
2. Asigurați-vă că linia de tăiere direcțională este perfect orizontală și la unghi drept (90°) față de direcția de doborâre. Linia de tăiere direcțională trece prin punctul în care cele două tăieturi direcționale se ating. (Fig. 91)

Utilizarea metodei colțului de siguranță

Tăierea de doborâre trebuie să fie realizată ușor peste tăierea direcțională.

(Fig. 92)



AVERTISMENT: Aveți grijă când tăiați cu vârful șinei de ghidaj. Începeți să tăiați cu partea inferioară a vârfului șinei de ghidaj, pe măsură ce realizați o tăiere prin alezaj în trunchi.

(Fig. 93)

1. Dacă lungimea de tăiere utilizabilă este mai lungă decât diametrul copacului, parcurgeți aceste etape (a-d).
 - a) Realizați o tăiere prin alezaj direct în trunchi pentru a finaliza lățimea punctului de doborâre. (Fig. 94)
 - b) Tăiați la mișcarea de tragere până când mai rămâne aproximativ $\frac{1}{3}$ din trunchi.
 - c) Trageți șina de ghidaj 5-10 cm/2-4 înapoi.
 - d) Tăiați restul trunchiului pentru a finaliza un colț de siguranță cu o lățime de 5-10 cm/2-4. (Fig. 95)
2. Dacă lungimea de tăiere utilizabilă este mai scurtă decât diametrul copacului, parcurgeți aceste etape (a-d).
 - a) Realizați o tăiere prin alezaj direct în trunchi. Tăietura prin alezaj trebuie să se extindă la $\frac{3}{5}$ din diametrul copacului.
 - b) Tăiați restul trunchiului la mișcarea de tragere. (Fig. 96)
 - c) Tăiați drept în trunchi din partea cealaltă a copacului pentru a finaliza punctul de doborâre.
 - d) Tăiați la mișcarea de împingere, până când mai rămâne $\frac{1}{2}$ din trunchi, pentru a finaliza colțul de siguranță. (Fig. 97)
3. Puneți o pană în tăietură, direct din spate. (Fig. 98)
4. Tăiați colțul pentru a doborî copacul.

Nota: În cazul în care copacul nu cade, loviți până când cade copacul.

5. Când copacul începe să cadă, utilizați calea de evacuare pentru a vă îndepărta de copac. Deplasați-vă la cel puțin 5 m/15 ft distanță de copac.

Pentru a elibera un copac blocat



AVERTISMENT: Este foarte periculos să îndepărtați un copac blocat și există un risc ridicat de accidente. Nu vă

apropiați de zona de risc și nu încercați să doborâți un copac blocat.

(Fig. 99)

Cea mai sigură metodă este folosirea uneia dintre următoarele vincuri:

- Montate pe tractor

(Fig. 100)

- Portabile

(Fig. 101)

Pentru a tăia copaci și ramuri tensionate

1. Stabiliți care parte a copacului sau ce ramură este tensionată.
 2. Stabiliți unde este punctul de tensiune maximă. (Fig. 102)
 3. Examinați care este cea mai sigură metodă de a elibera tensiunea.
-
- Nota:** În unele situații, singura metodă sigură este să folosiți un vinci și nu produsul dvs.
4. Mențineți o poziție în care copacul sau ramura nu vă poate lovi când tensiunea este eliberată. (Fig. 103)
 5. Realizați una sau mai multe tăieturi cu o adâncime suficientă, necesare pentru a reduce tensiunea. Tăiați la sau aproape de punctul de maximă tensiune. Copacul sau ramura trebuie să se rupă în punctul de maximă tensiune. (Fig. 104)



AVERTISMENT: Nu tăiați direct prin copac sau ramura tensionată.



AVERTISMENT: Aveți mare grijă la tăierea unui copac tensionat. Există riscul ca acesta se miște rapid înainte sau după îl tăiați. Pot apărea vătămări corporale grave dacă sunteți într-o poziție incorectă sau dacă tăiați incorect.

6. Dacă trebuie să tăiați copacul/ramura transversal, realizați 2 - 3 tăieturi, la distanță de 1 in. și cu o adâncime de 2 in. (Fig. 105)
7. Continuați să tăiați mai mult în copac/ramură până când copacul/ramura se îndoaie și tensiunea este eliberată. (Fig. 106)
8. Tăiați copacul/ramura pe partea opusă a direcției de îndoire, după ce tensiunea este eliberată.

Întreținerea

Introducere



AVERTISMENT: Citiți și înțelegeți capitolul privind siguranța înainte de a efectua operații de întreținere asupra produsului.

Program de întreținere



AVERTISMENT: Scoateți bateria înainte de a efectua operații de întreținere.

În continuare prezentăm o listă de pași de întreținere care trebuie efectuați asupra aparatului. Consultați *Întreținerea la pagina 583* pentru mai multe informații.

Întreținere	Înainte de utilizare	Săptămânal	Lunar
Curățați componentele externe ale produsului.	X		
Asigurați-vă că întrerupătorul și opritorul întrerupătorului funcționează corect din punct de vedere al siguranței.	X		
Curățați frâna de lanț și asigurați-vă că funcționează în siguranță. Asigurați-vă că opritorul de lanț nu este deteriorat. Înlocuiți-l, dacă este necesar.	X		
Rotiți șina de ghidaj pentru o uzură mai uniformă. Asigurați-vă că orificiul de ungere din șina de ghidaj nu este înfundat. Curățați canelura șinei.	X		
Asigurați-vă că freza și apărătoarea frezei nu au fisuri și că nu sunt deteriorate. Înlocuiți freza sau apărătoarea frezei dacă au fisuri sau dacă au fost expuse la impact.	X		
Asigurați-vă că șina de ghidaj și lanțul de ferăstrău au suficient ulei.	X		
Verificați lanțul de ferăstrău. Căutați fisuri și asigurați-vă că lanțul de ferăstrău nu este rigid sau neobișnuit de uzat. Înlocuiți dacă este necesar.	X		
Ascuțiți lanțul de ferăstrău. Verificați întinderea și starea acestuia. Verificați dacă există uzură pe roata de antrenare și înlocuiți-o, dacă este necesar.	X		
Curățați admisia de aer a produsului.	X		
Asigurați-vă că șuruburile și piulițele sunt strânse.	X		
Asigurați-vă că tastatura funcționează corect și nu este deteriorată.	X		
Folosiți o pilă pentru a îndepărta bavurile de pe marginile șinei de ghidaj.		X	
Verificați legăturile dintre baterie și produs. Verificați legăturile dintre baterie și încărcătorul bateriei.			X
Goliți și curățați rezervorul de ulei.			X
Suflați ușor aer comprimat prin fantele de răcire ale produsului și ale bateriei.			X

Întreținerea și controalele dispozitivelor de siguranță de pe produs

Pentru a verifica apărătoarea de mână din față

Verificați regulat al apărătoarea de mână din față și mecanismul de deblocare a frânei din inerție.

1. Asigurați-vă că apărătoarea de mână din față nu prezintă deteriorări, cum ar fi crăpături. (Fig. 107)
2. Asigurați-vă că apărătoarea de mână din față se mișcă liber și că este atașată în siguranță la produs. (Fig. 108)
3. Puneți produsul, cu motorul oprit, pe un buturugă sau pe altă suprafață stabilă.

- Țineți mânerul spate și desprindeți mâna de pe mânerul frontal. Lăsați produsul să cadă pe buturugă. (Fig. 109)
- Asigurați-vă că frâna de lanț se cuplează pe măsură ce vârful șinei de ghidaj lovește ciotul.

Pentru a verifica declanșatorul de frână

- Puneți produsul pe o suprafață stabilă și porniți-l. Consultați *Funcționarea la pagina 577*.



AVERTISMENT: Asigurați-vă că lanțul de ferăstrău nu atinge solul sau alte obiecte.

- Înfășurați degetele în jurul mânerelor și țineți produsul strâns. (Fig. 110)
- Aplicați putere maximă și apăsați încheietura mâinii stângi pe apăritoarea de mână din față pentru a cupla frâna de lanț. Lanțul de ferăstrău trebuie să se oprească imediat. (Fig. 111)



AVERTISMENT: Nu desprindeți mâna de pe mânerul frontal!

Verificarea opritorului întrerupătorului

- Asigurați-vă că întrerupătorul și opritorul întrerupătorului se mișcă liber și dacă arcul de rapel funcționează corect. (Fig. 112)
- Împingeți dispozitivul de blocare a întrerupătorului înainte (A) și în jos (B). Țineți apăsat dispozitivul de blocare a întrerupătorului pe mâner și asigurați-vă că revine la poziția inițială atunci când îl eliberați. (Fig. 113)
- Asigurați-vă că întrerupătorul este blocat în poziția de repaus când opritorul întrerupătorului este eliberat. (Fig. 114)
- Porniți produsul și aplicați putere maximă.
- Eliberați întrerupătorul și asigurați-vă că lanțul de ferăstrău se oprește și rămâne staționar.



AVERTISMENT: Dacă lanțul de ferăstrău se rotește când întrerupătorul este în poziția de repaus, adresați-vă reprezentatului de service.

Pentru a verifica opritorul de lanț

- Asigurați-vă că opritorul de lanț nu este deteriorat.
- Asigurați-vă că opritorul de lanț este stabil și fixat pe corpul produsului. (Fig. 115)

Verificarea funcțiilor interfeței cu utilizatorul

- Porniți produsul. Consultați *Pornirea produsului la pagina 579*.
- Apăsați și țineți apăsat butonul de start/oprire.

- Asigurați-vă că produsul se oprește și că LED-ul verde se stinge. (Fig. 66)

Verificarea bateriei și a suportului de baterie

- Curățați bateria și suportul de baterie cu o perie moale.
- Curățați fantele de răcire și conectorii bateriei. (Fig. 116)
- Asigurați-vă că acumulatorul nu prezintă fisuri sau semne de deteriorare.

Verificarea încărcătorului de baterii

- Asigurați-vă că încărcătorul de baterii și cablul de alimentare nu sunt deteriorate. Căutați fisuri și alte defecte. (Fig. 117)

Curățarea sistemului de răcire

Sistemul de răcire menține temperatura motorului la un nivel scăzut. Sistemul de răcire include priza de aer în partea stângă a produsului și un ventilator pe motor.

- Curățați sistemul de răcire cu o perie o dată pe săptămână sau mai des, dacă este necesar. (Fig. 118)
- Asigurați-vă că sistemul de răcire nu este murdar sau blocat.



ATENȚIE: Un sistem de răcire murdar sau blocat poate cauza încălzirea produsului. Aceasta poate cauza deteriorarea produsului.

Pentru ascuțirea lanțului de ferăstrău

Informații despre șina de ghidaj și lanțul de ferăstrău



AVERTISMENT: Purtați mănuși de protecție atunci când utilizați sau efectuați întreținerea lanțului de ferăstrău. Un lanț de ferăstrău care nu se mișcă poate provoca de asemenea leziuni.

Înlocuiți o șină de ghidare sau un lanț de ferăstrău uzat sau deteriorat cu combinația de șină de ghidare sau lanț de ferăstrău recomandată de Husqvarna. Acest lucru este necesar pentru a menține funcțiile de siguranță a produsului. Consultați *Accesorii la pagina 590* pentru o listă de combinații de șină și lanț de schimb pe care vi le recomandăm.

- Lungimea șinei de ghidare, in/cm. Informații despre lungimea șinei de ghidare se regăsesc de obicei pe capătul din spate al șinei de ghidare.

(Fig. 119)

- Număr de dinți pe roata de lanț de la vârful șinei (T). (Fig. 120)

- Pasul lanțului, in. Distanța dintre zalelor de ghidare ale lanțului de ferăstrău trebuie să corespundă distanței dinților de pe roata de lanț de la vârful șinei și de pe roata de antrenare.

(Fig. 121)

- Numărul de zale de ghidare. Numărul de zale de ghidare este stabilit de tipul șinei de ghidare.

(Fig. 122)

- Lățimea canelurii șinei, in/mm. Lățimea canelurii din șina de ghidare trebuie să fie identică cu lățimea zalelor de ghidare ale lanțului.

(Fig. 123)

- Orificiul uleiului pentru lanț și orificiul pentru întinzătorul de lanț. Șina de ghidaj trebuie să corespundă produsului.

(Fig. 124)

- Lățimea zalei de ghidare, mm/in.

(Fig. 125)

Informații generale despre modul de ascuțire a frezelor

Nu utilizați un lanț de ferăstrău tocit. Dacă lanțul de ferăstrău este tocit, trebuie să aplicați mai multă presiune pentru a împinge șina de ghidaj prin lemn. Dacă lanțul de ferăstrău este foarte tocit, nu vor exista așchii de lemn, ci doar dar rumeguș.

Un lanț de ferăstrău ascuțit pătrunde în lemn, iar așchiile de lemn devin lungi și groase.

Dintele de tăiere (A) și limitatorul de adâncime (B) formează împreună partea de tăiere a lanțului de ferăstrău, dintele tăietor. Diferența de înălțime dintre cei doi indică adâncimea de tăiere (setarea limitatorului de adâncime).

(Fig. 126)

Când ascuțiți dintele tăietor, luați în considerare următoarele:

- Unghiul de ascuțire.

(Fig. 127)

- Unghiul de tăiere.

(Fig. 128)

- Poziția pilei.

(Fig. 129)

- Diametrul pilei rotunde.

(Fig. 130)

Este dificil să ascuțiți corect un lanț de ferăstrău fără echipamentul corespunzător. Utilizați un șablonul recomandat Husqvarna. Acest lucru vă va ajuta să păstrați performanța de tăiere maximă și riscul de recul la minimum.



AVERTISMENT: Forța reculului crește foarte mult dacă nu respectați instrucțiunile de ascuțire.

Nota: Consultați *Accesorii la pagina 590* pentru informații despre ascuțirea lanțului de ferăstrău.

Pentru ascuțirea frezelor

1. Utilizați o pilă rotundă și un șablon pentru a ascuți dinții. (Fig. 131)

Nota: Consultați *Accesorii la pagina 590* informații despre pila și calibrorul filei pe care vi le recomandă Husqvarna pentru lanțul dvs. de ferăstrău.

2. Aplicați matrița corect pe freză. Consultați instrucțiunea furnizată împreună cu matrița.
3. Deplasați pila din partea interioară a dinților de tăiere și în exterior. Reduceți presiunea la mișcarea de tragere. (Fig. 132)
4. Îndepărtați materialul de pe o latură a tuturor dinților.
5. Întoarceți produsul invers și îndepărtați materialul de pe cealaltă latură.
6. Asigurați-vă că toți dinții au aceeași lungime.

Informații generale despre modul de fixare a setării calibrorului de adâncime

Setarea calibrorului de adâncime (C) scade atunci când ascuțiți dintele de tăiere (A). Pentru a menține performanța de tăiere maximă trebuie să îndepărtați pilitura de pe calibrorul de adâncime (B) pentru a primi setarea recomandată a calibrorului de adâncime. Consultați *Accesorii la pagina 590* pentru instrucțiuni despre cum să primiți setarea corectă a calibrorului de adâncime pentru lanțul dvs. de ferăstrău.

(Fig. 133)



AVERTISMENT: Pericolul de recul crește în cazul în care calibrarea adâncimii este prea mare!

Reglarea setării limitatorului de adâncime

Înainte de a calibra adâncimea sau de a ascuți dinții de tăiere, consultați *Pentru ascuțirea frezelor la pagina 585*, pentru instrucțiuni. Vă recomandăm să reglați setarea limitatorului de adâncime după fiecare a treia operație în care ascuțiți dinții de tăiere.

Vă recomandăm să utilizați dispozitivul nostru de calibrare a adâncimii pentru a primi setarea și angrenajul corecte pentru limitatorul de adâncime.

(Fig. 134)

1. Utilizați o pilă plată și un dispozitiv de calibrare a adâncimii pentru a regla setarea limitatorului de adâncime. Utilizați numai un dispozitiv de calibrare a adâncimii recomandat Husqvarna pentru a obține setarea și angrenajul corecte pentru calibrarea adâncimii.
2. Puneți dispozitivul de calibrare a adâncimii pe lanțul de ferăstrău.

Nota: Consultați ambalajul dispozitivului de calibrare a adâncimii pentru mai multe informații despre cum se utilizează.

3. Folosiți pila plată pentru a îndepărta partea limitatorului de adâncime care se extinde prin dispozitivul de calibrare a adâncimii. (Fig. 135)

Pentru reglarea întinderii lanțului de ferăstrău



AVERTISMENT: Un lanț de ferăstrău cu o întindere incorectă se poate desprinde de pe șina de ghidaj și poate cauza vătămări corporale grave sau deces.

Un lanț de ferăstrău devine mai lung când îl utilizați. Reglați periodic lanțul de ferăstrău. Verificați întinderea lanțului de ferăstrău de fiecare dată când reumpleți cu ulei pentru lanț.

Nota: Un lanț de ferăstrău nou are o perioadă de rodaj în timpul căreia trebuie să verificați întinderea mai frecvent.

Reglarea tensiunii lanțului de ferăstrău (cu buton de șină)

1. Pliăți mânerul în afară până când se deschide. (Fig. 136)
2. Rotiți butonul în sensul invers acelor de ceasornic pentru a slăbi capacul roții de antrenare. (Fig. 137)
3. Rotiți roata întinzătoare de lanț pentru a regla întinderea lanțului de ferăstrău. Lanțul de ferăstrău trebuie să fie strâns pe șina de ghidaj. (Fig. 138)

Nota: Rotiți roata în jos (+) pentru mai multă tensiune și în sus (-) pentru tensiune mai redusă.

4. Asigurați-vă că puteți trage lanțul de ferăstrău liber cu mâna și că nu atârână de șina de ghidaj. (Fig. 139)
5. Rotiți butonul în sensul acelor de ceasornic pentru a strânge butonul șinei. (Fig. 140)
6. Pliăți în jos butonul pentru a fixa tensionarea. (Fig. 141)

Reglarea tensiunii lanțului de ferăstrău (cu șurub de șină)

1. Slăbiți piulița șinei care ține capacul roții de antrenare. Utilizați cheia combinată. (Fig. 142)
2. Ridicați partea din față a șinei de ghidaj și rotiți șurubul de tensionare a lanțului. Utilizați cheia combinată.
3. Strângeți lanțul de ferăstrău până când este strâns pe șina de ghidaj. (Fig. 143)
4. Strângeți piulița șinei cu cheia combinată și în același timp ridicați partea din față a șinei de ghidaj. (Fig. 144)
5. Asigurați-vă că puteți trage lanțul de ferăstrău liber cu mâna și că nu atârână de șina de ghidaj. (Fig. 139)

Nota: Consultați *Prezentare generală a produsului la pagina 567* pentru poziția șurubului de tensionare a lanțului de la produsul dvs.

Verificarea ungerii lanțului de ferăstrău

Verificați ungera lanțului de ferăstrău la fiecare a treia încărcare a bateriei.

1. Porniți produsul și lăsați-l să funcționeze la 3/4 din putere. Țineți șina la aproximativ 20 cm (8 inch) deasupra unei suprafețe de culoare deschisă.
2. Dacă lanțul de ferăstrău este uns corect, veți vedea o linie transparentă de ulei pe suprafață după 1 minut. (Fig. 145)
3. Dacă lanțul de ferăstrău nu este uns corect, efectuați următoarele controale.
 - a) Verificați canalul de ulei din șina de ghidaj pentru a vă asigura că nu este blocat. Dacă este necesar, curățați-l. (Fig. 146)
 - b) Verificați canelura de pe marginea șinei de ghidaj pentru a vă asigura că este curată. Dacă este necesar, curățați-l. (Fig. 147)
 - c) Asigurați-vă că roata de lanț de la vârful șinei se rotește liber și că orificiul de ungere din roata de lanț de la vârful șinei de ghidaj nu este blocată. Curățați și lubrifiați dacă este necesar. (Fig. 148)
4. Dacă ungera lanțului de ferăstrău nu funcționează după ce ați urmat pașii de mai sus, adresați-vă reprezentantului de service.

Verificarea roții de antrenare a lanțului

- Examinați uzura roții de antrenare a lanțului. Înlocuiți roata de antrenare a lanțului dacă este necesar.
- Înlocuiți roata de antrenare a lanțului de fiecare dată când înlocuiți lanțul de ferăstrău. (Fig. 149)

Pentru a examina echipamentul de tăiere

1. Asigurați-vă că nu există crăpături în nituri și zale și că nu există nituri slăbite. Înlocuiți dacă este necesar. (Fig. 150)
2. Asigurați-vă că lanțul de ferăstrău se îndoaie ușor. Înlocuiți lanțul de ferăstrău, dacă este rigid.
3. Comparați lanțul de ferăstrău cu un lanț de ferăstrău nou pentru a examina dacă niturile și zalele sunt uzate.
4. Înlocuiți lanțul de ferăstrău când partea cea mai lungă a dintelui de tăiere este mai mică de 4 mm/ 0,16 in. De asemenea, înlocuiți lanțul de ferăstrău dacă există crăpături pe freze. (Fig. 151)
2. Verificați dacă există bavuri pe marginile șinei de ghidaj. Îndepărtați bavurile utilizând o pilă. (Fig. 152)
3. Curățați canelura din șina de ghidare. (Fig. 147)
4. Verificați dacă există uzură pe canelura din șina de ghidaj. Înlocuiți șina de ghidare, dacă este necesar. (Fig. 153)
5. Verificați dacă vârful șinei de ghidaj este rugos sau foarte uzat. (Fig. 154)
6. Asigurați-vă că roata de lanț de la vârful șinei se rotește liber și că orificiul de ungere din roata de lanț de la vârful șinei nu este blocat. Curățați și ungeți, dacă este necesar. (Fig. 148)
7. Rotiți șina de ghidaj zilnic pentru a extinde ciclul său de viață. (Fig. 155)

Pentru a verifica șina de ghidaj

1. Asigurați-vă că nu este blocat canalul de ulei. Curățați dacă este necesar. (Fig. 146)

Depanarea

Interfață utilizator

ECRAN CU LED-URI	ERORI POSIBILE	SOLUȚIE POSIBILĂ
Indicatorul de avertisment se aprinde intermitent.	Frâna de lanț este cuplată.	Decuplați frâna de lanț.
	Deviație de temperatură.	Lăsați produsul să se răcească.
	Suprasolicitare. Lanțul de ferăstrău nu se poate mișca.	Eliberați lanțul de ferăstrău.
	Înterupătorul și butonul pornire/oprire sunt apăsat simultan.	Eliberați întrerupătorul pentru a activa produsul.
LED-ul portocaliu luminează intermitent.	Tensiune joasă a bateriei.	Încărcați bateria.
Indicatorul de avertisment este aprins.	Service.	Adresați-vă reprezentantului de service.

Baterie

Afișaj LED	Erori posibile	Soluție posibilă
LED-ul verde se aprinde intermitent.	Tensiune joasă a bateriei.	Încărcați bateria.
LED-ul de eroare luminează intermitent.	Deviație de temperatură.	Utilizați bateria la temperaturi între -10 °C (14 °F) și 40 °C (104 °F).
	Tensiune prea mare.	Asigurați-vă că tensiunea rețelei corespunde cu cea indicată pe plăcuța de identificare de pe produs. Consultați plăcuța de identificare de pe produs.
		Scoateți bateria din încărcător.
LED-ul de eroare se aprinde.	Diferența între baterii este prea mare (1 V).	Adresați-vă reprezentantului de service.

Încărcător de baterii

Stare	Erori posibile	Procedură posibilă
LED-ul de încărcare este roșu.	Eroare permanentă încărcător baterii.	Adresați-vă distribuitorului.
LED-ul de încărcare luminează intermitent verde.	Deviație de temperatură, bateria este prea rece sau prea fierbinte pentru a fi utilizată sau încărcată.	Lăsați bateria să se răcească sau încălziți-o. Când bateria are temperatura corectă, aceasta poate fi utilizată sau încărcată din nou. Utilizați încărcătorul de baterii la temperaturi ambiante cuprinse între 5 °C (41 °F) și 40 °C (104 °F).
LED-ul de încărcare luminează intermitent roșu.	Baterie defectă	Adresați-vă distribuitorului

Transportul, depozitarea și eliminarea

Transportul și depozitarea

- Bateriile cu ioni de litiu furnizate respectă cerințele legislației privind bunurile periculoase.
- Respectați cerințele speciale de pe ambalaj și etichete privind transportul comercial, inclusiv cele emise de către terțe părți și companiile de expediție.
- Discutați cu o persoană care a beneficiat de instruire specială privind materialele periculoase înainte de a trimite produsul. Respectați toate reglementările naționale aplicabile.
- Aplicați bandă adezivă pe contactele expuse atunci când introduceți bateria într-un pachet. Bateria trebuie ambalată astfel încât să nu se poată deplasa în interiorul pachetului.
- La depozitare și la transport, scoateți întotdeauna bateria.
- Puneți bateria și încărcătorul de baterii într-un spațiu uscat și ferit de umezeală și îngheț.
- Nu depozitați bateria într-un loc în care există riscul de acumulare a electricității statice. Nu depozitați bateria într-o cutie metalică.
- Depozitați bateria la temperaturi între 5°C (41°F) și 25°C (77°F), într-un loc ferit de radiațiile solare directe.
- Depozitați încărcătorul de baterii la temperaturi între 5°C (41°F) și 45°C (113°F), într-un loc ferit de radiațiile solare directe.
- Utilizați încărcătorul de baterii numai la temperaturi ambiante cuprinse între 5°C/41°F și 40°C/104°F.

- Încărcați bateria în proporție de 30 % - 50 % înainte de a o depozita pe o perioadă lungă.
- Depozitați încărcătorul de baterii într-un spațiu închis și uscat.
- Nu depozitați bateria lângă încărcător. Nu lăsați copiii și alte persoane neautorizate să atingă echipamentul. Păstrați echipamentul într-un spațiu pe care îl puteți încuia.
- Curățați produsul și efectuați un service complet înainte de a depozita produsul pentru o perioadă lungă de timp.
- Utilizați apărătoarea de transport pe produs pentru a preveni accidentarea sau deteriorarea produsului în timpul transportului și depozitării.
- Fixați foarte bine produsul în timpul transportului.

reciclare pentru echipamente electrice și electronice. Această măsură ajută la protejarea mediului și a oamenilor.

Contactați autoritățile locale, centrul de colectare a reziduurilor menajere sau distribuitorul pentru mai multe informații.

(Fig. 24)

Nota: Simbolul apare pe produs sau pe ambalajul produsului.

Eliminarea bateriei, încărcătorului acesteia și a produsului

Simbolul de mai jos înseamnă că produsul nu poate fi tratat ca reziduu menajer. Reciclați la un centru de

Date tehnice

Date tehnice

	225i
Motor	
Tip	BLDC (fără perii) 36 V
Funcții	
Mod energie redusă	SavE
Sistem de ungere	
Tipul pompei de ulei	Automată
Capacitate rezervor de ulei, ml/cm ³	0,2/200
Greutate	
Motoferăstrău fără baterie, șină de ghidaj, lanț de ferăstrău și rezervor de ulei gol, kg	3,1
Emisiile de zgomot⁸⁶	
Nivel de putere acustică, măsurat dB(A)	97
Nivel de putere acustică, garantat L _{WA} dB(A)	100
Niveluri de zgomot⁸⁷	

⁸⁶ Emisiile de zgomot din mediul înconjurător măsurate ca putere acustică (L_{WA}) în conformitate cu directiva CE 2000/14/CE și EN ISO 22868 au o dispersie statistică tipică (abatere standard) de 3 dB (A).

⁸⁷ Datele raportate pentru nivelul de presiune a sunetului pentru dispozitiv includ o dispersie statistică tipică (deviere standard) de 3 dB (A).

	225i
Nivelul de presiune a sunetului la urechea operatorului, măsurat conform EN 62841-1	89
Niveluri de vibrații ⁸⁸	
Mânerul frontal m/s ²	3,9
Mânerul spate m/s ²	3,9
Lanț de ferăstrău/șină de ghidaj	
Lungimi recomandate ale șinei, in/cm	12-14 / 30,5-35,6
Lungime utilă de tăiere, in/cm	11-13 / 27-33,2
Tipul de roată de antrenare/număr de dinți	Spur/6
Viteza maximă a lanțului / (modul Normal), m/s	11,8
Viteza maximă a lanțului / (modul SavE), m/s	9,4

Accesorii

Combinaiții de șină de ghidaj și lanț de ferăstrău

Următoarele accesorii de tăiere sunt aprobate pentru Husqvarna 225i.

Șină de ghidaj					Lanț de ferăstrău	
Tip	Lungime, in	Pasul lanțului, in	Șablon, mm	Raza maximă la vârf	Tip	Lungime, zale de ghidaj (nr.)
501959545	12	3/8" mini	1,1	7T	Husqvarna H38 (581808145)	45
501959552	14	3/8" mini	1,1	7T	Husqvarna H38 (581807952)	52






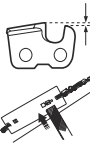
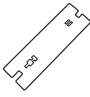






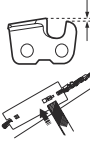
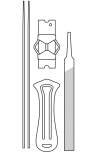

Echipamente de ascuțire și unghiuri de ascuțire

Utilizați o matriță Husqvarna pentru a ascuți lanțul de ferăstrău. Cu o matriță Husqvarna vă asigurați că

obțineți unghiurile de ascuțire corecte. Numerele de catalog sunt indicate în tabelul de mai jos.

Dacă nu sunteți siguri cum să identificați tipul de lanț de ferăstrău pe produsul dvs., consultați www.husqvarna.com pentru mai multe informații.

⁸⁸ Nivelul de vibrații, conform EN 62841-4-1. Datele raportate pentru nivelul de vibrații prezintă o dispersie statistică tipică (abatere standard) de $\pm 1,5$ m/s². Datele declarate privind vibrațiile sunt determinate în urma măsurătorilor, când aparatul este echipat cu lungimea șinei și tipul de lanț recomandate. Dacă aparatul este prevăzut cu o altă lungime a șinei, nivelul de vibrații poate varia cu max. $\pm 1,5$ m/s².

							
38	11/64 in / 4,5 mm	75°	30°	0°	0,025 in / 0,65 mm	505 69 81-03	579 55 88-01
							
93	5/32 in / 4,0 mm	60°	30°	0°	0,025 in / 0,65 mm	596 63 89-01	596 63 89-01

Baterii aprobate

Baterie	40-B140
Tip	Litiu-ion
Capacitate baterie, Ah	4
Tensiune nominală, V	36
Greutate, kg	1.25

Încărcătoare de baterii aprobate pentru produs

Încărcător de baterii	40-C80
Tensiune rețea, V	100-240
Frecvență, Hz	50-60
Putere, W	72
Tensiune de ieșire, V cc/ amperi, A	43/1,6

Declarație de conformitate

Declarație de conformitate UE

Noi, **Husqvarna AB**, SE-561 82 Huskvarna, Suedia,
tel.: +46-36-146500, declarăm pe propria răspundere că
produsul:

Descriere	Motoferăstraie fără fir
Marcă	Husqvarna
Tip/Model	225i
Identificare	Numererele de serie începând cu 2023

respectă în totalitate următoarele directive și
reglementări UE:

Directivă/Regula- ment	Descriere
2006/42/CE	„privind echipamentele tehnice”
2014/30/UE	„privind compatibilitatea electromagnetică”
2011/65/UE	„privind restricțiile de utilizare a anumitor substanțe periculoase la echipamente electrice și electronice”
2000/14/CE	„privind emisiile de zgomot în mediul înconjurător”

Au fost aplicate următoarele standarde: EN
62841-1:2015+A11:2022, EN 62841-4-1:2020, EN
IEC 63000:2018, EN IEC 55014-1:2021, EN IEC
55014-2:2021.



Organismul notificat: TÜV Rheinland LGA Products
GmbH, Tillystrasse 2, D-90431 Nuernberg, Germany,
0197, a efectuat teste de tip CE în conformitate cu
articolul 12, punctul 3b din directiva privind utilajele
(2006/42/CE). Certificatul are numărul: BM 50604678
0001.

Motoferăstrăul furnizat este conform cu exemplarul care
a fost supus examinării de tip CE.

În conformitate cu Directiva 2000/14/CE, anexa V,
consultați *Date tehnice la pagina 589* pentru valorile de
sunet declarate.

Huskvarna, 2023-10-30

Claes Losdal, Manager Cercetare și dezvoltare,
Husqvarna AB

Responsabil pentru documentația tehnică

Содержание

Введение.....	593	Поиск и устранение неисправностей.....	616
Безопасность.....	595	Транспортировка, хранение и утилизация.....	617
Сборка.....	604	Технические данные.....	618
Эксплуатация.....	604	Принадлежности.....	619
Техническое обслуживание.....	611	Декларация о соответствии.....	621

Введение

Назначение

Эта лесопильная цепная пила предназначена для таких работ как рубка леса, обрезка сучьев и распиливание.

Примечание: Государственные нормативы могут накладывать ограничения на эксплуатацию данного изделия.

Обзор изделия

(Рис. 1)

1. Рычаг тормоза цепи
2. Передняя рукоятка
3. Пользовательский интерфейс
4. Кнопка запуска/остановки
5. Предупреждающий индикатор и индикатор аккумулятора
6. Кнопка SavE
7. Задняя рукоятка с защитой правой руки
8. Наклейка с информацией и предупреждением
9. Корпус
10. Бак масла для цепи
11. Чехол для транспортировки
12. Предохранитель нажатия курка
13. Курок
14. Кожух ведущей звездочки с фиксатором шины
15. Натяжитель цепи
16. Уловитель цепи
17. Зубчатый упор
18. Ведомая звездочка шины
19. Пильная цепь
20. Пильная шина
21. Индикатор уровня заряда
22. Разъем
23. Зарядное устройство
24. Комбинированный ключ
25. Предупреждающий индикатор
26. Кнопка, уровень заряда аккумулятора
27. Состояние аккумулятора
28. Кнопка извлечения аккумулятора
29. Аккумулятор

Описание изделия

Husqvarna 225i представляет собой цепную пилу с электродвигателем.

Мы постоянно совершенствуем свою продукцию с целью повысить вашу безопасность и эффективность во время работы. Для получения более подробной информации обратитесь в сервисный центр.

30. Руководство по эксплуатации
31. Фиксатор шины
32. Кожух ведущей звездочки со шпилькой шины

Символы на изделии

(Рис. 2) **ПРЕДУПРЕЖДЕНИЕ.** Изделие может представлять опасность и стать причиной тяжелой травмы или смерти оператора или окружающих. Соблюдайте осторожность и правила эксплуатации изделия.

(Рис. 3) Перед началом работы с изделием внимательно прочитайте руководство по эксплуатации и убедитесь, что понимаете приведенные здесь инструкции.

(Рис. 4) Используйте рекомендованный защитный шлем, средства защиты органов слуха и зрения.

(Рис. 5) Держите изделие обеими руками во время эксплуатации.

(Рис. 6) Запрещается работать с изделием, держа его только одной рукой.

(Рис. 7) Не допускайте контакта наконечника шины с любыми предметами.

(Рис. 8) Запрещается использовать устройство во время дождя.

- (Рис. 9) Предупреждение! При контакте носовой части шины с каким-либо предметом возможен отскок. При этом шину отбрасывает в направлении оператора. Опасность тяжелой травмы или смерти.
- (Рис. 10) Номинальное напряжение, В
- (Рис. 11) Масло для смазки цепи.
- (Рис. 12) Направление вращения цепи и максимальная длина шины.
- (Рис. 13) Постоянный ток.
- (Рис. 14) **Обозначения, касающиеся охраны окружающей среды.** Запрещается утилизировать данное изделие и его упаковку в качестве бытовых отходов. Изделие необходимо передать в пункт переработки электрического и электронного оборудования.
- (Рис. 15) Данное изделие отвечает требованиям соответствующих директив ЕС.
- (Рис. 16) Изделие отвечает требованиям соответствующих нормативов Великобритании.
- (Рис. 17) Табличка с уровнем эмиссии шума в окружающую среду в соответствии с Директивой Европейского союза 2000/14/ЕС, директивами и нормативами Великобритании и законодательством Нового Южного Уэльса "Регламент 2017 года по защите окружающей среды (контроль уровня шума)". Гарантированный уровень мощности звука изделия указан в разделе *Технические данные на стр. 618* и на табличке.
- (Рис. 21) Тормоз цепи, включен (вперед). Тормоз цепи, выключен (назад).
- (Рис. 22) Направление движения цепи.
- (Рис. 23) На паспортной табличке указан серийный номер. **yyyy** означает год производства, **ww** — производственную неделю.

Примечание: Другие символы/наклейки на изделии относятся к специальным требованиям сертификации на определенных рынках.

Условные обозначения на аккумуляторе и/или зарядном устройстве аккумулятора

- (Рис. 24) После завершения срока службы изделие необходимо передать в пункт переработки электрического и электронного оборудования. (Только для Европы)
- (Рис. 18) Надежный трансформатор.
- (Рис. 19) Зарядное устройство должно использоваться и храниться только внутри помещений.
- (Рис. 20) Двойная изоляция.

Производитель

Husqvarna AB

Drottninggatan 2, SE-561 82, Huskvarna, Sweden, tel: +46-36-146500

Повреждение изделия

Мы не несем ответственности за повреждение изделия в следующих случаях:

- ненадлежащий ремонт изделия;
- использование для ремонта изделия неоригинальных деталей или деталей, не одобренных производителем;
- использование неоригинальных дополнительных принадлежностей или принадлежностей, не одобренных производителем;
- ремонт изделия в неавторизованном сервисном центре или неквалифицированным специалистом.

Безопасность

Инструкции по технике безопасности

Предупреждения, предостережения и примечания используются для выделения особо важных пунктов руководства.



ПРЕДУПРЕЖДЕНИЕ:

Используется, когда несоблюдение инструкций руководства может привести к травмам или смерти оператора или находящихся рядом посторонних лиц.



ВНИМАНИЕ: Используется, когда несоблюдение инструкций руководства может привести к повреждению изделия, других материалов или прилегающей территории.

Примечание: Используется для предоставления дополнительных сведений о конкретной ситуации.

Общие меры предосторожности при работе с электроинструментом



ПРЕДУПРЕЖДЕНИЕ:

Ознакомьтесь со всеми предупреждениями, инструкциями, иллюстрациями и положениями, касающимися техники безопасности и прилагаемыми к данному электроинструменту. Несоблюдение всех указанных ниже инструкций может привести к поражению электрическим током, пожару и/или тяжелым травмам.

- Сохраните все предупреждающие указания и инструкции для последующего обращения. Под словом "электроинструмент" в данном документе понимается электрический инструмент, работающий от сети (проводной) либо от аккумулятора (беспроводной).

Техника безопасности на рабочем месте

- Рабочее место должно содержаться в чистоте и быть хорошо освещено. Загромождения или отсутствие освещения могут стать причиной несчастных случаев.
- Не пользуйтесь электроинструментами во взрывоопасной атмосфере, например, в присутствии легковоспламеняющихся жидкостей, газов или пыли. Электроинструменты производят искры, которые могут зажечь пыль или пары топлива.

- Не позволяйте детям и посторонним наблюдателям приближаться к вам во время использования электроинструмента. Это может отвлечь ваше внимание и привести к потере управления.

Электрическая безопасность

- Штепсельная вилка электроинструмента должна соответствовать электрической розетке. Запрещается изменять конструкцию вилки. Не пользуйтесь штепсельными переходниками при работе с заземленными электроинструментами. Отсутствие изменений в конструкции вилок и их соответствие розеткам снижает опасность поражения электрическим током.
- Избегайте контакта любых частей тела с заземленными поверхностями, такими как трубы, батареи отопления, кухонные плиты и холодильники. Заземление тела увеличивает риск поражения электрическим током.
- Не подвешивайте электроинструмент воздействию воды или высокой влажности. Попадание воды внутрь электроинструмента увеличивает риск поражения электрическим током.
- Используйте шнур электроинструмента только по прямому назначению. Никогда не носите и не тяните электроинструмент за шнур и не дергайте за него, чтобы выключить инструмент из розетки. Держите шнур вдали от источников тепла, масла, острых углов или движущихся деталей. Эксплуатация поврежденного или запутанного шнура увеличивает риск поражения электротоком.
- При работе с электроинструментом вне помещения используйте специальный удлинительный шнур для наружных работ. Применение шнура, предназначенного для уличного использования, снижает опасность поражения электрическим током.
- Если неизбежно требуется применение электроинструмента во влажной среде, используйте источник питания, защищенный устройством защитного отключения (УЗО). Использование УЗО снижает риск поражения электрическим током.

Личная безопасность

- При работе с электроинструментом будьте бдительны, следите за своими действиями и руководствуйтесь здравым смыслом. Не используйте электроинструмент, если вы устали или находитесь под воздействием наркотических средств, алкоголя или лекарств. Малейшая невнимательность может обернуться серьезными физическими травмами.
- Пользуйтесь средствами индивидуальной защиты. Всегда носите защитные очки. Средства

индивидуальной защиты, такие как респиратор, нескользящая защитная обувь, каска или средства защиты органов слуха, существенно снижают риск получения травм.

- **Примите меры по предотвращению случайного включения электроинструмента. Перед подключением инструмента к источнику питания и/или блоку аккумуляторов, его подъемом или переноской убедитесь, что переключатель находится в выключенном положении.** Не переносите электроинструменты, держа палец на переключателе, а также не подавайте питание на электроинструменты с включенным переключателем, т.к. это может привести к несчастному случаю.
- **Уберите все гаечные и регулировочные ключи, прежде чем включать питание.** Ключ, оставленный на движущейся части электроинструмента, может стать причиной травмы.
- **Не вытягивайте руки с устройством слишком далеко. Всегда сохраняйте равновесие и устойчиво ставьте ноги.** Это позволит лучше контролировать электроинструмент в случае возникновения непредвиденной ситуации.
- **Надевайте соответствующую одежду. Не надевайте свободную одежду или украшения. Не допускайте попадания волос и одежды в движущиеся части инструмента.** Свободная одежда, украшения или длинные волосы могут попасть в движущиеся части.
- **Если инструмент оборудован дополнительными устройствами для сбора и удаления пыли, убедитесь, что они подключены и используются надлежащим образом.** Такие устройства способствуют снижению опасностей, связанных с наличием пыли.
- **Не допускайте, чтобы чувство уверенности, приобретенное вследствие частого управления изделием, позволило вам забыть об опасностях и игнорировать принципы обеспечения безопасности.** Неосторожные действия могут привести к тяжелой травме за долю секунды.

Эксплуатация и обслуживание электроинструмента

- **Не перегружайте электроинструмент. Убедитесь, что он предназначен для выполнения конкретной задачи.** Правильно подобранный электроинструмент лучше и надежнее справится с задачей, соответствующей его конструктивным характеристикам.
- **Не пользуйтесь электроинструментом, если его переключатель не работает.** Такой инструмент представляет опасность и подлежит обязательному ремонту.
- **Прежде чем производить какую-либо настройку электроинструмента, заменяйте его части или убирать его на хранение, отключите инструмент от источника питания и/или**

снимите блок аккумуляторов (если снимается). Эти меры предосторожности позволяют исключить возможность случайного включения электроинструмента.

- **Храните неиспользуемые электроинструменты в недоступном для детей месте и не позволяйте работать с инструментом лицам, не ознакомленным с ним и с данными правилами техники безопасности.** Электроинструменты в руках неопытных пользователей являются источником опасности.
- **Выполните техническое обслуживание электроинструментов и принадлежностей. Регулярно проверяйте, не застревают ли движущиеся части и не смещаются ли они со своего нормального положения; все ли части исправны, а также другие условия, влияющие на работу электроинструмента. В случае обнаружения какой-либо неисправности устраните ее перед использованием инструмента.** Многие несчастные случаи возникают из-за недостаточного тщательного ухода за электроинструментами.
- **Поддерживайте остроту и чистоту режущих инструментов.** Исправные режущие инструменты с острыми режущими краями меньше подвержены поломкам и более просты в управлении.
- **Используйте электроинструменты, принадлежности, наконечники и т.д. в соответствии с данными инструкциями, принимая во внимание условия работы и специфику выполняемой задачи.** Применение электроинструмента не по назначению может создать опасные ситуации.
- **Рукоятки и поверхности захвата должны быть сухими и чистыми, без следов масла и смазки.** Скользкие рукоятки и поверхности захвата препятствуют безопасному обращению и управлению инструментом в непредвиденных ситуациях.

Эксплуатация и обслуживание аккумуляторного инструмента

- **Выполняйте зарядку только с помощью зарядного устройства, указанного производителем.** Зарядное устройство, подходящее для одного типа аккумуляторного блока, может создать опасность возгорания при использовании с аккумуляторным блоком другого типа.
- **Используйте электроинструменты только с специально предназначенными аккумуляторными блоками.** Использование других аккумуляторных блоков может создать опасность травмы или возгорания.
- **Когда аккумуляторный блок не используется, храните его вдали от металлических предметов, таких как скрепки, монеты, ключи, гвозди, винты или иные мелкие предметы, которые**

могут замкнуть клеммы аккумулятора. Замыкание клемм аккумулятора может привести к ожогам или пожару.

- При неправильном обращении из аккумулятора может вытечь жидкость; избегайте контакта с вытекшей жидкостью. При случайном контакте промойте место соприкосновения водой. При попадании жидкости в глаза обратитесь за медицинской помощью. Вытекшая из аккумулятора жидкость может привести к раздражению или ожогу.
- Запрещается использовать аккумуляторный блок или инструмент, если они повреждены или модифицированы. Поврежденные или подвергнутые модификации аккумуляторы могут работать неправильно, что приведет к возникновению пожара, взрыва или риску получения травм.
- Не подвергайте аккумуляторный блок или инструмент воздействию огня или чрезмерно высоких температур. Воздействие огня или температуры выше 130 °C (266 °F) может привести к взрыву.
- Точно следуйте всем инструкциям по зарядке и ни в коем случае не заряжайте аккумуляторный блок или инструмент при температуре, выходящей за пределы указанного в инструкциях диапазона. Ненадлежащая зарядка или зарядка при температуре выше или ниже указанного диапазона может привести к повреждению аккумулятора и повышенному риску пожара.

Сервисное обслуживание

- Сервисное обслуживание электроинструмента должны выполнять квалифицированные специалисты по ремонту оборудования с использованием только идентичных запчастей. Это гарантирует сохранность электроинструмента.
- Никогда не выполняйте обслуживание поврежденных блоков аккумулятора. Обслуживание аккумуляторов должно выполняться только производителем или специалистами уполномоченных сервисных центров.

Общие правила техники безопасности при работе с цепной пилой

- Во время работы цепной пилой держите все части тела на безопасном расстоянии от цепи. Перед запуском цепной пилы убедитесь, что цепь ни с чем не соприкасается. Даже малейшая невнимательность при работе с цепной пилой может привести к захвату одежды или частей тела цепью.

- Крепко держите цепную пилу правой рукой за заднюю рукоятку, и левой — за переднюю. Изменение рекомендуемого хвата на противоположный несет за собой риск получения травм и категорически запрещается.
- Держите цепную пилу только за изолированные ручки, поскольку цепь может войти в контакт со скрытой электропроводкой. При контакте цепи с проводом, находящимся под напряжением, незащищенные металлические части цепной пилы тоже окажутся под напряжением и могут вызвать поражение оператора электрическим током.
- Используйте средства защиты глаз. Рекомендуется также использовать средства защиты органов слуха, головы, рук и ног. Надлежащие средства защиты способствуют снижению риска получения травм из-за разлетающихся частиц или случайного контакта с пильной цепью.
- Запрещается использовать цепную пилу, находясь на дереве, лестнице, крыше или любой неустойчивой опоре. Работа с цепной пилой в таких условиях может привести к тяжелым травмам.⁸⁹
- При использовании цепной пилы всегда сохраняйте устойчивое положение и работайте только стоя на неподвижной горизонтальной поверхности. Скользкие или неустойчивые поверхности могут привести к потере равновесия или контролю над цепной пилой.
- При отрезании ветки, которая находится в напряженном состоянии, будьте готовы к тому, что ветка может спружиться. Из-за внутреннего напряжения, накопленного в волокнах древесины, спружинившая ветка может ударить оператора и/или привести к потере контроля над цепной пилой.
- Соблюдайте предельную осторожность при обрезке кустарника и молодых деревьев. Тонкие ветки могут быть захвачены пильной цепью и отброшены в сторону оператора, из-за чего оператор может потерять равновесие.
- Переносите цепную пилу за переднюю рукоятку, предварительно выключив ее и направляя в сторону от себя. При транспортировке или хранении цепной пилы всегда надевайте чехол на шину. Надлежащее обращение с цепной пилой снижает вероятность случайного контакта с движущейся цепью.
- Строго соблюдайте инструкции по смазке, натяжению цепи и замене шины и цепи. Неправильно натянутая или плохо смазанная цепь может либо сломаться, либо увеличить вероятность отскока.

⁸⁹ Если вы прошли обучение по специальным методам пиления и работы, и все оборудование (подъемная платформа, тросы, страховочные привязи) правильно закреплено, то допустимы отклонения от этих правил техники безопасности.

- **Допускается резать только древесину. Запрещается использовать цепную пилу не по прямому назначению. Например, не используйте цепную пилу для резки металлических, пластмассовых, каменных или других строительных материалов, отличных от дерева.** Использование цепной пилы для выполнения задач, на которые она не рассчитана, может привести к возникновению опасных ситуаций.
- **Не пытайтесь валить дерево, пока вы не определите все связанные риски и не будете знать, как их избежать.** При валке дерева оператор или стоящие рядом люди могут получить тяжелые травмы.
- **Точно следуйте всем инструкциям при удалении застрявшего материала, помещении цепной пилы на хранение или ее техобслуживании. Убедитесь, что переключатель переведен в выключенное положение, а аккумуляторный блок извлечен.** Непредвиденное включение цепной пилы при удалении застрявшего материала или техобслуживании может привести к тяжелой травме.
- **Запрещается работать с цепной пилой, находясь на дереве, без предварительного специального обучения таким операциям.** Эксплуатация цепной пилы при нахождении на дереве без надлежащего обучения может повысить риск получения серьезных травм.
- **Не вытягивайте руки с изделием слишком далеко и не выполняйте резку выше высоты плеч.** Это поможет предотвратить случайный контакт острия шины с предметами и обеспечит более надежное управление цепной пилой в непредвиденных ситуациях.
- **Используйте для замены только направляющие шины и цепи, одобренные производителем.** Использование ненадлежащих запасных направляющих шин и цепей может привести к разрыву цепи и/или отдаче.
- **Строго соблюдайте инструкции производителя по заточке и техническому обслуживанию цепи пилы.** Уменьшение высоты ограничителя глубины может привести к повышенной отдаче.

СОХРАНИТЕ ДАННЫЕ ИНСТРУКЦИИ.

Общие инструкции по технике безопасности



ПРЕДУПРЕЖДЕНИЕ: В обязательном порядке прочитайте следующие инструкции по технике безопасности, прежде чем приступать к эксплуатации изделия.

- При небрежном или неправильном обращении изделие может оказаться опасным инструментом. Изделие может стать причиной тяжелой травмы или смерти оператора и окружающих. Поэтому крайне важно внимательно прочитать и полностью понять инструкции настоящего руководства по эксплуатации.
- Запрещается вносить изменения в конструкцию изделия без разрешения производителя. Запрещается использовать изделие, если существует вероятность, что в его конструкцию внесены изменения другими лицами; всегда используйте оригинальные принадлежности. Внесение изменений, не одобренных производителем, может привести к тяжелой травме или смерти оператора и окружающих.
- Продолжительное вдыхание паров масла и древесной пыли опасно для здоровья.
- Во время работы данное изделие создает электромагнитное поле. В определенных обстоятельствах это поле может создавать помехи для пассивных и активных медицинских имплантатов. В целях снижения риска тяжелой или смертельной травмы лицам с медицинскими имплантатами рекомендуется проконсультироваться с врачом и изготовителем имплантата, прежде чем приступать к эксплуатации данного изделия.

Причины отдачи и меры по защите оператора

Отдача может возникнуть, когда конец или острие направляющей шины входит в контакт с каким-либо предметом или когда древесина защемляет цепь пилы в прорези. В некоторых случаях контакт острия шины с предметом может привести к отдаче, отбрасывая направляющую шину вверх и назад на оператора. Защемление цепи пилы вдоль верхнего края направляющей шины может вызвать быстрое перемещение шины назад на оператора. Любая из этих реакций может привести к потере управления пилой с последующей тяжелой травмой.

Не полагайтесь только на защитные устройства, которыми оснащена пила. Пользователь цепной пилы должен принять определенные меры, чтобы защитить себя от несчастных случаев и травм во время резки. Отдача является следствием неправильного использования цепной пилы и/или нарушения порядка или условий работы, и исключить ее можно, принимая надлежащие меры предосторожности, которые представлены ниже:

- **Крепко обхватив всеми пальцами ручки цепной пилы, расположите тело и руки таким образом, чтобы противодействовать усилиям отдачи.** Оператор может контролировать силу отдачи при условии соблюдения надлежащих мер предосторожности. Не выпускайте цепную пилу из рук.

Инструкции по технике безопасности во время эксплуатации



ПРЕДУПРЕЖДЕНИЕ: В обязательном порядке прочитайте следующие инструкции по технике безопасности, прежде чем приступить к эксплуатации изделия.

- Информация, приведенная в настоящем руководстве по эксплуатации, не подменяет собой знания и практический опыт специалиста. Если в конкретной ситуации у вас нет чувства безопасности, выключите изделие. Обратитесь к своему дилеру по обслуживанию или к опытному оператору цепной пилы. Ни в коем случае не принимайтесь за работы, для которых вашей квалификации может быть недостаточно!
- Обратитесь к своему дилеру по обслуживанию или к Husqvarna, если у вас есть вопросы по эксплуатации изделия. Мы можем предоставить вам информацию о том, как эффективно и безопасно работать с изделием. Советуем пройти обучающий курс по эксплуатации цепной пилы. Узнайте о доступных курсах и учебных материалах у своего дилера по обслуживанию, в специализированном учебном заведении или библиотеке.
- Перед началом работы с изделием необходимо понять, что такое "отскок" и как его предотвратить. См. раздел *Информация по отдаче на стр. 606* и *Общие вопросы об отдаче на стр. 606* с соответствующими инструкциями.
- Не используйте изделие, аккумулятор и зарядное устройство, если они повреждены или работают неправильно.
- Не касайтесь вращающейся цепи пилы. Это может привести к тяжелым травмам или смерти.
- Ни в коем случае не приступайте к работе с изделием, если вы устали, находитесь под воздействием алкогольных напитков или наркотиков или принимаете лекарства, которые могут повлиять на зрение, реакцию, координацию или оценку действительности.
- Работа в плохую погоду сильно утомляет и часто создает дополнительные риски. В связи с возникающими дополнительными рисками не рекомендуется использовать инструмент при неблагоприятных погодных условиях, например, в условиях плотного тумана, сильного дождя, порывистого ветра, низких температур, риска удара молнии и т. д.
- Запрещается запускать изделие, пока не будут правильно установлены пильная шина, цепь и все защитные кожухи. В противном случае ведущая звездочка может слететь и нанести тяжелую травму. См. раздел *Сборка на стр. 604* с соответствующими инструкциями.

(Рис. 25)

- Иногда под кожух сцепления попадает стружка, из-за чего цепь заклинивает. Перед очисткой обязательно остановите двигатель.
- Осмотритесь вокруг. Убедитесь, что посторонние или животные не могут оказаться в зоне действия режущего оборудования или повлиять на управление изделием.

(Рис. 26)

- Не позволяйте детям находиться рядом с изделием или пользоваться им. Изделие легко запустить; это могут сделать дети, находящиеся без должного присмотра. Из-за этого возникает риск получения тяжелых травм.
- Извлекайте аккумулятор каждый раз, когда оставляете изделие без присмотра.
- Для полного контроля над изделием необходимо занять устойчивое положение. Запрещается использовать изделие, стоя на лестнице или находясь на дереве. Запрещается использовать изделие, если вы находитесь в неустойчивом положении.

(Рис. 27)

- Работа с подъемом на дерево требует особых навыков и знания техники пиления, соблюдение которой обязательно во избежание риска получения травм. Подобные виды работ запрещается выполнять без специальной профессиональной подготовки, включающей изучение техники безопасности и обращения с альпинистским оборудованием: оснасткой, веревками, страховочными ремнями, гаффами, крюками, карабинами и пр.
- Ни в коем случае не пытайтесь поймать падающие ветви. Запрещается выполнять пиление, если вы удерживаетесь на дереве только одной веревкой. Всегда используйте две страховочные веревки.
- При невнимательном обращении с изделием повышается риск отскока. Отскок может возникнуть, если случайно коснуться зоной отскока пильной шины ветвей, ствола дерева или других предметов.

(Рис. 28)

- Запрещается держать изделие только одной рукой. Безопасное управление изделием только одной рукой невозможно.
- Не используйте изделие выше уровня плеч и не пытайтесь пилить кончиком шины.

(Рис. 29)

- Не используйте изделие в ситуациях, когда вы не сможете получить помощь при возникновении несчастного случая.
- Прежде чем перемещать изделие, остановите его и включите тормоз цепи. Держите изделие так, чтобы шина и цепь пилы были направлены назад. Перед транспортировкой или перемещением изделия на любое расстояние установите на шину транспортировочный щиток.

- Если необходимо поставить изделие на землю, включите тормоз цепи и не оставляйте изделие без присмотра. Прежде чем оставить изделие без присмотра на какой-либо промежуток времени, остановите его и извлеките аккумулятор.
- Существует опасность застревания древесной стружки в системе привода. Это может привести к застреванию цепи пилы. Прежде чем приступить к очистке изделия, в обязательном порядке остановите его и извлеките аккумулятор.
- Уровень вибрации повышается при неисправном или неправильно заточенном режущем оборудовании. При пилении твердых пород дерева, таких как широколиственные деревья, вибрация сильнее, чем пилении мягких пород, таких как хвойные деревья.

(Рис. 30)

- Длительное воздействие вибрации может привести к нарушению кровообращения или расстройствам нервной системы у людей с нарушенным кровообращением. В случае появления симптомов перегрузки от вибрации следует обратиться к врачу. К таким симптомам относятся онемение, потеря чувствительности, ощущение щекотки и покалывания, боли, потеря силы или слабость, изменение цвета или состояния кожи. Как правило, подобные симптомы проявляются в пальцах, руках или запястьях и усиливаются при низкой температуре воздуха.
- Не пытайтесь выполнять обрезку веток и сучьев у вертикально стоящего дерева, если только вы не прошли специальное обучение.
- При работе на склоне всегда стойте выше ствола, т.к. поваленное дерево может скатиться вниз. Для полного контроля над изделием во время работы ближе к концу распила снижайте давление резки. Не ослабляйте хват рукояток. Не допускайте контакта цепи пилы с землей. После завершения пропила подождите, пока цепная пила остановится, и только потом перемещайте изделие. Всегда останавливайте двигатель перед переходом к другому дереву.

(Рис. 31)

- Ни в коем случае не валите дерево, если при этом возникает риск подвергнуть опасности людей, задеть линию электропитания или повредить имущество. В случае удара дерева о линию электропитания незамедлительно уведомите об этом энергоснабжающую компанию.
- Убедитесь, что вы можете перемещаться безопасно. Проверьте условия работы и осмотрите местность вокруг вас на наличие возможных препятствий, таких как корни, камни, ветви, канавы и пр. Соблюдайте осторожность при работе на склонах.
- Не допускайте ситуаций, в которых, по вашему мнению, ваших способностей может быть недостаточно.

- Невозможно описать все возможные ситуации, которые могут возникнуть при эксплуатации изделия. Всегда соблюдайте осторожность и руководствуйтесь здравым смыслом.

(Рис. 32)

Средства индивидуальной защиты



ПРЕДУПРЕЖДЕНИЕ: В обязательном порядке прочитайте следующие инструкции по технике безопасности, прежде чем приступить к эксплуатации изделия.

(Рис. 33)

- Большинство несчастных случаев с цепной пилой происходит при соприкосновении с движущейся цепью. При работе необходимо всегда использовать одобренные средства индивидуальной защиты. Средства индивидуальной защиты не могут полностью исключить риск получения травмы, но при несчастном случае они снижают тяжесть травмы. Рекомендации о том, какое оборудование лучше использовать, можно получить у специалистов сервисного центра.
- Надевайте одежду, которая плотно прилегает к телу, но не ограничивает движения. Регулярно проверяйте состояние средств индивидуальной защиты.
- Используйте одобренный защитный шлем.
- Используйте одобренные средства защиты органов слуха. Продолжительное воздействие шума может повлечь неизлечимое ухудшение слуха.
- Пользуйтесь одобренными защитными очками или щитком, чтобы уменьшить риск травмы отбрасываемыми предметами. Изделие может с большим усилием отбрасывать опилки, щепки и прочее. Это может привести к тяжелым травмам, особенно глаз.
- Надевайте перчатки с защитой от порезов пилой.
- Надевайте брюки с защитой от порезов пилой.
- Надевайте ботинки с защитой от порезов пилой, металлическими носками и нескользящей подошвой.
- Всегда имейте при себе аптечку первой помощи.
- Риск искрения. Держите поблизости противопожарные средства и лопату для предотвращения лесных пожаров.

Защитные устройства на изделии



ПРЕДУПРЕЖДЕНИЕ: В обязательном порядке прочитайте следующие инструкции по технике безопасности, прежде чем приступить к эксплуатации изделия.

- Не используйте изделие, если защитные устройства повреждены или работают неправильно.
- Регулярно выполняйте проверку защитных устройств. См. раздел *Техническое обслуживание и проверки защитных устройств изделия на стр. 612*.
- Если защитные устройства повреждены или работают неправильно, обратитесь в сервисный центр Husqvarna.

Функции пользовательского интерфейса

Пользовательский интерфейс представлен кнопкой запуска/остановки, кнопкой SavE, индикатором состояния аккумулятора и предупреждающим индикатором. При срабатывании тормоза цепи или при возникновении опасности перегрузки начинает мигать предупреждающий индикатор. Защита от перегрузки временно останавливает изделие, и его запрещается включать до тех пор, пока изделие не остынет. Если предупреждающий индикатор горит непрерывно, обратитесь в сервисный центр.

(Рис. 34)

Дополнительные сведения об интерфейсе пользователя см. в разделе *Обзор изделия на стр. 593*.

Функция автоматической остановки

Изделие оснащено функцией автоматической остановки, которая останавливает его, если изделие не используется в течение 3 минут.

Тормоз цепи и передний щиток для рук

Ваше изделие оснащено тормозом цепи, который останавливает цепь пилы при отдаче. Тормоз цепи снижает риск несчастных случаев, но предотвратить их можете только вы.

(Рис. 35)



ПРЕДУПРЕЖДЕНИЕ: Избегайте ситуаций с повышенным риском отдачи. Будьте внимательны при работе с изделием и следите, чтобы зона отдачи направляющей шины не касалась никаких объектов.

(Рис. 36)

Тормоз цепи (А) включается вручную левой рукой оператора или автоматически под воздействием инерции. Переместите передний щиток для рук (В) вперед, чтобы вручную включить тормоз цепи. Это движение активирует подпружиненный механизм, который останавливает ведущую звездочку.

(Рис. 37)

Способ включения тормоза цепи зависит от силы отдачи и положения изделия. При сильной отдаче,

когда зона отдачи шины находится максимально далеко от оператора, тормоз цепи пилы включается по инерции. Если отдача небольшая или зона отдачи ближе к оператору, цепной тормоз включается вручную левой рукой.

(Рис. 38)

Используйте тормоз цепи в качестве стояночного при запуске изделия и при перемещении на короткие расстояния. При этом снижается риск вашего контакта с цепью пилы или контакта с ней находящихся рядом людей.

(Рис. 39)

Потяните передний щиток для рук назад, чтобы выключить тормоз цепи.

(Рис. 40)

Отдача может произойти внезапно и быть очень сильной. В большинстве случаев отдача маленькая, и тормоз цепи срабатывает не всегда. При отдаче в процессе эксплуатации изделия крепко держитесь за ручки и не отпускайте его.

(Рис. 41)

Передний щиток для рук также снижает риск контакта с цепью пилы в случае отпускания передней ручки.

(Рис. 42)

В положении валки включить тормоз цепи вручную невозможно. Тормоз цепи в этом положении может включиться только по инерции.

(Рис. 43)

Стопор переключателя

Стопор переключателя предназначен для того, чтобы избежать непреднамеренного включения. Если переместить стопор переключателя вперед (А), а затем прижать стопор переключателя к ручке (В), переключатель (С) разблокируется. Когда вы отпускаете ручку, стопор переключателя и сам переключатель возвращаются в исходное положение.

(Рис. 44)

Уловитель цепи

Уловитель цепи не дает цепи выскочить при разрыве или соскакивании. При верном натяжении цепи риск ее соскакивания снижается. Вы также можете снизить риск соскакивания, выполняя надлежащее обслуживание направляющей шины и цепи пилы. См. инструкции в разделах *Сборка на стр. 604* и *Техническое обслуживание на стр. 611*.

(Рис. 45)

Щиток для правой руки

Щиток для правой руки служит для защиты вашей руки в случае разрыва или соскакивания цепи пилы. Кроме того, он защищает вашу руку от ветвей и сучьев при работе с изделием.

(Рис. 46)

Техника безопасности при работе с аккумулятором



ПРЕДУПРЕЖДЕНИЕ: В обязательном порядке прочитайте следующие инструкции по технике безопасности, прежде чем приступить к эксплуатации изделия.

- Используйте с данным изделием только рекомендуемые нами аккумуляторы 40-В. См. раздел *Рекомендованные аккумуляторы на стр. 620*. Для аккумуляторов используется программное обеспечение с криптографической защитой.
- Используйте перезаряжаемые аккумуляторы 40-В только с теми изделиями Husqvarna, для которых они предназначены. См. раздел *Рекомендованные аккумуляторы на стр. 620*. Во избежание травм запрещается использовать аккумулятор в качестве источника питания для других устройств.
- Риск поражения электрическим током. Не допускайте контакта клемм аккумулятора с ключами, винтами или другими металлическими предметами. Это может привести к короткому замыканию аккумулятора.
- Не используйте одноразовые (неперезаряжаемые) аккумуляторы.
- Не размещайте посторонние предметы на воздухозаборниках аккумулятора.
- Аккумулятор не должен подвергаться воздействию солнечного света, тепла или открытого пламени. Аккумулятор может стать причиной ожогов, в том числе химических.
- Защищайте аккумулятор от дождя и сырости.
- Не подвергайте аккумулятор воздействию микроволн и высокого давления.
- Не пытайтесь разбирать или ломать аккумулятор.
- Не допускайте попадания электролита из аккумулятора на кожу. Электролит (кислота) аккумулятора может стать причиной травм, повреждений и ожогов кожи. При попадании электролита в глаза ни в коем случае не трите их. Промывайте глаза обильным количеством воды на протяжении как минимум 15 минут. В случае попадания электролита на кожу промойте ее большим количеством воды с мылом. Обратитесь за медицинской помощью.
- Используйте аккумулятор при температуре в диапазоне от -10 до 40 °C (от 14 до 104 °F).

- Очистка аккумулятора или зарядного устройства водой запрещена. См. раздел *Проверка аккумулятора и держателя аккумулятора на стр. 613*.
- Запрещается использовать поврежденный аккумулятор.
- Храните аккумуляторы вдали от металлических предметов, таких как гвозди, винты или ювелирные изделия.
- Храните аккумулятор в недоступном для детей месте.

Техника безопасности при работе с зарядным устройством для аккумулятора



ПРЕДУПРЕЖДЕНИЕ: в обязательном порядке прочитайте следующие инструкции по технике безопасности, прежде чем приступить к эксплуатации изделия.

- Риск поражения электрическим током или короткого замыкания в случае несоблюдения инструкций по технике безопасности.
- Используйте одобренные сетевые розетки с заземлением, которые находятся в исправном состоянии.
- Используйте только то зарядное устройство, которое входит в комплект поставки изделия. Используйте только зарядные устройства 40-С80 для зарядки сменных аккумуляторов Husqvarna 40-В140. См. раздел *Рекомендованные зарядные устройства для изделия на стр. 620 и Рекомендованные аккумуляторы на стр. 620*.
- Не пытайтесь разбирать зарядное устройство.
- Запрещается использовать неисправное или поврежденное зарядное устройство.
- Не поднимайте зарядное устройство за кабель питания. Для отсоединения зарядного устройства от сетевой розетки потяните за вилку. Не тяните за шнур питания.
- Кабели и удлинители не должны контактировать с водой, маслом и острыми краями. Убедитесь, что кабель не застрял в двери, заборе и т.д.
- Запрещается использовать зарядное устройство вблизи легковоспламеняющихся материалов и материалов, которые вызывают коррозию. Убедитесь, что зарядное устройство ничем не накрыто. В случае появления дыма или огня извлеките вилку зарядного устройства из розетки.
- Заряжайте аккумулятор только в хорошо проветриваемом помещении вдали от солнечных лучей. Запрещается заряжать аккумулятор вне помещения. Запрещается заряжать аккумулятор в условиях высокой влажности.
- Используйте зарядное устройство только при температуре в диапазоне от 5 до 40 °C (от 41

до 104 °F). Используйте зарядное устройство в хорошо проветриваемых сухих помещениях, защищенных от пыли.

- Не вставляйте посторонние предметы в воздухозаборники зарядного устройства, предназначенные для его охлаждения.
- Не подсоединяйте металлические предметы к клеммам зарядного устройства, т.к. это может привести к короткому замыканию зарядного устройства.
- Используйте одобренные настенные розетки, которые не повреждены.
- Не пытайтесь заряжать одноразовые аккумуляторы в зарядных устройствах.

Инструкции по технике безопасности во время технического обслуживания



ПРЕДУПРЕЖДЕНИЕ: В обязательном порядке прочитайте следующие инструкции по технике безопасности, прежде чем приступить к техобслуживанию изделия.

- Перед сборкой изделия, проведением техобслуживания или иных проверок извлекайте из него аккумулятор.
- Оператор может выполнять только те работы по техническому и сервисному обслуживанию, которые описаны в данном руководстве по эксплуатации. Для проведения более сложных работ по техническому и сервисному обслуживанию обращайтесь к своему дилеру по обслуживанию.
- Очистка аккумулятора или зарядного устройства водой запрещена. Использование сильного моющего средства может повредить пластмассу.
- При невыполнении работ по техобслуживанию срок службы изделия сокращается, а риск возникновения несчастных случаев увеличивается.
- Для выполнения любых работ по сервисному обслуживанию и ремонту, особенно защитных приспособлений изделия, необходимо пройти специальное обучение. Если после выполнения обслуживания при проведении проверок были выявлены неисправности, обратитесь к своему дилеру по обслуживанию. Мы гарантируем, что ремонт и обслуживание вашего изделия будут выполнять квалифицированные профессионалы.

- Пользуйтесь только оригинальными запасными частями.

Инструкции по технике безопасности для режущего оборудования



ПРЕДУПРЕЖДЕНИЕ: В обязательном порядке прочитайте следующие инструкции по технике безопасности, прежде чем приступить к эксплуатации изделия.

- Пользуйтесь только одобренными сочетаниями направляющей шины/цепи пилы и инструментом для заточки. Инструкции см. в разделе *Технические данные на стр. 618*.
- При использовании или техническом обслуживании цепи пилы всегда надевайте защитные перчатки. Неподвижная цепь пилы также может стать причиной травм.
- Поддерживайте необходимую остроту режущих зубьев. Соблюдайте инструкции и используйте рекомендованный шаблон для заточки. Поврежденная или ненадлежащим образом заточенная цепь пилы повышает риск возникновения несчастных случаев.

(Рис. 47)

- Поддерживайте правильную регулировку ограничителя глубины. Соблюдайте инструкции и пользуйтесь рекомендованным значением ограничителя глубины. Слишком большое значение ограничителя глубины увеличивает риск отдачи.

(Рис. 48)

- Убедитесь, что натяжение цепи пилы правильное. Если цепь пилы неплотно прилегает к направляющей шине, она может соскочить. Неправильное натяжение цепи ускоряет износ направляющей шины, цепи пилы и ведущей звездочки цепи. См. раздел *Принадлежности на стр. 619*.

(Рис. 49)

- Регулярно выполняйте техническое обслуживание режущего оборудования и поддерживайте необходимый уровень смазки. При ненадлежащей смазке цепи риск износа направляющей шины, цепи пилы и ведущей звездочки цепи повышается.

(Рис. 50)

Сборка

Установка пильной шины и цепи (с фиксатором шины)



ПРЕДУПРЕЖДЕНИЕ: Перед сборкой или техобслуживанием изделия в обязательном порядке извлеките из изделия аккумулятор.

1. Отключите тормоз цепи. (Рис. 51)
2. Ослабьте фиксатор шины и снимите кожух ведущей звездочки. (Рис. 52)
3. Установите пильную шину поверх шпильки шины. Отведите пильную шину в крайнее заднее положение. Приподнимите цепь над ведущей звездочкой и вставьте ее в паз на пильной шине. Начинайте с верхней части шины.
4. Убедитесь, что кромки режущих звеньев направлены вперед на верхней стороне пильной шины. (Рис. 53)
5. Установите крышку ведущей звездочки и вставьте штифт натяжителя цепи в отверстие на пильной шине.
6. Убедитесь, что ведущие звенья цепи правильно установлены на ведущую звездочку.
7. Убедитесь, что цепь правильно вставлена в паз на пильной шине.
8. Натяните пильную цепь. См. раздел *Техническое обслуживание на стр. 611* с соответствующими инструкциями.
9. Затяните фиксатор шины.

Установка пильной шины и цепи (со шпилькой шины)



ПРЕДУПРЕЖДЕНИЕ: Перед сборкой или техобслуживанием изделия в обязательном порядке извлеките из изделия аккумулятор.

1. Отключите тормоз цепи. (Рис. 51)
2. Отверните гайку крепления шины и снимите кожух ведущей звездочки. (Рис. 54)
3. Установите пильную шину поверх шпильки шины. Отведите пильную шину в крайнее заднее положение. Приподнимите цепь над ведущей звездочкой и вставьте ее в паз на пильной шине. Начинайте с верхней части шины.
4. Убедитесь, что кромки режущих звеньев направлены вперед на верхней стороне пильной шины. (Рис. 55)
5. Установите крышку ведущей звездочки и вставьте штифт натяжителя цепи в отверстие на пильной шине.
6. Убедитесь, что ведущие звенья цепи правильно установлены на ведущую звездочку.
7. Убедитесь, что цепь правильно вставлена в паз на пильной шине.
8. Затяните гайку крепления шины от руки.
9. Натяните пильную цепь. См. раздел *Техническое обслуживание на стр. 611* с соответствующими инструкциями.

Монтаж зарядного устройства на стену



ВНИМАНИЕ: Не используйте электрическую отвертку для монтажа зарядного устройства на стену. Электрическая отвертка может повредить зарядное устройство.

1. Установите зарядное устройство на стену с помощью 2 винтов (А). При необходимости используйте дюбели (В). (Рис. 56)
2. Установите 2 заглушки на винты (С).
3. Подсоедините шнур питания (D) к зарядному устройству и сетевой розетке.

Эксплуатация

Введение



ПРЕДУПРЕЖДЕНИЕ: Перед эксплуатацией изделия внимательно изучите раздел техники безопасности.

Проверка функциональности изделия перед использованием

1. Проверьте тормоз цепи (А), чтобы убедиться в его исправности и отсутствии повреждений.
2. Проверьте задний щиток для правой руки (В), чтобы убедиться в отсутствии повреждений.
3. Проверьте переключатель и стопор переключателя (С), чтобы убедиться в их исправности и отсутствии повреждений.

4. Проверьте кнопочную панель (D), чтобы убедиться в ее исправности.
5. Убедитесь в отсутствии масла на рукоятках (E).
6. Проверьте изделие, чтобы убедиться в правильности установки всех деталей, наличии всех деталей и отсутствии повреждений.
7. Проверьте уловитель цепи (F), чтобы убедиться в правильности его установки.
8. Проверьте натяжение цепи (G).
9. Зарядите аккумулятор (H) и убедитесь, что он правильно установлен в изделие.
10. Убедитесь, что цепь пилы останавливается при отпускании стопора переключателя. (Рис. 57)

Использование правильного масла для смазки цепи



ПРЕДУПРЕЖДЕНИЕ: Не используйте отработанное масло, которое может стать причиной травм и нанести вред окружающей среде. Отработанное масло также может повредить масляный насос, направляющую шину и цепь пилы.



ПРЕДУПРЕЖДЕНИЕ: При недостаточной смазке режущего оборудования цепь пилы может сломаться. Опасность тяжелой травмы или смерти оператора.



ПРЕДУПРЕЖДЕНИЕ: Для надлежащей работы данной функции следует использовать правильное масло для смазки цепи. При выборе масла для смазки цепи обратитесь к своему дилеру по обслуживанию.

- Для максимального увеличения срока службы цепи и исключения неблагоприятного воздействия на окружающую среду используйте масло для смазки цепи Husqvarna. Если масло для смазки цепи Husqvarna недоступно, рекомендуется использовать стандартное масло для смазки цепи.
- Используйте масло для смазки цепи, которое обладает хорошей адгезией к цепи пилы.

- Используйте масло для смазки цепи с подходящим диапазоном вязкости в соответствии с температурой воздуха.



ВНИМАНИЕ: При температурах ниже 0°C/32°F некоторые масла для цепи становятся слишком вязкими, что может повредить компоненты масляного насоса.

- Используйте рекомендованное режущее оборудование. См. раздел *Принадлежности на стр. 619*.
- Снимите крышку бака масла для смазки цепи.
- Залейте в бак масло для смазки цепи.
- Аккуратно установите крышку на место.

(Рис. 58)

Примечание: Информацию по расположению бака масла для смазки цепи на изделии см. в разделе *Введение на стр. 593*.

Аккумулятор



ПРЕДУПРЕЖДЕНИЕ: Перед эксплуатацией аккумулятора внимательно изучите раздел по технике безопасности. Прочтите и усвойте все сведения, приведенные в руководстве по эксплуатации аккумулятора и зарядного устройства.

Храните аккумулятор и зарядное устройство при допустимой температуре окружающей среды.

	Температура окружающей среды
Эксплуатация аккумулятора	5–40 °C / 41–104 °F
Зарядка аккумулятора	5–40 °C / 41–104 °F

Состояние аккумулятора

На дисплее отображается состояние заряда и информация о проблемах с аккумулятором при их наличии.

(Рис. 59)

Светодиодный индикатор	Состояние заряда аккумулятора
Горят 4 светодиодных индикатора	Аккумулятор заряжен на 76–100%.
Горят 3 светодиодных индикатора	Аккумулятор заряжен на 51–75%.
Горят 2 светодиодных индикатора	Аккумулятор заряжен на 26–50%.
Горит 1 светодиодный индикатор	Аккумулятор заряжен на 6–25%.

Светодиодный индикатор	Состояние заряда аккумулятора
Мигает 1 светодиодный индикатор	Аккумулятор заряжен на 0–5%.

Зарядка аккумулятора

Зарядите аккумулятор, если он используется в первый раз. Уровень заряда нового аккумулятора составляет 30%.



ВНИМАНИЕ: Подключайте зарядное устройство к сети питания с напряжением и частотой, указанными на паспортной табличке.

Аккумулятор не будет заряжаться, если его температура превышает 50 °C / 122 °F.

1. Подключите шнур питания к зарядному устройству.
2. Подключите зарядное устройство к заземленной сетевой розетке. Светодиодный индикатор зарядки мигает один раз. (Рис. 60)
3. Подключите аккумулятор к зарядному устройству. Загорается светодиодный индикатор зарядки. Длительность зарядки аккумулятора не должна превышать 24 часа. (Рис. 61)
4. Нажмите кнопку индикатора аккумулятора. Если все светодиодные индикаторы загораются, аккумулятор полностью заряжен.
5. Чтобы отсоединить зарядное устройство от розетки, потяните за вилку питания. Не тяните за шнур питания.
6. Извлеките аккумулятор из зарядного устройства.

Информация по отдаче



ПРЕДУПРЕЖДЕНИЕ: Отдача может стать причиной тяжелой травмы или смерти оператора или окружающих. Для снижения риска следует понять, по какой причине возникает отдача и как ее можно избежать.

Отдача происходит, когда зона отдачи направляющей шины касается какого-либо предмета. Отдача может произойти внезапно и с большим усилием, за счет которого изделие отбрасывается в сторону оператора.

(Рис. 36)

Отдача всегда происходит в плоскости резания направляющей шины. Как правило, изделие отбрасывается в сторону оператора, но может отбрасываться и в другом направлении. Направление отбрасывания зависит от техники работы с инструментом в момент отдачи.

(Рис. 62)

Отдача происходит только в момент касания зоны отдачи направляющей шины и объекта. Не позволяйте зоне отдачи соприкасаться с предметами.

(Рис. 36)

Меньший радиус носовой части шины снижает силу отдачи.

Для снижения эффекта отдачи используйте цепь для пилы с низкой отдачей. Не позволяйте зоне отдачи соприкасаться с предметами.



ПРЕДУПРЕЖДЕНИЕ: Ни одна цепь пилы не гарантирует полное исключение отдачи. Всегда соблюдайте инструкции.

Общие вопросы об отдаче

- **Всегда ли моя рука включает тормоз цепи при отдаче?**

Нет. Для перемещения переднего щитка для рук вперед необходимо приложить некоторое усилие. Если не приложить такое усилие, тормоз цепи не включится. В процессе работы необходимо крепко держаться за ручки, чтобы обеспечить стабильность изделия. В случае отдачи существует вероятность, что тормоз цепи не остановит цепь пилы до того, как она коснется вас. Встречаются также рабочие положения, в которых рука оператора не сможет достать до переднего щитка для рук для включения тормоза цепи.

- **Механизм инерционной активации всегда включает тормоз цепи при отдаче?**

Нет. Прежде всего, тормоз цепи должен быть исправен. Инструкции по проверке тормоза цепи см. в разделе *Техническое обслуживание и проверки защитных устройств изделия на стр. 612*. Мы рекомендуем выполнять эту процедуру проверки каждый раз перед использованием изделия. Во-вторых, отдача должна быть достаточно сильной для включения тормоза цепи. Если чувствительность тормоза цепи слишком высокая, тормоз может включаться при неровной работе.

- **Сможет ли тормоз цепи всегда защитить меня от травмы при отдаче?**

Нет. Тормоз цепи должен быть исправен, чтобы обеспечить защиту. Тормоз цепи также должен быть включен при отдаче, чтобы он смог остановить цепь пилы. Если оператор находится рядом с направляющей шиной, существует вероятность, что тормоз цепи не успеет остановить цепь пилы до удара.



ПРЕДУПРЕЖДЕНИЕ: Только вы сами и верная техника работы могут помочь избежать отдачи.

Запуск изделия

1. Проверьте переключатель и стопор переключателя. См. раздел *Проверка стопора переключателя на стр. 612*.
2. Включите тормоз цепи. (Рис. 63)
3. Вставьте аккумулятор в держатель аккумулятора. (Рис. 64)



ВНИМАНИЕ: Убедитесь, что аккумулятор надлежащим образом вставлен в держатель аккумулятора. Если аккумулятор не вставляется в держатель без усилий, положение аккумулятора неверное.

4. Нажмите на нижнюю часть аккумулятора до щелчка. (Рис. 65)
5. Нажмите и удерживайте нажатой кнопку запуска/остановки, пока не загорится зеленый светодиодный индикатор. (Рис. 66)

Использование функции SavE

Функция SavE снижает скорость цепи и мощность изделия.

1. Нажмите кнопку SavE. Загорается зеленый светодиодный индикатор.
2. Чтобы отключить эту функцию, повторно нажмите кнопку SavE. Зеленый светодиод погаснет. (Рис. 67)

Остановка изделия

1. Нажмите и удерживайте нажатой кнопку запуска/остановки, пока зеленый светодиодный индикатор не погаснет. (Рис. 66)
2. Нажмите кнопки извлечения аккумулятора и извлеките аккумулятор из держателя во избежание случайного запуска. (Рис. 68)

Пиление с протягом и пиление с нажимом

При пилении изделие можно располагать 2 различными способами.

- Пиление с протягом — это пиление нижней частью направляющей шины. Цепь пилы протягивается через дерево в процессе резки. В этом положении контроль над инструментом лучше, а положение зоны отдачи более удобное.

(Рис. 69)

- Пиление с нажимом — это пиление верхней частью направляющей шины. Цепь пилы

проталкивает инструмент в направлении оператора.

(Рис. 70)



ПРЕДУПРЕЖДЕНИЕ: Если цепь пилы застрянет в стволе, изделие может отскочить в вашу сторону. Крепко держите изделие и следите, чтобы зона отдачи направляющей шины не касалась дерева и не вызывала отдачу.

(Рис. 71)

Использование техники пиления



ПРЕДУПРЕЖДЕНИЕ: Во время пиления используйте полную мощность и сбрасывайте частоту вращения двигателя до оборотов холостого хода после каждого распила.



ВНИМАНИЕ: Не допускайте продолжительной работы электродвигателя без нагрузки. Это может привести к повреждению электродвигателя.

1. Разместите бревно на козлах или пильной раме. (Рис. 72)



ПРЕДУПРЕЖДЕНИЕ: Ни в коем случае не пилите бревна, если они лежат в штабеле. Это повышает риск отдачи и может привести к тяжелой травме или смерти.

2. Убирайте распиленные заготовки из рабочей зоны.



ПРЕДУПРЕЖДЕНИЕ: Наличие распиленных заготовок в рабочей зоне повышает риск отдачи и потери равновесия.

Использование зубчатого упора

1. Прижмите зубчатый упор к стволу дерева.
2. Подайте полную мощность и поворачивайте изделие. Продолжайте прижимать зубчатый упор к стволу. Тем самым обеспечивается приложение большего усилия, необходимого для распиливания ствола. (Рис. 73)

Пиление бревна на земле

1. Распиливайте бревно движением на себя (с протягом). Поддерживайте полную мощность, но будьте готовы к любым неожиданностям. (Рис. 74)

**ПРЕДУПРЕЖДЕНИЕ:**

Убедитесь, что цепь пилы не касается земли при завершении пропила.

2. Выполните пропил на глубину примерно $\frac{3}{4}$ диаметра бревна, а затем остановитесь. Переверните бревно и завершите пиление с противоположной стороны. (Рис. 75)

Пиление бревна с опорой с одной стороны

ПРЕДУПРЕЖДЕНИЕ: Следите за тем, чтобы бревно не сломалось во время пиления. Следуйте приведенным ниже инструкциям.

(Рис. 76)

1. Выполните пропил движением от себя (с нажимом) на глубину примерно $\frac{1}{2}$ диаметра бревна.
2. Затем выполните пропил в бревне движением на себя (с протягом), пока оба пропила не соединятся. (Рис. 77)

Пиление бревна с опорой с обеих сторон

ПРЕДУПРЕЖДЕНИЕ: Следите за тем, чтобы цепь пилы не застряла в бревне во время пиления. Следуйте приведенным ниже инструкциям.

(Рис. 78)

1. Выполните пропил движением на себя (с протягом) на глубину примерно $\frac{1}{2}$ диаметра бревна.
2. Распилите остальную часть бревна движением от себя (с нажимом), чтобы завершить распил. (Рис. 79)

**ПРЕДУПРЕЖДЕНИЕ:**

Остановите электродвигатель, если цепь пилы застряла в бревне. Используйте какой-нибудь рычаг, чтобы расширить пропил и извлечь пилу. Не пытайтесь вытащить изделие из пропила руками. Это может привести к травме, если изделие резко высвободится из пропила.

Использование техники обрезки веток

Примечание: Для толстых ветвей используйте технику пиления. См. раздел *Использование техники пиления на стр. 607*.



ПРЕДУПРЕЖДЕНИЕ: При использовании техники обрезки веток существует высокий риск несчастных случаев. Инструкции по предотвращению отдачи в см. разделе *Информация по отдаче на стр. 606*.

**ПРЕДУПРЕЖДЕНИЕ:**

Обрезайте ветки по одной. Соблюдайте осторожность при обрезке небольших веток и не обрезайте кустарники или большое количество небольших веток одновременно. Небольшие ветки могут застрять в цепи пилы и помешать безопасной эксплуатации изделия.

Примечание: При необходимости обрезайте ветки по частям. Обрежьте ветки меньшего размера (А) и (В), прежде чем отпиливать ветку рядом со стволом (С).

(Рис. 80)

1. Обрежьте ветки с правой стороны ствола.
 - a) Держите при этом направляющую шину с правой стороны ствола, прижимая к нему корпус изделия.
 - b) Выберите подходящую технику пиления в зависимости от наличия напряжения в ветке. (Рис. 81)

**ПРЕДУПРЕЖДЕНИЕ:**

Если вы не уверены, как лучше всего обрезать ветвь, перед продолжением работы обратитесь к опытному оператору цепной пилы.

2. Обрежьте ветки по верхней стороне ствола.
 - a) Положите изделие на ствол и дайте направляющей шине перемещаться вдоль ствола.
 - b) Режьте движением от себя (с нажимом). (Рис. 82)
3. Обрежьте ветки с левой стороны ствола.
 - a) Выберите подходящую технику пиления в зависимости от наличия напряжения в ветке. (Рис. 83)

**ПРЕДУПРЕЖДЕНИЕ:**

Если вы не уверены, как лучше всего обрезать ветвь, перед продолжением работы обратитесь к опытному оператору цепной пилы.

Инструкции по обрезке ветвей, находящихся в напряженном состоянии, см. в разделе *Обрезка*

деревьев и ветвей, находящихся в напряженном состоянии на стр. 610.

Использование техники валки деревьев



ПРЕДУПРЕЖДЕНИЕ: Для валки деревьев требуется большой опыт. По возможности пройдите курс обучения работе с цепной пилой. Обратитесь за советом к опытному оператору цепной пилы.

Поддержание безопасного расстояния

1. Следите за тем, чтобы люди поблизости находились на безопасном расстоянии (на расстоянии, хотя бы в 2,5 раза превышающем высоту дерева). (Рис. 84)
2. Проследите, чтобы перед валкой или во время валки дерева в зоне риска никого не было. (Рис. 85)

Расчет направления валки

1. Определите, в каком направлении лучше всего валить дерево. Для валки нужно выбрать направление, наиболее удобное для последующей обрезки сучьев и распила бревна. Кроме того, важно, чтобы вы могли сохранять устойчивое положение ног и безопасно перемещаться.



ПРЕДУПРЕЖДЕНИЕ: Если валка дерева в естественном направлении представляет опасность или невозможна, выберите другое направление валки.

2. Определите естественное направление валки дерева. При этом следует учитывать, например, наклон или изгиб дерева, направление ветра, расположение ветвей и вес снега.
3. Определите наличие поблизости препятствий, например, других деревьев, линий электропередачи, дорог и/или зданий.
4. Осмотрите ствол на наличие признаков повреждения и гниения.



ПРЕДУПРЕЖДЕНИЕ: Наличие гниения в стволе повышает риск падения дерева, прежде чем вы завершите пиление.

5. Убедитесь, что на дереве отсутствуют поврежденные или мертвые ветви, которые могут отломиться и ударить вас во время валки.

6. Не давайте дереву упасть на другое стоящее дерево. Убирать застрявшее дерево крайне опасно, поскольку существует высокий риск несчастных случаев. См. раздел *Высвобождение застрявшего дерева на стр. 610.* (Рис. 86)



ПРЕДУПРЕЖДЕНИЕ: Во время ответственных работ по валке дерева сразу после завершения пиления снимайте защитные наушники. Вы должны слышать окружающие звуки и подаваемые другими предупреждения.

Очистка ствола и подготовка пути отхода

Обрежьте все ветки на высоте плеч и ниже.

1. Пилите движением на себя (с протягом), сверху вниз. Следите за тем, чтобы дерево находилось между вами и изделием. (Рис. 87)
2. Уберите подлесок в рабочей зоне вокруг дерева. Очистите рабочую зону от всех обрезков и обрубков.
3. Осмотрите рабочую зону на наличие препятствий, таких как камни, ветки и ямы. Обеспечьте себе свободный путь отхода, когда дерево начнет падать. Путь отхода должен быть под углом примерно 135 градусов относительно направления валки.

1. Опасная зона
2. Путь отхода
3. Направление валки

(Рис. 88)

Валка дерева

Компания Husqvarna рекомендует при валке дерева сначала сделать направляющие пропилы, а затем использовать метод безопасного угла. Метод безопасного угла позволяет оставить правильный недопил и контролировать направление валки.



ПРЕДУПРЕЖДЕНИЕ: Не пытайтесь валить деревья, диаметр которых более чем в два раза превышает длину направляющей шины. Для выполнения таких работ требуется специальное обучение.

Недопил

Самый важный этап валки дерева — подготовка правильного недопила. Правильный недопил

гарантирует контроль направления валки и обеспечивает безопасность выполняемых работ.

Толщина недопила должна быть равномерной и составлять не менее 10% от диаметра дерева.



ПРЕДУПРЕЖДЕНИЕ:

Неправильный или слишком тонкий недопил не позволит вам контролировать направление валки.

(Рис. 89)

Выполнение направляющего пропила

1. Выполните направляющие пропилы. Глубина направляющих пропилов должна составлять 1/4 от диаметра дерева. Угол между верхним и нижним пропилами должен равняться 45°.
 - a) Сначала выполните верхний пропил. Метка направления валки (А) на изделии должна быть выровнена по направлению валки дерева (В). Держите изделие перед собой, при этом дерево должно быть справа от вас. Пилите движением на себя (с протягом).
 - b) Выполните нижний пропил. Убедитесь, что конец нижнего пропила находится в той же точке, что и конец верхнего пропила. (Рис. 90)
2. Убедитесь, что линия направляющего пропила строго горизонтальна и находится под прямым углом (90°) к направлению валки. Линия направляющего пропила проходит через точку, где сходятся два направляющих пропила. (Рис. 91)

Использование метода безопасного угла

Основной пропил выполняется немного выше направляющего пропила.

(Рис. 92)



ПРЕДУПРЕЖДЕНИЕ:

Соблюдайте осторожность при пилении наконечником направляющей шины. При выполнении входного пропила начинайте пиление нижней частью наконечника направляющей шины.

(Рис. 93)

1. Если используемая длина шины больше диаметра дерева, выполните следующие действия (a-d).
 - a) Выполните входной пропил в ствол, оставляя необходимую ширину недопила. (Рис. 94)
 - b) Пилите движением на себя (с протягом), пока не останется 1/2 диаметра бревна.
 - c) Потяните направляющую шину назад на 5-10 см/2-4 дюйма.

d) Выпилите остальную часть ствола, оставляя безопасный угол шириной 5-10 см/2-4 дюйма. (Рис. 95)

2. Если используемая длина шины меньше диаметра дерева, выполните следующие действия (a-d).
 - a) Выполните входной пропил в ствол. Входной пропил должен достигать 3/5 диаметра дерева.
 - b) Выпилите движением на себя (с протягом) остальную часть ствола. (Рис. 96)
 - c) Выполните входной пропил в ствол с другой стороны дерева, оставляя необходимую ширину недопила.
 - d) Пилите движением от себя (с нажимом), пока не останется 1/2 диаметра бревна, тем самым оставляя безопасный угол. (Рис. 97)
3. Вставьте клин в пропил точно сзади относительно направления валки. (Рис. 98)
4. Выпилите угол, чтобы дерево упало.

Примечание: Если дерево не падает, вбивайте клин, пока дерево не начнет падать.

5. Когда дерево начнет падать, отойдите от дерева, воспользовавшись путем отхода. Отойдите хотя бы на 5 м/15 футов от дерева.

Высвобождение застрявшего дерева



ПРЕДУПРЕЖДЕНИЕ: Убирать застрявшее дерево крайне опасно, поскольку существует высокий риск несчастных случаев. Не входите в зону риска и не пытайтесь повалить застрявшее дерево.

(Рис. 99)

Безопаснее всего использовать одну из следующих лебедок:

- С помощью трактора

(Рис. 100)

- Портативная

(Рис. 101)

Обрезка деревьев и ветвей, находящихся в напряженном состоянии

1. Определите, какая сторона дерева или ветки находится в напряженном состоянии.
2. Определите точку максимального напряжения. (Рис. 102)
3. Определите самый безопасный способ освобождения от напряжения.

Примечание: В некоторых случаях единственным безопасным способом является использование лебедки, а не вашего изделия.

4. Займите положение, в котором дерево или ветка не смогут ударить вас после освобождения от напряжения. (Рис. 103)
5. Сделайте один или несколько пропилов достаточной глубины, чтобы уменьшить напряжение. Выполняйте пропил в точке максимального напряжения или рядом с ней. Дайте дереву или ветке сломаться в точке максимального напряжения. (Рис. 104)



ПРЕДУПРЕЖДЕНИЕ: Ни в коем случае не распиливайте дерево или ветку, находящиеся в напряженном состоянии, полностью.



ПРЕДУПРЕЖДЕНИЕ: Соблюдайте предельную

осторожность при пилении напряженных стволов деревьев. Существует опасность, что дерево быстро сместится перед распилом или после него. Возможны тяжелые травмы, если вы находитесь в неверном положении или выполняете пиление неверно.

6. Если необходимо перепилить дерево/ветку, сделайте 2 - 3 пропила на расстоянии около 2,5 см (1 дюйма) друг от друга и на глубину 5 см (2 дюйма). (Рис. 105)
7. Продолжайте пилить вглубь дерева, пока дерево/ветка не согнется и не освободится от напряжения. (Рис. 106)
8. После освобождения от напряжения распилите дерево/ветку с противоположной от сгиба стороны.

Техническое обслуживание

Введение



ПРЕДУПРЕЖДЕНИЕ: Перед техническим обслуживанием изделия внимательно изучите раздел техники безопасности.

Ниже приведен перечень обязательных работ по техническому обслуживанию изделия. См. раздел *Техническое обслуживание* на стр. 611 для получения дополнительной информации.

График технического обслуживания



ПРЕДУПРЕЖДЕНИЕ: Перед проведением технического обслуживания извлеките аккумулятор.

Техническое обслуживание	Перед использованием	Ежедневно	Ежемесячно
Очистите наружные части изделия.	X		
Убедитесь, что курок и предохранитель нажатия курка работают надлежащим образом.	X		
Очистите тормоз цепи и убедитесь, что он исправен. Проверьте уловитель цепи на наличие повреждений. При необходимости выполните замену.	X		
Проворачивайте шину для более равномерного износа. Убедитесь, что отверстие для смазки в шине не засорилось. Прочистите паз шины.	X		
Убедитесь, что на режущем механизме и его кожухе нет трещин и повреждений. Замените режущий механизм и кожух при обнаружении трещин или после ударного воздействия.	X		

Техническое обслуживание	Перед использованием	Ежедневно	Ежемесячно
Убедитесь, что шина и цепь пилы смазываются достаточным количеством масла.	X		
Выполните проверку цепи пилы. Проверьте на наличие трещин; убедитесь, что цепь не жесткая и не имеет следов чрезмерного износа. При необходимости выполните замену.	X		
Заточите цепь пилы. Проверьте натяжение и состояние цепи. Проверьте ведущую звездочку на износ, при необходимости выполните замену.	X		
Очистите воздухозаборник изделия.	X		
Проверьте затяжку винтов и гаек.	X		
Убедитесь, что кнопочная панель работает надлежащим образом и что она не повреждена.	X		
С помощью напильника сточите все заусенцы на кромках шины.		X	
Проверьте соединения между аккумулятором и изделием. Проверьте соединение между аккумулятором и зарядным устройством.			X
Слейте масло из бака и очистите бак.			X
Аккуратно продуйте изделие и пазы вентиляционной решетки аккумулятора сжатым воздухом.			X

Техническое обслуживание и проверки защитных устройств изделия

Проверка рычага тормоза цепи

Регулярно выполняйте проверку рычага тормоза цепи и инерционного тормоза.

1. Проверьте, что на рычаге тормоза цепи отсутствуют повреждения, например трещины. (Рис. 107)
2. Рычаг тормоза цепи должен свободно перемещаться и быть надежно прикреплен к изделию. (Рис. 108)
3. Держите изделие с выключенным двигателем над пнем или другой устойчивой поверхностью.
4. Возьмитесь за заднюю рукоятку и отпустите переднюю рукоятку. Дайте изделию упасть на пень. (Рис. 109)
5. Убедитесь, что тормоз цепи включается при ударе шины о пень.

Проверка рычага тормоза

1. Поместите изделие на устойчивую поверхность и запустите его. См. раздел *Эксплуатация на стр. 604.*



ПРЕДУПРЕЖДЕНИЕ:

Убедитесь, что цепь пилы не касается земли или любого другого предмета.

2. Обхватите рукоятки ладонями и крепко возьмитесь за изделие. (Рис. 110)
3. Включите полную мощность и приведите в действие тормоз цепи, повернув левое запястье к переднему щитку для рук. Цепь пилы должна немедленно остановиться. (Рис. 111)



ПРЕДУПРЕЖДЕНИЕ: Не выпускайте переднюю ручку из рук!

Проверка стопора переключателя

1. Убедитесь, что стопор переключателя и сам переключатель свободно перемещаются, а возвратная пружина работает исправно. (Рис. 112)
2. Переместите стопор переключателя вперед (А) и вниз (В). Прижмите стопор переключателя к ручке и убедитесь, что при отпускании он возвращается в исходное положение. (Рис. 113)
3. Убедитесь, что при отпускании стопора переключателя сам переключатель блокируется в положении холостого хода. (Рис. 114)
4. Запустите изделие на полной мощности.

- Отпустите переключатель и убедитесь, что цепь пилы останавливается и остается неподвижной.



ПРЕДУПРЕЖДЕНИЕ: Если цепь вращается, когда переключатель находится в положении холостого хода, обратитесь к своему дилеру по обслуживанию.

Проверка уловителя цепи

- Убедитесь в отсутствии повреждений на уловителе цепи.
- Убедитесь, что уловитель цепи находится в устойчивом положении и закреплен на корпусе изделия. (Рис. 115)

Проверка функций пользовательского интерфейса

- Запустите изделие. См. раздел *Запуск изделия на стр. 607*.
- Нажмите и удерживайте нажатой кнопку запуска/остановки.
- Убедитесь, что изделие останавливается и зеленый светодиодный индикатор гаснет. (Рис. 66)

Проверка аккумулятора и держателя аккумулятора

- Очистите аккумулятор и держатель аккумулятора мягкой щеткой.
- Очистите отверстия для охлаждения и разъемы аккумулятора. (Рис. 116)
- Проверьте, что на аккумуляторе нет трещин и других повреждений.

Проверка зарядного устройства аккумулятора

- Убедитесь, что зарядное устройство и шнур питания не повреждены. Проверьте их на наличие трещин и других повреждений. (Рис. 117)

Очистка системы охлаждения

Система охлаждения поддерживает температуру двигателя на низком уровне. К системе охлаждения относятся воздухозаборник слева на изделии и вентилятор на двигателе.

- Очищайте систему охлаждения щеткой еженедельно или чаще при необходимости. (Рис. 118)
- В системе охлаждения не должно быть загрязнений и засоров.



ВНИМАНИЕ: Загрязнения и засоры в системе охлаждения приводят к перегреву изделия. Это может стать причиной повреждения изделия.

Заточка цепи пилы

Информация о направляющей шине и цепи пилы



ПРЕДУПРЕЖДЕНИЕ: При использовании или техническом обслуживании цепи пилы всегда надевайте защитные перчатки. Неподвижная цепь пилы также может стать причиной травм.

Износенные или поврежденные направляющую шину и цепь пилы следует заменять комбинацией направляющей шины и цепи пилы, рекомендованной компанией Husqvarna. Это необходимо для поддержания функций обеспечения безопасности изделия. Перечень рекомендованных комбинаций сменных шин и цепей см. в разделе *Принадлежности на стр. 619*.

- Длина направляющей шины, дюйм/см. Информацию о длине направляющей шине можно легко найти на заднем конце направляющей шины.

(Рис. 119)

- Число зубьев на ведомой звездочке шины (Т).

(Рис. 120)

- Шаг цепи, дюйм. Расстояние между ведущими звеньями цепи должно совпадать с расстоянием между зубьями на ведомой и ведущей звездочках.

(Рис. 121)

- Количество ведущих звеньев. Количество ведущих звеньев определяется типом направляющей шины.

(Рис. 122)

- Ширина паза шины, дюйм/мм. Ширина паза в направляющей шине должна совпадать с шириной ведущих звеньев цепи.

(Рис. 123)

- Отверстие для смазки и натяжителя цепи. Направляющая шина должна быть выровнена по инструменту.

(Рис. 124)

- Ширина ведущих звеньев, мм/дюйм.

(Рис. 125)

Общая информация о заточке режущих звеньев

Запрещается работать с плохо заточенной цепью пилы. Если цепь пилы затупилась, для продвижения пилы сквозь дерево потребуются большее давление. При сильном затуплении цепи во время пиления образуются не опилки, а древесная пыль.

При работе с острой цепью во время пиления образуются длинные опилки большой толщины.

Режущий зуб (А) и ограничитель глубины (В) формируют режущую часть цепи — режущее звено. Глубина пиления зависит от разницы в высоте между этими двумя компонентами (регулировка ограничителя глубины).

(Рис. 126)

При заточке режущего звена учитывайте следующее:

- Угол заточки.

(Рис. 127)

- Угол резания.

(Рис. 128)

- Положение напильника.

(Рис. 129)

- Диаметр круглого напильника.

(Рис. 130)

Без подходящего инструмента заточить цепь пилы очень сложно. Используйте рекомендованный заточной шаблон Husqvarna. Это поможет обеспечить максимальную эффективность пиления и снизить риск отскока.



ПРЕДУПРЕЖДЕНИЕ: Сила отскока значительно повышается при несоблюдении инструкций по заточке.

Примечание: См. раздел *Принадлежности на стр. 619*, где приведена информация о заточке цепи пилы.

Заточка режущих звеньев

1. При заточке режущих зубьев используйте круглый напильник и заточной шаблон. (Рис. 131)

Примечание: См. раздел *Принадлежности на стр. 619*, где приведена информация о рекомендованных компанией Husqvarna напильнике и шаблоне для вашей цепи.

2. Правильно прикладывайте заточной шаблон к режущему звену. См. инструкции, идущие в комплекте с заточным шаблоном.

3. Перемещайте напильник с внутренней стороны режущего зуба наружу. Уменьшайте давление на напильник при движении на себя. (Рис. 132)
4. Обработайте все режущие зубья с одной стороны.
5. Переверните изделие и обработайте все режущие зубья с другой стороны.
6. Убедитесь, что все режущие зубья имеют одинаковую длину.

Общая информация о настройке ограничителя глубины

После заточки режущих зубьев (А) регулировка ограничителя глубины (С) уменьшается. Для поддержания максимальной производительности при пилении необходимо удалить наполнитель из ограничителя глубины (В), чтобы достичь рекомендованной настройки ограничителя. Инструкции по регулировке настройки ограничителя глубины для вашей цепи пилы см. в разделе *Принадлежности на стр. 619*.

(Рис. 133)



ПРЕДУПРЕЖДЕНИЕ:

Чрезмерно большая регулировка ограничителя глубины увеличивает риск отдачи цепи пилы!

Регулировка ограничителя глубины

Прежде чем отрегулировать настройку ограничителя глубины или заточить режущие звенья, см. инструкции в разделе *Заточка режущих звеньев на стр. 614*. Мы рекомендуем регулировать настройку ограничителя глубины после каждой третьей операции заточки режущих зубьев.

Мы рекомендуем пользоваться нашим шаблоном для регулировки ограничителя глубины, чтобы обеспечить правильные глубину и угол.

(Рис. 134)

1. Используйте для регулировки ограничителя глубины плоский напильник и шаблон ограничителя глубины. Пользуйтесь только шаблоном для регулировки ограничителя глубины, рекомендованным Husqvarna, чтобы обеспечить правильные глубину и угол.
2. Установите шаблон ограничителя глубины на цепь пилы.

Примечание: См. дополнительную информацию о пользовании инструментом на упаковке инструмента.

3. С помощью плоского напильника снимите часть ограничителя глубины, которая выступает над шаблоном ограничителя глубины. (Рис. 135)

Регулировка натяжения цепи пилы



ПРЕДУПРЕЖДЕНИЕ:

Несоответствующее натяжение цепи пилы может привести к тому, что цепь выйдет из направляющей шины и приведет к тяжелой травме или смерти.

По мере использования пилы ее цепь растягивается. На регулярной основе регулируйте цепь пилы. Проверяйте натяжение цепи каждый раз при заправке изделия смазкой для цепи.

Примечание: Новая цепь пилы имеет некоторое время приработки, в течение которого следует чаще проверять натяжение цепи.

Регулировка натяжения цепи (с фиксатором шины)

1. Переместите фиксатор в открытое положение. (Рис. 136)
2. Поверните фиксатор против часовой стрелки, чтобы ослабить кожух ведущей звездочки. (Рис. 137)
3. Поверните колесо натяжения цепи, чтобы отрегулировать натяжение цепи. Пильная цепь должна плотно прилегать к шине. (Рис. 138)

Примечание: Поворачивайте колесо вниз (+), чтобы увеличить натяжение, или вверх (-), чтобы уменьшить его.

4. Убедитесь, что цепь пилы свободно протягивается рукой и не свисает с пильной шины. (Рис. 139)
5. Поверните фиксатор по часовой стрелке, чтобы затянуть фиксатор шины. (Рис. 140)
6. Переместите фиксатор в закрытое положение, чтобы зафиксировать натяжение. (Рис. 141)

Регулировка натяжения цепи (со шпилькой шины)

1. Отверните гайку шины, которая удерживает кожух ведущей звездочки. Используйте комбинированный ключ. (Рис. 142)
2. Поднимите переднюю часть пильной шины и поверните винт механизма натяжения цепи. Используйте комбинированный ключ.
3. Затяните цепь пилы таким образом, чтобы она плотно прилегала к шине. (Рис. 143)
4. Затяните гайку шины комбинированным ключом и одновременно поднимите переднюю часть шины. (Рис. 144)
5. Убедитесь, что цепь пилы свободно протягивается рукой и не свисает с пильной шины. (Рис. 139)

Примечание: См. раздел *Обзор изделия на стр. 593*, где приведена информация о расположении винта механизма натяжения цепи на изделии.

Проверка смазки пильной цепи

Проверяйте смазку цепи при каждой третьей зарядке аккумулятора.

1. Запустите изделие и дайте ему поработать на 3/4 мощности. Удерживайте шину приблизительно на 20 см (8 дюймах) над поверхностью светлого цвета.
2. При надлежащей смазке пильной цепи через 1 минуту на поверхности появится четкий масляный след. (Рис. 145)
3. При ненадлежащей смазке пильной цепи выполните следующие проверки.
 - a) Выполните проверку смазочного канала в пильной шине и убедитесь, что он не засорен. При необходимости выполните очистку. (Рис. 146)
 - b) Проверьте паз на кромке пильной шины и убедитесь, что он чистый. При необходимости выполните очистку. (Рис. 147)
 - c) Убедитесь, что звездочка на конце шины свободно вращается, а смазочное отверстие в этой звездочке не забито. При необходимости выполните очистку и смазку. (Рис. 148)
4. Если смазка пильной цепи не работает должным образом после выполнения указанных процедур, обратитесь в официальный сервисный центр.

Проверка ведущей звездочки цепи

- Проверьте ведущую звездочку цепи на наличие износа. При необходимости замените ведущую звездочку цепи.
- Каждый раз при замене цепи следует одновременно заменять ведущую звездочку цепи. (Рис. 149)

Проверка режущего оборудования

1. Убедитесь в отсутствии трещин на заклепках и звеньях и удостоверьтесь, что все заклепки на месте и затянуты. При необходимости выполните замену. (Рис. 150)
2. Убедитесь, что пильная цепь легко гнется. Замените пильную цепь, если она жесткая.
3. Сравните пильную цепь с новой цепью и убедитесь, что заклепки и звенья не изношены.
4. Замените цепь, если длина самой длинной части режущего зубца составляет менее 4 мм (0,16 дюйма). Также заменяйте цепь, если на режущих звеньях имеются трещины. (Рис. 151)

Проверка направляющей шины

1. Убедитесь, что смазочный канал не засорен. При необходимости очистите его. (Рис. 146)
2. Проверьте наличие заусенцев на ребрах направляющей шины. С помощью напильника сточите все заусенцы. (Рис. 152)
3. Очистите паз в направляющей шине. (Рис. 147)
4. Проверьте паз в направляющей шине на износ. При необходимости замените направляющую шину. (Рис. 153)
5. Проверьте конец шины на шероховатости и сильный износ. (Рис. 154)
6. Убедитесь, что ведомая звездочка шины свободно вращается, а смазочное отверстие в ведомой звездочке не забито. При необходимости следует провести очистку и смазку. (Рис. 148)
7. Чтобы продлить срок службы направляющей шины, ежедневно проворачивайте ее. (Рис. 155)

Поиск и устранение неисправностей

Пользовательский интерфейс

Светодиодный экран	Возможные неисправности	Возможное решение
Мигает предупредительный индикатор.	Включен тормоз цепи.	Отключите тормоз цепи.
	Отклонение температуры.	Дайте изделию остыть.
	Перегрузка. Цепь пилы не может перемещаться.	Освободите цепь.
	Курка и кнопка запуска/остановки нажаты одновременно.	Отпустите курок для запуска изделия.
Мигает оранжевый светодиодный индикатор активации.	Низкое напряжение аккумулятора.	Зарядите аккумулятор.
Горит предупредительный индикатор.	Требуется обслуживание.	Обратитесь в официальный сервисный центр.

Аккумулятор

Светодиодная индикация	Возможные неисправности	Возможное решение
Мигает зеленый светодиодный индикатор.	Низкое напряжение аккумулятора.	Зарядите аккумулятор.

Светодиодная индикация	Возможные неисправности	Возможное решение
Мигает светодиодный индикатор ошибки.	Отклонение температуры.	Используйте аккумулятор при температуре в диапазоне от -10 до 40 °C.
	Слишком высокое напряжение.	Убедитесь, что напряжение в сети соответствует напряжению изделия. См. паспортную табличку на изделии. Извлеките аккумулятор из зарядного устройства.
Горит светодиодный индикатор ошибки.	Слишком большая разница в напряжении элементов (1 В).	Обратитесь в официальный сервисный центр.

Зарядное устройство

Условие	Возможные неисправности	Порядок устранения
Светодиодный индикатор зарядки горит красным.	Постоянная ошибка зарядного устройства.	Обратитесь в дилерский центр.
Светодиодный индикатор зарядки мигает зеленым.	Отклонение температуры: аккумулятор слишком холодный или слишком горячий для использования или зарядки.	Дайте аккумулятору остыть или прогрейте его. Когда температура аккумулятора будет соответствовать норме, его можно снова использовать или заряжать. Используйте зарядное устройство при температуре окружающей среды в диапазоне от 5 до 40 °C.
Светодиодный индикатор зарядки мигает красным.	Неисправность аккумулятора	Обратитесь к официальному дилеру

Транспортировка, хранение и утилизация

Транспортировка и хранение

- Входящие в комплект литий-ионные аккумуляторы соответствуют требованиям законодательства в отношении опасных товаров.
- Соблюдайте особые требования к упаковке и этикеткам для коммерческих перевозок, в том числе третьими лицами и экспедиторами.
- Перед отправкой/транспортировкой изделия обратитесь к человеку, прошедшему специальную подготовку по работе с опасными материалами. Соблюдайте все применимые государственные нормативы.
- При помещении аккумулятора в упаковку заклейте лентой открытые контакты. Плотно упакуйте аккумулятор для предотвращения его движения.
- Перед хранением или транспортировкой аккумулятора необходимо извлекать из изделия.
- Храните аккумулятор и зарядное устройство в сухом помещении, не подверженном воздействию влаги и низких температур.
- Не допускается хранение аккумулятора в местах, где возможно возникновение статического электричества. Нельзя хранить аккумулятор в металлической коробке.
- Храните аккумулятор при температуре в диапазоне 5-25 °C / 41-77 °F, вдали от прямых солнечных лучей.
- Храните зарядное устройство для аккумулятора при температуре в диапазоне 5-45 °C / 41-113 °F, вдали от прямых солнечных лучей.
- Используйте зарядное устройство только при температуре окружающей среды в диапазоне 5-40 °C / 41-104 °F.
- Перед помещением аккумулятора на длительное хранение зарядите его до 30-50%.

- Храните зарядное устройство в сухом закрытом помещении.
- Храните аккумулятор отдельно от зарядного устройства. Не позволяйте притрагиваться к оборудованию детям и другим лицам, не имеющим соответствующего разрешения. Храните оборудование в месте, которое можно запереть.
- Перед помещением изделия на длительное хранение очистите его от загрязнений и проведите полное обслуживание.
- Во избежание травм или повреждений во время транспортировки и хранения изделия используйте транспортировочные щитки.
- Надежно закрепляйте изделие на время транспортировки.

качестве бытовых отходов. Изделие необходимо передать в пункт переработки электрического и электронного оборудования. Это поможет предотвратить отрицательное воздействие на окружающую среду и здоровье людей.

Для получения дополнительной информации обратитесь в местные органы власти, службу, занимающуюся переработкой бытовых отходов, либо к вашему дилеру.

(Рис. 24)

Примечание: Данный символ нанесен на само изделие или его упаковку.

Утилизация аккумулятора, зарядного устройства и изделия

Приведенный ниже символ указывает на то, что данное изделие не может быть утилизировано в

Технические данные

Технические данные

	225i
Электродвигатель	
Тип	Двигатель постоянного тока BLDC (бесщеточный), 36 В
Характеристики	
Энергосберегающий режим	Save
Система смазки	
Тип масляного насоса	Автоматический
Емкость масляного бака, мл / см ³	0,2 / 200
Вес	
Цепная пила без аккумулятора, шины, цепи и с пустым масляным баком, кг	3,1
Излучение шума ⁹⁰	
Уровень мощности звука, измеренный, дБ(А)	97
Уровень мощности звука, гарантированный, L _{WA} , дБ(А)	100

⁹⁰ Излучение шума в окружающую среду измеряется как звуковая мощность (L_{WA}) согласно Директиве Европейского союза 2000/14/ЕС и стандарту EN ISO 22868, указанные данные имеют типичный статистический разброс (стандартное отклонение) 3 дБ(А).

	225i
Уровни шума ⁹¹	
Уровень звукового давления на ухо пользователя, измерен согласно EN 62841-1	89
Уровни вибрации ⁹²	
На передней рукоятке, м/с ²	3,9
На задней рукоятке, м/с ²	3,9
Пильная цепь/шина	
Рекомендованные длины шины, дюйм / см	12–14 / 30,5–35,6
Допустимые длины шины, дюйм / см	11–13 / 27–33,2
Тип ведущей звездочки / количество зубьев	Spur (жестко приваренная к барабану сцепления) / 6
Максимальная скорость движения цепи / (нормальный режим), м/с	11,8
Максимальная скорость движения цепи / (режим SavE), м/с	9,4

Принадлежности

Комбинации пильной шины и цепи

Следующие режущие инструменты одобрены для модели Husqvarna 225i.

Пильная шина					Пильная цепь	
Тип	Длина, дюйм	Шаг цепи, дюйм	Профиль, мм	Макс. радиус носовой части	Тип	Длина, ведущие звенья (шт.)
501959545	12	3/8" mini	1,1	7T	Husqvarna H38 (581808145)	45
501959552	14	3/8" mini	1,1	7T	Husqvarna H38 (581807952)	52

Оборудование для заточки и углы заточки



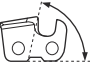
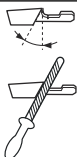

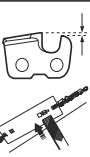
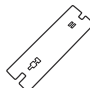






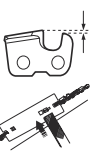


Для заточки цепи пилы используйте заточной шаблон Husqvarna. Использование заточного

шаблона Husqvarna обеспечивает правильные углы заточки. Номера деталей приведены в таблице ниже.

Если вы не уверены, как определить тип цепи на вашей пиле, посетите веб-сайт www.husqvarna.com для получения дополнительных сведений.

⁹¹ Указанные данные об уровне звукового давления для устройства имеют типичный статистический разброс (стандартное отклонение) 3 дБ(А).

⁹² Уровень вибрации в соотв. с EN 62841-4-1. Указанные данные об уровне вибрации имеют типичный статистический разброс (стандартное отклонение) $\pm 1,5$ м/с². Эти данные о вибрации основаны на измерениях на изделии, оборудованном шиной и цепью рекомендованного типа и длины. Если изделие оборудовано шиной другой длины, уровень вибрации может отличаться макс. на $\pm 1,5$ м/с².

							
38	11/64 дюйма / 4,5 мм	75°	30°	0°	0,025 дюйма / 0,65 мм	505 69 81-03	579 55 88-01
							
93	5/32 дюйма / 4,0 мм	60°	30°	0°	0,025 дюйма / 0,65 мм	596 63 89-01	596 63 89-01

Рекомендованные аккумуляторы

Аккумулятор	40-B140
Тип	Литий-ионный
Емкость аккумулятора, А·ч	4
Номинальное напряжение, В	36
Вес, кг	1.25

Рекомендованные зарядные устройства для изделия

Зарядное устройство	40-C80
Напряжение сети, В	100–240
Частота, Гц	50–60
Мощность, Вт	72
Выходное напряжение, В пост. тока / ампер (А)	43 / 1,6

Декларация о соответствии

Декларация соответствия требованиям ЕС

Мы, **Husqvarna AB**, SE-561 82 Huskvarna, Швеция,
тел.: +46-36-146500, под свою исключительную
ответственность заявляем, что изделие:

Описание	Беспроводная цепная пила
Марка	Husqvarna
Тип / Модель	225i
Идентификация	Серийные номера начиная с 2023 года и далее

полностью соответствует следующим директивам и
нормативам ЕС:

Директива/Норма- тив	Описание
2006/42/EC	"О механическом оборудовании"
2014/30/EU	"Об электромагнитной совместимости"
2011/65/EU	"Об ограничении использования определенных опасных веществ в электрическом и электронном оборудовании"
2000/14/EC	"Об излучении шума в окружающую среду"

Применяются следующие стандарты: EN
62841-1:2015+A11:2022, EN 62841-4-1:2020, EN
IEC 63000:2018, EN IEC 55014-1:2021, EN IEC
55014-2:2021.

Уполномоченная организация: TÜV Rheinland LGA
Products GmbH, Tillystrasse 2, D-90431 Nuernberg,
Germany, 0197, провела типовой контроль ЕС
в соответствии с директивой по оборудованию
(2006/42/EC), статья 12, пункт 3b. Сертификату
присвоен номер: VM 50604678 0001.

Поставляемая цепная пила соответствует образцу,
прошедшему типовые испытания ЕС.

Заявленные значения уровня шума в соответствии с
Директивой 2000/14/EC, Приложение V, приведены в
разделе *Технические данные на стр. 618*.

Husqvarna, 2023-10-30



Клаес Лосдал (Claes Losdal), директор отдела
разработок, Husqvarna AB

Ответственный за техническую документацию



141400, Московская обл., Г. Химки, ул. Ленинградская,
владение 39, строение 6, здание II этаж 4,
помещение ОВ02_04,
телефон горячей линии 8-800-200-1689

Obsah

Úvod.....	622	Riešenie problémov.....	641
Bezpečnosť.....	623	Preprava, skladovanie a likvidácia.....	642
Montáž.....	631	Technické údaje.....	643
Prevádzka.....	631	Príslušenstvo.....	644
Údržba.....	637	Vyhlasenie o zhode.....	646

Úvod

Plánované použitie

Táto reťazová píla pre lesné služby je určená na prácu v lese, napríklad ťažbu, odvetvovanie a pílenie.

Poznámka: Používanie tohto výrobku môže byť obmedzené vnútroštátnymi predpismi.

Prehľad výrobku

(Obr. 1)

1. Predný chránič ruky
2. Predná rukoväť
3. Používateľské rozhranie
4. Štartovacie/vypínacie tlačidlo
5. Výstražný indikátor a indikátor batérie
6. Tlačidlo SavE
7. Zadná rukoväť s ochranným krytom pravej ruky
8. Typový a výstražný štítok
9. Opláštenie
10. Nádrž na olej na mazanie reťaze
11. Prepravný kryt
12. Blokovanie páčky vypínača
13. Spúšťač
14. Kryt hnacieho kolieska s gombíkom lišty
15. Napínač reťaze
16. Zachytávač reťaze
17. Opierka rezania
18. Ozubené koliesko lišty
19. Reťaz píly
20. Vodiaca lišta
21. Indikátor stavu nabitia
22. Spojka
23. Nabíjačka batérie
24. Kombinovaný kľúč
25. Výstražný indikátor
26. Tlačidlo, stav batérie
27. Stav batérie
28. Tlačidlo uvoľnenia batérie
29. Batéria
30. Návod na obsluhu
31. Gombík lišty

Popis výrobku

Husqvarna 225i je model reťazovej píly s motorom napájaným batériou.

Neustále pracujeme na tom, aby sme zabezpečili vyššiu bezpečnosť a efektívnosť počas prevádzky. Ak potrebujete ďalšie informácie, obráťte sa na servisného predajcu.

32. Kryt hnacieho kolieska so skrutkou lišty

Symbole na výrobku

- (Obr. 2) UPOZORNENIE: Tento výrobok môže byť nebezpečný a spôsobiť vážne poranenie alebo usmrtenie obsluhujúceho pracovníka alebo iných osôb. Postupujte opatrne a používajte výrobok správnym spôsobom.
- (Obr. 3) Pred používaním výrobku si prečítajte návod na obsluhu a uistite sa, že rozumiete uvedeným pokynom.
- (Obr. 4) Používajte schválenú ochrannú prilbu, chrániče sluchu a chrániče očí.
- (Obr. 5) Počas obsluhy držte výrobok oboma rukami.
- (Obr. 6) Neobsluhujte výrobok iba jednou rukou.
- (Obr. 7) Nedovoľte, aby sa špička vodiacej lišty dotkla predmetu.
- (Obr. 8) Zariadenia nepoužívajte v daždi.
- (Obr. 9) Varovanie! Keď sa špička vodiacej lišty dotkne predmetu, môže dôjsť k spätnému nárazu. Spôsobí to odhodenie vodiacej lišty smerom k obsluhujúcemu pracovníkovi. Nebezpečenstvo vážneho poranenia alebo usmrtenia.
- (Obr. 10) Menovité napätie, V
-

- (Obr. 11) Olej na mazanie reťaze.
- (Obr. 12) Smer otáčania reťaze píly a maximálna dĺžka vodiacej lišty.
- (Obr. 13) Jednosmerný prúd.
- (Obr. 14) **Označenia týkajúce sa ochrany Životného prostredia.** Výrobok alebo jeho obal nepredstavuje komunálny odpad. Recyklujte ho v recyklačnej stanici určenej pre elektrické a elektronické zariadenia.
- (Obr. 15) Tento výrobok je v súlade s príslušnými smernicami EÚ.
- (Obr. 16) Tento výrobok je v súlade s príslušnými predpismi Spojeného kráľovstva.
- (Obr. 17) Označenie týkajúce sa emisie hluku do okolia podľa európskej smernice 2000/14/ES, smerníc a nariadení Spojeného kráľovstva a legislatívy v štáte New South Wales „Protection of the Environment Operations (Noise Control) Regulation 2017“ (Nariadenie o ochrane životného prostredia pri prevádzke (kontrola hluku) z roku 2017). Garantovaná hladina akustického výkonu produktu je uvedená v *Technické údaje na strane 643* a na štítku.
- (Obr. 21) Brzda reťaze, aktivovaná (dopredu). Brzda reťaze, deaktivovaná (dozadu).
- (Obr. 22) Smer chodu reťaze.
- (Obr. 23) Výkonový štítok zobrazuje výrobné číslo. **yyyy** je rok výroby, **ww** je týždeň výroby.

Poznámka: Ostatné symboly/emblémy na výrobku odkazujú na zvláštne požiadavky certifikácie pre určité trhy.

Symbole na batérii a/alebo na nabíjačke batérií

- (Obr. 24) Tento výrobok recyklujte v recyklačnej stanici určenej pre elektrické a elektronické zariadenia. (Uplatňuje sa iba na Eúrópu)
- (Obr. 18) Transformátor odolný voči poruchám.
- (Obr. 19) Nabíjačku batérie používajte a skladujte len v interiéri.
- (Obr. 20) Dvojité izolácia.

Výrobca

Husqvarna AB
Drottninggatan 2, SE-561 82, Huskvarna, Sweden, tel: +46-36-146500

Poškodenie výrobku

Nie sme zodpovední za škody na našom výrobku v prípade:

- nesprávne vykonanej opravy výrobku,
- opravy výrobku, pri ktorej neboli použité diely od výrobcu alebo diely schválené výrobcom,
- používania príslušenstva od iného výrobcu alebo príslušenstva, ktoré nie je schválené výrobcom,
- opravy výrobku, ktoré neboli vykonané v schválenom servisnom stredisku alebo schválenými kompetentnými osobami.

Bezpečnosť

Bezpečnostné definície

Výstrahy, upozornenia a poznámky slúžia na zdôraznenie mimoriadne dôležitých častí návodu.



VÝSTRAHA: Používa sa, ak pre obsluhu alebo osoby v okolí existuje nebezpečenstvo poranenia alebo smrti v prípade nedodržania pokynov v návode.



VAROVANIE: Používa sa, ak hrozí nebezpečenstvo poškodenia produktu, iných

materiálov alebo okolitej oblasti v prípade nedodržania pokynov v návode.

Poznámka: Používa sa na poskytnutie informácií nad rámec nevyhnutných informácií v danej situácii.

Všeobecné bezpečnostné upozornenie pre elektrické nástroje



VÝSTRAHA: **Prečítajte si všetky bezpečnostné upozornenia, pokyny a pozrite si ilustrácie a uvedené technické**

údaje tohto elektrického nástroja.

Nedodržanie všetkých nižšie uvedených pokynov môže spôsobiť zásah elektrickým prúdom, požiar alebo ťažké zranenia.

- **Uchovajte si všetky upozornenia a pokyny pre budúce použitie.** Výraz „elektrický nástroj“ v upozorneniach označuje elektrický nástroj napájaný z elektrickej siete (s káblom) alebo napájaný z batérie (bez kábla).

Bezpečnosť na pracovisku

- **Udržiavajte pracovisko v čistote a dobre osvetlené.** Neporiadok alebo nedostatočné osvetlenie spôsobujú nehody.
- **Nepoužívajte elektrické nástroje vo výbušnom ovzduší, napríklad v prítomnosti horľavých kvapalín, plynov alebo prachu.** Elektrické nástroje vytvárajú iskry, ktoré môžu vznietiť prach alebo výpary.
- **Pri používaní elektrického nástroja zabráňte deťom a okoloidúcim, aby sa zdržiavali vo vašej blízkosti.** Rušivé podnety môžu spôsobiť stratu kontroly.

Elektrická bezpečnosť

- **Parametre elektrických nástrojov sa musia zhodovať s parametrami napájacej zásuvky.** Nikdy a žiadnym spôsobom nemodifikujte elektrickú zástrčku. S uzemnenými elektrickými nástrojmi nepoužívajte žiadne adaptérové zástrčky. Ak sa zástrčky neupravujú a používajú sa zodpovedajúce zásuvky, zníži sa riziko úrazu elektrickým prúdom.
- **Zabráňte kontaktu tela s uzemnenými povrchmi, ako sú rúry, radiátory, sporáky a chladničky.** Riziko úrazu elektrickým prúdom je vyššie, ak je vaše telo uzemnené.
- **Nevystavujte elektrické nástroje dažďu alebo vlhkým podmienkam.** Voda vnikajúca do elektrického náradia zvyšuje riziko úrazu elektrickým prúdom.
- **Nepoužívajte kábel nesprávnym spôsobom.** Nikdy nepoužívajte kábel na nosenie, ťahanie alebo odpájanie elektrického náradia. Chráňte šnúru pred horúčavou, olejom, ostrými hranami alebo pohybujúcimi sa dielcami. Poškodené alebo zamotané káble zvyšujú riziko úrazu elektrickým prúdom.
- **Pri práci s elektrickým náradím vonku používajte predlžovací kábel vhodný na vonkajšie použitie.** Používanie predlžovacej šnúry určenej do vonkajšieho prostredia znižuje riziko zásahu elektrickým prúdom.
- **Ak je nevyhnutné použiť elektrický nástroj vo vlhkom prostredí, na napájanie nástroja použite vedenie vybavené prúdovým chráničom (RCD).** Použitie prúdového chrániča znižuje riziko úrazu elektrickým prúdom.

Osobná bezpečnosť

- **Buďte pozorní, sledujte, čo robíte, a pri používaní elektrického nástroja postupujte rozumne.** Nepoužívajte elektrický nástroj, keď ste unavení

alebo pod vplyvom drog, alkoholu alebo liekov.

Chvilka nepozornosti pri používaní elektrických nástrojov môže spôsobiť vážny úraz.

- **Používajte osobné ochranné pomôcky. Vždy noste ochranné prostriedky očí.** Ochranné vybavenie, ako sú napríklad masky proti prachu, bezpečnostné topánky s protišmykovou podrážkou, prilby alebo chrániče sluchu použité vo vhodných prípadoch znižujú počet osobných poranení.
- **Zabráňte neúmyselnému spusteniu zariadenia. Pred pripojením k elektrickej sieti alebo akumulátoru overte zdvihnutím alebo prenesením nástroja, či je vypínač vo vypnutej polohe.** Prenášanie elektrických nástrojov s prstom na vypínači alebo pripojenie napájania k nástrojom, ktoré majú vypínač zapnutý, zvyšuje riziko nehôd.
- **Pred zapnutím elektrického nástroja vyberte nastavovací kľúč alebo kľúč na matice.** Kľúč nasadený na otáčajúcu sa časť elektrického nástroja môže spôsobiť úraz.
- **Nenaťahujte sa príliš ďaleko. Vždy si udržiavajte rovnováhu a správny postoj.** To umožňuje lepšie ovládanie elektrického nástroja v neočakávaných situáciách.
- **Vhodne sa oblečte. Nenoste voľné oblečenie alebo šperky.** Udržujte svoje vlasy a oblečenie mimo dosahu pohyblivých častí. Voľné oblečenie, šperky alebo dlhé vlasy sa môžu zachytiť v pohyblivých častiach.
- **Ak je možné pripojiť zariadenia na odsávanie a zber prachu, overte, či sú tieto zariadenia pripojené a či sa správne používajú.** Používanie zberača prachu môže obmedziť nebezpečenstvá týkajúce sa prachu.
- **Nedovoľte, aby vás skúsenosti získané častým používaním nástrojov uspokojili, a ignorovali by ste bezpečnostné pravidlá pri používaní nástroja.** Neopatrné konanie môže v zlomku sekundy spôsobiť vážne poranenie.

Používanie a starostlivosť o elektrické náradie

- **Nepoužívajte elektrický nástroj násilím. Používajte správny elektrický nástroj na dané použitie.** Správny elektrický nástroj vykoná prácu lepšie a bezpečnejšie pri rýchlosti, na akú je určený.
- **Nepoužívajte elektrický nástroj, ak sa nedá zapnúť a vypnúť vypínačom.** Akýkoľvek elektrický nástroj, ktorý sa nedá ovládať vypínačom, je nebezpečný a musí sa opraviť.
- **Pred akýmkoľvek nastavením, výmenou príslušenstva alebo skladovaním elektrického nástroja odpojte zástrčku od zdroja napájania alebo vyberte akumulátor z elektrického nástroja, ak je vyberateľný.** Takéto preventívne bezpečnostné opatrenia znižujú riziko náhodného spustenia elektrického nástroja.
- **Nepoužívané elektrické nástroje udržiavajte mimo dosahu detí a nedovoľte osobám, ktoré nepoznajú elektrické nástroje alebo tieto pokyny, aby elektrický nástroj používali.** Elektrické nástroje sú nebezpečné v rukách neskúsených používateľov.

- **Vykonávajte údržbu elektrického náradia a príslušenstva. Skontrolujte vychýlenie alebo ohnutie pohyblivých častí, nalomenie častí alebo akékoľvek iné poškodenie, ktoré môže ovplyvniť prevádzku elektrického nástroja. Ak je elektrický nástroj poškodený, dajte ho pred použitím opraviť.** Mnoho nehôd je spôsobených nedostatočne udržiavanými elektrickými nástrojmi.
- **Rezacie nástroje udržiavajte nabrúsené a v čistote.** Správne udržiavané rezacie nástroje s ostrými hranami sú menej náchylné na ohnutie a ľahšie sa ovládajú.
- **Používajte elektrický nástroj, príslušenstvo a diely nástroja atď. v súlade s týmito pokynmi, pričom vezmite do úvahy pracovné podmienky a typ vykonávanej práce.** Používanie elektrického náradia na iné ako určené účely môže vyvolať nebezpečnú situáciu.
- **Rukoväti a úchytné povrchy udržiavajte suché, čisté a neznečistené olejom a mazivom.** Šmyklivé rukoväti a povrchy na uchopenie neumožňujú bezpečnú manipuláciu a ovládanie nástroja v nečakaných situáciách.

Používanie nástroja napájaného akumulátorom a starostlivosť oň

- **Nabíjajte iba pomocou nabíjačky špecifikovanej výrobcom.** Nabíjačka, ktorá je vhodná pre jeden typ akumulátora, môže pri použití s iným akumulátorom predstavovať nebezpečenstvo požiaru.
- **Elektrické nástroje používajte iba so špecificky označenými akumulátormi.** Pri použití akéhokoľvek iného akumulátora môže hroziť nebezpečenstvo poranenia a požiaru.
- **Keď sa akumulátor nepoužíva, udržiajte ho mimo dosahu kovových predmetov, ako sú spony na papier, mince, kľúče, klince, skrutky alebo iné drobné kovové predmety, ktoré môžu vytvoriť spoj medzi svorkami.** Skratovanie svoriek akumulátora môže spôsobiť popáleniny alebo požiar.
- **Pri neopatrnom zaobchádzaní môže z akumulátora uniknúť tekutina. Nedotýkajte sa jej. V prípade náhodného kontaktu umyte postihnuté miesto vodou. Ak sa dostane kvapalina z akumulátora do očí, vyhľadajte aj lekársku pomoc.** Kvapalina vystrekujúca z akumulátora môže spôsobiť podráždenie alebo popáleniny.
- **Nepoužívajte poškodený alebo upravený akumulátor alebo nástroj.** Poškodené alebo upravené akumulátory môžu mať za následok nepredvídateľné fungovanie a spôsobiť požiar, výbuch alebo predstavovať nebezpečenstvo poranenia.
- **Akumulátor alebo nástroj nevystavujte ohňu alebo nadmerne vysokým teplotám.** Pri vystavení ohňu alebo teplote nad 130 °C (266 °F) môže dôjsť k výbuchu.

- **Dodržiavajte všetky pokyny na nabíjanie a pri nabíjaní nevystavujte akumulátor alebo nástroj teplotám, ktoré sú mimo teplotného rozsahu uvedeného v pokynoch.** Pri nesprávnom nabíjaní alebo pri vonkajších teplotách mimo uvedeného rozsahu hrozí poškodenie akumulátora a zvyšuje sa nebezpečenstvo požiaru.

Servis

- **Elektrické náradie zverte do opravy iba kvalifikovanému odborníkovi a používajte iba originálne náhradné súčiastky.** Tým sa zaisťuje zachovanie bezpečnosti elektrického nástroja.
- **Poškodené akumulátory nikdy neservisujte sami.** Servis akumulátorov smie vykonávať len výrobca alebo autorizovaný servis.

Všeobecné bezpečnostné upozornenia k reťazovej píle

- **Keď je reťazová píla zapnutá, nepribližujte sa k nej žiadnou časťou tela. Pred zapnutím reťazovej píly skontrolujte, či sa reťaz píly ničoho nedotýka.** Chvilka nepozornosti pri používaní motorovej píly môže spôsobiť zachytenie oblečenia alebo tela reťazou píly.
- **Reťazovú pílu držte vždy pravou rukou na zadnej rukoväti a ľavou rukou na prednej rukoväti.** Držanie motorovej píly s opačným usporiadaním rúk zvyšuje riziko poranenia a nemá sa nikdy používať.
- **Reťazovú pílu držte iba za izolovanú časť určenú na držanie, pretože reťaz píly sa môže dostať do kontaktu so skrytými káblami.** Reťaze píly, ktoré sa dostanú do kontaktu s vodičom pod napätím, môžu preniesť napätie na nechránené kovové časti reťazovej píly a môžu používateľovi spôsobiť úraz elektrickým prúdom.
- **Noste chrániče očí. Odporúča sa ďalšie ochranné vybavenie na ochranu sluchu, hlavy, rúk, nôh a chodidiel.** Vhodné ochranné vybavenie obmedzí zranenia spôsobené lietajúcimi úlomkami alebo náhodným kontaktom s reťazou píly.
- **Reťazovú pílu nepoužívajte tak, že stojíte na strome, na rebríku, na streche alebo na akomkoľvek nestabilnom povrchu.** Používanie reťazovej píly takýmto spôsobom môže spôsobiť vážne osobné poranenie.⁹³
- **Vždy noste vhodnú obuv a reťazovú pílu používajte iba vtedy, ak stojíte na stabilnom, pevnom a rovnom povrchu.** Klzké alebo nestabilné povrchy môžu spôsobiť stratu rovnováhy alebo kontroly nad reťazovou pílu.
- **Rezaní konára, ktorý je napnutý, dávajte pozor na jeho vymrštenie.** Keď sa uvoľní napnutie vo vláknoch dreva, odpružený konár môže zasiahnuť používateľa a/alebo neovládateľne odhodiť reťazovú pílu.
- **Mimoriadne pozor dávajte pri rezaní krovín a mladých stromov.** Pružný materiál môže reťaz píly

⁹³ Odchýliť sa od tohto bezpečnostného predpisu je možné len vtedy, ak ste vyškolení v oblasti špeciálnych spôsobov rezania a práce, a ste riadne zaistení (zdvíhacia lyžica, laná, bezpečnostný popruh).

zachytiť a vymrštiť smerom k vám alebo spôsobiť stratu rovnováhy.

- **Reťazovú pílu prenášajte za prednú rukoväť vypnutú a smerom od vášho tela. Pri prenášaní alebo uskladnení reťazovej píly vždy nasadte kryt vodiacej lišty.** Pri správnej manipulácii s reťazovou pilou sa obmedzí pravdepodobnosť náhodného kontaktu s pohybujúcou sa reťazou píly.
- **Riadte sa pokynmi na mazanie, napnutie reťaze a výmenu lišty a reťaze.** Nesprávne napnutá alebo namastená reťaz môže spôsobiť brzdenie alebo zvýšiť riziko spätného nárazu.
- **Režte iba drevo. Reťazovú pílu nepoužívajte na účely, na ktoré nie je určená. Napríklad: Reťazovú pílu nepoužívajte na rezanie kovu, plastu, muriva ani stavebných materiálov okrem dreva.** Použitie reťazovej píly na iné než určené činnosti môže spôsobiť vznik nebezpečnej situácie.
- **Predtým, ako sa pokúsíte rezať strom, musíte poznať všetky riziká a spôsob, ako im predchádzať.** Počas rezania stromu môže dôjsť k zraneniu obsluhy alebo osôb v okolí.
- **Pri odstraňovaní zachyteného materiálu, skladovaní alebo vykonávaní servisu reťazovej píly dodržiajte všetky pokyny. Uistite sa, že je prepínač vo vypnutej polohe a že je vybratý akumulátor.** Neočakávané uvedenie reťazovej píly do činnosti v priebehu odstraňovania zachyteného materiálu alebo vykonávania servisu môže spôsobiť vážne poranenie.
- **Nepoužívajte reťazovú pílu na strome, ak na to nemáte špeciálne školenie.** Používanie reťazovej píly na strome bez vhodného zaškolenia môže zvýšiť riziko vážnych zranení osôb.

Príčiny spätného nárazu a jeho predchádzanie

Spätý náraz môže nastať vtedy, ak koniec vodiacej lišty príde do kontaktu s nejakým predmetom alebo keď sa rez dreva zatvorí a stisne reťaz píly. Kontakt konca vodiacej lišty môže v niektorých prípadoch spôsobiť náhly spätný náraz, ktorý spôsobí, že sa vodiaca lišta odrazí dozadu a nahor smerom k používateľovi. Stisnutie reťaze píly pozdĺž vrchnej časti vodiacej lišty môže vodiacu lištu vytlačiť prudko dozadu smerom k používateľovi. Každá z týchto reakcií môže spôsobiť neovládateľnosť píly, ktorá môže spôsobiť vážne zranenie. Nespoliehajte sa iba na bezpečnostné zariadenia zabudované v pile. Ako používateľ motorovej píly by ste mali vykonať niekoľko krokov, aby pri rezaní nedochádzalo k nehodám alebo zraneniam. Spätý náraz vzniká v dôsledku nesprávneho použitia reťazovej píly alebo nesprávnych pracovných postupov alebo podmienok a dá sa mu zabrániť prijatím vhodných opatrení opísaných nižšie:

- **Pílu držte pevne tak, aby prsty obopínali rukoväť reťazovej píly, s obidvomi rukami na píle a telo a ruku majte v takej polohe, aby ste odolali silám spätného nárazu.** Používateľ môže sily spätného nárazu skrotiť, ak sa vykonajú vhodné opatrenia. Motorovú pílu nepúšťajte.

- **Nenačahujte sa príliš ďaleko a nerežte nad úrovňou ramien.** To pomôže zabrániť neúmyselnému kontaktu konca a umožní lepšiu kontrolu reťazovej píly v neočakávaných situáciách.
- **Používajte iba náhradné vodiace lišty a reťaze píly určené výrobcom.** Nesprávne náhradné vodiace lišty a reťaze píly môžu spôsobiť pretrhnutie reťaze a/alebo spätný náraz.
- **Dodržiujte pokyny výrobcu na ostrenie a údržbu reťaze píly.** Zníženie výšky miery hĺbky môže viesť k zosilneniu spätných nárazov.

USCHOVAJTE SI TIETO POKYNY.

Všeobecné bezpečnostné pokyny



VÝSTRAHA: Skôr než budete používať produkt, prečítajte si nasledujúce výstrahy.

- Tento výrobok môže byť nebezpečný, ak nie ste opatrní alebo ho používate nesprávne. Tento výrobok môže spôsobiť vážne poranenie alebo usmrtenie obsluhujúceho pracovníka alebo iných osôb. Je veľmi dôležité, aby ste si prečítali tento návod na obsluhu a aby ste rozumeli jeho obsahu.
- Výrobok neupravujte bez súhlasu výrobcu. Nepoužívajte výrobok, ktorý upravovali iné osoby a vždy používajte originálne príslušenstvo. Zmeny, ktoré neschválil výrobca, môžu zapríčiniť vážne poranenie alebo usmrtenie obsluhujúceho pracovníka alebo iných osôb.
- Dlhodobé vdychovanie výparov oleja na mazanie reťaze a pilín môže spôsobiť zdravotné problémy.
- Tento produkt vytvára počas prevádzky elektromagnetické pole. Toto pole môže za určitých okolností spôsobovať rušenie aktívnych alebo pasívnych implantovaných lekárskeho prístrojov. Na zníženie rizika vážneho poranenia alebo usmrtenia odporúčame, aby sa osoby s implantovanými lekárskeho pomôckami poradili so svojim lekárom a výrobcom pomôcky ešte pred použitím tohto výrobku.

Bezpečnostné pokyny pre prevádzku



VÝSTRAHA: Skôr než budete výrobok používať, prečítajte si nasledujúce výstrahy.

- Informácie uvedené v tomto návode na obsluhu nenahrádzajú odborné znalosti a skúsenosti. Ak sa v danej situácii necítite bezpečne, výrobok zastavte. Obráťte sa na servisné stredisko alebo na profesionálneho používateľa reťazovej píly. Nepokúšajte sa vykonávať činnosti, v ktorých nemáte istotu!
- Ak máte otázky týkajúce sa prevádzky výrobku, obráťte sa na servisného predajcu alebo spoločnosť Husqvarna. Môžeme vám poskytnúť informácie o efektívnej a bezpečnej prevádzke výrobku.

Ak je to možné, zúčastnite sa školiaceho kurzu zameraného na používanie reťazovej pily. Informácie o dostupných školiacich materiáloch a kurzoch získate u svojho servisného predajcu, v lesníckej škole alebo knižnici.

- Skôr ako začnete výrobok používať, musíte porozumieť účinkom spätného nárazu a tomu, ako im predchádzať. V časti *Informácie o spätnom náraze na strane 633* a *Časté otázky týkajúce sa spätného nárazu na strane 633* kde nájdete pokyny.
- Nepoužívajte výrobok, batériu alebo nabíjačku batérie, ktoré sú poškodené alebo nefungujú správne.
- Nedotýkajte sa rotujúcej reťaze pily. Môže to spôsobiť vážne poranenie alebo úmrtie.
- Výrobok nepoužívajte, ak ste unavení, po požití alkoholu, drog, liekov alebo čokoliek iného, čo môže viesť k zníženiu zrakových schopností, pozornosti, koordinácie alebo schopnosti úsudku.
- Práca v nepriaznivom počasí je únavná a často prináša zvýšené nebezpečenstvo. Vzhľadom na zvýšené nebezpečenstvo sa neodporúča používať výrobok za veľmi nepriaznivého počasia, napríklad za hustej hmly, silného dažďa, silného vetra, keď je veľmi chladno alebo počas búrky.
- Výrobok neštartujte, ak nie je správne nasadená vodiaca lišta, reťaz pily a všetky kryty. V opačnom prípade sa môže uvoľniť hnacie koliesko a zapríčiniť vážne poranenia. V časti *Montáž na strane 631* kde nájdete pokyny.

(Obr. 25)

- Niekedy sa úlomky zachytia v kryté spojky a spôsobia zaseknutie reťaze pily. Pred čistením vždy zastavte motor.
- Poobzerajte sa okolo seba. Uistite sa, že neexistuje nebezpečenstvo, že by sa osoby alebo zvieratá mohli dotknúť výrobku alebo ovplyvniť jeho ovládanie.

(Obr. 26)

- Nedovoľte deťom, aby výrobok používali alebo sa k nemu priblížili. Keďže sa výrobok ľahko štartuje, existuje pravdepodobnosť, že sa im ho podarí naštartovať, ak nie sú pod neustálym dozorom. Môže to predstavovať riziko vážneho poranenia.
- Keď nemáte dokonalý prehľad o tom, čo sa s výrobkom robí alebo výrobok nechávate na nejaký čas bez dozoru, vyberte batériu.
- Na zaistenie dokonalej kontroly nad výrobkom sa vyžaduje stabilný postoj. Výrobok nepoužívajte, keď ste na strome alebo na rebríku. Výrobok nepoužívajte, keď stojíte na nestabilnom povrchu.

(Obr. 27)

- Práca na strome si vyžaduje použitie špeciálnych spôsobov pílenia a práce, ktoré treba dodržiavať, aby sa obmedzilo zvýšené riziko úrazu. Nikdy nepracujte na strome, ak ste neprešli špecifickým profesionálnym školením na tento typ práce, vrátane

školenia na používanie bezpečnostného a iného lezeckého vybavenia, napríklad popruhov, lán, remeňov, stúpadiel, hákov, karabínok atď.

- Nikdy sa nepokúšajte zachytiť padajúce časti. Nikdy nerezte na strome, ak na zaistenie používate iba jedno lano. Vždy používajte dve istené laná.
- Ak nebudete postupovať opatrne, zvyšuje sa nebezpečenstvo spätného nárazu. Spätný náraz môže vzniknúť, ak sa zóna spätného nárazu vodiacej lišty náhodne dotkne konára, stromu alebo iných predmetov.

(Obr. 28)

- Výrobok nedržte jednou rukou. Tento výrobok nemožno bezpečne ovládať jednou rukou.
- Výrobok nepoužívajte nad výškou ramien a nepokúšajte sa rezať špičkou vodiacej lišty.

(Obr. 29)

- Nepoužívajte výrobok v situáciách, v ktorých by v prípade nehody nebolo možné zabezpečiť žiadnu pomoc.
- Pred prenášaním výrobok zastavte a zapnite brzdzu reťaze. Výrobok držte tak, aby vodiaca lišta a reťaz pily smerovali dozadu. Pred prepravou alebo prenášaním na akúkoľvek vzdialenosť nasadte na vodiacu lištu prepravový kryt.
- Keď kladiete výrobok na zem, zapnite brzdzu reťaze a výrobok majte neustále pod dohľadom. Ak odložíte výrobok na akúkoľvek dobu, zastavte ho a vyberte batériu.
- Hrozí, že v pohonom systéme uviaznu kúsky dreva. Môže to spôsobiť zaseknutie reťaze pily. Pred čistením výrobok vždy zastavte a vyberte batériu.
- Pri rezaní s rezným zariadením, ktoré je nesprávne alebo nie je správne nabrúsené, sa zvyšuje úroveň vibrácií. Rezanie tvrdého dreva, napríklad listnatých stromov, spôsobuje viac vibrácií ako rezanie mäkkého dreva, napríklad ihličnanov.

(Obr. 30)

- Nadmerné vystavenie vibráciám môže viesť k poškodeniu krvného obehu alebo nervovým poškodeniam u ľudí, ktorí majú zhoršený krvný obeh. Pri symptómoch nadmerného vystavenia vibráciám sa obráťte na svojho lekára. Tieto príznaky sú trpnutie, strata citu, chvenie, pichanie, bolesť, strata sily, zmeny vo farbe a stave pleti. Tieto príznaky sa bežne objavujú na prstoch, rukách a zápästiach a môžu sa zhoršiť pri nízkych teplotách.
- Nepokúšajte sa vykonávať prerezávanie a odvetvovanie v stojacom strome, pokiaľ na to nemáte špeciálne školenie.
- Pri pílení na svahu stojte vždy na vyvýšenej strane brvna, pretože strom sa po zrezaní pravdepodobne skotúľa alebo zosunie dolu kopcom. Pri pílení udržiajte nad výrobkom stálu kontrolu, tlak pílenia uvoľnite až na konci rezu. Nespúšťajte ruky z rúkovače. Zabráňte kontaktu reťaze pily so zemou. Po dokončení rezu počkajte, kým sa reťaz pily zastaví a až potom pohybujte s výrobkom. Pri

prechode od jedného stromu k druhému vždy zastavte motor.

(Obr. 31)

- Nevykonávajte rez, ak existuje riziko, že ohrozíte akúkoľvek osobu, poškodíte alebo zasiahnete elektr. vedenie alebo spôsobíte majetkovú škodu. Ak strom zasiahne elektr. vedenie, energetická spoločnosť musí byť ihneď upovedomená.
- Zabezpečte, aby sa v okolí výrobu dalo bezpečne pohybovať. Preskúmajte podmienky a okolitý terén a zistíte, či sa v ňom nenachádzajú možné prekážky, ako napríklad korene, skaly, konáre a iné predmety. Pri práci v svahu buďte opatrní.
- Vyvarujte sa situácií, ktoré podla vás presahujú vaše možnosti.
- Nie je možné obsiahnuť všetky situácie, ktoré sa môžu vyskytnúť pri používaní tohto výrobu. Vždy zachovávajte opatrnosť a riaďte sa zdravým úsudkom.

(Obr. 32)

Osobné ochranné prostriedky



VÝSTRAHA: Skôr než budete výrobok používať, prečítajte si nasledujúce výstrahy.

(Obr. 33)

- Väčšina úrazov pri práci s reťazovou pilou sa stáva, keď reťaz pily zasiahne používateľa. Počas prevádzky musíte používať schválené osobné ochranné prostriedky. Osobné ochranné prostriedky vás nedokážu úplne ochrániť pred zranením, ale môžu znížiť závažnosť zranenia v prípade nehody. Servisné stredisko vám poskytne odporúčania, ktoré vybavenie použiť.
- Odev musí byť priliehavý, nesmie však obmedzovať pohyb. Pravidelne vykonávajte kontrolu stavu osobných ochranných prostriedkov.
- Používajte schválenú ochrannú prilbu.
- Používajte schválené chrániče sluchu. Dlhodobé vystavenie sa hluku môže spôsobiť trvalé poškodenie sluchu.
- Používajte schválené ochranné okuliare alebo ochranný štít na tvár, aby ste znížili riziko poranenia spôsobeného odrazenými predmetmi. Výrobok môže veľkou silou vymršťovať predmety, napríklad triesky, kusky dreva a pod. Môže dôjsť k vážnemu poraneniu, najmä poraneniu očí.
- Používajte rukavice určené na ochranu pri rezaní reťazovou pilou.
- Používajte nohavice určené na ochranu pri rezaní reťazovou pilou.
- Používajte topánky určené na ochranu pri rezaní reťazovou pilou s oceľovou špičkou a protišmykovou podrážkou.
- Vždy majte so sebou lekárničku.

- Nebezpečenstvo iskrenia. Majte k dispozícii nástroje na hasenie ohňa a lopatu na zabránenie lesným požiarom.

Bezpečnostné zariadenia na výrobu



VÝSTRAHA: Skôr než budete výrobok používať, prečítajte si nasledujúce výstrahy.

- Výrobok nepoužívajte s bezpečnostnými zariadeniami, ktoré sú poškodené alebo nefungujú správne.
- Pravidelne kontrolujte bezpečnostné zariadenia. V časti *Údržba a kontroly bezpečnostných zariadení výrobu na strane 638*.
- Ak sú bezpečnostné zariadenia poškodené alebo nefungujú správne, obráťte sa na Husqvarna servisného zástupcu.

Funkcie používateľského rozhrania

Používateľské rozhranie obsahuje tlačidlo štart/stop, tlačidlo SavE, indikátor stavu batérie a výstražný indikátor. Ak sa zapne brzda reťaze alebo nastane riziko preťaženia, bliká výstražný indikátor. Ochrana pred preťažením dočasne zastaví výrobok, pričom výrobok nemôžete používať, kým jeho teplota neklesne. Ak výstražný indikátor trvalo svieti, obráťte sa na servisné stredisko.

(Obr. 34)

Bližšie informácie o používateľskom rozhraní nájdete v časti *Prehľad výrobu na strane 622*.

Funkcia automatického zastavenia

Výrobok obsahuje funkciu automatického zastavenia, ktorá ho zastaví, ak výrobok 3 minúty nepoužívate.

Brzda reťaze a predný chránič rúk

Váš výrobok má brzdu reťaze, ktorá pri spätnom náraze reťaz pily zastaví. Brzda reťaze znižuje nebezpečenstvo nehôd, ale iba vy im môžete predísť.

(Obr. 35)



VÝSTRAHA: Vyhýbajte sa situáciám, pri ktorých existuje nebezpečenstvo spätného nárazu. Pri používaní výrobu postupujte opatrne a dbajte na to, aby zóna spätného nárazu vodiacej lišty nezasiahla žiadny predmet.

(Obr. 36)

Brzda reťaze (A) sa aktivuje manuálne ľavou rukou alebo automaticky zotrvačnosťou. Predný chránič ruky (B) posuňte dopredu, aby sa manuálne aktivovala brzda reťaze. Tento pohyb spustí pružinový mechanizmus, ktorý zastaví hnacie koliesko.

(Obr. 37)

Spôsob aktivovania brzdy reťaze závisí od sily spätného nárazu a polohy výrobku. Ak vás zasiahne intenzívny spätný náraz, keď je zóna spätného nárazu najďalej od vás, brzda reťaze sa aktivuje zotrvačnosťou. Ak je spätný náraz miernejší alebo je zóna spätného nárazu bližšie ku vám, brzda reťaze sa aktivuje manuálne ľavou rukou.

(Obr. 38)

Brzdu reťaze používajte ako parkovacia brzda pri spúšťaní výrobku alebo pri presune na krátku vzdialenosť. Znižuje sa tým riziko, že by ste sa vy alebo osoba vo vašej blízkosti mohli dostať do kontaktu s reťazou píly.

(Obr. 39)

Predný chránič ruky potiahnite dozadu, aby sa deaktivovala brzda reťaze.

(Obr. 40)

Spätný náraz môže byť veľmi nečakaný a intenzívny. Väčšina nárazov je menších a nie vždy aktivujú brzdu reťaze. Ak pri používaní výrobku dôjde k spätnému nárazu, pevne držte rukoväti a nepúšťajte ich.

(Obr. 41)

Predný chránič ruky znižuje taktiež riziko kontaktu s reťazou píly, ak sa rukou pustíte prednej rukoväti.

(Obr. 42)

V polohe pri pilení nemožno vykonať manuálnu aktiváciu brzdy reťaze. Brzda reťaze sa v tejto polohe môže aktivovať len zotrvačnosťou.

(Obr. 43)

Blokovanie páčky vypínača

Poistka vypínača bráni náhodnému posunu páčky vypínača. Ak posuniete poistku páčky vypínača (A) dopredu a potom ju posuniete proti rukoväti (B), páčka vypínača (C) sa uvoľní. Keď uvoľníte rukoväť, páčka vypínača aj poistka páčky vypínača sa vrátia späť do svojej pôvodnej polohy.

(Obr. 44)

Zachytávač reťaze

Zachytávač reťaze slúži na zachytenie reťaze, ak sa pretrhne alebo uvoľní. Toto riziko sa znižuje pri správnom napnutí reťaze. K zníženiu rizika prispieva aj správna údržba vodiacej lišty a reťaze píly. Pokyny nájdete v časti *Montáž na strane 631* a *Údržba na strane 637*.

(Obr. 45)

Ochranný kryt pravej ruky

Ochranný kryt pravej ruky slúži na ochranu ruky v prípade, že sa reťaz píly roztrhne alebo uvoľní. Taktiež zabraňuje, aby konáre a vetvičky nenarušili činnosť výrobku.

(Obr. 46)

Bezpečnosť batérie



VÝSTRAHA: Skôr než budete výrobok používať, prečítajte si nasledujúce výstrahy.

- Používajte iba batérie série 40-B, ktoré pre tento výrobok odporúčame. V časti *Schválené batérie na strane 645*. Batérie sú softvérovým kódovaním.
- Nabíjateľné batérie série 40-B používajte iba na napájanie príslušných výrobkov značky Husqvarna. V časti *Schválené batérie na strane 645*. V prípade iných zariadení nepoužívajte batériu ako zdroj napájania, aby ste zabránili riziku zranenia.
- Nebezpečenstvo zásahu elektrickým prúdom. Nepripájajte konektory batérie ku kľúčom, skrutkám ani k iným kovovým predmetom. Môže dôjsť k skratu batérie.
- Nepoužívajte batérie, ktoré nie sú nabíjateľné.
- Do vetracích otvorov batérie nevkladajte žiadne predmety.
- Batériu nevystavujte priamemu slnečnému žiareniu, teplu ani otvorenému ohňu. Batéria môže spôsobiť popálenie alebo poleptanie.
- Batériu nevystavuje dažďu ani vlhku.
- Batériu nevystavuje mikrovlnnému žiareniu ani vysokému tlaku.
- Nepokúšajte sa rozoberať ani rozdrviť batériu.
- Zamedzte kontaktu batériovej kyseliny s pokožkou. Batériová kyselina spôsobuje poranenia pokožky, poleptanie a popálenie. Ak sa vám batériová kyselina do očí, nepretierajte si ich. Namiesto toho ich minimálne 15 minút vyplachujte vodou. Ak sa batériová kyselina dostane do kontaktu s pokožkou, je nutné umyť ju veľkým množstvom vody a mydlom. Zavolajte lekársku pomoc.
- Batériu používajte v prostredí, v ktorom sa teplota pohybuje od $-10\text{ }^{\circ}\text{C}$ ($14\text{ }^{\circ}\text{F}$) do $40\text{ }^{\circ}\text{C}$ ($104\text{ }^{\circ}\text{F}$).
- Batériu ani nabíjačku batérií nečistite vodou. V časti *Kontrola batérie a držiaka batérie na strane 638*.
- Nepoužívajte poškodenú batériu.
- Batérie uchovávajte v bezpečnej vzdialenosti od kovových predmetov, ako sú napr. klince, skrutky alebo šperky.
- Batériu uchovávajte mimo dosahu detí.

Bezpečnosť nabíjačky batérií



VÝSTRAHA: Skôr než budete výrobok používať, prečítajte si nasledujúce výstrahy.

- V prípade nedodržania bezpečnostných pokynov hrozí nebezpečenstvo zásahu elektrickým prúdom alebo skratu.
- Používajte schválenú uzemnenú a nepoškodenú elektrickú zásuvku.

- Používajte len nabíjačku batérií dodanú s vaším výrobkom. Na nabíjanie náhradných batérií 40-C80 používajte iba nabíjačky Husqvarna. V časti *Schválené nabíjačky batérií pre výrobok na strane 645* a *Schválené batérie na strane 645*.
- Nabíjačku batérií sa nepokúšajte rozoberať.
- Nepoužívajte chybnú alebo poškodenú nabíjačku batérií.
- Nabíjačku batérií nedvíhajte za napájací kábel. Pri odpájaní nabíjačky batérií od sieťovej zásuvky ťahajte za zástrčku. Neťahajte za napájací kábel.
- Udržiavajte všetky káble a predlžovacie káble mimo dosahu vody, oleja a ostrých hrán. Dbajte, aby sa kábel nezachytil vo dverách, plotoch a podobne.
- Nabíjačku batérií nepoužívajte v blízkosti horľavých materiálov alebo materiálov, ktoré spôsobujú koróziu. Skontrolujte, či nabíjačka batérií nie je zakrytá. V prípade výskytu dymu alebo ohňa odpojte zástrčku nabíjačky batérií.
- Batériu nabíjajte len v interiéri na miestach s dobrým prúdením vzduchu a mimo slnečného svetla. Batériu nenabíjajte vonku. Batériu nenabíjajte vo vlhkom prostredí.
- Nabíjačku batérií používajte iba pri teplotách od 5 °C (41 °F) do 40 °C (104 °F). Nabíjačku používajte v prostredí, ktoré je dobre vetrané, suché a bez prachu.
- Do chladiacich otvorov nabíjačky batérií nekladajte žiadne predmety.
- Nikdy nepripájajte koncovky nabíjačky batérií ku kovovým predmetom, pretože tak môže nabíjačka skratovať.
- Používajte schválené elektrické zásuvky, ktoré nie sú poškodené.
- Nenabíjateľné batérie v nabíjačkách batérií nenabíjajte.

Bezpečnostné pokyny pre údržbu



VÝSTRAHA: Skôr než začnete s údržbou výrobku, prečítajte si nasledujúce výstrahy.

- Pred vykonávaním údržby, inými kontrolami alebo zmontovaním produktu vyberte batériu.
- Obsluha je povinná vykonávať iba údržbu a servisné úkony uvedené v tomto návode na obsluhu. O vykonanie rozsiahlejšej údržby alebo servisu požiadajte svojho servisného zástupcu.
- Batériu ani nabíjačku batérií nečistíte vodou. Silné čistiace prostriedky môžu spôsobiť poškodenie plastov.

- V prípade zanedbania údržby sa skracaie životnosť výrobku a zvyšuje sa riziko vzniku nehôd.
- Na vykonávanie všetkých servisných a opravných úkonov, najmä na bezpečnostných zariadeniach na výrobku, je potrebné špeciálne odborné vzdelanie. Ak po vykonaní údržby nie je možné úspešne vykonať všetky kontroly v tomto návode na obsluhu, požiadajte o pomoc servisného predajcu. Zaručujeme, pre tento výrobok sú k dispozícii profesionálne opravné a servisné služby.
- Používajte iba originálne náhradné diely.

Bezpečnostné pokyny pre rezné zariadenie



VÝSTRAHA: Skôr než budete výrobok používať, prečítajte si nasledujúce výstrahy.

- Používajte len schválené kombinácie vodiacich líšt/ reťazí píly a plniacich zariadení. Pokyny nájdete v časti *Technické údaje na strane 643*.
- Pri používaní alebo vykonávaní údržby reťaze píly používajte ochranné rukavice. Nepohyblivá reťaz píly môže tiež spôsobiť zranenia.
- Udržujte rezacie zuby správne nabrušené. Postupujte podľa pokynov a používajte odporúčanú brúsnu mierku. Poškodená alebo nesprávne naostrená reťaz píly, zvyšuje nebezpečenstvo nehôd.

(Obr. 47)

- Dodržujte správne nastavenie mierky hĺbky. Postupujte podľa pokynov a používajte odporúčanú mierku hĺbky. Príliš veľké nastavenie mierky hĺbky zvyšuje riziko spätného nárazu.

(Obr. 48)

- Skontrolujte, či je reťaz píly správne napnutá. Ak reťaz píly nie je utiahnutá voči vodiacej lište, reťaz píly môže vypadnúť z vodiacej lišty. Nesprávne napnutie reťaze zvyšuje opotrebovanie vodiacej lišty, reťaze píly a hnacieho kolieska. Pozrite si časť *Príslušenstvo na strane 644*.

(Obr. 49)

- Pravidelne vykonávajte údržbu rezného zariadenia a udržiavajte ho správne namazané. Ak nie je reťaz píly správne namazaná, zvyšuje sa riziko opotrebovania vodiacej lišty, reťaze píly a hnacieho kolieska reťaze píly.

(Obr. 50)

Montáž

Montáž vodiacej lišty a reťaze píly (s lištovým otočným gombíkom)



VÝSTRAHA: Pred rozoberaním výrobku alebo vykonávaním jeho údržby vždy vyberte batériu.

1. Deaktivujte brzdzu reťaze. (Obr. 51)
2. Uvoľnite gombík lišty a odstráňte kryt hnacieho kolieska. (Obr. 52)
3. Vodiacu lištu umiestnite na skrutku lišty. Vodiacu lištu nastavte do najvzdialenejšej zadnej polohy. Reťaz píly nadvihnite ponad hnacie reťazové koliesko a umiestnite ju do drážky na vodiacej lište. Začnite na hornom okraji vodiacej lišty.
4. Presvedčte sa, či sú okraje rezacích článkov na hornom okraji vodiacej lišty obrátené smerom dopredu. (Obr. 53)
5. Nasadte kryt hnacieho kolieska a napínací trň reťaze založte do otvoru vo vodiacej lište.
6. Skontrolujte či vodiace články reťaze píly správne zapadli na hnacie koliesko.
7. Skontrolujte, či je reťaz píly správne založená v drážke vo vodiacej lište.
8. Uťahnite prstami maticu lišty.
9. Napnite reťaz píly. V časti *Údržba na strane 637* kde nájdete pokyny.

Montáž vodiacej lišty a reťaze píly (s lištovou skrutkou)



VÝSTRAHA: Pred rozoberaním výrobku alebo vykonávaním jeho údržby vždy vyberte batériu.

1. Deaktivujte brzdzu reťaze. (Obr. 51)
2. Uvoľnite maticu lišty a odstráňte kryt hnacieho kolieska. (Obr. 54)
3. Vodiacu lištu umiestnite na skrutku lišty. Vodiacu lištu nastavte do najvzdialenejšej zadnej polohy. Reťaz píly nadvihnite ponad hnacie reťazové koliesko a umiestnite ju do drážky na vodiacej lište. Začnite na hornom okraji vodiacej lišty.
4. Presvedčte sa, či sú okraje rezacích článkov na hornom okraji vodiacej lišty obrátené smerom dopredu. (Obr. 53)
5. Nasadte kryt hnacieho kolieska a napínací trň reťaze založte do otvoru vo vodiacej lište.
6. Skontrolujte či vodiace články reťaze píly správne zapadli na hnacie koliesko.
7. Skontrolujte, či je reťaz píly správne založená v drážke vo vodiacej lište.
8. Uťahnite prstami maticu lišty.
9. Napnite reťaz píly. V časti *Údržba na strane 637* kde nájdete pokyny.

Montáž nabíjačky akumulátora na stenu



VAROVANIE: Na montáž nabíjačky akumulátora na stenu nepoužívajte elektrický skrutkovač. Elektrický skrutkovač môže spôsobiť poškodenie nabíjačky batérií.

1. Namontujte nabíjačku batérie na stenu pomocou 2 skrutiek (A). V prípade potreby použite hmoždinky (B). (Obr. 56)
2. Namontujte 2 závitové uzávery (C).
3. Napájací kábel (D) pripojte do nabíjačky batérií a do uzemnenej zásuvky.

Prevádzka

Úvod



VÝSTRAHA: Pred používaním výrobku si prečítajte kapitolu o bezpečnosti a uistite sa, že rozumiete informáciám, ktoré sa v nej uvádzajú.

Kontrola funkcií pred používaním výrobku

1. Skontrolujte, či brzdza reťaze správne funguje a či nie je poškodená.
2. Skontrolujte, či nie je poškodený zadný ochranný kryt pravej ruky (A).
3. Skontrolujte, či páka vypínača a poistka páčky vypínača (C) správne fungujú a či nie sú poškodené.
4. Skontrolujte správne fungovanie klávesnice (C).
5. Uistite sa, že sa na rukovätiach nenachádza žiaden olej.
6. Skontrolujte, či sú všetky časti správne pripevnené, či nie sú poškodené a či sú kompletné.
7. Skontrolujte, či je zachytávač reťaze správne pripevnený.
8. Skontrolujte napnutie reťaze.
9. Nabite batériu a skontrolujte, či je správne pripevnená k výrobku.

10. Skontrolujte, či sa reťaz pily zastaví, keď uvoľníte páčku vypínača. (Obr. 57)

Použitie správneho reťazového oleja



VÝSTRAHA: Nepoužívajte odpadový olej, ktorý vám môže spôsobiť zranenie a mať negatívny vplyv na životné prostredie. Použitý olej tiež poškodzuje olejové čerpadlo, vodiacu lištu a reťaz pily.



VÝSTRAHA: Reťaz pily sa môže roztrhnúť, ak mazanie rezného zariadenia nie je dostatočné. Nebezpečenstvo vážneho poranenia alebo usmrtenia obsluhy.



VÝSTRAHA: Použite správny olej na mazanie reťaze, aby táto funkcia fungovala správne. Pri výbere oleja na mazanie reťaze sa obráťte na servisného predajcu.

- Na maximalizáciu životnosti reťaze pily a na zabránenie negatívnym vplyvom na životné prostredie používajte olej na mazanie reťaze Husqvarna. Ak olej na mazanie reťaze Husqvarna nemáte k dispozícii, odporúčame vám použiť štandardný olej na mazanie reťaze.
- Používajte olej na mazanie reťaze s dobrou prínavosťou k reťazi pily.
- Používajte olej na mazanie reťaze so správnym rozsahom viskozity, ktorý je v súlade s teplotou vzduchu.



VAROVANIE: Pri teplotách pod 0 °C/32 °F sú niektoré oleje na mazanie reťaze príliš husté, čo môže spôsobiť poškodenie komponentov olejového čerpadla.

- Používajte odporúčané rezné zariadenie. Pozrite si časť *Prislušenstvo na strane 644*.
- Zložte uzáver nádrže na olej na mazanie reťaze.
- Naplňte nádrž na olej na mazanie reťaze olejom na mazanie reťaze.
- Opatrne nasadte uzáver.

(Obr. 58)

Poznámka: Ak chcete zistiť, kde sa nádrž na olej na mazanie reťaze nachádza na vašom výrobku, pozrite si časť *Úvod na strane 622*.

Batéria



VÝSTRAHA: Pred používaním akumulátora si prečítajte kapitolu o bezpečnosti a uistite sa, že rozumiete informáciám, ktoré sa v nej uvádzajú. Prečítajte si návod na obsluhu akumulátora a nabíjačky akumulátora a uistite sa, že mu rozumiete.

Akumulátor a nabíjačku udržiavajte pri správnej teplote okolia.

	Teplota okolitého prostredia
Prevádzka batérie	5 °C - 40 °C / 41 °F - 104 °F
Nabíjanie batérie	5 °C - 40 °C / 41 °F - 104 °F

Stav batérie

Na displeji sa zobrazuje stav nabitia a prípadné problémy s batériou.

(Obr. 59)

Indikátor LED	Indikátory stavu nabitia akumulátora
Svietia 4 diódy LED	Batéria je nabitá na 76 % – 100 %.
Svietia 3 diódy LED	Batéria je nabitá na 51 % – 75%.
Svietia 2 diódy LED	Batéria je nabitá na 26 % – 50%.
Svieti 1 dióda LED	Batéria je nabitá na 6% – 25%.
Bliká 1 dióda LED	Batéria je nabitá na 0 % – 5 %.

Nabíjanie batérie

Ak batériu použijete prvýkrát, nabite ju. Nová batéria je nabitá iba na 30 %.



VAROVANIE: Nabíjačku akumulátora pripájajte k sieťovej zásuvke s napätím

a frekvenciou uvedenými na výkonovom štítku.

Akumulátor sa nenabíja, pokiaľ je jej teplota vyššia než 50 °C (122 °F).

1. Pripojte napájací kábel k nabíjačke akumulátora.

2. Pripojte nabíjačku akumulátora k uzemnenej sieťovej zásuvke. Indikátor LED nabíjania raz zabliká. (Obr. 60)
3. Pripojte akumulátor k nabíjačke akumulátorov. Rozsvieti sa indikátor LED nabíjania. Batériu nabíjajte maximálne 24 hodín. (Obr. 61)
4. Stlačte tlačidlo indikátora batérie, ak sa všetky indikátory LED batérie rozsvietia, akumulátor je úplne nabitý.
5. Vytiahnutím zástrčky odpojte nabíjačku batérií z napájacej zásuvky. Neťahajte za napájací kábel.
6. Vyberte batériu z nabíjačky batérií.

Informácie o spätnom náraze



VÝSTRAHA: Spätňý náraz môže spôsobiť vážne poranenie alebo usmrtienie obsluhujúceho pracovníka alebo iných osôb. Aby ste znížili toto riziko, musíte poznať príčiny spätného nárazu a spôsoby, ako im zabrániť.

Spätňý náraz vznikne, ak sa zóna spätného nárazu vodiacej lišty dotkne nejakého objektu. K spätnému nárazu môže dôjsť nečakane a s veľkou silou, ktorá odhodí výrobok voči obsluhujúcemu pracovníkovi.

(Obr. 36)

Spätňý náraz vždy vzniká v reznej časti vodiacej lišty. Zvyčajne dôjde k odhodneniu výrobku voči obsluhujúcemu pracovníkovi, môže však dôjsť k jeho pohybu aj iným smerom. Smer pohybu ovplyvňuje spôsob používania výrobku v okamihu výskytu spätného nárazu.

(Obr. 62)

Spätňý náraz vznikne len vtedy, ak sa zóna spätného nárazu vodiacej lišty dotkne objektu. Nedovoľte, aby sa zóna spätného nárazu dostala do kontaktu s predmetom.

(Obr. 36)

Menší polomer konca lišty znižuje silu spätného rázu.

Používajte reťazovú pílu s nízkym spätným nárazom na zníženie účinkov spätného nárazom na zníženie účinkov spätného nárazu. Nedovoľte, aby sa zóna spätného nárazu dostala do kontaktu s predmetom.



VÝSTRAHA: Žiadna reťaz píly nie je schopná úplne zabrániť spätnému nárazu. Vždy dodržiavajte pokyny.

Časté otázky týkajúce sa spätného nárazu

- **Zapnem brzdú reťaze rukou vždy v prípade spätného nárazu?**

Nie. Je potrebné vyvinúť určitú silu a zatlačiť predný chránič ruky dopredu. Ak nevyviniete potrebnú silu, brzda reťaze sa nezapne. Rukoväť výrobku musíte

pri práci pevne držať obidvoma rukami. Ak dôjde k spätnému nárazu, brzda reťaze nezastaví reťaz píly skôr, než dôjde ku kontaktu s vami. Existujú určité polohy, v ktorých sa rukou nemôžete dotknúť predného chrániča ruky a zapnúť brzdú reťaze.

- **Aktivuje sa brzda reťaze vždy automaticky zotrvačnosťou v prípade spätného nárazu?**

Nie. Brzda reťaze musí v prvom rade správne fungovať. V časti *Údržba a kontroly bezpečnostných zariadení výrobku na strane 638* nájdete pokyny o tom, ako skontrolovať brzdú reťaze. Odporúčame vám tento postup vykonať pred každým použitím výrobku. Po druhé, spätňý náraz musí byť silný, aby sa brzda reťaze aktivovala. Ak je brzda reťaze príliš citlivá, môže sa aktivovať počas používania v náročných podmienkach.

- **Zabráni brzda reťaze zraneniu vždy v prípade spätného nárazu?**

Nie. Brzda reťaze musí správne fungovať, aby poskytovala ochranu. Brzda reťaze sa musí aktivovať taktiež pri spätnom náraze, aby zastavila reťaz píly. Ak ste v blízkosti vodiacej lišty, je možné, že brzda reťaze nebude mať dostatok času na zastavenie reťaze skôr, než vás zasiahne.



VÝSTRAHA: Len vy sami a správna pracovná technika môžu zabrániť spätným nárazom.

Zapnutie výrobku

1. Vykonajte kontrolu páčky vypínača a poistky páčky vypínača. V časti *Kontrola poistky páčky vypínača na strane 638*.
2. Aktivujte brzdú reťaze. (Obr. 63)
3. Vložte batériu do držiaka batérie. (Obr. 64)



VAROVANIE: Uistite sa, či je batéria správne vložená v držiaku batérie. Ak sa batéria do držiaka nedá ľahko zasunúť, nie je v správnej polohe.

4. Zatlačte na spodnú časť batérie, kým nebudete počuť cvaknutie. (Obr. 65)
5. Stlačte a podržte štartovacie/vypínacie tlačidlo, kým sa nerozsvieti zelený indikátor LED. (Obr. 66)

Používanie funkcie SavE

Funkcia SavE znižuje rýchlosť reťaze a výkon výrobku.

1. Stlačte tlačidlo SavE. Rozsvieti sa zelený indikátor LED.
2. Funkciu vypnete opätovným stlačením tlačidla SavE. Zelený indikátor LED zhasne. (Obr. 67)

Zastavenie výrobku

1. Držte štartovacie/vypínacie tlačidlo stlačené dovtedy, kým zelený indikátor LED nezhasne. (Obr. 66)

2. Stlačte tlačidlá uvoľnenia batérie a vyberte batériu z držiaka batérie, aby ste zabránili neúmyselnému spusteniu. (Obr. 68)

Rez ťahaním a rez tlačným

Pomocou výrobku môžete rezať drevo v 2 rôznych polohách.

- Pri pílení nabiehajúcou reťazou sa pili spodnou hranou vodiacej lišty. Reťaz pily prechádza pri pílení cez strom. V tejto polohe máte lepšiu kontrolu nad výrobkom a polohou zóny spätného nárazu.

(Obr. 69)

- Pri pílení odbiehajúcou reťazou sa pili hornou hranou vodiacej lišty. Reťaz pily tlačí výrobok smerom k obsluhujúcemu pracovníkovi.

(Obr. 70)



VÝSTRAHA: Ak sa reťaz pily zachytí v kmeni, výrobok sa môže odraziť oproti vám. Výrobok držte pevne a uistite sa, že zóna spätného nárazu vodiacej lišty sa nedotkne stromu a nespôsobí spätný náraz.

(Obr. 71)

Používanie techniky pílenia



VÝSTRAHA: Pri pílení používajte plný výkon a po každom reze znížte rýchlosť na voľnobežné otáčky.



VAROVANIE: Nenechávajte motor príliš dlho v chode bez zaťaženia. Mohlo by to viesť k poškodeniu motora.

1. Položte kmeň na kozu na pílenie dreva alebo rozpery. (Obr. 72)



VÝSTRAHA: Nerežte kmene, ktoré sú na hromade. Zvyšuje to nebezpečenstvo spätného nárazu, ktorý môže spôsobiť vážne poranenie alebo usmrtenie.

2. Odstráňte odrezky z pracovného prostredia.



VÝSTRAHA: Narezané kusy v pracovnej oblasti zvyšujú nebezpečenstvo spätného nárazu a riziko, že nemusíte udržať rovnováhu.

Používanie opierky rezania

1. Zatláčte opierku rezania do kmeňa stromu.

2. Pridajte plný plyn a otáčajte produktom. Udržujte opierku rezania proti kmeňu. Tento postup vám uľahčí použitie potrebnej sily na prerezanie kmeňa. (Obr. 73)

Rezanie kmeňa na zemi

1. Kmeň reže nabiehajúcou reťazou. Využívajte plný výkon, no buďte pripravení na nečakané nehody. (Obr. 74)



VÝSTRAHA: Dávajte pozor, aby sa reťaz pily po dokončení škáry nedotkla zeme.

2. Píľte približne $\frac{3}{4}$ cez kmeň a potom zastavte. Kmeň otočte a píľte z opačnej strany. (Obr. 75)

Pílenie kmeňa s oporou na jednom konci



VÝSTRAHA: Dávajte pozor, aby sa počas rezania kmeň neporušil. Dodržujte pokyny uvedené nižšie.

(Obr. 76)

1. Režte odbiehajúcou reťazou približne do $\frac{1}{3}$ kmeňa.
2. Režte do kmeňa nabiehajúcou reťazou, kým sa obidve škáry nedotknú. (Obr. 77)

Pílenie kmeňa s oporou na oboch koncoch



VÝSTRAHA: Dávajte pozor, aby počas rezania reťaz pily neuviazla v kmeni. Dodržujte pokyny uvedené nižšie.

(Obr. 78)

1. Režte nabiehajúcou reťazou približne do $\frac{1}{3}$ kmeňa.
2. Prerežte zvyšnú časť kmeňa odbiehajúcou reťazou, kým sa rez nedokončí. (Obr. 79)



VÝSTRAHA: Ak reťaz pily uviazne v kmeni, zastavte motor. Pomocou páky otvorte škáru a výrobok uvoľníte. Nepokúšajte sa výrobok vytiahnuť ručne. Môže to viesť k zraneniu, keď sa výrobok náhle uvoľní.

Používanie techniky odvetvovania

Poznámka: Pri hrubých vetvách použite techniku pílenia. Pozrite si časť *Používanie techniky pílenia na strane 634*.



VÝSTRAHA: V prípade použitia techniky odvetvovania hrozí vysoké riziko nehody. Pokyny ako zabrániť spätnému nárazu sú uvedené v časti *Informácie o spätnom náraze na strane 633*.



VÝSTRAHA: Konáre orezávajte postupne. Pri odstraňovaní malých konárov buďte opatrní a nerežte kríky ani viaceré malé konáriky súčasne. Malé konáriky sa môžu zachytiť v reťazi píly a prekážať pri bezpečnej prevádzke výrobku.

Poznámka: Ak je to nevyhnutné, konáre režeť kúsok po kúsku. Pred rezaním konára pri kmeni (C) najprv odrežte menšie vetvy (A) a (B).

(Obr. 80)

1. Odstráňte konáre na pravej strane kmeňa.
 - a) Vodiacu lištu vedte na pravej strane kmeňa a telo výrobku držte proti kmeňu.
 - b) Vyberte príslušnú metódu rezania podľa napnutia vo vetve. (Obr. 81)



VÝSTRAHA: Ak si nie ste istí, ako odrezať vetvu, skôr ako budete pokračovať, sa obráťte na profesionálneho pracovníka.

2. Odstráňte konáre v hornej časti kmeňa.
 - a) Držte výrobok na kmeni a nechajte vodiacu lištu pohybovať sa po kmeni.
 - b) Režte odbiehajúcou reťazou. (Obr. 82)
3. Odstráňte konáre na ľavej strane kmeňa.
 - a) Vyberte príslušnú metódu rezania podľa napnutia vo vetve. (Obr. 83)



VÝSTRAHA: Ak si nie ste istí, ako odrezať vetvu, skôr ako budete pokračovať, sa obráťte na profesionálneho pracovníka.

Pokyny ako rezať vetvy, ktoré sú napnuté, sú uvedené v časti *Pílenie stromov a konárov, v ktorých je pnutie na strane 636*.

Používanie techniky na pílenie stromu



VÝSTRAHA: Pílenie stromu si vyžaduje skúsenosti. Pokiaľ je to možné, absolvujte výcvikový kurz obsluhy reťazovej píly. Ak chcete získať viac informácií, porozprávajte sa s obsluhujúcim pracovníkom, ktorý má skúsenosti.

Zachovajte bezpečnú vzdialenosť

1. Uistite sa, že sa ľudia okolo vás nachádzajú v bezpečnej vzdialenosti minimálne na úrovni 2 1/2 dĺžky stromu. (Obr. 84)
2. Pred pílením alebo počas neho sa ubezpečte, že sa v nebezpečnej zóne nenachádza žiadna osoba. (Obr. 85)

Výpočet smeru rezania

1. Zistíte, ktorým smerom má strom spadnúť. Cieľom je spiliť strom tak, aby bolo po páde možné strom jednoducho odvetviť a rozrezať kmeň. Rovnako je dôležité zachovať si stabilný postoj a bezpečne sa pohybovať.



VÝSTRAHA: Ak je nebezpečné alebo nemožné strom zrezať prirodzeným smerom, zrežte ho iným smerom.

2. Preskúmajte prirodzený smer pádu stromu. Napríklad sklon a ohyb stromu, smer vetra, polohu konárov a hmotnosť snehu.
3. Zistíte, či sa v blízkosti nenachádzajú prekážky, napríklad iné stromy, elektrické vedenia, cesty alebo budovy.
4. Zamerajte sa na znaky poškodenia a hniloby kmeňa.



VÝSTRAHA: Hniloba kmeňa môže predstavovať riziko, v dôsledku ktorého strom spadne ešte pred dokončením rezu.

5. Zistíte, či strom nemá poškodené ani odumreté konáre, ktoré sa môžu odlomiť a pri rezaní vás zasiahnuť.
6. Nedovoľte, aby strom spadol na iný stojaci strom. Uvoľnenie uviaznutého stromu je nebezpečné a predstavuje veľké riziko úrazu. Pozrite si časť *Uvoľnenie uviaznutého stromu na strane 636*. (Obr. 86)



VÝSTRAHA: Pri kritickom rezaní stromov si zložte chrániče sluchu ihneď po skončení pílenia. Je dôležité, aby ste počuli zvuky a varovné signály.

Čistenie kmeňa a príprava ústupovej cesty

Odstráňte všetky konáre od výšky ramien nadol.

1. Režte nabiehajúcou reťazou zhora nadol. Zaisťte, aby bol strom je medzi vami a výrobkom. (Obr. 87)
2. Odstráňte porast z pracovného priestoru okolo celého stromu. Odstráňte všetok odrezaný materiál z pracovného priestoru.
3. Skontrolujte, či sa v okolí nenachádzajú prekážky, akými sú kamene, konáre a jamy. Keď strom začne padať, musíte mať voľnú ústupovú cestu. Ústupová cesta musí byť asi v 135-stupňovom uhle voči plánovanému smeru pádu stromu.

1. Nebezpečná zóna
2. Ústupová cesta
3. Smer pádu

(Obr. 88)

Rezanie stromu

Spoločnosť Husqvarna odporúča, aby ste vykonali smerové zárezy a potom pri páde stromu použili metódu bezpečného rohu. Metóda bezpečného rohu vám pomôže vytvoriť správny nedorez a mať pod kontrolou smer rezania.



VÝSTRAHA: Nerežte stromy s priemerom, ktorý je viac ako dvakrát väčší ako dĺžka vodiacej lišty. Na takéto rezanie musíte mať špeciálne školenie.

Nedorez

Najdôležitejším postupom pri rezaní stromov je vytvorenie správneho nedorezu. Pri správnom nedoreze máte pod kontrolou smer rezania a istotu, že postup rezania je bezpečný.

Hrúbka nedorezu musí byť minimálne 10 % priemeru stromu.



VÝSTRAHA: Ak je nedorez nesprávny alebo príliš tenký, nemáte žiadnu kontrolu nad smerom rezania.

(Obr. 89)

Vykonávanie smerových zárezov

1. Vykonajte smerové zárezy. Smerovými zárezmi preniknite do 1/4 priemeru stromu. Medzi horným a spodným rezom vytvorte 45° uhol.
 - a) Najprv vykonajte horný rez. Zarovnajte značku smeru rezania (A) na výrobku so smerom rezania na strome (B). Stojte za výrobkom a strom majte na svojej pravej strane. Režte nabiehajúcou reťazou.
 - b) Vykonajte spodný rez. Skontrolujte, či sa ukončenie spodného rezu nachádza v rovnakom bode ako ukončenie horného rezu. (Obr. 90)
2. Presvedčte sa, či je rovina smerového zárezu úplne vodorovná a zvierá pravé uhly (90°) so smerom rezania. Rovina smerového zárezu prechádza bodom, kde sa obidva smerové zárezy dotýkajú. (Obr. 91)

Použitie metódy bezpečného rohu

Hlavný rez musí byť mierne nad smerovým zárezom.

(Obr. 92)



VÝSTRAHA: Pri rezaní pomocou špičky vodiacej lišty buďte opatrní. Pri vytváraní rezného otvoru do kmeňa začnite rezať so spodnou časťou špičky vodiacej lišty.

(Obr. 93)

1. Ak je použiteľná rezná dĺžka dlhšia ako priemer stromu, postupujte podľa týchto krokov (a-d).
 - a) Vytvorte rezný otvor priamo do kmeňa, aby ste dokončili šírku nedorezu. (Obr. 94)
 - b) Režte nabiehajúcou reťazou, kým nebude zostávať približne 1/3 kmeňa.
 - c) Potiahnite vodiacu lištu 5 – 10 cm/2 – 4 palce smerom dozadu.
 - d) Prerežte zostávajúci kmeň, aby ste dokončili bezpečný roh, ktorý je 5 – 10 cm/2 – 4 palce široký. (Obr. 95)
2. Ak je použiteľná rezná dĺžka kratšia ako priemer stromu, postupujte podľa týchto krokov (a-d).
 - a) Vytvorte rezný otvor priamo do kmeňa. Rezný otvor musí byť cez 3/5 priemeru stromu.
 - b) Cez zostávajúci kmeň režte nabiehajúcou reťazou. (Obr. 96)
 - c) Zarežte priamo do kmeňa z druhej strany stromu, aby ste dokončili nedorez.
 - d) Režte odbiehajúcou reťazou do 1/2 kmeňa, aby ste dokončili bezpečný roh. (Obr. 97)
3. Vložte klin do zárezu priamo zozadu. (Obr. 98)
4. Odstráňte roh, aby strom padol.

Poznámka: Ak strom neklesne, zarazte klin, až kým nespadne.

5. Keď strom začne klesať, ustúpte, aby ste sa od stromu dostali. Od stromu odstuňte minimálne 5 m/15 stôp.

Uvoľnenie uviaznutého stromu



VÝSTRAHA: Uvoľnenie uviaznutého stromu je veľmi nebezpečné a predstavuje veľké nebezpečenstvo úrazu. Opustite nebezpečnú zónu a nepokúšajte sa rezať uviaznutý strom.

(Obr. 99)

Najbezpečnejším postupom je použiť niektorý z nasledujúcich navijakov:

- Pripevnený k traktoru

(Obr. 100)

- Prenosný

(Obr. 101)

Pílenie stromov a konárov, v ktorých je pnutie

1. Zistite, ktorá strana stromu alebo konára je napnutá.
2. Nájdite bod s maximálnym pnutím. (Obr. 102)
3. Zistite, akým spôsobom čo najbezpečnejšie uvoľníť pnutie.

Poznámka: V niektorých situáciách je jediným bezpečným postupom použiť navijak a nie výrobok.

4. Zaujmite miesto, kde vás strom ani konár nemôže zasiahnuť, keď sa prutie uvoľní. (Obr. 103)
5. Vykonajte jeden alebo viacero rezov s dostatočnou hĺbkou, ktoré sú potrebné na zmenšenie prutia. Režte v bode maximálneho prutia alebo v jeho blízkosti. Dosiahnite, aby sa strom alebo konár v bode maximálneho prutia zlomil. (Obr. 104)



VÝSTRAHA: Nerežte priamo cez strom ani konár, v ktorom je prutie.



VÝSTRAHA: Pri rezaní napnutého stromu postupujte veľmi opatrne. Hrozí

nebezpečenstvo, že sa strom pohne rýchlo ešte pred rezaním alebo po rezaní. Môže dôjsť k vážnemu poraneniu, ak sa nachádzate na nesprávnom mieste alebo ak vykonáte nesprávny rez.

6. Musíte rezať priečne na strom/konár, vykonať 2 až 3 rezy 2,5 cm (1 palec) od seba s hĺbkou 5 cm (2 palce). (Obr. 105)
7. Pokračujte v zarezávaní hlbšie do stromu, kým sa strom/konár neohne a prutie sa neuvoľní. (Obr. 106)
8. Po uvoľnení prutia režte strom/konár z opačnej strany ohybu.

Údržba

Úvod



VÝSTRAHA: Pred údržbou výrobku si prečítajte kapitolu o bezpečnosti a uistite sa, že rozumiete informáciám, ktoré sú v nej uvedené.

Plán údržby



VÝSTRAHA: Pred vykonaním údržby vyberte batériu.

Nasleduje zoznam postupov údržby, ktoré na výrobku musíte vykonávať. Pozrite si časť *Údržba na strane 637*, ak potrebujete ďalšie informácie.

Údržba	Pred použitím	Týždenne	Mesačne
Vyčistite vonkajšie časti výrobku.	X		
Skontrolujte, či páčka vypínača a zaistenie páčky vypínača fungujú správne z bezpečnostného hľadiska.	X		
Očistite brzdú reťaze a skontrolujte, či funguje bezpečne. Skontrolujte, či zachytávač reťaze nie je poškodený. V prípade potreby ho vymeňte.	X		
Vodiacu lištu otáčajte, aby sa opotrebovala rovnomerne. Skontrolujte, či mazací otvor vo vodiacej lište nie je upchatý. Vyčistite drážku vodiacej lišty.	X		
Skontrolujte, či sa na rezacom nástroji a na kryte rezacieho nástroja nenachádzajú praskliny a či rezací nástroj a kryt nie sú poškodené. Vymeňte rezací nástroj alebo kryt rezacieho nástroja, ak sa na nich nachádzajú praskliny alebo ak boli vystavené nárazu.	X		
Zaistite, aby do vodiacej lišty a na reťaz pily prúdilo dostatočné množstvo oleja.	X		
Kontrolujte reťaz pily. Zamerajte sa na praskliny a presvedčte sa, či reťaz pily nie je stuhnutá ani nadmerne opotrebovaná. V prípade potreby ju vymeňte.	X		
Naostrite reťaz pily. Skontrolujte jej napnutie a stav. Skontrolujte opotrebovanie hnacieho kolieska a v prípade potreby ho vymeňte.	X		
Vyčistite nasávanie vzduchu do výrobku.	X		
Skontrolujte, či sú matice a skrutky dotiahnuté.	X		
Skontrolujte, či klávesnica funguje správne a nie je poškodená.	X		
Pilníkom odstráňte všetky ostriny z hrán vodiacej lišty.		X	

Údržba	Pred použitím	Týždenne	Mesačne
Skontrolujte prepojenia medzi batériou a výrobkom. Skontrolujte aj prepojenie medzi batériou a nabíjačkou batérie.			X
Vyprázdnite a vyčistite nádrž na olej.			X
Jemne fúkajte cez pílu a chladiace otvory batérie stlačený vzduch.			X

Údržba a kontroly bezpečnostných zariadení výrobku

Kontrola predného chrániča ruky

Pravidelne kontrolujte predný chránič ruky a aktiváciu brzdy zotrvačnou silou.

1. Uistite sa, že predný chránič ruky nie je poškodený, napríklad popraskaný. (Obr. 107)
2. Uistite sa, že sa predný chránič ruky voľne pohybuje a že je bezpečne pripavený k výrobku. (Obr. 108)
3. Umiestnite výrobok s vypnutým motorom na peň alebo iný stabilný povrch.
4. Držte zadnú rukoväť a pusťte prednú rukoväť. Nechajte výrobok spočinúť na pni. (Obr. 109)
5. Uistite sa, že brzda reťaze zaberá, keď sa vodiaca lišta dotkne pňa.

Kontrola spúšte brzdy

1. Položte výrobok na stabilný povrch a naštartujte ho. Pozrite si časť *Prevádzka na strane 631*.



VÝSTRAHA: Presvedčte sa, že sa reťaz píly nedotýka zeme ani iných predmetov.

2. Prstami zovrite rukoväť a výrobok pevne držte. (Obr. 110)
3. Pridajte plný plyn a naklonením ľavého zápastia na predný chránič ruky zapnite brzdú reťaze. Reťaz píly sa musí okamžite zastaviť. (Obr. 111)



VÝSTRAHA: Nepúšťajte prednú rukoväť!

Kontrola poistky páčky vypínača

1. Skontrolujte, či sa páčka vypínača a poistka páčky vypínača pohybujú voľne a či vratné pružiny fungujú správne. (Obr. 112)
2. Poistku páčky vypínača posuňte dopredu (A) a dole (B). Páčku vypínača podržte oproti rukoväti a uistite sa, že sa po uvoľnení vráti do východiskovej polohy. (Obr. 113)
3. Ubezpečte sa, že páčka vypínača je zablokovaná v nečinnnej polohe, keď je poistka páčky vypínača uvoľnená. (Obr. 114)

4. Spustíte výrobok a pridajte na plný výkon.
5. Uvoľníte páčku vypínača a skontrolujte, či sa reťaz píly zastaví a zostane stát'.



VÝSTRAHA: Ak sa reťaz píly pretáča, aj keď je páčka vypínača v polohe voľnobehu, obráťte sa na servisného predajcu.

Kontrola zachytávača reťaze

1. Uistite sa, že zachytávač reťaze nie je poškodený.
2. Uistite sa, že je zachytávač reťaze stabilný a pripavený k telu produktu. (Obr. 115)

Kontrola funkcií používateľského rozhrania

1. Zapnite výrobok. V časti *Zapnutie výrobku na strane 633*.
2. Stlačte a držte štartovacie/vypínacie tlačidlo.
3. Skontrolujte, či sa výrobok zastavil a či zelený indikátor LED zhasne. (Obr. 66)

Kontrola batérie a držiaka batérie

1. Vyčistite batériu a držiak batérie pomocou jemnej kefky.
2. Vyčistite chladiace otvory a konektory batérie. (Obr. 116)
3. Skontrolujte, či na batérii nie sú praskliny alebo iné poškodenie.

Kontrola nabíjačky batérie

1. Uistite sa, že nie je poškodená nabíjačka batérie ani napájací kábel. Skontrolujte praskliny a iné poškodenie. (Obr. 117)

Čistenie chladiaceho systému

Chladiaci systém udržiava teplotu motora na nižšej úrovni. Súčasťou chladiaceho systému je nasávanie vzduchu na ľavej strane výrobku a ventilátor na motore.

1. Kefkou očistite chladiaci systém raz týždenne alebo v prípade potreby aj častejšie. (Obr. 118)
2. Skontrolujte, či chladiaci systém nie je znečistený ani upchaný.



VAROVANIE: Znečistený alebo upchatý chladiaci systém môže

spôsobiť prehriatie výrobku. To spôsobí poškodenie výrobku.

Ostrenie reťaze píly

Informácie o vodiacej lište a reťazi píly



VÝSTRAHA: Pri používaní alebo vykonávaní údržby reťaze píly používajte ochranné rukavice. Nepohyblivá reťaz píly môže tiež spôsobiť zranenia.

Opotrebovanú alebo poškodenú vodiacu lištu alebo reťaz píly nahraďte niektorou z kombinácií vodiacej lišty a reťaze píly odporúčanou spoločnosťou Husqvarna. Je to nevyhnutné na zachovanie bezpečnostných funkcií výrobku. Pozrite si časť *Príslušenstvo na strane 644* so zoznamom odporúčaných kombinácií lišt a reťazí.

- Dĺžka vodiacej lišty, palce/cm. Informácie o dĺžke vodiacej lišty sa výčajne nachádzajú na zadnom konci vodiacej lišty.

(Obr. 119)

- Počet zubov na ozubenom koliesku lišty (T).

(Obr. 120)

- Rozstup reťaze (palce). Vzdialenosť medzi hnacími článkami reťaze sa musí zhodovať so vzdialenosťami zubov na ozubenom koliesku vodiacej lišty a hnacom ozubenom koliesku.

(Obr. 121)

- Počet vodiacich článkov. Počet vodiacich článkov je určený typom vodiacej lišty.

(Obr. 122)

- Šírka drážky v lište, (palce/mm). Šírka drážky vo vodiacej lište musí byť rovnaká ako šírka vodiacich článkov reťaze.

(Obr. 123)

- Otvor mazania reťaze a otvor pre napínač reťaze. Vodiaca lišta sa musí zhodovať s výrobkom.

(Obr. 124)

- Šírka vodiaceho článku (mm/palce).

(Obr. 125)

Všeobecné informácie o spôsobe ostrenia rezacích zubov

Nepoužívajte tupú reťaz píly. Ak je reťaz píly tupá, musíte vyvinúť väčší tlak, aby vodiaca lišta prešla cez drevo. Veľmi tupá reťaz píly nevytvára žiadne triesky, iba piliny.

Ostrá reťaz píly si vytvorí cestu drevom a tvorí dlhé, hrubé triesky.

Rezací zub predstavuje reznú časť reťaze píly a tvorí ho samotný rezací zub (A) a mierka hĺbky (B). Výškový rozdiel medzi týmito dvomi prvkami predstavuje hĺbku rezu (nastavenie mierky hĺbky).

(Obr. 126)

Pri ostrení rezacieho zuba zohľadnite nasledovné:

- Uhol brúsenia.

(Obr. 127)

- Uhol rezania.

(Obr. 128)

- Poloha pilníka.

(Obr. 129)

- Priemer okrúhleho pilníka.

(Obr. 130)

Nie je jednoduché správne nabrúsiť reťaz píly bez správneho vybavenia. Použite Husqvarna odporúčaný merací prístroj. Umožní vám to dosiahnuť maximálny rezný výkon a minimalizovať riziko spätného nárazu.



VÝSTRAHA: Pri nedodržaní pokynov na ostrenie sa značne zvyšuje sila spätného nárazu.

Poznámka: V časti *Príslušenstvo na strane 644* kde nájdete informácie o ostrení reťaze píly.

Ostrenie rezacích zubov

1. Na ostrenie rezacích zubov používajte okrúhly pilník a brúsnu mierku. (Obr. 131)

Poznámka: V časti *Príslušenstvo na strane 644* nájdete informácie o tom, ktorý pilník a brúsnu mierku odporúča spoločnosť Husqvarna na vašu reťaz píly.

2. Brúsnu mierku správne priložte na rezací zub. Pozrite si pokyny dodávané s brúsnou mierkou.
3. Pilníkom prechádzajte z vnútornej strany rezacích zubov smerom von. Pri ťahaní zmenšite tlak na pilník. (Obr. 132)
4. Odstráňte materiál z jednej strany všetkých rezacích zubov.
5. Výrobok otočte a odstráňte materiál na druhej strane.
6. Uistite sa, že všetky rezacie zuby majú rovnakú dĺžku.

Všeobecné informácie o tom, ako upraviť nastavenie mierky hĺbky

Nastavenie mierky hĺbky (C) sa zmenší, keď naostríte rezací zub (A). Na zaistenie maximálneho rezného výkonu musíte zbrúsiť materiál z mierky hĺbky (B), aby ste si zaistili odporúčané nastavenie mierky hĺbky. Pozrite si časť *Príslušenstvo na strane 644* s pokynmi k zabezpečeniu správneho nastavenia mierky hĺbky reťaze píly.

(Obr. 133)



VÝSTRAHA: Ak je mierka hĺbky príliš veľká, zvýši sa nebezpečenstvo spätného nárazu!

Úprava nastavenia mierky hĺbky

Skôr než nastavíte mierku hĺbky alebo naostríte rezacie zuby, si skontrolujte *Ostrenie rezacích zubov na strane 639* kde nájdete pokyny. Odporúčame, aby ste hĺbku rezu nastavili po každom treťom ostrení rezacích zubov.

Odporúčame, aby ste pri meraní hĺbky rezu používali našu mierku hĺbky obmedzovacích zubov, aby sa zaistila správna hĺbka rezu a správny uhol na vodiacej ploche.

(Obr. 134)

1. Na nastavenie mierky hĺbky použite plochý pilník a mierku hĺbky obmedzovacích zubov. Pri meraní hĺbky rezu používajte len odporúčaný nástroj na meranie hĺbky Husqvarna, aby ste dosiahli správne nastavenie hĺbky rezu a správny uhol na vodiacej ploche.
2. Mierku hĺbky obmedzovacích zubov priložte na reťaz pily.

Poznámka: Pozrite si balenie s mierkou hĺbky obmedzovacích zubov, kde nájdete ďalšie informácie o tom, ako mierku používať.

3. Na zbrúsenie časti obmedzovacieho zuby, ktorý vyčnieva nad mierku hĺbky obmedzovacích zubov, používajte plochý pilník. (Obr. 135)

Nastavenie napnutia reťaze pily



VÝSTRAHA: Reťaz pily s nesprávnym napnutím sa môže uvoľniť z vodiacej lišty a spôsobiť vážne poranenie alebo usmrtienie.

Reťaz pily sa pri používaní predžuje. Reťaz pily pravidelne nastavujte. Napnutie reťaze pily kontrolujte pri každom doplnovaní oleja na mazanie reťaze.

Poznámka: Nová reťaz pily má dobu zábehu, počas ktorej musíte napnutie reťaze kontrolovať častejšie.

Nastavenie napnutia reťaze pily (gombíkom lišty)

1. Vyklopte ovládaci gombík, kým sa neotvorí. (Obr. 136)
2. Otočením gombíka proti smeru hodinových ručičiek uvoľníte kryt hnacieho kolieska. (Obr. 137)
3. Otáčaním kolieska napínača reťaze nastavte napnutie reťaze. Reťaz pily musí byť utiahnutá voči vodiacej lište. (Obr. 138)

Poznámka: Otáčaním kolieska smerom nadol (+) dosiahnete väčšie napnutie a otáčaním smerom nahor (-) napnutie znížite.

4. Skontrolujte, či môžete rukou voľne otáčať reťaz pily a či reťaz na vodiacej lište neprevísá. (Obr. 139)
5. Otočením gombíka v smere hodinových ručičiek utiahnite gombík lišty. (Obr. 140)
6. Sklopte gombík a zaistíte napnutie. (Obr. 141)

Nastavenie napnutia reťaze pily (skrutkou lišty)

1. Uvoľníte maticu lišty, ktorá upevňuje kryt hnacieho kolieska. Použite kombinovaný kľúč. (Obr. 142)
2. Nadvihnite prednú časť vodiacej lišty a otočte skrutku na napínanie reťaze. Použite kombinovaný kľúč.
3. Napnite reťaz pily, aby bola utiahnutá voči vodiacej lište. (Obr. 143)
4. Kombinovaným kľúčom uťahujte maticu lišty a súčasne dvíhajte prednú časť vodiacej lišty. (Obr. 144)
5. Skontrolujte, či môžete rukou voľne otáčať reťaz pily a či reťaz na vodiacej lište neprevísá. (Obr. 139)

Poznámka: V časti *Prehľad výrobku na strane 622* nájdete informácie o polohe skrutky na napínanie reťaze na vašom výrobku.

Kontrola mazania reťaze pily

Po každom treťom dobití batérie skontrolujte mazanie reťaze pily.

1. Výrobok spustíte a nechajte ho bežať na 3/4 výkonu. Držte lištu približne 20 cm (8 palcov) nad povrchom svetlej farby.
2. Ak je mazanie reťaze pily správne, po jednej minúte bude na tomto povrchu viditeľná zreteľná čiara od oleja. (Obr. 145)
3. Ak mazanie reťaze pily nie je správne, vykonajte tieto kontroly.
 - a) Uistite sa, že olejový kanálik vo vodiacej lište nie je blokován. Ak je to potrebné, vyčistite ho. (Obr. 146)
 - b) Uistite sa, že je drážka v okraji vodiacej lišty čistá. Ak je to potrebné, vyčistite ho. (Obr. 147)
 - c) Skontrolujte, či sa ozubené koliesko lišty voľne otáča a či otvor na mazanie na ozubenom koliesku lišty nie je zablokovaný. Vyčistite a namažte ich, ak je to nutné. (Obr. 148)
4. Ak mazanie reťaze pily nefunguje ani po vykonaní krokov uvedených vyššie, obráťte sa na svojho servisného predajcu.

Kontrola hnacieho kolieska reťaze

- Skontrolujte, či nie je hnacie koliesko reťaze opotrebované. V prípade potreby hnacie koliesko reťaze vymeňte.
- Hnacie koliesko reťaze vymeňte pri každej výmene reťaze píly. (Obr. 149)

Kontrola rezného zariadenia

1. Uistite sa, že v nitoch a spojoch nie sú žiadne praskliny a že nie sú žiadne nity voľné. V prípade potreby ich vymeňte. (Obr. 150)
2. Skontrolujte, či sa reťaz píly ľahko ohýba. Ak je reťaz píly tuhá, vymeňte ju.
3. Porovnajre reťaz píly s novou reťazou píly, aby ste mohli určiť, či sú nity a spoje opotrebované.
4. Vymeňte reťaz píly, ak je najdlhšia časť rezacieho zuba menšia ako 4 mm/0,16 palca. Reťaz píly vymeňte aj v prípade, že sú na rezacích zuboch praskliny. (Obr. 151)

Kontrola vodiacej lišty

1. Skontrolujte, či nie je zablokovaný olejový kanál. V prípade potreby ho vyčistite. (Obr. 146)
2. Skontrolujte, či sa na hranách vodiacej lišty nenachádzajú ostriny. Odstráňte ostriny pomocou pilníka. (Obr. 152)
3. Vyčistite drážku na vodiacej lište. (Obr. 147)
4. Skontrolujte, či drážka vo vodiacej lište nie je opotrebovaná. V prípade potreby vymeňte vodiacu lištu. (Obr. 153)
5. Skontrolujte, či špička vodiacej lišty nie je zdrsnená ani veľmi opotrebovaná. (Obr. 154)
6. Skontrolujte, či sa ozubené koliesko lišty voľne otáča a či otvor na mazanie na ozubenom koliesku lišty nie je zablokovaný. Vyčistite a namažte ich, ak je to nutné. (Obr. 148)
7. Vodiacu lištu denne otáčajte, aby ste predĺžili jej životnosť. (Obr. 155)

Riešenie problémov

Používateľské rozhranie

Displej LED	Možné poruchy	Možné riešenie
Výstražný indikátor bliká.	Brzda reťaze je zatiahnutá.	Deaktivujte brzdu reťaze.
	Teplotná odchýlka.	Nechajte výrobok vychladnúť.
	Pretiaženie. Reťaz píly je zaseknutá.	Uvoľnite reťaz píly.
	Páčka vypínača a štartovacie/vypínacie tlačidlo sú stlačené súčasne.	Uvoľnite páčku vypínača a aktivujte výrobok.
Začne blikat oranžová LED dióda.	Nízke napätie batérie.	Nabite batériu.
Výstražný indikátor svieti.	Servis.	Obráťte sa na servisného predajcu.

Batéria

LED displej	Možné poruchy	Možné riešenie
Bliká zelený indikátor LED.	Nízke napätie batérie.	Nabite batériu.

LED displej	Možné poruchy	Možné riešenie
Bliká LED dióda signalizujúca poruchu.	Teplotná odchýlka.	Batériu používajte v prostredí, v ktorom sa teplota pohybuje od -10°C (14°F) do 40°C (104°F).
	Príliš vysoké napätie.	Uistite sa, že sieťové napätie zodpovedá napätiu výrobku. Pozrite si výkonový štítok na výrobku. Vyberte batériu z nabíjačky batérií.
Rozsvieti sa chybová dióda LED.	V článkoch je príliš veľký rozdiel (1 V).	Obráťte sa na servisného predajcu.

Nabíjačka batérie

Stav	Možné poruchy	Možný postup
Indikátor LED nabíjania svieti načerveno.	Trvalá chyba nabíjačky batérií.	Obráťte sa na predajcu.
Indikátor LED nabíjania bliká nazeleno.	Odchýlka teploty, batéria je príliš studená alebo príliš horúca na použitie alebo nabíjanie.	Nechajte batériu vychladnúť alebo zahriať. Keď má batéria správnu teplotu, môžete ju znova použiť na nabíjanie. Nabíjačku batérií používajte v rozmedzí teploty okolitého prostredia od 5 °C (41 °F) do 40 °C (104 °F).
Indikátor LED nabíjania bliká načerveno.	Chybný akumulátor	Obráťte sa na predajcu

Preprava, skladovanie a likvidácia

Preprava a uskladnenie

- Dodávané lítium-iónové batérie spĺňajú požiadavky právnych predpisov, ktoré sa týkajú nebezpečného tovaru.
- Dodržiavajte špeciálne požiadavky na balení a štítkoch pri obchodnej preprave. Táto požiadavka platí aj pre tretie strany a prepravcov.
- Pred odoslaním výrobku sa poraďte s osobou s osobitým vzdelaním v oblasti nebezpečných materiálov. Dodržiavajte všetky príslušné vnútroštátne právne predpisy.
- Odhalené kontakty zaistíte páskou pri vkladaní akumulátora do balenia. Batériu v balení pevne zabezpečte, aby sa nemohla posúvať.
- Pred skladovaním alebo prepravou batériu vyberte.
- Umiestnite batériu a nabíjačku batérií do suchého priestoru bez výskytu vlhkosti a mrazov.
- Neskladujte batériu na mieste, kde sa môže vyskytovať statická elektrina. Batériu nekladajte do kovovej skrinky.
- Batériu uložte na mieste, kde sa teplota pohybuje v intervale 5°C (41°F) až 25°C (77°F) a kde je chránená pred priamym slnečným svetlom.
- Nabíjačku batérií uložte na mieste, kde sa teplota pohybuje v intervale 5 °C (41 °F) až 45°C (113°F) a kde je chránená pred priamym slnečným svetlom.
- Nabíjačku batérií používajte iba vtedy, keď je teplota okolitého prostredia v rozsahu 5°C (41 °F) až 40°C (104°F).
- Pred dlhodobým skladovaním batériu nabite na 30 – 50 % kapacity.
- Nabíjačku batérií uchovajte na uzavretom a suchom mieste.
- Batéria skladujte mimo nabíjačky batérií. Nedovoľte deťom ani iným nepovolaným osobám, aby sa dotýkali zariadenia. Uchovávajte zariadenia na mieste, ktoré je možné uzamknúť.
- Pred dlhodobým uskladnením výrobok vyčistite a vykonajte kompletný servis.
- Pomocou prepravného krytu na výrobku zamedzte vzniku zranení alebo poškodenia produktu počas prepravy a uskladnenia.

- Pred prepravou výrobok bezpečne upevnite.

Likvidácia batérie, nabíjačky batérií a výrobku

Nižšie uvedený symbol signalizuje, že výrobok nepredstavuje komunálny odpad. Recyklujte ho v recyklačnej stanici určenej pre elektrické a elektronické zariadenia. Napomôže tým zamedziť vzniku poškodeniu životného prostredia a osôb.

Ďalšie informácie vám poskytnú miestne úrady, služba na likvidáciu komunálneho odpadu alebo predajca.

(Obr. 24)

Poznámka: Tento symbol sa nachádza na výrobku alebo na jeho obale.

Technické údaje

Technické údaje

	225i
Motor	
Typ	BLDC (bezkontaktný) 36V
Funkcie	
Nízkoenergetický režim	SavE
Mazač systém	
Typ olejového čerpadla	Automatické
Objem nádrže na olej, m/cm ³	0,2/200
Hmotnosť	
Reťazová píla bez batérie, vodiaca lišta, reťaz píly a prázdna nádrž na olej na mazanie reťaze, kg	3,1
Emisie hluku ⁹⁴	
Nameraná úroveň hlučnosti dB(A)	97
Zaručená L _{WA} úroveň hlučnosti dB(A)	100
Úrovně hlučnosti ⁹⁵	
Hladina akustického tlaku pri uchu používateľa meraná podľa normy EN 62841-1	89
Úrovně vibrácií ⁹⁶	
Predná rukoväť m/s ²	3,9
Zadná rukoväť m/s ²	3,9
Reťaz píly/vodiaca lišta	

⁹⁴ Emisie hluku merané ako akustický tlak (L_{WA}) v súlade s európskou smernicou 2000/14/ES. a EN ISO 22868 majú typický štatistický rozptyl (štandardnú odchýlku) 3 dB (A).

⁹⁵ Uvádzané údaje pre hladinu akustického tlaku pre zariadenie majú typický štatistický rozptyl (štandardnú odchýlku) 3 dB (A).

⁹⁶ Stupeň vibrácií podľa smernice EN 62841-4-1. Uvádzané údaje pre ekvivalentný stupeň vibrácií majú typický štatistický rozptyl (štandardnú odchýlku) ±1,5 m/s². Deklarované údaje o vibráciách z meraní, keď je zariadenie vybavené dĺžkou lišty a odporúčaným typom reťaze. Ak je zariadenie vybavené odlišnou dĺžkou lišty, stupeň vibrácií sa môže líšiť o max. ± 1,5 m/s².

	225i
Odporúčané dĺžky lišty, palce/cm	12 – 14/30,5 – 35,6
Použiteľná rezná dĺžka, palce/cm	11 – 13/27 – 33,2
Typ hnacieho kolieska/počet zubov	Záberové/6
Maximálna rýchlosť reťaze / (normálny režim), m/s	11,8
Maximálna rýchlosť reťaze / (režim SavE), m/s	9,4

Príslušenstvo

Kombinácie vodiacej lišty a reťaze pily



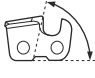


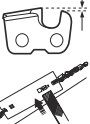
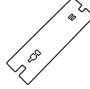






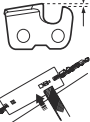
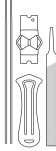

Pre model Husqvarna 225i sú schválené nasledujúce rezacie nadstavce:






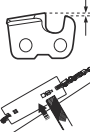
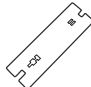

Vodiaca lišta					Reťaz pily	
Typ	Dĺžka, palce	Rozstup reťaze, palce	Šírka drážky, mm	Max. polomer špičky	Typ	Dĺžka, vodiace články (počet)
501959545	12	3/8" mini	1,1	7T	Husqvarna H38 (581808145)	45
501959552	14	3/8" mini	1,1	7T	Husqvarna H38 (581807952)	52

Zariadenie a uhly brúsenia

Na ostrenie reťaze pily používajte brúsnu mierku Husqvarna. Brúsna mierka Husqvarna zabezpečí dosiahnutie správnych uhlov brúsenia. Katalógové čísla sú uvedené v tabuľke nižšie.

Ak si nie ste istí, ako identifikovať typ reťaze pily na vašom výrobku, viac informácií nájdete na webovej lokalite www.husqvarna.com.

							
38	11/64 palca/ 4,5 mm	75°	30°	0°	0,025 palca/ 0,65 mm	505 69 81-03	579 55 88-01
							

							
93	5/32 palca/ 4,0 mm	60°	30°	0°	0,025 palca/ 0,65 mm	596 63 89-01	596 63 89-01

Schválené batérie

Batéria	40-B140
Typ	Lítium-iónová
Kapacita batérie, Ah	4
Menovité napätie, V	36
Hmotnosť, kg	1.25

Schválené nabíjačky batérií pre výrobok

Nabíjačka batérie	40-C80
Sieťové napätie, V	100 – 240
Frekvencia, Hz	50 – 60
Výkon, W	72
Výstupné napätie, V d.c./ Ampérov, A	43/1,6

Vyhlásenie o zhode

Vyhlásenie o zhode EÚ

Spoločnosť **Husqvarna AB**, SE-561 82 Huskvarna,
Švédsko, tel.: +46-36-146500, s plnou zodpovednosťou
vyhlasujeme, že výrobok:

Popis	Bezšnúrové reťazové píly
Značka	Husqvarna
Typ/model	225i
Identifikácia	Výrobné čísla od roku 2023 a novšie

plne spĺňa nasledujúce smernice a nariadenia EÚ:

Smernice/Nariadenia	Popis
2006/42/ES	„o strojových zariadeniach“
2014/30/EÚ	„o elektromagnetickej kompatibilite“
2011/65/EÚ	„o obmedzení používania určitých nebezpečných látok v elektrických a elektronických zariadeniach“
2000/14/ES	„týkajúca sa emisie hluku v prostredí pochádzajúceho zo zariadení používaných vo voľnom priestranstve“

Boli uplatnené nasledujúce normy: EN
62841-1:2015+A11:2022, EN 62841-4-1:2020, EN
IEC 63000:2018, EN IEC 55014-1:2021, EN IEC
55014-2:2021.



Notifikovaný orgán: TÜV Rheinland LGA Products
GmbH, Tillystrasse 2, D-90431 Nuernberg, Germany,
0197, vykonala typovú skúšku ES v súlade so
smernicou o strojných zariadeniach (2006/42/ES) článok
12, bod 3b. Certifikát má číslo: BM 50604678 0001.

Dodaná reťazová píla zodpovedá typu, ktorý bol
podrobený EÚ skúške typu.

V súlade s Prílohou V smernice 2000/14/ES pozri
Technické údaje na strane 643 pre deklarované hodnoty
zvuku.

Huskvarna, 2023-10-30

Claes Losdal, manažér pre vývoj a výskum, Husqvarna
AB

Zodpovedný za technickú dokumentáciu

VSEBINA

Uvod.....	647	Odpravljanje težav.....	666
Varnost.....	648	Transport skladiščenje in odstranitev.....	667
Montaža.....	655	Tehnični podatki.....	668
Delovanje.....	656	Dodatna oprema.....	669
Vzdrževanje.....	661	Izjava o skladnosti.....	671

Uvod

Namen uporabe

Ta verižna žaga za gozdna opravila je izdelana za opravljanje del v gozdu, kot so podiranje, kleščenje in žaganje.

Opomba: Uporaba tega izdelka je lahko omejena z nacionalnimi predpisi.

Pregled izdelka

(Sl. 1)

1. Sprednji ščitnik
2. Sprednja ročica
3. Uporabniški vmesnik
4. Gumb za vklop/izklop
5. Indikator za opozorilo in indikator baterije
6. Gumb SavE
7. Zadnji ročaj s ščitnikom desne roke
8. Nalepka z informacijami in opozorili
9. Ohišje
10. Posoda za verižno olje
11. Pokrov za transport
12. Zaklep sprožilca plina
13. Sprožilec plina
14. Pokrov pogonskega zobnika z gumbom za pritrditev meča
15. Napenjalnik verige
16. Lovilnik verige
17. Zobati odbijač
18. Zobnik konice meča
19. Veriga verižne žage
20. Meč
21. Indikator stanja napolnjenosti
22. Priključek
23. Polnilnik baterije
24. Kombiniran ključ
25. Indikator za opozorilo
26. Gumb, stanje baterije
27. Stanje baterije
28. Gumb za sprostitve baterije
29. Baterija
30. Navodila za uporabo

Opis izdelka

Husqvarna 225i je model verižnih žag z elektro motorjem.

Stalno delamo na tem, da bi povečali varnost in učinkovitost med delovanjem. Če potrebujete več informacij, se obrnite na servisnega zastopnika.

31. Gumb za pritrditev meča

32. Pokrov pogonskega zobnika z vijakom meča

Simboli na izdelku

(Sl. 2) **OPOZORILO:** Ta izdelek je lahko nevaren in lahko povzroči hude poškodbe oziroma smrt uporabnika ali drugih. Bodite previdni in uporabljajte izdelek pravilno.

(Sl. 3) Pred uporabo tega izdelka morate pozorno prebrati navodila za uporabo ter jih razumeti.

(Sl. 4) Nosite odobreno zaščitno čelado ter zaščito za sluh in oči.

(Sl. 5) Izdelek držite z obema rokama.

(Sl. 6) Ne upravljajte ga samo z eno roko.

(Sl. 7) Ne dopustite, da se konica meča dotakne predmeta.

(Sl. 8) Ne uporabljajte v dežju.

(Sl. 9) Opozorilo! Če se konica meča dotaknete predmeta, lahko pride do povratnega udarca. To povzroči sunek meča proti upravljavcu. Nevarnost hude poškodbe ali smrti.

(Sl. 10) Nazivna napetost, V

(Sl. 11) Verižno olje.

- (SI. 12) Smer vrtenja verige in najdaljša dolžina meča.
- (SI. 13) Enosmerni tok.
- (SI. 14) **Okoljska oznaka.** Izdelek ali embalaža izdelka ne spadata med gospodinjske odpadke. Treba ga je reciklirati v zbirnem centru za reciklažo električne in elektronske opreme.
- (SI. 15) Izdelek je v skladu z veljavnimi direktivami ES.
- (SI. 16) Izdelek je v skladu z veljavnimi direktivami UK.
- (SI. 17) Emisija hrupa v okolje je skladna z Evropsko direktivo 2000/14/ES in zakonodajo Novega južnega Walesa, in sicer z direktivo "Zaščita okolja pri delu (nadzor hrupa) iz 2017". Zajamčena raven zvočne moči izdelka je navedena na in v *Tehnični podatki na strani 668* in na oznaki.
- (SI. 21) Zavora verige, aktivirana (naprej). Zavora verige, neaktivirana (zadaj).
- (SI. 22) Smer verige.
- (SI. 23) Na tipski ploščici je navedena serijska številka. **yyyy** je proizvodno leto, **ww** je proizvodni teden.

Simboli na bateriji in/ali polnilniku baterije

- (SI. 24) Izdelek je treba reciklirati v zbirnem centru za reciklažo električne in elektronske opreme. (velja samo za Evropo)
- (SI. 18) Pretvornik za varno odpoved.
- (SI. 19) Polnilnik baterije hranite in uporabljajte samo v zaprtih prostorih.
- (SI. 20) Dvojna izolacija.

Proizvajalec

Husqvarna AB
Drottninggatan 2, SE-561 82, Huskvarna, Sweden, tel: +46-36-146500

Škoda izdelka

Za škodo na izdelku ne odgovarjamo, če:

- Izdelek ni pravilno popravljen.
- Izdelek je popravljen z deli, ki jih ni izdelal ali odobril proizvajalec.
- Na izdelku je nameščena dodatna oprema, ki je ni izdelal ali odobril proizvajalec.
- Izdelek ni bil popravljen v pooblaščenem servisnem centru ali pri pooblaščenem organu.

Opomba: Ostali simboli in oznake na izdelku se nanašajo na zahteve za certifikacijo, ki veljajo za nekatere trge.

Varnost

Varnostne definicije

Opozorila, svarila in opombe opozarjajo na posebej pomembne dele priročnika.



OPOZORILO: Se uporabi, če obstaja nevarnost telesne poškodbe ali smrti uporabnika ali opazovalcev ob neupoštevanju navodil v tem priročniku.



POZOR: Se uporabi, če obstaja nevarnost poškodbe izdelka, drugih materialov ali okolice ob neupoštevanju navodil v tem priročniku.

Opomba: Se uporabi za podajanje podrobnejših informacij, potrebnih v dani situaciji.

Splošna varnostna opozorila za električno orodje



OPOZORILO: Preberite vsa varnostna opozorila, navodila, slike in specifikacije, dobavljene s tem električnim orodjem. Neupoštevanje vseh spodaj navedenih navodil lahko povzroči električni udar, požar in/ali težko telesno poškodbo.

- **Shranite vsa opozorila in navodila za bodočo uporabo.** Izraz »električno orodje« v opozorilih se nanaša na orodje z napajanjem prek kabla neposredno iz električnega omrežja ali baterijsko električno orodje (brez kabla).

Varnost delovnega področja

- **Poskrbite za čistočo in dobro osvetlitev delovnega področja.** Prenatrpani ali mračni prostori kar kličejo nesrečo.
- **Električnega orodja ne uporabljajte v eksplozivnem okolju, na primer v bližini vnetljivih tekočin, plinov ali prahu.** Električna orodja sprožajo iskre, ki lahko vžgejo prah ali hlape.
- **Ne dovolite, da bi bili med uporabo električnega orodja prisotni otroci ali opazovalci.** Odvrčanje pozornosti lahko povzroči izgubo nadzora.

Električna varnost

- **Vtiči električnega orodja se morajo ujemati z vtičnico.** Vtiča na noben način ne spreminjajte. Z ozemljenim električnim orodjem ne uporabljajte adapterjev za vtičač. Nepredelani vtiči in ustrezne vtičnice poskrbijo za zmanjšano nevarnost električnega udara.
- **Izogibajte se telesnega stika z ozemljenimi površinami, kot so cevi, radiatorji, štedilniki in hladilniki.** Če je vaše telo ozemljeno, se nevarnost električnega udara poveča.
- **Električnega orodja ne izpostavljajte dežju ali viagi.** Če v električno orodje prodre voda, se poveča nevarnost električnega udara.
- **Ne ravnajte grobo s kablom.** Nikoli ne uporabljajte kabla za prenašanje, vlečenje ali izklapljanje električnega orodja iz vtičnice. Kabel ne sme priti v stik z vročino toplote, oljem, ostrimi robovi ali premikajočimi deli. Poškodovani ali zavozlani kabli povečujejo nevarnost električnega udara.
- **Če uporabljate električno orodje zunaj, uporabljajte kabelski podaljšek, ki je primeren za zunanjo uporabo.** Za zmanjšanje nevarnosti električnega udara uporabljajte kabel, primeren za zunanjo uporabo.
- **Če se ne morete izogniti upravljanju stroja v vlažnem okolju, uporabite zaščitno napravo na diferenčni tok (RCD).** Uporaba naprave RCD zmanjšuje nevarnost električnega udara.

Osebná varnost

- **Med uporabo električnega orodja bodite pozorni, pazite na svoja dejanja in ravnajte razumno.** Ne uporabljajte električnega orodja, ko ste utrujeni ali pod vplivom drog, alkohola ali zdravil. Trenutek nepozornosti med uporabo obrezovalnika žive meje lahko povzroči težko osebno poškodbo.
- **Uporabljajte osebno zaščitno opremo. Vedno nosite zaščitno za oči.** Zaščitna oprema, na primer prašna maska, čevlji z nedrsečimi podplati, čelada ali zaščita za sluh, uporabljena v pravih okoliščinah, zmanjšuje nevarnost osebnih poškodb.

- **Izogibajte se neželenemu zagonu.** Pred priklopom orodja na električno omrežje ali namestitvijo baterije, držanjem v rokah ali prenašanjem se prepričajte, da je stikalo v položaju za izklop. Prenašanje električnega orodja s prstom na stikalu ali priklop električnega orodja z vklopljenim stikalom lahko povzroči nesrečo.
- **Preden električno orodje vklopite, odstranite ključ za nastavitve ali izvijač.** Če ostane ključ ali izvijač pritrjen na vrteči se del električnega orodja, lahko pride do telesne poškodbe.
- **Rok ne stegujte predaleč.** Vedno zanesljivo stopajte in pazite na ravnotežje. To vam omogoča boljši nadzor nad električnim orodjem ob nepričakovanih dogodkih.
- **Primerno se oblecite. Ne nosite ohlapnih oblačil in nakita. Z lasmi in oblačili ne segajte v območje gibljivih delov.** Ohlapne obleke, nakit ali dolgi lasje se lahko zapletejo v premične dele.
- **Če so naprave opremljene s priključkom za odvajanje in zbiranje prahu, mora biti ta zaseden in pravilno uporabljen.** Zbiranje prahu lahko zmanjša nevarnost zaradi vdihavanja tega.
- **Ne bodite samozadovoljni, ker ste zaradi pogoste uporabe navajeni orodja, in kljub vsemu upoštevajte varnostna načela orodja.** Brezbržna uporaba lahko v trenutku povzroči hudo telesno poškodbo.

Uporaba in nega električnega orodja

- **Ne preobremenite električnega orodja. Uporabite pravilno električno orodje za vrsto uporabe.** Pravilno električno orodje bo delo opravilo bolje in varneje, če deluje pri hitrosti, za katero je bil zasnovano.
- **Električnega orodja ne uporabljajte, če stikalo za vklop/izklop ne deluje.** Orodje, ki ga ni mogoče upravljati s stikalom, je nevarno in ga je potrebno popraviti.
- **Pred izvajanjem nastavitve, menjavo priključkov ali shranjevanjem električnega orodja izvlecite vtič iz omrežne vtičnice in/ali odstranite baterijo iz električnega orodja, če je to mogoče.** Takí preventivni ukrepi pomagajo zmanjšati nevarnost neželenega zagona električnega orodja.
- **Električno orodje, ki ga ne potrebujete, shranite izven dosega otrok in ne dovolite, da bi ga uporabljale osebe, ki električnega orodja ne poznajo ali ne poznajo teh navodil.** Električna orodja so v rokah neukih oseb nevarna.
- **Vzdržujte električna orodja in dodatno opremo. Preverite poravnavo ali zatikanje pomičnih delov. Preverite, da noben del ni poškodovan in vsa druga stanja, ki bi lahko vplivala na delovanje električnega orodja. Če je električno orodje poškodovano, ga pred uporabo odnesite v popravilo.** Veliko nesreč povzročijo slabo vzdrževana električna orodja.
- **Rezila naj bodo vedno ostrá in čista.** Pravilno vzdrževana rezila z ostrimi rezalnimi robovi se manj zatikajo in jih je lažje kontrolirati.
- **Električna orodja, dodatke, rezalne ploščice ipd. uporabljajte skladno s temi navodili ter upoštevajte**

delovne pogoje in delo, ki ga boste opravljali.

Uporaba električnega orodja za opravila, za katera ta naprava ni namenjena, je lahko nevarna.

- **Ročaji in prijemalne površine naj bodo suhi, čisti in brez ostankov olja in masti.** Če so ročaji in prijemalne površine spolzki, ne omogočajo varne uporabe in upravljanja z orodjem v nepričakovanih razmerah.

Uporaba in nega baterije

- **Baterijo polnite le s polnilnikom, ki ga določi proizvajalec.** Polnilnik, ki je primeren za eno vrsto baterij, lahko poveča nevarnost požara pri drugih baterijah.
- **Električno orodje uporabljajte le s točno določenimi baterijami.** Če uporabite druge baterije, se lahko poveča nevarnost poškodb in požara.
- **Ko baterije ne uporabljate, ne sme priti v stik z drugimi kovinskimi predmeti, kot so sponke za papir, kovanci, ključiči, žebliji, vijaki ali drugi majhni kovinski predmeti, ki lahko vzpostavijo povezavo med dvema poloma.** Kratek stik med poloma baterije lahko povzroči opeklino ali požar.
- **Ob nepravilni in grobi uporabi lahko iz baterije izteka tekočina; izogibajte se stiku s tekočino. Če se tekočine nehote dotaknete, sperite roke z vodo. Če pride tekočina v stik z očmi, poiščite zdravniško pomoč.** Tekočina, ki izteka iz baterije, lahko povzroči draženje ali opeklino.
- **Ne uporabljajte poškodovanega ali spremenjenega baterijskega paketa ali orodja.** Poškodovani ali predelani akumulatorji se lahko obnašajo nepredvidljivo in lahko posledično zagorijo, eksplodirajo ali predstavljajo nevarnost poškodb.
- **Baterijskega paketa ali orodja ne izpostavljajte ognju ali previsokim temperaturam.** Izpostavljenost ognju ali temperaturam nad 130 °C (266 °F) lahko povzroči eksplozijo.
- **Upošteвайте vsa navodila za polnjenje in ne polnite baterijskega paketa ali orodja pri temperaturah zunaj temperaturnega območja, navedenega v navodilih.** Neustrezna zamenjava ali temperature zunaj dovoljenega območja lahko povzročijo poškodbe baterije in povečajo nevarnost požara.

Servis

- **Popravila električnega orodja sme izvajati usposobljen serviser in pri tem uporabljati originalne nadomestne dele.** S tem zagotovite ohranitev kakovosti in varnosti električnega orodja.
- **Ne servisirajte poškodovanih baterijskih enot.** Baterijske pakete lahko servisirajo samo proizvajalec in pooblaščen servisni ponudniki.

Splošna varnostna opozorila za verižno žago

- **Pazite, da se med delovanjem motome žage s kakšnim delom telesa ne dotaknete verige. Pazite,**

da ob zagonu motome žage veriga ni v stiku z nobenim predmetom. Če ste pri uporabi verižne žage za trenutek nepazljivi, se lahko obleka ali del telesa zaplete v verigo.

- **Motomo žago vedno držite z desno roko za zadnji ročaj in z levo roko za sprednji ročaj.** Če držite motorno žago z rokama v obratnem položaju, se poveča nevarnost telesnih poškodb, zato tega ne počenajte.
- **Verižno žago držite samo za izolirane površine, ker lahko pride veriga v stik s skritimi kablji.** Če se veriga dotakne kabla pod napetostjo, lahko napetost preskoči tudi na ostale kovinske dele verižne žage, zaradi česar lahko uporabnik doživi električni udar.
- **Uporabljajte zaščito za oči. Priporočamo tudi dodatno zaščitno opremo za sluh, glavo, roke, noge in stopala.** Ustrezna zaščitna oprema zmanjša nevarnost telesnih poškodb zaradi letočih ostankov ali nenamerne stika z verigo.
- **Verižne žage ne uporabljajte na drevesu, lestvi, strehi ali drugem nestabilnem objektu.** Zaradi takšnega načina uporabe verižne žage lahko pride do hudih telesnih poškodb.⁹⁷
- **Vedno imejte stabilen položaj in motorno žago uporabljajte samo, kadar stojite na trdni, varni in ravni površini.** Na drsečih in nestabilnih površinah lahko izgubite ravnotežje ali nadzor nad verižno žago.
- **Pri žaganju napete veje bodite pazljivi, saj lahko švigne nazaj.** Ko se napetost v lesnih vlaknih sprosti, lahko veja oplazi upravljavca, ki posledično izgubi nadzor nad verižno žago.
- **Bodite še posebej pazljivi pri žaganju grmičevja in mladih dreves.** Drobne veje se lahko zataknejo v verigo in vas oplazijo ali vržejo iz ravnotežja.
- **Pri prenašanju držite motorno žago za ročaj, motorna žaga pa mora biti izklopljena in obrnjena stran od telesa. Pri prenašanju ali shranjevanju verižne žage vedno namestite zaščito meča.** S pravilnim ravnanjem z motorno žago boste zmanjšali možnost nenamerne stika s premikajočo se verigo.
- **Upošteвайте navodila za mazanje, napanjanje verige ter zamenjavo meča in verige.** Če veriga ni ustrezno napeta ali namazana, se lahko zlomi ali poveča možnost povratnega udarca.
- **Žagajte samo les. Motorno žago uporabljajte le za opravila, za katera je namenjena. Na primer: verižne žage ne uporabljajte za žaganje kovine, plastike, zidakov ali gradbenih elementov, ki niso iz lesa.** Uporaba motorne žage za opravila, za katera ni namenjena, je lahko nevarna.
- **Preden podrete drevo, se morate v celoti zavedati vseh tveganj in se seznaniti z ukrepi, kako ta tveganja preprečiti.** Med podiranjem drevja lahko pride do resnih poškodb uporabnika ali drugih oseb v bližini.

⁹⁷ Če ste usposobljeni za posebne tehnike košenja in obdelovanja ter so določeni elementi pravilno pritrjeni (dvižna košara, vrvi, varnostni pas), lahko pride do odstopanj od tega varnostnega predpisa.

- **Pri odstranjevanju zataknjenega materiala sledite vsem navodilom, shranjevanje ali servisiranje verižne žage. Stikalo mora biti v izklopljenem položaju in baterijski paket je odstranjen.** Nepričakovana sprožitve verižne žage med odstranjevanjem zataknjenega materiala ali med servisiranjem lahko privede do resnih telesnih poškodb.
- **Verižne žage ne uporabljajte na drevesu, če niste ustrezno usposobljeni za to.** Uporaba verižne žage na drevesu brez ustreznega usposabljanja lahko poveča nevarnost hudih telesnih poškodb.

Vzroki za povratne udarce in preprečevanje teh

Povratni udarec se lahko zgodi, ko se prednji del ali konica meča dotakne predmeta ali ko se zareza zapre in stisne verigo. V nekaterih primerih lahko dotik konice povzroči nenadno povratno reakcijo, pri čemer se meč dvigne in obrne proti upravljavcu. Če je veriga na zgornji strani meča stisnjena, se lahko meč naenkrat hitro odrine nazaj proti upravljavcu. Posledično lahko izgubite nadzor nad motorno žago in se resno poškodujete. Ne zanašajte se zgolj na varnostne naprave v motorni žagi. Uporabnik motorne žage mora pri delu izvesti več previdnostnih ukrepov, s katerimi prepreči nesreče in poškodbe. Povratni udarec je posledica napačne uporabe motorne žage in/ali neprimernih delovnih postopkov ali pogojev, vendar ga lahko preprečite s spodnjimi previdnostnimi ukrepi:

- **S palcem in drugimi prsti obkrožite ročaje motorne žage in jo čvrsto primite. Žago držite z obema rokama in se postavite tako, da se lahko izognete povratnemu udarcu.** Sile povratnih udarcev lahko uporabnik nadzoruje, če izvaja pravilne ukrepe. Motorne žage nikoli ne izpustite.
- **Rok ne stegujte predaleč in nikoli ne žagajte nad višino ramen.** Tako preprečite neželen stik s konico meča žage in dovoljuje boljši nadzor nad motorno žago v nepričakovanih okoliščinah.
- **Uporabljajte samo nadomestne meče in verige, ki jih je določil proizvajalec.** Neustrezni nadomestni meči in verige motornih žag lahko povzročijo pokanje verige in/ali povratni udarec.
- **Upoštevajte navodila proizvajalca glede brušenja in vzdrževanja verige motorne žage.** Če se profil globine reza zmanjša, se poveča nevarnost povratnega udarca.

SHRANITE TA NAVODILA.

Splošna varnostna navodila



OPOZORILO: Pred uporabo izdelka preberite navodila v povezavi z opozorili v nadaljevanju.

- Izdelek je nevarno orodje, če niste previdni ali če ga ne uporabljate pravilno. Ta izdelek lahko povzroči hude poškodbe oziroma smrt upravljavca ali drugih.

Zato je zelo pomembno, da natančno preberete in se poglobite v navodila za uporabo.

- Ne spreminjajte izdelka brez vnaprejšnje odobritve proizvajalca izdelka. Ne uporabljajte izdelka, ki so ga spremenili drugi, in vedno uporabljajte originalno dodatno premo. Spremembe, ki jih ne odobri proizvajalec, lahko povzročijo hude poškodbe oziroma smrt upravljavca ali drugih.
- Dolgoročno vdihavanje hlapov verižnega olja in žagovine lahko povzroči zdravstvene težave.
- Izdelek med delovanjem ustvarja elektromagnetno polje. To polje lahko v nekaterih pogojih moti delovanje aktivnih ali pasivnih medicinskih vsadkov. Uporabnikom medicinskih vsadkov svetujemo, da se pred uporabo tega izdelka posvetujejo z zdravnikom ali proizvajalcem medicinskega vsadka, s čimer zmanjšajo nevarnost za hude poškodbe ali smrt.

Varnostna navodila za uporabo



OPOZORILO: Pred uporabo izdelka preberite navodila v povezavi z opozorili v nadaljevanju.

- Informacije v teh navodilih za uporabo niso nadomestilo za strokovno znanje in izkušnje. Če se v danih okoliščinah ne počutite varno, izklopite izdelek. Obrnite se na servisnega zastopnika ali profesionalnega upravljavca motorne žage. Ne poskušajte izvajati nalog, ki se vam zdijo pretežke!
- Če imate vprašanja glede delovanja izdelka, se obrnite na servisnega zastopnika ali družbo Husqvarna. Svetujemo vam lahko, kako upravljati z izdelkom učinkovito in varno. Če je mogoče, se udeležite usposabljanja za delo z motorno žago. Prek servisnega zastopnika, gozdarske šole ali knjižnice lahko pridobite informacije o razpoložljivem izobraževalnem gradivu in tečajih.
- Pred uporabo izdelka morate razumeti učinek povratnega udarca in način preprečitve. Glejte, *Informacije o povratnem udarcu na strani 657 in Pogosto zastavljena vprašanja glede povratnega udarca na strani 657* za navodila.
- Ne uporabljajte izdelka, akumulatorsko baterijo ali polnilnika, ki so poškodovani ali ne delujejo pravilno.
- Vrteče se verige se ne dotikajte. To lahko povzroči hude poškodbe ali smrt.
- Izdelka ne uporabljajte, če ste utrujeni, pod vplivom alkohola, drog, zdravil ali drugih substanc, ki lahko negativno vplivajo na vaš vid, pozornost, koordinacijo ali presojo.
- Delo v slabem vremenu izčrpava in pogosto prispeva k dodatnim tveganjem. Zaradi povečanega tveganja uporaba stroja v zelo slabem vremenu ni priporočljiva, na primer v gosti megli, nalihih, močnem vetru, hudem mrazu ali ob nevarnosti udara strele itd.
- Če meč, veriga in pokrovi niso pravilno nameščeni, ne zaganjajte izdelka. V nasprotnem primeru se lahko pogonski zobnik odvije in povzroči hude

telesne poškodbe. Glejte, *Montaža na strani 655* za navodila.

(SI. 25)

- Odrezki se lahko zataknejo v pokrov sklopke, kar povzroči zastoj verige. Pred začetkom čiščenja obvezno izklopite motor.
- Ozrite se okrog sebe. Prepričajte se o odsotnosti možnosti, da bi se oseba ali žival dotaknila izdelka ali vplivala na vaše upravljanje izdelka.

(SI. 26)

- Otroci ne smejo uporabljati izdelka ali se zadrževati v njegovi bližini. Zagon izdelka je zelo enostaven, zato ga lahko zaženejo tudi otroci, če jih ne nadzorujete. To lahko pomeni nevarnost hudih poškodb.
- Ko izdelka nimate v celoti na očeh ali ga za določen čas zapustite, odstranite baterijo.
- Za popoln nadzor nad izdelkom morate stati v stabilnem položaju. Ne uporabljajte izdelka, če ste na lestvi ali drevesu. Ne uporabljajte izdelka, če ne stojite na stabilni površini.

(SI. 27)

- Delo na drevesu zahteva uporabo posebnih tehnik žaganja in delovnih postopkov, ki jih je treba upoštevati, da zmanjšate povečano nevarnost telesnih poškodb. Nikoli ne delajte v drevesu, če niste posebej usposobljeni za tako delo, vključno z usposabljanjem za uporabo varnostne in druge plezalne opreme, kot so oprtniki, vrvi, jermeni, dereze, zaskočne in karabine itd.
- V nobenem primeru ne poskušajte ujeti padajočih delov. V nobenem primeru ne žagajte drevesa, ko ste privezani samo z eno vrvjo. Vedno uporabljajte dve varovalni vrvi.
- Če niste previdni, se nevarnost za povratni udarec poveča. Do povratnega udarca lahko pride, če se območje povratnega udarca meča po nesreči dotakne veje, drevesa ali drugega predmeta.

(SI. 28)

- Izdelka ne držite samo z eno roko. Izdelka ni mogoče varno upravljati z eno roko.
- Izdelka ne uporabljajte nad višino ramen in ne poskušajte žagati s konico meča.

(SI. 29)

- Izdelka na uporabljajte v situacijah, kjer v primeru nesreče ne morete poklicati pomoči.
- Pred prestavljanjem izdelek izklopite in uporabite zavoro verige. Izdelek držite tako, da sta meč in veriga usmerjena nazaj. Pred prevozom izdelka ali prestavljanjem le-tega na določeno razdaljo na meč namestite transportno zaščito.
- Ko izdelek položite na tla, uporabite zavoro verige in imejte izdelek stalno na očeh. Preden izdelek zapustite za določen čas, ga izklopite in odstranite baterijo.
- V pogonski sistem se lahko zataknejo lesni odrezki. To lahko povzroči zagodenje verige.

Pred čiščenjem izdelek vedno najprej izklopite in odstranite baterijo.

- Stopnja vibracij se poveča, če žagate z rezalno opremo, ki ni ustrezna ali ni pravilno nabrušena. Žaganje trdega lesa, na primer pri listavcih, povzroči več vibracij kot žaganje mehkega lesa, na primer pri iglavcih.

(SI. 30)

- Pri osebah, ki imajo težave s krvnim obtokom, lahko pretirana izpostavljenost vibracijam povzroči poškodbe ožilja ali živčevja. Če opazite simptome pretirane izpostavljenosti tresljajem, se posvetujte z zdravnikom. Ti simptomi zajemajo otrplost, izgubo občutenja, ščemenje, zbadanje, bolečino, zmanjšano moč in spremembe barve ali stanja kože. Simptomi se običajno pojavijo v prstih, dlaneh ali zapestjih pri nižjih temperaturah.
- Pri rezovanju ali kleščanju stoječega drevesa nista dovoljena, če niste ustrezno usposobljeni za to.
- Pri žaganju na pobočjih vedno stojte nad hlodom, saj se drevo pri padanju običajno zakotali ali zdrsne po strmini navzdol. Za ohranitev popolnega nadzora na izdelku pri žaganju sprostite pritisek pri žaganju proti koncu reza. Ne popustite svojih dlani okoli ročic. Veriga se ne sme dotakniti tal. Po končanem rezu počakajte, da se veriga ustavi, preden premaknete izdelek. Pred premikanjem od drevesa do drevesa vedno izklopite motor.

(SI. 31)

- Ne podrite drevesa, če obstaja kakršno koli tveganje za osebe, nevarnost udarca ali poškodbe napeljave ali povzroči materialno škodo. Če drevo poškoduje napeljavo, morate nemudoma obvestiti komunalno podjetje.
- Prepričajte se, da se lahko varno gibljete. Preverite razmere in teren okrog sebe ter poiščite morebitne ovire, kot so korenine, kamenje, veje, jarki in drugo. Pri delu na nagnjenih tleh bodite previdni.
- Izogibajte se situacijam, ki se vam zdijo prezahtevne.
- Pri uporabi tega izdelka ni mogoče predvideti vseh možnih situacij, s katerimi se lahko srečate. Vedno bodite previdni in ravnajte razumno.

(SI. 32)

Osebna zaščitna oprema



OPOZORILO: Pred uporabo izdelka preberite navodila v povezavi z opozorili v nadaljevanju.

(SI. 33)

- Večina nesreč z verižno žago se zgodi, ko se veriga dotakne uporabnika. Med upravljanjem izdelka morate obvezno uporabljati odobreno osebno zaščitno opremo. Osebna zaščitna oprema vas ne more popolnoma zaščititi pred poškodbami, vendar v primeru nesreče omili posledice. Če se želite

posvetovati, katero opremo uporabiti, se obrnite na servisnega zastopnika.

- Oblačila se morajo tesno prilegati, vendar vas ne smejo ovirati pri gibanju. Redno pregledujte stanje osebne zaščitne opreme.
- Uporabljajte odobreno zaščitno čelado.
- Uporabljajte odobreno zaščito za sluh. Dolgotrajna izpostavljenost hrupu lahko povzroči trajno poškodbo sluha.
- Uporabljajte odobrena zaščitna očala ali vizir za obraz, da zmanjšate tveganje za poškodbe zaradi izmeta predmetov. Izdelek lahko z veliko silo izvrže predmete, kot so lesni odrezki, majhni delci lesa in drugo. Zaradi tega lahko pride do hudih poškodb, zlasti poškodb oči.
- Uporabljajte rokavice z zaščito za verižne žage.
- Uporabljajte hlače z zaščito za verižne žage.
- Uporabljajte škornje z zaščito za verižne žage, ojačano konico in nedrsečim podplatom.
- S sabo imejte vedno komplet prve pomoči.
- Nevarnost iskrenja. V bližini imejte opremo za gašenje požara in lopato, da lahko preprečite gozdni požar.

Varnostne naprave na izdelku



OPOZORILO: Pred uporabo izdelka preberite navodila v povezavi z opozorili v nadaljevanju.

- Ne uporabljajte izdelka z varnostnimi napravami, ki so poškodovane ali ne delujejo pravilno.
- Redno preverjajte varnostne naprave. Glejte, *Vzdrževanje in preverjanje varnostnih naprav izdelka na strani 662*.
- Če so varnostne naprave poškodovane ali ne delujejo pravilno, se obrnite na servisnega zastopnika Husqvarna.

Funkcije uporabniškega vmesnika

Uporabniški vmesnik vključuje gumb za zagon/zaustavitev, gumb načina SavE, indikator stanja napoljenosti baterije in opozorilni indikator. Če je zavora verige aktivirana ali obstaja nevarnost preobremenitve, indikator za opozorilo utripa. Zaščita pred preobremenitvijo začasno zaustavi izdelek, zato ga ne morete uporabljati, dokler se temperatura ne zniža na običajno temperaturo. Če opozorilni indikator sveti neprekinjeno, se obrnite na servisnega zastopnika.

(Sl. 34)

Za dodatne informacije o uporabniškem vmesniku glejte *Pregled izdelka na strani 647*.

Funkcija samodejne zaustavitve

Izdelek ima funkcijo samodejne zaustavitve, ki zaustavi izdelek po 3 minutah neuporabe.

Zavora verige in sprednji ščitnik za roko

Izdelek ima zavoro verige, ki zaustavi verigo, če pride do povratnega udarca. Zavora verige zmanjšuje nevarnost nesreč, samo vi pa jih lahko preprečite.

(Sl. 35)



OPOZORILO: Izdelka ne uporabljajte v situacijah, kjer obstaja nevarnost povratnega udarca. Pri uporabi izdelka bodite previdni in pazite, da se območje povratnega udarca meča ne dotakne predmeta.

(Sl. 36)

Zavoro verige (A) lahko aktivirate ročno z levo roko ali se aktivira samodejno z mehanizmom za sprostitvev vztrajnostnega momenta. Potisnite sprednji ščitnik roke (B) naprej, da ročno aktivirate zavoro verige. S tem se aktivira vzmeteni mehanizem, ki ustavi pogonski zobnik.

(Sl. 37)

Način vklopa zavoro verige je vezan na silo povratnega udarca in položaj izdelka. Če do sunkovitega povratnega udarca pride, ko je območje povratnega udarca najdlje stran od vas, se zavora verige aktivira s sprostitvijo vztrajnostnega momenta. Če je povratni udarec blag ali je območje povratnega udarca bližje vam, zavoro verige aktivirate ročno z levo roko.

(Sl. 38)

Zavoro verige uporabite kot parkirno zavoro, ko zažene izdelek in ko ga prestavljate na kratke razdalje. Tako zmanjšate nevarnost, da se z verigo dotaknete sebe ali osebe v vaši bližini.

(Sl. 39)

Povlecite sprednji ščitnik roke nazaj, da izklopite zavoro verige.

(Sl. 40)

Povratni udarec je lahko zelo nenaden in intenziven. Večina povratnih udarcev je blažjih, zato se zavora verige ne aktivira vedno. Če pride med uporabo izdelka do povratnega udarca, trdno držite ročaja in ju ne izpustite.

(Sl. 41)

Sprednji ščitnik roke zmanjša tveganje za dotik verige, če vaša roka zdrsne s sprednjega ročaja.

(Sl. 42)

V položaju za podiranje dreves zavoro verige ni mogoče aktivirati ročno. Zavoro verige lahko v tem položaju aktivira samo mehanizem za sprostitvev vztrajnostnega momenta.

(Sl. 43)

Zaklepni mehanizem sprožilca plina

Zaklep sprožilca plina preprečuje neželjeno uporabo sprožilca plina. Ko pritisnete zaklep sprožilnika plina naprej (A) in ga nato pritisnete ob ročaj (B), je sprožilnik plina (C) sproščen. Če ročaj sprostite, se sprožilec plina in zaklep sprožilca plina vrmeta v izhodiščni položaj.

(SI. 44)

Lovilnik verige

Lovilnik verige ujame verigo, če se ta strga ali zrahlja. Tveganje se zmanjša, če je veriga ustrezno napeta. Tveganje se zmanjša tudi, če meč in verigo ustrezno vzdržujete. Za navodila glejte *Montaža na strani 655* in *Vzdrževanje na strani 661*.

(SI. 45)

Ščitnik desne roke

Ščitnik desne roke varuje roko, če se veriga strga ali zrahlja. Prav tako preprečuje, da bi vas ob uporabi izdelka po roki udarjale veje in vejice.

(SI. 46)

Varna uporaba baterije



OPOZORILO: Pred uporabo izdelka preberite navodila v povezavi z opozorili v nadaljevanju.

- Uporabljajte samo serijo baterije 40-B, ki jih priporočamo za ta izdelek. Glejte, *Homologirane baterije na strani 669*. Baterije so šifrirane s programsko opremo.
- Serija baterije 40-B, ki jih je mogoče polniti, uporabljajte kot vir napajanja samo za ustrezne izdelke Husqvarna. Glejte, *Homologirane baterije na strani 669*. Za preprečevanje poškodb akumulatorske baterije ne uporabljajte za napajanje drugih naprav.
- Nevarnost električnega udara. Poli baterije ne smejo priti v stik s ključi, vijaki ali drugimi kovinskimi deli. To lahko povzroči kratek stik akumulatorske baterije.
- Ne uporabljajte baterij, ki jih ni mogoče polniti.
- V zračne reže akumulatorske baterije ne vstavljajte predmetov.
- Akumulatorske baterije ne izpostavljajte neposredni sončni svetlobi, vročini ali odprtemu ognju. Akumulatorska baterija lahko povzroči opekline in/ali kemične opekline.
- Akumulatorska baterije ne izpostavljate dežju in vlagi.
- Akumulatorske baterije ne izpostavljajte mikrovalovom in visokemu tlaku.
- Akumulatorske baterije ne poskušajte razstaviti ali odpreti.
- Baterijska kislina ne sme priti v stik s kožo. Baterijska kislina povzroči poškodbe kože, korozijo

in opekline. Če pride baterijska kislina v oči, ne drgnite oči, temveč jih spirajte z vodo vsaj 15 minut. Če pride baterijska kislina v stik s kožo, očistite kožo z veliko količino vode in mila. Poiščite zdravniško pomoč.

- Baterijo uporabljajte v okolju s temperaturami med -10 °C (14 °F) in 40 °C (104 °F).
- Akumulatorske baterije ali polnilnika nikoli ne čistite z vodo. Glejte, *Preverjanje baterije in držala baterije na strani 663*.
- Ne uporabljajte poškodovane akumulatorske baterije.
- Baterije med skladiščenjem ne smejo priti v stik s kovinskimi predmeti, na primer žebli, vijaki ali nakitom.
- Akumulatorsko baterijo hranite zunaj dosega otrok.

Varna uporaba polnilnika baterije



OPOZORILO: Pred uporabo izdelka preberite navodila v povezavi z opozorili v nadaljevanju.

- Nevarnost električnega udara ali kratkega stika, če ne upoštevate varnostnih navodil.
- Uporabljajte nepoškodovano ozemljeno homologirano omrežno vtičnico.
- Ne uporabljajte polnilnikov, ki niso bili priloženi izdelku. Za polnjenje nadomestnih baterij 40-B140 Husqvarna uporabite polnilnike 40-C80. Glejte *Odobreni polnilniki baterij za izdelek na strani 670* in *Homologirane baterije na strani 669*.
- Polnilnika baterije ne poskušajte razstaviti.
- Ne uporabljajte poškodovanega ali pokvarjenega polnilnika baterije.
- Baterijskega polnilnika ne dvigujte za napajalni kabel. Polnilnik baterije odklopite iz stenske vtičnice tako, da povlečete vtič. Nikoli ne vlecite za napajalni kabel.
- Pazite, da kabli in kabelski podaljški ne pridejo v stik z vodo, oljem in ostrimi robovi. Kabel ne sme biti zataknen med vrata ali za ograje oziroma podobne predmete.
- Baterijskega polnilnika ne uporabljajte v bližini gorljivih materialov ali materialov, ki povzročajo korozijo. Pazite, da polnilnik baterije ni pokrit. V primeru dima ali požara izvalcite vtič polnilnika baterije.
- Baterijo polnite le v zaprtih prostorih z dobrim prezračevanjem in zaščito pred neposrednim soncem. Baterije ne polnite na prostem. Baterijske enote ne polnite v stiku z vodo ali vlago.
- Polnilnik baterije uporabljajte samo v okolju s temperaturami med 5 °C (41 °F) in 40 °C (104 °F). Polnilnik uporabljajte v dobro prezračenem, suhem in brezprašnem okolju.
- V hladilne reže polnilnika baterije ne vstavljajte predmetov.

- Poli polnilnika baterije se ne smejo dotikati kovinskih predmetov, ker lahko to povzroči kratki stik.
- Uporabljajte nepoškodovane in odobrene stenske vtičnice.
- V baterijskem polnilniku ne polnite baterij za enkratno uporabo.
- Uporabljajte samo odobrene kombinacije mečev in verig ter opremo za brušenje. Za navodila glejte poglavje *Tehnični podatki na strani 668*.
- Med uporabo ali izvajanjem vzdrževalnih del na verigi nosite zaščitne rokavice. Tudi nepremična veriga lahko povzroči poškodbe.
- Rezalni zobje naj bodo vedno pravilno nabrušeni. Upoštevajte navodila in uporabljajte priporočeno šablono za brušenje. Poškodovana veriga ali veriga, ki ni pravilno nabrušena, poveča nevarnost nesreč.

Varnostna navodila za vzdrževanje



OPOZORILO: Pred vzdrževanjem izdelka preberite naslednja opozorilna navodila.

- Pred vzdrževanjem, drugimi pregledi ali sestavljanjem izdelka odstranite baterijo.
- Uporabnik sme sam izvajati le tista vzdrževalna in servisna dela, ki so navedena v teh navodilih za uporabo. Za obsežnejša vzdrževalna in servisna dela se obrnite na servisnega zastopnika.
- Baterije ali polnilnika nikoli ne čistite z vodo. Močno čistilo lahko poškoduje plastiko.
- Če ne vzdržujete izdelka, skrajšate njegovo življenjsko dobo in povečate nevarnost nesreč.
- Za servisiranje in popravila izdelka, zlasti za varnostne naprave na izdelku, je potrebno posebno usposabljanje. Če po izvedenem vzdrževanju niso vsa preverjanja uspešno opravljena, se obrnite na servisnega zastopnika. Zagotavljamo vam, da so za vaš izdelek na voljo strokovna popravila in servisne storitve.
- Uporabljajte samo originalne nadomestne dele.

Varnostna navodila za rezalno opremo



OPOZORILO: Pred uporabo izdelka preberite navodila v povezavi z opozorili v nadaljevanju.

- (Sl. 47)
- Nastavite ustrezno nastavitev globine reza za verigo. Upoštevajte navodila in uporabljajte priporočeno nastavitev globine reza. Prevelika nastavitev globine reza poveča nevarnost povratnega udarca.
- (Sl. 48)
- Zagotovite, da je veriga ustrezno napeta. Če se veriga ne prilega tesno meču, se lahko sname. Neustrezna napetost verige poveča obrabo meča, verige in pogonskega zobnika verige. Glejte poglavje *Dodatna oprema na strani 669*.
- (Sl. 49)
- Redno vzdržujte rezalno opremo in jo ustrezno mažite. Če verige ne mažete ustrezno, se poveča tveganje za obrabo meča, verige in pogonskega zobnika verige.
- (Sl. 50)

Montaža

Sestavljanje meča in verige (z gumbom za pritrditev meča)



OPOZORILO: Pred sestavljanjem ali vzdrževanjem izdelka vedno najprej odstranite baterijo.

1. Sprostite zavoro verige. (Sl. 51)
2. Odvijte gumb za pritrditev meča in odstranite pokrov pogonskega zobnika. (Sl. 52)
3. Na vijak meča namestite meč. Pomaknite meč v skrajno zadnji položaj. Dvignite verigo nad pogonski zobnik in jo vpnite v utor meča. Začnite na zgornji strani meča.
4. Prepričajte se, da so robovi rezalnih členov na zgornjem robu meča obrnjeni naprej. (Sl. 53)

5. Namestite pokrov pogonskega zobnika in pomaknite nastavitveni vijak verige na luknjo v meču.
6. Prepričajte se, da se gonilni členi verige pravilno prilegajo pogonskemu zobniku.
7. Prepričajte se, da je veriga pravilno vpeta v utor meča.
8. Napnite verigo. Glejte, *Vzdrževanje na strani 661* za navodila.
9. Zategnite gumb za pritrditev meča.

Sestavljanje meča in verige (z vijakom meča)



OPOZORILO: Pred sestavljanjem ali vzdrževanjem izdelka vedno najprej odstranite baterijo.

1. Sprostite zavoro verige. (Sl. 51)
2. Odvijte matico meča in odstranite pokrov pogonskega zobnika. (Sl. 54)
3. Na vijak meča namestite meč. Pomaknite meč v skrajno zadnji položaj. Dvignite verigo nad pogonski zobnik in jo vpnite v utor meča. Začnite na zgornji strani meča.
4. Prepričajte se, da so robovi rezalnih členov na zgornjem robu meča obrnjeni naprej. (Sl. 55)
5. Namestite pokrov pogonskega zobnika in pomaknite nastavitveni vijak verige na luknjo v meču.
6. Prepričajte se, da se gonilni členi verige pravilno prilegajo pogonskemu zobniku.
7. Prepričajte se, da je veriga pravilno vpeta v utor meča.
8. S prsti privijte matico za meč.

9. Verigo napnite. Glejte, *Vzdrževanje na strani 661* za navodila.

Namestitev baterijskega polnilnika na steno



POZOR: Pri namestitvi baterijskega polnilnika na steno ne uporabljajte električnih vijaknikov. Električni vijakniki lahko poškodujejo baterijski polnilnik.

1. Z 2 vijakoma (A) na steno namestite baterijski polnilnik. Po potrebi uporabite stensko vtičnico (B). (Sl. 56)
2. Namestite 2 čepka za luknje vijakov (C).
3. Napajalni kabel (D) baterijskega polnilnika priklopite v primerno glavno omrežno vtičnico.

Delovanje

Uvod



OPOZORILO: Preden začnete uporabljati izdelek, morate prebrati in razumeti poglavje o varnosti.

Preverjanje delovanja pred uporabo izdelka

1. Preverite zavoro verige (A) in se prepričajte, da deluje pravilno in ni poškodovana.
2. Preverite zadnji ščitnik desne roke (B) in se prepričajte, da ni poškodovan.
3. Preverite sprožilec plina in zaklep sprožilca plina (C) in se prepričajte, da delujeta pravilno in nista poškodovana.
4. Preverite delovanje tipkovnice (D) in se prepričajte, da deluje pravilno.
5. Prepričajte se, da na ročajih (E) ni olja.
6. Preverite, ali so vsi deli pravilno pritrjeni in ali so poškodovani oziroma manjkajo.
7. Preverite lovilnik verige (F) in se prepričajte, da je pravilno pritrjen.
8. Preverite napetost verige (G).
9. Napolnite baterijo (H) in se prepričajte, da je pravilno pritrjena na izdelek.
10. Prepričajte se, da se veriga zaustavi, ko sprostite sprožilec plina. (Sl. 57)

Uporaba ustreznega verižnega olja



OPOZORILO: Ne uporabljajte odpadnega olja, ki lahko škoduje vam in okolju. Odpadno olje poškoduje tudi oljno črpalko, meč in verigo.



OPOZORILO: Veriga se lahko strga, če mazanje rezalne opreme ni zadostno. Nevarnost hude poškodbe ali smrti upravljavca.



OPOZORILO: Za pravilno delovanje te funkcije uporabite ustrezno verižno olje. Za izbiro verižnega olja se obrnite na servisnega zastopnika.

- Za dolgo življenjsko dobo verige in preprečitev negativnih vplivov na okolje uporabljajte verižno olje Husqvarna. Če verižno olje Husqvarna ni na voljo, priporočamo uporabo standardnega verižnega olja.
- Uporabljajte verižno olje, ki se dobro prime verige.
- Uporabljajte verižno olje primerne stopnje viskoznosti, ki ustreza temperaturi zraka.



POZOR: Pri temperaturah pod 0 °C/32 °F so nekatera olja pregosta, zaradi česar se lahko poškodujejo sestavni deli oljne črpalke.

- Uporabljajte priporočeno rezalno opremo. Glejte poglavje *Dotatna oprema na strani 669*.
- Odstranite pokrovček posode za verižno olje.
- Napolnite posodo za verižno olje z verižnim oljem.
- Skrbno namestite pokrovček.

(Sl. 58)

Opomba: Za mesto posode za verižno olje na vašem izdelku glejte *Uvod na strani 647*.

Baterija



OPOZORILO: Preden začnete uporabljati baterijo, morate prebrati in razumeti poglavje o varnosti. Preberite in razumite tudi navodila za uporabo, ki so priložena bateriji in polnilniku.

Baterijo in polnilnik baterije shranjujte v prostoru z ustrežno temperaturo.

	Temperatura okolice
Delovanje baterije	5–40 °C/41–104 °F

Indikator LED	Stanje napoljenosti baterije
Svetijo 4 indikatorji LED	Baterija je napolnjena med 76 in 100 %.
Svetijo 3 indikatorji LED	Baterija je napolnjena med 51 in 75 %.
Svetijo 2 indikatorji LED	Baterija je napolnjena med 26 in 50 %.
Sveti 1 indikator LED	Baterija je napolnjena med 6 in 25 %.
1 indikator LED utripa	Baterija je napolnjena med 0 in 5 %.

Polnjenje baterije

Baterijo pred prvo uporabo napolnite. Nova baterija je napolnjena samo 30-odstotno.



POZOR: Baterijski polnilnik priklopite na vtičnico z napetostjo in frekvenco, ki sta navedeni na tipski ploščici.

Če temperatura baterije presega 50 °C/122 °F, se baterija ne bo polnila.

1. Napajalni kabel priključite na baterijski polnilnik.
2. Priključite baterijski polnilnik v ozemljeno vtičnico. Indikator LED za polnjenje enkrat utripne. (Sl. 60)
3. Baterijo priključite na baterijski polnilnik. Zasveti indikator polnjenja. Baterijo polnite največ 24 ur. (Sl. 61)
4. Pritisnite gumb stanja baterije. Baterija je popolnoma napolnjena, če zasvetijo vsi indikatorji.
5. Izvlecite napajalni priključek, da odklopite baterijski polnilnik iz električne vtičnice. Nikoli ne vlecite za napajalni kabel.
6. Odstranite baterijo iz polnilnika.

Informacije o povratnem udarcu



OPOZORILO: Izdelek lahko povzroči hude poškodbe ali smrt upravitelca ali drugih oseb. Za zmanjšanje tveganja morate vedeti, kakšni so vzroki za povratni udarec in kako jih lahko preprečite.

	Temperatura okolice
Polnjenje baterije	5–40 °C/41–104 °F

Stanje baterije

Na zaslonu je prikazana napoljenost baterije in podatki o morebitnih težavah z baterijo.

(Sl. 59)

Do povratnega udarca pride, ko se območje povratnega udarca meča dotakne predmeta. Povratni udarec se zgodi nenadoma in z veliko silo, ki izdelek odbije proti upravitelcu.

(Sl. 36)

Do povratnega udarca pride vedno v rezalni ravnini meča. Običajno se izdelek odbije v upravitelca, vendar lahko odboj poteka v različne smeri. Na smer odboja vpliva način uporabe izdelka v času povratnega udarca.

(Sl. 62)

Do povratnega udarca pride samo, če se območje povratnega udarca meča dotakne predmeta. Ne dopustite, da se območje povratnega udarca dotakne predmeta.

(Sl. 36)

Pri manjšem polmeru konice meča je sila povratnega udarca manjša.

Za zmanjšanje tveganja povratnega udarca uporabljajte verigo z majhnim povratnim udarcem. Ne dopustite, da se območje povratnega udarca dotakne predmeta.



OPOZORILO: Nobena veriga ne more v celoti preprečiti povratnega udarca. Vedno upoštevajte navodila.

Pogosto zastavljena vprašanja glede povratnega udarca

- Ali lahko z roko vedno vklopim zavoro verige med povratnim udarcem?

Ne. Če želite sprednji ščitnik roke potisniti naprej, morate uporabiti zadostno silo. Če ne uporabite potrebne sile, se zavora verige ne vklopi. Med delom morate prav tako z obema rokama stabilno držati ročaja izdelka. Pri povratnem udarcu obstaja možnost, da zavora verige ne zaustavi verige, preden se vas veriga dotakne. Obstaja tudi nekaj položajev, v katerih se roka ne more dotakniti sprednjega ščitnika roke za vklop zavore verige.

- **Ali mehanizem za sprostitvev vztrajnostnega momenta vedno vklopi zavoro verige med povratnim udarcem?**

Ne. Prvi pogoj je, da zavora verige pravilno deluje. Za navodila glede preverjanja zavore verige glejte poglavje *Vzdrževanje in preverjanje varnostnih naprav izdelka na strani 662*. Priporočamo vam, da ravnate tako pred vsako uporabo izdelka. Drugi pogoj za vklop zavore verige je zadostna sila povratnega udarca. Če je zavora verige preobčutljiva, se lahko vklopi med zahtevno uporabo.

- **Ali me zavora verige vedno ščiti pred poškodbami med povratnim udarcem?**

Ne. Za zaščito mora zavora verige pravilno delovati. Prav tako se mora zavora verige med povratnim udarcem vklopiti, da zaustavi verigo. Če ste blizu meča, zavora verige morda ne bo imela dovolj časa za zaustavitev verige, preden vas veriga zadene.



OPOZORILO: Povratni udarec lahko preprečite samo vi in ustrezen način uporabe.

Zagon izdelka

1. Preverite sprožilec plina in zaklep sprožilca plina. Glejte *Preverjanje delovanja zaklepa ročice plina na strani 663*.
2. Aktivirajte zavoro verige. (Sl. 63)
3. Baterijo vstavite v držalo baterije. (Sl. 64)



POZOR: Prepričajte se, da je baterija pravilno priklopljena na držalo baterije. Če baterije ni mogoče preprosto potisniti v držalo baterije, pomeni, da položaj ni pravilen.

4. Pritisnite spodnji del baterije, da se slišno zaskoči. (Sl. 65)
5. Pritisnite in pridržite gumb za vklop/izklop, dokler ne zasveti zelena lučka LED. (Sl. 66)

Za uporabo funkcije Save

Funkcija Save zniža hitrost verige in zmanjša moč izdelka.

1. Pritisnite gumb Save. Zelena LED se vklopi.
2. Znova pritisnite gumb Save za izklop funkcije. Zelen indikator LED preneha svetiti. (Sl. 67)

Zaustavitev izdelka

1. Pritisnite in pridržite gumb za vklop/izklop, dokler ne zasveti zelena lučka LED. (Sl. 66)
2. Pritisnite gumb za sprostitvev baterije in odstranite baterijo iz držala baterije, da ne pride do nenamernega zagona. (Sl. 68)

Žaganje z vlečenjem in potiskanjem motorne žage

Pri žaganju lesa je lahko izdelek v dveh različnih položajih.

- Motorno žago vlečete k sebi, ko žagate s spodnjim delom meča. Veriga si med žaganjem utira pot skozi drevo. V tem položaju imate boljši nadzor nad izdelkom in položajem območja povratnega udarca.

(Sl. 69)

- Motorno žago potiskate, ko žagate z zgornjim delom meča. Veriga potiska izdelek v smeri upravljalca.

(Sl. 70)



OPOZORILO: Če se veriga zagodzi v hlodu, lahko izdelek odbije proti vam. Izdelek držite trdno in pazite, da se območje povratnega udarca meča ne dotakne drevesa in povzroči povratnega udarca.

(Sl. 71)

Tehnike žaganja



OPOZORILO: Žagajte s polnim plinom, po končanem žaganju pa zmanjšajte število vrtljajev na hitrost prostega teka.



POZOR: Motor ne sme delovati predolgo brez obremenitve. S tem lahko poškodujete motor.

1. Hlod namestite na stojalo ali vodila. (Sl. 72)



OPOZORILO: Ne žagajte hlodov, ki so zloženi na kupu. To poveča tveganje povratnega udarca in lahko privede do resne poškodbe ali smrti.

2. Odrezke lesa odstranite iz delovnega območja.



OPOZORILO: Odrezki lesa v delovnem območju povečajo nevarnost povratnega udarca in izgube ravnotežja.

Uporaba zobate opore

1. Zobato oporo zarinite v deblo drevesa.

2. Uporabite polno moč in obračajte izdelek. Zobato oporo potiskajte ob deblu. Ta postopek omogoča žaganje skozi deblu z manjšo silo. (Sl. 73)

Žaganje hloda na tleh

1. Hlod žagajte z vlečenjem motorne žage k sebi. Žagajte s polnim plinom, vendar bodite pripravljeni na nenadno nesrečo. (Sl. 74)



OPOZORILO: Ko dokončate zarez, se veriga ne sme dotakniti tal.

2. Zažagajte skozi približno $\frac{2}{3}$ hloda in se ustavite. Hlod obrnite in zažagajte še z nasprotni strani. (Sl. 75)

Žaganje hloda z oporo na enem koncu



OPOZORILO: Hlod se med žaganjem ne sme prelomiti. Upoštevajte spodnja navodila.

(Sl. 76)

1. Zažagajte skozi približno $\frac{1}{4}$ hloda tako, da motorno žago potiskate.
2. Nato skozi hlod zažagajte še z vlečenjem motorne žage k sebi, dokler se zarez ne srečata. (Sl. 77)

Žaganje hloda z oporo na dveh koncih



OPOZORILO: Veriga se med žaganjem ne sme zagostiti v hlodu. Upoštevajte spodnja navodila.

(Sl. 78)

1. Zažagajte skozi približno $\frac{1}{4}$ hloda tako, da motorno žago vlečete k sebi.
2. Nato skozi preostali del hloda zažagajte še s potiskanjem motorne žage, da dokončate rez. (Sl. 79)



OPOZORILO: Če se veriga zagosti v hlodu, ustavite motor. Z vzvodom razprite zarez in odstranite izdelek. Izdelka ne poskušajte izvleči z rokami. To lahko povzroči poškodbo, ko izdelek nenadoma izskoči.

Tehnika kleščenja

Opomba: Za debele veje uporabite tehniko žaganja. Glejte poglavje *Tehnike žaganja na strani 658*.



OPOZORILO: Pri uporabi tehnike kleščenja obstaja velika nevarnost nesreče. Za navodila za preprečitev povratnega

udarca glejte poglavje *Informacije o povratnem udarcu na strani 657*.



OPOZORILO: Veje žagajte eno po eno. Bodite previdni pri odstranjevanju manjših vej in ne žagajte grmičevja ali veliko manjših vej hkrati. Manjše veje se lahko zagostijo v verigo, kar prepreči varno upravljanje izdelka.

Opomba: Po potrebi veje žagajte po delih. Najprej žagajte manjše veje (A) in (B), nato odžagajte vejo blizu debla (C).

(Sl. 80)

1. Odstranite veje z desne strani hloda.
 - a) Držite meč na desni strani hloda in ohišje izdelka ob hlodu.
 - b) Glede na napetost v veji izberite ustrezno tehniko žaganja. (Sl. 81)



OPOZORILO: Če niste prepričani, kako žagati vejo, se pred nadaljevanjem posvetujte s profesionalnim upravljavcem motorne žage.

2. Odstranite veje z vrha hloda.
 - a) Držite izdelek na deblu in se z mečem premikajte po hlodu.
 - b) Žagajte s potiskanjem motorne žage. (Sl. 82)
3. Odstranite veje z leve strani hloda.
 - a) Glede na napetost v veji izberite ustrezno tehniko žaganja. (Sl. 83)



OPOZORILO: Če niste prepričani, kako žagati vejo, se pred nadaljevanjem posvetujte s profesionalnim upravljavcem motorne žage.

Za navodila o žaganju napetih vej glejte poglavje *Žaganje napetih dreves in vej na strani 661*.

Tehnika podiranja drevesa



OPOZORILO: Za podiranje drevesa potrebujete izkušnje. Če je mogoče, se udeležite usposabljanja za delo z motorno žago. Za več informacij se posvetujte z izkušenim upravljavcem.

Ohranjanje varne razdalje

1. Poskrbite, da so osebe v bližini na varni razdalji, in sicer najmanj 2 dolžini drevesa in pol. (Sl. 84)

2. Prepričajte se, da v območju nevarnosti ni oseb pred ali med podiranjem drevesa. (Sl. 85)

Ugotavljanje smeri podiranja

1. Preverite, v katero smer je treba drevo podreti. Cilj je, da drevo podrete na mesto, kjer lahko deblo enostavno oklestite in razžagate. Pomembno je tudi, da lahko stabilno stojite in se varno gibljete.



OPOZORILO: Če je podiranje drevesa v naravno smer nevarno ali ni možno, ga pustite pasti v drugo smer.

2. Ugotovite, katera je naravna smer padca drevesa. Pri tem si na primer pomagajte z nagibom in ukrivljenjem drevesa, smerjo vetra, lokacijo vej in težo snega.
3. Preverite, ali so v bližini ovire, na primer druga drevesa, električni vodi, ceste in/ali stavbe.
4. Poiščite znake poškodb in razkroja v deblu.



OPOZORILO: Razkroj v deblu lahko povzroči, da drevo pade, preden končate z žaganjem.

5. Pripravite se, da drevo nima poškodovanih ali odmrlih vej, ki se lahko odlomijo in vas med padanjem poškodujejo.
6. Drevo ne sme pasti na drugo stoječe drevo. Odstranjevanje ukleščene drevesa je nevarno, pri tem pa obstaja velika nevarnost nesreče. Glejte poglavje *Sprostitev ukleščene drevesa na strani 661*. (Sl. 86)



OPOZORILO: Med ključnimi opravili podiranja drevesa odstranite zaščito za sluh, takoj ko končate z žaganjem. Pomembno je, da slišite zvok in opozorilne signale.

Čiščenje hloda in priprava poti umika

Odžagajte vse veje od višine ramen navzdol.

1. Žagajte z vlečenjem motorne žage od zgoraj navzdol. Poskrbite, da je drevo med vami in izdelkom. (Sl. 87)
2. Z delovnega območja okrog drevesa odstranite podrast. Z delovnega območja odstranite vse odžagane predmete.
3. Preglejte, ali so v območju ovire, kot so kamenje, veje in luknje. Ko začne drevo padati, mora biti pot umika prehodna. Pot umika mora biti za približno 135 stopinj stran od smeri padanja.

1. Nevarno območje
2. Pot umika
3. Smer padanja

(Sl. 88)

Podiranje drevesa

Husqvarna vam pri podiranju drevesa priporoča opravljanje smernih rezov in uporabo metode varnega kota. Z metodo varnega kota lahko naredite ustrezno ščetino in tako nadzirate smer podiranja.



OPOZORILO: Ne podirajte dreves s premerom, ki je več kot dvakrat daljši od dolžine meča. Za to potrebujete posebno usposabljanje.

Ščetina

Najpomembnejši postopek pri podiranju dreves je, da naredite ustrezno ščetino. Z ustrezno ščetino nadzorujete smer podiranja in zagotovite varnost postopka podiranja.

Debelina ščetine mora biti enakomerna in najmanj 10 % premera drevesa.



OPOZORILO: Če ščetina ni ustrezna ali pretanka, ne boste imeli nadzora nad smerjo podiranja.

(Sl. 89)

Žaganje smernih rezov

1. Zažagajte smerna reza. Za smerna reza prežagajte skozi 1/4 premera drevesa. Med streho in dnom zaseka mora biti kot 45°.
 - a) Najprej zažagajte streho zaseka. Oznako za smer podiranja (A) izdelka poravnajte s smerjo podiranja drevesa (B). Stojte za izdelkom, drevo pa naj bo na vaši desni. Žagajte tako, da motorno žago vlečete k sebi.
 - b) Zažagajte dno zaseka. Pripravite se, da se dno zaseka konča na isti točki kot streha zaseka. (Sl. 90)
2. Linija smernega reza mora biti popolnoma vodoravna in pod pravim kotom (90°) glede na smer podiranja. Linija smernega reza poteka skozi točko, kjer se smerna reza stikata. (Sl. 91)

Uporaba metode varnega kota

Zasek morate zažagati nekoliko nad smernim rezom.

(Sl. 92)



OPOZORILO: Bodite previdni pri žaganju s konico meča. Začnite žagati s spodnjim delom konice meča, da v hloed naredite vrtni rez.

(Sl. 93)

1. Če je uporabna dolžina reza daljša od premera drevesa, sledite naslednjim korakom (a–d).

- a) Naredite vrtni rez naravnost v hlod, da dokončate širino ščetine. (Sl. 94)
 - b) Žagajte z vlečenjem motorne žage, dokler ne ostane $\frac{1}{4}$ hloda.
 - c) Meč povlecite 5–10 cm (2–4 palce) nazaj.
 - d) Zažagajte skozi preostali del hloda, da dokončate varni kot, ki je širok 5–10 cm (2–4 palce). (Sl. 95)
2. Če je uporabna dolžina reza krajša od premera drevesa, sledite naslednjim korakom (a–d).
 - a) Naredite vrtni rez naravnost v hlod. Vrtni rez mora biti dolg $\frac{3}{5}$ premera drevesa.
 - b) Žagajte skozi preostali del hloda z vlečenjem motorne žage. (Sl. 96)
 - c) Zažagajte naravnost v hlod z druge strani, da dokončate ščetino.
 - d) Žagajte s potiskanjem motorne žage, dokler ne ostane $\frac{1}{4}$ hloda, da dokončate varni kot. (Sl. 97)
 3. Namestite klin v zarezo naravnost od zadaj. (Sl. 98)
 4. Odrežite kot, da se drevo podre.

Opomba: Če se drevo ne podre, udarjajte na klin, dokler se ne podre.

5. Ko se drevo začenja podirati, se po poti umika umaknite od drevesa. Umaknite se najmanj 5 m (15 čevljev) od drevesa.

Sprostitev ukleščene drevesa



OPOZORILO: Odstranjevanje ukleščene drevesa je nevarno, pri tem pa obstaja velika nevarnost nesreče. Ne zadržujte se v območju nevarnosti in ne skušajte podirati ukleščene drevesa.

(Sl. 99)

Najvarneje boste postopali z uporabo enega od naslednjih vitlov:

- Nameščen na traktor

(Sl. 100)

- Prenosen

(Sl. 101)

Žaganje napetih dreves in vej

1. Ugotovite, katera stran drevesa ali veja je napeta.
2. Ugotovite, kje je točka največje napetosti. (Sl. 102)
3. Preučite, kateri je najvarnejši način za sprostitev napetosti.

Opomba: V nekaterih situacijah je varna samo uporaba vitla, in ne izdelka.

4. Stojte na mestu, kjer vas drevo ali veja ob sprostitvi napetosti ne more udariti. (Sl. 103)
5. Naredite enega ali več rezov zadostne globine, da zmanjšate napetost. Zarežite na točki največje napetosti ali v njeni bližini. Poskrbite, da se drevo ali veja prelomi na točki največje napetosti. (Sl. 104)



OPOZORILO: Ne žagajte naravnost skozi napeto drevo ali vejo.



OPOZORILO: Bodite izredno previdni, ko žagate napeto drevo. Obstaja nevarnost sunka drevesa pred ali po zarezovanju. Če ne stojite na ustreznem mestu ali ne žagate pravilno, lahko pride do hudih poškodb.

6. Če morate prežagati drevo ali vejo, naredite od 2 do 3 reze, ki so 1 palec narazen in v globino merijo 2 palca. (Sl. 105)
7. Nadaljujte z globljim žaganjem v drevo, dokler se drevo ali veja ne upogne in se napetost sprosti. (Sl. 106)
8. Ko se napetost sprosti, zažagajte z nasprotni strani krivine.

Vzdrževanje

Uvod



OPOZORILO: Pred izvajanjem vzdrževalnih del na izdelku morate prebrati in razumeti poglavje o varnosti.

Urniki vzdrževanja



OPOZORILO: Pred vzdrževanjem odstranite baterijo.

V nadaljevanju je naveden seznam vzdrževalnih korakov, ki jih je treba opraviti pri izdelku. Glejte *Vzdrževanje na strani 661* za več informacij.

Vzdrževanje	Pred uporabo	Tedensko	Mesečno
Očistite zunanje dele izdelka.	X		
Z varnostnega vidika se prepričajte, da sprožilec plina in zaklep sprožilca plina delujeta pravilno.	X		
Očistite zavoro verige in zagotovite, da deluje varno. Prepričajte se, da lovilnik verige ni poškodovan. Po potrebi jo zamenjajte.	X		
Meč obračajte in tako zagotovite, da se enakomerno obrablja. Zagotovite, da mazalna odprtina v meču ni zamašena. Očistite utor meča.	X		
Prepričajte se, da rezilo in ščitnik rezila nimata razpok in da nista poškodovana. Če imata rezilo in ščitnik rezila razpoke ali sta bila izpostavljena udarcem, ju zamenjajte.	X		
Zagotovite, da je mazanje meča in verige z oljem zadostno.	X		
Preverite verigo. Preverite, ali ima razpoke, in se prepričajte, da ni toga ali neobičajno obrabljena. Po potrebi zamenjajte.	X		
Verigo nabrusite. Preverite njeno napetost in stanje. Preverite obrablenost pogonskega zobnika in ga po potrebi zamenjajte.	X		
Očistite dovod zraka izdelka.	X		
Prepričajte se, da so vijaki in matice dobro priviti.	X		
Preverite, ali tipkovnica deluje pravilno, in se prepričajte, da ni poškodovana.	X		
S pilo odstranite vse grobe ostanke z robov meča.		X	
Preverite priključke med baterijo in izdelkom. Preverite priključek med baterijo in polnilnikom baterije.			X
Izpraznite in očistite posodo za olje.			X
Hladilne reže naprave in akumulatorja nežno očistite s stisnjenim zrakom.			X

Vzdrževanje in preverjanje varnostnih naprav izdelka

Preverjanje sprednjega ščitnika roke

Redno preverjajte sprednji ščitnik roke in zavoro za sprostitve vztrajnostnega momenta.

1. Preverite, da sprednji ščitnik roke ni poškodovan, in sicer nima prask. (Sl. 107)
2. Prepričajte se, da se sprednji ščitnik roke prosto giblje in da je trdno pritrjen na izdelek. (Sl. 108)
3. Izdelek z zaustavljenim motorjem postavite na štor ali drugo stabilno površino.
4. Primite zadnji ročaj in spustite sprednji ročaj. Pustite, da izdelek omahne na štor. (Sl. 109)
5. Preverite, ali se zavora verige aktivira, ko meč udari ob štor.

Preverjanje sprožilca zavore

1. Izdelek vklopite na stabilni podlagi. Glejte *Delovanje na strani 656*.



OPOZORILO: Prepričajte se, da se veriga ne dotika tal ali drugih predmetov.

2. S prsti in palcema se oprimate ročajev ter trdno držite izdelek. (Sl. 110)
3. Pri polnem plinu nagnite levo zapestje naprej na sprednji ščitnik roke, da aktivirate zavoro verige. Veriga se mora nemudoma zaustaviti. (Sl. 111)



OPOZORILO: Nikoli ne izpustite sprednjega ročaja!

Preverjanje delovanja zaklepa ročice plina

1. Prepričajte se, da se sprožilci plina in zaklep sprožilca plina prosto premikata in da njuni povratni vzmeti delujeta pravilno. (Sl. 112)
2. Zaklep sprožilnika plina pritisnite naprej (A) in navzdol (B). Zaklep sprožilnika plina pritisnite ob ročaj in se prepričajte, da se nato ob sprostitvi vrne v začetni položaj. (Sl. 113)
3. Prepričajte se, da je sprožilec plina zaklenjen v položaju prostega teka, ko je zaklep sprožilca plina sproščen. (Sl. 114)
4. Vključite izdelek in dodajte plin do konca.
5. Sprostite sprožilec plina in preverite, ali se je veriga ustavila in miruje.



OPOZORILO: Če se veriga vrti, ko je sprožilnik plina v položaju prostega teka, se obrnite na servisnega zastopnika.

Preverjanje lovilnika verige

1. Prepričajte se, da lovilnik verige ni poškodovan.
2. Prepričajte se, da je lovilnik verige stabilen in pritrjen na ohišje izdelka. (Sl. 115)

Preverjanje funkcij uporabniškega vmesnika

1. Zaženite izdelek. Glejte *Zagon izdelka na strani 658*.
2. Pritisnite in pridržite gumb za vklop/izklop.
3. Prepričajte se, da se izdelek ustavi in da se zeleni indikator LED izklopi. (Sl. 66)

Preverjanje baterije in držala baterije

1. Baterijo in držalo baterije očistite z mehko krtačo.
2. Očistite hladilni sistem in priključke baterije. (Sl. 116)
3. Prepričajte se, da izdelek ni razpokan ali drugače poškodovan.

Preverjanje polnilnika baterije

1. Prepričajte se, da polnilnik baterije in napajalni kabel nista poškodovana. Preverite, ali so kje razpoke ali druge poškodbe. (Sl. 117)

Čiščenje hladilnega sistema

Hladilni sistem ohranja nizko temperaturo motorja. Hladilni sistem vključuje dovod zraka na levi strani izdelka in ventilator motorja.

1. Hladilni sistem očistite s krtačo enkrat tedensko ali po potrebi pogosteje. (Sl. 118)
2. Prepričajte se, da hladilni sistem ni umazan ali zamašen.



POZOR: Umazan ali zamašen hladilni sistem lahko povzroči pregrete izdelka, izdelek se lahko tako poškoduje.

Brušenje verige

Informacije o meču in verigi



OPOZORILO: Med uporabo ali izvajanjem vzdrževalnih del na verigi nosite zaščitne rokavice. Tudi nepremična veriga lahko povzroči poškodbe.

Obrabljen ali poškodovan meč oziroma verigo zamenjajte s kombinacijo meča in verige, ki jo priporoča Husqvarna. To je potrebno za ohranjanje varnostnih funkcij izdelka. Za seznam nadomestnih kombinacij meča in verige, ki jih priporočamo, glejte poglavje *Dodatna oprema na strani 669*.

- Dolžina meča, in/cm. Podatki o dolžini meča so običajno navedeni na zadnjem delu meča.

(Sl. 119)

- Število zob na zobniku konice meča (T).

(Sl. 120)

- Korak verige v palcih. Razmik med gonilnimi členi verige se mora ujemati z razmikom med zobni na zobniku konice meča in pogonskemu zobniku.

(Sl. 121)

- Število gonilnih členov Število gonilnih členov določa vrsta meča.

(Sl. 122)

- Širina utora na meču v palcih/mm. Širina utora v meču mora biti enaka kot širina gonilnih členov verige.

(Sl. 123)

- Odprtina za dolivanje verižnega olja in odprtina za napenjalnik verige. Meč se mora poravnati z izdelkom.

(Sl. 124)

- Širina gonilnega člena v mm/palcih.

(Sl. 125)

Splošne informacije o brušenju rezil

Ne uporabljajte tope verige. Če je veriga topa, morate bolj pritiskati, da potisnete meč skozi les. Če je veriga zelo topa, pri žaganju ne bodo nastajali lesni odrezki, temveč žagovina.

Ostra veriga si utira pot skozi les, zato so lesni odrezki daljši in debelejši.

Rezalni zob (A) in globinski zob (B) skupaj tvorita rezalni del verige oziroma rezilo. Razlika v višini teh dveh zob določa globino reza (nastavitev globine reza).

(Sl. 126)

Pri brušenju rezila bodite pozorni na naslednje:

- Kot piljenja.

(Sl. 127)

- Kot rezanja.
(Sl. 128)
- Položaj pile.
(Sl. 129)
- Premer okrogle pile.
(Sl. 130)

Verige ni enostavno pravilno nabrusiti brez ustrezne opreme. Uporabite priporočeno šablono za brušenje Husqvarna. Tako boste ohranili največjo učinkovitost rezanja in zmanjšali tveganje povratnega udarca.



OPOZORILO: Sila povratnega udarca se znatno poveča, če ne upoštevate navodil za brušenje.

Opomba: Glejte, *Dodatna oprema na strani 669* za informacije o brušenju verige.

Brušenje rezil

1. Rezalne zobe nabrusite z okroglo pilo in šablono.
(Sl. 131)

Opomba: Glejte, *Dodatna oprema na strani 669* za informacije o tem, katero pilo in šablono priporoča družba Husqvarna za vašo verigo.

2. Šablono za brušenje pravilno namestite na rezilo. Upoštevajte navodila, ki so priložena šablono za brušenje.
3. Pilo premikajte z notranje strani rezalnih zob proti zunanji. Pri povratnem gibu zmanjšajte pritisk. (Sl. 132)
4. Odstranite material z ene strani vseh rezalnih zob.
5. Izdelek obrnite in odstranite material še na drugi strani.
6. Prepričajte se, da so vsi rezalni zobje enako dolgi.

Splošne informacije o prilagajanju nastavitve globine reza

Nastavitev globine reza (C) se zmanjša, ko nabrusite rezalni zob (A). Za najboljšo učinkovitost rezanja morate odstraniti odbrušeni material z globinskega zoba (B), da pridobite priporočeno nastavitev globine reza. Za navodila, kako doseči ustrezno nastavitev globine reza za verigo, glejte *Dodatna oprema na strani 669*.

(Sl. 133)



OPOZORILO: Nevarnost povratnega udarca se poveča, če je nastavljena prevelika globina reza.

Prilagoditev nastavitve globine reza

Praden prilagodite nastavitev globine reza ali nabrusite rezila, si oglejte *Brušenje rezil na strani 664* navodila.

Nastavitev globine reza priporočamo po vsakem tretjem brušenju rezalnih zob.

Priporočamo uporabo naše šablone za brušenje globinskih zob za nastavitev ustrezne globine in šablono za brušenje rezalnih zob.

(Sl. 134)

1. Nastavitev globine reza prilagodite s ploščato pilo in šablono za brušenje globinski zob. Uporabljajte samo šablono za brušenje globinskih zob za nastavitev ustrezne globine in šablono za brušenje zelenih rezalnih zob družbe Husqvarna.
2. Šablono za brušenje globinskih zob prislonite na verigo.

Opomba: Dodatne informacije o uporabi tega pripomočka najdete na embalaži šablone za brušenje globinskih zob.

3. S ploščato pilo splite del globinskega zoba, ki gleda prek šablona za brušenje globinskih zob. (Sl. 135)

Nastavitev napetosti verige



OPOZORILO: Veriga, ki ni ustrezno napeta, se lahko sname z meča in povzroči hude poškodbe ali smrt.

Med uporabo se veriga raztegne. Redno nastavljajte verigo. Napetost verige preverite ob vsakem nalivanju verižnega olja.

Opomba: Nova veriga potrebuje nekaj časa, da se uteče. V tem času je treba pogosteje preverjati napetost verige.

Nastavitev napetosti verige (z gumbom za pritrditev meča)

1. Gumbni vijak izvlecite v odprt položaj. (Sl. 136)
2. Gumbni vijak zavrtite v nasprotni smeri urinega kazalca, da sprostite pokrov pogonskega zobnika. (Sl. 137)
3. Za nastavitev napetosti verige zavrtite kolesce za napenjanje verige. Veriga se mora tesno prilegati meču. (Sl. 138)

Opomba: Za povečanje napetosti kolesce zavrtite navzdol (+), za zmanjšanje napetosti pa navzgor (-).

4. Prepričajte se, da lahko verigo nemoteno premikate z rokami in se ne poveša z meča. (Sl. 139)
5. Gumbni vijak zavrtite v smeri urinega kazalca in privijte gumb meča. (Sl. 140)
6. Za zaklepanje napetosti poklopite gumbni vijak. (Sl. 141)

Nastavitev napetosti verige (z vijakom meča)

1. Odvijte matico meča, ki drži pokrov pogonskega zobnika. Uporabite kombiniran ključ. (Sl. 142)
2. Dvignite sprednji del meča in zavrtite vijak za napenjanje verige. Uporabite kombiniran ključ.
3. Verigo napnite toliko, da se tesno prilega meču. (Sl. 143)
4. S kombinacijskim ključem zategnite matice meča in hkrati privzdignite konico meča. (Sl. 144)
5. Prepričajte se, da lahko verigo nemoteno premikate z rokami in se ne poveša z meča. (Sl. 139)

Opomba: Glejte *Pregled izdelka na strani 647* za položaj vijaka za napenjanje verige na izdelku.

Preverjanje namazanosti verige

Po vsakem tretjem polnjenju baterije preverite, ali je veriga dovolj namazana.

1. Zaženite izdelek in pustite, da deluje pri 3/4 plina. Meč pridržite približno 20 cm (8 palcev) nad svetlo obarvano površino.
2. Če je veriga ustrezno namazana, boste po 1 minuti na površini zagledali razločno črto olja. (Sl. 145)
3. Če veriga ni ustrezno namazana, preverite naslednje.
 - a) Preverite oljni kanal v meču in se prepričajte, da ni zamašen. Po potrebi očistite. (Sl. 146)
 - b) Preverite utor na robu meča in se prepričajte, da je čist. Po potrebi očistite. (Sl. 147)
 - c) Prepričajte se, da se zobnik konice meča prosto vrti in da mazalna odprtina v zobniku konice meča ni zamašena. Po potrebi očistite in namažite. (Sl. 148)
4. Če po upoštevanih zgornjih korakih veriga še vedno ni ustrezno namazana, se obrnite na servisnega zastopnika.

Preverjanje pogonskega zobnika verige

- Preverite, ali je verižni pogonski zobnik obrabljen. Verižni pogonski zobnik po potrebi zamenjajte.
- Verižni pogonski zobnik zamenjajte vedno, ko zamenjate verigo. (Sl. 149)

Kako pregledati rezalno opremo

1. Prepričajte se, da na kovcih in členih ni razpok in da kovice niso ohlapne. Po potrebi jih zamenjajte. (Sl. 150)
2. Prepričajte se, da je verigo mogoče preprosto zviti. Če je veriga toga, jo zamenjajte.
3. Verigo primerjajte z novo verigo, da ugotovite, če so kovice in členi obrabljeni.
4. Zamenjajte verigo, ko je najdaljši del rezalnega zoba krajši od 4 mm/0,16 palca. Verigo prav tako zamenjajte, če so na rezilih razpoke. (Sl. 151)

Preverjanje meča

1. Prepričajte se, da oljni kanal ni zamašen. Po potrebi ga očistite. (Sl. 146)
2. Preglejte, ali so na robovih meča grobi ostanke. S pilo odstranite grobe ostanke. (Sl. 152)
3. Očistite utor v meču. (Sl. 147)
4. Preverite, ali je utor v meču obrabljen. Po potrebi zamenjajte meč. (Sl. 153)
5. Preverite, ali je konica meča groba ali zelo obrabljena. (Sl. 154)
6. Prepričajte se, da se zobnik meča prosto vrti in da mazalna odprtina v zobniku meča ni zamašena. Po potrebi očistite in namažite. (Sl. 148)
7. Meč dnevno obračajte in mu tako podaljšajte življenjsko dobo. (Sl. 155)

Odpravljanje težav

Uporabniški vmesnik

Zaslon LED	Možne napake	Možna rešitev
Opozorilni indikator utripa.	Zavora verige je aktivirana.	Sprostite zavoro verige.
	Odstopanje temperature.	Izdelek naj se ohladi.
	Preobremenitev. Veriga motorne žage se ne more premikati.	Sprostite verigo.
	Hkrati sta pritisnjena sprožilnik plina in gumb za vklop/izklop.	Za vklop izdelka sprostite sprožilnik plina.
Oranžna lučka LED za vklop utripa.	Nizka napetost baterije.	Napolnite baterijo.
Opozorilni indikator sveti.	Servis.	Obrnite se na servisnega zastopnika.

Baterija

prikaz indikatorjev LED	Možne napake	Možna rešitev
Zelena lučka LED utripa.	Nizka napetost baterije.	Napolnite baterijo.
Utripanje lučke LED za napako.	Odstopanje temperature.	Baterijo uporabljajte v okolju s temperaturami med -10 °C (14 °F) in 40 °C (104 °F).
	Previsoka napetost.	Prepričajte se, da je omrežna napetost združljiva z napetostjo izdelka. Oglejte si ploščico s tehničnimi podatki na izdelku.
		Odstranite baterijo iz polnilnika.
Lučka LED za napako zasveti.	Prevelika razlika med celicami (1 V).	Obrnite se na servisnega zastopnika.

Polnilnik baterije

Stanje	Možne napake	Možen postopek
Indikator polnjenja sveti rdeče.	Trajna napaka polnilnika baterije.	Obrnite se na svojega prodajalca.
Indikator polnjenja utripa zeleno.	Odstopanje temperature; baterija je premrzla ali prevroča za uporabo ali polnjenje.	Počakajte, da se baterija ohladi ali ogreje. Ko bo temperatura baterije ustrezna, jo lahko spet uporabljate ali polnite. Baterijski polnilnik uporabljajte v okolju s temperaturami med 5 °C in 40 °C (41–104 °F).
Indikator polnjenja utripa rdeče.	Poškodovana baterija.	Obrnite se na prodajalca.

Transport skladiščenje in odstranitev

Prevoz in skladiščenje

- Priložene litij-ionske baterije so skladne z zahtevami zakonodaje o nevarnem blagu.
- Pri transportu, tudi če ga izvaja tretja oseba ali posrednik, je treba upoštevati posebna navodila na embalaži in nalepkah.
- Pred pošiljanjem izdelka se posvetujte z osebo, ki je posebej usposobljena za nevarne snovi. Upoštevajte vse veljavne nacionalne predpise.
- Ob vstavljanju baterije v paket prelepitate izpostavljene kontakte. Baterijo vstavite v paket tako, da se ne more premikati.
- Pri skladiščenju ali prevozu vedno odstranite baterijo.
- Baterijo in polnilnik baterije hranite v suhem prostoru, kjer ni vlage in zmrzali.
- Baterijske ne shranjujte v prostoru, v katerem je lahko prisotna statična elektrika. Baterije ne shranjujte v kovinski škatli.
- Baterijo shranite v prostor s temperaturami med 5 in 25 °C (41–77 °F), v katerem ne sme biti izpostavljen neposredni sončni svetlobi.
- Polnilnik baterije shranite v prostor s temperaturami med 5 in 45 °C (41–113 °F) tako, da ne bo izpostavljen neposredni sončni svetlobi.
- Polnilnik baterije uporabljajte samo v okolju s temperaturami od 5 do 40 °C (41–104 °F).
- Pred dolgotrajnejšim skladiščenjem mora biti baterija napolnjena med 30 % in 50 %.

- Polnilnik baterije shranite v zaprt in suh prostor.
- Med shranjevanjem baterija ne sme biti v bližini polnilnika. Otroci in druge nepooblaščen osebe se ne smejo dotikati opreme. Oprema mora biti shranjena v prostoru, ki ga je mogoče zakleniti.
- Pred dolgotrajnejšim skladiščenjem izdelek očistite in opravite popoln servis.
- Pred prevozom in skladiščenjem na izdelek namestite transportno zaščito, da preprečite telesne poškodbe ali škodo na izdelku.
- Med prevozom varno pritrdite izdelek.

Odstranitev baterije, baterijskega polnilnika in izdelka

Spodnji simbol pomeni, da izdelek ni gospodinjski odpadki. Treba ga je reciklirati v zbirnem centru za reciklažo električne in elektronske opreme. Tako se pomaga preprečiti škodovanje okolju in ogrožanje zdravja ljudi.

Za več informacij se obrnite na lokalne oblasti, službo za gospodinjske odpadke ali prodajalca.

(Sl. 24)

Opomba: Simbol je prikazan na izdelku ali embalaži izdelka.

Tehnični podatki

Tehnični podatki

	225i
Motor	
Vrsta	BLDC (brezkračni enosmerni) 36 V
Funkcije	
Način nizke porabe energije	SavE
Sistem za mazanje	
Vrsta oljne črpalke	Samodejna
Kapaciteta rezervoarja olja v ml/cm ³	0,2/200
Teža	
Verižna žaga brez baterije, meča, verige in s prazno posodo za verižno olje, kg	3,1
Emisije hrupa ⁹⁸	
Raven zvočne moči, izmerjena v dB(A)	97
Raven zvočne moči, zajamčena L _{WA} dB(A)	100
Nivoji hrupa ⁹⁹	
Raven zvočnega tlaka na uporabnikovem ušesu, merjeno po EN 62841-1	89
Ravni vibracij ¹⁰⁰	
Sprednji ročaj, m/s ²	3,9
Zadnji ročaj, m/s ²	3,9
Veriga/meč	
Priporočena dolžina meča v palcih/cm	12–14/30,5–35,6
Uporabna dolžina reza v palcih/cm	11–13/27–33,2
Vrsta pogonskega zobnika/število zob	Verižnik/6
Največja hitrost verige/(normalna), m/s	11,8
Največja hitrost verige/(način savE), m/s	9,4

⁹⁸ Emisije hrupa v okolje, izmerjene kot zvočna moč (L_{WA}) v skladu z direktivo ES 2000/14/ ES in EN ISO 22868 imajo tipično statistično razpršitev (standardni odklon) v vrednosti 3 dB (A).

⁹⁹ Podatki za raven zvočnega tlaka za napravo imajo tipično statistično razpršitev (standardni odklon) v vrednosti 3 dB (A).

¹⁰⁰ Raven vibracij v skladu s standardom EN 62841-4-1. Zabeleženi podatki za raven vibracij imajo tipično statistično razpršitev (standardni odklon) $\pm 1,5$ m/s². Navedeni podatki o vibracijah so podatki so izmerjeni in veljajo za priporočeno dolžino meča ter vrsto verige. Če je stroj opremljen z mečem drugačne dolžine, se lahko vibracije razlikujejo za $\pm 1,5$ m/s².

Dodatna oprema

Kombinacije mečev in verig






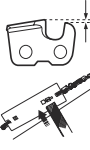
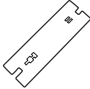






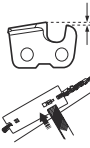
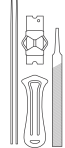

Priporočeni rezalni priključki, homologirani za Husqvarna 225i.

Meč					Veriga verižne žage	
Vrsta	Dolžina, palci	Korak verige, palci	Šablona, mm	Najv. polmer konice meča	Vrsta	Dolžina, gonilni členi (št.)
501959545	12	3/8" mini	1,1	7T	Husqvarna H38 (581808145)	45
501959552	14	3/8" mini	1,1	7T	Husqvarna H38 (581807952)	52

Oprema za brušenje in koti brušenja

Za brušenje verige uporabljajte šablono za brušenje družbe Husqvarna. Šablona za brušenje družbe Husqvarna zagotavlja brušenje pod ustreznimi koti. Številke delov so navedene v spodnji tabeli.

Če ne znate identificirati vrste verige na izdelku, več informacij poiščite na spletnem mestu www.husqvarna.com.

							
38	11/64 palca (4,5 mm)	75°	30°	0°	0,65 mm / 0,025 in	505 69 81-03	579 55 88-01
							
93	5/32" / 4,0 mm	60°	30°	0°	0,65 mm / 0,025 in	596 63 89-01	596 63 89-01

Homologirane baterije

Baterija	40-B140
Vrsta	Litij-ionska
Zmogljivost akumulatorja v Ah	4
Nazivna napetost, V	36

Baterija	40-B140
Teža, kg	1.25

Odobreni polnilniki baterij za izdelek

Polnilnik baterije	40-C80
Omrežna napetost, V	100–240
Frekvenca, Hz	50–60
Moč, W	72
Izhodna napetost, V DC/ Moč, A	43/1,6

Izjava o skladnosti

Izjava EU o skladnosti

Pri **Husqvarna AB**, SE-561 82 Huskvarna, Švedska, tel.: +46-36-146500, izjavljamo na lastno odgovornost, da je izdelek:

Opis	Brezžična verižna žaga
Znamka	Husqvarna
Vrsta/model	225i
Identifikacija	Serijske številke od letnika 2023 dalje

v celoti skladen z naslednjimi direktivami in uredbami EU:

Direktiva/uredba	Opis
2006/42/ES	"o strojih"
2014/30/EU	o elektromagnetni združljivosti
2011/65/EU	"o omejevanju uporabe nekaterih nevarnih snovi v električni in elektronski opremi"
2000/14/ES	"o emisijah hrupa v okolico"

Uporabljeni so naslednji standardi: EN 62841-1:2015+A11:2022, EN 62841-4-1:2020, EN IEC 63000:2018, EN IEC 55014-1:2021, EN IEC 55014-2:2021.

Priglašeni organ: TÜV Rheinland LGA Products GmbH, Tillystrasse 2, D-90431 Nuernberg, Germany, 0197, je opravil tipski preizkus v skladu z direktivo ES o strojih (2006/42/ES); člen 12, klavzula 3b. Številka certifikata: BM 50604678 0001.

Dobavljena verižna žaga je skladna z vzorcem, ki je bil podvržen ES-pregledu tipa.

V skladu z direktivo 2000/14/ES, Priloga V, se navezuje *Tehnični podatki na strani 668* na deklarirane ravni zvoka.

Huskvarna, 2023-10-30



Claes Losdal, Vodja oddelka za raziskave in razvoj,
Husqvarna AB

Odgovorni za tehnično dokumentacijo



Sadržaj

Uvod.....	672	Rešavanje problema.....	691
Bezbednost.....	673	Transport, skladištenje i odlaganje.....	692
Sklopanje.....	680	Tehnički podaci.....	693
Rukovanje.....	681	Oprema.....	694
Održavanje.....	687	Deklaracija o usaglašenosti.....	696

Uvod

Namena

Ova motorna testera za šumske radove je dizajnirana za radove u šumi, kao što su obaranje stabala, rezanje grana i sečenje.

Napomena: Državni propisi mogu da definišu ograničenja pri radu proizvoda.

Pregled proizvoda

(Sl. 1)

1. Prednji štitnik ruke
2. Prednja ručka
3. Korisnički interfejs
4. Dugme za pokretanje/zaustavljanje
5. Indikator upozorenja i indikator akumulatora
6. Dugme SavE
7. Zadnja ručka sa štitnikom desne ruke
8. Nalepnica sa informacijama i upozorenjima
9. Kućište
10. Rezervoar za ulje za lanac
11. Poklopac za transport
12. Zaključavanje obarača gasa
13. Obarač gasa
14. Poklopac pogonskog lančanika sa dugmetom vodilice
15. Zatezač lanca.
16. Hvatač lanca
17. Osloni nazub
18. Lančanik na vrhu vodilice
19. Lanac
20. Vodilica
21. Indikator statusa punjenja
22. Priključak
23. Punjač baterije
24. Kombinovani ključ
25. Indikator upozorenja
26. Dugme, status akumulatora
27. Status baterije
28. Dugme za otpuštanje baterije
29. Akumulator
30. Uputstvo za rukovaoca

Opis proizvoda

Husqvarna 225i je model motorne testere sa elektromotorom.

Neprestano radimo na povećanju bezbednosti i efikasnosti rada. Obratite se serviseru za više informacija.

31. Dugme vodilice

32. Poklopac pogonskog lančanika sa vijkom vodilice

Simboli na proizvodu

- (Sl. 2) UPOZORENJE: Ovaj proizvod može biti opasan i prouzrokovati teške povrede ili smrt rukovaoca ili drugih osoba. Budite pažljivi i koristite proizvod na pravilan način.
- (Sl. 3) Pre korišćenja proizvoda pažljivo pročitajte korisničko uputstvo i budite sigurni da ste ga razumeli.
- (Sl. 4) Koristite odobrenu zaštitnu kacigu, zaštitu za sluh i zaštitu za oči.
- (Sl. 5) Koristite obe ruke dok radite proizvodom.
- (Sl. 6) Nemojte raditi sa proizvodom samo sa jednom rukom.
- (Sl. 7) Ne dozvolite da vrh vodilice dodirne predmet.
- (Sl. 8) Ne koristite po kiši.
- (Sl. 9) Upozorenje! Povratni udar se može pojaviti kada vrh vodilice dodirne predmet. To dovodi do odbijanja vodilice u pravcu rukovaoca. Opasnost od teških povreda ili smrti.
- (Sl. 10) Nominalni napon, V

- (Sl. 11) Ulje za lanac.
- (Sl. 12) Smer u kom se okreće lanac testere i maksimalna dužina vodilice.
- (Sl. 13) Jednosmerna struja.
- (Sl. 14) **Oznaka zaštite životne sredine** Ovaj proizvod ili pakovanje ne treba tretirati kao kućni otpad. Reciklirajte ga na lokaciji za recikliranje električne i elektronske opreme.
- (Sl. 15) Proizvod je usaglašen sa važećim direktivama EZ.
- (Sl. 16) Proizvod je usaglašen sa važećim direktivama UK.
- (Sl. 17) Oznaka emisije buke u okruženje u skladu sa evropskom Direktivom 2000/14/EZ, pravilima i smernicama UK i propisom o zaštiti radova u okruženju (kontrola buke) Novog Južnog Velsa iz 2017. Garantovani nivo zvučne snage za ovaj proizvod naveden je u *Tehnički podaci na stranici 693* i na nalepnici.
- (Sl. 21) Kočnica lanca, aktivirana (napred). Kočnica lanca, deaktivirana (nazad).
- (Sl. 22) Smer lanca.
- (Sl. 23) Nazivna pločica prikazuje serijski broj. **yyyy** je godina proizvodnje, a **ww** je nedelja proizvodnje.

Napomena: Ostali simboli/nalepnice koji su navedeni na proizvodu važe za specifične zahteve sertifikata na određenim tržištima.

Simboli na akumulatoru i/ili punjaču akumulatora

- (Sl. 24) Reciklirajte ovaj proizvod u pogonu za recikliranje električne i elektronske opreme. (Odnosi se samo na Evropu)
- (Sl. 18) Sigurnosni transformator.
- (Sl. 19) Koristite i čuvajte punjač akumulatora samo u zatvorenom prostoru.
- (Sl. 20) Dvostruka izolacija.

Proizvođač

Husqvarna AB
Drottninggatan 2, SE-561 82, Huskvarna, Sweden, tel: +46-36-146500

Oštećenje proizvoda

Nismo odgovorni za oštećenja proizvoda u sledećim slučajevima:

- proizvod je popravljen na pogrešan način
- proizvod je popravljen korišćenjem delova koji nisu napravljeni ili odobreni od strane proizvođača
- proizvod ima opremu koja ne potiče ili nije odobrena od strane proizvođača
- proizvod nije popravljen u ovlašćenom servisnom centru ili od strane ovlašćenog stručnjaka

Bezbednost

Bezbednosne definicije

Upozorenja, mere opreza i napomene se koriste da ukažu na naročito važne delove korisničkog uputstva.



UPOZORENJE: Koristi se ako, usled nepoštovanja uputstava, postoji rizik od nastanka telesnih povreda ili smrti kod rukovaoca ili prisutnih osoba.



OPREZ: Koristi se ako, usled nepoštovanja uputstava, postoji rizik od nastanka oštećenja na proizvodu, drugim materijalima ili susednim oblastima.

Napomena: Koristi se za pružanje više informacija koje su neophodne u datoj situaciji.

Opšta bezbednosna upozorenja za električni alat



UPOZORENJE: Pročitajte sva bezbednosna upozorenja, uputstva, ilustracije i specifikacije koje su obezbeđene uz ovaj električni alat. Nepridržavanje svih uputstava navedenih u nastavku može da dovede do strujnog udara, požara i/ili teških telesnih povreda.

- **Sačuvajte sva upozorenja i uputstva kao referencu za kasnije.** Izraz „električni alat“ iz upozorenja

se odnosi na električni alat koji se napaja preko električne mreže (putem kabla) ili akumulatora (bežično).

Bezbednost u oblasti rada

- **Držite radnu oblast čistom i dobro osvetljenom.** U neurednim ili mračnim oblastima nezgode se češće dešavaju.
- **Ne radite sa električnim alatima u eksplozivnim okruženjima, npr. u prisustvu zapaljivih tečnosti, gasova ili prašine.** Električni alati stvaraju iskre koje mogu da zapale prašinu ili isparenja.
- **Neka se deca i posmatrači udalje dok radite sa električnim alatom.** Skretanje pažnje može da dovede do toga da izgubite kontrolu.

Električna bezbednost

- **Utikači električnog alata moraju da odgovaraju utičnici.** Nikad nemojte ni na koji način da modifikujete utikač. Nemojte da koristite adaptere pri radu sa uzemljenim električnim alatom. Nemodifikovani utikači i odgovarajuće utičnice će smanjiti rizik od strujnog udara.
- **Izbegavajte telesni kontakt sa uzemljenim površinama kao što su cevi, radijatori, šporeti i frižideri.** Postoji povećani rizik od strujnog udara ukoliko je vaše telo uzemljeno.
- **Nemojte izlagati električne alate kiši i vlazi.** Ako voda proдре u električni alat, povećaće se opasnost od strujnog udara.
- **Nemojte nepropisno da postupate sa kablom.** Nikada ne koristite kabl za nošenje, vuču ili isključivanje električnog alata. Držite kabl dalje od izvora topline, ulja, oštih ivica i pokretnih delova. Oštećeni ili zamršeni kablovi povećavaju rizik od strujnog udara.
- **Kada radite sa električnim alatom na otvorenom, koristite produžni kabl koji je pogodan za upotrebu na otvorenom.** Korišćenje kabla koji je pogodan za upotrebu na otvorenom smanjuje rizik od strujnog udara.
- **Ako ne može da se izbegne korišćenje električnog alata na vlažnom mestu, koristite napajanje preko zaštitnog uređaja diferencijalne struje (RCD).** Upotreba RCD-a smanjuje rizik od strujnog udara.

Lična bezbednost

- **Budite na oprezu, ne skrećite pogled sa onoga što radite i rukujte alatom zdravorazumski.** Nemojte da koristite električni alat ako ste umorni ili pod dejstvom droge, alkohola ili lekova. Trenutak nepažnje prilikom rada sa električnim alatom može da dovede do ozbiljnih telesnih povreda.
- **Koristite ličnu zaštitnu opremu. Uvek nosite zaštitu za oči.** Zaštitna oprema poput zaštitne maske od prašine, sigurnosnih neklizajućih cipela, kacige ili zaštitе za sluh koja se koristi u odgovarajućim uslovima smanjuje telesne povrede.

- **Sprečite slučajno pokretanje. Pobrinite se da je prekidač u isključenom položaju pre priključivanja na izvor napajanja i/ili prenosivi punjač baterije, podizanja ili nošenja alata.** Nošenje električnog alata sa prstom na prekidaču ili napajanje električnog alata sa prekidačem u položaju za uključenje može da dovede do nezgode.
- **Uklonite ključ za podešavanje ili francuski ključ pre uključivanja električnog alata.** Francuski ključ ili ključ koji ostanu pričvršćeni za obrtni deo električnog alata mogu da dovedu do telesne povrede.
- **Nemojte se preterano naginjati. Uvek budite oslonjeni na obe noge i pazite na ravnotežu.** To će vam omogućiti bolju kontrolu nad električnim alatom u nepredviđenim situacijama.
- **Budite propisno odeveni. Nemojte da nosite nakit ili široku odeću.** Vodite računa da vam kosa i odeća ne dođu u dodir sa pokretnim delovima. Pokretni delovi mogu da zakače široku odeću, nakit ili dugu kosu.
- **Ukoliko su obezbeđeni uređaji za povezivanje aparata za izbacivanje ili sakupljanje prašine, proverite da li su povezani i da li se pravilno koriste.** Korišćenje aparata za prikupljanje prašine može da smanji broj kvarova koji su nastali usled prašine.
- **Nemojte dozvoliti da vam iskustvo koje ste stekli kroz čestu upotrebu alata stvori osećaj samopouzdanja i da se ne pridržavate principa u vezi sa bezbednošću.** Nemarna radnja može da izazove teške povrede u deliću sekunde.

Upotreba i održavanje električnog alata

- **Nemojte da koristite električni alat na silu.** Koristite električni alat koji odgovara nameni. Adekvatan električni alat će bolje i sigurnije obaviti posao u meri za koju je napravljen.
- **Ne koristite električni alat ako se prekidačem alat ne uključuje ili ne isključuje.** Svaki električni alat koji ne može da se kontroliše putem prekidača je opasan i mora da se popravi.
- **Isključite utikač iz izvora električne energije i/ili uklonite akumulator, ako se može odvojiti, sa električnog alata pre nego što pristupite bilo kakvom podešavanju, promeni dodatne opreme ili skladištenju električnog alata.** Takve bezbednosne preventivne mere smanjuju rizik od slučajnog uključivanja električnog alata.
- **Električni alat koji se ne koristi čuvajte dalje od dohvata dece i nemojte da dozvoljavate rad sa alatom osobama koje nisu upoznate sa njim ili ovim uputstvima.** Električni alat je opasan kada njime rukuju neobučeni korisnici.
- **Održavajte električne alate i dodatnu opremu. Proverite da li su pokretni delovi poravnati i pričvršćeni, da li postoje pukotine na delovima i sva druga stanja koja mogu uticati na rad električnog alata. Ukoliko je oštećen, električni alat odnesite na popravku pre korišćenja.** Mnoge nezgode su prouzrokovale loše održavani električni alati.

- **Održavajte alat za sečenje oštirim i čistim.** Alat za sečenje koji se pravilno održava i ima oštre rezne vrhove se ređe krivi i lakše kontroliše.
- **Električni alat, pribor, delove alata itd. koristite u skladu sa ovim uputstvima uzimajući u obzir radne uslove i posao koji treba da se obavi.** Korišćenje električnog alata za operacije za koje nije namenjen može da dovede do opasnih situacija.
- **Ručke i prihvatne površine bi trebalo da budu suve, čiste i bez ostatka ulja i maziva.** Klizave ručke i prihvatne površine ne omogućavaju bezbedno rukovanje i kontrolu alata u neočekivanim situacijama.

Upotreba i održavanje baterijskog alata

- **Punite samo punjačem koji je naznačen od strane proizvođača.** Punjač koji je odgovarajući za jedan tip baterije može stvoriti rizik od požara kada se koristi sa drugom baterijom.
- **Koristite električne alate samo sa posebno naznačenim baterijama.** Korišćenje drugih baterije može stvoriti rizik od telesne povrede i požara.
- **Kad se baterija ne koristi držite je dalje od metalnih predmeta, kao što su spajalice, novčići, ključevi, ekseri, zavrtnji ili slični mali metalni predmeti koji mogu da naprave spoj između polova baterije.** Kratko spajanje polova baterije može da izazove opekotine ili požar.
- **U opasnim uslovima, tečnost može da prsne iz baterije; izbegavajte kontakt. Ako do kontakta slučajno dođe, isperite to mesto vodom. Ako tečnost dođe u kontakt sa očima, dodatno potražite lekarsku pomoć.** Tečnost koja prsne iz baterije može da prouzrokuje iritaciju ili opekotine.
- **Ne koristite baterije i uređaje koji su oštećeni ili modifikovani.** Oštećeni ili modifikovani akumulatori mogu biti nepredvidivi što može dovesti do vatre, eksplozije i rizika od povrede.
- **Baterije ili uređaj nemojte da izlažete vatri ili previsokoj temperaturi.** Izlaganje vatri ili temperaturi iznad 130 °C / 266 °F može dovesti do eksplozije.
- **Pridržavajte se svih uputstava za punjenje i nemojte da puniti akumulator ili uređaj izvan opsega temperature koji je naveden u uputstvima.** Nepravilno punjenje ili temperature izvan navedenog opsega mogu oštetiti bateriju i povećati rizik od požara.

Servis

- **Servisiranje električnog alata poverite kvalifikovanom serviseru koji isključivo koristi iste rezervne delove.** Tako ćete biti sigurni u održavanje bezbednosti električnog alata.
- **Nikad ne servisirajte oštećene akumulatore.** Servisiranje akumulatora treba da vrši samo proizvođač ili ovlašćeni serviseri.

Opšta bezbednosna upozorenja za motornu testeru

- **Držite se podalje od lanca prilikom rada motorne testere. Pre nego što pokrenete motornu testeru, uverite se da lanac ne dodiruje nijedan predmet.** Trenutak nepažnje prilikom rukovanja motornim testerama može prouzrokovati uplitanje vaše odeće ili dela tela u lanac.
- **Uvek držite motornu testeru desnom rukom za zadnju ručku, a levom rukom za prednju ručku.** Držanje motorne testere obrnutim rasporedom ruku povećava rizik od telesne povrede i nikada se ne treba praktikovati.
- **Držite motornu testeru samo za izolovane površine za držanje jer lanac može doći u kontakt sa unutrašnjim ožičenjem.** Motorne testere koje su u kontaktu sa žicom pod naponom dovode do toga da izloženi metalni delovi motorne testere budu pod naponom i mogu da zadaju strujni udar rukovaocu.
- **Nosite zaštitu za oči. Preporučuje se dodatna zaštitna oprema za sluh, glavu, šake, noge i stopala.** Adekvatna zaštitna oprema će umanjiti stepen telesne povrede prouzrokovane letećim izbačenim otpacima ili slučajnim kontaktom sa lancem.
- **Nemojte koristiti motornu testeru ako ste se popeli na drvo, merdevine, krov ili na bilo koju nestabilnu površinu.** Korišćenje motorne testere na ovaj način može dovesti do ozbiljnih povreda.¹⁰¹
- **Uvek održavajte odgovarajući položaj nogu i radite sa motornom testerom samo kada stojite na čvrstoj, sigurnoj i ravnoj površini.** Klizave ili nestabilne površine mogu da izazovu gubitak ravnoteže ili kontrole nad motornom testerom.
- **Prilikom rezanja grane koja je napeta budite na oprezu u pogledu odskakanja.** Kada se napetost u vlaknima otpusti, grana koja je napeta može udariti rukovaoca i/ili izbaciti motornu testeru van kontrole.
- **Budite izuzetno pažljivi prilikom rezanja žbunja i mladica.** Tanak materijal može zakačiti lanac i ošiniti u vašem pravcu ili vas izbaciti iz ravnoteže.
- **Nosite motornu testeru držeći je za prednju ručku.** Potrebno je da motorna testera bude isključena i odmaknuta od vašeg tela. Prilikom transportovanja ili skladištenja motorne testere, uvek postavite poklopac vodilice. Pravilno rukovanje motornom testerom će umanjiti verovatnoću slučajnog kontakta sa lancem koji se okreće.
- **Pratite uputstva za podmazivanje, zatezanje lanca i zamenu vodilice i lanca.** Nepravilno zategnut ili podmazan lanac može ili da se polomi ili da povećava šansu za povratni udar.
- **Režite samo drvo. Nemojte koristiti motornu testeru u svrhe za koje nije namenjena. Na primer: nemojte koristiti motornu testeru za rezanje metala, plastike, kamenih predmeta ili građevinskog materijala koji nije od drveta.** Korišćenje motorne testere za

¹⁰¹ Ako ste obučene za naročite tehnike sečenja i obrade i propisno zaštićeni (korpa za podizanje, užad, bezbednosni pojas), mogu se napraviti odstupanja od ovih bezbednosnih propisa.

operacije za koje nije namenjena može da dovede do opasnih situacija.

- **Nemojte pokušavati da oborite stablo dok se ne upoznate sa rizicima i načinima da ih izbegnete.** Prilikom obaranja stabla može doći do ozbiljnih povreda po rukovaoca ili posmatrača.
- **Pratite sva uputstva prilikom uklanjanja zaglavljenog materijala, odlaganja ili servisiranja motorne testere. Proverite da li je prekidač isključen i baterija uklonjena.** Neočekivano aktiviranje motorne testere prilikom uklanjanja zaglavljenog materijala ili servisiranja može dovesti do teških telesnih povreda.
- **Ne rukujte motornom testerom dok ste na drvetu ako niste posebno obučeni za to.** Korišćenje motorne testere dok ste na drvetu, bez odgovarajuće obuke povećava rizik od ozbiljnih povreda.

Uzroci povratnog udara i načini da ih rukovalac spreči

Do povratnog udara može da dođe kada nos ili vrh vodilice lanca dodirne predmet ili kada drvo obuhvati i uklješti lančanu testeru u rezu. U nekim slučajevima, kontakt vrha može da dovede do iznenadne povratne reakcije, trzanja mača nagore i unazad prema rukovaocu. Štipanje lanca duž vrha vodilice može da gurne vodilicu velikom brzinom unazad prema rukovaocu. Svaka od ovih reakcija može da dovede do gubitka kontrole nad testerom što bi moglo da uzrokuje teške telesne povrede. Nemojte da se oslanjate isključivo na bezbednosne uređaje ugrađene u testeru. Kao rukovalac motornom testerom, potrebno je da preduzmete određene korake kako biste osigurali da se tokom poslova rezanja neće dogoditi nesrećni slučajevi ili telesna povreda. Povratni udar je rezultat pogrešne upotrebe alata i/ili nepravilnih radnih procedura ili uslova i može se izbeći primenom odgovarajućih mera predostrožnosti kako je navedeno u nastavku:

- **Čvrsto s obe ruke držite motornu testeru, sa palčevima i prstima koji su položeni oko ručki motorne testere i postavite telo i ruku na način koji će vam omogućiti da se oduprete silama povratnog udara.** Rukovalac može da kontroliše sile povratnog udara, ako preduzme odgovarajuće mere predostrožnosti. Nemojte ispuštati motornu testeru.
- **Ne režite daleko ispruženih ruku i ne režite iznad visine ramena.** To pomaže u sprečavanju slučajnog kontakta vrha i omogućava bolju kontrolu nad motornom testerom u neočekivanim situacijama.
- **Koristite samo rezervne mačeve i lance koje je naveo proizvođač.** Neodgovarajuće rezervne vodilice i lanci mogu prouzrokovati lomljenje lanca i/ili povratni udar.
- **Pridržavajte se uputstava proizvođača za oštrenje i održavanje lanca.** Smanjenje visine graničnika dubine može da dovede do pojačanog povratnog udara.

SAČUVAJTE OVA UPUTSTVA.

Opšta bezbednosna uputstva



UPOZORENJE: Pročitajte upozoravajuća uputstva koja slede pre korišćenja proizvoda.

- Ovaj proizvod je opasan ako se koristi nepažljivo ili nepravilno. Ovaj proizvod može prouzrokovati teške povrede ili smrt rukovaoca i drugih osoba. Od velike je važnosti da pročitate i shvatite ovo korisničko uputstvo.
- Ne vršite izmene na proizvodu bez odobrenja proizvođača. Ne koristite proizvod koji je modifikovao neko drugi i uvek koristite originalne dodatke. Izmene koje ne odobri proizvođač mogu da dovedu do teških povreda ili smrti rukovaoca ili drugih lica.
- Dugotrajno udisanje isparenja ulja za lanac i strugotine može izazvati zdravstvene probleme.
- Ovaj proizvod pri radu stvara elektromagnetno polje. Ovo polje u određenim uslovima može da izazove smetnje na aktivnim i pasivnim medicinskim implantatima. U cilju smanjenja rizika od uslova nastanka teških ili smrtonosnih telesnih povreda, preporučujemo osobama koje imaju medicinske implante da se pre upotrebe ovog proizvoda konsultuju sa lekarom ili proizvođačem implanta.

Bezbednosna uputstva za rukovanje



UPOZORENJE: Pročitajte upozoravajuća uputstva koja slede pre korišćenja proizvoda.

- Informacije u ovom korisničkom uputstvu ne predstavljaju zamenu za iskustvo i veštinu. Ako se ne osećate bezbedno u datoj situaciji, zaustavite proizvod. Obratite se serviseru ili stručnom rukovaocu motornom testerom. Nemojte pokušavati da obavite neki zadatak ako niste sigurni u to!
- Obratite se serviseru ili Husqvarna ako imate pitanja o radu proizvodom. Možemo da vam damo informacije o rukovanju proizvodom na efikasan i bezbedan način. Ako je moguće, pohađajte obuku o rukovanju motornom testerom. Vaš ovlašćeni serviser, šumarska škola ili biblioteka, mogu vas informisati o materijalima i kursovima koji su vam na raspolaganju.
- Morate da razumete uzroke povratnog udara i kako ga sprečiti pre korišćenja ovog proizvoda. Pogledajte *Informacije o povratnom udaru na stranici 682 i Česta pitanja o povratnom udaru na stranici 683* za uputstva.
- Nemojte koristiti proizvod, bateriju ili punjač baterije koji je oštećen ili neispravan.
- Nemojte da dodirujete lanac koji se okreće. To može da izazove teške povrede ili smrt.
- Ne upotrebljavajte proizvod kada ste umorni, ako ste pod uticajem alkohola, droge ili lekova ili bilo čega

što bi moglo da negativno utiče na vaš vid, budnost, koordinaciju ili rasuđivanje.

- Rad u lošim vremenskim uslovima je zamoran i često nosi dodatne rizike. Zbog većeg rizika se ne preporučuje da koristite mašinu po veoma lošem vremenu, na primer, po gustoj magli, jakoj kiši, snažnom vetru, ekstremnoj hladnoći, kad postoji opasnost od grmljavine itd.
- Ne pokrećite proizvod ako vodilica, lanac i svi poklopci nisu ispravno postavljeni. Ako to nije slučaj, pogonski lančanik može da spadne i izazove teške povrede. Pogledajte *Sklapanje na stranici 680* za uputstva.

(Sl. 25)

- Ponekad iverje upadne unutar poklopca kvačila, usled čega se lanac zaglavi. Obavezno ugasisite motor pre čišćenja.
- Pogledajte oko sebe. Uverite se da nema opasnosti da ljudi ili životinje dodirnu proizvod ili utiču na to kako se njime rukuje.

(Sl. 26)

- Nemojte dozvoliti deci da priđu proizvodu ni da ga koriste. Proizvod se lako pokreće i deca mogu da ga pokrenu ako nisu pod strogim nadzorom. To nosi rizik od teških telesnih povreda.
- Uklonite bateriju ako vam proizvod nije na oku ili ako ostavljate proizvod na bilo koji vremenski period.
- Morate imati stabilan stav da biste imali punu kontrolu nad proizvodom. Ne koristite proizvod ako ste na merdevinama ili stablu. Ne koristite proizvod ako niste na stabilnom tlu.

(Sl. 27)

- Rad na drvetu zahteva primenu naročitih tehnika sečenja i obrade koje se moraju poštovati kako bi se smanjio rizik od telesne povrede. Ne radite na drvetu ako niste naročito, profesionalno obučeni za takav rad, što obuhvata i obuku za korišćenje zaštitne i druge opreme za penjanje, kao što su zatezači, užad, kaiševi, šiljci za penjanje, pričvrstne kuke, karabinjeri itd.
- Ne hvatajte delove koji padaju. Ne režite drvo stojeći na njemu ako koristite samo jedan sigurnosni konopac. Uvek koristite dva sigurnosna konopca.
- Ako niste pažljivi, raste opasnost od povratnog udara. Do povratnog udara može da dođe ako zona povratnog udara vodilice slučajno dodirne granu, stablo ili neki drugi predmet.

(Sl. 28)

- Ne koristite proizvod jednom rukom. Ovaj proizvod je nemoguće sigurno kontrolisati ako ga držite jednom rukom.
- Nemojte koristiti proizvod iznad visine ramena i ne pokušavajte da režete vrhom vodilice.

(Sl. 29)

- Nemojte koristiti proizvod u situacijama gde vam ne može biti pružena pomoć ako se desi nezgoda.

- Zaustavite proizvod i aktivirajte kočnicu lanca pre pomeranja proizvoda. Držite proizvod tako da vodilica i lanac budu okrenuti unazad. Stavite štitnik za transport na vodilicu pre transporta ili pre nego što je pomerite na bilo koju razdaljinu.
- Kada spustite proizvod na tlo, aktivirajte kočnicu lanca i stalno držite proizvod na oku. Zaustavite proizvod i uklonite bateriju pre nego što ostavite proizvod na bilo koji vremenski period.
- Postoji opasnost da se drveni opiljci zaglave u pogonskom sistemu. Zbog toga lanac može da se zaglavi. Uvek zaustavite proizvod i uklonite bateriju pre čišćenja.
- Nivo vibracije se povećava ako sečete koristeći opremu za sečenje koja nije odgovarajuća ili nije pravilno naoštrena. Sečenje tvrdog drveta, kao što je širokolisno drveće, izaziva više vibracija od sečenja mekog drveta, kao što su četinari.

(Sl. 30)

- Preterano izlaganje vibracijama može da ošteti krvotok, ili pak da ošteti nerve kod ljudi koji imaju problema sa krvotokom. Obratite se lekaru ako imate simptome preterane izloženosti vibracijama. Ovi simptomi uključuju utrnulost, gubitak osećaja, trnce, bockanje, bol, gubitak snage, promene u boji ili stanju kože. Ovi simptomi se uglavnom osećaju u prstima, šakama ili zglobovima i izraženiji su pri niskim temperaturama.
- Ne pokušavajte da orezujete živo drvo i ne secite mu krošnju ako za to niste obučeni.
- Uvek morate da stojite uzbrdo od stabla kada sečete na nagibu jer oboreno stablo po pravilu klizi ili se kotrlja nizbrdo. Da biste zadržali potpunu kontrolu nad proizvodom dok režete, smanjite pritisak rezanja pri kraju reza. Nemojte da opuštate šake oko ručki. Ne dozvolite da lanac testere udara o tlo. Kada završite rez, sačekajte da se lanac testere zaustavi pre nego što pomerite proizvod. Uvek zaustavite motor pre nego što pređete sa jednog stabla na drugo.

(Sl. 31)

- Nemojte da obarate stablo ako postoji bilo kakva opasnost da ono može da ugrozi bilo koju osobu, udari ili izazove oštećenje bilo kog nadzemnog voda ili imovine. Ako stablo udari nadzemni vod, potrebno je da odmah obavestite komunalno preduzeće.
- Uverite se da možete da se krećete i stojite bezbedno. Proverite uslove u kojima radite i ima li u okruženju mogućih prepreka kao što su korenje, kamenje, granje, jarci i drugo. Budite pažljivi kada radite na nagnutom terenu.
- Izbegnite situacije za koje smatrate da prevazilaze vaše mogućnosti.
- Nije moguće obuhvatiti sve moguće situacije sa kojima se možete susresti kada koristite ovaj proizvod. Uvek budite pažljivi i koristite zdrav razum.

(Sl. 32)

Lična zaštitna oprema



UPOZORENJE: Pročitajte upozoravajuća uputstva koja slede pre korišćenja proizvoda.

(Sl. 33)

- Većina nezgoda se dešava kad lanac testere dodirne rukovaoca. Treba da koristite odobrenu ličnu zaštitnu opremu tokom rada. Lična zaštitna oprema ne pruža potpunu zaštitu od povreda, ali smanjuje intenzitet povrede ako dođe do nezgode. Obratite se prodavcu da vam preporuči koju opremu da koristite.
- Odeća koju nosite mora da bude pripijena, ali ne tako da ograničava pokrete. Redovno proveravajte stanje lične zaštitne opreme.
- Koristite odobrenu zaštitnu kacigu.
- Koristite odobrenu zaštitu za sluh. Dugotrajno izlaganje buci može prouzrokovati trajno oštećenje sluha.
- Koristite odobrene zaštitne naočare ili vizir za lice da biste smanjili opasnost od povrede izbačenim predmetima. Proizvod može velikom snagom da odbaci predmete kao što su drveni opiljci, manji komadi drveta, itd. Ovo može da izazove ozbiljne povrede, naročito povrede očiju.
- Koristite rukavice sa zaštitom od lanaca motornih testera.
- Koristite pantalone sa zaštitom od lanaca motornih testera.
- Nosite obuću sa zaštitom od lanaca motornih testera, čeličnim štitnikom za prste i neključim đonom.
- Kod sebe uvek morate da imate komplet za prvu pomoć.
- Rizik od varnica. Imajte pri ruci protivpožarne uređaje i lopatu, da biste sprečili nastanak šumskih požara.

Bezbednosni uređaji na proizvodu



UPOZORENJE: Pročitajte upozoravajuća uputstva koja slede pre korišćenja proizvoda.

- Nemojte da koristite bezbednosne uređaje koji su oštećeni ili neispravni.
- Redovno proveravajte bezbednosne uređaje. Pogledajte *Održavanje i provera bezbednosnih uređaja na proizvodu na stranici 688*.
- Ako su bezbednosni uređaji oštećeni ili neispravni, obratite se svom Husqvarna servisnim agentu.

Funkcije korisničkog interfejsa

Korisnički interfejs obuhvata dugme za pokretanje/, dugme SavE, status akumulatora i indikator upozorenja. Indikator upozorenja trepće ako je kočnica lanca aktivirana ili ako postoji opasnost od preopterećenja.

Zaštita od preopterećenja privremeno zaustavlja proizvod i ne možete da ga koristite dok mu se temperatura ne snizi. Ako indikator upozorenja sija neprekidno, obratite se serviseru.

(Sl. 34)

Za više informacija o korisničkom interfejsu pogledajte *Pregled proizvoda na stranici 672*.

Funkcija automatskog zaustavljanja

Proizvod ima funkciju automatskog zaustavljanja, koja zaustavlja proizvod ako se ne koristi duže od 3 minuta.

Kočnica lanca i prednji štitnik ruke

Kočnica lanca na proizvodu zaustavlja lanac u slučaju povratnog udara. Kočnica lanca smanjuje rizik od nesrećnih slučajeva, ali samo vi možete sprečiti da do njih dođe.

(Sl. 35)



UPOZORENJE: Izbegavajte situacije u kojima postoji opasnost od povratnog udara. Budite pažljivi kada koristite proizvod i vodite računa da zona povratnog udara vodilice ne dodirne neki predmet.

(Sl. 36)

Kočnica lanca (A) može se aktivirati ručno, levom rukom, ili automatski, mehanizmom za otpuštanje po inerciji. Pomerite prednji štitnik ruke (B) ka napred da biste ručno aktivirali kočnicu lanca. Ovaj pokret pokreće mehanizam sa oprugom koji zaustavlja pogonski lančanic.

(Sl. 37)

Kako se kočnica lanca aktivira zavisi od sile povratnog udara i položaja proizvoda. Ako dobijete jak povratni udar dok je zona povratnog udara najdalja od vas, kočnica lanca se aktivira inercionim otpuštanjem. Ako je povratni udar slab ili je zona povratnog udara bliža vama, kočnicu lanca ručno aktivira vaša leva ruka.

(Sl. 38)

Koristite kočnicu lanca kao ručnu kočnicu pri pokretanju proizvoda i prelasku kratkih rastojanja. Ovim se smanjuje opasnost da lanac testere udari u vas ili nekog drugog.

(Sl. 39)

Pomerite prednji štitnik ruke unazad da biste deaktivirali kočnicu lanca.

(Sl. 40)

Povratni udar može da se desi iznenada i da bude snažan. Većina povratnih udara je slaba, tako da ne aktiviraju uvek kočnicu lanca. Ako dođe do povratnog udara kad koristite proizvod, čvrsto držite ručke i ne puštajte.

(Sl. 41)

Prednji štitičnik ruke takođe smanjuje opasnost od dodirivanja lanca testere ako pustite prednju ručku.

(Sl. 42)

U položaju za obaranje ne možete ručno da aktivirate kočnicu lanca. Kočnicu lanca u ovom položaju može da aktivira samo mehanizam za otpuštanje po inerciji.

(Sl. 43)

Zaključavanje obarača gasa

Zaključavanje obarača gasa sprečava slučajno aktiviranje obarača gasa. Kad gurnete zaključavanje obarača gasa ka napred (A) i onda ga gurnete uz dršku (B), obarač gasa (C) se oslobađa. Kad otpustite ručku, obarač gasa i zaključavanje obarača gasa vraćaju se u prvobitne položaje.

(Sl. 44)

Hvatač lanca

Hvatač lanca hvata lanac ako se pokida ili sleti sa vodilice. Ako je zategnutost lanca pravilna, rizik je manji. Smanjujete rizik i ako pravilno održavate lanac i vodilicu. Pogledajte *Sklapanje na stranici 680* i *Održavanje na stranici 687* za uputstva.

(Sl. 45)

Štitičnik desne ruke

Štitičnik desne ruke funkcioniše kao zaštita za ruku ako se lanac pokida ili spadne. Sprečava i da vam tokom rada grane i grančice smetaju.

(Sl. 46)

Bezbedna upotreba baterije



UPOZORENJE: Pročitajte upozoravajuća uputstva koja slede pre korišćenja proizvoda.

- Koristite samo baterije iz serije 40-B preporučene za proizvod. Pogledajte *Odobreni akumulatori na stranici 694*. Baterije su softverski kodirane.
- Koristite punjive baterije iz serije 40-B kao izvor napajanja samo za odgovarajuće Husqvarna proizvode. Pogledajte *Odobreni akumulatori na stranici 694*. Kako bi se sprečila telesna povreda, nemojte koristiti bateriju kao izvor napajanja za druge uređaje.
- Opasnost od strujnog udara. Nemojte povezivati terminale baterije na ključeve, zavrtnje i druge metalne predmete. To može dovesti do kratkog spoja baterije.
- Ne koristite baterije za jednokratnu upotrebu.
- Nemojte stavljati predmete u proreze za vazduh baterije.

- Držite bateriju tako da ne bude izložen sunčevoj svetlosti, toploti ili otvorenom plamenu. Baterija može da izazove opekotine i/ili hemijske opekotine.
- Držite bateriju tako da ne bude izložena kiši i vlažnim uslovima.
- Držite bateriju dalje od mikrotalasnih pećnica i visokog pritiska.
- Nemojte pokušavati da rastavite ili lomite bateriju.
- Ne dozvolite da vam kiselina iz baterije dodirne kožu. Kiselina iz baterije izaziva povrede kože, koroziju i opekotine. Ako vam kiselina iz baterije dospe u oči, ne trljajte ih, već ih ispirajte vodom najmanje 15 minuta. Ako vam kiselina iz baterije dotakne kožu, operite je velikom količinom vode sa sapunom. Obratite se doktoru.
- Koristite bateriju na temperaturama između -10 °C (14 °F) i 40 °C (104 °F).
- Nemojte čistiti bateriju ili punjač baterija vodom. Pogledajte *Provera bateriju i držača baterije na stranici 688*.
- Nemojte koristiti oštećenu bateriju.
- Držite baterije uskladištene tako da budu udaljeni od metalnih predmeta kao što su ekseri, vijci ili nakiti.
- Držite bateriju van domašaja dece.

Bezbedna upotreba punjača baterije



UPOZORENJE: Pročitajte upozoravajuća uputstva koja slede pre korišćenja proizvoda.

- Opasnost od strujnog udara ili kratkog spoja ako se ne poštuju bezbednosne mere.
- Koristite odobrenu uzemljenu mrežnu utičnicu koja nije oštećena.
- Ne koristite druge punjače baterije osim onog namenjenog za proizvod. Koristite samo 40-C80 punjače kad puniti Husqvarna zamenske akumulatori 40-B140. Pogledajte *Odobreni punjači baterije za proizvod na stranici 695* i *Odobreni akumulatori na stranici 694*.
- Nemojte pokušavati da rasklopite punjač akumulatora.
- Nemojte koristiti defektnu ili oštećenu bateriju ili punjač akumulatora.
- Nemojte podizati punjač akumulatora za kabl za napajanje. Da biste iskopčali punjač akumulatora sa mrežne utičnice, povucite utikač. Ne vucite kabl za napajanje.
- Držite sve kablove i produžne kablove dalje od vode, ulja i oštrih ivica. Uverite se da kabl nije priklješten vratima, ogradam ili sličnim stvarima.
- Nemojte koristiti punjač akumulatora u blizini zapaljivih materijala ili materijala koji mogu da izazovu koroziju. Uverite se da punjač akumulatora nije pokriven. Izvucite utikač kabla iz punjača akumulatora ako se pojave dim ili vatra.

- Akumulator punito samo u zatvorenom prostoru u prostoriji sa dobrom ventilacijom i dalje od sunčeve svetlosti. Nemojte puniti akumulator na otvorenom. Nemojte puniti akumulator u vlažnim uslovima.
- Koristite punjač akumulatora samo na temperaturama između 5 °C (41 °F) i 40 °C (104 °F). Punjač koristite u okruženju koje je dobro provetreno, suvo i bez prašine.
- Nemojte stavljati predmete u proreze za hlađenje punjača akumulatora.
- Nemojte povezivati terminale punjača na metalne predmete jer to može dovesti do kratkog spoja.
- Koristite odobrene i neoštećene strujne utičnice.
- Nemojte puniti akumulator koji se ne pune u punjačima akumulatora.

Bezbednosna uputstva za održavanje



UPOZORENJE: Pročitajte upozoravajuća uputstva koja slede pre održavanja proizvoda.

- Uklonite bateriju pre održavanja, provere i sklapanja proizvoda.
- Rukovalac sme da vrši samo održavanje i servisiranje opisano u priručniku za rukovaoca. Obratite se serviseru radi održavanja i servisiranja većih dodataka.
- Nemojte čistiti akumulator ili punjač akumulatora vodom. Jak deterdžent može da ošteti plastiku.
- Neodržavanje smanjuje radni vek proizvoda i povećava rizik od nezgoda.
- Za poslove servisiranja i popravke potrebna je posebna obuka, naročito kad je reč o bezbednosnim uređajima na proizvodu. Ako posle odobravanja uređaj ne prođe sve provere opisane u korisničkom uputstvu, obratite se serviseru. Garantujemo da su za vaš proizvod dostupne profesionalne popravke i servisiranje.

- Koristite samo originalne rezervne delove.

Bezbednosna uputstva za opremu za rezanje



UPOZORENJE: Pročitajte upozoravajuća uputstva koja slede pre korišćenja proizvoda.

- Koristite samo odobrene kombinacije vodilice i lanca te opreme za oštrenje. Uputstva potražite u *Tehnički podaci na stranici 693*.
- Nosite zaštitne rukavice prilikom korišćenja i održavanja lanca testere. I nepomičan lanac testere može da izazove povrede.
- Rezni zubi treba da budu pravilno naoštreni. Pridržavajte se uputstava i koristite preporučenu poluokruglu turpiju. Lanac testere koji je oštećen ili nepravilno naoštren povećava rizik od nesreća.

(Sl. 47)

- Držite se tačnog podešavanja ograničivača dubine. Pridržavajte se uputstava i koristite preporučeno podešavanje ograničivača dubine. Preveliko podešavanje ograničivača dubine povećava rizik od povratnog udara.

(Sl. 48)

- Uverite se da je lanac pravilno zategnut. Ako lanac testere nije pravilno zategnut na vodilicu, može da spadne sa njega. Neodgovarajuća zategnutost lanca testere povećava habanje vodilice, lanca i pogonskog lančanika. Pogledajte *Oprema na stranici 694*.

(Sl. 49)

- Redovno održavajte opremu za rezanje i pravilno je podmazujte. Ako lanac testere nije pravilno podmazan, povećava se rizik habanja vodilice, lanca testere i pogonskog lančanika.

(Sl. 50)

Sklapanje

Sklapanje vodilice i lanca testere (sa dugmetom vodilice)



UPOZORENJE: Uvek uklonite bateriju pre sklapanja ili održavanja proizvoda.

1. Isključite kočnicu lanca. (Sl. 51)
2. Otpustite dugme vodilice i uklonite poklopac pogonskog lančanika. (Sl. 52)
3. Stavite vodilicu iznad vijka vodilice. Navucite vodilicu u krajnji zadnji položaj. Podignite lanac iznad pogonskog lančanika i postavite ga u žleb na vodilici. Počnite od gornje ivice vodilice.

4. Uverite se da su ivice reznih karika na gornjem delu vodilice okrenute ka napred. (Sl. 53)
5. Postavite poklopac pogonskog lančanika na mesto i postavite iglicu zatezača lanca u otvor u vodilici.
6. Uverite se da pogonske karike lanca pravilno naležu na pogonski lančanik.
7. Uverite se da lanac pravilno naleže na žleb u vodilici.
8. Zategnite lanac testere. Pogledajte *Održavanje na stranici 687* za uputstva.
9. Zategnite dugme vodilice.

Sklapanje vodilice i lanca testere (sa vijkom vodilica)



UPOZORENJE: Uvek uklonite bateriju pre sklapanja ili održavanja proizvoda.

1. Isključite kočnicu lanca. (Sl. 51)
2. Otpustite navrtku vodilice koja drži poklopac pogonskog lančanika. (Sl. 54)
3. Stavite vodilicu iznad vijka vodilice. Navucite vodilicu u krajnji zadnji položaj. Podignite lanac iznad pogonskog lančanika i postavite ga u žleb na vodilici. Počnite od gornje ivice vodilice.
4. Uverite se da su ivice reznih karika na gornjem delu vodilice okrenute ka napred. (Sl. 55)
5. Postavite poklopac pogonskog lančanika na mesto i postavite iglicu zatezača lanca u otvor u vodilici.
6. Uverite se da pogonske karike lanca pravilno naležu na pogonski lančanik.

7. Uverite se da lanac pravilno naleže na žleb u vodilici.
8. Zategnite navrtku na šipci prstima.
9. Zategnite lanac. Pogledajte *Održavanje na stranici 687* za uputstva.

Postavljanje punjača akumulatora na zid



OPREZ: Ne koristite električni šrafčiger za postavljanje punjača baterije na zid. Električni šrafčiger može da ošteti punjač baterija.

1. Postavite punjač baterije na zid pomoću dva vijka (A). Po potrebi koristite tiplove (B). (Sl. 56)
2. Postavite dva tipla za zavrtnje (C).
3. Povežite kabl za napajanje (D) za punjač baterije i mrežnu utičnicu.

Rukovanje

Uvod



UPOZORENJE: Pre korišćenja proizvoda je potrebno da pročitate i razumete poglavlje o bezbednosti.

Pre korišćenja proizvoda izvršite proveru funkcija

1. Proverite kočnicu lanca (A) da biste se uverili da radi pravilno i da nije oštećena.
2. Proverite zadnji desni štitnik za ruku (B) da biste se uverili da nije oštećen.
3. Proverite obarač gasa i zaključavanje obarača gasa (C) da biste se uverili da rade pravilno i da nisu oštećeni.
4. Proverite tastaturu (D) i uverite se da ispravno radi.
5. Uverite se da na ručkama (E) nema ulja.
6. Uverite se da su svi delovi na svom mestu, pravilno povezani i da nisu oštećeni.
7. Proverite hvatač lanca (F) i uverite se da je pravilno postavljen.
8. Proverite zategnutost lanca (G).
9. Napunite akumulator (H) i uverite se da je pravilno postavljen u proizvod.
10. Uverite se da se lanac zaustavlja posle puštanja tastera za uključivanje. (Sl. 57)

Korišćenje odgovarajućeg ulja za lanac



UPOZORENJE: Ne koristite otpadno ulje, jer to nije zdravo ni po vas ni po životnu sredinu. Otpadno ulje oštećuje i pumpu za ulje, vodilicu i lanac testere.



UPOZORENJE: Lanac testere može da koči ako podmazivanje opreme za rezanje nije dovoljno. Opasnost od teške povrede ili smrti rukovaoca.



UPOZORENJE: Koristite odgovarajući lanac za ulje da bi ova funkcija radila kako bi trebalo. Obratite se serviseru pri biranju ulja za lanac.

- Koristite Husqvarna ulje za lanac za maksimalni vek lanca i sprečavanje štetnog dejstva na okolinu. Ako Husqvarna ulje za lanac nije dostupno, preporučujemo da koristite standardno ulje za lanac.
- Koristite ulje za lanac koje dobro prijanja na lanac.
- Koristite ulje za lanac odgovarajućeg opsega viskoziteta, koji odgovara temperaturi vazduha.



OPREZ: Na temperaturama ispod 0 °C / 32 °F neka ulja za lanac postaju previše gusta, što može da ošteti delove pumpe za ulje.

- Koristite preporučenu opremu za rezanje. Pogledajte *Oprema na stranici 694*.

- Uklonite poklopac rezervoara ulja za lanac.
- Napunite rezervoar uljem za lanac.
- Vratite poklopac na mesto.

(Sl. 58)

Napomena: Pogledajte *Uvod na stranici 672* da biste videli gde na proizvodu se nalazi rezervoar ulja za lanac.

Akumulator



UPOZORENJE: Pre korišćenja proizvoda je potrebno da pročitate i razumete poglavlje o bezbednosti. Pročitajte

sa razumevanjem korisničko uputstvo za akumulator i punjač akumulatora.

Akumulator i punjač akumulatora čuvajte na odgovarajućoj temperaturi.

	Temperatura sredine
Radni opseg akumulato- ra	5–40 °C / 41–104 °F
Punjenje akumulatora	5–40 °C / 41–104 °F

Status baterije

Displej prikazuje status punjenja i da li postoje problemi u vezi sa baterijom.

(Sl. 59)

LED indikator	Status napunjenosti akumulatora
4 LED lampice su uključene	Baterija je 76% – 100% napunjena.
3 LED lampice su uključene	Baterija je 51% – 75% napunjena.
2 LED lampice su uključene	Baterija je 26% – 50% napunjena.
1 LED lampica je uključena	Baterija je 6% – 25% napunjena.
1 LED lampica trepće	Baterija je 0% – 5% napunjena.

Punjenje akumulatora

Napunite bateriju ako je to prvi put da se koristi. Nova baterija je napunjena samo 30%.



OPREZ: Povežite punjač akumulatora na strujnu utičnicu čiji su napon i frekvencija naznačeni na pločici tipa.

Akumulator se neće puniti ako je temperatura akumulatora veća od 50 °C / 122 °F.

1. Povežite kabl za napajanje sa punjačem akumulatora.
2. Povežite punjač akumulatora na strujnu utičnicu. LED lampica punjenja trepće jedanput. (Sl. 60)
3. Stavite bateriju na punjač baterije. LED lampica punjenja se uključuje. Puniti akumulator najviše 24 sata. (Sl. 61)
4. Pritisnite dume indikatora akumulatora, ako se svi LED indikatori upale, akumulator je potpuno napunjen.
5. Povucite strujni utikač da biste isključili punjač baterije sa strujne utičnice. Ne vucite kabl za napajanje.
6. Izvadite akumulator iz punjača akumulatora.

Informacije o povratnom udaru



UPOZORENJE: Povratni udar može da prouzrokuje teške povrede ili smrt rukovaoca i drugih osoba. Da biste smanjili rizik, potrebno je da znate uzroke povratnog udara i način njihovog izbegavanja.

Povratni udar se dešava kad zona povratnog udara na vodilici dotakne neki predmet. Povratni udar može da nastane iznenada i silovito, pri čemu se proizvod odbija u pravcu rukovaoca.

(Sl. 36)

Povratni udar se uvek dešava u reznoj ravni vodilice. Proizvod se najčešće odbija ka rukovaocu, ali može da ode i u drugom pravcu. Smer kretanja određen je time kako koristite proizvod kad dođe do povratnog udara.

(Sl. 62)

Povratni udar se dešava samo kad zona povratnog udara na vodilici dotakne neki predmet. Ne dozvolite da zona povratnog udara dotakne neki predmet.

(Sl. 36)

Manji poluprečnik vrha vodilice smanjuje silinu povratnog udara.

Efeti povratnog udara mogu da se smanje ako koristite lanac testere sa smanjenim povratnim udarom.

Ne dovolite da zona povratnog udara dotakne neki predmet.



UPOZORENJE: Nijedan lanac testere ne sprečava povratni udar u potpunosti. Uvek poštujućte uputstva.

Česta pitanja o povratnom udaru

• **Da li ruka uvek aktivira kočnicu lanca pri povratnom udaru?**

Ne. Potrebna je određena sila za guranje prednjeg štitnika za ruku unapred. Ako ne upotrebite odgovarajuću silu, kočnica lanca se neće aktivirati. Potrebno je i da dobro držite obe ručke proizvoda tokom rada. Ako dođe do povratnog udara, možda kočnica lanca ne zaustavi lanac pre nego što vas dodirne. Postoje i položaji u kojima rukom ne možete da dotaknete štitnik za prednju ruku da bi se aktivirala kočnica lanca.

• **Da li mehanizam za otpuštanje inercijom uvek aktivira kočnicu lanca pri povratnom udaru?**

Ne. Najpre, kočnica lanca mora da radi pravilno. Pogledajte *Održavanje i provera bezbednosnih uređaja na proizvodu na stranici 688* za uputstva o proveri kočnice lanca. Preporučujemo da ovo radite pre svakog korišćenja proizvoda. Drugo, sila povratnog udara mora da bude dovoljno velika za aktiviranje kočnice lanca. Ako je kočnica lanca previše osetljiva, može da se aktivira tokom grubog rada.

• **Da li me kočnica lanca uvek štiti od povrede tokom povratnog udara?**

Ne. Kočnica lanca mora da radi pravilno da bi pružala zaštitu. Kočnica lanca mora i da bude aktivirana tokom povratnog udara, da bi zaustavila lanac. Ako ste blizu vodilice, moguće je da neće biti dovoljno vremena da kočnica zaustavi lanac pre nego što vas udari.



UPOZORENJE: Povratni udar mogu da spreče samo pravilna tehnika rada i rukovalac.

Pokretanje proizvoda

1. Proverite obarač gasa i zaključavanje obarača gasa. Pogledajte *Provera zaključavanja obarača gasa na stranici 688*.
2. Aktivirajte kočnicu lanca. (Sl. 63)
3. Stavite akumulator u držač akumulatora. (Sl. 64)



OPREZ: Uverite se da je akumulator pravilno postavljen u držač akumulatora. Ako je teško staviti akumulator u držač, niste ga pravilno postavili.

4. Pritiskajte donji deo akumulatora dok ne čujete klik. (Sl. 65)

5. Pritisnite i držite dugme za pokretanje/zaustavljanje dok ne zasvetli zelena LED lampica. (Sl. 66)

Korišćenje funkcije SavE

Funkcija SavE smanjuje brzinu lanca i povećava kapacitet akumulatora.

1. Pritisnite taster SavE. Zelena LED lampica svetli.
2. Ponovo pritisne taster SavE da biste isključili funkciju. Zelena LED lampica se isključuje. (Sl. 67)

Zaustavljanje proizvoda

1. Pritisnite dugme za pokretanje/zaustavljanje dok se ne ugasi zelena LED lampica. (Sl. 66)
2. Pritisnite dugme za otpuštanje akumulatora i izvadite ga iz držača da biste sprečili slučajno pokretanje. (Sl. 68)

Rezanje povlačenjem i rezanje guranjem

Možete da režete drvo u dva položaja.

- Rezanje povlačenjem jeste rezanje donjim delom vodilice. Lanac testere se vuče kroz drvo kad režete. U ovom položaju imate bolju kontrolu nad proizvodom i položajem zone povratnog udara.

(Sl. 69)

- Rezanje guranjem jeste rezanje gornjim delom vodilice. Lanac gura proizvod u pravcu rukovaoca.

(Sl. 70)



UPOZORENJE: Ako se lanac uštine u deblu, proizvod može da bude gurnut ka korisniku. Čvrsto držite proizvod i uverite se da zona povratnog udara na vodilici ne dodiruje drvo, da ne bi došlo do povratnog udara.

(Sl. 71)

Korišćenje tehnike rezanja



UPOZORENJE: Koristite punu snagu pri rezanju i posle svakog reza smanjite brzinu na brzinu praznog hoda.



OPREZ: Ne dovolite da motor radi predugo bez opterećenja. To može da ošteti motor.

1. Postavite deblu na nogare za sečenje drva ili paletu. (Sl. 72)



UPOZORENJE: Nemojte rezati debla na gomili. To povećava opasnost

od povratnog udara i može prouzrokovati teške telesne povrede ili smrt.

2. Uklonite isečene komade iz oblasti u kojoj radite.



UPOZORENJE: Isečeni komadi u oblasti u kojoj radite povećavaju opasnost od povratnog udara i mogućnosti da ne možete održati ravnotežu.

Korišćenje oslonog nazuba

1. Gurnite osloni na deblo u deblo drveta.
2. Primenite pun gas i okrenite proizvod. Držite osloni nazub na deblu. Ova procedura olakšava primenu sile neophodne za rezanje kroz deblo. (Sl. 73)

Rezanje debla na tlu

1. Režite kroz deblo u formi povlačenja. Održavajte punu snagu, ali budite spremni na iznenadne situacije. (Sl. 74)



UPOZORENJE: Vodite računa da lanac ne dodiruje tlo kada završite zasek.

2. Izrežite otprilike $\frac{2}{3}$ kroz deblo i zatim zastanite. Okrenite deblo i režite sa suprotne strane. (Sl. 75)

Rezanje debla koje ima potporu na jednom kraju



UPOZORENJE: Vodite računa da se deblo ne prelomi tokom rezanja. Pratite uputstva u nastavku.

(Sl. 76)

1. Režite u formi guranja otprilike $\frac{1}{3}$ kroz deblo.
2. Režite kroz deblo u formi povlačenja dok se dva zaseka ne spoje. (Sl. 77)

Rezanje debla koje ima potporu na dva kraja



UPOZORENJE: Vodite računa da se lanac ne učine u deblu tokom rezanja. Pratite uputstva u nastavku.

(Sl. 78)

1. Režite u formi povlačenja otprilike $\frac{1}{3}$ kroz deblo.
2. Režite kroz preostali deo debla u formi guranja da biste završili rez. (Sl. 79)



UPOZORENJE: Zaustavite motor ako se lanac učine u deblu. Pomoću poluge otvorite zasek i uklonite proizvod. Nemojte pokušavati da izvučete proizvod rukom. To

može rezultirati telesnom povredom kada se proizvod naglo oslobodi.

Korišćenje tehnike rezanja krošnji

Napomena: Za debele grane koristite tehniku rezanja. Pogledajte *Korišćenje tehnike rezanja na stranici 683*.



UPOZORENJE: Postoji velika opasnost od nesrećnih slučajeva kada koristite tehniku rezanja krošnji. Pogledajte *Informacije o povratnom udaru na stranici 682* za uputstva kako da sprečite povratni udar.



UPOZORENJE: Režite grane jednu po jednu. Budite pažljivi kada uklanjate male grane i nemojte rezati žbunje ili mnogo malih grana u isto vreme. Male grane mogu da se upetljaju u lanac i spreče bezbedan rad proizvoda.

Napomena: Ako je potrebno, skraćujte grane postepeno. Odrežite manje grane (A) i (B) pre nego što pređete na grane u blizini debila (C).

(Sl. 80)

1. Pomerite grane na desnu stranu debila.
 - a) Držite vodilicu na desnoj strani debila i držite telo proizvoda nasuprot debila.
 - b) Izaberite odgovarajuću tehniku rezanja za napetost grane. (Sl. 81)



UPOZORENJE: Ako niste sigurni u pogledu toga kako da režete grane, posavetujte se sa stručnim rukovaocem motorne testere pre nego što nastavite.

2. Pomerite grane na vrh debila.
 - a) Držite proizvod na deblu i pustite da se vodilica kreće duž debila.
 - b) Režite u formi guranja. (Sl. 82)
3. Pomerite grane na levu stranu debila.
 - a) Izaberite odgovarajuću tehniku rezanja za napetost grane. (Sl. 83)



UPOZORENJE: Ako niste sigurni u pogledu toga kako da režete grane, posavetujte se sa stručnim rukovaocem motorne testere pre nego što nastavite.

Pogledajte *Rezanje stabala i grana koje su napete na stranici 686* za uputstva kako da režete grane koje su napete.

Korišćenje tehnike obaranja stabla



UPOZORENJE: Morati imati iskustva u obaranju stabla. Ako je moguće, pohađajte obuku o rukovanju motornom testerom. Kako biste dobili više saznanja, posavetujte se sa iskusnim rukovaocem.

Održavanje bezbedne udaljenosti

1. Pobrinite se da osobe u vašoj blizini održavaju bezbedno rastojanje od najmanje 2 1/2 dužine stabla. (Sl. 84)
2. Pobrinite se da nema osoba u opasnoj zoni pre ili tokom obaranja stabla. (Sl. 85)

Izračunavanje smeru pada stabla

1. Proučite u kom je smeru neophodno da stablo padne. Cilj je oboriti stablo u položaj u kojem lako možete rezati krošnje i deblo. Takođe je važno da imate čvrst oslonac u stopalima i da se možete bezbedno kretati.



UPOZORENJE: Ako je opasno ili nije moguće oboriti stablo u prirodnom smeru, oborite stablo u suprotnom smeru.

2. Proučite prirodni smer pada stabla. Na primer, kosi položaj i povijanje stabla, pravac vetra, lokaciju grana i težinu snega.
3. Pregledajte da li postoje prepreke, na primer, drugo drveće, dalekovodi, putevi i/ili objekti u blizini.
4. Potražite znake oštećenja i truljenja u stabljici.



UPOZORENJE: Truljenje u stabljici može značiti opasnost da stablo padne pre nego što završite rezanje.

5. Uverite se da stablo nema oštećene ili osušene grane koje se mogu polomiti i udariti vas prilikom obaranja.
6. Nemojte dozvoliti da stablo padne na drugo stablo. Veoma je opasno oboriti zaglavljeno stablo i postoji velika opasnost od nesrećnog slučaja. Pogledajte *Oslobađanje zaglavljeno stabla na stranici 686*. (Sl. 86)



UPOZORENJE: Tokom kritičnih operacija obaranja stabla, skinite zaštitu za sluh odmah nakon što završite rezanje. Važno je da možete da čujete zvukove i signale upozorenja.

Čišćenje debla i priprema staze za povlačenje

Odrežite sve grane od visine vaših ramena i nadole.

1. Režite u formi povlačenja od vrha nadole. Vodite računa da stablo bude između vas i proizvoda. (Sl. 87)
2. Uklonite žbunje i šiblje iz radne oblasti oko stabla. Uklonite sav isečeni materijal iz radne oblasti.
3. Pregledajte oblast u pogledu prepreka, kao što su kamenje, grane i rupe. Morate imati čistu stazu za povlačenje kada stablo počne da pada. Vaša staza za povlačenje mora biti otprilike 135 stepeni udaljena od smeru pada stabla.

1. Zona opasnosti
2. Staza za povlačenje
3. Smer pada stabla

(Sl. 88)

Obaranje stabla

Husqvarna vam preporučuje da napravite usmerene rezove a zatim koristite metodu sigurnog ugla kada obarate stablo. Metoda sigurnog ugla vam pomaže da napravite ispravan urez za obaranje i kontrolišete smer pada stabla.



UPOZORENJE: Nemojte obarati stabla sa prečnikom koji je dvaput veći od dužine vodilice. Morate biti posebno obučeni za ovo.

Urez za obaranje

Najvažnija procedura tokom obaranja stabla je pravljenje ispravnog ureza za obaranje. Sa ispravnim urezom za obaranje, vi kontrolišete smer obaranja stabla i osiguravate da je procedura obaranja bezbedna.

Debljina ureza za obaranje mora biti jednaka i najmanje 10% prečnika stabla.



UPOZORENJE: Ako je urez za obaranje nepravilan ili previše tanak, nemate kontrolu nad smerom obaranja.

(Sl. 89)

Pravljenje usmerenih rezova

1. Napravite usmerene rezove. Napravite usmerene rezove 1/4 prečnika stabla. Napravite ugao od 45° između reza na vrhu i reza na dnu.
 - a) Prvo napravite rez na vrhu. Poravnajte oznaku smeru obaranja (A) na proizvodu sa smerom obaranja na stablu (B). Stanite iza proizvoda i neka vam stablo bude sa desne strane. Režite u formi povlačenja.
 - b) Napravite rez na dnu. Pobrinite se da je kraj reza na dnu u istoj tački kao i kraj reza na vrhu. (Sl. 90)

- Vodite računa da linija usmerenog reza bude potpuno horizontalna i pod pravim uglom (90°) sa smerom obaranja. Linija usmerenog reza prolazi kroz tačku u kojoj se dva usmerena reza dodiruju. (Sl. 91)

Korišćenje metode sigurnog ugla

Rez za obaranje mora biti napravljen malo iznad usmerenog reza.

(Sl. 92)



UPOZORENJE: Budite pažljivi kada režete vrhom vodilice. Počnite da režete sa donjim delom vrha vodilice dok pravite otvor u deblu.

(Sl. 93)

- Ako je korisna dužina rezanja duža od prečnika stabla, ponovite ove korake (a-d).
 - Napravite otvor direktno u deblu da završite širinu ureza za obaranje. (Sl. 94)
 - Režite u formi povlačenja sve dok $\frac{1}{3}$ debla ne preostane.
 - Povucite vodilicu 5-10 cm / 2-4 inča unazad.
 - Režite kroz preostali deo debla da završite siguran ugao koji je 5-10 cm / 2-4 inča širok. (Sl. 95)
- Ako je korisna dužina rezanja kraća od prečnika stabla, ponovite ove korake (a-d).
 - Napravite otvor direktno u deblu. Otvor se mora protezati $\frac{3}{5}$ prečnika stabla.
 - Režite u formi povlačenja kroz preostali deo debla. (Sl. 96)
 - Režite direktno u deblu sa druge strane stabla da biste završili urez za obaranje.
 - Režite u formi guranja, dok $\frac{1}{3}$ debla ne preostane, da biste završili siguran ugao. (Sl. 97)
- Postavite klin u zasek pravo od nazad. (Sl. 98)
- Odsecite ugao da biste učinili da stablo padne.

Napomena: Ako stablo ne padne, udarite klin dok stablo ne padne.

- Kada stablo počne da pada, koristite stazu za povlačenje da se udaljite od stabla. Pomerite se najmanje 5 m / 15 stopa od stabla.

Oslobađanje zaglavljeno stabla



UPOZORENJE: Veoma je opasno oboriti zaglavljeno stablo jer postoji velika

opasnost od nesrećnog slučaja. Držite se izvan zone opasnosti i ne pokušavajte da oborite zaglavljeno stablo.

(Sl. 99)

Najbezbednija procedura je da koristite jedan od sledećih čekrka:

- Montiran na traktor

(Sl. 100)

- Prenosivi

(Sl. 101)

Rezanje stabala i grana koje su napete

- Ustanovite koja je strana stabla ili grana napeta.
- Ustanovite tačku najveće napetosti. (Sl. 102)
- Proučite koja je najbezbednija procedura za oslobađanje napetosti.

Napomena: U nekim situacijama, jedina bezbedna procedura je da koristite čekrk a ne vaš proizvod.

- Održavajte položaj na kojem vas stablo ili grana ne mogu udariti kada dođe do oslobađanja napetosti. (Sl. 103)
- Napravite jedan ili više rezova dovoljne dubine koji su neophodni za smanjivanje napetosti. Režite u ili blizu tačke najveće napetosti. Učinite da se stablo ili grana slome u tački najveće napetosti. (Sl. 104)



UPOZORENJE: Nemojte direktno rezati kroz stablo ili granu koji su napeti.



UPOZORENJE: Budite veoma pažljivi prilikom rezanja napetog stabla. Postoji opasnost da se stablo brzo pomeri pre ili nakon što ga izrežete. Može doći do teške telesne povrede ako se nalazite u nepravilnom položaju ili ako režete na nepravilan način.

- Ako morate rezati preko stabla/grane, napravite 2 do 3 reza, 2,5 cm razdvojena i sa dubinom od 5 cm. (Sl. 105)
- Nastavite sa rezanjem dublje u stablu sve dok se stablo/grana ne saviju i napetost se oslobodi. (Sl. 106)
- Režite stablo/granu sa suprotne strane savijanja, nakon što se napetost oslobodi.

Održavanje

Uvod



UPOZORENJE: Pre održavanja proizvoda je potrebno da pročitate i razumete poglavlje o bezbednosti.

Sledi lista koraka održavanja koje treba izvršiti na proizvodu. Pogledajte *Održavanje na stranici 687* za više informacija.

Šema održavanja



UPOZORENJE: Skinite bateriju pre održavanja.

Održavanje	Pre upotrebe	Nedeljno	Mesečno
Očistite spoljne delove proizvoda.	X		
Uverite se da obarač gasa i zaključavanje obarača gasa rade pravilno po pitanju bezbednosti.	X		
Očistite kočnicu lanca i uverite se da radi bezbedno. Uverite se da hvatač lanca nije oštećen. Zamenite po potrebi.	X		
Rotirajte vodilicu radi ujednačenog habanja. Uverite se da otvor za podmazivanje u vodilici nije zapušten. Očistite žleb vodilice.	X		
Uverite se da na rezaču i štitniku rezača nema naprslina i da nisu oštećeni. Zamenite rezač ili štitnik rezača ako imaju naprslina ili ako su bili izloženi udarcu.	X		
Uverite se da vodilica i lanac imaju dovoljno ulja.	X		
Proverite lanac testere. Potražite pukotine i uverite se da lanac nije krut ili neobičajeno pohaban. Zamenite po potrebi.	X		
Naoštrite lanac. Proverite zategnutost i stanje. Proverite ima li tragova habanja na pogonskom lančaniku i zamenite ga po potrebi.	X		
Očistite dovod za vazduh proizvoda.	X		
Uverite se da su zavrtnji i navrtke pritegnuti.	X		
Uverite se da tastatura pravilno radi i da nije oštećena.	X		
Turpijom uklonite sve neravnine sa ivica vodilice.		X	
Proverite kontakte između baterije i proizvoda. Proverite kontakte između baterije i punjača baterije.			X
Ispraznite i očistite rezervoar za ulje.			X
Izdubajte proizvod i proreze za hlađenje baterije blažim mlazom komprimovanog vazduha.			X

Održavanje i provera bezbednosnih uređaja na proizvodu

Provera štitnika prednje ruke

Redovno proveravajte prednji štitnik ruke i aktiviranje kočnice lanca.

1. Uverite se da na prednjem štitniku ruke nema oštećenja poput pukotina. (Sl. 107)
2. Uverite se da se prednji štitnik ruke slobodno kreće i da je dobro pričvršćen na proizvod. (Sl. 108)
3. Isključite motor i postavite proizvod na panj ili drugu stabilnu površinu.
4. Držite zadnju ručku, a pustite prednju ručku. Položite proizvod na panj. (Sl. 109)
5. Uverite se da se kočnica lanca aktivira dok vrh vodilice udara o panj.

Provera aktiviranja kočnice

1. Postavite proizvod na stabilnu površinu i pokrenite ga. Pogledajte *Rukovanje na stranici 681*.



UPOZORENJE: Vodite računa da lanac ne dodiruje tlo ili druge predmete.

2. Obavijte prste i palac oko ručki i čvrsto držite proizvod. (Sl. 110)
3. Dodajte pun gas i savijte zglob leve šake prema prednjem štitniku ruke da biste aktivirali kočnicu lanca. Lanac testere mora da se odmah zaustavi. (Sl. 111)



UPOZORENJE: Ne ispuštajte prednju ručku!

Provera zaključavanja obarača gasa

1. Uverite se da se obarač gasa i blokada gasa slobodno pomeraju i da povratna opruga ispravno radi. (Sl. 112)
2. Gurnite zaključavanje obarača gasa napred (A) i nadole. Pritisnite blokadu prekidača gasa uz ručku i uverite se da se vraća u početni položaj kada je otpustite. (Sl. 113)
3. Uverite se da je obarač gasa zaključan u praznom hodu kada je zaključavanje obarača gasa otpušteno. (Sl. 114)
4. Pokrenite proizvod i dajte puni gas.
5. Otpustite obarač gasa i uverite se da se lanac zaustavlja i ne nastavlja da se kreće.



UPOZORENJE: Ako se lanac testere okreće dok je obarač za gas u položaju za prazan hod, obratite se serviseru.

Provera hvatača lanca

1. Uverite se da nema oštećenja na hvataču lanca.
2. Uverite se da je hvatač lanca stabilan i pričvršćen na telo proizvoda. (Sl. 115)

Provera funkcija korisničkog interfejsa

1. Pokrenite proizvod. Pogledajte *Pokretanje proizvoda na stranici 683*.
2. Pritisnite i držite dugme za pokretanje/zaustavljanje.
3. Proverite da li se proizvod zaustavlja, a zelena LED lampica gasi. (Sl. 66)

Provera bateriju i držača baterije

1. Mekom četkom očistite bateriju i držač baterije.
2. Očistite proreze za hlađenje i priključke baterije. (Sl. 116)
3. Uverite se da baterija nije naprsila ili da nema drugih oštećenja.

Provera punjača akumulatora

1. Uverite se da punjač akumulatora i kabl za napajanje nisu oštećeni. Pogledajte ima li pukotina i drugih oštećenja. (Sl. 117)

Čišćenje sistema za hlađenje

Sistem za hlađenje spušta temperaturu motora. Sistem za hlađenje sastoji se od usisnika vazduha sa leve strane i ventilatora na motoru.

1. Čistite sistem za hlađenje četkom nedeljno ili češće ako je potrebno. (Sl. 118)
2. Uverite se da sistem za hlađenje nije prljav ili zapušten.



OPREZ: Zaprljan ili zapušten sistem za hlađenje može da izazove pregrevanje proizvoda. Tako oštećujete proizvod.

Oštrenje lanca

Informacije o vodilici i lancu testere



UPOZORENJE: Nosite zaštitne rukavice prilikom korišćenja i održavanja lanca testere. I nepomičan lanac testere može da izazove povrede.

Zamenite pohabanu ili oštećenu vodilicu ili lanac testere kombinacijom vodilice i lanca koju preporučuje Husqvarna. Ovo je potrebno radi očuvanja bezbednosnih funkcija proizvoda. Pogledajte *Oprema na stranici 694* za listu kombinacija zamenskih vodilica i lanaca koje preporučujemo.

- Dužina vodilice, inči/cm. Informacije o dužini vodilice obično se nalaze na zadnjem kraju vodilice.

(Sl. 119)

- Broj zubaca na lančaniku na vrhu vodilice (T).

(Sl. 120)

- Korak lanca u inčima. Razmak između pogonskih karika lanca mora da odgovara razmaku zubaca na lančaniku na vrhu vodilice i pogonskom lančaniku.

(Sl. 121)

- Broj pogonskih karika. Broj pogonskih karika određen je tipom vodilice.

(Sl. 122)

- Širina žleba vodilice, inči/mm. Širina žleba vodilice mora da bude ista kao širina zuba za vođenje i pogonjenje.

(Sl. 123)

- Otvor za ulje za lanac i otvor za zatezač lanca. Vodilica mora da bude u ravni sa proizvodom.

(Sl. 124)

- Širina zuba za vođenje i pogonjenje.

(Sl. 125)

Opšte informacije o oštrenju zuba za rezanje

Ne koristite tup lanac. Ako je lanac tup, potrebno je više pritiska za guranje vodilice kroz drvo. Ako je lanac veoma tup, pri rezanju će se umesto piljevine praviti drvena prašina.

Oštar lanac „jede“ kroz drvo tako da se dobija duga i debela piljevina.

Zub za rezanje (A) i ograničivač dubine (B) čine rezni deo lanca. Razlika u visini ova dva (nadvišenje) daje dubinu rezanja.

(Sl. 126)

Kad oštrite rezni zub, vodite računa o sledećem:

- Ugao turpijanja.

(Sl. 127)

- Ugao rezanja.

(Sl. 128)

- Položaj turpije.

(Sl. 129)

- Prečnik okrugle turpije.

(Sl. 130)

Lanac testere se teško pravilno oštiri ako nemate odgovarajuću opremu. Koristite preporučenu turpiju za oštrenje kompanije Husqvarna. Ovako obezbeđujete maksimalne radne karakteristike pri rezanju i smanjujete opasnost od povratnog udara na minimum.



UPOZORENJE: Silina povratnog udara se znatno povećava ako ne pratite uputstva za oštrenje.

Napomena: Pogledajte *Oprema na stranici 694* za više informacija o oštrenju lanca testere.

Oštrenje rezača

1. Koristite okruglu i poluokruglu turpiju za oštrenje rezača. (Sl. 131)

Napomena: Pogledajte *Oprema na stranici 694* za informacije o ravnim i valjkastim turpijama koje preporučuje Husqvarna za vaš lanac.

2. Turpijajte rezače na odgovarajući način. Pratite uputstva isporučena uz turpiju.
3. Pomerajte turpiju od unutrašnje strane reznog zuba ka spolja. Smanjite pritisak u potezu povlačenja. (Sl. 132)
4. Uklonite materijal sa iste strane na svim reznim zubima.
5. Okrenite proizvod i uklonite materijal na drugoj strani.
6. Postarajte se da svi rezni zubi budu iste dužine.

Opšte informacije o podešavanju nadvišenja

Nadvišenje (C) se smanjuje kad oštrite rezni zub (A). Da biste zadržali maksimalne radne karakteristike pri rezanju, potrebno je da oturpijate materijal iz ograničivača dubine (B) da biste postigli preporučeno nadvišenje. Kako dobiti odgovarajuće nadvišenje za lanac koji imate naći ćete u *Oprema na stranici 694*.

(Sl. 133)



UPOZORENJE: Ukoliko je nadvišenje ograničivača dubine preveliko, rizik od povratnog trzaja se povećava!

Podešavanje graničnika dubine

Pre podešavanja nadvišenja i oštrenja reznih zuba pogledajte uputstva u *Oštrenje rezača na stranici 689*. Preporučujemo da podešavate ograničivač dubine posle svakog trećeg oštrenja reznih zuba.

Preporučujemo da upotrebljavate naš alat za ograničivač dubine, da biste dobili tačno nadvišenje i zakošenje ograničivača dubine.

(Sl. 134)

1. Podešavanje ograničivača dubine vršite ravnom turpijom i alatom za podešavanje ograničivača dubine. Preporučujemo da koristite samo preporučeni Husqvarna alat za ograničivač dubine, da biste dobili tačno nadvišenje i zakošenje ograničivača dubine.
2. Stavite alat za podešavanje ograničivača dubine na lanac.

Napomena: Na pakovanju alata za podešavanje nadvišenja naći ćete više informacija o korišćenju alata.

3. Upotrebite ravnu turpiju da skinete deo ograničivača dubine koji se pruža preko alata za podešavanje ograničivača dubine. (Sl. 135)

Podešavanje zategnutosti lanca



UPOZORENJE: Lanac koji nije dobro zategnut može da spadne sa vodilice i izazove teške povrede ili smrt.

Lanac se izdužuje tokom upotrebe. Redovno podešavajte lanac. Proverite zategnutost lanca testere pri svakom dopunjavanju ulja za lanac.

Napomena: Kod novog lanca postoji period razrađivanja tokom koga treba češće proveravati zategnutost.

Podešavanje zategnutosti lanca (sa dugmetom vodilice)

1. Povucite dugme nagore dok se ne otvori. (Sl. 136)
2. Okrenite dugme suprotno kretanju kazaljke na satu da biste oslobodili poklopac pogonskog lančanika. (Sl. 137)
3. Okrenite točak zatezača lanca da biste podesili zategnutost lanca testere. Lanac testere mora da dobro naleže na vodilicu. (Sl. 138)

Napomena: Okrećite točak nadole (+) za veću zategnutost i nagore (-) za manju zategnutost.

4. Uverite se da možete da lako vučete lanac oko vodilice rukom i da ne visi sa vodilice. (Sl. 139)
5. Okrenite dugme u smeru kretanja kazaljke na satu da biste zategli dugme vodilice. (Sl. 140)
6. Spustite dugme nadole da biste zaključali zategnutost. (Sl. 141)

Podešavanje zategnutosti lanca (sa vijkom vodilice)

1. Otpustite navrtku vodilice koja drži poklopac pogonskog lančanika. Upotrebite kombinovani ključ. (Sl. 142)
2. Podignite prednji deo vodilice i okrenite zavrtnj za zatezanje lanca. Upotrebite kombinovani ključ.
3. Pritežite lanac tako da dobro naleže na vodilicu. (Sl. 143)
4. Pritežite navrtku vodilice kombinovanim ključem i istovremeno podignite vrh vodilice. (Sl. 144)
5. Uverite se da možete da lako vučete lanac oko vodilice rukom i da ne visi sa vodilice. (Sl. 139)

Napomena: Pogledajte *Pregled proizvoda na stranici 672* za položaj zavrtnja za zatezanje lanca na vašem proizvodu.

Provera podmazanost lanca

Proverite sistem za podmazivanje lanca pri svakom trećem punjenju akumulatora.

1. Pokrenite proizvod i pustite ga da radi na 3/4 snage. Držite vodilicu približno 20 cm (8 inča) iznad površine svetle boje.
2. Ako je podmazivanje lanca odgovarajuće, posle jednog minut ćete videti jasnu crtu od ulja na površini. (Sl. 145)
3. Ako podmazivanje lanca nije odgovarajuće, obavite sledeće provere.
 - a) Proverite kanal za ulje u vodilici i uverite se da nije zapušten. Očistite po potrebi. (Sl. 146)
 - b) Proverite žleb za ulje u ivici vodilice da biste se uverili da je čist. Očistite po potrebi. (Sl. 147)
 - c) Uverite se da se lančanik na vrhu vodilice lako okreće i da otvor za podmazivanje u lančaniku na vrhu vodilice nije zapušten. Po potrebi očisti i podmaži. (Sl. 148)
4. Ako podmazivanje lanca testere ne funkcioniše nakon obavljanja koraka iznad, obratite se serviseru.

Da biste proverili pogonski lančanik

- Proverite da li je pogonski lančanik pohaban. Zamenite pogonski lančanik ako je potrebno.
- Zamenite pogonski lančanik kad god zamenjujete lanac testere. (Sl. 149)

Pregled opreme za košenje

1. Uverite se da u zakivcima i karikama nema naprslina i da nema labavih zakivaka. Zamenite ako je potrebno. (Sl. 150)
2. Uverite se da se lanac lako savija. Zamenite lanac ako je krut.
3. Uporedite stari lanac testere sa novim da biste proverili da li su zakivci i karike pohabani.
4. Zamenite lanac testere kad najduži deo reznog zuba bude kraći od 4 mm / 0,16 inča. Zamenite ga i ako na reznim zubima postoje pukotine. (Sl. 151)

Pregled vodilice

1. Uverite se da kanal za ulje nije zapušten. Očistite ga ako je potrebno. (Sl. 146)
2. Proverite ima li brazgotina na ivicama vodilice. Brazgotine uklonite turpijom. (Sl. 152)
3. Očistite žleb vodilice. (Sl. 147)
4. Pregledajte pohabanost žleba vodilice. Zamenite vodilicu ako je potrebno. (Sl. 153)

5. Pogledajte da li je vrh vodilice grub ili veoma pohaban. (Sl. 154)
6. Uverite se da se lančanic na vrhu vodilice lako okreće i da otvor za podmazivanje u lančaniku na vrhu vodilice nije zapušten. Po potrebi očistite i podmažite. (Sl. 148)
7. Svakodnevno okrećite vodilicu da biste joj produžili trajanje. (Sl. 155)

Rešavanje problema

Korisnički interfejs

LED ekran	Moguće greške	Moguće rešenje
Indikator upozorenja trepće.	Kočnica lanca je aktivirana.	Isključite kočnicu lanca.
	Odstupanje temperature.	Pustite proizvod da se ohladi.
	Preopterećenje. Lanac ne može da se pomeri.	Otpustite lanac.
	Obarač gasa i dugme za pokretanje/zaustavljanje su pritisnuti istovremeno.	Otpustite obarač gasa da biste pokrenuli proizvod.
Narančasta LED lampica pokretanja trepće.	Nizak napon baterije.	Napunite bateriju.
Indikator upozorenja svetli.	Servisirajte.	Obratite se serviseru.

Akumulator

LED displej	Moguće greške	Moguće rešenje
Zelena LED lampica trepće.	Nizak napon akumulatora.	Napunite akumulator.
LED greške treperi.	Odstupanje temperature.	Koristite akumulator na temperaturama između -10 °C (14 °F) i 40 °C (104 °F).
	Preveliki napon.	Proverite da li napon električne mreže odgovara naponu proizvoda. Pogledajte tipsku pločicu na proizvodu. Izvadite akumulator iz punjača akumulatora.

LED displej	Moguće greške	Moguće rešenje
LED lampica za grešku se uključuje	Razlika između ćelija je prevelika (1 V).	Obratite se serviseru.

Punjač baterije

Stanje	Moguće greške	Mogući postupak
LED lampica punjenja svetli crveno.	Trajna greška punjača akumulatora.	Obratite se prodavcu.
LED lampica punjenja treperi zeleno.	Odstupanje temperature, akumulator je previše hladan ili previše vruć za korišćenje ili punjenje.	Pustite da se akumulator ohladi ili zagreje. Kada akumulator dostigne ispravnu temperaturu, možete ga ponovo koristiti ili puniti. Koristite punjač baterija na temperaturama okoline između 5 °C (41 °F) i 40 °C (104 °F).
LED lampica punjenja trepće crveno.	Neispravan akumulator	Obratite se prodavcu.

Transport, skladištenje i odlaganje

Transport i skladištenje

- Isporučene litijum-jonske baterije su usaglašene sa zakonskim propisima o opasnoj robi.
- Poštujte specijalne zahteve date na pakovanju i oznakama za komercijalni transport, uključujući i one od trećih strana i špeditera.
- Pre slanja proizvoda se konsultujte sa osobom stručnom za opasne materijale. Poštujte sve važeće državne propise.
- Stavite izolir-traku na gole kontakte kad stavljate bateriju u paket. Bateriju treba tesno upakovati, da bi se sprečilo pomeranje.
- Izvadite bateriju tokom transporta i skladištenja.
- Stavite bateriju i punjač baterije u suv prostor koji ne mrzne.
- Ne čuvajte bateriju tamo gde može doći do statičkog pražnjenja. Ne čuvajte akumulator u metalnoj kutiji.
- Skladištite akumulator samo na mestima na kojima je temperatura okoline između 5 °C / 41 °F i 25 °C / 77 °F i dalje od direktne sunčeve svetlosti.
- Skladištite punjač akumulatora samo na mestima na kojima je temperatura okoline između 5 °C / 41 °F i 45°C /113 °F i dalje od direktne sunčeve svetlosti.
- Koristite punjač akumulatora samo kad je temperatura okoline između 5 °C / 41°F i 40 °C / 104 °F.
- Napunite bateriju 30% do 50% pre dužeg skladištenja.

- Skladištite punjač baterije na zatvorenom i suvom mestu.
- Držite bateriju van punjača baterije tokom skladištenja. Ne dozvolite da deca i neovlašćene osobe diraju opremu. Čuvajte opremu na mestu koje može da se zaključa.
- Očistite proizvod i izvršite kompletno servisiranje pre nego što uskladištite proizvod na duži vremenski period.
- Koristite štitnik za transport na proizvodu da biste sprečili povrede ili oštećenje proizvoda tokom transporta i skladištenja.
- Pričvrstite proizvod tokom transporta.

Odlaganje na otpad baterije, punjača baterije i proizvoda

Simbol ispod znači da proizvod ne treba tretirati kao kućni otpad. Reciklirajte ga na lokaciji za recikliranje električne i elektronske opreme. Time se čuva životna sredina i zdravlje ljudi.

Obratite se lokalnim organima, komunalnom preduzeću ili prodavcu za više informacija.

(Sl. 24)

Napomena: Simbol prikazan na proizvodu ili ambalaži.

Tehnički podaci

Tehnički podaci

	225i
Motor	
Tip	BLDC (bez četkica) 36 V
Karakteristike	
Režim niske potrošnje energije	SavE
Sistem za podmazivanje	
Tip pumpe za ulje	Automatska
Kapacitet rezervoara za ulje, ml/cm ³	0,2/200
Težina	
Motorna testera bez baterije, vodilice, lanca testere i sa praznim rezervoarom za ulje za lanac, kg	3,1
Emisija buke ¹⁰²	
Nivo buke, mereno dB(A)	97
Nivo zvučne snage, garantovano L _{WA} dB(A)	100
Nivoi zvuka ¹⁰³	
Nivo zvučnog pritiska na uho rukovaoca, mereno prema IEC 62841-1	89
Nivoi vibracije ¹⁰⁴	
Prednja ručka, m/s ² .	3,9
Zadnja ručka, m/s ² .	3,9
Lanac testere/vodilica	
Preporučene dužine vodilice, in/cm	12–14/30,5–35,6
Upotreblijiva dužina rezanja, in/cm	11–13/27–33,2
Tip pogonskog lančanika / broj zubaca	Pobudni/6
Maksimalna brzina lanca / (normalni režim), m/s	11,8
Maksimalna brzina lanca / (SavE režim), m/s	9,4

¹⁰² Emisije buke merene u okruženju kao snaga zvuka (L_{WA}) u skladu sa EZ direktivom 2000/14/EZ i EN ISO 22868, ima tipičnu statističku disperziju (standardno odstupanje) od 3 dB (A).

¹⁰³ Prijavljeni podaci za nivo zvučnog pritiska mašine imaju tipičnu statističku disperziju (standardno odstupanje) od 3 dB (A).

¹⁰⁴ Nivo vibracija, prema standardu EN 62841-4-1. Podaci o nivou vibracije imaju tipičnu statističku disperziju (standardnu devijaciju) od + 1,5 m/s². Navedeni podaci o vibracijama sa merenja pri kojima je mašina opremljena preporučenim tipom lanca i dužinom vodilice. Ako je mašina opremljena vodilicom druge dužine, nivo vibracija može da varira najviše ± 1,5 m/s².

Oprema

Kombinacije vodilice i lanca motorne testere






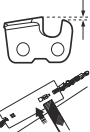
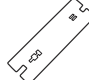






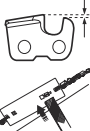


Sledeći nastavci za rezanje su odobreni za Husqvarna 225i.

Vodilica					Lanac	
Tip	Dužina, inči	Korak zuba lanca, inči	Merač, mm	Maks. radijus vrha	Tip	Dužina, pogonske karike (br.)
501959545	12.	3/8" mini	1,1	7 T	Husqvarna H38 (581808145)	45.
501959552	14.	3/8" mini	1,1	7 T	Husqvarna H38 (581807952)	52.

Oprema za turpijanje i uglovi turpijanja

Koristite Husqvarna turpiju za oštrenje za oštrenje novog lanca. Husqvarna turpija za oštrenje obezbeđuje tačne uglove oštrenja. Brojevi delova su navedeni u tabeli ispod.

Ako niste sigurni kako da identifikujete tip lanca na proizvodu, pogledajte www.husqvarna.com za više informacija.

							
38.	11/64 in / 4,5 mm	75°	30°	0°	0,025 inča / 0,65 mm	505 69 81-03	579 55 88-01
							
93	5/32 inča / 4,0 mm	60°	30°	0°	0,025 inča / 0,65 mm	596 63 89-01	596 63 89-01

Odobreni akumulatori

Akumulator	40-B140
Tip	Litijum-jonski

Akumulator	40-B140
Kapacitet akumulatora, Ah	4
Nazivni napon, V	36
Težina, kg	1.25

Odobreni punjači baterije za proizvod

Punjač baterije	40-C80
Mrežni napon, V	100–240
Frekvencija, Hz	50–60
Snaga, W	72
Izlazni napon, V jednosmerne struje/ ampera, A	43/1,6

Deklaracija o usaglašenosti

EU deklaracija o usaglašenosti

Mi, **Husqvarna AB**, SE-561 82 Huskvarna, Švedska, tel: +46-36-146500, izjavljujemo pod punom odgovornošću da je proizvod:

Opis	Bežične motorne testere
Marka	Husqvarna
Tip/model	225i
Identifikacija	Serijski brojevi od 2023 i nadalje

su u potpunosti usaglašeni sa sledećim EU direktivama i propisima:

Direktiva/propis	Opis
2006/42/EC	"koji se odnose na mašine"
2014/30/EU	"koji se odnose na elektromagnetsku kompatibilnost"
2011/65/EU	„koji se odnose na ograničenje upotrebe određenih opasnih supstanci u električnoj i električnoj opremi"
2000/14/EC	„koji se odnose na emisiju buke u okruženju"

Primenjeni su sledeći standardi: EN 62841-1:2015+A11:2022, EN 62841-4-1:2020, EN IEC 63000:2018, EN IEC 55014-1:2021, EN IEC 55014-2:2021.



Ovlašćeno telo: TÜV Rheinland LGA Products GmbH, Tillystrasse 2, D-90431 Nuernberg, Germany, 0197, izvršilo je ispitivanje EZ tipa u skladu sa direktivom za mašineriju (2006/42/EZ) Član 12, Tačka 3b. Sertifikat ima broj: BM 50604678 0001.

Isporučena motorna testera je usklađena sa primerkom koji je podvrgnut ispitivanju tipa prema zahtevima EZ.

U skladu s direktivom 2000/14/EC, dodatkom V, pogledajte *Tehnički podaci na stranici 693* za deklarisanu vrednost zvuka.

Huskvarna, 2023-10-30

Claes Losdal, menadžer sektora za istraživanje i razvoj, Husqvarna AB

Odgovoran za tehničku dokumentaciju

Innehåll

Introduktion.....	697	Felsökning.....	715
Säkerhet.....	698	Transport, förvaring och kassering.....	716
Montering.....	705	Tekniska data.....	718
Drift.....	706	Tillbehör.....	719
Underhåll.....	711	Försäkran om överensstämmelse.....	721

Introduktion

Avsedd användning

Den här motorsågen för skogsbruk är avsedd för skogsarbete som fällning, kvistning och sågning.

Notera: Nationella regler kan begränsa användningen av produkten.

Produktöversikt

(Fig. 1)

1. Kastskydd
2. Främre handtag
3. Användargränssnitt
4. Start-/stoppknapp
5. Varnings- och batteriindikator
6. Knappen SavE
7. Bakre handtag med högerhandsskydd
8. Informations- och varningsdekal
9. Hus
10. Kedjeoljetank
11. Transportskydd
12. Gasreglagespär
13. Gasreglage
14. Kåpa för kedjedrivhjul med svärdhjul
15. Kedjespännare
16. Kedjefångare
17. Barkstöd
18. Noshjul
19. Sågkedja
20. Svärd
21. Indikator för laddningsstatus
22. Koppling
23. Batteriladdare
24. Kombinyckel
25. Varningsindikator
26. Knapp, batteristatus
27. Batteristatus
28. Frigöringsknapp för batteri
29. Batteri
30. Bruksanvisning
31. Svärdhjul
32. Kåpa för kedjedrivhjul med svärdsbult

Produktbeskrivning

Husqvarna 225i är en motorsågsmodell med elmotor.

Arbetet med att öka din säkerhet och effektivitet under användning pågår ständigt. Prata med en serviceverkstad för mer information.

Symboler på produkten

- (Fig. 2) **WARNING!** Den här produkten kan vara farlig och kan orsaka allvarlig eller livshotande skada för användaren och andra. Var försiktig och använd produkten på rätt sätt.
- (Fig. 3) Läs igenom bruksanvisningen noggrant och se till att du förstår instruktionerna innan du använder produkten.
- (Fig. 4) Använd godkänd skyddshjälm, godkänt hörselskydd och godkända ögonskydd.
- (Fig. 5) Använd båda händerna när du håller produkten.
- (Fig. 6) Använd inte produkten med bara en hand.
- (Fig. 7) Låt inte svärdsspetsen komma i kontakt med ett föremål.
- (Fig. 8) Får inte användas i regn.
- (Fig. 9) Varning! Kast kan uppstå när svärdsspetsen kommer i kontakt med ett föremål. Detta gör att svärdet slungas mot användaren. Risk för allvarig eller livshotande skada.
- (Fig. 10) Märkspänning, V
- (Fig. 11) Kedjeolja.

- (Fig. 12) Den riktning sågkedjan roterar i och maximal längd på svärdet.
- (Fig. 13) Likström.
- (Fig. 14) **Miljömärkning.** Produkten eller dess förpackning är inte hushållsavfall. Återvinn den vid en återvinningsstation för elektrisk och elektronisk utrustning.
- (Fig. 15) Den här produkten överensstämmer med gällande EG-direktiv.
- (Fig. 16) Den här produkten överensstämmer med gällande direktiv för Storbritannien.
- (Fig. 17) Miljömärkning för emission av buller enligt EU-direktiv 2000/14/EG, brittiska direktiv och bestämmelser samt New South Wales "Protection of the Environment Operations (Noise Control) Regulation 2017". Produktens garanterade ljudeffektnivå anges i *Tekniska data på sida 718* och på etiketten.
- (Fig. 21) Kedjebroms, aktiverad (fram). Kedjebroms, avaktiverad (bak).
- (Fig. 22) Kedjeriktning.
- (Fig. 23) Typskylten visar serienumret. **åååå** är produktionsåret och **w** är produktionsveckan.

Symboler på batteriet och/eller på batteriladdaren

- (Fig. 24) Återvinn produkten vid en återvinningsstation för elektrisk och elektronisk utrustning. (Gäller endast Europa)
- (Fig. 18) Transformator med automatisk säkerhetsanordning.
- (Fig. 19) Använd och förvara endast batteriladdaren inomhus.
- (Fig. 20) Dubbelisolerad.

Tillverkare

Husqvarna AB
Drottninggatan 2, SE-561 82, Huskvarna, Sweden, tel: +46-36-146500

Produktskada

Vi ansvarar inte för skador på vår produkt om:

- produkten repareras felaktigt
- produkten repareras med delar som inte kommer från tillverkaren eller inte har godkänts av tillverkaren
- produkten har ett tillbehör som inte kommer från tillverkaren eller inte har godkänts av tillverkaren
- produkten inte repareras vid ett godkänt servicecenter eller av en godkänd person.

Notera: Övriga symboler/etiketter på produkten avser specifika krav för certifieringar på vissa marknader.

Säkerhet

Säkerhetsdefinitioner

Varningar, försiktighetsåtgärder och anmärkningar används för att betona speciellt viktiga delar i bruksanvisningen.



VARNING: Används om det finns risk för skador eller dödsfall för användaren eller kringstående om anvisningarna i bruksanvisningen inte följs.



OBSERVERA: Används om det finns risk för skada på produkten, annat material eller det angränsande området om anvisningarna i bruksanvisningen inte följs.

Notera: Används för att ge mer information som är nödvändig i en viss situation.

Allmänna säkerhetsvarningar för elverktyg



VARNING: Gå igenom **alla säkerhetsvarningar, instruktioner, illustrationer och specifikationer som medföljer det här elverktyget.** Om du inte följer instruktionerna nedan kan det leda till elektriska stötar, brand och/eller allvarliga skador.

- **Spara alla varningar och instruktioner som referens.** I varningarna syftar termen "elverktyg" på ett verktyg som antingen är anslutet till nätspänningen (med sladd) eller drivs av batteri (sladdlöst).

Säkerhet i arbetsområdet

- **Arbetsområdet ska hållas välordnat och välbelyst.** I röriga eller mörka arbetsområden händer det lätt olyckor.
- **Använd inte elverktyg i explosiva miljöer, t.ex. i närvaro av brandfarliga vätskor, gaser eller damm.** Gnistor från elverktuget kan antända damm eller ångor.
- **Håll barn och åskådare på avstånd när du använder elverktyg.** Om du blir distraherad kan du tappa kontrollen.

Elsäkerhet

- **Elverktugets stickkontakt måste passa i vägguttaget. Modifiera aldrig stickkontakten på något sätt. Använd inga adapterkontakter med jordade elverktyg.** Oförändrade stickkontakter och motsvarande vägguttag minskar riskerna för elektriska stötar.
- **Undvik kroppskontakt med jordade ytor, t.ex. rör, kylare, spisar och kylskåp.** Risken för elektriska stötar ökar om kroppen är jordad.
- **Utsätt inte elverktyg för regn eller väta.** Om vatten tränger in i elverktuget ökar risken för elektrisk stöt.
- **Använd inte sladden på fel sätt. Använd inte sladden för att bära eller dra elverktuget, eller för att koppla ur elverktuget från uttaget. Håll sladden borta från värme, olja, vassa kanter och rörliga delar.** Skadade eller trassliga sladdar ökar risken för elektriska stötar.
- **När du använder ett elverktyg utomhus ska du även använda en förlängningsladd för utomhusbruk.** Om du använder en sladd för utomhusbruk minskar risken för elektriska stötar.
- **Om det är oundvikligt att köra elverktuget i en fuktig miljö använder du en jordfelsbrytare (RCD).** Med jordfelsbrytare minskar risken för elektriska stötar.

Personligt skydd

- **Var på din vakt, var uppmärksam på vad du gör och använd sunt förnuft när du använder ett elverktyg.** Använd inte elverktyg om du är trött, har druckit alkohol eller om du har tagit droger eller mediciner. Ett ögonblick av uppmärksamhet när du använder ett elverktyg kan leda till allvarig personskada.
- **Använd personlig skyddsutrustning. Bär alltid skyddsglasögon.** Lämplig skyddsutrustning som ansiktsmask, halkfria skyddsskor, hjälm eller hörselskydd minskar risken för personskador.
- **Förebygg att maskinen startar oavsiktligt. Se till att strömbrytaren är fränslagen innan du ansluter elverktuget till en strömkälla och/eller ett batteri och innan du tar upp eller bär verktyget.** Risken för olyckor är stor om du bär elverktyg med fingret

på strömbrytaren eller tillför ström till elverktyg med strömbrytaren påslagen.

- **Ta bort eventuella justeringsnycklar eller skiftnycklar innan du slår på verktyget.** Nycklar som lämnas kvar i elverktugets rörliga delar kan orsaka personskada.
- **Sträck dig inte för långt. Ha alltid ett stadigt fotfäste och god balans.** Det ger dig större kontroll över elverktuget i oväntade situationer.
- **Ta på dig ordentliga arbetskläder. Använd inte löst sittande kläder eller smycken. Håll hår och kläder borta från rörliga delar.** Lösa kläder, smycken och långt hår kan fastna i rörliga delar.
- **Om det finns anordningar för anslutning av enheter för uppsamling av damm, se då till att dessa är ordentligt anslutna och att de används på rätt sätt.** Dammuppsamling kan minska dammrelaterad fara.
- **Tillåt inte dig själv att bli för avslappnad, även om du har erfarenhet av regelbunden användning av verktyget, så att du börjar strunta i verktygets säkerhetsprinciper.** En slarvig handling kan orsaka allvarig skada på mindre än en sekund.

Använda och underhålla elverktyg

- **Bruka inte våld eller onödig kraft. Använd det elverktyg som är rätt för ditt syfte.** Med rätt elverktyg utför du ett bättre och säkrare jobb med den hastighet som elverktuget är utformat för.
- **Använd inte elverktuget om du inte kan starta och stänga av det med strömbrytaren.** Elverktyg som inte kan kontrolleras med strömbrytaren är farliga och måste repareras.
- **Koppla bort kontakten från strömkällan och/eller ta ut batteriet (om det kan tas bort) innan du gör justeringar, byter tillbehör eller förvarar elverktuget.** Sådana förebyggande säkerhetsåtgärder minskar risken för att elverktuget startas oavsiktligt.
- **Förvara elverktyg som inte används utom räckhåll för barn. Se till att personer som inte tidigare har hanterat verktyget, eller som inte har läst instruktionerna, inte använder det.** Elverktyg är farliga om de används av ovana användare.
- **Underhållning av elverktyg och tillbehör. Kontrollera att rörliga delar ligger i linje och inte kärvar. Kontrollera även om det finns skadade delar eller om det föreligger andra förhållanden som kan påverka elverktugets funktion. Om elverktuget är skadat ska det repareras innan det används igen.** Många olyckor sker på grund av att rätt underhåll inte har utförts på elverktuget.
- **Håll kapverktyg skarpa och rena.** Kapverktyg med vassa eggar som underhålls på rätt sätt kärvar mer sällan och är lättare att styra.
- **Använd elverktuget och tillbehör enligt de här instruktionerna. Tänk på att ta hänsyn till arbetsförhållandena och det arbete som ska utföras.** Användning av elverktyg andra syften än de avsedda kan resultera i en farlig situation.
- **Håll handtagen och greppytorna torra, rena och fria från olja och fett.** Håll handtag och greppytor

innebär att det inte är säkert att hantera och styra verktyget i oväntade situationer.

Använda och underhålla batteridrivna verktyg

- **Ladda endast upp med den laddare som anges av tillverkaren.** En laddare som är lämplig för en typ av batteripack kan utgöra en brandrisk när den används med ett annat batteripack.
- **Använd endast elverktyg med särskilt avsedda batteripack.** Användning av andra batterier kan innebära risk för skada och brand.
- **När batteriet inte används ska du hålla det borta från andra metallföremål, som grem, mynt, nycklar, spikar, skruvar och andra små metallföremål, som kan skapa en anslutning mellan kontakterna.** Kortslutning av batteriets kontakter kan orsaka brännskador eller brand.
- **Vid felaktig användning kan vätska spruta ut från batteriet. Undvik kontakt. Om kontakt inträffar av misstag ska du skölja med vatten. Om du får vätska i ögonen ska du kontakta vården.** Vätska som sprutar ut från batteriet kan orsaka irritation eller sveda.
- **Använd inte ett batteripack eller ett verktyg som är trasigt eller modifierat.** Skadade eller modifierade batterier kan uppvisa oförutsägbart beteende vilket kan leda till brand, explosion eller risk för skada.
- **Utsätt inte ett batteripack eller ett verktyg för brand eller extrema temperaturer.** Om de utsätts för brand eller temperaturer över 130 °C kan det förekomma explosioner.
- **Följ alla anvisningar för laddning och ladda inte batteripacket eller verktyget utanför det temperaturintervall som anges i instruktionerna.** Felaktig laddning eller temperaturer utanför det specificerade intervallet kan skada batteriet och öka risken för brand.

Service

- **Låt en kvalificerad reparatör som endast använder identiska reservdelar underhålla elverktyget.** På så sätt garanterar du att säkerheten kring ditt elverktyg upprätthålls.
- **Utför aldrig underhåll på skadade batteripack.** Underhåll på batteripack bör endast utföras av tillverkaren eller auktoriserade tjänsteleverantörer.

Allmänna säkerhetsvarningar för motorsågshandtag

- **Håll alla delar av kroppen borta från sågkedjan när motorsågen är igång. Innan du startar motorsågen ska du se till att sågkedjan inte kommer i kontakt med någonting.** Ett ögonblick av ouppmärksamhet när du använder en motorsåg kan göra att dina kläder eller din kropp trasslar in sig i sågkedjan.
- **Håll alltid motorsågen med höger hand på det bakre handtaget och vänster hand på det främre**

handtaget. Risken för personskada ökar om du håller motorsågen med händerna tvärtom och det ska aldrig ske.

- **Håll bara i de isolerade greppytorna på motorsågen, eftersom sågkedjan kan komma i kontakt med dolda ledningar.** Om sågkedjan kommer i kontakt med en strömförande ledning kan motorsågens metalldelar strömsättas och ge användaren en elektrisk stöt.
- **Använd ögonskydd. Ytterligare skyddsutrustning för öron, huvud, händer, ben och fötter rekommenderas.** Lämplig skyddsutrustning minskar personskador från skräp som slungas ut eller oavsiktlig kontakt med sågkedjan.
- **Använd inte en kedjesåg i ett träd, på en stige, från ett tak eller med annat ostadigt stöd.** Om en kedjesåg används på det sättet kan det leda till allvarliga personskador.¹⁰⁵
- **Ha alltid bra fotfäste och använd endast motorsågen när du står på fasta, säkra och jämna ytor.** Hala eller instabila ytor kan få dig att tappa balansen eller kontrollen över motorsågen.
- **När du kapar en gren som är spänd ska du se upp för återfjädring.** När spänningen i träfibren frigörs kan den fjäderbelastade grenen träffa användaren eller göra att motorsågen blir okontrollerbar.
- **Var mycket försiktig när du kapar snårskog och ungräd.** Smala växtdelar kan fastna i sågkedjan och piska mot dig eller få dig ur balans.
- **Bär motorsågen i det främre handtaget med motorsågen avstängd och riktad bort från kroppen. Montera alltid svärdsskyddet vid transport eller förvaring av motorsågen.** Korrekt hantering av motorsågen minskar risken för oavsiktlig kontakt med den roterande sågkedjan.
- **Följ instruktionerna för smörjning, kedjespänning och byte av svärd och kedja.** En felaktigt spänd eller smord kedja kan antingen gå sönder eller öka risken för kast.
- **Kapa endast trä. Använd inte motorsågen till sådant som den inte är avsedd för. Till exempel: Använd inte motorsåg för att kapa metall, plast, murverk eller byggmaterial som inte är av trä.** Användning av motorsågen i andra syften än de avsedda kan resultera i en farlig situation.
- **Försök inte att fälla ett träd förrän du förstär riskerna och hur de kan undvikas.** Användaren eller kringstående kan skadas allvarligt vid trädfällning.
- **Följ alla instruktioner när du tar bort material som fastnat samt vid förvaring eller service av motorsågen. Se till att strömbrytaren är av och att batteripacket är borttaget.** Om motorsågen startar när du tar bort material som har fastnat eller när du utför service kan du skada dig allvarligt.
- **Använd inte en motorsåg i ett träd om du inte har fått särskild utbildning i att göra det.** Att använda motorsåg i ett träd utan rätt utbildning kan öka risken för allvarliga personskador.

¹⁰⁵ Om du är utbildad i särskilda såg- och arbetstekniker och använder rätt säkerhetsutrustning (lyftkorg, rep, säkerhetssele) kan avvikelser från denna säkerhetsföreskrift göras.

Orsaker till kast och hur du undviker att det inträffar

Kast kan inträffa när svärdsspetsen kommer i kontakt med ett föremål eller när träet nyper fast sågkedjan under sågning. Spetskontakt kan i vissa fall göra att svärdet trycks uppåt och bakåt mot användaren. Nypps sågkedjan fast vid svärdsspetsen kan det göra att svärdet snabbt trycks bakåt mot användaren. Båda dessa händelser kan göra att du förlorar kontrollen över sågen vilket kan leda till allvarliga personsador. Förtro till dig inte enbart på sågens säkerhetsfunktioner. Som motorsågsanvändare bör du vidta flera åtgärder för att undvika olyckor och skador. Kast orsakas av felaktig användning och/eller felaktiga förhållanden och kan undvikas om du vidtar nedanstående försiktighetsåtgärder.

- **Håll sågen i ett stadigt grepp och se till att fingrarna omsluter handtaget. Håll båda händerna på sågen och placera kroppen och armen så att du kan hålla emot kast.** Kast kan kontrolleras om rätt försiktighetsåtgärder vidtas. Släpp inte motorsågen!
- **Sträck dig inte för långt och såga inte över axelhöjd.** Detta hjälper till att förhindra oavsiktlig spetskontakt och ger ökad kontroll över motorsågen i oväntade situationer.
- **Vid byte ska du endast använda de svärd och sågkedjor som specificeras av tillverkaren.** Felaktiga utbytessvärd och -kedjor kan göra att kedjan går sönder och/eller orsaka kast.
- **Följ tillverkarens instruktioner för slipning och underhåll av kedjan.** Minskad höjd på underställningen ökar risken för kast.

SPARA DE HÄR INSTRUKTIONERNA.

Allmänna säkerhetsanvisningar



VARNING: Läs varningsinstruktionerna nedan innan du använder produkten.

- Denna produkt är ett farligt verktyg om du inte är försiktig eller om du använder produkten felaktigt. Den här produkten kan orsaka allvarlig eller livshotande skada för användaren och andra. Det är mycket viktigt att du läser och förstår innehållet i denna bruksanvisning.
- Ändra inte produkten utan godkännande från tillverkaren. Använd inte en produkt som har ändrats av andra och använd alltid originaltillbehör. Ändringar som inte godkänts av tillverkaren kan orsaka allvarlig eller livshotande skada för användaren och andra.
- Långvarig inandning av ånga från kedjeolja och sågspån kan orsaka hälsoproblem.
- Denna produkt alstrar ett elektromagnetiskt fält under drift. Detta fält kan under vissa omständigheter ge påverkan på aktiva eller passiva medicinska implantat. För att minska risken för allvarlig eller livshotande skada rekommenderar

vi därför personer med medicinska implantat att rådgöra med läkare samt tillverkaren av det medicinska implantatet innan denna produkt används.

Säkerhetsinstruktioner för drift



VARNING: Läs varningsinstruktionerna nedan innan du använder produkten.

- Informationen i denna bruksanvisning kan aldrig ersätta professionell kompetens och erfarenhet. Om du inte känner dig säker i en situation ska du stoppa produkten. Kontakta en serviceverkstad eller en professionell motorsågsanvändare. Undvik all användning du anser dig otillräckligt kvalificerad för!
- Vänd dig till en serviceverkstad eller Husqvarna om du har frågor angående användning av produkten. Vi kan ge dig information om hur du använder produkten effektivt och säkert. Delta i en utbildning i motorsågshandtering om möjligt. Din serviceverkstad, din skogsvårdsskola eller ditt bibliotek kan ge dig information om utbildningsmaterial och klasser som finns tillgängliga.
- Du måste förstå vad kast innebär och hur du undviker dem innan du använder produkten. Se *Information om kast på sida 707* och *Vanliga frågor om kast på sida 707* för instruktioner.
- Använd inte en produkt, ett batteri eller en batteriladdare som har skador eller inte fungerar korrekt.
- Rör inte vid en roterande sågkedja. Det kan orsaka allvarlig eller livshotande skada.
- Använd inte produkten om du är trött eller om du är påverkad av alkohol, droger, läkemedel eller något annat som kan ha en negativ inverkan på din syn, ditt omdöme eller din kroppskontroll.
- Arbete i dåligt väder är tröttsamt och kan öka riskerna. Vi rekommenderar inte att produkten används i mycket dåligt väder, till exempel vid tät dimma, kraftigt regn, kraftig vind, extrem kyla eller risk för åskväder osv. eftersom det innebär ökade risker.
- Starta inte produkten såvida inte svärdet, sågkedjan och samtliga kåpor är korrekt monterade. Annars kan kedjedrivhjulet lossna och orsaka allvarlig skada. Se *Montering på sida 705* för instruktioner.

(Fig. 25)

- Ibland fastnar spån i kopplingskåpan vilket kan leda till att sågkedjan kör fast. Stoppa alltid motorn före rengöring.
- lakta omgivningen. Kontrollera att det inte finns risk att människor eller djur vidrör eller påverkar din kontroll av produkten.

(Fig. 26)

- Låt inte barn använda eller vara nära produkten. Produkten är lätt att starta och barn kan starta den

om de inte hålls under uppsikt. Detta kan innebära risk för allvarlig skada.

- Ta ur batteriet när du inte har fullständig uppsikt över produkten eller när du lämnar produkten under en tid.
- Du måste stå stadigt för att ha fullständig kontroll över produkten. Använd inte produkten om du står på en stege eller i ett träd. Använd inte produkten om du inte är på stadigt mark.

(Fig. 27)

- Att arbeta i ett träd innebär att man måste använda sig av särskilda såg- och arbetstekniker samt att arbetet måste övervakas i syfte att minska risken för personskada. Arbeta aldrig i ett träd om du inte har genomgått särskild yrkesutbildning för sådant arbete, inklusive utbildning i användning av säkerhets- och klätterutrustning såsom selar, rep, remmar, stegjärn, snäpplås, karbinhakar m.m.
- Försök aldrig fånga fallande bitar. Säg aldrig i trädet när du bara är fastspänd med ett rep. Använd alltid två säkerhetsrep.
- Om du inte är försiktig ökar kastrisken. Kast kan uppstå om svärdets kastrisksektor oavsiktligt vidrör en gren, ett träd eller något annat föremål.

(Fig. 28)

- Håll inte produkten med bara en hand. Produkten kan inte kontrolleras på ett säkert sätt med en hand.
- Använd inte produkten över axelhöjd och försök inte att säga med svärdets spets.

(Fig. 29)

- Använd inte produkten i en situation där du inte kan ropa på hjälp om en olycka skulle inträffa.
- Stoppa produkten och aktivera kedjebromsen innan du flyttar produkten. Håll produkten med svärd och sågkedja bakåt. Sätt på ett transportskydd på svärdet före transport eller innan du flyttar den.
- När du sätter produkten på marken ska du aktivera kedjebromsen och ha konstant uppsikt över produkten. Stoppa produkten och ta ur batteriet innan du lämnar produkten under en tid.
- Det finns en risk att träflis fastnar i drivsystemet. Detta kan göra att sågkedjan fastnar. Stoppa alltid produkten och ta bort batteriet innan du rengör den.
- Vibrationsnivån ökar om du sågar med skärutrustning som är felaktig eller som inte är korrekt slipad. Sågning i hårda träslag, t.ex. lövträd, orsakar mer vibrationer än sågning i mjuka träslag, t.ex. barrträd.

(Fig. 30)

- Överexponering av vibrationer kan leda till blodkärls- eller nervskador hos personer som har dålig blodcirkulation. Prata med läkare om du upplever kroppsliga symptom som kan relateras till överexponering av vibrationer. Exempel på sådana symptom är domningar, avsaknad av känsel, "kittlingar", "stickningar", smärta, avsaknad eller reducering av normal styrka, förändringar i hudens färg eller dess yta. Dessa symptom uppträder

vanligtvis i fingrar, händer och handleder och ökar vid låga temperaturer.

- Försök inte utföra beskärning eller kvistning i ett stående träd om du inte har särskild utbildning.
- Stå ovanför stocken när du kappar i en sluttning eftersom trädet troligen kommer att rulla eller glida nedåt när det har fällt. Släpp sågtrycket nära slutet av skäret för att behålla full kontroll över produkten. Slappna inte av med händerna runt handtagen. Låt inte sågkedjan komma i kontakt med marken. Vänta tills sågkedjan stannat innan du flyttar produkten efter slutförd sågning. Stoppa alltid motorn innan du går från ett träd till ett annat.

(Fig. 31)

- Fäll inte ett träd om det finns risk för att det kommer i kontakt med en elledning, eller om det finns risk för skador på personer eller egendom. Om trädet träffar en elledning ska du anmäla det till elbolaget omedelbart.
- Se till att du kan gå omkring säkert. Undersök om det finns eventuella hinder, exempelvis rötter, stenar, grenar eller diken, i omgivande terräng. Var försiktig när du arbetar på sluttande mark.
- Undvik situationer som du anser dig otillräckligt kvalificerad för.
- Det är inte möjligt att inkludera alla möjliga situationer du kan ställas inför när du använder denna produkt. Var alltid försiktig och använd sunt förnuft.

(Fig. 32)

Personlig skyddsutrustning



VARNING: Läs varningsinstruktionerna nedan innan du använder produkten.

(Fig. 33)

- Merparten av olyckorna med motorsåg inträffar när sågkedjan träffar användaren. Du måste använda godkänd personlig skyddsutrustning under drift. Personlig skyddsutrustning ger dig inte fullständigt skydd mot skador, men den reducerar effekten av en skada vid ett eventuellt olyckstillbud. Vänd dig till en serviceverkstad för rekommendationer om vilken utrustning som ska användas.
- Kläderna måste vara åtsittande, men ska inte begränsa dina rörelser. Kontrollera regelbundet skicket på den personliga skyddsutrustningen.
- Använd en godkänd skyddshjälm.
- Använd godkända hörselskydd. Långvarig exponering för buller kan ge bestående hörselnedsättning.
- Använd godkända skyddsglasögon eller godkänt ansiktsvisir för att minska risken för skador från flygande föremål. Produkten kan slunga iväg föremål, exempelvis sågspån eller små trästycken, med stor kraft. Detta kan orsaka allvarlig skada, speciellt på ögonen.

- Använd handskar med sågskydd.
- Använd byxor med sågskydd.
- Använd stövlar med sågskydd, stålhätta och halkfri sula.
- Ha alltid första hjälpen-utrustning med dig.
- Risk för gnistbildning. Ha verktyg för brandsläckning och en skyffel till hands för att förhindra skogsbränder.

Säkerhetsanordningar på produkten



VARNING: Läs varningsinstruktionerna nedan innan du använder produkten.

- Använd inte en produkt med säkerhetsanordningar som är skadade eller som inte fungerar korrekt.
- Kontrollera säkerhetsanordningarna regelbundet. Se *Underhåll och kontroller av produktens säkerhetsanordningar på sida 712*.
- Om säkerhetsanordningarna är skadade eller om de inte fungerar korrekt ska du kontakta en Husqvarna-serviceverkstad.

Funktioner i användargränssnittet

I användargränssnittet har du tillgång till start-/ stoppknappen, SavE-knappen, varningsindikatorn samt batteristatus. Varningsindikatorn blinkar om kedjebromsen aktiveras eller vid risk för överbelastning. Överlastskyddet stannar tillfälligt produkten, och du kan inte använda produkten förrän temperaturen sänks. Om varningsindikatorn lyser med ett fast sken ska du kontakta en serviceverkstad.

(Fig. 34)

För mer information om användargränssnittet, se *Produktöversikt på sida 697*.

Automatisk stoppfunktion

Produkten har en automatisk stoppfunktion som stoppar den om du inte använder den på tre minuter.

Kedjebroms med kastskydd

Produkten har en kedjebroms som stoppar sågkedjan vid kast. Kedjebromsen minskar risken för olyckor, men det är bara du som kan förhindra dem.

(Fig. 35)



VARNING: Undvik situationer med kastrisk. Var försiktig när du använder produkten och se till att svärdets kastrisksektor inte kommer i kontakt med något föremål.

(Fig. 36)

Kedjebromsen (A) aktiveras manuellt med vänsterhanden eller automatiskt via tröghetsfunktionen.

För kastskyddet (B) framåt för att aktivera kedjebromsen manuellt. Denna rörelse inleder en fjäderspänd mekanism som stoppar kedjedrivhjulet.

(Fig. 37)

Hur kedjebromsen aktiveras beror på kraften i produktens kast samt dess placering. Om du upplever ett intensivt kast när kastrisksektorn är längst bort från dig aktiveras kedjebromsen via tröghetsfunktionen. Om kastet är litet eller om kastrisksektorn är närmare dig aktiveras kedjebromsen manuellt med vänsterhanden.

(Fig. 38)

Använd kedjebromsen som parkeringsbroms när du startar produkten och när du rör dig korta sträckor. Detta minskar risken för att du eller en person nära dig vidrör sågkedjan.

(Fig. 39)

Dra kastskyddet bakåt för att avaktivera kedjebromsen.

(Fig. 40)

Kast kan vara plötsliga och intensiva. De flesta kast är små och resulterar inte alltid i att kedjebromsen aktiveras. Om ett kast inträffar när du använder produkten ska du hålla hårt om handtagen och inte släppa taget.

(Fig. 41)

Kastskyddet minskar också risken för att du kommer i kontakt med sågkedjan om handen släpper det främre handtaget.

(Fig. 42)

I fällningsposition kan du inte aktivera kedjebromsen manuellt. Kedjebromsen kan i detta läge endast aktiveras via tröghetsfunktionen.

(Fig. 43)

Gasreglagespärr

Gasreglagespärren förhindrar ofrivillig aktivering av gasreglaget. Om du trycker gasreglagespärren framåt (A) och sedan trycker den mot handtaget (B) frikopplas gasreglaget (C). När greppet om handtaget släpps återgår både gasreglaget och gasreglagespärren till sina respektive ursprungslägen.

(Fig. 44)

Kedjefångare

Kedjefångaren fångar upp sågkedjan om den går sönder eller lossnar. Om du har rätt kedjespänning minskar risken. Risken minskar även om du utför korrekt underhåll av svärd och sågkedja. Se *Montering på sida 705* och *Underhåll på sida 711* för anvisningar.

(Fig. 45)

Högerhandsskydd

Högerhandsskyddet fungerar som skydd för din hand om sägkedjan går sönder eller lossnar. Det förhindrar även att grenar och kvistar stör när du använder produkten.

(Fig. 46)

Batterisäkerhet



VARNING: Läs varningsinstruktionerna nedan innan du använder produkten.

- Använd endast de batterier för 40-B-serien som vi rekommenderar för din produkt. Se *Godkända batterier på sida 719*. Batterierna har krypterad programvara.
- Använd endast laddningsbara batterier för 40-B-serien som strömförsörjning för relaterade Husqvarna-produkter. Se *Godkända batterier på sida 719*. På grund av risken för skador ska du inte använda batteriet som strömkälla för andra enheter.
- Risk för elektrisk stöt. Anslut inte batteripolerna till nycklar, skruvar eller andra metallföremål. Det kan orsaka kortslutning i batteriet.
- Använd inte batterier som inte är laddningsbara.
- Placera inte föremål i luftspringorna på batteriet.
- Håll batteriet borta från direkt solljus, värme och öppen eld. Batteriet kan orsaka brännskador och/eller kemiska brännskador.
- Håll batteriet borta från regn och fuktiga förhållanden.
- Håll batteriet borta från mikrovågor och högt tryck.
- Försök inte ta isär eller krossa batteriet.
- Låt inte batterisyra komma i kontakt med huden. Batterisyra orsakar skador på huden, korrosion och brännskador. Om man får batterisyra i ögonen ska man inte gnugga, utan spola med vatten i minst 15 minuter. Om batterisyra har kommit i kontakt med huden måste du rengöra huden med rikligt med vatten och tvål. Se till att få vård.
- Använd batteriet vid temperaturer mellan -10 °C (14 °F) och 40 °C (104 °F).
- Rengör inte batteriet eller batteriladdaren med vatten. Se *Kontrollera batteriet och batterihållaren på sida 712*.
- Använd inte ett skadat batteri.
- Håll batterier som förvaras borta från metallföremål, exempelvis spikar, skruvar och smycken.
- Håll batteriet utom räckhåll för barn.

Säkerhet, batteriladdare



VARNING: Läs varningsinstruktionerna nedan innan du använder produkten.

- Risk för elektriska stötar eller kortslutning om säkerhetsinstruktionerna inte följs.
- Använd ett godkänt jordat uttag som inte är skadad.
- Använd inte andra batteriladdare än den som medföljde produkten. Använd endast 40-C80-laddare när du laddar Husqvarna-utbytesbatterier 40-B140. Se *Godkända batteriladdare för produkten på sida 720* och *Godkända batterier på sida 719*.
- Försök inte plocka isär batteriladdaren.
- Använd aldrig defekta eller skadade batteriladdare.
- Lyft inte batteriladdaren i nätsladden. Koppla bort batteriladdaren från eluttaget genom att dra i kontakten. Dra inte i nätsladden.
- Ha inga sladdar och skarvsladdar nära vatten, olja och skarpa kanter. Var uppmärksam så att inte kabeln kläms i dörrar, stängsel eller liknande.
- Använd inte batteriladdaren nära brandfarliga material eller material som kan orsaka korrosion. Se till att batteriladdaren inte är övertäckt. Dra ut stickkontakten till batteriladdaren vid rökutveckling eller brand.
- Ladda endast batteriet inomhus där den inte utsätts för solljus och på en plats med bra luftflöde. Ladda inte batteriet utomhus. Ladda inte batteriet vid fuktiga förhållanden.
- Använd endast batteriladdaren i temperaturer mellan 5 °C (41 °F) och 40 °C (104 °F). Använd laddaren i en miljö med bra luftflöde, som är torr och fri från damm.
- Placera inte föremål i kylningsöppningar på batteriladdaren.
- Anslut inte batteriladdarens kontakter till metallföremål eftersom batteriladdaren kan kortslutas.
- Använd godkända vägguttag som inte är skadade.
- Ladda aldrig batterier som inte är laddningsbara i batteriladdaren.

Säkerhetsinstruktioner för underhåll



VARNING: Läs varningsinstruktionerna nedan innan du utför underhåll på produkten.

- Ta ur batteriet innan du utför underhåll, övriga kontroller eller monterar produkten.
- Användaren får endast utföra underhålls- och servicearbeten som beskrivs i denna bruksanvisning. Vänd dig till en serviceverkstad för underhåll och service av större omfattning.
- Rengör inte batteriet eller batteriladdaren med vatten. Starka rengöringsmedel kan orsaka skador på plasten.
- Om du inte utför underhåll minskas produktens livscykel och risken för olyckor ökar.
- Särskild utbildning krävs för allt service- och reparationsarbete, särskilt för produktens säkerhetsanordningar. Om inte alla kontroller i den

här bruksanvisningen är godkända efter att du gjort underhåll ska du kontakta din serviceverkstad. Vi garanterar att det finns professionella reparationer och service tillgängliga för din produkt.

- Använd endast originaltillbehör.

Säkerhetsinstruktioner för skärutrustningen



VARNING: Läs varningsinstruktionerna nedan innan du använder produkten.

- Använd endast godkända svärd-/sågkedjekombinationer och godkänd filutrustning. Se *Tekniska data på sida 718* för instruktioner.
- Använd skyddshandskar när du använder eller utför underhåll på sågkedjan. Även en sågkedja som inte rör sig kan orsaka skador.
- Håll skärtänderna korrekt filade. Följ instruktionerna och använd rekommenderad filmall. En sågkedja

som är skadad eller felaktigt filad ökar risken för olyckor.

(Fig. 47)

- Håll korrekt underställning. Följ våra instruktioner och använd rekommenderad underställning. En för stor underställning ökar risken för kast.

(Fig. 48)

- Se till att kedjan har korrekt spänning. Om kedjan inte sluter tätt mot svärdet kan kedjan hoppa av. En felaktig sågkedjespänning ökar slitaget på svärd, sågkedja och kedjedrivhjulet. Se *Tillbehör på sida 719*.

(Fig. 49)

- Utför underhåll på skärutrustningen regelbundet och se till att den är smord. Om kedjan inte är korrekt smord ökar risken för slitage på svärd, sågkedja och kedjedrivhjul.

(Fig. 50)

Montering

Montera svärd och sågkedja (med svärdhjul)



VARNING: Ta alltid ur batteriet innan du monterar eller utför underhåll på produkten.

1. Avaktivera kedjebromsen. (Fig. 51)
2. Lossa svärdhjulet och ta bort kedjedrivhulets kåpa. (Fig. 52)
3. Montera svärdet över svärdsbulten. Placera svärdet i sitt bakersta läge. Placera kedjan över drivhjulet och i svärdspåret. Börja på svärdets ovansida.
4. Kontrollera att skärelementens egg är riktade framåt på ovansidan av svärdet. (Fig. 53)
5. Montera kedjedrivhulets kåpa och lokalisera kedjespännartappen i svärdets urtag.
6. Kontrollera att kedjans drivlänkar passar på kedjedrivhjulet.
7. Kontrollera att kedjan ligger rätt i svärdspåret.
8. Spänn sågkedjan. Se *Underhåll på sida 711* för instruktioner.
9. Dra åt svärdhjulet.

Montera svärd och sågkedja (med svärdsbult)



VARNING: Ta alltid ur batteriet innan du monterar eller utför underhåll på produkten.

1. Avaktivera kedjebromsen. (Fig. 51)
2. Lossa svärdsmuttern och ta bort kedjedrivhulets kåpa. (Fig. 54)
3. Montera svärdet över svärdsbulten. Placera svärdet i sitt bakersta läge. Placera kedjan över drivhjulet och i svärdspåret. Börja på svärdets ovansida.
4. Kontrollera att skärelementens egg är riktade framåt på ovansidan av svärdet. (Fig. 55)
5. Montera kedjedrivhulets kåpa och lokalisera kedjespännartappen i svärdets urtag.
6. Kontrollera att kedjans drivlänkar passar på kedjedrivhjulet.
7. Kontrollera att kedjan ligger rätt i svärdspåret.
8. Dra åt svärdsmuttern med fingrarna.
9. Spänn sågkedjan. Se *Underhåll på sida 711* för instruktioner.

Montera batteriladdaren på väggen



OBSERVERA: Använd inte en elektrisk skruvmejsel för att montera batteriladdaren på väggen. En elektrisk skruvmejsel kan skada batteriladdaren.

1. Installera batteriladdaren på väggen med de två skruvarna (A). Använd väggpluggar (B) vid behov. (Fig. 56)
2. Montera de två skruvhålspluggarna (C).
3. Anslut batteriladdarens nätsladd (D) till ett vägguttag.

Drift

Introduktion



VARNING: Läs och förstå säkerhetskapitlet innan du använder produkten.

Kontrollera funktionen innan du använder produkten

1. Kontrollera kedjebromsen (A) för att se till att den fungerar korrekt och att den inte är defekt.
2. Kontrollera det bakre högerhandsskyddet (B) för att se till att det inte är defekt.
3. Kontrollera gasreglaget och gasreglagespärren (C) för att se till att de fungerar som de ska och att de inte är defekta.
4. Kontrollera knappsatsen (D) för att se till att den fungerar korrekt.
5. Se till att det inte finns olja i handtagen (E).
6. Kontrollera att alla delar är korrekt monterade och att de inte är defekta eller saknas.
7. Kontrollera kedjefångaren (F) för att se till att den är korrekt monterad.
8. Kontrollera kedjespänningen (G).
9. Ladda batteriet (H) och se till att det är korrekt anslutet till produkten.
10. Se till att sågkedjan stannar när du släpper strömbrytaren. (Fig. 57)

Använda rätt kedjeolja



VARNING: Använd inte spillolja. Det kan skada dig och miljön. Spillolja orsakar även skador på oljepumpen, svärdet och sågkedjan.



VARNING: Sågkedjan kan gå sönder om skärutrustningen inte är tillräckligt smord. Risk för allvarlig eller livshotande skada för användaren.



VARNING: Använd rätt kedjeolja för att den här funktionen ska fungera som den

ska. Rådfråga en serviceverkstad när du väljer kedjeolja.

- Använd kedjeolja från Husqvarna för maximal sågkedjelivslängd och för att undvika negativa effekter på miljön. Om kedjeoljan från Husqvarna inte är tillgänglig rekommenderar vi att du använder en standardkedjeolja.
- Använd en kedjeolja med god vidhäftning vid sågkedjan.
- Använd en kedjeolja med rätt viskositet som stämmer överens med lufttemperaturen.



OBSERVERA: Vid temperaturer under 0 °C blir vissa kedjeoljor för tjocka, vilket kan orsaka skador på oljepumpkomponenter.

- Använd rekommenderad skärutrustning. Se *Tillbehör på sida 719*.
- Ta bort locket från kedjeoljetanken.
- Fyll på kedjeolja i kedjeoljetanken.
- Sätt fast locket försiktigt.

(Fig. 58)

Notera: För att se var kedjeoljetanken sitter på produkten, se *Introduktion på sida 697*.

Batteri



VARNING: Läs och förstå säkerhetskapitlet innan du använder batteriet. Läs noga igenom bruksanvisningen som medföljer batteriet och batteriladdaren.

Förvara batteriet och batteriladdaren i rätt omgivningstemperatur.

	Omgivningstemperatur
Användning av batteri	5 °C–40 °C
Laddning av batteri	5 °C–40 °C

Batteristatus

Displayen visar laddningsstatusen och om det föreligger problem med batteriet.

(Fig. 59)

LED-kontrollampa	Batteriets laddningsstatus
Fyra lysdioder lyser	Batteriet är 76 %–100 % laddat.

LED-kontrollampa	Batteriets laddningsstatus
Tre lysdioder lyser	Batteriet är 51 %–75 % laddat.
Två lysdioder lyser	Batteriet är 26 %–50 % laddat.
En lysdiod lyser	Batteriet är 6 %–25 % laddat.
En lysdiod blinkar	Batteriet är 0 %–5 % laddat.

Ladda batteriet

Ladda batteriet om det är första gången du använder det. Ett nytt batteri är endast 30 % laddat.



OBSERVERA: Anslut batteriladdaren till den spänning och frekvens som anges på typskylten.

Batteriet laddas inte om batteritemperaturen överstiger 50 °C.

1. Anslut strömkabeln till batteriladdaren.
2. Anslut batteriladdaren till ett jordat nätuttag. Laddningslampan blinkar en gång. (Fig. 60)
3. Anslut batteriet till batteriladdaren. Den gröna lampan tänds. Ladda batteriet i högst 24 timmar. (Fig. 61)
4. Tryck på batteriindikatorknappen. Om alla kontrollampor tänds är batteriet fulladdat.
5. Dra ut nätkontakten för att koppla bort batteriladdaren från nätuttaget. Dra inte i nätsladden.
6. Ta ut batteriet ur batteriladdaren.

Information om kast



WARNING: Ett kast kan orsaka allvarlig eller livshotande skada för användaren och andra. För att minska risken måste du känna till orsakerna till kast och hur man undviker dem.

Kast sker endast när svärdets kastrisksektor kommer i kontakt med ett föremål. Ett kast kan inträffa plötsligt och med stor kraft, och produkten slungas då mot användaren.

(Fig. 36)

Kast sker alltid i svärdets plan. Vanligtvis slungas produkten mot användaren, men de kan också slungas i en annan riktning. Rörelseriktningen beror på hur du använder produkten när kastet inträffar.

(Fig. 62)

Kast sker endast om svärdets kastrisksektor kommer i kontakt med ett föremål. Låt inte kastrisksektorn komma i kontakt med ett föremål.

(Fig. 36)

Mindre svärdsspetsradie minskar kraften i eventuella kast.

Använd en sågkedja med kastreduktion för att minska kasteffekten. Låt inte kastrisksektorn komma i kontakt med ett föremål.



WARNING: Ingen sågkedja förhindrar kast helt. Följ alltid anvisningarna.

Vanliga frågor om kast

• Aktiveras kedjebromsen alltid av handen vid kast?

Nej. Man måste använda en del kraft för att trycka kastskyddet framåt. Om du inte använder tillräcklig kraft aktiveras inte kedjebromsen. Du måste också hålla produktens handtag stadigt med båda händerna under arbetet. Om ett kast inträffar är det möjligt att kedjebromsen inte stoppar sågkedjan innan den träffar dig. Det finns också vissa arbetsställningar då handen inte kan vidröra kastskyddet för att aktivera kedjebromsen.

• Aktiveras kedjebromsen alltid av tröghetsfunktionen vid kast?

Nej. För det första måste kedjebromsen fungera korrekt. Se *Underhåll och kontroller av produktens säkerhetsanordningar på sida 712* för anvisningar om hur man kontrollerar kedjebromsen. Vi rekommenderar att du gör detta varje gång innan du använder produkten. För det andra måste kraften i kastet vara tillräckligt stor för att aktivera kedjebromsen. Om kedjebromsen skulle vara för känslig skulle den aktiveras vid tuff användning.

• Skyddar kedjebromsen mig alltid från skador om ett kast inträffar?

Nej. Kedjebromsen måste fungera korrekt för att ge skydd. Kedjebromsen måste också aktiveras vid kast för att stoppa sågkedjan. Om du är nära svärdet är det möjligt att kedjebromsen inte har tid nog att stoppa sågkedjan innan den träffar dig.



WARNING: Endast du själv och en korrekt arbetsteknik kan förhindra kast.

Starta produkten

1. Kontrollera gasreglaget och gasreglagespärren. Se *Kontrollera gasreglagespärren på sida 712*.

2. Aktivera kedjebromsen. (Fig. 63)
3. Sätt i batteriet i batterihållaren. (Fig. 64)



OBSERVERA: Se till att batteriet är korrekt installerat i batterihållaren. Om batteriet inte går enkelt in i batterihållaren är det inte korrekt installerat.

4. Tryck på den nedre delen av batteriet tills du hör ett klickljud. (Fig. 65)
5. Håll start-/stopppknappen intryckt tills den gröna lysdioden tänds. (Fig. 66)

Använda SavE-funktionen

SavE-funktionen minskar kedjehastigheten och produktens kraft.

1. Tryck på SavE-knappen. Den gröna lampan tänds.
2. Tryck på SavE-knappen igen för att koppla från funktionen. Den gröna lampan slocknar. (Fig. 67)

Stoppa produkten

1. Tryck på start-/stopppknappen tills den gröna lysdioden slocknar. (Fig. 68)
2. Tryck på batteriets frigöringsknappar och ta bort batteriet från batterihållaren för att förhindra oavsiktlig start. (Fig. 68)

Såga med dragande eller skjutande kedja

Du kan såga genom trä med produkten med två olika lägen.

- Att såga med dragande kedja är när du sågar med svärdets undersida. Sågkedjan drar igenom trädet när du kapar. I detta läge får du bättre kontroll över produkten och kastrisksektorns läge.

(Fig. 69)

- Att såga med skjutande kedja är när du sågar med svärdets spets. Sågkedjan skjuter in produkten i riktning mot användaren.

(Fig. 70)



WARNING: Om sågkedjan fastnar i stammen kan produkten skjutas mot dig. Håll produkten hårt och se till att svärdets kastrisksektor inte kommer i kontakt med trädet och orsakar ett kast.

(Fig. 71)

Använda sågteknik



WARNING: Använd full effekt när du sågar och sänk varvtalet till tomgångsvarvlat efter varje snitt.



OBSERVERA: Låt inte motorn vara igång för länge utan belastning. Det kan orsaka skador på motorn.

1. Placera stocken på en sågbock eller löpare. (Fig. 72)



WARNING: Såga inte stocken i en trave. Det ökar kastrisken och kan resultera i allvarlig eller livshotande skada.

2. Ta bort de kapade styckena från arbetsområdet.



WARNING: Kapade styckena i arbetsområdet ökar kastrisken och risken för att du inte kan hålla balansen.

Använda barkstödet

1. Tryck in barkstödet i trädstammen.
2. Ge fullgas och vrid produkten. Håll barkstödet mot stammen. Det här gör det enklare att tillämpa den kraft som behövs för att kapa stammen. (Fig. 73)

Kapa en stock på marken

1. Kapa genom stocken med dragande kedja. Håll full effekt men var beredd på plötsliga olyckor. (Fig. 74)



WARNING: Se till att sågkedjan inte vridrör marken när du slutför snittet.

2. Såga ca $\frac{2}{3}$ genom stocken och stanna sedan. Vrid stocken och såga från den motsatta sidan. (Fig. 75)

Såga en stock med stöd i ena änden



WARNING: Se till att stocken inte går av vid kapning. Följ anvisningarna i nedan.

(Fig. 76)

1. Såga med skjutande kedja ungefär $\frac{1}{3}$ genom stocken.
2. Kapa genom stocken med dragande kedja tills de två snitten möts. (Fig. 77)

Såga en stock med stöd i båda ändarna



WARNING: Se till att sågkedjan inte fastnar i stocken under kapningen. Följ anvisningarna i nedan.

(Fig. 78)

1. Såga med dragande kedja ungefär $\frac{1}{3}$ genom stocken.
2. Såga genom den återstående delen av stocken med skjutande kedja för att slutföra snittet. (Fig. 79)



VARNING: Stanna motorn om sågkedjan fastnar i stocken. Använd en hävarm för att öppna snittet att ta loss produkten. Försök inte dra ut produkten för hand. Detta kan orsaka skada när produkten plötsligt lossnar.

Använda kvistningsteknik

Notera: Använd sågtekniken för tjocka grenar. Se *Använda sågteknik på sida 708*.



VARNING: Det finns en hög olycksrisk när du använder kvistningstekniken. Se *Information om kast på sida 707* för instruktioner om att undvika kast.



VARNING: Kapa grenarna en i taget. Var försiktig när du tar bort mindre grenar och såga inte buskar eller många små grenar samtidigt. Små grenar kan fastna i sågkedjan och förhindra säker användning av produkten.

Notera: Om det behövs ska du såga grenarna bit för bit. Såga de mindre grenarna (A) och (B) innan du sågar grenen nära stammen (C).

(Fig. 80)

1. Ta bort grenarna på höger sida av stocken.
 - a) Håll svärdet på högra sidan av stocken och håll produktens chassi mot stocken.
 - b) Välj tillämplig sågteknik för spänningen i grenen. (Fig. 81)



VARNING: Om du inte är säker på hur du ska såga av grenen kan du tala med en professionell motorsågsanvändare innan du fortsätter.

2. Ta bort grenarna på stockens ovansida.
 - a) Håll produkten mot stocken och låt svärdet röra sig längs stocken.
 - b) Såga med skjutande kedja. (Fig. 82)
3. Ta bort grenarna på vänster sida av stocken.
 - a) Välj tillämplig sågteknik för spänningen i grenen. (Fig. 83)



VARNING: Om du inte är säker på hur du ska såga av grenen kan du tala med en professionell motorsågsanvändare innan du fortsätter.

Se *Såga träd och grenar som är i spänning på sida 711* för instruktioner i att såga i grenar som är i spänning.

Använda trädfällningsteknik



VARNING: Du måste ha erfarenhet för att fälla ett träd. Delta om möjligt i en utbildning i motorsågshandtering. Tala med en användare med erfarenhet för mer kunskap.

Hålla ett säkerhetsavstånd

1. Se till att personer runt dig håller ett säkerhetsavstånd på minst 2 1/2 trädlängder. (Fig. 84)
2. Se till att ingen befinner sig inom riskområdet före och under fällning. (Fig. 85)

Beräkna fallriktningen

1. Undersök i vilken riktning trädet måste falla. Målet är att fälla det i ett läge där du enkelt kan kvista och kapa stocken. Det är också viktigt att du står stadigt och kan röra dig säkert.



VARNING: Om det är farligt eller omöjligt att fälla trädet i dess naturliga fallriktning ska du fälla trädet åt ett annat håll.

2. Undersök trädets naturliga fallriktning. Till exempel trädets lutning och krökning, vindriktning, grenarnas placering och eventuell snövik.
 3. Undersök om det finns hinder, till exempel andra träd, kraftledningar, vägar och/eller byggnader runt omkring.
 4. Titta efter tecken på skador och röta i stammen.
- VARNING:** Röta i stammen kan innebära en risk för att trädet faller innan du slutför kapningen.
5. Se till att trädet inte har några skadade eller döda grenar som kan brytas av och skada dig under fällningsarbetet.
 6. Låt inte trädet falla in i ett annat stående träd. Det är farligt att ta bort ett fastfällt träd och det innebär en hög olycksrisk. Se *Frigöra ett fastfällt träd på sida 710*. (Fig. 86)



VARNING: Vid kritiska fällningsmoment ska du lyfta hörselskyddet så fort sågningen är avslutad. Det är viktigt att du hör ljud och varningssignaler.

Rensa stammen och förbereda din reträttväg

Såga av alla grenar från din axelhöjd och nedåt.

1. Såga med dragande kedja uppifrån och ner. Se till att trädet är mellan dig och produkten. (Fig. 87)
 2. Rensa upp undervegetationen i arbetsområdet runt trädet. Ta bort allt kapat material från arbetsområdet.
 3. Kontrollera om det finns hinder i området, som stenar, grenar och gropar. Du måste ha en lättframkomlig reträttväg när trädet börjar falla. Reträttvägen måste vara ungefär 135 grader från fallriktningen.
1. Riskzonen
 2. Reträttvägen
 3. Fallriktningen

(Fig. 88)

Fälla träd

Husqvarna rekommenderar dig att göra riktskär och sedan använda det säkra hörnet när du fäller ett träd. Det säkra hörnet hjälper dig att skapa en korrekt brytmån och styra fallriktningen.



VARNING: Fäll inte träd med en diameter som är mer än två gånger större än svärds längden. För detta måste du ha särskild utbildning.

Brytmånen

Den viktigaste åtgärden vid trädfällning är för att skapa en korrekt brytmån. Med en korrekt brytmån har du kontroll över fallriktningen och ser till att fällningen är säker.

Tjockleken på brytmånen måste vara jämn och minst 10 % av trädets diameter.



VARNING: Om brytmånen är felaktig eller för tunn har du ingen kontroll över fallriktningen.

(Fig. 89)

Göra riktskären

1. Gör riktskären. Gör riktskären genom 1/4 av trädets diameter. Gör en 45° vinkel mellan över- och underskåret.
 - a) Gör överskåret först. Rikta in produktens fallriktningsmärkning (A) med trädets fallriktning (B). Stå bakom produkten med trädet på höger sida. Såga med dragande kedja.
 - b) Gör underskåret. Kontrollera att slutet av underskåret är vid samma punkt som slutet av överskåret. (Fig. 90)
2. Se till att riktskärslinjen är helt horisontell och i rätt vinkel (90°) mot fallriktningen. Riktskärslinjen går genom den punkt där de två riktskären möts. (Fig. 91)

Använda det säkra hörnet

Fällskäret måste göras något ovanför riktskåret.

(Fig. 92)



VARNING: Var försiktig när du sågar med svärdsspetsen. Börja såga med den nedre delen av svärdsspetsen och gör ett instick in i stocken.

(Fig. 93)

1. Om den effektiva skärlängden är längre än trädets diameter ska du utföra dessa steg (a–d).
 - a) Gör ett instick rakt in i stocken för att slutföra brytmånens bredd. (Fig. 94)
 - b) Såga med dragande kedja tills 1/3 av stocken är kvar.
 - c) Dra svärdet 5–10 cm i bakåt.
 - d) Såga genom resten av stocken för att slutföra ett säkert hörn som är 5–10 cm brett. (Fig. 95)
2. Om den effektiva skärlängden är kortare än trädets diameter ska du utföra dessa steg (a–d).
 - a) Gör ett instick rakt in i stocken. Insticket måste sträcka sig 3/5 av trädets diameter.
 - b) Såga med dragande kedja genom resten av stocken. (Fig. 96)
 - c) Såga rakt in i stocken från den andra sidan av trädet för att slutföra brytmånen.
 - d) Såga med skjutande kedja, tills 1/3 av stocken är kvar, för att slutföra det säkra hörnet. (Fig. 97)
3. Sätt in en kil i sågsnittet rakt bakifrån. (Fig. 98)
4. Såga av hörnet för att få trädet att falla.

Notera: Slå mot kilen tills trädet faller om det inte gör det.

5. När trädet börjar falla ska du använda reträttvägen för att flytta dig bort från trädet. Flytta dig minst 5 m bort från trädet.

Frigöra ett fastfällt träd



VARNING: Det är väldigt farligt att ta bort ett fastfällt träd och det innebär en hög olycksrisk. Håll dig borta från riskområdet och försök inte att fälla ett fastfällt träd.

(Fig. 99)

Den säkraste metoden är att använda en av följande vinschar:

- Traktormonterad

(Fig. 100)

- Portabel

(Fig. 101)

Såga träd och grenar som är i spänning

1. Ta reda på vilken sida av trädet eller grenen som är i spänning.
2. Ta reda på var brytpunkten är. (Fig. 102)
3. Undersök hur du säkrast frigör spänningen.

Notera: I vissa situationer är den enda säkra metoden att använda en vinsch, inte din produkt.

4. Stå på en plats där trädet eller grenen inte kan träffa dig när spänningen frigörs. (Fig. 103)
5. Gör ett eller flera snitt med tillräckligt djup för att minska spänningen. Kapa på eller i närheten av brytpunkten. Få trädet eller grenen att brytas av vid brytpunkten. (Fig. 104)



VARNING: Kapa inte helt igenom ett träd eller en gren som är i spänning.



VARNING: Var väldigt försiktig när du kapar ett träd som är i spänning. Risken finns att trädet rör sig snabbt före eller efter ett snitt. Allvariga skador kan inträffa om du är på fel plats eller om du kapar felaktigt.

6. Om du måste såga igenom trädet/grenen ska du göra två till tre snitt med 2,5 cm mellanrum och med ett djup på 5 cm. (Fig. 105)
7. Fortsätt att såga mer in i trädet tills trädet/grenen böjs och spänningen frigörs. (Fig. 106)
8. Såga i trädet/grenen från böjens motsatta sida, efter att spänningen har frigjorts.

Underhåll

Introduktion



VARNING: Läs och förstå säkerhetskapitlet innan du utför underhåll på produkten.

Nedan följer en lista över de underhållssteg som ska utföras på produkten. Uppsök *Underhåll på sida 711* för mer information.

Underhållsschema



VARNING: Ta bort batteriet innan du utför underhåll.

Underhåll	Före användning	Varje vecka	Varje månad
Rengör produktens yttre delar.	X		
Kontrollera att gasreglaget och gasreglagespärren fungerar korrekt säkerhetsmässigt.	X		
Rengör kedjebromsen och se till att den fungerar korrekt. Se till att kedjefångaren inte är skadad. Byt ut vid behov.	X		
Vänd svärdet så att slitaget blir jämnare. Kontrollera att smörjhålet på svärdet inte är tilltäppt. Rengör svärdspåret.	X		
Se till att skärelementet och dess skydd inte har några sprickor och att de inte är skadade. Byt ut skärelementet och dess skydd om de har sprickor eller om de har utsatts för stötar.	X		
Se till att svärdet och sågkedjan har tillräckligt med olja.	X		
Kontrollera sågkedjan dagligen. Titta efter sprickor och se till att sågkedjan inte är stel eller ovanligt sliten. Byt ut vid behov.	X		
Slipa sågkedjan. Kontrollera dess spänning och skick. Kontrollera om kedjedrivhjulet är slitet och byt ut vid behov.	X		

Underhåll	Före användning	Varje vecka	Varje månad
Rengör produktens luftintag.	X		
Se till att skruvar och muttrar är åtdragna.	X		
Se till att knappsatsen fungerar ordentligt och att den inte är skadad.	X		
Fila bort alla grader på svärdets kanter.		X	
Kontrollera anslutningarna mellan batteriet och produkten. Kontrollera anslutningen mellan batteriet och batteriladdaren.			X
Töm och rengör oljetanken.			X
Blås igenom produkten och batteriets kylningsöppningar försiktigt med tryckluft.			X

Underhåll och kontroller av produktens säkerhetsanordningar

Kontrollera kastskyddet

Kontrollera regelbundet kastskyddet och tröghetsfunktionen.

1. Se till att kastskyddet inte har några skador som sprickor. (Fig. 107)
2. Kontrollera att kastskyddet rör sig fritt och att det sitter säkert på produkten. (Fig. 108)
3. Lägg produkten, med motorn avstängd, på en stubbe eller en annan stadig yta.
4. Håll i det bakre handtaget och släpp det främre handtaget. Låt produkten falla mot stubben. (Fig. 109)
5. Se till att kedjebromsen aktiveras när svärdet träffar stubben.

Kontrollera bromsreglaget

1. Ställ produkten på ett stabilt underlag och starta den. Se *Drift på sida 706*.



VARNING: Se till att sågkedjan inte vidrör marken eller andra föremål.

2. Omslut handtagen med tummar och fingrar och håll i produkten ordentligt. (Fig. 110)
3. Ge fullgas och luta din vänstra handled mot kastskyddet för att aktivera kedjebromsen. Kedjan måste stanna omedelbart. (Fig. 111)



VARNING: Släpp inte det främre handtaget!

Kontrollera gasreglagespärren

1. Kontrollera att gasreglaget och gasreglagespärren går lätt samt att deras retur fjädersystem fungerar. (Fig. 112)

2. Tryck gasreglagespärren framåt (A) och nedåt (B). Håll gasreglagespärren mot handtaget och kontrollera att den går tillbaka till sitt ursprungliga läge när du släpper den. (Fig. 113)
3. Kontrollera att gasreglaget är låst i tomgångsläge när gasreglagespärren släpps. (Fig. 114)
4. Starta produkten och ge full gas.
5. Släpp gasreglaget och se till att sågkedjan stannar och att den förblir stilla.



VARNING: Om kedjan roterar med gasreglaget i tomgångsläge ska du kontakta en serviceverkstad.

Kontrollera kedjefångaren

1. Se till att det inte finns några skador på kedjefångaren.
2. Se till att kedjefångaren är stabil och sitter fast på produkten. (Fig. 115)

Kontrollera funktionerna i användargränssnittet

1. Starta produkten. Se *Starta produkten på sida 707*.
2. Håll start-/stoppknappen intryckt.
3. Se till att produkten stannar och att den gröna lysdioden slocknar. (Fig. 66)

Kontrollera batteriet och batterihållaren

1. Rengör batteriet och batterihållaren med en mjuk borste.
2. Rengör kylningsöppningarna och batterianslutningarna. (Fig. 116)
3. Säkerställ att batteriet inte har sprickor eller andra skador.

Kontrollera batteriladdaren

1. Kontrollera att batteriladdaren och strömsladden inte är skadade. Titta efter sprickor och andra skador. (Fig. 117)

Så rengör du kylsystemet

Kylsystemet håller motortemperaturen nere. Kylsystemet består av ett luftintag på vänster sida av produkten och en fläkt på motorn.

1. Rengör kylsystemet med en borste varje vecka eller oftare vid behov. (Fig. 118)
2. Se till att kylsystemet inte är smutsigt eller igensatt.



OBSERVERA: Ett smutsigt eller igensatt kylsystem gör att produkten blir för varm. Det här orsakar skador på produkten.

Slipa sågkedjan

Information om svärd och sågkedja



VARNING: Använd skyddshandskar när du använder eller utför underhåll på sågkedjan. Även en sågkedja som inte rör sig kan orsaka skador.

Byt ut slitna eller skadade svärd eller sågkedjor mot den svärd- och sågkedjekombination som rekommenderas av Husqvarna. Detta är nödvändigt för att behålla produktens säkerhetsfunktioner. Se *Tillbehör på sida 719* för en lista med svärd- och kedjekombinationer som vi rekommenderar för utbyte.

- Svärds längd, tum/cm. Information om svärds längden finns vanligen på den bakre änden av svärdet.

(Fig. 119)

- Antal tänder i noshjulet (T).

(Fig. 120)

- Sågkedjedelning, tum. Avståndet mellan sågkedjans drivlänkar måste vara anpassade till avståndet mellan tänderna på svärdets noshjul och kedjedrivhjulet.

(Fig. 121)

- Drivlänksantal. Antal drivlänkar avgörs av typen av svärd.

(Fig. 122)

- Svärdsspårbredd, tum/mm. Svärdsspårbredden måste vara samma som kedjans drivlänkars bredd.

(Fig. 123)

- Kedjeoljehål och hål för kedjespännare. Svärdet måste anpassas till produkten.

(Fig. 124)

- Drivlänksbredd, mm/tum.

(Fig. 125)

Allmän information om hur man slipar skärelementen

Använd inte en slö sågkedja. Om sågkedjan är slö måste du anbringa mer kraft för att trycka in svärdet genom träet. Om sågkedjan är mycket slö genereras inga träflisor, utan sågsån.

En välslipad sågkedja äter sig igenom träet och skapar träflisor som är långa och tjocka.

Sågtanden (A) och underställningen (B) utgör tillsammans den skärande delen av sågkedjan, skärelementet. Höjdskillnaden mellan de två avgör kapdjupet (underställningen).

(Fig. 126)

Tänk på följande när du slipar skärelementet:

- Filningsvinkel.

(Fig. 127)

- Stötvinkel.

(Fig. 128)

- Fylläge.

(Fig. 129)

- Rundfilens diameter.

(Fig. 130)

Det är svårt att slipa en sågkedja korrekt utan rätt utrustning. Använd en Husqvarna rekommenderad filmallen. Det hjälper dig att behålla maximal klippstyrka och minimal kastrisk.



VARNING: Kastrisken ökar väsentligt om du inte följer instruktionerna för slipning.

Notera: Se *Tillbehör på sida 719* för information om slipning av sågkedjan.

Slipa skärelementen

1. Använd en rundfil och en filmall för att slipa sågtänderna. (Fig. 131)

Notera: Se *Tillbehör på sida 719* för information om vilken fil och filmall Husqvarna rekommenderar till din sågkedja.

2. Tillämpa filmallen korrekt på skärelementet. Se anvisningarna för filmall.
3. För filen från insidan av sågtänderna och ut. Minska trycket på returdraget. (Fig. 132)
4. Ta bort material från den ena sidan av alla sågtänder.
5. Vänd på produkten och ta bort material från den andra sidan.
6. Se till att alla sågtänder har samma längd.

Allmän information om hur du justerar underställningen

Underställningen (C) minskar när du slipar en skärtand (A). För att behålla maximal skärkapacitet måste du ta bort filaterialet från underställningen (B) för att få rekommenderad underställningsnivå. Se *Tillbehör på sida 719* för anvisningar om hur du får korrekt underställning för din sågkedja.

(Fig. 133)



VARNING: För stor underställning ökar kastrisken!

Justera underställningen

Innan du justerar underställningen eller slipar skärelementen ska du läsa *Slipa skärelementen på sida 713* för instruktioner. Vi rekommenderar att underställningen justeras var tredje gång du slipar sågtänderna.

Vi rekommenderar att du använder vår underställningsmall för att få rätt underställning och rätt vinkel på underställningen.

(Fig. 134)

1. Använd en flatfil och en underställningsmall och justera underställningen. Använd endast en rekommenderad Husqvarna underställningsmall för att få rätt underställning och rätt vinkel på underställningen.
2. Lägg underställningsmallen på sågkedjan.

Notera: Se underställningsmallens förpackning för mer information om hur du använder verktyget.

3. Använd flatfilen för att ta bort den del av underställningen som sticker ut genom underställningsmallen. (Fig. 135)

Justera sågkedjans spänning



VARNING: En sågkedja med felaktig spänning kan lossna från svärdet och orsaka allvarlig eller livshotande skada.

En sågkedja blir längre när du använder den. Justera kedjan regelbundet. Kontrollera sågens kedjespänning varje gång du fyller på kedjeolja.

Notera: En ny sågkedja har en inkörningsperiod under vilken man måste kontrollera sågkedjespänningen oftare.

Justera sågkedjans spänning (med vredet)

1. Vik ut vredet tills det öppnas. (Fig. 136)

2. Vrid vredet moturs för att lossa kedjedrivhjulet. (Fig. 137)
3. Vrid kedjespännarrhjulet för att justera spänningen på sågkedjan. Sågkedjan måste sitta tätt mot svärdet. (Fig. 138)

Notera: Vrid vredet nedåt (+) för mer spänning och uppåt (-) för mindre spänning.

4. Se till att du kan dra runt sågkedjan för hand och att den inte hänger ner från svärdet. (Fig. 139)
5. Vrid vredet medurs för att spänna svärdhjulet. (Fig. 140)
6. Fäll ner vredet för att låsa spänningen. (Fig. 141)

Justera sågkedjans spänning (med svärdsbult)

1. Lossa svärdsmuttern som håller kedjedrivhjulets kåpa på plats. Använd kombinyckeln. (Fig. 142)
2. Lyft svärdets främre del och vrid sågkedjesträckarskraven. Använd kombinyckeln.
3. Dra åt sågkedjan tills den sitter tätt mot svärdet. (Fig. 143)
4. Dra åt svärdsmuttern med kombinyckeln och lyft samtidigt svärdets främre del. (Fig. 144)
5. Se till att du kan dra runt sågkedjan för hand och att den inte hänger ner från svärdet. (Fig. 139)

Notera: Se *Produktöversikt på sida 697* för placering av sågkedjesträckarskraven på produkten.

Kontrollera sågkedjans smörjning

Kontrollera sågkedjesmörjningen var tredje gång du byter batteri.

1. Starta produkten och låt den gå med 3/4 effekt. Håll svärdet ca 20 cm ovanför ett ljust underlag.
2. Om sågkedjesmörjningen är korrekt kommer du att se en tydlig oljerand på ytan efter en minut. (Fig. 145)
3. Om sågkedjesmörjningen inte är korrekt ska du utföra följande kontroller.
 - a) Kontrollera svärdets oljekanal för att se till att den inte är igensatt. Putsa vid behov. (Fig. 146)
 - b) Kontrollera spåret i kanten av svärdet för att se till att det är rent. Putsa vid behov. (Fig. 147)
 - c) Kontrollera att svärdets noshjul går lätt samt att noshjulets smörjhål inte är igensatt. Rengör och smörj vid behov. (Fig. 148)
4. Om sågkedjesmörjningen inte fungerar när du har utfört stegen ovan ska du tala med en serviceverkstad.

Kontrollera kedjedrivhjulet

- Undersök kedjedrivhjulet avseende slitage. Byt vid behov ut kedjedrivhjulet.

- Kedjedrivhjulet ska bytas ut varje gång du byter sågkedja. (Fig. 149)

Kontrollera skärutrustningen

1. Se till att det inte finns några sprickor i nitar och länkar och att inga nitar är lösa. Byt ut vid behov. (Fig. 150)
2. Se till att sågkedjan är lätt att böja. Byt ut sågkedjan om den är stel.
3. Jämför sågkedjan med en ny sågkedja för att avgöra om nitar och länkar är slitna.
4. Byt ut sågkedjan när den längsta delen av sågtanden är kortare än 4 mm. Byt också ut sågkedjan om det finns sprickor på skärelementen. (Fig. 151)

2. Undersök om det finns grader på svärdets kanter. Ta bort grader med en fil. (Fig. 152)
3. Rengör spåret i svärdet. (Fig. 147)
4. Undersök spåret i svärdet för slitage. Byt ut svärdet vid behov. (Fig. 153)
5. Undersök om svärdsspetsen är ojämn eller mycket sliten. (Fig. 154)
6. Kontrollera att svärdets noshjul går lätt samt att noshjulets smörjhål inte är igensatt. Rengör och smörj vid behov. (Fig. 148)
7. Vänd svärdet dagligen för att förlänga dess livslängd. (Fig. 155)

Kontrollera svärdet

1. Se till att oljekanalerna inte är igensatt. Rengör vid behov. (Fig. 146)

Felsökning

Användargränssnitt

LED-skärm	Eventuella fel	Möjlig lösning
Varningsindikatorn blinkar.	Kedjebromsen är aktiverad.	Avaktivera kedjebromsen.
	Temperaturavvikelse.	Låt produkten svalna.
	Överbelastning. Sågkedjan kan inte röra sig fritt.	Frigör sågkedjan.
	Gasreglaget och start-/ stoppknappen trycks ned samtidigt.	Släpp gasreglaget för att starta produkten.
Orange lysdiod blinkar.	Låg batterispänning.	Ladda batteriet.
Varningsindikatorn är på.	Service.	Vänd dig till en serviceverkstad.

Batteri

LED display	Eventuella fel	Möjlig lösning
Grön lysdiod blinkar.	Låg batterispänning.	Ladda batteriet.

LED display	Eventuella fel	Möjlig lösning
Varningslampan blinkar.	Temperaturavvikelse.	Använd batteriet vid temperaturer mellan -10 °C (14 °F) och 40 °C (104 °F).
	För hög spänning.	Se till att nätspänningen överensstämmer med produktens spänning. Se typskylten på produkten. Ta ut batteriet ur batteriladdaren.
Varningslampan tänds.	För stor batteriskillnad (1 V).	Vänd dig till en serviceverkstad.

Batteriladdare

Tillstånd	Eventuella fel	Möjliga åtgärder
Laddningslampan lyser rött.	Permanent batteriladdarfel.	Prata med en återförsäljare.
Laddningslampan blinkar grönt.	Temperaturavvikelse: batteriet är för kallt eller varmt för att användas eller laddas.	Låt batteriet svalna eller vänta tills det har blivit varmare. När batteriet har rätt temperatur kan du använda och ladda det. Använd batteriladdaren i omgivningstemperaturer mellan 5 och 40 °C.
Laddningslampan blinkar rött.	Batteriet är trasigt	Kontakta en återförsäljare

Transport, förvaring och kassering

Transport och förvaring

- Medföljande litiumjonbatterier uppfyller kraven i lagstiftningen för farligt gods.
- Följ de särskilda kraven för förpackning och etiketter för kommersiella transporter, inklusive av tredje parter och speditörer.
- Tala med en person med särskild utbildning i farliga material innan du skickar produkten. Följ alla tillämpliga nationella föreskrifter.
- Använd tejp på öppna kontakter när du lägger batteriet i en förpackning. Lägg batteriet trängt i förpackningen för att förhindra rörelse.
- Ta ur batteriet vid förvaring eller transport.
- Placera batteriet och batteriladdaren i ett utrymme som är torrt och fritt från fukt och frost.
- Förvara inte batteriet på ställen där statisk elektricitet kan uppkomma. Förvara inte batteriet i en metallåda.
- Förvara batteriet på en plats där temperaturen är mellan 5 och 25 °C, och inte i direkt solljus.
- Förvara batteriladdaren på en plats där temperaturen är mellan 5 och 45 °C, och inte i direkt solljus.
- Använd endast batteriladdaren när omgivningstemperaturen är mellan 5 och 40 °C.

- Ladda batteriet till 30–50 % innan du förvarar det under längre perioder.
- Förvara batteriladdaren på en plats som är stängd och torr.
- Håll batteriet borta från laddaren under förvaring. Låt inte barn och personer som inte är godkända röra utrustningen. Förvara utrustningen på en plats som du kan låsa.
- Rengör produkten och gör en fullständig service innan du ska förvara produkten under en längre tid.
- Använd transportskydd på produkten för att förhindra personskador eller skador på produkten under transport och förvaring.
- Sätt fast produkten under transport.

Avyttring av batteriet, laddaren och produkten

Symbolen nedan innebär att produkten inte är hushållsavfall. Återvinn den vid en återvinningsstation för elektrisk och elektronisk utrustning. Detta bidrar till att förhindra skador på miljön och personskador.

Tala med lokala myndigheter, hushållsavfallsservice eller en återförsäljare för mer information.

(Fig. 24)

Notera: Symbolen visas på produkten eller produktens förpackning.

Tekniska data

Tekniska data

	225i
Motor	
Typ	BLDC (borstlös) 36 V
Egenskaper	
Energisparläge	SavE
Smörjsystem	
Typ av oljepump	Automatisk
Oljetankvolym, ml/cm ³	0,2/200
Vikt	
Motorsåg utan batteri, svärd, sågkedja och tom kedjeoljetank, kg	3,1
Bulleremission ¹⁰⁶	
Ljudeffektnivå, uppmätt dB(A)	97
Ljudeffektnivå, garanterad L _{WA} dB(A)	100
Ljudnivåer ¹⁰⁷	
Ljudtrycksnivå vid användarens öra, uppmätt enligt SS-EN 62841-1	89
Vibrationsnivåer ¹⁰⁸	
Främre handtag m/s ²	3,9
Bakre handtag m/s ²	3,9
Sågkedja/svärd	
Rekommenderade svärdsängder, tum/cm	12–14/30,5–35,6
Effektiv skärlängd, tum/cm	11–13/27–33,2
Typ av kedjevihjul/antal kuggar	Spur/6
Maximal kedjehastighet/(Normalt läge), m/s	11,8
Maximal kedjehastighet/(SavE-mode), m/s	9,4

¹⁰⁶ Bulleremission till omgivningen uppmätt som ljudeffekt (L_{WA}) enligt EG-direktiv 2000/14/EG och EN ISO 22868, har en typisk statistisk spridning (standardavvikelse) på 3 dB (A).

¹⁰⁷ Rapporterade data för maskinens ljudtrycksnivå har en typisk statistisk spridning (standardavvikelse) på 3 dB(A).

¹⁰⁸ Vibrationsnivå enligt SS-EN 62841-4-1. Rapporterade data för vibrationsnivå har en typisk statistisk spridning (standardavvikelse) på +1,5 m/s². Deklarerade vibrationsdata från mätningar med maskinen utrustad med en svärdsängd och rekommenderad kedjetyp. Utrustas maskinen med annan svärdsängd kan vibrationsnivån variera med maximalt ± 1,5 m/s².

Tillbehör

Kombinationer av svärd och sågkedja






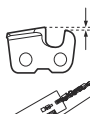
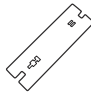






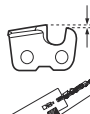
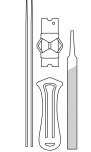

Nedanstående skärutrustningar är godkända för Husqvarna 225i.

Svärd					Sågkedja	
Typ	Längd, tum	Kedjedelning, tum	Spårbredd, mm	Max. nosradie	Typ	Längd, drivlänkar (st)
501959545	12	3/8-tums mini	1,1	7T	Husqvarna H38 (581808145)	45
501959552	14	3/8-tums mini	1,1	7T	Husqvarna H38 (581807952)	52

Sliputrustning och vinklar

Använd en filmall från Husqvarna för att slipa sågkedjan. En filmall från Husqvarna ser till att du får rätt vinklar. Artikelnumren anges i tabellen nedan.

Om du är osäker på hur man kan identifiera sågkedjetypen på din produkt kan du läsa www.husqvarna.com för mer information.

							
38	11/64 tum/ 4,5 mm	75°	30°	0°	0,025 tum/ 0,65 mm	505 69 81-03	579 55 88-01
							
93	5/32 tum/ 4,0 mm	60°	30°	0°	0,025 tum/ 0,65 mm	596 63 89-01	596 63 89-01

Godkända batterier

Batteri	40-B140
Typ	Litiumjonbatteri
Batterikapacitet, Ah	4
Nominell spänning, V	36

Batteri	40-B140
Vikt, kg	1.25

Godkända batteriladdare för produkten

Batteriladdare	40-C80
Nätspänning, V	100–240
Frekvens, Hz	50–60
Effekt, W	72
Utspänning, V d. c./ Ampere, A	43/1,6

Försäkran om överensstämmelse

EU-försäkran om överensstämmelse

Vi, **Husqvarna AB**, SE-561 82 Huskvarna, Sverige, tel:
+46-36-146500, försäkrar på eget ansvar att produkten:

Beskrivning	Sladdlösa motorsågar
Varumärke	Husqvarna
Typ/Modell	225i
Identifiering	Serienummer daterade 2023 och framåt

uppfyller alla krav i följande EU-direktiv och förordningar:

Direktiv/förordning	Beskrivning
2006/42/EG	"om maskiner"
2014/30/EU	"angående elektromagnetisk kompatibilitet"
2011/65/EU	"angående begränsning av användning av vissa farliga ämnen i elektrisk och elektronisk utrustning"
2000/14/EC	"angående emission av buller till omgivningen"

Följande standarder har tillämpats: EN
62841-1:2015+A11:2022, EN 62841-4-1:2020, EN
IEC 63000:2018, EN IEC 55014-1:2021, EN IEC
55014-2:2021.

Anmält organ: TÜV Rheinland LGA Products GmbH,
Tillystrasse 2, D-90431 Nuernberg, Germany, 0197, har
utfört EG-typkontroll i enlighet med maskindirektivets
(2006/42/EG) artikel 12, paragraf 3b. Certifikatet har
nummer: BM 50604678 0001.

Den levererade motorsågen överensstämmer med det
exemplar som genomgick EG-typkontroll.

I enlighet med direktiv 2000/14/EG, bilaga V, se
Tekniska data på sida 718 för angivna ljudvärden.

Huskvarna, 2023-10-30



Claes Losdal, R&D Manager, Husqvarna AB

Ansvarig för teknisk dokumentation



İçindekiler

Giriş.....	722	Sorun giderme.....	741
Güvenlik.....	723	Taşıma, depolama ve atma.....	742
Montaj.....	730	Teknik veriler.....	743
Çalışma.....	731	Aksesuarlar.....	744
Bakım.....	736	Uyumluluk Bildirimi.....	746

Giriş

Kullanım amacı

Bu ormancılık hizmetlerine yönelik motorlu testere devirme, dal budama ve kesim gibi ormancılık işleri için tasarlanmıştır.

Not: Ulusal düzenlemeler ürünün kullanımını kısıtlayabilir.

Ürüne genel bakış

(Şek. 1)

1. Ön el koruyucusu
2. Ön tutma yeri
3. Kullanıcı arayüzü
4. Çalıştırma/durdurma düğmesi
5. Uyarı ve akü göstergesi
6. SavE düğmesi
7. Sağ el koruyuculu arka tutma yeri
8. Bilgi ve uyarı etiketi
9. Muhafaza
10. Zincir yağı deposu
11. Taşıma kapağı
12. Güç tetiği kilidi
13. Güç tetiği
14. Kılavuz düğmeli tahrik dişlisi kapağı
15. Zincir gergisi
16. Zincir yakalayıcı
17. Mahmuz
18. Kılavuz ucu dişlisi
19. Testere zinciri
20. Kılavuz
21. Şarj durumu göstergesi
22. Konektör
23. Akü şarj cihazı
24. Kombi anahtar
25. Uyarı göstergesi
26. Düğme, akü durumu
27. Akü durumu
28. Akü çıkarma düğmesi
29. Akü
30. Kullanım kılavuzu
31. Kılavuz düğmesi

Ürün açıklaması

Husqvarna 225i, elektrikli motoru bulunan bir motorlu testere modelidir.

Kullanım sırasında güvenliğinizi ve verimliliği artırmak için sürekli olarak çalışmalar yapılmaktadır. Daha fazla bilgi için lütfen servis bayinizle görüşün.

32. Kılavuz cıvatalı tahrik dişlisi kapağı

Ürün üzerindeki semboller

- (Şek. 2) UYARI! Bu ürün, tehlikeli olabilir ve operatör ya da başkaları açısından ciddi yaralanmalara veya ölüme neden olabilir. Dikkatli olun ve ürünü doğru kullanın.
- (Şek. 3) Ürünü kullanmadan önce kullanım kılavuzunu dikkatlice okuyun ve talimatları anladığınızdan emin olun.
- (Şek. 4) Onaylı koruyucu baret, kulak koruma ekipmanı ve koruyucu gözlük kullanın.
- (Şek. 5) Ürünü çalıştırırken 2 elinizi kullanın.
- (Şek. 6) Ürünü yalnızca 1 elle kullanmayın.
- (Şek. 7) Kılavuz ucunun bir nesneye değmesine izin vermeyin.
- (Şek. 8) Yağmurda kullanmayın.
- (Şek. 9) Uyarı! Kılavuz ucu bir nesneye dokunduğunda geri tepme oluşabilir. Bu, kılavuzun operatör tarafına savrulmasına neden olabilir. Ciddi yaralanma veya ölüm riski.
- (Şek. 10) Nominal voltaj, V
- (Şek. 11) Zincir yağı.

- (Şek. 12) Testere zincirinin dönme yönü ve kılavuzun maksimum uzunluğu.
- (Şek. 13) Doğru akım.
- (Şek. 14) **Çevreyle ilgili işaret.** Ürün ya da ürünün ambalajı evsel atık değildir. Ürünü, elektrikli ve elektronik ekipmanlar için bir geri dönüşüm istasyonunda geri dönüştürün.
- (Şek. 15) Bu ürün yürürlükteki AT Direktiflerine uygundur.
- (Şek. 16) Bu ürün geçerli Birleşik Krallık yönetmeliklerine uygundur.
- (Şek. 17) Avrupa Direktifi 2000/14/AT, Birleşik Krallık direktifleri ile düzenlemeleri ve Yeni Güney Galler mevzuatı "Çevre Koruma Operasyonları (Gürültü Kontrolü) Yönetmeliği 2017" uyarınca çevreye yayılan gürültü emisyonu etiketi. Ürünün garantili ses gücü düzeyi *Teknik veriler sayfası: 743* ve etiketin üstünde belirtilmektedir.
- (Şek. 21) Zincir freni, devrede (ileri).
Zincir freni, devre dışı (geri).
- (Şek. 22) Zincir yönü.
- (Şek. 23) Nominal değerler plakası, seri numarasını gösterir. **yyyy** üretim yılı, **hh** ise üretim haftasıdır.

Not: Ürünün üzerindeki diğer semboller/etiketler, bazı pazarların sertifikalandırma gereklilikleri ile ilgilidir.

Akü ve/veya akü şarj cihazı üzerindeki semboller

- (Şek. 24) Bu ürünü, elektrikli ve elektronik ekipmanlar için bir geri dönüşüm istasyonunda geri dönüştürün. (Sadece Avrupa için geçerlidir)
- (Şek. 18) Arıza emniyetli dönüştürücü.
- (Şek. 19) Akü şarj cihazını sadece kapalı mekanlarda kullanın ve saklayın.
- (Şek. 20) Çift yalıtım.

Üretici

Husqvarna AB

Drottninggatan 2, SE-561 82, Huskvarna, Sweden, tel: +46-36-146500

Üründe oluşabilecek hasarlar

Aşağıdaki durumlarda ürünü müzde oluşabilecek hasarlardan sorumlu olmayız:

- ürünün hatalı bir şekilde onarılması,
- ürünün, üretici tarafından onaylanmayan veya üreticiden alınmayan parçalarla tamir edilmesi,
- üründe, üreticiden alınmayan veya üretici tarafından onaylanmayan bir aksesuar bulunması,
- ürünün, onaylı bir servis merkezinde veya yetkili bir kurum tarafından tamir edilmemesi.

Güvenlik

Güvenlik tanımları

Kılavuzdaki önemli kısımları vurgulamak için uyarılar ve notlar kullanılmıştır.



UYARI: Kılavuzdaki talimatlara uyulmadığı takdirde operatör veya çevredeki kişiler için ciddi yaralanma veya ölüm tehlikesi varsa kullanılır.



DİKKAT: Kılavuzdaki talimatlara uyulmadığı takdirde ürünün, diğer malzemelerin veya çevrenin zarar görme riski olduğunda kullanılır.

Not: Belirli bir durumda bilgi verilmesi gerektiğinde kullanılır.

Genel elektrikli alet güvenlik uyarıları



UYARI: Bu elektrikli aletle birlikte verilen tüm güvenlik uyarılarını, talimatları, çizimleri ve teknik özellikleri okuyun. Aşağıda listelenen talimatların göz ardı edilmesi elektrik çarpmasına, yangına ve/veya ciddi yaralanmaya neden olabilir.

- Tüm uyarı ve talimatları ilerde başvurmak üzere saklayın. Uyarılardaki "elektrikli alet" ifadesi,

şebke akımıyla çalışan (kablolu) elektrikli aletinizi veya aküyle çalışan (kablolu) elektrikli aletinizi belirtmektedir.

Çalışma alanı güvenliği

- **Çalışma alanını temiz ve iyi aydınlatılmış tutun.** Kalabalık veya karanlık alanlar kazalara neden olabilir.
- **Elektrikli aletleri yanıcı sıvıların, gazların veya tozların bulunduğu patlayıcı ortamlarda çalıştırmayın.** Elektrikli aletler, toz veya gazı ateşleyebilecek kıvılcımlar çıkarır.
- **Elektrikli aletleri kullanırken çocukları ve yanınızdakileri uzakta tutun.** Dikkatinizin dağılması, kontrolü kaybetmenize neden olabilir.

Elektrik güvenliği

- **Elektrikli aletlerin fişleri prize uygun olmalıdır.** Hiçbir zaman fişler üzerinde herhangi bir değişiklik yapmayın. Topraklı elektrikli aletlerle herhangi bir adaptör fiş kullanmayın. Değiştirilmemiş fişler ve uygun prizler, elektrik çarpması riskini azaltır.
- **Boru, radyatör, fırın, buzdolabı gibi topraklı yüzeylerle vücut temasından kaçınınız.** Vücudunuz topraklı ise elektrik çarpması riski artar.
- **Elektrikli aletleri yağmura veya ıslak koşullara maruz bırakmayın.** Elektrikli aletin içine giren su, elektrik çarpması riskini artırır.
- **Kabloyu kötü kullanmayın. Kabloyu asla elektrikli aleti taşımak, çekmek veya fişini çıkarmak için kullanmayın.** Kabloyu ısıdan, yağdan, keskin kenarlardan veya hareketli parçalardan uzakta tutun. Hasar görmüş veya dolaşmış kablolar, elektrik çarpması riskini artırır.
- **Elektrikli aleti dış mekanda çalıştırırken dış mekan kullanımına uygun bir uzatma kablosu kullanın.** Dış mekan için uygun bir kordon kullanmak, elektrik çarpması riskini azaltır.
- **Elektrikli aleti mutlaka nemli bir ortamda çalıştırmaz gerekiyorsa artık akım cihazı (RCD) korumalı bir güç kaynağı kullanın.** RCD kullanmak elektrik şoku riskini azaltır.

Kişisel güvenlik

- **Elektrikli aletleri kullanırken dikkatinizi yaptığınız işe verin, gözünüzü işinizden ayırmayın ve sağduyulu olun.** Yorgunken veya uyuşturucu, alkol ya da ilaç etkisi altındayken elektrikli aletleri kullanmayın. Elektrikli alet kullanırken bir anlık bir dikkatsizlik, ciddi yaralanmaya neden olabilir.
- **Kişisel koruyucu ekipmanlar kullanın. Daima koruyucu gözlük takın.** Uygun durumlarda toz maskesi, kaymayan güvenlik ayakkabıları, çelik başlık veya kulak koruma ekipmanı gibi koruyucu ekipman kullanımı yaralanmaları azaltır.
- **İstenmeyen çalıştırmaları önleyin. Güç kaynağına ve/veya akü grubuna bağlamadan, aleti kaldırmadan veya taşımadan önce anahtarın kapalı konumunda olduğundan emin olun.** Elektrikli aletleri parmağınız

çalıştırma düğmesindeyken taşımak veya açık elektrikli aletlere enerji vermek kazalara davetiye çıkarır.

- **Elektrikli aleti açmadan önce ayarlama anahtarlarını veya İngiliz anahtarlarını çıkarın.** Elektrikli aletin dönen kısmına takılı bırakılan İngiliz anahtarı veya anahtar yaralanmaya neden olabilir.
- **Makineyi kullanırken erişim alanınızın dışındaki yerlere uzanmaya çalışmayın. Her zaman yere sağlam basın ve dengenizi koruyun.** Bu, elektrikli aletin beklenmedik durumlarda daha iyi kontrolünü sağlar.
- **Uygun giyinin. Bol elbise veya takı giymeyin. Saçınızı ve kıyafetinizi hareketli parçalardan uzakta tutun.** Hareketli parçalara bol giysiler, takılar veya uzun saçlar takılabilir.
- **Cihazlar toz çekme ve toplama takımı bağlantısı ile geldiyse bunların bağlı olduğundan ve düzgün kullanıldığından emin olun.** Toz toplama özelliği tozla ilgili tehlikeleri azaltabilir.
- **Aletleri sık kullanmanın verdiği aşinalıkla kendinizi rahat hissedip alet güvenliğini gözden geçirmeyin.** Dikkatsizce gerçekleştirilen işlemler bir anda ciddi yaralanmalara neden olabilir.

Elektrikli alet kullanımı ve bakımı

- **Elektrikli aleti zorlamayın. Yapacağınız iş için uygun olan elektrikli aleti kullanın.** Doğru elektrikli alet, tasarlandığı oranda işi daha iyi ve güvenli yapar.
- **Anahtar, elektrikli aleti açık kapatmıyorsa elektrikli aleti kullanmayın.** Anahtar ile kontrol edilemeyen elektrikli aletler tehlikelidir ve onarılmalıdır.
- **Herhangi bir ayarlama yapmadan, aksesuar değiştirmeden veya elektrikli aletleri depolamadan önce elektrikli aletin fişini güç kaynağından çekin ve/veya çıkarılabilirse akü grubunu çıkarın.** Bu tür önleyici güvenlik önlemleri, elektrikli aletin kazara çalıştırılma riskini azaltır.
- **Kullanılmayan elektrikli aletleri çocukların erişemeyeceği yerde saklayın ve elektrikli alete veya elektrikli aleti kullanmak üzere bu talimatlara yabancı olan kişilere izin vermeyin.** Elektrikli aletler, eğitimsiz kullanıcıların elinde tehlikelidir.
- **Elektrikli aletlerin ve aksesuarların bakımını yapın. Hareketli parçaların yanlış konumlandırılması veya takılması, parçaların kırılması ve elektrikli aletin çalışmasını etkileyebilecek herhangi bir durum olup olmadığını kontrol edin. Hasarlı ise kullanmadan önce elektrikli aleti tamir ettirin.** Çoğu kaza yetersiz bakım yapılmış elektrikli aletlerden kaynaklanmaktadır.
- **Kesme araçlarını keskin ve temiz tutun.** Bakımı düzgün yapılmış, kesen tarafları yeterli keskinlikte olan kesme araçlarının takılma ihtimali daha az olup kontrol etmesi daha kolaydır.
- **Elektrikli alet, aksesuarlar, araç parçaları vb. bileşenleri, çalışma koşullarını ve yapılacak işi göz önünde tutarak bu talimatlara uygun şekilde kullanın.** Elektrikli aletin düşünülen amaçlar dışında kullanılması tehlikeli bir duruma yol açabilir.

- **Tutma yerlerini ve kavrama yüzeylerini kuru, temiz, gres ve yağdan arındırılmış halde tutun.** Kaygan tutma yerleri ve kavrama yüzeyleri beklenmedik durumlarda aletin güvenli bir şekilde kullanılmasına ve kontrol edilmesine imkan tanımaz.

Akülü alet kullanımı ve bakımı

- **Sadece üreticinin belirttiği şarj aletiyle şarj edin.** Bir akü grubu için uygun olan bir şarj aleti başka bir akü grubuyla kullanıldığında yangın riski doğurabilir.
- **Elektrikli aletleri sadece özel olarak geliştirilmiş akü gruplarıyla kullanın.** Farklı türde akü gruplarının kullanılması yangın ve yaralanma riski doğurabilir.
- **Akü grubunu, kullanımda değilken ataç, bozuk para, anahtar, çivi, vida veya diğer küçük metal cisimler gibi bir ucu başka bir uca bağlanmasına neden olabilecek cisimlerden uzak tutun.** Akü uçlarının kısa devre yapması yanıklara veya yangına neden olabilir.
- **Zorlayıcı koşullarda aküden sıvı sızabilir; bu sıvıya dokunmayın. Kazara dokunursanız temas eden kısmı bol suyla yıkayın. Sıvı, göze temas ederse ayrıca doktora başvurun.** Aküden sızan sıvı cildin tahriş olmasına veya yanıklara neden olabilir.
- **Hasarlı veya üzerinde değişiklik yapılmış akü grubunu veya aleti kullanmayın.** Hasarlı veya üzerinde değişiklik yapılmış aküler; yangın, patlama ya da yaralanma riski ile sonuçlanabilecek beklenmedik durumlara yol açabilir.
- **Akü grubunu veya aleti ateşe ya da aşırı sıcaklığa maruz bırakmayın.** Bunların ateşe veya 130°C / 266°F üzeri sıcaklığa maruz kalması patlamaya neden olabilir.
- **Tüm şarj etme talimatlarına uyun ve akü grubunu ya da aleti talimatlarda belirtilen sıcaklık aralığı dışında şarj etmeyin.** Belirtilen sıcaklık aralığının dışında veya hatalı olarak yapılan şarj işlemleri, aküye zarar verebilir ve yangın riskini artırabilir.

Servis

- **Elektrikli aletinizin yalnızca aynı yedek parçalar kullanan uzman bir tamirci tarafından onarılmasını sağlayın.** Bu, elektrikli aletin güvenliğinin sağlanması için gereklidir.
- **Hasarlı akü gruplarına asla servis işlemi uygulamayın.** Akü gruplarının servis işlemleri yalnızca üretici veya yetkili servis sağlayıcıları tarafından gerçekleştirilmelidir.

Genel testere güvenlik uyarıları

- **Testere çalışırken tüm uzuvlarınızı testere zincirinden uzak tutun. Testereyi çalıştırmadan önce testere zincirinin hiçbir şeye temas etmediğinden emin olun.** Testere çalışırken bir anlık dalgınlık vücudunuzun ya da kıyafetlerinizin testere zincirine kapılmasına neden olabilir.

- **Testereyi daima sağ elinizle arka tutma yerinden, sol elinizle de ön tutma yerinden sıkıca tutun.** Testereyi farklı bir el kombinasyonuyla tutmak kişisel yaralanma riskini artırır ve asla yapılmamalıdır.
- **Testere zinciri gizli kablo bağlantılarıyla temas edebileceğinden testereyi yalnızca yalıtılmış kavrama alanlarından tutun.** Testere zincirlerinin, "akım" geçen bir kabloya temas etmesi, testerenin yalıtılmamış metal parçalarına "akım" yüklenmesine ve operatöre elektrik çarpmasına neden olabilir.
- **Koruyucu gözlük takın. Kulak, baş, eller, bacaklar ve ayaklar için ilave koruyucu ekipman takmanız önerilir.** Uygun koruyucu ekipman, sıçrayan cisimlerden veya testere zincirine kazayla temas etmekten kaynaklanabilecek yaralanma riskini azaltır.
- **Testereyi ağaçta, merdiven üzerinde, çatıdan veya herhangi bir dengesiz destek üzerinde kullanmayın.** Testerenin bu şekilde kullanılması ciddi yaralanmaya neden olabilir.¹⁰⁹
- **Testereyi yalnızca sağlam, sabit ve düz bir zeminde ayakta dururken ve ayaklarınızın sabit haldeyken kullanın.** Kaygan veya dengesiz yüzeyde dengeyi veya testerenin hakimiyetini kaybetmenize neden olabilir.
- **Gergin duran bir ağaç dalını keserken, dalın aniden fırlamasına karşı dikkatli olun.** Ağaç liflerindeki gerilim boşaldığı anda yay gibi gerilmiş ağaç dalı, operatöre çarpabilir ve/veya testerenin kontrolden çıkmasına neden olabilir.
- **Fundalıkları veya fidanları keserken son derece dikkatli olun.** İnce parçalar testere zincirine takılıp size doğru fırlayabilir ya da dengeyi kaybetmenize neden olabilir.
- **Testereyi kapalı halde, ön tutma yerinden kaldırarak ve vücudunuzdan uzak tutarak taşıyın. Motorlu testereyi taşırken ya da depolarken kılıvuz çubuk kapağını mutlaka takın.** Testerenin doğru şekilde kullanılması, hareket halindeki testere zincirine kazara temas etme riskini azaltacaktır.
- **Yağlama, zincir gerginliğini ayarlama ve kılıvuz ile zinciri değiştirmeye yönelik talimatları uygulayın.** Gerdirmeye yağlama işlemi hatalı yapılmış bir zincir kopabilir veya geri tepme riskini artırabilir.
- **Sadece ahşabı kesin. Testereyi asla amacı dışında kullanmayın. Örneğin: Testereyi metal, plastik, taş duvar veya ahşap olmayan inşaat malzemelerini kesmek için kullanmayın.** Testerenin amacı dışındaki işler için kullanılması tehlikeli durumlara neden olabilir.
- **Riskleri ve bunlardan nasıl sakınacağınızı anlayana kadar bir ağacı devirme girişiminde bulunmayın.** Bir ağacı devirirken operatör veya yanındakiler ciddi şekilde yaralanabilir.
- **Sıkışmış malzemeyi temizlerken ve testereyi depolarken ya da testerede servis işlemi yaparken tüm talimatlara uyun. Anahtarın kapalı ve akü**

¹⁰⁹ Özel kesim ve çalışma teknikleri konusunda eğitimliyseniz ve uygun güvenlik önlemlerini aldıysanız (kaldırma sepeti, halatlar, emniyet kuşam askılığı) bu güvenlik yönetmeliklerinden sapma yapabilirsiniz.

grubunun çıkarılmış olduğundan emin olun. Sıkışmış malzemeyi temizlerken veya servis işlemleri yaparken testerenin beklenmedik şekilde çalışması ciddi yaralanmalara neden olabilir.

- **Özel olarak eğitim almadıysanız testereyi bir ağaç üzerinde kullanmayın.** Uygun eğitim alınmadan ağaç üzerinde testerenin kullanılması ciddi yaralanma riskini artırabilir.

Geri tepmenin nedenleri ve operatörün yapabilecekları

Kılavuzun burnu veya ucu bir nesneye değerse ya da ahşap, kesim sırasında testere zincirini sıkıştırırsa geri tepme meydana gelebilir. Bazı durumlarda ucun bir nesneye temas etmesi ani bir ters tepkiye neden olur ve kılavuzu yukarı ve arkaya, operatöre doğru tepir. Testere zincirinin kılavuzun üst kısmına doğru sıkışması kılavuzun hızla operatöre doğru hareket etmesine neden olabilir. Her iki durum da testerenin hakimiyetini kaybetmenize neden olarak ciddi yaralanmaya sebebiyet verebilir. Sadece testerenizde bulunan güvenlik araçlarına güvenmeyin. Testere kullanıcısı olarak, kesim işlerinde kazaların veya yaralanmanın önlenmesine yönelik tedbirler almanız gerekir. Geri tepme, testerenin hatalı kullanılmasından ve/veya hatalı çalışma prosedürlerinden/koşullarından kaynaklanır ve aşağıda belirtilen uygun önlemlerin alınması suretiyle önlenabilir:

- **Testerenin tutma yerlerini iki elinizin parmaklarıyla sıkı şekilde kavrayarak tutun ve vücudunuz ile kolunuzu olası geri tepme kuvvetlerine mukavemet edebilecek şekilde konumlandırın.** Geri tepme kuvvetleri, gerekli tedbirler alınırsa operatör tarafından kontrol altına alınabilir. Testerenin başından ayrılmayın.
- **Erişim alanınızın dışındaki yerlere uzanmayın ve omuz yüksekliğinin üzerinde bir yükseklikte kesme işlemi yapmayın.** Bu sayede, istenmeyen uç teması önlenir ve testere beklenmedik durumlarda daha iyi kontrol edilebilir.
- **Yalnızca üreticinin belirttiği yedek kılavuzları ve testere zincirlerini kullanın.** Doğru olmayan yedek kılavuz ve testere zincirinin kullanımı, zincirin kopmasına ve/veya geri tepmeye neden olabilir.
- **Üreticinin testere zinciri için bildirdiği bileleme bakım talimatlarına uyun.** Derinlik ölçeği yüksekliğini azaltmak daha fazla geri tepmeye neden olabilir.

BU TALİMATLARI SAKLAYIN.

Genel güvenlik talimatları



UYARI: Ürünü kullanmadan önce aşağıdaki uyarı talimatlarını okuyun.

- Bu ürün, dikkatli olmamanız ya da ürünü doğru kullanmamanız halinde tehlikeli bir alettir. Bu ürün, operatör ya da başkaları açısından ciddi yaralanmalara veya ölüme neden olabilir.

Bu kullanım kılavuzunun içeriğini okumanız ve anlammanız çok önemlidir.

- Üreticiden onay almadan üründe değişiklik yapmayın. Başkaları tarafından değiştirilmiş olan bir ürünü kullanmayın ve her zaman orijinal aksesuarları kullanın. Üretici tarafından onaylanmamış değişiklikler operatör ya da başkaları açısından ciddi yaralanma veya ölüme sonuçlanabilir.
- Zincir yağı dumanlarının ve talaş tozunun uzun süreli solunması sağlık sorunlarına yol açabilir.
- Bu ürün, çalışırken elektromanyetik bir alan oluşturur. Bu alan, bazı koşullarda aktif veya pasif tıbbi implantlarda girişime neden olabilir. Ciddi yaralanmaya veya ölüme neden olabilecek durumların ortaya çıkma riskini azaltmak için tıbbi implantı olan kişilerin bu ürünü çalıştırmadan önce doktorlarına ve tıbbi implant üreticilerine danışmalarını öneririz.

Kullanım için güvenlik talimatları



UYARI: Ürünü kullanmadan önce aşağıdaki uyarı talimatlarını okuyun.

- Bu kullanım kılavuzundaki bilgiler profesyonel bilgi ve deneyimlerin yerini almaz. İçinde bulunduğunuz durum kendinizi güvende hissettirmiyorsa ürünü durdurun. Servis bayinize ya da profesyonel bir motörlü testere operatörüne başvurun. Emin olmadığınız hiçbir işlemi gerçekleştirmeyi denemeyin!
- Ürünün kullanımıyla ilgili sorularınız varsa servis bayinizle veya Husqvarna ile iletişime geçin. Size ürününüzü etkin ve güvenli bir şekilde nasıl çalıştırabileceğinizle ilgili bilgi verebiliriz. Mümkünse motörlü testere kullanımı üzerine bir eğitim kursuna katılın. Servis bayiniz, ormancılık okulu ya da kütüphane, size mevcut eğitim materyalleri ve kurslar hakkında bilgi verebilir.
- Bu ürünü kullanmadan önce geri tepmenin etkilerini ve bunları nasıl önleyeceğinizi anlamış olmanız gerekir. Bkz. *Ger i tepme hakkında bilgiler sayfada: 732 ve Ger i tepmeyle ilgili yaygın sorular sayfada: 733*.
- Hasarlı veya düzgün çalışmayan bir ürünü, aküyü veya akü şarj cihazını kullanmayın.
- Dönmekte olan testere zincirine dokunmayın. Ciddi yaralanmaya ya da ölüme yol açabilir.
- Ürünü yorgunken; alkol, uyuşturucu veya ilaç gibi görüşünüzü, dikkatinizi, koordinasyonunuzu ya da doğru düşünmenizi olumsuz yönde etkileyebilecek herhangi bir maddenin etkisi altındayken kullanmayın.
- Kötü hava şartlarında çalışmak yorucu olabilir ve genellikle beraberinde tehlikeler getirir. Beraberinde getirebileceği riskler nedeniyle makinenin yoğun sis, sağanak yağmur, şiddetli rüzgar, aşırı soğuk veya

yıldırım düşme riskinin olduğu durumlar gibi çok kötü hava koşullarında kullanılması tavsiye edilmez.

- Kılavuz çubuk, testere zinciri ve tüm kapaklar doğru bir şekilde takılmamışsa ürünü çalıştırmayın. Aksi takdirde tahrik dişlisi gevşeyerek ciddi yaralanmalara neden olabilir. Bkz. *Montaj sayfa: 730*.

(Şek. 25)

- Bazen talaşlar kavrama kapağına kaçarak testere zincirinin sıkışmasına neden olabilir. Temizlik öncesinde her zaman motoru durdurun.
- Etrafınıza bakın. Kişilerin ya da hayvanların ürüne dokunma ya da ürünü kontrol etmenizi etkileme riski olmadığından emin olun.

(Şek. 26)

- Çocukların ürünü kullanmasına veya ürüne yaklaşmasına izin vermeyin. Ürünü çalıştırmak kolaydır ve çocuklar tam gözetim altında tutulmazlarsa ürünü çalıştırabilirler. Bu da ciddi yaralanma riski doğurur.
- Ürün tam görüş alanınızda olmadığı veya üründen bir süreliğine ayrıldığınızda aküyü çıkarın.
- Ürün üzerinde tam kontrole sahip olmak için dengeli bir şekilde ayakta duruyor olmanız gerekir. Bir merdiven veya ağaç üzerindeyken ürünü kullanmayın. Dengeli bir zeminde değilseniz ürünü kullanmayın.

(Şek. 27)

- Ağaç üzerinde çalışmak, yaralanma riskini azaltmak için uyulması gereken özel kesme ve çalışma tekniklerinin kullanılmasını gerektirir. Bu tür işler için kuşam askılık, halatlar, kemerler, tırmanma demirleri, yaylı kanca, karabinalar vb. tırmanma ve emniyet ekipmanlarının kullanımına yönelik eğitim dahil olmak üzere, belirli bir profesyonel eğitim almadığınız müddetçe asla ağaç üzerinde çalışmayın.
- Asla düşen kısımları yakalamaya çalışmayın. Sadece bir adet halatla sabitlenmişken asla ağaçta kesim yapmayın. Her zaman iki adet emniyetli halat kullanın.
- Dikkatli olmazsanız geri tepme riski artar. Kılavuz çubuğun geri tepme bölgesi kazara bir dala, ağaca ya da başka nesnelere çarparsa geri tepme oluşabilir.

(Şek. 28)

- Ürünü tek elle tutmayın. Bu ürün, tek elle güvenli bir şekilde kontrol edilemez.
- Ürünü omuz yüksekliğinden yukarıda tutarak kullanmayın ve kılavuz çubuk ucuyla kesme işlemi yapmaya çalışmayın.

(Şek. 29)

- Ürünü, bir kaza olması halinde yardım çağırılmayacağınız bir durumda kullanmayın.
- Ürünü taşımadan önce ürünü durdurun ve zincir frenini devreye alın. Ürünü testere zinciri ve kılavuz çubuk arkaya bakacak şekilde tutun. Nakliye öncesinde veya ürünü herhangi bir mesafede

taşımadan önce kılavuz çubuk üzerine bir taşıma siperliği yerleştirin.

- Ürünü yere koyduğunuzda zincir frenini devreye alın ve ürünü sürekli görebileceğiniz yerde durun. Üründen bir süreliğine ayrılmadan önce ürünü durdurun ve aküyü çıkarın.
- Tahrik sistemine talaş sıkışma riski vardır. Bu durum testere zincirinin sıkışmasına neden olabilir. Talaş temizlemeden önce mutlaka ürünü durdurun ve aküyü çıkarın.
- Hatalı ya da doğru bir şekilde bileylenmemiş kesme ekipmanı ile kesme işlemi yaptığınızda titreşim düzeyi artar. Geniş yapraklı ağaçlar gibi sert ağaçlar kesmek, kozalaklı ağaçlar gibi yumuşak ağaçları kesmeye göre daha fazla titreşime neden olur.

(Şek. 30)

- Titreşime aşırı ölçüde maruz kalmak, dolaşım bozukluğu olan kişilerde dolaşım veya sinir sistemi hasarına yol açabilir. Titreşime aşırı maruz kalma belirtileri yaşıyorsanız doktorunuzla konuşun. Bu belirtiler arasında uyuşma, his kaybı, karıncalanma, iğnelenme, acı, güç kaybı, cilt renginde veya durumunda değişiklik bulunmaktadır. Bu belirtiler genellikle parmaklarda, ellerde veya bileklerde görülür ve soğuk havalarda artar.
- Özel eğitim almadıysanız sabit bir ağaç üzerindeyken budama veya parçalama çalışması yapmayı denemeyin.
- Eğimli arazide kesme işlemi yaparken kesilen ağaç büyük ihtimalle yokuş aşağı yuvarlanacağı veya kayacağı için mutlaka kütüğün yokuş yukarı tarafında durun. Kesim yaparken ürüne tamamen hakim olmak için kesme işleminin sonuna doğru kesme basıncı uygulamayın. Tutma yerlerinde ellerinizi gevşetmeyin. Testere zincirinin yere temas etmesine izin vermeyin. Kesme işlemini tamamladıktan sonra ürünü taşımadan önce testere zincirinin durmasını bekleyin. Bir ağaçtan diğer ağaca geçmeden önce motoru mutlaka durdurun.

(Şek. 31)

- Birisini tehlikeye atma, hizmet hattına çarpma ya da maddi hasara neden olma riski varsa ağacı devirmeyin. Ağaç bir hizmet hattına çarparsa hizmet şirketine derhal bilgi verilmelidir.
- Güvenli bir şekilde hareket edebildiğinizden emin olun. Koşulları ve etrafınızdaki arazide kökler, taşlar, dallar, hendekler vb. olası engelleri kontrol edin. Eğimli bir zeminde çalışırken dikkatli olun.
- Kapasitenizi aştığını düşündüğünüz durumlardan kaçının.
- Bu ürünü kullanırken karşılaşılabileceğiniz tüm olası durumlara değinmek mümkün değildir. Her zaman dikkatli olun ve sağduyunuzu kullanın.

(Şek. 32)

Kişisel koruyucu ekipman



UYARI: Ürünü kullanmadan önce aşağıdaki uyarı talimatlarını okuyun.

(Şek. 33)

- Motorlu testere kazalarının çoğu testere zincirinin operatöre temas etmesiyle meydana gelir. Çalışma sırasında onaylı kişisel koruyucu ekipman kullanmalısınız. Kişisel koruyucu ekipman sizi yaralanmalara karşı tamamen korumaz ancak bir kaza durumunda yaralanmanın derecesini azaltır. Hangi ekipmanı kullanmanız gerektiğiyle ilgili tavsiyeler için servis bayinize danışın.
- Kiyafetleriniz üzerinize oturmalı ancak hareketlerinizi kısıtlamamalıdır. Kişisel koruyucu ekipmanın durumunu düzenli olarak kontrol edin.
- Onaylı koruyucu baret kullanın.
- Onaylı kulak koruma ekipmanı kullanın. Uzun süre gürültüye maruz kalınması kalıcı işitme hasarına yol açabilir.
- Fırlayan nesnelerin neden olacağı yaralanma riskini azaltmak için onaylı koruyucu gözlük veya yüz siperliği kullanın. Ürün ağaç yongaları ve küçük ağaç parçaları gibi nesneleri büyük bir kuvvetle fırlatabilir. Bu, özellikle gözlerde ciddi yaralanmayla sonuçlanabilir.
- Testere korumalı eldiven kullanın.
- Testere korumalı pantolon kullanın.
- Testere korumalı, çelik parmak uçlu ve kaymaz tabanlı botlar kullanın.
- Yanınızda her zaman ilk yardım kiti bulundurun.
- Kıvılcım riski. Orman yangınlarını engellemek için yakınınızda yangın söndürücü araçlar ve kürek bulundurun.

Ürünün üzerindeki güvenlik araçları



UYARI: Ürünü kullanmadan önce aşağıdaki uyarı talimatlarını okuyun.

- Güvenlik cihazları hasarlı olan veya düzgün çalışmayan bir ürünü kullanmayın.
- Güvenlik araçlarını düzenli olarak kontrol edin. Bkz. *Ürün üzerindeki güvenlik araçlarının bakımı ve kontrolleri sayfa: 737.*
- Güvenlik cihazları hasarlıysa veya düzgün çalışmıyorsa Husqvarna servis bayinizle görüşün.

Kullanıcı arayüzünün işlevleri

Kullanıcı arayüzünde çalıştırma/durdurma düğmesi, SavE düğmesi, akü durumu ve uyarı göstergesi bulunur. Zincir freni devreye alındığında veya aşırı yük riski varsa uyarı göstergesi yanıp söner. Aşırı yük koruması, ürünü geçici olarak durdurur ve sıcaklık azalana kadar

ürünü kullanamazsınız. Uyarı göstergesi sabit bir şekilde yanıyorsa servis bayinize danışın.

(Şek. 34)

Kullanıcı arayüzü hakkında daha fazla bilgi için bkz. *Ürüne genel bakış sayfa: 722.*

Otomatik durdurma işlevi

Üründe, 3 dakika boyunca kullanmamanız halinde ürünü durduran bir otomatik durdurma işlevi bulunur.

Zincir freni ve ön el koruyucusu

Ürününüzde, geri tepme olması halinde testere zincirini durduran bir zincir freni bulunur. Zincir freni kaza riskini azaltır ancak kazaları önlemek yalnızca sizin elinizdedir.

(Şek. 35)



UYARI: Geri tepme riski bulunan durumlardan kaçının. Ürününüzü kullanırken dikkatli olun ve kılavuzun geri tepme alanının herhangi bir nesneye değmediğinden emin olun.

(Şek. 36)

Zincir freni (A) sol elinizle manuel olarak ya da ataletle serbest bırakma mekanizması ile otomatik olarak etkinleştirilir. Zincir frenini manuel olarak etkinleştirmek için ön el koruyucusunu (B) ileriye doğru itin. Bu işlem, tahrik dişlisini durduran yay yüklü bir mekanizmayı çalıştırır.

(Şek. 37)

Zincir freninin nasıl devreye alındığı, geri tepme kuvveti ve ürünün konumu ile ilgilidir. Geri tepme alanı sizden en uzaktayken yoğun bir geri tepme olursa zincir freni ataletle serbest bırakma mekanizmasıyla etkinleştirilir. Geri tepme küçükse ya da geri tepme alanı size daha yakınsa zincir freni sol elinizle manuel olarak etkinleştirilir.

(Şek. 38)

Zincir frenini ürünü çalıştırırken ve kısa mesafelerde hareket ederken park freni olarak kullanın. Bu, testere zincirinin size ya da yakınınızdaki birine değme riskini azaltır.

(Şek. 39)

Zincir frenini devre dışı bırakmak için ön el koruyucusunu geriye doğru çekin.

(Şek. 40)

Gerçek tepme çok ani ve yoğun olabilir. Çoğu geri tepme küçüktür ve zincir frenini her zaman etkinleştirmez. Ürünü kullanırken bir geri tepme olursa tutma yerlerini sıkıca tutun ve sakın bırakmayın.

(Şek. 41)

Eliniz ön tutma yerinden kayarsa ön el koruyucusu da testere zincirine değme riskini azaltır.

(Şek. 42)

Devrilme pozisyonunda zincir frenini manuel olarak etkinleştiremezsiniz. Bu pozisyonda zincir freni yalnızca ataletle serbest bırakma mekanizması tarafından etkinleştirilebilir.

(Şek. 43)

Güç tetiği kilidi

Güç tetiği kilidi, güç tetiğinin kazayla çalıştırılmasını önler. Güç tetiği kilidini ileri (A) ittiğinizde ve ardından güç tetiği kilidini tutma yerine (B) bastırduğunuzda güç tetiği (C) serbest kalır. Tutma yerini bırakırsanız güç tetiği ve güç tetiği kilidi birlikte geri hareket ederek ilk konumlarına geri döner.

(Şek. 44)

Zincir Kıskaçı

Zincir yakalayıcı, kırılması ya da gevşemesi halinde testere zincirini yakalar. Doğru zincir gerginliğine sahipseniz risk azalır. Ayrıca kılavuzun ve testere zincirinin bakımlarını doğru yaparak da riski azaltabilirsiniz. Talimatlar için bkz. *Montaj sayfa: 730* ve *Bakım sayfa: 736*.

(Şek. 45)

Sağ el koruyucu

Testere zinciri kopar veya gevşerse sağ el koruyucusu eliniz için koruma sağlar. Ayrıca ürünü kullanırken dallar ve sürgünlerden kaynaklanan müdahaleleri de önler.

(Şek. 46)

Akü güvenliği



UYARI: Ürünü kullanmadan önce aşağıdaki uyarı talimatlarını okuyun.

- Yalnızca ürününüz için önerdiğimiz, 40-B serisi aküleri kullanın. Bkz. *Onaylı aküler sayfa: 744*. Aküler yazılım şifresine sahiptir.
- İlgili Husqvarna ürünleri için güç kaynağı olarak yalnızca şarj edilebilir 40-B serisi aküleri kullanın. Bkz. *Onaylı aküler sayfa: 744*. Yaralanmayı önlemek için aküyü başka cihazların güç kaynağı olarak kullanmayın.
- Elektrik çarpması riski. Akü terminallerini anahtarlara, vidalara veya diğer metallere bağlamayın. Bu, aküde kısa devreye neden olabilir.
- Şarj edilebilir olmayan aküleri kullanmayın.
- Akünün hava deliklerine herhangi bir nesne koymayın.
- Aküyü güneş ışığından, ısı kaynaklarından veya açık alevden uzak tutun. Akü yanıklara ve/veya kimyasal yanıklara neden olabilir.

- Aküyü yağmurdan ve ıslak koşullardan uzak tutun.
- Aküyü mikrodalgalardan ve yüksek basınçtan uzak tutun.
- Aküyü parçalarına ayırmaya veya kırmaya çalışmayın.
- Akü asidinin cildinize temas etmesine izin vermeyin. Akü asidi ciltte yaralanmaya, aşınmaya ve yanıklara neden olur. Akü asidi gözünüze kaçarsa gözlerinizi ovmayın ancak suyla en az 15 dakika yıkayın. Akü asidi cildinize temas ederse cildinizi bol miktarda su ve sabunla yıkamanız gerekir. Tıbbi yardım alın.
- Aküyü -10°C (14°F) ile 40°C (104°F) arasındaki sıcaklıklarda kullanın.
- Aküyü veya akü şarj cihazını suyla temizlemeyin. Bkz. *Aküyü ve akü tutucuyu kontrol etme sayfa: 738*.
- Hasarlı bir aküyü kullanmayın.
- Aküleri çivi, vida veya mücevherat gibi metal nesnelere uzak bir yerde saklayın.
- Aküyü çocuklardan uzakta tutun.

Akü şarj cihazı güvenliği



UYARI: Ürünü kullanmadan önce aşağıdaki uyarı talimatlarını okuyun.

- Güvenlik talimatlarına uyulmaması durumunda elektrik çarpması veya kısa devre riski vardır.
- Hasarlı olmayan onaylı ve topraklanmış bir duvar prizi kullanın.
- Ürününüz için verileden başka akü şarj cihazı kullanmayın. Husqvarna yedek aküleri 40-B140 şarj ederken yalnızca 40-C80 şarj cihazlarını kullanın. Bkz. *Ürün için onaylı akü şarj cihazları sayfa: 745* ve *Onaylı aküler sayfa: 744*.
- Akü şarj cihazını parçalarına ayırmaya çalışmayın.
- Hatalı veya hasarlı akü şarj cihazlarını kullanmayın.
- Akü şarj cihazını güç kablosundan tutup kaldırmayın. Akü şarj cihazını duvar prizinden çıkarmak için fişi çekin. Güç kablosunu çekmeyin.
- Tüm kabloları ve uzatma kablolarını sudan, yağdan ve keskin köşelerden uzakta tutun. Kablonun kapılara, çitlere veya benzeri yerlere takılmadığından emin olun.
- Akü şarj cihazını, yanıcı malzemelerin veya korozyona neden olabilecek malzemelerin yakınında kullanmayın. Akü şarj cihazının üstünün kapalı olmadığından emin olun. Duman veya ateş çıkması durumunda akü şarj cihazının fişini çekip çıkarın.
- Aküyü yalnızca kapalı alanda, iyi hava akışı olan ve güneş ışığından uzak bir yerde şarj edin. Aküyü dış mekanda şarj etmeyin. Aküyü ıslak koşullarda şarj etmeyin.
- Akü şarj cihazını yalnızca 5°C (41°F) ile 40°C (104°F) arasındaki sıcaklıklarda kullanın. Şarj cihazını iyi hava akışı olan kuru ve tozsuz bir ortamda kullanın.

- Akü şarj cihazının soğutma deliklerine herhangi bir nesne koymayın.
- Akü şarj cihazında kısa devre oluşabileceği için şarj cihazının terminallerini metal nesnelere bağlamayın.
- Hasarlı olmayan onaylı duvar prizlerini kullanın.
- Şarj edilemeyen aküleri akü şarj cihazlarında şarj etmeyin.

Bakım için güvenlik talimatları



UYARI: Ürün üzerinde bakım yapmadan önce aşağıdaki uyarı talimatlarını okuyun.

- Bakım ve diğer kontrolleri gerçekleştirmeden veya ürünü monte etmeden önce aküyü çıkarın.
- Operatör, yalnızca kullanım kılavuzunda gösterilen bakım ve servis işlemlerini uygulamalıdır. Daha geniş çaplı bakım ve servis için servis bayinizle iletişime geçin.
- Aküyü veya akü şarj cihazını suyla temizlemeyin. Güçlü deterjanlar plastiğe zarar verebilir.
- Bakım yapmamanız ürünün kullanım ömrünü azaltır ve kaza riskini artırır.
- Ürünün güvenlik araçları başta olmak üzere tüm servis ve onarım işlemleri için özel eğitim gerekir. Bakım yaptıktan sonra bu kullanım kılavuzundaki tüm kontroller onaylanmazsa servis bayinizle iletişime geçin. Ürününüz için profesyonel onarım ve servis hizmetinin mevcut olduğunu garanti ederiz.
- Sadece orijinal yedek parça kullanın.

Kesme donanımı için güvenlik talimatları



UYARI: Ürünü kullanmadan önce aşağıdaki uyarı talimatlarını okuyun.

- Sadece onaylı kılavuz/testere zinciri kombinasyonlarını ve egeleme ekipmanını kullanın. Talimatlar için bkz. *Teknik veriler sayfada: 743*.
- Testere zincirini kullanırken veya üzerinde bakım yaparken koruyucu eldivenler takın. Hareket etmeyen bir testere zinciri yaralanmalara da yol açabilir.
- Kesme dişlerinin her zaman doğru bir şekilde bileylenmiş olmasını sağlayın. Talimatlara uyun ve önerilen eğe masterını kullanın. Hasarlı ya da yanlış bileylenmiş testere zinciri kaza riskini artırır.

(Şek. 47)

- Doğru derinlik ölçüğü ayarını koruyun. Talimatlara uyun ve önerilen derinlik ölçüğü ayarını kullanın. Derinlik ölçüğü ayarının çok fazla olması geri tepme riskini artırır.

(Şek. 48)

- Testere zincirinin doğru gerginlikte olduğundan emin olun. Testere zinciri kılavuza doğru sıkıştırılmamışsa yerinden çıkabilir. Yanlış testere zinciri gerginliği kılavuzdaki, testere zincirindeki ve zincir tahrik dişlisindeki aşınmayı artırır. Bkz. *Aksesuarlar sayfada: 744*.

(Şek. 49)

- Kesme donanımlarının bakımlarını düzenli olarak yapın ve bu ekipmanları doğru şekilde yağlayın. Testere zinciri yanlış yağlanırsa testere zincirindeki ve zincir tahrik dişlisindeki aşınma riski artar.

(Şek. 50)

Montaj

Kılavuzu ve testere zincirini takma (kılavuz düğmesi ile)



UYARI: Ürünün parçalarını birleştirmeden ya da ürün üzerinde bakım işlemleri yapmadan önce aküyü her zaman çıkarın.

1. Zincir frenini devre dışı bırakın. (Şek. 51)
2. Kılavuz düğmesini gevşetin ve tahrik dişlisi kapağını çıkarın. (Şek. 52)
3. Kılavuzu, kılavuz saplamasının üzerine yerleştirin. Kılavuzu en arka konumuna yönlendirin. Testere zincirini tahrik dişlisinden yukarı kaldırın ve kılavuzdaki oluğa geçirin. Kılavuzun üst kenarından başlayın.

4. Kesici kenarlarının kılavuzun üst kenarında öne dönük olduğundan emin olun. (Şek. 53)
5. Tahrik dişlisi kapağını takın ve zincir ayarlama pimini kılavuzdaki deliğe yönlendirin.
6. Testere zincirindeki zincir dişlilerinin tahrik dişlisine doğru bir şekilde uyduğundan emin olun.
7. Testere zincirinin, kılavuzdaki oluğa doğru bir şekilde geçtiğinden emin olun.
8. Testere zincirini gerdirin. Talimatlar için bkz. *Bakım sayfada: 736*.
9. Kılavuz düğmesini sıkın.

Kılavuzu ve testere zincirini takma (kılavuz civatası ile)



UYARI: Ürünün parçalarını birleştirmeden ya da ürün üzerinde bakım işlemleri yapmadan önce aküyü her zaman çıkarın.

1. Zincir frenini devre dışı bırakın. (Şek. 51)
2. Kılavuz somununu gevşetin ve tahrik dişlisi kapağını çıkarın. (Şek. 54)
3. Kılavuzu, kılavuz saplamasının üzerine yerleştirin. Kılavuzu en arka konumuna yönlendirin. Testere zincirini tahrik dişlisinden yukarı kaldırın ve kılavuzdaki oluğa geçirin. Kılavuzun üst kenarından başlayın.
4. Kesici kenarlarının kılavuzun üst kenarında öne dönük olduğundan emin olun. (Şek. 55)
5. Tahrik dişlisi kapağını takın ve zincir ayarlama pimini kılavuzdaki deliğe yönlendirin.

6. Testere zincirindeki zincir dişlilerinin tahrik dişlisine doğru bir şekilde uyduğundan emin olun.
7. Testere zincirinin, kılavuzdaki oluğa doğru bir şekilde geçtiğinden emin olun.
8. Kılavuz somununu elinizle sıkın.
9. Testere zincirini sıkın. Talimatlar için bkz. *Bakım sayfa: 736*.

Akü şarj cihazını duvara monte etme



DİKKAT: Akü şarj cihazını duvara monte etmek için elektrikli tornavida kullanmayın. Elektrikli tornavida, akü şarj cihazına zarar verebilir.

1. Akü şarj cihazını, 2 vida (A) ile duvara monte edin. Gerekirse dübel (B) kullanın. (Şek. 56)
2. 2 vida deliği dübelini (C) takın.
3. Güç kablosunu (D) akü şarj cihazına ve duvar prizine bağlayın.

Çalışma

Giriş



UYARI: Ürünü kullanmadan önce güvenlik bölümünü okuyup anlayın.

Ürünü kullanmadan önce işlev kontrolü yapma

1. Düzgün çalıştığından ve hasarlı olmadığından emin olmak için zincir frenini (A) kontrol edin.
2. Hasarlı olmadığından emin olmak için arka sağ el koruyucuyu (B) kontrol edin.
3. Doğru çalıştığından ve hasarlı olmadığından emin olmak için güç tetiğini ve güç tetiği kilidini (C) kontrol edin.
4. Doğru çalıştığından emin olmak için tuş takımını (D) kontrol edin.
5. Kollarda (E) yağ olmadığından emin olun.
6. Bütün parçaların doğru bir şekilde takıldığından ve hasarlı ya da eksik olmadığından emin olmak için kontrol edin.
7. Doğru takıldığından emin olmak için zincir yakalayıcıyı (F) kontrol edin.
8. Zincir gerginliğini (G) kontrol edin.
9. Aküyü (H) şarj edin ve ürüne doğru şekilde takılmış olduğundan emin olun.
10. Güç tetiğini serbest bıraktığınızda testere zincirinin durduğundan emin olun. (Şek. 57)

Doğru zincir yağı kullanma



UYARI: Yaralanmanıza ve çevre üzerinde zarara yol açabileceğinden atık yağ kullanmayın. Atık yağ; yağ pompasının, kılavuzun ve testere zincirinin hasar görmesine neden olur.



UYARI: Kesim ekipmanı yeterince yağlanmazsa testere zinciri kopabilir. Operatör için ciddi yaralanma veya ölüm riski.



UYARI: Bu işlevin düzgün çalışması için doğru zincir yağı kullanın. Zincir yağı seçerken servis bayinize danışın.

- Maksimum testere zinciri ömrünü elde etmek ve çevre üzerindeki olumsuz etkileri engellemek için Husqvarna zincir yağı kullanın. Husqvarna zincir yağını bulamazsanız standart bir zincir yağı kullanmanızı öneririz.
- Testere zincirine iyi yapışan bir zincir yağı kullanın.
- Hava sıcaklığına uygun viskozite aralığına sahip bir zincir yağı kullanın.



DİKKAT: 0°C/32°F altındaki sıcaklıklarda bazı zincir yağları çok koyulaşarak yağ pompası bileşenlerinin hasar görmesine neden olabilir.

- Tavsiye edilen kesme donanımlarını kullanın. Bkz. *Aksesuarlar sayfa: 744*.

- Zincir yağı tankının kapağını çıkarın.
- Zincir yağı tankına zincir yağı doldurun.
- Kapağı dikkatlice takın.

(Şek. 58)

Not: Zincir yağı tankının ürününüzün neresinde olduğunu görmek için bkz. *Giriş sayfa: 722.*

Akü



UYARI: Aküyü kullanmadan önce güvenlik bölümünü okuyup anlayın. Akü ve

akü şarj cihazına ait kullanım kılavuzunu da okuyup anlamalısınız.

Aküyü ve akü şarj cihazını doğru ortam sıcaklıklarında tutun.

	Ortam sıcaklığı
Akü çalışma sıcaklığı	5°C-40°C / 41°F-104°F
Akü şarj etme sıcaklığı	5°C-40°C / 41°F-104°F

Akü durumu

Ekranında, şarj durumu ve aküyle ilgili sorun olup olmadığı gösterilir.

(Şek. 59)

LED göstergesi	Akü şarj olma durumu
4 LED ışık yanıyor	Akü %76 - %100 doludur.
3 LED ışık yanıyor	Akü %51 - %75 doludur.
2 LED ışık yanıyor	Akü %26 - %50 doludur.
1 LED ışık yanıyor	Akü %6 - %25 doludur.
1 LED ışık yanıp sönüyor	Akü %0 - %5 doludur.

Aküyü şarj etme

Aküyü ilk defa kullanacaksanız şarj edin. Yeni bir akünün şarjı %30 seviyesindedir.



DİKKAT: Akü şarj cihazını nominal değerler plakasında belirtilen voltaj ve frekansa sahip bir güç çıkışına bağlayın.

Akü sıcaklığı 50°C'nin/122°F üzerindeyse akü şarj olmaz.

1. Güç kablosunu akü şarj cihazına bağlayın.
2. Akü şarj cihazını topraklı bir prize takın. Şarj LED'i bir kez yanıp söner. (Şek. 60)
3. Aküyü akü şarj cihazına bağlayın. Şarj LED'i yanar. Aküyü en fazla 24 saat boyunca şarj edin. (Şek. 61)
4. Akü göstergesi düğmesine basın; tüm LED göstergeler yanarsa akü tamamen şarj olmuştur.
5. Akü şarj cihazının prize bağlantısını kesmek için elektrik fişini çekin. Güç kablosunu çekmeyin.
6. Aküyü, akü şarj cihazından çıkarın.

Geri tepme hakkında bilgiler



UYARI: Geri tepme, operatör ya da başkaları açısından ciddi yaralanmalara veya ölüme neden olabilir. Riski azaltmak

için geri tepmenin sebeplerini ve bunları nasıl önleyebileceğinizi bilmeniz gerekir.

Geri tepme, kılavuzun geri tepme alanı bir nesneye dokunduğunda meydana gelir. Geri tepme aniden ve büyük bir kuvvetle oluşabilir ve ürünü, operatöre doğru savurur.

(Şek. 36)

Geri tepme, her zaman kılavuzun kesim düzleminde oluşur. Genellikle ürün operatöre doğru savrulur ancak farklı bir yöne de hareket edebilir. Geri tepme oluştuğu andaki ürünü kullanma şekliniz savrulmanın yönünü belirler.

(Şek. 62)

Geri tepme yalnızca kılavuz çubuğun geri tepme alanı bir nesneye dokunursa meydana gelir. Geri tepme alanının bir nesneye değmesine izin vermeyin.

(Şek. 36)

Daha küçük kılavuz yarıçapı geri tepme kuvvetini azaltır.

Geri tepme etkilerini azaltmak için düşük geri tepmeli testere zinciri kullanın. Geri tepme alanının bir nesneye değmesine izin vermeyin.



UYARI: Hiçbir testere zinciri geri tepmeyi tamamen engellemez. Her zaman talimatlara uyun.

Gerı tepmeyle ilgili yaygın sorular

• Gerı tepme sırasında el, zincir frenini daima etkinleřtirir mi?

Hayır. Ön el koruyucusunu ileriye itmek için biraz kuvvet uygulamak gerekir. Gereken kuvveti uygulamazsanız zincir freni devreye girmez. Çalıřma sırasında ayrıca ürünün tutma yerlerini iki elinizle sıkıca tutmalısınız. Gerı tepme oluřursa zincir freni, testere zincirini size deęmeden durduramayabilir. Ayrıca elinizin, zincir frenini etkinleřtirmek için ön el koruyucusuna dokunamadığı pozisyonlar da olabilir.

• Gerı tepme sırasında ataletle serbest bırakma mekanizması zincir frenini daima devreye alır mı?

Hayır. Öncelikle zincir freni doğru çalıřmalıdır. Zincir frenini kontrol etmeyle ilgili talimatlar için bkz. *Ürün üzerindeki güvenlik araçlarının bakımı ve kontrolleri sayfa: 737*. Bunu, ürünü her kullanımdan önce yapmanız tavsiye ederiz. İkinci olarak, gerı tepme kuvveti zincir frenini devreye alacak kadar büyük olmalıdır. Zincir freni çok hassassa sert kullanım sırasında devreye girebilir.

• Gerı tepme sırasında zincir freni beni daima yaralanmaktan korur mu?

Hayır. Zincir freninin koruma sağlamak için doğru çalıřması gerekir. Ayrıca zincir freni, testere zincirini durdurmak için gerı tepme sırasında etkinleřmiş olmalıdır. Kılavuzun yakınıdaysanız zincir freni, testere zincirini size çarpmadan durduracak zamanı bulamayabilir.



UYARI: Gerı tepmeleri yalnızca siz, doğru çalıřma teknięiyle önleyebilirsiniz.

Ürünü çalıřtırma

1. Güç tetięini ve güç tetięi kilidini kontrol edin. Bkz. *Güç tetięi kilidini kontrol etme sayfa: 738*.
2. Zincir frenini etkinleřtirin. (řek. 63)
3. Aküyü akü tutucusuna yerleřtirin. (řek. 64)



DİKKAT: Akünün akü tutucusuna doğru şekilde takıldıęından emin olun. Akü, akü tutucusuna rahatça geçmiyorsa konumu doğru deęildir.

4. Bir tık sesi duyana kadar akünün alt kısmına bastırın. (řek. 65)
5. Yeřil LED yanana kadar çalıřtırma/durdurma düęmesini basılı tutun. (řek. 66)

SavE iřlevini kullanma

SavE iřlevi, ürünün zincir hızını ve gücünü azaltır.

1. SavE düęmesine basın. Yeřil LED yanar.
2. İřlevi kapatmak için SavE düęmesine tekrar basın. Yeřil LED söner. (řek. 67)

Ürünü durdurma

1. Yeřil LED sönene kadar çalıřtırma/durdurma düęmesine basın. (řek. 66)
2. Yanlıřlıkla çalıřtırmayı önlemek için akü çıkarma düęmelerine basın ve aküyü akü tutucudan çıkarın. (řek. 68)

Çekme hareketi ve itme hareketi

Bu ürünle ağacı 2 farklı konumda kesebilirsiniz.

- Çekme hareketiyle kesme, kılavuzun alt kısmıyla kesme iřlemidir. Keserken testere zinciri ağaç boyunca hareket eder. Bu pozisyonda ürünü ve gerı tepme alanını daha iyi kontrol edersiniz.

(řek. 69)

- İtme darbesiyle kesme, kılavuzun üst kısmıyla kesme iřlemidir. Testere zinciri, ürünü operatöre doğru iter.

(řek. 70)



UYARI: Testere zinciri ağaç gövdesine sıkıřırsa ürün size doğru itilebilir. Ürünü sıkı tutun ve kılavuzun gerı tepme alanının gerı tepmeye yol açacak şekilde ağaca temas etmedięinden emin olun.

(řek. 71)

Kesim teknięini kullanma



UYARI: Kesme iřlemi yaparken tam güç verin ve her kesme iřleminden sonra hızlı rölantie düşürün.



DİKKAT: Motoru yüksüz olarak çok uzun süre çalıřtırmayın. Bu, motorda hasara neden olabilir.

1. Gövdely bir testere tezgahının veya rayların üzerine yerleřtirin. (řek. 72)



UYARI: Gövdeleri yığın halindeyken kesmeyin. Bu, gerı tepme riskini artırır ve ciddi yaralanmaya ya da ölüme neden olabilir.

2. Kesilen parçaları çalıřma alanından uzaklařtırın.



UYARI: Çalıřma alanında kesilen parçaların bulunması gerı tepme riskini artırır ve dengeyi koruyamamanıza neden olur.

Mahmuz kullanma

1. Mahmuzu ağacın gövdesine itin.

2. Tam güç uygulayın ve ürünü döndürün. Mahmuza ağaca dayalı tutun. Bu prosedür, ağaç gövdesini kesmek için gerekli kuvvetin uygulanmasını kolaylaştırır. (Şek. 73)

Gövdeyi yerde kesme

1. Gövdeyi çekme hareketiyle kesin. Tam gücü koruyun ancak ani kazalara karşı hazırlıklı olun. (Şek. 74)



UYARI: Kesmeyi tamamladığınızda testere zincirinin yere temas etmediğinden emin olun.

2. Gövdenin yaklaşık 3'te 2'sini kestikten sonra durun. Gövdeyi döndürün ve diğer taraftan kesin. (Şek. 75)

Bir ucunda destek olan gövdeyi kesme



UYARI: Gövdenin kesim sırasında kırılmadığından emin olun. Aşağıdaki talimatlara uyun.

(Şek. 76)

1. Gövdenin yaklaşık 3'te 1'ini itme hareketiyle kesin.
2. İki kesik birleşene kadar gövdeyi çekme hareketiyle kesin. (Şek. 77)

İki ucunda destek olan gövdeyi kesme



UYARI: Testere zincirinin kesim sırasında gövdeye sıkışmadığından emin olun. Aşağıdaki talimatlara uyun.

(Şek. 78)

1. Gövdenin yaklaşık 3'te 1'ini çekme hareketiyle kesin.
2. Kesimi tamamlamak için gövdenin geri kalanını itme hareketiyle kesin. (Şek. 79)



UYARI: Testere zinciri gövdeye sıkışırsa motoru durdurun. Kesiciyi açmak ve ürünü çıkarmak için bir levye kullanın. Ürünü elinizle çekerek dışarı çıkarmaya çalışmayın. Bu hareket, ürün aniden serbest kaldığında yaralanmaya neden olabilir.

Dal budama tekniğini kullanma

Not: Kalın dallar için kesim tekniğini kullanın. Bkz. *Kesim tekniğini kullanma sayfada: 733.*



UYARI: Dal budama tekniğini kullanırken yüksek bir kaza riski vardır. Geri tepmeyi önlemeye yönelik talimatlar için bkz. *Geri tepme hakkında bilgiler sayfada: 732.*



UYARI: Dalları tek tek kesin. Küçük dalları keserken dikkatli olun ve çalılırları veya birçok küçük dalı aynı anda kesmeyin. Küçük dallar testere zincirine takılarak ürünün güvenli bir şekilde çalışmasını önleyebilir.

Not: Gerekirse dalları parça parça kesin. Gövdenin (C) yakınındaki dalı kesmeden önce küçük dalları (A) ve (B) kesin.

(Şek. 80)

1. Gövdenin sağ tarafındaki dalları kesin.
 - a) Kılavuzu gövdenin sağ tarafında, ürünün gövdesini de ağaç gövdesinin karşısında tutun.
 - b) Dalın gerginliğine yönelik olarak uygun kesim tekniğini seçin. (Şek. 81)



UYARI: Dalı nasıl keseceğinizden emin değilseniz devam etmeden önce profesyonel bir motorlu testere operatörüne danışın.

2. Gövdenin tepesindeki dalları kesin.
 - a) Ürünü gövde üzerinde tutun ve kılavuzun gövde boyunca hareket etmesine izin verin.
 - b) İtme hareketiyle kesin. (Şek. 82)
3. Gövdenin sol tarafındaki dalları kesin.
 - a) Dalın gerginliğine yönelik olarak uygun kesim tekniğini seçin. (Şek. 83)



UYARI: Dalı nasıl keseceğinizden emin değilseniz devam etmeden önce profesyonel bir motorlu testere operatörüne danışın.

Gergin durumdaki dalları kesmeye yönelik talimatlar için bkz. *Gerilim altında olan ağaçları ve dalları kesme sayfada: 736.*

Ağaç devirme tekniğini kullanma



UYARI: Ağaç devirmek için deneyim sahibi olmanız gerekir. Mümkünse motorlu testerenin kullanımı konusundaki bir eğitim kursuna katılın. Daha fazla bilgi için deneyimli bir operatörle konuşun.

Güvenli mesafeyi koruma

1. Etrafınızdaki insanların en az 2,5 ağaç boyu kadar güvenli bir mesafede bulunduğundan emin olun. (Şek. 84)
2. Devrilmeden önce veya devrilme sırasında risk bölgesinde kimsenin bulunmadığından emin olun. (Şek. 85)

Devrilme yönünü hesaplama

1. Ağacın hangi yönde düşmesi gerektiğini inceleyin. Buradaki amaç, ağacın gövdesini ve üzerindeki dalları kolayca kesebileceğiniz bir konumda devrilmesini sağlamaktır. Ayrıca yere sağlam basmanız ve güvenli bir şekilde hareket edebiliyor olmanız da önemlidir.



UYARI: Ağacı doğal düşme yönünde devirmek tehlikeliyse veya mümkün değilse ağacı farklı bir yönde devirin.

2. Ağacın doğal düşme yönünü inceleyin. Örneğin ağacın eğimi ve kavisi, rüzgar yönü, dalların konumu ve karın ağırlığı önemlidir.
3. Etrafta başka ağaçlar, elektrik hatları, yollar ve/veya binalar gibi engeller olup olmadığını kontrol edin.
4. Ağacın kökünde hasar ve çürüme olup olmadığını bakın.



UYARI: Kökte çürüme olması, siz kesimi tamamlamadan önce ağacın düşmesi riskini oluşturur.

5. Ağaçta devirme sırasında kopup üzerinize düşebilecek hasarlı veya ölü dallar olmadığından emin olun.
6. Ağacın sabit durumdaki başka bir ağacın üstüne düşmesine izin vermeyin. Sıkışmış bir ağacı kırtarmak tehlikelidir ve kaza riski çok yüksektir. Bkz. *Sıkışan bir ağacı kırtarma sayfa: 736.* (Şek. 86)



UYARI: Kritik devirme çalışmaları sırasında, testereyle kesme işlemi tamamlanır tamamlanmaz kulak koruma ekipmanınızı çıkarın. Sesleri ve uyarı sinyallerini duymazsınız önemlidir.

Gövdeyi temizleme ve geri çekilme yolunuzu hazırlama

Omuz yüksekliğinizin aşağısında kalan tüm dalları kesin.

1. Yukarıdan aşağıya çekme hareketiyle kesin. Ağacın siz ve ürün arasında olduğundan emin olun. (Şek. 87)
2. Ağacın altındaki bitkileri çalışma alanından temizleyin. Çalışma alanındaki tüm kesilen malzemeyi temizleyin.
3. Taşlar, dallar ve delikler gibi engeller olup olmadığını görmek için alanı kontrol edin. Ağaç düşmeye başladığında geri çekilme yolunuzda herhangi bir engel olmaması gerekir. Geri çekilme yolunuz devrilme yönünden yaklaşık 135 derece uzakta olmalıdır.

1. Tehlike bölgesi
2. Geri çekilme yolu
3. Devrilme yönü

(Şek. 88)

Ağacı devirmek için

Husqvarna, ağacı devirirken yön kesimleri yapmanızı ve ardından güvenli köşe yöntemini kullanmanızı önerir. Güvenli köşe yöntemi, devirme kenarını doğru ayarlamanızı ve devrilme yönünü kontrol etmenizi sağlar.



UYARI: Kılavuz uzunluğunun iki katından fazla çapa sahip ağaçları devirmeyin. Bunun için özel eğitim almış olmanız gerekir.

Devrilme kenarı

Ağaç devirme sırasında en önemli işlem devrilme kenarını doğru ayarlamaktır. Doğru devrilme kenarı ile devrilme yönünü kontrol eder ve devirme işleminin güvenli olduğundan emin olursunuz.

Devrilme kenarının kalınlığı, ağaç çapının minimum %10'una eşit olmalıdır.



UYARI: Devrilme kenarı hatalı veya çok incecik devrilme yönü üzerinde kontrol sahibi olamazsınız.

(Şek. 89)

Doğrusal kesimler yapma

1. Doğrusal kesimler yapın. Ağaç çapının 1/4'ünde doğrusal kesimler yapın. Üst kesim ve alt kesim arasında 45°'lik bir açı oluşturun.
 - a) Önce üst kesimi yapın. Ürünün kesme yönü işaretini (A) ağacın devrilme yönüyle (B) hizalayın. Ürünün arkasında durun ve ağacı sağ tarafınızda tutun. Çekme hareketiyle kesin.
 - b) Alt kesimi yapın. Alt kesim ucunun üst kesim ucuyla aynı noktada olduğundan emin olun. (Şek. 90)
2. Doğrusal kesim düzleminin tamamen yatay ve devrilme yönüne dik açıda (90°) olduğundan emin olun. Doğrusal kesim düzlemi, iki doğrusal kesimin birleştiği noktadan geçer. (Şek. 91)

Güvenli köşe yöntemini kullanma

Devirme kesimi, yön kesiminin çok az üzerinde yapılmalıdır.

(Şek. 92)



UYARI: Kılavuz ucuyla keserken dikkatli olun. Gövdede oyuk açarken kılavuz ucunun alt kısmıyla kesmeye başlayın.

(Şek. 93)

1. Kullanılabilir kesim uzunluğu ağaç çapından uzunsa aşağıdaki adımları (a-d) uygulayın.

- a) Devrilme kenarı genişliğini tamamlamak için gövdenin tam içinde bir oyuk açın. (Şek. 94)
 - b) Gövdenin yaklaşık 3'te 1'i kalana kadar çekme hareketiyle kesin.
 - c) Kılavuzu 5-10 cm/2-4 inç arkaya doğru çekin.
 - d) 5-10 cm/2-4 inç genişliğindeki güvenli köşeyi tamamlamak için gövdenin geri kalanını kesin. (Şek. 95)
2. Kullanılabilir kesim uzunluğu ağaç çapından kısaysa aşağıdaki adımları (a-d) uygulayın.
 - a) Gövdenin tam içinde bir oyuk açın. Oyuk, ağaç çapının 5'te 3'ünü geçmelidir.
 - b) Gövdenin geri kalanını çekme hareketiyle kesin. (Şek. 96)
 - c) Devrilme kenarını tamamlamak için ağacın diğer tarafından gövdenin içine doğru kesin.
 - d) Güvenli köşeyi tamamlamak için gövdenin 3'te 1'i kalana kadar itme hareketiyle kesin. (Şek. 97)
 3. Tam arkadan kesişe bir kama yerleştirin. (Şek. 98)
 4. Ağacı devirmek için köşeyi kesin.

Not: Ağaç düşmezse düşene kadar kamaya vurun.

5. Ağaç düşmeye başladığında geri çekilme yolunu kullanarak ağaçtan uzaklaşın. Ağaçtan minimum 5 m/15 ft uzaklaşın.

Sıkışan bir ağacı kurtarma



UYARI: Sıkışmış bir ağacı kurtarmak son derece tehlikelidir ve kaza riski çok yüksektir. Risk bölgesinden uzak durun ve sıkışmış bir ağacı devirmeye çalışmayın.

(Şek. 99)

En güvenli yol aşağıdaki vinçlerden birini kullanmaktır:

- Traktöre monte edilmiş

(Şek. 100)

- Taşınabilir

(Şek. 101)

Gerilim altında olan ağaçları ve dalları kesme

1. Ağacın veya dalın hangi tarafının gergin olduğunu tespit edin.
2. Maksimum gerilim noktasını tespit edin. (Şek. 102)
3. Gerilimi boşaltmak için hangi yöntemin en güvenli yöntem olduğunu inceleyin.

Not: Bazı durumlarda tek güvenli yol ürününüzü kullanmayıp bir vinç kullanmaktır.

4. Gerilim boşaldığında ağacın veya dalların size çarpamayacağı bir konumda durun. (Şek. 103)
5. Gerilimi azaltmak için gereken yeterli derinlikte bir veya daha fazla kesim yapın. Maksimum gerilim noktasında veya yakınında kesim yapın. Ağacın veya dalın maksimum gerilim noktasında kopmasını sağlayın. (Şek. 104)



UYARI: Gerilmiş bir ağacı veya dalı düz olarak kesmeyin.



UYARI: Gerilmiş bir ağacı keserken çok dikkatli olun. Ağacın kesimden önce veya sonra hızlıca hareket etme riski vardır. Yanlış bir konumdaysanız veya hatalı kesim yaparsanız ciddi yaralanmalar oluşabilir.

6. Bir ağacı/dalı düz olarak kesmeniz gerekiyorsa birbirinden 1'er inç uzaklıkta ve 2 inç derinlikte 2-3 kesim yapın. (Şek. 105)
7. Ağaç/dal bükülene ve gerilim boşalana kadar ağacı kesmeye devam edin. (Şek. 106)
8. Gerilim boşaldıktan sonra ağacı/dalı bükülmenin zıt yönünden kesin.

Bakım

Giriş



UYARI: Ürün üzerinde bakım yapmadan önce güvenlik bölümünü okuyup anlayın.

Bakım takvimi



UYARI: Bakım yapmadan önce aküyü çıkarın.

Ürün üzerinde yapmanız gereken bakım adımları aşağıda listelenmiştir. Daha fazla bilgi için bkz. *Bakım sayfa: 736*.

Bakım	Kullanmadan önce	Haftalık	Aylık
Ürünün dış kısımlarını temizleyin.	X		
Güç tetiğinin ve güç tetiği kilidinin güvenlik açısından doğru çalıştığından emin olun.	X		
Zincir frenini temizleyin ve güvenli bir şekilde çalıştığından emin olun. Zincir yakalayıcının zarar görmemiş olduğundan emin olun. Gerekirse değiştirin.	X		
Eşit bir şekilde aşınması için kılavuzu çevirin. Kılavuzdaki yağlama deliğinin tıkalı olmadığından emin olun. Kılavuz oluğunu temizleyin.	X		
Testerede ve testere siperliğinde hiçbir çatlak olmadığından ve bunların hasar görmüş olmadığından emin olun. Çatlak varsa ya da darbeye maruz kalmışsa testereyi veya testere siperliğini değiştirin.	X		
Kılavuzun ve testere zincirinin yeterince yağlandığından emin olun.	X		
Testere zincirini kontrol edin. Çatlak olup olmadığına bakın ve testere zincirinin sert ya da olağanüstü derecede aşınmış olmadığından emin olun. Gerekirse değiştirin.	X		
Testere zincirini bileyin. Gerginliğini ve durumunu kontrol edin. Tahrik dişlisinde aşınma olup olmadığını kontrol edin ve gerekirse değiştirin.	X		
Üründeki hava girişini temizleyin.	X		
Vida ve somunların sıkı olduğundan emin olun.	X		
Tuş takımının düzgün çalıştığından ve hasar görmemiş olduğundan emin olun.	X		
Kılavuzun kenarlarındaki çapakları gidermek için bir eğe kullanın.		X	
Akü ile ürün arasındaki bağlantıları kontrol edin. Akü ile akü şarj cihazı arasındaki bağlantıyı kontrol edin.			X
Yağ deposunu boşaltın ve temizleyin.			X
Ürünün ve akünün soğutma kanallarına hafifçe basınçlı hava püskürtün.			X

Ürün üzerindeki güvenlik araçlarının bakımı ve kontrolleri

Ön el koruyucusunu kontrol etme

Ön el koruyucusunu ve ataletle fren bırakmayı düzenli olarak kontrol edin.

1. Ön el koruyucusunda çatlak gibi hasarlar olmadığından emin olun. (Şek. 107)
2. Ön el koruyucusunun serbestçe hareket edebildiğinden ve ürüne güvenli bir şekilde takılması olduğundan emin olun. (Şek. 108)
3. Ürünü motoru kapalı durumda bir kökün veya bir başka dengeli yüzeyin üzerine koyun.
4. Arka tutma yerini tutun ve ön tutma yerini bırakın. Ürünün kökün üzerine düşmesini sağlayın. (Şek. 109)
5. Kılavuz çubuk köke çarptığında zincir freninin devreye girdiğinden emin olun.

Fren tetiğini kontrol etme

1. Ürünü dengeli bir zemine koyup çalıştırın. Bkz. *Çalışma sayfa: 731.*



UYARI: Testere zincirinin yere veya başka bir nesneye temas etmediğinden emin olun.

2. Baş ve diğer parmaklarınızı sararak tutma yerlerini kavrayın ve ürünü sıkıca tutun. (Şek. 110)
3. Tam güç uygulayın ve zincir frenini etkinleştirmek için sol bileğinizi ön el koruyucusunun üzerine doğru eğin. Testere zinciri anında durmalıdır. (Şek. 111)



UYARI: Ön tutma yerini elinizden bırakmayın!

Güç tetiği kilidini kontrol etme

1. Güç tetiğinin ve güç tetiği kilidinin serbestçe hareket ettiğinden ve dönüş yayının düzgün çalıştığından emin olun. (Şek. 112)
2. Güç tetiği kilidini ileri (A) ve aşağı (B) doğru itin. Güç tetiği kilidini tutma yerine bastırarak tutun ve serbest bıraktığınızda ilk konumuna döndüğünden emin olun. (Şek. 113)
3. Güç tetiği kilidi serbest bırakıldığında güç tetiğinin rölanti konumuna sabitlendiğinden emin olun. (Şek. 114)
4. Ürünü çalıştırın ve tam güç uygulayın.
5. Güç tetiğini serbest bırakın ve testere zincirinin durduğundan ve sabit kaldığından emin olun.



UYARI: Güç tetiği rölanti konumundayken testere zinciri dönerse servis bayinizle iletişime geçin.

Zincir yakalayıcıyı kontrol etme

1. Zincir yakalayıcıda hasar olmadığından emin olun.
2. Zincir yakalayıcının sabit olduğundan ve ürünün gövdesine takılı olduğundan emin olun. (Şek. 115)

Kullanıcı arayüzünün işlevlerini kontrol etme

1. Ürünü çalıştırın. Bkz. *Ürünü çalıştırma sayfa: 733*.
2. Çalıştırma/durdurma düğmesini basılı tutun.
3. Ürünün durduğundan ve yeşil LED'in söndüğünden emin olun. (Şek. 66)

Aküyü ve akü tutucuyu kontrol etme

1. Aküyü ve akü tutucuyu yumuşak bir fırçayla temizleyin.
2. Soğutma deliklerini ve akü konektörlerini temizleyin. (Şek. 116)
3. Aküde çatlak veya başka hasar olmadığından emin olun.

Akü şarj cihazını kontrol etme

1. Akü şarj cihazının ve güç kaynağı kablusunun hasarlı olmadığından emin olun. Çatlak ya da başka hasar olup olmadığını kontrol edin. (Şek. 117)

Soğutma sistemini temizleme

Soğutma sistemi, motorun sıcaklığını düşük tutar. Soğutma sistemi, ürünün sol tarafındaki bir hava girişinden ve motordaki bir fandan oluşur.

1. Soğutma sistemini haftada bir kez ya da gerekirse daha sık olmak üzere fırçayla temizleyin. (Şek. 118)
2. Soğutma sisteminin kirliliği ya da tıkalı olmadığından emin olun.



DİKKAT: Kirli ya da tıkalı bir soğutma sistemi, ürünün aşırı ısınmasına neden olabilir. Bu, üründe hasara neden olur.

Testere zincirini bileylemek için

Kılavuz ve testere zinciri hakkında bilgi



UYARI: Testere zincirini kullanırken veya üzerinde bakım yaparken koruyucu eldivenler takın. Hareket etmeyen bir testere zinciri yaralanmalara da yol açabilir.

Aşınmış ya da hasarlı kılavuzu ya da testere zincirini, Husqvarna tarafından tavsiye edilen kılavuz ve testere zinciri kombinasyonu ile değiştirin. Bu, ürünün güvenlik işlevlerini sürdürmesi açısından gereklidir. Tavsiye ettiğimiz yedek kılavuz ve zincir kombinasyonlarının listesini görmek için bkz. *Aksesuarlar sayfa: 744*.

- Kılavuz uzunluğu, inç/cm. Kılavuz uzunluğu ile ilgili bilgiler genelde kılavuzun arka ucunda bulunur.

(Şek. 119)

- Kılavuzun ucundaki pinyondaki diş sayısı (T).

(Şek. 120)

- Zincir bakla açıklığı, inç. Testere zincirinin zincir dişleri arasındaki mesafe, kılavuzun ucundaki pinyondaki diş ile tahrik dişli arasındaki mesafeyle hizalanmış olmalıdır.

(Şek. 121)

- Zincir dişlisi sayısı. Zincir dişlisi sayısı kılavuz türüne göre belirlenir.

(Şek. 122)

- Kılavuz oluşu genişliği, inç/mm. Kılavuzdaki oluşun genişliği zincir dişlisi genişliği ile aynı olmalıdır.

(Şek. 123)

- Zincir yağı deliği ve zincir gerginliğini ayarlama deliği. Kılavuz, ürünle hizalanmış olmalıdır.

(Şek. 124)

- Zincir dişlisi genişliği, mm/inç.

(Şek. 125)

Kesicileri bileme hakkında genel bilgiler

Kör bir testere zincirini kullanmayın. Testere zinciri körse kılavuzu ağaca doğru itmek için daha fazla basınç uygulamanız gerekir. Testere zinciri çok körse hiç ağaç yongası çıkmaz, sadece talaş çıkar.

Keskin testere zinciri ağaç keserek ilerler ve ağaç yongaları uzun ve kalın olur.

Kesim dişi (A) ve derinlik ölçeği (B) birlikte testere zincirinin kesen kısmını, yani testereyi oluşturur. Bu ikisi

arasındaki yükseklik farklı, kesim derinliğini verir (derinlik ölçęęi ayarı).

(Şek. 126)

Kesiciyi bileyleirken şunları düşünün:

- Eğeleme açısı.

(Şek. 127)

- Kesme açısı.

(Şek. 128)

- Eğe konumu.

(Şek. 129)

- Yuvarlak eğe çapı.

(Şek. 130)

Doęru ekipman olmadan testere zincirini doęru şekilde bileylemek kolay deęildir. Husqvarna tarafından önerilen eğe mastarını kullanın. Bu, maksimum kesim performansını korumanıza ve geri tepme riskini minimumda tutmanıza yardımcı olur.



UYARI: Bileme talimatlarına uymamanız halinde geri tepme kuvveti çok fazla artar.

Not: Testere zincirinin bileylenmesi hakkında bilgi için bkz. *Aksesuarlar sayfada: 744*.

Kesicileri bileme

1. Kesme dişlerini bilemek için yuvarlak bir eğe ve eğe mastarı kullanın. (Şek. 131)

Not: Husqvarna tarafından testere zinciriniz için tavsiye edilen eğe ve mastar hakkında bilgi için bkz. *Aksesuarlar sayfada: 744*.

2. Eğe mastarını kesiciye doęru şekilde uygulayın. Eğe mastarı ile birlikte verilen talimatlara bakın.
3. Eğeyi kesme dişinin iç kısmından çekerek dışarı çıkarın. Çekme hareketindeki basıncı azaltın. (Şek. 132)
4. Tüm kesme dişlerinin bir tarafındaki malzemeyi çıkarın.
5. Ürünü ters çevirin ve dięer taraftaki malzemeyi çıkarın.
6. Tüm kesme dişlerinin aynı uzunlukta olduęundan emin olun.

Derinlik ölçęęi ayarını yapma hakkında genel bilgiler

Kesme dişini (A) bileledięinizde derinlik ölçęęi ayarı (C) azalır. Maksimum kesme performansını korumak amacıyla tavsiye edilen derinlik ölçęęi ayarını elde etmek için derinlik ölçęęindeki (B) eğeleme malzemesini çıkarmanız gerekir. Testere zinciriniz için doęru derinlik ölçęęi ayarını elde etme hakkında talimatlar için bkz. *Aksesuarlar sayfada: 744*.

(Şek. 133)



UYARI: Derinlik ölçęęi ayarı çok büyükse geri tepme riski artar!

Derinlik ölçęęi ayarını yapma

Derinlik ölçęęi ayarını yapmadan ya da kesicileri bileylemeden önce talimatlar için bkz. *Kesicileri bileme sayfada: 739*. Kesme dişlerini bileledięiniz her üç çalışmadan sonra derinlik ölçęęi ayarını yapmanızı tavsiye ederiz.

Derinlik ölçęęi için doęru derinlik ölçęęi ayarını ve eğimini elde etmek için derinlik ölçęęi aracımızı kullanmanızı tavsiye ederiz.

(Şek. 134)

1. Derinlik ölçęęi ayarını yapmak için düz eğe ve derinlik ölçęęi aracı kullanın. Derinlik ölçęęi için doęru derinlik ölçęęi ayarını ve eğimini elde etmek için yalnızca önerilen Husqvarna derinlik ölçęęi aracını kullanın.
2. Derinlik ölçęęi aracını testere zincirinin üzerine koyun.

Not: Aracı kullanma hakkında daha fazla bilgi için derinlik ölçęęi aracının ambalajına bakın.

3. Derinlik ölçęęinin derinlik ölçęęi aracına uzanan kısmını gidermek için düz eğe kullanın. (Şek. 135)

Testere zincirinin gerginliğini ayarlama



UYARI: Doęru gerginlikte olmayan bir testere zinciri kılavuzdan çıkarak ciddi yaralanma veya ölüme neden olabilir.

Testere zinciri kullanıldıkça uzar. Testere zincirini düzenli olarak ayarlayın. Her zincir yağı ekleyişinizde testere zinciri gerginliğini kontrol edin.

Not: Yeni bir testere zincirinin alıştırmaya süresi vardır ve bu süre içerisinde gerginliği daha sık kontrol etmeniz gerekir.

Testere zinciri gerginliğini ayarlama (kılavuz düęmesi ile)

1. Düęmeyi açılana kadar kıvrın. (Şek. 136)
2. Tahrik dişlisi kapağını gevşetmek için düęmeyi saat yönünün tersine çevirin. (Şek. 137)
3. Testere zincirinin gerginliğini ayarlamak için zincir gergi dişlisini çevirin. Testere zinciri kılavuzla sıkıca bağlanmalıdır. (Şek. 138)

Not: Dişliyi daha fazla gerginlik için aşıęı (+) ve daha az gerginlik için yukarı (-) çevirin.

4. Testere zincirini elinizle serbestçe çekebildiğinizden ve zincirin kılavuzdan sarkmadığından emin olun. (Şek. 139)
5. Kılavuz düğmesini sıkamak için düğmeyi saat yönünde çevirin. (Şek. 140)
6. Gerginliği kilitlemek için düğmeyi aşağı kıvrın. (Şek. 141)

Testere zinciri gerginliğini ayarlama (kılavuz cıvatası ile)

1. Tahrik dişlisi kapağını tutan kılavuz somunu gevşetin. Kombine anahtarı kullanın. (Şek. 142)
2. Kılavuzun ön kısmını kaldırın ve zincir gerdirme vidasını çevirin. Kombine anahtarı kullanın.
3. Testere zincirini, kılavuza sıkıca dayanana kadar sıkın. (Şek. 143)
4. Kombine anahtarı kullanarak kılavuz somununu sıkın ve aynı anda kılavuzun ön kısmını kaldırın. (Şek. 144)
5. Testere zincirini elinizle serbestçe çekebildiğinizden ve zincirin kılavuzdan sarkmadığından emin olun. (Şek. 139)

Not: Bkz. *Ürüne genel bakış sayfa*: 722 Zincir germe vidasının ürününüz üzerindeki yeri için.

Testere zinciri yağlamasını kontrol etme

Aküyü üç kez şarj ettikten sonra testere zinciri yağlamasını kontrol edin.

1. Ürünü açın ve 3/4 güçte çalıştırın. Kılavuzu, açık renkli bir yüzeyden yaklaşık 20 cm (8 inç) yukarıda tutun.
2. Zincir yağlaması doğruysa 1 dakika sonra yüzeyde net bir yağ hattı görürsünüz. (Şek. 145)
3. Testere zinciri yağlaması doğru değilse aşağıdaki kontrolleri yapın.
 - a) Kılavuzdaki yağ kanalını kontrol edip tıkalı olmadığından emin olun. Gerekirse temizleyin. (Şek. 146)
 - b) Kılavuzun ucundaki oluğu kontrol edip temiz olduğundan emin olun. Gerekirse temizleyin. (Şek. 147)
 - c) Kılavuzun ucundaki pinyonun serbestçe döndüğünden ve kılavuz çubuğunun ucundaki pinyonda bulunan yağlama deliğinin tıkalı olmadığından emin olun. Gerekirse temizleyin ve yağlayın. (Şek. 148)

4. Yukarıdaki adımları uyguladıktan sonra zincir yağlamasında sorun varsa yetkili servisle iletişime geçin.

Zincir tahrik dişlisini kontrol etme

- Zincir tahrik dişlisinde aşınma olup olmadığını kontrol edin. Gerekirse zincir tahrik dişlisini değiştirin.
- Testere zincirini her değiştirdiğinizde zincir tahrik dişlisini de değiştirin. (Şek. 149)

Kesme ekipmanını kontrol etme

1. Perçin ve zincir dişlilerinde çatlak olmadığından ve gevşemiş bir perçin bulunmadığından emin olun. Gerekirse değiştirin. (Şek. 150)
2. Testere zincirinin kolayca bükülemediğinden emin olun. Kolay bükülemiyorsa testere zincirini değiştirin.
3. Perçin ve zincir dişlilerinde aşınma olup olmadığını incelemek için testere zincirini yeni bir testere zinciriyle karşılaştırın.
4. Kesim dişinin en uzun parçası 4 mm'den / 0,16 inç'ten kısaysa testere zincirini değiştirin. Ayrıca, kesicilerde çatlak varsa testere zincirini değiştirin. (Şek. 151)

Kılavuzu kontrol etme

1. Yağ kanalının tıkalı olmadığından emin olun. Gerekirse temizleyin. (Şek. 146)
2. Kılavuzun kenarlarında çapak olup olmadığını inceleyin. Bir ege kullanarak çapakları temizleyin. (Şek. 152)
3. Kılavuzun oluğunu temizleyin. (Şek. 147)
4. Kılavuzdaki oluğun aşınmış olup olmadığını inceleyin. Gerekirse kılavuzu değiştirin. (Şek. 153)
5. Kılavuz ucunun kaba veya çok aşınmış olup olmadığını inceleyin. (Şek. 154)
6. Kılavuzun ucundaki pinyonun serbestçe döndüğünden ve kılavuzun ucundaki pinyonda bulunan yağlama deliğinin tıkalı olmadığından emin olun. Gerekirse temizleyin ve yağlayın. (Şek. 148)
7. Kullanım ömrünü uzatmak için kılavuzu her gün çevirin. (Şek. 155)

Sorun giderme

Kullanıcı arayüzü

LED ekran	Olası arızalar	Olası çözüm
Uyarı göstergesi yanıp sönüyor.	Zincir freni devrededir.	Zincir frenini devre dışı bırakın.
	Sıcaklık değişimi.	Ürünün soğumasını bekleyin.
	Aşırı yük. Testere zincirini hareket edemiyor.	Testere zincirini serbest bırakın.
	Güç tetiğine ve çalıştırma/durdurma düğmesine aynı anda basılmıştır.	Güç tetiğini serbest bırakarak ürünü çalıştırın.
Turuncu renkli etkinleştirme LED'i yanıp sönüyor.	Düşük akü voltajı.	Aküyü şarj edin.
Uyarı göstergesi yanıyor.	Servis.	Servis bayinize danışın.

Akü

LED ekran	Olası arızalar	Olası çözüm
Yeşil renkli LED yanıp sönüyor.	Düşük akü voltajı.	Aküyü şarj edin.
Hata LED'i yanıp sönüyor.	Sıcaklık değişimi.	Aküyü -10°C (14°F) ile 40°C (104°F) arasındaki sıcaklıklarda kullanın.
	Voltaj çok yüksek.	Şebeke voltajının, ürünün voltajıyla uyumlu olduğundan emin olun. Ürün üzerindeki nominal değerler plakasına bakın. Aküyü, akü şarj cihazından çıkarın.
Hata LED'i yanar.	Çok fazla hücre farkı (1 V).	Servis bayinize danışın.

Akü şarj cihazı

Durum	Olası arızalar	Olası prosedür
Şarj LED'i kırmızı renkte yanıyor.	Akü şarj cihazında kalıcı hata.	Bayinize başvurun.
Şarj LED'i yeşil renkte yanıp sönüyor.	Sıcaklık sapması. Akü kullanmak veya şarj etmek için fazla soğuk ya da fazla sıcaktır.	Akünün soğumasını bekleyin veya ısınmasını sağlayın. Akü doğru sıcaklığa geldiğinde tekrar kullanılabilir veya şarj edilebilir. Akü şarj cihazını 5°C (41°F) ile 40°C (104°F) arasındaki ortam sıcaklıklarında kullanın.
Şarj LED'i kırmızı renkte yanıp sönüyor.	Arızalı akü	Bayinize başvurun

Taşıma, depolama ve atma

Taşıma ve saklama

- Ürün ile birlikte verilen Lityum iyon aküler, Tehlikeli Maddeler Yönetmeliklerinin gereksinimlerini karşılamaktadır.
- Üçüncü taraflar ve aracı nakliye şirketleri de dahil olmak üzere, ticari amaçlı taşıma işlemlerinde ambalaj ve etiketler üzerindeki özel gereksinimlere uyun.
- Ürünü göndermeden önce tehlikeli maddeler konusunda özel eğitim almış bir kişiyle görüşün. Yürürlükteki tüm ulusal yönetmeliklere uyun.
- Aküyü bir ambalaja yerleştireceğiniz zaman açık kontakları bantlayın. Aküyü ambalaj içine hareket etmesini engelleyecek şekilde yerleştirin.
- Saklama veya taşıma için aküyü çıkarın.
- Aküyü ve akü şarj cihazını nem ve don olmayan kuru bir yerde saklayın.
- Aküyü statik elektriğin oluşabileceği yerlerde saklamayın. Aküyü metal bir kutuda tutmayın.
- Aküyü, sıcaklığı 5°C/41°F ile 25°C/77°F arasında olan ve doğrudan güneş ışığı almayan bir yerde tutun.
- Akü şarj cihazını, sıcaklığı 5°C/41°F ile 45°C/113°F arasında olan ve doğrudan güneş ışığı almayan bir yerde tutun.
- Akü şarj cihazını yalnızca ortam sıcaklığı 5°C/41°F ile 40°C/104°F arasıdayken kullanın.

- Uzun süreli depolamadan önce aküyü %30-%50 arasındaki bir seviyeye kadar şarj edin.
- Akü şarj cihazını, kapalı ve kuru bir alanda saklayın.
- Depolama sırasında aküyü akü şarj cihazından uzakta tutun. Çocukların ve diğer izinsiz kişilerin ekipmana dokunmasına izin vermeyin. Ekipmanı kilitleyebileceğiniz bir yerde tutun.
- Uzun süreli depolamadan önce ürünü temizleyin ve ürüne eksiksiz bir bakım yaptırın.
- Taşıma ve depolama sırasında ürünün hasar görmesini engellemek için taşıma koruyucusunu kullanın.
- Taşıma sırasında ürünü güvenli bir şekilde sabitleyin.

Akünün, akü şarj cihazının ve ürünün bertaraf edilmesi

Aşağıdaki sembol, ürünün evsel atık olmadığını gösterir. Ürünü, elektrikli ve elektronik ekipmanlar için bir geri dönüşüm istasyonunda geri dönüştürün. Bu, çevrenin ve insanların zarar görmesini önlemeye yardımcı olur.

Daha fazla bilgi için yerel yetkililerle, evsel atık servisiyle veya bayinizle görüşün.

(Şek. 24)

Not: Sembol, ürün veya ürün paketi üzerinde gösterilir.

Teknik veriler

Teknik veriler

	225i
Motor	
Tip	BLDC (fırçasız) 36 V
Özellikler	
Düşük enerji modu	SavE
Yağlama sistemi	
Yağ pompası türü	Otomatik
Yağ deposu kapasitesi, ml/cm ³	0,2/200
Ağırlık	
Akü, kılavuz, testere zinciri ve boş zincir yağı deposu olmadan motorlu testere, kg	3,1
Gürültü emisyonu ¹¹⁰	
Ses gücü düzeyi, ölçülmüş dB(A)	97
Ses gücü düzeyi, garantili L _{WA} dB(A)	100
Ses düzeyleri ¹¹¹	
EN 62841-1 uyarınca ölçülen, operatörün kulağında oluşan ses basıncı düzeyi	89
Titreşim düzeyleri ¹¹²	
Ön tutma yeri, m/sn ²	3,9
Arka tutma yeri, m/sn ²	3,9
Testere zinciri/kılavuz	
Önerilen kılavuz uzunlukları, inç/cm	12-14/30,5-35,6
Kullanılabilir kesme uzunluğu, inç/cm	11-13/27-33,2
Tahrik dişlisinin tipi/diş sayısı	Spur/6
Maksimum zincir hızı/(Normal mod), m/sn	11,8
Maksimum zincir hızı/(SavE modu), m/sn	9,4

¹¹⁰ 2000/14/AT sayılı AT direktifi ve EN ISO 22868 direktifi uyarınca ortamda ses gücü (L_{WA}) olarak ölçülen gürültü emisyonlarının tipik istatistiksel dağılımı (standart sapma) 3 dB (A) şeklindedir.

¹¹¹ Makinenin ses basıncı düzeyi için bildirilen verilerdeki tipik istatistiksel dağılım (standart sapma) 3 dB (A) şeklindedir.

¹¹² EN 62841-4-1'e göre titreşim düzeyi. Titreşim düzeyi için bildirilen verilerdeki tipik istatistiksel dağılım (standart sapma) $\pm 1,5$ m/sn² şeklindedir. Makineye farklı bir kılavuz uzunluğu ve önerilen zincir türü takıldığına alınan ölçümlere göre beyan edilen titreşim verileri. Makineye farklı bir kılavuz uzunluğu takılırsa titreşim düzeyi maksimum $\pm 1,5$ m/sn² olmak üzere değişiklik gösterebilir.

Aksesuarlar

Kılavuz ve testere zinciri kombinasyonları



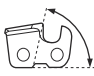







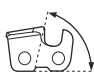


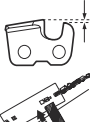


Husqvarna 225i için aşağıdaki kesme ataşmanları onaylıdır.

Kılavuz					Testere zinciri	
Tip	Uzunluk, inç	Zincir bakla açıklığı, inç	Ölçek, mm	Maksimum burun yarıçapı	Tip	Uzunluk, tahrik bağlantıları (no.)
501959545	12	3/8 inç mini	1,1	7 T	Husqvarna H38 (581808145)	45
501959552	14	3/8 inç mini	1,1	7 T	Husqvarna H38 (581807952)	52

Eğeleme ekipmanı ve eğeleme açıları

Testere zincirini bileylemek için Husqvarna eğe mastarı kullanın. Husqvarna eğe mastarı doğru eğeleme açılarını elde etmenizi sağlar. Parça numaraları aşağıdaki tabloda belirtilmiştir.

Ürününüzde hangi tip testere zinciri kullanıldığından emin değilseniz daha fazla bilgi için bkz. www.husqvarna.com.

							
38	11/64 inç / 4,5 mm	75°	30°	0°	0,025 inç / 0,65 mm	505 69 81-03	579 55 88-01
							
93	5/32 inç / 4,0 mm	60°	30°	0°	0,025 inç / 0,65 mm	596 63 89-01	596 63 89-01

Onaylı aküler

Akü	40-B140
Tip	Lityum iyon

Akü	40-B140
Akü kapasitesi, Ah	4
Nominal voltaj, V	36
Ağırlık, kg	1.25

Ürün için onaylı akü şarj cihazları

Akü şarj cihazı	40-C80
Şebeke voltajı, V	100-240
Frekans, Hz	50-60
Güç, W	72
Çıkış Voltajı, V d.c./ Amper, A	43/1,6

Uyumluluk Bildirimi

AT Uyumluluk Bildirimi

sorumlu vasfıyla ürüne ilişkin aşağıdaki beyanlarda bulunmaktadır:

Biz, **Husqvarna AB**, SE-561 82 Huskvarna, İsveç, telefon numarası: +46-36-146500 olarak tek

Açıklama	Kablosuz motorlu testereler
Marka	Husqvarna
Tip/Model	225i
Kimlik	2023 ve sonrası tarihli seri numaraları

aşağıdaki AB direktifleri ve yönetmelikleriyle tamamen uyumludur:

Direktif/Yönetmelik	Açıklama
2006/42/AT	"makinelele ilgili"
2014/30/AB	"elektromanyetik uyumlulukla ilgili"
2011/65/AB	"elektrikli ve elektronik ekipmanlarda belirli tehlikeli maddelerin kullanımının kısıtlanmasına ilişkin"
2000/14/AT	"çevredeki gürültü emisyonlarıyla ilgili"

Aşağıdaki standartlar uygulanmıştır: EN 62841-1:2015+A11:2022, EN 62841-4-1:2020, EN IEC 63000:2018, EN IEC 55014-1:2021, EN IEC 55014-2:2021.

Onaylanmış kuruluş: TÜV Rheinland LGA Products GmbH, Tillystrasse 2, D-90431 Nuernberg, Germany, 0197., makine direktifinin (2006/42/AT) 12. maddesinin 3b fıkrasına uygun şekilde AT tip incelemesi gerçekleştirmiştir. Sertifika numarası: BM 50604678 0001.

Verilen motorlu testere, AT tip incelemesinden geçmiş örneğe uygundur.

2000/14/AT direktifi, Ek V ile uyumlu olarak, açıklanan ses değerleri için bkz. *Teknik veriler sayfası: 743*.

Husqvarna, 2023-10-30



Claes Losdal, AR-GE Müdürü, Husqvarna AB

Teknik dokümantasyon sorumlusu

Türk ithalat şirketi daha fazla bilgi için temas edilecek:
Çullas Orman Bahçe ve Tarım Mak. San. Tic. A.Ş.
Suadiye Mh. Bağdat Cd. No:455/4
Kadıköy – 34740 İstanbul / Türkiye
Telefon: +90 216 519 88 82
Faks: +90 216 519 88 78
info@cullas.com.tr



Зміст

Вступ.....	747	Усунення несправностей.....	769
Безпека.....	748	Транспортування, зберігання й утилізація.....	770
Збирання.....	757	Технічні характеристики.....	771
Експлуатація.....	758	Аксесуари.....	772
ТЕХНІЧНЕ ОБСЛУГОВУВАННЯ.....	764	Декларація відповідності.....	774

Вступ

Призначення

Ця ланцюгова пилка для лісових господарств спроектована для таких робіт: рубка лісу, обрізання та розрізання дерев.

Зверніть увагу: Норми внутрішнього законодавства можуть накладати обмеження на використання цього виробу.

Огляд виробу

(Мал. 1)

1. Передній захисний щиток
2. Передня ручка
3. Інтерфейс користувача
4. Кнопка Start/stop
5. Попереджувальний індикатор й індикатор акумулятора
6. Кнопка SavE
7. Задня ручка з правостороннім кожухом
8. Інформаційна й попереджувальна наклейка
9. Корпус
10. Оливний бак для ланцюга
11. Кришка для транспортування
12. Фіксатор механічного пускового пристрою
13. Механічний пусковий пристрій
14. Кришка приводної зірочки з ручкою шини
15. Пристрій натягування ланцюга
16. Обмежувач ланцюга
17. Зубчатий упор
18. Ведена зірочка шини
19. Пилковий ланцюг
20. Шина пилки
21. Індикатор стану заряду
22. З'єднувач
23. Зарядний пристрій
24. Комбінований гайковий ключ
25. Індикатор попередження
26. Кнопка, стан акумулятора
27. Стан акумулятора
28. Кнопка для виймання акумулятора
29. Акумулятор

Опис виробу

Husqvarna 225i – це модель ланцюгової пилки з електричним двигуном.

Ми постійно працюємо над підвищенням вашої безпеки й ефективності роботи. По додатковій інформації звертайтеся до свого дилера з обслуговування.

30. Посібник користувача

31. Ручка шини

32. Кришка приводної зірочки з болтом шини

Символи на виробі

(Мал. 2) УВАГА! Цей виріб може бути небезпечним і здатний спричинити тяжкі травми або смерть оператора чи сторонніх осіб. Будьте обережні й використовуйте виріб належним чином.

(Мал. 3) Перед початком експлуатації виробу уважно прочитайте посібник користувача й переконайтеся в тому, що ви зрозуміли наведені в ньому вказівки.

(Мал. 4) Використовуйте сертифікований захисний шолом, засоби захисту органів слуху й зору.

(Мал. 5) Під час роботи тримайте виріб обома руками.

(Мал. 6) Не працюйте з виробом, тримаючи його лише однією рукою.

(Мал. 7) Не допускайте торкання об'єкта кінчиком різальної шини.

(Мал. 8) Забороняється використовувати під час дощу.

(Мал. 9) Увага! Якщо кінчик шини торкнеться об'єкта, це може призвести до віддачі. Це спричинить відкидання шини в бік оператора. Небезпека отримання серйозних травм або смерті.

(Мал. 10) Номінальна напруга, В

(Мал. 11) Масло для ланцюга.

(Мал. 12) Напрямок обертання ланцюга пилки й максимальна довжина пильної шини.

(Мал. 13) Постійний струм.

(Мал. 14) **Екологічне маркування.** Цей виріб і його пакування не можна утилізувати разом із побутовими відходами. Утилізацію необхідно проводити на підприємстві з переробки відходів електричного й електронного обладнання.

(Мал. 15) Виріб відповідає вимогам застосованих директив ЄС.

(Мал. 16) Цей виріб відповідає вимогам застосованих нормативно-правових актів Сполученого Королівства.

(Мал. 17) Етикетка щодо шумових викидів у навколишнє середовище відповідно до вимог Європейської директиви 2000/14/ЄС, директив і нормативних актів Сполученого Королівства та Закону про збереження навколишнього середовища (контроль шуму) 2017 р. Нового Південного Уельсу. Гарантований рівень звукової потужності виробу вказано в розділі *Технічні характеристики на сторінці 771* і на етикетці.

(Мал. 21) Гальмо ланцюга, задіяне (спереду). Гальмо ланцюга, незадіяне (ззаду).

(Мал. 22) Напрямок обертання ланцюга.

(Мал. 23) На таблиці з паспортними даними вказано серійний номер. **уууу** – це рік виготовлення, а **www** – тиждень виробництва.

Зверніть увагу: Інші позначення на виробі відповідають вимогам сертифікації для певних ринків.

Позначення на акумуляторі та/або на зарядному пристрої

(Мал. 24) Утилізацію виробу необхідно проводити на підприємстві з переробки відходів електричного й електронного обладнання. (Лише для країн Європи)

(Мал. 18) Захисний ізолюючий трансформатор.

(Мал. 19) Зарядний пристрій слід використовувати й зберігати лише в приміщенні.

(Мал. 20) Подвійна ізоляція.

Виробник

Husqvarna AB
Drottninggatan 2, SE-561 82, Huskvarna, Sweden, tel:
+46-36-146500

Пошкодження виробу

Ми не несемо відповідальності за пошкодження, якщо:

- виріб було неправильно відремонтовано;
- виріб було відремонтовано із використанням деталей, виготовлених не виробником або не затверджених ним;
- виріб обладнано аксесуаром, виготовленим не виробником або не затвердженим ним;
- виріб було відремонтовано в неавторизованому сервісному центрі або неавторизованою компанією;

Безпека

Визначення щодо безпеки

Попередження, застереження й примітки служать для наголошення на особливо важливих положеннях посібника.



ПОПЕРЕДЖЕННЯ: Вказує на те, що в разі порушення інструкцій, наведених у цьому посібнику, існує небезпека поранення або смерті

оператора чи інших осіб, що знаходяться поруч.



УВАГА: Вказує на те, що в разі порушення інструкцій, наведених у цьому посібнику, існує небезпека пошкодження виробу, інших матеріалів або навколишніх об'єктів.

Зверніть увагу: Використовується для надання додаткової інформації щодо певної ситуації.

Загальні правила безпеки при роботі з електроінструментами



ПОПЕРЕДЖЕННЯ: Ознайомтеся з усіма попередженнями щодо техніки безпеки, інструкціями, рисунками й технічними характеристиками до цього виробу. Недотримання наведених далі інструкцій може призвести до враження електричним струмом, пожежі та / або серйозних травм.

- **Збережіть усі попереджувальні знаки й інструкції для звернення до них у майбутньому.** Терміном «електроінструмент» у попередженнях позначається ваш електроінструмент, який працює від електромережі (з кабелем), або акумуляторний (безпровідний) електроінструмент.

Безпека в робочій зоні

- **Забезпечуйте порядок та добре освітлення в робочій зоні.** Безлад і погане освітлення сприяють нещасним випадкам.
- **Не використовуйте електроінструмент у вибухонебезпечному середовищі, наприклад, у присутності вогненебезпечних рідин, газів або пилу.** Електроінструменти утворюють іскри, які можуть запалити пил або випари.
- **Не підпускайте до себе дітей та сторонніх осіб, коли працюєте з електроінструментом.** Ви можете відволіктися та втратити контроль.

Електробезпека

- **Вилки інструментів повинні підходити до розетки.** У жодному разі не змінюйте вилку будь-яким чином. Під час роботи із заземленими електроінструментами не використовуйте будь-які перехідники. Незмінені вилки та відповідні розетки зменшують ризик враження електричним струмом.
- **Уникайте тілесного контакту із заземленими поверхнями, такими як труби, радіатори, кухонні плити та холодильники.** Існує підвищений ризик

враження електричними струмом, якщо ваше тіло заземлене.

- **Захищайте інструмент від дощу та вологи.** Потраплення води в інструмент збільшує загрозу ураження електричним струмом.
- **Використовуйте кабель лише за призначенням.** Ніколи не використовуйте кабель для перенесення чи перетягування предметів і не тягніть за нього, щоб вийняти вилку з розетки. Тримайте кабель подалі від джерела тепла, мастила, гострих країв або рухомих деталей. Пошкоджений чи заплутаний кабель збільшує ризик враження електричним струмом.
- **Під час експлуатації електроінструмента надворі використовуйте подовжувальний кабель, що підходить для застосування надворі.** Використання кабелю, який підходить для застосування надворі, зменшує ризик враження електричним струмом.
- **Якщо застосування електроінструменту у вологому середовищі є обов'язковим, використовуйте джерело живлення, обладнане пристроєм захисного відключення (ПЗВ).** Використання ПЗВ знижує ризик ураження електричним струмом.

Особиста безпека

- **Будьте пильними, слідкуйте за тим, що робите та дотримуйтеся правил здорового глузду під час експлуатації електроінструмента.** Не використовуйте електроінструмент, коли ви стомлені або перебуваєте під впливом наркотиків, алкоголю або лікарських засобів. Втрата уваги на мить під час експлуатації електроінструмента може призвести до серйозної травми.
- **Використовуйте засоби індивідуального захисту. Обов'язково необхідно користуватися засобами захисту для очей.** Захисне спорядження, наприклад респіратор, черевики з нековзною підшовою, каска або захисні навушники за використання у відповідних умовах зменшують ризик травмування.
- **Запобігайте випадковому запуску.** Переконайтеся, що вимикач перебуває у вимкненому положенні, перш ніж підключати інструмент до джерела живлення й/або акумуляторного блока, піднімати або переносити його. Не переносьте електроінструменти, тримаючи палець на вимикачі, і не пускайте напругу на електроінструменти, які увімкнено. Це може призвести до нещасних випадків.
- **Перед вмиканням інструмента приборіть будь-які регульовальні або гайкові ключі.** Якщо залишити на обертальній частині гайковий ключ або гайковий вороток, це може призвести до травм.
- **Не прикладайте дуже великих зусиль.** Завжди стійте твердо на ногах, підтримуйте баланс. Це дозволить краще контролювати електроінструмент у несподіваних ситуаціях.

- **Одягайтеся правильно. Не вдягайте просторий широкий одяг, не надягайте на себе ювелірні вироби. Тримайте волосся й одяг подалі від рухомих частин.** Просторий широкий одяг, ювелірні вироби або довге волосся можуть потрапити в рухомі деталі.
- **У разі наявності обладнання з видалення й збору пилу переконайтеся в тому, що воно під'єднано та використовується правильно.** Використання обладнання для збору пилу зменшує ризики, поєднані з пилом.
- **Досвід роботи, отриманий під час регулярного використання цього інструмента, не має бути підставою для самовпевненості під час експлуатації виробу й ігнорування правил техніки безпеки.** Необережні дії можуть миттєво призвести до тяжких травм.

Експлуатація та догляд за електроінструментом

- **Не прикладайте силу до електроінструмента. Вибирайте електроінструмент, що підходить для ваших потреб.** Електроінструмент краще, безпечніше та швидше виконає ту роботу, для якої він призначений.
- **Не використовуйте електроінструмент, якщо вимикач не працює.** Будь-який електроінструмент, яким неможливо керувати за допомогою вимикача, є небезпечним та підлягає ремонту.
- **Перед тим як виконувати будь-які налаштування, замінювати приладдя або залишати інструмент на зберігання, витягніть штекер із розетки живлення й / або знімний акумуляторний блок з електроінструмента.** Такі запобіжні заходи зменшують ризик ненавмисного запуску електроінструмента.
- **Вимкнені електроінструменти зберігайте в недоступному для дітей місці й не дозволяйте користуватися ними особам, які не ознайомилися з роботою електроінструмента або з цією інструкцією.** Електричні інструменти становлять небезпеку в руках невідповідних користувачів.
- **Виконуйте технічне обслуговування електроінструментів і приладдя.** Перевіряйте електроінструмент на предмет зміщення чи вигину рухомих деталей, поломок деталей та будь-якого іншого стану, що може негативно позначитися на його роботі. У разі пошкодження відремонтуйте електроінструмент, перш ніж користуватися ним. Багато нещасних випадків виникають внаслідок недостатнього технічного обслуговування електричних інструментів.
- **Підтримуйте різальні елементи в нагостреному та чистому стані.** Різальні елементи, що добре обслуговуються та мають гострі різальні кромки, будуть легше керуватися та з меншою імовірністю будуть заклинати.
- **Використовуйте електроінструмент, приладдя та різці у відповідності з цією**

інструкцією, враховуючи умови та характер роботи, яку потрібно виконати. Використання електроінструмента для виконання непередбачених операцій може призвести до небезпечної ситуації.

- **Рукоятки та поверхні для тримання мають бути сухими, чистими й нежиреними.** Неможливо надійно тримати інструмент за слизькі рукоятки чи інші поверхні або керувати ним у непередбачених ситуаціях.

Використання інструментів з акумуляторною батареєю та догляд за ними

- **Заряджати акумулятор треба виключно за допомогою заряджального пристрою, зазначеного виробником.** Використання заряджального пристрою, призначеного для роботи з акумуляторами одного типу, з акумуляторами іншого типу може призвести до пожежі.
- **Використовуйте електроінструмент лише з призначеними для нього батареями.** Використання акумуляторних батарей інших типів може призвести до травмування чи пожежі.
- **Якщо акумуляторний блок не використовується, слід тримати його подалі від металевих предметів, таких як скріпки, монети, ключі, цвяхи, гвинти й інші дрібні металеві предмети, які можуть з'єднати один контакт батареї з іншим.** Замикання контактів акумулятора може призвести до опіків або пожежі.
- **У разі неправильного застосування з акумулятора може випліскуватися рідина; уникайте контакту з нею. При випадковому контакті промийте місце контакту водою. В разі потрапляння рідини в очі на додаток до їхнього інтенсивного промивання зверніться по медичну допомогу.** Рідина з акумуляторної батареї може викликати подразнення та опіки.
- **Не використовуйте пошкоджені чи змінені акумуляторний блок або інструмент.** Пошкоджені або модифіковані акумулятори працюють нестабільно: вони можуть зайнятися, вибухнути або іншим чином травмувати оператора.
- **Захищайте акумуляторний блок та інструмент від вогню й надмірних температур.** Під впливом вогню або температури понад 130 °C (266 °F) може статися вибух.
- **Дотримуйтеся всіх інструкцій із заряджання та не заряджайте акумуляторну батарею чи інструмент поза межами діапазону температур, зазначеного в інструкціях.** Неналежне заряджання за температури поза межами зазначеного діапазону може пошкодити акумулятор і підвищує ризик займання.

Обслуговування

- **Сервісне обслуговування електроінструмента повинен виконувати кваліфікований майстер з**

використанням лише ідентичних запасних частин. Це гарантуватиме підтримання безпечної роботи електроінструмента.

- **За жодних умов не виконуйте технічного обслуговування пошкоджених акумуляторних блоків.** Технічне обслуговування акумуляторних блоків мають виконувати лише спеціалісти виробника або вповноваженого постачальника послуг.

Загальні правила техніки безпеки під час роботи з ланцюговою пилкою

- Під час експлуатації ланцюгової пилки всі частини тіла повинні знаходитися на безпечній відстані від ланцюга. Перед початком роботи з ланцюговою пилкою слід переконатися, що ланцюг не контактує з жодним предметом. Навіть незначна неувважність під час роботи з ланцюговою пилкою може призвести до втягування одягу або частин тіла ланцюгом.
- **Завжди тримайте ланцюгову пилку правою рукою за задню ручку, а лівою рукою за передню ручку.** Порушення цього правила створює ризик отримання травм, отож його дотримання є обов'язковим.
- Тримайте ланцюгову пилку тільки за ізольовану поверхню, оскільки ланцюг пилки може торкнутися схованих електричних дротів. Контакт ланцюгів із дротом під напругою може спричинити проходження струму через неізолювані металеві частини ланцюгової пилки й ураження оператора електричним струмом.
- Використовуйте засоби захисту органів зору. Також рекомендовано користуватися захисним спорядженням для вух, голови, рук і ніг. Належне захисне спорядження здатне зменшити тяжкість ушкодження в разі падіння гілок чи випадкового контакту з ланцюгом.
- **Забороняється використовувати ланцюгову пилку, стоячи на дереві, драбині, даху чи іншій нестабільній опорі.** Подібне використання ланцюгової пилки може призвести до тяжких травм.¹¹³
- **Завжди обирайте належну точку опори та працюйте з ланцюговою пилкою лише тоді, коли стоїте на нерухомій, безпечній та рівній поверхні.** Стоячи на слизькій чи нестійкій поверхні, можна втратити рівновагу або контроль над ланцюговою пилкою.
- Під час пиляння зігнутої гілки остання може відскочити. Коли зігнута гілка вивільняється під час різання, вона може відскочити й ударити оператора та/або штовхнути ланцюгову пилку, через що можна втратити на нею контроль.
- **Будьте максимально обережні під час пиляння молодих гілок дерев і кущів.** Тонкі гілки можуть

заблокувати ланцюг пилки, полетіти на оператора або порушити його рівновагу.

- **Переносьте ланцюгову пилку, тримаючи її за передню ручку, у вимкненому стані й не наближаючи до тіла.** Під час транспортування та зберігання ланцюгової пилки завжди надягайте на пильну шину чохол. Належне поводження з ланцюговою пилкою зменшить ймовірність випадкового контакту з рухомих ланцюгом.
- **Дотримуйтесь інструкцій зі змащування, натягування ланцюга та заміни шини й ланцюга.** Неправильний натяг або неналежне змащення ланцюга може призвести до його розриву або збільшити ймовірність віддачі.
- Використовуйте пилку виключно для пиляння деревини. Заборонено використовувати ланцюгову пилку не за призначенням. Наприклад, не використовуйте ланцюгову пилку для різання металу, пластику, кам'яної кладки або будівельних матеріалів, виготовлених не з деревини. Використання ланцюгової пилки не за призначенням може призвести до виникнення небезпечних ситуацій.
- **Не намагайтеся повалити дерево, доки не зрозумієте всі ризики й способи їх уникнення.** Під час повалення дерев існує ризик тяжкого травмування оператора чи сторонніх осіб.
- Під час очищення від матеріалу, що застряг, а також зберігання й обслуговування ланцюгової пилки необхідно дотримуватися всіх інструкцій. Переконайтеся, що вимикач перебуває у вимкненому положенні, а акумуляторний блок знято. Неочікуваний запуск ланцюгової пилки під час очищення від застряглого матеріалу чи обслуговування може призвести до тяжких травм.
- **Не працюйте з ланцюговою пилкою на дереві, якщо ви не пройшли спеціальну підготовку.** Використання ланцюгової пилки на дереві без належної підготовки може збільшити ризик отримання тяжкої травми.

Причини виникнення віддачі й превентивні заходи з боку оператора

Віддача може статися в той час, коли вістря шини пилки торкається якогось предмета або коли деревина заклинює й затискає ланцюг у місці розрізу. Контакт кінчика пильної шини з матеріалом у деяких випадках може викликати миттєву зворотну реакцію з відскоком шини вгору та назад у бік оператора. Защемлення пильного ланцюга у верхньої частини пильної шини може призвести до раптового відскоку шини назад у бік оператора. Будь-яка із цих реакцій може призвести до втрати контролю над пилкою та отримання важкої травми. Не покладайтесь виключно на запобіжні механізми, вбудовані в пилку. Задля уникнення пошкоджень і травм під час

¹¹³ Якщо ви навчені спеціальним методам різання та робочим прийомам і належним чином захищені від падіння (за допомогою підйомної люльки, мотузок чи ременів безпеки), допускаються відхилення від цих правил безпеки.

користування ланцюговою пилкою користувачеві слід вживати певних заходів. Віддача є результатом неправильного використання ланцюгової пилки й / або неправильних методів чи умов роботи. Її можна уникнути завдяки зазначеним далі належним заходам безпеки.

- **Обома руками міцно тримайте ручки (пальці повинні охоплювати їх). Тіло та руки слід розташовувати таким чином, щоб опиратися силам віддачі.** Якщо вжито належних заходів, оператор може контролювати силу віддачі. Не випускайте пилку з рук.
- **Забороняється здійснювати пиляння на рівні вище плечей.** Це допомагає уникнути небажаних контактів кінчика пильної шни та дозволяє краще контролювати пилку в непередбачених ситуаціях.
- **За необхідності заміни пильної шни або ланцюга пилки слід установлювати лише деталі, зазначені виробником.** Установлення неналежних пильних шин та ланцюгів може призвести до розриву ланцюга та / або до віддачі.
- **Технічне обслуговування й нагострювання ланцюга слід виконувати згідно з інструкціями виробника.** Зменшення висоти обмежувача глибини пиляння може призвести до підвищеної віддачі.

ЗБЕРІГАЙТЕ ЦЮ ІНСТРУКЦІЮ.

Загальні правила техніки безпеки



ПОПЕРЕДЖЕННЯ: Перш ніж розпочати використання виробу, уважно прочитайте наведені нижче попередження.

- Цей виріб може бути небезпечним у разі неправильного або недбалого використання. Цей виріб може призвести до отримання серйозних травм або смерті оператора чи сторонніх осіб. Дуже важливо, щоб ви прочитали цей посібник користувача та зрозуміли його зміст.
- Забороняється вносити зміни у виріб без дозволу виробника. Забороняється використовувати виріб, у конструкцію якого було внесено зміни. Крім того, використовуйте лише оригінальні аксесуари. Внесення змін без дозволу виробника може призвести до серйозних травм або смерті оператора чи сторонніх осіб.
- Тривале вдихання випарів олії для ланцюгів і тирси може призвести до проблем зі здоров'ям.
- Під час роботи цього виробу утворюється електромагнітне поле. Це поле може за деяких умов взаємодіяти з активними чи пасивними медичними імплантатами. Щоб зменшити ризик серйозних або смертельних травм, рекомендуємо особам із медичними імплантатами проконсультуватися зі своїм лікарем і виробником медичного імплантату перед початком експлуатації цього виробу.

Правила техніки безпеки під час використання виробу



ПОПЕРЕДЖЕННЯ: Перш ніж розпочати використання виробу, уважно прочитайте наведені нижче попередження.

- Інформація в цьому посібнику користувача в жодному разі не замінить професійних знань і досвіду. Якщо ви не відчуваєте себе в безпеці в ситуації, у якій ви перебуваєте, зупиніть виріб. Зверніться до дилера з обслуговування або професійного оператора ланцюгової пилки. Не беріться до завдання, якщо не певні, чи впораетесь!
- Якщо у вас виникли запитання щодо експлуатації виробу, зверніться до дилера з обслуговування чи компанії Husqvarna. Ми можемо надати інформацію щодо ефективної та безпечної експлуатації виробу. За можливості пройдіть навчальний курс з експлуатації ланцюгових пилко. Інформацію про доступність навчальних матеріалів і курсів можна дізнатися у свого сервісного дилера, у лісництві чи бібліотеці.
- Перед використанням виробу ви повинні усвідомити ефекти віддачі й способи їх уникнення. Дивіться розділ *Інформація про віддачу на сторінці 759* і *Поширені запитання щодо віддачі на сторінці 759* інструкції.
- Не використовуйте прилад, акумулятор або зарядний пристрій, який пошкоджений або не працює належним чином.
- Заборонено торкатися ланцюга, що обертається. Це може призвести до серйозних травм чи смерті.
- Не користуйтеся виробом, якщо ви втомлені, перебуваєте під впливом алкогольних, наркотичних, лікарських чи будь-яких інших засобів, що можуть вплинути на зір, зосередженість, свідомість чи координацію рухів.
- Робота за несприятливих погодних умов утомлює і часто створює додаткову небезпеку. Не рекомендовано використовувати виріб у дуже погану погоду, наприклад у густий туман, під час зливи, сильного вітру чи холоду, коли існує ризик блискавки тощо, адже це створює додаткову небезпеку.
- Забороняється експлуатувати виріб без правильно встановлених шин, ланцюга та всіх кожухів. Інакше приводна зірочка може від'єднатися й завдати серйозних травм. Дивіться розділ *Збирання на сторінці 757* інструкції.

(Мал. 25)

- Іноді стружка пристає до кришки зчеплення, внаслідок чого ланцюг пилки може заклинювати. Перед очищенням обов'язково зупиняйте двигун.

- Подивіться навколо. Переконайтеся, що сторонні особи чи тварини не зможуть торкнутися виробу чи вплинути на контроль над ним.

(Мал. 26)

- Не дозволяйте дітям перебувати біля виробу або використовувати його. Виріб запускається легко, отже діти можуть це зробити, якщо залишити їх без нагляду. Це може означати ризик тяжкої травми.
- Виймайте акумулятор, коли виріб не знаходиться в полі вашого зору або ви залишаєте його без нагляду.
- Щоб повністю контролювати виріб, необхідно зайняти стійке положення. Не використовуйте виріб, якщо ви перебуваєте на драбині чи дереві. Не використовуйте виріб, якщо ви не перебуваєте на стійкій поверхні.

(Мал. 27)

- Робота на висоті крони дерева вимагає використання спеціальних методів пиляння та інших робіт, яких слід дотримуватися, щоб уникнути підвищеного ризику травмування. Працювати на висоті крони дерева дозволяється лише особам, що пройшли спеціальне професійне навчання з виконання таких робіт, включно з використанням страхувального та іншого верхолазного обладнання, як-от страхувальні ремені, троси, пояси, монтерські кігті, кроки з карабіном, карабіни тощо.
- Не слід намагатися ловити гілки, що падають. Не слід пиляти дерево, якщо оператор закріплений лише однією мотузкою. Завжди використовуйте дві страхувальні мотузки.
- У разі недбалого використання небезпека віддачі підвищується. Віддача може виникнути, якщо зона віддачі шини випадково торкнеться гілки, сусіднього дерева чи іншого предмета.

(Мал. 28)

- Не тримайте виріб однією рукою. Неможливо безпечно контролювати цей виріб однією рукою.
- Не використовуйте виріб на висоті вище своїх плечей і не намагайтеся працювати кінчиком шини.

(Мал. 29)

- Не використовуйте виріб у ситуаціях, коли ви не можете покликати на допомогу в разі нещасного випадку.
- Перш ніж переміщувати виріб, зупиніть його та увімкніть ланцюгове гальмо. Тримайте виріб таким чином, щоб пильна шина та ланцюг пилки були направлені назад. Перед транспортуванням чи переміщенням виробу на будь-які відстані встановлюйте на шину чохол для транспортування.
- Перш ніж класти виріб на землю, увімкніть ланцюгове гальмо і постійно тримайте виріб у полі зору. Якщо треба залишити виріб без

нагляду на деякий час, його слід вимкнути та вийняти акумулятор.

- Існує ризик застрягання тирси в системі приводу. Це може призвести до заклинювання ланцюга пилки. Перед чистченням завжди зупиняйте виріб і виймайте акумулятор.
- Рівень вібрації підвищується в разі використання невідповідного чи погано заточеного різального обладнання. Зрізання твердої деревини на кшталт широколистих дерев створює більше вібрації, аніж зрізання м'якої деревини на кшталт хвойних дерев.

(Мал. 30)

- У людей, які мають погіршений кровообіг, надмірна вібрація може ушкодити нервову систему або систему кровообігу. Якщо у вас проявляються симптоми надмірного впливу вібрації, зверніться до свого лікаря. До таких симптомів належать: оніміння, утрата чутливості, пощипування, поколювання, занепад сил, зміни кольору або стану шкіри. Як правило, ці симптоми проявляються в пальцях, руках і зап'ястках та стають сильнішими при низьких температурах.
- Не намагайтеся виконувати роботи з підрізання або обрізання гілок на дереві, що росте, якщо ви не пройшли спеціальну підготовку.
- У разі роботи на схилі завжди стійте вище дерева, оскільки звалене дерево ймовірно покотиться або впаде вниз. Щоб під час зрізання забезпечити повний контроль над виробом, під кінець прорізу зменште тиск на пилку. Не послабляйте хвату за ручки. Ланцюг пилки не повинен торкатися землі. Після завершення пиляння дочекайтеся, щоб ланцюг пилки зупинився, після чого виріб можна переміщувати. При пересування від дерева до дерева необхідно завжди вимикати двигун.

(Мал. 31)

- Забороняється спилювати дерево, якщо існує ризик, що воно може впасти на людину, лінії комунікацій або призвести до пошкоджень майна. Якщо дерево впаде на лінії комунікацій, про це необхідно негайно повідомити відповідну комунальну службу.
- Переконайтеся в тому, що можете безпечно рухатися. Ретельно огляньте місце виконання робіт і перевірте, чи не має поблизу вас перешкод на кшталт коріння, каміння, гілок, канал тощо. Будьте обережні, працюючи на схилах.
- Уникайте роботи, яка, на вашу думку, виходить за межі ваших можливостей.
- Неможливо передбачити в посібнику всі ситуації, які можуть виникнути під час використання виробу. Завжди будьте обережні й керуйтеся здоровим глуздом.

(Мал. 32)

Засоби індивідуального захисту



ПОПЕРЕДЖЕННЯ: Перш ніж розпочати використання виробу, уважно прочитайте наведені нижче попередження.

(Мал. 33)

- Більшість нещасних випадків під час експлуатації ланцюгової пилки стається через контакт ланцюга з оператором. Під час роботи обов'язково користуйтеся затвердженими засобами індивідуального захисту. Засоби індивідуального захисту не можуть забезпечити абсолютний захист від травмування, але в разі нещасного випадку вони знизять ступінь важкості травми. Зверніться до свого дилера з обслуговування за рекомендаціями стосовно того, яке спорядження використовувати.
- Одяг повинен щільно облягати тіло, але не обмежувати рухів. Регулярно перевіряйте стан засобів індивідуального захисту.
- Використовуйте затверджений захисний шолом.
- Користуйтеся відповідними захисними навушниками. Тривала робота за сильного шуму може призвести до погіршення слуху.
- Щоб зменшити небезпеку травм від предметів, що відлітають, використовуйте схвалені захисні окуляри або захисну маску. Під час роботи виробу такі предмети, як тирса й невеликі шматки деревини, можуть відлітати з високою швидкістю. Це може призвести до тяжкої травми, особливо травми очей.
- Використовуйте рукавиці із захистом від ланцюгових пилок.
- Використовуйте штани із захистом від ланцюгових пилок.
- Використовуйте захисне взуття зі сталевим носком і неслизькою підошвою.
- Завжди тримайте аптечку поруч.
- Небезпека іскор. Тримайте поблизу засоби гасіння пожежі й лопату для запобігання лісовим пожежам.

Запобіжне обладнання на виробі



ПОПЕРЕДЖЕННЯ: Перш ніж розпочати використання виробу, уважно прочитайте наведені нижче попередження.

- Не використовуйте виріб із запобіжними пристроями, які пошкоджені або не працюють належним чином.
- Регулярно перевіряйте захисні пристрої. Дивіться розділ *Технічне обслуговування й перевірка захисних пристроїв виробу на сторінці 765*.

- Якщо запобіжні пристрої пошкоджені або не працюють належним чином, зверніться до дилера з обслуговування Husqvarna.

Функції інтерфейсу користувача

На інтерфейсі користувача розташовані кнопка ввімкнення / вимкнення, кнопка SavE, а також індикатор стану заряду й індикатор попередження. Якщо задіяно гальмо ланцюга або існує ризик перевантаження, блимає попереджувальний індикатор. Захист від перевантаження тимчасово зупиняє виріб і не дозволяє його використовувати, доки температура не зменшиться. Якщо індикатор попередження горить постійно, зверніться до сервісного дилера.

(Мал. 34)

Детальнішу інформацію про інтерфейс користувача див. у розділі *Огляд виробу на сторінці 747*.

Функція автоматичного зупинення

Виріб оснащений функцією автоматичного зупинення, яка зупиняє виріб, якщо ви не користуєтесь ним упродовж 3 хвилин.

Ланцюгове гальмо та передній захисний щиток

Виріб обладнаний ланцюговим гальмом, який зупиняє ланцюг у разі віддачі. Ланцюгове гальмо знижує ризик виникнення нещасних випадків, але тільки ви можете їм запобігти.

(Мал. 35)



ПОПЕРЕДЖЕННЯ: Уникайте ситуацій, в яких існує небезпека віддачі. Будьте обережні під час використання виробу й переконайтеся, що зона віддачі шини не торкнеться ніяких предметів.

(Мал. 36)

Ланцюгове гальмо активується (А) вручну лівою рукою чи автоматично за допомогою інерційного пускового механізму. Посуньте передній захисний щиток (В) уперед, щоб задіяти ланцюгове гальмо вручну. Цей рух активує механізм, що під дією пружини зупиняє приводну зірочку.

(Мал. 37)

Спосіб задіявання ланцюгового гальма залежить від сили віддачі й положення виробу. У разі сильної віддачі, коли зона віддачі шини перебуває найбільш далеко від вас, ланцюгове гальмо активується за інерцією. Якщо віддача слабка чи зона віддачі шини перебуває ближче до вас, ланцюгове гальмо активується вручну лівою рукою.

(Мал. 38)

Використовуйте гальмо ланцюга в якості стояночного під час запуску й переміщення на короткі дистанції.

Це знижує ризик травмування через контакт ланцюга з вами чи особами поблизу вас.

(Мал. 39)

Потягніть передній захисний щиток назад, щоб вимкнути ланцюгове гальмо.

(Мал. 40)

Віддача може бути різкою й дуже сильною. У більшості випадків віддача буває невеликою й не завжди активує ланцюгове гальмо. Якщо під час експлуатації виробу виникає віддача, міцно тримайте його за ручки й не відпускайте.

(Мал. 41)

Крім того, передній захисний щиток знижує ризик контакту з ланцюгом у разі, якщо ви відпустите передню ручку.

(Мал. 42)

Під час роботи з повалення дерев активувати ланцюгове гальмо вручну неможливо. У цьому положенні ланцюгове гальмо активується лише за допомогою інерційного пускового механізму.

(Мал. 43)

Запобіжник

Фіксатор механічного пускового пристрою запобігає випадковому спрацюванню цього пристрою. Коли ви пересуваєте фіксатор механічного пускового пристрою вперед (А), а потім притискаєте його до рукоятки (В), механічний пусковий пристрій (С) звільняється. Коли ви випускаєте ручку з рук, фіксатор і механічний пусковий пристрій повертаються до вихідного положення.

(Мал. 44)

Утримувач ланцюга

Утримувач ланцюга захоплює ланцюг у випадку, якщо він порветься чи спаде. Небезпека зменшується, якщо натяг ланцюга правильний. Правильне технічне обслуговування шини й ланцюга також знижує рівень небезпеки. Інструкції див. у *Збирання на сторінці 757 та ТЕХНІЧНЕ ОБСЛУГОВУВАННЯ на сторінці 764.*

(Мал. 45)

Правосторонній кожух

Правосторонній кожух забезпечує захист руки у випадку, якщо ланцюг пилки порветься чи спаде. Він також захищає руку від гілок і сучків під час роботи з виробом.

(Мал. 46)

Заходи безпеки під час роботи з акумуляторами



ПОПЕРЕДЖЕННЯ: Перш ніж розпочати використання виробу, уважно прочитайте наведені нижче попередження.

- Використовуйте у виробі лише рекомендовані нами акумулятори серії 40-V. Дивіться розділ *Схвалені акумулятори на сторінці 773.* Акумулятори програмно закодовані.
- Використовуйте лише акумулятори серії 40-V для живлення відповідних виробів Husqvarna. Дивіться розділ *Схвалені акумулятори на сторінці 773.* Щоб уникнути травмування, заборонено використовувати акумулятор як джерело живлення для інших приладів.
- Небезпека враження електричним струмом. Заборонено під'єднувати клеми акумулятора до ключів, гвинтів або інших металевих предметів. Це може призвести до короткого замикання в акумуляторі.
- Не використовуйте елементи живлення без можливості перезаряджання.
- Заборонено вставляти предмети у вентиляційні отвори акумулятора.
- Тримайте акумулятор подалі від прямих сонячних променів, джерел тепла й відкритого вогню. Акумулятор може призвести до опіків та/або хімічних опіків.
- Бережіть акумулятор від дощу та вологи.
- Захищайте акумулятор від впливу мікрохвиль чи високого тиску.
- Заборонено розбирати чи ламати акумулятор.
- Бережіться контакту шкіри з акумуляторною кислотою. Акумуляторна кислота може призвести до опіків, корозії та травмування шкіри. Якщо акумуляторна кислота потрапила в очі, не слід їх терти, натомість потрібно промивати водою протягом щонайменше 15 хвилин. Якщо акумуляторна кислота потрапила на шкіру, її слід промити великою кількістю води з милом. Після цього зверніться за медичною допомогою.
- Акумулятор дозволяється використовувати за температури від -10°C (14°F) до 40°C (104°F).
- Заборонено мити батарею чи заряджальний пристрій водою. Дивіться розділ *Перевірка акумулятора й тримача акумулятора на сторінці 765.*
- Не користуйтеся пошкодженим акумулятором.
- Зберігайте акумулятори подалі від металевих предметів на кшталт цвяхів, гвинтів чи ювелірних виробів.
- Тримайте акумулятор подалі від дітей.

Заходи безпеки під час роботи із зарядним пристроєм



ПОПЕРЕДЖЕННЯ: Перш ніж розпочати використання виробу, уважно прочитайте наведені нижче попередження.

- Через недотримання правил техніки безпеки може виникнути ризик ураження електричним струмом або короткого замикання.
- Використовуйте тільки непошкоджені сертифіковані електричні розетки із заземленням.
- Заборонено використовувати будь-які інші зарядні пристрої, окрім того, що йде в комплекті до виробу. Для заряджання змінних акумуляторів Husqvarna 40-V140 використовуйте лише зарядні пристрої 40-C80. Дивіться розділ *Схвалені зарядні пристрої для виробу на сторінці 773* і *Схвалені акумулятори на сторінці 773*.
- Заборонено розбирати зарядний пристрій.
- Не використовуйте зарядний пристрій із ознаками пошкодження.
- Заборонено підіймати зарядний пристрій, тримаючи його за шнур живлення. Щоб від'єднати зарядний пристрій від настінної розетки, витягніть штепсельну вилку. У жодному разі не тягніть за шнур живлення.
- Пильнуйте, щоб усі кабелі та подовжувальні шнури були якомога далі від води, мастил і гострих кутів. Переконайтеся, що кабель не здавлено дверима, огорожею або іншими предметами.
- Заборонено використовувати зарядний пристрій поблизу легкозаймистих або корозійних матеріалів. Переконайтеся в тому, що зарядний пристрій нічим не накритий. При появі диму чи вогню витягніть штепсель зарядного пристрою з розетки.
- Заряджати акумулятор слід тільки в добре провітрюваних приміщеннях та подалі від сонячного світла. Не заряджайте акумулятор надворі. Не заряджайте акумулятор у вологому середовищі.
- Використовуйте зарядний пристрій лише в приміщеннях із температурою від 5 °C (41 °F) до 40 °C (104 °F). Використовуйте зарядний пристрій лише в сухому приміщенні з належною вентиляцією, в якому немає пилу.
- Забороняється вставляти предмети у вентиляційні отвори зарядного пристрою.
- Заборонено з'єднувати контакти зарядного пристрою металевими предметами, оскільки це може призвести до короткого замикання.
- Використовуйте справні розетки відповідного типу.
- Не намагайтеся заряджати одноразові батареї за допомогою зарядного пристрою.

Правила техніки безпеки під час обслуговування



ПОПЕРЕДЖЕННЯ: Перш ніж розпочати технічне обслуговування виробу, уважно прочитайте наведені нижче попередження.

- Перед технічним обслуговуванням, іншими перевітками чи монтажем виробу необхідно виймати акумулятор.
- Оператор має виконувати лише ті види технічного обслуговування, що описані в цьому посібнику користувача. У разі необхідності виконання складніших робіт із технічного обслуговування слід звернутися до сервісного дилера.
- Заборонено мити батарею чи зарядний пристрій водою. Використання сильнодіючих миючих засобів може призвести до пошкодження пластику.
- Відсутність технічного обслуговування зменшує термін служби виробу й підвищує вірогідність виникнення нещасних випадків.
- Для виконання робіт з обслуговування й ремонту, особливо в разі роботи із захисними пристроями виробу, необхідна спеціальна підготовка. Якщо після технічного обслуговування виріб не пройде частину перевірок, наведених у цьому посібнику користувача, зверніться до свого сервісного дилера. Ми гарантуємо можливість професійного ремонту й обслуговування вашого виробу.
- Використовуйте лише оригінальні запасні частини.

Правила техніки безпеки під час роботи з різальним обладнанням



ПОПЕРЕДЖЕННЯ: Перш ніж розпочати використання виробу, уважно прочитайте наведені нижче попередження.

- Використовуйте лише схвалені комбінації шини та ланцюга й обладнання для заточування. Інструкції див. у розділі *Технічні характеристики на сторінці 771*.
- Під час роботи з ланцюгом пилки або його обслуговування використовуйте захисні рукавиці. Нерухомий ланцюг пилки також може завдати травми.
- Різці необхідно завжди тримати добре нагостреними. Дотримуйтеся вказівок і використовуйте напилек рекомендованого розміру. Пошкоджені або неправильно нагострені ланцюг пилки підвищує небезпеку виникнення нещасних випадків.

(Мал. 47)

- Стежте за тим, щоб обмежувач глибини різання було налаштовано правильно. Дотримуйтеся вказівок і використовуйте рекомендоване значення глибини різання. Надто велике значення глибини різання збільшує небезпеку віддачі.

(Мал. 48)

- Переконайтеся, що ланцюг пилки правильно натягнутий. Якщо ланцюг пилки недостатньо натягнутий на пильну шину, він може впасти. Неправильний натяг ланцюга пилки призводить до збільшення зносу пильної шини, ланцюга

пилки та приводної зірочки. Див. *Аксесуари на сторінці 772*.

(Мал. 49)

- Необхідно регулярно проводити технічне обслуговування різального обладнання й змащувати його належним чином. У разі неправильного змащування ланцюга пилки підвищується ризик зносу пильної шини, ланцюга пилки та приводної зірочки.

(Мал. 50)

Збирання

Збирання пильної шини й ланцюга пилки (з ручкою шини)



ПОПЕРЕДЖЕННЯ: Перед монтажем чи технічним обслуговуванням виробу необхідно завжди виймати акумулятор.

1. Розблокуйте ланцюгове гальмо. (Мал. 51)
2. Ослабте ручку шини та зніміть кришку приводної зірочки. (Мал. 52)
3. Установіть шину на болт кріплення шини. Установіть пильну шину в максимальне заднє положення. Підніміть ланцюг пилки над приводною зірочкою й зчепіть його в канавці на пильній шині. Починайте з верхнього краю пильної шини.
4. Переконайтеся, що краї різців на верхньому краї пильної шини спрямовані вперед. (Мал. 53)
5. Установіть кришку приводної зірочки та вставте шип натягування ланцюга в отвір на пильній шині.
6. Переконайтеся, що приводні ланки ланцюга пилки правильно розташовані на приводній зірочці.
7. Переконайтеся, що ланцюг пилки правильно зчеплений у канавці на пильній шині.
8. Натягніть ланцюг пилки. Дивіться розділ *ТЕХНІЧНЕ ОБСЛУГОВУВАННЯ на сторінці 764* інструкції.
9. Затягніть ручку шини.

Збирання пильної шини й ланцюга пилки (з болтом кріплення шини)



ПОПЕРЕДЖЕННЯ: Перед монтажем чи технічним обслуговуванням виробу необхідно завжди виймати акумулятор.

1. Розблокуйте ланцюгове гальмо. (Мал. 51)
2. Ослабте гайку шини і зніміть кожух зубчастого колеса. (Мал. 54)
3. Установіть шину на болт кріплення шини. Установіть пильну шину в максимальне заднє положення. Підніміть ланцюг пилки над приводною зірочкою й зчепіть його в канавці на пильній шині. Починайте з верхнього краю пильної шини.
4. Переконайтеся, що краї різців на верхньому краї пильної шини спрямовані вперед. (Мал. 55)
5. Установіть кришку приводної зірочки та вставте шип натягування ланцюга в отвір на пильній шині.
6. Переконайтеся, що приводні ланки ланцюга пилки правильно розташовані на приводній зірочці.
7. Переконайтеся, що ланцюг пилки правильно зчеплений у канавці на пильній шині.
8. Затягніть гайку пильної шини пальцями.
9. Натягніть ланцюг пилки. Дивіться розділ *ТЕХНІЧНЕ ОБСЛУГОВУВАННЯ на сторінці 764* інструкції.

Монтаж заряджального пристрою на стіні



УВАГА: Не використовуйте електричний шурупверт для закріплення зарядного пристрою на стіні. Електричний шурупверт може пошкодити зарядний пристрій.

1. Прикріпіть зарядний пристрій до стіни 2 гвинтами (А). Якщо треба, скористайтеся дюбелями (В). (Мал. 56)
2. Встановіть 2 заглушки для гвинтових отворів (С).
3. Під'єднайте кабель живлення (D) до зарядного пристрою й електричної розетки.

Експлуатація

Вступ



ПОПЕРЕДЖЕННЯ: Перед використанням виробу уважно прочитайте розділ про правила техніки безпеки.

Робоча перевірка перед початком використання виробу

1. Перевірте ланцюгове гальмо (А) і переконайтеся, що воно функціонує належним чином і не має пошкоджень.
2. Перевірте задній правосторонній кожух (В) і переконайтеся в тому, що він не пошкоджений.
3. Перевірте механічний пусковий пристрій і його фіксатор (С) та переконайтеся в тому, що вони функціонують належним чином та не мають пошкоджень.
4. Перевірте кнопку панель (D) і переконайтеся в тому, що вона функціонує належним чином.
5. Переконайтеся, що на ручках (Е) немає мастила.
6. Переконайтеся, що всі деталі встановлені правильно, перебувають на своїх місцях і не пошкоджені.
7. Перевірте утримувач ланцюга (F) і переконайтеся, що він встановлений правильно.
8. Перевірте натяг ланцюга (G).
9. Зарядіть акумулятор (H) і правильно встановіть його.
10. Після натискання на механічний пусковий пристрій переконайтеся, що ланцюг зупинився. (Мал. 57)

Використання правильного мастила для ланцюга



ПОПЕРЕДЖЕННЯ: Не використовуйте відпрацьоване мастило, яке може завдати шкоди вам і навколишньому середовищу. Відпрацьоване мастило призводить до пошкодження масляного насоса, шини та ланцюга.



ПОПЕРЕДЖЕННЯ: Ланцюг пилки може зламатись у разі неналежного змащування різального обладнання. Це може призвести до серйозних травм або смерті оператора.



ПОПЕРЕДЖЕННЯ: Для правильної роботи цієї функції слід використовувати відповідне мастило для ланцюга. Зверніться до свого дилера з обслуговування, щоб вибрати мастило для ланцюга.

- Використовуйте мастило для ланцюга Husqvarna, щоб максимально подовжити термін служби ланцюга пилки та запобігти негативному впливу на навколишнє середовище. Якщо мастила Husqvarna немає, рекомендуємо використовувати стандартне масло для ланцюгів.
- Використовуйте мастило, яке добре тримається на ланцюгу пилки.
- Використовуйте мастило для ланцюга з правильним діапазоном в'язкості, яке підходить для застосування за поточної температури повітря.



УВАГА: За температур нижче 0 °C (32 °F) деякі мастила для ланцюга стають надто густими, що може спричинити пошкодження компонентів масляного насоса.

- Використовуйте рекомендоване різальне обладнання. Див. *Аксесуари на сторінці 772*.
- Зніміть кришку бака мастила для ланцюга.
- Заповніть бак мастилом для ланцюга.
- Надійно затягніть кришку бака.

(Мал. 58)

Зверніть увагу: Розташування бака мастила для ланцюга на виробі див. у розділі *Вступ на сторінці 747*.

Акумулятор



ПОПЕРЕДЖЕННЯ: Перед використанням акумулятора уважно прочитайте розділ про правила техніки безпеки. Прочитайте посібник користувача для акумулятора й заряджального пристрою та усвідомте його зміст.

Дотримуйтеся вимог щодо температури навколишнього середовища для акумулятора й заряджального пристрою.

	Температура навколишнього середовища
Використання акумулятора	5 °C–40 °C / 41 °F–104 °F
Заряджання акумулятора	5 °C–40 °C / 41 °F–104 °F

Стан акумулятора

На дисплеї відображаються поточний рівень заряду акумулятора й можливі проблеми під час його роботи.

(Мал. 59)

Світлодіодний індикатор	Стан заряду акумулятора
Горить 4 індикатори	Акумулятор заряджений на 76–100 %.
Горить 3 індикатори	Акумулятор заряджений на 51–75 %.
Горить 2 індикатори	Акумулятор заряджений на 26–50 %.
Горить 1 індикатор	Акумулятор заряджений на 6–25 %.
Блимає 1 індикатор	Акумулятор заряджений на 0–5 %.

Заряджання акумулятора

Перед першим використанням акумулятор необхідно зарядити. Новий акумулятор заряджений лише на 30 %.



УВАГА: Зарядний пристрій слід під'єднувати до мереж живлення, напруга й частота яких відповідають значенням, указаним на таблиці з паспортними даними.

Акумулятор не заряджатиметься, якщо його температура перевищує 50 °C (122 °F).

1. Під'єднайте шнур живлення до зарядного пристрою.
2. Під'єднайте зарядний пристрій до заземленої розетки. Світлодіодний індикатор заряджання блимне один раз. (Мал. 60)
3. Під'єднайте акумулятор до зарядного пристрою. Увімкнетеся індикатор заряджання. Тривалість заряджання акумулятора не має перевищувати 24 години. (Мал. 61)
4. Натисніть кнопку індикатора акумулятора; якщо всі світлодіодні індикатори засвітіться, акумулятор повністю заряджений.
5. Потягніть штепсельну вилку, щоб від'єднати зарядний пристрій від розетки чи роз'єму живлення. У жодному разі не тягніть за шнур живлення.
6. Вийміть акумулятор із зарядного пристрою.

Інформація про віддачу



ПОПЕРЕДЖЕННЯ: Віддача може стати причиною серйозних травм або смерті оператора чи сторонніх осіб. Щоб зменшити ризик, ви повинні знати

причини віддачі та як запобігти їх виникненню.

Віддача стається тоді, коли зона віддачі шини торкається об'єкта. Віддача може бути раптовою й дуже сильною, через що виріб відкидається в напрямку оператора.

(Мал. 36)

Віддача завжди стається в площині різання шини. Зазвичай виріб відкидається в напрямку оператора, але інколи напрямком може бути іншим. Напрямок руху виробу в результаті віддачі залежить від методу експлуатації.

(Мал. 62)

Віддача стається тільки тоді, коли зона віддачі шини торкається об'єкта. Не дозволяйте зоні віддачі торкатися предметів.

(Мал. 36)

Менший радіус носика шини зменшує силу віддачі.

Використовуйте ланцюг пилки з низькою віддачею, щоб зменшити наслідки віддачі. Не дозволяйте зоні віддачі торкатися предметів.



ПОПЕРЕДЖЕННЯ: Жоден ланцюг пилки не може повністю запобігти віддачі. Завжди дотримуйтеся інструкцій.

Поширені запитання щодо віддачі

- Чи буде ланцюгове гальмо завжди активуватися вручну в разі віддачі?

Ні. Щоб посунути передній захисний щиток уперед, необхідно прикласти деяке зусилля. Якщо не прикласти необхідне зусилля, ланцюгове гальмо не активується. Крім того, під час роботи необхідно добре тримати ручки обома руками. У разі віддачі ланцюгове гальмо може не встигнути

зупинити ланцюг до того, як він торкнеться вас. Існують також положення, коли ви не маєте змоги дотягнутися рукою до переднього захисного щитка, щоб активувати гальмо.

• **Чи буде ланцюгове гальмо завжди активуватися інерційним пусковим механізмом у разі віддачі?**

Ні. По-перше, ланцюгове гальмо має працювати належним чином. Інструкції щодо перевірки ланцюгового гальма див. у розділі *Технічне обслуговування й перевірка захисних пристроїв виробу на сторінці 765*. Рекомендується виконувати цю процедуру кожного разу перед початком використання виробу. По-друге, щоб активувати ланцюгове гальмо, віддача повинна бути сильною. Якщо ланцюгове гальмо занадто чутливе, воно може вмикатися під час нерівної роботи.

• **Чи можу я в будь-якому випадку покладатися на ланцюгове гальмо?**

Ні. Для забезпечення захисту ланцюгове гальмо має працювати правильно. Під час віддачі гальмо повинно активуватися й зупинити ланцюг. Якщо ви перебуваєте близько до пильної шини, ланцюгове гальмо може не встигнути зупинити ланцюг пилки до того, як він торкнеться вас.



ПОПЕРЕДЖЕННЯ: Попередити віддачу може лише використання вами відповідних технік роботи.

Запуск виробу

1. Перевірте механічний пусковий пристрій і його фіксатор. Дивіться розділ *Перевірка фіксатора механічного пускового пристрою на сторінці 765*.
2. Активуйте ланцюгове гальмо. (Мал. 63)
3. Установіть акумулятор у тримач акумулятора. (Мал. 64)



УВАГА: Переконайтеся в тому, що акумулятор установлено в тримач акумулятора належним чином. Якщо акумулятор не вставляється в тримач легко, ви встановлюєте його неправильно.

4. Натискайте на нижню частину акумулятора, доки не почуєте звук клацання. (Мал. 65)
5. Натисніть кнопку запуску/зупинки й утримуйте її, доки не ввімкнеться зелений світлодіодний індикатор. (Мал. 66)

Використання функції SavE

Функція SavE знижує швидкість ланцюга й потужність виробу.

1. Натисніть кнопку SavE. Увімкнеться зелений світлодіодний індикатор.

2. Для вимкнення функції натисніть кнопку SavE ще раз. Зелений світлодіодний індикатор вимкнеться. (Мал. 67)

Зупинення виробу

1. Натискайте кнопку запуску / зупинки, доки зелений світлодіодний індикатор не вимкнеться. (Мал. 66)
2. Натисніть кнопки виймання акумулятора й вийміть акумулятор із тримача, щоб запобігти ненавмисному запуску двигуна. (Мал. 68)

Різання з тягою та різання з поштовхом

Цим виробом можна різати деревину з двох боків.

- Різання з тягою означає різання нижньою частиною шини. Під час різання ланцюг пилки протягується через дерево. У цьому положенні ви отримуете кращий контроль над виробом і положенням зони віддачі.

(Мал. 69)

- Різання з поштовхом означає різання верхньою частиною шини. Ланцюг штовхає виріб у напрямку оператора.

(Мал. 70)



ПОПЕРЕДЖЕННЯ: Якщо ланцюг пилки застрягне в стовбурі, виріб може відкинути на вас. Міцно тримайте виріб і стежте за тим, щоб зона віддачі шини не торкалася дерева й не призводила до віддачі.

(Мал. 71)

Використання техніки розпилення



ПОПЕРЕДЖЕННЯ: Під час різання працюйте на повній потужності, а після кожного розрізання зменшуйте швидкість до холостого ходу.



УВАГА: Уникайте тривалої роботи двигуна на холостому ходу. Це може призвести до його пошкодження.

1. Покладіть стовбур на розпилювальні козли чи якісь напрямні. (Мал. 72)



ПОПЕРЕДЖЕННЯ: Не розпилюйте стовбури, складені купою. Це підвищує ризик віддачі й може призвести до серйозних травм або смерті.

2. Прибирайте обрізки з робочої зони.



ПОПЕРЕДЖЕННЯ: Обрізки в робочій зоні підвищують небезпеку віддачі та ризик втрати рівноваги.

Використання шпичастого буфера

1. Втисніть шпичастий буфер у стовбур дерева.
2. Увімкніть інструмент на повну потужність і поверніть пристрій. Притисніть шпичастий бампер до стовбура. Завдяки цьому прикладати зусилля, необхідне для розрізання стовбура, буде простіше. (Мал. 73)

Розрізання стовбура на землі

1. Ріжте стовбур із тягою. Працюйте на повній потужності, але будьте готові до непередбачуваних обставин. (Мал. 74)



ПОПЕРЕДЖЕННЯ: Переконайтеся, що ланцюг пилки не торкається землі під час завершення різання.

2. Розріжте приблизно $\frac{3}{4}$ стовбура та зупиніться. Поверніть стовбур і ріжте з протилежної сторони. (Мал. 75)

Розрізання стовбура, один бік якого розташовано на опорі



ПОПЕРЕДЖЕННЯ: Стежте за тим, щоб під час різання стовбур не зламався. Дотримуйтеся наведених нижче інструкцій.

(Мал. 76)

1. Розріжте стовбур із поштовхом приблизно на $\frac{1}{2}$.
2. Ріжте стовбур із тягою, доки два прорізи не зійдуться. (Мал. 77)

Розрізання стовбура, два кінці якого розташовано на опорі



ПОПЕРЕДЖЕННЯ: Стежте за тим, щоб ланцюг пилки не застряг у стовбурі під час різання. Дотримуйтеся наведених нижче інструкцій.

(Мал. 78)

1. Розріжте стовбур із тягою приблизно на $\frac{1}{3}$.
2. Повністю розріжте решту стовбура з поштовхом. (Мал. 79)



ПОПЕРЕДЖЕННЯ: Якщо ланцюг пилки застряг у стовбурі, зупиніть двигун. Щоб вивільнити виріб, розширте проріз важелем. Не намагайтеся витягнути виріб

рукою. Це може призвести до травми, коли виріб раптово вивільниться.

Використання техніки обрізання гілок

Зверніть увагу: Для роботи з товстими гілками використовуйте техніку різання. Див. *Використання техніки розпилення на сторінці 760.*



ПОПЕРЕДЖЕННЯ: За використання техніки обрізання гілок існує великий ризик нещасного випадку. Інструкції з попередження віддачі див. у розділі *Інформація про віддачу на сторінці 759.*



ПОПЕРЕДЖЕННЯ: Відрізуйте гілки одну за одною. Будьте обережні під час зрізання маленьких гілок, і не зрізайте кущі або багато маленьких гілок одночасно. Малі гілки можуть потрапити в ланцюг пилки та зробити експлуатацію виробу небезпечною.

Зверніть увагу: Якщо необхідно, зрізайте гілки по частинах. Перш ніж зрізати гілки поблизу стовбура (С), зріжте гілки меншого розміру (А) й (В).

(Мал. 80)

1. Зріжте гілки з правого боку стовбура.
 - a) Тримайте пильну шину з правого боку стовбура та притулите корпус виробу до стовбура.
 - b) Виберіть техніку різання відповідно до кута нахилу гілки. (Мал. 81)



ПОПЕРЕДЖЕННЯ: Якщо ви не впевнені в тому, як зрізати гілку, перед продовженням роботи зверніться до професійного оператора ланцюгової пилки.

2. Зріжте гілки з верхньої частини стовбура.
 - a) Тримайте виріб на стовбурі та переміщуйте пильну шину вздовж нього.
 - b) Ріжте з поштовхом. (Мал. 82)
3. Зріжте гілки з лівого боку стовбура.
 - a) Виберіть техніку різання відповідно до кута нахилу гілки. (Мал. 83)



ПОПЕРЕДЖЕННЯ: Якщо ви не впевнені в тому, як зрізати гілку, перед продовженням роботи зверніться до професійного оператора ланцюгової пилки.

Інструкції щодо того, як зрізати нахилені гілки, див. у розділі *Зрізання нахилених дерев та гілок на сторінці 763*.

відразу після завершення пиляння. У цих випадках дуже важливо чути звуки й попереджувальні сигнали.

Використання техніки валяння дерев



ПОПЕРЕДЖЕННЯ: Для валяння дерев необхідно мати досвід. Якщо можливо, пройдіть підготовчі курси по роботі з ланцюговою пилюкою. Зверніться до досвідченого оператора для отримання додаткових знань.

Дотримання безпечної відстані

1. Переконайтеся, що люди навколо вас тримаються на безпечній відстані, яка становить щонайменше 2 1/2 довжини дерева. (Мал. 84)
2. Перед поваленням слід переконаватися в тому, що в зоні падіння дерева немає людей. (Мал. 85)

Розрахунок напрямку падіння

1. Визначте, у якому напрямку треба звалити дерево. Необхідно повалити дерево в місце, де вам буде зручно зрізати гілки та легко розрізати стовбур. Також важливо прийняти стійке положення й мати можливість вільно рухатися.



ПОПЕРЕДЖЕННЯ: Якщо повалити дерево в природному напрямку небезпечно або неможливо, виберіть інший напрямок.

2. Проаналізуйте напрямок природного падіння дерева. Наприклад, нахил і вигин дерева, напрямок вітру, розташування гілок і вагу вігнута.
3. Перевірте, чи є перешкоди, наприклад, інші дерева, лінії електропередач, дороги та/або будівлі навколо.
4. Перевірте наявність ознак пошкодження та гниття в стовбурі.



ПОПЕРЕДЖЕННЯ: Гниття в стовбурі може означати, що дерево впаде раніше, ніж ви завершите різання.

5. Переконайтеся, що на дереві немає зламаних або засохлих гілок, які можуть зламатися й ударити вас під час падіння.
6. Не допускайте падіння дерева на інше стояче дерево. Прибирати застрягле дерево небезпечно, адже існує великий ризик нещасних випадків. Див. *Вивільнення дерева, що застрягло на сторінці 763*. (Мал. 86)



ПОПЕРЕДЖЕННЯ: Під час небезпечних робіт із повалення дерев захисні навушники необхідно знімати

Очищення стовбура та підготовка шляху відходу

Зріжте всі гілки на висоті плеча та нижче.

1. Зрізайте з тягою в напрямку згори вниз. Переконайтеся, що дерево розташовано між вами та виробом. (Мал. 87)
2. Видаліть підлісок із робочої зони навколо дерева. Видаліть усі відрізані матеріали з робочої зони.
3. Перевірте робочу зону на предмет перешкод (наприклад, каміння, гілок і ям). Ви повинні мати вільний шлях відходу, коли дерево почне падати. Шлях відходу має пролягати під кутом приблизно 135 градусів від напрямку падіння.

1. Небезпечна зона
2. Шлях відходу
3. Напрямок падіння

(Мал. 88)

Звалювання дерева

Компанія Husqvarna рекомендує робити направлені надрізи, після чого використовувати метод безпечного кута під час повалення дерева. Метод безпечного кута допомагає зробити правильний розріз падіння та контролювати напрям падіння.



ПОПЕРЕДЖЕННЯ: Не валіть дерева, діаметр яких більш ніж у два рази перевищує довжину шини. Для цього потрібно мати спеціальну підготовку.

Розріз падіння

Найважливішою процедурою під час валяння дерева є правильний розріз падіння. Завдяки правильному розрізу падіння ви контролюватимете напрям падіння та будете впевнені в тому, що процедура звалювання буде безпечною.

Товщина розрізу падіння має бути рівною та становити мінімум 10 % від діаметра дерева.



ПОПЕРЕДЖЕННЯ: За неправильного або занадто тонкого розрізу падіння ви не зможете контролювати напрям падіння.

(Мал. 89)

Як робити напрямні надрізи

1. Виконайте напрямні надрізи. Глибина напрямних надрізів має становити 1/4 діаметра дерева. Між верхнім і нижнім надрізами має бути кут 45°.

- a) Спочатку зробіть верхній надріз. Сумістіть відмітку напрямку падіння (А) на виробі з напрямком падіння дерева (В). Залишаючись позаду виробу, станьте так, щоб дерево було праворуч від вас. Робіть надрізи з тягою.
 - b) Зробіть нижній надріз. Переконайтеся, що кінець нижнього надрізу розташовано в тій самій точці, що й кінець верхнього надрізу. (Мал. 90)
2. Переконайтеся, що лінія прямого надрізу повністю горизонтальна та утворює прямий кут (90°) відносно напрямку падіння. Лінія прямого надрізу проходить через точку, де зустрічаються два напрямних надрізи. (Мал. 91)

Використання метода безпечного кута

Виріз зрізування слід зробити трохи вище направленою надрізу.

(Мал. 92)



ПОПЕРЕДЖЕННЯ: Будьте обережні під час різання кінчиком різальної шини. Почніть розрізати нижньою частиною кінчика різальної шини, роблячи проріз у стовбурі торцем пилки.

(Мал. 93)

1. Якщо ефективна довжина різання перевищує діаметр дерева, виконайте кроки а – d.
 - a) Зробіть проріз у стовбурі торцем пилки, щоб завершити розріз падіння. (Мал. 94)
 - b) Виконайте розріз із тягою, доки не залишиться 1/3 стовбура.
 - c) Потягніть пильну шину на 5–10 см (2–4 дюйми) назад.
 - d) Розріжте решту стовбура для утворення безпечного кута шириною 5–10 см (2–4 дюйми). (Мал. 95)
2. Якщо ефективна довжина різання менше діаметра дерева, виконайте кроки а – d.
 - a) Зробіть проріз у стовбурі торцем пилки. Довжина прорізу в торець має становити 3/5 від діаметра дерева.
 - b) Зріжте решту стовбура з тягою. (Мал. 96)
 - c) Зробіть прямий проріз у стовбурі з іншого боку дерева, щоб завершити розріз падіння.
 - d) Робіть проріз із поштовок, доки не залишиться 1/3 стовбура, для утворення безпечного кута. (Мал. 97)
3. Вбийте клин у проріз прямо ззаду. (Мал. 98)
4. Зріжте кут, щоб дерево впало.

Зверніть увагу: Якщо дерево не падає, бийте по клину, доки дерево не впаде.

5. Коли дерево почне падати, відійдіть від нього по шляху відходу. Відійдіть від дерева на відстань не менше 5 м (15 футів).

Вивільнення дерева, що застрягло



ПОПЕРЕДЖЕННЯ: Прибирати застрягле дерево дуже небезпечно, адже існує великий ризик нещасних випадків. Уникайте небезпечної зони й не намагайтеся звалити дерево, що застрягло.

(Мал. 99)

Найбезпечнішим є використання однієї з таких лебідок:

- встановленої на тракторі;

(Мал. 100)

- переносної.

(Мал. 101)

Зрізання нахилених дерев та гілок

1. Визначте, у який бік схилиться дерево або гілка.
2. Визначте, де розташована точка максимального напруження. (Мал. 102)
3. Визначте найбезпечнішу процедуру зняття напруження.

Зверніть увагу: У деяких випадках єдиною безпечною процедурою є використання лебідки, а не виробу.

4. Станьте там, де дерево або гілка не зможуть ударити вас, коли напруження буде знято. (Мал. 103)
5. Зробіть один або кілька прорізів достатньої глибини, щоб зменшити напруження. Зробіть проріз у місці максимального напруження або біля нього. Зламайте гілку чи дерево в точці найбільшого напруження. (Мал. 104)



ПОПЕРЕДЖЕННЯ:

Заборонено робити прямий зріз на нахиленому дереві чи гілці.



ПОПЕРЕДЖЕННЯ:

Будьте дуже обережні під час зрізання нахилених дерев. Існує ризик того, що дерево швидко рухатиметься до або після того, як ви його зріжете. Якщо перебувати в неправильному положенні або робити проріз неправильно, можна отримати серйозні травми.

6. Якщо необхідно зрізати дерево або гілку впоперек, зробіть 2–3 прорізи глибиною 2 дюйми на відстані 1 дюйм. (Мал. 105)
7. Продовжуйте розрізати, доки дерево чи гілка не зігнеться й напруження не буде зняте. (Мал. 106)
8. Після зняття напруження ріжте дерево чи гілку з протилежної сторони від вигину.

ТЕХНІЧНЕ ОБСЛУГОВУВАННЯ

Вступ



ПОПЕРЕДЖЕННЯ: Перед технічним обслуговуванням уважно прочитайте розділ про правила техніки безпеки.

Нижче наведено перелік заходів технічного обслуговування, які слід виконувати. Див. *ТЕХНІЧНЕ ОБСЛУГОВУВАННЯ* на сторінці 764 щоб отримати більше інформації.

Графік технічного обслуговування



ПОПЕРЕДЖЕННЯ: Перед технічним обслуговуванням необхідно виймати акумулятор.

Технічне обслуговування	Перед використанням	Щотижня	Щомісяця
Очистьте зовнішні деталі виробу.	X		
Переконайтеся в тому, що механічний пусковий пристрій і його фіксатор працюють правильно з точки зору безпеки.	X		
Очистьте гальмо ланцюга й переконайтеся, що воно працює безпечно. Переконайтеся, що обмежувач ланцюга не пошкоджений. Замініть у разі потреби.	X		
Повертайте пильну шину для більш рівномірного зношування. Переконайтеся, що отвір для змащування в пильній шині не забитий. Очистьте канавку шини.	X		
Переконайтеся, що різець і його кожух не мають тріщин та пошкоджень. Якщо різець чи його кожух мають тріщини або зазнавали ударів, замініть їх.	X		
Переконайтеся, що пильна шина й ланцюг пилки отримують достатню кількість масла.	X		
Перевірте ланцюг пилки. Перевірте ланцюг на наявність тріщин і переконайтеся, що він не жорсткий та не надмірно зношений. Заміна, якщо потрібно.	X		
Нагостріть ланцюг пилки. Перевірте його натяг і стан. Перевірте приводну зірочку на наявність зношення й за необхідності замініть її.	X		
Почистьте всмоктувач повітря виробу.	X		
Переконайтеся в тому, що всі гвинти й гайки затягнуті.	X		
Переконайтеся в правильності роботи кнопкової панелі й відсутності будь-яких її пошкоджень.	X		
За допомогою напилка приберіть будь-які нерівності на краях пильної шини.		X	
Перевірте з'єднання між акумулятором і виробом. Перевірте з'єднання між акумулятором і зарядним пристроєм.			X

Технічне обслуговування	Перед використанням	Щотижня	Щомісяця
Спорожніть і очистьте масляний бак.			X
Обережно продуйте вентиляційні отвори зарядного пристрою та акумулятора стисненим повітрям.			X

Технічне обслуговування й перевірка захисних пристроїв виробу

Перевірка переднього захисного щитка

Регулярно перевіряйте стан передньої огорожі для захисту рук і справність інерційного гальма.

1. Упевніться, що передній захисний щиток не має пошкоджень, наприклад тріщин. (Мал. 107)
2. Переконайтеся, що передній захисний щиток рухається вільно та правильно встановлений. (Мал. 108)
3. Поставте виріб із зупиненим двигуном на пень або іншу стійку поверхню.
4. Тримайтеся за задню ручку й відпустіть передню ручку. Дайте виробу нахилитися в сторону пня. (Мал. 109)
5. Переконайтеся в тому, що коли пильна шина зіштовхується з пнем, спрацьовує ланцюгове гальмо.

Перевірка активатора гальма

1. Поставте виріб на тверду поверхню та ввімкніть його. Див. *Експлуатація на сторінці 758*.



ПОПЕРЕДЖЕННЯ:

Переконайтеся, що ланцюг пилки не торкається землі чи будь-яких предметів.

2. Охопіть пальцями рукоятки й міцно утримуйте виріб. (Мал. 110)
3. Увімкніть виріб на повну потужність та нахиліть лівий зап'ясток вперед у напрямку переднього захисного щитка, щоб активувати ланцюгове гальмо. Ланцюг пилки має негайно зупинитися. (Мал. 111)



ПОПЕРЕДЖЕННЯ: Не відпускайте передню ручку!

Перевірка фіксатора механічного пускового пристрою

1. Переконайтеся в тому, що механічний пусковий пристрій і фіксатор рухаються вільно, а зворотна пружина працює правильно. (Мал. 112)

2. Пересуньте фіксатор механічного пускового пристрою вперед (А) і вниз (В). Утримуйте фіксатор механічного пускового пристрою біля ручки й переконайтеся, що він повертається в початкове положення, коли ви його відпускаєте. (Мал. 113)
3. Перевірте, чи блокується механічний пусковий пристрій на холостому ході, коли ви відпускаєте фіксатор. (Мал. 114)
4. Увімкніть виріб і повністю натисніть курок газу.
5. Відпустіть механічний пусковий пристрій та переконайтеся, що ланцюг пилки зупинився й більше не рухається.



ПОПЕРЕДЖЕННЯ: Якщо ланцюг пилки продовжує обертатися, коли механічний пусковий пристрій встановлено в положення холостого ходу, зверніться до дилера з обслуговування.

Перевірка утримувача ланцюга

1. Переконайтеся, що утримувач ланцюга не пошкоджений.
2. Переконайтеся, що утримувач ланцюга перебуває в стабільному положенні та встановлений на корпус виробу. (Мал. 115)

Перевірка функцій інтерфейсу користувача

1. Запустіть виріб. Дивіться розділ *Запуск виробу на сторінці 760*.
2. Натисніть і втримуйте кнопку ввімкнення / вимкнення.
3. Переконайтеся, що виріб зупинено, а зелений світлодіодний індикатор згас. (Мал. 66)

Перевірка акумулятора й тримача акумулятора

1. Для чищення акумулятора й тримача акумулятора використовуйте м'яку щітку.
2. Очистьте вентиляційні отвори й з'єднувачі акумулятора. (Мал. 116)
3. Переконайтеся, що на акумуляторі немає тріщин або інших пошкоджень.

Перевірка зарядного пристрою

1. Переконайтеся, що зарядний пристрій і шнур живлення не пошкоджені. Перевірте їх на наявність тріщин та інших пошкоджень. (Мал. 117)

Очищення системи охолодження

Система охолодження знижує температуру двигуна. До системи охолодження входить всмоктувач повітря з лівого боку виробу й вентилятор на двигуні.

1. Очищуйте систему охолодження щіткою щотижня або частіше, якщо необхідно. (Мал. 118)
2. Переконайтеся, що система охолодження не забруднена чи не забита.



УВАГА: Забруднена чи забита система охолодження може спричинити значне перегрівання виробу. Це призведе до пошкодження виробу.

Нагострювання ланцюга пилки

Інформація щодо пильної шини й ланцюга пилки



ПОПЕРЕДЖЕННЯ: Під час роботи з ланцюгом пилки або його обслуговування використовуйте захисні рукавиці. Нерухомих ланцюг пилки також може завдати травми.

Необхідно замінити зношені чи пошкоджені шину та ланцюг комбінаціями шини й ланцюга, рекомендованими компанією Husqvarna. Це необхідно, щоб підтримувати роботу функцій безпеки виробу. Список рекомендованих комбінацій пильних шин і ланцюгів для заміни див. тут: *Аксесуари на сторінці 772*.

- Довжина пильної шини, дюйми/см. Інформацію про довжину пильної шини зазвичай можна знайти на задньому кінці пильної шини.

(Мал. 119)

- Кількість зубців на веденій зірочці шини (Т).

(Мал. 120)

- Крок ланцюга, дюймів. Проміжки між приводними ланками ланцюга повинні збігатися з проміжками між зубцями на веденій зірочці шини й приводній зірочці.

(Мал. 121)

- Кількість передавальних ланок. Кількість приводних ланок визначається відповідно до типу пильної шини.

(Мал. 122)

- Ширина паза шини, дюймів / мм. Ширина паза шини має бути такою ж, як і ширина приводних ланок.

(Мал. 123)

- Отвір для мастила для ланцюга та отвір для натягу ланцюга. Шину має бути вирівняно відносно виробу.

(Мал. 124)

- Ширина приводних ланок, мм / дюймів.

(Мал. 125)

Загальна інформація про нагострювання різців

Забороняється використовувати виріб із тупим ланцюгом. Якщо ланцюг затуплений, потрібно застосовувати більший тиск, щоб протиснути шину пилки через деревину. Якщо ланцюг дуже затуплений, у результаті пиляння буде з'являтися тирса, а не стружка.

Гострий ланцюг врізається в деревину, створюючи довгу й товсту стружку.

Різальний зубець (А) й обмежувач глибини (В) разом створюють різальну частину ланцюга – різець. Різниця висоти цих двох деталей є глибиною різання.

(Мал. 126)

Під час нагострення зубця враховуйте:

- Кут заточування.

(Мал. 127)

- Кут різання.

(Мал. 128)

- Положення напилка.

(Мал. 129)

- Діаметр круглого напилка.

(Мал. 130)

Без відповідного інструменту буде важко правильно нагострити ланцюг. Використовуйте рекомендований розмір напилка Husqvarna. Це допоможе підтримувати максимальну продуктивність різання й мінімальну небезпеку віддачі.



ПОПЕРЕДЖЕННЯ: Якщо не дотримуватись інструкцій із правильного нагострювання, сила віддачі значно підвищуватиметься.

Зверніть увагу: Дивіться розділ *Аксесуари на сторінці 772*, щоб дізнатися про загострювання ланцюга пили.

Нагострювання різців

1. Для нагострювання різальних зубців використовуйте круглий напилко і шаблон для напилка. (Мал. 131)

Зверніть увагу: Дивіться розділ *Аксесуари на сторінці 772* щодо рекомендованих компанією Husqvarna напилків та їх розмірів.

2. Правильно прикладайте напилко до різця. Дивіться інструкції до напилка.
3. Переміщуйте напилко від внутрішньої сторони різця назовні. Зменшуйте тиск під час повернення напилка назад. (Мал. 132)
4. Зніміть матеріал з одного боку всіх різців.
5. Переверніть виріб і зніміть матеріал з іншого боку.
6. Переконайтеся, що всі різці однакової довжини.

Загальна інформація щодо зміни висоти обмежувача глибини різання

Значення глибини різання (С) зменшується після загострювання різців (А). Для підтримки максимальної продуктивності різання необхідно прибирати металеву стружку з обмежувача глибини різання (В), щоб отримати рекомендоване значення глибини. Інструкції щодо того, як отримати правильну висоту обмежувача глибини різання для вашої ланцюгової пилки, див. у розділі *Аксесуари на сторінці 772*.

(Мал. 133)



ПОПЕРЕДЖЕННЯ: Небезпека віддачі збільшується, якщо обмежувач глибини різання встановлено надто високо!

Регулювання висоти обмежувача глибини

Перед налаштуванням висоти обмежувача глибини різання чи нагострювання різців див. інструкції в розділі *Нагострювання різців на сторінці 767*. Рекомендовано змінювати висоту обмежувача глибини різання після кожного третього загострювання різців.

Для правильного налаштування глибини різання й різців рекомендується використовувати наш пристрій для вимірювання висоти обмежувача глибини різання.

(Мал. 134)

1. Для налаштування обмежувача глибини різання використовуйте плоский напилко і пристрій для вимірювання висоти обмежувача глибини різання. Для вибору правильного налаштування та куту глибини різання використовуйте лише рекомендований пристрій для обмеження глибини різання Husqvarna.

2. Установіть пристрій для вимірювання висоти обмежувача глибини різання на ланцюг пилки.

Зверніть увагу: Детальнішу інформацію щодо експлуатації ви знайдете в інструкції до пристрою вимірювання висоти обмежувача глибини різання.

3. За допомогою плоского напилка видаліть частину обмежувача глибини різання, що виступає над пристроєм для вимірювання висоти обмежувача глибини. (Мал. 135)

Регулювання натягу ланцюга пилки



ПОПЕРЕДЖЕННЯ: Неправильно натягнутий ланцюг пилки може зіскочити із шини та призвести до серйозної травми чи смерті.

Ланцюг пилки стає довшим під час використання. Регулярно регулюйте ланцюг пилки. Щоразу після доливання масла для ланцюга перевіряйте його натяг.

Зверніть увагу: У новій пилці є період припрацьовування, протягом якого натяг необхідно перевіряти частіше.

Регулювання натягу ланцюга пилки (з ручкою шини)

1. Розгорніть головку, доки вона не розкриється. (Мал. 136)
2. Поверніть головку проти годинникової стрілки, щоб послабити кришку приводної зірочки. (Мал. 137)
3. Повертайте колесо натяжного механізму ланцюга, щоб відрегулювати натяг ланцюга. Ланцюг має щільно прилягати до шини. (Мал. 138)

Зверніть увагу: Повертайте колесо вниз (+), щоб збільшити натяг, або вгору (-), щоб зменшити натяг.

4. Переконайтеся, що ви можете вільно протягнути ланцюг пилки вручну й що він не провисає. (Мал. 139)
5. Поверніть головку за годинниковою стрілкою, щоб затягнути її. (Мал. 140)
6. Складіть головку, щоб зафіксувати натяг. (Мал. 141)

Регулювання натягу ланцюга пилки (з болтом кріплення шини)

1. Ослабте гайку пильної шини, яка тримає кришку приводної зірочки. Скористайтеся комбінованим ключем. (Мал. 142)

2. Підніміть передню частину шини й поверніть гвинт натягування ланцюга. Скористайтеся комбінованим ключем.
3. Натягніть ланцюг пилки таким чином, щоб він щільно прилягав до пильної шини. (Мал. 143)
4. Затягуйте гайку пильної шини комбінованим ключем, водночас піднімаючи верхню частину пильної шини. (Мал. 144)
5. Переконайтеся, що ви можете вільно протягнути ланцюг пилки вручну й що він не провисає. (Мал. 139)

Зверніть увагу: Дивіться розділ *Огляд виробу на сторінці 747* для отримання інформації щодо положення гвинта натягування ланцюга на виробі.

Перевірка змащування ланцюга пилки

Під час кожної третьої зарядки акумулятора перевіряйте змащування ланцюга пилки.

1. Запустіть виріб і дайте йому попрацювати на 3/4 потужності. Утримуйте шину над поверхнею світлого кольору на висоті приблизно 20 см (8 дюймів).
2. Якщо змащування ланцюга виконується належним чином, через 1 хвилину ви побачите виразний слід оливи. (Мал. 145)
3. Якщо змащування ланцюга не виконується належним чином, виконайте наведені далі перевірки.
 - a) Перевірте канал подачі оливи на шині й переконайтеся, що він не забитий. Почистьте її за необхідності. (Мал. 146)
 - b) Перевірте канавку на краю шини й переконайтеся, що вона чиста. Почистьте її за необхідності. (Мал. 147)
 - c) Переконайтеся, що ведена зірочка шини вільно обертається, і що отвір для змащування на ній не забитий. У разі необхідності почистьте й змастіть зірочку. (Мал. 148)
4. Якщо після виконання наведених вище кроків змащування ланцюга не виконується належним чином, зверніться до свого дилера з обслуговування.

Перевірка приводної зірочки ланцюга

- Перевірте приводну зірочку ланцюга на наявність ознак зношення. За необхідності замініть приводну зірочку ланцюга.
- У разі заміни ланцюга також обов'язково замініть приводну зірочку. (Мал. 149)

Перевірка різального обладнання

1. Переконайтеся, що в заклепках і ланках немає тріщин і що всі заклепки закріплені. Замініть, якщо це необхідно. (Мал. 150)
2. Переконайтеся, що ланцюг пилки легко згинається. Замініть ланцюг пилки, якщо він жорсткий.
3. Щоб перевірити заклепки й ланки на наявність зношення, порівняйте ланцюг вашої пилки з новим.
4. Замініть ланцюг пилки, якщо найдовша частина різця стала меншою за 4 мм (0,16 дюйма). Також замініть ланцюг пилки, якщо на різцях є тріщини. (Мал. 151)

Перевірка шини

1. Переконайтеся, що канал подачі мастила не заблокований. Очистьте його, якщо необхідно. (Мал. 146)
2. Перевірте, чи є на краях шини задирки. Видаліть задирки напилком. (Мал. 152)
3. Очистьте паз у пильній шині. (Мал. 147)
4. Перевірте канавку на шині на наявність зношення. За необхідності замініть пильну шину. (Мал. 153)
5. Упевніться, що кінчик різальної шини не занадто твердий чи зношений. (Мал. 154)
6. Переконайтеся, що ведена зірочка шини вільно обертається, і що отвір для змащування на ній не забитий. Очистьте та змастіть за необхідності. (Мал. 148)
7. Щодня повертайте пильну шину, щоб подовжити термін її служби. (Мал. 155)

Усунення несправностей

Інтерфейс користувача

Світлодіодний екран	Можливі несправності	Можливе рішення
Блимає світлодіодний індикатор попередження.	Увімкнено гальмо ланцюга.	Вимкніть гальмо ланцюга.
	Відхилення температури від норми.	Дайте виробу охолонути.
	Перевантаження. Ланцюг пилки не рухається.	Вивільніть ланцюг пилки.
	Одночасно натиснуто механічний пусковий пристрій і кнопку запуску/зупинки.	Відпустіть механічний пусковий пристрій, щоб увімкнути виріб.
Блимає помаранчевий світлодіодний індикатор увімкнення.	Недостатня напруга акумулятора.	Зарядіть акумулятор.
Індикатор попередження ввімкнений.	Обслуговування.	Зверніться до свого дилера з обслуговування.

Акумулятор

Світлодіодний дисплей	Можливі несправності	Можливе рішення
Блимає зелений світлодіодний індикатор.	Недостатня напруга акумулятора.	Зарядіть акумулятор.
Світлодіодний індикатор помилки блимає.	Відхилення температури від норми.	Акумулятор дозволяється використовувати за температури від – 10 °C (14 °F) до 40 °C (104 °F).
	Занадто висока напруга.	Переконайтеся, що напруга в мережі відповідає зазначеним на виробі значенням. Відповідне значення можна подивитися на паспортній таблиці виробу.
		Вийміть акумулятор із зарядного пристрою.

Світлодіодний дисплей	Можливі несправності	Можливе рішення
Вмикається світлодіод помилки.	Завелика різниця напруги між елементами акумуляторної батареї (1 В).	Зверніться до свого дилера з обслуговування.

Зарядний пристрій

Обставина	Можливі несправності	Можливі виправлення
Індикатор заряджання світиться червоним.	Систематична помилка зарядного пристрою.	Зверніться до дилера.
Індикатор заряджання блимає зеленим.	Акумулятор є надто холодним або надто гарячим для використання чи заряджання.	Дайте акумулятору охолонути або підігрійте його. Коли температура акумулятора досягне прийнятних значень, його можна буде знову використовувати або заряджати. Зарядний пристрій дозволяється використовувати за температури навколишнього середовища від 5 °C (41 °F) до 40 °C (104 °F).
Індикатор заряджання блимає червоним.	Акумулятор є несправним.	Зверніться до дилера

Транспортування, зберігання й утилізація

Транспортування та зберігання

- На літій-іонні акумулятори поширюються правила щодо небезпечного вантажу.
- У разі перевезення пасажирським або вантажним транспортом дотримуйтеся спеціальних вимог щодо упаковки й маркування (це правило також стосується третіх осіб і експедиторів).
- Перш ніж відправити виріб, проконсультуйтеся з особою, що пройшла спеціальну підготовку щодо поводження з небезпечними матеріалами. Дотримуйтеся всіх застосованих національних норм і правил.
- Перед пакуванням акумулятора ізолюйте відкриті контакти. Зафіксуйте акумулятор у упаковці, щоб він не рухався.
- Готуючись до зберігання чи транспортування інструмента, завжди слід виймати акумулятор.
- Зберігайте акумулятор і зарядний пристрій у сухих приміщеннях, захищених від вологи й низьких температур.
- Заборонено зберігати акумулятор у місці, де можуть утворюватися статичні заряди. Не зберігайте акумулятор у металевій коробці.
- Зберігайте акумулятор за температури 5–25 °C (41–77 °F) у захищеному від прямих сонячних променів місці.
- Зберігайте зарядний пристрій за температури 5–45 °C (41–113 °F) у захищеному від прямих сонячних променів місці.
- Використовуйте зарядний пристрій лише за температури навколишнього середовища 5–40 °C (41–104 °F).
- Перед довготривалим зберіганням акумулятор необхідно зарядити на 30–50 %.
- Зберігайте зарядний пристрій у сухому закритому приміщенні.
- Зберігайте акумулятор і зарядний пристрій окремо. Не дозволяйте дітям й іншим особам без належної підготовки торкатися обладнання. Зберігайте обладнання в приміщеннях, які можна закрити на замок.
- Перед тривалим зберіганням промийте виріб і проведіть повне технічне обслуговування.
- Під час транспортування й зберігання використовуйте чохол для транспортування, що допоможе захистити виріб від травм і пошкоджень.
- Під час транспортування надійно закріплюйте виріб.

Утилізація акумулятора, зарядного пристрою й виробу

Символ, наведений нижче, означає, що цей виріб не можна утилізувати разом із побутовими відходами. Утилізацію необхідно проводити на підприємстві з переробки відходів електричного й електронного обладнання. Це допоможе запобігти шкоді навколишньому середовищу й людям.

Щоб отримати детальнішу інформацію, проконсультуйтеся з органами місцевої влади, місцевою службою переробки відходів чи своїм дилером.

(Мал. 24)

Зверніть увагу: Символ нанесений на виріб чи упаковку виробу.

Технічні характеристики

Технічні характеристики

	225i
Електродвигун	
Тип	Двигун постійного струму (без щіток) 36 В
Особливості	
Режим зменшеного споживання енергії	SavE
Система змащування	
Тип масляного насоса	Автоматичний
Ємність бака для оливи, мл / см ³	0,2 / 200
Маса	
Ланцюгова пилка без акумулятора, шини, ланцюга та з порожнім баком під масло для ланцюга, кг	3,1
Випромінювання шуму ¹¹⁴	
Рівень звукової потужності, вимірний, дБ(А)	97
Гарантований рівень звукової потужності, L _{WA} дБ(А)	100
Рівні звуку ¹¹⁵	
Рівень звукового тиску на слухові органи оператора за результатами вимірювання згідно зі стандартом EN 62841-1	89
Рівні вібрації ¹¹⁶	
Передня ручка, м/с ²	3,9
Задня ручка, м/с ²	3,9

¹¹⁴ Рівень шуму в навколишньому середовищі, вимірний як звукова потужність (L_{WA}) відповідно до директиви ЄС 2000/14/ЄС і EN ISO 22868, має типову статистичну дисперсію (стандартне відхилення) 3 дБ(А).

¹¹⁵ Представлені дані для рівня звукового тиску для інструмента мають типову статистичну дисперсію (стандартне відхилення) в 3 дБ (А).

¹¹⁶ Рівень вібрації відповідає стандарту EN 62841-4-1. Заявлені дані щодо рівня вібрації мають стандартну статистичну розбіжність (стандартне відхилення) у $\pm 1,5$ м/с². Дані про вібрацію заявлені, виходячи з вимірювань, зроблених на пристрої, оснащеному шиною та ланцюгом рекомендованого типу. Якщо машину оснащено шиною іншого типу, рівень вібрації може коливатися в межах $\pm 1,5$ м/с² максимум.

	225i
Ланцюг пилки / пильна шина	
Рекомендована довжина шини, дюйми / см	12–14 / 30,5–35,6
Довжина розпилювання, дюйми/см	11-13 / 27-33,2
Тип приводної зірочки / кількість зубців	Прямокуба / 6
Максимальна швидкість обертання ланцюга / (звичайний режим), м/с	11,8
Максимальна швидкість обертання ланцюга / (режим SavE), м/с	9,4

Акcesуари

Комбінації шин і ланцюгів пилки

Наведені нижче різальні насадки рекомендовано для використання з Husqvarna 225i.






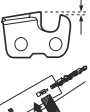
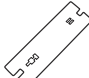

Шина пилки					Пилковий ланцюг	
Тип	Довжина, дюйми	Крок ланцюга, дюйми	Вимірювач, мм	Макс. радіус кінцевої частини шини	Тип	Довжина, передавальні ланки (шт.)
501959545	12	3/8" mini	1,1	7T	Husqvarna H38 (581808145)	45
501959552	14	3/8" mini	1,1	7T	Husqvarna H38 (581807952)	52






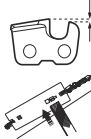
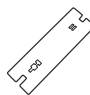



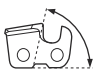


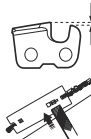
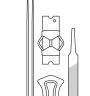

Обладнання для заточування та кути заточування

Для нагострювання ланцюга пилки використовуйте напилек Husqvarna відповідного розміру. Використання напилку Husqvarna відповідного розміру дасть змогу отримати правильні кути

заточування. Номери деталей наведені в таблиці нижче.

Якщо ви не впевнені, як визначити тип ланцюга пилки на вашому виробі, відвідайте веб-сайт www.husqvarna.com для отримання детальнішої інформації.

							
38	11/64 дюйма / 4,5 мм	75°	30°	0°	0,025 дюйма / 0,65 мм	505 69 81-03	579 55 88-01

							
							
93	5/32 дюйма / 4,0 мм	60°	30°	0°	0,025 дюйма / 0,65 мм	596 63 89-01	596 63 89-01

Схвалені акумулятори

Акумулятор	40-B140
Тип	Літій-іонний
Ємність батареї, ампер-години	4
Номинальна напруга, В	36
Маса, кг	1.25

Схвалені зарядні пристрої для виробу

Зарядний пристрій	40-C80
Напруга електромережі, В	100-240
Частота, Гц	50-60
Потужність, Вт	72
Вихідна напруга, В пост. струму / ампер, А	43 / 1,6

Декларація відповідності

Декларація відповідності ЄС

виключну відповідальність, що наведений нижче виріб:

Компанія **Husqvarna AB**, SE-561 82 Huskvarna,
Швеція, телефон: +46-36-146500, заявляємо під свою

Опис	Акумуляторні ланцюгові пилки
Бренд	Husqvarna
Тип / модель	225i
Ідентифікація	Серійні номери за 2023 рік і пізніше

повністю відповідає таким директивам і нормам ЄС:

Директива/норма	Опис
2006/42/EC	«Про механічне обладнання»
2014/30/EU	«Про електромагнітну сумісність»
2011/65/EU	«Про обмеження використання деяких небезпечних речовин в електричному й електронному обладнанні»
2000/14/EC	«Про виділення шуму в навколишнє середовище»

Застосовано такі стандарти: EN 62841-1:2015+A11:2022, EN 62841-4-1:2020, EN IEC 63000:2018, EN IEC 55014-1:2021, EN IEC 55014-2:2021.

Уповноважений орган: Компанія TÜV Rheinland LGA Products GmbH, Tillystrasse 2, D-90431 Nuernberg, Germany, 0197, виконала типову перевірку ЄС згідно з пунктом 3b статті 12 директиви Ради ЄС «Про машини та механізми» (2006/42/EC). Номер свідоцтва: VM 50604678 0001.

Ця ланцюгова пила відповідає зразку, що пройшов типову перевірку ЄС.

Згідно з Директивою 2000/14/EC, додаток V, див. *Технічні характеристики на сторінці 771* для заявлених шумових характеристик.

Husqvarna, 2023-10-30



Клас Лосдал (Claes Losdal), директор відділу НДДКР,
Husqvarna AB

Відповідальний за технічну документацію



内容

引言.....	775	故障排除.....	790
安全性.....	776	运输、存放和废弃处理.....	791
安装.....	781	技术参数.....	791
操作.....	782	附件.....	792
维护.....	786	一致性声明.....	795

引言

预期用途

本链锯用于林业部门进行伐木、打枝和切割等森林作业。

注意： 本产品的使用可能受到国家法规的管制。

产品概览

(图 1)

1. 前护手
2. 前手柄
3. 用户界面
4. “启动/停止”按钮
5. 警告指示灯和电池指示灯
6. SavE 按钮
7. 带右护手的后手柄
8. 信息和警告标识
9. 外壳
10. 锯链油箱
11. 运输盖
12. 开关扳机锁
13. 开关扳机
14. 带导板旋钮的驱动链轮罩
15. 锯链张紧轮
16. 链限制器
17. 插木齿
18. 导板顶端链轮
19. 锯链
20. 导板
21. 电量状态指示灯
22. 连接器
23. 电池充电器
24. 组合扳手
25. 警告指示灯
26. 电池状态按钮
27. 电池状态。
28. 电池释放按钮
29. 电池
30. 操作手册
31. 导板旋钮
32. 带导板螺栓的驱动链轮罩

产品说明

Husqvarna 225i 是配备电机的链锯机型。

我们致力于提高您的工作安全性与效率。欲了解更多信息，请与您的保养代理商联系。

本产品上的符号

- (图 2) 警告：本产品可能会带来危险，会对操作员或其他人员造成严重伤害或死亡。请多加小心，并正确地使用本产品。
- (图 3) 请认真阅读操作手册，确保在充分理解各项说明之后再使用本产品。
- (图 4) 请使用获得批准的保护头盔、听觉保护设备和眼部保护设备。
- (图 5) 请用双手操作本产品。
- (图 6) 切勿只用单手操作本产品。
- (图 7) 切勿让导板端头触碰物体。
- (图 8) 切勿冒雨使用。
- (图 9) 警告！当导板端头触碰物体时可能会发生反弹。这会造成导板被抛向操作员。存在造成严重伤害或死亡的风险。
- (图 10) 额定电压，V
- (图 11) 锯链油。
- (图 12) 锯链的旋转方向和导板的最大长度。
- (图 13) 直流电。
- (图 14) **环境标记。** 本产品或产品包装不属于生活垃圾。请将其在回收站作为电气和电子设备进行回收。
- (图 15) 本产品符合适用的 EC 指令。
-

- (图 16) 本产品符合适用的英国法规。
- (图 17) 对环境的噪音释放的标签符合欧盟指令 2000/14/EC、英国指令和新南威尔士州法规“2017 年环境行动（噪音控制）保护法规”的要求。本产品的保证声功率级在标签中 *技术参数在第 791 页上* 和该标签上均有注明。
- (图 21) 锯链制动器，已接合（向前）。锯链制动器，未接合（向后）。
- (图 22) 锯链方向。
- (图 23) 标牌显示了序列号。yyyy 是生产年份，ww 是生产周。

- (图 18) 故障安全型变压器。
- (图 19) 仅限在室内使用和存放电池充电器。
- (图 20) 双重绝缘。

制造商

Husqvarna AB
Drottninggatan 2, SE-561 82, Huskvarna, Sweden, tel: +46-36-146500

产品损坏

对于因下列情况造成的产品损坏，我们概不负责：

- 未正确修理产品。
- 使用非原装零部件或者未获原厂批准的零部件修理产品。
- 产品加装了非原装的或者未获原厂批准的附件。
- 未在授权的保养厂修理产品，或者未由授权的机构修理产品。

注意：有关本产品上的其他符号/标识，请参阅适用于部分市场的认证要求。

电池和/或电池充电器上的符号

- (图 24) 请将本产品送往回收站以作为电气和电子设备回收利用。（仅适用于欧洲）

安全性

安全定义

本手册使用了“警告”、“小心”和“注意”来指出特别重要的内容。



警告： 当不遵守手册中的说明可能会给操作员或周围人员带来伤害或死亡风险时，会使用此标志。



小心： 当不遵守手册中的说明可能会对产品、其他材料或附近区域造成损坏时，会使用此标志。

注意： 用于提供特定状况下所需的更多信息。

电动工具一般安全警告



警告： 请阅读此电动工具随附的所有安全警告、说明、图示和规格。如不遵循下列所有说明，可能会导致电击、火灾和/或严重伤害。

- 保存所有警告和说明供以后参考。警告中的术语“电动工具”指的是电力驱动（有线）的电动工具或电池供电（无线）的电动工具。

工作区安全

- 保持工作区域干净明亮。混乱或黑暗的区域可能会导致事故。
- 请勿在诸如存在易燃液体、气体或粉尘等易爆炸的环境中操作电动工具。电动工具会生成火花，可能会点燃粉尘或气体。
- 操作电动工具时请远离儿童和旁观者。操作时分心将无法控制工具。

电气安全

- 电动工具的插头必须与电源插座匹配。切勿以任何方式改造插头。请勿将任何转接插头与接地的电动工具一起使用。未经改造的插头和匹配的电源插座将减少电击风险。
- 避免将身体与接地表面接触，如管道、散热器、炉具和冰箱。如果身体接地，则会增加遭受电击的风险。
- 请勿将电动工具暴露在雨水或潮湿环境下。电动工具中进水将会增加电击风险。
- 请勿滥用电缆。切勿使用电缆来携带、拖拉或断开电动工具。请将电缆远离热、油脂、尖锐边缘或移动的部件。损坏或缠绕的电缆会增加触电风险。
- 在室外操作电动工具时，请使用适用于室外用途的加长电缆。使用室外专用的电缆会降低电击风险。
- 如果无法避免在潮湿的地点操作电动工具，请使用电流式漏电路器 (RCD) 保护电源。使用 RCD 可降低电击风险。

人身安全

- 操作电动工具时，保持警觉并密切注意正在执行的操作并根据常识做出合理判断。请勿在疲倦或服用药剂、酒精或药物后使用电动工具。操作电动工具时的一时疏忽可能会导致严重的人身伤害。
- 使用个人防护装备。始终佩戴眼部保护装备。适用于相应条件的防尘面罩、防滑安全鞋、安全帽、听觉保护设备等保护装备可减少人身伤害。
- 防止本机意外启动。在连接至电源和/或电池组、提起或携带工具之前，确保开关处于关闭位置。携带电动工具时将手指放在开关上或为已打开开关的电动工具加电会引发事故。
- 打开电动工具开关前，请取下任何调整扳手。保持扳手与电动工具的旋转部件相连接可能会导致人身伤害。
- 请勿伸得过远。请始终维持适当的位置和平衡。这样在出现意外时可以更好地控制电动工具。
- 穿戴合适的服装。请勿穿宽松的服装或佩戴珠宝。保持头发和衣服远离移动部件。宽松的服装、珠宝或长发可能会绞入移动部件中。
- 如果提供了用于连接吸尘和集尘装置的设备，请确保正确连接和使用这些设备。使用集尘装置可减少因灰尘引起的相关危险。
- 在频繁使用工具而熟悉工具后，不要掉以轻心并忽视工具的安全原则。任何疏忽大意都随时可能造成严重的伤害。

电动工具的使用和养护

- 请勿强行操作电动工具。请针对具体用途使用正确的电动工具。使用正确的电动工具可更好更安全地按照设计用途完成工作。
- 请勿使用通过开关无法打开和关闭的电动工具。无法使用开关进行控制的任何电动工具都是危险的，必须进行维修。
- 在对电动工具进行任何调整、更换附件或存放前，请将插头从电源中拔出并/或将电池组从电动工具上卸下（如果可拆卸）。此类预防性安全措施可降低不小心启动电动工具的风险。
- 请将闲置的电动工具存放在远离儿童的位置，不得允许不熟悉电动工具或这些说明的人操作电动工具。未经培训的用户使用电动工具将非常危险。
- 维护电动工具和附件。检查是否存在未对齐或移动部件纠缠、零件破损以及任何其他可能会影响电动工具操作的情况。如果工具已损坏，请在使用前维修电动工具。许多事故都是因电动工具未得到正确维护造成的。
- 保持切割工具锋利洁净。使用具有锋利切割边缘且经过适当维护的切割工具，较少出现纠缠的情况且更易于控制。
- 请按照这些说明使用电动工具、附件和刀头等，同时考虑工作环境以及要执行的作业。如果电动工具用于非设计用途会导致危险。
- 保持手柄和握紧面干燥、清洁且未沾染油脂。手柄和握紧面不可打滑，以确保在意外情况下安全搬运和控制工具。

电池动力工具的使用和养护

- 只能使用制造商指定的充电器为电池充电。如果将适合某一类型电池组的充电器用于为其他类型电池组充电，可能产生失火危险。
- 电动工具只能使用专门指定的电池组。使用任何其他类型的电池组可能产生伤害和失火风险。
- 当不使用电池组时，使其远离其他金属物体，例如回形针、硬币、钥匙、钉子、螺钉或其他金属小物品，以免接通电端子。电端子短接到一起可能会引起灼伤或火灾。
- 电池在滥用情况下可能喷出液体，避免接触这些液体。如果意外接触，请用水冲净。如果液体接触眼睛，还必须就医。电池喷出的液体可能产生刺激或灼伤。
- 切勿使用损坏或经过改造的电池组或工具。损坏或经过改造的电池可能会出现意外情况，导致火灾、爆炸或受伤风险。
- 切勿将电池组或工具暴露在火中或温度过高的环境中。电池暴露在火中或超过 130 °C / 266 °F 的温度中可能发生爆炸。
- 请遵守所有的充电说明，切勿在说明中指定的温度范围之外为电池组或工具充电。充电不正确或在指定温度范围外充电可能会损坏电池，并增大失火风险。

保养

- 保养电动工具时，请联系具备相应资质的维修人员并仅使用相同的更换零件。这将确保电动工具的安全。
- 切勿维修损坏的电池组。电池组的维修只能由制造商或授权的服务提供商执行。

一般链锯安全警告

- 链锯工作过程中，使身体各部分远离链锯。启动链锯前，确保链锯没有接触任何物体。操作链锯时稍有疏忽就可能造成锯链缠住衣服或身体。
- 务必将右手放在后把手上，将左手放在前把手上，紧握链锯。反手握住链锯会增加人身伤害的风险，应坚决予以避免。
- 只能通过绝缘握持面握住链锯，因为锯链可能会接触隐藏的电线。锯链接触“带电”电线可能使链锯裸露的金属部分“带电”，进而导致操作员遭受电击。
- 佩戴眼部防护装备。建议同时佩戴听力、头部、手部、腿部和足部防护装备。适当的防护装备可以降低飞溅碎片或意外接触锯链造成人身伤害的风险。
- 切勿在树木、梯子、屋顶或任何不稳定的支撑物上操作链锯。以此方式操作链锯可能会导致严重的人身伤害。¹¹⁷
- 始终找到稳定的立足点，仅当站立于坚固、安全、平整的表面时才操作链锯。打滑或不稳定的表面可能会导致链锯失去平衡或失控。
- 切割张紧的树枝时应当心树枝回弹。木质纤维中的张力释放时，带有弹力的树枝可能会击打到操作员和/或导致链锯失控。
- 切割灌木和树苗时应非常小心。细长型材料可能会卡住锯链，进而抽向操作员或使操作员失去平衡。

¹¹⁷ 如果您受过特殊切割和作业技巧培训且经过正确固定（载人升降车、绳索、安全带），则可以偏离此安全法规进行作业。

- 将链锯关闭并使其远离身体，握住前手柄来移动链锯。运输或存放链锯时，务必安装导板盖。正确搬运链锯可以降低意外接触运动中的链锯的概率。
- 遵照相关说明润滑链锯、张紧链条以及更换导板和链条。锯链张紧或润滑不当可能会导致制动或增加发生反弹的概率。
- 仅限于切割木材。不得将链锯用于其他用途。例如：不得将链锯用于切割金属、塑料、砖石或非木质建筑材料。将链锯用于非指定用途可能会导致危险情况发生。
- 在您了解相关风险及如何避免这些风险之前，切勿尝试砍伐树木。在砍伐树木时，可能会对操作员或旁观者造成严重伤害。
- 在清除卡住的材料、存储或维修链锯时，请遵守所有的说明。确保开关已关闭且电池线已取出。在清除卡住的材料或进行维修时，链锯意外启动可能会导致严重的人身伤害。
- 切勿在树上操作链锯，除非您已经过此类作业的专业培训。未经过适当培训，在树上操作链锯可能会增加严重的人身伤害风险。

反冲的原因和操作员预防措施

当导板前部或尖部接触物体时，或当木材裹住锯链并将其夹在切口中时，有可能出现反弹现象。在某些情况下，尖部接触可能造成强烈的反向作用，导板会朝向操作员，向上向后反冲。沿导板顶部夹住锯链可能会向操作员快速推回导板。任何一种反作用都有可能造成链锯失控，进而导致严重的人身伤害。请勿完全依赖链锯自带的安全装置。作为链锯使用者，您应采取多项措施来保证切割操作不会造成事故或人身伤害。反弹是链锯误用和/或操作步骤或条件不正确造成的，可以采取下列适当措施加以避免：

- 将大拇指与其他手指环绕链锯手柄将其握紧，身体和手臂保持正确的姿势，以控制反弹力。采取适当的措施后，操作员便可以控制反弹力。切勿松开链锯。
- 请勿距离过远，切割高度切勿超过肩膀高度。这有助于防止意外的尖部接触，能在出现意外时更好地控制链锯。
- 只能使用制造商指定的备用导板和锯链。不合适的备用导板和锯链可能引起锯链断裂和/或反弹。
- 遵从制造商提供的链锯修磨和维护说明。减小深度视高度会导致反弹增加。

妥善保管这些说明资料。

一般安全须知



警告： 请在使用该产品前阅读下面的警告说明。

- 如果粗心大意或使用不当，本产品可能会成为危险的工具。这可能会对操作员或其他人造成严重伤害或死亡。因此阅读并理解本《操作手册》的内容十分重要。
- 未经制造商批准，请勿改动本产品。请勿使用已被他人改动过的本产品，并务必使用原装附件。未经制造商批准的改动可能会对操作员或其他人造成严重伤害或死亡。
- 长期吸入锯链油雾及锯末可能会导致健康问题。

- 本产品在生产期间会产生电磁场。电磁场在某些情况下会干扰有源或无源医疗植入体。为了减少严重伤害或死亡风险，我们建议使用医疗植入体的人员在操作本产品之前先咨询医生以及医疗植入体制造商。

操作安全须知



警告： 请在使用本产品前阅读下面的警告说明。

- 本说明书中的信息不能取代专业知识和经验。如果您感觉所在场合不安全，请关停产品。请向您的保养代理商或专业的链锯操作员咨询。不要尝试开展任何您觉得没有把握的任务！
- 如果您对本产品的操作存有疑问，请咨询保养代理商或 Husqvarna。我们可以为您提供有关如何有效和安全地操作产品的信息。如有可能，请参加关于链锯操作的培训课程。您的保养代理商、林业学校或图书馆可提供有关可用培训资料与课程的信息。
- 使用本产品之前，您必须先了解反弹的影响以及如何避免造成反弹。请参阅 *反弹信息* 在第 783 页上和 *有关反冲的常见问题* 在第 783 页上了解说明信息。
- 请勿使用损坏或无法正常工作的产品、电池或电池充电器。
- 请勿触碰转动中的锯链。否则可能会导致严重受伤或死亡。
- 如果感到劳累、服用了酒精、毒品、药物或任何可能对视力、警惕性、协调能力或判断力有负面影响的东西，切勿使用本产品。
- 在恶劣天气下工作容易让人疲倦，往往会带来额外风险。由于恶劣的天气条件会带来额外的风险，所以不建议在浓雾、大雨、强风、严寒、雷电等天气条件下使用机器。
- 除非已正确安装导板、锯链及所有护罩，否则请勿启动本产品。如果不遵守这一规定，驱动链轮可能会松脱并造成严重伤害。请参阅 *安装* 在第 781 页上了解说明信息。

(图 25)

- 有时木片会卡在离合器罩内，造成锯链卡住。在清洁之前务必停止电机运行。
- 观察四周。确保不存在人或动物接触或影响您控制产品的风险。

(图 26)

- 切勿让孩童使用或接近本产品。本产品容易启动，如果没有对儿童进行充分的看管，他们可能会使本产品启动。这意味着有可能造成严重的伤害。
- 如果不能始终监视本产品或要离开本产品一段时间，请取出电池。
- 您必须站稳，以便完全控制本产品。如果您在梯子上或树上，请勿使用本产品。如果您不处在稳定的地面上，请勿使用本产品。

(图 27)

- 在树上作业需要采用特殊切割和作业技巧，为降低人身伤害风险增加的机率，必须遵守这些技巧。除非您已接受了从事此类作业的特殊专业培训（包括使用安全攀爬设备及其他攀爬设备的培训，如安全带、绳

索、背带、脚扣、安全扣、安全钩等），否则切勿在树上作业。

- 切勿尝试抓住掉下的部分。切勿在仅佩戴一根安全绳的情况下在树上进行切割作业。务必使用两根安全绳。
- 如果您不小心，那么发生反弹的概率就会增加。如果导板的反弹区意外接触树枝、树木或其他物体，有可能会发生反弹。

(图 28)

- 请勿单手握住产品。单手无法安全控制本产品。
- 不得在高于肩膀高度的位置使用本产品，也不要尝试用导板端头进行切割。

(图 29)

- 如果无法在发生意外情况时获得帮助，请勿使用本产品。
- 移动本产品前，请先关停产品并启动链条制动。握住本产品，并保持导板和锯链朝后。无论距离有多远，在搬运本产品之前应首先在导板上安装运输护板。
- 将本产品放在地面上时，请启动链条制动，并使产品始终在您的视野范围内。无论时间长短，在离开本产品之前，先关停产品并取出电池。
- 存在木屑卡在驱动系统中的风险。这会导致锯链卡住。在进行清洁之前，请先停止产品运行并取出电池。
- 如果您使用不正确或未经正确修磨的切割设备进行切割，那么产生的振动会增大。与切割软木（如针叶树）相比，切割硬木（如阔叶树）会产生更强烈的振动。

(图 30)

- 血液循环不佳的人受到过度振动时，可能会导致血液循环系统或神经受损。如果您因过度振动而引起以下症状，请咨询医生。例如：麻痹、感觉麻木、发痒、刺痛、痛楚、体力缺乏、肤色或身体状况发生变化。这些症状通常发生在手指、手或手腕上，在低温情况下会加剧。
- 如果未受过专门培训，切勿在直立树上尝试修枝或打枝作业。
- 当您在斜坡上砍树时，请始终站在树木的上坡侧，因为树砍倒后很可能会滚下或滑下山坡。为了在切割时保持对产品的完全控制，在锯切快要结束时释放锯切压力。请勿放松握在手柄上的双手。切勿使锯链触地。切割完成后，请等待锯链停止后再移动产品。在树木之间移动位置之前，务必关闭电机。

(图 31)

- 如果可能危及他人安全、撞击公用事业管线或造成任何财产损失，请不要将树木伐倒。如果树木撞击到了公用事业管线，则必须立即通知公用事业公司。
- 确保您可以安全地四处走动。检查您周围的环境和地形，如树根、岩石、树枝、沟渠等障碍物。在斜坡上作业时请小心谨慎。
- 在任何超出您能力范围的情况下，请不要使用本产品。
- 我们无法详尽列出您在使用本产品时可能遇到的所有情况。请务必多加小心，并运用常识来判断。

(图 32)

个人防护装备



警告： 请在使用本产品前阅读下面的警告说明。

(图 33)

- 在大多数的链锯事故中，链锯都与操作员发生了接触。操作过程中，您必须穿戴获得批准的个人防护装备。个人防护装备不能让您完全避免受伤，但当意外发生时可以降低伤害程度。有关使用何种装备的建议，请咨询您的保养经销商。
- 工作服必须贴身且不会限制您的动作。定期检查个人防护装备的状况。
- 请使用获得批准的防护头盔。
- 请使用获得批准的听觉保护装备。长期接触噪音可能会导致永久性听力损伤。
- 为降低抛掷物体导致伤害的风险，请使用获得批准的护目镜或防护面罩。本产品可能会强力抛出木屑、小木块等物体。这可能会导致严重的人身伤害，尤其是眼部伤害。
- 请戴上链锯防护手套。
- 请穿上链锯防护裤。
- 请穿上带有钢制鞋头与防滑鞋底的链锯防护靴。
- 务必随身携带急救箱。
- 产生火花的风险。在附近备好灭火工具和铲子，以防止造成森林火灾。

产品上的安全装置



警告： 请在使用本产品前阅读下面的警告说明。

- 请勿使用安全装置受损或无法正常工作的产品。
- 定期检查安全装置。请参阅 *维护和检查产品上的安全装置* 在第 787 页上。
- 如果安全装置受损或无法正常工作，请联系您的 Husqvarna 保养经销商。

用户界面的功能

用户界面包括启动/停止按钮、SavE 按钮、电池状态和警告指示灯。如果锯链制动器已接合或存在过载风险，警告指示灯会闪烁。过载保护会临时停止产品运行，在温度下降之前您不能使用本产品。如果警告指示灯常亮，请咨询您的保养代理商。

(图 34)

有关用户界面的更多信息，请参阅 *产品概览* 在第 775 页上。

自动停机功能

本产品具有自动停机功能，如果 3 分钟内未使用本产品，那么该功能会自动停止产品运行。

链制动器与前护手板

您的产品配有一个链制动器，能在出现反弹时停住锯链。链制动器可降低事故风险，但只有您才能够防止事故发生。

(图 35)



警告：请勿在有反冲风险的情况下接合链制动器。使用产品时要特别小心，确保导板的反冲区不会接触任何物体。

(图 36)

链制动器 (A) 可通过手动方式 (用您的左手) 接合或者由惯性分离装置自动接合。将前护手 (B) 向前推动，即可手动启动链条制动。该动作可启动用于停止驱动链轮的弹簧机构。

(图 37)

链制动器的接合方式与反弹力和本产品的位置有关。如果在反弹区离您最远时出现强烈反弹，则可由惯性分离装置接合链制动器。如果反弹很小或者反弹区离您较近，则可用左手接合链制动器。

(图 38)

启动产品及短距离移动时，可将链制动器作为停机制动器。这可降低您或您附近的人接触锯链的风险。

(图 39)

将前护手向后拉动可分离链制动器。

(图 40)

反冲可能会突然出现并且作用强烈。大多数的反冲幅度较小，并不一定总是会接合链制动器。如果在使用产品时出现反弹，请牢牢握住手柄，切勿放手。

(图 41)

如果您放开前手柄，前护手也会降低接触锯链的风险。

(图 42)

处于伐木位置时，无法手动接合链制动器。处于该位置时，只能通过惯性分离装置接合链制动器。

(图 43)

开关扳机锁

开关扳机锁用于防止意外操作开关扳机。如果向前 (A) 推动开关扳机锁，然后推动开关扳机锁抵住手柄 (B)，将会释放开关扳机 (C)。松开手柄后，开关扳机和开关扳机锁均会返回原位。

(图 44)

链限制器

链限制器可在锯链断裂或变松时限制其甩出。如果锯链张紧度正确，则风险会降低。对导板和锯链进行正确维护也可降低风险。请参阅 *安装在第 781 页上* 和 *维护在第 786 页上* 以了解相关说明。

(图 45)

右手护板

如果锯链断裂或松动，右手护板会起到保护您的手的作用。当您使用本产品时，它还可以防止受到树枝和枝桠的干扰。

(图 46)

电池安全



警告：请在使用本产品前阅读下面的警告说明。

- 仅使用我们为产品推荐的 40-B 系列电池。请参阅 *认可的电池在第 793 页上*。电池已通过软件进行加密。
- 仅为 40-B 相关产品使用 Husqvarna 系列可充电电池作为电源。请参阅 *认可的电池在第 793 页上*。为避免造成伤害，请勿将这些电池作为电源用于其他装置。
- 存在发生电击的危险。请勿将电池端子连接到钥匙、螺钉或其他金属上。这会导致电池短路。
- 请勿使用不可充电的电池。
- 请勿将异物放入电池的导气槽中。
- 使电池远离阳光、热源或明火。电池可能导致烧伤和/或化学烧伤。
- 使电池远离雨水和潮湿条件。
- 使电池远离微波和高压条件。
- 请勿尝试拆卸或破坏电池。
- 请勿使电池酸液接触您的皮肤。电池酸液可能导致皮肤受伤、腐蚀和烧伤。如有电池酸液入眼，请勿揉搓，用清水冲洗至少 15 分钟。如果电池酸液接触您的皮肤，必须用大量清水和肥皂清洗皮肤。送医治疗。
- 在 -10 °C (14 °F) 至 40 °C (104 °F) 之间的温度下使用电池。
- 切勿用水清洁电池或电池充电器。请参阅 *检查电池和电池座在第 787 页上*。
- 切勿使用损坏的电池。
- 电池在存放时应远离金属物体，如钉子、螺钉或珠宝。
- 使电池远离儿童。

电池充电器安全性



警告：请在使用本产品前阅读下面的警告说明。

- 如果未遵守安全须知，则有发生电击或短路的危险。
- 使用状况完好且已接地的许可电源插座。
- 除了为您提供的电池充电器之外，请勿使用其他充电器。当您为 Husqvarna 备用电池 40-B140 充电时，仅使用 40-C80 充电器。请参阅 *产品指定的电池充电器在第 794 页上* 和 *认可的电池在第 793 页上*。
- 切勿尝试拆卸电池充电器。
- 切勿使用存在缺陷或损坏的电池充电器。

- 切勿用电源线提起电池充电器。要从电源插座断开电池充电器，请拔出插头。切勿拽拉电源线。
- 让所有电线和延长电线远离水、油和锋利的边沿。确保电线不会夹在门、篱笆或类似物体之间。
- 切勿在易燃材料或可能导致腐蚀的材料附近使用电池充电器。确保未覆盖电池充电器。如果出现冒烟或着火，拔出电池充电器插头。
- 仅在室内空气流通较好且远离日光的位置为电池充电。请勿在室外为电池充电。请勿在潮湿条件下为电池充电。
- 仅在 5 °C (41 °F) 至 40 °C (104 °F) 之间的温度下使用电池充电器。在空气流通较好、干燥且远离灰尘的环境下使用充电器。
- 请勿将异物放置在电池充电器的冷却槽中。
- 请勿将电池充电器端子连接到金属物体上，否则会使电池充电器短路。
- 使用获得批准的完好墙壁插座。
- 切勿将非充电电池放入电池充电器中充电。

维护安全须知



警告： 请在维护该产品前阅读下面的警告说明。

- 在维护前请取出电池，其他情况如检查或装配产品时，也需取出电池。
- 操作人员只能进行本说明书中介绍的维修和保养工作。更大范围的维修和保养请求助您的保养代理商。
- 切勿用水清洁电池或充电器。强力洗涤剂可能导致塑料损坏。
- 如果您不进行维护，可能会缩短产品的生命周期，并增加发生意外的风险。
- 对于所有的保养和维修工作，有必要进行专门的培训，尤其是有关产品上的安全装置。如果在您维护之

后，本说明书中的检查并未全部获得批准，请求助于您的保养代理商。我们将保证为您的产品提供专业的维修和保养。

- 请仅使用原厂备件。

切割设备一般安全须知



警告： 请在使用本产品前阅读下面的警告说明。

- 仅使用获得批准的导板/锯链组合和链削设备。有关说明，请参阅 *技术参数* 在第 791 页上。
- 使用或维护锯链时，请戴上防护手套。静止的锯链也可能导致伤害。
- 使锯齿始终保持正确的锋利度。请遵守相关说明进行操作并使用建议的链规。损坏或锋利度不正确的锯链会增加发生意外的风险。

(图 47)

- 保持正确的深度规设置。请遵守相关说明进行操作并使用建议的深度规设置。如果深度规设置过大会增加反冲危险。

(图 48)

- 确保锯链具有正确的张紧度。如果锯链未紧靠在导板上，锯链可能会脱轨。锯链张紧度不正确会导致导板、锯链和驱动链轮的磨损风险增大。请参阅 *附件* 在第 792 页上。

(图 49)

- 对切割设备进行定期维护并确保正确润滑。如果锯链未正确润滑，则导板、锯链和锯链驱动链轮的磨损风险会增大。

(图 50)

安装

组装导板和锯链 (带导板旋钮)



警告： 在对产品进行组装或维护之前，请务必先拆下电池。

1. 分离链制动器。(图 51)
2. 拧松导板旋钮，拆下驱动链轮罩。(图 52)
3. 将导板装在导板螺栓顶部。将导板定位到最后端位置。将锯链提到驱动链轮上方，使其卡入导板槽内。从导板的顶部边缘开始操作。
4. 确保切割齿边缘在导板顶部边缘上朝向前方。(图 53)
5. 安装驱动链轮罩，将锯链张紧螺钉插入导板孔内。
6. 确保锯链的驱动链节正确安装于驱动链轮上。
7. 确保锯链正确卡入导板槽内。
8. 对锯链施加张力。请参阅 *维护* 在第 786 页上了解说明信息。

9. 拧紧导板旋钮。

组装导板和锯链 (带导板螺栓)



警告： 在对产品进行组装或维护之前，请务必先拆下电池。

1. 分离链制动器。(图 51)
2. 拧松导板螺母，拆下驱动链轮罩。(图 54)
3. 将导板装在导板螺栓顶部。将导板定位到最后端位置。将锯链提到驱动链轮上方，使其卡入导板槽内。从导板的顶部边缘开始操作。
4. 确保切割齿边缘在导板顶部边缘上朝向前方。(图 55)
5. 安装驱动链轮罩，将锯链张紧螺钉插入导板孔内。
6. 确保锯链的驱动链节正确安装于驱动链轮上。
7. 确保锯链正确卡入导板槽内。
8. 用手指拧紧导板螺母。

- 拉紧锯链。请参阅 *维护* 在第 786 页上了解说明信息。

将电池充电器安装到墙壁上



小心： 请勿使用电动螺丝起子将电池充电器安装到墙壁上。电动螺丝起子可能会导致电池充电器损坏。

- 使用 2 颗螺钉 (A) 将电池充电器安装到墙壁上。必要时使用墙装插头 (B)。(图 56)
- 安装 2 个螺丝孔塞 (C)。
- 将电源线 (D) 连接至电池充电器和电源插座。

操作

引言



警告： 请先仔细阅读并充分理解安全须知章节，再使用产品。

在使用产品前进行功能检查

- 检查链条制动 (A)，确保其运行正常且未损坏。
- 检查后部右手护板 (B)，确保其未损坏。
- 检查开关扳机和开关扳机锁 (C)，确保其正常工作且未损坏。
- 检查键盘 (D)，确保其正常工作。
- 确保手柄 (E) 上没有油。
- 检查以确保所有部件均正确固定且无损坏或缺失。
- 检查阻链爪 (F)，确保其安装正确。
- 检查链条张紧 (G)。
- 为电池 (H) 充电并确保将其正确地安装到产品上。
- 确保松开开关扳机时锯链停止转动。(图 57)

使用正确的锯链油



警告： 不得使用废油，这会导致您和环境受到伤害。废油还会导致油泵、导板和锯链损坏。



警告： 如果切割设备的润滑不充分，会导致锯链损坏。存在对操作员造成严重伤害或死亡的风险。



警告： 使用正确的锯链油才能使此功能正常工作。选择锯链油时，请联系保养代理商。

- 请使用 Husqvarna 锯链油，以最大程度增加锯链寿命，防止对环境造成负面影响。如果无法获得 Husqvarna 锯链油，建议您使用标准锯链油。
- 使用在锯链上具有良好附着性能的锯链油。
- 使用粘度范围正确且适合大气温度的锯链油。



小心： 在 0°C/32°F 以下的温度下，部分锯链油会变得过稠，这会导致油泵部件损坏。

- 使用建议的切割设备。请参阅 *附件* 在第 792 页上。
- 拧下锯链油油箱盖。
- 将锯链油加注到锯链油油箱中。
- 小心装上油箱盖。

(图 58)

注意： 要查看锯链油油箱在产品上的位置，请参阅 *引言* 在第 775 页上。

电池



警告： 请先仔细阅读并充分理解安全须知章节，再使用电池。阅读并理解电池和电池充电器的操作手册。

在合适的环境温度下存放电池和电池充电器。

	环境温度
使用电池	5 °C-40 °C / 41 °F-104 °F
给电池充电	5 °C-40 °C / 41 °F-104 °F

电池状态。

该指示器显示电池的电量状态以及电池是否出现问题。

(图 59)

LED 指示灯	电池电量状态
4 个 LED 指示灯亮起	电池的电量为 76% - 100%。
3 个 LED 指示灯亮起	电池的电量为 51% - 75%。
2 个 LED 指示灯亮起	电池的电量为 26% - 50%。
1 个 LED 指示灯亮起	电池的电量为 6% - 25%。

LED 指示灯	电池电量状态
1 个 LED 指示灯闪烁	电池的电量为 0% - 5%。

为电池充电

如果这是您第一次使用电池，请为它充电。新电池仅充有 30% 的电量。



小心： 仅将电池充电器连接至具有标牌上规定的电压和频率的电源插座。

电池温度超过 50 °C/122 °F 时将充不进电。

1. 将电源线连接到电池充电器。
2. 将电池充电器连接到接地的电源插座。充电指示灯闪烁 1 次。(图 60)
3. 将电池连接电池充电器。充电指示灯亮起。给电池充电最长 24 小时。(图 61)
4. 按下电池指示灯按钮，如果所有指示灯都亮起，说明电池已充满电。
5. 拔下电源插头，断开电池充电器与电源插座的连接。切勿拽拉电源线。
6. 从电池充电器中取出电池。

反弹信息



警告： 反弹可能会对操作员或其他人造成严重伤害或死亡。要降低风险，您必须知道反弹原因以及如何防止反弹。

只有当导板反弹区触碰物体时才会出现反弹现象。反弹可能会突然发生，而且会产生很大的力量，将产品抛向操作员。

(图 36)

反弹现象始终出现在导板的切割面。通常，产品会被抛向操作员，但也可能会朝不同方向移动。发生反弹时，产品朝哪个方向移动取决于您使用产品的方式。

(图 62)

只有当导板的反弹区接触物体时才会发生反弹。切勿让反弹区触碰物体。

(图 36)

较小的导板端头半径可降低反弹力。

使用低反弹锯链可降低反弹的影响。切勿让反弹区触碰物体。



警告： 任何锯链都不可能完全避免反弹。务必遵守相关说明。

有关反冲的常见问题

- **当发生反冲时，我的手是否一定会接合链制动物器？**
否。需要用一些力将前护手向前推才会接合链制动物器。如果用力不够，链制动物器将不会接合。在作业期

间，您还必须用双手牢牢地握住产品的手柄。如果出现反冲现象，链制动物器无法在锯链碰到您之前停止锯链转动。另外，在某些位置，您的手无法接触到前护手以接合链制动物器。

- **当发生反冲时，惯性分离装置是否一定会接合链制动物器？**

否。首先，链制动物器必须工作正常。请参阅 *维护和检查产品上的安全装置* 在第 787 页上以了解有关如何检查链制动物器的说明。建议您在每次使用产品之前均进行该项检查。其次，反冲击力必须足够大以接合链制动物器。如果链制动物器过于灵敏，则在粗加工操作期间可能会接合。

- **当发生反冲时，链制动物器是否一定能保护我不受伤？**

否。链制动物器必须正确工作才能提供保护。另外，在反冲过程中，链制动物器必须接合才能停止锯链转动。如果您靠近导板，则链制动物器可能来不及在锯链碰到您之前停止锯链转动。



警告： 只有您本人以及正确的作业技巧才能防止发生反冲。

启动产品

1. 检查开关扳机和开关扳机锁。请参阅 *检查开关扳机锁* 在第 787 页上。
2. 接合锯链制动物器。(图 63)
3. 将电池放入电池座中。(图 64)



小心： 确保电池已正确安装到电池座中。如果无法轻松地移动电池移入电池座中，则表明位置不正确。

4. 按压电池的下部，直至听到咔嚓声。(图 65)
5. 按住启动/停止按钮，直至绿色指示灯亮起。(图 66)

使用 SavE 功能

SavE 功能可降低锯链速度和产品的功率。

1. 按下 SavE 按钮。绿色指示灯亮起。
2. 再次按下 SavE 按钮可停用该功能。绿色指示灯熄灭。(图 67)

停止产品

1. 按下启动/停止按钮，直至绿色指示灯熄灭。(图 66)
2. 按下电池释放按钮，从电池座中取出电池，以防止意外启动。(图 68)

拉动冲力和推动冲力

您可以按 2 个不同的姿态用本产品切割木头。

- 拉动冲力切割法适用于当您使用导板底部进行切割时。切割时，锯链从树木上拉过。使用这种方法时，您可以更好地控制产品和反弹区的位置。

(图 69)

- 推动冲力切割法适用于当您使用导板顶部进行切割时。锯链会朝操作员方向推动产品。

(图 70)



警告： 如果锯链卡在树干中，产品可能会被推向您所在的方向。牢牢握住产品，确保导板反弹区不会接触树木和导致反弹。

(图 71)

使用切割技巧



警告： 切割时应用满功率，并在每次切割后降低至怠速状态。



小心： 切勿使电机过长时间空载运转。这可能会导致损坏电机。

1. 将树干放在锯木架或滚木上。(图 72)



警告： 切勿切割成堆的树干。这会增加反弹危险，从而可能会导致严重伤害或死亡。

2. 将切割后的木块从工作区内移开。



警告： 工作区内的切割后木材会增加反弹危险，并且有可能使您失去平衡。

使用插木齿

1. 将插木齿推入树木的树干中。
2. 满功率运行，然后转动本产品。使插木齿紧靠树干。此过程使您可以更轻松施加必要的力来切断树干。(图 73)

在地面上切割树干

1. 借助拉动冲力切断树干。保持满功率，但要时刻提防可能突然发生意外情况。(图 74)



警告： 在切割完切口时确保锯链不会接触地面。

2. 切入树干至大约 $\frac{2}{3}$ 的位置，然后停止。转动树干，然后从另一侧完成切割。(图 75)

切割只有一端受到支撑的树干



警告： 确保树干在切割过程中不会断裂。请遵守以下说明。

(图 76)

1. 借助推动冲力切入树干至大约 $\frac{1}{3}$ 的位置。
2. 借助拉动冲力切割树干，直到两个切口贯通。(图 77)

切割两端均受到支撑的树干



警告： 确保锯链在切割过程中不会被卡在树干中。请遵守以下说明。

(图 78)

1. 借助拉动冲力切入树干至大约 $\frac{1}{3}$ 的位置。
2. 借助推动冲力切割树干的剩余部分，直至切断。(图 79)



警告： 如果锯链被卡在树干中，必须停止电机。用杠杆将切口打开，然后取出本产品。切勿尝试用手拉出本产品。如果本产品突然被抽出，则有可能导致伤害。

使用打枝技巧

注意： 对于粗树枝，需要使用切割技巧。请参阅 *使用切割技巧* 在第 784 页上。



警告： 在使用打枝技巧时存在很高的事故风险。请参阅 *反弹信息* 在第 783 页上了解关于如何防止反弹的说明。



警告： 逐个切割树枝。清除小树枝时请小心，不要切割灌木或同时切割许多的小树枝。小树枝有可能卷入锯链中，妨碍本产品的安全操作。

注意： 必要时逐段切割树枝。先切割较小的树枝 (A) 和 (B)，然后再切割树干附近的树枝 (C)。

(图 80)

1. 清除树干右侧的树枝。
 - a) 使导板保持在树干的右侧，并将本产品架在树干上。
 - b) 根据树枝的张力选择适当的切割技巧。(图 81)



警告： 如果您不确定该如何切割树枝，请在继续作业前咨询专业的链锯操作员。

2. 清除树干顶部的树枝。

- a) 将本产品架在树干上，同时使导板沿着树干移动。
 - b) 借助推动冲力进行切割。(图 82)
3. 清除树干左侧的树枝。
 - a) 根据树枝的张力选择适当的切割技巧。(图 83)



警告： 如果您不确定该如何切割树枝，请在继续作业前咨询专业的链锯操作员。

请参阅 *切割张紧树木与树枝* 在第 786 页上了解关于如何切割存在张力的树枝的说明。

使用伐木技巧



警告： 您必须拥有伐木经验。如果可能，请参加链锯操作培训课程。请向有经验的操作员咨询，学习更多的知识。

保持安全距离

1. 确保您周围的人员与树木保持至少 2 1/2 树木长度的安全距离。(图 84)
2. 在伐木前或伐木期间必须确保没有人逗留在此危险区内。(图 85)

计算倒落方向

1. 检查树木需要朝哪个方向倒落。目的是使树木倒落在便于您进行打枝与横切的位置。同样重要的是，您需要能够双脚站稳并且可以安全地移动。



警告： 如果使树木朝其自然方向倒落很危险或无法这样做，那么要使其倒向别的方向。

2. 检查树木的自然倒落方向。例如树木的倾斜和弯曲情况、风向、树枝的位置和积雪的重量。
3. 检查四周是否存在障碍物，例如其他树木、电线、道路和/或建筑物。
4. 查看树干上是否有受损和腐蚀的迹象。



警告： 树干腐蚀可能意味着风险，即在您完成切割前树木就会倒落。

5. 确保树木没有受损或枯死的树枝，否则它们会在树木倒落过程中折断并砸中您。
6. 请勿使树木落向另一颗直立的树木。搬离受困树木是一项危险的工作，发生事故的风险很高。请参阅 *搬离受困树木* 在第 786 页上。(图 86)



警告： 在危险的采伐作业期间，当锯割操作结束后应立即将听觉保护设备摘下。要保证能听到声音与警告信号，这一点很重要。

清理树干与准备退路

切断肩膀高度以下的所有树枝。

1. 借助拉动冲力从上向下进行切割。确保树木位于您与本产品之间。(图 87)
2. 清除树木周围工作区域内的下层灌木丛。清除工作区域内所有的切断材料。
3. 检查工作区域内是否存在障碍物，例如石头、树枝和坑洞。当树木开始倒落时您必须有一条畅通无阻的退路。您的退路必须与树木的倒落方向成大约 135 度的夹角。

1. 危险区域
2. 退路
3. 倒落方向

(图 88)

砍伐树木

Husqvarna 建议您在伐木时先制作方向切口，然后再使用安全角方法。安全角方法可以帮助您制作一个正确的留衔并控制倒落方向。



警告： 切勿砍伐直径超过两倍导板长度的树木。要砍伐这种大树，您必须接受特殊的培训。

留衔

伐木过程中最重要的步骤是制作正确的留衔。利用正确的留衔，您可以控制树木的倒落方向，并且可以确保倒落过程安全。

留衔的厚度必须大于等于树木直径的 10%。



警告： 如果留衔不正确或过薄，您将无法控制倒落方向。

(图 89)

制作定向切口

1. 制作定向切口。锯出 1/4 树木直径大小的定向切口。在顶切与底切之间制作 45° 的夹角。
 - a) 首先制作顶切。使本产品上的倒落方向标记 (A) 与树木的倒落方向 (B) 对准。站在本产品后面，并使树木位于您的右侧。借助拉动冲力进行切割。
 - b) 制作底切。确保底切的末端与顶切的末端处于同一点。(图 90)
2. 确保定向切口线完全水平，并与倒落方向成直角 (90°)。定向切线穿过两个定向切口相交的点。(图 91)

使用安全角方法

倒落切口的位置必须稍稍高于方向切口。

(图 92)



警告： 使用导板端头进行切割时要小心。就像在树干上制作钻孔切口那样，用导板端头的下半段开始切割。

(图 93)

- 如果可用的切割长度超过树木的直径，请完成这几个步骤 (a-d)。
 - 制作一个直接进入树干的钻孔切口，使其达到留榫的宽度。(图 94)
 - 借助拉动冲击力切入树干至 $\frac{1}{2}$ 的位置。
 - 将导板向后拉 5-10 cm/2-4 in。
 - 切断剩余的树干，使其形成一个宽度为 5-10 cm/2-4 in 的安全角。(图 95)
- 如果可用的切割长度不超过树木的直径，请完成这几个步骤 (a-d)。
 - 制作一个直接进入树干的钻孔切口。钻孔切口必须达到树木直径的 $\frac{3}{5}$ 。
 - 借助拉动冲击力切断剩余的树干。(图 96)
 - 从树木的另一侧直接切入树干，完成留榫的制作。
 - 借助推动冲击力进行切割，直到还剩下 $\frac{1}{3}$ 的树干的宽度，完成安全角的制作。(图 97)
- 直接从后面将一个楔子插入到切口中。(图 98)
- 切断安全角，使树木倒落。

注意： 如果树木没有倒落，应敲击楔子，直到树木倒落。

- 当树木开始倒落时，您应当通过退路远离树木。退后到距离树木至少 5 m/15 ft 的位置。

搬离受困树木



警告： 搬离受困树木是一项很危险的工作，发生事故的风险性很高。远离危险区，切勿尝试伐倒受困树木。

(图 99)

最安全的方法是使用以下一种纹盘：

- 拖拉机车载式

(图 100)

- 便携式

(图 101)

切割张紧树木与树枝

- 查明树木或树枝的哪一侧存在张力。
- 查明最大张力点位于何处。(图 102)
- 检查哪种方法是最安全的释放张力的方法。

注意： 在一些情况下，唯一安全的方法是使用纹盘，而不是本产品。

- 找到在张力被释放时您不会被树木或树枝击中的位置。(图 103)
- 进行一次或多次具有足够深度的切割，使张力降低。在最大张力点处或附近进行切割。使树木或树枝在最大张力点处断裂。(图 104)



警告： 不得直接切断张紧的树木或树枝。



警告： 切割处于张紧状态的树木时，务必格外小心。在您切割树木之前或之后，树木可能发生快速移动，这会对您造成危险。如果您所处的位置不正确或切割方法错误，那么有可能受到严重伤害。

- 如果您必须要切断树木/树枝，那么应制作 2 至 3 个切口，并且切口之间应相距 1 in，深度为 2 in。(图 105)
- 然后更深地切入树木，直到树木/树枝弯折并使张力得到释放。(图 106)
- 在张力被释放后，从弯折处的对侧切断树木/树枝。

维护

引言



警告： 请仔细阅读和充分理解安全须知章节的内容，再对产品执行维护作业。



警告： 在进行维护前请取出电池。

以下是本产品必要维护事项列表。请参阅 *维护* 在第 786 页上了解更多信息。

维护	使用前	每周	每月
清洁产品的外部零件。	X		
确保开关扳机和开关扳机锁的安全功能正常。	X		
清洁链条制动器，并确保其正常运行。确保阻链爪未损坏，必要时进行更换。	X		
转动导板，以确保磨损更均匀。确保导板中的润滑油孔未堵塞。清洁导板槽。	X		

维护	使用前	每周	每月
确保切割刀齿及其防护罩没有裂缝且未损坏。如果切割刀齿及其防护罩出现裂缝或受过撞击，请进行更换。	X		
确保导板和锯链获得充分润滑。	X		
检查锯链。查看其是否出现裂缝，并确保锯链没有显得僵硬或发生异常磨损。必要时予以更换。	X		
磨利锯链。检查其张紧度和状况。检查驱动链轮是否磨损，必要时进行更换。	X		
清洁产品的进气口。	X		
确保螺丝和螺母均已上紧。	X		
确保键盘工作正常且未损坏。	X		
用锉刀锉除导板边缘处的毛刺。		X	
检查电池与产品之间的连接。检查电池与充电器之间的连接。			X
排空并清洁机油箱。			X
用压缩空气轻轻吹拭产品和电池冷却槽。			X

维护和检查产品上的安全装置

检查前护手板

定期对前护手板和惯性制动器分离装置进行检查。

1. 确保前护手板未损坏，如开裂。(图 107)
2. 确保前护手板可自由移动且已安全连接至产品。(图 108)
3. 关闭电机后将本产品放在树桩或其他稳定表面上。
4. 握住后手柄，并松开前手柄。使本产品落在树桩上。(图 109)
5. 当导板碰到树桩时，确保链制动器启动。

检查制动器扳机

1. 将本产品放置在稳定的地面上，然后将其启动。请参阅 *操作* 在第 782 页上。



警告： 确保锯链不会接触地面或其他物体。

2. 用大拇指和其他手指握住手柄上，并牢牢把住本产品。(图 110)
3. 应用满功率，并倾斜左腕顶住前护手，以启动链条制动。锯链必须立即停止。(图 111)



警告： 请勿松开前手柄。

检查开关扳机锁

1. 确保开关扳机和开关扳机锁能自由移动，并且复位弹簧工作正常。(图 112)
2. 向前 (A) 且向下 (B) 推动开关扳机锁。使开关扳机锁抵住手柄，并确保释放后其会返回原位。(图 113)

3. 确保在开关扳机锁松开时开关扳机锁止在怠速位置。(图 114)
4. 启动产品，应用满功率。
5. 松开开关扳机，确保锯链停止转动并保持静止不动。



警告： 如果开关扳机处于怠速位置时锯链转动，请联系保养代理商。

检查链限制器

1. 确保链限制器未损坏。
2. 确保链限制器牢固并且固定在产品机身上。(图 115)

检查用户界面上的功能

1. 启动产品。请参阅 *启动产品* 在第 783 页上。
2. 按住启动/停止按钮。
3. 确保产品停止运行，绿色指示灯熄灭。(图 66)

检查电池和电池座

1. 用软刷清洁电池和电池座。
2. 清洁冷却槽和电池连接器。(图 116)
3. 确保电池没有裂纹或其他损坏状况。

检查电池充电器

1. 确保电池充电器和电源线未损坏。检查是否有裂纹和其他损坏状况。(图 117)

清洁冷却系统

冷却系统可以使电机保持较低的温度。冷却系统包括产品左侧的进气口和电机上的风扇。

1. 用刷子每周清洁一次冷却系统，必要时应更频繁地进行清洁。(图 118)

2. 确保冷却系统洁净且未堵塞。



小心：冷却系统变脏或堵塞可能会导致产品变得过热。这会损坏产品。

磨利锯链

有关导板和锯链的信息



警告：使用或维护锯链时，请戴上防护手套。静止的锯链也可能导致伤害。

使用 Husqvarna 推荐的导板和锯链组合更换磨损或损坏的导板或锯链。这对于确保产品的安全功能是非常必要的。要查看我们推荐的备用导板和锯链组合列表，请参阅附件在第 792 页上。

- 导板长度，in/cm。有关导板长度的信息通常可以在导板后端找到。

(图 119)

- 导板顶端链轮上的齿数 (T)。

(图 120)

- 锯链节距 (in)，即锯链驱动链节的间距，必须与导板顶端驱动链轮齿与驱动链轮之间的距离一致。

(图 121)

- 驱动链节的数量。驱动链节的数量由导板的类型确定。

(图 122)

- 导板槽宽度 (in/mm)。导板槽宽度必须与锯链驱动链节的宽度相同。

(图 123)

- 锯链油孔与锯链张紧器孔。导板必须与产品匹配。

(图 124)

- 驱动链节宽度 (mm/in)

(图 125)

有关如何磨利切割齿的一般信息

请勿使用钝化的锯链。当锯链钝化时，您必须施加更大的压力才能使导板穿过木材。如果锯链严重钝化，则不会出现木片，而是锯末。

锋利的锯链会很容易地穿过木材，产生的小木片既长且厚。

切割齿 (A) 和深度规 (B) 共同构成锯链的切割部分，即切割齿。两者之间的高度差决定切割深度 (深度规设置)。

(图 126)

磨利切割齿时，需要考虑以下因素：

- 锉削角。

(图 127)

- 切割角。

(图 128)

- 锉刀位置。

(图 129)

- 圆锉直径。

(图 130)

如果不使用适合的锉削设备，则很难正确磨利锯链。使用 Husqvarna 建议的锉规。这将有助于保持最大锯切性能，并将反冲危险降至最低。



警告：如果不遵守磨利说明，则会增加反冲风险。

注意：请参阅附件在第 792 页上以了解有关磨利锯链的信息。

磨利切割齿

1. 用圆锉和锉规磨利切割齿。(图 131)

注意：请参阅附件在第 792 页上以了解 Husqvarna 针对您的锯链所推荐的锉刀和锉规的相关信息。

2. 在切割齿上正确地使用锉规。请参阅锉规随附的说明。
3. 从切割齿内侧向外移出锉刀。在拉回行程中减小压力。(图 132)
4. 清除所有切割齿一侧的锉屑。
5. 转动产品，清除另一侧的锉屑。
6. 确保所有切割齿长度相同。

有关如何调整深度规设置的一般信息

磨利切割齿 (A) 时，深度规设置 (C) 会减小。为保持最大锯切性能，您必须清除深度规 (B) 上的锉屑以获得推荐的深度规设置。有关如何获得正确的锯链深度规设置的说明，请参阅附件在第 792 页上。

(图 133)



警告：如果深度规设置过大，那么发生反冲的风险会增加！

调整深度规设置

在调整深度规设置或磨利切割齿之前，请参阅磨利切割齿在第 788 页上，以了解相关说明。我们建议您每磨利切割齿三次之后调整一次深度规设置。

我们建议您使用我们的深度规工具以获得正确的深度规设置与深度规斜面。

(图 134)

1. 请用扁锉和深度规工具来调整深度规设置。请仅使用 Husqvarna 推荐的深度规工具来获得正确的深度规设置与深度规斜面。
2. 将深度规工具置于锯链上。

注意：有关如何使用该工具的更多信息，请查看深度规工具的包装。

3. 使用扁锉将从深度规工具中凸出的深度规尖端锉除。(图 135)

调整锯链的张紧度



警告：张紧度不正确的锯链可能会从导板上脱落，从而导致严重伤害或死亡。

使用锯链时，它会变得 longer。定期调整锯链。每次加注链条润滑油时都要检查锯链张紧度。

注意：新锯链具有磨合期，在此期间您必须更加频繁地检查张紧度。

调整锯链（带导板旋钮）的张力

1. 向外翻开旋钮，直至其打开。(图 136)
2. 逆时针转动旋钮使驱动链轮罩松开。(图 137)
3. 转动锯链张紧转轮，调整锯链的张力。锯链必须紧靠导板。(图 138)

注意：向下转动转轮 (+) 可增加张力，向上转动转轮 (-) 可减小张力。

4. 确保可以用手轻松地转动锯链，并且锯链没有从导板上垂下。(图 139)
5. 顺时针转动旋钮以拧紧导板旋钮。(图 140)
6. 向下扣紧旋钮以锁定张力。(图 141)

调整锯链（带导板螺栓）的张力

1. 拧松用于固定驱动链轮罩的导板螺母。请使用组合扳手拧紧。(图 142)
2. 提起导板前部，转动锯链张紧调节螺钉。请使用组合扳手拧紧。
3. 拧紧锯链，直至锯链张紧紧贴导板。(图 143)
4. 用组合扳手拧紧导板螺母，同时提起导板前部。(图 144)
5. 确保可以用手轻松地转动锯链，并且锯链没有从导板上垂下。(图 139)

注意：请参阅 *产品概览* 在第 775 页上，了解锯链张紧调节螺钉在产品上的位置。

检查锯链润滑情况

每充电三次检查一次锯链润滑情况。

1. 启动产品并以 3/4 功率运行。将导板保持在浅色表面上方大约 20 cm (8 in) 处。
2. 如果锯链润滑良好，您在 1 分钟后可以在该表面上看到一条清晰的油线。(图 145)
3. 如果锯链润滑不佳，请执行以下检查。
 - a) 检查导板内的油道，确保其未堵塞。必要时清洁。(图 146)
 - b) 检查导板边缘的沟槽，确保其十分干净。必要时清洁。(图 147)
 - c) 确保导板顶端链轮转动自如，并且导板顶端链轮内的润滑孔未堵塞。必要时进行清洁与润滑。(图 148)
4. 如果执行上述步骤后锯链润滑情况仍然不佳，请与您的保养代理商联系。

检查锯链驱动链轮

- 检查锯链驱动链轮是否磨损。必要时请更换锯链驱动链轮。
- 每次更换锯链时，同时更换锯链驱动链轮。(图 149)

检查切割设备

1. 确保铆钉与链节没有裂缝且铆钉不松动。必要时予以更换。(图 150)
2. 确保可以轻松地弯曲锯链。如果锯链僵硬，请予以更换。
3. 将现有锯链与新锯链进行比较，以检查铆钉与链节是否磨损。
4. 当切割齿的最长部分小于 4 mm/0.16 in 时，则更换锯链。此外，如果切割齿存在裂缝，也应更换锯链。(图 151)

检查导板

1. 确保油道未堵塞。必要时进行清洁。(图 146)
2. 检查导板边缘是否有毛刺。用锉刀去除毛刺。(图 152)
3. 清洁导板中的沟槽。(图 147)
4. 检查导板槽是否磨损。必要时请更换导板。(图 153)
5. 检查导板顶端是否粗糙或磨损严重。(图 154)
6. 确保导板顶端链轮转动自如，并且导板顶端链轮内的润滑孔未堵塞。必要时进行清洁与润滑。(图 148)
7. 每日转动导板，以延长其使用寿命。(图 155)

故障排除

用户界面

LED 屏幕	可能的故障	可能的解决方案
警告指示灯闪烁。	链制动器啮合。	分离链制动器。
	偏离工作温度。	让本产品冷却下来。
	过载。锯链不能移动。	松开锯链。
	同时按下开关扳机和启动/停止按钮。	松开开关扳机，启动产品。
橙色启动指示灯闪烁。	电池电压低。	给电池充电。
警告指示灯亮起。	保养。	请联系保养代理商。

电池

指示灯	可能的故障	可能的解决方案
绿色指示灯闪烁。	电池电压低。	给电池充电。
错误指示灯闪烁。	偏离工作温度。	在 -10°C (14°F) 至 40°C (104°F) 之间的温度下使用电池。
	电压过高。	确保电源电压与本产品的额定电压一致。请参阅本产品上的标牌。 从电池充电器中取出电池。
错误指示灯亮起。	电池电压差过大 (1V)。	请联系保养代理商。

电池充电器

条件	可能的故障	可能的步骤
充电指示灯呈红色。	永久性电池充电器错误。	请联系您的经销商。
充电指示灯呈绿色闪烁。	温度超出范围，电池太冷或太热，无法使用或充电。	使电池冷却或将其预热。待电池达到合适温度后，即可再次使用或充电。在 5 °C (41 °F) 至 40 °C (104 °F) 之间的环境温度下使用电池充电器。
充电指示灯呈红色闪烁。	电池故障	请联系您的经销商

运输、存放和废弃处理

运输及存放

- 随附的锂离子电池遵守危险品法律的要求。
- 请遵守商业运输在包装和标签方面的特殊要求，包括由第三方、运输代理等进行的商业运输。
- 在运送产品前，请与经过危险品专门培训的人员沟通。请遵守所有适用的国家法规。
- 在将电池放入包装中时，用胶带遮住裸露的触点。将电池牢牢固定在包装中，以防移动。
- 进行存放或运输之前请取下电池。
- 将电池和电池充电器放入干燥无霜的空间。
- 不要将电池存放在容易积聚静电的区域。严禁将电池存放在金属盒中。
- 电池存放温度应介于 5°C/41°F 至 25°C/77°F 之间，并避免阳光直射。
- 电池充电器存放温度应介于 5 °C/41 °F 至 45°C/113°F 之间，并避免阳光直射。
- 只能在 5°C/41°F 至 40°C/104°F 之间的环境温度条件下使用电池充电器。
- 在进行长期存储之前，将电池充电至 30% 至 50%。
- 将电池充电器存储在封闭、干燥的空间。

- 在存储期间使电池远离电池充电器。请勿使儿童和其他未获批准人员接触设备。将设备存放于可以锁闭的空间。
- 在长期存储本产品之前，应清洁产品并进行全面的保养。
- 在产品上使用运输护板，以防止产品在运输和存储期间造成伤害或损坏。
- 在运输期间固定好产品。

电池、充电器和产品的废弃处理

以下符号表示该产品不属于生活垃圾。请在回收站将其作为电气和电子设备进行回收。这将有助于避免对环境和个人产生危害。

请与当地相关部门、生活垃圾服务机构或您的经销商沟通，了解更多信息。

(图 24)

注意： 产品或产品的包装上贴有此符号。

技术参数

技术参数

	225i
电机	
类型	BLDC (无刷型) 36V
特点	
低功耗模式	SavE
润滑系统	
机油泵类型	自动
机油箱容量, ml/cm ³	0.2/200
重量	
链锯 (不包括电池、导板、锯链且锯链油箱为空), kg	3.1
噪音排放 ¹¹⁸	
声功率级测量值, dB(A)	97
声功率级保证值 L _{WA} , dB(A)	100

¹¹⁸ 以声功率的形式在环境中测得的噪音排放 (L_{WA}) 符合 EC 指令 2000/14/EC 和 EN ISO 22868 的要求，具有 3 dB (A) 的典型统计离差 (标准偏差)。

	225i
声压级 ¹¹⁹	
操作员耳旁的声压级, 根据 EN 62841-1 测量得出	89
振级 ¹²⁰	
前手柄, m/s ²	3.9
后手柄, m/s ²	3.9
锯链/导板	
建议导板长度, in/cm	12-14/30.5-35.6
可用切割长度, in/cm	11-13/27-33.2
驱动链轮类型/齿数	星形/6
最大链速/(正常模式), m/s	11.8
最大链速/(SavE 模式), m/s	9.4

RoHS 表

部件名称	有害物质					
	铅	汞	镉	六价铬	多溴联苯	多溴二苯醚
多氯联苯	X	○	○	○	○	○
马达	○	○	○	○	○	○
线束	○	○	○	○	○	○
外壳	X	○	○	○	○	○
切割元件	○	○	○	○	○	○

本表格依据 SJ/T 11364 的规定编制。

○：表示该有害物质在该部件所有均质材料中的含量均在 GB/T 26572 规定的限量要求以下。

X：表示该有害物质至少在该部件的某些均质材料中的含量超出 GB/T 26572 规定的限量要求。

附件

导板和锯链组合

以下切割附件经批准可用于 Husqvarna 225i。

¹¹⁹ 本机声压级的报告数据中具有一个 3 dB (A) 的典型统计离差 (标准偏差)。






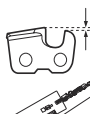
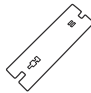






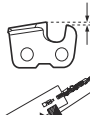
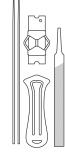

¹²⁰ 振级符合 EN 62841-4-1 标准。振级的报告数据中具有 ± 1.5 m/s² 的典型统计离差 (标准偏差)。声明的振动数据源于机器配备导板长度和推荐锯链类型时的测量值。如果机器配备其他导板长度, 则振级可能会有所不同, 最大 ± 1.5 m/s²。

导板					锯链	
类型	长度 (英寸)	锯链节距 (in)	量规 (mm)	最大前部半径	类型	长度, 驱动链节 (数量)
501959545	12	3/8" mini	1.1	7T	Husqvarna H38 (581808145)	45
501959552	14	3/8" mini	1.1	7T	Husqvarna H38 (581807952)	52

锉削设备和锉削角

如果您不确定如何识别产品上的锯链类型, 请参阅 www.husqvarna.com 了解更多信息。

使用 Husqvarna 锉规来使锯链保持锋利。Husqvarna 锉规可确保获得正确的锉削角。零件号请参见下表。

							
38	11/64 in/4.5 mm	75°	30°	0°	0.025 in/0.65 mm	505 69 81-03	579 55 88-01
							
93	5/32 in/4.0 mm	60°	30°	0°	0.025 in/0.65 mm	596 63 89-01	596 63 89-01

认可的电池

电池	40-B140
类型	锂离子电池
电池容量, Ah	4
标称电压, V	36
重量, kg	1.25

产品指定的电池充电器

电池充电器	40-C80
电源电压 (V)	100-240
频率 (Hz)	50-60
功率 (W)	72
输出电压, V d.c./Amps, A	43/1.6

一致性声明

欧盟一致性声明

我公司，Husqvarna AB，SE-561 82 Huskvarna，Sweden（电话：+46-36-146500）谨此声明，本产品：

描述	无线链锯
品牌	Husqvarna
类型/型号	225i
标识	2023 及以后的序列号

完全符合以下欧盟指令和法规的要求，我们对此负有唯一的责任：

指令/法规	描述
2006/42/EC	“关于机械”
2014/30/EU	“关于电磁兼容性”
2011/65/EU	“关于在电气和电子设备中限制使用某些有害物质的指令”
2000/14/EC	“关于环境噪音排放”

适用标准如下：EN 62841-1:2015+A11:2022, EN 62841-4-1:2020, EN IEC 63000:2018, EN IEC 55014-1:2021, EN IEC 55014-2:2021。

认证机构：TÜV Rheinland LGA Products GmbH, Tillystrasse 2, D-90431 Nuernberg, Germany, 0197, 已按照机械指令 (2006/42/EC) 第 12 条第 3b 款完成了 EC 型式检验。证书编号：BM 50604678 0001。

所供应的链锯与接受 EC 型式检验的样机一致。

符合指令 2000/14/EC 附录 V，请参阅 *技术参数在第 791 页上* 了解所标示的噪声值。

Huskvarna, 2023-10-30



Husqvarna AB 研发经理 Claes Losdal
技术文档负责人





Points de collecte sur www.quefairedemesdechets.fr
Privilégiez la réparation ou le don de votre appareil !

Husqvarna®

www.husqvarna.com

Original instructions
Оригинални инструкции
Původní pokyny
Originale instruktioner
Originalanweisungen
Αρχικές οδηγίες
Instrucciones originales
Originaaljuhend
Alkuperäiset ohjeet
Instructions d'origine

Originalne upute
Eredeti útmutatás
Istruzioni originali
取扱説明書原本
원본 설명서

Originalios instrukcijos
Lietošanas pamācība
Originale instructies
Originale instruksjoner
Originalne instrukcije
Instruções originais
Instrucțiuni inițiale
Оригинальные инструкции
Põvodné pokyny
Izvirna navodila
Originalna uputstva
Bruksanvisning i original
Orijinal talimatlar
Оригинальні інструкції
原始说明



1143932-38

Rev. A



2024-01-09