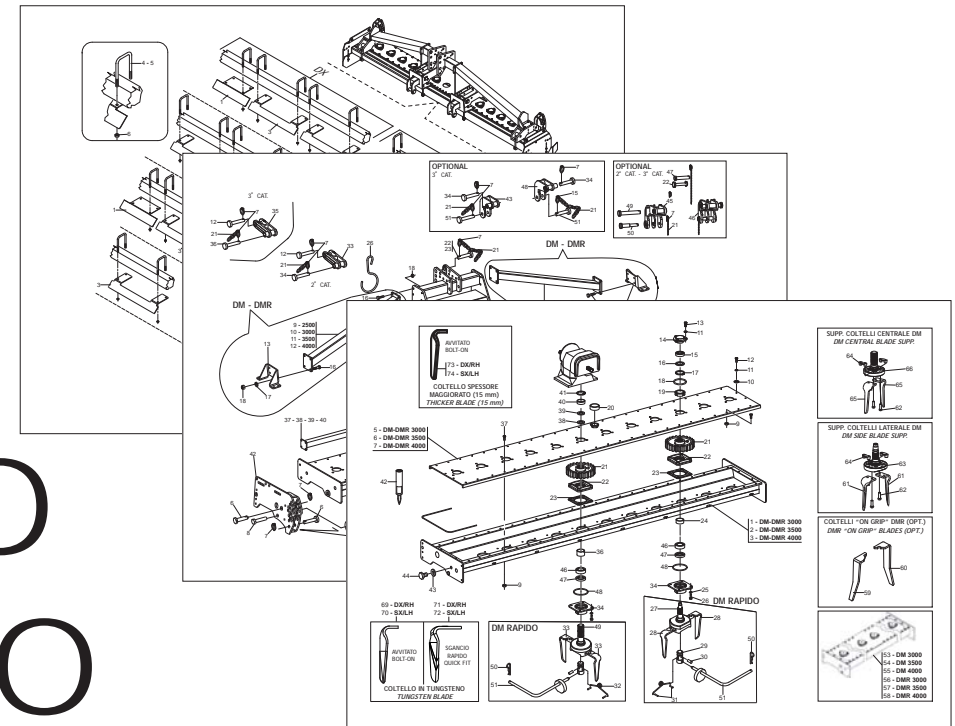


MASCHIO GASPARDO S.p.A.



DC - DC RAPIDO
DM - DM RAPIDO

Cod: F07011114 2015-02

- *) Valido per Paesi UE
- *) Valid for EU member countries
- *) Valable dans les Pays UE
- *) Gilt für EU-Mitgliedsländer
- *) Válido para Países UE

- IT PARTI DI RICAMBIO**
- EN SPARE PARTS**
- DE ERSATZTEILE**
- FR PIÈCES DÉTACHÉES**
- ES PIEZAS DE REPUESTO**

PARTI DI RICAMBIO

SPARE PARTS

ERSATZTEILE

PIECES DÉTACHÉES

RESPUESTOS

Le ordinazioni delle parti di ricambio vanno fatte presso i nostri concessionari di zona e devono essere sempre corredate dalle seguenti indicazioni:

- **Tipo, modello e numero di matricola dell'attrezzatura.** Tali dati sono stampigliati nell'apposita targhetta di cui è dotata ogni attrezzatura.

- **Numero di codice della parte richiesta** rilevabile dal catalogo ricambi.

- **Descrizione del particolare e quantità richiesta.**

- **Numero della tavola.**

- **Mezzo di trasporto.** Nel caso questa voce non sia specificata, la Ditta Costruttrice, pur dedicando a questo servizio una particolare cura, non risponde di eventuali ritardi di spedizione dovuti a cause di forza maggiore.

Le spese di trasporto si intendono sempre a carico del destinatario. La merce viaggia a rischio e pericolo del committente anche se venduta franco destino.

NOTA: Il termine **(Dx) Destro** o **(Sx) Sinistro** della macchina o di parti di essa, è inteso guardando la macchina dalla parte posteriore. Le eccezioni saranno indicate.

Orders must be transmitted through our area dealers and should always include the following indications:

- **Type, model and serial number of the machine.** *These data are punched on the data plate with which every implement is equipped.*

- **Code number of the required spare part.** *This will be found in the spare parts catalogue.*

- **Description of the part and required quantity.**

- **Table number.**

- **Means of dispatch.** *If this item is not indicated, the Manufacturer, while dedicating particular care to this service, shall not be held responsible for delays in delivery caused by cases of force majeure.*

Transport expenses shall always be at the consignee's charge. The goods travel at the purchaser's risk and peril even when sold ex destination.

NOTE: *The symbols (Dx) right and (Sx) left, concerning the machine or single parts of it, are referred, as in the figure, to a rear view of them. Exceptions will be indicated.*

Die Bestellungen müssen bei unseren Gebietshändlern aufgegeben werden. Bei der Bestellung sind stets die folgenden Angaben zu machen:

- **Typ, Modell und Serien-Nummer des Geräts.** Diese Daten stehen auf dem Typenschild, mit dem jedes Gerät versehen ist.

- **Artikel Nr. der erforderlichen Ersatzteile.** Diese stehen im Ersatzteil-Katalog.

- **Beschreibung des Ersatzteils und die erforderliche Stückzahl.**

- **Tafelnummer.**

- **Versandmittel.** Wenn dieser Punkt nicht spezifiziert wird, haftet die Herstellerfirma nicht für etwaigen Lieferverzug aufgrund höherer Gewalt, auch wenn er diesen Service besonders aufmerksam abwickelt.

Die Frachtkosten gehen dagegen immer zu Lasten des Empfängers. Die Ware reist auf Gefahr und Risiko des Auftraggebers, auch wenn frei Haus Verkauft vereinbart worden ist.

N.B.: Die Merkzeichen **(Dx) rechts** und **(Sx) links** betreffen eine rückwärtige Aussicht der Maschine oder Teile von ihr (siehe Bild). Ausnahmen werden gezeigt.

Les ordres doivent être effectués auprès de nos concessionnaires de zone en précisant les indications suivantes:

- **Type, modèle et numéro de série de la machine.** *Ces données sont gravées sur la plaque d'identification de chaque outil.*

- **Numéro de code de la pièce détachée** *indiqué sur le catalogue des pièces détachées.*

- **Description de la pièce et quantité requise.**

- **Numéro de plan.**

- **Moyen d'expédition.** *Si cette rubrique n'est pas indiquée, le Constructeur, bien que soucieux de ce service, ne répond pas des retards d'expédition pour des causes de force majeure.*

Les frais de transport sont toujours à la charge du destinataire. La marchandise voyage aux risques et périls de l'acheteur même si vendue franco de port.

N.B.: *Les références (Dx) droit et (Sx) gauche de la machine ou des parties de la même, est entendue, comme de la figure, en regardant la machine de derriere dans le sens de marche.*

Los pedidos han de efectuarse en nuestros concesionarios de zona y deben incluir siempre las siguientes indicaciones:

- **Tipo, modelo y número de matrícula del equipo.** Dichos datos están impresos en la relativa placa presente en el equipo.

- **Número de código de la parte requerida** presente en el catálogo respuestas.

- **Descripción de la pieza y cantidad requerida.**

- **Numero de ilustración.**

- **Medio de transporte.** En caso que este ítem no esté especificado, el Fabricante, aún prestando la debidas consideraciones para este aspecto, no responde por eventuales retardos de env'o debidos a causas de fuerza mayor.

Los gastos de transporte se consideraran siempre a cargo del destinatario. La mercadería viaja bajo riesgo y peligro del comprador, incluso cuando se vende franco destino.

N.B.: La referencia **(Dx) derecha** o **(Sx) izquierda** de la máquina o de sus componentes, se entiende, como en la figura, mirando la máquina por la parte trasera. Se indicarán las excepciones.

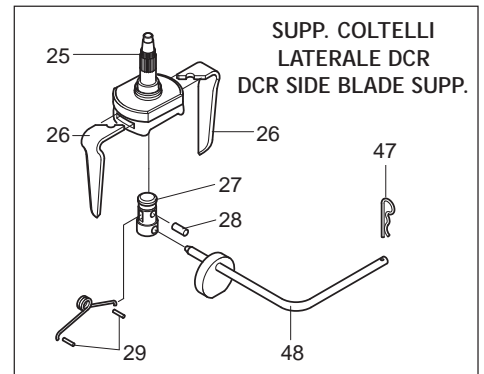
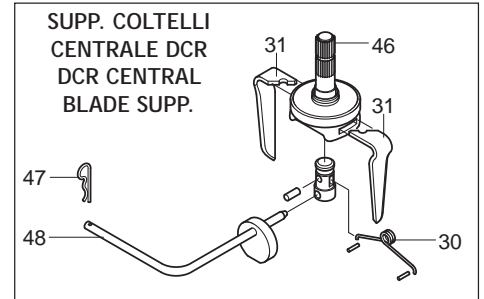
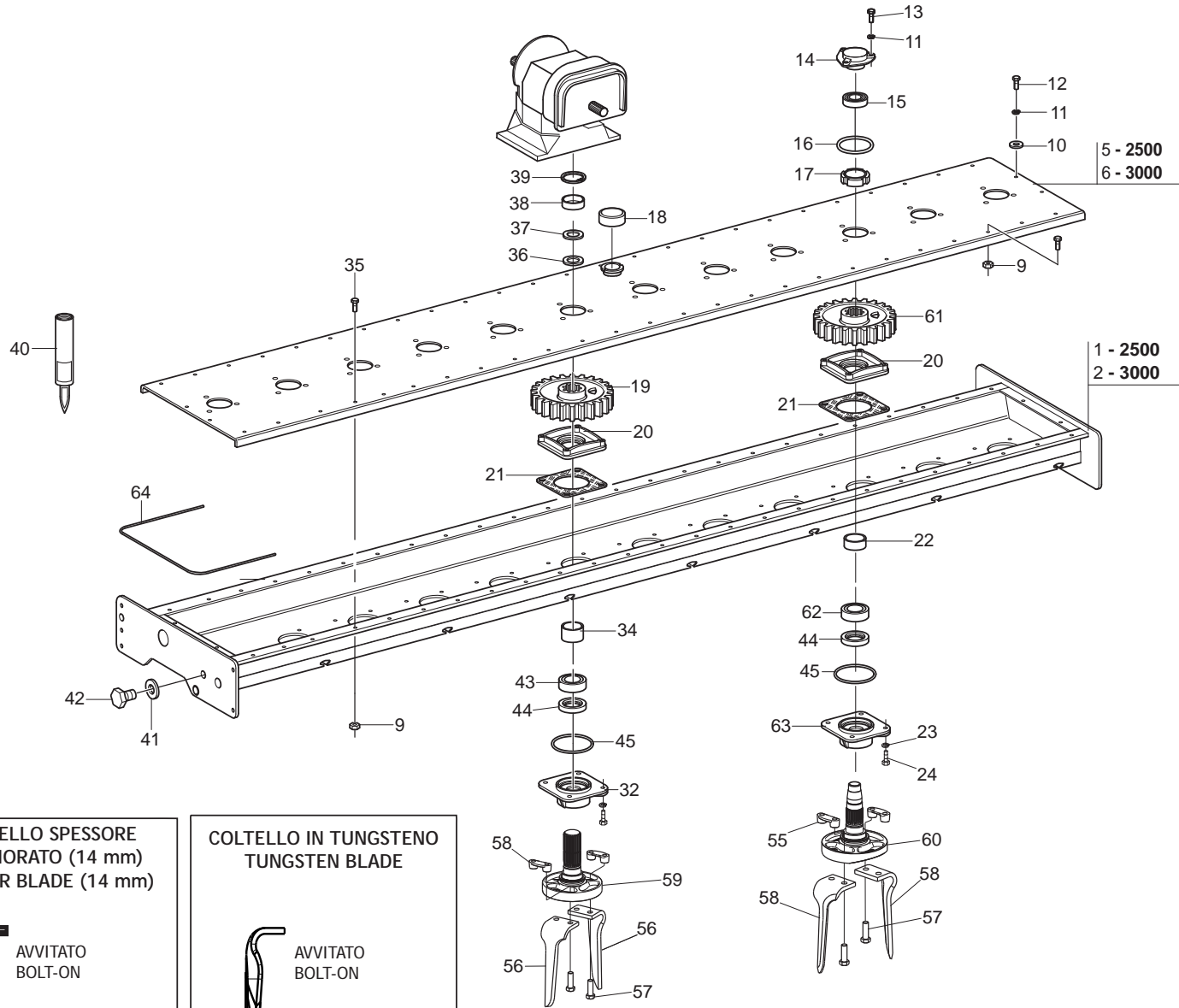
INDICE

N° Tavola	Descrizione	Pagina
TAV.010	TELAIO E ROTORI DC-DCR	5
TAV.020	TELAIO E ROTORI DM - DMR	9
TAV.030	GRUPPO TERZO PUNTO STD.	13
TAV.040	GRUPPO TERZO PUNTO COMBI	15
TAV.050	GRUPPO CAMBIO.....	17
TAV.060	PROTEZIONI LATERALI.....	21
TAV.070	BARRA LIVELLATRICE.....	23
TAV.080	REGOLAZIONE MECCANICA RULLO (VERS. STANDARD)	25
TAV.090	REGOLAZIONE IDRAULICA RULLO (VERS. STANDARD).....	27
TAV.100	BRACCIO COLLEGAMENTO RULLO (VERS. COMBI)	29
TAV.110	CUNEI DEFLETTORI AVVITATI	31
TAV.120	GRUPPO PROTEZIONI CE (ANTERIORI).....	33
TAV.130	GRUPPO PROTEZIONI <<CE>> (POSTERIORI).....	35
TAV.140	OPTIONALS	37
TAV.150	OPTIONALS	39
TAV.160	KIT SUPPORTI PER TRASPORTO STRADALE	41
TAV.170	KIT TABELLE STRADALI G99600006	43
TAV.180	KIT TABELLE STRADALI G99600017	45
TAV.190	KIT TABELLE STRADALI G99600018	47
TAV.200	KIT TABELLE STRADALI G99600032	49
TAV.210	CARDANO.....	51
TAV.220	CARDANO.....	53
TAV.230	CARDANO.....	55
TAV.240	CARDANO.....	57
TAV.250	TABELLA RULLI	58

INDEX

N° Table	Description	Page
TAV.010	FRAME AND ROTORS DC-DCR.....	5
TAV.020	FRAME AND ROTORS DM - DMR	9
TAV.030	3RD-POINT UNIT STD.....	13
TAV.040	3RD-POINT UNIT COMBI.....	15
TAV.050	GEARBOX.....	17
TAV.060	SIDE PANELS	21
TAV.070	LEVELING BAR.....	23
TAV.080	ROLLER MECHANICAL ADJ. (STANDARD VERSION).....	25
TAV.090	ROLLER HYDRAULIC ADJ. (STANDARD VERSION).....	27
TAV.100	ROLLER CONNECTING BRACKET (COMBI VERSION).....	29
TAV.110	BOLT-ON STEEL DEFLECTORS.....	31
TAV.120	(FRONT) EC GUARDS UNIT	33
TAV.130	(REAR) <<EC>> GUARDS UNIT	35
TAV.140	OPTIONALS.....	37
TAV.150	OPTIONALS.....	39
TAV.160	ROAD TRANSPORT SUPPORTS KIT.....	41
TAV.170	ROAD TRANSPORT KIT G99600006.....	43
TAV.180	ROAD TRANSPORT KIT G99600017.....	45
TAV.190	ROAD TRANSPORT KIT G99600018.....	47
TAV.200	ROAD TRANSPORT KIT G99600032.....	49
TAV.210	CARDAN SHAFT.....	51
TAV.220	CARDAN SHAFT.....	53
TAV.230	CARDAN SHAFT.....	55
TAV.240	CARDAN SHAFT.....	57
TAV.250	ROLLER TABLE.....	58

TAV.010



**COLTELLO SPESSORE MAGGIORATO (14 mm)
THICKER BLADE (14 mm)**

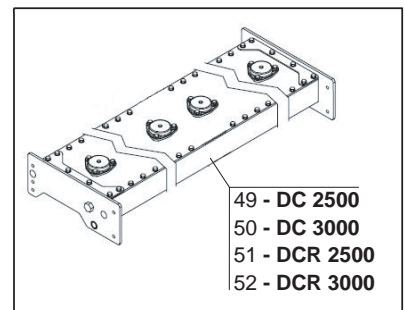
AVVITATO BOLT-ON

67 - DX/RH
68 - SX/LH

**COLTELLO IN TUNGSTENO
TUNGSTEN BLADE**

AVVITATO BOLT-ON

65 - DX/RH
66 - SX/LH

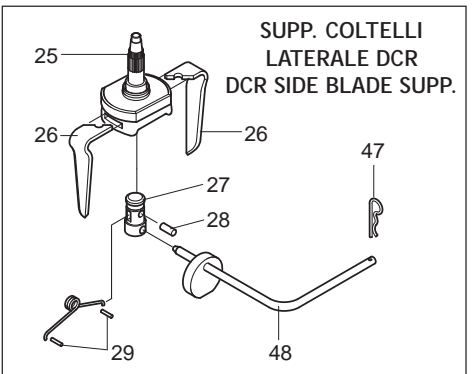
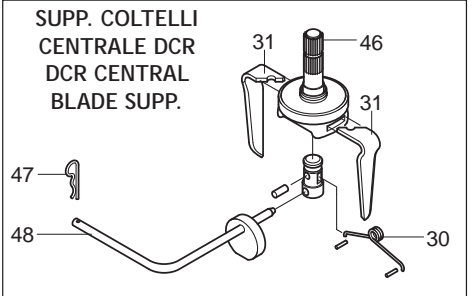
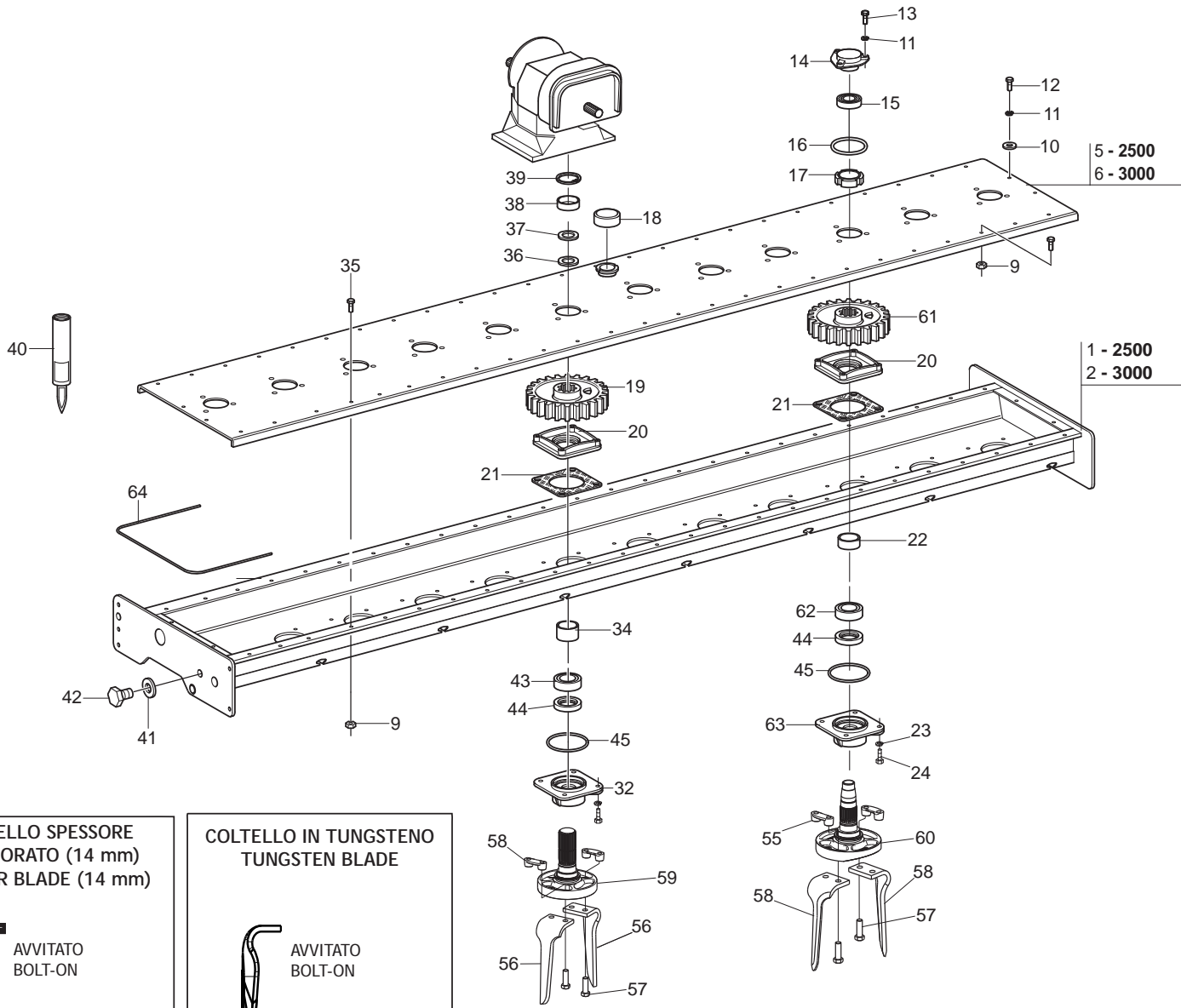


**TELAIO E ROTORI DC-DCR
FRAME AND ROTORS DC-DCR**

TAV.010

Pos.	Cod.	Descrizione	Description	Benennung	Description	Descrpcion
1	F01220047	DADO M12X1,25 D980 8ZN	NUT M12X1,25 D980 8ZN	ECROU M12X1,25 D980 8 ZN	MUTTER M12X1,25 D980 8 ZN	TUERCA M12X1,25 D980 8 ZN
2	M26430582	COMP.CORPO TRASMISSIONE L=2992	TRANSMISSION BOX L=2992	BOITE DE TRANSMISSION L=2992	ANTRIEBSKASTEN L=2992	CUERPO TRASMISION L=2992
5	M23425510	COMP.COPERCHIO C.TRASM.L=2462	UPPER PLATE L=2462	CAPOT SUPERIEUR L=2462	OBERBLECH L=2462	PLANCHA SUPERIOR L=2462
6	M23430510	COMP.COPERCHIO C.TRASM.L=2954	UPPER PLATE L=2954	CAPOT SUPERIEUR L=2954	OBERBLECH L=2954	PLANCHA SUPERIOR L=2954
9	F01220034	DADO M10X1,25 D980 8ZN	NUT M10X1,25 D980 8ZN	ECRO.M10X1,25 D980 8 ZB	MUTT.M10X1,25 D980 8 ZB	TUER.M10X1,25 D980 8 ZB
10	F01410062	ROS.M10 10,5X 18X 2 U6592 ZN	WASHER M10 10,5X 18X 2 U6592	RONDELLE M10 10,5X18X2 ZN	DICHTUNGSRING M10 10,5X18X2 ZN	RONDANA M10 10,5X18X2 ZN
11	F01480112	ROS.G 10,5X19X 3 FLZNNC - 240H	GROWER WASHER D.10	RONDELLE GROWER D.10	SCHEIBE GROWER D.10	ARANDELA GROWER D.10
12	F20110012	VITE M10X1,25X 35 5738 10.9 PL	BOLT M 10X1,25X35	VIS M 10X1,25X35	SCHRAUBE M 10X1,25X35	TORNILLO M 10X1,25X35
13	F20110012	VITE M10X1,25X 35 5738 10.9 PL	BOLT M 10X1,25X35	VIS M 10X1,25X35	SCHRAUBE M 10X1,25X35	TORNILLO M 10X1,25X35
14	M38100344	SUPPORTO CUSCINETTO SUPERIORE	BEARING SUPPORT	SUPPORT ROULEMENT	LAGERHALTER	SOPORTE
15	F04010179	CUSC.D35 D72 B17 6207 2RSC3	BEARING D35 D72 B17 6207 2RSC3	ROULEMENT D35 D72 B17 6207	LAGER D35 D72 B17 6207 2RSC	COJINETE D35 D72 B17 6207
16	F03010684	ANELLO OR 94,84X3,53 NGR	GASKET OR 94,84X3,53 NBR	BAGUE OR 94,84X3,53 NBR	RING OR 94,84X3,53 NBR	ANILLO OR 94,84X3,53 NBR
17	F02010144	GHIERA AU.GUP M45X1,5 T.4H ZN	SELF LOCKING NUT M45X1,5 T.4H	COLLIER AUTOBL. M45X1,5 T.4H	SELBSTSP. M45X1,5 T.4H ZN	VIROLA AUTOBL. M45X1,5 T.4H
18	F03150746	TAPPO CARICO OLIO	OIL INLET CAP	BOUCHON HUILE CHARGEMEN	ENTLUEFTERPFROPFEN	CORCHO OLEO
19	M36100306	INGRANAGGIO LATERALE DM	GEAR	ENGRENAGE LATERAL DM	ZAHNRAD	ENGRANAJE
20	M19400308	FLANGIA INTERNA	INNER FLANGE	FLASQUE INTERIEUR	INNENFLANSCH	BRIDA INTERNA
21	M27100309	GUARNIZIONE FLEXOID 5 10	GASKET MM.0,5	JOINT MM.0,5	DICHTUNG MM.0,5	JUNTA MM.0,5
22	M27100306	DISTANZIALE 50,9X63,5X20,5	SPACER	ENTRETOISE	DISTANZSTUECK	DISTANCIADOR
23	F01480123	ROS.G 12,5X22,9X 4 FLZNNC-240H	WASHER M12 ZGP EXTRA P.	RONDELLE M12 ZGP EXTRA P.	UNTERLEGSSCHEIBE M12 ZGP EXTRA	ARANDELA M12 ZGP EXTRA P.
24	F01010289	VITE M12X1,25X35 U5740 10.9DL	SCR. M12X1,25X35 U5740 10.9DL	VIS M 12X1,25X35	SCHRAUBE M 12X1,25X35	TORNILLO M 12X1,25X35
25	M26400311	SUPP.COLTELLI LAT.SGANCIO RAP.	QUICK FIT BLADE SUPPORT			
26	M36100290	COLT100X12X300DX QUICK	BLAD100X12X300RH QUICK			
27	M36100394	PERNO D=40 L=76	PIN D=40 L=76	GOUJON D=40 L=76	STIFT D=40 L=76	PERNO D=40 L=76
28	F02100242	SPINA E.S. 8X 36 U6875 C70 BR	ELASTIC PIN 8X36	GOUJON ELASTIQUE 8X36	SPANNHUELSE 8X36	ESPIÑA ELASTICA 8X36
29	F02100204	SPINA E.S. 4X 30 U6875 C70 BR	ELASTIC PIN 4X30			
30	M36100341	MOLLA X SGANCIO RAPIDO	SPRING QUICK FIT	RESSORT GOUJON RAPIDO	FEDER	MUELLE
31	M36100291	COLT100X12X300SX QUICK	BLAD100X12X300LH QUICK			
32	M19400307	FLANGIA SUPP.INFERIORE DM	FLANGE SUPP.INFERIORE DM			
34	M36500313	DISTANZ. D=67 D=55 L=16.5	SPACER D=67 D=55 L=16.5	ENTRETOISE D=67 D=55 L=16.5	DISTANZSTUECK D=67 D=55 L=16.5	DISTANCIADOR D=67 D=55 L=16.5
35	F01010244	VITE M10X1,25X25 U5740 8.8ZN	SCR. M10X1,25X25 U5740 8.8ZN	VIS M 10X1,25X25	SCHRAUBE M 10X1,25X25	TORNILLO M 10X1,25X25
36	M36500311	ROSETTA D=65 D=55 L=0,1	WASHER D=65 D=55 L=0,1	ROSETTE D=65 D=55 L=0,1	SCHEIBE D=65 D=55 L=0,1	ARANDELLA D=65 D=55 L=0,1
37	M36500312	ROSETTA D=65 D=55 L=0.05	WASHER D=65 D=55 L=0.05	ROSETTE D=65 D=55 L=0.05	SCHEIBE D=65 D=55 L=0.05	ARANDELLA D=65 D=55 L=0.05
38	M36500314	DISTANZ. D=67 D=55 L=14.8	SPACER D=67 D=55 L=14.8	ENTRETOISE D=67 D=55 L=14.8	DISTANZSTUECK D=67 D=55 L=14.8	DISTANCIADOR D=67 D=55 L=14.8
39	F02050204	ANELLO E. DE 55X 3 U7436 C70	SEEGER RING D.55	BAGUE SEEGER D.55	SEEGERRING D.55	ANILLO D.55
40	F03220010	POLIURETANO NERO IN CAR.310 M	SEALING PACKAGE	CONFECTION SIGILLANTE	DICHTUNGSMASSE ANFERTIGUNG	CONFECCION SELADURA
41	M26100321	GUARNIZIONE PER TAPPO OLIO	GASKET	JOINT	DICHTUNG	JUNTA
42	F03150625	TAPPO CARICO SCARICO M18X1,5	OIL IN OUT CAP M18X1,5	BOUCHON HUILE CHARGEMEN	ENTLUEFTERPFROPFEN	CORCHO OLEO
43	F04010192	CUSC.D55 D100 B21 6211 53 KN	BEARING D55 D100 B21 6211 53KN	ROULEMENT 6211 AG15	LAGER 6211 AG15	COJINETE 6211 AG15
44	M38100214	ANELLO COMBI 65X85X13 17	OIL SEAL 65X85X13 17 SPEC.	PARE-HUILE 65X85X13 17 SPEC	OELABDICHTUNG 65X85X13 17SPEC.	PARA-ACEITE 65X85X13 17 SPEC.
45	F03010726	ANELLO OR 123.43X3.53 NBR	GASKET OR 123.43X3.53 NBR	BAGUE OR D. 123.43X3.53	RING OR 123.43X3.53 NBR	ANILLO OR 123.43X3.53 NBR
46	M36100229	SUPPORTO COLTELLI CENTRALE PLS	CENTR. BLADE SUPPORT	SUPPORT COUTEAU CENTRAL DMR	ZENTRALMESSERHALTERUNG	SOPORTE CUCHILLO CENTR.
47	F02200374	COPIGLIA R 4X 82 ZN	SPRING SPLIT PIN 4X82	GOUPILLE 4X82	SPLINT 4X82	PASADOR 4X82
48	M36100386	MANICO ECCENTRICO	TOOL FOR QUICK-FIT SYSTEM	MANIVELLE	KURBEL	MANGO
49	M26425591	CORPO TR. DC 2500 STD-COMBI 08	COMPL.BOX DC 2500 STD-COMBI 08			
50	M26430591	CORPO TR. DC 3000 STD-COMBI 08	COMPL.BOX DC 3000 STD-COMBI 08			
51	M26425588	GR.COR.DCR SCM 2500 RICAMBI 07	COMPL.BOX DCR SCM 2500 RICAMBI 07	CORP COMPLETE DCR SCM 2500	GEHAEUSE DCR SCM 2500	CUERPO COMPLETO DCR SCM 2500
52	M26430588	GR.COR.DCR SCM 3000 RICAMBI 07	COMPLETE BOX DCR SCM 3000	CORP COMPLETE DCR SCM 3000	GEHAEUSE DCR SCM 3000	CUERPO COMPLETO DCR SCM 3000
55	M38100218	FERMO VITE COLTELLI DC-DL-DS	KNIVES FASTENING BOLT	ETRIER SERRAGE COUTEAU DC-DS	MESSERSCHRAUBESPERRUNG	CLAUSURATORNILLOCUCHILLA
56	M27100209	COLT90X12X280SX 50M16	BLAD90X12X280LH 50M16	COUTEAU GAUCHE DC DS DL 90X12	LINKES MESSER DC DS DL 90X12	CUCHILLO IZQ. DC DS DL 90X12
57	F20110044	VITE M16X1,5X50 SPEC 12.9ZF	BOLT M16X1,5X50 SPEC 12.9ZF	VIS M16X1,5X50 SPEC 12.9ZF	SCHRAU. M16X1,5X50 SPEC 12.9ZF	TORN. M16X1,5X50 SPEC 12.9ZF
58	M27100210	COLT90X12X280DX 50M16	BLAD90X12X280RH 50M16	COUTEAU DROIT DC DS DL 90X12	RECHT MESSER DC DS DL 90X12	CUCHILLO DERECH.DC DS DL 90X12
59	M26400309	SUPPORTO COLTELLI CENTRALE	CENTR. BLADE SUPPORT	SUPPORT COUTEAU CENTRAL DMR	ZENTRALMESSERHALTERUNG	SOPORTE CUCHILLO CENTR.
60	M38100301	SUPPORTO COLTELLI LATERALE T	SIDE BLADE SUPPORT	SUPPORT COUTEAU LATERAL	SEITENMESSERHALTERUNG	SOPORTE CUCHILLO LATERAL
61	M27100305	INGRANAGGIO	GEAR	ENGRENAGE	ZAHNRAD	ENGRANAGE
62	F04010188	CUSC.D50 D90 B20 6210 C3	BEARING D50 D90 B20 6210 C3	ROULEMENT D50 D90 B20 6210 C3	LAGER D50 D90 B20 6210 C3	COJINETE D50 D90 B20 6210 C3
63	M26400306	FLANGIA SUPP.INFERIORE DC	FLANGE BOTTOM SUPPORT DC	SUPPORT INFERIEUR DC	FLANSCH	BRIDA SOPORTE INFERIOR DC
64	F03011158	GUARNIZIONE IN SILICONE D=6	GASKET D=6	JOINT D=6	DICHTUNG D=6	JUNTA D=6

TAV.010



COLTELLO SPESSORE MAGGIORATO (14 mm)
THICKER BLADE (14 mm)

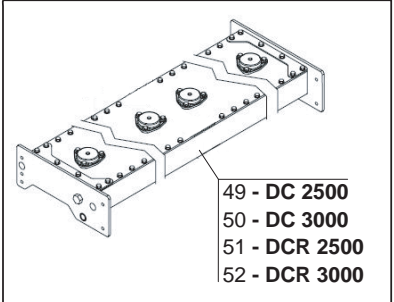
AVVITATO BOLT-ON

67 - DX/RH
68 - SX/LH

COLTELLO IN TUNGSTENO
TUNGSTEN BLADE

AVVITATO BOLT-ON

65 - DX/RH
66 - SX/LH



**TELAIO E ROTORI DC-DCR
FRAME AND ROTORS DC-DCR**

TAV.010

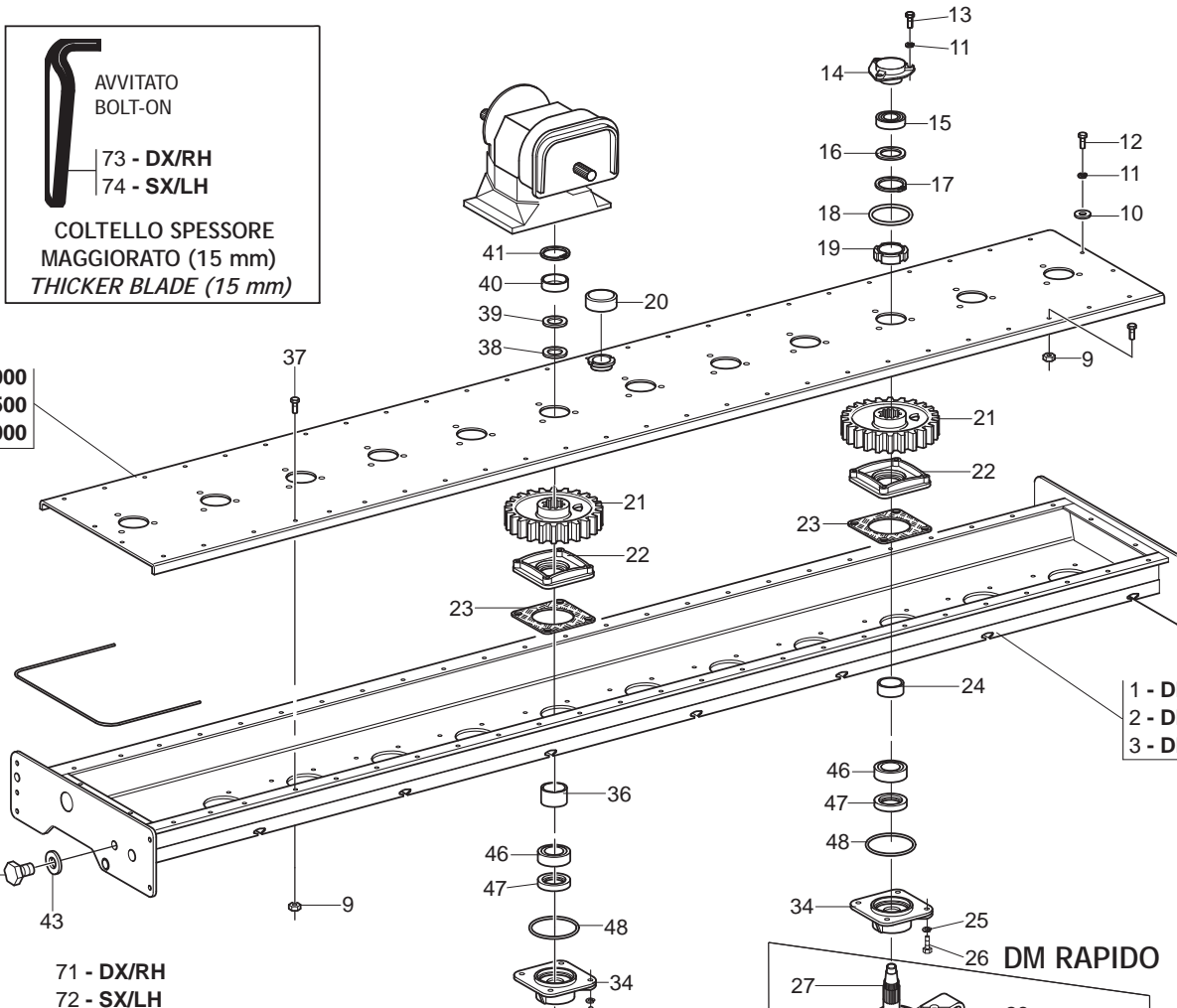
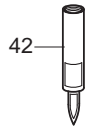
Pos.	Cod.	Descrizione	Description	Benennung	Description	Description
65	M38100226	COLT90X12X280DX 50M16 TG	BLAD90X12X280RH 50M16 TG	COUTEAU DC-BR 12MM DRT TUNGSTE		
66	M38100227	COLT90X12X280SX 50M16 TG	BLAD90X12X280LH 50M16 TG	COUTEAU DC-BR 12MM GCH TUNGSTE		
67	M38100222	COLT90X14X280DX 50M16	BLAD90X14X280RH 50M16	COUTEAU DROIT DC DS DL 90X14	RECHT MESSER DC DS DL 90X14	CUCHILLO DERECH.DC DS DL 90X14
68	M38100223	COLT90X14X280SX 50M16	BLAD90X14X280LH 50M16	COUTEAU GAUCHE DC DS DL 90X14	LINKES MESSER DC DS DL 90X14	CUCHILLO IZQ. DC DS DL 90X14

TAV.020

AVVITATO BOLT-ON
 73 - DX/RH
 74 - SX/LH

COLTELLO SPESSORE MAGGIORATO (15 mm)
THICKER BLADE (15 mm)

- 5 - DM-DMR 3000
- 6 - DM-DMR 3500
- 7 - DM-DMR 4000



- 1 - DM-DMR 3000
- 2 - DM-DMR 3500
- 3 - DM-DMR 4000

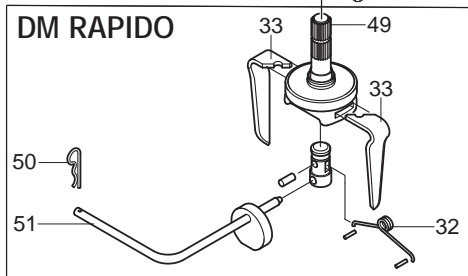
- 69 - DX/RH
- 70 - SX/LH
- 71 - DX/RH
- 72 - SX/LH

AVVITATO BOLT-ON

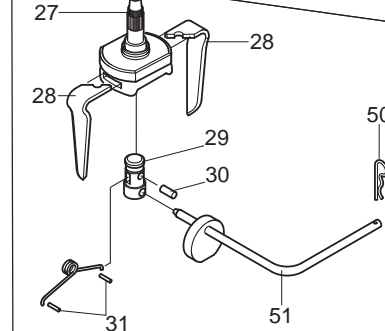
COLTELLO IN TUNGSTENO
TUNGSTEN BLADE

SGANCIO RAPIDO QUICK FIT

DM RAPIDO

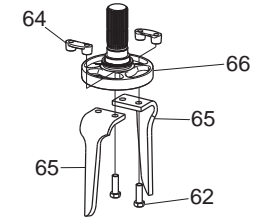


DM RAPIDO



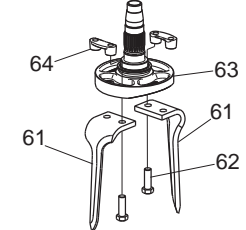
SUPP. COLTELLI CENTRALE DM

DM CENTRAL BLADE SUPP.



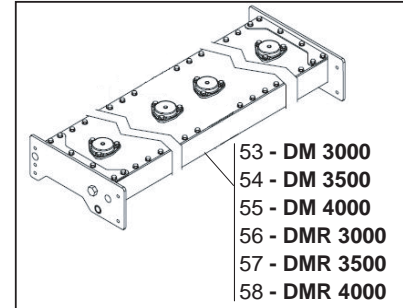
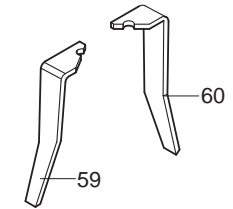
SUPP. COLTELLI LATERALE DM

DM SIDE BLADE SUPP.



COLTELLI "ON GRIP" DMR (OPT.)

DMR "ON GRIP" BLADES (OPT.)



**TELAIO E ROTORI DM - DMR
FRAME AND ROTORS DM - DMR**

TAV.020

Pos.	Cod.	Descrizione	Description	Benennung	Description	Descrpcion
1	M26430582	COMP.CORPO TRASMISSIONE L=2992	TRANSMISSION BOX L=2992	BOITE DE TRANSMISSION L=2992	ANTRIEBSKASTEN L=2992	CUERPO TRASMISION L=2992
2	M26435582	COMP.CORPO TRASMISSIONE L=3484	TRANSMISSION BOX L=3484	BOITE DE TRANSMISSION L=3484	ANTRIEBSKASTEN L=3484	CUERPO TRASMISION L=3484
3	M26440582	COMP.CORPO TRASMISSIONE L=3976	TRANSMISSION BOX L=3976	BOITE DE TRANSMISSION L=3976	ANTRIEBSKASTEN L=3976	CUERPO TRASMISION L=3976
5	M23430510	COMP.COPERCHIO C.TRASM.L=2954	UPPER PLATE L=2954	CAPOT SUPERIEUR L=2954	OBERBLECH L=2954	PLANCHA SUPERIOR L=2954
6	M23435510	COMP.COPERCHIO C.TRASM.L=3446	UPPER PLATE L=3446	CAPOT SUPERIEUR L=3446	OBERBLECH L=3446	PLANCHA SUPERIOR L=3446
7	M23440510	COMP.COPERCHIO C.TRASM.L=3938	UPPER PLATE L=3938	CAPOT SUPERIEUR L=3938	OBERBLECH L=3938	PLANCHA SUPERIOR L=3938
9	F01220034	DADO M10X1,25 D980 8ZN	NUT M10X1,25 D980 8ZN	ECRO.M10X1,25 D980 8 ZB	MUTT.M10X1,25 D980 8 ZB	TUER.M10X1,25 D980 8 ZB
10	F01410062	ROS.M10 10,5X 18X 2 U6592 ZN	WASHER M10 10,5X 18X 2 U6592	RONDELLE M10 10,5X18X2 ZN	DICHTUNGSRING M10 10,5X18X2 ZN	RONDANA M10 10,5X18X2 ZN
11	F01480112	ROS.G 10,5X19X 3 FLZNNC - 240H	GROWER WASHER D.10	RONDELLE GROWER D.10	SCHEIBE GROWER D.10	ARANDELA GROWER D.10
12	F01010244	VITE M10X1,25X25 U5740 8.8ZN	SCR. M10X1,25X25 U5740 8.8ZN	VIS M 10X1,25X25	SCHRAUBE M 10X1,25X25	TORNILLO M 10X1,25X25
13	F20110012	VITE M10X1,25X 35 5738 10.9 PL	BOLT M 10X1,25X35	VIS M 10X1,25X35	SCHRAUBE M 10X1,25X35	TORNILLO M 10X1,25X35
14	M19400303	SUPPORTO CUSCINETTO SUPER. TN	BEARING SUPPORT	SUPPORT ROULEMENT	LAGERHALTER	SOPORTE COJINETE
15	F04010350	CUSCINETTO 6307C 2HRS L100 50	BEARING 6307C 2HRS L100 50			
16	M19400304	DISCO ANTICADUTA SFERE	DISCO BALL FALL			
17	F02050425	ANEL. D ARR. FORO 80-I UNI3654	SEEGER RING	BAGUE SEEGER	SEEGERRING 80-I	
18	F03010684	ANELLO OR 94,84X3,53 NGR	GASKET OR 94,84X3,53 NBR	BAGUE OR 94.83X3.53 NBR	RING OR 94,84X3,53 NBR	ANILLO OR 94,84X3,53 NBR
19	F02010155	GHIERA AU.GUP M50X1,5 T.4H ZN	SELF LOCKING NUT M50X1,5	COLLIER AUTOBL. M50X1,5	SELBSTSP. NUTMUTTER M50X1,5	VIROLA AUTOBL. M50X1,5
20	F03150746	TAPPO CARICO OLIO	OIL INLET CAP	BOUCHON HUILE CHARGEMEN	ENTLUEFTERPFROPFEN	CORCHO OLEO
21	M36100306	INGRANAGGIO LATERALE DM	GEAR	ENGRENAGE LATERAL DM	ZAHNRAD	ENGRANAJE
22	M19400308	FLANGIA INTERNA	INNER FLANGE	FLASQUE INTERIEUR	INNENFLANSCH	BRIDA INTERNA
23	M27100309	GUARNIZIONE FLEXOID 5 10	GASKET MM.0,5	JOINT MM.0,5	DICHTUNG MM.0,5	JUNTA MM.0,5
24	M36100304	DISTANZIALE ROTORI LATERALI	SPACER			
25	F01480123	ROS.G 12,5X22,9X 4 FLZNNC-240H	WASHER M12 ZGP EXTRA P.	RONDELLE M12 ZGP EXTRA P.	UNTERLEGSCHLEIBE M12 ZGP EXTRA	ARANDELA M12 ZGP EXTRA P.
26	F01010289	VITE M12X1,25X35 U5740 10.9DL	SCR. M12X1,25X35 U5740 10.9DL	VIS M 12X1,25X35	SCHRAUBE M 12X1,25X35	TORNILLO M 12X1,25X35
27	M19400312	SUPPORTO COLTELLI LATERALE	LATERAL BLADE SUPPORT	SUPPORT COUTEAU LATERAL	SEITLICH MESSERTRAEGER	SOPORTE CUCHILLO LATERAL
28	M36100366	COLT100X15X320DX QUICK	BLAD100X15X320RH QUICK	COUTEAU RAPIDO 100X15X320 DRT	MESSER QUICK 100X15X320 RECHTS	CUCHILLA DERECH.QUICK-FIT 15MM
29	M36100394	PERNO D=40 L=76	PIN D=40 L=76	GOUJON D=40 L=76	STIFT D=40 L=76	PERNO D=40 L=76
30	F02100242	SPINA E.S. 8X 36 U6875 C70 BR	ELASTIC PIN 8X36	GOUJON ELASTIQUE 8X36	SPANNHUELSE 8X36	ESPINA ELASTICA 8X36
31	F02100204	SPINA E.S. 4X 30 U6875 C70 BR	ELASTIC PIN 4X30			
32	M36100341	MOLLA X SGANCIO RAPIDO	SPRING QUICK FIT	RESSORT GOUJON RAPIDO	FEDER	MUELLE
33	M36100367	COLT100X15X320SX QUICK	BLAD100X15X320LH QUICK	COUTEAU RAPIDO 100X15X320 GCH	MESSER QUICK 100X15X320 LINKS	CUCHILLA ISQUIR.QUICK-FIT 15MM
34	M19400307	FLANGIA SUPP.INFERIORE DM	FLANGE SUPP.INFERIORE DM			
36	M36500313	DISTANZ. D=67 D=55 L=16.5	SPACER D=67 D=55 L=16.5	ENTRETOISE D=67 D=55 L=16.5	DISTANZSTUECK D=67 D=55 L=16.5	DISTANCIADOR D=67 D=55 L=16.5
37	F01010254	VITE M10X1,25X35 U5740 8.8ZN	SCR. M10X1,25X35 U5740 8.8ZN	VIS M 10X1,25X35	SCHRAUBE M 10X1,25X35	TORNILLO M 10X1,25X35
38	M36500311	ROSETTA D=65 D=55 L=0,1	WASHER D=65 D=55 L=0,1	ROSETTE D=65 D=55 L=0,1	SCHEIBE D=65 D=55 L=0,1	ARANDELLA D=65 D=55 L=0,1
39	M36500312	ROSETTA D=65 D=55 L=0.05	WASHER D=65 D=55 L=0.05	ROSETTE D=65 D=55 L=0.05	SCHEIBE D=65 D=55 L=0.05	ARANDELLA D=65 D=55 L=0.05
40	M36500314	DISTANZ. D=67 D=55 L=14.8	SPACER D=67 D=55 L=14.8	ENTRETOISE D=67 D=55 L=14.8	DISTANZSTUECK D=67 D=55 L=14.8	DISTANCIADOR D=67 D=55 L=14.8
41	F02050204	ANELLO E. DE 55X 3 U7436 C70	SEEGER RING D.55	BAGUE SEEGER D.55	SEEGERRING D.55	ANILLO D.55
42	F03220010	POLIURETANO NERO IN CAR.310 M	SEALING PACKAGE	CONFECTION SIGILLANTE	DICHTUNGSMASSE ANFERTIGUNG	CONFECION SELADURA
43	M26100321	GUARNIZIONE PER TAPPO OLIO	GASKET	JOINT	DICHTUNG	JUNTA
44	F03150625	TAPPO CARICO SCARICO M18X1,5	OIL IN OUT CAP M18X1,5	BOUCHON HUILE CHARGEMEN	ENTLUEFTERPFROPFEN	CORCHO OLEO
46	F04010192	CUSC.D55 D100 B21 6211 53 KN	BEARING D55 D100 B21 6211 53KN	ROULEMENT 6211 AG15	LAGER 6211 AG15	COJINETE 6211 AG15
47	M38100214	ANELLO COMBI 65X85X13 17	OIL SEAL 65X85X13 17 SPEC.	PARE-HUILE 65X85X13 17 SPEC	OELABDICHTUNG 65X85X13 17SPEC.	PARA-ACEITE 65X85X13 17 SPEC.
48	F03010726	ANELLO OR 123.43X3.53 NBR	GASKET OR 123.43X3.53 NBR	BAGUE OR D. 123.43X3.53	RING OR 123.43X3.53 NBR	ANILLO OR 123.43X3.53 NBR
49	M36100229	SUPPORTO COLTELLI CENTRALE PLS	CENTR. BLADE SUPPORT	SUPPORT COUTEAU CENTRAL DMR	ZENTRALMESSERHALTERUNG	SOPORTE CUCHILLO CENTR.
50	F02200374	COPIGLIA R 4X 82 ZN	SPRING SPLIT PIN 4X82	GOUPILLE 4X82	SPLINT 4X82	PASADOR 4X82
51	M36100386	MANICO ECCENTRICO	TOOL FOR QUICK-FIT SYSTEM	MANIVELLE	KURBEL	MANGO
53	M35430520	CORPO NO CC.DM 3000 COM.RICAMB	COMPLETE BOX DM COMBI 3000	LAMIER COMPL DM COMBI 3000	GEHAEUSE DM COMBI 3000	CUERPO COMPL DM COMBI 3000
54	M35435520	CORPO NO CC.DM 3500 COM.RICAMB	COMPLETE BOX DM COMBI 3500	LAMIER COMPL DM COMBI 3500	GEHAEUSE DM COMBI 3500	CUERPO COMPL DM COMBI 3500
55	M35440520	CORPO NO CC.DM 4000 COM.RICAMB	COMPLETE BOX DM COMBI 4000	LAMIER COMPL DM COMBI 4000	GEHAEUSE DM COMBI 4000	CUERPO COMPL DM COMBI 4000
56	M23430599	CORPO TR. DMR3000 STD-COMBI 08	TRANSM.BOX DMR3000 STD-COMBI08			
57	M23435599	CORPO TR. DMR3500 STD-COMBI 08	TRANSM.BOX DMR3500 STD-COMBI08			
58	M23440599	CORPO TR. DMR4000 STD-COMBI 08	TRANSM.BOX DMR4000 STD-COMBI08			
59	M36100228	COLT100X15X330SX QUICK OG	BLAD100X15X330LH QUICK OG	COUTEAU RAPIDO ONGRIP 15MM GCH	LINKS 15 AUF GRIFF ZINKEN	CUCHILLA ON GRIP 15 IZQUIER.
60	M36100227	COLT100X15X330DX QUICK OG	BLAD100X15X330RH QUICK OG	COUTEAU RAPIDO ONGRIP 15MM DRT	RECHTS 15 AUF GRIFF ZINKEN	CUCHILLA ON GRIP 15 DERECHA
61	M36100210	COLT100X12X300DX 60M16	BLAD100X12X300RH 60M16	COUTEAUX DM 100X12 DROIT	RECHTES MESSER 100X12	CUCHILLO DERECHO 100X12
62	F20110044	VITE M16X1,5X50 SPEC 12.9ZF	BOLT M16X1,5X50 SPEC 12.9ZF	VIS M16X1,5X50 SPEC 12.9ZF	SCHRAU. M16X1,5X50 SPEC 12.9ZF	TORN. M16X1,5X50 SPEC 12.9ZF

TAV.020

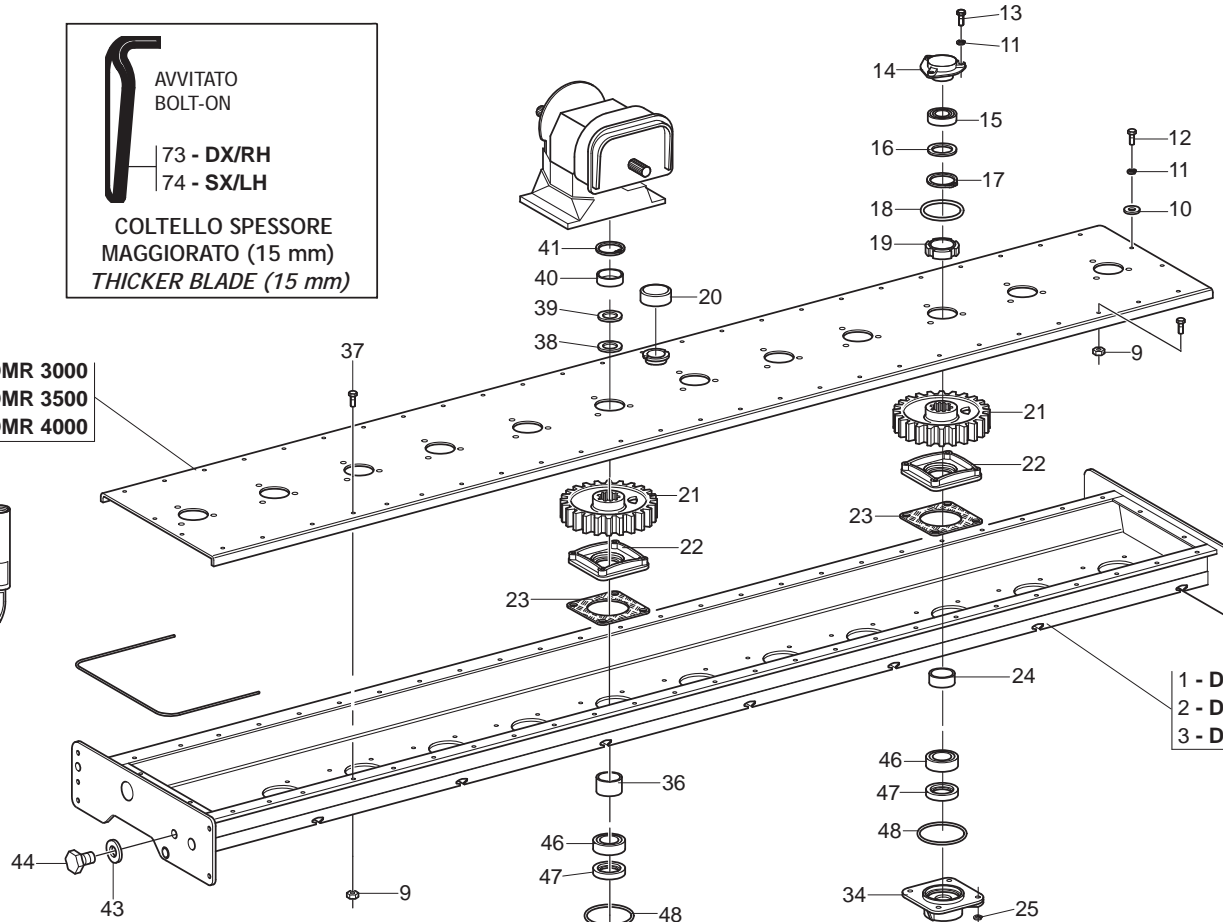
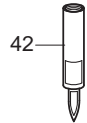


AVVITATO
BOLT-ON

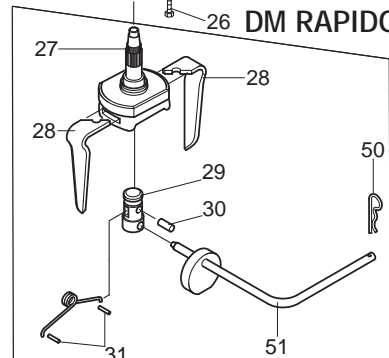
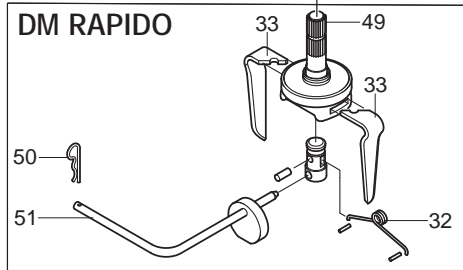
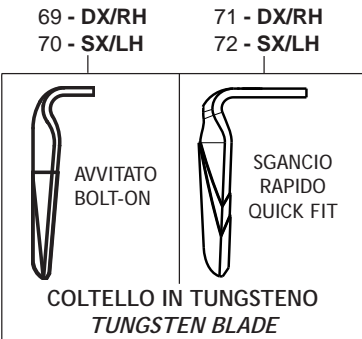
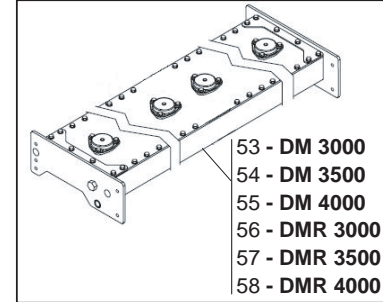
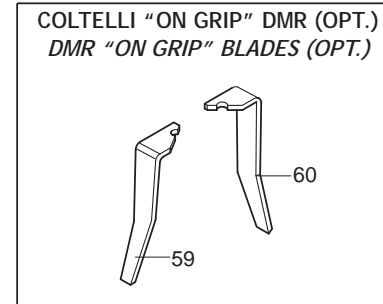
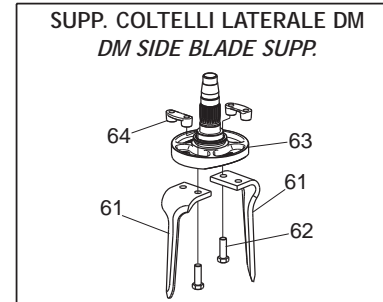
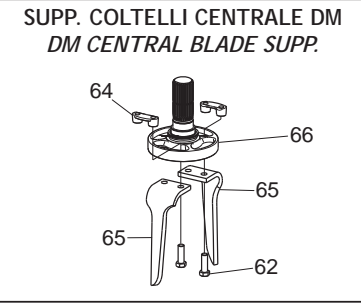
73 - DX/RH
74 - SX/LH

COLTELLO SPESSORE
MAGGIORATO (15 mm)
THICKER BLADE (15 mm)

- 5 - DM-DMR 3000
- 6 - DM-DMR 3500
- 7 - DM-DMR 4000



- 1 - DM-DMR 3000
- 2 - DM-DMR 3500
- 3 - DM-DMR 4000

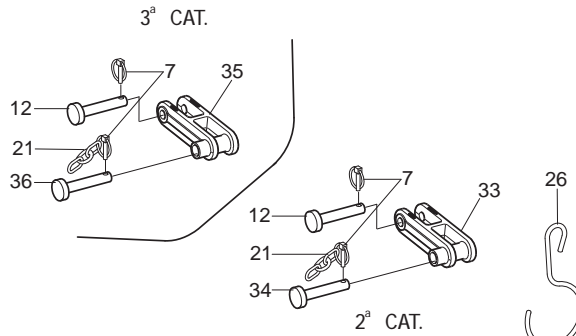


**TELAIO E ROTORI DM - DMR
FRAME AND ROTORS DM - DMR**

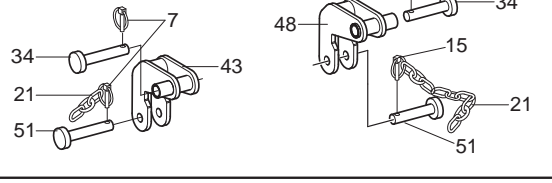
TAV.020

Pos.	Cod.	Descrizione	Description	Benennung	Description	Description
63	M36100332	SUPPORTO COLTELLI LATERALE	LATERAL BLADE SUPPORT	SUPPORT COUTEAU LATERAL	SEITLICH MESSERTRAEGER	SOPORTE CUCHILLO LATERAL
64	M36100312	FERMO VITE COLTELLI	KNIVES FASTENING BOLT	ETRIER DE SERRAGE COUTEAUX DM	MESSERSCHRAUBESPERRUNG	CLAUSURA TORNILLO CUCHILLA
65	M36100211	COLT100X12X300SX 60M16	BLAD100X12X300LH 60M16	COUTEAUX DM 100X12 GAUCHE	LINKES MESSER 100X12	CUCHILLO IZQUIERDO
66	M19400302	SUPPORTO COLTELLI CENTRALE	CENTRAL BALDE SUPPORT			
69	M36100223	COLT100X12X306DX 60M16 TG	BLAD100X12X306RH 60M16 TG			
70	M36100224	COLT100X12X306SX 60M16 TG	BLAD100X12X306LH 60M16 TG			
71	M36100285	COLT100X15X320DX QUICK TG	BLAD100X15X320RH QUICK TG	COUTEAU DRT QUICK100X15X320TUN	RECHTS MESSER 100X15X320 TUNGS	CUCHILLA DER.QUICK-FIT TUNGST.
72	M36100286	COLT100X15X320SX QUICK TG	BLAD100X15X320LH QUICK TG	COUTEAU GCH QUICK100X15X320TUN	LINKES MESSER 100X15X320 TUNGS	CUCHILLA IZ.QUICK-FIT TUNGST.
73	M36100215	COLT100X15X300DX 60M16	BLAD100X15X300RH 60M16	COUTEAU DRT SP.15 DM		
74	M36100216	COLT100X15X300SX 60M16	BLAD100X15X300LH 60M16	COUTEAU GCH. SP.15 DM		

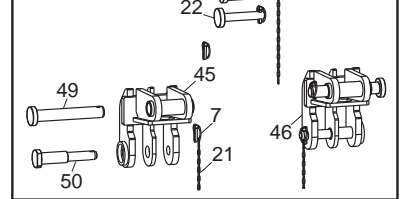
TAV.030



OPTIONAL 3^a CAT.



OPTIONAL 2^a CAT. - 3^a CAT.



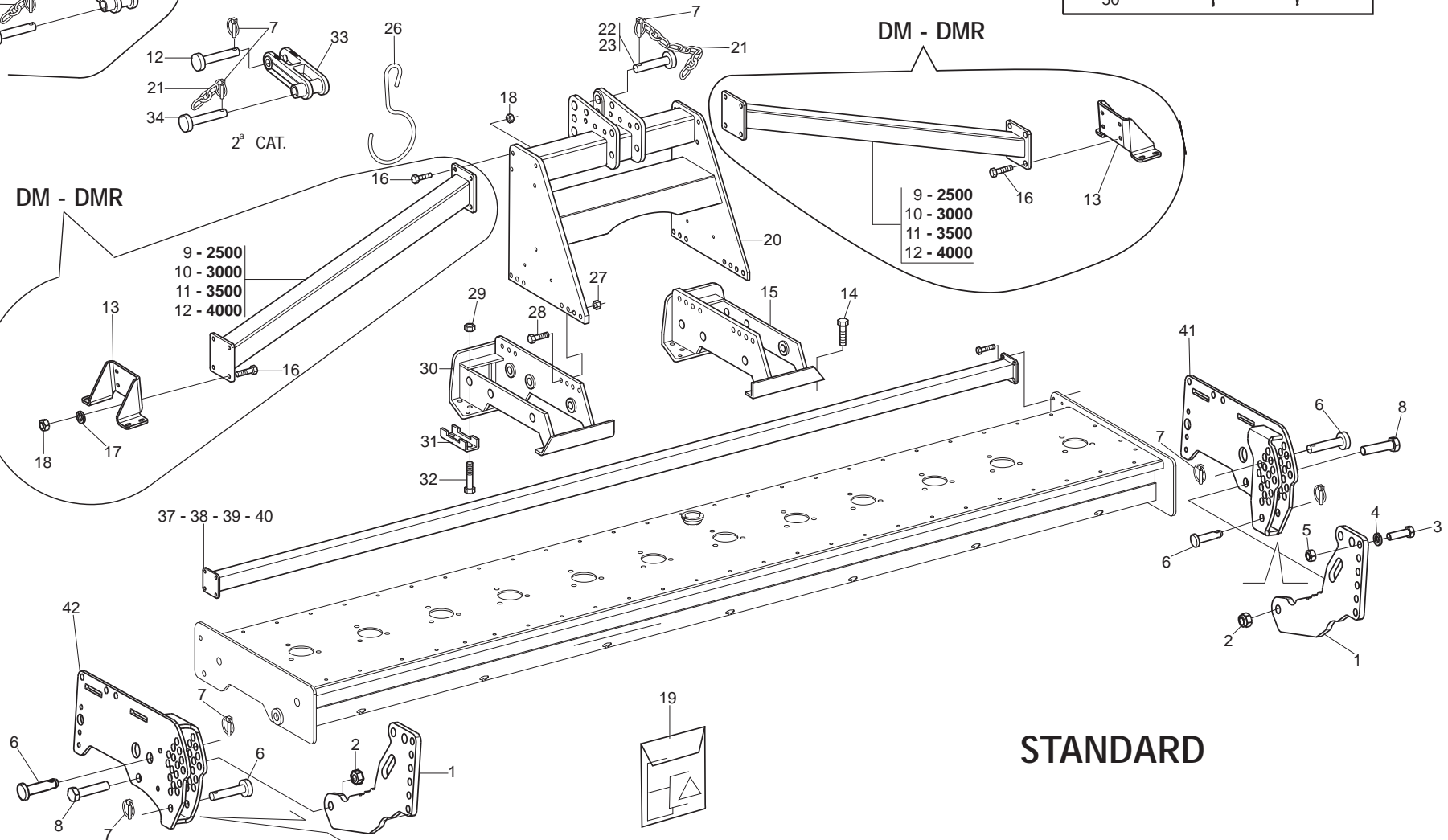
DM - DMR

- 9 - 2500
- 10 - 3000
- 11 - 3500
- 12 - 4000

DM - DMR

- 9 - 2500
- 10 - 3000
- 11 - 3500
- 12 - 4000

STANDARD

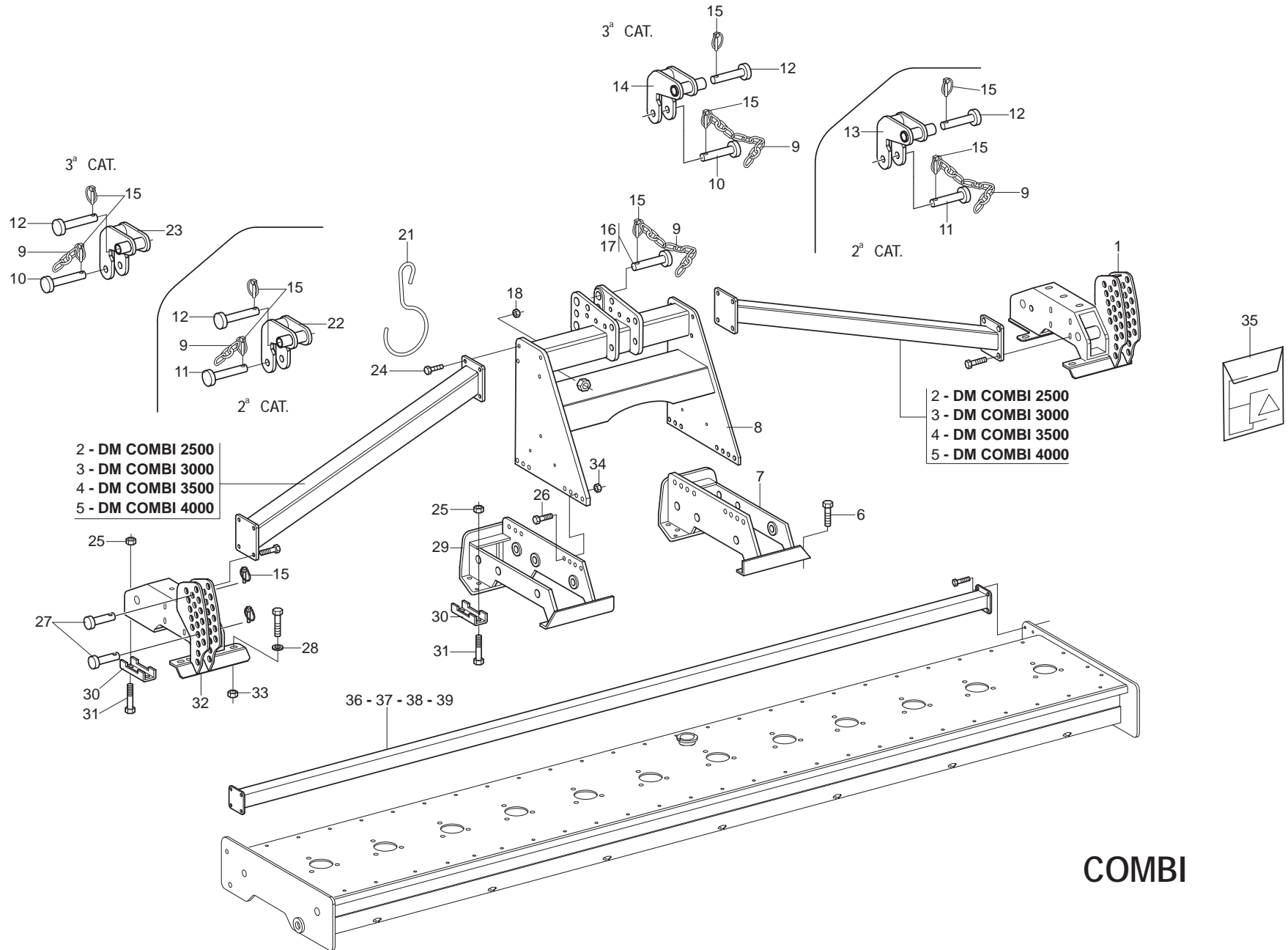


**GRUPPO TERZO PUNTO STD.
3RD-POINT UNIT STD.**

TAV.030

Pos.	Cod.	Descrizione	Description	Benennung	Description	Descrpcion
1	M26400415	BRACCIO COLLEGAMENTO RULLO	ROLLER CONNECTING ARM	BRAS DE CONNECTION ROULEAU	WALZE VERBINDUNGSARM	BRAZO DE CONEXI N RODILLO
2	F01230269	DADO M22X1,5 D985 CL8 ZN	NUT M22X1,5 D985 6S ZN	ECROU AUTOBL.M22X1,5 D985 6SZN	SELBST.MUTT.M22X1,5 D985 6S ZN	DADO AUTOBL.M22X1,5 D985 6S ZN
3	F01010151	VITE M18X1,5X60 U5738 8.8ZN	SCR. M18X1,5X60 U5738 8.8ZN	VIS M18X1,5X60	SCHRAUBE M18X1,5X60	TORNILLO M18X1,5X60
4	F01480156	ROS.G 19X32 X5,3 FLZNNC-240H	GROWER WASHER D.18	RONDELLE GROWER D.18	SCHEIBE GROWER D.18	ARANDELA GROWER D.18
5	F01220081	DADO M18X1,5 D980 8ZN	NUT M18X1,5 D980 8ZN	ECROU AUTOBL. M18X1,5 980-V	SELBSTSP.MUTT. M18X1,5 980-V	DADO AUTOBL. M18X1,5 980-V
6	F20100054	PERNO D19 L54 C40 TEST.D35 ZN	PIN D19 L54 C40	GOUJON D19	BOLZEN D19	PERNO D19 L54 C40
7	F02200529	SPINA SCATTO D.11 H58 ZN	SNAP PIN D.11 H58 ZN	FICHE A DETENTE D.11 H58 ZN	EINRASTSTIFT D.11 H58 ZN	CLAVIJA DE MUELLE D.11 H58 ZN
8	F01010190	VITE M22X1,5X90 U5738 8.8ZN	SCREW M22X1,5 X90 U5738 8.8 ZN	VIS M 22X1,5X90 U5738 8.8 ZN	SCHRAUBE M22X1,5X90 U5738 8.8	TORNIL. M22X1,5X90 U5738 8.8
9	M26425598	COLLEGAMENTO 3 P. DC-DM 2500	RIGHT 3POINT LINKAGE BEAM 2500	POUTRE ATT.3 POINT.DROITE 2500	RECHTS 3 PUNKTBOCK STREBUNG	TIRANTE ENGANCHE 3P. DERECHO
10	M26430598	COLLEGAMENTO 3 P. DC-DM 3000	RIGHT 3POINT LINKAGE BEAM 3000	POUTRE ATT.3 POINT.DROITE 3000	RECHTS 3 PUNKTBOCK STREBUNG	TIRANTE ENGANCHE 3P.DERECHO
11	M26435598	COLLEGAMENTO 3 P. DC-DM 3500	RIGHT 3POINT LINKAGE BEAM 3500	POUTRE ATT.3 POINT.DROITE 3500	RECHTS 3 PUNKTBOCK STREBUNG	TIRANTE ENGANCHE 3P.DERECHO
12	M26440598	COLLEGAMENTO 3 P. DC-DM 4000	RIGHT 3POINT LINKAGE BEAM 4000	POUTRE ATT.3 POINT.DROITE 4000	RECHTS 3 PUNKTBOCK STREBUNG	TIRANTE ENGANCHE 3P.DERECHO
13	M26400405	STAFFA ATTACCO	STIRRUP LINKAGE	ATELAGE ETRIER	BUEGELLINK	ESTRIBO ATAQUE
14	F01010254	VITE M10X1,25X35 U5740 8.8ZN	SCR. M10X1,25X35 U5740 8.8ZN	VIS M 10X1,25X35	SCHRAUBE M 10X1,25X35	TORNILLO M 10X1,25X35
15	M26400707	BASE RINFORZATA 3 PUNTO DX	RIGHT BASE LINKAGE	BASE ATTELAGE DROIT	BASISVERB. RECHTS	BASE ATAQUE DERECHO
16	F01010053	VITE M12X1,25X45 U5738 8.8ZN	SCR. M12X1,25X45 U5738 8.8ZN	VIS M 12X1,25X45	SCHRAUBE M 12X1,25X45	TORNILLO M 12X1,25X45
17	F01500011	ROS. 13 X35X5 D6340 C50 ZN	WASHER D. 12	RONDELLE D.12	SCHEIBE D.12	ARANDELA D.12
18	F01220047	DADO M12X1,25 D980 8ZN	NUT M12X1,25 D980 8ZN	ECROU M12X1,25 D980 8 ZN	MUTTER M12X1,25 D980 8 ZN	TUERCA M12X1,25 D980 8 ZN
19	F20030150	KIT ETICH. SICUREZZA CE	SECURITY LABELS	ETIQUETTES DE SECURITE	SICHERUNG AUFKLEBER	CALCOMANIA DE PELIGRO
20	M26400590	COMP.CASTELLO 3 PUNTO	COMPLETE 3RD POINT	3EME POINT COMPL.	3. PUNKT KOMPLETT	TERCER PUNTO COMPL.
21	G13812311	CATENELLA CON MOSCHETTONE	CHAIN WITH SPRING CATCH	CHAINETTE AVEC MOUSQUETON	KETTE MIT KARABINERHAKEN	CADENA CON GANCHO
22	F20100133	PERNO D25 L122 C43 TEST.D60 ZN	PIN D25 L122 C43 ZN	BOULON D25 L122 C43 ZN	BOULON D25 L122 C43 ZN	PERNO D25 L122 C43 ZN
23	F20100124	PERNO D32 L135 C40 TEST.D45 Z	BOLT D32 L135 C40 ZN	BOULON D32 L135 C40 ZN	BOLZEN D32 L135 C40 ZN	PERNO D32 L135 C40 ZN
26	F20120400	GANCIO SOSTEGNO CARDANO	SHAFT HOOK SUPPORT	SUPPORT CARDAN	GELENKWELLE - HACKEN	SOPORTE CARDAN
27	F01220059	DADO M14X1,5 D980 8ZN	NUT M14X1,5 D980 8ZN	ECROU M14X 1,5 D980 8 ZN	MUTTER M14X 1,5 D980 8 ZN	TUERCA M14X 1,5 D980 8 ZN
28	F20110032	VITE M14X1,5 X 40 SPEC 10.9 ZD	BOLT M14X1,5X40 10.9	VIS M 14X1,5X40	SCHRAUBE M 14X1,5X40	TORNILLO M 14X1,5X40
29	F01220070	DADO M16X1,5 D980 10ZN	NUT M16X1,5 D980 8ZN	ECRO.M16X1,5 D980 8ZN	MUTTER M16X1,5 D980 8ZN	TUER.M16X1,5 D980 8ZN
30	M26400708	BASE RINFORZATA 3 PUNTO SX	LEFT BASE LINKAGE	BASE ATTELAGE GAUCHE	BASISVERB. LINKSS	BASE ATAQUE IZQUIERDO
31	M36200241	STAFFA PER TUBO DA 80	STIRRUP	ETRIER	BUEGEL	ESTRIBO
32	F01010128	VITE M16X1,5X130 U5738 8.8ZN	SCR. M16X1,5X130 U5738 8.8ZN	VIS M 16X1,5X130 U5738 8.8 ZN	SCHRAU.M16X1,5X130 U5738 8.8ZN	TORN. M16X1,5X130 U5738 8.8ZN
33	M35400512	BIELLA 2 CATEGORIA	2 CATEGORY ROD			
34	F20100142	PERNO D36 L208 C43 TEST.D60 ZN	PIN D36 L208 C43 ZN	GOUJON D36 L208 C43 ZN	BOLZEN D36 L208 C43 ZN	PERNO D36 L208 C43 ZN
35	M35400513	BIELLA 3 CATEGORIA	3 CATEGORY ROD			
36	F20100141	PERNO D36 L128 C43 TEST.D60 ZN	PIN D36 L128 C43 ZN	BOULON D36 L128 C43 ZN	BOLTZEN D36 L128 C43 ZN	PERNO D36 L128 C43 ZN
37	M26425589	TRAVE ANT. 80X80 2500	BEAM 80X80 2500	POUTRE 80X80 2500	HAUPTTTRAEGER 80X80 2500	VIGA 80X80 2500
38	M26430589	TRAVE ANT. 80X80 3000	BEAM 80X80 3000	POUTRE 80X80 3000	HAUPTTTRAEGER 80X80 3000	VIGA 80X80 3000
39	M26435589	TRAVE ANT. 80X80 3500	BEAM 80X80 3500	POUTRE 80X80 3500	HAUPTTTRAEGER 80X80 3500	VIGA 80X80 3500
40	M26440589	TRAVE ANT. 80X80 4000	BEAM 80X80 4000	POUTRE 80X80 4000	HAUPTTTRAEGER 80X80 4000	VIGA 80X80 4000
41	M26400406	COMP.FIANCATA DX REG. PERNI	RIGHT SIDE PANEL	COTE DROIT	RECHTE SEITENWAND	FLANCO DERECHO
42	M26400407	COMP.FIANCATA SX REG. PERNI	LEFT SIDE PANEL	COTE GAUCHE	LINKE SEITENWAND	FLANCO IZQUIERDO
43	M23400589	BIELLA ATT.B.DX 2 CAT.	RIGHT CONNECTING ROD	BIELLE ATTELAGE BARRE DROITE	PLEUELST.VERB.SCHUTZH. RECHTS	BIELA ATAQUE BARRA DERECHA
45	M35400641	COMP.BIELLA 2 3 CATEGORIA DX	RH 3RD LINKAGE ROD 2 3 CAT			
46	M35400642	COMP.BIELLA 2 3 CATEGORIA SX	LH 3RD LINKAGE ROD 2 3 CAT			
47	F20100124	PERNO D32 L135 C40 TEST.D45 Z	BOLT D32 L135 C40 ZN	BOULON D32 L135 C40 ZN	BOLZEN D32 L135 C40 ZN	PERNO D32 L135 C40 ZN
48	M23400590	BIELLA ATT.B.SX 2 CAT.	LEFT CONNECTING ROD	BIELLE ATTELAGE BARRE GAUCHE	PLEUELST.VERB.SCHUTZH.LINKS	BIELA ATAQUE BARRA IZQUIERDA
49	F20100142	PERNO D36 L208 C43 TEST.D60 ZN	PIN D36 L208 C43 ZN	GOUJON D36 L208 C43 ZN	BOLZEN D36 L208 C43 ZN	PERNO D36 L208 C43 ZN
50	M21400563	PERNO ATTACCO BARRA.2 -3 C.	PIN FOR BAR LINKAGE	GOUJON ATTELAGE BARRE	VERB.BOLZEN SCHUTZHOLM	PERNO ATAQUE BARRA
51	F20100075	PERNO PER BIELLA D.28 ZN	PIN D.28 ZN	BOULON D.28 ZN	BOLZEN D.28 ZN	PERNO D.28 ZN

TAV.040

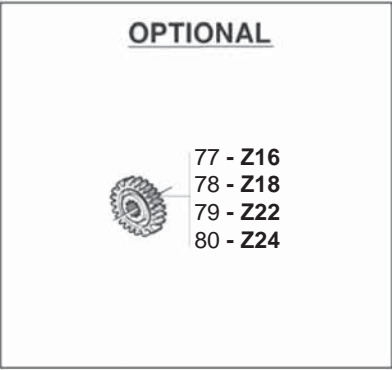
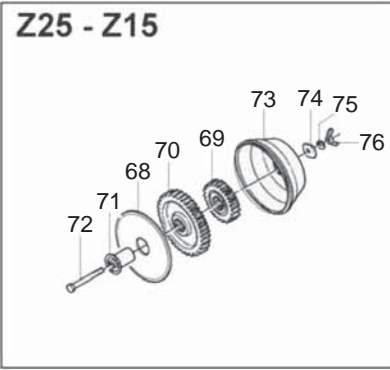
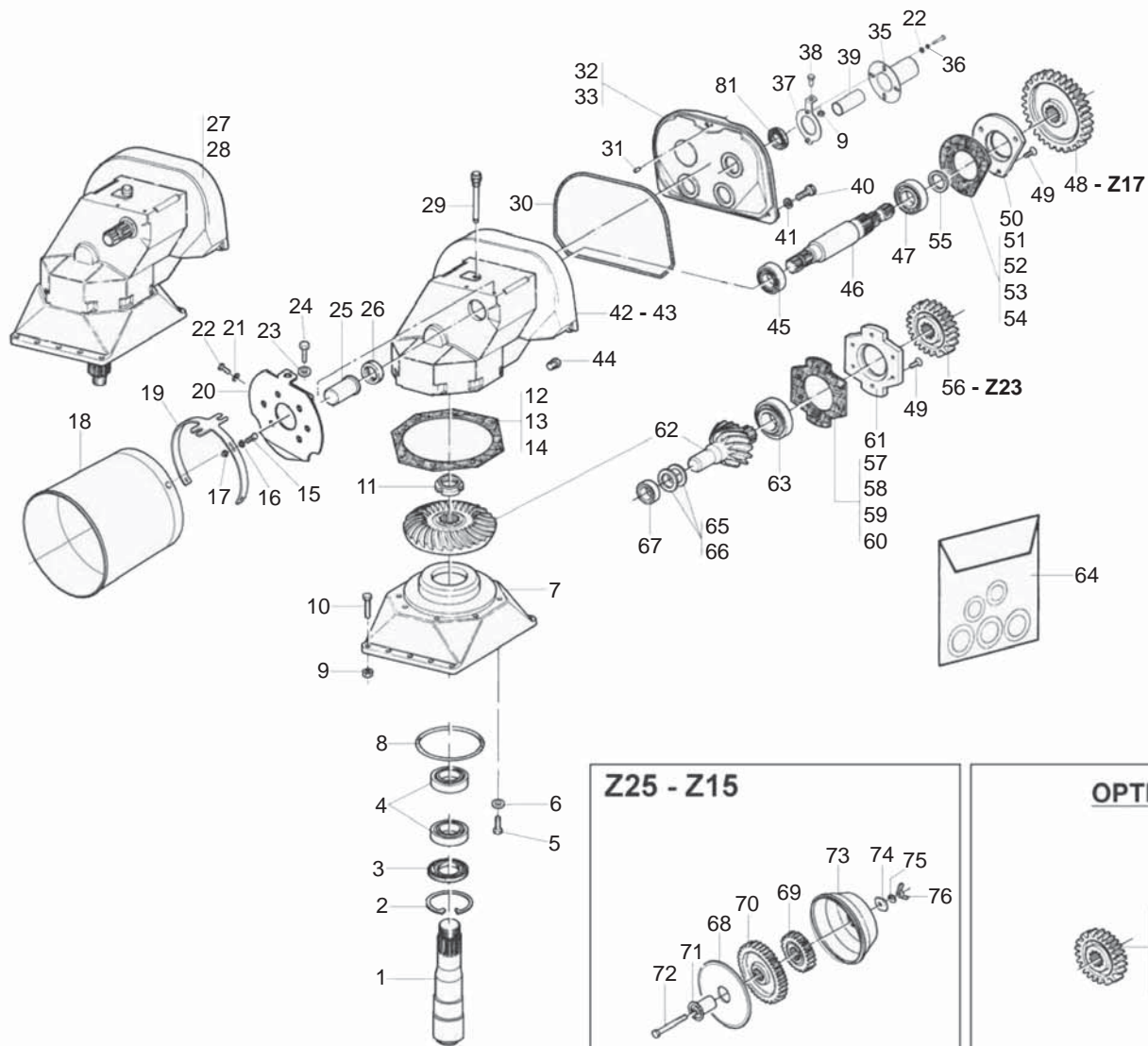


**GRUPPO TERZO PUNTO COMBI
3RD-POINT UNIT COMBI**

TAV.040

Pos.	Cod.	Descrizione	Description	Benennung	Description	Description
1	M26400731	SUPPORTO DX REGOLAZIONE RULLO	RIGHT SUPPORT	SUPPORT DROIT	RECHTE TRAEGER	SOPORTE DERECHO
2	M26425598	COLLEGAMENTO 3 P. DC-DM 2500	RIGHT 3POINT LINKAGE BEAM 2500	POUTRE ATT.3 POINT.DROITE 2500	RECHTS 3 PUNKTBOCK STREBUNG	TIRANTE ENGANCHE 3P. DERECHO
3	M26430598	COLLEGAMENTO 3 P. DC-DM 3000	RIGHT 3POINT LINKAGE BEAM 3000	POUTRE ATT.3 POINT.DROITE 3000	RECHTS 3 PUNKTBOCK STREBUNG	TIRANTE ENGANCHE 3P.DERECHO
4	M26435598	COLLEGAMENTO 3 P. DC-DM 3500	RIGHT 3POINT LINKAGE BEAM 3500	POUTRE ATT.3 POINT.DROITE 3500	RECHTS 3 PUNKTBOCK STREBUNG	TIRANTE ENGANCHE 3P.DERECHO
5	M26440598	COLLEGAMENTO 3 P. DC-DM 4000	RIGHT 3POINT LINKAGE BEAM 4000	POUTRE ATT.3 POINT.DROITE 4000	RECHTS 3 PUNKTBOCK STREBUNG	TIRANTE ENGANCHE 3P.DERECHO
6	F01010254	VITE M10X1,25X35 U5740 8.8ZN	SCR. M10X1,25X35 U5740 8.8ZN	VIS M 10X1,25X35	SCHRAUBE M 10X1,25X35	TORNILLO M 10X1,25X35
7	M26400707	BASE RINFORZATA 3 PUNTO DX	RIGHT BASE LINKAGE	BASE ATTELAGE DROIT	BASISVERB. RECHTS	BASE ATAQUE DERECHO
8	M26400590	COMP.CASTELLO 3 PUNTO	COMPLETE 3RD POINT	3EME POINT COMPL.	3. PUNKT KOMPLETT	TERCER PUNTO COMPL.
9	F02200529	SPINA SCATTO D.11 H58 ZN	SNAP PIN D.11 H58 ZN	FICHE A DETENTE D.11 H58 ZN	EINRASTSTIFT D.11 H58 ZN	CLAVIJA DE MUELLE D.11 H58 ZN
10	F20100141	PERNO D36 L128 C43 TEST.D60 ZN	PIN D36 L128 C43 ZN	BOULON D36 L128 C43 ZN	BOLTZEN D36 L128 C43 ZN	PERNO D36 L128 C43 ZN
11	F20100075	PERNO PER BIELLA D.28 ZN	PIN D.28 ZN	BOULON D.28 ZN	BOLZEN D.28 ZN	PERNO D.28 ZN
12	F20100142	PERNO D36 L208 C43 TEST.D60 ZN	PIN D36 L208 C43 ZN	GOUJON D36 L208 C43 ZN	BOLZEN D36 L208 C43 ZN	PERNO D36 L208 C43 ZN
13	M23400589	BIELLA ATT.B.DX 2 CAT.	RIGHT CONNECTING ROD	BIELLE ATTELAGE BARRE DROITE	PLEUELST.VERB.SCHUTZH. RECHTS	BIELA ATAQUE BARRA DERECHA
14	M35400531	BIELLA DX ATTACCO BARRE 3 CAT	RIGHT LINKAGE ROD CAT. 3			
15	F02200529	SPINA SCATTO D.11 H58 ZN	SNAP PIN D.11 H58 ZN	FICHE A DETENTE D.11 H58 ZN	EINRASTSTIFT D.11 H58 ZN	CLAVIJA DE MUELLE D.11 H58 ZN
16	F20100133	PERNO D25 L122 C43 TEST.D60 ZN	PIN D25 L122 C43 ZN	BOULON D25 L122 C43 ZN	BOLZEN D25 L122 C43 ZN	PERNO D25 L122 C43 ZN
17	F20100124	PERNO D32 L135 C40 TEST.D45 Z	BOLT D32 L135 C40 ZN	BOULON D32 L135 C40 ZN	BOLZEN D32 L135 C40 ZN	PERNO D32 L135 C40 ZN
18	F01220047	DADO M12X1,25 D980 8ZN	NUT M12X1,25 D980 8ZN	ECROU M12X1,25 D980 8 ZN	MUTTER M12X1,25 D980 8 ZN	TUERCA M12X1,25 D980 8 ZN
21	F20120400	GANCIO SOSTEGNO CARDANO	SHAFT HOOK SUPPORT	SUPPORT CARDAN	GELENKWELLE - HACKEN	SOPORTE CARDAN
22	M23400590	BIELLA ATT.B.SX 2 CAT.	LEFT CONNECTING ROD	BIELLE ATTELAGE BARRE GAUCHE	PLEUELST.VERB.SCHUTZH.LINKS	BIELA ATAQUE BARRA IZQUIERDA
23	M35400532	BIELLA SX ATTACCO BARRE 3 CAT	LEFT LINKAGE ROD CAT. 3			
24	F01010288	VITE M12X1,25X35 U5740 8.8ZN	SCR. M12X1,25X35 U5740 8.8ZN	VIS M12X1,25X35 U5740 8.8 ZN	SCHR.M12X1,25X35 U5740 8.8 ZN	TORN.M12X1,25X35 U5740 8.8 ZN
25	F01220070	DADO M16X1,5 D980 10ZN	NUT M16X1,5 D980 8ZN	ECRO.M16X1,5 D980 8ZN	MUTTER M16X1,5 D980 8ZN	TUER.M16X1,5 D980 8ZN
26	F20110032	VITE M14X1,5 X 40 SPEC 10.9 ZD	BOLT M14X1,5X40 10.9	VIS M 14X1,5X40	SCHRAUBE M 14X1,5X40	TORNILLO M 14X1,5X40
27	F20100048	PERNO D22 L48 C43 TEST.D35 ZN	BOLT D22 L48 C43 ZN	GOUJON D22 L48 C43	BOLZEN D22 L48 C43	PERNO D22 L48 C43
28	F01500010	ROS. 10,5X28X4 D6340 C50 ZN	WASHER 10,5X28X4	RONDELLE 10,5X28X4	SCHEIBE 10,5X28X4	ARANDELA 10,5X28X4
29	M26400708	BASE RINFORZATA 3 PUNTO SX	LEFT BASE LINKAGE	BASE ATTELAGE GAUCHE	BASISVERB. LINKSS	BASE ATAQUE IZQUIERDO
30	M36200241	STAFFA PER TUBO DA 80	STIRRUP	ETRIER	BUEGEL	ESTRIBO
31	F01010128	VITE M16X1,5X130 U5738 8.8ZN	SCR. M16X1,5X130 U5738 8.8ZN	VIS M 16X1,5X130 U5738 8.8 ZN	SCHRAU.M16X1,5X130 U5738 8.8ZN	TORN. M16X1,5X130 U5738 8.8ZN
32	M26400732	SUPPORTO SX REGOLAZIONE RULLO	LEFT SUPPORT	SUPPORT GAUCHE	LINK TRAEGER	SOPORTE ISQUIERDO
33	F01220034	DADO M10X1,25 D980 8ZN	NUT M10X1,25 D980 8ZN	ECRO.M10X1,25 D980 8 ZB	MUTT.M10X1,25 D980 8 ZB	TUER.M10X1,25 D980 8 ZB
34	F01220059	DADO M14X1,5 D980 8ZN	NUT M14X1,5 D980 8ZN	ECROU M14X 1,5 D980 8 ZN	MUTTER M14X 1,5 D980 8 ZN	TUERCA M14X 1,5 D980 8 ZN
35	F20030150	KIT ETICH. SICUREZZA CE	SECURITY LABELS	ETIQUETTES DE SECURITE	SICHERUNG AUFKLEBER	CALCOMANIA DE PELIGRO
36	M26425589	TRAVE ANT. 80X80 2500	BEAM 80X80 2500	POUTRE 80X80 2500	HAUPTTRAEGER 80X80 2500	VIGA 80X80 2500
37	M26430589	TRAVE ANT. 80X80 3000	BEAM 80X80 3000	POUTRE 80X80 3000	HAUPTTRAEGER 80X80 3000	VIGA 80X80 3000
38	M26435589	TRAVE ANT. 80X80 3500	BEAM 80X80 3500	POUTRE 80X80 3500	HAUPTTRAEGER 80X80 3500	VIGA 80X80 3500
39	M26440589	TRAVE ANT. 80X80 4000	BEAM 80X80 4000	POUTRE 80X80 4000	HAUPTTRAEGER 80X80 4000	VIGA 80X80 4000

TAV.050

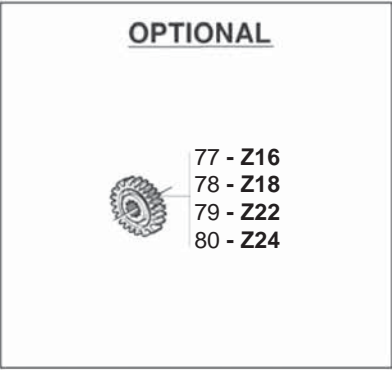
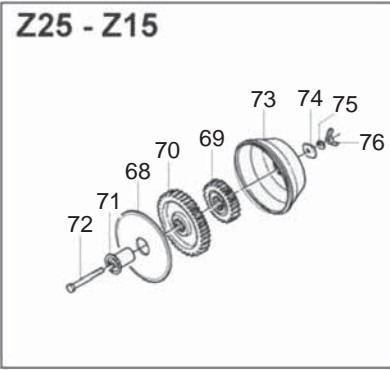
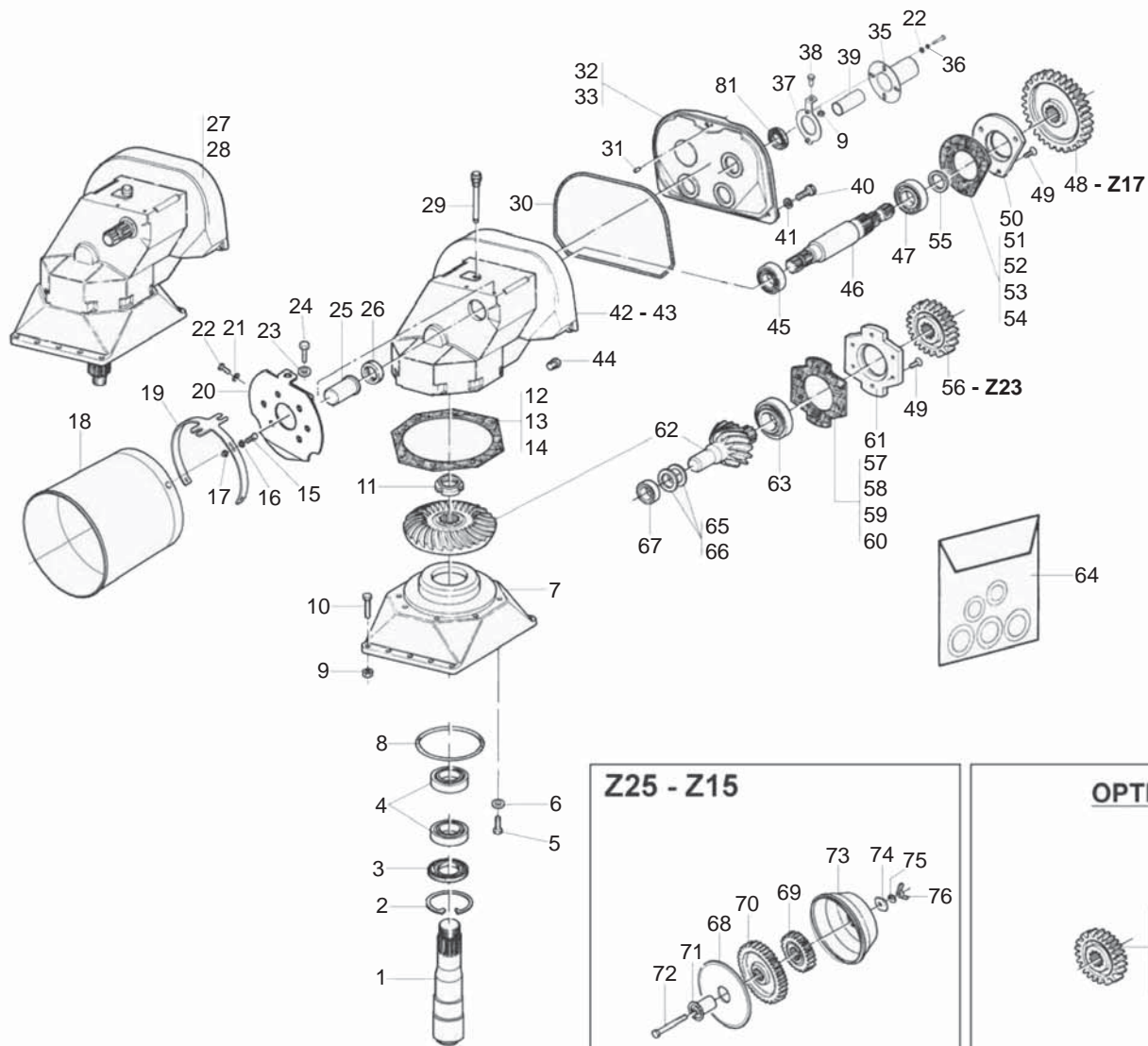


**GRUPPO CAMBIO
GEARBOX**

TAV.050

Pos.	Cod.	Descrizione	Description	Benennung	Description	Description
1	M19400203	ALBERO TRASM.D=80 L=208,5	SHAFT TR.D=80 L=208,5			
2	F02050482	ANELLO E. DI110X 4 U7437 C70	SEEGER RING D.110	BAGUE SEEGER D.110	SEEGERRING D.110	ANILLO SEEGER D.110
3	F03010244	ANELLO T.A. 80X110X10 D3760NBR	OIL SEAL 80X110X10	PARE-HUILE 80X110X10	OELABDICHTUNG 80X110X10	PARA-ACEITE 80X110X10
4	F04050117	CUSC.D65 D110 T34 33113	BEARING D65 D110 T34 33113	ROULEMENT D65 D110 T34 33113	LAGER D65 D110 T34 33113	COJINETE D65 D110 T34 33113
5	F01010289	VITE M12X1,25X35 U5740 10.9DL	SCR. M12X1,25X35 U5740 10.9DL	VIS M 12X1,25X35	SCHRAUBE M 12X1,25X35	TORNILLO M 12X1,25X35
6	F01480123	ROS.G 12,5X22,9X 4 FLZNNC-240H	WASHER M12 ZGP EXTRA P.	RONDELLE M12 ZGP EXTRA P.	UNTERLEGSCHLEIBE M12 ZGP EXTRA	ARANDELA M12 ZGP EXTRA P.
7	M19400202	BASE CAMBIO	GEARBOX SUPPORT	SUPPORT BOITE DE VITESSE	WECHSELGETRIEBE HALTER	SOPORTE CAMBIO
8	F03010738	ANELLO OR 126,59X353 NBR	GASKET OR 126,59X353 NBR	BAGUE OR	RING OR	ANILLO OR
9	F01220034	DADO M10X1,25 D980 8ZN	NUT M10X1,25 D980 8ZN	ECRO.M10X1,25 D980 8 ZB	MUTT.M10X1,25 D980 8 ZB	TUER.M10X1,25 D980 8 ZB
10	F01010254	VITE M10X1,25X35 U5740 8.8ZN	SCR. M10X1,25X35 U5740 8.8ZN	VIS M 10X1,25X35	SCHRAUBE M 10X1,25X35	TORNILLO M 10X1,25X35
11	F02010155	GHIERA AU.GUP M50X1,5 T.4H ZN	SELF LOCKING NUT M50X1,5	COLLIER AUTOBL. M50X1,5	SELBSTSP. NUTMUTTER M50X1,5	VIROLA AUTOBL. M50X1,5
12	M14100204	GUARNIZIONE FLANGIA PR 1 10	GASKET MM.0,1	JOINT MM.0,1	DICHTUNG MM.0,1	JUNTA MM.0,1
13	M14100205	GUARNIZIONE FLANGIA PR 3 10	GASKET MM.0,3	JOINT MM.0,3	DICHTUNG MM.0,3	JUNTA MM.0,3
14	M14100206	GUARNIZIONE FLANGIA PR 5 10	GASKET MM.0,5	JOINT MM.0,5	DICHTUNG MM.0,5	JUNTA MM.0,5
15	F01020403	VITE M6X1X16 U5739 8.8ZN	SCR. M6X1X16 U5739 8.8ZN	VIS M6X1X16 U5739 8.8 ZN	SCHRAUBE M6X1X16 U5739 8.8 ZN	TORNILLO M6X1X16 U5739 8.8 ZN
16	F01410037	ROS.M6 6,4X12,5X1,6 U6592 ZN	WASHER	RONDELLE	BEILAGSCHLEIBE 6	
17	F01220011	DADO M6X1 D980 8ZN	NUT M6X1 D980 8ZN	ECROU M6X1 D980 8 ZN	MUTTER M6X1 D980 8 ZN	TUERCA M6X1 D980 8 ZN
18	M68100106	PROTEZIONE CARDANO	CARDAN PROTECTION	PROTECTION CARDAN	GELENKWELLENSCHUTZ	PROTECCION CARDANICO
19	M12400115	ATTACCO CUFFIA	PROTECTION SUPPORT	SUPPORT PROTECTION CARDAN	GELENKWELLENSCHUTZ HALTER	SOPORTE PROTECCION CARDANICO
20	M12400111	ATTACCO CUFFIA	PROTECTION SUPPORT	SUPPORT PROTECTION CARDAN	GELENKWELLENSCHUTZ HALTER	SOPORTE PROTECCION CARDANICO
21	F01410037	ROS.M6 6,4X12,5X1,6 U6592 ZN	WASHER	RONDELLE	BEILAGSCHLEIBE 6	
22	F01020403	VITE M6X1X16 U5739 8.8ZN	SCR. M6X1X16 U5739 8.8ZN	VIS M6X1X16 U5739 8.8 ZN	SCHRAUBE M6X1X16 U5739 8.8 ZN	TORNILLO M6X1X16 U5739 8.8 ZN
23	F01480099	ROS.G 8,4X14,4X2,7 FLZNNC-240H	GROWER WASHER D.8	RONDELLE GROWER D.8	SCHLEIBE GROWER D.8	ARANDELA GROWER D.8
24	F01020436	VITE M8X1,25X20 U5739 8.8ZN	SCR. M8X1,25X20 U5739 8.8ZN	VIS M8X1,25X 20 U5739 8.8 ZN	SCHRAUBE M8X1,25X20U5739 8.8ZN	TORN. M8X1,25X20 U5739 8.8 ZN
25	M38100147	MANICOTTO PROTEZIONE PDF 1 3 4	P.T.O. PROTECTION	MANCHON DE PROTECTION P.T.O.	ZAPFWELLENSCHUTZ P.T.O.	MANGUITO PROTECCION P.T.O.
26	F03010286	ANEL. T.AS 45X 60X 7 D3760NBR	OIL SEAL 45X60X7	PARE-HUILE 45X 60X 7 D3760NBR	OELABDICHTUNG 45X 60X 7	PARA-ACEITE 45X 60X 7 D3760NBR
27	M19400101	COMP.M.CAM.C.DM 2500 3500 4500	GEAR BOX ASSEMBLY 2500-4500	BOITE DE VITESSE 2500-4500	WECHSELGETR.KOMPL.2500-4500	CAJA CAMBIO COMPL.2500-4500
28	M19400102	COMP.M.CAM.C.DM 3000 4000 5000	GEAR BOX ASSEMBLY 3000-5000	BOITE DE VITESSE 3000-5000	WECHSELGETR.KOMPL.3000-5000	CAJA CAMBIO COMPL.3000-5000
29	M36100123	TAPPO SFIATO CON ASTINA DM	BREATHER PLUG	BOUCHON DE SOUPIRAIL	ENTLUEFTERSTOPFEN	TAPON RESPIRADERO
30	M38100105	GUARNIZIONE COPERCHIO CAMBIO	GEARBOX COVER GASKET	JOINT COUVERCLE BOITE DE VIT.	WECHSELGETRIEBEBECKEL DICHTUNG	JUNTA TAPA CAMBIO
31	F02100292	SPINA CIL. 6X 20 U2338 1999	PIN			
32	M36100151	COPERCHIO CAMBIO	COVER GEAR	COUVERCLE BOITE DE VITESSE	WECHSELGETRIEBEBECKEL	TAPA CAMBIO
33	M36100152	COPERCHIO CAMBIO	GEARBOX COVER	COUVERCLE BOITE DE VIT.	WECHSELGETRIEBEBECKEL	TAPA CAMBIO
35	F01410051	ROS.M8 8,4X 17X1,6 U6592 ZN	WASHER M8 8,4X17X1,6 U6592 ZN	RONDELLE	SCHLEIBE	
36	F01480088	ROS.G 6,4X12,4X2 FLZNNC-240H	GROWER WASHER D.6	RONDELLE GROWER D.6	SCHLEIBE GROWER D.6	ARANDELA GROWER D.6
37	F01010244	VITE M10X1,25X25 U5740 8.8ZN	SCR. M10X1,25X25 U5740 8.8ZN	VIS M 10X1,25X25	SCHRAUBE M 10X1,25X25	TORNILLO M 10X1,25X25
38	G19002131	PROTEZIONE P.D.P.	PDP GUARD			
39	F20150001	PROTEZIONE P.F.P.1 3 4 GRUPPO	PROTECTION	CARTER	SCHUTZ	PROTECCION
40	F01020476	VITE M10X1,5X30 U5739 8.8ZN	SCR. M10X1,5X30 U5739 8.8ZN	VIS M10X1,5X30 U5739 8.8 ZN	SCHRAUBE M10X1,5X30U5739 8.8ZN	TORNIL. M10X1,5X30 U5739 8.8 ZN
41	F01410062	ROS.M10 10,5X 18X 2 U6592 ZN	WASHER M10 10,5X 18X 2 U6592	RONDELLE M10 10,5X18X2 ZN	DICHTUNGRING M10 10,5X18X2 ZN	RONDANA M10 10,5X18X2 ZN
42	M36100101	CORPO RID.CAMBIO 3000 4000	GEARBOX 3000 4000 5000	BOITE DE VITESSE 3000 4000 500	WECHSELGETRIEBEGEHAEUSE	CAJA CAMBIO 3000 4000 5000
43	M36100104	CORPO RID.CAMBIO DM 3500 4500	GEARBOX 3500 4500	BOITE DE VITESSE 3500 4500	WECHSELGETRIEBEGEHAEUSE	CAJA CAMBIO 3500 4500
44	F03150630	TAPPO SCARICO 1 2 GAS CON.	OIL OUTLET PLUG 1 2	BOUCHON DE VIDANGE HUILE 1 2	OELABLASSPFROPFEN 1 2	TAPON DESCARGADO ACEITE 1 2
45	F04050018	CUSC. D45 D85 T20,75 30209	BEARING D45 D85 T20,75 30209	ROULEMENT D45 D85 T20,75 30209	LAGER D45 D85 T20,75 30209	COJINETE D45 D85 T20,75 30209
46	M36100150	ALBERO PRESA DI FORZA	POWER TAKE-OFF SHAFT	ARBRE PRISE DE FORCE	ZAPFWELLE P.D.F.	ARBOL TOMA DE FUERZA
47	F04050041	CUSC. D45 D100 T27,25 30309	BEARING D45 D100 T27,25 30309	ROULEMENT D45 D100 T27,25 3030	LAGER D45 D100 T27,25 30309	COJINETE D45 D100 T27,25 30309
48	M24100109	INGRAN. CAMBIO Z 17 M7	GEAR Z-17	ENGRENAGE Z-17	ZAHNRAD WECHSELGETRIEBE Z-17	ENGRANAJE Z-17
49	F01030085	VITE M10X1,5X25 U5933 10.9BR	SCR. M10X1,5X25 U5933 10.9BR	VIS M10X 1,5X25 U5933 10.9 BR	SCHRAUBE M10X 1,5X25 U5933	TORNILLO M10X 1,5X25 U5933
50	M36100138	FLANGIA CUSC. ALBERO PDF	BEARING SUPPORT	SUPPORT ROULEMENT	LAGERHALTER	SOPORTE COJINETE
51	M36100111	GUARNIZ.FL.P.F.MYLARE 0,05 DM	GASKET MM. 0,05	JOINT MM.0,05	DICHTUNG MM.0,05	JUNTA MM.0,05
52	M36100112	GUARN.FL.CUSC.P.F.PRESPAN 0,1	GASKET MM.0,1	JOINT MM.0,1	DICHTUNG MM.0,1	JUNTA MM.0,1
53	M36100113	GUARN.FL.CUSC.P.F.PRESPAN 0,3	GASKET MM.0,3	JOINT MM.0,3	DICHTUNG MM.0,3	JUNTA MM.0,3
54	M36100114	GUARN.FL.CUSC.P.F.PRESPAN 0,5	GASKET MM.0,5	JOINT MM.0,5	DICHTUNG MM.0,5	JUNTA MM.0,5
55	M36100149	DISTANZIALE INGR.	SPACER	ENTRETOISE	DISTANZSTUECK	DISTANCIADOR
56	M24100110	INGRAN. CAMBIO Z 23 M7	GEAR Z-23	ENGRENAGE Z-23	ZAHNRAD WECHSELGETRIEBE Z-23	ENGRANAJE Z-23
57	M36100133	GUA.FLAN.CUS.PIG.MYLAR 0,05 DM	GASKET MM. 0,05	JOINT MM.0,05	DICHTUNG MM.0,05	JUNTA MM.0,05
58	M36100134	GUA.FLA.CUS.PIG.PRESPAN 0,1 DM	GASKET MM.0,1	JOINT MM.0,1	DICHTUNG MM.0,1	JUNTA MM.0,1

TAV.050

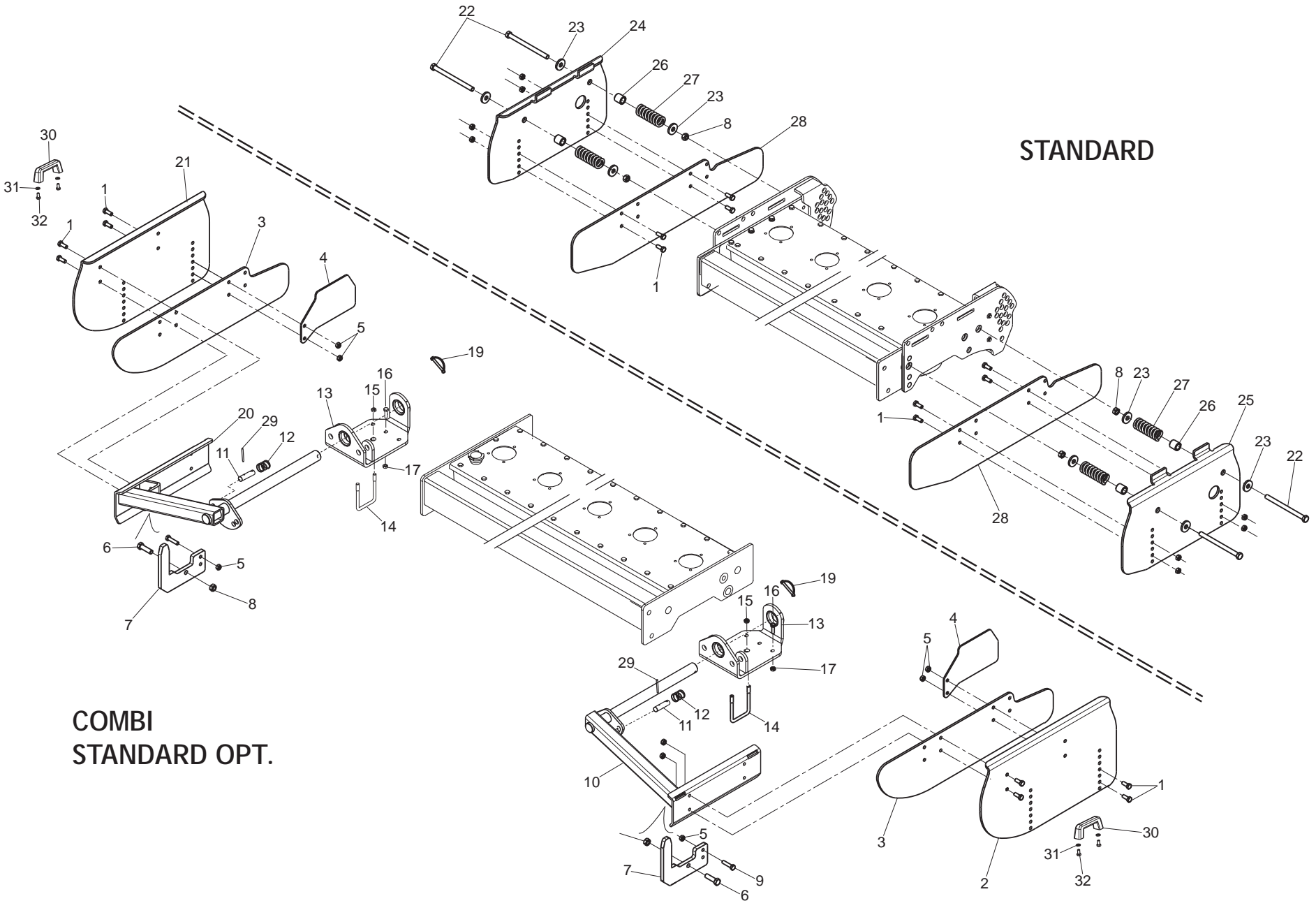


**GRUPPO CAMBIO
GEARBOX**

TAV.050

Pos.	Cod.	Descrizione	Description	Benennung	Description	Description
59	M36100135	GUA.FLA.CUS.PIG.PRESPAN 0,3 DM	GASKET MM.0,3	JOINT MM.0,3	DICHTUNG MM.0,3	JUNTA MM.0,3
60	M36100136	GUA.FLA.CUS.PIG.PRESPAN 0,5 DM	GASKET MM.0,5	JOINT MM.0,5	DICHTUNG MM.0,5	JUNTA MM.0,5
61	M36100132	FLANGIA CUSCINETTO PIGNONE	BEARING SUPPORT FLANGE PINION	FLASQUE ROULEMENT	LAGERFLANSCH	BRIDA COJINETE
62	M36100153	COPIA CONICA	BEVEL GEAR PAIR	COUPLE CONIQUE	KEGELRITZELSATZ	PAR CONICO
63	F04050118	CUSC. D65 D120 T41 33213	BEARING D65 D120 T41 33213	ROULEMENT D65 D120 T41 33213	LAGER D65 D120 T41 33213	COJINETE D65 D120 T41 33213
64	F03100072	SERIE GUARNIZIONI CAMBIO DM	GASKET SET DM	SERIE JOINTS DM	DICHTUNGSSATZ DM	SERIE JUNTAS DM
65	M36200132	SPESSORE REGISTRO 0,15	SPACER MM.0,15	ENTRETOISE MM.0,15	DISTANZSTUECK MM.0,15	DISTANCIADOR MM.0,15
66	M36200133	SPESSORE REGISTRO 0,30	SPACER MM.0,3	EPAISSEUR MM.0,3	PLAETTCHEN MM.0,3	ESPESOR MM.0,3
67	F04050036	CUSC.D20 D52 T16,25 30304	BEARING D20 D52 T13,25 30304	ROULEMENT D20 D52 T13,25 30304	LAGER D20 D52 T13,25 30304	COJINETE D20 D52 T13,25 30304
68	M12400126	COPERCHIO	GEAR CONTAINER COVER	COUVERCLE	DECKEL	TAPA
69	M24100116	INGRANAGGIO Z=15	GEAR Z-15	ENGRENAGE Z-15	ZAHNRAD WECHSELGETRIEBE Z-15	ENGRANAJE Z-15
70	M24100117	INGRANAGGIO Z=25	GEAR Z-25	ENGRENAGE Z-25	ZAHNRAD WECHSELGETRIEBE Z-25	ENGRANAJE Z-25
71	M36100592	SUPPORTO CON BASE	SPACER	ENTRETOISE	DISTANZSTUECK	DISTANCIADOR
72	F01010065	VITE M12X1,25X110 U5738 8.8ZN	SCR. M12X1,25X110 U5738 8.8ZN	VIS M 12X1,25X110	SCHRAUBE M 12X1,25X110	TORNILLO M 12X1,25X110
73	M36100590	COPERCHIO CONTENITORE INGR.	COVER	COUVERCLE	DECKEL	TAPA
74	F01410100	ROS.M16 17X 30X 3 U6592 ZN	WASHER	RONDELLE	SCHEIBE	
75	F01480123	ROS.G 12,5X22,9X 4 FLZNNC-240H	WASHER M12 ZGP EXTRA P.	RONDELLE M12 ZGP EXTRA P.	UNTERLEGSSCHEIBE M12 ZGP EXTRA	ARANDELA M12 ZGP EXTRA P.
76	F01220047	DADO M12X1,25 D980 8ZN	NUT M12X1,25 D980 8ZN	ECROU M12X1,25 D980 8 ZN	MUTTER M12X1,25 D980 8 ZN	TUERCA M12X1,25 D980 8 ZN
77	M24100113	INGR.PER CAMBIO M7 Z=16	GEAR Z-16	ENGRENAGE Z-16	ZAHNRAD WECHSELGETRIEBE Z-16	ENGRANAJE Z-16
78	M24100111	INGRAN. CAMBIO Z 18 M7	GEAR Z-18	ENGRENAGE Z-18	ZAHNRAD WECHSELGETRIEBE Z-18	ENGRANAJE Z-18
79	M24100112	INGRAN. CAMBIO Z 22 M7	GEAR Z-22	ENGRENAGE Z-22	ZAHNRAD WECHSELGETRIEBE Z-22	ENGRANAJE Z-22
80	M24100114	INGR.PER CAMBIO M7 Z=24	GEAR Z-24	ENGRENAGE Z-24	ZAHNRAD WECHSELGETRIEBE Z-24	ENGRANAJE Z-24
81	M19400103	COMP. SUPPORTO PDF POSTERIORE	REAR GUARD SUPPORT	SUPPORT PROTECTION ARRI RE	HINTERE SHUTZUNGSHALTER	SOPORTE PROTECCION POSTERIOR

TAV.060



STANDARD

**COMBI
STANDARD OPT.**

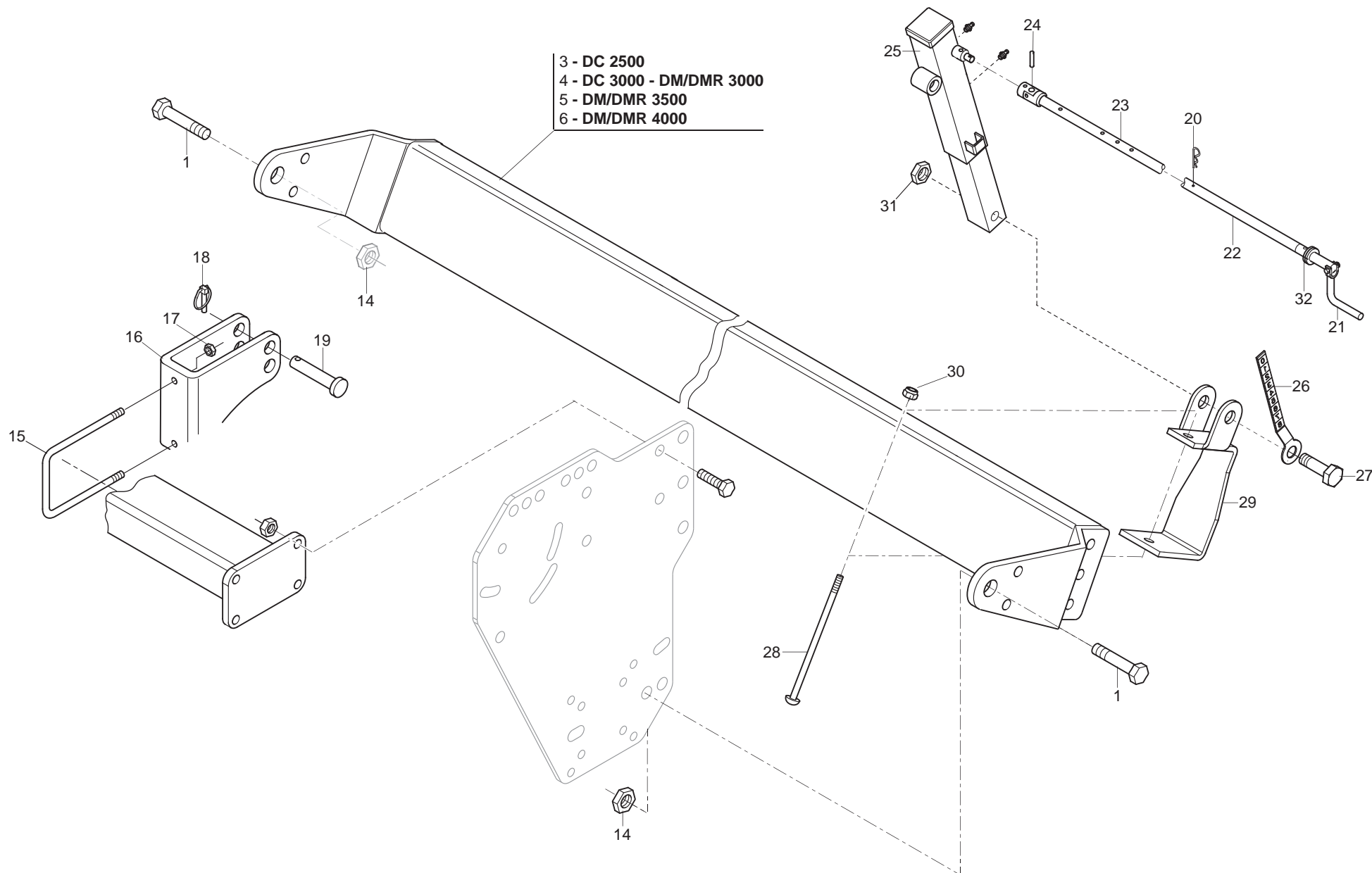
**PROTEZIONI LATERALI
SIDE PANELS**

TAV.060

Pos.	Cod.	Descrizione	Description	Benennung	Description	Description
1	F01010283	VITE M12X1,25X30 U5740 8.8ZN	SCR. M12X1,25X30 U5740 8.8ZN	VIS M 12X1,25X30	SCHRAUBE M 12X1,25X30	TORNILLO M 12X1,25X30
2	M26400722	PROTEZIONE LATERALE SX	LEFT SIDE PROTECTION	PROTECTION LAT. GAUCHE	SEITENSCHUTZ LINKS	PROTECCION LATERAL IZQUIERDO
3	M26400755	PROTEZIONE LATERALE INFERIORE	BOTTOM SIDE PROTECTION	PROTECTION LAT.INF RIEUR	UNTERE SEITENSCHUTZ	PROTECCION LATERAL INFERIOR
4	M23400915	PROTEZIONE LATERALE RULLO	SIDE PROTECTION	PROTECTION LAT.	SEITENSCHUTZ	PROTECCION LATERAL
5	F01220047	DADO M12X1,25 D980 8ZN	NUT M12X1,25 D980 8ZN	ECROU M12X1,25 D980 8 ZN	MUTTER M12X1,25 D980 8 ZN	TUERCA M12X1,25 D980 8 ZN
6	F01010115	VITE M16X1,5X55 U5738 8.8ZN	SCR. M16X1,5X55 U5738 8.8ZN	VIS M16X1,5 X55 U5738 8.8ZN	SCHRAU. M16X1,5X55 U5738 8.8ZN	TORN. M16X1,5X55 U5738 8,8ZN
7	M26400725	PIASTRA	PLATE	PLAQUETTE	PLATTE	PLAQUITA
8	F01220070	DADO M16X1,5 D980 10ZN	NUT M16X1,5 D980 8ZN	ECROU.M16X1,5 D980 8ZN	MUTTER M16X1,5 D980 8ZN	TUER.M16X1,5 D980 8ZN
9	F01010055	VITE M12X1,25X50 U5738 8.8ZN	SCR. M12X1,25X50 U5738 8.8ZN	VIS M12X1,25X50 U5738 8.8 ZN	SCHRA.M12X1,25X50 U5738 8.8 ZN	TORN. M12X1,25X50 U5738 8.8 ZN
10	M26400777	COMP.BRACCIO SX	ARM LH	BRAS GH	ARM LI	BRAZO IZQ
11	M26400757	PERNO	PIN	GOUJON	STIFT	PERNO
12	G18900381	MOLLA COMP.ZN SPINGIDISCO	SPRING	SPRING		
13	M26400778	SUPPORTO	FRONT SUPPORT	SUPPORT	HALTERUNG	SOPORTE
14	F20110751	CAV.Q.M12X1,75X 30 93X120 ZN	CONNE.M12X1,75X30 93X120 ZN	ATTEL.M12X1,75X30 93X120 ZN	VERBI.M12X1,75X30 93X120 ZN	PERNO M12X1,75X30 93X120 ZN
15	F01220048	DADO M12X1,75 D980 8ZN	NUT M12X1,75 D980 8ZN	ECROU M12X1,75 D980 8 ZN	SCHRAUBE M12X1,75 D980 8 ZN	TUERCA M12X1,75 D980 8 ZN
16	F01010254	VITE M10X1,25X35 U5740 8.8ZN	SCR. M10X1,25X35 U5740 8.8ZN	VIS M 10X1,25X35	SCHRAUBE M 10X1,25X35	TORNILLO M 10X1,25X35
17	F01220034	DADO M10X1,25 D980 8ZN	NUT M10X1,25 D980 8ZN	ECRO.M10X1,25 D980 8 ZB	MUTT.M10X1,25 D980 8 ZB	TUER.M10X1,25 D980 8 ZB
19	F02200562	SPINA SICUR.D. 8X70 ZN	SNAP PIN D.8X 70 ZN	FICHE EL. D.8X70 ZN	SCHERSTIFT D.8X 70 ZN	CLAVIJA D.8X 70 ZN
20	M26400776	COMP.BRACCIO DX	ARM RH	BRAS DR	ARM RE	BRAZO DER
21	M26400721	PROTEZIONE LATERALE DX	RIGHT SIDE PROTECTION	PROTECTION LAT.DROITE	RECHTE SEITENSCHUTZ	PROTECCION LATERAL DERECHO
22	F01010137	VITE M16X1,5X210 U5738 8.8ZN	SCR. M16X1,5X210 U5738 8.8ZN	VIS M 16X1,5X210	SCHRAUBE M 16X1,5X210	TORNILLO M 16X1,5X210
23	F01500023	ROS. 17 X45X6 D6340 C50 ZD	ELASTIC DISK	DISQUE ELASTIQUE	ELASTISCHE SCHEIBE	DISCO ELASTICO
24	M26400411	PROTEZIONE LATERALE DX	RIGHT SIDE PROTECTION	PROTECTION LAT.DROITE	RECHTE SEITENSCHUTZ	PROTECCION LATERAL DERECHO
25	M26400412	PROTEZIONE LATERALE SX	LEFT SIDE PROTECTION	PROTECTION LAT. GAUCHE	SEITENSCHUTZ LINKS	PROTECCION LATERAL IZQUIERDO
26	M36100392	DISTANZIALE D=32 D=22,5 L=32	SPACER	ENTRETOISE	DISTANZSTUECK	DISTANCIADOR
27	M24100569	MOLLA SUPERIORE MARTINETTO	SPRING	RESSORT	FEDER	MUELLE
28	M26400413	PROTEZIONE LATERALE INFERIORE	BOTTOM SIDE PROTECTION	PROTECTION LAT.INF RIEUR	UNTERE SEITENSCHUTZ	PROTECCION LATERAL INFERIOR
29	F02100093	SPINA E.P. 5X 50 U6873 C70 BR	PIN EL. 5X 50 U6873 C70 BR			
30	F05150112	MANIGLIA INTERAS. 117 FORO 8MM	HANDLE	POIGNEE	HANDGRIFF	MANILLA
31	F01480099	ROS.G 8,4X14,4X2,7 FLZNNC-240H	GROWER WASHER D.8	RONDELLE GROWER D.8	SCHEIBE GROWER D.8	ARANDELA GROWER D.8
32	F01020432	VITE M8X1,25X16 U5739 8.8ZN	SCR. M8X1,25X16 U5739 8.8ZN	VIS M8 X1,25X16 U5739 8.8 ZN	SCHRAUBE M8X1,25X16U5739 8.8ZN	TORNILLO M8X1,25X16U5739 8.8ZN

TAV.070

- 3 - DC 2500
- 4 - DC 3000 - DM/DMR 3000
- 5 - DM/DMR 3500
- 6 - DM/DMR 4000

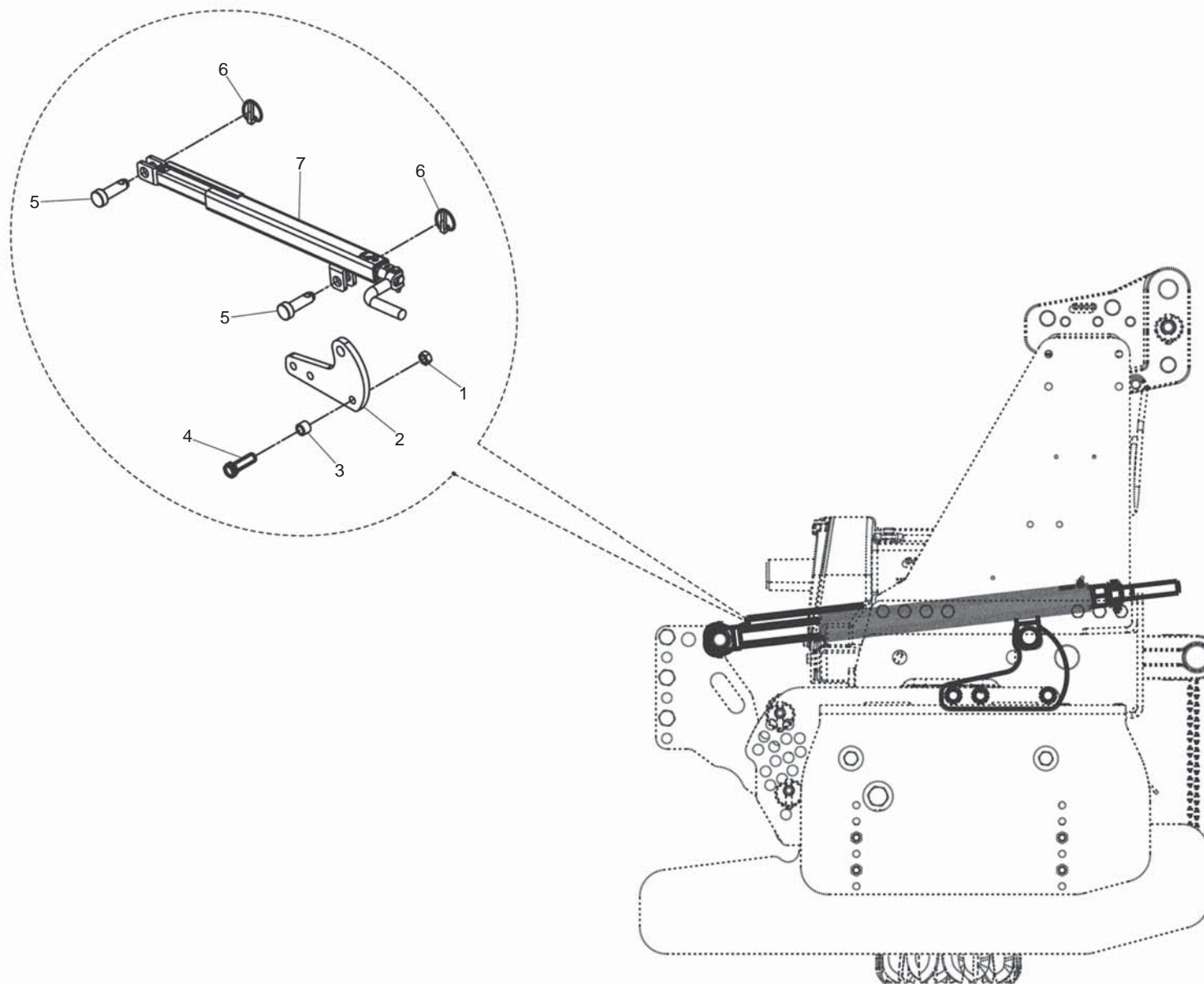


**BARRA LIVELLATRICE
LEVELING BAR**

TAV.070

Pos.	Cod.	Descrizione	Description	Benennung	Description	Description
1	F01010364	VITE M18X1,5X50 U5740 8.8ZN	SCR. M18X1,5X50 U5740 8.8ZN	VIS M 18X1,5X50	SCHRAUBE M 18X1,5X50	TORNILLO M 18X1,5X50
3	M23425783	BARRA LIVELLATRICE 2500	REAR BAR 2500	BARRE ARRIERE 2500	KOMPL. HINTERE SCHINE 2500	BARRA TRASERA 2500
4	M23430783	BARRA LIVELLATRICE 3000	REAR BAR 3000	BARRE ARRIERE 3000	KOMPL. HINTERE SCHINE 3000	BARRA TRASERA 3000
5	M23435783	BARRA LIVELLATRICE 3500	REAR BAR 3500	BARRE ARRIERE 3500	KOMPL. HINTERE SCHINE 3500	BARRA TRASERA 3500
6	M23440783	BARRA LIVELLATRICE 4000	REAR BAR 4000	BARRE ARRIERE 4000	KOMPL. HINTERE SCHINE 4000	BARRA TRASERA 4000
14	F01220081	DADO M18X1,5 D980 8ZN	NUT M18X1,5 D980 8ZN	ECROU AUTOBL. M18X1,5 980-V	SELBSTSP.MUTT. M18X1,5 980-V	DADO AUTOBL. M18X1,5 980-V
15	F20110800	CAV.R.B=100 M=16X2 L=135	U BOLT R.B=100 M=16X2 L=135	ATTEL.B=100 M=16X2 L=135	VERBI.B=100 M=16X2 L=135	PERNO U B=100 M=16X2 L=135
16	M23400444	STAFFA ATTACCO MARTINETTO	ADJUST HITCH PLATE			
17	F01230085	DADO M16X2 D982 10ZN	NUT M16X2 D982 10ZN	ECROU M16X2 D982 10ZN	MUTTER M16X2 D982 10ZN	TUERCA M16X2 D982 10ZN
18	F02200529	SPINA SCATTO D.11 H58 ZN	SNAP PIN D.11 H58 ZN	FICHE A DETENTE D.11 H58 ZN	EINRASTSTIFT D.11 H58 ZN	CLAVIJA DE MUELLE D.11 H58 ZN
19	F20100049	PERNO D22 L86 C43 TEST.D35 ZN	BOLT D22 L86 C43 ZN	GOUJON D.22	BOLZEN D.22	PERNO D.22
20	F02200374	COPIGLIA R 4X 82 ZN	SPRING SPLIT PIN 4X82	GOUPILLE 4X82	SPLINT 4X82	PASADOR 4X82
21	M36200808	COMP. MANICO VITE	HANDLE SCREW			
22	M12400460	ASTA ESTERNA	EXTERNAL BEAM			
23	M12400461	COMP.ASTA INTERNA	INTERNAL BEAM ASSEMBLY			
24	F02100086	SPINA E.P. 5X 30 U6873 C70 ZN	PIN EL. 5 X30 DIN 1481 GALVAN.	FICHE EL. 5 X30 DIN 1481 ZN	SPANNSTIFT 5 X30 DIN 1481 ZN	CLAVIJA EL.5 X30 DIN 1481 ZN
25	M23400917	MARTINETTO REG. 180 - 330	MECHANICAL ADJUSTER 180 - 330			
26	M23400945	COMP.ASTA REGOLAZ. MARTINETTI	RULER ASSEMBLY			
27	F01010194	VITE M22X1,5X110 U5738 8.8ZN	SCR. M22X1,5X110 U5738 8.8ZN			
28	F01060209	VITE M10X1,5X200 U5731 8.8ZN	SCR. M10X1,5X200 U5731* 8.8ZN	VIS M 10X1,5X200	SCHRAUBE M 10X1,5X200	TORNILLO M 10X1,5X200
29	M43400464	PIASTRA ATTACCO MARTINETTO	PLATE PF JACK ATTACK			
30	F01220033	DADO M10X 1,5 D980 8 ZN	NUT	ECROU	SELBSTSICHERNDE MUTTER M10 KL8	
31	F01230269	DADO M22X1,5 D985 CL8 ZN	NUT M22X1,5 D985 6S ZN	ECROU AUTOBL.M22X1,5 D985 6SZN	SELBST.MUTT.M22X1,5 D985 6S ZN	DADO AUTOBL.M22X1,5 D985 6S ZN
32	F01460051	DISCO ELASTICO 40X20,3X2	CUP SPRING 40X 20,3X 2 D2093			

TAV.080

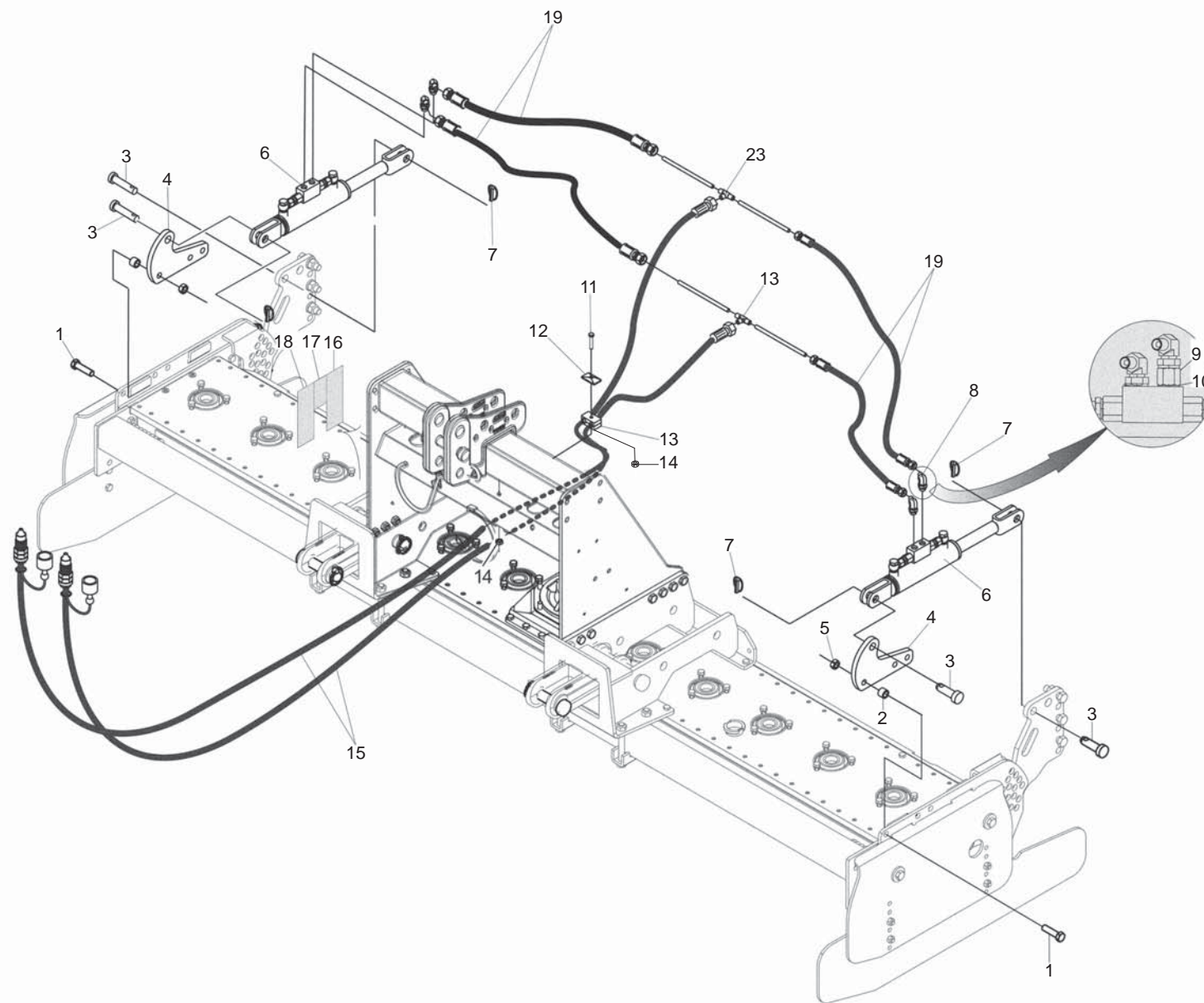


**REGOLAZIONE MECCANICA RULLO (VERS. STANDARD)
ROLLER MECHANICAL ADJ. (STANDARD VERSION)**

TAV.080

Pos.	Cod.	Descrizione	Description	Benennung	Description	Description
1	F01220070	DADO M16X1,5 D980 10ZN	NUT M16X1,5 D980 8ZN	ECRO.M16X1,5 D980 8ZN	MUTTER M16X1,5 D980 8ZN	TUER.M16X1,5 D980 8ZN
2	M26400419	RINFORZO CORPO TRASMISSIONE	GEARTRAY REINFORCEM.	RENFORT LAMIER	VERSTERKERUNG	RENFUERZO TRANSM.
3	M19400403	DISTANZ. D=25 D=16,5 L=20	SPACER	ENTRETOISE	DISTANZSTUECK	DISTANCIADOR
4	F01010346	VITE M16X1,5X60 U5740 8.8ZN	SCR. M16X1,5X60 U5740 8.8ZN	VIS M16X1,5X60	SCHRAUBE M16X1,5X60	TORNILLO M16X1,5X60
5	F20100048	PERNO D22 L48 C43 TEST.D35 ZN	BOLT D22 L48 C43 ZN	GOUJON D22 L48 C43	BOLZEN D22 L48 C43	PERNO D22 L48 C43
6	F02200529	SPINA SCATTO D.11 H58 ZN	SNAP PIN D.11 H58 ZN	FICHE A DETENTE D.11 H58 ZN	EINRASTSTIFT D.11 H58 ZN	CLAVIJA DE MUELLE D.11 H58 ZN
7	M26400423	MARTINETTO REG.C=465 A=645	MECHANICAL JACK C=465 O=645	MANIVELLE MECHANIC C=465 A=645	MECHANISC. SPINDEL C=465 A=645	GATO MECHANICO C=465 A=645

TAV.090

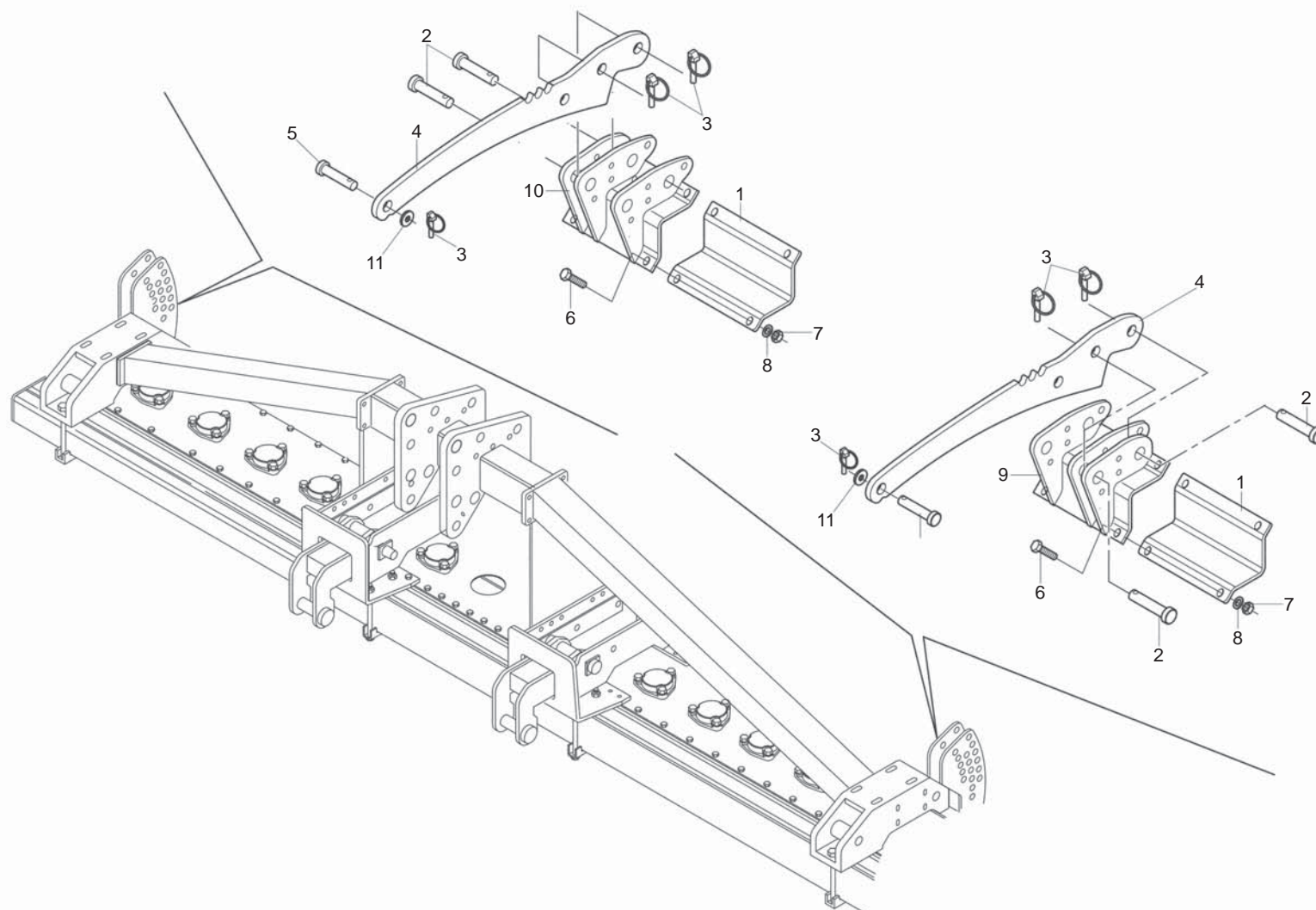


**REGOLAZIONE IDRAULICA RULLO (VERS. STANDARD)
ROLLER HYDRAULIC ADJ. (STANDARD VERSION)**

TAV.090

Pos.	Cod.	Descrizione	Description	Benennung	Description	Description
1	F01010348	VITE M16X1,5X70 U5740 8.8ZN	SCREW M16X1,5X 70 U5740 8.8 ZN	VIS M16X1,5X 70 U5740 8.8 ZN	SCHR.M16X 1,5X 70 U5740 8.8 ZN	TORN. M16X1,5X 70 U5740 8.8 ZN
2	M19400403	DISTANZ. D=25 D=16,5 L=20	SPACER	ENTRETOISE	DISTANZSTUECK	DISTANCIADOR
3	F20100048	PERNO D22 L48 C43 TEST.D35 ZN	BOLT D22 L48 C43 ZN	GOUJON D22 L48 C43	BOLZEN D22 L48 C43	PERNO D22 L48 C43
4	M26400419	RINFORZO CORPO TRASMISSIONE	GEARTRAY REINFORCEM.	RENFORT LAMIER	VERSTERKERUNG	RENFUERZO TRANSM.
5	F01220070	DADO M16X1,5 D980 10ZN	NUT M16X1,5 D980 8ZN	ECRO.M16X1,5 D980 8ZN	MUTTER M16X1,5 D980 8ZN	TUER.M16X1,5 D980 8ZN
6	M26400416	MART.IDR.A=50 C=135 L=640	HYDR.ADJU.A=50 C=135 L=640 505	MAN.HYDR.A=50 C=135 L=640 505	HYDR.KURB.A=50 C=135 L=640 505	GATO HIDR.A=50 C=135 L=640 505
7	F02200529	SPINA SCATTO D.11 H58 ZN	SNAP PIN D.11 H58 ZN	FICHE A DETENTE D.11 H58 ZN	EINRASTSTIFT D.11 H58 ZN	CLAVIJA DE MUELLE D.11 H58 ZN
8	F03150842	ADATT.A 90 ORIENT.3 8-1 4	90 ADAPTOR 3 8-1 4	ADAPTEUR 90	PASSTUECK 90	ADAPTADOR 90
9	F03020113	COLON.GA M F EXTENTION3 8 L35	COLUMN M F EXTENTION 3 8 L35			
10	F03020070	RONDELLA BONDED AUTOCENT 3 8	AUTOCENT BONDED WASHER 3 8	RONDELLE BONDED AUTOCENT 3 8	SCHEIBE BONDED AUTOCENT 3 8	ARANDELA BONDED AUTOCENT 3 8
11	F01020451	VITE M8X1,25X45 U5739 8.8ZN	SCR. M8X1,25X45 U5739 8.8ZN	VIS M8X1,25X45 U5739 8.8ZN	SCHRA.M8X1,25X45 U5739 8.8ZN	TORN. M8X1,25X45 U5739 8.8ZN
12	F03150993	PIATTO X COLLARE SUPERIORE ZG	PLATE	PLAT	PLATTE	PLATO
13	F03150992	COPPIA COLLARI X TUBO D.16	DOUBLE SUPPORT	SUPPORT DOUBLE	DOPPELHALTER	SOPORTE DOBLE
14	F01220022	DADO M8X1,25 D980 8ZN	NUT M8X1,25 D980 8ZN	ECROU M8X 1,25 D980 8 ZN	MUTTER M8X 1,25 D980 8 ZN	TUERCA M8X 1,25 D980 8 ZN
15	M58100890	PREMONT.TUB.IDR.MART.LAT. GUA	HYDRAULIC TUBE	TUBE HYDRAUL.	HYDRAUL. ROHR	TUBO HYDRAULICO
16	F20030012	ETICH.ABBASSAMENTO RULLI	LABEL ABBASSAMENTO RULLI			
17	F20030081	ETICH.SCOPIO TUBI	DECAL.HOSE BURST	ETIQUETTE	AUFKLEBER	ETIQUETA
18	F20030083	ETICH.SOLLEVERAMENTO RULLI	LABEL SOLLEVERAMENTO RULLI			
19	F03050188	TUBO FL.1 4 SAE100 R2AT L.1970	TUBE FL.1 4 SAE100 R2AT L.1970	TUBE FL.1 4 SAE100 R2AT L.1970	ROHR FL.1 4 SAE100 R2AT L.1970	TUBO FL.1 4 SAE100 R2AT L.1970
23	F03020033	UNIONE A T BSP 1 4-19	TEE BSP 1 4-19	RACCORD T BSP 1 4-19	UNION T BSP 1 4-19	UNION T BSP 1 4-19

TAV.100

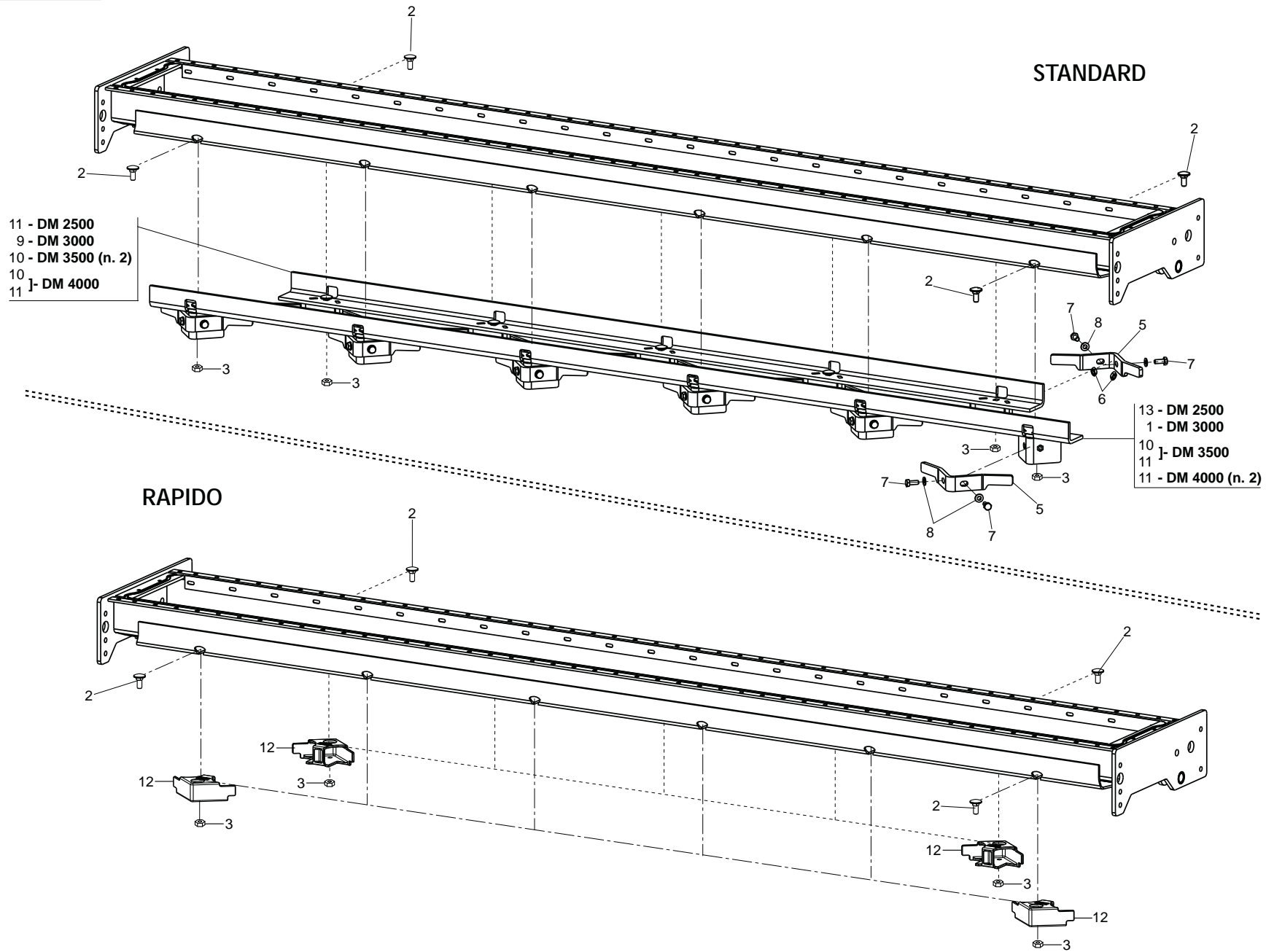


**BRACCIO COLLEGAMENTO RULLO (VERS. COMBI)
ROLLER CONNECTING BRACKET (COMBI VERSION)**

TAV.100

Pos.	Cod.	Descrizione	Description	Benennung	Description	Description
1	M44400403	STAFFA ATTACCO RULLO DX	ROLLER CONNECTION SUPPORT	SUPPORT ROULEAU DROITE	SCHUTZHOLM WALZE	SOPORTE RODILLO DERECHA
2	F20100090	PERNO D32 L64 C43 TEST.D45 ZN	PIN D32 L64	GOUJON D32 L64	STIFT D32 L64 ZN	PERNO D32 L64
3	F02200529	SPINA SCATTO D.11 H58 ZN	SNAP PIN D.11 H58 ZN	FICHE A DETENTE D.11 H58 ZN	EINRASTSTIFT D.11 H58 ZN	CLAVIJA DE MUELLE D.11 H58 ZN
4	M44400405	BRACCIO COLLEGAMENTO RULLO	ROLLER CONNECTING ARM	BRAS DE CONNECTION ROULEAU	WALZE VERBINDUNGSARM	BRAZO DE CONEXI N RODILLO
5	F20100124	PERNO D32 L135 C40 TEST.D45 Z	BOLT D32 L135 C40 ZN	BOULON D32 L135 C40 ZN	BOLZEN D32 L135 C40 ZN	PERNO D32 L135 C40 ZN
6	F01010341	VITE M16X1,5X45 U5740 8.8ZN	SCR. M16X1,5X45 U5740 8.8ZN	VIS M16X1,5 X45 U5740 8.8 ZN	SCHR.M16X1,5 X45 U5740 8.8 ZN	TORN.M16X1,5 X45 U5740 8.8 ZN
7	F01220070	DADO M16X1,5 D980 10ZN	NUT M16X1,5 D980 8ZN	ECRO.M16X1,5 D980 8ZN	MUTTER M16X1,5 D980 8ZN	TUER.M16X1,5 D980 8ZN
8	F01410100	ROS.M16 17X 30X 3 U6592 ZN	WASHER	RONDELLE	SCHEIBE	
9	M44400404	STAFFA ATTACCO RULLO SX	LEFT ROLLER CONNECTION SUPP.	SUPPORT ROULEAU GAUCHE	LINKS SCHUTZHOLM WALZE	SOPORTE RODILLO IZQUIERDO
10	M44400401	STAFFA ATTACCO RULLO DX	RIGHT ROLLER CONNECTION SUPP.	SUPPORT ROULEAU RECHTE	RECHTE SCHUTZHOLM WALZE	SOPORTE RODILLO DERECHO
11	M23400422	DISTANZIALE D=60 D=32,5 L=4	SPACER D=60 D=32,5 L=4	ENTRETOISED=60 D=32,5 L=4	DISTANZSTUECK D=60 D=32,5 L=4	DISTANCIADOR D=60 D=32,5 L=4

TAV.110

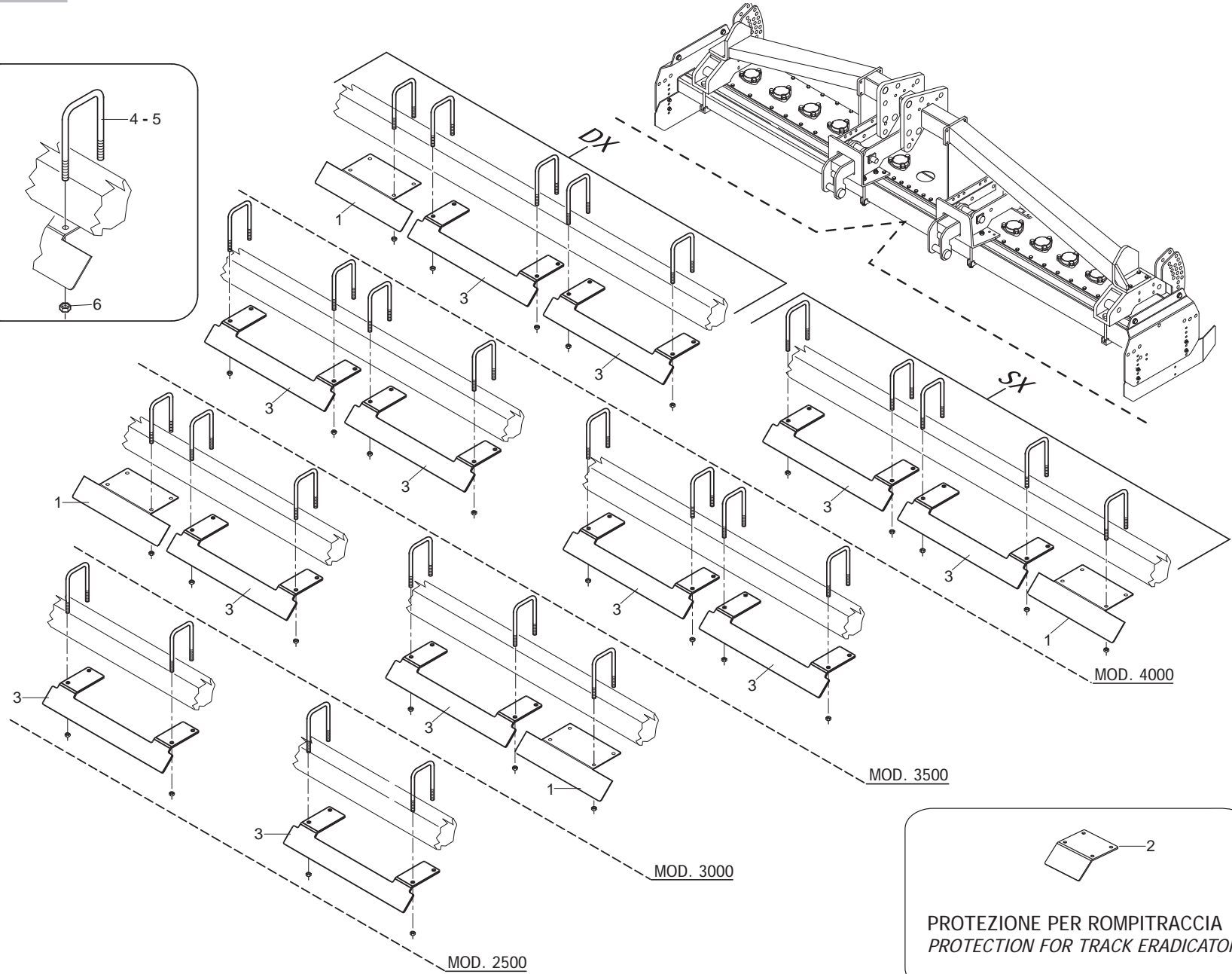
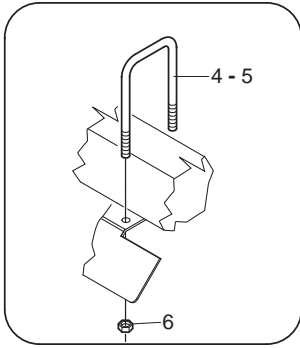


**CUNEI DEFLETTORI AVVITATI
BOLT-ON STEEL DEFLECTORS**

TAV.110

Pos.	Cod.	Descrizione	Description	Benennung	Description	Descripcion
1	M26430806	PLUS SALDATO 3000	PLUS WELDED L=--			
2	F01060206	VITE M12X1,75X30 U5731 8.8ZN	SCR. M12X1,75X30 U5731* 8.8ZN	VIS M12X1,75X30	SCHRAUBE M12X1,75X30	TORNILLO M12X1,75X30
3	F01220048	DADO M12X1,75 D980 8ZN	NUT M12X1,75 D980 8ZN	ECROU M12X1,75 D980 8 ZN	SCHEIBE M12X1,75 D980 8 ZN	TUERCA M12X1,75 D980 8 ZN
5	M26400815	DEFLETTORE CUNEO	CARTER DEFLECTOR			
6	F01260049	DADO FL.M10X1.5 CH15 D6923 8ZN	NUT M10X1.5 CH15 D6923 8 ZN			
7	F01020472	VITE M10X1,5X25 U5739 8.8ZN	SCR. M10X1,5X25 U5739 8.8ZN	VIS M10X1,5X25 U5739 8.8 ZN	SCHRAUBE M10X1,5X25 U5739 8.8	TORNILLO 10X25 U5739 8.8 ZN
8	F01410062	ROS.M10 10,5X 18X 2 U6592 ZN	WASHER M10 10,5X 18X 2 U6592	RONDELLE M10 10,5X18X2 ZN	DICHTUNGSRING M10 10,5X18X2 ZN	RONDANA M10 10,5X18X2 ZN
9	M26425806	PLUS SALDATO 2500	PLUS WELDED L=--			
10	M26418806	PLUS SALDATO 1800	PLUS WELDED L=--			
11	M26420806	PLUS SALDATO 2000	PLUS WELDED L=--			
12	M52400525	CUNEO RINFORZO VERSIONE PLS RP	STIFFENING WEDGE	COIN DE RENFORCEMENT	VERSTAERKUNGSKEIL	CU A DE REFUERZO
13	M26425806	PLUS SALDATO 2500	PLUS WELDED L=--			

TAV.120



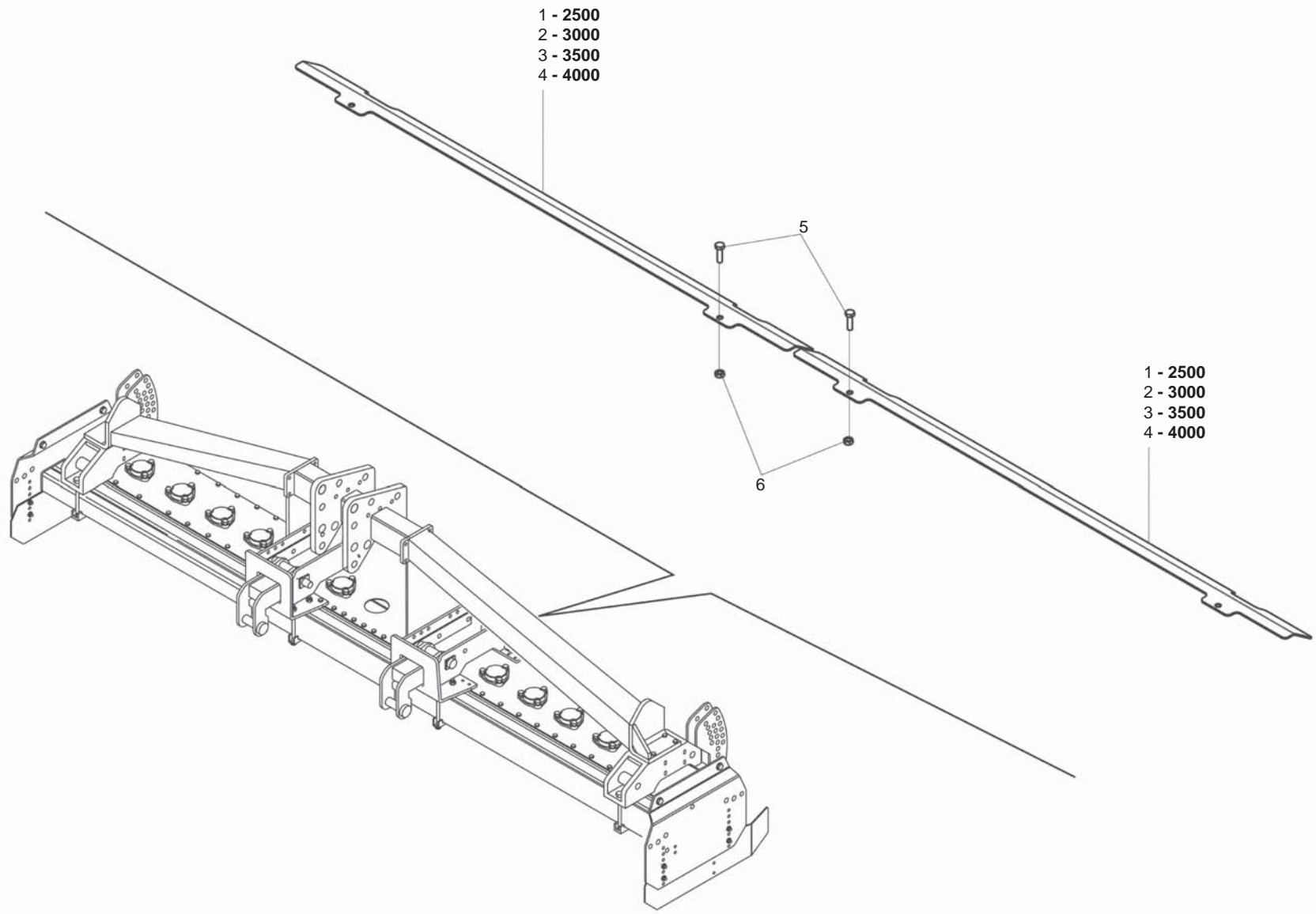
PROTEZIONE PER ROMPITRACCIA
PROTECTION FOR TRACK ERADICATOR

**GRUPPO PROTEZIONI CE (ANTERIORI)
(FRONT) EC GUARDS UNIT**

TAV.120

Pos.	Cod.	Descrizione	Description	Benennung	Description	Description
1	M23400552	PROTEZ. ANTERIORE CE	FRONT PROTECTION CE	PROTECTION AVANT CE	VORDERER SCHUTZ CE	PROTECCION DELANTERA CE
2	M23400553	PROTEZ. ANTERIORE CE	FRONT PROTECTION CE	PROTECTION AVANT CE	VORDERER SCHUTZ CE	PROTECCION DELANTERA CE
3	M23400550	PROTEZ. ANTERIORE CE	FRONT PROTECTION CE	PROTECTION AVANT CE	VORDERER SCHUTZ CE	PROTECCION DELANTERA CE
4	F20110730	CAV.Q.B=80 M=10X1,5 L=109	U BOLTQ.B=80 M=10X1,5 L=109	BUTEE M10X 1,5X 30 91X 99 ZB	ANSCHLAG M10X 1,5X 30 91X 99	EL. DE EMPALME M10X 1,5X 30
5	F20110735	CAV.R.B=80 H=120M=10X1,5 L=139	CONNECTION	ATTELAGE	AERBINDUNG	ATAQUE
6	F01220033	DADO M10X 1,5 D980 8 ZN	NUT	ECROU	SELBSTSICHERNDE MUTTER M10 KL8	

TAV.130

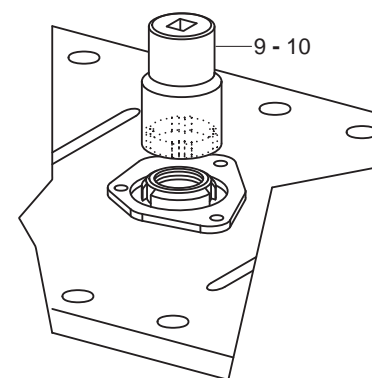
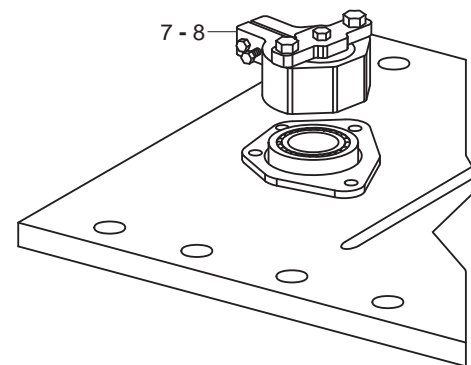
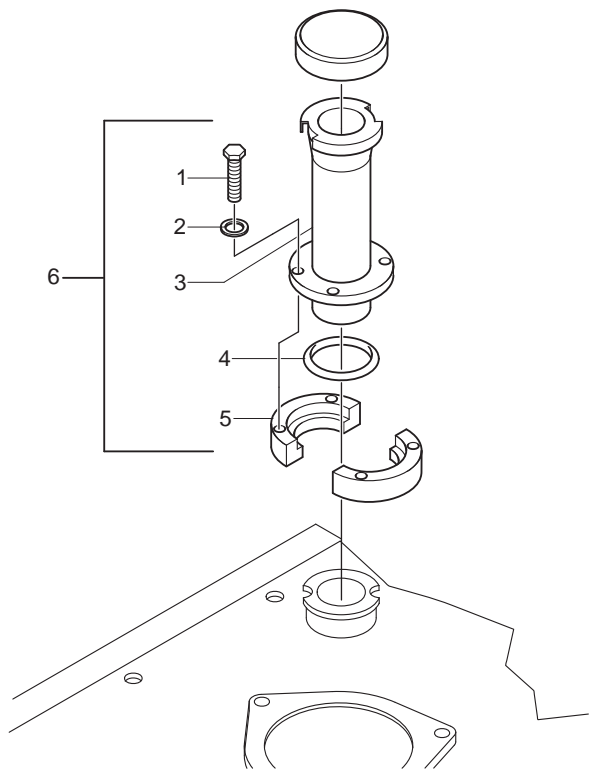


**GRUPPO PROTEZIONI <<CE>> (POSTERIORI)
(REAR) <<EC>> GUARDS UNIT**

TAV.130

Pos.	Cod.	Descrizione	Description	Benennung	Description	Description
1	M26425422	PROTEZIONE CE POST. MOD.2500	REAR PROTECTION MOD. 2500	PROTECTION ARRIERE MOD.2500	HINTERER SCHUTZ MOD. 2500	PROTECCION TRASERA MOD. 2500
2	M26430422	PROTEZIONE CE POST.MOD.3000	REAR PROTECTION MOD.3000	PROTECTION ARRIERE MOD.3000	HINTERER SCHUTZ MOD.3000	PROTECCION TRASERA MOD.3000
3	M26435422	PROTEZIONE CE POST.MOD.3500	REAR PROTECTION MOD.3500	PROTECTION ARRIERE MOD.3500	HINTERER SCHUTZ MOD.3500	PROTECCION TRASERA MOD.3500
4	M26440422	PROTEZIONE CE POST.MOD.4000	REAR PROTECTION MOD.4000	PROTECTION ARRIERE MOD.4000	HINTERER SCHUTZ MOD.4000	PROTECCION TRASERA MOD.4000
5	F01010026	VITE M10X1,25X40 U5738 8.8ZN	SCR. M10X1,25X40 U5738 8.8ZN	VIS M 10X1,25X40	SCHRAUBE M 10X1,25X40	TORNILLO M 10X1,25X40
6	F01220034	DADO M10X1,25 D980 8ZN	NUT M10X1,25 D980 8ZN	ECRO.M10X1,25 D980 8 ZB	MUTT.M10X1,25 D980 8 ZB	TUER.M10X1,25 D980 8 ZB

TAV.140



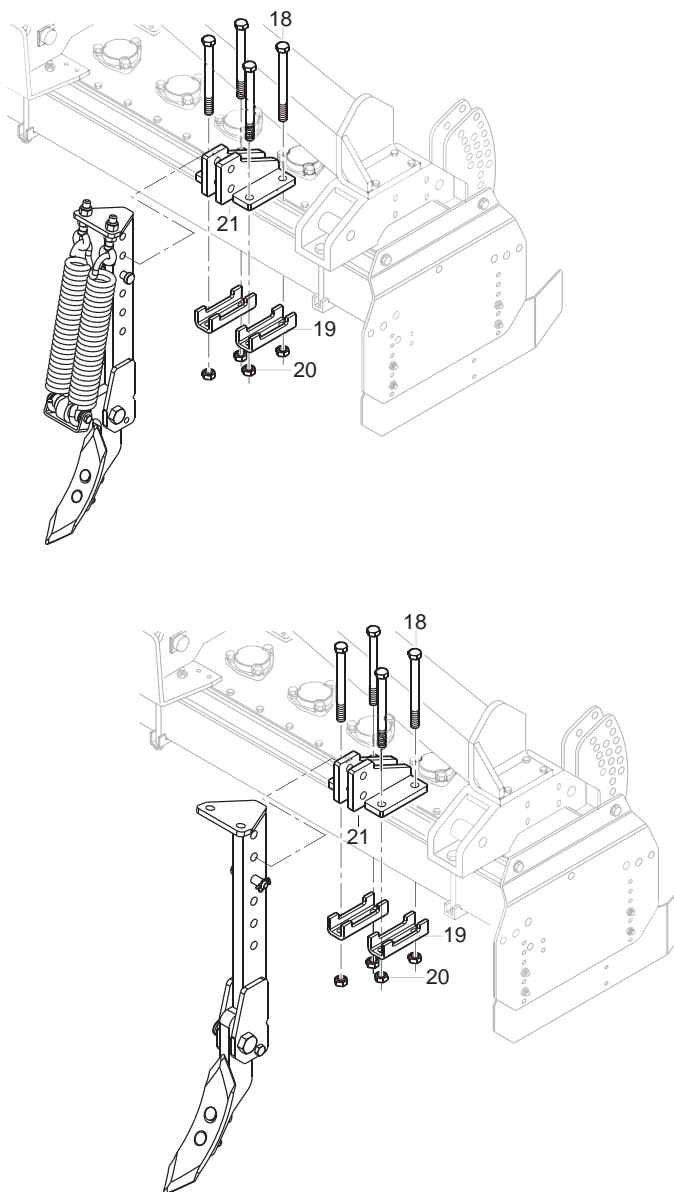
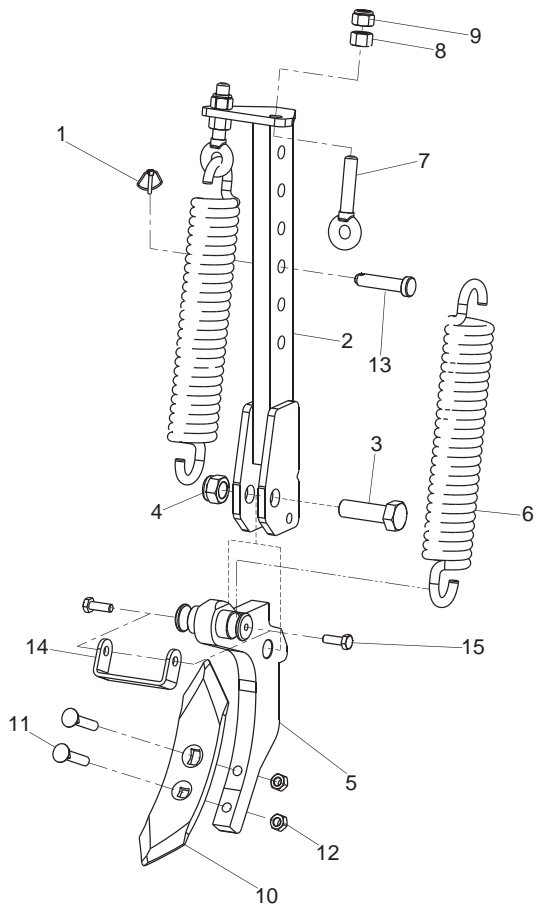
**OPTIONALS
OPTIONALS**

TAV.140

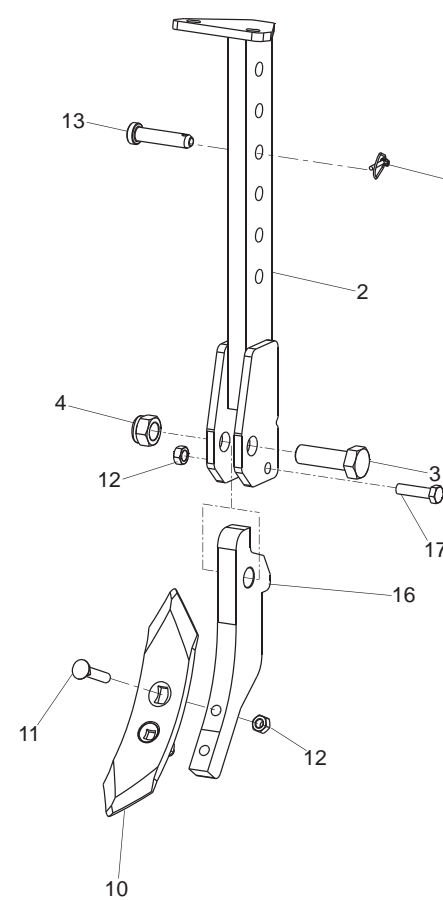
Pos.	Cod.	Descrizione	Description	Benennung	Description	Description
1	F01020406	VITE M6X1X25 U5739 8.8ZN	SCR. M6X1X25 U5739 8.8ZN	VIS M 6X25	SCHRAUBE M 6X25	TORNILLO M 6X25
2	F01480088	ROS.G 6,4X12,4X2 FLZNNC-240H	GROWER WASHER D.6	RONDELLE GROWER D.6	SCHEIBE GROWER D.6	ARANDELA GROWER D.6
3	M36200856	SEMIFLANGIA INFERIORE	FLANGE	FLASQUE	FLANSCH	BRIDA
4	F03010552	ANELLO OR 45,69X2,62 NBR	GASKET OR 45,69X2,62 NBR	BAGUE OR 45,69X2,62 NBR	RING OR 45,69X2,62 NBR	ANILLO OR 45,69X2,62 NBR
5	M36200856	SEMIFLANGIA INFERIORE	FLANGE	FLASQUE	FLANSCH	BRIDA
6	M36299001	KIT PROLUNGA CARICO OLIO ERP.	OIL PLUG EXTENSION	REHAUSSE BOUCHON HUILE HERSE	OLVERSCHLUSSVERLAENGERUNG	PROLONGAMIENTO TAPON ACEITE
7	M38100307	ESTRATTORE CUSC.SUP. DL-DS-DC	EXTRACTOR	EXTRACTEUR	LAGER AUSZIEHER	EXTRACTOR PARA RODAMIENTO
8	M36100335	ESTRATTORE CUSC.SUP.	BEARING EXTRACTOR	EXTRACTEUR	LAGER AUSZIEHER	EXTRACTOR PARA RODAMIENTO
9	M38100306	CHIAVE PER GHIERA M45X1,5 ZN	KEY D.45X1,5	CLE D.45X1,5	SCHLUESSEL F. MUTTER D.45X1,5	LLAVE M45X1,5 ZN
10	M36100334	CHIAVE PER GHIERA M50X1,5 ZN	KEY FOR SELF LOCKING NUT	CLE M50X1,5	SCHLUESSEL F. MUTTER	LLAVE M50X1,5 ZN

TAV.150

ROMPITRACCIA A MOLLE TRACK ERADICATOR SAFETY SPRIGS



ROMPITRACCIA A BULLONE DI TRANCIO TRACK ERADICATOR SAFETY SHEAR BOLT

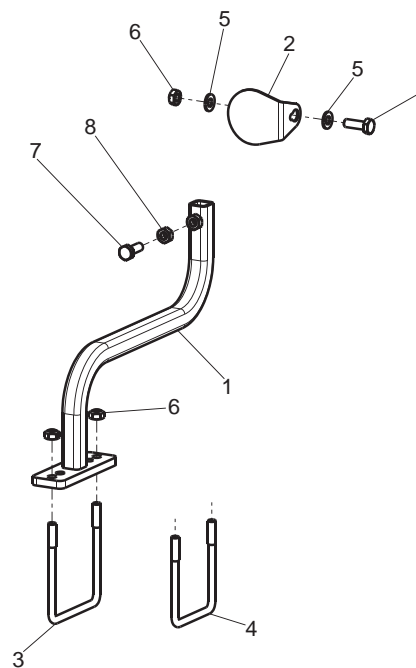
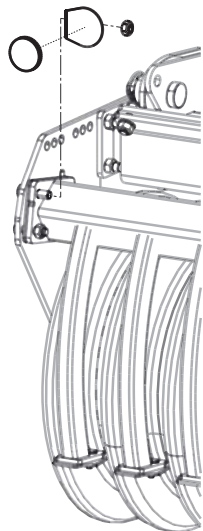
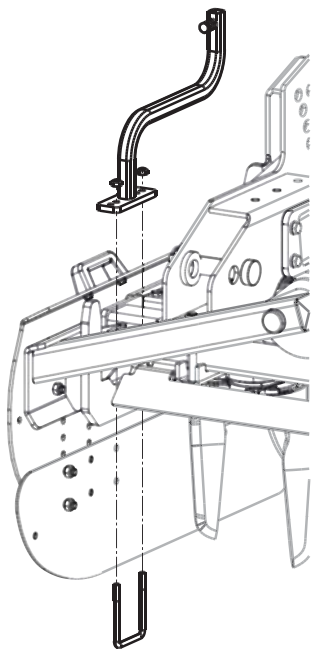
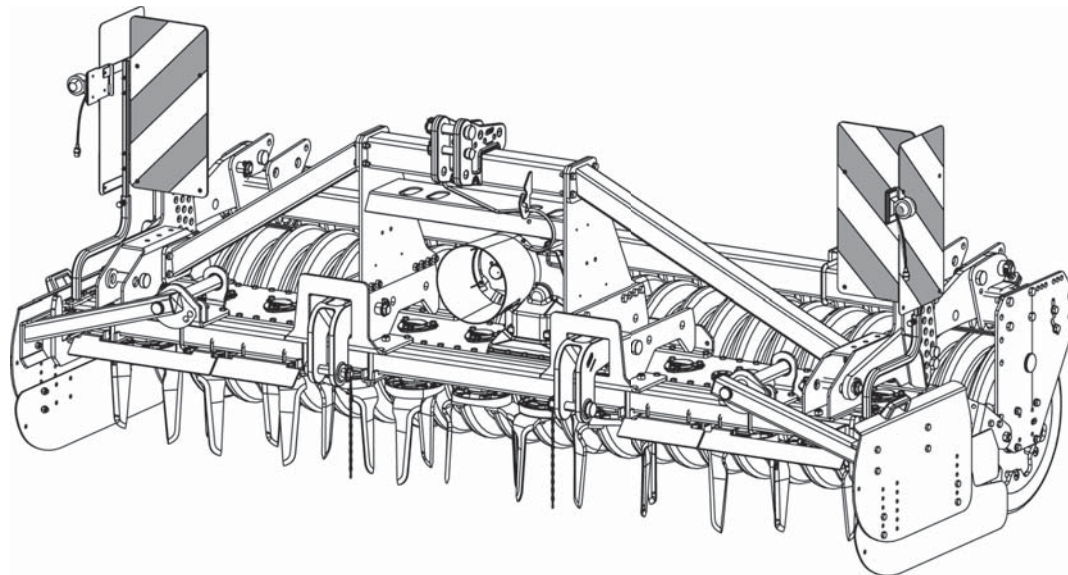
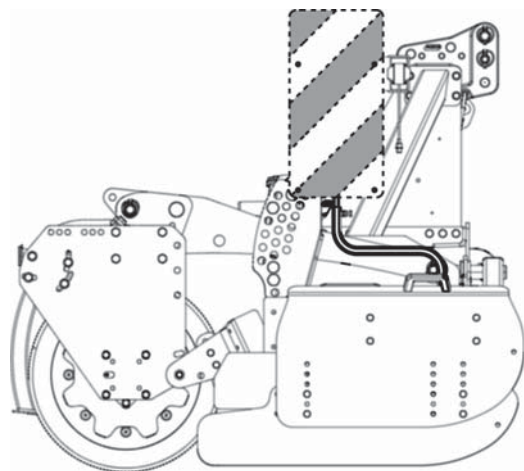


**OPTIONALS
OPTIONALS**

TAV.150

Pos.	Cod.	Descrizione	Description	Benennung	Description	Description
1	F02200452	SPINA SCATTO D.4,4 B 80 ZN	SNAP PIN D4.4 B 80 ZN	FICHE A DETENTE D4.4 B 80 ZN	EINRASTSTIFT D4.4 B 80 ZN	CLAVIJA DE MUELLE D4,4 B 80 ZN
2	M35400602	COMP.SUPP.ANCORA ROMPIRACCCIA	WHEEL TRACK ERADIC.SUB.SUPPORT			
3	F01010398	VITE M22X1,5X70 U5740 8.8ZN	SCR. M22X1,5X70 U5740 8.8ZN	VIS M22X1,5X 70 U5740 8.8 ZB	SCHR.M22X1,5X 70 U5740 8.8 ZB	TORN.M22X1,5X 70 U5740 8.8 ZB
4	F01230269	DADO M22X1,5 D985 CL8 ZN	NUT M22X1,5 D985 6S ZN	ECROU AUTOBL.M22X1,5 D985 6SZN	SELBST.MUTT.M22X1,5 D985 6S ZN	DADO AUTOBL.M22X1,5 D985 6S ZN
5	M35400625	COMP.ROMPIRTR.X MOLLE CON PERNO	WHEEL TRACK ERADICATOR SPRINGS			
6	M12400612	MOLLA	SPRING			
7	M12400607	TIRANTE M16	STRETCHER	TENDEUR	VERSTAERKUNGSROHR	TENSOR
8	F01200110	DADO M16X2 U5587 CL8 ZN 6.8ZN	NUT M16X2 U5587 6.8ZN	ECROU M16	MUTTER M16	TUERCA M16
9	F01230085	DADO M16X2 D982 10ZN	NUT M16X2 D982 10ZN	ECROU M16X2 D982 10ZN	MUTTER M16X2 D982 10ZN	TUERCA M16X2 D982 10ZN
10	F20120009	VOMERINO	PLOWSHARE			
11	F01030117	KIT V.M12X1,75X60 U6104 8.8ZN	KIT M12X1,75X60	VIS M12X1,75X60	SCHRAUBE M12X1,75X60	TORNILLO M12X1,75X60
12	F01220048	DADO M12X1,75 D980 8ZN	NUT M12X1,75 D980 8ZN	ECROU M12X1,75 D980 8 ZN	SCHEIBE M12X1,75 D980 8 ZN	TUERCA M12X1,75 D980 8 ZN
13	F20100021	PERNO D16 L70 C40 TEST.D25 ZN	PIN D16 L70 C40 TEST.D25 ZN			
14	M73400637	PROTEZIONE MOLLE	SAFETY SPRING			
15	F01020476	VITE M10X1,5X30 U5739 8.8ZN	SCR. M10X1,5X30 U5739 8.8ZN	VIS M10X1,5X30 U5739 8.8 ZN	SCHRAUBE M10X1,5X30U5739 8.8ZN	TORNIL.M10X1,5X30 U5739 8.8 ZN
16	M35400624	ROMPIRACCCIA LATERALE	LATERAL WHEEL TRACK ERADICATOR			
17	F01020160	VITE M12X1,75X60 U5737 8.8ZN	SCR. M12X1,75X60 U5737 8.8ZN	VIS M12X1,75X60 U5737 8.8 ZN	SCHRA.M12X1,75X60 U5737 8.8 ZN	TORN. M12X1,75X60 U5737 8.8 ZN
18	F01010135	VITE M16X1,5X180 U5738 8.8BR	SCR. M16X1,5X180 U5738 8.8BR	VIS M 16X1,5X170	SCHRAUBE M 16X1,5X170	TORNILLO M 16X1,5X170
19	M36200241	STAFFA PER TUBO DA 80	STIRRUP	ETRIER	BUEGEL	ESTRIBO
20	F01220070	DADO M16X1,5 D980 10ZN	NUT M16X1,5 D980 8ZN	ECRO.M16X1,5 D980 8ZN	MUTTER M16X1,5 D980 8ZN	TUER.M16X1,5 D980 8ZN
21	M35400607	PIASTRA SUPP.ROMPIRTR.MONOTRAVE	SUPPORT PLATE WHEEL TRACK ERAD			

TAV.160

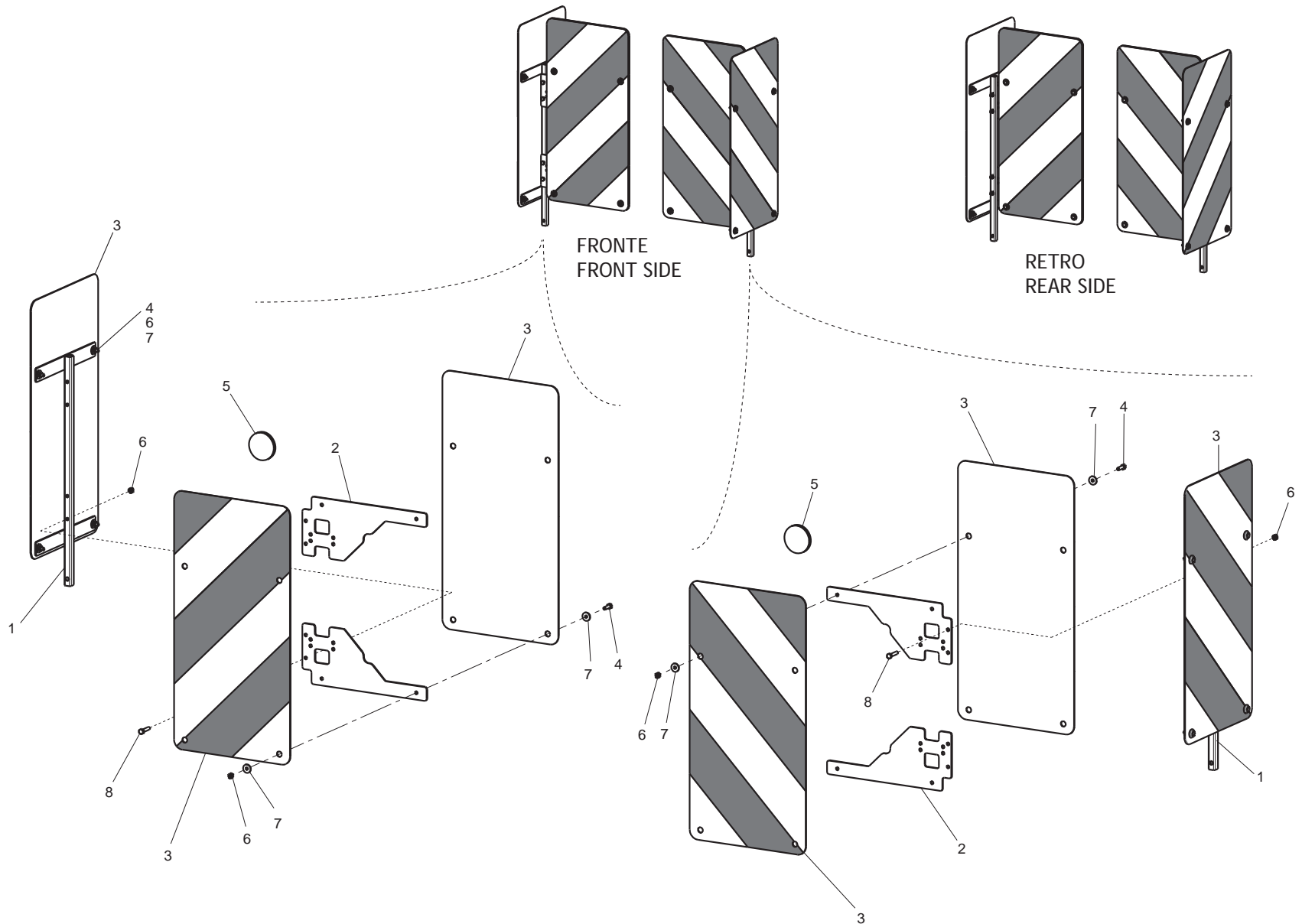


**KIT SUPPORTI PER TRASPORTO STRADALE
ROAD TRANSPORT SUPPORTS KIT**

TAV.160

Pos.	Cod.	Descrizione	Description	Benennung	Description	Descripcion
1	M26400911	SUPPORTO TABELLA INGOMBRO	LIGHT-CHART SUPPORT			
2	M28400701	SUPPORTO CATADIOTTRO	SUPPORT REFLECTOR			
3	F20110726	CAV.Q.B=100 M=10X1,5 L=122	U BOLT M10X 1,5X 30 111X122 ZG	ATTEL.M10X 1,5X 30 111X122 ZG	VERBI.M10X 1,5X 30 111X122 ZG	PERNO M10X 1,5X 30 111X122 ZG
4	F20110730	CAV.Q.B=80 M=10X1,5 L=109	U BOLTQ.B=80 M=10X1,5 L=109	BUTEE M10X 1,5X 30 91X 99 ZB	ANSCHLAG M10X 1,5X 30 91X 99	EL. DE EMPALME M10X 1,5X 30
5	F01410062	ROS.M10 10,5X 18X 2 U6592 ZN	WASHER M10 10,5X 18X 2 U6592	RONDELLE M10 10,5X18X2 ZN	DICHTUNGSRING M10 10,5X18X2 ZN	RONDANA M10 10,5X18X2 ZN
6	F01220033	DADO M10X 1,5 D980 8 ZN	NUT	ECROU	SELBSTSICHERNDE MUTTER M10 KL8	
7	F01020476	VITE M10X1,5X30 U5739 8.8ZN	SCR. M10X1,5X30 U5739 8.8ZN	VIS M10X1,5X30 U5739 8.8 ZN	SCHRAUBE M10X1,5X30U5739 8.8ZN	TORNIL.M10X1,5X30 U5739 8.8 ZN
8	F01200270	DADO M10X1,5 U5588 CL8 ZN	NUT M10X1,5 U5588 6.8ZN	ECROU M10X 1,5 U5588 6.8 ZN	MUTTER M10X 1,5 U5588 6.8 ZN	TUERCA M10X 1,5 U5588 6.8 ZN

TAV.170

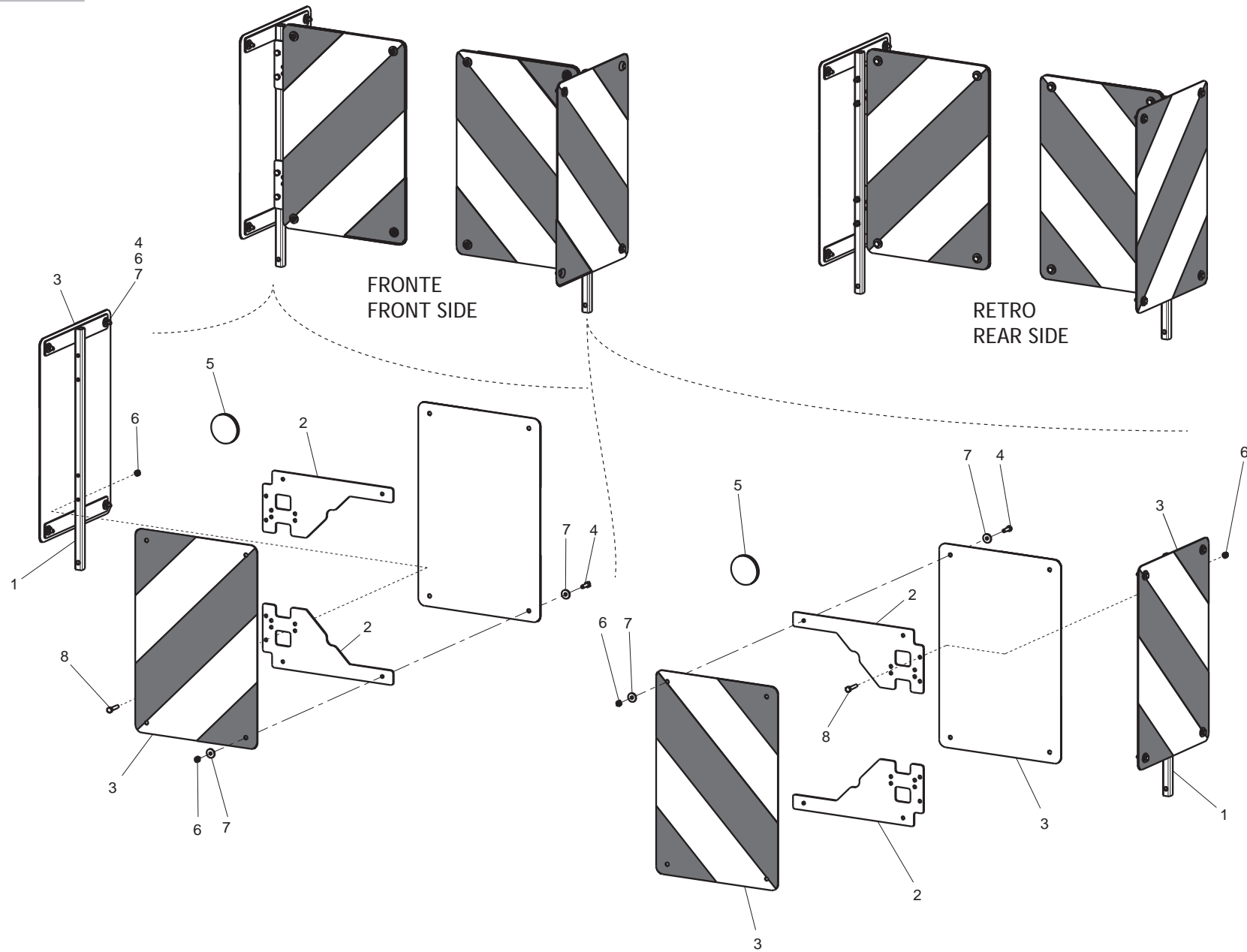


**KIT TABELLE STRADALI G99600006
ROAD TRANSPORT KIT G99600006**

TAV.170

Pos.	Cod.	Descrizione	Description	Benennung	Description	Description
1	G16612070	TELAIO SUPP.TABELLE STRAD.	FRAME SUPPORT TABLE			
2	M04700558	SUPPORTO TABELLA INGOMBRO	LIGHT-CHART SUPPORT			
3	F05010816	TABELLE 2 CAR.SPORGENTI IT	WARNING BOARDS 2 IT			
4	F01020404	VITE M6X1X20 U5739 8.8ZN	SCREW M6X1X20 U5739 8.8ZN	VIS M6X1X20 U5739 8.8ZN	SCHRAUBE M6X1X20 U5739 8.8ZN	TORNILLO M6X1X20 U5739 8.8ZN
5	F05010820	CATARIFR.TONDO D60 ROSSO	ROUND REFLECTOR D.60 RED			
6	F01220011	DADO M6X1 D980 8ZN	NUT M6X1 D980 8ZN	ECROU M6X1 D980 8 ZN	MUTTER M6X1 D980 8 ZN	TUERCA M6X1 D980 8 ZN
7	F01420036	ROS.M6 6,4X 18X1,5 U6593 ZN	WASHER M6 6,4X 18X1,5 U6593 ZN	RONDELLE M6 6,4X18X1,5 U6593ZN	SCHEIBEN M6 6,4X18X1,5U6593 ZN	ARANDELA M6 6,4X18X1,5U6593ZN
8	F01020408	VITE M6X1X30 U5739 8.8ZN	SCR. M6X1X30 U5739 8.8ZN	VIS M 6X1X30	SCHRAUBE M 6X1X30	TORNILLO M 6X1X30

TAV.180

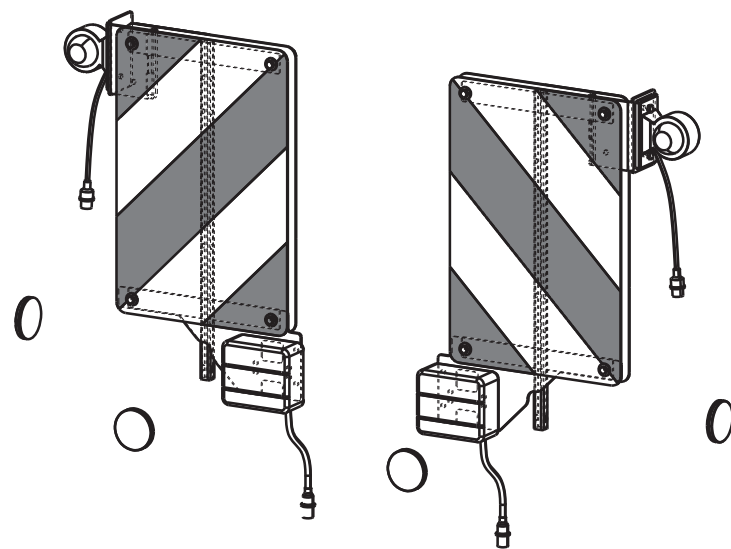
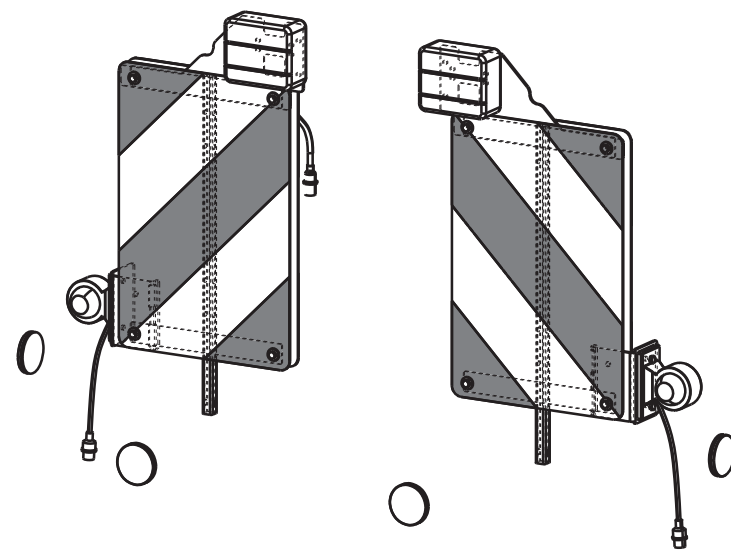
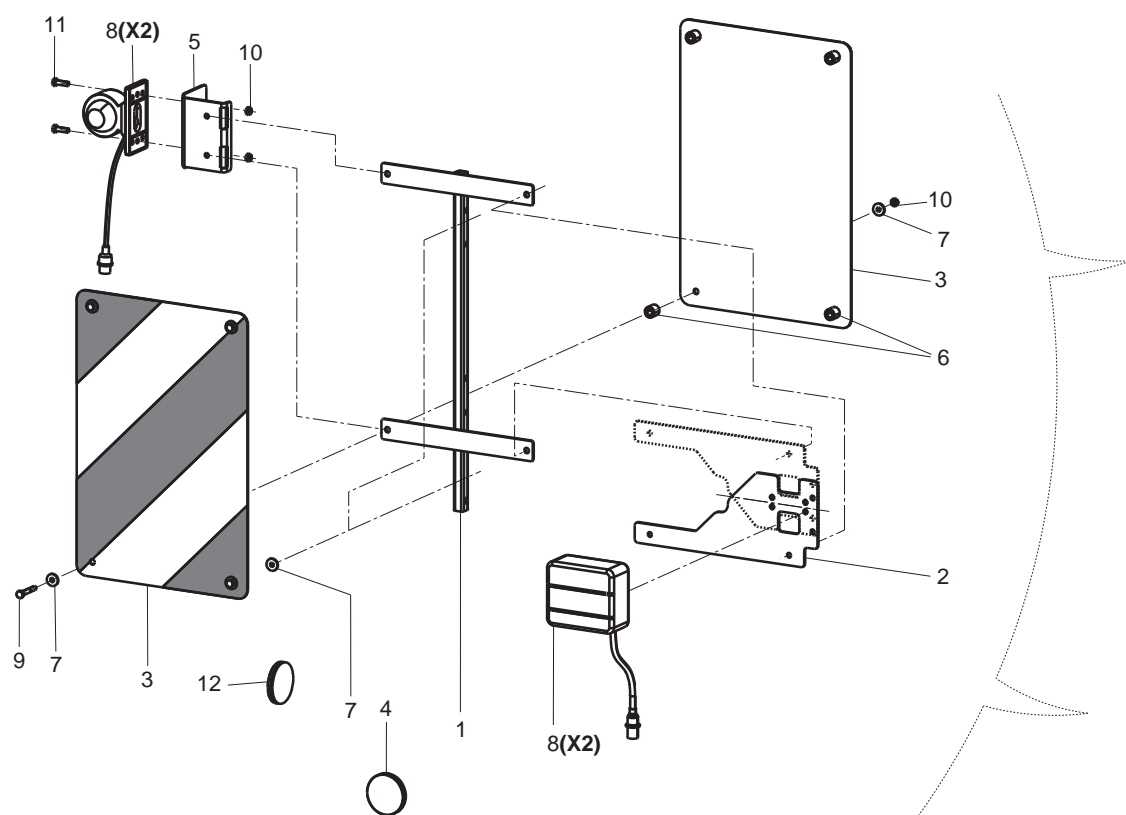


**KIT TABELLE STRADALI G99600017
ROAD TRANSPORT KIT G99600017**

TAV.180

Pos.	Cod.	Descrizione	Description	Benennung	Description	Description
1	G16612070	TELAIO SUPP.TABELLE STRAD.	FRAME SUPPORT TABLE			
2	M04700558	SUPPORTO TABELLA INGOMBRO	LIGHT-CHART SUPPORT			
3	F05010817	TABELLE 2 CAR.SPORGENTI FR-D	WARNING BOARDS 2 FR-DE	TABLEAUX 2 AVERTISSEM. FR-DE	BRETT 2 WARNUNG FR-DE	TABLAS 2 CAR.ADVERT. FR-DE
4	F01020404	VITE M6X1X20 U5739 8.8ZN	SCREW M6X1X20 U5739 8.8ZN	VIS M6X1X20 U5739 8.8ZN	SCHRAUBE M6X1X20 U5739 8.8ZN	TORNILLO M6X1X20 U5739 8.8ZN
5	F05010820	CATARIFR.TONDO D60 ROSSO	ROUND REFLECTOR D.60 RED			
6	F01220011	DADO M6X1 D980 8ZN	NUT M6X1 D980 8ZN	ECROU M6X1 D980 8 ZN	MUTTER M6X1 D980 8 ZN	TUERCA M6X1 D980 8 ZN
7	F01420036	ROS.M6 6,4X 18X1,5 U6593 ZN	WASHER M6 6,4X 18X1,5 U6593 ZN	RONDELLE M6 6,4X18X1,5 U6593ZN	SCHEIBEN M6 6,4X18X1,5U6593 ZN	ARANDELA M6 6,4X18X1,5U6593ZN
8	F01020408	VITE M6X1X30 U5739 8.8ZN	SCR. M6X1X30 U5739 8.8ZN	VIS M 6X1X30	SCHRAUBE M 6X1X30	TORNILLO M 6X1X30

TAV.190



**KIT TABELLE STRADALI G99600018
ROAD TRANSPORT KIT G99600018**

TAV.190

Pos.	Cod.	Descrizione	Description	Benennung	Description	Description
1	G16612070	TELAIO SUPP.TABELLE STRAD.	FRAME SUPPORT TABLE			
2	M04700558	SUPPORTO TABELLA INGOMBRO	LIGHT-CHART SUPPORT			
3	F05010817	TABELLE 2 CAR.SPORGENTI FR-D	WARNING BOARDS 2 FR-DE	TABLEAUX 2 AVERTISSEM. FR-DE	BRETT 2 WARNUNG FR-DE	TABLAS 2 CAR.ADVERT. FR-DE
4	F05010820	CATARIFR.TONDO D60 ROSSO	ROUND REFLECTOR D.60 RED			
5	M04700563	SUPPORTO LUCE D INGOMBRO	SUPPORT LIGHT OVERALL			
6	G18803050	BOCCOLA 8,5X16X16 PL	BUSHING 8,5X16X16 PL			
7	F01420036	ROS.M6 6,4X 18X1,5 U6593 ZN	WASHER M6 6,4X 18X1,5 U6593 ZN	RONDELLE M6 6,4X18X1,5 U6593ZN	SCHEIBEN M6 6,4X18X1,5U6593 ZN	ARANDELA M6 6,4X18X1,5U6593ZN
8	F05010833	KIT LUCI POST.STRAD.ECCEZ.	KIT REAR ROAD LIGHTS M.EXCEP.			
9	F01020040	VITE M6X1X40 U5737 8.8ZN	SCR. M6X1X40 U5737 8.8ZN	VIS M6X1X40 U5737 8.8ZN	SCHRAU. M6X1X40 U5737 8.8ZN	TORNI. M6X1X40 U5737 8.8ZN
10	F01220011	DADO M6X1 D980 8ZN	NUT M6X1 D980 8ZN	ECROU M6X1 D980 8 ZN	MUTTER M6X1 D980 8 ZN	TUERCA M6X1 D980 8 ZN
11	F01020404	VITE M6X1X20 U5739 8.8ZN	SCREW M6X1X20 U5739 8.8ZN	VIS M6X1X20 U5739 8.8ZN	SCHRAUBE M6X1X20 U5739 8.8ZN	TORNILLO M6X1X20 U5739 8.8ZN
12	F05010819	CATARIFR.TONDO D60 GIALLO	ROUND REFLECTOR D.60 YELLOW	JAUNE R.FLECTEUR ROUND	RUNDFLEKTOR GELB D60	REFLECTOR REDONDO AMARILLO

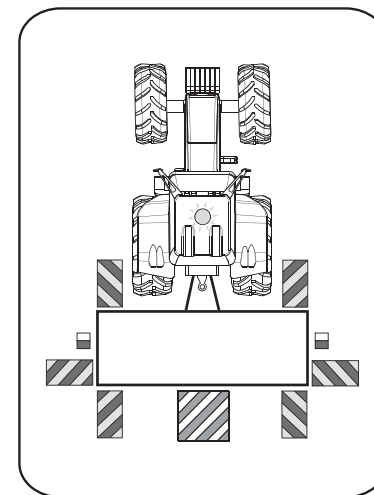
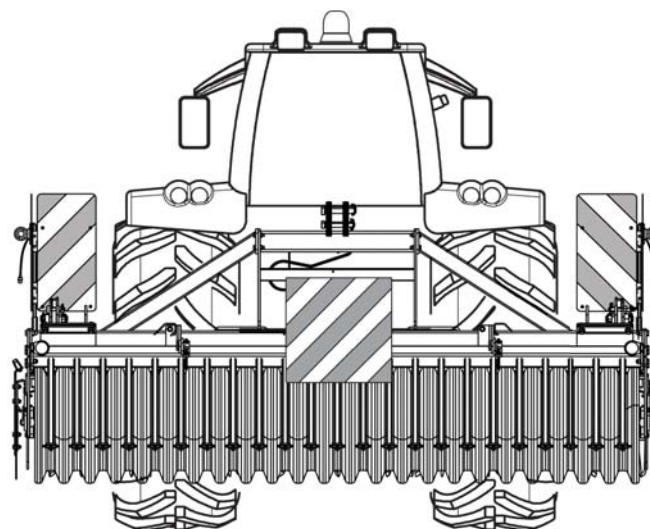
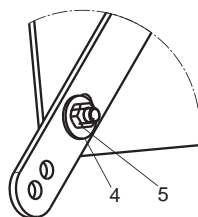
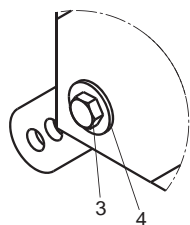
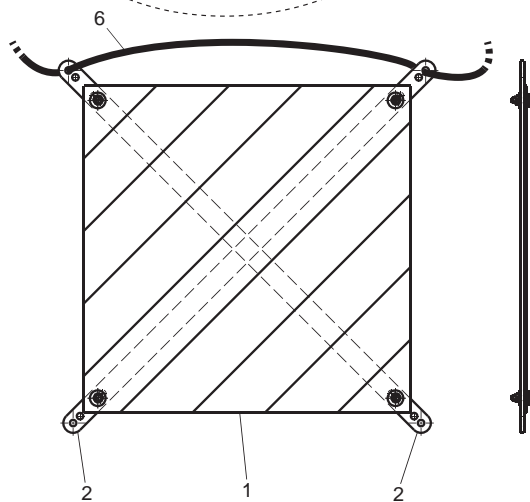
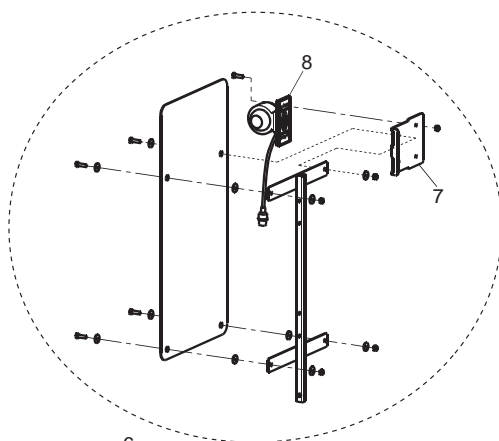
TAV.200

TABELLA SUPPLEMENTARE DC - DM - DM RAPIDO 3000-3500-4000
(PER IL MONTAGGIO VEDERE ANCHE TAV.140)

CONSULTARE LIBRETTO USO E MANUTENZIONE.

*SUPPLEMENTARY ROAD PANEL FOR DC - DM - DM RAPIDO 3000-3500-4000
(FOR ASSEMBLY SEE ALSO TAB.140)*

MAKE REFERENCE TO THE OPERATION MANUAL.



PER IL POSIZIONAMENTO FARE RIFERIMENTO ALLE
ISTRUZIONI ALLEGATE ALLA TABELLA.

*FOR POSITIONING MAKE REFERENCE TO THE INSTRUCTIONS
INCLUDED WITH THE ROAD PANELS.*

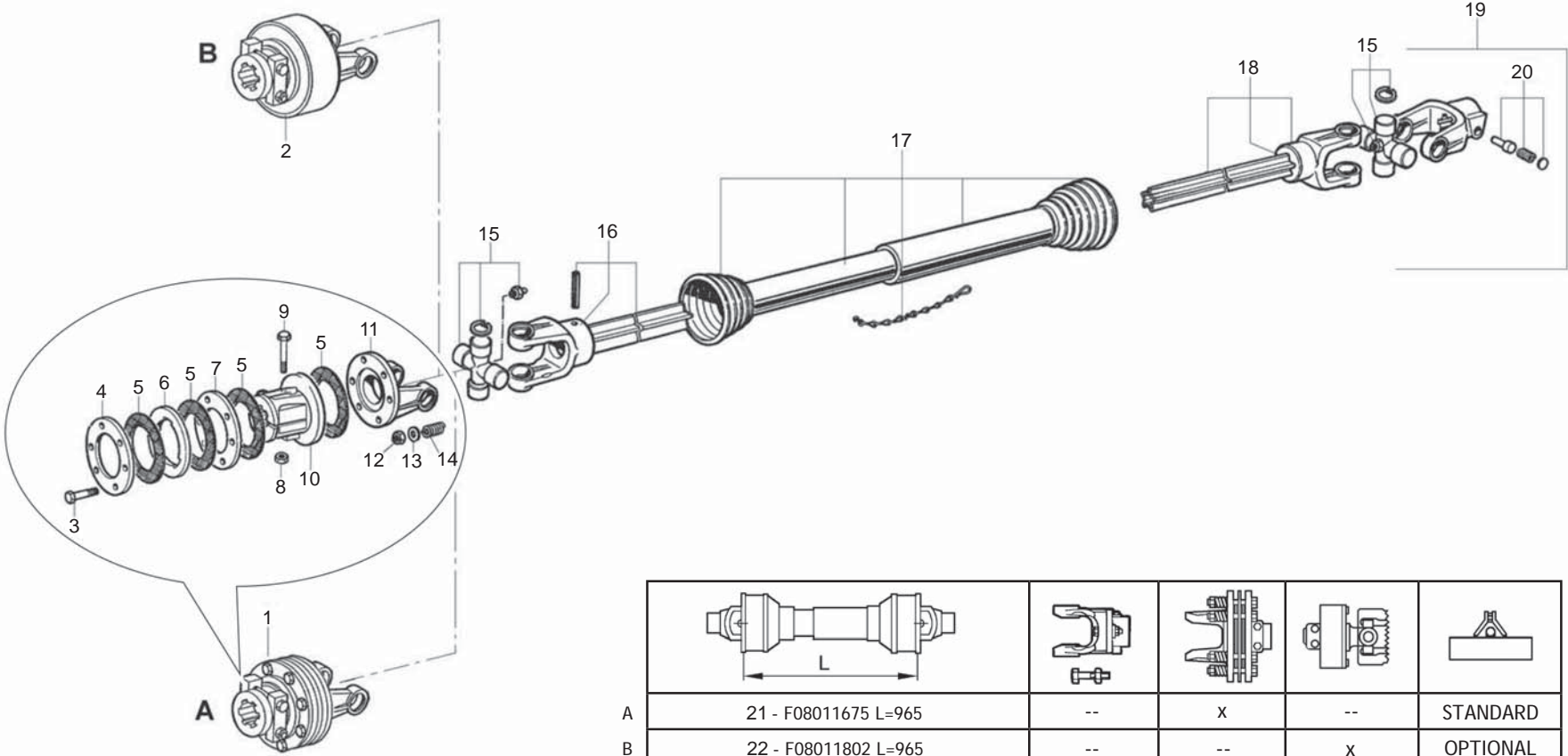
**KIT TABELLE STRADALI G99600032
ROAD TRANSPORT KIT G99600032**

TAV.200

Pos.	Cod.	Descrizione	Description	Benennung	Description	Description
1	F05011000	TABELLA CAR. SPORGENTI 500X500	WARNING BOARD 500X500			
2	M75400043	SUPPORTO TAB.CAR.SPORG.500X500	SUPPORT FOR PANEL 500X500 IT			
3	F01020440	VITE M8X1,25X25 U5739 8.8ZN	SCR. M8X1,25X25 U5739 8.8ZN	VIS M8X1,25X25 U5739 8.8 ZN	SCHRAUBE M8X1,25X25U5739 8.8ZN	TORNIL.M8X1,25X25 U5739 8.8 ZN
4	F01420048	ROS.M8 8,4X 24X 2 U6593 ZN	WASHER	RONDELLE	SCHEIBE	
5	F01220022	DADO M8X1,25 D980 8ZN	NUT M8X1,25 D980 8ZN	ECROU M8X 1,25 D980 8 ZN	MUTTER M8X 1,25 D980 8 ZN	TUERCA M8X 1,25 D980 8 ZN
6	F05150355	CORDA ELAST. GANCIO D=8X800	ELASTIC CABLE HOOK D8 L800			
7	M04700562	SUPPORTO LUCE D INGOMBRO	SUPPORT LIGHT OVERALL			
8	F05010847	KIT LUCI PORT.POST.LAT.ECCEZ.	KIT REAR LIGHTS LATOUTSTANDING			

TAV.210

WALTERSCHEID

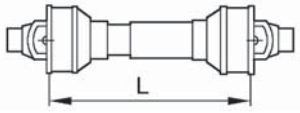

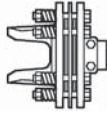
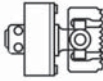
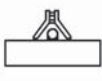


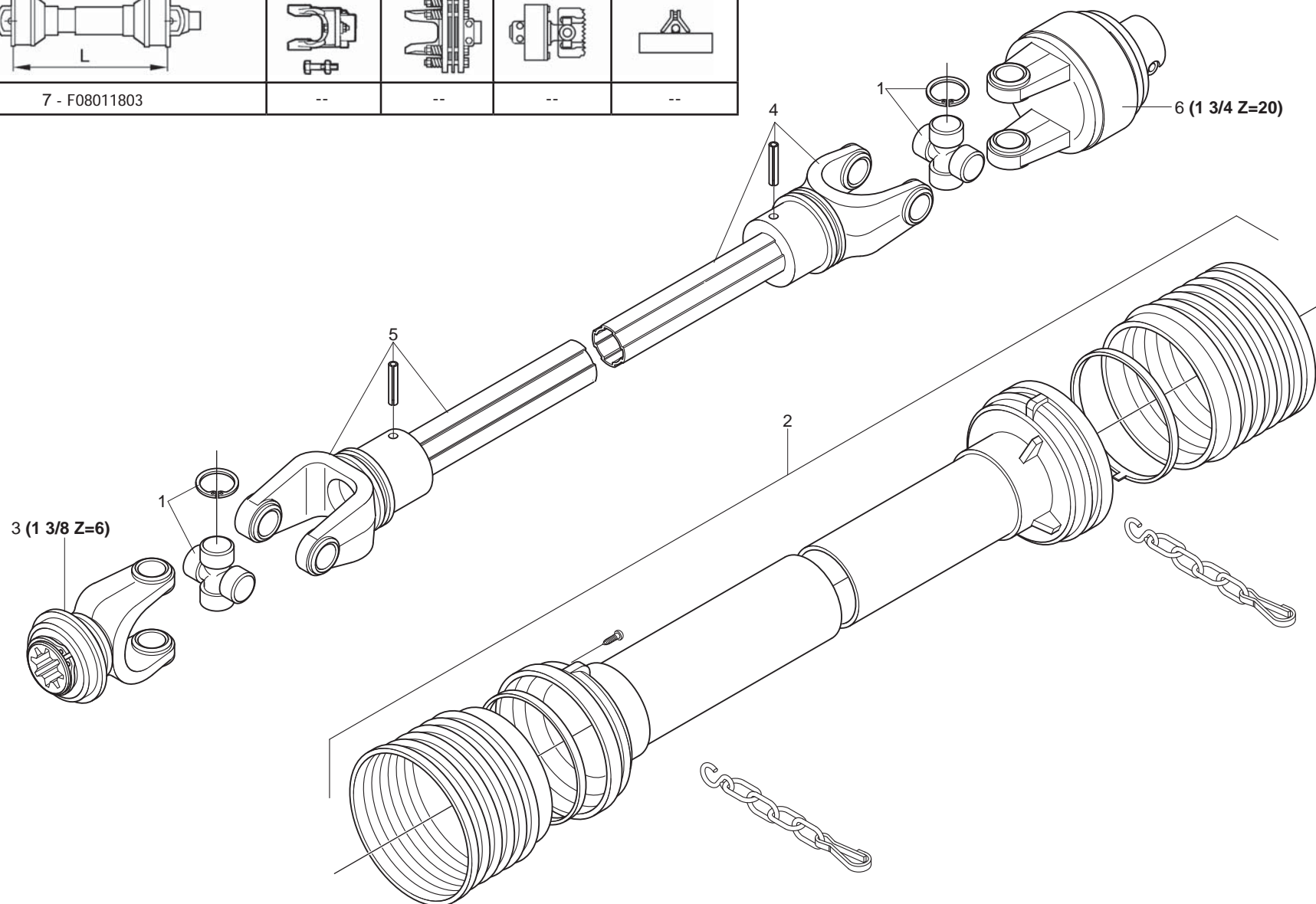
**CARDANO
CARDAN SHAFT**

TAV.210

Pos.	Cod.	Descrizione	Description	Benennung	Description	Description
1	F08011355	LIMITATORE 139149 K90 4 2500	CLUTCH ASSY GNK.K90 41		LIMITEREN 139149 K90 4 2500	
2	F08011331	LIMITATORE DI COPPIA K64 22RM	CLUTCH ASSY	EMBAYAGE COMPL.	KOMPL. KUPPLUNG	FRICCION COMPL.
3	F01010065	VITE M12X1,25X110 U5738 8.8ZN	SCR. M12X1,25X110 U5738 8.8ZN	VIS M 12X1,25X110	SCHRAUBE M 12X1,25X110	TORNILLO M 12X1,25X110
4	F08010972	DISCO DI PRESSIONE	PRESSURE DISC	DISQUE DE PRESSION	DRUCKSCHEIBE	DISCO DE PRESION
5	F08010909	DISCO D ATTRITO	FRICTION DISK	DISQUE DE FROTTEMENT	KUPPLUNGSCHLEIBE	DISCO FROTAMIENTO
6	F08010936	DISCO DI TRASCINAMENTO	DRIVING DISK	DISQUE	SCHUBBETRIEBSCHEIBE	DISCO ARRASTRE
7	F08010954	DISCO INTERMEDIO	INTERNAL DISC SERIES	DISQUE INTERMEDIAIRE	ZWISCHENSCHLEIBE SERIE	DISCO INTERMEDIO SERIE
8	F01230059	DADO M12X1,75 D982 8ZN	LOCK-NUT M12X1,75 D982 8ZN	ECR.AUTO-FREI.M12X1,75 D982 ZN	SICHERUNGSMUT.M12X1,75 D982 8ZN	TUER.DE SEGUR.M12X1,75 D982 ZN
9	F01020164	VITE M12X1,75X70 U5737 8.8ZN	SCREW M12X1,75X70 U5737 8.8ZN	VIS M12X1,75X70 U5737 8.8 ZN	SCHR. M12X1,75X70 U5737 8.8 ZN	TORN. M12X1,75X70 U5737 8.8 ZN
10	F08011087	MOZZO SCANALATO	SPLINED HUB	ENTRAINEUR	MITNEHMER	ARRASTRADO
11	F08010417	36.73.01 FORCELLA GR.2500	FLANGE FORK	FOURCHE AVEC FLASQUE	GABELSTUECK M. FLANSCH	HORQUILLA BRIDA
12	F01200073	DADO M12X1,25 U5587 CL8 ZN	NUT M12X1,25 U5587 6SN	ECROU M12X1,25 U5587 6S ZN	MUTTER M12X1,25 U5587 6S ZN	TUERCA M12X1,25 U5587 6S ZN
13	F01410076	ROS.M12 13X 20X2,0 U1749 ZN	WASHER	RONDELLE	SCHLEIBE	
14	F08011222	660153 MOLLA DI PRESSIONE	PRESSURE SPRING	RESSORT DE PRESSION	DRUCKFEDER	MUELLE DE PRESION
15	F08010686	CROCIERA COMPLETA	SPIDER ASSY	CROISIERE COMPL.	GELENKKREUZ KOMPL.	CRUCETA COMPLETA
16	F08010533	FORCELLA CON TUBO INTERNO	FORK WITH INTERNAL PIPE	FOURCHE AVEC TUBE INTERIEUR	GABELST. INNENROHR	HORQUILLA TUBO INTERNO
17	F08010851	PROTEZIONE COMPLETA	PROTECTION ASSY	PROTECTION COMPL.	KOMPL. SCHUTZ	PROTECCION COMPL.
18	F08010721	FORCELLA TUBO ESTERNO	FORK WITH EXTERNAL PIPE	FOURCHE AVEC TUBE EXTERIEUR	GABELST. AUSSENROHR	HORQUILLA TUBO ESTERNO
19	F08010459	FORCELLA COMP.PULS.-1 3 8 Z6	LINKAGE FORK-1 3 8 Z6	FOURCHE ATTELAGE-1 3 8 Z6	GABELSTUECK-1 3 8 Z6	HORQUILLA ATAQUE-1 3 8 Z6
20	F08011168	339107 PULSANTE	YOKE PIN 339107	POUSSOIR COMPL.	DRUCKKNOPF KOMPL.	PULSADOR COMPL.
21	F08011675	CARD.GKN PER DCR-SCM A DISCHI	PTO SHAFT GKN DCR-SCM W DISKS			
22	F08011802	CAR.GKN CAMME 3 8 Z6 LT L965	PTO GKN CAMME 3 8 Z6 LT L96			

BONDIOLI - PAVESI

				
7 - F08011803	--	--	--	--



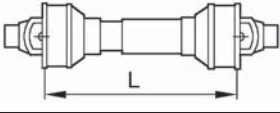
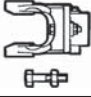

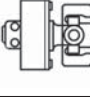
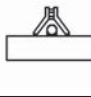
**CARDANO
CARDAN SHAFT**

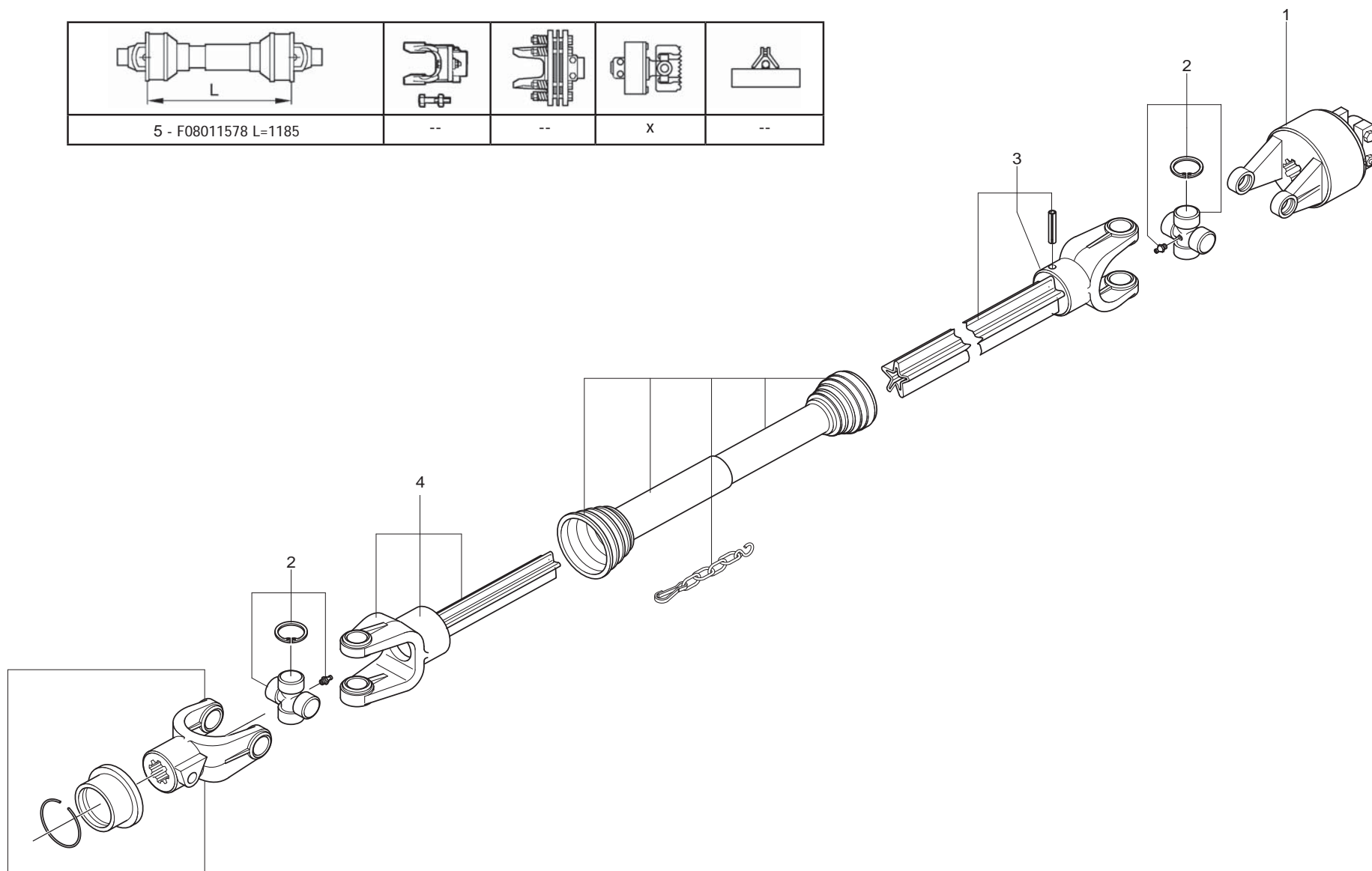
TAV.220

Pos.	Cod.	Descrizione	Description	Benennung	Description	Description
1	F08010690	CROCIERA COMPLETA	SPIDER ASSY	CROISILLON COMPL.	GELENKKREUZ KOMPL.	CRUCETA COMPLETA
2	F08010834	PROT. COMPLETA BOS8	PROTECTION ASSY	PROTECTION COMPL.	KOMPL. SCHUTZ	PROTECCION COMPL.
3	F08013041	FORC.COMPL. BO S8 3 8Z63	FORK			
4	F08013014	FORC.INT.S8 TUB 1000	FORK WITH INTERNAL PIPE	FOURCHE AVEC TUBE INTERIEUR	GABELST. INNENROHR	HORQUILLA TUBO INTERNO
5	F08010242	FORC TUBO SP.GHIERA EST.S8	FORK EST. S8			
6	F08013040	FRIZ.BO COMP.NOT 3 4 Z20 2500N	FRIZ.BO COMP.NOT 3 4 Z20 2500			
7	F08011803	CAR 50 BO 38Z6 CAM 2500 L1063	PTO 50 BO 38Z6 CAM 2500 L1063			

TAV.230

WALTERSCHEID

				
5 - F08011578 L=1185	--	--	X	--



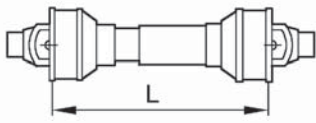
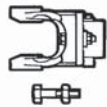
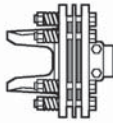
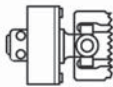

**CARDANO
CARDAN SHAFT**

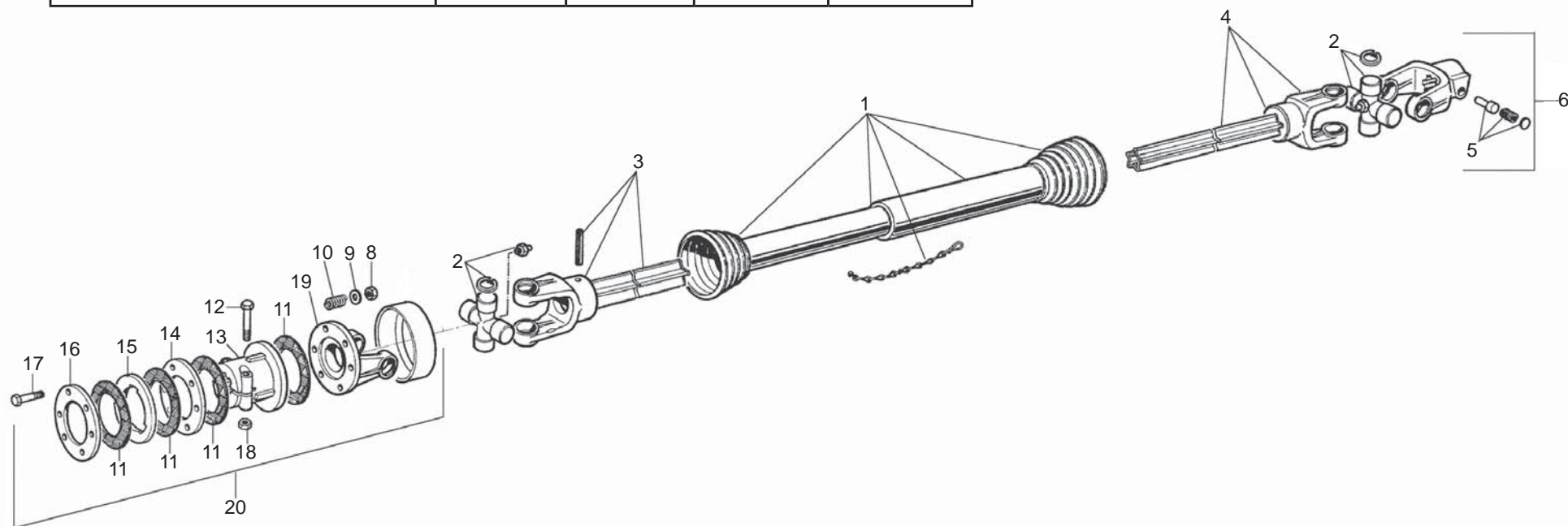
TAV.230

Pos.	Cod.	Descrizione	Description	Benennung	Description	Description
1	F08011006	FRIZIONE COMP.C.GKN K64 2R 29	CLUTCH ASSY	EMBAYAGE COMPL.	KOMPL. KUPPLUNG	FRICCION COMPL.
2	F08010670	CROCIERA COMPLETA	SPIDER ASSY	CROISIERE COMPL.	GELENKKREUZ KOMPL.	CRUCETA COMPLETA
3	F08010196	FORCELLA COMPL. ALBERO ESTERNO	FORK WITH EXTERNAL SHAFT	FOURCHE AVEC TUBE EXT.	GABELST. AUSSENROHR	HORQUILLA TUBO EXT.
4	F08010197	FORCELLA COMPL. ALBERO INTERNO	FORK WITH INTERNAL PIPE	FOURCHE AVEC TUBE INTERIEUR	GABELST. INNENROHR	HORQUILLA TUBO INTERNO
5	F08011578	CARD.GKN 180590	UNIVERSAL P T O SHAFT	ARBRE A CARDAN	GELENKWELLE	ARBOL CARDANICO

TAV.240

WALTERSCHEID

				
22 - F08011592 L=1007	--	X	--	--



**CARDANO
CARDAN SHAFT**

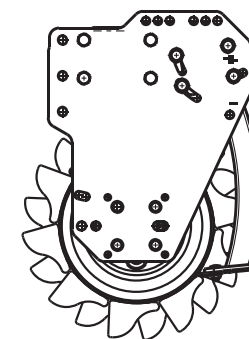
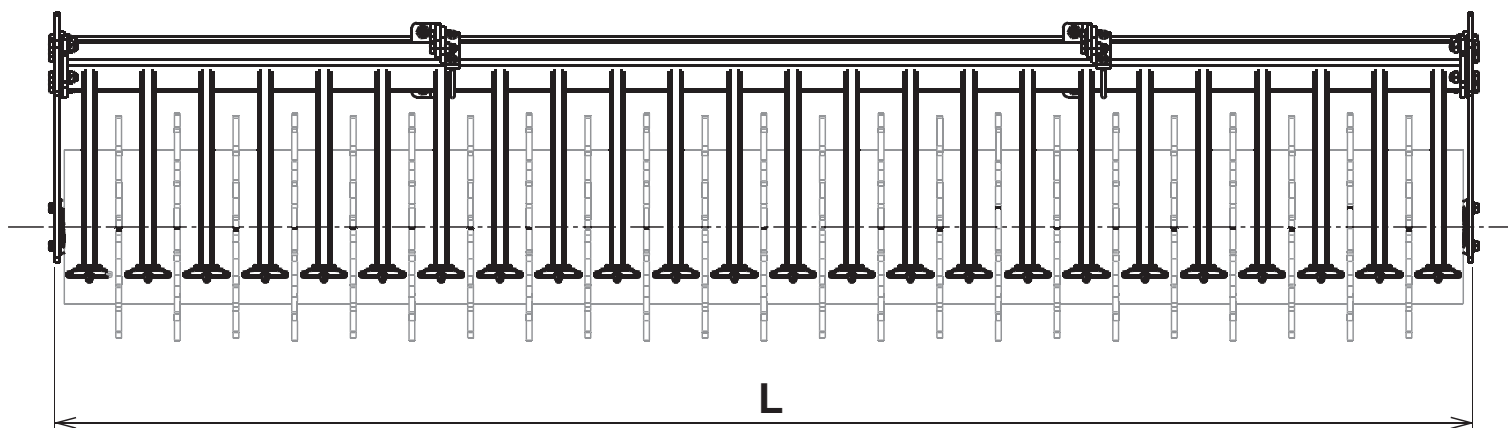
TAV.240

Pos.	Cod.	Descrizione	Description	Benennung	Description	Description
1	F08010873	693066 PROTEZIONE CONPL.GKN	COMPL. PROTECTION GKN 693066		KOMPL. SCHUTZ	
2	F08010674	CROCIERA COMPLETA	SPIDER ASSY	CROISIERE COMPL.	GELENKKREUZ KOMPL.	CRUCETA COMPLETA
3	F08010196	FORCELLA COMPL. ALBERO ESTERNO	FORK WITH EXTERNAL SHAFT	FOURCHE AVEC TUBE EXT.	GABELST. AUSSENROHR	HORQUILLA TUBO EXT.
4	F08010197	FORCELLA COMPL. ALBERO INTERNO	FORK WITH INTERNAL PIPE	FOURCHE AVEC TUBE INTERIEUR	GABELST. INNENROHR	HORQUILLA TUBO INTERNO
5	F08011168	339107 PULSANTE	YOKE PIN 339107	POUSSOIR COMPL.	DRUCKKNOPF KOMPL.	PULSADOR COMPL.
6	F08010464	FORC.COMPL.PULSANTI 1 3 8 Z21	COMPLETE FORK 1 3 8 Z21	FOURCHE ATTELAGE	GABELSTUECK	HORQUILLAATAQUE
8	F01200073	DADO M12X1,25 U5587 CL8 ZN	NUT M12X1,25 U5587 6SZN	ECROU M12X1,25 U5587 6S ZN	MUTTER M12X1,25 U5587 6S ZN	TUERCA M12X1,25 U5587 6S ZN
9	F01410076	ROS.M12 13X 20X2,0 U1749 ZN	WASHER	RONDELLE	SCHEIBE	
10	F08011222	660153 MOLLA DI PRESSIONE	PRESSURE SPRING	RESSORT DE PRESSION	DRUCKFEDER	MUELLE DE PRESSION
11	F08010909	DISCO D ATTRITO	FRICTION DISK	DISQUE DE FROTTEMENT	KUPPLUNGSCHIEBE	DISCO FROTAMIENTO
12	F01020164	VITE M12X1,75X70 U5737 8.8ZN	SCREW M12X1,75X70 U5737 8.8ZN	VIS M12X1,75X70 U5737 8.8 ZN	SCHR. M12X1,75X70 U5737 8.8 ZN	TORN. M12X1,75X70 U5737 8.8 ZN
13	F08011087	MOZZO SCANALATO	SPLINED HUB	ENTRAINEUR	MITNEHMER	ARRASTRADO
14	F08010954	DISCO INTERMEDIO	INTERNAL DISC SERIES	DISQUE INTERMEDIAIRE	ZWISCHENSCHIEBE SERIE	DISCO INTERMEDIO SERIE
15	F08010936	DISCO DI TRASCINAMENTO	DRIVING DISK	DISQUE	SCHUBBETRIEBSCHIEBE	DISCO ARRASTRE
16	F08010972	DISCO DI PRESSIONE	PRESSURE DISC	DISQUE DE PRESSION	DRUCKSCHIEBE	DISCO DE PRESSION
17	F01010065	VITE M12X1,25X110 U5738 8.8ZN	SCR. M12X1,25X110 U5738 8.8ZN	VIS M 12X1,25X110	SCHRAUBE M 12X1,25X110	TORNILLO M 12X1,25X110
18	F01230059	DADO M12X1,75 D982 8ZN	LOCK-NUT M12X1,75 D982 8ZN	ECR.AUTO-FREI.M12X1,75 D982 ZN	SICHERUNGSMUT.M12X1,75 D982 8ZN	TUER.DE SEGUR.M12X1,75 D982 ZN
19	F08010346	267301 FORCELLA A FLANGIA	FLANGE FORK	FOURCHE AVEC FLASQUE	GABELSTUECK M. FLANSCH	HORQUILLA BRIDA
20	F08011015	FRIZIONE COMPLETA GKN	CLUTCH ASSY	EMBAYAGE COMPL.	KOMPL. KUPPLUNG	FRICCION COMPL.
22	F08011592	CARD.GKN 180158	UNIVERSAL P T O SHAFT	ARBRE A CARDAN	GELENKWELLE	ARBOL CARDANICO

MODELLO / MODEL	L. [mm]
DC 2500	2482
DC 3000 - DM 3000 - DM 3000 RAPIDO - DM 3000 RAPIDO COMBI	2974
DM 3500 - DM 3500 RAPIDO - DM 3500 RAPIDO COMBI	3466
DM 4000 - DM 4000 RAPIDO - DM 4000 RAPIDO COMBI	3958

L- RAPPRESENTA LA LARGHEZZA DEL RULLO E VIENE UTILIZZATA PER LA SELEZIONE DEI RICAMBI DEL RULLO, VEDERE IL CATALOGO RICAMBI RULLI ALLEGATO.

L- IT DESCRIBES THE ROLLER WIDTH, AND IT IS UTILIZED FOR THE SELECTION OF THE ROLLER SPARE PARTS SEE ROLLERS SPARE PARTS CATALOGUE ENCLOSED.



**USATE SEMPRE RICAMBI ORIGINALI
ALWAYS USE ORIGINAL SPARE PARTS
IMMER DIE ORIGINAL-ERSATZTEILE VERWENDEN
EMPLOYEZ TOUJOURS LES PIECES DE RECHANGE ORIGINALES
UTILIZAR SIEMPRE REPUESTOS ORIGINALES**



**Servizio Assistenza Tecnica - After Sales Service
Servizio Ricambi - Spare Parts Service**



maschio.com

DEALER:



MASCHIO GASPARDO SpA

Registered Office and Production Plant

Via Marcello, 73 - 35011 Campodarsego (Padova) - Italy

Tel. +39 049 9289810

Fax +39 049 9289900

info@maschio.com

www.maschionet.com

MASCHIO GASPARDO SpA

Production Plant

Via Mussons, 7 - 33075 Morsano al Tagliamento (PN) - Italy

Tel. +39 0434 695410

Fax +39 0434 695425

info@gaspardo.it

MASCHIO DEUTSCHLAND GMBH

Außere Nürnberger Straße 5

D - 91177 Thalmässing - Deutschland

Tel. +49 (0) 9173 79000

Fax +49 (0) 9173 790079

dialog@maschio.de

www.maschionet.de

MASCHIO-GASPARDO USA Inc

120 North Scott Park Road

Eldridge, IA 52748 - USA

Ph. +1 563 2859937

Fax +1 563 2859938

info@maschio.us

MASCHIO FRANCE Sarl

1 rue Denis Papin ZA

F - 45240 La Ferte St. Aubin

France

Tel. +33 (0) 2.38.64.12.12

Fax +33 (0) 2.38.64.66.79

info@maschio.fr

MASCHIO-GASPARDO ROMANIA S.R.L.

Strada Înfrăţirii, F.N.

315100 Chisineu-Cris (Arad) -România

Tel. +40 257 307030

Fax +40 257 307040

info@maschio.ro

ООО МАСКИО-ГАСПАРДО РУССИЯ

04130, Россия,

Волгоградская область,

г. Волжский, ул. Пушкина, 117 «б».

Тел.: +7 8443 203100

факс: +7 8443 203101

e-mail: info@maschio.ru

MASCHIO IBERICA S.L.

MASCHIO-GASPARDO POLAND

MASCHIO-GASPARDO UCRAINA

GASPARDO-MASCHIO TURCHIA

MASCHIO-GASPARDO CINA

MASCHIO-GASPARDO INDIA