



OPERATIONS & PARTS MANUAL

FOR MODELS:

- BE-RBR4G
- BE-RBR45G
- BE-RBR5G
- BE-RBR6G
- BE-RBR7G

PURCHASE DATE	MODEL NO.	SERIAL NUMBER
DEALER		

⚠ CAUTION

THE FOLLOWING SAFETY PRECAUTIONS SHOULD BE THOROUGHLY UNDERSTOOD BEFORE ATTEMPTING TO BEGIN ASSEMBLING THE MACHINE

1. Select an area for assembly that is clean and free of any debris which might cause persons working on the assembly to trip.
2. Do not lift heavy parts or assemblies. Use crane jack, fork trucks or another mechanical device
3. Never put hands or any part of the body under blocked up assemblies if at all possible.
4. After completing assembly, thoroughly inspect the machine to be sure that all nuts, bolts hydraulic fittings or any other fastened assemblies have been thoroughly tightened.
5. Before operating equipment, if you have any questions regarding the proper assembly or operations, contact your dealer or the manufacturer.

ASSEMBLY

1. Unpack the Grader Blade from shipping box and check if there are any parts missing.
2. Assembly Cutting Edge (2) to the Moldboard (21).
3. Assembly Mounting Weldment (6) to the Moldboard (21).
4. Install the Main frame Weldment (15) to the Mounting Weldment (6).
5. Then assemble the Side Bar (20) and Brace (12) to Main Frame Weldment (15).

Important safety information

Working with unfamiliar equipment can lead to careless injuries, read this manual and the manual for your tractor, before assembling or operating, to acquaint yourself with the machine. It is the Grade Blade owner's responsibility, if this machine is used by any person other than yourself, is loaned or rented, to make certain that the operator is instructed in safe and proper use.

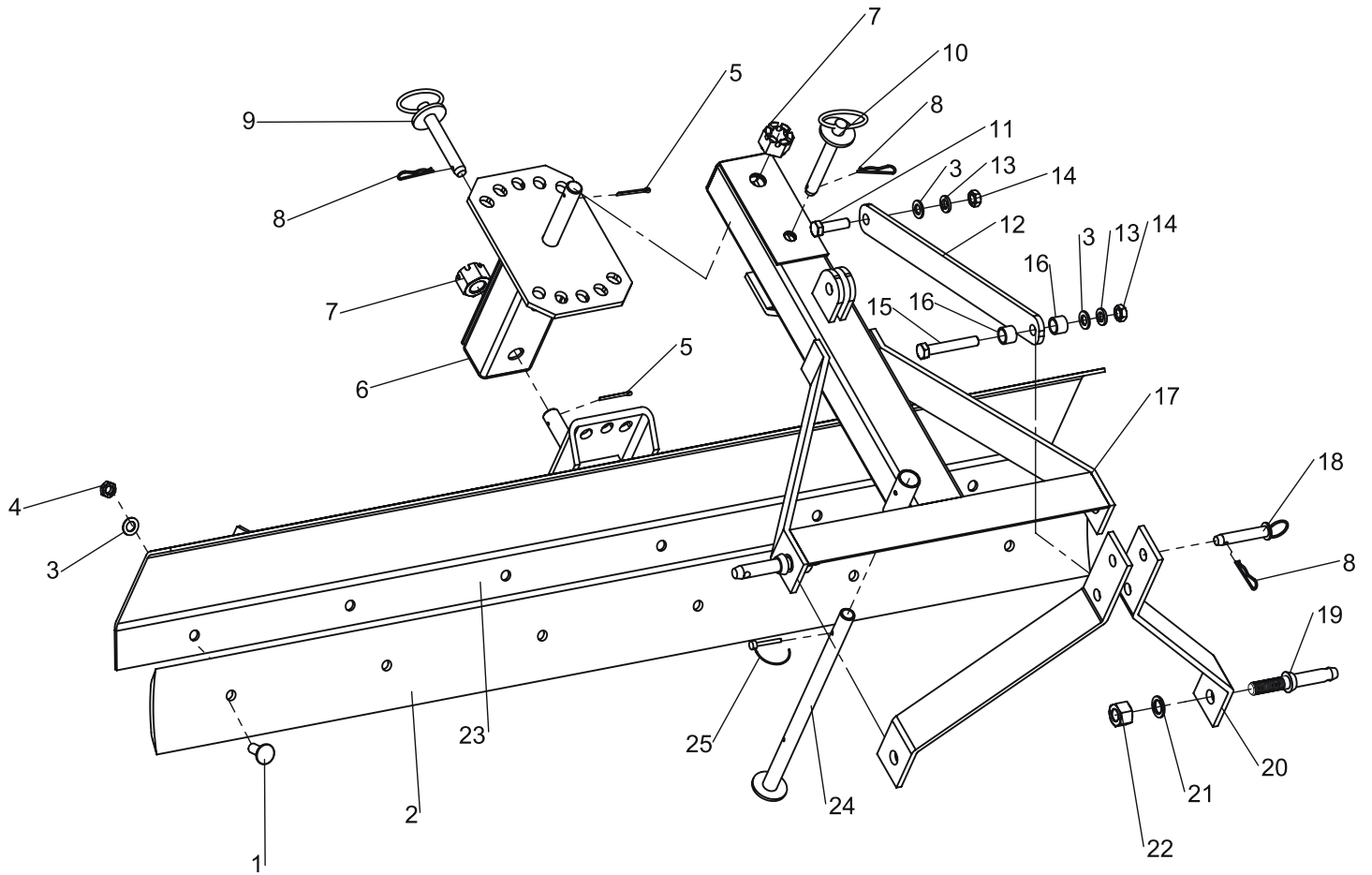
Most accidents occur because of neglect or carelessness. Keep all helpers and bystanders twenty-five feet (25') from an operating box scraper. Only properly trained people should operate this machine.

Personal protection equipment including safety glasses, safety shoes and gloves are recommended during assembly, installation, operation, adjustment, maintenance, reparation, removal or moving the Grader Blade. Never place any part of your body where it would be in danger if movement should occur during assembly, installation, operation, adjustment, maintenance, reparation, removal or moving the Grader Blade.

Before you operate the Grader Blade, check over all pins, bolts and connections to be sure all are securely in place, replace any damaged or worn parts immediately.

Do not allow anyone who is not familiar with the safety rules and operation instructions to use this Grader Blade.

3-POINT GRADER BLADE PARTS DIAGRAM & PARTS LIST



REF	PART NO	DESCRIPTION	SPECIFICATION	QTY
1	180401	Carridge Bolt M16×40	4'	4
	180501		5'	5
	180601		6'	6
	180701		7'	7
2	180002	Cutting Edge		1
3	180403	Flat Washer 16	4'	6
	180503		5'	7
	180603		6'	8
	180703		7'	9
4	180404	Lock Nut M16	4'	4
	180504		5'	5
	180604		6'	6
	180704		7'	7
5	180005	Cotter Pin Ø5×50		2
6	180006	Mounting Weldment		1
7	180007	Castle Nut		2
8	180008	Hair Pin Ø5		3
9	180009	Pin Ø18×120		1
10	180010	Pin Ø18×150		1
11	180011	Bolt M16x55		1
12	180012	Brace		1
13	180013	Lock Washer 16		2
14	180014	Nut M16		2
15	180015	Bolt M16 x 100		1
16	180016	Steel Collar		2
17	180017	Main Frame Weldment		1
18	180018	Pin Ø19x95		2
19	180019	Hitch Pin		2
20	180020	Side Bar		2
21	180021	Lock Washer 22		2
22	180022	Nut M22		2
23	180023	Moldboard		1
24	180024	Support Bar		1
25	180025	Lock Pin Ø6		1



BRABEREQ.COM
WGSALES@BRABEREQ.COM

PHONE: 604-850-7770
FAX: 604-850-7774
TOLL FREE PHONE: 1-877-588-3311
TOLL FREE FAX: 1-800-665-7334